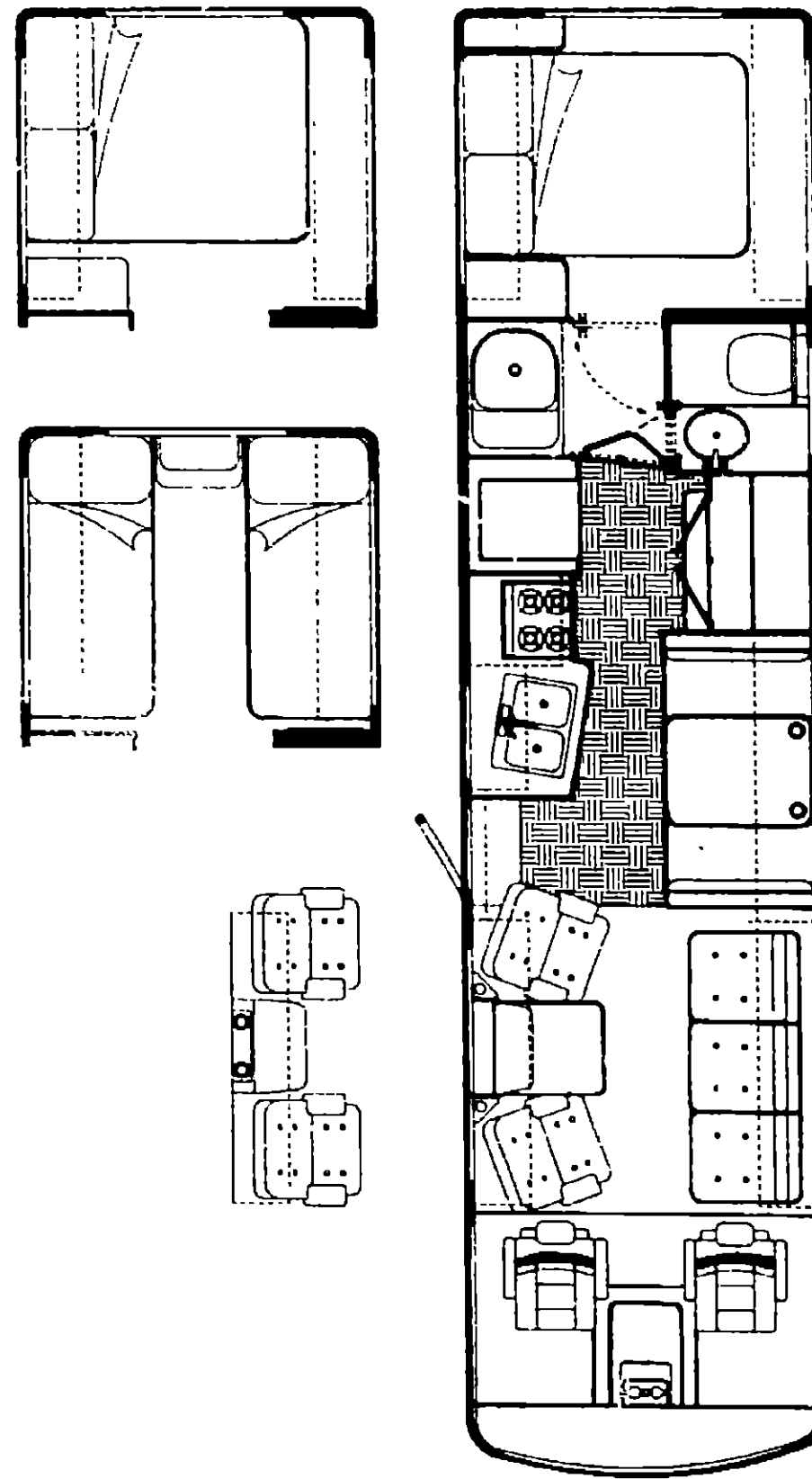


1989 IC/JP34RU



1989 ITASCA TABLE OF CONTENTS

IC/JP34RU
ICP37RQ

A-01 - D-06
D-07 - G-20

1989 IC/JP34RU INDEX

Floor Plan	A-01 - A-02
Accessories Group	A-03 - A-07
Bath Group	A-08 - A-09
Chassis Group	A-10 - A-16
Curtain, Cushion & Pad Group	A-17 - B-10
Dinette Group	B-11 - B-14
Driver's Compartment	B-15 - B-19
Electrical Group	B-20 - B-23
Exterior Body Group	B-24 - C-05
Galley Group	C-06 - C-08
Heating & Air Conditioning Group	C-09
Interior Finish Group	C-10 - C-12
LP Group	C-13
Lounge Group	C-14 - C-15
Water & Sewage	C-15 - C-16
Window, Vent & Exterior Door Group	C-17 - D-06

ACCESSORIES GROUP

RACK & LADDER COMPONENTS

Key	Part Number	U/M	Description
	080997-03-T03	EA	Ladder Asm - Lower
	080999-03-T03	EA	Ladder Asm - Upper
	081026-05-T03	EA	Rack Asm - Right
	081026-06-T03	EA	Rack Asm - Left
	081055-01-000	EA	Spring Grip - Internal
	081056-01-000	EA	Pin - Quick Release
	081152-01-000	EA	Bumper Plate - Brite Dip
	061093-01-000	EA	Luggage Box - 14" x 30" x 60" (Optional)

MICROWAVE/CONVECTION OVEN & COMPONENTS (OPT. 41D)

Key	Part Number	U/M	Description
	088737-01-000	EA	Microwave/Convection Oven - Magic Chef
	088682-03-000	EA	Bracket Asm - Microwave - Right
	088682-04-000	EA	Bracket Asm - Microwave - Left
	088737-02-000	EA	Frame Kit - Microwave Oven

FOG LAMP & COMPONENTS

Key	Part Number	U/M	Description
	088747-01-000	EA	Lamp Asm - Fog w/Clear Lens
	088942-01-000	EA	Mounting Bracket - Fog Lamp
	088747-01-700	EA	Cover Only

CUSTOM STEERING WHEEL (OPT. 36P)

Key	Part Number	U/M	Description
	080752-02-000	EA	Steering Wheel - Custom
	080752-06-000	EA	Hub Adapter - Steering Wheel
	080752-07-000	EA	Button - Horn - w/Wire
	080752-08-000	EA	Screw - Custom Steering Wheel

POWER SEARCHLIGHT & COMPONENTS (OPT. 63E)

Key	Part Number	U/M	Description
	051057-02-000	EA	Searchlight - Power - Less Switch Asm
	051057-01-700	EA	Switch - Panel Asm (Aux)
	051057-01-701	EA	Switch - Panel Asm (Main)
	051057-01-702	EA	Joy Switch & Housing
	051057-01-703	EA	Toggle Switch - On/Off
	051057-01-704	EA	Micro Switch
	051057-01-705	EA	Bulb
	051057-03-000	EA	Switch Asm - Searchlight

WHEEL COVER & MOUNTING HARDWARE

Key	Part Number	U/M	Description
	083181-03-700	EA	Wheel Cover - 19.5" - w/Nut Cover & Cap
	083181-04-000	EA	Retainer Kit - 19.5" Wheel Cover (Set/4)
	083181-04-700	EA	Retainer Kit - 19.5" Front (1)
	083181-04-701	EA	Retainer Kit - 19.5" Rear (1)
	083181-04-702	EA	Nut Cover - 19.5"
	083181-04-703	EA	Cap - Chrome Center
	083181-07-000	EA	Retainer Kit - 19.5" Wheel Cover (Set/4) John Deere
	083181-09-000	EA	Retainer Kit - 19.5" Wheel Cover (Set/2) John Deere

ACCESSORIES GROUP (CONTINUED)

STYLIZED ALUMINUM WHEELS & COMPONENTS (CHEVROLET) (OPT. 67D)

Key	Part Number	U/M	Description
	077042-01-000	EA	Wheel - Polished Aluminum - 19.5" x 6" - Front
	077042-02-000	EA	Wheel - Polished Aluminum - 19.5" x 6" - Rear
	077043-01-000	EA	Lug Nut - 2 Pieces - Cone Seat & Flange
	077044-01-000	EA	Chrome Cover - Lug Nut - w/Skirt
	077045-01-000	EA	Chrome Cover - Front - Axle - 2 Piece
	077045-02-000	EA	Chrome Cover - Rear Axle - 2 Piece
	078260-02-000	EA	Pouch - Wrench - 11" x 11"
	077927-01-000	EA	Label - Warning - Wheel Nuts
	007321-01-000	EA	Tire - 8.00 x 19.5 - 8 Ply Poly - Goodyear

CHROME WHEEL LINERS (OPT. 63K)

Key	Part Number	U/M	Description
	091209-01-000	EA	Wheel Liner - Chrome - 19.5" (Set/4) w/Axle & Lugnut Covers
	091209-02-000	EA	Wheel Liner - Chrome - 19.5" (Set/2) w/Axle & Lugnut Covers
	091209-01-700	EA	Wheel Liner - Chrome - 19.5" Front (1) Only
	091209-01-701	EA	Wheel Liner - Chrome - 19.5" Rear (1)
	091209-01-702	EA	Chrome Cover - Front Axle
	091209-01-703	EA	Chrome Cover - Rear Axle
	091209-01-704	EA	Chrome Cover - Lug Nut
	095012-01-000	EA	Valve Stem Extension - Dual Wheel
	086271-01-000	EA	Wheel Liner - Chrome - 19.5" (Set/4) John Deere
	086271-01-700	EA	Wheel Liner - Chrome - 19.5" - Front (1) John Deere
	086271-01-701	EA	Wheel Liner - Chrome - 19.5" - Rear (1) John Deere
	086271-01-702	EA	Chrome Cover - Front Axle - John Deere
	086271-01-703	EA	Chrome Cover - Rear Axle - John Deere
	086271-01-704	EA	Beauty Ring
	086271-01-705	EA	Chrome Cover - Lug Nut - John Deere

TV, VCR & COMPONENTS

Key	Part Number	U/M	Description
	091258-02-000	EA	Television - 13" Color - w/Remote - Sharp
	091258-02-700	EA	Remote - 13" Color TV - Sharp
	085774-01-000	FT	Fastener - Dual Lock - 1" Wide
	085774-02-000	FT	Fastener - Dual Lock - 1" Wide
	086759-03-000	EA	VCR-VHS - GE VG7520 HQ
	086757-01-000	EA	Control Center - Switching - Channel Master
	091996-01-000	EA	Separator - Band - VHF/UHF
	076319-12-000	EA	Connector - Coaxial Cable Ends - 1 PC
**	076319-01-000	EA	Antenna - Tv - 44.5" Mast
**	086756-01-000	EA	Splitter - TV - 2-Way
**	086777-03-000	EA	Wall Plate - Antenna/Power - Ivory
**	076319-03-000	FT	Coaxial Cable
	086776-01-000	EA	Receptacle - Outside - Cable TV
	087236-01-000	EA	Label - Cable Input
	087236-02-000	EA	Label - TV Outlet
**	The illustrated parts breakdown for this item is provided on the Common Items Fiche		

ICE MAKER (OPT. 35J)

Key	Part Number	U/M	Description
**	076799-01-000	EA	Ice Maker - Black
	039800-01-000	FT	Tubing - Plastic - 1/2" DD x 20'
	052852-01-000	EA	Nut - Plastic - 1/2 F
	052860-01-000	EA	Valve - Line Drain - 1/2" F x 1/2 F
	077054-01-000	EA	Valve - Plastic - 1/2" M x 1/2" M x 1/4" COMP
	082144-02-000	EA	Cap - Pipe - Brass Hex - 1/2" FPT
	077841-01-000	EA	Bracket - Tie-down - Right
	077841-02-000	EA	Bracket - Tie Down - Left
**	The illustrated parts breakdown for this item is provided on the Common Items Fiche		

1989 ITASCA TABLE OF CONTENTS

IC/JP34RU	A-01 - D-06
KCP37RQ	D-07 - G-20

1989 IC/JP34RU INDEX

Floor Plan	A-01 - A-02
Accessories Group	A-03 - A-07
Bath Group	A-08 - A-09
Chassis Group	A-10 - A-16
Curtain, Cushion & Pad Group	A-17 - B-10
Dinette Group	B-11 - B-14
Driver's Compartment	B-15 - B-19
Electrical Group	B-20 - B-23
Exterior Body Group	B-24 - C-05
Galley Group	C-06 - C-08
Heating & Air Conditioning Group	C-09
Interior Finish Group	C-10 - C-12
LP Group	C-13
Lounge Group	C-14 - C-15
Water & Sewage	C-15 - C-16
Window, Vent & Exterior Door Group	C-17 - D-06

ACCESSORIES GROUP (CONTINUED)

EXTERIOR MIRRORS (OPT. 61Y)

Key	Part Number	U/M	Description
**	077051-03-000	EA	Mirror Asm. - Exterior - Right
**	077051-04-000	EA	Mirror Asm. - Exterior - Left
**	086261-01-000	EA	Mirror Asm. - Electronic Control & Heat - Right (OPT. 61Y)
**	086261-02-000	EA	Mirror Asm. - Electronic Control & Heat - Left
	087895-01-000	EA	Switch - Heater
	088246-01-000	EA	Switch - Remote
	090243-01-000	EA	Wire Asm. - Remote - Door
**	090244-01-000	EA	Wire Asm. - Remote - Cab

The illustrated parts breakdown for this item is provided on the Common Items Fiche

**REAR VIEW TELEVISIONS (TWS208) (OPT. 67W)
THRU 10/30/88**

Key	Part Number	U/M	Description
	083207-01-000	EA	Television System - Rear View - KG
	083207-02-000	EA	Cable - Rear View TV System - KG
	084349-01-J18	EA	Shroud Asm. - Camera - Gray - KG
	084408-01-000	EA	Seal - Camera Mounting - KG
	084264-01-000	EA	Bracket - Mounting Camera - KG

**REAR VIEW TELEVISION (OPT. 67Z)
FROM 10/31/88**

Key	Part Number	U/M	Description
	093040-01-000	EA	Television System - Rear View - Sony
	093040-01-700	EA	Camera Only
	093040-01-701	EA	Monitor Only
	080006-01-000	EA	Wire Asm. - Fuse Block
	082037-01-000	EA	Housing - Auto Fuse - Natural
	093041-01-000	EA	Cable - Monitor/Camera - Internal
	093041-02-000	EA	Cable - Monitor/Camera - External
	093221-01-000	EA	Leads - Rear Shroud
	093952-01-03A	EA	Shroud - Rear TV - Gray
	031170-01-000	EA	Clamp - Cable - 3/16" Dia
	093040-03-000	EA	Wire Asm. - Monitor
	093071-01-000	EA	Tape - Double Sided

GENERATORS & COMPONENTS (OPT. 39E & G)

Key	Part Number	U/M	Description
	081834-04-000	EA	Generator - Onan - 8.5 - Emerald
	079854-07-000	EA	Generator - Onan - 4.0 - Emerald
	083151-01-000	EA	Muffler - Onan - Emerald Generator
	083152-01-000	EA	Pipe - Exhaust - Generator
	079854-05-000	EA	Pipe - Exhaust - Generator
	078045-01-000	EA	Plate - Generator Support
	084385-01-000	EA	Plate Support - Generator
	023942-01-000	EA	Grommet - Rubber - 2" O.D.
	007087-01-000	SF	Insulation - Fiberglass - 1"
	079854-01-700	EA	Hinge Kit

ACCESSORIES GROUP (CONTINUED)

AIR HORNS & COMPONENTS (OPT. 36R)

Key	Part Number	U/M	Description
	077497-01-000	EA	Air Horn Kit - w/o Auxiliary Hose Kit (Below)
	077497-01-700	EA	Solenoid - Air Tank
	077497-01-701	EA	Switch - Compressor
	077497-01-702	EA	Toggle Switch w/Wire
	077497-01-703	EA	Air Tank
	077497-01-704	EA	Compressor w/Switch
	077497-02-000	EA	Hose Kit - Auxiliary Air
	077497-03-000	EA	Parts Kit - Hose - Auxiliary Air
	078239-01-000	EA	Label Plate - Horn
	083912-02-000	EA	Relay - Cassette 332-20-159
	078022-01-000	EA	Wire Asm. - Air Horn
	081404-01-000	EA	Bracket - Mounting Compressor

REAR RADIO & COMPONENTS (OPT. 26L)

Key	Part Number	U/M	Description
	090339-01-000	EA	Radio - AM/FM Stereo - w/Cassette - Magnadyne LS1800
	097153-01-000	EA	Radio - AM/FM Stereo w/Cassette - Advantz - AE9000MD
	089340-01-000	EA	Grille - Speaker - 6.5" Square
	094097-01-000	EA	Speaker - 5.25" Dia - w/o Grille
	074979-01-000	EA	Covers - Speaker - Light Oak Plastic
	090882-01-000	EA	Bracket - Antenna
	090944-01-000	EA	Antenna - Radio - 18" Rubber
	076319-12-000	EA	Connector - Coaxial - One Piece
	076319-03-000	FT	Coaxial Cable - 75 OHM - 1000'
	086756-01-000	EA	Splitter - 2 Way - Coaxial

FRONT RADIO & COMPONENTS

Key	Part Number	U/M	Description
	092311-01-000	EA	Radio - AM/FM Stereo w/Cassette - Audiovox HCC 1170
	073741-03-000	EA	Speaker - 4" x 6" Oval
	073741-04-000	EA	Grille - 4" x 6" - Oval Speaker
	077089-01-000	EA	Antenna Asm. - Radio
	077089-02-000	EA	Cable - Antenna Extension - 96"
	074979-07-000	EA	Speaker Cover - Light Oak Plastic

**1989 ITASCA
TABLE OF CONTENTS**

IC/JP34RU	A-01 - D-06
ICP37RQ	D-07 - G-20

**1989 IC/JP34RU
INDEX**

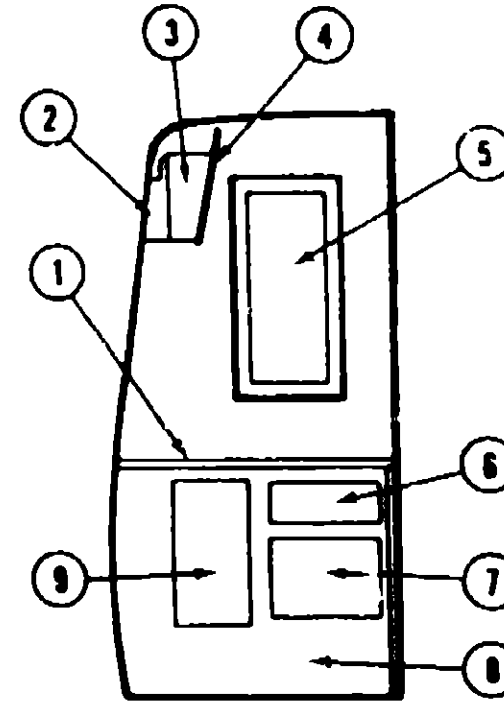
Floor Plan	A-01 - A-02
Accessories Group	A-03 - A-07
Bath Group	A-08 - A-09
Chassis Group	A-10 - A-16
Curtain, Cushion & Pad Group	A-17 - B-10
Dinette Group	B-11 - B-14
Driver's Compartment	B-15 - B-19
Electrical Group	B-20 - B-23
Exterior Body Group	B-24 - C-05
Galley Group	C-06 - C-08
Heating & Air Conditioning Group	C-09
Interior Finish Group	C-10 - C-12
LP Group	C-13
Lounge Group	C-14 - C-15
Water & Sewage	C-15 - C-16
Window, Vent & Exterior Door Group	C-17 - D-06

ACCESSORIES GROUP (CONTINUED)

MISCELLANEOUS ACCESSORIES

Key	Part Number	U/M	Description
	054185-31-000	EA	Owners Manual - 1989 - Winnebago & Itasca
	083552-01-01A	EA	Clock - 10" x 10"
	081072-02-000	EA	Floor Mat - Front - Right - Itasca
	081074-02-000	EA	Floor Mat - Front - Left - Itasca
	081075-02-000	EA	Floor Mat - Entrance - Itasca
	017516-01-000	EA	Mud Flap - 14" x 18" - Rear - Black
	017516-02-000	EA	Mud Flap - 14" x 12" - Front - Black
	090097-03-000	EA	Bracket - Mudflap Hanger - Rear Passenger
	090097-04-000	EA	Bracket - Mudflap Hanger - Rear Drivers
Thru 1/2/89	041944-04-000	EA	Fire Extinguisher - 5 BC - w/o Mounting Bracket
Thru 1/2/89	084472-01-000	EA	Holder - Fire Extinguisher
From 1/3/89	084480-01-000	EA	Fire Extinguisher - Dry 10BC
From 1/3/89	084851-01-01A	EA	Holder - Fire Extinguisher - Light Oak
	072852-01-000	EA	Smoke Detector w/9 Volt Battery
	080208-01-000	EA	Lug Wrench
	080208-02-000	EA	Leverage Bar - Lug Wrench
	078280-02-000	EA	Pouch - Wrench - 11" x 11"
	008113-01-000	EA	Jack - Hydraulic - 6 Ton - w/Handle
	036420-02-000	EA	Defroster Fan - 6" - 2 Speed Fan
	077988-01-000	EA	Bracket - Defroster Fan
	084093-01-000	EA	Luggage Box - 14" x 30" x 60"
	085741-01-700	EA	Valve Stem Extension - (Set/4) Stainless Steel
	077030-02-000	EA	Valve Stem Extension - 1.25"
	051377-01-000	EA	Valve Stem Asm - TR500
	081955-01-000	EA	Squeege - Extended Handle
	081952-01-000	EA	Clip - 1" Squeege Retainer
	083527-01-000	EA	Bracket - Squeege Clip
	082884-01-000	EA	Key Set
	084389-01-000	EA	Speed Control - w/Smart Stick
	084708-01-01A	EA	Step Asm - Electric (Kwikkee)
	088778-01-000	EA	Vacuum Cleaner - Hand Held
	088778-01-700	EA	Bag - Disposable - Hand Held Vacuum - 4 Pak
	083801-01-000	EA	Lock - Lock Box
	083883-01-000	EA	Drawer - Lock Box
	083888-01-700	EA	Lock Box Asm - w/Lock & Drawer
	087718-01-000	EA	Information Center - Uniforce (OPT 43T)
	088338-01-000	EA	Leveling System - Hydraulic (OPT. 84H)
	088339-01-700	EA	Hydraulic Jack - Leveling System

BATH GROUP



BATH CABINETRY

Key	Part Number	U/M	Description
1	093316-11-Y21	EA	Countertop Asm - Lavatory
2	083513-02-000	EA	Bracket Asm - Medicine Cabinet - Left Side
	083513-03-000	EA	Bracket Asm - Medicine Cabinet - Right Side
3	078073-01-000	EA	Cabinet Asm. - Medicine - Metal - Almond - w/o Door or Hardware
4	088303-52-X75	EA	Door Asm - Medicine Cabinet - w/Mirror - w/o Hardware - 15.5" x 29.5"
	078073-01-700	EA	Latch - Medicine Cabinet
5	081535-01-W36	EA	Mirror Asm - Bath Wall - 29.4" x 15.47"
6	061893-01-Y77	EA	Drawer Face - Lavatory Cabinet - Tilt Out
	077251-01-000	EA	Tilt Out Drawer - Plastic
7	M88304-43-Y77	EA	Door Asm - Lavatory Cabinet - Lower - 16.14" x 11.4"
8	M88316-01-Y77	EA	Cabinet Asm. - Lavatory - w/o Countertop, Doors or Hardware
9	M88304-F9-Y77	EA	Door Asm - Lavatory Cabinet - Hamper w/o Hardware - 19" x 10"
	M03887-02-Y77	EA	Door Asm - Bath - w/o Hardware
	008059-02-000	EA	Hinge - 2" Brass
	081804-01-000	EA	Slide Bolt - Antique Brass
	083213-01-000	EA	Door Bolt - Bi-Fold
	083184-01-01A	EA	Strike Plate - Bi-Fold Bath Door
	084485-01-01A	EA	Knob - Door - Bright Brass
	082852-01-000	EA	Guide Wheel - Door Bi-Fold - Top Mount
	082574-01-01A	EA	Shower Door - Solid w/Grid Panel

WARDROBE CABINETRY

Key	Part Number	U/M	Description
	M88304-87-Y77	EA	Door Asm - Wardrobe Cabinet - Upper - w/o Hardware - 18.7" x 48"
	M88304-C1-Y77	EA	Door Asm - Wardrobe Cabinet - Lower Right - w/o Hardware - 14.37" x 21.85"
	M88304-C2-Y77	EA	Door Asm - Wardrobe Cabinet - Lower Left - w/o Hardware - 14.37" x 21.85"
	083315-11-Y77	EA	Countertop Asm - Wardrobe

1989 ITASCA TABLE OF CONTENTS

IC/JP34RU
ICP37RQ

A-01 - D-08
D-07 - G-20

1989 IC/JP34RU INDEX

Floor Plan:	A-01 - A-02
Accessories Group	A-03 - A-07
Bath Group	A-08 - A-09
Chassis Group	A-10 - A-16
Curtain, Cushion & Pad Group	A-17 - B-10
Dinette Group	B-11 - B-14
Driver's Compartment	B-15 - B-19
Electrical Group	B-20 - B-23
Exterior Body Group	B-24 - C-05
Galley Group	C-06 - C-08
Heating & Air Conditioning Group	C-09
Interior Finish Group	C-10 - C-12
LP Group	C-13
Lounge Group	C-14 - C-15
Water & Sewage	C-15 - C-18
Window, Vent & Exterior Door Group	C-17 - D-08

BATH GROUP (CONTINUED)

BATH & WARDROBE HARDWARE

Key	Part Number	U/M	Description
Thru 10/9/88	075240-03-000	EA	Faucet - Lavatory - Brass
From 10/10/88	075240-05-000	EA	Faucet - Lavatory - Brass
	091253-01-700	EA	Gasket - Lavatory Faucet
	088388-01-000	EA	Sink - Oval - Ivory Plastic
	075242-03-000	EA	Faucet - Shower Tub
	M02630-10-Y12	EA	Shower Tub - Off White Plastic
	011088-03-000	EA	P-Trap - Plastic - 1 25" x 1 5"
	011088-02-000	EA	Tailpiece - 1 5" x 1 25" x 4" - Brass
	088438-01-000	EA	Nut - Slip - 1 5" Tailpiece
	088735-01-000	EA	Washer - 1 5" Tailpiece - Plastic
	075808-01-000	EA	Panel - Shower Faucet
	088728-01-000	EA	Strainer - Shower Tub
	088438-01-000	EA	Slip Nut - 1.5" Tailpiece - Shower Tub
	088435-01-000	EA	Nut - Strainer - Plastic
	085278-01-000	EA	Holder - Tissue
	075880-01-000	EA	Clothes Rod - Adjustable
	008112-01-000	EA	Flange - 1" Closet Rod
	075453-02-000	EA	Bar - Towel Rack
	075454-02-000	EA	Towel Ring - Brass
	058331-08-000	EA	Mirror - Tempered Glass - 24" x 30"
	058331-05-000	EA	Mirror - Tempered Glass - 12" x 28"
	009089-01-000	EA	Mirror Clip
	071832-01-000	EA	Hamper Bag - Fabric
	074550-03-000	EA	Guide - Hamper Bag - Beige Angle
	085330-04-000	EA	Toilet - China - Ghory w/Spray - Bone
	081814-02-000	EA	Soap Dish

CHASSIS GROUP

MISCELLANEOUS

Key	Part Number	U/M	Description
	084086-01-000	EA	Air Spring - Bellows - Rear Axle
	084086-01-700	EA	Bellows Only (Air Bag)
	084086-01-701	EA	Tubing - Dot - 1/4" x 18'
	084086-01-702	EA	Bolt - Ribbed Neck - 3/8 x 24 x 2 1/2
	084086-01-703	EA	Valve - Inflating - Dot 1/4
	084086-01-704	EA	Elbow Connector
	084086-01-705	EA	Tubing Fittings
	088782-01-000	EA	Air Spring - Bellows - Rear Axle John Deere
	088782-01-700	EA	Ride - Ride Bellows
	088782-01-701	EA	Flexible Tubing
	088782-01-702	EA	Brass Union
	077886-02-000	EA	Baffle - Upper - Radiator
	085450-01-000	EA	Battery Tiedown - Plastic Coated
	088811-01-000	EA	Box - Power Cord
	089310-01-000	EA	Cap - Fuel Fill - Non-Locking - Gas
	082401-01-000	EA	Clamp - Hose - Wormgear - .25 ID - 1" ID
	082401-02-000	EA	Clamp - Hose - Wormgear - 1.58 ID - 2.5" ID
	082401-03-000	EA	Clamp - Hose - Wormgear - 22 ID - 1" ID
	082401-04-000	EA	Clamp - Hose - Wormgear - 68 ID - 1 25" ID
	082401-05-000	EA	Clamp - Hose - Wormgear - 2" ID - 3" ID
	082401-08-000	EA	Clamp - Hose - Wormgear - 22" ID - 62" ID
	007125-08-000	EA	Clamp - Muffler - 2 25"
	007125-11-000	EA	Clamp - Muffler - 2.75"
	007125-03-000	EA	Clamp Arm - Muffler - 1.50 Dia
	007125-11-000	EA	Clamp Arm - Muffler - 1.12 Dia
	007131-01-000	EA	Hanger - Tailpipe
	007063-01-000	FT	Hose - Gas - 1/4 ID x 1/2 OD
	017518-01-000	EA	Mud Flap - Black
	017518-02-000	EA	Mud Flap - Black - 14" x 12 5" w/Holes
	075528-01-000	EA	Radiator Cover - Rear
	076281-01-000	EA	Tray - Battery
	085835-01-000	EA	Exhaust Pipe - Drivers - Federal
	085836-01-000	EA	Exhaust Pipe - Passenger - Federal
	075758-01-000	EA	Wheelwell - Plastic - Rear - Dual
	081918-01-000	EA	Extension - Exhaust - 2 25 OD x 9 44"
	079942-01-000	EA	Shock Absorber - Front Stabilizer

* The remainder of exhaust components are available from chassis dealer.

1989 TAGCA TABLE OF CONTENTS

IC/JP34RU
ICP37RQ

A-01 - D-08
D-07 - G-20

1989 IC/JP34RU INDEX

Floor Plan	A-01 - A-02
Accessories Group	A-03 - A-07
Bath Group	A-08 - A-09
Chassis Group	A-10 - A-18
Curtain, Cushion & Pad Group	A-17 - B-10
Dinette Group	B-11 - B-14
Driver's Compartment	B-15 - B-19
Electrical Group	B-20 - B-23
Exterior Body Group	B-24 - C-05
Galley Group	C-06 - C-08
Heating & Air Conditioning Group	C-09
Interior Finish Group	C-10 - C-12
LP Group	C-13
Lounge Group	C-14 - C-15
Water & Sewage	C-15 - C-18
Window, Vent & Exterior Door Group	C-17 - D-08

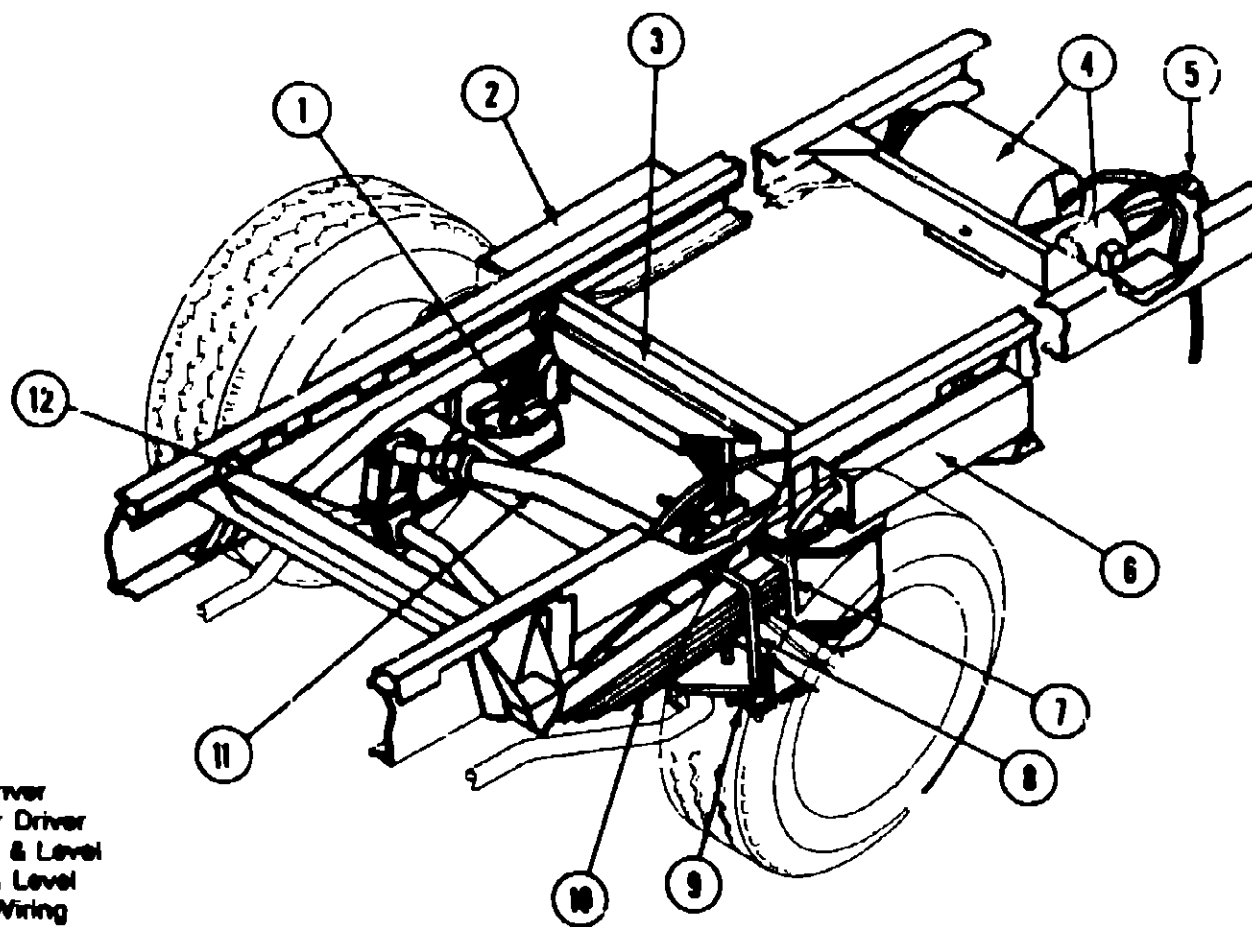
CHASSIS GROUP (CONTINUED)

AIR RIDE SUSPENSION (OPTION 64K)

1989 ITASCA TABLE OF CONTENTS

IC/JP34RU
ICP37RQ

A-01 - D-06
D-07 - G-20



Key	Part Number	U/M	Description
1	090436-11-000	EA	Spring Mount - Lower Axle - Driver
2	090436-09-000	EA	Mount - Airspring Arm - Upper Driver
3	090436-04-000	EA	Valve Arm - Height - w/o Park & Level
3	090436-05-000	EA	Valve Arm - Height - w/Park & Level
4	090436-07-000	EA	Compressor Arm - w/Tank & Wiring
5	090436-08-000	EA	Control - Park Level w/Wiring
6	090436-06-000	EA	Mount - Airspring Arm - Upper - Passenger
7	090436-13-000	EA	U-Bolt - Rearward Bent - 7/8"
8	090436-12-000	EA	U-Bolt - Straight - 7/8"
9	090436-10-000	EA	Spring Mount - Lower Axle - Passenger
10	090436-03-000	EA	Leaf Spring - Semi
11	090436-14-000	EA	Track Bar - w/Pivot Bolt & Brackets
12	091250-03-000	EA	Bushing - Sway Bar - 1.75"
	090436-15-000	EA	Valve - Solenoid Arm - Park Level
	090436-16-000	EA	Bracket - Brake Hose/Axle
	000C12-05-16B	EA	Hex Bolt - 5/16 - 18 x 1
	000D14-05-00B	EA	Hex Nut - 5/16 - #18
	000D34-06-00B	EA	Hex Nut - Locking - 3/8 - #18
	000E13-17-00B	EA	Washer - Flange - 3/8
	071374-03-000	EA	Fitting - Bullhead - 1/4 x 1/4 MNPT
	007125-11-000	EA	Clamp Arm - Muffler
	016379-02-000	EA	Strap - Hanger Extension
	081918-02-000	EA	Extension - Exhaust - 2.25 O.D. x 7
	085433-01-000	EA	Shield - Heat Exhaust
	095190-01-000	EA	Hanger - Exhaust
*	096199-01-000	EA	Exhaust Pipe - Driver
†	096199-02-000	EA	Exhaust Pipe - Driver
*	096200-01-000	EA	Exhaust Pipe - Passenger
†	096200-02-000	EA	Exhaust Pipe - Passenger
	091250-01-000	EA	Bushing - Sway Bar - 1.25 (Inboard)
	091250-02-000	EA	Bushing - Sway Bar - 1.25 (Outboard)

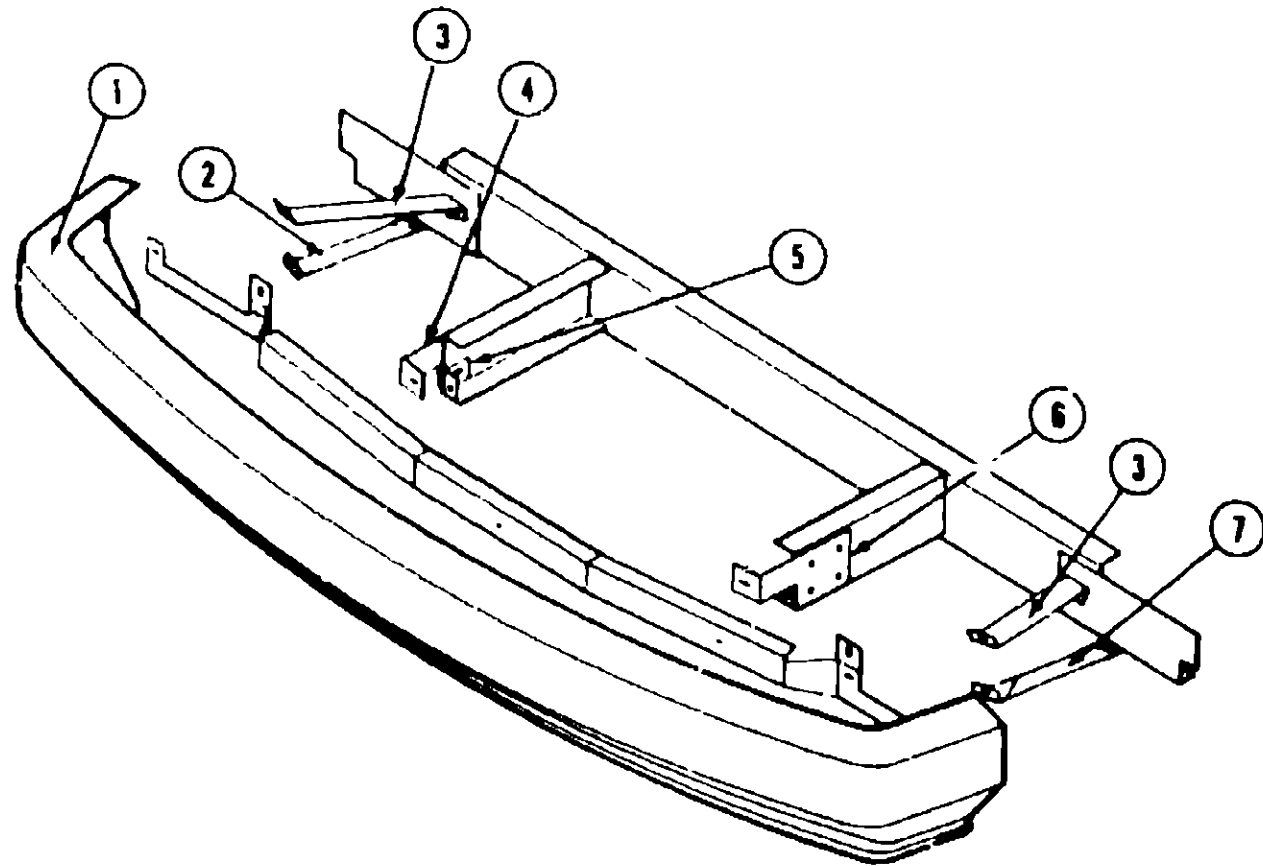
* Parts used before 3/12/88
† Parts used after 3/12/88.

1989 IC/JP34RU INDEX

Floor Plan	A-01 - A-02
Accessories Group	A-03 - A-07
Bath Group	A-08 - A-09
Chassis Group	A-10 - A-16
Curtain, Cushion & Pad Group	A-17 - B-10
Dinette Group	B-11 - B-14
Driver's Compartment	B-15 - B-19
Electrical Group	B-20 - B-23
Exterior Body Group	B-24 - C-05
Galley Group	C-06 - C-08
Heating & Air Conditioning Group	C-09
Interior Finish Group	C-10 - C-12
LP Group	C-13
Lounge Group	C-14 - C-15
Water & Sewage	C-15 - C-16
Window, Vent & Exterior Door Group	C-17 - D-06

CHASSIS GROUP (CONTINUED)

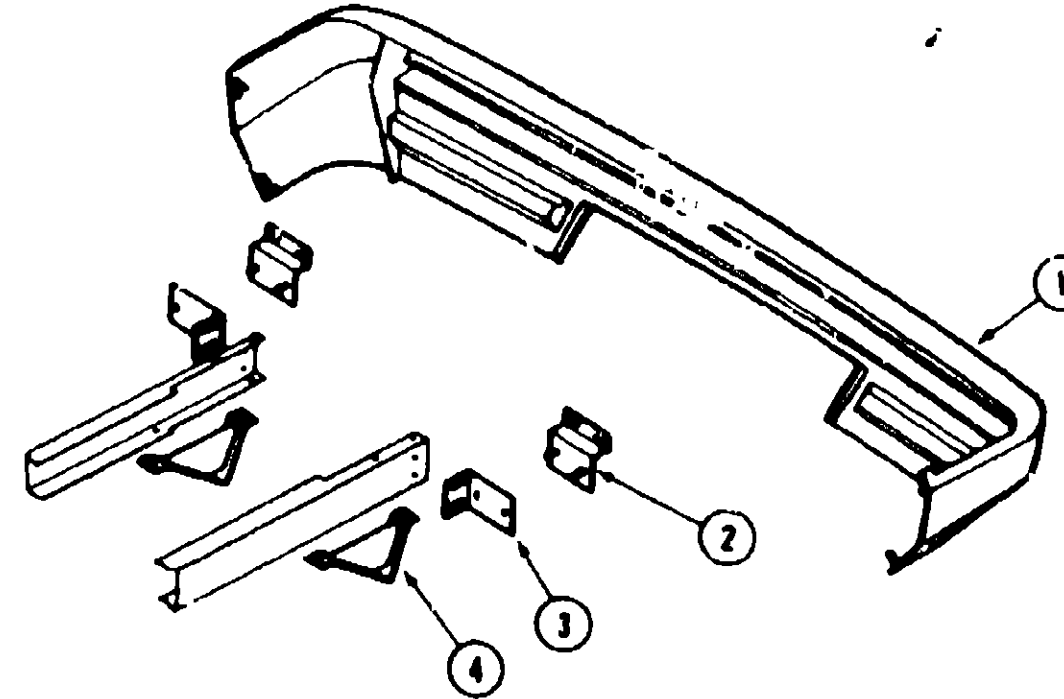
FRONT BUMPER



Key	Part Number	U/M	Description
1	M86632-02-X75	EA	Bumper Arm - Front
2	J77854-01-C70	EA	Bumper Brace - Lower Passengers Side
3	089039-01-000	EA	Bumper Brace - Upper
4	086140-01-000	EA	Bumper Support - Passengers Side
5	085942-01-000	EA	Fog Lamp Bracket
6	086140-02-000	EA	Bumper Support - Drivers Side
7	077854-02-000	EA	Bumper Brace - Lower Drivers Side

CHASSIS GROUP (CONTINUED)

REAR BUMPER



Key	Part Number	U/M	Description
Thru 8/2/88	1	M86700-02-X75	EA Rear Bumper Arm - Gray
From 8/2/88	1	M86700-01-W36	EA Rear Bumper Arm - Gray
	2	086727-02-000	EA Support Angle-to-Bumper
	3	086708-01-000	EA Support Angle-to-Frame
	4	083378-01-000	EA Skid Plates

**1989 ITASCA
TABLE OF CONTENTS**

IC/JP34RU
ICP37RO

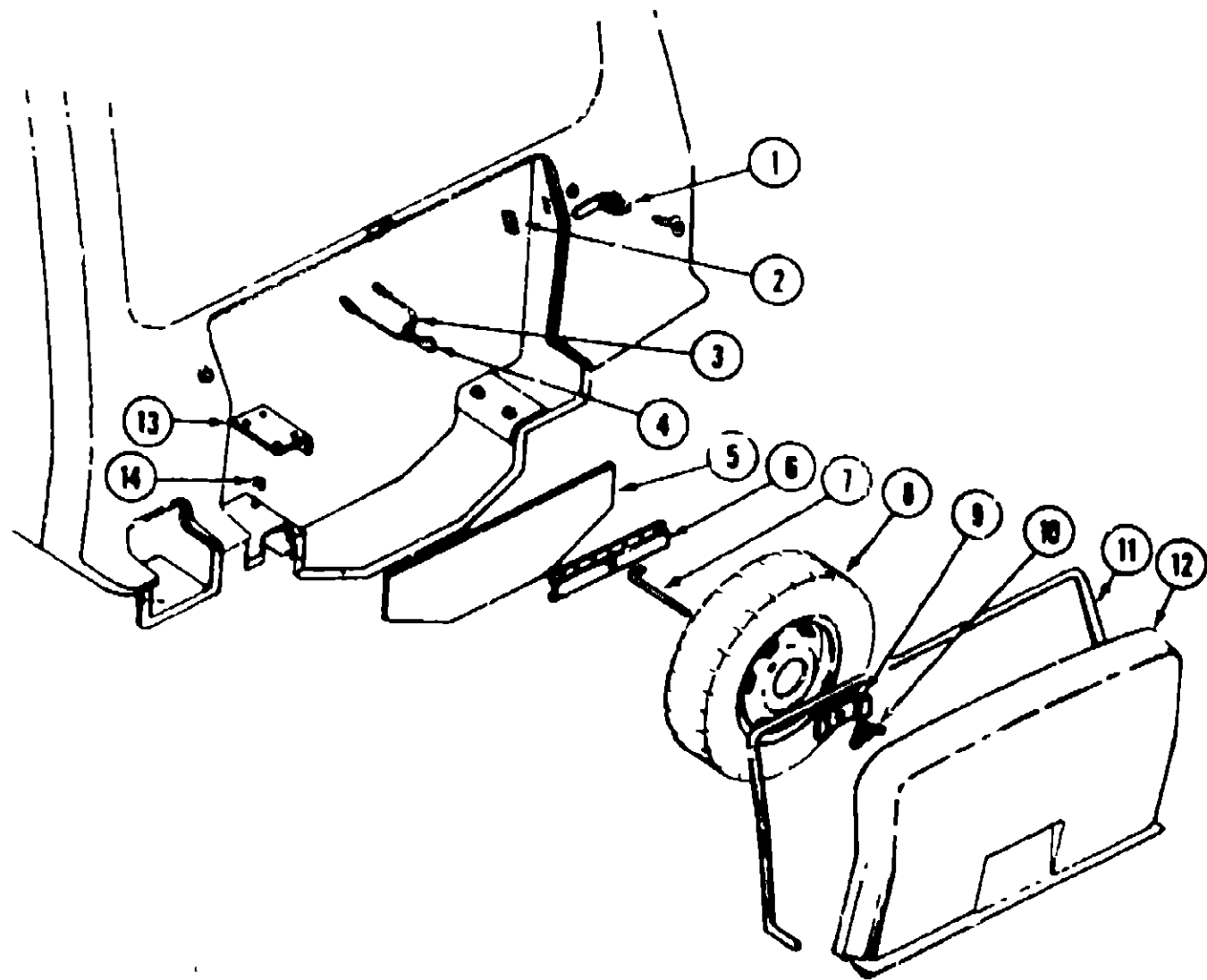
A-01 - D-06
D-07 - G-20

**1989 IC/JP34RU
INDEX**

Floor Plan	A-01 - A-02
Accessories Group	A-03 - A-07
Bath Group	A-08 - A-09
Chassis Group	A-10 - A-18
Curtain, Cushion & Pad Group	A-17 - B-10
Dinette Group	B-11 - B-14
Driver's Compartment	B-15 - B-19
Electrical Group	B-20 - B-23
Exterior Body Group	B-24 - C-05
Galley Group	C-06 - C-08
Heating & Air Conditioning Group	C-09
Interior Finish Group	C-10 - C-12
LP Group	C-13
Lounge Group	C-14 - C-15
Water & Sewage	C-15 - C-16
Window, Vent & Exterior Door Group	C-17 - D-08

CHASSIS GROUP (CONTINUED)

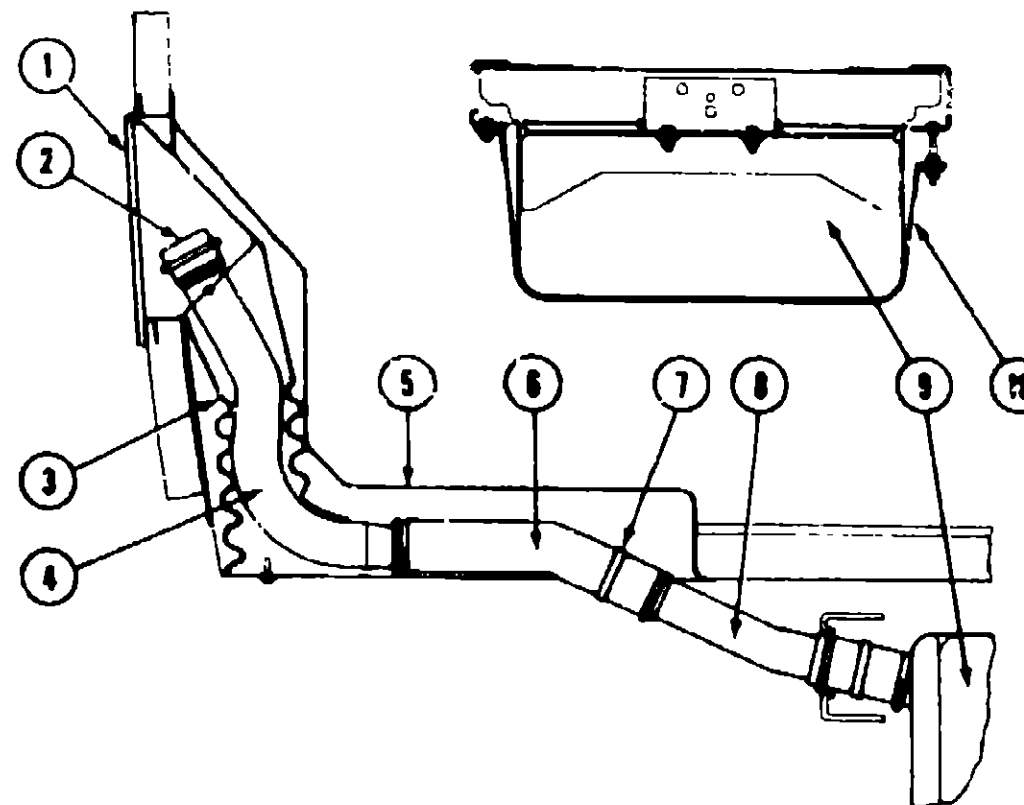
SPARE TIRE & COMPARTMENT



Key	Part Number	U/M	Description
1	077408-01-000	EA	Lock Arm - Key Type
2	077941-01-000	EA	Rubber Seal - Flat w/Skt
3	076787-02-000	EA	Cable Asm
4	072463-02-000	EA	Spring Hook - 5/8" Eye
5	077395-01-000	EA	Shield - Spare Tire
6	077403-01-000	EA	Support Bracket - Spare Tire
7	077411-01-000	EA	Retaining Rod - Spare Tire
8	007324-04-000	EA	Tire - 8" x 19.5" - Radial - Michelin
	064963-01-000	EA	Rim - Wheel - 19.5" x 6.75"
	051377-01-000	EA	Valve Stem
9	077389-01-000	EA	Retainer - Spare Tire
10	064081-01-000	EA	Wing Nut - 3/8" - Spare Tire
11	G58027-01-000	FT	Weather Seal
12	M01990-03-X75	EA	Cover - Spare Tire - Gray
	077392-01-000	EA	Strike - Latch
	077060-01-000	EA	Angle Support - Pivot
	077381-01-000	EA	Plate - Pivot
	077385-01-000	EA	Pin Asm. - Pivot
	077384-01-000	EA	Plate - Pin
13	077400-01-000	EA	Support - Spare Tire
	077383-01-000	EA	Support Arm. - Strike
14	077759-01-000	EA	Spacer - Spare Tire Support
	077384-01-000	EA	Plate - Hinge Pin
	077385-01-000	EA	Pin Asm. - Pivot

CHASSIS GROUP (CONTINUED)

FUEL SYSTEM COMPONENTS



Key	Part Number	U/M	Description
1	078010-02-000	EA	Door Asm - Fuel Fill - Gray
2	089310-01-000	EA	Cap - Fuel Fill
3	083578-01-000	EA	Boot - Fuel Fill
4	075227-03-000	EA	Neck Asm - Fuel Fill (GM 15595635 Calif)
4	075227-01-000	EA	Neck Asm - Fuel Fill (GM 140420436 Federal)
5	082788-01-000	EA	Shroud - Fuel Fill - Inside
6	081245-01-000	EA	Hose - Fuel Fill - Formed
7	075229-01-000	EA	Strap - Fuel Fill (GM 482336)
8	075228-01-000	EA	Neck - Fuel Fill - Lower
	007111-03-000	EA	Hose - Fuel Tank to Neck - 1.75" x 3'
9	090082-01-000	EA	Tank - Fuel - 80 Gallon
10	088488-02-000	EA	Strap Asm - Fuel Tank
	086732-01-000	FT	Hose - Fuel .62" I.D. - Vent Hose
	080173-01-000	EA	Tube Extension - Fuel - 29.25" - Formed Steel Tube
	079881-01-000	EA	Valve Asm - Vent - Fuel Tank
	073223-01-000	EA	Gasket - Vent Valve Asm - Fuel Tank
	088740-01-000	EA	Sending Unit/Pump
	088255-01-000	EA	Gasket - Sending Unit
	088640-03-000	FT	Sealer Ribbon - 3/4" x 30'
	082401-05-000	EA	Clamp - Worm Gear - 2" to 3"
	082401-10-000	EA	Clamp - Worm Gear - 1" to 2"

IC/JP34RU
ICP37RQ

A-01 - D-06
D-07 - G-20

1989 ITASCA TABLE OF CONTENTS

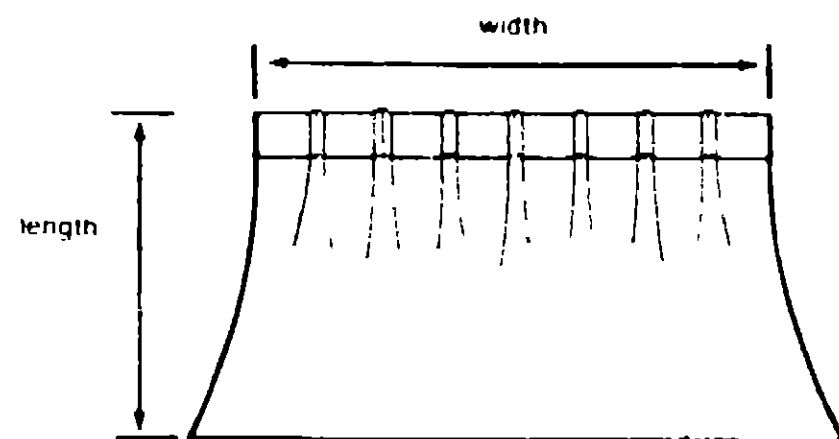
1989 IC/JP34RU INDEX

Floor Plan	A-01 - A-02
Accessories Group	A-03 - A-07
Bath Group	A-08 - A-09
Chassis Group	A-10 - A-16
Curtain, Cushion & Pad Group	A-17 - B-10
Dinette Group	B-11 - B-14
Driver's Compartment	B-15 - B-19
Electrical Group	B-20 - B-23
Exterior Body Group	B-24 - C-05
Galley Group	C-06 - C-08
Heating & Air Conditioning Group	C-09
Interior Finish Group	C-10 - C-12
LP Group	C-13
Lounge Group	C-14 - C-15
Water & Sewage	C-15 - C-18
Window, Vent & Exterior Door Group	C-17 - D-06

NOTICE

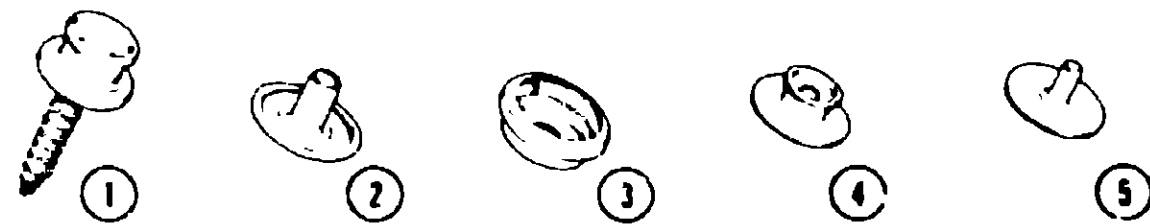
In order to assist our Parts Sales Dept. in providing interior software items, please include the serial number and the color code number from the vehicle certification label when ordering. This label is located on the left sidewall at the end of the dash (A Body), or on the driver's door latch plate (C-Body).

An example of a color code number is P31, which designated an overall color scheme of a particular unit. The color listed after the item description on the microfiche indicates the overall unit color. Order the item you desire according to unit color code.



NOTE

Use this illustration when determining length and width measurements for curtains. You will note the width measurement is taken on the top of the curtain with the curtain fully extended. The length measurement is taken from top to bottom.



Key	Part Number	U/M	Description
1	029130-01-000	EA	Socket - Snap Fastener
2	029155-01-000	EA	Cap - Snap - 15/8" Dia x 17" Barrel
3	029156-01-000	EA	Socket - Snap Fastener
4	029082-01-000	EA	Stud - Nickel Finish
5	029093-01-000	EA	Eyebolt - Nickel Finish

FRONT OVERHEAD BUNK CUSHIONS

Key	Part Number	U/M	Description
	079145-02-000	EA	Cushion Asm - Front Bunk - 30" x 72" x 4"
	M79145-02-000	EA	Cover Asm - Front Bunk Cushion

CURTAIN HARDWARE

Key	Part Number	U/M	Description
	056116-01-000	EA	Track - Curtain - Brown - Plastic
	077046-01-000	EA	Track - Curtain - Front Wraparound - Passenger
	077046-02-000	EA	Track - Curtain - Front Wraparound - Driver
	091904-01-000	FT	Track - Curtain - Light Beige
	077046-01-000	EA	Baton Asm - w/Strap - Wraparound
	077046-01-701	EA	Swivel Corner - Wraparound
	077046-01-702	EA	Lock Stop - Wraparound
	077046-01-704	EA	End Stop - Wraparound
	077046-01-705	EA	Master Corner - Left Wraparound
	077046-01-706	EA	Master Corner - Right Wraparound
	081381-01-000	EA	Swivel - Snap - Curtain Track
	056003-01-000	EA	Bracket - Drapery Retainer - Right
	056003-02-000	EA	Bracket - Drapery Retainer - Left
	056784-02-000	EA	Pull - Window Shade - Brass
	039175-02-000	EA	Bracket - Curtain Rod
	048394-01-000	YD	Tape Hook - 1" x 50 YD - Beige (Velcro)
	048395-01-000	YD	Tape Loop - 1" x 50 YD - Beige (Velcro)
	082138-01-000	EA	Bracket - Hold Down - Blind
	016904-02-000	EA	Brace - Seat - Angle - 2.53" Brown
	084434-01-000	EA	Bracket - Roller Shade
	087253-01-000	EA	Shade Pull - Clear Plastic
	075943-01-000	EA	Brace - Valance - Beige
	088792-01-000	YD	Velcro - 5/8" Hook - Non Adhesive
	088792-02-000	YD	Velcro - 3/4" Loop - Adhesive
	088916-01-000	EA	Trim - Window - Mounting for Leg Asm
	088522-01-000	EA	Panel - Trim - Mounting Leg to Window Trim

FABRICS

Key	Part Number	U/M	Description
	088274-74-000	YD	Fabric - Upholstery - Beech (Y77)
	088274-75-000	YD	Fabric - Upholstery - Mulberry (Y78)
	088274-58-000	YD	Fabric - Upholstery - Gray (Y79)
	088274-54-000	YD	Fabric - Upholstery - Patterned Accent - Blue (Y77)
	088274-33-000	YD	Fabric - Upholstery - Patterned Accent - Mauve (Y78)
	088274-85-000	YD	Fabric - Upholstery - Accent - Blue (Y77)
	088274-78-000	YD	Fabric - Upholstery - Accent - Colombine (Y78)
	088274-57-000	YD	Fabric - Upholstery - Accent - Gray (Y79)
	088273-18-000	YD	Fabric - Bedroom - Neutral (Y77)
	088273-19-000	YD	Fabric - Bedroom - Mauve (Y78)
	088273-24-000	YD	Fabric - Bedroom - Blue (Y79)
	084416-20-000	YD	Fabric - Laminate - Pullshade
	072333-81-000	YD	Fabric - Drapery - Pacific (Y77)
	072333-37-000	YD	Fabric - Drapery - Mauve (Y78)
	072333-55-000	YD	Fabric - Drapery - Silver (Y79)
	079680-01-000	EA	F Vinyl - Expanded - Buckskin (End Cap)
	089351-01-000	YD	Vinyl - Acoustical Ceiling - Beige (Roof)
	077484-01-000	YD	Vinyl - Expanded - Smoke (Survivors)

CELESTIAL COUCH/BED HARDWARE

Key	Part Number	U/M	Description
	074044-91-000	EA	Oak Trim - Celestial Couch/Bed
	079388-01-000	EA	Frame Asm - Celestial Couch/Bed
	079388-02-000	EA	Kit - Hardware

**1989 ITASCA
TABLE OF CONTENTS**

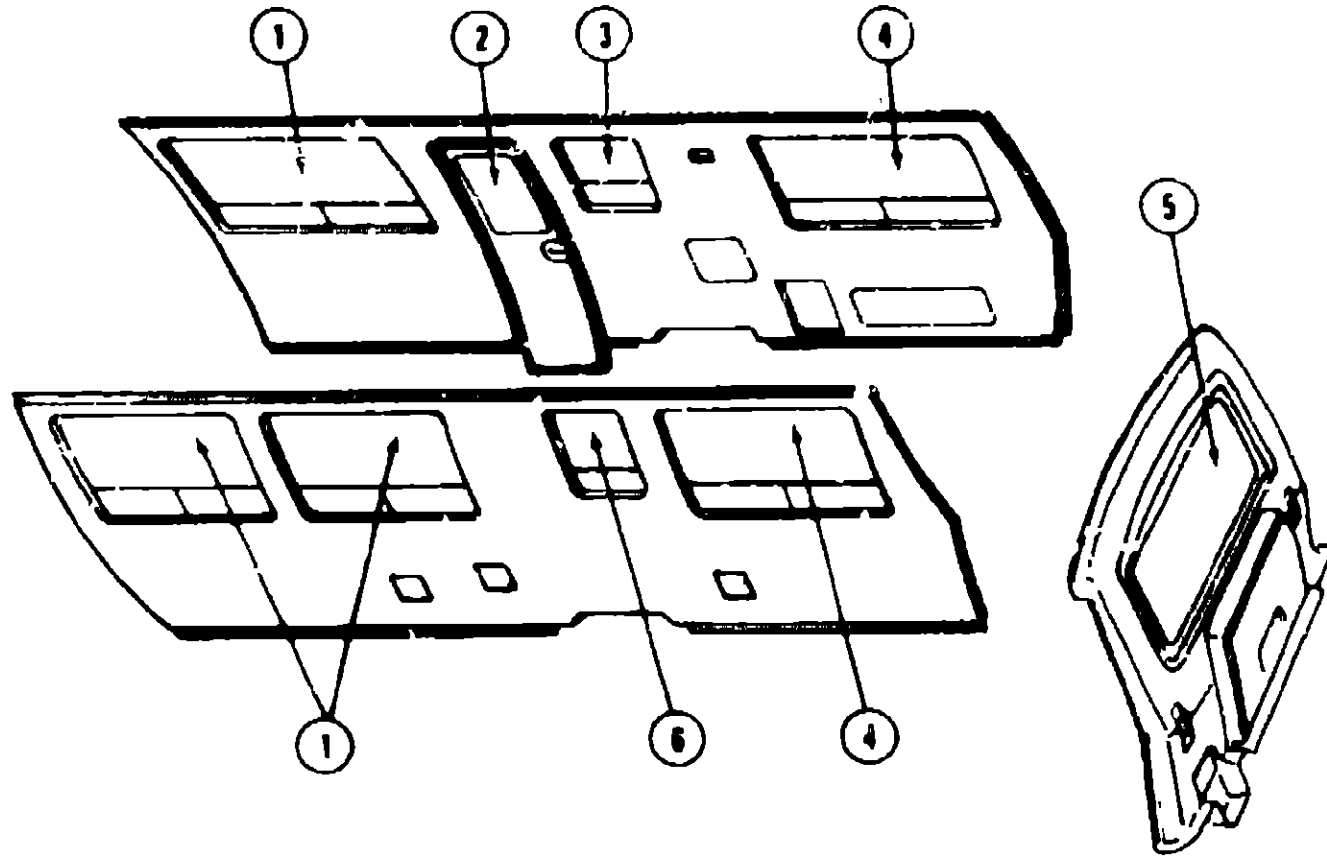
IC/JP34RU
ICP37RQ

A-01 - D-06
D-07 - G-20

**1989 IC/JP34RU
INDEX**

Floor Plan	A-01 - A-02
Accessories Group	A-03 - A-07
Bath Group	A-08 - A-09
Chassis Group	A-10 - A-16
Curtain, Cushion & Pad Group	A-17 - B-10
Dinette Group	B-11 - B-14
Driver's Compartment	B-15 - B-19
Electrical Group	B-20 - B-23
Exterior Body Group	B-24 - C-05
Galley Group	C-06 - C-08
Heating & Air Conditioning Group	C-09
Interior Finish Group	C-10 - C-12
LP Group	C-13
Lounge Group	C-14 - C-15
Water & Sewage	C-15 - C-18
Window, Vent & Exterior Door Group	C-17 - D-06

CURTAIN, CUSHION & PAD GROUP (CONTINUED)



CURTAIN, CUSHION & PAD GROUP (CONTINUED)

(Y77)
CURTAIN, VALANCE & BLIND 3

Key	Part Number	U/M	Description
1	083478-01-02A	EA	Blind - 57.5" x 35" Drop Micro Mini
1	089058-01-Y78	EA	Padded Side Panel - Right
1	089058-02-Y78	EA	Padded Side Panel - Left
2	083455-14-Y77	EA	Shade - Pull - 27.25" - Fabric
3	083478-04-03A	EA	Blind - 28" x 27.5" Drop Day/Nightier
4	083477-01-02A	EA	Blind - 57.5" x 38" Drop
4	083454-08-Y78	EA	Curtain - Gathered w/Snap Top - 37.5" x 15"
4	084552-04-Y78	EA	Valance - Ruffled - 62.5"
4	083478-01-01A	EA	Shade - Woven Wood - 57.5" x 38" Drop
5	083477-08-02A	EA	Blind - 50" x 34" Drop Day/Nightier
5	083454-07-Y78	EA	Curtain - Gathered w/Snap Top - 34.5" x 15"
5	084552-03-Y78	EA	Valance - Ruffled - 51.5"
5	083478-05-01A	EA	Shade - Woven Wood - 50" x 34" Drop
6	083478-02-02A	EA	Blind - 28" x 28" Drop - Micro Mini
6	073304-45-YB4	EA	Curtain - w/Snap Top - 30" x 9"
	083452-01-YB4	EA	Blackout Curtain - w/Snap Top - 48" x 50" - Passenger
	083452-02-YB4	EA	Blackout Curtain - w/Snap Top - 48" x 50" - Drivers
	083487-03-000	EA	Wraparound Curtain - 34" x 102" - Passenger
	083487-04-000	EA	Wraparound Curtain - 34" x 102" - Drivers
	057534-08-000	EA	Tie Back - Clear Vinyl - 18"

**1989 ITASCA
TABLE OF CONTENTS**

IC/JP34RU
ICP37RQ

A-01 - D-06
D-07 - G-20

(Y77)
CURTAIN, VALANCE & BLINDS

Key	Part Number	U/M	Description
1	083478-01-01A	EA	Blind - 57.5" x 35" Drop Day/Nightier
1	089058-01-Y77	EA	Padded Side Panel - Right
1	089058-02-Y77	EA	Padded Side Panel - Left
2	083455-14-Y77	EA	Shade - Pull - 27.25" - Fabric
3	083478-04-02A	EA	Blind - 28" x 27.5" Drop Day/Nightier
4	083477-01-03A	EA	Blind - 57.5" x 38" Drop
4	083454-08-Y77	EA	Curtain - Gathered w/Snap Top - 37.5" x 15"
4	084552-04-Y77	EA	Valance - Ruffled - 62.5"
4	083478-01-01A	EA	Shade - Woven Wood - 57.5" x 38" Drop
5	083477-08-01A	EA	Blind - 50" x 34" Drop Day/Nightier
5	083454-07-Y77	EA	Curtain - Gathered w/Snap Top - 34.5" x 15"
5	084552-03-Y77	EA	Valance - Ruffled - 51.5"
5	083478-05-01A	EA	Shade - Woven Wood - 50" x 34" Drop
6	083478-02-01A	EA	Blind - 28" x 28" Drop - Micro Mini
6	073304-45-Y23	EA	Curtain - w/Snap Top - 30" x 9"
	083452-01-Y15	EA	Blackout Curtain - w/Snap Top - 48" x 50" - Passenger
	083452-02-Y15	EA	Blackout Curtain - w/Snap Top - 48" x 50" - Drivers
	083487-03-000	EA	Wraparound Curtain - 34" x 102" - Passenger
	083487-04-000	EA	Wraparound Curtain - 34" x 102" - Drivers
	057534-08-000	EA	Tie Back - Clear Vinyl - 18"

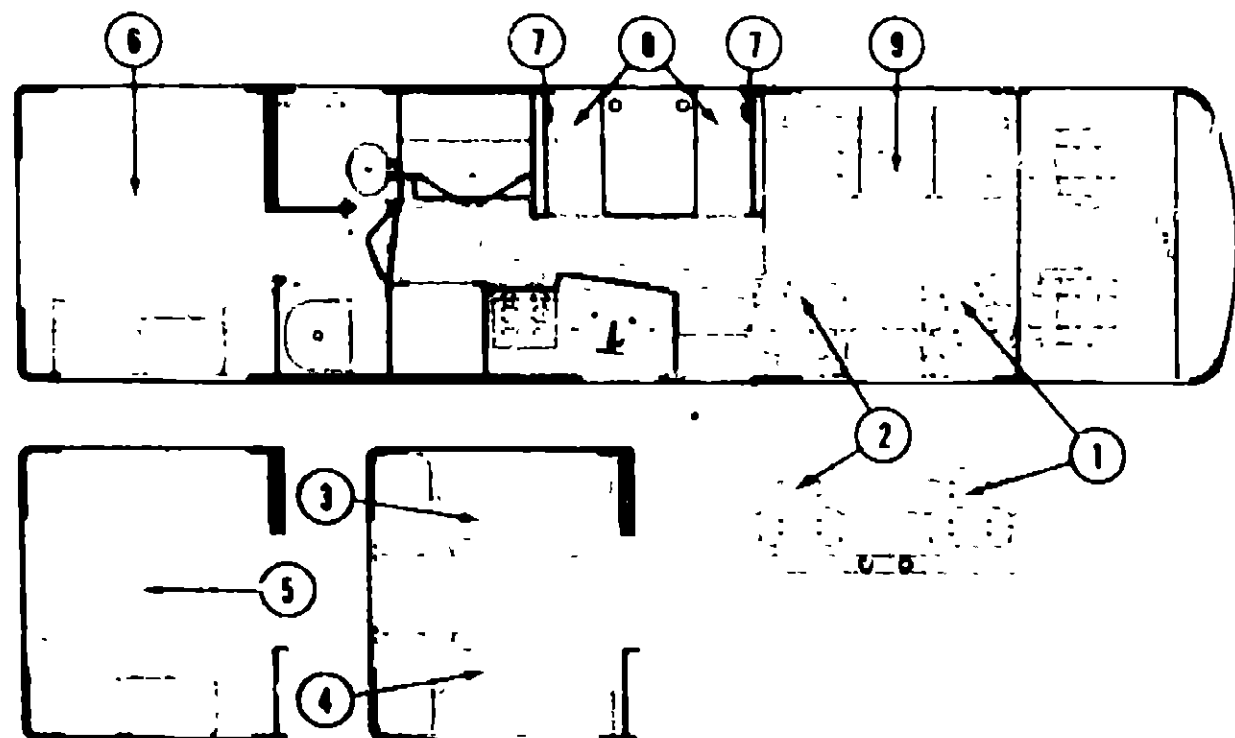
(Y78)
CURTAIN, VALANCE & BLINDS

Key	Part Number	U/M	Description
1	083478-01-03A	EA	Blind - 57.5" x 35" Drop Day/Nightier
1	089058-01-Y78	EA	Padded Side Panel - Right
1	089058-02-Y78	EA	Padded Side Panel - Left
2	083455-14-Y77	EA	Shade - Pull - 27.25" - Fabric
3	083478-04-04A	EA	Blind - 28" x 27.5" Drop Day/Nightier
4	083477-01-08A	EA	Blind - 57.5" x 38" Drop
4	083454-08-Y78	EA	Curtain - Gathered w/Snap Top - 37.5" x 15"
4	084552-04-Y78	EA	Valance - Ruffled - 62.5"
4	083478-01-01A	EA	Shade - Woven Wood - 57.5" x 38" Drop
5	083477-08-01A	EA	Blind - 50" x 34" Drop Day/Nightier
5	083454-07-Y78	EA	Curtain - Gathered w/Snap Top - 34.5" x 15"
5	084552-03-Y78	EA	Valance - Ruffled - 51.5"
5	083478-05-01A	EA	Shade - Woven Wood - 50" x 34" Drop
6	083478-02-03A	EA	Blind - 28" x 28" Drop - Micro Mini
6	073304-45-XA4	EA	Curtain - w/Snap Top - 30" x 9"
	083452-01-Y30	EA	Blackout Curtain - w/Snap Top - 48" x 50" - Passenger
	083452-02-Y30	EA	Blackout Curtain - w/Snap Top - 48" x 50" - Drivers
	083487-03-000	EA	Wraparound Curtain - 34" x 102" - Passenger
	083487-04-000	EA	Wraparound Curtain - 34" x 102" - Drivers
	057534-08-000	EA	Tie Back - Clear Vinyl - 18"

**1989 IC/JP34RU
INDEX**

Floor Plan	A-01 - A-02
Accessories Group	A-03 - A-07
Bath Group	A-08 - A-09
Chassis Group	A-10 - A-16
Curtain, Cushion & Pad Group	A-17 - B-10
Dinette Group	B-11 - B-14
Driver's Compartment	B-15 - B-19
Electrical Group	B-20 - G-23
Exterior Body Group	B-24 - C-05
Galley Group	C-06 - C-08
Heating & Air Conditioning Group	C-09
Interior Finish Group	C-10 - C-12
LP Group	C-13
Lounge Group	C-14 - C-15
Water & Sewage	C-15 - C-16
Window, Vent & Exterior Door Group	C-17 - D-08

1989 ITASCA
TABLE OF CONTENTS



(Y77)
CELEBRITY CHAIRS

Key	Part Number	U/M	Description
1	0E5516-02-Y77	EA	Chair Asm. - Celebrity Recliner - w/o Skirt
1	M98516-02-Y77	EA	Cover Asm. - Celebrity Recliner
1	089032-01-Y77	EA	Skirt Asm. - Celebrity
2	093463-02-Y77	EA	Chair Asm. - Celebrity Recliner w/Footrest
2	M93463-02-Y77	EA	Cover Asm. - Celebrity Recliner w/Footrest
2	094599-01-Y77	EA	Footrest
2	M94599-01-Y77	EA	Cover - Footrest
2	089032-08-Y77	EA	Skirt Asm. - 3/4 - Celebrity Recliner w/f-footrest

(Y77)
TWIN BED OPTION

Key	Part Number	U/M	Description
3&4	077478-04-000	EA	Mattress - Inner Spring - 33" x 75" x 7.5" - Sealy
3	083986-14-Y77	EA	Bedspread - Fitted w/8" Drop - 33" x 75" - Passenger
4	083986-15-Y77	EA	Bedspread - Fitted w/8" Drop - 33" x 75" - Drivers
3&4	081997-03-Y77	EA	Pillow Sham - Quilted
3&4	093458-03-Y77	EA	Headboard Asm. - Ruffled - 33"

(Y77)
QUEEN BED OPTION

Key	Part Number	U/M	Description
5	077478-06-000	EA	Mattress - Inner Spring - 60" x 80" x 7.5" - Sealy
5	093986-08-Y77	EA	Bedspread - Fitted w/Ruffle - 60" x 75"
5	081997-03-Y77	EA	Pillow Sham - w/Ruffle - 30" x 26"
5	093458-02-Y77	EA	Headboard Asm. - Ruffled - 54"

(Y77)
DOUBLE BED

Key	Part Number	U/M	Description
6	077478-03-000	EA	Mattress - Inner Spring - 54" x 75" x 7.5" - Sealy
6	082371-02-Y77	EA	Bedspread - w/Ruffle - 54" x 75"
6	081997-02-Y77	EA	Pillow Sham - w/Ruffle
6	093458-02-Y77	EA	Headboard Asm. - Ruffled - 54"

(Y77)
DINETTE CUSHIONS & PADS

Key	Part Number	U/M	Description
7	088927-22-Y77	EA	Cushion - 13" x 38" x 5" - Angled Dinette Back
	M88927-22-Y77	EA	Cover - Dinette Back Cushion
8	088927-23-Y77	EA	Cushion - 22" x 38" x 5" - Dinette Seat
	M88927-23-Y77	EA	Cover - Dinette Seat Cushion
	081519-03-Y77	EA	Pad - Dinette Back - Front
	081519-04-Y77	EA	Pad - Dinette Back - Rear

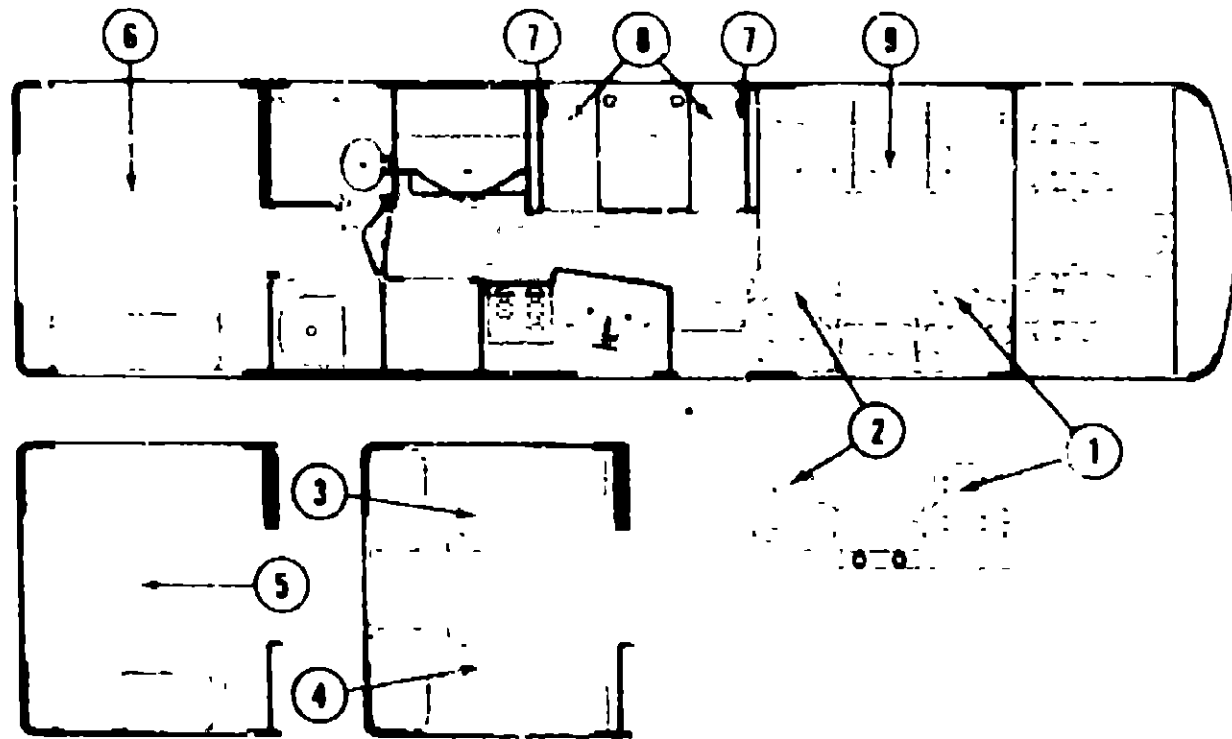
(Y77)
CELESTIAL COUCH/BED

Key	Part Number	U/M	Description
9	093480-01-Y77	EA	Couch/Bed Asm. - Celestial - w/o Back Cushions
	M93480-01-Y77	EA	Cover - Celestial Couch/Bed
	085358-05-Y77	EA	Armrest Cushion - Removable
	M85358-05-Y77	EA	Cover - Armrest Cushion
9	085357-02-Y77	EA	Cushion - Celestial Couch/Bed Back (3 per couch)
	M85357-02-Y77	EA	Cover - Celestial Cushion Back

1989 IC/JP34RJ
INDEX

Floor Plan	A-01 - A-02
Accessories Group	A-03 - A-07
Bath Group	A-08 - A-09
Chassis Group	A-10 - A-16
Curtain, Cushion & Pad Group	A-17 - B-10
Dinette Group	B-11 - B-14
Driver's Compartment	B-15 - B-19
Electrical Group	B-20 - B-23
Exterior Body Group	B-24 - C-05
Galley Group	C-06 - C-08
Heating & Air Conditioning Group	C-09
Interior Finish Group	C-10 - C-12
LP Group	C-13
Lounge Group	C-14 - C-15
Water & Sewage	C-15 - C-16
Window, Vent & Exterior Door Group	C-17 - D-06

1989 ITASCA
TABLE OF CONTENTS



(Y78)
QUEEN BED OPTION

Key	Part Number	U/M	Description
5	077478-16-000	EA	Mattress - Inner Spring - 60" x 80" x 7.75" - Sealy
5	083986-08-Y78	EA	Bedspread - Fitted w/Ruffle - 60" x 75"
5	081997-03-Y78	EA	Pillow Sham - w/Ruffle - 30" x 26"
5	093458-02-Y78	EA	Headboard Asm - Ruffled - 54"

(Y78)
DOUBLE BED

Key	Part Number	U/M	Description
6	077478-03-000	EA	Mattress - Inner Spring - 54" x 75" x 7.5" - Sealy
6	082371-02-Y78	EA	Bedspread - w/Ruffle - 54" x 75"
6	081997-02-Y78	EA	Pillow Sham - w/Ruffle
6	093458-02-Y78	EA	Headboard Asm - Ruffled - 54"

(Y78)
DINETTE CUSHIONS & PADS

Key	Part Number	U/M	Description
7	088927-22-Y78	EA	Cushion - 15" x 38" x 5" - Angled Dinette Back
	M88927-22-Y78	EA	Cover - Dinette Back Cushion
8	088927-23-Y78	EA	Cushion - 22" x 38" x 5" Dinette Seat
	M88927-23-Y78	EA	Cover - Dinette Seat Cushion
	081519-03-Y78	EA	Pad - Dinette Back - Front
	081519-04-Y78	EA	Pad - Dinette Back - Rear

(Y78)
CELESTIAL COUCH/BED

Key	Part Number	U/M	Description
9	083460-01-Y78	EA	Couch/Bed Asm - Celestial - w/o Back Cushions
	M83460-01-Y78	EA	Cover - Celestial Couch/Bed
9	085358-05-Y78	EA	Armrest Cushion - Removable
	M85358-05-Y78	EA	Cover - Armrest Cushion
9	085357-02-Y78	EA	Cushion - Celestial Couch/Bed Back (3 per couch)
	M85357-02-Y78	EA	Cover - Celestial Cushion Back

(Y78)
CELEBRITY CHAIRS

Key	Part Number	U/M	Description
1	086516-02-Y78	EA	Chair Asm - Celebrity Recliner - w/o Skirt
1	M86516-02-Y78	EA	Cover Asm - Celebrity Recliner
1	089032-01-Y78	EA	Skirt Asm - Celebrity
2	093463-02-Y78	EA	Chair Asm - Celebrity Recliner w/Footrest
2	M93463-02-Y78	EA	Cover Asm - Celebrity Recliner w/Footrest
2	089032-08-Y78	EA	Skirt Asm - 3/4 Celebrity
2	094599-01-Y78	EA	Footrest
2	M94599-01-Y78	EA	Cover - Footrest

(Y78)
TWIN BED OPTION

Key	Part Number	U/M	Description
3&4	077478-04-000	EA	Mattress - Inner Spring - 33" x 75" x 7.5" - Sealy
3	083986-14-Y78	EA	Bedspread - Fitted w/R Drop - 33" x 75" - Passenger
4	083986-15-Y78	EA	Bedspread - Fitted w/R Drop - 33" x 75" - Drivers
3&4	081997-03-Y78	EA	Pillow Sham - Quilted
3&4	093458-03-Y78	EA	Headboard Asm - Ruffled - 33"

IC/JP34RU
ICP37RO

A-01 - D-06
D-07 - G-20

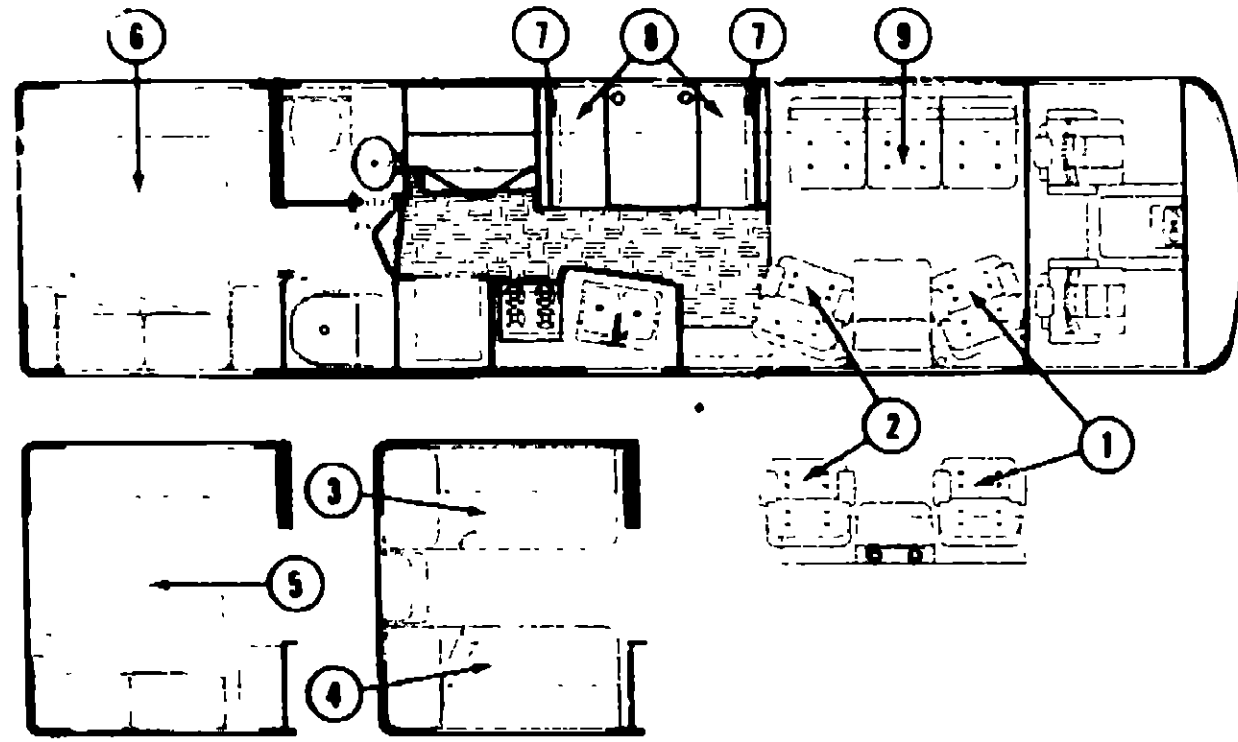
1989 IC/JP34RU
INDEX

Floor Plan	A-01 - A-02
Accessories Group	A-03 - A-07
Bath Group	A-08 - A-09
Chassis Group	A-10 - A-16
Curtain, Cushion & Pad Group	A-17 - B-10
Dinette Group	B-11 - B-14
Driver's Compartment	B-15 - B-18
Electrical Group	B-20 - B-23
Exterior Body Group	B-24 - C-05
Galley Group	C-06 - C-08
Heating & Air Conditioning Group	C-09
Interior Finish Group	C-10 - C-12
LP Group	C-13
Lounge Group	C-14 - C-15
Water & Sewage	C-15 - C-16
Window, Vent & Exterior Door Group	C-17 - D-06

CURTAIN, CUSHION & PAD GROUP (CONTINUED)

CURTAIN, CUSHION & PAD GROUP (CONTINUED)

**1989 ITASCA
TABLE OF CONTENTS**



**(Y79)
CELEBRITY CHAIRS**

Key	Part Number	U/M	Description
1	086516-06-Y79	EA	Chair Arm - Celebrity Recliner
1	M86516-05-Y79	EA	Cover Arm - Celebrity Recliner
1	089032-04-Y79	EA	Skirt Arm - Celebrity
2	083463-03-Y79	EA	Chair Arm - Celebrity Recliner w/Footrest
2	M83463-03-Y79	EA	Cover Arm - Celebrity Recliner w/Footrest
2	089032-09-Y79	EA	Skirt Arm - 3/4 - Celebrity
2	084599-01-Y79	EA	Footrest
2	M84599-01-Y79	EA	Cover - Footrest

**(Y79)
TWIN BED OPTION**

Key	Part Number	U/M	Description
3&4	077478-C4-000	EA	Mattress - Inner Spring - 33" x 75" x 7.5" - Sealy
3	083986-14-Y79	EA	Bedspread - Fitted w/B" Drop - 33" x 75" - Passenger
4	083986-15-Y79	EA	Bedspread - Fitted w/B" Drop - 33" x 75" - Drivers
3&4	081997-03-Y79	EA	Pillow Sham - Quilted
3&4	083458-03-Y79	EA	Headboard Arm - Ruffled - 33"

**(Y79)
QUEEN BED OPTION**

Key	Part Number	U/M	Description
5	077478-08-000	EA	Mattress - Inner Spring - 60" x 80" x 7.75" - Sealy
5	083986-08-Y79	EA	Bedspread - Fitted w/Ruffle - 60" x 75"
5	081997-03-Y79	EA	Pillow Sham - w/Ruffle - 30" x 26"
5	083458-02-Y79	EA	Headboard Arm - Ruffled - 54"

**(Y79)
DOUBLE BED**

Key	Part Number	U/M	Description
6	077478-03-000	EA	Mattress - Inner Spring - 54" x 75" x 7.5" - Sealy
6	082371-02-Y79	EA	Bedspread - w/Ruffle - 54" x 75"
6	081997-02-Y79	EA	Pillow Sham - w/Ruffle
6	083458-02-Y79	EA	Headboard Arm - Ruffled - 54"

**(Y79)
DINETTE CUSHIONS & PADS**

Key	Part Number	U/M	Description
7	088827-27-Y79	EA	Cushion - 13" x 38" x 5" - Angled Dinette Back
	M88827-27-Y79	EA	Cover - Dinette Back Cushion
8	088827-28-Y79	EA	Cushion - 22" x 38" x 5" - Dinette Seat
	M88827-28-Y79	EA	Cover - Dinette Seat Cushion
	081519-01-Y79	EA	Pad - Dinette Back - Front
	081519-01-Y79	EA	Pad - Dinette Back - Rear

**(Y79)
CELESTIAL COUCH/BED**

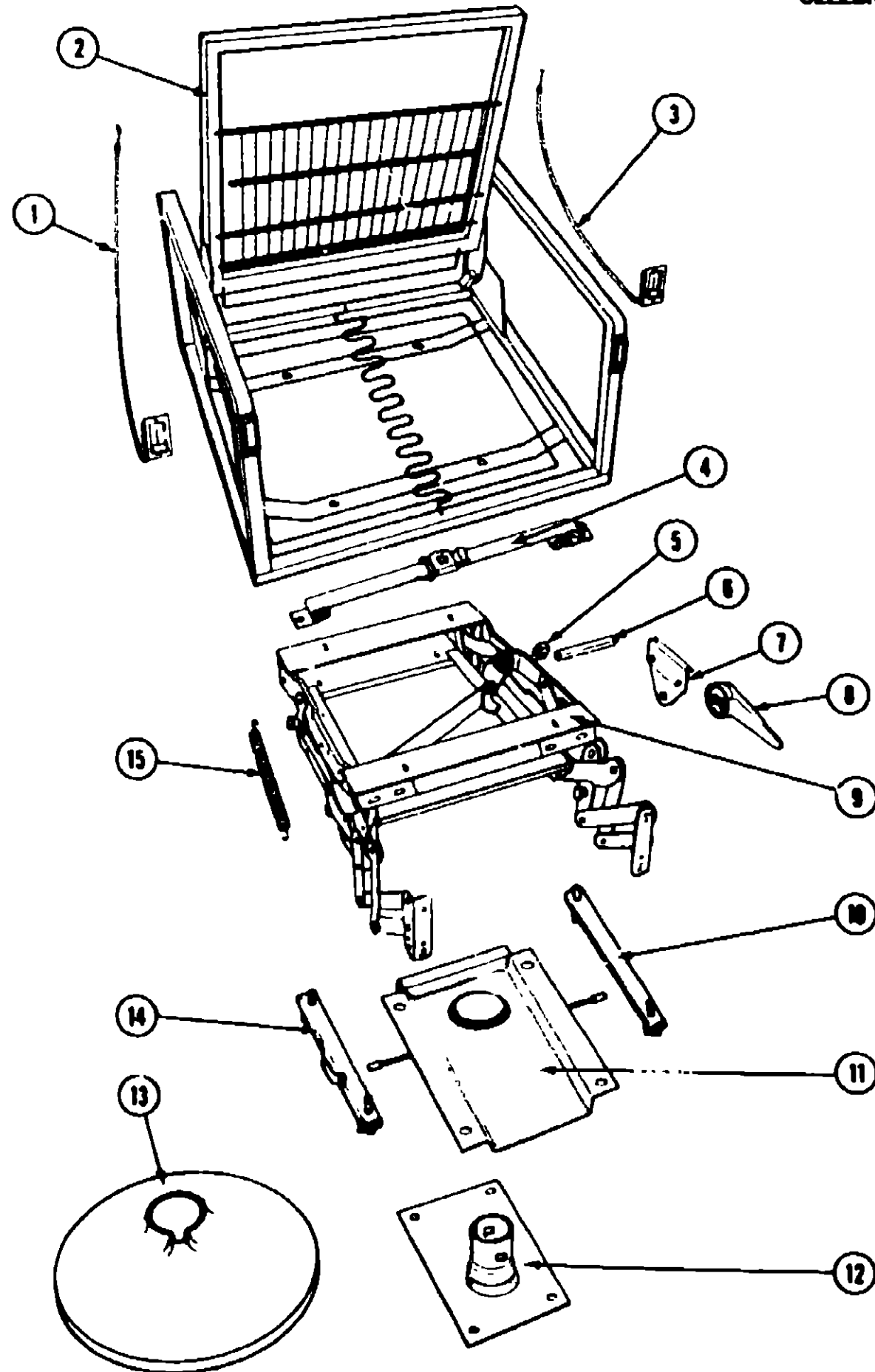
Key	Part Number	U/M	Description
9	088058-01-Y79	EA	Couch/Bed Arm - Chan'el - w/o Back Cushions
	M88058-01-Y79	EA	Cover - Chan'el Couch/Bed
9	085358-03-Y79	EA	Armrest Cushion - Removable
	M85358-03-Y79	EA	Cover - Armrest Cushion
9	088827-07-Y79	EA	Cushion - Chan'el Couch/Bed Back (3 per couch)
	M88827-07-Y79	EA	Cover - Chan'el Cushion Back

**1989 IC/JF34RU
INDEX**

Floor Plan	A-01 - A-02
Accessories Group	A-03 - A-07
Bath Group	A-08 - A-09
Chassis Group	A-10 - A-16
Curtain, Cushion & Pad Group	A-17 - B-10
Dinette Group	B-11 - B-14
Driver's Compartment	B-15 - B-18
Electrical Group	B-20 - B-23
Exterior Body Group	B-24 - C-05
Galley Group	C-06 - C-08
Heating & Air Conditioning Group	C-09
Interior Finish Group	C-10 - C-12
LP Group	C-13
Lounge Group	C-14 - C-15
Water & Sewage	C-15 - C-18
Window, Vent & Exterior Door Group	C-17 - D-08

CURTAIN, CUSHION & PAD GROUP (CONTINUED)

CELEBRITY RECLINER HARDWARE



Key	Part Number	U/M	Description
1	089388-03-000	EA	Remote Asm. - Recliner
2	089388-01-000	EA	Frame Asm - Celebrity Chair
3	089388-02-000	EA	Remote Asm - Slider
4	007021-01-000	EA	Seat Belt Asm - 90" x 2" - Black
	057759-01-000	EA	Bracket - Seat Belt Washer
5	083484-02-700	EA	Clamp
6	083484-02-701	EA	Torsion Bar
7	093484-02-702	EA	Support - Torsion Bar
8	083484-02-703	EA	Handle
	083484-02-000	EA	Hardware Kit - Footrest - Includes Keys 5,6,7,8, & 1.
9	083484-01-000	EA	Footrest Pedestal Mechanism
10	088246-02-000	EA	Adjuster Arm - Celebrity Chair - w/o Lock
11	083481-03-000	EA	Top Piece - Celebrity Chair - w/Lock
12	0.3481-01-000	EA	Pedestal - 6" - Used with Footrest Only
12	083481-02-000	EA	Pedestal - 10" - Used with Recliner Only
13	083482-01-000	EA	Pedestal Shroud - 13" - Black Plastic
14	088246-05-000	EA	Adjuster Arm - Celebrity Chair - w/Lock
	087330-01-000	EA	Bracket - Stop - Side Track
15	083484-02-704	EA	Spring

1989 ITASCA TABLE OF CONTENTS

C/JJP34RU
ICP37RQ

A-01 - D-08
D-07 - G-20

1989 IC/JP34RU INDEX

Floor Plan	A-01 - A-02
Accessories Group	A-03 - A-07
Bath Group	A-08 - A-09
Chassis Group	A-10 - A-16
Curtain, Cushion & Pad Group	A-17 - B-10
Dinette Group	B-11 - B-14
Driver's Compartment	B-15 - B-19
Electrical Group	B-20 - B-23
Exterior Body Group	B-24 - C-05
Galley Group	C-06 - C-08
Heating & Air Conditioning Group	C-09
Interior Finish Group	C-10 - C-12
LP Group	C-13
Lounge Group	C-14 - C-15
Water & Sewage	C-15 - C-18
Window, Vent & Exterior Door Group	C-17 - D-08

CURTAIN, CUSHION & PAD GROUP (CONTINUED)

**(Y77)
BUCKET SEATS**

Key	Part Number	U/M	Description
	093471-01-Y77	EA	Seat Asm - Single Bucket - w/Armrests & Headrests w/o Skirt
	M03445-10-Y77	EA	Cover - Back - Single Bucket
	M03445-09-Y77	EA	Cover - Bottom - Single Bucket
	071126-24-X75	EA	Skirt - Single Bucket
	080243-36-Y77	EA	Armrest Asm - Right
	080243-37-Y77	EA	Armrest Asm - Left
	M80243-36-Y77	EA	Cover - Armrest - Right
	M80243-37-Y77	EA	Cover - Armrest - Left

**(Y78)
BUCKET SEATS**

Key	Part Number	U/M	Description
	093471-01-Y78	EA	Seat Asm - Single Bucket - w/Armrests & Headrests w/o Skirt
	M03445-10-Y78	EA	Cover - Back - Single Bucket
	M03445-09-Y78	EA	Cover - Bottom - Single Bucket
	071126-24-Y25	EA	Skirt - Single Bucket
	080243-36-Y78	EA	Armrest Asm - Right
	M80243-36-Y78	EA	Cover - Armrest - Right
	080243-37-Y78	EA	Armrest Asm - Left
	M80243-37-Y78	EA	Cover - Armrest - Left

**(Y79)
BUCKET SEATS**

Key	Part Number	U/M	Description
	093471-03-Y79	EA	Seat Asm - Single Bucket - w/Armrests & Headrests
	M03445-14-Y79	EA	Cover - Back - Single Bucket
	M03445-13-Y79	EA	Cover - Bottom - Single Bucket
	071126-24-Y79	EA	Skirt - Single Bucket
	080243-36-Y79	EA	Armrest Asm - Right
	M80243-36-Y79	EA	Cover - Armrest - Right
	080243-37-Y79	EA	Armrest Asm - Left
	M80243-37-Y79	EA	Cover - Armrest - Left

CURTAIN, CUSHION & PAD GROUP (CONTINUED)

**(Y77)
POWER BUCKET SEAT OPTION**

Key	Part Number	U/M	Description
	093471-02-Y77	EA	Seat Asm - Single Bucket - Drivers w/Armrest w/o Skirt
	M03445-09-Y77	EA	Cover - Bottom - Drivers Bucket
	M03445-10-Y77	EA	Cover - Back - Drivers Bucket
	071126-26-Y77	EA	Skirt - Power Seat Bucket
	080243-36-Y77	EA	Armrest Asm - Right w/Remote
	M80243-36-Y77	EA	Cover - Right Armrest
	080243-36-Y77	EA	Armrest Asm - Left Drivers w/Power Seat
	M80243-36-Y77	EA	Cover - Left Armrest w/Power Seat

**(Y78)
POWER BUCKET SEAT OPTION**

Key	Part Number	U/M	Description
	093471-02-Y78	EA	Seat Asm - Single Bucket - Drivers w/Armrest w/o Skirt
	M03445-09-Y78	EA	Cover - Bottom - Drivers Bucket
	M03445-10-Y78	EA	Cover - Back - Drivers Bucket
	071126-26-Y14	EA	Skirt - Power Seat Bucket
	080243-36-Y78	EA	Armrest Asm - Right w/Remote
	M80243-36-Y78	EA	Cover - Right Armrest
	080243-36-Y78	EA	Armrest Asm - Left Drivers w/Power Seat
	M80243-36-Y78	EA	Cover - Left Armrest w/Power Seat

**(Y79)
POWER BUCKET SEAT OPTION**

Key	Part Number	U/M	Description
	093471-04-Y79	EA	Seat Asm - Single Bucket - Drivers w/Armrest w/o Skirt
	M03445-13-Y79	EA	Cover - Bottom - Drivers Bucket
	M03445-14-Y79	EA	Cover - Back - Drivers Bucket
	071126-26-Y79	EA	Skirt - Power Seat Bucket
	080243-36-Y79	EA	Armrest Asm - Right w/Remote
	M80243-36-Y79	EA	Cover - Right Armrest
	080243-36-Y79	EA	Armrest Asm - Left Drivers w/Power Seat
	M80243-36-Y79	EA	Cover - Left Armrest w/Power Seat

**1989 ITASCA
TABLE OF CONTENTS**

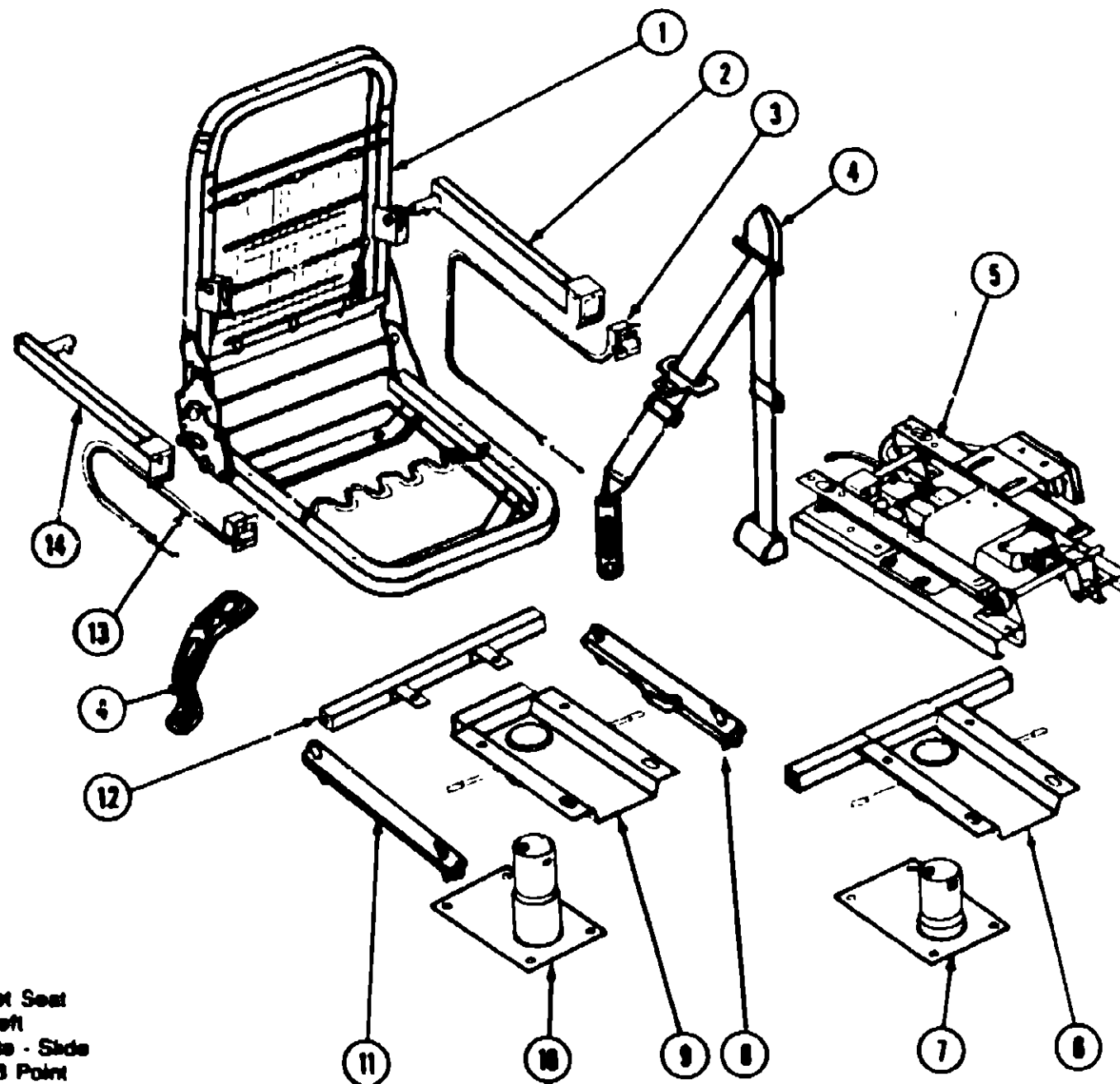
IC/JP34RU	A-01 - D-06
ICP37RQ	D-07 - G-20

**1989 IC/JP34RU
INDEX**

Floor Plan	A-01 - A-02
Accessories Group	A-03 - A-07
Bath Group	A-08 - A-09
Chassis Group	A-10 - A-16
Curtain, Cushion & Pad Group	A-17 - B-10
Dinette Group	B-11 - B-14
Driver's Compartment	B-15 - B-19
Electrical Group	B-20 - B-23
Exterior Body Group	B-24 - C-05
Galley Group	C-06 - C-08
Heating & Air Conditioning Group	C-09
Interior Finish Group	C-10 - C-12
LP Group	C-13
Lounge Group	C-14 - C-15
Water & Sewage	C-15 - C-16
Window, Vent & Exterior Door Group	C-17 - D-06

CURTAIN, CUSHION & PAD GROUP (CONTINUED)

BUCKET SEAT HARDWARE



Key	Part Number	U/M	Description
1	089389-01-000	EA	Frame Arm, - Bucket Seat
2	089389-03-000	EA	Frame - Armrest - Left
3	089388-03-000	EA	Cable Arm - Remote - Slide
4	091990-02-01A	EA	Seat Belt - Driver - 3 Point
	091990-01-01A	EA	Seat Belt - Passenger - 3 Point
5	081373-01-000	EA	Power Seat Arm,
	081373-02-700	EA	Switch Arm - Power Seat
	081373-02-701	EA	Wire Harness - Drivers - Power Seat
	081373-02-702	EA	Wire Harness - Passenger - Power Seat
	081373-02-703	EA	Horizontal Adjustment Package
	081373-02-704	EA	Vertical Adjustment Package
6	089585-38-000	EA	Top Plate - Power Seat
7	089585-37-000	EA	Sub Plate - 5" - Used w/Power Seat
8	089246-05-000	EA	Adjuster Asm - Seat - w/Lock
9	089585-27-000	EA	Top Plate - Non Powered Seat
10	089585-08-000	EA	Sub Plate - 8" - Used w/Non Powered Seat
11	089246-02-000	EA	Adjuster Asm - Seat - w/Lock
12	089585-29-000	EA	Seat Belt Bar - 20"
13	089388-02-000	EA	Cable Arm, - Remote - Recliner
14	089389-02-000	EA	Frame - Armrest - Right

**1989 ITASCA
TABLE OF CONTENTS**

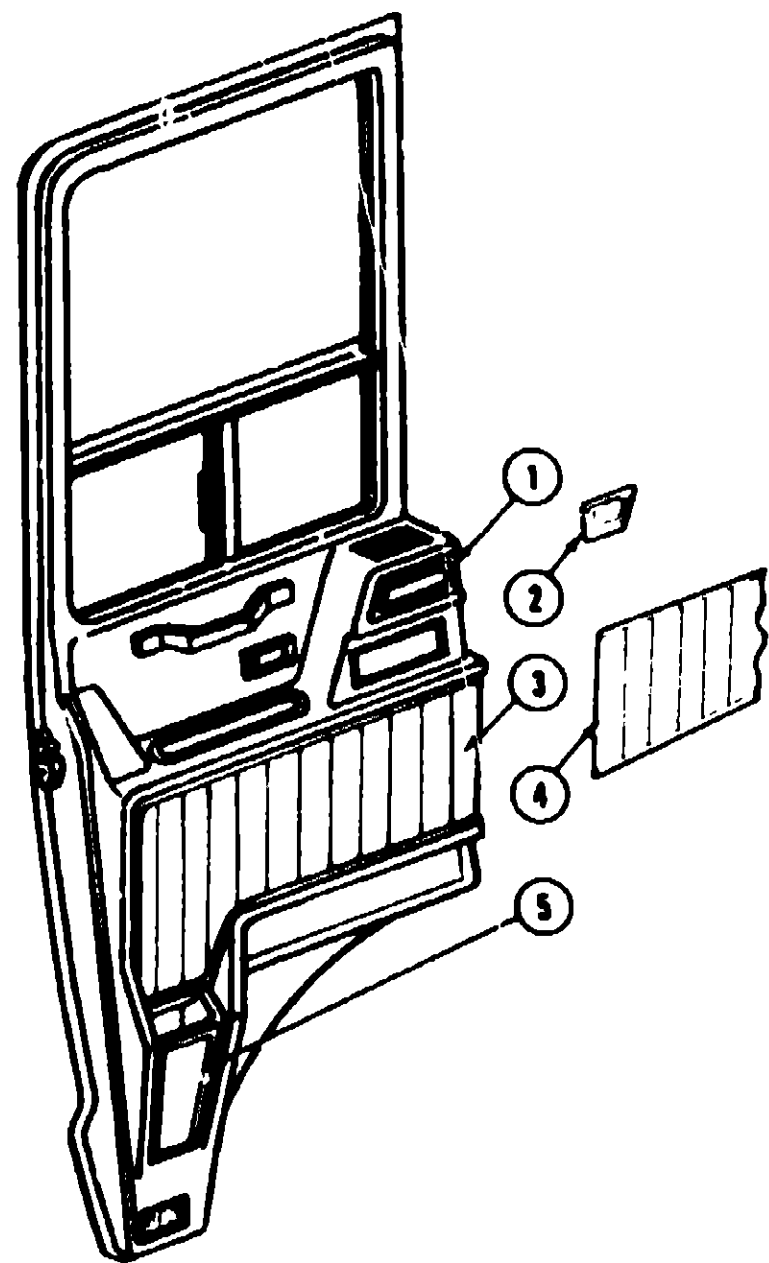
IC/JP34RU
ICP37RQ

A-01 - D-08
D-07 - G-20

**1989 IC/JP34RU
INDEX**

Floor Plan	A-01 - A-02
Accessories Group	A-03 - A-07
Bath Group	A-08 - A-09
Chassis Group	A-10 - A-16
Curtain, Cushion & Pad Group	A-17 - B-10
Dinette Group	B-11 - B-14
Driver's Compartment	B-15 - B-19
Electrical Group	B-20 - B-23
Exterior Body Group	B-24 - C-05
Galley Group	C-06 - C-08
Heating & Air Conditioning Group	C-09
Interior Finish Group	C-10 - C-12
LP Group	C-13
Lounge Group	C-14 - C-15
Water & Sewage	C-15 - C-16
Window, Vent & Exterior Door Group	C-17 - D-06

CURTAIN, CUSHION & PAD GROUP (CONTINUED)



(Y77)
TRIM PADS & INSERTS

Key	Part Number	U/M	Description
1	089104-03-X75	EA	Insert - Upper Passenger Door - 2.5" x 6.25"
1	089104-04-X75	EA	Insert - Upper Drivers Door - 2.5" x 6.25"
2	089107-02-X75	EA	Insert - Side Upper - Drivers - 2.6" x 3.14"
2	089109-02-X75	EA	Insert - Side Upper - Passenger - 2.6" x 17.1"
3	089105-03-X75	EA	Insert - Lower Passenger Door - 14.2" x 28.25"
3	089105-04-X75	EA	Insert - Lower Drivers Door - 14.2" x 28.25"
4	089108-02-X75	EA	Insert - Side Lower - Driver - 9.3" x 21.3"
4	089110-02-X75	EA	Insert - Side Lower - Passenger - 9.2" x 28"
5	089108-03-X75	EA	Insert - Map Pocket - Passenger Door - 5.75" x 7.6"
5	089108-04-X75	EA	Insert - Map Pocket - Driver Door - 5.75" x 7.6"
	039111-02-X75	EA	Insert - Front Center Overhead - 19.5" x 4"
	089112-03-X75	EA	Insert - Front Overhead (Sunvisor) Passenger - 28" x 23.2"
	089112-04-X75	EA	Insert - Front Overhead (Sunvisor) Driver - 28" x 23.2"
	089113-02-X75	EA	Insert - TT Chair Lounge - 12" x 18"

(Y78)
TRIM PADS & INSERTS

Key	Part Number	U/M	Description
1	089104-03-Y20	EA	Insert - Upper Passenger Door - 2.5" x 6.25"
1	089104-04-Y20	EA	Insert - Upper Drivers Door - 2.5" x 6.25"
2	089107-02-Y78	EA	Insert - Side Upper - Drivers - 2.6" x 3.14"
2	089109-02-Y78	EA	Insert - Side Upper - Passenger - 2.6" x 17.1"
3	089105-03-Y20	EA	Insert - Lower Passenger Door - 14.2" x 28.25"
3	089105-04-Y20	EA	Insert - Lower Drivers Door - 14.2" x 28.25"
4	089108-02-Y78	EA	Insert - Side Lower - Driver - 9.3" x 21.3"
4	089110-02-Y78	EA	Insert - Side Lower - Passenger - 9.2" x 28"
5	089108-03-Y20	EA	Insert - Map Pocket - Passenger Door - 5.75" x 7.6"
5	089108-04-Y20	EA	Insert - Map Pocket - Driver Door - 5.75" x 7.6"
	089111-02-Y20	EA	Insert - Front Center Overhead - 19.5" x 4"
	089112-03-Y78	EA	Insert - Front Overhead (Sunvisor) Passenger - 28" x 23.2"
	089112-04-Y20	EA	Insert - Front Overhead (Sunvisor) Driver - 28" x 23.2"
	089113-02-Y78	EA	Insert - TT Chair Lounge - 12" x 18"

(Y79)
TRIM PADS & INSERTS

Key	Part Number	U/M	Description
1	089104-03-Y79	EA	Insert - Upper Passenger Door - 2.5" x 6.25"
1	089104-04-Y79	EA	Insert - Upper Drivers Door - 2.5" x 6.25"
2	089107-02-Y79	EA	Insert - Side Upper - Drivers - 2.6" x 3.14"
2	089109-02-Y79	EA	Insert - Side Upper - Passenger - 2.6" x 17.1"
3	089105-03-Y79	EA	Insert - Lower Passenger Door - 14.2" x 28.25"
3	089105-04-Y79	EA	Insert - Lower Drivers Door - 14.2" x 28.25"
4	089108-02-Y79	EA	Insert - Side Lower - Driver - 9.3" x 21.3"
4	089110-02-Y79	EA	Insert - Side Lower - Passenger - 9.2" x 28"
5	089108-03-Y79	EA	Insert - Map Pocket - Passenger Door - 5.75" x 7.6"
5	089108-04-Y79	EA	Insert - Map Pocket - Driver Door - 5.75" x 7.6"
	089107-02-Y79	EA	Insert - Side Upper - Drivers - 2.6" x 3.14"
	089109-02-Y79	EA	Insert - Side Upper - Passenger - 2.6" x 17.1"
	089108-02-Y79	EA	Insert - Side Lower - Driver - 9.3" x 21.3"
	089110-02-Y79	EA	Insert - Side Lower - Passenger - 9.2" x 28"
	089111-02-Y79	EA	Insert - Front Center Overhead - 19.5" x 4"
	089112-03-Y79	EA	Insert - Front Overhead (Sunvisor) Passenger - 28" x 23.2"
	089112-04-Y79	EA	Insert - Front Overhead (Sunvisor) Driver - 28" x 23.2"
	089113-02-Y79	EA	Insert - TT Chair Lounge - 12" x 18"

**1989 ITASCA
TABLE OF CONTENTS**

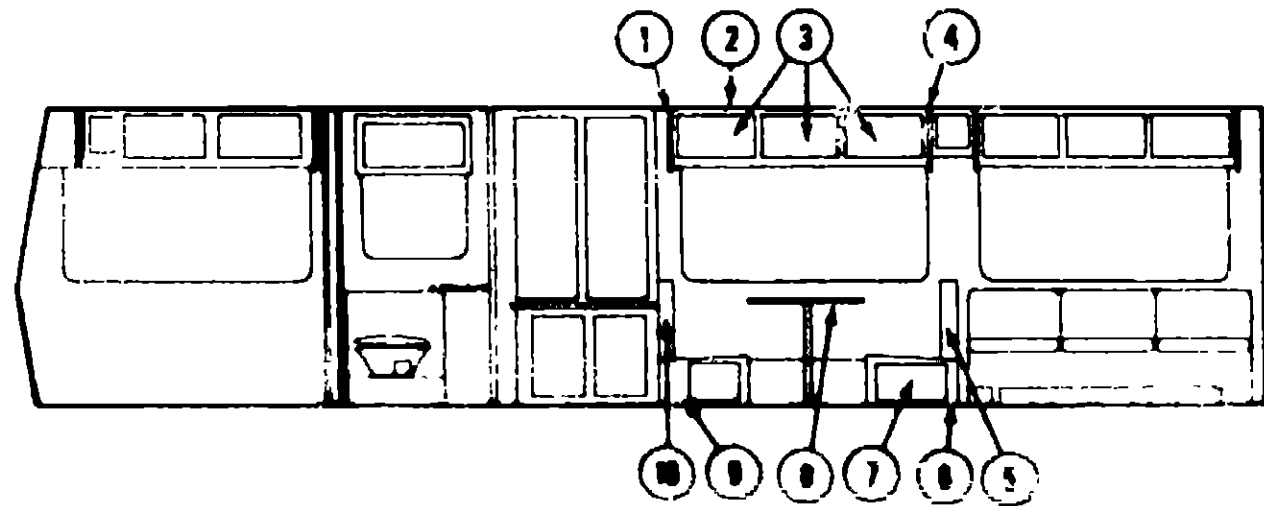
ICJP34RU
ICP37RO

A-01 - D-08
D-07 - G-20

**1989 IC/JP34RU
INDEX**

Floor Plan	A-01 - A-02
Accessories Group	A-03 - A-07
Bath Group	A-08 - A-09
Chassis Group	A-10 - A-16
Curtain, Cushion & Pad Group	A-17 - B-10
Dinette Group	B-11 - B-14
Driver's Compartment	B-15 - B-19
Electrical Group	B-20 - B-23
Exterior Body Group	B-24 - C-05
Galley Group	C-06 - C-08
Heating & Air Conditioning Group	C-09
Interior Finish Group	C-10 - C-12
LP Group	C-13
Lounge Group	C-14 - C-15
Water & Sewage	C-15 - C-16
Window, Vent & Exterior Door Group	C-17 - D-06

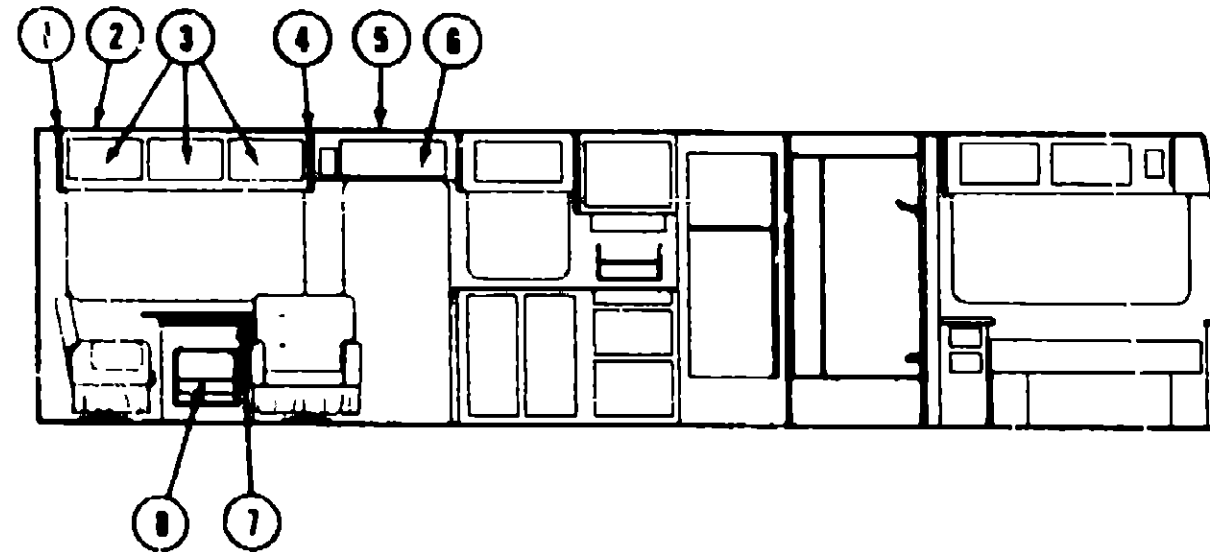
DINETTE GROUP



DINETTE & COMPONENTS

Key	Part Number	U/M	Description
1	085488-02-W38	EA	End Cap Arm. - Left Hand - Dinette Overhead - Vinyl
2	M03110-88-Y77	EA	Cabinet Arm. - Dinette Overhead - w/o Doors or Hardware
3	M88304-38-Y77	EA	Door Arm. - Dinette Overhead - 12" x 18.7" w/o Hardware
4	085488-01-W38	EA	End Cap Arm. - Right Hand - Dinette Overhead - Vinyl
5	M03183-01-X75	EA	Cabinet Arm. - Dinette Back - Right Hand
6	M03183-02-X75	EA	Cabinet Arm. - Dinette Seat - Right Hand - w/o Door or Hardware
7	M88304-40-Y77	EA	Door Arm. - Right Hand Dinette Seat - w/o Hardware
8	M03084-01-Y77	EA	Table Arm. - Dinette
9	M03184-02-X75	EA	Cabinet Arm. - Dinette Seat - Left Hand
10	M03184-01-X75	EA	Cabinet Arm. - Dinette Back - Left Hand
	053200-05-000	EA	Bracket - Upper Wall Mount - 23.5" - Beige
	088410-01-000	EA	Bracket - Table Mount - 23" - Beige
	024275-05-000	EA	Rod - Table Lift - 8" x 23.5" - Beige
	024281-07-000	EA	Bracket - Lower Wall Mount - 22.12" - Beige
	092707-01-02A	EA	Leg Arm. - Table - Oak
	082583-01-02A	EA	Catch - Table Leg - Mounts on Table Leg
	049493-08-000	EA	Catch - Table Leg - Mounts on Floor - Tan
	083550-01-000	EA	Hinge - Leg - Folding
	080178-02-000	EA	Corner Cap - Light Oak Plastic (Dinette)
	G24354-01-000	EA	Bumper - 1/2" Dia - White
	007021-01-000	EA	Seatbelt - 2" x 90" - Black

DINETTE GROUP (CONTINUED)



PULLOUT TABLE & OVERHEAD

Key	Part Number	U/M	Description
1	08C488-02-W38	EA	End Cap Arm. - Left Hand - Swivel Chair Overhead - Vinyl
2	M03110-88-Y77	EA	Cabinet Arm. - Swivel Chair Overhead - w/o Doors or Hardware
3	M88304-38-Y77	EA	Door Arm. - Swivel Chair Overhead - 12" x 18.7" - w/o Hardware
4	085488-01-W38	EA	End Cap Arm. - Right Hand - Swivel Chair Overhead - Vinyl
5	M03110-58-Y77	EA	Cabinet Arm. - Entrance Door - w/o Doors or Hardware
6	M88304-45-Y77	EA	Door Arm. - Entrance Door Overhead - 10.3" x 29.5" - w/o Hardware
7	090095-12-X75	EA	Countertop Arm. - Cup Holder - w/o Hardware
	090095-14-X75	EA	Cover - Pullout Table
	090095-18-X75	EA	Table Arm - Pullout - w/o Handle
	090095-11-X75	EA	Top - TV - Pullout Table
8	079808-01-W38	EA	Magazine Rack Arm
	079921-01-000	EA	Nylon Roller w/Shaft
	080728-01-030	EA	Handle - Recessed - Brown Plastic
	088245-01-030	EA	Base w/Leg - Swivel Chair
	079789-01-030	EA	Support - Pullout Table Beige

ICE MAKER OPTION (OPT. 35J)

Key	Part Number	U/M	Description
	M82887-01-Y75	EA	Cabinet Arm. - Ice Maker
	M02483-01-Y75	EA	Countertop Arm. - Ice Maker - Regal Oak
	M02484-01-Y75	EA	Slide Out Table
	074488-01-030	EA	Beverage Holder w/Tray
	078238-08-W38	EA	Access Panel
**	078799-01-000	EA	Ice Maker - Black Glass
	007108-01-000	FT	Hose - Heater - 5/8" ID
	039800-01-000	FT	Tubing - 1/2" OD x 20'
	052852-01-000	EA	Nut - Plastic - 1/2" F
	052880-01-000	EA	Valve - Line Drain - 1/2" F x 1/2" F
	077054-01-000	EA	Valve - Plastic - 1/2" M x 1/2" M - 1/4" Comp

** The illustrated parts breakdown for this item is provided on the Common Items Fiche

**1988 ITASCA
TABLE OF CONTENTS**

IC/JP34RU
ICP37RO

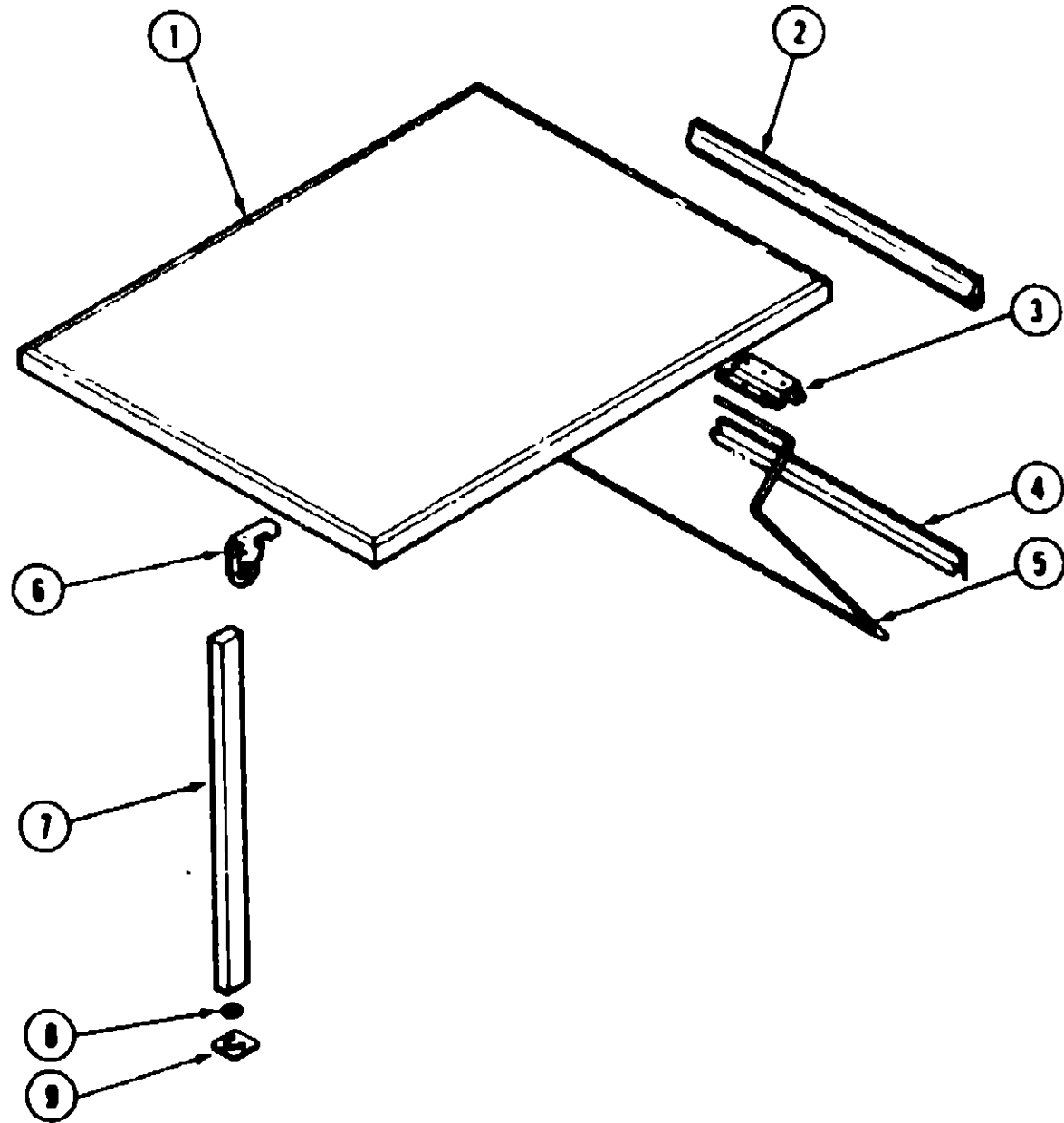
A-01 - D-08
D-07 - G-20

**1988 IC/JP34RU
INDEX**

Floor Plan	A-01 - A-02
Accessories Group	A-03 - A-07
Bath Group	A-08 - A-09
Chassis Group	A-10 - A-16
Curtain, Cushion & Pad Group	A-17 - B-10
Dinette Group	B-11 - B-14
Driver's Compartment	B-15 - B-19
Electrical Group	B-20 - B-23
Exterior Body Group	B-24 - C-05
Galley Group	C-06 - C-08
Heating & Air Conditioning Group	C-09
Interior Finish Group	C-10 - C-12
LP Group	C-13
Lounge Group	C-14 - C-15
Water & Sewage	C-15 - C-16
Window, Vent & Exterior Door Group	C-17 - D-08

DINETTE GROUP (CONTINUED)

DINETTE TABLE & HARDWARE



Key	Part Number	U/M	Description
1	MU3084-13-Y21	EA	Table Arm - Dinette - w/o Hardware & Leg
2	053200-05-000	EA	Bracket - Upper Wall Mount - 23 5" - Berge
3	088410-01-000	EA	Bracket - Table Mount - 5 18" - Berge
4	024281-07-000	EA	Bracket - Lower Wall Mount - 22 1/2" - Berge
5	024275-05-000	EA	Rod - Table Lift - 8' x 23 5" - Berge
6	083550-01-000	EA	Hinge - Bracket - Leg Folding
7	082707-01-02A	EA	Leg Arm - Table - Driftwood Oak
8	082583-01-02A	EA	Catch - Table Leg
9	049483-08-000	EA	Catch - Table Leg - Mounts on Floor
	082583-01-02A	EA	Clip - Table Leg
	004354-01-000	EA	Bumper - 1/2" Dia. - White

1989 ITASCA TABLE OF CONTENTS

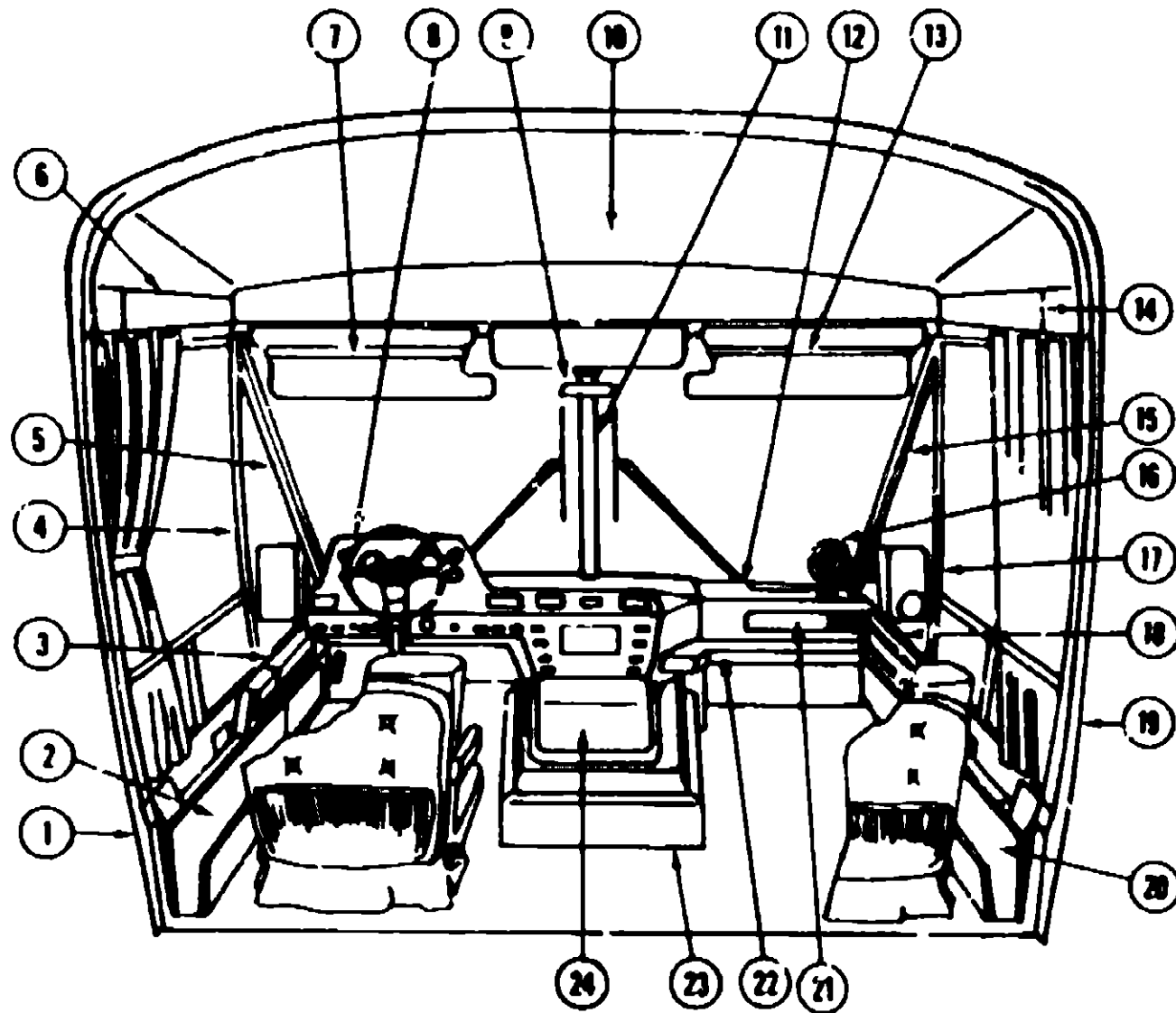
IC/JP34RU
ICP37RQ

A-01 - D-06
D-07 - G-20

1989 IC/JP34RU INDEX

Floor Plan	A-01 - A-02
Accessories Group	A-03 - A-07
Bath Group	A-08 - A-09
Chassis Group	A-10 - A-16
Curtain, Cushion & Pad Group	A-17 - B-10
Dinette Group	B-11 - B-14
Driver's Compartment	B-15 - B-19
Electrical Group	B-20 - B-23
Exterior Body Group	B-24 - C-05
Galley Group	C-06 - C-08
Heating & Air Conditioning Group	C-09
Interior Finish Group	C-10 - C-12
LP Group	C-13
Lounge Group	C-14 - C-15
Water & Sewage	C-15 - C-16
Window, Vent & Exterior Door Group	C-17 - D-06

DRIVER COMPARTMENT GROUP



MISCELLANEOUS DRIVER COMPARTMENT COMPONENTS

Key	Part Number	U/M	Description
1	077111-10-000	EA	Panel Trim - Driver's Side
2	077117-04-000	EA	Side Panel Trim - Door
3	077116-02-000	EA	Side Panel Trim - Front
4	077113-04-000	EA	Trim Panel - Hinge Pillar
5	077112-04-000	EA	Trim - Windshield - Interior - "A" Post - Left
6	077110-04-000	EA	Trim Cover - w/Bunk - Left
7	082288-04-W33	EA	Survivor Asm - Driver - Vinyl
	087716-01-000	EA	Information Center - Uniforce
	083919-01-Y77	EA	Cabinet Asm - Front Overhead (w/o Front Bunk)
..	M03110-21-Y77	EA	Cabinet Asm - Front Overhead - Right - w/o Doors or Hardware
..	M03110-23-Y77	EA	Cabinet Asm - Front Overhead - Left - w/o Doors or Hardware
..	088714-01-W38	EA	Cabinet Asm - Television
..	088725-01-000	EA	Shelf Asm - TV
..	088045-01-W38	EA	Pad Asm - Bottom - TV Cabinet
..	070578-02-U19	EA	Button Screw Stud - #30 - Vinyl
..	M88304 48-Y77	EA	Door Asm - Front Overhead Cabinet - w/o Hardware
8	085253-01-W38	EA	Dash Panel - Upper - Left
	078805-02-000	EA	Dash Panel - Lower - Left - Light Fawn
	078808-08-000	EA	Dash Panel - Lower - Left (w/Electronic Dash) - Light Fawn
..	Parts used with the Television Option		

MISCELLANEOUS DRIVER'S COMPARTMENT COMPONENTS (CONT.)

Key	Part Number	U/M	Description
9	040714-01-700	EA	Rear View Mirror Kit
	040714-01-000	EA	Rear View Mirror
	087480-01-000	EA	Button - Rear View Mirror
	078826-01-000	EA	Lamp - Flex Arm
	078826-01-700	EA	Bulb - Flex Arm Lamp
10	077108-04-000	EA	Trim Panel - Front Roof Headliner - Light Fawn - w/o Bunk & T V
11	077114-03-000	EA	Trim Panel - Center - Pillar
	078783-01-000	EA	Louver Asm - A/C Adjustable
12	085252-01-W38	EA	Dash Panel - Upper - Right
13	082288-03-U18	EA	Survivor Asm - w/Mirror - Vinyl
	007211-01-000	EA	Hinge Asm - Survivor
	038884-01-000	EA	Cap - Black Vinyl - 2 1/2 I.D.
	074012-01-000	EA	C.p. - Survivor - Pinch On
	085709-01-000	EA	Mounting Asm - Survivor Pivot - Black
	083153-01-000	EA	Mirror - Survivor - 3 5" x 7"
	000C12-04-08D	EA	Hex Bar - 1/4" x 20" x .5" - Survivor
14	077110-03-000	EA	Trim Cover - w/Bunk - Right
15	077112-03-000	EA	Trim - Windshield - Interior - "A" Post - Right
16	038420-02-000	EA	Defroster Fan
	077888-01-000	EA	Bracket - Fan
17	077113-03-000	EA	Trim Panel - Hinge Pillar
18	077115-02-000	EA	Side Panel Trim - Front
19	077111-08-000	EA	Trim Panel - Passenger Side
20	077117-03-000	EA	Side Panel Trim - Door
21	078797-01-000	EA	Panel - Dash - Passengers
22	078734-02-000	EA	Tray - Dash - Passengers
23	075838-01-000	EA	Motor Cover - w/o Carpet
	038823-01-000	EA	Seal - Engine Cover
	075584-01-000	EA	Bracket - Motor Cover Mounting
24	078729-02-000	EA	Beverage Tray (Plastic)
	077431-05-000	EA	Beverage Tray - Driftwood Oak
	088752-02-000	EA	Board - Trim - Beverage Tray
	077028-01-000	EA	Lens - Courtesy Light
	038198-01-000	EA	Hub - Courtesy Light
	088294-01-000	EA	Cigarette Lighter
	079130-01-000	EA	Board - Trim - Bunk

1989 ITASCA TABLE OF CONTENTS

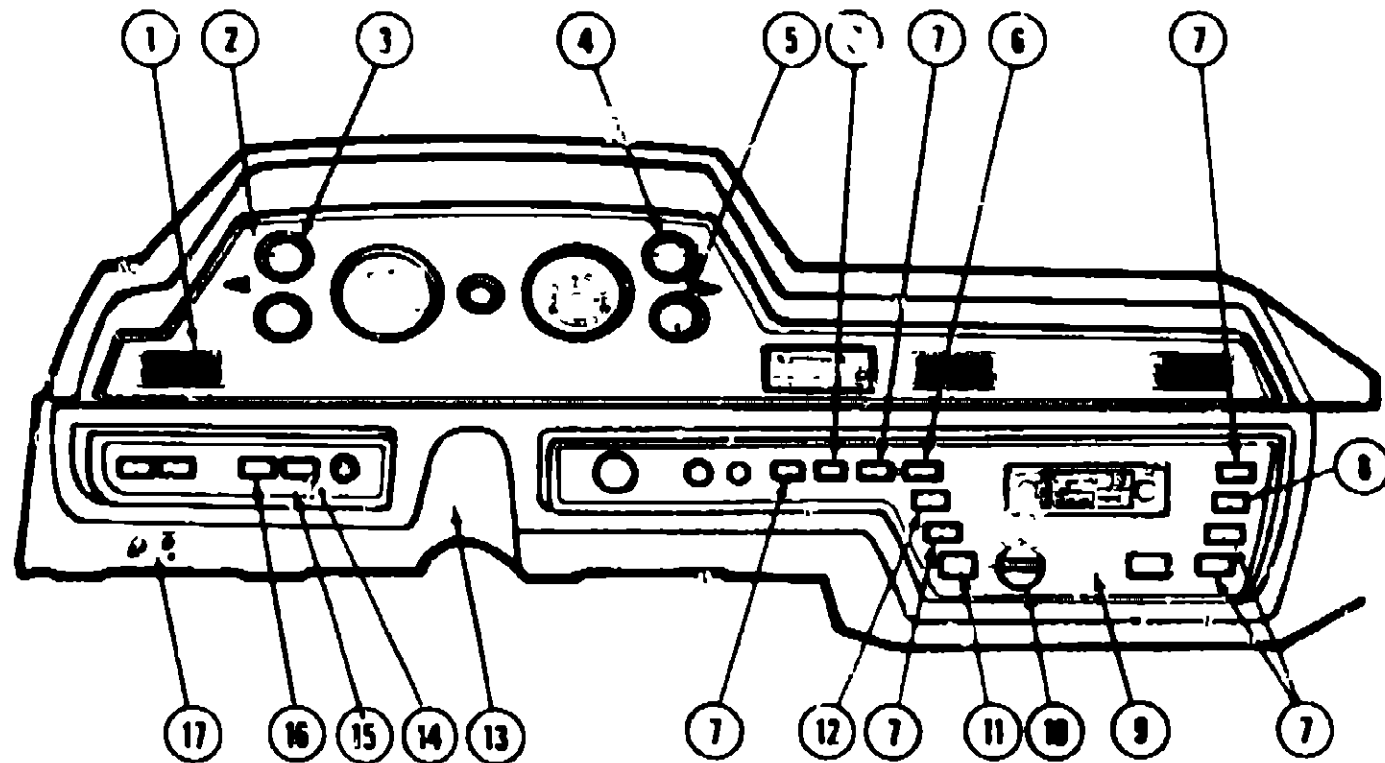
IC/JP34RU
ICP37RO

A-01 - D-08
D-07 - G-20

1989 IC/JP34RU INDEX

Floor Plan	A-01 - A-02
Accessories Group	A-03 - A-07
Bath Group	A-08 - A-09
Chassis Group	A-10 - A-18
Curtain, Cushion & Pad Group	A-17 - B-10
Dinette Group	B-11 - B-14
Driver's Compartment	B-15 - B-19
Electrical Group	B-20 - B-23
Exterior Body Group	B-24 - C-05
Galley Group	C-06 - C-08
Heating & Air Conditioning Group	C-09
Interior Finish Group	C-10 - C-12
LP Group	C-13
Lounge Group	C-14 - C-15
Water & Sewage	C-15 - C-16
Window, Vent & Exterior Door Group	C-17 - D-08

DRIVER'S COMPARTMENT GROUP (CONTINUED)

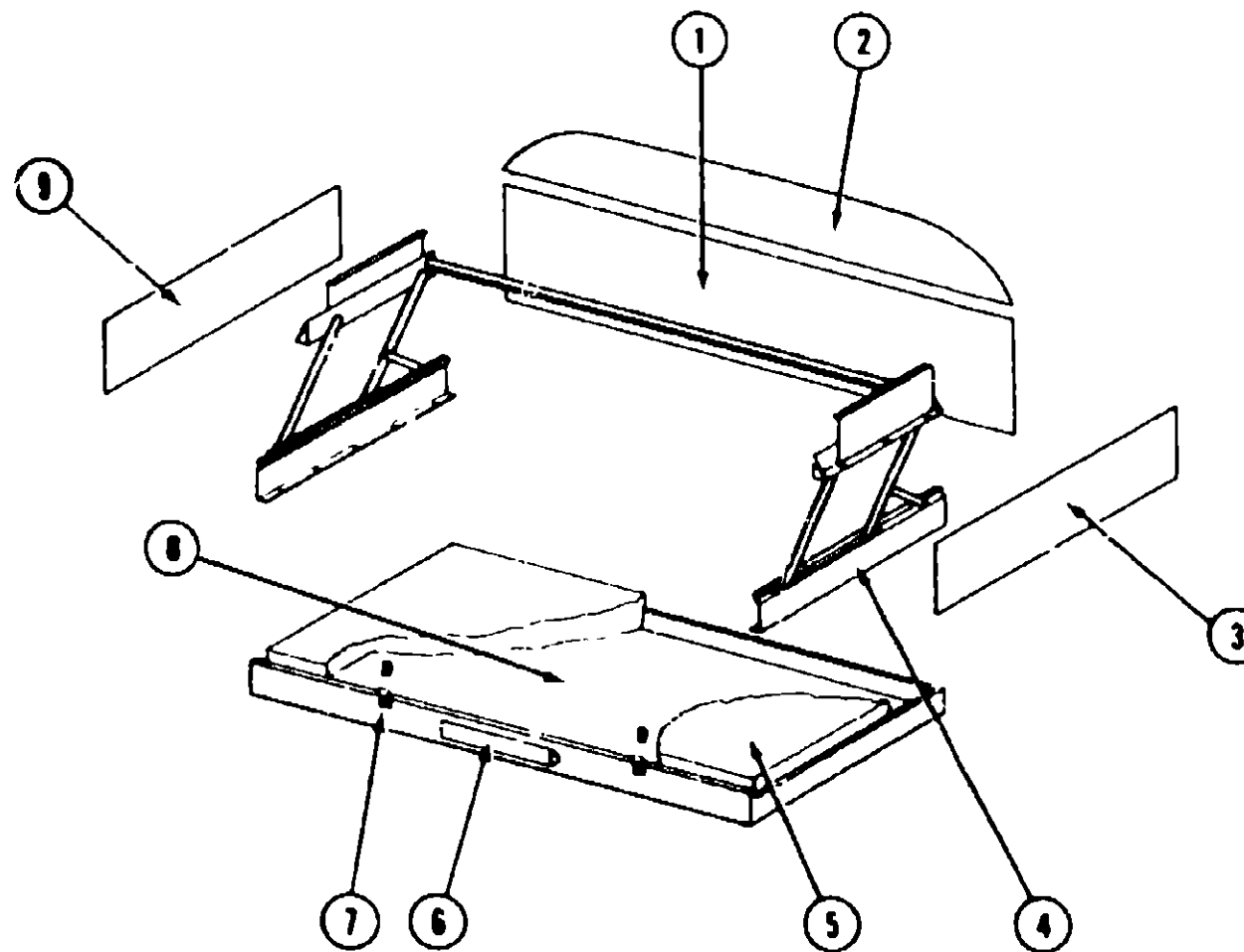


DASH SWITCHES & GAUGES

Key	Part Number	U/M	Description
1	076783-02-000	EA	Louver Arm - A/C Adjustable
2	076216-05-000	EA	Instrument Panel - Upper - Windcrusher
3	024460-04-000	EA	Gauge - Vacuum
4	024459-04-000	EA	Gauge - Voltmeter
5	031035-01-000	EA	Gauge - Hourmeter - Generator
6	076759-04-000	EA	Switch - 3 Position
7	076759-01-000	EA	Switch - 2 Position
8	076759-06-000	EA	Switch - 3 Position
9	076217-15-000	EA	Instrument Panel - Lower Right
10	087202-02-000	EA	Switch - 4 Position
	090977-01-000	FA	Switch Knob - Rotary
11	086272-01-000	EA	Switch - 3 Position
12	076759-03-000	EA	Switch - 3 Position
13	076808-05-000	EA	Dash Panel - Lower Drivers - Light Fawn
	076808-07-000	EA	Dash Panel - Lower Drivers - Light Fawn - Electronic Dash - Uniforce
14	076759-07-000	EA	Switch - 2 Position
15	076218-03-000	EA	Instrument Panel - Lower Left
16	076759-05-000	EA	Switch - 3 Position
17	051057-03-000	EA	Switch Arm - Search Light
	081087-01-000	EA	Light Arm - Indication (Generator)
	087715-01-000	EA	Bezel - Electronic Dash
	087713-02-000	EA	Display Panel - w/o Aux. Fuel
	087714-02-000	EA	Computer - w/o Aux. Fuel
	081389-07-000	EA	Sender Kit - Speed - Electronic Dash
	087712-01-000	EA	Wire Arm - Electronic Dash - Uniforce
	076788-01-000	EA	Lamp Socket - Mini Bayonet
	076788-03-000	EA	Lamp Plate Ass'n
	076788-04-000	EA	Lamp Plate Ass'n - Turn Signal
	077031-01-000	EA	Film - Black - 1" x 1.75" - Dash Bezel
	077031-02-000	EA	Film - Amber - 1" x 1.75" - Dash Bezel
	008103-01-000	EA	Bulb - 12 V - #53
	088294-01-000	EA	Cigarette Lighter Arm
	086272-01-000	EA	Switch - Rocker - DPDT - 3 Position

Parts used w/ the Electronic Dash Option

DRIVER'S COMPARTMENT GROUP (CONTINUED)



FRONT BUNK & HARDWARE (OPTION 61H)

Key	Part Number	U/M	Description
1	077140-03-X19	EA	Board Ass'n - Bunk Trim - w/o Velcro
	048384-02-000	YD	Tape Hood - 75" x 50 YD - Beige (Velcro)
	048385-02-000	YD	Tape Loop - 75" x 50 YD - Beige (Velcro)
2	077108-12-000	EA	Panel Trim - Front - Roof
3	077110-04-000	EA	Cover - Bunk Mech - Right
4	076780-02-000	EA	Bunk Hardware - Complete
	076780-02-700	EA	Gas Spring - Bunk Hardware
5	079145-02-000	EA	Cushion Ass'n - Bunk
	M79145-02-000	EA	Cover - Bunk Cushion Ass'n
6	094658-01-Y77	EA	Handle Ass'n - Oak
7	042541-04-700	EA	Latch Ass'n - w/Strike (2 required)
	000C26-04-108	EA	Bolt - Hex - Ser Fig - 1/4 - 20 x 5/8"
8	081717-02-X19	EA	Bunk Board Ass'n - w/o Hardware
9	077110-03-000	EA	Cover - Bunk Mech - Left
	077108-04-000	EA	Headliner - Slate - Plastic

**1989 ITASCA
TABLE OF CONTENTS**

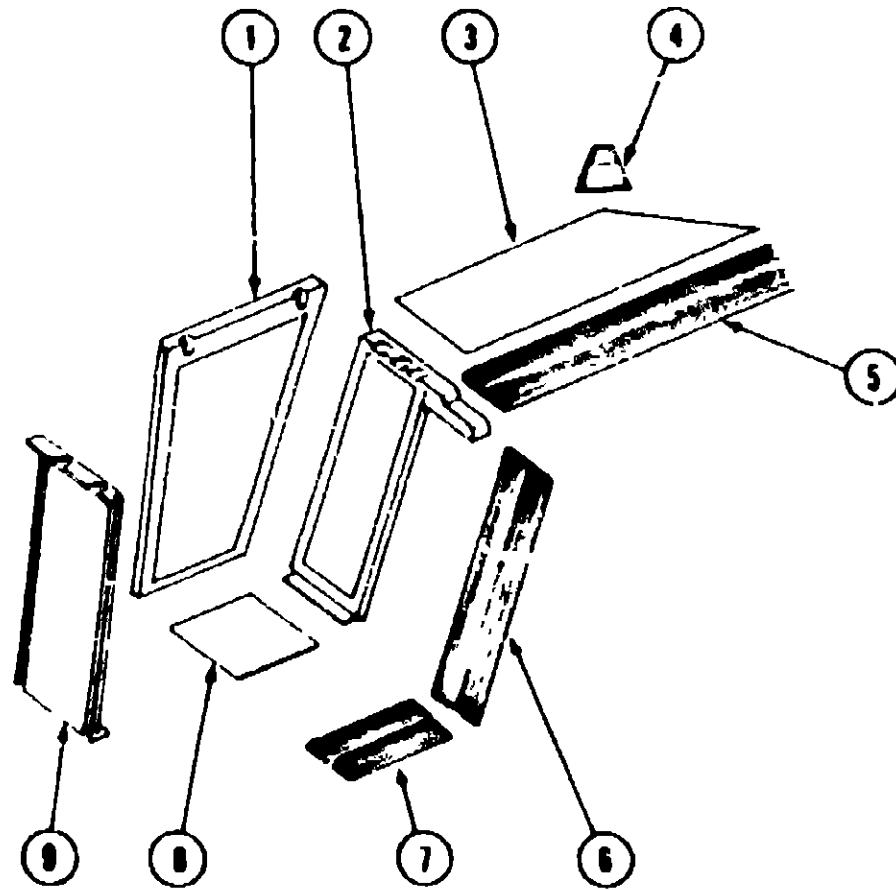
IC/JP34RU
ICP37RQ

A-01 - D-06
D-07 - G-20

**1989 IC/JP34RU
INDEX**

Floor Plan	A-01 - A-02
Accessories Group	A-03 - A-07
Bath Group	A-08 - A-09
Chassis Group	A-10 - A-16
Curtain, Cushion & Pad Group	A-17 - B-10
Dinette Group	B-11 - B-14
Driver's Compartment	B-15 - B-19
Electrical Group	B-20 - B-23
Exterior Body Group	B-24 - C-05
Galley Group	C-06 - C-08
Heating & Air Conditioning Group	C-09
Interior Finish Group	C-10 - C-12
LP Group	C-13
Lounge Group	C-14 - C-15
Water & Sewage	C-15 - C-16
Window, Vent & Exterior Door Group	C-17 - D-08

DRIVER'S COMPARTMENT GROUP (CONTINUED)



STEPWELL TRIMS & PADS

Key	Part Number	U/M	Description
1	068921-01-000	EA	Door - Outer Battery - Black - Passenger
	068921-02-000	EA	Door - Outer Battery - Black - Driver
2	076380-01-000	FA	Panel Trim - Stepwell - Front - Passenger
	076380-02-000	EA	Panel Trim - Stepwell - Front - Driver
3	075989-01-000	EA	Pad - Upper Stepwell - Passenger
	0075989-02-000	EA	Pad - Upper Stepwell - Driver
4	092821-01-01A	EA	Trim - Door Threshold - Black
5	077084-01-000	EA	Trim - Door Threshold - Top - Passenger
	077084-02-000	EA	Trim - Door Threshold - Top - Driver
6	077083-01-000	EA	Trim - Door Threshold - Center - Passenger
	077083-02-000	EA	Trim - Door Threshold - Center - Driver
7	077082-01-000	EA	Trim - Door Threshold - Bottom - Passenger
	077082-02-000	EA	Trim - Door Threshold - Bottom - Driver
8	075972-01-000	EA	Pad - Lower Stepwell
9	076359-01-000	EA	Panel Trim - Stepwell - Rear - Passenger
	076359-02-000	EA	Panel Trim - Stepwell - Rear - Driver
	066755-01-000	EA	Latch - 1/4 Turn - Rotary - Plastic

ELECTRICAL GROUP

BULB:

Key	Part Number	U/M	Description
	008103-01-000	EA	Bulb - 53
	008213-01-000	EA	Bulb - 57
	008214-01-000	EA	Bulb - 67
	038186-01-000	EA	Bulb - 194
	008215-01-000	EA	Bulb - 1003
	067479-01-000	EA	Bulb - 1076
	083914-01-000	EA	Bulb - 1139
	008218-01-000	EA	Bulb - 1141
	037935-01-000	EA	Bulb - 1157
	037936-01-000	EA	Bulb - 1157A
	066280-01-700	EA	Bulb - 1414
	056288-02-000	EA	Bulb - 9431808
	081633-01-700	EA	Bulb - Make Up Light
	081087-01-000	EA	Light Asm - Indicator - LVS #436

FUSES & CIRCUIT BREAKERS

Key	Part Number	U/M	Description
	008234-01-000	EA	Fuse - 10 Amp - 12 Volt
	008235-01-000	EA	Fuse - 15 Amp - 12 Volt
	062901-02-000	EA	Fuse - 5 Amp - Automotive
	062901-05-000	EA	Fuse - 15 Amp - Automotive
	008211-01-000	EA	Circuit Breaker - 6 Amp - 12 Volt
	082678-01-000	EA	Circuit Breaker - 40 Amp - 12 Volt
	082678-02-000	EA	Circuit Breaker - 20 Amp - 12 Volt - w/Mount
	044468-03-000	EA	Circuit Breaker - 25 Amp - 12 Volt - w/Mount
	083209-01-000	EA	Circuit Breaker - 15 Amp - 120 Volt
	083209-02-000	EA	Circuit Breaker - 15/15 Amp - 120 Volt
	083210-02-000	EA	Circuit Breaker - 15 Amp - 120 Volt (Ground Fault Interrupter)
	085720-01-000	EA	Circuit Breaker - 15 Amp - 12 Volt
	085720-02-000	EA	Circuit Breaker - 20 Amp - 12 Volt
	085720-03-000	EA	Circuit Breaker - 25 Amp - 12 Volt
	085720-04-000	EA	Circuit Breaker - 30 Amp - 12 Volt
	085720-05-000	EA	Circuit Breaker - 40 Amp - 12 Volt
	083209-03-000	EA	Circuit Breaker - 15/20 Amp - 120 Volt
	083209-05-000	EA	Circuit Breaker - 20 Amp - 120 Volt
	083209-07-000	EA	Circuit Breaker - 20/20 - 120 Volt
	083209-04-000	EA	Circuit Breaker - 30 Amp - 120 Volt
	083209-06-000	EA	Circuit Breaker - 30/15 Amp - 120 Volt

MISCELLANEOUS

Key	Part Number	U/M	Description
	008188-01-000	EA	Solenoid - Dual Battery - Relay
	083209-02-000	EA	Control Center - 45 Amp
	071278-01-703	EA	Catch - Control Center Door
	071278-01-700	EA	Door w/Catch - Control Center
	083739-01-000	EA	Battery - 12 Volt - 80 Amp - Gould
	038420-02-000	EA	Fan - 6" Defroster - 2 Speed
	077988-01-000	EA	Bracket - 6" Fan
	088294-01-000	EA	Lighter Asm - Cigarette
	087718-01-000	EA	Information Center - Unforce

**1989 ITASCA
TABLE OF CONTENTS**

IC/JP34RU
ICP37RQ

A-01 - D-06
D-07 - G-20

**1989 IC/JP34RU
INDEX**

Floor Plan	A-01 - A-02
Accessories Group	A-03 - A-07
Bath Group	A-08 - A-09
Chassis Group	A-10 - A-16
Curtain, Cushion & Pad Group	A-17 - B-10
Dinette Group	B-11 - B-14
Driver's Compartment	B-15 - B-19
Electrical Group	B-20 - B-23
Exterior Body Group	B-24 - C-05
Galley Group	C-06 - C-08
Heating & Air Conditioning Group	C-09
Interior Finish Group	C-10 - C-12
LP Group	C-13
Lounge Group	C-14 - C-15
Water & Sewage	C-15 - C-16
Window, Vent & Exterior Door Group	C-17 - D-06

ELECTRICAL GROUP (CONTINUED)

INTERIOR LIGHTS

Key	Part Number	U/M	Description
	065202-12-000	EA	Wall Lamp - Brass/Cream - 6"
	065201-05-000	EA	Shade - Lamp - Fabric - Bone/Brass
	067479-01-000	EA	Bulb - 12V - #1076
	062688-01-000	EA	Table Lamp - Brass & Wood (Household Bulb)
Thru 11/6/88	062688-02-000	EA	Shade - Table Lamp
From 1/7/89	062688-06-000	EA	Shade - Table Lamp
	033508-02-000	EA	Light - Dome - Ivory - 1 Bulb
	033508-02-000	EA	Light - Dome - Ivory - 2 Bulb
	008216-01-000	EA	Bulb - 12V - #1141
	068349-02-W13	EA	Trim - Dome Light - 2 Bulb - Oak
	068349-01-W13	EA	Trim - Dome Light - 1 Bulb - Oak
	061424-01-000	EA	Light - 12V - Aisle
	008103-01-000	EA	Bulb - 12V - #53
	078424-02-000	EA	Fluorescent Light - 12V DC - 18"
	078424-02-700	EA	Bulb - Fluorescent
	078424-02-701	EA	Lens - Fluorescent Light - 18"
	079926-01-000	EA	Lamp - Flex Arm (w/Bulb #6411 NA Separately)
	082169-01-000	EA	Light - Make-up - 3 Bulb
	081633-01-700	EA	Bulb - Make-up
	091937-01-000	EA	Light - Fluorescent - 12V Recessed
	091937-02-000	EA	Lens - Recessed Fluorescent Light - 12V
	091937-03-000	EA	Bulb - Fluorescent Light
	087894-02-000	EA	Light - Wardrobe w/Switch
	087894-01-700	EA	Bulb - #GE781
	088937-04-000	EA	Light - Dome - Surface - No Switch
	088937-01-700	EA	Lens - Dome Light - Surface
	008215-01-000	EA	Bulb - 12V - #1003
	072353-08-000	EA	Light - Reading - 380° Swivel - Brass
	008215-01-000	EA	Bulb - 12V - #1003
	081909-01-000	EA	Light Strip - 18" Clear
	083277-01-000	EA	Light - Surface Mount - 12V
	066280-01-700	EA	Bulb - 12V - #Apr 1089
	077026-01-000	EA	Lens - Courtesy - Clear (Front Doors & Beverage Tray)
	077000-01-000	EA	Socket Asm - w/9" Leads - Courtesy Light
	036196-01-000	EA	Bulb - 12V - #194

ELECTRICAL GROUP (CONTINUED)

EXTERIOR LIGHTS

Key	Part Number	U/M	Description
	008089-01-000	EA	Porch Light - Recessed
	008215-01-000	EA	Bulb - 12V - #1003
	091981-01-000	EA	Gasket - Porch Light
	008089-01-700	EA	Lens - Recessed Porch Light
	061424-01-000	EA	Aisle Light - 12V
	008103-01-000	EA	Bulb - 12V - #53
	087201-01-000	EA	Light - Dump Valve
	076795-01-000	EA	Light - License Plate
	077190-01-000	EA	Wire Asm - License Plate Light
	088747-01-000	EA	Fog Lamp Asm - Clear Lens
	088747-01-700	EA	Cover - Fog Light
	076343-01-000	EA	Lamp Asm - Park/Turn - Clear Lens - Left
	076343-02-000	EA	Lamp Asm - Park/Turn - Clear Lens - Right
	008103-01-000	EA	Bulb - 12V - #53
	075459-04-000	EA	Lamp Asm - Tail Light - Red
	075459-05-000	EA	Lamp Asm - Turn Light - Amber
	075459-06-000	EA	Lamp Asm - Backup Light - Reflex
	037935-01-000	EA	Bulb - 12V - #1157
	081237-01-000	EA	Light Asm - Cab Marker Light - Amber
	081237-02-000	EA	Light Asm - Cab Marker Light - Red
	008214-01-000	EA	Bulb - 12V - #67
	078910-01-000	EA	Bezel - Headlamp - Chrome - Passengers
	078910-02-000	EA	Bezel - Headlamp - Chrome - Drivers
	049185-01-000	EA	Headlamp Capsule Asm - Rectangular - Left - High/Low Beam
	049186-01-000	EA	Headlamp Capsule Asm - Rectangular - Right - High/Low Beam
	049187-01-000	EA	Headlamp Capsule Asm - Rectangular - Left - High Beam
	049188-01-000	EA	Headlamp Capsule Asm - Rectangular - Right - High Beam
	049359-01-000	EA	Spring - Headlamp Retainer
	073308-01-000	EA	Screw - Headlamp Adjusting
	075680-01-000	EA	Lens Asm - Sidemarker - Amber
	075680-02-000	EA	Lens Asm - Sidemarker - Red
	087789-03-000	EA	Socket Asm - Sidemarker Light
	036196-01-000	EA	Bulb - 12V - #194

WINDSHIELD WIPERS & WASHERS

Key	Part Number	U/M	Description
**	058000-02-000	EA	Washer Asm - Windshield
	067191-02-700	EA	Wiper Motor Asm.
	067192-01-000	EA	Link Asm - Connecting - Left - 39"
	067193-01-000	EA	Link Asm - Short Connecting - 7"
	067193-02-000	EA	Link Asm - Short Connecting - 8 1/2"
	067193-03-000	EA	Link Asm - Short Connecting - 8 5/8"
	067190-04-000	EA	Shaft & Pivot
	067188-01-000	EA	Stud - Crank - Wiper
**	072472-04-000	EA	Arm - Windshield Wiper - 29" - Black
**	049464-03-000	EA	Blade - Windshield Wiper - 20" - Black
**	049464-03-700	EA	Blade Retl - Wiper
**	The illustrated parts breakdown for this item is provided on the Common Items Fiche		

**1989 ITASCA
TABLE OF CONTENTS**

IC/JP34RU	A-01 - D-06
ICP37RQ	D-07 - G-20

**1989 IC/JP34RU
INDEX**

Floor Plan	A-01 - A-02
Accessories Group	A-03 - A-07
Bath Group	A-08 - A-09
Chassis Group	A-10 - A-16
Curtain, Cushion & Pad Group	A-17 - B-10
Dinette Group	B-11 - B-14
Driver's Compartment	B-15 - B-19
Electrical Group	B-20 - B-23
Exterior Body Group	B-24 - C-05
Galley Group	C-06 - C-08
Heating & Air Conditioning Group	C-09
Interior Finish Group	C-10 - C-12
LP Group	C-13
Lounge Group	C-14 - C-15
Water & Sewage	C-15 - C-16
Window, Vent & Exterior Door Group	C-17 - D-06

ELECTRICAL GROUP (CONTINUED)

WIRES, SWITCHES & RECEPTACLES

Key	Part Number	U/M	Description
	008286-01-000	EA	Box - Electrical - 3" x 3 5/8" - Plastic
	008289-01-000	EA	Box - Electrical - 4" x 4" - 1/2 & 3/4 Steel - UL
	058049-01-000	EA	Box - Electrical - 2" x 3" x 2.25" - Steel
	008288-02-000	EA	Box - Electrical - 3 9/16" x 1 1/2" x 1 8/16" - Plastic
	041953-01-000	FT	Conduit - Convolute Slt - .5" I.D.
	041953-03-000	FT	Conduit - Convolute Slt - 1" I.D.
	008353-01-000	EA	Connector - Clamping - 3/8 Cable - UL & CSA
	058028-01-000	EA	Connector - Pigtail - Clear Nylon
	008311-01-000	EA	Connector - Wire Nut - Red
	008305-01-000	EA	Connector - Butt - Blue - 18/14
	008306-01-000	EA	Connector - Plastic - 3/8"
	008314-01-000	EA	Connector - Wire Nut - Gray
	031988-01-000	EA	Contact Plug - Brass - Tin Plated
	031987-01-000	EA	Contact - Receptacle
	008054-01-000	EA	Cord - Power - 10-3 30 Amp - 25' - UL
	008052-01-000	EA	Cord - Power - 10-3 30 Amp - 25' - CSA
	008238-01-000	EA	Cover - Electrical Box - 4" x 4"
	008294-01-000	EA	Cover - Flat Blank - 4" x 4" - Steel - US
	064399-01-000	EA	Housing Arm - Trailer Pin
	064450-01-000	EA	Housing Arm - Trailer Plug
	064398-01-000	EA	Housing Arm - Trailer Receptacle
	054532-02-000	EA	Housing Pin - 4 Position
	054532-01-000	EA	Housing Pin - 6 Position
	075738-03-000	EA	Receptacle/Cover Arm - Beige (Exterior)
	058708-01-000	EA	Receptacle - Duplex - Brown
	024924-02-000	EA	Receptacle - Power Cord
	058707-01-000	EA	Receptacle - Single - Brown
	064078-01-000	EA	Receptacle - GFI - 15A - 125 V - Ivory
	066273-01-000	EA	Relay - Battery Disconnect
	063912-01-000	EA	Relay - Canister SPDT w/Ground
	075723-01-000	EA	Switch - Block Spacer - w/o Holes
	075723-02-000	EA	Switch - Block Spacer - w/Holes
	056264-01-000	EA	Switch - Leaf Actuator
	079363-01-000	EA	Switch Plate - Single - w/Switches
	079384-01-000	EA	Switch - On/Off Rocker - Brown
	076759-01-000	EA	Switch - SPST - Lock/Lock
	076759-03-000	EA	Switch - SPST - Lock/Lock/Lock
	076759-04-000	EA	Switch - SPDT - Mom/Lock/Mom
	076759-05-000	EA	Switch - SPDT - Lock/Lock/Mom
	076759-06-000	EA	Switch - Dummy
	076759-07-000	EA	Switch - SPST - Mom/Off/Lock (NC)
	077942-02-000	EA	Switch - Dummy - Brown
	079362-04-000	EA	Switch Plate - 4 Gang - 2 Switch
	081086-02-000	EA	Switch Plate - 2 Gang - 2 Switch
	090351-01-000	EA	Switch - Door Lock
	072153-01-000	EA	Switch - Cab Door
	047443-02-000	EA	Terminal - 250 Receptacle - 12-10 AWG
	008348-01-000	EA	Terminal Ring - 2 - w/ 3/8 Stud
	008331-01-000	EA	Terminal Ring - 4 - w/ 3/8 Stud
	008328-01-000	EA	Terminal Ring - 12/10 Wire
	008028-01-000	FI	Wire - 18.5 Bonded - Blue/Red/Yellow/Orange/White
	008024-01-000	FT	Wire - 18.5 Bonded - Orange/White/Yellow/Blue/Brown
	008025-01-000	FT	Wire - 18.5 Bonded - Orange/White/Yellow/Blue/Green
	008026-01-000	FT	Wire w/Ground - Romex - 12/2
	008343-01-000	EA	Wire Tie - 8"

EXTERIOR BODY GROUP

LABELS & EXTERIOR PAINT

Key	Part Number	U/M	Description
	091243-01-000	EA	Label - A/C Cover
	074983-01-000	EA	Label - Air Conditioner Selector
	087238-01-000	EA	Label - Cable Input
	068383-01-000	EA	Label - Diesel Fuel
	008195-01-000	EA	Label - Electrical Test
	047721-01-000	EA	Label - Emergency Exit
	000198-01-000	EA	Label - Exit - Escape Window
	064378-01-000	EA	Label - Flying 'W' w/Thermal Panel
	061417-01-000	EA	Label - Fuel
	067207-02-000	EA	Label - Fuel Cap Removal
	008196-01-000	EA	Label - Gas Test
	054531-01-000	EA	Label - LP Gas Only
	073998-01-000	EA	Label - LPG Odor Warning
	040944-01-000	EA	Label - Open - Entrance Door
	008015-01-000	EA	Label - Patent Motor Home
	056259-01-000	EA	Label - Safety Check List
	008064-01-000	EA	Label - Seat - w/o Seat Belts
	006187-01-000	EA	Label - Sewage
	067238-02-000	EA	Label - TV Outlet
	015221-01-000	EA	Label - Trailer Hitch Capacity
	075220-01-000	EA	Label - Warning - Exterior Load Limit
	077956-01-000	EA	Label - Warning - Smoke Detector
	050225-01-000	EA	Label - Warning - Stove Vent - US
	006188-01-000	EA	Label - Waste Water
	008197-01-000	EA	Label - Water Test
	077927-01-000	EA	Label - Warning - Wheel Nuts
	060342-01-000	EA	Label - Vapor Relief
	072863-01-000	EA	Nameplate - Diesel - 6.2L
	008062-01-000	EA	Tag - Electrical - 110 Volt Connector
	008040-01-000	EA	Tag - Gas - Refueling Warning
	074558-01-000	EA	Label "LPG" - 3 3/4" x 1 7/8" - (Call Code)
	008019-01-000	EA	Tag - RV Approved - Plastic
	065748-01-000	EA	Label - Caution - Battery Charging
	077510-01-000	EA	Label - Generator Prep
	061808-01-000	EA	Label - Overlay - Vehicle Certificate
	079886-01-000	EA	Label - Warning - Stowed-In Motion
	067237-01-000	EA	Label - Certification
	068757-01-000	EA	Label - Retail - 8 5/8" x 1 7/8"
	090424-01-000	EA	Label - No Smoking

LAMINATE FIBERGLASS, ALUMINUM & STYROFOAM

Key	Part Number	U/M	Description
	064882-02-700	EA	Panel - Mindboard - Gray
	044487-01-001	EA	Aluminum - Mill Finish - No Design (Roof) - 96" x 360"
	000888-01-000	SF	Styrofoam - 3/4" x 24" x 96"
	000870-02-000	SF	Styrofoam - 1 5/8" x 48" x 96"
	000870-03-000	SF	Styrofoam - 1 3/4" x 48" x 96"
	063574-01-000	SF	Styrofoam - 1 5/8" x 24" x 85.25"

MISCELLANEOUS EXTERNALLY MOUNTED PARTS

Key	Part Number	U/M	Description
	063558-02-000	EA	Plumbing Seal - Roof Vent - 1 1/2" - Covered
	067658-03-000	EA	Fill - City Water - Recessed - Gray
	061240-02-000	EA	Water Fill - Lockable - Gray
	073050-02-000	EA	Mounting Clip - Valance Panel

1989 ITASCA TABLE OF CONTENTS

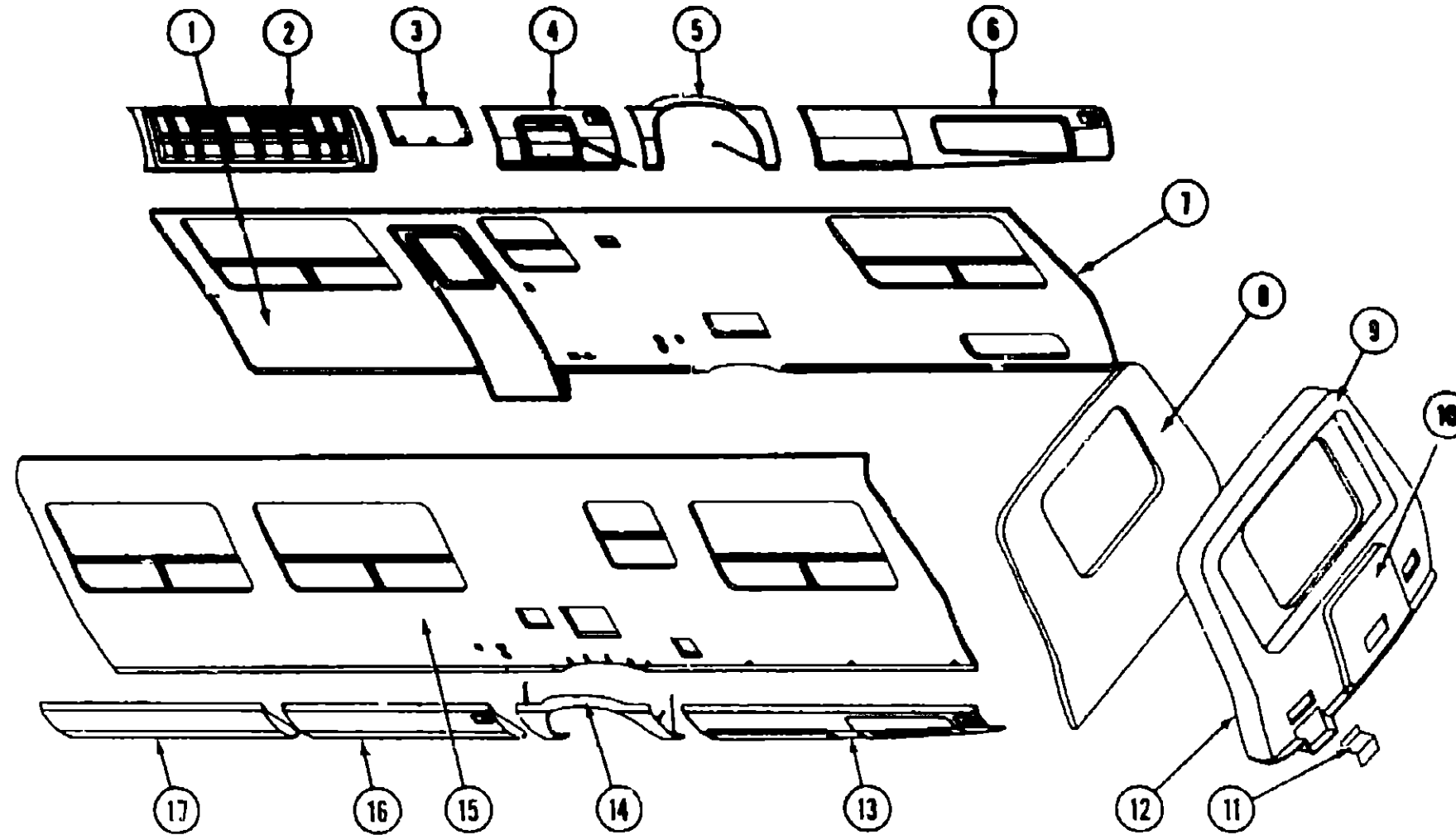
IC/JP34RU	A-01 - D-06
ICP37RU	D-07 - G-20

1989 IC/JP34RU INDEX

Floor Plan	A-01 - A-02
Accessories Group	A-03 - A-07
Bath Group	A-08 - A-09
Chassis Group	A-10 - A-16
Curtain, Cushion & Pad Group	A-17 - B-10
Dinette Group	B-11 - B-14
Driver's Compartment	B-15 - B-19
Electrical Group	B-20 - B-23
Exterior Body Group	B-24 - C-05
Galley Group	C-06 - C-08
Heating & Air Conditioning Group	C-09
Interior Finish Group	C-10 - C-12
LP Group	C-13
Lounge Group	C-14 - C-15
Water & Sewage	C-15 - C-16
Window, Vent & Exterior Door Group	C-17 - D-06

EXTERIOR BODY GROUP (CONTINUED)

EXTERIOR BODY PANELS



Key	Part Number	U/M	Description
1	M32115-01-Y77	EA	Sidewall Asm. - Passenger
1	M92115-01-Y78	EA	Sidewall Asm. - Passenger
1	M92115-01-Y79	EA	Sidewall Asm. - Passenger
2	085037-01-X75	EA	Valance Panel - Right Front (Door)
3	088664-01-X75	EA	Valance Panel - Entrance Door
4	M02586-40-X75	EA	Valance Panel - Right
5	088356-03-Y77	EA	Wheelwell - Trim - Rear - Gray
6	M02586-41-X75	EA	Valance Panel - Right Rear
7	086922-03-000	EA	Fiberglass Trim - Right Rear - Gray
6	085182-01-Y77	EA	Backwall Asm
6	085182-01-Y78	EA	Backwall Asm (Y78, Y79)
9	086923-03-000	EA	Rear Cap Panel
10	M01990-03-X75	EA	Spare Tire Cover

U/M	Description
EA	Sidewall Asm. - Passenger
EA	Sidewall Asm. - Passenger
EA	Sidewall Asm. - Passenger
EA	Valance Panel - Right Front (Door)
EA	Valance Panel - Entrance Door
EA	Valance Panel - Right
EA	Wheelwell - Trim - Rear - Gray
EA	Valance Panel - Right Rear
EA	Fiberglass Trim - Right Rear - Gray
EA	Backwall Asm
EA	Backwall Asm (Y78, Y79)
EA	Rear Cap Panel
EA	Spare Tire Cover

Key	Part Number	U/M	Description
11	077137-02-000	EA	Door Asm - Sewer Hose Compartment - Gray
12	086922-04-000	EA	Fiberglass Trim - Rear Left - Gray
13	M02586-42-X75	EA	Valance Panel - Rear Left
14	088358-02-X75	EA	Wheelwell Trim - Rear - Gray
15	M92111-01-Y77	EA	Sidewall Asm - Driver
15	M92111-01-Y78	EA	Sidewall Asm - Driver
15	M92111-01-Y79	EA	Sidewall Asm - Driver
16	090552-01-X75	EA	Valance Panel (Door)
17	085037-02-X75	EA	Valance Panel - Front (Door)

U/M	Description
EA	Door Asm - Sewer Hose Compartment - Gray
EA	Fiberglass Trim - Rear Left - Gray
EA	Valance Panel - Rear Left
EA	Wheelwell Trim - Rear - Gray
EA	Sidewall Asm - Driver
EA	Sidewall Asm - Driver
EA	Sidewall Asm - Driver
EA	Valance Panel (Door)
EA	Valance Panel - Front (Door)
EA	Floor Asm
EA	Roof Trim - 180" - Gray
EA	Inside Trim - Rear Wheelwell - Right/Left - Steel
EA	Trim - Sidewall to Roof - Interior - Off White Vinyl
EA	Brace - Floor to Valance - 13 21"
EA	Brace - Floor to Valance - 17"

1989 ITASCA TABLE OF CONTENTS

IC/JP34RU
ICP37RQ

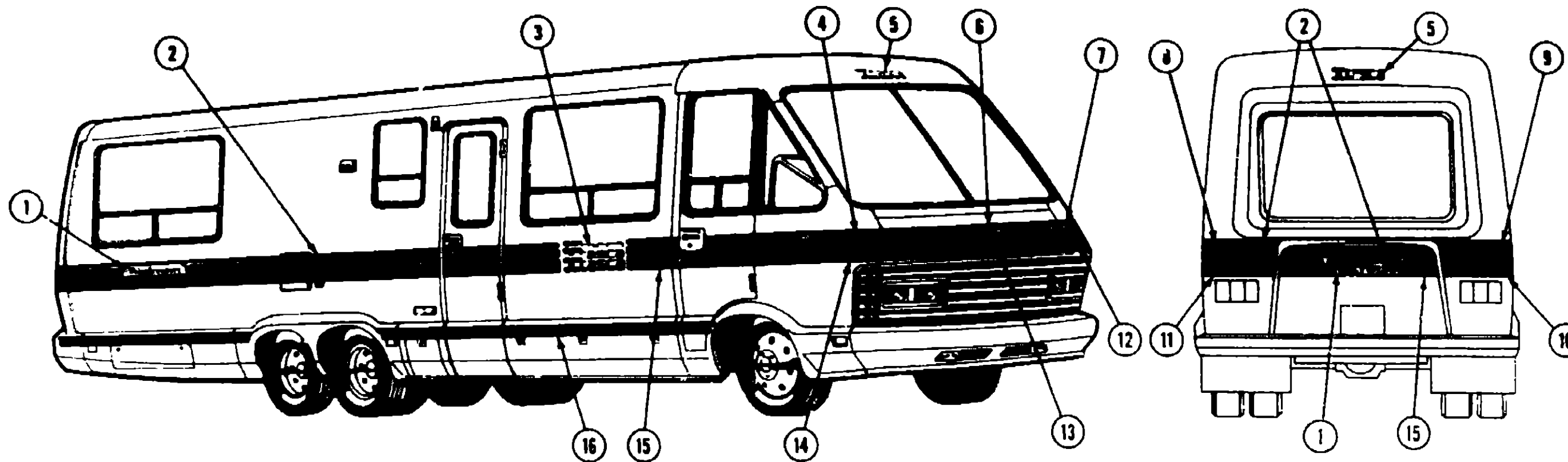
A-01 - D-06
D-07 - G-20

1989 IC/JP34RU INDEX

Floor Plan	A-01 - A-02
Accessories Group	A-03 - A-07
Bath Group	A-08 - A-09
Chassis Group	A-10 - A-16
Curtain, Cushion & Pad Group	A-17 - B-10
Dinette Group	B-11 - B-14
Driver's Compartment	B-15 - B-19
Electrical Group	B-20 - B-23
Exterior Body Group	B-24 - C-05
Galley Group	C-06 - C-08
Heating & Air Conditioning Group	C-09
Interior Finish Group	C-10 - C-12
LP Group	C-13
Lounge Group	C-14 - C-15
Water & Sewage	C-15 - C-18
Window, Vent & Exterior Door Group	C-17 - D-06

EXTERIOR BODY GROUP (CONTINUED)

DECALS & FILMSTRIPE



**1989 ITASCA
TABLE OF CONTENTS**

IC/JP34RU
ICP37RQ

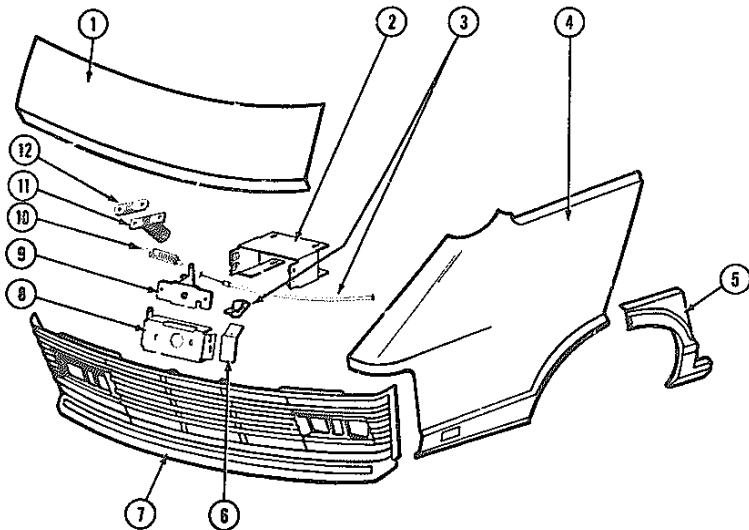
A-01 - D-06
D-07 - G-20

Key	Part Number	U/M	Description
1	078336-03-000	EA	Decal - "Windcruiser"
2	093680-11-01A	FT	Film - Multistripe - 4 6" x 150' - Blue/Rose (Y77, Y79)
2	093680-11-02A	FT	Film - Multistripe - 4 6" x 150' - Dark Rose/Rose (Y78)
3	093715-01-01A	EA	Decal "Itasca" Layered - Rose/Blue/Gray (Y77, Y79)
3	093715-01-02A	EA	Decal "Itasca" Layered - Rose/Dark Rose/Burgundy (Y78)
4	093709-01-01A	EA	Decal - Front Corner - Upper Passengers - Blue/Rose (Y77, Y79)
4	093709-01-02A	EA	Decal - Front Corner - Upper Passengers - Dark Rose/Rose (Y78)
5	069227-06-000	EA	Decal "Itasca" 3 7" x 15 82" - Black
6	093714-01-01A	EA	Decal - Hood - Upper - Blue/Rose (Y77, Y79)
6	093714-01-02A	EA	Decal - Hood - Upper - Dark Rose/Rose (Y78)
7	093709-02-01A	EA	Decal - Front Corner - Upper Drivers - Blue/Rose (Y77, Y79)
7	093709-02-02A	EA	Decal - Front Corner - Upper Drivers - Dark Rose/Rose (Y78)
8	093711-02-01A	EA	Decal - Rear Corner - Upper Drivers - Blue/Rose (Y77, Y79)
8	093711-02-02A	EA	Decal - Rear Corner - Upper Drivers - Dark Rose/Rose (Y78)
9	093711-01-01A	EA	Decal - Rear Corner - Upper Passengers - Blue/Rose (Y77, Y79)
9	093711-01-02A	EA	Decal - Rear Corner - Upper Passengers - Dark Rose/Rose (Y78)
10	093712-01-01A	EA	Decal - Rear Corner - Lower Passengers - Gray (Y77, Y79)
10	093712-01-02A	EA	Decal - Rear Corner - Lower Passengers - Burgundy (Y78)
11	093712-02-01A	EA	Decal - Rear Corner - Lower Drivers - Gray (Y77, Y79)
11	093712-02-02A	EA	Decal - Rear Corner - Lower Drivers - Burgundy (Y78)
12	093710-02-01A	EA	Decal - Front Corner - Lower Drivers - Gray (Y77, Y79)
12	093710-02-02A	EA	Decal - Front Corner - Lower Drivers - Burgundy (Y78)
13	093713-01-01A	EA	Decal - Hood - Lower - Gray (Y77, Y79)
13	093713-01-02A	EA	Decal - Hood - Lower - Burgundy (Y78)
14	093710-01-01A	EA	Decal - Front Corner - Lower Passengers - Gray (Y77, Y79)
14	093710-01-02A	EA	Decal - Front Corner - Lower Passengers - Burgundy (Y78)
15	093681-04-01A	FT	Film - Multistripe - 4" x 150' - Gray (Y77, Y79)
15	093681-04-02A	FT	Film - Multistripe - 4" x 150' - Burgundy (Y78)
16	093680-01-03A	FT	Film - Multistripe - 2 9" x 150' - Blue/Rose (Y77, Y79)
16	093680-01-04A	FT	Film - Multistripe - 2 9" x 150' - Dark Rose/Rose (Y78)

**1989 IC/JP34RU
INDEX**

Floor Plan	A-01 - A-02
Accessories Group	A-03 - A-07
Bath Group	A-08 - A-09
Chassis Group	A-10 - A-16
Curtain, Cushion & Fxrl Group	A-17 - B-10
Dinette Group	B-11 - B-14
Driver's Compartment	B-15 - B-19
Electrical Group	B-20 - B-27
Exterior Body Group	B-28 - C-05
Galley Group	C-06 - C-08
Heating & Air Conditioning Group	C-09
Interior Finish Group	C-10 - C-12
LP Group	C-13
Lounge Group	C-14 - C-15
Water & Sewage	C-15 - C-16
Window, Vent & Exterior Door Group	C-17 - D-06

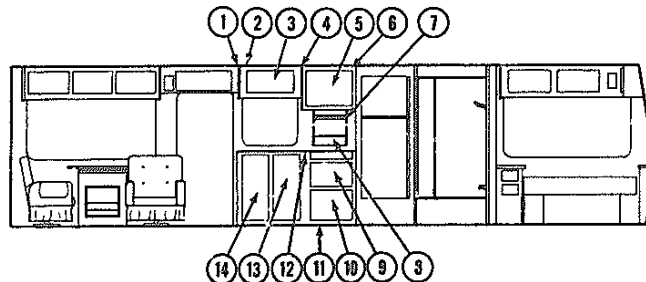
EXTERIOR BODY GROUP (CONTINUED)



EXTERIOR BODY PANELS & HARDWARE

Key	Part Number	U/M	Description
1	084759-01-W36	EA	Hood Panel
	076716-02-000	EA	Bracket Asm. - Striker - Latch
	058786-02-000	EA	Hood Bolt - Adjusting
	M02680-01-U16	EA	Hinge Asm. - Hood - Passenger
	M02680-02-U16	EA	Hinge Asm. - Hood - Driver
	076767-02-000	EA	Cable Asm. - 1/16" x 16.5" - Stainless Steel
	091955-01-000	EA	Squeegee - Extended Handle
	091952-01-000	EA	Clip - 1" Gripper - Squeegee
	093527-01-000	EA	Bracket - Squeegee
2	073342-01-000	EA	Bracket Asm. - Hood Latch
3	077064-01-000	EA	Cable - Hood Release - w/Clamp
4	084751-04-W36	EA	Fender Panel - Front - Driver
	084751-03-W36	EA	Fender Panel - Front - Passenger
	084714-04-000	EA	Fender Panel - Rear - Driver
	084714-05-000	EA	Fender Panel - Rear - Passenger
6	077407-01-000	EA	Bracket - Hood Cable Release (Mounts under the hood)
	077406-01-000	EA	Bracket - Hood Cable Release (Mounts under the dash)
7	098440-01-700	EA	Grille - Panel Asm. - Lower
	088252-01-000	FT	Chrome Trim - 5/8" - Adhesive Back
	076739-01-000	EA	Bracket - Grille Hanger - Inner - Passenger
	076739-02-000	EA	Bracket - Grille Hanger - Inner - Driver
8	073336-02-000	EA	Bracket - Mounting - Latch
9	R77007-51-429	EA	Latch Asm. - Hood
10	R77006-38-499	EA	Spring - Hood Release
11	R77007-01-950	EA	Striker & Spring - Hood Latch
12	R77006-68-172	EA	Shim - Spacer Plate
	076772-01-000	EA	Clip - Prop Rod
	076837-01-000	EA	Prop Rod
	075764-05-000	EA	Roof Cap - Front Cab - Primed

GALLEY GROUP



GALLEY CABINETRY

Key	Part Number	U/M	Description
1	085468-02-W36	EA	End Cap - Galley Overhead - Front
2	M03110-84-Y77	EA	Cabinet Asm. - Galley Overhead - w/o Doors or Hardware
3	M88304-D5-Y77	EA	Door Asm. - Galley Overhead - w/o Hardware - 12.1" x 28.2"
4	085471-01-W36	EA	End Cap - Galley Overhead - Rear
5	M88304-80-Y77	EA	Door Asm. - Range Overhead - w/o Hardware - 17.82" x 23"
6	M03110-07-Y77	EA	Cabinet Asm. - Range Overhead - Microwave - w/o Door or Hardware
7	092488-01-Y77	EA	Holder - Paper Towel
8	0992487-02-Y77	EA	Spice Rack Asm.
9	M82184-09-Y77	EA	Drawer Asm. - Galley - w/o Clip
10	M88304-33-Y77	EA	Door Asm. - Furnace - 15.94" x 21.85" - w/o Hardware
11	M92611-01-Y77	EA	Cabinet Asm. - Galley w/o Doors, Drawers, Countertop or Hardware
12	093811-13-Y21	EA	Countertop Asm. - Galley
13	M88304-32-Y77	EA	Door Asm. - Galley Cabinet - 14.37" x 33.46" - w/o Hardware
14	M88304-31-Y77	EA	Door Asm. - Galley Cabinet - 14.37" x 33.46" - w/o Hardware

GALLEY HARDWARE

Key	Part Number	U/M	Description
	093853-01-Y21	EA	Sink Cover - Large
	093526-01-000	EA	Sink - Stainless Steel - Double - 25" x 19"
	092303-01-000	EA	Strainer - w/Basket - Sink
	091254-01-000	EA	Gasket - Galley Faucet
	064952-01-000	EA	Faucet - Swing Spout - Single Control
	058334-01-000	EA	Wastebasket - 9 3/4" x 7" x 10" - White
	063478-01-000	EA	Support - Wastebasket
	077409-02-000	EA	Drawer Slide - Plastic - 20.75"
	077404-02-000	EA	Drawer - Plastic - 20" x 12.7"
	037688-01-000	EA	Drawer Rail - V-Guide
	059777-02-000	EA	Hinge - Antique - Light Brass
	093153-01-000	EA	Cutting Board - Maple
	054450-01-000	EA	Level - Refrigerator
	093551-01-000	EA	Door Pull - Polished Brass
	093579-01-000	EA	Door Pull - Polished Chrome & Brass
	061376-01-000	EA	Back Plate - Door Pull - Polished Brass
	093238-01-Y77	EA	Cover - Oak Knife Holder - Above Countertop
	093282-01-000	EA	Bonnet Asm. - Knife Holder - Below Countertop
	084468-04-000	EA	Slide Asm. - Cabinet - Right
	084468-05-000	EA	Slide Asm. - Cabinet - Left
	084468-02-000	EA	Slide Asm. - Drawer - Right
	084468-03-000	EA	Slide Asm. - Drawer - Left

1989 ITASCA TABLE OF CONTENTS

IC/JP34RU
ICP37RQ

A-01 - D-06
D-07 - G-20

1989 IC/JP34RU INDEX

Floor Plan	A-01 - A-02
Accessories Group	A-03 - A-07
Bath Group	A-08 - A-09
Chassis Group	A-10 - A-16
Curtain, Cushion & Pad Group	A-17 - B-10
Dinette Group	B-11 - B-14
Driver's Compartment	B-15 - B-19
Electrical Group	B-20 - B-23
Exterior Body Group	B-24 - C-05
Galley Group	C-06 - C-08
Heating & Air Conditioning Group	C-09
Interior Finish Group	C-10 - C-12
LP Group	C-13
Lounge Group	C-14 - C-15
Water & Sewage	C-15 - C-16
Window, Vent & Exterior Door Group	C-17 - D-06

GALLEY GROUP (CONTINUED)

GALLEY APPLIANCES

Key	Part Number	U/M	Description
Thru 7/24/88	084880-02-000	EA	Refrigerator - 3-Way - Large Double Door - Norcold 8883
	084880-01-701	EA	Cooling Unit
	084880-03-703	EA	Lower Door Handle
	084880-01-702	EA	Cabinet Asm - Foamed
	084880-01-703	EA	Liner - Lower Door - Foamed w/Frame
	084880-01-704	EA	Panel Holder - Lower Door
	084880-01-705	EA	On/Off
	084880-01-706	EA	DC Light Bulb
	084880-01-707	EA	Heater (3 Way)
	084880-01-708	EA	Baffle Asm.
	084880-01-709	EA	Lamp Socket
	084880-01-710	EA	Ignition Electrode
	084880-01-711	EA	Sensor Electrode
	075217-01-737	EA	Control Module - Renewal
	084880-01-713	EA	Male Connector - Inlet Fitting
	084880-01-714	EA	Burner
	084880-01-715	EA	Valve - Manual Shut Off
	084880-01-716	EA	Burner Tube
	084880-01-718	EA	Gas Valve
	084880-01-719	EA	Brass Elbow
	084880-01-720	EA	Spring (For Door Handle)
	084880-01-721	EA	Cover - Power Supply
	084880-01-722	EA	Cover - Crisper
	084880-01-723	EA	Board - Power Supply (3 Way)
	084880-01-724	EA	Hinge Plate - Bottom
	084880-01-725	EA	Hinge Plate - Top
	084880-01-726	EA	Hinge Bracket - Center
	084880-01-727	EA	Upper Door - Gasket
	084880-01-728	EA	Lower Door - Gasket
	084880-01-729	EA	Eyebrow (3 Way)
	084880-01-730	EA	Crisper
	084880-01-731	EA	Hinge Pin
	084880-01-732	EA	Latch
	084880-01-733	EA	Dairy Keeper
	084880-01-734	EA	Bracket - Hinge - Right
	084880-01-735	EA	Bracket - Hinge - Left
	084880-01-736	EA	Light Switch (Brown)
	084880-01-737	EA	Liner - Upper Door - Foamed w/Frame
	084880-01-739	EA	End Cap - Spring Catch
	084880-01-740	EA	End Cap - Stop Catch
	084880-01-741	EA	Humidity Switch
	084880-01-742	EA	Trim - Lower Seal
	084880-01-744	EA	Shaft - Hinge Pin - Center
	084880-01-745	EA	Bushing - Hinge
	084880-01-746	EA	Cable
	084880-01-747	EA	Hole Plug
	084880-01-748	EA	Snap In Plug
	084880-01-749	EA	Bushing - Hinge
From 7/25/88	094039-02-000	EA	Refrigerator - 3 Way - Large Double Door - Norcold 683

GALLEY GROUP (CONTINUED)

GALLEY APPLIANCES (CONT.)

Key	Part Number	U/M	Description
	082886-01-01A	EA	Range Hood - w/Monitor Panel - Almond - US
	082886-03-700	EA	Chassis - Hood - w/Wiring (Alarm)
	082886-03-701	EA	Control Panel Asm
	082886-03-702	EA	Face Plate - Control Panel
	082886-01-02A	EA	Vent - w/Door
	084782-02-000	EA	Range - 4 Burner - Almond Top
	084782-02-700	EA	Top - Main - 4 Burner - Almond
	084782-02-701	EA	Deflector Plate - Black
	084782-02-702	EA	Trim - Cab - Right - Black
	084782-02-703	EA	Trim - Cab - Left - Black
	084782-02-704	EA	Trim - Lower Outside Glass - Black
	084782-02-705	EA	Handle - Oven Door - Black
	084782-02-706	EA	Trim - Vertical - Black
	084782-02-707	EA	Panel - Manifold
	084782-02-708	EA	Valve - Mercury
	084782-02-709	EA	Glass - Oven Door
	084782-02-710	EA	Clip - Glass Holder
	084782-02-711	EA	Main Top - 4 Burner - Square - Almond
	084782-02-712	EA	Grate - Top Burner Square
	084782-02-713	EA	Gas Regulator
	084782-02-714	EA	Nipple - 1/8"
	084782-02-715	EA	Grate Clip
	085280-04-000	EA	Burner Cover - Bi-Fold - Almond
	085280-03-000	EA	Burner Cover - Bi-Fold - Almond - Range Top
	081374-03-000	EA	Range Top - 4 Burner - Almond
	081374-03-700	EA	Trim - Cab - Left
	081374-03-701	EA	Trim - Cab - Right
	081374-03-703	EA	Trim Top Rear
	088737-01-000	EA	Microwave - Oven - Convection - Magic Chef
	088737-01-700	EA	Control
	088737-01-701	EA	Frame Panel
	088737-01-702	EA	Touch Panel Asm
	088737-01-703	EA	Door Frame
	088737-01-704	EA	Glass - Outside Door
	088737-01-705	EA	Trim - Upper Frame Inner
	088737-01-706	EA	Cabinet
	088737-01-707	EA	Fuse
	088737-01-708	EA	Transformer - H.V.
	088737-01-709	EA	Trim
	088737-01-710	EA	Lamp - 30 Watt Oven
	088737-01-711	EA	Relay - Complete
	088737-01-712	EA	Trim
	088737-02-000	EA	Frame Kit - Microwave Oven

**1989 ITASCA
TABLE OF CONTENTS**

IC/JP34RU	A-01 - D-08
ICP37RQ	D-07 - G-20

**1989 IC/JP34RU
INDEX**

Floor Plan	A-01 - A-02
Accessories Group	A-03 - A-07
Bath Group	A-08 - A-09
Chassis Group	A-10 - A-16
Curtain, Cushion & Pad Group	A-17 - B-10
Dinette Group	B-11 - B-14
Driver's Compartment	B-15 - B-19
Electrical Group	B-20 - B-23
Exterior Body Group	B-24 - C-05
Galley Group	C-06 - C-08
Heating & Air Conditioning Group	C-09
Interior Finish Group	C-10 - C-12
LP Group	C-13
Lounge Group	C-14 - C-15
Water & Sewage	C-15 - C-16
Window, Vent & Exterior Door Group	C-17 - D-06

HEATING & AIR CONDITIONING GROUP

FURNACE

Key	Part Number	U/M	Description
	080038-05-000	EA	Furnace - 30,000 BTU - w/Electronic; Suburban
	081385-01-000	EA	Thermostat (Wall Mount)
	080038-05-700	EA	Thermostat
	080038-05-701	EA	Combustion Chamber #X020088
	080038-05-702	EA	Manifold Gas/Let
	080038-05-703	EA	Manifold Pipe Arm
	080038-05-704	EA	Combustion Chamber #0390385
	080038-05-705	EA	Wheel - Combustion Air
	080038-05-706	EA	Combustion Air Housing
	080038-05-707	EA	Gasket Motor
	080038-05-708	EA	Gasket - Crossover Tube (Housing)
	080038-05-709	EA	Crossover Tube Arm
	080038-05-710	EA	Gasket - Crossover Tube (Chamber)
	080038-05-711	EA	Blower Housing Arm
	084405-01-000	EA	Heate Arm - Rear - Ducted
	084405-01-700	EA	Heater Core
	084405-01-701	EA	Fan
	084405-01-702	EA	Motor - 12 Volt
	009188-01-000	FT	Duct - Flexible - 4" I.D. x 25'
	056484-01-000	EA	Register - 4" Dia. - Plastic - w/Damper
	056484-02-000	EA	Register - 4" Dia. - Plastic - w/o Damper
	009200-01-000	EA	Tape - Furnace - 1 1/2"

ROOF AIR CONDITIONER

Key	Part Number	U/M	Description
	093786-01-000	EA	Ceiling Arm - A/C Cool - w/Controls - Coleman 6798A714
	093786-02-000	EA	Ceiling Arm - A/C Cool - w/o Controls - Thermostat Separate - Coleman 6798-720
	093786-03-000	EA	Thermostat - A/C and Furnace - Coleman 6798-8951
	093786-01-03A	EA	Air Conditioner - 110 Volt - Roof Mount - 13,500 BTU Coleman 6798A708

AUTOMOTIVE HEATER & AIR CONDITIONER

Key	Part Number	U/M	Description
	080426-02-000	EA	Heater/Evaporator Arm - w/Pressure Sensor Switch
	080426-02-701	EA	Hose - Liquid
	080426-02-702	EA	Hose - Suction
	080426-02-703	EA	Pressure Switch - Fan
	072342-07-000	EA	Condenser Arm - John Deere
	072343-06-000	EA	Compressor/Clutch - w/Rear Mounting Valve - John Deere
	088744-01-000	EA	Package - Compressor - Mounting - John Deere
	007108-01-000	EA	Hose - Heater - 5/8 I.D. SAE
	031170-01-000	EA	Clamp - Cable - 3/16" Dia
	072341-01-706	EA	Resistor
	072341-01-701	EA	Heater Core
	080426-01-700	EA	Evaporator Coil
	075789-01-705	EA	Expansion Valve
	072341-01-707	EA	Thermostat
	072341-04-706	EA	Blower Motor
	072341-04-707	EA	Blower Wheel
	072341-04-709	EA	Vacuum Motor #1120142
	072341-04-702	EA	Relay
	072341-01-710	EA	Control Head Arm - w/o Decal
	072341-01-714	EA	Heater Control Valve

INTERIOR FINISH GROUP

CABINETRY & TABLE HARDWARE

Key	Part Number	U/M	Description
	059777-02-000	EA	Hinge - Cabinet Door - Brass
	074483-02-000	EA	Overhead Door - Support - Sprung
	041194-01-000	EA	Base - Pedestal Table - Flush Mounts - Floor
	008040-03-000	EA	Bars - Pedestal Table - Raised
	008040-04-300	EA	Leg - Pedestal Table - 27.5" - Brown
	084048-01-000	EA	Clip - Pedestal Table Leg
	079788-01-000	EA	Support - Table - Pullout - Beige
	080728-01-000	EA	Handle - Recessed - Brown Plastic
	079921-01-000	EA	Roller - Nylon w/Shaft
	088254-01-000	EA	Catch - Magnetic
	083579-01-000	EA	Pull - Cabinet - Chrome/Brass
	081378-01-000	EA	Back Plate - Door Pull - Polished Brass
	083588-03-000	EA	Catch - Spring Roller
	083588-04-000	EA	Strike - Steel Spring
	074045-04-000	EA	Plug - 1/2" - Driftwood
	092850-01-000	EA	Guide Wheel - Top Mount - Door
	084486-02-000	EA	Slide Arm - Drawer - Right
	084486-03-000	EA	Slide Arm - Drawer - Left
	084486-04-000	EA	Slide Arm - Cabinet - Right
	084486-05-000	EA	Slide Arm - Cabinet - Left
	047744-01-000	EA	Kit Drawer Glide
	009089-01-000	EA	Clip - Mirror
	084071-02-000	EA	Decorative Rod - Brass
	084070-01-000	EA	Center Post - Decorative Rod - Brass
	084070-02-000	EA	End Post - Decorative Rod - Brass
	C34451-01-000	EA	Catch - TV Shelf - Brass
	052331-10-000	EA	Mirror - Safety Glass - TV Shelf - 14" x 17"
	064781-05-000	EA	Cup Holder - Two Step
	024281-07-000	EA	Bracket - Lower Wall Mount
	053200-05-000	EA	Bracket - Upper Wall Mount
	074275-05-000	EA	Rod - Table Lift
	092593-01-02A	EA	Catch - Table Leg
	088410-01-000	EA	Hanger - Table

MISCELLANEOUS

Key	Part Number	U/M	Description
	053552-02-W24	EA	Handle Arm - Assort - Vinyl
	041944-04-000	EA	Fire Extinguisher - 5BC - w/o Bracket
	084472-01-000	EA	Holder - Plastic - Fire Extinguisher
	094499-01-000	EA	Fire Extinguisher - 10 BC - w/Bracket
	054185-31-000	EA	Owner's Manual - Winnebago/Itasca - 1989
	081072-02-000	EA	Floor Mat - Front - Right - Itasca
	081074-02-000	EA	Floor Mat - Front - Left - Itasca
	081075-02-000	EA	Floor Mat - Entrance - Itasca

PANELING & COUNTERTOP

Key	Part Number	U/M	Description
	074497-11-000	SF	Paneling - Driftwood - 48" x 84" (Cabinets)
	088272-42-000	SF	Paneling - Decor - Aqua - 48" x 84" (Main Wall/Galley) (Y77)
	088272-43-000	SF	Paneling - Decor - Plum - 48" x 84" (Main Wall) (Y78, Y79)
	088272-57-000	SF	Paneling - Decor - Slate - 48" x 84" (Galley) (Y79)
	088283-19-000	SF	Paneling - Bone - Decor (Wet Bath)
	079866-01-000	SF	Paneling - Cedar - Closet
	095217-03-000	SF	Countertop - Avonite - Almond Parchment (Galley)
	074498-26-000	SF	Plastic Laminate - Sterling - Almond Slate (Dinette)
	074498-25-000	SF	Plastic Laminate - Sterling - Driftwood (Cabinets)
	076325-19-000	FT	Edge Molding - Almond (Bath)
	076325-17-000	FT	Edge Molding - Driftwood (Cabinets)

1989 ITASCA TABLE OF CONTENTS

IC/JP34RU	A-01 - D-08
ICP37RQ	D-07 - G-20

1989 IC/JP34RU INDEX

Floor Plan	A-01 - A-02
Accessories Group	A-03 - A-07
Bath Group	A-08 - A-09
Chassis Group	A-10 - A-16
Curtain, Cushion & Pad Group	A-17 - B-10
Dinette Group	B-11 - B-14
Driver's Compartment	B-15 - B-19
Electrical Group	B-20 - B-23
Exterior Body Group	B-24 - C-05
Galley Group	C-06 - C-08
Heating & Air Conditioning Group	C-09
Interior Finish Group	C-10 - C-12
LP Group	C-13
Lounge Group	C-14 - C-15
Water & Sewage	C-15 - C-16
Window, Vent & Exterior Door Group	C-17 - D-06

INTERIOR FINISH GROUP (CONTINUED)

CURTAIN HARDWARE

Key	Part Number	U/M	Description
	029064-04-000	YD	Tape - Loop - 1" Wide - Black
	029066-03-000	YD	Tape - Hook - 1" Wide - Black
	046394-02-000	YD	Tape - Hook - .75" Wide - Beige
	069792-02-000	YD	Tape - Loop - 75" Wide - Beige - Adhesive
	044385-02-000	YD	Tape Loop - .75" Wide - Beige
	088782-01-000	YD	Tape Hook - 5/8" Non Adhesive
	056003-01-000	EA	Bracket Drapery Retainer - Right
	056003-02-000	EA	Bracket Drapery Retainer - Left
	061381-01-000	EA	Swivel Snap - Curtain Track
	075943-01-000	FA	Brace - Valance - Beige
	075477-20-000	EA	Bracket - Center Support - Blind
	062138-01-000	EA	Bracket - Hold Down - Blinds
	063170-01-000	EA	Bracket - Blind Installation - Right
	063170-02-000	EA	Bracket - Blind Installation - Left
	064434-01-000	EA	Bracket - Roller Shade - 1 3/5"
	067253-01-000	EA	Pull - Window Shade - Clear Plastic
	069335-01-000	EA	Track - Curtain - Brown Plastic
	066276-01-000	EA	Tape - Double Sided - 5"
	078394-01-000	FT	Trm - Brass Vinyl - 437" Wide - Window Side Panel
	077046-01-000	EA	Track - Curtain - Front Wraparound - Passenger
	077046-02-000	EA	Track - Curtain - Front Wraparound - Drivers
	077046-01-700	EA	Baton Arm - w/Snap
	077046-01-701	EA	Swivel Corner
	077046-01-702	EA	Lock Stop
	077046-01-703	EA	Swivel Snap Pendant
	077046-01-704	EA	End Stop
	077046-01-705	EA	Master Corner - Left
	077046-01-706	EA	Master Corner - Right
	091313-01-000	EA	Grommet - Headrest

INTERIOR MOLDINGS & TRIM

Key	Part Number	U/M	Description
	066263-25-000	EA	Batt Strip - Aqua - 8' (Y77) (Wall/Galley)
	066263-26-000	EA	Batt Strip - Plum - 8' (Y78, Y79) (Wall)
	066263-06-000	EA	Batt Strip - Bone - 8' (Y79) (Galley/Bath)
	065284-14-000	EA	Batt Strip - Aqua - Adhesive (Y77)
	065284-15-000	EA	Batt Strip - Plum - Adhesive (Y78, Y79)
	069733-70-000	EA	Batt Strip - Driftwood
	079653-05-000	EA	Molding - Batt Strip - Kerted - Driftwood
	074044-91-000	EA	Molding - Oak Trm w/o Groove (Ceiling)
	078394-04-000	EA	Chrome Insert - Oak Molding (Ceiling)
	022992-06-000	FT	Molding - Reverse Cove - Champagne White
	009809-18-000	EA	F-Molding - 1" - Driftwood
	009812-18-000	EA	F-Molding - 1/2" - Driftwood
	063620-05-000	EA	T-Molding - w/Edge Lips - Designer Beige
	070504-01-000	EA	U-Channel - .65" - Light Brown
	009778-07-000	EA	U-Channel - 1" - Driftwood
	009767-06-000	FT	Wetung - Beige
	009767-11-000	FT	Wetung - Driftwood
	069571-17-Y77	EA	Trm Oak - 59 6" - w/Groove - Driftwood
	065746-01-000	FT	Trm - J-Molding - Carpet Wall Trm - Beige
	074045-04-000	EA	Plug - .5" Dia. - Driftwood
	078026-31-W36	EA	Trm - Valance - 2 5" x 12 7" - Driftwood
	077840-14-W36	EA	Molding - Wall Cap - 80" - Driftwood
	042357-12-000	EA	Molding - Corner Radius - 7'
	066349-01-W36	EA	Trm - Ceiling Light Driftwood
	065738-02-000	EA	Trm - Roof Cove

INTERIOR FINISH GROUP (CONTINUED)

FABRICS & FLOOR COVERINGS

Key	Part Number	U/M	Description
	066274-74-000	YD	Fabric - Upholstery - Beach (Y77)
	066274-75-000	YD	Fabric - Upholstery - Mulberry (Y78)
	066274-68-000	YD	Fabric - Upholstery - Gray (Y79)
	066274-54-000	YD	Fabric - Upholstery - Patterned Accent - Blue (Y77)
	066274-33-000	YD	Fabric - Upholstery - Patterned Accent - Mauve (Y78)
	066274-85-000	YD	Fabric - Upholstery - Accent - Blue (Y77)
	066274-78-000	YD	Fabric - Upholstery - Accent - Columbine (Y78)
	066274-57-000	YD	Fabric - Upholstery - Accent - Gray (Y79)
	066273-16-000	YD	Fabric - Bedroom - Neutral (Y77)
	066273-19-000	YD	Fabric - Bedroom - Mauve (Y78)
	066273-24-000	YD	Fabric - Bedroom - Blue (Y79)
	064416-20-000	YD	Fabric - Laminate - Pullshade
	072333-81-000	YD	Fabric - Drapery - Pacific (Y77)
	072333-37-000	YD	Fabric - Drapery - Mauve (Y78)
	072333-65-000	YD	Fabric - Drapery - Silver (Y79)
	079880-01-000	EA	Vinyl - Expanded - Buckskin (End Cap)
	068351-01-000	YD	Vinyl - Acoustical Ceiling - Beige (Roof)
	077484-01-000	YD	Vinyl - Expanded - Smoke (Sunvisors)
	063486-01-000	SY	Carpet - Trunk Lner (Outer Compartments)
	062308-01-01A	SY	Parquet Floor
	072660-70-000	SY	Carpet - Glacier Blue (Y77)
	072660-69-000	SY	Carpet - Rose Mist (Y78)
	072660-65-000	SY	Carpet - Amethyst (Y79)

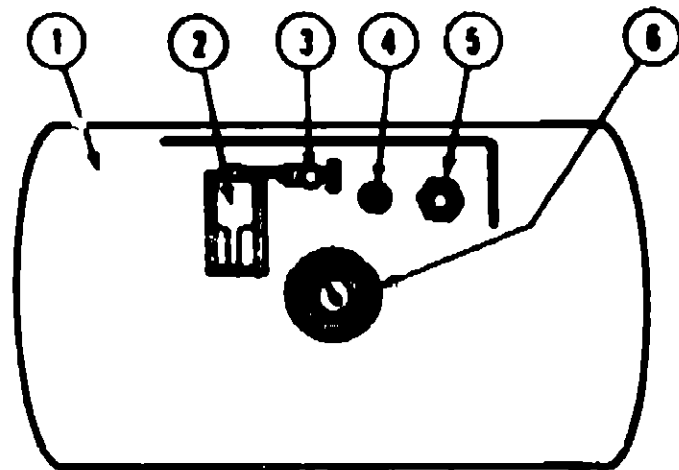
**1989 ITASCA
TABLE OF CONTENTS**

ICJP34RU	A-01 - D-06
ICP37RO	D-07 - G-20

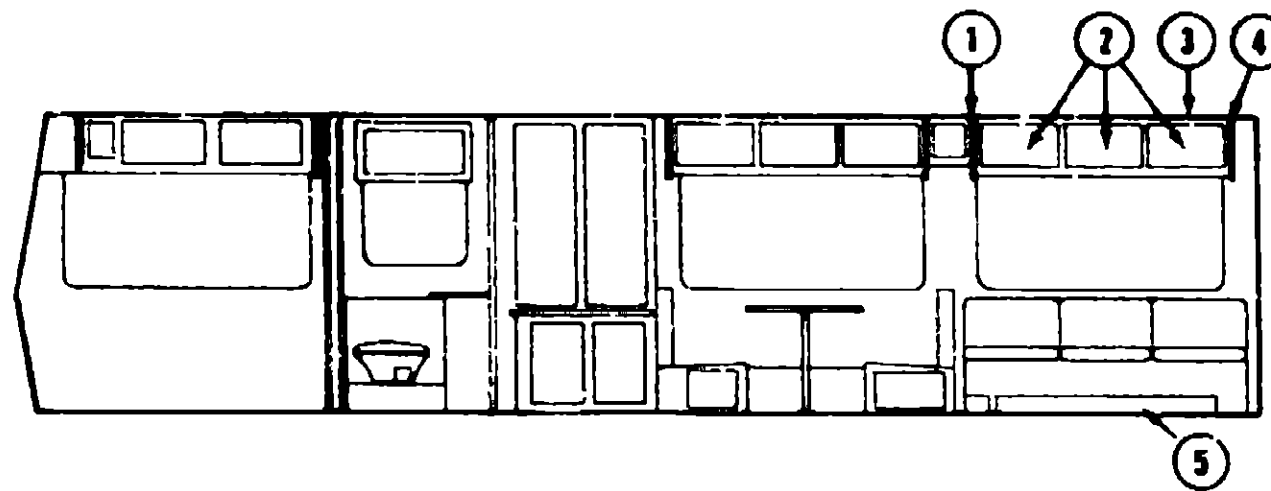
**1989 IC/JP34RU
INDEX**

Floor Plan	A-01 - A-02
Accessories Group	A-03 - A-07
Bath Group	A-08 - A-09
Chassis Group	A-10 - A-16
Curtain, Cushion & Pad Group	A-17 - B-10
Dinet's Group	B-11 - B-14
Driver's Compartment	B-15 - B-19
Electrical Group	B-20 - B-23
Exterior Body Group	B-24 - C-05
Galley Group	C-06 - C-08
Heating & Air Conditioning Group	C-09
Interior Finish Group	C-10 - C-12
LP Group	C-13
Lounge Group	C-14 - C-15
Water & Sewage	C-15 - C-16
Window, Vent & Exterior Door Group	C-17 - D-06

LP GROUP



LOUNGE GROUP



**1989 ITASCA
TABLE OF CONTENTS**

IC/JP34RU
ICP37RO

A-01 - D-08
D-07 - G-20

Key	Part Number	U/M	Description
From 8/10/88	1 088253-03-000	EA	Tank Asm - LP - Frame Mount - 100 Pound - 16" x 36"
Thru 8/10/88	1 088253-02-000	EA	Tank Asm - LP - Frame Mount - 100 Pound - 16" x 36"
	2 081938-01-000	EA	Compartment - LP Regulator
	076301-02-000	EA	Regulator - Two Stage - LP Gas
	3 040421-01-703	EA	Valve - Vapor Relief
	4 040421-01-700	EA	Gauge - Liquid Level - 20% LP
	5 040421-01-701	EA	Valve - Filter - LP
	040421-01-702	EA	Cap - Plastic Fill Valve
	6 040421-01-707	EA	Gauge - Float - w/Visible Dial
	040421-01-706	EA	Dial - Visible Face - Float Gauge (Tank w/o Electric Transmitter)
	045703-01-000	EA	Hose Asm - LP - 3/8" I.D. x 24" - US
	045703-02-000	EA	Hose Asm - LP - 3/8" I.D. x 24" - CSA
	085741-01-000	EA	Gauge - Diaphragm Pressure - Test Leak
Thru 1/1/89	080839-01-000	EA	LP Leak Detector
From 1/2/89	085812-01-000	EA	LP Leak Detector
Thru 1/2/89	030976-01-000	EA	Valve - LP Safety - Between Regulator & Tank
From 1/3/89	080876-02-000	EA	Valve - LP Safety - Between Regulator & Tank

FRONT LOUNGE

Key	Part Number	U/M	Description
1	085488-02-W36	EA	End Cap Asm - Front Lounge - Vinyl
2	M88304-38-Y77	EA	Door Asm - Overhead Cabinetry - w/o Hardware - 12" x 18 7"
3	M03110-86-Y77	EA	Cabinet Asm - Front Lounge Overhead - w/o Door or Hardware
4	085488-01-W36	EA	End Cap Asm - Front Lounge Overhead - Vinyl
5	080406-01-X75	EA	Drawer Asm - Couch
	08446 05-000	EA	Slide Asm - Cabinet - Right
	08446 05-000	EA	Slide Asm - Cabinet - Left
	076583-08-000	EA	Shell - Overhead - Tan
**	NOTE	EA	Bed Asm - Victorian
**	See Curtain, Cushion & Pad Group for this item		

TWIN BED & OVERHEAD CABINETRY

Key	Part Number	U/M	Description
	M03110-82-Y77	EA	Cabinet Asm - Sidewall Overhead - Passenger - w/o Doors or Hardware
	M88304-49-Y77	EA	Door Asm - Overhead - 12" x 21 9" - w/o Hardware
	083441-05-Y77	EA	Cabinet Asm - Nightstand - w/o Countertop, Door or Hardware
	M02508-01-Y77	EA	Countertop Asm - Nightstand Cabinet - Bottom
	M02609-01-Y77	EA	Countertop Asm - Nightstand Cabinet - Top
	M88304-10-Y77	EA	Door Asm - Nightstand Cabinet - 21 5" x 11 5" - w/o Hardware
	M03110-60-Y77	EA	Cabinet Asm - Sidewall Overhead - Driver - w/o Doors or Hardware
	M88304-49-Y77	EA	Door Asm - Overhead - 12" x 21 9" - w/o Hardware
	084357-01-W36	EA	Shell Asm - TV
	M88984-01-X75	EA	Cabinet Asm - Twin Bed - Left
	M88984-01-X75	EA	Cabinet Asm - Twin Bed - Right
	M88304-10-Y77	EA	Door Asm - Twin Bed Cabinet - w/o Hardware
	077404-02-000	EA	Drawer - Plastic - 20" x 12 7"
	037888-03-000	EA	Slide - Central - Drawer
	047744-01-000	EA	Kit - Drawer Slides
	081710-01-000	EA	Slide - Plastic Drawer
	054856-01-000	EA	Rail - Bed

**1989 IC/JP34RU
INDEX**

Floor Plan	A-01 - A-02
Accessories Group	A-03 - A-07
Bath Group	A-08 - A-09
Chassis Group	A-10 - A-16
Curtain, Cushion & Pad Group	A-17 - B-10
Dinette Group	B-11 - B-14
Driver's Compartment	B-15 - B-19
Electrical Group	B-20 - B-23
Exterior Body Group	B-24 - C-05
Galley Group	C-06 - C-08
Heating & Air Conditioning Group	C-09
Interior Finish Group	C-10 - C-12
LP Group	C-13
Lounge Group	C-14 - C-15
Water & Sewage	C-15 - C-16
Window, Vent & Exterior Door Group	C-17 - D-06

LOUNGE GROUP (CONTINUED)

QUEEN BED OPTION

Key	Part Number	U/M	Description
	090161-01-Y77	EA	Cabinet Asm - Nightstand - w/o Countertop, Drawers & Hardware
	090161-11-Y77	EA	Countertop Asm - Nightstand
	M78921-02-W38	EA	Drawer Asm - Nightstand Cabinet - w/o Hardware
	M03110-82-Y77	EA	Cabinet Asm - Passenger Side Overhead - w/o Doors or Hardware
	M03110-80-Y77	EA	Cabinet Asm - Driver Side Overhead - w/o Doors or Hardware
	M86304-49-Y77	EA	Door Asm - Overhead - 12 : " x 21 9" - w/o Hardware
	084357-01-W38	EA	Cabinet Asm. - TV

DOUBLE BED W/NIGHTSTAND

Key	Part Number	U/M	Description
	090161-01-Y77	EA	Cabinet Asm - Nightstand - w/o Countertop, Drawers or Hardware - Front
	090161-11-Y77	EA	Countertop Asm. - Front Nightstand
	M78921-02-W38	EA	Drawer Asm - Front Nightstand Cabinet - w/o Hardware
	082100-01-X75	EA	Cabinet Asm - Nightstand - Rear Wall - w/o Countertop
	M01567-01-X75	EA	Countertop Asm - Nightstand - Rear Wall
	M03110-82-Y77	EA	Cabinet Asm - Passenger Side Overhead - w/o Doors or Hardware
	M03110-80-Y77	EA	Cabinet Asm - Driver Side Overhead - w/o Doors or Hardware
	M86304-49-Y77	EA	Door Asm - Overhead - 12.1" x 29.1" - w/o Hardware
	084357-01-W38	EA	Cabinet Asm - TV - w/o Countertop, Door or Hardware
	M03110-68-Y77	EA	Cabinet Asm. - Backwall Overhead - w/o Door or Hardware
	M86304-10-Y77	EA	Door Asm - Double Bed Cabinet - w/o Hardware

WATER & SEWAGE GROUP

HOLDING TANKS & WATER HEATERS

Key	Part Number	U/M	Description
	090722-01-000	EA	Tank Asm - 44 Gallon - w/o Fittings - Chevrolet Chassis
	076625-05-000	EA	Tank Asm - 54 Gallon - w/o Fittings - Double Bed - John Deere Chassis
	076625-06-000	EA	Tank Asm - 54 Gallon - w/o Fittings - Twin & Queen Bed - John Deere Chassis
	090194-01-000	EA	Tank - Sewage - 53 Gallon - w/o Fittings
	090591-01-000	EA	Tank - Waste Water - 38 Gallon - w/o Fittings
**	051393-01-000	EA	Water Heater - Direct Ignition - w/Motor Aid - Atwood - GH8-3E

** The illustrated parts breakdown for this item is provided on the Common Items Fiche

WATER & SEWAGE GROUP (CONTINUED)

PLUMBING & REPAIR PARTS

Key	Part Number	U/M	Description
	044827-01-000	EA	Adapter - Plastic - 1 1/4" MPT x 1 1/4" Bar
	010328-01-000	EA	Adapter - Flare - w/Cone Gasket
	082422-01-000	EA	Adapter - Hose Offset - Reducer - 3" x 1 1/2"
	052954-01-000	EA	Adapter - Hose Cone - 3/8 or 1/2 - Plastic
	089330-01-000	EA	Adapter - Sewer Hose
	079317-01-000	EA	Adapter - Swivel - .5" Tube x .5" FPT
	082415-01-000	EA	Cap - Sewer - 3"
	082144-02-000	EA	Cap - Pipe 1/2" FPT - Brass - Hex
	052959-02-000	EA	Connector - Plastic - 1/2" F x 1/2" MPT
	052959-03-000	EA	Connector - 1/2" F x 3/8" MPT - Plastic
	011091-02-000	EA	Continuous Waste - Double Sink - 11 7/8" - US
	078406-01-000	EA	Coupler Rubber - 3" x 3"
	052960-01-000	EA	Drain Valve - 1/2 F x 1/2 F - Plastic
	037101-02-000	EA	Elbow Plastic - 1/4" BD Vent 1 1/2" H
	010000-01-000	EA	Elbow - Plastic - 1/8 BD x 1 1/4 x 45° H x H
	010005-01-000	EA	Elbow - Plastic - 1/16 BD x 1 1/2" x 2 1/2"
	010006-01-000	EA	Elbow - Plastic - 1/8 BD x 1 1/2 x 45° H x H
	010008-01-000	EA	Elbow - Plastic - 1/4 BD x 1 1/2 x 90° Left
	070824-01-000	EA	Elbow - Plastic - Swivel - 1/2" x 1/2"
	052957-01-000	EA	Elbow - Plastic - 1/2 F x 3/8 MPT
	052957-02-000	EA	Elbow - Plastic - 1/2 F x 1/2 MPT (In Tank Filter)
	035539-01-000	EA	Elbow - Plastic - 3/8" MPT x 3/8 BARB
	065120-01-000	EA	Elbow - Plastic - Swivel - .50
	033761-01-000	EA	Elbow - Plastic - 1/4" BD 1 1/2" x 90 x LT
	010051-01-000	EA	Elbow - Plastic - ST - 1/8" BD 1 1/2" x 45
	077954-01-000	EA	Filter/Screen (In Water Tank)
	063641-01-000	EA	Flange - Closet - Red - 4 F x 3" FPT
	010147-01-000	EA	Flange - Closet - 4" F x 3" FPT - US
	010147-02-000	EA	Flange - Closet - 4" F x 3" FPT - CSA
	079381-01-000	FT	Flexible Tubing - 1 1/4 ID x 10'
	081607-01-000	EA	Grommet - Holding Tank Coupler - 1 1/2"
	081607-02-000	EA	Grommet - Holding Tank Coupler - 3"
	052961-01-000	EA	Header - 1/2 F x 1/2 F x 1/2 F x 1/2 F
	052961-02-000	EA	Header - 1/2 MPT x 1/2 F x 1/2 F - Plastic
	082416-01-000	EA	Hose Adapter - 3"
	052952-01-000	EA	Nut - Faucet 1/2 F - Plastic
	052953-01-000	EA	Nut - Faucet - 1/2 Tube x 1/2 FPT - Plastic
	011066-03-000	EA	P-Trap - 1 1/4" Plastic - US
	011066-02-000	EA	P-Trap - 1 1/4" Plastic - CSA
	053335-01-000	EA	P-Trap - 1 1/4" Plastic - w/Union
	049032-01-000	EA	Patch - Spinweld - Plastic - 3/8"
	045729-01-000	EA	Pump - Water - 2.8 G P M - Direct Drive - Shurflo - US
	045729-02-000	EA	Pump - Water - 2.8 G P M - Direct Drive - Shurflo - CSA
	010201-01-000	EA	Sewer Hose - 3" x 8' w/Clamp
	010201-02-000	EA	Sewer Hose - 3" x 20'
	042989-02-000	EA	Spinweld Fittings - Plastic - 1/2 FPT (In Tank Filter)
	042989-03-000	EA	Spinweld Fittings - Plastic - 1/4 NPT
	042989-04-000	EA	Spinweld Fittings - Plastic - 3/8 FPT
	042989-05-000	EA	Spinweld Fittings - Plastic - 1/2 FPT
	011069-02-000	EA	Tailpiece - 1 1/2" x 1 1/4" x 4" - Brass
	010071-01-000	EA	Tee - Plastic - 1 1/2 H x H x H
	010073-01-000	EA	Tee - Plastic - 1 1/2 H x 1 1/2 H x 1 1/4 H
	052955-01-000	EA	Tee - Plastic - 1/2 F x 1/2 F x 1/2 MPT
	052956-01-000	EA	Tee - Plastic - 1/2 F x 1/2 MPT x 1/2 F
	052958-01-000	EA	Tee - Plastic - 1/2 F x 1/2 F x 1/2 F
	074463-01-000	EA	Tee - 4 Way - 1/2" Flare
	039800-01-000	FT	Tubing - Polybutyl - 1/2 O D (Water Line)
	079381-01-000	FT	Tubing - Flexible - Smooth - 1 25 I D
	074462-02-000	FT	Tubing - Vinyl - 3/8 I D
	062421-01-000	EA	Valve - 1 1/2" - w/Handle
	082696-01-000	EA	Valve - Waste - 3"
	052960-01-000	EA	Valve - Line Drain - 1/2 F x 1/2 F
	010073-01-000	EA	Wye - Plastic - 1 1/2 x 45 H x H
	079968-01-000	EA	Vent - Mechanical Trap Arm

* The illustrated parts breakdown for this item is provided on the Common Items Fiche

**1989 ITASCA
TABLE OF CONTENTS**

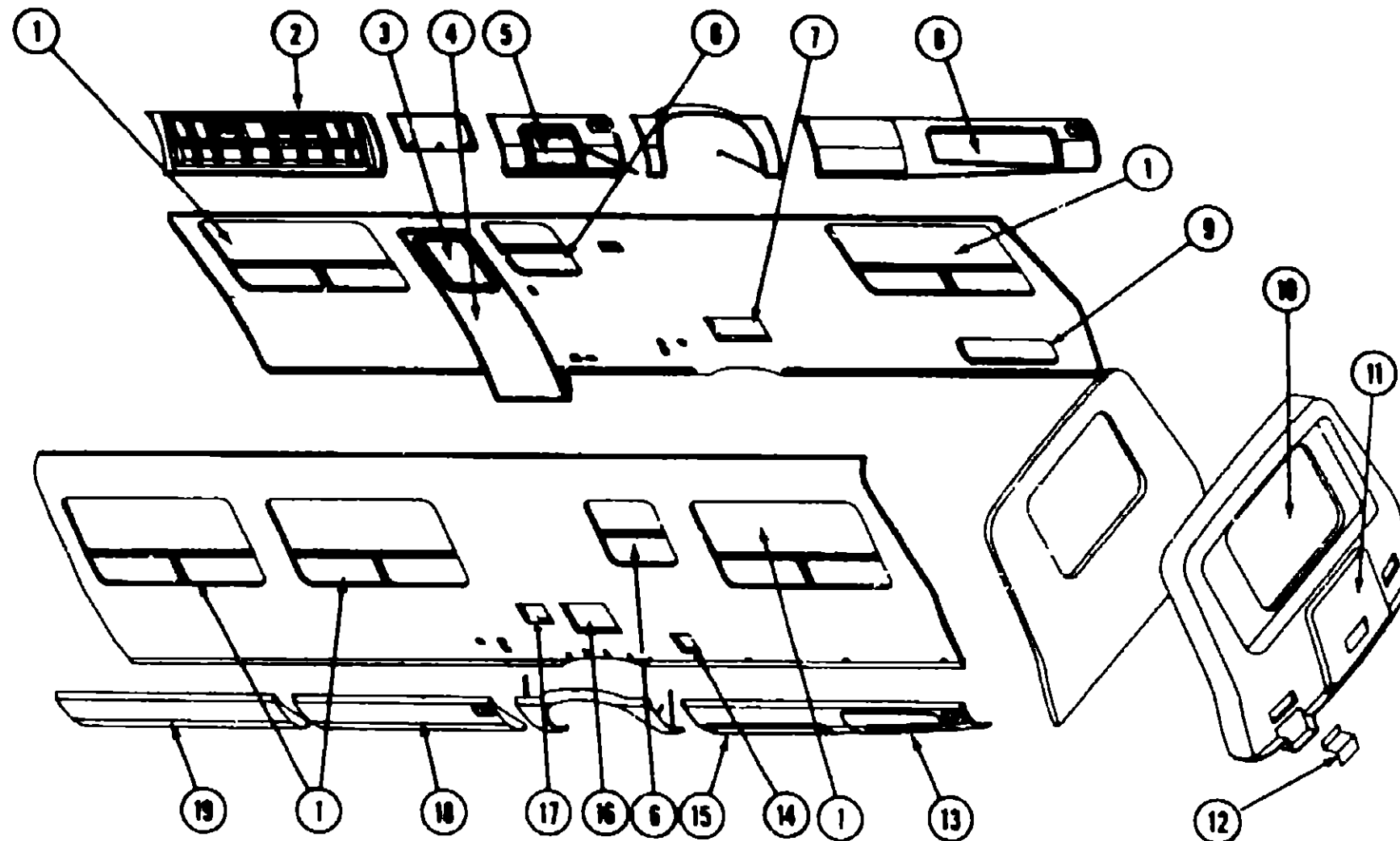
IC/JP34RU	A-01 - D-08
ICP37RO	D-07 - G-20

**1989 IC/JP34RU
INDEX**

Floor Plan	A-01 - A-02
Accessories Group	A-03 - A-07
Bath Group	A-08 - A-09
Chassis Group	A-10 - A-16
Curtain, Cushion & Pad Group	A-17 - B-10
Dinette Group	B-11 - B-14
Driver's Compartment	B-15 - B-19
Electrical Group	B-20 - B-23
Exterior Body Group	B-24 - C-05
Galley Group	C-06 - C-08
Heating & Air Conditioning Group	C-09
Interior Finish Group	C-10 - C-12
LP Group	C-13
Lounge Group	C-14 - C-15
Water & Sewage	C-15 - C-18
Window, Vent & Exterior Door Group	C-17 - D-08

WINDOW, VENT & EXTERIOR DOOR GROUP

WINDOWS & ACCESS DOORS



Key	Part Number	U/M	Description
1	085354-04-X11	EA	Window Asm. - Double
2	085037-01-X75	EA	Door Asm. - Storage
3	079733-04-T03	EA	Window Asm. - Picture
4	M84385-02-Y77	EA	Door Asm. - Entrance
5	M02588-40-X75	EA	Door Asm. - LP - w/Panel
6	085353-07-W07	EA	Window Asm. - Crank Out
7	067809-03-000	EA	Inside Frame - Entrance Door - Beige
8	084103-02-000	EA	Door Asm. - Refrigerator Vent
9	084104-02-000	EA	Jamb - Refrigerator Door
10	086820-02-000	EA	Door Asm. - Luggage
11	079578-03-W36	EA	Door Asm. - Luggage
12	GE7965-03-W13	EA	Window Asm. - Rear Escape
13	087985-04-Y12	EA	Window Asm. - Rear Escape

Thru 10/31/88
From 11/1/89

Key	Part Number	U/M	Description
14	M01990-03-X75	EA	Cover - Spare Tire
15	077137-02-000	EA	Door Asm. - Sewer Hose Compartment
16	085040-01-W36	EA	Door Panel - Generator
17	078010-02-000	EA	Door Asm. - Fuel Fill
18	088079-02-000	EA	Door Panel - Sewage Dump Compartment
19	052003-03-000	EA	Door Asm. - Water Heater
20	083794-03-000	EA	Door Asm. - Power Cord
21	080552-01-X75	EA	Door Asm. - Storage
22	085037-02-X75	EA	Door Asm. - Storage
23	M78489-02-000	EA	Window Asm. - Driver Door
24	077209-02-000	EA	Inside Frame - Driver Door Window - Black
25	M78489-01-000	EA	Window Asm. - Passenger Door
26	077209-01-000	EA	Inside Frame - Passenger Door Window - Black
27	078671-01-000	EA	Glass - Corner Vent - Passenger
28	078671-02-000	EA	Glass - Corner Vent - Drivers

1989 ITASCA TABLE OF CONTENTS

IC/JP34RU
ICP377Q

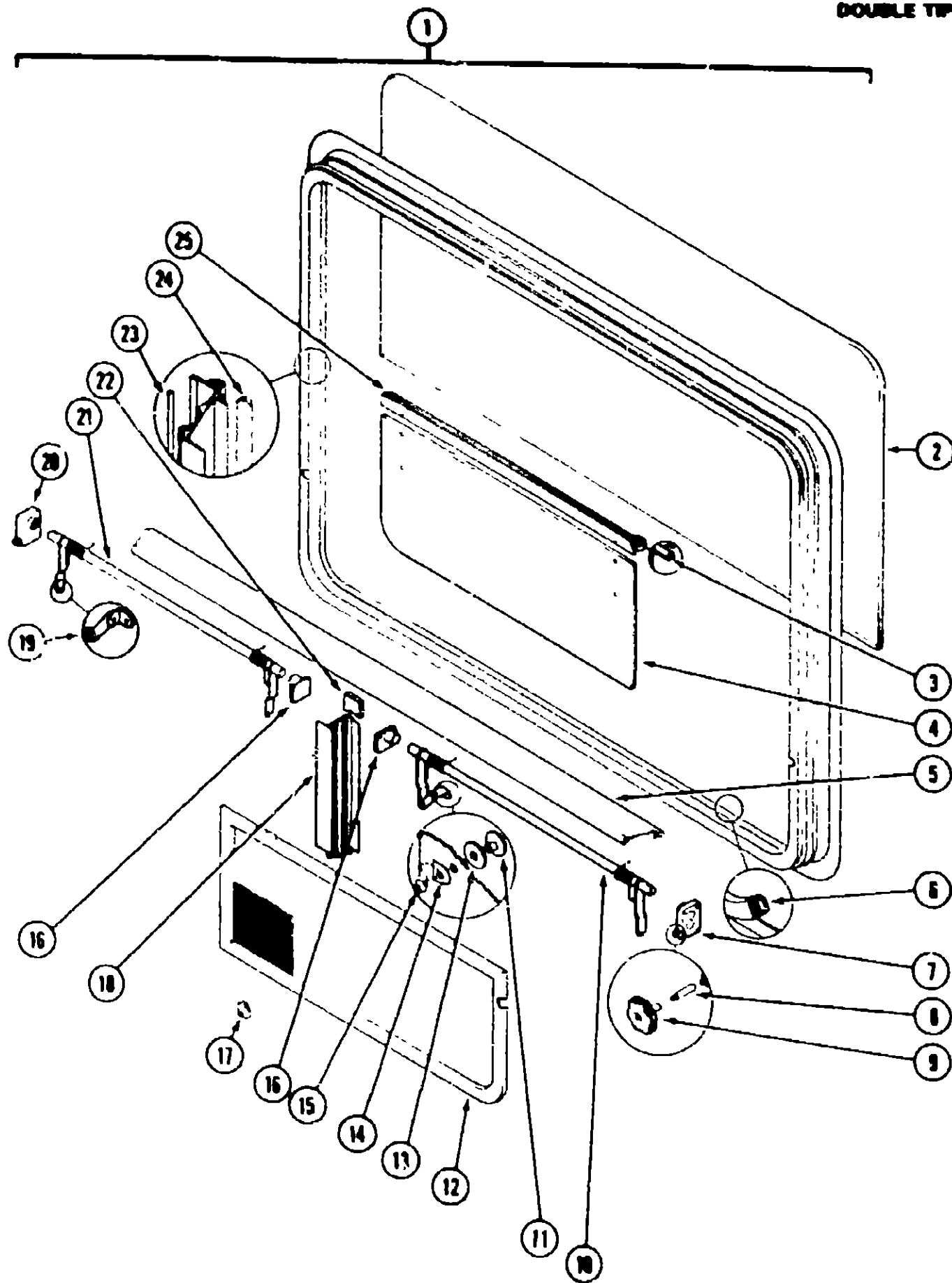
A-01 - D-08
D-07 - G-20

1989 IC/JP34RU INDEX

Floor Plan	A-01 - A-02
Accessories Group	A-03 - A-07
Bath Group	A-08 - A-09
Chassis Group	A-10 - A-16
Curtain, Cushion & Pad Group	A-17 - B-10
Dinette Group	B-11 - B-14
Driver's Compartment	B-15 - B-19
Electrical Group	B-20 - B-23
Exterior Body Group	B-24 - C-05
Galley Group	C-06 - C-08
Heating & Air Conditioning Group	C-09
Interior Finish Group	C-10 - C-12
LP Group	C-13
Lounge Group	C-14 - C-15
Water & Sewage	C-15 - C-18
Window, Vent & Exterior Door Group	C-17 - D-08

WINDOW, VENT & EXTERIOR DOOR GROUP (CONTINUED)

DOUBLE TIPOUT WINDOW



Key	Part Number	UOM	Description
1	085354-04-X11	EA	Window Asm - Double Tipout - 61.24" (w/o inside frame)
	081822-11-000	EA	Inside Frame - Black (not included in assembly)
2	081238-17-000	EA	Glass - 1/8" x 61.77" x 23" - Stationary
3	081357-01-000	FT	Foam Seal - Vinyl
4	084088-08-000	EA	Glass - 1/8" x 2' 24" x 30.39" - Tipout
5	082563-52-001	EA	Mullion - Horizontal - Black
	000G39-08-16T	EA	Screw - SF/DR - 6 - 20 x 1.00 PPH (Mullion - 4 Required)
	078778-03-000	EA	Rivet - Plastic - Pin Drive - Black (2 Required)
9	084087-01-000	FT	Seal - "e" - Sponge Rubber
7	035302-01-000	EA	Operator Drive - Right
8	080025-01-000	EA	Extension - Window Knob (not included in assembly)
9	087052-02-000	EA	Knob - Beige (not included in assembly)
	088371-01-000	EA	Screw - Window Knob (not included in assembly)
10	083228-03-000	EA	Torque Tube Asm - Right
11	086782-01-000	EA	T-Nut - 10-32
12	084581-01-W07	EA	Screen Asm - Tipout - Right
	084581-02-W07	EA	Screen Asm - Tipout - Left
	002293-02-000	SF	Screen - 26" - Window
	002298-02-000	FT	Spline - .130" Dia. - Charcoal (Screen)
13	088827-03-000	EA	Seal - Rubber - 12" x 25" I.D. x 80" O.D.
14	084475-01-000	EA	Seal - Rubber - "D" Shaped
15	086783-01-000	EA	Screw - #10 - 32 x 1/4" PTH
18	081354-01-000	EA	Sleeve - Window Torque Tube
17	081243-01-000	EA	Clip - Plastic - Screen (4 Required)
	000G12-06-08T	EA	Screw - #6 - 20 x .50" POH - Black
18	084192-52-001	EA	Mullion - Vertical - Black
	000G39-08-088	EA	Screw - #8 x 18 x 1/2 PPH (Mullion - 4 Required)
19	097578-01-000	EA	Connecting Rod Asm.
	085318-01-000	EA	Washer - Wave - .44 O.D. 32 I.D.
	081649-01-000	EA	Snap Ring - 7/32 Shaft
20	035302-02-000	EA	Operator Drive - Left
21	083227-03-000	EA	Torque Tube Asm - Left
22	084086-01-000	FT	Bulb Seal - Double - Sponge Rubber
23	089640-08-000	FT	Seal - 5/16" x 15" (not included in assembly)
24	083180-01-000	FT	Seal - Vinyl Glazing
25	084155-09-000	EA	Hinge - Tipout Window - Black

1989 ITASCA TABLE OF CONTENTS

IC/JP34RU
ICP37RQ

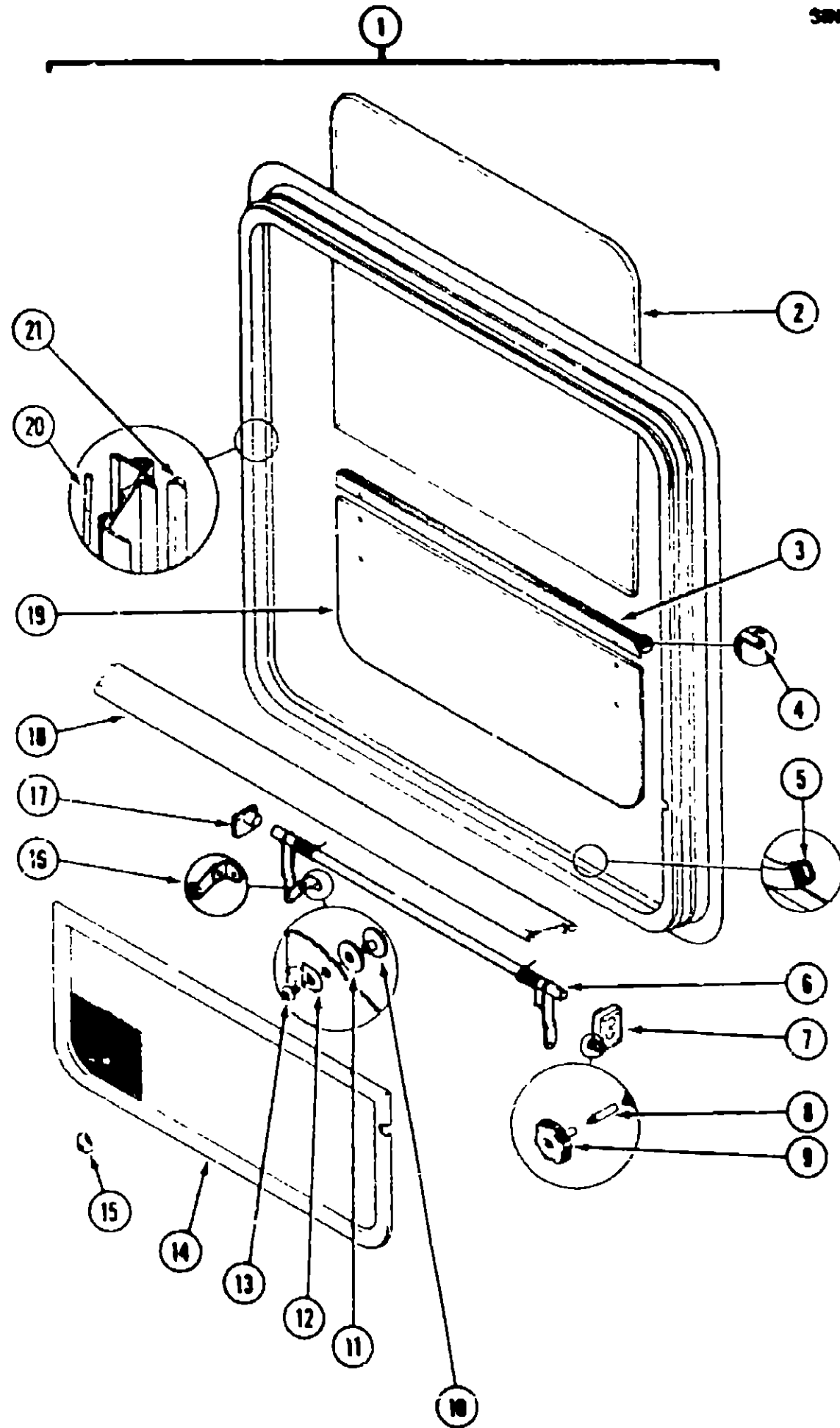
A-01 - D-08
D-07 - G-20

1989 IC/JP34RU INDEX

Floor Plan	A-01	A-02
Accessories Group	A-03	A-07
Bath Group	A-08	A-09
Chassis Group	A-10	A-16
Curtain, Cushion & Pad Group	A-17	B-10
Dinette Group	B-11	B-14
Driver's Compartment	B-15	B-19
Electrical Group	B-20	B-23
Exterior Body Group	B-24	C-05
Galley Group	C-06	C-08
Heating & Air Conditioning Group		C-09
Interior Finish Group	C-10	C-12
LP Group		C-13
Lounge Group	C-14	C-15
Water & Sewage	C-15	C-18
Window, Vent & Exterior Door Group	C-17	D-06

WINDOW, VENT & EXTERIOR DOOR GR.JUP (CONTINUED)

SINGLE TIPOUT WINDOW



Key	Part Number	U/M	Description
1	085353-07-W07	EA	Window Asm. - Single Tipout - 24.8" x 24.9" (w/o inside frame)
	081022-04-070	EA	Inside Frame - Black (not included in assembly)
2	081238-05-000	EA	Glass - 14.6" x 24.25" - Stationary
3	088813-01-000	EA	Hinge - Tipout Window - Black
4	061357-01-000	FT	Seal Foam - Vinyl
5	084087-01-000	FT	Seal - "e" - Sponge Rubber
6	083150-05-000	EA	Torque Tube Asm
7	035302-02-000	EA	Operator Drive - Left
8	062138-08-000	EA	Extension - .900" - Black (not included in assembly)
9	00943-15-000	EA	Knob - Window Crankout - Black (not included in assembly)
	00943-17-000	EA	Screw - 8/32" x 1 1/4" POH - Black (not included in assembly)
10	088782-01-000	EA	T-Nut - 10-32
11	088827-03-000	EA	Seal - Rubber - .12" x 25" I.D x 80" O.D
12	054473-01-000	EA	Seal - Rubber - "D" Shaped
13	088783-01-000	EA	Screw - #10 - 32 x 1/4" PTH
14	084580-04-W07	EA	Screw Asm - Tipout Window - Single
	002293-02-000	SF	Screen - Window - 26" - Charcoal
	002298-02-000	FT	Spline - .130" Dia - Charcoal (Screen)
15	081243-01-000	EA	Screen Clip - Plastic - Black
	000G12-0C-08T	EA	Screw - #6 - 20 x .50" POH - Black
16	097578-01-000	EA	Connecting Rod Asm
	085316-01-000	EA	Washer - Wave - 44 O.D. 32 I.D
	081649-01-000	EA	Snap Ring - 7/32 Shaft
17	081354-01-000	EA	Sleeve - Window Torque Tube
18	082553-52-001	EA	Mullion - Horizontal - Black
19	084068-02-000	EA	Glass - 9.24" x 24.13" - Tipout
20	089640-08-000	FT	Seal - 5/16" x 15" (not included in assembly)
21	083180-01-000	FT	Seal - Vinyl Glazing

1989 ITASCA TABLE OF CONTENTS

IC/JP34RU
ICP37RD

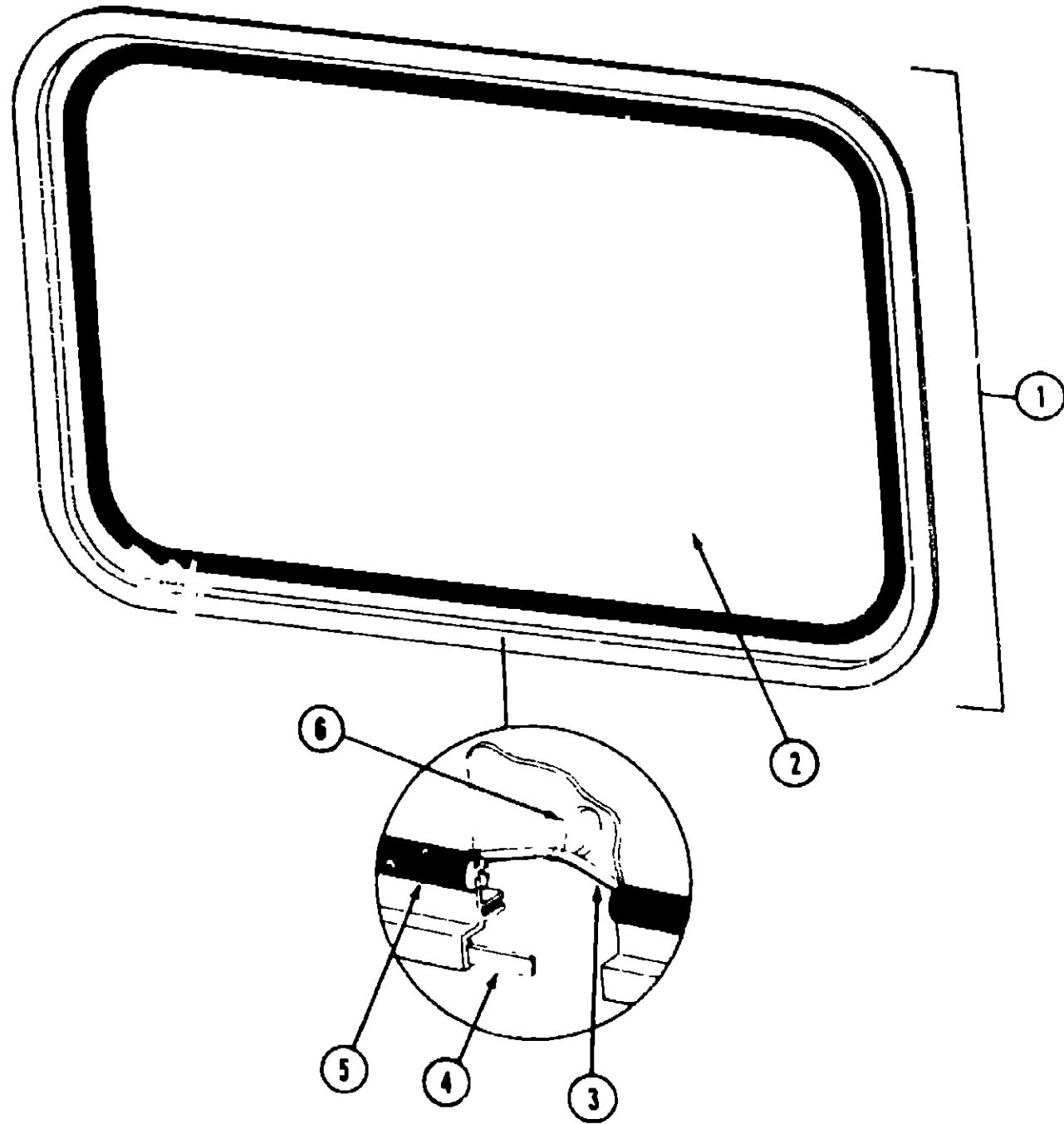
A-01 - D-08
D-07 - G-20

1989 IC/JP34RU INDEX

Floor Plan	A-01 - A-02
Accessories Group	A-03 - A-07
Bath Group	A-08 - A-09
Chassis Group	A-10 - A-16
Curtain, Cushion & Pad Group	A-17 - B-10
Dinette Group	B-11 - B-14
Driver's Compartment	B-15 - B-19
Electrical Group	B-20 - B-23
Exterior Body Group	B-24 - C-05
Galley Group	C-06 - C-08
Heating & Air Conditioning Group	C-09
Interior Finish Group	C-10 - C-12
LP Group	C-13
Lounge Group	C-14 - C-15
Water & Sewage	C-15 - C-18
Window, Vent & Exterior Door Group	C-17 - D-08

WINDOW, VENT & EXTERIOR DOOR GROUP (CONTINUED)

WINDOW, VENT & EXTERIOR DOOR GROUP (CONTINUED)



Key	Part Number	U/M	Description
Thru 10/31/88			
1	087985-03-W13	EA	Window Asm - Escape (w/o inside frame)
	078650-03-000	EA	Inside Frame - Black (not included in assembly)
2	078337-03-000	EA	Glass - 1/8" x 44 8" x 28 7"
3	002285-01-000	FT	Filter - Weatherstrip - Black
4	069640-07-000	FT	Tape - 2" Bead x 3/32" x 30"
5	002282-01-000	FT	Weatherstrip - Window - 125" Black
6	077066-01-701	EA	Tape - Poly - Red - 36"
From 11/1/88			
1	087985-04-Y12	EA	Window Asm - Escape (w/o inside frame)
	078650-04-000	EA	Inside Frame - Black (not included in assembly)
2	078337-06-000	EA	Glass - 1/8" x 44 8" x 28 1"
3	002285-01-000	FT	Filter - Weatherstrip - Black
4	069640-07-000	FT	Tape - 2" Bead x 3/32" x 30"
5	002282-01-000	FT	Weatherstrip - Window - 125" Black
6	077066-01-701	EA	Tape - Poly Red - 36"

VENTS, ACCESS DOOR HARDWARE

Key	Part Number	U/M	Description
	009439-01-000	EA	Crack - Roof Vent
	009439-03-000	EA	Extension - .900" - Roof Vent
	009439-05-000	EA	Knob - Roof Vent - Black
	009439-08-000	EA	Extension - Roof Vent - Black
	009439-07-000	EA	Screw - Roof Vent Crack
	080382-01-Y12	EA	Vent - Non Powered - Roof - Berge
**	078786-01-Y12	EA	Screen Asm. - Non Powered - Roof
**	084469-08-000	EA	Vent - Powered - Roof - w/Power Lift (Jensen)
**	084079-04-000	EA	Vent - Powered - Roof (Fantastic) Berge
	081171-01-000	EA	Trim - Skylight - Outer
	077487-01-000	EA	Panel - Skylight - Outer
	077902-01-000	EA	Cellar - Skylight
	084073-02-000	EA	Vent - Refrigerator - Roof - Gray Plastic
	084073-04-000	EA	Base - Refrigerator Roof Vent
	084103-02-000	EA	Door - Refrigerator Vent
	084104-02-000	EA	Jamb - Refrigerator - Vent Door
	083559-02-000	EA	Cover - Vent Pipe - Plastic
	078010-02-000	EA	Door Asm. - Fuel Fill - Gray
	052009-03-000	EA	Door Asm - Water Heater - Gray
	088794-03-000	EA	Door Asm - Power Cord - w/Hatch - Gray
	077137-02-000	EA	Door Asm - Sewer Hose Compartment - Gray (Backwall)
	086234-01-000	EA	Pin - Hinge
	086235-01-000	EA	Bearing - Snap In - 3/8" ID x 1 1/16"
	096776-01-000	EA	Spring - Compression
	076767-01-000	EA	Cable Asm - 1/16" x 12"
	087473-03-000	EA	Seal - Valance Door - 57 7" x 5 1"
	087473-02-000	EA	Seal - Valance Door - 73.3" x 5 1"
	087473-01-000	EA	Seal - Valance Door - 71 3" x 3 9"
	077486-02-000	EA	Lock Asm - Key Type
	082684-01-000	EA	Key Set
	034007-48-000	EA	Hinge - Access Door - 1.5" x 96" - Gray
	081801-03-000	EA	Hinge - Continuous - 2" x 96" - Gray
	085730-02-000	EA	Latch Asm - Access Door - w/Lock - Plastic Paddle - Gray
	085730-05-000	EA	Latch Asm - Access Door - w/o Lock - Plastic Paddle - Gray
	086810-02-000	EA	Bracket - Paddle Latch Retainer - Primed
	088727-01-000	EA	Cable Asm - w/Spring - Access Door
	076767-02-000	EA	Cable Asm. - 1/16" x 16.5" - Access Door
	077222-01-000	EA	Spring - Cable Guard - Entrance Door
	042442-02-000	EA	Lock Asm - Twist Type - Access Door
	083615-05-000	EA	Holder - Door - Gray Plastic
	092698-01-03A	EA	Vent - Range Hood w/Door - Gray Plastic
	090340-01-000	FT	Seal - Foam - Closed Cell - 25" x .5" x 50"
** The illustrated parts breakdown for this item is provided on the Common Items Fiche			

WINDSHIELD & VENT WINDOWS

Key	Part Number	U/M	Description
	074887-01-000	EA	Glass - Windshield - Passenger
	074887-02-000	EA	Glass - Windshield - Driver
	076671-01-000	EA	Glass - Front Corner - Driver
	076671-02-000	EA	Glass - Front Corner - Passenger
	083179-01-000	FT	Reveal Molding - Windshield - Passenger or Driver
	083178-01-000	FT	Reveal Molding - Center Windshield or Front Corner Glass
	076844-02-000	EA	T-Cap Reveal Molding - Center Windshield
	076841-02-000	EA	Cap - Reveal Molding - Front Corner Glass - Upper
	076842-02-000	EA	Cap - Reveal Molding - Front Corner Glass - Lower

**1989 ITASCA
TABLE OF CONTENTS**

IC/JP34RU
ICP37RQ

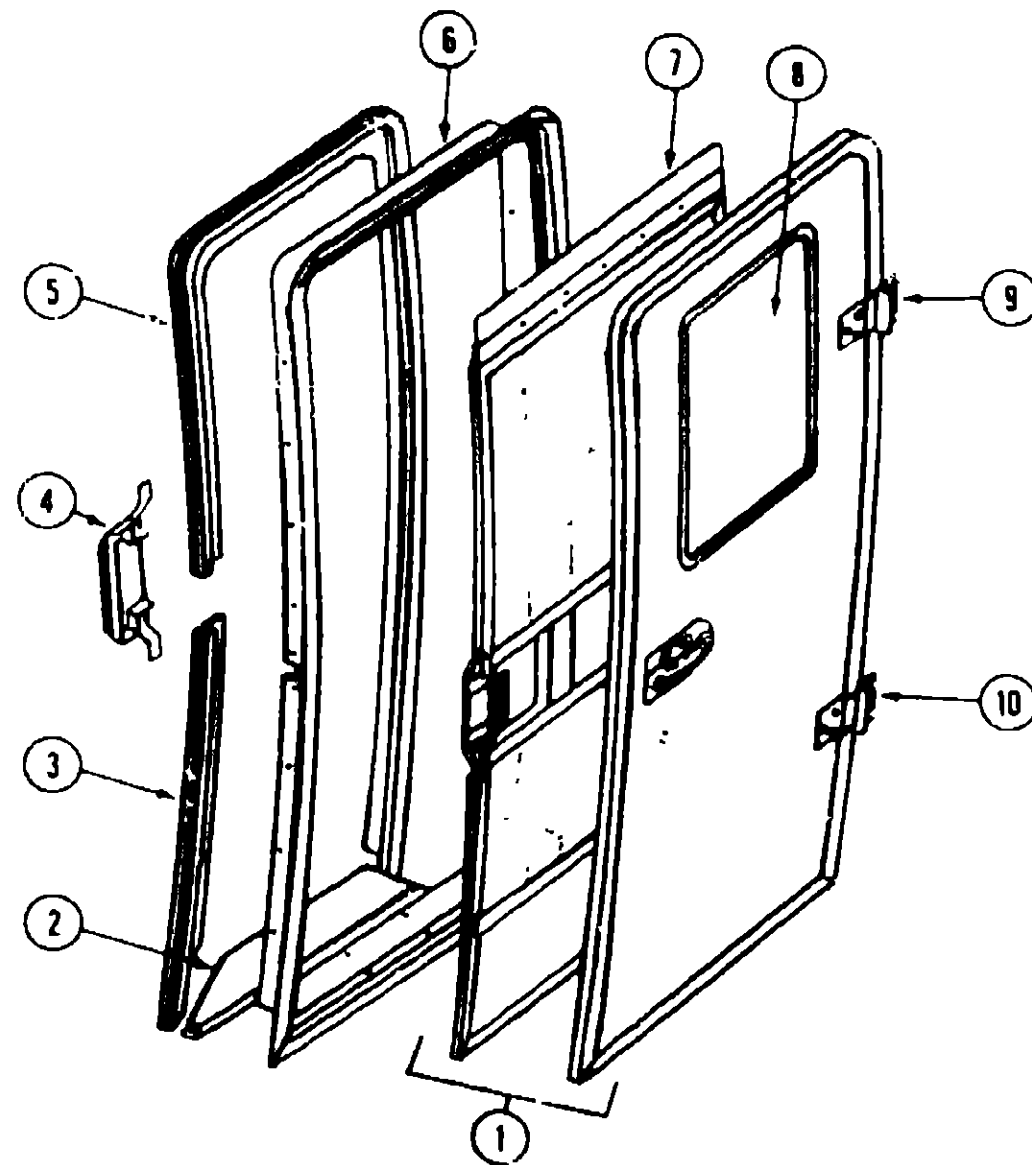
A-01 - D-08
D-07 - G-20

**1989 IC/JP34RU
INDEX**

Floor Plan	A-01 - A-02
Accessories Group	A-03 - A-07
Bath Group	A-08 - A-09
Chassis Group	A-10 - A-16
Curtain, Cushion & Pad Group	A-17 - B-10
Dinette Group	B-11 - B-14
Driver's Compartment	B-15 - B-19
Electrical Group	B-20 - B-23
Exterior Body Group	B-24 - C-05
Galley Group	C-06 - C-08
Heating & Air Conditioning Group	C-09
Interior Finish Group	C-10 - C-12
LP Group	C-13
Lounge Group	C-14 - C-15
Water & Sewage	C-15 - C-16
Window, Vent & Exterior Door Group	C-17 - D-08

WINDOW, VENT & EXTERIOR DOOR GROUP (CONTINUED)

ENTRANCE DOOR



Key	Part Number	U/M	Description
1	M84385-02-Y77	EA	Door Asm - Entrance
2	086905-01-000	EA	Trim - Entrance Door - Lower
3	M01670-03-W13	EA	Trim - Entrance Door - Upper - Beige - w/Roller Catch
4	085739-01-000	EA	Cover - Strike - Light Oak
5	M01671-03-W13	EA	Trim - Entrance Door
6	076947-04-000	EA	Jamb Asm - Entrance Door
7	084389-01-W13	EA	Screen Door - Complete
	085276-01-000	EA	Slider - Screen Door - Light Oak Plastic
	002793-02-000	SF	Screen - 28" Charcoal
	076912-03-000	EA	Insert - Screen Door - Lower
	076914-06-000	EA	Insert - Screen Door - Center
	009016-01-000	EA	Catch - Elbow - Spring Loaded
	009018-01-000	EA	Catch - Single Roller
	077437-01-000	EA	Strike - Screen Door
	076231-01-000	EA	Spacer - Screen Door - Latch
	076856-01-000	EA	Plate - Screen Door
	002294-01-000	EA	Spline - Screen Door - Black
	084096-01-000	EA	Transition Frame - Screen Door - Beige

Key	Part Number	U/M	Description
8	079733-04-T03	EA	Window Asm - Picture (w/o inside frame)
	037809-03-000	EA	Inside Frame - Beige (not included in assembly)
	002181-06-000	EA	Glass - 115" x 16 25" x 24"
	087561-01-000	FT	Spline Glass - 1/8 Material - Black
9	084097-02-000	EA	Hinge Asm - Upper - Gray
10	084096-02-000	EA	Hinge Asm - Lower - Gray
	073090-03-000	FT	Seal - Entrance Door
	076725-01-000	EA	Cover - Access - Door Handle
	076809-01-000	EA	Gasket - Hinge - Jamb
	085739-01-000	EA	Cover - Strike - Beige
	089450-01-000	EA	Cover - Hinge - Entrance Door
	076810-01-000	EA	Gasket - Door Hinge
	009126-02-000	EA	Assist Handle - Black
	073303-01-000	EA	Latch Asm - Inner
	076728-01-000	EA	Panel Trim - Light Oak Plastic
	R77007-05-374	EA	Gasket - Exterior Door Handle
	R77040-01-538	EA	Handle - Exterior Door
	R77006-50-261	EA	Handle - Interior - Right Door
	073104-01-000	EA	Escutcheon - Door Handle
	R77013-48-168	EA	Lock Bolt - Right
	R77007-51-201	EA	Cylinder & Key Set
	R77010-21-758	EA	Key Blank
	R77007-58-701	EA	Plate - Door Lock
	R77006-65-924	EA	Key & Tumbler (1 only)
	045017-01-701	EA	Key Blank (Deadbolt)
	083205-01-000	EA	Deadbolt - Press Fit - 5"
	079173-01-000	EA	Gasket - Deadbolt - Exterior
	R77030-67-257	EA	Spline Pin
	080963-01-000	EA	Arm - Lock Control
	073111-01-000	EA	Rod - Latch
	073110-01-000	EA	Rod - Lock
	R77006-94-355	EA	Link - Control
	073303-02-000	EA	Latch Asm - Inner - Right
	073093-03-000	EA	Support Asm - Latch - Gray
	R77007-04-136	EA	Bracket - Lock
	063729-04-000	EA	Runut - 10-32 UNF
	076231-01-000	EA	Spacer - Latch - Screen Door
	075873-01-000	FT	Seal - Pile - A.D.H. Back
	076907-08-000	EA	Trim - Upper Door - Gray
	076908-02-000	EA	Trim - Lower Door - Gray
	077222-01-000	EA	Spring - Wire Guard - Door
	081915-01-000	EA	Motor - Electric Door Lock
	081915-02-000	EA	Bracket - Motor - Electric Door Lock
	081983-02-000	EA	Rod - Motor Control - Electric Lock
	083551-01-000	EA	Seal - Sponge - Lazy T Shape
	084406-01-000	EA	Nut - Capped - Cross Recessed - Black
	090340-01-000	FT	Seal - Closed Cell Foam
	081988-01-000	FT	Adhesive - Tape - 04" x 50"
	091988-02-000	FT	Adhesive - Tape - 04" x 1.5"
	091876-01-000	EA	Retainer - Door
	053552-02-W24	EA	Handle - Assist Interior

1989 ITASCA TABLE OF CONTENTS

IC/JP34RU
IC/37RQ

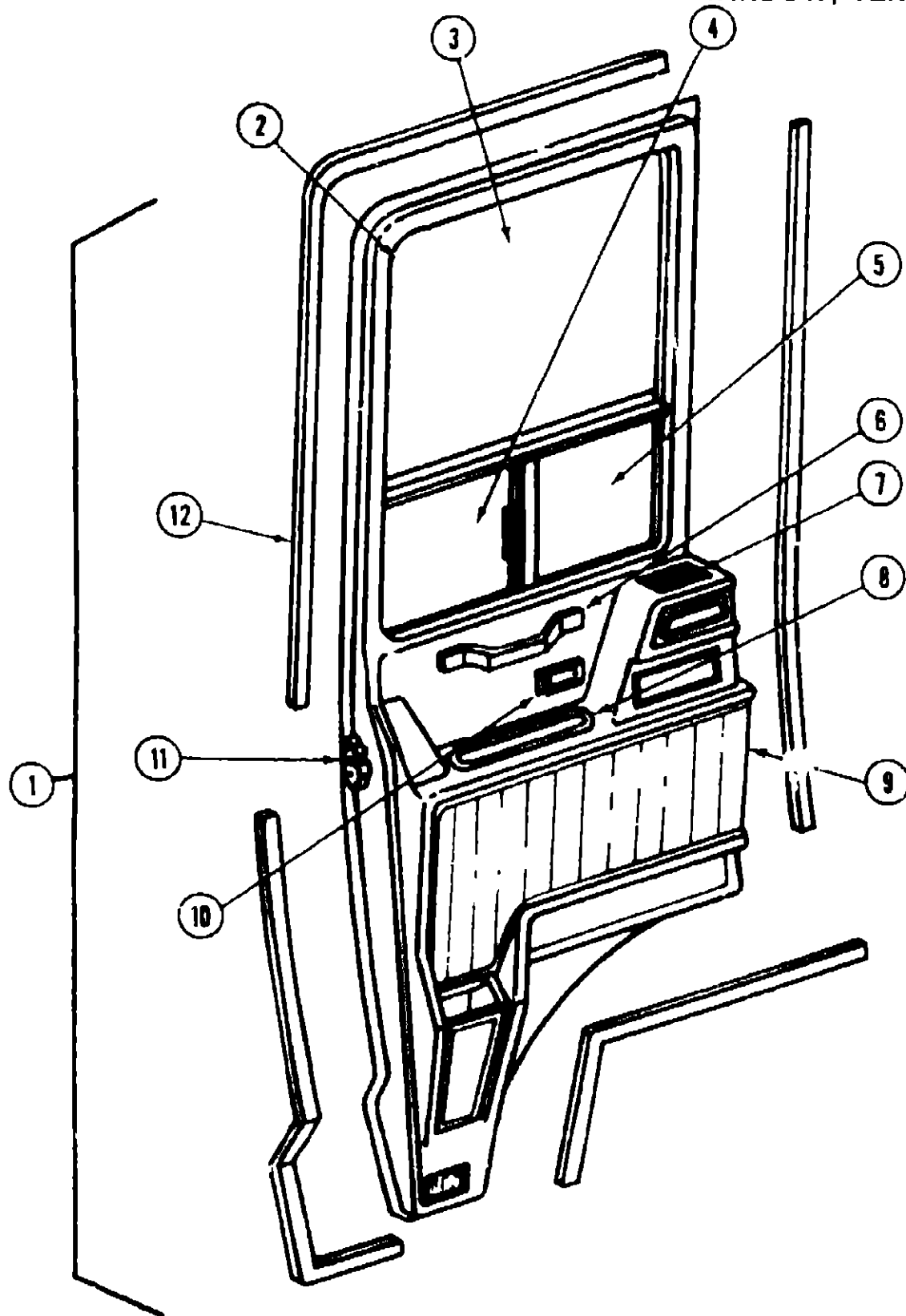
A-01 - D-06
D-07 - G-20

1989 IC/JP34RU INDEX

Floor Plan	A-01 - A-02
Accessories Group	A-03 - A-07
Bath Group	A-08 - A-09
Chassis Group	A-10 - A-16
Curtain, Cushion & Pad Group	A-17 - B-10
Dinette Group	B-11 - B-14
Driver's Compartment	B-15 - B-19
Electrical Group	B-20 - B-23
Exterior Body Group	B-24 - C-05
Galley Group	C-06 - C-08
Heating & Air Conditioning Group	C-09
Interior Finish Group	C-10 - C-12
LP Group	C-13
Lounge Group	C-14 - C-15
Water & Sewage	C-15 - C-16
Window, Vent & Exterior Door Group	C-17 - D-08

WINDOW, VENT & EXTERIOR DOOR GROUP (CONTINUED)

DRIVERS & PASSENGER CAB DOOR



Key	Part Number	U/M	Description
3	077036-03-000	EA	Glass - .19" x 28 9" x 22" - Passenger
	077036-02-000	EA	Glass - 19" x 28 9" x 22" - Driver
4	078379-01-000	EA	Glass - 19" x 15" x 9 3" - w/Hole
5	078378-01-000	EA	Glass - 19" x 15" x 9 3"
	077224-03-000	EA	Window Mullion - Horizontal - Passenger
	077224-04-000	EA	Window Mullion - Horizontal - Driver
	077226-02-000	EA	Window Mullion - Vertical - Passenger Door
	077226-01-000	EA	Window Mullion - Vertical - Driver Door
	M02389-53-001	EA	Seal Holder - w/Fin Seal
	042077-01-000	FT	Channel - Weatherstrip - Glass
	024096-02-000	EA	Seal - Window Channel
	050216-02-000	EA	Spline - Vinyl Glass - .19 Black
6	061400-04-000	EA	Assist Strap - 12" - Black w/Woodgrain
7	076783-01-000	EA	Louver/Bezel Asm - Black - 2"
	075671-01-000	FT	Sponge Seal - Lazy T Shape
	076542-01-000	EA	Control Rod - Right Hand Latch
	076543-01-000	EA	Control Rod - Right Hand Lock
	076542-02-000	EA	Control Rod - Left Hand Latch
	076543-02-000	EA	Control Rod - Left Hand Lock
	077167-01-000	EA	Door Prop Rod - Passenger
	077167-02-000	EA	Door Prop Rod - Drivers
8	077118-02-000	EA	Storage Tray - Door Panel - Gray
	077179-01-000	EA	Hose Adapter - 2" - Snap In
	077000-01-000	EA	Socket Asm - w/8" Pigtail Leads
9	077117-04-000	EA	Door Panel - Front Inner - Driver
	077117-03-000	EA	Door Panel - Front Inner - Passenger
	063886-04-000	EA	Assist Handle - Gray Steel Tube
10	R77006-50-261	EA	Door Handle - Interior - Right
	R77006-50-326	EA	Door Handle - Interior - Left
	R77040-01-538	EA	Door Handle - Exterior
	R77007-05-374	EA	Gasket - Door Handle - Exterior
11	R77007-56-701	EA	Latch Asm - Right
11	R77007-56-702	EA	Latch Asm - Left
	R77007-62-747	EA	Latch Asm - Inner - Right
	R77007-62-748	EA	Latch Asm - Inner - Left
12	076813-01-000	FT	Seal - Entrance Door (Glue On)
	R77007-04-136	EA	Lock Bracket
	080963-01-000	EA	Arm - Lock Control
	R77030-67-257	EA	Spline Pin
	R77007-51-201	EA	Cylinder & Key (Set of 3)
	R77006-65-924	EA	Cylinder & Key (Set of 1)
	R77010-21-758	EA	Key Blank
	R77013-48-179	EA	Switch - Dome Light - Door Jamb
	R77006-64-355	EA	Control Link
	077429-01-000	EA	Bracket Asm - Door Catch - Passengers
	077429-02-000	EA	Bracket Asm - Door Catch - Drivers
	064580-02-000	EA	Check Strap - Front Door - 7"
	064219-01-000	EA	Retainer - Check Strap - Front Door
	R77013-48-165	EA	Striker - Door - Left
	R77013-48-166	EA	Striker - Door - Right
	081632-01-000	FT	Bulb Seal - Cab Door - w/Wire Channel
	075245-01-000	EA	Hinge - Cab Door
	081905-01-000	EA	Control Knob (Lock/Unlock) Right
	081905-02-000	EA	Control Knob (Lock/Unlock) Left
	R77007-56-702	EA	Lock Bolt - Drivers
	R77007-56-701	EA	Lock Bolt - Passengers
	090351-01-000	EA	Switch - Door Lock
	083878-01-000	EA	Rod - Slide Bolt - Passengers
	083878-02-000	EA	Rod - Slide Bolt - Drivers
	083877-01-000	EA	Bearing Plate
	081983-02-000	EA	Control Rod Motor - Lock - 2.1"
	081915-01-000	EA	Motor - Electric Door Lock

Key	Part Number	U/M	Description
1	M01596-10-Y77	EA	Door Asm - Drivers
	M01595-10-Y77	EA	Door Asm - Passengers
2	M78469-01-000	EA	Window Asm - Passengers Door - w/Support
	M78469-02-000	EA	Window Asm - Drivers Door - w/Support
	077209-01-000	EA	Inside Frame Asm - Window - Passenger
	077209-02-000	EA	Inside Frame Asm - Window - Driver

1989 ITASCA TABLE OF CONTENTS

IC/JP34RU
ICP37RC

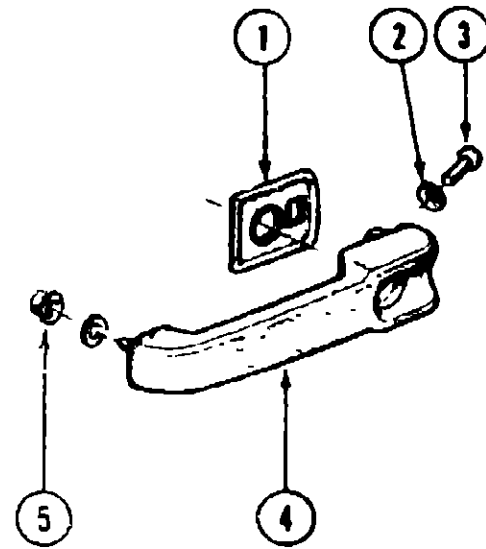
A-01 - D-06
D-07 - G-20

1989 IC/JP34RU INDEX

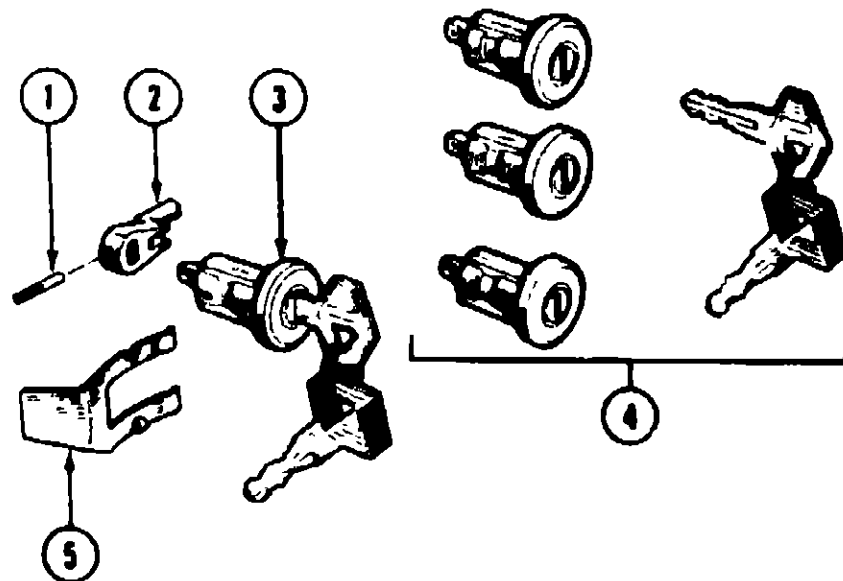
Floor Plan	A-01 - A-02
Accessories Group	A-03 - A-07
Bath Group	A-08 - A-09
Chassis Group	A-10 - A-16
Curtain, Cushion & Pad Group	A-17 - B-10
Dinette Group	B-11 - B-14
Driver's Compartment	B-15 - B-19
Electrical Group	B-20 - B-23
Exterior Body Group	B-24 - C-05
Galley Group	C-06 - C-08
Heating & Air Conditioning Group	C-09
Interior Finish Group	C-10 - C-12
LP Group	C-13
Lounge Group	C-14 - C-15
Water & Sewage	C-15 - C-16
Window, Vent & Exterior Door Group	C-17 - D-06

WINDOW, VENT & EXTERIOR DOOR GROUP (CONTINUED)

OUTER DOOR HANDLE PARTS



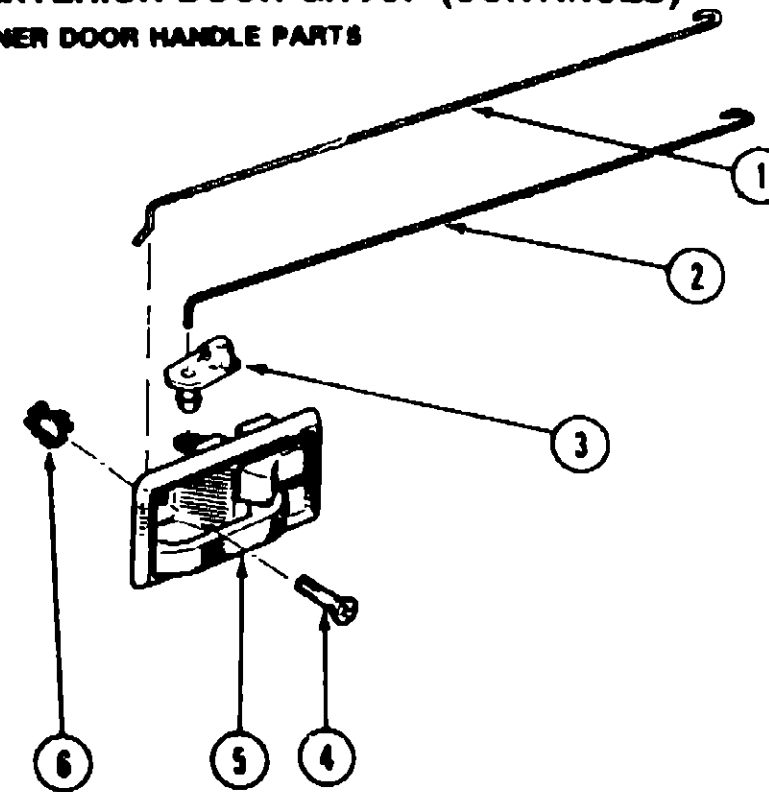
Key	Part Number	U/M	Description
1	R77007-05-374	EA	Plate - Door Handle Spacer
2	R77030-58-048	EA	Washer
3	R77030-01-855	EA	Screw - Machine
4	R77040-01-538	EA	Door Handle - Outer
5	R77030-33-009	EA	Nut w/Washer



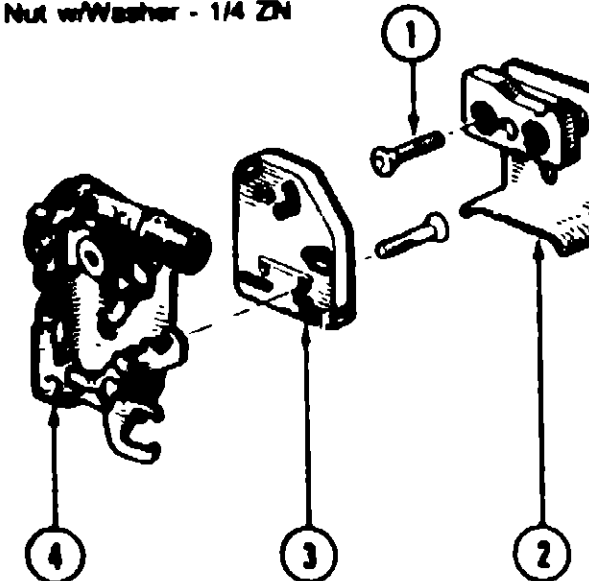
Key	Part Number	U/M	Description
1	R77030-67-257	EA	Pin - Door Lock
2	080983-01-000	EA	Arm - Lock Control
3	R77008-65-824	EA	Key & Tumbler - w/Key Number (Single)
4	R77007-51-201	EA	Key & Tumbler (Set of 3)
5	R77007-04-136	EA	Clip - Door Lock
	R77010-21-758	EA	Key Blank

WINDOW, VENT & EXTERIOR DOOR GROUP (CONTINUED)

INNER DOOR HANDLE PARTS



Key	Part Number	U/M	Description
1	078542-01-000	EA	Rod - Latch Control - Passenger
	078542-02-000	EA	Rod - Latch Control - Driver
2	078543-01-000	EA	Rod - Lock Control - Passenger
	078543-02-000	EA	Rod - Lock Control - Driver
3	R77008-64-355	EA	Control Link - Door Handle
4	000338-10-120	EA	Screw - SF/DR - #10 - 16 x 75 PPH
5	R77008-50-281	EA	Door Handle - Inner - Passenger
	R77008-50-328	EA	Door Handle - Inner - Driver
6	078327-01-000	EA	Hex Nut w/Washer - 1/4 ZN



Key	Part Number	U/M	Description
1	R77030-01-082	EA	Bolt
2	R77013-48-185	EA	Strike - Driver
	R77013-48-188	EA	Strike - Passenger
3	R77007-56-702	EA	Plate - Door Lock - Driver
	R77007-56-701	EA	Plate - Door Lock - Passenger
4	R77007-82-746	EA	Tumbler & Backing Plate - Driver
	R77007-82-747	EA	Tumbler & Backing Plate - Passenger

**1989 ITASCA
TABLE OF CONTENTS**

IC/JP34RU
ICP37RQ

A-01 - D-08
D-07 - G-20

**1989 IC/JP34RU
INDEX**

Floor Plan	A-01 - A-02
Accessories Group	A-03 - A-07
Bath Group	A-08 - A-09
Chassis Group	A-10 - A-16
Curtain, Cushion & Pad Group	A-17 - B-10
Dinette Group	B-11 - B-14
Driver's Compartment	B-15 - B-19
Electrical Group	B-20 - B-23
Exterior Body Group	B-24 - C-05
Galley Group	C-06 - C-08
Heating & Air Conditioning Group	C-09
Interior Finish Group	C-10 - C-12
LP Group	C-13
Lounge Group	C-14 - C-15
Water & Sewage	C-15 - C-16
Window, Vent & Exterior Door Group	C-17 - D-08