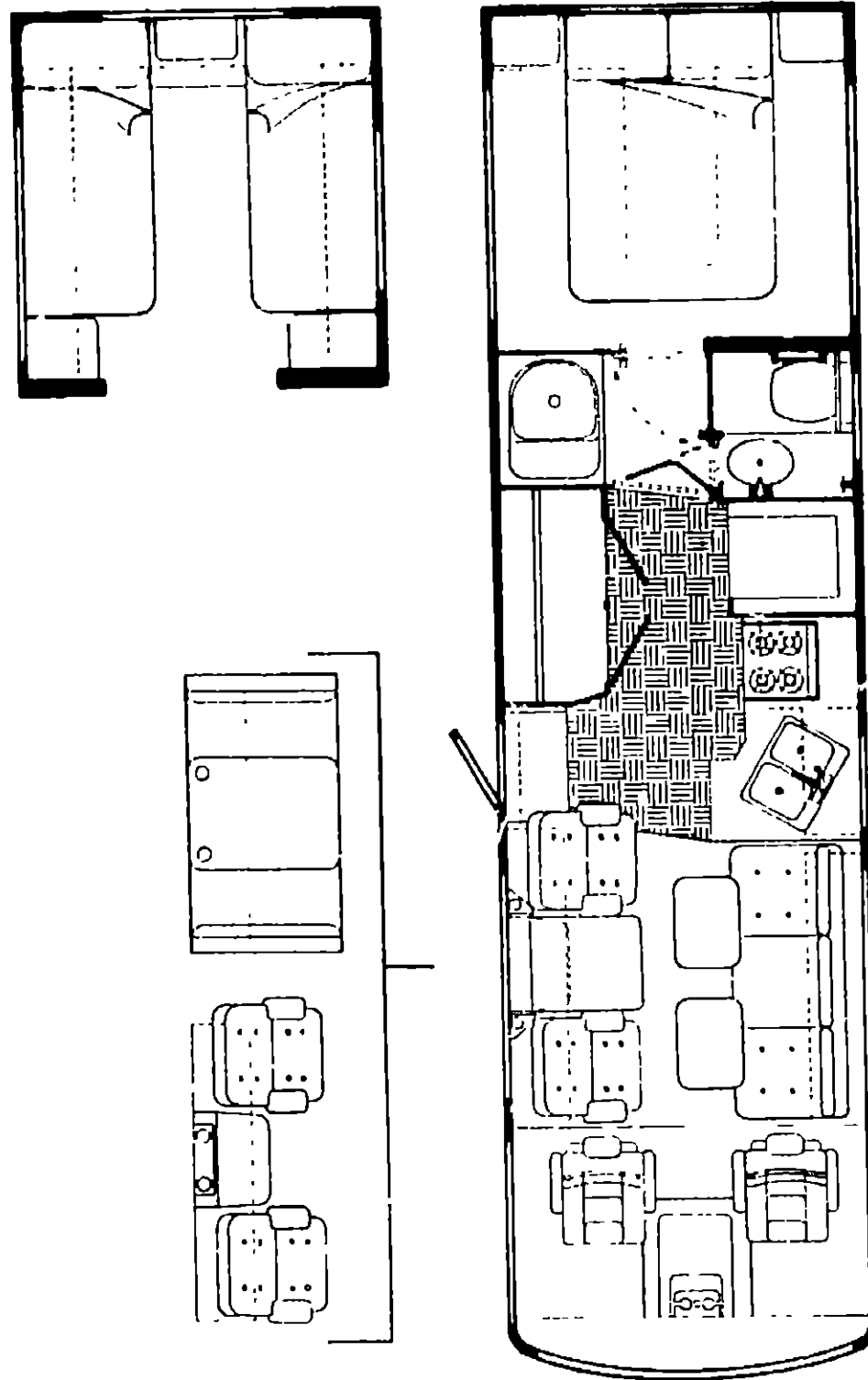


1989 IC/JP32RQ



1989 ITASCA TABLE OF CONTENTS

INTRODUCTION	A-01
ABBREVIATIONS	A-01
ALPHABETICAL INDEX	A-02 - A-04
ICP32DO	A-05 - C-20
IC/JP32RQ	C 21 - F-20

1989 IC/JP32RQ INDEX

Floor Plan	C-21 - C 22
Accessories Group	C-23 - D-02
Bath Group	D-03 - D-05
Chassis Group	D-06 - D 12
Curtain, Cushion & Pad Group	D-13 - D 23
Dinette Group	D-24 - E-02
Driver's Compartment Group	E-03 - E-07
Electrical Group	E-08 - E-11
Exterior Body Group	E-12 - E 17
Galley Group	E-18 - E-20
Heating & Air Conditioning Group	E 21 - E-22
Interior Finish Group	E-23 - F-01
LP Group	F-02
Lounge Group	F-03 - F-05
Water & Sewage Group	F-06
Window, Vent & Exterior Door Group	F-07 - F-20

ACCESSORIES GROUP

RACK & LADDER COMPONENTS

Key	Part Number	U/M	Description
	080997-03-T03	EA	Ladder Arm - Lower
	080999-03-T03	EA	Ladder Arm - Upper
	081026-06-T03	FA	Rack Asm. - Right
	081026-06-T03	EA	Rack Asm. - Left
	081056-01-000	EA	Spring Grip - Internal
	081056-01-000	EA	Pin - Quick Release
	081152-01-000	EA	Bumper Plate - Brite Dip - Lower Ladder
	084093-01-000	EA	Luggage Bck - 14" x 30" x 80" (Optional)

MICROWAVE/CONVECTION OVEN & COMPONENTS (OPTION 13C1A)

Key	Part Number	U/M	Description
	083737-01-000	EA	Microwave/Convection Oven - Magic Chef
	088737-01-700	EA	Control
	088737-01-701	EA	Frame - Panel
	088737-01-702	EA	Touch Panel Asm
	088737-01-703	EA	Frame - Door
	088737-01-704	EA	Glass - Outside - Door
	088737-01-705	EA	Trim - Upper Frame - Inner
	088737-01-706	EA	Cabinet
	088737-01-707	EA	Fuse
	088737-01-708	EA	Transformer H.V
	088737-01-709	EA	Trim
	088737-01-710	EA	Lamp - Oven - 30W
	088737-01-711	EA	Relay - Completed
	088737-01-712	EA	Trim
	088737-02-000	EA	Frame Kit - Microwave Oven
	088682-03-000	EA	Bracket Asm - Microwave - Right
	088682-04-000	EA	Bracket Asm - Microwave - Left
	088737-02-000	EA	Frame Kit - Microwave Oven

FOG LAMP & COMPONENTS

Key	Part Number	U/M	Description
	088747-01-000	EA	Lamp Asm. - Fog w/Cover - Clear
	088747-01-700	EA	Cover - Fog Light
	088942-01-000	EA	Bracket - Fog Lamp Mounting

CUSTOM STEERING WHEEL

Key	Part Number	U/M	Description
†	080752-05-000	EA	Steering Wheel - Custom
•	080752-17-000	EA	Steering Wheel w/2 Horn Buttons
	080752-06-000	EA	Hub Adapter - Steering Wheel
	080752-07-000	EA	Button - Horn - w/Wire
	080752-08-000	EA	Screw - Custom Steering Wheel
†	Parts used before 4/2/89		
•	Parts used after 4/3/89		

STYLIZED ALUMINUM WHEELS & COMPONENTS (OPTION 87D)

Key	Part Number	U/M	Description
	077042-01-000	EA	Wheel - Polished Aluminum - 19.5" x 6" - Front
	077042-02-000	EA	Wheel - Polished Aluminum - 19.5" x 6" - Rear
	077043-01-000	EA	Lug Nut - 2 Pieces - Cone Seat & Flange
	077044-01-000	EA	Chrome Cover - Lug Nut - w/Skirt
	077045-01-000	EA	Chrome Cover - Front Axle - 2 Piece
	077045-02-000	EA	Chrome Cover - Rear Axle - 2 Piece
	078260-02-000	EA	Pouch - Wrench - 11" x 11"

ACCESSORIES GROUP (CONTINUED)

MISCELLANEOUS ACCESSORIES

Key	Part Number	U/M	Description
	054185-31-000	EA	Owners Manual - 1989 - Winnebago & Itasca
	092318-01-000	EA	Binder - 3 Ring - Vendor Manual
	092319-01-000	EA	Page - Plastic Pocket
**	078319-01-000	EA	Antenna - TV - 44.5" Mast
	081072-02-000	EA	Floor Mat - Front - Right - Itasca
	081074-02-000	EA	Floor Mat - Front - Left - Itasca
	081075-02-000	EA	Floor Mat - Entrance - Itasca
	017518-01-000	EA	Mud Flap - 14" x 18" - Rear - Black
	017510-02-000	EA	Mud Flap - 14" x 17" - Front - Black
	090097-03-000	FA	Bracket Asm - Mud Flap - Passenger
	090097-04-000	EA	Bracket Asm - Mud Flap - Driver
	041944-04-000	EA	Fire Extinguisher - 5 BC - w/o Mounting Bracket
	084472-01-000	EA	Holder - Fire Extinguisher
	094499-01-000	EA	Fire Extinguisher - 1A 10BC w/Bracket
	072852-01-000	EA	Smoke Detector w/9 Volt Battery
	080208-01-000	EA	Lug Wrench
	080208-02-000	EA	Leverage Bar - Lug Wrench
	080208-03-000	EA	Lug Wrench - John Deere
	086113-01-000	EA	Jack - Hydraulic - 6 Ton - w/Handle
	081955-01-000	EA	Squeegee - Extended Handle
	091952-01-000	EA	Clip - 1" Gripper - Squeegee
	093527-01-000	EA	Bracket - Squeegee
	036420-02-000	EA	Defroster Fan - 6" - 2 Speed Fan
	077388-01-000	EA	Bracket - Defroster Fan - Right
	077888-02-000	EA	Bracket - Defroster Fan - Left
	091258-02-000	EA	Television - 13" Digital Color - Sharp
	091258-02-700	EA	Remote Control - Television
	086759-02-000	EA	VCR - VHS - Table Model
	086759-03-000	EA	VCR - VHS
	086757-01-000	EA	Control Center - Channel Master
**	094369-01-000	EA	Speed Control - w/Smart Stick
**	076799-01-000	EA	Ice Maker - Black
	094708-01-01A	FA	Step Asm. - Electric - Single
	087716-01-000	EA	Information Center - Uniform
**	The illustrated parts breakdown for this item is provided on the Component Items Fiche		

AIRHORNS & COMPONENTS (OPTION 36R)

Key	Part Number	U/M	Description
	077497-01-000	EA	Air Horn Kit - Twin Chromed - w/o Auxiliary Hose Kit
	077497-01-700	EA	Solenoid - Air Tank
	077497-01-701	EA	Switch - Compressor
	077497-01-702	EA	Toggle Switch w/Wire
	077497-01-703	EA	Air Tank
	077497-01-704	EA	Compressor w/Switch
	077497-01-705	EA	Repair Kit - Air Horn
	077497-02-000	EA	Hose Kit - Auxiliary Air
	077497-03-000	EA	Parts Kit - Hose - Auxiliary Air
	078239-01-000	EA	Label Plate - Horn
	063912-02-000	EA	Relay - Canister
	078022-01-000	EA	Wire Asm - Air Horn
	081404-01-000	EA	Mounting Bracket - Compressor

1989 ITASCA TABLE OF CONTENTS

INTRODUCTION	A-01
ABBREVIATIONS	A-01
ALPHABETICAL INDEX	A-02 - F-04
ICP32DQ	A-05 - C-20
IC/JP32HQ	C-21 - F-20

1989 IC/JP32HQ INDEX

Floor Plan	C-21 - C-22
Accessories Group	C-23 - D-02
Bath Group	D-03 - D-05
Chassis Group	D-06 - D-12
Curtain, Cushion & Pad Group	D-13 - D-23
Jinette Group	D-24 - E-02
Driver's Compartment Group	E-03 - E-07
Electrical Group	E-08 - E-11
Exterior Body Group	E-12 - E-17
Galley Group	E-18 - E-20
Heating & Air Conditioning Group	E-21 - E-22
Interior Finish Group	E-23 - F-01
LP Group	F-02
Lounge Group	F-03 - F-05
Water & Sewage Group	F-06
Window, Vent & Exterior Door Group	F-07 - F-20

ACCESSORIES GROUP (CONTINUED)

EXTERIOR MIRRORS

Key	Part Number	U/M	Description
..	086261-01-000	EA	Mirror Asm - Electronic Control & Heat - Right
	086236-01-000	EA	Gasket - Exterior Mirror - Right
..	086261-02-000	EA	Mirror Asm - Electronic Control & Heat - Left
	086236-02-000	EA	Gasket - Exterior Mirror - Left
..	The illustrated parts breakdown for this item is provided on the common items fiche		

WHEEL LINERS & MOUNTING HARDWARE (OPTION 63K) (CHEVROLET)

Key	Part Number	U/M	Description
	091209-01-000	EA	Wheel Liner - w/Axle & Lugnut Covers - Chrome - 19.5" (Set/4)
	091209-01-700	EA	Simulator - Front Wheel
	091209-01-701	EA	Simulator - Rear Wheel
	091209-01-702	EA	Cover - Front Axle
	091209-01-703	EA	Cover - Rear Axle
	071209-01-704	EA	Cover - Lug Nut
	095012-01-000	EA	Extension - Valve Stem - Dual

GENERATORS & COMPONENTS

Key	Part Number	U/M	Description
	081634-04-000	EA	Generator - Onan - 6.5 Emerald
	079654-05-000	EA	Pipe & Accessories Kit - Emerald
	083151-01-000	EA	Muffler - Generator - 6.5 Emerald (used w/2 Air Conditioners)
	078045-01-000	EA	Support Plate - Generator
	083152-01-000	EA	Exhaust Pipe - Generator
	007067-01-000	EA	Insulation - Fiberglass - 1"
	084365-01-000	EA	Support Plate - Generator
	079654-01-700	EA	Hinge Kit - Emerald Generator

REAR RADIO & COMPONENTS

Key	Part Number	U/M	Description
	090944-01-000	EA	Antenna - Radio - 16" Rubber
	090862-01-000	EA	Bracket - Hat - Antenna
	089340-01-000	EA	Grille - Speaker - 6.25" Square
	090338-01-000	EA	Radio - AM/FM Stereo - w/Cassette - Electronics Tune
	094097-01-000	EA	Speaker - 5.25" w/o Grille
†	097153-01-000	EA	Radio - AM/FM Stereo - w/Cassette
	074979-01-000	EA	Speaker Cover - Light Oak
	Parts used before 4/30/89		
†	Parts used after 5/1/89		

FRONT RADIO & COMPONENTS

Key	Part Number	U/M	Description
	077069-01-000	EA	Antenna - Radio
	077448-01-000	EA	Bracket - Radio Front
	077442-01-000	EA	Bracket - Radio Support - Rear
	077069-02-000	EA	Cable - Antenna Extension - 98"
	073741-04-000	EA	Grille - Speaker - Oval - 4" x 6"
	087706-01-000	EA	Mounting Kit - Radio
	092311-01-000	EA	Radio - AM/FM - w/Cassette
	073741-03-000	EA	Speaker - Oval - 4" x 6"
	074979-01-000	EA	Speaker Cover - Light Oak

ACCESSORIES GROUP (CONTINUED)

REAR VIEW TELEVISION (SONY)

Key	Part Number	U/M	Description
	093040-01-000	EA	Camera & Monitor
	093040-01-700	EA	Camera Only
	093040-01-701	EA	Monitor - 6" - w/Bracket & Wire Harness
	093041-01-000	EA	Cable - TV/Monitor
	031170-01-000	EA	Clamp - Cable - 3/16 Dia
	093221-01-000	EA	Lens - Rear Monitor - Shroud
	093952-01-03A	EA	Shroud - TV - Gray
	080006-01-000	EA	Wire Asm - Fuse Block
	092881-01-000	EA	Wire Asm - IP to Rear Monitor
	093040-03-000	EA	Wire Asm - Monitor

REAR VIEW TELEVISION (TW-620B)

Key	Part Number	U/M	Description
	083207-01-000	EA	Camera & Monitor
	083207-01-701	EA	Monitor Only
	083207-02-000	EA	Cable - Camera/Monitor
	084349-01-U16	EA	Shroud Asm - Camera - Gray
	084409-01-000	EA	Seal - Camera Mounting
	084408-01-000	EA	Rubber Gasket - Camera
	084264-01-000	EA	Bracket - Mounting Camera
	080006-01-000	EA	Wire Asm - Fuse Block
	084418-01-000	EA	Spacer - 16 x 6
	084403-01-000	EA	Screw Cap - 5/16" x 18" x 1"
	084428-01-000	EA	Insert - Press In - 5/16" x 18"

POWER SEARCHLIGHT & COMPONENTS (OPTION 63E)

Key	Part Number	U/M	Description
	051057-02-000	EA	Searchlight - Power Driven - w/o Switch Asm
	051057-01-700	EA	Switch - Panel Asm (Aux)
	051057-01-701	EA	Switch - Panel Asm (Main)
	051057-01-702	EA	Joy Switch & Housing
	051057-01-703	EA	Toggle Switch - On/Off
	051057-01-704	EA	Micro Switch
	051057-01-705	EA	Bulb
	051057-03-000	EA	Switch Asm - Searchlight

WHEEL LINERS & MOUNTING HARDWARE (OPTION 63K) (JOHN DEERE)

Key	Part Number	U/M	Description
	086271-01-000	EA	Wheel Liner - Stainless Steel - 19.5" (Set/4)
	086271-01-700	EA	Wheel Liner - Stainless Steel - 19.5" - Front (1)
	086271-01-701	EA	Wheel Liner - Stainless Steel - 19.5" - Rear (1)
	086271-01-702	EA	Chrome Cover - Front Axle
	086271-01-703	EA	Chrome Cover - Rear Axle
	086271-01-704	EA	Beauty Ring
	086271-01-705	EA	Chrome Cover - Lug Nut
	095012-02-000	EA	Extension - Valve Stem - Dual - 19.5"

WHEEL COVER & MOUNTING HARDWARE

Key	Part Number	U/M	Description
	083181-03-700	EA	Wheel Cover - 19.5" - w/Nut Cover & Cap
†	083181-04-000	EA	Retainer Kit - 19.5" Wheel Cover (Set/4) (Chevrolet)
·	083181-12-000	EA	Retainer Kit - 19.5" Wheel Cover (Set/4) (Chevrolet)
	083181-07-000	EA	Retainer Kit - 19.5" Wheel Cover (Set/4) (John Deere)
	083181-04-700	EA	Retainer Kit - 19.5" Front (1)
	083181-04-701	EA	Retainer Kit - 19.5" Rear (1)
	083181-04-702	EA	Nut Cover - 19.5"
	083181-04-703	EA	Cap - Chrome Center
	† Parts used thru 4/2/89		
	· Parts used after 4/3/89		

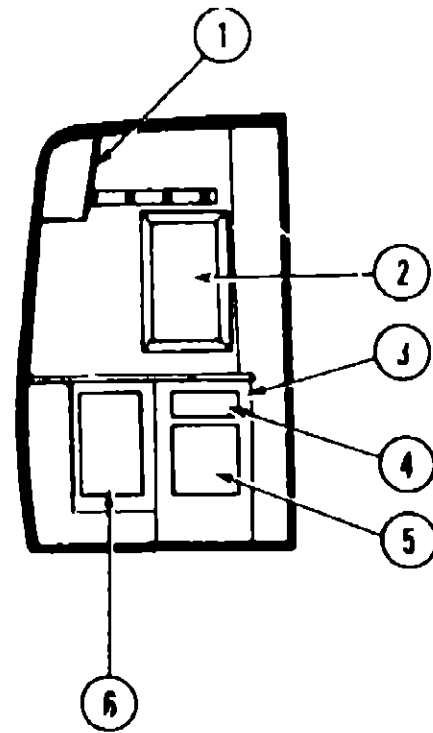
**1989 ITASCA
TABLE OF CONTENTS**

INTRODUCTION	A-01
ABBREVIATIONS	A-01
ALPHABETICAL INDEX	A-02 - A-04
ICP32DQ	A-05 - C-20
IC/JP32RQ	C-21 - F-20

**1989 IC/JP32RQ
INDEX**

Floor Plan	C-21 - C-22
Accessories Group	C-23 - D-02
Bath Group	D-03 - D-05
Chassis Group	D-06 - D-12
Curtain, Cushion & Pad Group	D-13 - D-23
Dinette Group	D-24 - E-02
Driver's Compartment Group	E-03 - E-07
Electrical Group	E-08 - E-11
Exterior Body Group	E-12 - E-17
Galley Group	E-18 - E-20
Heating & Air Conditioning Group	F-21 - E-22
Interior Finish Group	E-23 - F-01
LP Group	F-02
Lounge Group	F-03 - F-05
Water & Sewage Group	F-06
Window, Vent & Exterior Door Group	F-07 - F-20

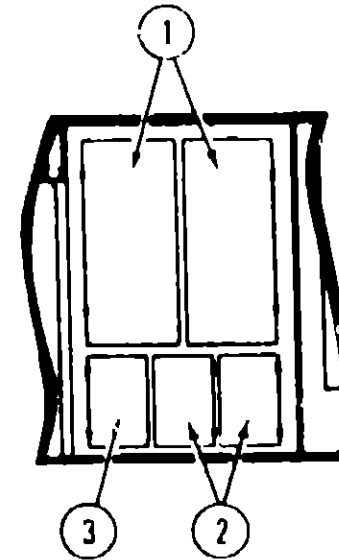
BATH GROUP



BATH CABINETRY

Key	Part Number	U/M	Description
*1	088303-52-X75	EA	Door Asm - Medicine Cabinet - 15 5" x 29 5" - w/o Hardware
†1	093446-06-Y92	EA	Door Asm - Medicine Cabinet - 15 5" x 29 5" - w/o Hardware
	076073-01-000	EA	Cabinet - Medicine - 15 4" x 29 4"
	076073-01-700	EA	Latch - Medicine Cabinet
*2	M88304-86-Y92	EA	Mirror Asm - Wall - 15 5" x 29 5" - w/o Hardware
†2	093446-05-Y92	EA	Mirror Asm - Wall - 15 5" x 29 5" - w/o Hardware
3	M94085-01-Y77	EA	Cabinet Asm - Lavatory - w/o Countertop, Doors, Drawer or Hardware
	094085-11-Y21	EA	Countertop Asm. - Lavatory Cabinet
4	081893-01-X75	EA	Face Asm - Drawer - Lavatory
	077251-01-000	EA	Tipout Drawer - Plastic
	047744-01-000	EA	Kit - Drawer Glide
5	M88304-43-Y77	EA	Door Asm - Lavatory - 16 1" x 11 4" - w/o Hardware
6	M88304-F9-Y77	EA	Door Asm - Lavatory - Hamper - 19 0" x 10" - w/o Hardware
	089383-15-X75	EA	Countertop Asm. - Pipe Cover
	M93380-01-Y77	EA	Door Asm. - Bath Cabinet - w/o Hardware
	M93381-01-Y77	EA	Door Asm - Bi-fold Cabinet - w/o Hardware
	092574-01-01A	EA	Door - Solid - w/Gold Trim - Shower
	091073-03-Y77	EA	Trim - Shower Door
*	Parts used before 4/25/89		
†	Parts used after 4/26/89		

BATH GROUP (CONTINUED)



WARDROBE CABINETRY

Key	Part Number	U/M	Description
1	M88304-B5-Y77	EA	Door Asm - Wardrobe - w/Mirror - 20 5" x 48" - w/o Hardware
	068742-01-000	EA	Mirror - Beveled - Safety Glass
2	M88304-C1-Y77	EA	Door Asm - Wardrobe - Lower - 14 3" x 21 8" - w/o Hardware
3	M88304-C2-Y77	EA	Door Asm - Wardrobe - Lower - 14 3" x 21 8" - w/o Hardware
	M02181-92-X75	EA	Frame Asm - Stationery Door - w/o Glass
	058331-25-000	EA	Mirror - Safety Glass - 7 8" x 26 77"
	077404-01-000	EA	Drawer - 20" x 12 7" - Plastic
	077409-02-000	EA	Slide - Plastic Drawer - 20 75"

1989 ITASCA TABLE OF CONTENTS

INTRODUCTION	A-01
ABBREVIATIONS	A-01
ALPHABETICAL INDEX	A-02 - A-04
ICP32DQ	A-05 - C-20
IC/JP32RQ	C-21 - F-20

1989 IC/JP32RQ INDEX

Floor Plan	C-21 - C-22
Accessories Group	C-23 - D-02
Bath Group	D-03 - D-05
Chassis Group	D-06 - D-12
Curtain Cushion & Pad Group	D-13 - D-23
Dinette Group	D-24 - E-02
Driver's Compartment Group	E-03 - E-07
Electrical Group	E-08 - E-11
Exterior Body Group	E-12 - E-17
Galley Group	E-18 - E-20
Heating & Air Conditioning Group	E-21 - E-22
Interior Finish Group	E-23 - F-01
LP Group	F-02
Lounge Group	F-03 - F-05
Water & Sewage Group	F-06
Window, Vent & Exterior Door Group	F-07 - F-20

BATH GROUP (CONTINUED)

BATH & WARDROBE HARDWARE

Key	Part Number	U/M	Description
	075240-05-000	EA	Faucet - Lavatory - Brass
	011056-02-000	EA	Faucet - Lavatory - Chrome (CSA)
	091253-01-000	EA	Gasket - Lavatory Faucet
	075242-03-000	EA	Faucet - Tub & Shower - Brass
	031558-01-000	EA	Faucet - Tub & Shower - Chrome (CSA)
	011048-01-000	EA	Shower Head - 1/60" Hose
	089366-01-000	EA	Sink Oval - Ivory Plastic
	M02630-10 Y12	EA	Shower Pan Asm
	075608-01-000	EA	Panel - Shower Faucet
	009059-01-000	EA	Hinge - 1" - Brass
	009059-02-000	EA	Hinge - 2" - Brass
	059777-02-000	EA	Hinge - Cabinet Door - Brass
	009021-01-000	EA	Catch - Nylon - Grill
	009021-02-000	EA	Strike - Spring Steel
	092314-01-01A	EA	Shower Head - Guide - Brass
	066729-01-000	EA	Strainer - Shower Pan & Tub
	066436-01-000	EA	Slip Nut - 1 5" Tail Piece - Bathtub
	066435-01-000	EA	Nut - Strainer - Plastic
	085278-01-000	EA	Tissue Holder - Recessed - Brass
	009134-01-000	EA	Tissue Holder - Chrome (CSA)
	075680-01-000	EA	Clothes Rod - Adjustable
	075453-02-000	EA	Bar - Towel Rack
	009133-01-000	EA	Towel Bar - 12" Chrome (CSA)
	023449-01-000	EA	Bracket - Towel Bar - Chrome (CSA)
	075454-02-000	EA	Towel Ring - Brass
	033580-01-000	EA	Towel Ring - Plastic (CSA)
	058331-05-000	EA	Mirror - Tempered Glass - 12" x 26"
	058331-10-000	EA	Mirror - Tempered Glass - 14" x 17"
	083204-01-000	EA	Retaining Button - Glass
	085330-04-000	EA	Toilet - Shorty - Bone China - w/Spray
	081614-02-000	EA	Soap Dish - Brass - w/Plastic Cover
	075687-03-000	EA	Lockset - Bath Door - Brown
	071632-01-000	EA	Hamper Bag
	066433-01-000	EA	Hook Cup Bright
	009089-01-000	EA	Clip - Mirror
	094485-01-01A	EA	Knob - Door - Polished Brass
	077902-01-000	EA	Collar - Skylite - Inner Panel
	080910-01-000	EA	Skylite Panel - Outer
	081171-01-000	EA	Skylite Trim - Outer Mill

CHASSIS GROUP

MISCELLANEOUS

Key	Part Number	U/M	Description
	084086-01-000	EA	Airspring Bellows - Rear Axle (Chevrolet)
	088782-01-000	EA	Airspring Bellows - Rear Axle (John Deere)
	077995-02-000	EA	Baffle - Upper - Radiator
	065450-01-000	EA	Battery Tiedown - Plastic Coated
	088557-01-000	EA	Box - Power Cord
	062401-01-000	EA	Clamp - Hose - Wormgear - 22 ID - 1" ID
	062401-02-000	EA	Clamp - Hose - Wormgear - 1.58 ID - 2.5" ID
	062401-03-000	EA	Clamp - Hose - Wormgear - 25 ID - 1" ID
	062401-04-000	EA	Clamp - Hose - Wormgear - .69 ID - 1.25" ID
	062401-05-000	EA	Clamp - Hose - Wormgear - 2" ID - 3" ID
	062401-06-000	EA	Clamp - Hose - Wormgear - .22" ID - .62" ID
	007125-03-000	EA	Clamp Asm - Muffler - 1.5C DIA
	007125-04-000	EA	Clamp Asm - Muffler - 1.12 DIA
	010497-01-000	EA	Clamp - Closed - 5/8 ID
	010499-01-000	EA	Clamp - Closed - 3/8 ID
	007131-01-000	EA	Hanger - Tailpipe
	007063-01-000	FT	Hose - Gas - 1/4" ID x 1/2 O.D
	024138-01-000	FT	Hose - Fuel - 5/16 ID
	075526-01-000	EA	Radiator Cover - Rear
	017516-01-000	EA	Mud Flap - Black
	017516-02-000	EA	Mud Flap - Black - 14" x 12.5" w/Holes
	090097-03-000	EA	Bracket Asm - Mud Flap - Passenger
	090097-04-000	EA	Bracket Asm - Mud Flap - Driver
	086010-01-000	EA	Step Asm - Entrance - Pullout
	094708-01-01A	EA	Step Asm - Entrance - Single
	076281-01-000	EA	Tray - Battery
	075758-01-000	EA	Wheelwell - Plastic - Rear - Dual
	081918-02-000	EA	Exhaust Extension - 7"

1989 ITASCA TABLE OF CONTENTS

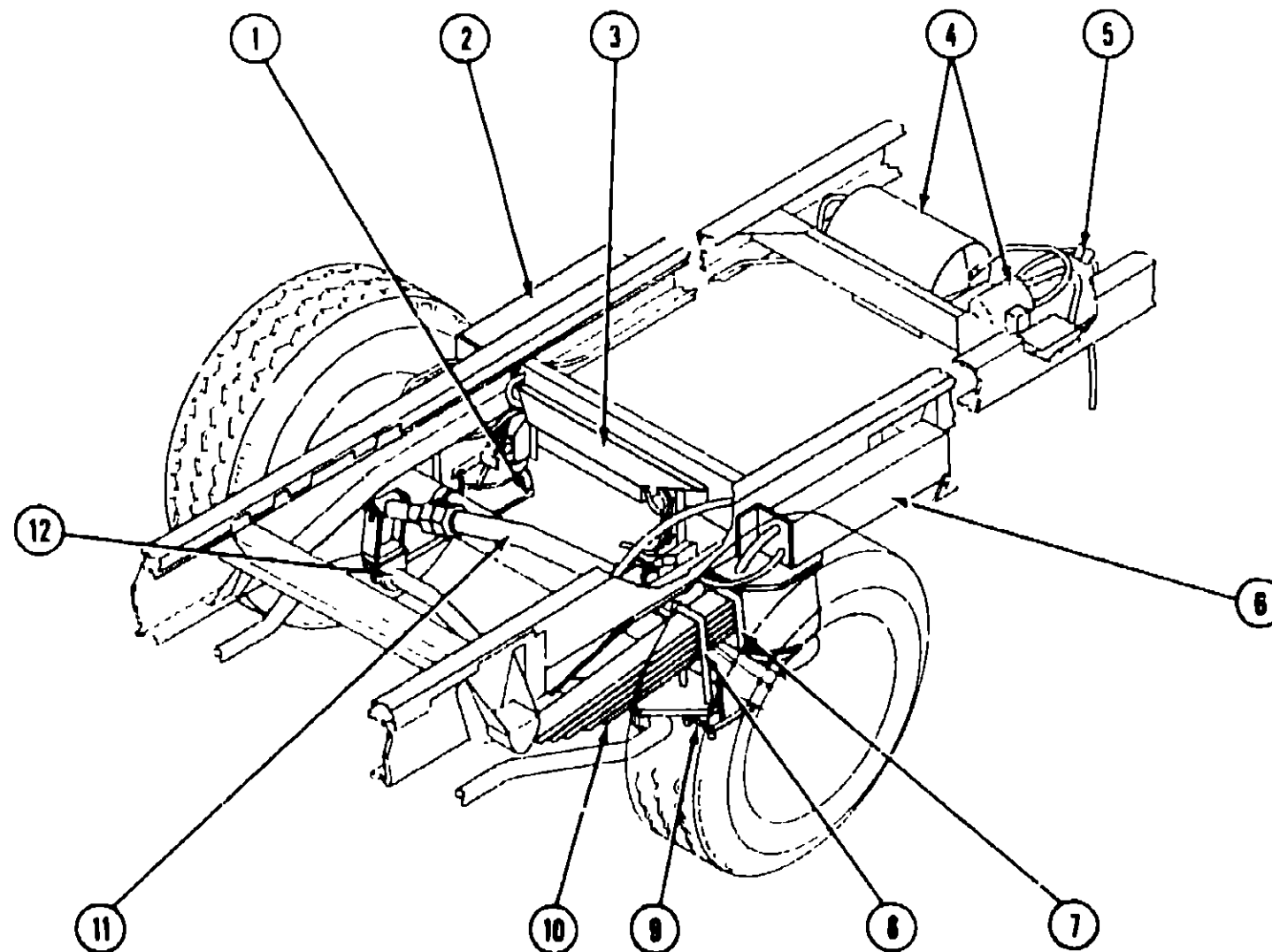
INTRODUCTION	A-01
ABBREVIATIONS	A-01
ALPHABETICAL INDEX	A-02 - A-04
ICP32DQ	A-05 - C-20
IC/JP32RQ	C-21 - F-20

1989 IC/JP32RQ INDEX

Floor Plan	C-21 - C-22
Accessories Group	C-23 - D-02
Bath Group	D-03 - D-05
Chassis Group	D-06 - D-12
Curtain, Cushion & Pad Group	D-13 - D-23
Dinette Group	D-24 - E-02
Driver's Compartment Group	E-03 - E-07
Electrical Group	E-08 - E-11
Exterior Body Group	E-12 - E-17
Galley Group	E-18 - E-20
Heating & Air Conditioning Group	E-21 - E-22
Interior Finish Group	E-23 - F-01
LP Group	F-02
Lounge Group	F-03 - F-06
Water & Sewage Group	F-06
Window, Vent & Exterior Door Group	F-07 - F-20

CHASSIS GROUP (CONTINUED)

AIR RIDE SUSPENSION (OPTION 64K)



Key	Part Number	U/M	Description
1	090436-11-000	EA	Spring Mount - Lower Axle - Driver
2	090436-09-000	EA	Mount - Airspring Asm. - Upper Driver
3	090436-04-000	EA	Valve Asm - Height - w/o Park & Level
3	090436-05-000	EA	Valve Asm - Height - w/Park & Level
4	090436-07-000	EA	Compressor Asm. - w/Tank & Wiring
5	090436-06-000	EA	Control - Park Level w/Wiring
6	090436-08-000	EA	Mount - Airspring Asm - Upper - Passenger
7	090436-13-000	EA	U-Bolt - Rearward Bent - 7/8"
8	090436-12-000	EA	U-Bolt - Straight - 7/8"
9	090436-10-000	EA	Spring Mount - Lower Axle - Passenger
10	090436-03-000	EA	Leaf Spring - Semi
11	090436-14-000	EA	Track Bar - w/Pivot Bolt & Brackets
12	091250-03-000	EA	Bushing - Sway Bar - 1 75"
	090436-15-000	EA	Valve - Solenoid Asm. - Park Level
	090436-16-000	EA	Bracket - Brake Hose/Axle
	000C12-05-16B	EA	Hex Bolt 5/16 - 1B x 1
	000D14-05-00B	EA	Hex Nut - 5/16 - #16

Key	Part Number	U/M	Description
	000D34-06-00B	EA	Hex Nut - Locking - 3/8 - #16
	000E13-17-00B	EA	Washer - Flange - 3/8
	071374-03-000	EA	Fitting Bulkhead - 1/4 x 1/4 MNPT
	007125-11-000	EA	Clamp Asm - Muffler
	016379-02-000	EA	Strap - Hanger Extension
	081918-02-000	EA	Extension - Exhaust - 2 25 O D x 7
	085433-0-000	EA	Shield - Heat Exhaust
	095190-01-000	EA	Hanger - Exhaust
*	098199-01-000	EA	Exhaust Pipe - Driver
†	098199-02-000	EA	Exhaust Pipe - Driver
*	098200-01-000	EA	Exhaust Pipe - Passenger
†	098200-02-000	EA	Exhaust Pipe - Passenger
	091250-01-000	EA	Bushing - Sway Bar - 1 25 (Inboard)
	091250-02-000	EA	Bushing - Sway Bar - 1 25 (Outboard)
*	Parts used before 3/12/89		
†	Parts used after 3/13/89.		

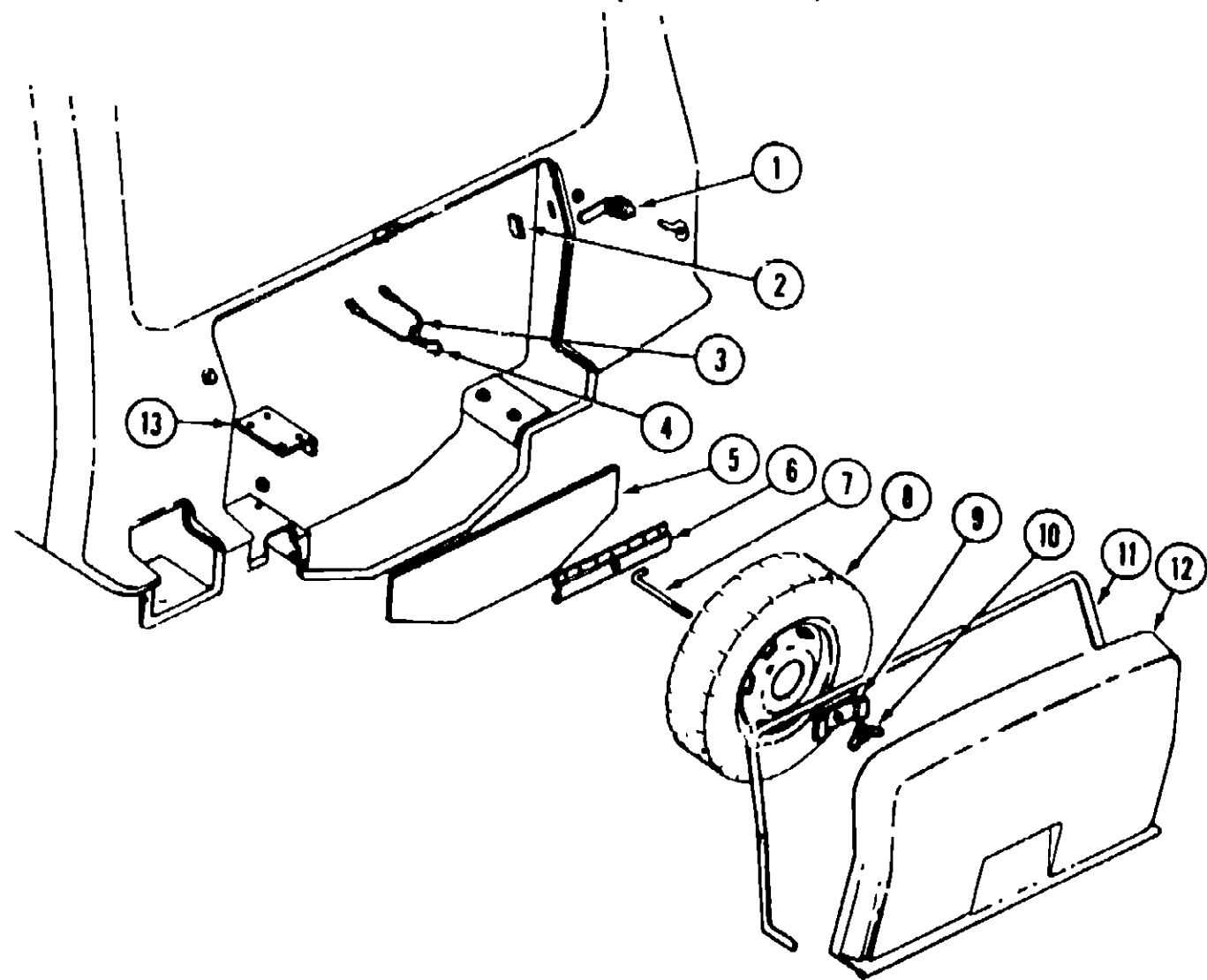
1989 ITASCA TABLE OF CONTENTS

INTRODUCTION	A-01
ABBREVIATIONS	A-01
ALPHABETICAL INDEX	A-02 - A-04
ICP32DQ	A-05 - C-20
IC/JP32RQ	C 21 - F-20

1989 IC/JP32RQ INDEX

Floor Plan	C-21 - C-27
Accessories Group	C-23 - D-02
Bath Group	D-03 - D-05
Chassis Group	D-06 - D-12
Curtain, Cushion & Pad Group	D-13 - D-23
Dinette Group	D-24 - E-02
Driver's Compartment Group	E-03 - E-07
Electrical Group	E-08 - E-11
Exterior Body Group	E-12 - E-17
Galley Group	E-18 - E-20
Heating & Air Conditioning Group	E-21 - E-22
Interior Finish Group	E-23 - F-01
LP Group	F-02
Lounge Group	F-03 - F-05
Water & Sewage Group	F-06
Window, Vent & Exterior Door Group	F-07 - F-20

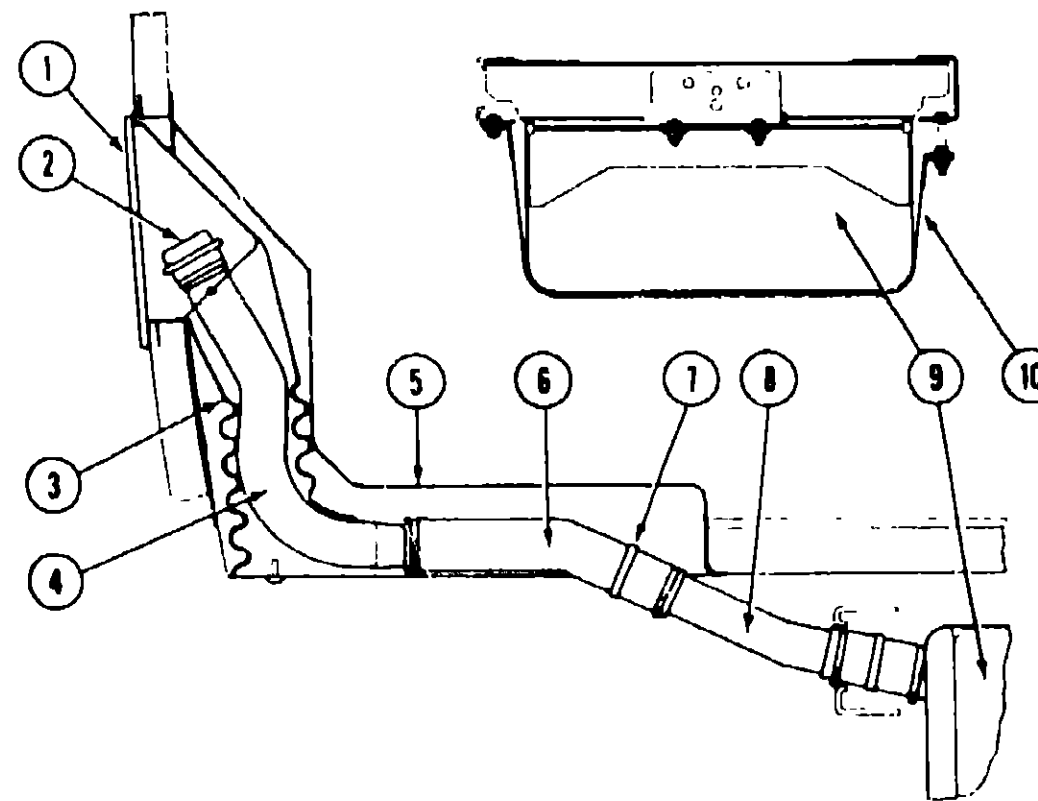
CHASSIS GROUP (CONTINUED)



SPARE TIRE & COMPARTMENT

Key	Part Number	U/M	Description
1	077408-01-000	EA	Lock Asm. - Key Type
2	077941-01-000	EA	Rubber Seal - Flat/Slit
3	078767-02-000	EA	Cable Asm
4	072483-02-000	EA	Spring Hook - 5/8"
5	077395-01-000	EA	Shield - Spare Tire
6	077403-01-000	EA	Support Bracket - Spare Tire
7	077411-01-000	EA	Retaining Rod - Spare Tire
8	007324-04-000	EA	Tire - 8" x 19.5" - Radial - Michelin
	064983-01-000	EA	Rim - Wheel - 19.5" x 6.75"
	077030-02-000	EA	Extension - Valve Stem - 1/25"
	095012-01-000	EA	Extension - Valve Stem - Dual
9	077399-01-000	EA	Retainer - Spare Tire
10	064081-01-000	EA	Wing Nut - 3/8" - Spare Tire
11	073090-01-000	FT	Weather Seal
12	M01990-04-X75	EA	Cover - Spare Tire - Gray
	077392-01-000	EA	Strike - Latch
	077080-01-000	EA	Angle Support - Pivot
	077381-01-000	EA	Plate - Pivot
	077385-01-000	EA	Pin Asm. - Pivot
	077384-01-000	EA	Plate - Pin
13	077400-01-000	EA	Support - Spare Tire
	077093-01-000	CA	Support Asm. - Strike
	077759-01-000	EA	Spacer - Spare Tire Support

CHASSIS GROUP (CONTINUED)



FUEL SYSTEMS COMPONENTS

Key	Part Number	U/M	Description
1	078010-02-000	EA	Door Asm - Fuel Fill - Gray
2	073220-02-000	EA	Cap - Fuel Fill
	078200-01-000	EA	Gasket - Fuel Fill
3	083578-01-000	EA	Boot - Fuel Fill
4	075227-01-000	EA	Neck Asm - Upper Fuel Fill - Gas (Federal)
4	075227-03-000	EA	Neck Asm - Upper Fuel Fill - Gas (California)
5	082768-01-000	EA	Shroud - Fuel Fill - Inside
6	081245-01-000	EA	Hose - Fuel Fill - Formed
	082401-05-000	EA	Clamp - Hose - Wormgear - 2" - 3" (Fuel Hose)
7	075229-01-000	EA	Strap Asm.
8	075228-01-000	EA	Neck - Fuel Fill - Lower
9	090082-01-000	EA	Tank - Fuel - 80 Gallon
10	088488-02-000	EA	Strap Asm - Fuel Tank
	088732-01-000	FT	Hose - Fuel - 62 I.D. (Vent Hose)
	082401-10-000	EA	Clamp - Hose - Wormgear - 1" - 2" (Vent Hose)
	079881-01-000	EA	Valve Asm - Vent - Fuel Tank
	007111-03-000	EA	Hose - Fuel - 1.75" x 3' (Tank to Neck)
	088740-01-000	EA	Sending Unit/Pump
	088255-01-000	EA	Gasket - Sending Unit

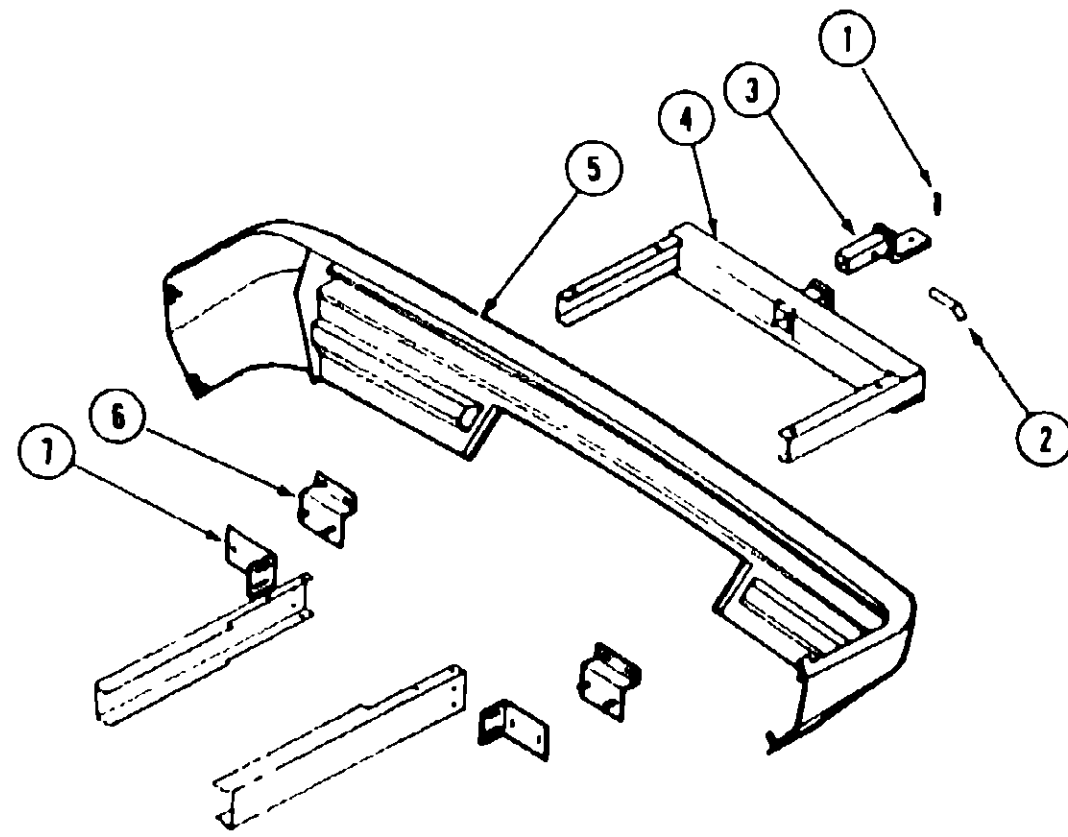
**1989 ITASCA
TABLE OF CONTENTS**

INTRODUCTION	A-01
ABBREVIATIONS	A-01
ALPHABETICAL INDEX	A-02 - A-04
ICP32DQ	A-05 - C-20
IC/JP32RQ	C-21 - F-20

**1989 IC/JP32RQ
INDEX**

Floor Plan	C-21 - C-22
Accessories Group	C-23 - D-02
Bath Group	D-03 - D-05
Chassis Group	D-06 - D-12
Curtain, Cushion & Pad Group	D-13 - D-23
Dinette Group	D-24 - E-02
Driver's Compartment Group	E-03 - E-07
Electrical Group	E-08 - E-11
Exterior Body Group	E-12 - E-17
Galley Group	E-18 - E-20
Heating & Air Conditioning Group	E-21 - E-22
Interior Finish Group	E-23 - F-01
LP Group	F-02
Lounge Group	F-03 - F-06
Water & Sewage Group	F-08
Window, Vent & Exterior Door Group	F-07 - F-20

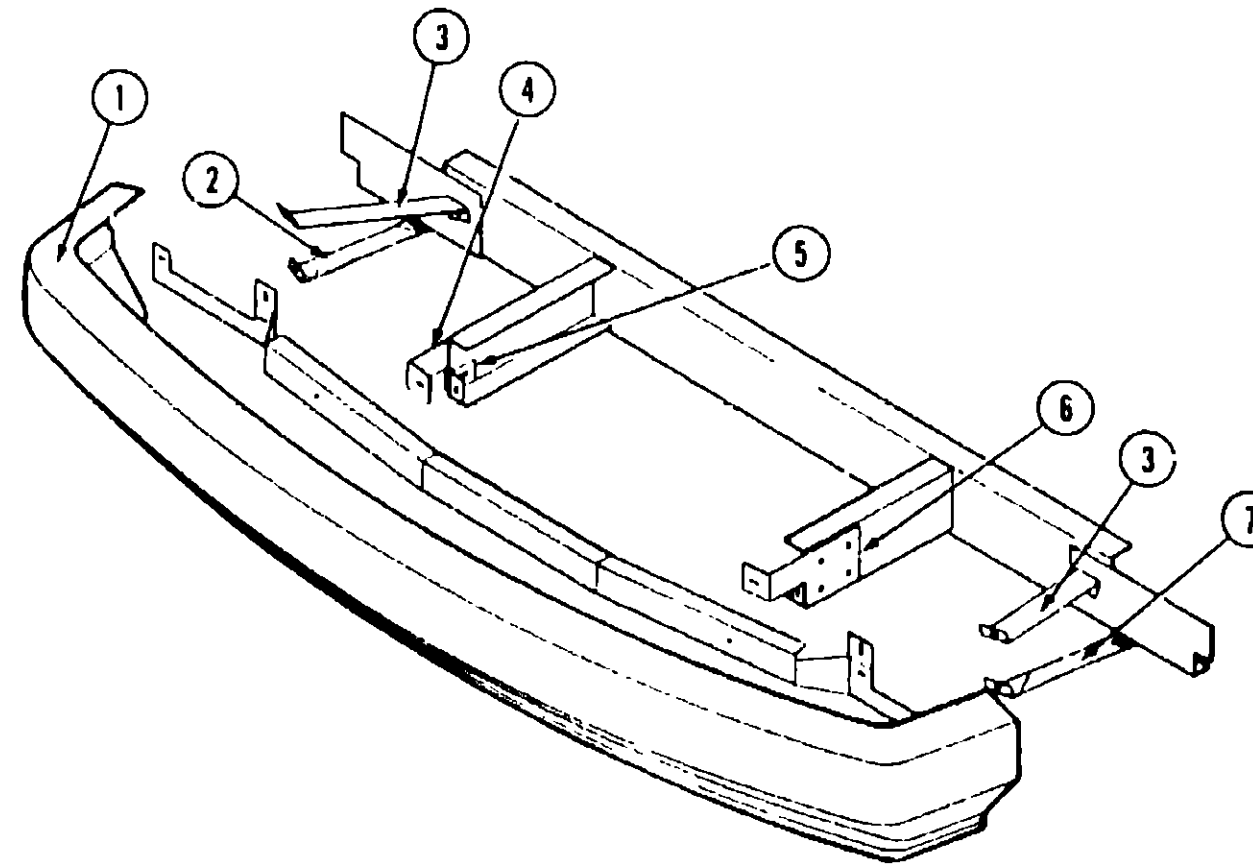
CHASSIS GROUP (CONTINUED)



REAR BUMPER & HITCH

Key	Part Number	U/M	Description
1	034513-01-000	EA	Spring Pin - Hitch - 3/16" Wire
2	034512-01-000	EA	Locking Pin - Drawbar
3	077613-01-000	EA	Drawbar Asm
4	077617-01-000	EA	Hitch Asm - w/o Drawbar
*5	M86700-02-X75	EA	Rear Bumper Asm. - Gray
†5	M86700-01-W36	EA	Rear Bumper Asm. - Gray
6	086727-02-000	EA	Support Angle (To Bumper)
7	086709-01-000	EA	Support Angle (To Frame)
	064398-01-000	EA	Plug - Trailer Tailight - Female 10"
	064399-01-000	EA	Plug - Trailer Tailight - Male - 60"
	091224-01-000	EA	Label - Trailer Lighting
*	Parts used before 9/1/88		
†	Parts used after 9/2/88		

CHASSIS GROUP (CONTINUED)



FRONT BUMPER

Key	Part Number	U/M	Description
1	M88632-02-X75	EA	Bumper Asm - Front
2	077854-01-000	EA	Brace - Lower - Front Bumper - Passenger
3	088038-01-000	EA	Brace - Upper - Front Bumper
4	086140-01-000	EA	Support Bracket - Bumper - Passenger
5	088942-01-000	EA	Bracket - Fog Lamp - Mounting
6	086140-02-000	EA	Support Bracket - Bumper - Driver
7	077854-02-000	EA	Brace - Lower - Front Bumper - Driver

**1989 IT/3CA
TABLE OF CONTENTS**

INTRODUCTION	A-01
ABBREVIATIONS	A-01
ALPHABETICAL INDEX	A-02 - A-04
ICP320Q	A-05 - C-20
IC/JP32RQ	C-21 - F-20

**1989 IC/JP32RQ
INDEX**

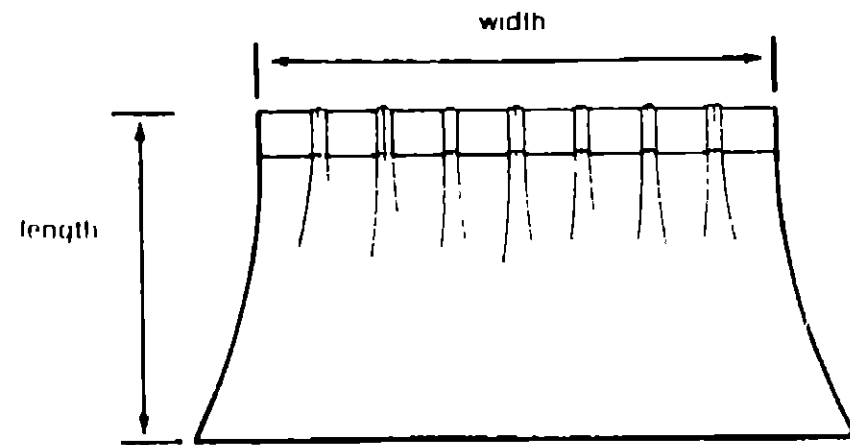
Floor Plan	C-21 - C-22
Accessories Group	C-23 - D-02
Bath Group	D-03 - D-05
Chassis Group	D-06 - D-12
Curtain, Cushion & Pad Group	D-13 - D-23
Dinette Group	D-24 - E-02
Driver's Compartment Group	E-03 - E-07
Electrical Group	E-08 - E-11
Exterior Body Group	E-12 - E-17
Galley Group	E-18 - E-20
Heating & Air Conditioning Group	E-21 - E-22
Interior Finish Group	E-23 - F-01
LP Group	F-02
Lounge Group	F-03 - F-05
Water & Sewage Group	F-06
Window, Vent & Exterior Door Group	F-07 - F-20

CURTAIN, CUSHION & PAD GROUP

NOTICE

In order to assist our Part Sales Dept. in providing interior software items, please include the serial number and the color code number from the vehicle certification label when ordering. This label is located on the left sidewall at the end of the dash (A Body), or on the driver's door latch plate (C Body).

An example of a color code number is P31, which designated an overall color scheme of a particular unit. The color listed after the item description on the microfilm, indicates the overall unit color. Order the item you desire according to unit color code.



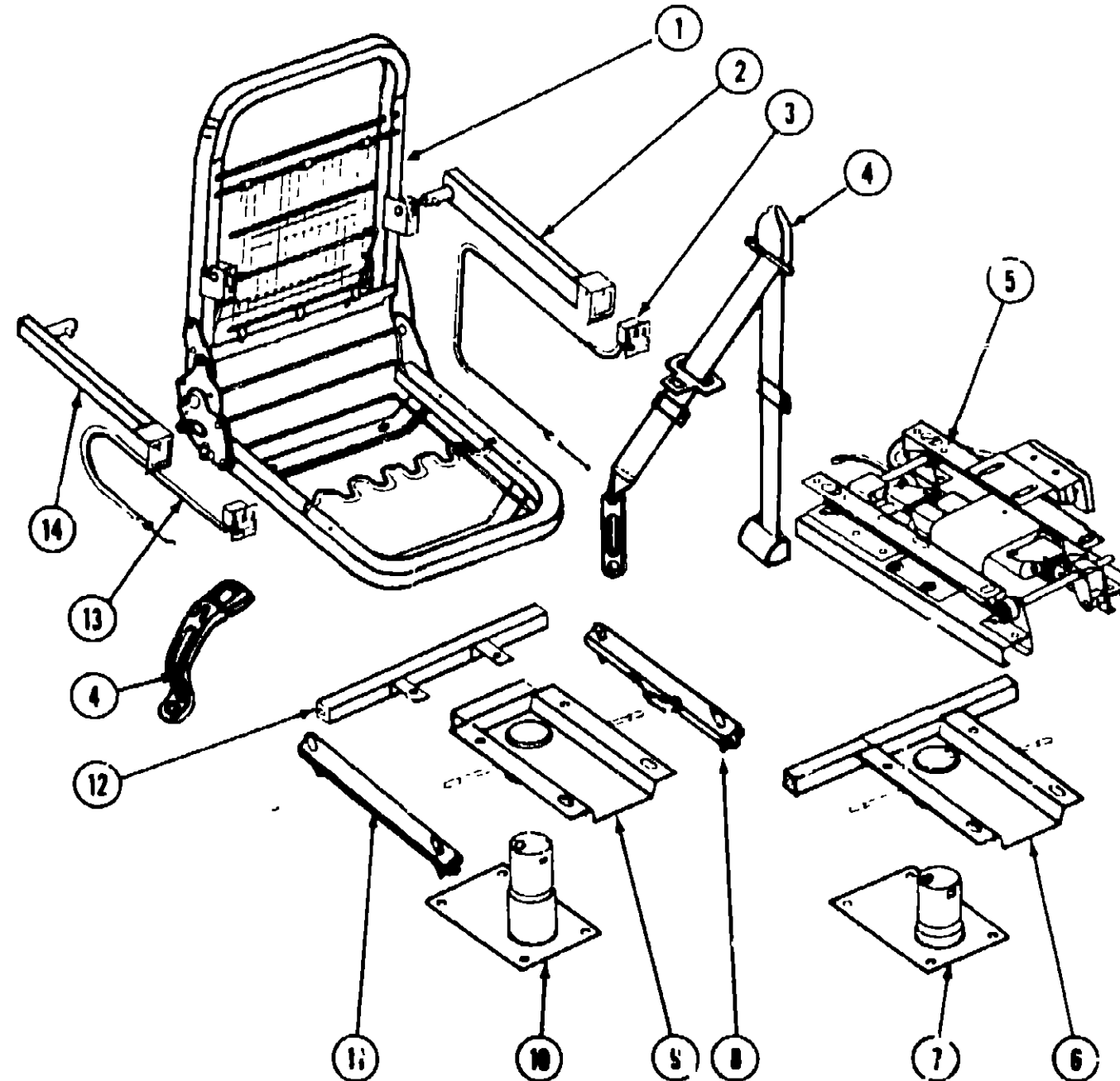
NOTE:

Use this illustration when determining length and width measurements for curtains. You will note the width measurement is taken on the top of the curtain with the curtain fully extended. The length measurement is taken from top to bottom.

CURTAIN HARDWARE

Key	Part Number	U/M	Description
	029094-04-000	YD	Tape - Loop - 1" Wide - Black
	029095-03-000	YD	Tape - Hook - 1" Wide - Black
	048394-02-000	YD	Tape - Hood - 75" Wide - Beige
	047395-02-000	YD	Tape - Loop - .75" Wide - Beige
	088792-01-000	YD	Tape - Hook - 5/8" - Non-Adhesive
	088792-02-000	YD	Tape - Loop - 75" Wide - Beige - Adhesive
	056003-01-000	EA	Bracket - Drapery Retainer - Right
	056003-02-000	EA	Bracket - Drapery Retainer - Left
	081381-01-000	EA	Swivel Snap - Curtain Track
	075943-01-000	EA	Brace - Valance - Beige
	082139-01-000	EA	Bracket - Hold Down - Blinds
	083170-01-000	EA	Bracket - Blind Installation - Right
	083170-02-000	EA	Bracket - Blind Installation - Left
	064434-01-000	EA	Bracket - Roller Shade - 1.375"
	087253-01-000	EA	Pul - Window Shade - Clear Plastic
	089335-01-000	EA	Track - Curtain - Brown Plastic
	089918-01-000	EA	Window - Trim
	086276-01-000	EA	Tape - Double Faced - 5"
	078394-01-000	FT	Trim - Brass Vinyl - .437" Wide - Window Side Panel
	077046-01-000	EA	Track - Curtain - Front Wraparound - Passenger
	077046-02-000	EA	Track - Curtain - Front Wraparound - Driver
	077046-01-700	EA	Baton Arm - w/Snap
	077046-01-701	EA	Carrier - Swivel
	077046-01-702	EA	Lock Stop
	077046-01-703	EA	Swivel - Snap Pendant
	077046-01-704	EA	End Stop
	077046-01-705	EA	Master Carrier - Left
	077046-01-706	EA	Master Carrier - Right
	091313-01-000	EA	Grommet - Headrest

CURTAIN, CUSHION & PAD GROUP (CONTINUED)



BUCKET SEAT HARDWARE

Key	Part Number	U/M	Description
1	089369-01-000	EA	Frame Asm - Bucket Seat
2	089369-03-000	EA	Frame - Armrest - Left
3	089368-03-000	EA	Cable Asm - Remote - Slide
4	091990-02-01A	EA	Seat Belt - Drivers - 3 Point
	091990-01-01A	EA	Seat Belt - Passenger - 3 Point
5	081373-01-000	EA	Power Seat Asm.
	081373-02-700	EA	Switch Asm. - Power Seat
	081373-02-701	EA	Wire Harness - Drivers - Power Seat
	081373-02-702	EA	Horizontal Adjustment Package
	081373-02-703	EA	Horizontal Adjustment Package
	081373-02-704	EA	Vertical Adjustment Package
6	089585-36-000	EA	Top Plate - Power Seat
7	089585-37-000	EA	Sub Plate - 5" - Used w/Power Seat
8	089246-05-000	EA	Adjuster Asm - Seat - w/Lock
9	089585-27-000	EA	Top Plate - Non-Powered Seat
10	089585-08-000	EA	Sub Plate - 8" - Used w/Non-Powered Seat
11	089246-02-000	EA	Adjuster Asm - Seat w/o Lock
12	085465-29-000	EA	Seat Belt Bar - 20"
13	089368-02-000	EA	Cable Asm - Remote - Recliner
14	089369-02-000	EA	Frame - Armrests - Right

1989 ITASCA TABLE OF CONTENTS

INTRODUCTION	A-01
ABBREVIATIONS	A-01
ALPHABETICAL INDEX	A-02 - A-04
ICP32DQ	A-05 - C-20
IC/JP32RO	C-21 - F-20

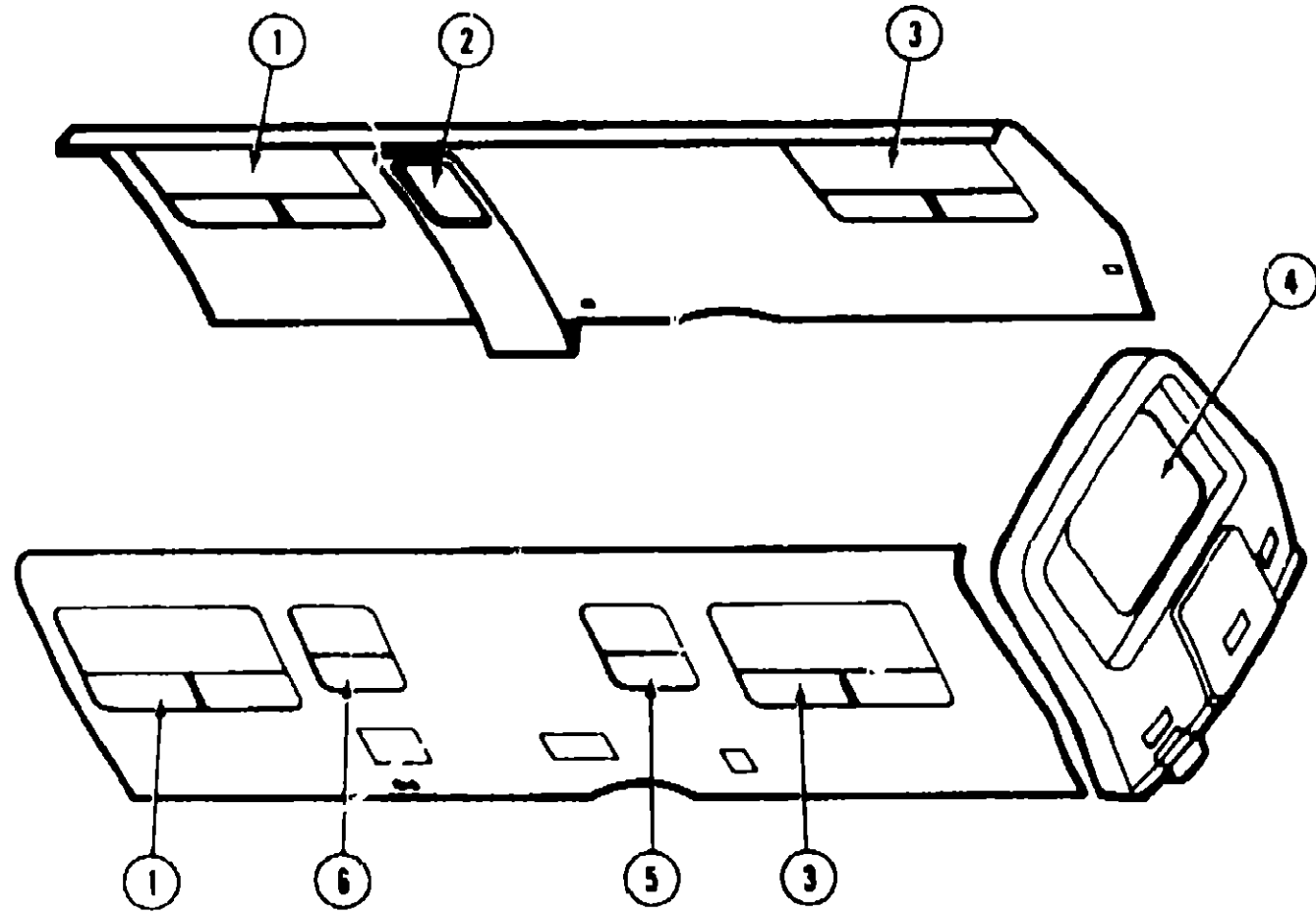
1989 IC/JP32RO INDEX

Floor Plan	C-21 - C-22
Accessories Group	C-23 - D-02
Bath Group	D-03 - D-05
Chassis Group	D-06 - D-12
Curtain, Cushion & Pad Group	D-13 - D-23
Dinette Group	D-24 - E-02
Driver's Compartment Group	E-03 - E-07
Electrical Group	E-08 - E-11
Exterior Body Group	E-12 - E-17
Galley Group	E-18 - E-20
Heating & Air Conditioning Group	E-21 - E-22
Interior Finish Group	E-23 - F-01
LP Group	F-02
Lounge Group	F-03 - F-05
Water & Sewage Group	F-06
Window, Vent & Exterior Door Group	F-07 - F-20

CURTAIN, CUSHION & PAD GROUP (CONTINUED)

FABRICS & TRIMS

Key	Part Number	U/M	Description
	088274-74-000	YD	Fabric - Upholstery - Beach (Y77)
	088274-75-000	YD	Fabric - Upholstery - Mulberry (Y78)
	088274-58-000	YD	Fabric - Upholstery - Gray (Y79)
	088274-54-000	YD	Fabric - Upholstery - Patterned Accent - Blue (Y77)
	088274-33-000	YD	Fabric - Upholstery - Patterned Accent - Mauve (Y78)
	088274-85-000	YD	Fabric - Upholstery - Accent - Blue (Y77)
	088274-78-000	YD	Fabric - Upholstery - Accent - Columbine (Y78)
	088274-57-000	YD	Fabric - Upholstery - Accent - Gray (Y79)
	088273-18-000	YD	Fabric - Bedroom - Neutral (Y77)
	088273-19-000	YD	Fabric - Bedroom - Mauve (Y78)
	088273-24-000	YD	Fabric - Bedroom - Blue (Y79)
	084416-20-000	YD	Fabric - Laminate - Pullshade
	072333-61-000	YD	Fabric - Drapery - Pacific (Y77)
	072333-37-000	YD	Fabric - Drapery - Mauve (Y78)
	072333-55-000	YD	Fabric - Drapery - Silver (Y79)
	079680-01-000	YD	Vinyl - Expanded - Buckskin (End Caps)
	089351-01-000	YD	Vinyl - Acoustical Ceiling (Roof)
	077484-01-000	YD	Vinyl - Expanded - Smoke (Sunvisor)
	078155-01-000	EA	Strap Asm - Cushion
	070578-02-X19	EA	Button Asm - Screw Stud - #30 - Vinyl (TV Cabinet)
	070578-11-Y15	EA	Button Asm. - #30 - Vinyl (Ceiling)



CURTAIN, CUSHION & PAD GROUP (CONTINUED)

CURTAIN, SHADES, VALANCES & TIEBACKS

Key	Part Number	U/M	Description
1	089058-01-Y77	EA	Padded - Window Leg - Right
1	089058-01-Y78	EA	Padded - Window Leg - Right
1	089058-01-Y79	EA	Padded - Window Leg - Right
1	089058-02-Y77	EA	Padded - Window Leg - Left
1	089058-02-Y78	EA	Padded - Window Leg - Left
1	089058-02-Y79	EA	Padded - Window Leg - Left
1	093478-01-01A	EA	Blind - Micro-Mini - 57 5" x 35" Drop (Y77)
1	093478-01-02A	EA	Blind - Micro-Mini - 57 5" x 35" Drop (Y78)
1	093478-01-03A	EA	Blind - Micro-Mini - 57 5" x 35" Drop (Y79)
2	093455-14-Y77	EA	Shade Asm - Pull 27 25"
3	094552-04-Y77	EA	Valance Asm - Ruffled w/Wood - 62 5"
3	094552-04-Y78	EA	Valance Asm - Ruffled w/Wood - 62 5"
3	094552-04-Y79	EA	Valance Asm - Ruffled w/Wood - 62 5"
3	093454-08-Y77	EA	Curtain Asm. w/Snap Top - 36 5" x 15"
3	093454-08-Y78	EA	Curtain Asm. w/Snap Top - 36 5" x 15"
3	093454-08-Y79	EA	Curtain Asm. w/Snap Top - 36 5" x 15"
3	093477-01-03A	EA	Blind - Day Nighter - 57 5" x 36" Drop (Y77)
3	093477-01-02A	EA	Blind - Day Nighter - 57 5" x 36" Drop (Y78)
3	093477-01-08A	EA	Blind - Day Nighter - 57 5" x 36" Drop (Y79)
4	093479-01-01A	EA	Shade - Woven Wood - 57 5" x 36" Drop
4	094552-03-Y77	EA	Valance Asm - Ruffled w/Wood - 62 5"
4	094552-03-Y78	EA	Valance Asm - Ruffled w/Wood - 62 5"
4	094552-03-Y79	EA	Valance Asm - Ruffled w/Wood - 62 5"
4	093454-07-Y77	EA	Curtain Asm w/Snap Top - 36 5" x 15"
4	093454-07-Y78	EA	Curtain Asm w/Snap Top - 36 5" x 15"
4	093454-07-Y79	EA	Curtain Asm. w/Snap Top - 36 5" x 15"
4	093477-08-01A	EA	Blind - Day Nighter - 50" x 34" Drop (Y77)
4	093477-08-02A	EA	Blind - Day Nighter - 50" x 34" Drop (Y78)
4	093477-08-03A	EA	Blind - Day Nighter - 50" x 34" Drop (Y79)
5	093479-05-01A	EA	Shade - Woven Wood - 50" x 34"
5	093478-02-01A	EA	Blind - Micro-Mini - 28" x 28" Drop (Y77)
5	093478-02-02A	EA	Blind - Micro-Mini - 28" x 28" Drop (Y78)
5	093478-02-03A	EA	Blind - Micro-Mini - 28" x 28" Drop (Y79)
5	073304-45-Y23	EA	Curtain Asm. - 30" x 9" - w/Snap Top (Y77)
5	073304-45-YB4	EA	Curtain Asm. - 30" x 9" - w/Snap Top (Y78)
5	073304-45-XA4	EA	Curtain Asm. - 30" x 9" - w/Snap Top (Y79)
6	093478-04-02A	EA	Blind - Micro-Mini - 28" x 27 5" Drop (Y77)
6	093478-04-03A	EA	Blind - Micro-Mini - 28" x 27 5" Drop (Y78)
6	093478-04-04A	EA	Blind - Micro-Mini - 28" x 27 5" Drop (Y79)
	093452-01-Y16	EA	Curtain Asm. w/Snap Top - Blackout - 48" x 50" - Passenger (Y77)
	093452-01-YB4	EA	Curtain Asm. w/Snap Top - Blackout - 48" x 50" - Passenger (Y78)
	093452-01-Y30	EA	Curtain Asm w/Snap Top - Blackout - 48" x 50" - Passenger (Y79)
	093452-02-Y15	EA	Curtain Asm w/Snap Top - Blackout - 48" x 50" - Driver (Y77)
	093452-02-YB4	EA	Curtain Asm w/Snap Top - Blackout - 48" x 50" - Driver (Y78)
	093487-03-000	EA	Curtain Asm. w/Snap Top - Blackout - 48" x 50" - Driver (Y79)
	093487-04-000	EA	Curtain Asm - Pleated - Front Wrap-around - Right
	057534-06-000	EA	Curtain Asm - Pleated - Front Wrap-around - Left
	057534-06-000	EA	Tieback Asm - Taupe - Vinyl
	057534-06-000	EA	Tieback Asm - Clear - 6"

* Parts used on the Woven Wood Option

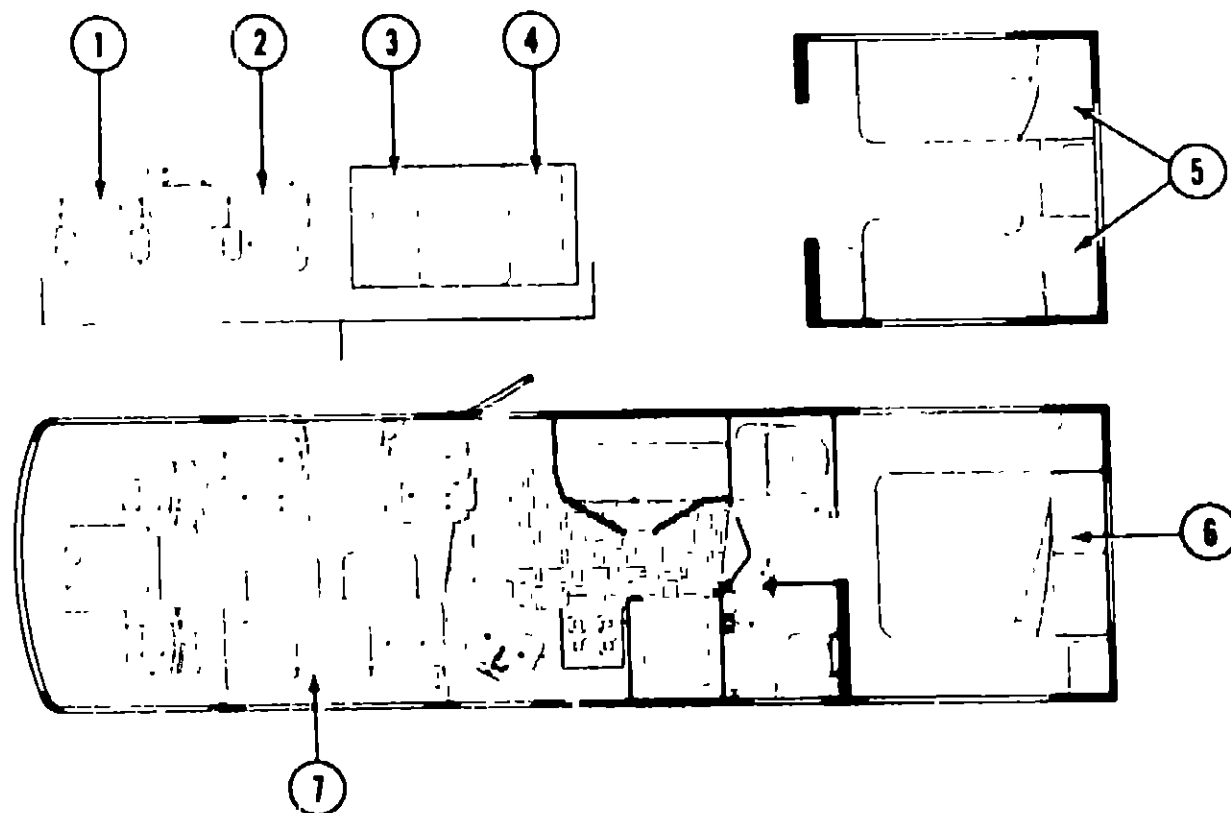
**1989 ITASCA
TABLE OF CONTENTS**

INTRODUCTION	A-01
ABBREVIATIONS	A-01
ALPHABETICAL INDEX	A-02 A-04
ICP320Q	A-05 - C 20
IC/JP32RQ	C-21 - F 20

**1989 IC/JP32RQ
INDEX**

Floor Plan	C-21 - C 22
Accessories Group	C-23 - D-02
Bath Group	D-03 - D-05
Chassis Group	D-06 - D-12
Curtain, Cushion & Pad Group	D-13 - D-23
Drivette Group	D-24 - E-02
Driver's Compartment Group	E-03 - E-07
Electrical Group	E-08 - E-11
Exterior Body Group	E-12 - E-17
Galley Group	E-18 - E-20
Heating & Air Conditioning Group	E-21 - E-22
Interior Finish Group	E-23 - F-01
LP Group	F-02
Lounge Group	F-03 - F-05
Water & Sewage Group	F-06
Window, Vent & Exterior Door Group	F-07 - F-20

CURTAIN, CUSHION & PAD GROUP (CONTINUED)



SWIVEL CHAIR

Key	Part Number	U/M	Description
1	089516-02-Y77	EA	Chair Asm - Celebrity - Recliner
1	086516-02-Y78	EA	Chair Asm - Celebrity - Recliner
1	086516-05-Y79	EA	Chair Asm - Celebrity - Recliner
1	089032-01-Y77	EA	Skirt Asm - Celebrity - Recliner
1	089032-01-Y78	EA	Skirt Asm - Celebrity - Recliner
1	089032-10-Y79	EA	Skirt Asm - Celebrity - Recliner
2	093463-02-Y77	EA	Chair Asm - Celebrity - Recliner
2	093463-02-Y78	EA	Chair Asm - Celebrity - Recliner
2	093463-03-Y79	EA	Chair Asm - Celebrity - Recliner
2	089032-07-Y77	EA	Skirt Asm - Celebrity - 3/4"
2	089032-07-Y78	EA	Skirt Asm - Celebrity - 3/4"
2	089032-09-Y79	EA	Skirt Asm - Celebrity - 3/4"
	094599-01-Y77	EA	Foot Rest Asm - Swivel Chair
	094599-01-Y78	EA	Foot Rest Asm - Swivel Chair
	094599-01-Y79	EA	Foot Rest Asm - Swivel Chair

DINETTE CUSHION (OPTION 300)

Key	Part Number	U/M	Description
3	088927-30-Y77	EA	Cushion Asm - 13" x 36" x 5" - Back
3	088927-30-Y78	EA	Cushion Asm - 13" x 36" x 5" - Back
3	088927-32-Y79	EA	Cushion Asm - 13" x 36" x 5" - Back
	M88927-30-Y77	EA	Cover Asm - Dinette Cushion - Back
	M88927-30-Y78	EA	Cover Asm - Dinette Cushion - Back
	M88927-32-Y79	EA	Cover Asm - Dinette Cushion - Back
4	088927-31-Y77	EA	Cushion Asm - 22" x 36" x 5" - Seat
4	088927-31-Y78	EA	Cushion Asm - 22" x 36" x 5" - Seat
4	088927-33-Y79	EA	Cushion Asm - 22" x 36" x 5" - Seat
	M88927-31-Y77	EA	Cover Asm - Dinette Cushion - Seat
	M88927-31-Y78	EA	Cover Asm - Dinette Cushion - Seat
	M88927-33-Y79	EA	Cover Asm - Dinette Cushion - Seat

CURTAIN, CUSHION & PAD GROUP (CONTINUED)

TWIN BED (OPTION 46U)

Key	Part Number	U/M	Description
5	077478-04-000	EA	Mattress - Innerspring - 33" x 75"
	083986-14-Y77	EA	Bedsread Asm - 33" x 75" - Right
	083986-14-Y78	EA	Bedsread Asm - 33" x 75" - Right
	083986-14-Y79	EA	Bedsread Asm - 33" x 75" - Right
	083986-15-Y77	EA	Bedsread Asm - 33" x 75" - Left
	083986-15-Y78	EA	Bedsread Asm - 33" x 75" - Left
	083986-15-Y79	EA	Bedsread Asm - 33" x 75" - Left
	081997-03-Y77	EA	Pillow Sham - Quilted
	081997-03-Y78	EA	Pillow Sham - Quilted
	081997-03-Y79	EA	Pillow Sham - Quilted
	093458-03-Y77	EA	Headboard Asm - 33" - Ruffled
	093458-03-Y78	EA	Headboard Asm - 33" - Ruffled
	093458-03-Y79	EA	Headboard Asm - 33" - Ruffled

QUEEN BED

Key	Part Number	U/M	Description
6	077478-05-000	EA	Mattress - Inner Spring - 60" x 75"
	092371-03-Y77	EA	Bedsread - 60" w/Dust Ruffle
	092371-03-Y78	EA	Bedsread - 60" w/Dust Ruffle
	092371-03-Y79	EA	Bedsread - 60" w/Dust Ruffle
	081997-02-Y77	EA	Pillow Sham w/Ruffle - 30" x 26"
	081997-02-Y78	EA	Pillow Sham w/Ruffle - 30" x 26"
	081997-02-Y79	EA	Pillow Sham w/Ruffle - 30" x 26"
	093458-02-Y77	EA	Headboard Asm - 54" - Ruffled
	093458-02-Y78	EA	Headboard Asm - 54" - Ruffled
	093458-02-Y79	EA	Headboard Asm - 54" - Ruffled

CELESTIAL SOFA BED

Key	Part Number	U/M	Description
7	093460-01-Y77	EA	Bed Asm - Celestial Sofa - w/o Cushions & Armrest
7	093460-01-Y78	EA	Bed Asm - Celestial Sofa - w/o Cushions & Armrest
7	093460-01-Y79	EA	Bed Asm - Celestial Sofa - w/o Cushions & Armrest
	M93460-01-Y77	EA	Cover Asm - Celestial Sofa Bed
	M93460-01-Y78	EA	Cover Asm - Celestial Sofa Bed
	M93460-01-Y79	EA	Cover Asm - Celestial Sofa Bed
	085357-02-Y77	EA	Cushion Asm - 16" x 23" - Celestial Bed (3 required)
	085357-02-Y78	EA	Cushion Asm - 16" x 23" - Celestial Bed (3 required)
	085357-02-Y79	EA	Cushion Asm - 16" x 23" - Celestial Bed (3 required)
	M85357-02-Y77	EA	Cover Asm - Cushion
	M85357-02-Y78	EA	Cover Asm - Cushion
	M85357-02-Y79	EA	Cover Asm - Cushion
	085358-05-Y77	EA	Removable Arms - Sofa Bed (2 required)
	085358-05-Y78	EA	Removable Arms - Sofa Bed (2 required)
	085358-05-Y79	EA	Removable Arms - Sofa Bed (2 required)
	M85358-05-Y77	EA	Cover Asm - Removable Arms
	M85358-05-Y78	EA	Cover Asm - Removable Arms
	M85358-05-Y79	EA	Cover Asm - Removable Arms
	090408-01-X75	EA	Drawer Asm - Sofa
	074044-90-000	EA	Oak Trim - Celestial Sofa Bed
	079386-01-000	EA	Frame Asm - Continental Bed
	079386-02-000	EA	Hardware Kit
	016804-06-000	EA	Brace - Seat Angle - Drawer
	084466-02-000	EA	Slide Asm - Drawer - Right
	084466-03-000	EA	Slide Asm - Drawer - Left
	084466-04-000	EA	Slide Asm - Cabinet - Right
	084466-05-000	EA	Slide Asm - Cabinet - Left

FRONT BUNK (OPTION 81H)

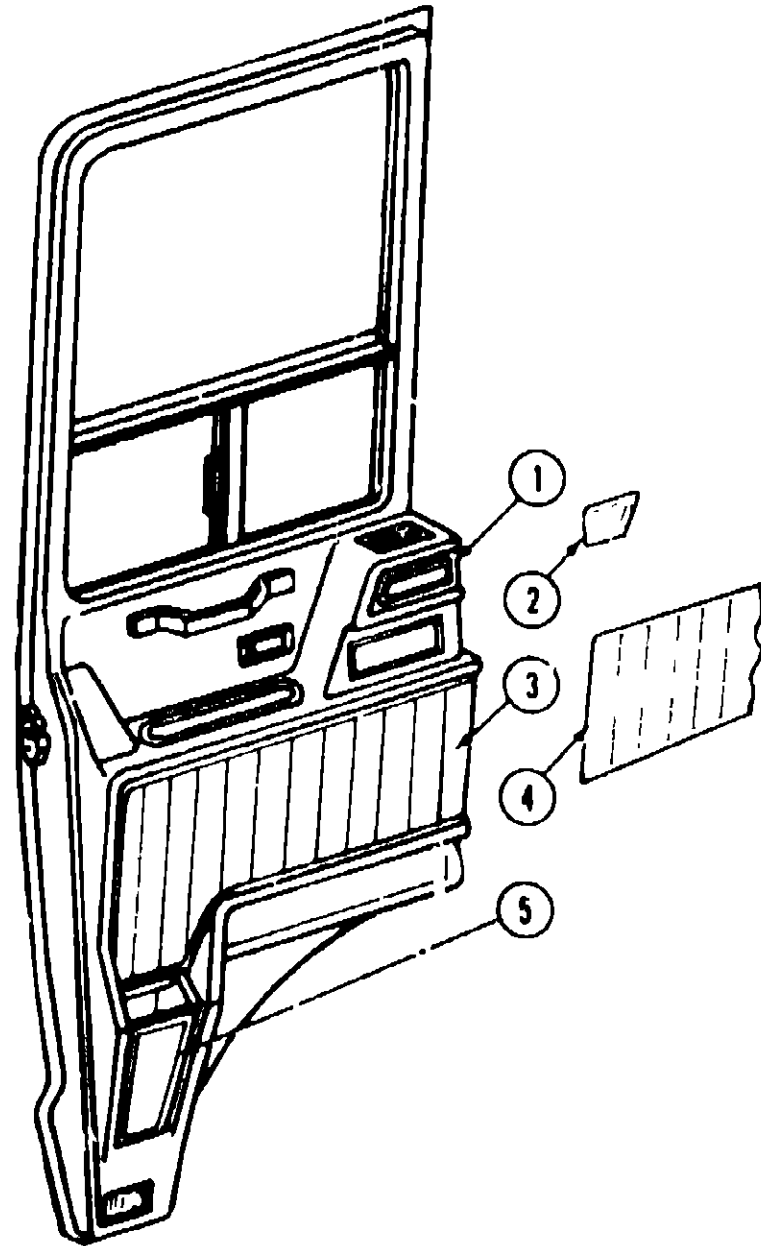
Key	Part Number	U/M	Description
	079145-02-000	EA	Cushion Asm - 30" x 69" - Bunk
	M79145-02-000	EA	Cover Asm - Bunk Cushion

**1989 ITASCA
TABLE OF CONTENTS**

INTRODUCTION	A-01
ABBREVIATIONS	A-01
ALPHABETICAL INDEX	A-02 - A-04
ICP32DQ	A-05 - C-20
IC/JP32RQ	C-21 - F-20

**1989 IC/JP32RQ
INDEX**

Floor Plan	C-21 - C-22
Accessories Group	C-23 - D-02
Bath Group	D-03 - D-05
Chassis Group	D-06 - D-12
Curtain, Cushion & Pad Group	D-13 - D-23
Dinette Group	D-24 - E-02
Driver's Compartment Group	E-03 - E-07
Electrical Group	E-08 - E-11
Exterior Body Group	E-12 - E-17
Galley Group	E-18 - E-20
Heating & Air Conditioning Group	E-21 - E-22
Interior Finish Group	E-23 - F-01
LP Group	F-02
Lounge Group	F-03 - F-06
Water & Sewage Group	F-07
Window, Vent & Exterior Door Group	F-07 - F-20



TRIM PADS

Key	Part Number	U/M	Description
1	089104-04-X75	EA	Insert Pad - Upper Door - Driver (Y77)
1	089104-04-Y20	EA	Insert Pad - Upper Door - Driver (Y78)
1	084104-04-Y79	EA	Insert Pad - Upper Door - Driver (Y79)
	089104-03-X75	EA	Insert Pad - Upper Door - Passenger (Y77)
	089104-03-Y20	EA	Insert Pad - Upper Door - Passenger (Y78)
	089104-03-Y79	EA	Insert Pad - Upper Door - Passenger (Y79)
2	089107-02-X75	EA	Insert Pad - Upper Sidewall - Driver (Y77)
2	089107-02-Y20	EA	Insert Pad - Upper Sidewall - Driver (Y78)
2	089107-02-Y79	EA	Insert Pad - Upper Sidewall - Driver (Y79)
	089109-02-X75	EA	Insert Pad - Upper Sidewall - Passenger (Y77)
	089109-02-Y78	EA	Insert Pad - Upper Sidewall - Passenger (Y78)
	089109-02-Y79	EA	Insert Pad - Upper Sidewall - Passenger (Y79)
3	089105-04-X75	EA	Insert Pad - Lower Door - Driver (Y77)
3	089105-04-Y20	EA	Insert Pad - Lower Door - Driver (Y78)
3	089105-04-Y79	EA	Insert Pad - Lower Door - Driver (Y79)
	089105-03-X75	EA	Insert Pad - Lower Door - Passenger (Y77)
	089105-03-Y20	EA	Insert Pad - Lower Door - Passenger (Y78)
	089105-03-Y79	EA	Insert Pad - Lower Door - Passenger (Y79)
4	089108-02-X75	EA	Insert Pad - Lower Sidewall - Driver (Y77)
4	089108-02-Y20	EA	Insert Pad - Lower Sidewall - Driver (Y78)
4	089108-02-Y79	EA	Insert Pad - Lower Sidewall - Driver (Y79)
	089110-02-X75	EA	Insert Pad - Lower Sidewall - Passenger (Y77)
	089110-02-Y78	EA	Insert Pad - Lower Sidewall - Passenger (Y78)
	089110-02-Y79	EA	Insert Pad - Lower Sidewall - Passenger (Y79)
5	089106-04-X75	EA	Insert Pad - Map Pocket - Driver (Y77)
5	089106-04-Y20	EA	Insert Pad - Map Pocket - Driver (Y78)
5	089106-04-Y79	EA	Insert Pad - Map Pocket - Driver (Y79)
	089107-03-X75	EA	Insert Pad - Map Pocket - Passenger (Y77)
	089107-03-Y20	EA	Insert Pad - Map Pocket - Passenger (Y78)
	089107-03-Y79	EA	Insert Pad - Map Pocket - Passenger (Y79)
	089111-02-X75	EA	Insert - Interior Cap - Center (Y77)
	089111-02-Y20	EA	Insert - Interior Cap - Center (Y78)
	089111-02-Y79	EA	Insert - Interior Cap - Center (Y79)
	089112-04-X75	EA	Insert Pad - Front Overhead (Sunvisor) - Driver (Y77)
	089112-04-Y20	EA	Insert Pad - Front Overhead (Sunvisor) - Driver (Y78)
	089112-04-Y79	EA	Insert Pad - Front Overhead (Sunvisor) - Driver (Y79)
	089112-03-X75	EA	Insert Pad - Front Overhead (Sunvisor) - Passenger (Y77)
	089112-03-Y20	EA	Insert Pad - Front Overhead (Sunvisor) - Passenger (Y78)
	089112-03-Y79	EA	Insert Pad - Front Overhead (Sunvisor) - Passenger (Y79)
	019045-01-W36	EA	Pad Asm. - TV Cabinet - Vinyl
	063113-02-X75	EA	Wall Pad - TT Chairs - 12" x 16" (Y77)
	063113-02-Y78	EA	Wall Pad - TT Chairs - 12" x 16" (Y78)
	063113-02-Y79	EA	Wall Pad - TT Chairs - 12" x 16" (Y79)
	081519-03-Y77	EA	Pad Asm. - Dinette - Right
	081519-03-Y78	EA	Pad Asm. - Dinette - Right
	081519-03-Y79	EA	Pad Asm. - Dinette - Right
	081519-04-Y77	EA	Pad Asm. - Dinette - Left
	081519-04-Y78	EA	Pad Asm. - Dinette - Left
	081519-04-Y79	EA	Pad Asm. - Dinette - Left

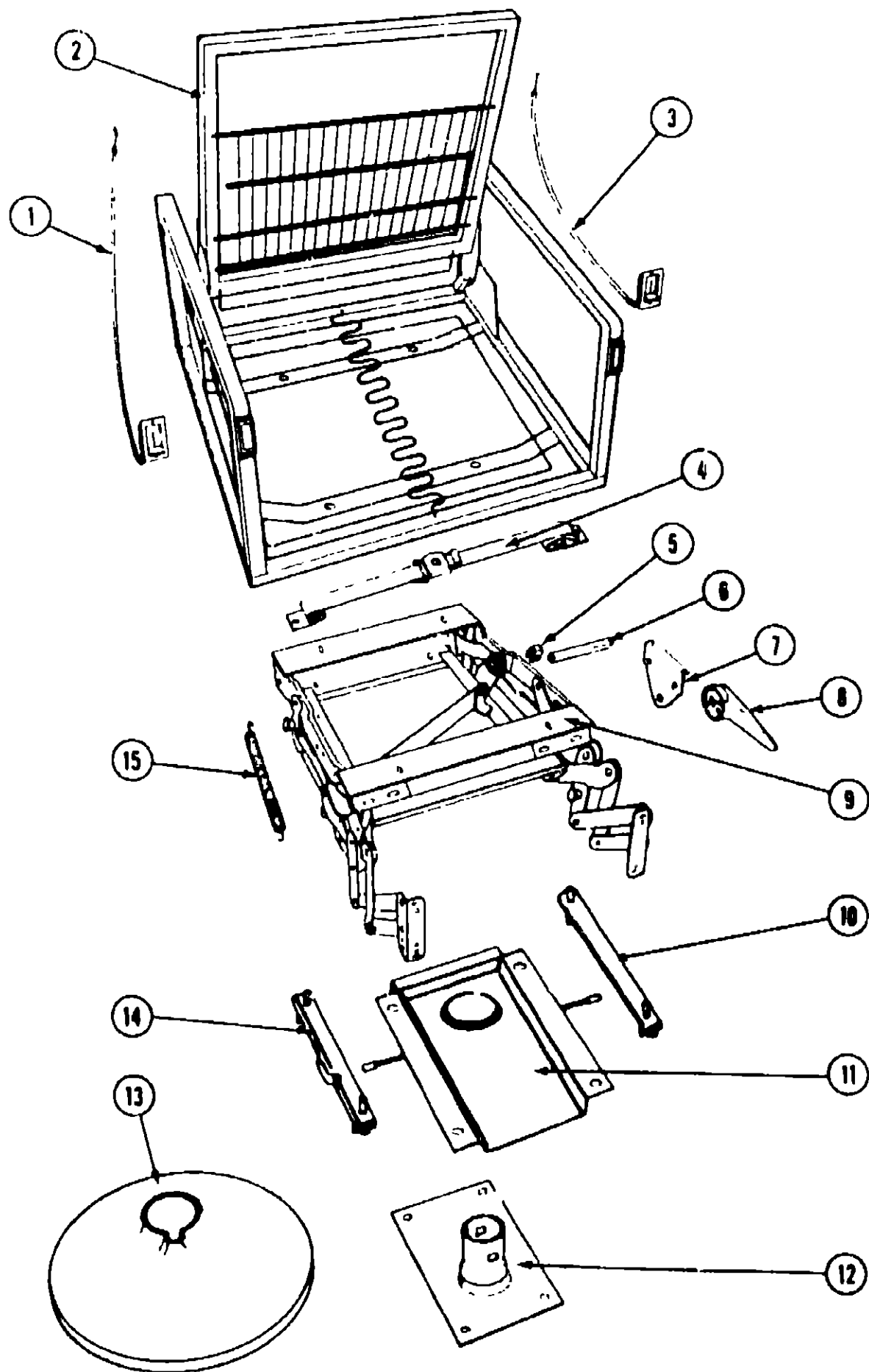
1989 ITASCA
TABLE OF CONTENTS

INTRODUCTION	A-01
ABBREVIATIONS	A-01
ALPHABETICAL INDEX	A-02 - A-04
ICP32DQ	A-05 - C-20
IC/JP32RQ	C-21 - F-20

1989 IC/JP32RQ
INDEX

Floor Plan	C-21 - C-22
Accessories Group	C-23 - D-02
Bath Group	D-03 - D-05
Chassis Group	D-06 - D-12
Curtain, Cushion & Pad Group	D-13 - D-23
Dinette Group	D-24 - E-02
Driver's Compartment Group	E-03 - E-07
Electrical Group	E-08 - E-11
Exterior Body Group	E-12 - E-17
Galley Group	E-18 - E-20
Heating & Air Conditioning Group	E-21 - E-22
Interior Finish Group	E-23 - F-01
LP Group	F-02
Lounge Group	F-03 - F-05
Water & Sewage Group	F-06
Window, Vent & Exterior Door Group	F-07 - F-20

CURTAIN, CUSHION & PAD GROUP (CONTINUED)



Key	Part Number	U/M	Description
1	089368-03-000	EA	Remote Asm - Recliner
2	089368-01-000	EA	Frame Asm - Celebrity Chair
3	089368-02-000	EA	Remote Asm - Slider
4	007021-01-000	EA	Seat Belt Asm - 90" x 2" - Back
	057759-01-000	EA	Bracket - Seat Belt Washer
5	093484-02-700	EA	Clamp - Torsion Rod
6	093484-02-701	EA	Torsion Bar
7	093484-02-702	EA	Support - Torsion Bar
8	093484-02-703	EA	Handle
	093484-02-000	EA	Hardware Kit - Footrest (Includes Keys 5,6,7,8 & 1')
9	093484-01-000	EA	Footrest Mechanism
10	089246-02-000	EA	Adjuster Asm - Celebrity Chair - w/o Lock
11	093481-03-000	EA	Top Plate - Celebrity Chair - w/Lock
12	093481-01-000	EA	Pedestal - 6" - Used w/Footrest Only
12	093481-02-000	EA	Pedestal - 10" - Used w/Recliner Only
13	093482-01-000	EA	Pedestal Shroud - 13" Black Plastic
14	089246-05-000	EA	Adjuster Asm - Celebrity Chair - w/Lock
	08/330-01-000	EA	Bracket - Stop - Slide Track
15	093484-02-704	EA	Spring

PASSENGER BUCKET SEAT

Key	Part Number	U/M	Description
	093471-01-Y77	EA	Seat Asm - Bucket w/Remote - Passenger - w/o Skirt
	093471-01-Y78	EA	Seat Asm - Bucket w/Remote - Passenger - w/o Skirt
	093471-03-Y79	EA	Seat Asm - Bucket w/Remote - Passenger - w/o Skirt
	M03445-09-Y77	EA	Cover Asm - Bucket - Seat
	M03445-09-Y78	EA	Cover Asm - Bucket - Seat
	M03445-13-Y79	EA	Cover Asm - Bucket - Seat
	M03445-10-Y77	EA	Cover Asm - Bucket - Back
	M03445-10-Y78	EA	Cover Asm - Bucket - Back
	M03445-14-Y79	EA	Cover Asm - Bucket - Back
	071126-24-X75	EA	Skirt Asm - Bucket Seat (Y77)
	071126-24-Y25	EA	Skirt Asm - Bucket Seat (Y7d)
	071126-24-Y79	EA	Skirt Asm - Bucket Seat (Y79)
	080243-36-Y77	EA	Armrest Asm - Right
	080243-36-Y78	EA	Armrest Asm - Right
	080243-36-Y79	EA	Armrest Asm - Right
	M80243-36-Y77	EA	Cover Asm - Right Armrest
	M80243-36-Y78	EA	Cover Asm - Right Armrest
	M80243-36-Y79	EA	Cover Asm - Right Armrest
	080243-37-Y77	EA	Armrest Asm - Left
	080243-37-Y78	EA	Armrest Asm - Left
	080243-37-Y79	EA	Armrest Asm - Left
	M80243-37-Y77	EA	Cover Asm - Left Armrest
	M80243-37-Y78	EA	Cover Asm - Left Armrest
	M80243-37-Y79	EA	Cover Asm - Left Armrest



Key	Part Number	U/M	Description
1	029130-01-000	EA	Socket - Snap Fastener
2	029155-01-000	EA	Cap - Snap - .156" Dia x 17" Barrel
3	029156-01-000	EA	Socket - Snap Fastener
4	029092-01-000	EA	Stud - Nickel Finish
5	029093-01-000	EA	Eyelet - Nickel Finish

CURTAIN, CUSHION & PAD GROUP (CONTINUED)

CELEBRITY RECLINER HARDWARE

**1989 ITASCA
TABLE OF CONTENTS**

INTRODUCTION	A-01
ABBREVIATIONS	A-01
ALPHABETICAL INDEX	A-02 - A-04
ICP32DQ	A-05 - C-20
IC/JP32RQ	C-21 - F-20

**1989 IC/JP32RQ
INDEX**

Floor Plan	C-21 - C-22
Accessories Group	C-23 - D-02
Bath Group	D-03 - D-05
Chassis Group	D-06 - D-12
Curtain, Cushion & Pad Group	D-13 - D-23
Dinette Group	D-24 - E-02
Driver's Compartment Group	E-03 - E-07
Electrical Group	E-08 - E-11
Exterior Body Group	E-12 - E-17
Galley Group	E-18 - E-20
Heating & Air Conditioning Group	E-21 - E-22
Interior Finish Group	E-23 - F-01
LP Group	F-02
Lounge Group	F-03 - F-05
Water & Sewage Group	F-06
Window, Vent & Exterior Door Group	F-07 - F-20



CURTAIN, CUSHION & PAD GROUP (CONTINUED)

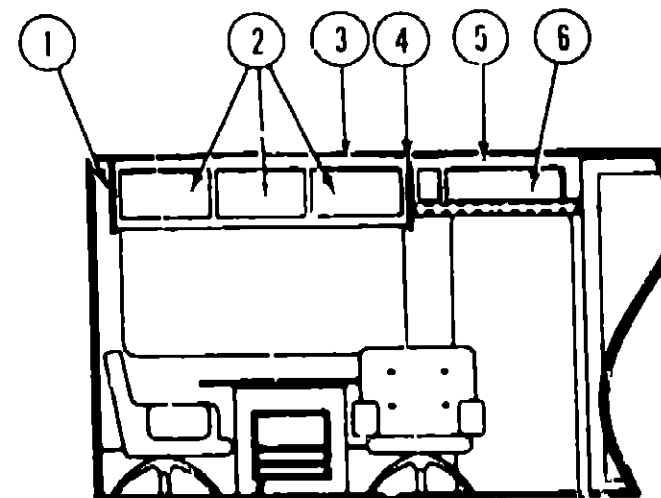
DRIVER BUCKET SEAT

Key	Part Number	U/M	Description
	093471-01-Y77	EA	Seat Asm - Bucket - Driver - w/o Skirt
	093471-01-Y78	EA	Seat Asm - Bucket - Driver - w/o Skirt
	093471-03-Y79	EA	Seat Asm - Bucket - Driver - w/o Skirt
	M03445-09-Y77	EA	Cover Asm - Bucket Seat
	M03445-09-Y78	EA	Cover Asm - Bucket Seat
	M03445-13-Y79	EA	Cover Asm - Bucket Seat
	M03445-10-Y77	EA	Cover Asm - Bucket - Back
	M03445-10-Y78	EA	Cover Asm - Bucket - Back
	M03445-14-Y79	EA	Cover Asm - Bucket - Back
	071126-26-X75	EA	Skirt Asm - Bucket Seat (Y77)
	071126-26-Y25	EA	Skirt Asm - Bucket Seat (Y78)
	071126-26-Y79	EA	Skirt Asm - Bucket Seat (Y79)
	080243-36-Y77	EA	Armrest Asm - Right
	080243-36-Y78	EA	Armrest Asm - Right
	080243-36-Y79	EA	Armrest Asm - Right
	M80243-36-Y77	EA	Cover Asm - Right Armrest
	M80243-36-Y78	EA	Cover Asm - Right Armrest
	M80243-36-Y79	EA	Cover Asm - Right Armrest
	080243-37-Y77	EA	Armrest Asm - Left
	080243-37-Y78	EA	Armrest Asm - Left
	080243-37-Y79	EA	Armrest Asm - Left
	M80243-37-Y77	EA	Cover Asm - Left Armrest
	M8024-37-Y78	EA	Cover Asm - Left Armrest
	M80243-37-Y79	EA	Cover Asm - Left Armrest

DRIVER POWER BUCKET SEAT (OPTION 63M)

Key	Part Number	U/M	Description
	093471-02-Y77	EA	Seat Asm - Power Bucket - Driver - w/o Skirt
	093471-02-Y78	EA	Seat Asm - Power Bucket - Driver - w/o Skirt
	093471-04-Y79	EA	Seat Asm - Power Bucket - Driver - w/o Skirt
	M03445-09-Y77	EA	Cover Asm - Power Bucket - Seat
	M03445-09-Y78	EA	Cover Asm - Power Bucket - Seat
	M03445-13-Y79	EA	Cover Asm - Power Bucket - Seat
	M03445-10-Y77	EA	Cover Asm - Power Bucket - Back
	M03445-10-Y78	EA	Cover Asm - Power Bucket - Back
	M03445-14-Y79	EA	Cover Asm - Power Bucket - Back
	071126-26-Y77	EA	Skirt Asm - Power Bucket Seat (Y77)
	071126-26-Y14	EA	Skirt Asm - Power Bucket Seat (Y78)
	071126-26-Y79	EA	Skirt Asm - Power Bucket Seat (Y79)
	080243-36-Y77	EA	Armrest Asm - Right
	080243-36-Y78	EA	Armrest Asm - Right
	080243-36-Y79	EA	Armrest Asm - Right
	M80243-36-Y77	EA	Cover Asm - Right Armrest
	M80243-36-Y78	EA	Cover Asm - Right Armrest
	M80243-36-Y79	EA	Cover Asm - Right Armrest
	080243-38-Y77	EA	Armrest Asm - Left
	080243-38-Y78	EA	Armrest Asm - Left
	080243-38-Y79	EA	Armrest Asm - Left
	M80243-38-Y77	EA	Cover Asm - Left Armrest
	M80243-38-Y78	EA	Cover Asm - Left Armrest
	M80243-38-Y79	EA	Cover Asm - Left Armrest

DINETTE GROUP



SWIVEL CHAIR DINETTE & OVERHEAD CABINETRY

Key	Part Number	U/M	Description
1	085468-02-W36	EA	Pad Asm - End Cap - Front Overhead - Left - Vinyl
2	M88304-38-Y77	EA	Door Asm - Overhead Cabinet - 12" x 18.7" - w/o Hardware
3	M03110-15-Y77	EA	Cabinet Asm - Front Overhead - Passenger - w/o Doors or Hardware
	M03110-13-Y77	EA	Cabinet Asm - Front Overhead - Driver - w/o Doors or Hardware
4	085468-01-W36	EA	Pad Asm - End Cap - Front Overhead - Right - Vinyl
5	M03110-59-Y77	EA	Cabinet Asm - Entrance Door Overhead
	089381-12-Y21	EA	Speaker Cover - Fabric
6	M88304-45-Y77	EA	Door Asm - 10" x 29.5" - Entrance Cabinet
	M61727-02-Y77	EA	Cabinet Asm - Pullout Table
	M02415-01-Y75	EA	Table Asm - Pullout
	079921-01-000	EA	Roller - Nylon Shaft
	M02416-01-X75	EA	Countertop Asm - Pullout Table
	M02414-01-X75	EA	Top - Cupholder - Pullout Table
	M02417-01-X75	EA	Hinged Top - Pullout Table - w/o Hardware
	080728-01-000	EA	Handle - Pullout Table
	079808-01-W13	EA	Magazine Rack
	081298-01-X75	EA	Table Asm - Pedestal
	009040-03-000	EA	Base - Table - Mounts to Table
	009040-04-000	EA	Leg - Pedestal Table
	062048-01-000	EA	Clip - Pedestal Table
	041194-01-000	EA	Base - Table - Flush Mounts in Floor

SWIVEL CHAIRS & ICE MAKER (OPTION 35J)

Key	Part Number	U/M	Description
	M82887-01-Y75	EA	Cabinet Asm - Ice Maker
	074489-02-W36	EA	Holder - Beverage Tray
	M02493-01-X75	EA	Countertop Asm - Ice Maker
	M02494-01-X75	EA	Slide Out Table
**	076799-01-000	EA	Ice Maker - Black Glass
**	The illustrated parts breakdown for this item is provided on the Common Items Fiche		

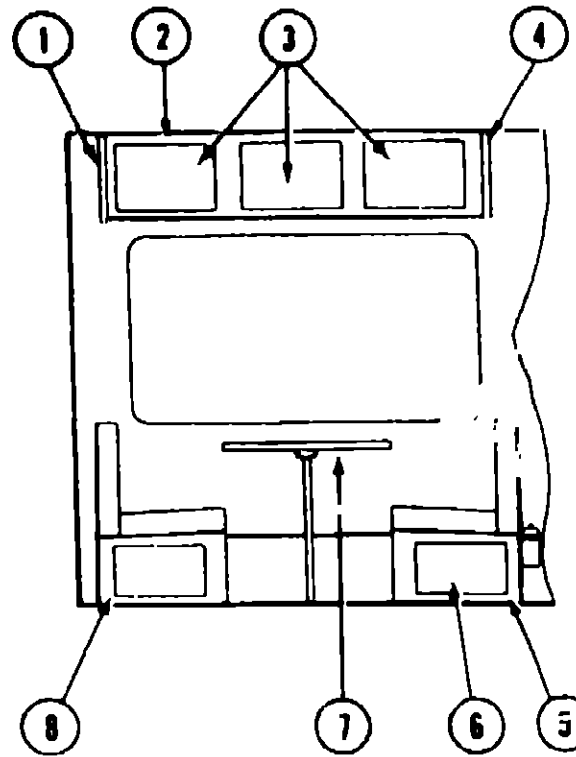
**1989 ITASCA
TABLE OF CONTENTS**

INTRODUCTION	A-01
ABBREVIATIONS	A-01
ALPHABETICAL INDEX	A-02 - A-04
ICP32DQ	A-05 - C-20
IC/JP32RQ	C-21 - F-20

**1989 IC/JP32RQ
INDEX**

Floor Plan	C-21 - C-22
Accessories Group	C-23 - D-02
Bath Group	D-03 - D-05
Chassis Group	D-06 - D-12
Curtain, Cushion & Pad Group	D-13 - D-23
Dinette Group	D-24 - E-02
Driver's Compartment Group	E-03 - E-07
Electrical Group	E-08 - E-11
Exterior Body Group	E-12 - E-17
Galley Group	E-18 - F-20
Heating & Air Conditioning Group	E-21 - E-22
Interior Finish Group	E-23 - F-01
LP Group	F-02
Lounge Group	F-03 - F-05
Water & Sewage Group	F-06
Window, Vent & Exterior Door Group	F-07 - F-20

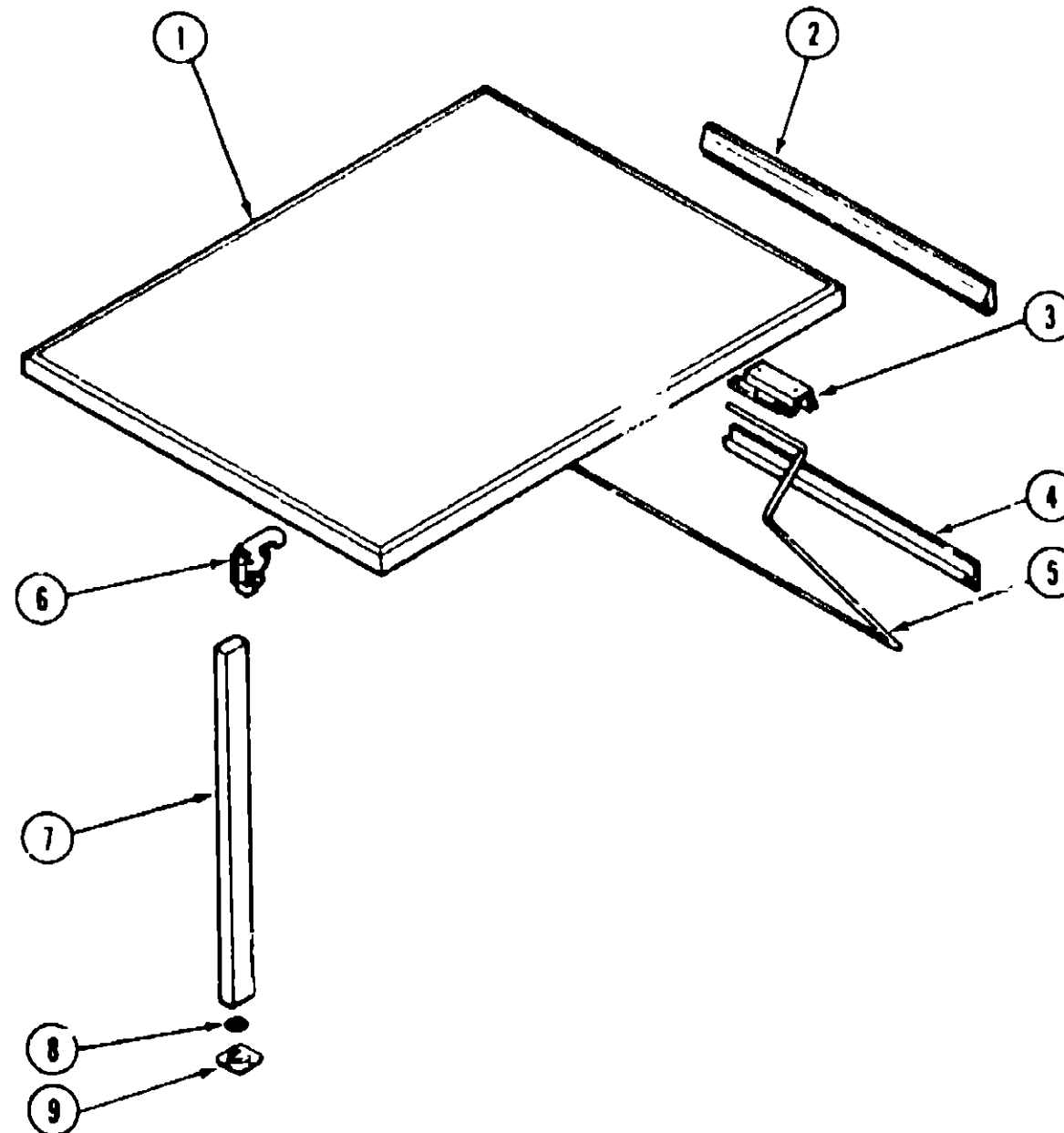
DINETTE GROUP (CONTINUED)



DINETTE CABINETRY & HARDWARE (OPTION 30B)

Key	Part Number	U/M	Description
1	085468-02-W36	EA	Pad Asm - End Cap - Front Overhead - Vinyl
2	M03110-17-Y77	EA	Cabinet Asm - Overhead - Dinette - w/o Doors or Hardware
3	M88304-38-Y77	EA	Door Asm - Dinette Overhead - 12" x 18 7/8" - w/o Hardware
4	085468-01-W36	EA	Pad Asm - End Cap - Front Overhead - Vinyl
5	M03125-01-X75	EA	Cabinet Asm - Dinette Seat - w/o Door or Hardware
	M03126-01-Y75	EA	Cabinet Asm - Dinette Back
6	M88304-40-Y77	EA	Door Asm - Dinette Seat - 10" x 19 9/16" - w/o Hardware
7	M03084-13-Y21	EA	Table Asm - Dinette
8	M03127-01-X75	EA	Cabinet Asm - Dinette Seat - w/o Door or Hardware
	M03128-01-Y75	EA	Cabinet Asm - Dinette Back

DINETTE GROUP (CONTINUED)



DINETTE TABLE & HARDWARE

Key	Part Number	U/M	Description
1	M03084-13-Y21	EA	Table Asm - Dinette - w/o Hardware & Leg
2	053200-05-000	EA	Bracket - Upper Wall Mount - 23 5/8" - Beige
3	088410-01-000	EA	Bracket - Table Mount - 5 1/8" - Beige
4	024281-07-000	EA	Bracket - Lower Wall Mount - 22 1/2" - Beige
5	024275-05-000	EA	Rod - Table Lift - 8" x 23 5/8" - Beige
6	093550-01-000	EA	Hinge - Bracket - Leg Folding
7	092707-01-02A	EA	Leg Asm - Table - Driftwood Oak
8	092593-01-02A	EA	Catch - Table Leg
9	049493-08-000	EA	Catch - Table Leg - Mounts on Floor
	092593-01-02A	EA	Clip - Table Leg
	004354-01-000	EA	Bumper - 1/2" Dia - White

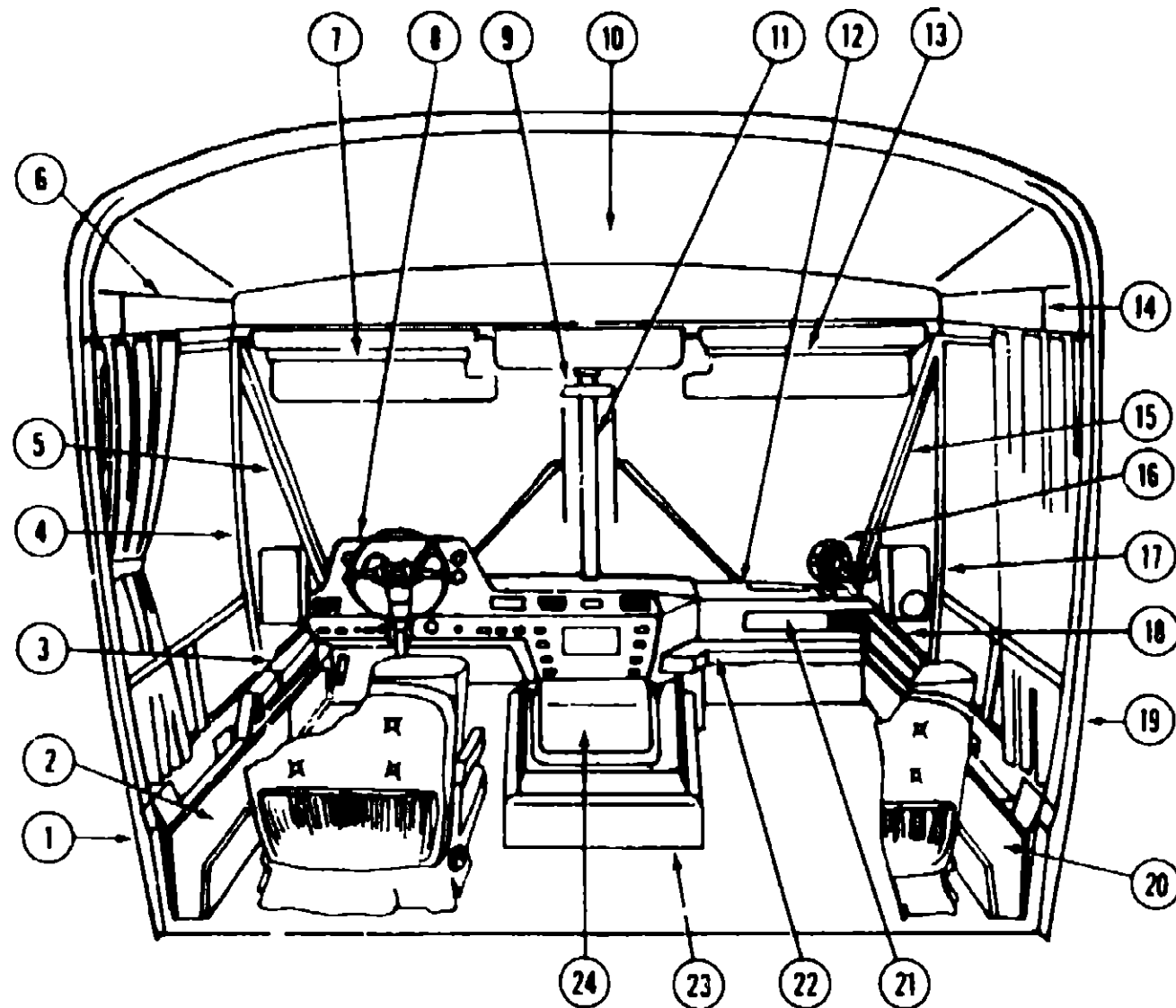
**1989 ITASCA
TABLE OF CONTENTS**

INTRODUCTION	A-01
ABBREVIATIONS	A-01
ALPHABETICAL INDEX	A-02 - A-04
ICP32DQ	A-05 - C-20
IC/JP32RQ	C-21 - F-20

**1989 IC/JP32RQ
INDEX**

Floor Plan	C-21 - C-22
Accessories Group	C-23 - D-02
Bath Group	D-03 - D-05
Chassis Group	D-06 - D-12
Curtain, Cushion & Pad Group	D-13 - D-23
Dinette Group	D-24 - E-02
Driver's Compartment Group	E-03 - E-07
Electrical Group	E-08 - E-11
Exterior Body Group	F-12 - E-17
Galley Group	E-18 - E-20
Heating & Air Conditioning Group	E-21 - E-22
Interior Finish Group	E-23 - F-01
LP Group	F-02
Lounge Group	F-03 - F-05
Water & Sewage Group	F-06
Window, Vent & Exterior Door Group	F-07 - F-20

DRIVERS COMPARTMENT GROUP



MISCELLANEOUS DRIVER'S COMPARTMENT COMPONENTS

Key	Part Number	U/M	Description
1	077111-10-000	EA	Panel Trim - Driver's Side
2	077117-04-000	EA	Side Panel Trim - Plastic
3	077116-02-000	EA	Side Panel Trim - Plastic
4	077113-04-000	EA	Trim Panel - Hinge Pillar
5	077112-04-000	EA	Trim - Windshield - Interior - "A" Post - Left
6	077110-04-000	EA	Trim Cover w/Bunk - Left
7	082286-04-W33	EA	Sunvisor Asm - Driver - Vinyl w/Map Pocket
	007211-01-000	EA	Hinge - Sunvisor
	074012-01-000	EA	Clip - Sunvisor - Square - Pinch On
	M03110-23-Y77	EA	Cabinet Asm - Front Overhead - Right - w/o Doors or Hardware
	M03110-21-Y77	EA	Cabinet Asm - Front Overhead - Left - w/o Doors or Hardware
	086714-01-W36	EA	Cabinet Asm - Television
	089045-01-W36	EA	Pad Asm. - TV Cabinet - Vinyl
	M88304-46-Y77	EA	Door Asm - Front Overhead Cabinet - 7" x 25 1/2" - w/o Hardware
8	085253-01-W36	EA	Instrument Panel Asm - Upper - Left
	076808-02-000	EA	Dash Panel - Lower - Left
	076808-08-000	EA	Dash Panel - Lower - Left (w/Electronic Dash)
	076809-10-000	EA	Dash Panel - Lower - Left (John Deere)

DRIVER'S COMPARTMENT GROUP (CONTINUED)

MISCELLANEOUS DRIVER'S COMPARTMENT COMPONENTS (CONT.)

Key	Part Number	U/M	Description
9	040714-01-000	EA	Mirror - Inside Rear View
	040714-01-700	EA	Rearview Mirror Kit
	079926-01-000	EA	Lamp - Flex Arm
	079926-01-700	EA	Bulb - Flex Arm Lamp
10	077108-04-000	EA	Trim Panel - Roof Front
11	077114-02-000	EA	Trim Panel - Center - Pillar
	076783-01-000	EA	Louver Asm. - A/C Adjustable
12	085252-01-W36	EA	Instrument Panel Asm - Upper - Right
13	082286-03-U18	EA	Sunvisor Asm - w/Mirror - Vinyl
	085709-01-010	EA	Mounting Asm - Sunvisor Pivot - Black
	007211-01-000	EA	Hinge - Sunvisor
	074012-01-000	EA	Clip - Sunvisor Square - Pinch On
	083153-01-000	EA	Mirror - Sunvisor 3 5/8" x 7"
14	077110-03-000	EA	Trim Cover w/Bunk - Right
15	077112-03-000	EA	Trim - Windshield - Interior - "A" Post - Right
16	038420-02-000	EA	Defroster Fan
	077988-01-000	EA	Bracket - Fan - Right
	077988-02-000	EA	Bracket - Fan - Left
17	077113-03-000	EA	Trim Panel - Hinge Pillar
18	077115-02-000	EA	Side Panel Trim - Front
19	077111-09-000	EA	Trim Panel - Passenger Side
20	077117-03-000	EA	Side Panel Trim - Door
21	076797-01-000	EA	Instrument Panel Asm. - Upper - Right
22	076734-03-000	EA	Tray - Instrument Panel - Plastic
23	075993-01-X75	EA	Motor Cover
	039823-01-000	EA	Seal - Engine Cover
	080544-01-000	EA	Trim - Motor Cover
24	076729-02-000	EA	Beverage Tray (Plastic)
	086752-04-000	EA	Trim Board - Beverage Tray
	077026-01-000	EA	Lens - Courtesy
	036196-01-000	EA	Bulb
	077431-05-000	EA	Beverage Tray - Dntwood
	089294-01-000	EA	Cigarette Lighter

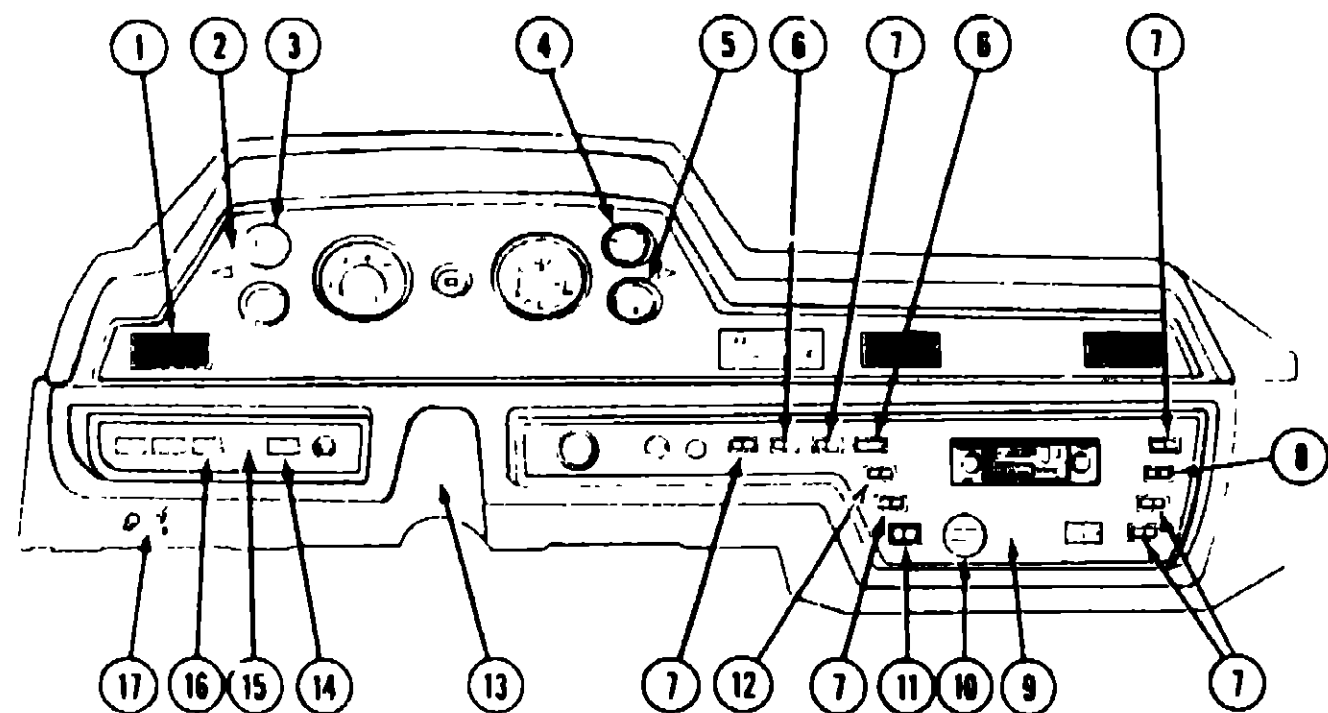
1989 ITASCA TABLE OF CONTENTS

INTRODUCTION	A-01
ABBREVIATIONS	A-01
ALPHABETICAL INDEX	A-02 - A-04
ICP32DQ	A-05 - C-20
IC/JP32RQ	C-21 - F-20

1989 IC/JP32RQ INDEX

Floor Plan	C-21 - C-22
Accessories Group	C-23 - D-02
Bath Group	D-03 - D-05
Chassis Group	D-06 - D-12
Curtain, Cushion & Pad Group	D-13 - D-23
Dinette Group	D-24 - E-02
Driver's Compartment Group	E-03 - E-07
Electrical Group	E-08 - E-11
Exterior Body Group	E-12 - E-17
Galley Group	E-18 - E-20
Heating & Air Conditioning Group	E-21 - E-22
Interior Finish Group	E-23 - F-01
LP Group	F-02
Lounge Group	F-03 - F-05
Water & Sewage Group	F-06
Window, Vent & Exterior Door Group	F-07 - F-20

DRIVER'S COMPARTMENT GROUP (CONTINUED)

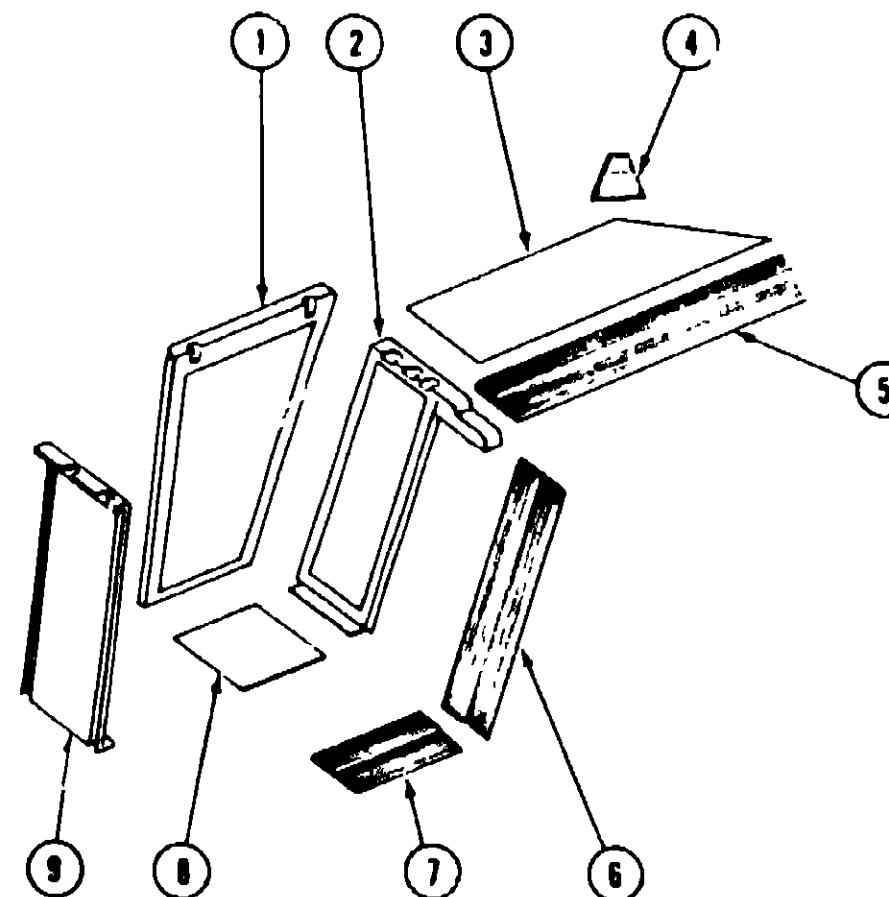


DASH SWITCHES & GAUGES

Key	Part Number	U/M	Description
1	076783-02-000	EA	Louver Asm - A/C Adjustable
2	076216-07-000	EA	Instrument Panel - Upper - Elandan
3	024480-04-000	EA	Gauge - Vacuum
4	024459-04-000	EA	Gauge - Voltmeter
5	031035-01-000	EA	Gauge - Hourmeter - Generator
6	076759-04-000	EA	Switch - 3 Position
7	076759-01-000	EA	Switch - 2 Position
8	076759-09-000	EA	Switch - 3 Position
9	076217-14-000	EA	Instrument Panel - Lower Right
10	087202-02-000	EA	Switch - 4 Position
	090977-01-000	EA	Switch Knob - Rotary
11	086272-01-000	EA	Switch - 3 Position
12	076759-03-000	EA	Switch - 3 Position
13	076808-05-000	EA	Dash Panel - Lower - Left
	076808-07-000	EA	Dash Panel - Lower - Left
	076808-10-000	EA	Dash Panel - Lower - Left (John Deere)
14	076759-07-000	EA	Switch - 2 Position
15	076218-03-000	EA	Instrument Panel - Lower Left
16	076759-05-000	EA	Switch - 3 Position
17	051057-03-000	EA	Switch Asm - Search Light
	077031-01-000	EA	Film - Black - 1" x 1.75"
	077031-02-000	EA	Film - Red - 1" x 1.75"
	081087-01-000	EA	Ligh. Asm - Indicator - Generator
	076788-01-000	EA	Socket - Lamp - Mini Bayonet
	076788-03-000	EA	Lamp Plate Asm
	076788-04-000	EA	Lamp Plate Asm - Instrument Panel - Turn Signal
	008103-01-000	EA	Bulb - Behind Lamp Plate Asm
	087715-02-000	EA	Bezel - Electronic Dash
	087713-01-000	EA	Display Panel - w/o Aux Fuel
	087714-02-000	EA	Computer - w/o Aux Fuel
	081369-07-000	EA	Sender Kit - Speed - Electronic Dash

Parts used with the Electronic Dash Option

DRIVER'S COMPARTMENT GROUP (CONTINUED)



STEPWELL TRIMS & PADS

Key	Part Number	U/M	Description
1	086921-01-000	EA	Door - Outer Battery - Black - Passenger
	086921-02-000	EA	Door - Outer Battery - Black - Driver
2	076380-01-000	EA	Panel Trim - Stepwell - Front - Passenger
	076380-02-000	EA	Panel Trim - Stepwell - Front - Driver
3	075969-01-000	EA	Pad - Upper Stepwell - Passenger
	075969-02-000	EA	Pad - Upper Stepwell - Driver
4	092821-01-01A	EA	Trim - Door Threshold - Black
5	077084-01-000	EA	Trim - Door Threshold - Top - Passenger
	077084-02-000	EA	Trim - Door Threshold - Top - Driver
6	077083-01-000	EA	Trim - Door Threshold - Center - Passenger
	077083-02-000	EA	Trim - Door Threshold - Center - Driver
7	077082-01-000	EA	Trim - Door Threshold - Bottom - Passenger
	077082-02-000	EA	Trim - Door Threshold - Bottom - Driver
8	075972-01-000	EA	Pad - Lower Stepwell
9	076359-01-000	EA	Panel Trim - Stepwell - Rear - Passenger
	076359-02-000	EA	Panel Trim - Stepwell - Rear - Driver
	086755-01-000	EA	Latch - 1/4 Turn - Rotary - Plastic

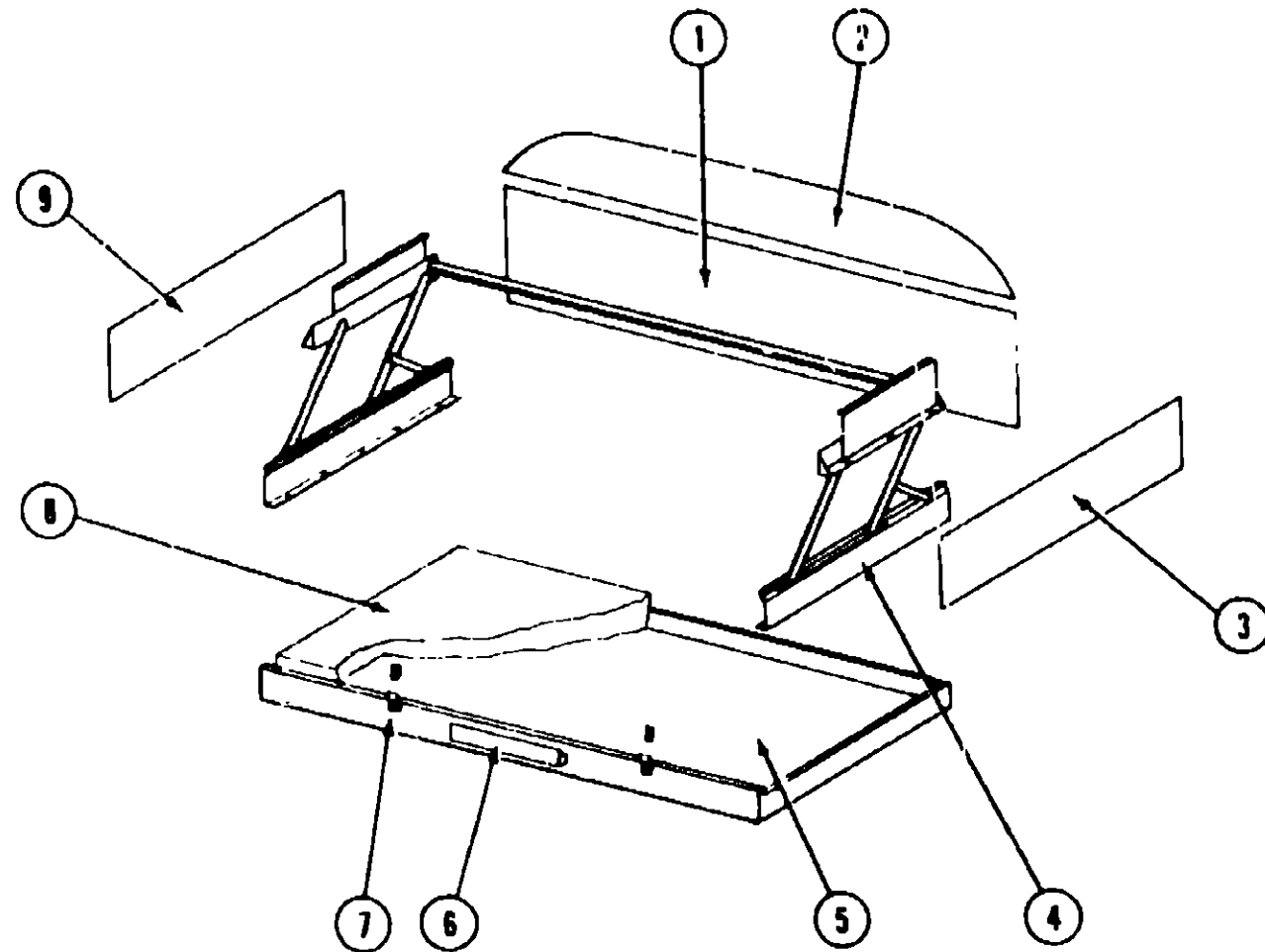
1989 ITASCA TABLE OF CONTENTS

INTRODUCTION	A-01
ABBREVIATIONS	A-0
ALPHABETICAL INDEX	A-02 - A-04
ICP32DQ	A-05 - C-20
IC/JP32RQ	C-21 - F-20

1989 IC/JP32RQ INDEX

Floor Plan	C-21 - C-22
Accessories Group	C-23 - D-02
Bath Group	D-03 - D-05
Chassis Group	D-06 - D-12
Curtain, Cushion & Pad Group	D-13 - D-23
Drift Group	D-24 - E-02
Driver's Compartment Group	E-03 - E-07
Electrical Group	E-08 - E-11
Exterior Body Group	E-12 - E-17
Galley Group	E-18 - E-20
Heating & Air Conditioning Group	E-21 - E-22
Interior Finish Group	E-23 - F-01
LP Group	F-02
Lounge Group	F-03 - F-05
Water & Sewage Group	F-06
Window, Vent & Exterior Door Group	F-07 - F-20

DRIVER'S COMPARTMENT GROUP (CONTINUED)



FRONT BUNK & HARDWARE (OPTION 61H)

Key	Part Number	U/M	Description
1	077140-03-X19	EA	Board Asm. - Bunk Trim - w/o Velcro
	048394-02-000	YD	Tape Hook - 75" x 50 YD - Beige (Velcro)
	048395-02-000	YD	Tape Loop - 75" x 50 YD - Beige (Velcro)
2	077108-12-000	EA	Panel Trim - Front - Roof
3	077110-03-000	EA	Cover - Bunk Mech - Right
4	076760-02-000	EA	Bunk Hardware - Complete
	076760-02-700	EA	Gas Spring - Bunk Hardware
5	081717-02-X19	EA	Bed Asm. - Front Bunk
6	094658-01-Y77	EA	Handle Asm - Oak
7	042541-04-700	EA	Latch Asm - w/Strike (2 required)
	000C26-04-10B	EA	Bolt - Hex - Ser Fig - 1/4 - 20 x 5/8"
8	079145-02-000	EA	Cushion Asm - Bunk
	M79145-02-000	EA	Cover - Bunk Cushion Asm
9	077110-04-000	EA	Cover - Bunk Mech - Left

ELECTRICAL GROUP

BULBS

Key	Part Number	U/M	Description
	008103-01-000	EA	Bulb - 53
	008213-01-000	EA	Bulb - 57
	008214-01-000	EA	Bulb - 67
	036196-01-000	EA	Bulb - 194
	008215-01-000	EA	Bulb - 1003
	067479-01-000	EA	Bulb - 1076
	063914-01-000	EA	Bulb - 1139
	008217-01-000	EA	Bulb - 1141
	037005-01-000	EA	Bulb - 1157
	037936-01-000	EA	Bulb - 1157A
	058288-02-000	EA	Bulb - 9431808
	081633-01-700	EA	Bulb - Make Up Light
	091937-03-000	EA	Bulb - Fluorescent - 12V
	078424-02-700	EA	Bulb - Fluorescent - 18"
	088733-01-700	EA	Bulb - Headlamp Asm

FUSES & CIRCUIT BREAKERS

Key	Part Number	U/M	Description
	008234-01-000	EA	Fuse - 10 Amp - 12 Volt
	008235-01-000	EA	Fuse - 15 Amp - 12 Volt
	082901-02-000	EA	Fuse - 5 Amp - Automotive
	082901-04-000	EA	Fuse - 10 Amp - Automotive
	082901-05-000	EA	Fuse - 15 Amp - Automotive
	082901-06-000	EA	Fuse - 20 Amp - Automotive
	082901-07-000	EA	Fuse - 25 Amp - Automotive
	082901-08-000	EA	Fuse - 30 Amp - Automotive
	008211-01-000	EA	Circuit Breaker - 6 Amp - 12 Volt
	033573-02-000	EA	Circuit Breaker - 15 Amp - 12 Volt - w/Mount
	033573-01-000	EA	Circuit Breaker - 20 Amp - 12 Volt - w/Mount
	044486-03-000	EA	Circuit Breaker - 25 Amp - 12 Volt - w/Mount
	008268-01-000	EA	Circuit Breaker - 30 Amp - 12 Volt - w/Mount
	083209-01-000	EA	Circuit Breaker - 15 Amp - 120 Volt
	083210-02-000	EA	Circuit Breaker - 15 Amp - 120 Volt (Ground Fault Interrupter)
	085720-01-000	EA	Circuit Breaker - 15 Amp
	085720-02-000	EA	Circuit Breaker - 20 Amp - 120 Volt
	085720-03-000	EA	Circuit Breaker - 25 Amp
	085720-04-000	EA	Circuit Breaker - 30 Amp - 120 Volt
	085720-05-000	EA	Circuit Breaker - 40 Amp
	083209-03-000	EA	Circuit Breaker - 15/20 Amp - 120 Volt
	083209-07-000	EA	Circuit Breaker - 20/20 Amp - 120 Volt
	083209-04-000	EA	Circuit Breaker - 30 Amp - 120 Volt
	083209-06-000	EA	Circuit Breaker - 30/15 Amp - 120 Volt
	071279-06-000	EA	Circuit Breaker - 30/15 Amp - 120 Volt
	082678-01-000	EA	Circuit Breaker - 40 Amp - 12 Volt
	082678-02-000	EA	Circuit Breaker - 20 Amp - 12 Volt

1989 ITASCA TABLE OF CONTENTS

INTRODUCTION	A-01
ABBREVIATIONS	A-01
ALPHABETICAL INDEX	A-02 - A-04
ICP32DQ	A-05 - C-20
IC/JP32RQ	C-21 - F-20

1989 IC/JP32RQ INDEX

Floor Plan	C-21 - C-22
Accessories Group	C-23 - D-02
Bath Group	D-03 - D-05
Chassis Group	D-06 - D-12
Curtain Cushion & Pad Group	D-13 - D-23
Dinette Group	D-24 - E-02
Driver's Compartment Group	E-03 - E-07
Electrical Group	E-08 - E-11
Exterior Body Group	E-12 - E-17
Galley Group	E-18 - E-20
Heating & Air Conditioning Group	E-21 - E-22
Interior Finish Group	E-23 - F-01
LP Group	F-02
Lounge Group	F-03 - F-05
Water & Sewage Group	F-06
Window, Vent & Exterior Door Group	F-07 - F-20

ELECTRICAL GROUP (CONTINUED)

MISCELLANEOUS ELECTRICAL

Key	Part Number	U/M	Description
	008188-01-000	EA	Solenoid - Diesel (Battery - Relay)
	083208-01-000	EA	Control Center - 30 Amp
	071278-01-700	EA	Door w/Catch - Brown
	071278-01-701	EA	Converter Module - 32 Amp
	071278-01-702	F	Catch - Door
	083208-02-000	EA	Control Center - 45 Amp
	071278-02-700	EA	Converter Module - 45 Amp
	083738-01-000	EA	Battery - 12 Volt - 80 Amp - Gould
	036420-02-000	EA	Fan - 6" Defroster - 2 Speed
	089294-01-000	EA	Lighter Asm - Cigarette
	087716-01-000	EA	Information Center - Uniforce
	077988-01-000	EA	Bracket - Defroster Fan - 6"

INTERIOR LIGHTS

Key	Part Number	U/M	Description
	085202-12-000	EA	Lamp - Wall Decor - Brass & Cream
	085201-05-000	EA	Shade - Wall Lamp - Bone Fabric
	087479-01-000	EA	Bulb - Wall Decor Lamp
	082886-01-000	EA	Lamp Asm - Table - Wood & Brass
	082886-02-000	EA	Shade - Table Lamp
†	082886-06-000	EA	Shade - Table Lamp
	033508-02-000	EA	Dome Light - 1 Bulb - Ivory
	033509-02-000	EA	Dome Light - 2 Bulb - Ivory
	R77013-48-179	EA	Switch - Dome Light
	008218-01-000	EA	Bulb - Dome Light
	091937-01-000	EA	Light - Fluorescent - 12 V - Recessed
	091937-02-000	EA	Lens - Fluorescent - 12V
	091937-03-000	EA	Bulb - Fluorescent - 12V
	078424-02-000	EA	Light - Fluorescent - 12V - 18" - Almond
	078424-02-700	EA	Bulb - Fluorescent - 12V
	078424-02-701	EA	Lens - Fluorescent - 12V
	061424-01-000	EA	Light - 12V - Rectangular - Axle
	008103-01-000	EA	Bulb - Axle
	072353-08-000	EA	Light - Reading - 390° Swivel - Tan
	008215-01-000	EA	Bulb - Reading Light
	082168-01-000	EA	Light - Make-Up - 3 Bulb
	081633-01-700	EA	Bulb - Make-Up Mirror
	087694-02-000	EA	Light - Wardrobe w/Switch
	087694-01-700	EA	Bulb - Wardrobe Light
	079926-01-000	EA	Lamp - Flexible Arm w/Bulb
	079926-01-700	EA	Bulb - Flexible Lamp
	077026-01-000	EA	Lens - Courtesy Light - Clear
	047000-01-000	EA	Socket Asm w/Pigtails
	036196-01-000	EA	Bulb - Courtesy Light
	076788-01-000	EA	Socket Lamp - Mini Bayonet
	081909-01-000	EA	Light Strip - Clear - 18" w/Mounting

* Parts used before 11/8/88
 † Parts used after 11/7/99

ELECTRICAL GROUP (CONTINUED)

EXTERIOR LIGHTS

Key	Part Number	U/M	Description
	075880-01-000	EA	Lamp Asm. - Side Marker - Amber
	075880-02-000	EA	Lamp Asm. - Side Marker - Red
	087789-03-000	EA	Socket Asm - Lamp w/B"
	036196-01-000	EA	Bulb - Side Marker Lamp - 194
	078795-01-000	EA	Lamp - License
	087789-02-000	EA	Socket Asm - Lamp
	036196-01-000	EA	Bulb - License Lamp - 194
	087201-01-000	EA	Light - Dump Valve
	081237-01-000	EA	Lamp Asm. - Cab Marker - Amber
	081237-02-000	EA	Lamp Asm. - Cab Marker - Red
	008214-01-000	EA	Bulb - Cab Marker
	008089-01-000	EA	Porch Light - Recessed
	008215-01-000	EA	Bulb - Porch Light
	008089-01-700	EA	Lens - Recessed Porch Light
	091981-01-000	EA	Gasket - Porch Light
	088747-01-000	EA	Lamp Asm. - Fog w/Clear Lens
	088747-01-700	EA	Cover - Fog Lamp
	077190-01-000	EA	Wire Asm - Fog Lamp
	088942-01-000	EA	Bracket - Fog Lamp Mounting
	075459-04-000	EA	Lamp Asm - Taillight - Red
	075459-05-000	EA	Lamp Asm - Taillight - Amber
	075459-06-000	EA	Lamp Asm - Back-up - Reflex
	037935-01-000	EA	Bulb - 1157
	078345-01-000	EA	Lens Asm - Park/Turn - Amber
	078345-02-000	EA	Socket Asm - Park/Turn Lamp
	008103-01-000	EA	Bulb - Park Lamp
	049185-01-000	EA	Headlamp Asm - Rectangular - High/Low Beam - Driver
	049186-01-000	EA	Headlamp Asm - Rectangular - High/Low Beam - Passenger
	049187-01-000	EA	Headlamp Asm - Rectangular - High Only - Driver
	049188-01-000	EA	Headlamp Asm - Rectangular - High Only - Passenger

WINDSHIELD WIPERS & WASHER

Key	Part Number	U/M	Description
	058000-02-000	EA	Washer Asm. - Windshield
	072472-04-000	EA	Arm - Windshield Wiper - 29" - Black
	049464-03-000	EA	Blade - Windshield Wiper - 20" - Black
	049464-03-700	EA	Blade - Wiper Refill
	087190-04-000	EA	Shaft & Pivot Asm
	087191-02-700	EA	Motor Asm Wiper
	087192-01-000	EA	Link Asm Connection 39"
	087193-01-000	EA	Link Asm - Connection - 7 00"
	087193-02-000	EA	Link Asm - Connection - 8 1U"
	087193-03-000	EA	Link Asm - Connection - 8 60"
	087188-01-000	EA	Stud - Crank Wiper
	076388-01-000	EA	Bracket - Wiper Motor
	077048-01-000	EA	Adapter - Shaft - Pantograph Arr.
	077049-01-000	EA	Acorn Nut - Aluminum

**1989 ITASCA
TABLE OF CONTENTS**

INTRODUCTION	A-01
ABBREVIATIONS	A-01
ALPHABETICAL INDEX	A-02 - A-04
ICP32DCI	A-05 - C 20
IC/JP32RQ	C-21 - F-20

**1989 IC/JP32RQ
INDEX**

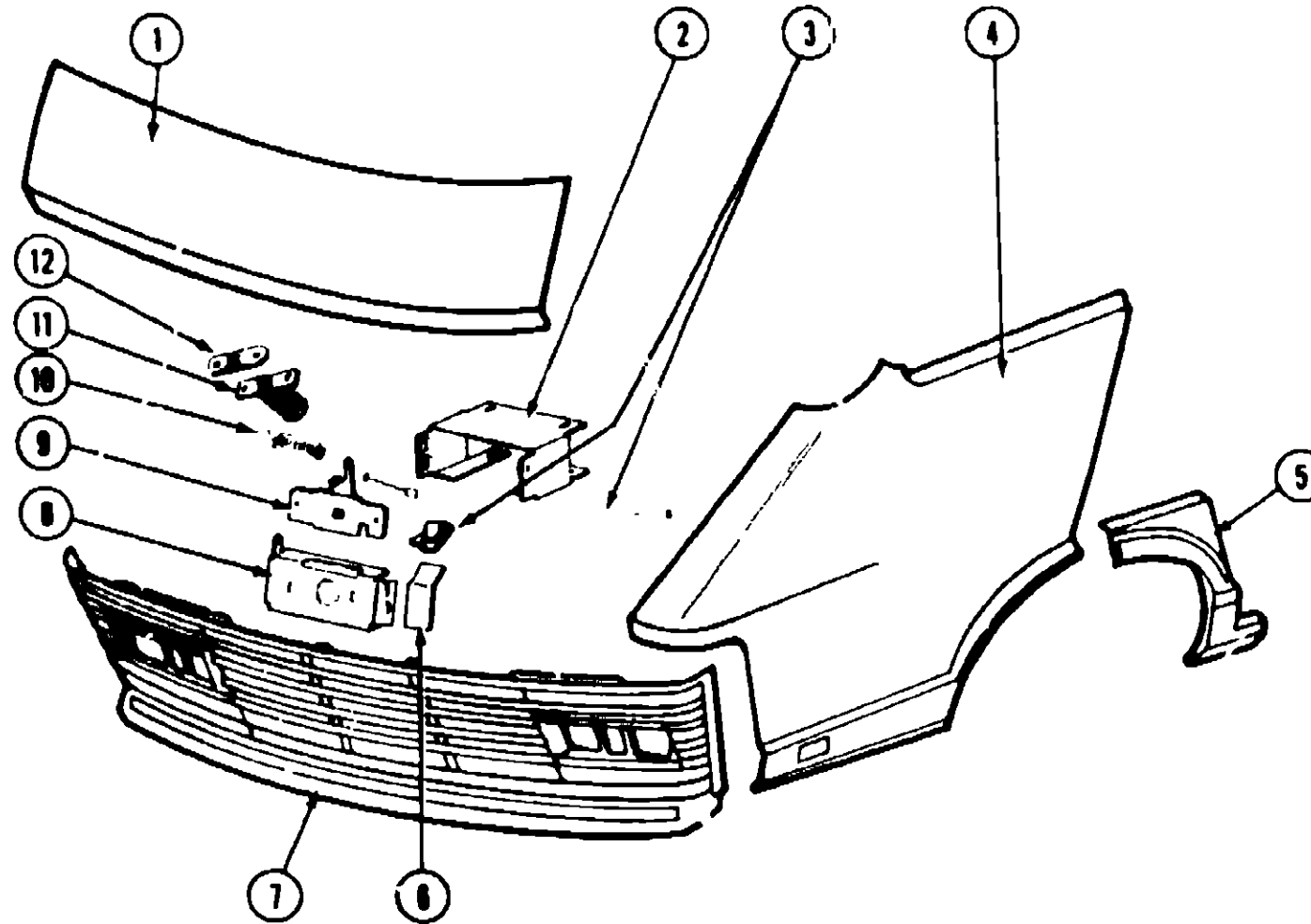
Floor Plan	C-21 - C-22
Accessories Group	C-23 - D-02
Bath Group	D-03 - D-05
Chassis Group	D-06 - D-12
Curtain, Cushion & Pad Group	D-13 - D-23
Dinette Group	D-24 - E-02
Driver's Compartment Group	E-03 - E-07
Electrical Group	E-08 - E-11
Exterior Body Group	E-12 - E-17
Galley Group	E-18 - E-20
Heating & Air Conditioning Group	E-21 - E 22
Interior Finish Group	E-23 - F-01
LP Group	F-02
Lounge Group	F-03 - F-05
Water & Sewage Group	F-06
Window, Vent & Exterior Door Group	F-07 - F-20

ELECTRICAL GROUP (CONTINUED)

WIRE, SWITCHES & RECEPTACLES

Key	Part Number	U/M	Description
	008288-01-000	EA	Box - Electrical - 3" x 3.5" - Plastic
	008288-02-000	EA	Box - Electrical - 3.84" x 3.13" - Plastic
	008289-01-000	EA	Box - Electrical - 4" x 4" - 1/2 & 3/4 Steel - UL
	058049-01-000	EA	Box - Electrical - 2" x 3" x 2.25" - Steel
	041953-01-000	FT	Conduit - Convolute Sht - 5" I.D.
	041953-03-000	FT	Conduit - Convolute Sht - 1" I.D.
	008353-01-000	EA	Connector - Clamping - 3/8 Cable UL & CSA
	008356-01-000	EA	Connector - Plastic - 3/8"
	058028-01-000	EA	Connector - Pigtail - Clear Nylon
	008311-01-000	EA	Connector - Wire - Red
	031986-01-000	EA	Contact Plug - Brass - Tin Plated
	031987-01-000	EA	Contact - Receptacle
	008054-01-000	EA	Cord - Power - 10-3 30 Amp - 25' - UL
	008052-01-000	EA	Cord - Power - 10-3 30 Amp - 25' - CSA
	089238-01-000	EA	Cover - Electrical Box - 4" x 4"
	008294-01-000	EA	Cover - Flat Blank - 4" x 4" - Steel - US
	064399-01-000	EA	Housing Asm - Trailer Pin
	064450-01-000	EA	Housing Asm - Trailer Plug
	064398-01-000	EA	Housing Asm - Trailer Receptacle
	054532-02-000	EA	Housing Pin - 4 Position
	054532-01-000	EA	Housing Pin - 6 Position
	075736-01-000	EA	Receptacle/Cover Asm - Gray (Exterior)
	064077-01-000	EA	Receptacle Cover - Ivory
	064076-01-000	EA	Receptacle - GFI - 15 Amp 125 Volt - Ivory
	058708-02-000	EA	Receptacle - Duplex - Ivory
	024924-02-000	EA	Receptacle - Power Cord
	058707-01-000	EA	Receptacle - Single - Brown
	066273-01-000	EA	Relay - Battery Disconnect
	063912-01-000	EA	Relay - Canister SPDT w/Ground
	075723-01-000	EA	Switch - Block Spacer - w/o Holes
	075723-02-000	EA	Switch - Block Spacer - w/Holes
	056264-01-000	EA	Switch - Leaf Actuator
	079363-03-000	EA	Switch Plate - Single - w/Switches - Brass
	079362-04-000	EA	Switch Plate - Double - Polished Brass
	079364-01-000	EA	Switch - On/Off Rocker - Brown
	081066-02-000	EA	Switch Plate - Double - Brass
	008195-01-000	EA	Switch - Push Button - 12 Volt
	079364-03-000	EA	Switch - On/Off Rocker
	076759-01-000	EA	Switch - SPST - Lock/Lock
	076759-03-000	EA	Switch - SPST - Lock/Lock/Lock
	076759-04-000	EA	Switch - SPDT - Mom/Lock/Mom
	076759-05-000	EA	Switch - SPDT - Lock/Lock/Mom
	076759-06-000	EA	Switch - Dummy
	076759-07-000	EA	Switch - SPST - Mom Off/Lock (No)
	076759-09-000	EA	Switch - SPDT - Lock/Lock
	047443-02-000	EA	Terminal - .250 Receptacle - 12-10 AWG
	008348-01-000	EA	Terminal Ring - 2 - w/3/8 Stud
	008331-01-000	EA	Terminal Ring - 4 - w/3/8 Stud
	008328-01-000	EA	Terminal Ring - 12/10 Wire
	008028-01-000	FT	Wire - 18 5 Bonded - Blue/Red/Yellow/Orange/White
	008024-01-000	FT	Wire - 18 5 Bonded - Orange/White/Yellow/Blue/Brown
	008025-01-000	FT	Wire - 18 5 Bonded - Orange/White/Yellow/Blue/Green
	008026-01-000	FT	Wire w/Ground - Romex - 12/2
	008343-01-000	EA	Wire Tie - 6"

EXTERIOR BODY GROUP



EXTERIOR BODY PANELS & HARDWARE

Key	Part Number	U/M	Description
1	064759-01-W36	EA	Hood Panel
	076716-02-000	EA	Bracket Asm - Striker - Latch
	058786-02-000	EA	Hood Bolt - Adjusting
	M02680-01-U16	EA	Hinge Asm - Hood - Passenger
	M02680-02-U16	EA	Hinge Asm - Hood - Driver
	076767-02-000	EA	Cable Asm - 1/16" x 16.5" - Stainless Steel
	091955-01-000	EA	Squeegee - Extended Handle
	091952-01-000	EA	Clip - 1" Gripper - Squeegee
	093527-01-000	EA	Bracket - Squeegee
2	073342-01-000	EA	Bracket Asm - Hood Latch
3	077064-01-000	EA	Cable - Hood Release - w/Clamp
4	064751-04-W36	EA	Fender Panel - Front - Driver
	064751-03-W36	EA	Fender Panel - Front - Passenger
5	064714-04-000	EA	Fender Panel - Rear - Driver
	064714-05-000	EA	Fender Panel - Rear - Passenger
6	077407-01-000	EA	Bracket - Hood Cable Release (Mount under the hood)
	077406-01-000	EA	Bracket - Hood Cable Release (Mounts under the dash)
7	068440-01-700	EA	Grille - Panel Asm - Lower
	068252-01-000	FT	Chrome Trim - 5/8" - Adhesive Back
	076739-01-000	EA	Bracket - Grille Hanger - Inner - Passenger
	076739-02-000	EA	Bracket - Grille Hanger - Inner - Driver
8	073336-02-000	EA	Bracket - Mounting - Latch
9	R77007-51-429	EA	Latch Asm - Hood
10	R77006-38-499	EA	Spring - Hood Release
11	R77007-01-950	EA	Striker & Spring - Hood Latch
12	R77006-68-172	EA	Shim - Spacer Plate
	076772-01-000	EA	Clip - Prop Rod
	076837-01-000	EA	Prop Rod
	075784-05-000	EA	Roof Cap - Front Cab - Primed

1989 ITASCA TABLE OF CONTENTS

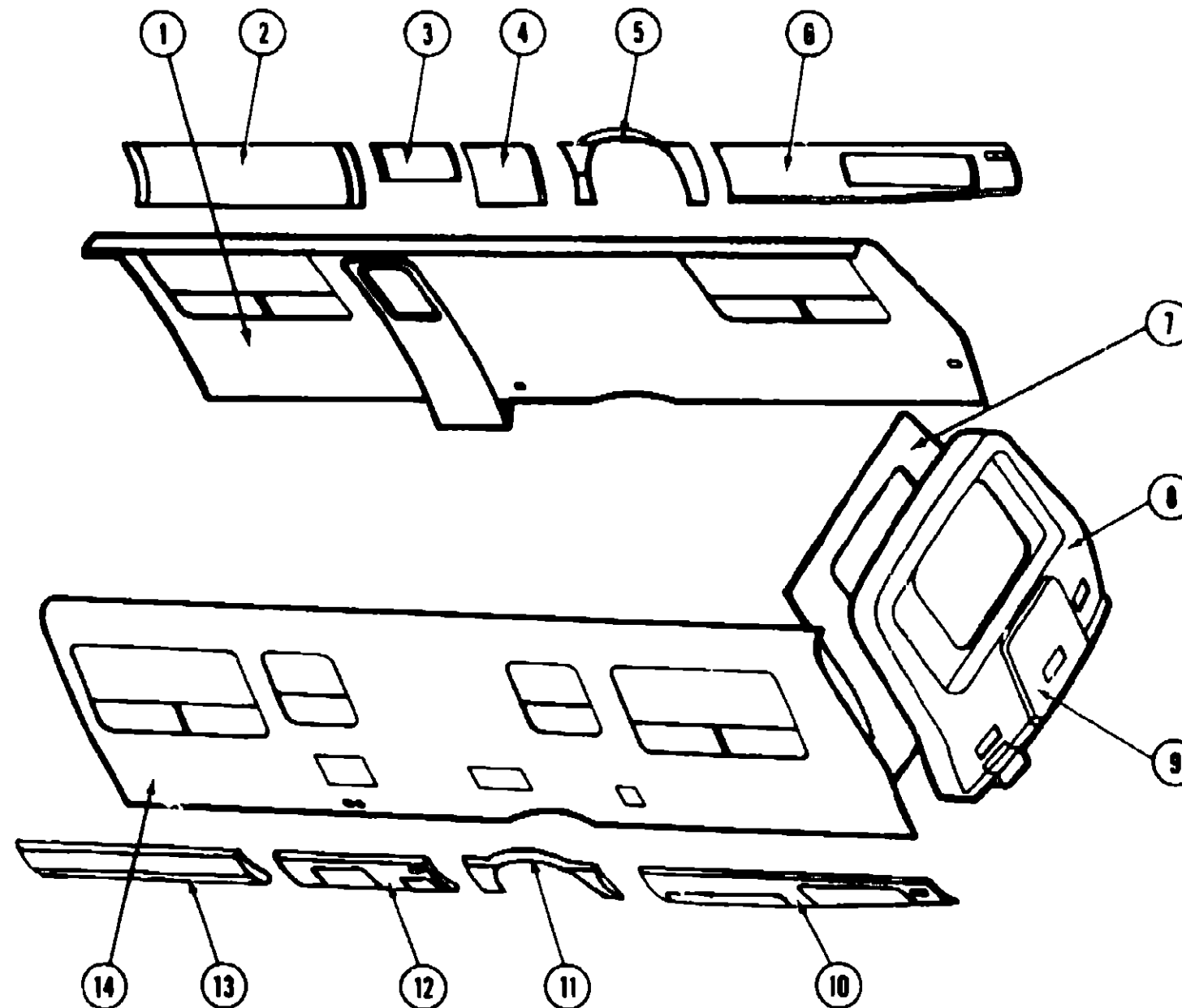
INTRODUCTION	A-01
ABBREVIATIONS	A-01
ALPHABETICAL INDEX	A-02 - A-04
ICP32DQ	A-05 - C-20
IC/JP32RQ	C-21 - F-20

1989 IC/JP32RQ INDEX

Floor Plan	C-21 - C-22
Accessories Group	C-23 - D-02
Bath Group	D-03 - D-05
Chassis Group	D-06 - D-12
Curtain, Cushion & Pad Group	D-13 - D-23
Dinette Group	D-24 - E-02
Driver's Compartment Group	E-03 - E-07
Electrical Group	E-08 - E-11
Exterior Body Group	E-12 - E-17
Galley Group	E-18 - E-20
Heating & Air Conditioning Group	E-21 - E-22
Interior Finish Group	E-23 - F-01
LP Group	F-02
Lounge Group	F-03 - F-05
Water & Sewage Group	F-06
Window, Vent & Exterior Door Group	F-07 - F-20

EXTERIOR BODY GROUP (CONTINUED)

EXTERIOR BODY PANELS



Key	Part Number	U/M	Description
1	M92114-01-Y77	EA	Sidewall Asm - Right
1	M92114-01-Y78	EA	Sidewall Asm - Right
1	M92114-01-Y79	EA	Sidewall Asm - Right
2	085037-01-X75	EA	Panel Asm - Front Valance - Right
3	C88684-01-X75	EA	Panel Asm - Valance - Entrance Door
4	088362-01-X75	EA	Panel Asm - Center Valance - Right
5	088358-01-X75	EA	Panel Asm - Wheelwell - Right
6	M02586-33-X75	EA	Valance Panel - Rear Right - Gray
7	085182-01-Y77	EA	Backwall Asm (Y77)
7	085182-01-Y78	EA	Backwall Asm (Y78, Y79)
8	M01616-12-W36	EA	Rear Cap Asm - Gray (Chevrolet)
8	M01616-22-X75	EA	Rear Cap Asm - Gray (John Deere)
9	M01990-03-X75	EA	Spare Tire Cover Asm
10	M02586-34-X75	EA	Valance Panel - Rear Left - Gray

Key	Part Number	U/M	Description
11	088358-02-X75	EA	Panel Asm - Wheelwell - Left
12	M02586-35-X75	EA	Panel Asm - Center Valance - Left
13	085037-02-X75	EA	Panel Asm - Front Valance - Left
14	M92110-01-Y77	EA	Sidewall Asm - Left (Y77)
14	M92110-01-Y78	EA	Sidewall Asm - Left (Y78, Y75)
	M93638-01-Y21	EA	Roof Asm - 180"
	073505-06-000	EA	Roof Trim - 180"
	075784-05-000	EA	Cap Asm - Front - Primed
	078515-01-000	EA	Inside Trim - Wheelwell - Rear - Left/Right - Steel
	088922-03-000	EA	Trim Panel - Rear Right - Gray
	088922-04-000	EA	Trim Panel - Rear Left - Gray
	073050-02-000	EA	Mounting Clip - Valance Panels
	088362-03-000	EA	Brace - Floor to Valance Panel - 13 21"
	084349-01-U16	EA	Shroud - Rearview TV Camera - Gray (Kanematsu Monitor)
	083952-01-03A	EA	Shroud - Rear View TV Camera - Gray (Sony Monitor)

1989 ITASCA TABLE OF CONTENTS

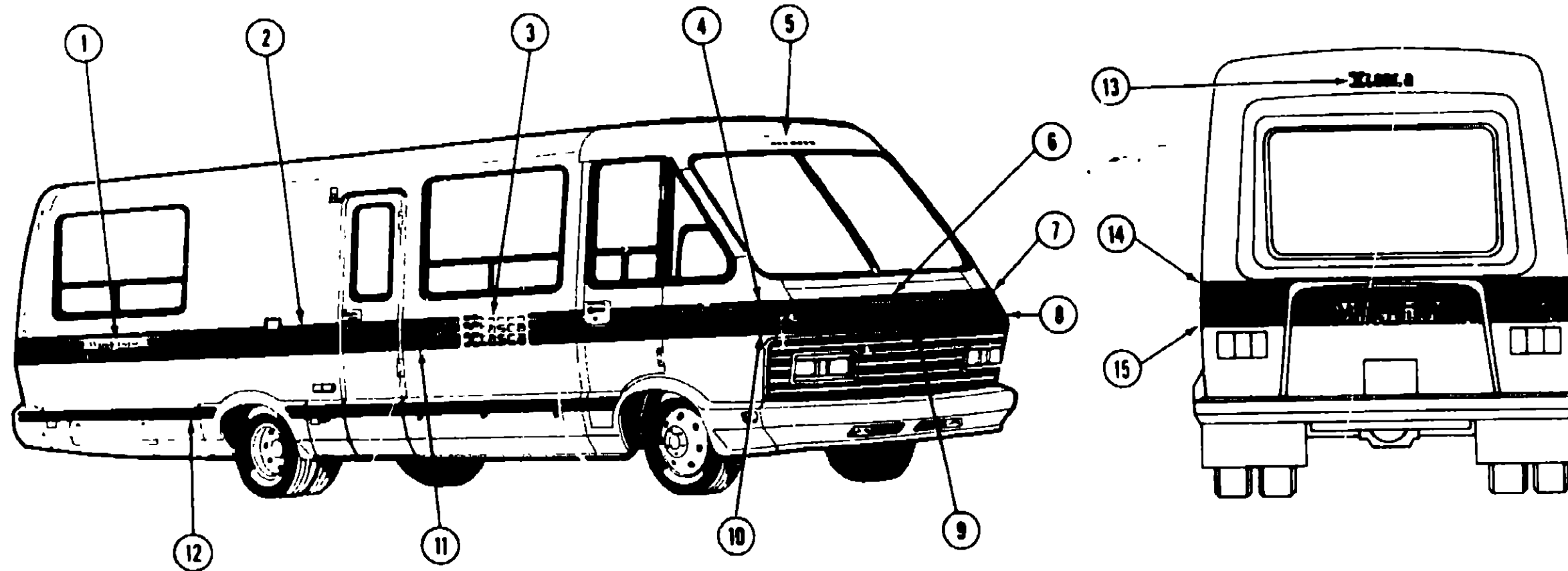
INTRODUCTION	A-01
ABBREVIATIONS	A-01
ALPHABETICAL INDEX	A-02 - A-04
ICP32DQ	A-05 - C-20
IC/JP32RQ	C-21 - F-20

1989 IC/JP32RQ INDEX

Floor Plan	C-21 - C-22
Accessories Group	C-23 - D-02
Bath Group	D-03 - D-05
Chassis Group	D-06 - D-12
Curtain, Cushion & Pad Group	D-13 - D-23
Dinette Group	D-24 - E-02
Driver's Compartment Group	E-03 - E-07
Electrical Group	E-08 - E-11
Exterior Body Group	E-12 - E-17
Galley Group	E-18 - E-20
Heating & Air Conditioning Group	E-21 - E-22
Interior Finish Group	E-23 - F-01
LP Group	F-02
Lounges Group	F-03 - F-05
Water & Sewage Group	F-06
Window, Vent & Exterior Door Group	F-07 - F-20

EXTERIOR BODY GROUP (CONTINUED)

LABELS & DECALS



1989 ITASCA TABLE OF CONTENTS

INTRODUCTION	A-01
ABBREVIATIONS	A-01
ALPHABETICAL INDEX	A-02 - A-04
ICP32DQ	A-05 - C-20
IC/JP32RQ	C-21 - F-20

1989 IC/JP32RQ INDEX

Key	Part Number	U/M	Description
1	073362-03-000	EA	Decal - Logo - "Windcruiser" - Gray
2	093680-11-01A	FT	Multi-Stripe - 4 6" x 150' - Rose/Blue (Y77, Y79)
2	093680-11-02A	FT	Multi-Stripe - 4 6" x 150' - Rose/Dark Rose (Y78)
3	093715-01-01A	EA	Decal - Logo - "Itasca" - Multi-Stripe (Y77, Y79)
3	093715-01-02A	EA	Decal - Logo - "Itasca" - Multi-Stripe (Y78)
4	093709-01-01A	EA	Decal - Upper Front Corner - Right - Rose/Blue (Y77, Y79)
4	093709-01-02A	EA	Decal - Upper Front Corner - Right - Rose/Dark Rose (Y78)
5	069227-08-000	EA	Decal - Logo - "Itasca" - 3 7" x 15 8"
6	093714-01-01A	EA	Decal - Upper Hood - Rose/Blue (Y77, Y79)
6	093714-01-02A	EA	Decal - Upper Hood - Rose/Dark Rose (Y78)
7	093709-02-01A	EA	Decal - Upper Front Corner - Left - Rose/Blue (Y77, Y79)
7	093709-02-02A	EA	Decal - Upper Front Corner - Left - Rose/Dark Rose (Y78)
8	093710-02-01A	EA	Decal - Lower Front Corner - Left - Gray (Y77, Y79)
8	093710-02-02A	EA	Decal - Lower Front Corner - Left - Burgundy (Y78)
9	093713-01-01A	EA	Decal - Lower Hood - Gray (Y77, Y79)
9	093713-01-02A	EA	Decal - Lower Hood - Burgundy (Y78)

Key	Part Number	U/M	Description
10	093710-01-01A	EA	Decal - Lower Front Corner - Right - Gray (Y77, Y79)
10	093710-01-02A	EA	Decal - Lower Front Corner - Right - Burgundy (Y78)
11	093681-04-01A	FT	Film Stripe - 4" x 150' - Gray (Y77, Y79)
11	093681-04-02A	FT	Film Stripe - 4" x 150' - Burgundy (Y78)
12	093680-01-03A	FT	Film - Multistrip - 3" x 150' - Rose/Blue (Y77, Y79)
12	093680-01-04A	FT	Film - Multistrip - 3" x 150' - Rose/Dark Rose (Y78)
13	084075-01-000	EA	Decal - "By Winnebago Inc"
14	093711-02-01A	EA	Decal - Upper Rear Corner - Left - Rose/Blue (Y77, Y79)
14	093711-02-02A	EA	Decal - Upper Rear Corner - Left - Rose/Dark Rose (Y78)
	093711-01-01A	EA	Decal - Upper Rear Corner - Right - Rose/Blue (Y77, Y79)
	093711-01-02A	EA	Decal - Upper Rear Corner - Right - Rose/Dark Rose (Y78)
15	093712-02-01A	EA	Decal - Lower Rear - Left - Gray (Y77, Y79)
15	093712-02-02A	EA	Decal - Lower Rear - Left - Burgundy (Y78)
	093712-01-01A	EA	Decal - Lower Rear - Right - Gray (Y77, Y79)
	093712-01-02A	EA	Decal - Lower Rear - Right - Burgundy (Y78)

Floor Plan	C-21 - C-22
Accessories Group	C-23 - D-02
Bath Group	D-03 - D-05
Chassis Group	D-06 - D-12
Curtain, Cushion & Pad Group	D-13 - D-23
Dinette Group	D-24 - E-02
Driver's Compartment Group	E-03 - E-07
Electrical Group	E-08 - E-11
Exterior Body Group	E-12 - E-17
Galley Group	E-18 - E-20
Heating & Air Conditioning Group	E-21 - E-22
Interior Finish Group	E-23 - F-01
LP Group	F-02
Lounge Group	F-03 - F-05
Water & Sewage Group	F-06
Window, Vent & Exterior Door Group	F-07 - F-20

EXTERIOR BODY GROUP (CONTINUED)

LABELS & EXTERIOR PAINT

Key	Part Number	U/M	Description
	074883-01-000	EA	Label - Air Conditioner Selector
	087236-01-000	EA	Label - Cable - Input
	085748-01-000	EA	Label - Caution - Battery Charging
	087237-01-000	EA	Label - Certification
	088383-01-000	EA	Label - Diesel Fuel
	006195-01-000	EA	Label - Electrical Test
	047731-01-000	EA	Label - Emergency Exit
	006199-01-000	EA	Label - Exit - Escape Window
	081417-01-000	EA	Label - Fuel
	087207-02-000	EA	Label - Fuel Cap Removal
	006196-01-000	EA	Label - Gas Test
	054531-01-000	EA	Label - LP Gas Only
	073998-01-000	EA	Label - LPG Odor Warning
	040941-01-000	EA	Label - Open - Entrance Door
	081606-01-000	EA	Label - Overlay - Vehicle Certification
	088757-01-000	EA	Label - Retail - 8 5/8" x 12 7/8"
	056259-01-000	EA	Label - Safety Check List
	008064-01-000	EA	Label - Seat - w/o Seat Belts
	008187-01-000	EA	Label - Sewage
	079986-C1-000	EA	Label - Warning - Stowed Motion
	077956-01-000	EA	Label - Warning - Smoke Detector
	075221-03-000	EA	Label - Trailer Hitch Capacity
	091224-01-000	EA	Label - Trailer Lighting
	078236-02-000	EA	Label - TV Outlet
	090342-01-000	EA	Label - Vapor Relief
	075220-01-000	EA	Label - Warning - Exterior Load Limit
	050225-01-000	EA	Label - Warning - Stove Vent - US
	006188-01-000	EA	Label - Waste Water
	006197-01-000	EA	Label - Water Test
	077927-01-000	EA	Label - Warning - Wheel Nuts
	006001-01-000	EA	Nameplate - "Winnebago" - Chrome Plastic
	008062-01-000	EA	Tag - Electrical - 110 Volt Connection
	008040-01-000	EA	Tag - Gas - Flaming Warning
	006019-01-000	EA	Tag - RVI Approved - Plastic
	058637-05-000	EA	Paint - Gray Acrylic Enamel - 16 oz Aerosol (Dupont #71537)
	045881-03-000	EA	Paint - Gloss Black - Acrylic Enamel - 16 oz Aerosol (Dupont #99)
	074559-01-000	EA	Label "LPG" 3 3" x 1 75" (Calif Code)

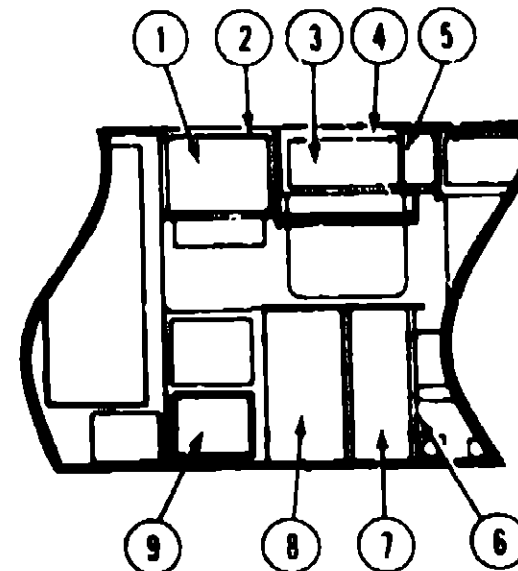
SHEET FIBERGLASS, ALUMINUM & STYROFOAM

Key	Part Number	U/M	Description
	044487-01-001	EA	Aluminum - Mill Finish - No Design (Roof) - 96" x 360"
	000868-01-000	SF	Styrofoam - 3/4" x 24" x 96"
	000870-01-000	SF	Styrofoam - 1 1/2" x 24" x 96"
	000870-03-000	SF	Styrofoam - 1 3/4" x 48" x 96"
	000870-04-000	SF	Styrofoam - 1 3/4" x 24" x 96"
	083574-01-000	SF	Styrofoam - 1 5" x 24" x 85 25"
	084882-02-700	EA	Fiberglass/Mende Board Sheet - Gray

MISCELLANEOUS EXTERNALLY MOUNTED PARTS

Key	Part Number	U/M	Description
	083558-01-000	EA	Plumbing Seal - Roof Vent - 1 1/2" - Covered
	087659-03-000	EA	Fill - City Water - Recessed - Gray
	087659-01-700	EA	Water Fill - Cap & Strap Only
	081240-02-000	EA	Water Fill - Lockable - Gray
	073050-02-000	EA	Mounting Cup - Valance Panel
	069362-03-000	EA	Brace - Floor to Valance - 13 21"
	085747-05-000	EA	Trim - Floor to Sidewall - 81 8"
	069726-02-000	EA	Bumper - Black - 88" x 40"

GALLEY GROUP



GALLEY CABINETRY

Key	Part Number	U/M	Description
	M88304-80-Y77	EA	Door Asm - Galley Microwave - 17 7" x 22 8"
1	M03110-47-Y77	EA	Cabinet Asm. - Galley - Microwave - w/o Door or Hardware
2	M88304-D5-Y77	EA	Door Asm. - Galley Overhead - 12" x 25 9" - w/o Hardware
3	M03110-63-Y77	EA	Cabinet Asm - Galley Overhead - w/o Doors or Hardware
4	085468-02-X75	EA	Pad Asm. - End Cap - Galley Overhead - Vinyl
5	M03479-01-Y77	EA	Cabinet Asm - Galley - w/o Doors, Countertop, or Hardware
6	M03479-02-Y77	EA	Cabinet Asm - w/o Doors, Drawer, Countertop or Hardware
*	093624-12-Y21	EA	Countertop Asm. - Galley Cabinet
*	M82184-33-Y77	EA	Drawer Asm - Galley Cabinet
7	M88304-32-Y77	EA	Door Asm - Galley - 14 3" x 33 4" - w/o Hardware
8	M88304-31-Y77	EA	Door Asm. - Galley - 15 9" x 21 8" - w/o Hardware
9	M92073-01-Y77	EA	Door Asm. - Furnace - 15 9" x 21 8" - w/o Hardware
	072089-34-000	EA	Mesh Insert - Furnace Door - 18 3" x 5 8" - Gold
	093605-01-01A	EA	Rack Asm - Towel - White Wire
	093238-01-X75	EA	Cover - Knife Rack
	093282-01-000	EA	Knife Rack Asm - Below Counter
	092487-02-Y77	EA	Spice Rack Asm
*			Parts used with the microwave option

1989 ITASCA TABLE OF CONTENTS

INTRODUCTION	A-01
ABBREVIATIONS	A-01
ALPHABETICAL INDEX	A-02 - A-04
ICP32DQ	A-05 - C-20
IC/JP32RQ	C-21 - F-20

1989 IC/JP32RQ INDEX

Floor Plan	C-21 - C-22
Accessories Group	C-23 - D-02
Bath Group	D-03 - D-05
Chassis Group	D-06 - D-12
Curtain, Cushion & Pad Group	D-13 - D-23
Dinette Group	D-24 - E-02
Driver's Compartment Group	E-03 - E-07
Electrical Group	E-08 - E-11
Exterior Body Group	E-12 - E-17
Galley Group	E-18 - E-20
Heating & Air Conditioning Group	E-21 - E-22
Interior Finish Group	E-23 - F-01
LP Group	F-02
Lounge Group	F-03 - F-05
Water & Sewage Group	F-06
Window, Vent & Exterior Door Group	F-07 - F-20

GALLEY GROUP (CONTINUED)

GALLEY HARDWARE

Key	Part Number	U/M	Description
	088737-01-000	EA	Microwave Oven - Magic Chef
	088737-02-000	EA	Frame Kit - Microwave Oven
	088882-03-000	EA	Bracket Asm - Microwave - Right
	088882-04-000	EA	Bracket Asm - Microwave - Left
	093526-01-000	EA	Sink - Stainless Steel - Double
	092303-01-000	EA	Strainer - w/Basket - Sink
	064952-01-000	EA	Faucet - Swing Spout - 8"
	091254-01-000	EA	Gasket - Galley Faucet
	058374-01-000	EA	Wastebasket - 9 3/4" x 7" x 10" - White
	077409-02-000	EA	Drawer Slide - Plastic - 20 7/8"
	077404-02-000	EA	Drawer Slide - Plastic - 20" x 12 7/8"
	037688-01-000	EA	Drawer Rail - V-Guide
	093288-03-01A	EA	Tray - Silverware - Plastic
	094067-01-01A	EA	Drawer Divider - Plastic
	081646-01-000	EA	Rack - White Wire - Storage
	075451-02-000	EA	Clip - White Wire Storage Rack
	059777-02-000	EA	Hinge - Antique - Light Brass
	081376-01-000	EA	Back Plate - Door Pull - Polished Brass
	093579-01-000	EA	Pull - Door - Polished Brass & Chrome
	093153-01-000	EA	Cutting Board - Maple
	092487-02-Y77	EA	Rack Asm - Spice
	092488-01-Y77	EA	Towel Holder - Paper
	054450-01-000	EA	Level - Refrigerator
	084466-04-000	EA	Slide Asm - Galley Cabinet Drawer - Right
	084466-05-000	EA	Slide Asm - Galley Cabinet Drawer - Left

GALLEY APPLIANCES

Key	Part Number	U/M	Description
	094039-02-000	EA	Refrigerator - 3-Way Large Double Door
	094039-01-700	EA	P.C. Board Asm
	094039-01-701	EA	Eyebrow Asm
	094039-01-702	EA	Upper Door Gasket - Gray
	094039-01-703	EA	Hinge Plate - Left (Brown)
	094039-01-704	EA	Hinge Plate - Left (Black)
	094039-01-705	EA	Upper Door Liner - White (Brown)
	094039-01-706	EA	Upper Door Liner - White (Black)
	094039-01-707	EA	Upper Door Handle Asm (Brown)
	094039-01-708	EA	Upper Door Handle Asm (Black)
	094039-01-709	EA	Hinge Plate - Bottom (Brown)
	094039-01-710	EA	Hinge Plate - Bottom (Black)
	094039-01-711	EA	Juice Rack - Gray w/Silver Trim
	094039-01-712	EA	Door Bin - Gray w/Silver Trim
	094039-01-713	EA	Lower Door Gasket - Gray
	094039-01-714	EA	Lower Door Liner - White (Brown)
	094039-01-715	EA	Lower Door Liner - White (Black)
	094039-01-716	EA	Lower Door Handle Asm (Brown)
	094039-01-717	EA	Lower Door Handle Asm (Black)
	094039-01-718	EA	Milk Bin - Gray w/Silver Trim
	094039-01-719	EA	Dairy Keeper - Gray w/Silver Trim
	094039-01-720	EA	Cabinet Asm - Brown Frame w/White Liner
	094039-01-721	EA	Cabinet Asm - Black Frame w/White Liner
	094039-01-722	EA	How Plug - Hinge Holes - Black
	094039-01-723	EA	Hinge Bracket - Top - Black
	094039-01-724	EA	Hinge Bracket - Top - Black

GALLEY GROUP (CONTINUED)

GALLEY APPLIANCES (CONT.)

Key	Part Number	U/M	Description
	094039-01-725	EA	Hinge Pin - Male - Black
	094039-01-726	EA	Evaporator Shell
	094039-01-727	EA	Hinge Bracket - Center Hinge (Brown)
	094039-01-728	EA	Hinge Bracket - Center Hinge (Black)
	094039-01-729	EA	Hinge Pin - Shaft - Center Hinge (Brown)
	094039-01-730	EA	Hinge Pin - Shaft - Center Hinge (Black)
	094039-01-731	EA	Crisper - Gray w/Silver Trim
	094039-01-732	EA	Front Cover - Bottom Trim - Black
	094039-01-733	EA	Wire Shelf - Middle
	094039-01-734	EA	Wire Shelf - Top w/Riser
	094039-01-735	EA	Inside Drip Tray - White
	094039-01-736	EA	Light Switch - Black
	094039-01-737	EA	Power Supply
	094039-01-738	EA	Manual Shut-Off - Harper Wyman
	089883-02-000	EA	Baffle - Refrigerator - Back
	090185-04-000	EA	Baffle - Refrigerator - Lower
	092696-01-01A	EA	Hood - Range - w/Monitor - Almond
	092696-01-02A	EA	Hood Vent - w/Door
	092696-01-700	EA	Fastener - Plastic
	092696-01-701	EA	Knob - Plastic
	092696-01-702	EA	Register/Wire Asm
	092696-01-703	EA	Fuse Holder
	092696-01-704	EA	Switch Lever Asm Module
	092696-01-705	EA	Actuator - Rod/Turnbuckle
	092696-01-706	EA	Scrow Cap
	092696-01-707	EA	Gasket - Vent
	092696-01-708	EA	Mounting Clip - Vent
	092696-01-709	EA	Lamp #912
	092696-01-710	EA	Holder - Lamp
	092696-01-711	EA	Lens - Lamp
	092696-01-712	EA	Filter - Mesh
	092696-01-713	EA	Chassis w/Wiring - Almond
	092696-02-01A	EA	Hood - Range w/Monitor - CSA
	092696-02-700	EA	Chassis w/Wiring - Almond
	085280-03-000	EA	Cover - Burner - Bi-Fold - Almond
	081374-03-000	EA	Range Top - 4 Burner - Almond - w/o Oven
	084782-02-700	EA	Top - Main - 4 Burner - Almond
	081374-03-700	EA	Trim - Cab Top - Left
	081374-03-701	EA	Trim - Cap Top - Right
	081374-03-703	EA	Trim Top Rear
	081374-01-704	EA	Guard - Fabric

**1989 ITASCA
TABLE OF CONTENTS**

INTRODUCTION	A-01
ABBREVIATIONS	A-01
ALPHABETICAL INDEX	A-02 - A-04
ICP32DQ	A-05 - C-20
IC/JP32RQ	C-21 - F-20

**1989 IC/JP32RQ
INDEX**

Floor Plan	C-21 - C-22
Accessories Group	C-23 - D-02
Bath Group	D-03 - D-05
Chassis Group	D-06 - D-12
Curtain, Cushion & Pad Group	D-13 - D-23
Dinette Group	D-24 - E-02
Driver's Compartment Group	E-03 - E-07
Electrical Group	E-08 - E-11
Exterior Body Group	E-12 - E-17
Galley Group	E-18 - E-20
Heating & Air Conditioning Group	E-21 - E-22
Interior Finish Group	E-23 - F-01
LP Group	F-02
Lounge Group	F-03 - F-05
Water & Sewage Group	F-06
Windows, Vent & Exterior Door Group	F-07 - F-20

HEATING & AIR CONDITIONING GROUP

FURNACE & ROOF AIR CONDITIONER

Key	Part Number	U/M	Description
	075696-02-000	EA	Furnace - 34,000 BTU - w/Direct Ignition - SLSuburban
	075696-02-700	EA	Cabinet Asm
	075696-02-701	EA	U-Clip - Finnerman
	075696-02-702	EA	Cabinet - Front
	075696-02-703	EA	Collar - Duct
	075696-02-704	EA	Thermostat
	075696-02-705	EA	Harness - Power Supply
	075696-02-706	EA	Electrode
	075696-02-707	EA	Burner Access Door
	075696-02-708	EA	Gasket - Electrode
	075696-02-709	EA	Glass Disc
	075696-02-710	EA	Gasket - Burner Access Door
	075696-02-711	EA	Switch - Limit
	075696-02-712	EA	Module Board
	075696-02-713	EA	Relay - Time Delay
	075696-02-714	EA	Vent Cap & Exhaust Tube Asm
	075696-02-715	EA	Burner Asm
	075696-02-716	EA	Orifice - Main Burner
	075696-02-717	EA	Gasket - Manifold
	075696-02-718	EA	Manifold Pipe
	075696-02-719	EA	Valve
	075696-02-720	EA	Pipe Asm - Gas Insert
	075696-02-721	EA	Gasket - Gas Inlet Pipe
	075696-02-722	EA	Elbow - 90°
	075696-02-723	EA	Valve - Manual - Off
	075696-02-724	EA	Wheel - Room Air
	075696-02-725	EA	Blower - Housing Asm
	075696-02-726	EA	Microswitch - Peddle Asm
	075696-02-727	EA	Bracket - Motor Mount
	075696-02-728	EA	Gasket - Crossover Tube
	075696-02-729	EA	Crossover Tube
	075696-02-730	EA	Motor Asm
	075696-02-731	EA	Gasket - Motor Mount
	075696-02-732	EA	Housing - Combustion Air Asm
	075696-02-733	EA	Wheel - Combustion Air
	075696-02-734	EA	Gasket - Combustion Air Housing
	075696-02-735	EA	Housing - Combustion Air - O/S
	084405-01-000	EA	Heater Asm - Rear - Ducted
	084405-01-700	EA	Heater Core
	084405-01-701	EA	Fan
	084405-01-702	EA	Motor - 12 Volt
	009198-01-000	FT	Duct - Flexible - 4" I D x 25'
	056424-02-000	EA	Register - 4" Dia - Plastic - w/o Damper
	009200-01-000	EA	Tape - Furnace - 1 1/2"
	093766-01-000	EA	Shroud Asm - Ceiling - Roof Air - Cool Only
	093766-02-000	EA	Shroud Asm - Ceiling - Roof Air - Cool Only
	093766-03-000	EA	Thermostat - Air Conditioner & Furnace
	093765-01-02A	EA	Air Conditioner - 110 Volt - Roof Mount - 13,500 - Gray
	093765-01-700	EA	Decal Package - Super Machine
	093765-01-701	EA	Overload
	093765-01-702	EA	Evaporator
	093765-01-703	EA	Switch - Selector
	093765-01-704	EA	Decal - Cool
	093765-01-705	EA	Decal - Heat & Cool
	093765-01-706	EA	Motor
	093765-01-707	EA	Spring
	093765-01-708	EA	Pinnut

HEATING & AIR CONDITIONING GROUP (CONTINUED)

AUTOMOTIVE HEATER

Key	Part Number	U/M	Description
	080426-02-000	EA	Heater/Evaporator Asm - w/Pressure Sensor Switch
	080426-02-701	EA	Hose - Liquid
	080426-02-702	FA	Hose - Suction
	080426-02-703	EA	Switch - Pressure - Fan
	080426-01-700	EA	Evaporator Coil
	072341-01-706	EA	Resistor
	072341-01-701	EA	Heater Core
	075789-01-705	EA	Expansion Valve
	072341-01-707	EA	Thermostat
	072341-01-708	EA	Blower Motor
	072341-01-707	EA	Blower Wheel
	072341-01-708	EA	Vacuum Motor
	072341-01-710	EA	Control Head
	072341-04-702	EA	Relay
	072341-01-714	EA	Heater Control Valve
	072342-07-000	EA	Condenser Asm. (John Deere)
	072343-06-000	EA	Compressor/Clutch (John Deere)
	088744-01-000	EA	A/C Complete - Mount & Drive Package (John Deere)
	007108-01-000	FT	Hose Heater - 5/8" I D SAE
	007108-02-000	FT	Hose - Heater - 3/4" I D SAE
	031170-01-000	EA	Clamp - Cable - 3/16" DIA
	076252-01-000	EA	Plenum - Floor Heat
	076988-01-000	EA	Door Asm - Heater Air
	076783-01-000	EA	Louver Bezel - Black - 7 1/2"
	076229-01-000	EA	Duct - Heater

**1989 ITASCA
TABLE OF CONTENTS**

INTRODUCTION	A-01
ABBREVIATIONS	A-01
ALPHABETICAL INDEX	A-02 - A-04
ICP32DQ	A-05 - C-20
IC/JP32RQ	C 21 - F 20

**1989 IC/JP32RQ
INDEX**

Floor Plan	C-21 - C-22
Accessories Group	C-23 - D-02
Bath Group	D-03 - D-05
Chassis Group	D-06 - D-12
Curtain, Cushion & Pad Group	D-13 - D-23
Dinette Group	D-24 - E-02
Driver's Compartment Group	E-03 - E-07
Electrical Group	E-08 - E-11
Exterior Body Group	E-12 - E-17
Galley Group	E-18 - E-20
Heating & Air Conditioning Group	E-21 - E-22
Interior Finish Group	E-23 - F-01
LP Group	F-02
Lounge Group	F-03 - F-05
Water & Sewage Group	F-06
Window, Vent & Exterior Door Group	F-07 - F-20

INTERIOR FINISH GROUP

CABINETS & TABLE HARDWARE

Key	Part Number	U/M	Description
	059777-02-000	EA	Hinge - Cabinet Door - Brass
	074493-02-000	EA	Overhead Door - Support - Sprung
	041194-01-000	EA	Base - Pedestal Table - Flush Mounts - Floor
	009040-03-000	EA	Base - Pedestal Table - Raised
	009040-04-000	EA	Leg - Pedestal Table - 27 5" - Brown
	064046-01-000	EA	Clip - Pedestal Table Leg
	079789-01-000	EA	Support - Table - Pullout - Beige
	080728-01-000	EA	Handle - Recessed - Brown Plastic
	079921-01-000	EA	Roller - Nylon w/Shaft
	088254-01-000	EA	Catch - Magnetic
	093579-01-000	EA	Pull - Cabinet - Chrome/Brass
	081376-01-000	EA	Back Plate - Door Pull - Polished Brass
	093586-03-000	EA	Catch - Spring Roller
	093586-04-000	EA	Strike - Steel Spring
	074045-04-000	EA	Plug - 1/2" - Driftwood
	092652-01-000	EA	Guide Wheel - Top Mount - Door
	084466-02-000	EA	Slide Asm - Drawer - Right
	084466-03-000	EA	Slide Asm - Drawer - Left
	084466-04-000	EA	Slide Asm - Cabinet - Right
	084466-05-000	EA	Slide Asm - Cabinet - Left
	047744-01-000	EA	Kit Drawer Glide
	009089-01-000	EA	Clip - Mirror
	084071-02-000	EA	Decorative Rod - Brass
	084070-01-000	EA	Center Post - Decorative Rod - Brass
	084070-02-000	EA	End Post - Decorative Rod - Brass
	084451-01-000	EA	Catch - TV Shelf - Brass
	058331-10-000	EA	Mirror - Safety Glass - TV Shelf - 14" x 17"
	064781-05-000	EA	Cup Holder - Two Step
	024281-07-000	EA	Bracket - Lower Wall Mount
	053200-05-000	EA	Bracket - Upper Wall Mount
	024275-05-000	EA	Rod - Table Lift
	092593-01-02A	EA	Catch - Table Leg
	088410-01-000	EA	Hanger - Table

MISCELLANEOUS

Key	Part Number	U/M	Description
	053552-02 W24	EA	Handle Asm - Assst - Vinyl
	041944-04-000	EA	Fire Extinguisher - 5BC - w/o Bracket
	084472-01-000	EA	Holder - Plastic - Fire Extinguisher
	094499-01-000	EA	Fire Extinguisher - 10 BC - w/Bracket
	054185-31-000	EA	Owner's Manual - Winnebago/Itasca - 1989
	081072-02-000	EA	Floor Mat - Front - Right - Itasca
	081074-02-000	EA	Floor Mat - Front - Left - Itasca
	081075-02-000	EA	Floor Mat - Entrance - Itasca

INTERIOR FINISH GROUP (CONTINUED)

CURTAIN HARDWARE

Key	Part Number	U/M	Description
	029094-04-000	YD	Tape - Loop - 1" Wide - Black
	029098-03-000	YD	Tape - Hook - 1" Wide - Black
	048394-02-000	YD	Tape - Hook - .75" Wide - Beige
	088792-02-000	YD	Tape - Loop - .75" Wide - Beige - Adhesive
	048395-02-000	YD	Tape Loop - 75" Wide - Beige
	088792-01-000	YD	Tape Hook - 5/8" Non Adhesive
	056003-01-000	EA	Bracket Drapery Retainer - Right
	056003-02-000	EA	Bracket Drapery Retainer - Left
	081381-01-000	EA	Swivel Snap - Curtain Track
	075943-01-000	EA	Brace - Valance - Beige
	075477-20-000	EA	Bracket - Center Support - Blind
	082139-01-000	EA	Bracket - Hold Down - Blinds
	083170-01-000	EA	Bracket - Blind Installation - Right
	083170-02-000	EA	Bracket - Blind Installation - Left
	084434-01-000	EA	Bracket - Roller Shade - 1 3/5"
	067253-01-000	EA	Pull - Window Shade - Clear Plastic
	089335-01-000	EA	Track - Curtain - Brown Plastic
	088276-01-000	EA	Tape - Double Sided - 5"
	078394-01-000	FT	Trim - Brass Vinyl - .437" Wide - Window Side Panel
	077046-01-000	EA	Track - Curtain - Front Wraparound - Passenger
	077046-02-000	EA	Track - Curtain - Front Wraparound - Drivers
	077046-01-700	EA	Baton Asm - w/Snap
	077046-01-701	EA	Swivel Carrier
	077046-01-702	EA	Lock Stop
	077046-01-703	EA	Swivel Snap Pendant
	077046-01-704	EA	End Stop
	077046-01-705	EA	Master Carrier - Left
	077046-01-706	EA	Master Carrier - Right
	091313-01-000	EA	Grommet - Headrest

INTERIOR MOLDINGS & TRIM

Key	Part Number	U/M	Description
	088263-25-000	EA	Batt Strip - Aqua - 8' (Y77) (Wall/Galley)
	088263-26-000	EA	Batt Strip - Plum - 8' (Y78, Y79) (Wall)
	088263-08-000	EA	Batt Strip - Bone - 8' (Y79) (Galley/Bath)
	085284-14-000	EA	Batt Strip - Aqua - Adhesive (Y77)
	085284-15-000	EA	Batt Strip - Plum - Adhesive (Y78, Y79)
	069733-70-000	EA	Batt Strip - Driftwood
	079653-05-000	EA	Molding - Batt Strip - Kerfed - Driftwood
	074044-91-000	EA	Molding - Oak Trim w/o Groove (Ceiling)
	078394-04-000	EA	Chrome Insert - Oak Molding (Ceiling)
	022992-08-000	FT	Molding - Reverse Cove - Champagne White
	009809-18-000	EA	F-Molding - 1" - Driftwood
	009812-18-000	EA	F-Molding - 1/2" - Driftwood
	083620-05-000	EA	T-Molding - w/Edge Lips - Designer Beige
	073504-01-000	EA	U-Channel - 65" - Light Brown
	009773-07-000	EA	U-Channel - 1" - Driftwood
	009767-06-000	FT	Wetling - Beige
	009767-11-000	FT	Wetling - Driftwood
	089571-17-Y77	EA	Trim Oak - 59 6" - w/Groove - Driftwood
	085746-01-000	FT	Trim - J-Molding - Carpet Wall Trim - Beige
	074045-04-000	EA	Plug - 5" Dia - Driftwood
	078026-31-W35	EA	Trim - Valance - 2 5" x 12 7" - Driftwood
	077840-14-W35	EA	Molding - Wall Cap - 80" - Driftwood
	042357-12-000	EA	Molding - Corner Radius - 7'
	088349-01-W36	EA	Trim - Ceiling Light Driftwood
	085738-02-000	EA	Trim - Roof Cove

1989 ITASCA TABLE OF CONTENTS

INTRODUCTION	A-01
ABBREVIATIONS	A-01
ALPHABETICAL INDEX	A-02 - A-04
ICP32DQ	A-05 - C-20
IC/JP32RQ	C-21 - F-20

1989 IC/JP32RQ INDEX

Floor Plan	C-21 - C-22
Accessories Group	C-23 - D-02
Bath Group	D-03 - D-05
Chassis Group	D-06 - D-12
Curtain, Cushion & Pad Group	D-13 - D-23
Dinette Group	D-24 - E-02
Driver's Compartment Group	E-03 - E-07
Electrical Group	E-08 - E-11
Exterior Body Group	E-12 - E-17
Galley Group	E-18 - E-20
Heating & Air Conditioning Group	E-21 - E-22
Interior Finish Group	E-23 - F-01
LP Group	F-02
Lounge Group	F-03 - F-05
Water & Sewage Group	F-06
Window, Vent & Exterior Door Group	F-07 - F-20

INTERIOR FINISH GROUP (CONTINUED)

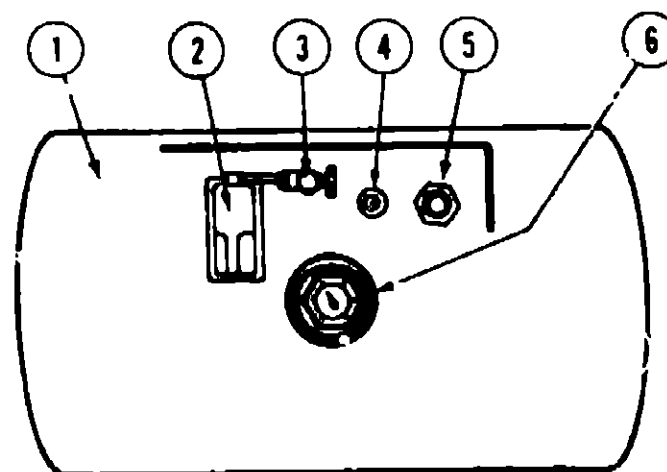
PANELING & COUNTERTOP

Key	Part Number	U/M	Description
	074497-11-000	SF	Paneling - Driftwood - 48" x 84" (Cabinets)
	088272-42-000	SF	Paneling - Decor - Aqua - 48" x 84" (Main Wall/Galley) (Y77)
	088272-43-000	SF	Paneling - Decor - Plum - 48" x 84" (Main Wall) (Y78, Y79)
	088272-37-000	SF	Paneling - Decor - Slate - 48" x 84" (Galley) (Y79)
	088263-19-000	SF	Paneling - Bone - Decor (W/et Bath)
	079666-01-000	SF	Paneling - Cedar - Closet
	085217-03-000	SF	Plastic Laminate - Avonite - Almond Parchment (Galley)
	074498-26-000	SF	Plastic Laminate - Sterling - Almond Slate (Dinette)
	074498-25-000	SF	Plastic Laminate - Sterling - Driftwood (Cabinets)
	076325 19-000	FT	Edge Molding - Almond (Bath)
	076325 17-000	FT	Edge Molding - Driftwood (Cabinets)

FABRICS & FLOOR COVERINGS

Key	Part Number	U/M	Description
	088274 74-000	YD	Fabric - Upholstery - Beach (Y77)
	088274 75-000	YD	Fabric - Upholstery - Mulberry (Y78)
	088274 58-000	YD	Fabric - Upholstery - Gray (Y79)
	088274 54-000	YD	Fabric - Upholstery - Patterned Accent - Blue (Y77)
	088274 33-000	YD	Fabric - Upholstery - Patterned Accent - Mauve (Y78)
	088274 85-000	YD	Fabric - Upholstery - Accent - Blue (Y77)
	088274 78-000	YD	Fabric - Upholstery - Accent - Columbine (Y78)
	088274 57-000	YD	Fabric - Upholstery - Accent - Gray (Y79)
	088273-18-000	YD	Fabric - Bedroom - Neutral (Y77)
	088273-19-000	YD	Fabric - Bedroom - Mauve (Y78)
	088273 24-000	YD	Fabric - Bedroom - Blue (Y79)
	084416 20-000	YD	Fabric - Laminate - Pullshade
	072333-61-000	YD	Fabric - Drapery - Pacific (Y77)
	072333 37-000	YD	Fabric - Drapery - Mauve (Y78)
	072333 55 000	YD	Fabric - Drapery - Silver (Y79)
	079680-01-000	EA	Vinyl - Expanded - Buckskin (End Cap)
	089351-01-000	YD	Vinyl - Acoustical Ceiling - Ridge (Roof)
	077484-01-000	YD	Vinyl - Expanded - Smoke (Sunvisors)
	093486 01 000	SY	Carpet - Trunk Liner (Outer Compartments)
	092308 01 01A	SY	Parquet Floor
	072860 70-000	SY	Carpet - Glacier Blue (Y77)
	072860 69 000	SY	Carpet - Rose Mist (Y78)
	072860-85 000	SY	Carpet - Amethyst (Y79)

LP GROUP



Key	Part Number	U/M	Description
1	088253-03-000	EA	Tank Asm - LP - Frame Mount - 100 Pound - 15" x 36"
2	081938-01-000	EA	Compartment - LP Regulator
	076301-02-000	EA	Regulator - Two Stage - LP Gas
3	040421-01-703	EA	Valve - Vapor Relief
4	040421-01-700	EA	Gauge - Liquid Level - 20% LP
5	040421-01-701	EA	Valve - Filter - LP
	040421-01-702	EA	Cap - Plastic Fill Valve
6	042421-01-707	EA	Gauge - Float - w/Visible Dial - 80 Pound Tank
	040421-01-706	EA	Dial - Visible Face - Float Gauge (Tank w/o Electric Transmitter)
	045703-01-000	EA	Hose Asm - LP - 3/8" ID x 24" - US
	045703-02-000	EA	Hose Asm - LP - 3/8" ID x 24" - CSA
	045703-03-000	EA	Hose Asm - LP - 3/8" ID x 18" - US
	045703-04 000	EA	Hose Asm - LP - 3/8" ID x 14" - CSA
	065741-01-000	EA	Gauge - Diaphragm Pressure - Test Leak
	095612-01-000	EA	Detector - LP Gas
	090976-02-000	EA	Valve - Safety - Shut Off

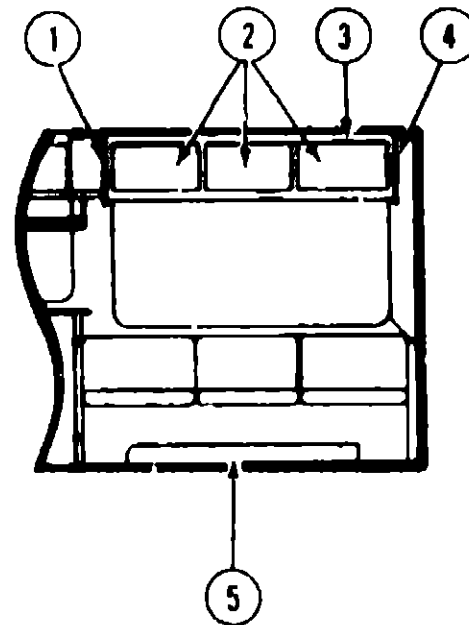
**1989 ITASCA
TABLE OF CONTENTS**

INTRODUCTION	A-01
ABBREVIATIONS	A-01
ALPHABETICAL INDEX	A-02 - A-04
ICP32DQ	A-05 - C-20
IC/JP32RQ	C-21 - F-20

**1989 IC/JP32RQ
INDEX**

Floor Plan	C 21 - C 22
Accessories Group	C-23 - D-02
Bath Group	D 03 - D 05
Chassis Group	D 06 - D-12
Curtain, Cushion & Pad Group	D 13 - D 23
Dinette Group	D 24 - E 02
Driver's Compartment Group	E 03 - E-07
Electrical Group	E 08 - E-11
Exterior Body Group	E 12 - E-17
Galley Group	E-18 - E-20
Heating & Air Conditioning Group	E-21 - E 22
Interior Finish Group	F 23 - F 01
LP Group	F-02
Lounge Group	F 03 - F-05
Water & Sewage Group	F 06
Window, Vent & Exterior Door Group	F 07 - F-20

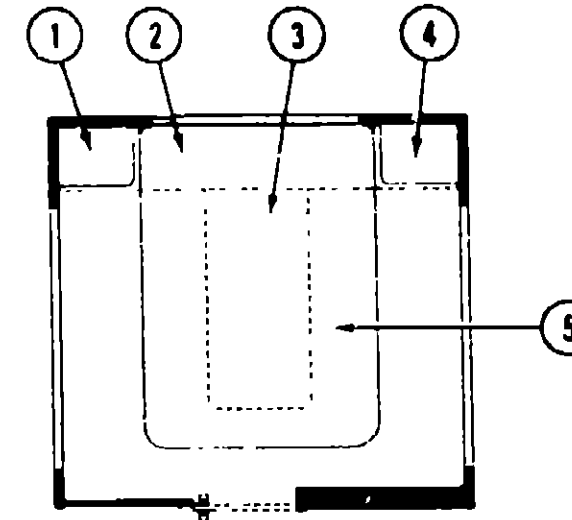
LOUNGE GROUP



FRONT LOUNGE

Key	Part Number	U/M	Description
1	085468-02-W36	EA	End Cap Asm. - Front Lounge - Vinyl
2	M88304-38-Y77	EA	Door Asm - Front Overhead - 12" x 18 7" - w/o Hardware
3	M03110-13-Y77	EA	Front Overhead Cabinet - w/o Doors or Hardware
4	085468-01-W36	EA	End Cap Asm - Front Lounge - Vinyl
5	090406-01-X75	EA	Drawer Asm - Couch
	093666-01-700	EA	Lock Box - Complete
	081298-01-X75	EA	Table Asm - Pedestal

LOUNGE GROUP (CONTINUED)



QUEEN BED CABINETRY

Key	Part Number	U/M	Description
1	M85153-01-X75	EA	Cabinetry Asm. - Nightstand - w/o Countertop, Drawer or Door
	M03000-05-X75	EA	Countertop Asm - Nightstand - Lower
	M03000-02-X75	EA	Countertop Asm - Nightstand - Upper
	084070-01-000	EA	Center Post - Brass
	084070-02-000	EA	End Post - Brass
	084071-02-000	EA	Rod - Brass - 12 4"
2	M03110-90-Y77	EA	Cabinet Asm - Overhead - w/o Doors
	M88304-E4-Y77	EA	Door Asm - Rear Overhead Cabinet - w/o Hardware
3	M03110-92-Y77	EA	Cabinet Asm - Center Overhead - w/o Doors or Hardware
	M88304-36-Y77	EA	Door Asm - Center Overhead - 12" x 29 1" - w/o Hardware
	091738-01-192	EA	Cap Asm - Center Overhead - w/o Mirror
	058831-18-000	EA	Mirror - Safety Glass - 11 25" x 22.4"
	084357-01-W36	EA	TV Stand Asm
4	M89383-01-X75	EA	Cabinet Asm - Nightstand - w/o Countertop, Drawers, or Door
	089383-15-X75	EA	Countertop Asm. - Nightstand - Upper
	089383-16-X75	EA	Countertop Asm - Nightstand - Lower
	M88304-E6-Y77	EA	Door Asm. - Nightstand - Right or Left - w/o Hardware
	092428-01-000	EA	Glass - Cabinet Door - 7 36" x 20 3"
	083204-02-000	EA	Button - Glass Retaining
	081376-01-000	EA	Backplate - Brass
	M78921-04-W36	EA	Drawer Asm - Nightstand - Right or Left - w/o Hardware
5	M89070-01-X75	EA	Cabinet Asm - Queen Bed
	088199-01-X11	EA	Hinge Asm - Bed
	057460-02-000	EA	Ball - Stud - 10 mm Ball - 5/16" x 18"
	057460-03-000	EA	Safety Clip
	057460-04-000	EA	Gas Spring
	088254-01-000	EA	Catch - Magnetic (Drawer)

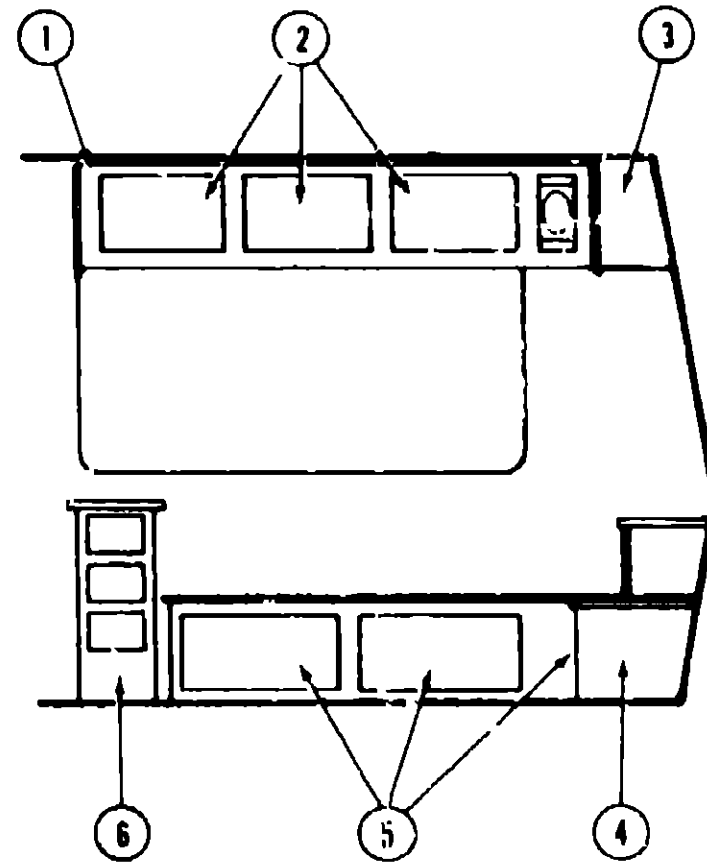
1989 ITASCA TABLE OF CONTENTS

INTRODUCTION	A-01
ABBREVIATIONS	A-01
ALPHABETICAL INDEX	A-02 - A-04
ICP320Q	A-05 - C-20
IC/JP32RQ	C-21 - F-20

1989 IC/JP32RQ INDEX

Floor Plan	C-21	C-22
Accessories Group	C-23	D-02
Bath Group	D-03	D-05
Chassis Group	D-06	D-12
Curtain, Cushion & Pad Group	D-13	D-23
Dinette Group	D-24	E-02
Driver's Compartment Group	E-03	E-07
Electrical Group	E-08	E-11
Exterior Body Group	E-12	E-17
Galley Group	E-18	E-20
Heating & Air Conditioning Group	E-21	E-22
Interior Finish Group	E-23	F-01
LP Group		F-02
Lounge Group	F-03	F-05
Water & Sewage Group		F-06
Window, Vent & Exterior Door Group	F-07	F-20

LOUNGE GROUP (CONTINUED)



TWIN BED & OVERHEAD CABINTRY (OPTION 46U)

Key	Part Number	U/M	Description
1	M03110 55 Y77	EA	Cabinet Asm - Passenger Overhead - w/o Doors or Hardware
	M03110 57 Y77	EA	Cabinet Asm - Driver Overhead - w/o Doors or Hardware
2	M88304 38 Y77	EA	Door Asm - Side Overhead Cabinet - 12" x 18.7" - w/o Hardware
3	M03110 68 Y77	EA	Cabinet Asm - Rear Overhead - w/o Doors or Hardware
	M88304 49 Y77	EA	Door Asm - Rear Overhead Cabinet - 12" x 21 3/8" - w/o Hardware
4	083441-03 X75	EA	Cabinet Asm - Nightstand - w/o Countertop, Drawer, Door or Hardware
	M02608 01 X75	EA	Countertop Asm - Nightstand - Bottom
	M02609 01 X75	EA	Countertop Asm - Nightstand - Top
	077404-02 000	EA	Drawer - Plastic - 20" x 12.7"
5	M88304 10 Y77	EA	Door Asm - Nightstand/Bed Base - 11" x 21 3/8" - w/o Hardware
6	093583-01-Y77	EA	Cabinet Asm - Nightstand - w/o Drawer, Countertop or Hardware
	M78921 02 W36	EA	Drawer Asm - Cabinet - w/o Hardware
	088959 01-Y75	EA	Cabinet Asm - Nightstand - Driver - w/o Door, Countertop or Hardware
	M88304 B0 Y77	EA	Door Asm - Nightstand - 7" x 25 1" - w/o Hardware

WATER & SEWAGE GROUP

PLUMBING & REPAIR PARTS

Key	Part Number	U/M	Description
	044927-01-000	EA	Adapter - Plastic - 1 1/4" MPT x 1 1/4" Bar
	010326-01-000	EA	Adapter - Flare - w/Cone Gasket
	062422-01-000	EA	Adapter - Hose Offset - Reducer - 3" x 1 1/2"
	052954-01-000	EA	Adapter - Hose Cone - 3/8 or 1/2 - Plastic
	069330-01-000	EA	Adapter - Sewer Hose
	079317-01-000	EA	Adapter - Swivel - 5 Tube x 5 FPT
	062415-01-000	EA	Cap - Sewer - 3"
	087200-02-000	EA	Cartridge - Water Filter
	052959-02-000	EA	Connector - Plastic - 1/2" F x 1/2" MPT
	052959-03-000	EA	Connector - 1/2 F x 3/8 MPT - Plastic
	011091-02-000	EA	Continuous Waste - Double Sink - 11 7/8" - US
	078406-01-000	EA	Coupler Rubber - 3" x 3"
	052960-01-000	EA	Drain Valve - 1/2 F x 1/2 F - Plastic
	010006-01-000	EA	Elbow - Plastic - 1/8 BD x 1 1/2 x 45° H x H
	010006-01-000	EA	Elbow - Plastic - 1/4 BD x 1 1/2 x 90° Left
	052957-02-000	EA	Elbow - Plastic - 1/2 F x 1/2 MPT (In Tank Filter)
	035539-01-000	EA	Elbow - Plastic - 3/8" MPT x 3/8 BARB
	023761-01-000	EA	Elbow - Plastic - 1/4" BD x 1 1/2" x 90 x LT
	010051-01-000	EA	Elbow - Plastic - ST - 1/8" BD x 1 1/2" x 45
	077954-02-000	FA	Filter/Screen (In Water Tank)
	087200-01-000	EA	Filter - Water Purifier
	083641-01-000	EA	Flange - Closet - Red - 4 F x 3" FPT
	010147-01-000	EA	Flange - Closet - 4" F x 3" FPT - US
	010147-02-000	EA	Flange - Closet - 4" F x 3" FPT - CSA
	079381-01-000	FT	Flexible Tubing - 1 1/4 ID x 10'
	061607-01-000	EA	Grommet - Holding Tank Coupler - 1 1/2"
	061607-02 000	EA	Grommet - Holding Tank Coupler - 3"
	052961-02-000	EA	Header - 1/2 MPT x 1/2 x 1/2 x 1/2 F
	062416-01-000	EA	Hose Adaptor - 3"
	052953-01-000	EA	Nut - Faucet - 1/2 Tube x 1/2 FPT
	011066-03-000	EA	P-Trap - 1 1/4" Plastic - US
**	011066-02-000	EA	P-Trap - 1 1/4" Plastic - CSA
	053335-01-000	EA	P-Trap - 1 1/4" Plastic - w/Union
	049032-01-000	EA	Patch - Spinweld - Plastic - 3/8"
	045729-01-000	EA	Pump - Water - 2 8 G P M - Direct Drive - Shurflo - US
	045729-02-000	EA	Pump - Water - 2 8 G P M - Direct Drive - Shurflo - CSA
	010201-02-000	EA	Sewer Hose - 3" x 20'
	042989-03-000	EA	Spinweld Fittings - Plastic - 1/4 FPT
	042989-04-000	EA	Spinweld Fittings - Plastic - 3/8 FPT
	042989-05-000	EA	Spinweld Fittings - Plastic - 1/2 FPT
	011069-02-000	EA	Tailpiece - 1 1/2 x 1 1/4" x 4" - Brass
**	010079-01-000	EA	Tee - Plastic - 1 1/2 H x 1 1/2 H x 1 1/4 H
	052955-01-000	EA	Tee - Plastic - 1/2 F x 1/2 F x 1/2 MPT
	052958-01-000	EA	Tee - Plastic - 1/2 F x 1/2 F x 1/2 F
	074463-01-000	EA	Tee - 4 Way - 1/2" Flare
	039800 01-000	FT	Tubing - Polybutyl - 1/2 O D (Water Line)
	079381-01-000	FT	Tubing - Flexible - Smooth - 1 25 I D
	074462 02-000	FT	Tubing - Vinyl - 3/8 I D
	062421-01-000	EA	Valve - 1 1/2" - w/Handle
	037696-01-000	EA	Valve - Waste - 3"
	052960-01-000	EA	Valve - Line Drain - 1/2 F x 1/2 F
	010073-01-000	FA	Wye - Plastic - 1 1/2 x 45 H x 11 x H
	076968 01 000	EA	Vent - Mechanical Trap Arm

** The illustrated parts breakdown for this item is provided on the Common Items Fiche

HOLDING TANKS & WATER HEATERS

Key	Part Number	U/M	Description
	081180-02-000	EA	Tank - Water - 42 Gallon
	076574-01 000	EA	Tank - Holding - 28 Gallon - w/o Fitting
	088384-01 000	EA	Tank - Holding - 32 Gallon - w/o Fittings
	088385-01-000	EA	Tank - Holding - 24 Gallon - w/o Fitting
**	051393-01-000	EA	Water Heater - Direct Ignition - Atwood - CH6-3E

** The illustrated parts breakdown for this item is provided on the Common Items Fiche

**1989 ITASCA
TABLE OF CONTENTS**

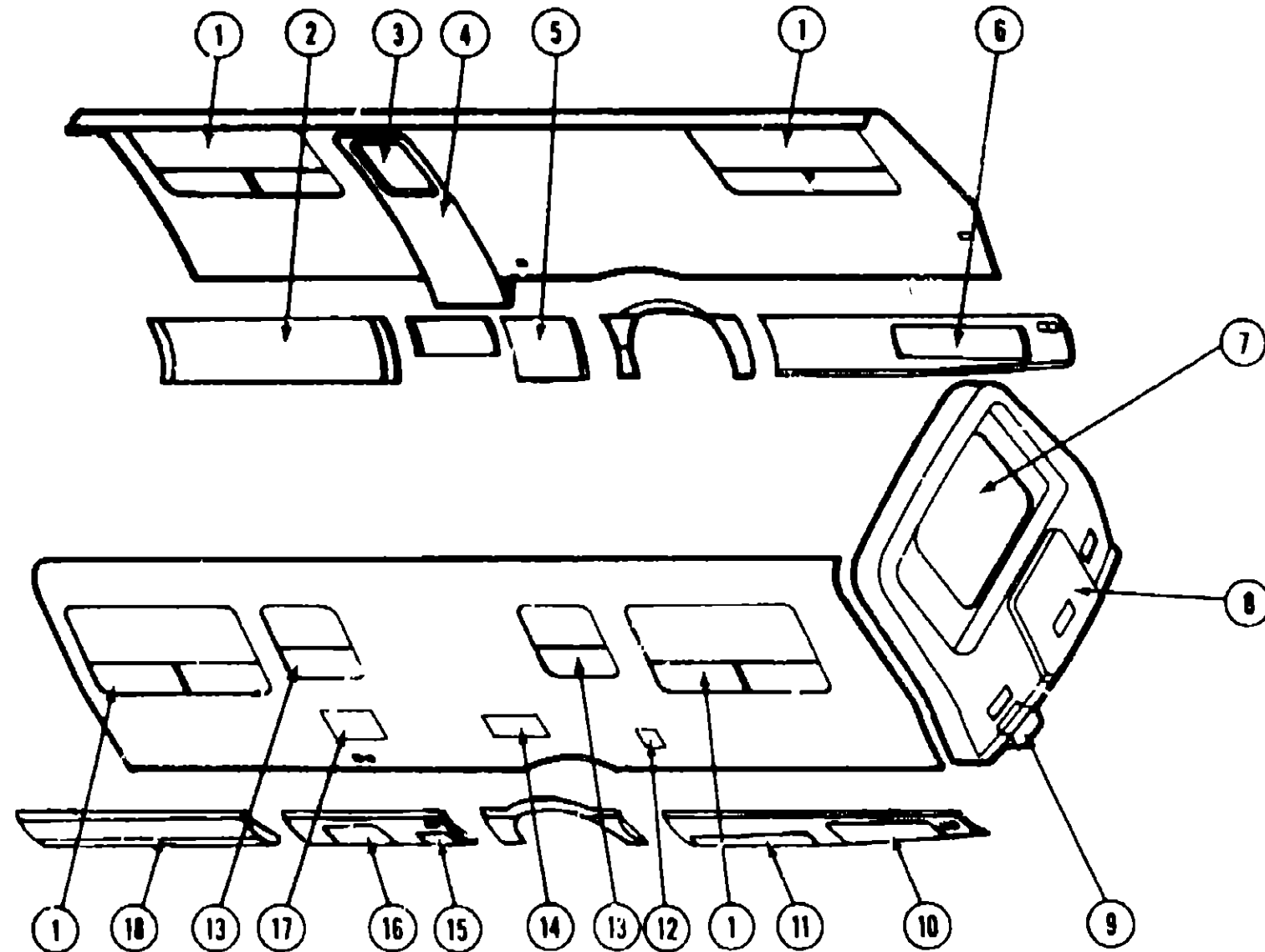
INTRODUCTION	A-01
ABBREVIATIONS	A-01
ALPHABETICAL INDEX	A-02 - A-04
ICP32DQ	A-05 - C-20
IC/JP32RQ	C-21 - F-20

**1989 IC/JP32RQ
INDEX**

Floor Plan	C-21 - C-22
Accessories Group	C-23 - D-02
Bath Group	D-03 - D-05
Chassis Group	D-06 - D-12
Curtain, Cushion & Pad Group	D-13 - D-23
Dinette Group	D-24 - E-02
Driver's Compartment Group	E-03 - E-07
Electrical Group	F-08 - E-11
Exterior Body Group	E-12 - E-17
Galley Group	E-18 - E-20
Heating & Air Conditioning Group	E-21 - E-22
Interior Finish Group	E-23 - F-01
LP Group	F-02
Lounge Group	F-03 - F-05
Water & Sewage Group	F-06
Window, Vent & Exterior Door Group	F-07 - F-20

WINDOW, VENT & EXTERIOR DOOR GROUP

WINDOW & ACCESS DOOR



Key	Part Number	U/M	Description
1	085354-04-X11	EA	Window Asm - Double
2	085037-01-X75	EA	Door Asm - Front Valance
3	079733-04-T00	EA	Window Asm - Picture
4	M84385-02-Y77	EA	Door Asm - Entrance
	088684-01-X75	FA	Door Asm - Entrance Door Valance
5	088362-01-X75	EA	Door Asm - Center Valance
6	085034-01-W36	EA	Door Asm - Storage
7	078985-04-Y12	EA	Window Asm - Escape
8	M01990-04-X75	EA	Spare Tire Cover
9	077137-02-000	EA	Door Asm - Sewer Hose Compartment
10	085040-01-W36	EA	Door Asm - Generator
11	088369-01-X75	EA	Door Asm - Across Panel
12	078010-02-000	EA	Door Asm - Fuel Fill
13	085353-07-W07	EA	Window Asm - Vertical Slider
14	084103-02-P00	EA	Door Asm - Refrigerator Access
15	088366-01-X75	EA	Door Asm - Power Cord
16	085051-01-X75	EA	Door Asm - LP
17	052009-03-000	EA	Door Asm - Water Heater
18	085037-02-X75	EA	Door Asm - Front Valance
	M01596-10-Y77	EA	Door Asm - Drivers - Gray - w/o Insert
	M78469-02-000	EA	Window Asm - Driver Door
	077209-02-000	EA	Inside Frame - Driver Door - Black
	M01595-10-Y77	EA	Door Asm - Passenger - Gray - w/o Inserts
	M78469-01-000	EA	Window Asm - Passenger Door
	077209-01-000	EA	Inside Frame - Passenger Door - Black

1989 ITASCA TABLE OF CONTENTS

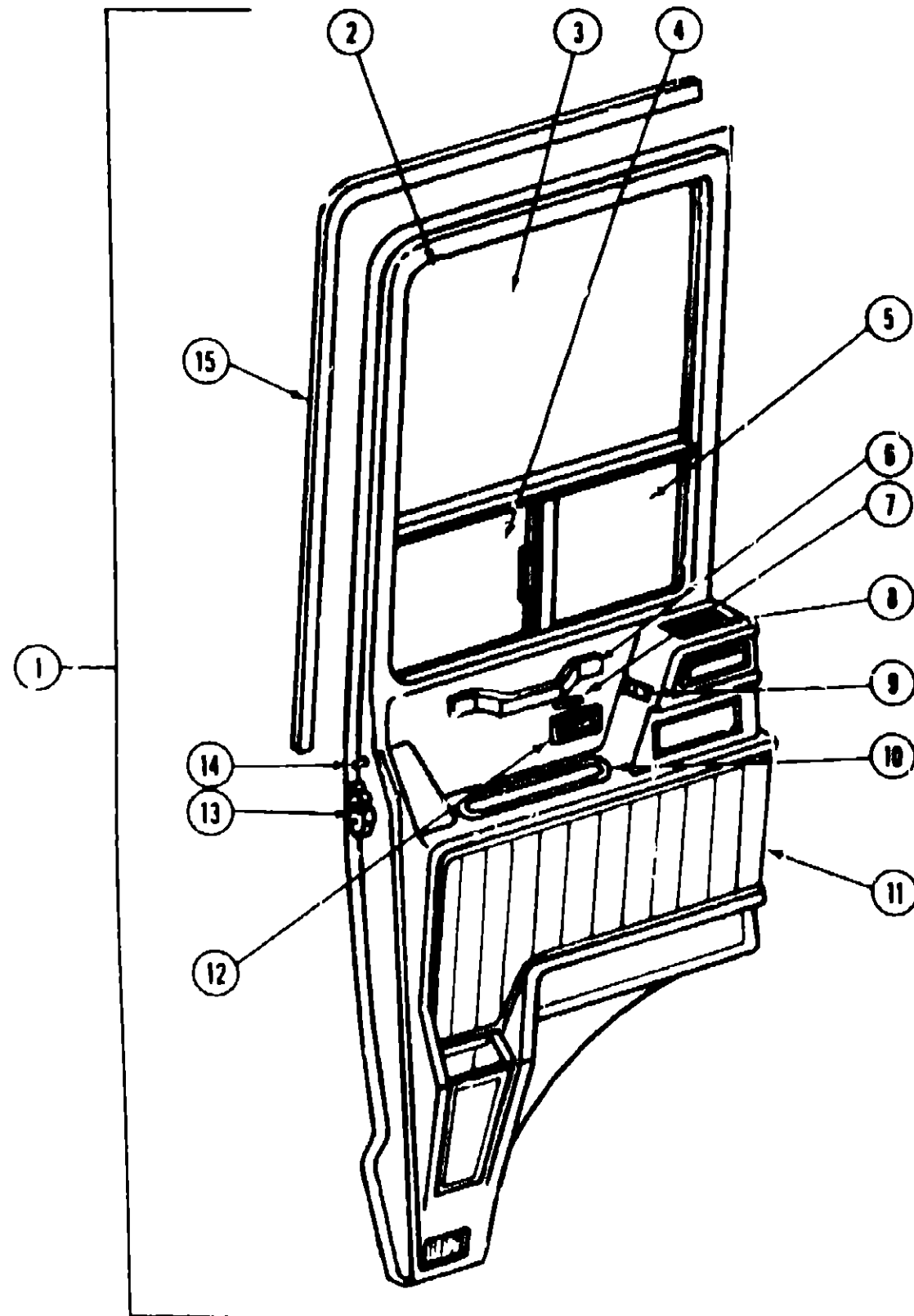
INTRODUCTION	A-01
ABBREVIATIONS	A-01
ALPHABETICAL INDEX	A-02 - A-04
ICP320Q	A-05 - C-20
IC/JP32PQ	C-21 - F-20

1989 IC/JP32RQ INDEX

Floor Plan	C-21 - C-22
Accessories Group	C-23 - D-02
Bath Group	D-03 - D-05
Chassis Group	D-06 - D-12
Curtain, Cushion & Pad Group	D-13 - D-23
Dinette Group	D-24 - E-02
Driver's Compartment Group	E-03 - E-07
Electrical Group	E-08 - E-11
Exterior Body Group	E-12 - E-17
Galley Group	E-18 - E-20
Heating & Air Conditioning Group	E-21 - E-22
Interior Finish Group	E-23 - F-01
LP Group	F-02
Lounge Group	F-03 - F-05
Water & Sewage Group	F-06
Window, Vent & Exterior Door Group	F-07 - F-20

WINDOW, VENT & EXTERIOR DOOR GROUP (CONTINUED)

DRIVER & PASSENGER CAB DOOR



Key	Part Number	U/M	Description
1	M01596-10-Y77	EA	Door Asm - Driver - Gray - w/o Insert
	M01595-10-Y77	EA	Door Asm - Passenger - Gray - w/o Inserts
2	M78469-01-000	EA	Window Asm - Passenger Door - w/Support
	M78469-02-000	EA	Window Asm - Driver Door - w/Support
	077209-01-000	EA	Inside Frame Asm - Window - Passenger
	077209-02-000	EA	Inside Frame Asm - Window - Driver
3	077036-03-000	EA	Glass - 19" x 26 9" x 22" - Passenger
3	077036-02-000	EA	Glass - 19" x 26 9" x 22" - Driver
4	078179-01-000	EA	Glass - 19" x 15" x 9 3" - w/Hole
5	078378-01-000	EA	Glass - 19" x 15" x 9 3"
	077224-03-000	EA	Window Mullion - Horizontal - Passenger
	077224-04-000	EA	Window Mullion - Horizontal - Driver
	077226-01-000	EA	Window Mullion - Vertical - Driver
	077226-02-000	EA	Window Mullion - Vertical - Passenger
	M02389-53-001	EA	Seal Holder - w/Fin Seal
	042077-01-000	FT	Channel - Weatherstrip - Glass
	024098-02-000	EA	Seal - Window Channel
	050216-02-000	EA	Spline - Vinyl Glass - 19 Black
6	061400-04-000	EA	Assist Strap - 12" - w/Woodgrain
7	081905-02-000	EA	Control Knob - Slide Bolt - Driver
7	081905-01-000	EA	Control Knob - Slide Bolt - Passenger
8	076783-01-000	EA	Louver/Bezel Asm - Black - 2"
	075671-01-000	FT	Sponge Seal - Lazy T Shape
	077187-01-000	EA	Door Prop Rod - Passenger
	077187-02-000	EA	Door Prop Rod - Driver
9	090351-01-000	EA	Switch - Door Lock
	081915-01-000	EA	Motor - Electric Door Lock
	081993-02-000	EA	Control Rod - Electric Lock Motor
10	077118-02-000	EA	Storage Tray - Door Panel - Gray
	077179-01-000	EA	Hose Adapter - 2" - Snap In
	077000-01-000	EA	Socket Asm - w/8" Pigtail Leads
11	077117-04-000	EA	Door Panel - Front Inner - Driver - Gray
	077117-03-000	EA	Door Panel - Front Inner - Passenger - Gray
	083886-04-000	EA	Assist Handle - Gray Steel Tube
*12	R77006-50-261	EA	Door Handle - Interior - Right
*12	R77006-50-326	EA	Door Handle - Interior - Left
*13	R77007-56-701	EA	Plate - Door Lock - Right
*13	R77007-56-702	EA	Plate - Door Lock - Left
14	083678-02-000	EA	Rod - Slide Bolt - Driver
	083678-01-000	EA	Rod - Slide Bolt - Passenger
15	076813-01-000	FT	Seal - Entrance Door (Glue On)
	064580-02-000	EA	Check Strap - Front Door - 7"
	064219-01-000	EA	Retainer - Check Strap - Front Door
	075245-02-000	EA	Hinge - Cab Door - Gray

* The Illustrated breakdown of these items on the following page.

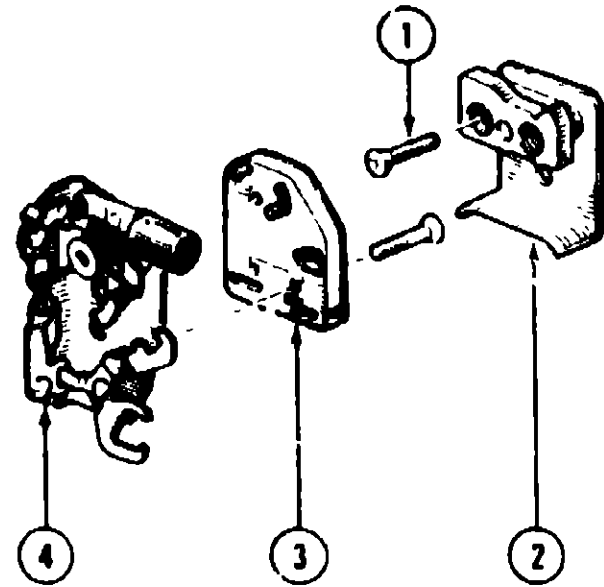
1989 ITASCA TABLE OF CONTENTS

INTRODUCTION	A-01
ABBREVIATIONS	A-01
ALPHABETICAL INDEX	A-02 - A-04
ICP32DQ	A-05 - C-20
IC/JP32RQ	C-21 - F-20

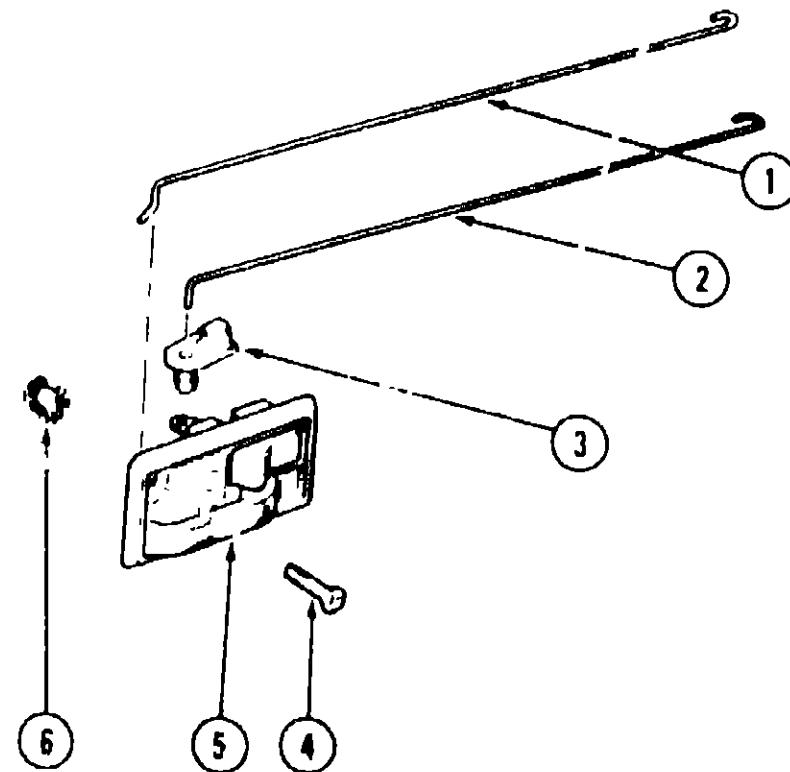
1989 IC/JP32RQ INDEX

Floor Plan	C-21 - C-22
Accessories Group	C-23 - D-02
Bath Group	D-03 - D-06
Chassis Group	D-08 - D-12
Curtain, Cushion & Pad Group	D-13 - D-23
Dinette Group	D-24 - E-02
Driver's Compartment Group	E-03 - E-07
Electrical Group	E-08 - E-11
Exterior Body Group	E-12 - E-17
Galley Group	E-18 - E-20
Heating & Air Conditioning Group	E-21 - E-22
Interior Finish Group	E-23 - F-01
LP Group	F-02
Lounge Group	F-03 - F-05
Water & Sewage Group	F-06
Window, Vent & Exterior Door Group	F-07 - F-20

WINDOW, VENT & EXTERIOR DOOR GROUP (CONTINUED)

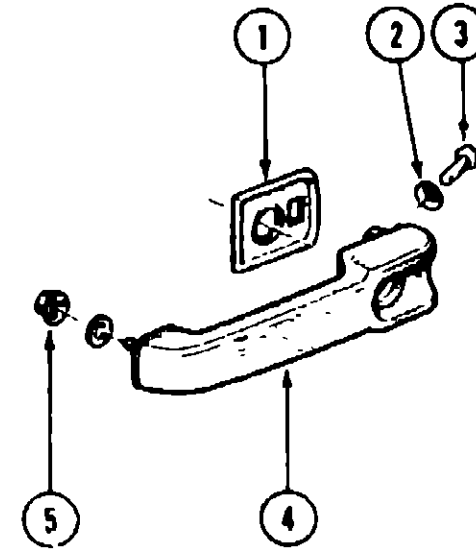


Key	Part Number	U/A	Description
1	R77030-04-082	EA	Bolt
2	R77013-48-165	EA	Strike - Driver
	R77013-48-166	EA	Strike - Passenger
3	R77007-56-702	EA	Plate - Door Lock - Driver
	R77007-56-701	EA	Plate - Door Lock - Passenger
4	R77007-62-746	EA	Tumbler & Backing Plate - Driver
	R77007-62-747	EA	Tumbler & Backing Plate - Passenger

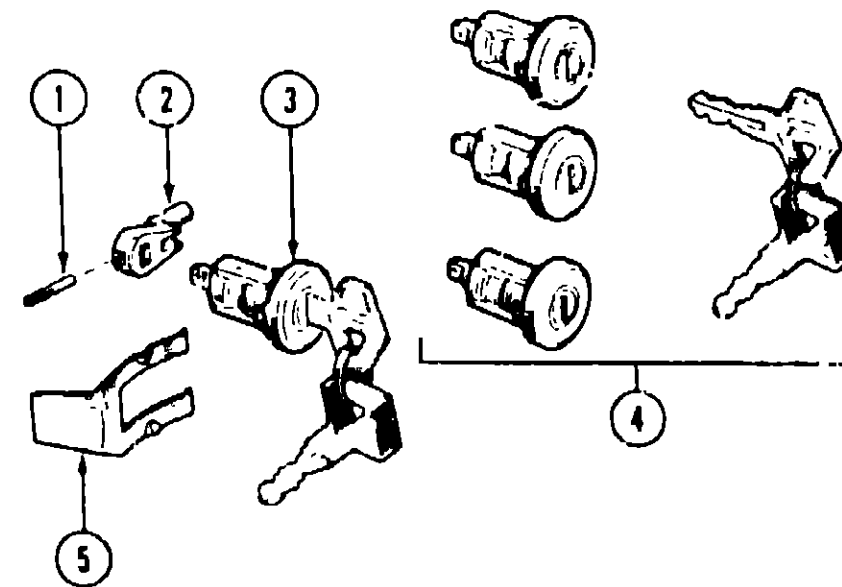


Key	Part Number	U/A	Description
1	076542-01-000	EA	Rod - Latch Control - Passenger
	076542-02-000	EA	Rod - Latch Control - Driver
2	076543-01-000	EA	Rod - Lock Control - Passenger
	076543-02-000	EA	Rod - Lock Control - Driver
3	R77006-64-355	EA	Control Link - Door Handle
4	000G39-10-12D	EA	Screw - SF/DR - #10 - 18 x 75 PPH
5	R77006-50-261	EA	Door Handle - Inner - Passenger
	R77006-50-325	EA	Door Handle - Inner - Driver
6	076327-01-06L	EA	Hex Nut w/Washer - 1/4" Zinc

WINDOW, VENT & EXTERIOR DOOR GROUP (CONTINUED)



Key	Part Number	U/M	Description
1	R77007-05-374	EA	Plate - Door Handle Spacer
2	R77030-58-048	EA	Washer
3	R77030-01-855	EA	Screw - Machine
4	R77040-01-538	EA	Door Handle - Outer
5	R77030-33-009	EA	Nut w/Washer



Key	Part Number	U/M	Description
1	R77030-67-257	EA	Pin - Door Lock
2	080983-01-000	EA	Arm - Lock Control
3	R77006-65-924	EA	Key & Tumbler - w/Key Number (Single)
4	R77007-51-201	EA	Key & Tumbler (Set/3)
5	R77007-04-136	EA	Clip - Door Lock
	R77010-21-758	EA	Key Blank

**1989 ITASCA
TABLE OF CONTENTS**

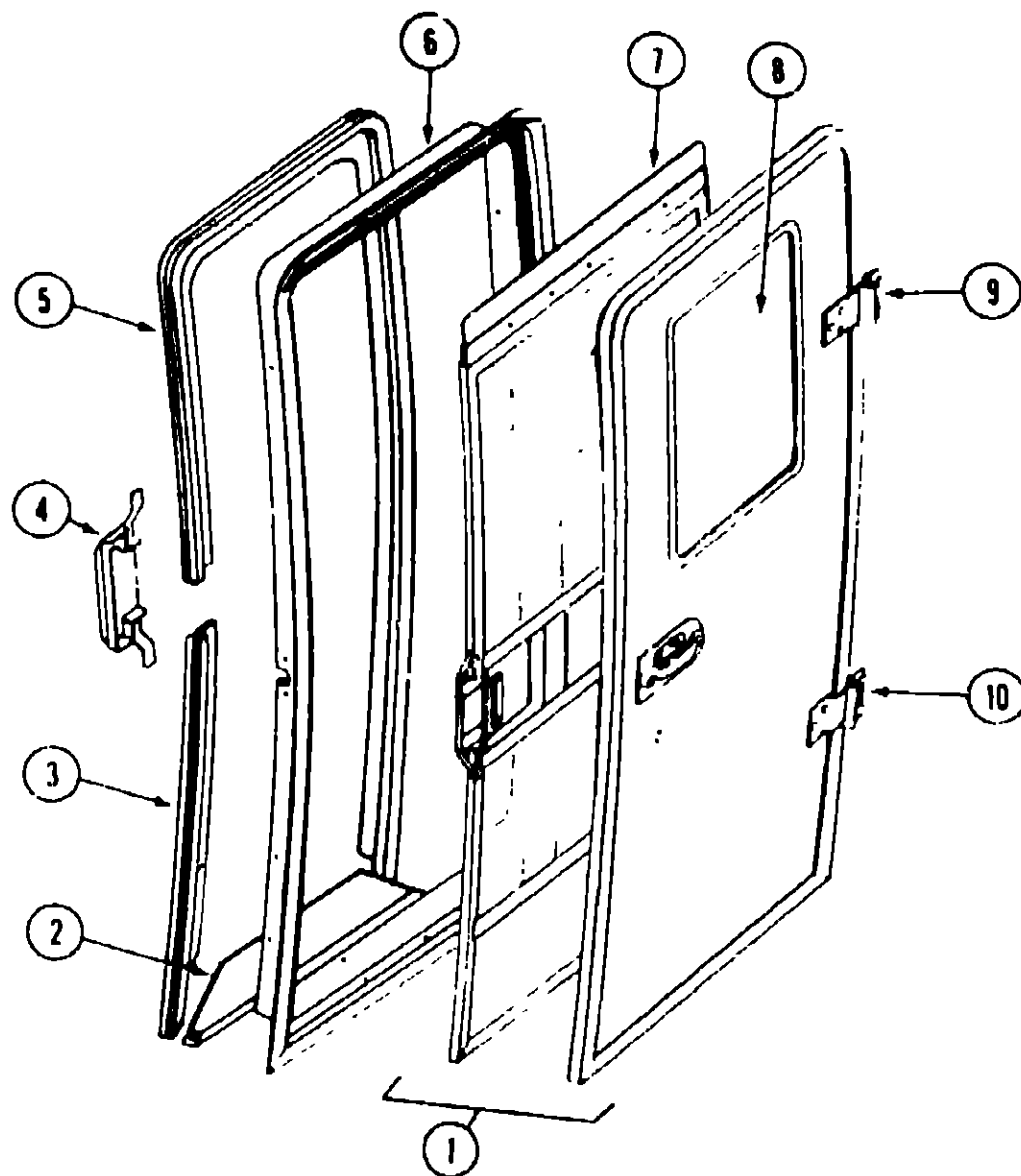
INTRODUCTION	A-01
ABBREVIATIONS	A-01
ALPHABETICAL INDEX	A-02 - A-04
ICP32DQ	A-05 - C-20
IC/JP32RQ	C-21 - F-20

**1989 IC/JP32RQ
INDEX**

Floor Plan	C-21 - C-22
Accessories Group	C-23 - D-02
Bath Group	J-03 - D-05
Chassis Group	D-06 - D-12
Curtain, Cushion & Pad Group	D-13 - D-23
Dinette Group	D-24 - E-02
Driver's Compartment Group	E-03 - E-07
Electrical Group	E-08 - F-11
Exterior Body Group	E-12 - E-17
Galley Group	E-18 - E-20
Heating & Air Conditioning Group	E-21 - E-22
Interior Finish Group	E-23 - F-01
LP Group	F-02
Lounge Group	F-03 - F-05
Water & Sewage Group	F-06
Window, Vent & Exterior Door Group	F-07 - F-20

WINDOW, VENT & EXTERIOR DOOR GROUP (CONTINUED)

ENTRANCE DOOR W/POWER LOCK



Key	Part Number	U/M	Description
1	M84385-02-Y81	EA	Door Asm - Entrance - w/Power Lock
	091878-01-000	EA	Retainer Door
2	089905-01-000	EA	Trim - Entrance Door - Lower
3	M01670-03-W13	EA	Trim - Entrance Door - Upper - w/Roller Catch - Beige
4	085739-01-000	EA	Cover - Strike - Light Oak
5	M01371-03-W13	EA	Trim - Entrance Door
6	078947-04-000	EA	Jamb Asm - Entrance Door
7	084389-01-W13	EA	Screen Door - Complete
	085276-01-000	EA	Slider - Screen Door - Light Oak Plastic
	012293-02-000	SF	Screen - 28" Charcoal
	078231-01-000	EA	Spacer - Screen Door - Latch
	078856-01-000	EA	Plate - Screen Door
	002294-01-000	FT	Spline - Screen Door - Black
	084098-01-000	EA	Transition Frame - Screen Door - Beige
	009016-01-000	EA	Catch - Elbow - Spring Loaded
	009018-01-000	EA	Catch - Single Roller
	077437-01-000	EA	Strike - Roller Catch - Beige
8	079733-04-T03	EA	Window Asm - Picture (w/o inside frame)
	067809-03-000	EA	Inside Frame - Beige (not included in assembly)
	002181-08-000	EA	Glass - 115" x 18 25" x 24"
	087581-01-000	FT	Spline - Glass - 1/8 Material - Black
	089837-02-000	EA	Sealer - 3M EC5510
9	084097-02-000	EA	Hinge Asm - Upper - Gray
10	084096-02-000	EA	Hinge Asm - Lower - Gray
	076810-01-000	EA	Gasket - Door Hinge
	009126-02-000	EA	Assist Handle - Black
	073303-02-000	EA	Latch Asm - Inner
	076728-01-000	EA	Panel Trim - Light Oak Plastic
	R77007-05-374	EA	Gasket - Exterior Door Handle
	R77040-01-528	EA	Handle - Exterior Door
	R77008-50-281	EA	Handle - Interior - Right Door
	073104-04-000	EA	Escutcheon - Door Handle
	R77007-56-701	EA	Lock Bolt - Right
	R77007-51-201	EA	Cylinder & Key Set (Set of 3)
	R77006-85-924	EA	Cylinder & Key Set (Single)
	R77010-21-758	EA	Key - Blank
	013205-01-000	EA	Deadbolt - Press Fit - 5"
	045017-01-701	EA	Key - Blank - Deadbolt
	079173-01-000	EA	Gasket - Deadbolt - Exterior
	R77030-97-257	EA	Spline Pin
	089963-01-000	EA	Arm - Lock Control
	073111-01-000	EA	Rod - Latch
	073110-01-000	EA	Rod - Lock
	R77006-84-355	EA	Link - Control
	073093-03-000	EA	Support Asm - Latch - Gray
	R77007-04-138	EA	Bracket - Lock
	063729-04-000	EA	Rivnut - 10-32UNF
	078907-08-000	EA	Trim - Door - Upper
	078908-02-000	EA	Trim - Door - Lower
	R77007-56-701	EA	Plate - Door Lock - Right
	075673-01-000	EA	Seal - Pile - Adhesive Back
	081915-01-000	EA	Motor - Electric - Door Lock
	081915-02-000	EA	Bracket - Mounting - Door Lock Motor
	081993-02-000	EA	Control Rod - Lock Motor

1989 ITASCA TABLE OF CONTENTS

INTRODUCTION	A-01
ABBREVIATIONS	A-01
ALPHABETICAL INDEX	A-02 - A-04
ICP320Q	A-05 - C-20
IC/JP32RQ	C-21 - F-20

1989 IC/JP32RQ INDEX

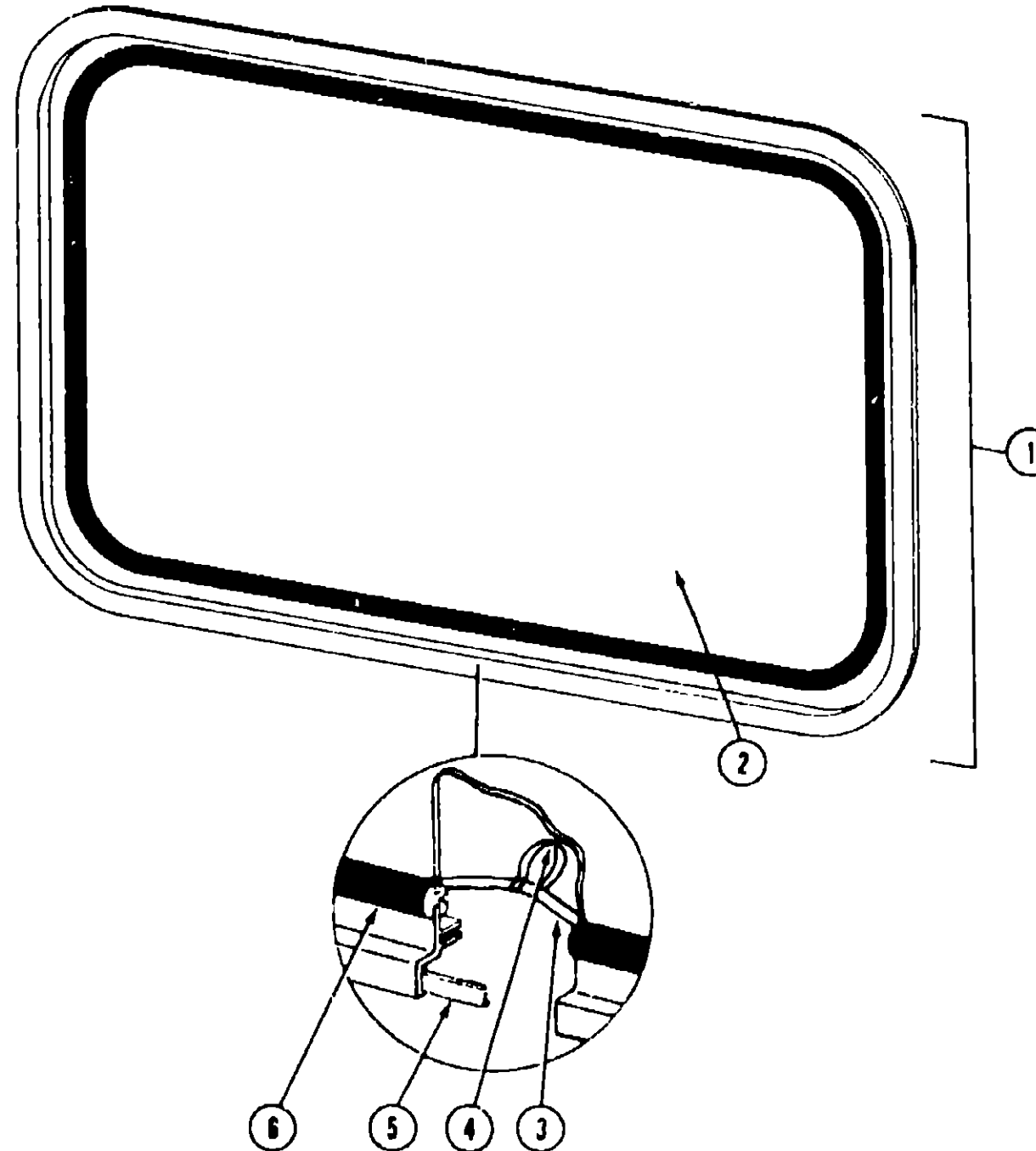
Floor Plan	C 21 - C 22
Accessories Group	C 23 - D-02
Bath Group	D-03 - D-05
Chassis Group	D-06 - D-12
Curtain, Cushion & Pad Group	D 13 - D 23
Dinette Group	D 24 - E-02
Driver's Compartment Group	E-03 - E-07
Electrical Group	E-08 - E-11
Exterior Body Group	E-12 - E-17
Galley Group	E-18 - E-20
Heating & Air Conditioning Group	E-21 - E 22
Interior Finish Group	E 23 - F-01
LP Group	F-02
Lounge Group	F 03 - F-05
Water & Sewage Group	F-06
Window, Vent & Exterior Door Group	F-07 - F-20

VENTS, ACCESS DOORS AND HARDWARE

Key	Part Number	U/M	Description
	084489-09-000	EA	Vent - Powered - Roof - w/Power Lift (Jensen)
	090392-01-Y12	EA	Vent - Non-Powered - Roof
	084079-04-000	EA	Vent - Powered - Roof (Fantastic)
	092098-01-03A	EA	Vent - Range Hood w/Door - Gray
	081171-01-000	EA	Trim - Skylight - Outer
	080910-01-000	EA	Panel - Skylight - Outer
	077902-01-000	EA	Panel - Skylight - Inner
	084073-02-000	EA	Vent - Refrigerator - Roof
	084073-04-000	EA	Base - Refrigerator Roof Vent
	084103-02-000	EA	Door - Refrigerator Vent
	084104-02-000	EA	Jamb - Refrigerator - Vent Door
	083558-02-000	EA	Cover - Vent Pipe - Plastic
	078010-02-000	EA	Door Asm - Fuel Fill
	052009-03-000	EA	Door Asm - Water Heater
	088389-01-X75	EA	Door Asm - Access - Rear - Left
	085040-01-W36	EA	Door Asm - Generator/Luggage
	088386-01-X75	EA	Door Asm - Power Cord
	085031-01-X75	EA	Door Asm - LP
	077137-02-000	EA	Door Asm - Sewer Hose Compartment (Backwall)
	083524-22-000	EA	Hinge - Access Door - 2 7/8" - Gray
	034007-48-000	EA	Hinge - Access Door - 1 5" x 96" - Gray
	076322-02-000	FT	Foam Tape - Double Coated
	082684-01-700	EA	Key - Single
	087281-02-000	EA	Strike Door - Gray
	085730-02-000	EA	Latch Asm - Access Door - w/Lock - Plastic Paddle
	085730-05-000	EA	Latch Asm - Access Door - w/o Lock - Plastic Paddle
	086810-06-000	EA	Bracket - Paddle Latch Retainer
	090340-01-000	FT	Seal - Foam - Closed Cell - 25" x 5" x 50'
	088727-01-000	EA	Cable Asm - w/Spring - Access Door
	076767-07-000	EA	Cable Asm - 1/16" x 7" - Access Door
	076767-02-000	EA	Cable Asm - 1/16" x 18 5" - Access Door
	077222-01-000	EA	Spring - Cable Guard - Access Door
	042442-02-000	EA	Lock Asm - Twist Type - Access Door
	083615-05-000	EA	Holder - Door - Plastic

WINDSHIELD & VENT WINDOWS

Key	Part Number	U/M	Description
	074987-01-000	EA	Glass - Windshield - Passenger
	07488702-000	EA	Glass - Windshield - Driver
	071671-01-000	EA	Glass - Front Cover - Driver
	073671-02-000	EA	Glass - Front Corner - Passenger
	083179-01-000	FT	Reveal Molding Windshield - Passenger or Driver
	083178-01-000	FT	Reveal Molding - Center Windshield or Front Corner Glass
	076844-02-000	EA	T-Cap Reveal Molding - Center Windshield
	076841-02-000	EA	Cap - Reveal Molding - Front Corner Glass - Upper
	076842-02-000	EA	Cap - Reveal Molding - Front Corner Glass - Lower



Key	Part Number	U/M	Description
1	087985-04-Y12	EA	Window Asm - Escape - (w/o inside frame)
	076850-03-000	EA	Inside Frame - Black (not included in assembly)
2	076337-06-000	EA	Glass - 1/8" x 44 8" x 28"
3	002285-01-000	FT	Filler - Weatherstrip - Black
4	077086-01-701	EA	Tape - Poly - Escape Window - 36'
5	069640-07-000	FI	Bead - 2" Bead x 45'
6	002282-01-000	FT	Weatherstrip - Window - 125" Black

1989 ITASCA
TABLE OF CONTENTS

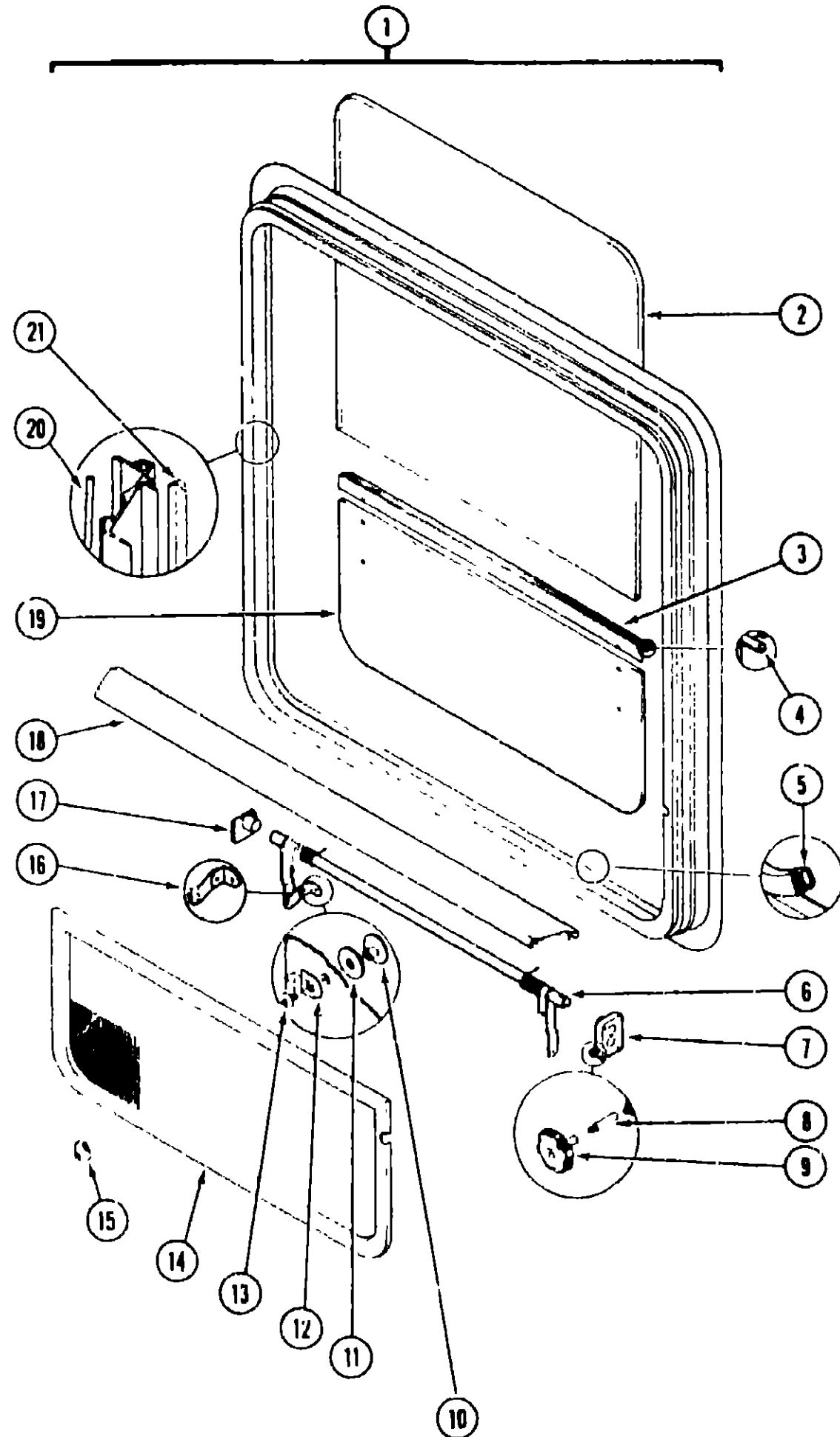
INTRODUCTION	A-01
ABBREVIATIONS	A-01
ALPHABETICAL INDEX	A-02 - A-04
ICP32DQ	A-05 - C-20
IC/JP32RQ	C-21 - F-20

1989 IC/JP32RQ
INDEX

Floor Plan	C-21 - C-22
Accessories Group	C-23 - D-02
Bath Group	D-03 - D-05
Chassis Group	D-08 - D-12
Curtain, Cushion & Pad Group	D-13 - D-23
Dinette Group	D-24 - E-02
Driver's Compartment Group	E-03 - E-07
Electrical Group	E-08 - E-11
Exterior Body Group	E-12 - E-17
Galley Group	E-18 - E-20
Heating & Air Conditioning Group	E-21 - E-22
Interior Finish Group	E-23 - F-01
LP Group	F-02
Lounge Group	F-03 - F-05
Water & Sewage Group	F-06
Window, Vent & Exterior Door Group	F-07 - F-20

WINDOW, VENT & EXTERIOR DOOR GROUP (CONTINUED)

SINGLE TIPOUT WINDOW



Key	Part Number	U/M	Description
1	085353-07-W07	EA	Window Arm - Single Tipout - 24 8" x 24 9" (w/o inside frame)
	081822-04-000	EA	Inside Frame - Black (not included in assembly)
2	081239-05-000	EA	Glass - 14 6" x 24 25" - Stationary
3	089913-01-000	EA	Hinge - Tipout Window - Black
4	081357-01-000	FT	Seal Foam - Vinyl
5	084067-01-000	FT	Seal - "e" - Sponge Rubber
6	083150-05-000	EA	Torque Tube Asm
7	035302-02-000	EA	Operator Drive - Left
8	009439-06-000	EA	Extension - 900" - Black (not included in assembly)
9	009439-05-000	EA	Knob - Window Crankout - Black (not included in assembly)
	009439-07-000	EA	Screw - 0/32" x 1 1/4" POH - Black (not included in assembly)
10	086762-01-000	EA	T-Nut - 10-32
11	068927-03-000	EA	Seal - Rubber - 12" x 25" I D x 80" O D
12	084473-01-000	EA	Seal - Rubber - "D" Shaped
13	086763-01-000	EA	Screw - #10 - 32 x 1/4" PTH
14	084580-04-W07	EA	Screen Asm - Tipout Window - Single
	002293-02-000	SF	Screen - Window - 26" - Charcoal
	002298-02-000	FT	Spline - 130" Dia - Charcoal (Screen)
15	081243-01-000	EA	Screen Clip - Plastic - Black
	000G12-06-08T	EA	Screw - #8 - 20 x 50" POH - Black
16	087578-01-000	EA	Connecting Rod Asm
	085316-01-000	EA	Washer - Wave - 44 O D 32 I D
	081849-01-000	EA	Snap Ring - 7/32 Shaft
17	081354-01-000	EA	Sleeve - Window Torque Tube
18	082563-52-001	EA	Mullion - Horizontal - Black
19	084068-02-000	EA	Glass - 9 24" x 24 13" - Tipout
20	069640-06-000	FT	Seal - 5/16" x 15" (not included in assembly)
21	083180-01-000	FT	Seal - Vinyl Glazing

1989 ITASCA TABLE OF CONTENTS

INTRODUCTION	A-01
ABBREVIATIONS	A-01
ALPHABETICAL INDEX	A-02 - A-04
ICP3200	A-05 - C-20
IC/JP32RQ	C-21 - F 20

1989 IC/JP32RQ INDEX

Floor Plan	C-21 - C 22
Accessories Group	C-23 - D-02
Bath Group	D-03 - D-05
Chassis Group	D-06 - D-12
Curtain, Cushion & Pad Group	D-13 - D 23
Dinette Group	D-24 - E-02
Driver's Compartment Group	E-03 - E-07
Electrical Group	E-08 - E-11
Exterior Body Group	E-12 - E-17
Galley Group	E-18 - E-20
Heating & Air Conditioning Group	E 21 - E-22
Interior Finish Group	E 23 - F-01
LP Group	F 02
Lounge Group	F-03 - F-05
Water & Sewage Group	F-06
Window, Vent & Exterior Door Group	F-07 - F 20

WINDOW, VENT & EXTERIOR DOOR GROUP (CONTINUED)

DOUBLE TIPOUT WINDOW

1989 ITASCA TABLE OF CONTENTS

INTRODUCTION	A-01
ABBREVIATIONS	A-01
ALPHABETICAL INDEX	A-02 - A-04
ICP32DQ	A-05 - C-20
IC/JP32RQ	C-21 - F 20

1989 IC/JP32RQ INDEX

Floor Plan	C-21 - C-22
Accessories Group	C-23 - D-02
Bath Group	D-03 - D-05
Chassis Group	D-06 - D-12
Curtain, Cushion & Pad Group	D-13 - D-23
Dinette Group	D-24 - E-02
Driver's Compartment Group	E-03 - E-07
Electrical Group	E-08 - E-11
Exterior Body Group	E-12 - E-17
Galley Group	E-18 - E-20
Heating & Air Conditioning Group	E-21 - E-22
Interior Finish Group	E-23 - F-01
LP Group	F-02
Lounge Group	F-03 - F-05
Water & Sewage Group	F-06
Window, Vent & Exterior Door Group	F-07 - F-20

Key	Part Number	U/M	Description
1	085354-04-X11	EA	Window Asm - Double Tipout - 61 24" (w/o inside frame)
	081822-11-000	EA	Inside Frame - Black (not included in assembly)
2	081239-17-000	EA	Glass - 1/8" x 61 77" x 23" - Stationary
3	081357-01-000	FT	Foam Seal - Vinyl
4	084068-08-000	EA	Glass - 1/8" x 9 24" x 30 39" - Tipout
5	082583-52-001	EA	Mullion - Horizontal - Black
	000G39-06-16T	EA	Screw - SF/DR - 6 - 20 x 1 00 PPH (Mullion - 4 Required)
	076778-03-000	EA	Rrvt - Plastic - Pin Drive - Black (2 Required)
6	084087-01-000	FT	Seal - "e" Sponge Rubber
7	035302-01-000	EA	Operator Drive - Right
8	090025-01-000	EA	Extension - Window Knob (not included in assembly)
9	067052-02-000	EA	Knob - Beige (not included in assembly)
	089371-01-000	EA	Screw - Window Knob (not included in assembly)
10	083228-03-000	EA	Torque Tube Asm - Right
11	086762-01-000	EA	T Nut - 10-32
12	084581-01-W07	EA	Screen Asm - Tipout - Right
	084581-02-W07	EA	Screen Asm - Tipout - Left
	002293-02-000	SF	Screen - 26" - Window
	002298-02-000	FT	Spline - 130" Dia - Charcoal (Screen)
13	088927-03-000	EA	Seal - Rubber - 12" x 25" I D x 80" O D
14	084473-01-000	EA	Seal - Rubber - "D" Shaped
15	086763-01-000	EA	Screw - #10 - 32 x 1/4" PTH
16	081354-01-000	EA	Sleeve - Window Torque Tube
17	081243-01-000	EA	Clip - Plastic - Screen (4 Required)
	000G12-06-08T	EA	Screw - #6 - 20 x 50" POH - Black
18	084192-52-001	EA	Mullion - Vertical - Black
	000G39-06-08B	EA	Screw - #8 x 18 x 1/2 PPH (Mullion - 4 Required)
19	097578-01-000	EA	Connecting Rod Asm
	085316-01-000	EA	Washer - Wave - 44 O D 32 I D
	081649-01-000	EA	Snap Ring - 7/32 Shaft
20	035302-02-000	EA	Operator Drive - Left
21	083227-03-000	EA	Torque Tube Asm - Left
22	084068-01-000	FT	Bulb Seal - Double - Sponge Rubber
23	069640-06-000	FT	Seal - 5/16" x 15" (not included in assembly)
24	083180-01-000	FT	Seal - Vinyl Glazing
25	084155-09-000	EA	Hinge - Tipout Window - Black

