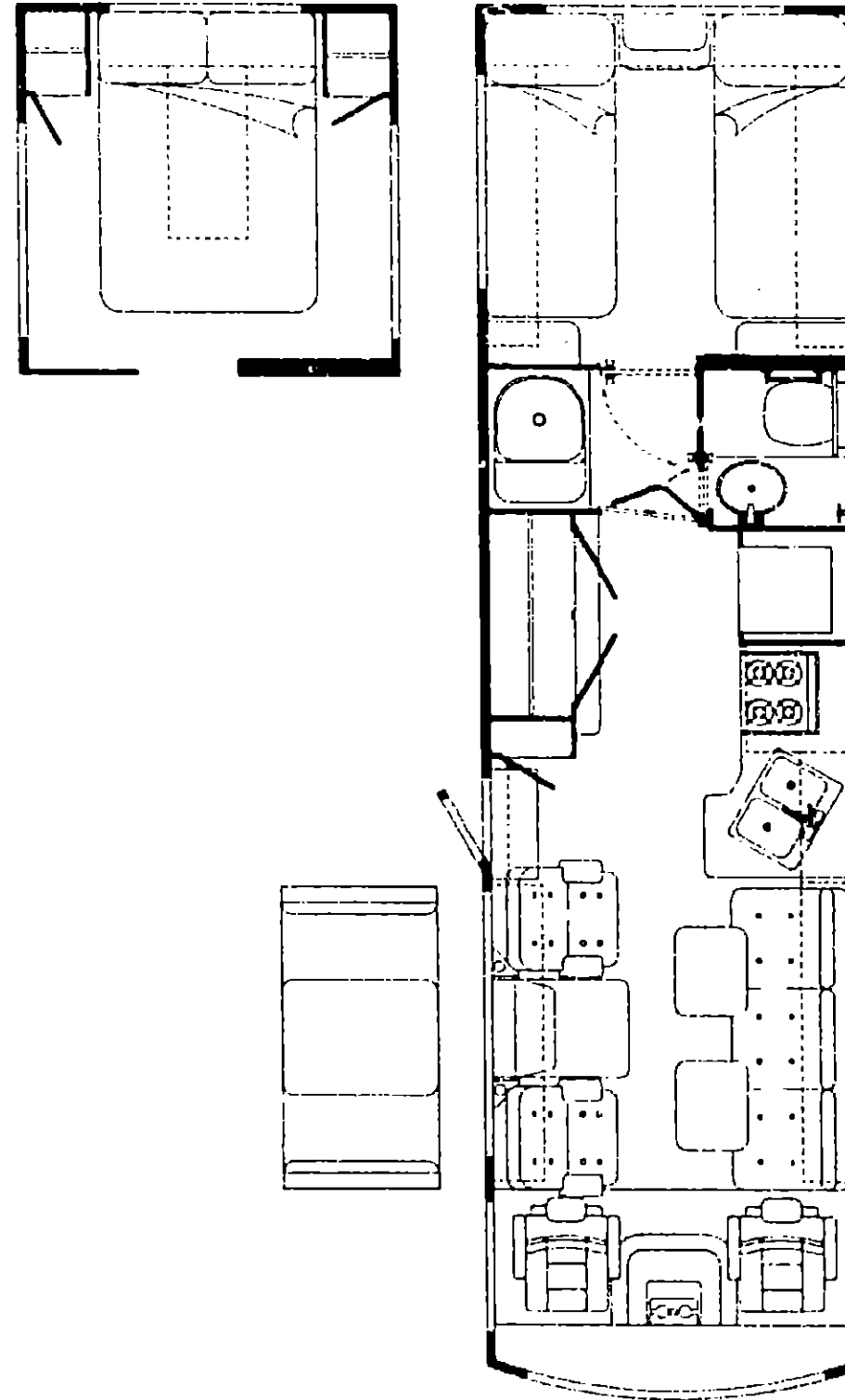


1989 IC/JN36RQ



1989 ITASCA TABLE OF CONTENTS

ICN28RU	A-01 - D-16
IC/JN31RT	D-17 - H-10
IC/JN36RQ	H-09 - K-21

1989 IC/JN36RQ INDEX

Floor Plan	H-09 - H-10
Accessories Group	H-11 - H-16
Bath Group	H-17 - H-18
Chassis Group	H-19 - I-05
Curtain, Cushion & Pad Group	I-06 - I-16
Dinette Group	I-17 - I-18
Driver's Compartment Group	I-19 - J-01
Electrical Group	J-02 - J-05
Exterior Body Group	J-06 - J-13
Galley Group	J-14 - J-16
Heating & Air Conditioning Group	J-17 - J-19
Interior Finish Group	J-20 - J-21
LP Group	J-22
Lounge Group	J-23 - K-02
Water & Sewage Group	K-03 - K-05
Window, Vent & Exterior Door Group	K-06 - K-21

ACCESSORIES GROUP

FOG LAMP & COMPONENTS (OPTION 57M)

Key	Part Number	U/M	Description
	088747-01-000	EA	Lamp Asm. - Fog w/Cover - Clear
	088747-01-700	EA	Cover - Fog Light
	088942-01-000	EA	Bracket - Fog Lamp Mounting
	097372-01-01A	EA	Switch - SPST - On/Off
	092879-01-000	EA	Wire Asm. - Fog Lamp

CUSTOM STEERING WHEEL (OPTION 36P)

Key	Part Number	U/M	Description
†	080752-05-000	EA	Steering Wheel - Custom
	080752-17-000	EA	Steering Wheel w/2 Horn Buttons
	060752-06-000	EA	Hub Adapter - Steering Wheel
	080752-07-000	EA	Button - Horn - w/Wire
	080752-08-000	EA	Screw - Custom Steering Wheel
†	Parts used before 4/2/89		
•	Parts used after 4/3/89		

MISCELLANEOUS ACCESSORIES

Key	Part Number	U/M	Description
	054185-31-000	EA	Owner's Manual - 1989 - Winnebago & Itasca
	092318-01-000	EA	Binder - 3 Ring - Vendor Manual
	092319-01-000	EA	Page - Plastic Packet
	076319-01-000	EA	Antenna - TV - 44.5" Mast
	040069-01-000	EA	Floor Mat - Black Rubber - 10 1/2" x 26"
	081207-02-000	EA	Floor Mat - Front - Right - Itasca (Option 63H)
	081201-02-000	EA	Floor Mat - Front - Left - Itasca (Option 63H)
	081075-02-000	EA	Floor Mat - Entrance - Itasca (Option 63H)
	017516-01-000	EA	Mud Flap - 14" x 18" - Rear - Black
	017516-02-000	EA	Mud Flap - 14" x 12" - Front - Black
	011944-03-000	EA	Fire Extinguisher - 5 BC (US)
	011944-05-000	EA	Fire Extinguisher - 5 BC (CSA)
	094499-01-000	EA	Fire Extinguisher - IA 10BC (UL)
	094499-02-000	EA	Fire Extinguisher - IA 10BC (CSA)
	094641-01-01A	EA	Holder - Recessed - Fire Extinguisher
	093390-01-000	EA	Tool Box
	072052-01-000	EA	Smoke Detector w/9 Volt Battery
	080203-01-000	EA	Lug Wrench
	080208-02-000	EA	Leverage Bar - Lug Wrench
	080208-03-000	EA	Lug Wrench - John Deere
	006113-01-000	EA	Jack - Hydraulic - 6 Ton - w/Handle
	091955-02-000	EA	Squeegee - Extended Handle
	091952-01-000	EA	Clip - 1" Gripper - Squeegee
	093527-01-000	EA	Bracket - Squeegee
	086269-01-000	EA	Picture - Decorative (Option 33Z)
	093552-01-01A	EA	Clock - 10" x 10" (Option 33Z)
	036420-02-000	EA	Defroster Fan - 6" - 2 Speed Fan (Option 36N)
	098447-01-000	EA	Television - 13" Digital Color (Option 43U)
	098446-01-000	EA	VCR - VHS - Table Model (Option 43W/43X)
	086757-01-000	EA	Control Center - Channel Master (Option 43W/43X)
	079842-01-000	EA	Shock Absorber - Stabilizer - Front (Option 64A)
	087200-01-000	EA	Filter - Water Purification (Option 29B)
	087200-02-000	EA	Cartridge - Water Filter - Purification (Option 29B)

ACCESSORIES GROUP (CONTINUED)

AIR HORNS & COMPONENTS (OPTION 36R)

Key	Part Number	U/M	Description
	077497-01-000	EA	Air Horn Kit - Twin Chromed - w/o Auxiliary Hose Kit
	077497-01-700	EA	Solenoid - Air Tank
	077497-01-701	EA	Switch - Compressor
	077497-01-702	EA	Toggle Switch w/Wire
	077497-01-703	EA	Air Tank
	077497-01-704	EA	Compressor w/Switch
	077497-01-705	EA	Repair Kit - Air Horn
	077497-02-000	EA	Hose Kit - Auxiliary Air
	077497-03-000	EA	Parts Kit - Hose - Auxiliary Air
	078239-01-000	EA	Label Plate - Horn
	063912-02-000	EA	Relay - Canister
	093258-01-000	EA	Wire Asm. - Air Horn
	081404-01-000	EA	Mounting Bracket - Compressor
	081407-01-000	EA	Mounting Plate - Air Horns
	097372-01-01A	EA	Switch - SPST - On/Off
	077497-05-000	EA	Compressor/Tank/Solenoid Kit

WHEEL LINERS & MOUNTING HARDWARE (OPTION 63K)

Key	Part Number	U/M	Description
	091209-01-000	EA	Wheel Liner - w/Axle & Lugnut Covers - Chrome - 19.5" (Set/4)
	091209-01-700	EA	Simulator - Front Wheel
	091209-01-701	EA	Simulator - Rear Wheel
	091209-01-702	EA	Cover - Front Axle
	091209-01-703	EA	Cover - Rear Axle
	091209-01-704	EA	Cover - Lug Nut
	095012-01-000	EA	Extension - Valve Stem - Dual
	077030-02-000	EA	Extension - Valve Stem - 1.25"
	091209-02-000	EA	Wheel Line - w/Axles & Lugnut Covers - Chrome - 19.5" (Set/2) (Tag Axle)

REAR RADIO & COMPONENTS (OPTION 26L)

Key	Part Number	U/M	Description
	090944-01-000	EA	Antenna - Radio - 16" Rubber
	090862-01-000	EA	Bracket - Hat - Antenna
	089340-01-000	EA	Grille - Speaker - 6.25" Square
	090339-01-000	EA	Radio - AM/FM Stereo - w/Cassette - Electronics Tune
	094097-01-000	EA	Speaker - 5.25" w/o Grille
†	097153-01-000	EA	Radio - AM/FM Stereo - w/Cassette
	074979-01-000	EA	Speaker Cover - Light Oak
•	Parts used before 5/28/89.		
†	Parts used after 5/29/89.		

FRONT RADIO & COMPONENTS

Key	Part Number	U/M	Description
	077069-01-000	EA	Antenna - Radio
	077448-01-000	EA	Bracket - Radio - Front
	077442-01-000	EA	Bracket - Radio Support - Rear
	077069-02-000	EA	Cable - Antenna Extension - 96"
	073741-04-000	EA	Grille - Speaker - Oval - 4" x 6"
	087706-01-000	EA	Mounting Kit - Radio
	092311-01-000	EA	Radio - AM/FM - w/Cassette
	073741-03-000	EA	Speaker - Oval - 4" x 6"
	074979-01-000	EA	Speaker Cover - Light Oak

1989 ITASCA TABLE OF CONTENTS

ICN28RIJ	A-01 - D-16
IC/JN31RT	D-17 - H-10
IC/JN36RQ	H-09 - K-21

1989 IC/JN36RQ INDEX

Floor Plan	H-09 - H-10
Accessories Group	H-11 - H-16
Bath Group	H-17 - H-18
Chassis Group	H-19 - I-05
Curtain, Cushion & Pad Group	I-06 - I-16
Dinette Group	I-17 - I-18
Driver's Compartment Group	I-19 - J-01
Electrical Group	J-02 - J-05
Exterior Body Group	J-06 - J-13
Galley Group	J-14 - J-16
Heating & Air Conditioning Group	J-17 - J-19
Interior Finish Group	J-20 - J-21
LP Group	J-22
Lounge Group	J-23 - K-02
Water & Sewage Group	K-03 - K-05
Window, Vent & Exterior Door Group	K-06 - K-21

ACCESSORIES GROUP (CONTINUED)

REAR VIEW TELEVISION (SONY) (OPTION 67Z)

Key	Part Number	U/M	Description
	093040-01-000	EA	Camera & Monitor
	093040-01-700	EA	Camera Only
	093040-01-701	EA	Monitor - 6" - w/Bracket & Wire Harness
	093041-01-000	EA	Cable - TV/Monitor
	031170-01-000	EA	Clamp - Cable - 3/16 Dia.
	093221-01-000	EA	Lens - Rear Monitor - Shroud
	093952-01-01A	EA	Shroud - TV - Off White
	092881-01-000	EA	Wire Asm. - IP to Rear Monitor
	093040-03-000	EA	Wire Asm. - Monitor
	094001-01-000	EA	Clamp - Camera
	094003-01-000	EA	Bracket Asm. - Camera

WHEEL LINERS & MOUNTING HARDWARE (OPTION 64B) (JOHN DEERE)

Key	Part Number	U/M	Description
	086271-01-000	EA	Wheel Liner - Stainless Steel - 19.5" (Set/4)
	086271-01-700	EA	Wheel Liner - Stainless Steel - 19.5" Front (1)
	086271-01-701	EA	Wheel Liner - Stainless Steel - 19.5" - Rear (1)
	086271-01-702	EA	Chrome Cover - Front Axle
	086271-01-703	EA	Chrome Cover - Rear Axle
	086271-01-704	EA	Beauty Ring
	086271-01-705	EA	Chrome Cover - Lug Nut
	095012-02-000	EA	Extension - Valve Stem - Dual - 19.5"
	086271-06-000	EA	Wheel Liner - Stainless Steel - 19.5" (Set/2) (Tag Axle)

WHEEL COVER & MOUNTING HARDWARE

Key	Part Number	U/M	Description
	083181-03-700	EA	Wheel Cover - 19.5" - w/Nut Cover & Cap
†	083181-04-000	EA	Retainer Kit - 19.5" Wheel Cover (Set/4) (Chevrolet)
	083181-12-000	EA	Retainer Kit - 19.5" Wheel Cover (Set/4) (Chevrolet)
	083181-11-000	EA	Retainer Kit - 19.5" Wheel Cover (Set/2) (Chevrolet)
	083181-07-000	EA	Retainer Kit - 19.5" Wheel Cover (Set/4) (John Deere)
	083181-09-000	EA	Retainer Kit - 19.5" Wheel Cover (Set/2) (John Deere)
	083181-04-700	EA	Retainer Kit - 19.5" Front (1)
	083181-04-701	EA	Retainer Kit - 19.5" Rear (1)
	083181-04-702	EA	Nut Cover - 19.5"
	083181-04-703	EA	Cap - Chrome Center

† Parts used thru 4/2/89
 * Parts used after 4/3/89

EXTERIOR MIRRORS

Key	Part Number	U/M	Description
**	086260-01-000	EA	Mirror Asm. - w/Convex - Right
**	086260-02-000	EA	Mirror Asm. - w/Convex - Left
**	086260-03-000	EA	Accessories Kit - Exterior Mirror
**	086259-04-000	EA	Mirror Asm. - Remote Control - Right (Option 28P)
**	086259-05-000	EA	Mirror Asm. - Remote Control - Left (Option 28P)

The illustrated parts breakdown for this item is provided on the Common Items Fiche

ACCESSORIES GROUP (CONTINUED)

KOHLER GENERATORS & COMPONENTS (OPTIONS 35 & 37M)

Key	Part Number	U/M	Description
	093740-01-000	EA	Generator - Kohler - 4.5KW
	093547-01-000	EA	Generator - Kohler - 7.0KW
	008054-02-000	EA	Power Cord - 10-3 - 30 Amp. - 33' (US)
	008052-01-000	EA	Power Cord - 10-3 - 30 Amp. - 25' (CSA)
	092615-01-000	EA	Converter - 40 Amp. w/Charger
	097101-01-000	EA	Exhaust Pipe - Generator - 4.5KW
	083152-05-000	EA	Exhaust Pipe - Generator - 7.0KW
	093590-02-000	EA	Muffler - Generator - 4.5KW
	093590-04-000	EA	Muffler - Generator - 7.0KW
	007131-01-000	EA	Hanger - Tailpiece
	073937-03-000	EA	Switch - Rotary - A/C Select
	094657-02-000	EA	Tray Asm. - Generator

ONAN GENERATORS & COMPONENTS (OPTIONS 39E & 39G)

Key	Part Number	U/M	Description
	093545-01-000	EA	Generator - Onan - 4.0KW
	093546-01-000	EA	Generator - Onan - 6.5KW
	008054-02-000	EA	Power Cord - 10-3 - 30 Amp. - 33' (US)
	008052-01-000	EA	Power Cord - 10-3 - 30 Amp. - 25' (CSA)
	092615-01-000	EA	Converter - 40 Amp. w/Charger
	079654-05-000	EA	Exhaust Pipe - Generator - Emerald
	083152-05-000	EA	Exhaust Pipe - Generator - 4.0KW & 6.5KW
	094059-01-000	EA	Spacer - Generator
	094657-02-000	EA	Tray Asm. - Generator
	081364-03-000	EA	Muffler - Generator
	079654-01-700	EA	Hinge Kit - Emerald Generator
	007131-01-000	EA	Hanger - Tailpiece
	094657-01-000	EA	Tray Asm. - Generator

ELECTRIC STEP ASM. - DOUBLE

Key	Part Number	U/M	Description
	094707-01-01A	EA	Step Asm. - Electric - Double
	094707-01-700	EA	Control Unit
	088746-01-701	EA	Motor
	088746-01-702	EA	Gear
	088746-01-703	EA	Bearing
	091201-01-700	EA	Link Asm.
	088746-01-707	EA	Clevis Pin
	088746-01-708	EA	Hair Pin
	088746-01-705	EA	Under Step Light
	088746-01-706	EA	Switch - Kill
	094707-01-701	EA	Switch - Door
	094707-01-702	EA	Frame - Double Step

SPEED CONTROL W/SMART STICK

Key	Part Number	U/M	Description
	094369-01-000	EA	Speed Control - w/Smart Stick - Dana 11128B
	094369-01-700	EA	Servo & Cable Asm.
	094369-01-701	EA	Switch & Lever Asm.
	094369-01-702	EA	Regulator Asm. - Electronic
	094369-01-703	EA	Wiper Control Module
	094369-01-704	EA	Headlight Dimmer Module Asm.
	094369-01-705	EA	Vacuum Reservoir
	094369-01-706	EA	Servo
	094369-01-707	EA	Cover - Clip
†	094369-03-000	EA	Speed Control - w/Smart Stick - Dana 11129B

† Parts used after 9/1/89

**1989 ITASCA
TABLE OF CONTENTS**

ICN28RU	A-01 - D-16
IC/JN31RT	D-17 - H-10
IC/JN36RQ	H-09 - K-21

1989 IC/JN36RQ INDEX

Floor Plan	H-09 - H-10
Accessories Group	H-11 - H-16
Bath Group	H-17 - H-18
Chassis Group	H-19 - I-05
Curtain, Cushion & Pad Group	I-06 - I-16
Dinette Group	I-17 - I-18
Driver's Compartment Group	I-19 - J-01
Electrical Group	J-02 - J-05
Exterior Body Group	J-06 - J-13
Galley Group	J-14 - J-16
Heating & Air Conditioning Group	J-17 - J-19
Interior Finish Group	J-20 - J-21
LP Group	J-22
Lounge Group	J-23 - K-02
Water & Sewage Group	K-03 - K-05
Window, Vent & Exterior Door Group	K-06 - K-21

ACCESSORIES GROUP (CONTINUED)

MICROWAVE/BROWNING OVEN (1311A & 1361A)

Key	Part Number	U/M	Description
	081371 03 000	EA	Range 4 Burner Hotplate
**	091269 03 000	EA	Microwave/Browning Oven
**	094745 01 01A	EA	Trim Microwave - Black
**	094750 01 000	EA	Bracket Microwave - 90°
*	094767 02 Y12	EA	Cabinet Asm Microwave - Overhead
*	094774 01 01A	EA	Trim Microwave - Black
*	M03069 03-Y12	EA	Cabinet Asm - Galley w/Countertop w/o Drawers or Hardware
*	092188 11 Y10	EA	Countertop - Galley
*	M82184 11 X35	EA	Drawer Asm - 11 9' x 21 8' - w/o Hardware
*	085280 02 000	EA	Cover - Burner - Bi Fold - SST
*	092714 01 000	EA	Bracket Tiedown - Stove Right
*	093744-02 000	EA	Bracket Tiedown Stove Left

Parts used for both above options

Parts used only on the 1361A Option

AUXILIARY BATTERY DISCONNECT SWITCH (OPTION 29A)

Key	Part Number	U/M	Description
	086272 01 000	EA	Switch Rocker DPDT 3 Position
	081087 01 000	EA	Light Asm Indicator
	008037 01 000	FT	Battery Cable - Black
	007145 01 000	EA	Bracket - Battery Disconnect
	086273 01 000	EA	Relay Battery Disconnect

TV ANTENNA/CABLE READY W/TV STAND (OPTION 42P)

Key	Part Number	U/M	Description
*	076319 01 000	EA	Antenna TV Roof Mount - 44 5"
*	076319 06 000	EA	Adaptor - Cable Roof Plate
*	076319 08 000	EA	Wallplate/Receptacle - Ivory
*	076319 11 000	EA	Adapter - Coax w/Splitter
*	084357 01 W12	EA	TV Stand Asm - w/o Hardware
*	058331 10 000	EA	Mirror Safety Glass
*	084356 01 000	EA	Insert - TV Stand - Tan
*	084112 01 000	EA	Support Hinged
*	084151 01 000	EA	Catch - TV Shell Brass
*	186756 01-000	EA	Splitter TV 2 Way
*	076319-03 000	FT	Cable - Coaxial 1000 - 75 OHM
*	076319 12 000	EA	Connector Coaxial
*	087236 01 000	EA	Label - Cable Input
*	087216 02 000	EA	Label TV Outlet
*	011252 01 01A	EA	Plate - Wall Outlet

The illustrated parts breakdown of this item is provided on the Common Items Fiche

ACCESSORIES GROUP (CONTINUED)

EXPORT GENERATORS (5 0KW & 3 5KW) (OPTIONS 05J & 3831A)

Key	Part Number	U/M	Description
	100974 05 000	EA	Generator - Onan - 3 5KW
	081634 03 000	EA	Generator - Emerald - 5 0KW
	008054 01-000	EA	Power Cord - 10-3 - 30 Amp - 25' (UL)
	092615 01-000	EA	Converter - 40 Amp w/Charger
	083152 05 000	EA	Exhaust Pipe - Generator - 3 5KW
	083152-03 000	EA	Exhaust Pipe - Generator - 5 0KW
	093590 02 000	EA	Muffler - Generator - 3 5KW
	007131-01-000	EA	Hanger - Tailpiece
	093590-04-000	EA	Muffler - Generator - 5 0KW

RACK & LADDER COMPONENTS (OPTION 35U)

Key	Part Number	U/M	Description
	092963 01-Y12	EA	Ladder Asm - Lower
	092965 01-Y35	EA	Ladder Asm - Upper
	081026 09 Y12	EA	Rack Asm - Right
	081026 10-Y12	EA	Rack Asm - Left
	081055 01-000	EA	Spring Grip - Internal
	081056 01-000	EA	Pin - Quick Release
	081152-01 000	EA	Bumper Plate - Brite Dip - Lower Ladder
	064093 01 000	EA	Luggage Box - 14' x 30" x 60" (Optional)
	038327-01-000	EA	Tapr - Anti Slip - 2" x 60'

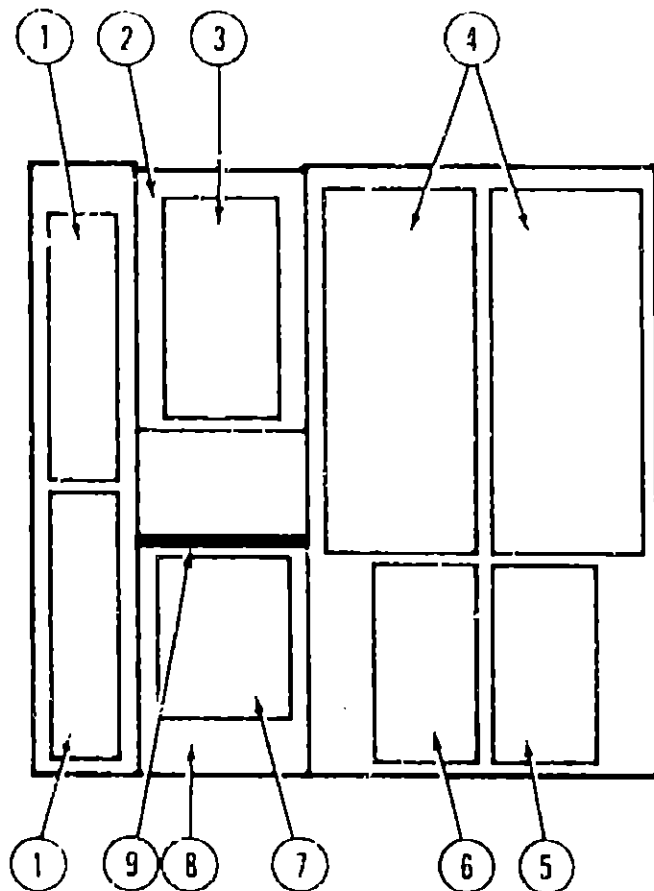
**1989 ITASCA
TABLE OF CONTENTS**

ICN28RU	A 01 - D 16
IC/JN31RT	D-17 - H-10
IC/JN36RO	H-09 K 21

1989 IC/JN36RQ INDEX

Floor Plan	H 05 - H 10
Accessories Group	H 11 - H 16
Bath Group	H-17 - H 18
Chassis Group	H 19 - 105
Curtain Cushion & Pad Group	106 - 116
Director Group	117 - 118
Driver's Compartment Group	1-19 J 01
Electrical Group	J 02 - J 05
Exterior Body Group	J 06 - J 13
Galley Group	J-14 - J 16
Heating & Air Conditioning Group	J 17 - J 19
Interior Finish Group	J 20 - J 21
LP Group	J 22
Lounge Group	J 23 - K 02
Water & Sewage Group	K-03 - K 05
Window Vent & Exterior Door Group	K 06 - K 21

BATH GROUP



LAVATORY & WARDROBE CABINETRY

Key	Part Number	U/M	Description
1	M88304-F7-Y12	EA	Door Asm. - Pantry - 9.8" x 33.4" - w/o Hardware
	094662-01-Y35	EA	Cabinet Asm. - Pantry - w/o Doors or Hardware
2	M94664-01-Y12	EA	Cabinet Asm. - Medicine
3	M88304-G2-Y12	EA	Door Asm. - Medicine Cabinet - 15.3" x 25.5" - w/o Hardware
4	M88304-64-X11	EA	Door Asm. - Wardrobe Cabinet - 20.6" x 48" - w/o Hardware
5	M88304-95-X11	EA	Door Asm. - Wardrobe Cabinet - 14.3" x 26.7" - w/o Hardware
6	M88304-96-X11	EA	Door Asm. - Wardrobe Cabinet - 14.3" x 26.7" - w/o Hardware
7	M88304-D2-X14	EA	Door Asm. - Lavatory Cabinet - 17.7" x 21.8" - w/o Hardware
8	M94663-01-X12	EA	Cabinet Asm. - Lavatory w/Countertop - w/o Door, Drawer or Hardware
9	094663-11-Y12	EA	Countertop Asm. - Lavatory Cabinet
	M94705-01-Y12	EA	Cabinet Asm. - Vanity w/Countertop - w/o Doors or Hardware (Bath Area)
	094705-11-000	EA	Countertop Asm. - Vanity Cabinet (Bath Area)
	M88304-21-X08	EA	Door Asm. - Vanity Cabinet - 10" x 19" - w/o Hardware (Bath Area)
	094146-00-Y15	EA	Door Asm. - Medicine Cabinet - Mirror - 27.6" x 13.6" - w/o Hardware (Bath Wall)
	M94668-01-Y12	EA	Door Asm. - Bath - Front
	M94669-01-Y12	EA	Door Asm. - Bath - Rear

BATH GROUP (CONTINUED)

BATH & WARDROBE HARDWARE

Key	Part Number	U/M	Description
	075240-05-000	EA	Faucet - Lavatory - Brass
	011056-03-000	EA	Faucet - Lavatory - Chrome (CSA)
	031253-01-000	EA	Gasket - Lavatory Faucet
	075242-03-000	EA	Faucet - Tub & Shower - Brass
	031558-01-000	EA	Faucet - Tub & Shower - Chrome (CSA)
	011048-02-000	EA	Shower Head - w/60" Hose
	011048-05-000	EA	Shower Head - w/60" Hose (CSA)
	002574-01-01A	EA	Door Asm. - Shower
	009366-01-000	EA	Sink Oval - Ivory Plastic
	M02630-0R-Y21	EA	Shower Pan Asm.
	009059-01-000	EA	Hinge - 1" - Brass
	009059-02-000	EA	Hinge - 2" - Brass
	059777-02-000	EA	Hinge - Cabinet Door - Brass
	009021-01-000	EA	Catch - Nylon - Grill
	009021-02-000	EA	Strike - Spring Steel
	092314-01-01A	EA	Shower Head - Guide - Brass
	066729-01-000	EA	Strainer - Shower Pan & Tub
	066436-01-000	EA	Slip Nut - 1.5" Tail Piece - Bath/Tub
	085278-01-000	EA	Tissue Holder - Recessed - Brass
	085278-02-000	EA	Tissue Holder - Recessed - CSA
	075680-02-000	EA	Clothes Rod - Adjustable - 27" - 38"
	093586-01-000	EA	Catch - Spring Roller - Bath Door
	093587-01-000	EA	Strike - Spring Steel - Bath Door
	094763-02-Y12	EA	Header Asm. - Bath Door
	093213-01-000	EA	Catch - Roller - Nylon
	093332-01-01A	EA	Door Knob - Bright Brass - Bi-Fold Door
	075453-02-000	EA	Bar - Towel Rack - 18"
	009133-01-000	EA	Towel Bar - 12" Chrome (CSA)
	023449-01-000	EA	Bracket - Towel Bar - Chrome (CSA)
	075454-02-000	EA	Towel Ring - Brass
	033580-01-000	EA	Towel Ring - Plastic (CSA)
	058331-30-000	EA	Mirror - Tempered Glass - Medicine Cabinet
	067487-01-000	EA	Toilet - Ivory - Aqua Magic IV - Low
	081614-02-000	EA	Soap Dish - Brass - w/Plastic Cover
	090027-01-000	EA	Dish Soap - Chrome (CSA)
	066433-01-000	EA	Hook - Cup - Bright
	077902-01-000	EA	Collar - Skylite - Inner Panel
	080910-01-000	EA	Skylite Panel - Outer
	081171-01-000	EA	Skylite Trim - Outer - Mill
	063641-01-000	EA	Flange - Closet - 4 x 3 (UL)
	063641-02-000	EA	Flange - Closet - 4 x 3 (CSA)
	042439-01-000	EA	Wood Dowel - Wardrobe Closet
	009112-01-000	EA	Flange - Wood Dowel

**1989 ITASCA
TABLE OF CONTENTS**

ICN28RU
IC/JN31RT
IC/JN36RO

A-01 - D-16
D-17 - H-10
H-09 - K-21

1989 IC/JN36RQ INDEX

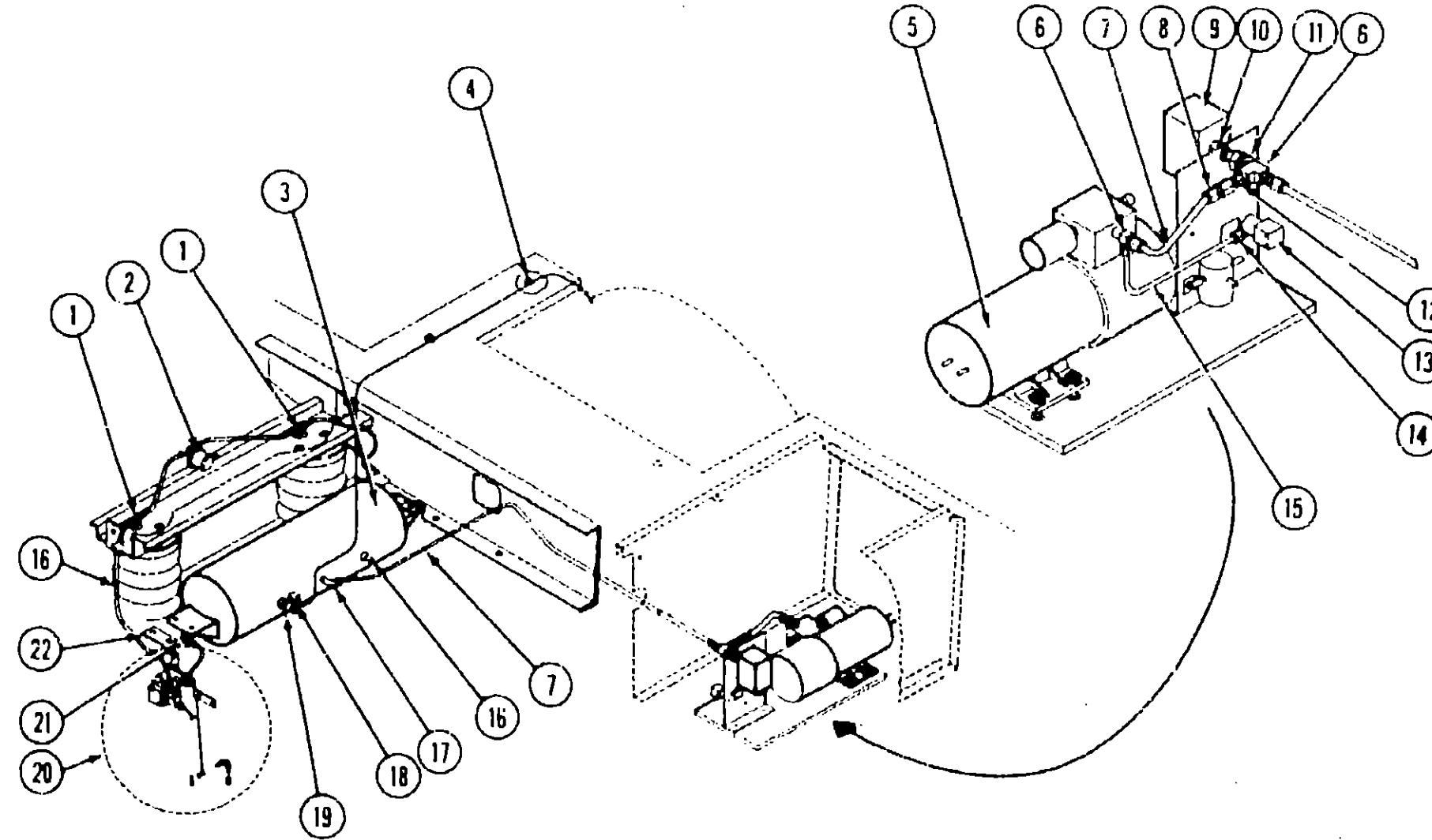
Floor Plan	H-09 - H-10
Accessories Group	H-11 - H-16
Bath Group	H-17 - H-18
Chassis Group	H-19 - I-05
Curtain, Cushion & Pad Group	I-06 - I-16
Dinette Group	I-17 - I-18
Driver's Compartment Group	I-19 - J-01
Electrical Group	J-02 - J-05
Exterior Body Group	J-06 - J-13
Galley Group	J-14 - J-16
Heating & Air Conditioning Group	J-17 - J-19
Interior Finish Group	J-20 - J-21
LP Group	J-22
Lounge Group	J-23 - K-02
Water & Sewage Group	K-03 - K-05
Window, Vent & Exterior Door Group	K-06 - K-21

CHASSIS GROUP
AIR CONTROL INSTALLATION (JOHN DEERE & CHEVROLET)

1989 ITASCA
TABLE OF CONTENTS

ICN28RU
IC/JN31RT
IC/JN36RQ

A-01 - D-16
D-17 - H-10
H-09 - K-21



Key	Part Number	U/M	Description
1	065766-01-000	EA	Adaptor - 1/4 FPT x 1/4 MPT - Brass
2	085758-01-000	EA	Switch Asm. (Low Air)
3	071375-02-000	EA	Air Tank
4	031170-01-000	EA	Clamp - Cable - 3/16" Dia.
5	085761-02-000	EA	Air Compressor - 12 Volt - 1/8 HP
6	085763-01-000	EA	Toe - Male Run - Bracket - Tube 3/8" x 1/4"
7	071390-03-000	EA	Air Brake Tubing - 3/8"
8	085764-01-000	EA	Connector - FM - 1/4 NPT
9	085757-01-000	EA	Pressure Control Switch
10	071391-02-000	EA	Nipple - Hex - 1/4" Pipe
11	071374-03-000	EA	Bulkhead Fitting
12	085756-01-000	EA	Check Valve - 1/4" NPT - Male
13	085755-01-000	EA	Air Solenoid Valve
14	071386-04-000	EA	Connector - Male - 3/8" Tube x 1/4"
15	071390-04-000	FT	Air Brake Tubing - 1/4" OD - Black
16	085741-01-000	EA	Air Valve
17	071387-04-000	EA	Elbow - Male - Brake Tube - 3/8" x 1/4"
18	085773-01-000	EA	Drain Valve - Air Tank
19	071392-03-000	EA	Plug - Hex Head - 1/4" NPT - Brass
20	085754-02-000	EA	Valve Asm. - Height Control (Driver's Side)
21	085754-01-000	EA	Valve Asm. - Height Control (Passenger's Side)
22	071387-05-000	EA	Elbow - Male
23	071375-03-000	EA	Air Tank Mount Isolator

Please see the next page for further tag axle items.

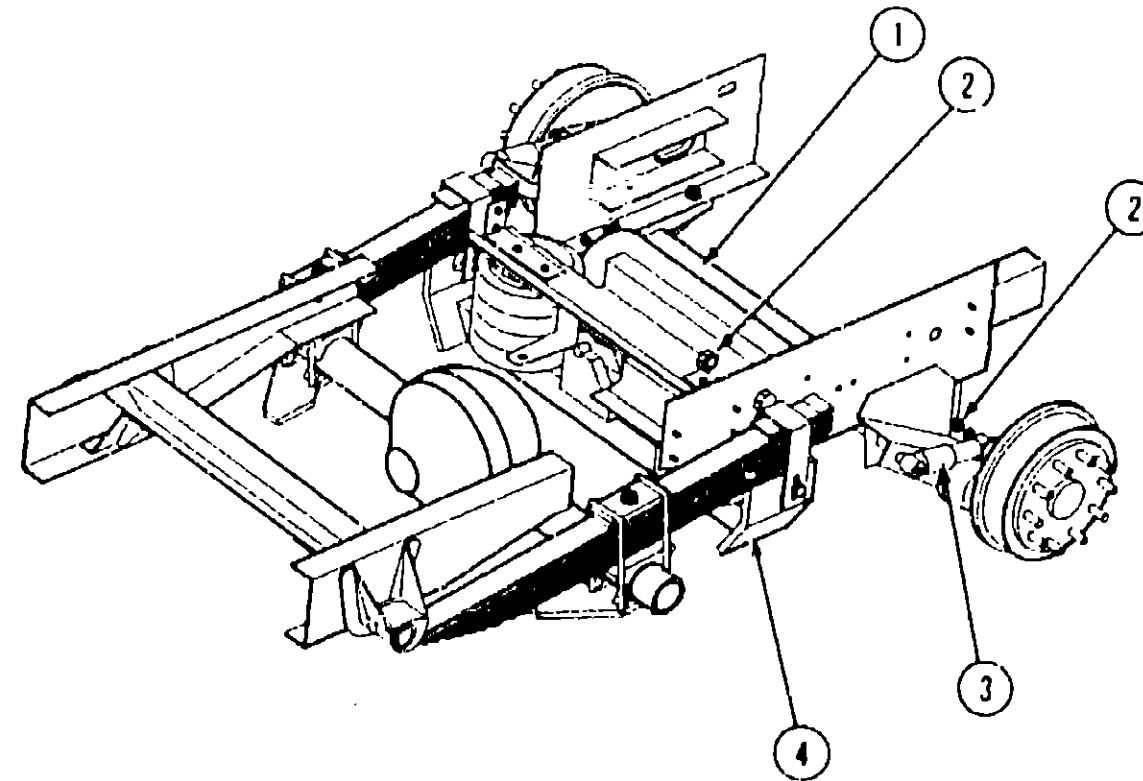
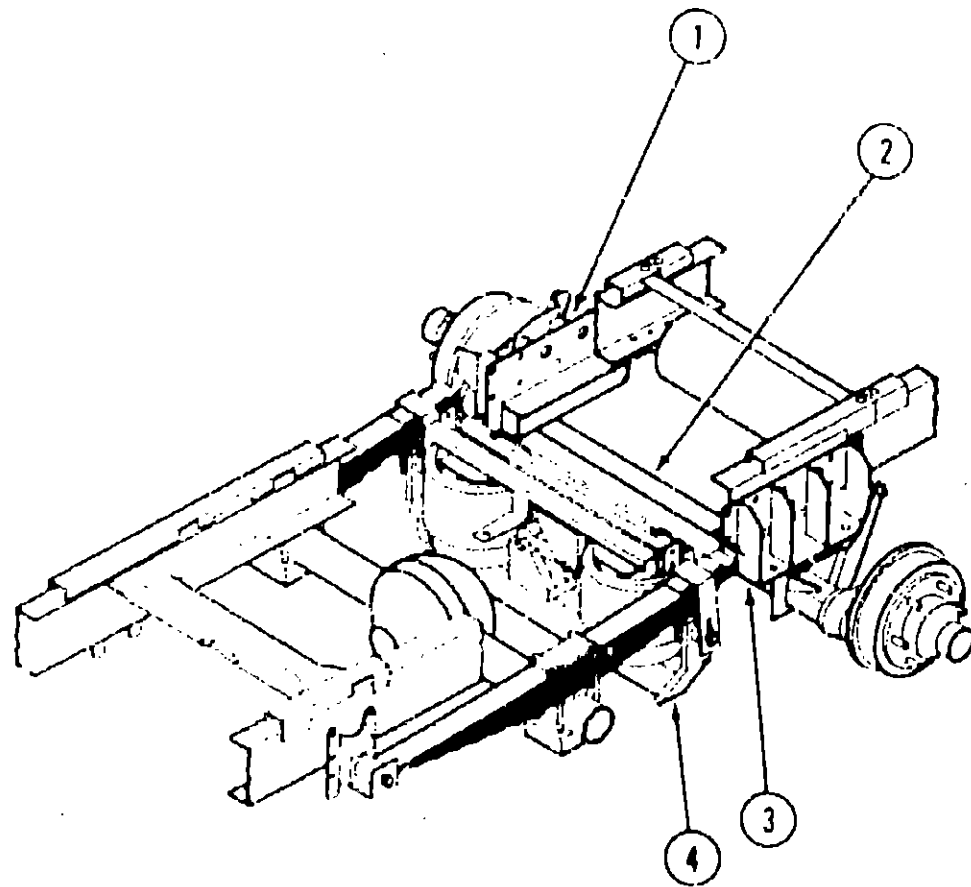
1989 IC/JN36RQ INDEX

Floor Plan	H-09 - H-10
Accessories Group	H-11 - H-16
Bath Group	H-17 - H-18
Chassis Group	H-19 - I-05
Curtain, Cushion & Pad Group	I-06 - I-16
Dinette Group	I-17 - I-18
Driver's Compartment Group	I-19 - J-01
Electrical Group	J-02 - J-05
Exterior Body Group	J-06 - J-13
Galley Group	J-14 - J-16
Heating & Air Conditioning Group	J-17 - J-19
Interior Finish Group	J-20 - J-21
LP Group	J-22
Lounge Group	J-23 - K-02
Water & Sewage Group	K-03 - K-05
Window, Vent & Exterior Door Group	K-06 - K-21

CHASSIS GROUP (CONTINUED)

CHASSIS GROUP (CONTINUED)

1989 ITASCA
TABLE OF CONTENTS



ICN28RU
IC/JN31RT
IC/JN36RO

A-01 - D-16
D-17 - H-10
H-09 - K-21

JOHN DEERE TAG AXLE

Key	Part Number	U/M	Description
1	094558-03-000	EA	Axle Mount - Passenger Side
2	094558-02-000	EA	Tag Axle - Torsion
3	094558-04-000	EA	Axle Mount - Driver Side
4	094558-05-000	EA	Air Suspension Asm.
	053027-01-000	EA	Valve Stem Asm - TR50U
	064963-01-000	EA	Wheel - Steel - 19.5" x 8.75" Bolt
	007324-02-000	EA	Tire - BR 19.5 LRF - Michelin

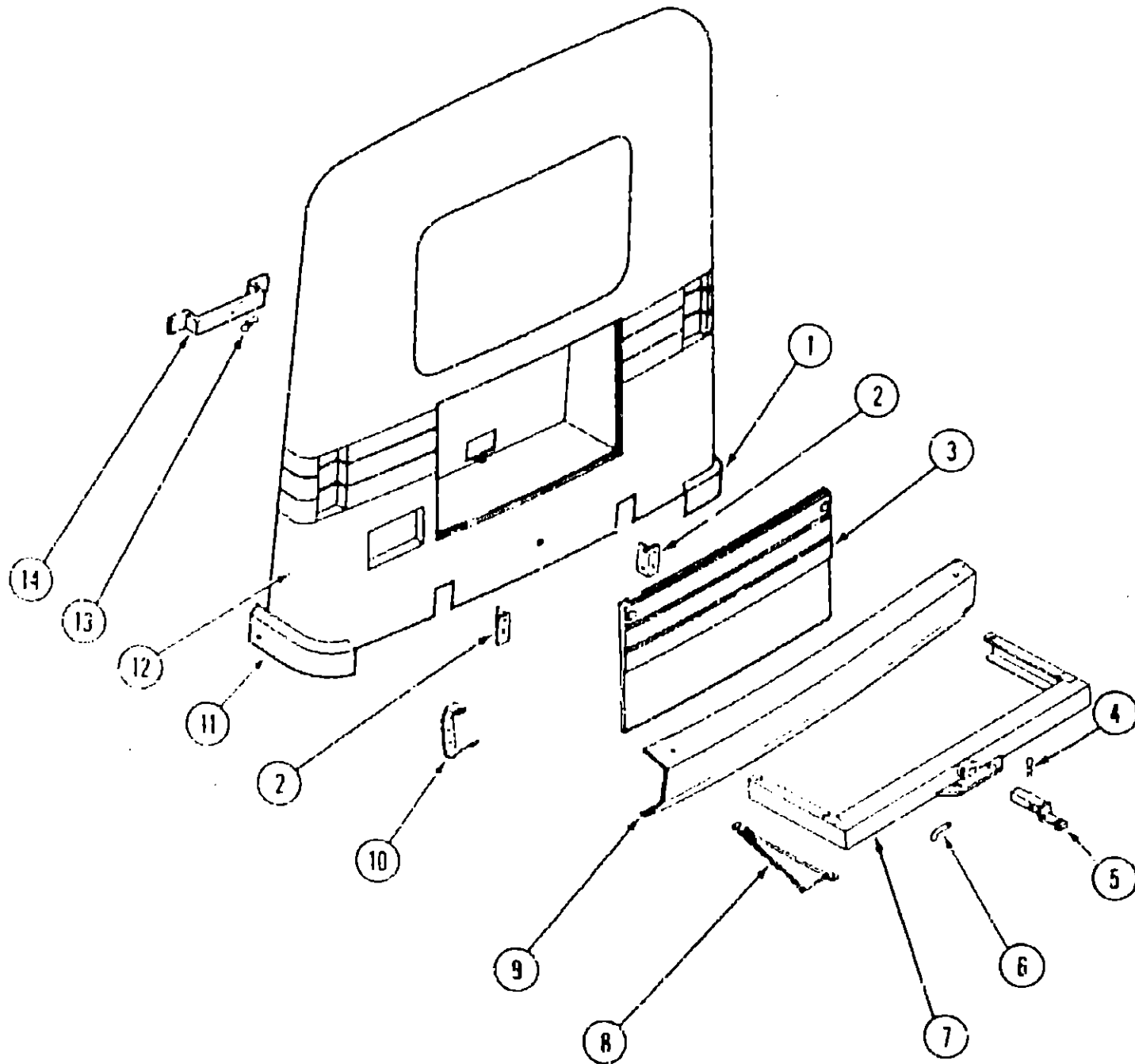
CHEVROLET TAG AXLE

Key	Part Number	U/M	Description
1	085750-02-000	EA	Tag Axle
2	000D39-08-00B	EA	Hex Nut - 1/2" - 13 Zinc
3	085751-01-000	EA	Shock Absorber - Tag Axle
4	085752-01-000	EA	Suspension Air - P-30 Superide
	064963-01-000	EA	Wheel - Steel - 19.5" x 6.0"
	007321-01-000	EA	Tire - 8" x 19.5" - Goodvear
	007321-02-000	EA	Tire - 8" x 19.5" - Goodrich
	007324-04-000	EA	Tire - BR 19.5 LRD - Michelin

1989 IC/JN36RQ INDEX

Floor Plan	H-09 - H-10
Acc. series Group	H-11 - H-16
Bath Group	H-17 - H-18
Chassis Group	H-19 - I-05
Curtain, Cushion & Pad Group	I-06 - I-16
D.netto Group	I-17 - I-18
Driver's Compartment Group	I-19 - J-01
Electrical Group	J-02 - J-05
Exterior Body Group	J-06 - J-13
Galley Group	J-14 - J-16
Heating & Air Conditioning Group	J-17 - J-19
Interior Finish Group	J-20 - J-21
LP Group	J-22
Lounge Group	J-23 - K-02
Water & Sewage Group	K-03 - K-05
Window, Vent & Exterior Door Group	K-06 - K-21

CHASSIS GROUP (CONTINUED)



Key	Part Number	U/M	Description
1	092251-01-01A	EA	End Cap - Rear Bumper - Passenger
2	078668-01-000	EA	Angle Support - Rear Bumper
3	092903-01-Y33	EA	Door Panel - Rear
	090340-01-000	FT	Seal - Foam - Closed Cell
4	034513-01-000	EA	Hitch Pin - 3/16" Wire
5	077613-01-000	EA	Drawbar Asm.
6	034512-01-000	EA	Locking Pin - Drawbar
7	077617-04-000	EA	Hitch Asm. - w/o Drawbar
8	093048-01-000	EA	Skid Plate Asm.
9	077851-06-000	EA	Rear Bumper - Unfinished
9	077851-09-000	EA	Rear Bumper - Off White
	005200-01-000	EA	Bumper Bolt - 7/16" - 14 x 1 1/4
	000D39-07-00B	EA	Hex Nut - 7/16" - 14
10	077855-01-000	EA	Bracket - Rear Bumper
11	092251-02-01A	EA	End Cap - Rear Bumper - Driver
12	M03491-01-Y33	EA	Rear Cap Asm. - Off White (Chevrolet)
12	M03491-02-Y35	EA	Rear Cap Asm. - Off White (John Deere)
13	064081-01-000	EA	Wing Nut
14	077399-01-000	EA	Retainer - Spare Tire
	007324-04-000	EA	Tire - 8" x 19.5" - Michelin (Chevrolet)
	095012-01-000	EA	Extension - Valve Stem (Chevrolet)
	007324-03-000	EA	Tire - 8" x 19.5" - Michelin (John Deere)
	095012-02-000	EA	Extension - Valve Stem (John Deere)

CHASSIS GROUP (CONTINUED)

SPARE TIRE & TRAILER HITCH

1989 ITASCA TABLE OF CONTENTS

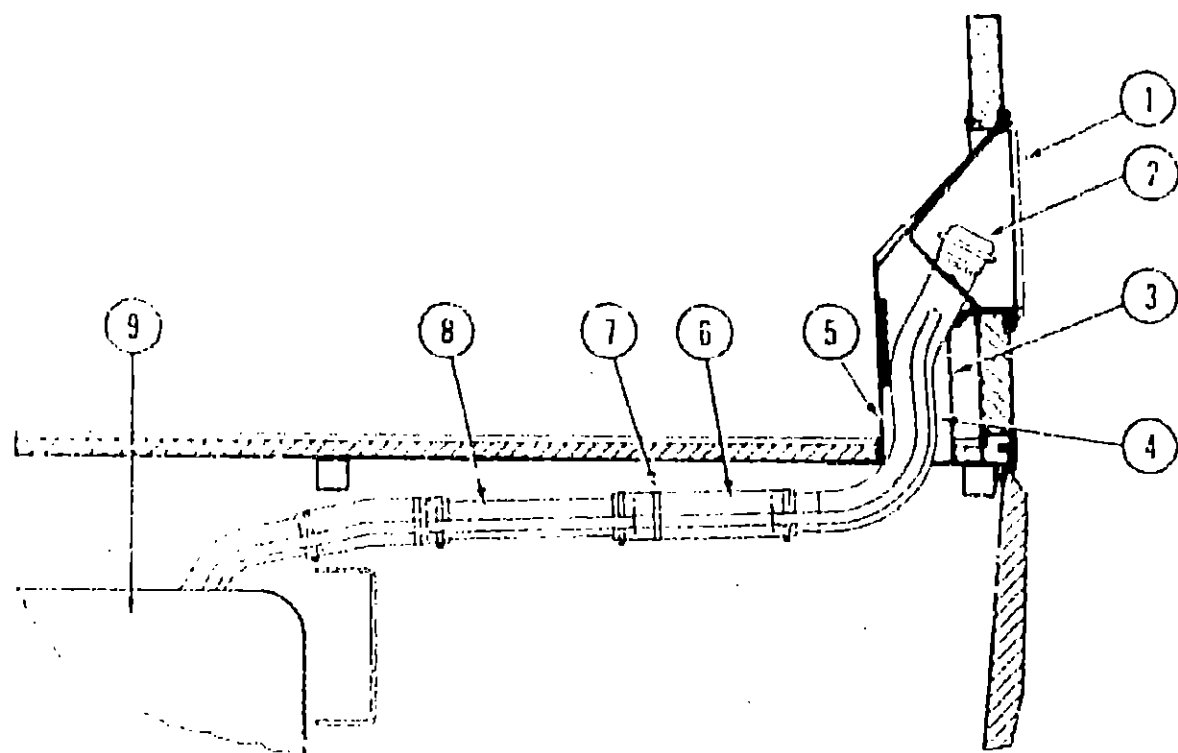
IC/N28RU
IC/JN31PT
IC/JN36RO

A-01 - D-16
D-17 - H-10
H-03 - K-21

1989 IC/JN36RO INDEX

Floor Plan	H-09 - H-10
Accessories Group	H-11 - H-16
Bath Group	H-17 - H-18
Chassis Group	H-19 - I-05
Curtain, Cushion & Pad Group	I-06 - I-16
Dinette Group	I-17 - I-18
Driver's Compartment Group	I-19 - J-01
Electrical Group	J-02 - J-05
Exterior Body Group	J-06 - J-13
Galley Group	J-14 - J-16
Heating & Air Conditioning Group	J-17 - J-19
Interior Finish Group	J-20 - J-21
LP Group	J-22
Lounge Group	J-23 - K-02
Water & Sewage Group	K-03 - K-05
Window, Vent & Exterior Door Group	K-06 - K-21

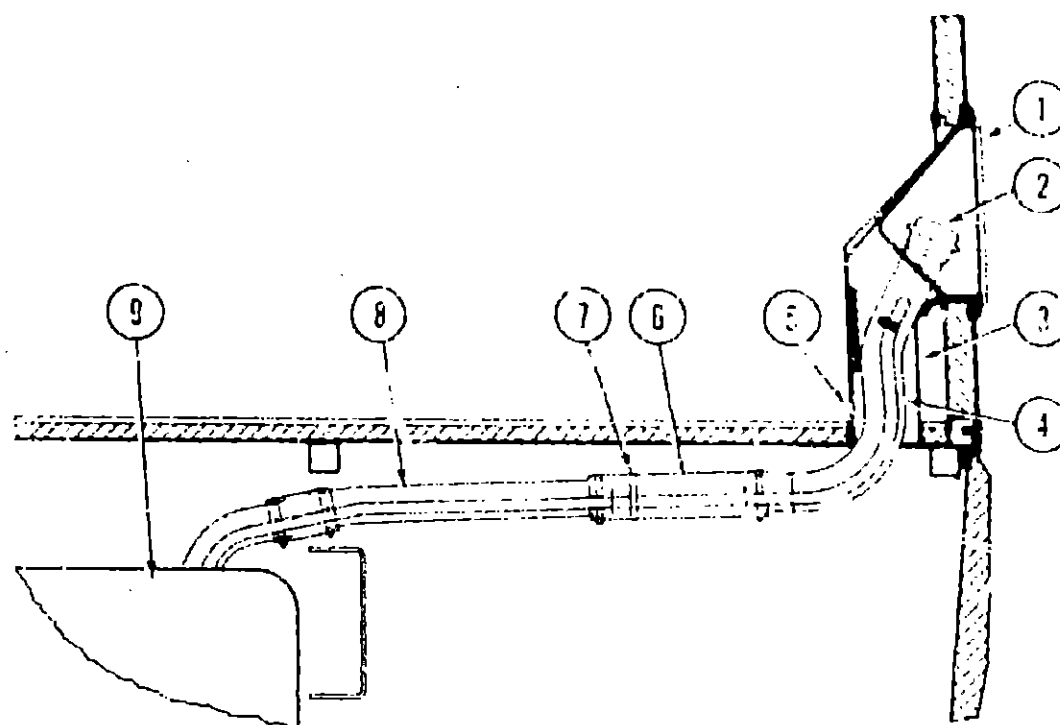
CHASSIS GROUP (CONTINUED)



FUEL SYSTEMS COMPONENTS (CHEVROLET)

Key	Part Number	U/M	Description
1	078010-04-000	EA	Door Asm. - Fuel Fill
2	073220-02-000	EA	Cap - Fuel Fill (Gas)
2	073220-03-000	EA	Cap - Fuel Fill (Diesel)
	078200-01-000	EA	Gasket - Fuel Fill
3	083578-01-000	EA	Boot - Fuel Fill
4	075227-01-000	EA	Neck Asm. - Upper Fuel Fill (Federal)
4	075227-03-000	EA	Neck Asm. - Upper Fuel Fill (California)
5	072447-04-000	EA	Shroud - Fuel Fill - Inside
6	081245-01-000	EA	Hose - Fuel Fill - Formed
	062401-05-000	EA	Clamp - Hose - Wormgear - 2" - 3" (Fuel Hose)
7	075229-01-000	EA	Strap Asm.
8	075228-01-000	EA	Neck Asm. - Fuel Fill - Lower
9	093721-01-000	EA	Tank - Fuel - 80 Gal.
	086484-02-000	EA	Strap Asm. - Fuel Tank
	086740-01-000	EA	Sending Unit
	086255-01-000	EA	Gasket - Sending Unit
	079661-01-000	EA	Valve Asm. - Vent - Fuel Tank
	066732-01-000	FT	Hose - Fuel - .62 ID (Vent Hose)
	062401-10-000	EA	Clamp - Hose - Wormgear - 1" - 2" (Vent Hose)
	007111-03-000	EA	Hose - Fuel - 1.75" x 3" (Tank To Neck)
	086254-01-000	EA	Retainer - Sender - Fuel Adapter

CHASSIS GROUP (CONTINUED)



FUEL SYSTEMS COMPONENTS (JOHN DEERE)

Key	Part Number	U/M	Description
1	078010-03-000	EA	Door Asm. - Fuel Fill - Off White
2	NOTE	EA	Cap - Fuel Fill
	078200-01-000	EA	Gasket - Fuel Fill
3	083578-01-000	EA	Boot - Fuel Fill
4	087256-01-000	EA	Neck Asm. - Upper Fuel Fill
5	072447-04-000	EA	Shroud - Fuel Fill - Inside
6	081245-01-000	EA	Hose - Fuel Fill - Formed
	062401-05-000	EA	Clamp - Hose - Wormgear - 2" - 3" (Fuel Hose)
7	075229-01-000	EA	Strap Asm.
8	075228-01-000	EA	Neck - Fuel Fill - Lower
9	093721-02-000	EA	Tank - Fuel - 80 Gal.
	086484-01-000	EA	Strap Asm. - Fuel Tank
	093738-01-000	EA	Sending Unit
	086255-01-000	EA	Gasket - Sending Unit
	066732-01-000	FT	Hose - Fuel - .62 ID (Vent Hose)
	062401-10-000	EA	Clamp - Hose - Wormgear - 1" - 2" (Vent Hose)
	007111-03-000	EA	Hose - Fuel - 1.75" x 3" (Tank to Neck)
	079658-01-000	FT	Hose - Fuel - .50" ID

NOTE: This is a chassis supplied item.

1989 ITASCA
TABLE OF CONTENTS

ICM28RU
IC/JN31RT
IC/JN36RO

A-01 - D-16
D-17 - H-10
H-09 - K-21

1989 IC/JN36RQ INDEX

Floor Plan	H-09 - H-10
Accessories Group	H-11 - H-16
Bath Group	H-17 - H-18
Chassis Group	H-19 - I-05
Curtain, Cushion & Pad Group	I-06 - I-16
Dinette Group	I-17 - I-18
Driver's Compartment Group	I-19 - J-01
Electrical Group	J-02 - J-05
Exterior Body Group	J-06 - J-13
Galley Group	J-14 - J-16
Heating & Air Conditioning Group	J-17 - J-19
Interior Finish Group	J-20 - J-21
LP Group	J-22
Lounge Group	J-23 - K-02
Water & Sewage Group	K-03 - K-05
Window, Vent & Exterior Door Group	K-06 - K-21

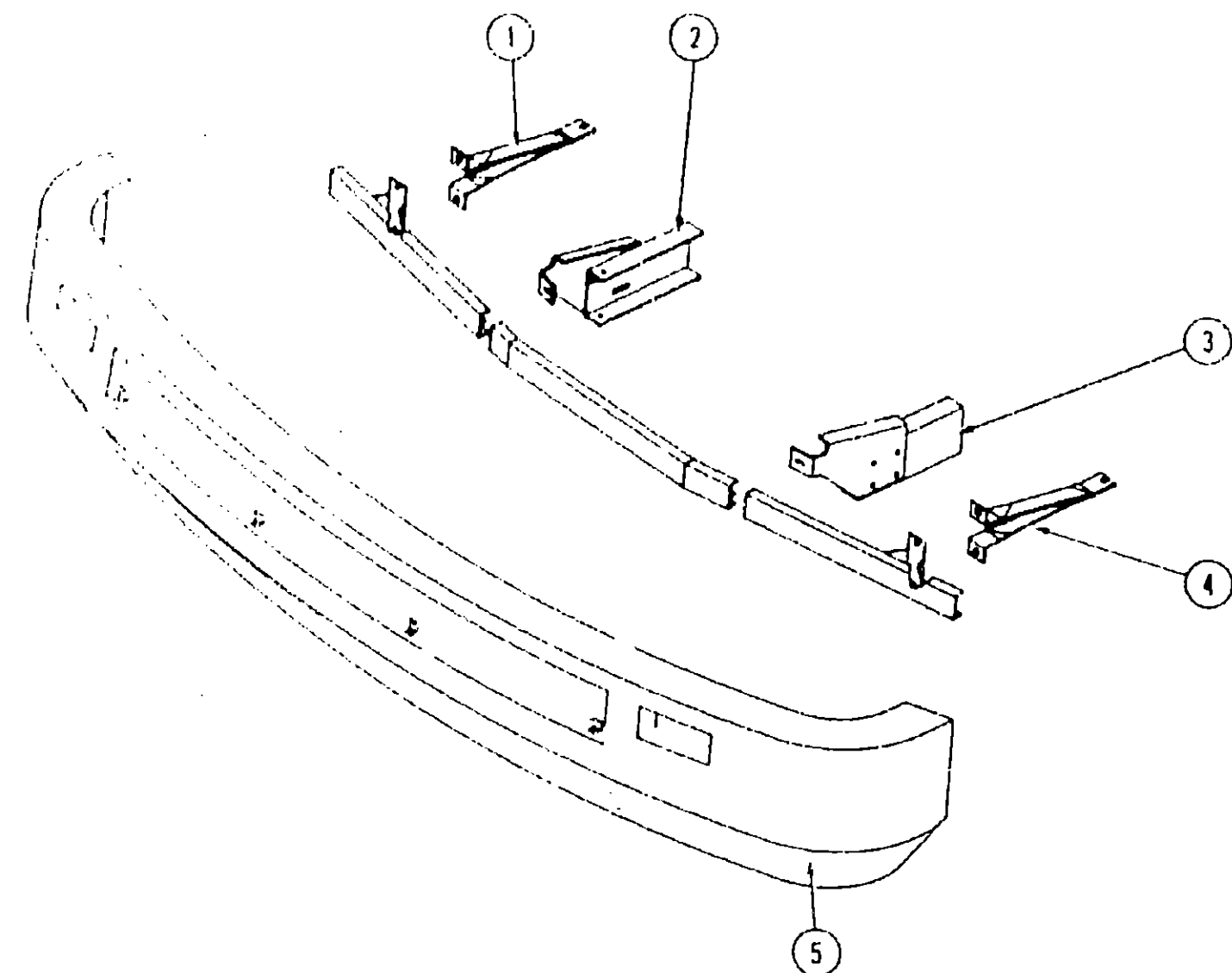
CHASSIS GROUP (CONTINUED)

CHASSIS GROUP (CONTINUED)

**1989 ITASCA
TABLE OF CONTENTS**

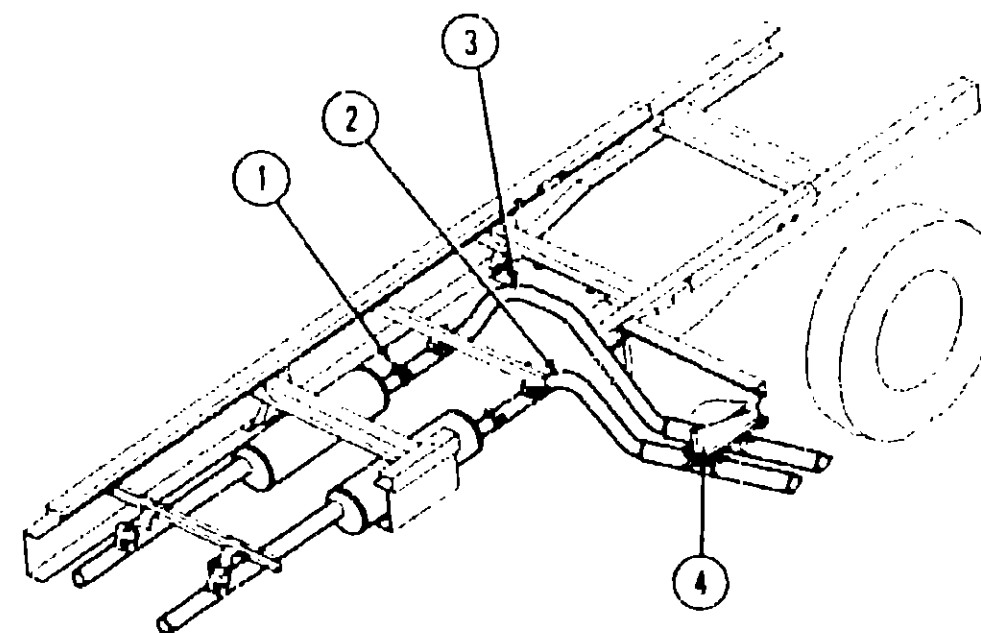
ICN28RU
IC/JN31RT
IC/JN36EQ

A-01 - D-16
D-17 - H-10
H-09 - K-21



FRONT BUMPER

Key	Part Number	U/M	Description
1	096104-01-000	EA	Brace - Upper - Bumper (2 required)
2	096749-01-000	EA	Support - Extension - Bumper - Passenger
3	096749-02-000	EA	Support - Extension - Bumper - Driver
4	096275-01-000	EA	Brace - Lower - Bumper (2 required)
5	096046-01-000	EA	Panel Asm - Front Bumper - Off White
6	096035-01-033	EA	Grille Asm - Front Bumper



CHEVROLET EXHAUST SYSTEMS

Key	Part Number	U/M	Description
1	007125-06-000	EA	Clamp
2	096200-02-000	EA	Pipe
3	096199-02-000	EA	Pipe
	095189-02-000	EA	Exhaust Pipe
	095189-01-000	EA	Exhaust Pipe
4	096055-01-000	EA	Support
	095190-01-000	EA	Hanger
	007125-11-000	EA	Clamp
	081918-02-000	EA	Exhaust Extension - 7"

The remainder of exhaust components are available from chassis service center

1989 IC/JN36RQ INDEX

Floor Plan	H-09 - H-10
Accessories Group	H-11 - H-16
Bath Group	H-17 - H-18
Chassis Group	H-19 - I-05
Curtain, Cushion & Pad Group	I-06 - I-15
Dinette Group	I-17 - I-19
Driver's Compartment Group	I-19 - J-01
Electrical Group	J-02 - J-05
Exterior Body Group	J-06 - J-13
Galley Group	J-14 - J-16
Heating & Air Conditioning Group	J-17 - J-19
Interior Finish Group	J-20 - J-21
LP Group	J-22
Lounge Group	J-23 - K-02
Water & Sewage Group	K-03 - K-05
Window, Vent & Exterior Door Group	K-06 - K-21

CHASSIS GROUP (CONTINUED)

MISCELLANEOUS

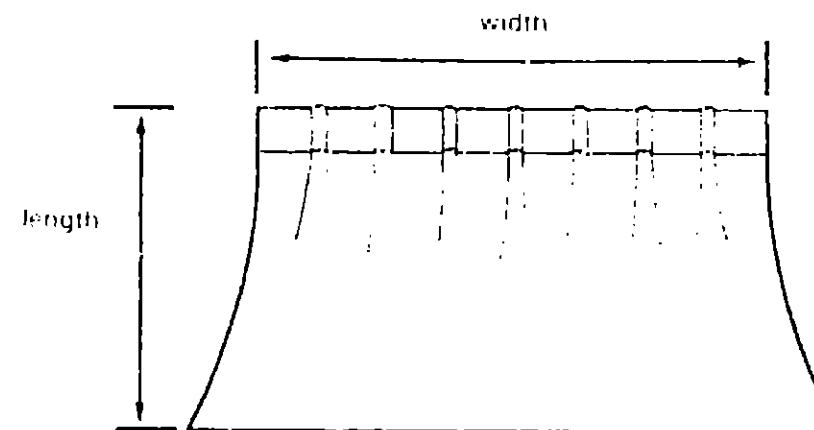
Key	Part Number	U/M	Description
	062401-01-000	EA	Clamp - Hose - Wormgear - 22" ID - 1" ID
	062401-02-000	EA	Clamp - Hose - Wormgear - 1.56" ID - 2.5" ID
	062401-03-000	EA	Clamp - Hose - Wormgear - 25" ID - 1" ID
	062401-04-000	EA	Clamp - Hose - Wormgear - 69" ID - 1.25" ID
	062401-05-000	EA	Clamp - Hose - Wormgear - 2" ID - 3" ID
	062401-06-000	EA	Clamp - Hose - Wormgear - 22" ID - 62" ID
	007125-07-000	EA	Clamp Asm - Muffler - 2.50" Dia
	007125-08-000	EA	Clamp Asm - Muffler - 3.09" Dia
	010497-01-000	EA	Clamp - Closed - 5/8" ID
	010497-03-000	EA	Clamp - Closed - 1" ID
	083609-01-000	EA	Clamp - Wire - Dual - Equal Dia, 5/8
	083610-01-000	EA	Clamp - Wire - Dual - Unequal Dia
	082733-01-000	EA	Duct - Intake Air Cleaner
	089339-03-000	EA	Hydraulic Leveling System (Option 64H)
	086273-01-000	EA	Relay - Battery Disconnect
	087853-01-000	EA	Wheelwell - Plastic - Rear
	069119-01-000	EA	Shield - Air Pump Pulley
	1403466-01-000	EA	Spare Tire Compartment (Chevrolet)
	080179-01-000	EA	Support Bracket - Heater Hose
	086272-01-000	EA	Switch - Rocker - DPDT
	068311-01-000	EA	Wire Tie - 14"

CURTAIN, CUSHION & PAD GROUP

NOTICE

In order to assist our Part Sales Dept. in providing interior software items, please include the serial number and the color code number from the vehicle certification label when ordering. This label is located on the left sidewall at the end of the dash (A-Body), or on the driver's door latch plate (C-Body).

An example of a color code number is P31, which designates an overall color scheme of a particular unit. The color listed after the item description on the microfiche, indicates the overall unit color. Order the item you desire according to unit color code.



NOTE: Use this illustration when determining length and width measurements for curtains. You will note the width measurement is taken on the top of the curtain with the curtain fully extended. The length measurement is taken from top to bottom.

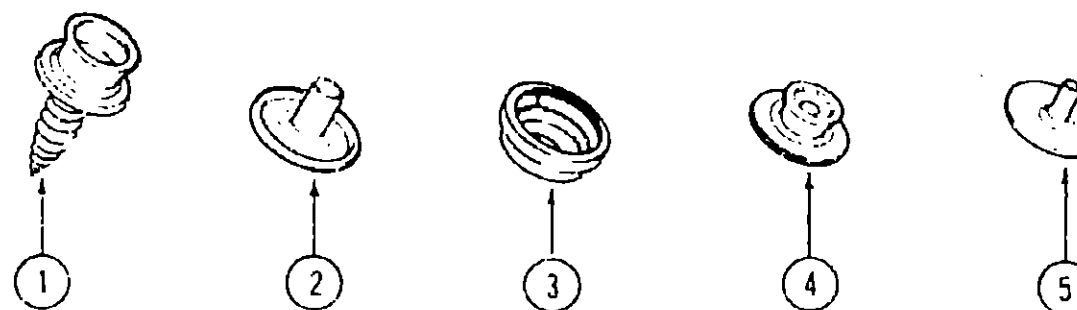
1989 ITASCA TABLE OF CONTENTS

ICN28RU
IC/JN31RT
IC/JN36RQ

A-01 - D-16
D-17 - H-10
H-09 - K-21

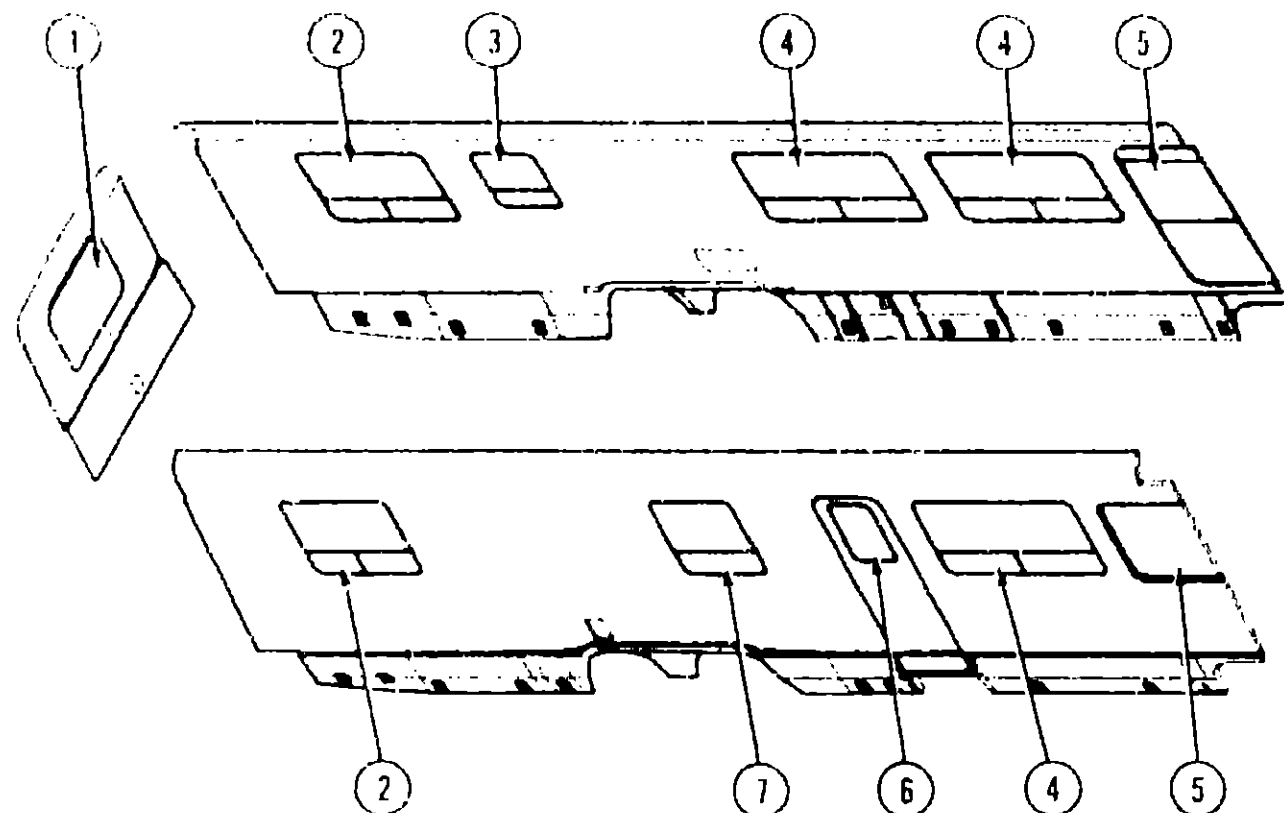
1989 IC/JN36RQ INDEX

Floor Plan	H-09 - H-10
Accessories Group	H-11 - H-16
Bath Group	H-17 - H-18
Chassis Group	H-19 - I-05
Curtain, Cushion & Pad Group	I-06 - I-16
Dinette Group	I-17 - I-18
Driver's Compartment Group	I-19 - J-01
Electrical Group	J-02 - J-05
Exterior Body Group	J-06 - J-13
Galley Group	J-14 - J-16
Heating & Air Conditioning Group	J-17 - J-19
Interior Finish Group	J-20 - J-21
LP Group	J-22
Lounge Group	J-23 - K-02
Water & Sewage Group	K-03 - K-05
Window, Vent & Exterior Door Group	K-06 - K-21



Key	Part Number	U/M	Description
1	029130-01-000	EA	Socket - Snap Fastener
2	029155-01-000	EA	Cap - Snap - .156" Dia. x 17" Barrel
3	029156-01-000	EA	Socket - Snap Fastener
4	029092-01-000	EA	Stud - Nickel Finish
5	029093-01-000	EA	Eyelet - Nickel Finish

CURTAIN, CUSHION & PAD GROUP (CONTINUED)



CURTAIN, SHADES, VALANCES & TIEBACKS

Key	Part Number	U/M	Description
1	093455-20-Y35	EA	Shade Asm. - Pull - 51.25" (Y35)
1	093455-20-Y19	EA	Shade Asm. - Pull - 51.25" (Y36)
1	093455-20-Y76	EA	Shade Asm. - Pull - 51.25" (Y37)
1	079542-16-Y30	EA	Curtain Asm. w/Dart Top - 32" x 12" (Y35)
1	079542-16-Y31	EA	Curtain Asm. w/Dart Top - 32" x 12" (Y36)
1	079542-16-Y32	EA	Curtain Asm. w/Dart Top - 32" x 12" (Y37)
2	093455-21-Y30	EA	Shade Asm. - Pull - 45.25" (Y35)
2	093455-21-Y31	EA	Shade Asm. - Pull - 45.25" (Y36)
2	093455-21-Y32	EA	Shade Asm. - Pull - 45.25" (Y37)
2	079542-16-Y30	EA	Curtain Asm. w/Dart Top - 32" x 12" (Y35)
2	079542-16-Y31	EA	Curtain Asm. w/Dart Top - 32" x 12" (Y36)
2	079542-16-Y32	EA	Curtain Asm. w/Dart Top - 32" x 12" (Y37)
3	093455-08-Y70	EA	Valance Asm. - Ruffled - w/Wood Trim (Y35)
3	093455-08-Y71	EA	Valance Asm. - Ruffled - w/Wood Trim (Y36)
3	093455-08-Y72	EA	Valance Asm. - Ruffled - w/Wood Trim (Y37)
3	093465-20-Y70	EA	Ruffled Valance - Cover Only (Y35)
3	093465-20-Y71	EA	Ruffled Valance - Cover Only (Y36)
3	093465-20-Y72	EA	Ruffled Valance - Cover Only (Y37)
4	093475-10-02A	EA	Mini Blind - 28" x 27" Drop (Y35, Y37)
4	093475-10-05A	EA	Mini Blind - 28" x 27" Drop (Y36)
5	073304-53-Y35	EA	Curtain Asm. w/Snap Top - 28" x 10" (Y35)
5	073304-53-Y13	EA	Curtain Asm. w/Snap Top - 28" x 10" (Y36)
5	073304-53-Y76	EA	Curtain Asm. w/Snap Top - 28" x 10" (Y37)

These parts are not used in the Twin Bed (Option 44A)

CURTAIN, CUSHION & PAD GROUP (CONTINUED)

CURTAINS, SHADES, VALANCES & TIEBACKS (CONT.)

Key	Part Number	U/M	Description
4	093475-21-01A	EA	Mini Blind - 57.5" x 32" Drop (Y35, Y37)
4	093475-21-02A	EA	Mini Blind - 57.5" x 32" Drop (Y36)
4	089058-20-Y35	EA	Leg Asm. w/Gathers - Right Side (Y35)
4	089058-20-Y13	EA	Leg Asm. w/Gathers - Right Side (Y36)
4	089058-20-Y37	EA	Leg Asm. w/Gathers - Right Side (Y37)
4	089058-21-Y70	EA	Leg Asm. w/Gathers - Right Side (Y35)
4	089058-21-Y71	EA	Leg Asm. w/Gathers - Right Side (Y36)
4	089058-21-Y72	EA	Leg Asm. w/Gathers - Right Side (Y37)
4	089058-19-Y35	EA	Leg Asm. w/Gathers - Left Side (Y35)
4	089058-19-Y13	EA	Leg Asm. w/Gathers - Left Side (Y36)
4	089058-19-Y37	EA	Leg Asm. w/Gathers - Left Side (Y37)
4	089058-22-Y70	EA	Leg Asm. w/Gathers - Left Side (Y35)
4	089058-22-Y71	EA	Leg Asm. w/Gathers - Left Side (Y36)
4	089058-22-Y72	EA	Leg Asm. w/Gathers - Left Side (Y37)
5	093452-01-Y30	EA	Curtain Asm. w/Snap Top - 48" x 50" - Blackout - Passenger (Y35)
5	093452-01-Y31	EA	Curtain Asm. w/Snap Top - 48" x 50" - Blackout - Passenger (Y36)
5	093452-01-Y32	EA	Curtain Asm. w/Snap Top - 48" x 50" - Blackout - Passenger (Y37)
5	093452-02-Y30	EA	Curtain Asm. w/Snap Top - 48" x 50" - Blackout - Driver (Y35)
5	093452-02-Y31	EA	Curtain Asm. w/Snap Top - 48" x 50" - Blackout - Driver (Y36)
5	093452-02-Y32	EA	Curtain Asm. w/Snap Top - 48" x 50" - Blackout - Driver (Y37)
5	073304-60-Y35	EA	Curtain Asm. w/Lining - 34" x 82" - Front Wraparound (Y35)
5	073304-60-Y13	EA	Curtain Asm. w/Lining - 34" x 82" - Front Wraparound (Y36)
5	073304-60-Y37	EA	Curtain Asm. w/Lining - 34" x 82" - Front Wraparound (Y37)

1 Parts used with the Tipout Window Exchange (Option 1671)

CURTAIN FOR THE FRONT BUNK (OPTION 61H)

Key	Part Number	U/M	Description
5	077591-09-Y35	EA	Curtain Asm. w/Velcro Top - 60" x 47.5" - Right (Y35)
5	077591-09-Y13	EA	Curtain Asm. w/Velcro Top - 60" x 47.5" - Right (Y36)
5	077591-09-Y37	EA	Curtain Asm. w/Velcro Top - 60" x 47.5" - Right (Y37)
5	071591-10-Y35	EA	Curtain Asm. w/Velcro Top - 60" x 47.5" - Left (Y35)
5	077591-10-Y13	EA	Curtain Asm. w/Velcro Top - 60" x 47.5" - Left (Y36)
5	077591-10-Y37	EA	Curtain Asm. w/Velcro Top - 60" x 47.5" - Left (Y37)
5	073304-58-Y35	EA	Curtain Asm. w/Lining - 36" x 37" - Front Wraparound (Y35)
5	073304-58-Y13	EA	Curtain Asm. w/Lining - 36" x 37" - Front Wraparound (Y36)
5	073304-58-Y37	EA	Curtain Asm. w/Lining - 36" x 37" - Front Wraparound (Y37)
5	073304-59-Y35	EA	Curtain Asm. w/Lining - 36" x 125" - Front Wraparound (Y35)
5	073304-59-Y13	EA	Curtain Asm. w/Lining - 36" x 125" - Front Wraparound (Y36)
5	073304-59-Y37	EA	Curtain Asm. w/Lining - 36" x 125" - Front Wraparound (Y37)
5	073260-26-Y35	EA	Tieback Asm. - 3" x 16" (Y35)
5	073260-26-Y13	EA	Tieback Asm. - 3" x 16" (Y36)
5	073260-26-Y37	EA	Tieback Asm. - 3" x 16" (Y37)
5	073260-28-Y35	EA	Tieback Asm. - 3" x 23" (Y35)
5	073260-28-Y13	EA	Tieback Asm. - 3" x 23" (Y36)
5	073260-28-Y37	EA	Tieback Asm. - 3" x 23" (Y37)

CURTAINS, SHADES, VALANCES & TIEBACKS (CONT.)

Key	Part Number	U/M	Description
6	093455-13-Y35	EA	Shade Asm. - Pull - 24.25" (Y35)
6	093455-13-Y19	EA	Shade Asm. - Pull - 24.25" (Y36)
6	093455-13-Y32	EA	Shade Asm. - Pull - 24.25" (Y37)
7	093475-16-01A	EA	Mini Blind - 28" x 25.5" Drop (Y35, Y37)
7	093475-16-02A	EA	Mini Blind - 28" x 25.5" Drop (Y36)
7	073260-23-XA4	EA	Tieback Asm. - 3" x 18" (Y35)
7	073260-23-Y16	EA	Tieback Asm. - 3" x 18" (Y36)
7	073260-23-Y72	EA	Tieback Asm. - 3" x 18" (Y37)
7	057534-01-000	EA	Tieback Asm. - 6" - Clear Plastic
7	057534-08-000	EA	Tieback Asm. - 16" - Clear Plastic

**1989 ITASCA
TABLE OF CONTENTS**

ICN28RU
IC/JN31RT
IC/JN36RQ

A-01 - D-15
D-17 - H-10
H-09 - K-21

1989 IC/JN36RQ INDEX

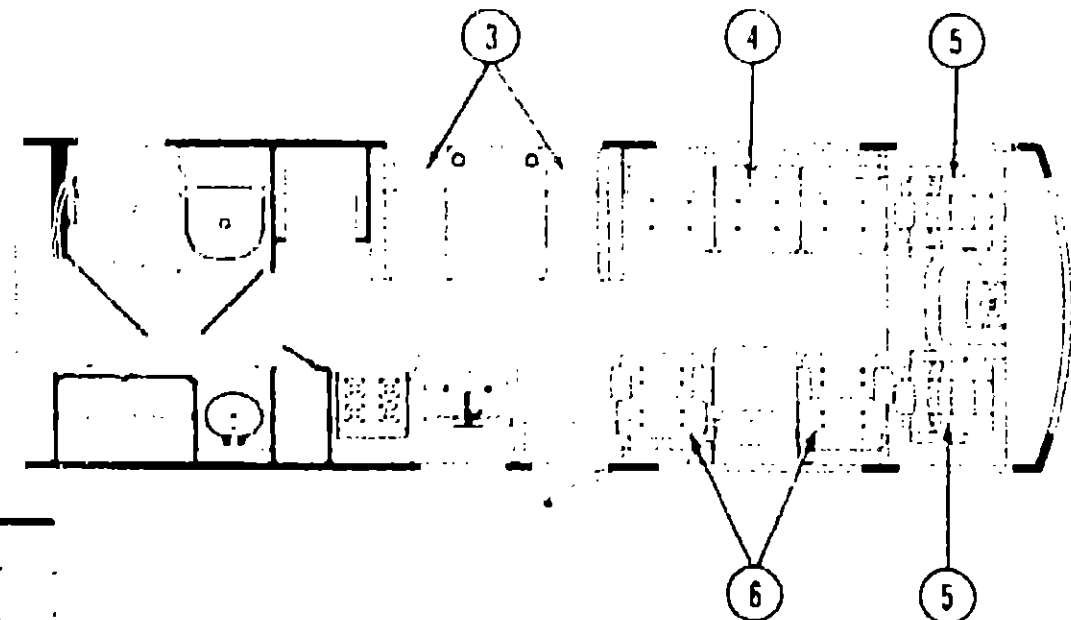
Floor Plan	H-09 - H-10
Accessories Group	H-11 - H-16
Bath Group	H-17 - H-18
Chassis Group	H-19 - I-05
Curtain, Cushion & Pad Group	I-06 - I-16
Dimette Group	I-17 - I-18
Driver's Compartment Group	I-19 - J-01
Electrical Group	J-02 - J-05
Exterior Body Group	J-06 - J-13
Galley Group	J-14 - J-16
Heating & Air Conditioning Group	J-17 - J-19
Interior Finish Group	J-20 - J-21
LP Group	J-22
Lounge Group	J-23 - K-02
Water & Sewage Group	K-03 - K-05
Window, Vent & Exterior Door Group	K-06 - K-21

CURTAIN, CUSHION & PAD GROUP (CONTINUED)

CURTAIN, CUSHION & PAD GROUP (CONTINUED)

CELEBRITY SOFA

**1989 ITASCA
TABLE OF CONTENTS**



TWIN BED (OPTION 44A)

Key	Part Number	U/M	Description
4	089007-03-Y70	EA	Couch Asm. - Celebrity (w/o Seat & Arm Cushions) (Y35)
4	089007-03-Y71	EA	Couch Asm. - Celebrity (w/o Seat & Arm Cushions) (Y36)
4	089007-03-Y72	EA	Couch Asm. - Celebrity (w/o Seat & Arm Cushions) (Y37)
	M89007-03-Y70	EA	Cover Asm. - Celebrity Couch (Y35)
	M89007-03-Y71	EA	Cover Asm. - Celebrity Couch (Y36)
	M89007-03-Y72	EA	Cover Asm. - Celebrity Couch (Y37)
	085357-01-Y70	EA	Cushion Asm. - Celebrity - Single (3 Required) (Y35)
	085357-01-Y71	EA	Cushion Asm. - Celebrity - Single (3 Required) (Y36)
	085357-01-Y72	EA	Cushion Asm. - Celebrity - Single (3 Required) (Y37)
	M85357-01-Y70	EA	Cover Asm. - Cushion (Y35)
	M85357-01-Y71	EA	Cover Asm. - Cushion (Y36)
	M85357-01-Y72	EA	Cover Asm. - Cushion (Y37)
	085060-02-Y30	EA	Cushion Asm. - Arm - Pillow (Y35)
	085060-02-Y31	EA	Cushion Asm. - Arm - Pillow (Y36)
	085060-02-Y32	EA	Cushion Asm. - Arm - Pillow (Y37)
	M85060-02-Y30	EA	Cover Asm. - Arm Cushion Asm. (Y35)
	M85060-02-Y31	EA	Cover Asm. - Arm Cushion Asm. (Y36)
	M85060-02-Y32	EA	Cover Asm. - Arm Cushion Asm. (Y37)
	079386-01-000	EA	Frame Asm. - Celebrity Bed
	079386-02-000	EA	Hardware Kit
	088274-63-000	YD	Fabric - Sofa Bed (Y35)
	088274-61-000	YD	Fabric - Sofa Bed (Y36)
	088274-62-000	YD	Fabric - Sofa Bed (Y37)

ICN28RU
IC/JN31RT
IC/JN36RQ

A-01 - D-16
D-17 - H-10
H-09 - K-21

ROYALE II BUCKET SEATS

Key	Part Number	U/M	Description
5	093456-03-Y70	EA	Seat Asm. - Royale II - w/o Skirt (Y35)
5	093456-03-Y71	EA	Seat Asm. - Royale II - w/o Skirt (Y36)
5	093456-03-Y72	EA	Seat Asm. - Royale II - w/o Skirt (Y37)
	M03445-05-Y30	EA	Cover Asm. - Royale - Seat (Y35)
	M03445-05-Y31	EA	Cover Asm. - Royale - Seat (Y36)
	M03445-05-Y32	EA	Cover Asm. - Royale - Seat (Y37)
	M03445-06-Y30	EA	Cover Asm. - Royale - Back (Y35)
	M03445-06-Y31	EA	Cover Asm. - Royale - Back (Y36)
	M03445-06-Y32	EA	Cover Asm. - Royale - Back (Y37)
	071126-24-Y75	EA	Skirt Asm. - Bucket Seat (Y35)
	071126-24-Y71	EA	Skirt Asm. - Bucket Seat (Y36)
	071126-24-Y72	EA	Skirt Asm. - Bucket Seat (Y37)
	071126-26-Y75	EA	Skirt Asm. - Bucket Seat (Y35)
	071126-26-Y36	EA	Skirt Asm. - Bucket Seat (Y36)
	071126-26-Y37	EA	Skirt Asm. - Bucket Seat (Y37)
	080243-32-Y30	EA	Armrest Asm. - Right (Y35)
	080243-32-Y31	EA	Armrest Asm. - Right (Y36)
	080243-32-Y32	EA	Armrest Asm. - Right (Y37)
	M80243-32-Y30	EA	Cover Asm. - Right Armrest (Y35)
	M80243-32-Y31	EA	Cover Asm. - Right Armrest (Y36)
	M80243-32-Y32	EA	Cover Asm. - Right Armrest (Y37)
	080243-33-Y30	EA	Armrest Asm. - Left (Y35)
	080243-33-Y31	EA	Armrest Asm. - Left (Y36)
	080243-33-Y32	EA	Armrest Asm. - Left (Y37)
	M80243-33-Y30	EA	Cover Asm. - Left Armrest (Y35)
	M80243-33-Y31	EA	Cover Asm. - Left Armrest (Y36)
	M80243-33-Y32	EA	Cover Asm. - Left Armrest (Y37)
	085268-01-Y24	EA	Headrest Asm. - Straton (Y35)
	085268-01-Y71	EA	Headrest Asm. - Straton (Y36)
	085268-01-Y72	EA	Headrest Asm. - Straton (Y37)
	M85268-01-Y24	EA	Cover Asm. - Headrest (Y35)
	M85268-01-Y71	EA	Cover Asm. - Headrest (Y36)
	M85268-01-Y72	EA	Cover Asm. - Headrest (Y37)
	088274-33-000	YD	Fabric - Royal Bucket - Blue (Y35)
	088274-59-000	YD	Fabric - Royal Bucket - Urnber (U36)
	088274-60-000	YD	Fabric - Royal Bucket - Eggshell (Y37)

I-9

Parts used in the Power Bucket Seat (Option 63M)

I-10

1989 IC/JN36RQ INDEX

Floor Plan	H-09 - H-10
Accessories Group	H-11 - H-16
Bath Group	H-17 - H-18
Chassis Group	H-19 - I-05
Curtain, Cushion & Pad Group	I-06 - I-16
Dinette Group	I-17 - I-18
Driver's Compartment Group	I-19 - J-01
Electrical Group	J-02 - J-05
Exterior Body Group	J-06 - J-13
Galley Group	J-14 - J-16
Heating & Air Conditioning Group	J-17 - J-19
Interior Finish Group	J-20 - J-21
LP Group	J-22
Lounge Group	J-23 - K-02
Water & Sewage Group	K-03 - K-05
Window, Vent & Exterior Door Group	K-06 - K-21

Key	Part Number	U/M	Description
	081569-01-000	EA	Mattress - Innerspring - 33" x 75"
	081569-13-Y35	EA	Bedspread - 33" w/10" Ruffle
	081569-14-Y36	EA	Bedspread - 33" w/10" Ruffle
	081569-19-Y37	EA	Bedspread - 33" w/10" Ruffle
	088273-25-000	YD	Fabric - Bedspread - Ecrú (Y35)
	088273-26-000	YD	Fabric - Bedspread - Peach (Y36)
	088273-27-000	YD	Fabric - Bedspread - Pastel (Y37)

Key	Part Number	U/M	Description
2	081569-01-000	EA	Mattress - Innerspring - 60" x 75"
	081569-20-Y35	EA	Bedspread - 60" w/10" Ruffle
	081569-20-Y36	EA	Bedspread - 60" w/10" Ruffle
	081569-20-Y37	EA	Bedspread - 60" w/10" Ruffle
	088273-25-000	EA	Fabric - Bedspread - Ecrú (Y35)
	088273-26-000	EA	Fabric - Bedspread - Peach (Y36)
	088273-27-000	EA	Fabric - Bedspread - Pastel (Y37)

Key	Part Number	U/M	Description
3	088927-21-Y30	EA	Cushion Asm. - 22" x 38" x 5" - Seat (Y35)
3	088927-21-Y31	EA	Cushion Asm. - 22" x 38" x 5" - Seat (Y36)
3	088927-21-Y32	EA	Cushion Asm. - 22" x 38" x 5" - Seat (Y37)
	M88927-21-Y30	EA	Cover Asm. - Seat - Dinette Cushion (Y35)
	M88927-21-Y31	EA	Cover Asm. - Seat - Dinette Cushion (Y36)
	M88927-21-Y32	EA	Cover Asm. - Seat - Dinette Cushion (Y37)
	088927-20-Y30	EA	Cushion Asm. - 13" x 38" x 5" - Back (Y35)
	088927-20-Y31	EA	Cushion Asm. - 13" x 38" x 5" - Back (Y36)
	088927-20-Y32	EA	Cushion Asm. - 13" x 38" x 5" - Back (Y37)
	M88927-20-Y30	EA	Cover Asm. - Back - Dinette Cushion (Y35)
	M88927-20-Y31	EA	Cover Asm. - Back - Dinette Cushion (Y36)
	M88927-20-Y32	EA	Cover Asm. - Back - Dinette Cushion (Y37)
	078155-01-000	EA	Strap Asm. - Dinette Cushion
	088274-63-000	YD	Fabric - Dinette Cushions - Blue (Y35)
	088274-61-000	YD	Fabric - Dinette Cushions - Tiffany (Y36)
	088274-62-000	YD	Fabric - Dinette Cushions - Starbust (Y37)

CURTAIN, CUSHION & PAD GROUP (CONTINUED)

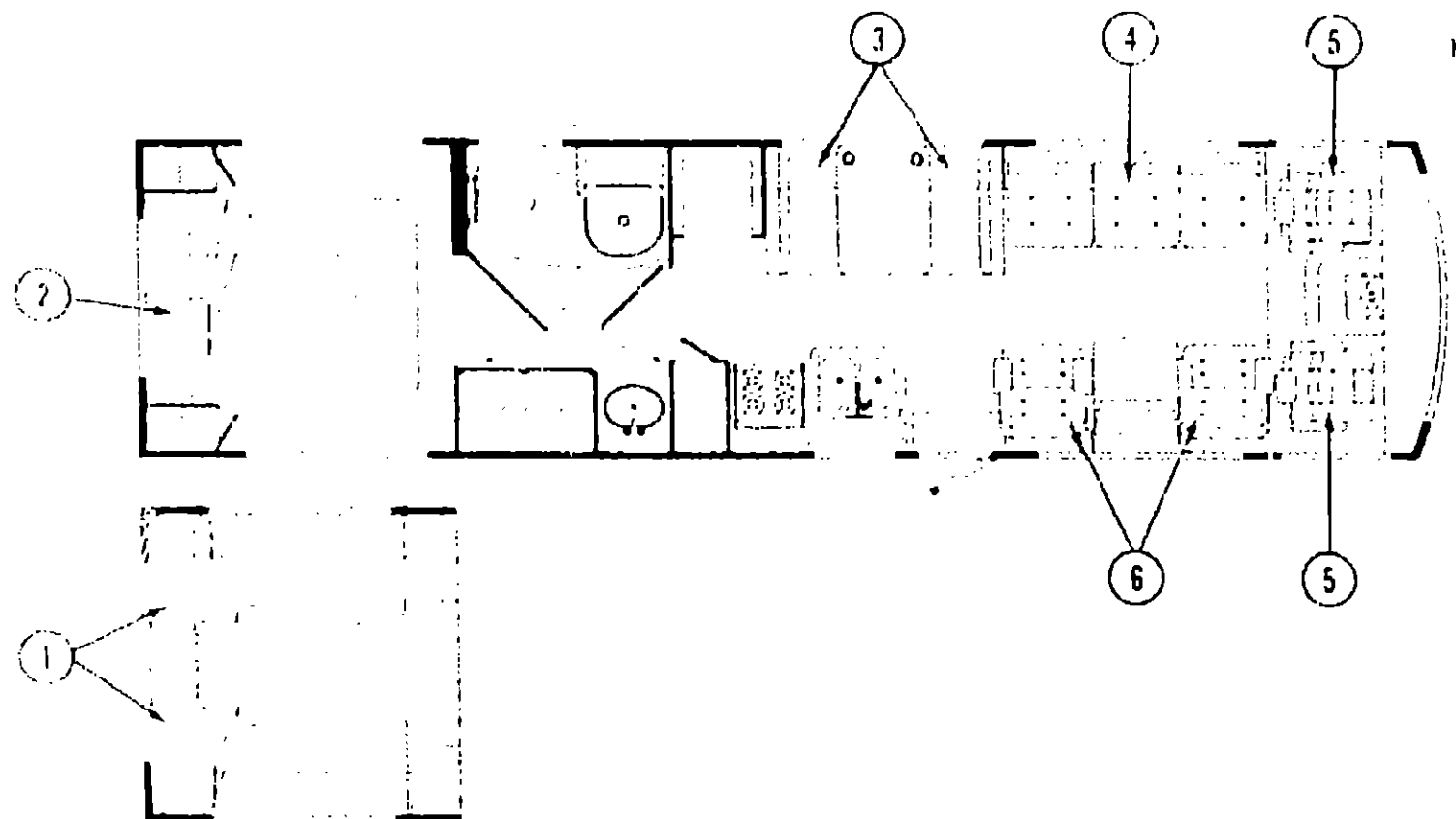
CURTAIN, CUSHION & PAD GROUP (CONTINUED)

CURTAIN & BLIND HARDWARE

**1989 ITASCA
TABLE OF CONTENTS**

ICN28RU
IC/JN31RT
IC/JN36RO

A-01 - D-16
D-17 - H-10
H-09 - K-21



Key	Part Number	U/M	Description
	029094-04-000	EA	Tape - Loop - 1" Wide - Black
	029096-03-000	EA	Tape - Hook - 1" Wide - Black
	048394-02-000	EA	Tape - Hook - .75" Wide - Beige
	048395-02-000	EA	Tape - Loop - .75" Wide - Beige
	088792-61-000	EA	Tape - Hook - 5/8" - Non-Adhesive
	088792-02-000	EA	Tape - Loop - .75" - Adhesive - Beige
	056003-01-000	EA	Bracket - Drapery Retainer - Right
	056003-02-000	EA	Bracket - Drapery Retainer - Left
	081381-01-000	EA	Swivel Snap - Curtain Track
	094396-01-000	EA	Track - Curtain - Front Wraparound (Option 61H)
	079946-08-000	EA	Track - Curtain - Front Wraparound (Option 61H)
	091904-01-000	EA	Track - Curtain - Front Wraparound - Beige
	075943-01-000	EA	Brace - Beige
	084434-01-000	EA	Bracket - Roller Shade - 1.37"
	087253-01-000	EA	Pull - Window Shade - Clear Plastic
	086276-01-000	EA	Tape - Double Sided - .5"
	084433-04-000	EA	Roller Shade - 60" 25"
	084432-06-000	FT	Slat - Roller Shade - 96" - Plastic
	0913 3-01-000	EA	Grommet - Headrest
	052859-07-Y35	EA	Trim Asm. - Accent - Vinyl Weaving
	089916-01-000	EA	Trim - Window
	067052-02-000	EA	Knobs - Operator - Window - Beige
	090025-01-000	EA	Extension - Window Control
	083170-01-000	EA	Bracket - Installation - Blind - Right
	083170-02-000	EA	Bracket - Installation - Blind - Left
	095591-01-000	EA	Bracket - Hold Down w/Pin

SWIVEL CHAIR

Key	Part Number	U/M	Description
4	085059-02-Y30	EA	Chair Asm. - Celebrity - w/o Skirt (Y35)
5	085059-02-Y31	EA	Chair Asm. - Celebrity - w/o Skirt (Y36)
6	085059-02-Y32	EA	Chair Asm. - Celebrity - w/o Skirt (Y37)
	085059-02-Y30	EA	Cover Asm. - Celebrity Chair (Y35)
	085059-02-Y31	EA	Cover Asm. - Celebrity Chair (Y36)
	085059-02-Y32	EA	Cover Asm. - Celebrity Chair (Y37)
	085187-02-Y30	EA	Skirt Asm. - Celebrity Swivel Chair (Y35)
	085187-02-Y31	EA	Skirt Asm. - Celebrity Swivel Chair (Y36)
	085187-02-Y32	EA	Skirt Asm. - Celebrity Swivel Chair (Y37)
	088274-63-000	YD	Fabric - Swivel Chair - Blue (Y35)
	088274-61-000	YD	Fabric - Swivel Chair - Tiffany (Y36)
	088274-62-000	YD	Fabric - Swivel Chair - Starburst (Y37)

SWIVEL CHAIR - RECLINING (OPTION 60E)

Key	Part Number	U/M	Description
5	086516-02-Y70	EA	Chair Asm. - Reclining Celebrity - w/o Skirt (Y35)
6	086516-02-Y71	EA	Chair Asm. - Reclining Celebrity - w/o Skirt (Y36)
6	086516-02-Y72	EA	Chair Asm. - Reclining Celebrity - w/o Skirt (Y37)
	086516-02-Y70	EA	Cover Asm. - Reclining Swivel Chair (Y35)
	086516-02-Y71	EA	Cover Asm. - Reclining Swivel Chair (Y36)
	086516-02-Y72	EA	Cover Asm. - Reclining Swivel Chair (Y37)
	089032-01-Y70	EA	Skirt Asm. - Reclining Swivel Chair (Y35)
	089032-01-Y71	EA	Skirt Asm. - Reclining Swivel Chair (Y36)
	089032-01-Y72	EA	Skirt Asm. - Reclining Swivel Chair (Y37)
	088273-63-000	YD	Fabric - Swivel Chair - Blue (Y35)
	088273-61-000	YD	Fabric - Swivel Chair - Tiffany (Y36)
	088273-62-000	YD	Fabric - Swivel Chair - Starburst (Y37)

FABRIC & TRIMS

Key	Part Number	U/M	Description
	088274-63-000	YD	Fabric - Upholstery - Main - Blue (Y35)
	088274-61-000	YD	Fabric - Upholstery - Main - Tiffany (Y36)
	088274-62-000	YD	Fabric - Upholstery - Main - Starburst (Y37)
	088274-33-000	YD	Fabric - Upholstery - Accent - Blue (Y35)
	088274-59-000	YD	Fabric - Upholstery - Accent - Umber (Y36)
	088274-60-000	YD	Fabric - Upholstery - Accent - Eggshell (Y37)
	088273-25-000	YD	Fabric - Bedspread - Ecru (Y35)
	088273-26-000	YD	Fabric - Bedspread - Peach (Y36)
	088273-27-000	YD	Fabric - Bedspread - Pastel (Y37)
	072333-55-000	YD	Fabric - Drapery Wraparound/Blackout - Silver (Y35)
	072333-59-000	YD	Fabric - Drapery Wraparound/Blackout - Tan (Y36)
	072333-60-000	YD	Fabric - Drapery Wraparound/Blackout - Wisteria (Y37)
	072333-63-000	YD	Fabric - Pull Shade - Entrance Door - Bone
	081926-01-000	YD	Backing - Quilting - Celestra
	087272-01-000	YD	Lining - Drapery - 48" Ivory
	029103-01-000	YD	Buckram - Non-Woven - 2
	075241-02-000	YD	Vinyl - Shower Curtain
	069649-03-000	YD	Vinyl - Expanded - Taupe (TV Pad)
	089351-01-000	YD	Vinyl - Headliner - Accoustical Ceiling (Roof)
	079680-01-000	YD	Vinyl - Expanded - 26 oz. Buckskin (End Caps)
	072860-70-000	SY	Carpet - Glacier Blue (Y35)
	072860-71-000	SY	Carpet - Pirate's Alley (Y36)
	072860-85-000	SY	Carpet - Amethyst (Y37)
	093486-01-001	EA	Carpet - Outside Storage Compartment (1 SY)
	093486-01-000	SY	Carpet - Outside Storage Compartment
	078245-01-000	EA	Bolt - Steering Column
	053552-02-W24	EA	Assist Strap - Interior
	071632-01-000	EA	Hamper Bag - w/Elastic - 49"

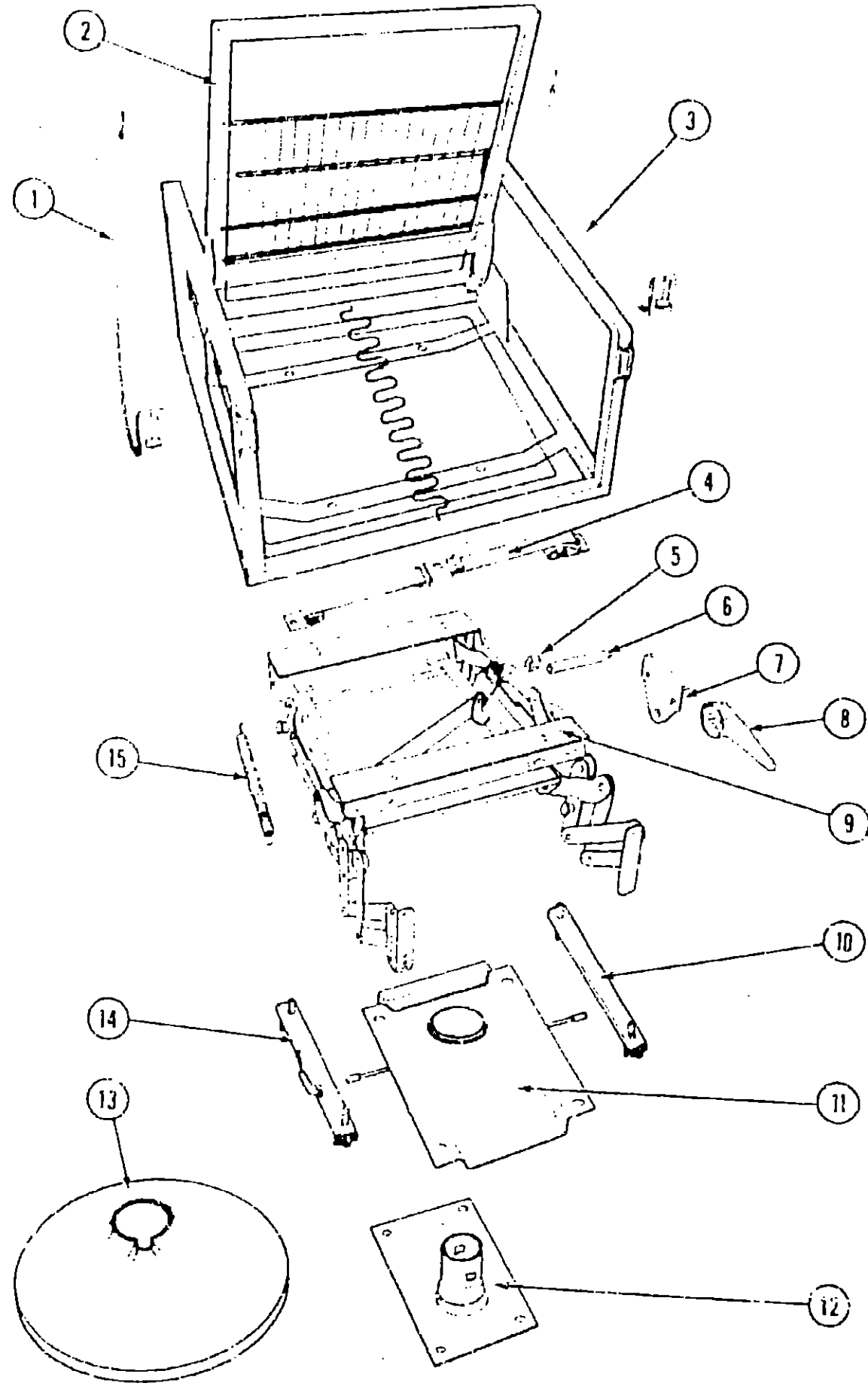
FRONT OVERHEAD BUNK

Key	Part Number	U/M	Description
	079145-05-000	EA	Cushion Asm. - Front Bunk - 30" x 73" x 4"
	M79145-05-000	EA	Cover Asm. - Front Bunk

1989 IC/JN36RQ INDEX

Floor Plan	H-09 - H-10
Accessories Group	H-11 - H-16
Bath Group	H-17 - H-18
Chassis Group	H-19 - I-05
Curtain, Cushion & Pad Group	I-06 - I-16
Dinette Group	I-17 - I-18
Driver's Compartment Group	J-19 - J-01
Electrical Group	J-02 - J-05
Exterior Body Group	J-06 - J-13
Galley Group	J-14 - J-16
Heating & Air Conditioning Group	J-17 - J-19
Interior Finish Group	J-20 - J-21
LP Group	J-22
Lounge Group	J-23 - K-02
Water & Sewage Group	K-03 - K-05
Window, Vent & Exterior Door Group	K-06 - K-21

CURTAIN, CUSHION & PAD GROUP (CONTINUED)



CELEBRITY CHAIR HARDWARE

Key	Part Number	U/M	Description
1	089368-03-000	EA	Remote Asm. - Recliner
2	089368-01-000	EA	Frame Asm. - Celebrity Chair
3	089368-02-000	EA	Remote Asm. - Slider
4	007021-01-000	EA	Seat Belt Asm. - 90" x 2" - Black
	057759-01-000	EA	Bracket - Seat Belt Washer
5	093484-02-700	EA	Clamp - Torsion Rod
6	093484-02-701	EA	Torsion Bar
7	093484-02-702	EA	Support - Torsion Bar
8	093484-02-703	EA	Handle
	093484-02-000	EA	Hardware Kit - Footrest (Includes Key 5,6,7,8 & 15)
9	093484-01-000	EA	Footrest Mechanism
10	069246-02-000	EA	Adjuster Asm. - Celebrity Chair - w/o Lock
11	093481-03-000	EA	Top Plate - Celebrity Chair - w/Lock
12	093481-01-000	EA	Pedestal - 6" - Used w/Footrest Only
12	093481-02-000	EA	Pedestal - 10" - Used w/Recliner Only
13	093482-01-000	EA	Pedestal Shroud - 13" Black Plastic
14	069246-05-000	EA	Adjuster Asm. - Celebrity Chair - w/Lock
	087330-01-000	EA	Bracket - Stop - Slide Track
15	093484-02-704	EA	Spring

PADS & TRIM

Key	Part Number	U/M	Description
	081519-01-X75	EA	Pad Asm. - Dinette - Back (Y35)
	081519-01-Y71	EA	Pad Asm. - Dinette - Back (Y36)
	061519-01-Y72	EA	Pad Asm. - Dinette - Back (Y37)
	081519-02-X75	EA	Pad Asm. - Dinette - Front (Y35)
	081519-02-Y71	EA	Pad Asm. - Dinette - Front (Y36)
	081519-02-Y72	EA	Pad Asm. - Dinette - Front (Y37)
	093195-01-Y35	EA	Pad Asm. - Door
	093195-01-Y36	EA	Pad Asm. - Door
	093195-01-Y37	EA	Pad Asm. - Door
	089045-01-W36	EA	Pad Asm. - TV Cabinet
	089045-02-Y35	EA	Pad Asm. - TV Cabinet
	092580-01-02A	EA	Cover - Map Pocket - Slate Gray
	082286-05-Y35	EA	Sunvisor Asm. - Driver
	M82286-06-Y35	EA	Cover Asm. - Sunvisor - Driver
	083386-06-Y35	EA	Sunvisor Asm. - w/Mirror - Passenger
	M82286-07-Y35	EA	Cover Asm. - Sunvisor - Passenger
	070578-02-W41	EA	Button Asm. - Stud - #30 - Vinyl (TV Cabinet)
	070578-11-Y70	EA	Button Asm. - #30 - Vinyl (Headliner)

Parts used after 8/29/88.

CURTAIN, CUSHION & PAD GROUP (CONTINUED)

**1989 ITASCA
TABLE OF CONTENTS**

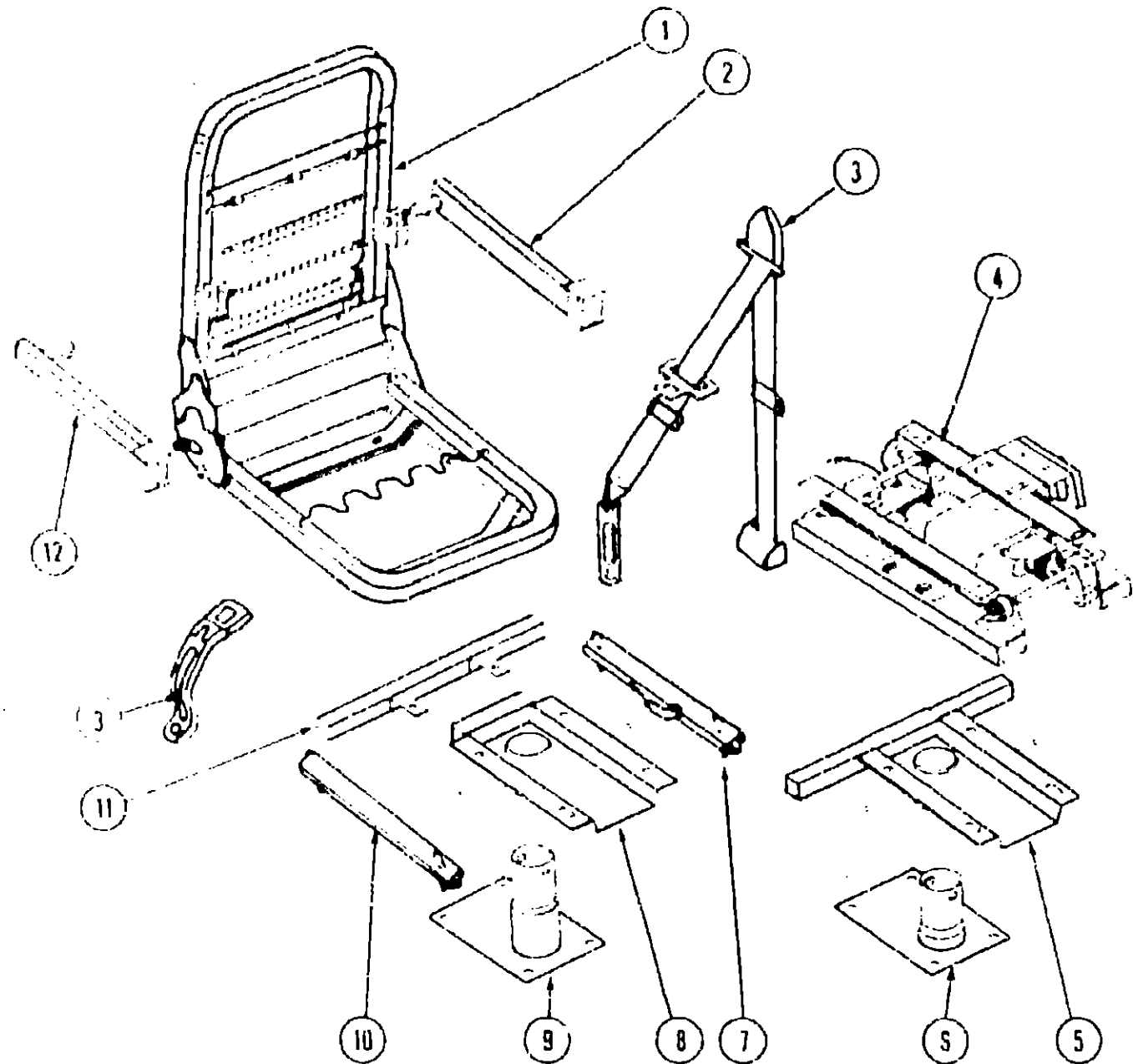
ICN28RU
IC/JN31HT
IC/JN36RO

A-01 - D-16
D-17 - H-10
H-09 - K-21

1989 IC/JN36RQ INDEX

Floor Plan	H-09 - H-10
Accessories Group	H-11 - H-16
Bath Group	H-17 - H-18
Chassis Group	H-19 - I-05
Curtain, Cushion & Pad Group	I-06 - I-16
Dinette Group	I-17 - I-18
Driver's Compartment Group	I-19 - J-01
Electrical Group	J-02 - J-05
Exterior Body Group	J-06 - J-13
Galley Group	J-14 - J-16
Heating & Air Conditioning Group	J-17 - J-19
Interior Finish Group	J-20 - J-21
LP Group	J-22
Lounge Group	J-23 - K-02
Water & Sewage Group	K-03 - K-05
Window, Vent & Exterior Door Group	K-06 - K-21

CURTAIN, CUSHION & PAD GROUP (CONTINUED)



Key	Part Number	U/M	Description
1	M80906-01-000	EA	Frame Asm. - Bucket Seat
2	081268-02-000	EA	Frame - Armrest - Left
	081362-02-000	EA	Bracket - Armrest - Left
3	091990-02-01A	EA	Seat Belt - Drivers - 3 Point
	091990-01-01A	EA	Seat Belt - Passenger - 3 Point
4	081373-01-000	EA	Power Seat Asm.
	081373-02-700	EA	Switch Asm. - Power Seat
	081373-02-701	EA	Wire Harness - Drivers - Power Seat
	081373-02-702	EA	Horizontal Adjustment Package
	081373-02-703	EA	Horizontal Adjustment Package
	081373-02-704	EA	Vertical Adjustment Package
5	069585-36-000	EA	Top Plate - Power Seat
6	069585-37-000	EA	Sub Plate - 5" - Used w/Power Seat
7	069246-01-000	EA	Adjuster Asm. - Seat - w/Lock
8	069585-27-000	EA	Top Plate - Non-Powered Seat
9	069585-08-000	EA	Sub Plate - 8" - Used w/Non-Powered Seat
10	069246-02-000	EA	Adjuster Asm. - Seat w/o Lock
11	065485-29-000	EA	Seat Belt Bar - 20"
12	081268-01-000	EA	Frame - Armrest - Right
	081362-01-000	EA	Bracket - Armrest - Right
	080730-03-700	EA	Kit - Recliner Handle
	080730-05-000	EA	Shield - Recliner

CURTAIN, CUSHION & PAD GROUP (CONTINUED)

BUCKET SEAT HARDWARE

**1989 ITASCA
TABLE OF CONTENTS**

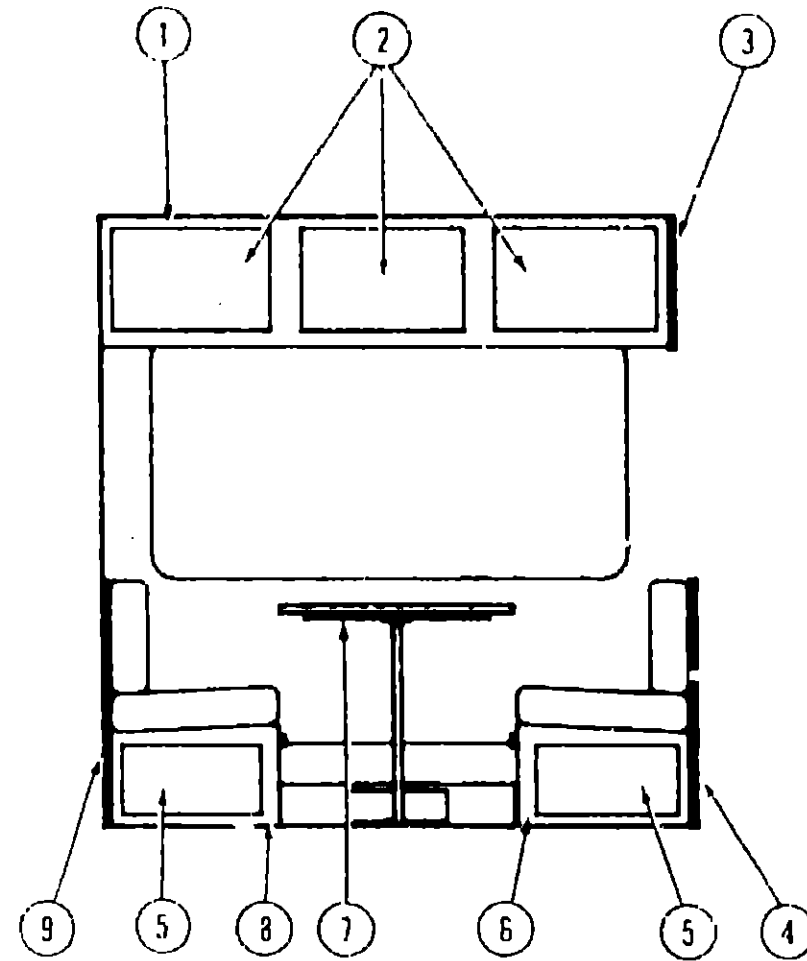
ICN2BRU
IC/JN31RT
IC/JN36RO

A-01 - D-16
D-17 - H-10
H-09 - K-21

1989 IC/JN36RQ INDEX

Floor Plan	H-09 - H-10
Accessories Group	H-11 - H-16
Bath Group	H-17 - H-18
Chassis Group	H-19 - I-05
Curtain, Cushion & Pad Group	I-05 - I-16
Dinette Group	I-17 - I-18
Driver's Compartment Group	I-19 - J-01
Electrical Group	J-02 - J-05
Exterior Body Group	J-06 - J-13
Galley Group	J-14 - J-16
Heating & Air Conditioning Group	J-17 - J-19
Interior Finish Group	J-20 - J-21
LP Group	J-22
Lounge Group	J-23 - K-02
Water & Sewage Group	K-03 - K-05
Window, Vent & Exterior Door Group	K-06 - K-21

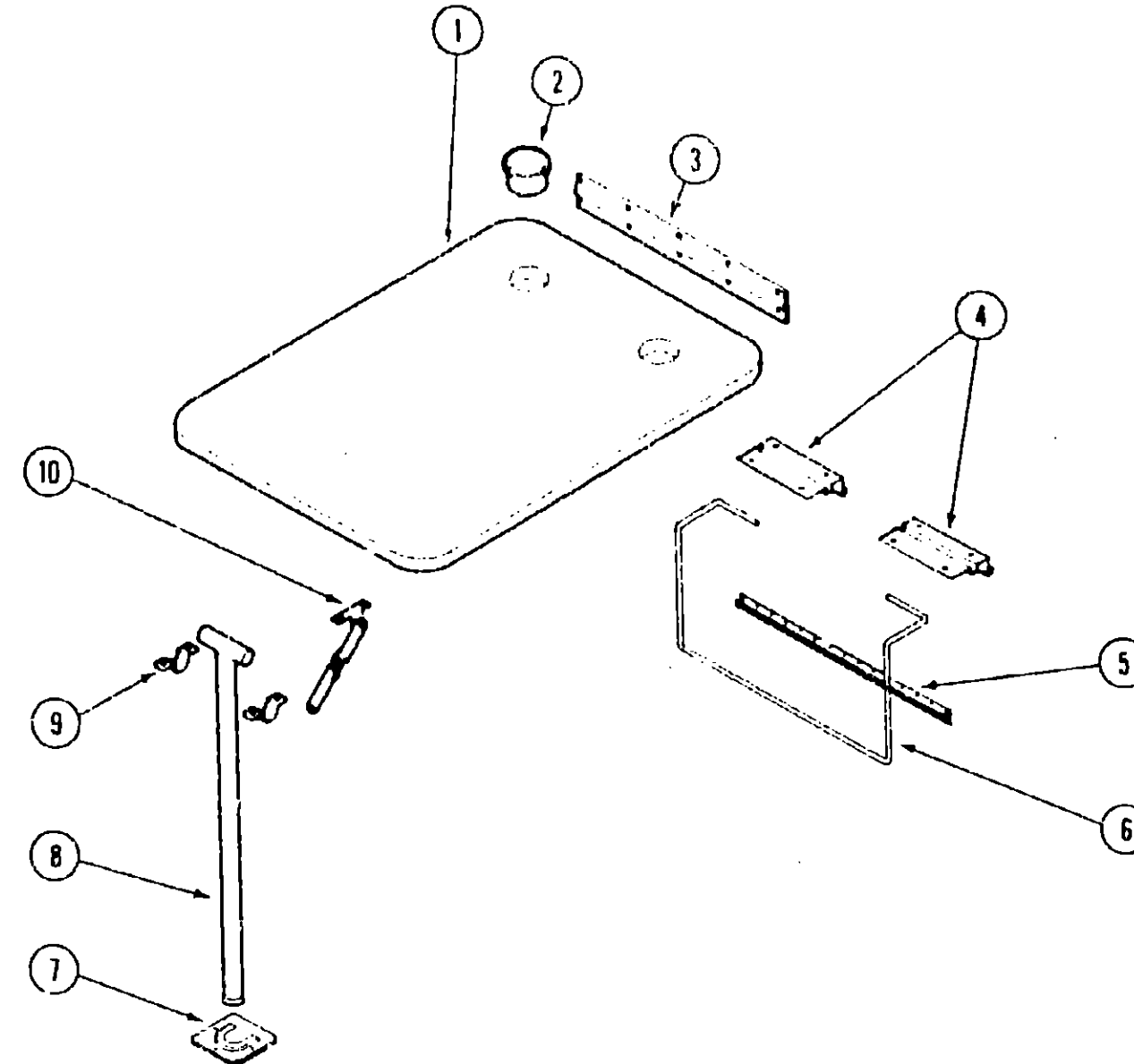
DINETTE GROUP



DINETTE & OVERHEAD CABINETRY

Key	Part Number	U/M	Description
1	M82093-03-Y12	EA	Cabinet Asm. - Dinette Overhead - w/o Doors or Hardware
2	M88304-A9-X08	EA	Door Asm. - Dinette Overhead - 14.3" x 21.8" - w/o Hardware
3	062747-01-Y10	EA	End Cap Asm. - Overhead Cabinet
4	M03434-01-Y10	EA	Cabinet Asm. - Dinette Back
5	061519-01-X75	EA	Pad Asm. - Dinette Back (Y35)
6	081519-01-Y70	EA	Pad Asm. - Dinette Back (Y36)
7	061519-01-Y71	EA	Pad Asm. - Dinette Back (Y37)
8	M88304-21-X09	EA	Door Asm. - Dinette Seats - w/o Hardware
9	M03435-01-Y35	EA	Cabinet Asm. - Dinette Seat
10	M92743-06-Y12	EA	Table Asm. - Dinette - w/o Hardware
11	M03435-02-Y12	EA	Cabinet Asm. - Dinette Seat
12	M03434-02-Y12	EA	Cabinet Asm. - Dinette Back
13	061519-02-X75	EA	Pad Asm. - Dinette Back (Y35)
14	081519-02-Y70	EA	Pad Asm. - Dinette Back (Y36)
15	061519-02-Y71	EA	Pad Asm. - Dinette Back (Y37)

DINETTE GROUP (CONTINUED)



DINETTE TABLE & HARDWARE

Key	Part Number	U/M	Description
1	M02115-09-Y30	EA	Table - Dinette - w/o Hardware
2	064781-05-000	EA	Cup Holder - Two Step - Beige
3	053200-05-000	EA	Support - Table - 23.5" - Beige
4	088410-01-000	EA	Hanger - Table - Beige
5	024281-07-000	EA	Bracket - Table Lift
6	024275-05-000	EA	Rod - Table Lift - Beige
7	049493-01-000	EA	Catch - Table Leg
8	024276-17-000	EA	Leg Asm. - Table - Tan
9	064050-02-000	EA	Hinge - Table Leg - Tan
10	024282-01-000	EA	Brace - Table Leg
	024283-01-000	EA	Clip - 1" - 1 1/2" - OD Tube - Black

1989 ITASCA TABLE OF CONTENTS

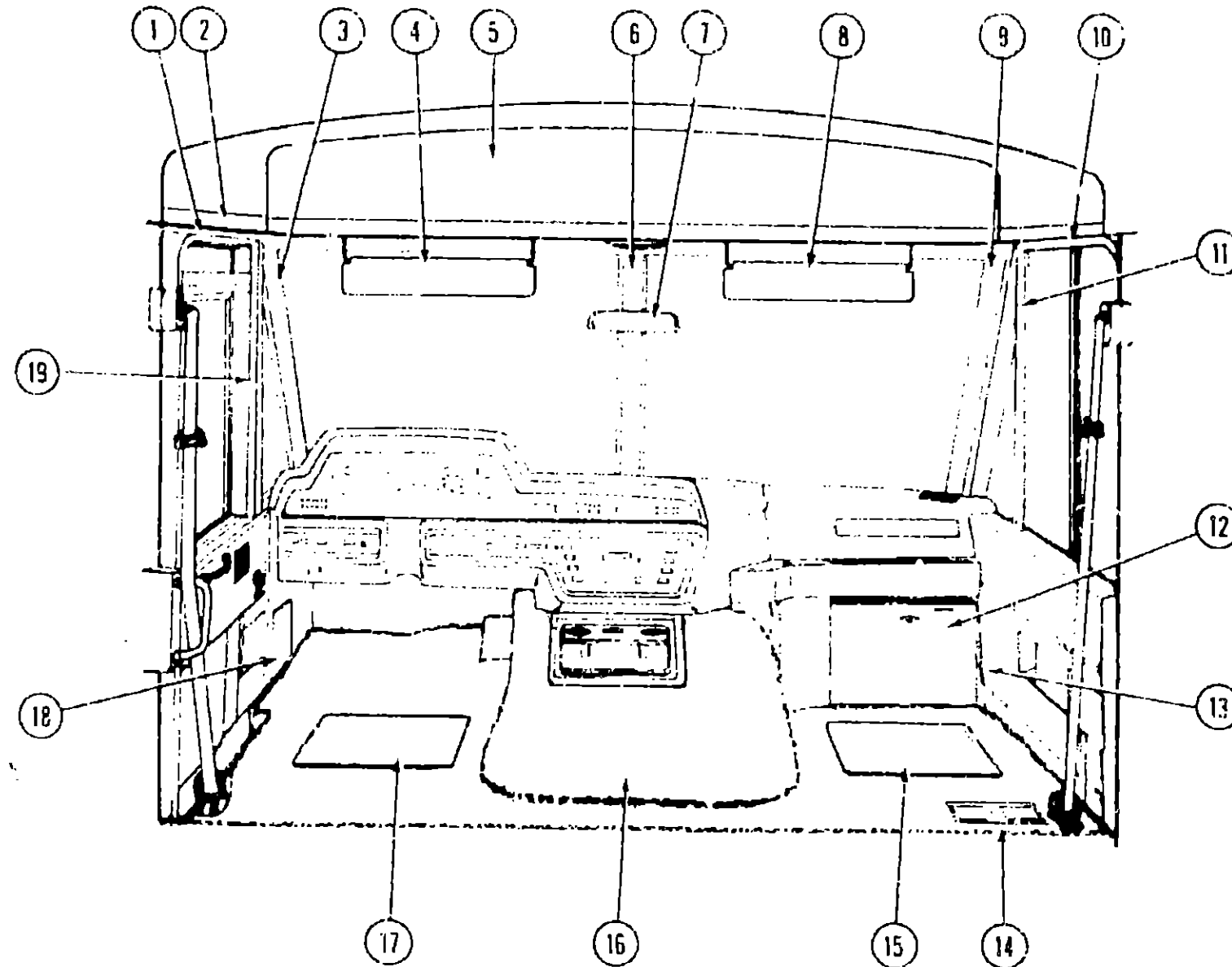
ICN28RU
IC/JN31RT
IC/JN36RO

A-01 - D-16
D-17 - H-10
H-09 - K-21

1989 IC/JN36RQ INDEX

Floor Plan	H-09 - H-10
Accessories Group	H-11 - H-16
Bath Group	H-17 - H-18
Chassis Group	H-19 - I-05
Curtain, Cushion & Pad Group	I-06 - I-16
Dinette Group	I-17 - I-18
Driver's Compartment Group	I-19 - J-01
Electrical Group	J-02 - J-05
Exterior Body Group	J-06 - J-13
Galley Group	J-14 - J-16
Heating & Air Conditioning Group	J-17 - J-19
Interior Finish Group	J-20 - J-21
LP Group	J-22
Lounge Group	J-23 - K-02
Water & Sewage Group	K-03 - K-05
Window, Vent & Exterior Door Group	K-06 - K-21

DRIVER'S COMPARTMENT GROUP
MISCELLANEOUS DRIVER'S COMPARTMENT COMPONENTS



1989 ITASCA
TABLE OF CONTENTS

IC/N2BRU
 IC/JN31RT
 IC/JN36RQ

A-01 - D-16
 D-17 - H-10
 H-09 - K-21

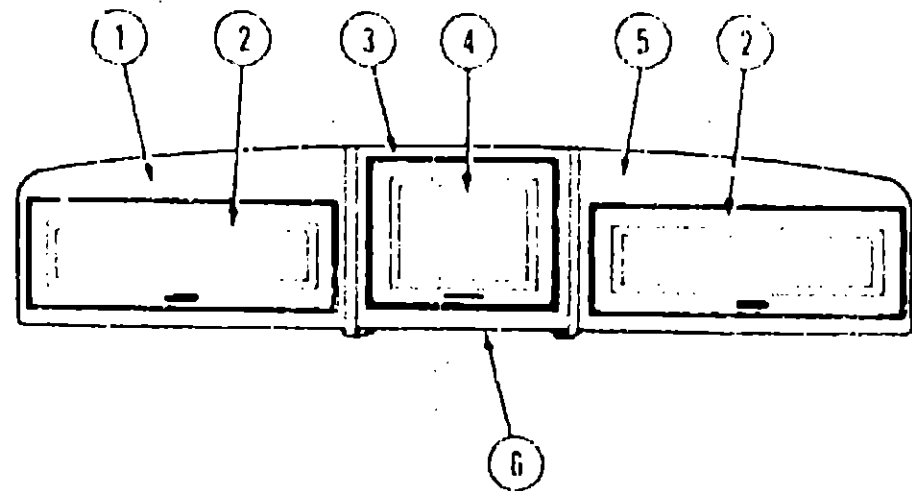
1989 IC/JN36RQ INDEX

Floor Plan	H-09 - H-10
Accessories Group	H-11 - H-16
Bath Group	H-17 - H-18
Chassis Group	H-19 - I-05
Curtain, Cushion & Pad Group	I-06 - I-16
Dinette Group	I-17 - I-18
Driver's Compartment Group	I-19 - J-01
Electrical Group	J-02 - J-05
Exterior Body Group	J-06 - J-13
Galley Group	J-14 - J-16
Heating & Air Conditioning Group	J-17 - J-19
Interior Finish Group	J-20 - J-21
LP Group	J-22
Lounge Group	J-23 - K-02
Water & Sewage Group	K-03 - K-05
Window, Vent & Exterior Door Group	K-06 - K-21

Key	Part Number	U/M	Description
1	091904-01-000	FT	Track - Front Wraparound (Option 61H)
2	079946-03-000	EA	Track - Front Wraparound - Left
3	092584-02-02A	EA	Trim Asm. - Lower - w/o Bunk
4	092584-02-02A	EA	Cover - "A" Pillar Trim - Left
5	082286-05-Y35	EA	Sunvisor Asm. - Driver
6	081211-01-000	EA	Hinge - Sunvisor
7	084012-01-000	EA	Clip - Sunvisor - Square Pinch-On
8	085709-01-000	EA	Clip Asm. - Sunvisor - Black
9	089684-01-Y12	EA	Headliner Asm.
10	071114-08-000	EA	Cover - Panel Trim - Center - Beige
11	080714-01-000	EA	Mirror - Inside - Rear View
12	080714-01-700	EA	Kit - Inside Rear View Mirror
13	082286-06-Y35	EA	Sunvisor Asm. - w/Mirror
14	087211-01-000	EA	Hinge - Sunvisor
15	074012-01-000	EA	Clip - Sunvisor - Square Pinch-On
16	085709-01-000	EA	Clip Asm. - Sunvisor - Black
17	083153-01-000	EA	Mirror - Sunvisor - 3.5" x 7"

Key	Part Number	U/M	Description
9	092584-01-02A	EA	Cover - "A" Pillar Trim - Right
10	079946-03-000	FT	Track - Front Wraparound (Option 61H)
11	092585-01-02A	EA	Track - Front Wraparound - Right
12	095757-01-Y35	EA	Cover - Hinge Trim - Pillar - Right
13	092583-01-02A	EA	Cover Asm. - Heater
14	093614-01-01A	EA	Panel - Lower Kick - Right
15	081202-02-060	EA	Grille - Return Air
16	081202-02-060	EA	Floor Mat - Right (Option 63H)
	075939-01-000	EA	Motor Cover
	039623-01-000	FT	Seal - Motor Cover - Rubber Bulb Type - Black
	075564-01-000	EA	Mounting Bracket - Motor Cover
17	081201-02-060	EA	Floor Mat - Left (Option 63H)
18	092583-02-02A	EA	Panel - Lower Kick - Left
	092583-01-02A	EA	Panel - Lower Kick - Right
19	092585-02-02A	EA	Cover - Hinge Trim Pillar - Left
	089294-01-000	EA	Cigarette Lighter Asm.
	036420-02-000	EA	Fan - Defroster - 6" Dia. - 2-Speed (Option 36N)
	024990-01-000	EA	Defroster Outlet - w/Swivel
	076783-02-000	EA	Lower Asm. - Air Conditioner - Adjustable Vent - Black
	092500-01-02A	EA	Map Cover - Pocket

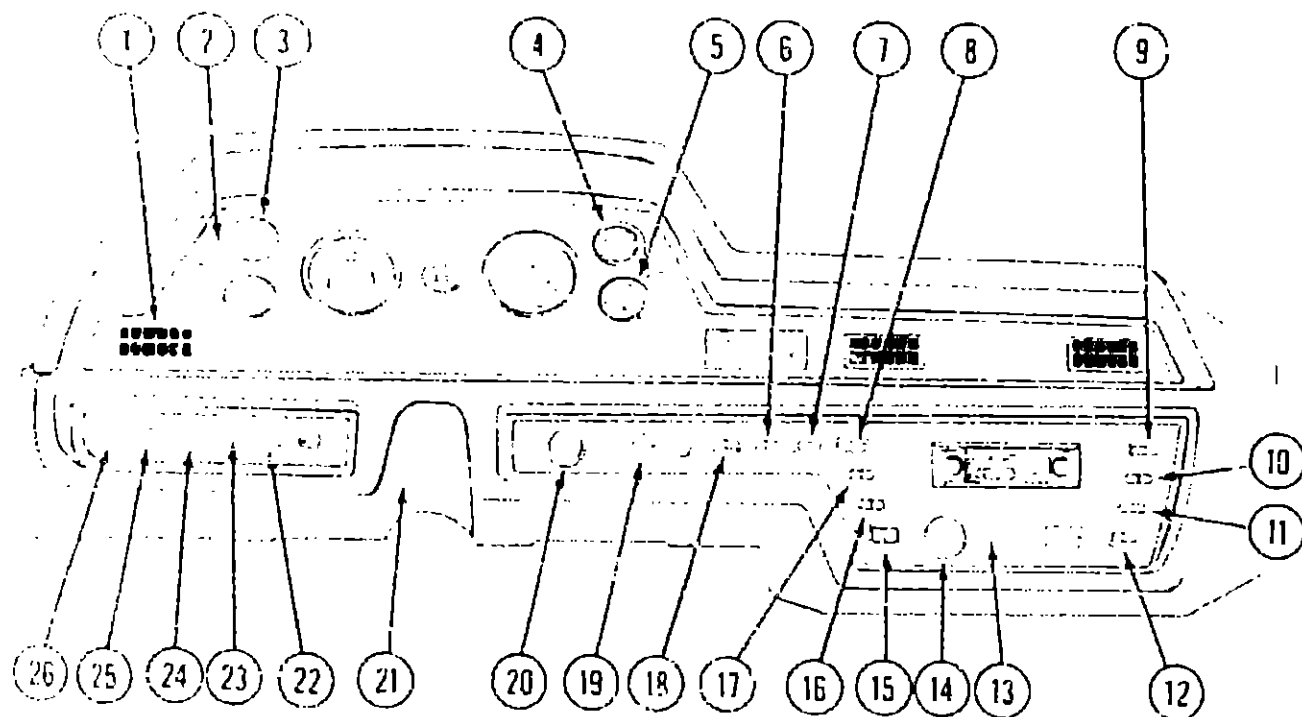
DRIVER'S COMPARTMENT GROUP (CONTINUED)



TV & VCR CABINETRY (OPTION L43)

Key	Part Number	U/M	Description
1	M93242-02-Y12	EA	Cabinet Asm - Front Overhead - w/o Door or Hardware
2	M81394-09-Y16	EA	Door Asm - Front Overhead Cabinet - 7" x 25.1" - w/o Hardware
3	M93197-02-Y12	EA	Cabinet Asm - Front - w/o Door or Hardware
4	076192-01-Y12	EA	Cabinet Asm - Front Overhead - w/o TV Shelf
5	023268-01-000	EA	Shell Asm - TV
6	068447-01-000	EA	TV - 13" Color (Option 43U)
7	098446-01-000	EA	VCR-VHS - Table Model (Option 43W/43X)
8	086757-01-000	EA	Control Center - Channel Master (Option 43W/43X)
9	M88394-06-X11	EA	Door Asm - Center Overhead - 12" x 18.7" - w/o Hardware
10	M93242-01-Y12	EA	Cabinet Asm - Front Overhead - w/o Door or Hardware
11	069945-01-2756	EA	Pad Asm - TV Cabinet - Vinyl
12	070770-02-V44	EA	Button Asm - Screw Stud - #30 - Vinyl
13	070884-02-Y12	EA	Headliner Asm - Front w/TV

* Parts used with the TV Option only



DRIVER'S COMPARTMENT GROUP (CONTINUED)

DASH SWITCHES & GAUGES

Key	Part Number	U/M	Description
1	076783-02-000	EA	Louver Asm - A/C Adjustable
2	076216-09-000	EA	Instrument Panel - Upper - Sunflter
2	076216-06-000	EA	Instrument Panel - Upper
12	076216-10-000	EA	Instrument Panel - Upper
	088745-01-000	EA	Cluster Asm - Electronic Instrument Panel
	091242-01-000	EA	Cluster Asm - Instrument Panel (CSA)
	077353-09-000	EA	Shroud - Instrument Cluster
3	024460-04-000	EA	Gauge - Vacuum
4	024459-04-000	EA	Gauge - Voltmeter
5	031035-01-000	EA	Gauge - Hourmeter - Generator
6	076759-04-000	EA	Battery Condition Switch
7	076759-06-000	EA	Switch - Blank
8	076759-04-000	EA	Generator Switch (Option 39)
9	076759-06-000	EA	Switch - Blank
10	076759-09-000	EA	Aisle Light Switch
11	076759-01-000	EA	Map Light Switch
12	076759-01-000	EA	Beverage Tray Light Switch
13	076217-14-000	EA	Instrument Panel - Lower - Right
14	076759-06-000	EA	Switch - Blank
15	086272-01-000	EA	Battery Disconnect Switch (Option 29A)
16	076759-09-000	EA	Power - Radio Switch
17	076759-03-000	EA	Auxiliary Fan Switch (Option 36N)
18	076759-06-000	EA	Switch - Blank
19	089294-01-000	EA	Lighter Asm - Cigarette
20	N.P.N.	EA	Ignition Switch (Chevrolet)
21	076808-02-000	EA	Dash Panel - Lower - Left (w/o Electronic Instrument Panel)
21	076808-10-000	EA	Dash Panel - Lower - Left (w/Electronic Instrument Panel)
22	076759-07-000	EA	Courtesy Blink Switch
23	076218-03-000	EA	Instrument Panel - Lower - Left
24	076759-95-000	EA	Battery Mode Switch
25	076759-06-000	EA	Switch - Blank
26	076759-06-000	EA	Switch - Blank
	076788-02-000	EA	Cardboard Cylinder - Lamp
	077031-01-000	EA	Film - Instrument Panel - Black
	077031-02-000	EA	Film - Instrument Panel - Amber
	076788-03-000	EA	Lamp Plate

1 Parts used with the Electronic Instrument Cluster - w/Generator Option.
 * Parts used with the Electronic Instrument Cluster - w/o Generator Option.

1989 ITASCA
TABLE OF CONTENTS

ICJ28RU
IC/JN31RT
IC/JN36RQ

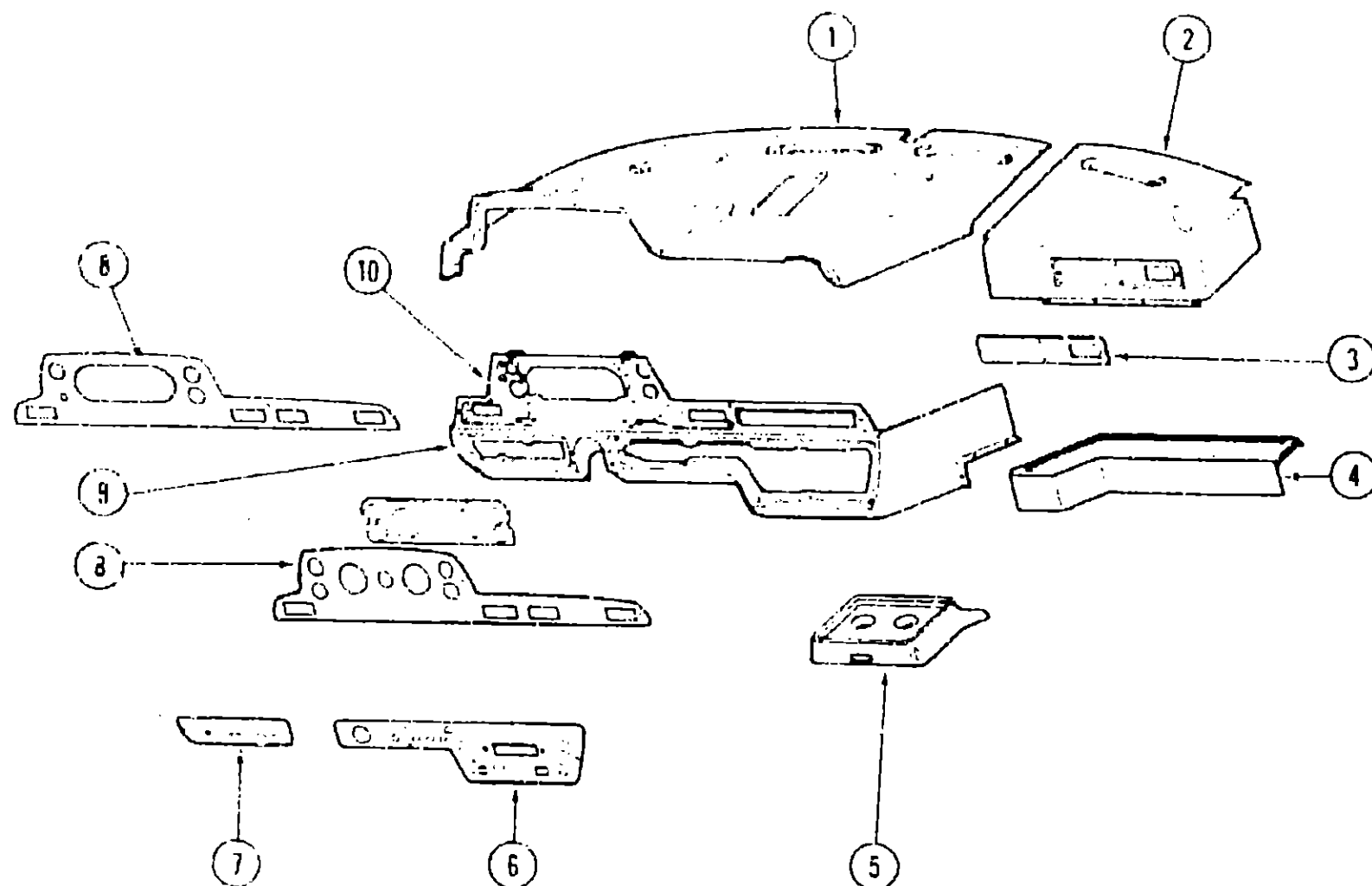
A-01 - D-16
D-17 - H-10
H-09 - K-21

1989 IC/JN36RQ INDEX

Floor Plan	H-09 - H-10
Accessories Group	H-11 - H-16
Bath Group	H-17 - H-18
Chassis Group	H-19 - I-05
Curtain, Cushion & Pad Group	I-06 - I-16
Dine/te Group	I-17 - I-18
Driver's Compartment Group	I-19 - J-01
Electrical Group	J-02 - J-05
Exterior Body Group	J-06 - J-13
Galley Group	J-14 - J-16
Heating & Air Conditioning Group	J-17 - J-19
Interior Finish Group	J-20 - J-21
LP Group	J-22
Lounge Group	J-23 - K-02
Water & Sewage Group	K-03 - K-05
Window, Vent & Exterior Door Group	K-06 - K-21

DRIVER'S COMPARTMENT GROUP (CONTINUED)

DASH PANELS & BEVERAGE TRAY



1989 ITASCA TABLE OF CONTENTS

ICN281RU
IC/JN31RT
IC/JN36RO

A-01 - D-16
D-17 - H-10
H-09 - K-21

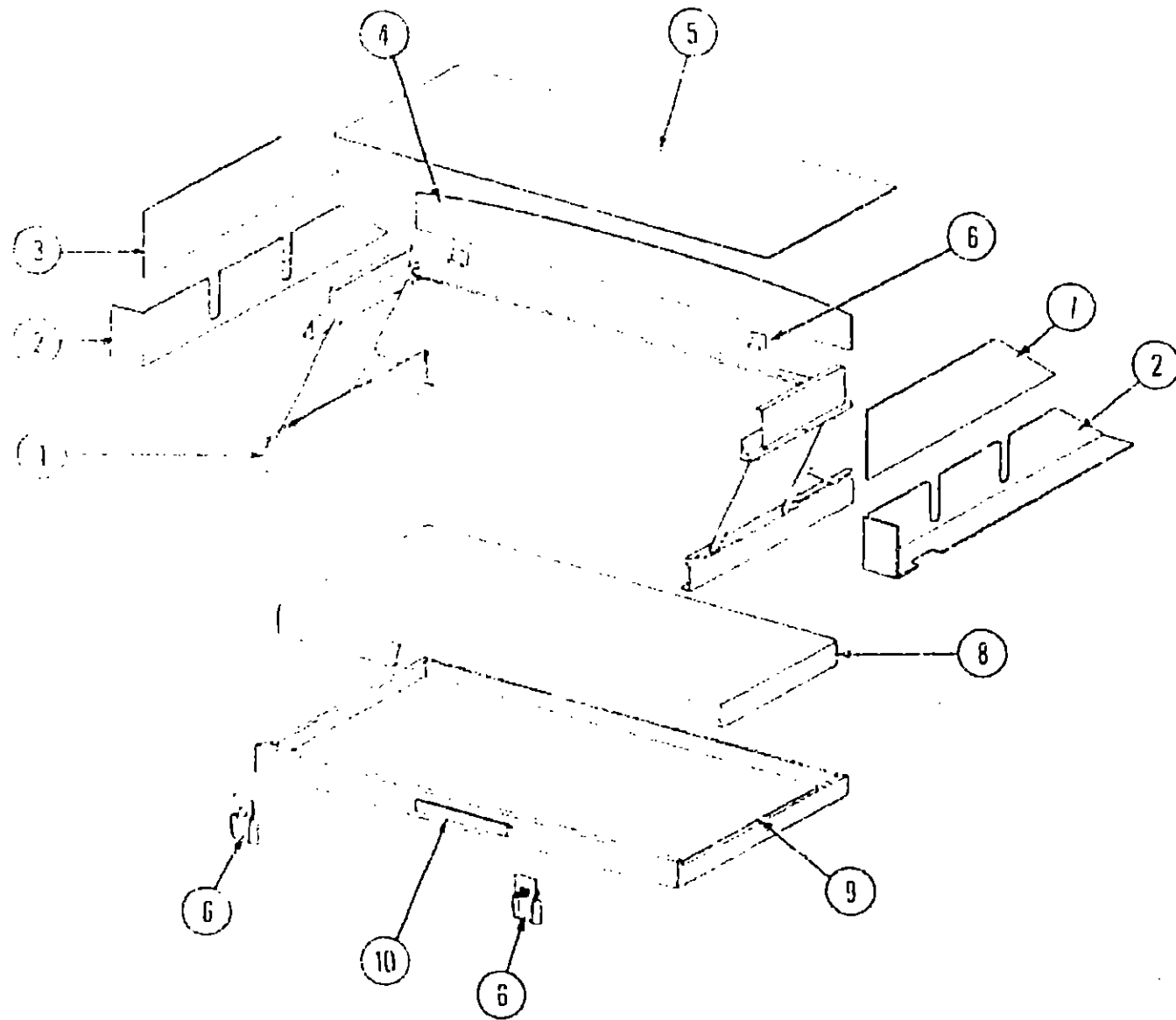
1989 IC/JN36RQ INDEX

Floor Plan	H-09 - H-10
Accessories Group	H-11 - H-16
Bath Group	H-17 - H-19
Chassis Group	H-19 - I-05
Curtain, Cushion & Pad Group	I-06 - I-16
Dinette Group	I-17 - I-18
Driver's Compartment Group	I-19 - J-01
Electrical Group	J-02 - J-05
Exterior Body Group	J-06 - J-13
Galley Group	J-14 - J-15
Heating & Air Conditioning Group	J-17 - J-19
Interior Finish Group	J-20 - J-21
LP Group	J-22
Living Group	J-23 - K-02
Water & Sewage Group	K-03 - K-05
Window Vent & Exterior Door Group	K-06 - K-21

Key	Part Number	U/M	Description
1	035281-02-Y38	EA	Instrument Panel - Upper - Left
2	015867-01-000	EA	Bracket - Instrument Panel - Large
3	070857-02-000	EA	Bracket - Instrument Panel - Small
4	040252-02-Y30	EA	Instrument Panel - Upper - Right
5	070872-01-500	EA	Bracket - Mounting - Right Panel
6	070207-01-000	EA	Instrument Panel Insert - Right
7	070734-04-000	EA	Tray - Instrument Panel - Right
8	061654-02-000	EA	Beverage Tray - Plastic
9	070217-04-000	EA	Instrument Panel - Lower - Right
10	070218-03-000	EA	Instrument Panel - Lower - Left
11	070216-03-000	EA	Instrument Panel - Upper (Chevrolet)
12	070216-10-000	EA	Instrument Panel - Upper (w/Generator)
13	070216-05-000	EA	Instrument Panel - Upper (w/o Generator)
14	070806-01-000	EA	Dash Panel - Lower
15	077353-09-000	EA	Shroud - Instrument Panel - w/Volmeter & Vacuum Gauge
16	077353-09-000	EA	Shroud - Instrument Panel - w/Generator Hour, Voltmeter & Vacuum Gauge
17	073741-02-000	EA	Speaker - Oval - 4" x 6"
18	073741-04-000	EA	Grille - Oval Speaker - 4" x 6"
19	077406-01-000	EA	Bracket - Hour Release Cable

Parts used with Electronic Instrument Cluster.

DRIVER'S COMPARTMENT GROUP (CONTINUED)



FRONT OVERHEAD BUNK & HARDWARE (OPTION 5231)

Key	Part Number	U/M	Description
1	076760-02-000	EA	Hardware Asm. - Overhead Bunk
2	000472-02-01A	EA	Trim - Lower Side - Bunk
3	040071-01-01A	EA	Trim - Upper Side - Bunk - Right
4	090055-01-Y12	EA	Board Asm. - Bunk Trim w/Vinyl
5	023634-01-Y12	EA	Headliner Asm. - Front
6	042541-04-700	EA	Latch Asm. w/Strike (2 ea.)
7	002371-02-01A	EA	Trim - Upper Side - Bunk - Left
8	075945-05-000	EA	Cushion Asm. - 30" x 73" x 4"
9	070134-02-Y10	EA	Strap - Bunk
10	080717-03-Y12	EA	Bed Asm. - Front Bunk
11	025650-01-Y12	EA	Handle - Oak
12	070946-06-000	EA	Curtain Track - Front Wraparound - Right
13	070396-01-000	EA	Curtain Track - Front Wraparound - Left

ELECTRICAL GROUP

EXTERIOR LIGHTS & BULBS

Key	Part Number	U/M	Description
	081250-01-000	EA	Light Asm. - Clearance - Amber
	081250-01-700	EA	Lens - Clearance - Amber
	081250-02-000	EA	Light Asm. - Clearance - Red
	081250-02-700	EA	Lens - Clearance - Red
	036196-01-000	EA	Bulb - Clearance Lights
	081437-01-000	EA	Bracket - Clearance Lights
	099289-02-000	EA	Light Asm. - Side Marker - Amber (Front End)
	089291-01-000	EA	Light Asm. - Turn Signal - Red (Rear Cap)
	089292-01-000	EA	Light Asm. - Turn Signal - Amber (Rear Cap)
	084901-01-000	EA	Lamp - Park & Turn (Front End)
	076345-01-000	EA	Lens Asm. - Park/Turn - Amber
	076345-02-000	EA	Socket Asm. - Park/Turn Lamp
	089290-01-000	EA	Light Asm. - Back-Up - Red/Clear (Rear Cap)
	042405-01-000	EA	Lens - Rectangular Light w/Reflex - Red
	042405-03-000	EA	Base - Rectangular Light
	037934-01-000	EA	Bulb - Back-Up Light
	076795-01-000	EA	Light Asm. - License
	049185-01-000	EA	Headlamp Capsule Asm. - Rectangular - Driver - High/Low Beam
	049186-01-000	EA	Headlamp Capsule Asm. - Rectangular - Passenger High/Low Beam
	049187-01-000	EA	Headlamp Capsule Asm. - Rectangular - Driver - High Beam
	049188-01-000	EA	Headlamp Capsule Asm. - Rectangular - Passenger - High Beam
	091939-01-01A	EA	Bezel - Headlamp - Right
	091839-02-01A	EA	Bezel - Headlamp - Left
	033508-02-000	EA	Lamp Asm. - Storage Compartment - Ivory (US)
	033508-03-000	EA	Lamp Asm. - Storage Compartment - Ivory (CSA)
	008089-01-000	EA	Porch Light - Recessed (US)
	008089-02-000	EA	Porch Light - Recessed (CSA)
	008089-01-700	EA	Lens - Porch Light
	091981-01-000	EA	Gasket - Porch Light
	008215-01-000	EA	Bulb - Porch Light
	081909-01-000	EA	Light Strip - Clear - 18" - w/Mounting
	086747-01-000	EA	Light Asm. - Fog Light - Clear Lens (Option 57M)
	086747-01-700	EA	Lens - Fog Light

WINDSHIELD WIPER & WASHER

Key	Part Number	U/M	Description
	056000-02-000	EA	Washer Asm. - Windshield
	072472-04-000	EA	Arm - Windshield Wiper - 29" - Black
	072472-02-000	EA	Adaptor - Arm Wiper - Pantograph
	049464-03-000	EA	Blade Asm. - Windshield Wiper - 20" - Black
	049464-03-700	EA	Blade - Wiper Refill
	057190-04-000	EA	Shaft & Pivot Asm.
	077048-01-000	EA	Shaft Adapter - Pantograph Arm
	077049-01-000	EA	Acorn Nut
	067191-02-700	EA	Drive Motor Asm. - Wiper
	067192-01-000	EA	Link Asm. - Connection - 39"
	067193-02-000	EA	Link Asm. - Connection - 8.10"
	067182-01-000	EA	Stud - Crank Wiper
	045794-01-000	FT	Hose - 5/32" ID - Black

**1989 ITASCA
TABLE OF CONTENTS**

ICN28RU	A-01 - D-16
IC/JN31RT	D-17 - H-10
IC/JN36RO	H-09 - K-21

1989 IC/JN36RO INDEX

Floor Plan	H-09 - H-10
Accessories Group	H-11 - H-16
Bath Group	H-17 - H-18
Chassis Group	H-19 - I-05
Curtain, Cushion & Pad Group	I-06 - I-16
Dinette Group	I-17 - I-18
Driver's Compartment Group	I-19 - J-01
Electrical Group	J-02 - J-05
Exterior Body Group	J-06 - J-13
Galley Group	J-14 - J-16
Heating & Air Conditioning Group	J-17 - J-19
Interior Finish Group	J-20 - J-21
LP Group	J-22
Lounge Group	J-23 - K-02
Water & Sewage Group	K-03 - K-05
Window, Vent & Exterior Door Group	K-06 - K-21

ELECTRICAL GROUP (CONTINUED)

WIRE SWITCHES & RECEPTACLES

Key	Part Number	U/M	Description
	008288-01-000	EA	Box - Electrical - 3" x 3 5/8" - Plastic
	008288-02-000	EA	Box - Electrical - 3 9/16" x 3 1/8" x 1 3/8"
	008289-01-000	EA	Box - Electrical - 4" x 4" - 1/2 & 3/4 Steel
	008289-02-000	EA	Box - Electrical - 4" x 4" - 1/2 & 3/4 Steel (CSA)
	008049-01-000	EA	Box - Electrical - 2" x 3" x 2.25" - Steel (CSA)
	041953-01-000	FT	Conduit - Convolute Slt - 5" ID
	041953-03-000	FT	Conduit - Convolute Slt - 1" ID
	041953-06-000	FT	Conduit - Convolute Slt - .875" ID
	008353-01-000	EA	Connector - Clamping - 3/8 Cable
	008353-02-000	EA	Connector - Plastic - 3/8" Avg
	058028-01-000	EA	Connector - Pigtail - Clear Nylon
	058331-01-000	EA	Connector - Wire Nut - Red
	008314-01-000	EA	Connector - Wire Nut - Gray
	008054-01-000	EA	Cord - Power - 10-3 30 Amp - 25'
	058054-02-000	EA	Cord - Power - 10-3 30 Amp - 33'
	008052-01-000	EA	Cord - Power - 10-3 30 Amp - 25' (CSA)
	059426-01-000	EA	Match - Power Cord - White
	073626-01-000	EA	Cover - Electrical - Plastic
	008294-01-000	EA	Cover Plate - Blank - Steel 4 x 4 (USA)
	008294-02-000	EA	Cover Plate - Blank - Steel 4 x 4 (CSA)
	074899-01-000	EA	Extension Ring - Electrical Box - 1 1/2"
	074017-02-000	EA	Housing Asm. - 5 Position
	097744-02-000	EA	Housing Asm. - Trailer Pin - 48"
	097746-01-000	EA	Housing Asm. - Trailer Cap
	097745-02-000	EA	Housing Asm. - Trailer Receptacle - 48"
	067109-01-000	EA	Housing - Connector
	008473-01-000	EA	Housing Pin
	008473-02-000	EA	Housing Pin - 15 Position
	008473-03-000	EA	Housing Pin - 9 Position
	008473-05-000	EA	Housing Pin - 6 Position In Line
	008473-06-000	EA	Housing Pin - 6 Position
	008473-08-000	EA	Housing Pin - 4 Position
	008473-09-000	EA	Housing Pin - 3 Position
	008473-10-000	EA	Housing Pin - 2 Position
	008473-01-000	EA	Housing Socket
	008474-02-000	EA	Housing Socket - 15 Position
	008474-03-000	EA	Housing Socket - 9 Position
	008474-06-000	EA	Housing Socket - 6 Position
	008474-08-000	EA	Housing Socket - 4 Position
	008474-09-000	EA	Housing Socket - 3 Position
	003910-01-000	EA	Housing - Relay
	008475-01-000	EA	Pin - Connector
	075736-01-000	EA	Receptacle/Cover Asm. - Grey (Exterior)
	084077-01-000	EA	Receptacle Cover - Ivory (Ground Fault Interrupter)
	094077-02-000	EA	Receptacle Cover - Brown (Ground Fault Interrupter)
	008476-01-000	EA	Receptacle - 15 Amp - 125 Volt - Ivory (Ground Fault Interrupter)
	008476-02-000	EA	Receptacle - 15 Amp - 125 Volt - Brown (Ground Fault Interrupter)
	058768-01-000	EA	Receptacle - Duplex - Brown
	058768-02-000	EA	Receptacle - Duplex - Ivory
	024924-02-000	EA	Receptacle - Power Cord
	058767-01-000	EA	Receptacle - Single - Brown
	007940-01-000	EA	Receptacle - Slide - 16 to 12 Awg.
	008473-01-000	EA	Relay - Battery Disconnect
	008476-01-000	EA	Socket - Connector
	044086-01-01A	EA	Switch Plate - Single Gang - Black
	001066-02-000	EA	Switch Plate - 2 Gang - 2 Switch
	079362-04-000	EA	Switch Plate - 4 Gang - 2 Switch
	079363-03-000	EA	Switch Plate - Single w/Switch - Polished Brass

ELECTRICAL GROUP (CONTINUED)

WIRES, SWITCHES & RECEPTACLES (CONT.)

Key	Part Number	U/M	Description
	079364-01-000	EA	Switch - ON/OFF Rocker - Brown
	079364-03-000	EA	Switch - ON/OFF - Rocker
	008195-01-000	EA	Switch - Push Button - 12 Volt
	076759-01-000	EA	Switch - SPST - Lock/Lock
	076759-03-000	EA	Switch - SPST - Lock/Lock/Lock
	076759-04-000	EA	Switch - SPDT - Mom/Lock/Mom
	076759-05-000	EA	Switch - SPDT - Lock/Lock/Mom
	076759-06-000	EA	Switch - Dummy
	076759-07-000	EA	Switch - SPST - Mom/Off/Lock
	076759-09-000	EA	Switch - SPDT - Lock/Lock
	073937-03-000	EA	Switch - Rotary - 3 Deck - A/C Select
	035416-04-000	EA	Terminal Ring - #10 Stud Fit
	008328-01-000	EA	Terminal Ring - 12/10 Wire
	008348-01-000	EA	Terminal Ring - 2 - 3/8 Stud
	008331-01-000	EA	Terminal Ring - 4 - 3/8 Stud
	062036-02-000	EA	Terminal - Pack - Con - 16/14 ANG
	086777-04-000	EA	Wallplate - Antenna Power - Brown
	076319-08-000	EA	Wallplate/Receptacle - Ivory
	008026-01-000	FT	Wire - 12/2 Romex w/Ground
	008026-02-000	FT	Wire w/Ground - Romex - 12/2
	008343-01-000	EA	Wire Tie - 6"
	008343-02-000	EA	Wire Tie - 14"

FUSES & CIRCUIT BREAKERS

Key	Part Number	U/M	Description
	062901-02-000	EA	Fuse - 5 Amp - Automotive
	062901-05-000	EA	Fuse - 15 Amp - Automotive
	008211-01-000	EA	Circuit Breaker - 6 Amp - 12 Volt
	093654-01-000	EA	Circuit Breaker - 6 Amp - 12 Volt
	093654-02-000	EA	Circuit Breaker - 15 Amp - 12 Volt
	008779-01-000	EA	Circuit Breaker - 15 Amp
	083210-02-000	EA	Circuit Breaker - 15 Amp - 120 Volt (Ground Fault Interrupter)
	083209-02-000	EA	Circuit Breaker - 15/15 Amp - 120 Volt
	093209-03-000	EA	Circuit Breaker - 15/20 Amp - 120 Volt
	093654-03-000	EA	Circuit Breaker - 20 Amp - 12 Volt
	083209-05-000	EA	Circuit Breaker - 20 Amp - 120 Volt
	093655-01-000	EA	Circuit Breaker - 25 Amp - 12 Volt
	093655-02-000	EA	Circuit Breaker - 30 Amp - 12 Volt
	083209-06-000	EA	Circuit Breaker - 30/15 Amp - 120 Volt
	093655-03-000	EA	Circuit Breaker - 40 Amp - 12 Volt

MISCELLANEOUS ELECTRICAL COMPONENTS

Key	Part Number	U/M	Description
	063739-01-000	EA	Battery - 12 Volt - 80 Amp - Gould
	036420-02-000	EA	Fan - Defroster - 6" - 2 Speed (Option 36N)
	089294-01-000	EA	Lighter Asm. - Cigarette
	072852-01-000	EA	Smoke Detector w/9 Volt Battery
	092515-01-000	EA	Converter - 40 Amp. w/Charger
	089326-01-000	EA	Grillo Floor - Converter
	051912-01-000	EA	Transformer - Dry Control (Export)
	094899-01-000	EA	Load Center - 240 Volt - 125 Amp (Export)
	093674-01-000	EA	Plate - Push Button Circuit Breaker
	092547-01-000	EA	Label - Circuit Breaker Plate

**1989 ITASCA
TABLE OF CONTENTS**

ICN28RU	A-01 - D-16
ICJN31RT	D-17 - H-10
ICJN36RQ	H-09 - K-21

1989 IC/JN36RQ INDEX

Floor Plan	H-09 - H-10
Accessories Group	H-11 - H-16
Bath Group	H-17 - H-18
Chassis Group	H-19 - I-05
Curtain, Cushion & Pad Group	I-06 - I-16
Dinette Group	I-17 - I-18
Driver's Compartment Group	I-19 - J-01
Electrical Group	J-02 - J-05
Exterior Body Group	J-06 - J-13
Galley Group	J-14 - J-16
Heating & Air Conditioning Group	J-17 - J-19
Interior Finish Group	J-20 - J-21
LP Group	J-22
Lounge Group	J-23 - K-02
Water & Sewage Group	K-03 - K-05
Window, Vent & Exterior Door Group	K-06 - K-21

ELECTRICAL GROUP (CONTINUED)

INTERIOR LIGHTS & BULBS

Key	Part Number	U/M	Description
	065202-03-000	EA	Lamp Asm. - Wall Decor - Brass & Cream
	065201-02-000	EA	Shade - Wall Lamp - Parchment
	067479-01-000	EA	Bulb - Wall Lamp
	082686-01-000	EA	Lamp - Table - Brass/Wood
	082686-06-000	EA	Shade - Table Lamp
	033502-02-000	EA	Dome Light - 1 Bulb - Ivory (US)
	033506-03-000	EA	Dome Light - 1 Bulb - Ivory (CSA)
	033509-02-000	EA	Dome Light - 2 Bulb - Ivory (US)
	033509-03-000	EA	Dome Light - 2 Bulb - Ivory (CSA)
	0177013-19-179	EA	Switch - Dome Light
	008218-01-000	EA	Bulb - Dome Light
	088424-04-000	EA	Shroud - Ceiling Light - Double - Off White
	078424-02-000	EA	Light Asm. - Fluorescent - 12V - 18" - Almond (Galley)
	078424-02-701	EA	Lens - Fluorescent Light - 18"
	078424-02-700	EA	Bulb - Fluorescent Light - 12V - 18"
	061424-01-000	EA	Light Asm. - 12V - Rectangular - Aisle
	008103-01-000	EA	Bulb - Aisle Light
	0688937-04-000	EA	Light Asm. - Surface - No Switch (Shower)
	008215-01-000	EA	Bulb - Light - #1003
	086280-01-000	EA	Light - Surface Mount - 12 V
	081633-01-000	EA	Light Asm. - Make-Up (US)
	081633-02-000	EA	Light Asm. - Make-Up (CSA)
	081633-01-700	EA	Bulb - Make-Up Light
	087694-02-000	EA	Light Asm. - Wardrobe w/Switch
	087694-01-700	EA	Bulb - Wardrobe Light
	057359-01-000	EA	Light - Step Well - Round - 12 V
	077026-01-000	EA	Lens - Courtesy Light (Driver's Door)
	077000-01-000	EA	Socket Asm. w/Pigtail
	036196-01-000	EA	Bulb - Courtesy Light
	076788-01-000	EA	Socket - Lamp - Mini - Bayonet (Dash)

BULBS

Key	Part Number	U/M	Description
	068103-01-000	EA	Bulb - 53 (Aisle Light)
	036196-01-000	EA	Bulb - 194 (Courtesy & Clearance Lights)
	077096-01-700	EA	Bulb - 912 (Stove Hood)
	008215-01-000	EA	Bulb - 1003 (Shower Light)
	067479-01-000	EA	Bulb - 1076 (Wall Lamp)
	063914-01-000	EA	Bulb - 1139 (Reading Light)
	068218-01-000	EA	Bulb - 1141 (Dome Light)
	037934-01-000	EA	Bulb - 1156 (Back-Up Light)
	037935-01-000	EA	Bulb - 1157 (Tail Lamp)
	081633-01-700	EA	Bulb - Make-Up Light
	084860-01-706	EA	Bulb - DC Light (Refrigerator)
	008217-01-716	EA	Bulb - 30W (Microwave Oven)
	078424-02-700	EA	Bulb - Fluorescent - 18" (Galley)
	087694-01-700	EA	Bulb - GE561 (Wardrobe Light)

EXTERIOR BODY GROUP

LABELS & EXTERIOR PAINT

Key	Part Number	U/M	Description
	091243-01-000	EA	Label - Air Conditioner Cover
	074983-01-000	EA	Label - Air Conditioner Selector
	087236-01-000	EA	Label - Cable - Input
	065748-01-000	EA	Label - Caution - Battery Changing
	087237-01-000	EA	Label - Certification
	093237-08-000	EA	Label - Circuit Breaker - Front
	096506-01-000	EA	Label - Compartment Not Sealed
	095721-01-000	EA	Label - Control Center - w/Microwave Option
	095721-03-000	EA	Label - Control Center
	094674-01-000	EA	Label - Door Load
	006195-01-000	EA	Label - Electrical Test
	047731-01-000	EA	Label - Emergency Exit
	006199-01-000	EA	Label - Exit - Escape Window
	094675-01-000	EA	Label - Exterior Light Service
	061417-01-000	EA	Label - Fuel
	087207-02-000	EA	Label - Fuel Cap Removal
	094622-01-000	EA	Label - Fuel Pump - Power
	093234-01-000	EA	Label - Fuse Holder - Upper
	093235-01-000	EA	Label - Fuse Holder - Lower
	006196-01-000	EA	Label - Gas Test
	054531-01-000	EA	Label - LP Gas Only
	073998-01-000	EA	Label - LPG Odor Warning
	040944-01-000	EA	Label - Open - Entrance Door
	006031-01-000	EA	Label - Potable Water Only
	056259-01-000	EA	Label - Safety Check List
	006064-01-000	EA	Label - Seat - w/o Seat Belts
	006187-01-000	EA	Label - Sewage
	079966-01-000	EA	Label - Warning - Stowed Motion
	077956-01-000	EA	Label - Warning - Smoke Detector
	075221-01-000	EA	Label - Trailer Hitch Capacity
	075221-03-000	EA	Label - Trailer Hitch Capacity
	011224-02-000	EA	Label - Trailer Lighting
	078236-02-000	EA	Label - TV Outlet
	090342-01-000	EA	Label - Vapor Relief
	075220-01-000	EA	Label - Warning - Exterior Load Limit
	050225-01-000	EA	Label - Warning - Stove Vent - US
	006197-01-000	EA	Label - Water Test
	006062-01-000	EA	Tag - Electrical - 110 Volt Connection
	006040-01-000	EA	Tag - Gas - Refueling Warning (US)
	006040-02-000	EA	Tag - Gas - Refueling Warning (CSA)
	006019-01-000	EA	Tag - RVI Approved - Plastic
	044486-03-000	EA	Paint - Beige Acrylic Enamel - 16 oz. Aerosol (DuPont #7633A)
	045681-03-000	EA	Paint - Gloss Black - Acrylic Enamel - 16 oz. Aerosol (DuPont #99)
	074559-01-000	EA	Label "LPG" 3.3" x 1.75" (Calif. Code)

MISCELLANEOUS EXTERNALLY MOUNTED PARTS

Key	Part Number	U/M	Description
	083558-03-000	EA	Plumbing Seal - Roof Vent - 1 1/2" - Covered
	009126-01-000	EA	Assist Handle - Chrome
	087659-04-000	EA	Fill - City Water - Recessed - Off White
	087659-01-700	EA	Water Fill - Cap & Strap Only
	069362-03-000	EA	Brace - Floor to Valance - 13.21"
	069326-02-000	EA	Bumper - Black - .88" x 40"
	083615-06-000	EA	Door Stop - Off White Plastic
	075736-02-000	EA	Receptacle/Cover Asm. - Off White
	091270-01-000	EA	Hose - Rival - 50'
	0083805-06-000	EA	Trim Cap - Roof - Off White

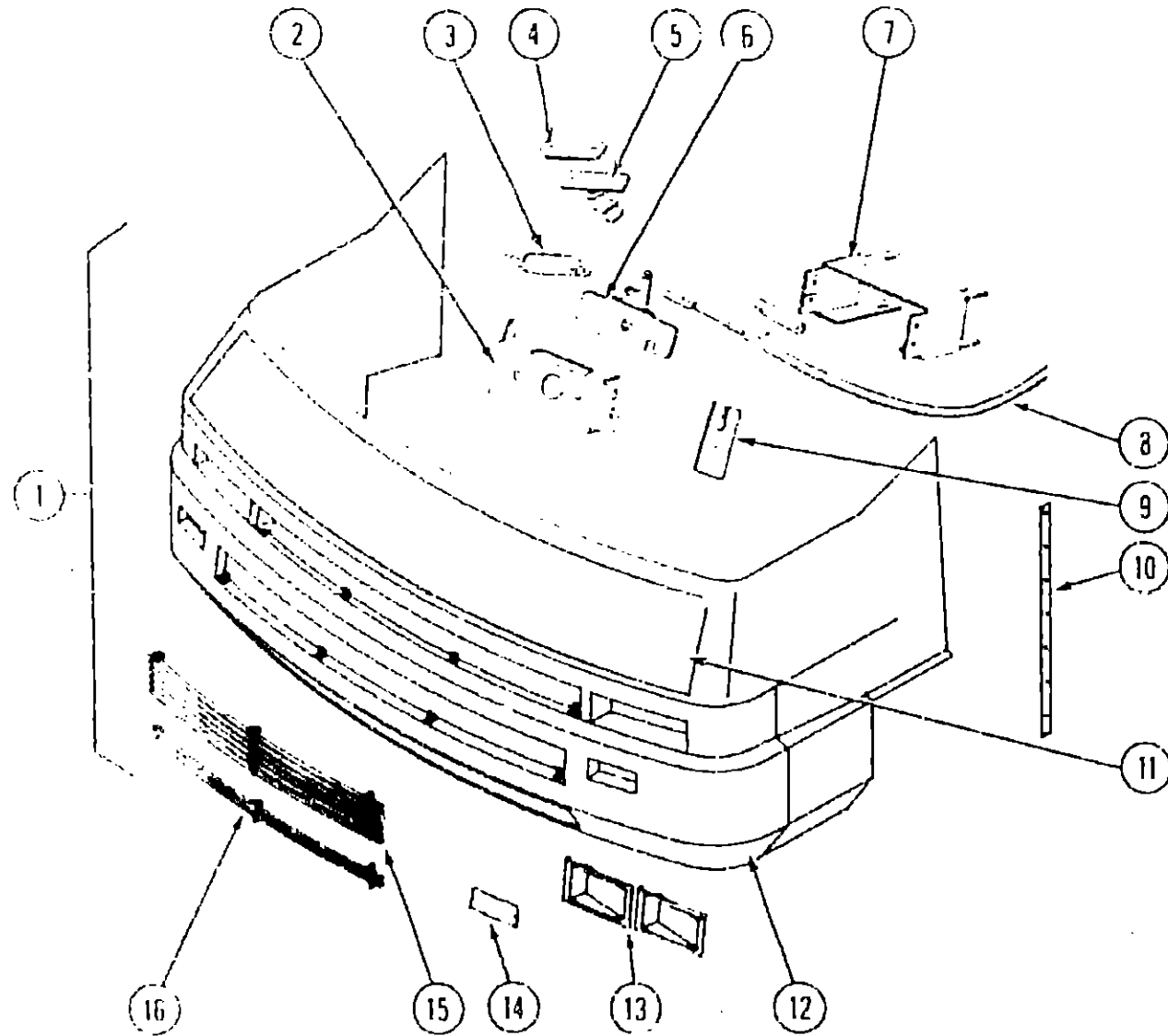
**1989 ITASCA
TABLE OF CONTENTS**

ICN28RU	A-01 - D-16
IC/JN31RT	D-17 - H-10
IC/JN36RQ	H-09 - K-21

1989 IC/JN36RQ INDEX

Floor Plan	H-09 - H-10
Accessories Group	H-11 - H-16
Bath Group	H-17 - H-18
Chassis Group	I-19 - I-05
Curtain, Cushion & Pad Group	I-05 - I-16
Dinette Group	I-17 - I-18
Driver's Compartment Group	I-19 - J-01
Electrical Group	J-02 - J-05
Exterior Body Group	J-06 - J-13
Galley Group	J-14 - J-16
Heating & Air Conditioning Group	J-17 - J-19
Interior Finish Group	J-20 - J-21
LP Group	J-22
Lounge Group	J-23 - K-02
Water & Sewage Group	K-03 - K-05
Window, Vent & Exterior Door Group	K-06 - K-21

EXTERIOR BODY GROUP (CONTINUED)



Key	Part Number
1	M01115-21-Y33
2	073336-02-000
3	R77002-38-499
4	R77006-68-172
5	R77007-31-950
6	R77007-51-429
7	073342-01-000
8	077064-01-000
9	077407-01-000
	077406-01-000
	091955-01-000
	091952-01-000
	093527-01-000
10	096204-01-01A
11	092672-01-Y33
	058786-02-000
	076716-01-000
	093851-01-Y35
	093651-02-Y35
	094060-02-000
	062628-01-000
	076767-02-000
12	M93846-01-Y35
	093085-01-000
13	091839-02-01A
	091839-01-01A
	091230-02-000
	053749-02-000
14	076345-01-000
	084901-01-000
15	093004-01-Y33
16	093005-01-Y33

Key	Part Number
	044487-01-001
	000868-01-000
	000870-01-000
	000870-03-000
	000970-05-000
	083574-01-000
	084882-13-000
	077517-52-000

EXTERIOR BODY GROUP (CONTINUED)

EXTERIOR BODY PANELS & HARDWARE

U/M	Description
EA	Panel Asm. - Front Shroud (includes access panel)
EA	Bracket - Mounting Latch
EA	Spring - Hood Release
EA	Shim - Spacer Plate
EA	Striker & Spring - Hood Latch
EA	Latch Asm. - Hood
EA	Bracket Asm. - Hood Latch
EA	Cable - Hood Release - w/Clamp
EA	Bracket - Hood Cable Release (mounts under the hood)
EA	Bracket - Hood Cable Release (mounts under the dash)
EA	Squeegee - Extended Handle
EA	Clip - 1" Gripper
EA	Bracket - Squeegee
EA	Trim - "J" Molding - Beige
EA	Access Panel Asm. - Hood
EA	Hood Bolt Adjusting
EA	Bracket Asm. - Striker Latch
EA	Hinge Asm. - Hood - Passenger
EA	Hinge Asm. - Hood - Driver
EA	Rod Asm. - Prop
EA	Clip - Prop Rod
EA	Cable Asm. - 1/16" x 16.5" - Stainless Steel
EA	Bumper Asm. - Off White
EA	Bracket - License Plate
EA	Bezel - Headlamp - Driver
EA	Bezel - Headlamp - Passenger
EA	Screw - Headlamp Bezel - 3.32 x 3/4 POH
EA	Mounting Asm. - Headlamp
EA	Lens Asm. - Park/Turn - Amber
EA	Lamp Asm. - Park/Turn
EA	Grille Asm. - 5 Bar
EA	Grille Asm. - 2 Bar

SHEET FIBERGLASS, ALUMINUM & STYROFOAM

U/M	Description
EA	Aluminum - Mill Finish - No Design (Roof) - 96" x 360"
SF	Styrofoam - 3/4" x 24" x 96"
SF	Styrofoam - 1 1/2" x 24" x 96"
SF	Styrofoam - 1.34" x 48" x 96"
SF	Styrofoam - .50" x 24" x 96"
SF	Styrofoam - 1.5" x 24" x 85.25"
EA	Fiberglass/Mendle Board Sheet - 83.3" x 282.2"
EA	Fiberglass Sheet - 29.69" x 27.88"

1989 ITASCA
TABLE OF CONTENTS

ICN28RU
IC/JN31RT
IC/JN36RQ

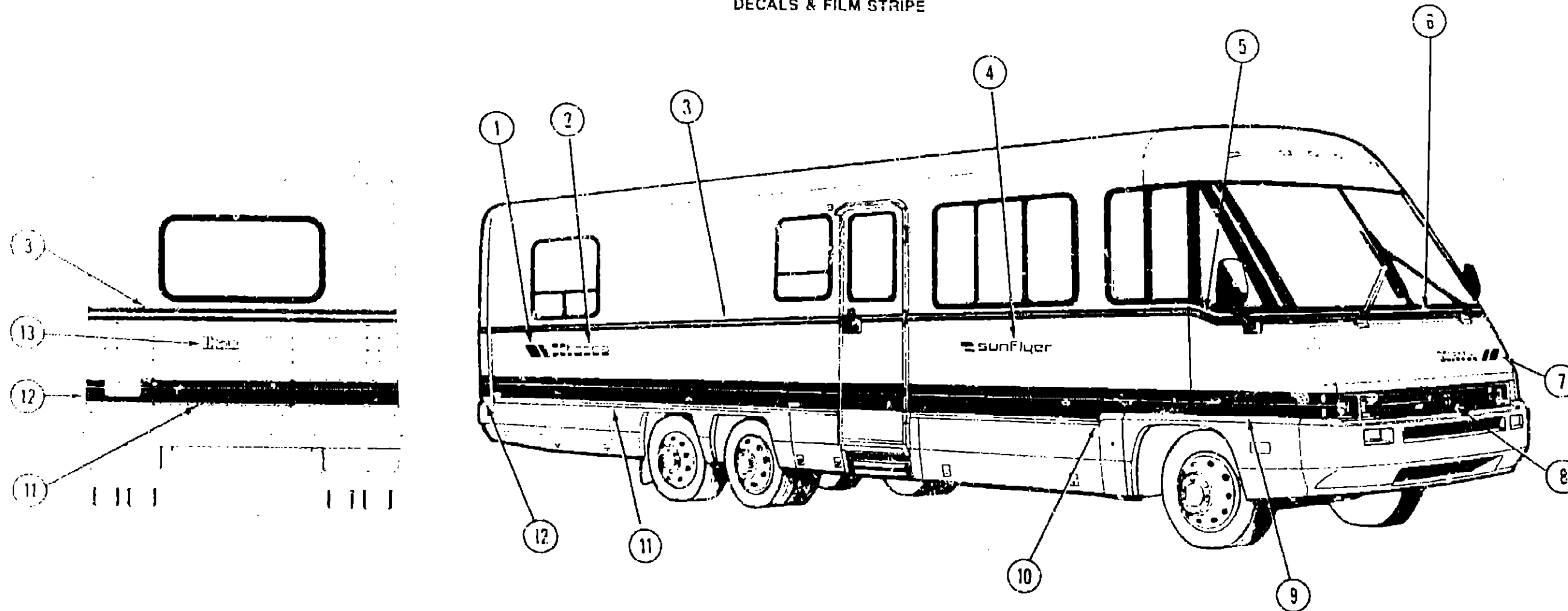
A-01 - D-16
D-17 - H-10
H-09 - K-21

1989 IC/JN36RQ INDEX

Floor Plan	H-09 - H-10
Accessories Group	H-11 - H-16
Bath Group	H-17 - H-18
Chassis Group	H-19 - I-05
Curtain, Cushion & Pad Group	I-06 - I-10
Dinette Group	I-17 - I-18
Driver's Compartment Group	I-19 - J-01
Electrical Group	J-02 - J-05
Exterior Body Group	J-06 - J-13
Galley Group	J-14 - J-16
Heating & Air Conditioning Group	J-17 - J-19
Interior Finish Group	J-20 - J-21
LP Group	J-22
Lounge Group	J-23 - K-02
Water & Sewage Group	K-03 - K-05
Window, Vent & Exterior Door Group	K-06 - K-21

EXTERIOR BODY GROUP (CONTINUED)

DECALS & FILM STRIPE



1989 ITASCA
TABLE OF CONTENTS

ICN28RU
IC/JN31RT
IC/JN35RO

A-01 - D-16
D-17 - H-16
H-09 - K-21

1989 IC/JN36RQ INDEX

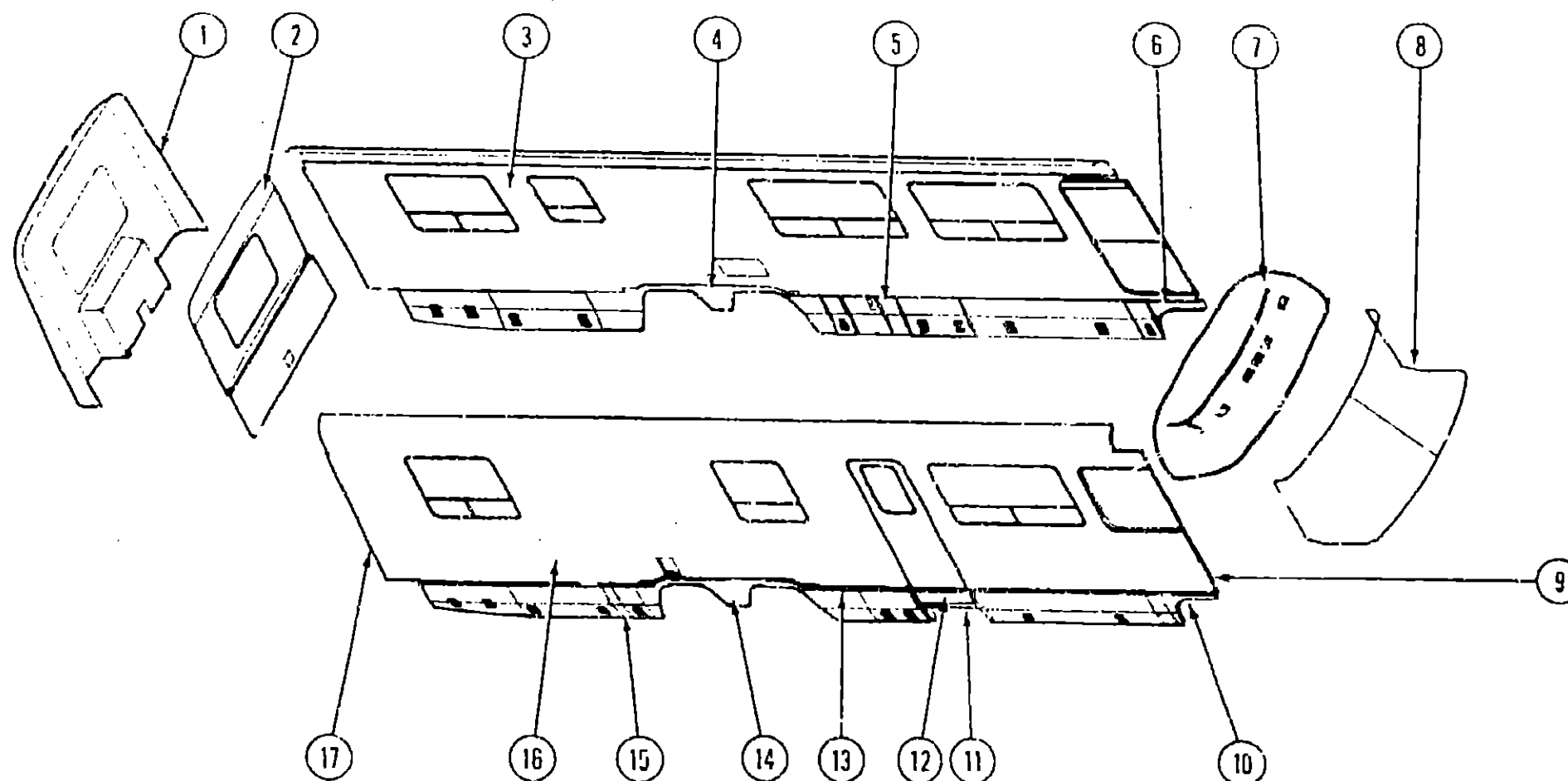
Floor Plan	H-09 - H-10
Accessories Group	H-11 - H-16
Bath Group	H-17 - H-18
Chassis Group	I-19 - I-05
Curtain, Cushion & Pad Group	I-06 - I-16
Dinette Group	I-17 - I-18
Driver's Compartment Group	I-19 - J-01
Electrical Group	J-02 - J-05
Exterior Body Group	J-06 - J-13
Galley Group	J-14 - J-16
Heating & Air Conditioning Group	J-17 - J-19
Interior Finish Group	J-20 - J-21
LP Group	J-22
Lounge Group	J-23 - K-02
Water & Sewage Group	K-03 - K-05
Window, Vent & Exterior Door Group	K-06 - K-21

Key	Part Number	U/M	Description
1	093795-01-01A	EA	Decal - Angle - Right - Black/Blue/Peach (Y35)
1	093795-01-02A	EA	Decal - Angle - Right - Black/Brown/Green (Y36, Y37)
1	093795-02-01A	EA	Decal - Angle - Left - Black/Blue/Peach (Y35)
1	093795-02-02A	EA	Decal - Angle - Left - Black/Brown/Green (Y36, Y37)
2	078852-11-00C	EA	Decal - Logo - "Itasca" - Blue/Black (Y35)
2	078852-12-00D	EA	Decal - Logo - "Itasca" - Green/Black (Y36, Y37)
3	093689-02-01A	FT	Film - Multistripe - 150' - Blue/Peach (Y35)
3	093689-02-02A	FT	Film - Multistripe - 150' - Green/Brown (Y36, Y37)
4	093797-01-01A	EA	Decal - Logo - "Sunflyer" w/Angle - Black/Blue/Peach (Y35)
4	093797-01-02A	EA	Decal - Logo - "Sunflyer" w/Angle - Black/Green/Brown (Y36, Y37)
4	093797-02-01A	EA	Decal - Logo - "Sunflyer" w/Angle - Black/Blue/Peach (Y35)
4	093797-02-02A	EA	Decal - Logo - "Sunflyer" w/Angle - Black/Green/Brown (Y36, Y37)
5	093798-01-01A	EA	Decal - Right Front Corner - Blue/Peach (Y35)
5	093798-01-02A	EA	Decal - Right Front Corner - Green/Brown (Y36, Y37)
5	093798-02-01A	EA	Decal - Left Front Corner - Blue/Peach (Y35)
5	093798-02-02A	EA	Decal - Left Front Corner - Green/Brown (Y36, Y37)
6	093798-03-01A	FT	Film - Multistripe - Hood - Blue/Peach (Y35)
6	093798-03-02A	FT	Film - Multistripe - Hood - Green/Brown (Y36, Y37)

Key	Part Number	U/M	Description
7	093789-01-02A	EA	Decal - Logo "Itasca" w/Angle - Black/Blue/Peach/Blue (Y35)
7	093789-01-01A	EA	Decal - Logo "Itasca" w/Angle - Black/Green/Green/Brown (Y36, Y37)
8	093790-01-01A	EA	Decal - Logo - "I"
9	093689-04-01A	FT	Film - Multistripe - Peach/Blue (Y35)
9	093689-04-02A	FT	Film - Multistripe - Brown/Green (Y36, Y37)
10	093797-01-01A	EA	Decal - Transition - Right - Blue/Peach (Y35)
10	093797-01-02A	EA	Decal - Transition - Right - Brown/Green (Y36, Y37)
	093797-02-01A	EA	Decal - Transition - Left - Peach/Blue (Y35)
	093797-02-02A	EA	Decal - Transition - Left - Brown/Green (Y36, Y37)
11	093689-05-01A	FT	Film - Multistripe - Peach/Blue (Y35)
11	093689-05-02A	FT	Film - Multistripe - Brown/Green (Y36, Y37)
12	093798-01-01A	EA	Decal - Right Rear Corner - Peach/Blue (Y35)
12	093798-01-02A	EA	Decal - Right Rear Corner - Brown/Green (Y36, Y37)
	093798-02-01A	EA	Decal - Left Rear Corner - Peach/Blue (Y35)
	093798-02-02A	EA	Decal - Left Rear Corner - Brown/Green (Y36, Y37)
13	093791-01-01A	EA	Decal - Logo - "Itasca"

EXTERIOR BODY GROUP (CONTINUED)

EXTERIOR BODY PANELS & TRIM



1989 ITASCA
TABLE OF CONTENTS

ICN28RU
IC/JN31RT
IC/JN36RO

A-01 - D-16
D-17 - H-10
H-09 - K-21

1989 IC/JN36RQ INDEX

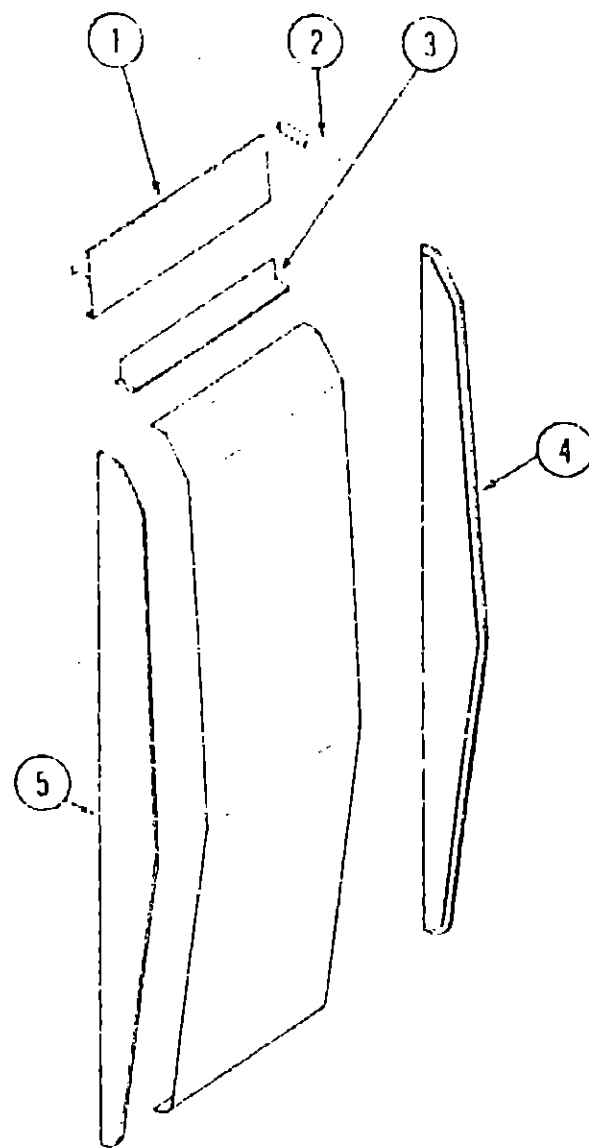
Key	Part Number	U/M	Description
1	M03491-01-Y33	EA	Rear Cap Asm. - Off White (Chevrolet)
1	M03491-02-Y35	EA	Rear Cap Asm. - Off White (John Deere)
2	M03911-01-Y35	EA	Backwall Asm. - Upper (Twin Bed) (Option 44A)
2	M03911-02-Y35	EA	Backwall Asm. - Upper (Queen Bed)
3	M03912-02-Y12	EA	Backwall Asm. - Lower (w/Queen Bed)
3	M03912-01-Y12	EA	Backwall Asm. - Lower (w/Twin Bed)
4	M94063-01-Y35	EA	Sidewall Asm. - Driver
5	M94064-01-Y36	EA	Sidewall Asm. - Driver
5	M94064-01-Y37	EA	Sidewall Asm. - Driver
6	094619-02-Y35	EA	Wheel Lip - Rear - Driver
7	093022-06-Y35	EA	Valance Asm. - Body Panel
8	092589-02-01A	EA	Wheel Lip Asm. - Front - Driver
9	M02959-05-Y10	EA	Front Cap Asm.
10	091986-01-000	EA	Reveal Molding
10	090204-01-02A	EA	Trim - "J" Molding
10	092589-01-01A	EA	Wheel Lip Asm. - Front - Passenger

Key	Part Number	U/M	Description
11	093022-01-Y33	EA	Valance Asm. - Step
12	093022-01-01A	FT	Body Molding - Entrance Door
13	093022-01-01A	FT	Body Molding - Off White
13	094362-02-000	EA	Clip - X-Mas - Flat Head
14	094619-01-Y35	EA	Wheel Lip Asm. - Rear - Off White
15	M94063-01-Y35	EA	Sidewall Asm. - Passenger
15	M94063-01-Y36	EA	Sidewall Asm. - Passenger
15	M94063-01-Y37	EA	Sidewall Asm. - Passenger
16	093022-02-Y33	EA	Valance Asm. - Body Panel
17	092041-01-02A	EA	Trim - Rear Cap to Sidewall - Off White
	091985-01-01A	FT	Trim Insert - Off White
	M94378-02-Y35	EA	Roof Asm.
	091041-01-01A	EA	Bumper End Cap - Front - Passenger
	091041-02-01A	EA	Bumper End Cap - Front - Driver
	092251-01-01A	EA	Bumper End Cap - Rear - Passenger
	092251-02-01A	EA	Bumper End Cap - Rear - Driver

See the following page for the breakdown of this item.

Floor Plan	H-09 - H-10
Accessories Group	H-11 - H-16
Bath Group	H-17 - H-18
Chassis Group	H-19 - I-05
Curtain, Cushion & Pad Group	I-06 - I-16
Dinette Group	I-17 - I-18
Driver's Compartment Group	I-19 - J-01
Electrical Group	J-02 - J-05
Exterior Body Group	J-06 - J-13
Galley Group	J-14 - J-16
Heating & Air Conditioning Group	J-17 - J-19
Interior Finish Group	J-20 - J-21
LP Group	J-22
Lounge Group	J-23 - K-02
Water & Sewage Group	K-03 - K-05
Window, Vent & Exterior Door Group	K-06 - K-21

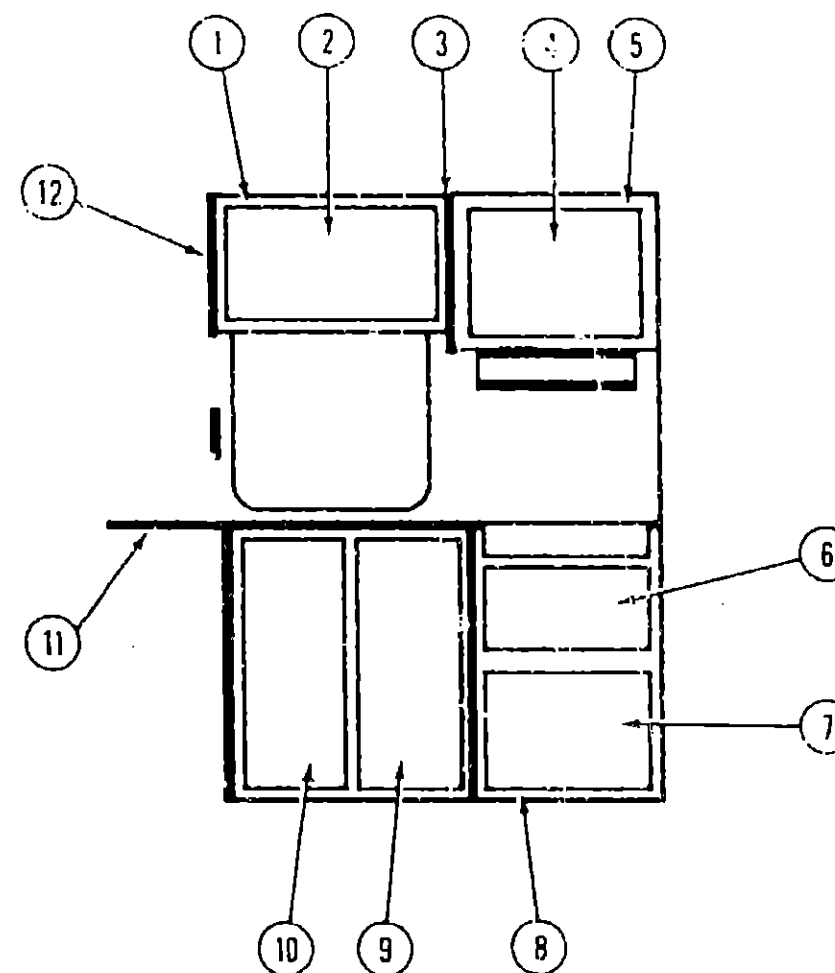
EXTERIOR BODY GROUP (CONTINUED)



VALANCE PANEL ASM.

Key	Part Number	U/M	Description
1	092301-01-01A	EA	Body Molding - Off White
2	094362-02-000	EA	Clip - X-Mas - Flat Head
3	094355-01-01A	EA	Trim - Valance to Sidewall
4	092690-01-01A	EA	End Cap - Valance Panel - Right
5	092690-02-01A	EA	End Cap - Valance Panel - Left
	095023-01-000	EA	Support Asm. - Valance

GALLEY GROUP



GALLEY CABINETRY

Key	Part Number	U/M	Description
1	M92078-01-Y10	EA	Cabinet Asm. - Galley Overhead - w/o Doors or Hardware
2	M88304-84-X08	EA	Door Asm. - Galley Overhead Cabinet - 14.4" x 26.8" - w/o Hardware
3	092090-02-Y12	EA	End Cap Asm. - Microwave Overhead
4	M88304-A9-X08	EA	Door Asm. - Microwave Overhead - 14.3" x 21.8" - w/o Hardware
5	M94767-02-Y07	EA	Cabinet Asm. - Galley Overhead - w/o Doors or Hardware
6	094767-02-Y12	EA	Cabinet Asm. - Microwave Cabinet - w/o Hardware
7	M82184-11-X36	EA	Drawer Asm. - Galley Cabinet - 13.3" x 21.8" - w/o Hardware
8	M88304-05-X23	EA	Door Asm. - Galley Cabinet - 21.9" x 15.9" - w/o Hardware
9	M03869-02-Y10	EA	Cabinet Asm. - Galley w/Countertop - w/o Doors, Drawers or Hardware
10	M03869-03-Y12	EA	Cabinet Asm. - Galley w/Countertop - w/o Doors, Drawers or Hardware
	092108-11-Y10	EA	Countertop Asm. - Galley Cabinet - w/o Hardware
	058334-01-000	EA	Wastebasket - Vanity - 9 3/4" x 7" x 10" - White
	058478-01-000	EA	Bracket - Wastebasket Support - Door Mount
	094067-01-01A	EA	Drawer Divider - Light Oak
	093288-03-01A	EA	Tray - Silverware Drawer
9	M88304-14-Y12	EA	Door Asm. - Galley Cabinet - 14.4" x 33.5" - w/o Hardware
10	M88304-13-X08	EA	Door Asm. - Galley Cabinet - 14.4" x 33.5" - w/o Hardware
11	080812-02-Y15	EA	Galley Extension Countertop - w/o Hardware
12	092747-01-Y10	EA	End Cap Asm. - Galley Overhead
	074490-01-000	EA	Spice Rack
	092488-01-Y12	EA	Holder - Paper Towel

- Parts used with the Microwave Option.

1989 ITASCA
TABLE OF CONTENTS

ICN28RU
IC/JN31RT
IC/JN36RO

A-01 - D-16
D-17 - H-10
H-09 - K-21

1989 IC/JN36RQ INDEX

Floor Plan	H-09 - H-10
Accessories Group	H-11 - H-16
Bath Group	H-17 - H-18
Chassis Group	H-19 - I-05
Curtain, Cushion & Pad Group	I-05 - I-16
Dinette Group	I-17 - I-18
Driver's Compartment Group	I-19 - J-01
Electrical Group	J-02 - J-05
Exterior Body Group	J-06 - J-13
Galley Group	J-14 - J-16
Heating & Air Conditioning Group	J-17 - J-19
Interior Finish Group	J-20 - J-21
LP Group	J-22
Lounge Group	J-23 - K-02
Water & Sewage Group	K-03 - K-05
Window, Vent & Exterior Door Group	K-06 - K-21

GALLEY GROUP (CONTINUED)

GALLEY HARDWARE

Key	Part Number	U/M	Description
	098654-01-000	EA	Sink - Stainless Steel - Double
	096437-01-000	EA	Strainer - w/Basket - Sink
	011053-01-000	EA	Faucet - Swing Spout - 8"
	081530-01-Y35	FA	Cover Asm. - Sink
	056334-01-000	EA	Wastebasket - 9 3/4" x 7" x 10" - White
	056478-01-000	EA	Bracket - Wastebasket Support - Door Mount
	077409-02-000	EA	Drawer Slide - Plastic - 20.75"
	077404-02-000	EA	Drawer Slide - Plastic - 20" x 12.7
	037680-01-000	EA	Drawer Rail - V-Guide
	093283-03-01A	EA	Tray - Silverware - Plastic
	094057-01-01A	EA	Drawer Divider - Plastic
	081646-01-000	EA	Rack - White Wire - Storage
	075451-02-000	EA	Clip - White Wire Storage Rack
	059777-02-000	EA	Hinge - Antique - Light Brass
	081376-01-000	EA	Back Plate - Door Pull - Polished Brass
	088264-01-000	EA	Pull - Door
	073499-01-Y12	EA	Rack Asm. - Spice - Unfinished
	092488-01-Y12	EA	Towel Holder - Paper
	014450-01-000	EA	Level - Refrigerator
	094466-02-000	EA	Slide Asm. - Galley Cabinet Drawer - Right
	094466-03-000	EA	Slide Asm. - Galley Cabinet Drawer - Left

GALLEY APPLIANCES

Key	Part Number	U/M	Description
	091269-03-000	EA	Microwave Oven - Magic Chef
	091269-03-700	EA	Door Panel - Outer
	091269-03-701	EA	Plate - Ceramic - 9 1/2" Round
	091269-03-702	EA	Clip - White - F/Oven Shell
	091269-03-703	EA	Clip - Black - F/Oven Shell
	091750-01-000	EA	Bracket - 90° - Microwave
	094756-01-01A	EA	Bracket - Microwave - Tan
	094039-02-000	EA	Refrigerator - 3-Way Large Double Door
	094039-01-700	EA	P.C. Board Asm.
	094039-01-701	EA	Eye-brow Asm.
	094039-01-702	EA	Upper Door Gasket - Gray
	094039-01-703	EA	Hinge Plate - Left (Brown)
	094039-01-704	EA	Hinge Plate - Left (Black)
	094039-01-705	EA	Upper Door Liner - White (Brown)
	094039-01-706	EA	Upper Door Liner - White (Black)
	094039-01-707	EA	Upper Door Handle Asm. (Brown)
	094039-01-708	EA	Upper Door Handle Asm. (Black)
	094039-01-709	EA	Hinge Plate - Bottom (Brown)
	094039-01-710	EA	Hinge Plate - Bottom (Black)
	094039-01-711	EA	Juice Rack - Gray w/Silver Trim
	094039-01-712	EA	Door Bin - Gray w/Silver Trim
	094039-01-713	EA	Lower Door Gasket - Gray
	094039-01-714	EA	Lower Door Liner - White (Brown)
	094039-01-715	EA	Lower Door Liner - White (Black)
	094039-01-716	EA	Lower Door Handle Asm. (Brown)
	094039-01-717	EA	Lower Door Handle Asm. (Black)
	094039-01-718	EA	Milk Bin - Gray w/Silver Trim
	094039-01-719	EA	Dairy Keeper - Gray w/Silver Trim
	094039-01-720	EA	Cabinet Asm. - Brown Frame w/White Liner
	094039-01-721	EA	Cabinet Asm. - Black Frame w/White Liner
	094039-01-722	EA	Hole Plug - Hinge Holes - Black
	094039-01-723	EA	Hinge Bracket - Top - Black
	094039-01-724	EA	Hinge Bracket - Top - Black

GALLEY GROUP (CONTINUED)

GALLEY APPLIANCES (CONT.)

Key	Part Number	U/M	Description
	094039-01-725	EA	Hinge Pin - Male - Black
	094039-01-726	EA	Evaporator Shell
	094039-01-727	EA	Hinge Bracket - Center Hinge (Brown)
	094039-01-728	EA	Hinge Bracket - Center Hinge (Black)
	094039-01-729	EA	Hinge Pin - Shaft - Center Hinge (Brown)
	094039-01-730	EA	Hinge Pin - Shaft - Center Hinge (Black)
	094039-01-731	EA	Crisper - Gray w/Silver Trim
	094039-01-732	EA	Front Cover - Bottom Trim - Black
	094039-01-733	EA	Wire Shelf - Middle
	094039-01-734	EA	Wire Shelf - Top w/Riser
	094039-01-735	EA	Inside Drip Tray - White
	094039-01-736	EA	Light Switch - Black
	094039-01-737	EA	Power Supply
	094039-01-738	EA	Manual Shut-Off - Harper Wyman
	092696-05-01A	EA	Hood - Range - w/Monitor - Almond
	092696-01-01A	EA	Hood Vent - w/Door
	092696-06-01A	EA	Hood - Range w/Monitor (CSA)
	092696-02-700	EA	Chassis w/Wiring - Almond (CSA)
	092696-01-701	EA	Knob - Plastic
	092696-01-702	EA	Register/Wire Asm.
	092696-01-703	EA	Fuse Holder
	092696-01-704	EA	Switch - Lever Asm. Module
	092696-01-705	EA	Actuator - Rod/Turnbuckle
	092696-01-707	EA	Gasket - Vent
	092696-01-708	EA	Mounting Clip - Vent
	092696-01-709	EA	Lamp #512
	092696-01-710	EA	Holder - Lamp
	092696-01-711	EA	Lens - Lamp
	092696-05-701	EA	Chassis w/Wiring - Almond (US)
	090973-01-700	EA	Motor
	092696-01-717	EA	Mesh Filter
	072351-05-700	EA	Clock Asm.
	079353-01-704	EA	Circuit Board - Tanks
	092696-05-702	EA	Control Panel Asm.
	092696-05-703	EA	Panel - Face Plate
	079353-01-700	EA	Test Connector
	075470-01-702	EA	Switch - On/Off/On - Fan Motor
	075470-01-703	EA	Switch - On/Momentary
	075470-01-705	EA	Switch - On/Off/On - Momentary
	081374-01-000	EA	Range Top - 4 Burner - Almond - w/o Oven (Option 1361A)
	064782-02-700	EA	Top - Main - 4 Burner - Almond
	081374-01-700	EA	Trim - Cab Top - Right
	081374-01-701	EA	Trim - Cab Top - Left
	081374-01-702	EA	Panel - Manifold - Warm Black
	081374-01-703	EA	Trim Top Rear
	081374-01-704	EA	Guard - Fabric
	085280-02-000	EA	Cover - Burner - Bi-Fold - SST (Option 1301A)
	055262-04-000	EA	Range w/Oven - 4 Burner - Almond
	085280-01-000	EA	Cover - Burner - Bi-Fold - SST

**1989 ITASCA
TABLE OF CONTENTS**

ICN28RU	A-01 - D-16
IC/JN31RT	D-17 - H-10
IC/JN36RQ	H-09 - K-21

1989 IC/JN36RQ INDEX

Floor Plan	H-09 - H-10
Accessories Group	H-11 - H-16
Bath Group	H-17 - H-18
Chassis Group	H-19 - I-05
Curtain, Cushion & Pad Group	I-06 - I-16
Dinette Group	I-17 - I-18
Driver's Compartment Group	I-19 - J-01
Electrical Group	J-02 - J-05
Exterior Body Group	J-06 - J-13
Galley Group	J-14 - J-16
Heating & Air Conditioning Group	J-17 - J-19
Interior Finish Group	J-20 - J-21
LP Group	J-22
Lounge Group	J-23 - K-02
Water & Sewage Group	K-03 - K-05
Window, Vent & Exterior Door Group	K-06 - K-21

HEATING & AIR CONDITIONING GROUP

HEATING & AIR CONDITIONING GROUP (CONTINUED)

FURNACE & REPAIR PARTS

Key	Part Number	U/M	Description
	092300-03-000	EA	Furnace - 34,000 BTU - Below the Floor - Suburban
	092300-01-700	EA	Cabinet
	092300-01-701	EA	Cabinet Front
	092300-01-702	EA	Thermostat
	092300-02-700	EA	Combustion Chamber Asm
	092300-01-704	EA	Gasket - Electrode
	092300-01-705	EA	Electrode
	092300-01-706	EA	Door - Burner - Access
	092300-01-707	EA	Gasket - Burner Access Door
	092300-01-708	EA	Limit Switch
	092300-01-709	EA	Module Board
	092300-01-710	EA	Relay - Time Delay
	092300-01-711	EA	Vent Cap Asm
	092300-01-712	EA	Burner Asm
	092300-03-700	EA	Orifices - Main Burner
	092300-01-714	EA	Gasket - Manifold
	092300-01-715	EA	Manifold Asm.
	092300-01-716	EA	Valve
	092300-01-717	EA	Wire Asm. (Power Supply)
	092300-01-718	EA	Elbow - 90°
	092300-01-719	EA	Valve - Manual Shut-Off
	092300-01-720	EA	Wheel - Room Air
	092300-01-721	EA	Blower Housing Asm.
	092300-02-702	EA	Microswitch Asm.
	092300-03-701	EA	Motor Asm.
	092300-01-724	EA	Gasket - Motor Mount
	092300-03-702	EA	Housing - Combustion Air Asm
	092300-01-726	EA	Wheel - Combustion Air
	092300-01-727	EA	Gasket - Combustion Air Housing
	092300-01-728	EA	Housing - Combustion Air (Outside)
	094600-01-02A	EA	Register - Heat - w/o Damper
	094600-02-02A	EA	Register - Heat - w/Damper
	090198-01-000	FT	Duct - Flexible - 4" ID x 25'
	090200-01-000	EA	Tape - Furnace - 1 1/2"

ROOF AIR CONDITIONER & PARTS

Key	Part Number	U/M	Description
	092763-01-000	EA	Ceiling Asm. - Air Conditioner - Cool Only (Option 29)
	092441-01-000	EA	Ceiling Asm. - Air Conditioner - 220 Volt (European) (Option 29)
	093763-01-04A	EA	Air Conditioner - 110 Volt - Roof Mount - 13,500 BTU - Off White (Option 29)
	093763-04-700	EA	Shroud - Ivory/Charcoal
	093763-01-705	EA	Decal - Heat/Cool Thermostat
	093763-01-711	EA	Gasket - Package
	093763-01-712	EA	Fan Blade - Condenser
	093396-01-701	EA	Decal Package
	092204-01-709	EA	Thermostat
	073742-02-704	EA	Run Capacitor (Compressor)
	091225-01-710	EA	Start Capacitor
	091225-01-709	EA	Start Relay
	076303-01-712	EA	Motor
	073742-01-701	EA	Selector Switch
	073742-01-702	EA	Decal - Cool
	073742-01-703	EA	Decal - Heat & Cool
	081606-01-708	EA	Switch - Limit
	091225-01-713	EA	Knob
	076303-01-707	EA	Filter (Package of 12)
	091225-01-717	EA	Decal - Thermostat (Cool Only)
	081606-01-712	EA	Ceiling Shroud (Ivory)
	092440-01-000	EA	Air Conditioner - 220 Volt - Roof Mount - 13,500 BTU (European) (Option 29)

AUTOMOTIVE HEATER & AIR CONDITIONING

Key	Part Number	U/M	Description
	091902-02-000	EA	Heater & Duct Control Kit
	091902-01-700	EA	Heat/Defrost Door
	088227-01-711	EA	Crank - Heat/Defrost Door
	091902-01-701	EA	Vacuum Motor
	091902-01-702	EA	A/C - Heat Door
	091902-02-700	EA	Rod - A/C - Heat Door
	072341-01-708	EA	Vacuum Motor
	091902-02-701	EA	Transition Asm. - Hi-Temp
	072341-01-710	EA	Control Head
	072341-01-722	EA	Decal - Control Panel
	072341-01-712	EA	Vacuum Switch
	091902-01-705	EA	Harness & Socket Jumper
	091902-01-706	EA	Cable - Bowden
	091902-01-707	EA	Wire Harness
	091902-01-708	EA	Vacuum Harness
	077052-01-701	EA	Relay
	072341-08-700	EA	Reservoir - Vacuum
	091902-01-709	EA	Grille - Return Air
	091902-02-702	EA	Bracket - Plenum Mount
	091902-02-703	EA	Grille
	088227-02-000	EA	Evaporator Asm. - A/C
	091902-02-703	EA	Grille
	088227-01-700	EA	Door Asm.
	088227-01-701	EA	Crank - Mixing Door Rod
	088227-01-702	EA	Heater Core Asm.
	088227-01-703	EA	Evaporator Core Asm
	088227-01-704	EA	Valve - Expansion Block
	072342-03-708	EA	"C" Ring - #8
	072342-03-709	EA	"O" Ring - #10
	072342-03-717	EA	"O" Ring - #6
	088227-02-700	EA	Drain Tube Asm
	088227-02-701	EA	Bracket - Bowden Cable Mounting
	072342-03-705	EA	"O" Ring - Special
	072341-01-707	EA	Thermostat
	088227-01-707	EA	Resistor - Fused A/C
	088227-01-708	EA	Motor - Blower
	088227-01-709	EA	Wheel - Required Balancing
	088227-02-702	EA	Door Asm.
	088227-01-711	EA	Crank - Mixing Door
	072341-01-708	EA	Motor - Vacuum
	088227-02-703	EA	#10 Hose - Suction
	088227-02-704	EA	Bracket - Vacuum Motor
	088227-02-705	EA	Hose - Liquid
	072341-04-702	EA	Relay
	091930-02-000	EA	Duct Kit - Defroster w/o Side Outlet
	088744-01-000	EA	A/C Complete - Mount & Drive Package (John Deere)
	072342-07-000	EA	Condenser Asm. (John Deere)
	072343-06-000	EA	Compressor/Clutch (John Deere)
	069636-02-000	EA	Connector - 4" Duct
	007108-01-000	FT	Hose - Heater - 5/8" ID SAE
	007281-01-000	EA	Hose - Flexible - 2.5" ID

**1989 ITASCA
TABLE OF CONTENTS**

ICN28RU	A-01 - D-16
IC/JN31RT	D-17 - H-10
IC/JN36RQ	H-09 - K-21

1989 IC/JN36RQ INDEX

Floor Plan	H-09 - H-10
Accessories Group	H-11 - H-16
Bath Group	H-17 - H-18
Chassis Group	H-19 - I-05
Curtain, Cushion & Pad Group	I-06 - I-16
Dinette Group	I-17 - I-18
Driver's Compartment Group	I-19 - J-01
Electrical Group	J-02 - J-05
Exterior Body Group	J-06 - J-13
Galley Group	J-14 - J-16
Heating & Air Conditioning Group	J-17 - J-19
Interior Finish Group	J-20 - J-21
LP Group	J-22
Lounge Group	J-23 - K-02
Water & Sewage Group	K-03 - K-05
Window, Vent & Exterior Door Group	K-06 - K-21

HEATING & AIR CONDITIONING GROUP (CONTINUED)

REAR AUTO HEATER (OPTION 611)

Key	Part Number	U/M	Description
	084405-01-000	EA	Heater Asm - Rear - Ducted
	084405-01-700	EA	Heater Core
	084405-01-701	EA	Fan
	084405-01-702	EA	Motor - 12 Volt Asm
	099198-01-000	FT	Duct - Flexible - 4" ID x 25'
	097108-01-000	FT	Hose - Heater - 5/8 ID
	097108-02-000	FT	Hose - Heater - .75" ID
	050464-02-000	EA	Register - 4" Plastic w/o Damper
	079059-01-000	FT	Hose - 90° - 61 x 4" x 36"
	079059-02-000	FT	Hose - 90° - 61 x 4" x 6"
	080179-01-000	EA	Bracket - Support - Heater Hose

Key	Part Number	U/M	Description
	074497-10-000	SF	Paneling - Regal Oak - 48" x 84" (Cabinets)
	088272-44-000	SF	Paneling - Decor - Charcoal - 48" x 84" (Main Wall)
	088272-35-000	SF	Paneling - Decor - Slate - 48" x 84" (Galley & Bath) (Y35)
	068272-27-000	SF	Paneling - Decor - Cocoa - 48" x 84" (Galley & Bath) (Y36)
	088272-28-000	SF	Paneling - Decor - Miami - 48" x 84" (Galley/Bath) (Y37)
	074497-14-000	SF	Paneling - Crossilk - 4' x 6' (Ceiling)
	074498-29-000	SF	Plastic Laminate - Tan (Galley/Dinette)
	074498-24-000	SF	Plastic Laminate - Regal Oak (Nightstand)
	076025-16-000	FT	Edge Molding - Regal Oak

INTERIOR MOLD & TRIMS

Key	Part Number	U/M	Description
	069733-70-000	EA	Batt Strip - Regal Oak - 8' (Woodgrain)
	088263-30-000	EA	Batt Strip - Cross - Silk Splatter (Ceiling)
	088263-21-000	EA	Batt Strip - Charcoal - 8' (Main Wall)
	088284-13-000	FT	Batt Strip - Charcoal - Tape Adhesive
	065284-03-000	FT	Batt Strip - Regal Oak - Tape Adhesive
	093263-23-000	EA	Batt Strip - Slate (Galley/Bath) (Y35)
	088263-21-000	EA	Batt Strip - Charcoal (Galley/Bath) (Y36, Y37)
	066229-04-000	EA	Batten - 1" - Ceiling Molding - Ivory
	009809-17-000	EA	F-Molding - 1" - Regal Oak
	009812-17-000	EA	F-Molding - 1/2" - Regal Oak
	083620-01-000	FT	T-Molding - w/Edge Lips - Grady Brown
	070504-01-000	FT	U-Channel - .65" - Light Brown
	070504-06-000	FT	U-Channel - .815" - Regal Oak
	009778-07-000	FT	U-Channel - 1" - Regal Oak
	009767-06-000	FT	Welling - Beige
	085746-01-000	FT	J-Molding - .75" w/Lips - Grady Brown
	024700-35-000	EA	Cover - Sidewall Roll Bar - Beige (Wall/Ceiling)
	022992-08-000	FT	Molding - Reverse Cover - Champagne White
	042357-11-000	FT	Molding - Outside Corner - Light Oak
	077840-01-W30	FT	Molding - Wall Cap
	080176-02-000	EA	Corner Cap - Radius Plastic - Light Oak
	081521-02-007	EA	Molding - 64 Hole Space
	092041-01-02A	EA	Trim - Rear Cap to Sidewall - Off White

MISCELLANEOUS

Key	Part Number	U/M	Description
	053552-02-W24	EA	Handle Asm. - Assist - Vinyl
	094658-01-Y12	EA	Handle Asm. - Oak - Front Bunk
	091257-04-000	EA	Handle Asm. - Assist Railing - Dinette
	041944-03-000	EA	Fire Extinguisher - 5BC - w/o Bracket
	094499-01-000	EA	Fire Extinguisher - 10BC - w/Bracket
	094499-02-000	EA	Fire Extinguisher - 1A - 10BC (CSA)
	072852-01-000	EA	Smoke Detector w/9 Volt Battery
	054185-01-000	EA	Owner's Manual - Winnebago/Itasca - 1989
	081202-02-000	EA	Floor Mat - Front - Right - Itasca (Option 63H)
	081201-02-000	EA	Floor Mat - Front - Left - Itasca (Option 63H)
	081075-02-000	EA	Floor Mat - Front - Entrance - Itasca (Option 63H)

1989 ITASCA TABLE OF CONTENTS

ICN28RU	A-01 - D-16
IC/JN31RT	D-17 - H-10
IC/JN36RO	H-09 - K-21

1989 IC/JN36RQ INDEX

Floor Plan	H-09 - H-10
Accessories Group	H-11 - H-16
Bath Group	H-17 - H-18
Chassis Group	H-19 - I-05
Curtain, Cushion & Pad Group	I-06 - I-16
Dinette Group	I-17 - I-18
Driver's Compartment Group	I-19 - J-01
Electrical Group	J-02 - J-05
Exterior Body Group	J-06 - J-13
Galley Group	J-14 - J-15
Heating & Air Conditioning Group	J-17 - J-19
Interior Finish Group	J-20 - J-21
LP Group	J-22
Lounge Group	J-23 - K-02
Water & Sewage Group	K-03 - K-05
Window, Vent & Exterior Door Group	K-06 - K-21

INTERIOR FINISH GROUP (CONTINUED)

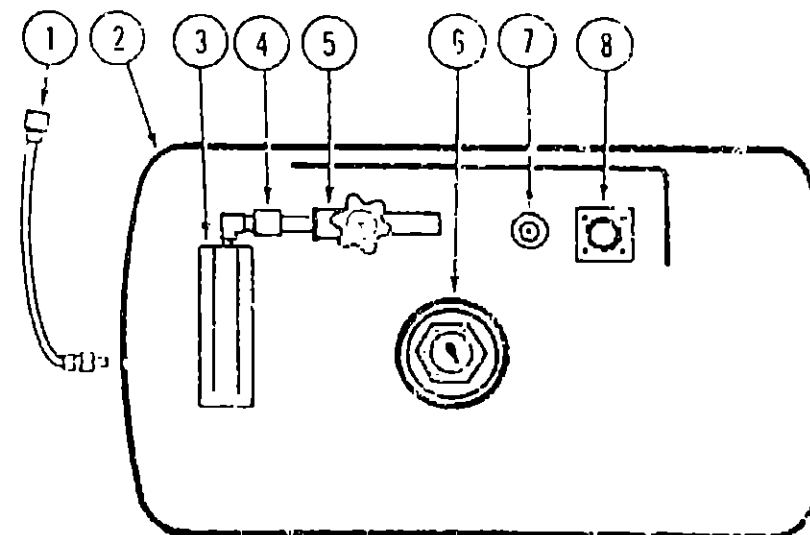
FABRIC & FLOOR COVERINGS

Key	Part Number	U/M	Description
	088274-53-000	YD	Fabric - Upholstery - Main - Blue (Y35)
	088274-61-000	YD	Fabric - Upholstery - Main - Tiffany (Y36)
	088274-62-000	YD	Fabric - Upholstery - Main - Starburst (Y37)
	088274-33-000	YD	Fabric - Upholstery - Accent - Blue (Y35)
	088274-59-000	YD	Fabric - Upholstery - Accent - Umber (Y36)
	088274-60-000	YD	Fabric - Upholstery - Accent - Eggshell (Y37)
	088273-25-000	YD	Fabric - Bedspread - Ecru (Y35)
	088273-26-000	YD	Fabric - Bedspread - Peach (Y36)
	088273-27-000	YD	Fabric - Bedspread - Pastel (Y37)
	072333-51-000	YD	Fabric - Drapery Wraparound/Blackout - Silver (Y35)
	072333-59-000	YD	Fabric - Drapery Wraparound/Blackout - Tan (Y36)
	072333-60-000	YD	Fabric - Drapery Wraparound/Blackout - Wisteria (Y37)
	072333-63-000	YD	Fabric - Pull Shade - Entrance Door - Bone
	081926-01-000	YD	Backing - Quilting - Celestra
	082722-01-000	YD	Lining - Drapery - 48" Ivory
	025303-01-000	YD	Buckram - Non-Woven - 2
	075244-02-000	YD	Vinyl - Shower Curtain
	084059-03-000	YD	Vinyl - Expanded - Taupe (3V Pad)
	084051-01-000	YD	Vinyl - Headliner - Acoustical Ceiling (Roof)
	079080-01-000	YD	Vinyl - Expanded - 26 oz. Buckskin (End Caps)
	073400-20-000	SY	Carpet - Glacier Blue (Y35)
	073400-21-000	SY	Carpet - Pirate's Alley (Y36)
	073400-85-000	SY	Carpet - Ametryst (Y37)
	093486-01-000	EA	Carpet - Outside Storage Compartment (1 SY)
	093486-01-000	SY	Carpet - Outside Storage Compartment

CABINERY & TABLE HARDWARE

Key	Part Number	U/M	Description
	084777-02-000	EA	Hinge - Cabinet Door - Brass
	084777-02-000	EA	Overhead Door - Support - Sprung
	073739-01-000	EA	Support - Table - Pullout - Berje
	080028-01-000	EA	Handle - Recessed - Brown Plastic
	079921-01-000	EA	Roller - Nylon w/Shaft
	084764-01-000	EA	Pull - Cabinet - Polished Brass
	084776-01-000	EA	Back Plate - Door Pull - Polished Brass
	093586-01-000	EA	Catch - Spring Roller
	093586-04-000	EA	Strike - Steel Spring
	074045-06-000	EA	Plug - 1/2" - Oak
	084460-02-000	EA	Slide Asm - Drawer - Right
	084466-03-000	EA	Slide Asm - Drawer - Left
	047744-01-000	EA	Kit - Drawer Glide
	084451-01-000	EA	Catch - TV Shelf - Brass
	079059-01-000	EA	Hinge - 2" - Brass - TV Shelf
	084781-10-000	EA	Mirror - Safety Glass - TV Shelf - 14" x 17"
	084781-05-000	EA	Cup Holder - Two Stop
	084281-07-000	EA	Bracket - Lower Wall Mount
	083200-05-000	EA	Bracket - Upper Wall Mount
	021275-05-000	EA	Rod - Table Lift
	043493-01-000	EA	Catch - Table Leg - Mounts on Floor
	083550-01-000	EA	Hinge - Bracket - Log Folding
	024276-17-000	EA	Log Asm - Table - Tan
	024282-01-000	EA	Brace - Table Leg
	024282-01-000	EA	Clip - 1" - 1.25"
	088410-01-000	EA	Hanger - Table
	093212-01-01A	EA	Door Bolt - Mortise - Bi-Fold Door
	092652-01-000	EA	Guide Wheel - Top Mount - Bi-Fold Door
	093832-01-01A	EA	Knob - Bright Brass - Bi-Fold Door
	009059-02-000	EA	Hinge - 2" - Brass - Bi-Fold Door
	061604-01-000	EA	Slide Bolt - Antique Brass - Bath Door
	094485-01-01A	EA	Knob - Polished Brass - Bath Door

LP GROUP



Key	Part Number	U/M	Description
1	045703-01-000	EA	Hose Asm. - LP - 3/8" ID x 24" (US)
1	045703-02-000	EA	Hose Asm. - LP - 3/8" ID x 24" (CSA)
2	091970-01-000	EA	Tank Asm. - LP - Frame Mount - 80 Pound - 20" Dia x 24"
3	081938-01-000	EA	Cover - LP Regulator
3	076301-02-000	EA	Regulator - Two Stage
4	090970-02-000	EA	Safety Valve - Electric
5	040421-01-703	EA	Valve - Vapor Relief
6	040421-01-707	EA	Gauge - Float - w/Visible Dial - 80 Pound Tank
6	040421-01-706	EA	Dial - Visible Face - Float Gauge (Tank w/o Electric Transmitter)
6	040440-01-000	EA	Dial - Visible Face - Float Gauge (Tank w/ Electric Transmitter)
7	040421-01-700	EA	Gauge - Liquid Level - 20% LP
8	040421-01-701	EA	Valve - Filler - LP
8	040421-01-702	EA	Cap - Plastic Fill Valve
8	040421-01-711	EA	Inner Tank Valve - 80% Fill
	065741-01-000	EA	Gauge - Diaphragm Pressure - Test Leak
	097395-01-000	EA	LP Gas Leak Detector
	065318-02-000	EA	Elbow - 90° - 3/8" MPT x 3/8 FPT
	093280-01-000	EA	Bracket - LP

**1989 ITASCA
TABLE OF CONTENTS**

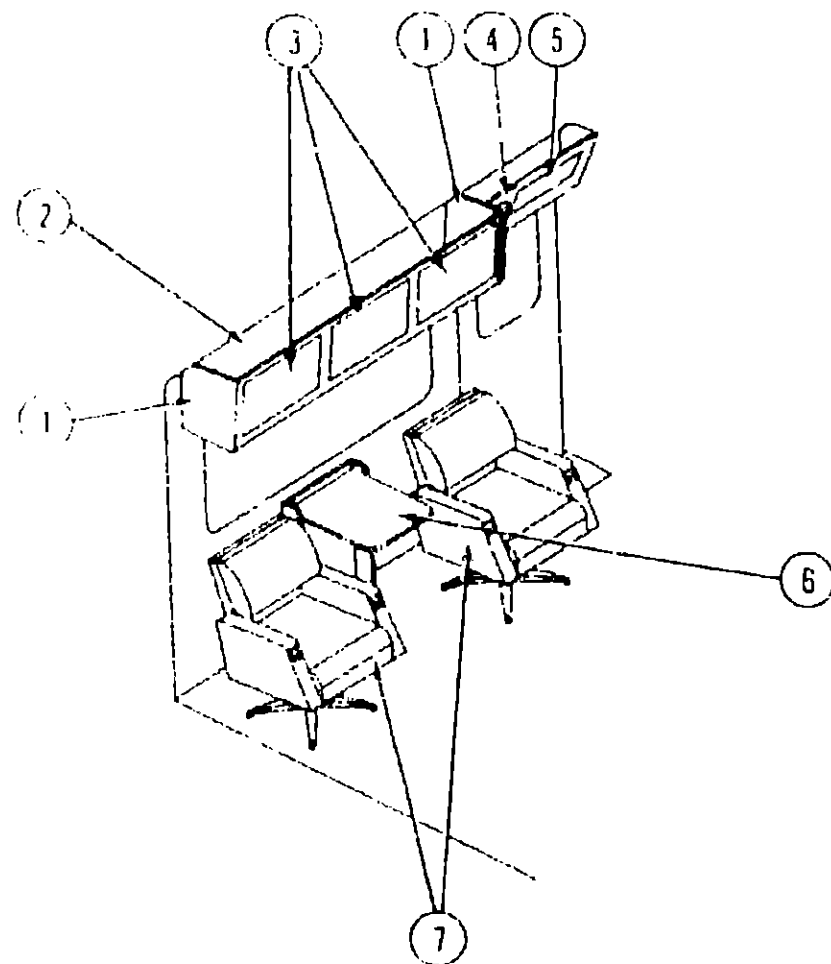
ICN28RU
IC/JN31RT
IC/JN36RQ

A-01 - D-16
D-17 - H-10
H-09 - K-21

1989 IC/JN36RQ INDEX

Floor Plan	H-09 - H-10
Accessories Group	H-11 - H-16
Bath Group	H-17 - H-18
Chassis Group	H-19 - I-05
Curtain, Cushion & Pad Group	I-06 - I-16
Dinette Group	I-17 - J-18
Driver's Compartment Group	I-19 - J-01
Electrical Group	J-02 - J-05
Exterior Body Group	J-06 - J-13
Galley Group	J-14 - J-16
Heating & Air Conditioning Group	J-17 - J-19
Interior Finish Group	J-20 - J-21
LP Group	J-22
Lounge Group	J-23 - K-02
Water & Sewage Group	K-03 - K-05
Window, Vent & Exterior Door Group	K-06 - K-21

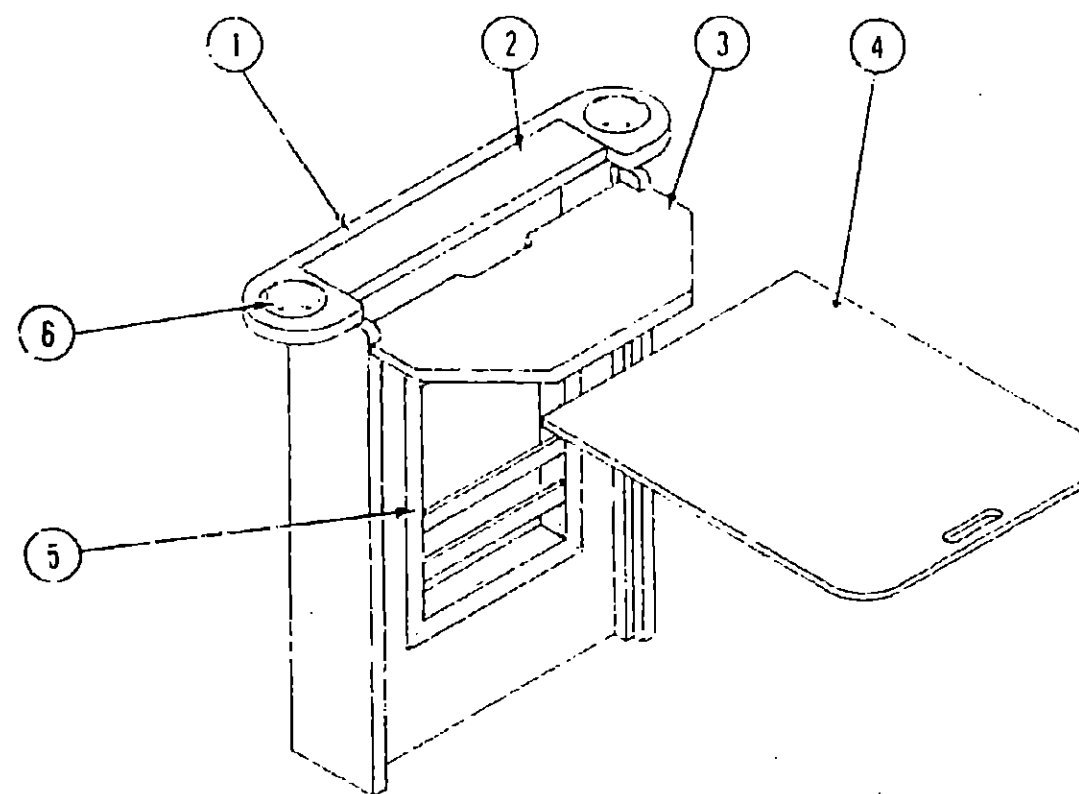
LOUNGE GROUP



FRONT LOUNGE & OVERHEADS

Key	Part Number	U/M	Description
1	090095-12-X11	EA	End Cap Asm. - Front Overheads - vinyl
2	090095-01-000	EA	Cabinet Asm. - Overhead - w/o Doors or Hardware
3	090095-14-X14	EA	Door Asm. - Front Overhead - 14.3" x 21.8" - w/o Hardware
4	090095-11-X11	EA	Cabinet Asm. - Entrance Door - w/o Door or Hardware
5	090095-03-W30	EA	Door Asm. - Entrance Door Cabinet - 7" x 25.1" - w/o Hardware
6	090095-03-W30	EA	Pullout Table Asm.
17	090095-02-Y30	EA	Swivel Chair Asm. - Celebrity (Y35)
17	090095-02-Y31	EA	Swivel Chair Asm. - Celebrity (Y36)
17	090095-02-Y32	EA	Swivel Chair Asm. - Celebrity (Y37)
17	090095-02-Y70	EA	Swivel Chair Asm. - Celebrity Recliner (Y35)
17	090095-02-Y71	EA	Swivel Chair Asm. - Celebrity Recliner (Y36)
17	090095-02-Y72	EA	Swivel Chair Asm. - Celebrity Recliner (Y37)
See the following page for the breakdown of this item			
1	See Curtain, Cushion & Pad Group for the breakdown of this item		

LOUNGE GROUP (CONTINUED)



PULLOUT TABLE ASM.

Key	Part Number	U/M	Description
1	090095-12-X11	EA	Countertop Asm. - Cupholder - w/o Hardware
2	090095-01-000	EA	Hinge - 2" - Brass
3	090095-14-X14	EA	Countertop Asm. - Table Cover - w/o Hardware
4	090095-11-X11	EA	Countertop Asm. - TV Asm. - w/o Hardware
	079789-01-000	EA	Support - Pullout Table - Beige
	079921-01-000	EA	Filler - Nylon w/Shaft
	080728-01-000	EA	Handle - Recessed - Brown Plastic
5	079506-03-W30	EA	Rack Asm. - Magazine
6	064781-05-000	EA	Cupholder - 2 Stage - Beige

**1989 ITASCA
TABLE OF CONTENTS**

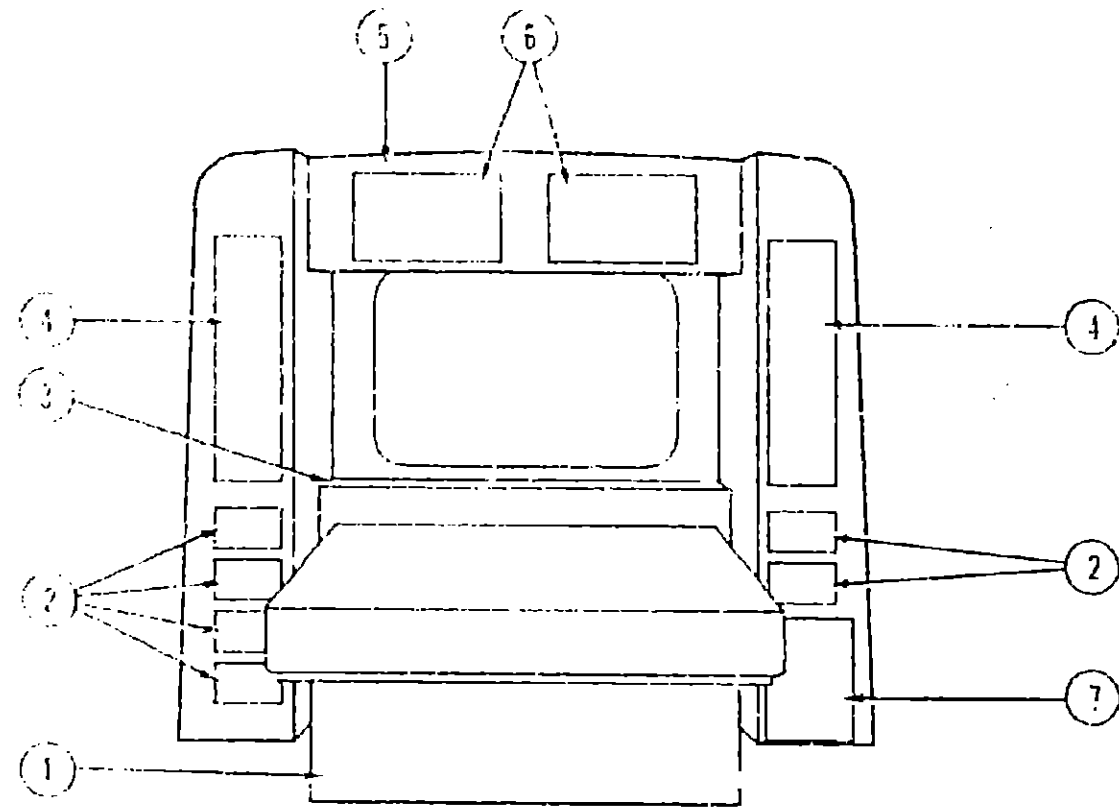
ICN26RU
IC/JN31RT
IC/JN36PQ

A-01 - D-16
D-17 - H-10
K-09 - K-21

1989 IC/JN36PQ INDEX

Floor Plan	H-03 - H-10
Accessories Group	H-11 - H-16
Bath Group	H-17 - H-18
Chassis Group	H-19 - I-05
Curtain, Cushion & Pad Group	I-06 - I-16
Dinette Group	I-17 - I-18
Driver's Compartment Group	I-19 - J-01
Electrical Group	J-02 - J-05
Exterior Body Group	J-06 - J-13
Galley Group	J-14 - J-16
Heating & Air Conditioning Group	J-17 - J-19
Interior Finish Group	J-20 - J-21
LP Group	J-22
Lounge Group	J-23 - K-02
Water & Sewage Group	K-03 - K-05
Window, Vent & Exterior Door Group	K-06 - K-21

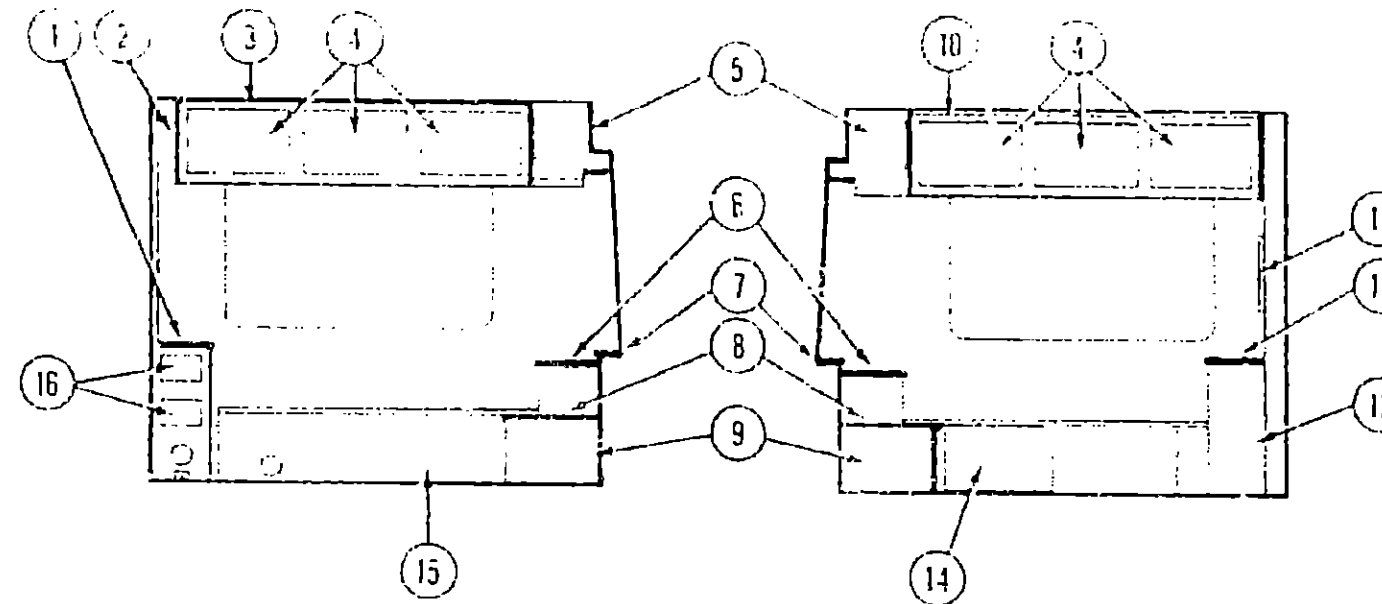
LOUNGE GROUP (CONTINUED)



QUEEN BED & OVERHEAD CABINETRY (OPTION 44A)

Key	Part Number	U/M	Description
1	M92858-01-Y12	EA	Cabinet Asm - Queen Bed
2	092747-01-Y10	EA	Tri-Channel Support - Bed - Beige
3	M92093-04-Y12	EA	Bar Stud - 10mm - Gas Spring
4	M68304-A9-X08	EA	Safety Clip - Wireform Type
5	M92532-02-Y12	EA	Gas Spring - Fan 22L
6	M92860-11-Y12	EA	Support - Spring - Floor
7	M92861-11-Y12	EA	Support - Spring - Bed
8	M92860-12-Y12	EA	Drawer Asm - Wardrobe Cabinet - w/o Hardware
9	M92860-01-Y12	EA	Countertop Asm - Backwall
10	M68304-F7-Y12	EA	Door Asm - Wardrobe - 9.8" x 23.4" - w/o Hardware
11	M92742-02-Y35	EA	Cabinet Asm - Rear Overhead - w/o Doors or Hardware
12	M68304-S3-Y23	EA	Door Asm - Rear Overhead - 13.3" x 21.8" - w/o Hardware
13	M68304-17-X23	EA	Door Asm - Wardrobe - 11.4" x 19.2" - w/o Hardware

LOUNGE GROUP (CONTINUED)



TWIN BED & OVERHEAD CABINETRY

Key	Part Number	U/M	Description
1	M92858-01-Y12	EA	Cabinet Asm - Nightstand - w/o Countertop, Drawers or Hardware
2	092747-01-Y10	EA	Countertop - Nightstand Cabinet
3	M92093-04-Y12	EA	End Cap Asm - Passenger Overhead Cabinet - Vinyl
4	M68304-A9-X08	EA	Cabinet Asm - Passenger Overhead - w/o Door or Hardware
5	M92532-02-Y12	EA	Door Asm - Passenger Overhead Cabinet - 14.3" x 21.8" - w/o Hardware
6	M68304-S3-X23	EA	Cabinet Asm - Rear Overhead - w/o Doors or Hardware
7	092860-11-Y12	EA	Door Asm - Rear Overhead Cabinet - 13.3" x 21.8" - w/o Hardware
8	092525-02-Y12	EA	Countertop Asm - Nightstand - Top
9	092860-12-Y12	EA	Countertop Asm - Backwall
10	M92860-01-Y12	EA	Countertop Asm - Nightstand - Bottom
11	M68304-02-X23	EA	Cabinet Asm - Nightstand - w/o Countertop, Door or Hardware
12	M92393-05-Y12	EA	Door Asm - Nightstand Cabinet - 11" x 21.8" - w/o Hardware
13	084357-02-W24	EA	Cabinet Asm - Driver Overhead - w/o Door or Hardware
14	084451-01-000	CA	TV Stand Asm.
15	092861-12-Y12	EA	Catch - TV Shelf - Brass
16	092861-11-Y12	EA	Countertop Asm - Hamper Door
17	M92861-01-Y12	EA	Countertop Asm - Hamper Stationary
18	M92861-01-Y12	EA	Cabinet Asm - Clothes Hamper - w/o Countertop or Hardware
19	M92231-01-Y12	EA	Cabinet Asm - Twin Bed - w/o Door or Hardware
20	M68304-H3-Y12	EA	Door Asm - Twin Bed Cabinet - 12.7" x 17.7" - w/o Hardware
21	M03864-01-Y12	EA	Top Asm - Twin Bed Cabinet - w/o Hardware
22	M92863-01-Y12	EA	Cabinet Asm - Twin Bed - w/o Hardware
23	M03863-01-Y12	EA	Top Asm - Twin Bed Cabinet - w/o Hardware
24	M78921-14-Y12	EA	Drawer Asm - Nightstand Cabinet - w/o Hardware

1989 ITASCA
TABLE OF CONTENTS

IC/JN36RL
IC/JN31RT
IC/JN36RQ

A-01 - D-16
D-17 - H-10
H-09 - K-21

1989 IC/JN36RQ INDEX

Floor Plan	H-09 - H-10
Accessories Group	H-11 - H-16
Bath Group	H-17 - H-18
Chassis Group	H-19 - I-05
Curtain, Cushion & Pad Group	I-06 - I-16
Dinette Group	I-17 - I-18
Driver's Compartment Group	I-19 - J-01
Electrical Group	J-02 - J-05
Exterior Body Group	J-06 - J-13
Galley Group	J-14 - J-16
Heating & Air Conditioning Group	J-17 - J-19
Interior Finish Group	J-20 - J-21
LP Group	J-22
Lounge Group	J-23 - K-02
Water & Sewage Group	K-03 - K-05
Window, Vent & Exterior Door Group	K-06 - K-21

WATER & SEWAGE GROUP

DRAINAGE SYSTEM

Key	Part Number	U/M	Description
	000000-01-000	EA	Adapter - Sewer - Male - 1/2"
	000000-01-000	EA	Bushing - Plastic - Red - 1 1/2" x 1 1/4"
	000000-01-000	EA	Bushing - Plastic - Red - 1 1/2" x 1 1/4"
	000000-01-000	EA	Continuous Waste - Double Sink - 1 1/2" x 1 1/2" (US)
	000000-01-000	EA	Coupler - Plastic - 1 1/2" H x H
	000000-01-000	EA	Coupler - Rubber - 3" x 3"
	000000-01-000	EA	Elbow - Plastic - 1/4" BD x 1 1/2" x 90°
	000000-01-000	EA	Elbow - Plastic - 1/2" BD x 3" x 45°
	000000-01-000	EA	Elbow - Plastic - 1/8" BD x 1 1/2" x 45° x H
	000000-01-000	EA	Elbow - Plastic - 1/4" BD x 1 1/2" x 90° x LT
	000000-01-000	EA	Elbow - Plastic - 1/8" BD x 1 1/2" x 45°
	000000-01-000	EA	Elbow - Plastic - 1/8" BD x 1 1/2" x 45° H x H
	000000-01-000	EA	Elbow - Plastic - 1/4" BD x 1 1/2" x 90° Left
	000000-01-000	EA	Elbow - Plastic - 1/4" BD x 1 1/2" x 90° H x H
	000000-01-000	EA	Elbow - Plastic - 1/4" BD x 1 1/2" x 90°
	000000-01-000	EA	Faucet - Lavatory - Brass (US)
	000000-01-000	EA	Faucet - Lavatory - Chrome (CSA)
	000000-01-000	EA	Faucet - Tub & Shower - Brass (US)
	000000-01-000	EA	Faucet - Tub & Shower - Chrome (CSA)
	000000-01-000	EA	Faucet - Swing Spout - 8"
	000000-01-000	EA	Flange - Closet - Red - 4" x 3" (US)
	000000-01-000	EA	Flange - Closet - Red - 4" x 3" (CSA)
	000000-01-000	EA	Flange - Closet - 4" x 3" (US)
	000000-01-000	EA	Flange - Closet - 4" x 3" (CSA)
	000000-01-000	EA	Gasket - Lavatory Faucet
	000000-01-000	EA	Grommet - Holding Tank Coupler - 1 1/2"
	000000-01-000	EA	Grommet - Holding Tank Coupler - 3"
	000000-01-000	EA	Nut - Strainer
	000000-01-000	EA	P-Trap - 1 1/4" - Plastic (US)
	000000-01-000	EA	P-Trap - 1 1/4" - Plastic (CSA) (Lavatory/Shower)
	000000-01-000	EA	P-Trap - 1 1/4" - Plastic w/Union (CSA) (Galley)
	000000-01-000	FT	Pipe - Plastic - 1 1/4" (US)
	000000-01-000	FT	Pipe - Plastic - 1 1/4" (CSA)
	000000-01-000	FT	Pipe - Plastic - 1 1/2" (US)
	000000-01-000	FT	Pipe - Plastic - 1 1/2" (CSA)
	000000-01-000	EA	Plug - Plastic - 1 1/4"
	000000-01-000	EA	Reducer Adapter - 3" x 1 1/2"
	000000-01-000	EA	Roof Vent - Covered - Vent Pipe
	000000-01-000	EA	Sewer Hose - 3" ID x 20'
	000000-01-000	EA	Shower Head w/60" Hose (US)
	000000-01-000	EA	Shower Head w/60" Hose (CSA)
	000000-01-000	EA	Shower Pan Asm
	000000-01-000	EA	Sink - Double - Stainless Steel
	000000-01-000	EA	Sink - Oval - Plastic - Ivory
	000000-01-000	EA	Slip Nut - 1.5 - Tailpiece
	000000-01-000	EA	Strainer - Shower/Tub Drain
	000000-01-000	EA	Strainer - Sink - Galley
	000000-01-000	EA	Tailpiece - 1 1/2 x 1 1/4 x 4" - Brass
	000000-01-000	EA	Tank - Holding - 50 Gal.
	000000-01-000	EA	Tank - Holding - 30 Gal.
	000000-01-000	EA	Tee - Plastic - 1 1/2 H x 1 1/2 H x 1 1/4 H
	000000-01-000	EA	Tee - Plastic - Red - 1 1/2 H x 1 1/4 H x 1 1/2 H
	000000-01-000	EA	Tee - Plastic - 1 1/2 H x H x H
	000000-01-000	EA	Toilet - Ivory - Aqua Magic IV
	000000-01-000	EA	Valve - Dual - 3" x 1.5"
	000000-01-000	EA	Vent - Mechanical Trap Arm
	000000-01-000	EA	Washer - Tailpiece - 1.5 - Plastic
	000000-01-000	EA	Wye - Plastic - 1 1/2 x 45 x H x H

WATER & SEWAGE GROUP (CONTINUED)

WATER LINES & HARDWARE

Key	Part Number	U/M	Description
	000000-01-000	EA	Adapter - Swivel - 5 Tube x 5 FPT
	000000-01-000	EA	Adapter - Hose Cone - 3/8" or 1/2" - Plastic
	000000-01-000	EA	Connector - Plastic - 1/2" F x 1/2" MPT
	000000-01-000	EA	Elbow - Plastic - 3/8" MPT x 3/8" BARB
	000000-01-000	EA	Elbow - Plastic - 5/8" F x 3/4" MPT
	000000-01-000	EA	Elbow - Plastic - 1/4" BD Vent 1 1/2" H
	000000-01-000	EA	Elbow - Plastic - Swivel - 50
	000000-01-000	EA	Elbow - Plastic - 1/2" F x 3/8" MPT
	000000-01-000	EA	Elbow - Plastic - 1/2" F x 1/2" MPT
	000000-01-000	EA	Elbow - Union - 1/2" x 1/2" - Flare
	000000-01-000	EA	Faucet - External Water - 90°
	000000-01-000	EA	Faucet - Lavatory - Brass
	000000-01-000	EA	Faucet - Lavatory - Chrome (CSA)
	000000-01-000	EA	Gasket - Lavatory Faucet
	000000-01-000	EA	Faucet - Swing Spout - Galley - 8"
	000000-01-000	EA	Gasket - Galley Faucet
	000000-01-000	EA	Faucet - Tub/Shower - Brass
	000000-01-000	EA	Faucet - Swing Spout - Chrome (CSA)
	000000-01-000	EA	Filter/Screen (In Water Tank)
	000000-01-000	EA	Nut - Hex - 5/16 - 18 ZN
	000000-01-000	EA	Nut - Plastic - 1/2" F
	000000-01-000	EA	Nut - Plastic - 5/8 Flare
	000000-01-000	EA	Nut - Faucet - 1/2" Tube x 1/2" FPT
	000000-01-000	EA	Patch - Spinweld - Plastic - 3/8"
	000000-01-000	EA	Pump - Water - 2.8 GPM - Direct Flow (US)
	000000-01-000	EA	Pump - Water - 2.8 GPM - Direct Flow (CSA)
	000000-01-000	EA	Motor - Black
	000000-01-000	EA	Baseplate Kit
	000000-01-000	EA	Diaphragm Kit
	000000-01-000	EA	Valve Asm. - Kit
	000000-01-000	EA	Upper Housing
	000000-01-000	EA	Switch Cap Kit - w/Switch
	000000-01-000	EA	Pumphead
	000000-01-000	EA	Lower - Housing
	000000-01-000	EA	Shower Head - w/60" Hose
	000000-01-000	EA	Spinweld Fitting - Plastic - 1/2" FPT (In Tank Filter)
	000000-01-000	EA	Spinweld Fitting - Plastic - 1/2" FPT
	000000-01-000	EA	Spinweld Fitting - Plastic - 3/4" FPT
	000000-01-000	EA	Tee - Plastic - 1/2" F x 1/2" F x 1/2" MPT
	000000-01-000	EA	Tee - Plastic - 1/2" F x 1/2" F x 1/2" F
	000000-01-000	EA	Tee - Plastic - 1/2" F x 1/2" MPT x 1/2" F
	000000-01-000	FT	Tubing - Polybutyl - 1/2" OD x 20' (Water Line)
	000000-01-000	FT	Tubing - Polybutyl - 1/2" OD x 20'
	000000-01-000	FT	Tubing - Vinyl - 3/8" ID
	000000-01-000	EA	Valve - Line Drain - 1/2" F x 1/2" F
	000000-01-000	EA	Vacuum Breaker - 3/4" FPT x 3/4" MPT (External Faucet)
	000000-01-000	EA	Water Tank - 48 Gal. w/Fittings
**	000000-01-000	EA	Water Heater - w/o Motor - Electronic Tune - A.wood - G6A-3E
**	000000-01-000	EA	Water Heater - w/Motor - Direct Ignition - A.wood - GH6-3E
**			The illustrated parts breakdown for this item is provided on the Common Items Fiche.

**1989 ITASCA
TABLE OF CONTENTS**

IC/JN28RU	A-01 - D-10
IC/JN31RT	D-17 - H-10
IC/JN36RQ	H-09 - K-21

1989 IC/JN36RQ INDEX

Floor Plan	H-09 - H-10
Accessories Group	H-11 - H-16
Bath Group	H-17 - H-18
Chassis Group	H-19 - I-05
Curtain, Cushion & Pad Group	I-06 - I-16
Dinette Group	I-17 - I-18
Driver's Compartment Group	I-19 - J-01
Electrical Group	J-02 - J-05
Exterior Body Group	J-06 - J-13
Galley Group	J-14 - J-15
Heating & Air Conditioning Group	J-17 - J-19
Interior Finish Group	J-20 - J-21
LP Group	J-22
Lounge Group	J-23 - K-02
Water & Sewage Group	K-03 - K-05
Window, Vent & Exterior Door Group	K-06 - K-21

WATER & SEWAGE GROUP (CONTINUED)

WATER PURIFICATION SYSTEM (OPTION 298)

Key	Part Number	U/M	Description
	092201-01-000	EA	Cartridge - Water Filter - AC
	092201-02-000	EA	Connector - Plastic - 1/2 F x 1/2 MPT
	092201-03-000	EA	Elbow - Plastic - 1/2 F x 3/8 MPT
	092201-04-000	EA	Elbow - Plastic - Swivel - 50°
	092201-05-000	EA	Filter - Water Purification
	092201-06-000	EA	Nut - Plastic - 1/2 F
	092201-07-000	FT	Tubing - Polybutyl - 1/2" OD x 20'

WATER CENTER

Key	Part Number	U/M	Description
	092201-08-01A	EA	Bracket - Water Center - Off White
	092201-09-000	EA	Cap - Brass - 1/2 Flare
	092201-10-000	EA	Connector - Plastic - 1/2 F x 1/2 MPT
	092201-11-000	EA	Elbow - Plastic - 1/2 F x 1/2 MPT
	092201-12-000	EA	Elbow - Plastic - Swivel - 50°
	092201-13-000	EA	Faucet - External Water - 90°
	092201-14-000	EA	Fill - City Water - Off White
	092201-15-000	EA	Grommet - 1.75" ID
	092201-16-000	EA	Header - 1/2 F x 1/2 F x 1/2 F x 1/2 MPT
	092201-17-000	EA	Nut - Plastic - 1/2 F
	092201-18-000	EA	Tee - Plastic - 1/2 F x 1/2 MPT x 1/2 F
	092201-19-000	FT	Tubing - Polybutyl - 1/2" OD x 20'
	092201-20-000	EA	Vacuum Breaker - 3/4 FPT x 3/4 MPT
	092201-21-000	EA	Valve - Drain - Plastic - 1/2 FPT

WINDOW, VENTS & EXTERIOR DOORS

ACCESS DOORS & HARDWARE

Key	Part Number	U/M	Description
	077963-01-000	EA	Door Asm - Fuel Fill
	077963-01-000	EA	Gasket - Fuel Fill
	077963-01-000	EA	Stroud - Fuel Fill
	092201-01-000	EA	Door Asm - Water Heater
	092631-02-Y35	EA	Door Asm - Generator
	085730-14-000	EA	Latch Asm - Paddle - w/o Key - Plastic
	092357-05-02A	EA	Hinge - Door - 39.8"
	092482-02-Y33	EA	Door Asm - Storage Compartment
	085730-11-000	EA	Latch Asm - Paddle - w/Key - Plastic
	092357-02-02A	EA	Hinge - Door - 43.6"
	084103-03-000	EA	Door Asm - Refrigerator Access
	086755-02-000	EA	Latch - 1/4 Turn
	093633-01-000	EA	Handle - 1/4 Turn Latch
	094104-01-000	EA	Jamb - Vent Door - Refrigerator
	092482-03-Y33	EA	Door Asm - Storage Compartment
	085730-11-000	EA	Latch Asm - Paddle - w/Key - Plastic
	092357-04-02A	EA	Hinge - Door - 9.25"
	093029-01-Y35	EA	Door Asm - Furnace
	092357-08-02A	EA	Hinge - Furnace Door - 15.4"
	093670-01-01A	EA	Pocket - Latch Asm - Off White
	092482-04-Y33	EA	Door Asm - Storage Compartment
	085730-11-000	EA	Latch Asm - Paddle - w/Key - Plastic
	092357-03-02A	EA	Hinge - Door - 29.29"
	093670-01-01A	EA	Pocket - Latch Asm - Off White
	092482-01-Y35	EA	Door Asm - Storage Compartment
	085730-11-000	EA	Latch Asm - Paddle - w/Key - Plastic
	092357-01-02A	EA	Hinge - Door - 76"
	092482-05-Y35	EA	Door Asm - Storage Compartment
	085130-14-000	EA	Latch Asm - Paddle - w/o Key - Plastic
	092357-03-02A	EA	Hinge - Door - 29.29"
	092631-01-Y33	EA	Door Asm - Luggage/Storage Compartment
	085130-11-000	EA	Latch Asm - Paddle - w/Key - Plastic
	092357-05-02A	EA	Hinge - Door - 39.8"
	093061-01-02A	EA	Striker - Access Doors - Black
	077408-02-000	EA	Lock Asm - Key Type (Rear Cap)
	079368-01-000	FT	Seal - Access Doors
	083615-06-000	EA	Door Holder - Plastic - Off White
	093304-02-Y35	EA	Door Asm - Battery - Passenger
	093304-02-Y35	EA	Door Asm - Battery - Driver
	079366-04-000	EA	Lock Asm - Key Type - w/o Keys
	069065-01-000	EA	Hinge - Door - Plain

VENTS & SKYLIGHTS

Key	Part Number	U/M	Description
	090392-01-Y12	EA	Vent - Non-Powered - Roof (w/o Screen Asm.)
	078786-01-Y12	EA	Screen Asm - Non-Powered - Roof Vent
	084079-06-000	EA	Ventilator - Roof - Powered (Fantastic)
	090393-01-Y12	EA	Vent Asm - Roof - Powered (US) (w/o Screen Asm.)
	078785-01-Y12	EA	Screen Asm - Powered - Roof Vent
	064469-03-000	EA	Vent Asm - Roof-Powered (CSA)
	084073-03-000	EA	Vent - Roof - Refrigerator
	084073-04-000	EA	Base - Refrigerator Roof Vent
	092698-01-01A	EA	Vent w/Door - Range Hood - Off White
	081171-01-000	EA	Trim - Skylight - Outer
	080910-01-000	EA	Panel - Skylight - Outer
	077902-01-000	EA	Panel - Skylight - Inner

**1989 ITASCA
TABLE OF CONTENTS**

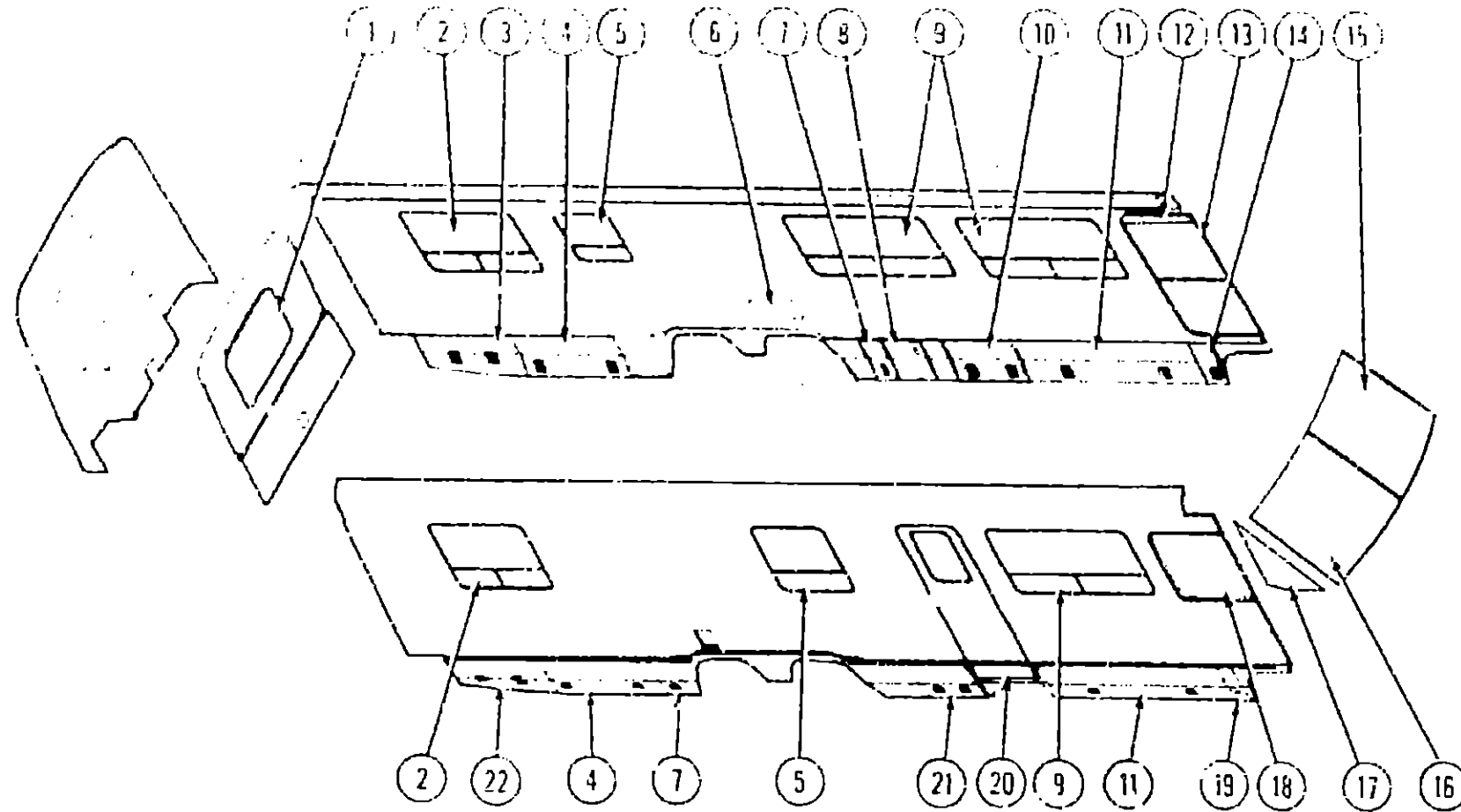
ICN28RU	A-01 - B-16
IC/JN31RT	B-17 - H-10
IC/JN36RQ	H-09 - K-21

1989 IC/JN36RQ INDEX

Floor Plan	H-09 - H-10
Accessories Group	H-11 - H-16
Bath Group	H-17 - H-18
Chassis Group	H-19 - I-05
Curtain, Cushion & Pad Group	I-06 - I-16
Dinette Group	I-17 - I-18
Driver's Compartment Group	I-19 - J-01
Electrical Group	J-02 - J-05
Exterior Body Group	J-06 - J-13
Galley Group	J-14 - J-16
Heating & Air Conditioning Group	J-17 - J-19
Interior Finish Group	J-20 - J-21
LP Group	J-22
Lounge Group	J-23 - K-02
Water & Sewage Group	K-03 - K-05
Window, Vent & Exterior Door Group	K-06 - K-21

WINDOW, VENT & EXTERIOR DOOR GROUP (CONTINUED)

WINDOWS & ACCESS DOORS



1989 ITASCA TABLE OF CONTENTS

ICN28RU
IC/JN31RT
IC/JN36110

A-01 - D-16
D-17 - H-10
H-09 - K-21

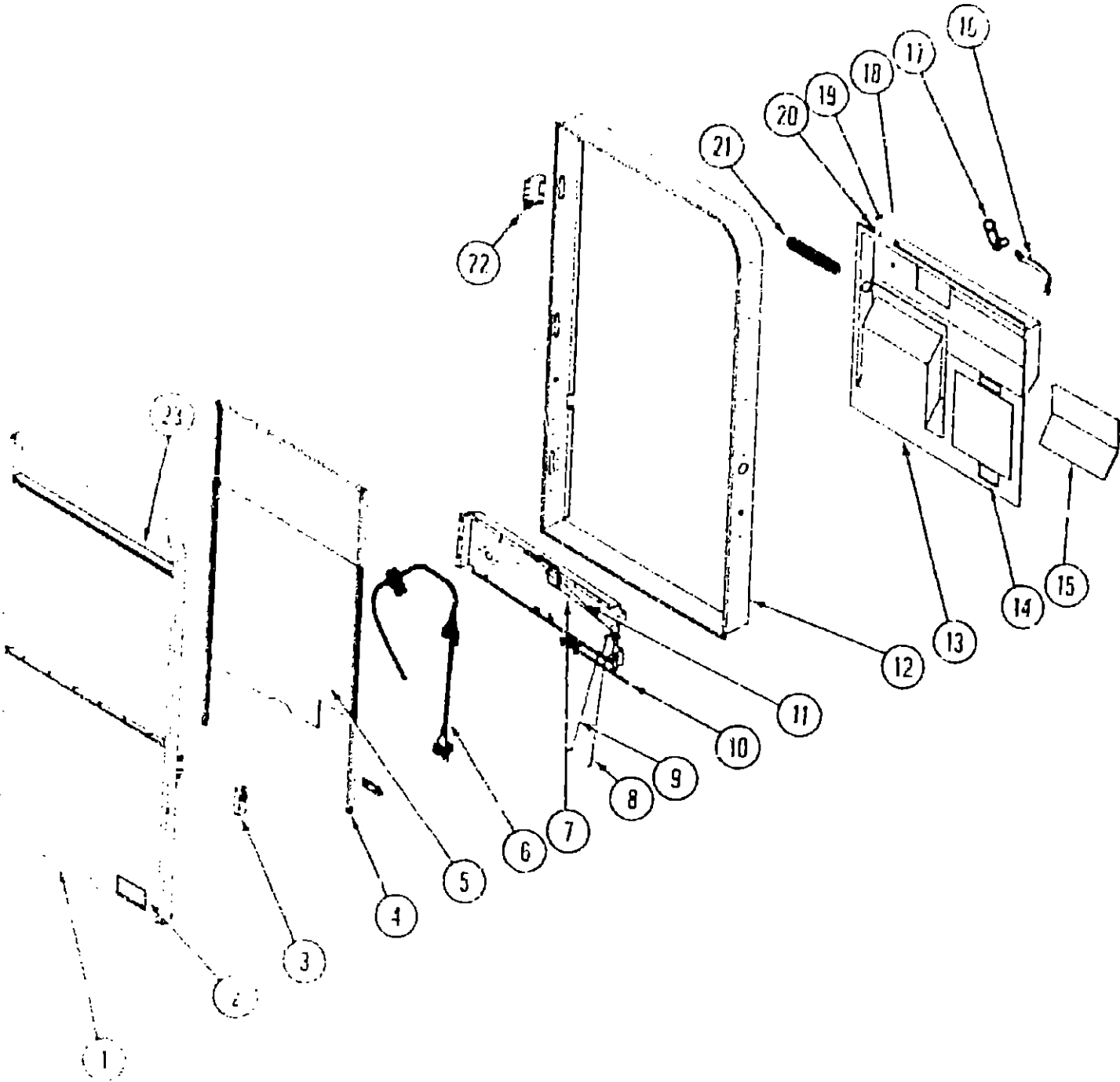
Key	Part Number	U/M	Description
1	081065-04-Y12	EA	Window Asm - Escape
2	080354-07-X11	EA	Window Asm - Double Tipout
3	092031-02-Y35	EA	Door Asm - Generator/Luggage
4	092041-02-Y33	EA	Door Asm - Storage Compartment
5	080307-07-W07	EA	Window Asm - Single
6	081104-01-000	EA	Door Asm - Refrigerator Access
7	080302-02-Y29	EA	Door Asm - Water
8	092029-01-Y35	EA	Door Asm - Furnace
9	080351-05-X11	EA	Window Asm - Double Tipout
10	078284-04-X11	EA	Window Asm - Double Slider (Option 1681)
11	092042-04-Y33	EA	Door Asm - Storage Compartment
12	092042-01-Y35	EA	Door Asm - Storage Compartment
13	092092-01-000	EA	Glass - Stationary
14	M93054-02-Y10	EA	Door Asm - Driver - w/Manual Crank Window
15	M93054-07-Y12	EA	Door Asm - Driver - w/Power Window
16	092446-01-000	EA	Glass - Roll-Up Window
17	092004-02-Y35	EA	Door Asm - Battery - Driver
18	091015-02-000	EA	Glass - Windshield - Driver
19	091015-01-000	EA	Glass - Windshield - Passenger
20	091953-03-000	EA	Glass - Vent Window - Passenger
21	091953-04-000	EA	Glass - Vent Window - Driver
22	092003-01-Y10	EA	Window Asm - Single Slider
23	092004-03-Y35	EA	Door Asm - Battery - Passenger
24	M931870-21-Y12	EA	Door Asm - Entrance Door
25	092033-04-T03	EA	Window Asm - Picture - 17" x 25"
26	092482-05-Y35	EA	Door Asm - LP
27	092631-01-Y33	EA	Door Asm - Luggage/Storage
28	092983-01-Y33	EA	Door Asm - Rear
29	092982-01-Y10	EA	Door Asm - Spare Tire - Off White
30	052009-01-000	EA	Door Asm - Water Heater - Off White

1989 IC/JN36RQ INDEX

Floor Plan	H-09 - H-10
Accessories Group	I-11 - H-16
Bath Group	H-17 - H-18
Chassis Group	H-19 - I-05
Curtain, Cushion & Pad Group	I-06 - I-16
Dinette Group	I-17 - I-18
Driver's Compartment Group	I-19 - J-01
Electrical Group	J-02 - J-05
Exterior Body Group	J-06 - J-13
Galley Group	J-14 - J-16
Heating & Air Conditioning Group	J-17 - J-19
Interior Finish Group	J-20 - J-21
LP Group	J-22
Lounge Group	J-23 - K-02
Water & Sewage Group	K-03 - K-05
Window, Vent & Exterior Door Group	K-06 - K-21

WINDOW, VENT & EXTERIOR DOOR GROUP (CONTINUED)

DRIVER'S DOOR & HANDLE ASSEMBLY



Key	Part Number	U/M	Description
1	M93054-02-Y33	EA	Door Asm. - Driver Door - w/Crank Window
1	M93054-07-Y35	EA	Door Asm. - Driver Door - w/Power Window
	092656-01-02A	EA	Frame - Outer Door - Front - Off White
	092657-01-02A	EA	Frame - Outer Door - Rear - Off White
	092655-01-02A	EA	Frame - Outer Door - Bottom Portion - Off White
2	092927-01-000	EA	Latch Asm. - Outside Door Handle
	092927-01-700	EA	Lock Lever - Black
	092927-01-701	EA	Lock Lever - Chrome
3	092927-04-000	EA	Latch Striker - Driver Door
4	089454-02-000	EA	Channel - Glass Run - Top
5	092446-01-000	EA	Glass - Roll-Up - Door
	091912-02-000	EA	Weatherstrip - Rigid
6	093634-01-000	EA	Regulator Asm. - Window (w/Crank Window)
6	092996-01-000	EA	Regulator Asm. - Power Window
7	092928-04-000	EA	Rod - Inside Lock
	092927-05-000	EA	Clip - Rod End - Right
8	092928-01-000	EA	Rod - Door Lock
	092927-05-000	EA	Clip - Rod End - Right
9	092928-02-000	EA	Rod - Outside Release
	092927-06-000	EA	Clip - Rod End - Left
10	081906-02-000	EA	Slide Bolt - Driver Door
	096609-01-000	EA	Bracket - Dead Bolt
	081903-01-000	EA	Knob - Mounting Shaft
11	092928-03-000	EA	Rod - Inside Release
	092927-05-000	EA	Clip - Rod End - Right
12	092800-01-Y23	EA	Jamb Asm. - Door
13	M92581-01-02A	EA	Panel - Interior - Gray
	081905-02-000	EA	Knob Control - Slide Bolt - Left
14	077026-01-000	EA	Lens - Courtesy Light - Clear
	077000-01-000	EA	Socket Asm. - w/8" Pigtail Heads
15	092580-01-02A	EA	Cover - Map Pocket - Gray
16	061400-04-000	EA	Assist Strap - 12" - Black w/Woodgrain Insert
17	094575-01-000	EA	Hand Crank - Glass Lift
18	093132-01-000	EA	Switch - Power Window
19	088246-01-000	EA	Switch - Remote Mirror
20	087635-01-000	EA	Switch - Mirror Heater
21	093144-01-000	EA	Conduit - Wire
	080734-02-000	EA	Clip - Nylon Wire
22	092937-01-02A	EA	Hinge Asm. - Front Door - Off White
23	092997-01-000	EA	Glass - Stationary
	064560-03-000	EA	Strap - Check - Door
	081243-02-000	EA	Clip - Screen - Plastic - Black

1989 ITASCA TABLE OF CONTENTS

IC126RU
IC/JN31RT
IC/JN36RQ

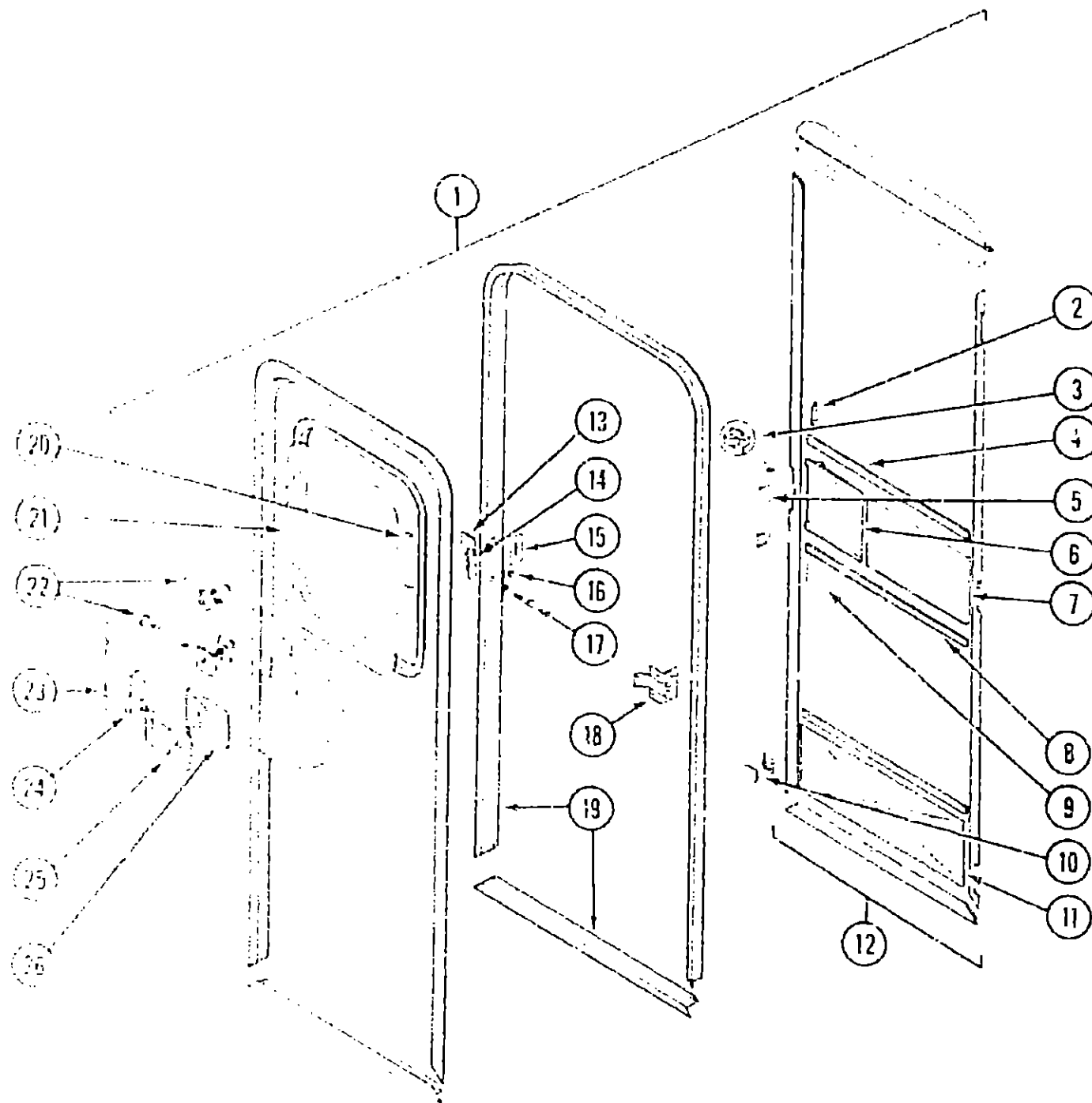
A-01 - D-16
D-17 - H-10
H-09 - K-21

1989 IC/JN36RQ INDEX

Floor Plan	H-09 - H-10
Accessories Group	H-11 - H-16
Bath Group	H-17 - H-18
Chassis Group	H-19 - I-05
Curtain, Cushion & Pad Group	I-06 - I-16
Dinette Group	I-17 - I-18
Driver's Compartment Group	I-19 - J-01
Electrical Group	J-02 - J-05
Exterior Body Group	J-06 - J-13
Galley Group	J-14 - J-16
Heating & Air Conditioning Group	J-17 - J-19
Interior Finish Group	J-20 - J-21
LP Group	J-22
Lounge Group	J-23 - K-02
Water & Sewage Group	K-03 - K-05
Window, Vent & Exterior Door Group	K-06 - K-21

WINDOW, VENT & EXTERIOR DOOR GROUP (CONTINUED)

ENTRANCE DOOR



Key	Part Number	U/M	Description
1	M01870-21-Y33	EA	Door Asm. - Entrance w/Screen Door
	095276-01-01A	EA	Frame Asm. - Entrance Door - Off White
	069744-01-000	EA	Frame - Entrance Door - Bottom Portion
	044562-02-000	EA	Drip Cap - Top Entrance Door Jamb - Off White
	003966-01-02A	EA	Garnish - Radius - Entrance Door
2	050712-05-000	EA	Door Handle - Screen Door
3	002018-01-000	EA	Roller Catch - Screen Door
	058025-02-000	EA	Clip - Roller Latch Catch
	009016-01-000	EA	Catch - Elbow - Spring Loaded - Screen Door
4	070592-02-000	EA	Screen Door Mullion - Upper & Lower - Slider
	78777-01-000	EA	Slider Channel (Mullion Insert)
5	79027-02-000	EA	Strike - Slider - Screen Door
6	79086-02-000	EA	Slider - Screen Door
7	016454-01-000	EA	Insert - Screen Door
8	002294-01-000	FT	Spline - Black
9	002293-02-000	SF	Screen - Window - 26" Charcoal
10	085774-01-000	FT	Fastener - Dual Lock - 1" Wide
10	065774-02-000	FT	Fastener - Dual Lock - 1" Wide
11	078552-03-000	EA	Insert - Screen Door - Lower
12	079012-01-U01	EA	Screen Door Asm.
	078595-01-000	EA	Plate - Screen Door
13	077461-03-000	EA	Strike Cover
14	041546-03-000	EA	Angle Bracket
15	079173-01-000	EA	Deadbolt - Gasket
16	058806-01-000	EA	Plug - Tapered Plastic
17	039539-01-000	EA	Strike
18	079361-09-000	EA	Hinge
19	095277-02-01A	EA	Door Jamb - Entrance Door
20	087561-01-000	FT	Window Seal
21	002181-06-000	EA	Glass - Picture Window
	079733-04-T03	EA	Window Asm. - Picture - 17" x 25" (w/o inside frame)
	069609-03-000	EA	Inside Frame (not included in assembly)
22	039738-01-000	EA	Dead Bolt Asm. - Round
22	095229-01-01A	EA	Dead Bolt Asm. - Square - Black
23	098173-01-03A	EA	Stiffener - Entrance Door
24	039540-01-000	EA	Latch Asm. - Entrance Door
25	045017-10-000	EA	Latch Asm. - Plate - Black
26	039979-03-000	EA	Cover Asm. - Latch Plate - Black
	039984-01-000	EA	Cap - Black Vinyl - Lock Grip
	075670-01-000	FT	Seal - Pile - Adhesive Back
	075671-01-000	FT	Seal - Sponge - Lazy T Shaped
	002746-01-000	EA	Cover - Key
	081067-01-000	EA	Seal - Lock - Flat w/Slit

1989 ITASCA TABLE OF CONTENTS

IC/N28RU
IC/JN31RT
IC/JN36RQ

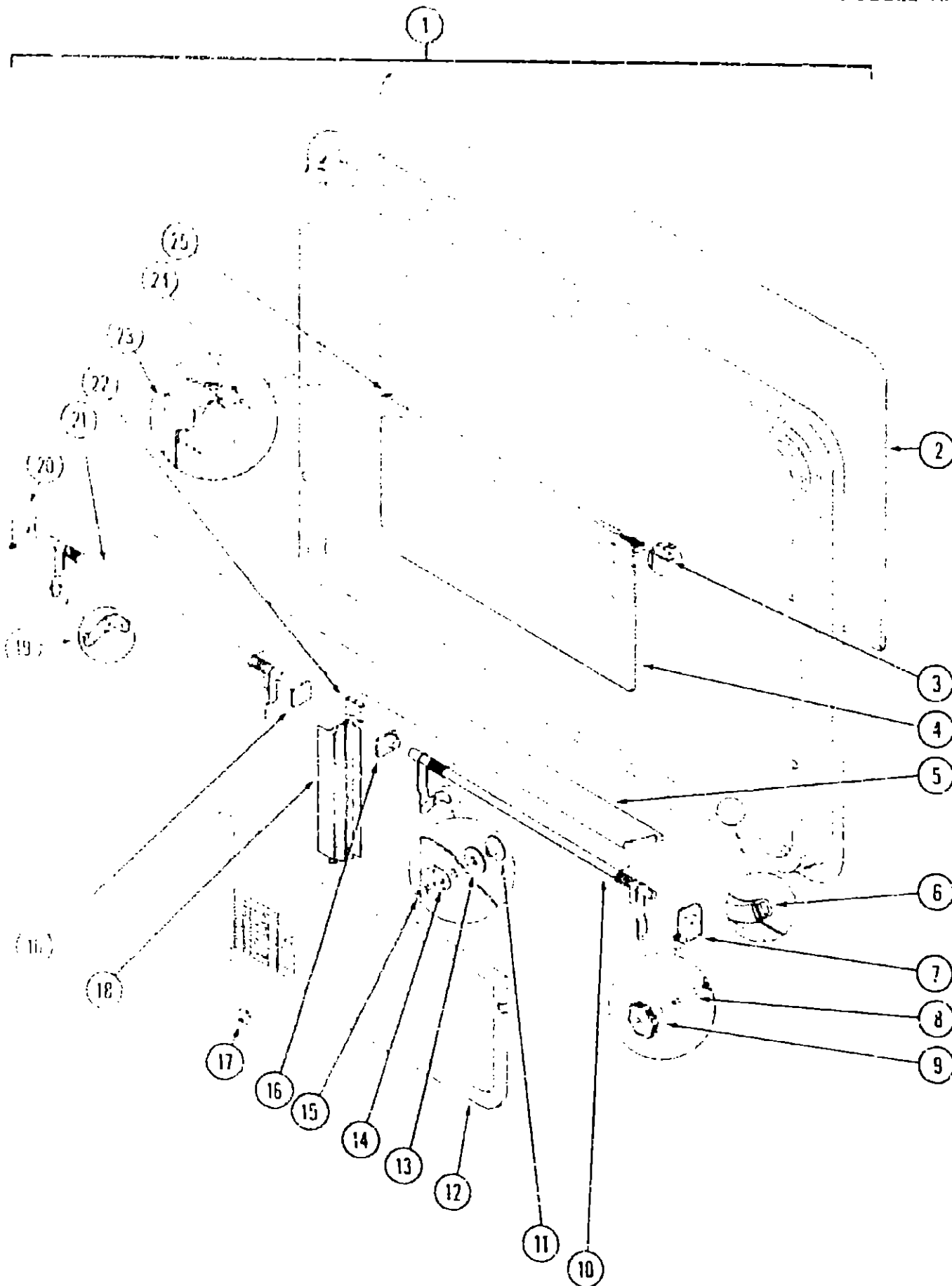
A-01 - D-16
D-17 - H-10
H-09 - K-21

1989 IC/JN36RQ INDEX

Floor Plan	H-09 - H-10
Accessories Group	H-11 - H-16
Bath Group	H-17 - H-18
Chassis Group	H-19 - I-05
Curtain, Cushion & Pad Group	I-06 - I-16
Dinette Group	I-17 - I-18
Driver's Compartment Group	I-19 - J-01
Electrical Group	J-02 - J-05
Exterior Body Group	J-06 - J-13
Galley Group	J-14 - J-16
Heating & Air Conditioning Group	J-17 - J-19
Interior Finish Group	J-20 - J-21
LP Group	J-22
Lounge Group	J-23 - K-02
Water & Sewage Group	K-03 - K-05
Window, Vent & Exterior Door Group	K-06 - K-21

WINDOW, VENT & EXTERIOR DOOR GROUP (CONTINUED)

DOUBLE TIPOUT WINDOW



Key	Part Number	U/M	Description
1	085354-07-211	EA	Window Asm - Double Tipout - 36 1/2" x 40 1/2" (w/ inside frame)
	084153-12-000	EA	Inside Frame - Black (not included in assembly)
2	081239-23-000	EA	Glass - 1/8" x 40 7/8" x 20 5/8" - Stationary
3	081357-01-000	FT	Foam Seal - Vinyl
4	084068-13-000	EA	Glass - 1/8" x 9 27/32" x 20 1/8" - Tipout
5	082563-52-000	EA	Mullion - Horizontal - Black
	000G39-06-16T	EA	Screw - SFDR - 6 - 20 x 1.00 PPH (Mullion - 4 Required)
	076778-03-000	EA	Rivet - Plastic - Pin Drive - Black (2 Required)
6	084067-01-000	FT	Seal - 1/2" - Sponge Rubber
7	035302-01-000	EA	Operator Drive - Right
8	020025-01-000	EA	Extension - Window Knob (not included in assembly)
9	067052-02-000	EA	Knob - Beige (not included in assembly)
	089371-01-000	EA	Screw - Window Knob (not included in assembly)
10	083228-03-000	EA	Torque Tube Asm - Right
11	086762-01-000	EA	T-Nut - 10-32
12	084581-01-W07	EA	Screen Asm - Tipout - Right
	084581-02-W07	EA	Screen Asm - Tipout - Left
	002293-02-000	SF	Screen - 26" - Window
	002298-02-000	FT	Splines - .130" Dia. - Circular (Screen)
13	068927-03-000	EA	Seal - Rubber - 12" x 25" ID x 60" OD
14	084473-01-000	EA	Seal - Rubber - "D" Shaped
15	086763-01-000	EA	Screw - #10 - 32 x 1/4" PTH
16	081354-01-000	EA	Sleeve - Window Torque Tube
17	081243-01-000	EA	Clip - Plastic - Screen (4 Required)
	000G12-06-08T	EA	Screw - #6 - 20 x .50" POH - Black
18	084192-52-001	EA	Mullion - Vertical - Black
	000G37-C3-05B	EA	Screw - #8 x 18 x 1/2 PPH (Mullion - 4 Required)
19	097578-01-000	EA	Connecting Rod Asm
	095516-01-000	EA	Washer - Wave - .44 OD 32 ID
	081649-C1-000	EA	Snap Ring - 7/32 Shaft
20	035302-02-000	EA	Operator Drive - Left
21	083227-05-000	EA	Torque Tube Asm - Left
22	084066-01-000	FT	Bulb Seal - Double - Sponge Rubber
23	069640-06-000	FT	Seal - 5/16" x 15" (not included in assembly)
24	083180-01-000	FT	Seal - Vinyl Glazing
25	084155-10-000	EA	Hinge - Tipout Window - Black

1989 ITASCA TABLE OF CONTENTS

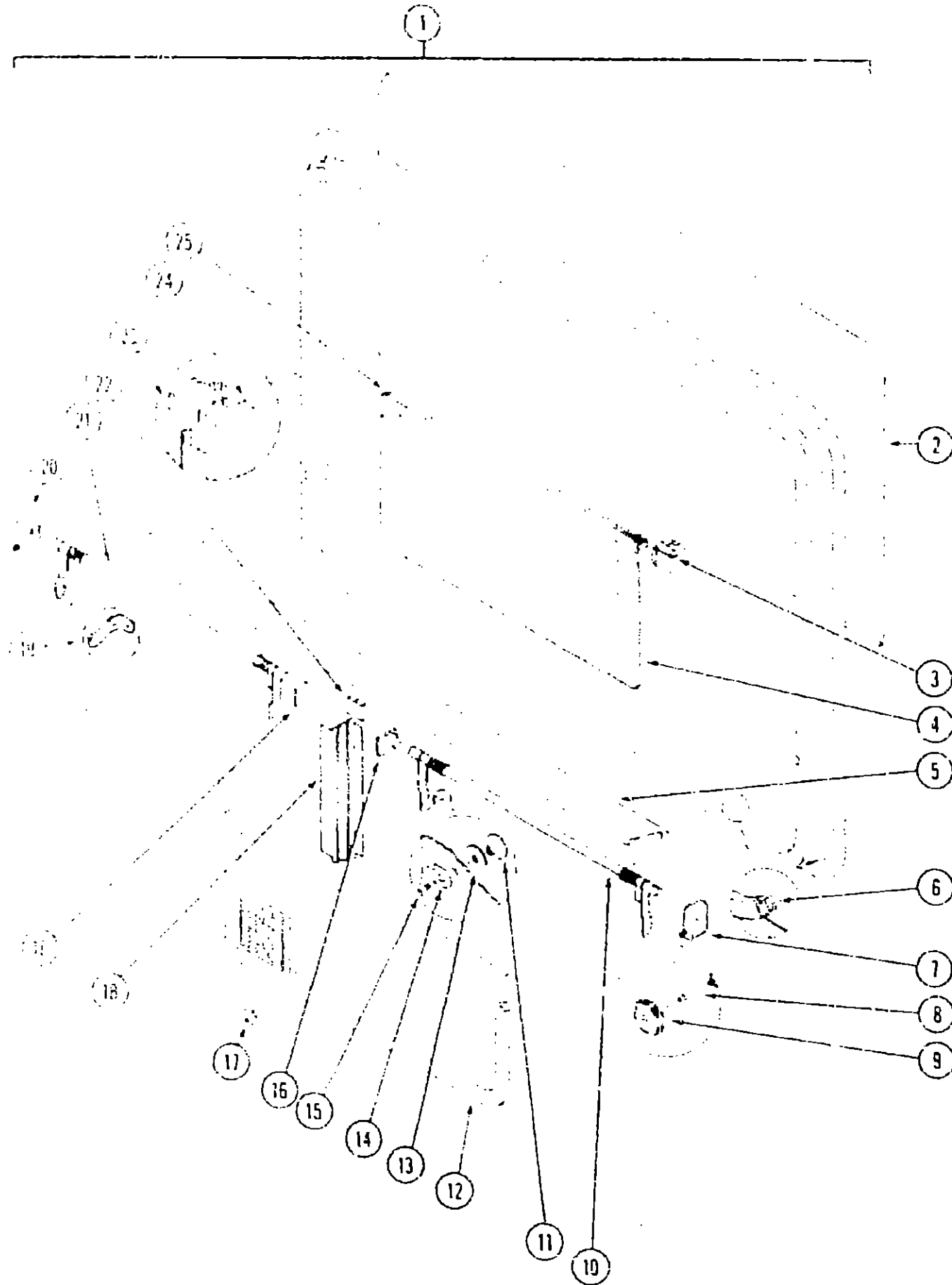
ICN26RQ	A-01 - D-16
ICJN36RT	E-17 - H-10
ICJN36RQ	J-09 - K-21

1989 IC/JN36RQ INDEX

Floor Plan	H-09 - H-10
Accessories Group	H-11 - H-16
Bath Group	H-17 - H-18
Chassis Group	H-19 - I-05
Curtain, Cushion & Pad Group	I-06 - I-16
Dinette Group	I-17 - I-18
Driver's Compartment Group	I-19 - J-01
Electrical Group	J-02 - J-05
Exterior Body Group	J-06 - J-13
Galley Group	J-14 - J-16
Heating & Air Conditioning Group	J-17 - J-19
Interior Finish Group	J-20 - J-21
LP Group	J-22
Lounge Group	J-23 - K-02
Water & Sewage Group	K-03 - K-05
Window, Vent & Exterior Door Group	K-06 - K-21

WINDOW, VENT & EXTERIOR DOOR GROUP (CONTINUED)

DOUBLE TIPOUT WINDOW



Key	Part Number	U/M	Description
1	085354-05-X11	EA	Window Asm - Double Tipout
	084153-10-000	EA	Inside Frame - Black (not included in assembly)
2	081230-16-000	EA	Glass - 1/8" x 60" x 20" (not included in assembly)
3	081357-01-000	FT	Foam Seal - Vinyl
4	084068-08-000	EA	Glass - 1/8" x 9 2/4" x 30 3/8" (not included in assembly)
5	083119-09-000	EA	Mullion - Horizontal - Black
	000G39-08-16T	EA	Screw - SF/DH - 6 - 20 x 1.00 PPH (Mullion - 4 Required)
	075776-03-000	EA	Rivet - Plastic - Pin Drive - Black (2 Required)
6	084067-01-000	FT	Seal - 1/2" - Sponge Rubber
7	035302-01-000	EA	Operator Drive - Right
8	090025-01-000	EA	Extension - Window Knob (not included in assembly)
9	057052-02-000	EA	Knob - Beige (not included in assembly)
	089371-01-000	EA	Screw - Window Knob (not included in assembly)
10	083228-03-000	EA	Torque Tube Asm. - Right
11	085762-01-000	EA	T-Nut - 10-32
12	084581-05-X11	EA	Screen Asm - Tipout - Right
	084581-05-X11	EA	Screen Asm - Tipout - Left
	002293-02-000	SF	Screen - 26" - Window
	002295-02-000	FT	Spline - 130" Dia - Charcoal (Screen)
13	068927-03-000	EA	Seal - Rubber - 12" x 25" ID x 60" OD
14	084473-01-000	EA	Seal - Rubber - "D" Shaped
15	086763-01-000	EA	Screw - #10 - 32 x 1/4" PTH
16	081354-01-000	EA	Sleeve - Window Torque Tube
17	081243-01-000	EA	Clip - Plastic - Screen (4 Required)
	000G12-06-08T	EA	Screw - #6 - 20 x .50" POH - Black
18	084154-01-000	EA	Mullion - Vertical - Black
	000G39-08-02B	EA	Screw - #8 x 18 x 1/2 PPH (Mullion - 4 Required)
19	097576-01-000	EA	Connecting Rod Asm
	085316-01-000	EA	Washer - Wave - 44 OD 32 ID
	081649-01-000	EA	Snap Ring - 7/32 Shaft
20	035302-02-000	EA	Operator Drive - Left
21	083227-03-000	EA	Torque Tube Asm - Left
22	084066-01-000	FT	Bulb Seal - Double - Sponge Rubber
23	069640-06-000	FT	Seal - 5/16 x 15" (not included in assembly)
24	083180-01-000	FT	Seal - Vinyl Glazing
25	084155-09-000	EA	Hinge - Tipout Window - Black

1989 ITASCA TABLE OF CONTENTS

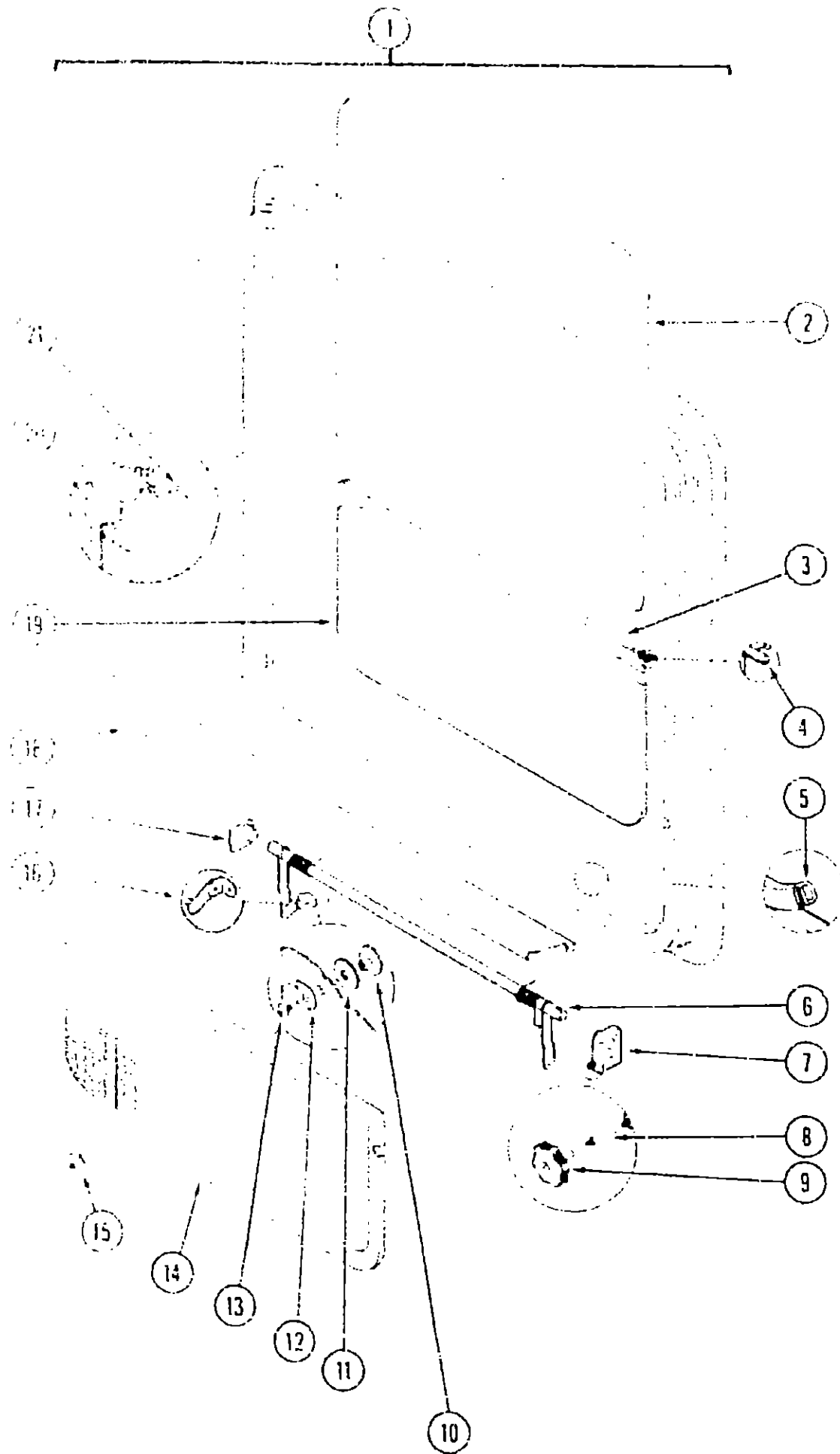
IC/JN36RQ	A-01 - Q-16
IC/JN36RT	Q-17 - H-10
IC/JN36RQ	H-09 - K-21

1989 IC/JN36RQ INDEX

Floor Plan	H-09 - H-10
Accessories Group	H-11 - H-16
Bath Group	H-17 - H-18
Chassis Group	H-19 - I-05
Curtain, Cushion & Pad Group	I-05 - I-16
Dinette Group	I-17 - I-18
Driver's Compartment Group	I-19 - J-01
Electrical Group	J-02 - J-05
Exterior Body Group	J-06 - J-13
Galley Group	J-14 - J-16
Heating & Air Conditioning Group	J-17 - J-19
Interior Finish Group	J-20 - J-21
LP Group	J-22
Lounge Group	J-23 - K-02
Water & Sewage Group	K-03 - K-05
Window, Vent & Exterior Door Group	K-06 - K-21

WINDOW, VENT & EXTERIOR DOOR GROUP (CONTINUED)

SINGLE TIPOUT WINDOW



Key	Part Number	U.M.	Description
1	083108-07-000	EA	Window Assy - Single Tipout - 24 1/2" x 24 1/2" (two inside frames)
	084159-04-000	EA	Inside Frame - Black (not included in assembly)
2	081201-06-000	EA	Glass - 14 1/2" x 24 25" - Stationary
3	084913-01-000	EA	Hinge - Tipout Window - Black
4	081357-01-000	FT	Seal Foam - Vinyl
5	084067-01-000	FT	Seal - e - Sponge Rubber
6	061150-05-000	EA	Torque Tube Asm
7	059302-02-000	EA	Operator Drive - Left
8	059439-06-000	EA	Extension - 900" - Black (not included in assembly)
9	059439-06-000	EA	Knob - Window Crankout - Black (not included in assembly)
	059439-07-000	EA	Screw - 8/32" x 1 1/8" POH - Black (not included in assembly)
10	059762-01-000	EA	T-Nut - 10-32
11	068927-03-000	EA	Seal - Rubber - 12" x 25" ID x 80" OD
12	084473-01-000	EA	Seal - Rubber - "D" Shaped
13	086763-01-000	EA	Screw - #10 - 32 x 1/4" PTH
14	084580-04-W07	EA	Screw Assy - Tipout Window - Single
	052293-02-000	SF	Screen - Window - 26" - Charcoal
	052298-02-000	FT	Spline - 130" Dia - Charcoal (Screen)
15	081243-01-000	EA	Screen Clip - Plastic - Black
	020612-06-08T	EA	Screw - #6 - 20 x .50" POH - Black
16	097578-01-000	EA	Connecting Rod Asm
	085316-01-000	EA	Washer - Wave - 44 OD 32 ID
	081649-01-000	EA	Snap Ring - 7/32 Shaft
17	081354-01-000	EA	Sleeve - Window Torque Tube
18	082563-52-001	EA	Mullion - Horizontal - Black
19	081058-02-000	EA	Glass - 9 24" x 24 13" - Tipout
20	069640-06-000	FT	Seal - 5/16" x 15" (not included in assembly)
21	083190-01-000	FT	Seal - Vinyl Glazing

1989 ITASCA TABLE OF CONTENTS

ICN26RU
IC/JN31RT
IC/JN36RO

A-01 - D-16
D-17 - H-10
H-09 - K-21

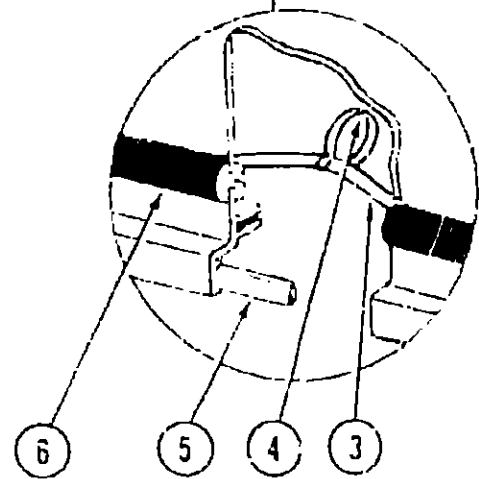
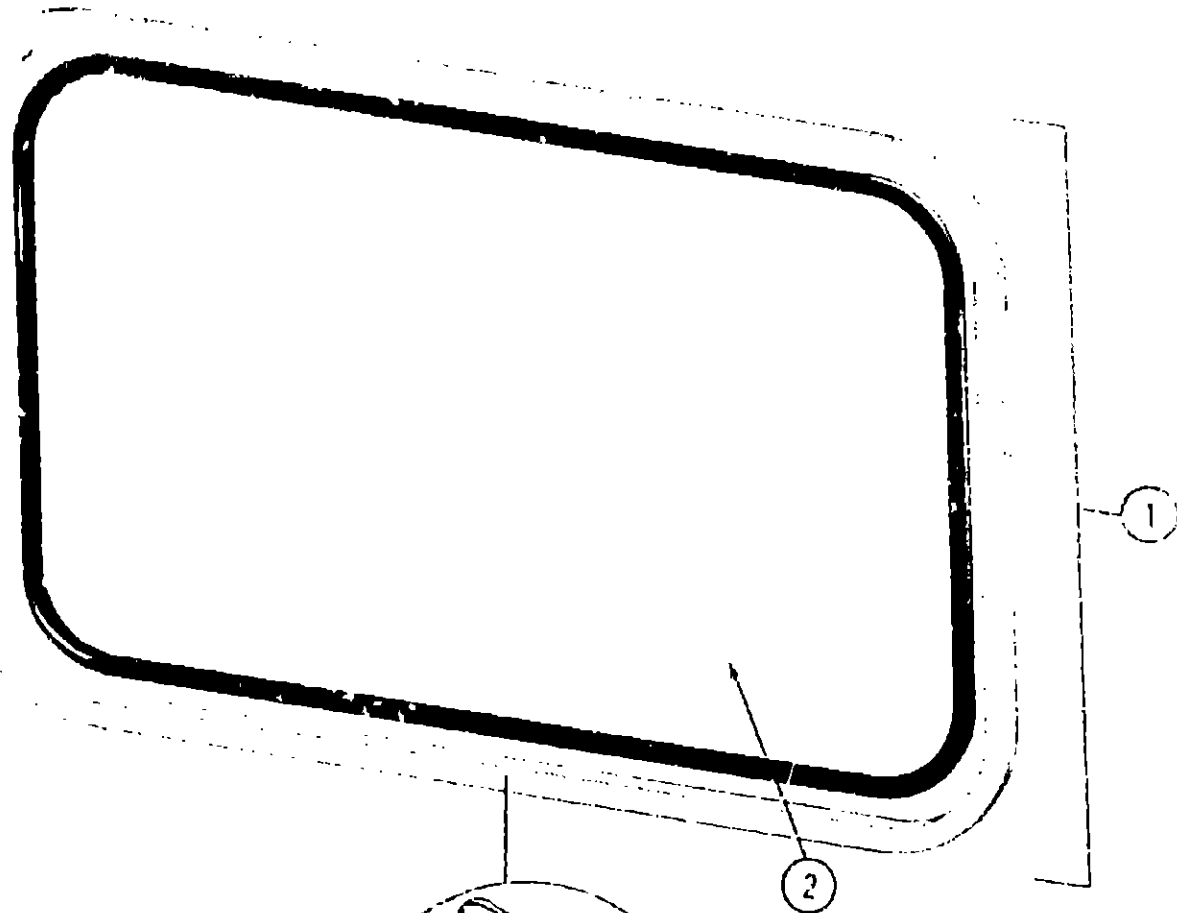
1989 IC/JN36RO INDEX

Floor Plan	H-09 - H-10
Accessories Group	H-11 - H-16
Bath Group	H-17 - H-18
Chassis Group	H-19 - I-05
Curtain, Cushion & Pad Group	I-06 - I-15
Dinette Group	I-17 - I-18
Driver's Compartment Group	I-19 - J-01
Electrical Group	J-02 - J-05
Exterior Body Group	J-06 - J-13
Galley Group	J-14 - J-16
Heating & Air Conditioning Group	J-17 - J-19
Interior Finish Group	J-20 - J-21
LP Group	J-22
Lounge Group	J-23 - K-02
Water & Sewage Group	K-03 - K-05
Window, Vent & Exterior Door Group	K-05 - K-21

1989 ITASCA
TABLE OF CONTENTS

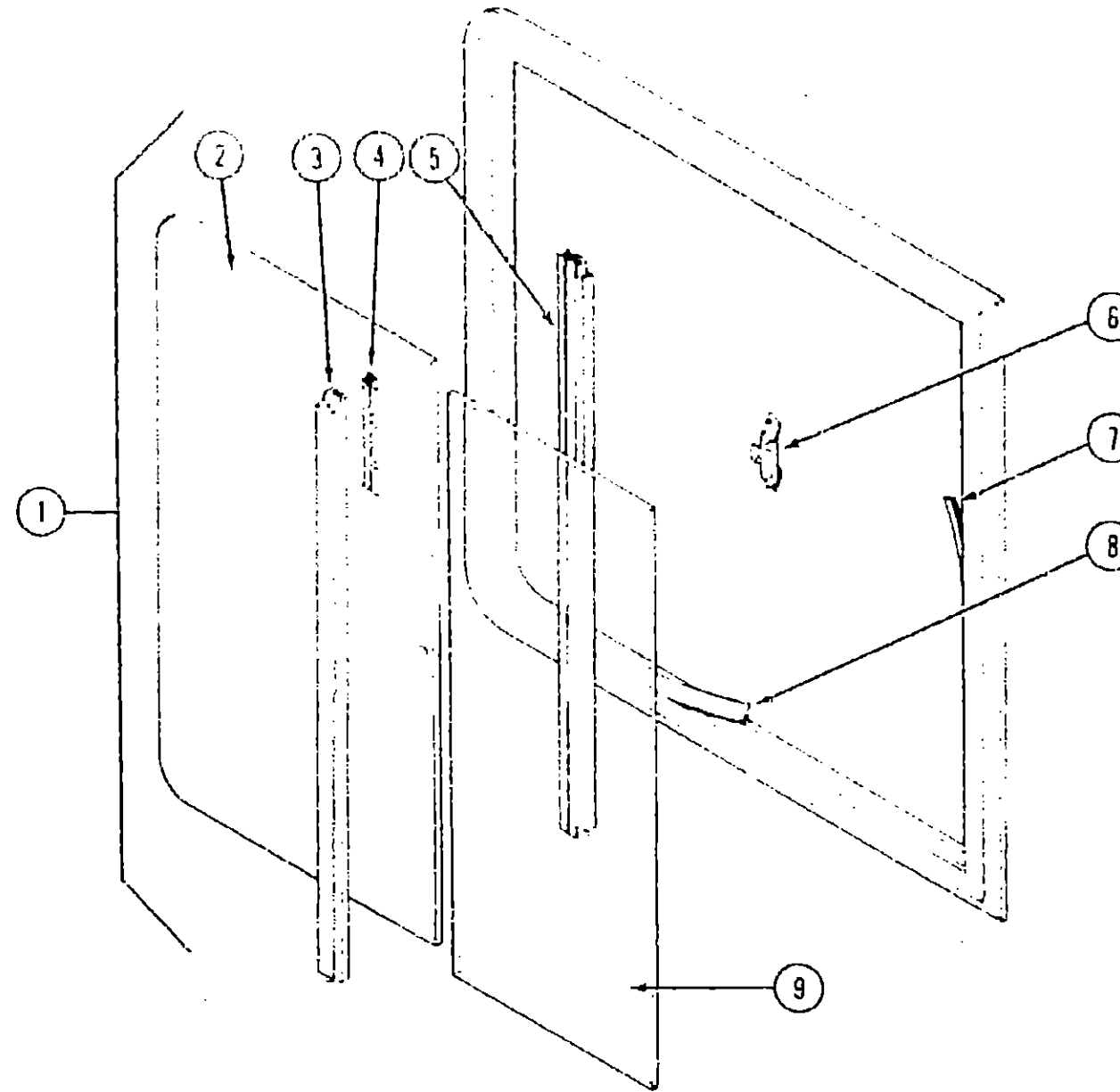
IC/N28RU
IC/JN31RT
IC/JN36RQ

A-01 - D-16
D-17 - H-10
H-09 - K-21



ESCAPE WINDOW

Key	Part Number	U/M	Description
1	097995-01-Y12	EA	Window Asm. - Escape (w/o inside frame)
	072650-01-000	EA	Inside Frame - Black (not included in assembly)
2	078437-06-000	EA	Glass - 1/8" x 44.8" x 28"
3	002285-01-000	FT	Filler - Weatherstrip - Black
4	077005-01-701	EA	Tape - Ploy - Escape Window - 36"
5	059540-07-000	FT	Tape - 2" Bead x 45'
6	002282-01-000	FT	Weatherstrip - Window - .125" - Black



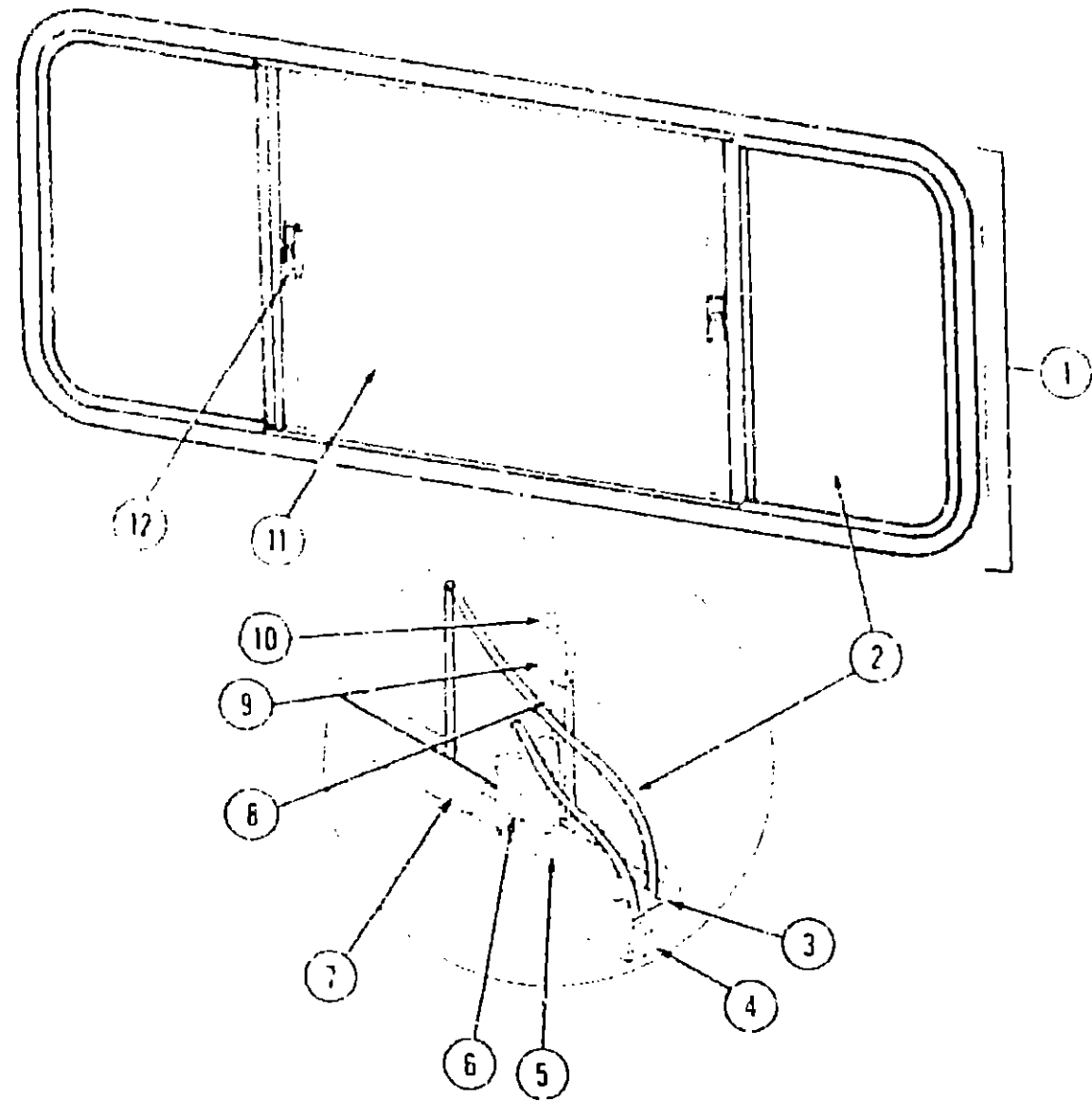
SINGLE SLIDER WINDOW

Key	Part Number	U/M	Description
1	093703-01-Y10	EA	Window Asm. - Single Slider - 31.5" x 31" (w/o inside frame)
	092665-01-Y10	EA	Inside Frame - Black (not included in assembly)
2	081980-11-000	EA	Glass - Slider - 1/8" x 30.4" x 16.5"
3	002389-03-209	EA	Glass Holder - 29.57"
4	073740-01-000	FT	Seal - Fin - Pile - .460
5	084170-09-000	EA	Mullion - Slider Window - Black
	042077-01-000	FT	Channel - Window - Glass Run - 3/16"
	050213-02-000	FT	Spline - Vinyl Glass - .19" - Black
6	047369-01-700	EA	Latch Kit - Window - Black Plastic w/Fastener
7	002309-02-000	FT	Spline - Glass - 1/8" Material - Black
8	011928-02-000	FT	Seal - Window Channel
9	057656-12-000	EA	Glass - Stationary - 1/8" x 15.7" x 30.4"
	000G39-06-16T	EA	Screw - SF/DR - 6 x 20 x 1.00 - PPH
	002328-01-000	EA	Block - Window - 1/8" x 3/16" x 1"
	023320-01-000	EA	Pad - Felt - 3/8" D
	081377-01-000	EA	Adhesive - Cyanoacrylate

1989 IC/JN36RQ INDEX

Floor Plan	H-09 - H-10
Accessories Group	H-11 - H-16
Bath Group	H-17 - H-18
Chassis Group	H-19 - I-05
Curtain, Cushion & Pad Group	I-06 - I-16
Dinette Group	I-17 - I-18
Driver's Compartment Group	I-19 - I-01
Electrical Group	J-02 - J-05
Exterior Body Group	J-06 - J-13
Galley Group	J-14 - J-16
Heating & Air Conditioning Group	J-17 - J-19
Interior Finish Group	J-20 - J-21
LP Group	J-22
Lounge Group	J-23 - K-02
Water & Sewage Group	K-03 - K-05
Window, Vent & Exterior Door Group	K-06 - K-21

WINDOW, VENT & EXTERIOR DOOR GROUP (CONTINUED)



DOUBLE SLIDER WINDOW

Key	Part Number	U/M	Description
1	022069-04 X11	EA	Window Asm - Double Slider (w/o inside frame)
2	083122-76-000	EA	Inside Frame - Double Slider - Beige (not included in assembly)
3	081969-19-000	EA	Glass - Sliding - 30.7" x 19.3" x 1/8"
4	002324-02-000	FT	Channel Weatherstrip - Glass
5	089640-08-000	FT	Sealer Ribbon - 5/16" Bead x 15'
6	001309-02-000	FT	Spline - Glass - 1/8" - Black
7	080896-03-001	EA	Seal Holder - 1/8" Glass - Black
8	024096-02-000	FT	Vinyl Window Seal - Black
9	023740-01-000	FT	Fin Seal - 450 Pile
10	080826-02-001	EA	Mullion - Slider Window - Black
11	002092-02-000	SF	Screen - Window - 26" Charcoal
12	001795-02-000	FT	Spline - 15.0" Dia - Charcoal (Screen)
13	001099-07-000	EA	Glass - Stationary - 30.74" x 24.75" x 1/8"
14	087509-01-700	EA	Latch Kit - Window - Plastic w/Fastener
15	081817-01-000	EA	Adhesive - Cyanacrylate
16	083328-01-000	EA	Block - Window - 1/8" x 3/16" x 1"

1989 ITASCA
TABLE OF CONTENTS

IC/JN36RQ
K/JN36RT
IC/JN36RO

A-01 - D-16
D-17 - H-10
H-03 - K-21

1989 IC/JN36RQ INDEX

Floor Plan	H-09 - H-10
Accessories Group	H-11 - H-16
Bath Group	H-17 - H-18
Chassis Group	H-19 - I-05
Curtain, Cushion & Pad Group	I-06 - I-16
Dinette Group	I-17 - I-18
Driver's Compartment Group	I-19 - J-01
Electrical Group	J-02 - J-05
Exterior Body Group	J-06 - J-13
Galley Group	J-14 - J-16
Heating & Air Conditioning Group	J-17 - J-19
Interior Finish Group	J-20 - J-21
LP Group	J-22
Lounge Group	J-23 - K-02
Water & Sewage Group	K-03 - K-05
Window, Vent & Exterior Door Group	K-06 - K-21