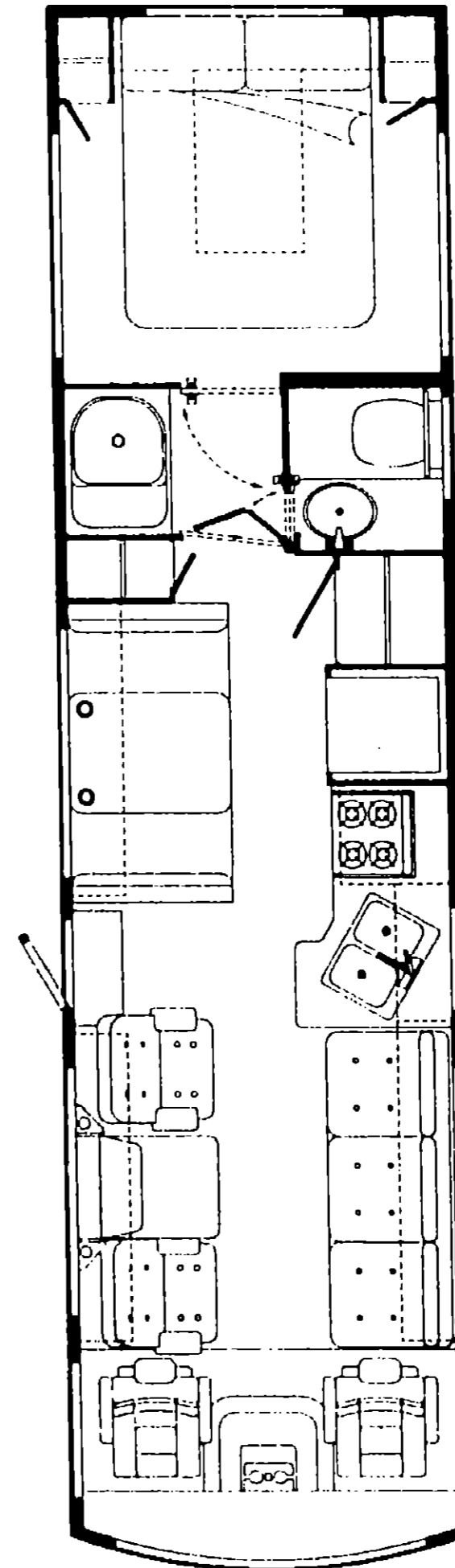
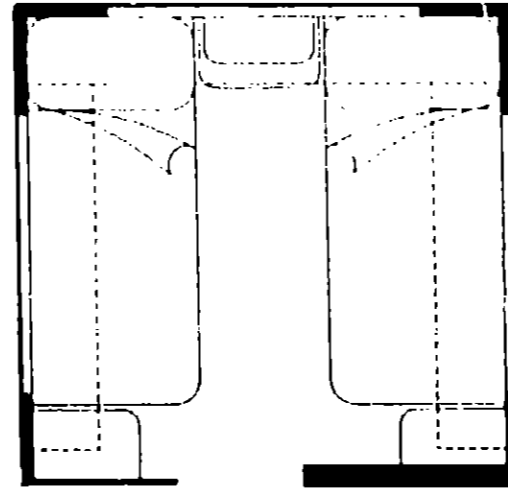


# 1989 IC/JN33RQ



## 1989 ITASCA TABLE OF CONTENTS

INTRODUCTION	A-01
ABBREVIATIONS	A-01
ALPHABETICAL INDEX	A-02 - A-04
IC/JN31RQ	A-05 - D-12
IC/JN33RQ	D-13 - G-21

## 1989 IC/JN33RQ INDEX

Floor Plan	D-13 - D-14
Accessories Group	D-15 - D-19
Bath Group	D-20 - D-21
Chassis Group	D-22 - E-05
Curtain, Cushion & Pad Group	E-06 - E-16
Dinette Group	E-17
Driver's Compartment Group	E-18 - E-24
Electrical Group	F-01 - F-04
Exterior Body Group	F-05 - F-12
Galley Group	F-13 - F-15
Heating & Air Conditioning Group	F-16 - F-17
Interior Finish Group	F-18 - F-19
LP Group	F-20
Lounge Group	F-21 - G-01
Water & Sewage Group	G-02 - G-05
Window, Vent & Exterior Door Group	G-06 - G-21

## ACCESSORIES GROUP

### RACK & LADDER COMPONENTS (OPTION 35U)

Key	Part Number	U/M	Description
	092963-01-Y12	EA	Ladder Asm. - Lower
	092965-01-Y35	EA	Ladder Asm. - Upper
	081026-09-Y12	EA	Rack Asm. - Right
	081026-10-Y12	EA	Rack Asm. - Left
	081055-01-000	EA	Spring Grip - Internal
	081056-01-000	EA	Pin - Quick Release
	081152-01-000	EA	Bumper Plate - Brite Dip - Lower Ladder
	064093-01-000	EA	Luggage Box - 14" x 30" x 60" (Optional)
	038327-01-000	EA	Tape - Anti-Slip - 2" x 60'

### MICROWAVE/CONVECTION OVEN & COMPONENTS (OPTION 41D)

Key	Part Number	U/M	Description
	088737-01-000	EA	Microwave/Convection Oven - Magic Chef
	088737-01-700	EA	Control
	088737-01-701	EA	Frame - Panel
	088737-01-702	EA	Touch Panel Asm.
	088737-01-703	EA	Frame - Door
	088737-01-704	EA	Glass - Outside - Door
	088737-01-705	EA	Trim - Upper Frame - Inner
	088737-01-706	EA	Cabinet
	088737-01-707	EA	Fuse
	088737-01-708	EA	Transformer H.V.
	088737-01-709	EA	Trim
	088737-01-710	EA	Lamp - Oven - 30W
	088737-01-711	EA	Relay - Complete
	088737-01-712	EA	Trim
	088737-02-000	EA	Frame Kit - Microwave Oven
	088682-03-000	EA	Bracket Asm. - Microwave - Right
	088682-04-000	EA	Bracket Asm. - Microwave - Left
	094774-01-01A	EA	Trim - Microwave - Black (Sides)
	094745-01-01A	EA	Trim - Microwave - Black (Bottom)

### CUSTOM STEERING WHEEL

Key	Part Number	U/M	Description
†	080752-05-000	EA	Steering Wheel - Custom
	080752-17-000	EA	Steering Wheel w/2 Horn Buttons
	080752-06-000	EA	Hub Adapter - Steering Wheel
	080752-07-000	EA	Button - Horn - w/Wire
	080752-08-000	EA	Screw - Custom Steering Wheel

† Parts used before 4/2/89  
 \* Parts used after 4/3/89

## ACCESSORIES GROUP (CONTINUED)

### MISCELLANEOUS ACCESSORIES

Key	Part Number	U/M	Description
	054185-31-000	EA	Owner's Manual - 1989 - Winnebago & Itasca
	092318-01-000	EA	Binder - 3 Ring - Vendor Manual
	092319-01-000	EA	Page - Plastic Packet
**	076319-01-000	EA	Antenna - TV - 44 5" Mast
	081202-02-000	EA	Floor Mat - Front - Right - Itasca (Option 63H)
	081201-02-000	EA	Floor Mat - Front - Left - Itasca (Option 63H)
	081075-02-000	EA	Floor Mat - Entrance - Itasca
	017516-01-000	EA	Mud Flap - 14" x 18" - Rear - Black
	017516-02-000	EA	Mud Flap - 14" x 12" - Front - Black
	041944-04-000	EA	Fire Extinguisher - 5 BC - w/o Mounting Bracket
	084472-01-000	EA	Holder - Fire Extinguisher
	094499-01-000	EA	Fire Extinguisher - 1A 10BC (UL)
	094499-02-000	EA	Fire Extinguisher - 1A 10BC (CSA)
	094651-01-01A	EA	Holder - Recessed - Fire Extinguisher
	093300-01-000	EA	Tool Box
	072852-01-000	EA	Smoke Detector w/9 Volt Battery
	080208-01-000	EA	Lug Wrench
	080208-02-000	EA	Leverage Bar - Lug Wrench
	080208-03-000	EA	Lug Wrench - John Deere
	006113-01-000	EA	Jack - Hydraulic - 6 Ton - w/Handle
	091955-01-000	EA	Squeegee - Extended Handle
	091952-01-000	EA	Clip - 1" Gripper - Squeegee
	093527-01-000	EA	Bracket - Squeegee
	098447-01-000	EA	Television - 13" Digital Color (Option 43U)
	098446-01-000	EA	VCR - VHS - Table Model (Option 43W/43X)
	086757-01-000	EA	Control Center - Channel Master (Option 43W/43X)
**	094369-01-000	EA	Speed Control - w/Smart Stick
	094708-01-01A	EA	Stop Asm. - Electric - Single
**	079942-01-000	EA	Shock Absorber - Stabilizer - Front (Option 64A)

\*\* The illustrated parts breakdown for this item is provided on the Common Items Fiche.

### AIR HORNS & COMPONENTS (OPTION 36R)

Key	Part Number	U/M	Description
	077497-01-000	EA	Air Horn Kit - Twin Chromed - w/o Auxiliary Hose Kit
	077497-01-700	EA	Solenoid - Air Tank
	077497-01-701	EA	Switch - Compressor
	077497-01-702	EA	Toggle Switch w/Wire
	077497-01-703	EA	Air Tank
	077497-01-704	EA	Compressor w/Switch
	077497-01-705	EA	Repair Kit - Air Horn
	077497-02-000	EA	Hose Kit - Auxiliary Air
	077497-03-000	EA	Parts Kit - Hose - Auxiliary Air
	078239-01-000	EA	Label Plate - Horn
	063912-02-000	EA	Relay - Canister
	093258-01-000	EA	Wire Asm. - Air Horn
	081404-01-000	EA	Mounting Bracket - Compressor
	081407-01-000	EA	Mounting Plate - Air Horns
	097372-01-01A	EA	Switch - SPST - On/Off

### WHEEL LINERS & MOUNTING HARDWARE (OPTION 63K) (CHEVROLET)

Key	Part Number	U/M	Description
	091209-01-000	EA	Wheel Liner - w/Axle & Lugnut Covers - Chrome - 19.5" (Set/4)
	091209-01-700	EA	Simulator - Front Wheel
	091209-01-701	EA	Simulator - Rear Wheel
	091209-01-702	EA	Cover - Front Axle
	091209-01-703	EA	Cover - Rear Axle
	091209-01-704	EA	Cover - Lug Nut
	095012-01-000	EA	Extension - Valve Stem - Dual
	077030-02-000	EA	Extension - Valve Stem - 1.25"

## 1989 ITASCA TABLE OF CONTENTS

INTRODUCTION	A-01
ABBREVIATIONS	A-01
ALPHABETICAL INDEX	A-02 - A-04
IC/JN3190	A-05 - D-12
IC/JN33RO	D-13 - G-21

## 1989 IC/JN33RQ INDEX

Floor Plan	D-13 - D-14
Accessories Group	D-15 - D-19
Bath Group	D-20 - D-21
Chassis Group	D-22 - F-05
Curtain, Cushion & Pad Group	E-06 - E-16
Dinette Group	E-17
Driver's Compartment Group	E-18 - E-24
Electrical Group	F-01 - F-04
Exterior Body Group	F-05 - F-12
Galley Group	F-13 - F-15
Heating & Air Conditioning Group	F-16 - F-17
Interior Finish Group	F-18 - F-19
LP Group	F-20
Lounge Group	F-21 - G-01
Water & Sewage Group	G-02 - G-05
Window, Vent & Exterior Door Group	G-06 - G-21

## ACCESSORIES GROUP (CONTINUED)

### REAR RADIO & COMPONENTS (OPTION 26L)

Key	Part Number	U/M	Description
	090944-01-000	EA	Antenna - Radio - 16" Rubber
	090862-01-000	EA	Bracket - Hat - Antenna
	089340-01-000	EA	Grille - Speaker - 6 25" Square
	090339-01-000	EA	Radio - AM/FM Stereo - w/Cassette - Electronics Tune
	094097-01-000	EA	Speaker - 5 25" w/o Grille
†	097153-01-000	EA	Radio - AM/FM Stereo - w/Cassette
	074979-01-000	EA	Speaker Cover - Light Oak
	Parts used before 5/28/89		
†	Parts used after 5/29/89		

### FRONT RADIO & COMPONENTS

Key	Part Number	U/M	Description
	077069-01-000	EA	Antenna - Radio
	077448-01-000	EA	Bracket - Radio - Front
	077442-01-000	EA	Bracket - Radio Support - Rear
	077069-02-000	EA	Cable - Antenna Extension - 96"
	073741-04-000	EA	Grille - Speaker - Oval - 4" x 6"
	087706-01-000	EA	Mounting Kit - Radio
	092311-01-000	EA	Radio - A.M./FM - w/Cassette
	073741-03-000	EA	Speaker - Oval - 4" x 6"
	074979-01-000	EA	Speaker Cover - Light Oak

### REAR VIEW TELEVISION (SONY) (OPTION 67Z)

Key	Part Number	U/M	Description
	093040-01-000	EA	Camera & Monitor
	093040-01-700	EA	Camera Only
	093040-01-701	EA	Monitor - 6" - w/Bracket & Wire Harness
	093041-01-000	EA	Cable - TV/Monitor
	031170-01-000	EA	Clamp - Cable - 3/16 Dia
	093271-01-000	EA	Lens - Rear Monitor - Shroud
	093952-01-01A	EA	Shroud - TV - Off White
	080006-01-000	EA	Wire Asm. - Fuse Block
	092881-01-000	EA	Wire Asm. - IP to Rear Monitor
	093040-03-000	EA	Wire Asm. - Monitor

### WHEEL LINERS & MOUNTING HARDWARE (OPTION 63K) (JOHN DEERE)

Key	Part Number	U/M	Description
	086271-01-000	EA	Wheel Liner - Stainless Steel - 19.5" (Set/4)
	086271-01-700	EA	Wheel Liner - Stainless Steel - 19.5" Front (1)
	086271-01-701	EA	Wheel Liner - Stainless Steel - 19.5" - Rear (1)
	086271-01-702	EA	Chrome Cover - Front Axle
	086271-01-703	EA	Chrome Cover - Rear Axle
	086271-01-704	EA	Beauty Ring
	086271-01-705	EA	Chrome Cover - Lug Nut
	095912-02-000	EA	Extension - Valve Stem - Dual - 19.5"

### WHEEL COVER & MOUNTING HARDWARE

Key	Part Number	U/M	Description
	083181-03-700	EA	Wheel Cover - 19.5" - w/Nut Cover & Cap
†	083181-04-000	EA	Retainer Kit - 19.5" Wheel Cover (Set/4) (Chevrolet)
	083181-12-000	EA	Retainer Kit - 19.5" Wheel Cover (Set/4) (Chevrolet)
	083181-07-000	EA	Retainer Kit - 19.5" Wheel Cover (Set/4) (John Deere)
	083181-04-700	EA	Retainer Kit - 19.5" Front (1)
	083181-04-701	EA	Retainer Kit - 19.5" Rear (1)
	083181-04-702	EA	Nut Cover - 19.5"
	083181-04-703	EA	Cap - Chrome Center
†	Parts used thru 4/2/89.		
	Parts used after 4/3/89.		

## ACCESSORIES GROUP (CONTINUED)

### EXTERIOR MIRRORS

Key	Part Number	U/M	Description
**	086260-01-000	EA	Mirror Asm. - w/Convex - Right
**	086260-02-000	EA	Mirror Asm. - w/Convex - Left
**	086260-03-000	EA	Accessories Kit - Exterior Mirror
**	086259-04-000	EA	Mirror Asm. - Remote Control - Right
**	086259-05-000	EA	Mirror Asm. - Remote Control - Left
**	The illustrated parts breakdown for this item is provided on the Common Items Fiche.		

### KOHLER GENERATORS & COMPONENTS (OPTIONS 35 & 37M)

Key	Part Number	U/M	Description
	093740-01-000	EA	Generator - Kohler - 4.5KW
	093547-01-000	EA	Generator - Kohler - 7.0KW
	008054-02-000	EA	Power Cord - 10-3 - 30 Amp. - 33' (US)
	008052-01-000	EA	Power Cord - 10-3 - 30 Amp. - 25' (CSA)
	067762-01-000	EA	Converter - 40 Amp w/Charger (US)
	067762-02-000	EA	Converter - 40 Amp w/Charger (CSA)
	083152-04-000	EA	Exhaust Pipe - Generator - 4.5KW
	083152-06-000	EA	Exhaust Pipe - Generator - 7.0KW
	093590-02-000	EA	Muffler - Generator - 4.5KW
	093590-04-000	EA	Muffler - Generator - 7.0KW
	073937-03-000	EA	Switch - Rotary - A/C Select

### ONAN GENERATORS & COMPONENTS (OPTIONS 39E & 39G)

Key	Part Number	U/M	Description
	093545-01-000	EA	Generator - Onan - 4.0KW
	093546-01-000	EA	Generator - Onan - 6.5KW
	008054-02-000	EA	Power Cord - 10-3 - 30 Amp. - 33' (US)
	008052-01-000	EA	Power Cord - 10-3 - 30 Amp. - 25' (CSA)
	067762-01-000	EA	Converter - 40 Amp w/Charger (US)
	067762-02-000	EA	Converter - 40 Amp w/Charger (CSA)
	083152-06-000	EA	Exhaust Pipe - Generator
	094059-01-000	EA	Spacer - Generator
	094657-02-000	EA	Tray Asm. - Generator
	081364-03-000	EA	Muffler - Generator
	079654-01-700	EA	Hinge Kit - Emerald Generator

### FRONT PULL-DOWN BUNK (OPTION 523) (JOHN DEERE ONLY)

Key	Part Number	U/M	Description
	081717-04-Y12	EA	Bed Asm. - Front Bunk
	092472-02-01A	EA	Trim - Side Bunk - Lower
	093864-01-Y12	EA	Headliner Asm. - Front
	M93055-01-Y12	EA	Board Asm. - Trim - Bunk
	016604-03-000	EA	Brace - Seat Angle - 2.5" - Boige
	064219-01-000	EA	Retainer Strap
	075943-02-000	EA	Brace - Valance - Boige - 14"
	094658-01-Y12	EA	Handle - Oak
	076760-02-000	EA	Bunk Hardware - Overhead
	042541-04-700	EA	Latch Asm. - w/Straps (2 Sets)
	094396-01-000	EA	Track - Curtain - Front Wraparound

### AUXILIARY DEFROSTER FAN W/SWITCH (OPTION 36N)

Key	Part Number	U/M	Description
	036420-02-000	EA	Defroster Fan - 6" - 2 Speed
	088474-09-000	EA	Housing Socket
	088476-01-000	EA	Socket - Connector
	097372-03-01A	EA	Switch - SPDT - On/Off/On

## 1989 ITASCA TABLE OF CONTENTS

INTRODUCTION	A-01
ABBREVIATIONS	A-01
ALPHABETICAL INDEX	A-02 - A-04
IC/JN31RO	A-05 - D-12
IC/JN33RO	D-13 - G-21

## 1989 IC/JN33RO INDEX

Floor Plan	D-13 - D-14
Accessories Group	D-15 - D-19
Bath Group	D-20 - D-21
Chassis Group	D-22 - E-05
Curtain, Cushion & Pad Group	E-06 - E-16
Dinette Group	E-17
Driver's Compartment Group	F-18 - E-24
Electrical Group	F-01 - F-04
Exterior Body Group	F-05 - F-12
Galley Group	F-13 - F-15
Heating & Air Conditioning Group	F-16 - F-17
Interior Finish Group	F-18 - F-19
I.P. Group	F-20
Lounge Group	F-21 - G-01
Water & Sewage Group	G-02 - G-05
Window, Vent & Exterior Door Group	G-06 - G-21

## ACCESSORIES GROUP (CONTINUED)

### FOG LAMP & COMPONENTS (OPTION 57M)

Key	Part Number	U/M	Description
	088747-01-000	EA	Lamp Asm w/Cover - Fog - Clear Lens
	088747-01-700	EA	Cover - Fog Light
	088942-01-000	EA	Bracket - Fog Lamp - Mounting
	063912-02-000	EA	Relay - Canister - SPDT w/Resist
	093258-01-000	EA	Wire Asm - Instrument Panel - Horn/Fog Lamp
	092879-01-000	EA	Wire Asm - Fog Light
	076786-01-000	EA	Socket - Lamp - Mini Bayonet
	088475-01-000	EA	Pin - Connector
	088474-08-000	EA	Housing - Socket
	088476-01-000	EA	Socket - Connector
	093654-02-000	EA	Circuit Breaker - 15 Amp.
	092372-01-01A	EA	Switch - SPST - On/Off

### TRAILER TOWING PACKAGE (OPTION 2401)

Key	Part Number	U/M	Description
	077617-04-000	EA	Hitch Asm - w/o Drawbar
	077613-01-000	EA	Drawbar Asm Only
	034513-01-000	EA	Hitch Pin - 3/16 Wire
	034512-01-000	EA	Locking Pin - Drawbar
	075221-01-000	EA	Label - Trailer Hitch Capacity
	091224-02-000	EA	Label - Trailer Lighting
	097245-01-000	EA	Housing - Trailer Receptacle - 48"

### MICROWAVE/BROWNING OVEN (OPTION 1341 & 1351)

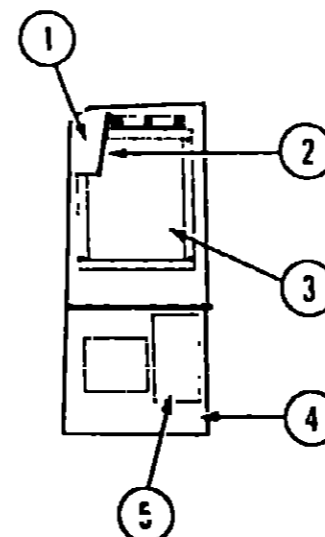
Key	Part Number	U/M	Description
	091269-03-000	EA	Microwave/Browning Oven
	094745-01-01A	EA	Trim - Microwave - Bottom - Black
	094774-01-01A	EA	Trim - Microwave - Sides - Black
	094767-01-Y12	EA	Cabinet Asm - Microwave Overhead
	092090-02-Y12	EA	End Cap Asm - Overhead
	042157-11-000	EA	Molding - Radius Corner - 7'
	083626-01-000	FT	T-Molding - 3/4 Edge Lip
	094756-01-01A	EA	Bracket - Microwave - Tan
	065740-01-000	EA	Brace - Corner - Plastic
	095721-01-000	EA	Label - Control Center
	M03862-02-Y12	EA	Cabinet Asm - Galley w/Range
	M92184-10-X11	EA	Drawer Asm - w/o Clip
	081374-01-000	EA	Range - 4 Burner - w/o Oven - Almond
	085280-03-000	EA	Cover - Burner - Bi-Fold - Almond

These parts are used only in Microwave/Browning Oven w/Range (Option 1351)

### WATER PURIFICATION SYSTEM (OPTION 29B)

Key	Part Number	U/M	Description
	087200-01-000	EA	Filter - Water Purification System
	087200-02-000	EA	Cartridge - Water Purification System
	000062-10-12B	EA	Scrow - 10 - 12 x .75 PPH - Zinc
	039800-01-000	FT	Tubing - Polybutual - 1/2 OD x 20'
	052952-01-000	EA	Nut - Plastic - 1/2 F
	052952-01-000	EA	Elbow - Plastic - 1/2 F x 3/8 MPT
	052959-02-000	EA	Connector - Plastic - 1/2 F x 1/2 MPT
	065120-01-000	EA	Elbow - Plastic - Swivel - 50"

## BATH GROUP



BATH CABINETRY

Key	Part Number	U/M	Description
1	076073-01-000	EA	Cabinet - Medicine - Almond
	076073-01-700	EA	Lock Asm. - Medicine Cabinet
2	093446-06-Y15	EA	Door Asm. - Mirror - Medicine Cabinet - 29.4" x 15.4" - w/o Hardware
3	093446-03-Y15	EA	Mirror Asm. - Bath Wall
4	M92859-01-Y12	EA	Cabinet Asm. - Lavatory - w/o Countertop or Door
	092859-12-Y12	EA	Countertop Asm. - Lavatory Cabinet
5	M88304-F6-Y12	EA	Door Asm - Lavatory Cabinet - 12" x 21.8" - w/o Hardware
	M03867-01-Y12	EA	Door Asm. - Bath - w/o Hardware
	094485-01-01A	EA	Door Knob - Bright Brass - Bath Door
	M92871-01-Y12	EA	Door Asm. - Bi-Fold - Bath - w/o Hardware
	093832-01-01A	EA	Door Knob - Bright Brass - Bi-Fold Door
	061604-01-000	EA	Slide Bolt - Antique Brass
	093184-01-01A	EA	Plate - Striker Door - Bath
	092652-01-000	EA	Guide Wheel - Door - Top - Bi-Fold Door
	093212-01-01A	EA	Door Bolt - Mortise - Bi-Fold Door
	M88304-H4-Y12	EA	Door Asm. - Wardrobe Cabinets - 12" x 48" - w/o Hardware
	M78921-22-Y12	EA	Drawer Asm - Wardrobe Cabinet - 12.4" x 22.8" - w/o Hardware
	M78921-23-Y12	EA	Drawer Asm - Wardrobe Cabinet - 24.7" x 22.8" - w/o Hardware

## 1989 ITASCA TABLE OF CONTENTS

INTRODUCTION	A-01
ABBREVIATIONS	A-01
ALPHABETICAL INDEX	A-02 - A-04
IC/JN31RO	A-05 - D-12
IC/JN33RO	D-13 - G-21

## 1989 IC/JN33RO INDEX

Floor Plan	D-13 - D-14
Accessories Group	D-15 - D-19
Bath Group	D-20 - D-21
Chassis Group	D-22 - E-05
Curtain, Cushion & Pad Group	E-06 - E-16
Dinette Group	E-17
Driver's Compartment Group	E-18 - E-24
Electrical Group	F-01 - F-04
Exterior Body Group	F-05 - F-12
Galley Group	F-13 - F-15
Heating & Air Conditioning Group	F-16 - F-17
Interior Finish Group	F-18 - F-19
LP Group	F-20
Lounge Group	F-21 - G-01
Water & Sewage Group	G-02 - G-05
Window, Vent & Exterior Door Group	G-06 - G-21

## BATH GROUP (CONTINUED)

### BATH & WARDROBE HARDWARE

Key	Part Number	U/M	Description
	075240-05-000	EA	Faucet - Lavatory - Brass
	011056-03-000	EA	Faucet - Lavatory - Chrome (CSA)
	091253-01-000	EA	GasKet - Lavatory Faucet
	075242-03-000	EA	Faucet - Tub & Shower - Brass
	031558-01-000	EA	Faucet - Tub & Shower - Chrome (CSA)
	011048-02-000	EA	Shower Head - w/60" Hose
	011048-05-000	EA	Shower Head - w/60" Hose (CSA)
	092574-01-01A	EA	Door Asm - Shower
	089366-01-000	EA	Sink Oval - Ivory Plastic
	1402630-10 Y12	EA	Showor Pan Asm.
	075606-01-000	EA	Panel - Shower Faucet
	009059-01-000	EA	Hinge - 1" - Brass
	009059-02-000	EA	Hinge - 2" - Brass
	059777-02-000	EA	Hinge - Cabinet Door - Brass
	009021-01-000	EA	Catch - Nylon - Grill
	009021-02-000	EA	Strike - Spring Steel
	092314-01-01A	EA	Shower Head - Guide - Brass
	066729-01-000	EA	Strainer - Shower Pan & Tub
	066436-01-000	EA	Slip Nut - 1.5" Tail Piece - Bathtub
	085278-01-000	EA	Tissue Holder - Recessed - Brass
	085278-02-000	EA	Tissue Holder - Recessed - CSA
	075560-01-000	EA	Clothes Rod - Adjustable
	075453-02-000	EA	Bar - Towel Rack
	009133-01-000	EA	Towel Bar - 12" Chrome (CSA)
	023449-01-000	EA	Bracket - Towel Bar - Chrome (CSA)
	075454-02-000	EA	Towel Ring - Brass
	033580-01-000	EA	Towel Ring - Plastic (CSA)
	058331-05-000	EA	Mirror - Tempered Glass - 12" x 26"
	058331-10-000	EA	Mirror - Tempered Glass - 14" x 17"
	083204-01-000	EA	Retaining Button - Glass
	067487-01-000	EA	Toilet - Aqua Marine IV - Low
	081614-02-000	EA	Soap Dish - Brass - w/Plastic Cover
	040027-01-000	EA	Dish Soap - Chrome (CSA)
	071632-01-000	EA	Hamper Bag
	066433-01-000	EA	Hook - Cup - Bright
	069089-01-000	EA	Clip - Mirror
	077902-01-000	EA	Collar - Skylite - Inner Panel
	040910-01-000	EA	Skylite Panel - Outer
	081171-01-000	EA	Skylite Trim - Outer - Mill
	063641-01-000	EA	Flange - Closet - 4 x 3 (UL)
	063641-02-000	EA	Flange - Closet - 4 x 3 (CSA)

## CHASSIS GROUP

### MISCELLANEOUS

Key	Part Number	U/M	Description
	JD4086-01-000	EA	Airspring Bellows - Rear Axle (Chevrolet)
	088782-01-000	EA	Airspring Bellows - Rear Axle (John Deere)
	072359-01-000	EA	Boille - Expansion Coolant
	065450-01-000	EA	Battery Tiedown - Plastic Coated (John Deere)
	063739-01-000	EA	Battery - 12V - Storage
	062401-01-000	EA	Clamp - Hose - Wormgear - .22 ID - 1" ID
	062401-02-000	EA	Clamp - Hose - Wormgear - 1.56 ID - 2.5" ID
	062401-03-000	EA	Clamp - Hose - Wormgear - .25 ID - 1" ID
	062401-04-000	EA	Clamp - Hose - Wormgear - .69" ID - 1.25" ID
	062401-05-000	EA	Clamp - Hose - Wormgear - 2" ID - 3" IDF
	062401-06-000	EA	Clamp - Hose - Wormgear - .22" ID - 62" ID
	007125-03-000	EA	Clamp Asm. - Muffler - 1.50 Dia.
	007125-04-000	EA	Clamp Asm. - Muffler - 1.12 Dia.
	010497-01-000	EA	Clamp - Closed - 5/8 ID
	010497-03-000	EA	Clamp - Closed - 1" ID
	007131-01-000	EA	Hanger - Tailpipe
	007063-01-000	FT	Hose - Gas - 1/4" ID x 1/2 OD
	024138-01-000	FT	Hose - Fuel - 5/16 ID
	017516-01-000	EA	Mud Flap - Black
	094707-01-01A	EA	Step Asm. - Electric - Double
	087883-01-000	EA	Wheelwell - Plastic - Rear
	081918-02-000	EA	Exhaust Extension - 7"

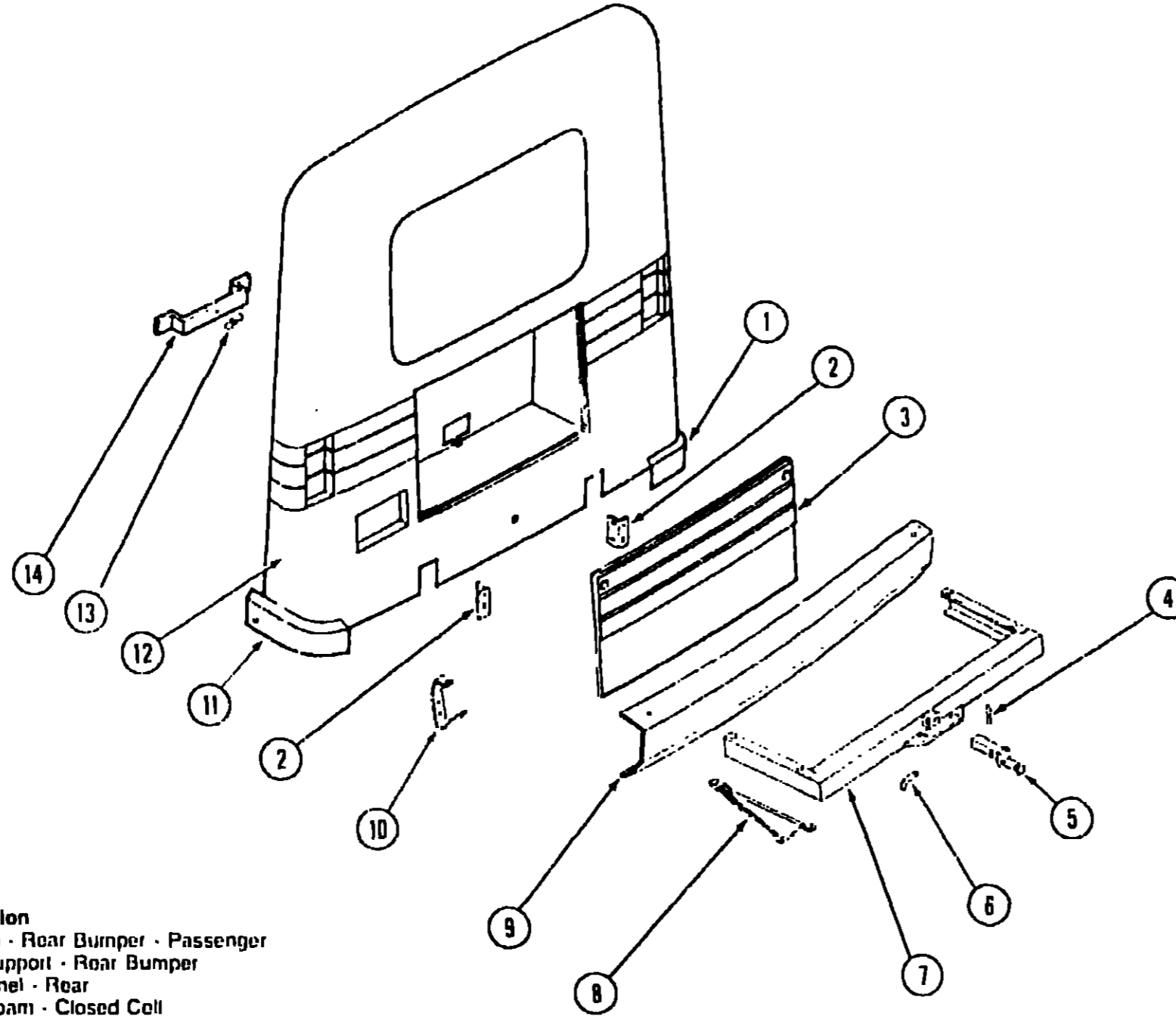
## 1989 ITASCA TABLE OF CONTENTS

INTRODUCTION	A-01
ABBREVIATIONS	A-01
ALPHABETICAL INDEX	A-02 - A-04
IC/JN31RQ	A-05 - D-12
IC/JN33RQ	D-13 - G-21

## 1989 IC/JN33RQ INDEX

Floor Plan	D-13 - D-14
Accessories Group	D-15 - D-19
Bath Group	D-20 - D-21
Chassis Group	D-22 - E-05
Curtain, Cushion & Pad Group	E-06 - E-16
Dinette Group	E-17
Driver's Compartment Group	E-18 - E-24
Electrical Group	F-01 - F-04
Exterior Body Group	F-05 - F-12
Galley Group	F-13 - F-15
Heating & Air Conditioning Group	F-16 - F-17
Interior Finish Group	F-18 - F-19
LP Group	F-20
Lounge Group	F-21 - G-01
Water & Sewage Group	G-02 - G-05
Window, Vent & Exterior Door Group	G-06 - G-21

**CHASSIS GROUP (CONTINUED)**  
**SPARE TIRE & TRAILER HITCH (OPTION 2401E)**



Key	Part Number	U/M	Description
1	092251-01-01A	EA	End Cap - Rear Bumper - Passenger
2	078668-01-000	EA	Angle Support - Rear Bumper
3	092983-01-000	EA	Door Panel - Rear
	090340-01-000	FT	Seal - Foam - Closed Cell
4	034513-01-000	EA	Hitch Pin - 3/16" Wire
5	077613-01-000	EA	Drawbar Asm.
6	034512-01-000	EA	Locking Pin - Drawbar
7	077617-04-000	EA	Hitch Asm - w/o Drawbar
8	093048-01-000	EA	Skid Plate Asm.
9	077851-08-000	EA	Rear Bumper - Chrome
	005200-01-000	EA	Bumper Bolt - 7/16" - 14 x 1 1/4
	000D39-07-000	EA	Hex Nut - 7/16" - 14
10	077855-01-000	EA	Bracket - Rear Bumper
11	092251-02-01A	EA	End Cap - Rear Bumper - Driver
12	M03491-01-Y33	EA	Rear Cap Asm. - Off White (Chevrolet)
12	M03491-02-Y35	EA	Rear Cap Asm. - Off White (John Deere)
13	064081-01-000	EA	Wing Nut
14	077399-01-000	EA	Retainer - Spare Tire
	007324-04-000	EA	Tire - 8" x 19.5" - Michelin (Chevrolet)
	095012-01-000	EA	Extension - Valve Stem (Chevrolet)
	007324-03-000	EA	Tire - 8" x 19.5" - Michelin (John Deere)
	095012-02-000	EA	Extension - Valve Stem (John Deere)

**1989 ITASCA**  
**TABLE OF CONTENTS**

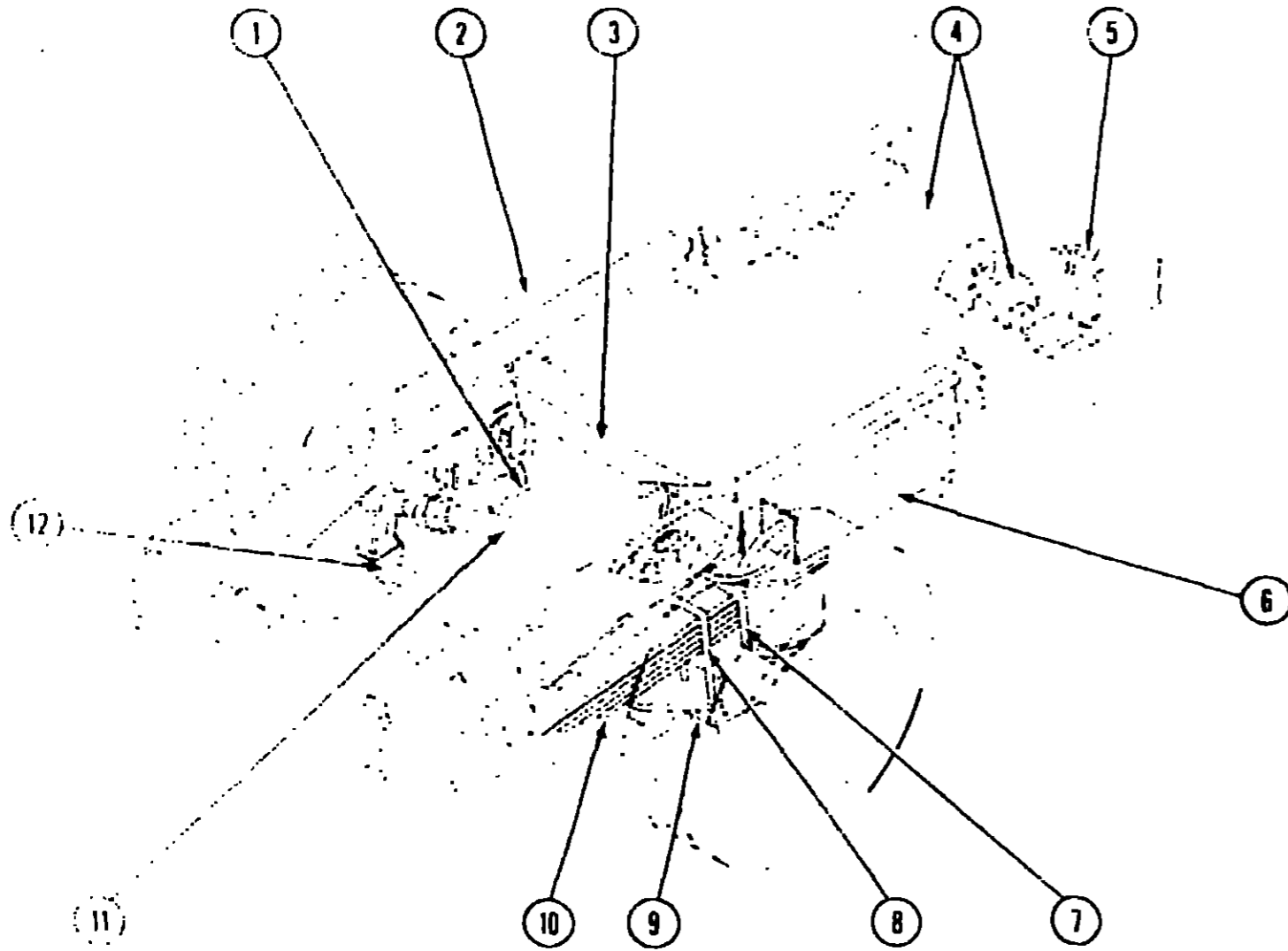
INTRODUCTION	A-01
ABBREVIATIONS	A-01
ALPHABETICAL INDEX	A-02 - A-04
IC/JN31RQ	A-05 - D-12
IC/JN33RQ	D-13 - G-21

**1989 IC/JN33RQ INDEX**

Floor Plan	D-13 - D-14
Accessories Group	D-15 - D-19
Bath Group	D-20 - D-21
Chassis Group	D-22 - E-05
Curtain, Cushion & Pad Group	E-06 - E-16
Dinette Group	E-17
Driver's Compartment Group	E-18 - E-24
Electrical Group	F-01 - F-04
Exterior Body Group	F-05 - F-12
Galley Group	F-13 - F-15
Heating & Air Conditioning Group	F-16 - F-17
Interior Finish Group	F-18 - F-19
LP Group	F-20
Lounge Group	F-21 - G-01
Water & Sewage Group	G-02 - G-05
Window, Vent & Exterior Door Group	G-06 - G-21

### CHASSIS GROUP (CONTINUED)

AIR RIDE SUSPENSION (OPTION 64K) (CHEVROLET ONLY)



Key	Part Number	U/M	Description
1	090436-11-000	EA	Spring Mount - Lower Axle - Driver
2	090436-09-000	EA	Mount - Airspring Asm - Upper Driver
3	090436-04-000	EA	Valve Asm - Height - w/o Park & Level
3	090436-05-000	EA	Valve Asm - Height - w/Park & Level
4	090436-07-000	EA	Compressor Asm - w/Tank & Wiring
5	090436-06-000	EA	Control - Park Level w/Wiring
6	090436-08-000	EA	Mount - Airspring Asm - Upper - Passenger
7	090436-13-000	EA	U-Bolt - Rearward Bent - 7/8"
8	090436-12-000	EA	U-Bolt - Straight - 7/8"
9	090436-10-000	EA	Spring Mount - Lower Axle - Passenger
10	090436-03-000	EA	Leaf Spring - Semi
11	090436-14-000	EA	Track Bar - w/Pivot Bolt & Brackets
12	091250-03-000	EA	Bushing - Sway Bar - 1.75"
	000D14-05-00B	EA	Hex Nut - 5/16 - #18
	000D34-06-00B	EA	Hex Nut - Locking - 3/8 - #16
	000E13-17-00B	EA	Washer - Flange - 3/8
	071374-03-000	EA	Fitting - Bulkhead - 1/4 x 1/4 MNPT
	007125-11-000	EA	Clamp Asm - Muffler
	016379-02-000	EA	Strap - Hanger Extension
	081918-02-000	EA	Extension - Exhaust - 2.25 OD x 7
	085433-01-000	EA	Shield - Heat Exhaust
	095190-01-000	EA	Hanger - Exhaust
	016379-02-000	EA	Strap - Hanger Extension
	096199-01-000	EA	Exhaust Pipe - Driver
	096200-01-000	EA	Exhaust Pipe - Passenger
	096087-02-000	EA	Bracket Asm - Strap - Exhaust Pipe
	091250-01-000	EA	Bushing - Sway Bar - 1.25 (Inboard)
	091250-02-000	EA	Bushing - Sway Bar - 1.25 (Outboard)

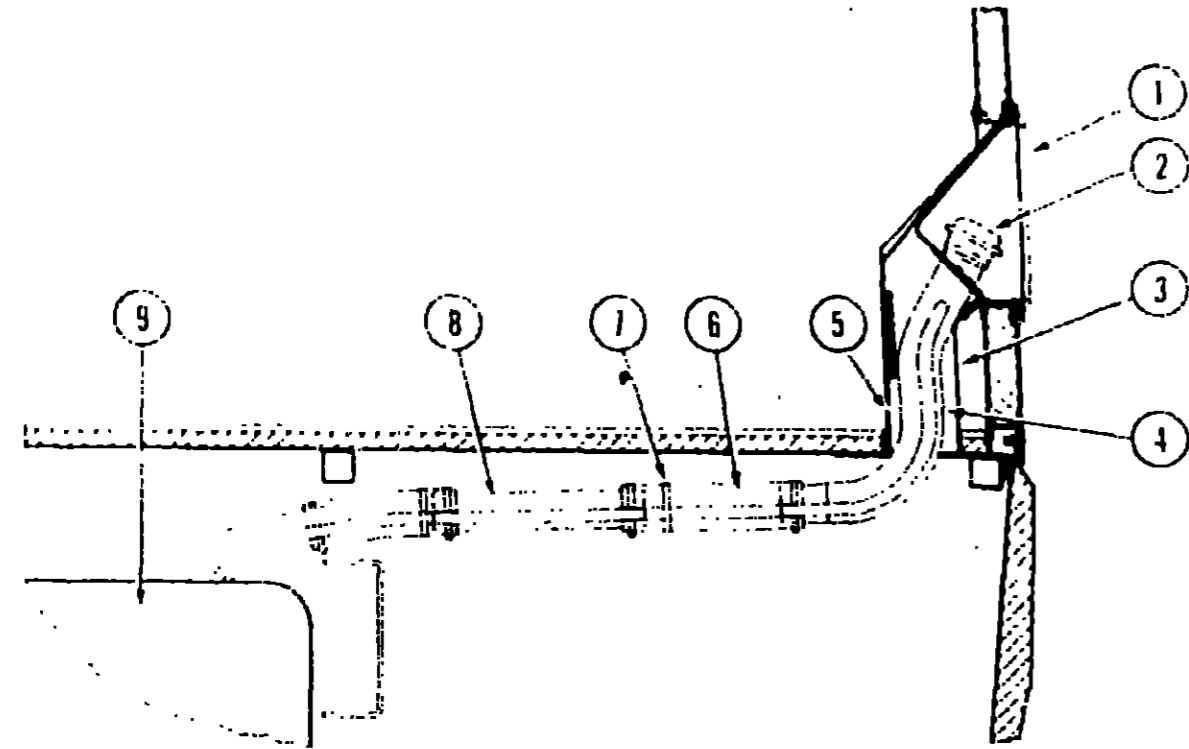
### 1989 ITASCA TABLE OF CONTENTS

INTRODUCTION	A-01
ABBREVIATIONS	A-01
ALPHABETICAL INDEX	A-02 - A-04
IC/JN31RQ	A-05 - D-12
IC/JN33RQ	D-13 - G-21

### 1989 IC/JN33RQ INDEX

Floor Plan	D-13 - D-14
Accessories Group	D-15 - D-19
Bath Group	D-20 - D-21
Chassis Group	D-22 - E-05
Curtain, Cushion & Pad Group	E-06 - E-16
Dinette Group	E-17
Driver's Compartment Group	E-18 - E-24
Electrical Group	F-01 - F-04
Exterior Body Group	F-05 - F-12
Galley Group	F-13 - F-15
Heating & Air Conditioning Group	F-16 - F-17
Interior Finish Group	F-18 - F-19
LP Group	F-20
Lounge Group	F-21 - G-01
Water & Sewage Group	G-02 - G-05
Window, Vent & Exterior Door Group	G-06 - G-21

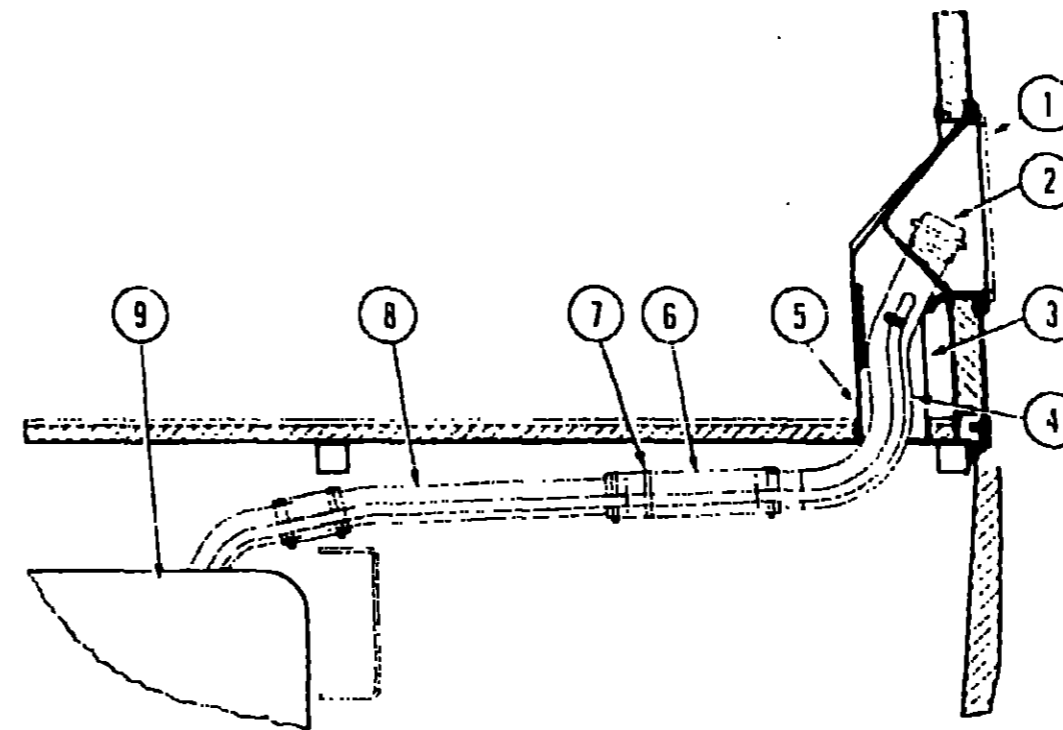
**CHASSIS GROUP (CONTINUED)**



**FUEL SYSTEMS COMPONENTS (CHEVROLET)**

Key	Part Number	U/M	Description
1	078010-03-000	EA	Door Asm - Fuel Fill - Off White
2	072225-02-000	EA	Cap - Fuel Fill (Gas)
3	075229-03-000	EA	Cap - Fuel Fill (Diesel)
4	078200-01-000	EA	Gasket - Fuel Fill
5	083578-01-000	EA	Boot - Fuel Fill
6	075227-01-000	EA	Neck Asm. - Upper Fuel Fill (Federal)
7	075227-03-000	EA	Neck Asm. - Upper Fuel Fill (California)
8	072447-04-000	EA	Shroud - Fuel Fill - Inside
9	081245-01-000	EA	Hose - Fuel Fill - Formed
	062401-05-000	EA	Clamp - Hose - Wormgear - 2" - 3" (Fuel Hose)
	075229-01-000	EA	Strap Asm.
	075228-01-000	EA	Neck Asm. - Fuel Fill - Lower
	093721-02-000	EA	Tank - Fuel - 80 Gal
	086486-02-000	EA	Strap Asm. - Fuel Tank
	088740-01-000	EA	Sending Unit
	086245-01-000	EA	Gasket - Sending Unit
	079611-01-000	EA	Valve Asm. - Vent - Fuel Tank
	066732-01-000	FT	Hose - Fuel - .62 ID (Vent Hose)
	062401-10-000	EA	Clamp - Hose - Wormgear - 1" - 2" (Vent Hose)
	007111-03-000	EA	Hose - Fuel - 1.75" - 3" (Tank To Neck)

**CHASSIS GROUP (CONTINUED)**



**FUEL SYSTEMS COMPONENTS (JOHN DEERE)**

Key	Part Number	U/M	Description
1	078010-03-000	EA	Door Asm - Fuel Fill - Off White
2	095468-03-000	EA	Cap - Fuel Fill
3	078200-01-000	EA	Gasket - Fuel Fill
4	087256-01-000	EA	Neck Asm. - Upper Fuel Fill
5	072447-04-000	EA	Shroud - Fuel Fill - Inside
6	081245-01-000	EA	Hose - Fuel Fill - Formed
7	062401-05-000	EA	Clamp - Hose - Wormgear - 2" - 3" (Fuel Hose)
8	075229-01-000	EA	Strap Asm.
9	075228-01-000	EA	Neck - Fuel Fill - Lower
	093721-02-000	EA	Tank - Fuel - 80 Gal
	086484-01-000	EA	Strap Asm. - Fuel Tank
	093378-01-000	EA	Sending Unit
	086255-01-000	EA	Gasket - Sending Unit
	066732-01-000	FT	Hose - Fuel - .62 ID (Vent Hose)
	062401-10-000	EA	Clamp - Hose - Wormgear - 1" - 2" (Vent Hose)
	007111-03-000	EA	Hose - Fuel - 1.75" x 3" (Tank to Neck)
	079658-01-000	FT	Hose - Fuel - .50" ID

**1989 ITASCA  
TABLE OF CONTENTS**

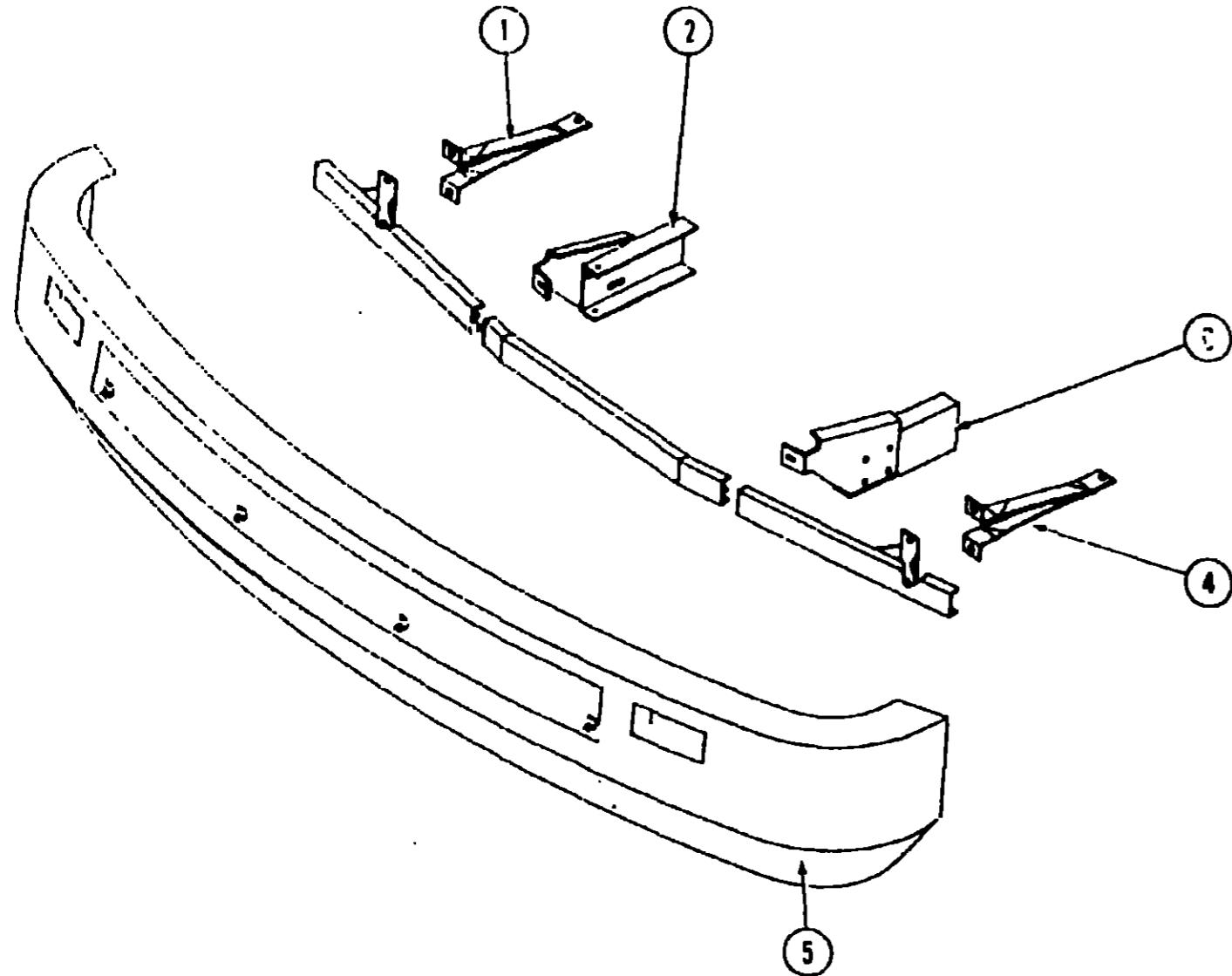
INTRODUCTION	A-01
ABBREVIATIONS	A-01
ALPHABETICAL INDEX	A-02 - A-04
IC/JN31RQ	A-05 - D-12
IC/JN33RQ	D-13 - G-21

**1989 IC/JN33RQ INDEX**

Floor Plan	D-13 - D-14
Accessories Group	D-15 - D-19
Bath Group	D-20 - D-21
Chassis Group	D-22 - E-05
Curtain, Cushion & Pad Group	E-06 - E-16
Dinette Group	E-17
Driver's Compartment Group	E-18 - E-24
Electrical Group	F-01 - F-04
Exterior Body Group	F-05 - F-12
Galley Group	F-13 - F-15
Heating & Air Conditioning Group	F-16 - F-17
Interior Finish Group	F-18 - F-19
LP Group	F-20
Lounge Group	F-21 - G-01
Water & Sewage Group	G-02 - G-05
Window, Vent & Exterior Door Group	G-06 - G-21



**CHASSIS GROUP (CONTINUED)**



**FRONT BUMPER**

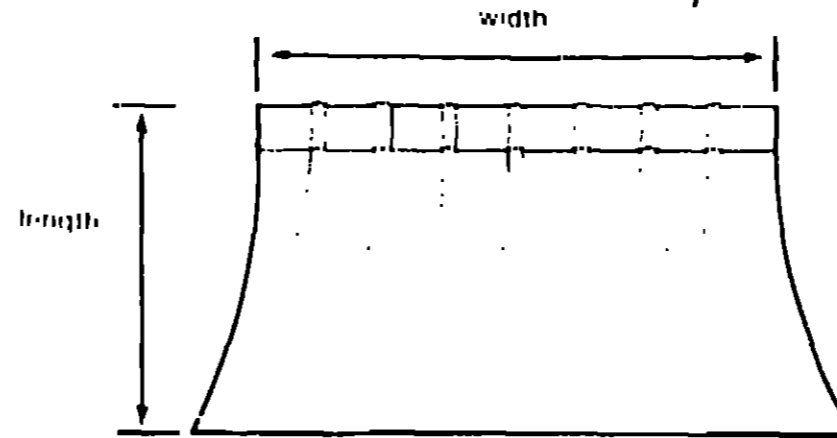
Key	Part Number	U/M	Description
1	029130-01-000	EA	Brace - Upper - Bumper
2	029155-01-000	EA	Support - Extension - Bumper - Passenger
3	029156-01-000	EA	Support - Extension - Bumper - Driver
4	029092-01-000	EA	Brace - Lower - Bumper
5	029093-01-Y35	EA	Panel Asm - Front Bumper - Off White
	029005-01-Y33	EA	Grille Asm - Front Bumper

**CURTAIN, CUSHION & PAD GROUP**

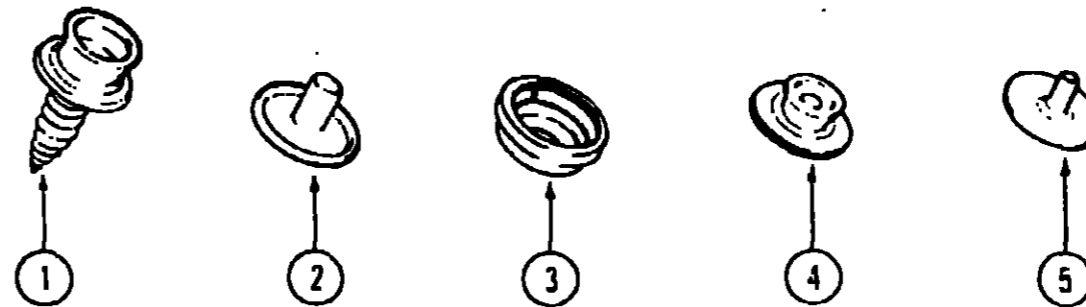
**NOTICE**

In order to assist our Part Sales Dept. in providing interior software items, please include the serial number and the color code number from the vehicle certification label when ordering. This label is located on the left sidewall at the end of the dash (A-Body), or on the driver's door latch plate (C-Body).

An example of a color code number is P31, which designates an overall color scheme of a particular unit. The color listed after the item description on the microfiche, indicates the overall unit color. Order the item you desire according to unit color code.



**NOTE:** Use this illustration when determining length and width measurements for curtains. You will note the width measurement is taken on the top of the curtain with the curtain fully extended. The length measurement is taken from top to bottom.



Key	Part Number	U/M	Description
1	029130-01-000	EA	Socket - Snap Fastener
2	029155-01-000	EA	Cap - Snap - .156" Dia x .17" Barrel
3	029156-01-000	EA	Socket - Snap Fastener
4	029092-01-000	EA	Stud - Nickel Finish
5	029093-01-000	EA	Eyelet - Nickel Finish

**1989 ITASCA  
TABLE OF CONTENTS**

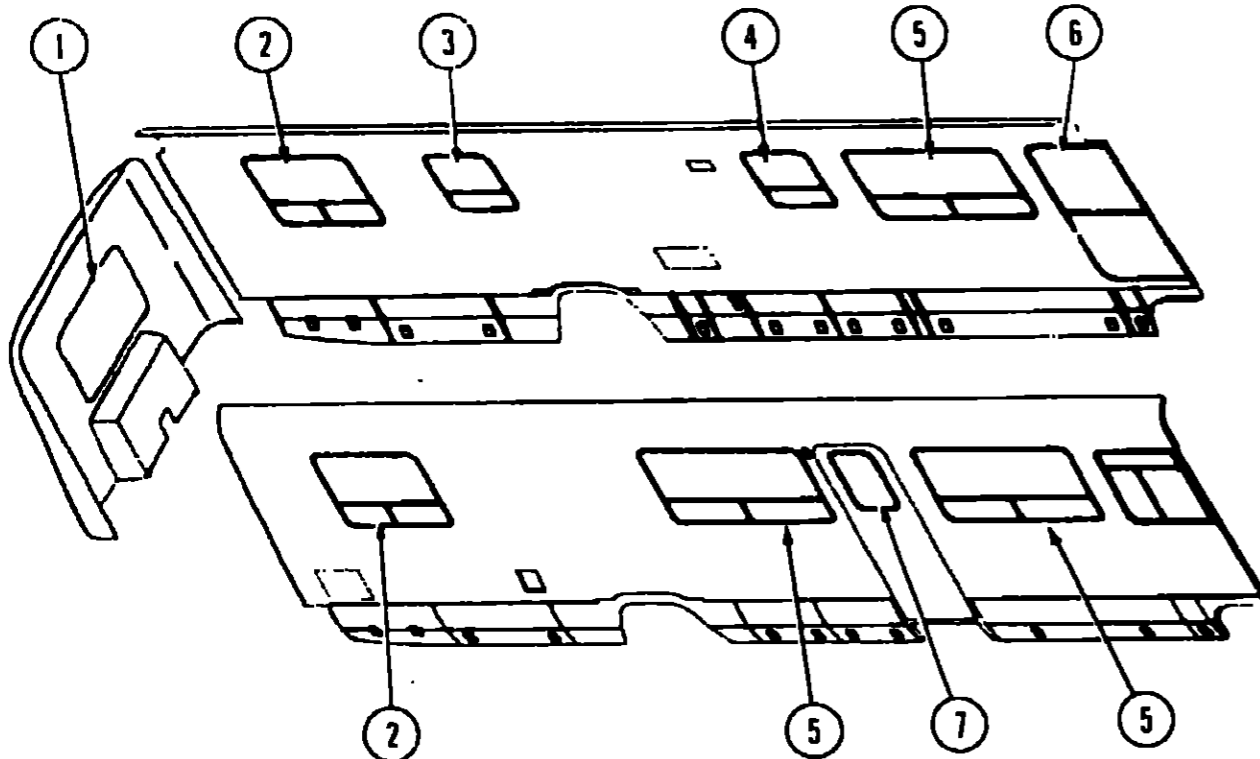
INTRODUCTION	A-01
ABBREVIATIONS	A-01
ALPHABETICAL INDEX	A-02 - A-04
IC/JN31RQ	A-05 - D-12
IC/JN33RQ	D-13 - G-21

**1989 IC/JN33RQ INDEX**

Floor Plan	D-13 - D-14
Accessories Group	D-15 - D-19
Bath Group	D-20 - D-21
Chassis Group	D-22 - E-05
Curtain, Cushion & Pad Group	E-06 - E-16
Dinette Group	E-17
Driver's Compartment Group	E-18 - E-24
Electrical Group	F-01 - F-04
Exterior Body Group	F-05 - F-12
Galley Group	F-13 - F-15
Heating & Air Conditioning Group	F-16 - F-17
Interior Finish Group	F-18 - F-19
LP Group	F-20
Lounge Group	F-21 - G-01
Water & Sewage Group	G-02 - G-05
Window, Vent & Exterior Door Group	G-06 - G-21

**CURTAIN, CUSHION & PAD GROUP (CONTINUED)**

**CURTAIN, CUSHION & PAD GROUP (CONTINUED)**



**CURTAIN, SHADES, VALANCES & TIEBACKS**

Key	Part Number	U/M	Description
1	093455-20-Y35	EA	Shade Asm. - Pull - 51.25" (Y35)
1	093455-20-Y19	EA	Shade Asm. - Pull - 51.25" (Y36)
1	093455-20-Y76	EA	Shade Asm. - Pull - 51.25" (Y37)
1	079542-16-Y30	EA	Curtain Asm. w/Dart Top - 34" x 12" (Y35)
1	079542-16-Y31	EA	Curtain Asm. w/Dart Top - 34" x 12" (Y36)
1	079542-16-Y32	EA	Curtain Asm. w/Dart Top - 34" x 12" (Y37)
2	093455-21-Y28	EA	Shade Asm. - Pull - 45.25" (Y35)
2	093455-21-Y06	EA	Shade Asm. - Pull - 45.25" (Y36)
2	093455-21-Y32	EA	Shade Asm. - Pull - 45.25" (Y37)
2	079542-16-Y30	EA	Curtain Asm. w/Dart Top - 34" x 12" (Y35)
2	079542-16-Y31	EA	Curtain Asm. w/Dart Top - 34" x 12" (Y36)
2	079542-16-Y32	EA	Curtain Asm. w/Dart Top - 34" x 12" (Y37)
2	094552-08-Y70	EA	Valance Asm. - Ruffled - w/Wood Trim (Y35)
2	094552-08-Y71	EA	Valance Asm. - Ruffled - w/Wood Trim (Y36)
2	094552-08-Y72	EA	Valance Asm. - Ruffled - w/Wood Trim (Y37)
2	093465-20-Y70	EA	Ruffled Valance - Cover Only (Y35)
2	093465-20-Y71	EA	Ruffled Valance - Cover Only (Y36)
2	093465-20-Y72	EA	Ruffled Valance - Cover Only (Y37)
3	093475-10-02A	EA	Mini Blind - 28" x 27" Drop (Y35, Y37)
3	093475-10-05A	EA	Mini Blind - 28" x 27" Drop (Y36)
3	073304-53-Y35	EA	Curtain Asm. w/Snap Top - 28" x 10" (Y35)
3	073304-53-Y13	EA	Curtain Asm. w/Snap Top - 28" x 10" (Y36)
3	073304-53-Y76	EA	Curtain Asm. w/Snap Top - 28" x 10" (Y37)
4	093475-16-01A	EA	Mini Blind - 28" x 25.5" Drop (Y35, Y37)
4	093476-16-02A	EA	Mini Blind - 28" x 25.5" Drop (Y36)

**CURTAINS, SHADES, VALANCES & TIEBACKS (CONT.)**

Key	Part Number	U/M	Description
5	093475-21-01A	EA	Mini Blind - 57.5" x 32" Drop (Y35, Y37)
5	093475-21-02A	EA	Mini Blind - 57.5" x 32" Drop (Y36)
5	089058-19-Y35	EA	Leg Asm. w/Gathers - Right Side (Y35)
5	089058-19-Y13	EA	Leg Asm. w/Gathers - Right Side (Y36)
5	089058-19-Y37	EA	Leg Asm. w/Gathers - Right Side (Y37)
15	089058-21-Y70	EA	Leg Asm. w/Gathers - Right Side (Y35)
15	089058-21-Y71	EA	Leg Asm. w/Gathers - Right Side (Y36)
15	089058-21-Y72	EA	Leg Asm. w/Gathers - Right Side (Y37)
5	089058-20-Y35	EA	Leg Asm. w/Gathers - Left Side (Y35)
5	089058-20-Y13	EA	Leg Asm. w/Gathers - Left Side (Y36)
5	089058-20-Y37	EA	Leg Asm. w/Gathers - Left Side (Y37)
15	089058-22-Y70	EA	Leg Asm. w/Gathers - Left Side (Y35)
15	089058-22-Y71	EA	Leg Asm. w/Gathers - Left Side (Y36)
15	089058-22-Y72	EA	Leg Asm. w/Gathers - Left Side (Y37)
6	093452-01-Y30	EA	Curtain Asm. w/Snap Top - 48" x 50" - Blackout - Passenger (Y35)
6	093452-01-Y31	EA	Curtain Asm. w/Snap Top - 48" x 50" - Blackout - Passenger (Y36)
6	093452-01-Y32	EA	Curtain Asm. w/Snap Top - 48" x 50" - Blackout - Passenger (Y37)
6	093452-02-Y30	EA	Curtain Asm. w/Snap Top - 48" x 50" - Blackout - Driver (Y35)
6	093452-02-Y31	EA	Curtain Asm. w/Snap Top - 48" x 50" - Blackout - Driver (Y36)
6	093452-02-Y32	EA	Curtain Asm. w/Snap Top - 48" x 50" - Blackout - Driver (Y37)
6	073304-60-Y35	EA	Curtain Asm. w/Lining - 34" x 82" - Front Wraparound (Y35)
6	073304-60-Y13	EA	Curtain Asm. w/Lining - 34" x 82" - Front Wraparound (Y36)
6	073304-60-Y37	EA	Curtain Asm. w/Lining - 34" x 82" - Front Wraparound (Y37)
†	Parts used with the Tipout Window Exchange (Option 1671)		

**CURTAIN FOR THE FRONT BUNK (OPTION 61H)**

Key	Part Number	U/M	Description
6	077591-09-Y35	EA	Curtain Asm. w/Velcro Top - 60" x 47.5" - Right (Y35)
6	077591-09-Y13	EA	Curtain Asm. w/Velcro Top - 60" x 47.5" - Right (Y36)
6	077591-09-Y37	EA	Curtain Asm. w/Velcro Top - 60" x 47.5" - Right (Y37)
6	071591-0-Y35	EA	Curtain Asm. w/Velcro Top - 60" x 47.5" - Left (Y35)
6	077591-10-Y13	EA	Curtain Asm. w/Velcro Top - 60" x 47.5" - Left (Y36)
6	077591-10-Y37	EA	Curtain Asm. w/Velcro Top - 60" x 47.5" - Left (Y37)
6	073304-58-Y35	EA	Curtain Asm. w/Lining - 36" x 37" - Front Wraparound (Y35)
6	073304-58-Y13	EA	Curtain Asm. w/Lining - 36" x 37" - Front Wraparound (Y36)
6	073304-58-Y37	EA	Curtain Asm. w/Lining - 36" x 37" - Front Wraparound (Y37)
6	073304-59-Y35	EA	Curtain Asm. w/Lining - 36" x 125" - Front Wraparound (Y35)
6	073304-59-Y13	EA	Curtain Asm. w/Lining - 36" x 125" - Front Wraparound (Y36)
6	073304-59-Y37	EA	Curtain Asm. w/Lining - 36" x 125" - Front Wraparound (Y37)
6	073260-26-Y35	EA	Tieback Asm. - 3" x 16" (Y35)
6	073260-26-Y13	EA	Tieback Asm. - 3" x 16" (Y36)
6	073260-26-Y37	EA	Tieback Asm. - 3" x 16" (Y37)
6	073260-28-Y35	EA	Tieback Asm. - 3" x 23" (Y35)
6	073260-28-Y13	EA	Tieback Asm. - 3" x 23" (Y36)
6	073260-28-Y37	EA	Tieback Asm. - 3" x 23" (Y37)

**CURTAINS, SHADES, VALANCES & TIEBACKS (CONT.)**

Key	Part Number	U/M	Description
7	093455-13-Y35	EA	Shade Asm. - Pull - 24.25" (Y35)
7	093455-13-Y19	EA	Shade Asm. - Pull - 24.25" (Y36)
7	093455-13-Y32	EA	Shade Asm. - Pull - 24.25" (Y37)
7	073260-23-XA4	EA	Tieback Asm. - 3" x 18" (Y35)
7	073260-23-Y16	EA	Tieback Asm. - 3" x 18" (Y36)
7	073260-23-Y72	EA	Tieback Asm. - 3" x 18" (Y37)
7	057534-01-000	EA	Tieback Asm. - 6" - Clear Plastic
7	057534-08-000	EA	Tieback Asm. - 16" - Clear Plastic

**1989 ITASCA  
TABLE OF CONTENTS**

INTRODUCTION	A-01
ABBREVIATIONS	A-01
ALPHABETICAL INDEX	A-02 - A-04
IC/JN31RQ	A-05 - D-12
IC/JN33RQ	D-13 - G-21

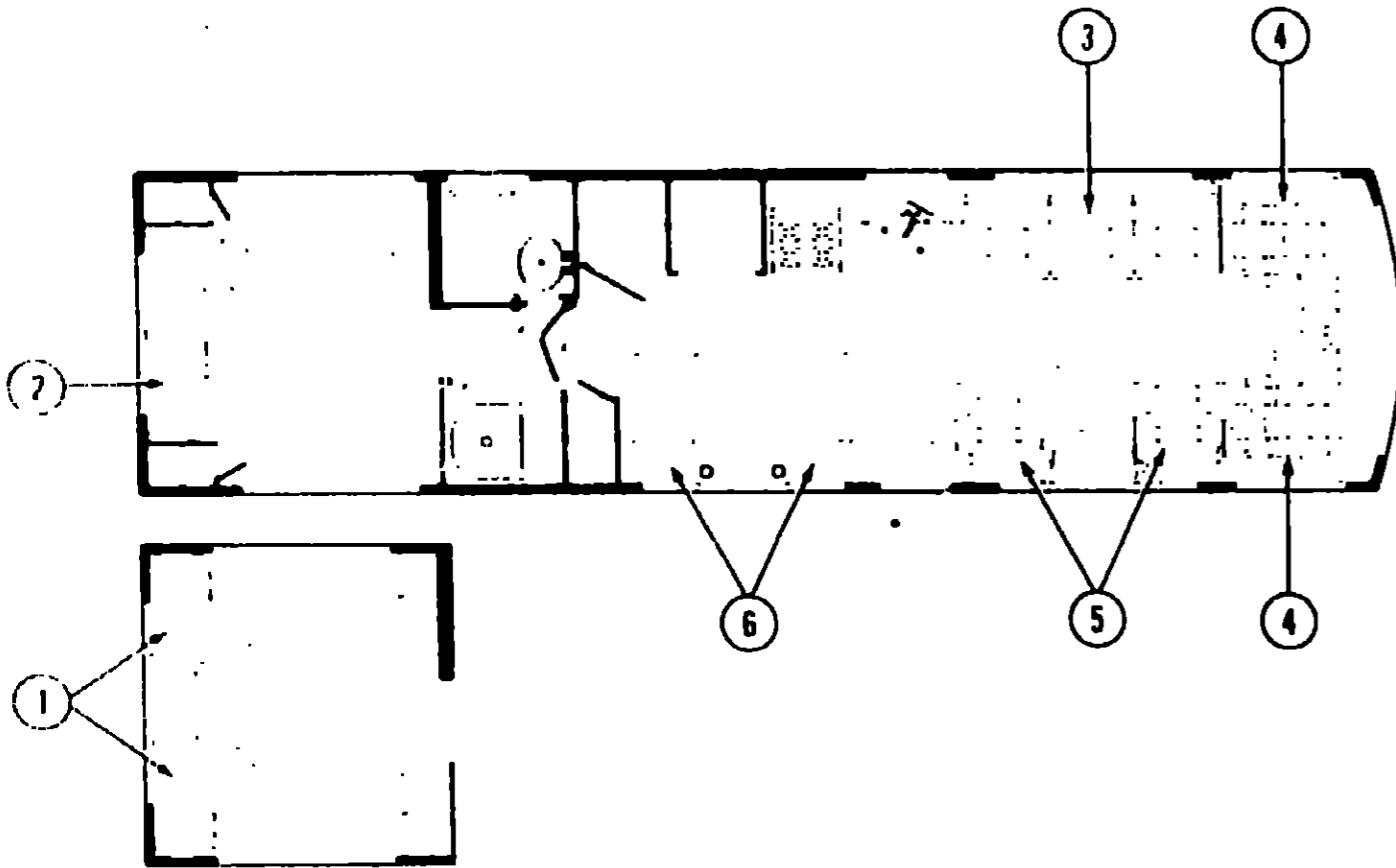
**1989 IC/JN33RQ INDEX**

Floor Plan	D-13 - D-14
Accessories Group	D-15 - D-19
Bath Group	D-20 - D-21
Chassis Group	D-22 - E-05
Curtain, Cushion & Pad Group	E-06 - E-16
Dinette Group	E-17
Driver's Compartment Group	E-18 - E-24
Electrical Group	F-01 - F-04
Exterior Body Group	F-05 - F-12
Galley Group	F-13 - F-15
Heating & Air Conditioning Group	F-16 - F-17
Interior Finish Group	F-18 - F-19
LP Group	F-20
Lounge Group	F-21 - G-01
Water & Sewage Group	G-02 - G-05
Window, Vent & Exterior Door Group	G-06 - G-21

**CURTAIN, CUSHION & PAD GROUP (CONTINUED)**

**CURTAIN, CUSHION & PAD GROUP (CONTINUED)**

**CELEBRITY BED**



**TWIN BED (OPTION 46P)**

Key	Part Number	U/M	Description
1	077478-04-000	EA	Mattress - Innerspring - 33" x 75"
	081969-19-Y35	EA	Bedsread Asm. - 32" w/10" Ruffle
	081969-19-Y36	EA	Bedsread Asm. - 33" w/10" Ruffle
	081969-19-Y37	EA	Bedsread Asm. - 33" w/10" Ruffle
	088273-25-000	YD	Fabric - Bedsread - Ecu
	088273-26-000	YD	Fabric - Bedsread - Peach
	088273-27-000	YD	Fabric - Bedsread - Pastel

**QUEEN BED**

Key	Part Number	U/M	Description
1	077478-05-000	EA	Mattress - Innerspring - 60" x 75"
	081969-20-Y35	EA	Bedsread Asm. - 60" w/10" Ruffle
	081969-20-Y36	EA	Bedsread Asm. - 60" w/10" Ruffle
	081969-20-Y37	EA	Bedsread Asm. - 60" w/10" Ruffle
	088273-25-000	YD	Fabric - Bedsread - Ecu
	088273-26-000	YD	Fabric - Bedsread - Peach
	088273-27-000	YD	Fabric - Bedsread - Pastel

Key	Part Number	U/M	Description
3	089007-03-Y70	EA	Couch Asm. - Celebrity (w/o Seat & Arm Cushions) (Y35)
3	089007-03-Y71	EA	Couch Asm. - Celebrity (w/o Seat & Arm Cushions) (Y36)
3	089007-03-Y72	EA	Couch Asm. - Celebrity (w/o Seat & Arm Cushions) (Y37)
	M89007-03-Y70	EA	Cover Asm. - Celebrity Couch (Y35)
	M89007-03-Y71	EA	Cover Asm. - Celebrity Couch (Y36)
	M89007-03-Y72	EA	Cover Asm. - Celebrity Couch (Y37)
	085357-01-Y70	EA	Cushion Asm. - Celebrity - Single (3 Required) (Y35)
	085357-01-Y71	EA	Cushion Asm. - Celebrity - Single (3 Required) (Y36)
	085357-01-Y72	EA	Cushion Asm. - Celebrity - Single (3 Required) (Y37)
	M85357-01-Y70	EA	Cover Asm. - Cushion (Y35)
	M85357-01-Y71	EA	Cover Asm. - Cushion (Y36)
	M85357-01-Y72	EA	Cover Asm. - Cushion (Y37)
	085060-02-Y30	EA	Cushion Asm. - Arm - Pillow (Y35)
	085060-02-Y31	EA	Cushion Asm. - Arm - Pillow (Y36)
	085060-02-Y32	EA	Cushion Asm. - Arm - Pillow (Y37)
	M85060-02-Y30	EA	Cover Asm. - Arm Cushion Asm. (Y35)
	M85060-02-Y31	EA	Cover Asm. - Arm Cushion Asm. (Y36)
	M85060-02-Y32	EA	Cover Asm. - Arm Cushion Asm. (Y37)
	074044-90-000	EA	Oak Trim - Celebrity Bed
	079386-01-000	EA	Frame Asm. - Celebrity Bed
	079386-02-000	EA	Hardware Kit
	088274-63-000	YD	Fabric - Sofa Bed (Y35)
	088274-61-000	YD	Fabric - Sofa Bed (Y36)
	088274-62-000	YD	Fabric - Sofa Bed (Y37)

**ROYALE II BUCKET SEAT**

Key	Part Number	U/M	Description
4	093456-03-Y70	EA	Seat Asm. - Royale II - w/o Skirt (Y35)
4	093456-03-Y71	EA	Seat Asm. - Royale II - w/o Skirt (Y36)
4	093456-03-Y72	EA	Seat Asm. - Royale II - w/o Skirt (Y37)
	M03445-05-Y30	EA	Cover Asm. - Royale - Seat (Y35)
	M03445-05-Y31	EA	Cover Asm. - Royale - Seat (Y36)
	M03445-05-Y32	EA	Cover Asm. - Royale - Seat (Y37)
	M03445-06-Y30	EA	Cover Asm. - Royale - Back (Y35)
	M03445-06-Y31	EA	Cover Asm. - Royale - Back (Y36)
	M03445-06-Y32	EA	Cover Asm. - Royale - Back (Y37)
	071126-24-X75	EA	Skirt Asm. - Bucket Seat (Y35)
	071126-24-Y71	EA	Skirt Asm. - Bucket Seat (Y36)
	017726-24-Y72	EA	Skirt Asm. - Bucket Seat (Y37)
	071126-26-X75	EA	Skirt Asm. - Bucket Seat (Y35)
	071126-26-Y36	EA	Skirt Asm. - Bucket Seat (Y36)
	071126-26-Y37	EA	Skirt Asm. - Bucket Seat (Y37)
	080243-32-Y30	EA	Armrest Asm. - Right (Y35)
	080243-32-Y31	EA	Armrest Asm. - Right (Y36)
	080243-32-Y32	EA	Armrest Asm. - Right (Y37)
	M80243-32-Y30	EA	Cover Asm. - Right Armrest (Y35)
	M80243-32-Y31	EA	Cover Asm. - Right Armrest (Y36)
	M80243-32-Y32	EA	Cover Asm. - Right Armrest (Y37)
	080243-33-Y30	EA	Armrest Asm. - Left (Y35)
	080243-33-Y31	EA	Armrest Asm. - Left (Y36)
	080243-33-Y32	EA	Armrest Asm. - Left (Y37)
	M80243-33-Y30	EA	Cover Asm. - Left Armrest (Y35)
	M80243-33-Y31	EA	Cover Asm. - Left Armrest (Y36)
	M80243-33-Y32	EA	Cover Asm. - Left Armrest (Y37)
	085268-01-Y24	EA	Headrest Asm. - Straton (Y35)
	085268-01-Y71	EA	Headrest Asm. - Straton (Y36)
	085268-01-Y72	EA	Headrest Asm. - Straton (Y37)
	M85268-01-Y24	EA	Cover Asm. - Headrest (Y35)
	M85268-01-Y71	EA	Cover Asm. - Headrest (Y36)
	M85268-01-Y72	EA	Cover Asm. - Headrest (Y37)
	088274-33-000	YD	Fabric - Royal Bucket - Blue (Y35)
	088274-59-000	YD	Fabric - Royal Bucket - Umber (Y36)
	088274-60-000	YD	Fabric - Royal Bucket - Eggshell (Y37)

Parts used in the Power Bucket Seat (Option 63M)

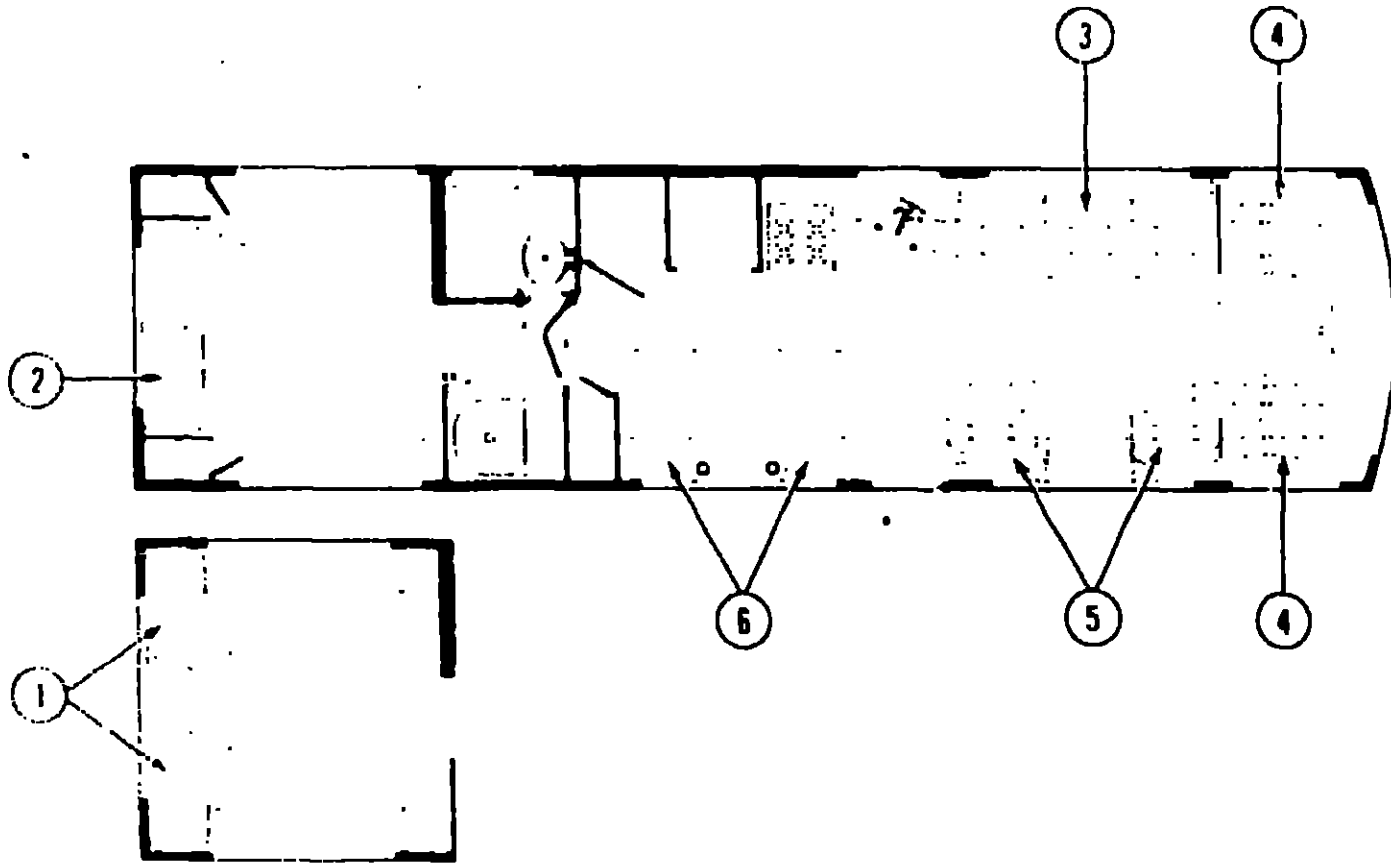
**1989 ITASCA  
TABLE OF CONTENTS**

INTRODUCTION	A-01
ABBREVIATIONS	A-01
ALPHABETICAL INDEX	A-02 - A-04
IC/JN31RQ	A-05 - D-12
IC/JN33RQ	D-13 - G-21

**1989 IC/JN33RQ INDEX**

Floor Plan	D-13 - D-14
Accessories Group	D-15 - D-19
Bath Group	D-20 - D-21
Chassis Group	D-22 - E-05
Curtain, Cushion & Pad Group	E-06 - E-16
Dinette Group	E-17
Driver's Compartment Group	E-18 - E-24
Electrical Group	F-01 - F-04
Exterior Body Group	F-05 - F-12
Galley Group	F-13 - F-15
Heating & Air Conditioning Group	F-16 - F-17
Interior Finish Group	F-18 - F-19
LP Group	F-20
Lounge Group	F-21 - G-01
Water & Sewage Group	G-02 - G-05
Window, Vent & Exterior Door Group	G-06 - G-21

**CURTAIN, CUSHION & PAD GROUP (CONTINUED)**



**SWIVEL CHAIR**

Key	Part Number	U/M	Description
5	085059-02-Y30	EA	Chair Asm. - Celebrity - w/o Skirt (Y35)
5	085059-02-Y31	EA	Chair Asm. - Celebrity - w/o Skirt (Y36)
5	085059-02-Y32	EA	Chair Asm. - Celebrity - w/o Skirt (Y37)
	M85059-02-Y30	EA	Cover Asm. - Celebrity Chair (Y35)
	M85059-02-Y31	EA	Cover Asm. - Celebrity Chair (Y36)
	M85059-02-Y32	EA	Cover Asm. - Celebrity Chair (Y37)
	085187-02-Y30	EA	Skirt Asm. - Celebrity Swivel Chair (Y35)
	085187-02-Y31	EA	Skirt Asm. - Celebrity Swivel Chair (Y36)
	085187-02-Y32	EA	Skirt Asm. - Celebrity Swivel Chair (Y37)
	088274-63-000	YD	Fabric - Swivel Chair - Blue (Y35)
	088274-61-000	YD	Fabric - Swivel Chair - Tiffany (Y36)
	088274-62-000	YD	Fabric - Swivel Chair - Starburst (Y37)

**SWIVEL CHAIR - RECLINING (OPTION 60E)**

Key	Part Number	U/M	Description
5	086516-02-Y70	EA	Chair Asm. - Reclining Celebrity - w/o Skirt (Y35)
5	086516-02-Y71	EA	Chair Asm. - Reclining Celebrity - w/o Skirt (Y36)
5	086516-02-Y72	EA	Chair Asm. - Reclining Celebrity - w/o Skirt (Y37)
	M86516-02-Y70	EA	Cover Asm. - Reclining Swivel Chair (Y35)
	M86516-02-Y71	EA	Cover Asm. - Reclining Swivel Chair (Y36)
	M86516-02-Y72	EA	Cover Asm. - Reclining Swivel Chair (Y37)
	089032-01-Y70	EA	Skirt Asm. - Reclining Swivel Chair (Y35)
	089032-01-Y71	EA	Skirt Asm. - Reclining Swivel Chair (Y36)
	089032-01-Y72	EA	Skirt Asm. - Reclining Swivel Chair (Y37)
	088273-63-000	YD	Fabric - Swivel Chair - Blue (Y35)
	088273-61-000	YD	Fabric - Swivel Chair - Tiffany (Y36)
	088273-62-000	YD	Fabric - Swivel Chair - Starburst (Y37)

**CURTAIN, CUSHION & PAD GROUP (CONTINUED)**

**DINETTE CUSHIONS**

Key	Part Number	U/M	Description
6	088927-20-Y30	EA	Cushion Asm. - 13" x 38" x 5" - Back (Y35)
6	088927-20-Y31	EA	Cushion Asm. - 13" x 38" x 5" - Back (Y36)
6	088927-20-Y32	EA	Cushion Asm. - 13" x 38" x 5" - Back (Y37)
	M88927-20-Y30	EA	Cover Asm. - Back - Dinette Cushion (Y35)
	M88927-20-Y31	EA	Cover Asm. - Back - Dinette Cushion (Y36)
	M88927-20-Y32	EA	Cover Asm. - Back - Dinette Cushion (Y37)
7	088927-21-Y30	EA	Cushion Asm. - 22" x 38" x 5" - Seat (Y35)
7	088927-21-Y31	EA	Cushion Asm. - 22" x 38" x 5" - Seat (Y36)
7	088927-21-Y32	EA	Cushion Asm. - 22" x 38" x 5" - Seat (Y37)
	M88927-21-Y30	EA	Cover Asm. - Seat - Dinette Cushion (Y35)
	M88927-21-Y31	EA	Cover Asm. - Seat - Dinette Cushion (Y36)
	M88927-21-Y32	EA	Cover Asm. - Seat - Dinette Cushion (Y37)
	078155-01-000	EA	Strap Asm. - Dinette Cushion
	088274-63-000	YD	Fabric - Dinette Cushions - Blue (Y35)
	088274-61-000	YD	Fabric - Dinette Cushions - Tiffany (Y36)
	088274-62-000	YD	Fabric - Dinette Cushions - Starburst (Y37)

**CURTAIN & BLIND HARDWARE**

Key	Part Number	U/M	Description
	029094-04-000	EA	Tape - Loop - 1" Wide - Black
	029096-03-000	EA	Tape - Hook - 1" Wide - Black
	048394-02-000	EA	Tape - Hook - .75" Wide - Beige
	048395-02-000	EA	Tape - Loop - .75" Wide - Beige
	088792-01-000	EA	Tape - Hook - 5/8" - Non-Adhesive
	088792-02-000	EA	Tape - Loop - .75" - Adhesive - Beige
	056003-01-000	EA	Bracket - Drapery Retainer - Right
	056003-02-000	EA	Bracket - Drapery Retainer - Left
	031381-01-000	EA	Swivel Snap - Curtain Track
	094396-01-000	EA	Track - Curtain - Front Wraparound (Option 61H)
	079946-08-000	EA	Track - Curtain - Front Wraparound (Option 61P)
	091904-01-000	EA	Track - Curtain - Front Wraparound - Beige
	075943-01-000	EA	Brace - Beige
	382139-01-000	EA	Bracket - Hold Down - Blinds
	084434-01-000	EA	Bracket - Roller Shade - 1.37"
	087253-01-000	EA	Pull - Window Shade - Clear Plastic
	086276-01-000	EA	Tape - Double Sided - .5"
	084433-04-000	EA	Roller Shade - 60.25"
	084432-06-000	FT	Slat - Roller Shade - 96" - Plastic
	091313-01-000	EA	Grommel - Headrest
	052859-01-W30	EA	Trim Asm. - Accent - Vinyl Welting
	089916-01-000	EA	Trim - Window
	067052-02-000	EA	Knobs - Operator - Window - Beige
	090025-01-000	EA	Extension - Window Control

**1989 ITASCA  
TABLE OF CONTENTS**

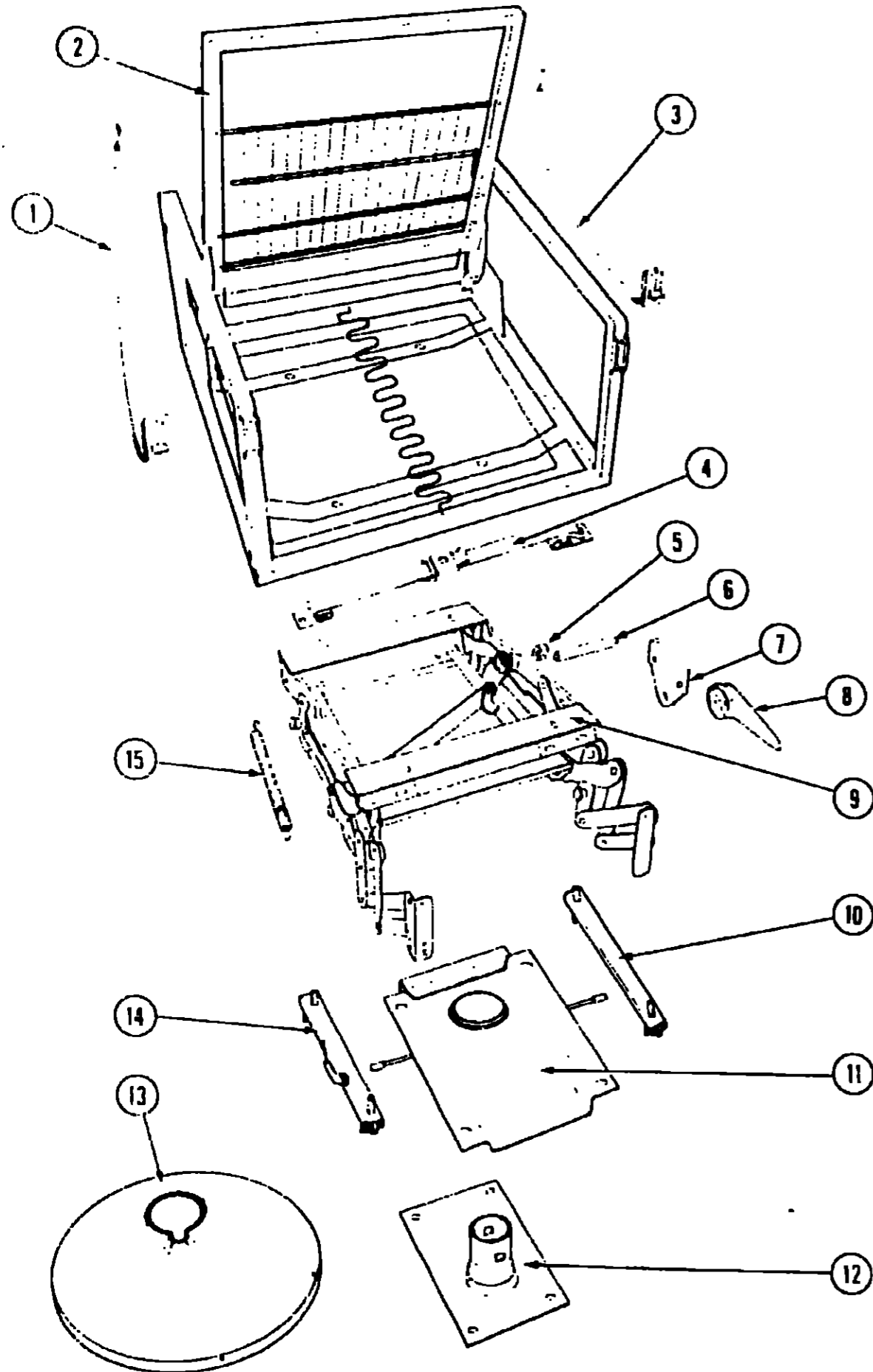
INTRODUCTION	A-01
ABBREVIATIONS	A-01
ALPHABETICAL INDEX	A-02 - A-04
IC/JN31RO	A-05 - D-12
IC/JN33RO	D-13 - G-21

**1989 IC/JN33RO INDEX**

Floor Plan	D-13 - D-14
Accessories Group	D-15 - D-19
Bath Group	D-20 - D-21
Chassis Group	D-22 - E-05
Curtain, Cushion & Pad Group	E-06 - E-16
Dinette Group	E-17
Driver's Compartment Group	E-18 - E-24
Electrical Group	F-01 - F-04
Exterior Body Group	F-05 - F-12
Galley Group	F-13 - F-15
Heating & Air Conditioning Group	F-16 - F-17
Interior Finish Group	F-18 - F-19
LP Group	F-20
Lounge Group	F-21 - G-01
Water & Sewage Group	G-02 - G-05
Window, Vent & Exterior Door Group	G-06 - G-21

## CURTAIN, CUSHION & PAD GROUP (CONTINUED)

### CELEBRITY CHAIR HARDWARE



Key	Part Number	U/M	Description
1	089358-03-000	EA	Remote Asm - Recliner
2	089368-01-000	EA	Frame Asm - Celebrity Chair
3	089368-02-000	EA	Remote Asm - Slider
4	007021-01-000	EA	Seat Belt Asm - 90" x 2" - Black
	057759-01-000	EA	Bracket - Seat Belt Washer
5	093484-02-700	EA	Clamp - Torsion Rod
6	093484-02-701	EA	Torsion Bar
7	093484-02-702	EA	Support - Torsion Bar
8	093484-02-703	EA	Handle
	093484-02-000	EA	Hardware Kit - Footrest (Includes Key 5,6,7,8 & 15)
9	093484-01-000	EA	Footrest Mechanism
10	069246-02-000	EA	Adjuster Asm - Celebrity Chair - w/o Lock
11	093481-03-000	EA	Top Plate - Celebrity Chair - w/Lock
12	093481-01-000	EA	Pedestal - 6" - Used w/Footrest Only
12	093481-02-000	EA	Pedestal - 10" - Used w/Recliner Only
13	093482-01-000	EA	Pedestal Shroud - 13" Black Plastic
14	069246-05-000	EA	Adjuster Asm - Celebrity Chair - w/Lock
	087330-01-000	EA	Bracket - Stop - Slide Track
15	093484-02-704	EA	Spring

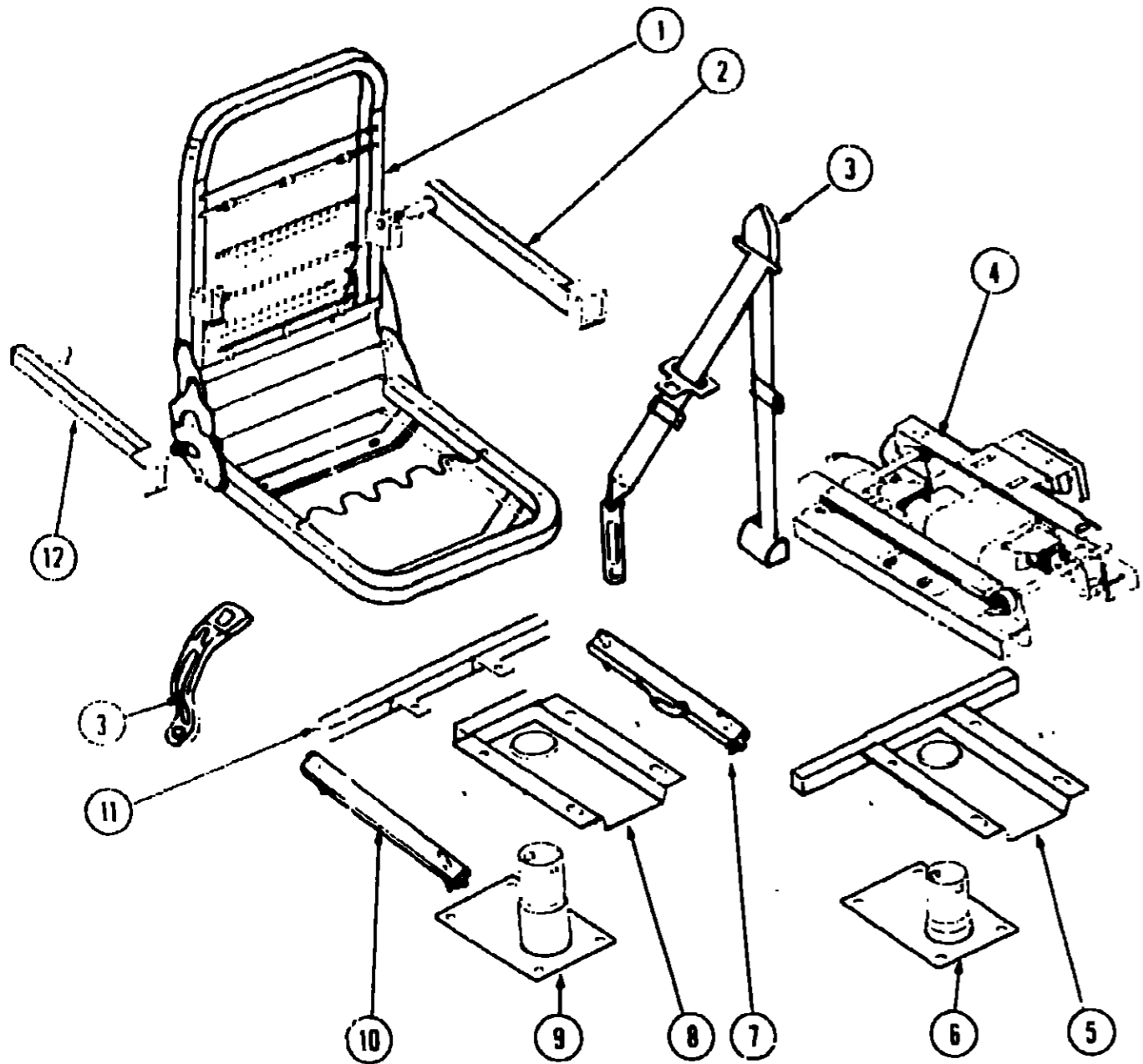
## 1989 ITASCA TABLE OF CONTENTS

INTRODUCTION	A-01
ABBREVIATIONS	A-01
ALPHABETICAL INDEX	A-02 - A-04
IC/JN31RQ	A-05 - D-12
IC/JN33RQ	D-13 - G-21

## 1989 IC/JN33RQ INDEX

Floor Plan	D-13 - D-14
Accessories Group	D-15 - D-19
Bath Group	D-20 - D-21
Chassis Group	D-22 - E-05
Curtain, Cushion & Pad Group	E-06 - E-16
Dinette Group	E-17
Driver's Compartment Group	E-18 - F-24
Electrical Group	F-01 - F-04
Exterior Body Group	F-05 - F-12
Galley Group	F-13 - F-15
Heating & Air Conditioning Group	F-16 - F-17
Interior Finish Group	F-18 - F-19
I.P Group	F-20
Lounge Group	F-21 - G-01
Water & Sewage Group	G-02 - G-05
Window, Vent & Exterior Door Group	G-06 - G-21

**CURTAIN, CUSHION & PAD GROUP (CONTINUED)**



**BUCKET SEAT HARDWARE**

Key	Part Number	U/M	Description
1	M80906-01-000	EA	Frame Asm. - Bucket Seat
2	081268-02-000	EA	Frame - Armrest - Left
3	091990-02-01A	EA	Seat Belt - Drivers - 3 Point
	091990-01-01A	EA	Seat Belt - Passenger - 3 Point
4	081373-01-000	EA	Power Seat Asm.
	081373-02-700	EA	Switch Asm. - Power Seat
	081373-02-701	EA	Wire Harness - Drivers - Power Seat
	081373-02-702	EA	Horizontal Adjustment Package
	081373-02-703	EA	Horizontal Adjustment Package
	081373-02-704	EA	Vertical Adjustment Package
5	069585-36-000	EA	Top Plate - Power Seat
6	069585-37-000	EA	Sub Plate - 5" - Used w/Power Seat
7	069246-01-000	EA	Adjuster Asm. - Seat - w/Lock
8	069585-27-000	EA	Top Plate - Non-Powered Seat
9	069585-08-000	EA	Sub Plate - 8" - Used w/Non-Powered Seat
10	069246-02-000	EA	Adjuster Asm. - Seat w/o Lock
11	065485-29-000	EA	Seat Belt Bar - 20"
12	081268-01-000	EA	Frame - Armrest - Right
	080730-03-700	EA	Kit - Recliner Handle
	080730-05-000	EA	Shield - Recliner

**CURTAIN, CUSHION & PAD GROUP (CONTINUED)**

**PADS & TRIM**

Key	Part Number	U/M	Description
	081519-01-X75	EA	Pad Asm. - Dinette - Back (Y35)
	081519-01-Y71	EA	Pad Asm. - Dinette - Back (Y36)
	081519-01-Y72	EA	Pad Asm. - Dinette - Back (Y37)
	081519-02-X75	EA	Pad Asm. - Dinette - Front (Y35)
	081519-02-Y71	EA	Pad Asm. - Dinette - Front (Y36)
	081519-02-Y72	EA	Pad Asm. - Dinette - Front (Y37)
	093195-01-Y35	EA	Pad Asm. - Door
	093195-01-Y36	EA	Pad Asm. - Door
	093195-01-Y37	EA	Pad Asm. - Door
	089045-01-W36	EA	Pad Asm. - TV Cabinet
	089045-02-Y35	EA	Pad Asm. - TV Cabinet
	082286-05-Y35	EA	Sunvisor Asm. - Driver
	082286-06-Y35	EA	Sunvisor Asm. - w/Mirror - Passenger
	070578-02-W41	EA	Button Asm. - Stud - #30 - Vinyl (TV Cabinet)
	070578-11-Y15	EA	Button Asm. - #30 - Vinyl (Headliner)

Parts used after 8/29/88.

**FABRIC & TRIMS**

Key	Part Number	U/M	Description
	088274-63-000	YD	Fabric - Upholstery - Main - Blue (Y35)
	088274-61-000	YD	Fabric - Upholstery - Main - Tiffany (Y36)
	088274-62-000	YD	Fabric - Upholstery - Main - Starburst (Y37)
	088274-33-000	YD	Fabric - Upholstery - Accent - Blue (Y35)
	088274-59-000	YD	Fabric - Upholstery - Accent - Umber (Y36)
	088274-60-000	YD	Fabric - Upholstery - Accent - Eggshell (Y37)
	088273-25-000	YD	Fabric - Bedspread - Ecru (Y35)
	088273-26-000	YD	Fabric - Bedspread - Peach (Y36)
	088273-27-000	YD	Fabric - Bedspread - Pastel (Y37)
	072333-55-000	YD	Fabric - Drapery Wraparound/Blackout - Silver (Y35)
	072333-59-000	YD	Fabric - Drapery Wraparound/Blackout - Tan (Y36)
	072333-60-000	YD	Fabric - Drapery Wraparound/Blackout - Wisteria (Y37)
	072333-63-000	YD	Fabric - Pull Shade - Entrance Door - Bone
	081926-01-000	YD	Backing - Quilting - Celestra
	087272-01-000	YD	Lining - Drapery - 48" Ivory
	029103-01-000	YD	Buckram - Non-Woven - 2
	075244-02-000	YD	Vinyl - Shower Curtain
	069649-03-000	YD	Vinyl - Expanded - Taupe (TV Pad)
	089351-01-000	YD	Vinyl - Headliner - Acoustical Ceiling (Roof)
	079680-01-000	YD	Vinyl - Expanded - 26 oz. Buckskin (End Caps)
	072860-70-000	SY	Carpet - Glacier Blue (Y35)
	072860-71-000	SY	Carpet - Pirate's Alley (Y36)
	072860-85-000	SY	Carpet - Amethyst (Y37)
	093486-01-001	EA	Carpet - Outside Storage Compartment (1 SY)
	093486-01-000	SY	Carpet - Outside Storage Compartment
	078245-01-000	EA	Boot - Steering Column
	953552-02-W24	EA	Assist Strap - Interior
	071632-01-000	EA	Hamper Bag - w/Elastic - 49"

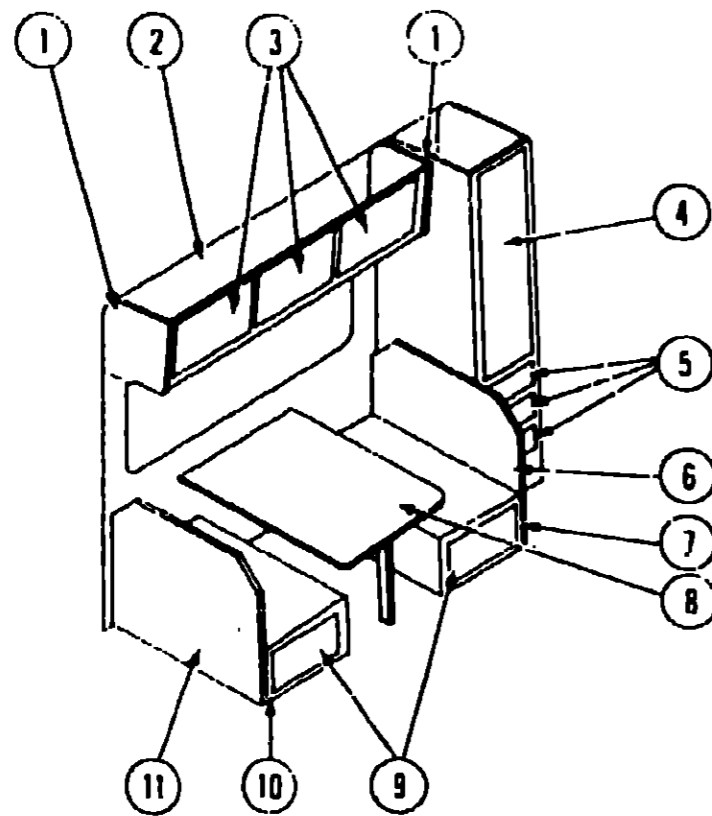
**1989 ITASCA  
TABLE OF CONTENTS**

INTRODUCTION	A-01
ABBREVIATIONS	A-01
ALPHABETICAL INDEX	A-02 - A-04
IC/JN31RQ	A-05 - D-12
IC/JN33RQ	D-13 - G-21

**1989 IC/JN33RQ INDEX**

Floor Plan	D-13 - D-14
Accessories Group	D-15 - D-19
Bath Group	D-20 - D-21
Chassis Group	D-22 - E-05
Curtain, Cushion & Pad Group	E-06 - E-16
Dinette Group	E-17
Driver's Compartment Group	E-18 - E-24
Electrical Group	F-01 - F-04
Exterior Body Group	F-05 - F-12
Galley Group	F-13 - F-15
Heating & Air Conditioning Group	F-16 - F-17
Interior Finish Group	F-18 - F-19
LP Group	F-20
Lounge Group	F-21 - G-01
Water & Sewage Group	G-02 - G-05
Window, Vent & Exterior Door Group	G-06 - G-21

## DINETTE GROUP

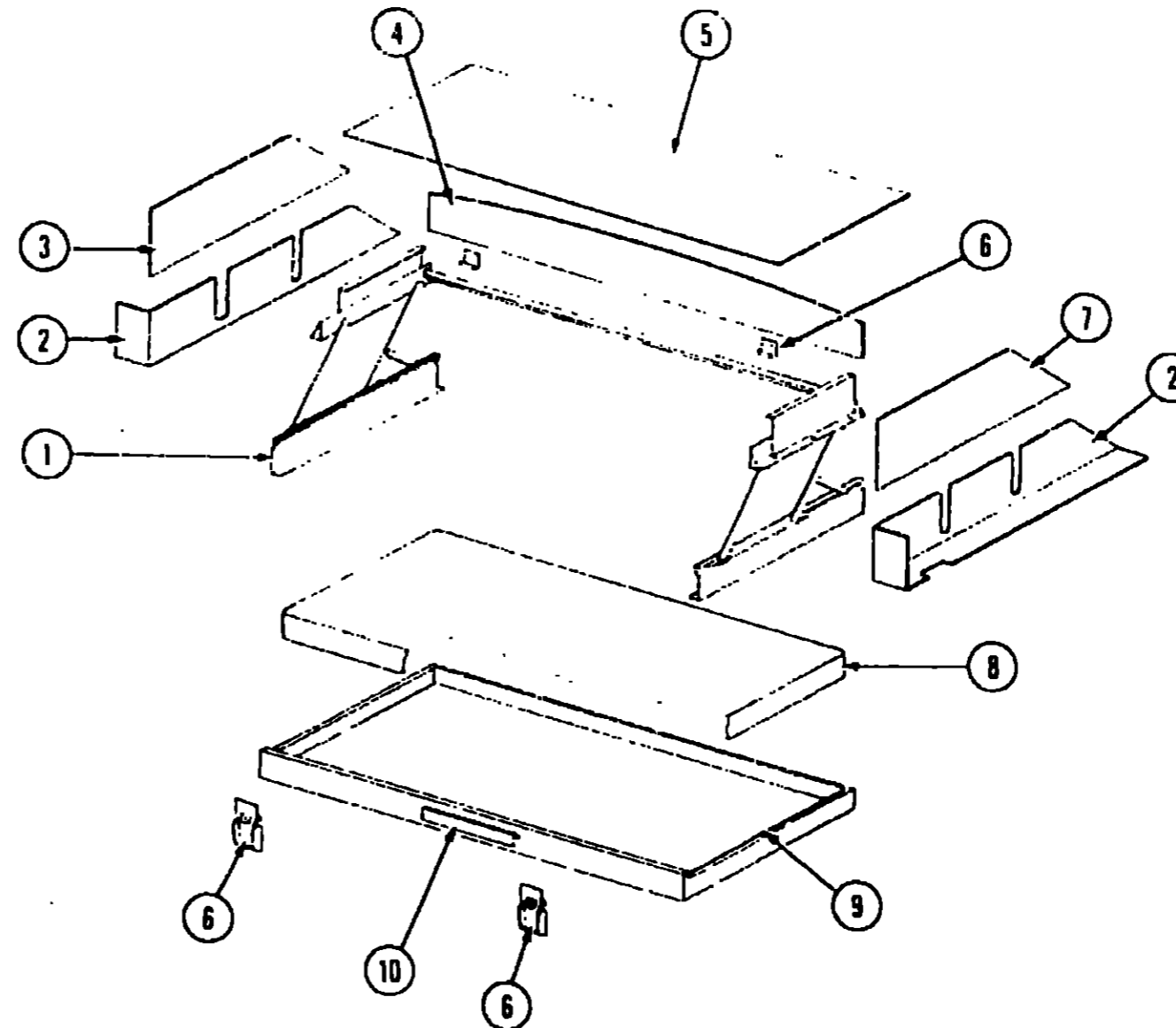


DINETTE CABINETRY

Key	Part Number	U/M	Description
1	042747-01-Y10	EA	Pad Asm - End Cap - Vinyl
2	M93364-01-Y12	EA	Cabinet Asm - Dinette Overhead - w/o Doors or Hardware
3	M88304-A9-K08	EA	Door Asm - Dinette Overhead Cabinet - 14.3" x 21.8" - w/o Hardware
14	M88304-14-Y12	EA	Door Asm - Wardrobe Cabinet - 12" x 48" - w/o Hardware
15	078921-22-Y12	EA	Drawer Asm - Wardrobe Cabinet - 12.4" x 22.8" - w/o Hardware
6	M03434-04-Y35	EA	Cabinet Asm - Dinette Back - w/o Hardware
7	M03435-04-Y12	EA	Cabinet Asm - Dinette Seat - w/o Hardware
8	M03927-61-Y12	EA	Table Asm - Dinette - w/o Hardware
	081733-03-Y35	EA	Cabinet Asm - Pipe Cover - w/o Carpet
4	M88304-21-X02	EA	Door Asm - Dinette Seats - 10" x 19" - w/o Hardware
10	M33885-01-Y12	EA	Cabinet Asm - Dinette Seat - w/o Hardware
11	M33884-01-Y12	EA	Cabinet Asm - Dinette Back - w/o Hardware
	043700-04-000	EA	Bracket - Upper Wall Mount - 23.5"
	065410-01-000	EA	Bracket - Table Mount - 5.18"
	024261-11-000	EA	Bracket - Lower Wall Mount - 22.12"
	024275-11-000	EA	Rod - Table Lift - 8" x 23.5"
	024276-21-000	EA	Leg Asm - Table
	044493-10-000	EA	Catch - Table Leg
	044493-08-000	EA	Catch - Table Leg - Mounts on Floor
	014781-05-000	EA	Cup Holder - Two-Step
	024282-01-000	EA	Brace - Table Leg
	024283-01-000	EA	Clip - Table Leg
	064250-03-000	EA	Hinge - Table Leg

1 For additional hardware items see the Bath Group

## DRIVER'S COMPARTMENT GROUP



FRONT OVERHEAD BUNK & HARDWARE (OPTION 5231)

Key	Part Number	U/M	Description
1	076760-02-000	EA	Hardware Asm - Overhead Bunk
2	092472-02-01A	EA	Trim - Lower Side - Bunk
3	092471-01-01A	EA	Trim - Upper Side - Bunk - Right
4	M93055-01-Y12	EA	Board Asm - Bunk Trim w/Vinyl
5	093884-01-Y12	EA	Headliner Asm - Front
6	042541-04-700	EA	Latch Asm w/Strike (2 ea.)
7	092471-02-01A	EA	Trim - Upper Side - Bunk - Left
8	079145-05-000	EA	Cushion Asm - 30" x 73" x 4"
9	081717-04-Y12	EA	Bed Asm - Front Bunk
10	094658-01-Y12	EA	Handle - Oak
	094396-01-000	EA	Curtain Track - Front Wraparound

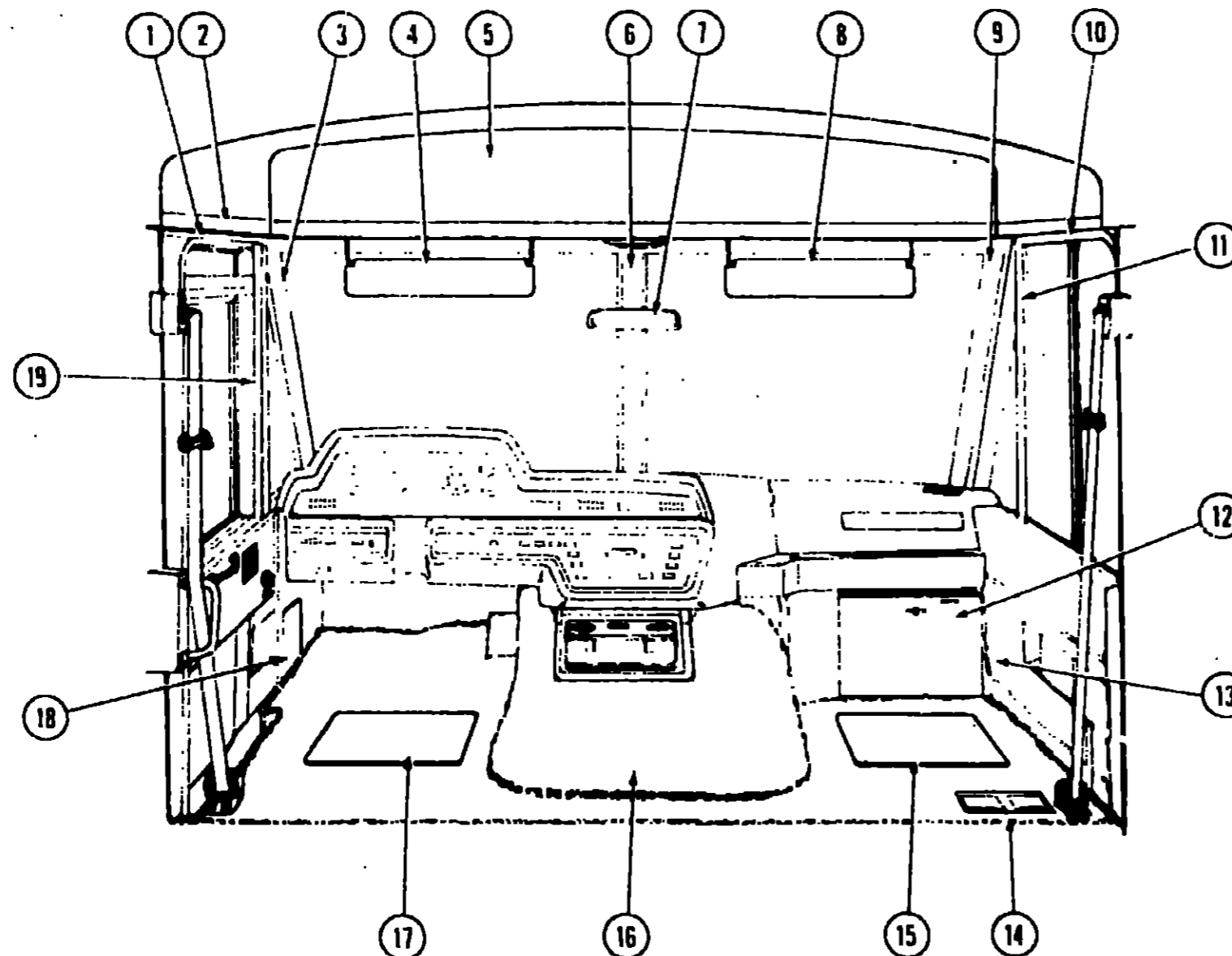
## 1989 ITASCA TABLE OF CONTENTS

INTRODUCTION	A-01
ABBREVIATIONS	A-01
ALPHABETICAL INDEX	A-02 - A-04
IC/JN31RQ	A-05 - D-12
IC/JN33RQ	D-13 - G-21

## 1989 IC/JN33RQ INDEX

Floor Plan	D-13 - D-14
Accessories Group	D-15 - D-19
Bath Group	D-20 - D-21
Chassis Group	D-22 - E-05
Curtain, Cushion & Pad Group	E-06 - E-16
Dinette Group	E-17
Driver's Compartment Group	E-18 - E-24
Electrical Group	F-01 - F-04
Exterior Body Group	F-05 - F-12
Galley Group	F-13 - F-15
Heating & Air Conditioning Group	F-16 - F-17
Interior Finish Group	F-18 - F-19
LP Group	F-20
Lounge Group	F-21 - G-01
Water & Sewage Group	G-02 - G-05
Window, Vent & Exterior Door Group	G-06 - G-21

**DRIVER'S COMPARTMENT GROUP (CONTINUED)**  
**MISCELLANEOUS DRIVER'S COMPARTMENT COMPONENTS**



Key	Part Number	U/M	Description
1	079946-04-000	EA	Track - Front Wraparound - Left
2	092472-01-01A	EA	Trim Asm - Lower - w/o Bunk
3	092585-03-02A	EA	Cover - "A" Pillar Trim - Left
4	082286-05-Y35	EA	Sunvisor Asm. - Driver
	007211-01-000	EA	Hinge - Sunvisor
	074012-01-000	EA	Clip - Sunvisor - Square Pinch-On
	085709-01-000	EA	Clip Asm. - Sunvisor - Black
5	093884-01-Y12	EA	Headliner Asm.
6	077114-08-000	EA	Cover - Panel Trim - Center
7	040714-01-000	EA	Mirror - Inside - Rear View
	040714-01-700	EA	Kit - Inside Rear View Mirror
8	082286-06-Y35	EA	Sunvisor Asm. - w/Mirror
	007211-01-000	EA	Hinge - Sunvisor
	074012-01-000	EA	Clip - Sunvisor - Square Pinch-On
	085709-01-000	EA	Clip Asm. - Sunvisor - Black
	083153-01-000	EA	Mirror - Sunvisor - 3 5" x 7"

Key	Part Number	U/M	Description
9	092584-01-02A	EA	Cover - "A" Pillar Trim - Right
10	079946-03-000	EA	Track - Front Wraparound - Right
11	092585-01-02A	EA	Cover - Hinge Trim - Pillar - Right
12	095757-01-Y35	EA	Cover Asm. - Heater
12	095757-01-Y36	EA	Cover Asm. - Heater
12	095757-01-Y37	EA	Cover Asm. - Heater
13	092582-01-02A	EA	Panel - Lower Kick
14	093614-01-01A	EA	Grille
15	081202-02-000	EA	Floor Mat - Right (Option 63H)
16	075939-01-000	EA	Motor Cover
	075564-01-000	EA	Mounting Bracket - Motor Cover
17	081201-02-000	EA	Floor Mat - Left (Option 63H)
18	092583-02-02A	EA	Panel - Lower Kick
19	092585-02-02A	EA	Cover - Hinge Trim Pillar - Left
	089294-01-000	EA	Cigarette Lighter Asm.
	036420-02-000	EA	Fan - Defroster - 6" Dia. - 2-Speed (Option 36H)
	024990-01-000	EA	Defroster Outlet - w/Swivel
	076783-02-000	EA	Lower Asm. - Air Conditioner - Adjustable Vent - Black

**1989 ITASCA**  
**TABLE OF CONTENTS**

INTRODUCTION	A-01
ABBREVIATIONS	A-01
ALPHABETICAL INDEX	A-02 - A-04
IC/JN31RQ	A-05 - D-12
IC/JN33RQ	D-13 - G-21

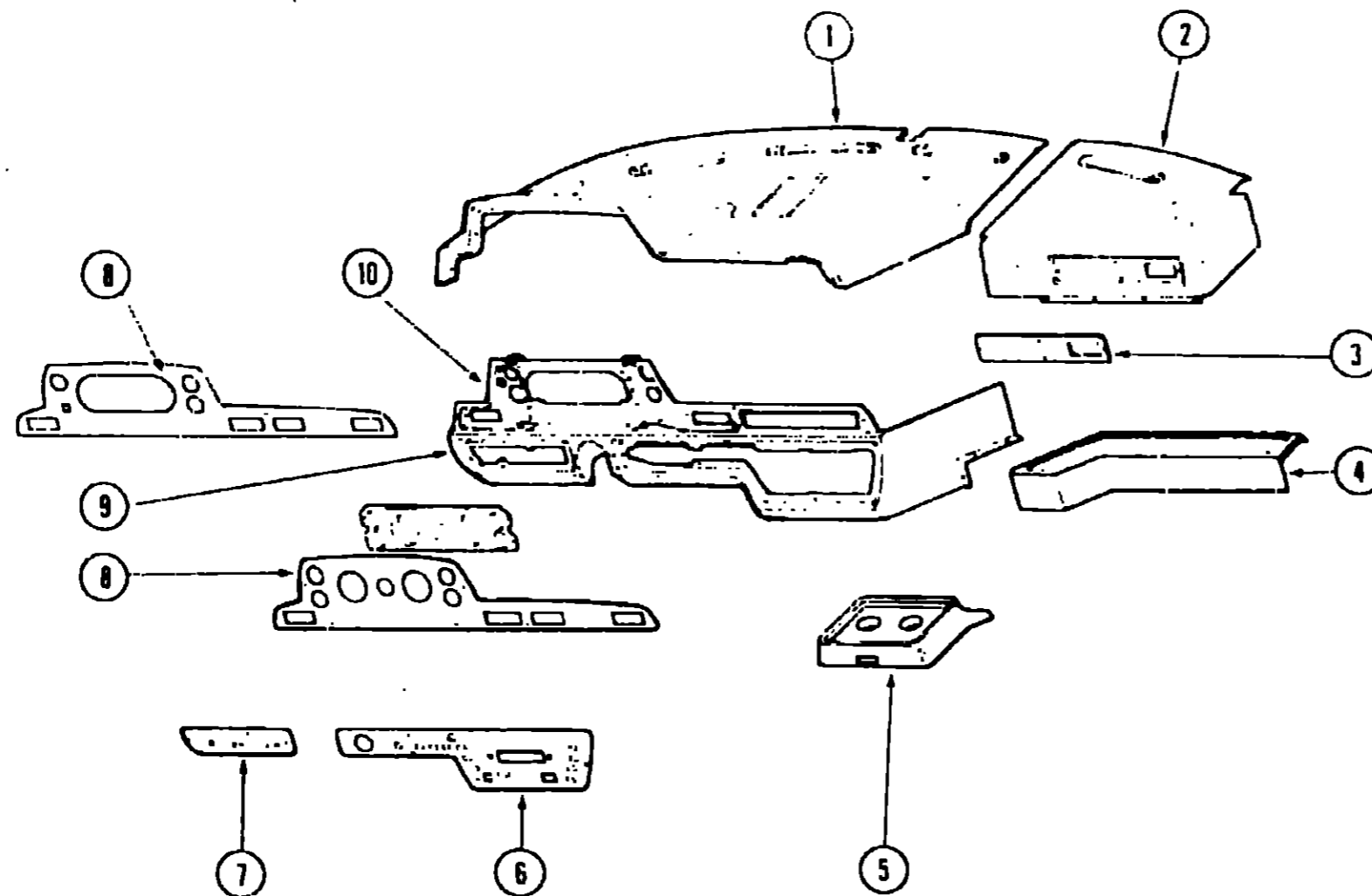
**1989 IC/JN33RQ INDEX**

Floor Plan	D-13 - D-14
Accessories Group	D-15 - D-19
Bath Group	D-20 - D-21
Chassis Group	D-22 - E-05
Curtain, Cushion & Pad Group	E-06 - E-16
Dinette Group	E-17
Driver's Compartment Group	E-18 - E-24
Electrical Group	F-01 - F-04
Exterior Body Group	F-05 - F-12
Galley Group	F-13 - F-15
Heating & Air Conditioning Group	F-16 - F-17
Interior Finish Group	F-18 - F-19
LP Group	F-20
Lounge Group	F-21 - G-01
Water & Sewage Group	G-02 - G-05
Window, Vent & Exterior Door Group	G-06 - G-21



## DRIVER'S COMPARTMENT GROUP (CONTINUED)

### DASH PANELS & BEVERAGE TRAY



Key	Part Number	U/M	Description
-	085253-02-Y33	EA	Instrument Panel - Upper - Left
-	076867-01-000	EA	Bracket - Instrument Panel - Large
-	075867-02-000	EA	Bracket - Instrument Panel - Small
1	085252-02-Y33	EA	Instrument Panel - Upper - Right
2	076872-01-000	EA	Bracket - Mounting - Right Panel
3	076797-01-000	EA	Instrument Panel Insert - Right
4	076734-04-000	EA	Tray - Instrument Panel - Right
5	076729-02-000	EA	Beverage Tray - Plastic - Gray
6	076217-14-000	EA	Instrument Panel - Lower - Right (Chevrolet)
7	076217-15-000	EA	Instrument Panel - Lower - Right - w/Low Air Indicator (Chevrolet)
8	076217-16-000	EA	Instrument Panel - Lower - Right (John Deere)
9	076217-17-000	EA	Instrument Panel - Lower - Right - w/Low Air Indicator (John Deere)
10	076218-03-000	EA	Instrument Panel - Lower - Left
11	076216-08-000	EA	Instrument Panel - Upper (Chevrolet)
12	076216-10-000	EA	Instrument Panel - Upper (w/Generator)
13	076216-06-000	EA	Instrument Panel - Upper (w/o Generator)
14	076808-02-000	EA	Dash Panel - Lower (Chevrolet)
15	076808-10-000	EA	Dash Panel - Lower (John Deere)
16	077353-01-000	EA	Shroud - Instrument Panel - w/Voltmeter & Vacuum Gauge
17	077353-09-000	EA	Shroud - Instrument Panel - w/Generator Hour, Voltmeter & Vacuum Gauge
18	073741-03-000	EA	Speaker - Oval - 4" x 6"
19	073741-04-000	EA	Grille - Oval Speaker - 4" x 6"
20	077406-01-000	EA	Bracket - Hood Release Cable

Parts used with Electronic Instrument Cluster

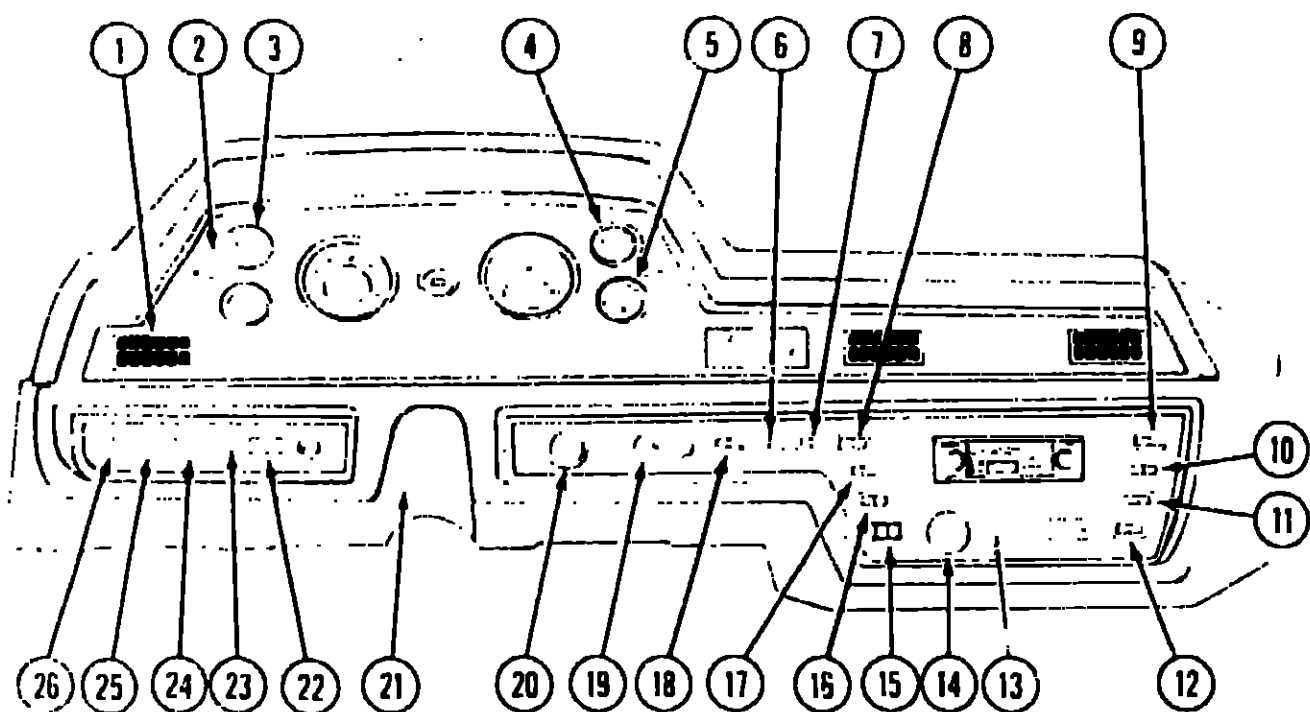
## 1989 ITASCA TABLE OF CONTENTS

INTRODUCTION	A-01
ABBREVIATIONS	A-01
ALPHABETICAL INDEX	A-02 - A-04
IC/JN31RQ	A-05 - D-12
IC/JN33RQ	D-13 - G-21

## 1989 IC/JN33RQ INDEX

Floor Plan	D-13 - D-14
Accessories Group	D-15 - D-19
Bath Group	D-20 - D-21
Chassis Group	D-22 - E-05
Curtain, Cushion & Pad Group	E-06 - E-16
Dinette Group	E-17
Driver's Compartment Group	E-18 - E-24
Electrical Group	F-01 - F-04
Exterior Body Group	F-05 - F-12
Galley Group	F-13 - F-15
Heating & Air Conditioning Group	F-16 - F-17
Interior Finish Group	F-18 - F-19
LP Group	F-20
Lounge Group	F-21 - G-01
Water & Sewage Group	G-02 - G-05
Window, Vent & Exterior Door Group	G-06 - G-21

**DRIVER'S COMPARTMENT GROUP (CONTINUED)**



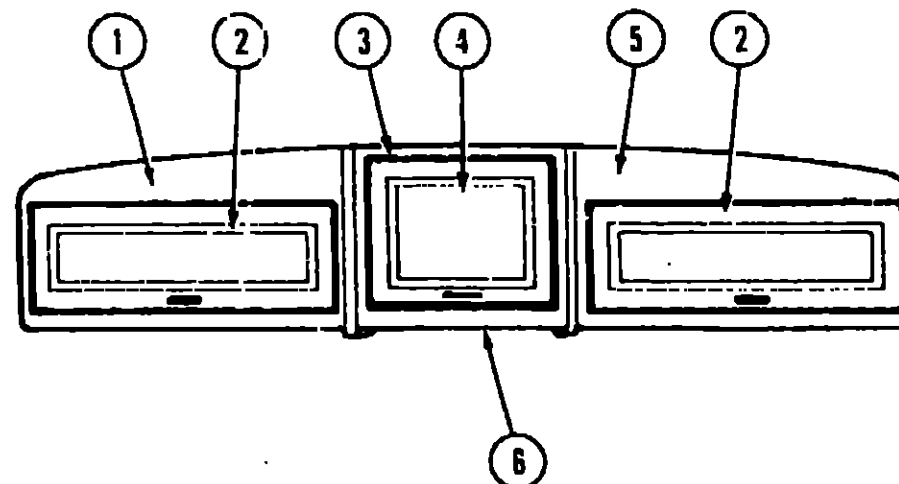
**DASH SWITCHES & GAUGES**

Key	Part Number	U/M	Description
1	076783-02-000	EA	Louver Asm. - A/C Adjustable
2	076216-08-000	EA	Instrument Panel - Upper - Chieftain (Chevrolet)
2	076216-06-000	EA	Instrument Panel - Upper - Chieftain (John Deere & Chevrolet)
12	076216-10-000	EA	Instrument Panel - Upper - Chieftain (John Deere & Chevrolet)
	090938-01-000	EA	Cluster Asm. - Electronic Instrument Panel (Chevrolet)
	088745-01-000	EA	Cluster Asm. - Electronic Instrument Panel (John Deere)
	091242-01-000	EA	Cluster Asm. - Instrument Panel (CSA)
	077353-09-000	EA	Shroud - Instrument Cluster
3	024460-04-000	EA	Gauge - Vacuum
4	024459-04-000	EA	Gauge - Voltmeter
5	031035-01-000	EA	Gauge - Hourmeter - Generator
6	076759-04-000	EA	Battery Condition Switch
7	076759-01-000	EA	Fog Light Switch (Option 57M)
8	076759-04-000	EA	Generator Switch (Option 39)
9	076759-06-000	EA	Switch - Blank
10	076759-09-000	EA	Aisle Light Switch
11	076759-01-000	EA	Map Light Switch
12	076759-01-000	EA	Beverage Tray Light Switch
13	076217-14-000	EA	Instrument Panel - Lower - Right (Chevrolet)
13	076217-16-000	EA	Instrument Panel - Lower - Right (John Deere)
14	057202-02-000	EA	Auxiliary Heater Switch (Option 61)
14	090977-01-000	EA	Knob - Auxiliary Heater Switch (Option 61)
15	086272-01-000	EA	Battery Disconnect Switch
16	076759-09-000	EA	Power - Radio Switch
17	076759-03-000	EA	Auxiliary Fan Switch (Option 36N)
18	076759-01-000	EA	Air Horn Switch (Option 36R)
19	089294-01-000	EA	Lighter Asm. - Cigarette
20	091206-01-000	EA	Wiper Control (John Deere)
20	I.P.N.	EA	Ignition Switch (Chevrolet)
21	076808-05-000	EA	Dash Panel - Lower - Left (w/o Electronic Instrument Panel)
21	076808-09-000	EA	Dash Panel - Lower - Left (w/ELectronic Instrument Panel)
22	076759-07-000	EA	Courtesy Link Switch

**DRIVER'S COMPARTMENT GROUP (CONTINUED)**

**DASH SWITCHES & GAUGES (CONT.)**

Key	Part Number	U/M	Description
23	076218-03-000	EA	Instrument Panel - Lower - Left
24	076759-05-000	EA	Battery Mode Switch
25	076759-06-000	EA	Switch - Blank
26	076759-06-000	EA	Switch - Blank
	076788-02-000	EA	Cardboard Cylinder - Lamp
	077031-01-000	EA	Film - Instrument Panel - Black
	077031-02-000	EA	Film - Instrument Panel - Amber
	076788-03-000	EA	Lamp Plate
!	Parts used with the Electronic Instrument Cluster - w/Generator Option.		
!	Parts used with the Electronic Instrument Cluster - w/o Generator Option.		



**TV & VCR CABINETRY (OPTION 43)**

Key	Part Number	U/M	Description
1	M93242-02-Y12	EA	Cabinet Asm. - Front Overhead - w/o Door or Hardware
2	M88304-C0-Y10	EA	Door Asm. - Front Overhead Cabinet - 7" x 25.1" - w/o Hardware
3	M93197-02-Y12	EA	Cabinet Asm. - Front - w/o Door or Hardware
3	093197-01-Y12	EA	Cabinet Asm. - Front Overhead - w/o TV Shell
	093268-01-000	EA	Shell Asm. - TV
	098447-01-000	EA	TV - 13" Color
	098446-01-000	EA	VCR-VHS - Table Model
	086757-01-000	EA	Control Center - Switching
4	M88304-08-X11	EA	Door Asm. - Center Overhead - 12" x 18.7" - w/o Hardware
5	M93242-01-Y12	EA	Cabinet Asm. - Front Overhead - w/o Door or Hardware
6	089045-01-W13	EA	Pad Asm. - TV Cabinet - Vinyl
	070578-02-W13	EA	Button Asm. - Screw Stud - #30 - Vinyl
!	Parts used with the TV Option only.		

**1989 ITASCA  
TABLE OF CONTENTS**

INTRODUCTION	A-01
ABBREVIATIONS	A-01
ALPHABETICAL INDEX	A-02 - A-04
IC/JN31RQ	A-05 - D-12
IC/JN33RQ	D-13 - G-21

**1989 IC/JN33RQ INDEX**

Floor Plan	D-13 - D-14
Accessories Group	D-15 - D-19
Bath Group	D-20 - D-21
Chassis Group	D-22 - E-05
Curtain, Cushion & Pad Group	E-06 - E-16
Dinette Group	E-17
Driver's Compartment Group	E-18 - E-24
Electrical Group	F-01 - F-04
Exterior Body Group	F-05 - F-12
Galley Group	F-13 - F-15
Heating & Air Conditioning Group	F-16 - F-17
Interior Finish Group	F-18 - F-19
LP Group	F-20
Lounge Group	F-21 - G-01
Water & Sewage Group	G-02 - G-05
Window, Vent & Exterior Door Group	G-06 - G-21

## ELECTRICAL GROUP

### WIRE SWITCHES & RECEPTACLES

Key	Part Number	U/M	Description
	008288-01-000	EA	Box - Electrical - 3" x 3 5/8" - Plastic
	008289-01-000	EA	Box - Electrical - 4" x 4" - 1/2 & 3/4 Steel
	008289-02-000	EA	Box - Electrical - 4" x 4" - 1/2 & 3/4 Steel (CSA)
	041949-01-000	EA	Box - Electrical - 2" x 3" x 2 25/32" - Steel (CSA)
	041953-01-000	FT	Conduit - Convoluted Slt - 5" ID
	041953-03-000	FT	Conduit - Convoluted Slt - 1" ID
	041953-06-000	FT	Conduit - Convoluted Slt - 3/5" ID
	008353-01-000	EA	Connector - Clamping - 3/8 Cable
	008356-01-000	EA	Connector - Plastic - 3/8" Avg
	058028-01-000	EA	Connector - Pigtail - Clear Nylon
	008311-01-000	EA	Connector - Wire Nut - Red
	008312-01-000	EA	Connector - Wire Nut - Gray
	008054-01-000	EA	Cord - Power - 10-3 30 Amp - 25'
	008054-02-000	EA	Cord - Power - 10-3 30 Amp - 33'
	008052-01-000	EA	Cord - Power - 10-3 30 Amp - 25' (CSA)
	009426-01-000	EA	Hatch - Power Cord - White
	008293-01-000	EA	Cover Plate - Blank - Steel 4 x 4 (USA)
	008293-02-000	EA	Cover Plate - Blank - Steel 4 x 4 (CSA)
	074897-01-000	EA	Extension Ring - Electrical Box - 1 1/2"
	074917-02-000	EA	Housing Asm - 5 Position
	077744-02-000	EA	Housing Asm - Trailer Pin - 48"
	077746-01-000	EA	Housing Asm - Trailer Cap
	081745-02-000	EA	Housing Asm - Trailer Receptacle - 48"
	082109-01-000	EA	Housing - Connector
	089473-01-000	EA	Housing Pin
	089473-02-000	EA	Housing Pin - 15 Position
	089473-03-000	EA	Housing Pin - 9 Position
	089473-05-000	EA	Housing Pin - 6 Position In Line
	089473-06-000	EA	Housing Pin - 6 Position
	089473-08-000	EA	Housing Pin - 4 Position
	089473-09-000	EA	Housing Pin - 3 Position
	089473-10-000	EA	Housing Pin - 2 Position
	089473-01-000	EA	Housing Socket
	089473-02-000	EA	Housing Socket - 15 Position
	089473-03-000	EA	Housing Socket - 9 Position
	089473-04-000	EA	Housing Socket - 6 Position
	089473-05-000	EA	Housing Socket - 4 Position
	089473-06-000	EA	Housing Socket - 3 Position
	089473-07-000	EA	Housing Relay
	089473-08-000	EA	Pin - Connector
	089473-09-000	EA	Receptacle/Cover Asm - Gray (Exterior)
	089473-10-000	EA	Receptacle/Cover - Ivory (Ground Fault Interrupter)
	089473-11-000	EA	Receptacle/Cover - Brown (Ground Fault Interrupter)
	089473-12-000	EA	Receptacle - 15 Amp - 125 Volt - Ivory (Ground Fault Interrupter)
	089473-13-000	EA	Receptacle - Duplex - Ivory
	089473-14-000	EA	Receptacle - Power Cord
	089473-15-000	EA	Receptacle - Single - Brown
	089473-16-000	EA	Receptacle - Side - 16 to 12 Avg
	089473-17-000	EA	Relay - Battery Disconnect

## ELECTRICAL GROUP (CONTINUED)

### WIRE, SWITCHES & RECEPTACLES (CONT.)

Key	Part Number	U/M	Description
	067789-02-000	EA	Socket Asm - Lamp
	088476-01-000	EA	Socket - Connector
	094086-01-01A	EA	Switch Plate - Single Gang - Black
	081066-02-000	EA	Switch Plate - 2 Gang - 2 Switch
	079362-04-000	EA	Switch Plate - 4 Gang - 2 Switch
	079363-03-000	EA	Switch Plate - Single w/Switch - Polished Brass
	079364-01-000	EA	Switch - ON/OFF Rocker - Brown
	079364-03-000	EA	Switch - ON/OFF - Flicker
	008195-01-000	EA	Switch - Push Button - 12 Volt
	076759-01-000	EA	Switch - SPST - Lock/Lock
	076759-03-000	EA	Switch - SPST - Lock/Lock/Lock
	076759-04-000	EA	Switch - SPDT - Mom/Lock/Mom
	076759-05-000	EA	Switch - SPDT - Lock/Lock/Mom
	076759-06-000	EA	Switch - Dummy
	076759-07-000	EA	Switch - SPST - Mom/Off/Lock
	076759-09-000	EA	Switch - SPDT - Lock/Lock
	073937-03-000	EA	Switch - Rotary - 3 Deck - A/C Select
	035416-04-000	EA	Terminal Ring - #10 Stud Fit
	008328-01-000	EA	Terminal Ring - 12/16 Wire
	008348-01-000	EA	Terminal Ring - 2 - 3/8 Stud
	008331-01-000	EA	Terminal Ring - 4 - 3/8 Stud
	062036-02-000	EA	Terminal - Pack - Con - 16/14 AWG
	008026-01-000	FT	Wire w/Ground - Romex - 12/2
	008343-01-000	EA	Wire Tie - 6"
	008343-02-000	EA	Wire Tie - 14"

### WINDSHIELD WIPER & WASHER

Key	Part Number	U/M	Description
	056000-02-000	EA	Washer Asm - Windshield
	072472-04-000	EA	Arm - Windshield Wiper - 29" - Black
	049464-03-000	EA	Blade Asm - Windshield Wiper - 20" - Black
	049464-03-700	EA	Blade - Wiper Rebill
	067190-04-000	EA	Shaft & Pivot Asm
	077048-01-000	EA	Shaft Adapter - Pantograph Arm
	067191-02-700	EA	Drive Motor Asm - Wiper
	067192-01-000	EA	Link Asm - Connection - 39"
	067193-02-000	EA	Link Asm - Connection - 8 10"
	067188-01-000	EA	Stud - Crank Wiper
	091206-02-000	EA	Control - Wiper
	040794-01-000	FT	Hose - 5/32" ID - Black

## 1989 ITASCA TABLE OF CONTENTS

INTRODUCTION	A-01
ABBREVIATIONS	A-01
ALPHABETICAL INDEX	A-02 - A-04
IC/JN31RO	A-05 - D-12
IC/JN33RO	D-13 - G-21

## 1989 IC/JN33RO INDEX

Floor Plan	D-13 - D-14
Accessories Group	D-15 - D-19
Bath Group	D-20 - D-21
Chassis Group	D-22 - E-05
Curtain, Cushion & Pad Group	E-06 - F-16
Dinette Group	F-17
Driver's Compartment Group	F-18 - F-23
Electrical Group	F-01 - F-04
Exterior Body Group	F-05 - F-12
Galley Group	F-13 - F-15
Heating & Air Conditioning Group	F-16 - F-17
Interior Finish Group	F-18 - F-19
LP Group	F-20
Lounge Group	F-21 - G-01
Water & Sewage Group	G-02 - G-05
Windows, Vent & Exterior Door Group	G-06 - G-21

**ELECTRICAL GROUP (CONTINUED)**

**INTERIOR LIGHTS & BULBS**

Key	Part Number	U/M	Description
	065202-03-000	EA	Lamp Asm - Wall Decor Brass & Cream
	065201-02-000	EA	Shade - Wall Lamp - Parchment
	057479-01-000	EA	Bulb - Wall Lamp
	033508-02-000	EA	Dome Light - 1 Bulb - Ivory (US)
	033508-03-000	EA	Dome Light - 1 Bulb - Ivory (CSA)
	033509-02-000	EA	Dome Light - 2 Bulb - Ivory (US)
	033509-03-000	EA	Dome Light - 2 Bulb - Ivory (CSA)
	H77013-48-179	EA	Switch - Dome Light
	008218-01-000	EA	Bulb - Dome Light
	078424-02-000	EA	Light Asm - Fluorescent - 12V - 18" - Almond (Galley)
	078424-02-701	EA	Lens - Fluorescent Light - 18"
	078424-02-700	EA	Bulb - Fluorescent Light - 12V - 18"
	091937-01-000	EA	Light Asm - Fluorescent - 12V - 18" - Almond (Ceiling)
	091937-02-000	EA	Lens - Fluorescent Light - 18"
	091937-03-000	EA	Bulb - Fluorescent Light - 18"
	072353-08-000	EA	Light Asm - Reading - 360° Swivel Tan
	063914-01-000	EA	Bulb - Reading Light
	061424-01-000	EA	Light Asm - 12V - Rectangular - Aisle
	008103-01-000	EA	Bulb - Aisle Light
	060937-04-000	EA	Light Asm - Surface - No Switch (Shower)
	009215-01-000	EA	Bulb - Light - #1003
	081633-01-000	EA	Light Asm - Make-Up (US)
	081633-02-000	EA	Light Asm - Make-Up (CSA)
	081633-01-700	EA	Bulb - Make-Up Light
	087694-02-000	EA	Light Asm - Wardrobe w/Switch
	087694-01-700	EA	Bulb - Wardrobe - Light
	080151-05-000	EA	Light Asm - Map - Double
	078026-01-000	EA	Lens - Courtesy Light (Beverage Tray)
	077086-01-000	EA	Socket Asm w/Pigtail
	080390-01-000	EA	Bulb - Courtesy Light
	081294-01-000	EA	Socket - Lamp - Mini - Bayonet (Dash)

**EXTERIOR LIGHTS & BULBS**

Key	Part Number	U/M	Description
	081294-01-000	EA	Light Asm - Clearance - Amber
	081294-01-700	EA	Lens - Clearance - Amber
	081294-02-000	EA	Light Asm - Clearance - Red
	081294-02-700	EA	Lens - Clearance - Red
	081294-03-000	EA	Bulb - Clearance Lights
	081294-03-000	EA	Bracket - Clearance Lights
	081294-04-000	EA	Light Asm - Side Marker - Red
	081294-04-000	EA	Light Asm - Side Marker - Amber
	081294-05-000	EA	Light Asm - Turn Signal - Red
	081294-05-000	EA	Light Asm - Turn Signal - Amber
	081294-06-000	EA	Light Asm - Back Up - Red/Clear
	081294-06-000	EA	Bulb - Back Up Light
	081294-07-000	EA	Light Asm - License
	081294-08-000	EA	Headlamp Capsule Asm - Rectangular - Driver - High/Low Beam
	081294-09-000	EA	Headlamp Capsule Asm - Rectangular - Passenger - High/Low Beam
	081294-10-000	EA	Headlamp Capsule Asm - Rectangular - Passenger - High Beam
	081294-11-000	EA	Headlamp Capsule Asm - Rectangular - Passenger - High Beam
	081294-12-000	EA	Bulb - Headlamp - Right
	081294-13-000	EA	Bulb - Headlamp - Left
	081294-14-000	EA	Lamp Asm - Storage Compartment - Ivory (US)
	081294-15-000	EA	Lamp Asm - Storage Compartment - Ivory (CSA)
	081294-16-000	EA	Patch Light - Recessed (US)
	081294-17-000	EA	Patch Light - Recessed (CSA)
	081294-18-000	EA	Lens - Patch Light
	081294-19-000	EA	Bracket - Patch Light
	081294-20-000	EA	Bulb - Patch Light
	081294-21-000	EA	Light Asm - Fog Light - Clear Lens (Option 57M)
	081294-22-000	EA	Lens - Fog Light

**ELECTRICAL GROUP (CONTINUED)**

**FUSES & CIRCUIT BREAKERS**

Key	Part Number	U/M	Description
	062901-02-000	EA	Fuse - 5 Amp - Automotive
	062901-05-000	EA	Fuse - 15 Amp - Automotive
	008211-01-000	EA	Circuit Breaker - 6 Amp - 12 Volt
	093654-01-000	EA	Circuit Breaker - 6 Amp - 12 Volt
	093654-02-000	EA	Circuit Breaker - 15 Amp - 12 Volt
	083210-02-000	EA	Circuit Breaker - 15 Amp - 120 Volt (Ground Fault Interrupter)
	083209-02-000	EA	Circuit Breaker - 15/15 Amp - 120 Volt
	083209-03-000	EA	Circuit Breaker - 15/20 Amp - 120 Volt
	093654-03-000	EA	Circuit Breaker - 20 Amp - 12 Volt
	083209-05-000	EA	Circuit Breaker - 20 Amp - 120 Volt
	093655-01-000	EA	Circuit Breaker - 25 Amp - 12 Volt
	093655-02-000	EA	Circuit Breaker - 30 Amp - 12 Volt
	083209-06-000	EA	Circuit Breaker - 30/15 Amp - 120 Volt
	093655-03-000	EA	Circuit Breaker - 40 Amp - 12 Volt

**MISCELLANEOUS ELECTRICAL COMPONENTS**

Key	Part Number	U/M	Description
	063739-01-000	EA	Battery - 12 Volt - 80 Amp - Gouid
	036420-02-000	EA	Fan - Defroster - 6" - 2 Speed (Option 36N)
	089294-01-000	EA	Lighter Asm - Cigarette
	072852-01-000	EA	Smoke Detector w/9 Volt Battery
	067762-01-000	EA	Convertor - 40 Amp. w/Charger (UL)
	067762-02-000	EA	Convertor - 40 Amp. w/Charger (CSA)
	092615-01-000	EA	Convertor - 40 Amp. w/Charger (Export)
	051912-01-000	EA	Transformer - Dry Control (Export)
	093674-01-000	EA	Plate - Push Button Circuit Breaker
	092547-01-000	EA	Label - Circuit Breaker Plate

**BULBS**

Key	Part Number	U/M	Description
	008103-01-000	EA	Bulb - 53 (Aisle Light)
	036196-01-000	EA	Bulb - 194 (Courtesy & Clearance Lights)
	072696-01-709	EA	Bulb - 912 (Stove Hood)
	008215-01-000	EA	Bulb - 1003 (Shower Light)
	067479-01-000	EA	Bulb - 1076 (Wall Lamp)
	063914-01-000	EA	Bulb - 1139 (Reading Light)
	008218-01-000	EA	Bulb - 1141 (Dome Light)
	037934-01-000	EA	Bulb - 1156 (Back-Up Light)
	081633-01-700	EA	Bulb - Make-Up Light
	084880-01-705	EA	Bulb - DC Light (Refrigerator)
	088737-01-719	EA	Bulb - 30W (Microwave Oven)
	078424-02-700	EA	Bulb - Fluorescent - 18" (Galley)
	091937-03-000	EA	Bulb - Fluorescent - 18" (Ceiling)

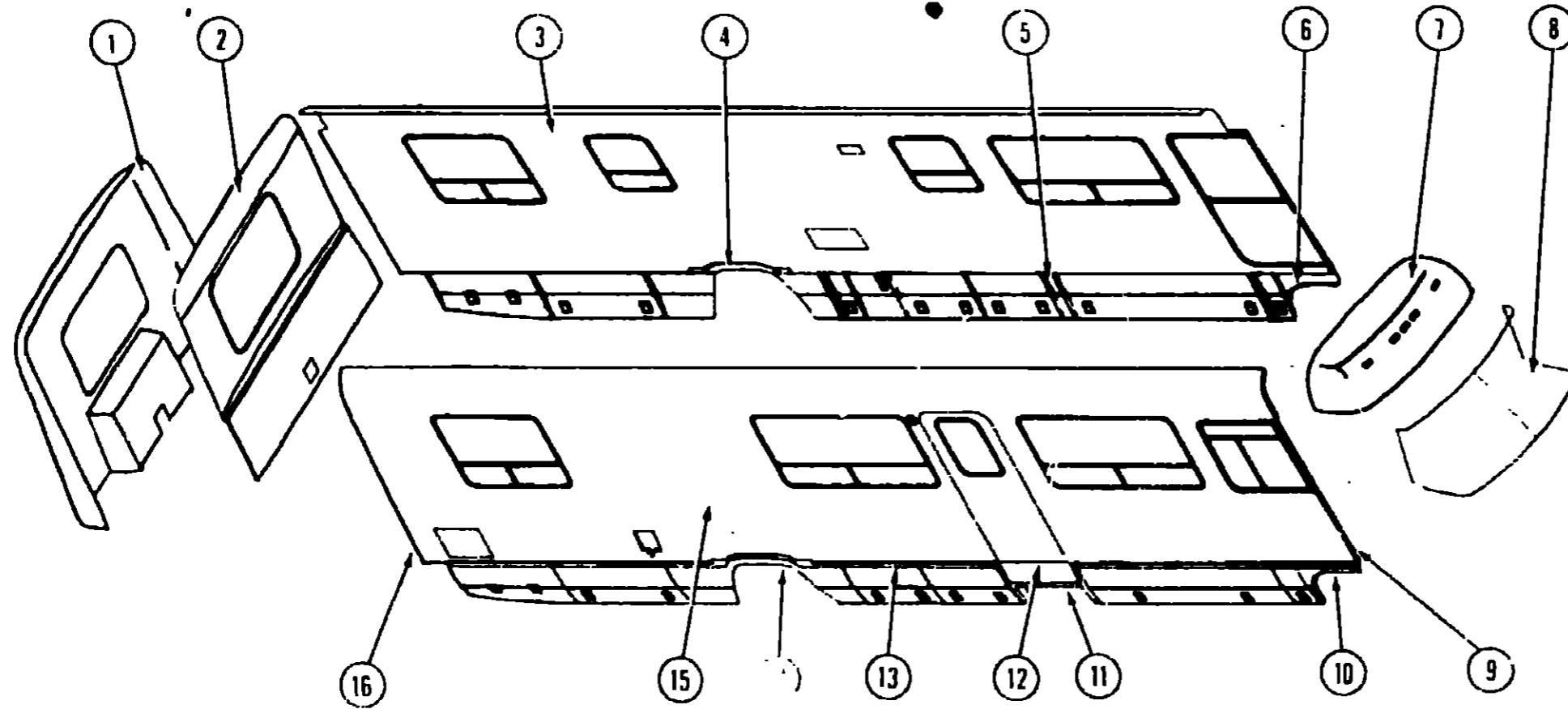
**1989 ITASCA  
TABLE OF CONTENTS**

INTRODUCTION	A-01
ABBREVIATIONS	A-01
ALPHABETICAL INDEX	A-02 - A-04
IC/JN31RQ	A-05 - D-12
IC/JN33RQ	D-13 - G-21

**1989 IC/JN33RQ INDEX**

Floor Plan	D-13 - D-14
Accessories Group	D-15 - D-19
Bath Group	D-20 - D-21
Chassis Group	D-22 - E-05
Curtain, Cushion & Pad Group	F-06 - E-16
Dinette Group	F-17
Driver's Compartment Group	E-18 - E-24
Electrical Group	F-01 - F-04
Exterior Body Group	F-05 - F-12
Galley Group	F-13 - F-15
Heating & Air Conditioning Group	F-16 - F-17
Interior Finish Group	F-18 - F-19
LP Group	F-20
Lounge Group	F-21 - G-01
Water & Sewage Group	G-02 - G-05
Window, Vent & Exterior Door Group	G-06 - G-21

**EXTERIOR BODY GROUP**  
EXTERIOR BODY PANELS & TRIM



**1989 ITASCA**  
**TABLE OF CONTENTS**

INTRODUCTION	A-01
ABBREVIATIONS	A-01
ALPHABETICAL INDEX	A-02 - A-04
IC/JN31RO	A-05 - D-12
IC/JN33RO	D-13 - G-21

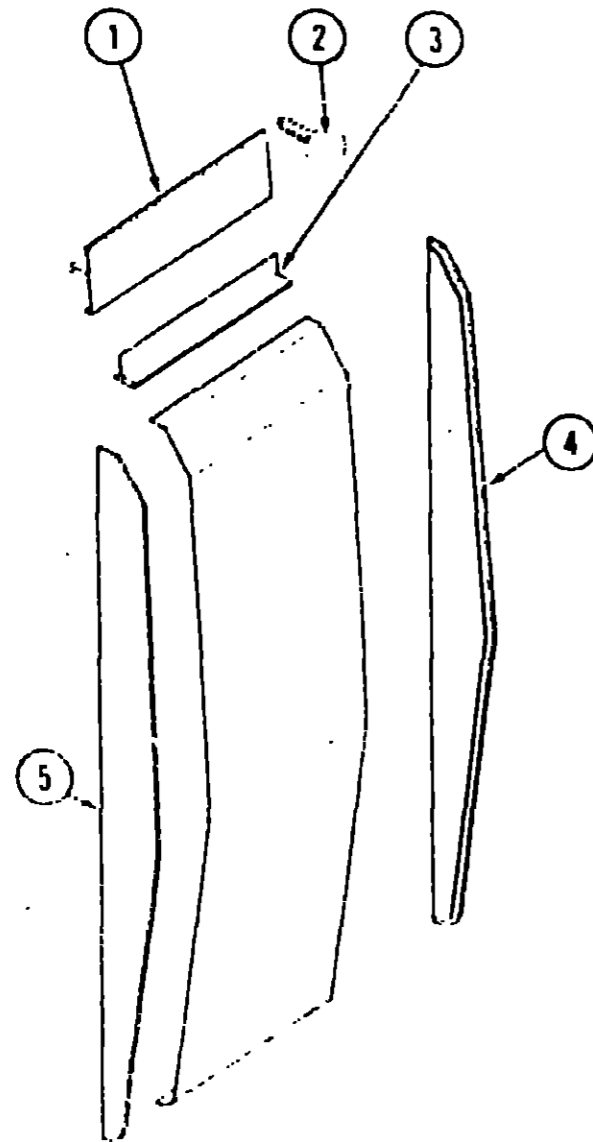
Key	Part Number	U/I/A	Description
1	12-4511-01-01	LA	Rear Cap Asm - Off White (Chevrolet)
2	12-4511-02-01	EA	Rear Cap Asm - Off White (John Deere)
3	12-4511-03-01	FA	Backwall Asm - Upper
4	12-4511-04-01	FA	Backwall Asm - Lower (w/Queen Bed)
5	12-4511-05-01	FA	Backwall Asm - Lower (w/Twin Bed)
6	12-4511-06-01	FA	Sidewall Asm - Driver
7	12-4511-07-01	LA	Sidewall Asm - Driver
8	12-4511-08-01	EA	Sidewall Asm - Driver
9	12-4511-09-01	FA	Wheel Lip Asm - Rear - Driver
10	12-4511-10-01	FA	Valance Asm - Body Panel
11	12-4511-11-01	FA	Wheel Lip Asm - Front - Driver
12	12-4511-12-01	FA	Front Cap Asm - Off White
13	12-4511-13-01	LA	Rear Molding
14	12-4511-14-01	FA	Trim - J Molding
15	12-4511-15-01	LA	Wheel Lip Asm - Front - Passenger
16	12-4511-16-01	FA	Valance Asm - Step
17	12-4511-17-01	FA	Body Molding - Entrance Front
18	12-4511-18-01	FA	Body Molding - Off White
19	12-4511-19-01	LA	Cap - X-Max - Flat Head
20	12-4511-20-01	FA	Wheel Lip Asm - Rear - Off White
21	12-4511-21-01	FA	Sidewall Asm - Passenger
22	12-4511-22-01	FA	Trim - Rear Cap to Sidewall - Off White
23	12-4511-23-01	FA	Trim Insert - Off White
24	12-4511-24-01	FA	Brace - Valance - Beige - R
25	12-4511-25-01	FA	Roof Asm
26	12-4511-26-01	EA	Bumper End Cap - Rear - Passenger
27	12-4511-27-01	EA	Bumper End Cap - Rear - Driver

See the following page for the breakdown of this item

**1989 IC/JN33RO INDEX**

Floor Plan	D-13 - D-14
Accessories Group	D-15 - D-19
Bath Group	D-20 - D-21
Chassis Group	D-22 - E-05
Curtain, Cushion & Pad Group	E-06 - E-16
Dinette Group	E-17
Driver's Compartment Group	E-18 - E-24
Electrical Group	F-01 - F-04
Exterior Body Group	F-05 - F-12
Galley Group	F-13 - F-15
Heating & Air Conditioning Group	F-16 - F-17
Interior Finish Group	F-18 - F-19
LP Group	F-20
Lounge Group	F-21 - G-01
Water & Sewage Group	G-02 - G-05
Window, Vent & Exterior Door Group	G-06 - G-21

**EXTERIOR BODY GROUP (CONTINUED)**



**VALANCE PANEL ASM.**

Key	Part Number	U/M	Description
1	091243-01-000	EA	Body Molding - Off White
2	04492-02-000	EA	Clip - Mas - Flat Head
3	04493-01-000	EA	Trim - Valance to Sidewall
4	09209-01-000	EA	End Cap - Valance Panel - Right
5	09208-01-000	EA	End Cap - Valance Panel - Left

**EXTERIOR BODY GROUP (CONTINUED)**

**LABELS & EXTERIOR PAINT**

Key	Part Number	U/M	Description
	091243-01-000	EA	Label - Air Conditioner Cover
	074983-01-000	EA	Label - Air Conditioner Selector
	667236-01-000	EA	Label - Cable - Input
	065748-01-000	EA	Label - Caution - Battery Changing
	087237-01-000	EA	Label - Certification
	096506-01-000	EA	Label - Compartment No Sealed
	095721-01-000	EA	Label - Control Center
	006195-01-000	EA	Label - Electrical Test
	047731-01-000	EA	Label - Emergency Exit
	006199-01-000	EA	Label - Exit - Escape Window
	094675-01-000	EA	Label - Exterior Light Service
	061417-01-000	EA	Label - Fuel
	087207-02-000	EA	Label - Fuel Cap Removal
	094622-01-000	EA	Label - Fuel Pump - Power
	006196-01-000	EA	Label - Gas Test
	054531-01-000	EA	Label - LP Gas Only
	073998-01-000	EA	Label - LPG Odor Warning
	040944-01-000	EA	Label - Open - Entrance Door
	061606-01-000	EA	Label - Overlay - Vehicle Certification
	006031-01-000	EA	Label - Potable Water Only
	056259-01-000	EA	Label - Safety Check List
	006064-01-000	EA	Label - Seat - w/o Seat Belts
	006187-01-000	EA	Label - Sewage
	079966-01-000	EA	Label - Warning - Slowed Motion
	077956-01-000	EA	Label - Warning - Smoke Detector
	075221-03-000	EA	Label - Trailer Hitch Capacity
	031224-01-000	EA	Label - Trailer Lighting
	078236-02-000	EA	Label - TV Outlet
	090342-01-000	EA	Label - Vapor Relief
	075220-01-000	EA	Label - Warning - Exterior Load Limit
	050225-01-000	EA	Label - Warning - Stove Vent - US
	006188-01-000	EA	Label - Waste Water
	006197-01-000	EA	Label - Water Test
	006062-01-000	EA	Tag - Electrical - 110 Volt Connection
	006040-01-000	EA	Tag - Gas - Refueling Warning
	006019-01-000	EA	Tag - RVI Approved - Plastic
	041561-03-000	EA	Paint - Off White Acrylic Enamel - 16 oz Aerosol (DuPont #4599GA)
	045681-03-000	EA	Paint - Gloss Black - Acrylic Enamel - 16 oz Aerosol (DuPont #94)
	074559-01-000	EA	Label - LPG - 13" x 1.75" (Call Code)

**MISCELLANEOUS EXTERNALLY MOUNTED PARTS**

Key	Part Number	U/M	Description
	083558-01-000	EA	Plumbing Seal - Roof Vent - 1 1/2" - Covered
	009126-01-000	EA	Assist Handle - Chrome
	087659-04-000	EA	Fill - City Water - Recessed - Off White
	087659-01-700	EA	Water Fill - Cap & Strap Only
	069362-03-000	EA	Brace - Floor to Valance - 13 21"
	069726-02-000	EA	Bumper - Black - 88" x 40"
	083615-06-000	EA	Door Step - Off White Plastic
	075736-02-000	EA	Receptacle/Cover Asm - Off White

**SHEET FIBERGLASS, ALUMINUM & STYROFOAM**

Key	Part Number	U/M	Description
	044487-01-001	EA	Aluminum - Mill Finish - No Design (Roof) - 96" x 360"
	000868-01-000	SF	Styrofoam - 3/4" x 24" x 96"
	000870-01-000	SF	Styrofoam - 1 1/2" x 24" x 96"
	000870-03-000	SF	Styrofoam - 1 3/4" x 48" x 96"
	000870-05-000	SF	Styrofoam - 50" x 24" x 96"
	083574-01-000	SF	Styrofoam - 1 5" x 24" x 85 25"
	064812-07-000	EA	Fiberglass/Matrix Board Sheet - Off White

**1989 ITASCA  
TABLE OF CONTENTS**

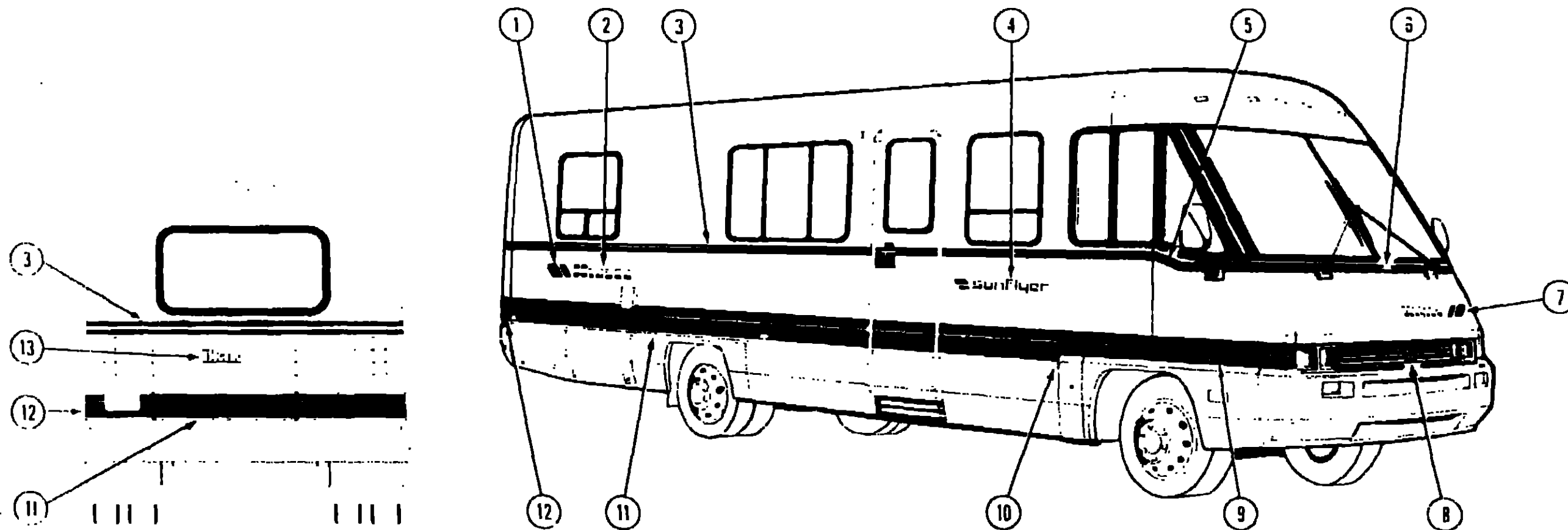
INTRODUCTION	A-01
ABBREVIATIONS	A-01
ALPHABETICAL INDEX	A-02 - A-04
IC/JN33RQ	A-05 - D-12
IC/JN33RO	D-13 - G-21

**1989 IC/JN33RQ INDEX**

Floor Plan	D-13 - D-14
Accessories Group	D-15 - D-19
Bath Group	D-20 - D-21
Chassis Group	D-22 - E-05
Curtain, Cushion & Pad Group	E-06 - E-16
Dinette Group	E-17
Driver's Compartment Group	F-18 - E-24
Electrical Group	F-01 - F-04
Exterior Body Group	F-05 - F-12
Galley Group	F-13 - F-15
Heating & Air Conditioning Group	F-16 - F-17
Interior Finish Group	F-18 - F-19
LP Group	F-20
Lounge Group	F-21 - G-01
Water & Sewage Group	G-02 - G-05
Window, Vent & Exterior Door Group	G-06 - G-21

**EXTERIOR BODY GROUP (CONTINUED)**

**DECALS & FILM STRIPE**



**1989 ITASCA  
TABLE OF CONTENTS**

INTRODUCTION	A-01
ABBREVIATIONS	A-01
ALPHABETICAL INDEX	A-02 - A-04
IC/JN31RQ	A-05 - D-12
IC/JN33RQ	D-13 - G-21

Key	Part Number	U/M	Description
1	093795-01-01A	EA	Decal - Angle - Right - Black/Blue/Peach (Y35)
1	093795-01-02A	EA	Decal - Angle - Right - Black/Brown/Green (Y36, Y37)
1	093795-02-01A	EA	Decal - Angle - Left - Black/Blue/Peach (Y35)
1	093795-02-02A	EA	Decal - Angle - Left - Black/Brown/Green (Y36, Y37)
1	093795-03-000	EA	Decal - Logo - "Itasca" - Blue/Black (Y35)
1	093795-03-000	EA	Decal - Logo - "Itasca" - Green/Black (Y36, Y37)
1	093795-04-01A	FT	Film - Multistripe - 150' - Blue/Peach (Y35)
1	093795-04-02A	FT	Film - Multistripe - 150' - Green/Brown (Y36, Y37)
1	093795-05-01A	EA	Decal - Right - "Sunflyer" w/Angle - Black/Blue/Peach (Y35)
1	093795-05-02A	EA	Decal - Right - "Sunflyer" w/Angle - Black/Green/Brown (Y36, Y37)
1	093795-06-01A	EA	Decal - Left - "Sunflyer" w/Angle - Black/Blue/Peach (Y35)
1	093795-06-02A	EA	Decal - Left - "Sunflyer" w/Angle - Black/Green/Brown (Y36, Y37)
1	093795-07-01A	EA	Decal - Right Front Corner - Blue/Peach (Y35)
1	093795-07-02A	EA	Decal - Right Front Corner - Green/Brown (Y36, Y37)
1	093795-08-01A	EA	Decal - Left Front Corner - Blue/Peach (Y35)
1	093795-08-02A	EA	Decal - Left Front Corner - Green/Brown (Y36, Y37)

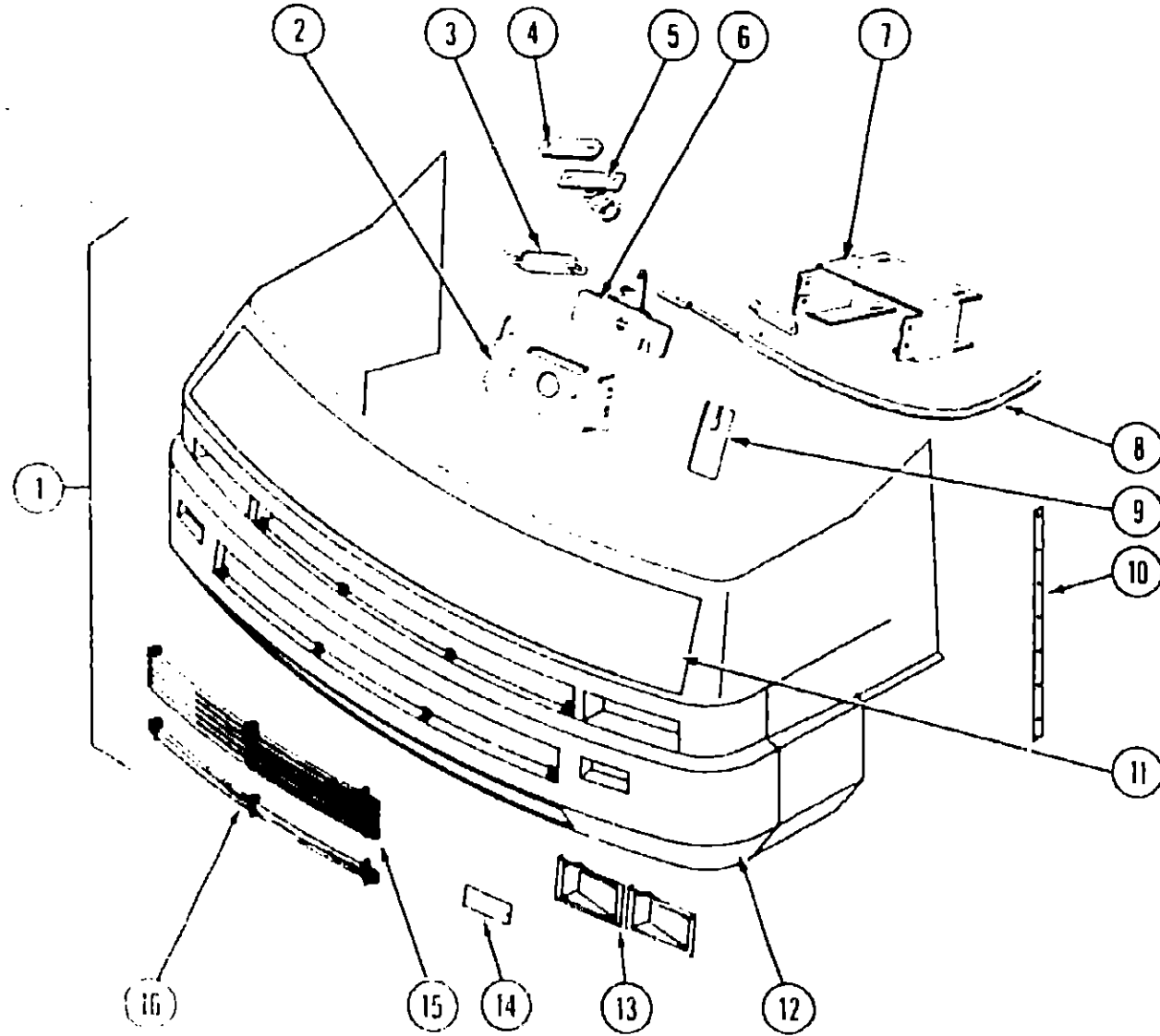
Key	Part Number	U/M	Description
6	093689-03-01A	FT	Film - Multistripe - Hood - Blue/Peach (Y35)
6	093689-03-02A	FT	Film - Multistripe - Hood - Green/Brown (Y36, Y37)
7	093789-01-02A	EA	Decal - Logo "Itasca" w/Angle - Black/Blue/Peach/Blue (Y35)
7	093789-01-01A	EA	Decal - Logo "Itasca" w/Angle - Black/Green/Green/Brown (Y36, Y37)
8	093790-01-01A	EA	Decal - Logo - "I"
9	093689-04-01A	FT	Film - Multistripe - Peach/Blue (Y35)
9	093689-04-02A	FT	Film - Multistripe - Brown/Green (Y36, Y37)
10	093797-01-01A	EA	Decal - Transition - Right - Blue/Peach (Y35)
10	093797-01-02A	EA	Decal - Transition - Right - Brown/Green (Y36, Y37)
10	093797-02-01A	EA	Decal - Transition - Left - Peach/Blue (Y35)
10	093797-02-02A	EA	Decal - Transition - Left - Brown/Green (Y36, Y37)
11	093689-05-01A	FT	Film - Multistripe - Peach/Blue (Y35)
11	093689-05-02A	FT	Film - Multistripe - Brown/Green (Y36, Y37)
12	093798-01-01A	EA	Decal - Right Rear Corner - Peach/Blue (Y35)
12	093798-01-02A	EA	Decal - Right Rear Corner - Brown/Green (Y36, Y37)
12	093798-02-01A	EA	Decal - Left Rear Corner - Peach/Blue (Y35)
12	093798-02-02A	EA	Decal - Left Rear Corner - Brown/Green (Y36, Y37)
13	093791-01-01A	EA	Decal - Logo - "Itasca"

**1989 IC/JN33RQ INDEX**

Floor Plan	D-13 - D-14
Accessories Group	D-15 - D-19
Bath Group	D-20 - D-21
Chassis Group	D-22 - E-05
Curtain, Cushion & Pad Group	E-06 - E-16
Dinette Group	E-17
Driver's Compartment Group	E-18 - E-24
Electrical Group	F-01 - F-04
Exterior Body Group	F-05 - F-12
Galley Group	F-13 - F-15
Heating & Air Conditioning Group	F-16 - F-17
Interior Finish Group	F-18 - F-19
LP Group	F-20
Lounge Group	F-21 - G-01
Water & Sewage Group	G-02 - G-05
Window, Vent & Exterior Door Group	G-06 - G-21

## EXTERIOR BODY GROUP (CONTINUED)

### EXTERIOR BODY PANELS & HARDWARE



Key	Part Number	U/M	Description
1	M01115-21-Y33	EA	Panel Asm. - Front Shroud (includes access panel)
2	073336-02-000	EA	Bracket - Mounting Latch
3	R77006-38-499	EA	Spring - Hood Release
4	R77006-68-172	EA	Shim - Spacer Plate
5	R77007-01-950	EA	Striker & Spring - Hood Latch
6	R77007-51-429	EA	Latch Asm. - Hood
7	073342-01-000	EA	Bracket Asm. - Hood Latch
8	077064-01-000	EA	Cable - Hood Release - w/Clamp
9	077407-01-000	EA	Bracket - Hood Cable Release (mounts under the hood)
	077406-01-000	EA	Bracket - Hood Cable Release (mounts under the dash)
	091955-01-000	EA	Squeegee - Extended Handle
	091952-01-000	EA	Clip - 1" Gripper
	093527-01-000	EA	Bracket - Squeegee
10	096204-01-02A	EA	Trim - "J" Molding - Off White
11	092678-01-Y33	EA	Access Panel Asm. - Hood
	058786-01-000	EA	Hood Bolt Adjusting
	076716-01-000	EA	Bracket Asm. - Striker Latch
	093851-01-Y35	EA	Hinge Asm. - Hood - Passenger
	093851-02-Y35	EA	Hinge Asm. - Hood - Driver
	076767-02-000	EA	Cable Asm. - 1/16" x 16.5" - Stainless Steel
12	M93846-01-Y35	EA	Bumper Asm. - Off White
	093385-01-000	EA	Bracket - License Plate
13	091839-01-01A	EA	Bezel - Headlamp - Passenger
	091839-02-01A	EA	Bezel - Headlamp - Driver
	091230-02-000	EA	Screw - Headlamp Bezel - 8 32 x 3/4 POH
	049185-01-000	EA	Headlamp Capsule Asm. - Rectangular - Left - High/Low Beam
	049186-01-000	EA	Headlamp Capsule Asm. - Rectangular - Right - High/Low Beam
	049187-01-000	EA	Headlamp Capsule Asm. - Rectangular - Left - High Beam
	049188-01-000	EA	Headlamp Capsule Asm. - Rectangular - Right - High Beam
	049359-01-000	EA	Spring - Headlamp
	073308-01-000	EA	Retainer - Headlight Adjusting Screw
14	076345-01-000	EA	Lens Asm. - Park/Turn - Amber
	084901-01-000	EA	Lamp Asm. - Park/Turn
15	093004-01-Y33	EA	Grille Asm. - 5 Bar
16	093005-01-Y33	EA	Grille Asm. - 2 Bar

## 1989 ITASCA TABLE OF CONTENTS

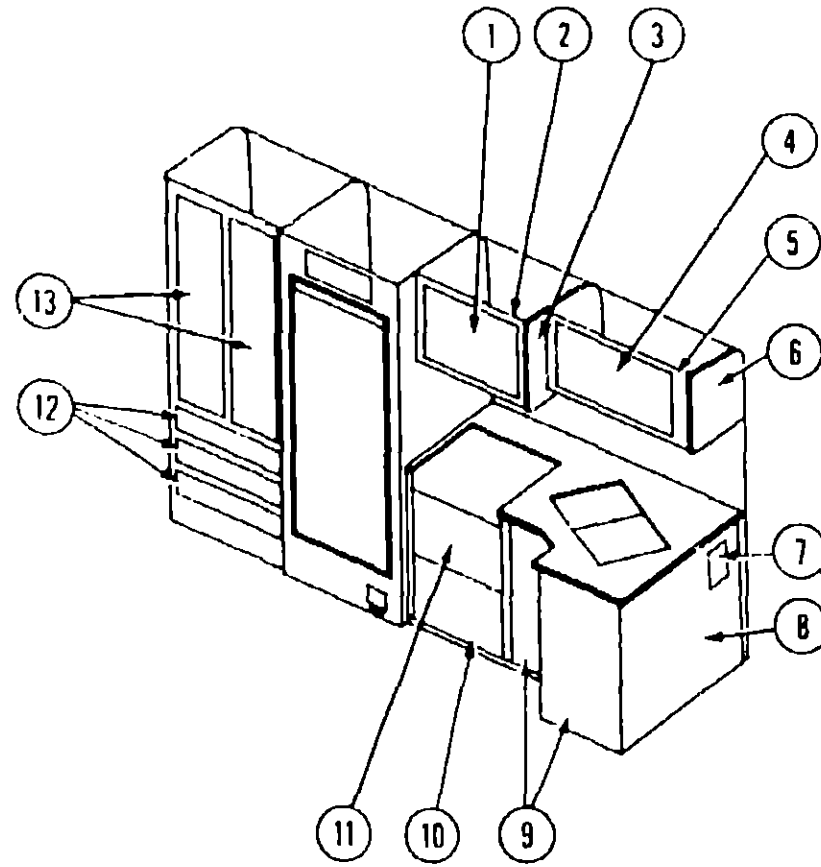
INTRODUCTION	A-01
ABBREVIATIONS	A-01
ALPHABETICAL INDEX	A-02 - A-04
IC/JN317Q	A-05 - D-12
IC/JN33RO	D-13 - G-21

## 1989 IC/JN33RO INDEX

Floor Plan	D-13 - D-14
Accessories Group	D-15 - D-19
Bath Group	D-20 - D-21
Chassis Group	D-22 - E-05
Curtain, Cushion & Pad Group	E-06 - E-16
Dinette Group	E-17
Driver's Compartment Group	E-18 - E-24
Electrical Group	F-01 - F-04
Exterior Body Group	F-05 - F-12
Galley Group	F-13 - F-15
Heating & Air Conditioning Group	F-16 - F-17
Interior Finish Group	F-18 - F-19
LP Group	F-20
Lounge Group	F-21 - G-01
Water & Sewage Group	G-02 - G-05
Window, Vent & Exterior Door Group	G-06 - G-21



### GALLEY GROUP



GALLEY & WARDROBE CABINETRY

Key	Part Number	U/M	Description
1	M88309-A9-X08	EA	Door Asm. - Galley Overhead - 14.4" x 21.9" - w/o Hardware
2	M94767-01-Y07	EA	Cabinet Asm. - Galley Overhead - w/o Door or Hardware
3	094767-01-Y12	EA	Cabinet Asm. - Galley Overhead - w/o Door or Hardware
4	092090-02-Y12	EA	Pad Asm. - End Cap - Galley Overhead - Vinyl
5	M88304-B4-X08	EA	Door Asm. - Galley Overhead - 14.4" x 26.8" - w/o Hardware
6	M92730-01-Y12	EA	Cabinet Asm. - Galley Overhead - w/o Door or Hardware
7	092744-01-Y12	EA	Pad Asm. - End Cap - Galley Overhead - Vinyl
8	M88403-17-X73	EA	Door Asm. - Galley Cabinet - 11.4" x 16.1" - w/o Hardware
9	M03862-03-Y35	EA	Cabinet Asm. - Galley - w/o Doors, Countertop or Hardware
10	M03862-04-Y35	EA	Cabinet Asm. - Galley - w/o Doors, Countertop, Drawers or Hardware
	093182-18-Y12	EA	Countertop Asm. - Galley Cabinet
11	M88304-14-X08	EA	Door Asm. - Galley Cabinet - 14.4" x 33.5" - w/o Hardware
12	M88304-05-X23	EA	Door Asm. - Galley Cabinet - 14.4" x 33.5" - w/o Hardware
13	M02184-11-X36	EA	Drawer Asm. - Galley Cabinet
	M78921-01-Y12	EA	Drawer Asm. - Wardrobe Cabinet - 24.7" x 22.0" - w/o Hardware
	M88304-11-Y12	EA	Door Asm. - Wardrobe Cabinet - 12" x 48" - w/o Hardware
	074490-02-W24	EA	Spice Rack
	092488-01-Y12	EA	Holder - Paper Towel
	093288-03-01A	EA	Tray - Silverware Drawer - Beige
	093288-01-Y12	EA	Cover - Knife Rack (On the Counter)
	093282-01-000	EA	Bonnet Asm. - Knife Rack (Below the Counter)

\* Parts used with the Microwave Option

† For additional hardware items see Bath Group

### GALLEY GROUP (CONTINUED)

#### GALLEY HARDWARE

Key	Part Number	U/M	Description
	093526-01-000	EA	Sink - Stainless Steel - Double
	092303-01-000	EA	Strainer - w/Basket - Sink
	064952-01-000	EA	Faucet - Swing Spout - 8"
	058334-01-000	EA	Wastebasket - 9 3/4" x 7" x 10" - White
	077409-02-000	EA	Drawer Slide - Plastic - 20.75"
	077404-02-000	EA	Drawer Slide - Plastic - 20" x 12.7"
	037688-01-000	EA	Drawer Rail - V-Guide
	093288-03-01A	EA	Tray - Silverware - Plastic
	094067-01-01A	EA	Drawer Divider - Plastic
	081646-01-000	EA	Rack - White Wire - Storage
	075451-02-000	EA	Clip - White Wire Storage Rack
	059777-02-000	EA	Hinge - Antique - Light Brass
	081376-01-000	EA	Back Plate - Door Pull - Polished Brass
	088264-01-000	EA	Pull - Door
	074490-02-W24	EA	Rack Asm. - Spice
	092488-01-Y12	EA	Towel Holder - Paper
	054450-01-000	EA	Level - Refrigerator
	084466-02-000	EA	Slide Asm. - Galley Cabinet Drawer - Right
	084466-03-000	EA	Slide Asm. - Galley Cabinet Drawer - Left
	093605-01-01A	EA	Towel Rack - Wire - Almond (Galley Cabinet)

#### GALLEY APPLIANCES

Key	Part Number	U/M	Description
	091269-03-000	EA	Microwave Oven - Magic Chef
	094774-01-01A	EA	Trim - Microwave - Black (Sides)
	094745-01-01A	EA	Trim - Microwave - Black (Bottom)
	094039-02-000	EA	Refrigerator - 3-Way Large Double Door
	094039-01-700	EA	P.C. Board Asm.
	094039-01-701	EA	Eyebrow Asm.
	094039-01-702	EA	Upper Door Gasket - Gray
	094039-01-703	EA	Hinge Plate - Left (Brown)
	094039-01-704	EA	Hinge Plate - Left (Black)
	094039-01-705	EA	Upper Door Liner - White (Brown)
	094039-01-706	EA	Upper Door Liner - White (Black)
	094039-01-707	EA	Upper Door Handle Asm. (Brown)
	094039-01-708	EA	Upper Door Handle Asm. (Black)
	094039-01-709	EA	Hinge Plate - Bottom (Brown)
	094039-01-710	EA	Hinge Plate - Bottom (Black)
	094039-01-711	EA	Juice Rack - Gray w/Silver Trim
	094039-01-712	EA	Door Bin - Gray w/Silver Trim
	094039-01-713	EA	Lower Door Gasket - Gray
	094039-01-714	EA	Lower Door Liner - White (Brown)
	094039-01-715	EA	Lower Door Liner - White (Black)
	094039-01-716	EA	Lower Door Handle Asm. (Brown)
	094039-01-717	EA	Lower Door Handle Asm. (Black)
	094039-01-718	EA	Milk Bin - Gray w/Silver Trim
	094039-01-719	EA	Dairy Keeper - Gray w/Silver Trim
	094039-01-720	EA	Cabinet Asm. - Brown Frame w/White Liner
	094039-01-721	EA	Cabinet Asm. - Black Frame w/White Liner
	094039-01-722	EA	Hole Plug - Hinge Holes - Black
	094039-01-723	EA	Hinge Bracket - Top - Black
	094039-01-724	EA	Hinge Bracket - Top - Black

### 1989 ITASCA TABLE OF CONTENTS

INTRODUCTION	A-01
ABBREVIATIONS	A-01
ALPHABETICAL INDEX	A-02 - A-04
IC/JN31RQ	A-05 - D-12
IC/JN33RQ	D-13 - G-21

### 1989 IC/JN33RQ INDEX

Floor Plan	D-13 - D-14
Accessories Group	D-15 - D-19
Bath Group	D-20 - D-21
Chassis Group	D-22 - E-05
Curtain, Cushion & Pad Group	E-06 - E-16
Dinette Group	E-17
Driver's Compartment Group	E-18 - E-24
Electrical Group	F-01 - F-04
Exterior Body Group	F-05 - F-12
Galley Group	F-13 - F-15
Heating & Air Conditioning Group	F-16 - F-17
Interior Finish Group	F-18 - F-19
LP Group	F-20
Lounge Group	F-21 - G-01
Water & Sewage Group	G-02 - G-05
Window, Vent & Exterior Door Group	G-06 - G-21

**GALLEY GROUP (CONTINUED)**

**GALLEY APPLIANCES (CONT.)**

Key	Part Number	U/M	Description
	094039-01-725	EA	Hinge Pin - Male - Black
	094039-01-726	EA	Evaporator Shelf
	094039-01-727	EA	Hinge Bracket - Center Hinge (Brown)
	094039-01-728	EA	Hinge Bracket - Center Hinge (Black)
	094039-01-729	EA	Hinge Pin - Shalt - Center Hinge (Brown)
	094039-01-730	EA	Hinge Pin - Shalt - Center Hinge (Black)
	094039-01-731	EA	Crisper - Gray w/Silver Trim
	094039-01-732	EA	Front Cover - Bottom Trim - Black
	094039-01-733	EA	Wire Shelf - Middle
	094039-01-734	EA	Wire Shelf - Top w/Riser
	094039-01-735	EA	Inside Drip Tray - White
	094039-01-736	EA	Light Switch - Black
	094039-01-737	EA	Power Supply
	094039-01-738	EA	Manual Shut-Off - Harper Wyman
	092696-05-01A	EA	Hood - Range - w/Monitor - Almond
	092698-01-02A	EA	Hood Vent - w/Door
	092696-05-01A	EA	Hood - Range w/Monitor (CSA)
	090973-01-700	EA	Motor - 12 Volt (CSA & UL)
	090973-01-702	EA	Blade - Fan
	092696-01-709	EA	Lamp - #912
	092696-01-710	EA	Lamp Holder
	092696-01-711	EA	Lamp Lens
	092696-01-717	EA	Mesh Filter
	092696-05-700	EA	Clock - Mini L C D
	079353-01-704	EA	Circuit Boards - Tank
	092696-05-702	EA	Control Panel Asm.
	092696-05-703	EA	Control Panel Face Plate
	092696-05-701	EA	Chassis - Wiring Asm. - Almond (US)
	092696-06-700	EA	Chassis - Wiring Asm. - Almond (CSA)
	075470-01-702	EA	Switch - On/Off
	075470-01-703	EA	Switch - On/Momentary
	075470-01-705	EA	Switch - On/Off/On Momentary
	092696-01-701	EA	Knob - Plastic for Cable
	092696-01-704	EA	Switch Lever Asm. - Module
	092696-01-705	EA	Actuator Rod/Turnbuckle
	092696-01-707	EA	Vent - Gasket
	092696-01-708	EA	Vent Mounting Clip
	092696-01-702	EA	Register - Wire Asm
	092696-01-703	EA	Fuse Holder
	079353-01-700	EA	Test Connector
	093280-01-000	EA	Cover - Burner - Bi-Fold - Stainless Steel
	093280-02-000	EA	Cover - Burner - Bi-Fold - Stainless Steel (Used w/Option 1361)
	093374-01-000	EA	Range Top - 4 Burner - Almond - w/o Oven
	093374-01-701	EA	Trim - Cab Top - Right
	093374-01-700	EA	Trim - Cap Top - Left
	093374-01-703	EA	Trim Top Rear
	093374-01-704	EA	Guard - Fabric
	093282-04-000	EA	Range - 4 Burner - Small Oven - Almond
	093282-04-700	EA	Panel - Oven Door - Almond

**HEATING & AIR CONDITIONING GROUP**

**FURNACE & ROOF AIR CONDITIONER**

Key	Part Number	U/M	Description
	092300-03-000	EA	Furnace - 34,000 BTU - Below the Floor - Suburban
	092300-01-700	EA	Cabinet
	092300-01-701	EA	Cabinet Front
	092300-01-702	EA	Thermostat
	092300-02-700	EA	Combustion Chamber Asm
	092300-01-704	EA	Gasket - Electrode
	092300-01-705	EA	Electrode
	092300-01-706	EA	Door - Burner - Access
	092300-01-707	EA	Gasket - Burner Access Door
	092300-01-708	EA	Limit Switch
	092300-01-709	EA	Module Board
	092300-01-710	EA	Relay - Time Delay
	092300-01-711	EA	Vent Cap Asm.
	092300-01-712	EA	Burner Asm.
	092300-03-700	EA	Orifice - Main Burner
	092300-01-714	EA	Gasket - Manifold
	092300-01-715	EA	Manifold Asm.
	092300-01-716	EA	Valve
	092300-01-717	EA	Wire Asm. (Power Supply)
	092300-01-718	EA	Elbow - 90°
	092300-01-719	EA	Valve - Manual Shut-Off
	092300-01-720	EA	Wheel - Room Air
	092300-01-721	EA	Blower Housing Asm.
	092300-02-702	EA	Microswitch Asm.
	092300-03-701	EA	Motor Asm.
	092300-01-724	EA	Gasket - Motor Mount
	092300-03-702	EA	Housing - Combustion Air Asm
	092300-01-726	EA	Wheel - Combustion Air
	092300-01-727	EA	Gasket - Combustion Air Housing
	092300-01-728	EA	Housing - Combustion Air (Outside)
	084405-01-000	EA	Heater Asm. - Rear - Ducted
	084405-01-700	EA	Heater Core
	084405-01-701	EA	Fan
	084405-01-702	EA	Motor - 12 Volt
	094600-01-01A	EA	Register - Heat - w/o Damper
	094600-02-01A	EA	Register - Heat - w/Damper
	009198-01-000	FT	Duct - Flexible - 4" ID x 25'
	009200-01-000	EA	Tape - Furnace - 1 1/2"
	093764-01-000	EA	Cooling Asm. - Air Conditioner - Cool Only
	092441-01-000	EA	Cooling Asm. - Air Conditioner - 220 Volt (European)
	093763-01-04A	EA	Air Conditioner - 110 Volt - Roof Mount - 13,500 BTU - Off White
	093763-01-700	EA	Shroud - Ivory/Charcoal
	093763-01-701	EA	Overload
	093763-01-702	EA	Overload
	093763-01-703	EA	Impellor - 7" Dia x 2 80" Wide
	093763-01-704	EA	Fan Capacitor
	093763-01-705	EA	Decal - Heat/Cool Thermostat
	093763-01-706	EA	Heat Element
	093763-01-708	EA	Condenser Coil
	093763-01-709	EA	Compressor
	093763-01-710	EA	Single Parts Package
	092440-01-000	EA	Air Conditioner - 220 Volt - Roof Mount - 13,500 BTU (European)

**1989 ITASCA  
TABLE OF CONTENTS**

INTRODUCTION	A-01
ABBREVIATIONS	A-01
ALPHABETICAL INDEX	A-02 - A-04
IC/JN31RQ	A-05 - D-12
IC/JN33RQ	D-13 - G-21

**1989 IC/JN33RQ INDEX**

Floor Plan	D-13 - D-14
Accessories Group	D-15 - D-19
Bath Group	D-20 - D-21
Chassis Group	D-22 - E-05
Curtain, Cushion & Pad Group	E-06 - E-16
Dinette Group	E-17
Driver's Compartment Group	E-18 - E-24
Electrical Group	F-01 - F-04
Exterior Body Group	F-05 - F-12
Galley Group	F-13 - F-15
Heating & Air Conditioning Group	F-16 - F-17
Interior Finish Group	F-18 - F-19
LP Group	F-20
Lounge Group	F-21 - G-01
Water & Sewage Group	G-02 - G-05
Window, Vent & Exterior Door Group	G-06 - G-21

## HEATING & AIR CONDITIONING GROUP (CONTINUED)

### AUTOMOTIVE HEATER

Key	Part Number	U/M	Description
	091902-02-000	EA	Heater & Duct Control Kit
	091902-01-700	EA	Heat/Defrost Door
	088227-01-711	EA	Crank - Heat/Defrost Door
	091902-01-701	EA	Vacuum Motor
	091902-01-702	EA	A/C - Heat Door
	091902-02-700	EA	Rod - A/C - Heat Door
	072341-01-708	EA	Vacuum Motor
	091902-02-701	EA	Transition Asm - Hi-Temp
	072341-01-710	EA	Control Head
	072341-01-722	EA	Decal - Control Panel
	072341-01-712	EA	Vacuum Switch
	091902-01-705	EA	Harness & Socket Jumper
	091902-01-706	EA	Cable - Bowden
	091902-01-707	EA	Wire Harness
	091902-01-708	EA	Vacuum Harness
	072052-01-701	EA	Relay
	072341-08-700	EA	Reservoir - Vacuum
	091902-01-709	EA	Grille - Return Air
	091902-02-702	EA	Bracket - Plenum Mount
	091902-02-703	EA	Grille
	088227-02-000	EA	Evaporator Asm. - A/C
	091902-02-703	EA	Grille
	088227-01-700	EA	Door Asm.
	088227-01-701	EA	Crank - Mixing Door Rod
	088227-01-702	EA	Heater Core Asm.
	088227-01-703	EA	Evaporator Core Asm.
	088227-01-704	EA	Valve - Expansion Block
	072342-03-708	EA	"O" Ring - #8
	072342-03-709	EA	"O" Ring - #10
	072342-03-707	EA	"O" Ring - #6
	088227-02-705	EA	Drain Tube Asm.
	088227-02-701	EA	Bracket - Bowden Cable Mounting
	072342-03-706	EA	"O" Ring - Special
	072341-01-707	EA	Thermostat
	088227-01-707	EA	Resistor - Fused A/C
	088227-01-708	EA	Motor - Blower
	088227-01-709	EA	Wheel - Required Balancing
	088227-02-702	EA	Door Asm.
	088227-01-711	EA	Crank - Mixing Door
	072341-01-708	EA	Motor - Vacuum
	088227-02-703	EA	#10 Hose - Suction
	088227-02-704	EA	Bracket - Vacuum Motor
	088227-02-705	EA	Hose - Liquid
	072341-04-702	EA	Relay
	091902-02-000	EA	Duct Kit - Defroster w/o Side Outlet
	088227-01-000	EA	A/C Complete - Mount & Drive Package (John Deere)
	072341-07-000	EA	Condenser Asm (John Deere)
	072341-06-000	EA	Compressor/Clutch (John Deere)
	088227-01-000	EA	Connector - 4" Duct
	072341-01-000	FT	Hose - Heater - 5/8" ID SAE
	088227-01-000	EA	Hose - Flexible - 2.5" ID

## INTERIOR FINISH GROUP

### PANELING & COUNTERTOP

Key	Part Number	U/M	Description
	074497-10-000	SF	Paneling - Regal Oak - 48" x 84" (Cabinets)
	088272-44-000	SF	Paneling - Decor - Charcoal - 48" x 84" (Main Wall)
	088272-35-000	SF	Paneling - Decor - Slate - 48" x 84" (Galley & Bath) (Y35)
	088272-27-000	SF	Paneling - Decor - Cocoa - 48" x 84" (Galley & Bath) (Y36)
	088272-28-000	SF	Paneling - Decor - Miami - 48" x 84" (Galley/Bath) (Y37)
	074498-28-000	SF	Plastic Laminate - Tan (Galley/Dinetette)
	074498-24-000	SF	Plastic Laminate - Regal Oak (Nightstand)
	076325-16-000	FT	Edge Molding - Regal Oak

### INTERIOR MOLD & TRIMS

Key	Part Number	U/M	Description
	069733-70-000	EA	Batt Strip - Regal Oak - 8' (Woodgrain)
	088263-21-000	EA	Batt Strip - Charcoal - 8' (Main Wall)
	088234-13-000	FT	Batt Strip - Charcoal - Tape Adhesive
	085234-03-000	FT	Batt Strip - Regal Oak - Tape Adhesive
	088263-23-000	EA	Batt Strip - Slate (Galley/Bath) (Y35)
	088263-21-000	EA	Batt Strip - Charcoal (Galley/Bath) (Y36, Y37)
	086229-04-000	EA	Batten - 1" - Ceiling Molding - Ivory
	009809-17-000	EA	F-Molding - 1" - Regal Oak
	009812-17-000	EA	F-Molding - 1/2" - Regal Oak
	083620-01-000	FT	T-Molding - w/Edge Lips - Grady Brown
	070504-01-000	FT	U-Channel - .65" - Light Brown
	070504-06-000	FT	U-Channel - .815" - Regal Oak
	009778-07-000	FT	U-Channel - 1" - Regal Oak
	009767-06-000	FT	Welling - Beige
	025746-01-000	FT	J-Molding - .75" w/Lips - Grady Brown
	024700-35-000	EA	Cover - Sidewall Roll Bar - Beige (Wall/Ceiling)
	022992-08-000	FT	Molding - Reverse Cover - Champagne White
	042357-11-000	FT	Molding - Outside Corner - Light Oak
	077840-01-W30	FT	Molding - Wall Cap
	080176-02-000	EA	Corner Cap - Radius Plastic - Light Oak
	081521-02-007	EA	Molding - 64 Hole Space
	092041-01-02A	EA	Trim - Rear Cap to Sidewall - Off White

### FABRIC & FLOOR COVERINGS

Key	Part Number	U/M	Description
	088274-63-000	YD	Fabric - Upholstery - Main - Blue (Y35)
	088274-61-000	YD	Fabric - Upholstery - Main - Tiffany (Y36)
	088274-62-000	YD	Fabric - Upholstery - Main - Starburst (Y37)
	088274-33-000	YD	Fabric - Upholstery - Accent - Blue (Y35)
	088274-59-000	YD	Fabric - Upholstery - Accent - Umber (Y36)
	088274-60-000	YD	Fabric - Upholstery - Accent - Eggshell (Y37)
	072333-55-000	YD	Fabric - Drapery - Blackout/Wraparound - Silver (Y35)
	072333-59-000	YD	Fabric - Drapery - Blackout/Wraparound - Tan (Y36)
	072333-60-000	YD	Fabric - Drapery - Blackout/Wraparound - Wisteria (Y37)
	087272-01-000	YD	Lining - Drapery - 48" - Ivory
	088273-25-000	YD	Fabric - Bedspread - Ecru (Y35)
	088273-26-000	YD	Fabric - Bedspread - Peach (Y36)
	088273-27-000	YD	Fabric - Bedspread - Pastel (Y37)
	075244-02-000	YD	Vinyl - Shower Curtain
	079680-01-000	YD	Vinyl - Expanded - 26 oz. Buckskin (End Cap)
	089351-01-000	YD	Vinyl - Headliner - Acoustical (Ceiling)
	069649-03-000	YD	Vinyl - Expanded - Taupo (Door Pads)
	072333-63-000	YD	Fabric - Pull Shade - Entrance Door - Bone
	093486-01-000	SY	Carpet - Outside Storage Compartment
	093486-01-001	EA	Carpet - Outside Storage Compartment (1SY)
	072860-70-000	SY	Carpet - Glacier Blue (Y37)
	072860-71-000	SY	Carpet - Pirates Alley (Y36)
	072860-85-000	SY	Carpet - Amethyst (Y37)

## 1989 ITASCA TABLE OF CONTENTS

INTRODUCTION	A-01
ABBREVIATIONS	A-01
ALPHABETICAL INDEX	A-02 - A-04
IC/JN31RQ	A-05 - D-12
IC/JN33RQ	D-13 - G-21

## 1989 IC/JN33RQ INDEX

Floor Plan	D-13 - D-14
Accessories Group	D-15 - D-19
Bath Group	D-20 - D-21
Chassis Group	D-22 - E-05
Curtain, Cushion & Pad Group	E-06 - E-16
Dinette Group	E-17
Driver's Compartment Group	E-18 - E-24
Electrical Group	F-01 - F-04
Exterior Body Group	F-05 - F-12
Galley Group	F-13 - F-15
Heating & Air Conditioning Group	F-16 - F-17
Interior Finish Group	F-18 - F-19
LP Group	F-20
Lounge Group	F-21 - G-01
Water & Sewage Group	G-02 - G-05
Window, Vent & Exterior Door Group	G-06 - G-21

**INTERIOR FINISH GROUP (CONTINUED)**

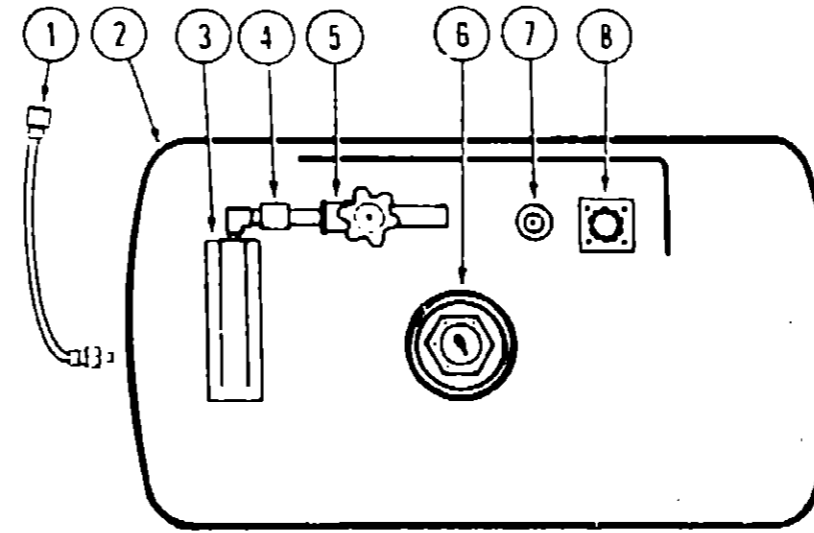
**CABINERY & TABLE HARDWARE**

Key	Part Number	U/M	Description
	059777-02-000	EA	Hinge - Cabinet Door - Brass
	074493-02-000	EA	Overhead Door - Support - Sprung
	079789-01-000	EA	Support - Table - Pullout - Beige
	080728-01-000	EA	Handle - Recessed - Brown Plastic
	079921-01-000	EA	Roller - Nylon w/Shaft
	088264-01-000	EA	Pull - Cabinet - Polished Brass
	081376-01-000	EA	Back Plate - Door Pull - Polished Brass
	093586-03-000	EA	Catch - Spring Roller
	093586-04-000	EA	Strike - Steel Spring
	074045-06-000	EA	Plug - 1/2" - Oak
	084466-02-000	EA	Slide Asm. - Drawer - Right
	084466-03-000	EA	Slide Asm. - Drawer - Left
	084466-04-000	EA	Slide Asm. - Cabinet - Right
	084466-05-000	EA	Slide Asm. - Cabinet - Left
	047744-01-000	EA	Kit - Drawer Glide
	009089-01-000	EA	Clip - Mirror
	084451-01-000	EA	Catch - TV Shelf - Brass
	009059-01-000	EA	Hinge - 2" - Brass - TV Shelf
	058331-10-000	EA	Mirror - Safety Glass - TV Shelf - 14" x 17"
	064781-05-000	EA	Cup Holder - Two Step
	024201-11-000	EA	Bracket - Lower Wall Mount
	053200-09-000	EA	Bracket - Upper Wall Mount
	024275-11-000	EA	Rod - Table Lift
	092593-01-02A	EA	Catch - Table Leg
	049493-08-000	EA	Catch - Table Leg - Mounts on Floor
	093550-01-000	EA	Hinge - Bracket - Leg Folding
	092708-01-Y15	EA	Leg Asm. - Table - Regal Oak
	088410-01-000	EA	Hanger - Table
	093212-01-01A	EA	Door Bolt - Mortise - Bi-Fold Door
	092652-01-000	EA	Guide Wheel - Top Mount - Bi-Fold Door
	093832-01-01A	EA	Knob - Bright Brass - Bi-Fold Door
	009059-02-000	EA	Hinge - 2" - Brass - Bi-Fold Door
	061604-01-000	EA	Slide Bolt - Antique Brass - Bath Door
	094485-01-01A	EA	Knob - Polished Brass - Bath Door

**MISCELLANEOUS**

Key	Part Number	U/M	Description
	051592-02-W23	EA	Handle Asm. - Assist - Vinyl
	094058-01-Y12	EA	Handle Asm. - Oak - Front Bunk
	091257-04-000	EA	Handle Asm. - Assist Railing - Dinette
	041944-04-000	EA	Fire Extinguisher - 5BC - w/o Bracket
	084472-01-000	EA	Holder - Plastic - Fire Extinguisher
	094499-01-000	EA	Fire Extinguisher - 10BC - w/Bracket
	094499-02-000	EA	Fire Extinguisher - 1A - 10BC (CSA)
	094651-01-01A	EA	Holder - Recessed - Fire Extinguisher
	072952-01-000	EA	Smoke Detector w/9 Volt Battery
	054185-01-000	EA	Owner's Manual - Winnebago/Itasca - 1989
	081202-02-000	EA	Floor Mat - Front - Right - Itasca
	081201-02-000	EA	Floor Mat - Front - Left - Itasca
	081075-02-000	EA	Floor Mat - Front - Entrance - Itasca

**LP GROUP**



Key	Part Number	U/M	Description
	1 045703-01-000	EA	Hose Asm. - LP - 3/8" ID x 24" (US)
	1 045703-02-000	EA	Hose Asm. - LP - 3/8" ID x 24" (CSA)
	2 091970-01-000	EA	Tank Asm. - LP - Frame Mount - 80 Pound - 20" Dia. x 24"
	3 081938-01-000	EA	Cover - LP Regulator
	3 076301-02-000	EA	Regulator - Two Stage
	4 090976-02-000	EA	Safety Valve - Electric
	5 040421-01-703	EA	Valve - Vapor Relief
	6 040421-01-707	EA	Gauge - Float - w/Visible Dial - 80 Pound Tank
	6 040421-01-706	EA	Dial - Visible Face - Float Gauge (Tank w/o Electric Transmitter)
	6 040440-01-000	EA	Dial - Visible Face - Float Gauge (Tank w/Electric Transmitter)
	7 040421-01-700	EA	Gauge - Liquid Level - 20% LP
	8 040421-01-701	EA	Valve - Filler - LP
	8 040421-01-702	EA	Cap - Plastic Fill Valve
	8 040421-01-711	EA	Inner Tank Valve - 80% Fill
	065741-01-000	EA	Gauge - Diaphragm Pressure - Test Leak
	097395-01-000	EA	LP Gas Leak Detector
	065318-02-000	EA	Elbow - 90° - 3/8" MPT x 3/8 FPT

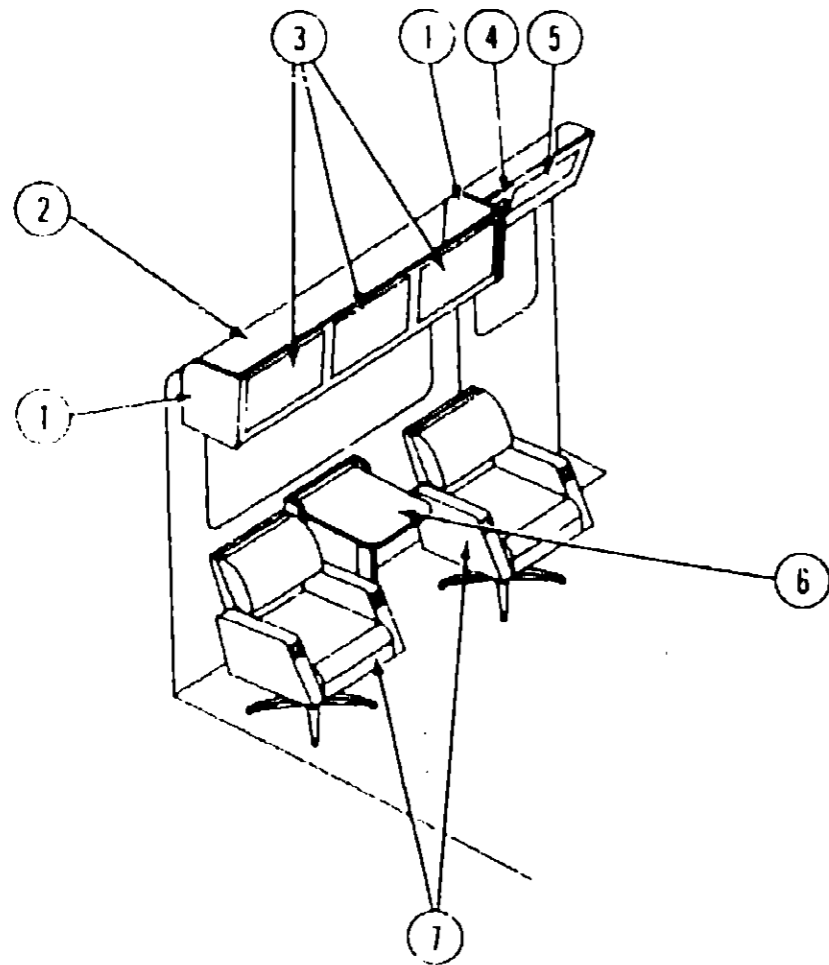
**1989 ITASCA  
TABLE OF CONTENTS**

INTRODUCTION	A-01
ABBREVIATIONS	A-01
ALPHABETICAL INDEX	A-02 - A-04
IC/JN31RQ	A-05 - D-12
IC/JN33RQ	D-13 - G-21

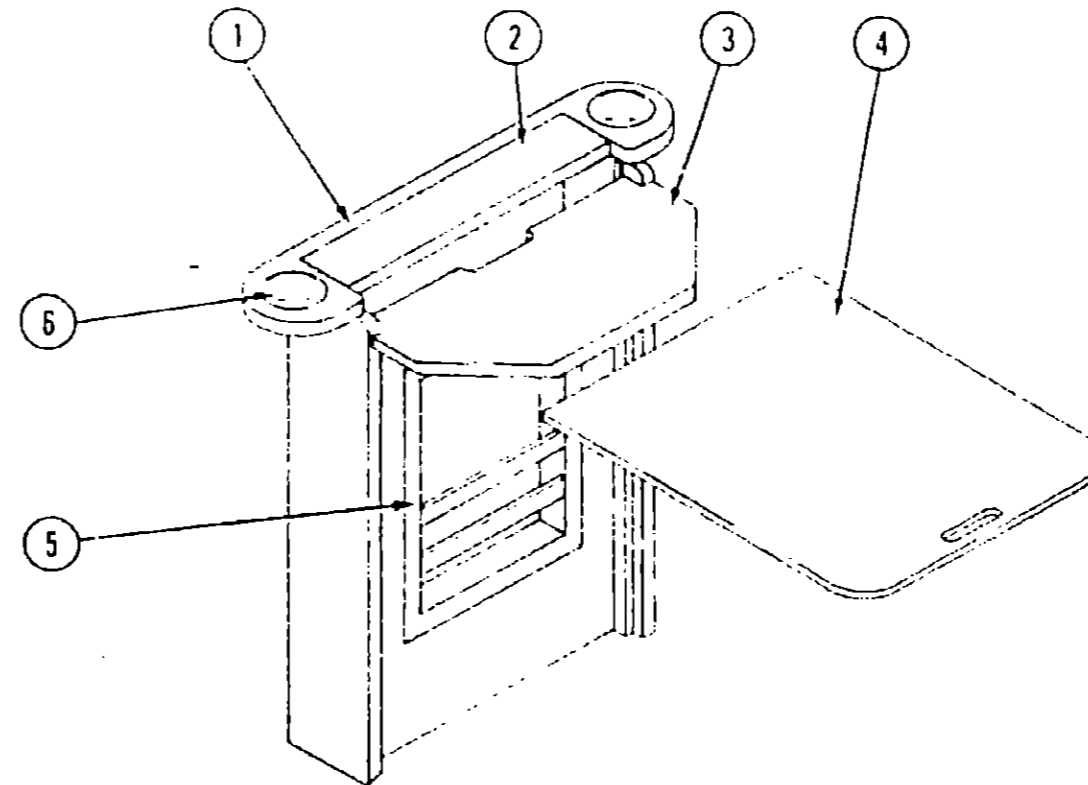
**1989 IC/JN33RQ INDEX**

Floor Plan	D-13 - D-14
Accessories Group	D-15 - D-19
Bath Group	D-20 - D-21
Chassis Group	D-22 - E-05
Curtain, Cushion & Pad Group	E-06 - E-16
Dinette Group	E-17
Driver's Compartment Group	E-18 - E-24
Electrical Group	F-01 - F-04
Exterior Body Group	F-05 - F-12
Galley Group	F-13 - F-15
Heating & Air Conditioning Group	F-16 - F-17
Interior Finish Group	F-18 - F-19
LP Group	F-20
Lounge Group	F-21 - G-01
Water & Sewage Group	G-02 - G-05
Window, Vent. & Exterior Door Group	G-06 - G-21

**LOUNGE GROUP**



**LOUNGE GROUP (CONTINUED)**



**1989 ITASCA  
TABLE OF CONTENTS**

INTRODUCTION	A-01
ABBREVIATIONS	A-01
ALPHABETICAL INDEX	A-02 - A-04
IC/JN31RQ	A-05 - D-12
IC/JN33RQ	D-13 - G-21

**FRONT LOUNGE CABINETRY W/SWIVEL CHAIRS**

Key	Part Number	U/M	Description
1	090095-12-X11	EA	End Cap Asm - Front Overhead - Vinyl
2	090095-01-000	EA	Cabinet Asm - Front Overhead - w/o Door or Hardware
3	090095-11-X11	EA	Door Asm - Front Overhead - 14 3/4" x 21 8/16" - w/o Hardware
4	090095-18-X11	EA	Cabinet Asm - Entrance Door - w/o Door or Hardware
5	090095-03-W30	EA	Door Asm - Entrance Door - Cabinet - 10" x 19" - w/o Hardware
6	079789-01-000	EA	Chair Asm - Celebrity Recliner - w/o Skirt (Y35)
7	080728-01-000	EA	Chair Asm - Celebrity Recliner - w/o Skirt (Y36)
8	079606-03-W30	EA	Chair Asm - Celebrity Recliner - w/o Skirt (Y37)
9	080728-01-000	EA	Chair Asm - Non-Reclining Seat - w/o Skirt (Y35)
10	080728-01-000	EA	Chair Asm - Non-Reclining Seat - w/o Skirt (Y36)
11	080728-01-000	EA	Chair Asm - Non-Reclining Seat - w/o Skirt (Y37)
12	064781-05-000	EA	Cabinet Asm - Pullout Table - w/o Magazine Rack

See the page following for the breakdown of this item  
 See the Curtain, Cushion & Pad Group for the breakdown of this item

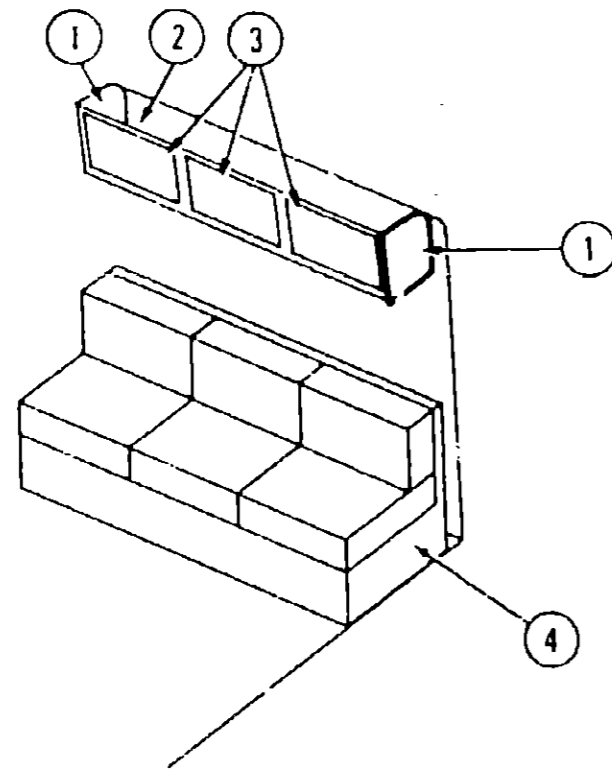
**PULLOUT TABLE ASM.**

Key	Part Number	U/M	Description
1	090095-12-X11	EA	Countertop Asm - Cupholder - w/o Hardware
2	090095-14-X14	EA	Hinge - 2" - Brass
3	090095-11-X11	EA	Countertop Asm - Table Cover - w/o Hardware
4	090095-18-X11	EA	Countertop Asm - TV Asm. - w/o Hardware
5	079789-01-000	EA	Support - Pullout Table - Beige
6	080728-01-000	EA	Roller - Nylon w/Shaft
7	080728-01-000	EA	Handle - Recessed - Brown Plastic
8	079606-03-W30	EA	Rack Asm - Magazine
9	064781-05-000	EA	Cupholder - 2 Stage - Beige

**1989 IC/JN33RQ INDEX**

Floor Plan	D-13 - D-14
Accessories Group	D-15 - D-19
Bath Group	D-20 - D-21
Chassis Group	D-22 - E-05
Curtain, Cushion & Pad Group	E-06 - E-16
Dinette Group	E-17
Driver's Compartment Group	E-18 - E-24
Electrical Group	F-01 - F-04
Exterior Body Group	F-05 - F-12
Galley Group	F-13 - F-15
Heating & Air Conditioning Group	F-16 - F-17
Interior Finish Group	F-18 - F-19
LP Group	F-20
Lounge Group	F-21 - G-01
Water & Sewage Group	G-02 - G-05
Window, Vent & Exterior Door Group	G-06 - G-21

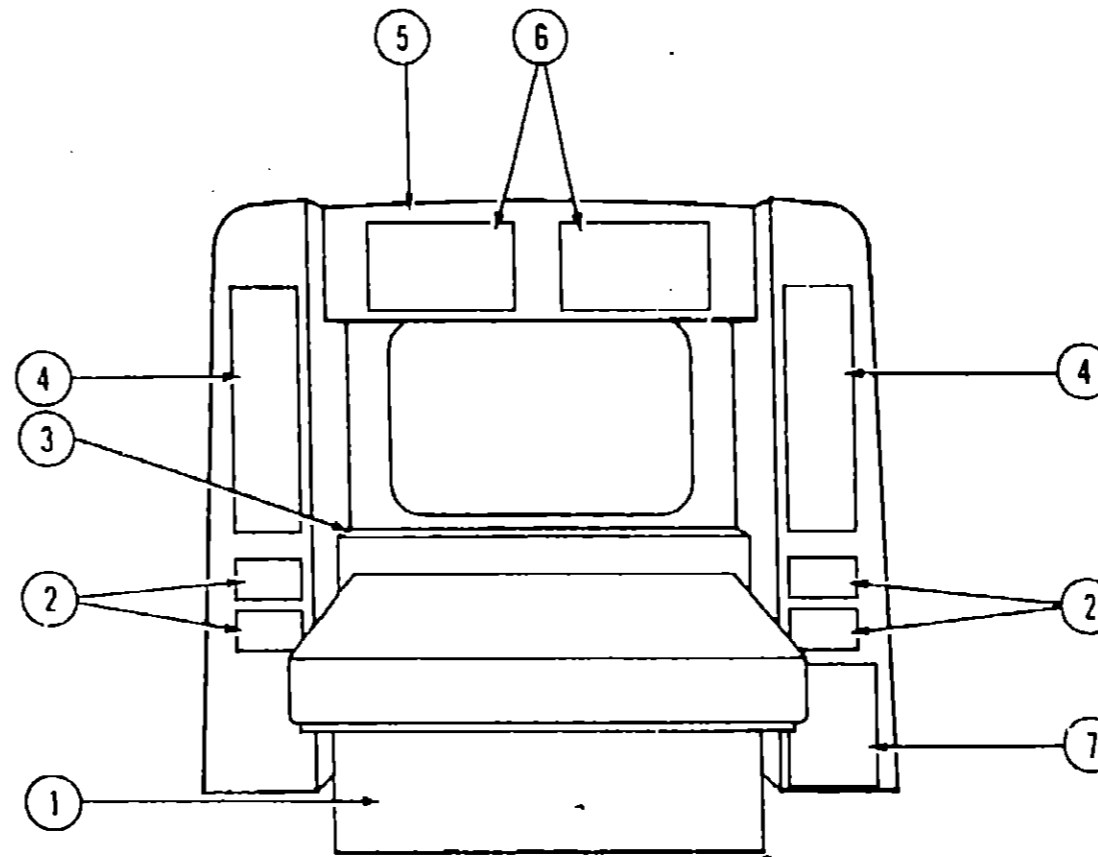
**LOUNGE GROUP (CONTINUED)**



**FRONT LOUNGE OVERHEAD W/BED ASM.**

Key	Part Number	U/M	Description
1	092747-01-Y10	EA	End Cap Asm. - Front Overhead - Vinyl
2	M92093-03-Y12	EA	Cabinet Asm. - Front Overhead - w/o Door or Hardware
3	M88304-A9-X08	EA	Door Asm. - Front Overhead - 14.3" x 21.8" - w/o Hardware
14	089007-03-Y70	EA	Bed Asm. - Celebrity (Y35)
14	089007-03-Y71	EA	Bed Asm. - Celebrity (Y36)
14	089007-03-Y72	EA	Bed Asm. - Celebrity (Y37)
1	See the Curtain, Cushion & Pad Group for the breakdown & additional parts of this item.		

**LOUNGE GROUP (CONTINUED)**



**QUEEN BED & OVERHEAD CABINERY**

Key	Part Number	U/M	Description
1	M92734-01-Y12	EA	Cabinet Asm. - Queen Bed
	089076-03-000	EA	"H" Channel Support - Bed - Beige
	057460-02-000	EA	Ball Stud - 10mm - Gas Spring
	057460-03-000	EA	Safety Clip - Wireform Type
	057460-04-000	EA	Gas Spring - Fan 22L
	089024-01-000	EA	Support - Spring - Floor
	089025-01-000	EA	Support - Spring - Bed
2	M79921-16-Y12	EA	Drawer Asm. - Wardrobe Cabinet - w/o Hardware
3	092525-01-Y12	EA	Countertop Asm. - Backwall
4	M88304-F7-Y12	EA	Door Asm. - Wardrobe - 9.8" x 33.4" - w/o Hardware
5	M92712-02-Y35	EA	Cabinet Asm. - Rear Overhead - w/o Doors or Hardware
6	M88304-53-X23	EA	Door Asm. - Rear Overhead - 11" x 11" - w/o Hardware
7	M88304-17-X73	EA	Door Asm. - Wardrobe - 11.4" x 19.2" - w/o Hardware

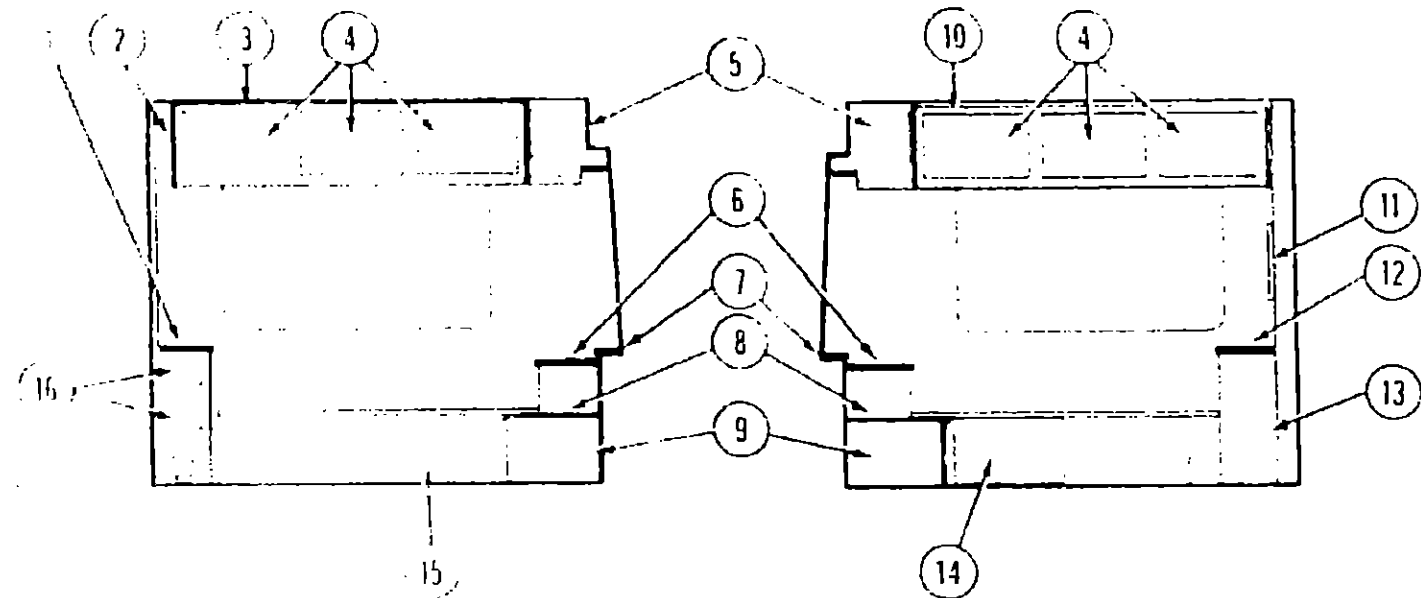
**1989 ITASCA  
TABLE OF CONTENTS**

INTRODUCTION	A-01
ABBREVIATIONS	A-01
ALPHABETICAL INDEX	A-02 - A-04
IC/JN31RQ	A-05 - D-12
IC/JN33RQ	D-13 - G-21

**1989 IC/JN33RQ INDEX**

Floor Plan	D-13 - D-14
Accessories Group	D-15 - D-19
Bath Group	D-20 - D-21
Chassis Group	D-22 - E-05
Curtain, Cushion & Pad Group	E-06 - E-16
Dinette Group	E-17
Driver's Compartment Group	E-18 - E-24
Electrical Group	F-01 - F-04
Exterior Body Group	F-05 - F-12
Galley Group	F-13 - F-15
Heating & Air Conditioning Group	F-16 - F-17
Interior Finish Group	F-18 - F-19
LP Group	F-20
Lounge Group	F-21 - G-01
Water & Sewage Group	G-02 - G-05
Window, Vent & Exterior Door Group	G-06 - G-21

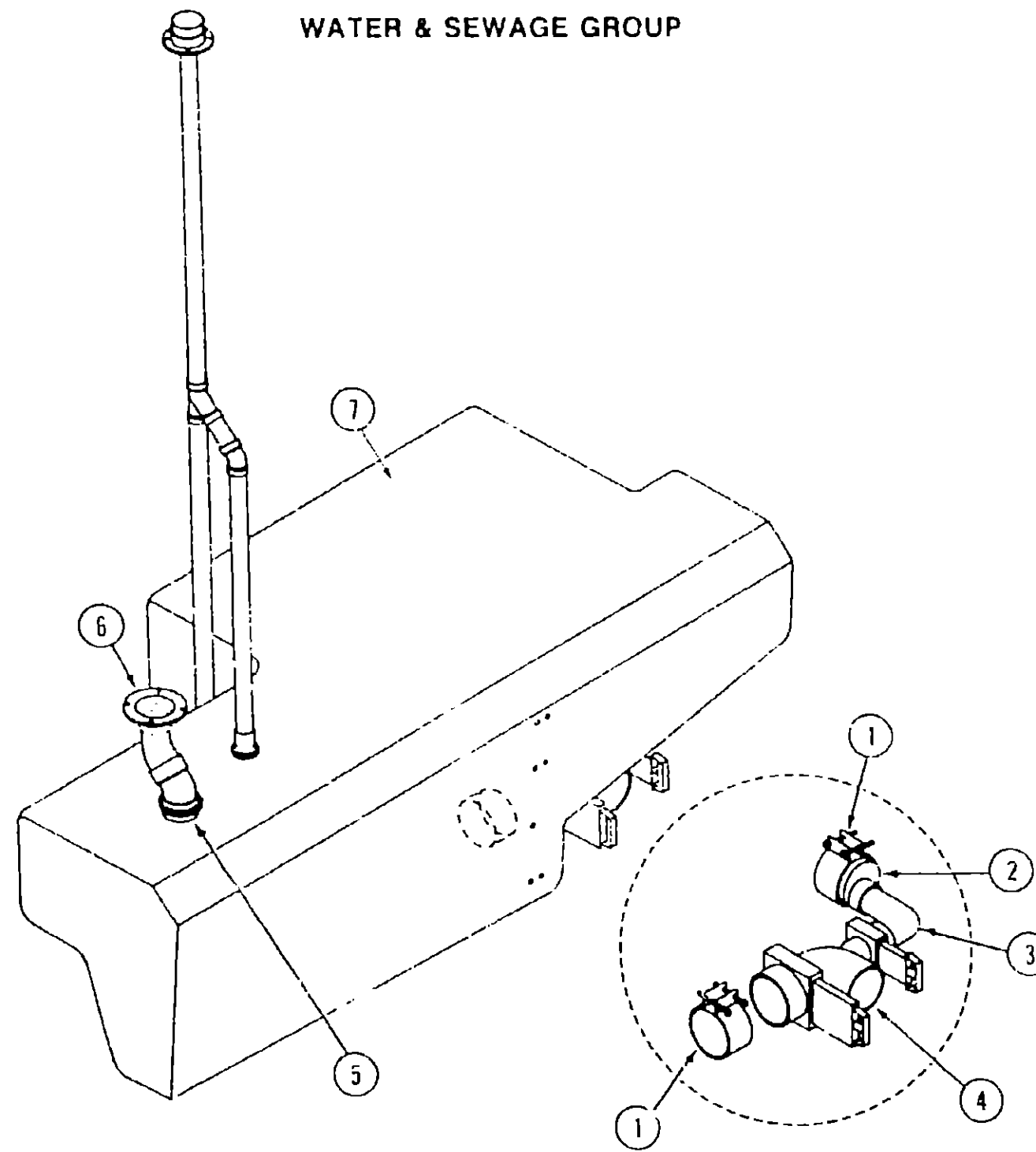
### LOUNGE GROUP (CONTINUED)



### TWIN BED & OVERHEAD CABINERY (OPTION 44A)

Key	Part Number	U/M	Description
	M92858-01-Y12	EA	Cabinet Asm - Nightstand - w/o Countertop, Drawers or Hardware
	M92858-11-Y12	EA	Countertop - Nightstand Cabinet
	M92747-01-Y10	EA	End Cap Asm - Passenger Overhead Cabinet - Vinyl
	M92160-01-Y12	EA	Cabinet Asm - Passenger Overhead - w/o Door or Hardware
	M92160-01-K08	EA	Door Asm - Passenger Overhead Cabinet - 14 3/4" x 21 5/8" - w/o Hardware
	M92160-02-Y12	EA	Cabinet Asm - Rear Overhead - w/o Doors or Hardware
	M92160-02-K23	EA	Door Asm - Rear Overhead Cabinet - 13 3/4" x 21 5/8" - w/o Hardware
	M92860-11-Y12	EA	Countertop Asm - Nightstand - Top
	M92860-02-Y12	EA	Countertop Asm - Backwall
	M92860-12-Y12	EA	Countertop Asm - Nightstand - Bottom
	M92860-01-Y12	EA	Cabinet Asm - Nightstand - w/o Countertop, Door or Hardware
	M77404-02-000	EA	Drawer Asm - 20" x 12 7/8" - Plastic
	M92804-02-K23	EA	Door Asm - Nightstand Cabinet - 11" x 21 5/8" - w/o Hardware
	M92804-01-Y12	EA	Cabinet Asm - Driver Overhead - w/o Door or Hardware
	M92397-01-W13	EA	TV Stand Asm
	M92451-01-000	EA	Catch - TV Shell - Brass
	M92861-12-Y12	EA	Countertop Asm - Hamper Door
	M92861-11-Y12	EA	Countertop Asm - Hamper Stationary
	M92861-01-Y12	EA	Cabinet Asm - Clothes Hamper - w/o Countertop or Hardware
	M92231-01-Y12	EA	Cabinet Asm - Twin Bed - w/o Door or Hardware
	M92304-26-Y11	EA	Door Asm - Twin Bed Cabinet - 16 1/2" x 11 4/8" - w/o Hardware
	M92864-01-Y12	EA	Top Asm - Twin Bed Cabinet - w/o Hardware
	M92863-01-Y12	EA	Cabinet Asm - Twin Bed - w/o Hardware
	M92863-01-Y12	EA	Top Asm - Twin Bed Cabinet - w/o Hardware
	M92861-14-Y12	EA	Drawer Asm - Nightstand Cabinet - w/o Hardware

### WATER & SEWAGE GROUP



### DRAINAGE SYSTEM

Key	Part Number	U/M	Description
1	078406-01-000	EA	Coupler - Rubber - 3" x 3"
2	062422-01-000	EA	Reducer Adapter - 3" x 1 1/2"
3	033761-01-000	EA	Plastic - 1/4 BD x 1 1/2 x 90°
4	070916-01-000	EA	Valve - Dual - 3" x 1 5/8"
	093592-01-000	EA	Adapter - Plastic - Sewer Hose - 45°
	010201-01-000	EA	Sewer Hose - 3" ID
	089330-01-000	EA	Adapter - Sewer Hose End
5	063641-01-000	EA	Flange - Closet - 4" x 3" (US)
5	063641-02-000	EA	Flange - Closet - 4" x 3" (CSA)
	064076-01-000	EA	Toilet - Ivory
	085330-04-000	EA	Toilet - Shorty - Bone China w/Sprayer (Option 43E)
6	010147-01-000	EA	Flange - Closet - Red - 4" x 3" (US)
6	010147-02-000	EA	Flange - Closet - Red - 4" x 3" (CSA)
7	092272-01-000	EA	Tank - Holding - 50 Gal.

### 1989 ITASCA TABLE OF CONTENTS

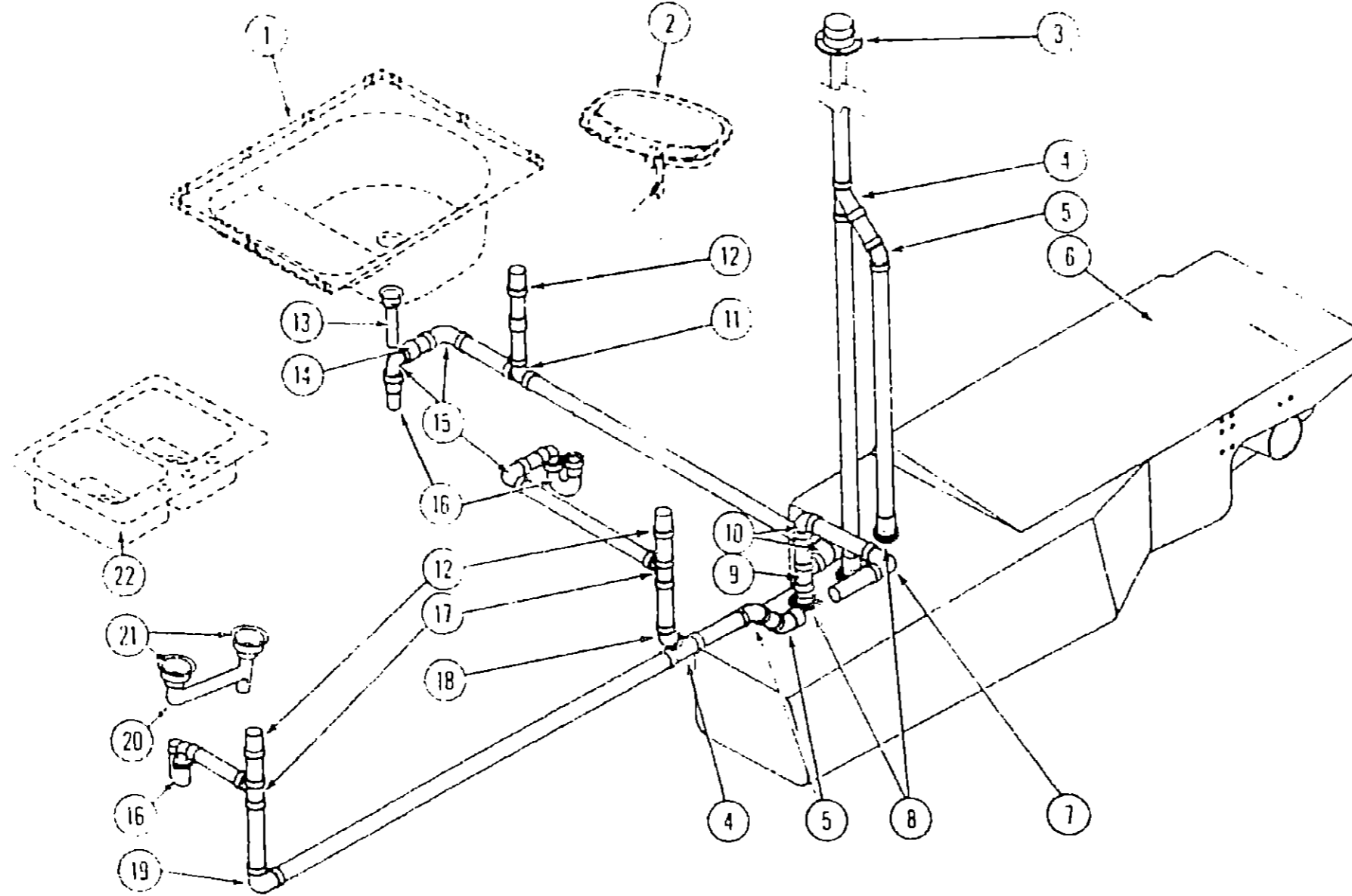
INTRODUCTION	A-01
ABBREVIATIONS	A-01
ALPHABETICAL INDEX	A-02 - A-04
IC/JN33RO	A-05 - D-12
IC/JN33RO	D-13 - G-21

### 1989 IC/JN33RO INDEX

Floor Plan	D-13 - D-14
Accessories Group	D-15 - D-19
Bath Group	D-20 - D-21
Chassis Group	D-22 - E-05
Curtain, Cushion & Pad Group	E-06 - E-16
Dirette Group	E-17
Driver's Compartment Group	E-18 - E-24
Electrical Group	F-01 - F-04
Exterior Body Group	F-05 - F-12
Galley Group	F-13 - F-15
Heating & Air Conditioning Group	F-16 - F-17
Interior Finish Group	F-18 - F-19
LP Group	F-20
Lounge Group	F-21 - G-01
Water & Sewage Group	G-02 - G-05
Window, Vent & Exterior Door Group	G-06 - G-21

# WATER & SEWAGE GROUP (CONTINUED)

## DRAINAGE SYSTEM



## 1989 ITASCA TABLE OF CONTENTS

INTRODUCTION	A-01
ABBREVIATIONS	A-01
ALPHABETICAL INDEX	A-02 - A-04
IC/JN31HQ	A-05 - D-12
IC/JN33RO	D-13 - G-21

## 1989 IC/JN33RQ INDEX

Floor Plan	D-13 - D-14
Accessories Group	D-15 - D-19
Bath Group	D-20 - D-21
Chassis Group	D-22 - E-05
Curtain, Cushion & Pad Group	E-06 - E-16
Drinette Group	E-17
Driver's Compartment Group	E-18 - E-24
Electrical Group	F-01 - F-04
Exterior Body Group	F-05 - F-12
Galley Group	F-13 - F-15
Heating & Air Conditioning Group	F-16 - F-17
Interior Finish Group	F-18 - F-19
LP Group	F-20
Lounge Group	F-21 - G-01
Water & Sewage Group	G-02 - G-05
Window, Vent & Exterior Door Group	G-06 - G-21

Key	Part Number	U/M	Description
1	033761-01-000	EA	Shower Pan Asm
2	010071-01-000	EA	Faucet - Tub & Shower - Brass (US)
3	010071-01-000	EA	Faucet - Tub & Shower - Chrome (CSA)
4	010071-01-000	EA	Shower Head w/1' Hose (US)
5	010071-01-000	EA	Shower Head - w/30" Hose (CSA)
6	010071-01-000	EA	Tailpiece - 1 1/2" x 1 1/4" x 8" - Brass
7	010071-01-000	EA	Washer - Tailpiece - 1.5" - Plastic
8	010071-01-000	EA	Slip Nut - 1.5" - Tailpiece
9	010071-01-000	EA	Gasket - Oval - Plastic - Ivory
10	010071-01-000	EA	Faucet - Lavatory - Brass (US)
11	010071-01-000	EA	Faucet - Lavatory - Chrome (CSA)
12	010071-01-000	EA	Gasket - Lavatory Faucet
13	010071-01-000	EA	Rope Vent - Covered - Vent Pipe
14	010071-01-000	EA	Wye - Plastic - 1 1/2" x 45" x 11" x 11"
15	010121-01-000	EA	Bushing - Plastic - Red - 1 1/2" S x 1 1/4" T
16	010106-01-000	EA	Plug - Plastic - 1 1/4"
17	010071-01-000	EA	Elbow - Plastic - 1/8" BD x 1 1/2" x 45° H x H
18	010071-01-000	EA	Tank - Holding - 30 Gal
19	010121-01-000	EA	Elbow - Plastic - 1/4" BD x 1 1/2" x 90° H x H
20	010115-01-000	EA	Coupler - Plastic - 1 1/2" H x H
21	061607-01-000	EA	Grommet - Holding Tank Coupler - 1 1/2"
22	061607-02-000	EA	Grommet - Holding Tank Coupler - 3"
23	010071-01-000	EA	Tee - Plastic - 1 1/2" H x H x H
24	033761-01-000	EA	Elbow - Plastic - 1/4" BD x 1 1/2" x 90°

Key	Part Number	U/M	Description
11	034250-01-000	EA	Elbow - Plastic - 1/4" BD x 1 1/2" x 90° H x H
11	010072-01-000	EA	Tee - Plastic - Red - 1 1/2" H x 1 1/4" H x 1 1/2" H
	010121-01-000	EA	Bushing - Plastic - Red - 1 1/2" S x 1 1/4" H
12	079968-01-000	EA	Vent - Mechanical Trap Arm
	010115-01-000	EA	Coupler - Plastic - 1 1/2" H x H
13	066729-01-000	EA	Strainer - Shower/Tub Drain
	066435-01-000	EA	Nut - Strainer
14	010123-01-000	EA	Bushing - Plastic - Red - ZS x 1 1/2" H
15	031111-01-000	EA	Elbow - Plastic - 1/4" BD x 1 1/4" x 90°
16	011066-03-000	EA	P-Trap - 1 1/4" - Plastic (US)
16	011066-02-000	EA	P-Trap - 1 1/4" - Plastic (CSA) (Lavatory/Shower)
16	053335-01-000	EA	P-Trap - 1 1/4" - Plastic w/Union (CSA) (Galley)
17	010079-01-000	EA	Tee - Plastic - 1 1/2" H x 1 1/2" H x 1 1/4" H
18	010051-01-000	EA	Elbow - Plastic - 1/8" BD x 1 1/2" x 45°
19	010008-01-000	EA	Elbow - Plastic - 1/4" BD x 1 1/2" x 90° Left
20	011091-02-000	EA	Continuous Waste - Double Sink - 11 7/8" (US)
21	092303-01-000	EA	Strainer - Sink
22	093526-01-000	EA	Sink - Double - Stainless Steel
	051952-01-000	EA	Faucet - Swing Spout - 8"
	091254-01-000	EA	Gasket - Galley Faucet
	010194-01-000	FT	Pipe - Plastic - 1 1/4" (US)
	010194-02-000	FT	Pipe - Plastic - 1 1/4" (CSA)
	010195-01-000	FT	Pipe - Plastic - 1 1/2" (US)
	010195-02-000	FT	Pipe - Plastic - 1 1/2" (CSA)



**WATER & SEWAGE GROUP (CONTINUED)**

**WATER LINES & HARDWARE**

Key	Part Number	U/M	Description
	011927 01 000	EA	Adapter Plastic 1 1/4" MPT x 1 1/4" Bar
	012954 01 000	EA	Adapter Nose Cone 3/4" or 1/2" Plastic
	012959 02 000	EA	Connector Plastic 1/2" F x 1/2" MPT
	012959 03 000	EA	Connector Plastic 1/2" F x 3/8" MPT
	012959 04 000	EA	Elbow Plastic 3/8" MPT x 3/8" BARB
	012957 01 000	EA	Elbow Plastic 5/8" F x 3/4" MPT
	012957 02 000	EA	Elbow Plastic 1/2" BD Vent 1 1/2" F
	012957 03 000	EA	Elbow Plastic Swivel - 50
	012957 04 000	EA	Elbow Plastic - 1/2" F x 3/8" MPT
	012957 05 000	EA	Elbow Plastic 1/2" F x 1/2" MPT
	012957 06 000	EA	Elbow Union 1/2" x 1/2" Flare
	012957 07 000	EA	Faucet External Water 90°
	012957 08 000	EA	Faucet Lavatory Brass
	012957 09 000	EA	Faucet Lavatory Chrome (CSA)
	012957 10 000	EA	Gasket Lavatory Faucet
	012957 11 000	EA	Faucet - Swing Spout Galley 8"
	012957 12 000	EA	Gasket Galley Faucet
	012957 13 000	EA	Faucet - Tub/Shower Brass
	012957 14 000	EA	Faucet Swing Spout Chrome (CSA)
	012957 15 000	EA	Filter/Screen (In Water Tank)
	012957 16 000	EA	Flexible Tubing 1 1/4" ID x 10'
	012957 17 000	EA	Header 1/2" F x 1/2" F x 1/2" F
	012957 18 000	EA	Nut Hex 5/16" 18 ZN
	012957 19 000	EA	Nut Plastic 1/2" F
	012957 20 000	EA	Nut Plastic 5/8" Flare
	012957 21 000	EA	Nut Faucet 1/2" Tube x 1/2" FPT
	012957 22 000	EA	Patch - Spinweld Plastic 3/8"
	012957 23 000	EA	Pump Water - 2.8 GPM Direct Flow (US)
	012957 24 000	EA	Pump Water - 2.8 GPM Direct Flow (CSA)
	012957 25 000	EA	Motor Black
	012957 26 000	EA	Basinplate Kit
	012957 27 000	EA	Diaphragm Kit
	012957 28 000	EA	Valve Asm Kit
	012957 29 000	EA	Upper Housing
	012957 30 000	EA	Switch Cap Kit w/Switch
	012957 31 000	EA	Pumphead
	012957 32 000	EA	Lower Housing
	012957 33 000	EA	Shower Head w/60" Hose
	012957 34 000	EA	Spinweld Fitting Plastic 1/2" FPT (In Tank Filter)
	012957 35 000	EA	Spinweld Fitting Plastic 1 1/4" NPT
	012957 36 000	EA	Spinweld Fitting Plastic 1/2" FPT
	012957 37 000	EA	Spinweld Fitting Plastic 3/4" FPT
	012957 38 000	EA	Teel Plastic 1/2" F x 1/2" F x 1/2" MPT
	012957 39 000	EA	Teel Plastic 1/2" F x 1/2" F x 1/2" F
	012957 40 000	EA	Teel Plastic 1/2" F x 1/2" MPT x 1/2" F
	012957 41 000	FT	Tubing Polybutyl 1/2" OD x 20' (Water Line)
	012957 42 000	FT	Tubing Polybutyl 1/2" OD x 20'
	012957 43 000	FT	Tubing Vinyl 3/8" ID
	012957 44 000	EA	Valve Line Drain 1/2" F x 1/2" F
	012957 45 000	EA	Valve Line Drain - 16"
	012957 46 000	EA	Vacuum Breaker 3/4" FPT x 3/4" MPT (External Faucet)
	012957 47 000	EA	Water Heater w/Motoraid Electronic Tune Atwood G6A 3E
	012957 48 000	EA	Water Heater w/Motoraid Direct Ignition Atwood GH6-3E

The following parts breakdown for this item is provided on the Common Items Fiche

**WINDOW, VENT & EXTERIOR DOOR GROUP**

**ACCESS DOORS & HARDWARE**

Key	Part Number	U/M	Description
	078010 03 000	EA	Door Asm - Fuel Fill
	077963 01 000	EA	Gasket Fuel Fill
	072447 01 000	EA	Shroud Fuel Fill
	052009 01 000	EA	Floor Asm - Water Heater
	092631 02 Y33	EA	Door Asm - Generator
	085730 11 000	EA	Latch Asm Paddle - w/o Key - Plastic
	092357-05 02A	EA	Hinge - Door - 39 8"
	093611 01-01A	EA	Pocket Latch Off White
	092482 02 Y33	EA	Door Asm - Storage Compartment
	085730-11-000	EA	Latch Asm - Paddle - w/Key - Plastic
	092357 02 02A	EA	Hinge - Door - 29 8"
	093670 01-01A	EA	Pocket - Latch - Off White
	084103 03 000	EA	Door Asm - Refrigerator Access
	086755-02 000	EA	Latch 1/4 Turn
	093633-01-000	EA	Handle - 1/4 Turn Latch
	084104 03 000	EA	Jamb Vent Door - Refrigerator
	084104 01 700	EA	Lock - Male - Dyrus Fastener
	084104-01-701	EA	Lock - Female - Dyrus Fastener
	092482 03 Y33	EA	Door Asm - Storage Compartment
	085730 11-000	EA	Latch Asm - Paddle - w/Key - Plastic
	092357-04-02A	EA	Hinge - Door - 9 25"
	093670 01-01A	EA	Pocket - Latch - Off White
	093029 02 Y35	EA	Door Asm - Furnace
	092357 08 02A	EA	Hinge - Furnace Door - 15 4"
	092482-04-Y33	EA	Door Asm - Storage Compartment
	085730-11-000	EA	Latch Asm - Paddle w/Key - Plastic
	092357-03-02A	EA	Hinge - Door - 29 29"
	093670-01-01A	EA	Pocket - Latch - Off White
	092182 01-Y35	EA	Door Asm - Storage Compartment
	085730-11 000	EA	Latch Asm - Paddle w/Key - Plastic
	092357 01-02A	EA	Hinge - Door - 76"
	093670-01-01A	EA	Pocket - Latch - Off White
	092482-05 Y35	EA	Door Asm - Storage Compartment
	085730-14-000	EA	Latch Asm - Paddle - w/o Key - Plastic
	092357-03 02A	EA	Hinge - Door - 29 29"
	093670-01-01A	EA	Pocket - Latch - Off White
	092631-0 Y33	EA	Door Asm - Storage Compartment
	085130 11-000	EA	Latch Asm Paddle w/Key - Plastic
	092357-05-02A	EA	Hinge - Door - 39 8"
	093611-01 01A	EA	Pocket - Latch - Off White
	093304-02-Y35	EA	Door Asm - Battery - Left
	093304-03-Y35	EA	Door Asm - Battery - Right
	079366-04 000	EA	Lock Asm - Key Type - w/o Key
	093061-01-02A	EA	Striker - Access Doors - Black
	077408 02 000	EA	Lock Asm - Key Type (Rear Cap)
	079368-01-000	FT	Seal - Access Doors

**VENTS & SKYLIGHTS**

Key	Part Number	U/M	Description
	090392 01-Y12	EA	Vent - Non Powered - Roof
	078786 01-Y12	EA	Screen Asm - Non Powered - Roof Vent
	084079 04-000	EA	Ventilator - Roof - Powered (Fantastic)
	090393 01-Y12	EA	Vent Asm - Roof - Powered (US)
	064469 03-000	EA	Vent Asm - Roof - Powered (CSA)
	078785 01-712	EA	Screen Asm - Powered - Roof Vent
	084073-03-000	EA	Vent - Roof - Refrigerator
	084073 04-000	EA	Face - Refrigerator Roof Vent
	084103-03-000	EA	Door Asm - Refrigerator - Beige
	084104-01-000	EA	Jamb - Refrigerator Door
	081171-01-000	EA	Trim - Skylight - Outer
	060910-01-000	EA	Panel - Skylight - Outer
	077902-01-000	EA	Panel - Skylight - Inner

**1989 ITASCA  
TABLE OF CONTENTS**

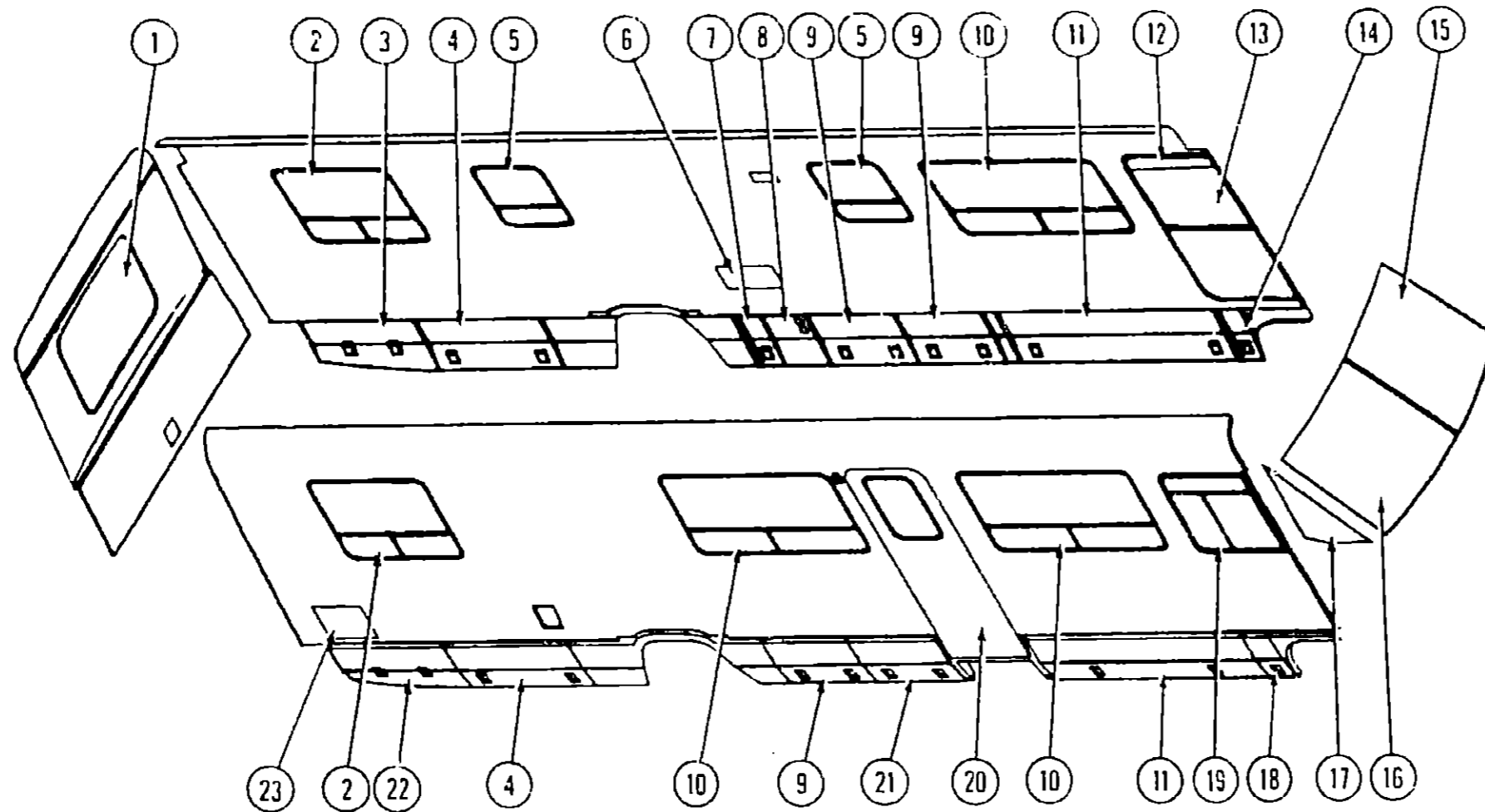
INTRODUCTION	A 01
ABBREVIATIONS	A 01
ALPHABETICAL INDEX	A 02 A 03
IC/JN31RQ	A 05 D 12
IC/JN33RQ	D 13 - G 21

**1989 IC/JN33RQ INDEX**

Floor Plan	D-13 - D 14
Accessories Group	D-15 - D 19
Bath Group	D-20 - D 21
Chassis Group	D 22 - E 05
Curtain Cushion & Pad Group	E-06 - E-16
Dinette Group	E 17
Driver's Compartment Group	E-18 - E 24
Electrical Group	F-01 - F 04
Exterior Body Group	F-05 - F 12
Galley Group	F-13 - F 15
Heating & Air Conditioning Group	F-16 - F-17
Interior Finish Group	F 18 - F 19
LP Group	F 20
Lounge Group	F 21 - G 01
Water & Sewage Group	G 02 - G 05
Window Vent & Exterior Door Group	G 06 - G 21

# WINDOW, VENT & EXTERIOR DOOR GROUP (CONTINUED)

## WINDOWS & ACCESS DOORS



## 1969 ITASCA TABLE OF CONTENTS

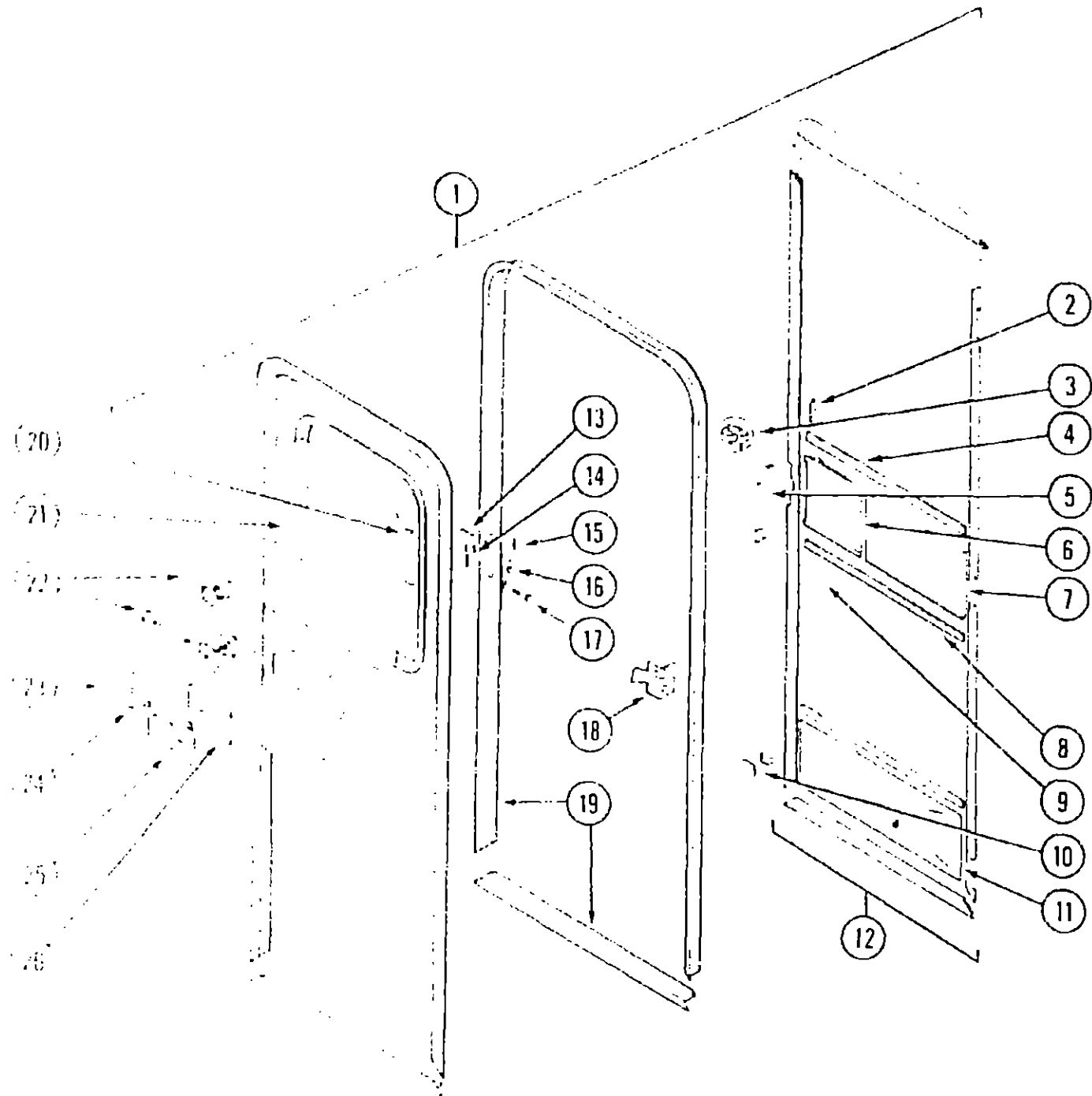
INTRODUCTION	A-01
ABBREVIATIONS	A-01
ALPHABETICAL INDEX	A-02 - A-04
IC/JN31RQ	A-05 - D-12
IC/JN33RQ	D-13 - G-21

Key	Part Number	U/M	Description
1	087985-04-Y12	EA	Window Asm. - Escape
2	085354-07-X11	EA	Window Asm. - Double Tipout
3	092631-02-Y35	EA	Door Asm. - Generator/Luggage
4	092482-02-Y35	EA	Door Asm. - Storage Compartment
5	085353-07-W07	EA	Window Asm. - Single
6	084103-03-000	EA	Door Asm. - Refrigerator Access
7	092482-03-Y32	EA	Door Asm. - Water
8	093029-02-Y35	EA	Door Asm. - Furnace
9	092482-04-Y33	EA	Door Asm. - Storage Compartment
10	070269-04-X11	EA	Window Asm. - Double Slider
10	085354-05-X11	EA	Window Asm. - Double Tipout (Option 168)
11	092482-01-Y35	EA	Door Asm. - Storage Compartment
12	092997-01-000	EA	Glass - Stationary
	091953-04-000	EA	Glass - Vent Window - Driver
13	M93054-02-Y33	EA	Door Asm. - Driver - w/Manual Crank Window
13	M93054-07-Y35	EA	Door Asm. - Driver - w/Power Window
	092446-01-000	EA	Glass - Roll-Up Window
14	093304-02-Y35	EA	Door Asm. - Battery
15	091215-02-000	EA	Glass - Windshield - Driver
16	091215-01-000	EA	Glass - Windshield - Passenger
17	091953-03-000	EA	Glass - Vent Window - Passenger
18	093304-03-Y35	EA	Door Asm. - Battery
19	093703-01-Y10	EA	Window Asm. - Single Slider
20	M01870-21-Y33	EA	Door Asm. - Entrance Door
	079733-04-T03	EA	Window Asm. - Picture - 17" x 25"
21	092482-05-Y35	EA	Door Asm. - LP
22	092630-01-Y33	EA	Door Asm. - Luggage/Storage
	092983-01-Y33	EA	Door Asm. - Spare Tire - Off White
23	052009-01-000	EA	Door Asm. - Water Heater - Off White

## 1989 IC/JN33RQ INDEX

Floor Plan	D-13 - D-14
Accessories Group	D-15 - D-19
Bath Group	D-20 - D-21
Chassis Group	D-22 - E-05
Curtain, Cushion & Pad Group	E-06 - E-16
Dinette Group	E-17
Driver's Compartment Group	E-18 - E-24
Electrical Group	F-01 - F-04
Exterior Body Group	F-05 - F-12
Galley Group	F-13 - F-15
Heating & Air Conditioning Group	F-16 - F-17
Interior Finish Group	F-18 - F-19
LP Group	F-20
Lounge Group	F-21 - G-01
Water & Sewage Group	G-02 - G-05
Window, Vent & Exterior Door Group	G-06 - G-21

WINDOW, VENT & EXTERIOR DOOR GROUP (CONTINUED)



Key	Part Number	U/M	Description
1	M01870-21-Y33	EA	Door Asm. - Entrance w/Screen Door
	095276-01-01A	EA	Frame Asm. - Entrance Door - Off White
	089748-01-000	EA	Frame - Entrance Door - Bottom Portion
2	050712-05-000	EA	Door Handle - Screen Door
3	009018-01-000	EA	Roller Catch - Screen Door
	058025-02-000	EA	Clip - Roller Latch Catch
	009016-01-000	EA	Catch - Elbow - Spring Loaded - Screen Door
4	078592-02-000	EA	Screen Door Mullion - Upper & Lower - Slider
	078777-01-000	EA	Slider Channel (Mullion Insert)
5	079087-02-000	EA	Strike - Slider - Screen Door
6	079086-02-000	EA	Slider - Screen Door
7	016454-01-000	EA	Insert - Screen Door
8	002294-01-000	FT	Spline - Black
9	002293-02-000	SF	Screen - Window - 26" Charcoal
10	085774-01-000	FT	Fastener - Dual Lock - 1" Wide
10	085774-02-000	FT	Fastener - Dual Lock - 1" Wide
11	078552-03-000	EA	Insert - Screen Door - Lower
12	079012-01-U01	EA	Screen Door Asm.
	078595-01-000	EA	Plate - Screen Door
13	077461-01-000	EA	Strike Cover
14	041546-03-000	EA	Angle Bracket
15	079173-01-000	EA	Deadbolt - Gasket
16	058806-01-000	EA	Plug - Tapered Plastic
17	039539-01-000	EA	Strike
18	079361-08-000	EA	Hinge
19	095277-02-01A	EA	Door Jamh - Entrance Door
20	087561-01-000	FT	Window Seal
21	002181-06-000	EA	Glass - Picture Window
	079733-04-T03	EA	Window Asm. - Picture - 17" x 25" (w/o inside frame)
	067609-03-000	EA	Inside Frame - Beige (not included in assembly)
22	039738-01-000	EA	Dead Bolt Asm. - Round
22	095229-01-01A	EA	Deal Bolt Asm. - Square - Black
23	098173-01-03A	EA	Stiffener - Entrance Door
24	039540-01-000	EA	Latch Asm. - Entrance Door
25	045017-10-000	EA	Latch Asm. - Plate - Black
26	039979-03-000	EA	Cover Asm. - Latch Plate - Black
	039984-01-000	EA	Cap - Black Vinyl - Lock Grip
	075673-01-000	FT	Seal - Pile - Adhesive Back
	075671-01-000	FT	Seal - Sponge - Lazy T Shapped
	002748-01-000	EA	Cover - Key
	081067-01-000	EA	Seal - Lock - Flat w/Slit

WINDOW, VENT & EXTERIOR DOOR GROUP (CONTINUED)

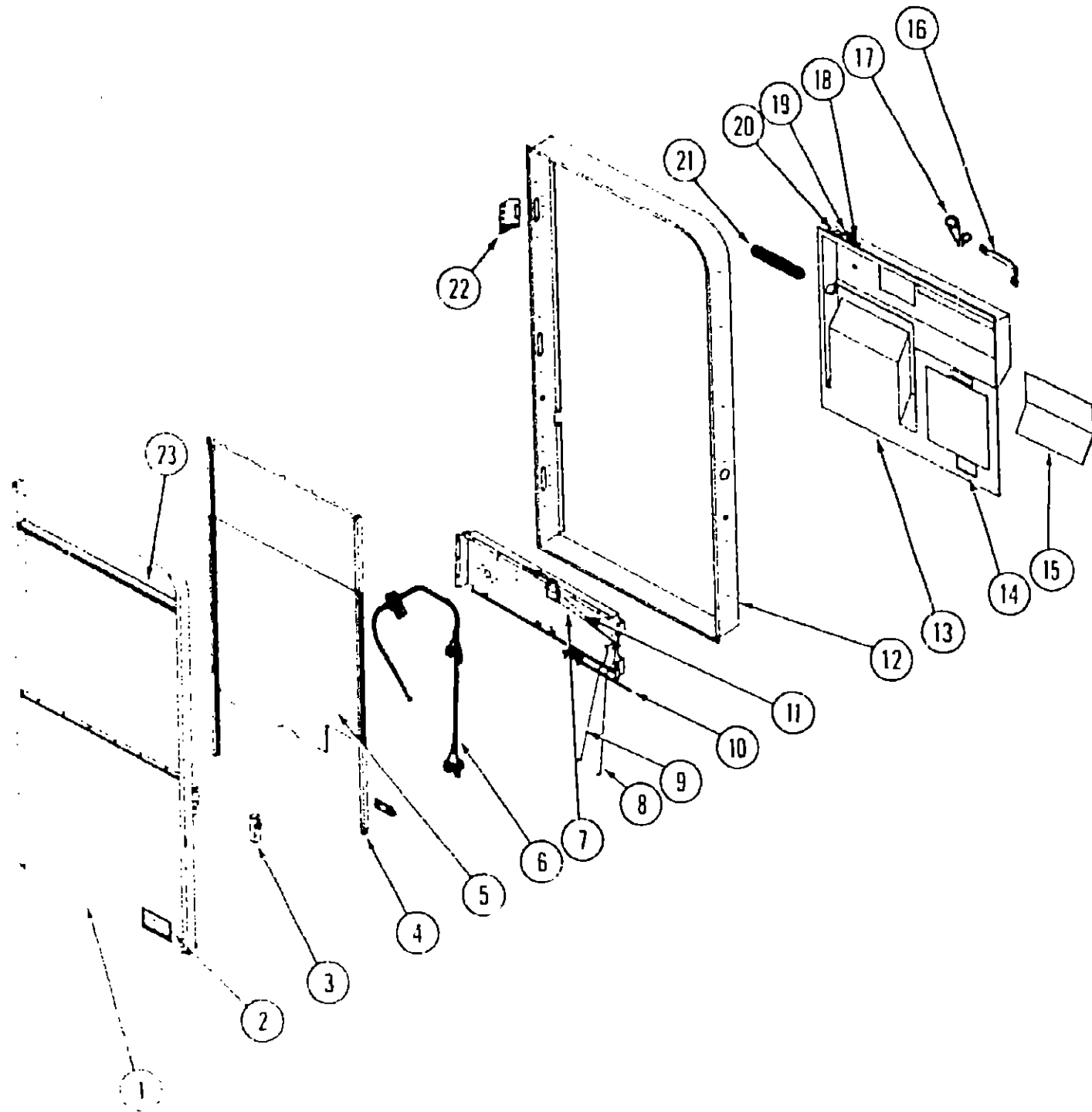
ENTRANCE DOOR

1989 ITASCA  
TABLE OF CONTENTS

INTRODUCTION	A-01
ABBREVIATIONS	A-01
ALPHABETICAL INDEX	A-02 - A-04
IC/JN31RQ	A-05 - D-12
IC/JN33RQ	D-13 - G-21

1989 IC/JN33RQ INDEX

Floor Plan	D-13 - D-14
Accessories Group	D-15 - D-19
Bath Group	D-20 - D-21
Chassis Group	D-22 - E-05
Curtain, Cushion & Pad Group	E-06 - E-16
Dinette Group	E-17
Driver's Compartment Group	E-18 - E-24
Electrical Group	F-01 - F-04
Exterior Body Group	F-05 - F-12
Galley Group	F-13 - F-15
Heating & Air Conditioning Group	F-16 - F-17
Interior Finish Group	F-18 - F-19
LP Group	F-20
Lounge Group	F-21 - G-01
Water & Sewage Group	G-02 - G-05
Window, Vent & Exterior Door Group	G-06 - G-21



DRIVER'S DOOR & HARDWARE

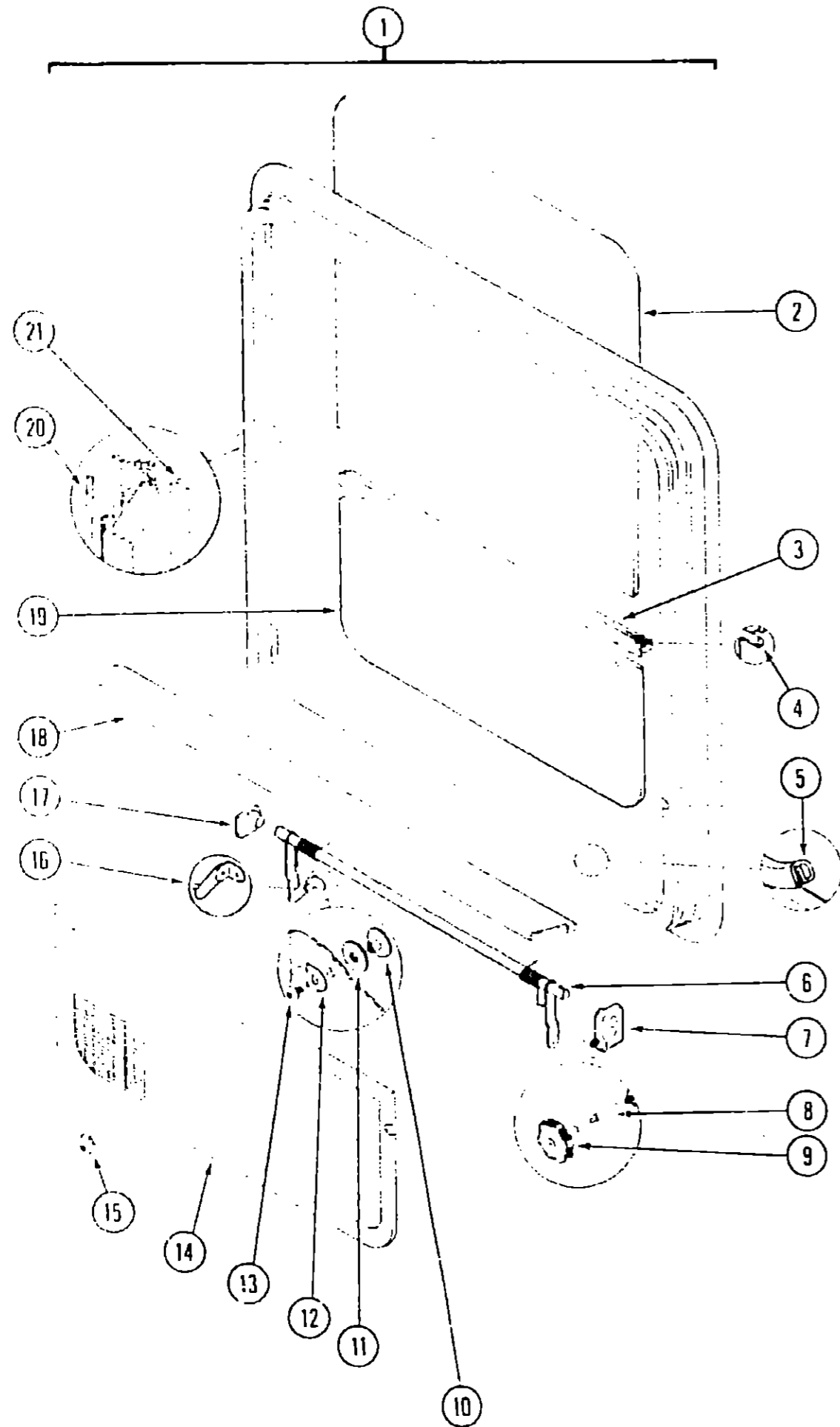
Key	Part Number	U/M	Description
1	M93054-02-Y33	EA	Door Asm. - Driver Door - w/Crank Window
1	M93054-07-Y35	EA	Door Asm. - Driver Door - w/Power Window
2	092927-01-000	EA	Latch Asm. - Outside Door Handle
	092927-01-700	EA	Lock Lever - Black
	092927-01-701	EA	Lock Lever - Chrome
3	092927-04-000	EA	Latch Striker - Driver Door
4	089454-02-000	EA	Channel - Glass Run - Top
5	092446-01-000	EA	Glass - Roll-Up - Door
	081912-02-000	EA	Weatherstrip - Rigid
6	093634-01-000	EA	Regulator Asm. - Window (w/Crank Window)
6	092996-01-000	EA	Regulator Asm. - Power Window
7	092928-04-000	EA	Rod - Inside Lock
	092927-05-000	EA	Clip - Rod End - Right
8	092928-01-000	EA	Rod - Door Lock
	092927-05-000	EA	Clip - Rod End - Right
9	092928-02-000	EA	Rod - Outside Release
	092927-06-000	EA	Clip - Rod End - Left
10	081906-02-000	EA	Slide Bolt - Driver Door
	096809-01-000	EA	Bracket - Dead Bolt
	081903-02-000	EA	Knob - Mounting Shaft
11	092928-03-000	EA	Rod - Inside Release
	092927-05-000	EA	Clip - Rod End - Right
12	092800-01-Y33	EA	Jamb Asm. - Door
13	M92581-01-02A	EA	Panel - Interior - Slate
	081905-02-000	EA	Knob Control - Slide Bolt - Left
14	077026-01-000	EA	Lens - Courtesy Light - Clear
	077000-01-000	EA	Socket Asm. - w/8" Pigtail Heads
15	092580-01-02A	EA	Cover - Map Pocket - Slate Gray
16	061400-04-000	EA	Assist Strap - 12" - Black w/Woodgrain Insert
17	094575-01-000	EA	Hand Crank - Glass Lift
18	093132-01-000	EA	Switch - Power Window
19	088246-01-000	EA	Switch - Remote Mirror
20	087695-01-000	EA	Switch - Mirror Heater
21	093144-01-000	EA	Conduit - Wire
	080734-02-000	EA	Clip - Nylon Wire
22	092937-01-02A	EA	Hinge Asm. - Front Door - Off White
23	092997-01-000	EA	Glass - Stationary
	098030-01-000	EA	Strap - Check - Door
	081243-02-000	EA	Clip - Screen - Plastic - Black

1989 ITASCA  
TABLE OF CONTENTS

INTRODUCTION	A-01
ABBREVIATIONS	A-01
ALPHABETICAL INDEX	A-02 - A-04
IC/JN31RO	A-05 - D-12
IC/JN33RO	D-13 - G-21

1989 IC/JN33RQ INDEX

Floor Plan	D-13 - D-14
Accessories Group	D-15 - D-19
Bath Group	D-20 - D-21
Chassis Group	D-22 - E-05
Curtain, Cushion & Pad Group	E-06 - E-16
Dinette Group	E-17
Driver's Compartment Group	E-18 - E-24
Electrical Group	F-01 - F-04
Exterior Body Group	F-05 - F-12
Galley Group	F-13 - F-15
Heating & Air Conditioning Group	F-16 - F-17
Interior Finish Group	F-18 - F-19
LP Group	F-20
Lounge Group	F-21 - G-01
Water & Sewage Group	G-02 - G-05
Window, Vent & Exterior Door Group	G-06 - G-21



SINGLE TIPOUT WINDOW

Key	Part Number	U/M	Description
1	085353-07-W07	EA	Window Asm - Single Tipout - 24.8" x 24.9" (w/o inside frame)
	084153-04-000	EA	Inside Frame - Black (not included in assembly)
2	081239-05-000	EA	Glass - 14.6" x 24.25" - Stationary
3	089913-01-000	EA	Hinge - Tipout Window - Black
4	081357-01-000	FT	Seal Foam - Vinyl
	084067-01-000	FT	Seal - "e" - Sponge Rubber
5	083150-05-000	EA	Torque Tube Asm.
7	035302-02-000	EA	Operator Drive - Left
8	009439-06-000	EA	Extension - .900" - Black (not included in assembly)
9	009439-05-000	EA	Knob - Window Crankout - Black (not included in assembly)
	009439-07-000	EA	Screw - 8/32" x 1 1/4" POH - Black (not included in assembly)
10	086762-01-000	EA	T-Nut - 10-32
11	068927-03-000	EA	Seal - Rubber - .12" x 25" ID x 80" OD
12	084473-01-000	EA	Seal - Rubber - "D" Shaped
13	086763-01-000	EA	Screw - #10 - 32 x 1/4" PTH
14	084580-04-W07	EA	Screw Asm. - Tipout Window - Single
	002293-02-000	SF	Screen - Window - 26" - Charcoal
	002298-02-000	FT	Spline - 130" Dia. - Charcoal (Screen)
15	081243-01-000	EA	Screen Clip - Plastic - Black
	000G12-06-08T	EA	Screw - #6 - 20 x .50" POH - Black
16	097578-01-000	EA	Connecting Rod Asm.
	085316-01-000	EA	Washer - Wave - .44 OD .32 ID
	081649-01-000	EA	Snap Ring - 7/32 Shaft
17	081354-01-000	EA	Sleeve - Window Torque Tube
18	082563-52-001	EA	Mullion - Horizontal - Black
19	084068-02-000	EA	Glass - 9.24" x 24.13" - Tipout
20	069640-05-000	FT	Seal - 5/16" x 15" (not included in assembly)
21	063180-01-000	FT	Seal - Vinyl Glazing

1989 ITASCA  
TABLE OF CONTENTS

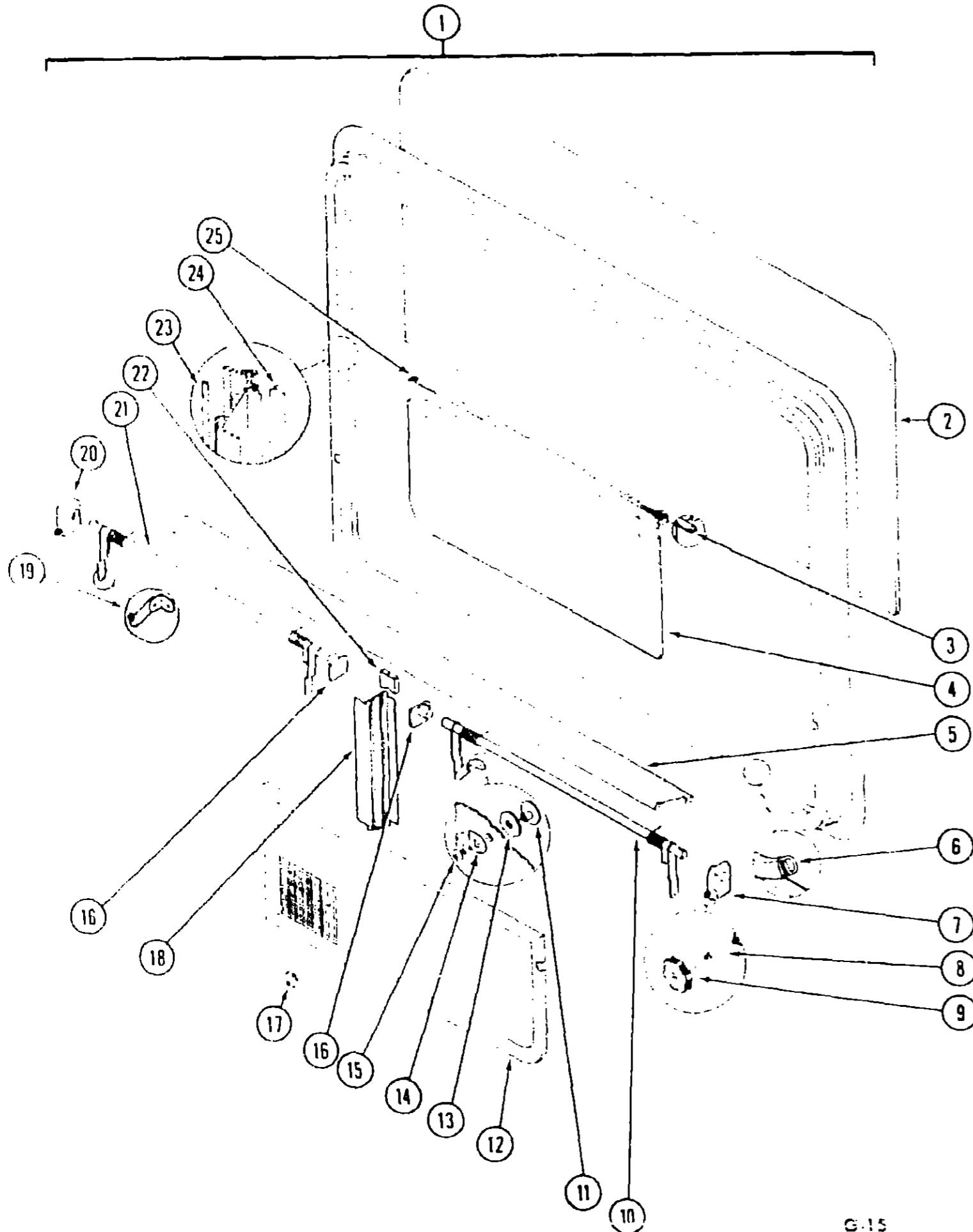
INTRODUCTION	A-01
ABBREVIATIONS	A-01
ALPHABETICAL INDEX	A-02 - A-04
IC/JN33RQ	A-05 - D-12
IC/JN33RO	D-13 - G-21

1989 IC/JN33RQ INDEX

Floor Plan	D-13 - D-14
Accessories Group	D-15 - D-19
Bath Group	D-20 - D-21
Chassis Group	D-22 - E-05
Curtain, Cushion & Pad Group	E-06 - E-16
Dinette Group	E-17
Driver's Compartment Group	E-18 - E-24
Electrical Group	F-01 - F-04
Exterior Body Group	F-05 - F-12
Galley Group	F-13 - F-15
Heating & Air Conditioning Group	F-16 - F-17
Interior Finish Group	F-18 - F-19
LP Group	F-20
Lounge Group	F-21 - G-01
Water & Sewage Group	G-02 - G-05
Window, Vent & Exterior Door Group	G-06 - G-21

WINDOW, VENT & EXTERIOR DOOR GROUP (CONTINUED)

WINDOW, VENT & EXTERIOR DOOR GROUP (CONTINUED)



DOUBLE TIPOUT WINDOW

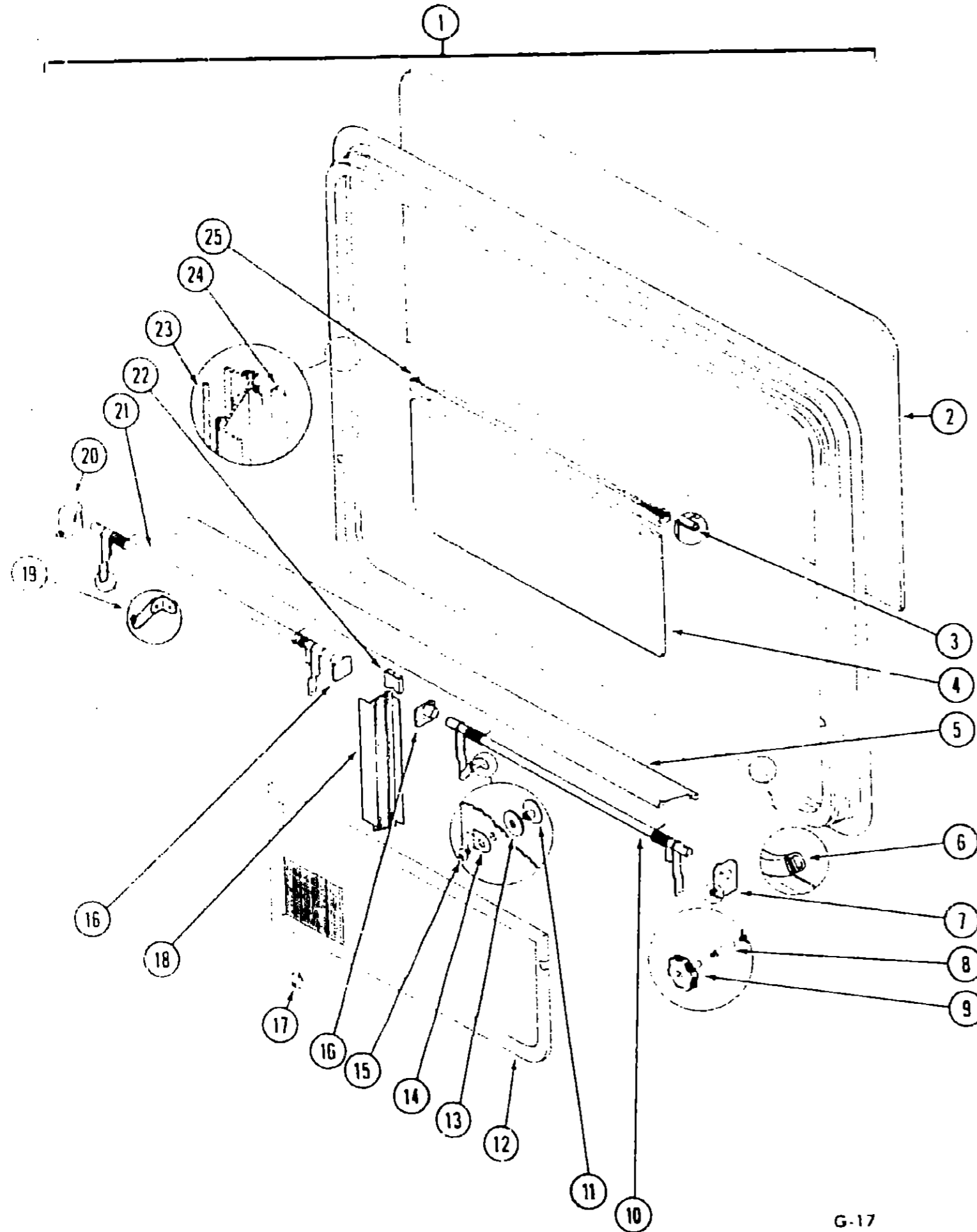
Key	Part Number	U/M	Description
1	085354-07-X11 084153-12-000	EA	Window Asm - Double Tipout - 30 8" x 42 3" (w/o inside frame)
2	081239-23-000	EA	Inside Frame - Black (not included in assembly)
3	081357-01-000	EA	Glass - 1/8" x 40 7" x 20 5" - Stationary
4	084068-13-000	EA	Glass - 1/8" x 9 2" x 20 1" - Tipout
5	082563-52-001 000G29-06-16T 076778-03-000	EA	Mullion - Horizontal - Black
6	084067-01-000	EA	Screw - SF/DR - 6 - 20 x 1 00 PPH (Mullion - 4 Required)
7	035302-01-000	EA	Rivet - Plastic - Pin Drive - Black (2 Required)
8	090025-01-000	EA	Seal - "e" - Sponge Rubber
9	067052-02-000 089371-01-000	EA	Operator Drive - Right
10	083228-03-000	EA	Extension - Window Knob (not included in assembly)
11	086762-01-000	EA	Knob - Beige (not included in assembly)
12	084581-01-W07 084581-02-W07 002293-02-000 002298-02-000	EA	Screw - Window Knob (not included in assembly)
13	068927-03-000	EA	Torque Tube Asm. - Right
14	084473-01-000	EA	T-Nut - 10-32
15	086763-01-000	EA	Screen Asm. - Tipout - Right
16	081354-01-000	EA	Screen Asm. - Tipout - Left
17	081243-01-000 000G12-06-08T	SF	Screen - 26" - Window
18	084192-52-001 000G37-08-08B	EA	Spline - .130" Dia - Charcoal (Screen)
19	097578-01-000 095316-01-000 081649-01-000	EA	Seal - Rubber - .12" x 25" ID x 80" OD
20	035302-02-000	EA	Seal - Rubber - "D" Shaped
21	083227-05-000	EA	Screw - #10 - 32 x 1/4" PTH
22	084066-01-000	EA	Sleeve - Window Torque Tube
23	069640-06-000	EA	Clip - Plastic - Screen (4 Required)
24	083180-01-000	EA	Screw - #6 - 20 x .50" POH - Black
25	084155-10-000	EA	Mullion - Vertical - Black
		EA	Screw - #8 x 18 x 1/2 PPH (Mullion - 4 Required)
		EA	Connecting Rod Asm.
		EA	Washer - Wave - .44 OD 32 ID
		EA	Snap Ring - 7/32 Shaft
		EA	Operator Drive - Left
		EA	Torque Tube Asm. - Left
		EA	Bulb Seal - Double - Sponge Rubber
		EA	Seal - 5/16" x 15" (not included in assembly)
		EA	Seal - Vinyl Glazing
		EA	Hinge - Tipout Window - Black

1989 ITASCA  
TABLE OF CONTENTS

INTRODUCTION	A-01
ABBREVIATIONS	A-01
ALPHABETICAL INDEX	A-02 - A-04
IC/JN31RQ	A-05 - D-12
IC/JN33RQ	D-13 - G-21

1989 IC/JN33RQ INDEX

Floor Plan	D-13 - D-14
Accessories Group	D-15 - D-19
Bath Group	D-20 - D-21
Chassis Group	D-22 - E-05
Curtain, Cushion & Pad Group	E-06 - E-16
Direct Group	E-17
Driver's Compartment Group	E-18 - E-24
Electrical Group	F-01 - F-04
Exterior Body Group	F-05 - F-12
Galley Group	F-13 - F-15
Heating & Air Conditioning Group	F-16 - F-17
Interior Finish Group	F-18 - F-19
LP Group	F-20
Lounge Group	F-21 - G-01
Water & Sewage Group	G-02 - G-05
Window, Vent & Exterior Door Group	G-06 - G-21



Key	Part Number	U/M	Description
1	085354-05-711 084153-10-000	EA	Window Asm - Double Tipout Inside Frame - Black (not included in assembly)
2	081239-18-000	EA	Glass - 1/8" x 60" x 20 1/2" - Stationary
3	081357-01-000	FT	Foam Seal - Vinyl
4	084068-03-000	EA	Glass - 1/8" x 9 24" x 30 39" - Tipout
5	083119-09-000 000G39-06-16T	EA	Mullion - Horizontal - Black Screw - SF/DR - 6 - 20 x 1.00 PPH (Mullion - 4 Required)
6	084067-01-000	EA	Rivet - Plastic - Pin Drive - Black (2 Required)
7	035302-01-000	FT	Seal - "e" - Sponge Rubber
8	090025-01-000	EA	Operator Drive - Right
9	067052-02-000 089371-01-000	EA	Extention - Window Knob (not included in assembly) Knob - Beige (not included in assembly) Screw - Window Knob (not included in assembly)
10	083228-03-000	EA	Torque Tube Asm. - Right
11	086762-01-000	EA	T-Nut - 10-32
12	084581-05-X11 084581-06-X11	EA	Screen Asm - Tipout - Right Screen Asm - Tipout - Left
13	002293-02-000 002298-02-000	SF	Screen - 26" - Window Spline - .120" Dia. - Charcoal (Screen)
14	068927-03-000	EA	Seal - Rubber - .12" x 25" ID x 80" OD
15	084473-01-000	EA	Seal - Rubber - "D" Shaped
16	086763-01-000	EA	Screw - #10 - 32 x 1/4" PTH
17	081354-01-000	EA	Sleeve - Window Torque Tube
18	081243-01-000 000G12-06-08T	EA	Clip - Plastic - Screen (4 Required) Screw - #6 - 20 x .50" FOH - Black
19	084154-01-000 000G39-08-08B	EA	Mullion - Vertical - Black Screw - #8 x 18 x 1/2 PPH (Mullion - 4 Required)
20	097578-01-000 085316-01-000	EA	Connecting Rod Asm Washer - Wave - 44 OD 32 ID
21	081649-01-000	EA	Snap Ring - 7/32 Shaft
22	035302-02-000	EA	Operator Drive - Left
23	083227-03-000	EA	Torque Tube Asm. - Left
24	084066-01-000	FT	Bulb Seal - Double - Sponge Rubber
25	069640-06-000 083180-01-000	FT	Seal - 5/16 x 15' (not included in assembly) Seal - Vinyl Glazing
	084155-09-000	EA	Hinge - Tipout Window - Black

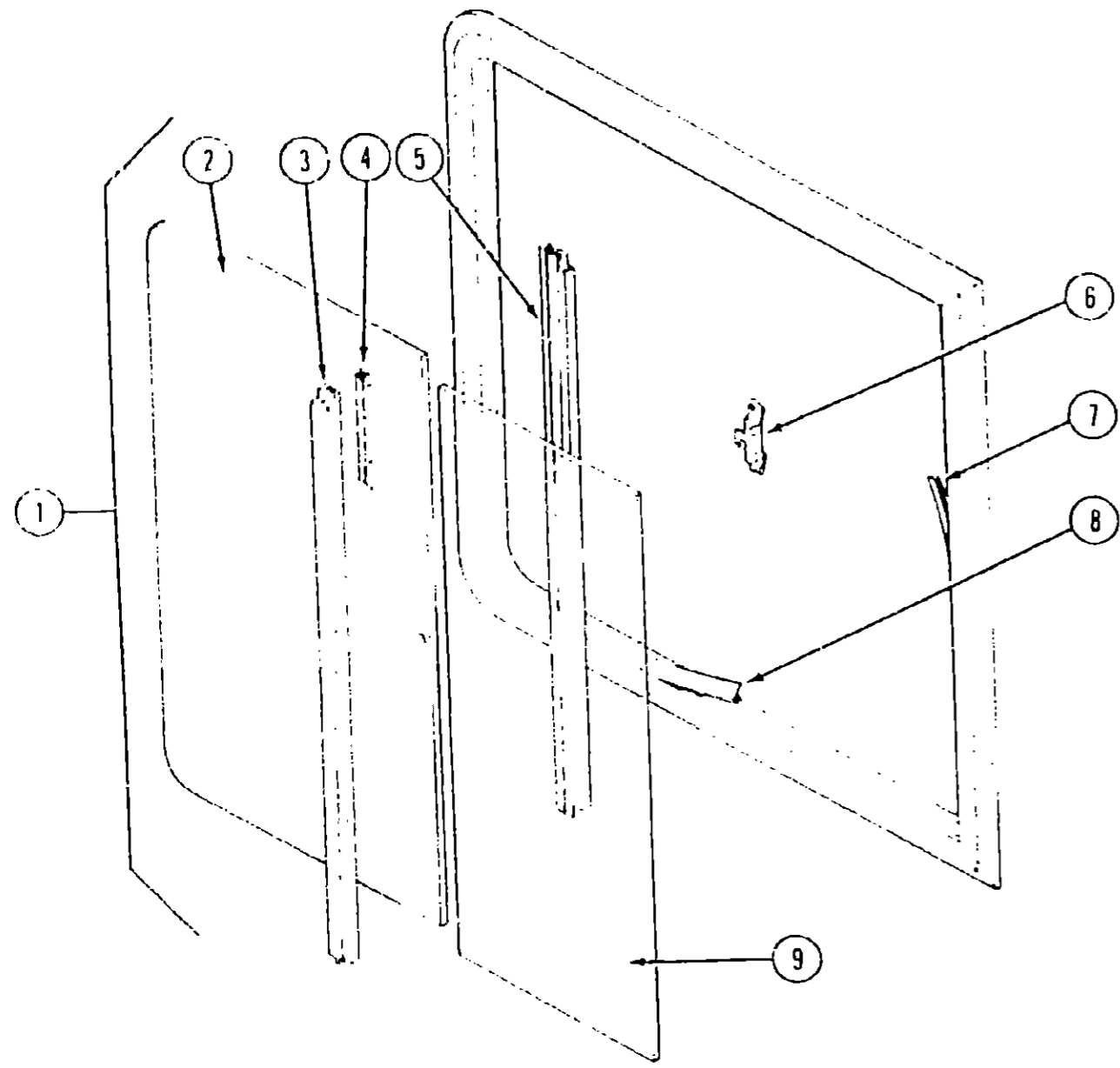
1989 ITASCA  
TABLE OF CONTENTS

INTRODUCTION	A-01
ABBREVIATIONS	A-01
ALPHABETICAL INDEX	A-02 - A-04
IC/JN31RQ	A-05 - D-12
IC/JN33RQ	D-13 - G-21

1989 IC/JN33RQ INDEX

Floor Plan	D-13 - D-14
Accessories Group	D-15 - D-19
Bath Group	D-20 - D-21
Chassis Group	D-22 - E-05
Curtain, Cushion & Pad Group	E-06 - E-16
Dinette Group	E-17
Driver's Compartment Group	E-18 - E-24
Electrical Group	F-01 - F-04
Exterior Body Group	F-05 - F-12
Galley Group	F-13 - F-15
Heating & Air Conditioning Group	F-16 - F-17
Interior Finish Group	F-18 - F-19
LP Group	F-20
Lounge Group	F-21 - G-01
Water & Sewage Group	G-02 - G-05
Window, Vent & Exterior Door Group	G-06 - G-21

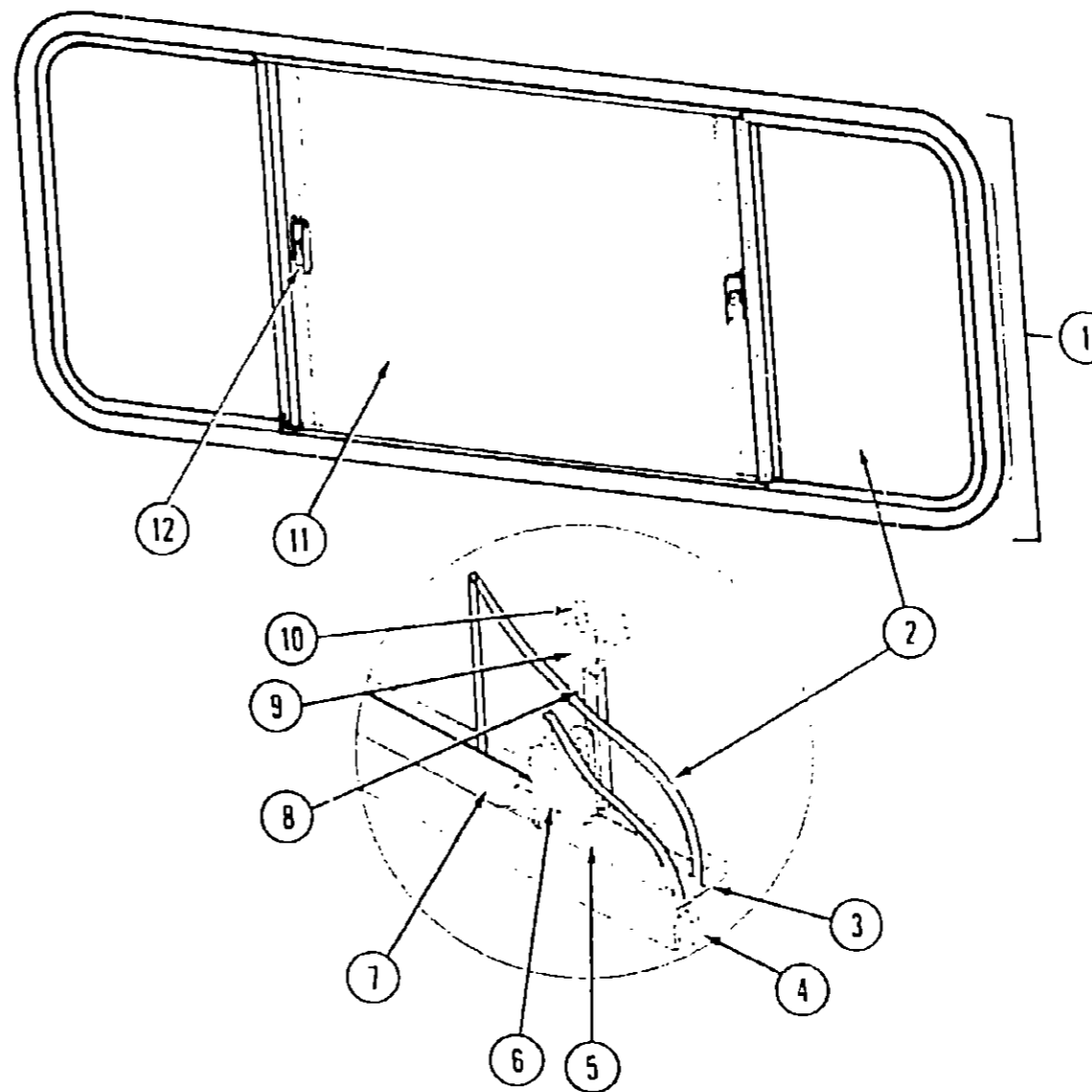
WINDOW, VENT & EXTERIOR DOOR GROUP (CONTINUED)



SINGLE SLIDER WINDOW

Key	Part Number	U/M	Description
1	093703-01-Y10	EA	Window Asm - Single Slider - 31.5" x 31" (w/o inside frame)
	092665-01-Y10	EA	Inside Frame - Black (not included in assembly)
2	081980-11-000	EA	Glass - Slider - 1/8" x 30.4" x 16.5"
3	002369-02-209	EA	Glass Holder - 29.57"
4	073740-01-000	FT	Seal - Fin - Pile - .460
5	084170-09-000	EA	Mullion - Slider Window - Black
	042077-01-000	FT	Channel - Window - Glass Run - 3/16"
	050216-02-000	FT	Spline - Vinyl Glass - .19" - Black
6	047369-01-700	EA	Latch Kit - Window - Black Plastic w/Fastener
7	002309-02-000	FT	Spline - Glass - 1/8" Material - Black
8	041928-02-000	FT	Seal - Window Channel
9	057656-12-000	EA	Glass - Stationary - 1/8" x 15.7" x 30.4"
	000G39-06-16T	EA	Screw - SF/DR - 6 x 20 x 1.00 - PPH
	002328-01-000	EA	Black - Window - 1/8" x 3/16" x 1"
	023320-01-000	EA	Pad - Felt - 3/8" Dia
	081377-01-000	EA	Adhesive - Cyanoacrylate

WINDOW, VENT & EXTERIOR DOOR GROUP (CONTINUED)



DOUBLE SLIDER WINDOW

Key	Part Number	U/M	Description
1	076269-04-X11	EA	Window Asm - Double Slider (w/o inside frame)
	083122-26-000	EA	Inside Frame - Double Slider - Beige (not included in assembly)
2	081980-10-000	EA	Glass - Sliding - 30.7" x 19.3" x 1/8"
3	002324-02-000	FT	Channel - Weatherstrip - Glass
4	069640-06-000	FT	Sealer Ribbon - 5/16" Bead x 15"
5	002309-02-000	FT	Spline - Glass - 1/8" - Black
6	069886-03-001	EA	Seal Holder - 1/8" Glass - Black
7	024096-02-000	FT	Vinyl Window Seal - Black
8	073740-01-000	FT	Fin Seal - .460 Pile
9	083926-02-001	EA	Mullion - Slider Window - Black
	002292-02-000	SF	Screen - Window - 26" - Charcoal
10	002298-02-000	FT	Spline - 130" Dia. - Charcoal (Screen)
11	002188-07-000	EA	Glass - Stationary - 30.74" x 24.75" x 1/8"
12	047369-01-700	EA	Latch Kit - Window - Plastic w/Fastener
	081377-01-000	EA	Adhesive - Cyanoacrylate
	002328-01-000	EA	Block - Window - 1/8" x 3/16" x 1"

1989 ITASCA  
TABLE OF CONTENTS

INTRODUCTION	A-01
ABBREVIATIONS	A-01
ALPHABETICAL INDEX	A-02 - A-04
IC/JN33RQ	A-05 - D-12
IC/JN33RO	D-13 - G-21

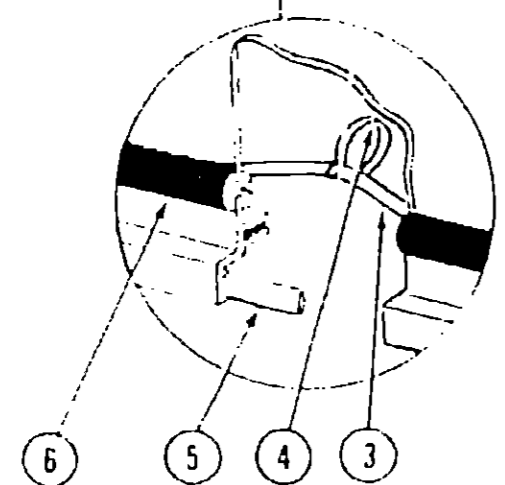
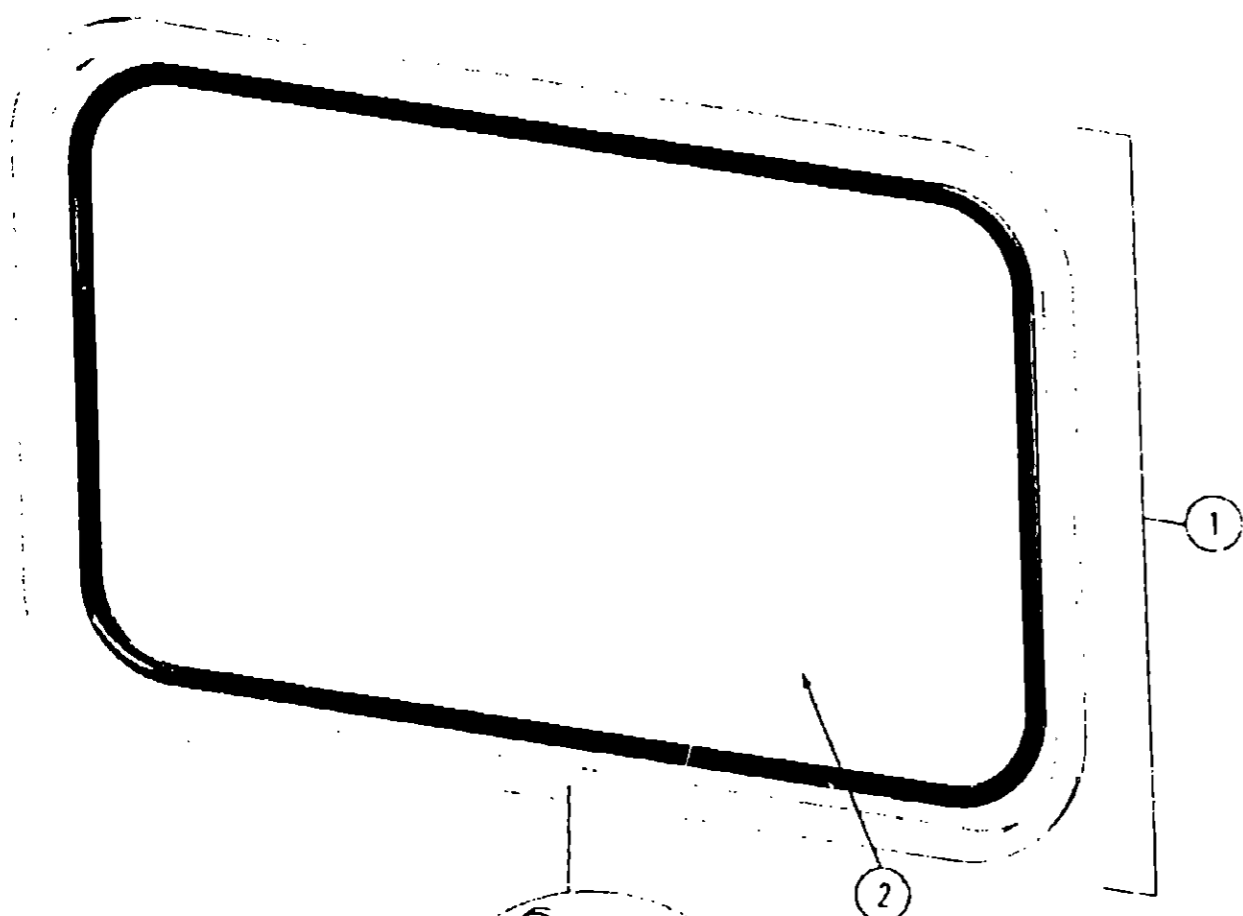
1989 IC/JN33RQ INDEX

Floor Plan	D-13 - D-14
Accessories Group	D-15 - D-19
Bath Group	D-20 - D-21
Chassis Group	D-22 - E-05
Curtain, Cushion & Pad Group	E-06 - E-16
Dinette Group	E-17
Driver's Compartment Group	E-18 - E-24
Electrical Group	F-01 - F-04
Exterior Body Group	F-05 - F-12
Galley Group	F-13 - F-15
Heating & Air Conditioning Group	F-16 - F-17
Interior Finish Group	F-18 - F-19
LP Group	F-20
Lounge Group	F-21 - G-01
Water & Sewage Group	G-02 - G-05
Window, Vent & Exterior Door Group	G-06 - G-21



1989 ITASCA  
TABLE OF CONTENTS

INTRODUCTION	A-01
ABBREVIATIONS	A-01
ALPHABETICAL INDEX	A-02 - A-04
IC/JN31RQ	A-05 - D-12
IC/JN33RQ	D-13 - G-21



ESCAPE WINDOW

Key	Part Number	U/M	Description
	167055-04-112	EA	Window Asm - Escape (w/o inside frame)
	170750-04-000	EA	Inside Frame - Black (not included in assembly)
	170317-04-001	EA	Glass - 1/8" x 44 1/8" x 28"
	101185-01-000	FT	Fiber - Weatherstrip - Black
	170146-01-001	EA	Tape - Poly - Escape Window - 36"
	100040-07-000	FT	Tape - 2" Bead x 45'
	100290-01-000	FT	Weatherstrip - Window - 125" - Black

1989 IC/JN33RQ INDEX

Floor Plan	D-13 - D-14
Accessories Group	D-15 - D-19
Bath Group	D-20 - D-21
Chassis Group	D-22 - E-05
Curtain, Cushion & Pad Group	E-06 - E-16
Dnette Group	E-17
Driver's Compartment Group	E-18 - E-24
Electrical Group	F-01 - F-04
Exterior Body Group	F-05 - F-12
Galley Group	F-13 - F-15
Heating & Air Conditioning Group	F-16 - F-17
Interior Finish Group	F-18 - F-19
LP Group	F-20
Lounge Group	F-21 - G-01
Water & Sewage Group	G-02 - G-05
Window, Vent & Exterior Door Group	G-06 - G-21