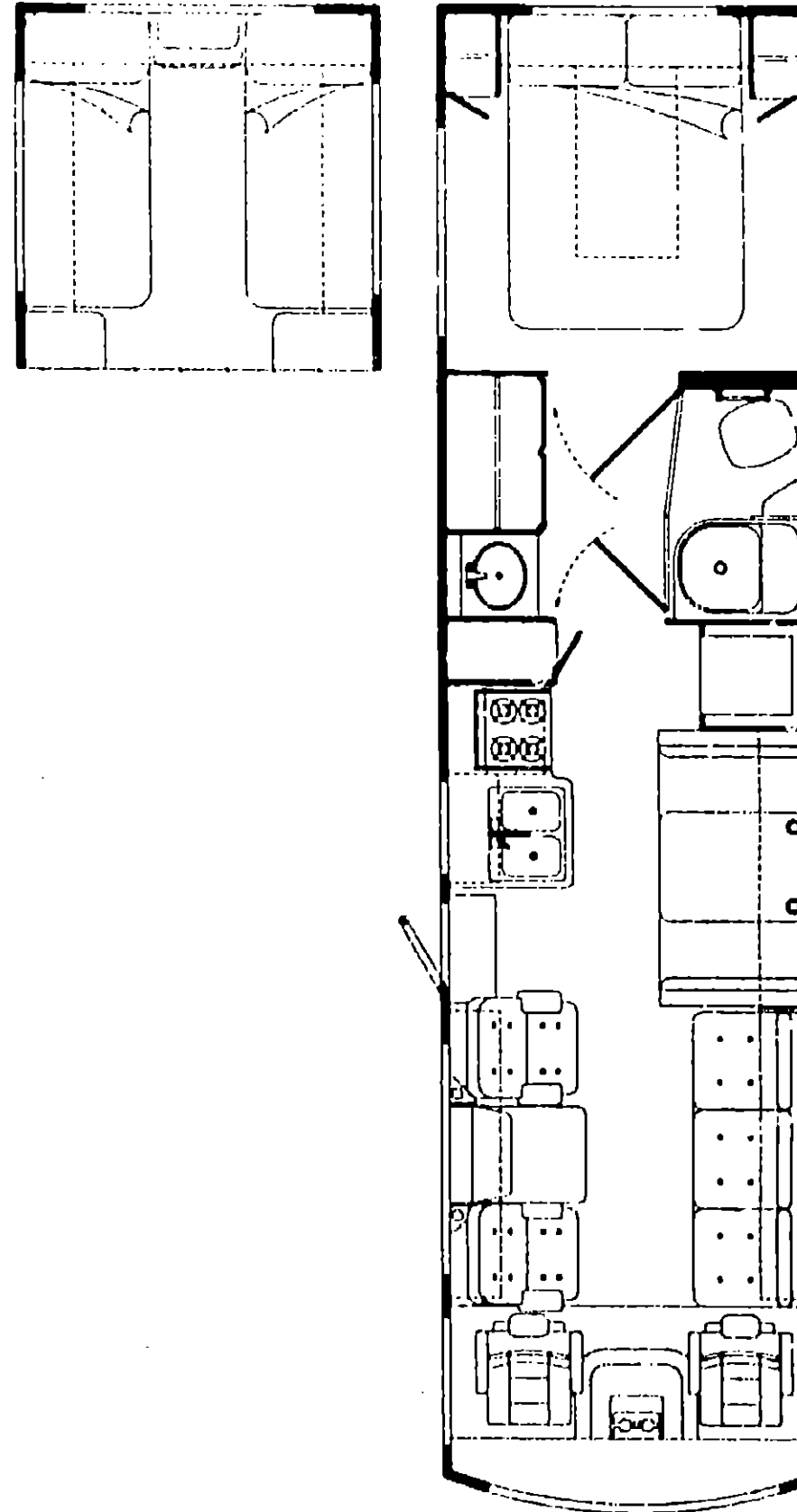


1989 IC/JN31RT



1989 ITASCA TABLE OF CONTENTS

ICN28RU
IC/JN31RT
IC/JN36RQ

A-01 - D-16
D-17 - H-10
H-09 - K-21

1989 IC/JN31RT INDEX

Floor Plan	D-17 - D-18
Accessories Group	D-19 - D-23
Bath Group	D-24 - E-02
Chassis Group	E-03 - E-10
Curtain, Cushion & Pad Group	E-11 - E-22
Dinette Group	E-23 - E-24
Driver's Compartment Group	F-01 - F-07
Electrical Group	F-08 - F-11
Exterior Body Group	F-12 - F-19
Galley Group	F-20 - F-23
Heating & Air Conditioning Group	F-24 - G-02
Interior Finish Group	G-03 - G-04
LP Group	G-05
Lounge Group	G-06 - G-09
Water & Sewage Group	G-10 - G-13
Window, Vent & Exterior Door Group	G-14 - H-08

ACCESSORIES GROUP

MICROWAVE/CONVECTION OVEN & COMPONENTS (OPTION 42D)

Key	Part Number	U/M	Description
	088737-01-000	EA	Microwave/Convection Oven - Magic Chef
	088737-01-700	EA	Control
	088737-01-701	EA	Frame - Panel
	088737-01-702	EA	Touch Panel Asm.
	088737-01-703	EA	Frame - Door
	088737-01-704	EA	Glass - Outside - Door
	088737-01-705	EA	Trim - Upper Frame - Inner
	088737-01-706	EA	Cabinet
	088737-01-707	EA	Fuse
	088737-01-708	EA	Transformer H.V.
	088737-01-709	EA	Trim
	088737-01-710	EA	Lamp - Over - 30W
	088737-01-711	EA	Relay - Completed
	088737-01-712	EA	Trim
	088737-02-000	EA	Frame Kit - Microwave Oven

CUSTOM STEERING WHEEL (OPTION 36P)

Key	Part Number	U/M	Description
†	080752-05-000	EA	Steering Wheel - Custom
	080752-17-000	EA	Steering Wheel w/2 Horn Buttons
	080752-06-000	EA	Hub Adapter - Steering Wheel
	080752-07-000	EA	Button - Horn - w/Wire
	080752-08-000	EA	Screw - Custom Steering Wheel

† Parts used before 4/2/89.
• Parts used after 4/3/89.

MISCELLANEOUS ACCESSORIES

Key	Part Number	U/M	Description
	054185-31-000	EA	Owner's Manual - 1989 - Winnebago & Itasca
	092318-01-000	EA	Binder - 3 Ring - Vendor Manual
	092319-01-000	EA	Page - Plastic Packet
	040069-01-000	EA	Floor Mat - Black Rubber - 10 1/2" x 28"
	081202-02-000	EA	Floor Mat - Front - Right - Itasca (Option 63H)
	081201-02-000	EA	Floor Mat - Front - Left - Itasca (Option 63H)
	031075-02-000	EA	Floor Mat - Entrance - Itasca (Option 63H)
	017516-01-000	EA	Mud Flap - 14" x 18" - Rear - Black
	017516-02-000	EA	Mud Flap - 14" x 12" - Front - Black
	041944-04-000	EA	Fire Extinguisher - 5 BC - w/o Mounting Bracket
	094499-01-000	EA	Fire Extinguisher - 1A 10BC (UL)
	054199-02-000	EA	Fire Extinguisher - 1A 10BC (CSA)
	094651-01-01A	EA	Holder - Recessed - Fire Extinguisher
	072052-01-000	EA	Smoke Detector w/9 Volt Battery
	080208-01-000	EA	Lug Wrench
	080208-02-000	EA	Leverage Bar - Lug Wrench
	080208-03-000	EA	Lug Wrench - John Deere
	006113-01-000	EA	Jack - Hydraulic - 6 Ton - w/Handle
	091955-02-000	EA	Squeegee - Extended Handle
	091952-01-000	EA	Clj. - 1" Gripper - Squeegee
	093527-01-000	EA	Bracket - Squeegee
	086269-01-000	EA	Picture - Decorative (Option 46H)
	030420-02-000	EA	Delroster Fan - 6" - 2 Speed Fan (Option 36N)
	098447-01-000	EA	Television - 13" Digital Color (Option 43U)
	098446-01-000	EA	VCR - VHS - Table Model (Option 43W/43X)
	080757-01-000	EA	Control Center - Channel Master (Option 43W/43X)
	087200-01-000	EA	Filter - Water Purification (Option 29B)
	087200-02-000	EA	Cartridge - Water Filter - Purification (Option 29B)
	079942-01-000	EA	Shock Absorber - Stabilizer - Front (Option 64A)

ACCESSORIES GROUP (CONTINUED)

WHEEL LINERS & MOUNTING HARDWARE (OPTION 63K) (CHEVROLET)

Key	Part Number	U/M	Description
	091209-01-000	EA	Wheel Liner - w/Axle & Lugnut Covers - Stainless Steel - 19.5" (Set/4)
	091209-01-700	EA	Simulator - Front Wheel
	091209-01-701	EA	Simulator - Rear Wheel
	091209-01-702	EA	Cover - Front Axle
	091209-01-703	EA	Cover - Rear Axle
	091209-01-704	EA	Cover - Lug Nut
	095012-01-000	EA	Extension - Valve Stem - Dual
	077030-02-000	EA	Extension - Valve Stem - 1.25"

FRONT RADIO & COMPONENTS

Key	Part Number	U/M	Description
	077069-01-000	EA	Antenna - Radio
	077448-01-000	EA	Bracket - Radio - Front
	077442-01-000	EA	Bracket - Radio Support - Rear
	077069-02-000	EA	Cable - Antenna Extension - 96"
	073711-04-000	EA	Grilla - Speaker - Oval - 4" x 6"
	087706-01-000	EA	Mounting Kit - Radio
	090982-01-000	EA	Radio - AM/FM - w/Cassette
	073741-03-000	EA	Speaker - Oval - 4" x 6"
	074979-01-000	EA	Speaker Cover - Light Oak

REAR VIEW TELEVISION (SUNY) (OPTION 67Z)

Key	Part Number	U/M	Description
	093040-01-000	EA	Camera & Monitor
	093040-01-700	EA	Camera Only
	093040-01-701	EA	Monitor - 6" - w/Bracket & Wire Harness
	093041-01-000	EA	Cable - TV/Monitor
	093221-01-000	EA	Lens - Rear Monitor - Shroud
	093952-01-01A	EA	Shroud - TV - Off White
	092881-01-000	EA	Wire Asm. - IP to Rear Monitor
	093040-03-000	EA	Wire Asm. - Monitor
	094001-01-000	EA	Clamp - Camera
	094003-01-000	EA	Bracket Asm. - Camera

WHEEL COVER & MOUNTING HARDWARE

Key	Part Number	U/M	Description
	083181-03-700	EA	Wheel Cover - 19.5" - w/Nut Cover & Cap
†	083181-04-000	EA	Retainer Kit - 19.5" Wheel Cover (Set/4) (Chevrolet)
	083181-12-000	EA	Retainer Kit - 19.5" Wheel Cover (Set/4) (Chevrolet)
	083181-04-700	EA	Retainer Kit - 19.5" Front (1)
	083181-04-701	EA	Retainer Kit - 19.5" Rear (1)
	083181-04-702	EA	Nut Cover - 19.5"
	083181-04-703	EA	Cap - Chrome Center

† Parts used thru 4/2/89.
• Parts used after 4/3/89.

EXTERIOR MIRRORS

Key	Part Number	U/M	Description
**	086260-01-000	EA	Mirror Asm. - w/Convex - Right
**	086260-02-000	EA	Mirror Asm. - w/Convex - Left
**	086260-03-000	EA	Accessories Kit - Exterior Mirror
**	086259-04-000	EA	Mirror Asm. - Remote Control - Right (Option 28P)
**	086259-05-000	EA	Mirror Asm. - Remote Control - Left (Option 28P)

The illustrated parts breakdown for this item is provided on the Common Items Fiche.

1989 ITASCA TABLE OF CONTENTS

ICN28RU
IC/JN31RT
IC/JN36RQ

A-01 - D-16
D-17 - H-10
H-09 - K-21

1989 IC/JN31RT INDEX

Floor Plan	D-17 - D-18
Accessories Group	D-19 - D-21
Bath Group	D-24 - E-02
Chassis Group	E-03 - E-10
Curtain, Cushion & Pad Group	E-11 - E-22
Dinette Group	E-23 - E-24
Driver's Compartment Group	F-01 - F-07
Electrical Group	F-08 - F-11
Exterior Body Group	F-12 - F-19
Galley Group	F-20 - F-23
Heating & Air Conditioning Group	F-24 - G-02
Interior Finish Group	G-03 - G-04
LP Group	G-05
Lounge Group	G-06 - G-09
Water & Sewage Group	G-10 - G-13
Window, Vent & Exterior Door Group	G-14 - H-08

ACCESSORIES GROUP (CONTINUED)

KOHLER GENERATORS & COMPONENTS (OPTIONS 35 & 37M)

Key	Part Number	U/M	Description
	093740-01-000	EA	Generator - Kohler - 4.5KW
	093547-01-000	EA	Generator - Kohler - 7.0KW
	008054-02-000	EA	Power Cord - 10-3 - 30 Amp - 33' (US)
	008052-01-000	EA	Power Cord - 10-3 - 30 Amp - 25' (CSA)
	092615-01-000	EA	Converter - 40 Amp w/Charger
	097101-01-000	EA	Exhaust Pipe - Generator - 4.5KW
	083152-03-000	EA	Exhaust Pipe - Generator - 7.0KW
	093590-02-000	EA	Muffler - Generator - 4.5KW
	093590-04-000	EA	Muffler - Generator - 7.0KW
	007131-01-000	EA	Hanger - Tailpiece
	073937-03-000	EA	Switch - Rotary - A/C Select

ONAN GENERATORS & COMPONENTS (OPTIONS 19E & 39G)

Key	Part Number	U/M	Description
	093545-01-000	EA	Generator - Onan - 4.0KW
	093546-01-000	EA	Generator - Onan - 6.5KW
	098054-02-000	EA	Power Cord - 10-3 - 30 Amp - 33' (US)
	008052-01-000	EA	Power Cord - 10-3 - 30 Amp - 25' (CSA)
	092615-01-000	EA	Converter - 40 Amp. w/Charger (US)
	083152-09-000	EA	Exhaust Pipe - Generator - 4.0KW
	083152-03-000	EA	Exhaust Pipe - Generator - 6.5KW
	094059-01-000	EA	Spacer - Generator
	094057-02-000	EA	Tray Asm. - Generator
	081364-03-000	EA	Muffler - Generator
	082272-01-000	EA	Muffler - Generator
	007131-01-000	EA	Hanger - Tailpiece
	079654-01-700	EA	Hinge Kit - Emerald Generator

Parts used on units produced after 10/3/88.

ELECTRIC STEP ASM. - DOUBLE

Key	Part Number	U/M	Description
	094707-01-01A	EA	Step Asm. - Electric - Double
	094707-01-700	EA	Control Unit
	088746-01-701	EA	Motor
	088746-01-702	EA	Gear
	088746-01-703	EA	Bearing
	091120-01-700	EA	Link Asm.
	088746-01-707	EA	Clevis Pin
	088746-01-708	EA	Hair Pin
	088746-01-705	EA	Under Step Light
	088746-01-706	EA	Switch - Kill
	094707-01-701	EA	Switch - Door
	094707-01-702	EA	Frame - Double Step

RACK & LADDER COMPONENTS (OPTION 35U)

Key	Part Number	U/M	Description
	092963-01-Y12	EA	Ladder Asm. - Lower
	092965-01-Y35	EA	Ladder Asm. - Upper
	081026-09-Y12	EA	Rack Asm. - Right
	081026-10-Y12	EA	Rack Asm. - Left
	081055-01-000	EA	Spring Grip - Internal
	081056-01-000	EA	Pin - Quick Release
	081152-01-000	EA	Bumper Plate - Brite Dip - Lower Ladder
	064093-01-000	FA	Luggage Box - 14" x 30" x 60" (Optional)
	038327-01-000	EA	Tape - Anti-Slip - 2" x 60"

ACCESSORIES GROUP (CONTINUED)

SPEED CONTROL W/SMART STICK

Key	Part Number	U/M	Description
	094369-01-000	EA	Speed Control - w/Smart Stick - Dana 11128B
	083211-01-703	EA	Servo Cable Only
	094369-01-701	EA	Switch & Lever Asm
	094369-01-702	EA	Regulator Asm. - Electronic
	091900-01-702	EA	Wiper Control Module
	094369-01-704	EA	Headlight Dimmer Mod. .e Asm.
	094369-01-705	EA	Vacuum Reservoir
	094369-01-706	EA	Servo
	094369-01-707	EA	Cover - Clip
	083212-04-701	EA	Main Wiring Harness
	083212-01-704	EA	Brake Switch Asm.
	069629-01-704	EA	Signal Generator
	069629-01-706	EA	Generator Only
	079972-01-707	EA	Extension Asm.
	059778-01-710	EA	Tester Cruise Control
	083212-01-705	EA	Vacuum Release Valve
†	094369-03-000	EA	Speed Control - w/Smart Stick - Dana 11129B
†	Parts used after 9/1/89		

MICROWAVE/BROWNING OVEN (1341A & 1361A)

Key	Part Number	U/M	Description
..	081374-03-000	EA	Range - 4 Burner Hotplate
..	091269-03-000	EA	Microwave/Browning Oven
..	094745-01-01A	EA	Trim - Microwave - Black
..	094750-01-000	EA	Bracket - Microwave - 90°
..	094767-02-Y12	EA	Cabinet Asm. - Microwave - Overhead
..	094774-01-01A	EA	Trim - Microwave - Black
..	M03869-03-Y12	EA	Cabinet Asm. - Galley w/Countertop - w/o Drawers or Hardware
..	092188-11-Y10	EA	Countertop - Galley
..	M82184-11-X36	EA	Drawer Asm. - 11.9" x 21.8" - w/o Hardware
..	085280-02-000	EA	Cover - Burner - Bi-Fold - SST
..	093744-01-000	EA	Bracket - Tiedown - Stove - Right
..	093744-02-000	EA	Bracket - Tiedown - Stove - Left
..	Parts used for both above options.		
..	Parts used only on the 1361A Option.		

AUXILIARY BATTERY DISCONNECT SWITCH

Key	Part Number	U/M	Description
	086272-01-000	EA	Switch - Rocker - DPDT - 3 Position
	081087-01-000	EA	Light Asm. - Indicator
	008037-01-000	FT	Battery Cable - Black
	089445-01-000	EA	Bracket - Battery Disconnect
	086273-01-000	EA	Relay - Battery Disconnect

TV ANTENNA/CABLE READY W/TV STAND

Key	Part Number	U/M	Description
..	076319-01-000	EA	Antenna - TV Roof Mount - 44.5"
..	076319-06-000	EA	Adaptor - Cable Roof Plate
..	076319-08-000	EA	Wallplate/Receptacle - Ivory
..	076319-11-000	EA	Adapter - Coax w/Splitter
..	084357-01-W13	EA	TV Stand Asm. - w/o Hardware
..	058331-10-000	EA	Mirror - Safety Glass
..	084350-03-000	EA	Insert - TV Stand - Tan
..	084412-01-000	EA	Support - Hinged
..	084451-01-000	EA	Catch - TV Shelf - Brass
..	086756-01-000	EA	Splitter - TV - 2 Way
..	076319-03-000	FT	Cable - Coaxial - 1000' - 75 OHM
..	076319-12-000	EA	Connector - Coaxial
..	087236-01-000	EA	Label - Cable Input
..	087236-02-000	EA	Label - TV Outlet
..	093252-01-01A	EA	Plate - Wall Outlet

.. The illustrated parts breakdown of this item is provided on the Common Items Fiche.

**1989 ITASCA
TABLE OF CONTENTS**

ICN28RU	A-01 - D-16
IC/JN31RT	D-17 - I-10
IC/JN36RG	H-09 - K-21

1989 IC/JN31RT INDEX

Floor Plan	D-17 - D-19
Accessories Group	D-19 - D-23
Bath Group	D-24 - E-02
Chassis Group	E-03 - E-10
Curbs, Cushion & Fwd Group	E-11 - E-22
Driveline Group	E-23 - E-24
Driver's Compartment Group	F-01 - F-07
Electrical Group	F-08 - F-11
Exterior Body Group	F-12 - F-19
Galley Group	F-20 - F-23
Heating & Air Conditioning Group	F-24 - G-02
Interior Finish Group	G-03 - G-04
LP Group	G-05
Lounge Group	G-06 - G-09
Water & Sewage Group	G-10 - G-13
Window, Vent & Exterior Door Group	G-14 - H-08

ACCESSORIES GROUP (CONTINUED)

EXPORT GENERATORS (5.0KW & 3.5KW) (OPTIONS 05J & 3831A)

Key	Part Number	U/M	Description
	100974-05-000	EA	Generator - Onan - 3.5KW
	081634-03-000	EA	Generator - Emerald - 5.0KW
	008054-01-000	EA	Power Cord - 10-3 - 30 Amp - 25' (UL)
	042615-01-000	EA	Converter - 40 Amp. w/Charger
	183152-05-000	EA	Exhaust Pipe - Generator - 3.5KW
	083152-03-000	EA	Exhaust Pipe - Generator - 5.0KW
	093590-02-000	EA	Muffler - Generator - 3.5KW
	007111-01-000	EA	Hangar - Tailpiece
	093590-04-000	EA	Muffler - Generator - 5.0KW

FOG LAMP & COMPONENTS (OPTION 57M)

Key	Part Number	U/M	Description
	088747-01-000	EA	Lamp Asm. - Fog w/Cover - Clear
	088747-01-700	EA	Cover - Foglight
	088947-01-000	EA	Bracket - Fog Lamp Mounting
	087172-01-01A	EA	Switch - SPST - On/Off

REAR RADIO & COMPONENTS (OPTION 26L)

Key	Part Number	U/M	Description
	090944-01-000	EA	Antenna - Radio - 16" Rubber
	090362-01-000	EA	Bracket - Hat - Antenna
	089340-01-000	EA	Grilles - Speaker - 6.25" Square
	090339-01-000	EA	Radio - AM/FM Stereo - w/Cassette - Electronics Tune
	094097-01-000	EA	Speaker - 5.25" w/o Grille
	097153-01-000	EA	Radio - AM/FM Stereo - w/Cassette
	074979-01-000	EA	Speaker Cover - Light Oak

Parts used before 5/28/89.

Parts used after 5/29/89.

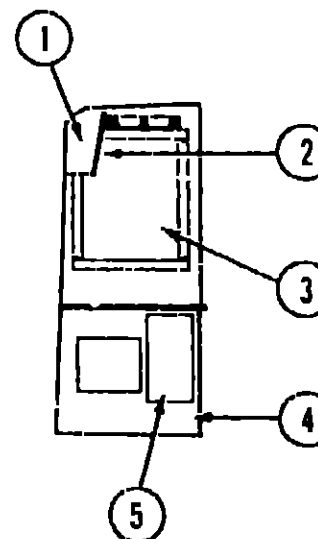
WHEEL LINERS & MOUNTING HARDWARE (OPTION 63K) (JOHN DEERE)

Key	Part Number	U/M	Description
	086271-01-000	EA	Wheel Liner - Stainless Steel - 19.5" (Std/4)
	086271-01-700	EA	Wheel Liner - Stainless Steel - 19.5" Front (1)
	086271-01-701	EA	Wheel Liner - Stainless Steel - 19.5" Rear (1)
	086271-01-702	EA	Chrome Cover - Front Axle
	086271-01-703	EA	Chrome Cover - Rear Axle
	086271-01-704	EA	Beauty Ring
	086271-01-705	EA	Chrome Cover - Lug Nut
	095012-02-000	EA	Extension - Valve Stem - Dual - 19.5"

AIR HORNS & COMPONENTS (OPTION 38R)

Key	Part Number	U/M	Description
	077497-01-000	EA	Air Horn Kit - Twin Chromed - w/o Auxiliary Hose Kit
	077497-01-700	EA	Solenoid - Air Tank
	077497-01-701	EA	Switch - Compressor
	077497-01-702	EA	Toggle Switch w/Wire
	077497-01-703	EA	Air Tank
	077497-01-704	EA	Compressor w/Switch
	077497-01-705	EA	Repair Kit - Air Horn
	077497-02-000	EA	Hose Kit - Auxiliary Air
	077497-03-000	EA	Parts Kit - Hose - Auxiliary Air
	078239-01-000	EA	Label Plate - Horn
	063912-02-000	EA	Relay - Canister
	093258-01-000	EA	Wire Asm. - Air Horn
	081404-01-000	EA	Mounting Bracket - Compressor
	081407-01-000	EA	Mounting Plate - Air Horns
	097172-01-01A	EA	Switch - SPST - On/Off
	277497-05-000	EA	Compressor/Tank/Solenoid Kit

BATH GROUP



BATH CABINETRY

Key	Part Number	U/M	Description
	076073-01-000	EA	Cabinet - Medicine - Almond
	076073-01-700	EA	Lock Asm. - Medicine Cabinet
	093446-06-Y15	EA	Door Asm. - Mirror - Medicine Cabinet - 29.4" x 15.4" - w/o Hardware
	058331-32-000	EA	Mirror - Safety Glass
	M03450-06-000	EA	Trim Asm. - Oak Mirror
	093446-03-Y15	EA	Mirror Asm. - Bath Wall
	058331-08-000	EA	Mirror - Safety Glass - 24" x 30"
	M03450-03-000	EA	Trim Asm. - Oak - Mirror
	M92859-01-Y12	EA	Cabinet Asm. - Lavatory - w/Countertop - w/o Doors or Hardware
	092859-12-Y12	EA	Countertop Asm. - Lavatory Cabinet
	M80304-FC-Y12	EA	Door Asm. - Lavatory Cabinet - 12" x 21.8" - w/o Hardware
	M03867-01-Y12	EA	Door Asm. - Bath - w/o Hardware
	094485-01-01A	EA	Door Knob - Bright Brass - Bath Door
	M92871-01-Y12	EA	Door Asm. - Bi-Fold - Bath - w/o Hardware
	093832-01-01A	EA	Door Knob - Bright Brass - Bi-Fold Door
	081604-01-000	EA	Slide Bolt - Antique Brass
	093184-01-01A	EA	Plate - Striker Door - Bath
	093213-01-000	EA	Catch - Roller Nylon
	092652-01-000	EA	Guide Wheel - Door - Top - Bi-Fold Door
	093212-01-01A	EA	Door Bolt - Mortise - Bi-Fold Door

1989 ITASCA TABLE OF CONTENTS

ICN28RU
IC/JN31RT
IC/JN36RQ

A-01 - D-16
D-17 - H-10
H-09 - K-21

1989 IC/JN31RT INDEX

Floor Plan	D-17 - D-18
Accessories Group	D-19 - D-23
Bath Group	D-24 - E-02
Chassis Group	E-03 - E-10
Curtain, Cushion & Pad Group	E-11 - E-22
Dinette Group	E-23 - E-24
Driver's Compartment Group	F-01 - F-07
Electrical Group	F-08 - F-11
Exterior Body Group	F-12 - F-19
Galley Group	F-20 - F-23
Heating & Air Conditioning Group	F-24 - G-02
Interior Finish Group	G-03 - G-04
LP Group	G-05
Lounge Group	G-06 - G-09
Water & Sewage Group	G-10 - G-13
Window, Vent & Exterior Door Group	G-14 - H-08

BATH GROUP (CONTINUED)

BATH & WARDROBE HARDWARE

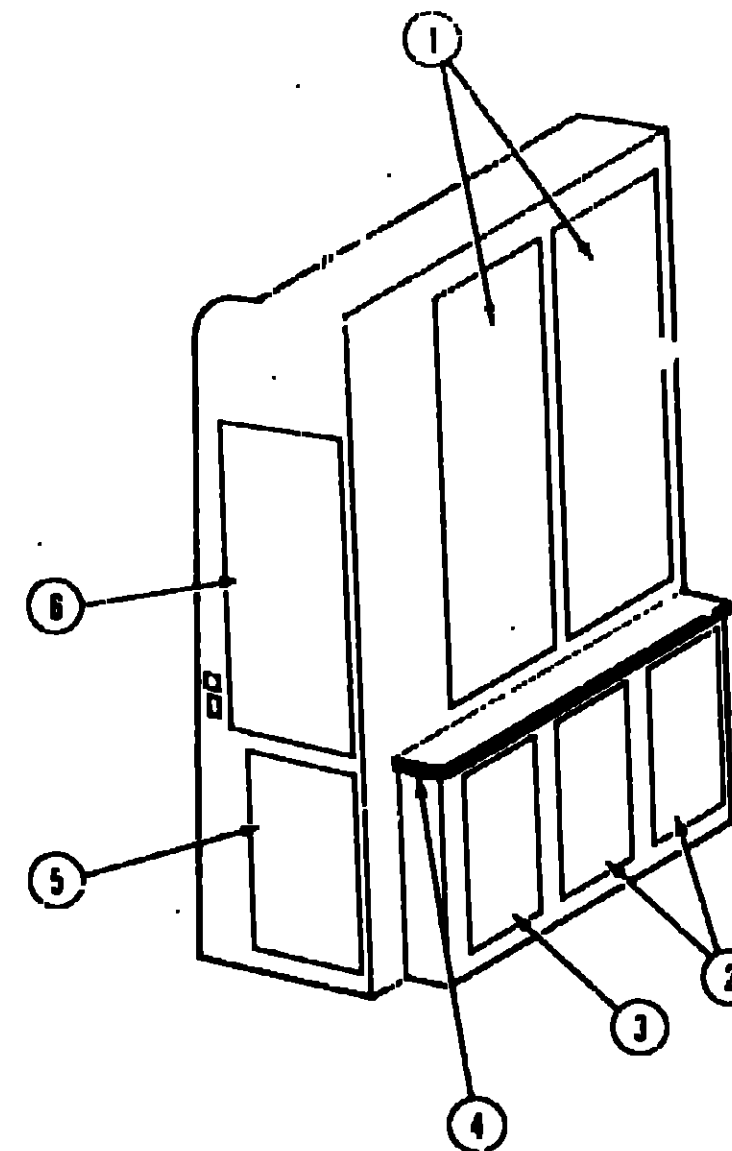
Key	Part Number	U/M	Description
	072210 05 000	EA	Faucet - Lavatory - Brass
	072210 05 000	EA	Faucet - Lavatory - Chrome (CSA)
	072210 05 000	EA	Gasket - Lavatory Faucet
	072210 05 000	EA	Faucet - Tub & Shower - Brass
	072210 05 000	EA	Faucet - Tub & Shower - Chrome (CSA)
	072210 05 000	EA	Shower Head - w/60" Hose
	072210 05 000	EA	Shower Head - w/60" Hose (CSA)
	072210 05 000	EA	Door Asm - Shower
	072210 05 000	EA	Sink Oval - w/60" Plastic
	072210 05 000	EA	Shower Pan
	072210 05 000	EA	Panel - Shower Faucet
	072210 05 000	EA	Shower Head Guide - Brass
	072210 05 000	EA	Hex - 1" - Brass
	072210 05 000	EA	Hex - 2" - Brass
	072210 05 000	EA	Hex - Cabinet Door - Brass
	072210 05 000	EA	Catch - Nylon - Grill
	072210 05 000	EA	Strike - Spring Steel
	072210 05 000	EA	Strainer - Shower Pan & Tub
	072210 05 000	EA	Slip Nut - 1 5" Tail Piece - Bathroom
	072210 05 000	EA	Tissue Holder - Recessed - Brass
	072210 05 000	EA	Tissue Holder - Recessed - CSA
	072210 05 000	EA	Clothes Rod - Adjustable - 27" - 38"
	072210 05 000	EA	Bar - Towel Rack - 18"
	072210 05 000	EA	Towel Bar - 12" Chrome (CSA)
	072210 05 000	EA	Bracket - Towel Bar - Chrome (CSA)
	072210 05 000	EA	Towel Ring - Brass
	072210 05 000	EA	Towel Ring - Plastic (CSA)
	072210 05 000	EA	Retaining Button - Glass
	072210 05 000	EA	Toilet - Aqua Magic - IV - Low
	072210 05 000	EA	Soap Dish - Brass - w/Plastic Cover
	072210 05 000	EA	Dish Soap - Chrome (CSA)
	072210 05 000	EA	Collar - Skylite - Inner Panel
	072210 05 000	EA	Skylite Panel - Outer
	072210 05 000	EA	Skylite Trim - Outer - Mill
	072210 05 000	EA	Corner Cardie - Right - Shower
	072210 05 000	EA	Corner Cardie - Left - Shower
	072210 05 000	EA	Flange - Closet - 4 x 3 (UL)
	072210 05 000	EA	Flange - Closet - 4 x 3 (CSA)
	072210 05 000	EA	Wood Dowel - Wardrobe Closet
	072210 05 000	EA	Flange - Wood Dowel

BATH GROUP (CONTINUED)

1989 ITASCA TABLE OF CONTENTS

IC/JN31RT
IC/JN31RT
IC/JN31RT

A-01 - D-18
D-17 - H-10
H-09 - K-21



WARDROBE CABINETRY

Key	Part Number	U/M	Description
1	M88304-E7-Y12	EA	Door Asm. - 15.3" x 49.2" - w/o Hardware
2	M88304-64-X11	EA	Door Asm. - 20.6" x 48" - w/o Hardware
3	M88304-65-X11	EA	Door Asm. - 14.3" x 21.8" - w/o Hardware
4	M88304-52-X23	EA	Door Asm. - 14.3" x 21.8" - w/o Hardware
5	093196-11-Y12	EA	Countertop Asm. - Wardrobe
6	M88304-24-Y12	EA	Door Asm. - 12.8" x 17.7" - w/o Hardware

1989 IC/JN31RT INDEX

Floor Plan	D-17 - D-18
Accessories Group	D-19 - D-23
Bath Group	D-24 - E-02
Chassis Group	E-03 - E-10
Curtain, Cushion & Pad Group	E-11 - E-22
Dinette Group	E-23 - E-24
Driver's Compartment Group	F-01 - F-07
Electrical Group	F-08 - F-11
Exterior Body Group	F-12 - F-19
Galley Group	F-20 - F-23
Heating & Air Conditioning Group	F-24 - G-02
Interior Finish Group	G-03 - G-04
LP Group	G-05
Lounge Group	G-06 - G-09
Water & Sewage Group	G-10 - G-13
Window, Vent & Exterior Door Group	G-14 - H-08

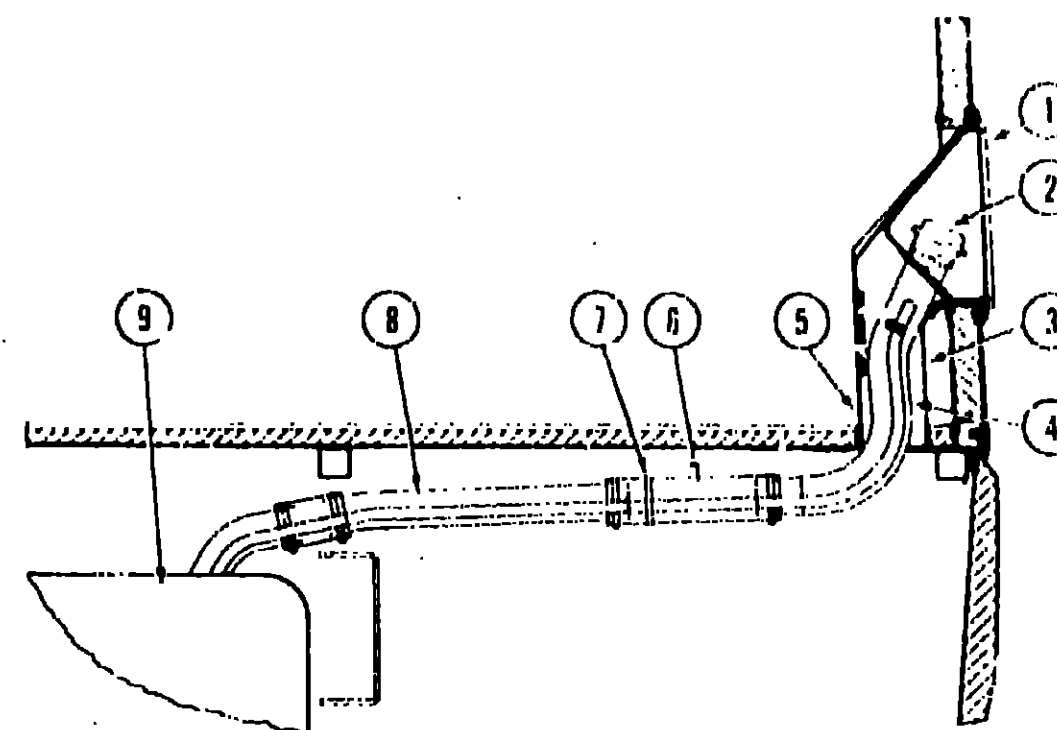
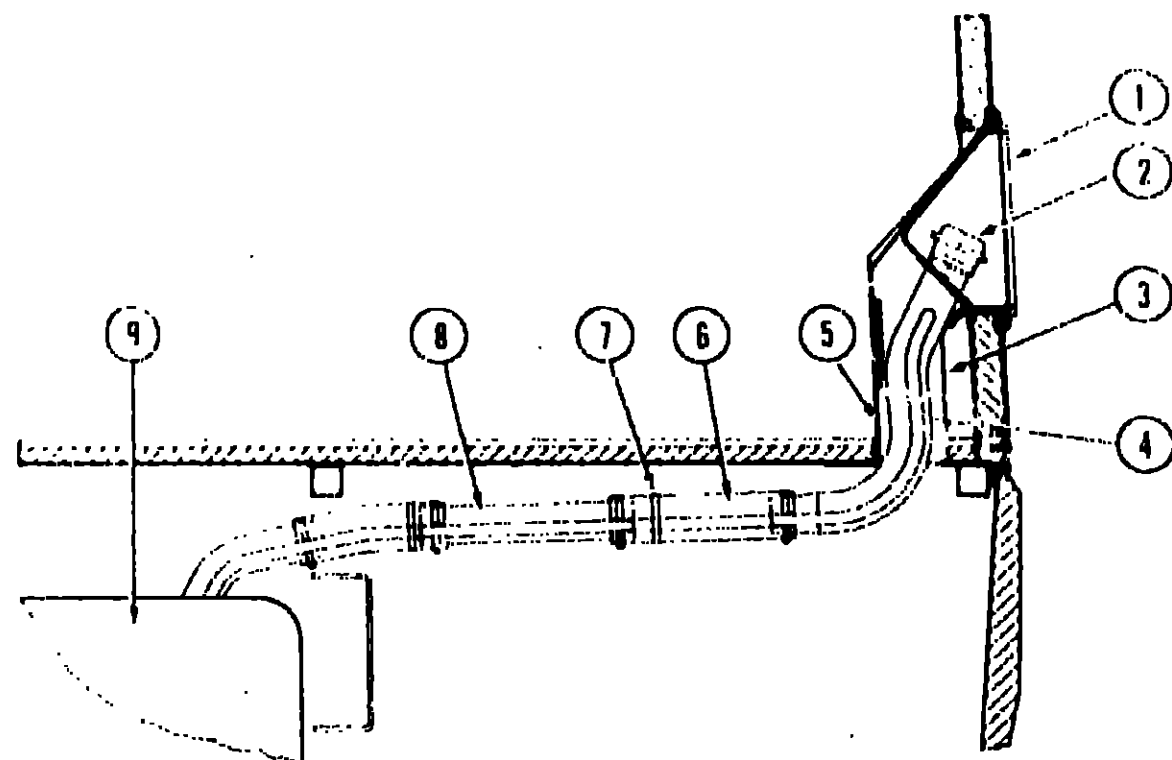
CHASSIS GROUP

CHASSIS GROUP (CONTINUED)

1989 ITASCA TABLE OF CONTENTS

IC/JN31RT
IC/JN31RT
IC/JN31RT

A-01 - D-16
L-17 - H-10
H-09 - K-21



FUEL SYSTEMS COMPONENTS (CHEVROLET)

Key	Part Number	U/M	Description
1	078010-03-000	EA	Door Asm. - Fuel Fill - Off White
2	073270-02-000	EA	Cap - Fuel Fill (Gas)
2	073270-03-000	EA	Cap - Fuel Fill (Diesel)
	078200-01-000	EA	Gasket - Fuel Fill
3	083578-01-000	EA	Boot - Fuel Fill
4	075227-01-000	EA	Neck Asm. - Upper Fuel Fill (Federal)
4	075227-03-000	EA	Neck Asm. - Upper Fuel Fill (California)
5	072447-04-000	EA	Shroud - Fuel Fill - Inside
6	081245-01-000	EA	Hose - Fuel Fill - Formed
	062401-05-000	EA	Clamp - Hose - Wormgear - 2" - 3" (Fuel Hose)
7	075229-01-000	EA	Strap Asm.
8	075228-01-000	EA	Neck Asm. - Fuel Fill - Lower
9	093721-01-000	EA	Tank - Fuel - 80 Gal.
	096486-02-000	EA	Strap Asm. - Fuel Tank
	088740-01-000	EA	Sending Unit
	086255-01-000	EA	Gasket - Sending Unit
	079611-01-000	EA	Valve Asm. - Vent - Fuel Tank
	066732-01-000	FT	Hose - Fuel - .62 ID (Vent Hose)
	062401-10-000	EA	Clamp - Hose - Wormgear - 1" - 2" (Vent Hose)
	007111-03-000	EA	Hose - Fuel - 1.75" x 3" (Tank To Neck)
	007111-03-000	EA	Hose - Fuel - 1.75" - 3" (Tank To Neck)

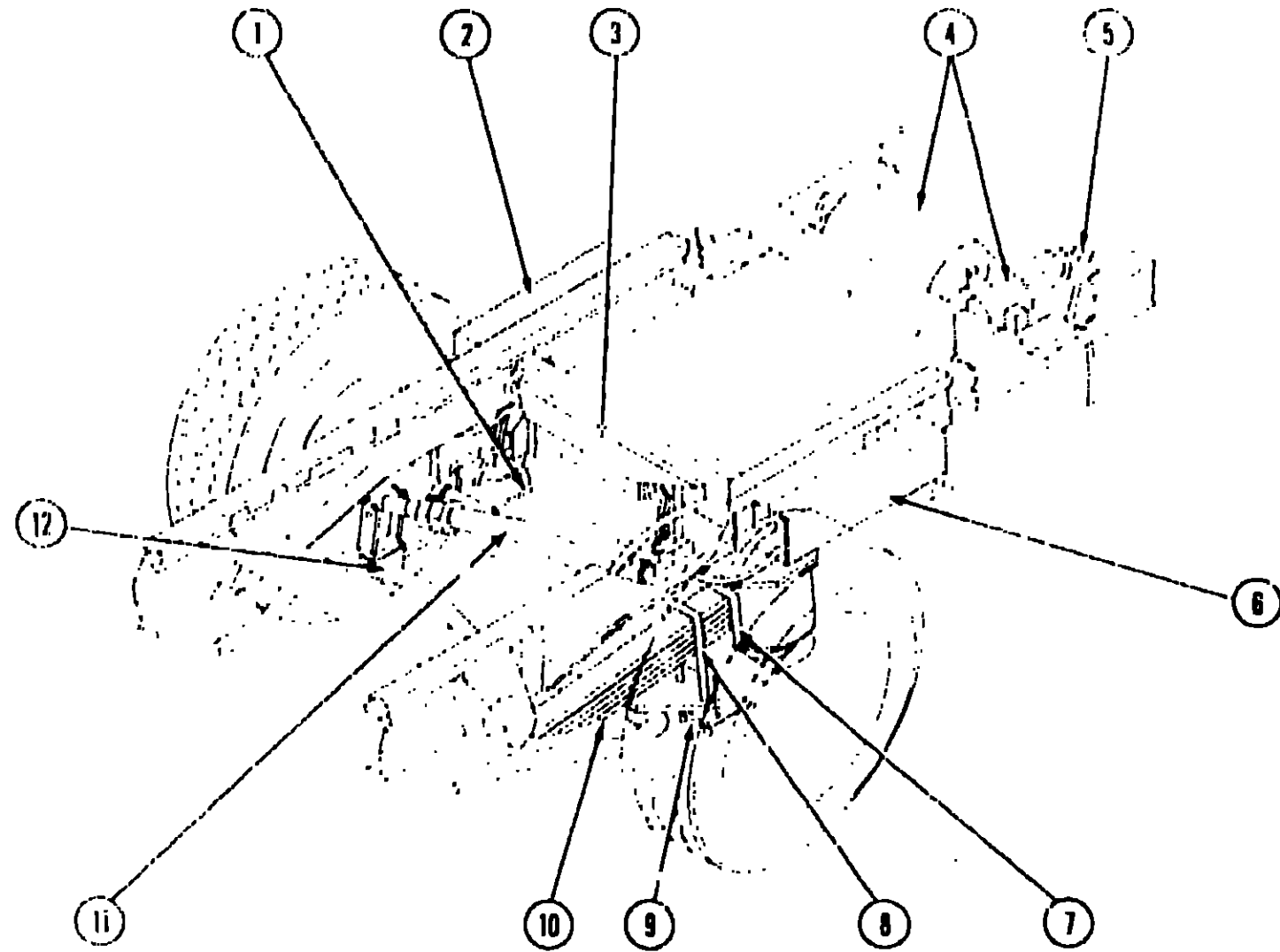
FUEL SYSTEMS COMPONENTS (JOHN DEERE)

Key	Part Number	U/M	Description
1	078010-03-000	EA	Door Asm. - Fuel Fill - Off White
2	NOTE	EA	Cap - Fuel Fill
	078200-01-000	EA	Gasket - Fuel Fill
3	083578-01-000	EA	Boot - Fuel Fill
4	087256-01-000	EA	Neck Asm. - Upper Fuel Fill
5	072447-04-000	EA	Shroud - Fuel Fill - Inside
6	081245-01-000	EA	Hose - Fuel Fill - Formed
	062401-05-000	EA	Clamp - Hose - Wormgear - 2" - 3" (Fuel Hose)
7	075229-01-000	EA	Strap Asm.
8	075228-01-000	EA	Neck - Fuel Fill - Lower
9	093721-02-000	EA	Tank - Fuel - 80 Gal.
	086484-01-000	EA	Strap Asm. - Fuel Tank
	093378-01-000	EA	Sending Unit
	086255-01-000	EA	Gasket - Sending Unit
	066732-01-000	FT	Hose - Fuel - .62 ID (Vent Hose)
	062401-10-000	EA	Clamp - Hose - Wormgear - 1" - 2" (Vent Hose)
	007111-03-000	EA	Hose - Fuel - 1.75" x 3" (Tank to Neck)
	079658-01-000	FT	Hose - Fuel - .50" ID
	* This part is chassis supplied & must be obtained from your chassis dealer.		

1989 IC/JN31RT INDEX

Floor Plan	D-17 - D-18
Accessories Group	D-19 - D-23
Bath Group	D-24 - E-02
Chassis Group	E-03 - E-10
Curtain, Cushion & Pad Group	E-11 - E-22
Dinette Group	E-23 - E-24
Driver's Compartment Group	F-01 - F-07
Electrical Group	F-08 - F-11
Exterior Body Group	F-12 - F-19
Galley Group	F-20 - F-23
Heating & Air Conditioning Group	F-24 - G-02
Interior Finish Group	G-03 - G-04
LP Group	G-05
Lounge Group	G-06 - G-09
Water & Sewage Group	G-10 - G-13
Window, Vent & Exterior Door Group	G-14 - H-08

CHASSIS GROUP (CONTINUED)
AIR RIDE SUSPENSION (OPTION 64K & 64P)



Key	Part Number	U/M	Description
1	090436-11-000	EA	Spring Mount - Lower Axle - Driver
2	090436-09-000	EA	Mount - Airspring Asm. - Upper Driver
3	090436-04-000	EA	Valve Asm. - Height - w/o Park & Level
3	090436-05-000	EA	Valve Asm. - Height - w/Park & Level
4	090436-07-000	EA	Compressor Asm. - w/Tank & Wiring
5	090436-08-000	EA	Control - Park Level w/Wiring
6	090436-08-000	EA	Mount - Airspring Asm. - Upper - Passenger
7	090436-13-000	EA	U-Bolt - Rearward Bent - 7/8"
8	090436-12-000	EA	U-Bolt - Straight - 7/8"
9	090436-10-000	EA	Spring Mount - Lower Axle - Passenger
10	090436-03-000	EA	Leaf Spring - Semi
11	090436-14-000	EA	Track Bar - w/Pivot Bolt & Brackets
12	091250-03-000	EA	Bushing - Sway Bar - 1.75"
	090436-15-000	EA	Valve - Solenoid Asm. - Park & Level
	090436-15-700	EA	Toggle Switch
	090436-15-701	EA	Toggle Switch - Lighted
	090436-15-702	EA	Light - Indicator
	090436-15-703	EA	Solenoid - Electric
	090436-16-000	EA	Bracket - Drain Hose/Axle
	000D14-05-00B	EA	Hex Nut - 5/16 - #18
	000D34-06-00B	EA	Hex Nut - Locking - 3/4 - #16
	000E13-17-00B	EA	Washer - Flange - 3/8
	071374-03-000	EA	Fitting - Bulkhead - 1/4 x 1/4 MNPT
	007125-11-000	EA	Clamp Asm. - Muffler
	016370-02-000	EA	Strap - Hanger Extension
	081918-02-000	EA	Extension - Exhaust - 2.25 OD x 7
	085433-01-000	EA	Shield - Heat Exhaust
	095190-01-000	EA	Hanger - Exhaust
	016379-02-000	EA	Strap - Hanger Extension
	096199-01-000	EA	Exhaust Pipe - Driver
	096200-01-000	EA	Exhaust Pipe - Passenger
	096087-02-000	EA	Bracket Asm. - Strap - Exhaust Pipe
	091250-01-000	EA	Bushing - Sway Bar - 1.25 (Inboard)
	091250-02-000	EA	Bushing - Sway Bar - 1.25 (Outboard)
	096055-01-000	EA	Support Asm. - Exhaust Pipe

1989 ITASCA
TABLE OF CONTENTS

ICN28RU
 IC/JN31RT
 IC/JN36RD

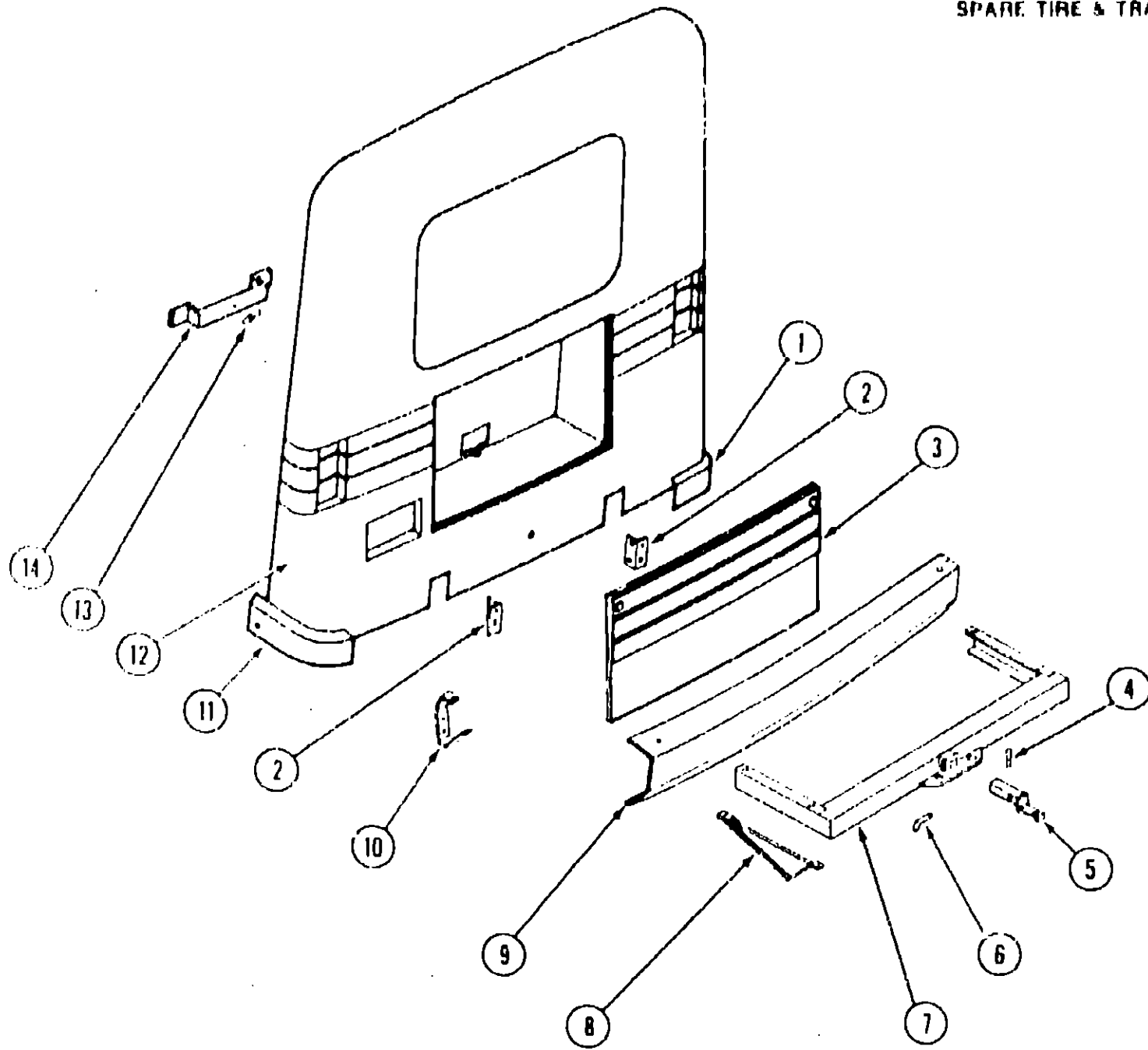
A-01 - D-16
 D-17 - H-10
 H-09 - K-21

1989 IC/JN31RT INDEX

Floor Plan	D-17 - D-18
Accessories Group	D-19 - D-23
Bath Group	D-24 - E-02
Chassis Group	E-03 - E-10
Curtain, Cushion & Pad Group	E-11 - E-22
Dinette Group	E-23 - E-24
Driver's Compartment Group	F-01 - F-07
Electrical Group	F-08 - F-11
Exterior Body Group	F-12 - F-19
Galley Group	F-20 - F-23
Heating & Air Conditioning Group	F-24 - G-02
Interior Finish Group	G-03 - G-04
LP Group	G-05
Lounge Group	G-06 - G-09
Water & Sewage Group	G-10 - G-13
Window, Vent & Exterior Door Group	G-14 - H-08

CHASSIS GROUP (CONTINUED)

SPARE TIRE & TRAILER HITCH



Key	Part Number	U/M	Description
1	092251-01-01A	EA	End Cap - Rear Bumper - Passenger
2	078608-01-000	EA	Angle Support - Rear Bumper
3	092383-01-Y33	EA	Base Panel - Rear
	090340-01-000	ET	Seal - Foam - Closed Cell
4	034513-01-000	EA	Hitch Pin - 3/16" Wire
5	077613-01-000	EA	Drawbar Asm
6	034512-01-000	EA	Locking Pin - Drawbar
7	077617-04-000	EA	Hitch Asm. - w/o Drawbar
8	093048-01-000	EA	Skid Plate Asm
9	077851-09-000	EA	Rear Bumper - Off White
	005200-01-000	EA	Bumper Bolt - 7/16" - 14 x 1 1/4
	000039-07-00B	EA	Hex Nut - 7/16" - 14
10	077855-01-000	EA	Bracket - Rear Bumper
11	092251-02-01A	EA	End Cap - Rear Bumper - Driver
12	M03491-01-Y33	EA	Rear Cap Asm. - Off White
13	061081-01-000	EA	Wing Nut
14	077399-01-000	EA	Retainer - Spare Tire
	007324-04-000	EA	Tire - 8" x 19.5" - Michelin
	095012-01-000	EA	Extension - Valve Stem
	007324-03-000	EA	Tire - 8" x 19.5" - Michelin (John Deere)
	095012-02-000	EA	Extension - Valve Stem (John Deere)

1989 ITASCA TABLE OF CONTENTS

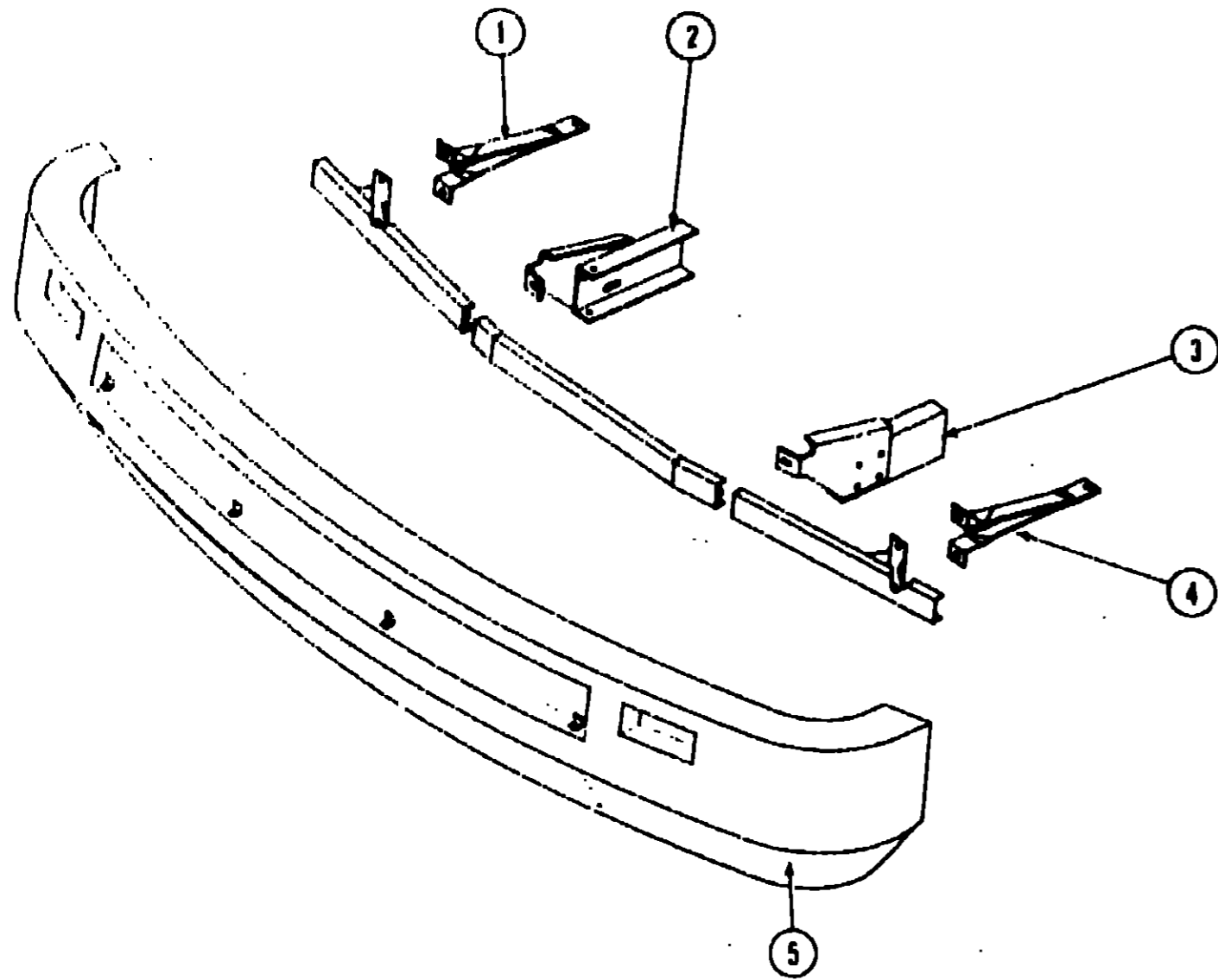
ICN28RU
IC/JN31RT
IC/JN36RO

A-01 - D-16
D-17 - H-10
H-09 - K-21

1989 IC/JN31RT INDEX

Floor Plan	D-17 - D-18
Accessories Group	D-19 - D-23
Bath Group	D-24 - E-2
Chassis Group	E-03 - E-10
Curtain, Cushion & Pad Group	E-11 - E-22
Dinette Group	E-23 - E-24
Driver's Compartment Group	F-01 - F-07
Electrical Group	F-08 - F-11
Exterior Body Group	F-12 - F-19
Galley Group	F-20 - F-23
Heating & Air Conditioning Group	F-24 - G-02
Interior Finish Group	G-03 - G-04
LP Group	G-05
Lounge Group	G-06 - G-09
Water & Sewage Group	G-10 - G-13
Window, Vent & Exterior Door Group	G-14 - H-08

CHASSIS GROUP (CONTINUED)



FRONT BUMPER

Key	Part Number	U/M	Description
1	093034-01-000	EA	Brace - Upper - Bumper (2 Required)
2	093749-01-000	EA	Support - Extension - Bumper - Passenger
3	093749-02-000	EA	Support - Extension - Bumper - Driver
4	093775-01-000	EA	Brace - Lower - Bumper (2 Required)
5	093846-01-Y35	EA	Panel Asm. - Front Bumper - Off White
	093905-01-Y33	EA	Grille Asm. - Front Bumper

CHASSIS GROUP (CONTINUED)

MISCELLANEOUS

Key	Part Number	U/M	Description
	084086-01-000	EA	Airspring Bellows - Rear Axle (Chevrolet)
	088782-01-000	EA	Airspring Bellows - Rear Axle (John Deere)
	072358-01-000	EA	Bottle - Expansion Coolant
	063739-01-000	EA	Battery - 12V - Storage
	064650-01-000	EA	Battery Tiedown - Plastic Coated (John Deere)
	062401-02-000	EA	Clamp - Hose - Wormgear - 1.56 ID - 2.5" ID
	052401-03-000	EA	Clamp - Hose - Wormgear - .25 ID - 1" ID
	062401-04-000	EA	Clamp - Hose - Wormgear - .69" ID - 1.25" ID
	062401-05-000	EA	Clamp - Hose - Wormgear - 2" ID - 3" ID
	062401-06-000	EA	Clamp - Hose - Wormgear - .22" ID - .62" ID
	007125-03-000	EA	Clamp Asm. - Muffler - 1.50 Dia.
	007125-07-000	EA	Clamp Asm. - Muffler - 2.50 Dia.
	007125-11-000	EA	Clamp Asm. - Muffler - 2.75" Dia.
	010497-01-000	EA	Clamp - Closed - 5/8 ID
	010497-03-000	EA	Clamp - Closed - 1" ID
	M03498-01-000	EA	Compartment - Furnace
	085438-01-000	EA	Hanger - Tailpiece
	095055-01-000	EA	Hanger - Universal - Exhaust
	007063-01-000	FT	Hose - Gas - 1/4" ID x 1/2 CD
	024138-01-000	FT	Hose - Fuel - 5/16 ID
	017516-01-000	EA	Mud Flap - Black
	089199-01-000	EA	Shield - Air Pump - Pulley
	094707-01-01A	EA	Step Asm. - Electric - Double
	087883-01-000	EA	Wheelwell - Plastic - Rear
	081918-02-000	EA	Exhaust Extension
	093385-01-000	EA	Bracket - License Plate

**1989 ITASCA
TABLE OF CONTENTS**

ICN28RU
IC/JN31RT
IC/JN36RC

A-01 - D-16
D-17 - H-10
H-09 - K-21

1989 IC/JN31RT INDEX

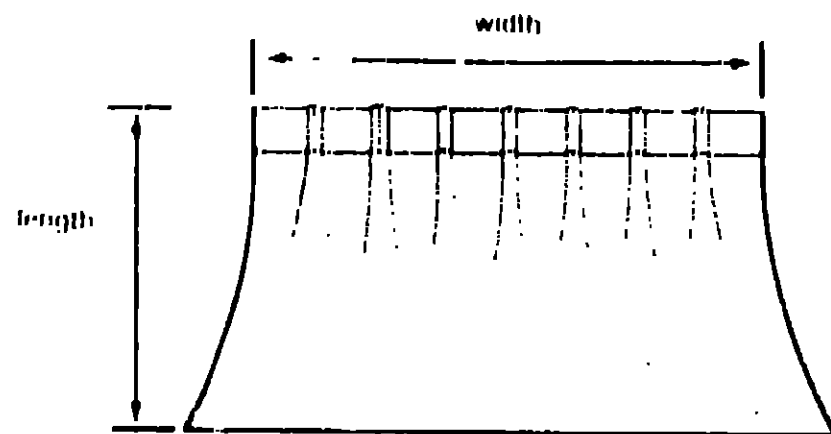
Floor Plan	D-17 - D-18
Accessories Group	D-19 - D-23
Bath Group	D-24 - E-02
Chassis Group	E-03 - E-10
Curtain, Cushion & Pad Group	E-11 - E-22
Dinette Group	E-23 - E-24
Driver's Compartment Group	F-01 - F-07
Electrical Group	F-08 - F-11
Exterior Body Group	F-12 - F-19
Galley Group	F-20 - F-23
Heating & Air Conditioning Group	F-24 - G-02
Interior Finish Group	G-03 - G-04
LP Group	G-05
Lounge Group	G-06 - G-09
Water & Sewage Group	G-10 - G-13
Window, Vent & Exterior Door Group	G-14 - H-08

CURTAIN, CUSHION & PAD GROUP

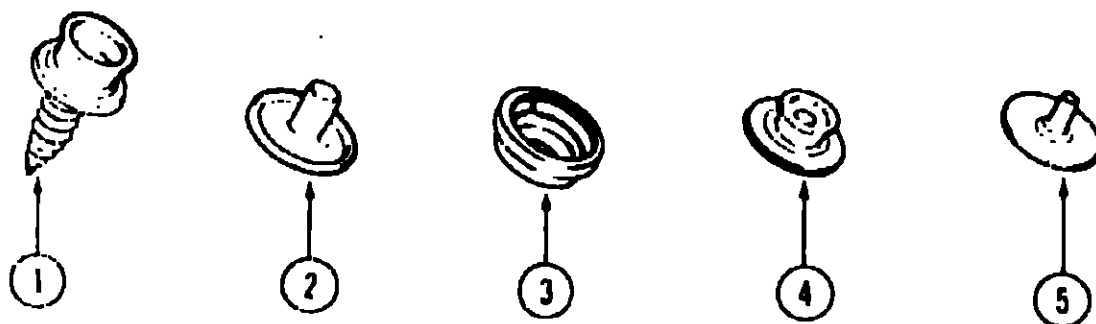
NOTICE

In order to assist our Part Sales Dept. in providing interior software items, please include the serial number and the color code number from the vehicle certification label w/ an ordering. This label is located on the left sidewall at the end of the dash (A-Body), or on the driver's door latch plate (C-Body).

An example of a color code number is P31, which designates an overall color scheme of a particular unit. The color listed after the item description on the microfiche, indicates the overall unit color. Order the item you desire according to unit color code.



NOTE: Use this illustration when determining length and width measurements for curtains. You will note the width measurement is taken on the top of the curtain with the curtain fully extended. The length measurement is taken from top to bottom.



Key	Part Number	U/M	Description
1	029130-01-000	EA	Socket - Snap Fastener
2	029155-01-000	EA	Cap - Snap - .156" Dia. x 17" Barrel
3	029156-01-000	EA	Socket - Snap Fastener
4	029092-01-000	EA	Stud - Nickel Finish
5	029093-01-000	EA	Eyelet - Nickel Finish

CURTAIN, CUSHION & PAD GROUP (CONTINUED)

CURTAIN & BLIND HARDWARE

Key	Part Number	U/M	Description
	029094-04-000	EA	Tape - Loop - 1" Wide - Black
	029096-03-000	EA	Tape - Hook - 1" Wide - Black
	048394-02-000	EA	Tape - Hook - .75" Wide - Beige
	048395-02-000	EA	Tape - Loop - .75" Wide - Beige
	088792-01-000	EA	Tape - Hook - 5/8" - Non-Adhesive
	088792-02-000	EA	Tape - Loop - .75" - Adhesive - Beige
	056003-01-000	EA	Bracket - Drapery Retainer - Right
	056003-02-000	EA	Bracket - Drapery Retainer - Left
	081381-01-000	EA	Swivel Snap - Curtain Track
	094398-01-000	EA	Track - Curtain - Front Wraparound (Option 61H)
	078946-08-000	EA	Track - Curtain - Front Wraparound (Option 61H)
	091904-01-000	EA	Track - Curtain - Front Wraparound - Beige
	088335-01-000	FI	Track - Curtain - Brown Plastic - 12'
	075943-01-000	EA	Brace - Beige
	095591-01-000	EA	Bracket - Hold Down w/ Pin
	083170-01-000	EA	Bracket - Installation - Blind - Right
	083170-02-000	EA	Bracket - Installation - Blind - Left
	084434-01-000	EA	Bracket - Roller Shade - 1.37"
	087253-01-000	EA	Pull - Window Shade - Clear Plastic
	086276-01-000	EA	Tape - Double Sided - .5"
	084433-04-000	EA	Roller Shade - 60.25"
	084432-06-000	FT	Slat - Roller Shade - 96" - Plastic
	091313-01-000	EA	Grommet - Headrest
	052859-01-W30	EA	Trim Asm. - Accent - Vinyl Welling
	052859-07-Y35	FT	Trim Asm. - Accent Fabric
	089916-01-000	EA	Trim - Window
	067052-02-000	EA	Knobs - Operator - Window - Beige
	090025-01-000	EA	Extension - Window Control

FABRIC & TRIMS

Key	Part Number	U/M	Description
	088274-63-000	YD	Fabric - Upholstery - Main - Blue (Y35)
	088274-61-000	YD	Fabric - Upholstery - Main - Tiffany (Y36)
	088274-62-000	YD	Fabric - Upholstery - Main - Starburst (Y37)
	088274-33-000	YD	Fabric - Upholstery - Accent - Blue (Y35)
	088274-59-000	YD	Fabric - Upholstery - Accent - Umber (Y36)
	088274-60-000	YD	Fabric - Upholstery - Accent - Eggshell (Y37)
	088273-25-000	YD	Fabric - Bedspread - Ecru (Y35)
	088273-26-000	YD	Fabric - Bedspread - Peach (Y36)
	088273-27-000	YD	Fabric - Bedspread - Pastel (Y37)
	072333-55-000	YD	Fabric - Drapery Wraparound/Blackout - Silver (Y35)
	072333-59-000	YD	Fabric - Drapery Wraparound/Blackout - Tan (Y36)
	072333-60-000	YD	Fabric - Drapery Wraparound/Blackout - Wisteria (Y37)
	072333-63-000	YD	Fabric - Pull Shade - Entrance Door - Bone
	081926-01-000	YD	Backing - Quilting - Celestra
	087272-01-000	YD	Lining - Drapery - 48" Ivory
	029103-01-000	YD	Buckram - Non-Woven - 2
	075244-02-000	YD	Vinyl - Shower Curtain
	077484-01-000	YD	Vinyl - Expanded - Smoke (TV Pad)
	089351-01-000	YD	Vinyl - Accoustical Ceiling (Roof)
	079680-01-000	YD	Vinyl - Expanded - 26 oz. Buckskin (End Caps)
	079680-09-000	YD	Vinyl - Headliner - Off White
	072860-70-000	SY	Carpet - Glacier Blue (Y35)
	072860-71-000	SY	Carpet - Pirate's Alley (Y36)
	072860-85-000	SY	Carpet - Amethyst (Y37)
	093486-01-001	EA	Carpet - Outside Storage Compartment (1 SY)
	093486-01-000	SY	Carpet - Outside Storage Compartment
	078245-01-000	EA	Boot - Steering Column
	053552-02-W24	EA	Assist Strap - Interior
	071632-01-000	EA	Hamper Bag - w/Elastic - 49"

1989 ITASCA TABLE OF CONTENTS

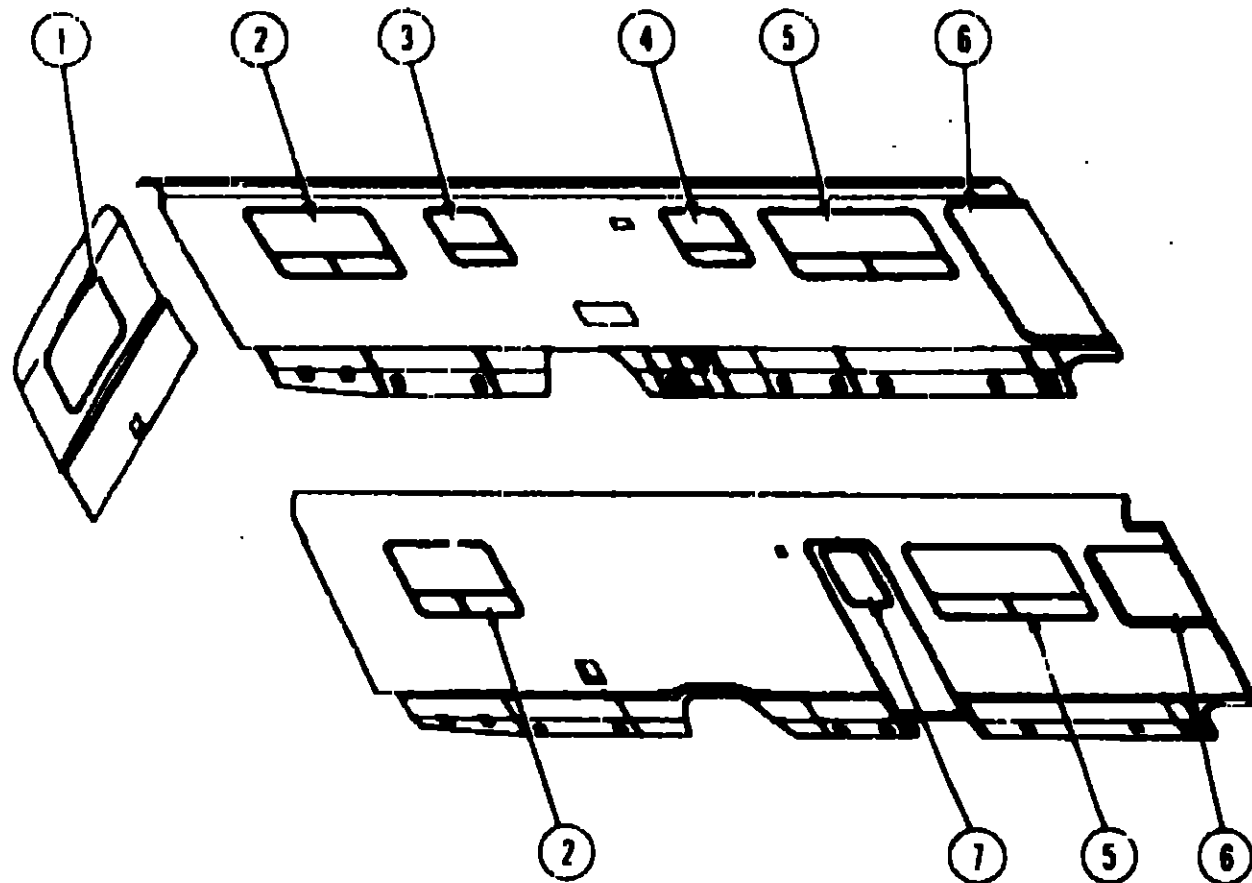
ICN20RU	A-01 - D-16
IC/JN31RT	D-17 - H-10
IC/JN36RO	H-09 - K-21

1989 IC/JN31RT INDEX

Floor Plan	D-17 - D-18
Accessories Group	D-19 - D-23
Bath Group	D-24 - E-02
Chassis Group	E-03 - E-10
Curtain, Cushion & Pad Group	E-11 - E-22
Dinette Group	E-23 - E-24
Driver's Compartment Group	F-01 - F-07
Electrical Group	F-08 - F-11
Exterior Body Group	F-12 - F-19
Galley Group	F-20 - F-23
Heating & Air Conditioning Group	F-24 - G-02
Interior Finish Group	G-03 - G-04
LP Group	G-05
Lounge Group	G-06 - G-09
Water & Sewage Group	G-10 - G-13
Window, Vent & Exterior Door Group	G-14 - H-08

CURTAIN, CUSHION & PAD GROUP (CONTINUED)

CURTAIN, CUSHION & PAD GROUP (CONTINUED)



CURTAIN, SHADES, VALANCES & TIEBACKS

Key	Part Number	U/M	Description
1	093455-20-Y35	EA	Shade Asm. - Pull - 51.25" (Y35)
1	093455-20-Y19	EA	Shade Asm. - Pull - 51.25" (Y36)
1	093455-20-Y76	EA	Shade Asm. - Pull - 51.25" (Y37)
1	079542-16-Y30	EA	Curtain Asm. w/Dart Top - 34" x 12" (Y35)
1	079542-16-Y31	EA	Curtain Asm. w/Dart Top - 34" x 12" (Y36)
1	079542-16-Y32	EA	Curtain Asm. w/Dart Top - 34" x 12" (Y37)
2	093455-21-Y30	EA	Shade Asm. - Pull - 45.25" (Y35)
2	093455-21-Y31	EA	Shade Asm. - Pull - 45.25" (Y36)
2	093455-21-Y32	EA	Shade Asm. - Pull - 45.25" (Y37)
2	079542-16-Y30	EA	Curtain Asm. w/Dart Top - 34" x 12" (Y35)
2	079542-16-Y31	EA	Curtain Asm. w/Dart Top - 34" x 12" (Y36)
2	079542-16-Y32	EA	Curtain Asm. w/Dart Top - 34" x 12" (Y37)
2	094552-08-Y70	EA	Valance Asm. - Ruffled - w/Wood Trim (Y35)
2	094552-08-Y71	EA	Valance Asm. - Ruffled - w/Wood Trim (Y36)
2	094552-08-Y72	EA	Valance Asm. - Ruffled - w/Wood Trim (Y37)
2	093465-20-Y70	EA	Ruffled Valance - Cover Only (Y35)
2	093465-20-Y71	EA	Ruffled Valance - Cover Only (Y36)
2	093465-20-Y72	EA	Ruffled Valance - Cover Only (Y37)
3	093475-10-02A	EA	Mini Blind - 28" x 27" Drop (Y35, Y37)
3	093475-10-05A	EA	Mini Blind - 28" x 27" Drop (Y36)
3	073304-53-Y35	EA	Curtain Asm. w/Snap Top - 28" x 10" (Y35)
3	073304-53-Y13	EA	Curtain Asm. w/Snap Top - 28" x 10" (Y36)
3	073304-53-Y76	EA	Curtain Asm. w/Snap Top - 28" x 10" (Y37)
4	093475-16-01A	EA	Mini Blind - 28" x 25.5" Drop (Y35, Y37)
4	093476-16-02A	EA	Mini Blind - 28" x 25.5" Drop (Y36)
..	Parts used in the Queen Bed Option (44X)		

CURTAINS, SHADES, VALANCES & TIEBACKS (CONT.)

Key	Part Number	U/M	Description
5	093475-21-01A	EA	Mini Blind - 57.5" x 32" Drop (Y35, Y37)
5	093475-21-02A	EA	Mini Blind - 57.5" x 32" Drop (Y36)
5	089058-19-Y35	EA	Leg Asm. w/Gathers - Right Side (Y35)
5	089058-19-Y13	EA	Leg Asm. w/Gathers - Right Side (Y36)
5	089058-19-Y37	EA	Leg Asm. w/Gathers - Right Side (Y37)
15	089058-21-Y70	EA	Leg Asm. w/Gathers - Right Side (Y35)
15	089058-21-Y71	EA	Leg Asm. w/Gathers - Right Side (Y36)
15	089058-21-Y72	EA	Leg Asm. w/Gathers - Right Side (Y37)
5	089058-20-Y35	EA	Leg Asm. w/Gathers - Left Side (Y35)
5	089058-20-Y13	EA	Leg Asm. w/Gathers - Left Side (Y36)
5	089058-20-Y37	EA	Leg Asm. w/Gathers - Left Side (Y37)
15	089058-22-Y70	EA	Leg Asm. w/Gathers - Left Side (Y35)
15	089058-22-Y71	EA	Leg Asm. w/Gathers - Left Side (Y36)
15	089058-22-Y72	EA	Leg Asm. w/Gathers - Left Side (Y37)
6	093452-01-Y30	EA	Curtain Asm. w/Snap Top - 48" x 50" - Blackout - Passenger (Y35)
6	093452-01-Y31	EA	Curtain Asm. w/Snap Top - 48" x 50" - Blackout - Passenger (Y36)
6	093452-01-Y32	EA	Curtain Asm. w/Snap Top - 48" x 50" - Blackout - Passenger (Y37)
6	093452-02-Y30	EA	Curtain Asm. w/Snap Top - 48" x 50" - Blackout - Driver (Y35)
6	093452-02-Y31	EA	Curtain Asm. w/Snap Top - 48" x 50" - Blackout - Driver (Y36)
6	093452-02-Y32	EA	Curtain Asm. w/Snap Top - 48" x 50" - Blackout - Driver (Y37)
6	073304-60-Y35	EA	Curtain Asm. w/Lining - 34" x 82" - Front Wraparound (Y35)
6	073304-60-Y13	EA	Curtain Asm. w/Lining - 34" x 82" - Front Wraparound (Y36)
6	073304-60-Y37	EA	Curtain Asm. w/Lining - 34" x 82" - Front Wraparound (Y37)
1	Parts used with the Tipout Window Exchange (Option 1671)		

CURTAIN FOR THE FRONT BUNK (OPTION 61H)

Key	Part Number	U/M	Description
6	077591-09-Y35	EA	Curtain Asm. w/Velcro Top - 60" x 47.5" - Right (Y35)
6	077591-09-Y13	EA	Curtain Asm. w/Velcro Top - 60" x 47.5" - Right (Y36)
6	077591-09-Y37	EA	Curtain Asm. w/Velcro Top - 60" x 47.5" - Right (Y37)
6	071591-10-Y35	EA	Curtain Asm. w/Velcro Top - 60" x 47.5" - Left (Y35)
6	077591-10-Y13	EA	Curtain Asm. w/Velcro Top - 60" x 47.5" - Left (Y36)
6	077591-10-Y37	EA	Curtain Asm. w/Velcro Top - 60" x 47.5" - Left (Y37)
6	073304-58-Y35	EA	Curtain Asm. w/Lining - 36" x 37" - Front Wraparound (Y35)
6	073304-58-Y13	EA	Curtain Asm. w/Lining - 36" x 37" - Front Wraparound (Y36)
6	073304-58-Y37	EA	Curtain Asm. w/Lining - 36" x 37" - Front Wraparound (Y37)
6	073304-59-Y35	EA	Curtain Asm. w/Lining - 36" x 125" - Front Wraparound (Y35)
6	073304-59-Y13	EA	Curtain Asm. w/Lining - 36" x 125" - Front Wraparound (Y36)
6	073304-59-Y37	EA	Curtain Asm. w/Lining - 36" x 125" - Front Wraparound (Y37)
6	073260-26-Y35	EA	Tieback Asm. - 3" x 16" (Y35)
6	073260-26-Y13	EA	Tieback Asm. - 3" x 16" (Y36)
6	073260-26-Y37	EA	Tieback Asm. - 3" x 16" (Y37)
6	073260-28-Y35	EA	Tieback Asm. - 3" x 23" (Y35)
6	073260-28-Y13	EA	Tieback Asm. - 3" x 23" (Y36)
6	073260-28-Y37	EA	Tieback Asm. - 3" x 23" (Y37)

CURTAINS, SHADES, VALANCES & TIEBACKS (CONT.)

Key	Part Number	U/M	Description
7	093455-13-Y30	EA	Shade Asm. - Pull - 24.25" (Y35)
7	093455-13-Y19	EA	Shade Asm. - Pull - 24.25" (Y36)
7	093455-13-Y32	EA	Shade Asm. - Pull - 24.25" (Y37)
7	073260-23-XA4	EA	Tieback Asm. - 3" x 18" (Y35)
7	073260-23-Y16	EA	Tieback Asm. - 3" x 18" (Y36)
7	073260-23-Y72	EA	Tieback Asm. - 3" x 18" (Y37)
7	057534-01-000	EA	Tieback Asm. - 6" - Clear Plastic
7	057534-08-000	EA	Tieback Asm. - 16" - Clear Plastic

**1989 ITASCA
TABLE OF CONTENTS**

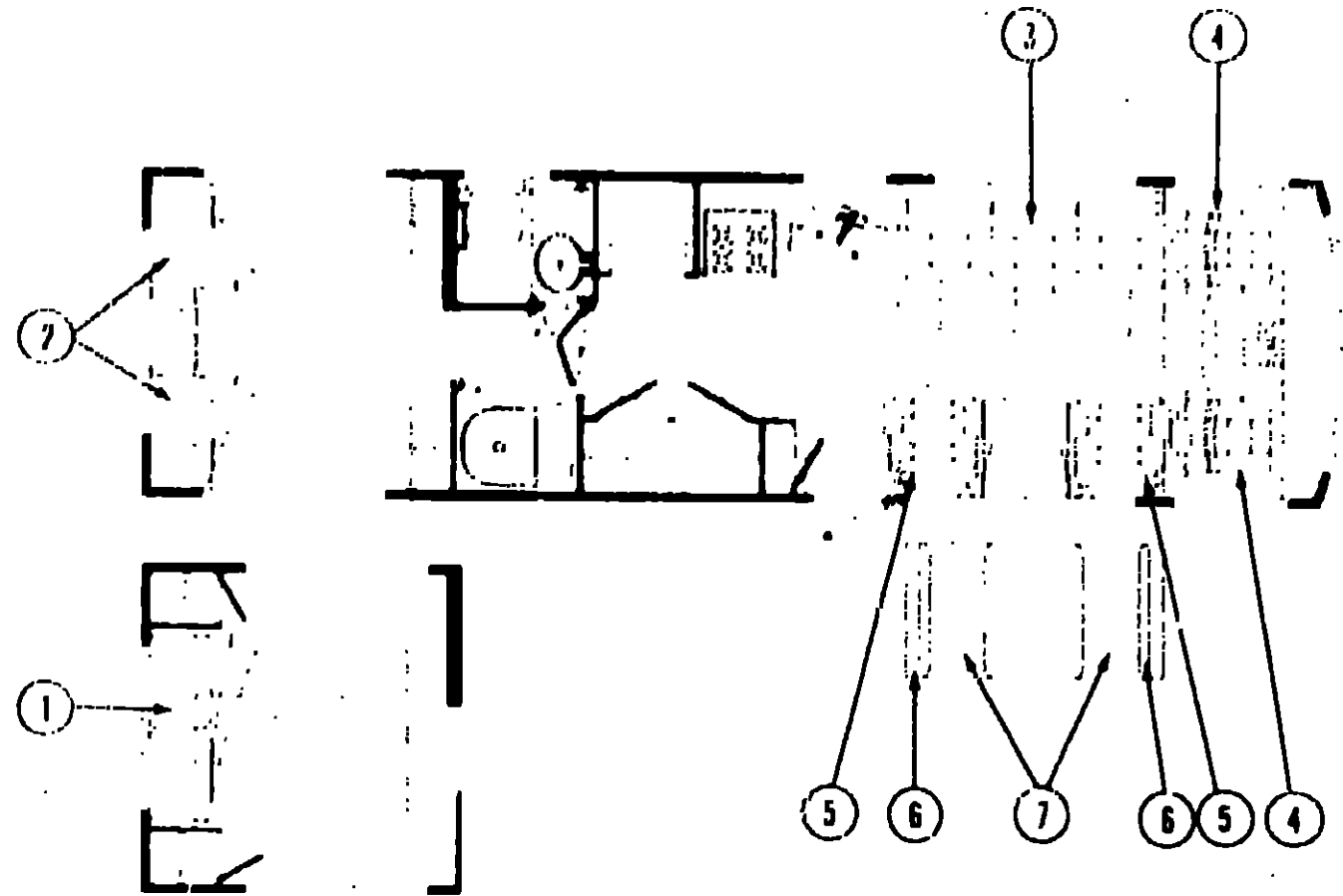
ICN28RU
IC/JN31RT
IC/JN36RO

A-01 - D-18
D-17 - H-10
I-09 - K-21

1989 IC/JN31RT INDEX

Floor Plan	D-17 - D-18
Accessories Group	D-19 - D-23
Bath Group	D-24 - E-02
Chassis Group	E-03 - E-10
Curtain, Cushion & Pad Group	E-11 - E-22
Dinette Group	E-23 - E-24
Driver's Compartment Group	F-01 - F-07
Electrical Group	F-08 - F-11
Exterior Body Group	F-12 - F-19
Galley Group	F-20 - F-23
Heating & Air Conditioning Group	F-24 - G-02
Interior Finish Group	G-03 - G-04
LP Group	G-05 - G-06
Lounge Group	G-07 - G-09
Water & Sewage Group	G-10 - G-11
Window, Vent & Exterior Door Group	G-12 - G-14

CURTAIN, CUSHION & PAD GROUP (CONTINUED)



TWIN BED

Key	Part Number	U/M	Description
1	093595-01-000	EA	Mattress - Innerspring - 33" x 75"
	081969-19-Y35	EA	Bedspread Asm. - 33" w/10" Ruffle
	081969-19-Y36	EA	Bedspread Asm. - 33" w/10" Ruffle
	081969-19-Y37	EA	Bedspread Asm. - 33" w/10" Ruffle
	088273-25-000	YD	Fabric - Bedspread - Ecru
	088273-26-000	YD	Fabric - Bedspread - Peach
	088273-27-000	YD	Fabric - Bedspread - Pastel

QUEEN BED (OPTION 44X)

Key	Part Number	U/M	Description
2	093595-04-000	EA	Mattress - Innerspring - 60" x 75"
	081969-20-Y35	EA	Bedspread Asm. - 60" w/10" Ruffle
	081969-20-Y36	EA	Bedspread Asm. - 60" w/10" Ruffle
	081969-20-Y37	EA	Bedspread Asm. - 60" w/10" Ruffle
	088273-25-000	YD	Fabric - Bedspread - Ecru
	088273-26-000	YD	Fabric - Bedspread - Peach
	088273-27-000	YD	Fabric - Bedspread - Pastel

CURTAIN, CUSHION & PAD GROUP (CONTINUED)

CELEBRITY BED

Key	Part Number	U/M	Description
1	089007-03-Y70	EA	Couch Asm. - Celebrity (w/o Seat & Arm Cushions) (Y35)
3	089007-03-Y71	EA	Couch Asm. - Celebrity (w/o Seat & Arm Cushions) (Y36)
3	089007-03-Y72	EA	Couch Asm. - Celebrity (w/o Seat & Arm Cushions) (Y37)
	M85007-03-Y70	EA	Cover Asm. - Celebrity Couch (Y35)
	M85007-03-Y71	EA	Cover Asm. - Celebrity Couch (Y36)
	M85007-03-Y72	EA	Cover Asm. - Celebrity Couch (Y37)
	085357-01-Y70	EA	Cushion Asm. - Celebrity - Single (3 Required) (Y35)
	085357-01-Y71	EA	Cushion Asm. - Celebrity - Single (3 Required) (Y36)
	085357-01-Y72	EA	Cushion Asm. - Celebrity - Single (3 Required) (Y37)
	M85357-01-Y70	EA	Cover Asm. - Cushion (Y35)
	M85357-01-Y71	EA	Cover Asm. - Cushion (Y36)
	M85357-01-Y72	EA	Cover Asm. - Cushion (Y37)
	085050-02-Y30	EA	Cushion Asm. - Arm - Pillow (Y35)
	085050-02-Y31	EA	Cushion Asm. - Arm - Pillow (Y36)
	085050-02-Y32	EA	Cushion Asm. - Arm - Pillow (Y37)
	M85050-02-Y30	EA	Cover Asm. - Arm Cushion Asm. (Y35)
	M85050-02-Y31	EA	Cover Asm. - Arm Cushion Asm. (Y36)
	M85050-02-Y32	EA	Cover Asm. - Arm Cushion Asm. (Y37)
	074044-90-000	EA	Oak Trim - Celebrity Bed
	079388-01-000	EA	Frame Asm. - Celebrity Bed
	079388-02-000	EA	Hardware Kit
	088274-63-000	YD	Fabric - Sofa Bed (Y35)
	088274-61-000	YD	Fabric - Sofa Bed (Y36)
	088274-62-000	YD	Fabric - Sofa Bed (Y37)

ROYALE II BUCKET SEATS

Key	Part Number	U/M	Description
4	093456-03-Y70	EA	Seat Asm. - Royale II - w/o Skirt (Y35)
4	093456-03-Y71	EA	Seat Asm. - Royale II - w/o Skirt (Y36)
4	093456-03-Y72	EA	Seat Asm. - Royale II - w/o Skirt (Y37)
	M03445-05-Y30	EA	Cover Asm. - Royale - Seat (Y35)
	M03445-05-Y31	EA	Cover Asm. - Royale - Seat (Y36)
	M03445-05-Y32	EA	Cover Asm. - Royale - Seat (Y37)
	M03445-06-Y30	EA	Cover Asm. - Royale - Back (Y35)
	M03445-06-Y31	EA	Cover Asm. - Royale - Back (Y36)
	M03445-06-Y32	EA	Cover Asm. - Royale - Back (Y37)
	071126-24-X75	EA	Skirt Asm. - Bucket Seat (Y35)
	071126-24-Y71	EA	Skirt Asm. - Bucket Seat (Y36)
	017726-24-Y72	EA	Skirt Asm. - Bucket Seat (Y37)
	071126-26-X75	EA	Skirt Asm. - Bucket Seat (Y35)
	071126-26-Y36	EA	Skirt Asm. - Bucket Seat (Y36)
	071126-26-Y37	EA	Skirt Asm. - Bucket Seat (Y37)
	080243-32-Y30	EA	Armrest Asm. - Right (Y35)
	080243-32-Y31	EA	Armrest Asm. - Right (Y36)
	080243-32-Y32	EA	Armrest Asm. - Right (Y37)
	M80243-32-Y30	EA	Cover Asm. - Right Armrest (Y35)
	M80243-32-Y31	EA	Cover Asm. - Right Armrest (Y36)
	M80243-32-Y32	EA	Cover Asm. - Right Armrest (Y37)
	080243-33-Y30	EA	Armrest Asm. - Left (Y35)
	080243-33-Y31	EA	Armrest Asm. - Left (Y36)
	080243-33-Y32	EA	Armrest Asm. - Left (Y37)
	M80243-33-Y30	EA	Cover Asm. - Left Armrest (Y35)
	M80243-33-Y31	EA	Cover Asm. - Left Armrest (Y36)
	M80243-33-Y32	EA	Cover Asm. - Left Armrest (Y37)
	085268-01-Y24	EA	Headrest Asm. - Straton (Y35)
	085268-01-Y71	EA	Headrest Asm. - Straton (Y36)
	085268-01-Y72	EA	Headrest Asm. - Straton (Y37)
	M85268-01-Y24	EA	Cover Asm. - Headrest (Y35)
	M85268-01-Y71	EA	Cover Asm. - Headrest (Y36)
	M85268-01-Y72	EA	Cover Asm. - Headrest (Y37)
	088274-33-000	YD	Fabric - Royal Bucket - Blue (Y35)
	088274-59-000	YD	Fabric - Royal Bucket - Umber (Y36)
	088274-60-000	YD	Fabric - Royal Bucket - Eggshell (Y37)

Parts used in the Power Bucket Seat (Option 63M)

**1989 ITASCA
TABLE OF CONTENTS**

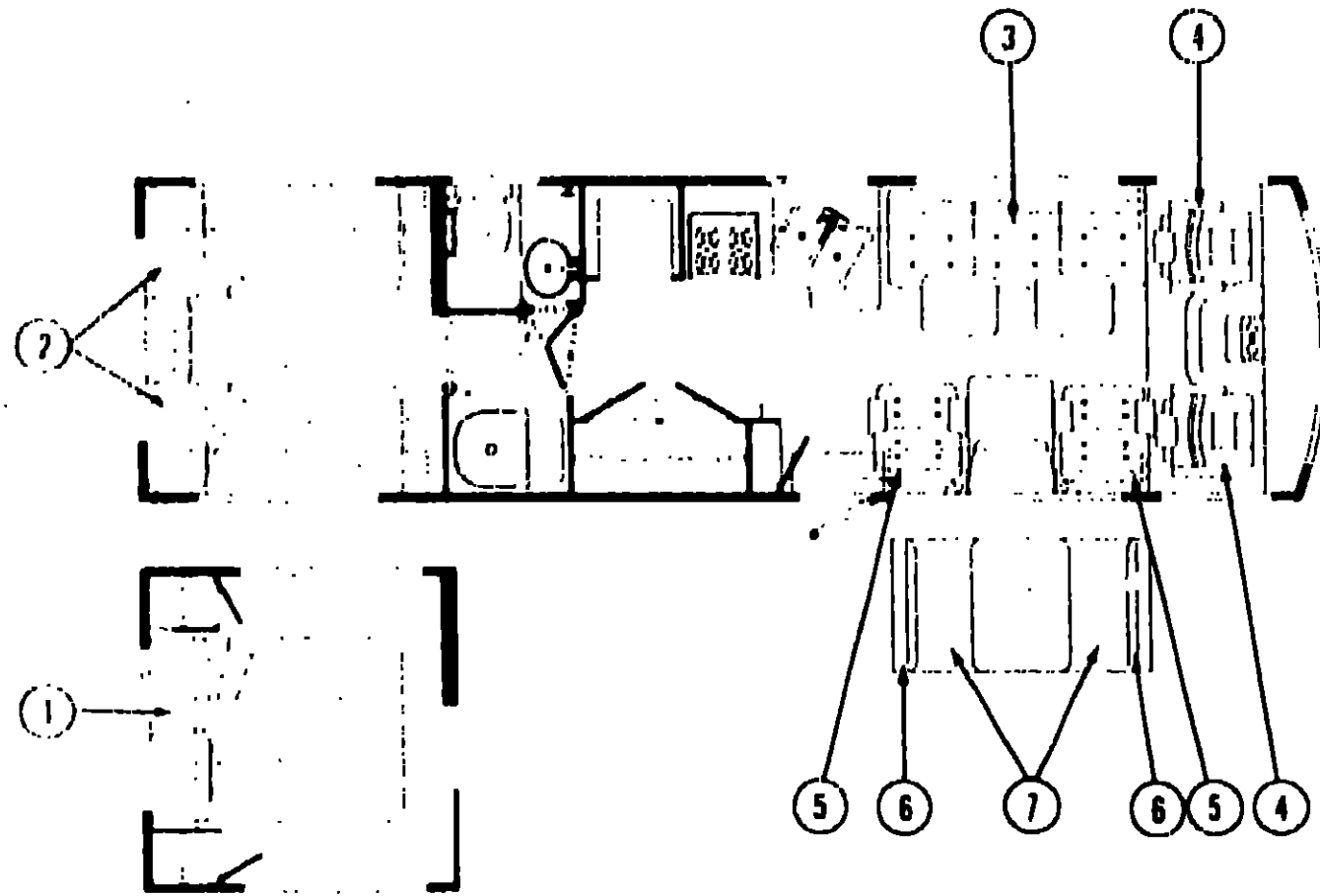
ICN288RU
IC/JN31RT
IC/JN3880

A-01 - D-18
D-17 - H-10
H-09 - K-21

1989 IC/JN31RT INDEX

Floor Plan	D-17 - D-18
Accessories Group	D-19 - D-23
Bath Group	D-24 - E-02
Chassis Group	E-03 - E-10
Curtain, Cushion & Pad Group	E-11 - E-22
Dinette Group	E-23 - E-24
Driver's Compartment Group	F-01 - F-07
Electrical Group	F-08 - F-11
Exterior Body Group	F-12 - F-19
Galley Group	F-20 - F-23
Heating & Air Conditioning Group	F-24 - G-02
Interior Finish Group	G-03 - G-04
LP Group	G-05
Lounge Group	G-06 - G-09
Water & Sewage Group	G-10 - G-13
Window, Vent & Exterior Door Group	G-14 - H-08

CURTAIN, CUSHION & PAD GROUP (CONTINUED)



SWIVEL CHAIR

Key	Part Number	U/M	Description
5	085059-02-Y30	EA	Chair Asm. - Celebrity - w/o Skirt (Y35)
5	085059-02-Y31	EA	Chair Asm. - Celebrity - w/o Skirt (Y36)
5	085059-02-Y32	EA	Chair Asm. - Celebrity - w/o Skirt (Y37)
	M85059-02-Y30	EA	Cover Asm. - Celebrity Chair (Y35)
	M85059-02-Y31	EA	Cover Asm. - Celebrity Chair (Y36)
	M85059-02-Y32	EA	Cover Asm. - Celebrity Chair (Y37)
	085187-02-Y30	EA	Skirt Asm. - Celebrity Swivel Chair (Y35)
	085187-02-Y31	EA	Skirt Asm. - Celebrity Swivel Chair (Y36)
	085187-02-Y32	EA	Skirt Asm. - Celebrity Swivel Chair (Y37)
	088274-63-000	YD	Fabric - Swivel Chair - Blue (Y35)
	088274-61-000	YD	Fabric - Swivel Chair - Tiffany (Y36)
	088274-62-000	YD	Fabric - Swivel Chair - Starburst (Y37)

SWIVEL CHAIR - RECLINING (OPTION 60E)

Key	Part Number	U/M	Description
5	086516-02-Y70	EA	Chair Asm. - Reclining Celebrity - w/o Skirt (Y35)
5	086516-02-Y71	EA	Chair Asm. - Reclining Celebrity - w/o Skirt (Y36)
5	086516-02-Y72	EA	Chair Asm. - Reclining Celebrity - w/o Skirt (Y37)
	M86516-02-Y70	EA	Cover Asm. - Reclining Swivel Chair (Y35)
	M86516-02-Y71	EA	Cover Asm. - Reclining Swivel Chair (Y36)
	M86516-02-Y72	EA	Cover Asm. - Reclining Swivel Chair (Y37)
	089032-01-Y70	EA	Skirt Asm. - Reclining Swivel Chair (Y35)
	089032-01-Y71	EA	Skirt Asm. - Reclining Swivel Chair (Y36)
	089032-01-Y72	EA	Skirt Asm. - Reclining Swivel Chair (Y37)
	088273-63-000	YD	Fabric - Swivel Chair - Blue (Y35)
	088273-61-000	YD	Fabric - Swivel Chair - Tiffany (Y36)
	088273-62-000	YD	Fabric - Swivel Chair - Starburst (Y37)

CURTAIN, CUSHION & PAD GROUP (CONTINUED)

DINETTE CUSHIONS

Key	Part Number	U/M	Description
6	088927-20-Y30	EA	Cushion Asm. - 13" x 38" x 5" - Back (Y35)
6	088927-20-Y31	EA	Cushion Asm. - 13" x 38" x 5" - Back (Y36)
6	088927-20-Y32	EA	Cushion Asm. - 13" x 38" x 5" - Back (Y37)
	M88927-20-Y30	EA	Cover Asm. - Back - D'notin Cushion (Y35)
	M88927-20-Y31	EA	Cover Asm. - Back - Dinette Cushion (Y36)
	M88927-20-Y32	EA	Cover Asm. - Back - Dinette Cushion (Y37)
7	088927-21-Y30	EA	Cushion Asm. - 22" x 38" x 5" - Seat (Y35)
7	088927-21-Y31	EA	Cushion Asm. - 22" x 38" x 5" - Seat (Y36)
7	088927-21-Y32	EA	Cushion Asm. - 22" x 38" x 5" - Seat (Y37)
	M88927-21-Y30	EA	Cover Asm. - Seat - Dinette Cushion (Y35)
	M88927-21-Y31	EA	Cover Asm. - Seat - Dinette Cushion (Y36)
	M88927-21-Y32	EA	Cover Asm. - Seat - Dinette Cushion (Y37)
	078155-01-000	EA	Strap Asm. - Dinette Cushion
	088274-63-000	YD	Fabric - Dinette Cushions - Blue (Y35)
	088274-61-000	YD	Fabric - Dinette Cushions - Tiffany (Y36)
	088274-62-000	YD	Fabric - Dinette Cushions - Starburst (Y37)

PADS & TRIM

Key	Part Number	U/M	Description
	081519-01-X75	EA	Pad Asm. - Dinette - Back (Y35)
	081519-01-Y71	EA	Pad Asm. - Dinette - Back (Y36)
	081519-01-Y72	EA	Pad Asm. - Dinette - Back (Y37)
	081519-02-X75	EA	Pad Asm. - Dinette - Front (Y35)
	081519-02-Y71	EA	Pad Asm. - Dinette - Front (Y36)
	081519-02-Y72	EA	Pad Asm. - Dinette - Front (Y37)
	089113-02-X75	EA	Pad Asm. - Wall - 12" x 16" (Y35)
	089113-02-Y36	EA	Pad Asm. - Wall - 12" x 16" (Y36)
	089113-02-Y37	EA	Pad Asm. - Wall - 12" x 16" (Y37)
	093195-01-Y35	EA	Pad Asm. - Door
	093195-01-Y36	EA	Pad Asm. - Door
	093195-01-Y37	EA	Pad Asm. - Door
	092580-01-02A	EA	Map Pocket Cover - Gray
	089045-01-W36	EA	Pad Asm. - TV Cabinet
	082286-05-Y35	EA	Sunvisor Asm. - Driver
	M82286-06-Y35	EA	Cover Asm. - Sunvisor - Driver
	082286-06-Y36	EA	Cover Asm. - Sunvisor - Passenger
	M82286-07-Y35	EA	Cover Asm. - Sunvisor - Passenger
	070578-02-W41	EA	Button Asm. - Stud - #30 - Vinyl (TV Cabinet)
	070578-11-Y15	EA	Button Asm. - #30 - Vinyl (Headliner)
	052859-07-Y35	EA	Trim Asm. - Accent Fabric (Dinette Seat) (Y35)
	005859-07-Y36	EA	Trim Asm. - Accent Fabric (Dinette Seat) (Y36)
	005859-07-Y37	EA	Trim Asm. - Accent Fabric (Dinette Seat) (Y37)
	079349-01-X75	EA	Trim Asm. - Fabric (Swivel Chair) (Y35)
	079349-01-Y71	EA	Trim Asm. - Fabric (Swivel Chair) (Y36)
	079349-01-Y72	EA	Trim Asm. - Fabric (Swivel Chair) (Y37)

**1989 ITASCA
TABLE OF CONTENTS**

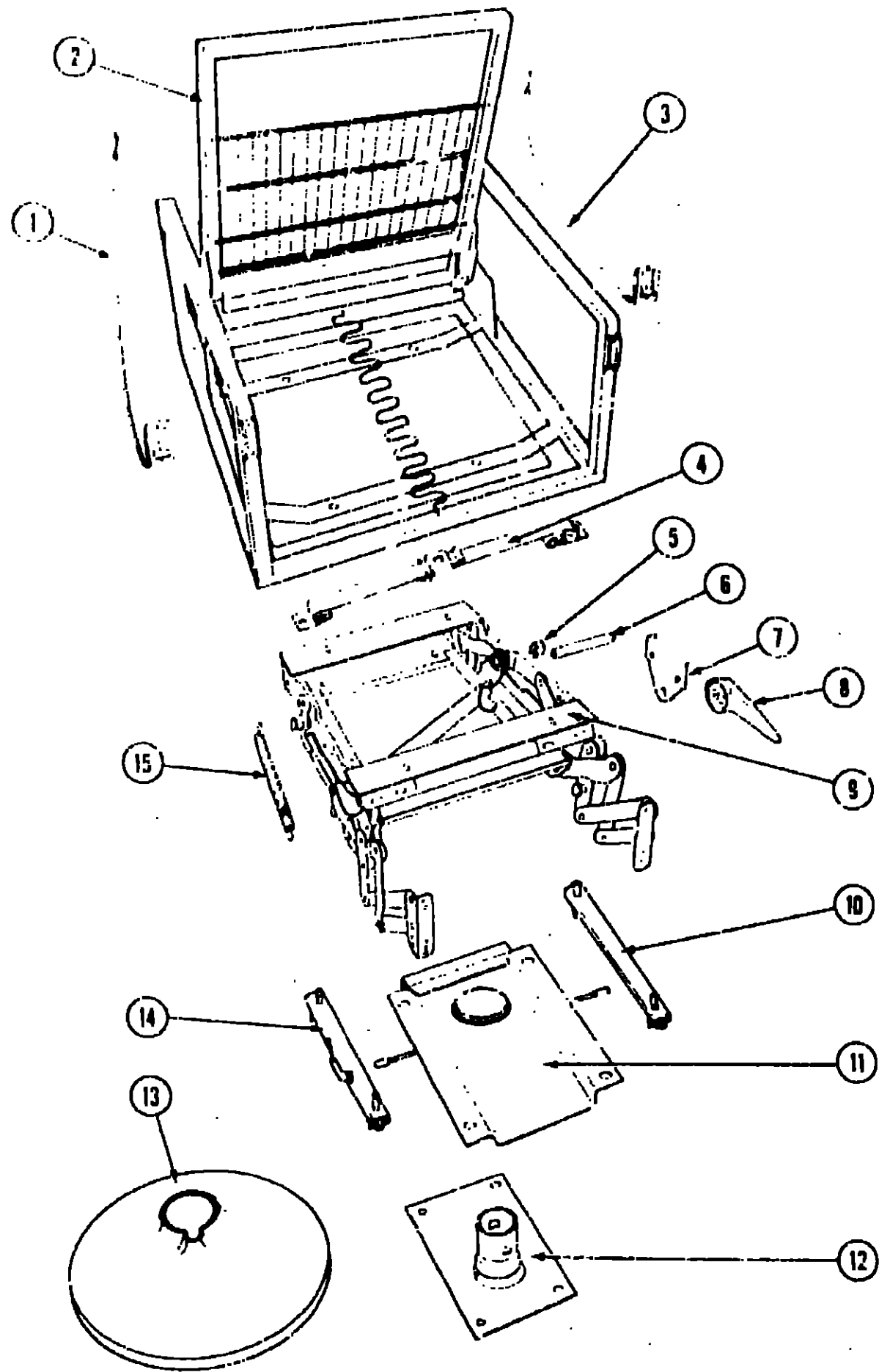
ICN281U
IC/JN31RT
IC/JN38RQ

A-01 - D-18
D-17 - H-10
H-09 - K-21

1989 IC/JN31RT INDEX

Floor Plan	D-17 - D-18
Accessories Group	D-19 - D-23
Bath Group	D-24 - E-02
Chassis Group	E-03 - E-10
Curtain, Cushion & Pad Group	E-11 - E-22
Dinette Group	E-23 - E-24
Driver's Compartment Group	F-01 - F-07
Electrical Group	F-08 - F-11
Exterior Body Group	F-12 - F-19
Galley Group	F-20 - F-23
Heating & Air Conditioning Group	F-24 - G-02
Interior Finish Group	G-03 - G-04
LP Group	G-05
Lounge Group	G-06 - G-09
Water & Sewage Group	G-10 - G-13
Window, Vent & Exterior Door Group	G-14 - H-08

CURTAIN, CUSHION & PAD GROUP (CONTINUED)



CURTAIN, CUSHION & PAD GROUP (CONTINUED)

CELEBRITY CHAIR HARDWARE

Key	Part Number	U/M	Description
1	089368-03-000	EA	Remote Asm - Recliner
2	089388-01-000	EA	Frame Asm - Celebrity Chair
3	089368-02-000	EA	Remote Asm - Slider
4	007021-01-000	EA	Seat Belt Asm - 90" x 2" - Black
	957759-01-000	EA	Bracket - Seat Belt Washer
5	093484-02-700	EA	Clamp - Torsion Rod
6	093484-02-701	EA	Torsion Bar
7	093484-02-702	EA	Support - Torsion Bar
8	093484-02-703	EA	Handle
	093484-02-000	EA	Hardware Kit - Footrest (Includes Key 5,6,7,8 & 15)
9	093484-01-000	EA	Footrest Mechanism
10	069248-02-000	EA	Adjuster Asm - Celebrity Chair - w/o Lock
11	093481-03-000	EA	Top Plate - Celebrity Chair - w/Lock
12	093481-01-000	EA	Pedestal - 6" - Used w/Footrest Only
12	093481-02-000	EA	Pedestal - 10" - Used w/Recliner Only
13	093482-01-000	EA	Pedestal Shroud - 12" Black Plastic
14	069248-05-000	EA	Adjuster Asm - Celebrity Chair - w/Lock
	087330-01-000	EA	Bracket - Stop - Slide Track
15	093484-02-704	EA	Spring

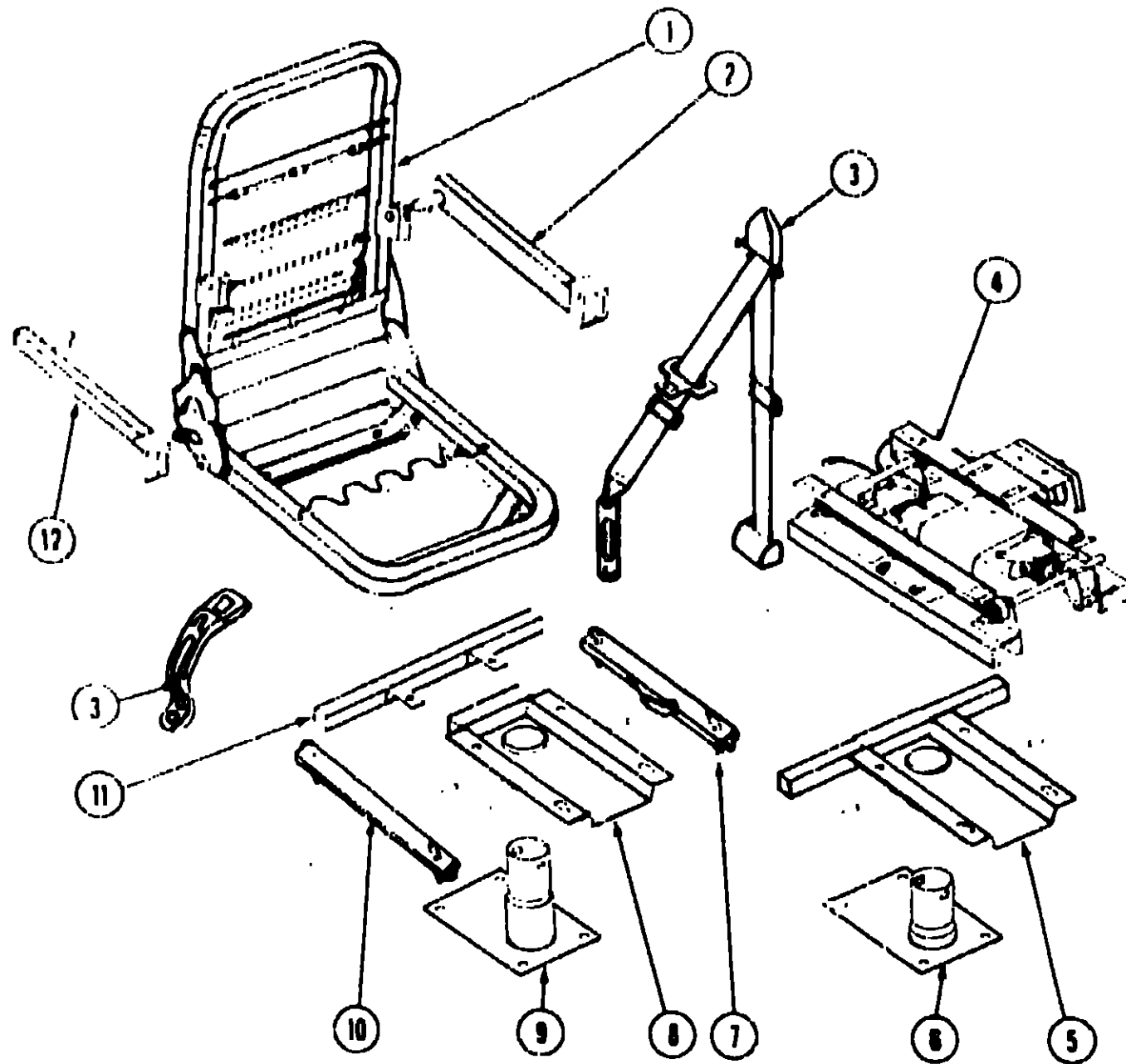
**1989 ITASCA
TABLE OF CONTENTS**

IGN2811U
IC/JN31RT
IC/JN35RO

A-01 - D-16
D-17 - H-10
H-09 - K-21

1989 IC/JN31RT INDEX

Floor Plan	D-17 - D-18
Accessories Group	D-19 - D-23
Bath Group	D-24 - E-02
Chassis Group	E-03 - E-10
Curtain, Cushion & Pad Group	E-11 - E-22
Dinette Group	F-23 - E-24
Driver's Compartment Group	F-01 - F-07
Electrical Group	F-08 - F-11
Exterior Body Group	F-12 - F-19
Galley Group	F-20 - F-23
Heating & Air Conditioning Group	F-24 - G-02
Interior Finish Group	G-03 - G-04
LP Group	G-05
Lounge Group	G-06 - G-09
Water & Sewage Group	G-10 - G-13
Window, Vent & Exterior Door Group	G-14 - H-08



Key	Part Number	U/M	Description
1	M80906-01-000	EA	Frame Asm - Bucket Seat
2	081268-02-000	EA	Frame - Armrest - Left
3	091990-02-01A	EA	Seat Belt - Drivers - 3 Point
	091990-01-01A	EA	Seat Belt - Passenger - 3 Point
4	081373-01-000	EA	Power Seat Asm
	081373-02-700	EA	Switch Asm - Power Seat
	081373-02-701	EA	Wire Harness - Drivers - Power Seat
	081373-02-702	EA	Horizontal Adjustment Package
	081373-02-703	EA	Horizontal Adjustment Package
	081373-02-704	EA	Vertical Adjustment Package
5	069585-30-000	EA	Top Plate - Power Seat
6	069585-37-000	EA	Sub Plate - 5" - Used w/Power Seat
7	069246-01-000	EA	Adjuster Asm - Seat - w/Lock
8	069585-27-000	EA	Top Plate - Non-Powered Seat
9	069585-08-000	EA	Sub Plate - 8" - Used w/Non-Powered Seat
10	069246-02-000	EA	Adjuster Asm - Seat w/o Lock
11	065485-29-000	EA	Seat Belt Bar - 20"
12	081268-01-000	EA	Frame - Armrest - Right
	080730-03-700	EA	Kit - Recliner Handle
	080730-05-700	EA	Shield - Recliner

BUCKET SEAT HARDWARE

1989 ITASCA
TABLE OF CONTENTS

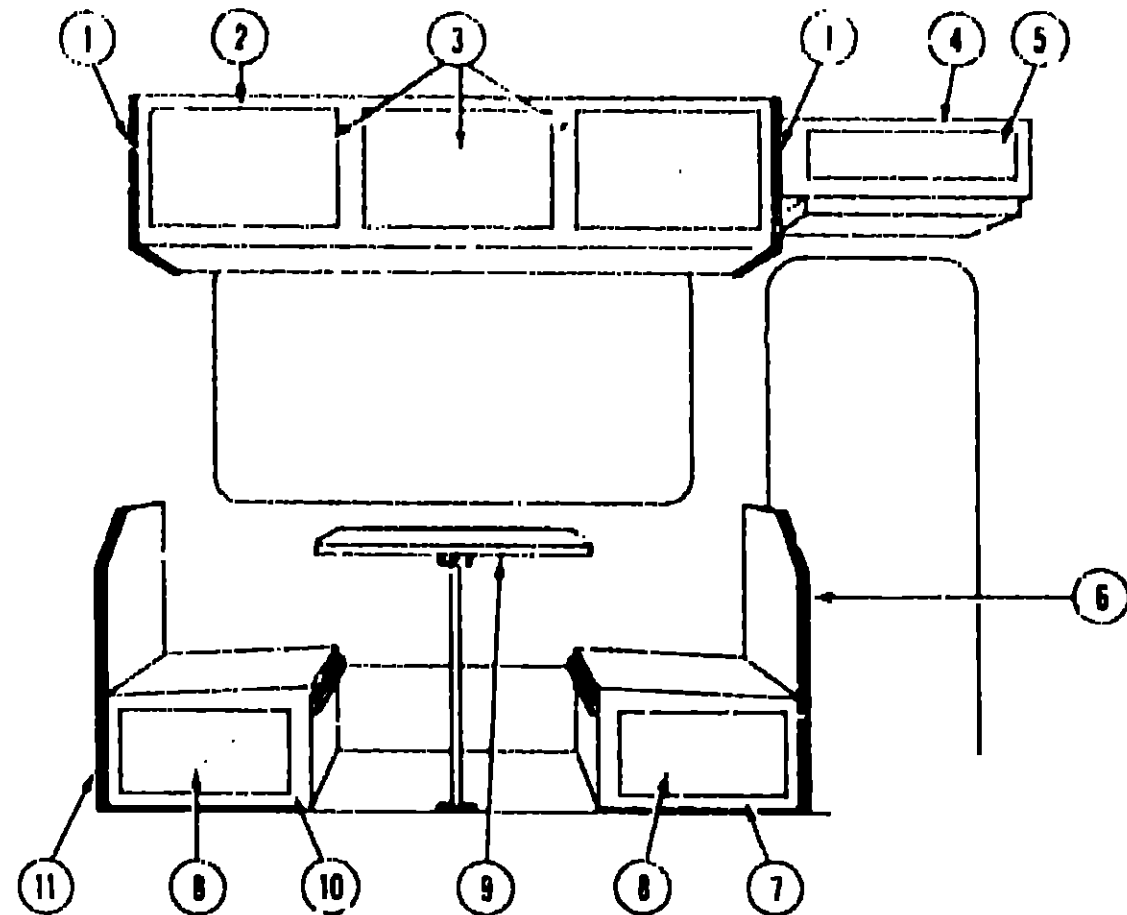
IC/JN31RT
IC/JN31RT
IC/JN36RT

A-01 - D-16
D-17 - H-10
H-09 - K-21

1989 IC/JN31RT INDEX

Floor Plan	D-17 - D-18
Accessories Group	D-19 - D-23
Bath Group	D-24 - E-02
Chassis Group	E-03 - E-10
Curtain, Cushion & Pad Group	E-11 - E-22
Dinette Group	E-23 - E-24
Driver's Compartment Group	F-01 - F-07
Electrical Group	F-08 - F-11
Exterior Body Group	F-12 - F-19
Galley Group	F-20 - F-23
Heating & Air Conditioning Group	F-24 - G-02
Interior Finish Group	G-03 - G-04
LP Group	G-05
Lounge Group	G-06 - G-09
Water & Sewage Group	G-10 - G-13
Window, Vent & Exterior Door Group	G-14 - G-08

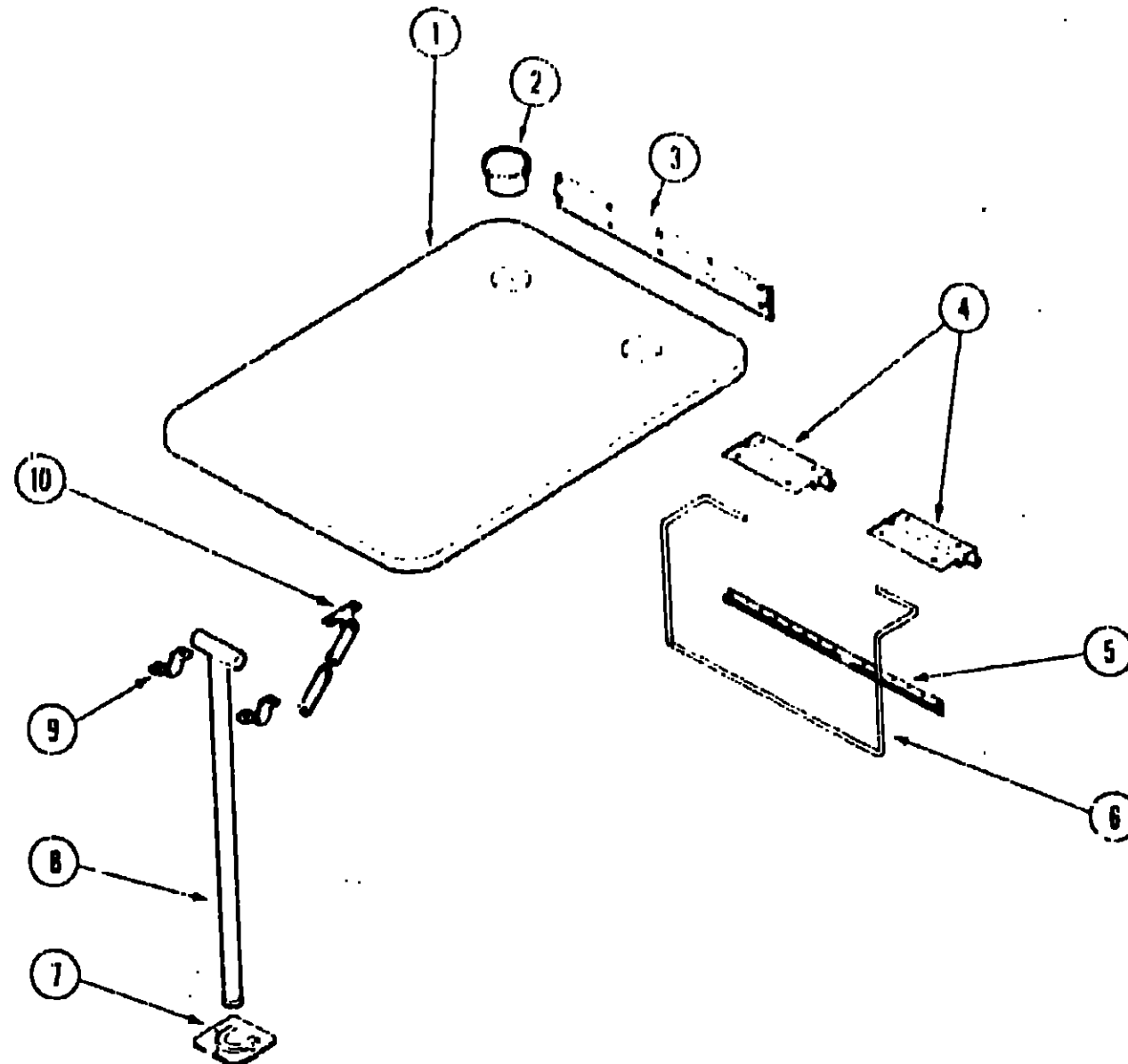
DINETTE GROUP



DINETTE & OVERHEAD CABINERY (OPTION 33R)

Key	Part Number	U/M	Description
1	092747-01-Y10	EA	End Cap Asm. - Overhead Cabinet - Vinyl
2	M92093-02-Y12	EA	Cabinet Asm. - Dinette Overhead - w/o Doors or Hardware
3	M88304-A9-X08	EA	Door Asm. - Dinette Overhead - 14.3" x 21.3" - w/o Hardware
4	M23269-01-Y12	EA	Cabinet Asm. - Entrance Door - w/o Door or Hardware
5	M88304-03-X78	EA	Door Asm. - Entrance Door Cabinet - 7" x 25.1" - w/o Hardware
6	M03434-01-Y10	EA	Cabinet Asm. - Dinette Back
	081519-01-X75	EA	Pad Asm. - Dinette Back (Y35)
	081519-01-Y71	EA	Pad Asm. - Dinette Back (Y36)
	081519-01-Y72	EA	Pad Asm. - Dinette Back (Y37)
7	M03435-01-Y35	EA	Cabinet Asm. - Dinette Seat
8	M88304-C6-X11	EA	Door Asm. - Dinette Seats - 10" x 19" - w/o Hardware
9	M02115-09-Y30	EA	Table Asm. - Dinette - w/o Hardware
10	M03435-02-Y12	EA	Cabinet Asm. - Dinette Seat
11	M03434-02-Y12	EA	Cabinet Asm. - Dinette Back
	081519-02-X75	EA	Pad Asm. - Dinette Back (Y35)
	081519-02-Y71	EA	Pad Asm. - Dinette Back (Y36)
	081519-02-Y72	EA	Pad Asm. - Dinette Back (Y37)

DINETTE GROUP (CONTINUED)



DINETTE TABLE & HARDWARE

Key	Part Number	U/M	Description
1	M02115-09-Y30	EA	Table - Dinette - w/o Hardware
2	064781-05-000	EA	Cup Holder - Two Stop - Beige
3	053200-05-000	EA	Support - Table - 23.5" - Beige
4	088410-01-000	EA	Hanger - Table - Beige
5	024281-07-000	EA	Bracket - Table Lift
6	024275-05-000	EA	Rod - Table Lift - Beige
7	049493-01-000	EA	Catch - Table Leg
8	024276-17-000	EA	Leg Asm. - Table - Tan
9	064050-02-000	EA	Hinge - Table Leg - Tan
10	024282-01-000	EA	Brace Table Leg
	024283-01-000	EA	Clip - 1" - 1.125" - OD Tube - Black

1989 ITASCA TABLE OF CONTENTS

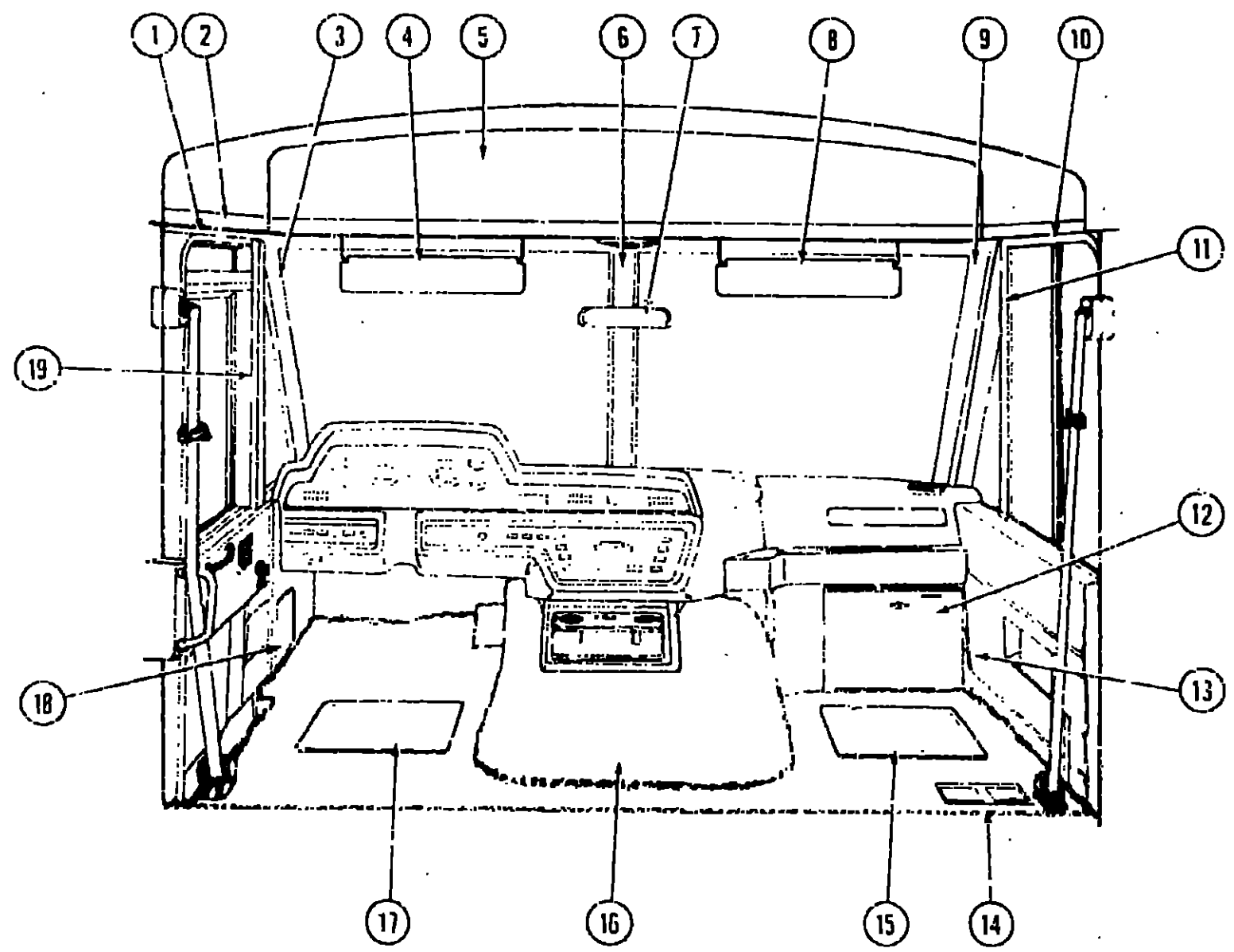
ICN28RU
IC/JN31RT
IC/JN36110

A-01 - D-16
D-17 - H-10
H-09 - K-21

1989 IC/JN31RT INDEX

Floor Plan	D-17 - D-18
Accessories Group	D-19 - D-23
Bath Group	D-24 - E-02
Chassis Group	E-03 - E-10
Curtain, Cushion & Pad Group	E-11 - E-22
Dinette Group	E-23 - E-24
Driver's Compartment Group	F-01 - F-07
Electrical Group	F-08 - F-11
Exterior Body Group	F-12 - F-19
Galley Group	F-20 - F-27
Heating & Air Conditioning Group	F-24 - G-02
Interior Finish Group	G-03 - G-04
LP Group	G-05
Lounge Group	G-06 - G-09
Water & Sewage Group	G-10 - G-13
Window, Vent & Exterior Door Group	G-14 - K-08

DRIVER'S COMPARTMENT GROUP
MISCELLANEOUS DRIVER'S COMPARTMENT COMPONENTS



1989 ITASCA
TABLE OF CONTENTS

ICN28RU
 IC/JN31RT
 IC/JN36RO

A-01 - D-16
 D-17 - H-10
 H-09 - K-21

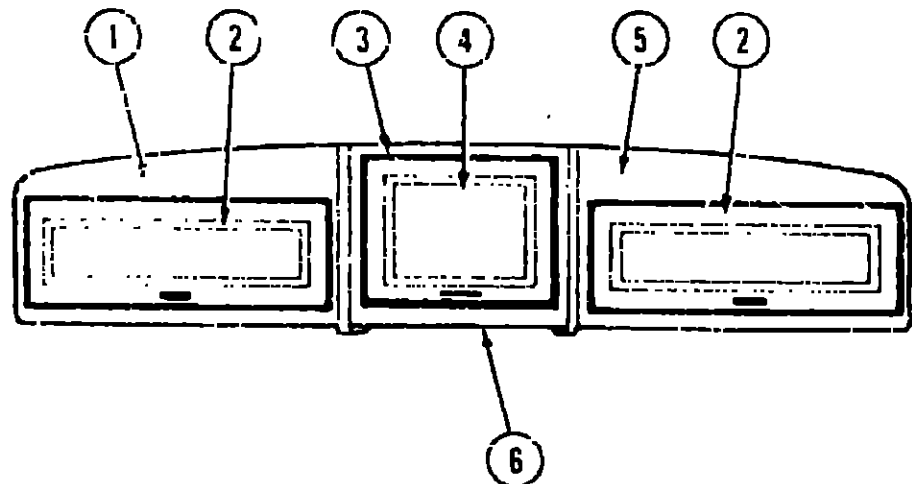
1989 IC/JN31RT INDEX

Floor Plan	D-17 - D-18
Accessories Group	D-19 - D-23
Bath Group	D-24 - E-02
Chassis Group	E-03 - E-10
Curtain, Cushion & Pad Group	E-11 - E-22
Dinette Group	E-23 - E-24
Driver's Compartment Group	F-01 - F-07
Electrical Group	F-08 - F-11
Exterior Body Group	F-12 - F-19
Galley Group	F-20 - F-23
Heating & Air Conditioning Group	F-24 - G-02
Interior Finish Group	G-03 - G-04
LP Group	G-05
Lounge Group	G-06 - G-09
Water & Sewage Group	G-10 - G-13
Window, Vent & Exterior Door Group	G-14 - H-06

Key	Part Number	U/M	Description
	079946-01-000	EA	Track - Front Wraparound - Left
	092585-01-01A	EA	Trim Asm - Lower - w/o Bunk
	092585-02-02A	EA	Cover - "A" Pillar Trim - Left
	092585-03-030	EA	Sunvisor Asm - Driver
	092585-04-040	EA	Hinge - Sunvisor
	092585-05-050	EA	Clip - Sunvisor - Square Pinch-On
	092585-06-060	EA	Clip Asm - Sunvisor - Black
	092585-07-070	EA	Headliner Asm
	092585-08-080	EA	Cover - Panel Trim - Center - Beige
	092585-09-090	EA	Mirror - Inside - Rear View
	092585-10-100	EA	Kit - Inside Rear View Mirror
	092585-11-110	EA	Sunvisor Asm - w/ Mirror
	092585-12-120	EA	Hinge - Sunvisor
	092585-13-130	EA	Clip - Sunvisor - Square Pinch-On
	092585-14-140	EA	Clip Asm - Sunvisor - Black
	092585-15-150	EA	Mirror - Sunvisor - 3 1/2" x 7"

Key	Part Number	U/M	Description
	092585-01-02A	EA	Cover - "A" Pillar Trim - Right
	079946-03-030	EA	Track - Front Wraparound - Right
	092585-01-02A	EA	Cover - Hinge Trim - Pillar - Right
	092585-01-Y35	EA	Cover Asm - Heater
	092585-01-02A	EA	Panel - Lower Kick - Right
	093614-01-01A	EA	Grille - Return Air
	081202-02-000	EA	Floor Mat - Right (Option 63H)
	075939-01-000	EA	Motor Cover
	039623-01-000	FT	Seal - Motor Cover - Rubber Bulb Type - Black
	075564-01-000	EA	Mounting Bracket - Motor Cover
	091201-02-000	EA	Floor Mat - Left (Option 63H)
	092583-02-02A	EA	Panel - Lower Kick - Left
	092585-02-02A	EA	Cover - Hinge Trim Pillar - Left
	089294-01-000	EA	Cigarette Lighter Asm
	036420-02-000	EA	Fan - Defroster - 6" Dia - 2-Speed (Option 16H)
	024990-01-000	EA	Defroster Guide - w/Screen
	076763-02-000	EA	Lower Asm - Air Conditioner - Adjustable Vent - Black
	092580-01-02A	EA	Map Cover - Pocket

DRIVER'S COMPARTMENT GROUP (CONTINUED)



TV & VCR CABINETY (OPTION L43)

Key	Part Number	U/M	Description
1	M93242-02-Y12	EA	Cabinet Asm. - Front Overhead - w/o Door or Hardware
2	M98304-C0-Y10	EA	Door Asm. - Front Overhead Cabinet - 7" x 25.1" - w/o Hardware
3	M93197-02-Y12	EA	Cabinet Asm. - Front - w/o Door or Hardware
3	093197-01-Y12	EA	Cabinet Asm. - Front Overhead - w/o TV Shelf
4	043266-01-000	EA	Shelf Asm. - TV
5	098447-01-000	EA	TV - 13" Color (Option 43U)
6	090446-01-000	EA	VCR-VHS - Table Model (Option 43W/43X)
7	086757-01-000	EA	Control Center - Channel Master (Option 43W/43X)
8	M88304-08-X11	EA	Door Asm. - Center Overhead - 12" x 19 7" - w/o Hardware
9	M93242-01-Y12	EA	Cabinet Asm. - Front Overhead - w/o Door or Hardware
10	089045-01-W36	EA	Pad Asm. - TV Cabinet - Vinyl
11	170570-02-W11	EA	Button Asm. - Screw Stud - #30 - Vinyl
12	093804-02-Y12	EA	Headliner Asm. - Front w/TV

Parts used with the TV Option only

DRIVER'S COMPARTMENT GROUP (CONTINUED)

DASH SWITCHES & GAUGES

Key	Part Number	U/M	Description
1	076783-02-000	EA	Louver Asm. - A/C Adjustable
2	076216-09-000	EA	Instrument Panel - Upper - Sunflyer (Chevrolet)
2	075216-06-000	EA	Instrument Panel - Upper (John Deere & Chevrolet)
12	076216-10-000	EA	Instrument Panel - Upper (John Deere & Chevrolet)
	088745-01-000	EA	Cluster Asm. - Electronic Instrument Panel
	091242-01-000	EA	Cluster Asm. - Instrument Panel (CSA)
	077353-09-000	EA	Shroud - Instrument Cluster
3	024460-04-000	EA	Gauge - Vacuum
4	024459-04-000	EA	Gauge - Voltmeter
5	031035-01-000	EA	Gauge - Hourmeter - Generator
6	076759-04-000	EA	Battery Condition Switch
7	076759-01-000	EA	Fog Lamp Switch (Option 57M)
8	076759-04-000	EA	Generator Switch (Option 39)
9	076759-06-000	EA	Switch - Blank
10	076759-09-000	EA	Aisle Light Switch
11	076759-01-000	EA	Map Light Switch
12	076759-01-000	EA	Beverage Tray Light Switch
13	076217-14-000	EA	Instrument Panel - Lower - Right (Chevrolet)
13	076217-16-000	EA	Instrument Panel - Lower - Right (John Deere)
14	087202-02-000	EA	Auxiliary Heater Switch (Option 61)
14	090977-01-000	EA	Knob - Auxiliary Heater Switch (Option 61)
15	086272-01-000	EA	Battery Disconnect Switch (Option 29A)
16	076759-05-000	EA	Power - Radio Switch
17	076759-03-000	EA	Auxiliary Fan Switch (Option 36N)
18	076759-01-000	EA	Air Horn Switch (Option 36R)
19	089294-01-000	EA	Lighter Asm. - Cigarette
20	091206-02-000	EA	Wiper Control (John Deere)
20	N.P.N.	EA	Ignition Switch (Chevrolet)
21	076808-02-000	EA	Dash Panel - Lower - Left (w/o Electronic Instrument Panel)
21	076808-10-000	EA	Dash Panel - Lower - Left (w/ Electronic Instrument Panel)
22	076759-07-000	EA	Courtesy Blink Switch
23	076218-03-000	EA	Instrument Panel - Lower - Left
24	076759-05-000	EA	Battery Mode Switch
25	076759-06-000	EA	Switch - Blank
26	076759-06-000	EA	Switch - Blank
	076788-02-000	EA	Cardboard Cylinder - Lamp
	077031-01-000	EA	Film - Instrument Panel - Black
	077031-02-000	EA	Film - Instrument Panel - Amber
	076788-03-000	EA	Lamp Plate

1) Parts used with the Electronic Instrument Cluster - w/Generator Option.
 2) Parts used with the Electronic Instrument Cluster - w/o Generator Option

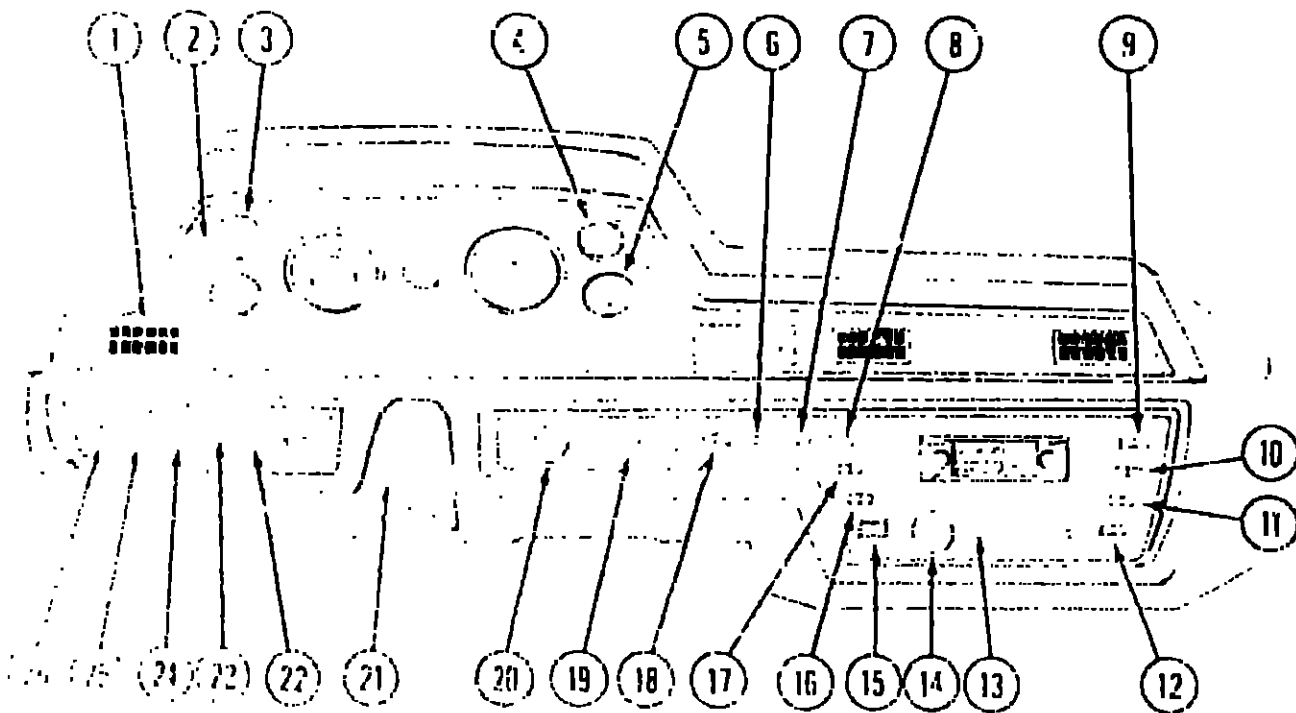
**1989 ITASCA
TABLE OF CONTENTS**

IC/N28RU
IC/JN31RT
IC/JN3670

A-01 - D-16
D-17 - H-10
H-09 - K-21

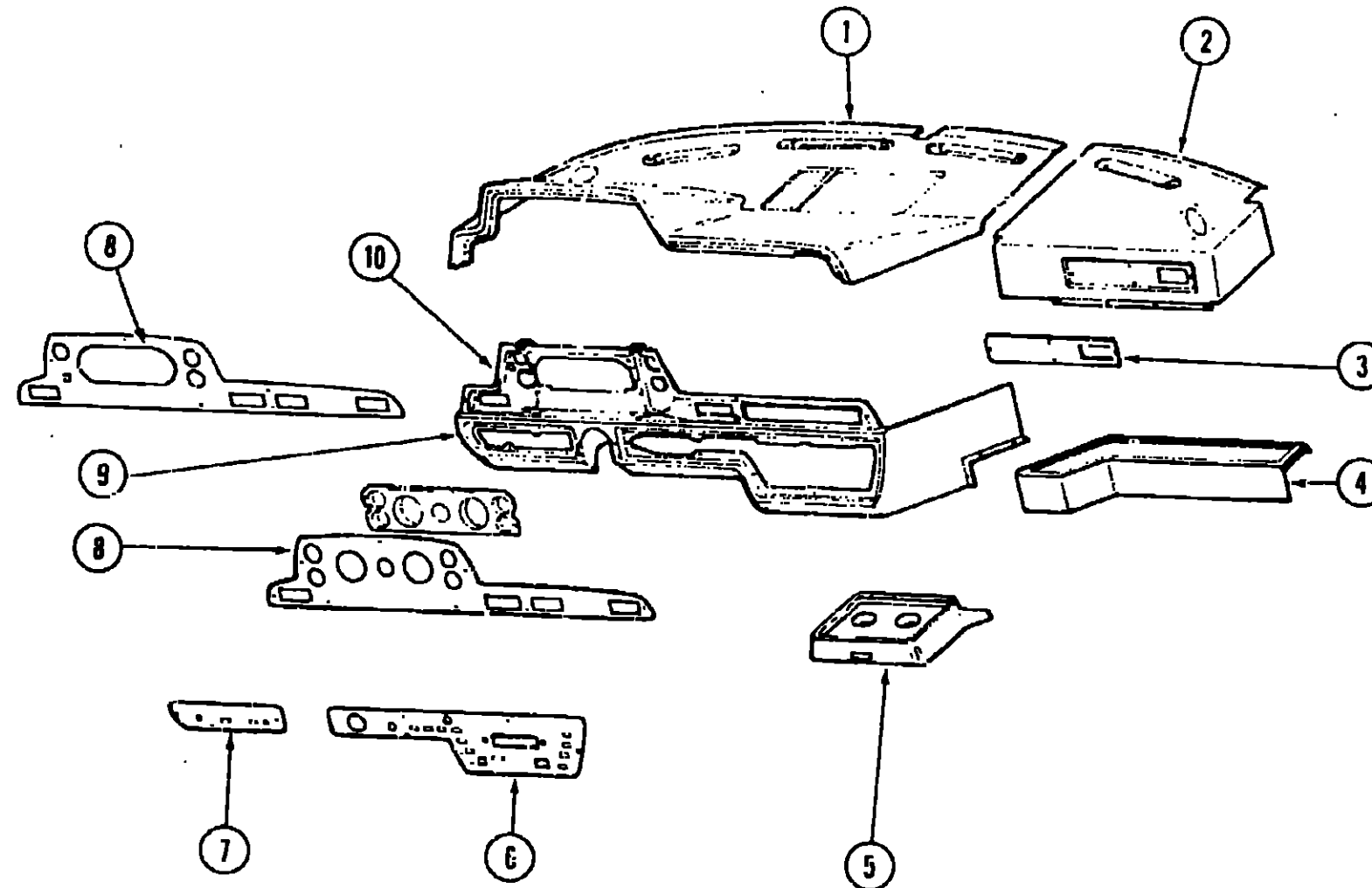
1989 IC/JN31RT INDEX

Floor Plan	D-17 - D-18
Accessories Group	D-19 - D-23
Bath Group	D-24 - E-02
Chassis Group	E-03 - E-10
Curtain, Cushion & Pad Group	E-11 - E-22
Dinette Group	E-23 - E-24
Driver's Compartment Group	F-01 - F-07
Electrical Group	F-08 - F-11
Exterior Body Group	F-12 - F-19
Galley Group	F-20 - F-23
Heating & Air Conditioning Group	F-24 - G-02
Interior Finish Group	G-03 - G-04
LP Group	G-05
Lounge Group	G-06 - G-09
Water & Sewage Group	G-10 - G-13
Window, Vent & Exterior Door Group	G-14 - H-08



DRIVER'S COMPARTMENT GROUP (CONTINUED)

DASH PANELS & BEVERAGE TRAY



1989 ITASCA TABLE OF CONTENTS

ICN28RU
IC/JN31RT
IC/JN36RQ

A-01 - D-16
D-17 - H-10
H-09 - K-21

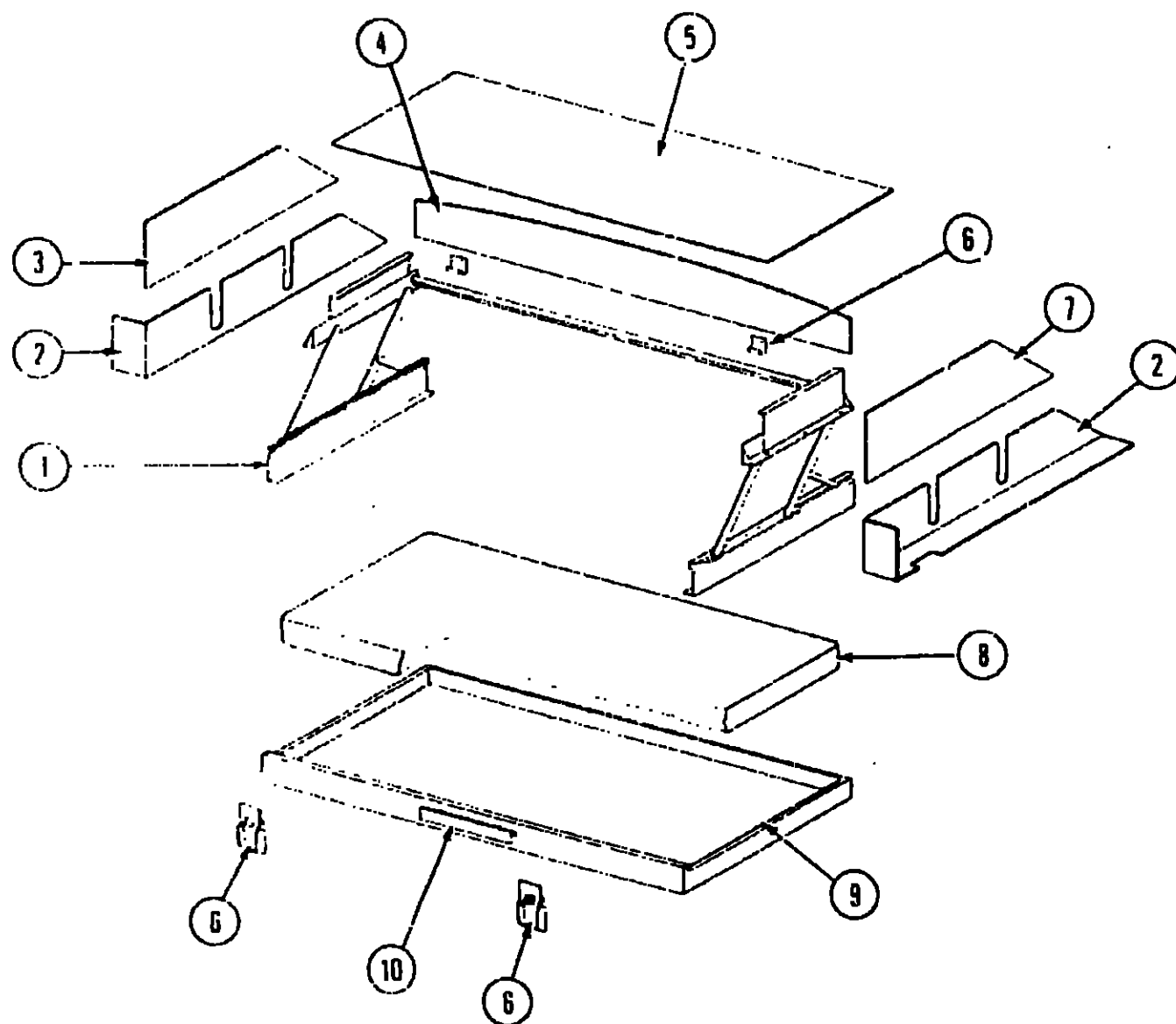
1989 IC/JN31RT INDEX

Floor Plan	D-17 - D-18
Accessories Group	D-19 - D-23
Bath Group	D-24 - E-02
Chassis Group	E-03 - E-10
Curtain, Cushion & Pad Group	E-11 - E-22
Drivelle Group	E-23 - E-24
Driver's Compartment Group	F-01 - F-07
Electrical Group	F-08 - F-11
Exterior Body Group	F-12 - F-19
Galley Group	F-20 - F-23
Heating & Air Conditioning Group	F-24 - G-02
Interior Finish Group	G-03 - G-04
LP Group	G-05
Lounge Group	G-06 - G-09
Water & Sewage Group	G-10 - G-13
Window, Vent & Exterior Door Group	G-14 - H-08

Key	Part Number	U/M	Description
1	085253-02-Y33	EA	Instrument Panel - Upper - Left
	076067-01-000	EA	Bracket - Instrument Panel - Large
	076067-02-000	EA	Bracket - Instrument Panel - Small
2	085252-02-Y33	EA	Instrument Panel - Upper - Right
	076072-01-000	EA	Bracket - Mounting - Right Panel
3	076797-01-000	EA	Instrument Panel Insert - Right
4	076734-01-000	EA	Tray - Instrument Panel - Right
5	081654-02-000	EA	Beverage Tray - Plastic
6	076217-14-000	EA	Instrument Panel - Lower - Right (Chevrolet)
7	076217-15-000	EA	Instrument Panel - Lower - Right - w/Low Air Indicator (Chevrolet)
8	076217-16-000	EA	Instrument Panel - Lower - Right (John Deere)
9	076217-17-000	EA	Instrument Panel - Lower - Right - w/Low Air Indicator (John Deere)
10	076219-03-000	EA	Instrument Panel - Lower - Left
	076216-09-000	EA	Instrument Panel - Upper (Chevrolet)
	076216-10-000	EA	Instrument Panel - Upper (w/Generator)
	076216-06-000	EA	Instrument Panel - Upper (w/o Generator)
	076008-02-000	EA	Dash Panel - Lower (Chevrolet)
	071808-10-000	EA	Dash Panel - Lower (John Deere)
	077353-01-000	EA	Shroud - Instrument Panel - w/Voltmeter & Vacuum Gauge
	077353-09-000	EA	Shroud - Instrument Panel - w/Generator Hour, Voltmeter & Vacuum Gauge
	073741-03-000	EA	Speaker - Oval - 4" x 6"
	073741-04-000	EA	Grille - Oval Speaker - 4" x 6"
	077406-01-000	EA	Bracket - Hood Release Cable

* Parts used with Electronic Instrument Cluster.

DRIVER'S COMPARTMENT GROUP (CONTINUED)



FRONT OVERHEAD BUNK & HARDWARE (OPTION 5231)

Key	Part Number	U/M	Description
1	076760-02-000	EA	Hardware Asm. - Overhead Bunk
2	092472-02-01A	EA	Trim - Lower Side - Bunk
3	092471-01-01A	EA	Trim - Upper Side - Bunk - Right
4	0493055-01-Y12	EA	Board Asm. - Bunk Trim w/Vinyl
5	093984-01-Y12	EA	Headliner Asm. - Front
6	042541-04-700	EA	Latch Asm. w/Strike (2 ea.)
7	092471-02-01A	EA	Trim - Upper Side - Bunk - Left
8	079145-05-000	EA	Cushion Asm. - 30" x 73" x 4"
9	079144-02-Y10	EA	Strap Bunk
10	081717-04-Y12	EA	Bed Asm. - Front Bunk
11	044658-01-Y12	EA	Handle - Oak
	079946-08-000	EA	Curtain Track - Front Wraparound - Right
	044396-01-000	EA	Curtain Track - Front Wraparound - Left

ELECTRICAL GROUP

BULBS

Key	Part Number	U/M	Description
	008103-01-000	EA	Bulb - 53 (Aisle Light)
	036196-01-000	EA	Bulb - 194 (Courtesy & Clearance Lights)
	072696-01-709	EA	Bulb - 912 (Stove Hood)
	008215-01-000	EA	Bulb - 1003 (Shower Light)
	067479-01-000	EA	Bulb - 1076 (Wall Lamp)
	063914-01-000	EA	Bulb - 1139 (Reading Light)
	008218-01-000	EA	Bulb - 1141 (Dome Light)
	037935-01-000	EA	Bulb - 1157 (Tail Lamp)
	037934-01-000	EA	Bulb - 1156 (Back-Up Light)
	081633-01-700	EA	Bulb - Make-Up Light
	084880-01-706	EA	Bulb - DC Light (Refrigerator)
	088737-01-710	EA	Bulb - 30W (Microwave Oven)
	078424-02-700	EA	Bulb - Fluorescent - 18" (Galley)
	027694-01-700	EA	Bulb - GE561 (Wardrobe Light)

INTERIOR LIGHTS & BULBS

Key	Part Number	U/M	Description
	065202-03-000	EA	Lamp Asm. - Wall Decor - Brass & Cream
	065201-02-000	EA	Shade - Wall Lamp - Parchment
	067479-01-000	EA	Bulb - Wall Lamp
	082686-01-000	EA	Lamp - Table - Wood/Brass
	082686-06-000	EA	Shade - Wall Lamp
	033508-02-000	EA	Dome Light - 1 Bulb - Ivory (US)
	033508-03-000	EA	Dome Light - 1 Bulb - Ivory (CSA)
	033509-02-000	EA	Dome Light - 2 Bulb - Ivory (US)
	033509-03-000	EA	Dome Light - 2 Bulb - Ivory (CSA)
	R77013-48-179	EA	Switch - Dome Light
	008218-01-000	EA	Bulb - Dome Light
	078424-02-000	EA	Light Asm. - Fluorescent - 12V - 18" - Almond (Galley)
	078424-02-701	EA	Lens - Fluorescent Light - 18"
	078424-02-700	EA	Bulb - Fluorescent Light - 12V - 18"
	051424-01-000	EA	Light Asm. - 12V - Rectangular - Aisle
	008103-01-000	EA	Bulb - Aisle Light
	068937-04-000	EA	Light Asm. - Surface - No Switch (Shower)
	006215-01-000	EA	Bulb - Light - #1003
	086280-01-000	EA	Light - Surface Mount - 12 V
	081633-01-000	EA	Light Asm. - Make-Up (US)
	081633-02-000	EA	Light Asm. - Make-Up (CSA)
	081633-01-700	EA	Bulb - Make-Up Light
	087694-02-000	EA	Light Asm. - Wardrobe w/Switch
	087694-01-700	EA	Bulb - Wardrobe - Light
	065280-01-000	EA	Light Asm. - Surface Mount - 12 Volt
	006280-01-700	EA	Bulb - 12 Volt - 6 Watt
	007309-01-000	EA	Light - Step Well - Round - 12 V
	077026-01-000	EA	Lens - Courtesy Light (Driver's Door)
	077000-01-000	EA	Socket Asm. w/Pigtail
	036196-01-000	EA	Bulb - Courtesy Light
	076788-01-000	EA	Socket - Lamp - Mini

**1982 ITASCA
TABLE OF CONTENTS**

ICN28RU
IC/JN31RT
IC/JN36RO

A-01 - D-16
D-17 - H-10
H-09 - K-21

1989 IC/JN31RT INDEX

Floor Plan	D-17 - D-18
Accessories Group	D-19 - D-23
Bath Group	D-24 - E-02
Chassis Group	E-03 - E-10
Curtain, Cushion & Pad Group	E-11 - E-22
Dinette Group	E-23 - E-24
Driver's Compartment Group	F-01 - F-07
Electrical Group	F-08 - F-11
Exterior Body Group	F-12 - F-19
Galley Group	F-20 - F-23
Heating & Air Conditioning Group	F-24 - G-02
Interior Finish Group	G-03 - G-04
LP Group	G-05
Lounge Group	G-06 - G-09
Water & Sewage Group	G-10 - G-13
Window, Vent & Exterior Door Group	G-14 - H-08

ELECTRICAL GROUP (CONTINUED)

WIRE SWITCHES & RECEPTACLES

Key	Part Number	U/M	Description
	008288-01-000	EA	Box - Electrical - 3" x 3.5" - Plastic
	008288-02-000	EA	Box - Electrical - 3.9" x 3.1" x 1.8"
	008289-01-000	EA	Box - Electrical - 4" x 4" - 1/2 & 3/4 Steel
	008289-02-000	EA	Box - Electrical - 4" x 4" - 1/2 & 3/4 Steel (CSA)
	058049-01-000	EA	Box - Electrical - 2" x 3" x 2.25" - Steel (CSA)
	041953-01-000	FT	Conduit - Convolute Slit - .5" ID
	041953-03-000	FT	Conduit - Convolute Slit - 1" ID
	041953-06-000	FT	Conduit - Convolute Slit - .375" ID
	008353-01-000	EA	Connector - Clamping - 3/8 Cable
	008356-01-000	EA	Connector - Plastic - 3/8 Avg.
	058028-01-000	EA	Connector - Pigtail - Clear Plastic
	008311-01-000	EA	Connector - Wire Nut - Red
	008314-01-000	EA	Connector - Wire Nut - Gray
	008054-01-000	EA	Cord - Power - 10-3 30 Amp. - 25'
	008054-02-000	EA	Cord - Power - 10-3 30 Amp. - 33'
	008052-01-000	EA	Cord - Power - 10-3 30 Amp. - 25' (CSA)
	009426-01-000	EA	Hatch - Power Cord - White
	073626-01-000	EA	Cover - Electrical - Plastic
	008294-01-000	EA	Cover Plate - Blank - Steel 4 x 4 (USA)
	008294-02-000	EA	Cover Plate - Blank - Steel 4 x 4 (CSA)
	074890-01-000	EA	Extension Ring - Electrical Box - 1 1/2"
	074017-02-000	EA	Housing Asm. - 5 Position
	097744-02-000	EA	Housing Asm. - Trailer Pin - 48"
	097746-01-000	EA	Housing Asm. - Trailer Cap
	097745-02-000	EA	Housing Asm. - Trailer Receptacle - 48"
	082109-01-000	EA	Housing - Connector
	088473-01-000	EA	Housing Pin
	088473-02-000	EA	Housing Pin - 15 Position
	088473-03-000	EA	Housing Pin - 9 Position
	088473-05-000	EA	Housing Pin - 6 Position In Line
	088473-06-000	EA	Housing Pin - 6 Position
	088473-08-000	EA	Housing Pin - 4 Position
	088473-05-000	EA	Housing Pin - 3 Position
	088473-10-000	EA	Housing Pin - 2 Position
	088474-01-000	EA	Housing Socket
	088474-02-000	EA	Housing Socket - 15 Position
	088474-03-000	EA	Housing Socket - 9 Position
	088474-06-000	EA	Housing Socket - 6 Position
	088474-08-000	EA	Housing Socket - 4 Position
	088474-09-000	EA	Housing Socket - 3 Position
	088475-01-000	EA	Housing - Relay
	088475-01-000	EA	Pin - Connector
	074736-01-000	EA	Receptacle/Cover Asm - Grey (Exterior)
	074077-01-000	EA	Receptacle Cover - Ivory (Ground Fault Interrupter)
	074077-02-000	EA	Receptacle Cover - Brown (Ground Fault Interrupter)
	074076-01-000	EA	Receptacle - 15 Amp - 125 Volt - Ivory (Ground Fault Interrupter)
	074076-02-000	EA	Receptacle - 15 Amp - 125 Volt - Brown (Ground Fault Interrupter)
	074078-01-000	EA	Receptacle - Duplex - Brown
	074078-02-000	EA	Receptacle - Duplex - Ivory
	074074-02-000	EA	Receptacle - Power Cord
	074077-01-000	EA	Receptacle - Single - Brown
	074074-01-000	EA	Receptacle - Slide - 16 to 12 Awg.
	088473-01-000	EA	Relay - Battery Disconnect
	088476-01-000	EA	Socket Asm - Linn
	088476-01-000	EA	Socket - Connector
	088476-01-01A	EA	Switch Plate - Single Gang - Black
	088476-01-000	EA	Switch Plate - 2 Gang - 2 Switch
	074062-04-000	EA	Switch Plate - 4 Gang - 2 Switch
	074063-01-000	EA	Switch Plate - Single w/Switch - Polished Brass

ELECTRICAL GROUP (CONTINUED)

WIRES, SWITCHES & RECEPTACLES (CONT.)

Key	Part Number	U/M	Description
	079364-01-000	EA	Switch - ON/OFF Rocker - Brown
	079564-03-000	EA	Switch - ON/OFF - Rocker
	008195-01-000	EA	Switch - Push Button - 12 Volt
	076759-01-000	EA	Switch - SPST - Lock/Lock
	076759-03-000	EA	Switch - SPST - Lock/Lock/Lock
	076759-04-000	EA	Switch - SPDT - Mom/Lock/Mom
	076759-05-000	EA	Switch - SPDT - Lock/Lock/Mom
	076759-06-000	EA	Switch - Dummy
	076759-07-000	EA	Switch - SPST - Mom/Off/Lock
	076759-09-000	EA	Switch - SPDT - Lock/Lock
	073937-03-000	EA	Switch - Rotary - 3 Deck - A/C Select
	035416-04-000	EA	Terminal Ring - #10 Stud Fit
	008328-01-000	EA	Terminal Ring - 12/10 Wire
	008348-01-000	EA	Terminal Ring - 2 - 3/8 Stud
	008331-01-000	EA	Terminal Ring - 4 - 3/8 Stud
	062036-02-000	EA	Terminal - Pack - 16/14 ANG
	086777-04-000	EA	Wallplate - Antenna Power - Brown
	076319-08-000	EA	Wallplate/Receptacle - Ivory
	008026-01-000	FT	Wire - 12/2 Romex w/Ground
	008026-01-000	F	Wire w/Ground - Romex - 12/2
	008343-01-000	EA	Wire Tie - 6"
	008343-02-000	EA	Wire Tie - 14"

FUSES & CIRCUIT BREAKERS

Key	Part Number	U/M	Description
	062901-02-000	EA	Fuse - 5 Amp. - Automotive
	062901-05-000	EA	Fuse - 15 Amp. - Automotive
	008211-01-000	EA	Circuit Breaker - 6 Amp. - 12 Volt
	093654-01-000	EA	Circuit Breaker - 6 Amp. - 12 Volt
	093654-02-000	EA	Circuit Breaker - 15 Amp. - 12 Volt
	088779-01-000	EA	Circuit Breaker - 15 Amp.
	083210-02-000	EA	Circuit Breaker - 15 Amp - 120 Volt (Ground Fault Interrupter)
	083209-02-000	EA	Circuit Breaker - 15/15 Amp. - 120 Volt
	083209-03-000	EA	Circuit Breaker - 15/20 Amp. - 120 Volt
	093654-03-000	EA	Circuit Breaker - 20 Amp. - 12 Volt
	083209-05-000	EA	Circuit Breaker - 20 Amp. - 120 Volt
	093655-01-000	EA	Circuit Breaker - 25 Amp. - 12 Volt
	093655-02-000	EA	Circuit Breaker - 30 Amp - 12 Volt
	083209-06-000	EA	Circuit Breaker - 30/15 Amp. - 120 Volt
	093655-03-000	EA	Circuit Breaker - 40 Amp. - 12 Volt

**1989 ITASCA
TABLE OF CONTENTS**

ICN28RU	A-01 - D-16
IC/JN31RT	D-17 - H 10
IC/JN36RO	H-09 - K-21

1983 IC/JN31RT INDEX

Floor Plan	D-17 - D-18
Accessories Group	D-19 - D-23
Bath Group	D-24 - E-02
Chassis Group	E-03 - E-10
Curtain, Cushion & Pad Group	E-11 - E-22
Dinette Group	E-23 - E-24
Driver's Compartment Group	F-01 - F-07
Electrical Group	F-08 - F-11
Exterior Body Group	F-12 - F-19
Galley Group	F-20 - F-23
Heating & Air Conditioning Group	F-24 - G-02
Interior Finish Group	G-03 - G-04
LP Group	G-05
Lounge Group	G-06 - G-09
Water & Sewage Group	G-10 - G-13
Window, Vent & Exterior Door Group	G-14 - H-08

ELECTRICAL GROUP (CONTINUED)

EXTERIOR LIGHTS & BULBS

Key	Part Number	U/M	Description
	081250-01-000	EA	Light Asm. - Clearance - Amber
	081250-01-700	EA	Lens - Clearance - Amber
	081250-02-000	EA	Light Asm. - Clearance - Red
	081250-02-700	EA	Lens - Clearance - Red
	036196-01-000	EA	Bulb - Clearance Lights
	081437-01-000	EA	Bracket - Clearance Lights
	089289-02-000	EA	Light Asm. - Side Marker - Amber (Front End)
	089291-01-000	EA	Light Asm. - Turn Signal - Red (Rear Cap)
	089292-01-000	EA	Light Asm. - Turn Signal - Amber (Rear Cap)
	084901-01-000	EA	Lamp - Park & Turn (Front End)
	076345-01-000	EA	Lens Asm. - Park/Turn - Amber
	076345-02-000	EA	Socket Asm. - Park/Turn Lamp
	089290-01-000	EA	Light Asm. - Back-Up - Red/Clear
	042405-01-000	EA	Lens - Rectangular Light w/Reflex - Red
	042105-03-000	EA	Base - Rectangular Light
	037134-01-000	EA	Bulb - Back-Up Light
	076755-01-000	EA	Light Asm. - License
	049185-01-000	EA	Headlamp Capsule Asm. - Rectangular - Driver - High/Low Beam
	049186-01-000	EA	Headlamp Capsule Asm. - Rectangular - Passenger High/Low Beam
	049187-01-000	EA	Headlamp Capsule Asm. - Rectangular - Driver - High Beam
	049168-01-000	EA	Headlamp Capsule Asm. - Rectangular - Passenger - High Beam
	091839-01-01A	EA	Bezel - Headlamp - Right
	091839-02-01A	EA	Bezel - Headlamp - Left
	033508-02-000	EA	Lamp Asm. - Storage Compartment - Ivory (US)
	033508-03-000	EA	Lamp Asm. - Storage Compartment - Ivory (CSA)
	008089-01-000	EA	Porch Light - Recessed (US)
	008089-02-000	EA	Porch Light - Recessed (CSA)
	008089-01-700	EA	Lens - Porch Light
	091981-01-000	EA	Gasket - Porch Light
	008215-01-000	EA	Bulb - Porch Light

WINDSHIELD WIPER & WASHER

Key	Part Number	U/M	Description
	056000-02-000	EA	Washer Asm. - Windshield
	072472-04-000	EA	Arm - Windshield Wiper - 29" - Black
	072472-02-000	EA	Adaptor - Arm Wiper - Pantograph
	049454-03-000	EA	Blade Asm. - Windshield Wiper - 20" - Black
	019464-03-700	EA	Blade - Wiper Refill
	067190-04-000	EA	Shaft & Pivot Asm.
	077048-01-000	EA	Shaft Adapter - Pantograph Arm
	077049-01-000	EA	Acorn Nut
	067191-02-700	EA	Drive Motor Asm. - Wiper
	067192-01-000	EA	Link Asm. - Connection - 39"
	067193-02-000	EA	Link Asm. - Connection - 8.10"
	067198-01-000	EA	Stud - Crank Wiper
	067234-01-000	FT	Hose - 5/32" ID - Black

MISCELLANEOUS ELECTRICAL COMPONENTS

Key	Part Number	U/M	Description
	067391-01-000	EA	Battery - 12 Volt - 80 Amp. - Gould
	036120-02-000	EA	Fan - Defroster - 6" - 2 Speed (Option 36N)
	069094-01-000	EA	Lighter Asm. - Cigarette
	073852-01-000	EA	Smoke Detector w/9 Volt Battery
	002615-01-000	EA	Converter - 40 Amp. w/Charger
	089326-01-000	EA	Grille Floor - Converter
	081912-01-000	EA	Transformer - Dry Control (Export)
	094809-01-000	EA	Load Center - 240 Volt - 125 Amp (Export)
	083674-01-000	EA	Plate - Push Button Circuit Breaker
	092547-01-000	EA	Label - Circuit Breaker Plate

F-11

EXTERIOR BODY GROUP

LABELS & EXTERIOR PAINT

Key	Part Number	U/M	Description
	091243-01-000	EA	Label - Air Conditioner Cover
	074983-01-000	EA	Label - Air Conditioner Selector
	087236-01-000	EA	Label - Cable - Input
	065748-01-000	EA	Label - Caution - Battery Changing
	087237-01-000	EA	Label - Certification
	096506-01-000	EA	Label - Compartment No Sealed
	095721-01-000	EA	Label - Control Center
	094674-01-000	EA	Label - Door Load (Trunk)
	006195-01-000	EA	Label - Electrical Test
	047731-01-000	EA	Label - Emergency Exit
	006199-01-000	EA	Label - Exit - Escape Window
	094675-01-000	EA	Label - Exterior Light Service
	051417-01-000	EA	Label - Fuel
	087207-02-000	EA	Label - Fuel Cap Removal
	094622-01-000	EA	Label - Fuel Pump - Power
	093234-01-000	EA	Label - Fuse - Upper
	093235-01-000	EA	Label - Fuse - Lower
	006196-01-000	EA	Label - Gas Test
	054531-01-000	EA	Label - LP Gas Only
	073998-01-000	EA	Label - LPG Odor Warning
	040941-01-000	EA	Label - Open - Entrance Door
	061606-01-000	EA	Label - Overlay - Vehicle Certification
	006031-01-000	EA	Label - Potable Water Only
	050259-01-000	EA	Label - Safety Check List
	006064-01-000	EA	Label - Seat - w/o Seat Belts
	006187-01-000	EA	Label - Sewage
	079366-01-000	EA	Label - Warning - Stowed Motion
	077956-01-000	EA	Label - Warning - Smoke Detector
	075221-03-000	EA	Label - Trailer Hitch Capacity
	091224-01-000	EA	Label - Trailer Lighting
	078236-02-000	EA	Label - TV Outlet
	090342-01-000	EA	Label - Vapor Relief
	075220-01-000	EA	Label - Warning - Exterior Load Limit
	050225-01-000	EA	Label - Warning - Stove Vent - US
	006188-01-000	EA	Label - Waste Water
	006197-01-000	EA	Label - Water Test
	006062-01-000	EA	Tag - Electrical - 110 Volt Connection
	006040-01-000	EA	Tag - Gas - Refueling Warning
	006019-01-000	EA	Tag - RVI Approved - Plastic
	044486-03-000	EA	Paint - Beige Acrylic Enamel - 16 oz. Aerosol (DuPont #7633A)
	045681-03-000	EA	Paint - Gloss Black - Acrylic Enamel - 16 oz. Aerosol (DuPont #99)
	074559-01-000	EA	Label "LPG" 3.3" x 1.75" (Calif. Code)

MISCELLANEOUS EXTERNALLY MOUNTED PARTS

Key	Part Number	U/M	Description
	083558-03-000	EA	Plumbing Seal - Roof Vent - 1 1/2" - Covered
	009126-01-000	EA	Assist Handle - Chrome
	087659-04-000	EA	Fill - City Water - Recessed - Off White
	087659-01-700	EA	Water Fill - Cap & Strap Only
	069362-03-000	EA	Brace - Floor to Valance - 13" x 1"
	069726-02-000	EA	Bumper - Black - .88" x .40"

SHEET FIBERGLASS, ALUMINUM & STYROFOAM

Key	Part Number	U/M	Description
	044487-01-001	EA	Aluminum - Mill Finish - No Design (Roof) - 96" x 360"
	000868-01-000	SF	Styrofoam - 3/4" x 24" x 96"
	000870-01-000	SF	Styrofoam - 1 1/2" x 24" x 96"
	000870-03-000	SF	Styrofoam - 1 3/4" x 48" x 96"
	000870-05-000	SF	Styrofoam - .50" x 24" x 96"
	083571-01-000	SF	Styrofoam - 1.5" x 24" x 95.25"
	084882-01-000	EA	Fiberglass/Mende Board - 365" x 83" - Off White
	077517-52-000	EA	Fiberglass Sheet - 29.69" x 27.88" - Off White

F-12

1989 ITASCA TABLE OF CONTENTS

ICN28RU
IC/JN31RT
IC/JN36RO

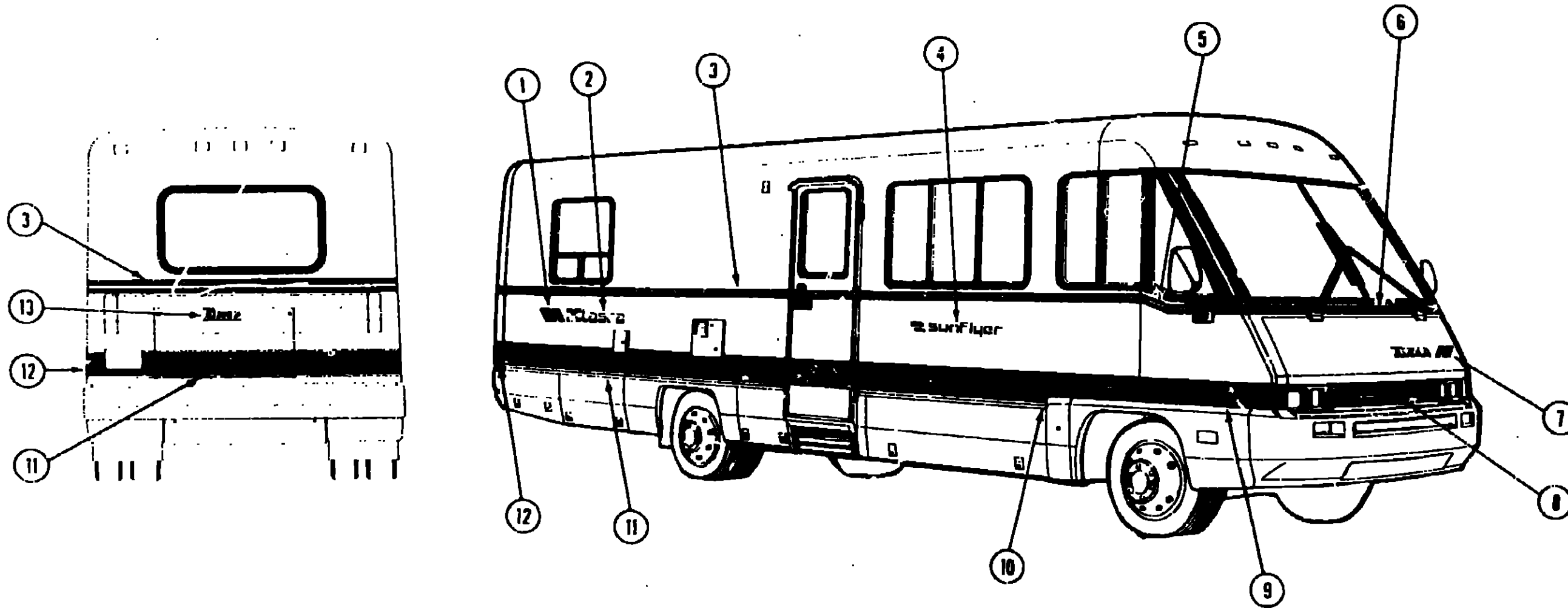
A-01 - D-16
D-17 - H-10
H-09 - K-21

1989 IC/JN31RT INDEX

Floor Plan	D-17 - D-18
Accessories Group	D-19 - D-23
Bath Group	D-24 - E-02
Chassis Group	E-03 - E-10
Curtain, Cushion & Pad Group	E-11 - E-22
Dinette Group	E-23 - E-24
Driver's Compartment Group	F-01 - F-07
Electrical Group	F-08 - F-11
Exterior Body Group	F-12 - F-19
Galley Group	F-20 - F-23
Heating & Air Conditioning Group	F-24 - G-02
Interior Finish Group	G-03 - G-04
LP Group	G-05
Lounge Group	G-06 - G-09
Water & Sewage Group	G-10 - G-13
Window, Vent & Exterior Door Group	G-14 - H-08

EXTERIOR BODY GROUP (CONTINUED)

DECALS & FILM STRIPE



**1989 ITASCA
TABLE OF CONTENTS**

ICN28RU
IC/JN31RT
IC/JN36RQ

A-01 - D-16
D-17 - H-10
H-09 - K-21

Key	Part Number	U/M	Description
1	093795-01-01A	EA	Decal - Angle - Right - Black/Blue/Peach (Y35)
1	093795-01-02A	EA	Decal - Angle - Right - Black/Brown/Green (Y36, Y37)
	093795-02-01A	EA	Decal - Angle - Left - Black/Blue/Peach (Y35)
	093795-02-02A	EA	Decal - Angle - Left - Black/Brown/Green (Y36, Y37)
2	078852-11-000	EA	Decal - Logo - "Itasca" - Blue/Black (Y35)
2	078852-12-000	EA	Decal - Logo - "Itasca" - Green/Black (Y36, Y37)
3	093689-02-01A	FT	Film - Multistripe - 150' - Blue/Peach (Y35)
3	093689-02-02A	FT	Film - Multistripe - 150' - Green/Brown (Y36, Y37)
4	093793-01-01A	EA	Decal - Right - "Sunflyer" w/Angle - Black/Blue/Peach (Y35)
4	093793-01-02A	EA	Decal - Right - "Sunflyer" w/Angle - Black/Green/Brown (Y36, Y37)
	093793-02-01A	EA	Decal - Left - "Sunflyer" w/Angle - Black/Blue/Peach (Y35)
	093793-02-02A	EA	Decal - Left - "Sunflyer" w/Angle - Black/Green/Brown (Y36, Y37)
5	093792-01-01A	EA	Decal - Right Front Corner - Blue/Peach (Y35)
5	093792-01-02A	EA	Decal - Right Front Corner - Green/Brown (Y36, Y37)
	093792-02-01A	EA	Decal - Left Front Corner - Blue/Peach (Y35)
	093792-02-02A	EA	Decal - Left Front Corner - Green/Brown (Y36, Y37)
6	093689-03-01A	FT	Film - Multistripe - Hood - Blue/Peach (Y35)
6	093689-03-02A	FT	Film - Multistripe - Hood - Green/Brown (Y36, Y37)

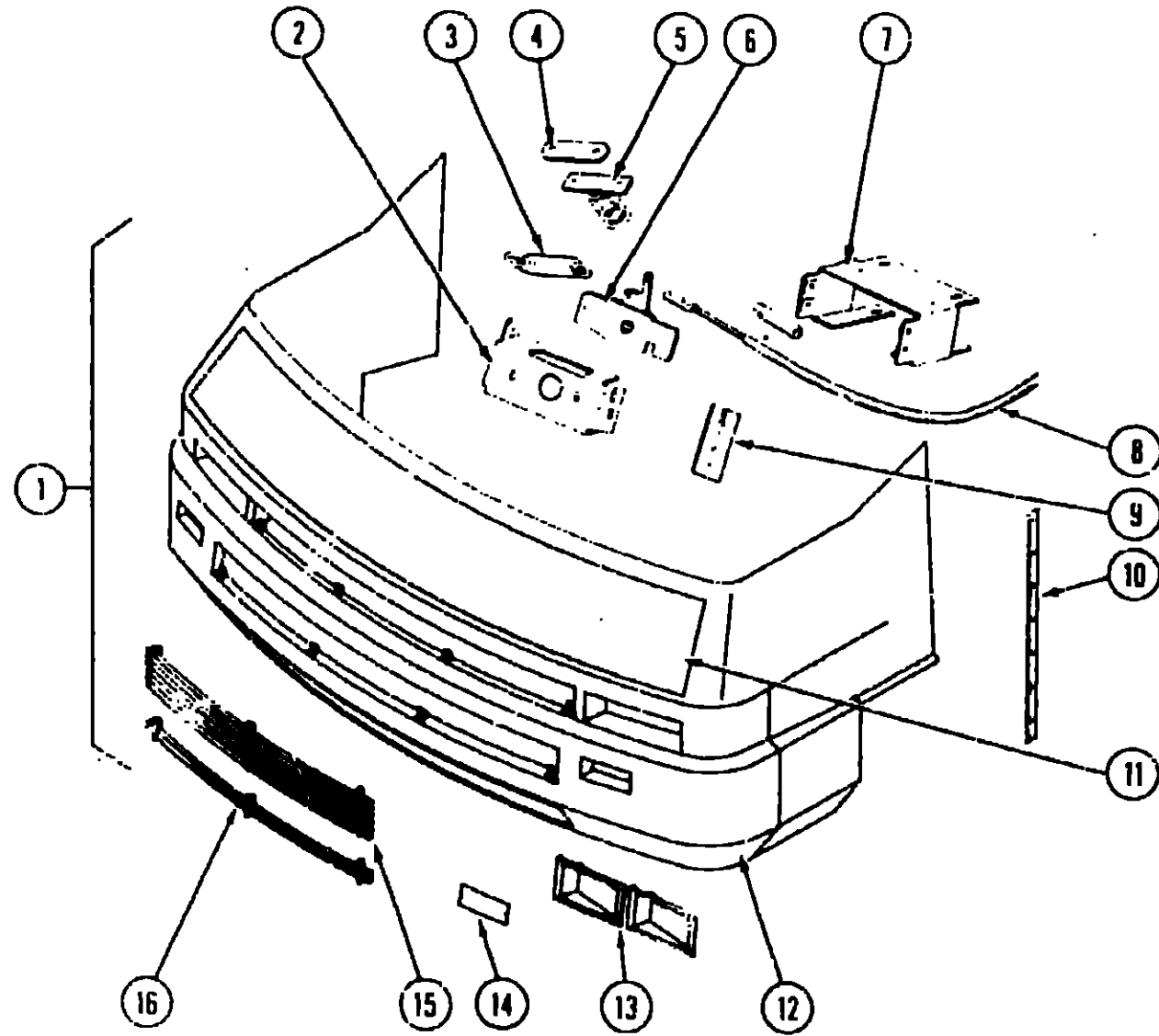
Key	Part Number	U/M	Description
7	093789-01-02A	EA	Decal - Logo "Itasca" w/Angle - Black/Blue/Peach/Blue (Y35)
7	093789-01-01A	EA	Decal - Logo "Itasca" w/Angle - Black/Green/Green/Brown (Y36, Y37)
8	093790-01-01A	EA	Decal - Logo - "I"
9	093689-04-01A	FT	Film - Multistripe - Peach/Blue (Y35)
9	093689-04-02A	FT	Film - Multistripes - Brown/Green (Y36, Y37)
10	093797-01-01A	EA	Decal - Transition - Right - Blue/Peach (Y35)
10	093797-01-02A	EA	Decal - Transition - Right - Brown/Green (Y36, Y37)
	093797-02-01A	EA	Decal - Transition - Left - Peach/Blue (Y35)
	093797-02-02A	EA	Decal - Transition - Left - Brown/Green (Y36, Y37)
11	093689-05-01A	FT	Film - Multistripe - Peach/Blue (Y35)
11	093689-05-02A	FT	Film - Multistripe - Brown/Green (Y36, Y37)
12	093798-01-01A	EA	Decal - Right Rear Corner - Peach/Blue (Y35)
12	093798-01-02A	EA	Decal - Right Rear Corner - Brown/Green (Y36, Y37)
	093798-02-01A	EA	Decal - Left Rear Corner - Peach/Blue (Y35)
	093798-02-02A	EA	Decal - Left Rear Corner - Brown/Green (Y36, Y37)
13	093791-01-01A	EA	Decal - Logo - "Itasca"

1989 IC/JN31RT INDEX

Floor Plan	D-17 - D-18
Accessories Group	D-19 - D-23
Bath Group	D-24 - E-02
Chassis Group	E-03 - E-10
Curtain, Cushion & Pad Group	E-11 - E-22
Dinette Group	E-23 - E-24
Driver's Compartment Group	F-01 - F-07
Electrical Group	F-08 - F-11
Exterior Body Group	F-12 - F-19
Galley Group	F-20 - F-23
Heating & Air Conditioning Group	F-24 - G-02
Interior Finish Group	G-03 - G-04
LP Group	G-05
Lounge Group	G-06 - G-09
Water & Sewage Group	G-10 - G-13
Window, Vent & Exterior Door Group	G-14 - H-08

EXTERIOR BODY GROUP (CONTINUED)

EXTERIOR BODY PANELS & HARDWARE



Key	Part Number	U/A	Description
1	M01115-21-Y33	EA	Panel Asm. - Front Shroud (includes access panel)
2	073336-02-000	EA	Bracket - Mounting Latch
3	R77006-38-499	EA	Spring - Hood Release
4	R77006-68-172	EA	Shim - Spacer Plate
5	R77007-01-950	EA	Striker & Spring - Hood Latch
6	R77007-51-429	EA	Latch Asm. - Hood
7	073312-01-000	EA	Bracket Asm. - Hood Latch
8	077064-01-000	EA	Cable - Hood Release - w/Clamp
9	077407-01-000	EA	Bracket - Hood Cable Release (mounts under the hood)
	077406-01-000	EA	Bracket - Hood Cable Release (mounts under the dash)
	091955-01-000	EA	Squeegee - Extended Handle
	091952-01-000	EA	Clip - 1" Gripper
	093527-01-000	EA	Bracket - Squeegee
10	096204-01-02A	EA	Trim - "J" Molding - Off White
11	092678-01-Y33	EA	Access Panel Asm. - Hood
	058786-01-000	EA	Hood Bolt Adjusting
	076716-01-000	EA	Bracket Asm. - Striker Latch
	093851-01-Y35	EA	Hinge Asm. - Hood - Passenger
	093851-02-Y35	EA	Hinge Asm. - Hood - Driver
	076767-02-000	EA	Cable Asm. - 1/16" x 16.5" - Stainless Steel
12	M93846-01-Y35	EA	Bumper Asm. - Off White
	093385-01-000	EA	Bracket - License Plate
13	091839-01-01A	EA	Bezel - Headlamp - Passenger
	091839-02-01A	EA	Bezel - Headlamp - Driver
	091230-02-000	EA	Screw - HexJamf Bezel - 6.32" x 3/4 POH
	049185-01-000	EA	Headlamp Capsule Asm. - Rectangular - Left - High/Low Beam
	049186-01-000	EA	Headlamp Capsule Asm. - Rectangular - Right - High/Low Beam
	049187-01-000	EA	Headlamp Capsule Asm. - Rectangular - Left - High Beam
	049188-01-000	EA	Headlamp Capsule Asm. - Rectangular - Right - High Beam
	049359-01-000	EA	Spring - Headlamp
	073302-01-000	EA	Retainer - Headlight Adjusting Screw
14	076345-01-000	EA	Lens Asm. - Park/Turn - Amber
	084901-01-000	EA	Lamp Asm. - Park/Turn
15	093004-01-Y33	EA	Grille Asm. - 5 Bar
16	093005-01-Y33	EA	Grille Asm. - 2 Bar

1989 ITASCA TABLE OF CONTENTS

ICN28RU
IC/JN31RT
IC/JN36RO

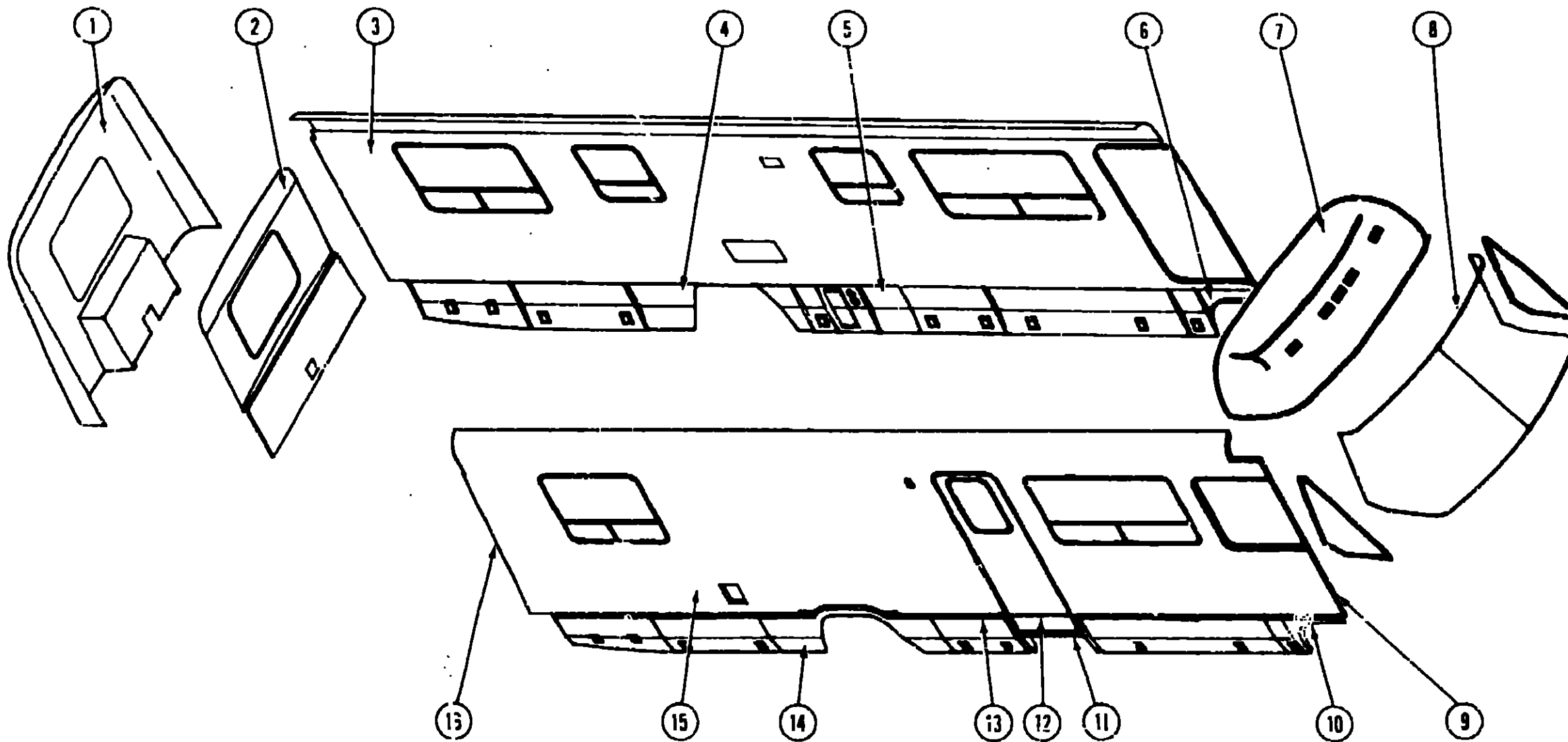
A-01 - D-16
D-17 - H-10
H-09 - K-21

1989 IC/JN31RT INDEX

Floor Plan	D-17 - D-18
Accessories Group	D-19 - D-23
Bath Group	D-24 - E-02
Chassis Group	E-03 - E-10
Curtain, Cushion & Pad Group	E-11 - E-22
Dinette Group	E-23 - E-24
Driver's Compartment Group	F-01 - F-07
Electrical Group	F-08 - F-11
Exterior Body Group	F-12 - F-19
Galley Group	F-20 - F-23
Heating & Air Conditioning Group	F-24 - G-02
Interior Finish Group	G-03 - G-04
LP Group	G-05
Lounge Group	G-06 - G-09
Water & Sewage Group	G-10 - G-13
Window, Vent & Exterior Door Group	G-14 - H-08

EXTERIOR BODY GROUP (CONTINUED)

EXTERIOR BODY PANELS & TRIM



**1989 ITASCA
TABLE OF CONTENTS**

ICN28RU
IC/JN31RT
IC/JN36RQ

A-01 - D-16
D-17 - H-10
H-09 - K-21

1989 IC/JN31RT INDEX

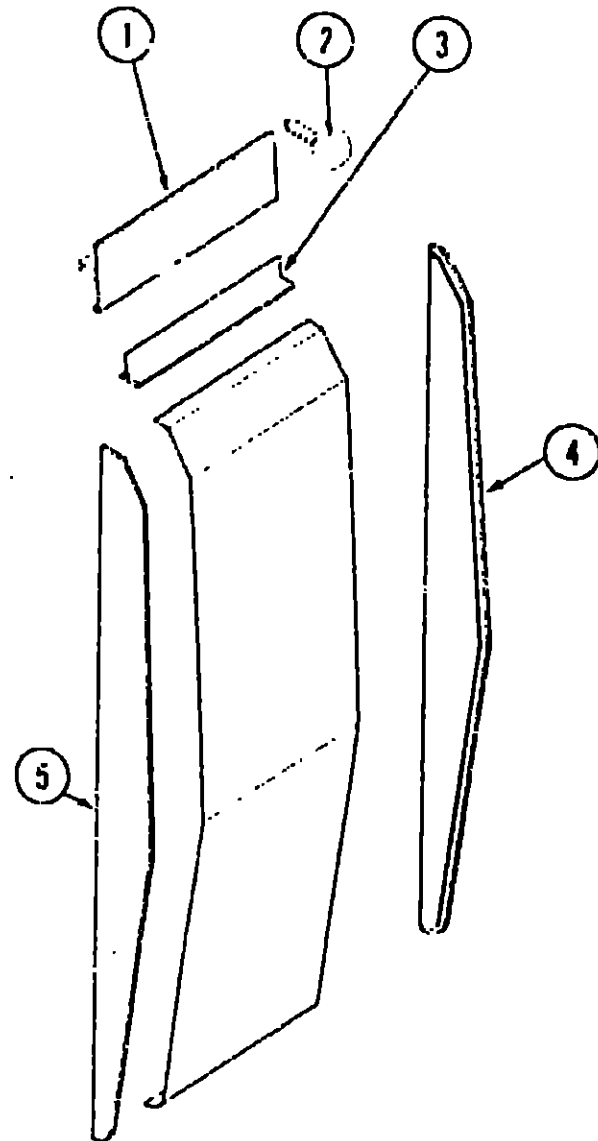
Floor Plan	D-17 - D-18
Accessories Group	D-19 - D-23
Bath Group	D-24 - E-02
Chassis Group	E-03 - E-10
Curtain, Cushion & Pad Group	E-11 - E-22
Dinette Group	E-23 - E-24
Driver's Compartment Group	F-01 - F-07
Electrical Group	F-08 - F-11
Exterior Body Group	F-12 - F-19
Galley Group	F-20 - F-23
Heating & Air Conditioning Group	F-24 - G-02
Interior Finish Group	G-03 - G-04
LP Group	G-05
Lounge Group	G-06 - G-09
Water & Sewage Group	G-10 - G-13
Window, Vent & Exterior Door Group	G-14 - H-08

Key	Part Number	U/M	Description
1	M03490-01-Y33	EA	Rear Cap Asm. - Off White (Chevrolet)
1	M03490-02-Y33	EA	Rear Cap Asm. - Off White (John Deere)
2	M03911-01-Y35	EA	Backwall Asm. - Upper
	M03912-02-Y12	EA	Backwall Asm. - Lower (w/Queen Bed)
	M03912-01-Y12	EA	Backwall Asm. - Lower (w/Twin Bed)
3	M93516-01-Y36	EA	Sidewall Asm. - Driver
3	M93516-01-Y36	EA	Sidewall Asm. - Driver
3	M93516-01-Y37	EA	Sidewall Asm. - Driver
4	093244-12-Y35	EA	Wheel Lip - Rear - Driver
5	093022-10-Y35	EA	Valance Asm. - Body Panel
6	092589-02-01A	EA	Wheel Lip Asm. - Front - Driver
7	M02959-06-Y33	EA	Front Cap Asm. - Off White
8	011506-01-000	EA	Reveal Molding
9	096204-01-02A	FA	Trim - "J" Molding
10	092503-01-01A	FA	Wheel Lip Asm. - Front - Passenger

See the following page for the breakdown of this item

Key	Part Number	U/M	Description
11	093387-01-Y33	EA	Valance Asm. - Step
12	093673-01-01A	EA	Body Molding - Entrance Door
13	092301-01-01A	FT	Body Molding - Off White
	094362-02-000	EA	Clip - X-Mas - Flat Head
14	093244-07-Y35	EA	Wheel Lip Asm. - Rear - Off White
15	M93448-01-Y35	EA	Sidewall Asm. - Passenger
15	M93448-01-Y36	EA	Sidewall Asm. - Passenger
15	M93448-01-Y37	EA	Sidewall Asm. - Passenger
16	092041-01-02A	EA	Trim - Rear Cap to Sidewall - Off White
	091985-01-01A	EA	Trim Insert - Off White
	M93549-02-Y35	EA	Roof Asm.
	092250-01-01A	EA	Bumper End Cap - Rear - Passenger
	092250-02-01A	EA	Bumper End Cap - Rear - Driver
	094355-53-01A	EA	Retainer - Valance - 66 8" - Off White

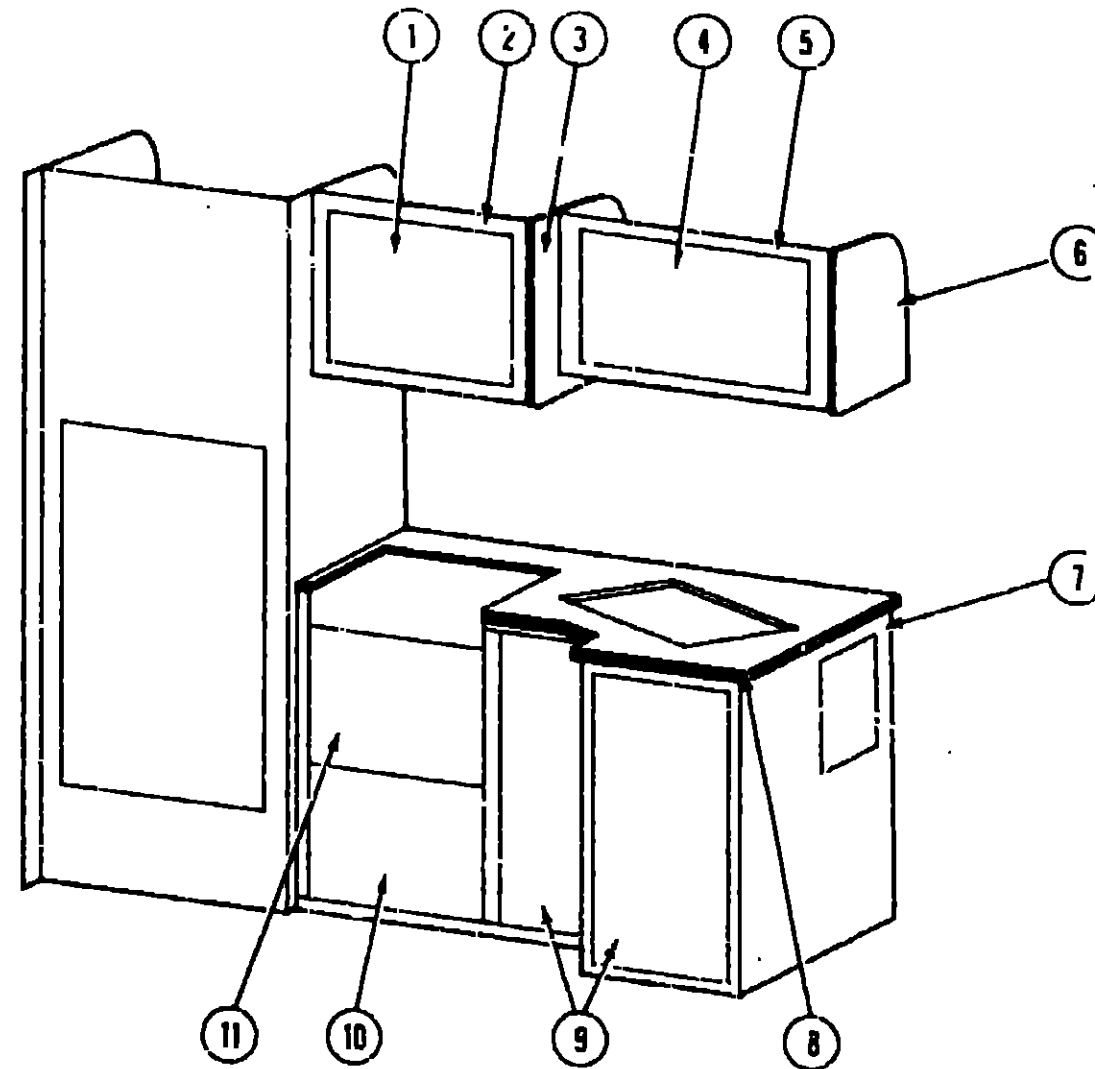
EXTERIOR BODY GROUP (CONTINUED)



VANCE PANEL ASM.

Key	Part Number	U/M	Description
1	092301-01-01A	EA	Body Molding - Off White
2	094762-02-00C	EA	Clip - X-Mas - Flat Head
3	094355-01-01A	EA	Trim - Valance to Sidewall
4	092650-01-01A	EA	End Cap - Valance Panel - Right
5	094760-02-01A	EA	End Cap - Valance Panel - Left

GALLEY GROUP



GALLEY CABINETRY

Key	Part Number	U/M	Description
1	M88304-A9-X08	EA	Door Asm. - Galley Overhead - 14.4" x 21.9" - w/o Hardware
2	M94767-01-Y07	EA	Cabinet Asm. - Galley Overhead - w/o Door or Hardware
3	094767-01-Y12	EA	Cabinet Asm. - Galley Overhead - w/o Door or Hardware
4	092090-02-Y12	EA	Pad Asm. - End Cap - Galley Overhead - Vinyl
5	M88304-B4-X08	EA	Door Asm. - Galley Overhead - 14.4" x 26.8" - w/o Hardware
6	M92744-01-Y12	EA	Pad Asm. - End Cap - Galley Overhead - Vinyl
7	M03862-03-Y35	EA	Cabinet Asm. - Galley - w/Countertop - w/o Door or Hardware
8	M03862-04-Y35	EA	Cabinet Asm. - Galley - w/Countertop - w/o Door, Hardware or Drawers
9	093182-18-Y12	EA	Countertop Asm. - Galley Cabinet
10	M88304-14-X08	EA	Door Asm. - Galley Cabinet - 14.4" x 33.5" - w/o Hardware
11	M88304-05-X23	EA	Door Asm. - Galley Cabinet - 21.9" x 15.9" - w/o Hardware
	M82184-11-X36	EA	Drawer Asm. - Galley Cabinet
	074490-01-000	EA	Spice Rack - Unfinished
	092488-01-Y12	EA	Holder - Paper Towel
	093288-03-01A	EA	Tray - Silverware Drawer - Beige

* Parts used with the Microwave Option

**1939 ITASCA
TABLE OF CONTENTS**

ICN28RU
IC/JN31RT
IC/JN36RQ

A-01 - D-16
D-17 - H-10
H-09 - K-21

1989 IC/JN31RT INDEX

Floor Plan	D-17 - D-18
Accessories Group	D-19 - D-23
Bath Group	D-24 - E-02
Chassis Group	E-03 - E-10
Curtain, Cushion & Pad Group	E-11 - E-22
Dinette Group	E-23 - E-24
Driver's Compartment Group	F-01 - F-07
Electrical Group	F-08 - F-11
Exterior Body Group	F-12 - F-19
Galley Group	F-20 - F-23
Heating & Air Conditioning Group	F-24 - G-02
Interior Finish Group	G-03 - G-04
LP Group	G-05
Lounge Group	G-06 - G-09
Water & Sewage Group	G-10 - G-13
Window, Vent & Exterior Door Group	G-14 - H-08

GALLEY GROUP (CONTINUED)

REFRIGERATORS

Key	Part Number	U/M	Description
	084880-01-000	EA	Refrigerator - 3-Way - Double Door - Norcold 8663
	094039-01-000	EA	Refrigerator - 3-Way - Double Door - Norcold 8683
	084880-03-701	EA	Cooling Unit
	084880-03-700	EA	Flue
	088248-01-709	EA	Heater AC
	075217-01-737	EA	Control Module
	094039-01-737	EA	Power Supply (3-Way)
	094039-01-701	EA	Eyebrow (3-Way)
	094039-01-700	EA	P.C. Board (3-Way)
	084880-01-715	EA	Shut-Off Valve - Manual
	084880-01-713	EA	Male Connector
	064473-01-702	EA	Onion
	084248-01-706	EA	Burner
	088248-01-708	EA	Baffle Asm.
	084880-01-733	EA	Dairy Keeper
	084880-01-734	EA	Hinge Bracket - Top Right/Bottom Left (Brown)
	094039-01-723	EA	Hinge Bracket - Top Right/Bottom Left (Black)
	094039-01-707	EA	Upper Door Handle Asm. (Brown)
	094039-01-708	EA	Upper Door Handle Asm. (Black)
	094039-01-705	EA	Upper Door Liner - White (Brown)
	094039-01-706	EA	Upper Door Liner - White (Black)
	084880-01-735	EA	Hinge Bracket - Top Left/Bottom Right (Brown)
	094039-01-724	EA	Hinge Bracket - Top Left/Bottom Right (Black)
	084880-01-722	EA	Crisper Cover
	094039-01-731	EA	Crisper w/Silver Trim - Gray
	094039-01-720	EA	Cabinet Asm. - Frame (Brown)
	094039-01-721	EA	Cabinet Asm. - Frame (Black)
	084880-01-746	EA	Cable
	084880-01-731	EA	Hinge - Pin
	094039-01-725	EA	Hinge Pin - Male - Black
	094039-01-729	EA	Hinge Pin Shaft - Center Hinge (Brown)
	094039-01-730	EA	Hinge Pin Shaft - Center Hinge (Black)
	094039-01-727	EA	Hinge Bracket - Center Hinge (Brown)
	094039-01-723	EA	Hinge Bracket - Center Hinge (Black)
	084880-01-749	EA	Hinge Bushing
	088248-01-707	EA	Sensor Electrode
	088248-01-710	EA	Heater DC - 3-W.
	094039-01-702	EA	Gasket - Upper - Gray
	094039-01-713	EA	Gasket - Lower - Gray
	094039-01-705	EA	Upper Door Liner - White (Brown)
	094039-01-714	EA	Lower Door Liner - White (Brown)
	094039-01-715	EA	Lower Door Liner - White (Black)

See the illustrated parts breakdown on the Common Items Fiche.

GALLEY GROUP (CONTINUED)

REFRIGERATORS (CONT.)

Key	Part Number	U/M	Description
	094038-01-703	EA	Lower Door Handle Asm. (Brown)
	094039-01-716	EA	Lower Door Handle Asm. (Brown)
	094038-01-704	EA	Lower Door Handle Asm. (Black)
	094030-01-717	EA	Lower Door Handle Asm. (Black)
	084880-01-716	EA	Gas - Valve
	084880-03-705	EA	Bracket - Interior Refrigerator Light
	084880-03-706	EA	Lamp - Bulb
	084880-01-736	EA	Light Switch - Brown
	075217-01-738	EA	Switch Rocker - 3 Position - Black
	084880-01-732	EA	Latch
	084880-02-700	EA	Lower - Flange
	094039-01-732	EA	Front Cover - Bottom Trim - Black
	094039-01-712	EA	Door Bin - w/Silver Border - Gray
	094039-01-718	EA	Milk Bin - w/Silver Trim - Gray
	084880-01-748	EA	Plug - Installation (Brown)
	094039-01-740	EA	Plug - Installation (Black)
	084880-01-747	EA	Hole Plug
	094039-01-722	EA	Plug Hole - Hinge Poles - Black
	094039-01-711	EA	Juice Rack w/Silver Trim
	064472-01-749	EA	Plug
	094039-01-726	EA	Evaporator Shelf
	084880-03-707	EA	Cover - Lamp or Bulb
	094039-01-733	EA	Wire Shelf - Middle
	094039-01-734	EA	Wire Shelf w/Riser - Top
	094039-01-703	EA	Hinge Plate - Left (Brown)
	094039-01-704	EA	Hinge Plate - Left (Black)
	094039-01-709	EA	Hinge Plate - Top Right/Bottom Left (Brown)
	094039-01-710	EA	Hinge Plate - Top Right/Bottom Left (Black)
	094039-01-741	EA	Tray - Shelf - Plastic - Gray

GALLEY HARDWARE

Key	Part Number	U/M	Description
	098654-01-000	EA	Sink - Stainless Steel - Double
	066437-01-000	EA	Strainer - w/Basket - Sink
	011053-04-000	EA	Faucet - Swing Spout - 8"
	081530-01-Y30	EA	Cover Asm. - Sink
	058334-01-000	EA	Wastebasket - 9 3/4" x 7" x 10" - White
	077409-02-000	EA	Drawer Slide - Plastic - 20.75"
	077404-02-000	EA	Drawer Slide - Plastic - 20" x 12.7"
	037671-01-000	EA	Drawer Rail - V-Guide
	093288-01-01A	EA	Tray - Silverware - Plastic
	094067-01-01A	EA	Drawer Divider - Plastic
	081646-01-000	EA	Rack - White Wire - Storage
	075451-02-000	EA	Clip - White Wire Storage Rack
	059777-02-000	EA	Hinge - Antique - Light Brass
	081376-01-000	EA	Back Plate - Door Pull - Polished Brass
	088264-01-000	EA	Pull - Door
	074430-01-000	EA	Rack Asm. - Spice - Unfinished
	092488-01-Y12	EA	Towel Holder - Paper
	054450-01-000	EA	Level - Refrigerator
	084466-02-000	EA	Slide Asm. - Galley Cabinet Drawer - Right
	084466-03-000	EA	Slide Asm. - Galley Cabinet Drawer - Left

1989 ITASCA TABLE OF CONTENTS

ICN28RU	A-01 - D-16
IC/JN31RT	D-17 - H-10
IC/JN36RO	H-09 - K-21

1989 IC/JN31RT INDEX

Floor Plan	D-17 - D-18
Accessories Group	D-19 - D-23
Bath Group	D-24 - E-02
Chassis Group	E-03 - E-10
Curtain, Cushion & Pad Group	E-11 - E-22
Dinette Group	E-23 - E-24
Driver's Compartment Group	F-01 - F-07
Electrical Group	F-08 - F-11
Exterior Body Group	F-12 - F-19
Galley Group	F-20 - F-23
Heating & Air Conditioning Group	F-24 - G-02
Interior Finish Group	G-03 - G-04
LP Group	G-05
Lounge Group	G-06 - G-09
Water & Sewage Group	G-10 - G-13
Window, Vent & Exterior Door Group	G-14 - H-08

GALLEY GROUP (CONTINUED)

GALLEY APPLIANCES

Key	Part Number	U/M	Description
	091269-03-000	EA	Microwave Oven - Magic Chef
	091269-03-700	EA	Door Panel - Outer
	091269-03-701	EA	Plate - Ceramic - 9 1/2" Round
	091269-03-702	EA	Clip - White - F/Oven Shell
	091269-03-703	EA	Clip - Black - F/Oven Shell
	094745-01-01A	EA	Trim - Microwave - Black (Sides)
	094774-01-01A	EA	Trim - Microwave - Black (Bottom)
	092696-05-01A	EA	Hood - Range - w/Monitor - Almond (US)
	092698-01-01A	EA	Hood Vent - w/Door
	092696-06-01A	EA	Hood - Range w/Monitor (CSA)
	092696-02-700	EA	Chassis w/Wiring - Almond (CSA)
	092696-01-701	EA	Knob - Plastic
	092696-01-702	EA	Register/Wire Asm.
	092696-01-703	EA	Fuse Holder
	092696-01-704	EA	Switch - Lever Asm. Module
	092696-01-705	EA	Actuator - Rod/Turnbuckle
	092696-01-707	EA	Gasket - Vent
	092696-01-708	EA	Mounting Clip - Vent
	092696-01-709	EA	Lamp #912
	092696-01-710	EA	Holder - Lamp
	092696-01-711	EA	Lens - Lamp
	092696-05-701	EA	Chassis w/Wiring - Almond (US)
	090973-01-700	EA	Motor
	092696-01-717	EA	Mesh Filter
	072351-05-700	EA	Clock Asm.
	079353-01-704	EA	Circuit Board - Tanks
	092696-05-702	EA	Control Panel Asm.
	092696-05-703	EA	Panel - Face Plate
	079353-01-700	EA	Test Connector
	075470-01-702	EA	Switch - On/Off/On - Fan Motor
	075470-01-703	EA	Switch - On/Momentary
	075470-01-705	EA	Switch - On/Off/On - Momentary
	081374-01-000	EA	Range Top - 4 Burner - Almond - w/o Oven (Option 1261A)
	064782-02-700	EA	Top - Main - 4 Burner - Almond
	081374-01-700	EA	Trim - Cap Top - Right
	081374-01-701	EA	Trim - Cap Top - Left
	081374-01-702	EA	Panel - Manifold - Warm Black
	081374-01-703	EA	Trim Top Rear
	081374-01-704	EA	Guard - Fabric
	085280-02-000	EA	Cover - Burner - Bi-Fold - SST (Option 1361A)
	055282-04-000	EA	Range w/Oven - 4 Burner - Almond
	045280-02-000	EA	Cover - Burner - Bi-Fold - Almond

HEATING & AIR CONDITIONING GROUP

FURNACE & ROOF AIR CONDITIONER

Key	Part Number	U/M	Description
	092300-03-000	EA	Furnace - 34,000 BTU - Below the Floor - Suburban
	092300-01-700	EA	Cabinet
	092300-01-701	EA	Cabinet Front
	092300-01-702	EA	Thermostat
	092300-02-700	EA	Combustion Chamber Asm.
	092300-01-704	EA	Gasket - Electrode
	092300-01-705	EA	Electrode
	092300-01-706	EA	Door - Burner - Access
	092300-01-707	EA	Gasket - Burner Access Door
	092300-01-708	EA	Limit Switch
	092300-01-709	EA	Module Board
	092300-01-710	EA	Relay - Time Delay
	092300-01-711	EA	Vent Cap Asm.
	092300-01-712	EA	Burner Asm.
	092300-03-700	EA	Orifice - Main Burner
	092300-01-714	EA	Gasket - Manifold
	092300-01-715	EA	Manifold Asm.
	092300-01-716	EA	Valve
	092300-01-717	EA	Wire Asm. (Power Supply)
	092300-01-718	EA	Elbow - 90°
	092300-01-719	EA	Valve - Manual Shut-Off
	092300-01-720	EA	Wheel - Room Air
	092300-01-721	EA	Blower Housing Asm.
	092300-02-702	EA	Microswitch Asm.
	092300-03-701	EA	Motor Asm.
	092300-01-724	EA	Gasket - Motor Mount
	092300-03-702	EA	Housing - Combustion Air Asm.
	092300-01-726	EA	Wheel - Combustion Air
	092300-01-727	EA	Gasket - Combustion Air Housing
	092300-01-728	EA	Housing - Combustion Air (Outside)
	094600-01-02A	EA	Register - Heat - w/o Damper
	094600-02-02A	EA	Register - Heat - w/Damper
	009198-01-000	FT	Duct - Flexible - 4" ID x 25'
	009200-01-000	EA	Tape - Furnace - 1 1/2"
	093764-01-000	EA	Ceiling Asm. - Air Conditioner - Cool Only (Option 29)
	092441-01-000	EA	Ceiling Asm. - Air Conditioner - 220 Volt (European) (Option 29)
	093763-01-04A	EA	Air Conditioner - 110 Volt - Roof Mount - 13,500 BTU - Off White (Option 29);
	093763-04-700	EA	Shroud - Ivory/Charcoal
	093763-01-701	EA	Overload
	093763-01-702	EA	Overload
	093763-01-703	EA	Impellor - 7" Dia. x 2.80" Wide
	093763-01-704	EA	Fan Capacitor
	093763-01-705	EA	Decal - Heat/Cool Thermostat
	093763-01-706	EA	Heat Element
	093763-01-708	EA	Condenser Coil
	093763-01-709	EA	Compressor
	093763-01-710	EA	Single Parts Package
	093763-01-711	EA	Gasket - Package
	093763-01-712	EA	Fan Blade - Condenser
	093763-01-713	EA	Compressor - "E" Series
	093763-01-714	EA	Compressor - Tecumseh 6759
	093763-01-715	EA	Compressor - Tecumseh 6799
	092440-01-000	EA	Air Conditioner - 220 Volt - Roof Mount - 13,500 BTU (European) (Option 29)

**1989 ITASCA
TABLE OF CONTENTS**

ICN28RU	A-01 - D-16
IC/JN31RT	D-17 - H-10
IC/JN36RO	H-09 - K-21

1989 IC/JN31RT INDEX

Floor Plan	D-17 - D-18
Accessories Group	F-19 - D-23
Bath Group	D-24 - E-02
Chassis Group	E-03 - E-10
Curtain, Cushion & Pad Group	E-11 - E-22
Dinette Group	E-23 - E-24
Driver's Compartment Group	F-01 - F-07
Electrical Group	F-08 - F-11
Exterior Body Group	F-12 - F-19
Galley Group	F-20 - F-23
Heating & Air Conditioning Group	F-24 - G-02
Interior Finish Group	G-03 - G-04
LP Group	G-05
Lounge Group	G-06 - G-09
Water & Sewage Group	G-10 - G-13
Window, Vent & Exterior Door Group	G-14 - H-08

HEATING & AIR CONDITIONING GROUP (CONTINUED)

AUTOMOTIVE HEATER

Key	Part Number	U/M	Description
	001387-01-701	EA	Heater & Duct - Corded EPA
	001387-01-702	EA	Heater & Duct - Corded
	001387-01-703	EA	Crank - Mixing Door
	001387-01-704	EA	Vacuum Motor
	001387-01-705	EA	A/C - Heat Coat
	001387-01-706	EA	Box - A/C - Heat Coat
	001387-01-707	EA	Vacuum Motor
	001387-01-708	EA	Transmission - He-Trans
	001387-01-709	EA	Control Board
	001387-01-710	EA	Control Panel
	001387-01-711	EA	Vacuum Switch
	001387-01-712	EA	Harness & Label - Jumped
	001387-01-713	EA	Cable - Bowden
	001387-01-714	EA	Wash Harness
	001387-01-715	EA	Vacuum Harness
	001387-01-716	EA	Relay
	001387-01-717	EA	Resistor - Vacuum
	001387-01-718	EA	Grille - Return Air
	001387-01-719	EA	Bracket - Plenum Mount
	001387-01-720	EA	Grille
	001387-01-721	EA	Evaporator Asm - A/C
	001387-01-722	EA	Grille
	001387-01-723	EA	Door Asm
	001387-01-724	EA	Crank - Mixing Door Rod
	001387-01-725	EA	Heater Core Asm
	001387-01-726	EA	Evaporator Core Asm
	001387-01-727	EA	Valve - Expansion Block
	001387-01-728	EA	O' Ring - #8
	001387-01-729	EA	O' Ring - #10
	001387-01-730	EA	O' Ring - #6
	001387-01-731	EA	Drain Tube Asm
	001387-01-732	EA	Bracket - Bowden Cable Mounting
	001387-01-733	EA	O' Ring - Special
	001387-01-734	EA	Thermostat
	001387-01-735	EA	Resistor - Evap - A/C
	001387-01-736	EA	Motor - blower
	001387-01-737	EA	Wheel - Required Balancing
	001387-01-738	EA	Door Asm
	001387-01-739	EA	Crank - Mixing Door
	001387-01-740	EA	Motor - Vacuum
	001387-01-741	EA	#10 Hose - Suction
	001387-01-742	EA	Bracket - Vacuum Motor
	001387-01-743	EA	Hose - Liquid
	001387-01-744	EA	Relay
	001387-01-745	EA	Duct Kit - Defroster w/o Sgr. Outlet
	001387-01-746	EA	A/C Complete - Mount & Drive Package (John Deere)
	001387-01-747	EA	Condenser Asm (John Deere)
	001387-01-748	EA	Compressor/Clutch (John Deere)
	001387-01-749	EA	Connector - 4" Duct
	001387-01-750	FT	Hose - Heater - 5/8" ID SAE
	001387-01-751	EA	Hose - Flexible - 2.5" ID

HEATING & AIR CONDITIONING GROUP (CONTINUED)

PEAR AUTO HEATER (OPTION 6111)

Key	Part Number	U/M	Description
	004405-01-000	EA	Heater Asm - Beam Ducted
	004405-01-700	EA	Heater Core
	004405-01-701	EA	Fan
	004405-01-702	EA	Motor - 12 Volt Asm
	009198-01-000	FT	Duct - Flexible - 4" ID x 25'
	007108-01-000	FT	Hose - Heater - 5/8" ID
	007109-02-000	FT	Hose - Heater - 7/8" ID
	056464-02-000	EA	Register - 4" Plastic w/o Damper
	079059-01-000	FT	Hose - 90° - .61 x 4" x 36"
	079059-02-000	FT	Hose - 90° - 1.1 x 4" x 6"
	080179-01-000	EA	Bracket - Support - Heater Hose

**1989 ITASCA
TABLE OF CONTENTS**

IC/JN3000	A-01 - D-16
IC/JN3100	D-17 - H-10
IC/JN3600	H-09 - K-21

1989 IC/JN3 IRT INDEX

Floor Plan	D-17 - D-18
Accessories Group	D-19 - D-23
Bath Group	D-24 - E-02
Chassis Group	E-03 - E-10
Curtain, Cushion & Pad Group	E-11 - E-22
Dinette Group	E-23 - E-24
Driver's Compartment Group	F-01 - F-07
Electrical Group	F-08 - F-11
Exterior Body Group	F-12 - F-19
Galley Group	F-20 - F-23
Heating & Air Conditioning Group	F-24 - G-02
Interior Finish Group	G-03 - G-04
LP Group	G-05
Lounge Group	G-06 - G-09
Water & Sewage Group	G-10 - G-13
Window, Vent & Exterior Door Group	G-14 - H-08

**INTERIOR FINISH GROUP
PANELING & COUNTERTOP**

Key	Part Number	U/M	Description
	074497-10-000	SE	Paneling - Regal Oak - 48" x 84" (Cabinetry)
	074497-13-000	SE	Paneling - Cross - Oak - 48" x 84" (Cabinet)
	089272-04-000	SE	Paneling - Decor - Charcoal - 48" x 84" (Main Wall)
	089272-01-000	SE	Paneling - Decor - Slate - 48" x 84" (Galley & Bath) (Y35)
	089272-21-000	SE	Paneling - Decor - Cocoa - 48" x 84" (Galley & Bath) (Y36)
	089272-29-000	SE	Paneling - Decor - Matte - 48" x 84" (Galley/Bath) (Y37)
	074498-28-000	SE	Plastic Laminate - Tan (Galley/Dinette)
	074498-29-000	SE	Plastic Laminate - Regal Oak (Dinette)
	074498-36-000	ET	Edge Molding - Regal Oak

INTERIOR MOLD & TRIMS

Key	Part Number	U/M	Description
	089273-20-000	EA	Batt Strip - Regal Oak - B (Wardroom)
	089273-00-000	EA	Batt Strip - Cross - Sub-Splitter (Cabinet)
	089273-12-000	EA	Batt Strip - Charcoal - B (Main Wall)
	089273-13-000	ET	Batt Strip - Charcoal - Tape Adhesive
	089273-03-000	ET	Batt Strip - Regal Oak - Tape Adhesive
	089273-21-000	EA	Batt Strip - Slate (Galley/Bath) (Y35)
	089273-21-000	EA	Batt Strip - Charcoal (Galley/Bath) (Y36 - Y37)
	089273-01-000	EA	Batten - 1" - Ceiling Molding - Ivory
	089273-12-000	EA	F-Molding - 1" - Regal Oak
	089273-17-000	EA	F-Molding - 1/2" - Regal Oak
	089273-01-000	ET	F-Molding - 1/2" Edge Lips - Grady Brown
	070964-03-000	ET	U-Channel - 65" - Light Brass
	070964-06-000	ET	U-Channel - 815" - Regal Oak
	089273-07-000	ET	U-Channel - 1" - Regal Oak
	089273-00-000	ET	Welting - Beige
	089273-01-000	ET	J-Molding - 75" w/Lips - Grady Brown
	089273-35-000	EA	Cover - Sidewall Roll Bar - Beige (WashCabinet)
	089273-08-000	ET	Molding - Reverse Cover - Champagne White
	089273-11-000	ET	Molding - Outside Corner - Light Oak
	077840-01-W30	ET	Molding - Wall Cap
	089176-02-000	EA	Corner Cap - Radius Plastic - Light Oak
	089176-02-007	EA	Molding - 64 Hole Space
	089176-01-02A	EA	Trim - Rear Cap to Sidewall - Off White

FABRIC & FLOOR COVERINGS

Key	Part Number	U/M	Description
	089274-01-000	YD	Fabric - Upholstery - Main - Blue (Y35)
	089274-01-000	YD	Fabric - Upholstery - Main - Tiffany (Y35)
	089274-02-000	YD	Fabric - Upholstery - Main - Starburst (Y37)
	089274-03-000	YD	Fabric - Upholstery - Accent - Blue (Y35)
	089274-03-000	YD	Fabric - Upholstery - Accent - Umber (Y36)
	089274-00-000	YD	Fabric - Upholstery - Accent - Eggshell (Y37)
	072333-55-000	YD	Fabric - Drapery - Blackout/Wraparound - Silver (Y35)
	072333-59-000	YD	Fabric - Drapery - Blackout/Wraparound - Tan (Y36)
	072333-60-000	YD	Fabric - Drapery - Blackout/Wraparound - Wisteria (Y37)
	089272-01-000	YD	Lining - Drapery - 48" - Ivory
	089273-25-000	YD	Fabric - Bedspread - Ecru (Y35)
	089272-26-000	YD	Fabric - Bedspread - Peach (Y36)
	089273-27-000	YD	Fabric - Bedspread - Pastel (Y37)
	075244-02-000	YD	Vinyl - Shower Curtain
	079680-01-000	YD	Vinyl - Expanded - 26 oz. Buckskin (End Cap)
	089351-01-000	YD	Vinyl - Acoustical (Ceiling)
	077484-01-000	YD	Vinyl - Expanded - Smoke (TV Cabinet)
	079680-09-000	YD	Vinyl - Headliner - Off White
	072333-63-000	YD	Fabric - Pull Shade - Entrance Door - Bone
	093486-01-000	SY	Carpets - Outside Storage Compartment
	093486-01-001	EA	Carpets - Outside Storage Compartment (1SY)
	072860-70-000	SY	Carpets - Glacier Blue (Y35)
	072860-71-000	SY	Carpets - Pirates Alley (Y36)
	072860-85-000	SY	Carpets - Amethyst (Y37)

**INTERIOR FINISH GROUP (CONTINUED)
CABINETS & TABLE HARDWARE**

Key	Part Number	U/M	Description
	059777-02-000	EA	Hinge - Cabinet Door - Brass
	074493-02-000	EA	Overhead Door - Support - Spring
	075789-01-000	EA	Support - Table - Pullout - Beige
	060728-01-000	EA	Handle - Recessed - (Brown Plastic)
	079921-01-000	EA	Roller - Nylon w/Shaft
	089264-01-000	EA	Pull - Cabinet - Polished Brass
	081376-01-000	EA	Back Plate - Door Pull - Polished Brass
	093586-03-000	EA	Catch - Spring Roller
	093586-04-000	EA	Strike - Stool Spring
	074045-06-000	EA	Plug - 1/2" - Oak
	084466-02-000	EA	Slide Asm. - Drawer - Right
	084466-03-000	EA	Slide Asm. - Drawer - Left
	084466-04-000	EA	Slide Asm. - Cabinet - Right
	084466-05-000	EA	Slide Asm. - Cabinet - Left
	047744-01-000	EA	Kit - Drawer Glide
	084451-01-000	EA	Catch - TV Shelf - Brass
	009059-01-000	EA	Hinge - 2" - Brass - TV Shelf
	058331-10-000	EA	Mirror - Safety Glass - TV Shelf - 14" x 17"
	061781-05-000	EA	Cup Holder - Two Stop
	024261-07-000	EA	Bracket - Lower Wall Mount
	053200-05-000	EA	Bracket - Upper Wall Mount
	024275-05-000	EA	Rod - Table Lift
	049493-01-000	EA	Catch - Table Leg - Mounts on Floor
	064050-02-000	EA	Hinge - Bracket - Leg Folding
	024275-17-000	EA	Leg - m. - Table - Regal Oak
	088410-01-000	EA	Hanger - Table
	093212-01-01A	EA	Door Bolt - Mounts - Bi-Fold Door
	092652-01-000	EA	Guide Wheel - Top Mount - Bi-Fold Door
	093832-01-01A	EA	Knob - Bright Brass - Bi-Fold Door
	009059-02-000	EA	Hinge - 2" - Brass - Bi-Fold Door
	061604-01-000	EA	Slide Bolt - Antique Brass - Bath Door
	094485-01-01A	EA	Knob - Polished Brass - Bath Door

MISCELLANEOUS

Key	Part Number	U/M	Description
	053552-02-W24	EA	Handle Asm. - Assist - Vinyl
	094658-01-Y12	EA	Handle Asm. - Oak - Front Bunk
	041944-04-000	EA	Fire Extinguisher - 5BC - w/o Bracket
	094499-01-000	EA	Fire Extinguisher - 10BC - w/Bracket
	094499-02-000	EA	Fire Extinguisher - 1A - 10BC (CSA)
	094651-01-01A	EA	Holder - Recessed - Fire Extinguisher
	072852-01-000	EA	Smoke Detector w/9 Volt Battery
	054185-31-000	EA	Owner's Manual - Winnebago/Itasca - 1989
	040069-01-000	EA	Floor Mat - Black Rubber - 10 5" x 26"
	081202-02-000	EA	Floor Mat - Front - Right - Itasca
	081201-02-000	EA	Floor Mat - Front - Left - Itasca
	081075-02-000	EA	Floor Mat - Front - Entrance - Itasca

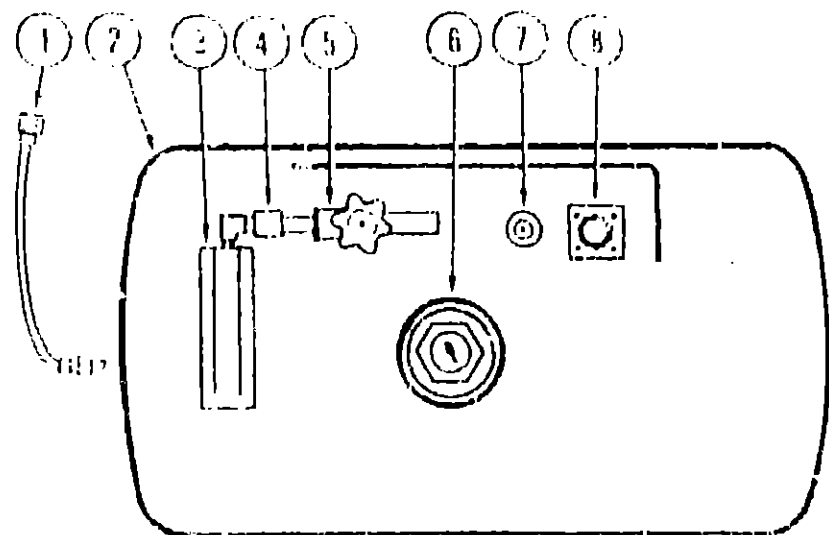
**1989 ITASCA
TABLE OF CONTENTS**

IC/J28RU	A-01 - D-16
IC/JN31RT	D-17 - H-10
IC/JN36RO	H-09 - K-21

1989 IC/JN31RT INDEX

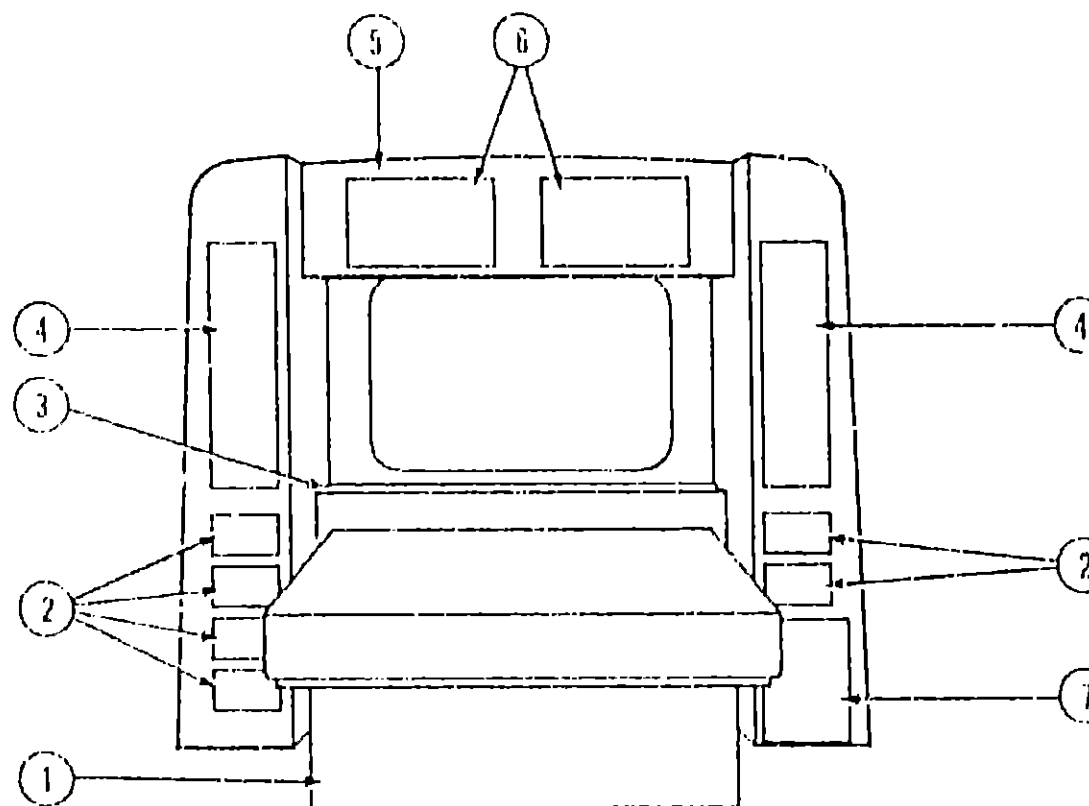
Floor Plan	D-17 - D-18
Accessories Group	D-19 - D-23
Bath Group	D-24 - E-02
Chassis Group	E-03 - E-10
Curtain, Cushion & Pad Group	E-11 - E-22
Dinette Group	E-23 - E-24
Driver's Compartment Group	F-01 - F-07
Electrical Group	F-08 - F-11
Exterior Body Group	F-12 - F-19
Galley Group	F-20 - F-23
Heating & Air Conditioning Group	F-24 - G-02
Interior Finish Group	G-03 - G-04
LP Group	G-05
Lounge Group	G-06 - G-09
Water & Sewage Group	G-10 - G-13
Window, Vent & Exterior Door Group	G-14 - H-08

LP GROUP



Key	Part Number	U/M	Description
1	045701-01-000	EA	Hose Asm - LP - 3/8" ID x 24" (US)
2	045701-02-000	EA	Hose Asm - LP - 3/8" ID x 24" (CCA)
3	051170-01-000	EA	Tank Asm - LP - Frame Mount - 80 Pound - 20" Dia - 24"
4	051938-01-000	EA	Cover - LP Regulator
5	056301-02-000	EA	Regulator - Two Stage
6	056320-01-000	EA	Safety Valve - Electric
7	040421-01-703	EA	Valve - Vapor Relief
8	040421-01-707	EA	Gauge - Float - w/Visible Dial - 80 Pound Tank
9	040421-01-706	EA	Dial - Visible Face - Float Gauge (Tank w/o Electric Transmitter)
10	050440-01-000	EA	Dial - Visible Face - Float Gauge (Tank w/Electric Transmitter)
11	040421-01-700	EA	Gauge - Liquid Level - 20# LP
12	040421-01-701	EA	Valve - Filler - LP
13	040421-01-702	EA	Cap - Plastic Fill Valve
14	040421-01-711	EA	Inner Tank Valve - 80# Fill
15	065741-01-000	EA	Gauge - Diaphragm Pressure - Test Lead
16	057395-01-000	EA	LP Gas Leak Detector
17	067310-02-000	EA	Elbow - 90° - 3/8" MPT x 3/8" FPT
18	074001-01-000	EA	Bracket - LP

LOUNGE GROUP



QUEEN BED & OVERHEAD CABINETRY (OPTION 44X)

Key	Part Number	U/M	Description
1	M92734-01-Y12	EA	Cabinet Asm - Queen Bed
	089076-03-000	EA	"H" Channel Support - Bed - Beige
	057460-02-000	EA	Ball Stud - 10mm - Gas Spring
	057460-03-000	EA	Safety Clip - Wireform Type
	057460-04-000	EA	Gas Spring - Fan 22L
	089024-01-000	EA	Support - Spring - Floor
	089025-01-000	EA	Support - Spring - Bed
2	M78921-16-Y12	EA	Drawer Asm - Wardrobe Cabinet - w/o Hardware
3	092525-01-Y12	EA	Countertop Asm - Backwall
4	M88304-F7-Y12	EA	Door Asm - Wardrobe - 9.8" x 33.4" - w/o Hardware
5	M92712-02-Y35	EA	Cabinet Asm - Rear Overhead - w/o Doors or Hardware
6	M88304-53-X23	EA	Door Asm - Rear Overhead - 13.3" x 21.8" - w/o Hardware
7	M88304-17-X73	EA	Door Asm - Wardrobe - 11.4" x 19.2" - w/o Hardware

**1989 ITASCA
TABLE OF CONTENTS**

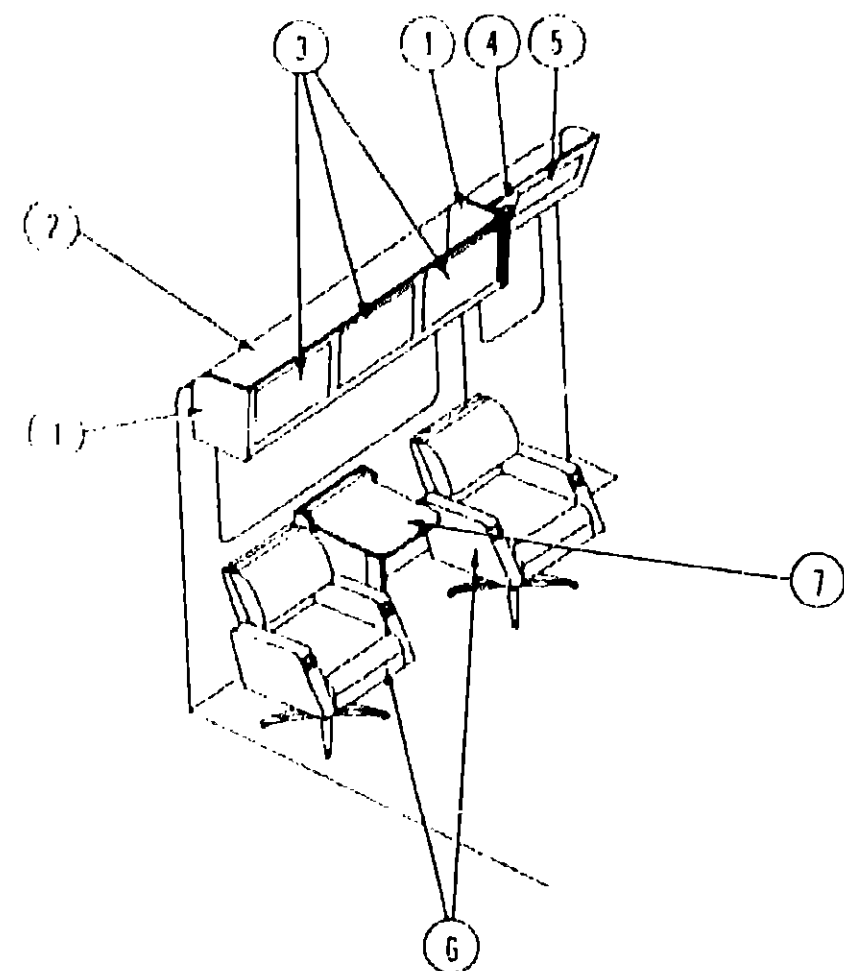
IC/JN31RU
IC/JN31RT
IC/JN36RO

A-01 - D-16
D-17 - H-10
H-09 - K-21

1989 IC/JN31RT INDEX

Floor Plan	D-17 - D-18
Accessories Group	D-19 - D-23
Bath Group	D-24 - E-02
Chassis Group	E-03 - E-10
Curtain, Cushion & Pad Group	E-11 - E-22
Dinette Group	E-23 - E-24
Driver's Compartment Group	F-01 - F-07
Electrical Group	F-08 - F-11
Exterior Body Group	F-12 - F-19
Galley Group	F-20 - F-23
Heating & Air Conditioning Group	F-24 - G-02
Interior Finish Group	G-03 - G-04
LP Group	G-05
Lounge Group	G-06 - G-09
Water & Sewage Group	G-10 - G-13
Window, Vent & Exterior Door Group	G-14 - H-06

LOUNGE GROUP (CONTINUED)

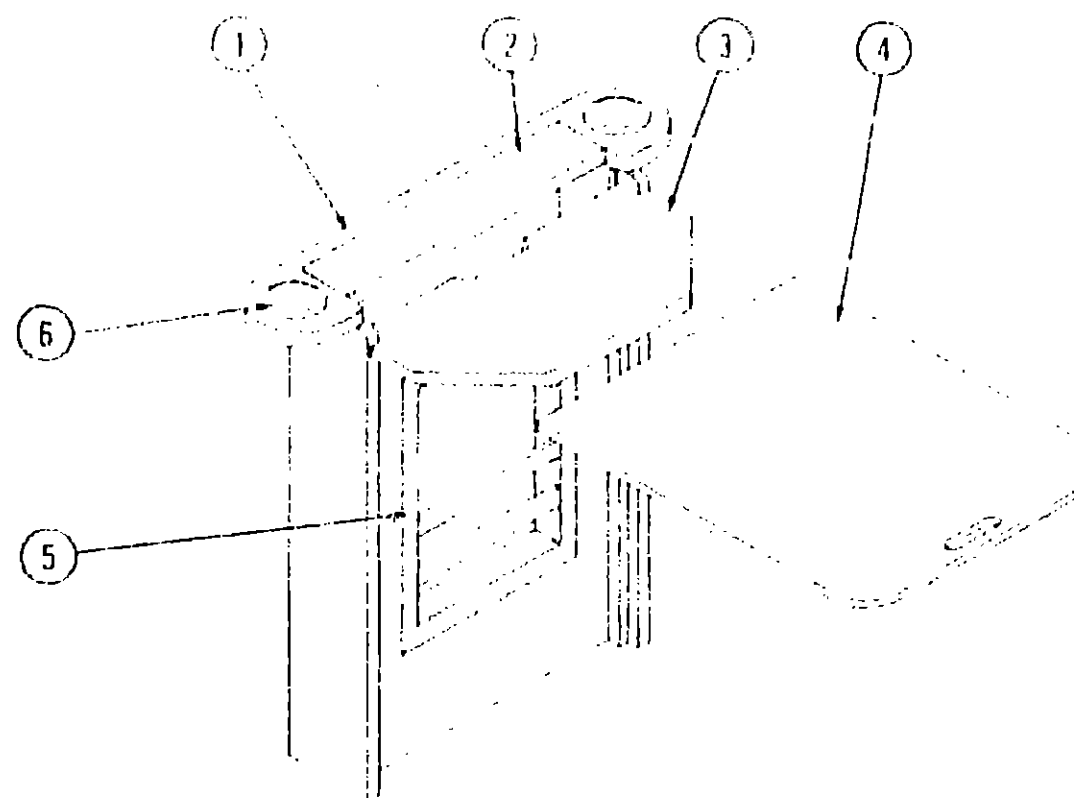


FRONT LOUNGE & OVERHEADS

Key	Part Number	U/M	Description
1	090095-12-X12	EA	End Cap Asm - Front Overheads - Vinyl
2	009059-01-000	EA	Cabinet Asm - Overhead - w/o Doors or Hardware
3	090095-14-X14	EA	Cabinet Asm - Overhead - w/o Doors or Hardware
4	090095-11-X11	EA	Door Asm - Front Overhead - 14.3" x 21.8" - w/o Hardware
5	079769-01-000	EA	Cabinet Asm - Entrance Door - w/o Door or Hardware
6	064781-05-000	EA	Door Asm - Entrance Door Cabinet - 7" x 25.1" - w/o Hardware
7	090095-03-X7B	EA	Swivel Chair Asm - Celebrity (Y35)
8	090095-04-Y31	EA	Swivel Chair Asm - Celebrity (Y36)
9	090095-02-Y32	EA	Swivel Chair Asm - Celebrity (Y37)
10	090095-02-Y35	EA	Swivel Chair Asm - Celebrity Recliner (Y35)
11	090095-02-Y36	EA	Swivel Chair Asm - Celebrity Recliner (Y36)
12	090095-02-Y37	EA	Swivel Chair Asm - Celebrity Recliner (Y37)
13	090095-03-Y12	EA	Pullout Table Asm

12 Parts used in overhead cabinetry on the Driver's Side.
 13 See the following page for the breakdown of this item.
 14 See Curtain, Cushion & Pad Group for the breakdown of this item.

LOUNGE GROUP (CONTINUED)



PULLOUT TABLE ASM.

Key	Part Number	U/M	Description
1	090095-12-X12	EA	Countertop Asm - Cupholder - w/o Hardware
2	009059-01-000	EA	Hinge - 2" - Brass
3	090095-14-X14	EA	Countertop Asm - Table Cover - w/o Hardware
4	090095-11-X11	EA	Countertop Asm - TV Asm. - w/o Hardware
5	079769-01-000	EA	Support - Pullout Table - Beige
6	079921-01-000	EA	Roller - Nylon w/Shaft
	080728-01-000	EA	Handle - Recessed - Brown Plastic
	079606-03-W30	EA	Rack Asm - Magazine
	064781-05-000	EA	Cupholder - 2 Stage - Beige

**1989 ITASCA
TABLE OF CONTENTS**

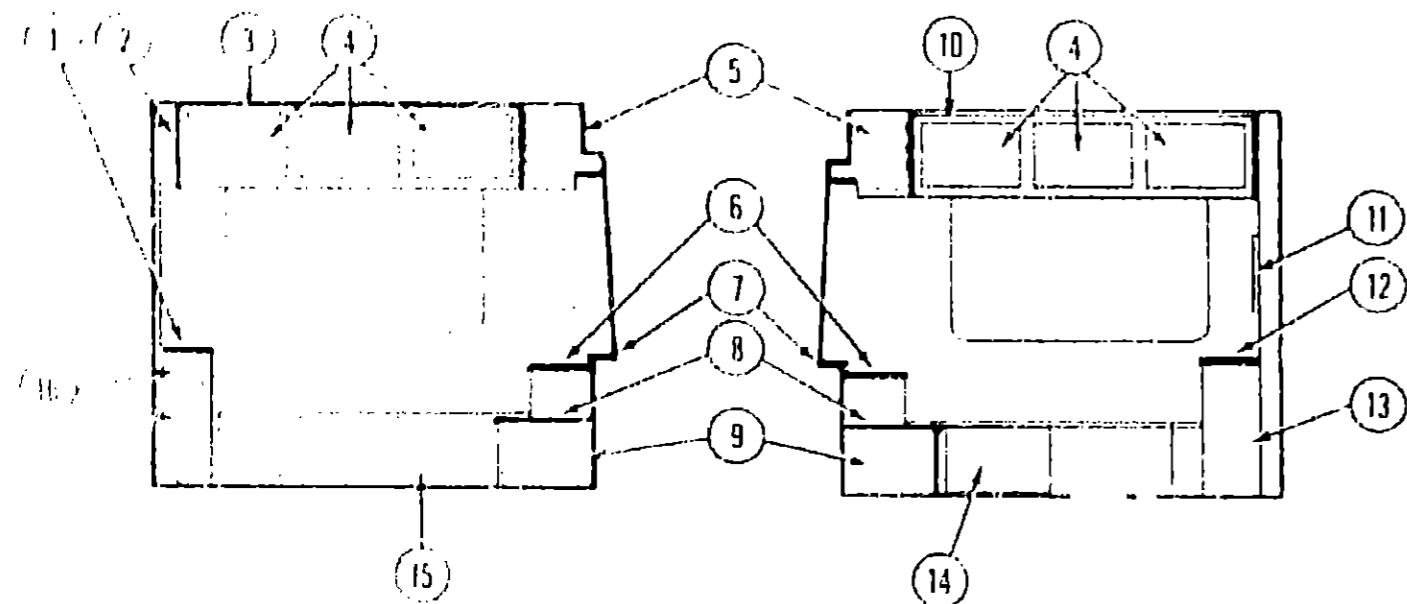
IC/J28RU
 IC/JN31RT
 IC/JN36RC

A-01 - D-16
 D-17 - H-10
 H-09 - K-21

1989 IC/JN31RT INDEX

Floor Plan	D-17 - D-18
Accessories Group	D-19 - D-23
Bath Group	D-24 - E-02
Chassis Group	E-03 - E-10
Curtain, Cushion & Pad Group	E-11 - E-22
Dinette Group	E-23 - E-24
Driver's Compartment Group	F-01 - F-07
Electrical Group	F-08 - F-11
Exterior Body Group	F-12 - F-19
Galley Group	F-20 - F-23
Heating & Air Conditioning Group	F-24 - G-02
Interior Finish Group	G-03 - G-04
LP Group	G-05
Lounge Group	G-06 - G-09
Water & Sewage Group	G-10 - G-13
Window, Vent & Exterior Door Group	G-14 - H-08

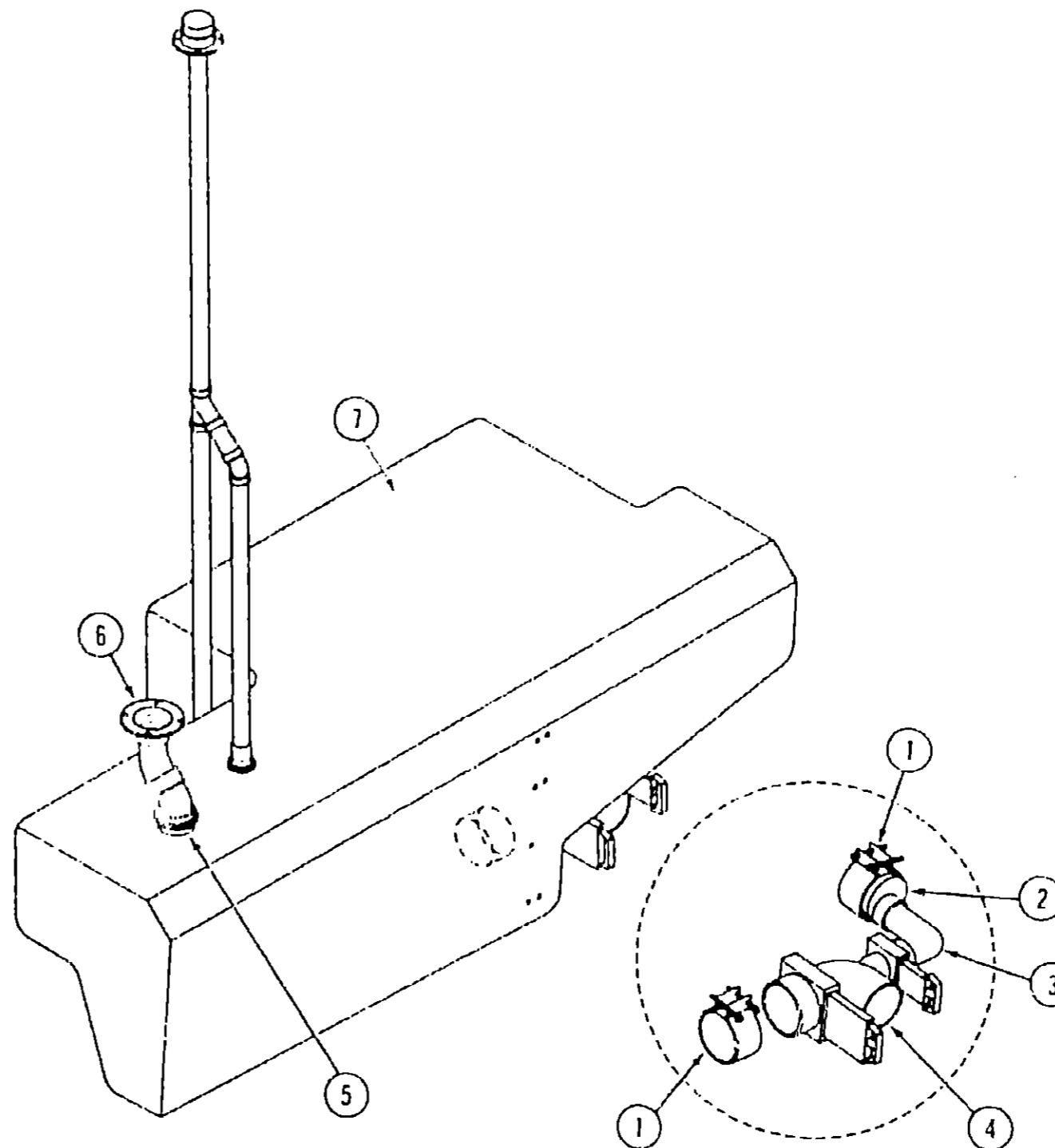
LOUNGE GROUP (CONTINUED)



TWIN BED & OVERHEAD CABINERY

Key	Part Number	U/M	Description
1	050958-01-Y12	EA	Cabinet Asm - Nightstand - w/o Countertop, Drawers or Hardware
2	060958-01-Y12	EA	Countertop - Nightstand Cabinet
3	070947-01-Y10	EA	End Cap Asm - Passenger Overhead Cabinet - Vinyl
4	M50959-04-Y12	EA	Cabinet Asm - Passenger Overhead - w/o Door or Hardware
5	M50959-05-Y12	EA	Door Asm - Passenger Overhead Cabinet - 14.3" x 21.8" - w/o Hardware
6	M50959-06-Y12	EA	Cabinet Asm - Rear Overhead - w/o Doors or Hardware
7	M50959-07-Y21	EA	Door Asm - Rear Overhead Cabinet - 13.3" x 21.8" - w/o Hardware
8	010960-11-Y12	EA	Countertop Asm - Nightstand - Top
9	010960-00-Y12	EA	Countertop Asm - Backwall
10	M50960-11-Y12	EA	Countertop Asm - Nightstand - Bottom
11	M50960-01-Y12	EA	Cabinet Asm - Nightstand - w/o Countertop, Door or Hardware
12	M50960-02-X21	EA	Door Asm - Nightstand Cabinet - 11" x 21.8" - w/o Hardware
13	M50960-03-Y12	EA	Cabinet Asm - Driver Overhead - w/o Door or Hardware
14	060957-01-W13	EA	TV Stand Asm
15	060957-01-090	EA	Catch - TV Shelf - Brass
16	010961-12-Y12	EA	Countertop Asm - Hamper Door
17	010961-11-Y12	EA	Countertop Asm - Hamper Stationary
18	M50961-11-Y12	EA	Cabinet Asm - Clothes Hamper - w/o Countertop or Hardware
19	M50961-01-Y12	EA	Cabinet Asm - Twin Bed - w/o Door or Hardware
20	M50961-02-Y12	EA	Door Asm - Twin Bed Cabinet - 12.7" x 17.7" - w/o Hardware
21	M50961-03-Y12	EA	Top Asm - Twin Bed Cabinet - w/o Hardware
22	M50961-04-Y12	EA	Cabinet Asm - Twin Bed - w/o Hardware
23	M50961-05-Y12	EA	Top Asm - Twin Bed Cabinet - w/o Hardware
24	010962-01-Y12	EA	Drawer Asm - Nightstand Cabinet - w/o Hardware

WATER & SEWAGE GROUP



DRAINAGE SYSTEM

Key	Part Number	U/M	Description
1	078406-01-000	EA	Coupler - Rubber - 3" x 3"
2	062422-01-000	EA	Reducer Adapter - 3" x 1 1/2"
3	033761-01-000	EA	Plastic - 1/4 BD x 1 1/2 x 90°
4	070916-01-000	EA	Valve - Dual - 3" x 1.5"
	093592-01-000	EA	Adapter - Plastic - Sewer Hose - 45°
	010201-01-000	EA	Sewer Hose - 3" ID
	089330-01-000	EA	Adapter - Sewer Hose End
5	063641-01-000	EA	Flange - Closet - 4" x 3" (US)
5	063641-02-000	EA	Flange - Closet - 4" x 3" (CSA)
	067487-01-000	EA	Toilet - Aqua Magic - IV - Low
6	010147-01-000	EA	Flange - Closet - Red - 4" x 3" (US)
6	010147-02-000	EA	Flange - Closet - Red - 4" x 3" (CSA)
7	092272-01-000	EA	Tank - Holding - 50 Gal.

**1989 ITASCA
TABLE OF CONTENTS**

IC/JN2BRU
IC/JN31RT
IC/JN36RO

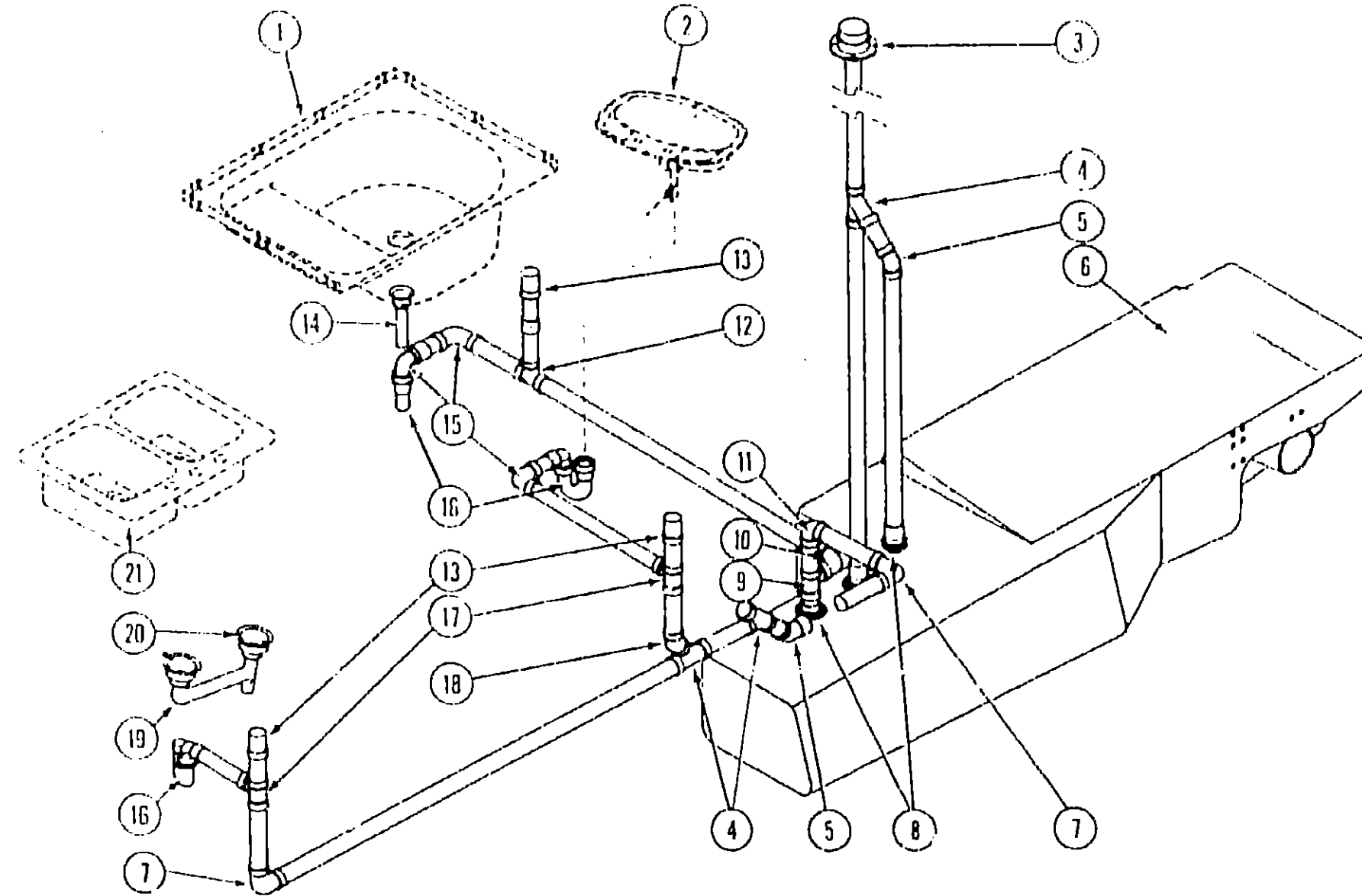
A-01 - D-16
D-17 - H-10
H-09 - K-21

1989 IC/JN31RT INDEX

Floor Plan	D-17 - D-18
Accessories Group	D-19 - D-23
Bath Group	D-24 - E-02
Chassis Group	E-03 - E-10
Curtain, Cushion & Pad Group	E-11 - E-22
Dinette Group	E-23 - E-24
Driver's Compartment Group	F-01 - F-07
Electrical Group	F-08 - F-11
Exterior Body Group	F-12 - F-19
Galley Group	F-20 - F-23
Heating & Air Conditioning Group	F-24 - G-02
Interior Finish Group	G-03 - G-04
LP Group	G-05
Lounge Group	G-06 - G-09
Water & Sewage Group	G-10 - G-13
Window, Vent & Exterior Door Group	G-14 - H-08

WATER & SEWAGE GROUP (CONTINUED)

DRAINAGE SYSTEM



1009 ITASCA TABLE OF CONTENTS

IC/JN28RU
IC/JN31RT
IC/JN36RO

A-01 - D-16
D-17 - H-10
H-09 - K-21

1989 IC/JN31RT INDEX

Floor Plan	D-17 - D-18
Accessories Group	D-19 - D-23
Bath Group	D-24 - E-02
Chassis Group	E-03 - E-10
Curtain, Cushion & Pad Group	E-11 - E-22
Dinette Group	E-23 - E-24
Driver's Compartment Group	F-01 - F-07
Electrical Group	F-08 - F-11
Exterior Body Group	F-12 - F-19
Galley Group	F-20 - F-23
Heating & Air Conditioning Group	F-24 - G-02
Interior Finish Group	G-03 - G-04
LP Group	G-05
Lounge Group	G-06 - G-09
Water & Sewage Group	G-10 - G-13
Window, Vent & Exterior Door Group	G-14 - H-08

Key	Part Number	U/M	Description
1	003539-01-012	EA	Shower Pan Asm
2	002042-03-000	EA	Faucet - Tub & Shower - Brass (US)
3	001559-01-050	EA	Faucet - Tub & Shower - Chrome (CSA)
4	001046-02-000	EA	Shower Head w/60" Hose (US)
5	001048-05-000	EA	Shower Head - w/60" Hose (CSA)
6	001069-04-000	EA	Tailpiece - 1 1/2 x 1 1/4 x 8 - Brass
7	000715-01-000	EA	Washer - Tailpiece - 1.5 - Plastic
8	006436-01-000	EA	Slip Nut - 1.5 - Tailpiece
9	009066-01-000	EA	Sink - Oval - Plastic - Ivory
10	005240-05-000	EA	Faucet - Lavatory - Brass (US)
11	001056-03-000	EA	Faucet - Lavatory - Chrome (CSA)
12	001253-01-000	EA	Gasket - Lavatory Faucet
13	003458-01-000	EA	Roof Vent - Covered - Vent Pipe
14	001007-01-000	EA	Wye - Plastic - 1 1/2 x 1 1/2 x 1 1/2
15	001022-01-000	EA	Bushing - Plastic - Red - 1 1/2 S x 1 1/4 T
16	001016-01-000	EA	Plug - Plastic - 1 1/4"
17	001006-01-000	EA	Elbow - Plastic - 1/8 BD x 1 1/2 x 45° H x H
18	002271-01-000	EA	Tank - Holding - 30 Gal.
19	001008-01-000	EA	Elbow - Plastic - 1/4 BD x 1 1/2 x 90° Left
20	001015-01-000	EA	Coupler - Plastic - 1 1/2 H x H
21	001607-01-000	EA	Grommet - Holding Tank Coupler - 1 1/2"
	001607-02-000	EA	Grommet - Holding Tank Coupler - 3"
	001007-01-000	EA	Tee - Plastic - 1 1/2 H x H x H

G-11

Key	Part Number	U/M	Description
10	033761-01-000	EA	Elbow - Plastic - 1/4 BD x 1 1/2 x 90°
11	034250-01-000	EA	Elbow - Plastic - 1/4 BD x 1 1/2 x 90° H x H
12	010072-01-000	EA	Tee - Plastic - Red - 1 1/2 H x 1 1/4 H x 1 1/2 H
13	010121-01-000	EA	Bushing - Plastic - Red - 1 1/2 S x 1 1/4 H
14	079968-01-000	EA	Vent - Mechanical Trap Arm
	010115-01-000	EA	Coupler - Plastic - 1 1/2 H x H
	066729-01-000	EA	Strainer - Shower/Tub Drain
	066435-01-000	EA	Nut - Strainer
	031111-01-000	EA	Elbow - Plastic - 1/4 BD x 1 1/4 x 90°
	011066-03-000	EA	P-Trap - 1 1/4" - Plastic (US)
**	011066-02-000	EA	P-Trap - 1 1/4" - Plastic (CSA) (Lavatory/Shower)
**	053335-01-000	EA	P-Trap - 1 1/4" - Plastic w/Union (CSA) (Galley)
**	010079-01-000	EA	Tee - Plastic - 1 1/2 H x 1 1/2 H x 1 1/4 H
18	010051-01-000	EA	Elbow - Plastic - 1/8 BD x 1 1/2 x 45°
19	011091-02-000	EA	Continuous Waste - Double Sink - 11 7/8" (US)
20	066437-01-000	EA	Strainer - Sink
21	098654-01-000	EA	Sink - Double - Stainless Steel
	011053-04-000	EA	Faucet - Swing Spout - 8"
	010194-01-000	FT	Pipe - Plastic - 1 1/4" (US)
	010194-02-000	FT	Pipe - Plastic - 1 1/4" (CSA)
	010195-01-000	FT	Pipe - Plastic - 1 1/4" (US)
	010195-02-000	FT	Pipe - Plastic - 1 1/4" (CSA)

G-12

WATER & SEWAGE GROUP (CONTINUED)

WATER LINES & HARDWARE

Key	Part Number	U/M	Description
	044927-01-000	EA	Adapter - Plastic - 1 1/4" MPT x 1 1/4" Bar
	052953-03-000	EA	Adapter - Hose Cone - 3/8" to 1/2" - Plastic
	052953-02-000	EA	Connector - Plastic - 1/2" F x 1/2" MPT
	052953-01-000	EA	Connector - Plastic - 1/2" F x 3/8" MPT
	052953-04-000	EA	Elbow - Plastic - 3/8" MPT x 3/8" BARB
	052957-04-000	EA	Elbow - Plastic - 5/8" F x 3/4" MPT
	052957-02-000	EA	Elbow - Plastic - 1/4" BD Vent x 1/2" H
	052957-01-000	EA	Elbow - Plastic - Swivel - 5/8"
	052957-03-000	EA	Elbow - Plastic - 1/2" F x 3/8" MPT
	052957-02-000	EA	Elbow - Plastic - 1/2" F x 1/2" MPT
	052957-01-000	EA	Elbow - Union - 1/2" x 1/2" - Flare
	052946-01-000	EA	Faucet - External Water - 90°
	075230-05-000	EA	Faucet - Lavatory - Brass
	052954-02-000	EA	Faucet - Lavatory - Chrome (CSA)
	052954-01-000	EA	Gasket - Lavatory Faucet
	011053-04-000	EA	Faucet - Swing Spout - Galley - 8"
	075230-03-000	EA	Faucet - Tub/Shower - Brass
	052954-01-000	EA	Faucet - Swing Spout - Chrome (CSA)
	072954-02-000	EA	Filter/Screen (In Water Tank)
	072954-01-000	EA	Flexible Tubing - 1 1/4" ID x 10'
	052954-03-000	EA	Headm - 1/2" F x 1/2" F x 1/2" F
	000039-04-000	EA	Nut - Hex - 5/16 - 18 ZN
	052952-01-000	EA	Nut - Plastic - 1/2" F
	052952-02-000	EA	Nut - Plastic - 5/8 Flare
	052954-01-000	EA	Nut - Faucet - 1/2" Tube x 1/2" FPT
	052952-01-000	EA	Patch - Spinweld - Plastic - 3/8"
	052954-01-000	EA	Pump - Water - 2.8 GPM - Direct Flow (US)
	052954-02-000	EA	Pump - Water - 2.8 GPM - Direct Flow (CSA)
	052954-01-700	EA	Motor - Black
	052954-01-701	EA	Baseplate Kit
	052954-01-702	EA	Diaphragm Kit
	052954-01-703	EA	Valve Asm - Kit
	052954-01-704	EA	Upper Housing
	052954-01-705	EA	Switch Cap Kit - w/Switch
	052954-01-706	EA	Pumphead
	052954-01-707	EA	Lower - Housing
	011058-01-000	EA	Shower Head - w/60" Hose
	052954-02-000	EA	Spinweld Fitting - Plastic - 1/2" FPT (In Tank Filter)
	052954-03-000	EA	Spinweld Fitting - Plastic - 1 1/4" NPT
	052954-04-000	EA	Spinweld Fitting - Plastic - 1/2" FPT
	052954-05-000	EA	Spinweld Fitting - Plastic - 3/4" FPT
	052954-06-000	EA	Tee - Plastic - 1/2" F x 1/2" F x 1/2" MPT
	052954-07-000	EA	Tee - Plastic - 1/2" F x 1/2" F x 1/2" F
	052954-08-000	EA	Tee - Plastic - 1/2" F x 1/2" MPT x 1/2" F
	052954-09-000	FT	Tubing - Polybutyl - 1/2" OD x 20' (Water Line)
	052954-10-000	FT	Tubing - Polybutyl - 1/2" OD x 20'
	052954-11-000	FT	Tubing - Vinyl - 3/8" ID
	052954-12-000	EA	Valve - Line Drain - 1/2" F x 1/2" F
	052954-13-000	EA	Valve - Line Drain - 1/2"
	052954-14-000	EA	Vacuum Breaker - 3/4" FPT x 3/4" MPT (External Faucet)
	052954-15-000	EA	Water Heater - w/o Motoraid - Electronic Tune - Atwood - G6A-3E
	052954-16-000	EA	Water Heater - w/Motoraid - Direct Ignition - Atwood - G6B-3E

The illustrated parts breakdown for this item is provided on the Common Items Fiche.

WINDOW, VENTS & EXTERIOR DOORS

ACCESS DOORS & HARDWARE

Key	Part Number	U/M	Description
	076010-03-000	EA	Door Asm - Fuel Fill
	077063-01-000	EA	Gasket - Fuel Fill
	072447-04-000	EA	Strut - Fuel Fill
	052009-01-000	EA	Door Asm - Water Heater
	092631-02-Y35	EA	Door Asm - Generator
	085730-14-000	EA	Latch Asm - Paddle - w/o Key - Plastic
	092357-05-02A	EA	Hinge - Door - 39.8"
	092611-01-01A	EA	Pocket - Latch - Off White
	092482-02-Y33	EA	Door Asm - Storage Compartment
	085730-11-000	EA	Latch Asm - Paddle - w/Key - Plastic
	092357-02-02A	EA	Hinge - Door - 43.6"
	093670-01-01A	EA	Pocket - Latch - Off White
	084103-03-000	EA	Door Asm - Refrigerator Access
	086755-02-000	EA	Latch - 1/4 Turn
	093633-01-000	EA	Handle - 1/4 Turn Latch
	084104-01-000	EA	Jamb - Vent Door - Refrigerator
	084104-01-700	EA	Lock - Male - Dyrus Fastener
	084104-01-701	EA	Lock - Female - Dyrus Fastener
	092482-03-Y33	EA	Door Asm - Water
	085730-11-000	EA	Latch Asm - Paddle - w/Key - Plastic
	092357-04-02A	EA	Hinge - Door - 9.25"
	093670-01-01A	EA	Pocket - Latch - Off White
	092631-05-Y35	EA	Door Asm - Furnace
	092357-08-02A	EA	Hinge - Furnace Door - 15.4"
	092482-04-Y33	EA	Door Asm - Storage Compartment
	085730-11-000	EA	Latch Asm - Paddle - w/Key - Plastic
	092357-03-02A	EA	Hinge - Door - 29.29"
	093670-01-01A	EA	Pocket - Latch - Off White
	092482-01-Y35	EA	Door Asm - Storage Compartment
	085730-11-000	EA	Latch Asm - Paddle - w/Key - Plastic
	092357-01-02A	EA	Hinge - Door - 76"
	093670-01-01A	EA	Pocket - Latch - Off White
	092482-05-Y35	EA	Door Asm - Storage Compartment
	085130-14-000	EA	Latch Asm - Paddle - w/o Key - Plastic
	092357-03-02A	EA	Hinge - Door - 29.29"
	093670-01-01A	EA	Pocket - Latch - Off White
	092361-01-Y33	EA	Door Asm - Storage Compartment
	085130-11-000	EA	Latch Asm - Paddle - w/Key - Plastic
	092357-05-02A	EA	Hinge - Door - 39.8"
	092611-01-01A	EA	Pocket - Latch - Off White
	092983-01-Y33	EA	Door Asm - Trunk
	093142-01-01A	EA	Hinge - Trunk Door - Off White
	077408-02-000	EA	Lock Asm - Key Type
	093304-02-Y35	EA	Door Asm - Battery - Left
	093304-03-Y35	EA	Door Asm - Battery - Right
	079366-04-000	EA	Lock Asm - Key Type - w/o Key
	093061-01-02A	EA	Striker - Access Doors - Black
	077408-02-000	EA	Lock Asm - Key Type (Rear Cap)
	079368-01-000	FT	Seal - Access Doors

**1989 ITASCA
TABLE OF CONTENTS**

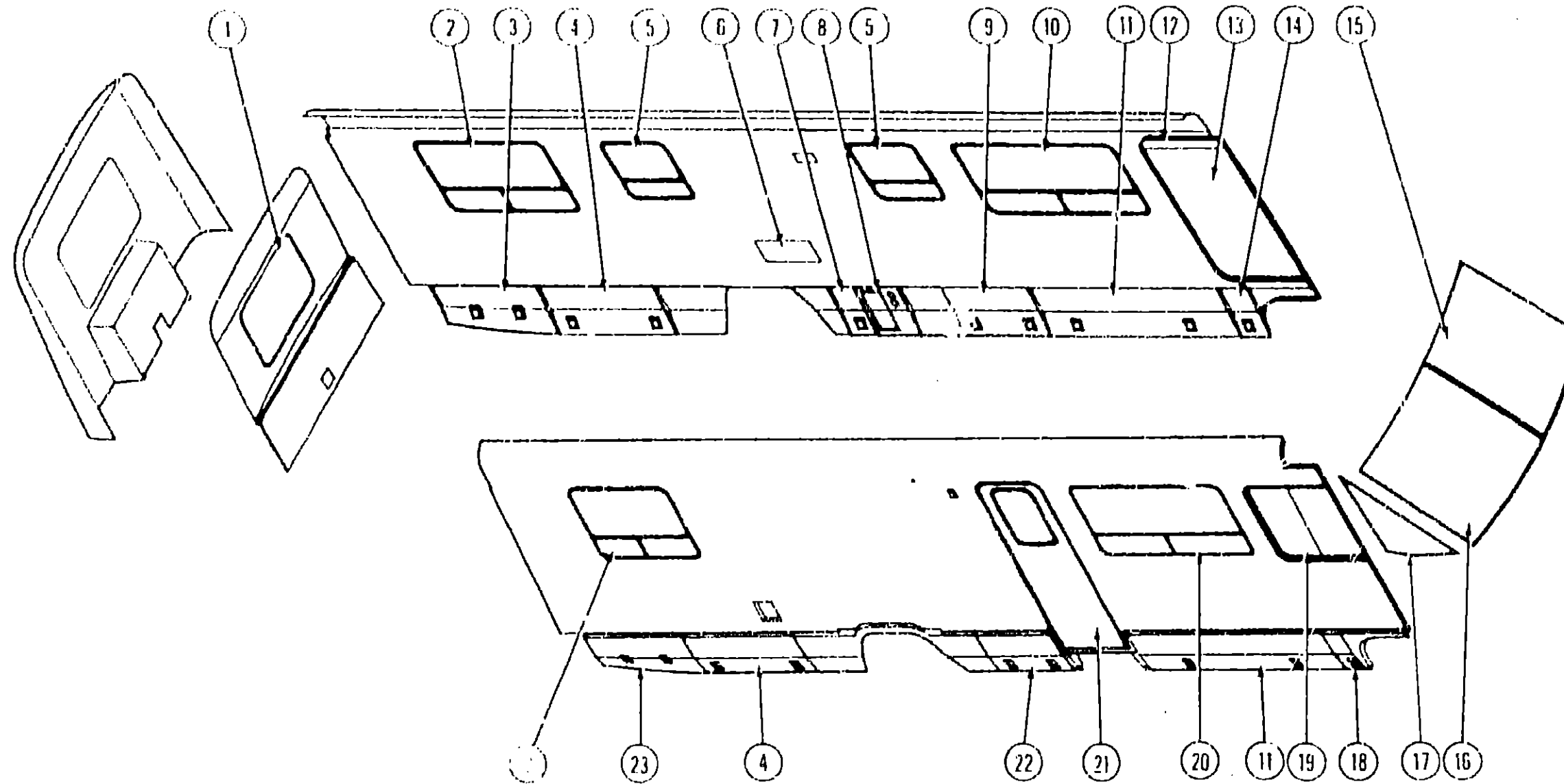
IC128RU	A-01 - D-16
IC1331RT	D-17 - H-10
IC1JN36RO	H-09 - K-21

1989 IC/JN31RT INDEX

Floor Plan	D-17 - D-18
Accessories Group	D-19 - D-23
Bath Group	D-24 - E-02
Chassis Group	E-03 - E-10
Curtain, Cushion & Pad Group	E-11 - E-22
Drivette Group	E-23 - E-24
Driver's Compartment Group	F-03 - F-07
Electrical Group	F-08 - F-11
Exterior Body Group	F-12 - F-19
Galley Group	F-20 - F-23
Heating & Air Conditioning Group	F-24 - G-02
Interior Finish Group	G-03 - G-04
LP Group	G-05
Lounge Group	G-06 - G-09
Water & Sewage Group	G-10 - G-13
Window, Vent & Exterior Door Group	G-14 - H-08

WINDOW, VENT & EXTERIOR DOOR GROUP (CONTINUED)

WINDOWS & EXTERIOR DOORS



**1989 ITASCA
TABLE OF CONTENTS**

IC/N28RD
IC/N31RT
IC/N36RD

A 01 - D-16
D-17 - H-10
H-09 - K-21

1989 IC/JN31RT INDEX

Floor Plan	D-17 - D-18
Accessories Group	D-19 - D-23
Bath Group	D-24 - E-02
Chassis Group	E-03 - E-10
Curtain, Cushion & Pad Group	E-11 - E-22
Dinette Group	F-23 - F-24
Driver's Compartment Group	F-01 - F-07
Electrical Group	F-08 - F-11
Exterior Body Group	F-12 - F-19
Galley Group	F-20 - F-23
Heating & Air Conditioning Group	F-24 - G-02
Interior Finish Group	G-03 - G-04
LP Group	G-05
Lounge Group	G-06 - G-09
Water & Sewage Group	G-10 - G-13
Window, Vent & Exterior Door Group	G-14 - H-08

Qty	Part Number	U/M	Description
1	092965-04-Y12	EA	Window Asm. - Escape
1	092965-02-Y11	EA	Window Asm. - Double Tipout
1	092965-01-Y10	EA	Door Asm. - Generator/Luggage
1	092965-01-Y35	EA	Door Asm. - Storage Compartment
1	092965-01-W07	EA	Window Asm. - Single
1	093304-03-000	EA	Door Asm. - Refrigerator Access
1	093304-03-Y14	EA	Door Asm. - Water
1	093304-03-Y15	EA	Door Asm. - Furnace
1	092965-04-Y33	EA	Door Asm. - Storage Compartment
1	092965-04-Y11	EA	Window Asm. - Double Slider
1	092965-05-X11	EA	Window Asm. - Double Tipout (Option 167)
1	092965-01-Y35	EA	Door Asm. - Storage Compartment
1	092965-01-000	EA	Glass - Stationary
1	092965-02-Y33	EA	Door Asm. - Driver - w/Manual Crank Window
1	092965-02-Y35	EA	Door Asm. - Driver - w/Power Window
1	092965-01-000	EA	Glass - Roll-Up Window

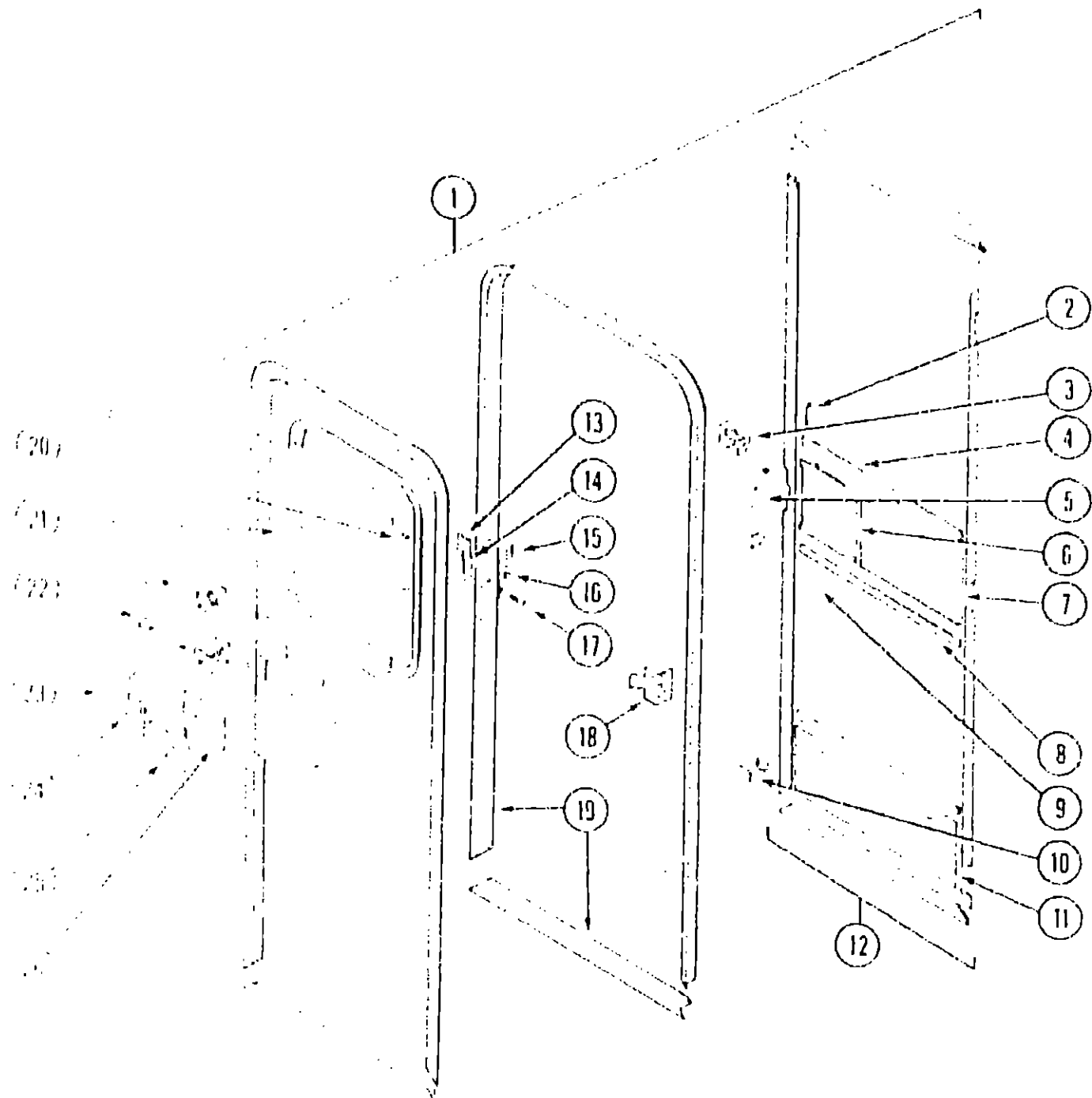
Key	Part Number	U/M	Description
14	093304-02-Y35	EA	Door Asm. - Battery
15	091215-02-000	EA	Glass - Windshield - Driver
16	091215-01-000	EA	Glass - Windshield - Passenger
17	091953-03-000	EA	Glass - Vent Window - Passenger
18	091953-04-000	EA	Glass - Vent Window - Driver
18	093304-03-Y35	EA	Door Asm. - Battery
19	093703-01-Y10	EA	Window Asm. - Single Slide
20	085353-12-X11	EA	Window Asm. - Single Tipout
21	M01870-21-Y33	EA	Door Asm. - Entrance Door
	079733-04-T03	EA	Window Asm. - Picture - 17" x 25"
22	092482-05-Y35	EA	Door Asm. - LP
23	092631-01-Y33	EA	Door Asm. - Luggage/Storage
	092983-01-Y33	EA	Door Asm. - Truck - Rear
	052009-01-000	EA	Door Asm. - Water Heater

WINDOW, VENT & EXTERIOR DOOR GROUP (CONTINUED)

WINDOW, VENT & EXTERIOR DOOR GROUP (CONTINUED)

ENTRANCE DOOR

1989 ITASCA
TABLE OF CONTENTS



Key	Part Number	U/M	Description
1	MD1870-21-Y33	EA	Door Asm - Entrance w/Screen Door
	095276-01-01A	EA	Frame Asm - Entrance Door - Off White
	069749-01-000	EA	Frame - Entrance Door - Bottom Portion
2	050712-05-000	EA	Door Handle - Screen Door
3	009016-01-000	EA	Roller Catch - Screen Door
	058025-02-000	EA	Clip - Roller Latch Catch
	009016-01-000	EA	Catch - Elbow - Spring Loaded - Screen Door
4	078592-02-000	EA	Screen Door Mullion - Upper & Lower - Slider
	078777-01-000	EA	Slider Channel (Mullion Insert)
5	079087-02-000	EA	Strike - Slider - Screen Door
6	079086-02-000	EA	Slider - Screen Door
7	016454-01-000	EA	Insert - Screen Door
8	002294-01-000	FT	Spline - Black
9	002293-02-000	SF	Screen - Window - 26" Charcoal
10	085774-01-000	FT	Fastener - Dual Lock - 1" Wide
10	085774-02-000	FT	Fastener - Dual Lock - 1" Wide
11	078552-03-000	EA	Insert - Screen Door - Lower
12	079012-01-001	EA	Screen Door Asm.
	078595-01-000	EA	Plate - Screen Door
13	077461-03-000	EA	Strike Cover
14	041546-03-000	EA	Angle Bracket
15	079173-01-000	EA	Deadbolt - Gasset
16	058806-01-000	EA	Plug - Tapered Plastic
17	039539-01-000	EA	Strike
18	079361-08-000	EA	Hinge
19	095277-02-01A	EA	Door Jamb - Entrance Door
20	087561-01-000	FT	Window Seal
21	002181-00-000	EA	Glass - Picture Window
	079733-04-T03	EA	Window Asm - Picture - 17" x 25" (w/o inside frame)
	067609-03-000	EA	Inside Frame - Beige (not included in assembly)
22	039738-01-000	EA	Dead Bolt Asm. - Round
22	095229-01-01A	EA	Dead Bolt Asm. - Square - Black
23	075739-01-000	EA	Stiffener - Entrance Door
24	039540-01-000	EA	Latch Asm. - Entrance Door
25	045017-10-000	EA	Latch Asm. - Plate - Black
26	039979-03-000	EA	Cover Asm. - Latch Plate - Black
	039984-01-000	EA	Cap - Black Vinyl - Lock Grip
	075573-01-000	FT	Seal - Side - Adhesive Back
	075571-01-000	FT	Seal - Sponge - Lazy T Shaped
	002748-01-000	EA	Cover - Key
	081067-01-000	EA	Seal - Lock - Flat w/Slit
	044582-02-000	EA	Drip Cap - Entrance Door - Top Jamb - Off White

ICN28RU
IC/JN31RT
IC/JN36RO

A-01 - D-16
D-17 - H-10
H-09 - K-21

1989 IC/JN31RT INDEX

Floor Plan	D-17 - D-18
Accessories Group	D-19 - D-23
Bath Group	D-24 - E-02
Chassis Group	E-03 - E-10
Curtain, Cushion & Pad Group	E-11 - E-22
Dinette Group	E-23 - E-24
Driver's Compartment Group	F-01 - F-07
Electrical Group	F-08 - F-11
Exterior Body Group	F-12 - F-19
Galley Group	F-20 - F-23
Heating & Air Conditioning Group	F-24 - G-02
Interior Finish Group	G-03 - G-04
LP Group	G-05
Lounge Group	G-06 - G-09
Water & Sewage Group	G-10 - G-13
Window, Vent & Exterior Door Group	G-14 - H-08

WINDOW, VENT & EXTERIOR DOOR GROUP (CONTINUED)

WINDOW, VENT & EXTERIOR DOOR GROUP (CONTINUED)

DRIVER'S DOOR & HARDWARE

1989 ITASCA
TABLE OF CONTENTS

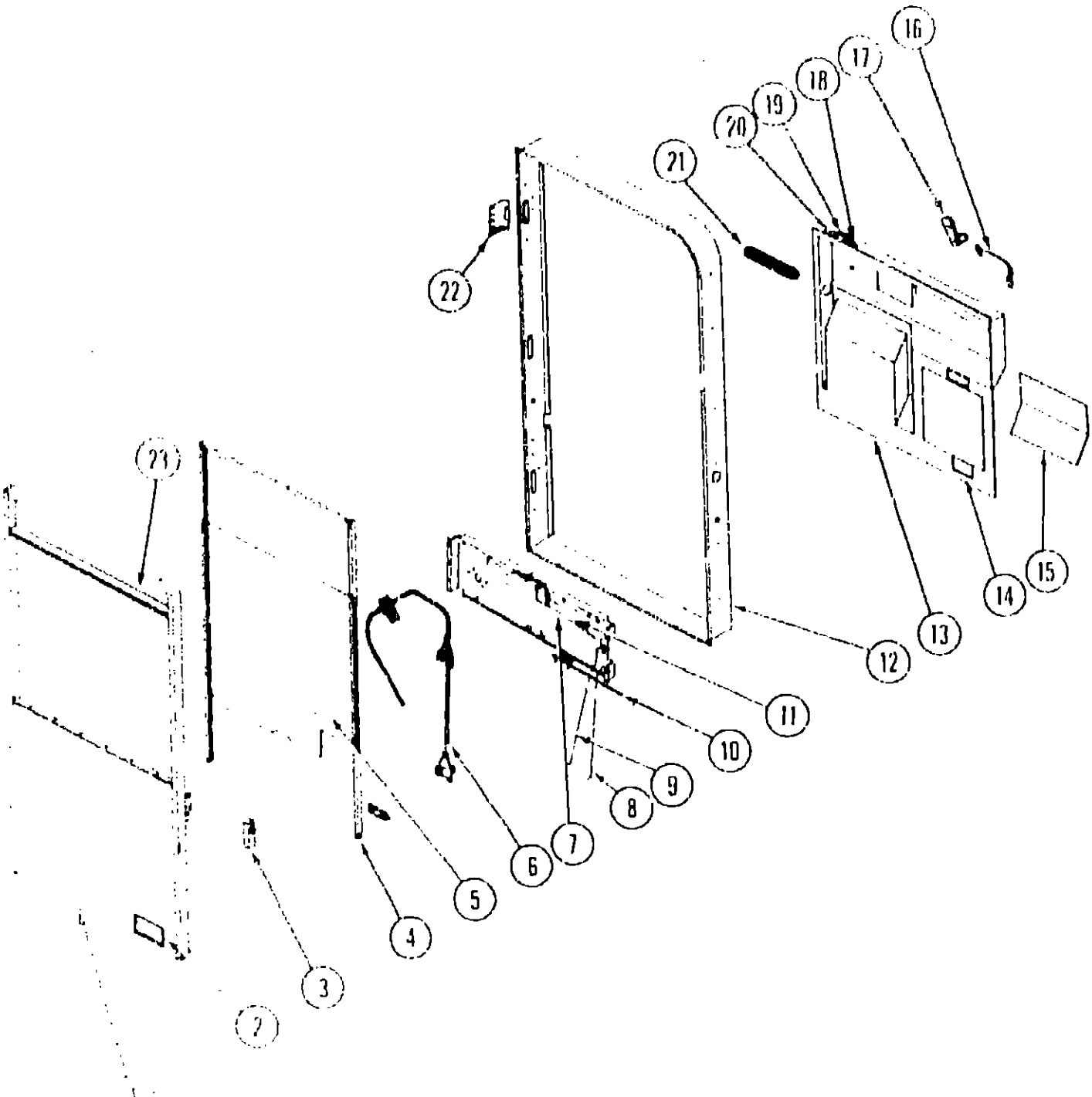
ICN28RU
IC/JN31RT
IC/JN36PQ

A-01 - D-16
D-17 - H-10
H-09 - K-21

1989 IC/JN31RT INDEX

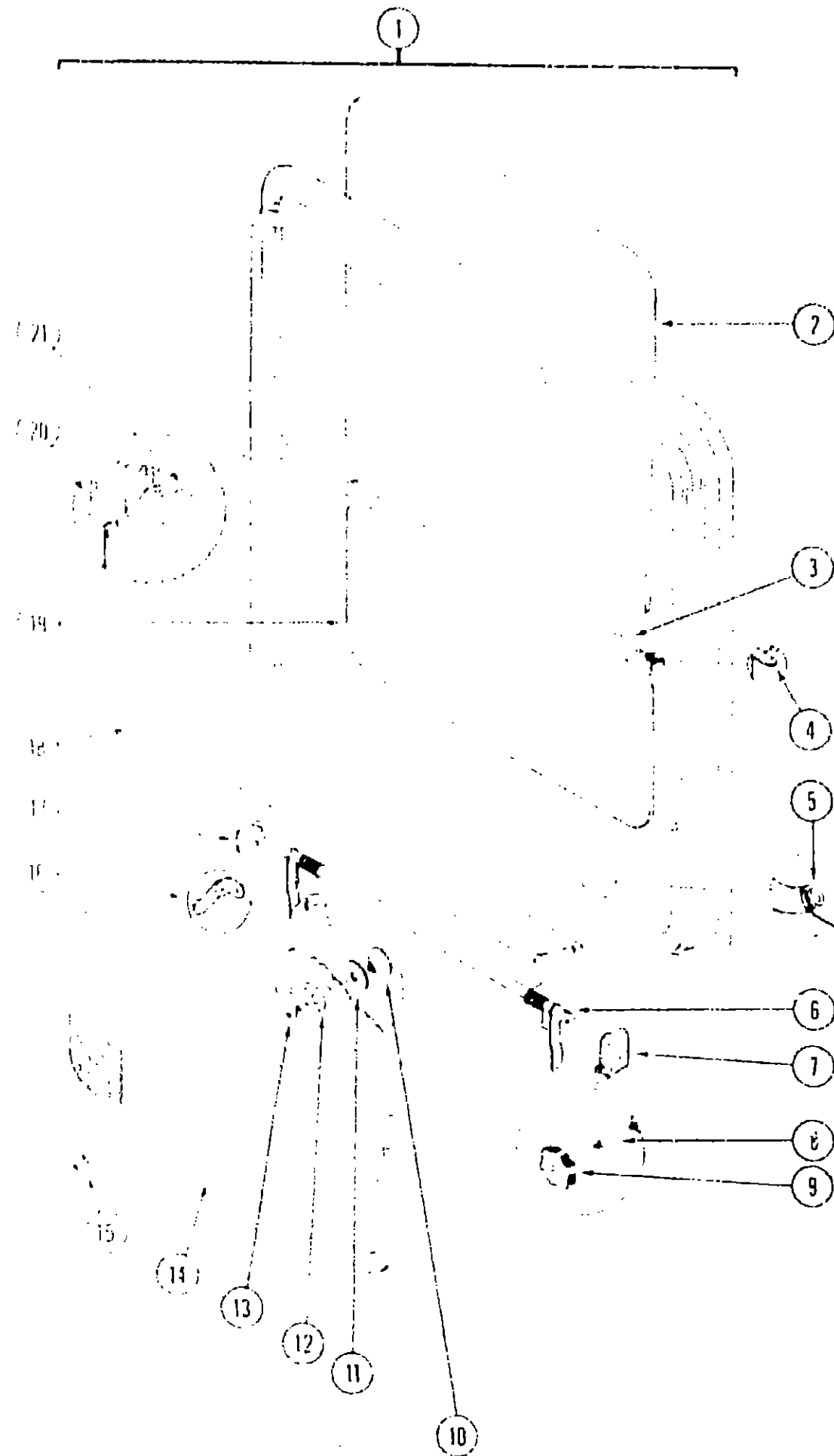
Floor Plan	D-17 - D-18
Accessories Group	D-19 - D-23
Bath Group	D-24 - E-02
Chassis Group	E-03 - F-10
Curtain, Cushion & Pad Group	E-11 - E-22
Dinette Group	E-23 - E-24
Driver's Compartment Group	F-01 - F-07
Electrical Group	F-08 - F-11
Exterior Body Group	F-12 - F-19
Galley Group	F-20 - F-23
Heating & Air Conditioning Group	F-24 - G-02
Interior Finish Group	G-03 - G-04
LP Group	G-05
Lounge Group	G-06 - G-09
Water & Sewage Group	G-10 - G-13
Window, Vent & Exterior Door Group	G-14 - H-08

Key	Part Number	U/M	Description
1	M93054-02-Y33	EA	Door Asm - Driver Door - w/Crank Window
1	M93054-07-Y35	EA	Door Asm - Driver Door - w/Power Window
2	092927-01-000	EA	Latch Asm - Outside Door Handle
	092927-01-700	EA	Lock Lever - Black
	092927-01-701	EA	Lock Lever - Chrome
3	092927-04-000	EA	Latch Striker - Driver Door
4	089454-02-000	EA	Channel - Glass Run - Top
5	092446-01-000	EA	Glass - Roll-Up - Door
	081912-07-000	EA	Weatherstrip - Rigid
6	093034-01-000	EA	Regulator Asm - Window (w/Crank Window)
6	092996-01-000	EA	Regulator Asm - Power Window
7	092928-01-000	EA	Rod - Inside Lock
	092927-05-000	EA	Clip - Rod End - Right
8	092928-01-090	EA	Rod - Door Lock
	092927-05-000	EA	Clip - Rod End - Right
9	092928-02-000	EA	Rod - Outside Release
	092927-06-000	EA	Clip - Rod End - Left
10	081906-02-000	EA	Slide Bolt - Driver Door
	096809-01-000	EA	Bracket - Dead Bolt
	081903-01-000	EA	Knob - Mounting Shaft
11	092928-03-000	EA	Rod - Inside Release
	092927-05-000	EA	Clip - Rod End - Right
12	092800-01-Y33	EA	Jamb Asm - Door
13	M92581-01-02A	EA	Panel - Interior
	081905-02-000	EA	Knob Control - Slide Bolt - Left
14	077026-01-000	EA	Lens - Courtesy Light - Clear
	077000-01-000	EA	Socket Asm - w/8" Pigtail Heads
15	092500-01-02A	EA	Cover - Map Pocket
16	061400-04-000	EA	Assist Strap - 12" - Black w/Woodgrain Inset
17	094575-01-000	EA	Hand Crank - Glass Lift
18	093132-01-090	EA	Switch - Power Window
19	088246-01-000	EA	Switch - Remote Mirror
20	087695-01-000	EA	Switch - Mirror Heater
21	090144-01-000	EA	Conduit - Wire
	080734-02-000	EA	Clip - Nylon Wire
22	092937-01-02A	EA	Hinge Asm - Front Door
23	092997-01-000	EA	Glass - Stationary
	098030-01-000	EA	Strap - Check - Door
	081243-02-000	EA	Clip - Screen - Plastic - Black



WINDOW, VENT & EXTERIOR DOOR GROUP (CONTINUED)

WINDOW, VENT & EXTERIOR DOOR GROUP (CONTINUED)



SINGLE TIPOUT WINDOW

Key	Part Number	U/M	Description
1	085353-12-X11	EA	Window Asm - Single Tipout - 22 2/8" x 30 9/16" (w/o inside frame)
	084153-14-000	EA	Inside Frame - Black (not included in assembly)
2	081239-29-000	EA	Glass - 20.6" x 21.7" - Stationary
3	089913-01-000	EA	Hinge - Tipout Window - Black
4	081357-01-000	FT	Seal Foam - Vinyl
5	084067-01-000	FT	Seal - "E" - Sponge Rubber
6	083150-08-000	EA	Torque Tube Asm.
7	035307-02-000	EA	Operator Drive - Left
8	009439-06-000	EA	Extension - 900" - Black (not included in assembly)
9	009439-05-000	EA	Knob - Window Crankout - Black (not included in assembly)
	009439-07-000	EA	Screw - 8/32" x 1 1/4" PCH - Black (not included in assembly)
10	086762-01-000	EA	T-Nut - 10-32
11	060927-03-000	EA	Seal - Rubber - .12" x 25" ID x 80" OD
12	084473-01-000	FA	Seal - Rubber - "D" Shaped
13	086763-01-000	EA	Screw - #10 - 32 x 1/4" PTH
14	084580-04-W07	EA	Screw Asm. - Tipout Window - Single
	002293-02-000	SF	Screen - Window - 26" - Charcoal
	002294-02-000	FT	Spline - .130" Dia - Charcoal (Screen)
15	081243-01-000	EA	Screen Clip - Plastic - Black
	000G12-06-08T	EA	Screw - #6 - 20 x 50" PCH - Black
16	097570-01-000	EA	Connecting Rod Asm.
	085316-01-000	EA	Washer - Wave - .44 OD 32 ID
	081649-01-000	EA	Snap Ring - 7/32 Shaft
17	081354-01-000	EA	Sleeve - Window Torque Tube
18	082563-52-001	EA	Mullion - Horizontal - Black
19	084068-12-000	EA	Glass - 9 2/8" x 21 5/8" - Tipout
20	069640-05-000	FT	Seal - 5/16" x 15" (not included in assembly)
21	003180-01-000	FT	Seal - Vinyl Glazing

1989 ITASCA
TABLE OF CONTENTS

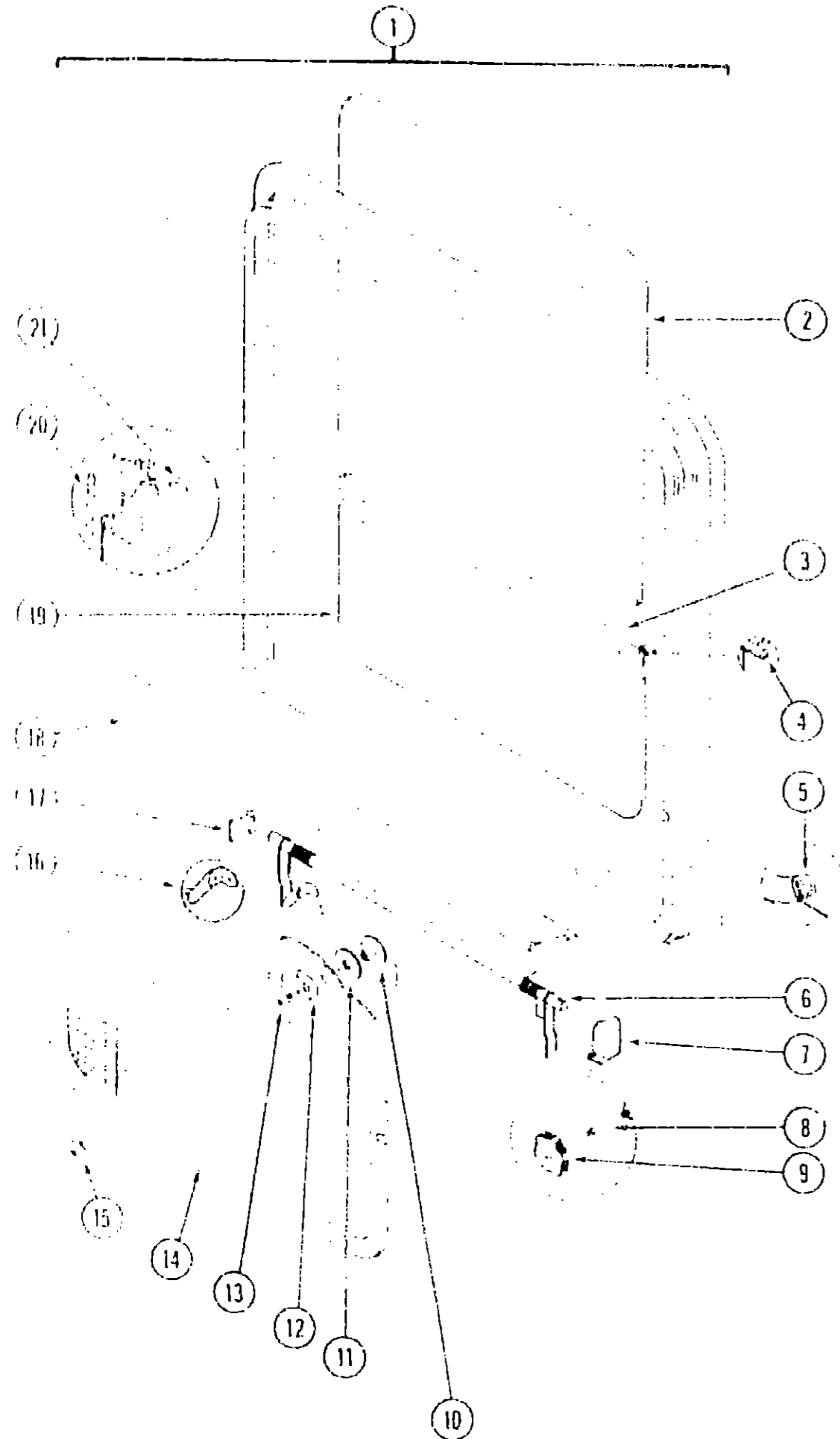
IC/N28RU
IC/JN31RT
IC/JN36RO

A-01 - D-16
D-17 - H-10
H-09 - K-21

1989 IC/JN31RT INDEX

Floor Plan	D-17 - D-18
Accessories Group	D-19 - D-23
Bath Group	D-24 - E-02
Chassis Group	E-03 - E-10
Curtain, Cushion & Pad Group	F-11 - E-22
Dinette Group	E-23 - E-24
Driver's Compartment Group	F-01 - F-07
Electrical Group	F-08 - F-11
Exterior Body Group	F-12 - F-19
Galley Group	F-20 - F-23
Heating & Air Conditioning Group	F-24 - G-02
Interior Finish Group	G-03 - G-04
L.P. Group	G-05
Lounge Group	G-06 - G-09
Water & Sewage Group	G-10 - G-13
Window, Vent & Exterior Door Group	G-14 - H-08

WINDOW, VENT & EXTERIOR DOOR GROUP (CONTINUED)



WINDOW, VENT & EXTERIOR DOOR GROUP (CONTINUED)

SINGLE TIPOUT WINDOW

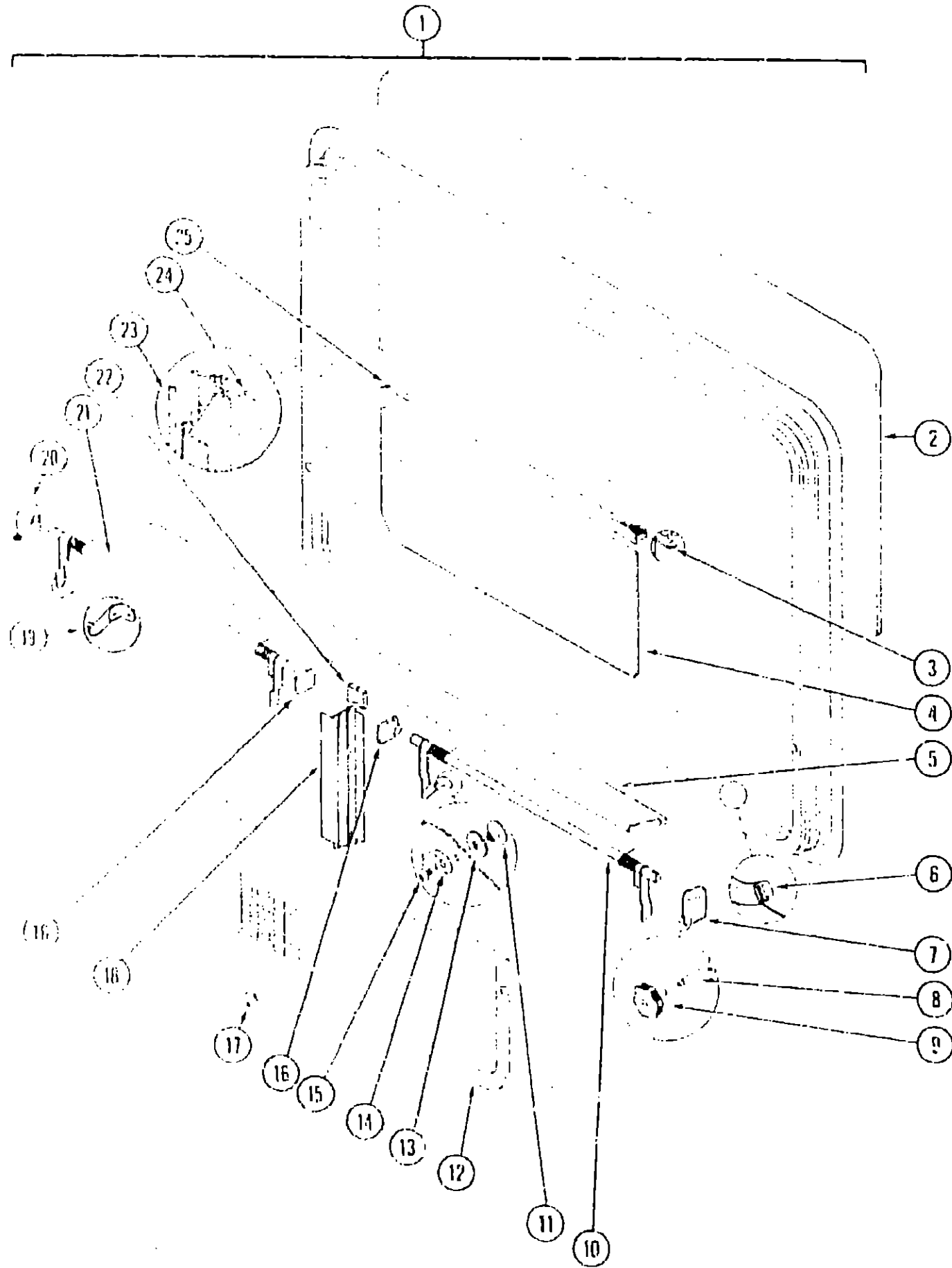
Key	Part Number	U/M	Description
	085303-07-W07	EA	Window Asm. - Single Tipout - 24.8" x 24.9" (w/o inside frame)
	084153-04-000	EA	Inside Frame - Black (not included in assembly)
2	081239-05-000	EA	Glass - 14.6" x 24.25" - Stationary
3	089913-01-000	EA	Hinge - Tipout Window - Black
4	081357-01-005	FT	Seal Foam - Vinyl
5	084067-01-000	FT	Seal - "6" - Sponge Rubber
6	083150-05-000	EA	Torque Tube Asm.
7	035302-02-000	EA	Operator Drive - Left
8	009439-06-000	EA	Extension - .900" - Black (not included in assembly)
9	009439-05-000	EA	KNob - Window Crankout - Black (not included in assembly)
	009439-07-000	EA	Screw - 8/32" x 1 1/4" POH - Black (not included in assembly)
10	086762-01-000	EA	T-Nut - 10-32
11	068927-03-000	EA	Seal - Rubber - .12" x 25" ID x .80" OD
12	084473-01-000	EA	Seal - Rubber - "D" Shaped
13	086763-01-000	EA	Screw - #10 - 32 x 1/4" PTH
14	084580-04-W07	EA	Screw Asm. - Tipout Window - Single
	002293-02-000	SF	Screen - Window - 26" - Charcoal
	002298-02-000	FT	Spline - .130" Dia. - Charcoal (Screen)
15	081243-01-000	EA	Screen Clip - Plastic - Black
	000612-06-08T	EA	Screw - #6 - 20 x .50" POH - Black
16	087578-01-000	EA	Connecting Rod Asm.
	085316-01-000	EA	Washer - Wave - .44 OD .32 ID
	081649-01-000	EA	Snap Ring - 7/32 Shaft
17	081354-01-000	EA	Sleeve - Window Torque Tube
18	082569-52-001	EA	Mullion - Horizontal - Black
19	084068-02-000	EA	Glass - 9.24" x 24.13" - Tipout
20	089640-06-000	FT	Seal - 5/16" x 15" (not included in assembly)
21	083180-01-000	FT	Seal - Vinyl Glazing

1989 ITASCA
TABLE OF CONTENTS

ICN2000	A-01 - D-16
IC/JN31RT	D-17 - H-10
IC/JN36AQ	H-09 - K-21

1989 IC/JN31RT INDEX

Floor Plan	D-17 - D-18
Accessories Group	D-19 - D-20
Bath Group	D-21 - E-00
Chassis Group	E-01 - E-10
Curtain, Cushion & Pad Group	E-11 - E-20
Dinette Group	E-21 - E-24
Driver's Compartment Group	E-25 - E-34
Electrical Group	F-00 - F-11
Exterior Body Group	F-12 - F-14
Galley Group	F-20 - F-21
Heating & Air Conditioning Group	F-22 - F-30
Interior Finish Group	G-00 - G-04
LP Group	G-05
Lounge Group	G-06 - G-09
Water & Sewage Group	G-10 - G-11
Window, Vent & Exterior Door Group	G-12 - G-21



DOUBLE TIPOUT WINDOW

Key	Part Number	U/M	Description
1	085354-05-X11	EA	Window Asm. - Double Tipout
	084153-10-000	EA	Inside Frame - Black (not included in assembly)
2	081239-18-000	EA	Glass - 1/8" x 60" x 20 1/2" - Stationary
3	081357-01-000	FT	Foam Seal - Vinyl
4	084068-08-000	EA	Glass - 1/8" x 9.24" x 30.39" - Tipout
5	083119-09-000	EA	Mullion - Horizontal - Black
	000G39-06-16T	EA	Screw - SF/DR - 6 - 20 x 1.00 PPH (Mullion - 4 Required)
	076778-03-000	EA	Rivet - Plastic - Pin Drive - Black (2 Required)
6	084067-01-000	FT	Seal - "e" - Sponge Rubber
7	035302-01-000	EA	Operator Drive - Right
8	090025-01-000	EA	Extension - Window Knob (not included in assembly)
9	067052-02-000	EA	Knob - Beige (not included in assembly)
	089371-01-000	EA	Screw - Window Knob (not included in assembly)
10	083228-03-000	EA	Torque Tube Asm. - Right
11	086752-01-000	EA	T-Nut - 10-32
12	084581-05-X11	EA	Screen Asm. - Tipout - Right
	084581-06-X11	EA	Screen Asm. - Tipout - Left
	002293-02-000	SF	Screen - 26" - Window
	002298-02-000	FT	Spine - .130" Dia. - Charcoal (Screen)
13	068927-03-000	EA	Seal - Rubber - .12" x 25" ID x 80" OD
14	084473-01-000	EA	Seal - Rubber - "D" Shaped
15	086763-01-000	EA	Screw - #10 - 32 x 1/4" PTH
16	081354-01-000	EA	Sleeve - Window Torque Tube
17	081243-01-000	EA	Clip - Plastic - Screen (4 Required)
	000G18-06-08T	EA	Screw - #6 - 20 x .50" POH - Black
18	084154-01-000	EA	Mullion - Vertical - Black
	000G39-08-08B	EA	Screw - #8 x 18 x 1/2 PPH (Mullion - 4 Required)
19	087578-01-000	EA	Connecting Rod Asm.
	085316-01-000	EA	Washer - Wave - .44 OD 32 ID
	081649-01-000	EA	Snap Ring - 7/32 Shaft
20	035302-02-000	EA	Operator Drive - Left
21	083227-03-000	EA	Torque Tube Asm. - Left
22	084066-01-000	FT	Bush Seal - Double - Sponge Rubber
23	069540-05-000	FT	Seal - 5/16 x 15" (not included in assembly)
24	083180-01-000	FT	Seal - Vinyl Glazing
25	084155-09-000	EA	Hinge - Tipout Window - Black

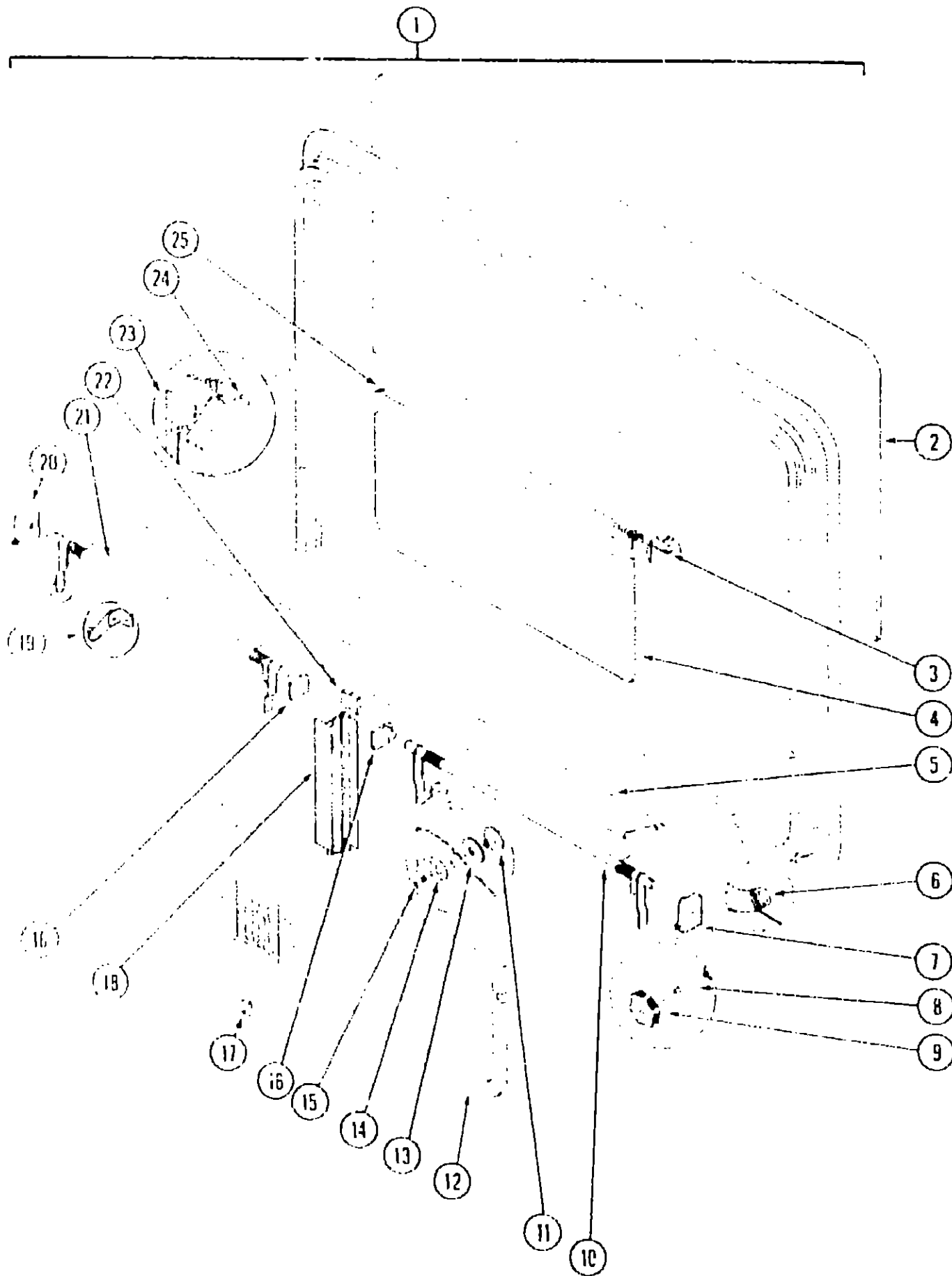
1989 ITASCA
TABLE OF CONTENTS

ICN28RU	A-01 - D-16
IC/JN31RT	D-17 - H-10
IC/JN36RO	H-09 - K-21

1989 IC/JN31RT INDEX

Floor Plan	D-17 - D-18
Accessories Group	D-19 - D-23
Bath Group	D-24 - E-02
Chassis Group	E-03 - E-10
Curtain, Cushion & Pad Group	E-11 - E-22
Dinette Group	F-23 - E-24
Driver's Compartment Group	F-03 - F-07
Electrical Group	F-08 - F-11
Exterior Body Group	F-12 - F-19
Galley Group	F-20 - F-23
Heating & Air Conditioning Group	F-24 - G-02
Interior Finish Group	G-03 - G-04
LP Group	G-05
Lounge Group	G-06 - G-09
Water & Sewage Group	G-10 - G-13
Window, Vent & Exterior Door Group	G-14 - H-08

WINDOW, VENT & EXTERIOR DOOR GROUP (CONTINUED)



Key	Part Number	U/M	Description
1	085354-07-X11	EA	Window Asm. - Double Tipout - 30.8" x 42.3" (w/o inside frame)
	084153-12-000	EA	Inside Frame - Black (not included in assembly)
2	081239-23-000	EA	Glass - 1/8" x 40.7" x 20.5" - Stationary
3	081357-01-000	FT	Foam Seal - Vinyl
4	084068-13-000	EA	Glass - 1/8" x 9.2" x 20.1" - Tipout
5	082563-52-001	EA	Mullion - Horizontal - Black
	000G39-06-16T	EA	Screw - SF/DR - 6 - 20 x 1.00 PPH (Mullion - 4 Required)
	076778-03-000	EA	Rivet - Plastic - Pin Drive - Black (2 Required)
6	084067-01-000	FT	Seal - "e" - Sponge Rubber
7	035302-01-000	EA	Operator Drive - Right
8	090025-01-000	EA	Extension - Window Knob (not included in assembly)
9	067052-02-000	EA	Knob - Beige (not included in assembly)
	089371-01-000	EA	Screw - Window Knob (not included in assembly)
10	083228-03-000	EA	Torque Tube Asm. - Right
11	086762-01-000	EA	T-Nut - 10-32
12	084581-01-W07	EA	Screen Asm. - Tipout - Right
	084581-02-W07	EA	Screen Asm. - Tipout - Left
	002293-02-000	SF	Screen - 26" - Window
	002298-02-000	FT	Spline - .130" Dia. - Charcoal (Screen)
13	066927-03-000	EA	Seal - Rubber - .12" x 25" ID x 60" OD
14	084473-01-000	EA	Seal - Rubber - "D" Shaped
15	086763-01-000	EA	Screw - #10 - 32 x 1/4" PTH
16	081354-01-000	EA	Sleeve - Window Torque Tube
17	081243-01-000	EA	Clip - Plastic - Screen (4 Required)
	000G12-06-08T	EA	Screw - #6 - 20 x .50" POH - Black
18	084192-52-001	EA	Mullion - Vertical - Black
	000G37-08-08B	EA	Screw - #8 x 18 x 1/2 PPH (Mullion - 4 Required)
19	097578-01-000	EA	Connecting Rod Asm.
	085316-01-000	EA	Washer - Wave - .44 OD 32 ID
	081819-01-000	EA	Snap Ring - 7/32 Shaft
20	035302-02-000	EA	Operator Drive - Left
21	083227-05-000	EA	Torque Tube Asm. - Left
22	084066-01-000	FT	Bulb Seal - Double - Sponge Rubber
23	069640-06-000	FT	Seal - 5/16" x 15' (not included in assembly)
24	083180-01-000	FT	Seal - Vinyl Glazing
25	084155-10-000	EA	Hinge - Tipout Window - Black

WINDOW, VENT & EXTERIOR DOOR GROUP (CONTINUED)

DOUBLE TIPOUT WINDOW

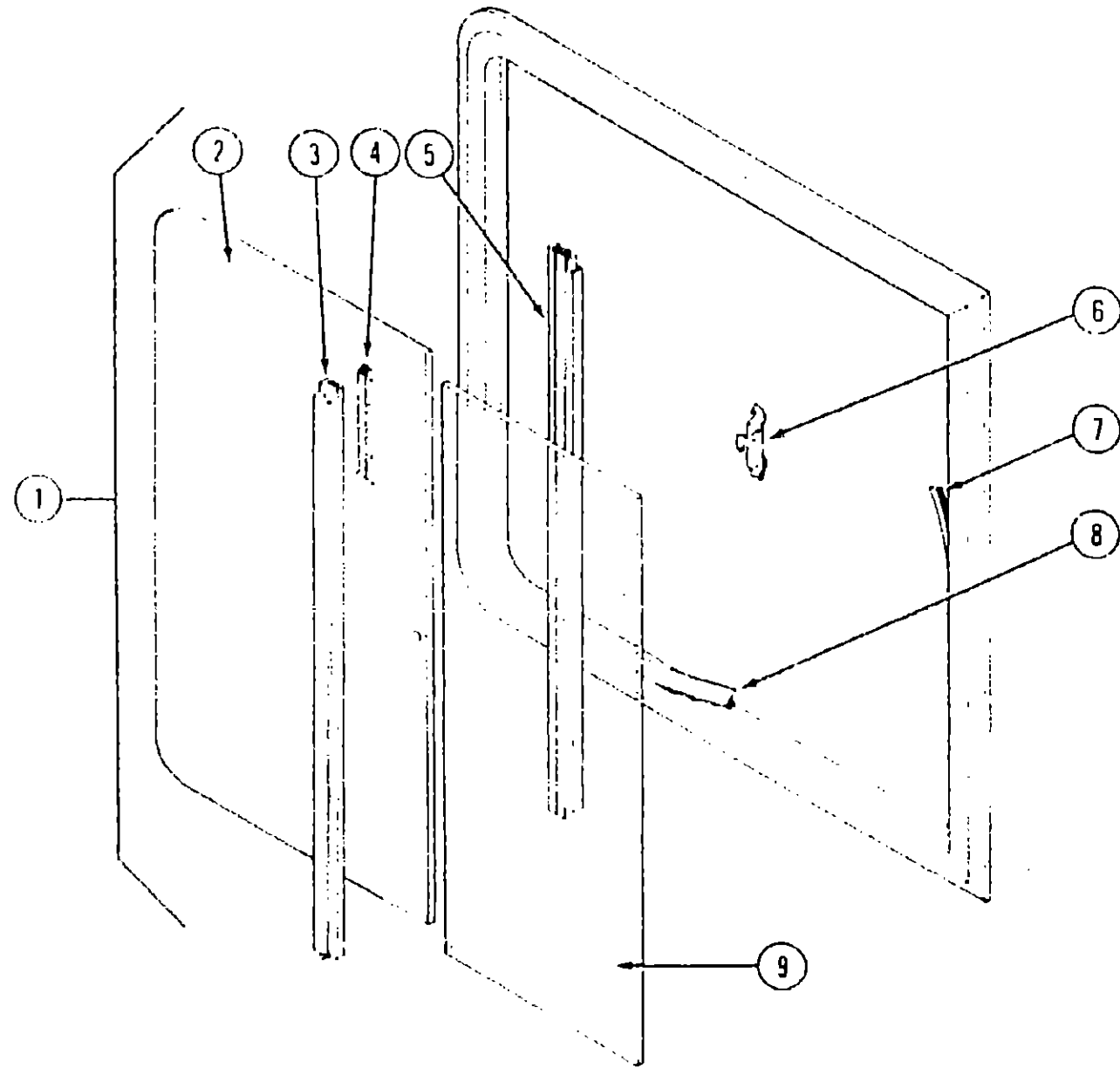
1989 ITASCA
TABLE OF CONTENTS

ICN28RU	A-01 - D-16
IC/JN31RT	D-17 - H-10
IC/JN36RQ	H-09 - K-21

1989 IC/JN31RT INDEX

Floor Plan	D-17 - D-18
Accessories Group	D-19 - D-23
Bath Group	D-24 - E-02
Chassis Group	E-03 - E-10
Curtain, Cushion & Pad Group	E-11 - E-22
Dinette Group	E-23 - E-24
Driver's Compartment Group	F-01 - F-07
Electrical Group	F-08 - F-11
Exterior Body Group	F-12 - F-19
Galley Group	F-20 - F-23
Heating & Air Conditioning Group	F-24 - G-02
Interior Finish Group	G-03 - G-04
LP Group	G-05
Lounge Group	G-06 - G-09
Water & Sewage Group	G-10 - G-13
Window, Vent & Exterior Door Group	G-14 - H-08

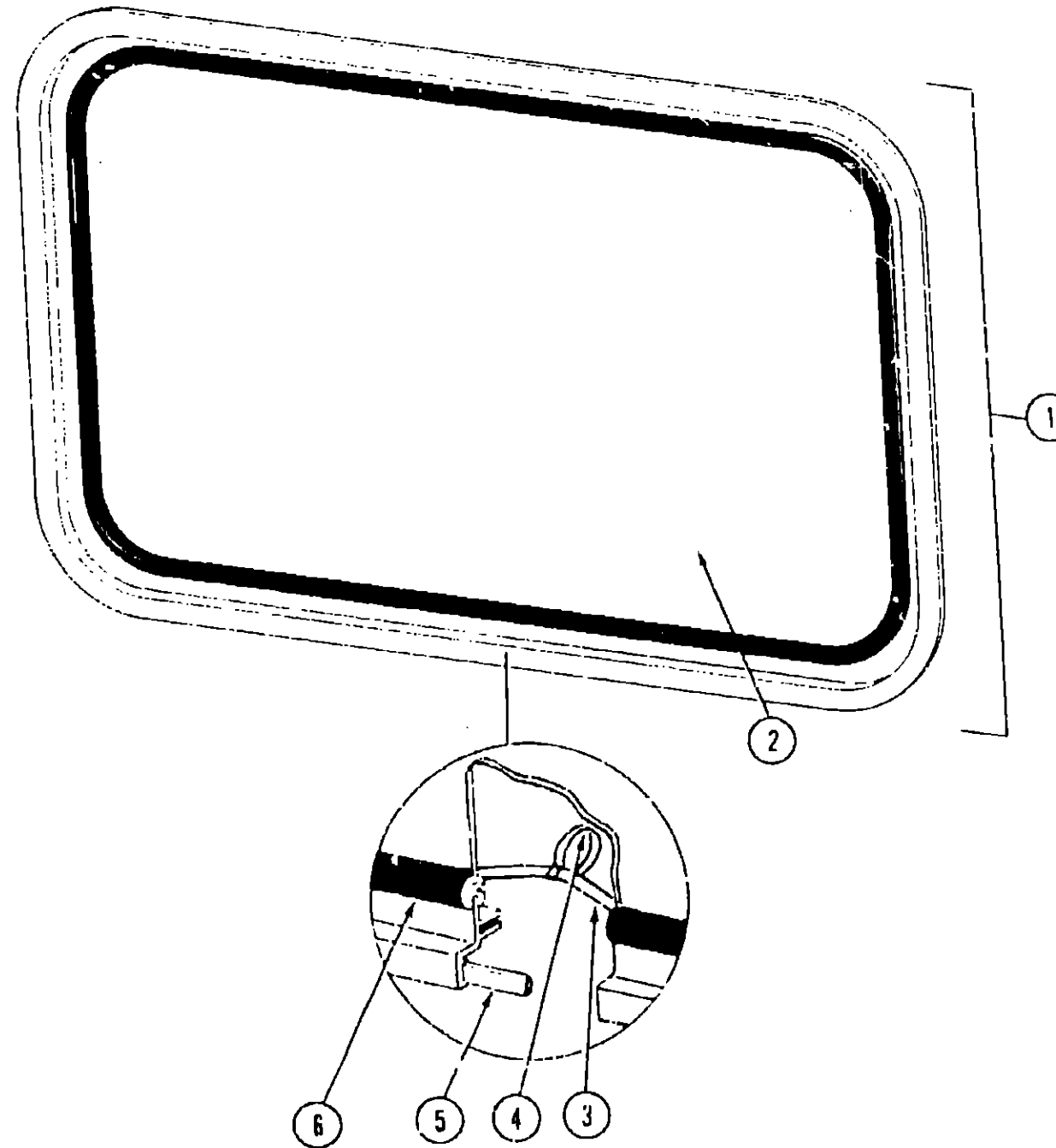
WINDOW, VENT & EXTERIOR DOOR GROUP (CONTINUED)



SINGLE SLIDER WINDOW

Key	Part Number	U/M	Description
1	093703-01-Y10	EA	Window Asm - Single Slider - 31.5" x 31" (w/o inside frame)
	092665-01-Y10	EA	Inside Frame - Black (not included in assembly)
2	081980-11-000	EA	Glass - Slider - 1/8" x 30.4" x 16.5"
3	002385-03-229	EA	Glass Holder - 29.57"
4	073740-01-000	FT	Seal - Fin - Pile - .460
5	084170-09-000	EA	Mullion - Slider Window - Black
	042077-01-000	FT	Channel - Window - Glass Run - 3/16"
	050216-02-000	FT	Spline - Vinyl Glass - .19" - Black
6	047369-01-700	EA	Latch Kit - Window - Black Plastic w/Fastener
7	002309-02-000	FT	Spline - Glass - 1/8" Material - Black
8	041928-02-000	FT	Seal - Window Channel
9	057656-12-000	EA	Glass - Stationary - 1/8" x 15.7" x 30.4"
	000630-06-16T	EA	Screw - SF/DR - 6 x 20 x 1.00 - PPH
	002328-01-000	EA	Black - Window - 1/8" x 3/16" x 1"
	023320-01-000	EA	Pad - Felt - 3/8" Dia.
	081377-01-000	EA	Adhesive - Cyanoacrylate

WINDOW, VENT & EXTERIOR DOOR GROUP (CONTINUED)



ESCAPE WINDOW

Key	Part Number	U/M	Description
1	087985-04-Y12	EA	Window Asm. - Escape (w/o inside frame)
	076650-04-000	EA	Inside Frame - Black (not included in assembly)
2	076337-06-000	EA	Glass - 1/8" x 44.8" x 28"
3	002285-01-000	FT	Filler - Weatherstrip - Black
4	077066-01-701	EA	Tape - Ploy - Escape Window - 36"
5	069640-07-000	FT	Tape - 2" Bead x 45'
6	002282-01-000	FT	Weatherstrip - Window - .125" - Black

1989 ITASCA
TABLE OF CONTENTS

ICN28RU
IC/JN31RT
IC/JN36RD

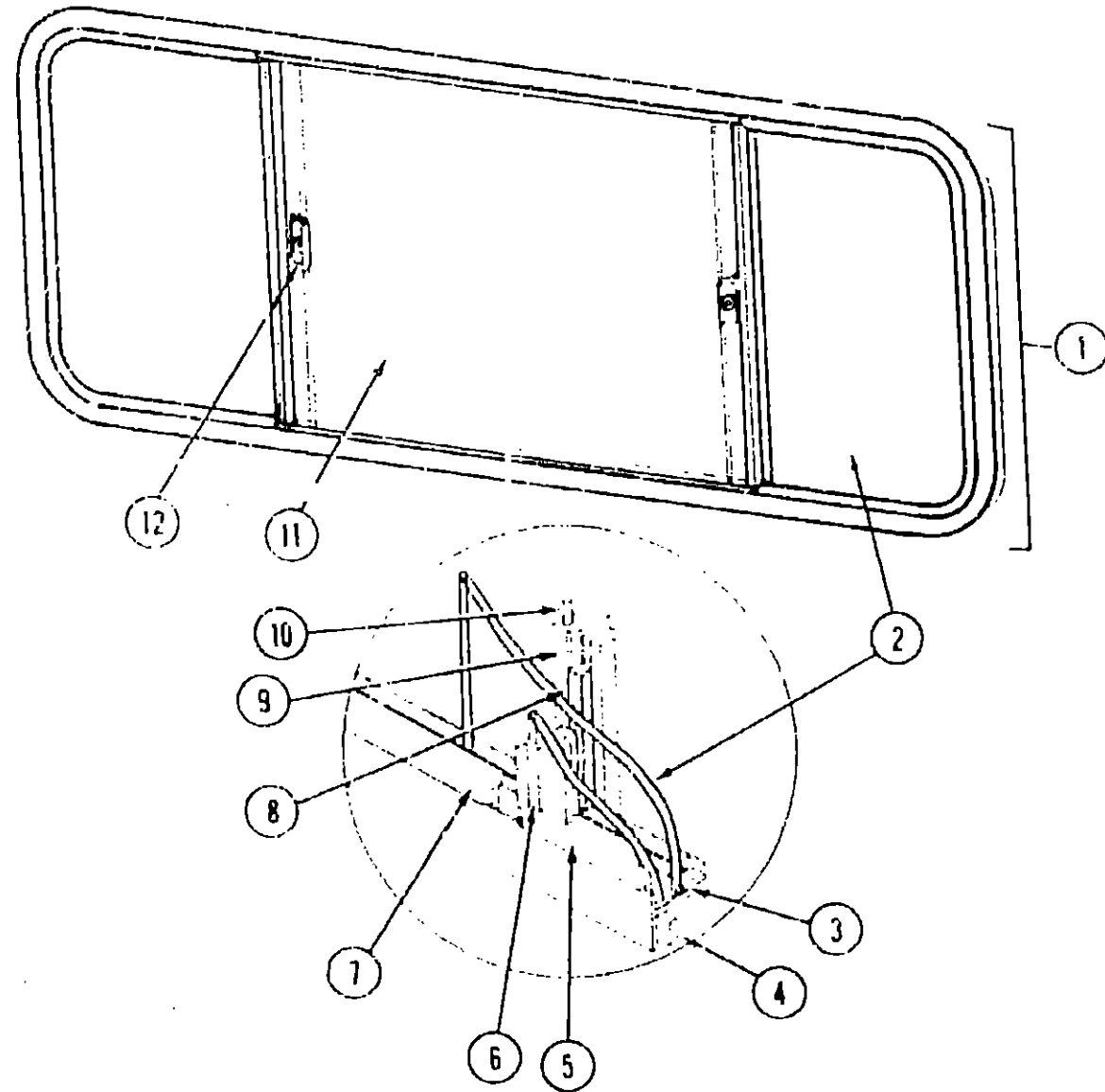
A-01 - D-16
D-17 - H-10
H-09 - K-21

1989 IC/JN31RT INDEX

Floor Plan	D-17 - D-18
Accessories Group	D-19 - D-23
Bath Group	D-24 - D-25
Chassis Group	E-03 - E-10
Curtain, Cushion & Pad Group	E-11 - E-22
Dinette Group	E-23 - E-24
Driver's Compartment Group	F-01 - F-07
Electrical Group	F-08 - F-11
Exterior Body Group	F-12 - F-19
Galley Group	F-20 - F-23
Heating & Air Conditioning Group	F-24 - G-02
Interior Finish Group	G-03 - G-04
LP Group	G-05
Lounge Group	G-06 - G-09
Water & Sewage Group	G-10 - G-13
Window, Vent & Exterior Door Group	G-14 - H-08

WINDOW, VENT & EXTERIOR DOOR GROUP (CONTINUED)

WINDOW, VENT & EXTERIOR DOOR GROUP (CONTINUED)



DOUBLE SLIDER WINDOW

Key	Part Number	U/M	Description
1	070969-01-011	EA	Window Asm. - Double Slider (w/o Inside Frame)
2	083122-01-000	EA	Inside Frame - Double Slider - Beige (Not Included In Assembly)
3	081980-10-000	EA	Glass - Sliding - 30.7" x 19.3" x 1/8"
4	002324-02-000	FT	Channel Weatherstrip - Glass
5	068640-06-000	FT	Sealer Ribbon - 5/16" Bead x 15'
6	002309-02-000	FT	Spline - Glass - 1/8" - Black
7	069086-03-001	EA	Seal Holder - 1/8" Glass - Black
8	014016-02-000	FT	Vinyl Window Seal - Black
9	013740-01-000	FT	Fin Seal - .460 Pile
10	083926-02-001	EA	Mullion - Slider Window - Black
11	002292-02-000	SF	Screen - Window - 26" Charcoal
12	002298-02-000	FT	Spline - .130" Dia. - Charcoal (Screen)
13	002126-07-000	EA	Glass - Stationary - 30.74" x 24.75" x 1/8"
14	017369-01-700	EA	Latch Kit - Window - Plastic w/Fastener
	081377-01-000	EA	Adhesive - Cyanoacrylate
	002326-01-000	EA	Block - Window - 1/8" x 3/16" x 1"

VENTS & SKYLIGHTS

Key	Part Number	U/M	Description
	090392-01-Y12	EA	Vent - Non-Powered - Roof
	078786-01-Y12	EA	Screen Asm. - Non-Powered - Roof Vent
	084079-06-000	EA	Ventilator - Roof - Powered (Fantastic)
	090393-01-Y12	EA	Vent Asm. - Roof - Powered (US)
	064469-03-000	EA	Vent Asm. - Roof-Powered (CSA)
	078785-01-Y12	EA	Screen Asm. - Powered - Roof Vent
	084073-03-000	EA	Vent - Roof - Refrigerator
	084073-04-000	EA	Base - Refrigerator Roof Vent
	081171-01-000	EA	Trim - Skylight - Outer
	080910-01-000	EA	Panel - Skylight - Outer
	077902-01-000	EA	Panel - Skylight - Inner
	092698-01-01A	EA	Vent w/Door - Range Hood - Off White

1989 ITASCA
TABLE OF CONTENTS

ICN28RU	A-01 - D-16
IC/JN31RT	D-17 - H-10
IC/JN36RD	H-09 - K-21

1989 IC/JN31RT INDEX

Floor Plan	D-17 - D-18
Accessories Group	D-19 - D-23
Bath Group	D-24 - E-02
Chassis Group	E-03 - E-10
Curtain, Cushion & Pad Group	E-11 - E-22
Dinette Group	E-23 - E-24
Driver's Compartment Group	F-01 - F-07
Electrical Group	F-08 - F-11
Exterior Body Group	F-12 - F-19
Galley Group	F-20 - F-23
Heating & Air Conditioning Group	F-24 - G-02
Interior Finish Group	G-03 - G-04
LP Group	G-05
Lounge Group	G-06 - G-09
Water & Sewage Group	G-10 - G-13
Window, Vent & Exterior Door Group	G-14 - H-08