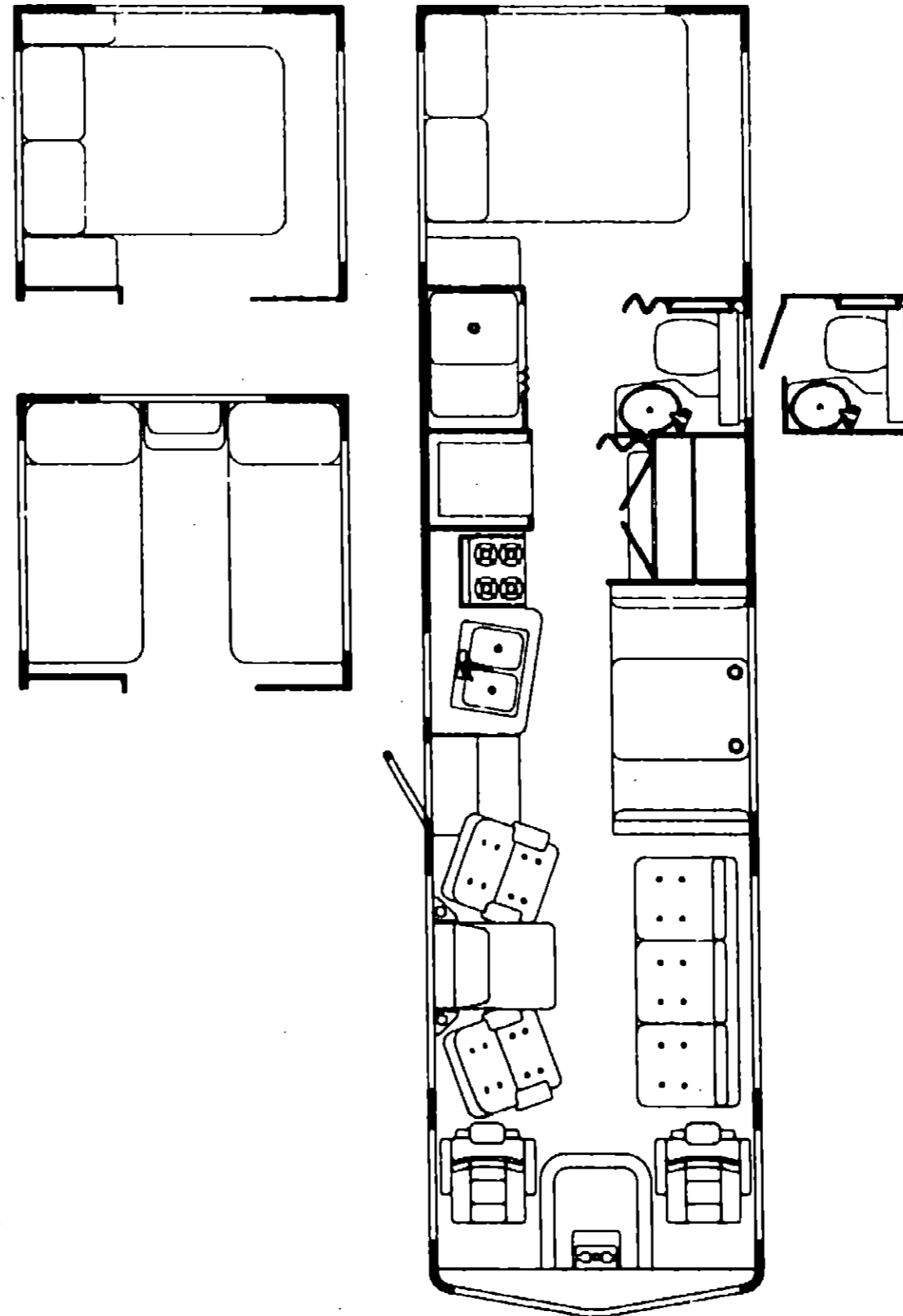


1989 IC/JM34RQ



1989 ITASCA TABLE OF CONTENTS

INTRODUCTION	A-01
ABBREVIATIONS	A-01
ALPHABETICAL INDEX	A-02 - A-04
WC/JM34RQ	A-05 - D-18
WJM40RQ	D-19 - G-24

1989 IC/JM34RQ INDEX

Floor Plan	A-05 - A-06
Accessories Group	A-07 - A-12
Bath Group	A-13 - A-16
Chassis Group	A-17 - A-24
Curtain, Cushion & Pad Group	B-01 - B-14
Dinette Group	B-15 - B-16
Driver's Compartment Group	B-17 - B-22
Electrical Group	B-23 - C-02
Exterior Body Group	C-03 - C-08
Galley Group	C-09 - C-12
Heating & Air Conditioning Group	C-13
Interior Finish Group	C-14 - C-15
LP Group	C-16
Lounge Group	C-17 - C-20
Water & Sewage Group	C-21 - C-22
Window, Vent & Exterior Door Group	C-24 - D-18

ACCESSORIES GROUP

RACK & LADDER COMPONENTS (OPTION 35U)

Key	Part Number	U/M	Description
	081026-02-T03	EA	Rack Asm - Driver
	081026-01-T03	EA	Rack Asm - Passenger
	080999-02-T03	EA	Ladder Asm - Upper
	080997-04-X14	EA	Ladder Asm - Lower
	076986-03-000	EA	Step - Dipped - Extra Bright
	067165-01-000	EA	Mounting Bracket
	076980-02-000	EA	Step Cap - Black
	080873-01-000	EA	Latch - Lower Ladder - Gray
	081055-01-000	EA	Springgrip - Internal Tooth
	081058-01-000	EA	Pin - Quick Release
	081107-01-000	EA	Bracket - Bumper Pin
	081113-01-000	EA	Bushing - Plastic Flange - White
	081114-01-000	EA	Cap Insert - Round - 1" Dia
	081115-01-000	EA	Top Cap - 1"
	081116-01-000	EA	Top Slide - 1"
	081152-01-000	EA	Bumper Plate - Brite
	038327-01-000	EA	Tape - Anti-Slip - 2" x 60'

FOG LAMP & COMPONENTS (OPTION 57M)

Key	Part Number	U/M	Description
	088747-01-000	EA	Lamp Asm - Fog - Clear Lens
	088747-01-700	EA	Cover - Fog Lamp
	088942-01-000	EA	Mounting Bracket - Fog Lamp
	089305-01-000	EA	Switch - Fog Lamp
	037940-01-000	EA	Receptacle - Slide - 16 to 12 AWG Wire
	007942-01-000	EA	Tab - 18 to 14 AWG Wire
	010499-01-000	EA	Clamp - Closed - 3/8" I D
	083910-01-000	EA	Housing - Relay
	063912-02-000	EA	Relay - Canister - SPDT - w/Resistor
	093654-02-000	EA	Circuit Breaker - 15 Amp

POWER SEARCHLIGHT & COMPONENTS (OPTION 63B)

Key	Part Number	U/M	Description
	051057-02-000	EA	Spotlight - Power Driven - w/o Switch
	051057-03-000	EA	Switch Asm - Spotlight
	051057-01-700	EA	Switch - Panel Asm - Auxiliary
	051057-01-701	EA	Switch - Panel Asm - Main
	051057-01-702	EA	Joy Switch & Housing
	051057-01-703	EA	Toggle Switch - On/Off
	051057-01-704	EA	Micro Switch
	051057-01-705	EA	Bulb - Spotlight
	035416-04-000	EA	Terminal - Ring - #10 Stud Fit
	044466-03-000	EA	Circuit Breaker - w/Mounting Brackets
	077368-03-000	EA	Panel - Instrument Panel Cover - Lower Driver (Chevrolet)
	077368-04-000	EA	Panel - Instrument Panel Cover - Lower Driver (John Deere)
	087949-01-000	EA	Bus Bar - 2 Position

WHEEL COVER & MOUNTING HARDWARE

Key	Part Number	U/M	Description
	083181-03-000	EA	Wheel Cover - 19.5" (Set/4)
	083181-03-700	EA	Wheel Cover - 19.5" (1)
	083181-04-000	EA	Retainer Kit - 19.5" Wheel Cover (Set/4) (Chevrolet)
	083181-04-700	EA	Retainer Kit - 19.5" Wheel Cover - Front (1) (Chevrolet)
	083181-04-701	EA	Retainer Kit - 19.5" Wheel Cover - Rear (1) (Chevrolet)
	083181-07-000	EA	Retainer Kit - 19.5" Wheel Cover (Set/4) (John Deere)
	083181-04-702	EA	Nut Cover - 19.5" Wheel
	083181-04-703	EA	Center Cap - Chrome

ACCESSORIES GROUP (CONTINUED)

CHROME WHEEL LINERS (OPTION 83K)

Key	Part Number	U/M	Description
	091209-01-000	EA	Wheel Liner - Chrome - 19.5" (Set/4) (Chevrolet)
	091209-01-700	EA	Wheel Liner - Chrome - 19.5" - Front
	091209-01-701	EA	Wheel Liner - Chrome - 19.5" - Rear
	091209-01-702	EA	Axle Cover - 10 Lug - 19.5" - Front
	091209-01-703	EA	Axle Cover - 10 Lug - 19.5" - Rear
	091209-01-704	EA	Cover - Lug Nut - 19.5"
	086271-01-000	EA	Wheel Liner - Chrome - 19.5" (Set/4) (John Deere)
	086271-01-700	EA	Wheel Liner - Chrome - 19.5" - Front (1)
	086271-01-701	EA	Wheel Liner - Chrome - 19.5" - Rear (1)
	086271-01-702	EA	Axle Cover - 6 Lug - 19.5" - Front
	086271-01-703	EA	Axle Cover - 6 Lug - 19.5" - Rear
	086271-01-704	EA	Beauty Ring
	086271-01-705	EA	Cover - Lug Nut - 19.5"
	077030-02-000	EA	Valve Stem Extension - 1.25"
	095012-01-000	EA	Valve Stem Extension - Dual Wheel

EXTERIOR MIRRORS

Key	Part Number	U/M	Description
	088260-01-000	EA	Mirror Asm - w/Convex - Passenger Side
	088260-02-000	EA	Mirror Asm - w/Convex - Driver Side
	088260-03-000	EA	Accessory Kit - Mirror, Ext

CUSTOM STEERING WHEEL (CHEVROLET - OPTION 38P)

Key	Part Number	U/M	Description
	080752-17-000	EA	Steering Wheel - Custom - w/2 Horn Buttons
	080752-05-000	EA	Steering Wheel - Custom
	080752-06-000	EA	Adapter Hub
	080752-07-000	EA	Horn Button - w/Wire
	080752-08-000	EA	Screw - Custom Steering Wheel

AIR HORNS & COMPONENTS (OPTION 38R)

Key	Part Number	U/M	Description
	077497-01-000	EA	Air Horn Kit - Twin - Chromed
	077497-01-700	EA	Solenoid - Air Tank
	077497-01-701	EA	Switch - Compressor
	077497-01-702	EA	Switch - Toggle w/Wire
	077497-01-703	EA	Air Tank
	077497-01-704	EA	Compressor w/Switch
	077497-01-705	EA	Repair Kit f/Hadley 120 Compressor
	077497-02-000	EA	Hose Kit - Auxiliary Air
	077497-03-000	EA	Parts Kit - Hose - Auxiliary Air
	081404-01-000	EA	Mounting Bracket - Compressor
	081407-01-000	EA	Mounting Plate - Air Horns
	078239-01-000	EA	Label Plate - Air Horns
	083912-02-000	EA	Relay - Canister - SPDT - w/Resistor
	007940-01-000	EA	Receptacle - Slide - 16 to 12 AWG Wire
	007942-01-000	EA	Tab - 18 to 14 AWG Wire
	041953-01-000	EA	Conduit - Plastic Convolute Silt - 50" I D
	083910-01-000	EA	Housing - Relay
	093654-02-000	EA	Circuit Breaker - 15 Amp
	087949-01-000	EA	Bus Bar - 2 Position

1989 ITASCA TABLE OF CONTENTS

INTRODUCTION	A-01
ABBREVIATIONS	A-01
ALPHABETICAL INDEX	A-02 - A-04
WC/JM34RQ	A-05 - D-18
WJM40RQ	D-19 - G-24

1989 IC/JM34RQ INDEX

Floor Plan	A-05 - A-06
Accessories Group	A-07 - A-12
Bath Group	A-13 - A-18
Chassis Group	A-17 - A-24
Curtain, Cushion & Pad Group	B-01 - B-14
Dinette Group	B-15 - B-16
Driver's Compartment Group	B-17 - B-22
Electrical Group	B-23 - C-02
Exterior Body Group	C-03 - C-08
Galley Group	C-09 - C-12
Heating & Air Conditioning Group	C-13
Interior Finish Group	C-14 - C-15
LP Group	C-16
Lounge Group	C-17 - C-20
Water & Sewage Group	C-21 - C-22
Window, Vent & Exterior Door Group	C-24 - D-11

ACCESSORIES GROUP (CONTINUED)

4.0KW & 6.5KW GENERATORS & COMPONENTS (OPTION 39E & 39G)

Key	Part Number	U/M	Description
	093545-01-000	EA	Generator - Onan Emerald - 4.0KW (Option 39E)
	093546-01-000	EA	Generator - Onan Emerald - 6.5KW (Option 39G)
	094657-02-000	EA	Tray Asm. - Generator
	083151-01-000	EA	Muffler
	007125-02-000	EA	Clamp Asm. - Muffler - 1.25" Dia.
	007125-03-000	EA	Clamp Asm. - Muffler - 1.50" Dia.
	083152-08-000	EA	Exhaust Pipe - Generator
	092508-01-000	EA	Exhaust Pipe - Generator
	008054-01-000	EA	Power Cord - 10/3 - 30 Amp. - 25' - USA
	008052-01-000	EA	Power Cord - 10/3 - 30 Amp. 25' - CSA
	024924-02-000	EA	Receptacle - Power Cord
	089238-01-000	EA	Cover - Receptacle Box - Power Cord - 4" x 4"
	008026-01-000	EA	Wire - 12/2 Romex w/Ground
	008289-01-000	EA	Electrical Box - Steel - 4" x 4" - 1/2 & 3/4 - USA
	008294-01-000	EA	Cover Plate - Blank Steel - 4" x 4" - USA
	008289-02-000	EA	Electrical Box - Steel - 4" x 4" - 1/2 & 3/4 - CSA
	008294-02-000	EA	Cover Plate - Blank Steel - 4" x 4" - CSA
	008037-01-000	EA	Battery Cable - 1 AWG Strand
	010495-01-000	EA	Clamp - Cable - 9/16"
	010497-01-000	EA	Clamp - Closed - 5/8"
	062401-03-000	EA	Clamp - Hose - Wormgear - .22" to 1" I.D.
	062401-08-000	EA	Clamp - Hose - Wormgear - .22" to .62" I.D.
	041953-01-000	EA	Conduit - Plastic Convolute Slit - 1/2" I.D.
	008401-01-000	EA	Conduit - Strap - 3/4"
	008311-01-000	EA	Connector - Wire Nut - Red
	008312-01-000	EA	Connector - Wire Nut - Blue
	008314-01-000	EA	Connector - Wire Nut - Gray
	008356-01-000	EA	Connector - Plastic - 3/8"
	008353-01-000	EA	Connector - Cable Clamping - 3/8"
	041480-01-000	EA	Connector - Straight - Flex Conduit
	023942-01-000	EA	Grommet - Rubber - 2" O.D.
	071015-07-000	EA	Grommet - Rubber - 1" I.D.
	071015-08-000	EA	Grommet - Rubber - 1.75" I.D.
	071015-13-000	EA	Grommet - Rubber - .62" I.D.
	007083-01-000	FT	Hose - Gasoline - 1/4" I.D. x 1/2" O.D.
	094059-01-000	EA	Spacer
	008328-01-000	EA	Terminal - Ring - 12/10 Wire
	008348-01-000	EA	Terminal - Ring - 2, 3/8 Stud
	008343-01-000	EA	Wire Tie - 8"
	024978-01-000	EA	Generator Switch - w/o Circuit Board
	031035-01-000	EA	Gauge Asm. - Hourmeter
	076008-24-000	EA	Bezel - Entertainment Center (Chevrolet)
	076008-22-000	EA	Bezel - Entertainment Center (John Deere)

WATER PURIFICATION SYSTEM (OPTION 29B)

Key	Part Number	U/M	Description
	087200-01-000	EA	Filter - Water Purification
	087200-02-000	EA	Cartridge - Water Filter
	039800-01-000	FT	Tubing - Polybutyl - 1/2" O.D. x 20'
	052957-01-000	EA	Elbow - Plastic - 1/2" F x 3/8" MPT
	065120-01-000	EA	Elbow - Plastic - Swivel - 1/2"
	052959-01-000	EA	Connector - Plastic - 1/2" F x 1/4" MPT
	052959-02-000	EA	Connector - Plastic - 1/2" F x 1/2" MPT
	052952-01-000	EA	Nut - Plastic - 1/2" F
	091208-01-000	EA	Washer - Rubber - .08" x .75" x .50"

ACCESSORIES GROUP (CONTINUED)

7.0KW GENERATOR & COMPONENTS (OPTION 37M)

Key	Part Number	U/M	Description
	093547-01-000	EA	Generator - Kohler - 7.0KW (Option 37M)
	093590-04-000	EA	Muffler
	007125-02-000	EA	Clamp Asm. - Muffler - 1.25" Dia.
	007125-03-000	EA	Clamp Asm. - Muffler - 1.50" Dia.
	083152-08-000	EA	Exhaust Pipe
	092508-01-000	EA	Exhaust Pipe
	008054-01-000	EA	Power Cord - 10/3 - 30 Amp. - 25' - USA
	008052-01-000	EA	Power Cord - 10/3 - 30 Amp. - 25' - CSA
	024924-02-000	EA	Receptacle - Power Cord
	089238-01-000	EA	Cover - Receptacle Box - Power Cord - 4" x 4"
	008026-01-000	EA	Wire - 12/2 Romex w/Ground
	008289-01-000	EA	Electrical Box - Steel - 4" x 4" - 1/2 & 3/4 - USA
	008294-01-000	EA	Cover Plate - Blank Steel - 4" x 4" - USA
	008289-02-000	EA	Electrical Box - Steel - 4" x 4" - 1/2 & 3/4 - CSA
	008037-01-000	EA	Battery Cable - 1 AWG Strand
	010495-01-000	EA	Clamp - Cable - 9/16"
	010497-01-000	EA	Clamp - Closed - 5/8" I.D.
	062401-03-000	EA	Clamp - Hose - Wormgear - .22" to 1" I.D.
	062401-08-000	EA	Clamp - Hose - Wormgear - .22" to .62" I.D.
	041953-01-000	EA	Conduit - Plastic Convolute Slit - .50" I.D.
	008401-01-000	EA	Conduit - Strap - .75"
	008311-01-000	EA	Connector - Wire Nut - Red
	008312-01-000	EA	Connector - Wire Nut - Blue
	008314-01-000	EA	Connector - Wire Nut - Gray
	008356-01-000	EA	Connector - Plastic - 3/8"
	008353-01-000	EA	Connector - Cable Clamping - 3/8"
	023942-01-000	EA	Grommet - Rubber - 2" O.D.
	071015-07-000	EA	Grommet - Rubber - 1" I.D.
	071015-08-000	EA	Grommet - Rubber - 1.75" I.D.
	071015-13-000	EA	Grommet - Rubber - .62" I.D.
	007083-01-000	FT	Hose - Gasoline - 1/4" I.D. x 1/2" O.D.
	008328-01-000	EA	Terminal - Ring - 12/10 Wire
	008348-01-000	EA	Terminal - Ring - 2, 3/8 Stud
	008343-01-000	EA	Wire Tie - 8"
	024978-01-000	EA	Generator Switch - w/o Circuit Board
	031035-01-000	EA	Gauge Asm. - Hourmeter
	076008-24-000	EA	Bezel - Entertainment Center (Chevrolet)
	076008-22-000	EA	Bezel - Entertainment Center (John Deere)

REAR MONITOR SYSTEM (OPTION 67Z)

Key	Part Number	U/M	Description
	093040-02-000	EA	Television System - Rear View
	083207-02-000	EA	Cable - Television System - Rear View
	080008-01-000	EA	Wire Asm. - Fuse Block
	084428-01-000	EA	Insert - Press-In - 3/16" - 18 Thread
	082037-01-000	EA	Housing - Auto Fuse - Natural
	093040-01-000	EA	Television System - Rear View
	093040-01-700	EA	Camera - Television System - Rear View
	093040-01-701	EA	6" Monitor w/Bracket & Wire Harness
	093221-01-000	EA	Lens - Rear Monitor Shroud
	093957-01-02A	EA	TV Shroud - Gray
	093041-02-000	EA	Cable - Monitor/Camera
	094002-01-000	EA	Bracket Asm. - Camera
	094001-01-000	EA	Clamp - Camera
	031770-01-000	EA	Clamp - Cable - 3/16" Dia.
	080008-01-000	EA	Wire Asm. - Fuse Block
	082037-01-000	EA	Housing - Auto Fuse - Natural
	093040-03-000	EA	Wire Asm. - Monitor

1989 ITASCA TABLE OF CONTENTS

INTRODUCTION	A-01
ABBREVIATIONS	A-01
ALPHABETICAL INDEX	A-02 - A-04
VIC/JM34RQ	A-05 - D-18
WJM40RQ	D-19 - G-24

1989 IC/JM34RQ INDEX

Floor Plan	A-05 - A-06
Accessories Group	A-07 - A-12
Bath Group	A-13 - A-16
Chassis Group	A-17 - A-24
Curtain, Cushion & Pad Group	B-01 - B-14
Dinette Group	B-15 - B-16
Driver's Compartment Group	B-17 - B-22
Electrical Group	B-23 - C-02
Exterior Body Group	C-03 - C-08
Galley Group	C-09 - C-12
Heating & Air Conditioning Group	C-13
Interior Finish Group	C-14 - C-15
LP Group	C-16
Lounge Group	C-17 - C-20
Water & Sewage Group	C-21 - C-23
Window, Vent & Exterior Door Group	C-24 - D-18

ACCESSORIES GROUP (CONTINUED)

REAR WINDOW WIPER/WASHER (OPTION 59F)

Key	Part Number	U/M	Description
	087249 01 000	EA	Motor Asm - Wiper - 68" Wipe
	087251 01-000	EA	Wiper Blade - 16" Black
	087252 01-000	EA	Arm Asm - Wiper - 20" Black
	087967 01-000	EA	Cover - Wiper Motor - Light Oak
	087337 01-000	EA	Bracket - Wiper Motor
	087266 01 000	EA	Switch - Rear Wiper
	056000 03 000	EA	Washer Asm - Rear Window

FRONT RADIO

Key	Part Number	U/M	Description
	090982-01-000	EA	Radio - AM/FM Stereo/Cassette - Electronic Tune - #HCC1035
	092311 01-000	EA	Radio - AM/FM Stereo/Cassette - Deluxe Tune - Digital Clock - #HCC1170 (Option 57E)
	064791-01-000	EA	Speaker - Recessed - 5 25" Dia Round
	073741-03-000	EA	Speaker - 4" x 6" Oval - Audiovox 110-2074
	073741-04-000	EA	Grille - Speaker - 4" x 8" Oval - Audiovox 136-1157
	073431-01-000	EA	Speaker - 3 Way w/Cover - 5 25" Dia (Deluxe Tune) (Option 57E)
	094097-01-000	EA	Speaker - 5 25" Dia w/o Grille (Deluxe Tune) (Option 57E)
	089340-01-000	EA	Grille - Speaker - 6 1/2" Square
	074979-01-000	EA	Cover - Speaker - Light Oak
	031105-02-000	EA	Antenna - Side Mount - 12" Ground
	031105 01-700	EA	Antenna Holder - Upper
	087701-01-000	EA	Wire Asm - 9 Pin Adapter

REAR STEREO (OPTION 26L)

Key	Part Number	U/M	Description
	090339-01-000	EA	Radio - AM/FM Stereo w/Cassette - Magnadyne LS100
	097153-01-000	EA	Radio - AM/FM Stereo w/Cassette - Advantz AC - 9000MD
	064791-01-000	EA	Speaker - 5 25" Dia - Recessed
	094097-01-000	EA	Speaker - 5 25" Dia - w/o Grille
	089340-01-000	EA	Grille - Rear Speaker - 6 1/2" Square
	074979-01-000	EA	Cover - Speaker - Light Oak
	090944-01-000	EA	Antenna - Rubber - 18"
	077089-02-000	EA	Cable - Antenna
	090862-01-000	EA	Hat Bracket - Antenna
	010495-01-000	EA	Clamp - Cable - 9/16"
	058028-01-000	EA	Pigtail Connector - Clear Nylon

AUXILIARY BATTERY DISCONNECT (OPTION 29A)

Key	Part Number	U/M	Description
	008343-01-000	EA	Terminal - Ring - 2 - 3/8" Stud
	062901-02-000	EA	Fuse - 5 Amp - Automotive
	065963-04-000	EA	Switch - Auxiliary Battery - DPDT
	068070-01-000	EA	Terminal - 1/0 AWG - 3/8" Ring
	081087-01-000	EA	Light Asm - Indicator
	086273-01-000	EA	Relay - Battery Disconnect
	088751-01-000	F	Cable - Electrical - Stranded
	089445-01-000	EA	Bracket

AUXILIARY DEFROSTER FANS (OPTION 38N)

Key	Part Number	U/M	Description
	036420-02-000	EA	Defroster Fan - 8" Dia - 2 Speed
	089306-01-000	EA	Switch - Defroster Fans
	089579-01-000	EA	Wire Asm - Defroster Fans
	062036-02-000	EA	Terminal - Pack - Con, 16/14 AWG

ACCESSORIES GROUP (CONTINUED)

TV SYSTEM COMPONENTS (OPTION 42C, 42V, 42Y)

Key	Part Number	U/M	Description
	091258 02-000	EA	TV - 13" Color - Remote - Sharp 13NM48
	091258-02-700	EA	Remote Control - Color TV - Sharp
	091907-02-000	EA	VCR - VHS - Sharp VC2208U
	091907-01-700	EA	Remote Control - VCR - Sharp
	086757-01-000	EA	Control Center - Switching - Channel Master
	091996-01-000	EA	Separator - VHF/UHF
	086756-01-000	EA	Splitter - 2 Way - TV
	085774-01-000	FT	Fastener - Durl Lock - 1"
	085774-02-000	FT	Fastener - Dual Lock - 1"
	058708-01-000	EA	Receptacle - Duplex - Brown T & B
	086777-01-000	EA	Wall Plate - Antenna/Cable - Ivory
	086777-03-000	EA	Wall Plate - Antenna/Power - Ivory
	086777-04-000	EA	Wall Plate - Antenna/Cable - Brown
	086778-03-000	EA	Receptacle - Cable Television - Exterior
	086778-04-000	EA	Gasket - Receptacle - Cable Television - Exterior
	090964-01-000	EA	Cover - Receptacle - Cable Television - Exterior
	076319-01-000	EA	Antenna - Roof Mount - 44 5" Mast
	076319-03-000	FT	Coaxial Cable - 1000' 75 Ohm
	076319-06-000	EA	Adaptor - Cable Roof Plate
	076319-08-000	EA	Wallplate/Receptacle - Ivory
	076319-11-000	EA	Adaptor - Coax w/Splitter
	076319-12-000	EA	Connector - Coaxial Cable - 1 PC

MISCELLANEOUS ACCESSORIES

Key	Part Number	U/M	Description
	054185-28-000	EA	Owner's Manual - 1989 - Itasca
	086269-01-000	EA	Picture - Decor (Option 33Z)
	093552-01-000	EA	Clock - 10" x 10" (Option 33Z)
	081202-02-000	EA	Floor Mat - Front - Right - Itasca (Option 63H)
	081201-02-000	EA	Floor Mat - Front - Left - Itasca (Option 63H)
	081075-02-000	EA	Floor Mat - Entrance - Itasca (Option 63H)
	017516-01-000	EA	Mud Flap - 14" x 18" - Rear - Black
	084472-01-000	EA	Holder - Fire Extinguisher - Recessed - Light Brown
	041944-03-000	EA	Fire Extinguisher - 5 B C - w/Bracket
	041944-04-000	EA	Fire Extinguisher - 5 B C - w/o Bracket
	094851-01-01A	EA	Holder - Fire Extinguisher
	094499-01-000	EA	Fire Extinguisher - Dry 1A 10 B C - USA
	094499-02-000	EA	Fire Extinguisher - Dry 1A 10 B C - CSA
	072852-01-000	EA	Smoke Detector - w/9 Volt Battery
	080208-01-000	EA	Lug Wrench - 1 06 x 1 00 (Chevrolet)
	080208-02-000	EA	Leverage Bar - Lug Wrench
	080208-03-000	EA	Lug Wrench - 1 5 x 8 Sq (John Deere)
	051377-01-000	EA	Valve Stem Asm - TR500
	077030-02-000	EA	Valve Stem Extension - 1 25"
	095012-01-000	EA	Valve Stem Extension - Dual Wheel
	085741-01-700	EA	Valve Stem Extension - Stainless Steel (Set/4)
	091955-01-000	EA	Squeeze - Telescoping Handle
	091952-01-000	EA	Clip - 1" Squeeze Retainer
	093527-01-000	EA	Bracket - Squeeze Clip
	082884-01-000	EA	Key Set
	094389-01-000	EA	Speed Control - w/Smart Stick (Chevrolet)
	094707-01-01A	EA	Step Asm - Electric (Kwikkee) - Double
	088778-01-000	EA	Vacuum Cleaner - Hand Held (Option 22R)
	088778-01-700	EA	Bag - Disposable - Hand Held Vacuum - 4 Pack
	093863-01-000	EA	Drawer Asm - Lockbox
	093866-01-000	EA	Lockbox Asm - Outer
	093801-01-000	EA	Lock - Security Lock Box

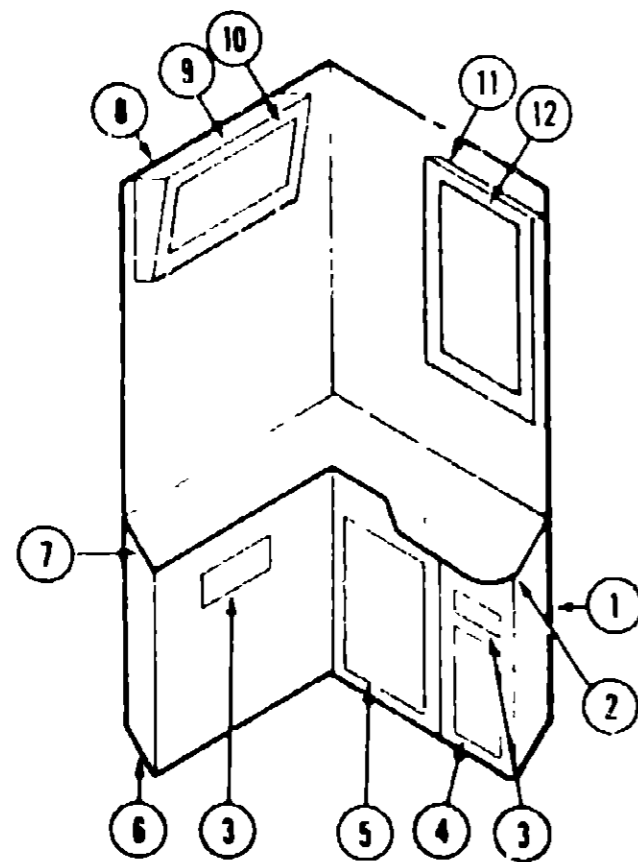
**1989 ITASCA
TABLE OF CONTENTS**

INTRODUCTION	A 01
ABBREVIATIONS	A 01
ALPHABETICAL INDEX	A 02 - A-04
WC/JM134RQ	A 05 - D-18
WJM40RQ	D 19 - G 24

1989 IC/JM34RQ INDEX

Floor Plan	A-05 - A-06
Accessories Group	A-07 - A 12
Bath Group	A-13 - A-16
Chassis Group	A-17 - A-24
Curtain, Cushion & Pad Group	B-01 - B-14
Dinette Group	B-15 - B-16
Driver's Compartment Group	B-17 - B 22
Electrical Group	B-23 - C-02
Exterior Body Group	C-03 - C-08
Galley Group	C-09 - C-12
Heating & Air Conditioning Group	C-13
Interior Finish Group	C-14 - C-15
LP Group	C-16
Lounge Group	C-17 - C 20
Water & Sewage Group	C 21 - C 23
Window, Vent & Exterior Door Group	C 24 - D-18

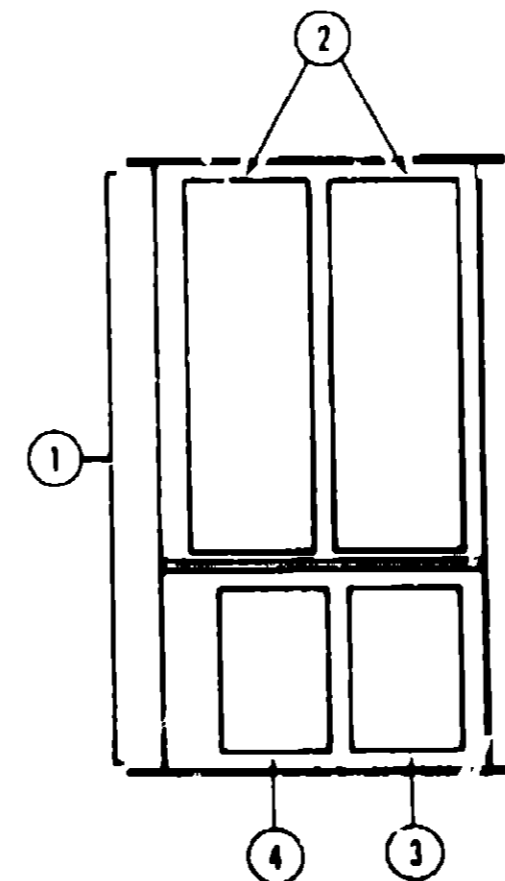
BATH GROUP



LAVATORY CABINET

Key	Part Number	U/M	Description
1	M81304-03-Y16	EA	Cabinet Asm - w/o Countertop, Doors or Drawer
2	M02162-01-Y16	EA	Countertop Asm - Lavatory - No Cutouts
3	081893-02-X11	EA	Face Asm - Tiltout Drawer - w/o Hardware
	077251-01-000	EA	Tiltout Drawer - Plastic
4	M88304-86-X11	EA	Door Asm - Lavatory Cabinet - w/o Hardware
5	M88304-89-X11	EA	Door Asm - Lavatory Cabinet - Hamper - w/o Hardware
	066433-01-000	EA	Cup Hook - Bright
	071832-01-000	EA	Hamper Bag - 49" - w/Elastic
6	M81305-01-W30	EA	Cabinet Asm - Pipe Cover
7	M02153-01-Y70	EA	Countertop Asm - Pipe Cover
	000G13-06-10G	EA	Screw - 6 - 20 x 5/8" PFH - Antique Brass
	059777-02-000	EA	Hinge - Antique Light Brass
	088264-01-000	EA	Door Pull - Polished Brass
	009021-01-000	EA	Catch - Nylon - Grill
	009021-02-000	EA	Strike - Spring Steel
	093586-03-000	EA	Catch - Spring Roller
	093586-04-000	EA	Strike - Spring Steel
	070325-16-000	FT	Molding - Edge Band - Regal Oak
	081521-01-007	EA	Molding - 64 Hole Space
	042357-11-000	EA	Corner Molding - Radius Plastic - Light Oak
	070504-01-000	FT	Extrusion - U Channel - Light Brown
	022992-08-000	EA	Molding - Reverse Cove
	009767-06-000	FT	Wetting - Beige
8	076073-01-000	EA	Medicine Cabinet Asm - Almond - w/o Door
9	M03450-06-Y15	EA	Dr. Trim Asm - Medicine Cabinet - w/o Mirror
10	058331-32-000	EA	Mirror - Medicine Cabinet Door
11	M88304-91-X11	EA	Door Asm - Upper Bath Wall - w/o Mirror
12	058331-01-000	EA	Mirror - Safety Glass - 19" x 26"
	042356-01-000	EA	Button Plug - Mahogany - 3/8" Dia

BATH GROUP (CONTINUED)



WARDROBE CABINET

Key	Part Number	U/M	Description
1	089897-01-Y70	EA	Cabinet Asm - Wardrobe w/o Doors
2	M88304-22-X11	EA	Door Asm - Upper - w/o Hardware
	058331-20-000	EA	Mirror - Safety Glass - 13 2" x 44 5/2"
3	M88304-02-X14	EA	Door Asm - Lower Right - w/o Hardware
4	M88304-03-X14	EA	Door Asm - Lower Left - w/o Hardware
	000G13-06-10G	EA	Screw - 6 - 20 x 5/8" PFH - Antique Brass
	059777-02-000	EA	Hinge - Antique Light Brass
	088264-01-000	EA	Door Pull - Polished Brass
	009021-01-000	EA	Catch - Nylon
	009021-02-000	EA	Strike - Spring Steel
	093586-03-000	EA	Catch - Spring Roller
	093586-04-000	EA	Strike - Spring Steel
	009112-01-000	EA	Flange - 1" Closet Rod
	042436-01-000	EA	Wood Dowel - 1" Dia - 37 4"
	089897-13-Y16	EA	Countertop Asm - Wardrobe
	M81520-01-W30	EA	Pantry Asm - Pullout
	076097-01-000	EA	Bracket Catch - Pantry
	061804-01-000	EA	Slide Bot. - Pantry - Antique Brass
	075451-01-000	EA	Storage Rack - Canned Goods - Pantry
	075451-02-000	EA	Clip - Storage Rack - Pantry
	009767-06-000	FT	Wetting - Beige
	042357-11-000	EA	Corner Molding - Plastic Radius - Light Oak
	080176-02-000	EA	Corner Cap - Radius - Tall Cabinet
	081521-02-007	EA	Molding - 64 Hole Space

1989 ITASCA TABLE OF CONTENTS

INTRODUCTION	A 01
ABBREVIATIONS	A 01
ALPHABETICAL INDEX	A 02 - A 04
WC/JM34RQ	A 05 D 18
WJM40RQ	D 19 - G-24

1989 IC/JM34RQ INDEX

Floor Plan	A 05 - A-06
Accessories Group	A 07 - A 12
Bath Group	A-13 - A 16
Chassis Group	A-17 - A 24
Curtain, Cushion & Pad Group	B-01 - B 14
Dinette Group	B 15 - B-16
Driver's Compartment Group	B 17 - B-22
Electrical Group	B 23 C-02
Exterior Body Group	C-03 - C-08
Galley Group	C-09 C 12
Heating & Air Conditioning Group	C-13
Interior Finish Group	C 14 - C-15
LP Group	C-16
Lounge Group	C 17 - C-20
Water & Sewage Group	C 21 - C-23
Window, Vent & Exterior Door Group	C-24 D 18

BATH GROUP (CONTINUED)

SHOWER CABINET

Key	Part Number	U/M	Description
	07923-01-000	EA	Jamb - Shower Door - Beige - Right
	079234-02-000	EA	Jamb - Shower Door - Beige - Left
	079235-01-000	EA	Header - Shower Door - Beige
	075603-01-000	EA	Threshold - Shower Door
	079657-02-000	EA	Door Asm - Shower Satin Brass - USA
	079657-03-000	EA	Door Asm Shower - Chrome CSA
	042357-11-000	EA	Corner Molding - Radius Plastic - Light Oak
	080176-02-000	EA	Corner Cap - Radius - Light Oak
	081521-02-007	EA	Molding - 64 Hole Space
	078323-06-X14	EA	Cap - Molding - Wall
	009787-06-000	FT	Wetting - Beige
	016604-03-000	EA	Seat Brace - Angle - 2 50" Beige
	000G67-10-08R	EA	Screw - 10 - 12 x 1/2" PFH - Beige
	000G67-10-10R	EA	Screw - 10 - 12 x 5/8" PPH - Beige

ENCLOSED BATHROOM W/DOOR (OPTION 53B)

Key	Part Number	U/M	Description
	042357-11-000	EA	Corner Molding - Radius - Plastic - Light Oak
	081521-02-007	EA	Molding - 64 Hole Space
	M91842-01-X19	EA	Door Asm. - Bath w/o Latch
	009059-02-000	EA	Hinge - Brass - 2"
	000G13-07-12B	EA	Screw - 7 - 19 x 3/4" PFH - Zinc
	059335-02-000	EA	Latch - Bathroom Door
	081317-04-W33	EA	Door Jamb Side w/o Hole
	081317-01-W33	FT	Door Jamb - Top
	081317-11-X19	EA	Door Jamb - Side

MISCELLANEOUS

Key	Part Number	U/M	Description
	080224-01-000	EA	Track - Folding Door - Front - 29 5" - Beige
	080224-30-000	EA	Folding Door - Rear - 36" x 75" - Regal Oak
	080224-07-000	EA	Track - Folding Door - Rear - S Curve - Beige
	080224-29-000	EA	Folding Door - Front - 36" x 75" - Regal Oak
	080224-01-700	EA	Latch & Catch Asm - Folding Door
	057534-04-000	EA	Tieback - Folding Door - Clear Plastic - 20"

BATH GROUP (CONTINUED)

BATH HARDWARE

Key	Part Number	U/M	Description
	075240-05-000	EA	Lavatory Faucet - Brass - USA
	011056-03-000	EA	Lavatory Faucet - Chrome - CSA
	091253-01-000	EA	Gasket - Lavatory Faucet
	089366-01-000	EA	Sink - Oval - Ivory Plastic
	011069-03-000	EA	Tailpiece - Plastic - USA
	011069-02-000	EA	Tailpiece - Brass - CSA
	075242-03-000	EA	Faucet - Tub & Shower - Brass - USA
	011048-02-000	EA	Shower Head - w/60" Hose - USA
	031558-03-000	EA	Faucet - Tub & Shower - Chrome - CSA
	011048-05-000	EA	Shower Head - w/60" Hose - CSA
	075606-01-000	EA	Faucet Panel - Shower
	M01817-01-T03	EA	Bathtub Asm - w/Strainer
	088436-01-000	EA	Slipnut - Tailpiece
	088729-01-000	EA	Strainer - Tub, Shower Drain
	088435-01-000	EA	Nut - Strainer - Plastic
	075452-02-000	EA	Tissue Holder - Brass - USA
	009134-01-000	EA	Tissue Holder - Chrome - CSA
	075453-02-000	EA	Towel Bar - 18" - Brass - USA
	009133-01-000	EA	Towel Bar Rack - 12" - Plastic - CSA
	023449-01-000	EA	Support - Towel Bar Rack - Chrome - CSA
	075454-02-000	EA	Towel Ring - Brass - USA
	033580-01-000	EA	Towel Ring - Chrome - CSA
	009112-01-000	EA	Flange - 1" Closet Rod - USA
	024676-02-000	EA	Flange - 1" Closet Rod - CSA
	075680-01-000	EA	Clothes Rod - Adjustable - 27" to 36"
	081614-02-000	EA	Soap Dish - Brass w/Plastic Cover - USA
	080027-01-000	EA	Soap Dish - Chrome - CSA
**	063740-01-000	EA	Toilet - Aqua Magic IV (High)
**	The illustrated parts breakdown for this item is provided on the Common Items Fiche		

1989 ITASCA TABLE OF CONTENTS

INTRODUCTION	A 01
ABBREVIATIONS	A 01
ALPHABETICAL INDEX	A 02 - A 04
IC/JM34RQ	A-05 - D 18
WJM40RQ	D 19 - G 24

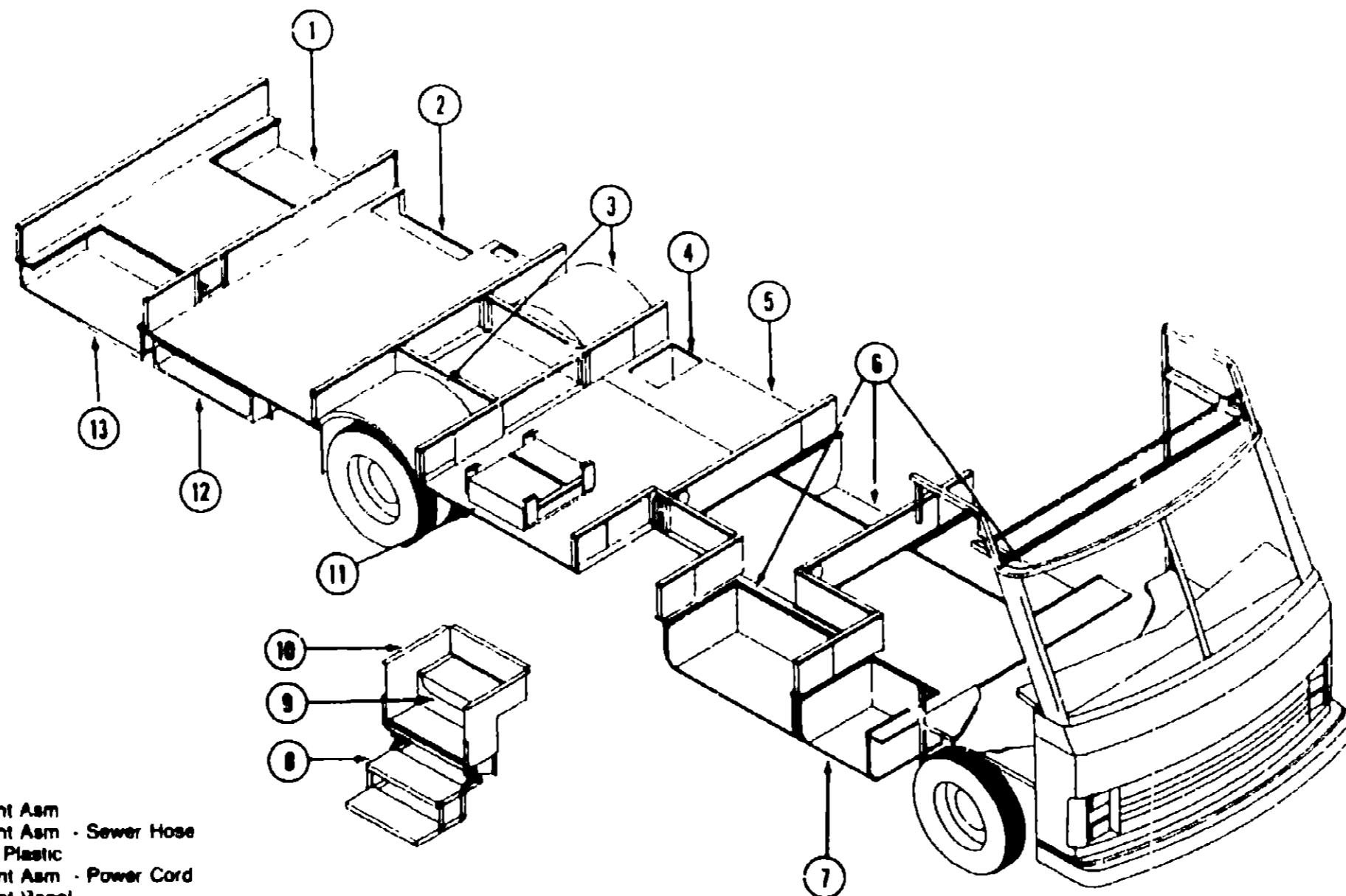
1989 IC/JM34RQ INDEX

Floor Plan	A-05 - A-06
Accessories Group	A-07 - A-12
Bath Group	A-13 - A-16
Chassis Group	A-17 - A-24
Curtain, Cushion & Pad Group	B-01 - B-14
Dinette Group	B-15 - B-18
Driver's Compartment Group	B-17 - B-22
Electrical Group	C-23 - C-02
Exterior Body Group	C-03 - C-08
Calley Group	C-09 - C-12
Heating & Air Conditioning Group	C-13
Interior Finish Group	C-14 - C-15
LP Group	C-16
Lounge Group	C-17 - C-20
Water & Sewage Group	C-21 - C-23
Window, Vent & Exterior Door Group	C-24 - D-18

CHASSIS GROUP
WHEELWELLS & LUGGAGE COMPARTMENTS

1989 ITASCA
TABLE OF CONTENTS

INTRODUCTION	A 01
ABBREVIATIONS	A 01
ALPHABETICAL INDEX	A 02 - A 04
WC/JM34RQ	A 05 - D 18
WJM40RQ	D 19 - G 24

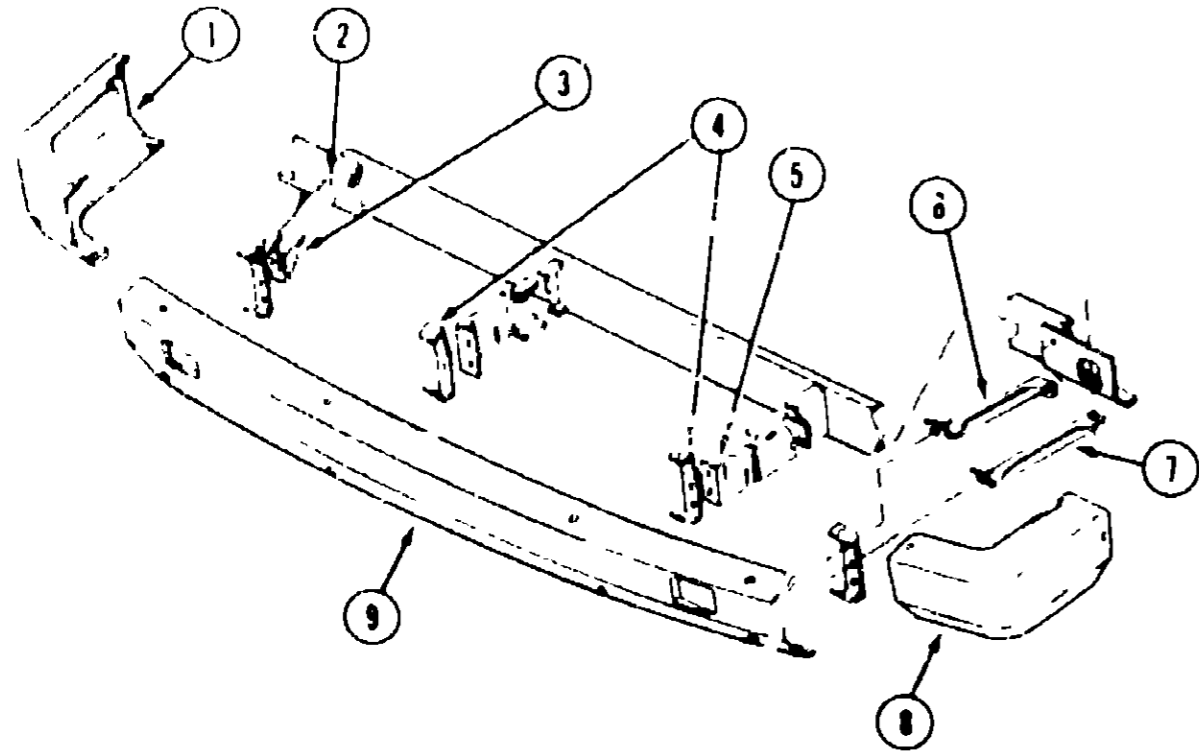


Key	Part Number	U/M	Description
1	088015-04-000	EA	Compartment Asm
2	089411-01-WB1	EA	Compartment Asm - Sewer Hose
3	087803-01-000	EA	Wheelwell - Plastic
4	085367-01-X14	EA	Compartment Asm - Power Cord
5	094102-01-000	EA	Compartment Panel
	094391-02-000	EA	Luggage Tray Asm
6	081252-18-000	EA	Compartment Asm
7	081252-24-000	EA	Compartment Asm
8	094707-01-01A	EA	Step Asm. - Electric - Double
9	084693-02-000	EA	Battery Door
10	089103-01-000	EA	Support Asm - Entrance Step
11	M92488-01-000	EA	Compartment - Drawer
	092914-01-000	EA	Drawer Glide
	093065-02-000	EA	Drawer Hinge
	074762-01-000	EA	Drawer Pull
	042442-01-000	EA	Twist Lock Asm
12	089548-01-000	EA	Compartment Asm
13	088015-03-000	EA	Compartment Asm
	079368-01-000	FT	Bulb Seal
	081420-01-000	EA	Plug - Plastic - 1.75" Dia
	033508-02-000	EA	Light - Dome - Ivory - Single - USA
	033508-03-000	EA	Light - Dome - Ivory - Single - CSA
	033508-02-700	EA	Lens - Dome Light
	008218-01-000	EA	Bulb - 12 Volt - #1141 Dome Light

1989 IC/JM34RQ INDEX

Floor Plan	A-05 - A-06
Accessories Group	A-07 - A-12
Bath Group	A-13 - A-16
Chassis Group	A-17 - A-24
Curtain, Cushion & Pad Group	B-01 - B-14
Dinette Group	B-15 - B-16
Driver's Compartment Group	B-17 - B-22
Electrical Group	B-23 - C-02
Exterior Body Group	C-03 - C-08
Galley Group	C-09 - C-12
Heating & Air Conditioning Group	C-13
Interior Finish Group	C-14 - C-15
LP Group	C-16
Lounge Group	C-17 - C-20
Water & Sewage Group	C-21 - C-23
Window Vent & Exterior Door Group	C-24 - D-18

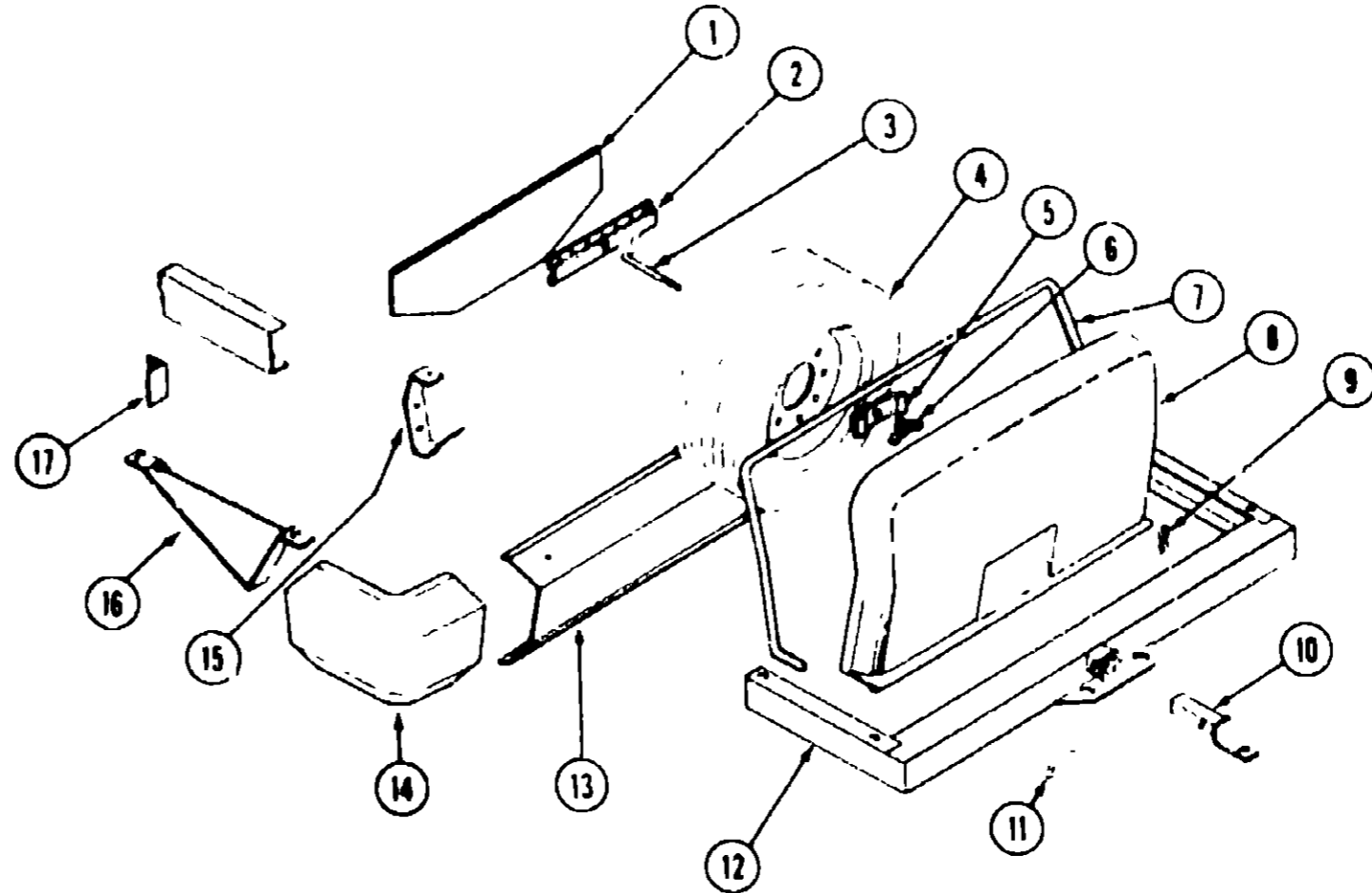
CHASSIS GROUP (CONTINUED)



FRONT BUMPER

Key	Part Number	U/M	Description
1	078577-03-000	EA	Bumper End Cap - Gray - Passenger
2	078002-01-000	EA	Brace - Upper Right - Front Bumper
3	078003-01-000	EA	Brace - Lower Right - Front Bumper
4	077852-01-000	EA	Bracket to Bumper - Front
5	076527-01-000	EA	Bracket to Frame - Front Bumper
6	078002-02-000	EA	Brace - Upper Left - Front Bumper
7	078003-02-000	EA	Brace - Lower Left - Front Bumper
8	078577-04-000	CA	Bumper End Cap - Gray - Driver
9	077451-09-000	EA	Bumper - Front - Chrome
	005200-01-000	EA	Carriage Bolt - 7/16" - 14 x 1 1/4" SST Head

CHASSIS GROUP (CONTINUED)



SPARE TIRE, HITCH & REAR BUMPER

Key	Part Number	U/M	Description
1	077395-01-000	EA	Dust Shield - Spare Tire
2	077403-01-000	EA	Rod Support - Spare Tire
3	077411-01-000	EA	Retaining Rod
4	007324-04-00	EA	Tire - 8 00 x 19 5 - XZA - Tubeless Michelin
	077400-01-000	EA	Support - Spare Tire
5	077399-01-000	EA	Spare Tire Retainer
6	064081-01-000	EA	Wing Nut
7	056027-01-000	FT	Tire Cover Seal
8	068425-01-X70	EA	Tire Cover Asm - Gray
	077408-01-000	EA	Lock Asm - Tire Cover
	077492-01-000	EA	Strike - Latch - Tire Cover
	077494-02-000	EA	Support - Strike - Latch - Tire Cover
	08074-01-000	EA	Plate - Tire Cover Holder
	077459-01-000	EA	Support Spacer - Spare Tire
	077400-01-000	EA	Support - Spare Tire
9	034513-01-000	EA	Pin - Hitch - 3/16" Wire (Option 240)
10	077613-01-000	EA	Drawbar - Ball Mount (Option 240)
11	034512-01-000	EA	Locking Pin - Drawbar (Option 240)
12	077617-01-000	EA	Hitch Asm - w/o Drawbar (Option 240)
13	078584-03-000	EA	Bumper - Rear - Chromed
	078760-02-UJ0	EA	Mounting Plate - Bumper - Passenger Side
	078760-03-000	EA	Mounting Plate - Bumper - Driver Side
14	078578-07-000	EA	Bumper End Cap - Gray - Passenger Side
	078578-08-000	EA	Bumper End Cap - Gray - Driver Side
15	078670-02-000	EA	Bracket to Bumper - Rear
16	063376-01-000	EA	Skid Plate Asm
17	078688-01-000	EA	Support Angle - Bumper Bracket to Frame
	005200-01-000	EA	Carriage Bolt - 7/16" - 14 x 1 1/4" SST Head

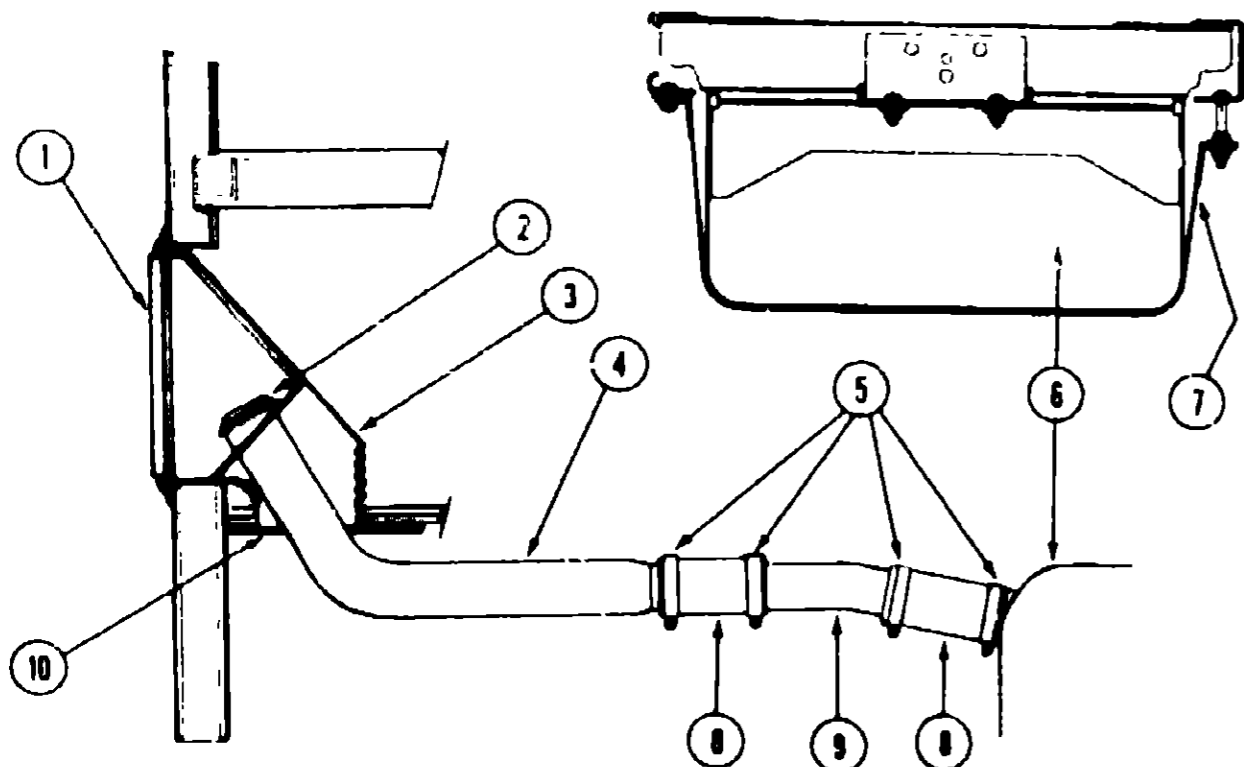
**1989 ITASCA
TABLE OF CONTENTS**

INTRODUCTION	A 01
ABBREVIATIONS	A 01
ALPHABETICAL INDEX	A 02 - A 04
WC/JM34RQ	A 05 - D 18
WJM40RQ	D 19 - G 24

1989 IC/JM34RQ INDEX

Floor Plan	A-05	A-06
Accessories Group	A-07	A-12
Bath Group	A-13	A-16
Chassis Group	A-17	A-24
Curtain, Cushion & Pad Group	B-01	B-14
Dinette Group	B-15	B-16
Driver's Compartment Group	B-17	B-22
Electrical Group	B-23	C-02
Exterior Body Group	C-03	C-08
Galley Group	C-09	C-12
Heating & Air Conditioning Group		C-13
Interior Finish Group	C-14	C-15
LP Group		C-16
Lounge Group	C-17	C-20
Water & Sewage Group	C-21	C-23
Window, Vent & Exterior Door Group	C-24	D-18

CHASSIS GROUP (CONTINUED)



FUEL SYSTEM COMPONENTS

Key	Part Number	U/M	Description
1	078010-05-000	EA	Door Asm - Fuel Fill - Gray
2	073220-02-000	EA	Cap Asm - Fuel Fill - Non Locking
3	083578-01-000	EA	Boot - Fuel Fill
4	087258-01-000	EA	Neck Asm - Fuel Fill
5	062401-04-000	EA	Hose Clamp - Wormgear - 1 5/8" to 2 5/8" ID
6	090082-01-000	EA	Tank - Fuel - 80 Gallon (Chevrolet)
6	093384-01-000	EA	Tank - Fuel - 80 Gallon (John Deere)
7	086496-02-000	EA	Strap Asm - Fuel Tank (Chevrolet)
7	095648-06-000	EA	Mounting Support - Fuel Tank (John Deere)
7	095648-04-000	EA	Bolt - Hex - 1/2" - 13 x 12" (John Deere)
7	095648-05-000	EA	Bolt - Hex - 1/2" - 13 x 6 1/2" (John Deere)
7	095648-13-000	EA	Washer - Spring - 1/2" (John Deere)
7	095648-14-000	EA	Nut - Hex - Locking - 1/2" - 13 (John Deere)
7	095648-09-000	EA	Cushion - Mounting Support - Fuel Tank (John Deere)
8	007111-01-000	EA	Hose - Fuel Fill - 2 1/4" ID x 3'
9	075228-01-000	EA	Pipe - Fuel Fill
10	084235-01-000	EA	Support Flange - Fuel Fill Boot
	079861-01-000	EA	Valve Asm - Vent - Fuel Tank
	079860-01-000	EA	Grommet Seal - Valve Asm - Fuel Tank
	079862-01-000	EA	Mounting Flange - Valve Asm - Fuel Tank
	073223-01-000	EA	Gasket - Valve Asm - Fuel Tank
	080173-01-000	EA	Extension Tube - Vent - Fuel Tank
	024138-01-000	FT	Fuel Hose - 5/16" ID
	079658-01-000	FT	Fuel Hose - 1/2" ID (SAE-J30RG)
	066732-01-000	FT	Fuel Hose Vent - 5/8" ID (SAEJ30R7)
	079929-01-000	EA	Canister Asm - Vapor - 1500cc
	088740-01-000	EA	Sending Unit - Fuel Pump (Chevrolet)
	086255-01-000	EA	Gasket - Sending Unit - Fuel Pump (Chevrolet)
	086254-01-000	EA	Retainer - Sending Unit - Fuel Pump (Chevrolet)
	092378-01-000	EA	Sending Unit (John Deere)
	095429-17-000	EA	Gasket - Sending Unit (John Deere)
	062401-03-000	EA	Hose Clamp - Wormgear - 22" to 1" ID
	062401-04-000	EA	Hose Clamp - Wormgear - 69" to 1 25" ID
	010495-01-000	EA	Clamp - Cable - 9/16" ID
	010497-01-000	EA	Clamp - Cable - 5/8" ID
	071015-07-000	EA	Grommet - 1" ID
	008401-01-000	EA	Conduit Strap - 3/4" - 1 Hole

CHASSIS GROUP (CONTINUED)

MISCELLANEOUS

Key	Part Number	U/M	Description
	062401-01-000	EA	Clamp - Hose - Wormgear - 25" ID to 1" ID
	062401-02-000	EA	Clamp - Hose - Wormgear - 1 5/8" ID to 2 5/8" ID
	062401-03-000	EA	Clamp - Hose - Wormgear - 22" ID to 1" ID
	062401-04-000	EA	Clamp - Hose - Wormgear - 69" ID to 1 25" ID
	062401-05-000	EA	Clamp - Hose - Wormgear - 2" ID to 3" ID
	062401-06-000	EA	Clamp - Hose - Wormgear - 22" ID - 62" ID
	010497-01-000	EA	Clamp - Cable - 5/8" ID
	010499-01-000	EA	Clamp - Cable - 3/8" ID
	007161-01-000	EA	Clamp - Hose - Spring Type 112
	010495-01-000	EA	Clamp - Cable - 9/16" ID
	023146-01-000	EA	Clamp - Screw Type 4"
	007125-03-000	EA	Clamp Asm - Muffler - 1 5" Dia
	007125-06-000	EA	Clamp Asm - Muffler - 2 25" Dia
	007125-07-000	EA	Clamp Asm - Muffler - 2 50" Dia
	081918-01-000	EA	Exhaust Extension - 2 25" OD - Stainless Steel
	081918-02-000	EA	Exhaust Extension - 2 25" x 7" - Stainless Steel
	081084-03-000	EA	Pipe Asm - Exhaust
	053322-04-000	EA	Heat Shield - Exhaust
	079942-01-000	EA	Shock Absorber - Stabilizer - Front (Chevrolet) (Options 64A & 64C)
	084086-01-000	EA	Airspring - Bellows - Rear Axle (Chevrolet) (Option 64C)
	084086-01-700	EA	Bellows Only (Air Bag)
	084086-01-701	EA	Tubing - 1/4" x 18"
	084086-01-702	EA	Bolt - Ribbed Neck - 3/8" - 24 x 2 1/2"
	084086-01-703	EA	Inflating Valve - 1/4" Tubing
	084086-01-704	EA	Elbow Connector
	084086-01-705	EA	Tubing Protectors
	088782-01-000	EA	Airspring - Bellows - Rear Axle (John Deere) (Option 71A)
	088782-01-700	EA	Ride - Ride Bellows - (Air Bag)
	088782-01-701	EA	Flexible Tubing
	088782-01-702	EA	Brass Union
	090434-01-000	EA	Speedometer - Mechanical - MPH
	091241-01-000	EA	Speedometer - Mechanical - KM
	071656-01-000	EA	Cover - Radiator - Rear
	080722-01-000	EA	Cover - Radiator - Rear Back (Fan Shroud)
	017516-01-000	EA	Mud Flaps w/Holes - 14" x 18" - Black
	087883-01-000	EA	Wheelwell - Plastic
	094707-01-01A	EA	Step Asm - Entry Door - Electric (Kwikkee) - Double
	083977-08-000	EA	Step Asm - Driver Door
	007324-04-000	EA	Tire - 8 0" x 19 5" - Tubeless - Michelin
	051377-01-000	EA	Valve Stem Asm - TR500
	095012-01-000	EA	Extension - Valve Stem - Dual Wheels
	088273-01-000	EA	Relay - Battery Disconnect
	072342-07-000	EA	Condenser Asm (John Deere)
	072359-01-000	EA	Bottle - Coolant Expansion
	079929-01-000	EA	Canister Asm - Vapor - 1500cc
	078038-01-000	EA	Frame Extension - Front

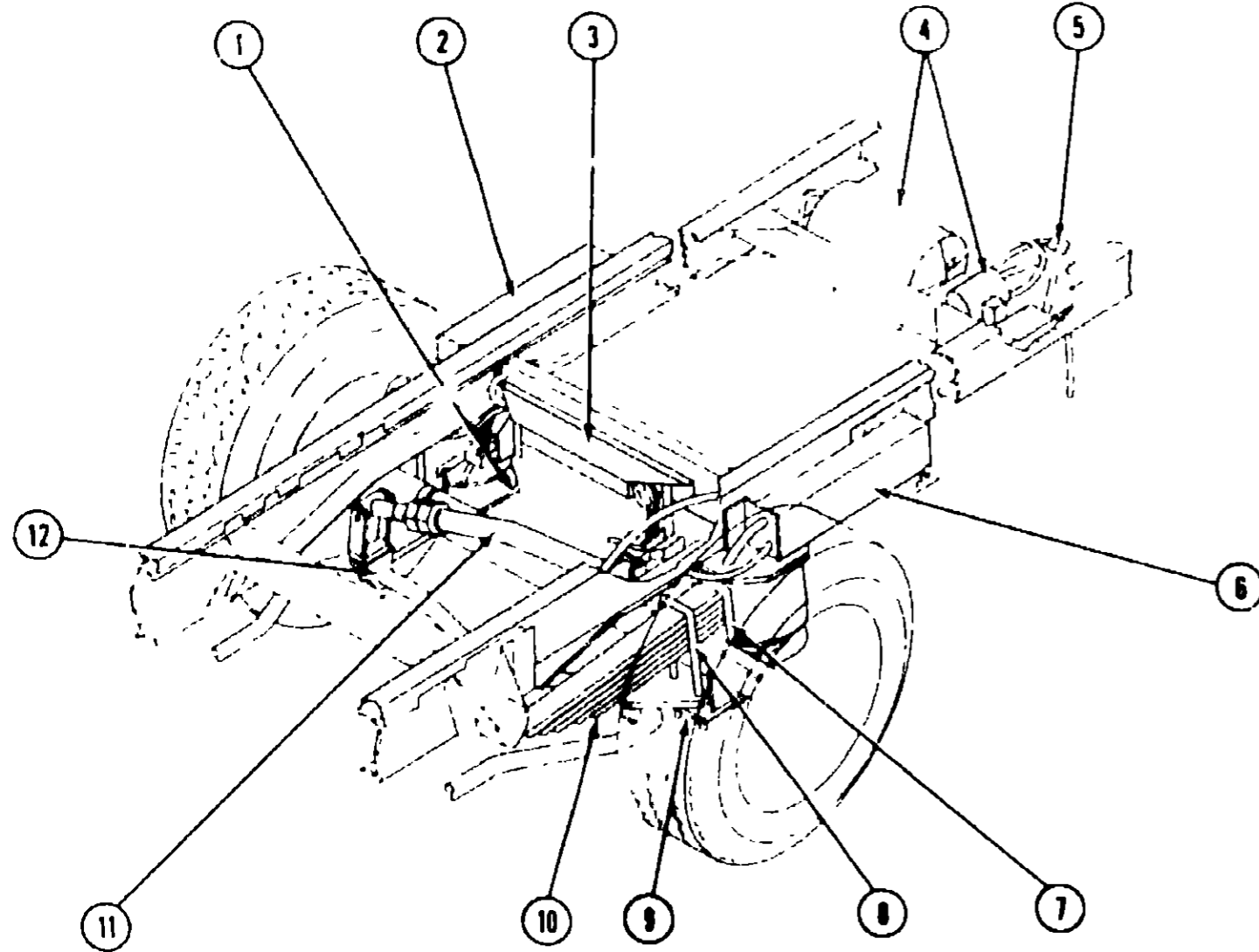
**1989 ITASCA
TABLE OF CONTENTS**

INTRODUCTION	A-01
ABBREVIATIONS	A-01
ALPHABETICAL INDEX	A-02 - A-04
WC/JM34RO	A-05 - D-18
WJM40RO	D-19 - G-24

1989 IC/JM34RO INDEX

Floor Plan	A-05 - A-06
Accessories Group	A-07 - A-12
Bath Group	A-13 - A-16
Chassis Group	A-17 - A-24
Curtain, Cushion & Pad Group	B-01 - B-14
Dinette Group	B-15 - B-16
Driver's Compartment Group	B-17 - B-22
Electrical Group	B-23 - C-02
Exterior Body Group	C-03 - C-08
Galley Group	C-09 - C-12
Heating & Air Conditioning Group	C-13
Interior Finish Group	C-14 - C-15
LP Group	C-16
Lounge Group	C-17 - C-20
Water & Sewage Group	C-21 - C-23
Window, Vent & Exterior Door Group	C-24 - D-18

CHASSIS GROUP (CONTINUED)



Key	Part Number	U/M	Description
1	090436-11-000	EA	Spring Mount - Lower Axle - Driver
2	090436-09-000	EA	Mount - Airspring Asm - Upper - Driver
3	090436-04-000	EA	Valve Asm - Height - w/o Park & Level
3	090436-05-000	EA	Valve Asm - Height - w/Park & Level
4	090436-07-000	EA	Compressor Asm - w/Tank & Wiring
5	090436-06-000	EA	Control - Park & Level w/Wiring
6	090436-08-000	EA	Mount - Airspring Asm - Upper - Passenger
7	090436-13-000	EA	U Bolt - Rearward Bent - 7/8"
8	090436-12-000	EA	U-Bolt - Forward Straight - 7/8"
9	090436-10-000	EA	Spring Mount - Lower Axle - Passenger
10	090436-03-000	EA	Leaf Spring - Semi
11	090436-14-000	EA	Track Bar - w/Pivot Bolt & Bracket
12	091250-03-000	EA	Bushing - Sway Bar - 1.75"
	090436-15-000	EA	Valve - Solenoid Asm - Park & Level
	090436-16-000	EA	Bracket - Brake Hose/Axle
	000C12-05-16B	EA	Hex Bolt - 5/16" - 18 x 1"
	000D14-05-000	EA	Hex Nut - 5/16" - #18
	000D34-06-00B	EA	Hex Nut - Locking - 3/8" - #16
	000E13-17-00B	EA	Washer - Flange - 3/8"
	071374-03-000	CA	Fitting - Bulkhead - 1/4" x 1/4" MNPT
	007125-07-000	EA	Clamp Asm - Muffler
	016379-02-000	FA	Strap Hanger Extension
	081918-02-000	EA	Extension - Exhaust - 2.25" OD x 7"
	085433-01-000	EA	Shield - Heat Exhaust
	095190-01-000	EA	Hanger - Exhaust
	091250-01-000	EA	Bushing - Sway Bar - 1.25" Cut
	091250-02-000	EA	Bushing - Sway Bar - 1.25" Uncut
	091250-03-000	EA	Bushing - Sway Bar - 1.75" Cut

AIR RIDE SUSPENSION (OPTION 64K, 64P)

1989 ITASCA TABLE OF CONTENTS

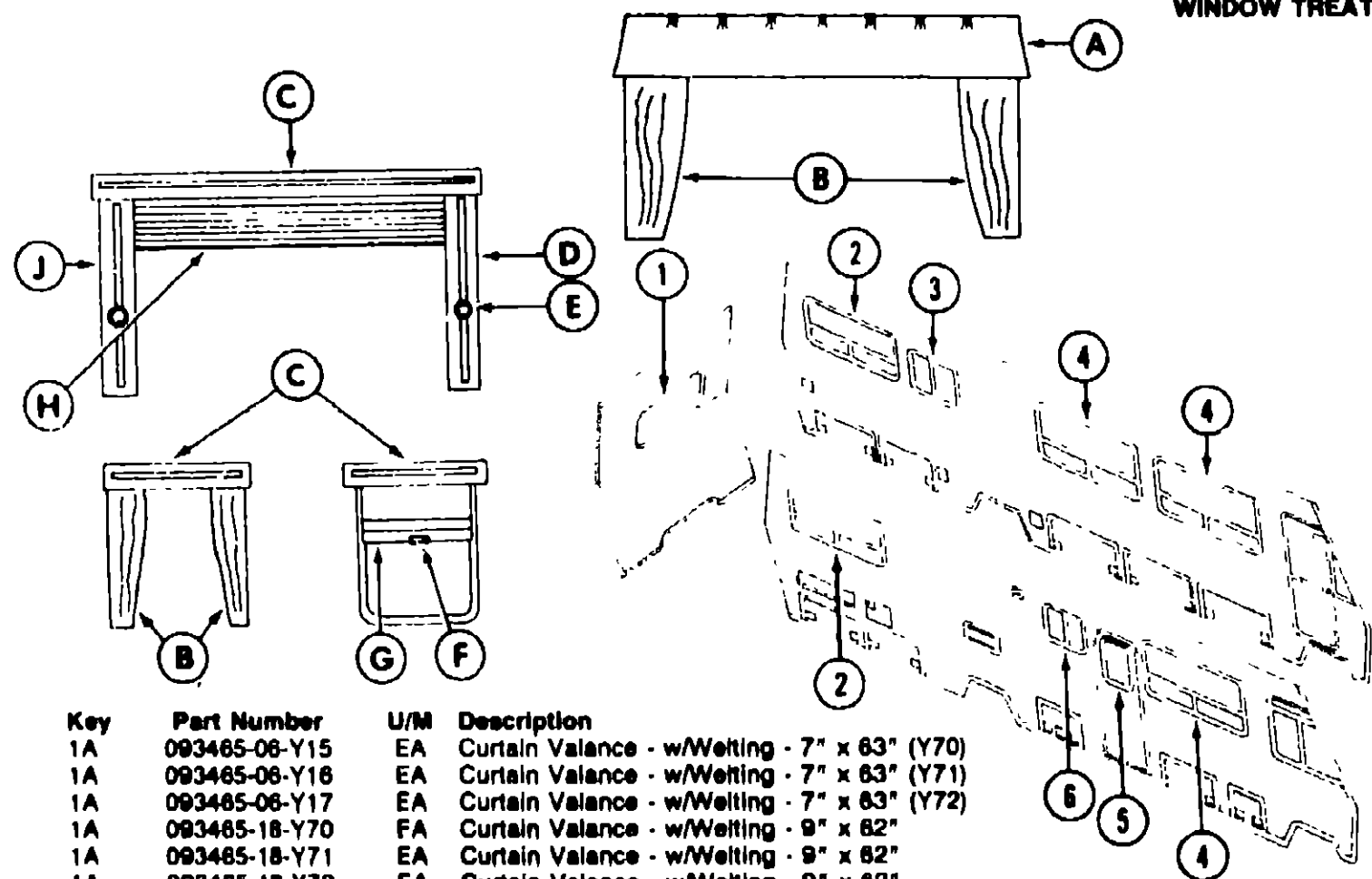
INTRODUCTION	A 01
ABBREVIATIONS	A 01
ALPHABETICAL INDEX	A 02 - A 04
WC/JM34RQ	A 05 - D-18
WJM40RQ	D 19 - G 24

1989 IC/JM34RQ INDEX

Floor Plan	A-05 - A-06
Accessories Group	A 07 - A-12
Bath Group	A-13 - A-16
Chassis Group	A 17 - A-24
Curtain, Cushion & Pad Group	B-01 - B-14
Dinette Group	B-15 - B-16
Driver's Compartment Group	B 17 - B-22
Electrical Group	B 23 - C-02
Exterior Body Group	C-03 - C-06
Galley Group	C-09 - C-12
Heating & Air Conditioning Group	C-13
Interior Finish Group	C 14 - C-15
LP Group	C-16
Lounge Group	C 17 - C 20
Water & Sewage Group	C 21 - C-23
Window, Vent & Exterior Door Group	C 24 - D-18

CURTAIN, CUSHION & PAD GROUP

WINDOW TREATMENT



Key	Part Number	U/M	Description
1A	093465-06-Y15	EA	Curtain Valance - w/Welting - 7" x 63" (Y70)
1A	093465-06-Y16	EA	Curtain Valance - w/Welting - 7" x 63" (Y71)
1A	093465-06-Y17	EA	Curtain Valance - w/Welting - 7" x 63" (Y72)
1A	093465-18-Y70	FA	Curtain Valance - w/Welting - 9" x 62"
1A	093465-18-Y71	EA	Curtain Valance - w/Welting - 9" x 62"
1A	093465-18-Y72	EA	Curtain Valance - w/Welting - 9" x 62"
1B	079542-19-Y70	EA	Curtain Asm. - Flat Dart Top w/Snaps - 12" x 28.5" Drop
1B	079542-19-Y71	EA	Curtain Asm. - Flat Dart Top w/Snaps - 12" x 28.5" Drop
1B	079542-19-Y72	EA	Curtain Asm. - Flat Dart Top w/Snaps - 12" x 28.5" Drop
1F	087253-01-000	EA	Shade Pull - Clear Plastic
1G	093455-20-Y35	EA	Shade Asm. - 51.25" (Y70)
1G	093455-20-Y19	EA	Shade Asm. - 51.25" (Y71)
1G	093455-20-Y76	EA	Shade Asm. - 51.25" (Y72)
1	084434-01-000	EA	Pull Shade Bracket - Left or Right Side
1	056003-01-000	EA	Curtain Retainer Bracket - Right
1	056003-02-000	EA	Curtain Retainer Bracket - Left
1	089335-01-000	FT	Curtain Track - Plastic - Brown
1	029092-01-000	EA	Stud - Nickel Finish
1	029093-01-000	EA	Eyelet - Nickel Finish
2A	093465-18-Y70	EA	Curtain Valance - w/Welting - 7" x 69"
2A	093465-18-Y71	EA	Curtain Valance - w/Welting - 7" x 69"
2A	093465-18-Y72	EA	Curtain Valance - w/Welting - 7" x 69"
2A	093465-27-Y70	EA	Curtain Valance - w/Welting - 9" x 68"
2A	093465-27-Y71	EA	Curtain Valance - w/Welting - 9" x 68"
2A	093465-27-Y72	EA	Curtain Valance - w/Welting - 9" x 68"
2B	079542-18-Y30	EA	Curtain Asm. - Flat Dart Top w/Snaps - 12" x 34" Drop (Y70)
2B	079542-18-Y31	EA	Curtain Asm. - Flat Dart Top w/Snaps - 12" x 34" Drop (Y71)
2B	079542-18-Y32	EA	Curtain Asm. - Flat Dart Top w/Snaps - 12" x 34" Drop (Y72)
2F	087253-01-000	EA	Shade Pull - Clear Plastic
2G	093455-29-Y70	EA	Shade Asm. - 57.25"
2G	093455-29-Y19	EA	Shade Asm. - 57.25" (Y71)
2G	093455-29-Y76	EA	Shade Asm. - 57.25" (Y72)
2	084434-01-000	EA	Pull Shade Bracket - Left or Right Side
2	056003-01-000	EA	Curtain Retainer Bracket - Right
2	056003-02-000	EA	Curtain Retainer Bracket - Left
2	089335-01-000	FT	Curtain Track - Plastic - Brown
2	029092-01-000	EA	Stud - Nickel Finish
2	029093-01-000	EA	Eyelet - Nickel Finish
3A	093465-06-Y15	EA	Curtain Valance - w/Welting - 7" x 42" (Y70)
3A	093465-06-Y16	EA	Curtain Valance - w/Welting - 7" x 42" (Y71)
3A	093465-06-Y17	EA	Curtain Valance - w/Welting - 7" x 42" (Y72)
3A	093465-18-Y70	EA	Curtain Valance - w/Welting - 9" x 41"

Key	Part Number	U/M	Description
3A	093465-17-Y71	EA	Curtain Valance - w/Welting - 9" x 41"
3A	093465-17-Y72	EA	Curtain Valance - w/Welting - 9" x 41"
3B	073304-39-XA4	EA	Curtain Asm - 10" x 27.5" Drop - Snap Top (Y70)
3B	073304-39-Y16	EA	Curtain Asm - 10" x 27.5" Drop - Snap Top (Y71)
3B	073304-39-Y32	EA	Curtain Asm - 10" x 27.5" Drop - Snap Top (Y72)
3H	093475-04-01A	EA	Mini Blind - Aluminum - 32" x 26" Drop (Y70) (Y72)
3H	093475-04-02A	EA	Mini Blind - Aluminum - 32" x 26" Drop (Y71)
3	083170-01-000	EA	Upper Bracket - Mini Blind - Right
3	083170-02-000	EA	Upper Bracket - Mini Blind - Left
3	082139-01-000	EA	Hold Down Bracket - Mini Blind - Steel
3	095591-01-000	EA	Hold Down Bracket - Mini Blind - Clear Plastic
3	056003-01-000	EA	Curtain Retainer Bracket - Right
3	056003-02-000	EA	Curtain Retainer Bracket - Left
3	089335-01-000	FT	Curtain Track - Plastic - Brown
3	029092-01-000	EA	Stud - Nickel Finish
3	029093-01-000	EA	Eyelet - Nickel Finish
4C	093453-12-Y70	EA	Valance - Gathered - w/Wood Trim - 65.5"
4C	093453-12-Y08	EA	Valance - Gathered - w/Wood Trim - 65.5" (Y71)
4C	093453-12-Y72	EA	Valance - Gathered - w/Wood Trim - 65.5"
4B	079542-18-Y30	EA	Curtain Asm - Flat Dart Top w/Snaps - 12" x 34" Drop (Y70)
4B	079542-18-Y31	EA	Curtain Asm - Flat Dart Top w/Snaps - 12" x 34" Drop (Y71)
4B	079542-18-Y32	EA	Curtain Asm - Flat Dart Top w/Snaps - 12" x 34" Drop (Y72)
4D	089058-09-Y70	EA	Leg - Right - Gathered - w/Wood Trim - Hole
4D	089058-09-Y16	EA	Leg - Right - Gathered - w/Wood Trim - Hole (Y71)
4D	089058-09-Y72	EA	Leg - Right - Gathered - w/Wood Trim - Hole
4J	089058-10-Y70	EA	Leg - Left - Gathered - w/Wood Trim - Hole
4J	089058-10-Y16	EA	Leg - Left - Gathered - w/Wood Trim - Hole (Y71)
4J	089058-10-Y72	EA	Leg - Left - Gathered - w/Wood Trim - Hole
4H	093475-11-01A	EA	Mini Blind - Aluminum - 57.5" x 33" Drop (Y70) (Y72)
4H	093475-11-02A	EA	Mini Blind - Aluminum - 57.5" x 33" Drop (Y71)
4E	087052-02-000	EA	Window Knob - Beige
4	090025-01-000	EA	Extension - Window Knob
4	089371-01-000	EA	Screw - Window Knob
4	083170-01-000	EA	Upper Bracket - Mini Blind - Right
4	083170-02-000	EA	Upper Bracket - Mini Blind - Left
4	082139-01-000	EA	Hold Down Bracket - Mini Blind - Steel
4	095591-01-000	EA	Hold Down Bracket - Mini Blind - Clear Plastic
4	056003-01-000	EA	Curtain Retainer Bracket - Right
4	056003-02-000	EA	Curtain Retainer Bracket - Left
4	089335-01-000	FT	Curtain Track - Plastic - Brown
4	029092-01-000	EA	Stud - Nickel Finish
4	029093-01-000	EA	Eyelet - Nickel Finish
5C	093453-03-Y70	EA	Valance - Gathered - w/Wood Trim - 27.4"
5C	093453-03-Y19	EA	Valance - Gathered - w/Wood Trim - 27.4" (Y71)
5C	093453-03-Y72	EA	Valance - Gathered - w/Wood Trim - 27.4"
5F	087253-01-000	EA	Shade Pull - Clear Plastic
5G	093455-13-Y35	EA	Shade Asm. - 24.25" (Y70)
5G	093455-13-Y71	EA	Shade Asm. - 24.25"
5G	093455-13-Y32	EA	Shade Asm. - 24.25" (Y72)
5	084434-01-000	EA	Pull Shade Bracket - Left or Right Side
5	048394-02-000	YD	Velcro - Hook Tape
5	088792-02-000	YD	Velcro - Loop Tape
6C	093453-20-Y70	EA	Valance - Gathered - w/Wood Trim - 29.5"
6C	093453-20-Y08	EA	Valance - Gathered - w/Wood Trim - 29.5" (Y71)
6C	093453-20-Y72	EA	Valance - Gathered - w/Wood Trim - 29.5"
6H	093475-02-01A	EA	Mini Blind - Aluminum - 27" x 22.5" Drop (Y70) (Y72)
6H	093475-02-02A	EA	Mini Blind - Aluminum - 27" x 22.5" Drop (Y71)
6	083170-01-000	EA	Upper Bracket - Mini Blind - Right
6	083170-02-000	EA	Upper Bracket - Mini Blind - Left
6	082139-01-000	EA	Hold Down Bracket - Mini Blind - Steel
6	095591-01-000	EA	Hold Down Bracket - Mini Blind - Clear Plastic
6	072333-55-000	YD	Valance, Curtain & Leg Fabric (Y70)
6	072333-59-000	YD	Valance, Curtain & Leg Fabric (Y71)
6	072333-60-000	YD	Valance, Curtain & Leg Fabric (Y72)
6	089522-02-000	EA	Trim - Leg to Window Mount
6	089916-01-000	EA	Trim - Window to Leg Mount
6	075843-01-000	EA	Valance Brace - Beige

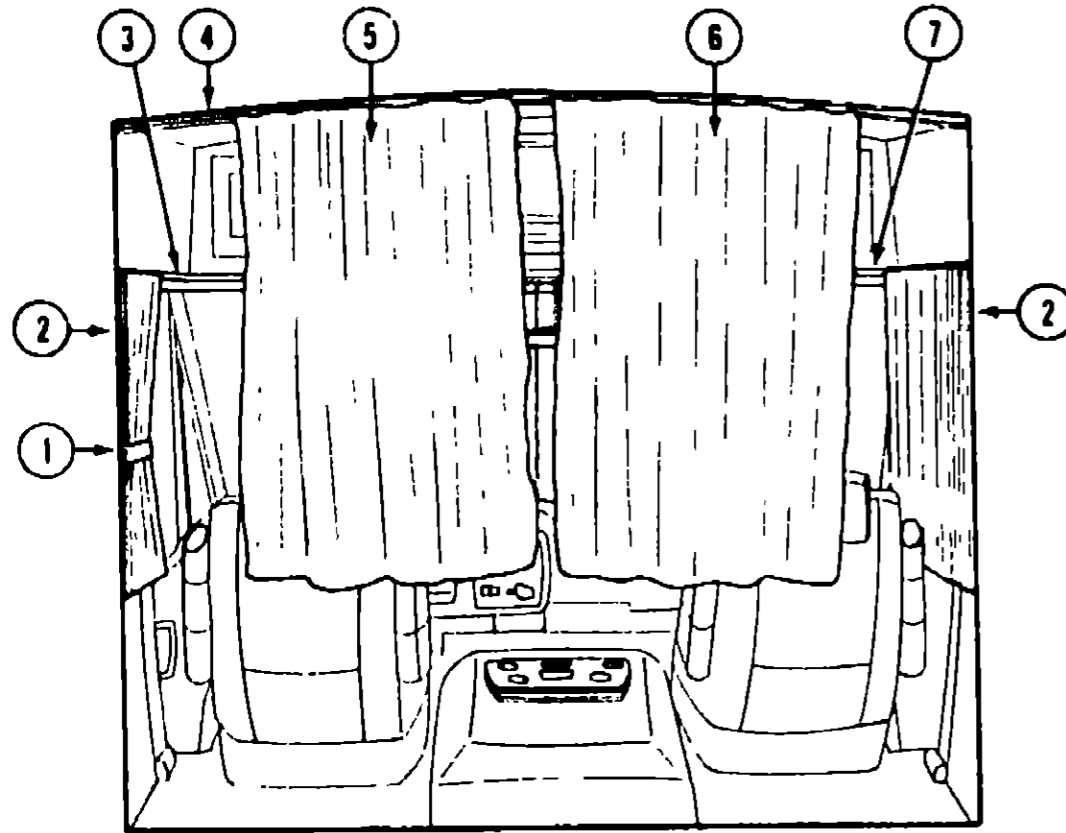
**1989 ITASCA
TABLE OF CONTENTS**

INTRODUCTION	A-01
ABBREVIATIONS	A-01
ALPHABETICAL INDEX	A-02 - A-04
WC/JM34RQ	A-05 - D-18
WJM40RQ	D-19 - G-24

1989 IC/JM34RQ INDEX

Floor Plan	A 05 - A-06
Accessories Group	A-07 - A-12
Bath Group	A-13 - A-16
Chassis Group	A-17 - A-24
Curtain, Cushion & Pad Group	B 01 - B-14
Dinette Group	B-15 - B-16
Driver's Compartment Group	B-17 - B 22
Electrical Group	B 23 - C-02
Exterior Body Group	C-03 - C-06
Galley Group	C-09 - C-12
Heating & Air Conditioning Group	C-13
Interior Finish Group	C-14 - C-15
LP Group	C-16
Lounge Group	C-17 - C-20
Water & Sewage Group	C 21 - C 23
Window, Vent & Exterior Door Group	C 24 - D-18

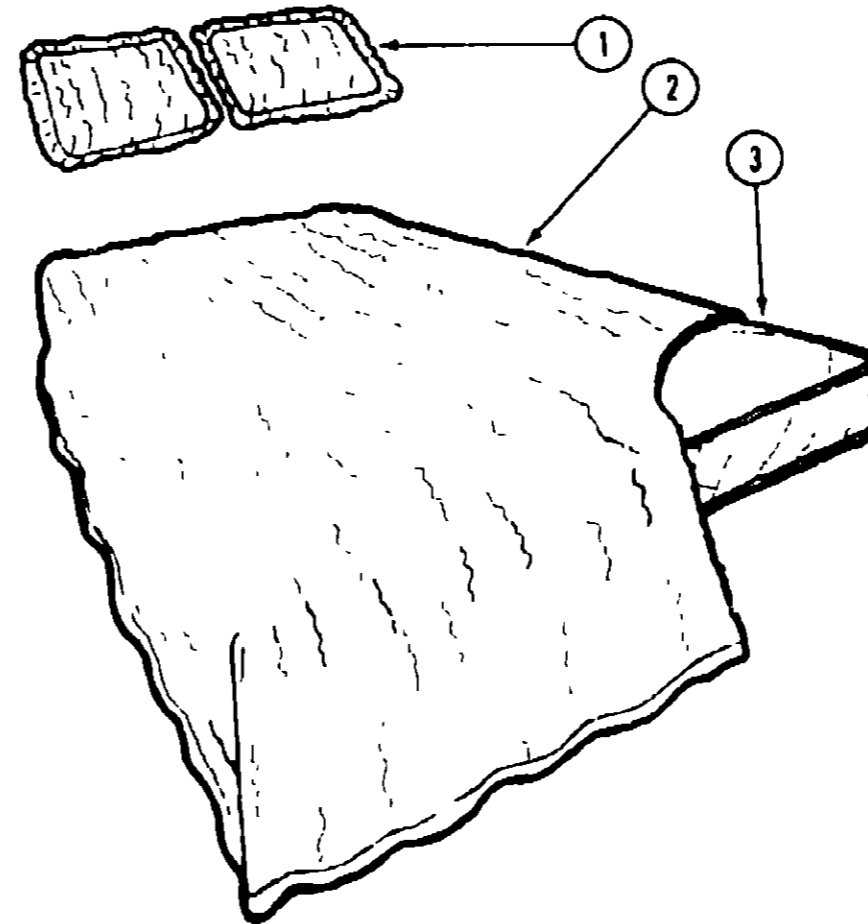
CURTAIN, CUSHION & PAD GROUP (CONTINUED)



FRONT CURTAINS & ACCESSORIES

Key	Part Number	U/M	Description
1	073260-23-XA4	EA	Tieback Asm. - 3" x 18" - Left or Right Side (Y70)
1	073260-23-Y16	EA	Tieback Asm. - 3" x 18" - Left or Right Side (Y71)
1	073260-23-Y72	EA	Tieback Asm. - 3" x 18" - Left or Right Side
2	073304-51-XA4	EA	Curtain - Front Wraparound - 36" x 66" (Y70)
2	073304-51-Y16	EA	Curtain - Front Wraparound - 36" x 66" (Y71)
2	073304-51-Y72	EA	Curtain - Front Wraparound - 36" x 66"
3	079946-02-000	EA	Front Wraparound Track - Driver Side
4	091904-01-000	EA	Track - Blackout Curtain - Light Beige
5	093452-02-Y30	EA	Curtain Asm. - Blackout - Driver Side - 48" x 50" (Y70)
5	093452-02-Y31	EA	Curtain Asm. - Blackout - Driver Side - 48" x 50" (Y71)
5	093452-02-Y32	EA	Curtain Asm. - Blackout - Driver Side - 48" x 50" (Y72)
6	093452-01-Y30	EA	Curtain Asm. - Blackout - Passenger Side - 48" x 50" (Y70)
6	093452-01-Y31	EA	Curtain Asm. - Blackout - Passenger Side - 48" x 50" (Y71)
6	093452-01-Y32	EA	Curtain Asm. - Blackout - Passenger Side - 48" x 50" (Y72)
7	079946-01-000	EA	Front Wraparound Track - Passenger Side
	081361-01-000	EA	Curtain Glides - Plastic - Wraparound & Blackout
	086792-01-000	EA	Velcro - 5/8" Hook - Non-Adhesive (Blackout Curtain)
	086792-02-000	EA	Velcro - 3/4" - Adhesive (Blackout Curtain)
	072333-55-000	EA	Fabric - Blackout, Wraparound & Tieback (Y70)
	072333-59-000	EA	Fabric - Blackout, Wraparound & Tieback (Y71)
	072333-60-000	EA	Fabric - Blackout, Wraparound & Tieback (Y72)

CURTAIN, CUSHION & PAD GROUP (CONTINUED)



QUEEN BED

Key	Part Number	U/M	Description
1	081997-03-Y30	EA	Pillow Sham - Quilted - Open Back (Y70)
1	081997-03-Y71	EA	Pillow Sham - Quilted - Open Back
1	081997-03-Y32	EA	Pillow Sham - Quilted - Open Back (Y72)
2	081989-08-Y73	EA	Bedspread Asm. - Fitted - w/Ruffle - 60" x 75" (Y70)
2	081989-08-Y74	EA	Bedspread Asm. - Fitted - w/Ruffle - 60" x 75" (Y71)
2	081989-08-Y76	EA	Bedspread Asm. - Fitted - w/Ruffle - 60" x 75" (Y72)
3	077476-05-000	EA	Mattress - Innerspring - 60" x 75" x 7.75"
	088273-25-000	YD	Bedspread Fabric (Y70)
	088273-26-000	YD	Bedspread Fabric (Y71)
	088273-27-000	YD	Bedspread Fabric (Y72)

DOUBLE BED (OPTION 44U)

Key	Part Number	U/M	Description
1	081997-03-Y30	EA	Pillow Sham - Quilted - Open Back (Y70)
1	081997-03-Y71	EA	Pillow Sham - Quilted - Open Back
1	081997-03-Y32	EA	Pillow Sham - Quilted - Open Back (Y72)
2	081989-08-Y70	EA	Bedspread Asm. - Fitted w/Ruffle - 54" x 75"
2	081989-08-Y71	EA	Bedspread Asm. - Fitted w/Ruffle - 54" x 75"
2	081989-08-Y72	EA	Bedspread Asm. - Fitted w/Ruffle - 54" x 75"
3	077476-03-000	EA	Mattress - Innerspring - 54" x 75" x 7.75"

TWIN BEDS (OPTION 44W)

Key	Part Number	U/M	Description
1	081997-03-Y30	EA	Pillow Sham - Quilted - Open Back (Y70)
1	081997-03-Y71	EA	Pillow Sham - Quilted - Open Back
1	081997-03-Y32	EA	Pillow Sham - Quilted - Open Back (Y72)
2	081989-04-Y28	EA	Bedspread Asm. - Fitted - w/Ruffle - 33" x 75" (Y70)
2	081989-04-Y29	EA	Bedspread Asm. - Fitted - w/Ruffle - 33" x 75" (Y71)
2	081989-04-Y72	EA	Bedspread Asm. - Fitted - w/Ruffle - 33" x 75"
3	077476-04-000	EA	Mattress - Innerspring - 33" x 75" x 7.75"

**1989 ITASCA
TABLE OF CONTENTS**

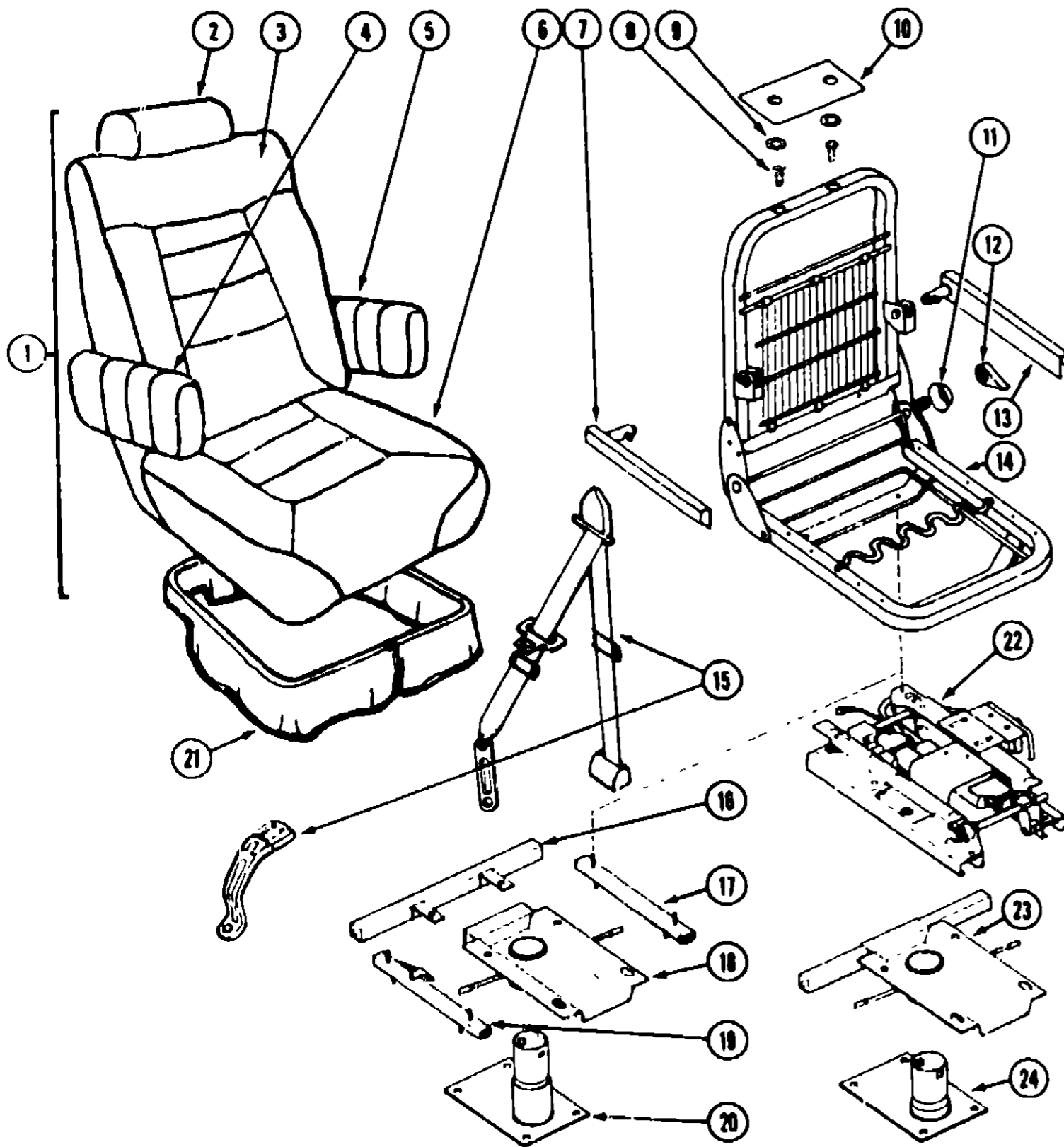
INTRODUCTION	A-01
ABBREVIATIONS	A-01
ALPHABETICAL INDEX	A-02 - A-04
WC/JM34RQ	A-05 - D-18
WJM40RQ	D-19 - G-24

1989 IC/JM34RQ INDEX

Floor Plan	A-05 - A-06
Accessories Group	A-07 - A-12
Bath Group	A-13 - A-16
Chassis Group	A-17 - A-24
Curtain, Cushion & Pad Group	B-01 - B-14
Dinette Group	B-15 - B-16
Driver's Compartment Group	B-17 - B-22
Electrical Group	B-23 - C-02
Exterior Body Group	C-03 - C-06
Galley Group	C-09 - C-12
Heating & Air Conditioning Group	C-13
Interior Finish Group	C-14 - C-16
LP Group	C-16
Lounge Group	C-17 - C-20
Water & Sewage Group	C-21 - C-23
Window, Vent & Exterior Door Group	C-24 - D-18

CURTAIN, CUSHION & PAD GROUP (CONTINUED)

BUCKET SEAT ASM.



Key	Part Number	U/M	Description
1	093456-03-Y70	EA	Seat Asm - w/Arm & Headrest - w/o Skirt (Driver or Passenger)
1	093445-03-Y71	EA	Seat Asm - w/Arm & Headrest - w/o Skirt (Driver or Passenger)
1	093456-03-Y72	EA	Seat Asm - w/Arm & Headrest - w/o Skirt (Driver or Passenger)
2	085268-01-Y24	EA	Headrest Asm (Y70)
2	085268-01-Y71	EA	Headrest Asm.
2	058268-01-Y72	EA	Headrest Asm.
2	M85268-01-Y24	EA	Cover Asm - Headrest (Y70)
2	M85268-01-Y71	EA	Cover Asm - Headrest
2	M85268-01-Y72	EA	Cover Asm - Headrest
3	M03445-06-Y30	EA	Cover Asm - Seat Back (Y70)
3	M03445-06-Y31	EA	Cover Asm - Seat Back (Y71)
3	M03445-06-Y32	EA	Cover Asm - Seat Back (Y72)
4	080243-32-Y30	EA	Armrest Asm - Right Hand (Y70)
4	080243-32-Y31	EA	Armrest Asm - Right Hand (Y71)
4	080243-32-Y32	EA	Armrest Asm - Right Hand (Y72)
4	M08243-32-Y30	EA	Armrest Cover - Right Hand (Y70)
4	M80243-32-Y31	EA	Armrest Cover - Right Hand (Y71)
4	M08243-32-Y32	EA	Armrest Cover - Right Hand (Y72)
5	080243-33-Y30	EA	Armrest Asm - Left Hand (Y70)
5	080243-33-Y31	EA	Armrest Asm - Left Hand (Y71)
5	080243-33-Y32	EA	Armrest Asm - Left Hand (Y72)
5	M80243-33-Y30	EA	Armrest - Cover - Left Hand (Y70)
5	M80243-33-Y31	EA	Armrest - Cover - Left Hand (Y71)
5	M80243-33-Y32	EA	Armrest - Cover - Left Hand (Y72)
6	M03445-05-Y30	EA	Cover Asm - Seat Bottom (Y70)
6	M03445-05-Y31	EA	Cover Asm - Seat Bottom (Y71)
6	M03445-05-Y32	EA	Cover Asm - Seat Bottom (Y72)
7	081268-01-000	EA	Armrest Frame Asm. - Right Hand
8	091313-01-000	EA	Headrest - Bushings
9	083163-01-000	EA	Pushnut - 7/16"
10	081172-01-000	EA	Trim Plate
11	080730-05-000	EA	Shield - Recliner Lever
12	080730-03-000	EA	Recliner Lever
13	081268-02-000	EA	Armrest Frame Asm - Left Hand
14	M80908-01-000	EA	Seat Frame Asm.
15	091990-01-01A	EA	Seat Belt
16	069585-29-000	EA	Seat Belt Bar
17	069246-02-000	EA	Seat Slide w/o Lock
18	069585-27-000	EA	Top Plate
19	069246-01-000	EA	Seat Slide w/Lock
20	069585-08-000	EA	Seat Base
21	071126-24-X75	EA	Skirt Asm. (Y70)
21	071126-24-Y71	EA	Skirt Asm.
21	071126-24-Y72	EA	Skirt Asm.
	088274-33-000	YD	Bucket Seat Fabric (Y70)
	088274-59-000	YD	Bucket Seat Fabric (Y71)
	088274-60-000	YD	Bucket Seat Fabric (Y72)

POWER SEAT OPTION (63M)

Key	Part Number	U/M	Description
21	071126-26-X75	EA	Skirt Asm. - Power Seat (Y70)
21	071126-26-Y36	EA	Skirt Asm. - Power Seat (Y71)
21	071126-26-Y37	EA	Skirt Asm. - Power Seat (Y72)
22	091373-01-000	EA	Power Control - 6 Way
23	069585-36-000	EA	Top Plate (6 Way Power Seat)
24	069585-37-000	EA	Seat Base (6 Way Power Seat)
	081591-04-000	EA	Wire Asm. (6 Way Power Seat)

1989 ITASCA TABLE OF CONTENTS

INTRODUCTION
ABBREVIATIONS
ALPHABETICAL INDEX
WC/JM34RQ
WJM40RQ

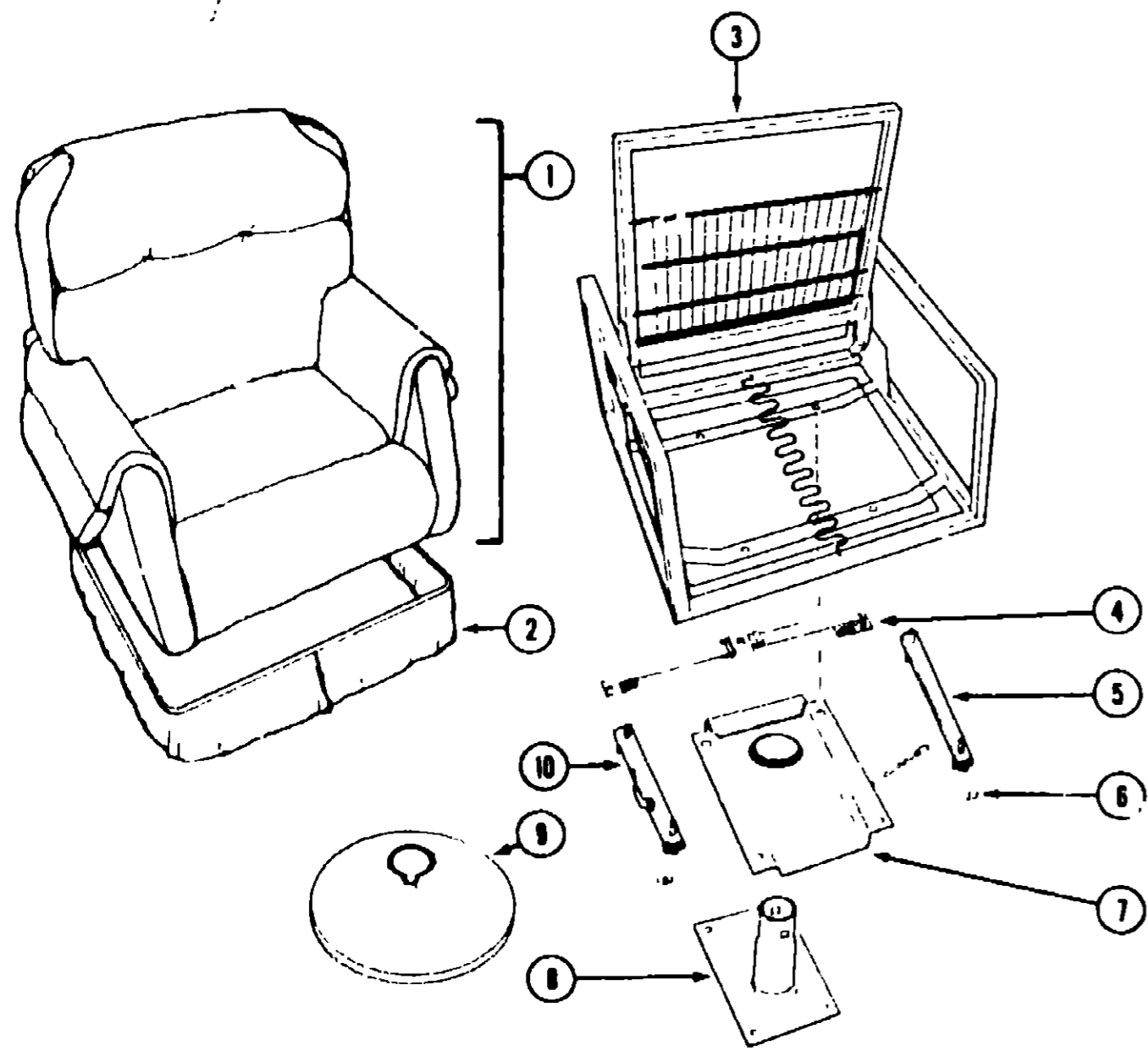
A-01
A-01
A-02 - A-04
A-05 - D-18
D-19 - G-24

1989 IC/JM34RQ INDEX

Floor Plan	A-05 - A-06
Accessories Group	A-07 - A-12
Bath Group	A-13 - A-16
Chassis Group	A-17 - A-24
Curtain, Cushion & Pad Group	B-01 - B-14
Dinette Group	B-15 - B-16
Driver's Compartment Group	B-17 - B-22
Electrical Group	B-23 - C-02
Exterior Body Group	C-03 - C-08
Galley Group	C-09 - C-12
Heating & Air Conditioning Group	C-13
Interior Finish Group	C-14 - C-15
LP Group	C-16
Lounge Group	C-17 - C-20
Water & Sewage Group	C-21 - C-23
Window, Vent & Exterior Door Group	C-24 - D-18

CURTAIN, CUSHION & PAD GROUP (CONTINUED)

SWIVEL CHAIR



Key	Part Number	U/M	Description
1	0135059-02-Y30	EA	Chair Asm - Celebrity 3 (Y70)
1	085059-02-Y31	EA	Chair Asm - Celebrity 3 (Y71)
1	085059-02-Y32	EA	Chair Asm - Celebrity 3 (Y72)
1	M85059-02-Y30	EA	Cover Asm - Celebrity 3 Chair (Y70)
1	M85059-02-Y31	EA	Cover Asm - Celebrity 3 Chair (Y71)
1	M85059-02-Y32	EA	Cover Asm - Celebrity 3 Chair (Y72)
2	085187-02-Y30	EA	Skirt Asm - Celebrity 3 Chair (Y70)
2	085187-02-Y31	EA	Skirt Asm - Celebrity 3 Chair (Y71)
2	085187-02-Y32	EA	Skirt Asm - Celebrity 3 Chair (Y72)
3	090354-01-000	EA	Frame - Non-Reclining Chair
4	007021-01-000	EA	Seat Belt Asm
5	089246-02-000	EA	Seat Slide Asm - w/o Lock
6	007221-01-000	EA	Washer - Coned
7	093481-03-000	EA	Seat Top Plate
8	093481-02-000	EA	Seat Base
9	093482-01-000	EA	Seat Base Cover
10	089246-01-000	EA	Seat Slide Asm - w/Lock
	055687-06-000	LB	Film - Cushion - 28" x 18" Bags
	087330-01-000	EA	Stop Bracket - Slide Track
	088274-63-000	YD	Chair Fabric (Y70)
	088274-61-000	YD	Chair Fabric (Y71)
	088274-62-000	YD	Chair Fabric (Y72)

1989 ITASCA TABLE OF CONTENTS

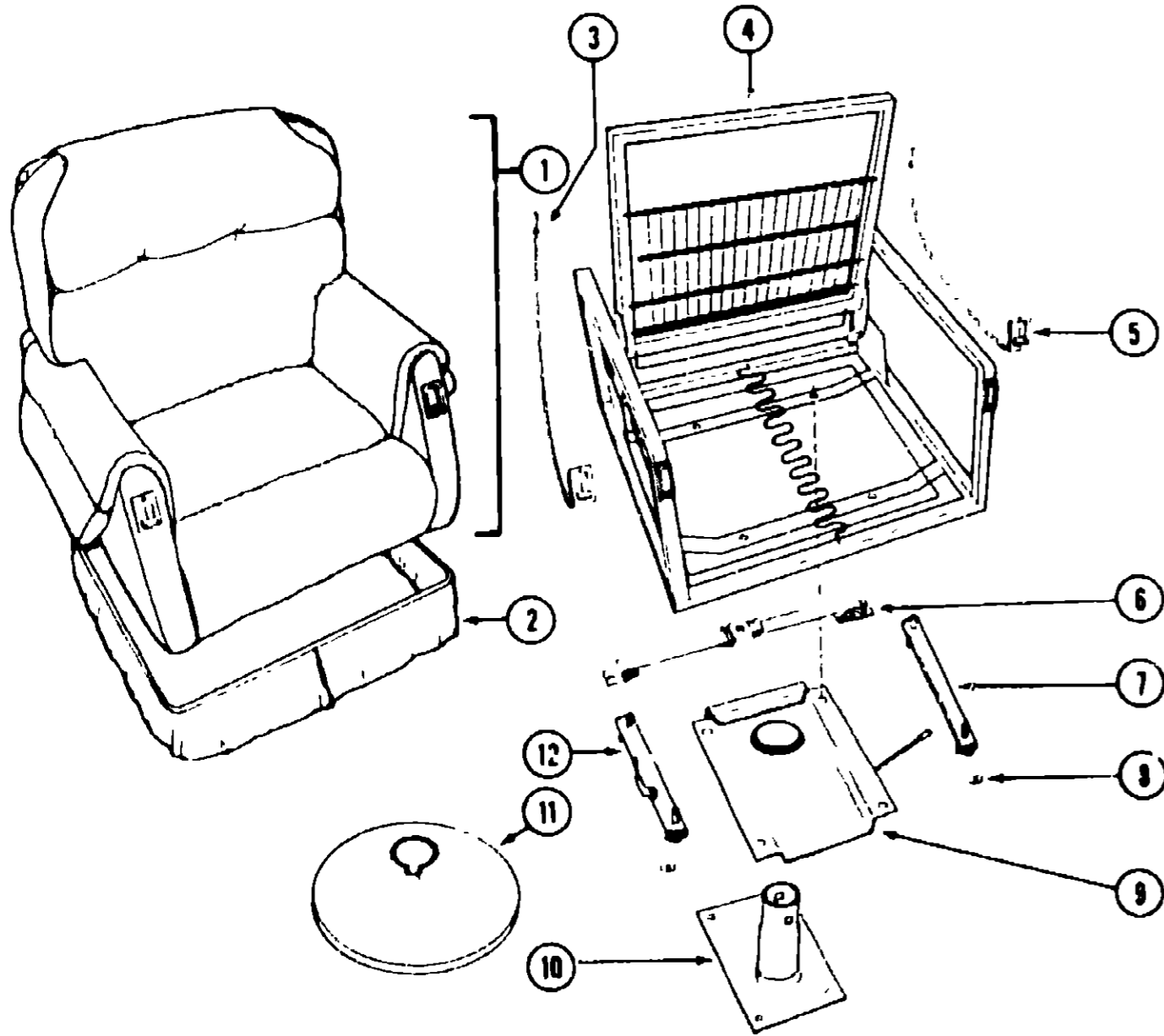
INTRODUCTION	A-01
ABBREVIATIONS	A-01
ALPHABETICAL INDEX	A-02 - A-04
WC/JM34RQ	A-05 - D-18
WJM40RQ	D-19 - G-24

1989 IC/JM34RQ INDEX

Floor Plan	A-05 - A-06
Accessories Group	A-07 - A-12
Bath Group	A-13 - A-16
Chassis Group	A-17 - A-24
Curtain, Cushion & Pad Group	B-01 - B-14
Dinette Group	B-15 - B-18
Driver's Compartment Group	B-17 - B-22
Electrical Group	B-23 - C-02
Exterior Body Group	C-03 - C-08
Galley Group	C-09 - C-12
Heating & Air Conditioning Group	C-13
Interior Finish Group	C-14 - C-15
LP Group	C-16
Lounge Group	C-17 - C-20
Water & Sewage Group	C-21 - C-23
Window, Vent & Exterior Door Group	C-24 - D-18

CURTAIN, CUSHION & PAD GROUP (CONTINUED)

RECLINING SWIVEL CHAIR (OPTION 80F)



Key	Part Number	U/M	Description
1	088518-02-Y70	EA	Chair Asm. - Celebrity 3 Recliner
1	088518-02-Y71	EA	Chair Asm. - Celebrity 3 Recliner
1	088518-02-Y72	EA	Chair Asm. - Celebrity 3 Recliner
1	M88518-02-Y70	EA	Cover Asm. - Celebrity 3 Recliner
1	M88518-02-Y71	EA	Cover Asm. - Celebrity 3 Recliner
1	M88518-02-Y72	EA	Cover Asm. - Celebrity 3 Recliner
2	089032-01-Y70	EA	Skirt Asm. - Celebrity 3 Recliner
2	089032-01-Y71	EA	Skirt Asm. - Celebrity 3 Recliner
2	089032-01-Y72	EA	Skirt Asm. - Celebrity 3 Recliner
3	089368-02-000	EA	Cable - Remote Recliner
4	089368-01-000	EA	Frame - Celebrity Recliner
5	089368-03-000	EA	Cable - Remote Slide
6	007021-01-000	EA	Seat Belt Asm
7	089248-02-000	EA	Seat Slide Asm. - w/o Lock
8	007221-01-000	EA	Washer - Coned
9	093481-03-000	EA	Seat Top Plate
10	093481-02-000	EA	Seat Base
11	093482-01-000	EA	Seat Base Cover
12	089248-05-000	EA	Seat Slide Asm. - w/Lock
	055887-08-000	LB	Flt. - Cushion - 28" x 18" Bags
	087330-01-000	EA	Stop Bracket - Slide Track
	088274-83-000	YD	Chair Fabric (Y70)
	088274-81-000	YD	Chair Fabric (Y71)
	088274-82-000	YD	Chair Fabric (Y72)

1989 ITASCA TABLE OF CONTENTS

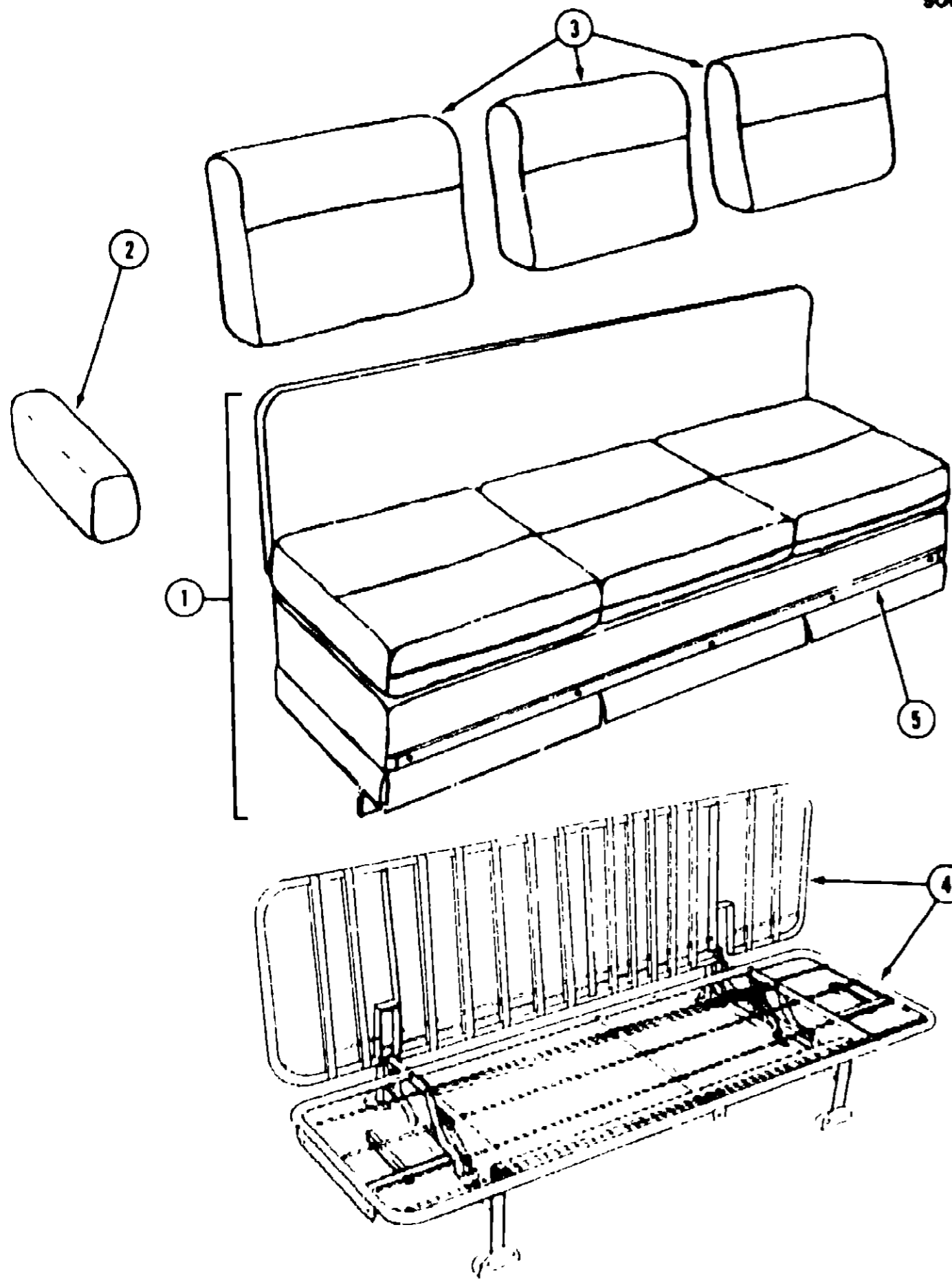
INTRODUCTION	A-01
ABBREVIATIONS	A-01
ALPHABETICAL INDEX	A-02 A-04
WC/JM34RQ	A-05 D-18
WJM40RQ	D-19 G-24

1989 IC/JM34RQ INDEX

Floor Plan	A-05 - A-06
Accessories Group	A-07 - A-12
Bath Group	A-13 - A-16
Chassis Group	A-17 - A-24
Curtain, Cushion & Pad Group	B-01 - B-14
Dinette Group	B-15 - B-16
Driver's Compartment Group	B-17 - B-22
Electrical Group	B-23 - C-02
Exterior Body Group	C-03 - C-08
Galley Group	C-09 - C-12
Heating & Air Conditioning Group	C-13
Interior Finish Group	C-14 - C-15
LP Group	C-16
Lounge Group	C-17 - C-20
Water & Sewage Group	C-21 - C-23
Window, Vent & Exterior Door Group	C-24 - D-18

CURTAIN, CUSHION & PAD GROUP (CONTINUED)

SOFA BED



Key	Part Number	U/M	Description
1	089007-03-Y70	EA	Bed - Celebrity
1	089007-03-Y71	EA	Bed - Celebrity
1	089007-03-Y72	EA	Bed - Celebrity
1	M89007-03-Y70	EA	Cover - Celebrity Bed
1	M89007-03-Y71	EA	Cover - Celebrity Bed
1	M89007-03-Y72	EA	Cover - Celebrity Bed
2	085357-01-Y70	EA	Cushion Asm - Celebrity Back Cushion
2	085357-01-Y71	EA	Cushion Asm - Celebrity Back Cushion
2	085357-01-Y72	EA	Cushion Asm - Celebrity Back Cushion
2	M85357-01-Y70	EA	Cover Asm - Celebrity Back Cushion
2	M85357-01-Y71	EA	Cover Asm - Celebrity Back Cushion
2	M85357-01-Y72	EA	Cover Asm - Celebrity Back Cushion
3	085080-02-Y30	EA	Cushion Asm - Arm Pillow (Y70)
3	085080-02-Y31	EA	Cushion Asm - Arm Pillow (Y71)
3	085080-02-Y32	EA	Cushion Asm - Arm Pillow (Y72)
3	M85080-02-Y30	EA	Cover Asm - Arm Pillow (Y70)
3	M85080-02-Y31	EA	Cover Asm - Arm Pillow (Y71)
3	M85080-02-Y32	EA	Cover Asm - Arm Pillow (Y72)
4	079388-01-000	EA	Frame Asm - Bed - Continental
5	074044-90-000	EA	Oak Trim
	074045-01-000	EA	Oak Plug 1/2" Dia
	079388-02-000	EA	Mounting Hardware - Pullout Bed - Kit
	007021-01-000	EA	Seat Belt Asm.
	088274-63-000	YD	Sofa Fabric (Y70)
	088274-61-000	YD	Sofa Fabric (Y71)
	088274-62-000	YD	Sofa Fabric (Y72)

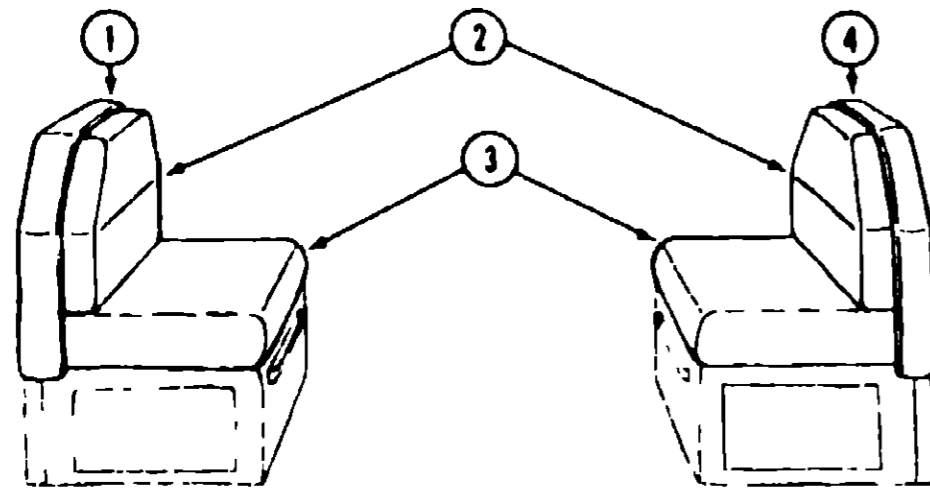
1989 ITASCA TABLE OF CONTENTS

INTRODUCTION	A-01
ABBREVIATIONS	A-01
ALPHABETICAL INDEX	A-02 - A-04
WC/JM34RQ	A-05 - D-18
WJM40RQ	D 19 - G 24

1989 IC/JM34RQ INDEX

Floor Plan	A-05 - A-06
Accessories Group	A-07 - A-12
Bath Group	A-13 - A-18
Chassis Group	A-17 - A-24
Curtain, Cushion & Pad Group	B-01 - B-14
Dinette Group	B-15 - B-16
Driver's Compartment Group	B-17 - B-22
Electrical Group	B-23 - C-02
Exterior Body Group	C-03 - C-08
Galley Group	C-09 - C-12
Heating & Air Conditioning Group	C-13
Interior Finish Group	C-14 - C-15
LP Group	C-16
Lounge Group	C-17 - C-20
Water & Sewage Group	C-21 - C-23
Window, Vent & Exterior Door Group	C-24 - D-18

CURTAIN, CUSHION & PAD GROUP (CONTINUED)



DINETTE

Key	Part Number	U/M	Description
1	081519-02-X75	EA	Pad Asm. - Dinette - Left (Y70)
1	081519-02-Y71	EA	Pad Asm. - Dinette - Left
1	081519-02-Y72	EA	Pad Asm. - Dinette - Left
2	088927-20-Y30	EA	Cushion Asm. - Dinette - Seat Back (Y70)
2	088927-20-Y31	EA	Cushion Asm. - Dinette - Seat Back (Y71)
2	088927-20-Y32	EA	Cushion Asm. - Dinette - Seat Back (Y72)
2	M88927-20-Y30	EA	Cover Asm. - Dinette Cushion - Seat Back (Y70)
2	M88927-20-Y31	EA	Cover Asm. - Dinette Cushion - Seat Back (Y71)
2	M88927-20-Y32	EA	Cover Asm. - Dinette Cushion - Seat Back (Y72)
3	088927-21-Y30	EA	Cushion Asm. - Dinette - Seat (Y70)
3	088927-21-Y31	EA	Cushion Asm. - Dinette - Seat (Y71)
3	088927-21-Y32	EA	Cushion Asm. - Dinette - Seat (Y72)
3	M88927-21-Y30	EA	Cover Asm. - Dinette Cushion - Seat (Y70)
3	M88927-21-Y31	EA	Cover Asm. - Dinette Cushion - Seat (Y71)
3	M88927-21-Y32	EA	Cover Asm. - Dinette Cushion - Seat (Y72)
4	081519-01-X75	EA	Pad Asm. - Dinette - Right (Y70)
4	081519-01-Y71	EA	Pad Asm. - Dinette - Right
4	081519-01-Y72	EA	Pad Asm. - Dinette - Right
	088274-65-000	YD	Dinette Fabric (Y70)
	088274-61-000	YD	Dinette Fabric (Y71)
	088274-62-000	YD	Dinette Fabric (Y72)

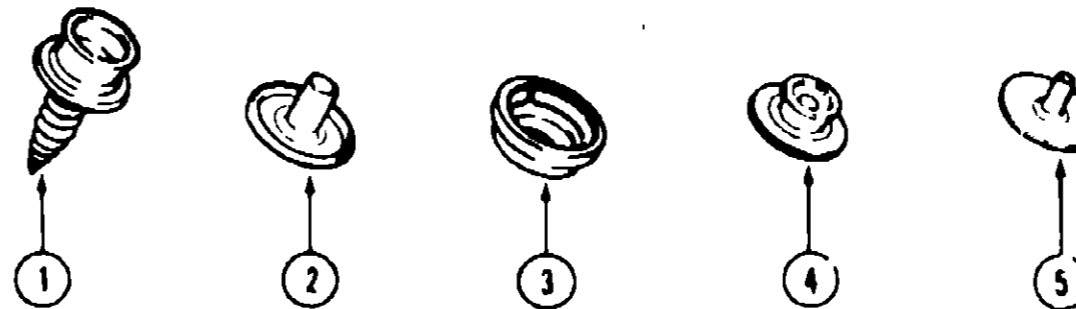
CURTAIN, CUSHION & PAD GROUP (CONTINUED)

PADS

Key	Part Number	U/M	Description
	090383-02-Y70	EA	Pad Asm. - End Cap - Driver - w/o Bunk
	090383-01-Y70	EA	Pad Asm. - End Cap - Passenger - w/o Bunk
	090077-02-Y70	EA	Pad Asm. - Lower End Cap - Driver - w/Bunk
	090076-02-Y70	EA	Pad Asm. - Upper End Cap - Driver - w/Bunk
	090077-01-Y70	EA	Pad Asm. - Lower End Cap - Passenger - w/Bunk
	090076-01-Y70	EA	Pad Asm. - Upper End Cap - Passenger - w/Bunk
	089987-01-Y70	EA	Pad Asm. - Trim - Header - Upper
	078811-04-X14	EA	Pad Asm. - Trim - Header - Lower
	059467-04-T03	EA	Pad Asm. - Passenger Sidewall - 3 Button
	081519-02-X75	EA	Pad Asm. - Dinette - Left (Y70)
	081519-02-Y71	EA	Pad Asm. - Dinette - Left
	081519-02-Y72	EA	Pad Asm. - Dinette - Left
	081519-01-X75	EA	Pad Asm. - Dinette - Right (Y70)
	081519-01-Y71	EA	Pad Asm. - Dinette - Right
	081519-01-Y72	EA	Pad Asm. - Dinette - Right

FRONT BUNK CUSHION

Key	Part Number	U/M	Description
	079145-08-000	EA	Cushion Asm. - Front Bunk - 30" x 78"
	M73145-08-000	EA	Cover Asm. - Front Bunk
	079970-01-000	YD	Mattress Tape 5/8"



MISCELLANEOUS

Key	Part Number	U/M	Description
1	029130-01-000	EA	Socket - Snap Fastener - 7 x 5/8"
2	029155-01-000	EA	Cap - Snap
3	029156-01-000	EA	Socket - Snap Fastener
4	029092-01-000	EA	Stud - Nickel Finish
5	029093-01-000	EA	Eyelet - Nickel Finish
	071832-01-000	EA	Hamper Bag - w/Elastic - 49"
	075243-01-000	EA	Valance Brace - Beige
	053652-02-W24	EA	Assist Strap - Interior
	078245-01-000	EA	Boot - Steering Column
	029094-04-000	YD	Velcro Tape - Loop - 1" - Black
	029096-03-000	YD	Velcro Tape - Hook - 1" - Black

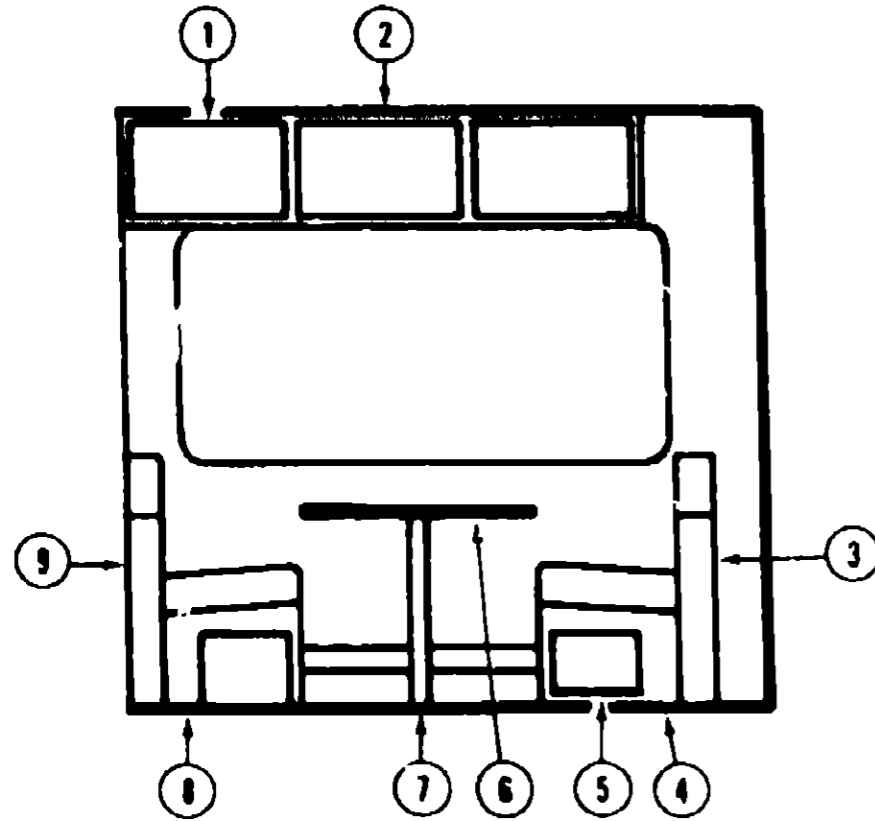
**1993 ITASCA
TABLE OF CONTENTS**

INTRODUCTION	A 01
ABBREVIATIONS	A-01
ALPHABETICAL INDEX	A-02 - A-04
WC/JM34RQ	A-05 - D 18
WJM40RQ	D-19 - G 24

1989 IC/JM34RQ INDEX

Floor Plan	A-05 - A 08
Accessories Group	A-07 - A 12
Bath Group	A 13 - A-16
Chassis Group	A 17 - A-24
Curtain, Cushion & Pad Group	B-01 - B-14
Dinette Group	B 15 - B-16
Driver's Compartment Group	B-17 - B 22
Electrical Group	B 23 - C-02
Exterior Body Group	C 03 - C-08
Galley Group	C-09 - C-12
Heating & Air Conditioning Group	C-13
Interior Finish Group	C-14 - C-15
LP Group	C-16
Lounge Group	C 17 - C 20
Water & Sewage Group	C-21 - C 23
Window, Vent & Exterior Door Group	C-24 - D 18

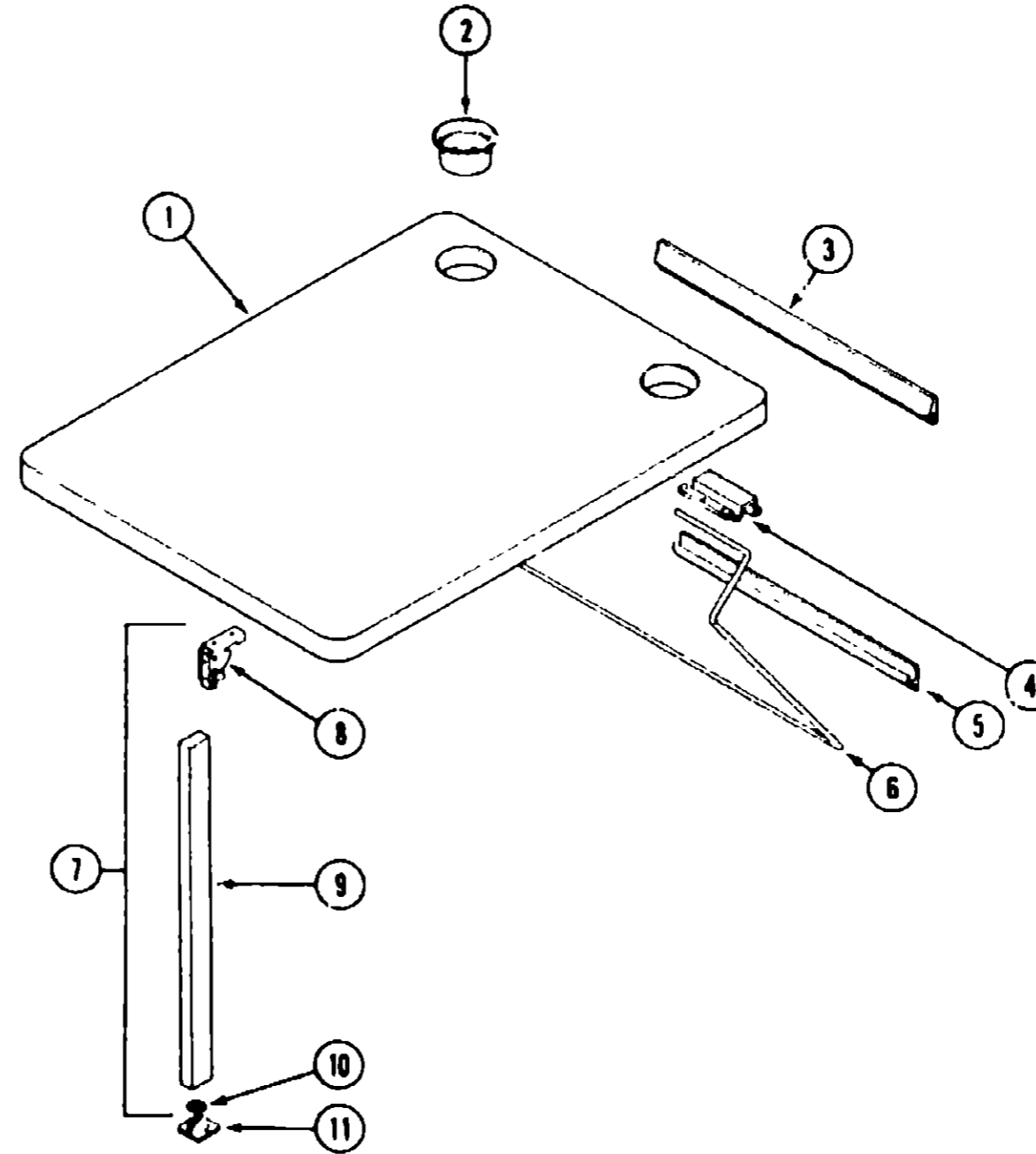
DINETTE GROUP



DINETTE & OVERHEAD CABINETRY

Key	Part Number	U/M	Description
1	M88304 16-X23	EA	Door Asm - Dinette Overhead - w/o Hardware
2	M81302-11-X11	EA	Cabinet Asm - Dinette Overhead - w/o Doors
3	M02174-01-W30	EA	Cabinet Asm. - Seat Back - Right - w/o Pad
4	M02175-02-W30	EA	Cabinet Asm. - Seat Base - Right - w/o Door
5	M88304 21-X08	EA	Door Asm - Dinette Seat - w/o Hardware
6	M02115 09 Y30	EA	Table Top - Dinette - w/o Hardware
7	092708-01 Y15	EA	Leg Asm. - Table
8	M02175-03 W30	EA	Cabinet Asm. - Seat Base - Left - w/o Door
9	M02174 05-W30	EA	Cabinet Asm. - Seat Back - Left - w/o Pad
	081325-03-W30	EA	End Cap Asm. (Overhead)
	083620-01 000	FT	T-Molding - 3/4" - w/Edge Lips (Overhead)
	000G13-08 10G	EA	Screw - 6 - 20 x 5/8" PFH - Antique Brass (Doors)
	059777 02-000	EA	Hinge - Antique Light Brass (Doors)
	088264 01 000	EA	Door Pull - Polished Brass (Doors)
	000G68 06 10G	EA	Screw - 6 - 18 x 5/8" PFH - Antique Brass (Doors)
	074493-02 000	EA	Support - Door, Sprung (Overhead Doors)
	009021 01 000	EA	Catch - Nylon - Grill (Doors)
	009021 02-000	EA	Strike - Spring Steel (Doors)
	093588 03 000	EA	Catch - Spring, Roller (Doors)
	093588 04 000	EA	Strike - Spring Steel (Doors)
	052859 01 000	FT	Trim Asm - Accent (Seat Back Cabinets)
	081521 02 007	EA	Molding - 64 hold Space (Seat & Overhead Cabinets)
	042357 11 001	EA	Corner Molding - Radius Plastic - Light Oak (Seat Base & Overhead Cabinets)
	009767 06 000	EA	Wetting - Beige (Seat Back & Overhead Cabinets)
	070504 01 000	FT	Extrusion - U-Channel - Light Brown (Seat Back Cabinets)
	080176 02 000	EA	Corner Tap - Radius - Light Oak (Seat Base & Overhead Cabinets)

DINETTE GROUP (CONTINUED)



DINETTE TABLE

Key	Part Number	U/M	Description
1	M02115-09-Y30	EA	Table Top - Dinette - w/o Hardware
	004354-01-000	EA	Bumper - 1/8" x 1/2" - White
	078325-12-000	EA	Molding - Edge Band - Regal Oak
2	064781-05-000	EA	Cup Holder - Beige
3	053200-05-000	EA	Bracket - Upper Wall Mount - 23.5" - Beige
4	088410-01-000	EA	Bracket - Table Mount - 23" - Beige
5	024281-07-000	EA	Bracket - Lower Wall Mount - 22 1/2" - Beige
6	024275-05-000	EA	Rod - Table Lift - 8" x 23 5/8" - Beige
7	092708-01-Y15	EA	Leg Asm. - Table
8	093550-01-000	EA	Bracket - Table Leg - Folding
9	092707-01-01A	EA	Table Leg - Regal Oak
10	092593 01 02A	EA	Catch - Table Leg - Tan
11	049493-08-300	EA	Floor Catch - Table Leg - Tan
	000G11-10-12R	EA	Screw - 10 - 18 x 3/4" PPH - Beige

1989 ITASCA TABLE OF CONTENTS

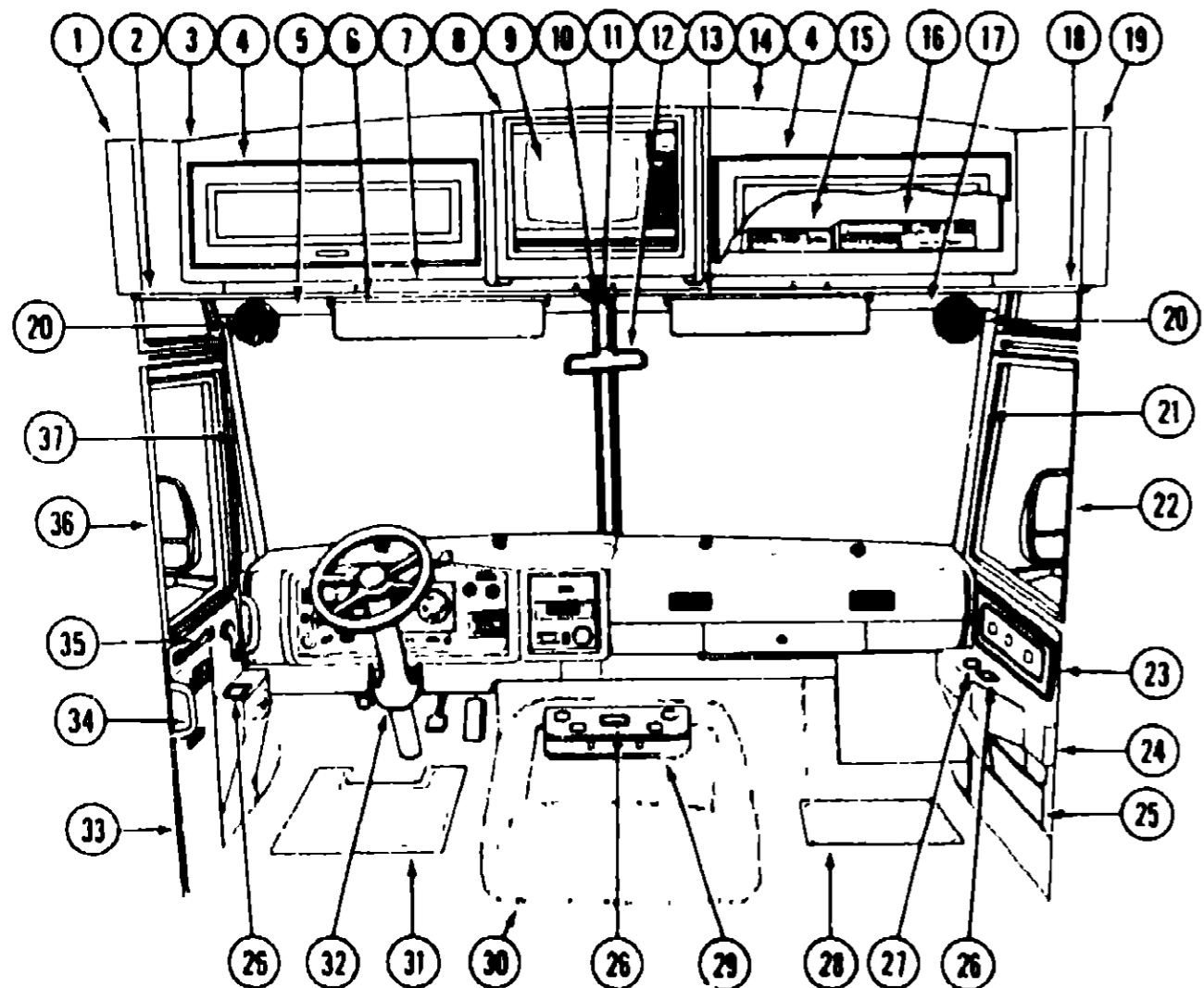
INTRODUCTION	A-01
ABBREVIATIONS	A-01
ALPHABETICAL INDEX	A-02 - A-04
WC/JM34RQ	A-05 - D-18
WJM40RQ	D-19 - G-24

1989 IC/JM34RQ INDEX

Floor Plan	A-05 - A-06
Accessories Group	A-07 - A-12
Bath Group	A-13 - A-18
Chassis Group	A-17 - A-24
Curtain, Cushion & Pad Group	B-01 - B-14
Dinette Group	B-15 - B-18
Driver's Compartment Group	B-17 - B-22
Electrical Group	B-23 - C-02
Exterior Body Group	C-03 - C-08
Galley Group	C-09 - C-12
Heating & Air Conditioning Group	C-13
Interior Finish Group	C-14 - C-15
LP Group	C-16
Lounge Group	C-17 - C-20
Water & Sewage Group	C-21 - C-23
Window, Vent & Exterior Door Group	C-24 - D-18

DRIVER'S COMPARTMENT GROUP

DRIVER'S COMPARTMENT COMPONENTS



Key	Part Number	U/M	Description
1	090383-02-Y70	EA	Pad Asm - End Cap - Driver - w/o Bunk
2	079946-01-000	EA	Track - Front Wraparound Curtain - Driver
3	M89985-01-X14	EA	Cabinet Asm. - Front Overhead - Driver - w/o Bunk
4	M88304-30-X78	EA	Door Asm - Front Overhead - Driver & Passenger - w/o Hardware
	000G13-06-10G	EA	Screw - 6 - 20 x .625" PFH - Antique Brass
	000G68-06-10G	EA	Screw - 6 - 18 x .625" POH - Antique Brass
	059777-02-000	EA	Hinge - Antique - Light Brass
	088284-01-000	EA	Door Pull - Polished Brass
	009021-01-000	EA	Catch - Nylon - Grill
	009021-02-000	EA	Strike - Spring Steel
	093586-03-000	EA	Catch - Roller - Spring
	093586-04-000	EA	Strike - Spring Steel
	074493-02-000	EA	Support - Spring - Door
5	078578-02-000	EA	Windshield Trim - Upper Driver - Light Oak - Inner
6	082286-05-X14	EA	Sunvisor Asm. - Driver
	007211-01-000	EA	Hinge - Sunvisor
	074012-01-000	EA	Clip - Sunvisor - Square Pinch Cl
7	089987-01-Y70	EA	Pad Asm - Trim - Header - Upper
	078811-04-X14	EA	Pad Asm - Trim - Header - Lower
8	M89986-01-X14	EA	Cabinet Asm - Center Front Overhead - w/o Bunk
	M88304-08-X11	EA	Door Asm. - Center Front Overhead - w/o Hardware
9	091258-03-000	EA	TV - 13" Color - Remote - Sharp 13RM59
10	086280-01-000	EA	Light - 12 Volt - Surface Mount
	086280-01-700	EA	Bulb - 12 Volt - 6 Watt
11	079785-02-000	EA	Windshield Trim - Center - Light Oak - Inner
12	040714-01-000	EA	Mirror - Inside Rear View
13	082286-06-X14	EA	Sunvisor Asm. - Passenger - w/ Mirror
	083153-01-000	EA	Mirror - Sunvisor - 3 1/2" x 7"
	085709-01-000	EA	Clip Asm. - Sunvisor - Black
14	M89984-01-X14	EA	Cabinet Asm - Front Overhead - Passenger - w/o Bunk
15	086757-01-000	EA	Control Center - Switch - Channel Master
16	091907-02-000	EA	VCR - VHS - Sharp VC2208U
17	078578-01-000	EA	Windshield Trim - Upper Passenger - Light Oak - Inner
18	079946-01-000	EA	Track - Front Wraparound Curtain - Passenger
19	090383-01-Y70	EA	Pad Asm - End Cap - Passenger - w/o Bunk
20	036420-02-000	EA	Defroster Fan - 6" Dia. - 2 Speed (Option 36N)
21	079206-03-000	EA	Windshield Trim - Passenger - Beige - Inner
22	086280-01-000	EA	Mirror Asm - w/Convex - Passenger
23	059414-06-000	EA	Pad Asm - Passenger Sidewall - 3 Button
24	072811-01-000	EA	Side Panel - Passenger Sidewall - Plastic
25	059487-04-T03	EA	Pad Asm. - Map Pocket - Passenger Sidewall
26	048886-03-000	EA	Ash Tray - Chrome
27	064781-01-000	EA	Cup Holder - Chrome - Plastic
28	081202-02-000	EA	Floor mat - Passenger - Itasca
29	086157-01-X36	EA	Beverage Tray - Plastic - Light Oak - w/Cassette Tape Pockets
30	075939-01-000	EA	Motor Cover - w/o Carpet
	075584-01-000	EA	Mounting Bracket - Motor Cover
	039323-01-000	FT	Seal - Motor Cover
31	081201-02-000	EA	Floor mat - Driver - Itasca
32	078245-01-000	EA	Boot - Steering Column
33	082471-02-000	EA	Panel - Driver Door - Plastic
34	063886-07-000	EA	Assist Handle - Driver Entrance - Gray
35	061400-06-000	EA	Assist Strap - Driver Door - Sandstone 1600
36	086280-02-000	EA	Mirror Asm. - w/Convex - Left
37	079206-04-000	EA	Windshield Trim - Driver - Beige - Inner

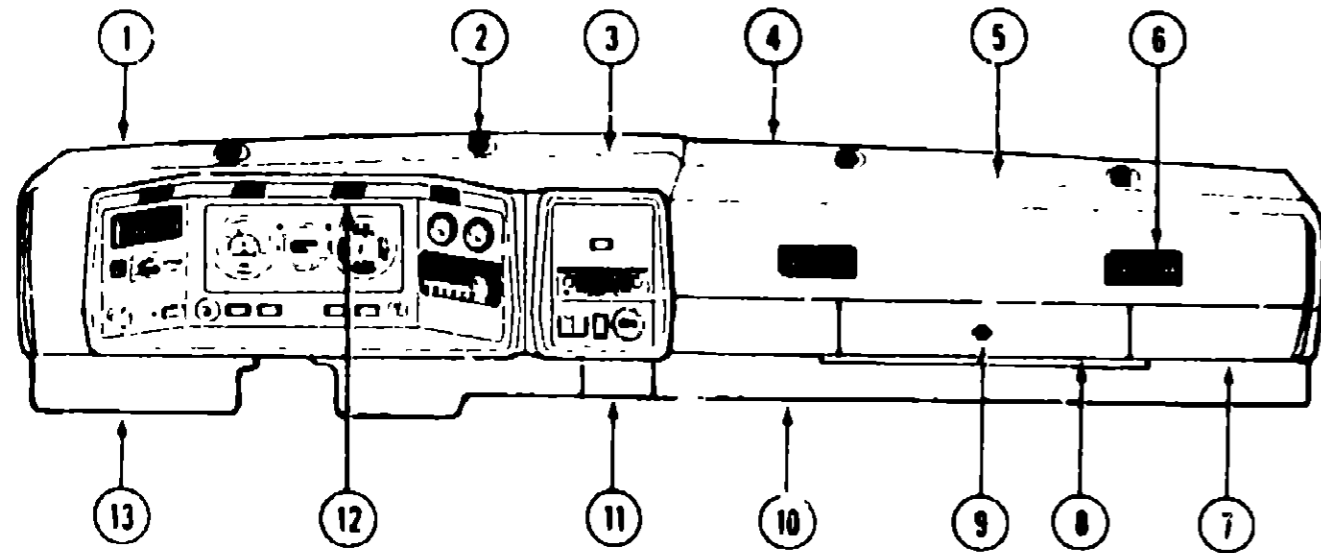
1989 ITASCA TABLE OF CONTENTS

INTRODUCTION	A-01
ABBREVIATIONS	A-01
ALPHABETICAL INDEX	A-02 - A-04
WC/JM34RQ	A-05 - D 18
WJM40RQ	D-19 - G 24

1989 IC/JM34RQ INDEX

Floor Plan	A-05 - A 06
Accessories Group	A 07 - A 12
Bath Group	A 13 - A 16
Chassis Group	A 17 - A 24
Curtain, Cushion & Pad Group	B 01 - B-14
Dinette Group	B-15 - B 16
Driver's Compartment Group	B-17 - B 22
Electrical Group	B 23 - C-02
Exterior Body Group	C 03 - C 08
Galley Group	C-09 - C 12
Heating & Air Conditioning Group	C 13
Interior Finish Group	C 14 - C 15
LP Group	C 16
Lounge Group	C-17 - C-20
Water & Sewage Group	C-21 - C 23
Window, Vent & Exterior Door Group	C 24 - D 18

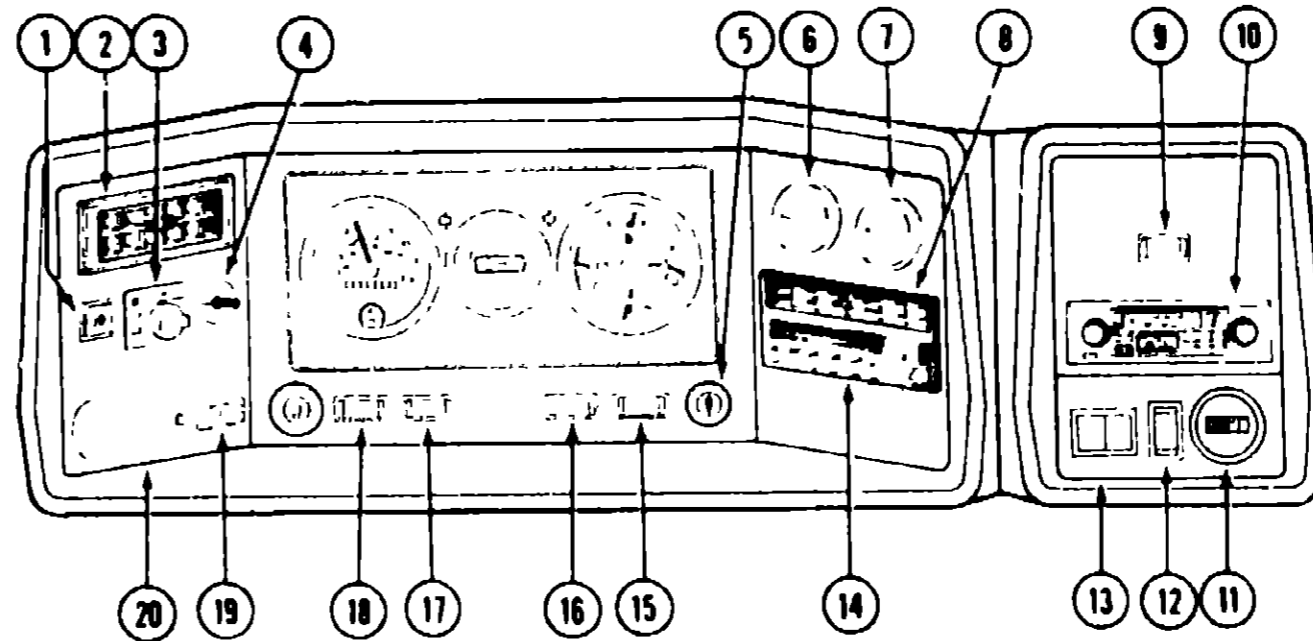
DRIVER'S COMPARTMENT GROUP (CONTINUED)



DASH PANEL COMPONENTS

Key	Part Number	U/M	Description
1	078582-02-000	EA	Pad Asm - Dash - Front Driver - w/o Defroster Vent
2	024990-01-000	EA	Defroster Outlet - w/Swivel - 2" Tan
3	079088-01-000	EA	Pad Asm - Dash - Instrument - Panel - Driver
4	078581-02-000	EA	Pad Asm - Dash - Front Passenger - w/o Defroster Vent
5	079089-01-000	EA	Pad Asm - Dash - Instrument Panel - Passenger
6	039044-01-000	EA	Louver Asm - Air Conditioner - Adjustable Vent
7	023834-01-000	EA	Knee Kick
8	022219-01-000	EA	Glove Compartment Door
9	009188-01-000	EA	Twist Lock - Glove Compartment
	023697-01-000	EA	Glove Compartment Box - Black Fiberboard
	024598-01-000	EA	Glove Compartment Hinge
10	077367-02-000	EA	Instrument Panel Cover - Lower Right - Black (Chevrolet)
10	077367-03-000	EA	Instrument Panel Cover - Lower Right - Black (John Deere)
	081211-02-000	EA	Plug - Plastic - 3/8" Dia. - Black
11	077389-01-000	EA	Access Panel - Lower Instrument Panel - Black
12	061424-01-000	EA	Light - 12 Volt - Rectangular
13	077368-01-000	EA	Instrument Panel Cover - Lower Left - Black (Chevrolet)
13	077368-02-000	EA	Instrument Panel Cover - Lower Left - Black (John Deere)
13	077368-03-000	EA	Instrument Panel Cover - Lower Left - Black (Chevrolet w/Searchlight)
13	077368-04-000	EA	Instrument Panel Cover - Lower Left - Black (John Deere w/Searchlight)

DRIVER'S COMPARTMENT GROUP (CONTINUED)



INSTRUMENT CLUSTER (CHEVROLET)

Key	Part Number	U/M	Description
1	089305-01-000	EA	Fog Light Switch (Option 57M)
2	039044-01-000	EA	Vent/Air Conditioner Register
3	087202-02-000	EA	Rear Auto Heater Switch - w/o Knob (Option 611)
	090977-01-000	EA	Knob - Rear Auto Heater Switch - Rotary (Option 611)
4	077497-01-702	EA	Air Horn Switch (Option 36R)
5	089294-01-000	EA	Cigarette Lighter
6	024459-04-000	EA	Battery Condition Meter
7	024460-04-000	EA	Vacuum/Fuel Economy Gauge
8	094831-01-741	EA	Dash Louver/Control Panel Trim
9	093381-01-000	EA	Radio Power Source Switch
10	090982-01-000	EA	Audio Entertainment System
11	031035-01-000	EA	Auxiliary Electric Generator Hourmeter (Options 39E, 39G, 37M)
12	024976-01-000	EA	Auxiliary Electric Generator Start/Stop Switch (Options 39E, 39G, 37M)
13	078008-23-000	EA	Bezel - Entertainment Center
14	094381-01-732	EA	Heater/Air Conditioner Controls
15	024481-01-000	EA	Battery Mode Switch
16	024482-01-000	EA	Battery Condition Switch
17	087268-01-000	EA	Rear Wiper Switch (Option 59F)
18	089308-01-000	EA	Switch - Auxiliary Defroster Fans (Option 36N)
19	085963-04-000	EA	Auxiliary Battery Disconnect Switch (Option 79A)
20	086296-13-000	EA	Bezel - Instrument Panel
	088745-01-000	EA	Instrument Cluster - Electronic (Option 42N)

**1989 ITASCA
TABLE OF CONTENTS**

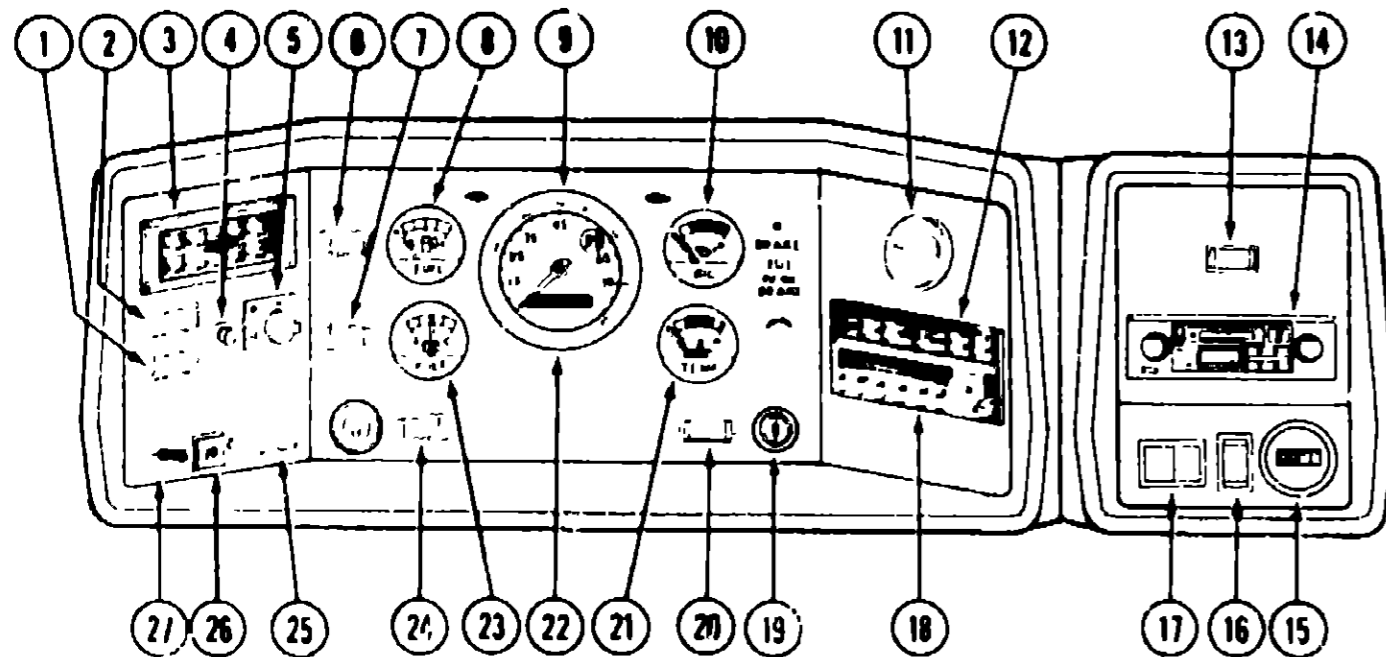
INTRODUCTION
ABBREVIATIONS
ALPHABETICAL INDEX
WC/JM34RQ
WJM40RQ

A-01
A-01
A-02 - A-04
A-05 - D-18
D-19 - G-24

1989 IC/JM34RQ INDEX

Floor Plan	A-05 - A-06
Accessories Group	A-07 - A-12
Bath Group	A-13 - A-16
Chassis Group	A-17 - A-24
Curtain, Cushion & Pad Group	B-01 - B-14
Dinette Group	B-15 - B-16
Driver's Compartment Group	B-17 - B-22
Electrical Group	B-23 - C-02
Exterior Body Group	C-03 - C-08
Galley Group	C-09 - C-12
Heating & Air Conditioning Group	C-13
Interior Finish Group	C-14 - C-15
LP Group	C-13
Lounge Group	C-17 - C-20
Water & Sewage Group	C-21 - C-23
Window, Vent & Exterior Door Group	C-24 - D-18

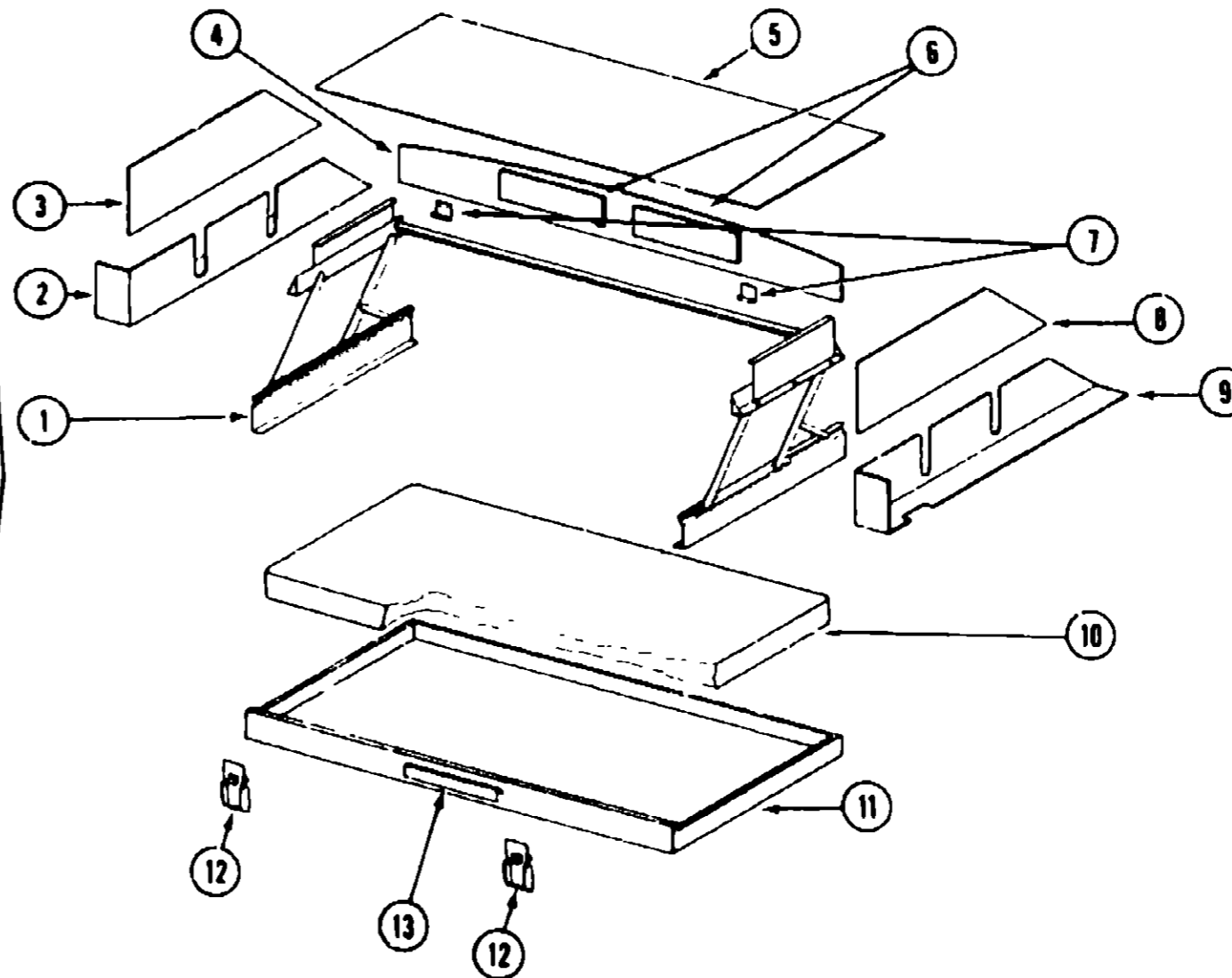
DRIVER'S COMPARTMENT GROUP (CONTINUED)



INSTRUMENT CLUSTER (JOHN DEERE)

Key	Part Number	U/M	Description
1	024464-01-000	EA	Windshield Washer Switch
2	024467-01-000	EA	Windshield Wiper Switch
3	039044-01-000	EA	Vent/Air Conditioner Register
4	074007-02-000	EA	Wiper Delay Control
5	087202-02-000	EA	Rear Auto Heater Switch - w/o Knob (Option 811)
	090977-01-000	EA	Knob - Rear Auto Heater Switch - Rotary (Option 811)
6	024182-01-000	EA	Battery Condition Switch
7	024461-01-000	EA	Battery Mode Switch
8	090431-01-000	EA	Fuel Gauge
9	090434-01-000	EA	Speedometer
10	090433-01-000	EA	Oil Pressure Gauge
11	024460-04-000	EA	Vacuum/Fuel Economy Gauge
12	061831-01-741	CA	Dash Louver/Control Panel Trim
13	0113381-01-000	EA	Radio Power Source Switch
14	030982-01-000	EA	Audio Entertainment Center
15	031035-01-000	EA	Auxiliary Electric Generator Hourmeter (Options 39E, 39G, 37M)
16	021876-01-000	EA	Auxiliary Electric Generator Start/Stop Switch (Options 39E, 39G, 37M)
17	076006-21-000	EA	Bezel - Entertainment Center
18	094831-01-732	EA	Heater/Air Conditioner Control
19	089294-01-000	FA	Cigarette Lighter
20	089306-01-000	EA	Switch - Auxiliary Deteriorator Fans (Option 36id)
21	090432-01-000	EA	Coolant Temperature Gauge
22	088298-12-000	EA	Bezel - Instrument Panel
23	024459-04-000	EA	Gauge - Voltmeter
24	087266-01-000	EA	Switch - Rear Wiper (Option 59F)
25	065963-04-000	EA	Auxiliary Battery Disconnect Switch (Option 29A)
26	089305-01-000	EA	Fog Light Switch (Option 57M)
27	077497-01-702	EA	Air Horn Switch (Option 36H)

DRIVER'S COMPARTMENT GROUP (CONTINUED)



FRONT PULLDOWN BUNK (OPTION 81H)

Key	Part Number	U/M	Description
1	076760-02-000	EA	Hardware Asm - Overhead Bunk
2	090077-02-Y70	EA	Pad Asm - Lower End Cap - Driver
3	090076-02-Y70	EA	Pad Asm - Upper - End Cap - Driver
4	M90075-01-X14	EA	Cabinet Asm - Front Face - Overhead w/Doors
5	090079-01-X14	EA	Cabinet Asm - Lower Base - Overhead
6	M88304-03-X78	EA	Door Asm - w/o Hardware
	000G13-06-10G	EA	Screw - 6 - 20 x 5/8" - PFH - Antique Brass
	059777-02-000	EA	Hinge - Antique Brass
	086264-01-000	EA	Pull Hardware - Polished Brass
	000G68-06-10G	EA	Screw - 6 - 18 x 5/8" POH - Antique Brass
	074483-02-000	EA	Support - Sprung Door
	009021-01-000	EA	Catch - Nylon - Grill
	009021-02-000	EA	Strike - Spring Steel
	093588-03-000	EA	Catch - Roller Spring
	093588-04-000	EA	Strike - Spring Steel
7	042541-05-000	EA	Strike - Brass
8	090076-01-Y70	EA	Pad Asm - Upper End Cap - Passenger
9	090077-01-Y70	EA	Pad Asm - Lower - End Cap - Passenger
10	079145-06-000	EA	Cushion Asm - Bunk
	M79145-06-000	EA	Cover Asm - Bunk - 30" x 78"
	079970-01-000	YD	Mattress Tape - 5/8"
11	081717-03-Y15	EA	Bed Asm - Front Bunk
12	042541-04-000	EA	Latch Asm - w/o Strike - Brass
13	094858-01-Y12	EA	Handle - Front Bunk - Oak
	009787-06-000	FT	Wetling - Beige
	088351-01-000	YD	Vinyl - Headliner
	009778-07-000	FT	U Channel - 1" - Light Oak

**1989 ITASCA
TABLE OF CONTENTS**

INTRODUCTION	A-01
ABBREVIATIONS	A-01
ALPHABETICAL INDEX	A-02 - A-04
WC/JM34RQ	A-05 - D-18
WJM40RQ	D 19 - G 24

1989 IC/JM34RQ INDEX

Floor Plan	A-05 - A-06
Accessories Group	A-07 - A-12
Bath Group	A-13 - A-16
Chassis Group	A-17 - A-24
Curtain, Cushion & Pad Group	B-01 - B 14
Dinette Group	B-15 - B 16
Driver's Compartment Group	B-17 - B-22
Electrical Group	B-23 - C-02
Exterior Body Group	C-03 - C-06
Galley Group	C-09 - C-12
Heating & Air Conditioning Group	C-13
Interior Finish Group	C-14 - C-15
LP Group	C 16
Lounge Group	C-17 - C-20
Water & Sewage Group	C 21 - C 23
Window, Vent & Exterior Door Group	C 24 - D-18

ELECTRICAL GROUP

FUSES & CIRCUIT BREAKERS

Key	Part Number	U/M	Description
	062901-02-000	EA	Fuse - Automotive - 5 Amp
	062901-05-000	EA	Fuse - Automotive - 15 Amp.
	083209-01-000	EA	Circuit Breaker - 15 Amp - 120 Volt
	083209-03-000	EA	Circuit Breaker - 15/20 Amp - 120 Volt - w/o Microwave
	083209-04-000	EA	Circuit Breaker - 30 Amp - 120 Volt
	083209-05-000	EA	Circuit Breaker - 20 Amp - 120 Volt
	083209-06-000	EA	Circuit Breaker - 30/15 Amp - 120 Volt - CSA
	083209-37-000	EA	Circuit Breaker - 20/20 Amp - 120 Volt - w/Microwave
	083210-02-000	EA	Circuit Breaker - 15 Amp - 120 Volt - CSA
	082678-01-000	EA	Circuit Breaker - 40 Amp - 12 Volts - CSA
	082678-02-000	EA	Circuit Breaker - 20 Amp - 12 Volt - CSA
	085720-06-000	EA	Circuit Breaker - 6 Amp - 12 Volt
	088079-02-000	EA	Circuit Breaker - 20 Amp - 12 Volt
	088079-04-000	EA	Circuit Breaker - 30 Amp - 12 Volt
	093654-02-000	EA	Circuit Breaker - 15 Amp - 12 Volts
	093655-01-000	EA	Circuit Breaker - 25 Amp - 12 Volt
	093655-03-000	EA	Circuit Breaker - 40 Amp - 12 Volt

INTERIOR LIGHTS & BULBS

Key	Part Number	U/M	Description
	033508-02-000	EA	Light - Dome - Ivory - Single - USA
	033508-03-000	EA	Light - Dome - Ivory - Single - CSA
	033509-02-000	EA	Light - Dome - Ivory - Double - USA
	033509-03-000	EA	Light - Dome - Ivory - Double - CSA
	033508-02-700	EA	Lens - Dome Light
	088424-04-000	EA	Shroud - Dome Light - Double - Off White
	008218-01-000	EA	Bulb - 12 Volt - #1141 - Used For All Above
	065202-03-000	EA	Wall Lamp - Bright Brass
	065201-02-000	EA	Lamp Shade - Wall Lamp - Parchment
	082686-01-000	EA	Table Lamp - Brass w/Wood - USA (Option 44W)
	082686-03-000	EA	Table Lamp - Brass w/Wood - CSA (Option 44W)
	082686-02-000	EA	Shade - Table Lamp
	082686-06-000	EA	Shade - Table Lamp
	087479-01-000	EA	Bulb - 12 Volt - #1078 - Used For Table & Wall Lamps
	068937-04-000	EA	Dome Light - Shower
	088937-01-700	EA	Lens - Dome Light - Shower
	008215-01-000	EA	Bulb - Dome Light - Shower - #1008
	091937-01-000	EA	Flourescent Light - 12 Volt - Recessed (Ceiling) (Options 48V & 48R)
	091937-02-000	EA	Lens - Recessed - Flourescent Light
	091937-03-000	EA	Bulb - Recessed - Flourescent Light
	078424-02-000	EA	Flourescent Light - 18" - Almond (Galley)
	078424-02-701	EA	Lens - Flourescent Light - 18" - Almond
	078424-02-700	EA	Bulb - Flourescent Light - 18" - Almond
	081633-01-000	EA	Makeup Light - 24" - USA
	081633-02-000	EA	Makeup Light - 24" - CSA
	081633-01-700	EA	Bulb - Makeup Light
	087894-02-000	EA	Wardrobe Light - w/Switch
	087894-01-700	EA	Bulb - Wardrobe Light
	072353-08-000	EA	Reading Light - 360° Swivel - Brass
	063914-01-000	EA	Bulb - Reading Light
	086280-01-000	EA	Surface - Mount Light - 12 Volt - Jensen 1236 (Cab)
	086280-01-700	EA	Bulb - Surface Mount Light
	061424-01-000	EA	Rectangular Light - Aisle & Instrument Panel
	092096-01-709	EA	Bulb - Range Hood
	064880-01-706	EA	Bulb - Refrigerator
	088737-01-710	EA	Bulb - Microwave Oven

ELECTRICAL GROUP (CONTINUED)

EXTERIOR LIGHTS & BULBS

Key	Part Number	U/M	Description
	075459-04-000	EA	Lamp Asm. - Tail/Brake - Red
	075459-05-000	EA	Lamp Asm. - Turn - Amber
	075459-06-000	EA	Lamp Asm. - Backup/Reflector - Clear/Red
	037935-01-000	EA	Bulb - 12 Volt - #1157 - Used For Tail Lamp Asm
	081250-02-000	EA	Light - Clearance - Rear
	081250-02-700	EA	Lens - Clearance Light - Red
	081250-01-000	EA	Light - Clearance - Front
	081250-01-700	EA	Lens - Clearance Light - Amber
	081437-01-000	EA	Bracket - Clearance Light
	078795-01-000	EA	Light Asm. - License Plate
	036196-01-000	EA	Bulb - 12 Volt - #194 - Used For Clearance & License Plate
	042405-03-000	EA	Base - Side Marker Light - w/Bulb (8GE 1895)
	042405-02-000	EA	Lens - Side Marker Light - Amber
	042405-01-000	EA	Lens - Side Marker Light - Red
	008089-01-000	EA	Porch Light - Recessed - USA
	008089-02-000	EA	Porch Light - Recessed - CSA
	008089-01-700	EA	Lens - Porch Light - Recessed
	008215-01-000	EA	Bulb - 12 Volt - #1003 - Porch Light
	051057-02-000	EA	Spotlight - Power Driven (Option 63E)
	051057-01-705	EA	Bulb - Spotlight (Option 63E)
	084901-01-000	EA	Lamp Asm. - Park/Turn
	049185-01-000	EA	Headlight Capsule Asm. - Driver - High/Low Beam
	049186-01-000	EA	Headlight Capsule Asm. - Passenger - High/Low Beam
	049187-01-000	EA	Headlight Capsule Asm. - Driver - High Beam
	049188-01-000	EA	Headlight Capsule Asm. - Passenger - High Beam
	049359-01-000	EA	Spring - Headlight Retainer
	082207-01-000	EA	Headlight Guard
	090202-01-000	EA	Headlight Bezel - Passenger - Black
	090202-02-000	EA	Headlight Bezel - Driver - Black
	088747-01-000	EA	Lamp Asm. - Fog - Clear Lens (Option 57M)
	033508-02-000	EA	Light - Dome - Ivory - Storage Compartment - USA
	033508-03-000	EA	Light - Dome - Ivory - Storage Compartment - CSA
	033508-02-700	EA	Lens - Dome Light
	008218-01-000	EA	Bulb - 12 Volt - Dome Light

WINDSHIELD WIPERS & WASHER

Key	Part Number	U/M	Description
	057474-02-000	EA	Windshield Wiper Asm
	067191-02-000	EA	Motor Asm. - w/Lead
	067191-02-701	EA	Pivot - Wiper Motor
	067190-01-700	EA	Shaft & Pivot Asm. - Passenger
	067193-01-000	EA	Link Asm. - Connecting - Passenger - 7"
	057474-02-700	EA	Shaft & Pivot Asm. - Driver
	067192-01-000	EA	Link Asm. - Connecting - Driver - 39"
	057653-01-000	EA	Arm - Windshield Wiper - 18" - Black
	049464-01-000	EA	Blade Asm. - Windshield Wiper - 20"
	049464-03-700	EA	Blade Asm. - Windshield Wiper - 20" - Refill
	063971-01-000	EA	Support - Windshield Wiper Asm
	050000-02-000	EA	Windshield Washer Asm. - w/o Nozzles
	067188-01-000	EA	Stud & Crank
	045794-01-000	FT	Hose - 5/32" I.D. - Black

1989 ITASCA TABLE OF CONTENTS

INTRODUCTION	A-01
ABBREVIATIONS	A-01
ALPHABETICAL INDEX	A-02 - A-04
WC/JM34RQ	A-05 - D-18
WJM40RQ	D-19 - G-24

1989 IC/JM34RQ INDEX

Floor Plan	A-05 - A-06
Accessories Group	A-07 - A-12
Bath Group	A-13 - A-16
Chassis Group	A-17 - A-24
Curtain, Cushion & Pad Group	B-01 - B-14
Dinette Group	B-15 - B-16
Driver's Compartment Group	B-17 - B-22
Electrical Group	B-23 - C-02
Exterior Body Group	C-03 - C-08
Galley Group	C-09 - C-12
Heating & Air Conditioning Group	C-13
Interior Finish Group	C-14 - C-15
LP Group	C-16
Lounge Group	C-17 - C-20
Water & Sewage Group	C-21 - C-23
Window, Vent & Exterior Door Group	C-24 - D-18

ELECTRICAL GROUP (CONTINUED)

WIRE, SWITCHES, RECEPTACLES

Key	Part Number	U/M	Description
	008288-01-000	EA	Box - Electrical - 3" x 3 5" - Plastic
	008289-01-000	EA	Box - Electrical - 4" x 4" - 1/2 & 3/4 - Steel - USA
	008289-02-000	EA	Box - Electrical - 4" x 4" - 1/2 & 3/4 - Steel - CSA
	058049-01-000	EA	Box - Electrical - 2" x 3" x 2 25" - Steel
	041953-01-000	FT	Conduit - Convolute Slit - .50" I.D.
	041953-02-000	FT	Conduit - Convolute Slit - .625" I.D.
	041953-03-000	FT	Conduit - Convolute Slit - 1" I.D.
	041953-05-000	FT	Conduit - Convolute Solid - .625" I.D.
	041953-06-000	FT	Conduit - Convolute Slit - .375" I.D.
	041953-07-000	FT	Conduit - Convolute Slit - .375" I.D.
	041953-09-000	FT	Conduit - Convolute Slit - .50" I.D.
	041953-10-000	FT	Conduit - Convolute Slit - .75" I.D.
	041953-11-000	FT	Conduit - Convolute Slit - 1.063" I.D.
	008353-01-000	EA	Connector - 3/8" - Cable Clamping
	008355-01-000	EA	Connector - 3/4" - Cable Clamping
	008356-01-000	EA	Connector - 3/8" - Plastic
	008311-01-000	EA	Connector - Wire Nut - Red
	008312-01-000	EA	Connector - Wire Nut - Blue
	008313-01-000	EA	Connector - Wire Nut - Yellow
	008314-01-000	EA	Connector - Wire Nut - Gray
	031968-01-000	EA	Contact Plug - Brass - Tin Plated
	031967-01-000	EA	Contact - Receptacle
	006052-01-000	EA	Cord - Power - 10/3 - 30 Amp - 25' - CSA
	008054-01-000	EA	Cord - Power - 10/3 - 30 Amp - 25' - USA
	008294-01-000	EA	Cover - Electrical Box - Flat Blank - 4" x 4" - Steel - USA
	008294-02-000	EA	Cover - Electrical Box - Flat Blank - 4" x 4" - Steel - CSA
	069238-01-000	EA	Cover - Electrical Box - 4" x 4"
	076319-09-000	EA	Cover - Receptacle - Brown
	084077-01-000	EA	Cover - Receptacle - Ivory - GFI
	084077-03-000	EA	Cover - Blank A/C - Ivory
	090964-01-000	EA	Cover - Exterior Receptacle
	092633-02-02A	EA	Cover - A/C - Plate - Off White
	064399-01-000	EA	Housing Asm. - Trailer Pin
	064398-01-000	EA	Housing Asm - Trailer Pin - Receptacle
	064450-01-000	EA	Housing Asm - Trailer Plug
	054532-01-000	EA	Housing Pin - 6 Position
	054532-02-000	EA	Housing Pin - 4 Position
	054532-10-000	EA	Housing Pin - 10 Position
	054532-11-000	EA	Housing Socket - 10 Position
	024924-02-000	EA	Receptacle - Power Cord
	058707-01-000	EA	Receptacle - Single - Brown - T & B
	058708-01-000	EA	Receptacle - Duplex - Brown - T & B
	058708-02-000	EA	Receptacle - Duplex - Ivory - T & B
	084076-01-000	EA	Receptacle - Duplex - Ivory - GFI
	090961-01-000	EA	Receptacle - Duplex - Exterior
	086273-01-000	EA	Relay - Battery Disconnect
	008195-01-000	EA	Switch - Push Button - 12 Volt
	056264-01-000	EA	Switch - Leaf Actuator
	079362-04-000	EA	Switch - Plate - 4 Gang/2 Switch
	079363-01-000	EA	Switch - Plate - Single - w/Switch
	079363-01-700	EA	Switch Only
	079363-03-000	EA	Switch Plate - Single - w/Switch - Polished Brass
	079364-01-000	EA	Switch - On/Off Rocker - Brown
	081066-02-000	EA	Switch Plate - 2 Gang/2 Switch
	008328-01-000	EA	Terminal - Ring - 12/10 Wire
	008331-01-000	EA	Terminal - Ring - 4 - w/3/8" Stud
	008348-01-000	EA	Terminal - Ring - 2 - w/3/8" Stud
	047443-01-000	EA	Terminal - 250 Receptacle 16-14
	047443-03-000	EA	Terminal - 187 Receptacle 16-14
	008024-01-000	EA	Wire - 18.5 Bonded - Orange/White/Yellow/Blue/Brown
	008025-01-000	EA	Wire - 18.5 Bonded - Orange/White/Yellow/Blue/Green
	008026-01-000	EA	Wire w/Ground - Romex - 12/2
	008027-01-000	EA	Wire w/Ground - Romex - 14/2
	008343-01-000	EA	Wire Tie - 6"

ELECTRICAL GROUP (CONTINUED)

BULBS

Key	Part Number	U/M	Description
	008218-01-000	EA	Bulb - #1141 - Dome Light
	087479-01-000	EA	Bulb - #1078 - Table & Wall Lamp
	091937-03-000	EA	Bulb - Fluorescent Light - Recessed
	078424-02-700	EA	Bulb - Fluorescent Light - Galley
	081633-01-700	EA	Bulb - Makeup Light
	087694-01-700	EA	Bulb - Wardrobe Light
	063914-01-000	EA	Bulb - Reading Light
	088280-01-700	EA	Bulb - Surface Mount Light (Cab)
	088737-01-710	EA	Bulb - Microwave Oven
	092696-01-709	EA	Bulb - Range Hood
	084890-01-708	EA	Bulb - Refrigerator
	037935-01-000	EA	Bulb - #1157 - Tail Lamp Asm
	036196-01-000	EA	Bulb - #1194 - Clearance & License Plate Lights
	008215-01-000	EA	Bulb - #1003 - Porch Light & Shower Light
	051057-01-705	EA	Bulb - Spotlight (Option 63E)

MISCELLANEOUS ELECTRICAL COMPONENTS

Key	Part Number	U/M	Description
	008188-01-000	EA	Solenoid - Dual Battery - Relay
	083208-02-000	EA	Control Center - 45 Amp - BW6345A
	036420-02-000	EA	Fan - 6" Defroster - 2 Speed (Option 36N)
	069294-01-000	EA	Lighter Asm - Cigarette
	072852-01-000	EA	Smoke Detector
	090939-01-000	EA	Leak Detector - LP Gas
	097395-01-000	EA	Leak Detector - LP Gas

**1989 ITASCA
TABLE OF CONTENTS**

INTRODUCTION	A-01
ABBREVIATIONS	A-01
ALPHABETICAL INDEX	A-02 - A-04
WC/JM34RQ	A-05 - D-18
WJM40RQ	D-19 - G-24

1989 IC/JM34RQ INDEX

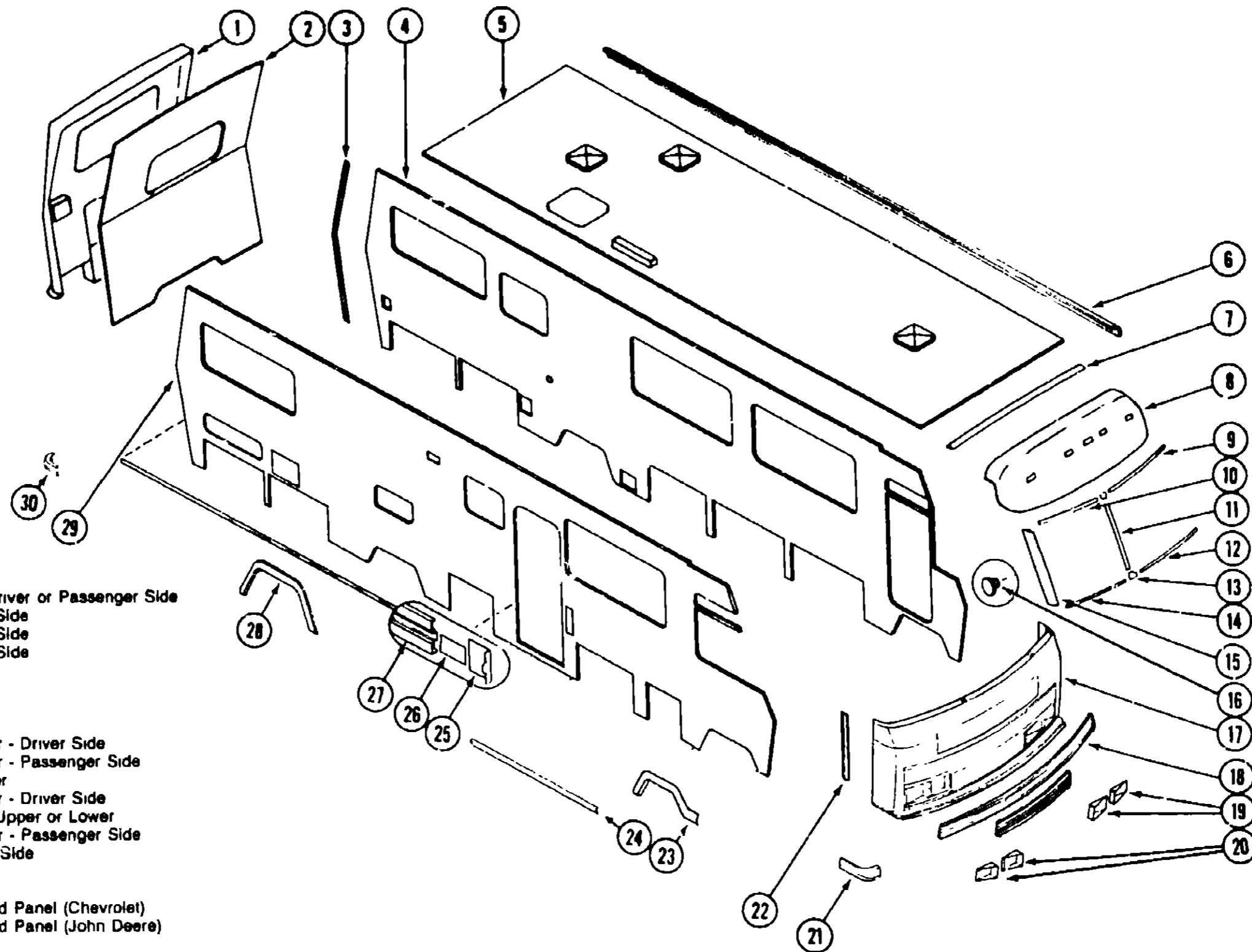
Floor Plan	A-05 - A-06
Accessories Group	A-07 - A-12
Bath Group	A-13 - A-16
Chassis Group	A-17 - A-24
Curtain, Cushion & Pad Group	B-01 - B-14
Dinette Group	B-15 - B-16
Driver's Compartment Group	B-17 - B-22
Electrical Group	B-23 - C-02
Exterior Body Group	C-03 - C-08
Galley Group	C-09 - C-12
Heating & Air Conditioning Group	C-13
Interior Finish Group	C-14 - C-15
LP Group	C-16
Lounge Group	C-17 - C-20
Water & Sewage Group	C-21 - C-23
Window, Vent & Exterior Door Group	C-24 - D-18

EXTERIOR BODY GROUP
EXTERIOR BODY PANELS & TRIM

1989 ITASCA
TABLE OF CONTENTS

INTRODUCTION
 ABBREVIATIONS
 ALPHABETICAL INDEX
 WC/JM34RQ
 WJM40RQ

A-01
 A-01
 A-02 - A-04
 A-05 - D-18
 D-19 - G-24



Key	Part Number	U/M	Description
1	088402-02-000	EA	Rear Cap Panel
2	089558-01-Y70	EA	Rear Backwall Asm
2	089558-01-Y71	EA	Rear Backwall Asm
2	089558-01-Y72	EA	Rear Backwall Asm
3	073502-25-000	EA	Trim Rear Backwall - Driver or Passenger Side
4	M93426-01-Y70	EA	Sidewall Asm - Driver Side
4	M93426-01-Y71	EA	Sidewall Asm - Driver Side
4	M93426-01-Y72	EA	Sidewall Asm - Driver Side
5	092817-02-Y70	EA	Roof Asm
6	078600-12-000	EA	Roof Cover - 168 3"
7	078580-01-000	EA	Roof Trim - Front Cap
8	089923-03-000	EA	Roof Cap - Primed
9	077944-02-000	EA	Reveal Molding - Upper - Driver Side
10	077944-01-000	EA	Reveal Molding - Upper - Passenger Side
11	076676-05-000	EA	Reveal Molding - Center
12	077945-02-000	EA	Reveal Molding - Lower - Driver Side
13	077945-02-000	EA	Reveal Molding Cap - Upper or Lower
14	077945-01-000	EA	Reveal Molding - Lower - Passenger Side
15	079225-03-000	EA	Trim Post - Passenger Side
	079225-04-000	EA	Trim Post - Driver Side
16	034141-02-000	EA	Nylon Hole Plug - 3/8"
17	M01115-27-Y70	EA	Front End Asm w/Hood Panel (Chevrolet)
17	M01115-18-X70	EA	Front End Asm w/Hood Panel (John Deere)
18	090411-01-X70	EA	Crylle Asm. - Upper
	090412-01-X70	EA	Grille Asm. - Lower
	088252-02-000	FT	Chrome Trim - 1" Plastic
	088252-03-000	FT	Chrome Trim - 2" Plastic
19	090202-02-000	EA	Headlight Bezel - Driver Side
20	090202-01-000	EA	Headlight Bezel - Passenger Side
21	078577-09-000	EA	Bumper End Cap - Passenger Side
	078577-10-000	EA	Bumper End Cap - Driver Side
22	089922-02-000	EA	Trim - Front End Asm. - Driver or Passenger Side
23	078556-13-000	EA	Trim - Front Wheelwell - Passenger Side
	078556-14-000	EA	Trim - Front Wheelwell - Driver Side
	089909-01-000	EA	Trim - Front Wheelwell - U Channel - Driver or Passenger Side
24	091161-55-004	EA	Rocker Panel

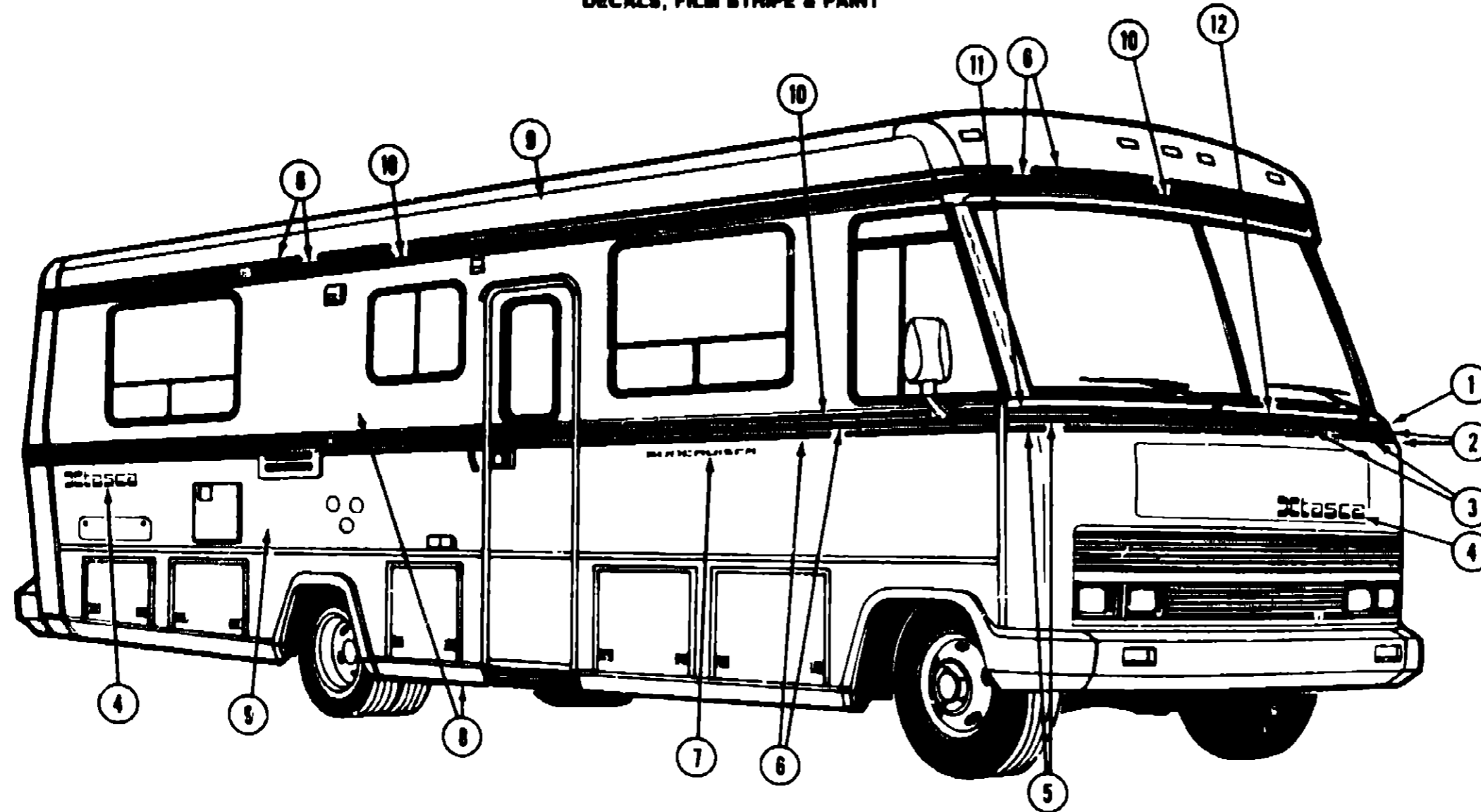
Key	Part Number	U/M	Description
25	009731-01-000	EA	End Cap Feature Strip
26	001030-11-100	EA	Insert Feature Strip - 17'
27	059576-11-000	EA	Feature Strip
28	075070-02-000	EA	Trim - Rear Wheelwell - Passenger Side
	075070-04-000	EA	Trim - Rear Wheelwell - Driver Side
	089749-01-000	EA	Trim - Rear Wheelwell - U Channel - Driver or Passenger Side
29	M93428-01-Y70	EA	Sidewall Asm - Passenger Side
29	M93428-01-Y71	EA	Sidewall Asm - Passenger Side
29	M93428-01-Y72	EA	Sidewall Asm - Passenger Side
30	078578-07-000	EA	Bumper End Cap - Passenger Side
	078578-08-000	EA	Bumper End Cap - Driver Side

1989 IC/JM34RQ INDEX

Floor Plan	A-05 - A-06
Accessories Group	A-07 - A-12
Bath Group	A-13 - A-16
Chassis Group	A-17 - A-24
Curtain, Cushion & Pad Group	B-01 - B-14
Dinette Group	B-15 - B-16
Driver's Compartment Group	B-17 - B-22
Electrical Group	B-23 - C-02
Exterior Body Group	C-03 - C-08
Galley Group	C-09 - C-12
Heating & Air Conditioning Group	C-13
Interior Finish Group	C-14 - C-15
LP Group	C-16
Lounge Group	C-17 - C-20
Water & Sewage Group	C-21 - C-23
Window, Vent & Exterior Door Group	C-24 - D-18

EXTERIOR BODY GROUP (CONTINUED)

DECALS, FILM STRIPE & PAINT



Key	Part Number	U/M	Description
1	090984-02-000	EA	Decal - Driver Side - Upper - Gray (Paint - DuPont 44489U)
2	090985-09-000	EA	Decal - Driver Side - Lower - Blue/Peach (Paint - DuPont B8734/B8227) (Y70)
2	090985 10 000	EA	Decal - Driver Side - Lower - Green/Peach (Paint - DuPont B8221/B8227) (Y71, Y72)
3	065217 M1-000	FT	Film Stripe - Blue/Peach (Paint - DuPont B8734/B8227) (Y70)
3	065217 M2-000	FT	Film Stripe - Green/Peach (Paint - DuPont B8221/B8227) (Y71, Y72)
4	078191-01-000	EA	Decal Logo "Itasca"
5	090985-07-000	EA	Decal - Passenger Side - Lower - Blue/Peach (Paint - DuPont B8734/B8227) (Y70)
5	090985-08-000	EA	Decal - Passenger Side - Lower - Green/Peach (Paint - DuPont B8221/B8227) (Y71, Y72)
6	065218 M3-000	FT	Film Stripe - Blue/Peach (Paint - DuPont B8734/B8227) (Y70)
6	065217-K8-000	FT	Film Stripe - Green/Peach (Paint - DuPont B8221/B8227) (Y71, Y72)
7	073705-01-000	EA	Decal Logo "Suncruiser"
8	089383-01-700	EA	Paint Kit - Aegean Poly (Gray) (Paint - DuPont 44489U)
9	058637-05-000	EA	Paint - Gray Acrylic Enamel - 16 Oz. Aerosol (Paint - DuPont 61537)
9	058637-05 700	EA	Paint - Gray Acrylic Enamel - 8 Oz Touch Up
10	078831-62-000	FT	Film Stripe - Gray (Paint - DuPont 44489U)
11	090984 01-000	EA	Decal - Passenger Side - Upper - Gray (Paint - DuPont 44489U)
12	078831-61-000	FT	Film Stripe - Gray (Paint - DuPont 44489U)

1989 ITASCA TABLE OF CONTENTS

INTRODUCTION
ABBREVIATIONS
ALPHABETICAL INDEX
WC/JM34RQ
WJM40RQ

A-01
A-01
A-02 - A-04
A-05 - D-18
D-19 - G 24

1989 IC/JM34RQ INDEX

Floor Plan	A-05	A-06
Accessories Group	A-07	A-12
Bath Group	A-13	A-18
Chassis Group	A-17	A-24
Curtain, Cushion & Pad Group	B-01	B-14
Dinette Group	B-15	B-16
Driver's Compartment Group	B-17	B-22
Electrical Group	B-23	C-02
Exterior Body Group	C-03	C-08
Galley Group	C-09	C-12
Heating & Air Conditioning Group		C-13
Interior Finish Group	C-14	C-15
LP Group		C-16
Lounge Group	C-17	C-20
Water & Sewage Group	C-21	C-23
Window, Vent & Exterior Door Group	C-24	D-18

EXTERIOR BODY GROUP (CONTINUED)

SHEET FIBERGLASS PANEL, ALUMINUM & STYROFOAM

Key	Part Number	U/M	Description
	000888-01-000	SF	Styrofoam - 75" x 24" x 98"
	000870-03-000	SF	Styrofoam - 1.34" x 48" x 98"
	000370-05-000	SF	Styrofoam - .60" x 24" x 98"
	083574-01-000	SF	Styrofoam - 1.50" x 24" x 95.25"
	081395-22-000	EA	Panel - Fiberglass - Mende Board - Gray - 78.75" x 32.25"
	081395-24-000	EA	Panel - Fiberglass - Mende Board - Gray - 23.62" x 120"
	081395-08-000	EA	Panel - Fiberglass - Mende Board - Gray - 48" x 98"
	044487-01-001	EA	Aluminum - Mill Finish - Roof - 98" x 360"

MISCELLANEOUS EXTERNALLY MOUNTED PARTS

Key	Part Number	U/M	Description
	009126-01-000	EA	Assist Handle - Chrome
	087659-03-000	EA	Fit - City Water - Gray - Brass Fittings
	086260-01-000	EA	Mirror Asm - Rear View - Exterior - w/Convex - Passenger
	086260-02-000	EA	Mirror Asm - Rear View - Exterior - w/Convex - Driver
	086260-03-000	EA	Accessory Kit - Rear View Mirror - Exterior
	090983-01-000	EA	Receptacle - Outside - Cable TV
	090981-01-000	EA	Receptacle - Outside - Electric
	083815-03-000	EA	Door Stop - Plastic - Gray

SEALANTS & ADHESIVES

Key	Part Number	U/M	Description
	002337-01-000	EA	Adhesive - 1300 Tube - 3M (Window)
	004005-02-000	EA	Adhesive - Swifts - 1 Gallon (Sidewall)
	004006-04-700	EA	Adhesive - Plorco - 1 Gallon (Sidewall)
	075872-02-000	EA	Adhesive - Scotch Rubber Gripper (Rear Cap)
	081377-01-000	EA	Adhesive - Cyanoacrylate (Window & Door)
	053788-02-000	EA	Bedding Compound - Tube - White (Exterior)
	053788-08-000	EA	Bedding Compound - Tube - Clear (Window)
	053788-08-000	EA	Bedding Compound - Tube - Gray (Exterior)
	011129-01-000	EA	Seal - Plumbing Pipe - Roof - For 1 1/2" O.D. Pipe
	077987-01-000	EA	Sealant - Acrylic Latex - Tube (Interior)
	034552-02-000	EA	Sealant - Silicone - Clear (Exterior)
	034552-07-000	EA	Sealant - Silicone - Gray (Exterior)
	034552-09-000	EA	Sealant - Silicone - Smoke Gray (Exterior)
	053752-04-000	EA	Sealer - Seam - Tube - Aluminum (Roof)
	069637-01-000	EA	Sealer - 3M EC5510 - White (Door)
	069640-01-000	FT	Sealer - Ribbon - 1/4" Dia x 20' (Cabinet)
	069640-02-000	FT	Sealer - Ribbon - 1/2" x 1/8" x 30' (Sidewall)
	069640-03-000	FT	Sealer - Ribbon - 3/4" x 1/8" x 30' (Body Panels)
	069640-05-000	FT	Sealer - Ribbon - 2 1/2" x 3/32" x 30' (Body Panels)
	069640-06-000	FT	Sealer - Ribbon - 5/16" Dia x 15' (Window)
	069640-07-000	FT	Sealer - Ribbon - 2" x 3/32" x 30' (Interior)
	081359-01-000	FT	Sealer - Vinyl Glazing (Window)
	081380-01-000	FT	Sealer - Vinyl Glazing - Black (Window)
	089363-01-701	EA	Sealer - Body Seam - Flexible - Gray (Exterior)
	090340-01-000	FT	Sealer - Foam Seal - Closed Cell - 1/4" x 1/2" (Exterior)
	090340-02-000	FT	Sealer - Foam Seal - Closed Cell - 3/8" x 1/2" (Exterior)
	701674-05-000	EA	Service Manual - Sealants
	004363-01-000	FT	Tape - Foam - 3/16" x 1/2" - Gray - 1 Side (Sidewall)
	009200-01-000	EA	Tape - Furnace - 1 1/2"
	063642-01-000	FT	Tape - Adhesive - 10 Mil x 1.5" (Exterior)
	076322-02-000	FT	Tape - Foam - Double Coated - .045" x 1" (Fiberglass Seams)
	076322-03-000	FT	Tape - Foam - Double Coated - .045" x .5" (Fiberglass Seams)
	076322-04-000	FT	Tape - Foam - Double Coated - .045" x .75" (Fiberglass Seams)
	077959-01-000	FT	Tape - Foam - 1/2" Black - 2 Sided (Interior)
	079967-02-000	FT	Tape - Plastic Film - 375" (Window)
	088244-01-000	FT	Tape - Foam - Vinyl Coated - 2" (Chassis)
	091968-03-000	FT	Tape - Adhesive - 04" x 1" (Entrance Door)
	002281-01-00J	FT	Weatherstrip - Self Seal - 08" Panel x 3/16" (Window)
	056903-01-000	FT	Weatherseal - Upper Front Cap

EXTERIOR BODY GROUP (CONTINUED)

LABELS & TAGS

Key	Part Number	U/M	Description
	091243-01-000	EA	Label - Air Conditioner Cover
	074983-01-000	EA	Label - Air Conditioner Selector Switch
	087236-01-000	EA	Label - Cable Input
	006195-01-000	EA	Label - Electrical Test
	047731-01-000	EA	Label - Emergency Exit
	006199-01-000	EA	Label - Exit - Escape Window
	081417-01-000	EA	Label - Fuel
	087207-02-000	EA	Label - Fuel Cap Removal
	006196-01-000	EA	Label - Gas Test
	077510-01-000	EA	Label - Generator Prep
	054531-01-000	EA	Label - LP Gas Only
	081806-01-000	EA	Label - Overlay, Vehicle Certification
	068259-01-000	EA	Label - Safety Check List
	006084-01-000	EA	Label - Seat - w/o Seatbelts - USA
	006084-02-000	EA	Label - Seat - w/o Seatbelts - CSA
	006187-01-000	EA	Label - Sewage
	091224-01-000	EA	Label - Trailer Lighting
	087236-02-000	EA	Label - TV Outlet
	090342-01-000	EA	Label - Vapor Relief
	035709-01-000	EA	Label - Warning - No Storage
	050225-01-000	EA	Label - Warning - Stove Vent - US
	075220-01-000	EA	Label - Warning - Exterior Load
	077956-01-000	EA	Label - Warning - Smoke Detector
	006188-01-000	EA	Label - Waste Water
	006197-01-000	EA	Label - Water Test
	006082-01-000	EA	Tag - Electrical - 110 Volt Connection
	006040-01-000	EA	Tag - Refueling Warning
	006040-02-000	EA	Tag - Refueling, Warning - CSA
	006019-01-000	EA	Tag - RVI Approved - Plastic
	088772-01-000	EA	Hood Medallion - "WINNEBAGO"

FRONT HOOD PANEL & HARDWARE

Key	Part Number	U/M	Description
	089768-01-X14	EA	Panel Asm. - Hood
	073336-01-000	EA	Bracket - Striker Latch
	073811-01-000	EA	Striker Pin Asm
	073610-01-000	EA	Spring - Striker Pin
	R77006-68-172	EA	Shim Plate
	058753-01-000	EA	Bracket - Hinge Pivot - Left or Right Side
	073339-02-000	EA	Hood Asm - Left or Right Side
	R77006-68-721	EA	Hood Release Cable
	R77006-19-765	EA	Hood Release Sleeve
	R77006-38-499	EA	Spring
	072917-03-000	EA	Prop Rod

**1989 ITASCA
TABLE OF CONTENTS**

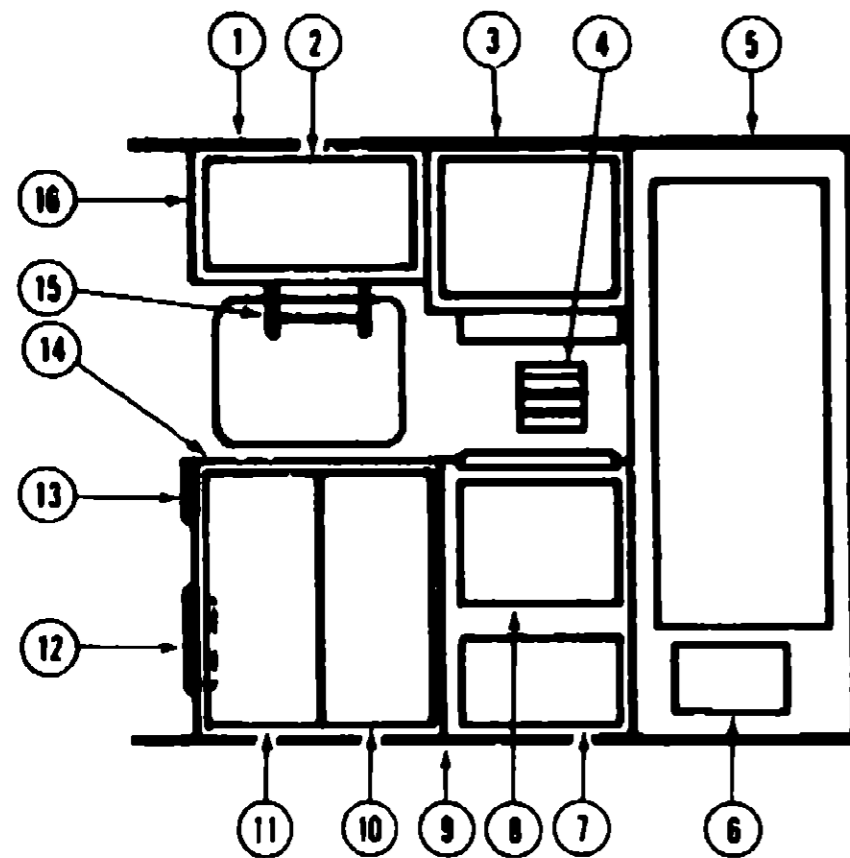
INTRODUCTION	A-01
ABBREVIATIONS	A-01
ALPHABETICAL INDEX	A-02 - A-04
WC/JM34RQ	A-05 - D-18
WJM40RQ	D-19 - G-24

1989 IC/JM34RQ INDEX

Floor Plan	A-05 - A-06
Accessories Group	A-07 - A-12
Bath Group	A-13 - A-16
Chassis Group	A-17 - A-24
Curtain, Cushion & Pad Group	B-01 - B-14
Dinette Group	B-15 - B-16
Driver's Compartment Group	B-17 - B-22
Electrical Group	B-23 - C-02
Exterior Body Group	C-03 - C-08
Galley Group	C-09 - C-12
Heating & Air Conditioning Group	C-13
Interior Finish Group	C-14 - C-15
LP Group	C-16
Lounge Group	C-17 - C-20
Water & Sewage Group	C-21 - C-23
Window, Vent & Exterior Door Group	C-24 - D-18

GALLEY GROUP

GALLEY CABINETRY



Key	Part Number	U/M	Description
1	M81666-18-X70	EA	Cabinet Asm. - Galley Overhead - w/o Door
2	M88304-11-X11	EA	Door Asm - Galley Overhead - w/o Hardware
3	M94787-05-Y07	EA	Cabinet Asm - w/o Microwave Option - w/o Door
	M88304-A9-X08	EA	Door Asm - Microwave Overhead - w/o Hardware
	081320-11-Y10	EA	End Cap Asm - Microwave Overhead
3	084787-05-Y07	EA	Cabinet Asm. - Microwave Overhead (Options 134 & 136)
4	074480-01-000	EA	Spice Rack - Unfinished
5	088896-01-Y70	EA	Cabinet Asm. - Refrigerator - 8'
5	088896-01-Y71	EA	Cabinet Asm. - Refrigerator - 8'
5	088896-01-Y72	EA	Cabinet Asm. - Refrigerator - 8'
5	088896-02-Y70	EA	Cabinet Asm. - Refrigerator - 10' (Option 34F)
5	088896-02-Y71	EA	Cabinet Asm. - Refrigerator - 10' (Option 34F)
5	088896-02-Y72	EA	Cabinet Asm. - Refrigerator - 10' (Option 34F)
6	M88304-21-X08	EA	Door Asm - Refrigerator Cabinet - w/o Hardware
7	M92073-03-X11	EA	Door Asm. - Furnace - w/Mesh Insert - w/o Hardware
8	M88304-90-X08	EA	Drawer Face Asm - Galley Cabinet - w/o Hardware (Option 136)
9	M03458-03-Y70	EA	Cabinet Asm - Galley - w/Small Oven
9	M03458-04-X70	EA	Cabinet Asm. - Galley - w/Range Top (Option 136 & 42D)
10	M88304-14-X08	EA	Door Asm. - Galley Cabinet - w/o Hardware
11	M88304-13-X08	EA	Door Asm. - Galley Cabinet - w/o Hardware
12	079808-03-W30	EA	Magazine Rack
13	080812-02-Y15	EA	Extension Asm - Galley
14	093618-14-Y18	EA	Countertop Asm - Galley
15	092488-01-Y12	EA	Paper Towel Holder
16	081320-02-W30	EA	End Cap Asm - Not Padded (Overhead Cabinet)
16	081320-04-W30	EA	End Cap Asm - Padded (Overhead Cabinet)
	000G13-08-10G	EA	Screw - 6 - 20 x 5/8" PFH - Antique Brass (Doors)
	059777-02-000	EA	Hinge - Antique Light Brass (Doors)
	088264-01-000	EA	Door Pull - Polished Brass (Doors)
	000G68-06-10G	EA	Screw - 6 - 18 x 5/8" POH - Antique Brass (Doors)
	009021-01-000	EA	Catch - Nylon - Grill (Doors)
	009021-02-000	EA	Strike - Spring Steel (Doors)
	093586-03-000	EA	Catch - Spring, Roller (Doors)
	093586-04-000	EA	Strike - Spring Steel (Doors)
	074493-02-000	EA	Support - Door, Sprung (Overhead Door)
	081320-02-W30	EA	End Cap Asm (Overhead Cabinet)
	009049-01-000	EA	Support - Dropleaf Table (Galley Extension)
	009059-01-000	EA	Hinge - Brass (Galley Extension)
	093238-01-Y12	EA	Cover - Knife Holder (Countertop Asm)
	093282-01-000	EA	Bonnet - Knife Holder (Countertop Asm)
	M92183-03-000	EA	Door Rail Asm. (Furnace Door)
	072369-36-000	EA	Mesh Insert - Bronze (Furnace Door)
	M82184-11-X36	EA	Drawer Asm - Galley Cabinet (Pots & Pans Drawer) (Option 136)
	084486-05-000	EA	Slide Asm - Left (Galley Cabinet) (Option 136)
	084486-03-000	EA	Slide Asm - Left (Pots & Pans Drawer) (Option 136)
	084486-02-000	EA	Slide Asm. - Right (Pots & Pans Drawer) (Option 136)
	084486-04-000	EA	Slide Asm - Right - Galley Cabinet (Option 136)
	077409-02-000	EA	Drawer Slide - Plastic - 20.75" (Galley Cabinet)
	009787-08-000	EA	Wetling - Beige (Cabinets)
	009787-10-000	EA	Wetling - Mahogany (Cabinets)
	083820-01-000	FT	T-Molding - 3/4" w/Edge Lips - Brown (Overhead Cabinet)
	078325-18-000	FT	Edge Band - Regal Oak (Countertop & Galley Extension)
	081521-02-007	EA	Molding - 84 Hole Space (Cabinets)
	042357-11-000	EA	Corner Molding - Radius Plastic - Light Oak
	080178-02-000	EA	Corner Cap - Radius - Light Oak (Overhead & Refrigerator Cabinets)
	072992-08-000	EA	Molding - Reverse Cove (Galley Cabinet)

1989 ITASCA TABLE OF CONTENTS

INTRODUCTION	A-01
ABBREVIATIONS	A-01
ALPHABETICAL INDEX	A-02 - A-04
WC/JM34RQ	A-05 - D-18
WJM40RQ	D-19 - G-24

1989 IC/JM34RQ INDEX

Floor Plan	A-05 - A-06
Accessories Group	A-07 - A-12
Bath Group	A-13 - A-16
Chassis Group	A-17 - A-24
Curtain, Cushion & Pad Group	B-01 - B-14
Dinette Group	B-15 - B-16
Driver's Compartment Group	B-17 - B-22
Electrical Group	B-23 - C-02
Exterior Body Group	C-03 - C-08
Galley Group	C-09 - C-12
Heating & Air Conditioning Group	C-13
Interior Finish Group	C-14 - C-15
LP Group	C-16
Lounge Group	C-17 - C-20
Water & Sewage Group	C-21 - C-23
Window, Vent & Exterior Door Group	C-24 - D-18

GALLEY GROUP (CONTINUED)

GALLEY APPLIANCES

Key	Part Number	Unit	Description
	094038-01-000	EA	Refrigerator - w/Small Double Door - Norcold 663
	094038-01-000	EA	Refrigerator - w/Large Double Door - Norcold 663
	094038-01-700	EA	PC Board Asm - 3-Way (663, 663)
	094038-01-701	EA	Eyebrow Shell - 3-Way (663, 663)
	094038-01-702	EA	Gasket - Upper - Gray (663, 663)
	094038-01-703	EA	Hinge Plate - Left Hand (663, 663)
	094038-01-705	EA	Upper Door Liner - White (663, 663)
	094038-01-708	EA	Upper Door Handle Asm. (663, 663)
	094038-01-709	EA	Hinge Plate - Right Hand (Top) - Left Hand (Bottom) (663, 663)
	094038-01-711	EA	Juice Rack - Gray w/Silver Trim (663, 663)
	094038-01-712	EA	Door Bin - Gray w/Silver Border (663, 663)
	094038-01-700	EA	Door Gasket - Lower - Gray (663)
	094038-01-713	EA	Door Gasket - Lower - Gray (663)
	094038-01-701	EA	Lower Door Liner - Brown/White (663)
	094038-01-714	EA	Lower Door Liner - Brown/White (663)
	094038-01-703	EA	Lower Door Handle Asm. (663)
	094038-01-717	EA	Lower Door Handle Asm. (663)
	094038-01-718	EA	Milk Bin - Gray w/Silver Trim (663, 663)
	094038-01-719	EA	Dairy Keeper - Gray w/Silver Trim (663, 663)
	094038-01-705	EA	Cab Asm. - Brown Frame/White Liner (663)
	094038-01-720	EA	Cab Asm. - Brown Frame/White Liner (663)
	084880-01-747	EA	Hole Plug - Hinge Holes (663, 663)
	084880-01-734	EA	Hinge Bracket - Right Hand (Top) - Left Hand (Bottom) (663, 663)
	084880-01-735	EA	Hinge Bracket - Left Hand (Top) - Right Hand (Bottom) (663, 663)
	084880-01-731	EA	Hinge Pin - Male (663, 663)
	094038-01-726	EA	Evaporator Shell (663, 663)
	094038-01-727	EA	Hinge Bracket - Center Hinge (663, 663)
	094038-01-729	EA	Hinge Pin Shaft - Center Hinge (663, 663)
	094038-01-731	EA	Crisper - Gray w/Silver Trim (663, 663)
	094038-01-732	EA	Front Cover - Black Bottom Trim (663, 663)
	094038-01-733	EA	Wire Shelf - Middle (663, 663)
	094038-01-734	EA	Wire Shelf - Top w/Riser (663, 663)
	094038-01-735	EA	Inside Drip Tray - White (663, 663)
	094038-01-736	EA	Light Switch - Black (663, 663)
	094038-01-737	EA	Power Supply - 3-Way (663, 663)
	094038-01-738	EA	Manual Shut-Off - Harper Wyman (663, 663)
	094038-01-739	EA	Shell - Cutout (663, 663)
	089983-02-000	EA	Baffle - Refrigerator - Back
	090195-02-000	EA	Baffle - Refrigerator - Lower
	054450-01-000	EA	Level - Refrigerator
	065225-01-000	EA	Tiedown Plate - Refrigerator
	067544-01-000	EA	Bracket Asm - Tiedown - Refrigerator - Right
	067544-02-000	EA	Bracket Asm. - Tiedown - Refrigerator - Left
	055282-04-000	EA	Range w/Small Oven - 4 Burner - Almond - Magic Chef BT16NA-4-50
	055282-04-700	EA	Panel - Oven Door - Almond
	055282-01-701	EA	Door Frame - Lower
	055282-01-702	EA	Door Front - Glass
	055282-03-700	EA	Thermostat
	055282-03-702	EA	Knob - Thermostat
	055282-03-704	EA	Inlet Fitting - Thermostat
	055282-03-705	EA	Cabinet Trim - Black - Left
	055282-03-707	EA	Cabinet Trim - Black - Right
	055282-03-708	EA	Vertical Trim - Black
	055282-03-708	EA	Plug - Plastic
	064782-02-710	EA	Clip - Glass Holder
	064782-02-711	EA	Main Top - Almond - 4 Burner - Square
	064782-02-712	EA	Grate - Top Burner - Square
	064782-02-713	EA	Gas Regulator
	064782-02-714	EA	Nipple - 1/8"
	064782-02-715	EA	Clip - Grate
	085280-04-000	EA	Cover - Range w/Small Oven - BI-Fold - Almond
	055518-01-000	EA	Tiedown Bracket - Range w/Small Oven - Left
	055518-02-000	EA	Tiedown Bracket - Range w/Small Oven - Right

GALLEY GROUP (CONTINUED)

GALLEY APPLIANCES (CONT.)

Key	Part Number	Unit	Description
	081374-01-000	EA	Range Top - 4 Burner - Almond - Magic Chef BT85NA-4 (Option 136)
	081374-01-700	EA	Range Top - Cabinet Trim - Right (Option 136)
	081374-01-701	EA	Range Top - Cabinet Trim - Left (Option 136)
	081374-01-702	EA	Range Top - Manifold Panel - Warm Black (Option 136)
	081374-01-703	EA	Range Top - Trim - Top Rear (Option 136)
	081374-01-704	EA	Range Top - Fabric Guard (Option 136)
	085280-03-000	EA	Cover - Range Top - BI-Fold - Almond (Option 136)
	081867-01-000	EA	Tiedown Bracket - Range Top - Right (Option 136)
	081867-02-000	EA	Tiedown Bracket - Range Top - Left (Option 136)
	082888-03-01A	EA	Range Hood w/Monitor Panel - Ventline - USA
	082888-04-01A	EA	Range Hood w/Monitor Panel - Ventline - CSA
	082888-03-700	EA	Range Hood - Chassis w/Wiring - Almond - USA
	082888-04-700	EA	Range Hood - Chassis w/Wiring - CSA
	082888-03-701	EA	Range Hood - Control Panel Asm.
	082888-03-702	EA	Range Hood - Control Panel Face Plate
	092897-01-000	EA	Range Hood - Cable Asm. - 314MM - w/Nut
	091288-03-000	EA	Microwave Oven - Magic Chef - M16-10PB (Options 134 & 136)
	094750-01-000	EA	Microwave Oven - Tiedown Bracket (Options 134 & 136)
	094774-01-01A	EA	Microwave Oven Trim - Black - Right (Options 134 & 136)
	094774-02-01A	EA	Microwave Oven Trim - Black - Left (Options 134 & 136)
	088737-01-000	EA	Microwave/Convection Oven - Magic Chef M71C-10 (Option 42D)
	088737-01-700	EA	Microwave/Convection Oven - Control (Option 42D)
	088737-01-701	EA	Microwave/Convection Oven - Frame Panel (Option 42D)
	088737-01-702	EA	Microwave/Convection Oven - Touch Panel Asm (Option 42D)
	088737-01-703	EA	Microwave/Convection Oven - Frame Door (Option 42D)
	088737-01-704	EA	Microwave/Convection Oven - Glass - Outside Door (Option 42D)
	088737-01-705	EA	Microwave/Convection Oven - Trim - Upper Frame - Inner (Option 42D)
	088737-01-706	EA	Microwave/Convection Oven - Cabinet (Option 42D)
	088737-01-707	EA	Microwave/Convection Oven - Fuse (Option 42D)
	088737-01-708	EA	Microwave/Convection Oven - Transformer (Option 42D)
	088737-01-709	EA	Microwave/Convection Oven - Trim (Option 42D)
	088737-01-710	EA	Microwave/Convection Oven - Bulb - Oven - 30 Watt (Option 42D)
	088737-01-711	EA	Microwave/Convection Oven - Relay - Complete (Option 42D)
	088737-01-712	EA	Microwave/Convection Oven - Trim (Option 42D)
	088737-02-000	EA	Microwave/Convection Oven - Frame Kit - Magic Chef BKM71 B (Option 42D)
	093528-01-000	EA	Sink - Double Bowl - Stainless Steel - 25" x 19" - Kevco D22519-3
	092303-01-000	EA	Strainer - Sink - Kevco 48866
	064952-01-000	EA	Faucet - Galley - Single Control
	081530-01-Y30	EA	Cover Asm - Sink
	093153-01-000	EA	Cutting Board - Maple
	058334-01-000	EA	Wastebasket - White
	093805-01-01A	EA	Towel Rack - Galley Cabinet
	095812-01-020	EA	Leak Detector - LP Gas
	072852-01-000	EA	Smoke Detector
	088882-01-000	EA	Microwave/Convection Oven - Tiedown Bracket - Right (Option 42D)
	088882-02-000	EA	Microwave/Convection Oven - Tiedown Bracket - Left (Option 42D)

1989 ITASCA TABLE OF CONTENTS

INTRODUCTION	A-01
ABBREVIATIONS	A-01
ALPHABETICAL INDEX	A-02 - A-04
WC/JM34RQ	A-05 - D-18
WJM40RQ	D-19 - G-24

1989 IC/JM34RQ INDEX

Floor Plan	A-05 - A-06
Accessories Group	A-07 - A-12
Bath Group	A-13 - A-16
Chassis Group	A-17 - A-24
Curtain, Cushion & Pad Group	B-01 - B-14
Dinette Group	B-15 - B-16
Driver's Compartment Group	B-17 - B-22
Electrical Group	B-23 - C-02
Exterior Body Group	C-03 - C-08
Galley Group	C-09 - C-12
Heating & Air Conditioning Group	C-13
Interior Finish Group	C-14 - C-15
LP Group	C-16
Lounge Group	C-17 - C-20
Water & Sewage Group	C-21 - C-23
Window, Vent & Exterior Door Group	C-24 - D-18

HEATING & AIR CONDITIONING GROUP

FURNACE & ROOF AIR CONDITIONING (OPTIONS 29D, 29H, 29F, 29J)

Key	Part Number	U/M	Description
**	074488-01-000	EA	Furnace - 46,000 BTU - w/Direct Ignition - Suburban
	009198-01-000	FT	Duct - Flexible - 4" I.D. x 25'
	056464-01-000	EA	Register - 4" Dia. - Plastic - w/Damper
	056464-02-000	EA	Register - 4" Dia. - Plastic - w/o Damper
	009200-01-000	EA	Tape - Furnace - 1 1/2"
	074488-01-717	EA	Thermostat - Wall
	083741-01-000	EA	Boot - Floor Register
	084600-01-02A	EA	Grill - Floor Register
**	073742-02-000	EA	Air Conditioner - Roof Mount - Beige TSR - Chevrolet (Option 29D, 29F)
**	073743-01-000	EA	Shroud Arm - Ceiling - Cool Only
**	083763-01-02A	EA	Air Conditioner - Roof Mount - Beige TSR - Low Profile - Chevrolet (Option 29D, 29F)
	083764-01-000	EA	Shroud Arm - Ceiling - Cool Only
**	091225-01-000	EA	Air Conditioner - Roof Mount - Super Mech - John Deere (Option 29H, 29J)
	091227-01-000	EA	Shroud Arm - Ceiling - Cool Only
**	073837-01-000	EA	Switch - Air Conditioner Selector

** The illustrated parts breakdown for this item is provided on the Common Items Fiche

AUTOMOTIVE HEATER

Key	Part Number	U/M	Description
	038044-01-000	EA	Louver Arm - A/C - Adjustable
	007108-01-000	FT	Hose - Heater - 5/8" I.D. - SAE 20RE
	007281-01-000	EA	Hose - Flexible - 2 1/2" I.D.
	009200-01-000	EA	Tape - Furnace - 1 1/2"
	024990-01-000	EA	Outlet - Defroster - w/Swivel - 2" Tan
	085000-01-000	EA	Air Conditioner - Shield
	072341-07-000	EA	Heater/Evaporator Arm - w/o Duct/Control
	072341-07-700	EA	Resistor - Jumper Harness
	072341-07-701	EA	Thermostat
	072341-07-702	EA	Liquid Hose - w/Special Tap
	072341-08-000	EA	Duct/Control Kit
	072341-08-700	EA	Reservoir Vacuum
	072341-08-701	EA	Heat Plenum - Passenger
**	094831-01-000	EA	Heater/Evaporator Arm - Complete

** The illustrated parts breakdown for this item is provided on the Common Items Fiche

WATER HEATER W/MOTORAID & AUXILIARY REAR HEATER (OPTION 611)

Key	Part Number	U/M	Description
**	051393-01-000	EA	Water Heater - w/Motoraid - Direct Ignition
	007108-01-000	FT	Heater Hose - 5/8" I.D. - SAE 20R3
	008042-01-000	EA	Vinyl Tubing - 85"
	010227-01-000	EA	Tee - Plastic - BARB - 5/8" or 3/4" Hose
	010513-01-000	EA	Elbow - Black Steel - 3/8" x 90°
	061673-01-000	EA	Clamp - Motoraid
	062401-04-000	EA	Hose Clamp - Wormgear - 89" to 1 25"
	062401-10-000	EA	Hose Clamp - Wormgear - 1 08" to 2 0"
	080179-01-000	EA	Support Bracket - Heater Hose
	084405-01-000	EA	Rear Heater Arm - Ducted
	084405-01-700	EA	Heater Core
	084405-01-701	EA	Fan
	064405-01-702	EA	Motor - 12 Volt
	089353-01-000	EA	Union - Tube to Tube 5/8"
	009200-01-000	EA	Tape - Furnace - 1 1/2"
	009198-01-000	FT	Duct - Flexible - 4" I.D. x 25'
	069636-02-000	EA	Connector - 4" Duct
	023146-01-000	EA	Clamp - Screw Type - 4"
	056464-01-000	EA	Register - 4" Dia. - Plastic - w/Damper
	056464-02-000	EA	Register - 4" Dia. - Plastic - w/o Damper
	087202-02-000	EA	Switch - 4 Position - w/o Knob
**	090977-01-000	EA	Switch - Rotary Knob

** The illustrated parts breakdown for this item is provided on the Common Items Fiche

INTERIOR FINISH GROUP

MOLDINGS & TRIMS

Key	Part Number	U/M	Description
	089732-70-000	EA	Beit Strip - Regal Oak
	086284-03-000	FT	Beit Strip - Regal Oak - Tape Adhesive
	086284-13-000	FT	Beit Strip - Charcoal - Tape Adhesive (Main Wall)
	086283-23-000	EA	Beit Strip - Slate (Galley & Bath) (Y70)
	086283-21-000	EA	Beit Strip - Charcoal (Galley & Bath) (Y71) (Y72)
	086283-21-000	EA	Beit Strip - Charcoal (Main Wall)
	086283-18-000	EA	Beit Strip - Bone (Wet Bath)
	086283-30-000	EA	Beit Strip - Beige Spatter (Ceiling)
	009767-08-000	FT	Wetling - Beige
	009767-10-000	FT	Wetling - Mahogany
	024700-17-000	EA	Cover - Sidewall Roll Bar - Large - 110"
	024700-24-000	EA	Cover - Sidewall Roll Bar - Beige - 63 6"
	024700-26-000	EA	Cover - Sidewall Roll Bar - Beige - 40"
	009778-07-000	FT	U-Channel - Light Oak - 1"
	070504-01-000	FT	U-Channel - Light Brown - 65"
	070504-08-000	FT	U-Channel - Light Oak - 815"
	009089-17-000	EA	F Molding - Plastic Corner - Outside - 1" - Light Oak
	008812-17-000	EA	F Molding - Plastic Corner - Outside - 5" - Light Oak
	022982-08-000	FT	Molding - Reverse Cove - Champagne White
	042357-11-000	FT	Corner Molding - Radius Plastic - Light Oak
	076325-16-000	FT	Molding - Edge Band - Regal Oak
	076323-08-X14	FT	Cap Molding - Wall
	081078-02-000	FT	Corner Cap - Radius Plastic - Light Oak
	081521-02-007	FT	Molding - 64 Hole Space
	083620-01-000	FT	T Molding - 75" w/Lips - Brown
	092707-01-01A	EA	Molding - Regal Oak - Table Leg
	085746-01-000	FT	J Trim - Carpet - Beige - PVC

PANELING & COUNTERTOP

Key	Part Number	U/M	Description
	074497-10-000	SF	Paneling - Regal Oak (Wall & Cabinets) - 48" x 84"
	088272-44-000	SF	Paneling - Charcoal (Main Wall) - 48" x 84"
	088272-35-000	SF	Paneling - Slate (Galley & Dry Bath) - 48" x 84" (Y70)
	088272-27-000	ST	Paneling - Cocoa (Galley & Dry Bath) - 48" x 84" (Y71)
	088272-28-000	SF	Paneling - Miami (Galley & Dry Bath) - 48" x 84" (Y72)
	088272-38-000	SF	Paneling - Bone (Wet Bath) - 48" x 84"
	074497-14-000	SF	Paneling - Beige Spatter (Ceiling)
	074498-24-000	SF	Laminate - Plastic - Regal Oak
	074498-24-000	SF	Laminate - Plastic - Brittany Tan
	000821-01-000	SF	Veneer - Flat Luana - 48" x 96"
	089297-01-000	SF	Plywood - Luana - Overlay Grade - 48" x 96"
	000885-34-000	SF	Particle Board - 3/8" One Sided - Regal Oak - 49" x 97"
	000885-35-000	SF	Particle Board - 3/4" One Sided - Regal Oak - 49" x 97"
	000885-36-000	SF	Particle Board - 3/4" Two Sided - Regal Oak - 49" x 97"

1989 ITASCA TABLE OF CONTENTS

INTRODUCTION	A-01
ABBREVIATIONS	A-01
ALPHABETICAL INDEX	A-02 - A-04
WC/JM34RQ	A-05 - D-18
WJM40RQ	D-19 - G-24

1989 IC/JM34RQ INDEX

Floor Plan	A-05 - A-06
Accessories Group	A-07 - A-12
Bath Group	A-13 - A-16
Chassis Group	A-17 - A-24
Curtain, Cushion & Pad Group	B-01 - B-14
Dinette Group	B-15 - B-16
Driver's Compartment Group	B-17 - B-22
Electrical Group	B-23 - C-02
Exterior Body Group	C-03 - C-08
Galley Group	C-09 - C-12
Heating & Air Conditioning Group	C-13
Interior Finish Group	C-14 - C-15
LP Group	C-16
Lounge Group	C-17 - C-20
Water & Sewage Group	C-21 - C-23
Window, Vent & Exterior Door Group	C-24 - D-18

INTERIOR FINISH GROUP (CONTINUED)

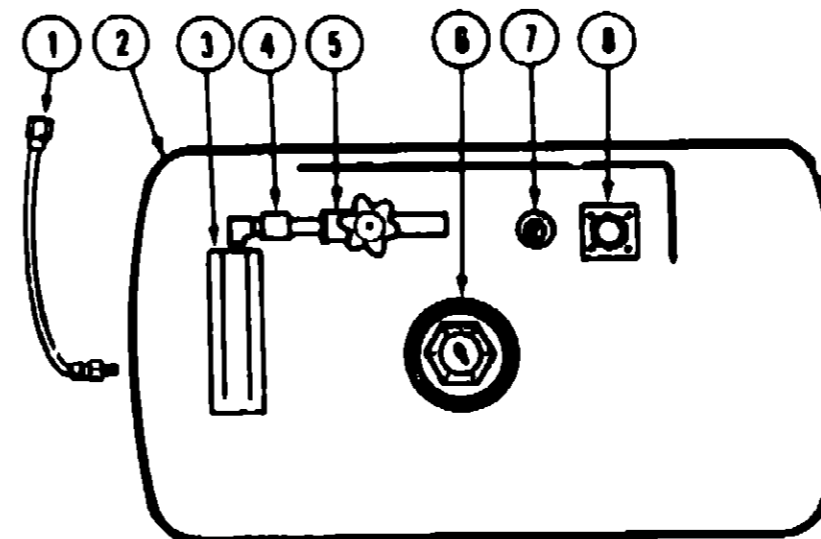
FABRIC & CARPET

Key	Part Number	U/M	Description
	088274-83-000	YD	Fabric - Upholstery - Main - Blue (Y70)
	088274-81-000	YD	Fabric - Upholstery - Main - Oakwood (Y71)
	088274-82-000	YD	Fabric - Upholstery - Main - Starburst (Y72)
	088274-33-000	YD	Fabric - Upholstery - Accent - Blue (Y70)
	088274-58-000	YD	Fabric - Upholstery - Accent - Umber (Y70)
	088274-80-000	YD	Fabric - Upholstery - Accent - Eggshell (Y72)
	072333-65-000	YD	Fabric - Drapery - Silver (Y70)
	072333-68-000	YD	Fabric - Drapery - Tan (Y71)
	072333-80-000	YD	Fabric - Drapery - Wisteria (Y72)
	088273-25-000	YD	Fabric - Bedspread - Ecu (Y70)
	088273-28-000	YD	Fabric - Bedspread - Peach (Y71)
	088880-27-000	YD	Fabric - Bedspread - Pastel (Y72)
	072880-70-000	SY	Carpet - Glacier Blue (Y70)
	072880-71-000	SY	Carpet - Pirates Alley (Y71)
	072880-66-000	SY	Carpet - Amethyst (Y72)
	083488-01-000	SY	Carpet - Charcoal - Outside Storage Compartments
	075233-01-000	SY	Pad - Carpet - 3/8"
	038421-05-000	YD	Fabric - Mattress Ticking - Gray/White
	079680-01-000	YD	Vinyl - 28 oz - Buckskin

MISCELLANEOUS

Key	Part Number	U/M	Description
	041944-03-000	EA	Fire Extinguisher - 5 B C - w/Bracket
	041944-04-000	EA	Fire Extinguisher - 5 B C - w/o Bracket
	084472-01-000	EA	Holder - Fire Extinguisher - Recessed - Light Brown
	094499-01-000	EA	Fire Extinguisher - 1A10 B C - USA
	094499-02-000	EA	Fire Extinguisher - 1A10 B C - CSA
	094651-01-01A	EA	Holder - Fire Extinguisher - Recessed - Light Oak
	040089-01-000	EA	Floor Mat - Entrance - Black
	081075-02-000	EA	Floor Mat - Entrance - Brown
	081201-02-000	EA	Floor Mat - Driver - Brown
	081202-02-000	EA	Floor Mat - Passenger - Brown
	053552-02-W24	EA	Handle Asm - Interior Assist - Vinyl - Buckskin
	054185-31-000	EA	Owners Manual - 1989
	085201-02-000	EA	Lamp Shade - Parchment - Wall Lamp
	072852-01-000	EA	Smoke Detector - w/9 Volt Battery
	097395-01-000	EA	Leak Detector - LP Gas
	093666-01-000	EA	Lockbox Asm - Outer
	093663-01-000	EA	Drawer Asm - Lockbox
	093601-01-000	EA	Lock - Security Lockbox
	M03112-02-000	EA	Door Asm - Battery - w/o Carpet
	092487-01-Y15	EA	Spice Rack
	079606-03-W30	EA	Magazine Rack
	092488-01-Y12	EA	Paper Towel Holder

LP GROUP



Key	Part Number	U/M	Description
1	045703-01-000	EA	Hose Asm - LP - 3/8" I.D. x 24" (US)
1	045703-02-000	EA	Hose Asm. - LP - 3/8" I.D. x 24" (CSA)
2	095814-01-000	EA	LP Tank - 80 Pound - 13" Dia. x 44"
3	081938-01-000	EA	Cover - LP Regulator
3	076301-01-000	EA	Regulator - Two Stage
4	090976-02-000	EA	Safety Valve - Electric
5	040421-01-703	EA	Valve - Vapor Relief
6	040421-01-707	EA	Gauge - Float - w/Visible Dial
6	040421-01-708	EA	Dial - Visible Face - Float Gauge
6	040440-01-000	EA	Dial - Visible Face - Float Gauge (w/Electric Transmitter)
7	040421-01-700	EA	Gauge - Liquid Level
8	040421-01-701	EA	Valve - Filler
8	040421-01-702	EA	Cap - Filler Valve
8	040421-01-711	EA	Inner Tank Valve - 80% Fill
	085741-01-000	EA	Gauge - Diaphragm Pressure - Test Leak
	097395-01-000	EA	LP Gas Leak Detector

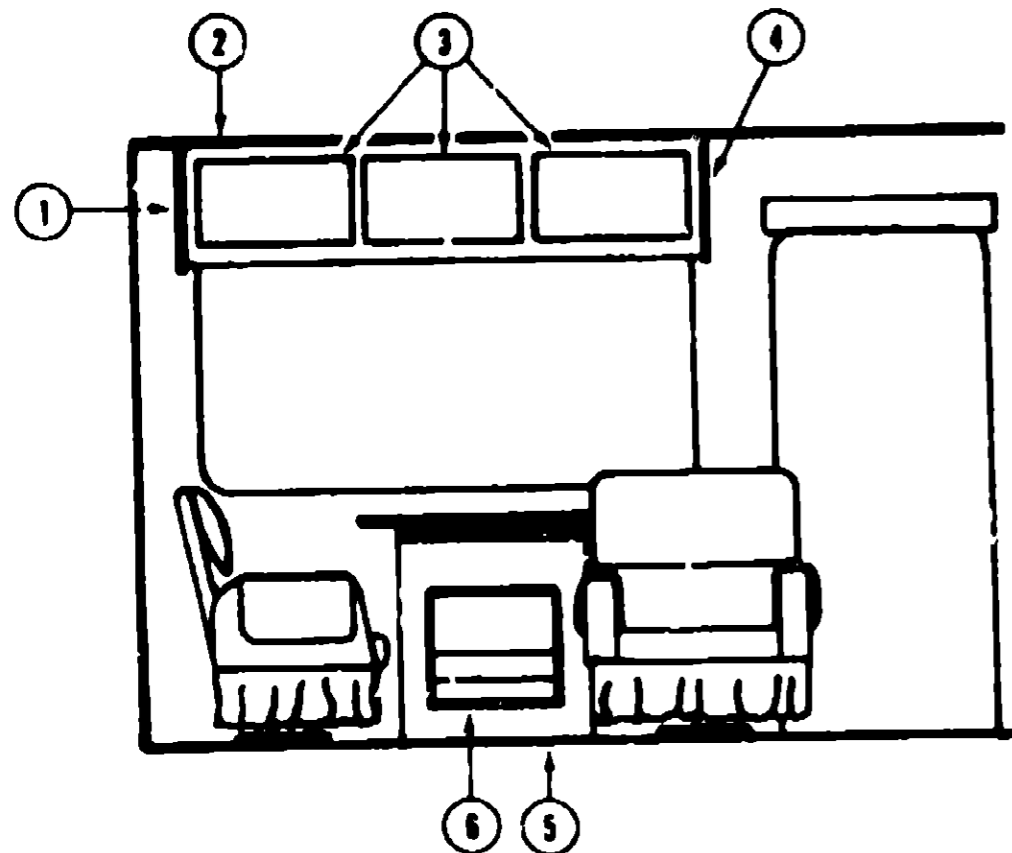
1989 ITARCA TABLE OF CONTENTS

INTRODUCTION	A-01
ABBREVIATIONS	A-01
ALPHABETICAL INDEX	A-02 - A-04
WC/JM34RQ	A-05 - D-18
WJM40RQ	D-19 - G-24

1989 IC/JM34RQ INDEX

Floor Plan	A-05 - A-06
Accessories Group	A-07 - A-12
Bath Group	A-13 - A-16
Chassis Group	A-17 - A-24
Curtain, Cushion & Pad Group	B-01 - B-14
Dinette Group	B-15 - E-18
Driver's Compartment Group	B-17 - B-22
Electrical Group	B-23 - C-02
Exterior Body Group	C-03 - C-08
Galley Group	C-09 - C-17
Heating & Air Conditioning Group	C-13
Interior Finish Group	C-14 - C-15
LP Group	C-16
Lounge Group	C-17 - C-20
Water & Sewage Group	C-21 - C-23
Window, Vent & Exterior Door Group	C-24 - D-18

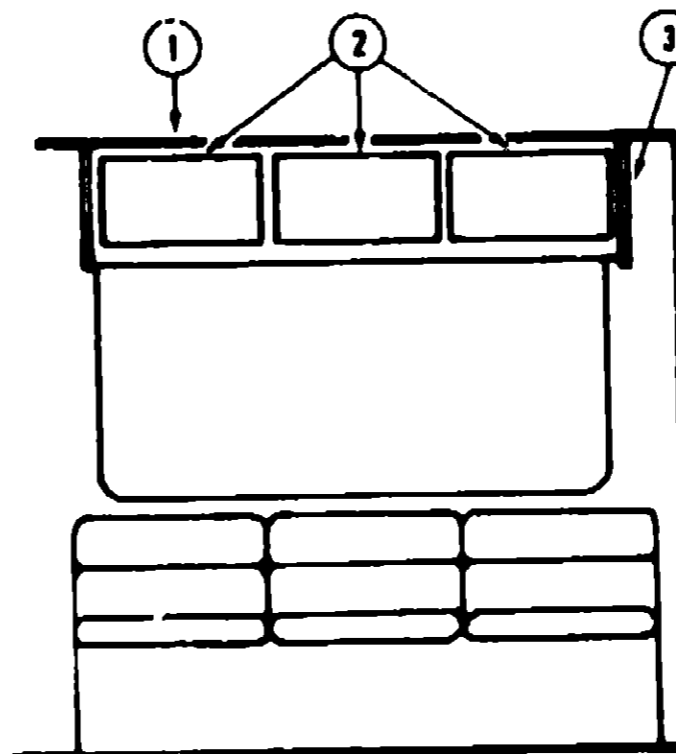
LOUNGE GROUP



OVERHEAD CABINETRY & PULLOUT TABLE - PASSENGER LOUNGE

Key	Part Number	U/M	Description
1	081825-02-X38	EA	End Cap Asm - Padded - Overhead Cabinet - Left
1	081325-04-W30	EA	End Cap Asm - Not Padded - Overhead Cabinet - Left
2	M81550-20-X70	EA	Cabinet Asm - Overhead - w/o Doors or Hardware
3	M88304-16-X23	EA	Door Asm. - Overhead Cabinet - w/o Hardware
4	081325-01-W30	EA	End Cap Asm. - Padded - Overhead Cabinet - Right
4	081325-03-W30	EA	End Cap Asm - Not Padded - Overhead Cabinet - Right
	000G13-08-10G	EA	Screw - 8 - 20 x 5/8" PFH - Antique Brass
	059777-02-000	EA	Hinge - Antique Light Brass
	088284-01-000	EA	Door Pull - Polished Brass
	000G88-08-10G	EA	Screw - 8 - 18 x 5/8" POH - Antique Brass
	074493-02-000	EA	Support - Sprung Door
	009021-01-000	EA	Catch - Nylon - Grill
	009021-02-000	EA	Strike - Spring Steel
	093588-03-000	EA	Catch - Spring Roller
	093588-04-000	EA	Strike - Spring Steel
	009767-06-000	FT	Wetling - Beige
	042357-11-000	EA	Corner Molding - Radius Plastic - Light Oak
	080176-02-000	EA	Corner Cap - Radius - Light Oak
	083620-01-000	FT	T-Molding - 3/4" w/Edge Lips
	081521-02-007	EA	Molding - 84 Hole Space
5	M90095-01-X11	EA	Cabinet Asm - Pullout Table
	016604-03-000	EA	Brace - Angle - 2 5" - Beige
	090095-11-X11	EA	Top TV Asm - Pullout Table
	076325-16-000	FT	Molding - Edge Band - Regal Oak
	090095-12-X11	EA	Cupholder - Pullout Table - Beige
	009059-01-000	EA	Hinge - Brass
	000G13-08-10G	EA	Screw - 8 - 20 x 5/8" PFH - Antique Brass
	090095-18-X14	EA	Pullout Table
	004354-01-000	EA	Bumper - 1/8" x 1/2" Dia - White
	079789-01-000	EA	Support - Pullout Table - Beige
	079921-01-000	EA	Nylon Roller w/Shaft
	080728-01-010	EA	Recessed Handle - Plastic - Brown
6	079608-03-W30	EA	Magazine Rack

LOUNGE GROUP (CONTINUED)



OVERHEAD CABINETRY - DRIVER LOUNGE

Key	Part Number	U/M	Description
1	M81302-19-X70	EA	Cabinet Asm - Overhead - w/o Doors or Hardware
2	M88304-16-X23	EA	Door Asm - Overhead Cabinet - w/o Hardware
3	081325-01-W30	EA	End Cap Asm. - Padded - Right
3	081325-03-W30	EA	End Cap Asm - Not Padded - Right
	000G13-08-10G	EA	Screw - 8 - 20 x 5/8" PFH - Antique Brass
	059777-02-000	EA	Hinge - Antique Light Brass
	088284-01-000	EA	Door Pull - Polished Brass
	000G88-08-10G	EA	Screw - 8 - 18 x 5/8" POH - Antique Brass
	074493-02-000	EA	Support - Sprung Door
	009021-01-000	EA	Catch - Nylon - Grill
	009021-02-000	EA	Strike - Spring Steel
	093588-03-000	EA	Catch - Spring Roller
	093588-04-000	EA	Strike - Spring Steel
	009767-06-000	FT	Wetling - Beige
	009767-10-000	FT	Wetling - Mahogany
	042357-11-000	EA	Corner Molding - Radius Plastic - Light Oak
	080176-02-000	EA	Corner Cap - Radius - Light Oak
	083620-01-000	FT	T-Molding - 3/4" w/Edge Lips
	081521-02-000	EA	Molding - 84 Hole Space

**1989 ITASCA
TABLE OF CONTENTS**

INTRODUCTION	A-01
ABBREVIATIONS	A-01
ALPHABETICAL INDEX	A-02 - A-04
WC/JM34RQ	A-05 - D-18
WJM40RQ	D-19 - G-24

1989 IC/JM34RQ INDEX

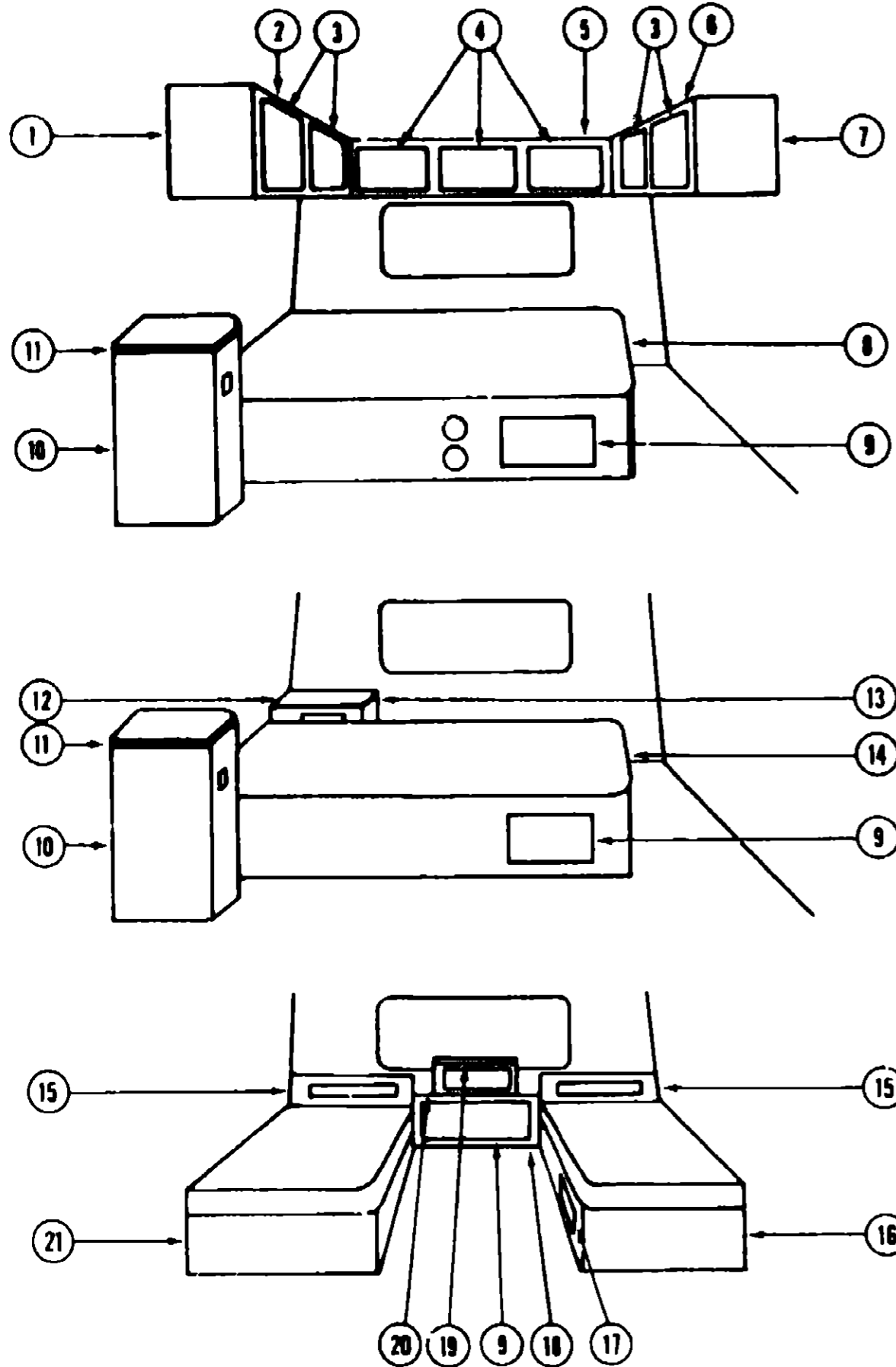
Floor Plan	A-05 - A-08
Accessories Group	A-07 - A-12
Bath Group	A-13 - A-16
Chassis Group	A-17 - A-24
Curtain, Cushion & Pad Group	B-01 - B-14
Dinette Group	B-15 - B-16
Driver's Compartment Group	B-17 - B-22
Electrical Group	B-23 - C-02
Exterior Body Group	C-03 - C-08
Galley Group	C-09 - C-12
Heating & Air Conditioning Group	C-13
Interior Finish Group	C-14 - C-15
LP Group	C-16
Lounge Group	C-17 - C-20
Water & Sewage Group	C-21 - C-23
Window, Vent & Exterior Door Group	C-24 - D-18

LOUNGE GROUP (CONTINUED)

BEDROOM CABINETS

Key	Part Number
1	081325-04-W30
2	M81730-20-X11
3	M88304-50-X23
4	M88304-08-X11
5	M81308-22-X11
6	M81730-26-X14
7	081325-03-W30
8	M88008-01-X11
9	M88304-02-X23
10	081723-01-X11
11	M02477-01-X11
12	081724-01-X11
13	M02478-01-X11
14	M88885-01-X11
15	080583-01-X14
16	M85453-01-W30
17	M88304-58-X23
18	083441-03-X11
19	M02809-01-X19
20	M02808-01-X19
21	M85452-01-W30
	000G13-08-10G
	059777-02-000
	088284-01-000
	000G88-08-10G
	009021-01-000
	009021-02-000
	093588-04-000
	093588-04-000
	074493-02-000
	084357-01-W13
	000G13-08-10G
	023320-01-000
	058331-10-000
	084356-03-000
	084412-01-000
	084451-01-000
	084824-02-000
	081521-02-007
	042357-11-000
	080178-02-000
	083820-01-000
	054856-01-000
	009767-08-000
	009767-10-000
	052859-01-W30
	076325-16-000

U/M	Description
EA	End Cap Asm - Passenger Overhead
EA	Cabinet Asm - Passenger Overhead - w/o Doors or Hardware
EA	Door Asm - Passenger Overhead - w/o Hardware
EA	Door Asm - Rear Overhead - w/o Hardware
EA	Cabinet Asm - Rear Overhead - w/o Doors or Hardware
EA	Cabinet Asm - Driver Overhead - w/o Doors or Hardware
EA	End Cap Asm - Driver Overhead
EA	Cabinet Asm - Queen Bed - w/o Doors or Hardware
EA	Door Asm - Queen, Double Bed or Twin Nightstand - w/o Hardware
EA	Cabinet Asm - Nightstand - Queen or Double Bed - w/o Countertop
EA	Countertop Asm - Nightstand - Queen or Double Bed
EA	Cabinet Asm - Nightstand - Rear - Double Bed - w/o Countertop
EA	Countertop Asm - Nightstand - Rear - Double Bed
EA	Cabinet Asm - Double Bed
EA	Headboard Asm - Twin Bed
EA	Cabinet Asm - Twin Bed - Driver - w/o Door or Hardware
EA	Door Asm - Twin Bed - Driver Side - w/o Hardware
EA	Cabinet Asm - Nightstand - Twin Bed - w/o Door, Hardware or Countertops
EA	Countertop Asm - Nightstand - Twin Bed - Upper
EA	Countertop Asm - Nightstand - Twin Bed - Lower
EA	Cabinet Asm - Twin Bed - Passenger Side
EA	Screw - 6 - 20 x 5/8" PFH - Antique Brass (Doors)
EA	Hinge - Antique Light Brass (Doors)
EA	Door Pull - Polished Brass (Doors)
EA	Screw - 6 - 18 x 5/8" POH - Antique Brass (Doors)
EA	Catch - Nylon - Grill (Doors & Drawers)
EA	Strike - Spring Steel (Doors & Drawers)
EA	Catch - Spring, Roller (Doors & Drawers)
EA	Strike - Spring Steel (Doors & Drawers)
EA	Support - Sprung Door (Doors)
EA	TV Stand Asm - Foldout
EA	Screw - 6 - 20 x 5/8" PFH - Antique Brass
EA	Felt Pad - 3/8" Dia
EA	Mirror - TV Stand - Safety Glass - 14" x 17"
EA	Insert - TV Stand - Tan
EA	Support - TV Stand - Hinged
EA	Catch - TV Stand - Brass
EA	Hinge - TV Stand - Aluminum w/Holes - Tan
EA	Molding - 64 Hole Space (Cabinets)
EA	Corner Molding - Radius - Plastic - Light Oak (Cabinets)
EA	Corner Cap - Radius - Light Oak (Overhead Cabinet)
FT	T-Molding - 3/4" w/Edge Lips (Overhead Cabinets)
EA	Rail - Bed
FT	Wetling - Beige (Cabinets)
FT	Wetling - Mahogany (Cabinets)
FT	Trim Asm - Accent (Beds)
FT	Molding - Edge Band - Regal Oak (Nightstands)



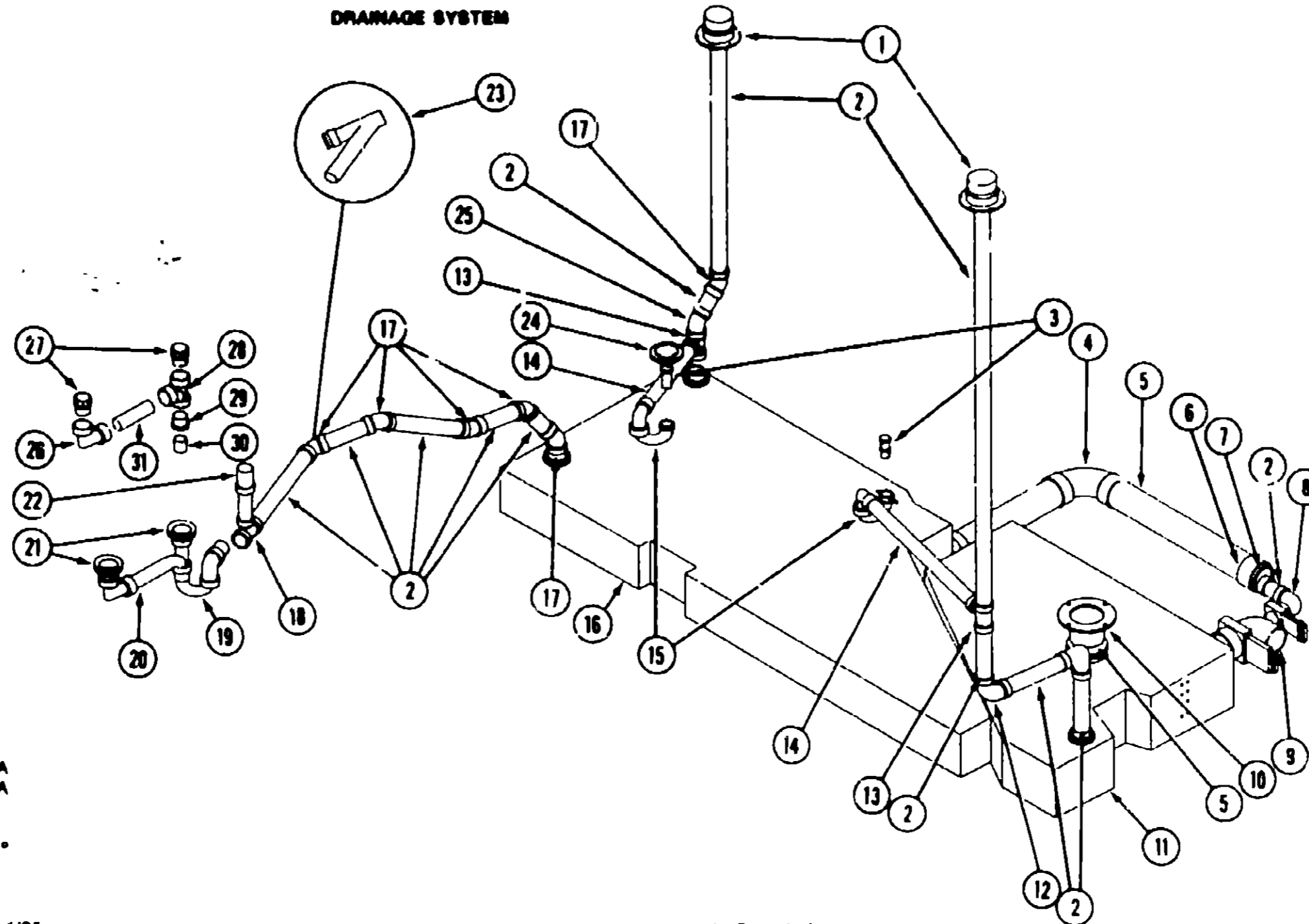
1989 ITASCA TABLE OF CONTENTS

INTRODUCTION	A-01
ABBREVIATIONS	A-01
ALPHABETICAL INDEX	A-02 - A-04
WC/JM34RQ	A-05 - D-18
WJM40RQ	D 19 - G-24

1989 IC/JM34RQ INDEX

Floor Plan	A-05 - A-06
Accessories Group	A-07 - A-12
Bath Group	A-13 - A-16
Chassis Group	A-17 - A-24
Curtain, Cushion & Pad Group	B-01 - B-14
Dinette Group	B-15 - B-16
Driver's Compartment Group	B-17 - B-22
Electrical Group	9-23 - C-02
Exterior Body Group	C-03 - C-08
Galley Group	C-09 - C-12
Heating & Air Conditioning Group	C 13
Interior Finish Group	C 14 - C-15
LP Group	C 16
Lounge Group	C-17 - C-20
Water & Sewage Group	C-21 - C 23
Window, Vent & Exterior Door Group	C-24 - D 18

**WATER & SEWAGE GROUP
DRAINAGE SYSTEM**



**1989 ITASCA
TABLE OF CONTENTS**

INTRODUCTION	A-01
ABBREVIATIONS	A-01
ALPHABETICAL INDEX	A-02 - A-04
WC/JM34RQ	A-05 - D-18
WJM40RQ	D-19 - G-24

Key	Part Number	U/M	Description
1	083558-01-000	EA	Vent Cap
2	010195-01-000	FT	Plastic Pipe - 1 1/2" - USA
2	010195-02-000	FT	Plastic Pipe - 1 1/2" - CSA
3	011089-03-000	EA	Tailpiece - Plastic - USA
3	011089-02-000	EA	Tailpiece - Brass - CSA
4	031126-01-000	EA	Elbow - 3" H x 3" H x 90°
5	010197-01-000	FT	Plastic Pipe - 3" - USA
5	010197-02-000	FT	Plastic Pipe - 3" - CSA
6	078406-01-000	EA	Rubber Coupler - 3" x 3"
7	062422-01-000	EA	Reducer Adapter - 3" x 1 1/2"
8	033761-01-000	EA	Street Elbow - 1 1/2" H x 90°
9	070916-01-000	EA	Dual Valve - 3" x 1 1/2"
10	024676-01-000	EA	Closeout Flange - USA
10	024676-02-000	EA	Closeout Flange - CSA
11	088671-03-000	EA	Holding Tank
12	010008-01-000	EA	Elbow - 1 1/2" H x 1 1/2" H x 90°
13	010079-01-000	EA	Tee - 1 1/2" H x 1 1/2" H x 1 1/4" H
14	010194-01-000	FT	Plastic Pipe - 1 1/4" - USA
14	010194-02-000	FT	Plastic Pipe - 1 1/4" - CSA
15	011066-03-000	EA	P-Trap - USA
15	011066-02-000	EA	P-Trap - CSA
16	088672-03-000	EA	Holding Tank
17	010008-01-000	EA	Elbow - 1 1/2" H x 1 1/2" H x 45°
18	010072-01-000	EA	Tee - 1 1/2" H x 1 1/4" H x 1 1/2" H
19	011066-03-000	EA	P-Trap - USA
19	053335-01-000	EA	P-Trap - CSA
20	011091-02-000	EA	Continuous Waste Asm - USA
21	092303-01-000	EA	Sink Strainer
22	079968-01-000	EA	Vent

Key	Part Number	U/M	Description
23	010073-01-000	EA	Wye - Plastic - 1 1/2" x 45° - H X H X H - CSA
	010122-02-000	EA	Bushing - Plastic - 1 1/2" x 1 1/4" T - CSA
	010106-01-000	EA	Plug - 1 1/4" - CSA
24	062422-01-000	EA	Shower Strainer
25	010051-01-000	EA	Street Elbow - 1 1/2" H x 45°
	010201-01-000	EA	Sewer Hose - 3" I.D. x 8' - w/o Twist Lock Adapter & Hose Clamp
	062416-01-000	EA	Twist Lock Adapter - 3" - Sewer Hose
	062401-09-000	EA	Hose Clamp - Wormgear - 2 8" to 3 75"
	062415-01-000	EA	Sewer Cap - 3"

CONTINUOUS WASTE (CANADA)

Key	Part Number	U/M	Description
26	037101-02-000	EA	Elbow - 1 1/2" H x 1 1/2" H x 90°
27	033302-02-000	EA	Adapter
28	010071-01-000	EA	Tee - 1 1/2" H x 1 1/2" H x 1 1/2" H
29	010121-01-000	EA	Bushing - 1 1/2" x 1 1/4" H
30	010194-02-000	FT	Plastic Pipe - 1 1/4"
31	010195-02-000	FT	Plastic Pipe - 1 1/2"

1989 IC/JM34RQ INDEX

Floor Plan	A-05 - A-06
Accessories Group	A-07 - A-12
Bath Group	A-13 - A-16
Chairs Group	A-17 - A-24
Curtain, Cushion & Pad Group	B-01 - B-14
Dinette Group	B-15 - B-16
Driver's Compartment Group	B-17 - B-22
Electrical Group	B-23 - C-02
Exterior Body Group	C-03 - C-08
Galley Group	C-09 - C-12
Heating & Air Conditioning Group	C-13
Interior Finish Group	C-14 - C-15
I.P. Group	C-16
Lounge Group	C-17 - C-20
Water & Sewage Group	C-21 - C-23
Window, Vent & Exterior Door Group	C-24 - D-18

WATER & SEWAGE GROUP (CONTINUED)

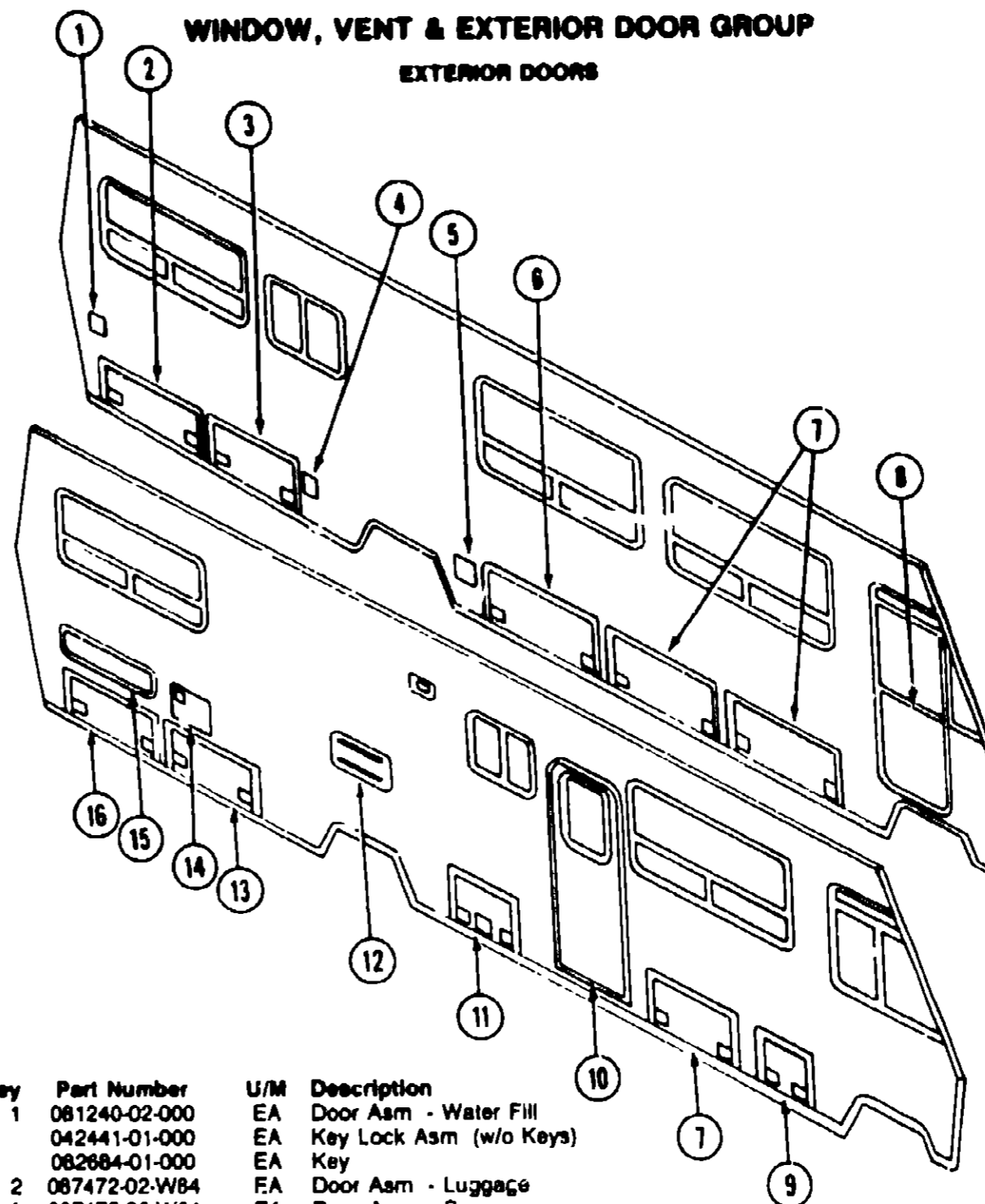
WATER LINES & HARDWARE

Key	Part Number	U/M	Description
	075240-06-000	EA	Lavatory Faucet - Brass - USA
	011066-03-000	EA	Lavatory Faucet - Chrome - CSA
	075242-03-000	EA	Faucet - Tub & Shower - Brass - USA
	031558-03-000	EA	Faucet - Tub & Shower - Chrome - CSA
	011048-02-000	EA	Shower Head - w/80" Hose - USA
	011048-05-000	EA	Shower Head - w/80" Hose - CSA
	064952-11-000	EA	Faucet - Galley - Single Control
**	051391-03-000	EA	Water Heater - w/Electronic Ignition
**	051393-01-000	EA	Water Heater - w/Direct Ignition - Motor Aid (Option 811)
	045729-01-000	EA	Water Pump - 2.8 GPM Flow - w/1/2" MPT Fitting - USA
	045729-02-000	EA	Water Pump - 2.8 GPM Flow - w/1/2" MPT Fitting - CSA
	045729-01-700	EA	Motor
	045729-01-701	EA	Base Plate Kit
	045729-01-702	EA	Diaphragm
	045729-01-703	EA	Valve Asm.
	045729-01-704	EA	Upper Housing
	045729-01-705	EA	Switch Cap Kit - w/Switch
	045729-01-706	EA	Pumphead
	045729-01-707	EA	Lower Housing
	089180-03-000	EA	Water Tank - 60 Gallon
	077954-02-000	EA	Water Filter/Screen - In Tank
	087200-01-000	EA	Filter - Water Purification (Option 29B)
	087200-02-000	EA	Cartridge - Filter - Water Purification (Option 29B)
	081240-01-000	EA	Water Fill - Lockable - Gray
	078381-01-000	EA	Flexible Tubing - Smooth - 1 25" I D
	062401-01-000	EA	Hose Clamp - Wormgear - 25" to 1" I D
	087659-03-000	EA	Water Fill - Crty - Gray
	091248-02-000	EA	Faucet - External Water
	092605-01-000	EA	Bracket - External Water Faucet
	052960-01-000	EA	Valve - Line Drain - 1/2" F x 1/2" F - 2 75"
	J52960-02-000	EA	Valve - Line Drain - 1/2" F x 1/2" F - 18"
	052954-01-000	EA	Adapter - Nose Cone - 3/8" or 1/2"
	079317-01-000	EA	Adapter - Swivel - 1/2" Tube x 1/2" FPT
	010224-01-000	EA	Adapter - Plastic - 3/8" MPT x 3/8" BARB
	044927-01-000	EA	Adapter - Plastic - 1 1/4" MPT x 1 1/4" BARB
	052959-02-000	EA	Connector - Plastic - 1/2" F x 1/2" MPT
	052957-01-000	EA	Elbow - Plastic - 1/2" F x 3/8" MPT
	035539-01-000	EA	Elbow - Plastic - 3/8" MPT x 3/8" BARB
	052957-02-000	EA	Elbow - Plastic - 1/2" F x 1/2" MPT
	065120-01-000	EA	Elbow - Plastic - Swivel - 1/2" I D
	052952-01-000	EA	Nut - Plastic - 1/2" F
	052953-01-000	EA	Nut - Faucet - 1/2" Tube x 1/2" FPT
	042989-03-000	EA	Spinweld Fitting - Plastic - 1 1/4" NPT
	042989-04-000	EA	Spinweld Fitting - Plastic - 3/8" FPT
	042989-05-000	EA	Spinweld Fitting - Plastic - 1/2" FPT
	052955-01-000	EA	Tee - Plastic - 1/2" F x 1/2" F x 1/2" MPT
	052958-01-000	EA	Tee - Plastic - 1/2" F x 1/2" F x 1/2" F
	U39800-01-000	FT	Tubing - Polybutyl - 1/2" O D x 20'
	074462-02-000	FT	Tubing - Vinyl - 3/8" I D
	096941-01-000	EA	Vacuum Breaker - 3/4" FPT x 3/4" MPT
	091208-01-000	EA	Washer - Rubber - .06" x .75" x .50"

** The illustrated parts breakdown for this item is provided on the Common Items Fiche

WINDOW, VENT & EXTERIOR DOOR GROUP

EXTERIOR DOORS



Key	Part Number	U/M	Description
1	081240-02-000	EA	Door Asm - Water Fill
	042441-01-000	EA	Key Lock Asm (w/o Keys)
	082684-01-000	EA	Key
2	087472-02-W84	EA	Door Asm - Luggage
3	087472-08-W84	EA	Door Asm - Sewer
4	078010-05-000	EA	Door Asm - Fuel Fill
	042441-01-000	EA	Key Lock Asm (w/o Keys)
	082684-01-000	EA	Key
5	088794-03-000	EA	Door Asm - Power Cord (w/Hatch)
	042442-01-000	EA	Twist Lock Asm
6	087448-11-Y70	EA	Door Asm - Generator
7	087448-03-W84	EA	Door Asm - Luggage
8	M89487-02-X70	EA	Door Asm - Driver
9	087448-10-X70	EA	Door Asm - Luggage
10	M01870-18-X70	EA	Door Asm - Entrance
11	087495-04-X70	EA	Door Asm - LP
12	084103-02-000	EA	Door - Vent - Refrigerator
12	084104-02-000	EA	Jamb - Vent - Refrigerator
13	087472-10-X70	EA	Door Asm - Luggage
14	052009-03-000	EA	Door Asm - Water Heater
15	J79578-03-W36	EA	Door Asm - Storage
16	087472-01-W84	EA	Door Asm - Luggage

1989 ITASCA TABLE OF CONTENTS

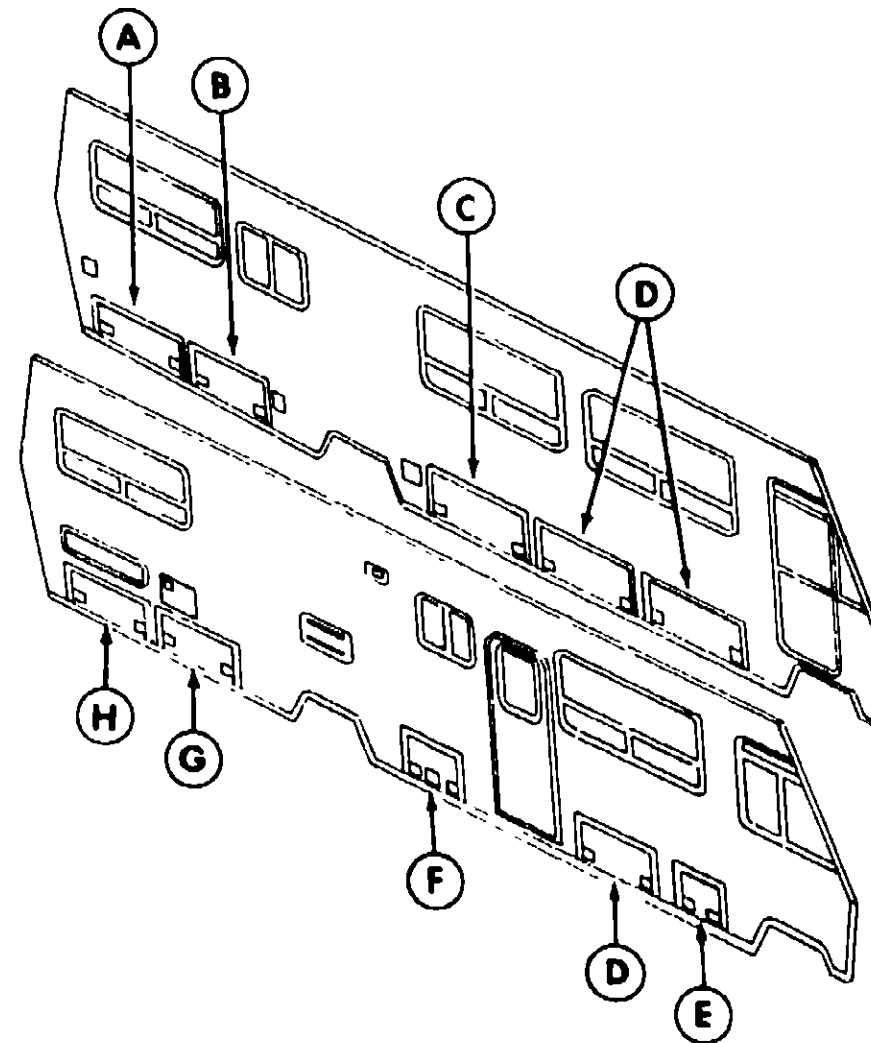
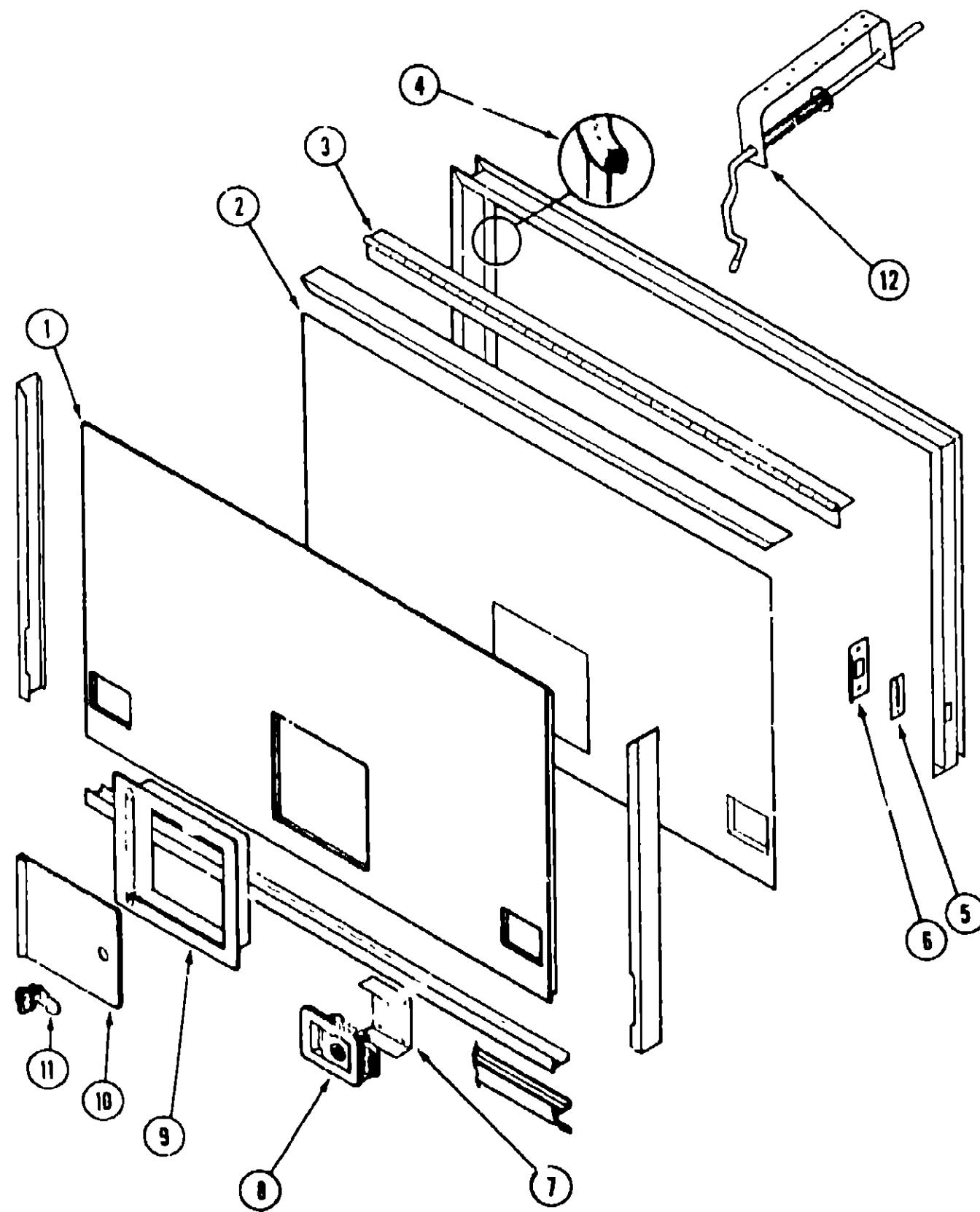
INTRODUCTION	A-01
ABBREVIATIONS	A-01
ALPHABETICAL INDEX	A-02 - A-04
WC/JM34RQ	A-05 - D-18
WJM40RQ	D-19 - G 24

1989 IC/JM34RQ INDEX

Floor Plan	A-05 - A-06
Accessories Group	A-07 - A-12
Bath Group	A-13 - A-16
Chassis Group	A-17 - A-24
Curtain, Cushion & Pad Group	B-01 - B-14
Driver's Group	B-15 - B-16
Driver's Compartment Group	B-17 - B-22
Electrical Group	B-23 - C-02
Exterior Body Group	C-03 - C-08
Galley Group	C-09 - C-12
Heating & Air Conditioning Group	C-13
Interior Finish Group	C-14 - C-15
LP Group	C-16
Lounge Group	C-17 - C-20
Water & Sewage Group	C-21 - C-23
Window, Vent & Exterior Door Group	C-24 - D-18

WINDOW, VENT & EXTERIOR DOOR GROUP (CONTINUED)

LUGGAGE & GENERATOR DOORS



Key	Part Number	U/M	Description
1	081395-08-000	EA	Mendu Board - 4' x 8' - Gray
1	083574-01-000	SF	Styrofoam - 1 1/2" x 24" x 85 1/4"
A2	089094-04-000	EA	Door Liner
B2	089094-08-000	EA	Door Liner
C2	072896-02-120	EA	Door Liner - Metal - Generator
D2	089095-06-000	EA	Door Liner
E2	089095-10-000	EA	Door Liner
F2	089097-04-000	EA	Door Liner - LP
G2	089094-10-000	EA	Door Liner
H2	089094-02-000	EA	Door Liner
3	081801-03-000	EA	Hinge - 2" x 96" - Gray
4	084075-04-000	EA	Bulb Seal
5	081087-02-000	EA	Seal
6	086609-02-000	EA	Strike
7	086610-02-000	EA	Bracket
	000G11-08-12T	EA	Screw - #8 - 18 x 3/4" Black
8	085730-02-000	EA	Paddle Latch Asm. w/Lock
9	052424-03-000	EA	Door Jamb
10	052423-03-000	EA	Door
11	042442-01-000	EA	Lock Asm - Twist Type
12	092644-01 Y15	EA	Prop Rod Asm

1989 ITASCA TABLE OF CONTENTS

INTRODUCTION
ABBREVIATIONS
ALPHABETICAL INDEX
WC/JM34RQ
WJM40RQ

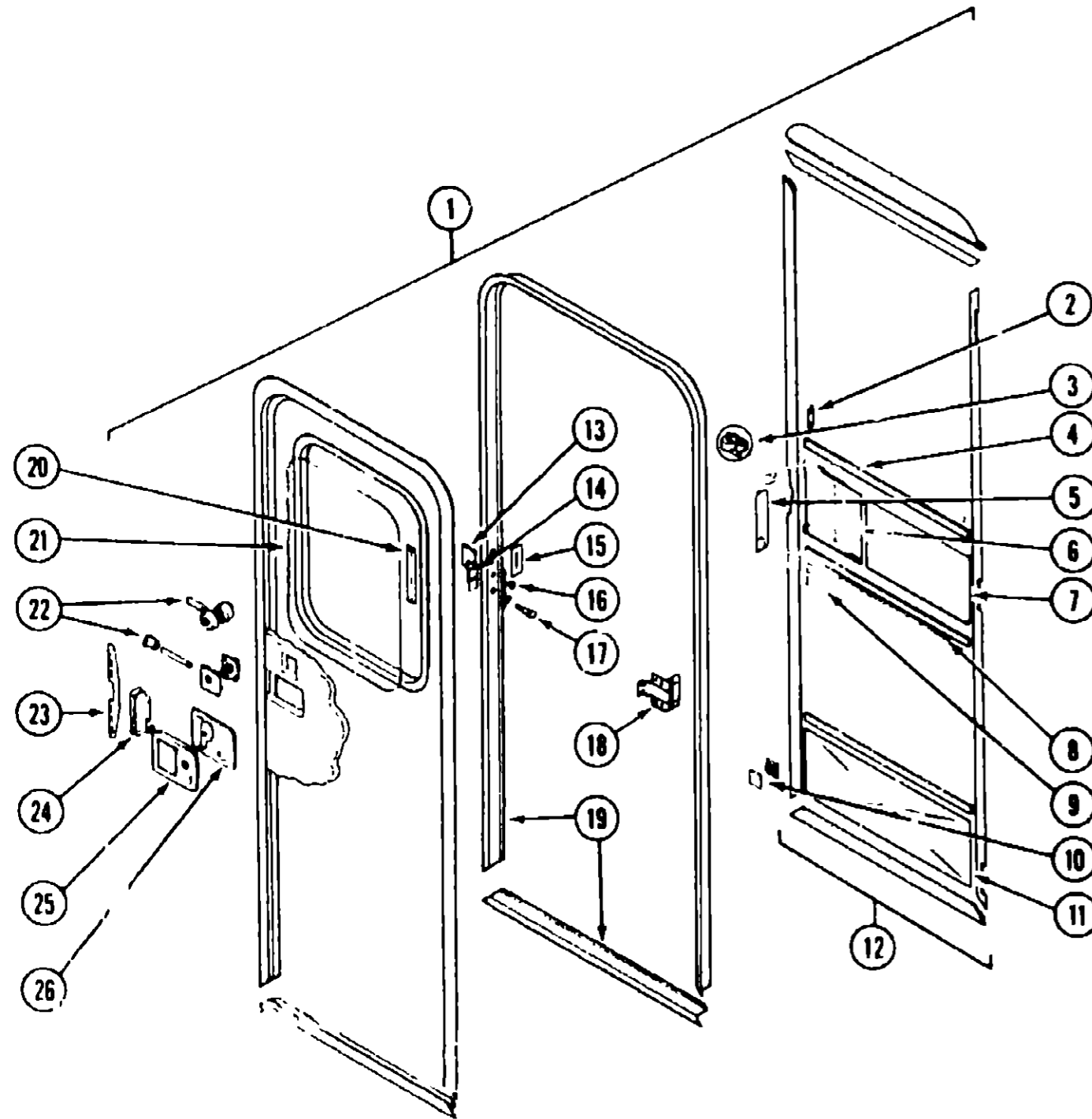
A-01
A-01
A-02 - A-04
A-05 - D 18
D 19 - G-24

1989 IC/JM34RQ INDEX

Floor Plan	A-05 - A-06
Accessories Group	A-07 - A-12
Bath Group	A-13 - A-16
Chassis Group	A-17 - A-24
Curtain, Cushion & Pad Group	B-01 - B-14
Dinette Group	B-15 - B-16
Driver's Compartment Group	B-17 - B-22
Electrical Group	B-23 - C-02
Exterior Body Group	C-03 - C-08
Galley Group	C-09 - C-12
Heating & Air Conditioning Group	C-13
Interior Finish Group	C-14 - C-15
LP Group	C-16
Lounge Group	C-17 - C-20
Water & Sewage Group	C-21 - C-23
Window, Vent & Exterior Door Group	C-24 - D-18

WINDOW, VENT & EXTERIOR DOOR GROUP (CONTINUED)

ENTRANCE DOOR



Key	Part Number	U/M	Description
1	M0187U 18-X70	EA	Door Asm. w/Screen Door
2	050712-05-000	EA	Door Handle - Screen Door
3	009018-01-000	EA	Roller Catch
4	078592-01-000	EA	Screen Door Mullion - Upper & Lower Slider
	078777-01-000	EA	Slider Channel (Mullion Insert)
5	079087-01-000	EA	Screen Door Slider Strike
6	079086-01-000	EA	Screen Door Slider
7	018454-01-000	EA	Screen Door Insert
8	002294-01-000	FT	Spline - Black
9	002293-02-000	SF	Window Screen - 26" Charcoal
10	085774-01-000	FT	Dual Lock Fastener - 1" Wide - Black
10	085774-02-000	FT	Dual Lock Fastener - 1" Wide - Black
11	078552-03-000	EA	Screen Door Insert - Lower
12	079012-01-T03	EA	Screen Door Asm
13	077481-01-000	EA	Strike Cover
14	041548-03-000	EA	Angle Bracket
15	079173-01-000	EA	Deadbolt Gasket
16	058808-01-000	EA	Plug - Tapered Plastic
17	039539-01-000	EA	Strike
18	079381-07-000	EA	Hinge
19	095277-01-03A	EA	Door Jamb
20	087581-01-000	FT	Window Seal
21	002181-08-000	EA	Glass
	079733-04-T03	EA	Window Asm w/o Inside Frame
	087809-03-000	EA	Inside Frame - Window Asm.
22	039738-01-000	EA	Deadbolt Asm - Round
22	095229-01-01A	EA	Deadbolt Asm - Square - Black
23	075739-03-000	EA	Stiffener
24	039540-01-000	EA	Latch Asm. - Hook
25	045017-05-000	EA	Latch Asm. - Plate
25	045017-10-000	EA	Latch Asm. - Plate - Black
26	039979-01-000	EA	Cover Asm - Latch Plate
26	039984-01-000	EA	Cover Asm - Latch Plate - Black
	075673-01-000	FT	Seal - Pile - Adhesive Back
	075671-01-000	FT	Seal - Sponge - Lazy T Shape

1989 ITASCA TABLE OF CONTENTS

INTRODUCTION	A-01
ABBREVIATIONS	A-01
ALPHABETICAL INDEX	A-02 - A-04
WC/JM34RQ	A-05 - D-18
WJM40RQ	D-19 - G-24

1989 IC/JM34RQ INDEX

Floor Plan	A-05 - A-06
Accessories Group	A-07 - A-12
Bath Group	A-13 - A-18
Chassis Group	A-17 - A-24
Curtain, Cushion & Pad Group	B-01 - B-14
Dinette Group	B-15 - B-18
Driver's Compartment Group	B-17 - B-22
Electrical Group	B-23 - C-02
Exterior Body Group	C-03 - C-08
Galley Group	C-09 - C-12
Heating & Air Conditioning Group	C-13
Interior Finish Group	C-14 - C-15
LP Group	C-16
Lounge Group	C-17 - C-20
Water & Sewage Group	C-21 - C-23
Window, Vent & Exterior Door Group	C-24 - D-18

WINDOW, VENT & EXTERIOR DOOR GROUP (CONTINUED)

DRIVER DOOR

Key	Part Number	U/M	Description
1	M89487-02-X70	EA	Door Asm - Complete
2	089458-02-000	EA	Door Frame - Upper
3	089459-01-000	EA	Window Frame - Outer
4	081488-02-000	EA	Glass
	081911-01-000	EA	Glass Setting Tape
5	081907-02-000	EA	Regulator Asm
6	089454-01-000	EA	Glass Run Channel - Aluminum - Black
7	082240-02-000	EA	Glass Run Channel - Aluminum - Black
	081910-02-000	EA	Glass Run Channel - Seal - 10'
8	089481-01-000	EA	Window Frame - Inner
	079370-01-000	FT	Vinyl Screw Cover - Beige
9	046888-03-000	EA	Ashtray
10	084580-03-000	EA	Check Strap
11	081400-06-000	EA	Assist Strap
12	094575-01-000	EA	Window Crank
13	082229-02-000	EA	Door Threshold (not included in Door Asm)
14	082471-02-000	EA	Trim Panel
15	081925-02-000	EA	Control Knob - Slide Bolt
16	081903-01-000	EA	Knob Shaft
17	081487-01-000	EA	Slide Bolt Housing
18	081906-01-000	EA	Slide Bolt
19	R77006-50-328	EA	Interior Door Handle
20	078542-04-000	EA	Control Rod - Latch
21	073110-03-000	EA	Control Link Rod - Lock
22	082107-03-000	EA	Door Handle Escutcheon
23	R77007-82-748	EA	Latch Asm
24	R77007-56-702	EA	Lock Asm
25	R77007-05-374	EA	Seal
26	083223-01-000	EA	Key Lock Asm
27	R77013-48-185	EA	Door Lock Catch
28	R77040-01-538	EA	Door Handle
29	085007-10-000	EA	Door Frame - Lower
30	084485-01-000	EA	Door Stop Block - Jamb
31	084485-02-000	EA	Door Stop Block - Door
32	082472-01-000	EA	Glass Retainer Channel
33	089455-04-000	EA	Door Frame - Upper Rear
34	089483-02-000	EA	Door Jamb Asm
35	063993-03-000	EA	Hinge
	082150-02-000	FT	Door Sponge Seal
	083551-01-000	EA	Jamb Sponge Seal - Lazy T Shape

1989 ITASCA TABLE OF CONTENTS

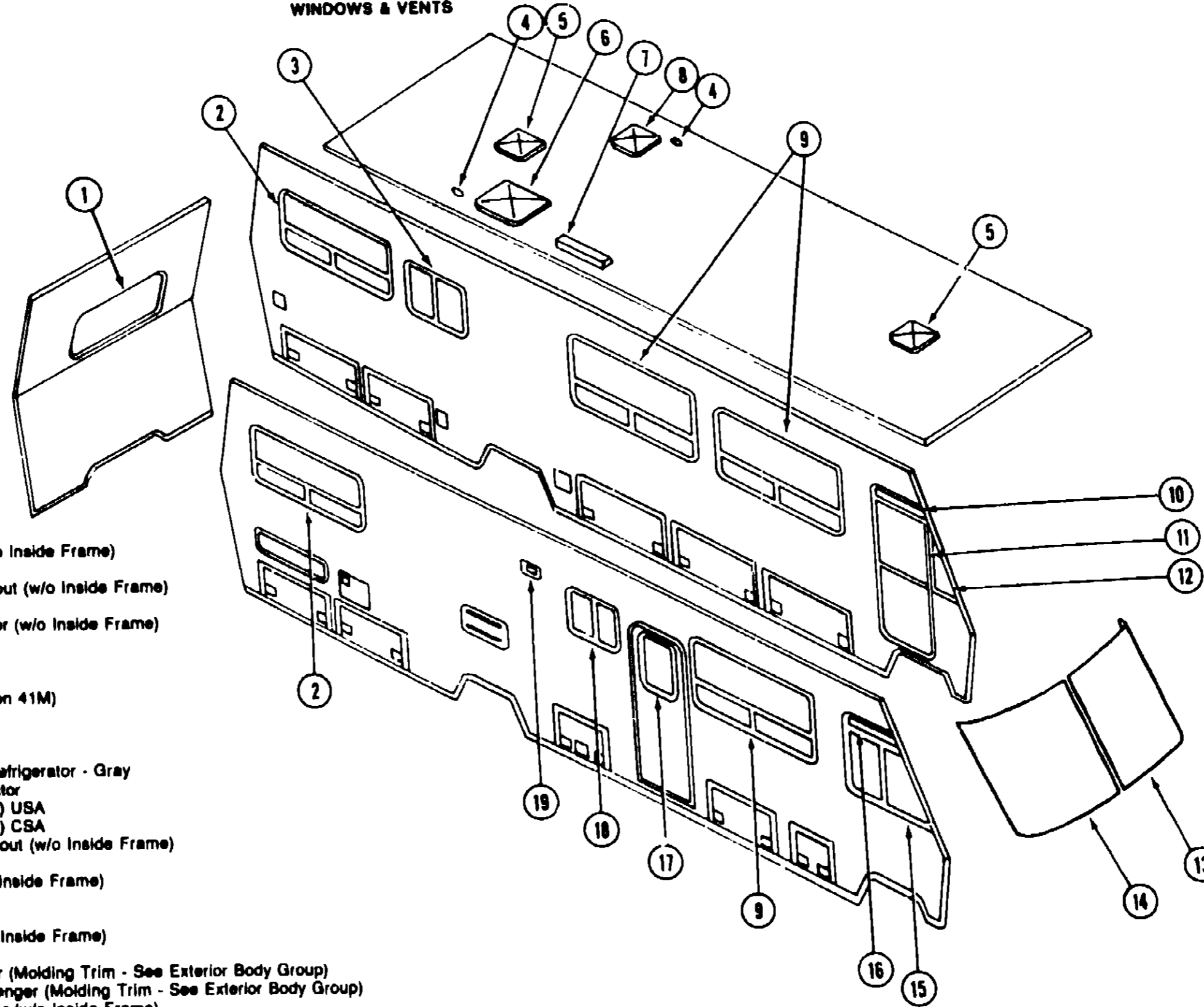
INTRODUCTION	A-01
ABBREVIATIONS	A-01
ALPHABETICAL INDEX	A-02 - A-04
WC/JM34RQ	A-05 - D-18
WJM40RQ	D-19 - G-24

1989 IC/JM34RQ INDEX

Floor Plan	A-05 - A-06
Accessories Group	A-07 - A-12
Bath Group	A-13 - A-16
Chassis Group	A-17 - A-24
Curtain, Cushion & Pad Group	B-01 - B-14
Dinette Group	B-15 - B-16
Driver's Compartment Group	B-17 - B-22
Electrical Group	B-23 - C-02
Exterior Body Group	C-03 - C-08
Galley Group	C-09 - C-12
Heating & Air Conditioning Group	C-13
Interior Finish Group	C-14 - C-15
LP Group	C-16
Lounge Group	C-17 - C-20
Water & Sewage Group	C-21 - C-23
Window, Vent & Exterior Door Group	C-24 - D-18

WINDOW, VENT & EXTERIOR DOOR GROUP (CONTINUED)

WINDOWS & VENTS



Key	Part Number	U/M	Description
1	078528-01-T03	EA	Window Asm. - Escape (w/o Inside Frame)
1	074816-01-000	EA	Inside Frame
2	085354-06-X11	EA	Window Asm. - Double Tipout (w/o Inside Frame)
2	084153-11-000	EA	Inside Frame
3	078286-04-T03	EA	Window Asm. - Single Slider (w/o Inside Frame)
3	083122-05-000	EA	Inside Frame
4	083558-01-000	EA	Roof Vent Pipe Cap
**5	090392-01-Y12	EA	Roof Vent - Non-Powered
**5	084079-04-000	EA	Roof Vent - Powered (Option 41M)
6	080507-01-000	EA	Skylight Panel - Outer
8	080506-01-000	EA	Skylight Panel - Inner
6	080258-01-000	EA	Skylight Trim
7	084073-02-000	EA	Roof Vent Top - Styled - Refrigerator - Gray
7	084073-04-000	EA	Roof Vent Base - Refrigerator
**8	090393-01-Y12	EA	Roof Vent - Powered (Bath) USA
**8	084469-06-000	EA	Roof Vent - Powered (Bath) CSA
9	085354-05-X11	EA	Window Asm. - Double Tipout (w/o Inside Frame)
9	084153-10-000	EA	Inside Frame
10	089619-02-X14	EA	Window Asm. - Vista (w/o Inside Frame)
10	089727-02-000	EA	Inside Frame
11	081488-02-000	EA	Door Glass Only - Rollup
12	079421-02-T03	EA	Window Asm. - Slant (w/o Inside Frame)
12	079215-03-000	EA	Inside Frame
13	088793-02-000	EA	Glass - Windshield - Driver (Molding Trim - See Exterior Body Group)
14	088793-01-000	EA	Glass - Windshield - Passenger (Molding Trim - See Exterior Body Group)
15	089607-01-X14	EA	Window Asm. - Slant Slider (w/o Inside Frame)
15	089603-01-X14	EA	Inside Frame
16	089619-01-X14	EA	Window Asm. - Vista (w/o Inside Frame)
16	089727-01-000	EA	Inside Frame
17	079733-04-T03	EA	Window Asm. - Entrance Door (w/o Inside Frame)
17	087809-03-000	EA	Inside Frame
18	078286-02-T03	EA	Window Asm. - Slider (w/o Inside Frame)
18	083122-03-000	EA	Inside Frame
19	092896-01-03A	EA	Vent w/Door - Range Hood - Gray

** The illustrated parts breakdown for this item is provided on the Common Items Fiche.

1989 ITASCA TABLE OF CONTENTS

INTRODUCTION
ABBREVIATIONS
ALPHABETICAL INDEX
WC/JM34RQ
WJM40RQ

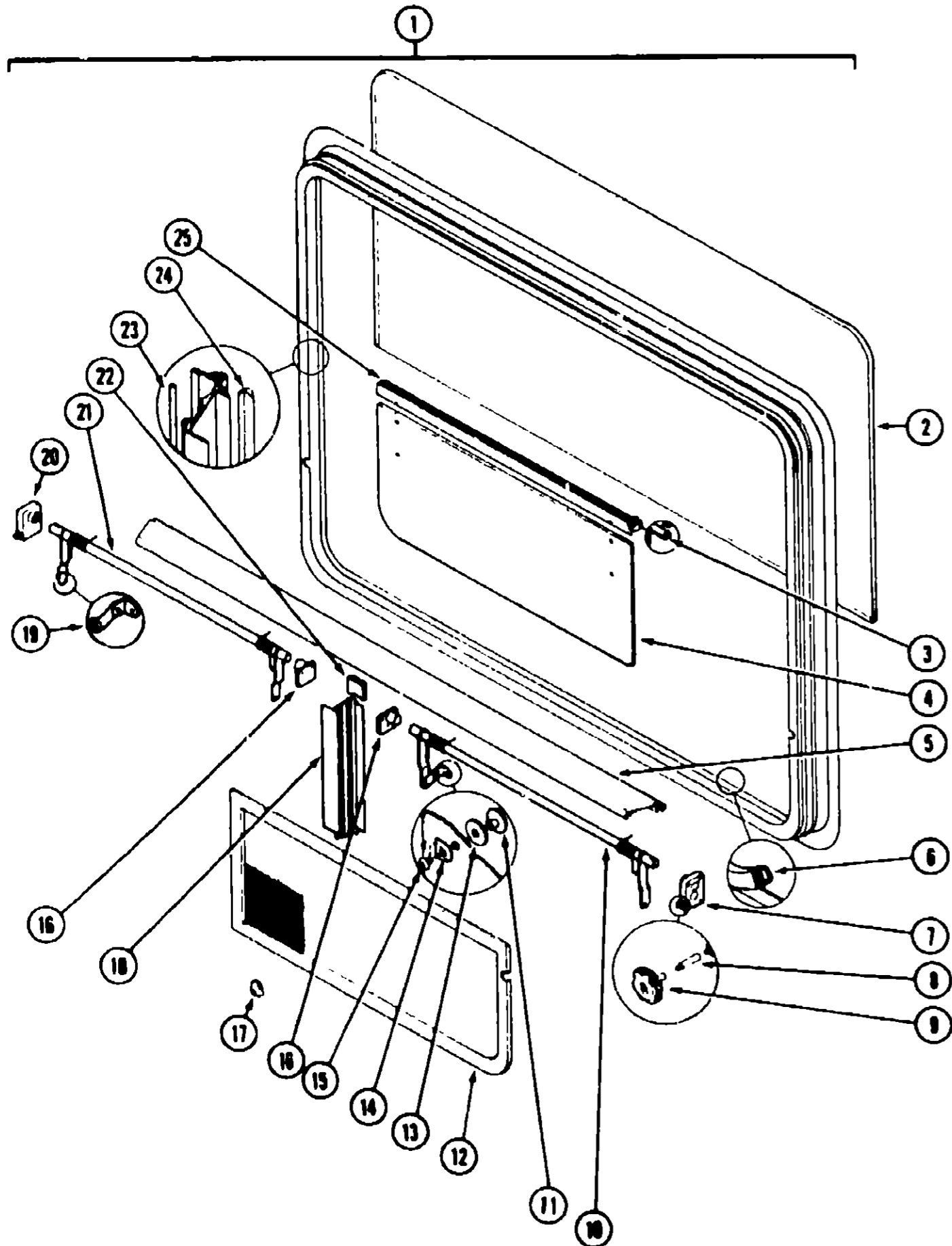
A-01
A-01
A-02 - A-04
A-05 D-18
D 19 - G-24

1989 IC/JM34RQ INDEX

Floor Plan	A-05 - A-08
Accessories Group	A-07 - A-12
Bath Group	A-13 - A-16
Chassis Group	A-17 - A-24
Curtain, Cushion & Pad Group	B-01 - B-14
Dinette Group	B-15 - B-16
Driver's Compartment Group	B-17 - B-22
Electrical Group	B-23 - C-02
Exterior Body Group	C-03 - C-08
Galley Group	C-09 - C-12
Heating & Air Conditioning Group	C-13
Interior Finish Group	C-14 - C-15
LP Group	C-16
Lounge Group	C-17 - C-20
Water & Sewage Group	C-21 - C-23
Window, Vent & Exterior Door Group	C-24 - D-18

WINDOW, VENT & EXTERIOR DOOR GROUP (CONTINUED)

BEDROOM WINDOW



Key	Part Number	U/M	Description
1	085354-06-X11	EA	Window Asm - Double Tipout
	084153-11-000	EA	Inside Frame (not included in assembly)
2	081239-19-000	EA	Glass - 1/8" x 53" x 12 1/2"
3	081357-01-070	FT	Seal
4	084068-09-000	EA	Glass - 1/8" x 9 1/4" x 26 1/4" (Left or Right Side)
5	083112-08-000	EA	Mullion - Black
	000G39-06-16T	EA	Screw - Mullion (4)
	076778-03-000	EA	Plastic Rivet - Pin Drive - Black (2)
6	084067-01-000	FT	Seal - Sponge Rubber
7	035302-01-000	EA	Operator Drive - Right Side
8	009439-06-000	EA	Extension - Window Knob (not included w/Window Assembly)
9	009439-07-000	EA	Window Knob - Black (not included w/Window Assembly)
	009439-05-000	EA	Screw - Window Knob - Black (not included w/Window Assembly)
10	083228-04-000	EA	Torque Tube Asm - Right Side
11	086782-01-000	EA	Window T Nut
12	084581-07-X11	EA	Screen Asm. - Right Side
	084581-08-X11	EA	Screen Asm. - Left Side
	002293-02-000	SF	Window Screen - 26" - Charcoal
	002298-02-000	FT	Window Screen Spline
13	088927-03-000	EA	Seal - Rubber
14	084473-01-000	EA	Seal - Rubber
15	086763-01-000	EA	Screw - #10 - 32 x 1/4"
16	081354-01-000	EA	Torque Tube Sleeve
17	081243-01-000	EA	Plastic Screen Clip
	000G12-06-06T	EA	Screw - Screen Clip
18	084192-52-001	EA	Mullion - Black
	000G37-08-08B	EA	Screw - Mullion (4)
19	097578-01-000	EA	Connecting Rod Asm
	085316-01-000	EA	Wave Washer
	081649-01-000	EA	Snap Ring Clip
20	035302-02-000	EA	Operator Drive - Left Side
21	083227-04-000	EA	Torque Tube Asm - Left Side
22	084068-01-000	FT	Seal - Double Bulb - Sponge Rubber
23	088640-06-000	FT	Seal (not included w/Window Assembly)
24	083180-01-000	FT	Seal - Vinyl
25	084155-09-000	EA	Hinge - Tipout Window - Left or Right Side

1989 ITASCA TABLE OF CONTENTS

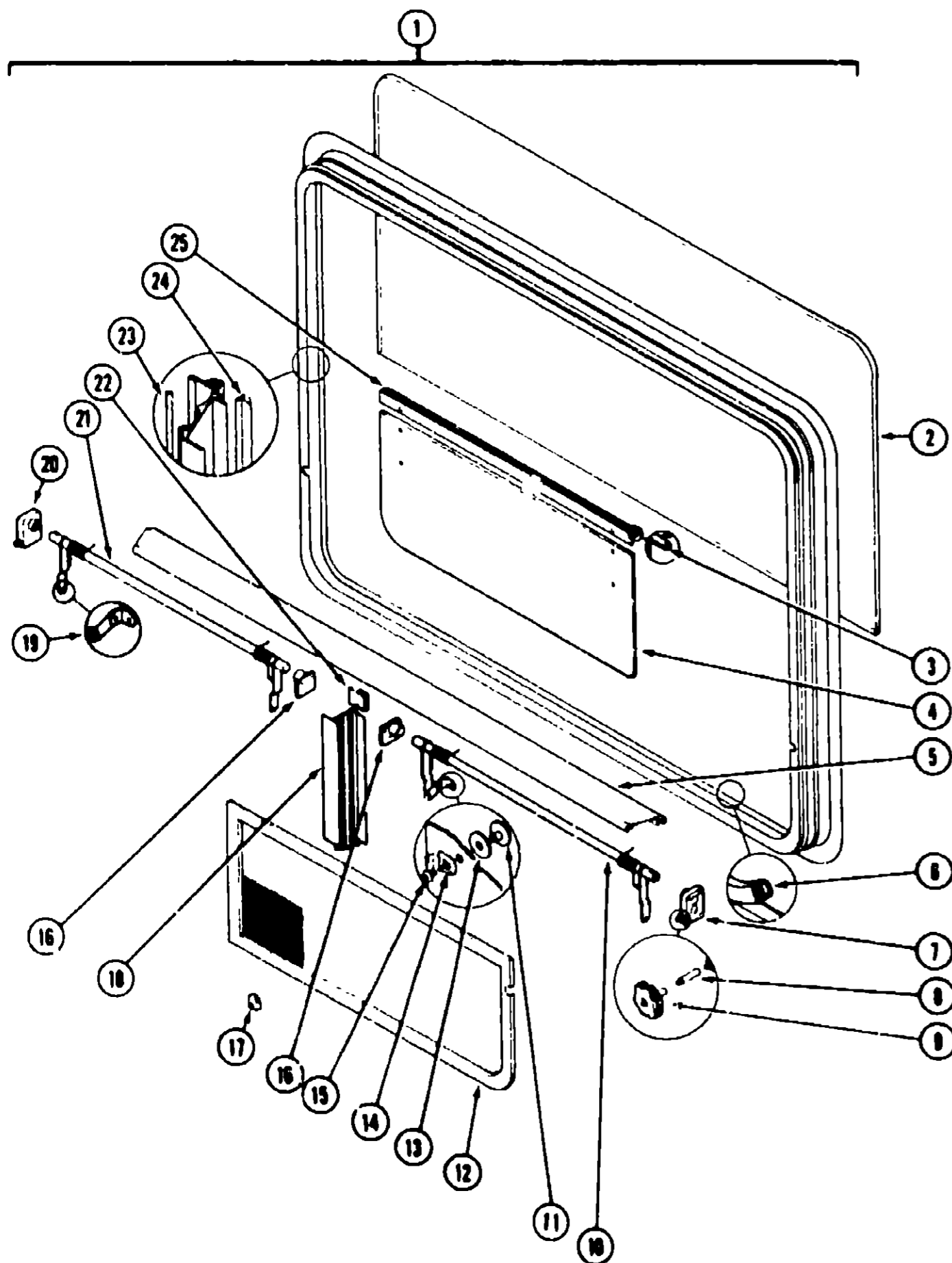
INTRODUCTION	A-01
ABBREVIATIONS	A-01
ALPHABETICAL INDEX	A-02 - A-04
WC/JM34RQ	A-05 - D-18
WJMU:RQ	D-19 - G 24

1989 IC/JM34RQ INDEX

Floor Plan	A-05 - A-06
Accessories Group	A-07 - A-12
Bath Group	A-13 - A-16
Chassis Group	A-17 - A-24
Curtain, Cushion & Pad Group	B-01 - B-14
Dinette Group	B-15 - B-16
Driver's Compartment Group	B-17 - B-22
Electrical Group	B 23 - C-02
Exterior Body Group	C-03 - C 08
Galley Group	C-09 - C-12
Heating & Air Conditioning Group	C-13
Interior Finish Group	C-14 - C-15
LP Group	C-16
Lounge Group	C-17 - C 20
Water & Sewage Group	C-21 - C-23
Window, Vent & Exterior Door Group	C 24 - D-18

WINDOW, VENT & EXTERIOR DOOR GROUP (CONTINUED)

DINETTE & FRONT LOUNGE WINDOW



Key	Part Number	U/M	Description
1	085354-05-X11	EA	Window Asm - Double Tipout
	084153-10-000	EA	Inside Frame (not included w/Window Assembly)
2	081239-18-000	EA	Glass - 1/8" x 60" x 20 1/2"
3	081357-01-000	FT	Seal
4	084088-08-000	EA	Glass - 1/8" x 9 1/4" x 30" (Left or Right, Side)
5	083112-09-000	EA	Mullion - Black
	000G39-08-18T	EA	Screw - Mullion (4)
	078778-03-000	EA	Plastic Rivt - Pin Drive - Black (2)
6	084087-11-000	FT	Seal - Sponge Rubber
7	035302-01-000	EA	Operator Drive - Right Side
8	090025-01-000	EA	Extension - Window Knob (not included w/Window Assembly)
9	077052-02-000	EA	Window Knob - Beige (not included w/Window Assembly)
	089371-01-000	EA	Screw - Window Knob (not included w/Window Assembly)
10	08328-03-000	EA	Torque Tube Asm - Right Side
11	088782-01-000	EA	Window T Nut
12	084581-05-X11	EA	Screen Asm. - Right Side
	084581-06-X11	EA	Screen Asm. - Left Side
	002293-02-000	SF	Window Screen - 26" - Charcoal
	002298-02-000	FT	Window Screen Spline
13	088927-03-000	EA	Seal - Rubber
14	084473-01-000	EA	Seal - Rubber
15	088783-01-000	EA	Screw - #10 - 32 x 1/4"
16	081354-01-000	EA	Torque Tube Sleeve
17	081243-01-000	EA	Plastic Screen Clip
	000G12-08-08T	EA	Screw - Screen Clip
18	084154-01-000	EA	Mullion - Black
	000G37-08-08B	EA	Screw - Mullion (4)
19	087578-01-000	EA	Connecting Rod Asm
	085318-01-000	EA	Wave Washer
	081849-01-000	EA	Snap Ring Clip
20	035302-02-000	EA	Operator Drive - Left Side
21	083227-03-000	EA	Torque Tube Asm - Left Side
22	084088-01-000	FT	Seal - Double Bulb - Sponge Rubber
23	088840-08-000	FT	Seal (not included w/Window Assembly)
24	083180-01-000	FT	Seal - Vinyl
25	084155-09-000	EA	Hinge - Tipout Window - Left or Right Side

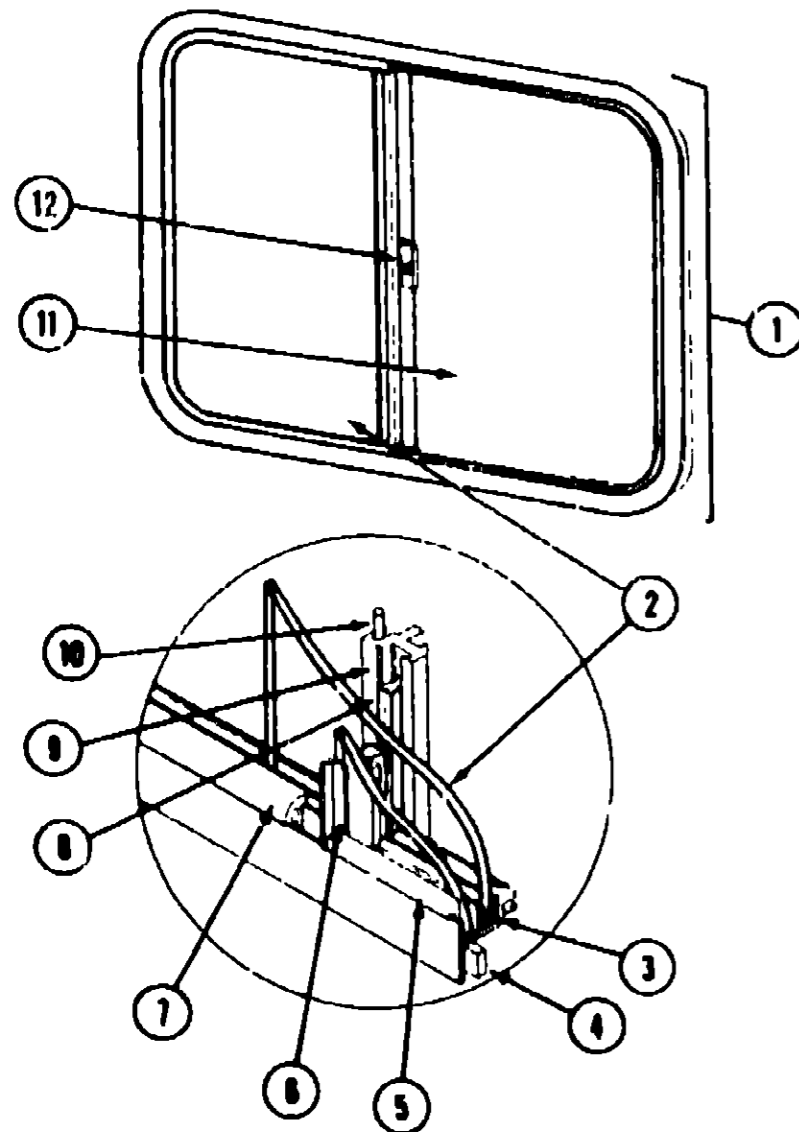
1989 ITASCA TABLE OF CONTENTS

INTRODUCTION	A-01
ABBREVIATIONS	A-01
ALPHABETICAL INDEX	A-02 - A-04
WC/JM34RQ	A-05 - D-18
WJM40RQ	D-19 - G-24

1989 IC/JM34RQ INDEX

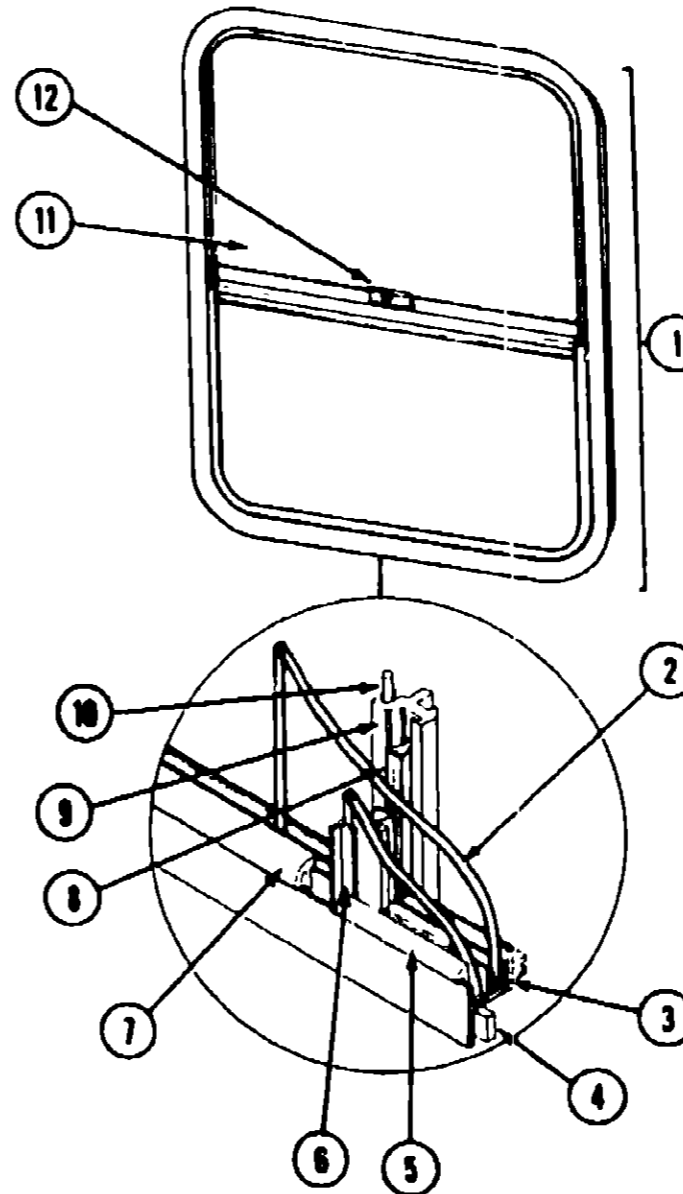
Floor Plan	A-05 - A-06
Accessories Group	A-07 - A-12
Bath Group	A-13 - A-16
Chassis Group	A-17 - A-24
Curtain, Cushion & Pad Group	B-01 - B-14
Dinette Group	B-15 - B-18
Driver's Compartment Group	B-17 - B-22
Electrical Group	B-23 - C-02
Exterior Body Group	C-03 - C-08
Galley Group	C-09 - C-12
Heating & Air Conditioning Group	C-13
Interior Finish Group	C-14 - C-15
LP Group	C-16
Lounge Group	C-17 - C-20
Water & Sewage Group	C-21 - C-23
Window, Vent & Exterior Door Group	C-24 - D-18

WINDOW, VENT & EXTERIOR DOOR GROUP (CONTINUED)



GALLEY SLIDER WINDOW

Key	Part Number	U/M	Description
1	078288-02-T03	EA	Window Asm. - Single Slider - Black (w/o Inside Frame)
	083122-G3-000	EA	Inside Frame - Beige (not included in assembly)
2	081980-05-000	EA	Glass - Sliding - 1/8" x 19" x 13.68"
3	002324-02-000	FT	Channel - Weatherstrip - Glass Run
4	069840-06-000	FT	Ribbon Seal - 5/16" Bead (not included in assembly)
5	002309-02-000	EA	Spline - Glass - 1/8" - Black
6	M89888-03-011	EA	Seal - Holder w/Fin Seal - Black
7	024088-02-000	FT	Seal - Window Channel - Black
8	073740-01-000	FT	Fin Seal - 460 Pile
9	084170-02-000	EA	Mullion - Slider Window - Black
10	002298-02-000	FT	Spline - 1.50" Dia - Charcoal (Black)
11	081984-03-000	EA	Glass - Stationary - 1/8" x 19" x 12.5"
12	047388-01-000	EA	Latch Kit - Window - Plastic
	002292-02-000	SF	Screen - Window - 20" Charcoal
	002328-01-000	EA	Window Block - 1/8" x 3/16" x 1"
	023320-01-000	EA	Felt Pad - 3/8" Dia



BATH SLIDER WINDOW

Key	Part Number	U/M	Description
1	078288-04-T03	EA	Window Asm. - Single Slider - Black (w/o Inside Frame)
	083122-05-000	EA	Inside Frame - Beige (not included in assembly)
2	081980-02-000	EA	Glass - Sliding - 1/8" x 22" x 13.68"
3	002324-02-000	FT	Channel - Weatherstrip - Glass Run
4	069840-06-000	FT	Ribbon Seal - 5/16" Bead (not included in assembly)
5	002309-02-000	FT	Spline - Glass - 1/8" - Black
6	M18025-03-000	EA	Seal - Holder w/Fin Seal - Black
7	024088-02-000	FT	Seal - Window Channel - Black
8	073740-01-000	EA	Fin Seal - 460 Pile
9	041170-03-000	EA	Mullion - Slider Window - Black
10	002298-02-000	FT	Spline - 1.30" Dia - Charcoal (Black)
11	081984-01-000	EA	Glass - Stationary - 1/8" x 22" x 18.53"
12	047388-01-000	EA	Latch Kit - Window - Plastic
	002292-02-000	SF	Screen - Window - 20" Charcoal
	002328-01-000	EA	Window Block - 1/8" x 3/16" x 1"
	023320-01-000	EA	Felt Pad - 3/8" Dia

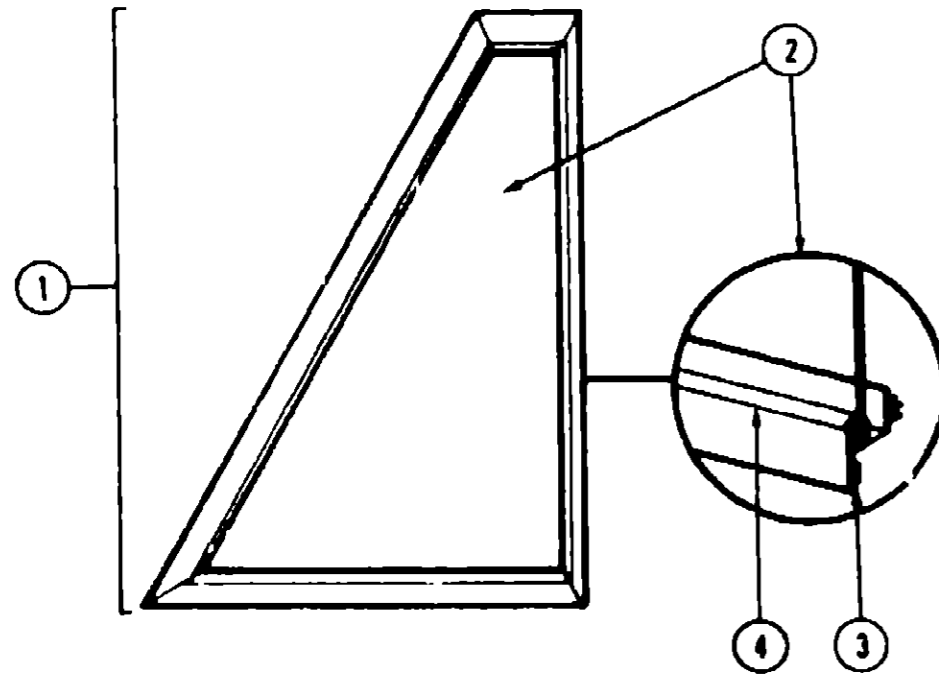
1989 ITASCA
TABLE OF CONTENTS

INTRODUCTION	A-01
ABBREVIATIONS	A-01
ALPHABETICAL INDEX	A-02 - A-04
WC/JM34RQ	A-05 - D-18
WJM40RQ	D-19 - G-24

1989 IC/JM34RQ INDEX

Floor Plan	A-05 - A-08
Accessories Group	A-07 - A-12
Bath Group	A-13 - A-18
Chassis Group	A-17 - A-24
Curtain, Cushion & Pad Group	B-01 - B-14
Dinette Group	B-15 - B-16
Driver's Compartment Group	B-17 - B-22
Electrical Group	B-23 - C-02
Exterior Body Group	C-03 - C-08
Galley Group	C-09 - C-12
Heating & Air Conditioning Group	C-13
Interior Finish Group	C-14 - C-15
LP Group	C-16
Lounge Group	C-17 - C-20
Water & Sewage Group	C-21 - C-23
Window, Vent & Exterior Door Group	C-24 - D-18

1989 ITASCA
TABLE OF CONTENTS



SLANT WINDOW - DRIVER

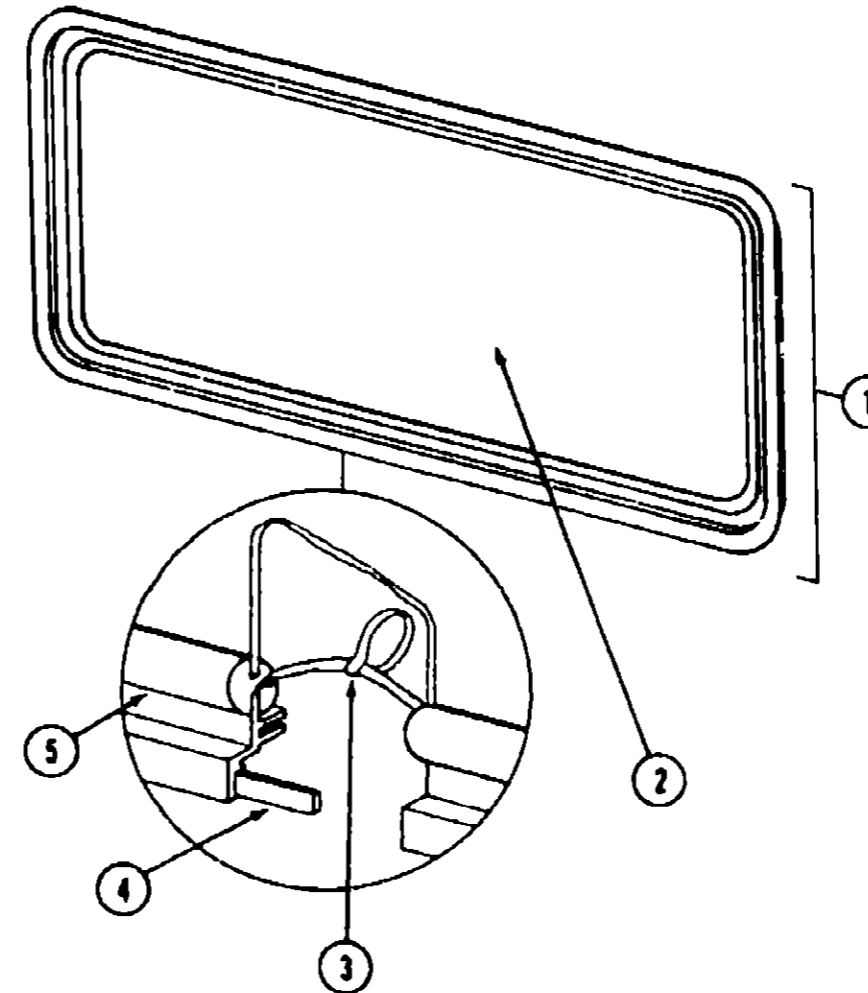
Key	Part Number	U/M	Description
1	079421-02-T03	EA	Window Arm - Slant (w/o Inside Frame)
	079215-03-000	EA	Inside Frame - Beige (not included in assembly)
2	067656-06-000	EA	Glass - Slant - 19" x 28.11" x 13.98"
3	069640-06-000	FT	Ribbon Seal - 5/16" Bead (not included in assembly)
4	050216-02-000	EA	Spline - Glass - .19" - Black
	002328-01-000	EA	Window Block - 1/8" x 3/16" x 1"

VISTA WINDOW - DRIVER

Key	Part Number	U/M	Description
	069619-02-X14	EA	Window Arm - Vista (w/o Inside Frame)
	069727-02-000	EA	Inside Frame - Beige (not included in assembly)
	069301-01-000	EA	Glass - Vista Window - Driver Side
	050216-02-000	FT	Spline - Glass - .19" - Black
	002328-01-000	EA	Window Block - 1/8" x 3/16" x 1"
	069640-06-000	FT	Ribbon Seal - 5/16" Bead (not included in assembly)

VISTA WINDOW - PASSENGER

Key	Part Number	U/M	Description
	069619-01-X14	EA	Window Arm - Vista (w/o Inside Frame)
	069727-01-000	EA	Inside Frame - Beige (not included in assembly)
	069301-01-000	EA	Glass - Vista Window - Passenger Side
	050216-02-000	FT	Spline - Glass - .19" - Black
	002328-01-000	EA	Window Block - 1/8" x 3/16" x 1"
	069640-06-000	FT	Ribbon Seal - 5/16" Bead (not included in assembly)



ESCAPE WINDOW

Key	Part Number	U/M	Description
1	078528-01-T03	EA	Window Arm - Escape - Black (w/o Inside Frame)
	074816-01-000	EA	Inside Frame - Escape Window - Beige (not included in assembly)
2	002174-02-000	EA	Glass - 1/8" x 19.61" x 44.62"
3	002285-01-000	FT	Filler - Weatherstrip - Black
4	069640-06-000	FT	Sealer Ribbon - 5/16" Bead (not included in assembly)
5	002282-01-000	FT	Weatherstrip - 125" Black
	006199-01-000	EA	Label - Exit - Escape Window

INTRODUCTION	A-01
ABBREVIATIONS	A-01
ALPHABETICAL INDEX	A-02 - A-04
WC/JM34RQ	A-05 - D-16
WJ1440RQ	D-19 - G-24

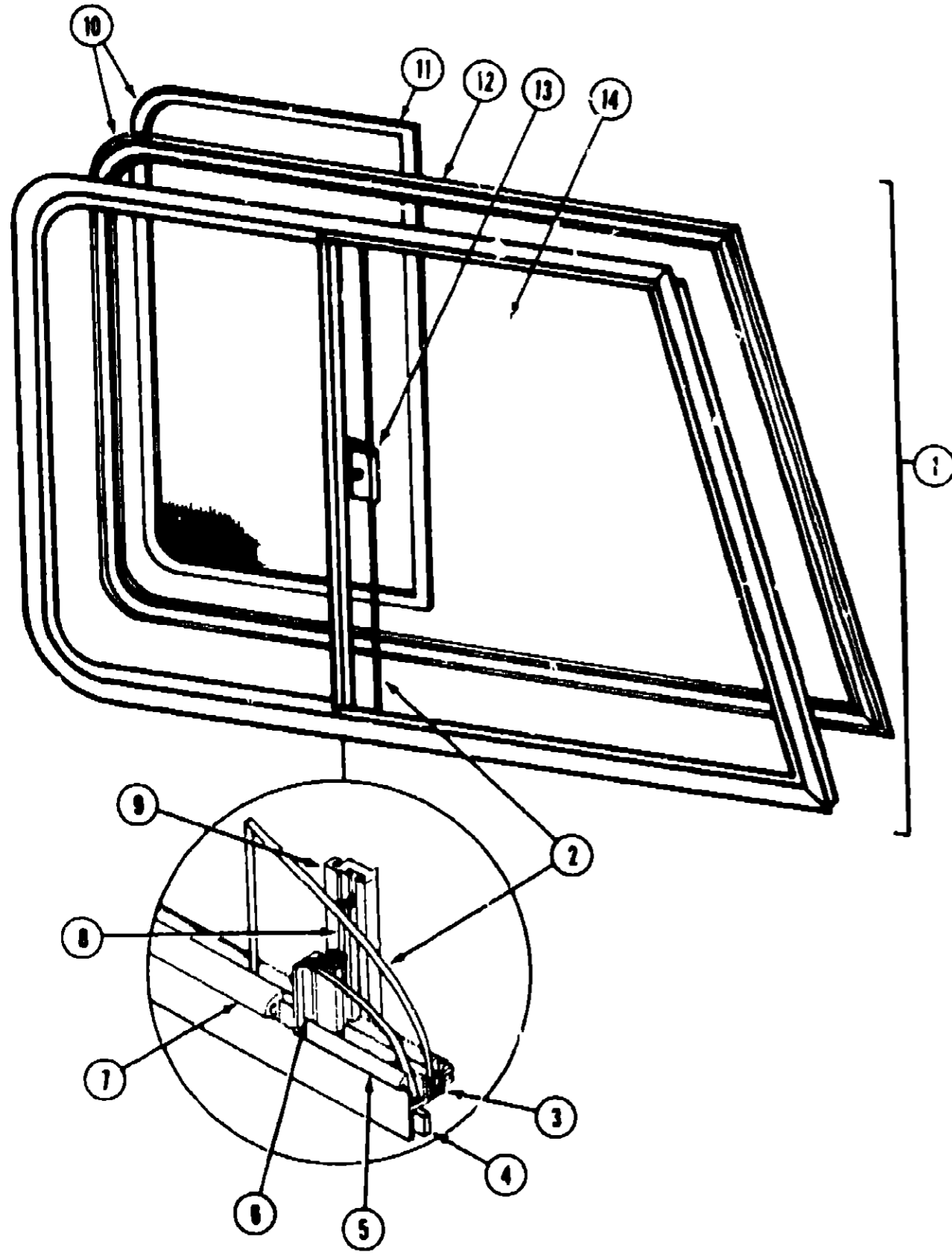
1989 IC/JM34RQ INDEX

Floor Plan	A-05 - A-06
Accessories Group	A-07 - A-12
Bath Group	A-13 - A-16
Chassis Group	A-17 - A-24
Curtain, Cushion & Pad Group	B-01 - B-14
Dinette Group	B-15 - B-16
Driver's Compartment Group	B-17 - B-22
Electrical Group	B-23 - C-02
Exterior Body Group	C-03 - C-08
Galley Group	C-09 - C-12
Heating & Air Conditioning Group	C-13
Interior Finish Group	C-14 - C-15
LP Group	C-16
Lounge Group	C-17 - C-20
Water & Sewage Group	C-21 - C-23
Window, Vent & Exterior Door Group	C-24 - D-16

WINDOW, VENT & EXTERIOR DOOR GROUP (CONTINUED)

SLANT SLIDER WINDOW - PASSENGER

Key	Part Number	U/M	Description
1	089607-01-X14	EA	Window Asm. - Front Slant (w/o inside frame or screen)
2	089298-01-000	EA	Glass - Slider
3	042077-01-000	FT	Channel - Weatherstrip - Glass Run - 1/8" Glass
4	089640-06-000	FT	Seal (not included in Window Asm)
5	050216-02-000	FT	Spline - Glass Seal - Black)
6	002389-03-203	EA	Seal Holder - w/Fin Seal
7	041928-02-000	FT	Glass Seal - Black Vinyl
8	073740-01-000	FT	Fin Seal - .48" Pile Height
9	084170-07-000	EA	Inside Mullion - Slider Window - Black - w/Fin Seal
10	089603-01-X14	EA	Inside Frame Asm - w/Slider Screen
11	089602-01-X14	EA	Slider Screen Asm
	002291-02-000	SF	Screen - 16" Charcoal
	002298-02-000	FT	Spline - Charcoal
12	089474-01 000	EA	Inside Frame - w/o Slider Screen
13	047369-01-700	EA	Latch Kit - Plastic w/Fastener
14	057656-11-000	EA	Glass - Stationary



1989 ITASCA TABLE OF CONTENTS

INTRODUCTION	A-01
ABBREVIATIONS	A-01
ALPHABETICAL INDEX	A-02 - A-04
WC/JM34RQ	A-05 - D-18
WJM40RQ	D-19 - G-24

1989 IC/JM34RQ INDEX

Floor Plan	A-05 - A-08
Accessories Group	A-07 - A-12
Bath Group	A-13 - A-16
Chassis Group	A-17 - A-24
Curtain, Cushion & Pad Group	B-01 - B-14
Dinette Group	B-15 - B-16
Driver's Compartment Group	B-17 - B-22
Electrical Group	B-23 - C-02
Exterior Body Group	C-03 - C-08
Galley Group	C-09 - C-12
Heating & Air Conditioning Group	C-13
Interior Finish Group	C-14 - C-15
LP Group	C-16
Lounge Group	C-17 - C-20
Water & Sewage Group	C-21 - C-23
Window, Vent & Exterior Door Group	C-24 - D-18