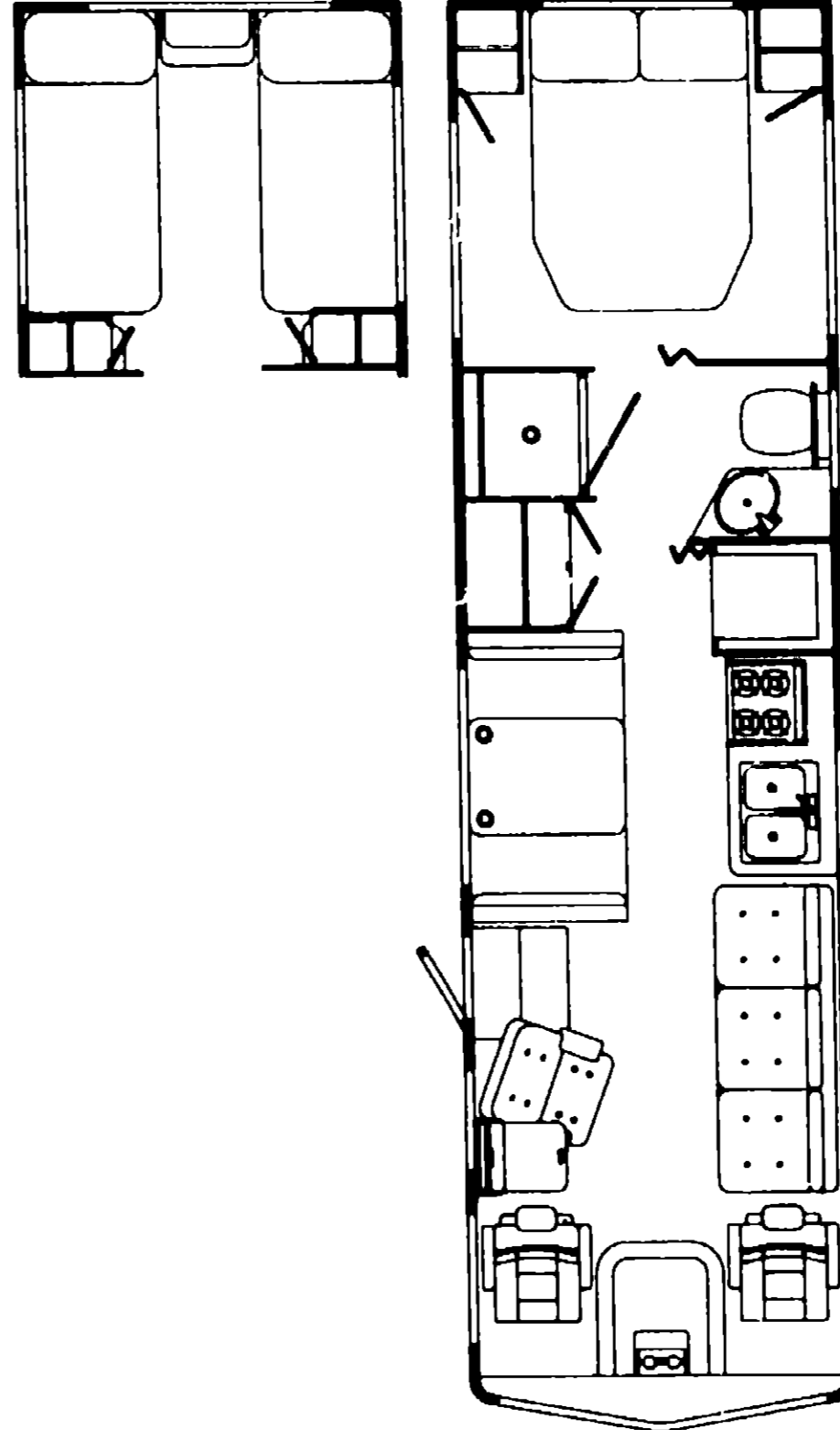


1989 IC/JM31RQ



1989 ITASCA TABLE OF CONTENTS

INTRODUCTION	A-01
ABBREVIATIONS	A 01
ALPHABETICAL INDEX	A-02 - A-04
ICM27RQ	A-05 - D-20
IC/JM31RQ	D-21 - H-16

1989 IC/JM31RQ INDEX

Floor Plan	D-21 - D-22
Accessories Group	D 23 - E-05
Bath Group	E-06 - E-09
Chassis Group	E-10 - E-16
Curtain, Cushion & Pad Group	E-17 - F-08
Dinette Group	F-09 - F-10
Driver's Compartment Group	F-11 - F-16
Electrical Group	F-17 - F-20
Exterior Body Group	F 21 - G-02
Galley Group	G-03 - G-06
Heating & Air Conditioning Group	G-07
Interior Finish Group	G-08 - G-09
LP Group	G-10
Lounge Group	G-11 - G-16
Water & Sewage Group	G 17 - G-18
Window, Vent & Exterior Door Group	G 19 - H 16

ACCESSORIES GROUP

RACK & LADDER COMPONENTS (OPTION 35U)

Key	Part Number	U/M	Description
	081026-02-T03	EA	Rack Arm - Driver
	081026-01-T03	EA	Rack Arm - Passenger
	080999-02-T03	EA	Ladder Arm - Upper
	080997-04-X14	EA	Ladder Arm - Lower
	067165-01-000	EA	Mounting Bracket
	070666-03-001	EA	Step - Dipped - Extra Bright
	078980-02-000	EA	Step Cap - Black
	060673-01-000	EA	Latch - Lower Ladder - Gray
	081055-01-000	EA	Springgrip - Internal Tooth
	081056-01-000	EA	Pin - Quick Release
	081107-01-000	EA	Bracket - Bumper Pin
	081113-01-000	EA	Bushing - Plastic Flange - White
	081114-01-000	EA	Cap Insert - Round - 1" Dia
	081115-01-000	EA	Top Cap - 1"
	081116-01-000	EA	Top Slide - 1"
	081152-01-000	EA	Bumper Plate - Brits
	038327-01-000	EA	Tape - Anti-Slip 2" x 60'

FOG LAMP & COMPONENTS (OPTION 57M)

Key	Part Number	U/M	Description
	088747-01-000	EA	Lamp Asm - Fog - Clear Lens
	088747-01-700	EA	Cover - Fog Lamp
	088942-01-000	EA	Mounting Bracket - Fog Lamp
	088305-01-000	EA	Switch - Fog Lamp
	007840-01-000	EA	Receptacle - Slide - 18 to 12 AWG w/Ins
	007842-01-000	EA	Tab - 18 to 14 AWG Wire
	010499-01-000	EA	Clamp - Closed - 3/8" I D
	063910-01-000	EA	Housing - Relay
	063912-02-000	EA	Relay - Canister - SPDT - w/Resistor
	083854-02-000	EA	Circuit Breaker - 15 Amp.

POWER SEARCHLIGHT & COMPONENTS (OPTION 63E)

Key	Part Number	U/M	Description
	051057-02-000	EA	Spotlight - Power Driven - w/o Switch
	051057-03-000	EA	Switch Asm - Spotlight
	051057-01-700	EA	Switch - Panel Asm. - Auxiliary
	051057-01-701	EA	Switch - Panel Asm. - Main
	051057-01-702	EA	Joy Switch & Housing
	051057-01-703	EA	Toggle Switch - On/Off
	051057-01-704	EA	Micro Switch
	051057-01-705	EA	Butt - Spotlight
	035416-04-000	EA	Terminal - Ring - #10 Stud Fit
	044466-03-000	EA	Circuit Breaker - w/Mounting Brackets
	077368-03-000	EA	Panel - Instrument Panel Cover - Lower Driver (Chevrolet)
	077368-04-000	EA	Panel - Instrument Panel Cover - Lower Driver (John Deere)
	087949-01-000	EA	Bus Bar - 2 Position

WHEEL COVER & MOUNTING HARDWARE

Key	Part Number	U/M	Description
	083181-03-000	EA	Wheel Cover - 19.5" (Set/4)
	083181-03-700	EA	Wheel Cover - 19.5" (1)
	083181-04-000	EA	Retainer Kit - 19.5" Wheel Cover (Set/4) (Chevrolet)
	083181-04-700	EA	Retainer Kit - 19.5" Wheel Cover - Front (1) (Chevrolet)
	083181-04-701	EA	Retainer Kit - 19.5" Wheel Cover - Rear (1) (Chevrolet)
	083181-07-000	EA	Retainer Kit - 19.5" Wheel Cover (Set/4) (John Deere)
	083181-04-702	EA	Nut Cover - 19.5" Wheel
	083181-04-703	EA	Center Cap - Chrome

ACCESSORIES GROUP (CONTINUED)

CHROME WHEEL LINERS (OPTION 63K)

Key	Part Number	U/M	Description
	091209-01-000	EA	Wheel Liner - Chrome - 19.5" (Set/4) (Chevrolet)
	091209-01-700	EA	Wheel Liner - Chrome - 19.5" - Front
	091209-01-701	EA	Wheel Liner - Chrome - 19.5" - Rear
	091209-01-702	EA	Axle Cover - 10 Lug - 19.5" - Front
	091209-01-703	EA	Axle Cover - 10 Lug - 19.5" - Rear
	091209-01-704	EA	Cover - Lug Nut - 19.5"
	088271-01-000	EA	Wheel Liner - Chrome - 19.5" (Set/4) (John Deere)
	088271-01-700	EA	Wheel Liner - Chrome - 19.5" - Front (1)
	088271-01-701	EA	Wheel Liner - Chrome - 19.5" - Rear (1)
	088271-01-702	EA	Axle Cover - 6 Lug - 19.5" - Front
	088271-01-703	EA	Axle Cover - 6 Lug - 19.5" - Rear
	088271-01-704	EA	Beauty Ring
	088271-01-705	EA	Cover - Lug Nut - 19.5"
	077030-02-000	EA	Valve Stem Extension - 1.25"
	095012-01-000	EA	Valve Stem Extension - Dual Wheel

EXTERIOR MIRRORS

Key	Part Number	U/M	Description
	088280-01-000	EA	Mirror Asm - w/Convex - Right
	088280-02-000	EA	Mirror Asm - w/Convex - Left
	088280-03-000	EA	Accessory Kit - Mirror Ext

CUSTOM STEERING WHEEL (CHEVROLET - OPTION 36P)

Key	Part Number	U/M	Description
	080752-17-000	EA	Steering Wheel - Custom - w/2 Horn Buttons
	080752-05-000	EA	Steering Wheel - Custom
	080752-06-000	EA	Adapter Hub
	080752-07-000	EA	Horn Button - w/Wire
	080752-08-000	EA	Screw - Custom Steering Wheel
	080752-17-000	EA	Steering Wheel - Custom - w/2 Horn Buttons

AIR HORNS & COMPONENTS (OPTION 36R)

Key	Part Number	U/M	Description
	077497-01-000	EA	Air Horn Kit - Twin - Chromed
	077497-01-700	EA	Solenoid - Air Tank
	077497-01-701	EA	Switch - Compressor
	077497-01-702	EA	Switch - Toggle w/Wire
	077497-01-703	EA	Air Tank
	077497-01-704	EA	Compressor w/Switch
	077497-01-705	EA	Repair Kit 1/2Hedley 120 Compressor
	077497-02-000	EA	Hose Kit - Auxiliary Air
	077497-03-000	EA	Parts Kit - Hose - Auxiliary Air
	081404-01-000	EA	Mounting Bracket - Compressor
	081407-01-000	EA	Mounting Plate - Air Horns
	078239-01-000	EA	Label Plate - Air Horns
	063912-02-000	EA	Relay - Canister - SPDT - w/Resistor
	007840-01-000	EA	Receptacle - Slide - 18 to 12 AWG Wire
	007842-01-000	EA	Tab - 18 to 14 AWG Wire
	041953-01-000	EA	Conduit - Plastic Convolute Slt - 50" I D
	063910-01-000	EA	Housing - Relay
	083854-02-000	EA	Circuit Breaker - 15 Amp
	087949-01-000	EA	Bus Bar - 2 Position

1989 IC/JM31RQ INDEX

Floor Plan	D-21 - D-22
Accessories Group	D-23 - E-05
Bath Group	E-06 - E-09
Chassis Group	E-10 - E-16
Curtain, Cushion & Pad Group	E-17 - F-08
Dinette Group	F-09 - F-10
Driver's Compartment Group	F-11 - F-16
Electrical Group	F-17 - F-20
Exterior Body Group	F-21 - G-02
Galley Group	G-03 - G-06
Heating & Air Conditioning Group	G-07
Interior Finish Group	G-08 - G-09
LP Group	G-10
Lounge Group	G-11 - G-16
Water & Sewage Group	G-17 - G-18
Window, Vent & Exterior Door Group	G-19 - H-16

1989 ITASCA TABLE OF CONTENTS

INTRODUCTION	A-01
ABBREVIATIONS	A-01
ALPHABETICAL INDEX	A-02 - A-04
ICM27RQ	A-05 - D-20
IC/JM31RQ	D-21 - H-16

ACCESSORIES GROUP (CONTINUED)

4.5KW & 6.5KW GENERATORS & COMPONENTS (OPTION 39E & 39G)

Key	Part Number	U/M	Description
	083645-01-000	EA	Generator - Onan Emerald - 4.0KW (Option 39E)
	083646-01-000	EA	Generator - Onan Emerald - 6.5KW (Option 39G)
	084667-02-000	EA	Tray Asm - Generator
	081364-02-000	EA	Muffler
	007125-01-000	EA	Clamp Asm - Muffler - 1.625" Dia (Option 39E)
	007125-04-000	EA	Clamp Asm - Muffler - 1.125" Dia (Option 39E)
	007125-02-000	EA	Clamp Asm - Muffler - 1.25" Dia. (Option 39G)
	007125-03-000	EA	Clamp Asm - Muffler - 1.50" Dia (Option 39G)
	079854-05-000	EA	Exhaust Pipe - Generator
	083591-02-000	EA	Exhaust Pipe - Generator
	008054-01-000	EA	Power Cord - 10/3 - 30 Amp - 25' - USA
	008052-01-000	EA	Power Cord - 10/3 - 30 Amp - 25' - CSA
	024624-02-000	EA	Receptacle - Power Cord
	088238-01-000	EA	Cover - Receptacle Box - Power Cord - 4" x 4"
	008026-01-000	EA	Wire - 12/2 Romex w/Ground
	008288-01-000	EA	Electrical Box - Steel - 4" x 4" - 1/2 & 3/4 - USA
	008294-01-000	EA	Cover Plate - Blank Steel - 4" x 4" - USA
	008288-02-000	EA	Electrical Box - Steel - 4" x 4" - 1/2 & 3/4 - CSA
	008294-02-000	EA	Cover Plate - Blank Steel - 4" x 4" - CSA
	008037-01-000	EA	Battery Cable - 1 AWG Strand
	010485-01-000	EA	Clamp - Cable - 9/16"
	010497-01-000	EA	Clamp - Closed - 5/8"
	082401-03-000	EA	Clamp - Hose - Wormgear - 22" to 1" I.D.
	082401-06-000	EA	Clamp - Hose - Wormgear - 22" to 62" I.D.
	041953-01-000	EA	Conduit - Plastic Convolute Slt - 1/2" I.D.
	008401-01-000	EA	Conduit - Strap - 3/4"
	008311-01-000	EA	Connector - Wire Nut - Red
	008312-01-000	EA	Connector - Wire Nut - Blue
	008314-01-000	EA	Connector - Wire Nut - Gray
	008356-01-000	EA	Connector - Plastic - 3/8"
	008353-01-000	EA	Connector - Cable Clamping - 3/8"
	041480-01-000	EA	Connector - Straight - Flex Conduit
	023942-01-000	EA	Grommet - Rubber - 2" O.D.
	071015-07-000	EA	Grommet - Rubber - 1" I.D.
	071015-08-000	EA	Grommet - Rubber - 1.75" I.D.
	071015-13-000	EA	Grommet - Rubber - 62" I.D.
	0.7063-01-000	FT	Hose - Gasoline - 1/4" I.D x 1/2" O.D.
	0.4059-01-000	EA	Spacer
	008328-01-000	EA	Terminal - Ring - 12/10 Wire
	008348-01-000	EA	Terminal - Ring - 2, 3/8" Stud
	008343-01-000	EA	Wire Tie - 6"
	024976-01-000	EA	Generator Switch - w/o Circuit Board
	031035-01-000	EA	Gauge Asm - Hourmeter
	076006-24-000	EA	Bezel - Entertainment Center (Chevrolet)
	076006-22-000	EA	Bezel - Entertainment Center (John Deere)

ACCESSORIES GROUP (CONTINUED)

4.5KW & 7.0KW GENERATOR & COMPONENTS (OPTION 350 & 37M)

Key	Part Number	U/M	Description
	083740-01-000	EA	Generator - Kohler - 4.5KW (Option 350)
	083547-01-000	EA	Generator - Kohler - 7.0KW (Option 37M)
	083590-01-000	EA	Muffler (Option 350)
	083590-03-000	EA	Muffler (Option 37M)
	007125-02-000	EA	Clamp Asm - Muffler - 1.25" Dia
	007125-03-000	EA	Clamp Asm - Muffler - 1.50" Dia
	083591-01-000	EA	Exhaust Pipe
	008054-01-000	EA	Power Cord - 10/3 - 30 Amp - 25' - USA
	008052-01-000	EA	Power Cord - 10/3 - 30 Amp - 25' - CSA
	024624-02-000	EA	Receptacle - Power Cord
	088238-01-000	EA	Cover - Receptacle Box - Power Cord - 4" x 4"
	008026-01-000	EA	Wire - 12/2 Romex w/Ground
	008288-01-000	EA	Electrical Box - Steel - 4" x 4" - 1/2 & 3/4 - USA
	008294-01-000	EA	Cover Plate - Blank Steel - 4" x 4" - USA
	008288-02-000	EA	Electrical Box - Steel - 4" x 4" - 1/2 & 3/4 - CSA
	008294-02-000	EA	Cover Plate - Blank Steel - 4" x 4" - CSA
	008037-01-000	EA	Battery Cable - 1 AWG Strand
	010495-01-000	EA	Clamp - Cable - 9/16"
	010497-01-000	EA	Clamp - Closed - 5/8" I.D.
	082401-03-000	EA	Clamp - Hose - Wormgear - .22" to 1" I.D.
	082401-06-000	EA	Clamp - Hose - Wormgear - 22" to 62" I.D.
	041953-01-000	EA	Conduit - Plastic Convolute Slt - 50" I.D.
	008401-01-000	EA	Conduit Strap - .75"
	008311-01-000	EA	Connector - Wire Nut - Red
	008312-01-000	EA	Connector - Wire Nut - Blue
	008314-01-000	EA	Connector - Wire Nut - Gray
	008356-01-000	EA	Connector - Plastic - 3/8"
	008353-01-000	EA	Connector - Cable Clamping - 3/8"
	023942-01-000	EA	Grommet - Rubber - 2" O.D.
	071015-07-000	EA	Grommet - Rubber - 1" I.D.
	071015-08-000	EA	Grommet - Rubber - 1.75" I.D.
	071015-13-000	EA	Grommet - Rubber - 62" I.D.
	007063-01-000	FT	Hose - Gasoline - 1/4" I.D x 1/2" O.D.
	008328-01-000	EA	Terminal - Ring - 12/10 Wire
	008348-01-000	EA	Terminal - Ring - 2, 3/8" Stud
	008343-01-000	EA	Wire Tie - 6"
	024976-01-000	EA	Generator Switch - w/o Circuit Board
	031035-01-000	EA	Gauge Asm - Hourmeter
	076006-24-000	EA	Bezel - Entertainment Center (Chevrolet)
	076006-22-000	EA	Bezel - Entertainment Center (John Deere)

1989 ITASCA TABLE OF CONTENTS

INTRODUCTION	A-01
ABBREVIATIONS	A-01
ALPHABETICAL INDEX	A-02 - A-04
ICM27RQ	A-05 - D-20
IC/JM31RQ	D-21 - H-16

1989 IC/JM31RQ INDEX

Floor Plan	D-21 - D-22
Accessories Group	D-23 - E-05
Bath Group	E-06 - E-09
Chassis Group	E-10 - E-16
Curtain, Cushion & Pad Group	E-17 - F-08
Dinette Group	F-09 - F-10
Driver's Compartment Group	F-11 - F-16
Electrical Group	F-17 - F-20
Exterior Body Group	F-21 - G-02
Galley Group	G-03 - G-06
Heating & Air Conditioning Group	G-07
Interior Finish Group	G-08 - G-09
LP Group	G-10
Lounge Group	G-11 - G-16
Water & Sewage Group	G-17 - C-18
Window, Vent & Exterior Door Group	G-19 - H-16

ACCESSORIES GROUP (CONTINUED)

REAR MONITOR SYSTEM (OPTION 67Z)

Key	Part Number	U/M	Description
	083040-02-000	EA	Television System - Rear View
	083207-02-000	EA	Cable - Television System - Rear View
	080008-01-000	EA	Wire Arm - Fuse Block
	084428-01-000	EA	Insert - Press-In - 3/16" - 18 Thread
	082037-01-000	EA	Housing - Auto Fuse - Natural
	083040-01-000	EA	Television System - Rear View
	083040-01-700	EA	Camera - Television System - Rear View
	083040-01-701	EA	6" Monitor w/Bracket & Wire Harness
	083221-01-000	EA	Lens - Rear Monitor Shroud
	083857-01-02A	EA	TV Shroud - Gray
	083041-01-000	EA	Cable - Monitor/Camera
	084002-01-000	EA	Bracket Arm - Camera
	084001-01-000	EA	Clamp - Camera
	031770-01-000	EA	Clamp - Cable - 3/16" Dia
	080008-01-000	EA	Wire Arm - Fuse Block
	082037-01-000	EA	Housing - Auto Fuse - Natural
	083040-03-000	EA	Wire Arm - Monitor

REAR WINDOW WIPER/WASHER (OPTION 68F)

Key	Part Number	U/M	Description
	087249-01-000	EA	Motor Arm - Wiper - 68" Wipe
	087251-01-000	EA	Wiper Blade - 18" Black
	087252-01-000	EA	Arm Arm - Wiper - 20" Black
	087987-01-000	EA	Cover - Wiper Motor - Light Oak
	087337-01-000	EA	Bracket - Wiper Motor
	087289-01-000	EA	Switch - Rear Wiper
	058000-03-000	EA	Washer Arm - Rear Window

FRONT RADIO

Key	Part Number	U/M	Description
	080862-01-000	EA	Radio - AM/FM Stereo/Cassette - Electronic Tune - #HCC1035
	082311-01-000	EA	Radio - AM/FM Stereo/Cassette - Deluxe Tune - Digital Clock - #HCC1170 (Option 57E)
	084791-01-000	EA	Speaker - Recessed - 5.25" Dia Round
	073741-03-000	EA	Speaker - 4" x 6" Oval - Audiovox 110-2074
	073741-04-000	EA	Grille - Speaker - 4" x 6" Oval - Audiovox 136-1157
	073431-01-000	EA	Speaker - 3 Way w/Cover - 5.25" Dia (Deluxe Tune) (Option 57E)
	084097-01-000	EA	Speaker - 5.25" Dia w/o Grille (Deluxe Tune) (Option 57E)
	080340-01-000	EA	Grille - Speaker - 6 1/2" Square
	074979-01-000	EA	Cover - Speaker - Light Oak
	031105-02-000	EA	Antenna - Side Mount - 12" Ground
	031105-01-700	EA	Antenna Holder - Upper
	087701-01-000	EA	Wire Arm - 9 Pin Adapter

REAR STEREO (OPTION 38L)

Key	Part Number	U/M	Description
	080338-01-000	EA	Radio - AM/FM Stereo w/Cassette - Magnadyne LS180
	087153-01-000	EA	Radio - AM/FM Stereo w/Cassette - Adventz AE - 9000MD
	084791-01-000	EA	Speaker - 5.25" Dia - Recessed
	084097-01-000	EA	Speaker - 5.25" Dia - w/o Grille
	080340-01-000	EA	Grille - Rear Speaker - 6 1/2" Square
	074979-01-000	EA	Cover - Speaker - Light Oak
	030844-01-000	EA	Antenna - Rubber - 18"
	077089-02-000	EA	Cable - Antenna
	080862-01-000	EA	Hat Bracket - Antenna
	010495-01-000	EA	Clamp - Cable - 9/16"
	058028-01-000	EA	Pigtail Connector - Clear Nylon

ACCESSORIES GROUP (CONTINUED)

AUXILIARY BATTERY DISCONNECT (OPTION 29A)

Key	Part Number	U/M	Description
	088037-01-000	EA	Battery Cable - 1 AWG Strand
	082801-02-000	EA	Fuse - 5 Amp - Automotive
	085863-04-000	EA	Switch - Auxiliary Battery - DPDT
	088070-01-000	EA	Terminal - 1/0 AWG - 3/8" Ring
	081087-01-000	EA	Light Arm - Indicator
	088273-01-000	EA	Relay - Battery Disconnect
	088751-01-000	FT	Cable - Electrical - Stranded
	089445-01-000	EA	Bracket

WATER PURIFICATION SYSTEM (OPTION 29B)

Key	Part Number	U/M	Description
	087200-01-000	EA	Filter - Water Purification
	087200-02-000	EA	Cartridge - Water Filter
	038800-01-000	FT	Tubing - Polybutyl - 1/2" O D x 20'
	052857-01-000	EA	Elbow - Plastic - 1/2" F x 3/8" MPT
	085120-01-000	EA	Elbow - Plastic - Swivel - 1/2"
	052858-01-000	EA	Connector - Plastic - 1/2" F x 1/4" MPT
	052859-02-000	EA	Connector - Plastic - 1/2" F x 1/2" MPT
	052852-01-000	EA	Nut - Plastic - 1/2" F
	081208-01-000	EA	Washer - Rubber - 08" x 75" x 50"

TV SYSTEM COMPONENTS (OPTION 42C, 42V, 42Y)

Key	Part Number	U/M	Description
	081258-02-000	EA	TV - 13" Color - Remote - Sharp 13NM48
	081258-02-700	EA	Remote Control - Color TV - Sharp
	081807-02-000	EA	VCR - VHS - Sharp VC2208U
	081807-01-700	EA	Remote Control - VCR - Sharp
	086757-01-000	EA	Control Center - Switching - Channel Master
	081808-01-000	EA	Separator - VHF/UHF
	086758-01-000	EA	Splitter - 2 Way - TV
	085774-01-000	FT	Fastener - Dual Lock - 1"
	085774-02-000	FT	Fastener - Dual Lock - 1"
	058709-01-000	EA	Receptacle - Duplex - Brown T & B
	086777-01-000	EA	Wall Plate - Antenna/Cable - Ivory
	086777-03-000	EA	Wall Plate - Antenna/Power - Ivory
	086777-04-000	EA	Wall Plate - Antenna/Cable - Brown
	086778-03-000	EA	Receptacle - Cable Television - Exterior
	086778-04-000	EA	Gasket - Receptacle - Cable Television - Exterior
	080864-01-000	EA	Cover - Receptacle - Cable Television - Exterior
	078319-01-000	EA	Antenna - Roof Mount - 44.5" Mast
	078319-03-000	FT	Coaxial Cable - 1000' 75 Ohm
	078319-06-000	EA	Adaptor - Cable Roof Plate
	078319-08-000	EA	Wallplate/Receptacle - Ivory
	078319-11-000	EA	Adaptor - Coax w/Splitter
	078319-12-000	EA	Connector - Coaxial Cable - 1 PC

AUXILIARY DEFROSTER FANS (OPTION 38N)

Key	Part Number	U/M	Description
	038420-02-000	EA	Defroster Fan - 6" Dia - 2 Speed
	088308-01-000	EA	Switch - Defroster Fans
	088579-01-000	EA	Wire Arm - Defroster Fans
	082038-02-000	EA	Terminal - Pack - Con, 18/14 AWG

**1989 ITASCA
TABLE OF CONTENTS**

INTRODUCTION	A-01
ABBREVIATIONS	A-01
ALPHABETICAL INDEX	A-02 - A-04
ICM27RQ	A-05 - D-20
IC/JM31RQ	D-21 - H-16

1989 IC/JM31RQ INDEX

Floor Plan	D-21 - D-22
Accessories Group	D-23 - E-05
Bath Group	E-06 - E-09
Chassis Group	E-10 - E-16
Curtain, Cushion & Pad Group	E-17 - F-08
Dinette Group	F-09 - F-10
Driver's Compartment Group	F-11 - F-16
Electrical Group	F-17 - F-20
Exterior Body Group	F-21 - G-02
Galley Group	G-03 - G-06
Heating & Air Conditioning Group	G-07
Interior Finish Group	G-08 - G-09
LP Group	G-10
Lounge Group	G-11 - G-16
Water & Sewage Group	G-17 - G-18
Window, Vent & Exterior Door Group	G-19 - H-16

ACCESSORIES GROUP (CONTINUED)

MISCELLANEOUS ACCESSORIES

Key	Part Number	U/M	Description
	054186-31-000	EA	Owner's Manual - 1989 - Itasca
	051202-02-000	EA	Floor Mat - Front - Right - Itasca (Option 63H)
	051201-02-000	EA	Floor Mat - Front - Left - Itasca (Option 63H)
	051075-02-000	EA	Floor Mat - Entrance - Itasca (Option 63H)
	017516-01-000	EA	Mud Flap - 14" x 18" - Rear - Black
	054472-01-000	EA	Holder - Fire Extinguisher - Recessed - Light Brown
	041944-03-000	EA	Fire Extinguisher - 5 B.C. - w/Bracket
	041944-04-000	EA	Fire Extinguisher - 5 B.C. w/o Bracket
	054651-01-01A	EA	Holder - Fire Extinguisher
	054469-01-000	EA	Fire Extinguisher - Dry 1A 10 B.C. - USA
	054469-02-000	EA	Fire Extinguisher - Dry 1A 10 B.C. - CSA
	072652-01-000	EA	Smoke Detector - w/9 Volt Battery
	050208-01-000	EA	Lug Wrench - 1.08 x 1.00 (Chevrolet)
	050208-02-000	EA	Leverage Bar - Lug Wrench
	050208-03-000	EA	Lug Wrench - 1.5 x 8 Sq. (John Deere)
	051377-01-000	EA	Valve Stem Arm - TR500
	077030-02-000	EA	Valve Stem Extension - 1.25"
	055012-01-000	EA	Valve Stem Extension - Dual Wheel
	055741-01-700	EA	Valve Stem Extension - Stainless Steel (Set/4)
	051955-01-000	EA	Squeeze - Telescoping Handle
	051952-01-000	EA	Clip - 1" Squeeze Retainer
	053527-01-000	EA	Bracket - Squeeze Clip
	052584-01-000	EA	Key Set
	054399-01-000	EA	Speed Control - w/Smart Stick (Chevrolet)
	054707-01-01A	EA	Step Arm - Electric (Kwikkee) - Double
	055778-01-000	EA	Vacuum Cleaner - Hand Held (Option 22R)
	055778-01-700	EA	Bag - Disposable - Hand Held Vacuum - 4 Pack
	053553-01-000	EA	Drawer Arm. - Lockbox
	053555-01-000	EA	Lockbox Arm. - Outer
	053501-01-000	EA	Lock - Security Lock Box

BATH GROUP

BATH HARDWARE

Key	Part Number	U/M	Description
	075240-05-000	EA	Lavatory Faucet - Brass - USA
	011056-03-000	EA	Lavatory Faucet - Chrome - CSA
	051253-01-000	EA	Gasket - Lavatory Faucet
	055385-01-000	EA	Sink - Oval - Ivory Plastic
	011088-03-000	EA	Tailpiece - Plastic - USA
	011088-02-000	EA	Tailpiece - Brass - CSA
	075241-04-000	EA	Faucet - Shower - Brass - USA
	011048-02-000	EA	Shower Head - w/80" Hose - USA
	011059-03-000	EA	Faucet - Shower - Chrome - CSA
	011048-03-000	EA	Shower Head - w/80" Hose - CSA
	075508-01-000	EA	Faucet Panel - Shower
	M02429-02-000	EA	Shower Pan - w/Strainer
	055438-01-000	EA	Slipnut - Tailpiece
	055440-01-000	EA	Strainer - w/Rubber Washer
	055435-01-000	EA	Nut - Strainer - Plastic
	075452-02-000	EA	Tissue Holder - Brass - USA
	009134-01-000	EA	Tissue Holder - Chrome - CSA
	075454-02-000	EA	Towel Ring - Brass - w/Mounting Hardware - USA
	033580-01-000	EA	Towel Ring - Chrome - CSA
	009112-01-000	EA	Flange - 1" Closet Rod - USA
	024578-02-000	EA	Flange - 1" Closet Rod - CSA
	075580-01-000	EA	Clothes Rod - Adjustable - 27" to 36"
	051614-02-000	EA	Soap Dish - Brass w/Plastic Cover - USA
	050027-01-000	EA	Soap Dish - Chrome - CSA
**	057487-01-000	EA	Toilet - Aqua Magic IV - Shorty
**	The illustrated parts breakdown for this item is provided on the Common Items Fiche		

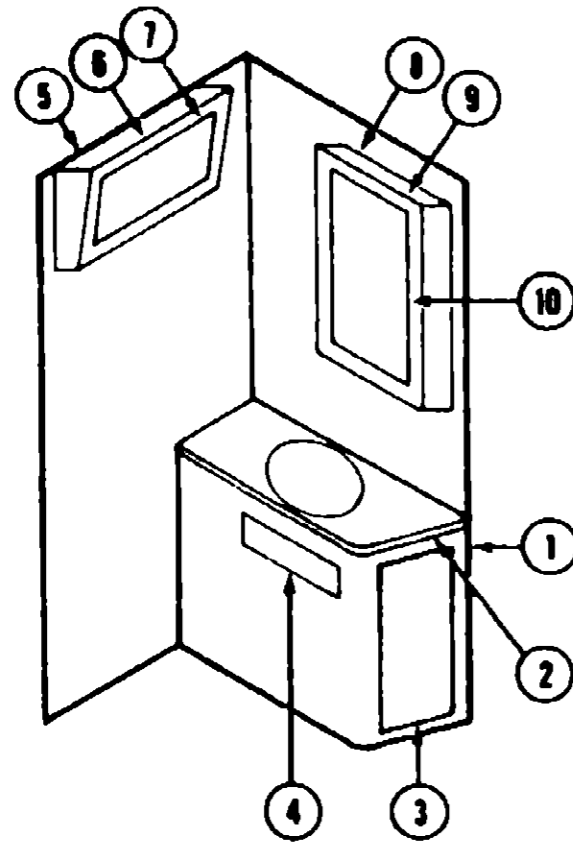
1989 ITASCA TABLE OF CONTENTS

INTRODUCTION	A-01
ABBREVIATIONS	A-01
ALPHABETICAL INDEX	A-02 - A-04
ICM27HQ	A-05 - D-20
IC/JM31RQ	D-21 - H-16

1989 IC/JM31RQ INDEX

Floor Plan	D-21 - D-22
Accessories Group	D-23 - E-05
Bath Group	E-06 - E-09
Chassis Group	E-10 - E-16
Curtain, Cushion & Pad Group	E-17 - F-08
Dinette Group	F-09 - F-10
Driver's Compartment Group	F-11 - F-16
Electrical Group	F-17 - F-20
Exterior Body Group	F-21 - G-02
Galley Group	G-03 - G-06
Heating & Air Conditioning Group	G-07
Interior Finish Group	G-08 - G-09
LP Group	G-10
Lounge Group	G-11 - G-16
Water & Sewage Group	G-17 - G-18
Window, Vent & Exterior Door Group	G-19 - H-16

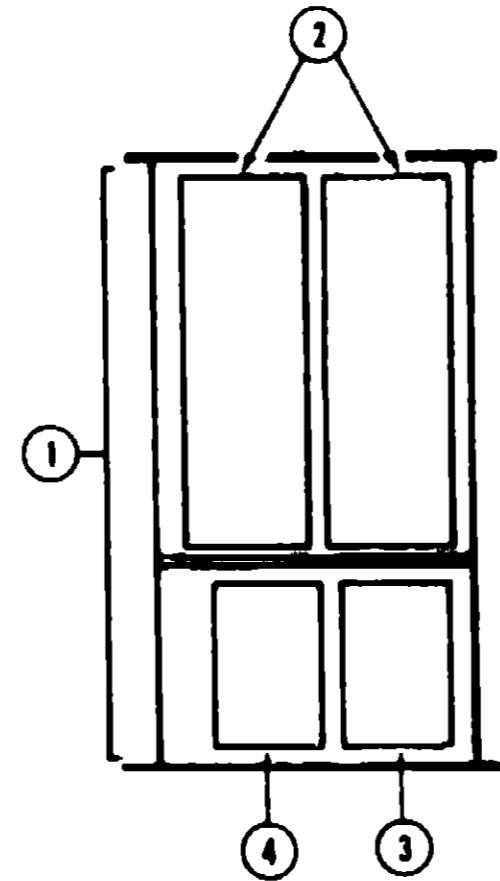
BATH GROUP (CONTINUED)



LAVATORY CABINET

Key	Part Number	U/M	Description
1	M89523-01-Y15	EA	Cabinet Asm - w/o Countertop, Doors, or Drawers
2	083523-11-Y15	EA	Countertop Asm - Lavatory - No Cutouts
3	M88304-D6-X11	EA	Door Asm - Lavatory Cabinet - w/o Hardware
4	081893-02-X11	EA	Face Asm. - Drawer - Tiltout - Plastic - w/o Hardware
	077251-01-000	EA	Drawer - Tiltout - Plastic
5	076073-01-000	EA	Cabinet Asm - Medicine - Almond - w/o Door
6	08303-52-X08	EA	Door Asm - Medicine Cabinet - w/Mirror
7	058331-05-000	EA	Mirror - Medicine Cabinet Door - 12" x 26"
8	M89723-01-X14	EA	Cabinet Asm. - Bath Wall - Medicine
9	M88304-E1-W24	EA	Door Asm. - Medicine Cabinet
10	058331-05-000	EA	Mirror - Medicine Cabinet - 12" x 26"
	009059-01-000	EA	Hinge - Brass (Medicine Cabinet)
	000G13-06-10G	EA	Screw - 6 - 20 x 5/8" PFH - Antique Brass
	059777-02-000	EA	Hinge - Antique Light Brass (Cabinet Door)
	088264-01-000	EA	Door Pull - Polished Brass
	000G68-06-10G	EA	Screw - 6 - 18 x 5/8" POH - Antique Brass
	009021-01-000	EA	Catch - Nylon - Grill
	009021-02-000	EA	Strike - Spring Steel
	083586-03-000	EA	Catch - Spring, Roller
	083506-04-000	EA	Strike - Spring Steel
	081521-02-007	EA	Molding - 64 Hole Space
	042357-11-000	EA	Corner Molding - Radius Plastic - Light Oak
	070504-01-000	FT	Extrusion - U-Channel - Light Brown
	022982-08-000	FT	Molding - Reverse Cove
	009787-06-000	FT	Wetling - Beige
	076325-16-000	FT	Molding - Edge Band - Regal Oak

BATH GROUP (CONTINUED)



WARDROBE CABINET

Key	Part Number	U/M	Description
1	M89133-01-Y70	EA	Cabinet Asm - Wardrobe - w/o Doors
2	M88304-E3-X11	EA	Door Asm. - Upper - w/o Hardware
	058331-27-000	EA	Mirror - Safety Glass - 13 2" x 44 52"
3	M88304-B4-X14	EA	Door Asm. - Lower Right - w/o Hardware
4	M88304-B3-X14	EA	Door Asm - Lower Left - w/o Hardware
	000G13-06-10G	EA	Screw - 6 - 20 x 5/8" PFH - Antique Brass
	059777-02-000	EA	Hinge - Antique Light Brass
	088264-01-000	EA	Door Pull - Polished Brass
	009021-01-000	EA	Catch - Nylon
	009021-02-000	EA	Strike - Spring Steel
	083586-03-000	EA	Catch - Spring Roller
	083506-04-000	EA	Strike - Spring Steel
	009112-01-000	EA	Flange - 1" Closet Rod
	042438-01-000	EA	Wood Dowel - 1" Dia - 37 4"
	009787-06-000	FT	Wetling - Beige
	042357-11-000	EA	Corner Molding - Plastic Radius - Light Oak
	080176-02-000	EA	Corner Cap - Radius - Tall Cabinet
	081521-02-007	EA	Molding - 64 Hole Space
	077409-02-000	EA	Slide - Plastic Drawer
	077404-02-000	EA	Drawer - Plastic - 20" x 12 7"

**1989 ITASCA
TABLE OF CONTENTS**

INTRODUCTION	A-01
ABBREVIATIONS	A-01
ALPHABETICAL INDEX	A-02 - A-04
ICM27RQ	A-05 - D-20
IC/JM31RQ	D-21 - H-16

1989 IC/JM31RQ INDEX

Floor Plan	D-21 - D-22
Accessories Group	D-23 - E-05
Bath Group	E-06 - E-08
Chassis Group	E-10 - E-16
Curiam, Cushion & Pad Group	E-17 - F-08
Dinette Group	F-09 - F-10
Driver's Compartment Group	F-11 - F-16
Electrical Group	F-17 - F-20
Exterior Body Group	F-21 - G-02
Galley Group	G-03 - G-06
Heating & Air Conditioning Group	G-07
Interior Finish Group	G-08 - G-09
LP Group	G-10
Lounge Group	G-11 - G-16
Water & Sewage Group	G-17 - G-18
Window, Vent & Exterior Door Group	G-19 - H-16

BATH GROUP (CONTINUED)

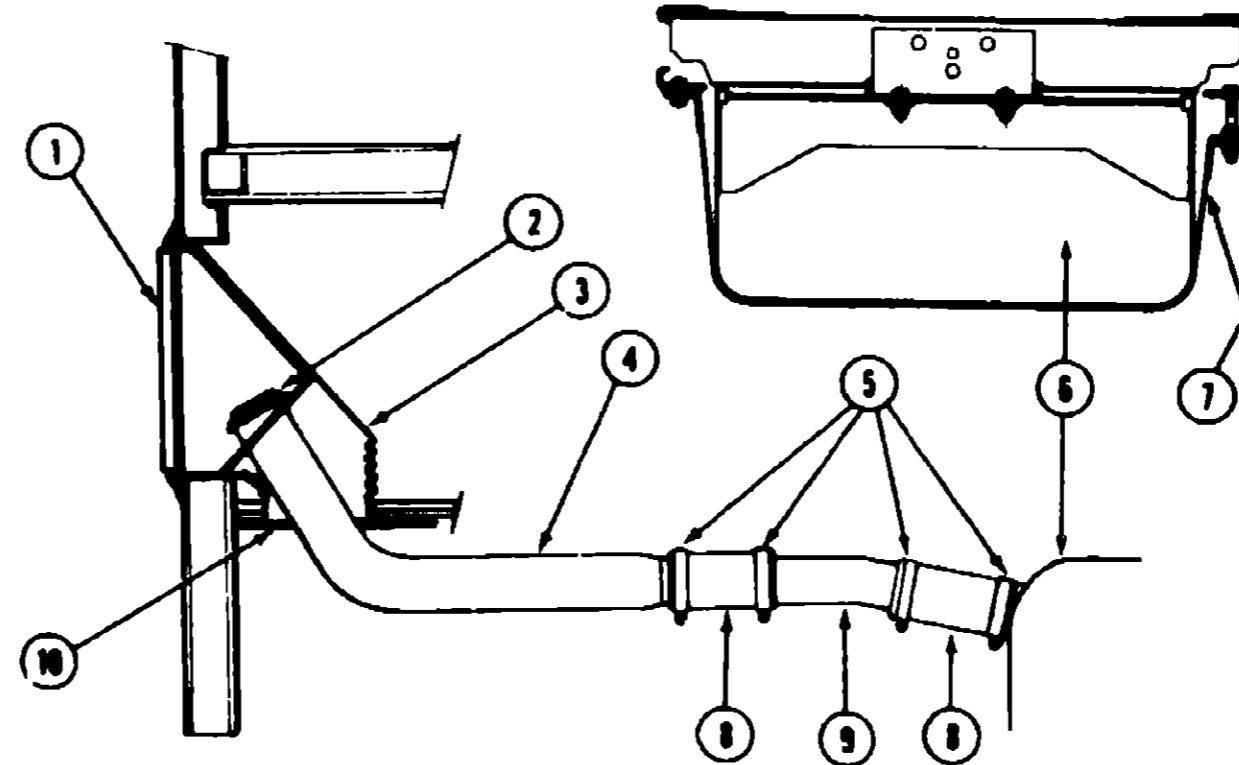
SHOWER CABINET

Key	Part Number	U/M	Description
	089318-02-000	EA	Jamb - Shower Door - Gold - USA
	089318-04-000	EA	Jamb - Shower Door - Chrome - CSA
	089318-01-000	EA	Door - Shower - Gold - USA
	089318-03-000	EA	Door - Shower - Chrome - CSA
	089318-01-700	EA	Strap for Shower Door
	089318-01-701	EA	Vinyl Sweep
	042367-11-000	FA	Corner Molding - Radius Plastic - Light Oak
	080178-02-000	EA	Corner Cap - Radius - Light Oak
	081521-02-007	EA	Molding - 64 Hole Space
	078323-08-X14	EA	Cap - Molding - Wall
	008787-08-000	FT	Wetting - Beige
	018804-03-000	EA	Seat Brace - Angle - 2 50° Beige
	000067-10-08R	EA	Screw - 10 - 12 x 1/2" PPH - Beige
	000067-10-10R	EA	Screw - 10 - 12 x 5/8" PPH - Beige

MISCELLANEOUS

Key	Part Number	U/M	Description
	080224-28-000	EA	Track - Folding Door - Front - 29 5" - Beige
	080224-30-000	EA	Folding Door - Rear - 38" x 75" - Regal Oak
	080224-07-000	EA	Track - Folding Door - Rear - S Curve - Beige
	080224-29-000	EA	Folding Door - Front - 38" x 75" - Regal Oak
	080224-01-700	EA	Latch & Catch Arm - Folding Door
	057534-04-000	EA	Tieback - Folding Door - Clear Plastic - 20"

CHASSIS GROUP



FUEL SYSTEM COMPONENTS

Key	Part Number	U/M	Description
1	078010-05-000	EA	Door Arm - Fuel Fill - Gray
2	073220-02-000	EA	Cap Arm - Fuel Fill - Non Locking
3	083578-01-000	EA	Boot - Fuel Fill
4	087258-01-000	EA	Neck Arm - Fuel Fill
5	082401-04-000	EA	Hose Clamp - Wormgear - 1.56" to 2.5" ID
6	080082-01-000	EA	Tank - Fuel - 80 Gallon (Chevrolet)
6	083384-01-000	EA	Tank - Fuel - 90 Gallon (John Deere)
7	088488-02-000	EA	Strap Arm - Fuel Tank (Chevrolet)
7	085648-08-000	EA	Mounting Support - Fuel Tank (John Deere)
7	085648-04-000	EA	Bolt - Hex - 1/2" - 13 x 12" (John Deere)
7	085648-05-000	EA	Bolt - Hex - 1/2" - 13 x 8 1/2" (John Deere)
7	085648-13-000	EA	Washer - Spring 1/2" (John Deere)
7	085648-14-000	EA	Nut - Hex - Locking - 1/2" - 13 (John Deere)
7	085648-09-000	EA	Cushion - Mounting Support - Fuel Tank (John Deere)
8	007111-01-000	EA	Hose - Fuel Fill - 2 1/4" ID x 3'
9	075228-01-000	EA	Pipe - Fuel Fill
10	084235-01-000	EA	Support Flange - Fuel Fill Boot
	079861-01-000	EA	Valve Arm - Vent - Fuel Tank
	079880-01-000	EA	Grommet Seal - Valve Arm - Fuel Tank
	079882-01-000	EA	Mounting Flange - Valve Arm - Fuel Tank
	073223-01-000	EA	Gasket - Valve Arm - Fuel Tank
	080173-01-000	EA	Extension Tube - Vent - Fuel Tank
	024138-01-000	FT	Fuel Hose - 5/16" ID
	079858-01-000	FT	Fuel Hose - 1/2" ID (SAE-J30RG)
	088732-01-000	FT	Fuel Hose - Vent - 5/8" ID (SAEJ30R7)
	079829-01-000	EA	Canister Arm - Vapor - 1500cc
	088740-01-000	EA	Sending Unit - Fuel Pump (Chevrolet)
	088255-01-000	EA	Gasket - Sending Unit - Fuel Pump (Chevrolet)
	088254-01-000	EA	Retainer - Sending Unit - Fuel Pump (Chevrolet)
	083378-01-000	EA	Sending Unit (John Deere)
	085488-17-000	EA	Gasket - Sending Unit (John Deere)
	082401-03-000	EA	Hose Clamp - Wormgear - 22" to 1" ID
	082401-04-000	EA	Hose Clamp - Wormgear - 69" to 1.25" ID
	010485-01-000	EA	Clamp - Cable - 9/16" ID
	010487-01-000	EA	Clamp - Cable - 5/8" ID
	071015-07-000	EA	Grommet - 1" ID
	008401-01-000	EA	Conduit Strap - 3/4" - 1 Hole

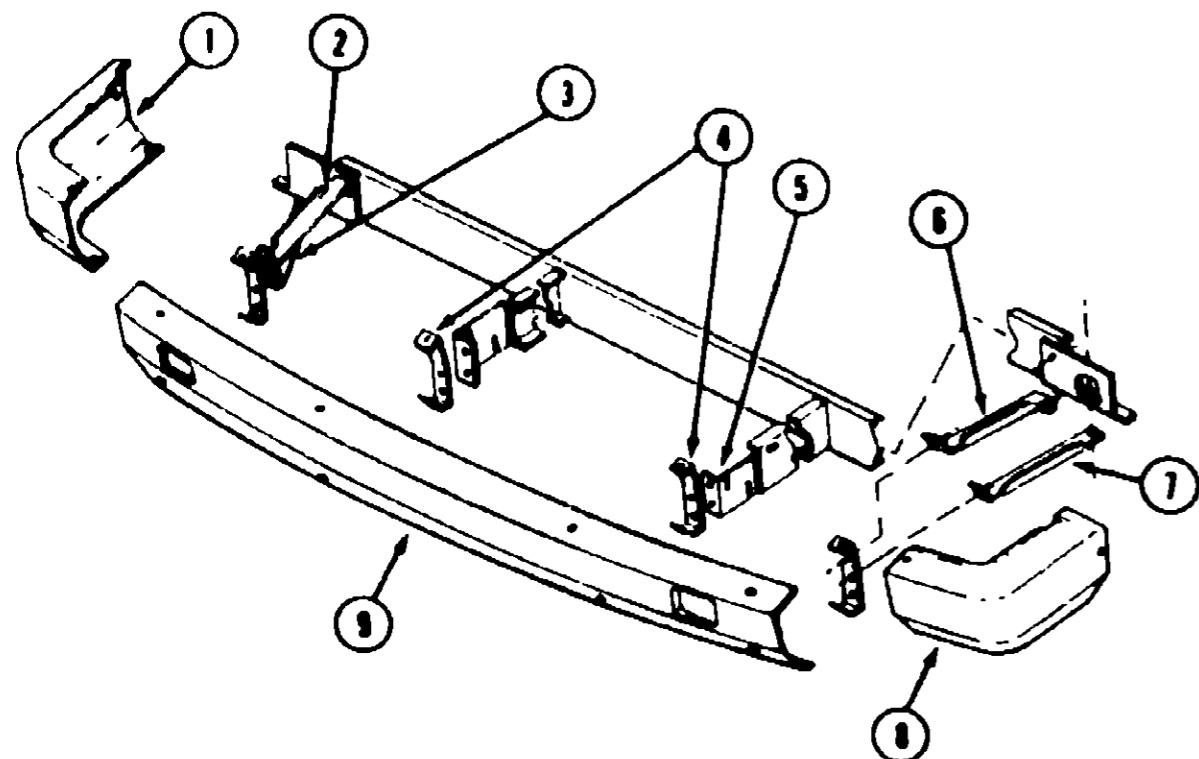
1989 ITASCA TABLE OF CONTENTS

INTRODUCTION	A-01
ABBREVIATIONS	A-01
ALPHABETICAL INDEX	A-02 - A-04
ICM27RQ	A-05 - D-20
IC/JM31RQ	D-21 - H-16

1989 IC/JM31RQ INDEX

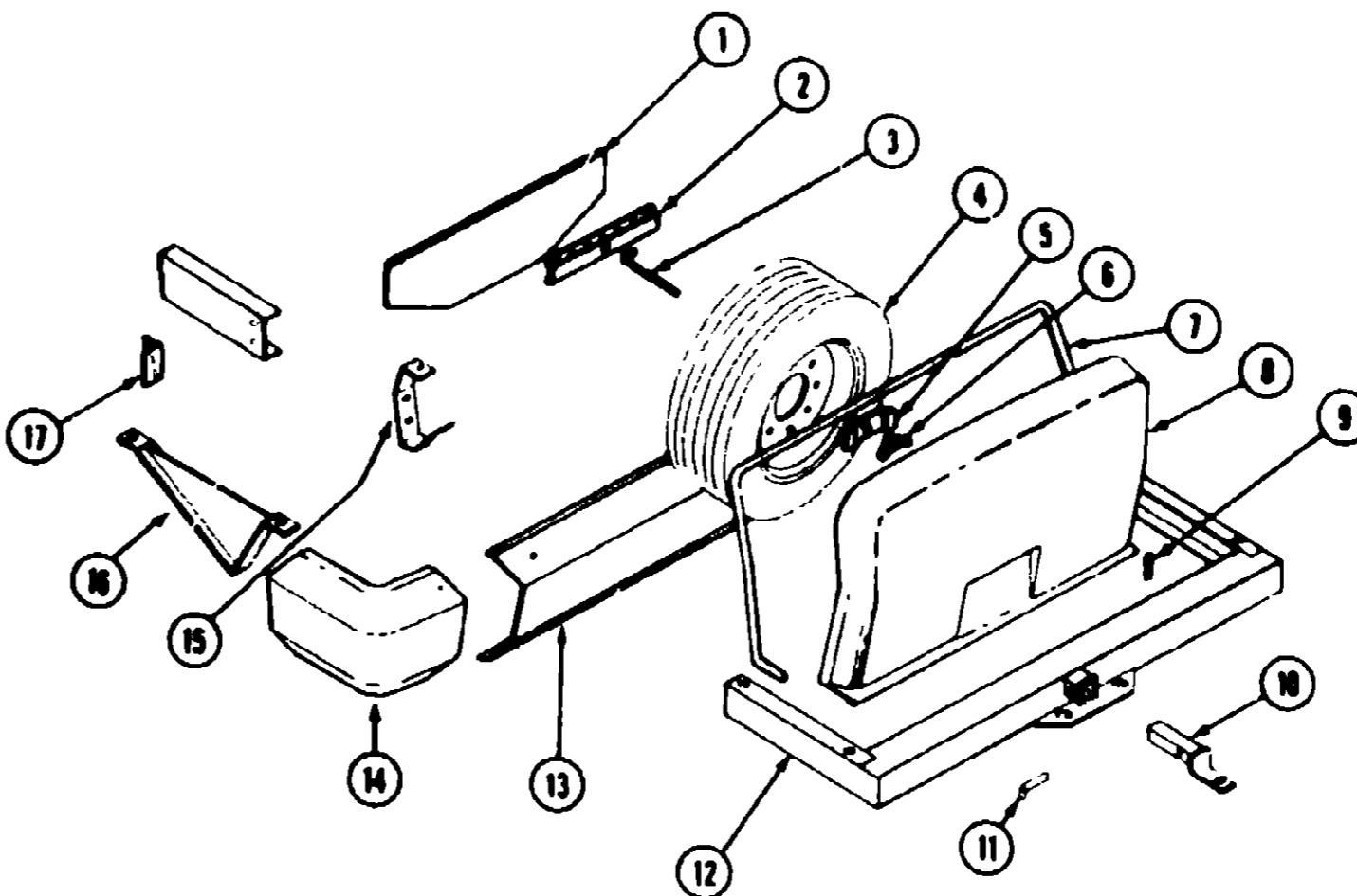
Floor Plan	D-21 - D-22
Accessories Group	D-23 - E-05
Bath Group	E-06 - E-09
Chassis Group	E-10 - E-16
Curtain, Cushion & Pad Group	E-17 - F-08
Dinette Group	F-09 - F-10
Driver's Compartment Group	F-11 - F-16
Electrical Group	F-17 - F-20
Exterior Body Group	F-21 - G-02
Galley Group	G-03 - G-06
Heating & Air Conditioning Group	G-07
Interior Finish Group	G-08 - G-09
LP Group	G-10
Lounge Group	G-11 - G-16
Water & Sewage Group	G-17 - G-18
Window, Vent & Exterior Door Group	G-19 - H-16

CHASSIS GROUP (CONTINUED)



FRONT BUMPER

Key	Part Number	U/M	Description
1	078577-03-000	EA	Bumper End Cap - Gray - Passenger
2	078002-01-000	EA	Brace - Upper Right - Front Bumper
3	078003-01-000	EA	Brace - Lower Right - Front Bumper
4	077852-01-000	EA	Bracket to Bumper - Front
5	078527-01-000	EA	Bracket to Frame - Front Bumper
6	078002-02-000	EA	Brace - Upper Left - Front Bumper
7	078003-02-000	EA	Brace - Lower Left - Front Bumper
8	078577-04-000	EA	Bumper End Cap - Gray - Driver
9	077850-09-000	EA	Bumper - Front - Chrome
	005200-01-000	EA	Carriage Bolt - 7/16" - 14 x 1 1/4" SST Head



SPARE TIRE, HITCH & REAR BUMPER

Key	Part Number	U/M	Description
1	077395-01-000	EA	Dust Shield - Spare Tire
2	077403-01-000	EA	Rod Support - Spare Tire
3	077411-01-000	EA	Retaining Rod
4	007324-04-000	EA	Tire - 8 00 x 19 5 - XZA - Tubeless Michelin
	077400-01-000	EA	Support - Spare Tire
5	077399-01-000	EA	Spare Tire Retainer
6	064081-01-000	EA	Wing Nut
7	058027-01-000	FT	Tire Cover Seal
8	068425-01-X70	EA	Tire Cover Arm - Gray
	077408-01-000	EA	Lock Arm - Tire Cover
	077392-01-000	EA	Strike - Latch - Tire Cover
	077394-02-000	EA	Support - Strike - Latch - Tire Cover
	060374-01-000	EA	Plate - Tire Cover Holder
	077759-01-000	EA	Support Spacer - Spare Tire
	077400-01-000	EA	Support - Spare Tire
9	034513-01-000	EA	Pin - Hitch - 3/16" Wire (Option 240)
10	077813-01-000	EA	Drawbar - Belt Mount (Option 240)
11	034512-01-000	EA	Locking Pin - Drawbar (Option 240)
12	077817-01-000	EA	Hitch Arm - w/o Drawbar (Option 240)
13	078584-08-000	EA	Bumper - Rear - Chromed
	078780-02-000	EA	Mounting Plate - Bumper - Right
	078780-03-000	EA	Mounting Plate - Bumper - Left
14	078578-07-000	EA	Bumper End Cap - Gray - Passenger
	078578-08-000	EA	Bumper End Cap - Gray - Driver
15	078670-02-000	EA	Bracket to Bumper - Rear
16	063376-01-000	EA	Skid Plate Arm
17	078668-01-000	EA	Support Angle - Bumper Bracket to Frame
	005200-01-000	EA	Carriage Bolt - 7/16" - 14 x 1 1/4" SST Head

CHA'SSIS GROUP (CONTINUED)

**1989 ITASCA
TABLE OF CONTENTS**

INTRODUCTION
ABBREVIATIONS
ALPHABETICAL INDEX
ICM27RQ
IC/JM31RQ

A-01
A-01
A-02 - A-04
A-05 - D-20
D-21 - H-16

1989 IC/JM31RQ INDEX

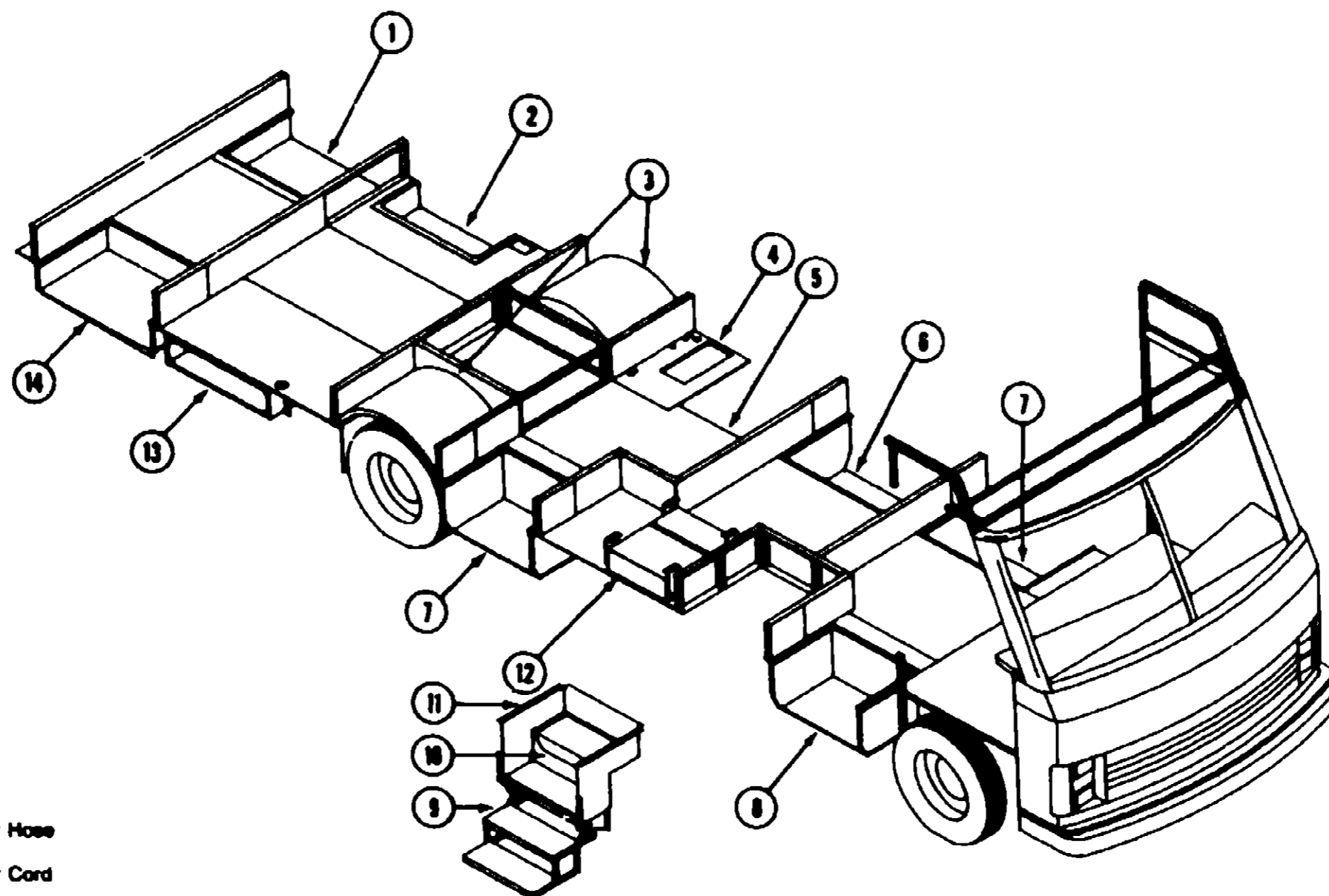
Floor Plan	D-21 - D-22
Accessories Group	D-23 - E-05
Bath Group	E-06 - E-09
Chassis Group	E-10 - E-16
Curtain, Cushion & Pad Group	E-17 - F-06
Dinette Group	F-09 - F-10
Driver's Compartment Group	F-11 - F-16
Electrical Group	F-17 - F-20
Exterior Body Group	F-21 - G-02
Galley Group	G-03 - G-06
Heating & Air Conditioning Group	G-07
Interior Finish Group	G-08 - G-09
LP Group	G-10
Lounge Group	G-11 - G-16
Water & Sewage Group	G-17 - G-18
Window, Vent & Exterior Door Group	G-19 - H-16

CHASSIS GROUP (CONTINUED)
WHEELWELLS & LUGGAGE COMPARTMENTS

1989 ITASCA
TABLE OF CONTENTS

INTRODUCTION
 ABBREVIATIONS
 ALPHABETICAL INDEX
 ICM27RQ
 IC/JM31RQ

A-01
 A-01
 A-02 - A-04
 A-05 - D-20
 D-21 - H-18

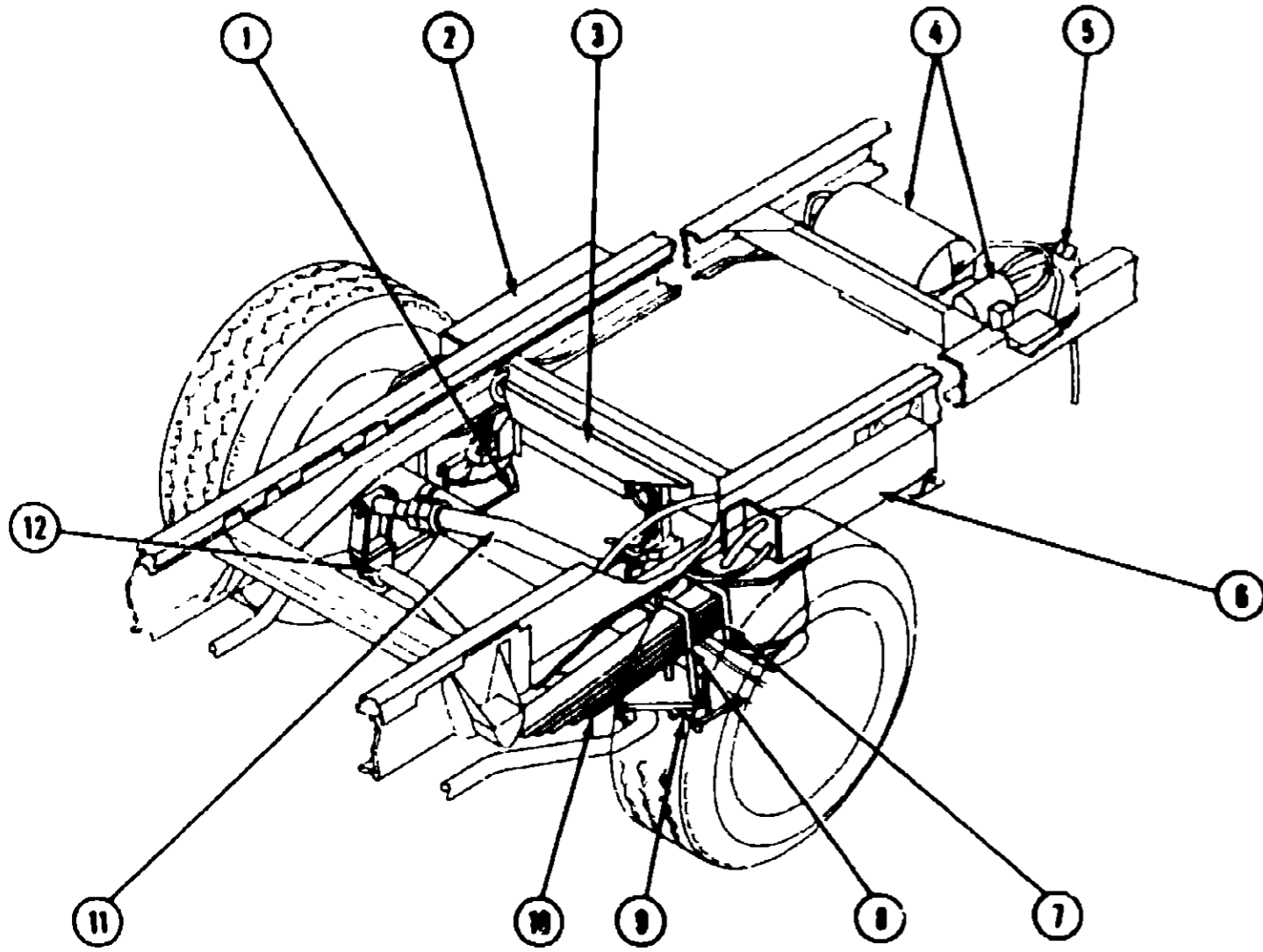


Key	Part Number	U/M	Description
1	088015-04-000	EA	Compartment Asm
2	088411-01-W81	EA	Compartment Asm - Sewer Hose
3	087883-01-000	EA	Wheelwell - Plastic
4	085387-01-X14	EA	Compartment Asm - Power Cord
5	084102-01-000	EA	Compartment Panel
6	094391-02-000	EA	Luggage Tray Asm
7	081252-23-000	EA	Compartment Asm
8	081252-30-000	EA	Compartment Asm
9	094707-01-01A	EA	Step Asm - Electric - Double
10	064883-02-000	EA	Battery Door
11	089103-01-000	EA	Support Asm - Entrance Step
12	M92486-01-000	EA	Compartment - Drawer
	092914-01-000	EA	Drawer Glide
	093065-02-000	EA	Drawer Hinge
	074782-01-000	EA	Drawer Pull
	042442-01-000	EA	Tensit Lock Asm
13	089548-01-000	EA	Compartment Asm
14	088015-03-000	EA	Compartment Asm
	079368-01-000	FT	Bulb Seal
	061420-01-000	EA	Plug - Plastic - 1 75" Dia
	033508-02-000	EA	Light - Dome - Ivory - Single - USA
	033508-03-000	EA	Light - Dome - Ivory - Single - CSA
	033508-02-700	EA	Lens - Dome Light
	008218-01-000	EA	Bulb - 12 Volt - #1141 - Dome Light

1989 IC/JM31RQ INDEX

Floor Plan	D-21 - D-22
Accessories Group	D-23 - E-05
Bath Group	E-06 - E-09
Chassis Group	E-10 - E-16
Curtain, Cushion & Pad Group	E-17 - F-08
Dinette Group	F-09 - F-10
Driver's Compartment Group	F-11 - F-16
Electrical Group	F-17 - F-20
Exterior Body Group	F-21 - G-02
Galley Group	G-03 - G-06
Heating & Air Conditioning Group	G-07
Interior Finish Group	G-08 - G-09
LP Group	G-10
Lounge Group	G-11 - G-16
Water & Sewage Group	G-17 - G-18
Window, Vent & Exterior Door Group	G-19 - H-16

CHASSIS GROUP (CONTINUED)



AIR RIDE SUSPENSION (OPTION 64K, 64P)

Key	Part Number	U/M	Description
1	090436-11-000	EA	Spring Mount - Lower Axle - Driver
2	090436-09-000	EA	Mount - Amspring Arm - Upper - Driver
3	090436-04-000	EA	Valve Arm - Height - w/o Park & Level
3	090436-05-000	EA	Valve Arm - Height - w/Park & Level
4	090436-07-000	EA	Compressor Arm. - w/Tank & Wiring
5	090436-08-000	EA	Control - Park & Level w/Wiring
6	090436-08-000	EA	Mount - Amspring Arm - Upper - Passenger
7	090436-13-000	EA	U-Bolt - Rearward Bent - 7/8"
8	090436-12-000	EA	U-Bolt - Forward Straight - 7/8"
9	090436-10-000	EA	Spring Mount - Lower Axle - Passenger
10	090436-03-000	EA	Leaf Spring - Semi
11	090436-14-000	EA	Track Bar - w/Pivot Bolt & Brackets
12	091250-03-000	EA	Bushing - Sway Bar - 1.75"
	090436-15-000	EA	Valve - Solenoid Arm. - Park & Level
	090436-16-000	EA	Bracket - Brake lines/Axle
	000C12-05-168	EA	Hex Bolt - 5/16" - 18 x 1"
	000D14-05-000	EA	Hex Nut - 5/16" - #18
	000D34-06-008	EA	Hex Nut - Locking - 3/8" - #18
	000E13-17-008	EA	Washer - Flange - 3/8"
	071374-03-000	EA	Fitting - Bulkhead - 1/4" x 1/4" MNPT
	007125-07-000	EA	Clamp Arm - Muffler
	016379-02-000	EA	Strap - Hanger Extension
	081918-02-000	EA	Extension - Exhaust - 2.25" OD x 7"
	085433-01-000	EA	Shield - Heat Exhaust
	095190-01-000	EA	Hanger - Exhaust
	091250-01-000	EA	Bushing - Sway Bar - 1.25" Cut
	091250-02-000	EA	Bushing - Sway Bar - 1.25" Uncut
	091250-03-000	EA	Bushing - Sway Bar - 1.75" Cut

CHASSIS GROUP (CONTINUED)

MISCELLANEOUS

Key	Part Number	U/M	Description
	082401-01-000	EA	Clamp - Hose - Wormgear - .25" ID to 1" ID
	082401-02-000	EA	Clamp - Hose - Wormgear - 1.56" ID to 2.5" ID
	082401-03-000	EA	Clamp - Hose - Wormgear - 22" ID to 1" ID
	082401-04-000	EA	Clamp - Hose - Wormgear - 69" ID to 1.25" ID
	082401-05-000	EA	Clamp - Hose - Wormgear - 2" ID to 3" ID
	082401-06-000	EA	Clamp - Hose - Wormgear - 22" ID - 62" ID
	010497-01-000	EA	Clamp - Hose - Wormgear - 22" ID - 62" ID
	010499-01-000	EA	Clamp - Hose - Spring Type 112
	007161-01-000	EA	Clamp - Cable - 9/16" ID
	010495-01-000	EA	Clamp - Cable - 9/16" ID
	023146-01-000	EA	Clamp - Screw Type - 4"
	007125-03-000	EA	Clamp Arm - Muffler - 1.5" Dia
	007125-08-000	EA	Clamp Arm - Muffler - 2.25" Dia
	007125-07-000	EA	Clamp Arm - Muffler - 2.50" Dia
	081918-01-000	EA	Exhaust Extension - 2.25" OD - Stainless Steel
	081918-02-000	EA	Exhaust Extension - 2.25" x 7" - Stainless Steel
	081084-03-000	EA	Pipe Arm - Exhaust
	053322-04-000	EA	Heat Shield - Exhaust
	079942-01-000	EA	Shock Absorber - Stabilizer - Front (Chevrolet) (Options 64A & 64C)
	084088-01-000	EA	Amspring - Bellows - Rear Axle (Chevrolet) (Option 64C)
	084088-01-700	EA	Bellows Only (Air Bag)
	084088-01-701	EA	Tubing - 1/4" x 18"
	084088-01-702	EA	Bolt - Ribbed Neck - 3/8" - 24 x 2 1/2"
	084088-01-703	EA	Inflating Valve - 1/4" Tubing
	084088-01-704	EA	Elbow Connector
	084088-01-705	EA	Tubing Protectors
	088782-01-000	EA	Amspring - Bellows - Rear Axle (John Deere) (Option 71A)
	088782-01-700	EA	Ride - Fr.: Bellows - (Air Bag)
	088782-01-701	EA	Flexible Tubing
	088782-01-702	EA	Brass Union
	090434-01-000	EA	Speedometer - Mechanical - MPH
	091241-01-000	EA	Speedometer - Mechanical - KM
	071656-01-000	EA	Cover - Radiator - Rear
	090722-01-000	EA	Cover - Radiator - Rear Back (Fan Shroud)
	017516-01-000	EA	Mud Flap w/Holes - 14" x 18" - Black
	087883-01-000	EA	Wheelwell - Plastic
	094707-01-01A	EA	Step Arm - Entry Door - Electric (Kwikkee) - Double
	063977-08-000	EA	Step Arm - Driver Door
	007324-04-000	EA	Tire - 8.0" x 19.5" - Tubeless - Michelin
	051377-01-000	EA	Valve Stem Arm - TR500
	095012-01-000	EA	Extension - Valve Stem - Dual Wheels
	086273-01-000	EA	Relay - Battery Disconnect
	072342-07-000	EA	Condenser Arm (John Deere)
	072359-01-000	EA	Bottle - Coolant Expansion
	079929-01-000	EA	Canister Arm - Vapor - 1500cc

**1989 ITASCA
TABLE OF CONTENTS**

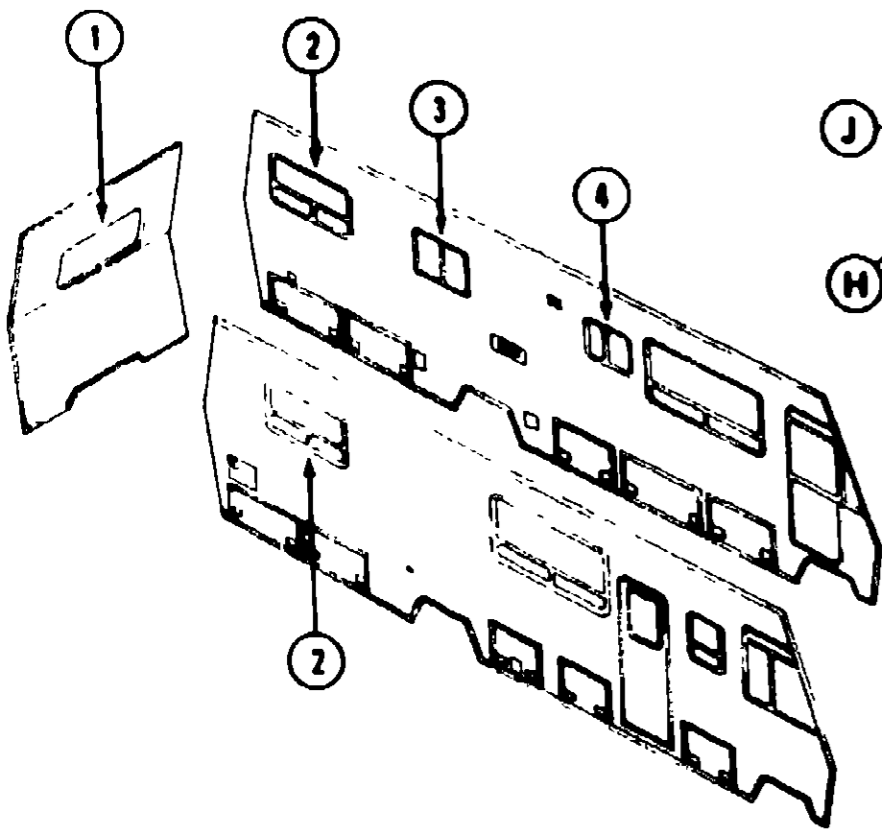
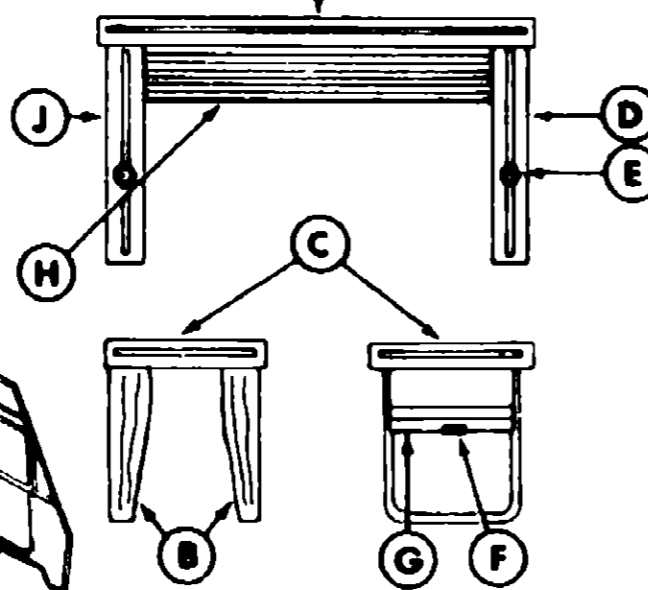
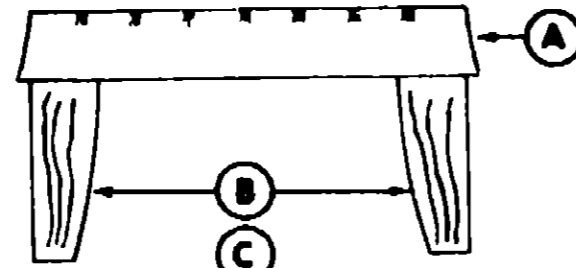
INTRODUCTION	A-01
ABBREVIATIONS	A-01
ALPHABETICAL INDEX	A-02 - A-04
ICM27RQ	A-05 - D-20
IC/JM31RQ	D-21 - H-16

1989 IC/JM31RQ INDEX

Floor Plan	D-21 - D-22
Accessories Group	D-23 - E-05
Bath Group	E-06 - E-09
Chassis Group	E-10 - E-16
Curtain, Cushion & Pad Group	E-17 - F-08
Dinette Group	F-09 - F-10
Driver's Compartment Group	F-11 - F-16
Electrical Group	F-17 - F-20
Exterior Body Group	F-21 - G-02
Galley Group	G-03 - G-06
Heating & Air Conditioning Group	G-07
Interior Finish Group	G-08 - G-09
LP Group	G-10
Lounge Group	G-11 - G-16
Water & Sewage Group	G-17 - G-18
Window, Vent & Exterior Door Group	G-19 - H-16

CURTAIN, CUSHION & PAD GROUP

WINDOW TREATMENT



Key	Part Number	U/M	Description
1A	093465-06-Y15	EA	Curtain Valance - w/Welting - 7" x 63" (Y70)
1A	093465-06-Y16	EA	Curtain Valance - w/Welting - 7" x 63" (Y71)
1A	093465-06-Y17	EA	Curtain Valance - w/Welting - 7" x 63" (Y72)
1A	093465-18-Y70	EA	Curtain Valance - w/Welting - 9" x 62"
1A	093465-18-Y71	EA	Curtain Valance - w/Welting - 9" x 62"
1A	093465-18-Y72	EA	Curtain Valance - w/Welting - 9" x 62"
1B	079542-19-Y70	EA	Curtain Arm - Flat Dart Top w/Snaps - 12" x 28 1/2" Drop
1B	079542-19-Y71	EA	Curtain Arm - Flat Dart Top w/Snaps - 12" x 28 1/2" Drop
1B	079542-19-Y72	EA	Curtain Arm - Flat Dart Top w/Snaps - 12" x 28 1/2" Drop
1F	087253-01-000	EA	Shade Pull - Clear Plastic
1G	093455-20-Y35	EA	Shade Arm. - 51.25" (Y70)
1G	093455-20-Y19	EA	Shade Arm. - 51.25" (Y71)
1G	093455-20-Y78	EA	Shade Arm. - 51.25" (Y72)
1	084434-01-000	EA	Pull Shade Bracket - Left or Right Side
1	056003-01-000	EA	Curtain Retainer Bracket - Right
1	056003-02-000	EA	Curtain Retainer Bracket - Left
1	089335-01-000	FT	Curtain Track - Plastic - Brown
1	029092-01-000	EA	Stud - Nickel Finish
1	029093-01-000	EA	Eyelet - Nickel Finish
2A	093465-07-Y15	EA	Curtain Valance - w/Welting - 7" x 56 1/2" (Y70)
2A	093465-07-Y16	EA	Curtain Valance - w/Welting - 7" x 56 1/2" (Y71)
2A	093465-07-Y17	EA	Curtain Valance - w/Welting - 7" x 56 1/2" (Y72)
2A	093465-19-Y70	EA	Curtain Valance - w/Welting - 9" x 55 1/2"
2A	093465-19-Y71	EA	Curtain Valance - w/Welting - 9" x 55 1/2"
2A	093465-19-Y72	EA	Curtain Valance - w/Welting - 9" x 55 1/2"

Key	Part Number	U/M	Description
2B	079542-18-Y30	EA	Curtain Arm - Flat Dart Top w/Snaps - 12" x 34" Drop (Y70)
2B	079542-18-Y31	EA	Curtain Arm - Flat Dart Top w/Snaps - 12" x 34" Drop (Y71)
2B	079542-18-Y32	EA	Curtain Arm - Flat Dart Top w/Snaps - 12" x 34" Drop (Y72)
2F	087253-01-000	EA	Shade Pull - Clear Plastic
2G	093455-21-Y30	EA	Shade Arm - 45 1/4" (Y70)
2G	093455-21-Y31	EA	Shade Arm - 45 1/4" (Y71)
2G	093455-21-Y32	EA	Shade Arm - 45 1/4" (Y72)
2	084434-01-000	EA	Pull Shade Bracket - Left or Right
2	056003-01-000	EA	Curtain Retainer Bracket - Right
2	056003-02-000	EA	Curtain Retainer Bracket - Left
2	089335-01-000	FT	Curtain Track - Plastic - Brown
2	029092-01-000	EA	Stud - Nickel Finish
2	029093-01-000	EA	Eyelet - Nickel Finish
3A	093465-05-Y15	EA	Curtain Valance - w/Welting - 7" x 42" (Y70)
3A	093465-05-Y16	EA	Curtain Valance - w/Welting - 7" x 42" (Y71)
3A	093465-05-Y17	EA	Curtain Valance - w/Welting - 7" x 42" (Y72)
3A	093465-17-Y70	EA	Curtain Valance - w/Welting - 9" x 41"
3A	093465-17-Y71	EA	Curtain Valance - w/Welting - 9" x 41"
3A	093465-17-Y72	EA	Curtain Valance - w/Welting - 9" x 41"
3B	073304-39-XA4	EA	Curtain Arm - 10" x 27.5" Drop - Snap Top (Y70)
3B	073304-39-Y16	EA	Curtain Arm. - 10" x 27.5" Drop - Snap Top (Y71)
3B	073304-39-Y32	EA	Curtain Arm. - 10" x 27.5" Drop - Snap Top (Y72)
3H	093475-04-01A	EA	Mini Blind - Aluminum - 32" x 28" Drop (Y70) (Y72)
3H	093475-04-02A	EA	Mini Blind - Aluminum - 32" x 28" Drop (Y71)
3	083170-01-000	EA	Upper Bracket - Mini Blind - Right
3	083170-02-000	EA	Upper Bracket - Mini Blind - Left
3	082139-01-000	EA	Hold Down Bracket - Mini Blind - Steel
3	095591-01-000	EA	Hold Down Bracket - Mini Blind - Clear Plastic
3	056003-01-000	EA	Curtain Retainer Bracket - Right
3	056003-02-000	EA	Curtain Retainer Bracket - Left
3	089335-01-000	FT	Curtain Track - Plastic - Brown
3	029092-01-000	EA	Stud - Nickel Finish
3	029093-01-000	EA	Eyelet - Nickel Finish
4C	093453-20-Y70	EA	Valance - Gathered - w/Wood Trm - 29.5"
4C	093453-20-Y16	EA	Valance - Gathered - w/Wood Trm - 29.5" (Y71)
4C	093453-20-Y72	EA	Valance - Gathered - w/Wood Trm - 29.5"
4H	093475-02-01A	EA	Mini Blind - Aluminum - 27" x 22.5" Drop (Y70) (Y72)
4H	093475-02-02A	EA	Mini Blind - Aluminum - 27" x 22.5" Drop (Y71)
4	083170-01-000	EA	Upper Bracket - Mini Blind - Right
4	083170-02-000	EA	Upper Bracket - Mini Blind - Left
4	082139-01-000	EA	Hold Down Bracket - Mini Blind - Steel
4	095591-01-000	EA	Hold Down Bracket - Mini Blind - Clear Plastic

1989 ITASCA TABLE OF CONTENTS

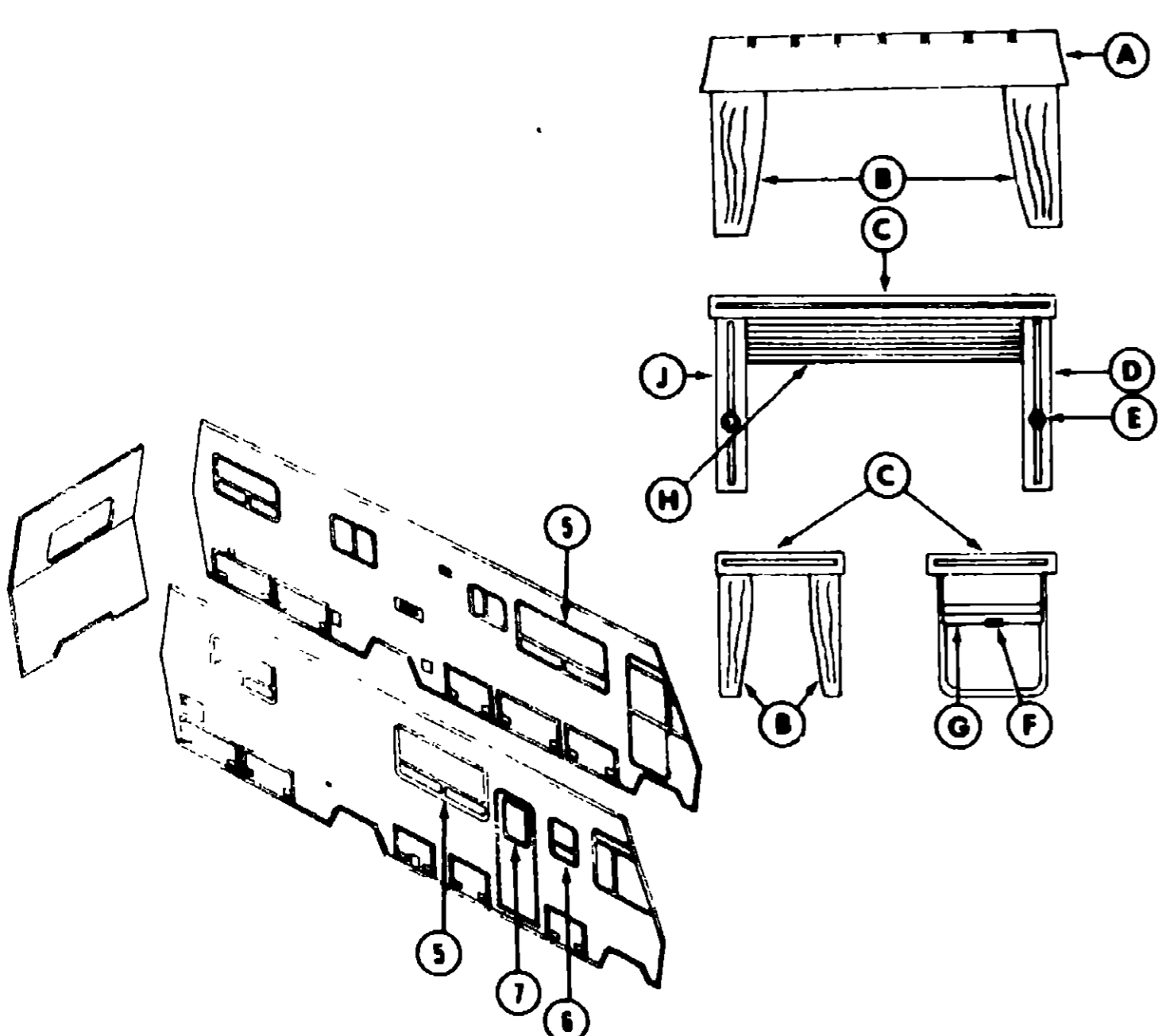
INTRODUCTION	A-01
ABBREVIATIONS	A-01
ALPHABETICAL INDEX	A-02 - A-04
IC/JM31RQ	A-05 - D-20
IC/JM31RQ	D-21 - H-16

1989 IC/JM31RQ INDEX

Floor Plan	D-21 - D-22
Accessories Group	D-23 - E-05
Bath Group	E-06 - E-09
Chassis Group	E-10 - E-16
Curtain, Cushion & Pad Group	E-17 - F-08
Dinette Group	F-09 - F-10
Driver's Compartment Group	F-11 - F-16
Electrical Group	F-17 - F-20
Exterior Body Group	F-21 - G-02
Galley Group	G-03 - G-06
Heating & Air Conditioning Group	G-07
Interior Finish Group	G-08 - G-09
LP Group	G-10
Lounge Group	G-11 - G-16
Water & Sewage Group	G-17 - G-18
Window, Vent & Exterior Door Group	G-19 - H-16

CURTAIN, CUSHION & PAD GROUP (CONTINUED)

WINDOW TREATMENT (CONT.)



Key	Part Number	U/M	Description
5	083170-01-000	EA	Upper Bracket - Mini Blind - Right
5	083170-02-000	EA	Upper Bracket - Mini Blind - Left
5	082138-01-000	EA	Hold Down Bracket - Mini Blind - Steel
5	085591-01-000	EA	Hold Down Bracket - Mini Blind - Clear Plastic
5	058003-01-000	EA	Curtain Retainer Bracket - Right
5	058003-02-000	EA	Curtain Retainer Bracket - Left
5	089336-01-000	FT	Curtain Track - Plastic - Brown
5	029082-01-000	EA	Stud - Nickel Finish
5	029083-01-000	EA	Eyelet - Nickel Finish
6B	079542-16-Y30	EA	Curtain Arm - Flat Dart Top w/Snaps - 12" x 34" Drop (Y70)
6B	079542-16-Y31	EA	Curtain Arm - Flat Dart Top w/Snaps - 12" x 34" Drop (Y71)
6B	079542-16-Y32	EA	Curtain Arm - Flat Dart Top w/Snaps - 12" x 34" Drop (Y72)
6C	093453-03-Y70	EA	Valance - Gathered - w/Wood Trim - 27.4"
6C	093453-03-Y19	EA	Valance - Gathered - w/Wood Trim - 27.4" (Y71)
6C	093453-03-Y72	EA	Valance - Gathered - w/Wood Trim - 27.4"
6H	083475-12-01A	EA	Mini Blind - Aluminum - 21" x 33" Drop (Y70) (Y72)
6H	083475-12-02A	EA	Mini Blind - Aluminum - 21" x 33" Drop (Y71)
6	083170-01-000	EA	Upper Bracket - Mini Blind - Right
6	083170-02-000	EA	Upper Bracket - Mini Blind - Left
6	082138-01-000	EA	Hold Down Bracket - Mini Blind - Steel
6	085591-01-000	EA	Hold Down Bracket - Mini Blind - Clear Plastic
6	058003-01-000	EA	Curtain Retainer Bracket - Right
6	058003-02-000	EA	Curtain Retainer Bracket - Left
6	089336-01-000	FT	Curtain Track - Plastic - Brown
6	029082-01-000	EA	Stud - Nickel Finish
6	029083-01-000	EA	Eyelet - Nickel Finish
7C	093453-03-Y70	EA	Valance - Gathered - w/Wood Trim - 27.4"
7C	093453-03-Y19	EA	Valance - Gathered - w/Wood Trim - 27.4" (Y71)
7C	093453-03-Y72	EA	Valance - Gathered - w/Wood Trim - 27.4"
7F	087253-01-000	EA	Shade Pull - Clear Plastic
7G	083455-13-Y30	EA	Shade Arm - 24.25" (Y70)
7G	083455-13-Y71	EA	Shade Arm - 24.25"
7G	083455-13-Y32	EA	Shade Arm - 24.25" (Y72)
7	084434-01-000	EA	Pull Shade Bracket - Left or Right
7	048394-02-000	YD	Velcro - Hook Tape
7	088782-02-000	YD	Velcro - Loop Tape
7	072333-55-000	YD	Valance, Curtain & Leg Fabric (Y70)
7	072333-58-000	YD	Valance, Curtain & Leg Fabric (Y71)
7	072333-60-000	YD	Valance, Curtain & Leg Fabric (Y72)
7	088522-02-000	EA	Trim - Leg to Window Mount
7	089916-01-000	EA	Trim - Window to Leg Mount
7	075943-01-000	EA	Valance Brace - Beige

Key	Part Number	U/M	Description
5C	093453-12-Y70	EA	Valance - Gathered - w/Wood Trim - 65.5"
5C	093453-12-Y08	EA	Valance - Gathered - w/Wood Trim - 65.5" (Y71)
5C	093453-12-Y72	EA	Valance - Gathered - w/Wood Trim - 65.5"
5B	079542-16-Y30	EA	Curtain Arm - Flat Dart Top w/Snaps - 12" x 34" Drop (Y70)
5B	079542-16-Y31	EA	Curtain Arm - Flat Dart Top w/Snaps - 12" x 34" Drop (Y71)
5B	079542-16-Y32	EA	Curtain Arm - Flat Dart Top w/Snaps - 12" x 34" Drop (Y72)
5D	089058-09-Y70	EA	Leg - Right - Gathered - w/Wood Trim - Hole
5D	089058-09-Y16	EA	Leg - Right - Gathered - w/Wood Trim - Hole (Y71)
5D	089058-09-Y72	EA	Leg - Right - Gathered - w/Wood Trim - Hole
5J	089058-10-Y70	EA	Leg - Left - Gathered - w/Wood Trim - Hole
5J	089058-10-Y16	EA	Leg - Right - Gathered - w/Wood Trim - Hole (Y71)
5J	089058-10-Y72	EA	Leg - Left - Gathered - w/Wood Trim - Hole
5H	093475-11-01A	EA	Mini Blind - Aluminum - 57.5" x 33" Drop (Y70) (Y72)
5H	093475-11-02A	EA	Mini Blind - Aluminum - 57.5" x 33" Drop (Y71)
5E	087052-02-000	EA	Window Knob - Beige
5	080025-01-000	EA	Extension - Window Knob
5	088371-01-000	EA	Screw - Window Knob

1989 ITASCA TABLE OF CONTENTS

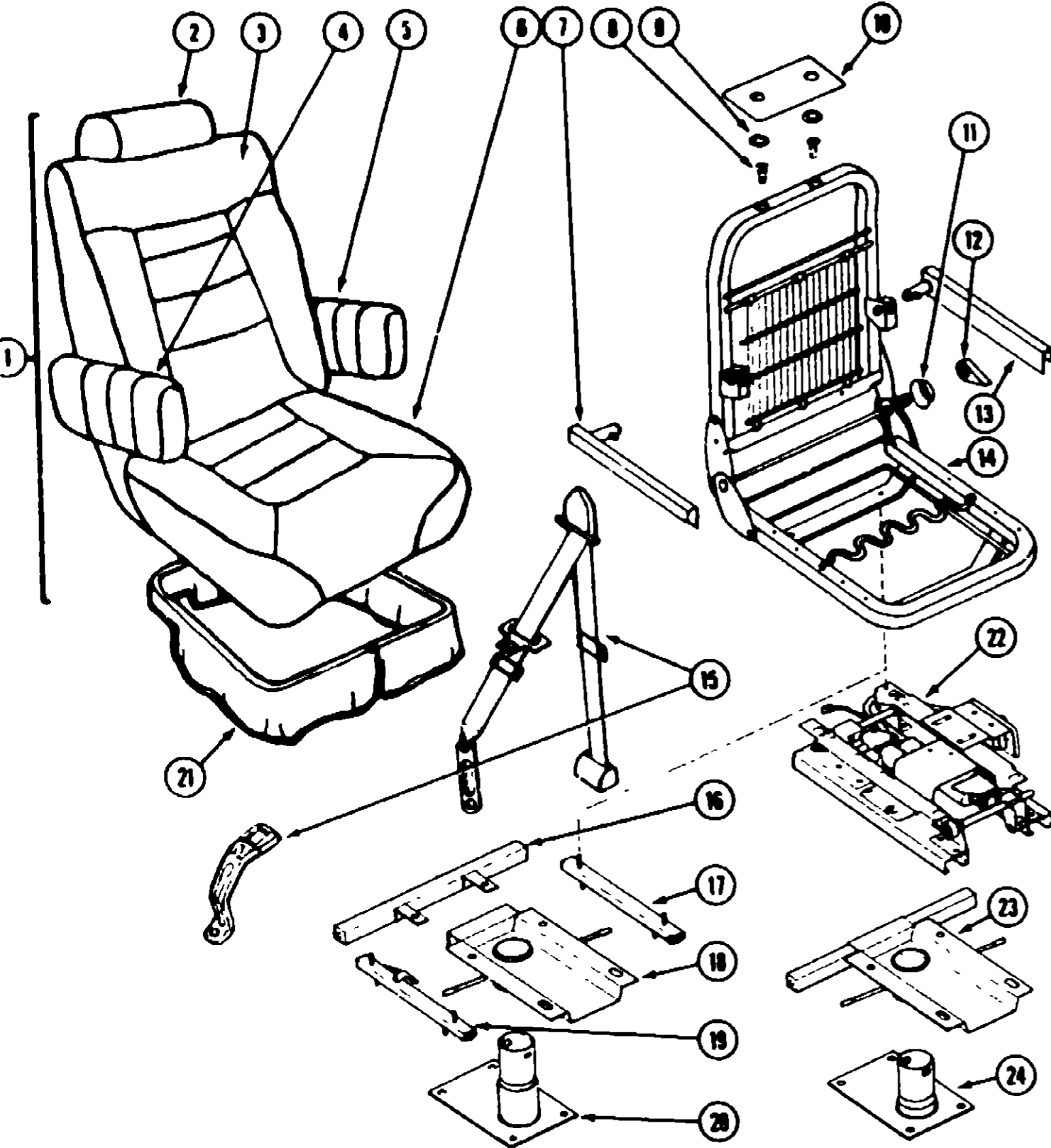
INTRODUCTION	A-01
ABBREVIATIONS	A-01
ALPHABETICAL INDEX	A-02 - A-04
ICM27RO	A-05 - D-20
IC/JM31RO	D-21 - H-16

1989 IC/JM31RO INDEX

Floor Plan	D-21 - D-22
Accessories Group	D-23 - E-05
Bath Group	E-06 - E-09
Chassis Group	E-10 - E-16
Curtain, Cushion & Pad Group	E-17 - F-08
Dinette Group	F-09 - F-10
Driver's Compartment Group	F-11 - F-16
Electrical Group	F-17 - F-20
Exterior Body Group	F-21 - G-02
Galley Group	G-03 - G-06
Heating & Air Conditioning Group	G-07
Interior Finish Group	G-08 - G-09
LP Group	G-10
Lounge Group	G-11 - G-16
Water & Sewage Group	G-17 - G-18
Window, Vent & Exterior Door Group	G-19 - H-16

CURTAIN, CUSHION & PAD GROUP (CONTINUED)

BUCKET SEAT ASM.



Key	Part Number	U/M	Description
1	083456-03-Y70	EA	Seat Asm - w/Arm & Headrest - w/o Skirt (Driver or Passenger)
1	083445-03-Y71	EA	Seat Asm. - w/Arm & Headrest - w/o Skirt (Driver or Passenger)
1	083456-03-Y72	EA	Seat Asm - w/Arm & Headrest - w/o Skirt (Driver or Passenger)
2	085268-01-Y24	EA	Headrest Asm. (Y70)
2	085268-01-Y71	EA	Headrest Asm.
2	085268-01-Y72	EA	Headrest Asm.
2	M85268-01-Y24	EA	Cover Asm - Headrest (Y70)
2	M85268-01-Y71	EA	Cover Asm - Headrest
2	M85268-01-Y72	EA	Cover Asm - Headrest
3	M03445-06-Y30	EA	Cover Asm. - Seat Back (Y70)
3	M03445-06-Y31	EA	Cover Asm. - Seat Back (Y71)
3	M03445-06-Y32	EA	Cover Asm. - Seat Back (Y72)
4	080243-32-Y30	EA	Armrest Asm - Right Hand (Y70)
4	080243-32-Y31	EA	Armrest Asm - Right Hand (Y71)
4	080243-32-Y32	EA	Armrest Asm - Right Hand (Y72)
4	M80243-32-Y30	EA	Armrest Cover - Right Hand (Y70)
4	M80243-32-Y31	EA	Armrest Cover - Right Hand (Y71)
4	M80243-32-Y32	EA	Armrest Cover - Right Hand (Y72)
5	080243-33-Y30	EA	Armrest Asm. - Left Hand (Y70)
5	080243-33-Y31	EA	Armrest Asm. - Left Hand (Y71)
5	080243-33-Y32	EA	Armrest Asm - Left Hand (Y72)
5	M80243-33-Y30	EA	Armrest Asm - Cover - Left Hand (Y70)
5	M80243-33-Y31	EA	Armrest Asm - Cover - Left Hand (Y71)
5	M80243-33-Y32	EA	Armrest Asm - Cover - Left Hand (Y72)
6	M03445-05-Y30	EA	Cover Asm - Seat Bottom (Y70)
6	M03445-05-Y31	EA	Cover Asm. - Seat Bottom (Y71)
6	M03445-05-Y32	EA	Cover Asm. - Seat Bottom (Y72)
7	081268-01-000	EA	Armrest Frame Asm - Right Hand
8	091313-01-000	EA	Headrest - Bushings
9	083163-01-000	EA	Pushnut - 7/16"
10	081172-01-000	EA	Trim Plate
11	080730-05-000	EA	Shield - Recliner Lever
12	080730-03-000	EA	Recliner Lever
13	081268-02-000	EA	Armrest Frame Asm - Left Hand
14	M80908-01-000	EA	Seat Frame Asm
15	091990-01-01A	EA	Seat Belt
16	089525-29-000	EA	Seat Belt Bar
17	089246-02-000	EA	Seat Slide w/o Lock
18	089585-27-000	EA	Top Plate
19	089246-01-000	EA	Seat Slide w/Lock
20	089585-08-000	EA	Seat Base
21	071126-24-X75	EA	Skirt Asm (Y70)
21	071126-24-Y71	EA	Skirt Asm
21	071126-24-Y72	EA	Skirt Asm.
	088274-33-000	YD	Bucket Seat Fabric (Y70)
	088274-59-000	YD	Bucket Seat Fabric (Y71)
	088274-60-000	YD	Bucket Seat Fabric (Y72)

POWER SEAT OPTION (63M)

Key	Part Number	U/M	Description
21	071126-26-X75	EA	Skirt Asm - Power Seat (Y70)
21	071126-26-Y36	EA	Skirt Asm - Power Seat (Y71)
21	071126-26-Y37	EA	Skirt Asm. - Power Seat (Y72)
22	081373-01-000	EA	Power Control - 6 Way
23	089585-36-000	EA	Top Plate (6 Way Power Seat)
24	089585-37-000	EA	Seat Base (6 Way Power Seat)
	081591-04-000	EA	Wire Asm (6 Way Power Seat)

1989 ITASCA TABLE OF CONTENTS

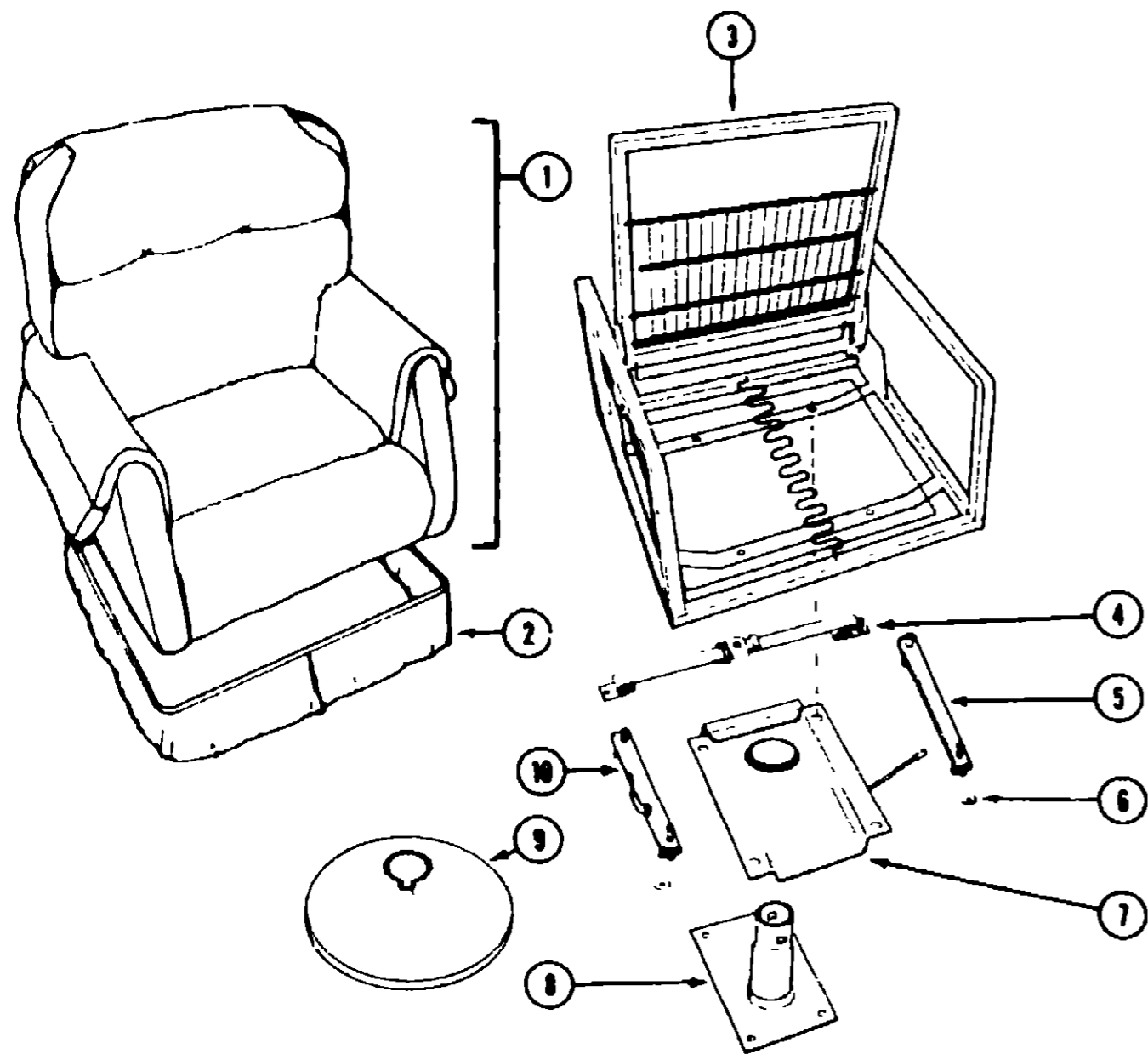
INTRODUCTION	A-01
ABBREVIATIONS	A-01
ALPHABETICAL INDEX	A-02 - A-04
ICM27RQ	A-05 - D-20
IC/JM31RQ	D-21 - H-16

1989 IC/JM31RQ INDEX

Floor Plan	D-21 - D-22
Accessories Group	D-23 - E-05
Bath Group	E-06 - E-09
Chassis Group	E-10 - E-16
Curtain, Cushion & Pad Group	E-17 - F-08
Dinette Group	F-09 - F-10
Driver's Compartment Group	F-11 - F-16
Electrical Group	F-17 - F-20
Exterior Body Group	F-21 - G-02
Galley Group	G-03 - G-08
Heating & Air Conditioning Group	G-07
Interior Finish Group	G-08 - G-09
LP Group	G-10
Lounge Group	G-11 - G-16
Water & Sewage Group	G-17 - G-18
Window, Vent & Exterior Door Group	G-19 - H-16

CURTAIN, CUSHION & PAD GROUP (CONTINUED)

SWIVEL CHAIR



Key	Part Number	U/M	Description
1	085059-02-Y30	EA	Chair Arm - Celebrity 3 (Y70)
1	085059-02-Y31	E	Chair Arm - Celebrity 3 (Y71)
1	085059-02-Y32	EA	Chair Arm - Celebrity 3 (Y72)
1	M85059-02-Y30	EA	Cover Asm - Celebrity 3 Chair (Y70)
1	M85059-02-Y31	EA	Cover Asm - Celebrity 3 Chair (Y71)
1	M85059-02-Y32	EA	Cover Asm - Celebrity 3 Chair (Y72)
2	085187-02-Y30	EA	Skirt Asm - Celebrity 3 Chair (Y70)
2	085187-02-Y31	EA	Skirt Asm - Celebrity 3 Chair (Y71)
2	085187-02-Y32	EA	Skirt Asm - Celebrity 3 Chair (Y72)
3	090354-01-000	EA	Frame - Non-Reclining Chair
4	007021-01-000	EA	Seat Belt Arm
5	089246-02-000	EA	Seat Slide Asm. - w/o Lock
6	007221-01-000	EA	Washer - Coned
7	093481-03-000	EA	Seat Top Plate
8	093481-02-000	EA	Seat Base
9	093482-01-000	EA	Seat Base Cover
10	089246-01-000	EA	Seat Slide Asm - w/Lock
	055687-06-007	LB	Firm - Cushion - 28" x 18" Bags
	087330-01-000	EA	Stop Bracket - Slide Track
	088274-63-000	YD	Chair Fabric (Y70)
	088274-61-000	YD	Chair Fabric (Y71)
	088274-62-000	YD	Chair Fabric (Y72)

1989 ITASCA TABLE OF CONTENTS

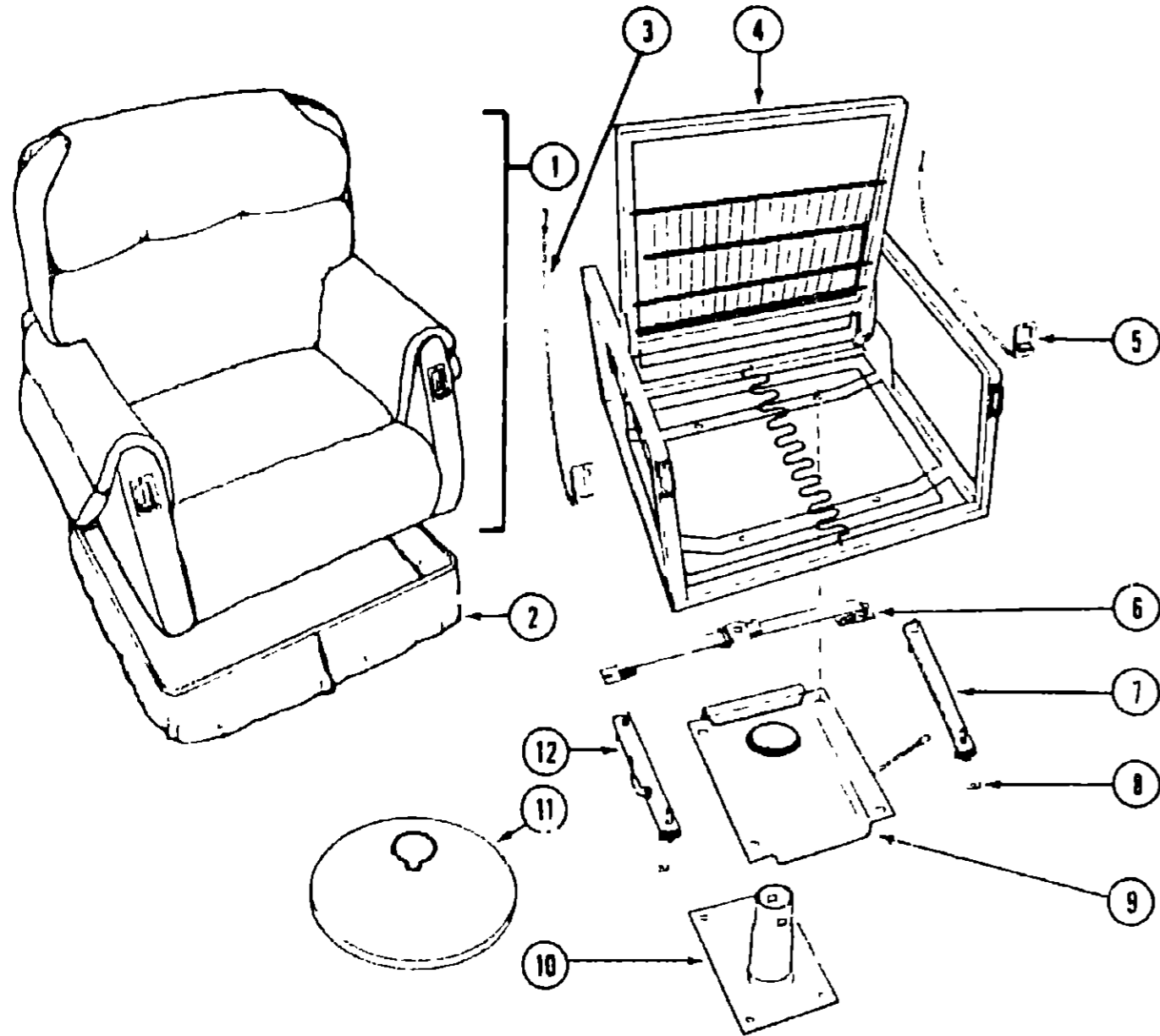
INTRODUCTION	A-01
ABBREVIATIONS	A-01
ALPHABETICAL INDEX	A-02 - A-04
ICM27RQ	A-05 - D-20
IC/JM31RQ	D-21 - H-18

1989 IC/JM31RQ INDEX

Floor Plan	D-21 - D-22
Accessories Group	D-23 - E-05
Bath Group	E-06 - E-09
Chassis Group	E-10 - E-16
Curtain, Cushion & Pad Group	E-17 - F-08
Dinette Group	F-09 - F-10
Driver's Compartment Group	F-11 - F-16
Electrical Group	F-17 - F-20
Exterior Body Group	F-21 - G-02
Galley Group	G-03 - G-06
Heating & Air Conditioning Group	G-07
Interior Finish Group	G-08 - G-09
LP Group	G-10
Lounge Group	G-11 - G-16
Water & Sewage Group	G-17 - G-18
Window, Vent & Exterior Door Group	G-19 - H-18

CURTAIN, CUSHION & PAD GROUP (CONTINUED)

RECLINING SWIVEL CHAIR (OPTION 80F)



Key	Part Number	U/M	Description
1	088516-02-Y70	EA	Chair Asm - Celebrity 3 Recliner
1	088516-02-Y71	EA	Chair Asm - Celebrity 3 Recliner
1	088516-02-Y72	EA	Chair Asm - Celebrity 3 Recliner
1	M88516-02-Y70	EA	Cover Asm - Celebrity 3 Recliner
1	M88516-02-Y71	EA	Cover Asm - Celebrity 3 Recliner
1	M88516-02-Y72	EA	Cover Asm - Celebrity 3 Recliner
2	089032-01-Y70	EA	Skirt Asm - Celebrity 3 Recliner
2	089032-01-Y71	EA	Skirt Asm - Celebrity 3 Recliner
2	089032-01-Y72	EA	Skirt Asm - Celebrity 3 Recliner
3	089366-02-000	EA	Cable - Remote Recliner
4	089368-01-000	EA	Frame - Tear Drop Recliner
5	089368-03-000	EA	Cable - Remote Slide
6	007021-01-000	EA	Seat Belt Asm
7	069246-02-000	EA	Seat Slide Asm - w/o Lock
8	007221-01-000	EA	Washer - Coned
9	093481-03-000	EA	Seat Top Plate
10	093481-02-000	EA	Seat Base
11	093482-01-000	EA	Seat Base Cover
12	069246-05-000	EA	Seat Slide Asm - w/Lock
	055687-06-000	LB	Film - Cushion - 28" x 18' Bags
	087330-01-000	EA	Stop Bracket - Slide Track
	088274-63-000	YD	Chair Fabric (Y70)
	088274-61-000	YD	Chair Fabric (Y71)
	088274-62-000	YD	Chair Fabric (Y72)

1989 ITASCA TABLE OF CONTENTS

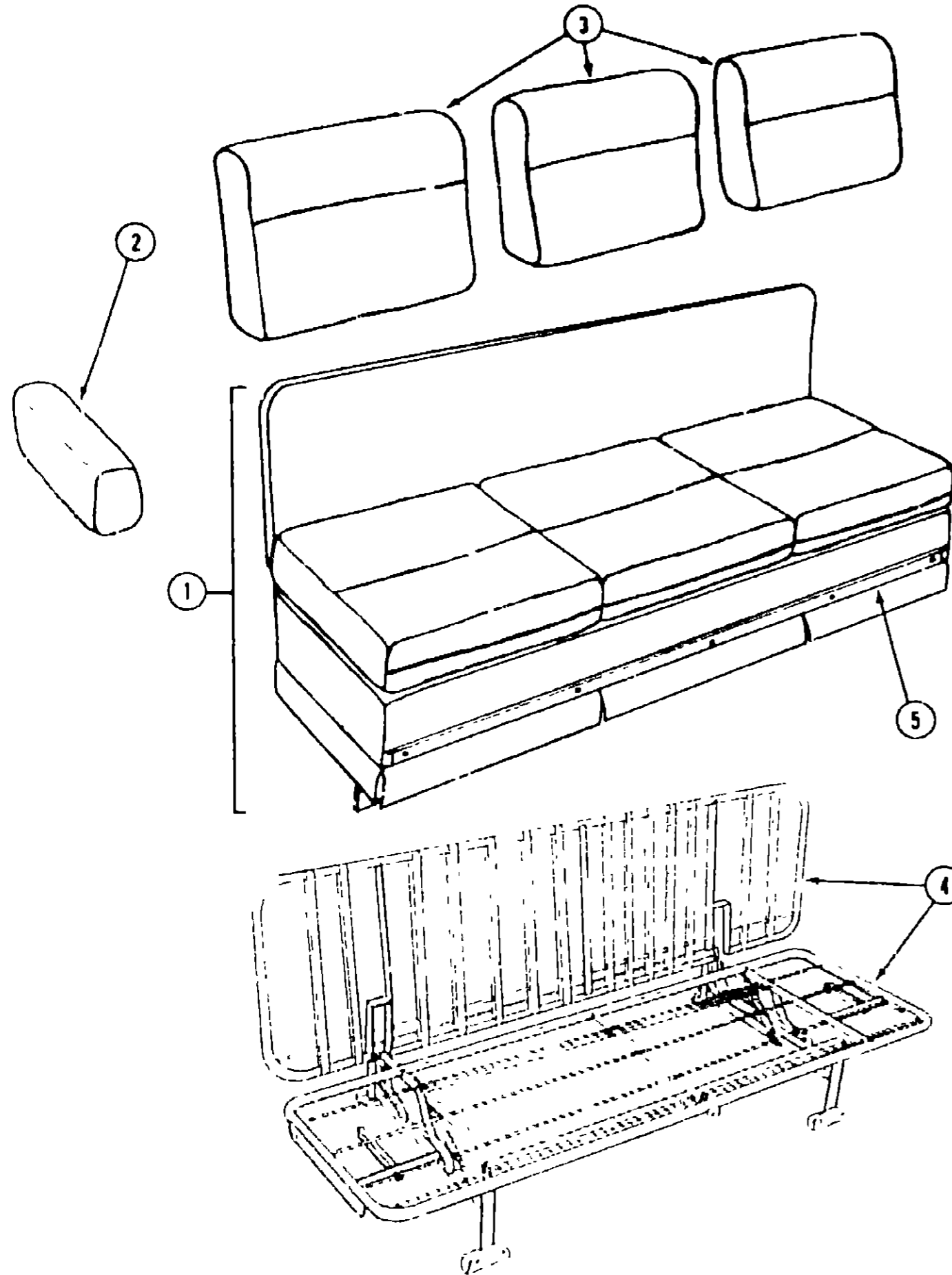
INTRODUCTION	A-01
ABBREVIATIONS	A-01
ALPHABETICAL INDEX	A-02 - A-04
ICM27RQ	A-05 - D-20
IC/JM31RQ	D-21 - H-16

1989 IC/JM31RQ INDEX

Floor Plan	D-21 - D-22
Accessories Group	D-23 - E-05
Bath Group	E-06 - E-09
Chassis Group	E-10 - E-15
Curtain, Cushion & Pad Group	E-17 - F-08
Dinette Group	F-09 - F-10
Driver's Compartment Group	F-11 - F-16
Electrical Group	F-17 - F-20
Exterior Body Group	F-21 - G-02
Galley Group	G-03 - G-06
Heating & Air Conditioning Group	G-07
Interior Finish Group	G-08 - G-09
LP Group	G-10
Lounge Group	G-11 - G-16
Water & Sewage Group	G-17 - G-18
Window, Vent & Exterior Door Group	G-19 - H-16

CURTAIN, CUSHION & PAD GROUP (CONTINUED)

SOFA BED



Key	Part Number	U/M	Description
1	089007-03-Y70	EA	Bed - Celebrity
1	089007-03-Y71	EA	Bed - Celebrity
1	089007-03-Y72	EA	Bed - Celebrity
1	M89007-03-Y70	EA	Cover - Celebrity
1	M89007-03-Y71	EA	Cover - Celebrity
1	M89007-03-Y72	EA	Cover - Celebrity
2	085357-01-Y70	EA	Cushion Asm - Celebrity Back Cushion
2	085357-01-Y71	EA	Cushion Asm - Celebrity Back Cushion
2	085357-01-Y72	EA	Cushion Asm - Celebrity Back Cushion
2	M85357-01-Y70	EA	Cover Asm - Celebrity Back Cushion
2	M85357-01-Y71	EA	Cover Asm - Celebrity Back Cushion
2	M85357-01-Y72	EA	Cover Asm - Celebrity Back Cushion
3	085060-02-Y30	EA	Cushion Asm - Arm Pillow (Y70)
3	085060-02-Y31	EA	Cushion Asm - Arm Pillow (Y71)
3	085060-02-Y32	EA	Cushion Asm - Arm Pillow (Y72)
3	M85060-02-Y30	EA	Cover Asm - Arm Pillow (Y70)
3	M85060-02-Y31	EA	Cover Asm - Arm Pillow (Y71)
3	M85060-02-Y32	EA	Cover Asm - Arm Pillow (Y72)
4	079386-01-000	EA	Frame Asm - Bed - Continental
5	074404-90-000	EA	Oak Trim
	074045-01-000	EA	Oak Plug - 1/2" Dia
	079386-02-000	EA	Mounting Hardware - Pullout Bed - Kit
	007021-01-000	EA	Seat Belt Asm
	088274-63-000	YD	Sofa Fabric (Y70)
	088274-61-000	YD	Sofa Fabric (Y71)
	088274-62-000	YD	Sofa Fabric (Y72)

1989 ITASCA TABLE OF CONTENTS

INTRODUCTION	A-01
ABBREVIATIONS	A-01
ALPHABETICAL INDEX	A-02 - A-04
IC/M27RQ	A-05 - D-20
IC/JM31RQ	D-21 - H-16

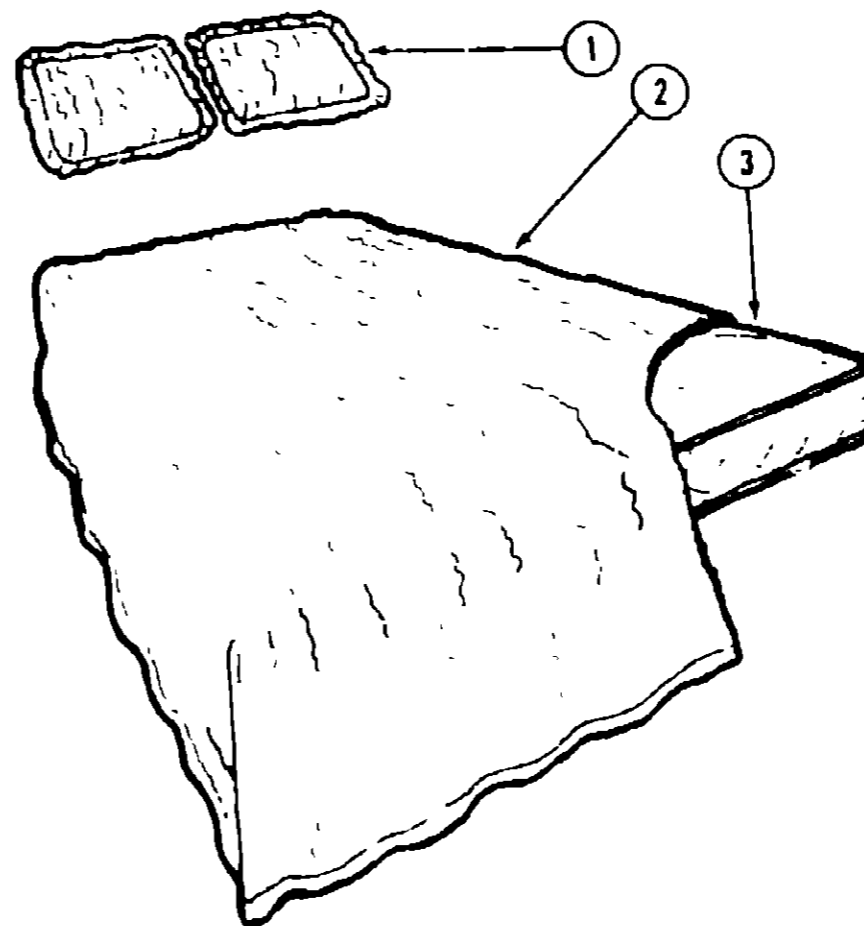
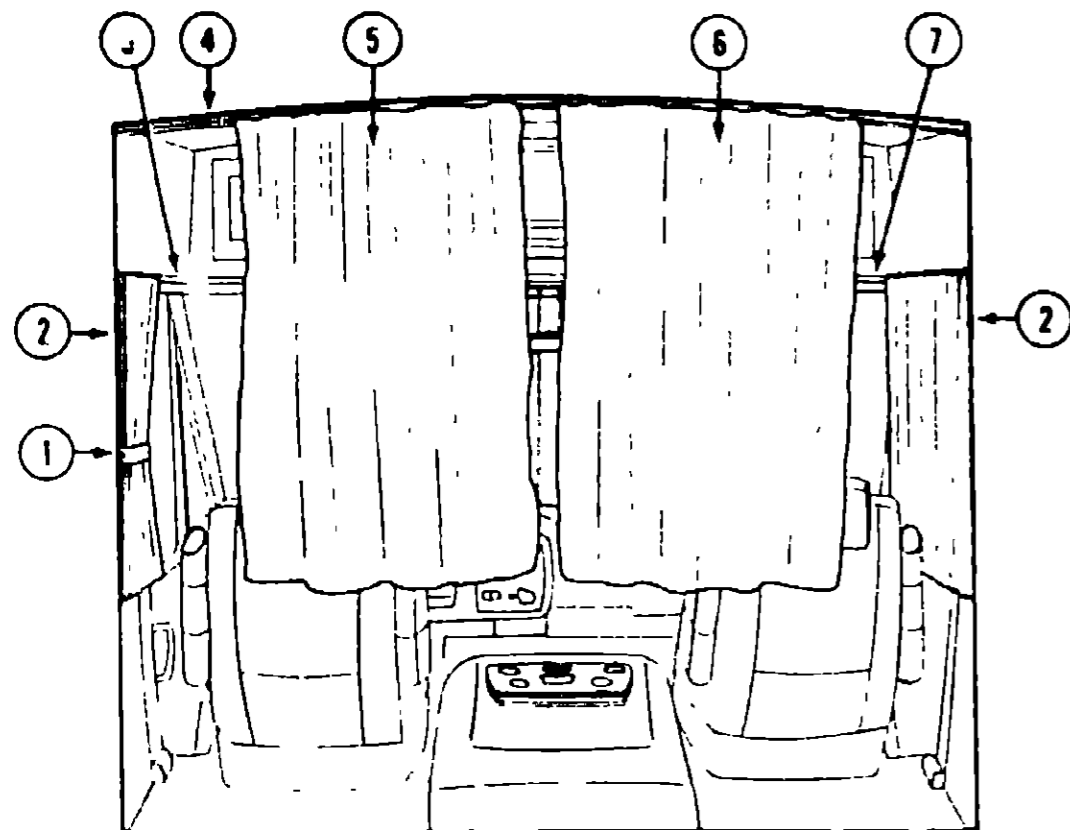
1989 IC/JM31RQ INDEX

Floor Plan	D 21 - D 22
Accessories Group	D 23 - E-05
Bath Group	E-06 - E-09
Chassis Group	E-10 - E-16
Curtain, Cushion & Pad Group	E-17 - F-08
Dinette Group	F 09 - F-10
Driver's Compartment Group	F-11 - F-16
Electrical Group	F-17 - F 20
Exterior Body Group	F 21 - G 02
Galley Group	G 03 - G-06
Heating & Air Conditioning Group	G 07
Interior Finish Group	G 08 - G 09
LP Group	G 10
Lounge Group	G 11 - G-16
Water & Sewage Group	G 17 - G-18
Window, Vent & Exterior Door Group	G 19 - H-16

CURTAIN, CUSHION & PAD GROUP (CONTINUED)

CURTAIN, CUSHION & PAD GROUP (CONTINUED)

**1989 ITASCA
TABLE OF CONTENTS**



INTRODUCTION	A-01
ABBREVIATIONS	A-01
ALPHABETICAL INDEX	A-02 - A-04
ICM27RQ	A-05 - D 20
IC/JM31RQ	D-21 - H-16

FRONT CURTAINS & ACCESSORIES

Key	Part Number	U/M	Description
1	073260 23 XA4	EA	Tieback Asm - 3" x 18" - Left or Right Side (Y70)
1	073260 23 Y16	EA	Tieback Asm - 3" x 18" - Left or Right Side (Y71)
1	073260 23 Y72	EA	Tieback Asm - 3" x 18" - Left or Right Side
2	073304 51 XA4	EA	Curtain - Front Wraparound - 36" x 86" (Y70)
2	073304 51-Y16	EA	Curtain - Front Wraparound - 36" x 86" (Y71)
2	073304 51 Y72	EA	Curtain - Front Wraparound - 36" x 86"
3	079946 02-000	EA	Front Wraparound Track - Driver Side
4	091904 01 000	EA	Track - Blackout Curtain - Light Beige
5	093452 02-Y30	EA	Curtain Asm - Blackout - Driver Side - 48" x 50" (Y70)
5	093452-02-Y31	EA	Curtain Asm - Blackout - Driver Side - 48" x 50" (Y71)
5	093452 02 Y32	EA	Curtain Asm - Blackout - Driver Side - 48" x 50" (Y72)
6	093452 01 Y30	EA	Curtain Asm - Blackout - Passenger Side - 48" x 50" (Y70)
6	093452 01-Y31	EA	Curtain Asm - Blackout - Passenger Side - 48" x 50" (Y71)
6	093452 01 Y32	EA	Curtain Asm - Blackout - Passenger Side - 48" x 50" (Y72)
7	079946 01 000	EA	Front Wraparound Track - Passenger Side
	081381 01 000	EA	Curtain Glides - Plastic - Wraparound & Blackout
	088792 01 000	EA	Velcro - 5/8" Hook - Non-Adhesive (Blackout Curtain)
	088792 02 000	EA	Velcro - 3/4" - Adhesive (Blackout Curtain)
	072333 55 000	EA	Fabric - Blackout, Wraparound & Tieback (Y70)
	072333 59 000	EA	Fabric - Blackout, Wraparound & Tieback (Y71)
	072333 60 000	EA	Fabric - Blackout, Wraparound & Tieback (Y72)

QUEEN BED

Key	Part Number	U/M	Description
1	081997-03-Y70	EA	Pillow Sham - Quilted - Open Back
1	081997-03-Y71	EA	Pillow Sham - Quilted - Open Back
1	081997-03-Y72	EA	Pillow Sham - Quilted - Open Back
2	081969-18 Y70	EA	Bedspread Asm - Fitted - w/2 Cut Corners - 60" x 75"
2	081969 18-Y71	EA	Bedspread Asm - Fitted - w/2 Cut Corners - 60" x 75"
2	081969-18 Y72	EA	Bedspread Asm. - Fitted - w/2 Cut Corners - 60" x 75"
3	079369-03-000	EA	Mattress - Innerspring - 60" x 75" x 7 75"
	088273-25-000	YD	Bedspread Fabric (Y70)
	088273 26-000	YD	Bedspread Fabric (Y71)
	088273 27-000	YD	Bedspread Fabric (Y72)

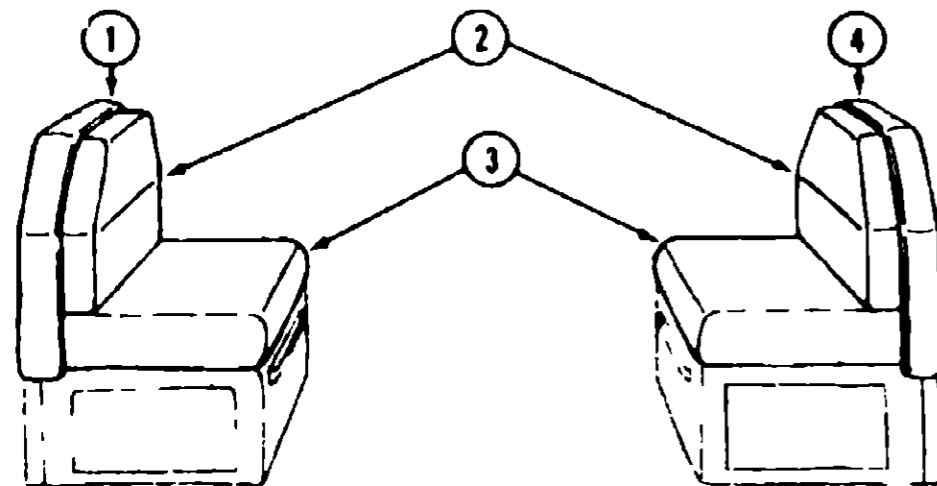
TWIN BEDS (OPTION 44R)

Key	Part Number	U/M	Description
1	081997-03-Y70	EA	Pillow Sham - Quilted - Open Back
1	081997-03 Y71	EA	Pillow Sham - Quilted - Open Back
1	081997-03 Y72	EA	Pillow Sham - Quilted - Open Back
2	081969 04-Y70	EA	Bedspread Asm - w/Ruffle - 33" x 75"
2	081969 04-Y71	EA	Bedspread Asm - w/Ruffle - 33" x 75"
2	081969 04-Y72	EA	Bedspread Asm - w/Ruffle - 33" x 75"
3	077478-04 000	EA	Mattress - Innerspring - 33" x 75" x 7 75"

1989 IC/JM31RQ INDEX

Floor Plan	D 21 - D 22
Accessories Group	D 23 - E 05
Bath Group	E-06 - E-09
Chassis Group	E-10 - E-16
Curtain, Cushion & Pad Group	E-17 - F 08
Dinette Group	F-09 - F 10
Driver's Compartment Group	F-11 - F-16
Electrical Group	F-17 - F-20
Exterior Body Group	F-21 - G-02
Galley Group	G-03 - G-06
Heating & Air Conditioning Group	G-07
Interior Finish Group	G-08 - G-09
LP Group	G-10
Lounge Group	G-11 - G-16
Water & Sewage Group	G 17 - G-18
Window, Vent & Exterior Door Group	G 19 - H-16

CURTAIN, CUSHION & PAD GROUP (CONTINUED)



DINETTE

Key	Part Number	U/M	Description
1	081519-02-X75	EA	Pad Asm - Dinette - Left (Y70)
1	081519-02-Y71	EA	Pad Asm - Dinette - Left
1	081519-02-Y72	EA	Pad Asm - Dinette - Left
2	088927-25-Y70	EA	Cushion Asm - Dinette - Seat Back
2	088927-25-Y71	EA	Cushion Asm - Dinette - Seat Back
2	088927-25-Y72	EA	Cushion Asm - Dinette - Seat Back
2	M88927-25-Y70	EA	Cover Asm - Dinette Cushion - Seat Back
2	M88927-25-Y71	EA	Cover Asm - Dinette Cushion - Seat Back
2	M88927-25-Y72	EA	Cover Asm - Dinette Cushion - Seat Back
3	088927-37-Y70	EA	Cushion Asm - Dinette - Seat
3	088927-37-Y71	EA	Cushion Asm - Dinette - Seat
3	088927-37-Y72	EA	Cushion Asm - Dinette - Seat
3	M88927-37-Y70	EA	Cover Asm - Dinette Cushion - Seat
3	M88927-37-Y71	EA	Cover Asm - Dinette Cushion - Seat
3	M88927-37-Y72	EA	Cover Asm - Dinette Cushion - Seat
4	081519-01-X75	EA	Pad Asm - Dinette - Right (Y70)
4	081519-01-Y71	EA	Pad Asm - Dinette - Right
4	081519-01-Y72	EA	Pad Asm - Dinette - Right
	088274-63-000	YD	Dinette Fabric (Y70)
	088274-61-000	YD	Dinette Fabric (Y71)
	088274-62-000	YD	Dinette Fabric (Y72)

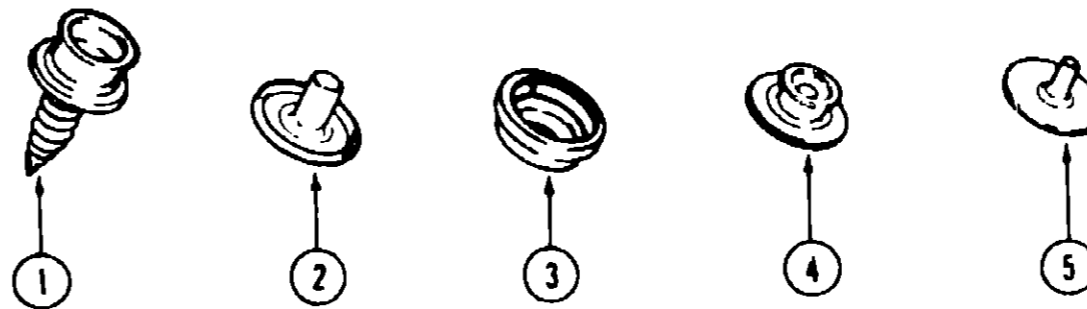
CURTAIN, CUSHION & PAD GROUP (CONTINUED)

PADS

Key	Part Number	U/M	Description
	090383-02-Y70	EA	Pad Asm - End Cap - Driver - w/o Bunk
	090383-01-Y70	EA	Pad Asm - End Cap - Passenger - w/o Bunk
	090077-02-Y70	EA	Pad Asm - Lower End Cap - Driver - w/Bunk
	090076-02-Y70	EA	Pad Asm - Upper End Cap - Driver - w/Bunk
	090077-01-Y70	EA	Pad Asm - Lower End Cap - Passenger - w/Bunk
	090076-01-Y70	EA	Pad Asm - Upper End Cap - Passenger - w/Bunk
	089987-01-Y70	EA	Pad Asm - Trim - Header - Upper
	078811-04-X14	EA	Pad Asm - Trim - Header - Lower
	059467-04-T03	EA	Pad Asm - Passenger Sidewall - 3 Button
	081519-02-X75	EA	Pad Asm - Dinette - Left (Y70)
	081519-02-Y71	EA	Pad Asm - Dinette - Left
	081519-02-Y72	EA	Pad Asm - Dinette - Left
	081519-01-X75	EA	Pad Asm - Dinette - Right (Y70)
	081519-01-Y71	EA	Pad Asm - Dinette - Right
	081519-01-Y72	EA	Pad Asm - Dinette - Right

FRONT BUNK CUSHION

Key	Part Number	U/M	Description
	079145-06-000	EA	Cushion Asm - Front Bunk - 30" x 78"
	M79145-06-000	EA	Cover Asm - Front Bunk
	079970-01-000	YD	Mattress Tape 5/8"



MISCELLANEOUS

Key	Part Number	U/M	Description
1	029130-01-000	EA	Socket - Snap Fastener - 7 x 5/8"
2	029155-01-000	EA	Cap - Snap
3	029156-01-000	EA	Socket - Snap Fastener
4	029092-01-000	EA	Stud - Nickel Finish
5	029093-01-000	EA	Eyelet - Nickel Finish
	071632-01-000	EA	Hamper Bag - w/Elastic - 49"
	075843-01-000	EA	Valance Brace - Beige
	053552-02-W24	EA	Assist Strap - Interior
	078245-01-000	EA	Boot - Steering Column
	029094-04-000	YD	Velcro Tape - Loop - 1" - Black
	029096-03-000	YD	Velcro Tape - Hook - 1" - Black

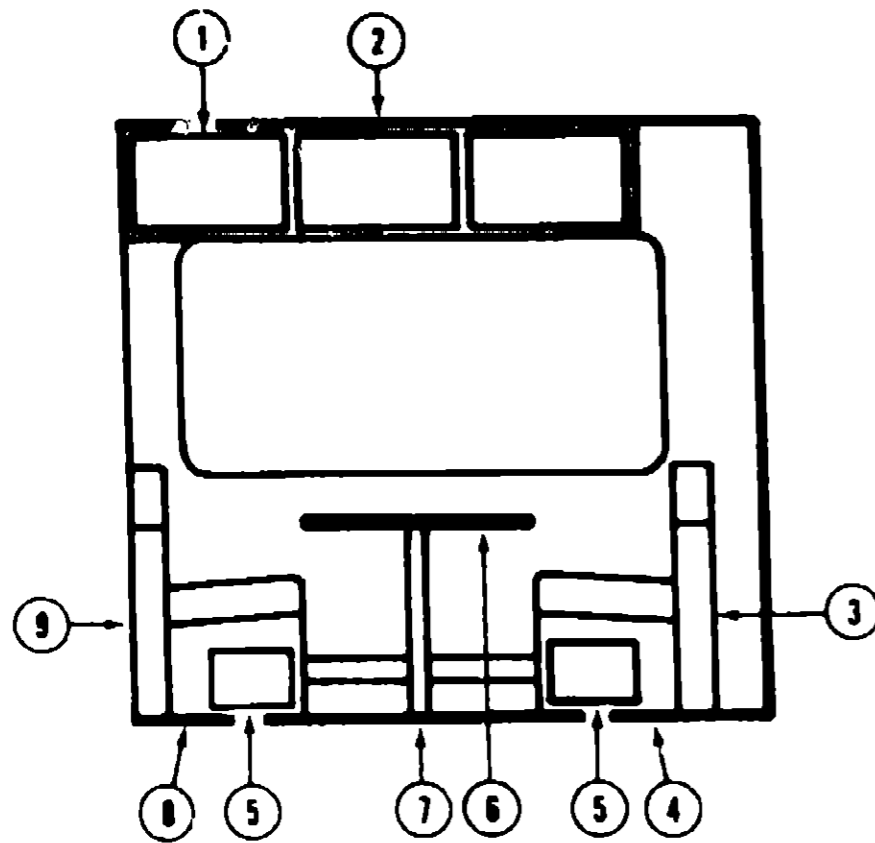
**1989 ITASCA
TABLE OF CONTENTS**

INTRODUCTION	A-01
ABBREVIATIONS	A-01
ALPHABETICAL INDEX	A-02 - A-04
ICM27RQ	A-05 - D-20
IC/JM31RQ	D-21 - H-16

1989 IC/JM31RQ INDEX

Floor Plan	D-21 - D-22
Accessories Group	D-23 - E-05
Bath Group	E-06 - E-09
Chassis Group	E-10 - E-16
Curtain, Cushion & Pad Group	E-17 - F-08
Dinette Group	F-09 - F-10
Driver's Compartment Group	F-11 - F-16
Electrical Group	F-17 - F-20
Exterior Body Group	F-21 - G-02
Galley Group	G-03 - G-06
Heating & Air Conditioning Group	G-07
Interior Finish Group	G-08 - G-09
LP Group	G-10
Lounge Group	G-11 - G-16
Water & Sewage Group	G-17 - G-18
Window, Vent & Exterior Door Group	G-19 - H-16

DINETTE GROUP

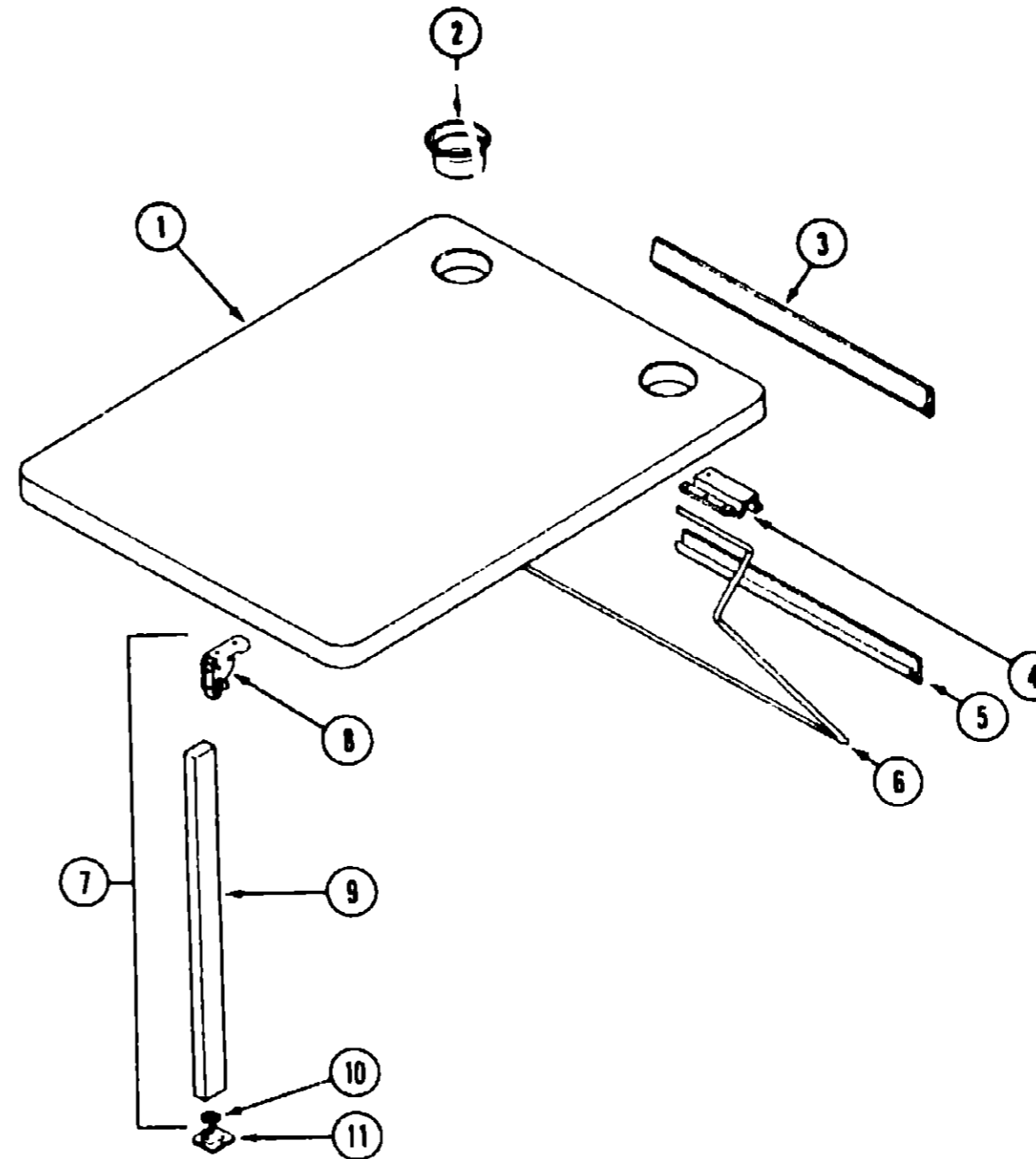


DINETTE & OVERHEAD CABINERY

Key	Part Number	U/M	Description
1	M88304-16-X23	EA	Door Asm - Dinette Overhead - w/o Hardware
2	M81550-29-X14	EA	Cabinet Asm - Dinette Overhead - w/o Doors
3	M02174-01-W30	EA	Cabinet Asm - Seat Back - Right - w/o Pad
4	M02175-02-W30	EA	Cabinet Asm - Seat Base - Right - w/o Door
5	M88304-21-X08	EA	Door Asm - Dinette Seat - w/o Hardware
6	M02115-09-Y30	EA	Table Top - Dinette
7	092708-01-Y15	EA	Leg Asm - Table
8	M03159-01-X14	EA	Cabinet Asm - Seat Base - Left - w/o Door
9	M03158-01-X14	EA	Cabinet Asm - Seat Back - Left - w/o Pad
	081325-04-W30	EA	End Cap Asm (Overhead)
	083620-01-000	FT	T Molding - 3/4" - w/Edge Lips (Overhead)
	000G13-06-10G	EA	Screw - 8 - 20 x 5/8" PFH - Antique Brass (Doors)
	059777-02-000	EA	Hinges - Antique Light Brass (Doors)
	088264-01-000	EA	Door Pull - Polished Brass (Doors)
	000G68-06-10G	EA	Screw - 8 - 18 x 5/8" POH - Antique Brass (Doors)
	074493-02-000	EA	Support - Door, Sprung (Overhead Doors)
	009021-01-000	EA	Catch - Nylon - Grill (Doors)
	009021-02-000	EA	Strike - Spring Steel (Doors)
	093586-03-000	EA	Catch - Spring, Roller (Doors)
	093586-04-000	EA	Strike - Spring Steel (Doors)
	052859-01-000	FT	Trim Asm - Accent (Seat Back Cabinets)
	081521-02-007	EA	Molding - 64 Hold Space (Seat & Overhead Cabinets)
	042357-11-000	EA	Corner Molding - Radius Plastic - Light Oak (Seat Base & Overhead Cabinets)
	009767-06-000	EA	Wetling - Beige (Seat Back & Overhead Cabinets)
	070504-01-000	FT	Extrusion - U-Channel - Light Brown (Seat Back Cabinets)
	080176-02-000	EA	Corner Tap - Radius - Light Oak (Seat Base & Overhead Cabinets)

F-9

DINETTE GROUP (CONTINUED)



DINETTE TABLE

Key	Part Number	U/M	Description
1	M02115-09-Y30	EA	Table Top - Dinette
	004354-01-000	EA	Bumper - 1/8" x 1/2" - White
	078325-16-000	EA	Molding - Edge Band - Regal Oak
2	064781-05-000	EA	Cup Holder - Beige
3	053200-09-000	EA	Bracket - Upper Wall Mount - 18 5" - Beige
4	088410-01-000	EA	Bracket - Table Mount - 23" - Beige
5	024281-11-000	EA	Bracket - Lower Wall Mount - 17 12" - Beige
6	024275-11-000	EA	Rod - Table Lift - 8" x 23 5" - Beige
7	092708-01-Y15	EA	Leg Asm - Table
8	093550-01-000	EA	Bracket - Table Leg - Folding
9	092707-01-01A	EA	Table Leg - Regal Oak
10	092593-01-02A	EA	Catch - Table Leg - Tan
11	049493-08-000	EA	Floor Catch - Table Leg - Tan
	000G11-10-12R	EA	Screw - 10 - 16 x 3/4" PPH - Beige

1989 ITASCA TABLE OF CONTENTS

INTRODUCTION	A-01
ABBREVIATIONS	A-01
ALPHABETICAL INDEX	A-02 - A-04
ICM27RQ	A-05 - D-20
IC/JM31RQ	D-21 - H-16

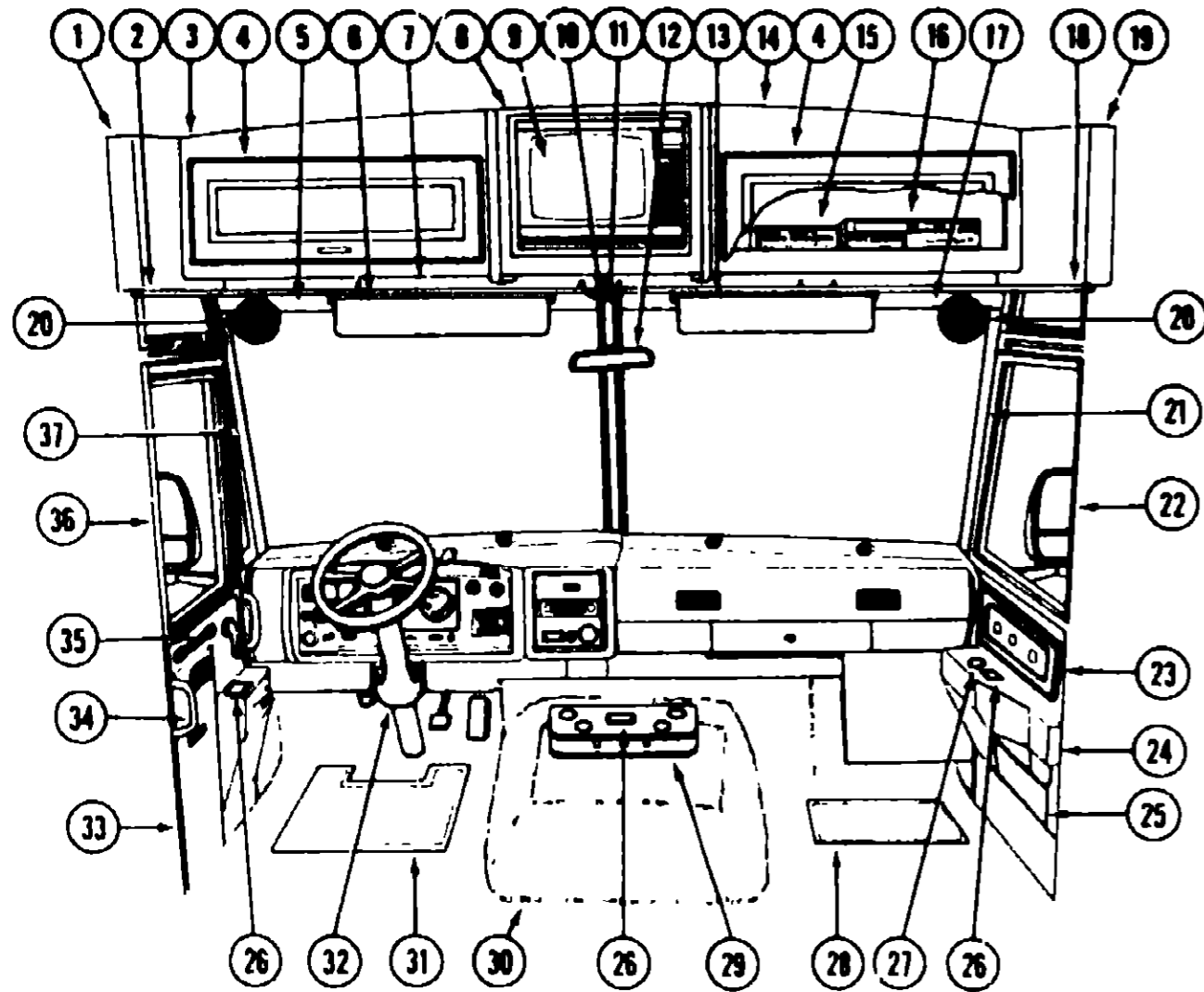
1989 IC/JM31RQ INDEX

Floor Plan	D-21 - D-22
Accessories Group	D-23 - E-05
Bath Group	E-06 - E-09
Chassis Group	E-10 - E-16
Curtain, Cushion & Pad Group	E-17 - F-08
Dinette Group	F-09 - F-10
Driver's Compartment Group	F-11 - F-18
Electrical Group	F-17 - F-20
Exterior Body Group	F-21 - G-02
Galley Group	G-03 - G-06
Heating & Air Conditioning Group	G-07
Interior Finish Group	G-08 - G-09
LP Group	G-10
Lounge Group	G-11 - G-16
Water & Sewage Group	G-17 - G-18
Window, Vent & Exterior Door Group	G-19 - H-16

F-10

DRIVER'S COMPARTMENT GROUP

DRIVER'S COMPARTMENT COMPONENTS



Key	Part Number	U/M	Description
1	090383-02-Y70	EA	Pad Arm - End Cap - Driver - w/o Bunk
2	079948-01-000	EA	Track - Front Wraparound Curtain - Driver
3	M8C986-01-X14	EA	Cabinet Asm. - Front Overhead - Driver - w/o Bunk
4	M88304-30-X78	EA	Door Asm. - Front Overhead - Driver & Passenger - w/o Hardware
	000G13-08-10G	EA	Screw - 6 - 20 x 625° PFH - Antique Brass
	000G68-08-10G	EA	Screw - 6 - 20 x 625° POH - Antique Brass
	059777-02-000	EA	Hinge - Antique - Light Brass
	088284-01-000	EA	Door Pull - Polished Brass
	089021-01-000	EA	Catch - Nylon - Grill
	089021-02-000	EA	Strike - Spring Steel
	093586-03-000	EA	Catch - Roller - Spring
	093586-04-000	EA	Strike - Spring Steel
	074483-02-000	EA	Support - Sprung - Door
5	078579-02-000	EA	Windshield Trim - Upper Driver - Light Oak - Inner
6	082286-05-X14	EA	Sunvisor Asm - Driver
	007211-01-000	EA	Hinge - Sunvisor
	074012-01-000	EA	Clip - Sunvisor - Square Pinch On
7	089987-01-Y70	EA	Pad Asm - Trim - Header - Upper
	078811-04-X14	EA	Pad Asm - Trim - Header - Lower
8	M89988-01-X14	EA	Cabinet Asm - Center Front Overhead - w/o Bunk
	M88304-08-X11	EA	Door Asm. - Center Front Overhead - w/o Hardware
9	091258-03-000	EA	TV - 13" Color - Remote - Sharp 13RM59
10	088280-01-000	EA	Light - 12 Volt - Surface Mount
	088280-01-700	EA	Bulb - 12 Volt - 6 Watt
11	079785-02-000	EA	Windshield Trim - Center - Light Oak - Inner
12	040714-01-000	EA	Mirror - Inside Rear View
13	082286-05-X14	EA	Sunvisor Asm - Passenger - w/Mirror
	083153-01-000	EA	Mirror - Sunvisor - 3 1/2" x 7"
	085704-01-000	EA	Clip Asm - Sunvisor - Black
14	M89984-01-X14	EA	Cabinet Asm. - Front Overhead - Passenger - w/o Bunk
15	085757-01-000	EA	Control Center - Switch - Channel Master
16	091907-02-000	EA	VCR - VHS - Sharp VC2208U
17	078579-01-000	EA	Windshield Trim - Upper Passenger - Light Oak - Inner
18	079948-01-000	EA	Track - Front Wraparound Curtain - Passenger
19	090383-01-Y70	EA	Pad Arm. - End Cap - Passenger - w/o Bunk
20	038420-02-000	EA	Defroster Fan - 8" Dia - 2 Speed (Option 36N)
21	079208-03-000	EA	Windshield Trim - Passenger - Beige - Inner
22	088280-01-000	EA	Mirror Asm - w/Convex - Passenger
23	059414-08-000	EA	Pad Asm - Passenger Sidewall - 3 Button
24	072811-01-000	EA	Side Panel - Passenger Sidewall - Plastic
25	059487-04-T03	EA	Pad Asm - Map Pocket - Passenger Sidewall
26	048888-03-000	EA	Ash Tray - Chrome
27	084781-01-000	EA	Cup Holder - Chrome - Plastic
28	081202-02-000	EA	Floormat - Passenger - Itasca
29	088157-01-X36	EA	Beverage Tray - Plastic - Light Oak - w/Tape Pockets
30	075939-01-000	EA	Motor Cover - w/o Carpet
	075584-01-000	EA	Mounting Bracket - Motor Cover
	039823-01-000	FT	Seal - Motor Cover
31	081201-02-000	EA	Floormat - Driver - Itasca
32	078245-01-000	EA	Boot - Steering Column
33	082471-02-000	EA	Panel - Driver Door - Plastic
34	083886-07-000	EA	Assist Handle - Driver Entrance - Gray
35	081400-08-000	EA	Assist Strap - Driver Door - Sandstone 1600
36	088280-02-000	EA	Mirror Asm - w/Convex - Left
37	079208-04-000	EA	Windshield Trim - Driver - Beige - Inner

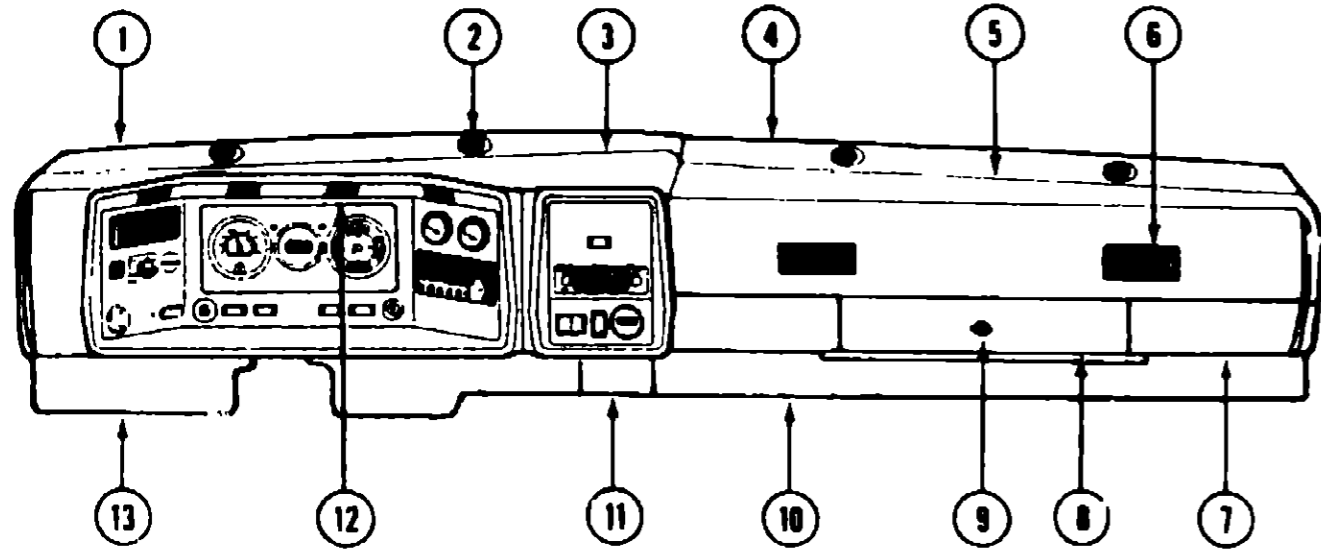
1989 ITASCA TABLE OF CONTENTS

INTRODUCTION	A-01
ABBREVIATIONS	A-01
ALPHABETICAL INDEX	A-02 - A-04
ICM27RQ	A-05 - D-20
IC/JM31RQ	D-21 - H-16

1989 IC/JM31RQ INDEX

Floor Plan	D-21 - D-22
Accessories Group	D-23 - E-05
Bath Group	E-06 - E-09
Chassis Group	E-10 - E-16
Curtain, Cushion & Pad Group	E-17 - F-08
Dinette Group	F-09 - F-10
Driver's Compartment Group	F-11 - F-16
Electrical Group	F-17 - F-20
Exterior Body Group	F-21 - G-02
Galley Group	G-03 - G-06
Heating & Air Conditioning Group	G-07
Interior Finish Group	G-08 - G-09
LP Group	G-10
Lounge Group	G-11 - G-16
Water & Sewage Group	G-17 - G-18
Window, Vent & Exterior Door Group	G-19 - H-16

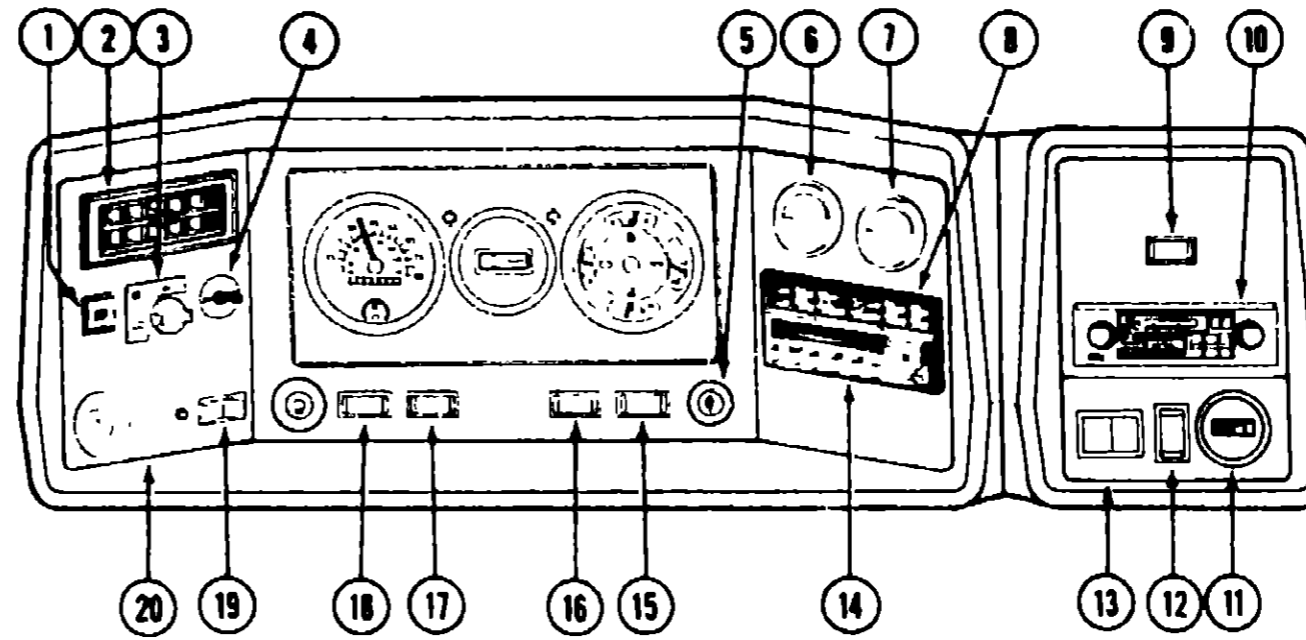
DRIVER'S COMPARTMENT GROUP (CONTINUED)



DASH PANEL COMPONENTS

Key	Part Number	U/M	Description
1	078582-02-000	EA	Pad Asm - Dash - Front Driver - w/o Defroster Vent
2	024990-01-000	EA	Defroster Outlet - w/Swivel - 2" Tan
3	079088-01-000	EA	Pad Asm.- Dash - Instrument - Panel - Driver
4	078581-02-000	EA	Pad Asm. - Dash - Front Passenger - w/o Defroster Vent
5	079089-01-000	EA	Pad Asm. - Dash - Instrument Panel - Passenger
6	039044-01-000	EA	Louver Asm. - Air Conditioner - Adjustable Vent
7	023834-01-000	EA	Knee Kick
8	022219-01-000	EA	Glove Compartment Door
9	009188-01-000	EA	Twist Lock - Glove Compartment
	023892-01-000	EA	Glove Compartment Box - Black Fiberboard
	024598-01-000	EA	Glove Compartment Hinge
10	077367-02-000	EA	Instrument Panel Cover - Lower Right - Black (Chevrolet)
10	077367-03-000	EA	Instrument Panel Cover - Lower Right - Black (John Deere)
	081211-02-000	EA	Plug - Plastic - 3/8" Dia - Black
11	077389-01-000	EA	Access Panel - Lower Instrument Panel - Black
12	061424-01-000	EA	Light - 12 Volt - Rectangular
13	077368-01-000	EA	Instrument Panel Cover - Lower Left - Black (Chevrolet)
13	077368-02-000	EA	Instrument Panel Cover - Lower Left - Black (John Deere)
13	077368-03-000	EA	Instrument Panel Cover - Lower Left - Black (Chevrolet w/Searchlight)
13	077368-04-000	EA	Instrument Panel Cover - Lower Left - Black (John Deere w/Searchlight)

DRIVER'S COMPARTMENT GROUP (CONTINUED)



INSTRUMENT CLUSTER (CHEVROLET)

Key	Part Number	U/M	Description
1	089305-01-000	EA	Fog Light Switch (Option 57M)
2	036044-01-000	EA	Vent/Air Conditioner Register
3	087202-02-000	EA	Rear Auto Heater Switch - w/o Knob (Option 611)
4	090977-01-000	EA	Knob - Rear Auto Heater Switch - Rotary (Option 611)
4	077497-01-702	EA	Air Horn Switch (Option 36R)
5	089294-01-000	EA	Cigarette Lighter
6	024459-04-000	EA	Battery Condition Meter
7	024460-04-000	EA	Vacuum/Fuel Economy Gauge
8	094381-01-741	EA	Dash Louver/Control Panel Trim
9	093381-01-000	EA	Radio Power Source Switch
10	090982-01-000	EA	Audio Entertainment System
11	031035-01-000	EA	Auxiliary Electric Generator Hourmeter (Options 39E, 39G, 37M, 350)
12	024976-01-000	EA	Auxiliary Electric Generator Start/Stop Switch (Options 39E, 39G, 37M, 350)
13	078006-23-000	EA	Bezel - Entertainment Center
14	094381-01-732	EA	Heater/Air Conditioner Controls
15	024481-01-000	EA	Battery Mode Switch
16	024462-01-000	EA	Battery Condition Switch
17	087288-01-000	EA	Rear Wiper Switch (Option 59F)
18	089308-01-000	EA	Switch - Auxiliary Defroster Fans (Option 36N)
19	085963-04-000	EA	Auxiliary Battery Disconnect Switch (Option 29A)
20	088296-13-000	EA	Bezel - Instrument Panel
	088745-01-000	EA	Instrument Cluster - Electronic (Option 42N)

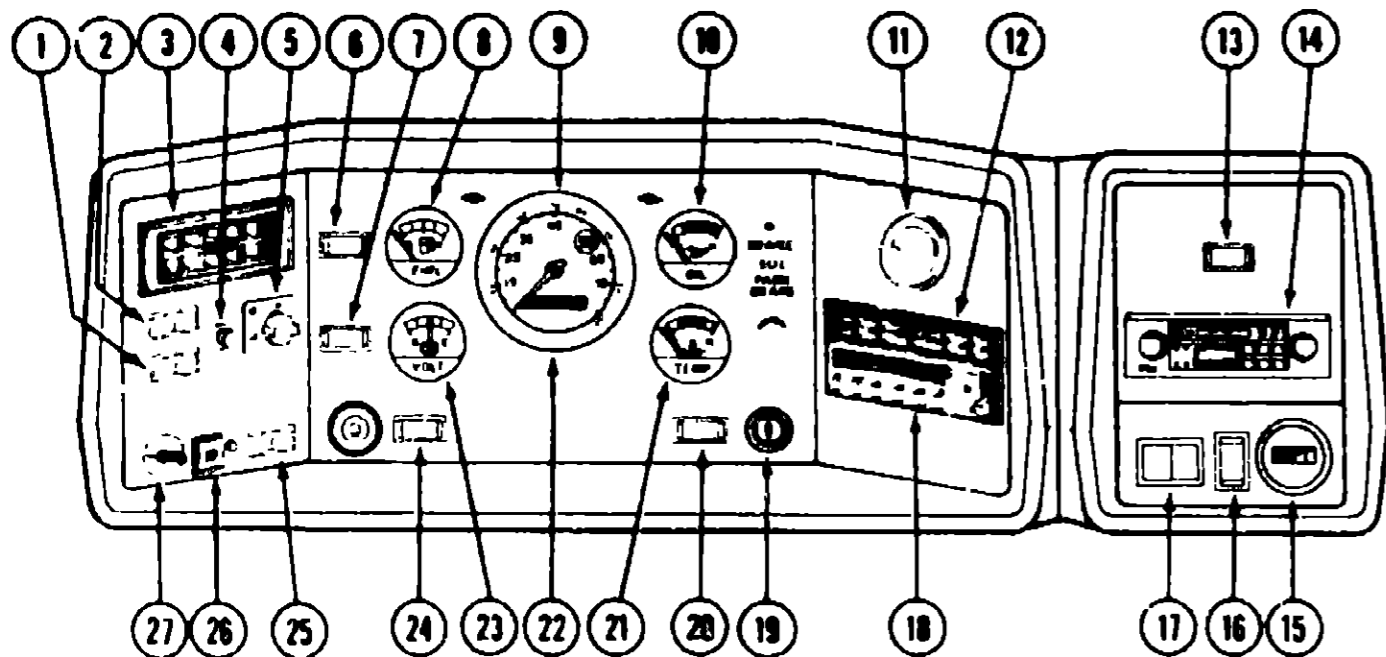
**1989 ITASCA
TABLE OF CONTENTS**

INTRODUCTION	A-01
ABBREVIATIONS	A-01
ALPHABETICAL INDEX	A-02 - A-04
ICM27RQ	A-05 - D-20
IC/JM31RQ	D-21 - H-16

1989 IC/JM31RQ INDEX

Floor Plan	D-21 - D-22
Accessories Group	D-23 - E-05
Bath Group	E-06 - E-09
Chassis Group	E-10 - E-16
Curtain, Cushion & Pad Group	E-17 - F-08
Dinette Group	F-09 - F-10
Driver's Compartment Group	F-11 - F-18
Electrical Group	F-17 - F-20
Exterior Body Group	F-21 - G 02
Galley Group	G-03 - G-06
Heating & Air Conditioning Group	G-07
Interior Finish Group	G-08 - G-09
LP Group	G 10
Lounge Group	G-11 - G-16
Water & Sewage Group	G-17 - G 19
Window, Vent & Exterior Door Group	G-19 - H-16

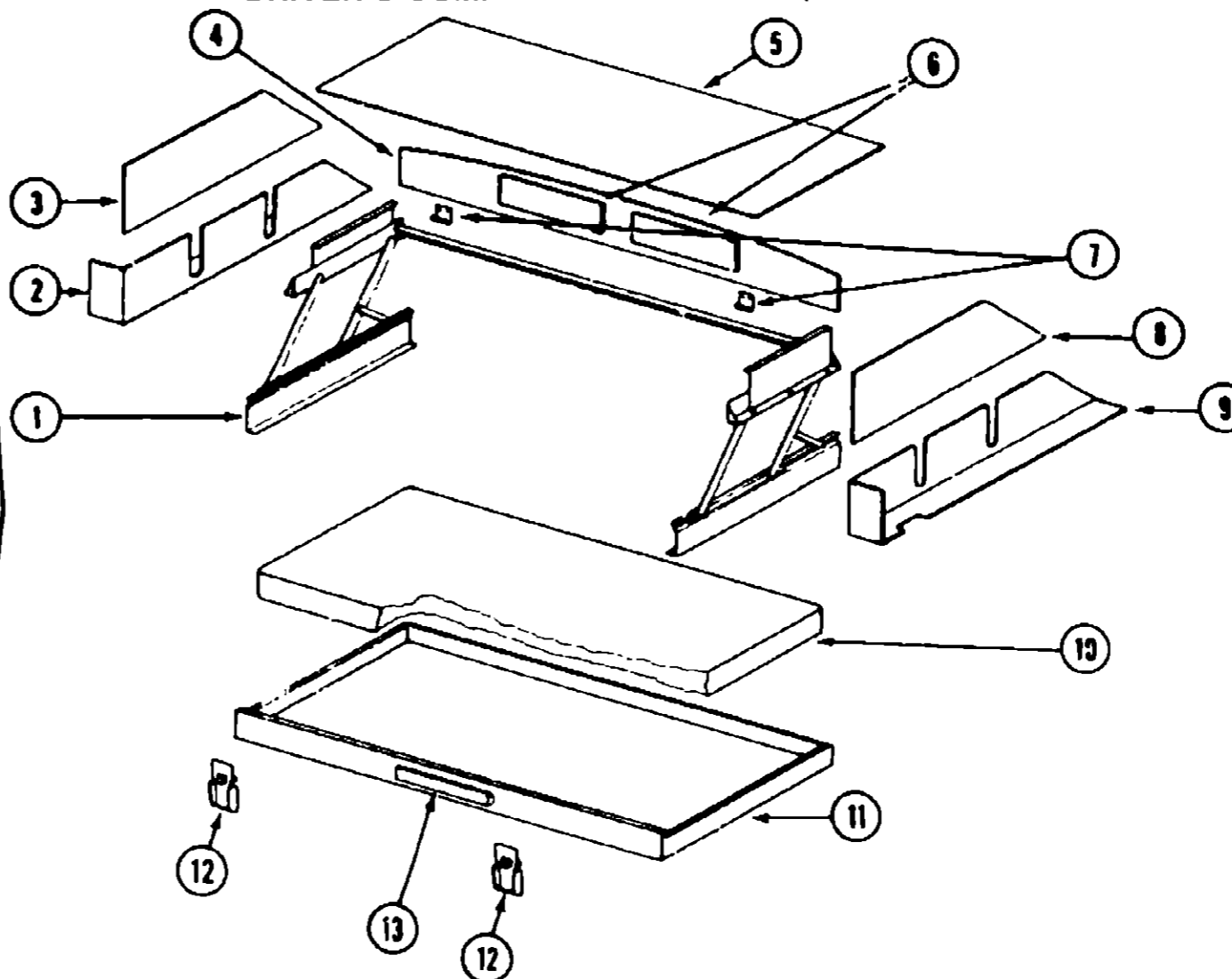
DRIVER'S COMPARTMENT GROUP (CONTINUED)



INSTRUMENT CLUSTER (JOHN DEERE)

Key	Part Number	U/M	Description
1	024464-01-000	EA	Windshield Washer Switch
2	024467-01-000	EA	Windshield Wiper Switch
3	038044-01-000	EA	Vent/Air Conditioner Register
4	074007-02-000	EA	Wiper Delay Control
5	087202-02-000	EA	Rear Auto Heater Switch - w/o Knob (Option 611)
6	090977-01-000	EA	Knob - Rear Auto Heater Switch - Rotary (Option 611)
7	024462-01-000	EA	Battery Condition Switch
8	024461-01-000	EA	Battery Mode Switch
9	090431-01-000	EA	Fuel Gauge
10	090434-01-000	EA	Speedometer
11	090433-01-000	EA	Oil Pressure Gauge
12	024460-04-000	EA	Vacuum/Fuel Economy Gauge
13	094831-01-741	EA	Dash Louver/Control Panel Trim
14	093381-01-000	EA	Radio Power Source Switch
15	090982-01-000	EA	Audio Entertainment Center
16	031035-01-000	EA	Auxiliary Electric Generator Hourmeter (Options 39E, 39G, 37M, 350)
17	024978-01-000	EA	Auxiliary Electric Generator Start/Stop Switch (Options 39E, 39G, 37M, 350)
18	078006-21-000	EA	Bezel - Entertainment Center
19	094831-01-732	EA	Heater/Air Conditioner Control
20	089294-01-000	EA	Cigarette Lighter
21	089308-01-000	EA	Switch - Auxiliary Defroster Fans (Option 36N)
22	090432-01-000	EA	Coolant Temperature Gauge
23	086298-12-000	EA	Bezel - Instrument Panel
24	024459-04-000	EA	Gauge - Voltmeter
25	087288-01-000	EA	Switch - Rear Wiper (Option 59F)
26	065983-04-000	EA	Auxiliary Battery Disconnect Switch (Option 29A)
27	089305-01-000	EA	Fog Light Switch (Option 57M)
27	077497-01-702	EA	Air Horn Switch (Option 38A)

DRIVER'S COMPARTMENT GROUP (CONTINUED)



FRONT PULLDOWN BUNK (OPTION 61H)

Key	Part Number	U/M	Description
1	078780-02-000	EA	Hardware Asm - Overhead Bunk
2	090077-02-Y70	EA	Pad Asm - Lower End Cap - Driver
3	090078-02-Y70	EA	Pad Asm - Upper - End Cap - Driver
4	M90075-01-X14	EA	Cabinet Asm - Front Face - Overhead w/Doors
5	090079-01-X14	EA	Cabinet Asm - Lower Base - Overhead
6	M88304-03-X78	EA	Door Asm - w/o Hardware
	000G13-06-10G	EA	Screw - 6 - 20 x 5/8" - PFH - Antique Brass
	059777-02-000	EA	Hinge - Antique Brass
	088284-01-000	EA	Pull Hardware - Polished Brass
	000G88-06-10G	EA	Screw - 6 - 18 x 5/8" POH - Antique Brass
	074493-02-000	EA	Support - Sprung Door
	009021-01-000	EA	Catch - Nylon - Grill
	009021-02-000	EA	Strike - Spring Steel
	093586-03-000	EA	Catch - Roller Spring
	093586-04-000	EA	Strike - Spring Steel
7	042541-05-000	EA	Strike - Brass
8	090078-01-Y70	EA	Pad Asm - Upper End Cap - Passenger
9	090077-01-Y70	EA	Pad Asm - Lower - End Cap - Passenger
10	079145-06-000	EA	Cushion Asm - Bunk
	M79145-06-000	EA	Cover Asm - Bunk - 30" x 78"
	079970-01-000	YD	Mattress Tape - 5/8"
11	081717-03-Y15	EA	Bed Asm - Front Bunk
12	042541-04-000	EA	Latch Asm - w/o Strike - Brass
13	094858-01-Y12	EA	Handle - Front Bunk - Oak
	009787-06-000	FT	Wetling - Beige
	089351-01-000	YD	Vinyl - Headliner
	009778-07-000	Fl	U Channel - 1" - Light Oak

**1989 ITASCA
TABLE OF CONTENTS**

INTRODUCTION
ABBREVIATIONS
ALPHABETICAL INDEX
ICM27RQ
IC/JM31RQ

A-01
A-01
A-02 - A-04
A-05 - D-20
D-21 - H-18

1989 IC/JM31RQ INDEX

Floor Plan	D-21 - D-22
Accessories Group	D-23 - E-05
Bath Group	E-06 - E-09
Chassis Group	E-10 - E-16
Curtain, Cushion & Pad Group	E-17 - F-08
Dinette Group	F-09 - F-10
Driver's Compartment Group	F-11 - F-16
Electrical Group	F-17 - F-20
Exterior Body Group	F-21 - G-02
Galley Group	G-03 - G-06
Heating & Air Conditioning Group	G-07
Interior Finish Group	G-08 - G-09
LP Group	G-10
Lounge Group	G-11 - G-16
Water & Sewage Group	G-17 - G-18
Window, Vent & Exterior Door Group	G-19 - H-18

ELECTRICAL GROUP

BULBS

Key	Part Number	U/M	Description
	008218-01-000	EA	Bulb - #1141 - Dome Light
	087478-01-000	EA	Bulb - #1078 - Table & Wall Lamps
	091937-03-000	EA	Bulb - Fluorescent Light - Recessed
	078424-02-700	EA	Bulb - Fluorescent Light - Galley
	081633-01-700	EA	Bulb - Makeup Light
	087694-01-700	EA	Bulb - Wardrobe Light
	063814-01-000	EA	Bulb - Reading Light
	088280-01-700	EA	Bulb - Surface Mount Light (Cab)
	088737-01-710	EA	Bulb - Microwave Oven
	082888-01-708	EA	Bulb - Range Hood
	084880-01-708	EA	Bulb - Refrigerator
	037836-01-700	EA	Bulb - #1157 - Tail Lamp Asm
	038198-01-000	EA	Bulb - #1184 - Clearance & License Plate Lights
	008215-01-000	EA	Bulb - #1003 - Porch Light & Shower Light
	051067-01-706	EA	Bulb - Spotlight (Option 83E)

INTERIOR LIGHTS & BULBS

Key	Part Number	U/M	Description
	033508-02-000	EA	Light - Dome - Ivory - Single - USA
	033508-03-000	EA	Light - Dome - Ivory - Single - CSA
	033508-02-000	EA	Light - Dome - Ivory - Double - USA
	033508-03-000	EA	Light - Dome - Ivory - Double - CSA
	033508-02-700	EA	Lens - Dome Light
	088424-04-000	EA	Shroud - Dome Light - Double - Off White
	008218-01-000	EA	Bulb - 12 Volt - #1141 - Used For All Above
	085202-03-000	EA	Wall Lamp - Bright Brass
	085201-02-000	EA	Lamp Shade - Wall Lamp - Parchment
	082888-01-000	EA	Table Lamp - Brass w/Wood - USA (Option 44W)
	082888-03-000	EA	Table Lamp - Brass w/Wood - CSA (Option 44W)
	082888-02-000	EA	Shade - Table Lamp - Thru 11/8/88
	082888-06-000	EA	Shade - Table Lamp - From 11/7/88
	087478-01-000	EA	Bulb - 12 Volt - #1078 - Used For Table & Wall Lamps
	091937-01-000	EA	Fluorescent Light - 12 Volt - Recessed (Ceiling) (Options 48R & 48V)
	091937-02-000	EA	Lens - Recessed - Fluorescent Light
	091937-03-000	EA	Bulb - Recessed - Fluorescent Light
	078424-02-000	EA	Fluorescent Light - 18" - Almond (Galley)
	078424-02-701	EA	Lens - Fluorescent Light - 18" - Almond
	078424-02-700	EA	Bulb - Fluorescent Light - 18" - Almond
	082189-01-000	EA	Makeup Light - 24"
	081633-01-700	EA	Bulb - Makeup Light
	087694-02-000	EA	Wardrobe Light - w/Switch
	087694-01-700	EA	Bulb - Wardrobe Light
	088280-01-000	EA	Surface - Mount Light - 12 Volt - Jensen 1236 (Cab)
	088280-01-700	EA	Bulb - Surface Mount Light
	061424-01-000	EA	Rectangular Light - Aisle & Instrument Panel
	092896-01-708	EA	Bulb - Range Hood
	084880-01-708	EA	Bulb - Refrigerator
	088737-01-710	EA	Bulb - Microwave Oven

ELECTRICAL GROUP (CONTINUED)

EXTERIOR LIGHTS & BULBS

Key	Part Number	U/M	Description
	075458-04-000	EA	Lamp Asm - Tail/Brake - Red
	075458-05-000	EA	Lamp Asm - Turn - Amber
	075458-06-000	EA	Lamp Asm - Backup/Reflector - Clear/Red
	037836-01-000	EA	Bulb - 12 Volt - #1157 - Used For Tail Lamp Asm
	081250-02-000	EA	Light - Clearance - Rear
	081250-02-700	EA	Lens - Clearance Light - Red
	081250-01-000	EA	Light - Clearance - Front
	051250-01-700	EA	Lens - Clearance Light - Amber
	081437-01-000	EA	Bracket - Clearance Light
	078795-01-000	EA	Light Asm. - License Plate
	038198-01-000	EA	Bulb - 12 Volt - #1184 - Used For Clearance & License Plate
	042405-03-000	EA	Base - Side Marker Light - w/Bulb (8GE 1885)
	042405-02-000	EA	Lens - Side Marker Light - Amber
	042405-01-000	EA	Lens - Side Marker Light - Red
	008088-01-000	EA	Porch Light - Recessed - USA
	008088-02-000	EA	Porch Light - Recessed - CSA
	008088-01-700	EA	Lens - Porch Light - Recessed
	008215-01-000	EA	Bulb - 12 Volt - #1003 - Porch Light
	051067-02-000	EA	Spotlight - Power Driven (Option 83E)
	051067-01-706	EA	Bulb - Spotlight (Option 83E)
	084801-01-000	EA	Lamp Asm - Park/Turn
	049188-01-000	EA	Headlight Capsule Asm. - Driver - High/Low Beam
	049188-01-000	EA	Headlight Capsule Asm - Passenger - High/Low Beam
	049187-01-000	EA	Headlight Capsule Asm - Driver - High Beam
	049188-01-000	EA	Headlight Capsule Asm - Passenger - High Beam
	049359-01-000	EA	Spring - Headlight Retainer
	082207-01-000	EA	Headlight Guard
	080202-01-000	EA	Headlight Bazel - Passenger - Black
	080202-02-000	EA	Headlight Bazel - Driver - Black
	088747-01-000	EA	Lamp Asm - Fog - Clear Lens (Option 57M)
	033508-02-000	EA	Light - Dome - Ivory - Storage Compartment - USA
	033508-03-000	EA	Light - Dome - Ivory - Storage Compartment - CSA
	033508-02-700	EA	Lens - Dome Light
	008218-01-000	EA	Bulb - 12 Volt - Dome Light

FUSES & CIRCUIT BREAKERS

Key	Part Number	U/M	Description
	062901-02-000	EA	Fuse - Automotive - 5 Amp
	062901-05-000	EA	Fuse - Automotive - 15 Amp.
	083209-01-000	EA	Circuit Breaker - 15 Amp. - 120 Volt
	083209-03-000	EA	Circuit Breaker - 15/20 Amp. - 120 Volt - w/o Microwave
	083209-04-000	EA	Circuit Breaker - 30 Amp. - 120 Volt
	083209-05-000	EA	Circuit Breaker - 20 Amp. - 120 Volt
	083209-06-000	EA	Circuit Breaker - 30/15 Amp. - 120 Volt - CSA
	083209-07-000	EA	Circuit Breaker - 20/20 Amp. - 120 Volt - w/Microwave
	083210-02-000	EA	Circuit Breaker - 15 Amp - 120 Volt - CSA
	082870-01-700	EA	Circuit Breaker - 40 Amp - 12 Volt - CSA
	082870-02-700	EA	Circuit Breaker - 20 Amp - 12 Volt - CSA
	085720-08-000	EA	Circuit Breaker - 8 Amp. - 12 Volt
	088079-02-000	EA	Circuit Breaker - 20 Amp - 12 Volt
	088079-04-000	EA	Circuit Breaker - 30 Amp - 12 Volt
	093854-02-000	EA	Circuit Breaker - 15 Amp - 12 Volt
	093855-01-000	EA	Circuit Breaker - 25 Amp - 12 Volt
	093855-03-000	EA	Circuit Breaker - 40 Amp - 12 Volt

1989 ITASCA TABLE OF CONTENTS

INTRODUCTION	A-01
ABBREVIATIONS	A-01
ALPHABETICAL INDEX	A-02 - A-04
ICM27RQ	A-05 - D-20
IC/JM31RQ	D-21 - H-16

1989 IC/JM31RQ INDEX

Floor Plan	D-21 - D-22
Accessories Group	D-23 - E-05
Bath Group	E-06 - E-09
Chassis Group	E-10 - E-16
Curtain, Cushion & Pad Group	E-17 - F-08
Dinette Group	F-09 - F-10
Driver's Compartment Group	F-11 - F-16
Electrical Group	F-17 - F-20
Exterior Body Group	F-21 - G-02
Galley Group	G-03 - G-06
Heating & Air Conditioning Group	G-07
Interior Finish Group	G-08 - G-09
LP Group	G-10
Lounge Group	G-11 - G-16
Water & Sewage Group	G-17 - G-18
Window, Vent & Exterior Door Group	G-19 - H-16

ELECTRICAL GROUP (CONTINUED)

WIRE, SWITCHES, RECEPTACLES

Key	Part Number	U/M	Description
	008288-01-000	EA	Box - Electrical - 3" x 3 5/8" - Plastic
	008288-01-000	EA	Box - Electrical - 4" x 4" - 1/2 & 3/4 - Steel - USA
	008288-02-000	EA	Box - Electrical - 4" x 4" - 1/2 & 3/4 - Steel - CSA
	068048-01-000	EA	Box - Electrical - 2" x 3" x 2.25" - Steel
	041953-01-000	FT	Conduit - Convolute SRR - .80" I.D.
	041953-02-000	FT	Conduit - Convolute SRR - .825" I.D.
	041953-03-000	FT	Conduit - Convolute SRR - 1" I.D.
	041953-05-000	FT	Conduit - Convolute Solid - .825" I.D.
	041953-06-000	FT	Conduit - Convolute SRR - .375" I.D.
	041953-07-000	FT	Conduit - Convolute SRR - .375" I.D.
	041953-08-000	FT	Conduit - Convolute SRR - .50" I.D.
	041953-10-000	FT	Conduit - Convolute SRR - .75" I.D.
	041953-11-000	FT	Conduit - Convolute SRR - 1.063" I.D.
	008353-01-000	EA	Connector - 3/8" - Cable Clamping
	008355-01-000	EA	Connector - 3/4" - Cable Clamping
	008356-01-000	EA	Connector - 3/8" - Plastic
	008311-01-000	EA	Connector - Wire Nut - Red
	008312-01-000	EA	Connector - Wire Nut - Blue
	008313-01-000	EA	Connector - Wire Nut - Yellow
	008314-01-000	EA	Connector - Wire Nut - Gray
	031988-01-000	EA	Contact Plug - Brass - Tin Plated
	031987-01-000	EA	Contact - Receptacle
	008052-01-000	EA	Cord - Power - 10/3 - 30 Amp - 25' - CSA
	008054-01-000	EA	Cord - Power - 10/3 - 30 Amp - 25' - USA
	008294-01-000	EA	Cover - Electrical Box - Flat Blank - 4" x 4" - Steel - USA
	008294-02-000	EA	Cover - Electrical Box - Flat Blank - 4" x 4" - Steel - CSA
	008238-01-000	EA	Cover - Electrical Box - 4" x 4"
	078319-08-000	EA	Cover - Receptacle - Brown
	084077-01-000	EA	Cover - Receptacle - Ivory - GFI
	084077-03-000	EA	Cover - Blank A/C - Ivory
	090984-01-000	EA	Cover - Exterior Receptacle
	092633-02-02A	EA	Cover - A/C - Plate - Off White
	064398-01-000	EA	Housing Arm - Trailer Pin
	064398-01-000	EA	Housing Arm - Trailer Pin - Receptacle
	064450-01-000	EA	Housing Arm - Trailer Plug
	054532-01-000	EA	Housing Pin - 6 Position
	054532-02-000	EA	Housing Pin - 4 Position
	054532-10-000	EA	Housing Pin - 10 Position
	054532-11-000	EA	Housing Socket - 10 Position
	024924-02-000	EA	Receptacle - Power Cord
	058707-01-000	EA	Receptacle - Single - Brown - T & B
	058708-01-000	EA	Receptacle - Duplex - Brown - T & B
	058708-02-000	EA	Receptacle - Duplex - Ivory - T & B
	084076-01-000	EA	Receptacle - Duplex - Ivory - GFI
	090981-01-000	EA	Receptacle - Duplex - Exterior
	068273-01-000	EA	Relay - Battery Disconnect
	008195-01-000	EA	Switch - Push Button - 12 Volt
	056264-01-000	EA	Switch - Leaf Actuator
	079362-04-000	EA	Switch - Plate - 4 Gang/2 Switch
	079363-01-000	EA	Switch - Plate - Single - w/Switch
	079363-01-700	EA	Switch Only
	079363-03-000	EA	Switch Plate - Single - w/Switch - Polished Brass
	079364-01-000	EA	Switch - On/Off Rocker - Brown
	081066-02-000	EA	Switch Plate - 2 Gang/2 Switch
	008328-01-000	EA	Terminal - Ring - 12/10 Wire
	008331-01-000	EA	Terminal - Ring - 4 - w/3/8" Stud
	008348-01-000	EA	Terminal - Ring - 2 - w/3/8" Stud
	047443-01-000	EA	Terminal - 250 Receptacle .6-14
	047443-03-000	EA	Terminal - 187 Receptacle .6-14
	008024-01-000	EA	Wire - 18.5 Bonded - Orange/White/Yellow/Blue/Brown
	008025-01-000	EA	Wire - 18.5 Bonded - Orange/White/Yellow/Blue/Green
	008026-01-000	EA	Wire w/Ground - Romex - 12/2
	008027-01-000	EA	Wire w/Ground - Romex - 14/2
	008343-01-000	EA	Wire Tie - 6"

ELECTRICAL GROUP (CONTINUED)

WINDSHIELD WIPERS & WASHER

Key	Part Number	U/M	Description
	057474-02-000	EA	Windshield Wiper Arm
	067191-02-000	EA	Motor Arm - w/Lead
	067191-02-701	EA	Pivot - Wiper Motor
	067190-01-700	EA	Shaft & Pivot Arm - Passenger
	067193-01-000	EA	Link Arm - Connecting - Passenger - 7"
	057474-02-700	EA	Shaft & Pivot Arm - Driver
	067192-01-000	EA	Link Arm - Connecting - Driver - 30"
	057853-01-000	EA	Arm - Windshield Wiper - 18" - Black
	049484-01-000	EA	Blade Arm - Windshield Wiper - 20"
	049484-03-700	EA	Blade Arm - Windshield Wiper - 20" - Retail
	063971-01-000	EA	Support - Windshield Wiper Arm
	058000-02-000	EA	Windshield Washer Arm - w/o Nozzles
	067188-01-000	EA	Stud & Crank
	045794-01-000	FT	Hose - 5/32" I.D. - Black

MISCELLANEOUS ELECTRICAL COMPONENTS

Key	Part Number	U/M	Description
	008188-01-000	EA	Relay - Dual Battery - Relay
	083208-02-000	EA	Control Center - 45 Amp - BW6345A
	038420-02-000	EA	Fan - 8" Defroster - 2 Speed (Option 38N)
	008294-01-000	EA	Lighter Arm - Cigarette
	072852-01-000	EA	Smoke Detector
	097385-01-000	EA	Leak Detector - LP Gas

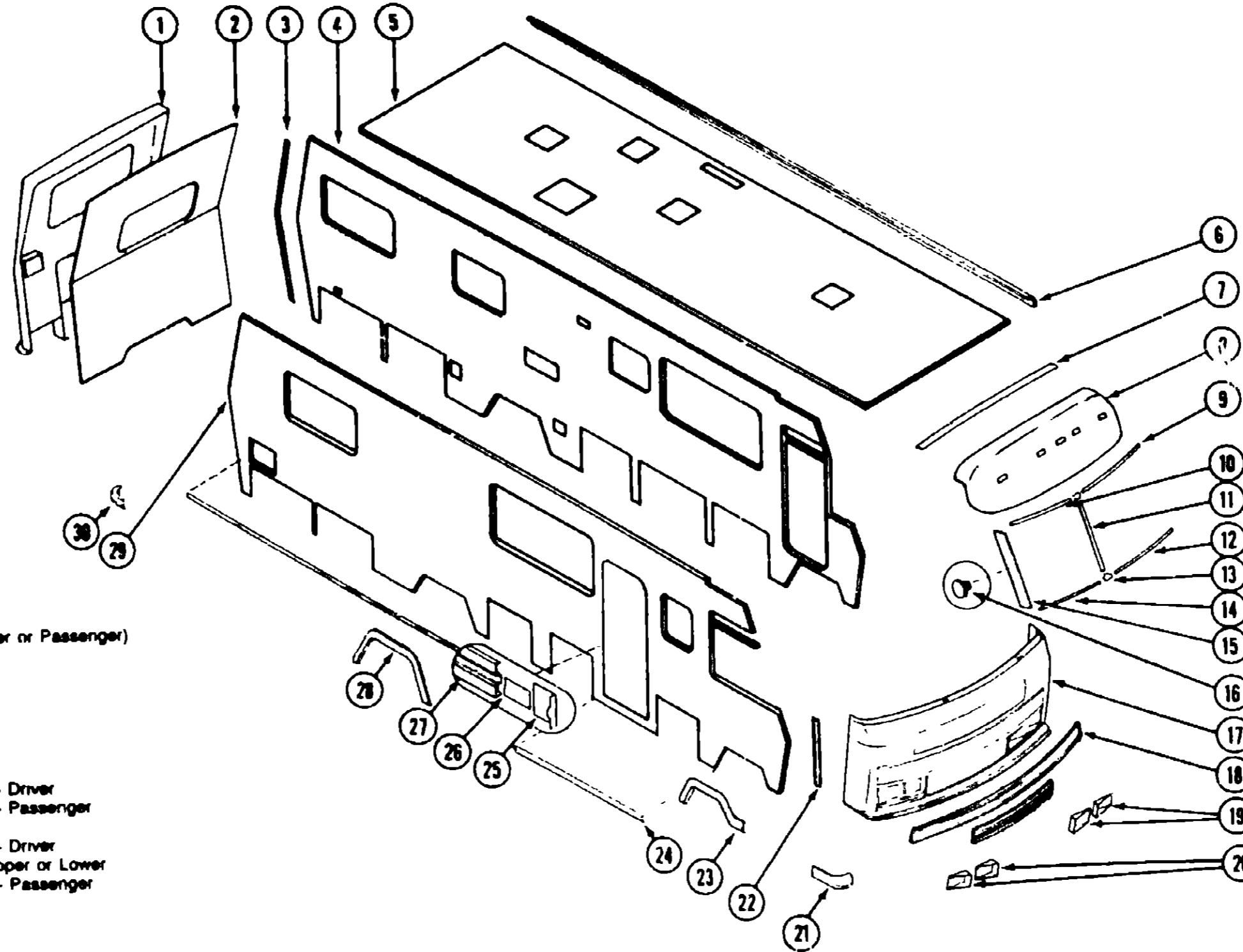
1989 ITASCA TABLE OF CONTENTS

INTRODUCTION	A-01
ABBREVIATIONS	A-01
ALPHABETICAL INDEX	A-02 - A-04
ICM27RQ	A-05 - D-20
IC/JM31RQ	D-21 - H-16

1989 IC/JM31RQ INDEX

Floor Plan	D-21 - D-22
Accessories Group	D-23 - E-05
Bath Group	E-06 - E-09
Chassis Group	E-10 - E-16
Curtain, Cushion & Pad Group	E-17 - F-06
Dinette Group	F-09 - F-10
Driver's Compartment Group	F-11 - F-16
Electrical Group	F-17 - F-20
Exterior Body Group	F-21 - G-02
Galley Group	G-03 - G-06
Heating & Air Conditioning Group	G-07
Interior Finish Group	G-08 - G-09
LP Group	G-10
Lounge Group	G-11 - G-16
Water & Sewage Group	G-17 - G-18
Window, Vent & Exterior Door Group	G-19 - H-16

EXTERIOR BODY GROUP
EXTERIOR BODY PANELS & TRIM



Key	Part Number	U/M	Description
1	088402-02-000	EA	Rear Cap Panel
2	089558-01-Y70	EA	Rear Backwall Asm
2	089558-01-Y71	EA	Rear Backwall Asm
2	089558-01-Y72	EA	Rear Backwall Asm
3	073502-28-000	EA	Trim Rear Backwall (Driver or Passenger)
4	M93421-01-Y70	EA	Sidewall Asm - Driver
4	M93421-01-Y71	EA	Sidewall Asm - Driver
4	M93421-01-Y72	EA	Sidewall Asm - Driver
5	082787-02-Y70	EA	Roof Asm
6	078800-14-000	EA	Roof Cover - 158 62"
7	078580-01-000	EA	Roof Trim - Front Cap
8	089923-03-000	EA	Roof Cap - Primed
9	077944-02-000	EA	Reveal Molding - Upper - Driver
10	077944-01-000	EA	Reveal Molding - Upper - Passenger
11	078676-05-000	EA	Reveal Molding - Center
12	077945-02-000	EA	Reveal Molding - Lower - Driver
13	077952-02-000	EA	Reveal Molding Cap - Upper or Lower
14	077945-01-000	EA	Reveal Molding - Lower - Passenger
15	079225-03-000	EA	Trim Post - Passenger
15	079225-04-000	EA	Trim Post - Driver
16	034141-02-000	EA	Nylon Hole Plug - 3/8"
17	M01115 19 X70	EA	Front End Asm w/Hood Panel (Chevrolet)
17	M01115 16 X14	EA	Front End Asm. w/Hood Panel (John Deere)
18	090411 01 X70	EA	Grille Asm. - Upper
	090412 01 X70	EA	Grille Asm. - Lower
	088252-02-000	FT	Chrome Trim - 1" Plastic
	088252-03-000	FT	Chrome Trim - 2" Plastic
19	090202-02-000	EA	Headlight Bezel - Driver
20	090202-01-000	EA	Headlight Bezel - Passenger
21	078577-03-000	EA	Bumper End Cap - Passenger
	078577-04-000	EA	Bumper End Cap - Driver
22	089922-02-000	EA	Trim - Front End Asm - Driver or Passenger
23	078558-13-000	EA	Trim - Front Wheelwell - Passenger
	078558-14-000	EA	Trim - Front Wheelwell - Driver
	089909-01-000	EA	Trim - Front Wheelwell - U Channel - Driver or Passenger
24	091181 55-003	EA	Rocker Panel

Key	Part Number	U/M	Description
25	009731-01-000	EA	End Cap Feature Strip
26	001030-11-100	EA	Insert Feature Strip - 17'
27	059578-11-000	EA	Feature Strip
28	075070-02-000	EA	Trim - Rear Wheelwell - Passenger
	075070-04-000	EA	Trim - Rear Wheelwell - Driver
	089749-01-000	EA	Trim - Rear Wheelwell - U Channel - Driver or Passenger
29	M93423-01-Y70	EA	Sidewall Asm - Passenger
29	M93423-01-Y71	EA	Sidewall Asm - Passenger
29	M93423-01-Y72	EA	Sidewall Asm - Passenger
30	078578-07-000	EA	Bumper End Cap - Passenger
	078578-08-000	EA	Bumper End Cap - Driver

F-21

1989 ITASCA
TABLE OF CONTENTS

INTRODUCTION
ABBREVIATIONS
ALPHABETICAL INDEX
ICM27RQ
IC/JM31HQ

A-01
A-01
A-02 - A-04
A-05 - D-20
D-21 - H-16

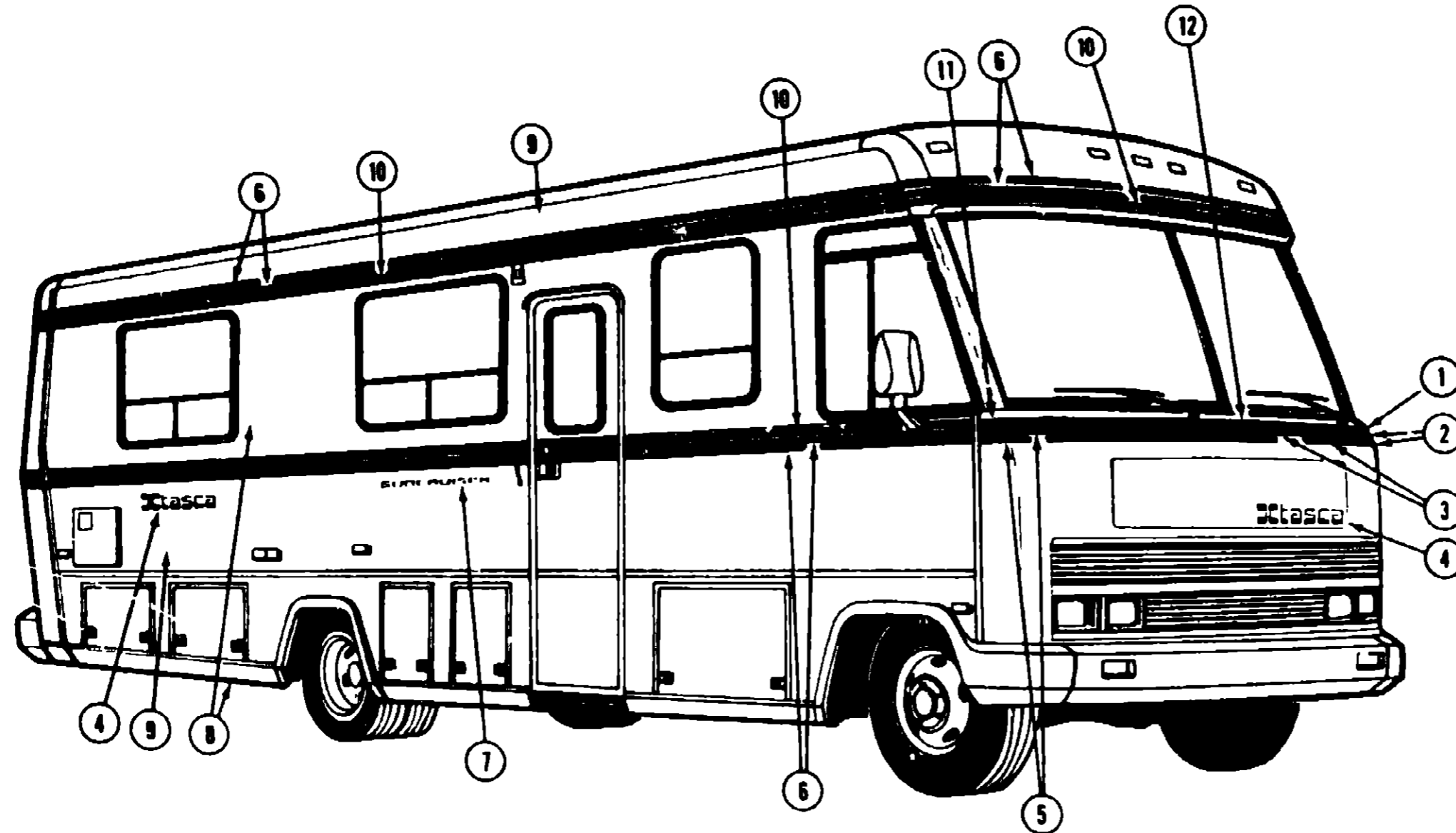
1989 IC/JM31RQ INDEX

Floor Plan	D-21 - D-22
Accessories Group	D-23 - E-05
Bath Group	E-06 - E-09
Chassis Group	E-10 - E-16
Curtain, Cushion & Pad Group	E-17 - F-08
Dinette Group	F-09 - F-10
Driver's Compartment Group	F-11 - F-16
Electrical Group	F-17 - F-20
Exterior Body Group	F-21 - G-02
Galley Group	G-03 - G-06
Heating & Air Conditioning Group	G-07
Interior Finish Group	G-08 - G-09
LP Group	G-10
Lounge Group	G-11 - G-16
Water & Sewage Group	G-17 - G-18
Window, Vent & Exterior Door Group	G-19 - H-16

F-22

EXTERIOR BODY GROUP (CONTINUED)
DECALS, FILM STRIPE & PAINT

1989 ITASCA
TABLE OF CONTENTS



INTRODUCTION
ABBREVIATIONS
ALPHABETICAL INDEX
ICM27RQ
IC/JM31RQ

A-01
A-01
A-02 - A-04
A-05 - D-20
D-21 - H 16

1989 IC/JM31RQ INDEX

Key	Part Number	U/M	Description
1	090984-02-000	EA	Decal - Driver Side - Upper - Gray (Paint - DuPont 44489U)
2	090985-09-000	EA	Decal - Driver Side - Lower - Blue/Peach (Paint - DuPont B8734/B8227) (Y70)
2	090985-10-000	EA	Decal - Driver Side - Lower - Green/Peach (Paint - DuPont B8221/B8227) (Y71, Y72)
3	065217 M1 000	FT	Film Stripe - Blue/Peach (Paint - DuPont B8734/B8227) (Y70)
3	065217-M2-000	FT	Film Stripe - Green/Peach (Paint - DuPont B8221/B8227) (Y71, Y72)
4	078191-01-000	EA	Decal Logo "Itasca"
5	090985-07-000	EA	Decal - Passenger Side - Lower - Blue/Peach (Paint - DuPont B8734/B8227) (Y70)
5	090985-08-000	EA	Decal - Passenger Side - Lower - Green/Peach (Paint - DuPont B8221/B8227) (Y71, Y72)
6	065218 M3 000	FT	Film Stripe - Blue/Peach (Paint - DuPont B8734/B8227) (Y70)
6	065217-K8-000	FT	Film Stripe - Green/Peach (Paint - DuPont B8221/B8227) (Y71, Y72)
7	073705 01-000	EA	Decal Logo "Sun Cruiser"
8	089363-01-700	EA	Paint Kit - Aegean Poly (Gray) (Paint - DuPont 44489U)
9	058637-05-000	EA	Paint - Gray Acrylic Enamel - 18 Oz. Aerosol (Paint - DuPont 61537)
9	058637-05 700	EA	Paint - Gray Acrylic Enamel - 6 Oz. Touch Up
10	078831-62-000	FT	Film Stripe - Gray (Paint - DuPont 44489U)
11	090984-01 000	EA	Decal - Passenger Side - Upper - Gray (Paint - DuPont 44489U)
12	078831 61-000	FT	Film Stripe - Gray (Paint - DuPont 44489U)

Floor Plan	D-21 - D 22
Accessories Group	D 23 - E-05
Bath Group	E-06 - E-09
Chassis Group	E-10 - E-16
Curtain, Cushion & Pad Group	E-17 - F-08
Dinette Group	F-09 - F-10
Driver's Compartment Group	F-11 - F-16
Electrical Group	F-17 - F 20
Exterior Body Group	F-21 - G-02
Galley Group	G-03 - G-06
Heating & Air Conditioning Group	G-07
Interior Finish Group	G-08 - G-09
LP Group	G-10
Lounge Group	G-11 - G-16
Water & Sewage Group	G-17 - G 18
Window, Vent & Exterior Door Group	G-19 H-16

EXTERIOR BODY GROUP (CONTINUED)

FRONT HOOD PANEL & HARDWARE

Key	Part Number	U/M	Description
	089768-01-X14	EA	Panel Asm - Hood
	073336-01-000	EA	Bracket - Strike Latch
	073611-01-000	EA	Striker Pin Asm
	073610-01-000	EA	Spring - Striker Pin
	R77006-68-172	EA	Shim Plate
	058753-01-000	EA	Bracket - Hinge Piv - Left or Right Side
	073339-02-000	EA	Hood Asm - Left or Right Side
	R77006-68-721	EA	Hood Release Cable
	R77006-19-765	EA	Hood Release Sleeve
	R77006-38-499	EA	Spring
	G72917-03-000	EA	Prop Rod

SEALANTS & ADHESIVES

Key	Part Number	U/M	Description
	002337-01-000	EA	Adhesive - 1300 Tube - 3M (Window)
	004005-02-000	EA	Adhesive - Swirls - 1 Gallon (Sidewall)
	004006-04-700	EA	Adhesive - Pierce - 1 Gallon (Sidewall)
	075672-02-000	EA	Adhesive - Scotch Rubber Gripper (Fleer Cap)
	081377-01-000	EA	Adhesive - Cyanoacrylate (Window & Door)
	053776-02-000	EA	Bedding Compound - Tube - White (Exterior)
	053776-06-000	EA	Bedding Compound - Tube - Clear (Window)
	053776-08-000	EA	Bedding Compound - Tube - Gray (Exterior)
	G1112S-01-000	EA	Seal - Plumbing Pipe - Roof - For 1 1/2" O D Pipe
	077967-01-000	EA	Sealant - Acrylic Latex - Tube (Interior)
	034552-02-000	EA	Sealant - Silicone - Clear (Exterior)
	034552-07-000	EA	Sealant - Silicone - Gray (Exterior)
	034552-09-000	EA	Sealant - Silicone - Smoke Gray (Exterior)
	053752-04-000	EA	Sealer - Seam - Tube - Aluminum (Roof)
	069637-01-000	EA	Sealer - 3M EC5510 - White (Door)
	069640-01-000	FT	Sealer - Ribbon - 1/4" Dia x 20' (Cabinet)
	069640-02-000	FT	Sealer - Ribbon - 1/2" x 1/8" x 30' (Sidewall)
	069640-03-000	FT	Sealer - Ribbon - 3/4" x 1/8" x 30' (Body Panels)
	069640-05-000	FT	Sealer - Ribbon - 2 1/2" x 3/32" x 30' (Body Panels)
	069640-06-000	FT	Sealer - Ribbon - 5/16" Dia. x 15' (Window)
	069640-07-000	FT	Sealer - Ribbon - 2" x 3/32" x 30' (Interior)
	081359-01-000	HT	Sealer - Vinyl Glazing (Window)
	081380-01-000	FT	Sealer - Vinyl Glazing - Black (Window)
	089363-01-701	EA	Sealer - Body Seam - Flexible - Gray (Exterior)
	090340-01-000	FT	Sealer - Foam Seal - Closed Cell - 1/4" x 1/2" (Exterior)
	090340-02-000	FT	Sealer - Foam Seal - Closed Cell - 3/8" x 1/2" (Exterior)
	701674-05-000	EA	Service Manual - Sealants
	004363-01-000	FT	Tape - Foam - 3/16" x 1/2" - Gray - 1 Side (Sidewall)
	009200-01-000	EA	Tape - Furnace - 1 1/2"
	063642-01-000	FT	Tape - Adhesive - 10 Mil x 1 5" (Exterior)
	076322-02-000	FT	Tape - Foam - Double Coated - 045" x 1" (Fiberglass Seams)
	076322-03-000	FT	Tape - Foam - Double Coated - 045" x 5" (Fiberglass Seams)
	076322-04-000	FT	Tape - Foam - Double Coated - 045" x 7.5" (Fiberglass Seams)
	077959-01-000	FT	Tape - Foam - 1/2" Black - 2 Sided (Interior)
	079967-02-000	FT	Tape - Plastic Film - 375" (Window)
	088244-01-000	FT	Tape - Foam - Vinyl Coated - 2" (Chassis)
	091968-03-000	FT	Tape - Adhesive - 04" x 1" (Entrance Door)
	002281-01-000	FT	Weatherstrip - Self-Seal - .06" Panel x 3/16" (Window)
	056903-01-000	FT	Weatherseal - Upper Front Cap

EXTERIOR BODY GROUP (CONTINUED)

LABELS & TAGS

Key	Part Number	U/M	Description
	091243-01-000	EA	Label - Air Conditioner Cover
	074983-01-000	EA	Label - Air Conditioner Selector Switch
	087236-01-000	EA	Label - Cable Input
	006195-01-000	EA	Label - Electrical Test
	047731-01-000	EA	Label - Emergency Exit
	006199-01-000	EA	Label - Exit - Escape Window
	081417-01-000	EA	Label - Fuel
	087207-02-000	EA	Label - Fuel Cap Removal
	006196-01-000	EA	Label - Gas Test
	077510-01-000	EA	Label - Generator Prep
	054531-01-000	EA	Label - LP Gas Orif
	061606-01-000	EA	Label - Overlay, Vehicle Certification
	056259-01-000	EA	Label - Safety Check List
	006064-01-000	EA	Label - Seal - w/o Seatbelts - USA
	006064-02-000	EA	Label - Seal - w/o Seatbelts - CSA
	006187-01-000	EA	Label - Sewage
	091224-01-000	EA	Label - Trailer Lighting
	087236-02-000	EA	Label - TV Outlet
	090342-01-000	EA	Label - Vapor Relief
	G35709-01-000	EA	Label - Warning - No Storage
	050225-01-000	EA	Label - Warning - Storage Vent - US
	075220-01-000	EA	Label - Warning - Exterior Load
	077956-01-000	EA	Label - Warning - Smoke Detector
	006188-01-000	EA	Label - Waste Water
	006197-01-000	EA	Label - Water Test
	006262-01-000	EA	Tag - Electrical - 110 Volt Connection
	006040-01-000	EA	Tag - Refueling Warning
	006040-02-000	EA	Tag - Refueling Warning - CSA
	006019-01-000	EA	Tag - RVI Approved - Plastic

SHEET FIBERGLASS PANEL, ALUMINUM & STYROFOAM

Key	Part Number	U/M	Description
	000868-01-000	SF	Styrofoam - 75" x 24" x 96"
	000870-03-000	SF	Styrofoam - 1 34" x 48" x 96"
	000870-05-000	SF	Styrofoam - .50" x 24" x 96"
	083574-01-000	SF	Styrofoam - 1.50" x 24" x 85.25"
	081395-22-000	EA	Panel - Fiberglass - Mende Board - Gray - 78.75" x 32.25"
	081395-24-000	EA	Panel - Fiberglass - Mende Board - Gray - 23.62" x 120"
	081395-08-000	EA	Panel - Fiberglass - Mende Board - Gray - 48" x 96"
	044487-01-001	EA	Aluminum - Mill Finish - Roof - 96" x 360"

MISCELLANEOUS EXTERNALLY MOUNTED PARTS

Key	Part Number	U/M	Description
	009126-01-000	EA	Assist Handle - Chrome
	087659-03-000	EA	Fill - City Water - Gray - Brass Fittings
	086260-01-000	EA	Mirror Asm - Rear View - Exterior - w/Convex - Passenger
	086260-02-000	EA	Mirror Asm - Rear View - Exterior - w/Convex - Driver
	086260-03-000	EA	Accessory Kit - Rear View Mirror - Exterior
	090963-01-000	EA	Receptacle - Outside - Cable TV - Gray
	090961-01-000	EA	Receptacle - Outside - Electric
	083615-03-000	EA	Door Stop - Plastic - Gray

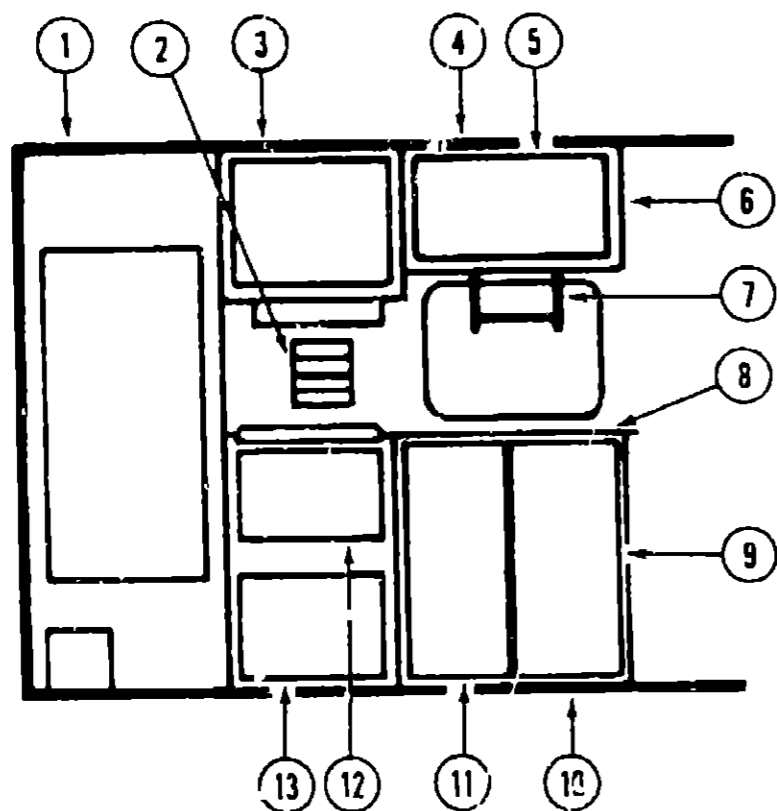
**1989 ITASCA
TABLE OF CONTENTS**

INTRODUCTION	A-01
ABBREVIATIONS	A-01
ALPHABETICAL INDEX	A-02 - A-04
ICM27RQ	A-05 - D-20
IC/JM31RQ	D-21 - H-16

1989 IC/JM31RQ INDEX

Floor Plan	D-21 - D-22
Accessories Group	D-23 - E-05
Bath Group	E-06 - E-09
Chassis Group	E-10 - E-16
Curtain, Cushion & Pad Group	E-17 - F-08
Dinette Group	F-09 - F-10
Driver's Compartment Group	F-11 - F-16
Electrical Group	F-17 - F-20
Exterior Body Group	F-21 - G-02
Galley Group	G-03 - G-06
Heating & Air Conditioning Group	G-07
Interior Finish Group	G-08 - G-09
LP Group	G-10
Lounge Group	G-11 - G-16
Water & Sewage Group	G-17 - G-18
Window, Vent & Exterior Door Group	G-19 - H-16

GALLEY GROUP
GALLEY CABINETRY



Key	Part Number	U/M	Description
1	M89134-01-Y70	EA	Cabinet Asm - Refrigerator - 8'
1	M89134-01-Y71	EA	Cabinet Asm - Refrigerator - 8'
1	M89134-01-Y72	EA	Cabinet Asm - Refrigerator - 8'
1	M89134-02-Y70	EA	Cabinet Asm - Refrigerator - 10' (Option 34F)
1	M89134-02-Y71	EA	Cabinet Asm - Refrigerator - 10' (Option 34F)
1	M89134-02-Y72	EA	Cabinet Asm - Refrigerator - 10' (Option 34F)
2	074490-01-000	EA	Spice Rack - Unfinished
3	M88307-02-Y15	EA	Cabinet Asm - w/o Door (w/o Microwave Option)
	M88304-12-X08	EA	Door Asm - w/o Hardware
	081320-08-X36	EA	End Cap Asm (Microwave Cabinet)
3	094767-03-Y07	EA	Cabinet Asm - Microwave (Options 134 & 136)
4	M81656-03-X11	EA	Cabinet Asm - Galley Overhead - w/o Door
5	M88304-11-X11	EA	Door Asm - Galley Overhead - w/o Hardware
6	081320-03-W30	EA	End Cap Asm - Galley Overhead
7	092488-01-Y12	EA	Paper Towel Holder
8	093617-11-Y15	EA	Countertop Asm - Galley
9	M88304-96-X11	EA	Door Asm - Galley Cabinet - w/o Hardware
10	M03456-03-Y70	EA	Cabinet Asm - Galley - w/Small Oven
10	M03456-04-Y70	EA	Cabinet Asm - Galley - w/Range Top (Options 136 & 42D)
11	M88304-95-X11	EA	Door Asm - Galley Cabinet - w/o Hardware
12	M88304-90-X08	EA	Drawer Face Asm - Galley Cabinet - w/o Hardware (Option 136)
13	M92073-01-X11	EA	Door Asm - Furnace - w/Mesh Insert - w/o Hardware
	00G13-06-10G	EA	Screw - 6 - 20 x 5/8" PFH - Antique Brass (Doors)
	059777-02-000	EA	Hinge - Antique Light Brass (Doors)
	088264-01-000	EA	Door Pull - Polished Brass (Doors)
	000G68-06-10G	EA	Screw - 6 - 18 x 5/8" POH - Antique Brass (Doors)
	009021-01-000	EA	Catch - Nylon - Grill (Doors)
	009021-02-000	EA	Strike - Spring Steel
	093586-03-000	EA	Catch - Spring, Roller (Doors)
	093586-04-000	EA	Strike - Spring Steel (Doors)
	074493-02-000	EA	Support - Door, Spring (Overhead Door)
	093238-01-Y12	EA	Cover - Knife Holder (Countertop Asm)
	093282-01-000	EA	Bonnet - Knife Holder (Countertop Asm)
	M92183-03-000	EA	Door Rail Asm (Furnace Door)
	072369-34-000	EA	Mesh Insert - Bronze (Furnace Door)
	M82184-11-X36	EA	Drawer Asm - Galley Cabinet (Pots & Pans Drawer (Option 136)
	084466-05-000	EA	Slide Asm - Left (Galley Cabinet) (Option 136)
	084466-03-000	EA	Slide Asm - Left (Pots & Pans Drawer) (Option 136)
	084466-02-000	EA	Slide Asm - Right (Pots & Pans Drawer) (Option 136)
	084466-04-000	EA	Slide Asm - Right - Galley Cabinet (Option 136)
	077409-02-000	EA	Drawer Slide - Plastic - 20 75" (Galley Cabinet)
	009767-03-000	EA	Welting - Beige (Cabinets)
	009767-10-000	EA	Welting - Mahogany (Cabinets)
	083620-01-000	FT	T-Molding - 3/4" w/Edge Lips - Brown (Overhead Cabinet)
	076325-16-000	FT	Edge Band - Regal Oak (Countertop & Galley Extension)
	081521-02-007	EA	Molding - 64 Hole Space (Cabinets)
	042357-11-000	EA	Corner Molding - Radius Plastic - Light Oak
	080176-02-000	EA	Corner Cap - Radius - Light Oak (Overhead & Refrigerator Cabinets)
	022992-08-000	EA	Molding - Reverse Cove (Galley Cabinet)
	023111-01-000	EA	Food Center - Built-In (Option 67F)

1989 ITASCA
TABLE OF CONTENTS

INTRODUCTION	A-01
ABBREVIATIONS	A-01
ALPHABETICAL INDEX	A-02 - A-04
ICM27RQ	A-05 - D-20
IC/JM31RQ	D 21 - H-16

1989 IC/JM31RQ INDEX

Floor Plan	D 21 - D-22
Accessories Group	D 23 - E-05
Bath Group	E-06 - E-09
Chassis Group	E-10 - E-16
Curtain, Cushion & Pad Group	E-17 - F-08
Dinette Group	F-09 - F-10
Driver's Compartment Group	F-11 - F-16
Electrical Group	F-17 - F-20
Exterior Body Group	F-21 - G-02
Galley Group	G-03 - G-06
Heating & Air Conditioning Group	G 07
Interior Finish Group	G-08 - G 09
LP Group	G-10
Lounge Group	G-11 - G-16
Water & Sewage Group	G-17 - G-18
Window, Vent & Exterior Door Group	G-19 - H-16

GALLEY GROUP (CONTINUED)

GALLEY APPLIANCES

Key	Part Number	U/M	Description
	094038-02-000	EA	Refrigerator - w/Small Double Door - Norcold 863
	094039-02-000	EA	Refrigerator - w/Large Double Door - Norcold 883
	094039-01-700	EA	PC Board Asm - 3-Way (863, 883)
	094039-01-701	EA	EyeBrow Shell - 3-Way (863, 883)
	094039-01-702	EA	Gasket - Upper - Gray (863, 883)
	094039-01-703	EA	Hinge Plate - Left Hand (863, 883)
	094039-01-705	EA	Upper Door Liner - White (863, 883)
	094039-01-708	EA	Upper Door handle Asm (863, 883)
	094039-01-709	EA	Hinge Plate - Right Hand (Top) - Left Hand (Bottom) (863,883)
	094039-01-711	EA	Juice Rack - Gray w/Silver Trim (863, 883)
	094039-01-712	EA	Door Bin - Gray w/Silver Border (863,883)
	094038-01-700	EA	Door Gasket - Lower -Gray (863)
	094039-01-713	EA	Door Gasket - Lower - Gray (883)
	094038-01-701	EA	Lower Door Liner - Brown/White (863)
	094039-01-714	EA	Lower Door Liner - Brown/White (883)
	094038-01-703	EA	Lower Door Handle Asm (863)
	094039-01-717	EA	Lower Door Handle Asm (883)
	094039-01-718	EA	Milk Bin - Gray w/Silver Trim (863, 883)
	094039-01-719	EA	Dairy Keeper - Gray w/Silver Trim (863, 883)
	094038-01-705	EA	Cab Asm - Brown Frame/Whiter Liner (863)
	094039-01-720	EA	Cab Asm - Brown Frame/White Liner (883)
	084880-01-747	EA	Hole Plug - Hinge Holes (863, 883)
	084880-01-734	EA	Hinge Bracket - Right Hand (Top) - Left Hand (Bottom) (863, 883)
	084880-01-735	EA	Hinge Bracket - Left Hand (Top) - Right Hand (Bottom) (863, 883)
	084880-01-731	EA	Hinge Pin - Male (863, 883)
	094039-01-726	EA	Evaporator Shell (863, 883)
	094039-01-727	EA	Hinge Bracket - Center Hinge (863, 883)
	094039-01-729	EA	Hinge Pin Shaft - Center Hinge (863, 883)
	094039-01-731	EA	Crisper - Gray w/Silver Trim (863, 883)
	094039-01-732	EA	Front Cover - Black Bottom Trim (863, 883)
	094039-01-733	EA	Wire Shelf - Middle (863, 883)
	094039-01-734	EA	Wire Shelf - Top w/Riser (863, 883)
	094039-01-735	EA	Inside Drip Tray - White (863, 883)
	094039-01-736	EA	Light Switch - Black (863, 883)
	094039-01-737	EA	Power Supply - 3-Way (863, 883)
	094039-01-738	EA	Manual Shut Off - Harper Wayman (863, 883)
	094039-01-739	EA	Shelf - Cutout (863, 883)
	089983-02-000	EA	Baffle - Refrigerator - Back
	090195-02-000	EA	Baffle - Refrigerator - Lower
	054450-01-000	EA	Level - Refrigerator
	065225-01-000	EA	Tiedown Plate - Refrigerator
	067544-01-000	EA	Bracket Asm - Tiedown - Refrigerator - Right
	067544-02-000	EA	Bracket Asm - Tiedown - Refrigerator - Left
	055282-04-000	EA	Range w/Small Oven - 4 Burner - Almond - Magic Chef BT16NA-4-50
	055282-04-700	EA	Panel - Oven Door - Almond
	055282-01-701	EA	Door Frame - Lower
	055282-01-702	EA	Door Front - Glass
	055282-03-700	EA	Thermostat
	055282-03-702	EA	Knob - Thermostat
	055282-03-704	EA	Inlet Fitting - Thermostat
	055282-03-705	EA	Cabinet Trim - Black - Left
	055282-03-707	EA	Cabinet Trim - Black - Right
	055282-03-706	EA	Vertical Trim - Black
	055282-03-708	EA	Plug - Plastic
	064782-02-710	EA	Clip - Glass Holder
	064782-02-711	EA	Main Top - Almond - 4 Burner - Square
	064782-02-712	EA	Crate - Top Burner - Square
	064782-02-713	EA	Gas Regulator
	064782-02-714	EA	Nipple - 1/8"
	064782-02-715	EA	Clip - Grate
	085280-04-000	EA	Cover - Range w/Small Oven - Bi-Fold - Almond
	055516-01-000	EA	Tiedown Bracket - Range w/Small Oven - Left
	055516-02-000	EA	Tiedown Bracket - Range w/Small Oven - Right

Key	Part Number	U/M	Description
	081374-01-000	EA	Range Top - 4 Burner - Almond - Magic Chef BT85NA-4 (Option 136)
	081374-01-700	EA	Range Top - Cabinet Trim - Right (Option 136)
	081374-01-701	EA	Range Top - Cabinet Trim - Left (Option 136)
	081374-01-702	EA	Range Top - Manifold Panel - Warm Black (Option 136)
	081374-01-703	EA	Range Top - Trim - Top Rear (Option 136)
	081374-01-704	EA	Range Top - Fabric Guard (Option 136)
	085280-03-000	EA	Cover - Range Top - Bi-Fold - Almond (Option 136)
	081857-01-000	EA	Tiedown Bracket - Range Top - Right (Option 136)
	081857-02-000	EA	Tiedown Bracket - Range Top - Left (Option 136)
	092696-03-01A	EA	Range Hood w/Monitor Panel - Ventline (USA)
	092696-04-01A	EA	Range Hood w/Monitor Panel - Ventline (CSA)
	092696-03-700	EA	Range Hood - Chassis w/Wiring - Almond (USA)
	092696-04-700	EA	Range Hood - Chassis w/Wiring (CSA)
	092696-03-701	EA	Range Hood - Control Panel Asm
	092696-03-702	EA	Range Hood - Control Panel Face Plate
	092697-01-000	EA	Range Hood - Cable Asm - 314MM - w/Nut
	091269-03-000	EA	Microwave Oven - Magic Chef - M16-0PB (Options 134 & 136)
	094750-01-000	EA	Microwave Oven - Tiedown Bracket (Options 134 & 136)
	094774-01-01A	EA	Microwave Oven Trim - Black (Options 134 & 136)
	094745-01-01A	EA	Microwave Oven Trim - Black (Options 134 & 136)
	088737-01-000	EA	Microwave/Convection Oven - Magic Chef M71C-10 (Option 42D)
	088737-01-700	EA	Microwave/Convection Oven - Control (Option 42D)
	088737-01-701	EA	Microwave/Convection Oven - Frame Panel (Option 42D)
	088737-01-702	EA	Microwave/Convection Oven - Touch Panel Asm. (Option 42D)
	088737-01-703	EA	Microwave/Convection Oven - Frame Door (Option 42D)
	088737-01-704	EA	Microwave/Convection Oven - Glass - Outside Door (Option 42D)
	088737-01-705	EA	Microwave/Convection Oven - Trim - Upper Frame - Inner (Option 42D)
	088737-01-706	EA	Microwave/Convection Oven - Cabinet (Option 42D)
	088737-01-707	EA	Microwave/Convection Oven - Fuse (Option 42D)
	088737-01-708	EA	Microwave/Convection Oven - Transformer (Option 42D)
	088737-01-709	EA	Microwave/Convection Oven - Trim (Option 42D)
	088737-01-710	EA	Microwave/Convection Oven - Bulb - Oven - 30 Watt (Option 42D)
	068737-01-711	EA	Microwave/Convection Oven - Relay - Complete (Option 42D)
	088737-01-712	EA	Microwave/Convection Oven - Trim (Option 42D)
	088737-02-000	EA	Microwave/Convection Oven - Frame Kit - Magic Chef BKM71-B (Option 42D)
	088682-01-000	EA	Microwave/Convection Oven - Tiedown Bracket - Right (Option 42D)
	088682-02-000	EA	Microwave/Convection Oven - Tiedown Bracket - Left (Option 42D)
	093526-01-000	EA	Sink - Double Bowl - Stainless Steel - 25" x 19" - Kevco D22519-3
	092303-01-000	EA	Strainer - Sink - Kevco 48866
	064952-01-000	EA	Faucet - Galley - Single Control
	081530-01-Y30	EA	Cover Asm - Sink
	093153-01-000	EA	Cutting Board - Maple
	058334-01-000	EA	Wastebasket - White
	093605-01-01A	EA	Towel Rack - Galley Cabinet
	097395-01-000	EA	Leak Detector - LP Gas
	072852-01-000	EA	Smoke Detector

1989 ITASCA TABLE OF CONTENTS

INTRODUCTION	A-01
ABBREVIATIONS	A-01
ALPHABETICAL INDEX	A-02 - A-04
ICM27RQ	A-05 - D-20
IC/JM31RQ	D 21 - H-16

1989 IC/JM31RQ INDEX

Floor Plan	D-21 - D 22
Accessories Group	D-23 - E-05
Bath Group	E-06 - E-09
Chassis Group	E-10 - E-16
Curtain, Cushion & Pad Group	E-17 - F-08
Dimette Group	F-09 - F-10
Driver's Compartment Group	F-11 - F-16
Electrical Group	F-17 - F-20
Exterior Body Group	F 21 - G-02
Galley Group	G-03 - G-06
Heating & Air Conditioning Group	G 07
Interior Finish Group	G-08 - G-09
LP Group	G-10
Lounge Group	G-11 - G-16
Water & Sewage Group	G-17 - G 18
Window, Vent & Exterior Door Group	G 19 - H-16

HEATING & AIR CONDITIONING GROUP

FURNACE & ROOF AIR CONDITIONING (OPTIONS 29D, 29H, 29F, 29J)

Key	Part Number	U/M	Description
**	075698-02-000	EA	Furnace - 34,000 BTU - w/Direct Ignition - Suburban
	009198-01-000	FT	Duct - Flexible - 4" I.D. x 25'
	056464-01-000	EA	Register - 4" Dia - Plastic - w/Damper
	053464-02-000	EA	Register - 4" Dia - Plastic - w/o Damper
	009000-01-000	EA	Tape - Furnace - 1 1/2"
	093385-01-000	EA	Thermostat - Wall
**	073742-02-000	EA	Air Conditioner - Roof Mount - Gray TSR - Chevrolet (Option 29D, 29F)
**	073743-01-000	EA	Shroud Asm - Ceiling - Cool Only
**	093787-01-02A	EA	Air Conditioner - Roof Mount - Gray TSR - Low Profile - Chevrolet (Option 29D, 29F)
	093784-01-000	EA	Shroud Asm - Ceiling - Cool Only
**	091225-01-000	EA	Air Conditioner - Roof Mount - Super Mach - John Deere (Option 29H, 29J)
	091225-01-700	EA	Shroud - Exterior - Gray
	091227-01-000	EA	Shroud Asm - Ceiling - Cool Only
	073937-03-000	EA	Switch - Air Conditioner Selector
**	The illustrated parts breakdown for this item is provided on the Common Items Fiche		

AUTOMOTIVE HEATER

Key	Part Number	U/M	Description
	039044-01-000	EA	Louver Asm - A/C - Adjustable
	007108-01-000	FT	Hose - Heater - 5/8" I.D. - SAE 20RE
	007281-01-000	EA	Hose - Flexible - 2 1/2" I.D.
	009200-01-00J	EA	Tape - Furnace - 1 1/2"
	024990-01-000	EA	Outlet - Defroster - w/Swivel - 2" Tan
	085000-01-000	EA	Air Conditioner - Shield
	072341-07-000	EA	Heater/Evaporator Asm - w/o Duct/Control
	072341-07-700	EA	Resistor - Jumper Harness
	072341-07-701	EA	Thermostat
	072341-07-702	EA	Liquid Hose - w/Special Tap
	072341-08-000	EA	Duct/Control Kit
	072341-08-700	EA	Reservoir Vacuum
	072341-08-701	EA	Heat Plenum - Passenger
	094831-01-000	EA	Heater/Evaporator Asm - Complete

WATER HEATER W/MOTOR/AND AUXILIARY REAR HEATER (OPTION 911)

Key	Part Number	U/M	Description
**	051393-01-000	EA	Water Heater - w/Motor/and - Direct Ignition
	007108-01-000	FT	Heater Hose - 5/8" I.D. - SAE 20R3
	061673-01-000	EA	Clamp - Motor/and
	062401-04-000	EA	Hose Clamp - Wormgear - 69" to 1 25"
	062401-10-000	EA	Hose Clamp - Wormgear - 1 06" to 2"
	008042-01-000	FT	Vinyl Tubing - 65" ID
	010227-01-000	EA	Tee - Plastic Barb - 5/8" or 3/4" Hose
	010513-01-000	EA	Elbow - Black - 3/8" x 90° - Steel
	084405-01-000	EA	Rear Heater Asm - Ducted
	084405-01-700	EA	Heater Core
	084405-01-701	EA	Fan
	084405-01-702	EA	Motor - 12 Volt
	009200-01-000	EA	Tape - Furnace - 1 1/2"
	009198-01-000	FT	Duct - Flexible - 4" I.D. x 25'
	069636-02-000	EA	Connector - 4" Duct
	023146-01-000	EA	Clamp - Screw Type - 4"
	056464-01-000	EA	Register - 4" Dia - Plastic - w/Damper
	056464-02-000	EA	Register - 4" Dia - Plastic - w/o Damper
	087202-02-000	EA	Switch - w/o Knob - 4 Position
	090977-01-000	EA	Switch Knob - Rotary
**	The illustrated parts breakdown for this item is provided on the Common Items Fiche		

INTERIOR FINISH GROUP

MOLDINGS & TRIMS

Key	Part Number	U/M	Description
	069733-70-000	EA	Batt Strip - Regal Oak
	085284-03-000	FT	Batt Strip - Regal Oak - Tape Adhesive
	085284-13-000	FT	Batt Strip - Charcoal - Tape Adhesive (Main Wall)
	088263-23-000	EA	Batt Strip - Slate (Galley & Dry Bath) (Y70)
	088263-21-000	EA	Batt Strip - Charcoal (Galley & Dry Bath) (Y71) (Y72)
	088263-21-000	EA	Batt Strip - Charcoal (Main Wall)
	088263-19-000	EA	Batt Strip - Bone (Wet Bath)
	088263-30-000	EA	Batt Strip - Beige Spatter (Ceiling)
	009767-06-000	FT	Wetling - Beige
	009767-10-000	FT	Wetling - Mahogany
	024700-17-000	EA	Cover - Sidewall Roll Bar - Beige - 110"
	024700-24-000	EA	Cover - Sidewall Roll Bar - Beige - 63 6"
	024700-26-000	EA	Cover - Sidewall Roll Bar - Beige - 40"
	009778-07-000	FT	U-Channel - Light Oak - 1"
	070504-01-000	FT	U-Channel - Light Brown - 65"
	070504-06-000	FT	U-Channel - Light Oak - 815"
	009089-17-000	EA	F Molding - Plastic Corner - Outside - 1" - Light Oak
	009812-17-000	EA	F Molding - Plastic Corner - Outside - .5" - Light Oak
	022992-08-000	FT	Molding - Reverse Cove - Champagne White
	042357-11-000	FT	Corner Molding - Radius Plastic - Light Oak
	076325-16-000	FT	Molding - Edge Band - Regal Oak
	078323-06-X14	FT	Cap Molding - Wall
	081076-02-000	FT	Corner Cap - Radius Plastic - Light Oak
	081521-02-007	FT	Molding - 64 Hole Space
	083620-01-000	FT	T Molding - 75" w/Lips - Brown
	092707-01-01A	EA	Molding - Regal Oak - Table Leg
	085746-01-000	FT	J Trim - Carpet - Beige - PVC

PANELING & COUNTERTOP

Key	Part Number	U/M	Description
	074497-10-000	SF	Paneling - Regal Oak (Wall & Cabinets) - 48" x 84"
	088272-44-000	SF	Paneling - Charcoal (Main Wall) - 48" x 84"
	088272-35-000	SF	Paneling - Slate (Galley & Dry Bath) - 48" x 84" (Y70)
	088272-27-000	ST	Paneling - Cocoa (Galley & Dry Bath) - 48" x 84" (Y71)
	088272-28-000	SF	Paneling - Miami (Galley & Dry Bath) - 48" x 84" (Y72)
	088272-38-000	SF	Paneling - Bone (Wet Bath) - 48" x 84"
	074497-14-000	SF	Paneling - Beige Spatter (Ceiling)
	074498-24-000	SF	Laminate - Plastic - Regal Oak
	074498-28-000	SF	Laminate - Plastic - Brittany Tan
	000621-01-000	SF	Veneer - Flat Luana - 48" x 96"
	089297-01-000	SF	Plywood - Luana - Overlay Grade - 48" x 96"
	000885-34-000	SF	Particle Board - 3/8" One Sided - Regal Oak - 49" x 97"
	000885-35-000	SF	Particle Board - 3/4" One Sided - Regal Oak - 49" x 97"
	000885-36-000	SF	Particle Board - 3/4" Two Sided - Regal Oak - 49" x 97"

1989 ITASCA TABLE OF CONTENTS

INTRODUCTION	A-01
ABBREVIATIONS	A-01
ALPHABETICAL INDEX	A-02 - A-04
ICM27RO	A-05 - D-20
IC/JM31RQ	D-21 - H-16

1989 IC/JM31RQ INDEX

Floor Plan	D-21 - D-22
Accessories Group	D-23 - E-05
Bath Group	E-06 - E-09
Chassis Group	E-10 - E-16
Curtain, Cushion & Pad Group	E-17 - F-08
Dinette Group	F-09 - F-10
Driver's Compartment Group	F-11 - F-16
Electrical Group	F-17 - F-20
Exterior Body Group	F-21 - G-02
Galley Group	G-03 - G-06
Heating & Air Conditioning Group	G-07
Interior Finish Group	G-08 - G-09
LP Group	G-10
Lounge Group	G-11 - G-16
Water & Sewage Group	G-17 - G-18
Window, Vent & Exterior Door Group	G-19 - H-16

INTERIOR FINISH GROUP (CONTINUED)

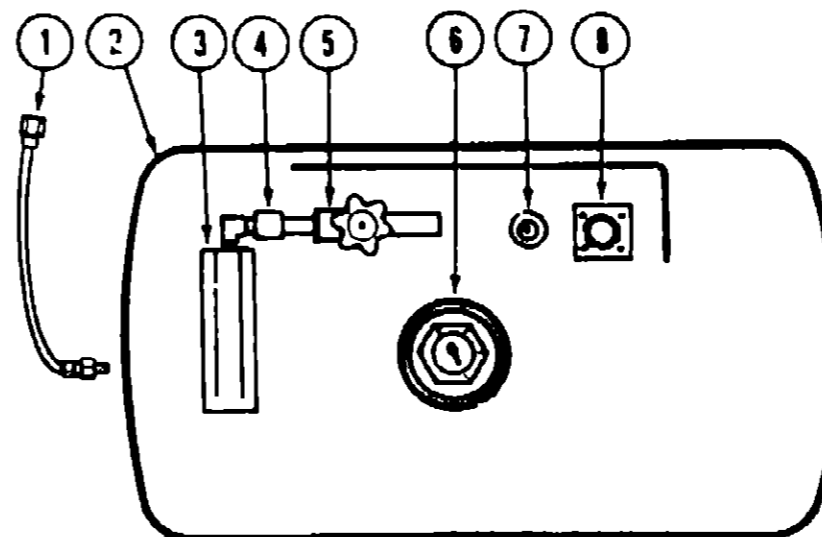
FABRIC & CARPET

Key	Part Number	U/M	Description
	088274-83-000	YD	Fabric - Upholstery - Main - Blue (Y70)
	088274-81-000	YD	Fabric - Upholstery - Main - Oakwood (Y71)
	088274-82-000	YD	Fabric - Upholstery - Main - Starburst (Y72)
	088274-33-000	YD	Fabric - Upholstery - Accent - Blue (Y70)
	088274-59-000	YD	Fabric - Upholstery - Accent - Umber (Y71)
	088274-80-000	YD	Fabric - Upholstery - Accent - Eggshell (Y72)
	072333-55-000	YD	Fabric - Drapery - Silver (Y70)
	072333-59-000	YD	Fabric - Drapery - Tan (Y71)
	072333-80-000	YD	Fabric - Drapery - Wisteria (Y72)
	088273-25-000	YD	Fabric - Bedspread - Ecru (Y70)
	088273-26-000	YD	Fabric - Bedspread - Peach (Y71)
	088880-27-000	YD	Fabric - Bedspread - Pastel (Y72)
	072880-70-000	SY	Carpet - Glacier Blue (Y70)
	072880-71-000	SY	Carpet - Prates Alley (Y71)
	072880-63-000	SY	Carpet - Amethyst (Y72)
	083486-01-000	SY	Carpet - Charcoal - Outside Storage Compartments
	075233-01-000	SY	Pad - Carpet - 3/8"
	038421-05-000	YD	Fabric - Mattress Ticking - Gray/White
	079880-01-000	YD	Vinyl - 26 oz - Buckskin

MISCELLANEOUS

Key	Part Number	U/M	Description
	041944-03-000	EA	Fire Extinguisher - 5 B C - w/Bracket
	041944-04-000	EA	Fire Extinguisher - 5 B C - w/o Bracket
	084472-01-000	EA	Holder - Fire Extinguisher - Recessed - Light Brown
	094499-01-000	EA	Fire Extinguisher - 1A10 B C - USA
	094499-02-000	EA	Fire Extinguisher - 1A10 B C - CSA
	094651-01-01A	EA	Holder - Fire Extinguisher - Recessed - Light Oak
	040069-01-000	EA	Floor Mat - Entrance - Black
	081075-02-000	EA	Floor Mat - Entrance - Brown
	081201-02-000	EA	Floor Mat - Driver - Brown
	081202-02-000	EA	Floor Mat - Passenger - Brown
	053552-02-W24	EA	Handle Asm - Interior Assist - Vinyl - Buckskin
	054185-31-000	EA	Owners Manual - 1989
	065201-02-000	EA	Lamp Shade - Parchment - Wall lamp
	072852-01-000	EA	Smoke Detector - w/9 Volt Battery
	097395-01-000	EA	Leak Detector - LP Gas
	093866-01-000	EA	Lockbox Asm - Outer
	093663-01-000	EA	Drawer Asm - Lockbox
	093601-01-000	EA	Lock - Security Lockbox
	M03112-02-000	EA	Door Asm - Battery - w/o Carpet
	092487-01-Y15	EA	Spice Rack
	079606-03-W30	EA	Magazine Rack
	092488-01-Y12	EA	Paper Towel Holder

LP GROUP



Key	Part Number	U/M	Description
1	045703-01-000	EA	Hose Asm - LP - 3/8" I D x 24" (US)
1	045703-02-000	EA	Hose Asm - LP - 3/8" I D x 24" (CSA)
2	088253-01-000	EA	LP Tank - 80 Pound - 18" Dia x 30"
3	081938-01-000	EA	Cover - LP Regulator
3	076301-01-000	EA	Regulator - Two Stage
4	090976-02-000	EA	Safety Valve - Electric
5	040421-01-703	EA	Valve - Vapor Relief
6	040421-01-707	EA	Gauge - Float - w/Visible Dial
6	040421-01-706	EA	Dial - Visible Face - Float Gauge
6	040440-01-000	EA	Dial - Visible Face - Float Gauge (w/Electric Transmitter)
7	040421-01-700	EA	Gauge - Liquid Level
8	040421-01-701	EA	Valve - Filler
8	040421-01-702	EA	Cap - Filler Valve
8	040421-01-711	EA	Inner Tank Valve - 80% Fill
	065741-01-000	EA	Gauge - Diaphragm Pressure - Test Leak
	097395-01-000	EA	LP Gas Leak Detector

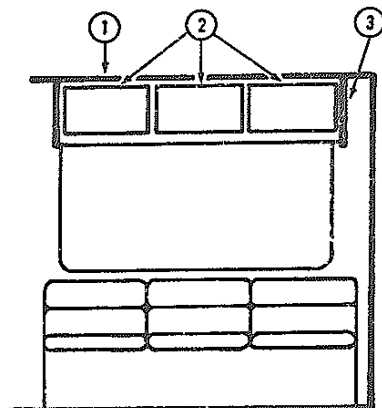
**1989 ITASCA
TABLE OF CONTENTS**

INTRODUCTION	A-01
ABBREVIATIONS	A-01
ALPHABETICAL INDEX	A-02 - A-04
ICM27RQ	A-05 - D-20
IC/JM31RQ	D-21 - H 16

1989 IC/JM31RQ INDEX

Floor Plan	D-21 - D 22
Accessories Group	D-23 - E-05
Bath Group	E-06 - E-09
Chassis Group	E-10 - E-16
Curtain, Cushion & Pad Group	E-17 - F-08
Dinette Group	F-09 - F-10
Driver's Compartment Group	F-11 - F-15
Electrical Group	F-17 - F-20
Exterior Body Group	F-21 - G-02
Galley Group	G-03 - G-06
Heating & Air Conditioning Group	G-07
Interior Finish Group	G-08 - G-09
LP Group	G 10
Lounge Group	G-11 - G 16
Water & Sewage Group	G-17 - G-18
Window Vent & Exterior Door Group	G-19 - H 16

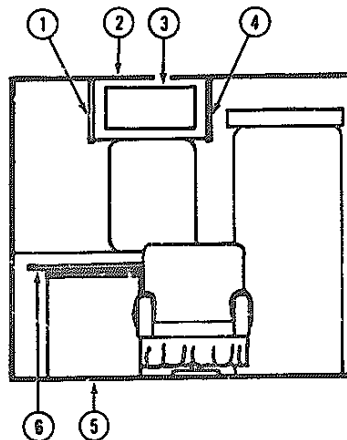
LOUNGE GROUP



OVERHEAD CABINETRY - DRIVER LOUNGE:

Key	Part Number	U/M	Description
1	M81550-28-X14	EA	Cabinet Asm. - Overhead - w/o Doors or Hardware
2	M88304-15-X23	EA	Door Asm. - Overhead Cabinet - w/o Hardware
3	081325-03-W30	EA	End Cap Asm. - Overhead Cabinet - Right
	000G13-08-10G	EA	Screw - 6 - 20 x 5/8" PFH - Antique Brass
	058777-02-000	EA	Hinge - Antique Light Brass
	088264-01-000	EA	Door Pull - Polished Brass
	000G68-06-10G	EA	Screw - 6 - 18 x 5/8" POH - Antique Brass
	074493-02-000	EA	Support - Sprung Door
	009021-01-000	EA	Catch - Nylon - Grill
	009021-02-000	EA	Strike - Spring Steel
	093588-03-000	EA	Catch - Spring, Roller
	093588-04-000	EA	Strike - Spring Steel
	009767-08-000	FT	Wetting - Belga
	009767-10-000	FT	Wetting - Mahogany
	042357-11-000	EA	Corner Molding - Radius Plastic - Light Oak
	080178-02-000	EA	Corner Cap - Radius - Light Oak
	063820-01-000	FT	T-Molding - 3/4" w/Edge Lips
	081521-02-000	EA	Molding - 64 Hole Space

LOUNGE GROUP (CONTINUED)



OVERHEAD CABINETRY & PULLOUT TABLE - PASSENGER LOUNGE

Key	Part Number	U/M	Description
1	081325-02-X36	EA	End Cap Asm. - Overhead Cabinet - Left
2	M89171-01-X14	EA	Cabinet Asm. - Overhead - w/o Doors or Hardware
3	M88304-15-X23	EA	Door Asm. - Overhead Cabinet - w/o Hardware
4	081325-01-W30	EA	End Cap Asm. - Overhead Cabinet - Right
	000G13-08-10G	EA	Screw - 6 - 20 x 5/8" PFH - Antique Brass
	059777-02-000	EA	Hinge - Antique Light Brass
	088264-01-000	EA	Door Pull - Polished Brass
	000G68-06-10G	EA	Screw - 6 - 18 x 5/8" POH - Antique Brass
	074493-02-000	EA	Support - Sprung Door
	009021-01-000	EA	Catch - Nylon - Grill
	009021-02-000	EA	Strike - Spring Steel
	093588-03-000	EA	Catch - Spring, Roller
	093588-04-000	EA	Strike - Spring Steel
	009767-08-000	FT	Wetting - Belga
	042357-11-000	EA	Corner Molding - Radius Plastic - Light Oak
	083820-01-000	FT	T-Molding - 3/4" w/Edge Lips
	081521-02-007	EA	Molding - 64 Hole Space
5	M91180-01-X14	EA	Cabinet Asm. - Pullout Table
	078325-16-000	FT	Molding - Edge Band - Regal Oak
6	091180-11-X14	EA	Pullout Table
	079921-01-000	EA	Nylon Roller w/Shaft
	080736-01-000	EA	Handle - Plastic - Brown

**1989 ITASCA
TABLE OF CONTENTS**

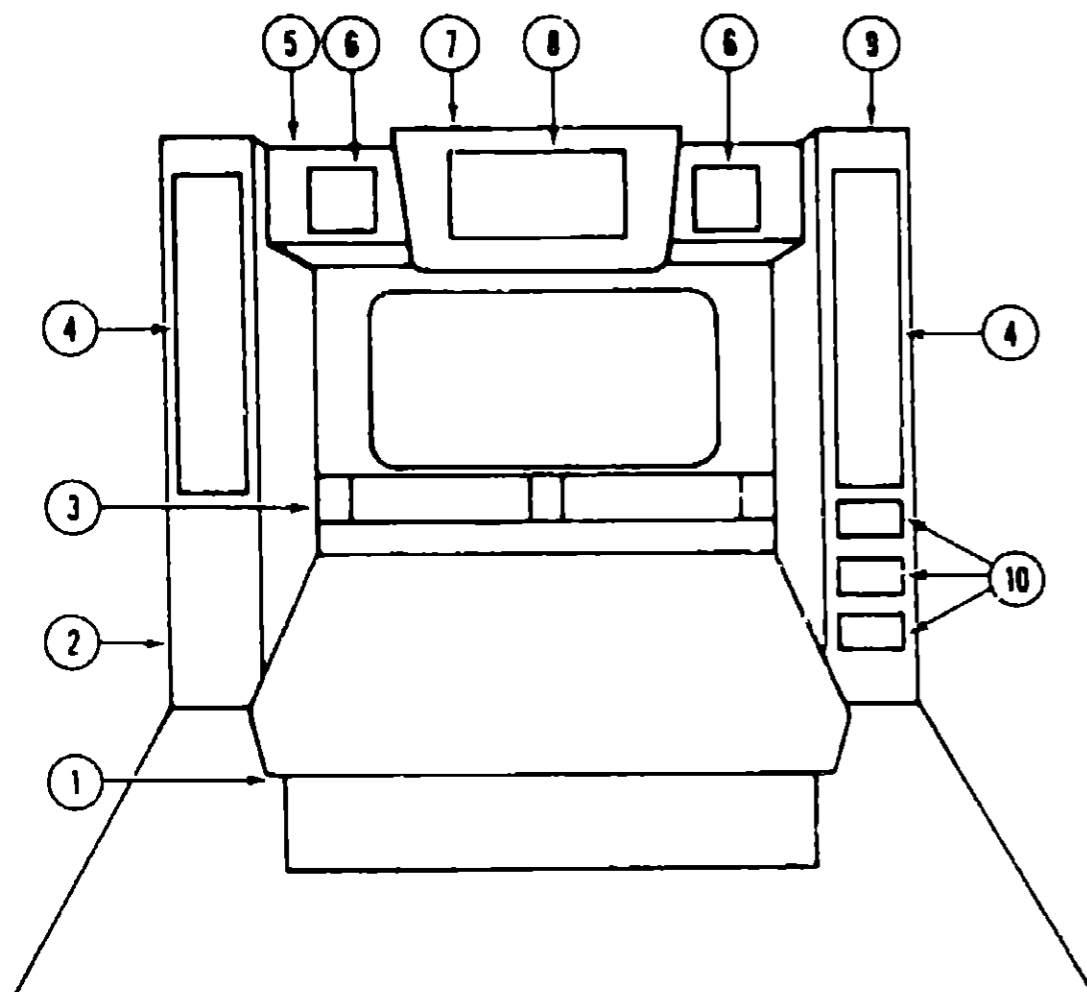
INTRODUCTION	A-01
ABBREVIATIONS	A-01
ALPHABETICAL INDEX	A-02 - A-04
ICM27RQ	A-05 - D-20
ICJM31RQ	D-21 - H-18

1989 IC/JM31RQ INDEX

Floor Plan	D-21 - D-22
Accessories Group	D-23 - E-05
Bath Group	E-06 - E-09
Chassis Group	E-10 - E-16
Curtain, Cushion & Pad Group	E-17 - F-08
Dinette Group	F-09 - F-10
Driver's Compartment Group	F-11 - F-16
Electrical Group	F-17 - F-20
Exterior Body Group	F-21 - G-02
Galley Group	G-03 - G-06
Heating & Air Conditioning Group	G-07
Interior Finish Group	G-08 - G-09
LP Group	G-10
Lounge Group	G-11 - G-16
Water & Sewage Group	G-17 - G-18
Window, Vent & Exterior Door Group	G-19 - H-16

LOUNGE GROUP (CONTINUED)

QUEEN BED CABINETS



Key	Part Number	U/M	Description
1	M89164-01-X14	EA	Cabinet Asm - Queen Bed
2	089170-01-X14	EA	Cabinet Asm - Rear Wardrobe - Passenger - w/o Door
3	089577-01-X14	EA	Headboard Asm - Queen Bed
3	082327-01-X14	EA	Headboard Asm - Queen Bed (Option 26L)
4	M88304-09-X08	EA	Door Asm - Rear Wardrobe - w/o Hardware
5	M89158-01-X14	EA	Cabinet Asm - Rear Overhead - w/o Doors
6	M88304-08-X14	EA	Door Asm - Rear Overhead - w/o Hardware
7	089599-01-X14	EA	Cap Asm - Center Overhead
	M89562-01-X14	EA	Cabinet Asm - Center Overhead - w/o Doors
	M88304-07-X14	EA	Door Asm - Center Overhead - w/o Hardware
8	056331-16-000	EA	Mirror - Safety Glass
9	069189-01-X14	EA	Cabinet Asm - Rear Wardrobe - Driver - w/o Door or Drawers
10	M78921-11-X14	EA	Drawer Asm - Rear Wardrobe - Driver - w/Glides
	078922-08-X14	EA	Drawer Face - Rear Wardrobe - Driver
	037688-01-000	FT	Rail - Drawer Guide - V
	037688-02-000	EA	Glide - Side Corner - L
	037688-03-000	EA	Glide - Center
	037688-04-000	EA	Bracket - Rail Mounting - Front
	037688-05-000	EA	Bracket - Rail Mounting - Rear
	000G13-06-10G	EA	Screw - 6 - 20 x 5/8" PFH - Antique Brass (Doors)
	059777-02-000	EA	Hinge - Antique Light Brass (Doors)
	088264-01-000	EA	Door Pull - Polished Brass (Doors)
	000G68-06-10G	EA	Screw - 6 - 18 x 5/8" POH - Antique Brass (Doors)
	009021-01-000	EA	Catch - Nylon - Grill (Doors & Drawers)
	009021-02-000	EA	Sinke - Spring Steel (Doors & Drawers)
	093586-04-000	EA	Catch - Spring, Roller (Doors & Drawers)
	093586-04-000	EA	Sinke - Spring Steel (Doors & Drawers)
	074493-02-000	EA	Support - Sprung Door (Doors)
	084357-01-W13	EA	TV Stand Asm - Foldout
	000G13-06-10G	EA	Screw - 6 - 20 x 5/8" PFH - Antique Brass
	023320-01-000	EA	Felt Pad - 3/8" Dia
	058331-10-000	EA	Mirror - TV Stand - Safety Glass - 14" x 17"
	084356-03-000	EA	Insert - TV Stand - Tan
	084412-01-000	EA	Support - TV Stand - Hinge
	084451-01-000	EA	Catch - TV Stand - Brass
	084625-02-000	EA	Hinge - TV Stand - Aluminum w/Holes - Tan
	081521-02-007	EA	Molding - 64 Hole Space (Cabinets)
	042357-11-000	EA	Corner Molding - Radius - Plastic - Light Oak (Cabinets)
	080176-02-000	EA	Corner Cap - Radius - Light Oak (Overhead Cabinet)
	083820-01-000	FT	T-Molding - 3/4" w/Edge Lips (Overhead Cabinets)
	054858-01-000	EA	Rail - Bed
	009767-06-000	FT	Wetling - Beige (Cabinets)
	009767-10-000	FT	Wetling - Mahogany (Cabinets)
	052859-01-W30	FT	Trim Asm - Accent (Beds)
	057460-02-000	EA	Gas Spring - Ball Stud (Bed)
	057460-03-000	EA	Gas Spring - Safety Clip (Bed)
	057460-04-000	EA	Gas Spring - Rod (Bed)
	089024-01-000	EA	Support - Gas Spring - Floor (Bed)
	089025-01-000	EA	Support - Gas Spring - Bed
	088199-01-X11	EA	Hinge Asm - Bed
	089076-01-000	EA	H Channel - Bed Support - Beige
	089917-01-000	EA	Bed Rail
	009778-07-000	EA	U Channel - 1" - Light Oak (Bed)
	018804-03-000	EA	Brace - Seat Angle - 2 5" - Beige
	009812-17-000	EA	Molding - Plastic - 5" - Outside Corner (Wardrobe Cabinets)
	077840-01-W30	EA	Molding - Wall Cap (Cabinets)

1989 ITASCA TABLE OF CONTENTS

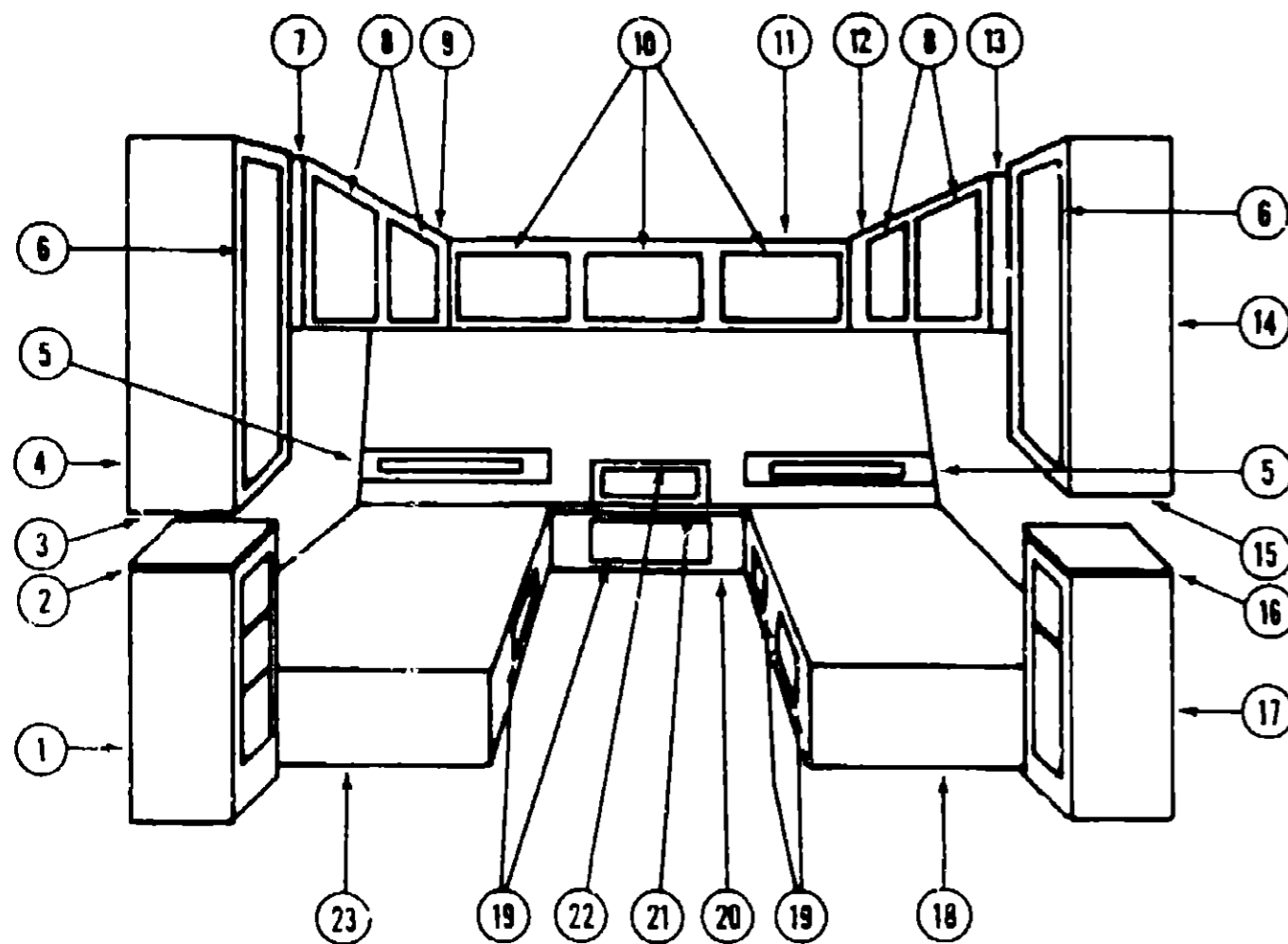
INTRODUCTION	A-01
ABBREVIATIONS	A-01
ALPHABETICAL INDEX	A-02 - A-04
ICM27RQ	A-05 - D 20
IC/JM31RQ	D 21 - H-16

1989 IC/JM31RQ INDEX

Floor Plan	D-21 - D 22
Accessories Group	D-23 - E-05
Bath Group	E-06 - E-09
Chassis Group	E-10 - E-16
Curtain, Cushion & Pad Group	E-17 - F-08
Dinette Group	F-09 - F 10
Driver's Compartment Group	F-11 - F 16
Electrical Group	F-17 - F-20
Exterior Body Group	F-21 - G-02
Galley Group	G-03 - G-06
Heating & Air Conditioning Group	G-07
Interior Finish Group	G-08 - G-09
LP Group	G-10
Lounge Group	G-11 - G 16
Water & Sewage Group	G-17 - G-18
Window, Vent & Exterior Door Group	G-19 - H-16

LOUNGE GROUP (CONTINUED)

TWIN BED CABINERY (OPTION 44R)



Key	Part Number	U/M	Description
1	081794-01-X11	EA	Cabinet Asm - Nightstand - Passenger
2	M02158-01-X11	EA	Countertop Asm - Nightstand - Passenger
3	081280-13-W24	EA	End Cap Asm. - Shirt Closet - Passenger
4	M89583-01-X14	EA	Cabinet Asm. - Shirt Closet - Passenger - w/o Door
5	089577-01-X14	EA	Headboard Asm. - Twin Bed
5	082327-01-X14	EA	Headboard Asm - Twin Bed - Driver Only (Option 26L)
6	M88304-82-X08	EA	Door Asm - Shirt Closet - w/o Hardware
7	081325-04-W30	EA	End Cap Asm - Overhead Cabinet - Passenger
8	M88304-16-X23	EA	Door Asm - Overhead Cabinet - w/o Hardware
9	M88800-02-X14	EA	Cabinet Asm. - Overhead - Passenger - w/o Doors
10	M88304-08-X11	EA	Door Asm - Rear Overhead - w/o Hardware
11	M81308-09-X11	EA	Cabinet Asm - Rear Overhead - w/o Doors
12	M88800-01-X14	EA	Cabinet Asm - Overhead - Driver - w/o Doors
13	081325-03-W30	EA	End Cap Asm - Overhead Cabinet - Driver
14	M89594-01-X14	EA	Cabinet Asm - Shirt Closet - Driver - w/o Door
15	081280-16-W24	EA	End Cap Asm. - Shirt Closet - Driver
16	080882-11-X14	EA	Countertop Asm. - Nightstand - Driver
17	080882-01-X14	EA	Cabinet Asm - Nightstand - Driver
18	M81896-01-W30	EA	Cabinet Asm - Twin Bed - Driver - w/o Doors
19	M88304-02-X23	EA	Door Asm - Twin Beds & Center Nightstand - w/o Hardware
20	M83441-01-X19	EA	Cabinet Asm - Nightstand - Center
21	M02608-01-X19	EA	Countertop Asm - Lower - Nightstand - Center
22	M02809-01-X19	EA	Countertop Asm - Upper - Nightstand - Center
23	M88848-01-W30	EA	Crown Asm - Twin Bed - Passenger - w/o Door
	000G68-06-10G	EA	Screw - 6 - 18 x 5/8" POH - Antique Brass (Doors)
	059777-02-000	EA	Hinge - Antique Light Brass (Doors)
	088264-01-000	EA	Door Pull - Polished Brass (Doors)
	009021-01-000	EA	Catch - Nylon - Grill (Doors & Drawers)
	009021-02-000	EA	Strike - Spring Steel (Doors & Drawers)
	093586-04-000	EA	Catch - Spring, Roller (Doors & Drawers)
	093586-04-000	EA	Strike - Spring Steel (Doors & Drawers)
	074493-02-000	EA	Support - Sprung Door (Doors)
	084357-02-W24	EA	TV Stand Asm - Foldout
	000G13-06-10G	EA	Screw - 6 - 20 x 5/8" PFH - Antique Brass
	023320-01-000	EA	Felt Pad - 3/8" Dia
	058331-14-000	EA	Mirror - TV Stand - Safety Glass - 14" x 12 7"
	084356-04-000	EA	Insert - TV Stand - Tan
	084412-01-000	EA	Support - TV Stand - Hinged
	084451-01-000	EA	Catch - TV Stand - Brass
	084624-02-000	EA	Hinge - TV Stand - Aluminum w/Holes - Tan
	081521-02-007	EA	Molding - 64 Hole Space (Cabinets)
	042357-11-000	EA	Corner Molding - Radius - Plastic - Light Oak (Cabinets)
	080176-02-000	EA	Corner Cap - Radius - Light Oak (Overhead Cabinet)
	083620-01-000	FT	T-Molding - 3/4" w/Edge Lips (Overhead Cabinets)
	054856-01-000	EA	Rail - Bed
	009787-06-000	FT	Wetling - Beige (Cabinets)
	009797-10-000	FT	Wetling - Mahogany (Cabinets)
	052859-01-W30	FT	Trim Asm - Accent (Beds)
	076325-16-000	FT	Molding - Edge Band - Real Oak (Nightstands)
	077840-01-W30	EA	Cap Molding - Wall (Nightstand)
	074498-24-000	SF	Countertop - Plastic (Nightstands)
	016604-03-000	EA	Brace - Seat Angle - 2 5" - Beige
	077409-02-000	EA	Slide - Plastic Drawer - 20 75" (Center Nightstand)
	077404-02-000	EA	Drawer - Plastic - 20" x 12 7" (Center Nightstand)

1989 ITASCA TABLE OF CONTENTS

INTRODUCTION	A-01
ABBREVIATIONS	A-01
ALPHABETICAL INDEX	A-02 - A-04
ICM27RQ	A-05 - D-20
IC/JM31RQ	D 21 H 16

1989 IC/JM31RQ INDEX

Floor Plan	D-21 - D-22
Accessories Group	D-23 - E-05
Bath Group	E-06 - E-09
Chassis Group	E-10 - E-16
Curtain, Cushion & Pad Group	E-17 - F-08
Dinette Group	F-09 - F-10
Driver's Compartment Group	F-11 - F-16
Electrical Group	F-17 - F-20
Exterior Body Group	F 21 - G-02
Galley Group	G-03 - G-06
Heating & Air Conditioning Group	G-07
Interior Finish Group	G-08 - G-09
LP Group	G-10
Lounge Group	G-11 - G-16
Water & Sewage Group	G-17 - G-18
Window, Vent & Exterior Door Group	G-19 - H-18

WATER & SEWAGE GROUP

DRAINAGE SYSTEM

Key	Part Number	U/M	Description
	062422-01-000	EA	Adapter - Reducer - 3" x 1 1/2"
	010121-01-000	EA	Bushing - 1 1/2" x 1 1/4" H
	024676-01-000	EA	Closest Flange - USA
	024676-02-000	EA	Closest Flange - CSA
	011091-02-000	EA	Continuous Waste - USA
	010115-01-000	EA	Coupler - Plastic - 1 1/2" H x H
	076406-01-000	EA	Coupler - Rubber - 3" x 3"
	010006-01-000	EA	Elbow - 1 1/2" x 45° H x H
	010008-01-000	EA	Elbow - 1 1/2" H x 1 1/2" H x 90°
	010051-01-000	EA	Elbow - Street - 1 1/2" H x 45°
	010061-01-000	EA	Elbow - Street - 3" x 45° S x H
	031111-01-000	EA	Elbow - 1 1/4" x 90° XLT
	031126-01-000	EA	Elbow - 3" x 90° XLT
	033781-01-000	EA	Elbow - Street - 1 1/2" H x 90°
	051807-01-000	EA	Grommet - Holding Tank - 1 1/2" NPS
	061807-02-000	EA	Grommet - Holding Tank - 3" NPS
	011066-03-000	EA	P-Trap - USA
	011066-02-000	EA	P-Trap - CSA
	053335-01-000	EA	P-Trap - CSA (Galley Sink Only)
	010194-01-000	FT	Plastic Pipe - 1 1/4" - USA
	010194-02-000	FT	Plastic Pipe - 1 1/4" - CSA
	010195-01-000	FT	Plastic Pipe - 1 1/2" - USA
	010195-02-000	FT	Plastic Pipe - 1 1/2" - CSA
	010197-01-000	FT	Plastic Pipe - 3" - USA
	010197-02-000	FT	Plastic Pipe - 3" - CSA
	010166-01-000	EA	Plug - Plastic - 1 1/4"
	066729-01-000	EA	Strainer - Shower
	092303-01-000	EA	Strainer - Galley Sink
	011069-03-000	EA	Tailpiece - Plastic - USA
	011069-02-000	EA	Tailpiece - Brass - CSA
	088671-01-000	EA	Tank - Holding
	088672-01-000	EA	Tank - Holding
	010071-01-000	EA	Tee - 1 1/2" H x 1 1/2" H x 1 1/2" H
	010079-01-000	EA	Tee - 1 1/2" H x 1 1/2" H x 1 1/4" H
	070916-01-000	EA	Valve - Dual - 3" x 1 1/2"
	079968-01-000	EA	Vent - Mechanical - Trap Arm
	083559-01-000	EA	Vent - Roof Cap
	010073-01-000	EA	Wye - Plastic - 1 1/2" x 45° - H x H x H
	010201-01-000	EA	Sewer Hose - 3" ID x 8' - w/o Twist Lock Adapter & Hose Clamp
	062416-01-000	EA	Twist Lock Adapter - 3" - Sewer Hose
	062401-09-000	EA	Hose Clamp - Wormgear - 2 8" to 3 75"
	062415-01-000	EA	Sewer Cap - Twist Lock - 3"

CONTINUOUS WASTE (CANADA)

Key	Part Number	U/M	Description
	033302-02-000	EA	Adapter
	010121-01-000	EA	Bushing - 1 1/2" x 1 1/4" H
	037101-02-000	EA	Elbow - 1 1/2" H x 1 1/2" H x 90°
	010194-02-000	FT	Plastic Pipe - 1 1/4"
	010195-02-000	FT	Plastic Pipe - 1 1/2"
	010071-01-000	EA	Tee - 1 1/2" H x 1 1/2" H x 1 1/2" H

WATER & SEWAGE GROUP (CONTINUED)

WATER LINES & HARDWARE

Key	Part Number	U/M	Description
	075240-05-000	EA	Lavatory Faucet - Brass - USA
	011056-03-000	EA	Lavatory Faucet - Chrome - CSA
	075241-04-000	EA	Faucet - Shower - Brass - USA
	011059-03-000	EA	Faucet - Shower - Chrome - CSA
	011048-02-000	EA	Shower Head - w/80" Hose - USA
	011048-05-000	EA	Shower Head - w/80" Hose - CSA
	064952-01-000	EA	Faucet - Galley - Single Control
	051391-03-000	EA	Water Heater - w/Electronic Ignition
**	051393-01-000	EA	Water Heater - w/Direct Ignition - Motor Aid (Option 611)
	045729-01-000	EA	Water Pump - 2 8 GPM Flow - w/1/2" MPT Fitting - USA
	045729-02-000	EA	Water Pump - 2 8 GPM Flow - w/1/2" MPT Fitting - CSA
	045729-01-700	EA	Motor
	045729-01-701	EA	Base Plate Kit
	045729-01-702	EA	Diaphragm
	045729-01-703	EA	Valve Asm
	045729-01-704	EA	Upper Housing
	045729-01-705	EA	Switch Cap Kit - w/Switch
	045729-01-706	EA	Pumphead
	045729-01-707	EA	Lower Housing
	069180-02-000	EA	Water Tank - 60 Gallon
	077954-02-000	EA	Water Filter/Screen - In Tank
	097200-01-000	EA	Filter - Water Purification (Option 29B)
	067200-02-000	EA	Cartridge - Filter - Water Purification (Option 29B)
	061240-02-000	EA	Water Fill - Lockable - Gray
	079381-01-000	EA	Flexible Tubing - Smooth - 1 25" I.D.
	062401-02-000	EA	Hose Clamp - Wormgear - 1 56" to 2 5" I.D.
	087659-03-000	EA	Water Fill - Cry - Gray
	091246-02-000	EA	Faucet - External Water
	092605-01-000	EA	Bracket - External Water Faucet
	052960-01-000	EA	Valve - Line Drain - 1/2" F x 1/2" F - 2 75"
	052960-02-000	EA	Valve - Line Drain - 1/2" F x 1/2" F - 16"
	052954-01-000	EA	Adapter - Nose Cone - 3/8" or 1/2"
	079317-01-000	EA	Adapter - Swivel - 1/2" Tube x 1/2" FPT
	036522-02-000	EA	Cap - Brass - 1/2" Flare
	052959-02-000	EA	Connector - Plastic - 1/2" F x 1/2" MPT
	052957-01-000	EA	Elbow - Plastic - 1/2" F x 3/8" MPT
	035539-01-000	EA	Elbow - Plastic - 3/8" MPT x 3/8" BARB
	052957-02-000	EA	Elbow - Plastic - 1/2" F x 1/2" MPT
	057457-01-000	EA	Elbow - Union - 1/2" x 1/2" Flare
	065120-01-000	EA	Elbow - Plastic - Swivel - 1/2" I.D.
	010219-01-000	EA	Elbow - Plastic - 1 1/4" MPT x 1 1/4" BARB
	052952-01-000	EA	Nut - Plastic - 1/2" F
	052953-01-000	EA	Nut - Faucet - 1/2" Tube x 1/2" FPT
	042989-02-000	EA	Spinweld Fitting - Plastic - 1/2" NPT
	042989-03-000	EA	Spinweld Fitting - Plastic - 1 1/4" NPT
	042989-04-000	EA	Spinweld Fitting - Plastic - 3/8" FPT
	042989-05-000	EA	Spinweld Fitting - Plastic - 1/2" FPT
	052955-01-000	EA	Tee - Plastic - 1/2" F x 1/2" F x 1/2" MPT
	052958-01-000	EA	Tee - Plastic - 1/2" F x 1/2" F x 1/2" F
	074463-01-000	EA	Tee - 4 Way - 1/2" Flare
	039800-01-000	FT	Tubing - Polybutyl - 1/2" O.D. x 20'
	074462-02-000	FT	Tubing - Vinyl - 3/8" I.D.
	096941-01-000	EA	Vacuum Breaker - 3/4" FPT x 3/4" MPT
	091208-01-000	EA	Washer - Rubber - .06" x 75" x 50"

** The illustrated parts breakdown for this item is provided on the Common Items Fiche

**1989 ITASCA
TABLE OF CONTENTS**

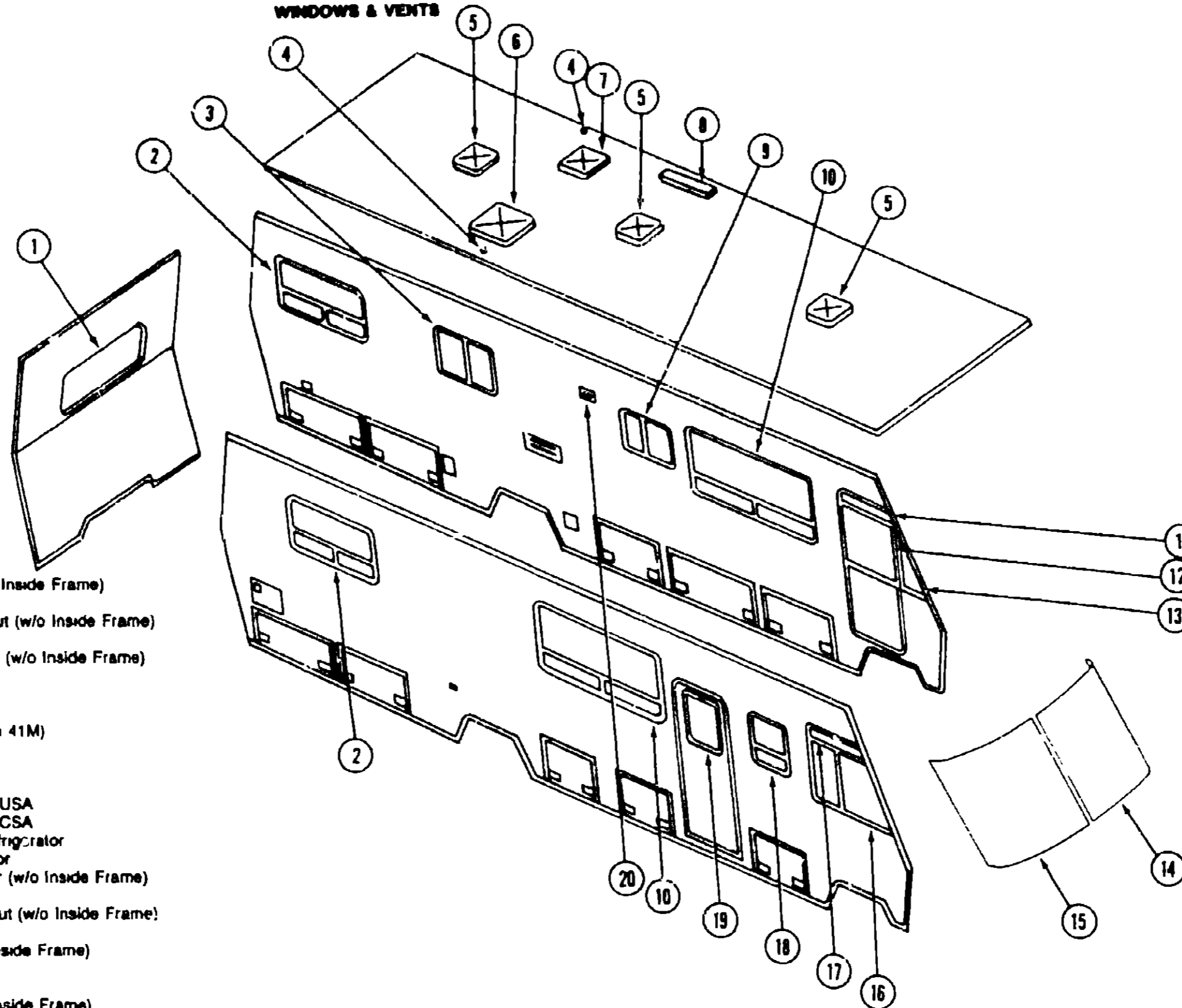
INTRODUCTION	A-01
ABBREVIATIONS	A-01
ALPHABETICAL INDEX	A-02 - A-04
ICM27RQ	A-05 - D-20
IC/JM31RQ	D-21 - H 16

1989 IC/JM31RQ INDEX

Floor Plan	D-21 - D-22
Accessories Group	D 23 - E-05
Bath Group	E-06 - E-09
Chassis Group	E-10 - E-16
Curtain, Cushion & Pad Group	E-17 - F-08
Dinette Group	F-09 - F-10
Driver's Compartment Group	F-11 - F-16
Electrical Group	F-17 - F-20
Exterior Body Group	F-21 - G-02
Galley Group	G-03 - G-06
Heating & Air Conditioning Group	G-07
Interior Finish Group	G-08 - G-09
LP Group	G-10
Lounge Group	G-11 - G-16
Water & Sewage Group	G-17 - G-18
Window, Vent & Exterior Door Group	G-19 - H-16

WINDOW, VENT & EXTERIOR DOOR GROUP

WINDOWS & VENTS



Key	Part Number	U/M	Description
1	078528-01-T03	EA	Window Asm - Escape (w/o Inside Frame)
1	074816-01-000	EA	Inside Frame
2	085354-07-X11	EA	Window Asm - Double Tipout (w/o Inside Frame)
2	084153-12-000	EA	Inside Frame
3	078266-04-T03	EA	Window Asm. - Single Slider (w/o Inside Frame)
3	083122-05-000	EA	Inside Frame
4	082558-01-000	EA	Roof Vent Pipe Cap
**5	090392-01-Y12	EA	Roof Vent - Non-Powered
**5	084079-04-000	EA	Roof Vent - Powered (Option 41M)
6	080507-C1-000	EA	Skylight Panel - Outer
6	080508-01-000	EA	Skylight Panel - Inner
6	080258-01-000	EA	Skylight Trim
**7	090393-01-Y12	EA	Roof Vent - Powered (Bath) USA
**7	084468-08-000	EA	Roof Vent - Powered (Bath) CSA
8	084073-02-000	EA	Roof Vent Top - Styled - Refrigerator
8	084073-04-000	EA	Roof Vent Base - Refrigerator
9	078266-03-T03	EA	Window Asm. - Single Slider (w/o Inside Frame)
9	083122-03-000	EA	Inside Frame
10	085354-05-X11	EA	Window Asm - Double Tipout (w/o Inside Frame)
10	084153-10-000	EA	Inside Frame
11	089819-02-X14	EA	Window Asm - Vista (w/o Inside Frame)
11	089727-02-000	EA	Inside Frame
12	081408-02-000	EA	Door Glass Only - Rollup
13	079421-02-T03	EA	Window Asm. - Slant (w/o Inside Frame)
13	079215-03-000	EA	Inside Frame
14	088793-02-000	EA	Glass - Windshield - Driver (Molding Trim - See Exterior Body Group)
15	088793-01-000	EA	Glass - Windshield - Passenger (Molding Trim - See Exterior Body Group)
16	089807-01-X14	EA	Window Asm - Slant Slider (w/o Inside Frame)
16	089603-01-X14	EA	Inside Frame
17	089819-01-X14	EA	Window Asm. - Vista (w/o Inside Frame)
17	089803-01-X14	EA	Inside Frame
18	085353-12-X11	EA	Window Asm - Single Tipout (w/o Inside Frame)
18	084153-14-000	EA	Inside Frame
19	079733-04-T03	EA	Window Asm - Entrance Door (w/o Inside Frame)
19	087809-03-000	EA	Inside Frame
20	092888-01-03A	EA	Vent w/Door - Range Hood

1989 ITASCA TABLE OF CONTENTS

INTRODUCTION
ABBREVIATIONS
ALPHABETICAL INDEX
ICM27RQ
IC/JM31RQ

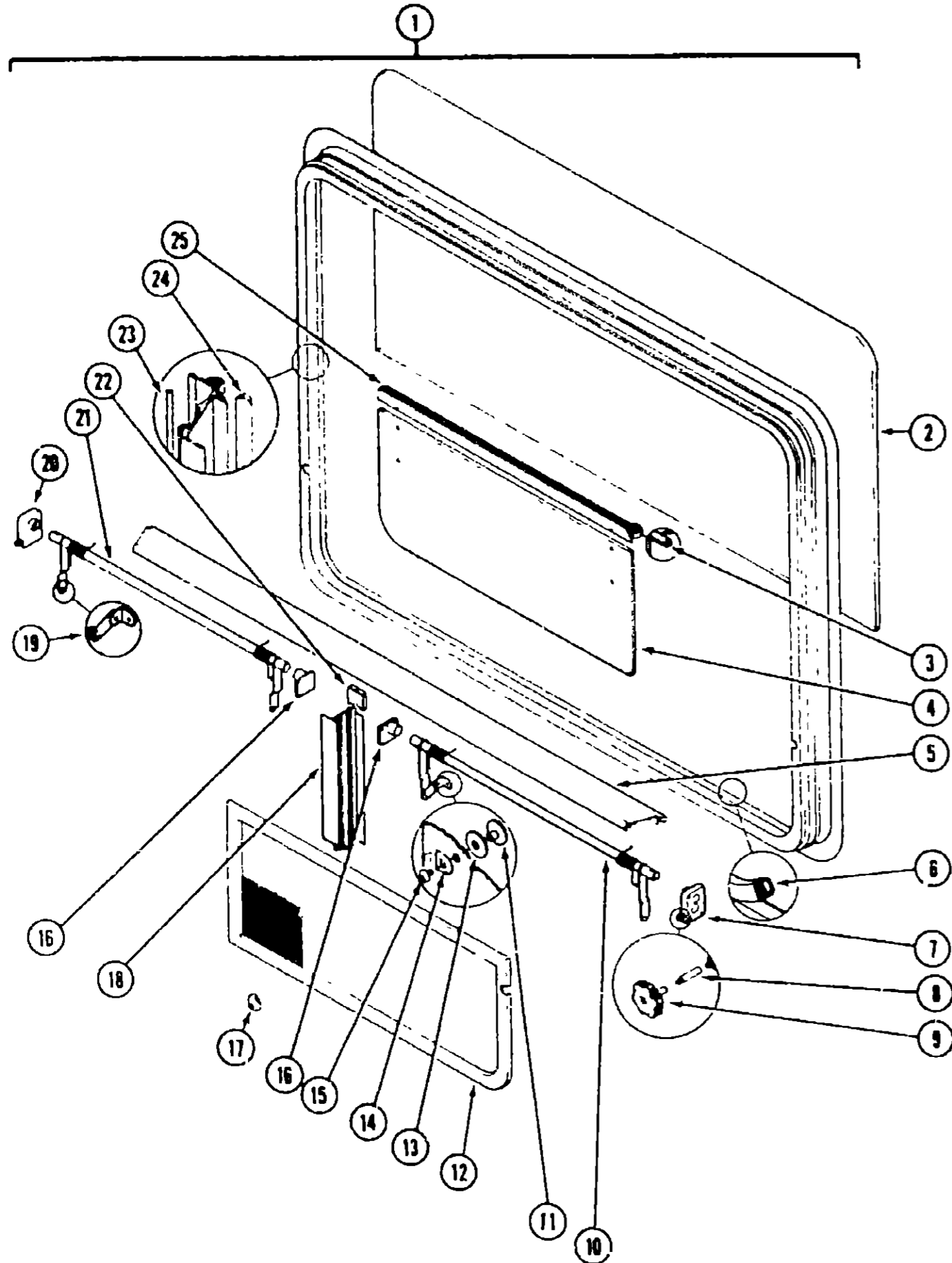
A-01
A-01
A-02 - A-04
A-05 - D-20
D-21 - H-16

1989 IC/JM31RQ INDEX

Floor Plan	D-21 - D-22
Accessories Group	D-23 - E-05
Bath Group	E-06 - E-09
Chassis Group	E-10 - E-16
Curtain, Cushion & Pad Group	E-17 - F-08
Dinette Group	F-09 - F-10
Driver's Compartment Group	F-11 - F-16
Electrical Group	F-17 - F-20
Exterior Body Group	F-21 - G-02
Galley Group	G-03 - G-06
Heating & Air Conditioning Group	G-07
Interior Finish Group	G-08 - G-09
LP Group	G-10
Lounge Group	G-11 - G-16
Water & Sewage Group	G-17 - G-18
Window, Vent & Exterior Door Group	G-19 - H-16

** The illustrated parts breakdown for this item is provided on the Common Items Fiche

WINDOW, VENT & EXTERIOR DOOR GROUP (CONTINUED)
BEDROOM WINDOW



Key	Part Number	U/M	Description
1	085354-07-X11	EA	Window Asm - Double Tipout
	084153-12-000	EA	Inside Frame (not included in assembly)
2	081239-23-000	EA	Glass - 1/8" x 40 3/4" x 20 1/2"
3	081357-01-000	FT	Seal
4	084088-13-000	EA	Glass - 1/8" x 9 1/4" x 20 15" (Left or Right Side)
5	083112-13-000	EA	Mullion - Black
	000G39-06-16T	EA	Screw - Mullion (4)
	076778-03-000	EA	Plastic Rivt - Pin Drive - Black (?)
6	084067-01-000	FT	Seal - Sponge Rubber
7	035302-01-000	EA	Operator Drive - Right Side
8	009439-06-000	EA	Extension - Window Knob (not included w/Window Assembly)
9	009439-05-000	EA	Window Knob - Black (not included w/Window Assembly)
	009439-07-000	EA	Screw - Window Knob - Black (not included w/Window Assembly)
10	083228-04-000	EA	Torque Tube Asm - Right Side
11	086762-01-000	EA	Window T Nut
12	084581-09-X11	EA	Screen Asm - Right Side
	084581-10-X11	EA	Screen Asm - Left Side
	002293-02-000	SF	Window Screen - 26" - Charcoal
	002298-02-000	FT	Window Screen Spine
13	088927-03-000	EA	Seal - Rubber
14	084473-01-000	EA	Seal - Rubber
15	086763-01-000	EA	Screw - #10 - 32 x 1/4"
16	081354-01-000	EA	Torque Tube Sleeve
17	081243-01-000	EA	Plastic Screen Clip
	000G12-06-08T	EA	Screw - Screen Clip
18	084154-01-000	EA	Mullion - Black
	000G37-08-08B	EA	Screw - Mullion (4)
19	097578-01-000	EA	Connecting Rod Asm
	085316-C1-000	EA	Wave Washer
	081649-01-000	EA	Snap Ring Clip
20	035302-02-000	EA	Operator Drive - Left Side
21	083227-04-000	EA	Torque Tube Asm - Left Side
22	084086-01-000	FT	Seal - Double Bulb - Sponge Rubber
23	089640-08-000	FT	Seal (not included w/Window Assembly)
24	083180-01-000	FT	Seal - Vinyl
25	084155-09-000	EA	Hinge - Tipout Window - Left or Right Side

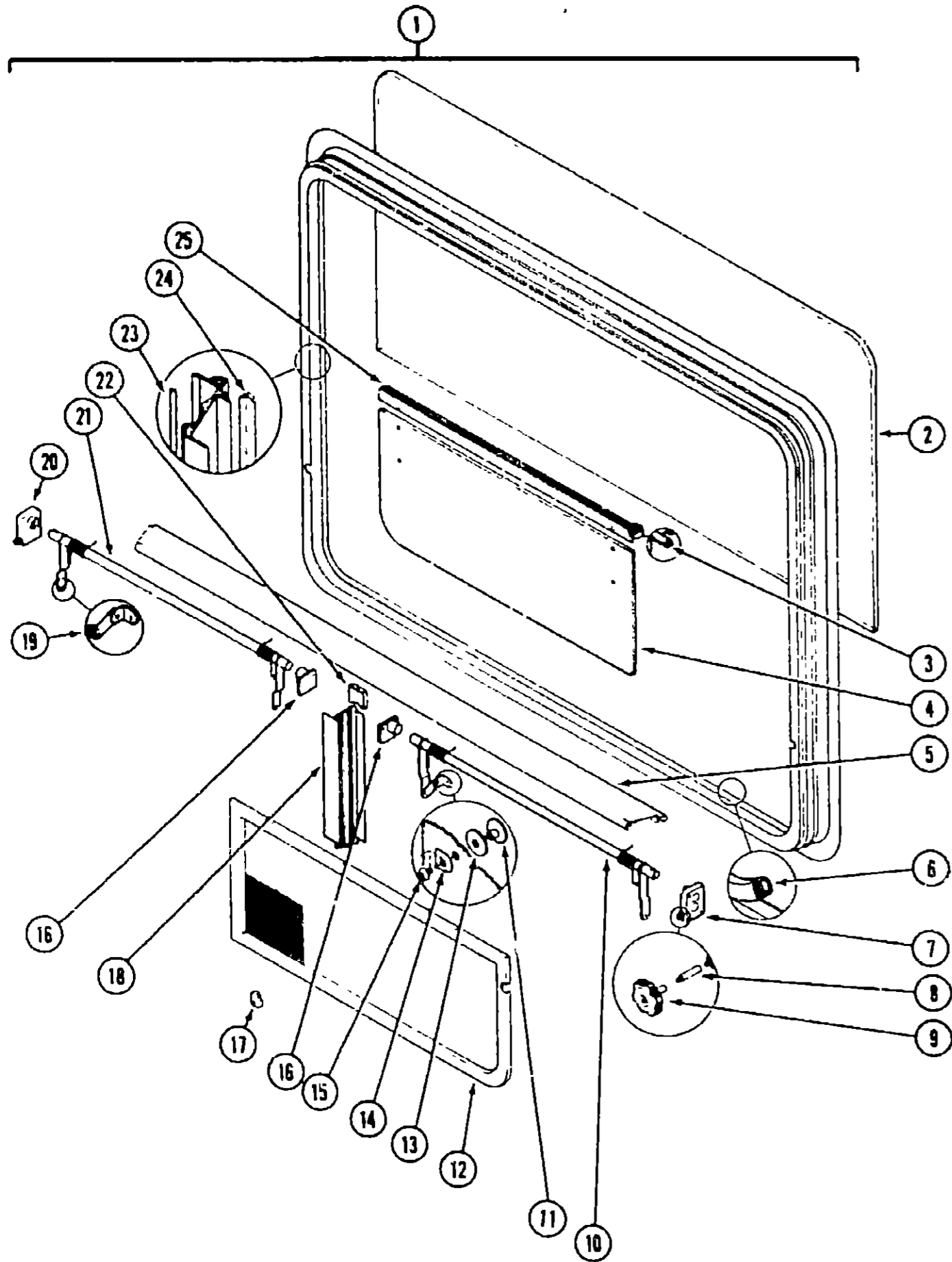
1989 ITASCA
TABLE OF CONTENTS

INTRODUCTION	A-01
ABBREVIATIONS	A-01
ALPHABETICAL INDEX	A-02 - A-04
ICM27RQ	A-05 - D-20
IC/JM31RQ	D 21 - H-16

1989 IC/JM31RQ INDEX

Floor Plan	D-21 - D 22
Accessories Group	D 23 - E-05
Bath Group	E-06 - E-09
Chassis Group	E 10 - E-16
Curtain, Cushion & Pad Group	E-17 - F-08
Dinette Group	F-09 - F-10
Driver's Compartment Group	F-11 - F-16
Electrical Group	F-17 - F-20
Exterior Body Group	F-21 - G-02
Galley Group	G-03 - G-06
Heating & Air Conditioning Group	G-07
Interior Finish Group	J-08 - G-09
LP Group	G 10
Lounge Group	G-11 - G-16
Water & Sewage Group	G-17 - G 18
Window, Vent & Exterior Door Group	G-19 - H-16

WINDOW, VENT & EXTERIOR DOOR GROUP (CONTINUED)
LOUNGE & DINETTE WINDOW



Key	Part Number	U/M	Description
1	085354-05-X11	EA	Window Asm - Double Tipout
	084153-10-000	EA	Inside Frame (not included w/Window Assembly)
2	081238-18-070	EA	Glass - 1/8" x 60" x 20 1/2"
3	081357-01-000	FT	Seal
4	084088-08-000	EA	Glass - 1/8" x 9 1/4" x 30" (Left or Right Side)
5	083112-09-000	EA	Mullion - Black
	000G38-06-16T	EA	Screw - Mullion (4)
	078778-03-000	EA	Plastic Rivit - Pin Drive - Black (2)
6	084067-01-000	FT	Seal - Sponge Rubber
7	035302-01-000	EA	Operator Drive - Right Side
8	080025-01-000	EA	Extension - Window Knob (not included w/Window Assembly)
9	087052-02-000	EA	Window Knob - Beige (not included w/Window Assembly)
	089371-01-000	EA	Screw - Window Knob (not included w/Window Assembly)
10	083228-03-000	EA	Torque Tube Asm - Right Side
11	088762-01-000	EA	Window T Nut
12	084581-05-X11	EA	Screen Asm - Right Side
	084581-06-X11	EA	Screen Asm - Left Side
	002293-02-000	SF	Window Screen - 26" - Charcoal
	002298-02-000	FT	Window Screen Spline
13	068927-03-000	EA	Seal - Rubber
14	084473-01-000	EA	Seal - Rubber
15	086763-01-000	EA	Screw - #10 - 32 x 1/4"
16	081354-01-000	EA	Torque Tube Sleeve
17	081243-01-000	EA	Plastic Screen Clip
	000G12-06-08T	EA	Screw - Screen Clip
18	084154-01-000	EA	Mullion - Black
	000G37-08-08B	EA	Screw - Mullion (4)
19	097578-01-000	EA	Connecting Rod Asm
	085318-01-000	EA	Wave Washer
	081649-01-000	EA	Snap Ring Clip
20	035302-02-000	EA	Operator Drive - Left Side
21	083227-03-000	EA	Torque Tube Asm - Left Side
22	084036-01-000	FT	Seal - Double Bulb - Sponge Rubber
23	068640-06-000	FT	Seal (not included w/Window Assembly)
24	083180-01-000	FT	Seal - Vinyl
25	084155-09-000	EA	Hinge - Tipout Window - Left or Right Side

1989 ITASCA
TABLE OF CONTENTS

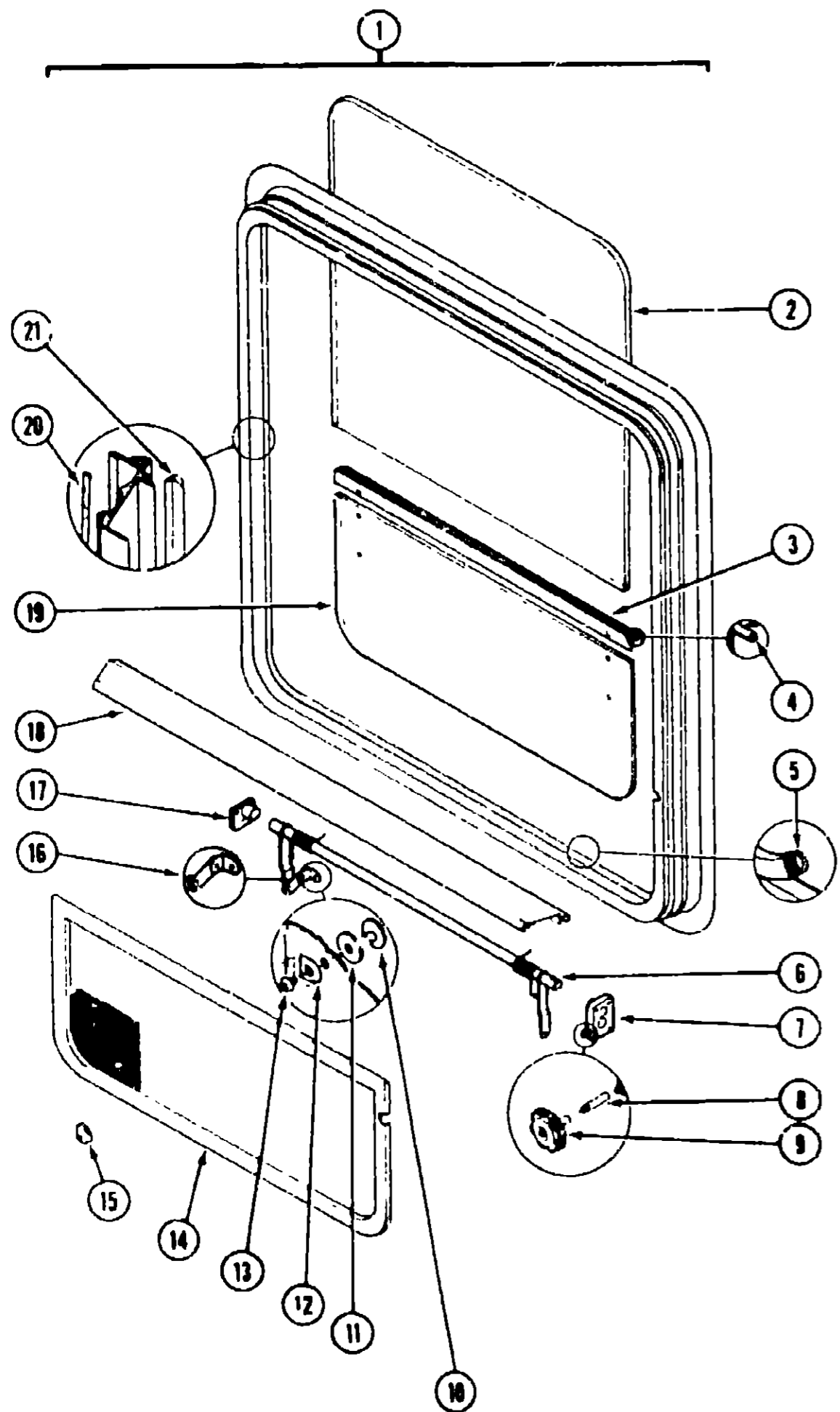
INTRODUCTION	A-01
ABBREVIATIONS	A-01
ALPHABETICAL INDEX	A-02 - A-04
ICM27RQ	A-05 - D 20
IC/JM31RQ	D 21 - H-16

1989 IC/JM31RQ INDEX

Floor Plan	D-21 - D 22
Accessories Group	D 23 - E-05
Bath Group	E-06 - E-09
Chassis Group	E 10 - E-16
Curtain, Cushion & Pad Group	E-17 - F-08
Dinette Group	F-09 - F-10
Driver's Compartment Group	F-11 - F-16
Electrical Group	F-17 - F 20
Exterior Body Group	F 21 - G-02
Galley Group	G-03 - G-06
Heating & Air Conditioning Group	G-07
Interior Finish Group	G 08 - G-09
LP Group	G-10
Lounge Group	G-11 - G-16
Water & Sewage Group	G 17 - G-18
Window, Vent & Exterior Door Group	G 19 - H-16

WINDOW, VENT & EXTERIOR DOOR GROUP (CONTINUED)

LOUNGE WINDOW



Key	Part Number	U/M	Description
1	085353-12-X11	EA	Window Asm - Single Tipout
	084153-14-000	EA	Inside Frame (not included w/Window Assembly)
2	081238-22-000	EA	Glass - 1/8" x 21 3/4" x 20 2/3"
3	089913-01-000	EA	Hinge - Tipout Window - Left or Right Side
4	081357-01-000	FT	Seal
5	084087-01-000	FT	Seal - Sponge Rubber
6	083150-08-000	EA	Torque Tube Asm
	080918-01-000	EA	Spring - Torque Tube Asm - Right
	080918-02-000	EA	Spring - Torque Tube Asm - Left
7	035302-02-000	EA	Operator Drive
8	009439-06-000	EA	Extension - Window Knob (not included w/Window Assembly)
9	009439-05-000	EA	Window Knob - Black (not included w/Window Assembly)
	009439-07-000	EA	Screw - Window Knob - Black (not included w/Window Assembly)
10	086782-01-000	EA	T-Nut
11	088927-03-000	EA	Seal - Rubber
12	084473-01-000	EA	Seal - Rubber
13	086783-01-000	EA	Screw - #10 - 32 x 1/4"
14	084550 11-X11	EA	Screen Asm
	002293-02-000	SF	Window Screen - 28" - Charcoal
	002298-02-000	FT	Window Screen Spline
15	081243-01-000	EA	Plastic Screen Clip
	000G12-08-08T	EA	Screw - Screen Clip
16	081428-01-000	EA	Connecting Rod Asm.
	085318-01-000	EA	Wave Washer
	081849-01-000	EA	Snap Ring Clip
17	081354-01-000	EA	Torque Tube Sleeve
18	083112-12-000	EA	Mullion - Black
	000G38-08-18T	EA	Screw - Mullion (4)
	078778-03-000	EA	Plastic Rivet - Pin Drive - Black (2)
19	084088-12-000	EA	Glass - 1/8" x 9 1/4" x 21 6/10"
20	089840-08-000	FT	Seal (not included w/Window Assembly)
21	083180-01-000	FT	Seal - Vinyl

1989 ITASCA TABLE OF CONTENTS

INTRODUCTION	A-01
ABBREVIATIONS	A-01
ALPHABETICAL INDEX	A-02 - A-04
ICM27RQ	A-05 - D-20
IC/JM31RQ	D-21 - H-18

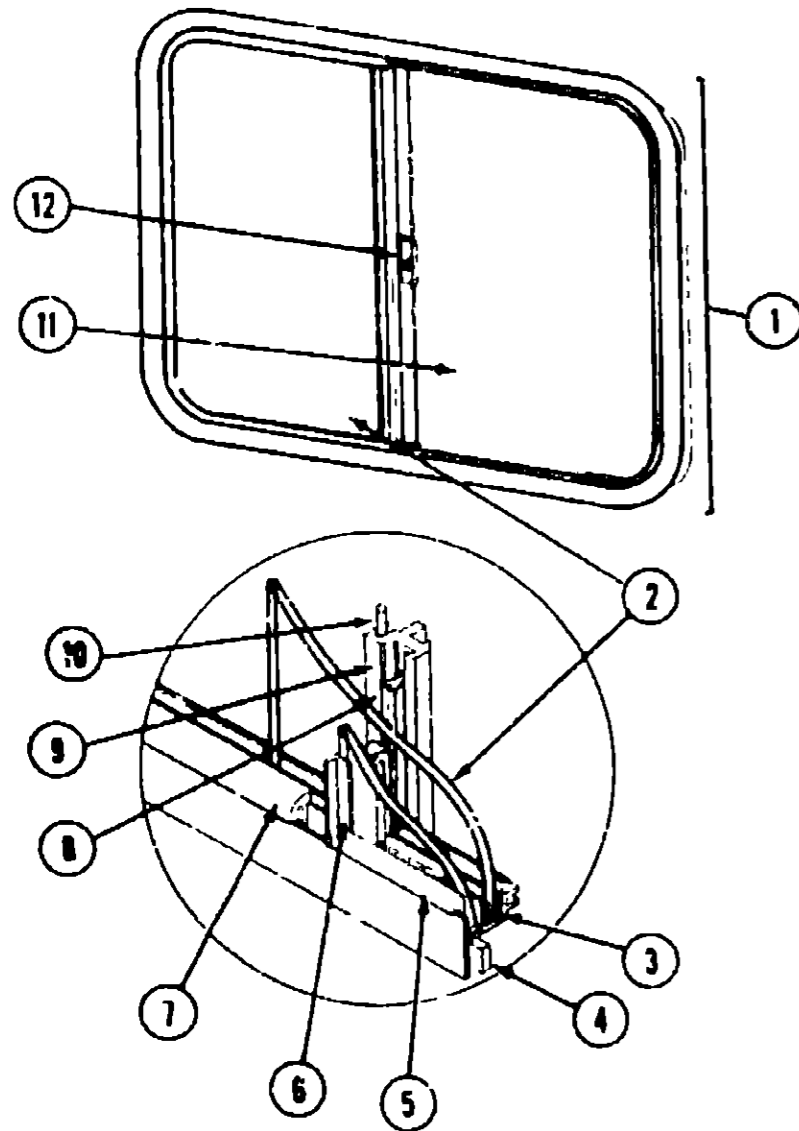
1989 IC/JM31RQ INDEX

Floor Plan	D-21 - D-22
Accessories Group	D-23 - E-05
Bath Group	E-06 - E-09
Citasis Group	E-10 - E-16
Curtain, Cushion & Pad Group	E-17 - F-08
Dinette Group	F-09 - F-10
Driver's Compartment Group	F-11 - F-18
Electrical Group	F-17 - F-20
Exterior Body Group	F-21 - G-02
Galley Group	G-03 - G-08
Heating & Air Conditioning Group	G-07
Interior Finish Group	G-08 - G-09
LP Group	G-10
Lounge Group	G-11 - G-16
Water & Sewage Group	G-17 - G-18
Window, Vent & Exterior Door Group	G-19 - H-18

WINDOW, VENT & EXTERIOR DOOR GROUP (CONTINUED)

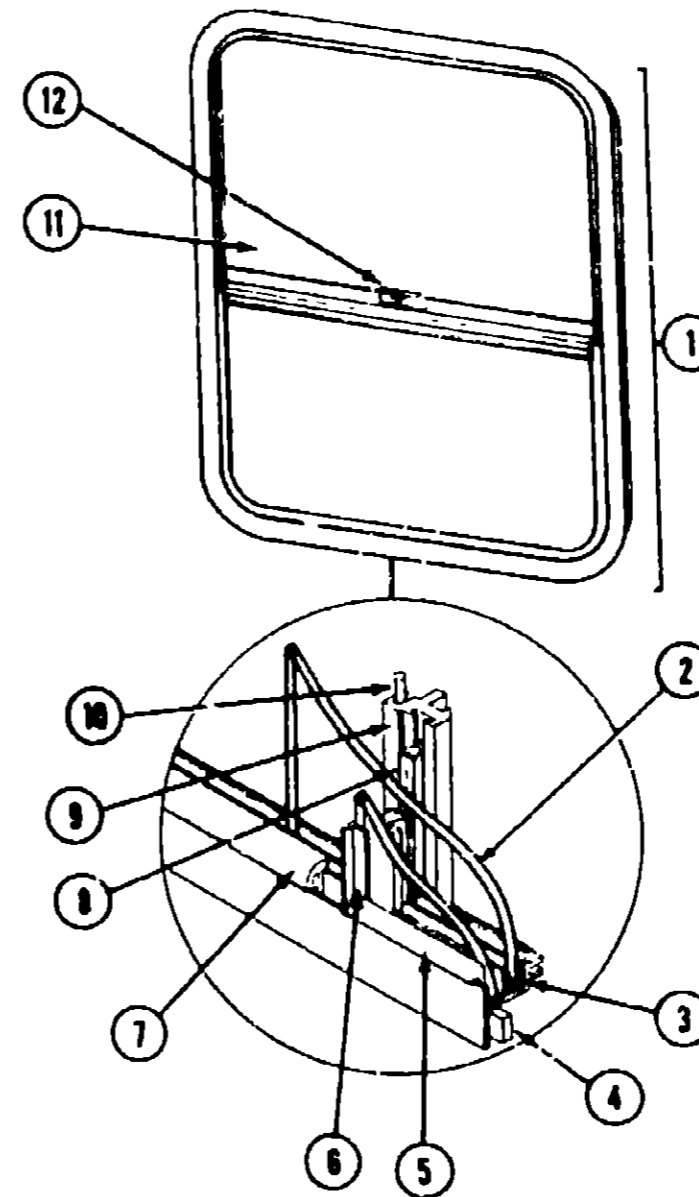
1989 ITASCA TABLE OF CONTENTS

INTRODUCTION	A-01
ABBREVIATIONS	A-01
ALPHABETICAL INDEX	A-02 - A-04
ICM27RQ	A-05 - D-20
IC/JM31RQ	D-21 - H-16



GALLEY SLIDER WINDOW

Key	Part Number	U/M	Description
1	078266-03-T03	EA	Window Asm. - Single Slider - Black (w/o Inside Frame)
	083122-03-000	EA	Inside Frame - Beige (not included in assembly)
2	081980-05-000	EA	Glass - Sliding - 1/8" x 19" x 13.68"
3	002324-02-000	FT	Channel - Weatherstrip - Glass Run
4	089840-08-000	FT	Ribbon Seal - 5/16" Bead (not included in assembly)
5	002309-02-000	EA	Spline - Glass - 1/8" - Black
6	M89888-03-011	EA	Seal - Holder w/Fin Seal - Black
7	024096-02-000	FT	Seal - Window Channel - Black
8	073740-01-000	FT	Fin Seal - .480 Pile
9	084170-02-000	EA	Mullion - Slider Window - Black
10	002298-02-000	FT	Spline - .130" Dia - Charcoal (Black)
11	081984-03-000	EA	Glass - Stationary - 1/8" x 19" x 12.3"
12	047388-01-000	EA	Latch Kit - Window - Plastic
	002282-02-000	SF	Screen - Window - 20" Charcoal
	002328-01-000	EA	Window Block - 1/8" x 3/16" x 1"
	023320-01-000	EA	Felt Pad - 3/8" Dia



BATH SLIDER WINDOW

Key	Part Number	U/M	Description
1	078266-04-T03	EA	Window Asm. - Single Slider - Black (w/o Inside Frame)
	083122-05-000	EA	Inside Frame - Beige (not included in assembly)
2	081980-02-000	EA	Glass - Sliding - 1/8" x 22" x 13.68"
3	002324-02-000	FT	Channel - Weatherstrip - Glass Run
4	089840-08-000	FT	Ribbon Seal - 5/16" Bead (not included in assembly)
5	002309-02-000	FT	Spline - Glass - 1/8" - Black
6	M18025-03-000	EA	Seal - Holder w/Fin Seal - Black
7	024096-02-000	FT	Seal - Window Channel - Black
8	073740-01-000	EA	Fin Seal - .480 Pile
9	084170-03-000	EA	Mullion - Slider Window - Black
10	002298-02-000	FT	Spline - .130" Dia - Charcoal (Black)
11	081934-01-000	EA	Glass - Stationary - 1/8" x 22" x 18.53"
12	047388-01-000	EA	Latch Kit - Window - Plastic
	002282-02-000	SF	Screen - Window - 20" Charcoal
	002328-01-000	EA	Window Block - 1/8" x 3/16" x 1"
	023320-01-000	EA	Felt Pad - 3/8" Dia

1989 IC/JM31RQ INDEX

Floor Plan	D-21 - D-22
Accessories Group	D-23 - E-05
Bath Group	E-06 - E-09
Chassis Group	E-10 - E-16
Curtain, Cushion & Pad Group	E-17 - F-08
Dinette Group	F-09 - F-10
Driver's Compartment Group	F-11 - F-16
Electrical Group	F-17 - F-20
Exterior Body Group	F-21 - G-02
Galley Group	G-03 - G-06
Heating & Air Conditioning Group	G-07
Interior Finish Group	G-08 - G-09
LP Group	G-10
Lounge Group	G-11 - G-16
Water & Sewage Group	G-17 - G-18
Window, Vent & Exterior Door Group	G-19 - H-16

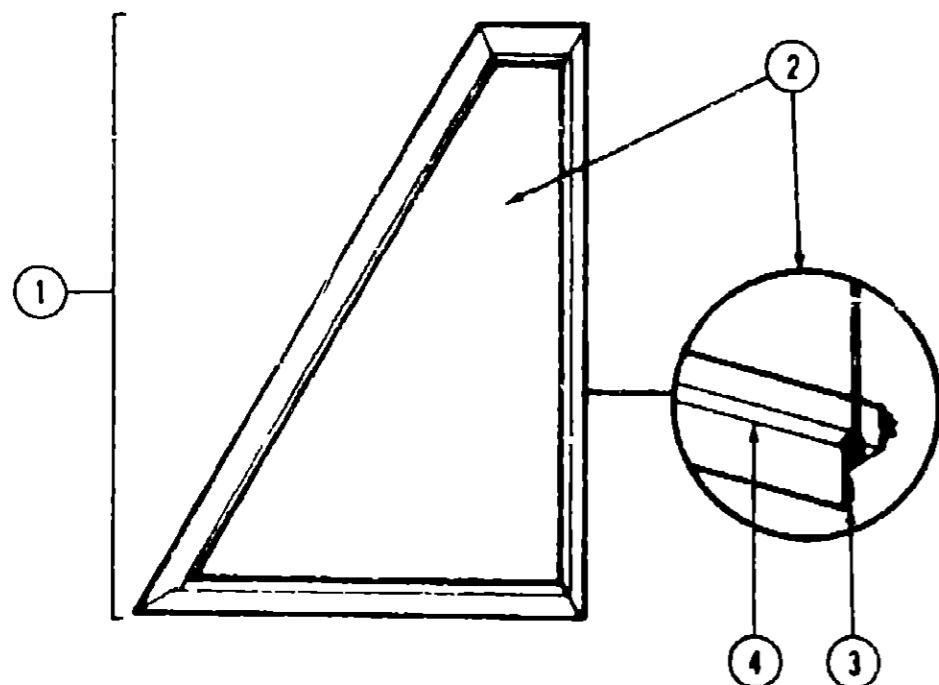
WINDOW, VENT & EXTERIOR DOOR GROUP (CONTINUED)

WINDOW, VENT & EXTERIOR DOOR GROUP (CONTINUED)

1989 ITASCA
TABLE OF CONTENTS

INTRODUCTION
ABBREVIATIONS
ALPHABETICAL INDEX
ICM27RQ
IC/JM31RQ

A-01
A-01
A-02 - A-04
A-05 - D-20
D-21 - H-1E



SLANT WINDOW - DRIVER

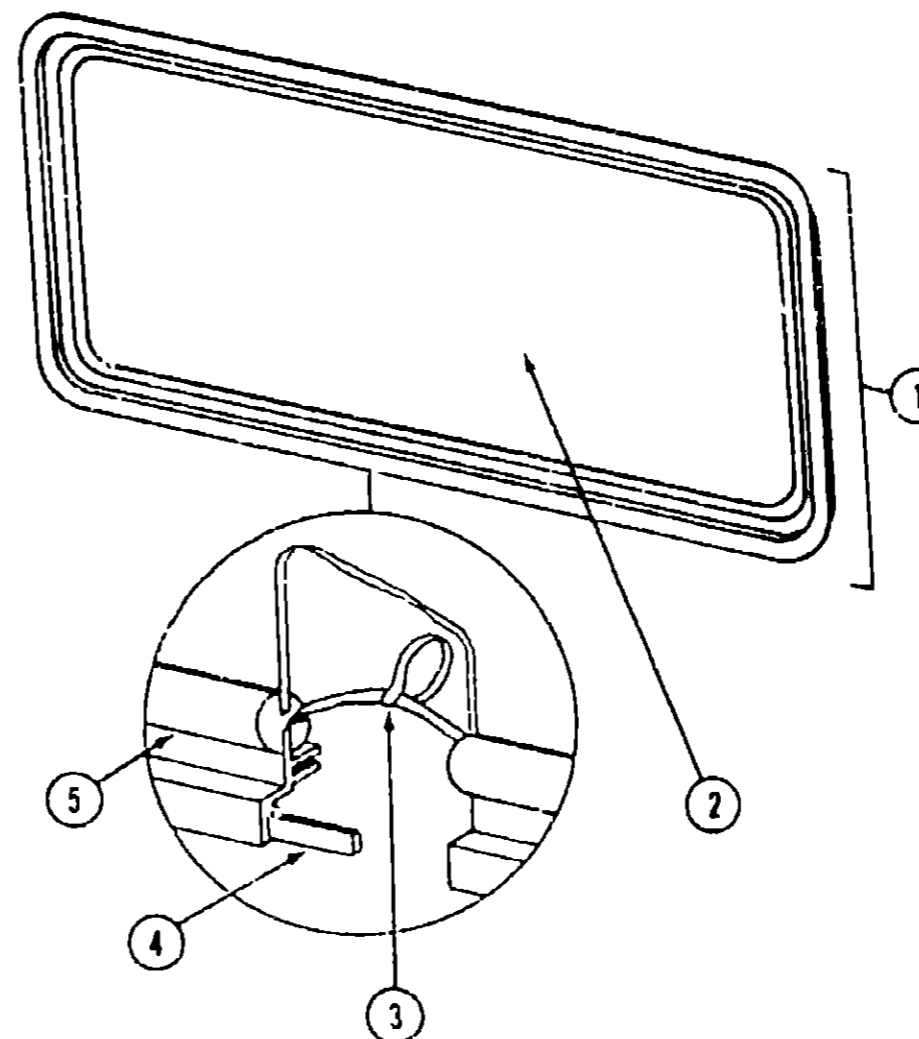
Key	Part Number	U/M	Description
1	075421-02-T03	EA	Window Asm - Slant (w/o Inside Frame)
	079215-03-000	EA	Inside Frame - Beige (not included in assembly)
2	057858-06-000	EA	Glass - Slant - 19" x 28.11" x 13.98"
3	099840-06-000	FT	Ribbon Seal - 5/16" Bead (not included in assembly)
4	050216-02-000	EA	Spline - Glass - 19" - Black
	002328-01-000	EA	Window Block - 1/8" x 3/16" x 1"

VISTA WINDOW - DRIVER

Key	Part Number	U/M	Description
	099819-02-X14	EA	Window Asm - Vista (w/o Inside Frame)
	089727-02-000	EA	Inside Frame - Beige (not included in assembly)
	089301-01-000	EA	Glass - Vista Window - Driver Side
	050216-02-000	FT	Spline - Glass - 19" - Black
	002328-01-000	EA	Window Block - 1/8" x 3/16" x 1"
	089840-06-000	FT	Ribbon Seal - 5/16" Bead (not included in assembly)

VISTA WINDOW - PASSENGER

Key	Part Number	U/M	Description
	099819-01-X14	EA	Window Asm - Vista (w/o Inside Frame)
	089727-01-000	EA	Inside Frame - Beige (not included in assembly)
	089301-01-000	EA	Glass - Vista Window - Passenger Side
	050216-02-000	FT	Spline - Glass - 19" - Black
	002328-01-000	EA	Window Block - 1/8" x 3/16" x 1"
	089840-06-000	FT	Ribbon Seal - 5/16" Bead (not included in assembly)



ESCAPE WINDOW

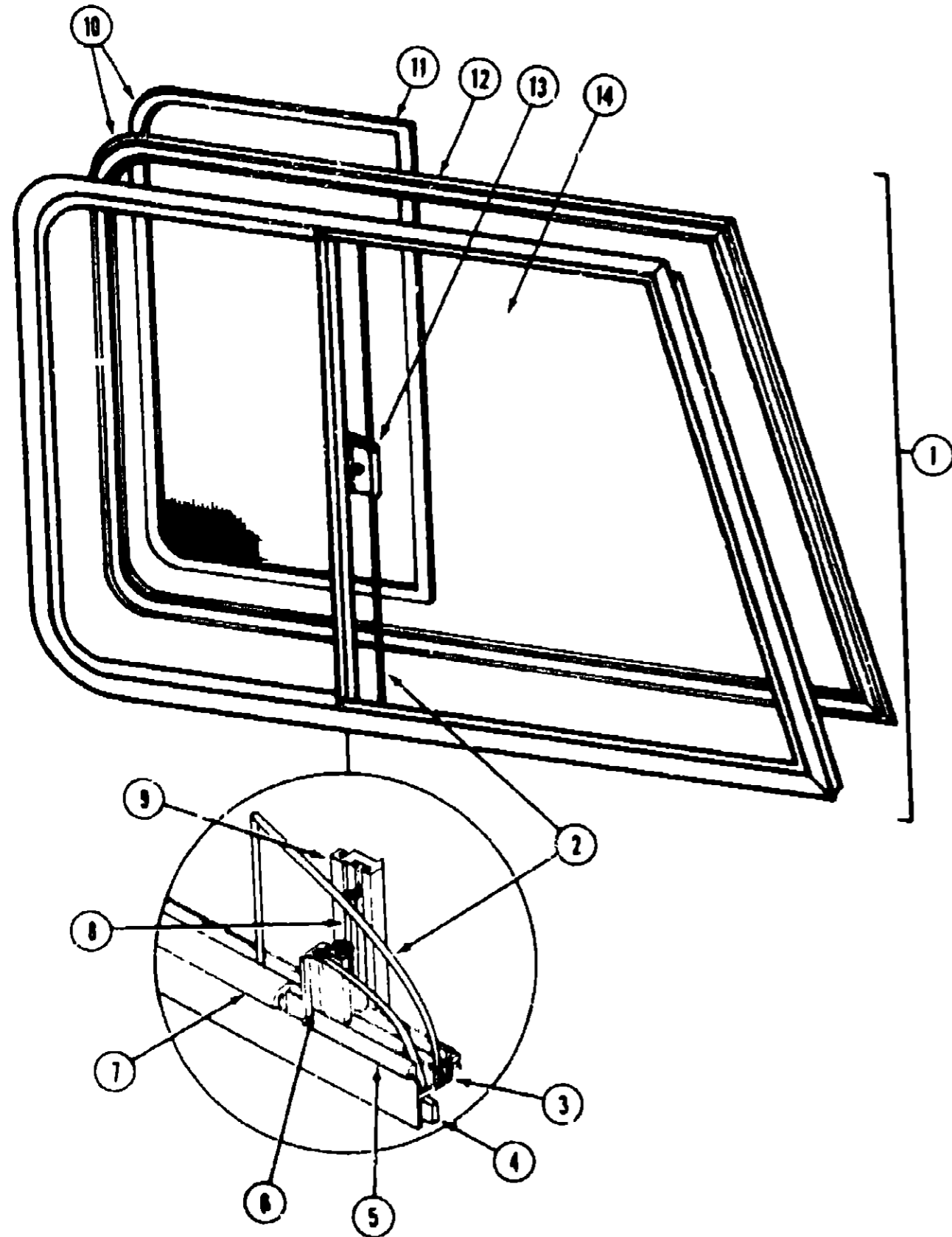
Key	Part Number	U/M	Description
1	078528-01-T03	EA	Window Asm - Escape - Black (w/o Inside Frame)
	074816-01-000	EA	Inside Frame - Escape Window - Beige (not included in assembly)
2	002174-02-000	EA	Glass - 1/8" x 19.61" x 44.82"
3	002285-01-000	FT	Filter - Weatherstrip - Black
4	089840-06-000	FT	Sealer Ribbon - 5/16" Bead (not included in assembly)
5	002282-01-000	FT	Weatherstrip - 125" Black
	008199-01-000	EA	Label - Exit - Escape Window

1989 IC/JM31RQ INDEX

Floor Plan	D-21 - D-22
Accessories Group	D-23 - E-05
Bath Group	E-06 - E-09
Chassis Group	E-10 - E-16
Curtain, Cushion & Pad Group	E-17 - F-08
Dinette Group	F-09 - F-10
Driver's Compartment Group	F-11 - F-16
Electrical Group	F-17 - F-20
Exterior Body Group	F-21 - G-02
Galley Group	G-03 - G-06
Heating & Air Conditioning Group	G-07
Interior Finish Group	G-08 - G-09
LP Group	G-10
Lounge Group	G-11 - G-16
Water & Sewage Group	G-17 - G-18
Window, Vent & Exterior Door Group	G-19 - H-1E

WINDOW, VENT & EXTERIOR DOOR GROUP (CONTINUED)

SLANT SLIDER WINDOW - PASSENGER



Key	Part Number	U/M	Description
1	089807-01-X14	EA	Window Arm - Front Slant (w/o Inside frame or screen)
2	089298-01-000	EA	Glass - Slider
3	042077-01-000	FT	Channel - Weatherstrip - Glass Run - 1/8" Glass
4	089640-06-000	FT	Seal (not included in Window Assy)
5	050216-02-000	FT	Spline - Glass Seal - Black
6	002389-03-203	EA	Seal Holder - w/Fin Seal
7	041928-02-000	FT	Glass Seal - Black Vinyl
8	073740-01-000	FT	Fin Seal - 40" Pile Height
9	084170-07-000	EA	Inside Mullion - Slider Window - Black - w/Fin Seal
10	089803-01-X14	EA	Inside Frame Arm. - w/Slider Screen
11	089802-01-X14	EA	Slider Screen Arm
	002291-02-000	SF	Screen - 18" Charcoal
	002298-02-000	FT	Spline - Charcoal
12	089474-01-000	EA	Inside Frame - w/o Slider Screen
13	047389-01-700	EA	Latch Kit - Plastic w/Fastener
14	057668-11-000	EA	Glass - Stationary

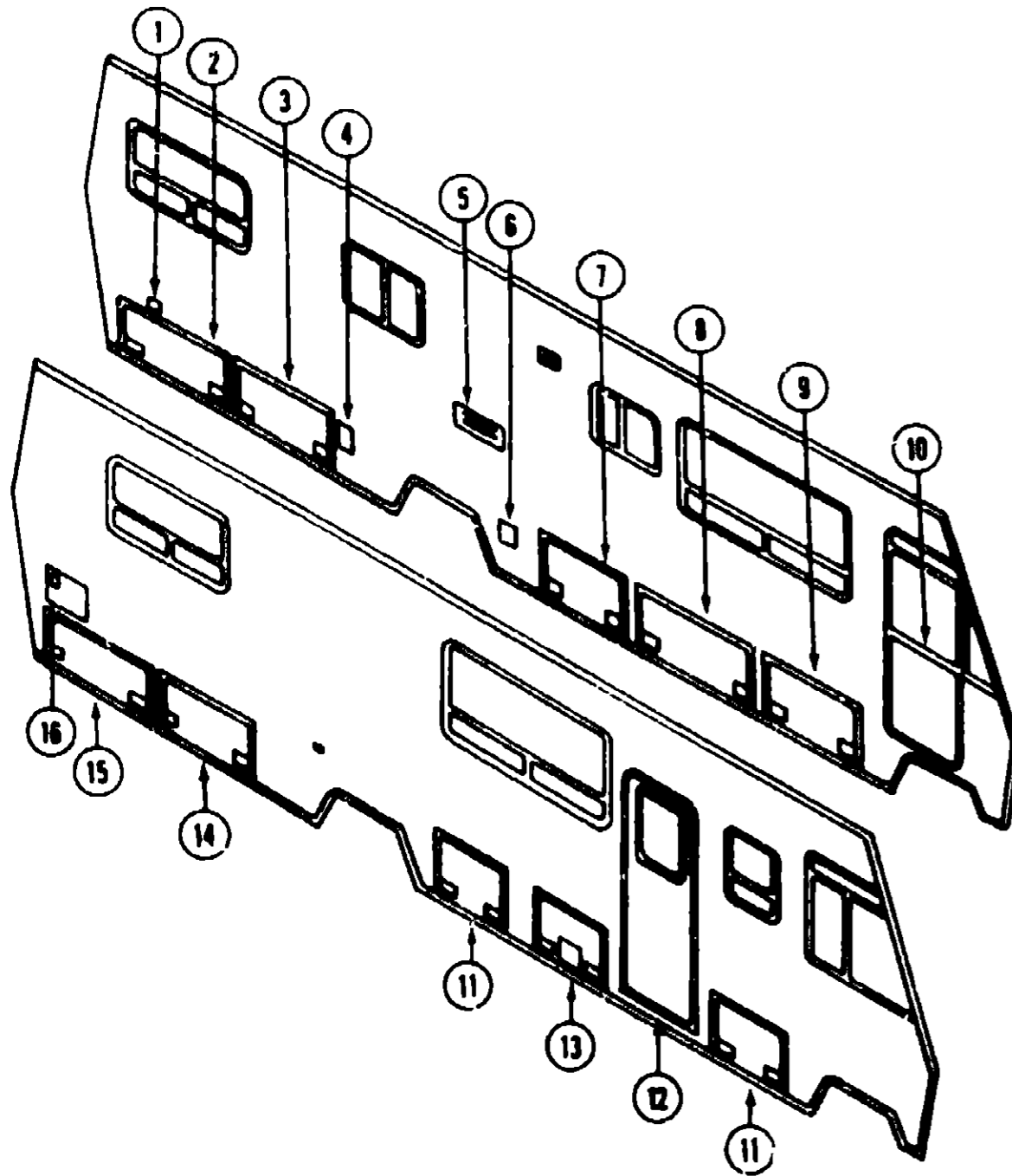
1989 ITASCA TABLE OF CONTENTS

INTRODUCTION	A-01
ABBREVIATIONS	A-01
ALPHABETICAL INDEX	A-02 - A-04
ICM27RQ	A-05 - D-20
IC/JM31RQ	D-21 - H-16

1989 IC/JM31RQ INDEX

Floor Plan	D-21 - D-22
Accessories Group	D-23 - E-05
Bath Group	E-06 - E-09
Chassis Group	F-10 - E-16
Curtain, Cushion & Pad Group	F-17 - F-08
Dinette Group	F-09 - F-10
Driver's Compartment Group	F-11 - F-16
Electrical Group	F-17 - F-20
Exterior Body Group	F-21 - G-02
Galley Group	G-03 - G-06
Heating & Air Conditioning Group	G-07
Interior Finish Group	G-08 - G-09
LP Group	G-10
Lounge Group	G-11 - G-16
Water & Sewage Group	G-17 - G-18
Window, Vent & Exterior Door Group	G-19 - H-16

WINDOW, VENT & EXTERIOR DOOR GROUP (CONTINUED)
EXTERIOR DOORS



Key	Part Number	U/M	Description
1	081240-02-000	EA	Door Asm - Water Fill
	042441-01-000	EA	Key Lock Asm (w/o Keys)
	082684-01-000	EA	Key
2	087472-02-W84	EA	Door Asm - Luggage
3	087472-08-W84	EA	Door Asm - Sewer
4	079010-04-000	EA	Door Asm - Fuel Fill
	042441-01-000	EA	Key Lock Asm. (w/o Keys)
	082684-01-000	EA	Key
5	084103-02-000	EA	Door - Vent - Refrigerator
	084104-02-000	EA	Jamb - Vent - Refrigerator
6	088794-03-000	EA	Door Asm. - Power Cord (w/Hatch)
	042442-01-000	EA	Twist Lock Asm.
7	087448-11-Y70	EA	Door Asm. - Generator
8	087448-03-W84	EA	Door Asm - Luggage
9	087448-02-W84	EA	Door Asm - Luggage
10	M89487-02-X70	EA	Door Asm - Driver
11	087448-01-W84	EA	Door Asm - Luggage
12	M01870-16-X70	EA	Door Asm. - Entrance
13	087495-04-X70	EA	Door Asm - LP
14	087472-10-X70	EA	Door Asm. - Luggage
15	087472-01-W84	EA	Door Asm. - Luggage
16	052009-03-000	EA	Door Asm - Water Heater

1989 ITASCA
TABLE OF CONTENTS

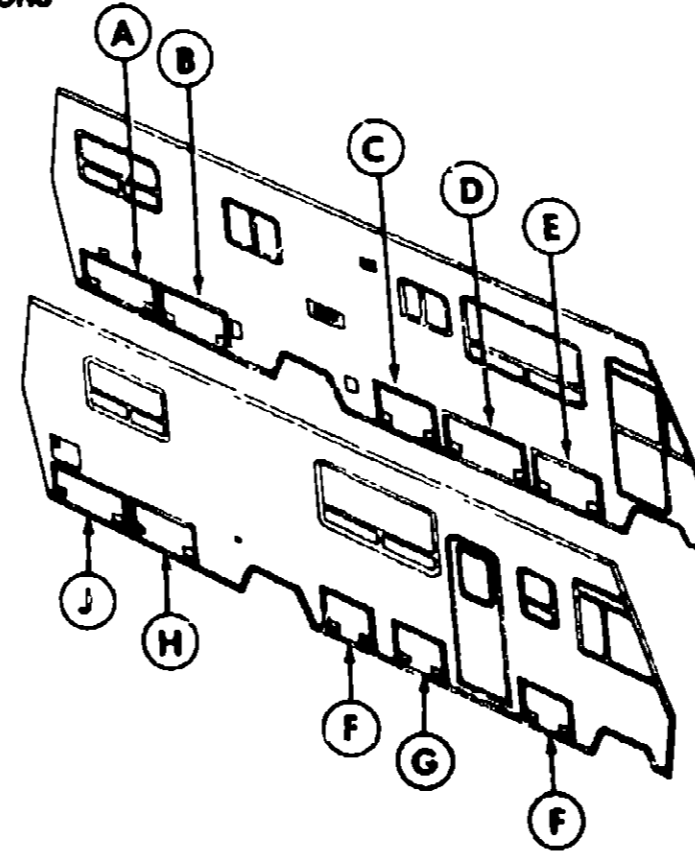
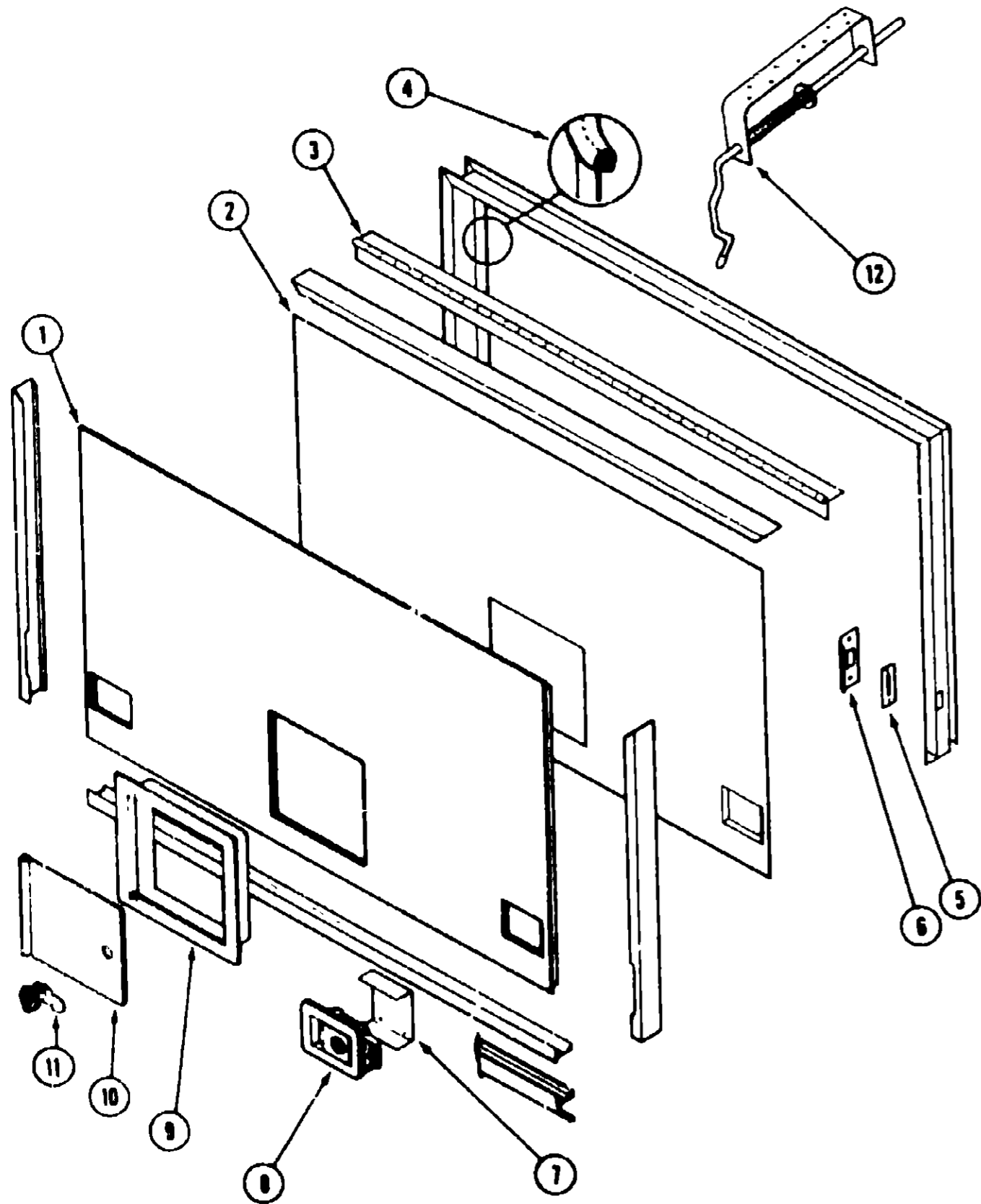
INTRODUCTION	A-01
ABBREVIATIONS	A-01
ALPHABETICAL INDEX	A-02 - A-04
ICM27RQ	A-05 - D-20
IC/JM31RQ	D-21 - H-16

1989 IC/JM31RQ INDEX

Floor Plan	D-21 - D-22
Accessories Group	D-23 - E-05
Bath Group	E-06 - E-09
Chassis Group	E-10 - E-16
Curtain, Cushion & Pad Group	E-17 - F-06
Dinette Group	F-09 - F-10
Driver's Compartment Group	F-11 - F-16
Electrical Group	F-17 - F-20
Exterior Body Group	F-21 - G-02
Galley Group	G-03 - G-06
Heating & Air Conditioning Group	G-07
Interior Finish Group	G-08 - G-09
LP Group	G-10
Lounge Group	G-11 - G-16
Water & Sewage Group	G-17 - G-18
Window, Vent & Exterior Door Group	G-19 - H-16

WINDOW, VENT & EXTERIOR DOOR GROUP (CONTINUED)

LUGGAGE & GENERATOR DOORS



Key	Part Number	U/M	Description
1	081345-08-000	EA	Mende Board - 4' x 8' - Gray
1	063574-01-000	SF	Styrofoam - 1 1/2" x 24' x 66 1/4"
A2	088084-04-000	EA	Door Liner
B2	088084-08-000	EA	Door Liner
C2	072888-02-120	EA	Door Liner - Metal - Generator
D2	088085-08-000	EA	Door Liner
E2	088085-04-000	EA	Door Liner
F2	088085-02-000	EA	Door Liner
G2	088087-04-000	EA	Door Liner - LP
H2	088084-10-000	EA	Door Liner
J2	088084-02-000	EA	Door Liner
3	081801-03-000	EA	Hinge - 2" x 98" - Gray
4	084075-04-000	EA	Bulb Seal
5	081087-02-000	EA	Seal
6	088808-02-000	EA	Strike
7	088810-02-000	EA	Bracket
	000G11-08-12T	EA	Screw - #8 - 18 x 3/4" Black
8	085730-02-000	EA	Paddle Latch Asm w/Lock
9	052424-03-00	EA	Door Jamb
10	052423-03-000	EA	Door - LP
11	042442-01-000	EA	Lock Asm. - Twist Type
12	082844-01-Y15	EA	Prop Rod Asm

1989 ITASCA TABLE OF CONTENTS

INTRODUCTION
ABBREVIATIONS
ALPHABETICAL INDEX
ICM27RQ
IC/JM31RQ

A-01
A-01
A-02 - A-04
A-05 - D-20
D-21 - H-16

1989 IC/JM31RQ INDEX

Floor Plan	D-21 - D-22
Accessories Group	D-23 - E-05
Bath Group	E-06 - E-09
Chassis Group	E-10 - E-16
Curtain, Cushion & Pad Group	E-17 - F-08
Dinette Group	F-09 - F-10
Driver's Compartment Group	F-11 - F-16
Electrical Group	F-17 - F-20
Exterior Body Group	F-21 - G-02
Galley Group	G-03 - G-08
Heating & Air Conditioning Group	G-07
Interior Finish Group	G-08 - G-09
LP Group	G-10
Lounge Group	G-11 - G-16
Water & Sewage Group	G-17 - G-18
Window, Vent & Exterior Door Group	G-19 - H-16

WINDOW, VENT & EXTERIOR DOOR GROUP (CONTINUED)

DRIVER DOOR

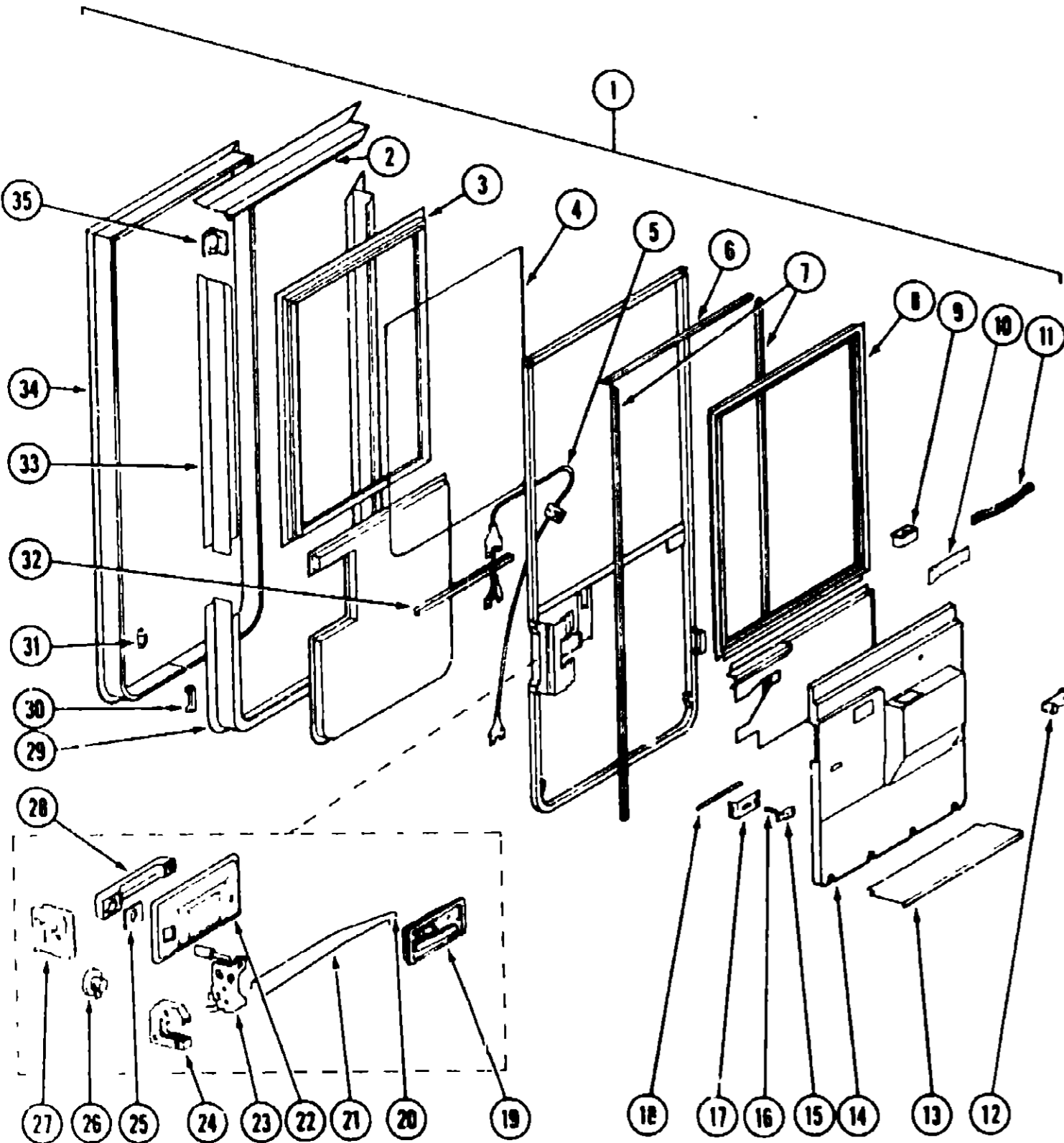
1989 ITASCA TABLE OF CONTENTS

INTRODUCTION	A-01
ABBREVIATIONS	A-01
ALPHABETICAL INDEX	A-02 - A-04
ICM27RQ	A-05 - D-20
IC/JM31RQ	D-21 - H-16

1989 IC/JM31RQ INDEX

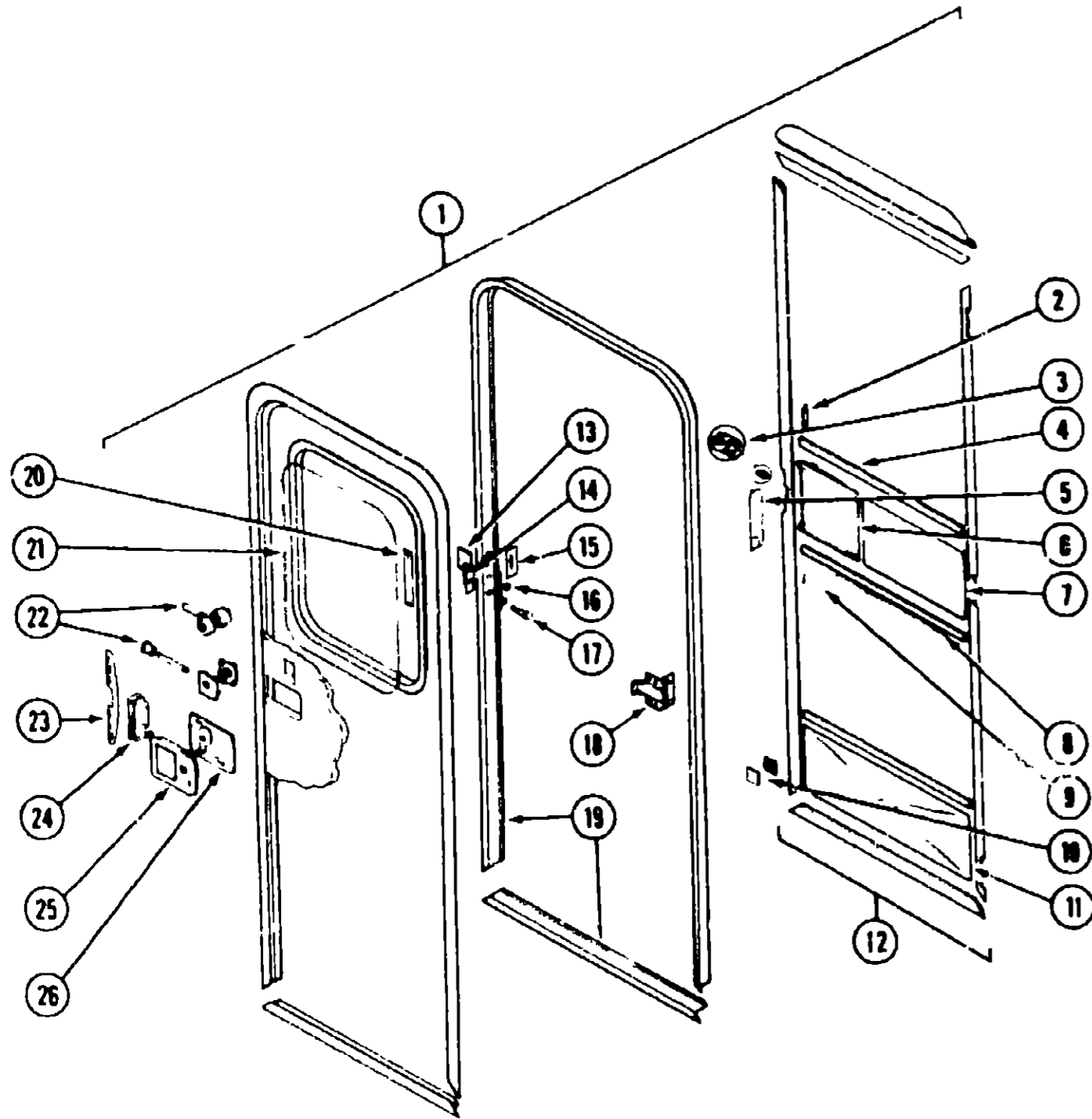
Floor Plan	D-21 - D-22
Accessories Group	D-23 - E-05
Bath Group	E-06 - E-09
Chassis Group	E-10 - E-16
Curtain, Cushion & Pad Group	E-17 - F-08
Dinette Group	F-09 - F-10
Driver's Compartment Group	F-11 - F-16
Electrical Group	F-17 - F-20
Exterior Body Group	F-21 - G-02
Galley Group	G-03 - G-03
Heating & Air Conditioning Group	G-07
Interior Finish Group	G-08 - G-09
LP Group	G-10
Lounge Group	G-11 - G-16
Water & Sewage Group	G-17 - G-18
Window, Vent & Exterior Door Group	G-19 - H-16

Key	Part Number	U/M	Description
1	M89487-02-X70	EA	Door Asm - Complete
2	089458-02-000	EA	Door Frame - Upper
3	089459-01-000	EA	Window Frame - Outer
4	081486-02-000	EA	Glass
	061911-01-000	EA	Glass Setting Tape
5	081907-02-000	EA	Regulator Asm
6	089454-01-000	EA	Glass Run Channel - Aluminum - Black
7	082240-02-000	EA	Glass Run Channel - Aluminum - Black
	081910-02-000	EA	Glass Run Channel - Seal - 10'
8	089461-01-000	EA	Window Frame - Inner
	079370-01-000	FT	Vinyl Screw Cover - Berge
9	046886-03-000	EA	Ashtray
10	084580-03-000	EA	Check Strap
11	081400-06-000	EA	Assist Strap
12	084575-01-000	EA	Window Crank
13	082229-02-000	EA	Door Threshold (not included in Door Asm)
14	082471-02-000	EA	Trim Panel
15	081905-02-000	EA	Control Knob - Slide Bolt
16	081903-01-000	EA	Knob Shaft
17	081487-01-000	EA	Slide Bolt Housing
18	081906-01-000	EA	Slide Bolt
19	R77006-50-326	EA	Interior Door Handle
20	078542-04-000	EA	Control Rod - Latch
21	073110-03-000	EA	Control Link Rod - Lock
22	082107-03-000	EA	Door Handle Escutcheon
23	R77007-62-748	EA	Latch Asm
24	R77007-56-702	EA	Lock Asm
25	R77007-05-374	EA	Seal
26	083223-01-000	EA	Key Lock Asm
27	R77013-48-166	EA	Door Lock Catch
28	R77040-01-538	EA	Door Handle
29	085007-10-000	EA	Door Frame - Lower
30	084485-01-000	EA	Door Stop Block - Jamb
31	084485-02-000	EA	Door Stop Block - Door
32	082472-01-000	EA	Glass Retainer Channel
33	089455-04-000	EA	Door Frame - Upper Rear
34	089463-02-000	EA	Door Jamb Asm.
35	083983-03-000	EA	Hinge
	082150-02-000	FT	Door Sponge Seal
	083551-01-000	EA	Jamb Sponge Seal - Lazy T Shape



WINDOW, VENT & EXTERIOR DOOR GROUP (CONTINUED)

ENTRANCE DOOR



Key	Part Number	U/M	Description
1	M01870-23-X70	EA	Door Asm. w/Screen Door
2	050712-05-000	EA	Door Handle - Screen Door
3	008018-01-000	EA	Roller Catch
4	078582-01-000	EA	Screen Door Mullion - Upper & Lower Slider
	078777-01-000	EA	Slider Channel (Mullion Insert)
5	079087-01-000	EA	Screen Door Slider Strike
6	079088-01-000	EA	Screen Door Slider
7	018454-01-000	EA	Screen Door Insert
8	002284-01-000	FT	Spline - Black
9	002283-02-000	SF	Window Screen - 28" Charcoal
10	085774-01-000	FT	Dual Lock Fastener - 1" Wide - Black
10	085774-02-000	FT	Dual Lock Fastener - 1" Wide - Black
11	078552-03-000	EA	Screen Door Insert - Lower
12	079012-01-T03	EA	Screen Door Asm
13	077481-01-000	EA	Strike Cover
14	041548-03-000	EA	Angle Bracket
15	079173-01-000	EA	Deadbolt Gasket
16	058806-01-000	EA	Plug - Tapered Plastic
17	038538-01-000	EA	Strike
18	078381-07-000	EA	Hinge
19	086277-01-03A	EA	Door Jamb
20	087581-01-000	FT	Window Seal
21	002181-08-000	EA	Glass
	079733-04-T03	EA	Window Asm w/o Inside Frame
	067808-03-000	EA	Inside Frame - Window Asm
22	039738-01-000	EA	Deadbolt Asm. - Round
22	085229-01-01A	EA	Deadbolt Asm. - Square - Black
23	075738-03-000	EA	Stiffener
24	038540-01-000	EA	Latch Asm - Hook
25	045017-05-000	EA	Latch Asm - Plate
25	045017-10-000	EA	Latch Asm - Plate - Black
26	038978-01-000	EA	Cover Asm - Latch Plate
26	038978-03-000	EA	Cover Asm. - Latch Plate - Black
	038884-01-000	EA	Cap - Black Vinyl - Lock Grip
	075873-01-000	FT	Seal - Pile - Adhesive Back
	075871-01-000	FT	Seal - Sponge - Lazy T Shape

1989 ITASCA TABLE OF CONTENTS

INTRODUCTION	A-01
ABBREVIATIONS	A-01
ALPHABETICAL INDEX	A-02 - A-04
ICM27RQ	A-05 - D-20
IC/JM31RQ	D-21 - H 18

1989 IC/JM31RQ INDEX

Floor Plan	D-21 - D-22
Accessories Group	D-23 - E-05
Bath Group	E-06 - E-08
Chassis Group	E-10 - E-17
Curtain, Cushion & Pad Group	E-17 - F-08
Dinette Group	F-09 - F-10
Driver's Compartment Group	F-11 - F-16
Electrical Group	F-17 - F-20
Exterior Body Group	F-21 - G-02
Galley Group	G-03 - G-06
Heating & Air Conditioning Group	G-07
Interior Finish Group	G-08 - G-09
LP Group	G-10
Lounge Group	G-11 - G-16
Water & Sewage Group	G-17 - G-18
Window, Vent & Exterior Door Group	G-19 - H-18