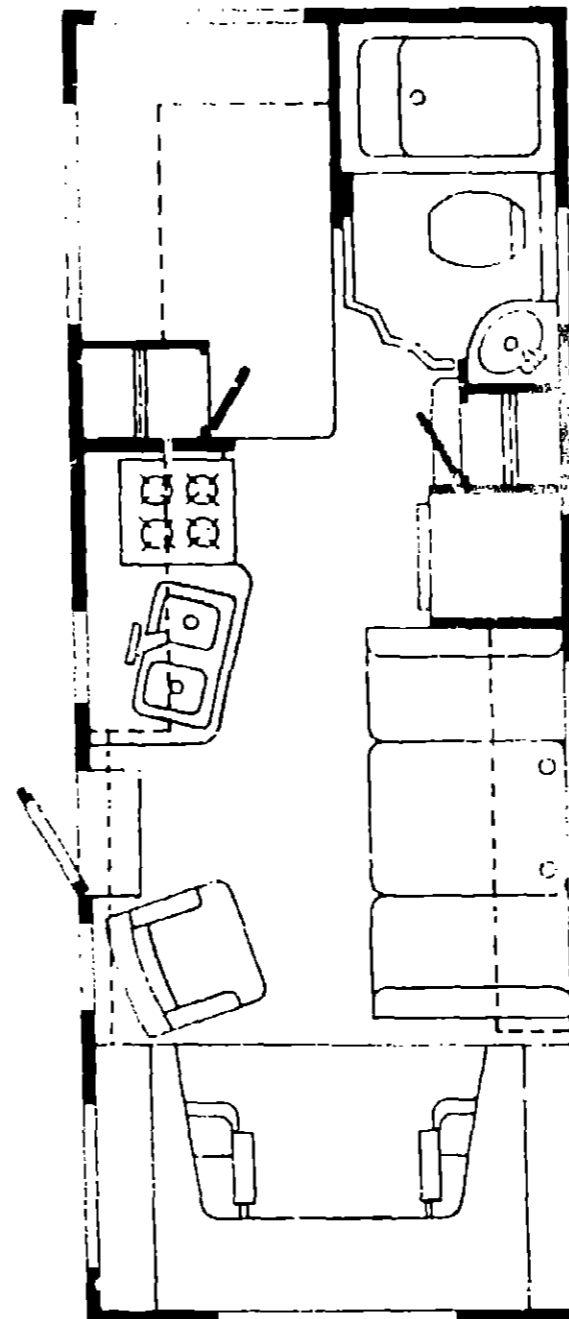


1989 IC/F423RC



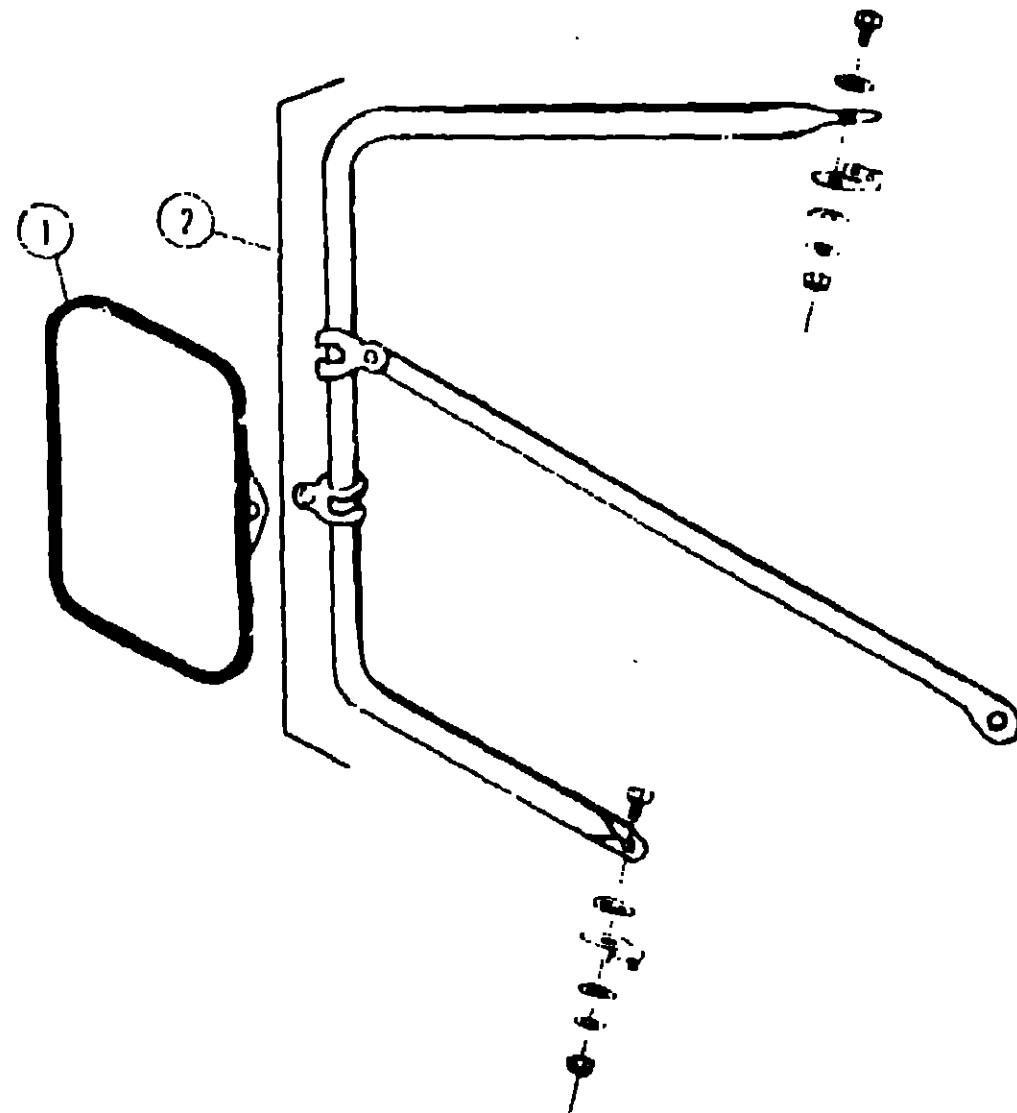
1989 ITASCA TABLE OF CONTENTS

IC/F423RB	A-01 - C-02
IC/F423RC	C-03 - E-08
IF427RT	E-09 - G-16

1989 IC/F423RC INDEX

Floor Plan	C-03 - C-04
Accessories Group	C-05 - C-07
Bath Group	C-08 - C-09
Chassis Group	C-10 - C-12
Curtain, Cushion & Pad Group	C-13 - C-19
Dinette Group	C-20 - C-21
Driver's Compartment Group	C-22 - C-24
Electrical Group	D-01 - D-03
Exterior Body Group	D-04 - D-09
Galley Group	D-10 - D-12
Heating & Air Conditioning Group	D-13 - D-14
Interior Finish Group	D-15 - D-16
LP Group	D-17
Lounge Group	D-18
Water & Sewage Group	D-19 - D-20
Window, Vent & Exterior Door Group	D-21 - E-07

ACCESSORIES GROUP



EXTERIOR MIRRORS

Key	Part Number	U/M	Description
1	049347-01-000	EA	Mirror Head - 7 1/2 x 10 1/2 - Stainless Steel
2	062047-01-000	EA	Arm - West Coast Mirror - Stainless Steel
2	062047-02-000	EA	Arm - West Coast Mirror - Off White
	060043-01-000	EA	Mirror - Convex - Adhesive Back

WHEEL COVER & MOUNTING HARDWARE

Key	Part Number	U/M	Description
	083181-01-000	EA	Wheel Cover - 16" (Set/4) (Ford)
	083181-01-700	EA	Wheel Cover - 16" (1) (Ford)
	033181-02-000	EA	Wheel Cover - 16.5 (Set/4) (Chevrolet)
	083181-02-700	EA	Wheel Cover - 16" (1) (Chevrolet)

ACCESSORIES GROUP (CONTINUED)

RADIO & RELATED COMPONENTS

Key	Part Number	U/M	Description
	092311-01-000	EA	Radio - AM/FM Stereo - w/Cassette
	007004-01-000	EA	Antenna - Radio - Cab Mount
	074979-01-000	EA	Speaker Cover - Rotector - Plastic (Chevrolet)
	089340-01-000	EA	Speaker - Grill - 6.50" - Square
	073741-03-000	EA	Speaker - 4" x 6" - Oval (Ford)
	073741-04-000	EA	Grill - Speaker - 4" x 6" - Oval (Ford)
	079385-02-000	EA	Radio Mounting Kit (Ford)
	091211-01-000	EA	Radio Mounting Kit (Chevrolet)
	094097-01-000	EA	Speaker - 5.25" - w/o Grille
	061059-01-000	EA	Wire Asm - 9 Pin - Audiovox Radio

GENERATORS & COMPONENTS (OPTION 39C)

Key	Part Number	U/M	Description
	100974-02-000	EA	Generator - Emerald - 4.0 kw
	701629-02-000	EA	Installation Package
	086252-01-000	EA	Exhaust Pipe - Generator
	086494-01-000	EA	Bracket - Exhaust
	068322-03-000	EA	Tube - Exhaust - 1.5 ID - 90°
	081364-01-000	EA	Muller - Generator - Emerald
	007067-01-000	EA	Insulation - Fiberglass - 1"
	078045-01-000	EA	Plate - Generator Support
	086246-01-000	EA	Tray - Generator Mounting

RACK & LADDER COMPONENTS (OPTION 35U)

Key	Part Number	U/M	Description
	080997-01-T03	EA	Ladder Asm. - Lower
	080999-01-T03	FA	Ladder Asm. - Upper
	081026-11-T03	EA	Rack Asm. - Right
	081026-02-T03	EA	Rack Asm. - Left
	081055-01-000	EA	Spring Grip - Internal
	081056-01-000	EA	Pin - Quick Release
	081107-01-000	EA	Bracket - Bumper Pin
	067165-01-000	EA	Bracket - Mounting - Rear & Ladder
	080866-01-000	EA	Stand - Rack & Ladder Asm.
	067130-01-000	EA	Ladder Step
	076980-01-000	EA	End Cap - Ladder Step
	081152-01-000	EA	Bumper Plate - Brite Dip - Lower Ladder
	064093-01-000	EA	Luggage Box - 14" x 30" x 60" (Optional)
	038327-01-000	EA	Tape - Anti-Slip - 2" x 60"

MICROWAVE/BROWNING OVEN (OPTION 133)

Key	Part Number	U/M	Description
	091269-01-000	EA	Microwave/Browning Oven
	091269-02-000	EA	Frame Kit - Microwave
	086582-10-000	EA	Bracket Asm. - Microwave - Left
	086582-12-000	EA	Bracket Asm. - Microwave - Right

**1989 IC/F423RC
TABLE OF CONTENTS**

IC/F423H3
IC/F423RC
IF42711T

A-01 - C-07
C-03 - E-08
E-09 - G-16

1989 IC/F423RC INDEX

Floor Plan	C-03 - C-04
Accessories Group	C-05 - C-07
Bath Group	C-08 - C-09
Chassis Group	C-10 - C-12
Curtain, Cushion & Pad Group	C-13 - C-19
Dinette Group	C-20 - C-21
Driver's Compartment Group	C-22 - C-24
Electrical Group	D-01 - D-03
Exterior Body Group	D-04 - D-09
Galley Group	D-10 - D-12
Heating & Air Conditioning Group	D-13 - D-14
Interior Finish Group	D-15 - D-16
LP Group	D-17
Lounge Group	D-18
Water & Sewage Group	D-19 - D-20
Window, Vent & Exterior Door Group	D-21 - E-07

ACCESSORIES GROUP (CONTINUED)

MISCELLANEOUS ACCESSORIES

Key	Part Number	U/M	Description
	054185-31-000	EA	Owner's Manual - 1989 - Winnebago & Itasca
	092318-01-000	EA	Binder - 3 Ring - Vendor Manual
	092319-01-000	EA	Page - Plastic Packet
	076319-01-000	EA	Antenna - TV - 44.5" Mast
	040069-01-000	EA	Floor Mat - Winnebago - 10 1/2" x 26"
	092431-01-Y05	EA	Floor Mat - Driver (Chevrolet)
	092432-01-Y05	EA	Floor Mat - Passenger (Chevrolet)
	093410-01-Y05	EA	Floor Mat - Driver (Ford)
	093410-02-Y05	EA	Floor Mat - Passenger (Ford)
	044860-01-000	EA	Stipwell Mat - Black Rubber - Driver
	044860-02-000	EA	Stipwell Mat - Black Rubber - Passenger
	017516-01-000	EA	Mud Flap - 14" x 18" - Rear - Black
	064089-01-000	EA	Splashguard - Black Rubber - Front
	041944-03-000	EA	Fire Extinguisher - 5 BC (US)
	041944-05-000	EA	Fire Extinguisher - 5 BC (CSA)
	084472-01-000	EA	Holder - Fire Extinguisher
	094499-01-000	EA	Fire Extinguisher - 1A 10BC (UL)
	094499-02-000	EA	Fire Extinguisher - 1A 10BC (CSA)
	094651-01-01A	EA	Holder - Recessed - Fire Extinguisher
	072052-01-000	EA	Smoke Detector w/9 Volt Battery
	080208-01-000	EA	Lug Wrench
	080208-02-000	EA	Leverage Bar - Lug Wrench
	066113-01-000	EA	Jack - Hydraulic - 6 Ton - w/Handle
	079165-01-U10	EA	Tire Cover Asm. - Off White - Plastic
	086269-01-000	EA	Picture - Decorative (Option 46H)

TV ANTENNA/CABLE READY W/TV STAND (OPTION 42P)

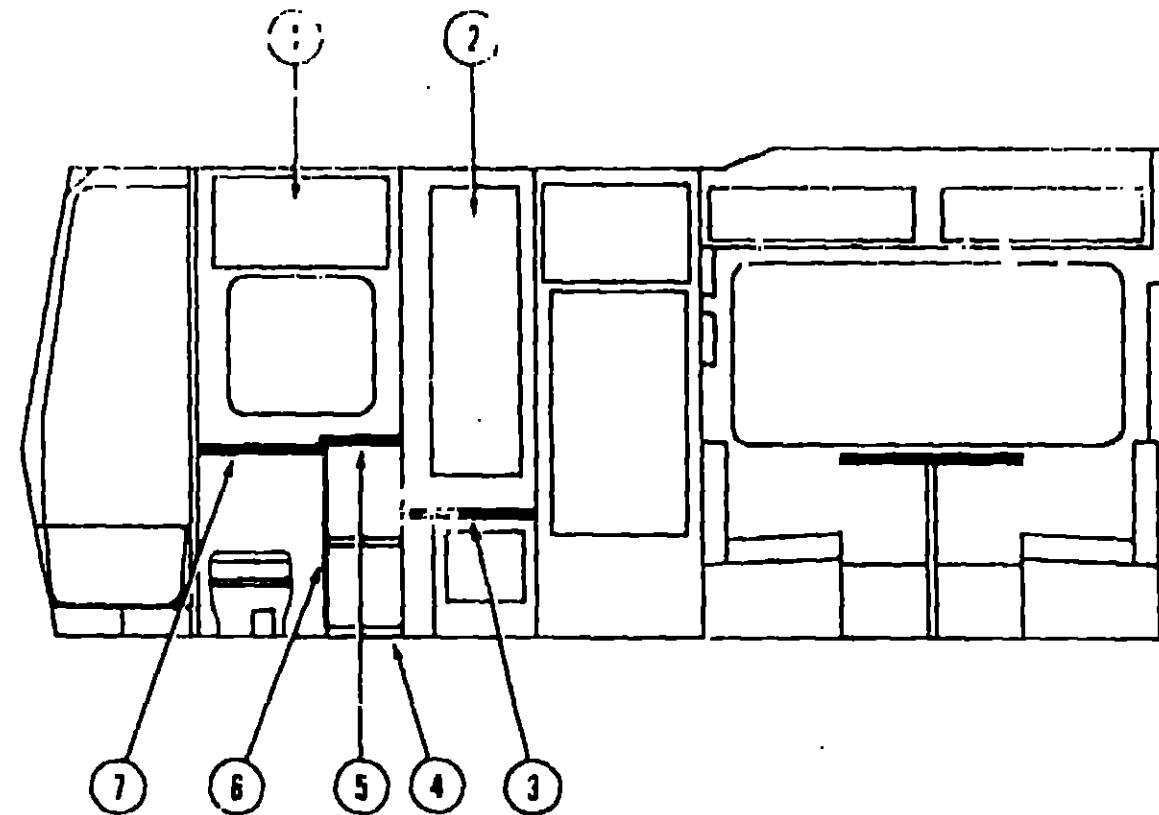
Key	Part Number	U/M	Description
	076319-01-000	EA	Antenna - TV Roof Mount - 44.5"
	076319-06-000	EA	Adaptor - Cable Roof Plate
	076319-09-000	EA	Wallplate/Receptacle - Brown
	076319-11-000	EA	Adapter - Coax w/Splitter
	084357-02-W24	EA	TV Stand Asm. - w/o Hardware
	058331-14-000	EA	Mirror - Safety Glass - 14" x 12.7"
	084356-04-000	EA	Insert - TV Stand - Tan
	084412-01-000	EA	Support - Hinged
	084451-01-000	EA	Catch - TV Shelf - Brass
	087236-01-000	EA	Label - Cable Input
	087236-02-000	EA	Label - TV Outlet
	087756-01-000	EA	Splitter - TV - 2 Way
	087777-02-000	EA	Plate - Wall Outlet - Antenna/Cable - Brown
	087778-01-000	EA	Receptacle - Outside - Cable TV - Off White
	086778-04-000	EA	Gasket - Receptacle - TV/Cable

** The illustrated parts breakdown of this item is provided on the Common Items Fiche.

EXPORT GENERATORS (3.5KW) (OPTIONS 05A & 3831A)

Key	Part Number	U/M	Description
	100974-05-000	EA	Generator - Onan - 4.0kw
	081634-02-000	EA	Generator - Emerald - 3.5kw
	008054-01-000	EA	Power Cord - 10-3 - 30 Amp. - 25' (UL)
	008052-01-000	EA	Power Cord - 10-3 - 30 Amp. - 25' (CSA)
	092615-01-000	EA	Converter - 40 Amp. w/Charger
	086252-01-000	EA	Exhaust Pipe - Generator
	086494-01-000	EA	Bracket - Exhaust
	081364-01-000	EA	Muffler - Generator - 3.5KW
	007131-01-000	EA	Hanger - Tailpiece
	078545-01-000	EA	Plate - Support - Generator
	084565-01-000	EA	Plate - Support - Generator
	086246-01-000	EA	Tray Asm. - Generator Set

BATH GROUP



BATH & WARDROBE CABINETRY

Key	Part Number	U/M	Description
1	088303-52-X08	EA	Door Asm. - Medicine Cabinet w/Mirror - w/o Hardware
	058331-05-000	EA	Mirror - Medicine Cabinet Door - 12" x 26"
*1	093446-06-Y15	EA	Door Asm. - Medicine Cabinet w/Mirror - w/o Hardware
	058331-32-000	EA	Mirror - Medicine Cabinet Door - 13.6" x 28.5"
	076073-01-000	EA	Cabinet Asm. - Medicine - Almond
	076387-01-000	EA	Bracket - Medicine Cabinet
2	M68304-83-X08	EA	Door Asm. - Wardrobe Cabinet - 15.5" x 45.4" - w/o Hardware
	058331-03-000	EA	Mirror - Safety Glass - 10" x 42"
3	M02447-01-Y30	EA	Countertop Asm. - Wardrobe
4	M81548-01-Y05	EA	Cabinet Asm. - Lavatory - w/Countertop - w/o Doors or Hardware
5	M02406-01-Y30	EA	Countertop Asm. - Lavatory Cabinet
6	M8R304-81-X08	EA	Door Asm. - Lavatory Cabinet - 12" x 21.8" - w/o Hardware
7	M02473-01-Y30	EA	Countertop Asm. - Pipe Cover
	081733-01-Y07	EA	Cabinet Asm. - Pipe Cover - w/o Countertop or Hardware
	030224-26-000	EA	Door Asm. - Folding - 46" x 75"
	080224-04-000	EA	Track Asm. - Folding Door - 90°
	080224-01-700	EA	Latch & Catch Asm. - Folding Door
	080224-01-701	EA	Catch Only - Door Jamb

* Parts used after 4/25/89.

1989 ITASCA TABLE OF CONTENTS

IC/F423RB
IC/F423RC
IF427PT

A-01 - C-02
C-03 - E-08
E-09 - G-16

1989 IC/F423RC INDEX

Floor Plan	C-03 - C-04
Accessories Group	C-05 - C-07
Exterior Group	C-08 - C-09
Chassis Group	C-10 - C-12
Curtain, Cushion & Pad Group	C-13 - C-19
Dinette Group	C-20 - C-21
Driver's Compartment Group	C-22 - C-24
Electrical Group	D-01 - D-03
Exterior Body Group	D-04 - D-09
Galley Group	D-10 - D-12
Heating & Air Conditioning Group	D-13 - D-14
Interior Finish Group	D-15 - D-16
LP Group	D-17
Lounge Group	D-18
Water & Sewage Group	D-19 - D-20
Window, Vent & Exterior Door Group	D-21 - E-07

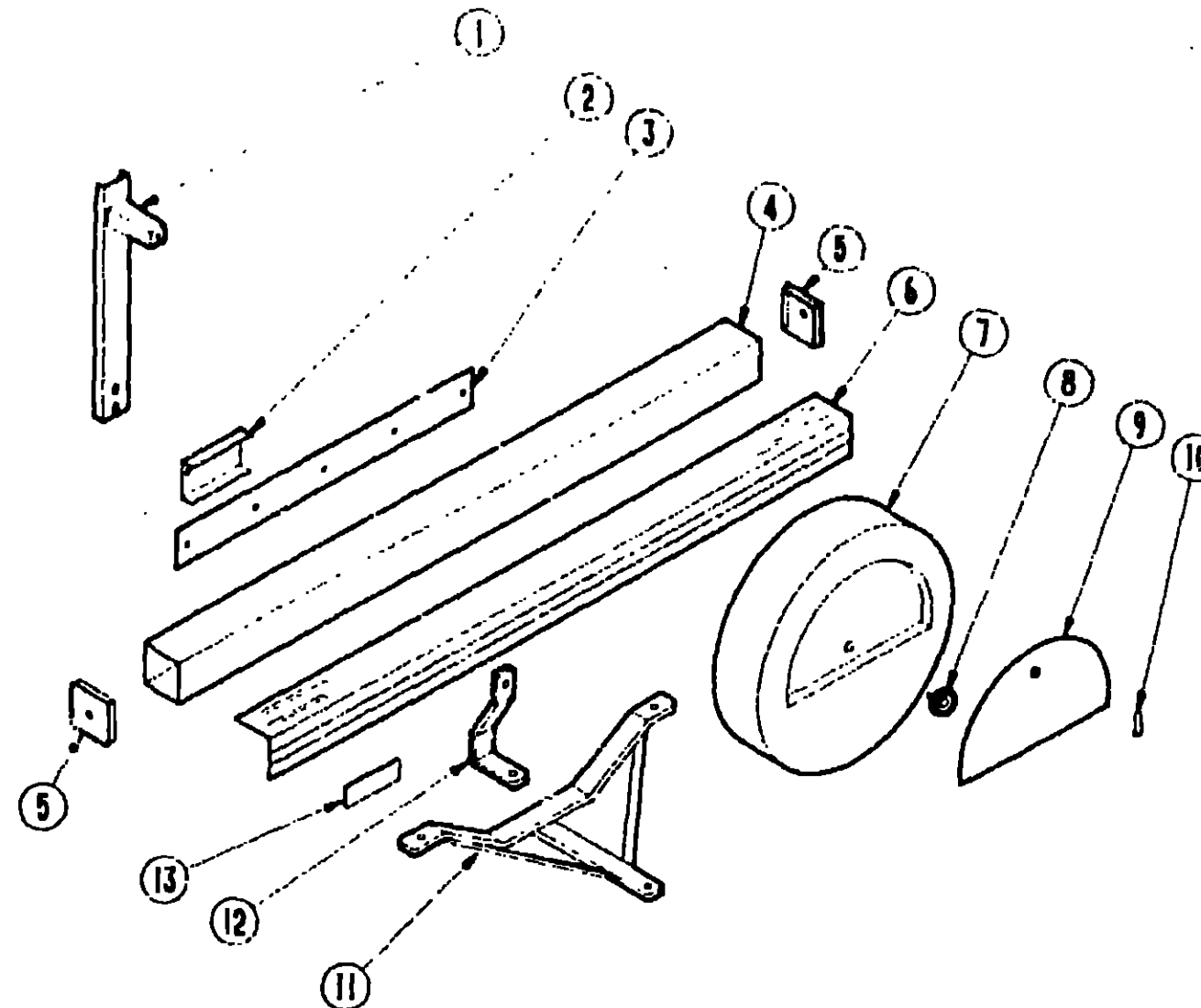
BATH GROUP (CONTINUED)

BATH & WARDROBE HARDWARE

Key	Part Number	U/M	Description
	M01817-01-T03	EA	Bathtub Asm. w/Strainer
	075657-02-000	EA	Door Asm. - Shower - Satin Brass
	040712-05-000	EA	Handle - Shower Door - Mill Finish
	079235-01-000	EA	Header - Shower Door
	079234-01-000	EA	Jamb - Shower Door - Beige - Left
	079234-02-000	EA	Jamb - Shower Door - Beige - Right
	080257-01-000	EA	Shroud - Bathtub - Off White
	031558-03-000	EA	Faucet - Tub & Shower - Brass
**	011048-02-000	EA	Shower Head - w/60" Hose (US)
**	075606-01-000	EA	Shower Panel - Faucet - Plastic
**	066729-01-000	EA	Strainer - Bathtub Asm.
	066435-01-000	EA	Nut Strainer - Plastic - Bathtub Asm.
	066436-01-000	EA	Slip Nut - 1.5" Tailpiece - Bathtub Asm.
	066435-01-050	EA	Washer - Tailpiece - 1.5" - Plastic - Bathtub Asm.
	011056-03-000	EA	Faucet - Lavatory
	041253-01-000	EA	Gasket - Lavatory Faucet
	011069-03-000	EA	Tailpiece - 1.75" - Plastic
	049366-01-000	EA	Sink - Oval - Ivory Plastic
	063740-01-000	EA	Toilet - Thetford - Aqua Magic
	009134-01-000	EA	Tissue Holder
	033580-01-000	EA	Towel Ring - Bright Brass
	009089-01-000	EA	Clip - Mirror
	009112-01-000	EA	Flange - Clothes Rod - 1"
	075680-02-000	EA	Clothes Rod - Adjustable (Shower)
	042438-01-000	EA	Dowel - Wooden - 1" Dia. x 4' (Shirt Closet)
	080224-26-000	EA	Folding Door Asm. - 46" x 75"
	080224-04-000	EA	Track - Folding Door - 90°
	080224-04-700	EA	Latch & Catch Asm. - Folding Door
	080224-04-701	EA	Catch - Only - Door Jamb
	011048-05-000	EA	Shower Head - w/60" Hose (CSA)
	075603-01-000	EA	Threshold - Bath Door

** The illustrated parts breakdown for this item is provided on the Common Items Fiche.

CHASSIS GROUP



SPARE TIRE, HITCH & REAR BUMPER

Key	Part Number	U/M	Description
1	079027-01-000	EA	Bracket Asm. - Tire Carrier
2	M64600-02-000	EA	Mount Support - Tire Carrier
3	M22150-01-000	EA	Bracket - Rear Bumper
4	064602-01-000	EA	Bumper Asm. - Square - Off White
5	039779-01-000	EA	Bumper Cap - Black Rubber - 4" x 4"
6	041332-03-000	EA	Cover - Bumper - w/o Reflector - 4" Square x 92"
7	079799-01-000	EA	Cover - Spare Tire - Off White
8	064082-02-000	EA	Bolt - Retainer - Wheel Cover
9	M02047-01-T95	EA	Door - Tire Cover - Off White
10	077408-02-000	EA	Lock Asm. - Key Type
11	064833-03-000	EA	Trailer Hitch Asm.
12	064824-02-000	EA	Support - Trailer Hitch
13	041332-02-000	EA	Reflector - Bumper Cover - Self Adhesive - 5 1/2" x 3/4"
	070917-02-000	EA	Tire - Michelin - Radial
	062400-02-000	EA	Wheel - Steel - 6" x 16.5"
	051377-01-000	EA	Valve Stem Asm.

1989 ITASCA TABLE OF CONTENTS

IC/F423RB
IC/F423RC
IF427RT

A-01 - C-02
C-03 - E-08
E-09 - G-16

1989 IC/F423RC INDEX

Floor Plan	C-03 - C-04
Accessories Group	C-05 - C-07
Bath Group	C-08 - C-09
Chassis Group	C-10 - C-12
Curtain, Cushion & Pad Group	C-13 - C-19
Dinette Group	C-20 - C-21
Driver's Compartment Group	C-22 - C-24
Electrical Group	D-01 - D-03
Exterior Body Group	D-04 - D-09
Galley Group	D-10 - D-12
Heating & Air Conditioning Group	D-13 - D-14
Interior Finish Group	D-15 - D-16
LP Group	D-17
Lounge Group	D-18
Water & Sewage Group	D-19 - D-20
Window, Vent & Exterior Door Group	D-21 - L-07

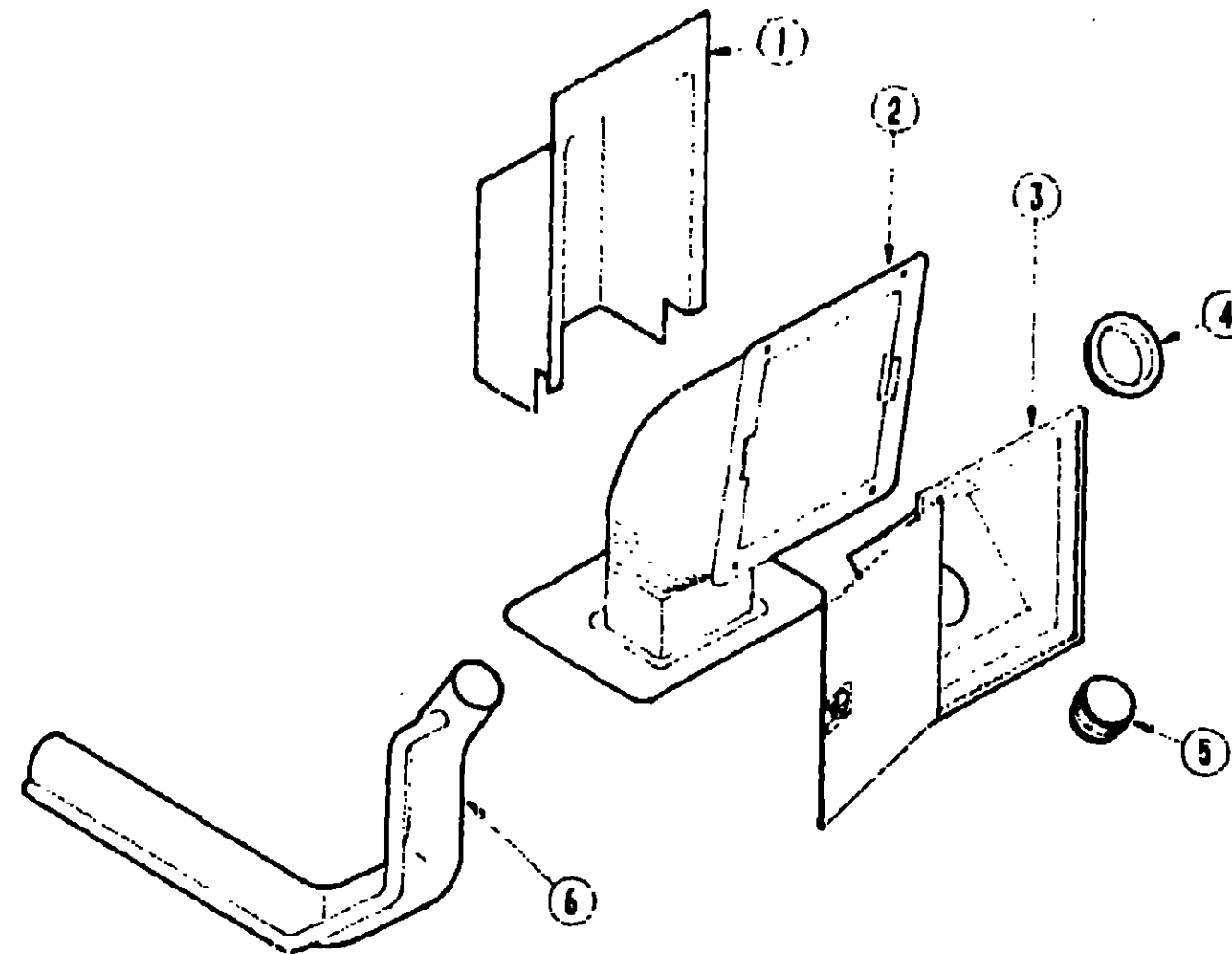
CHASSIS GROUP (CONTINUED)

MISCELLANEOUS CHASSIS PARTS

Key	Part Number	U/M	Description
	047441-01-000	EA	Battery Terminal - Horizontal Lug
	051697-01-000	EA	Bracket - Battery Tie Down - 6.9"
	010497-01-000	EA	Clamp - Closed - 5/8 ID
	007161-01-000	EA	Clamp - Hose - Spring Type - 1 1/2"
	062401-01-000	EA	Clamp - Hose - Wormgear - 22" ID - 1" ID
	062401-02-000	EA	Clamp - Hose - Wormgear - 1.56" - 2.5" ID
	062401-03-000	EA	Clamp - Hose - Wormgear - 25" ID - 1" ID
	062401-04-000	EA	Clamp - Hose - Wormgear - .69" ID - 1.25" ID
	062401-06-000	EA	Clamp - Hose - Wormgear - 22" ID - .62" ID
	023146-01-000	EA	Clamp - Screw Type - 4"
	078781-12-000	EA	Compartment Asm. - Storage
	078781-03-000	EA	Compartment Asm. - Storage
	007003-01-000	FT	Hose - Gas - 1/4 ID x 1/2 OD
	007100-01-000	FT	Hose - Heater - 5/8 ID
	006113-01-000	EA	Jack - Hydraulic - 6 Ton - w/Handle
	080208-02-000	EA	Leverage Bar - Lug Wrench (Chevrolet)
	080208-01-000	EA	Lug Wrench (Chevrolet)
	017516-01-000	EA	Mud Flap w/Holes - 14" x 18" - Black
	064089-01-000	EA	Splash Guard - Black Rubber
	045731-01-000	EA	Rock Guard
	081264-01-000	EA	Shield - Heat Deflector
	094795-01-000	EA	Speedometer - Kilometer (CSA)
	094797-03-000	EA	Instrument Cluster (CSA)
	083212-05-000	EA	Speed Control (Chevrolet)
	077848-01-000	EA	Step Asm. - Pullout
	076241-01-000	EA	Support Asm. - Step
	074889-01-000	EA	Tray - Battery
	074994-01-000	EA	Guide - Track - Battery Tray
	086246-01-000	EA	Tray Asm. - Generator
	052401-02-000	EA	Tray Asm. - Luggage Compartment
	057724-01-000	EA	Wheelwell - Plastic
	098343-01-000	EA	Wire Tie - 6"

NOTE: Remainder of exhaust components available from Chassis Service Center.

CHASSIS GROUP (CONTINUED)



FUEL FILL COMPONENTS

Key	Part Number	U/M	Description
1	078040-01-000	EA	Shroud - Fuel Fill - Upper
2	083578-01-000	EA	Boot - Fuel Fill
	084235-01-000	EA	Support Hange - Fuel Fill Boot
3	078010-03-000	EA	Door Asm. - Fuel Fill - Off White
	077503-01-000	EA	Gasket - Fuel Door
	042441-01-000	EA	Lock Asm. - Fuel Fill
4	078200-01-00	EA	Gasket - Fuel Fill (Ford)
5	NOTE	EA	Fuel Cap (Chevrolet)
6	074888-03-000	EA	Filler Neck - Fuel Fill (Chevrolet)
6	081187-03-000	EA	Filler Neck - Fuel Fill (Ford)
	066732-01-000	EA	Hose - Fuel Fill - .62 ID

NOTE: This item is chassis supplied.

1989 ITASCA TABLE OF CONTENTS

IC/F423RB
IC/F423RC
IF427RT

A-01 - C-02
C-03 - E-08
E-09 - G-16

1989 IC/F423RC INDEX

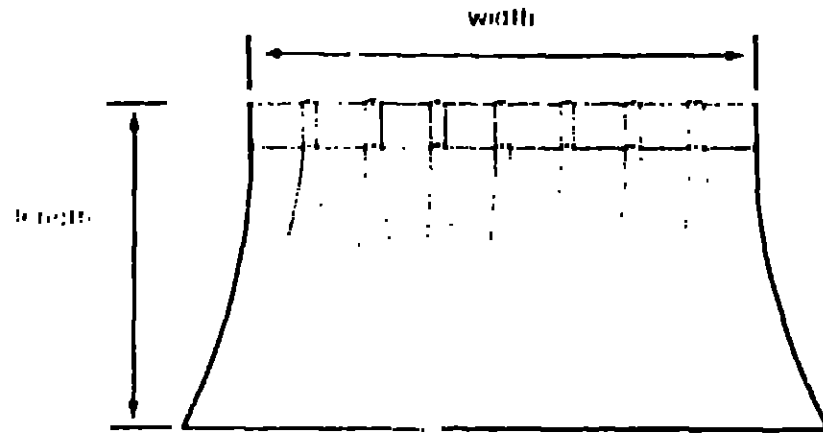
Floor Plan	C-03 - C-04
Accessories Group	C-05 - C-07
Bath Group	C-08 - C-09
Chassis Group	C-10 - C-12
Curtain, Cushion & Pad Group	C-13 - C-19
Dinette Group	C-20 - C-21
Driver's Compartment Group	C-22 - C-24
Electrical Group	D-01 - D-03
Exterior Body Group	D-04 - D-09
Galley Group	D-10 - D-12
Heating & Air Conditioning Group	D-13 - D-14
Interior Finish Group	D-15 - D-16
LP Group	D-17
Lounge Group	D-18
Water & Sewage Group	D-19 - D-20
Window, Vent & Exterior Door Group	D-21 - E-07

CURTAIN, CUSHION & PAD GROUP

NOTICE

In order to assist our Part Sales Dept. in providing interior software items, please include the total number and the color code number from the vehicle certification label when ordering. This label is located on the left sidewall at the end of the dash (A-Body), or on the driver's door latch plate (C-Body).

An example of a color code number is P31, which designates an overall color scheme of a particular unit. The color listed after the item description on the microfiche, indicates the overall unit color. Order the item you desire according to unit color code.



NOTE: Use this illustration when determining length and width measurements for curtains. You will note the width measurement is taken on the top of the curtain with the curtain fully extended. The length measurement is taken from top to bottom.

FABRIC & TRIM

Key	Part Number	U/M	Description
	088274-52-000	YD	Fabric - Upholstery - Main - Blue Haze (Y28)
	088274-53-000	YD	Fabric - Upholstery - Main - Rosewood (Y29)
	088274-79-000	YD	Fabric - Upholstery - Accent - Sky Blue (Y28)
	088274-78-000	YD	Fabric - Upholstery - Accent - Columbine (Y29)
	088273-25-000	YD	Fabric - Bedspread - Ecru (Y28)
	088273-26-000	YD	Fabric - Bedspread - Peach (Y29)
	072333-61-000	YD	Fabric - Drapery Wraparound/Blackout - Pacific (Y28)
	072333-62-000	YD	Fabric - Drapery Wraparound/Blackout - Rose Beige (Y29)
	072333-63-000	YD	Fabric - Pull Shade - Entrance Door - Bone
	081926-01-000	YD	Backing - Quilting - Celestra
	097272-01-000	YD	Lining - Drapery - 48" Ivory
	025103-01-000	YD	Buckram - Non-Woven - 2
	079670-01-000	YD	Vinyl - Expanded - 26 oz. Buckskin (End Caps)
	072866-01-000	YD	Carpet - Graphite (Y28)
	072860-65-000	YD	Carpet - Rose Mist (Y29)

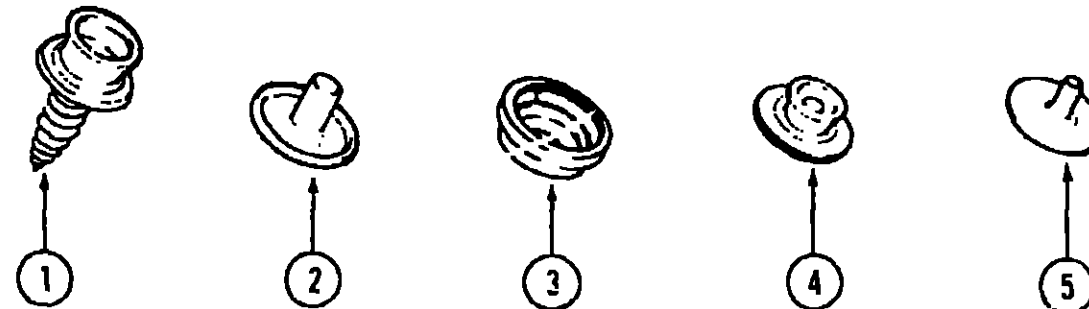
CURTAIN, CUSHION & PAD GROUP (CONTINUED)

CURTAIN & BLIND HARDWARE

Key	Part Number	U/M	Description
	029094-04-000	EA	Tape - Loop - 1" Wide - Black
	029096-03-000	EA	Tape - Hook - 1" Wide - Black
	048394-02-000	EA	Tape - Hook - 75" Wide - Beige
	048395-02-000	EA	Tape - Loop - 75" Wide - Beige
	088792-01-000	EA	Tape - Hook - 5/8" - Non-Adhesive
	088792-02-000	EA	Tape - Loop - .75" - Adhesive - Beige
	056003-01-000	EA	Bracket - Drapery Retainer - Right
	056003-02-000	EA	Bracket - Drapery Retainer - Left
	039175-01-000	EA	Rod - Cafe Curtain - 48" x 84"
	039175-02-000	EA	Bracket - Cafe Curtain
	039175-03-000	EA	Rod - Cafe Curtain - 28" x 48"
	039175-05-000	EA	Bracket - Cafe Curtain - Center
	091904-01-000	FT	Track - Curtain - Beige
	089335-01-000	FT	Track - Curtain - Brown
	078551-04-000	EA	Track - Curtain - Beige - 36"
	087253-01-000	EA	Pull - Shade - Clear Plastic
	084433-05-000	EA	Roller - Shade - 72.25"
	084434-01-000	EA	Bracket - Roller Shade - 1 3/8"
	1401667-01-000	FT	Trim - Valance - 8' - Oak

TRIMS & PADS

Key	Part Number	U/M	Description
	084415-23-000	YD	Trim Braid - Pull Shade (Y28)
	084415-24-000	YD	Trim Braid - Pull Shade (Y29)
	070578-06-T03	EA	Button Asm. - #30 - Vinyl
	057550-03-Y03	EA	Button Asm. - Nail - Vinyl (Door Pad)
	078155-01-000	EA	Strap Asm. - Cushion (Dinette Cushion)
	056632-01-X08	EA	Strap Asm. - Bunk (Front Overhead)
	081519-01-Y07	EA	Pad Asm. - Dinette - Front (Y28)
	081519-01-Y09	EA	Pad Asm. - Dinette - Front (Y29)
	081519-02-Y07	EA	Pad Asm. - Dinette - Rear (Y28)
	081519-02-Y09	EA	Pad Asm. - Dinette - Rear (Y29)
	059491-01-Y28	EA	Pad Asm. - Door - Passenger - Upper (Chevrolet)
	059491-01-Y29	EA	Pad Asm. - Door - Passenger - Upper (Chevrolet)
	059492-01-Y28	EA	Pad Asm. - Door - Driver - Upper (Chevrolet)
	059492-01-Y29	EA	Pad Asm. - Door - Driver - Upper (Chevrolet)
	082552-03-Y07	EA	Pad Asm. - Door - Driver - Lower (Chevrolet) (Y28)
	082552-03-X10	EA	Pad Asm. - Door - Driver - Lower (Chevrolet) (Y29)
	082552-02-Y07	EA	Pad Asm. - Door - Passenger - Lower (Chevrolet) (Y28)
	082552-02-X10	EA	Pad Asm. - Door - Passenger - Lower (Chevrolet) (Y29)



Key	Part Number	U/M	Description
1	029130-01-000	EA	Socket - Snap Fastener
2	029155-01-000	EA	Cap - Snap - .156" Dia. x .17" Barrel
3	029156-01-000	EA	Socket - Snap Fastener
4	029092-01-000	EA	Stud - Nickel Finish
5	029093-01-000	EA	Eyelet - Nickel Finish

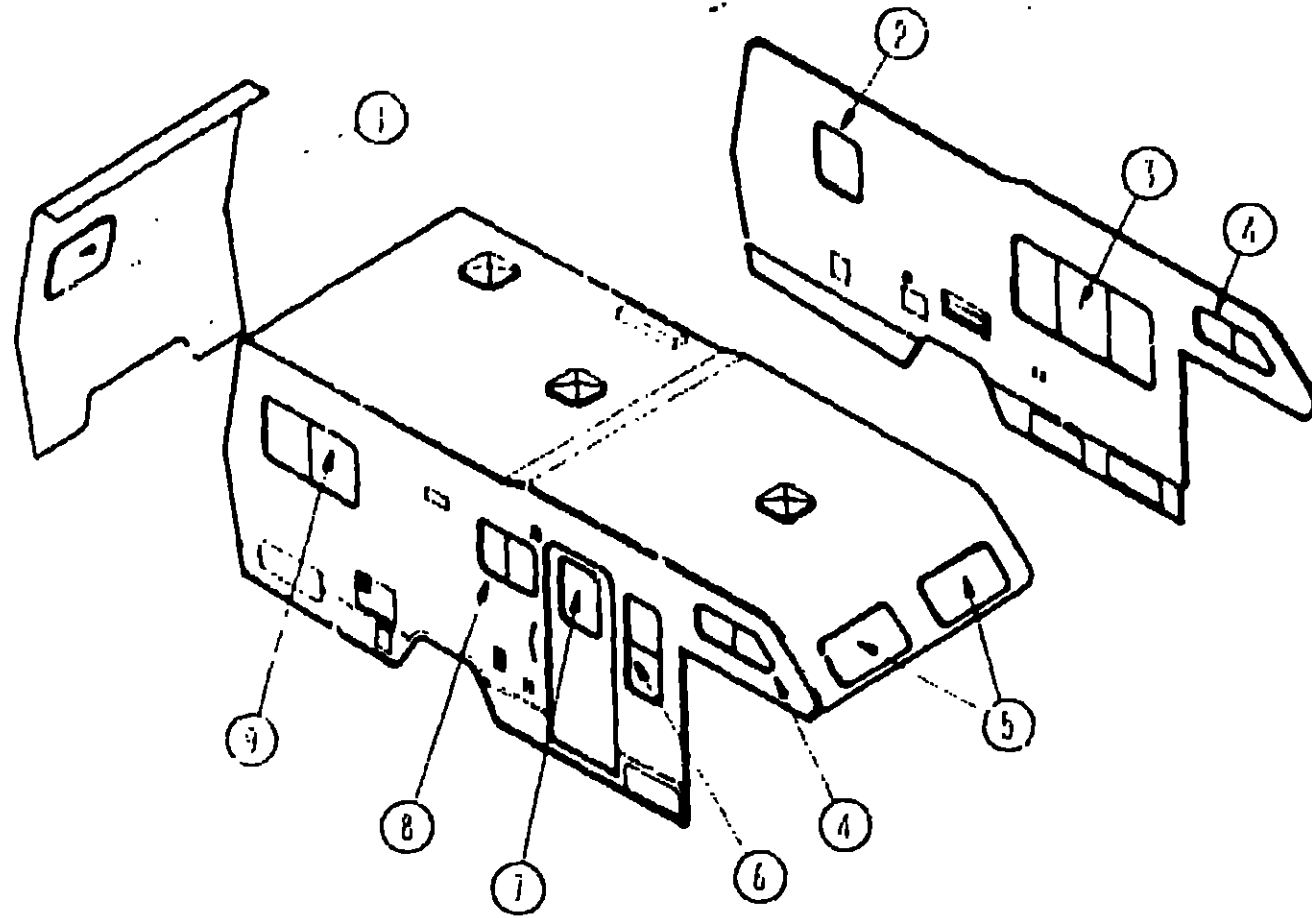
**1989 ITASCA
TABLE OF CONTENTS**

IC/F423RB	A-01 - C-02
IC/F423RC	C-03 - E-08
IF427RT	E-09 - G-16

1989 IC/F423RC INDEX

Floor Plan	C-03 - C-04
Accessories Group	C-05 - C-07
Bath Group	C-08 - C-09
Chassis Group	C-10 - C-12
Curtain, Cushion & Pad Group	C-13 - C-19
Dinette Group	C-20 - C-21
Driver's Compartment Group	C-22 - C-24
Electrical Group	D-01 - D-03
Exterior Body Group	D-04 - D-09
Galley Group	D-10 - D-12
Heating & Air Conditioning Group	D-13 - D-14
Interior Finish Group	D-15 - D-16
LP Group	D-17
Lounge Group	D-18
Water & Sewage Group	D-19 - D-20
Window, Vent & Exterior Door Group	D-21 - E-07

CURTAIN, CUSHION & PAD GROUP (CONTINUED)



CURTAINS, SHADES, VALANCES & TIEBACKS

Key	Part Number	U/M	Description
1	M81977-24-Y05	EA	Valance Asm. - Padded w/Wood Trim - 35.5" (Y28)
1	M81977-24-Y06	EA	Valance Asm. - Padded w/Wood Trim - 35.5" (Y29)
1	093454-06-Y07	EA	Curtain Asm. w/Snap Top - 29.5" x 15" (Y28)
1	093454-06-Y06	EA	Curtain Asm. w/Snap Top - 29.5" x 15" (Y29)
1	093455-15-Y28	EA	Shade Asm. - 33.18" (Y28)
1	093455-15-Y06	EA	Shade Asm. - 33.18" (Y29)
2	M81977-35-Y05	EA	Valance Asm. - Padded w/Wood Trim - 30.5" (Y28)
2	M81977-35-Y06	EA	Valance Asm. - Padded w/Wood Trim - 30.5" (Y29)
2	093455-12-Y28	EA	Shade Asm. - Pull - 27.25"
2	093455-12-Y29	EA	Shade Asm. - Pull - 27.25"
3	M81977-31-Y05	EA	Valance Asm. - Padded w/Wood Trim - 67.5" (Y28)
3	M81977-31-Y06	EA	Valance Asm. - Padded w/Wood Trim - 67.5" (Y29)
3	093454-01-Y07	EA	Curtain Asm. w/Gathers & Snap Top - 33.5" x 15" (Y28)
3	093454-01-Y06	EA	Curtain Asm. w/Gathers & Snap Top - 33.5" x 15" (Y29)
3	093455-01-Y28	EA	Shade Asm. - Pull - 65.25"
3	093455-01-Y29	EA	Shade Asm. - Pull - 65.25"
4	073323-33-Y26	EA	Curtain Asm. w/Rod Top & Bottom - 17.5" x 24" (Y29)
4	073323-33-Y06	EA	Curtain Asm. w/Rod Top & Bottom - 17.5" x 24" (Y28)
5	073323-37-Y26	EA	Curtain Asm. w/Rod Top & Bottom - 21" x 30" (Y29)
5	073323-37-Y06	EA	Curtain Asm. w/Rod Top & Bottom - 21" x 30" (Y28)
6	080824-06-Y05	EA	Valance Asm. - 52.2" - Entrance Door (Y28)
6	080824-06-Y06	EA	Valance Asm. - 52.2" - Entrance Door (Y29)
6	093454-03-Y05	EA	Curtain Asm. w/Gathers - 45.5" x 10" (Y28)
6	093454-03-Y06	EA	Curtain Asm. w/Gathers - 45.5" x 10" (Y29)
6	093455-10-Y28	EA	Shade Asm. - Pull - 19.25"
6	093455-10-Y29	EA	Shade Asm. - Pull - 19.25"

CURTAIN, CUSHION & PAD GROUP (CONTINUED)

CURTAINS, SHADES, VALANCES & TIEBACKS (CONT.)

Key	Part Number	U/M	Description
7	093455-11-Y07	EA	Shade Asm. - Pull - 24.25" (Y28)
7	093455-11-Y29	EA	Shade Asm. - Pull - 24.25" (Y29)
8	M81977-22-Y05	EA	Valance Asm. - Padded w/Wood Trim - 29.5" (Y28)
8	M81977-22-Y06	EA	Valance Asm. - Padded w/Wood Trim - 29.5" (Y29)
8	093455-12-Y28	EA	Shade Asm. - Pull - 27.25"
8	093455-12-Y29	EA	Shade Asm. - Pull - 27.25"
9	M81977-32-Y05	EA	Valance Asm. - Padded w/Wood Trim (Y28)
9	M81977-32-Y06	EA	Valance Asm. - Padded w/Wood Trim (Y29)
9	093454-06-Y07	EA	Curtain Asm. w/Gathers & Snap Top - 29.5" x 15" (Y28)
9	093454-06-Y06	EA	Curtain Asm. w/Gathers & Snap Top - 29.5" x 15" (Y29)
9	093455-21-Y28	EA	Shade Asm. - Pull - 45.25" (Y28)
9	093455-21-Y06	EA	Shade Asm. - Pull - 45.25" (Y29)
	073295-04-Y30	EA	Curtain Asm. w/Lining - Front Wraparound - 23" x 64" - Right (Y28)
	073295-04-Y06	EA	Curtain Asm. w/Lining - Front Wraparound - 23" x 64" - Right (Y29)
	073295-06-Y30	EA	Curtain Asm. w/Lining - Front Wraparound - 23" x 64" - Left (Y28)
	073295-06-Y06	EA	Curtain Asm. w/Lining - Front Wraparound - 23" x 64" - Left (Y29)
	093452-01-Y15	EA	Curtain Asm. w/Snap Top - 48" x 50" - Right Blackout (Y28)
	093452-01-Y29	EA	Curtain Asm. w/Snap Top - 48" x 50" - Right Blackout (Y29)
	093452-02-Y15	EA	Curtain Asm. w/Snap Top - 48" x 50" - Left Blackout (Y28)
	093452-02-Y06	EA	Curtain Asm. w/Snap Top - 48" x 50" - Left Blackout (Y29)
	073304-21-Y30	EA	Curtain Asm. w/Snap Top - Room Divider - 54" x 40" (Y28)
	073304-21-Y06	EA	Curtain Asm. w/Snap Top - Room Divider - 54" x 40" (Y29)
	073260-24-Y30	EA	Tieback Asm. - 2" x 14" (Y28)
	073260-24-Y06	EA	Tieback Asm. - 2" x 14" (Y29)
	073260-23-Y23	EA	Tieback Asm. - 3" x 18" (Y28)
	073260-23-Y06	EA	Tieback Asm. - 3" x 18" (Y29)
	057534-31-000	EA	Tieback - 6" - Clear Plastic

STRATON BUCKET SEAT

Key	Part Number	U/M	Description
	083901-26-Y28	EA	Seat Asm. - Straton w/Right Armrest (Y28)
	083901-26-Y29	EA	Seat Asm. - Straton w/Right Armrest (Y29)
	M01864-35-Y28	EA	Cover Asm. - Seat Cushion (Y28)
	M01864-35-Y29	EA	Cover Asm. - Seat Cushion (Y29)
	M01864-36-Y28	EA	Cover Asm. - Back Cushion
	M01864-36-Y29	EA	Cover Asm. - Back Cushion
	080243-23-Y28	EA	Armrest Asm. - Right
	080243-23-Y29	EA	Armrest Asm. - Right
	M80243-23-Y28	EA	Cover Asm. - Armrest
	M80243-23-Y29	EA	Cover Asm. - Armrest
	083309-27-Y28	EA	Seat Asm. - Straton w/Left Armrest
	083309-27-Y29	EA	Seat Asm. - Straton w/Left Armrest
	M01864-35-Y28	EA	Cover Asm. - Seat Cushion
	M01864-35-Y29	EA	Cover Asm. - Seat Cushion
	M01864-36-Y28	EA	Cover Asm. - Back Cushion
	M01864-36-Y29	EA	Cover Asm. - Back Cushion
	080243-24-Y28	EA	Armrest Asm. - Left
	080243-24-Y29	EA	Armrest Asm. - Left
	M80243-24-Y28	EA	Cover Asm. - Armrest
	M80243-24-Y29	EA	Cover Asm. - Armrest
	085268-01-Y15	EA	Headrest Asm. - Straton (Option 04) (Y28)
	085268-01-Y17	EA	Headrest Asm. - Straton (Option 04) (Y29)
	M35268-01-Y15	EA	Cover Asm. - Straton Headrest (Option 04) (Y28)
	M35268-01-Y17	EA	Cover Asm. - Straton Headrest (Option 04) (Y29)
	031172-01-000	EA	Trim - Headrest - Plastic (Option 04)
	088274-79-000	YD	Fabric - Straton Seat (Y28)
	088274-78-000	YD	Fabric - Straton Seat (Y29)

**1989 ITASCA
TABLE OF CONTENTS**

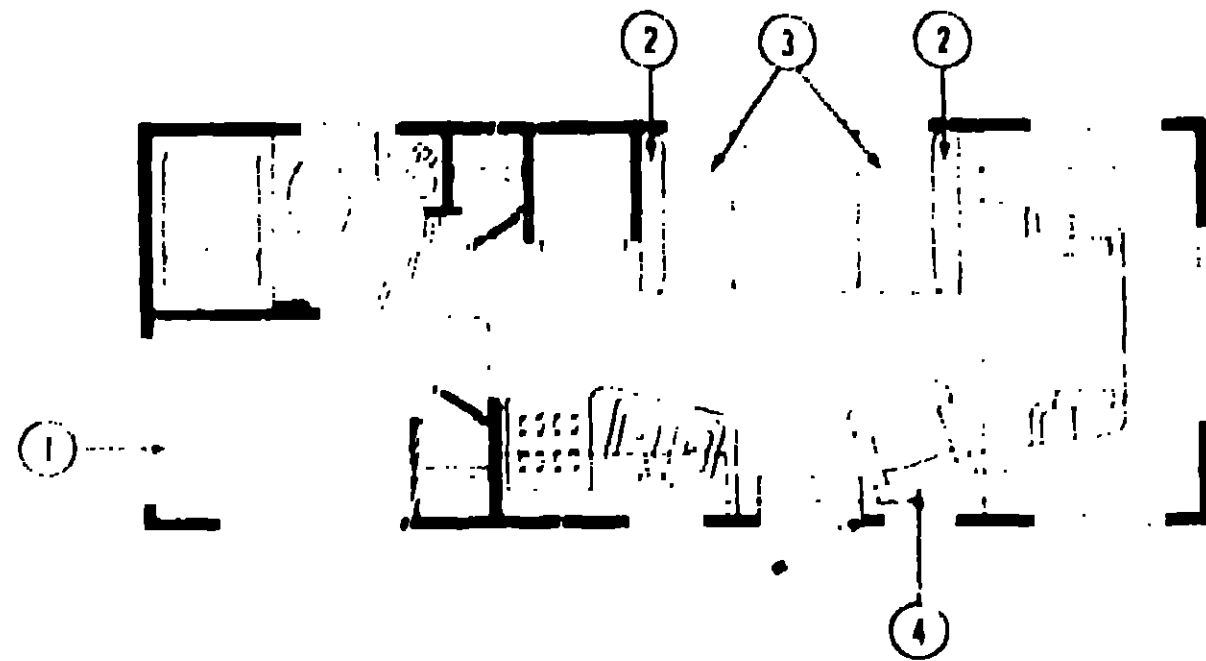
IC/F423RB
IC/F423RC
IF427RT

A-01 - C-02
C-03 - E-08
E-09 - G-16

1989 IC/F423RC INDEX

Floor Plan	C-03 - C-04
Accessories Group	C-05 - C-07
Bath Group	C-08 - C-09
Chassis Group	C-10 - C-12
Curtain, Cushion & Pad Group	C-13 - C-19
Dinette Group	C-20 - C-21
Driver's Compartment Group	C-22 - C-24
Electrical Group	D-01 - D-03
Exterior Body Group	D-04 - D-09
Galley Group	D-10 - D-12
Heating & Air Conditioning Group	D-13 - D-14
Interior Finish Group	D-15 - D-16
LP Group	D-17
Lounge Group	D-18
Water & Sewage Group	D-19 - D-20
Window, Vent & Exterior Door Group	D-21 - E-07

CURTAIN, CUSHION & PAD GROUP (CONTINUED)



DOUBLE BED

Key	Part Number	U/M	Description
1	093462-04-000	EA	Mattress - Foam - 48" x 75"
1	081969-06-Y30	EA	Bedspread - Fitted - Double (Y28)
1	081969-06-Y31	EA	Bedspread - Fitted - Double (Y29)
	081997-03-Y30	EA	Pillow Sham - Quilted (Y28)
	081997-03-Y71	EA	Pillow Sham - Quilted (Y29)
	088273-25-000	YD	Fabric - Bedspread - Ecru (Y28)
	088273-26-000	YD	Fabric - Bedspread - Peach (Y29)

DINETTE CUSHION

Key	Part Number	U/M	Description
2	088927-18-Y07	EA	Cushion Asm. - 13" x 38" x 5" - Back (Y28)
2	088927-18-Y29	EA	Cushion Asm. - 13" x 38" x 5" - Back (Y29)
	M88927-18-Y07	EA	Cover Asm. - Back - Dinette Cushion (Y28)
	M88927-18-Y29	EA	Cover Asm. - Back - Dinette Cushion (Y29)
3	088927-19-Y07	EA	Cushion Asm. - 22" x 38" x 5" - Seat (Y28)
3	088927-19-Y29	EA	Cushion Asm. - 22" x 38" x 5" - Seat (Y29)
	M88927-19-Y07	EA	Cover Asm. - Seat - Dinette Cushion (Y28)
	M88927-19-Y29	EA	Cover Asm. - Seat - Dinette Cushion (Y29)
	078155-01-000	EA	Strap Asm. - Cushion Snap
	088274-52-000	YD	Fabric - Dinette Cushion (Y28)
	088274-53-000	YD	Fabric - Dinette Cushion (Y29)

STARLET II SWIVEL CHAIR

Key	Part Number	U/M	Description
4	092389-02-Y23	EA	Chair Asm. - Starlet II
4	092389-02-Y29	EA	Chair Asm. - Starlet II
	M92389-02-Y28	EA	Cover Asm. - Swivel Chair
	M92389-02-Y29	EA	Cover Asm. - Swivel Chair
	083274-52-000	YD	Fabric - Starlet II - Swivel Chair (Y28)
	083274-53-000	YD	Fabric - Starlet II - Swivel Chair (Y29)
	038245-01-000	EA	Base w/Legs - Chair
	088245-03-000	EA	Plate - Non-Tilt - Swivel w/Lock
	088245-06-000	EA	Extension - "

NOTE: This chair was used in units produced up until 1/23/89.

CURTAIN, CUSHION & PAD GROUP (CONTINUED)

ANTHEM SWIVEL CHAIR

Key	Part Number	U/M	Description
4	096100-01-Y26	EA	Chair Asm. - Anthem (Y28)
4	096100-01-Y27	EA	Chair Asm. - Anthem (Y29)
	M96100-01-Y26	EA	Cover Asm. - Swivel Chair (Y28)
	M96100-01-Y27	EA	Cover Asm. - Swivel Chair (Y29)
	088274-52-000	EA	Fabric - Anthem Swivel Chair (Y28)
	088274-53-000	EA	Fabric - Anthem Swivel Chair (Y29)
	088245-01-000	EA	Base w/Legs - Chair
	088245-03-000	EA	Plate - Non-Tilt - Swivel w/Lock
	088245-06-000	EA	Extension - 7"
	069705-02-000	EA	Bar - 25" x 12.75"

NOTE: This chair was used in units produced after 1/23/89

FRONT BUNK

Key	Part Number	U/M	Description
	073310-07-Y07	EA	Cushion Asm. - Front Bunk - 54" x 76" x 4" (Y28)
	073310-07-Y29	EA	Cushion Asm. - Front Bunk - 54" x 76" x 4" (Y29)
	M73310-07-Y07	EA	Cover Asm. - Front Bunk Cushion (Y28)
	M73310-07-Y29	EA	Cover Asm. - Front Bunk Cushion (Y29)
	088274-52-000	YD	Fabric - Front Bunk Cushion (Y28)
	088274-53-000	YD	Fabric - Front Bunk Cushion (Y29)

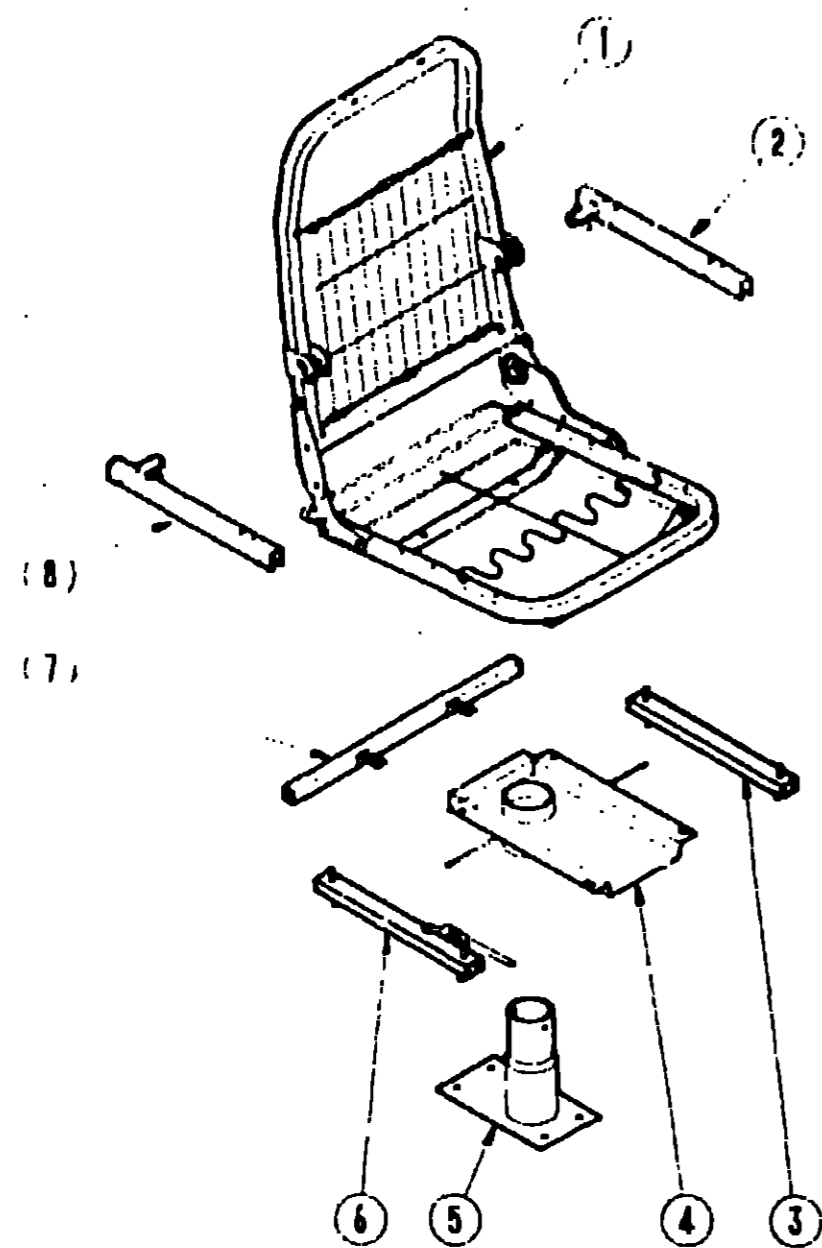
**1989 ITASCA
TABLE OF CONTENTS**

IC/F423RD
IC/F423RC
IF427RT

A-01 - C-02
C-03 - E-08
E-09 - G-16

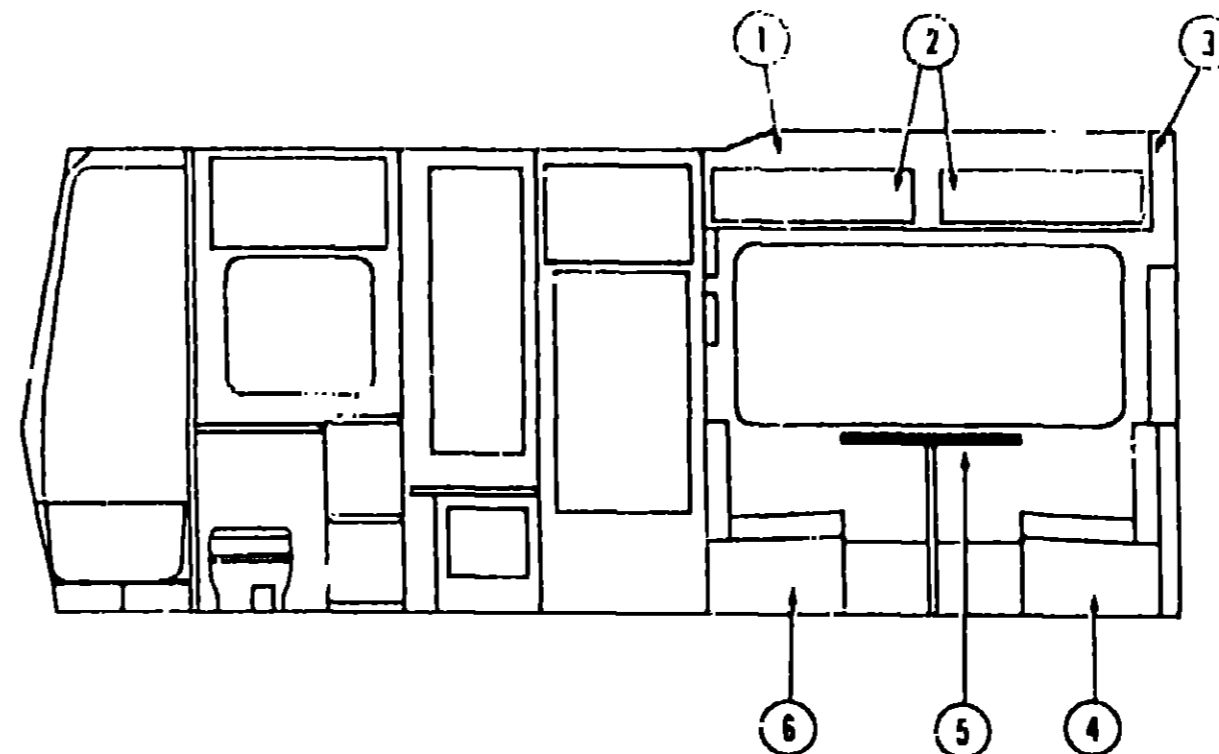
1989 IC/F423RC INDEX

Floor Plan	C-03 - C-04
Accessories Group	C-05 - C-07
Bath Group	C-08 - C-09
Chassis Group	C-10 - C-12
Curtain, Cushion & Pad Group	C-13 - C-19
Dinette Group	C-20 - C-21
Driver's Compartment Group	C-22 - C-24
Electrical Group	D-01 - D-03
Exterior Body Group	D-04 - D-09
Galley Group	D-10 - D-12
Heating & Air Conditioning Group	D-13 - D-14
Interior Finish Group	D-15 - D-16
LP Group	D-17
Lounge Group	D-18
Water & Sewage Group	D-19 - D-20
Window, Vent & Exterior Door Group	D-21 - E-07



BUCKET SEAT HARDWARE

Key	Part Number	U/M	Description
1	M80906-01-000	EA	Frame Asm. - Bucket Seat
2	081268-02-000	EA	Frame - Armrest - Left
3	069246-01-000	EA	Adjuster Asm. - Seat - w/Lock
4	069585-27-000	EA	Top Plate - Non-Powered Seat
5	069585-08-000	EA	Sub Plate - 8" - Used w/Non-Powered Seat
6	069246-02-000	EA	Adjuster Asm. - Seat w/o Lock
7	065485-29-000	EA	Seat Bolt Bar - 20"
8	081268-01-000	EA	Frame - Armrest - Right
	080730-05-000	EA	Shield - Recliner



DINETTE CABINETRY

Key	Part Number	U/M	Description
1	M92460-01-Y05	EA	Cabinet Asrn. - Dinette Overhead - w/o Door or Hardware
2	M84956-02-X33	EA	Door Asm. - Dinette Cabinet - 14.3" x 26.7" - w/o Hardware
3	081280-21-W24	EA	End Cap Asm.
4	M02487-01-W24	EA	Cabinet Asm. - Dinette Seat
	M02486-01-W24	EA	Cabinet Asm. - Dinette Back
	081519-01-Y07	EA	Pad Asm. - Dinette Back
	081519-03-Y06	EA	Pad Asm. - Dinette Back
5	MC2115-09-Y30	EA	Panel Kit - Dinette Table
6	M02489-01-W24	EA	Cabinet Asm. - Dinette Seat
	M02488-01-W24	EA	Cabinet Asm. - Dinette Back
	081519-02-Y07	EA	Pad Asm. - Dinette Back
	081519-02-Y06	EA	Pad Asm. - Dinette Back

See the next page for the breakdown of this item.

1989 ITASCA
TABLE OF CONTENTS

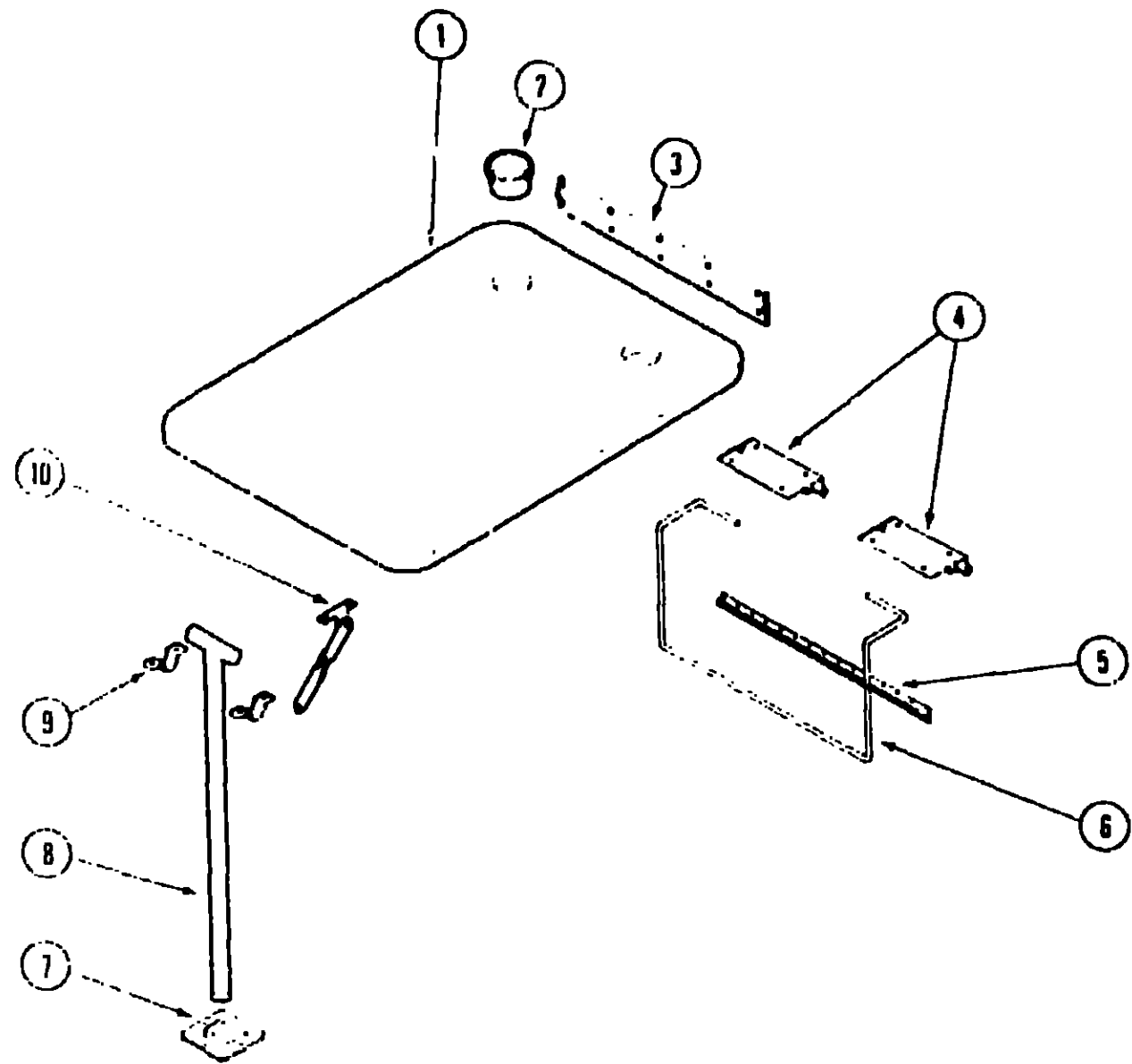
IC/F423RB
IC/F423RC
IF 127RT

A-01 - C-02
C-03 - E-08
E-09 - G-16

1989 IC/F423RC INDEX

Floor Plan	C-03 - C-04
Accessories Group	C-05 - C-07
Bath Group	C-08 - C-09
Chassis Group	C-10 - C-12
Curtain, Cushion & Pad Group	C-13 - C-19
Dinette Group	C-20 - C-21
Driver's Compartment Group	C-22 - C-24
Electrical Group	D-01 - D-03
Exterior Body Group	D-04 - D-09
Galley Group	D-10 - D-12
Heating & Air Conditioning Group	D-13 - D-14
Interior Finish Group	D-15 - D-16
LP Group	D-17
Lounge Group	D-18
Water & Sewage Group	D-19 - E-20
Window, Vent & Exterior Door Group	D-21 - E-07

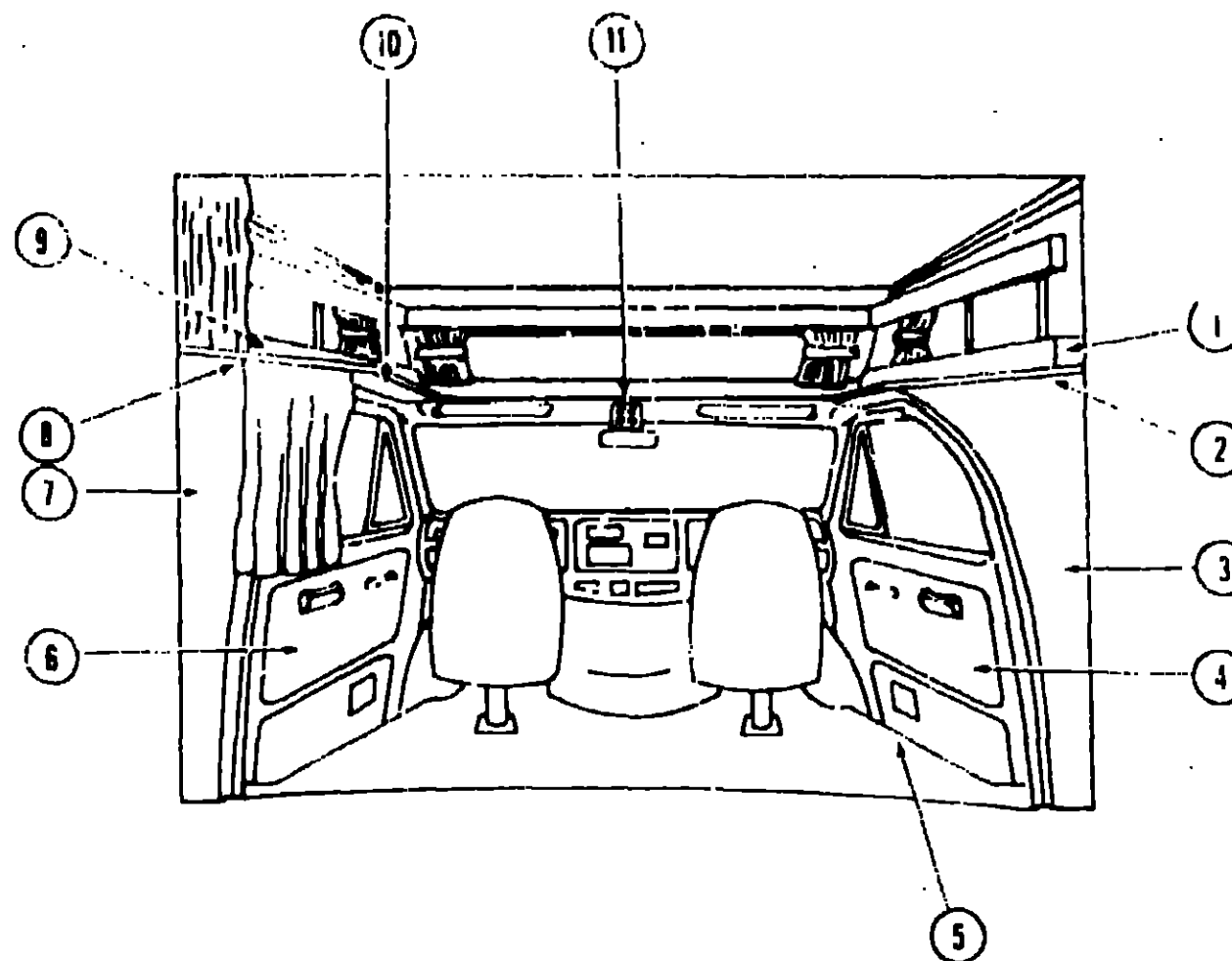
DINETTE GROUP (CONTINUED)



DINETTE TABLE & HARDWARE

Key	Part Number	U/M	Description
1	M02115-05-Y30	EA	Table - Dinette - w/o Hardware
2	061761-05-000	EA	Cup Holder - Two Step - Beige
3	053200-05-000	EA	Support - Table - 23.5" - Beige
4	088410-01-000	EA	Hanger - Table - Beige
5	024231-07-000	EA	Bracket - Table Lift
6	024275-05-000	EA	Rod - Table Lift - Beige
7	049493-01-000	EA	Catch - Table Leg
8	024276-17-000	EA	Leg Asm - Table - Tan
9	064050-02-000	EA	Hinge - Table Leg - Tan
10	024282-01-000	EA	Brace Table Leg
	024283-01-000	EA	Clip - 1" - 1.125" - OD Tube - Black

DRIVER'S COMPARTMENT GROUP



MISCELLANEOUS DRIVER'S COMPARTMENT COMPONENTS (CHEVROLET)

Key	Part Number	U/M	Description
1	087012-01-X08	EA	Cabinet Asm. - Headboard
2	M92068-01-Y30	EA	Sleeper Board Asm.
	079800-01-000	EA	Trim - Front - Sleeper Board
3	092436-01-Y05	EA	Wingwall Asm. - Inner - Passenger
4	059491-01-Y28	EA	Side Panel - Cab Door - Passenger
4	059491-01-Y29	EA	Side Panel - Cab Door - Passenger
5	044860-02-000	EA	Step Well Mat - Passenger
5	044860-01-000	EA	Step Well Mat - Driver
	092432-01-Y05	EA	Floor Mat - Passenger
	092431-01-Y05	EA	Floor Mat - Driver
6	059492-01-Y28	EA	Side Panel - Cab Door - Driver
6	059492-01-Y29	EA	Side Panel - Cab Door - Driver
7	092436-02-Y05	EA	Wingwall Asm. - Inner - Driver
8	080742-01-000	FT	Accent Trim - Vinyl
9	087012-01-X08	EA	Cabinet Asm. - Headboard
10	091829-01-X08	EA	Headliner Asm.
11	M01298-03-000	EA	Console - Overhead - 7.5" x 6.14" - Beige
	024461-01-000	EA	Switch - Battery
	024462-01-000	EA	Switch - Battery Condition
	024976-01-000	EA	Switch - Generator w/o Circuit Board
	031035-01-000	EA	Gauge - Generator Hourmeter
	024459-04-000	EA	Gauge - Voltmeter
	024459-02-000	EA	Bracket - Mounting - Voltmeter Gauge

**1989 ITASCA
TABLE OF CONTENTS**

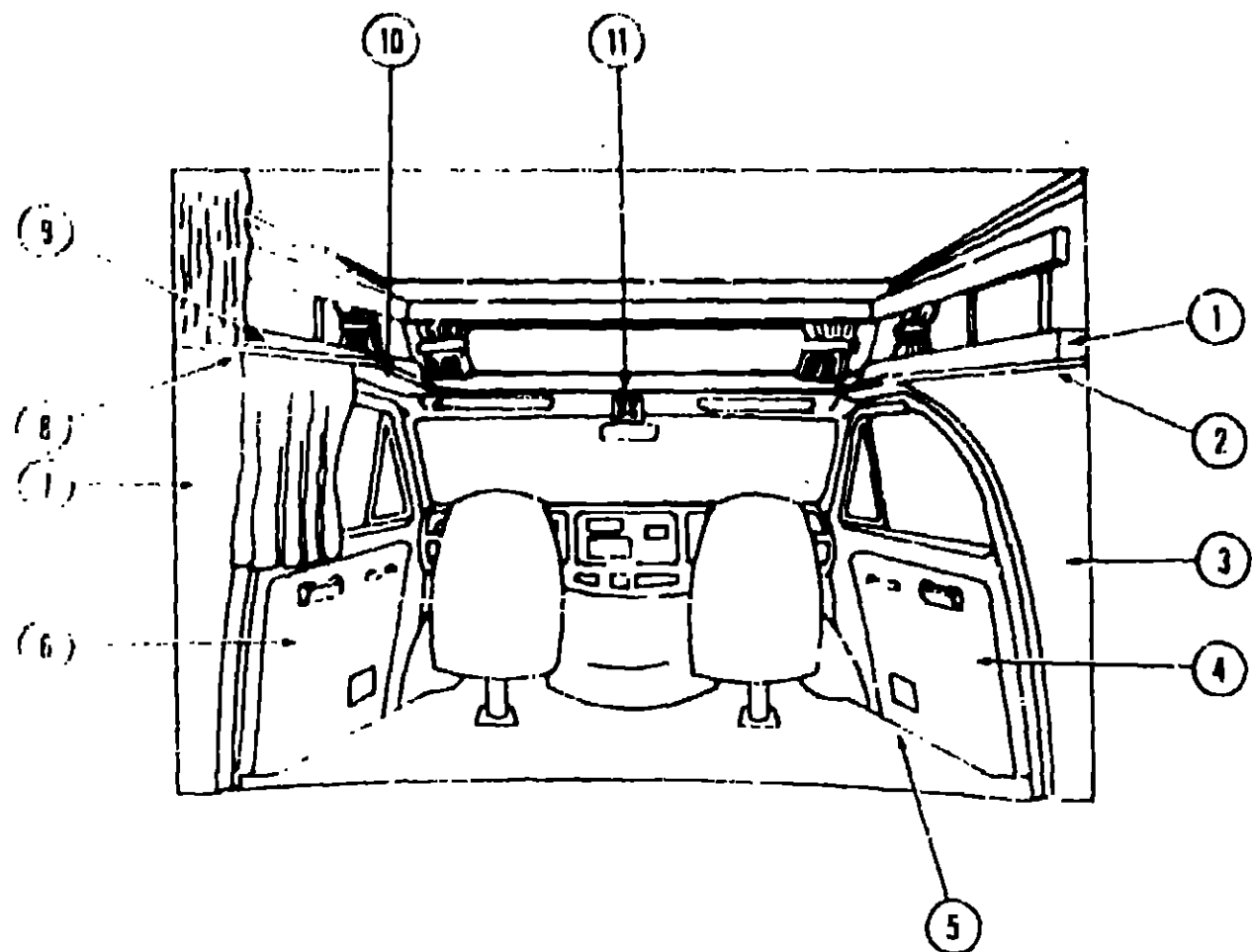
IC/F423RB
IC/F423RC
IF427FT

A-01 - C-02
C-03 - E-08
E-09 - G-16

1989 IC/F423RC INDEX

Floor Plan	C-03 - C-04
Accessories Group	C-05 - C-07
Bath Group	C-08 - C-09
Chassis Group	C-10 - C-12
Curtain, Cushion & Pad Group	C-13 - C-19
Dinette Group	C-20 - C-21
Driver's Compartment Group	C-22 - C-24
Electrical Group	D-01 - D-03
Exterior Body Group	D-04 - D-09
Galley Group	D-10 - D-12
Heating & Air Conditioning Group	D-13 - D-14
Interior Finish Group	D-15 - D-16
LP Group	D-17
Lounge Group	D-18
Water & Sewage Group	D-19 - D-20
Window, Vent & Exterior Door Group	D-21 - E-07

DRIVER'S COMPARTMENT GROUP (CONTINUED)

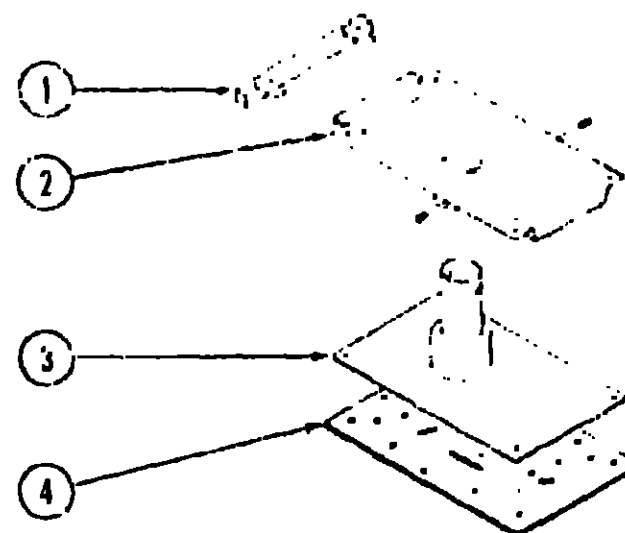


MISCELLANEOUS DRIVER'S COMPARTMENT COMPONENTS (FORD)

Key	Part Number	U/M	Description
1	087012-01-X08	EA	Cabinet Asm. - Headboard
2	M122058-01-Y30	EA	Sleeper Board Asm.
	079900-03-000	EA	Trim - Front Sleeper Board
3	092037-01-X81	EA	Wingwall Asm. - Inner - Passenger
**4	NOTE	EA	Side Panel - Cab Door - Passenger
5	083215-03-000	EA	Floor Mat - Passenger
	083219-04-050	EA	Floor Mat - Driver
	080359-02-000	EA	Step Well Plate
**6	NOTE	EA	Panel Asm. - Cab Door - Driver - Beige
7	092037-02-X81	EA	Wingwall Asm. - Inner - Driver
8	080742-01-000	FT	Accent Trim - Vinyl
9	087012-01-X08	EA	Cabinet Asm. - Headboard
10	091831-01-X08	EA	Headliner Asm. w/Vinyl
11	M101298-01-000	EA	Console - Overhead - 7.5" x 6.14" - Black
	024461-01-000	EA	Switch - Battery
	024462-01-000	EA	Switch - Battery Condition
	024076-01-000	EA	Switch - Generator w/o Circuit Board
	031035-01-000	EA	Gauge - Generator Hourmeter
	024459-04-000	EA	Gauge - Voltmeter
	024459-02-000	EA	Bracket - Mounting - Voltmeter Gauge

** This part is supplied by your Ford dealer.

DRIVER'S COMPARTMENT GROUP (CONTINUED)



BUCKET SEAT PEDESTAL & SEAT BELTS

Key	Part Number	U/M	Description
1	069585-29-000	EA	Bar - Seat Belt - 20"
2	069585-27-000	EA	Plate - Top - Pedestal Asm.
3	069585-03-000	EA	Plate - Sub - Pedestal Asm.
4	069585-02-000	EA	Plate - Base - Pedestal Asm. - Bucket Seat
	056271-02-000	EA	Belt Asm. - Seat - 2" x 72" - Black
	007021-01-000	EA	Belt Asm. - Seat - 2" x 90" - Black
	041322-01-000	EA	Washer - Flat 15/32" ID x 2 3/8" OD - Seat Belt
	057759-01-000	EA	Bracket - Seat Belt Washer
	069246-01-000	EA	Adjuster Asm. - Seat - w/Lock
	069246-02-000	EA	Adjuster Asm. - Seat - w/o Lock
	007221-01-000	EA	Spacer - Seat Adjuster
	080730-02-000	EA	Recliner Drive - Driver
	080730-01-000	EA	Recliner Drive - Passenger

**1989 ITASCA
TABLE OF CONTENTS**

IC/F423RB
IC/F423RC
IF427RT

A-01 - C-02
C-03 - E-08
E-09 - G-16

1989 IC/F423RC INDEX

Floor Plan	C-03 - C-04
Accessories Group	C-05 - C-07
Bath Group	C-08 - C-09
Chassis Group	C-10 - C-12
Curtain, Cushion & Pad Group	C-13 - C-19
Dinette Group	C-20 - C-21
Driver's Compartment Group	C-22 - C-24
Electrical Group	D-01 - D-03
Exterior Body Group	D-04 - D-09
Galley Group	D-10 - D-12
Heating & Air Conditioning Group	D-13 - D-14
Interior Finish Group	D-15 - D-16
LP Group	D-17
Lounge Group	D-18
Water & Sewage Group	D-19 - D-20
Window, Vent & Exterior Door Group	D-21 - E-07

ELECTRICAL GROUP

BULBS

Key	Part Number	U/M	Description
	008103-01-000	EA	Bulb - 53 (Aisle Light)
	072696-01-709	EA	Bulb - 912 (Stove Hood)
	008215-01-000	EA	Bulb - 1003 (Shower Light)
	067479-01-000	EA	Bulb - 1076 (Wall Lamp)
	063914-01-000	EA	Bulb - 1139 (Reading Light)
	008218-01-000	EA	Bulb - 1141 (Dome Light)
	037934-01-000	EA	Bulb - 1156 (Back-Up Light)
	037935-01-000	EA	Bulb - 1157 (Tail Lamp)
	084880-01-706	EA	Bulb - DC Light (Refrigerator)
	088737-01-710	EA	Bulb - 30W (Microwave Oven)
	078424-02-700	EA	Bulb - Fluorescent - 18" (Galley)
	087694-01-700	EA	Bulb - GE561 (Wardrobe Light)

FUSES & CIRCUIT BREAKERS

Key	Part Number	U/M	Description
	062901-02-000	EA	Fuse - 5 Amp. - Automotive
	062901-03-000	EA	Fuse - 15 Amp. - Automotive
	008211-01-000	EA	Circuit Breaker - 6 Amp. - 12 Volt
	093654-01-000	EA	Circuit Breaker - 6 Amp. - 12 Volt
	093654-02-000	EA	Circuit Breaker - 15 Amp. - 12 Volt
	088779-01-000	EA	Circuit Breaker - 15 Amp.
	083210-02-000	EA	Circuit Breaker - 15 Amp. - 120 Volt (Ground Fault Interrupter)
	081209-02-000	EA	Circuit Breaker - 15/15 Amp. - 120 Volt
	081209-03-000	EA	Circuit Breaker - 15/20 Amp. - 120 Volt
	033573-01-000	EA	Circuit Breaker - 20 Amp. - 12 Volt
	083209-05-000	EA	Circuit Breaker - 20 Amp. - 120 Volt
	084811-01-000	EA	Circuit Breaker - 20/20 Amp. - 120 Volt
	093655-01-000	EA	Circuit Breaker - 25 Amp. - 12 Volt
	008260-01-000	EA	Circuit Breaker - 30 Amp. - 12 Volt
	083209-04-000	EA	Circuit Breaker - 20 Amp. - 120 Volt
	083209-06-000	EA	Circuit Breaker - 30/15 Amp. - 120 Volt
	084810-01-000	EA	Circuit Breaker - 30/30 Amp. - 120 Volt (Export)
	091655-05-000	EA	Circuit Breaker - 40 Amp. - 12 Volt
	083209-08-000	EA	Circuit Breaker Blank
	088277-01-000	EA	Fuse Holder - Black - Panel Mount

MISCELLANEOUS ELECTRICAL COMPONENTS

Key	Part Number	U/M	Description
	063735-01-000	EA	Battery - 12 Volt - 80 Amp. - Gould
	072852-01-000	EA	Smoke Detector w/9 Volt Battery
	083208-01-000	EA	Converter - 32 Amp. w/Charger
	094809-01-000	EA	Load Center - 240 Volt - 125 Amp. (Export)
	018649-01-000	EA	Fan - 6 Blade - 6"

ELECTRICAL GROUP (CONTINUED)

WIRES, SWITCHES, & RECEPTACLES

Key	Part Number	U/M	Description
	008288-01-000	EA	Box - Electrical - 3" x 3 1/2" - Plastic
	093603-01-000	EA	Box - Electrical - 4" x 2 1/8" x 2 1/8"
	008289-01-000	EA	Box - Electrical - 4" x 4" - 1/2 & 3/4 Steel
	008289-02-000	EA	Box - Electrical - 4" x 4" (CSA)
	058049-01-000	EA	Box - Electrical - 2" x 3" x 2 25" - Ster.I
	041953-01-000	FT	Conduit - Convolute Slit - 5" ID
	041953-09-000	FT	Conduit - Convolute Slit - .50" ID
	041953-10-000	FT	Conduit - Convolute Slit - .75" ID
	008356-01-000	EA	Connector - Plastic - 3/8" Avg.
	058028-01-000	EA	Connector - Pigtail - Clear Nylon
	008311-01-000	EA	Connector - Wire Nut - Red
	008314-01-000	EA	Connector - Wire Nut - Gray
	079090-01-000	EA	Connector - Molded - 12/2 Load
	031967-01-000	EA	Contact - Receptacle
	008054-01-000	EA	Cord - Power - 10-3 30 Amp. - 25'
	008052-01-000	EA	Cord - Power - 10-3 30 Amp. (CSA)
	008294-01-000	EA	Cover Plate - Blank - Steel 4 x 4 (USA)
	064450-01-000	EA	Housing - Trailer Plug
	064399-01-000	EA	Housing Asm. - Trailer Pin
	097746-01-000	EA	Housing Asm. - Trailer Cap
	097745-02-000	EA	Housing Asm. - Trailer Receptacle - 48"
	064398-01-000	EA	Housing Asm. - Trailer Receptacle
	089473-05-000	EA	Housing Pin - 6 Position In Line
	054532-01-000	EA	Housing Pin - 6 Position
	054532-02-000	EA	Housing Pin - 4 Position
	088473-08-000	EA	Housing Pin - 4 Position
	088475-01-000	EA	Pin - Connector
	075736-02-000	EA	Receptacle/Cover Asm. - Off White (Exterior)
	084077-02-000	EA	Receptacle Cover - Brown (Ground Fault Interrupter)
	084076-02-000	EA	Receptacle - 15 Amp. - 125 Volt - Brown (Ground Fault Interrupter)
	024924-02-000	EA	Receptacle - Power Cord
	058707-01-000	EA	Receptacle - Single - Brown
	007940-01-000	EA	Receptacle - Slide - 16 to 12 Awg.
	088476-01-000	EA	Socket - Connector
	088476-02-000	EA	Socket - Connector - 12-10 Ga
	024461-01-000	EA	Switch - Battery
	024462-01-000	EA	Switch - Battery Condition
	024776-01-000	EA	Switch - Generator w/o Circuit Board
	077942-01-000	EA	Switch - Dummy - Black
	008195-01-000	EA	Switch - Push Button - 12 Volt
	079362-03-000	EA	Switch Plate - 3 Gang - 2 Switch
	007942-01-000	EA	Tab - 18 to 14 Awg. Wire
	007949-01-000	EA	Tab - 14 to 10 Awg. Wire
	007955-01-000	EA	Tab - HSG - 6 Position
	035416-04-000	EA	Terminal Ring - #10 Stud Fit
	008528-01-000	EA	Terminal Ring - 12/10 Wire
	008348-01-000	EA	Terminal Ring - 2 - 3/8 Stud
	008331-01-000	EA	Terminal Ring - 4 - 3/8 Stud
	062036-02-000	EA	Terminal - Pack - Con - 16/14 AWG
	086777-02-000	EA	Wallplate - Antenna Power
	008026-01-000	FT	Wire - 12/2 Romex w/Ground
	008028-01-000	FT	Wire - 18.5 Bonded - Blue/Red/Yellow/Orange/White
	008024-01-000	FT	Wire - 18.5 Bonded - Orange/White/Yellow/Blue/Brown
	008025-01-000	FT	Wire - 18.5 Bonded - Orange/White/Yellow/Blue/Green
	008030-01-000	FT	Wire - Bonded
	008343-01-000	EA	Wire Tie - 6"
	008343-02-000	EA	Wire Tie - 14"

**1989 ITASCA
TABLE OF CONTENTS**

IC/F423RB	A-01 - C-02
IC/F423RC	C-03 - E-08
IF427RT	E-09 - G-16

1989 IC/F423RC INDEX

Floor Plan	C-03 - C-04
Accessories Group	C-05 - C-07
Bath Group	C-08 - C-09
Chassis Group	C-10 - C-12
Curtain, Cushion & Pad Group	C-13 - C-19
Dinette Group	C-20 - C-21
Driver's Compartment Group	C-22 - C-24
Electrical Group	D-01 - D-03
Exterior Body Group	D-04 - D-09
Galley Group	D-10 - D-12
Heating & Air Conditioning Group	D-13 - D-14
Interior Finish Group	D-15 - D-16
LP Group	D-17
Lounge Group	D-18
Water & Sewage Group	D-19 - D-20
Window, Vent & Exterior Door Group	D-21 - E-07

ELECTRICAL GROUP (CONTINUED)

EXTERIOR LIGHTS

Key	Part Number	U/M	Description
	042405-01-000	EA	Lens - Clearance Light - Red w/Reflex
	042405-02-000	EA	Lens - Clearance Light - Amber w/Reflex
	042405-03-000	EA	Base - Rectangular Clearance Light
	091983-01-000	EA	Gasket - Light - Side Marker
	062742-04-000	EA	Wedge Asm. - Tail Light - Off White
	058032-02-000	EA	Tail Light - 2 Bulb - Black
	007309-01-000	EA	Light - License Plate
	059540-01-000	EA	Bracket - License Plate
	008089-01-000	EA	Porch Light - Recessed (US)
	008089-02-000	EA	Porch Light - Recessed (CSA)
	008089-01-700	EA	Lens - Porch Light
	091981-01-000	EA	Gasket - Porch Light
	008215-01-000	EA	Bulb - Porch Light

INTERIOR LIGHTS

Key	Part Number	U/M	Description
	072353-08-000	CA	Reading Light - Single - Brass w/Tan Switch
	063914-01-000	EA	Bulb - 1139 (Reading Light)
	0817694-01-000	EA	Light Asm. - Wardrobe w/Switch
	0817694-01-700	EA	Bulb - Wardrobe - Light
	007309-01-000	EA	Light - Step Well - Round - 12V
	098024-01-01A	EA	Dome Light - 1 Bulb - Ivory
	098024-02-01A	EA	Dome Light - 1 Bulb - Ivory (CSA)
	098024-03-01A	EA	Dome Light - 2 Bulb - Ivory
	098024-04-01A	EA	Dome Light - 2 Bulb - Ivory (CSA)

EXTERIOR BODY GROUP

SEALANTS & ADHESIVES

Key	Part Number	U/M	Description
	004020-01-000	OT	Adhesive - ABS Cement (Plastic Fillings)
	002337-01-000	EA	Adhesive - 1300 Tube - 3M (Windows)
	004005-02-000	GL	Adhesive - Swifts - Glue (Sidewalls)
	053766-07-000	EA	Bedding Compound - Tube - Beige (Exterior)
	053766-06-000	EA	Bedding Compound - Tube - Clear (V/Indc.v)
	053766-08-000	EA	Bedding Compound - Tube - Gray (Exterior)
	053766-05-000	EA	Bedding Compound - Tube - Gray (Sidewalls to Floor)
	053766-02-000	EA	Bedding Compound - Tube - Off White (Exterior)
	002328-02-000	EA	Block - Rubber Spacer (Windshield)
	004236-01-000	EA	Caulk - Latex - Golden Walnut (Sidewalls)
	077967-01-000	EA	Sealant - Acrylic Latex - Tube - Off White (Interior Sealant)
	034552-04-000	EA	Sealant - Silicone - Beige
	034552-02-000	EA	Sealant - Silicone - Clear
	034552-07-000	EA	Sealant - Silicone - Dark Gray
	034552-06-000	EA	Sealant - Silicone - Off White
	069637-01-000	EA	Sealant - Weatherban 404 - Tube - White (Door Caulk)
	072889-01-000	EA	Sealant - Urethane - Black (Windshield)
	069640-01-000	FT	Sealer Ribbon - .25" Bead x 20'
	069640-02-000	FT	Sealer Ribbon - .5" x .125" x 30'
	069640-03-000	FT	Sealer Ribbon - .75" x .125" x 30'
	069640-04-000	FT	Sealer Ribbon - 2" x .09" x 45'
	069640-05-000	FT	Sealer Ribbon - 2.5" x .09" x 50'
	059640-06-000	FT	Sealer Ribbon - 5/16" Bead x 15'
	069640-07-000	FT	Sealer Ribbon - 2" x 3/32" x 30'
	002316-01-000	FT	Sealer Tap - 3/32" x 3/8" - White (Window)
	002707-01-000	FT	Sealer Tape - 5/16" x 3/4"
	002707-02-000	FT	Sealer Tape - 5/16" x 1/2"
	040545-01-000	GL	Sealer - Seam Weld
	033752-04-000	EA	Seam Sealer - Tube - Aluminum (Roof)
	063642-01-000	FT	Tape - Adhesive - .10mm x 1.5" Wide
	038886-01-000	EA	Tape - Butyl - 31" x .31" x 148" (Windshield)
	078322-01-000	FT	Tape - Foam - Double Coated - .025 x 1" (Fiberglass Sidewall Seams)
	076322-02-000	FT	Tape - Foam - Double Coated - .045 x 1" (Fiberglass Sidewall Seams)
	009200-01-000	EA	Tape - Furzeon - 1.5"
	002825-01-000	FT	Weather Stripping (Roof Vent)

MISCELLANEOUS EXTERNALLY MOUNTED PARTS

Key	Part Number	U/M	Description
	083558-01-000	FA	Plumbing Seal - Roof Vent - 1.5
	000126-01-000	EA	Assist Handle - Chrome
	010230-02-000	EA	Fill - City Water - Recessed - Off White
	087659-04-000	EA	Fill - City Water - Off White
	081240-03-000	EA	Fill - City Water - Lockable - Off White

SHEET FIBERGLASS, ALUMINUM & STYROFOAM

Key	Part Number	U/M	Description
	044487-01-000	EA	Aluminum - Mill Finish - No Design - 96" x 360" (Roof)
	000868-01-000	SF	Styrofoam - 3/4" x 24" x 96"
	000870-01-000	SF	Styrofoam - 1 1/2" x 24" x 96"
	000870-03-000	SF	Styrofoam - 1 3/4" x 48" x 96"
	000870-05-000	SF	Styrofoam - .50" x 24" x 96"
	083574-01-000	SF	Styrofoam - 1.5" x 24" x 85.25"
	076054-46-000	EA	Fiberglass Sheet - 48" x 205" - Off White
	076054-47-000	EA	Fiberglass Sheet - 48" x 262" - Off White
	077517-24-000	EA	Fiberglass Sheet - 48" x 96" - Off White

**1989 ITASCA
TABLE OF CONTENTS**

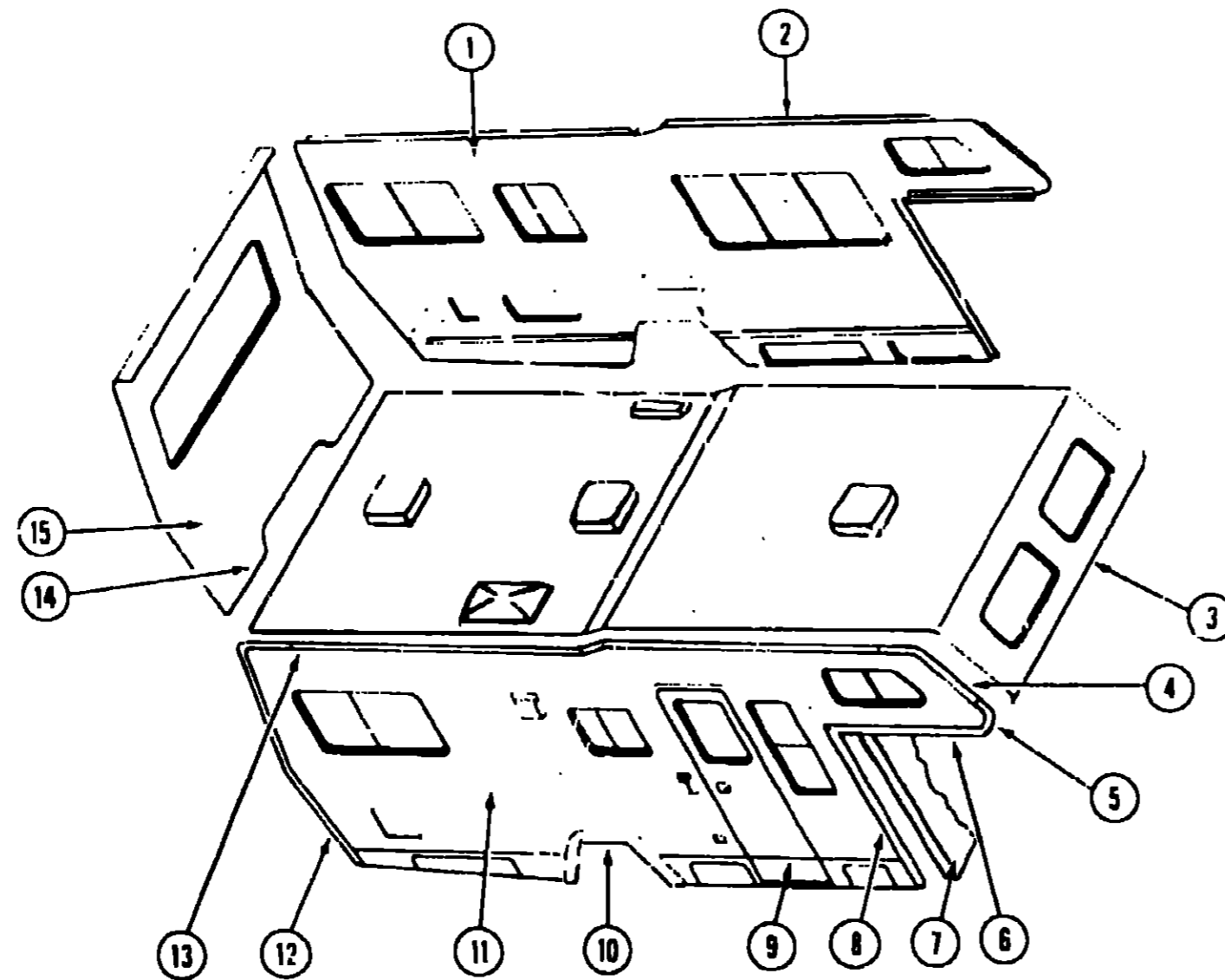
IC/F423RB	A-01 - C-02
IC/F423RC	C-03 - E-08
IF427RT	E-09 - G-16

1989 IC/F423RC INDEX

Floor Plan	C-01 - C-04
Accessories Group	C-05 - C-07
Bath Group	C-08 - C-09
Chassis Group	C-10 - C-12
Curtain, Cushion & Pad Group	C-13 - C-19
Dinette Group	C-20 - C-21
Driver's Compartment Group	C-22 - C-24
Electrical Group	D-01 - D-03
Exterior Body Group	D-04 - D-09
Galley Group	D-10 - D-12
Heating & Air Conditioning Group	D-13 - D-14
Interior Finish Group	D-15 - D-16
LP Group	D-17
Lounge Group	D-18
Water & Sewage Group	D-19 - D-20
Window, Vent & Exterior Door Group	D-21 - E-07

EXTERIOR BODY GROUP (CONTINUED)

EXTERIOR BODY PANELS



1989 ITASCA TABLE OF CONTENTS

IC/F423RB
IC/F423RC
IF427RT

A-01 - C-02
C-03 - E-08
E-09 - G-16

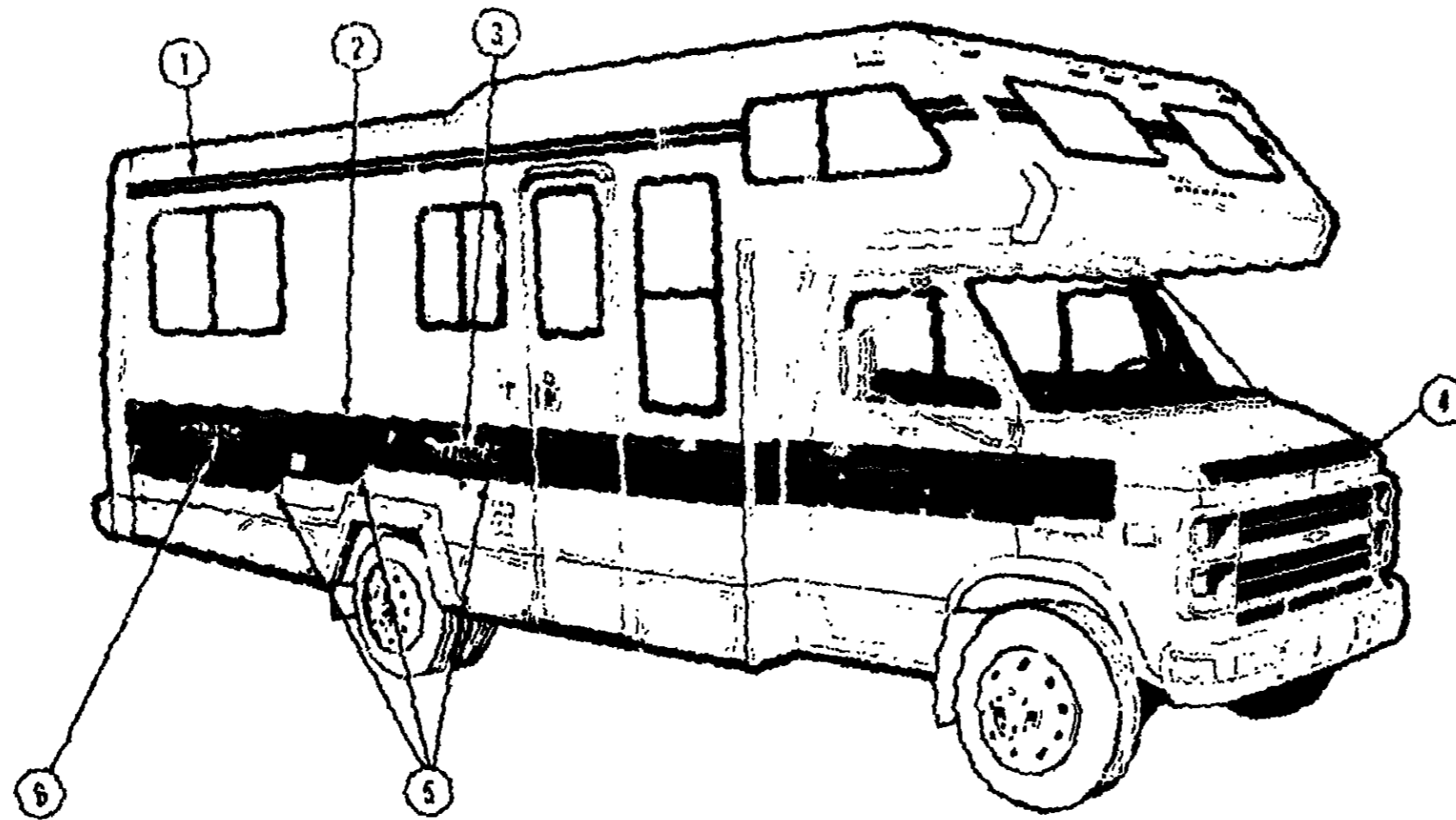
1989 IC/F423RC INDEX

Floor Plan	C-03 - C-04
Accessories Group	C-05 - C-07
Bath Group	C-08 - C-09
Chassis Group	C-10 - C-12
Curtain, Cushion & Pad Group	C-13 - C-19
Dinette Group	C-20 - C-21
Driver's Compartment Group	C-22 - C-24
Electrical Group	D-01 - D-03
Exterior Body Group	D-04 - D-09
Galley Group	D-10 - D-12
Heating & Air Conditioning Group	D-13 - D-14
Interior Finish Group	D-15 - D-16
LP Group	D-17
Lounge Group	D-18
Water & Sewage Group	D-19 - D-20
Window, Vent & Exterior Door Group	D-21 - E-07

Key	Part Number	U/M	Description
1	M92136-01-Y2B	EA	Sidewall Asm. - Drivers
1	M92136-01-Y29	EA	Sidewall Asm. - Drivers
	M88629-01-Y2B	EA	Roof Asm.
	M76177-01-700	EA	Roof Section - Cab Over To First Seam
2	076802-03-000	EA	Trim - Contour - Upper Front - Driver
	076802-07-000	EA	Trim - Contour - Upper Front - Passenger
3	039644-08-000	EA	Trim - Sleeper Board Front
4	085490-01-000	EA	Trim - Contour Point - Sleeper - Passenger
	085490-02-000	EA	Trim - Contour Point - Sleeper - Driver
5	086889-01-000	EA	Trim - Contour - Sleeper - Passenger
	086889-02-000	EA	Trim - Contour - Sleeper - Driver
6	076975-05-000	EA	Trim - Wingwall - Passenger
	076975-06-000	EA	Trim - Wingwall - Driver
7	M82343-02-U01	EA	Wingwall Asm. - Passenger (Chevrolet)
7	M81653-02-U01	EA	Wingwall Asm. - Passenger (Ford)
	M82343-01-U01	EA	Wingwall Asm. - Driver (Chevrolet)
	M81653-01-U01	EA	Wingwall Asm. - Driver (Ford)

Key	Part Number	U/M	Description
8	076975-03-000	EA	Trim - Wingwall Transition - Passenger
	076975-04-000	EA	Trim - Wingwall Transition - Driver
9	059576-05-000	EA	Feature Strip w/o Insert - 14.8"
	001030-02-100	EA	Insert - Feature Strip - 17" - Stucco
	009731-01-000	EA	Cap - Feature Strip Trim
10	075189-01-000	EA	Trim - Wheelwell - Rear Passenger
	075189-02-000	EA	Trim - Wheelwell - Rear Driver
11	M92137-01-Y2B	EA	Sidewall Asm. - Passenger
11	M92137-01-Y29	EA	Sidewall Asm. - Passenger
12	076805-01-000	EA	Trim - Contour - Rear Passenger
	076805-02-000	EA	Trim - Contour - Rear Driver
13	077339-07-000	EA	Trim - Contour - Upper Rear Passenger
	077339-08-000	EA	Trim - Contour - Upper Rear Driver
14	074968-02-000	EA	Trim - Backwall - Lower
15	M03106-01-Y2B	EA	Backwall Asm.
	086180-55-001	EA	U-Channel - Extrusion - 192" - Off White

EXTERIOR BODY GROUP (CONTINUED)
LABELS & DECALS



Key	Part Number	U/M	Description
1	065217-1A5-000	FT	Film - Multistripe - 3.3" x 150" - Blue/Dark Rose
2	069245-F5-000	FT	Film - Multistripe - 4.21" x 150" - Dark Rose/Rose
3	093565-01-01A	EA	Decal - Logo - "Itasca"
4	081940-09-000	EA	Decal - Hood - Blue (Ford)
4	0111944-09-000	EA	Decal - Hood - Blue (Chevrolet)
5	078631-68-000	FT	Decal - Stripping - 3.5" x 150" - Blue
6	078652-68-000	EA	Decal - Logo - "Itasca" - 6.5"
	078191-01-000	EA	Decal - Logo - "Itasca" - Black (Front - Rear Cap)

1989 ITASCA
TABLE OF CONTENTS

IC/F423RB
IC/F423RC
IF427RT

A-01 - C-02
C-03 - E-08
E-09 - G-16

1989 IC/F423RC INDEX

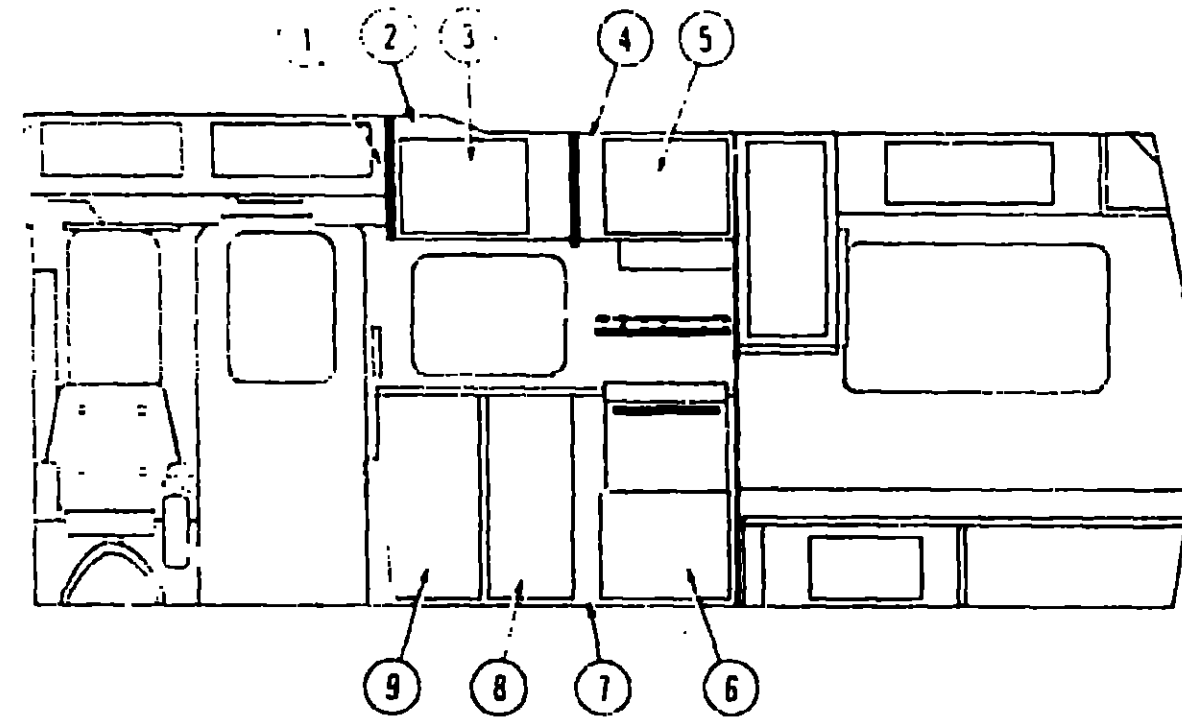
Floor Plan	C-03 - C-04
Accessories Group	C-05 - C-07
Bath Group	C-08 - C-09
Chassis Group	C-10 - C-12
Curtain, Cushion & Pad Group	C-13 - C-19
Dinette Group	C-20 - C-21
Driver's Compartment Group	C-22 - C-24
Electrical Group	D-01 - D-03
Exterior Body Group	D-04 - D-09
Galley Group	D-10 - D-12
Heating & Air Conditioning Group	D-13 - D-14
Interior Finish Group	D-15 - D-16
LP Group	D-17
Lounge Group	D-18
Water & Sewage Group	D-19 - D-20
Window, Vent & Exterior Door Group	D-21 - E-07

EXTERIOR BODY GROUP (CONTINUED)

LABELS & EXTERIOR PAINT

Key	Part Number	U/M	Description
	091243-01-000	EA	Label - Air Conditioner Cover
	087236-01-000	EA	Label - Cable - Input
	087236-02-000	EA	Label - Cable - Output
	065748-01-000	EA	Label - Caution - Battery Charging
	006195-01-000	EA	Label - Electrical Test
	047731-01-000	EA	Label - Emergency Exit
	006199-01-000	EA	Label - Exit - Escape Window
	064378-01-000	EA	Label - Flying "W" w/Thermo Panel
	1961417-01-000	EA	Label - Fuel
	087207-02-000	EA	Label - Fuel Cap Removal
	006196-01-000	EA	Label - Gas Test
	054531-01-000	EA	Label - LP Gas Only
	073998-01-000	EA	Label - LPG Odor Warning
	040944-01-000	EA	Label - Open - Entrance Door
	061606-01-000	EA	Label - Overlay - Vehicle Certification
	006015-01-000	EA	Label - Patent Motor Home
	088757-01-000	EA	Label - Retail - 8 5/8" x 12 7/8"
	056259-01-000	EA	Label - Safety Check List
	006064-01-000	EA	Label - Seal - w/o Seat Belts
	006187-01-000	EA	Label - Sewage
	006000-01-000	EA	Label - Thermo Panel - 2 1/4" x 2 1/4"
	075271-01-000	EA	Label - Trailer Hitch Capac. y
	091224-02-000	EA	Label - Trailer Lighting
	075220-01-000	EA	Label - Warning - Exterior Load Limit
	050225-01-000	EA	Label - Warning - Stove Vent - US
	079966-01-000	EA	Label - Warning - Stowed Motion
	006188-01-000	EA	Label - Waste Water
	006197-01-000	EA	Label - Water Test
	006062-01-000	EA	Tag - Electrical - 110 Volt Connection
	006040-01-000	EA	Tag - Gas - Refueling Warning (US)
	006010-02-000	EA	Tag - Gas - Refueling Warning (CSA)
	006019-01-000	EA	Tag - RVI Approval - Plastic
	045681-03-000	EA	Paint - Gloss Black - Acrylic Enamel - 16 oz. Aerosol (99 Dupont)
	041561-03-000	EA	Paint - Off White Acrylic Enamel - 16 oz. Aerosol (45396A Dupont)
	074550-01-000	EA	Label - "LPG" - 3.3" x 1.75" (Calif. Code)
	023769-01-000	EA	Label - Warning - LPG (CSA)

GALLEY GROUP



GALLEY CABINETRY

Key	Part Number	U/M	Description
1	081280-19-W24	EA	Pad Asm. - End Cap Asm.
2	M92456-01-Y05	EA	Cabinet Asm. - Galley Overhead - w/o Doors or Hardware
3	M88304-84-W24	EA	Door Asm. - Galley Overhead - 14.3" x 26.7" - w/o Hardware
4	M92036-02-Y05	EA	Cabinet Asm. - Microwave Overhead - w/o Hardware
	081280-25-Y05	EA	Pad Asm. - End Cap - Vinyl
5	M88304-01-X08	EA	Door Asm. - Galley Overhead - 14.3" x 21.8" - w/o Hardware
6	M92073-05-X11	EA	Door Asm. - Furnace - 17.7" x 22.8" - w/o Hardware
7	M03168-01-Y30	EA	Cabinet Asm. - Galley - w/CounterTop - w/o Doors or Hardware
	M03091-01-Y30	EA	Countertop Asm. - Galley Cabinet
8	M88304-14-X08	EA	Door Asm. - Galley Cabinet - 14.3" x 33.4" - w/o Hardware
9	M88304-13-X08	EA	Door Asm. - Galley Cabinet - 14.3" x 33.4" - w/o Hardware
	077404-02-000	EA	Drawer - Plastic - 20" x 12.7"
	079606-03-W30	EA	Rack Asm. - Magazine

1989 ITASCA TABLE OF CONTENTS

IC/F423RB
IC/F423RC
IF427RT

A-01 - C-02
C-03 - E-08
E-09 - G-16

1989 IC/F423RC INDEX

Floor Plan	C-03 - C-04
Accessories Group	C-05 - C-07
Bath Group	C-08 - C-09
Chassis Group	C-10 - C-12
Curtain, Cushion & Pad Group	C-13 - C-15
Dinette Group	C-20 - C-21
Diver's Compartment Group	C-22 - C-24
Electrical Group	D-01 - D-03
Exterior Body Group	D-04 - D-09
Galley Group	D-10 - D-12
Heating & Air Conditioning Group	D-13 - D-14
Interior Finish Group	D-15 - D-16
LP Group	D-17
Lounge Group	D-18
Water & Sewage Group	D-19 - D-20
Window, Vent & Exterior Door Group	D-21 - E-07

GALLEY GROUP (CONTINUED)

GALLEY HARDWARE

Key	Part Number	U/M	Description
	098654-01-000	EA	Sink - Stainless Steel - Double
	066437-01-000	EA	Strainer - w/Basket - Sink
	033302-02-000	EA	Adapter Asm. - Strainer - 1 1/2" (CSA)
	011053-03-000	EA	Faucet - Swing Spout - 8"
	081530-01-Y30	EA	Cover Asm. - Sink
	011091-02-000	EA	Continuous Waste - Double Sink
	058334-01-000	EA	Wastebasket - 9 3/4" x 7" x 10" - White
	058478-01-000	EA	Bracket - Wastebasket Support - Door Mount
	077409-02-000	EA	Drawer Slide - Plastic - 20.75"
	077404-02-000	EA	Drawer - Plastic - 20" x 12.7"
	093288-03-01A	EA	Tray - Silverware - Plastic
	094067-01-01A	EA	Drawer Divider - Plastic
	071490-01-000	EA	Rack Asm. - Spice
	054450-01-000	EA	Level - Refrigerator
	055516-01-000	EA	Bracket - Tiedown - Stove - Left
	055516-02-000	EA	Bracket - Tiedown - Stove - Right
	067544-01-000	EA	Bracket - Tiedown - Refrigerator
	067544-02-000	EA	Bracket - Tiedown - Refrigerator
	088682-10-00C	EA	Bracket Asm. - Microwave - Left
	088682-12-00C	EA	Bracket Asm. - Microwave - Right

GALLEY APPLIANCES

Key	Part Number	U/M	Description
	094038-02-000	EA	Refrigerator - J-Way Small Double Door
	094038-01-700	EA	Gasket - Lower - Gray
	094038-01-701	EA	Lower Door Liner (Brown)
	094038-01-702	EA	Lower Door Liner (Black)
	094038-01-703	EA	Lower Door Handle Asm. (Brown)
	094038-01-704	EA	Lower Door Handle Asm. (Black)
	094038-01-705	EA	Cabinet Asm. - Frame - White Liner (Brown)
	094038-01-706	EA	Cabinet Asm. - Frame - White Liner (Black)
	084879-02-000	EA	Refrigerator - J Way - Double Door - 6'
	084879-01-700	EA	Cooling Unit
	084879-01-701	EA	Lower Door Gasket
	084879-02-700	EA	Handle - Lower Door
	084879-01-703	EA	Foamed Cabinet Asm.
	084879-01-704	EA	Foamed
	084879-01-705	EA	Panel Holder - Lower Door

GALLEY GROUP (CONTINUED)

GALLEY APPLIANCES (CONT.)

Key	Part Number	U/M	Description
	092696-05-01A	EA	Hood - Range w/Monitor - Almond (US)
	092696-06-01A	EA	Hood - Range - w/Monitor - Almond (CSA)
	092696-01-01A	EA	Hood Vent - w/Door
	092696-01-701	EA	Knob - Plastic
	092696-01-702	EA	Register/Wire Asm.
	092696-01-703	EA	Fuse Holder
	092696-01-704	EA	Switch - Lever Asm. Module
	092696-01-705	EA	Actuator - Rod/Turnbuckle
	092696-01-707	EA	Gasket - Vent
	092696-01-708	EA	Mounting Clip - Vent
	092696-01-709	EA	Lamp #912
	092696-01-710	EA	Holder - Lamp
	092696-01-711	EA	Lens - Lamp
	092696-03-700	EA	Chassis w/Wiring - Almond (US)
	090973-01-700	EA	Motor
	092696-01-717	EA	Mesh Filter
	072351-02-700	EA	Clock Asm.
	079353-01-704	EA	Circuit Board - Tanks
	092696-03-701	EA	Control Panel Asm.
	092696-03-702	EA	Panel - Face Plate
	079353-01-700	EA	Test Connector
	075470-01-702	EA	Switch - On/Off/On - Fan Motor
	075470-01-703	EA	Switch - On/Momentary
	075470-01-705	EA	Switch - On/Off/On - Momentary
	055282-04-000	EA	Range w/Oven - 4 Burner - Almond
	085280-01-000	EA	Cover - Burner - BI-Fold - SST
	091269-01-000	EA	Oven - Microwave - Magic Chef
	091269-01-700	EA	Knob - Defrost
	091269-01-701	EA	Knob - Timer
	091269-02-000	EA	Frame Kit - Microwave

1989 ITASCA TABLE OF CONTENTS

IC/F423RB	A-01 - C-02
IC/F423RC	C-03 - E-08
IF427RT	E-09 - G-16

1989 IC/F423RC INDEX

Floor Plan	C-03 - C-04
Accessories Group	C-05 - C-07
Bath Group	C-08 - C-09
Chassis Group	C-10 - C-12
Curtain, Cushion & Pad Group	C-13 - C-19
Dinette Group	C-20 - C-21
Driver's Compartment Group	C-22 - C-24
Electrical Group	D-01 - D-03
Exterior Body Group	D-04 - D-09
Galley Group	D-10 - D-12
Heating & Air Conditioning Group	D-13 - D-14
Interior Finish Group	D-15 - D-16
LP Group	D-17
Lounge Group	D-18
Water & Sewage Group	D-19 - D-20
Window, Vent & Exterior Door Group	D-21 - E-07

HEATING & AIR CONDITIONING GROUP

ROOF AIR CONDITIONER & PARTS

Key	Part Number	U/M	Description
	093764-01-000	EA	Ceiling Asm. - Air Conditioner - Cool Only (Option 29)
	092441-01-000	EA	Ceiling Asm. - Air Conditioner - 220 Volt (European) (Option 29)
	093763-01-04A	EA	Air Conditioner - 110 Volt - Roof Mount - 13,500 BTU - Off White (Option 29)
	093763-04-700	EA	Shroud - Ivory/Charcoal
	093763-01-705	EA	Decal - Heat/Cool Thermostat
	093763-01-711	EA	Gasket - Package
	093763-01-712	EA	Fan Blade - Condenser
	093306-01-701	EA	Decal Package
	042204-01-709	EA	Thermostat
	073742-02-704	EA	Run Capacitor (Compressor)
	091225-01-710	EA	Start Capacitor
	091225-01-709	EA	Start Relay
	076303-01-712	EA	Motor
	073742-01-701	EA	Selector Switch
	073742-01-702	EA	Decal - Cool
	073742-01-703	EA	Decal - Heat & Cool
	081606-01-708	EA	Switch - Limit
	091225-01-713	EA	Knob
	076303-01-707	EA	Filter (Package of 12)
	091225-01-717	EA	Decal - Thermostat (Cool Only)
	081606-01-712	EA	Ceiling Shroud (Ivory)
	092440-01-000	EA	Air Conditioner - 220 Volt - Roof Mount - 13,500 BTU (European) (Option 29)

AUTOMOTIVE HEATER & AIR CONDITIONER

Key	Part Number	U/M	Description
	081051-02-000	EA	A/C - Compressor Mount Package - 350 CID
	073716-01-000	EA	A/C - Condenser Asm. - "C" - Tube 0
	073716-01-700	EA	Coil Condenser
	073716-01-701	EA	Receiver Drier
	073716-01-702	EA	Hose Asm. - #6
	073716-01-703	EA	Hose Asm. - #8
	074027-01-000	EA	Evaporator Asm. - A/C (Chevrolet)
	074027-01-700	EA	Motor
	074027-01-701	EA	Liquid Hose - #6
	074027-01-702	EA	Hose - Suction - #10
	074027-01-703	EA	Louver
	074027-01-704	EA	Escutcheon
	074027-01-705	EA	Thermostat
	074027-01-706	EA	Knob - Thermostat
	074027-01-707	EA	Knob - Air
	074027-01-708	EA	Solenoid - Vacuum Switch
	074027-01-709	EA	Center Lower - Escutcheon
	074027-01-710	EA	Coil - Evaporator
	074027-01-711	EA	Blower - Wheel
	086781-01-000	EA	Evaporator Asm. - A/C (Ford)
	072343-05-000	EA	Compressor/Clutch (Chevrolet)
	072343-07-000	EA	Compressor/Clutch (Ford)
	007108-01-000	FT	Hose - Heater - 5/8" ID SAE 20R
	049401-01-000	EA	Rear Heater Asm.
	062401-04-000	EA	Clamp - Worm Drive - .69" - 1.25 ID

HEATING & AIR CONDITIONING GROUP (CONTINUED)

FURNACES & REPAIR PARTS

Key	Part Number	U/M	Description
	075696-02-000	EA	Furnace - 34,000 BTU - Suburban (Option 33A)
	075696-02-700	EA	Cabinet Asm.
	075696-02-701	EA	Tinnerman "U" Clip
	075696-02-702	EA	Cabinet Front
	075696-02-703	EA	Duct Collar
	075696-02-704	EA	Thermostat
	075696-02-705	EA	Power Supply Harness
	075696-02-706	EA	Electrode
	075696-02-707	EA	Burner Access Door
	075696-02-708	EA	Gasket - Electrode
	075696-02-709	EA	Glass Disc
	075696-02-710	EA	Gasket - Burner Access Door
	075696-02-711	EA	Limit Switch
	075696-02-712	EA	Module Board
	075696-02-713	EA	Relay - Time Delay
	075696-02-714	EA	Vent Cap & Exhaust Tube Asm.
	075696-02-715	EA	Burner Asm.
	075696-02-716	EA	Orifice - Main Burner
	075696-02-717	EA	Gasket - Manifold
	075696-02-718	EA	Manifold Pipe
	075696-02-719	EA	Valve
	075696-02-720	EA	Pipe Asm. - Gas Inlet
	075696-02-721	EA	Gasket - Gas Inlet Pipe
	075696-02-722	EA	Elbow - 90°
	075696-02-723	EA	Valve - Manual - Off
	075696-02-724	EA	Wheel - Room Air
	075696-02-725	EA	Blower Housing Asm.
	075696-02-726	EA	Microswitch & Paddle Asm.
	075696-02-727	EA	Bracket - Motor Mount
	075696-02-728	EA	Gasket - Crossover Tube
	075696-02-729	EA	Crossover Tube
	075696-02-730	EA	Motor Asm.
	075696-02-731	EA	Gasket - Motor Mount
	075696-02-732	EA	Housing - Combustion Air Asm.
	075696-02-733	EA	Wheel - Combustion Air
	075696-02-734	EA	Gasket - Combustion Air Housing
	075696-02-735	EA	Housing - Combustion Air - Outside
	075696-02-736	EA	Intake Tube Asm.
**	075695-01-000	EA	Furnace - 24,000 BTU - Suburban
	093365-01-000	EA	Thermostat - Suburban Furnace
	009198-01-000	FT	Duct - Flexible - 4" ID x 25'
	056464-01-000	EA	Register - 4" Dia. - Plastic - w/Damper
	056462-02-000	EA	Register - 4" Dia. - Plastic - w/o Damper
	009200-01-000	EA	Tape - Furnace - 1 1/2"
	010326-01-000	EA	Adapter - Flare - w/Cone Gasket
	023146-01-000	EA	Clamp - Screw Type - 4"
**	The illustrated parts breakdown for this part is provided on the Common Items Fiche.		

REAR HEATER (OPTION 611)

Key	Part Number	U/M	Description
	084405-01-000	EA	Rear Heater Asm. - w/o Switch
	062401-04-000	EA	Clamp - Hose - Wormgear
	007108-01-000	EA	Hose - Heater - 5/8 ID SAE
	083081-01-000	EA	Hose Formed
	087202-02-000	EA	Switch - Off/Low/Med/High
	087202-01-000	EA	Knob - Heater Switch
	084410-02-000	EA	Decal - Rear Auto Heater
	084374-01-000	EA	Bracket - Switch - Heater
	084374-02-000	EA	Bracket - Switch - Heater

1989 ITASCA TABLE OF CONTENTS

IC/F423RB	A-01 - C-02
IC/F423RC	C-03 - E-08
IF427RT	E-09 - G-16

1989 IC/F423RC INDEX

Floor Plan	C-03 - C-04
Accessories Group	C-05 - C-07
Bath Group	C-08 - C-09
Chassis Group	C-10 - C-12
Curtain, Cushion & Pad Group	C-13 - C-19
Dinette Group	C-20 - C-21
Driver's Compartment Group	C-22 - C-24
Electrical Group	D-01 - D-03
Exterior Body Group	D-04 - D-09
Galley Group	D-10 - D-12
Heating & Air Conditioning Group	D-13 - D-14
Interior Finish Group	D-15 - D-16
LP Group	D-17
Lounge Group	D-18
Water & Sewage Group	D-19 - D-20
Window, Vent & Exterior Door Group	D-21 - E-07

INTERIOR FINISH GROUP

PANELING & COUNTERTOP

Key	Part Number	U/M	Description
	074197-10-000	SF	Paneling - Regal Oak - 48" x 84" (Cabinets)
	074497-14-000	SF	Paneling - Cross - Silk - 48" x 84" (Ceiling)
	081272-44-000	SF	Paneling - Decor - Charcoal - 48" x 84" (Main Wall)
	08272-35-000	SF	Paneling - Decor - Slate - 48" x 84" (Galley & Bath) (Y28)
	08272-36-000	SF	Paneling - Decor - Grey Salmon - 48" x 84" (Galley & Bath) (Y29)
	08272-38-000	SF	Paneling - Decor - Bone (Wet Bath)
	074498-28-000	SF	Plastic Laminate - Tan (Laboratory)
	074498-24-000	SF	Plastic Laminate - Regal Oak (Woodgrain)
	076325-16-000	FT	Edge Molding - Regal Oak

INTERIOR MOLD & TRIMS

Key	Part Number	U/M	Description
	069733-70-000	EA	Batt Strip - Regal Oak - 8' (Woodgrain)
	085284-03-000	EA	Batt Strip - Regal Oak - Tape Adhesive
	088263-30-000	EA	Batt Strip - Cross - Silk Splatter (Ceiling)
	088263-21-000	EA	Batt Strip - Charcoal - 8' (Main Wall)
	085284-13-000	FT	Batt Strip - Charcoal - Tape Adhesive (Main Wall)
	088263-23-000	EA	Batt Strip - Kent - 8' (Galley) (Y28)
	088263-24-000	EA	Batt Strip - Kent - 8' (Galley) (Y29)
	088263-18-000	EA	Batt Strip - Merino - Neutral
	085284-09-000	FT	Batt Strip - Merino Neutral - Tape Adhesive
	088263-18-000	EA	Batt Strip (Shower) - Bone - 8'
	086229-04-000	EA	Batten - 1" - Ceiling Molding - Ivory
	009809-17-000	EA	F-Molding - 1" - Regal Oak
	009812-17-000	EA	F-Molding - 1/2" - Regal Oak
	083620-01-000	FT	T-Molding - w/Edge Lips - Grady Brown
	083620-04-000	FT	T-Molding - w/Edge Lips - Light Oak
	070504-01-000	FT	U-Channel - .65" - Light Brown
	070504-06-000	FT	U-Channel - .815" - Regal Oak
	009778-07-000	FT	U-Channel - 1" - Regal Oak
	009767-06-000	FT	Wetting - Beige
	085746-01-000	FT	J-Molding - .75" w/Lips - Grady Brown
	024700-17-000	EA	Cover - Sidewall Roll Bar - Beige (Wall/Ceiling)
	022992-08-000	FT	Molding - Reverse Cover - Champagne White
	022992-01-000	FT	Molding - Reverse Cover - T-Shaped - Vinyl
	042357-11-000	FT	Molding - Outside Corner - Light Oak
	077840-01-W30	FT	Molding - Wall Cap
	080176-02-000	EA	Corner Cap - Radius Plastic - Light Oak
	081521-02-007	EA	Molding - 64 Hole Space

INTERIOR FINISH GROUP (CONTINUED)

FABRIC & FLOOR COVERINGS

Key	Part Number	U/M	Description
	081274-52-000	YD	Fabric - Upholstery - Main - Blue Haze (Y28)
	081274-53-000	YD	Fabric - Upholstery - Main - Rosewood (Y29)
	081274-79-000	YD	Fabric - Upholstery - Accent - Sky Blue (Y28)
	081274-78-000	YD	Fabric - Upholstery - Accent - Columbine (Y29)
	072333-61-000	YD	Fabric - Drapery - Pacific (Y28)
	072333-62-000	YD	Fabric - Drapery - Rose Beige (Y29)
	087272-01-000	YD	Lining - Drapery - 48" - Ivory
	088273-25-000	YD	Fabric - Bedspread - Ecru (Y28)
	088273-26-000	YD	Fabric - Bedspread - Peach (Y29)
	019680-01-000	YD	Vinyl - Expandable - 26 oz. Buckskin (Headliner)
	012333-63-000	YD	Fabric - Pull Shade - Entrance Door - Bone
	011261-01-000	FT	Backing - Carpet - Non-Skid - 12" Wide
	013486-01-000	SY	Carpet - Outside Storage Compartment
	013485-01-001	EA	Carpet - Outside Storage Compartment (1SY)
	072860-84-000	SY	Carpet - Graphite (Y28)
	072860-69-000	SY	Carpet - Rose Mist (Y29)
	079970-09-000	YD	Tape Carpet - 3/3"

CABINERY & TABLE HARDWARE

Key	Part Number	U/M	Description
	059777-02-000	EA	Hinge - Cabinet Door - Brass
	074493-02-000	EA	Overhead Door - Support - Sprung
	088264-01-000	EA	Pull - Cabinet - Polished Brass
	081376-01-000	EA	Back Plate - Door Pull - Polished Brass
	093586-03-000	EA	Catch - Spring Roller
	009021-01-000	EA	Catch - Nylon Grill
	009021-02-000	EA	Strike - Spring Steel
	009018-01-000	EA	Catch - Elbow - Spring Loaded
	093586-04-000	EA	Strike - Steel Spring
	074045-06-000	EA	Plug - 1/2" - Oak
	077409-02-000	EA	Slide - Plastic Drawers
	084451-01-000	EA	Catch - TV Shelf - Brass
	009059-01-000	EA	Hinge - 2" - Brass - TV Shelf
	080224-04-000	EA	Track - Folding Door - 90°
	080224-01-700	EA	Latch & Catch Asm. - Folding - Door
	080224-01-701	EA	Catch Only - Door Jamb
	054781-05-000	EA	Cup Holder - Two Step
	024281-07-000	EA	Bracket - Lower Wall Mount
	053200-05-000	EA	Bracket - Upper Wall Mount
	024275-05-000	EA	Rod - Table Lift
	049493-01-000	EA	Catch - Table Leg - Mounts on Floor
	064050-02-000	EA	Hinge - Bracket - Leg Folding
	024276-17-000	EA	Leg Asm. - Table - Regal Oak
	088410-01-000	EA	Hanger - Table
	024282-01-000	EA	Brace - Table Leg
	024283-01-000	EA	Clip - 1" - 1.25" - OD Tube - Black

MISCELLANEOUS

Key	Part Number	U/M	Description
	053552-02-W24	EA	Handle Asm. - Assist - Vinyl
	041944-03-000	EA	Fire Extinguisher - 5BC - w/o Bracket (US)
	041944-05-000	EA	Fire Extinguisher - 5 BC - w/o Bracket (CSA)
	094499-01-000	EA	Fire Extinguisher - 10BC - w/Bracket (US)
	094499-02-000	EA	Fire Extinguisher - 10BC - w/Bracket (CSA)
	094651-01-01A	EA	Holder - Recessed - Fire Extinguisher
	072852-01-000	EA	Smoke Detector w/9 Volt Battery
	054185-31-000	EA	Owner's Manual - Winnebago/Itasca - 1989

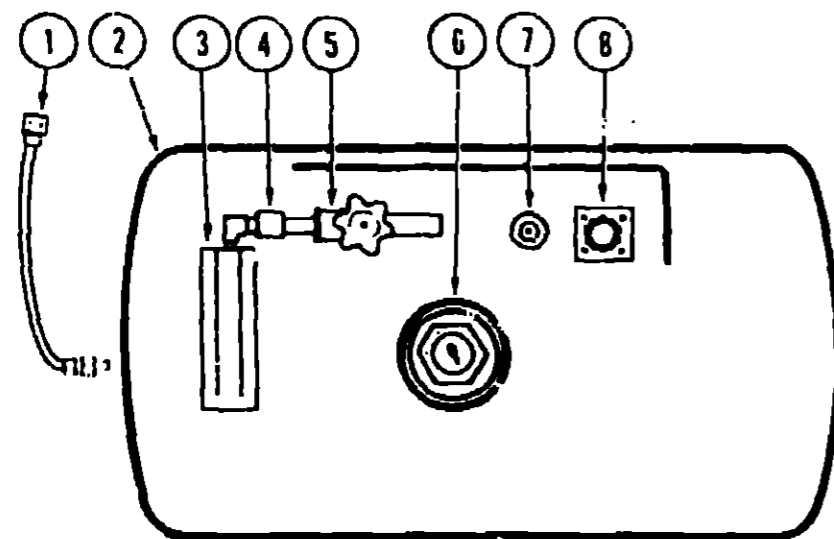
**1989 ITASCA
TABLE OF CONTENTS**

IC/F423RB	A-01 - C-02
IC/F423RC	C-03 - E-08
IF427RT	E-09 - G-16

1989 IC/F423RC INDEX

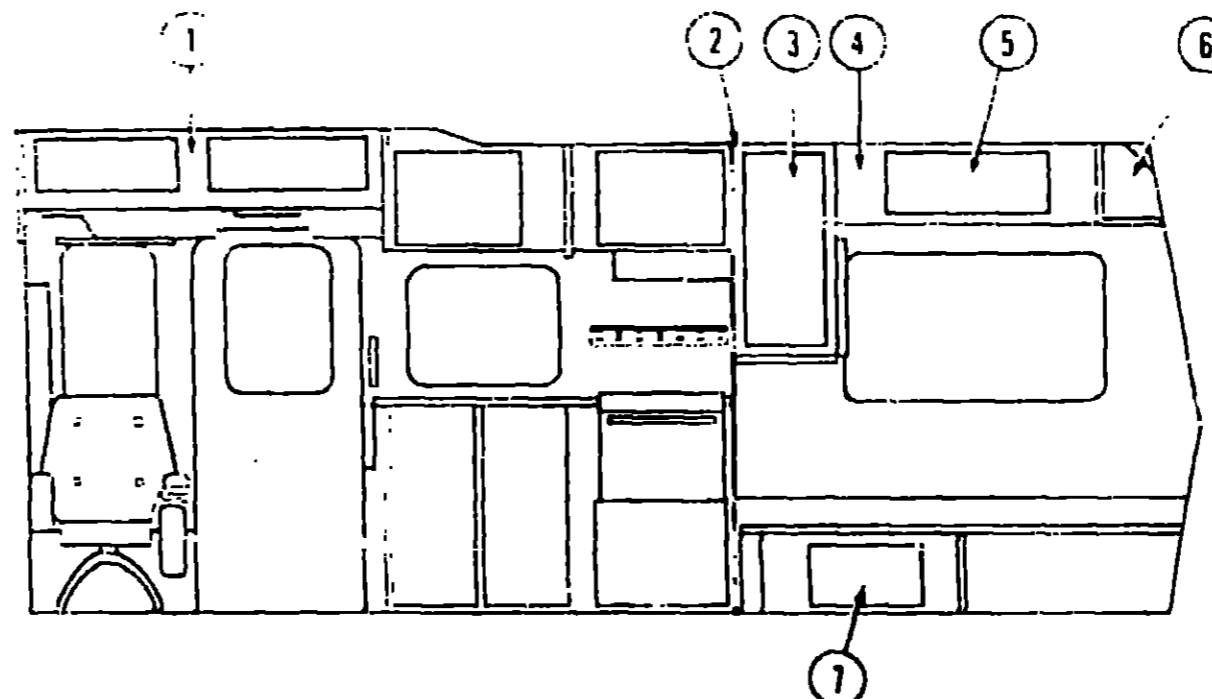
Floor Plan	C-03 - C-04
Accessories Group	C-05 - C-07
Bath Group	C-08 - C-09
Chassis Group	C-10 - C-12
Curtain, Cushion & Pad Group	C-13 - C-19
Dinette Group	C-20 - C-21
Driver's Compartment Group	C-22 - C-24
Electrical Group	D-01 - D-03
Exterior Body Group	D-04 - D-09
Galley Group	D-10 - D-12
Heating & Air Conditioning Group	D-13 - D-14
Interior Finish Group	D-15 - D-16
LP Group	D-17
Lounge Group	D-18
Water & Sewage Group	D-19 - D-20
Window, Vent & Exterior Door Group	D-21 - E-07

LP GROUP



Key	Part Number	U/M	Description
1	045703-01-000	EA	Hose Asm. - LP - 3/8" ID x 24" (US)
1	045703-02-000	EA	Hose Asm. - LP - 3/8" ID x 24" (CSA)
2	074142-01-000	EA	Tank Asm. - LP - Frame Mount - 80 Pound - 13" Dia. x 44"
3	081936-01-000	EA	Cover - LP Regulator
3	076301-01-000	EA	Regulator - Two Stage
4	090976-02-000	EA	Safety Valve - Electric
5	040421-01-703	EA	Valve - Vapor Relief
6	040421-01-707	EA	Gauge - Float - w/Visible Dial - 80 Pound Tank
6	040421-01-706	EA	Dial - Visible Face - Float Gauge (Tank w/o Electric Transmitter)
6	040421-01-705	EA	Dial - Visible Face - Float Gauge (Tank w/Electric Transmitter)
7	040421-01-700	EA	Gauge - Liquid Level - 20" LP
8	040421-01-701	EA	Valve - Filler - LP
8	040421-01-702	EA	Cap - Plastic Fill Valve
8	040421-01-711	EA	Inner Tank Valve - 80% Fill
	065741-01-000	EA	Gauge - Diaphragm Pressure - Test Leak
	097395-01-000	EA	LP Gas Leak Detector
	063318-02-000	EA	Elbow - 90° - 3/8" MPT x 3/8 FPT
	093280-01-000	EA	Bracket - LP
	065742-01-000	EA	Toe - .38 F x .37 F x .25 FPT
	090976-02-000	EA	Safety Valve - LP
	034591-02-000	EA	Adaptor - Speed - LP Regulator w/Flrw Dev.
	093511-01-000	EA	Vapor Kit - LP Generator

LOUNGE GROUP



LOUNGE CABINETRY

Key	Part Number	U/M	Description
1	M92457-01-Y05	EA	Cabinet Asm. - Entrance Door - w/Doors or Hardware
	M88304-99-X08	EA	Door Asm. - Entrance Cabinet - 10" x 19" - w/o Hardware
	081280-20-W24	EA	End Cap Asm.
2	081735-01-X08	EA	Cabinet Asm. - Shirt Closet - w/o Doors or Hardware
	081280-13-W24	EA	Pad Asm. - End Cap - Vinyl
3	M88304-82-X08	EA	Door Asm. - Shirt Closet - 14.3" x 33.4" - w/o Hardware
4	M92459-01-Y05	EA	Cabinet Asm. - Passenger Overhead - w/o Door or Hardware
5	M88304-66-X08	EA	Door Asm. - Rear Overhead Cabinets - 11.4" x 28.1" - w/o Hardware
6	M92458-01-Y05	EA	Cabinet Asm. - Rear Overhead - w/o Door or Hardware
7	M88304-21-X08	EA	Door Asm. - Double Bed Cabinet - 10" x 19" - w/o Hardware
	084357-02-W24	EA	TV Stand Asm.
	084451-01-000	EA	Catch - TV Shelf - Brass

**1989 ITASCA
TABLE OF CONTENTS**

IC/F423RB
IC/F423RC
IF427RT

A-01 - C-02
C-03 - E-08
E-09 - G-16

1989 IC/F423RC INDEX

Floor Plan	C-03 - C-04
Accessories Group	C-05 - C-07
Bath Group	C-08 - C-09
Chassis Group	C-10 - C-12
Curtain, Cushion & Pad Group	C-13 - C-19
Dinette Group	C-20 - C-21
Driver's Compartment Group	C-22 - C-24
Electrical Group	D-01 - D-03
Exterior Body Group	D-04 - D-09
Galley Group	D-10 - D-12
Heating & Air Conditioning Group	D-13 - D-14
Interior Finish Group	D-15 - D-16
LP Group	D-17
Lounge Group	D-18
Water & Sewage Group	D-19 - D-20
Window, Vent & Exterior Door Group	D-21 - E-07

WATER & SEWAGE GROUP

DRAINAGE SYSTEM

Key	Part Number	U/M	Description
	062422-01-000	EA	Adapter - Offset Reducer - 3" x 1 1/2"
	089330-01-000	EA	Adapter - Sewer Flange End
	033302-02-000	EA	Adapter Asm. - Strainer - 1 1/2" (CSA)
	010122-01-000	EA	Bushing - Plastic - Red - 1 1/2 S x 1 1/4 T
	010121-01-000	EA	Bushing - Plastic - Red - 1 1/2 S x 1 1/4 H
	011091-02-000	EA	Continuous Waste - Double Sink - 11 7/8" (US)
	053674-01-000	EA	Continuous Waste Asm. (CSA)
	010115-01-000	EA	Coupler - Plastic - 1 1/2 H x H
	078406-01-000	EA	Coupler - Rubber - 3" x 3"
	010009-01-000	EA	Elbow - Plastic - 1/4 BD x 1 1/2 x 90°
	041956-01-000	EA	Elbow - Plastic - 1/4 BD x 3" x 90°
	010060-01-000	EA	Elbow - Plastic - 1/8 BD x 1 1/4 x 45° x H
	031126-01-000	EA	Elbow - Plastic - 1/4 BD x 1 1/2 x 90°
	010051-01-000	EA	Elbow - Plastic - 1/8 BD x 1 1/2 x 45°
	010006-01-000	EA	Elbow - Plastic - 1/8 BD x 1 1/2 x 45° H x H
	010008-01-000	EA	Elbow - Plastic - 1/4 BD x 1 1/2 x 90° - Left
	034250-01-000	EA	Elbow - Plastic - 1/4 BD x 1 1/2 x 90° H x H
	031111-01-000	EA	Elbow - Plastic - 1/4 BD x 1 1/4 x 90°
	033761-01-000	EA	Elbow - Plastic - 1/4 BD x 1 1/2 x 90°
	037101-02-000	EA	Elbow - Plastic - 1/4" Bend Vent - 1 1/2" Hub (CSA)
	070924-01-000	EA	Elbow - Plastic - Swivel - 1/2 MPT x 1/2 FP
	011056-03-000	EA	Faucet - Lavatory - Brass
	031558-03-000	EA	Faucet - Tub & Shower - Brass
	011053-04-000	EA	Faucet - Swing Spout - 8" - Galley
	091253-01-000	EA	Gasket - Galley Faucet
	010147-01-000	EA	Flange - Closet - Red - 4" x 3" (US)
	010147-02-000	EA	Flange - Closet - Red - 4" x 3" (CSA)
	024676-01-000	EA	Flange - Closet - 4" x 3" (US)
	024676-02-000	EA	Flange - Closet - 4" x 3" (CSA)
	091253-01-000	EA	Gasket - Lavatory Faucet
	061607-01-000	EA	Grommet - Holding Tank Coupler - 1 1/2"
	061607-02-000	EA	Grommet - Holding Tank Coupler - 3"
	066435-01-000	EA	Nut - Strainer
	075726-01-000	EA	Outlet Extension - Sewer
	011066-03-000	EA	P-Trap - 1 1/4" - Plastic (US)
	011066-02-000	EA	P-Trap - 1 1/4" - Plastic (CSA) (Lavatory/Shower)
	053335-01-000	EA	P-Trap - 1 1/4" - Plastic w/Union (CSA) (Galley)
	010194-01-000	FT	Pipe - Plastic - 1 1/4"
	010195-01-000	FT	Pipe - Plastic - 1 1/2"
	010197-01-000	FT	Pipe - Plastic - 3"
	010166-01-000	EA	Plug - Plastic - 1 1/4"
	062422-01-000	EA	Reducer Adapter - 3" x 1 1/2"
	083558-01-000	EA	Roof Vent - Covered - Vent Pipe
	062415-01-000	EA	Sewer Cap - 3"
	010201-01-000	EA	Sewer Hose - 3" ID x 20'
	011048-02-000	EA	Shower Head w/60" Hose (US)
	011048-05-000	EA	Shower Head w/60" Hose (CSA)
	M02630-08-Y21	EA	Shower Pan Asm.
	068615-01-000	EA	Sink - Double - Stainless Steel
	089366-01-000	EA	Sink - Oval - Plastic - Ivory
	066436-01-000	EA	Slip Nut - 1.5 - Tailpiece
	066729-01-000	EA	Strainer - Shower/Tub Drain
	066437-01-000	EA	Strainer - Sink - Galley
	011069-02-000	EA	Tailpiece - 1 1/2 x 1 1/4 x 4" - Brass
	074870-01-000	EA	Tank - Holding - 30 Gal.
	074861-01-000	EA	Tank - Holding - 35 Gal.
	010079-01-000	EA	Tee - Plastic - 1 1/2 H x 1 1/2 H x 1 1/4 H
	010072-01-000	EA	Tee - Plastic - Red - 1 1/2 H x 1 1/4 H x 1 1/2 H
	010071-01-000	EA	Tee - Plastic - 1 1/2 H x H x H
	063740-02-000	EA	Toilet - Ivory - Aqua Magic
	070916-01-000	EA	Valve - Dual - 3" x 1.5"
	062421-01-000	EA	Valve - 1 1/2" w/Handle
	079968-01-000	EA	Vent - Mechanical Trap Arm
	069735-01-000	EA	Washer - Tailpiece - 1.5 - Plastic
	010073-01-000	EA	Wye - Plastic - 1 1/2 x 45° x H x H

WATER & SEWAGE GROUP (CONTINUED)

WATER LINES & HARDWARE

Key	Part Number	U/M	Description
	044927-01-000	EA	Adapter - Plastic - 1 1/4" MPT x 1 1/4" Bar (Water Tank)
	079317-01-000	EA	Adapter - Swivel - .5 Tube x 5 FPT
	052954-01-000	EA	Adapter - Nose Cone - 3/8" or 1/2" - Plastic
	026555-02-000	EA	Cap - Brass - 1/2" Flare
	052959-02-000	EA	Connector - Plastic - 1/2" F x 1/2" MPT
	052959-03-000	EA	Connector - 1/2" x 3/8 MPT - Plastic
	010219-01-000	EA	Elbow - Plastic - 1 1/3" MPT x 1 1/4" Barb
	065120-01-000	EA	Elbow - Plastic - Swivel - 50
	035339-01-000	EA	Elbow - Plastic - 3/8 MPT x 3/8" BARB
	052957-02-000	EA	Elbow - Plastic - 1/2" F x 1/2" MPT
	011056-03-000	EA	Faucet - Lavatory - Brass
	091253-01-000	EA	Gasket - Lavatory Faucet
	011053-04-000	EA	Faucet - Swing Spout - Galley - 8"
	091254-01-000	EA	Gasket - Galley Faucet
	075242-03-000	EA	Faucet - Tub/Shower - Brass
	077954-02-000	EA	Filter/Screen (In Water Tank)
	000D34-05-000	EA	Nut - Hex - 5/16 - 18 CAD
	052952-01-000	EA	Nut - Plastic - 1/2" F
	052952-02-000	EA	Nut - Plastic - 5/8 Flare
	052953-01-000	EA	Nut - Faucet - 1/2" Tube x 1/2" FPT
	049032-01-000	EA	Patch - Spinweld - Plastic - 3/8"
	045729-01-000	EA	Pump - Water - 2.8 GPM - Direct Flow (US)
	045729-02-000	EA	Pump - Water - 2.8 GPM - Direct Flow (CSA)
	045729-01-700	EA	Motor - Black
	045729-01-701	EA	Baseplate Kit
	045729-01-702	FA	Diaphragm Kit
	045729-01-703	EA	Valve Asm. - Kit
	045729-01-704	EA	Upper Housing
	045729-01-705	EA	Switch Cap Kit - w/Switch
	045729-01-706	EA	Pumphead
	045729-01-707	EA	Lower - Housing
	091208-01-000	EA	Rubber Washer - .06 x .75 x .50
	011048-02-000	EA	Shower Head - w/60" Hose
	042989-03-000	EA	Spinweld Fitting - Plastic - 1/4" NPT
	042989-05-000	EA	Spinweld Fitting - Plastic - 1/2" FPT
	042989-04-000	EA	Spinweld Fitting - Plastic - 3/8" FPT
	052955-01-000	EA	Tee - Plastic - 1/2" F x 1/2" F x 1/2" MPT
	052956-01-000	EA	Tee - Plastic - 1/2" F x 1/2" MPT x 1/2" F
	052958-01-000	EA	Tee - Plastic - 1/2" F x 1/2" F x 1/2" F
	039800-01-000	FT	Tubing - Polybutyl - 1/2" OD x 20' (Water Line)
	079381-01-000	FT	Tubing - Flex/Smooth - 1.25 ID (Water Tank)
	074462-02-000	FT	Tubing - Vinyl - 3/8" ID
	052960-01-000	EA	Valve - Line Drain - 1/2" F x 1/2" F
	074510-03-000	EA	Water Tank - 16 Gal. w/Fittings
	053520-05-000	EA	Water Tank - 18 Gal. w/Fittings
**	051391-03-000	EA	Water Heater - w/o Motoraid - Electronic Tune - Atwood - G6A-3E
**	051393-01-000	EA	Water Heater - w/Motoraid - Direct Ignition - Atwood - GH6-3E
**	The illustrated parts breakdown for this item is provided on the Common Items Fiche.		

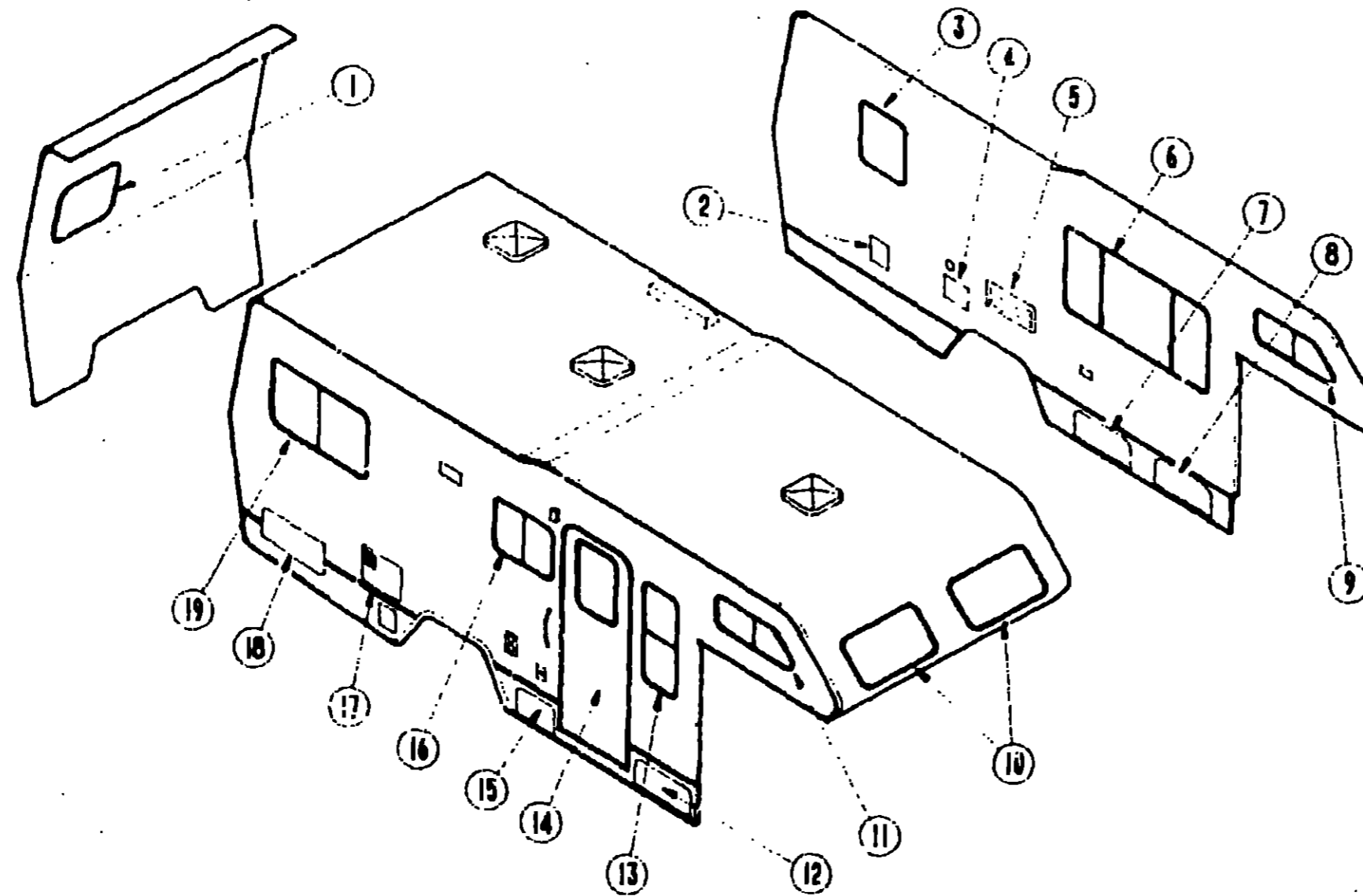
**1989 ITASCA
TABLE OF CONTENTS**

IC/F423RB	A-01 - C-02
IC/F423RC	C-03 - E-08
IF-27RT	E-09 - G-16

1989 IC/F423RC INDEX

Floor Plan	C-03 - C-04
Accessories Group	C-05 - C-07
Bath Group	C-08 - C-09
Chassis Group	C-10 - C-12
Curtain, Cushion & Pad Group	C-13 - C-19
Dinette Group	C-20 - C-21
Driver's Compartment Group	C-22 - C-24
Electrical Group	D-01 - D-03
Exterior Body Group	D-04 - D-09
Galley Group	D-10 - D-12
Heating & Air Conditioning Group	D-13 - D-14
Interior Finish Group	D-15 - D-16
LP Group	D-17
Lounge Group	D-18
Water & Sewage Group	D-19 - D-20
Window, Vent & Exterior Door Group	D-21 - E-07

WINDOWS, VENTS & EXTERIOR DOORS GROUP
WINDOWS & ACCESS DOORS



Key	Part Number	U/M	Description
1	079415-01-T03	EA	Window Asm - Escape
2	078010-03-000	EA	Door Asm - Fuel Fill
3	079729-02-T03	EA	Window Asm - Escape
4	088794-01-000	EA	Door Asm - Power Cord
5	084103-03-000	EA	Door Asm - Refrigerator Access
6	078269-04-000	EA	Window Asm - Double Slider
7	079455-02-T95	EA	Door Asm - Storage
8	079455-03-T95	EA	Door Asm - Storage
9	086227-02-000	EA	Window Asm - Bunk Slider - Left
	086228-06-000	EA	Inside Frame - Bunk Slider - Left
10	078533-04-X08	EA	Window Asm - Front - Picture

Key	Part Number	U/M	Description
11	086227-01-000	EA	Window Asm - Bunk Slider - Right
	086228-05-000	EA	Inside Frame - Bunk Slider - Right
12	079455-04-T95	EA	Door Asm - Storage
13	078453-01-T03	EA	Window Asm - Vertical Slider
14	M01870-21-Y05	EA	Door Asm - Radius Entry w/Screen Door
15	079455-01-T95	EA	Door Asm - Storage
16	078266-02-T03	EA	Window Asm - Single Slider
17	052009-01-000	EA	Door Asm - Water Heater
18	079578-02-T95	EA	Door Asm - Luggage
18	M01883-01-T95	EA	Door Asm - Generator
19	078266-09-X11	EA	Window Asm - Single Slider

1989 ITASCA
TABLE OF CONTENTS

IC/F423RB
IC/F423RC
IF427RT

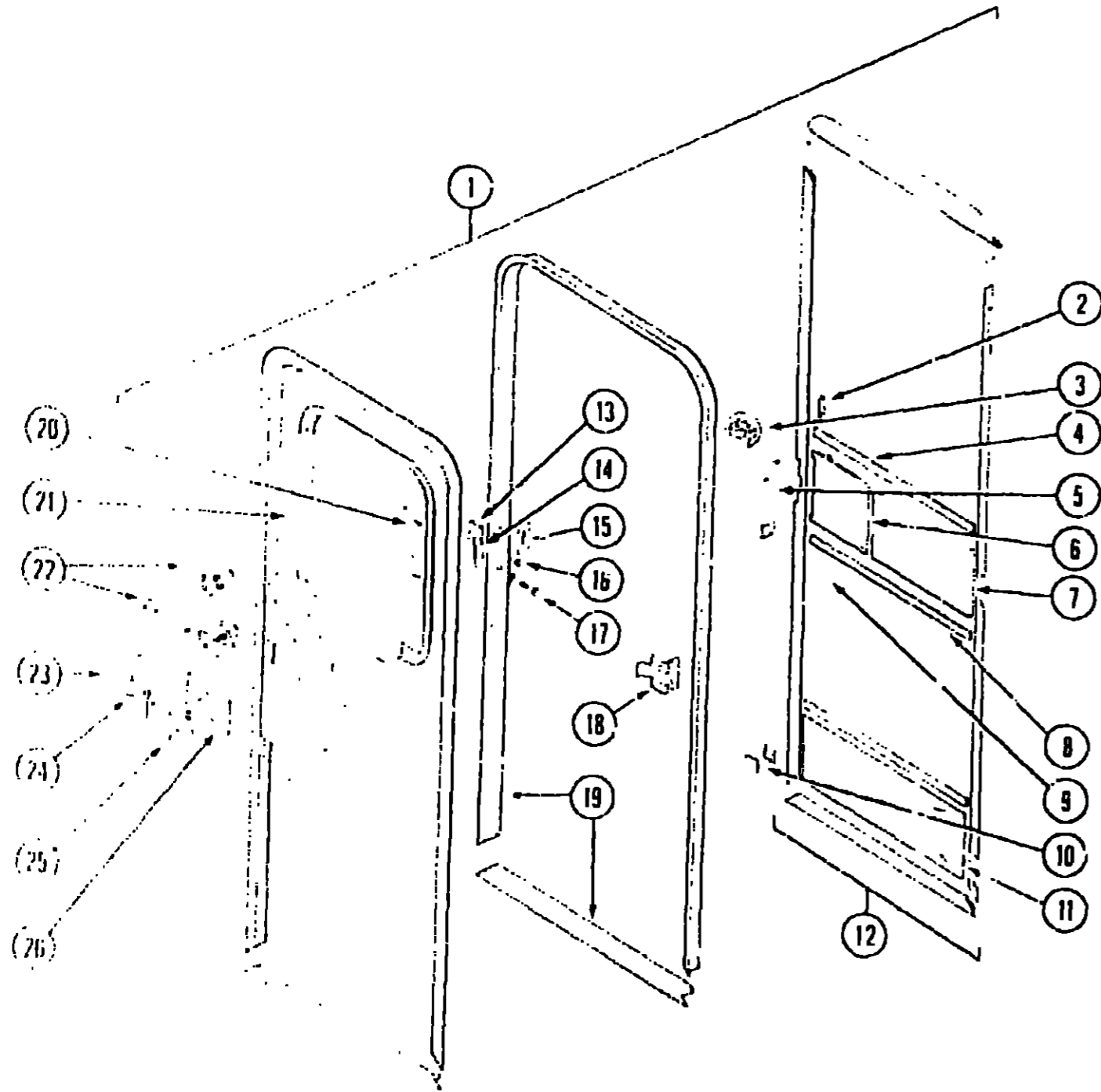
A-01 - C-02
C-03 - E-08
E-09 - G-16

1989 IC/F423RC INDEX

Floor Plan	C-03 - C-04
Accessories Group	C-05 - C-07
Bath Group	C-08 - C-09
Chassis Group	C-10 - C-12
Curtain, Cushion & Pad Group	C-13 - C-19
Dinette Group	C-20 - C-21
Driver's Compartment Group	C-22 - C-24
Electrical Group	D-01 - D-03
Exterior Body Group	D-04 - D-09
Galley Group	D-10 - D-12
Heating & Air Conditioning Group	D-13 - D-14
Interior Finish Group	D-15 - D-16
LP Group	D-17
Lounge Group	D-18
Water & Sewage Group	D-19 - D-20
Window, Vent & Exterior Door Group	D-21 - E-07

WINDOW, VENT & EXTERIOR DOOR GROUP (CONTINUED)

WINDOW, VENT & EXTERIOR DOOR GROUP (CONTINUED)



Key	Part Number	U/M	Description
1	M01870-21-V28	EA	Door Asm. - Entrance w/Screen Door
	095276-01-01A	EA	Frame Asm. - Entrance Door - Off White
	089748-01-000	EA	Frame - Entrance Door - Bottom Portion
	044582-02-000	EA	Drip Cap - Top Entrance Door Jamb - Off White
	075C39-04-000	EA	Garnish - Radius - Entrance Door
2	050712-05-000	EA	Door Handle - Screen Door
3	009018-01-000	EA	Roller Catch - Screen Door
	058025-02-000	EA	Clip - Roller Latch Catch
	009016-01-000	EA	Catch - Elbow - Spring Loaded - Screen Door
4	078592-02-000	EA	Screen Door Mullion - Upper & Lower - Slider
	078777-01-000	EA	Slider Channel (Mullion Insert)
5	079087-02-000	EA	Strike - Slider - Screen Door
6	079086-02-000	EA	Slider - Screen Door
7	016454-01-000	EA	Insert - Screen Door
8	002294-01-000	FT	Spline - Black
9	002293-02-000	SF	Screen - Window - 26" Charcoal
10	085774-01-000	FT	Fastener - Dual Lock - 1" Wide
10	085774-02-000	FT	Fastener - Dual Lock - 1" Wide
11	078552-03-000	EA	Insert - Screen Door - Lower
12	079012-01-U01	EA	Screen Door Asm.
	078595-01-000	EA	Plate - Screen Door
13	077461-03-000	EA	Strike Cover - Off White
14	011546-03-000	EA	Angle Bracket
15	079173-01-000	EA	Deadbolt - Gaske'
16	053806-01-000	EA	Plug - Tapered Plastic
17	039539-01-000	EA	Strike
18	079361-05-000	EA	Hinge
19	095277-02-01A	EA	Door Jamb - Entrance Door
20	087561-01-000	FT	Window Seal
21	002181-06-000	EA	Glass - Picture Window
	079733-04-T03	EA	Window Asm. - Picture - 17" x 25" (w/o inside frame)
	067603-03-000	EA	Inside Frame (not included in assembly)
22	039738-01-000	EA	Deadbolt Asm. - Round
22	095229-01-01A	EA	Deadbolt Asm. - Square - Black
23	098173-01-03A	EA	Stiffener - Entrance Door
24	039540-01-000	EA	Latch Asm. - Entrance Door
25	045017-10-000	EA	Latch Asm. - Plate - Black
25	039979-03-000	EA	Cover Asm. - Latch Plate - Black
	039984-01-000	EA	Cap - Black Vinyl - Lock Grip
	075673-01-000	FT	Seal - Pile - Adhesive Back
	075671-01-000	FT	Seal - Sponge - Lazy T Shaped
	002748-01-000	EA	Cover - Key
	081067-01-000	EA	Seal - Lock - Flat w/Slit

ENTRANCE DOOR

1989 ITASCA
TABLE OF CONTENTS

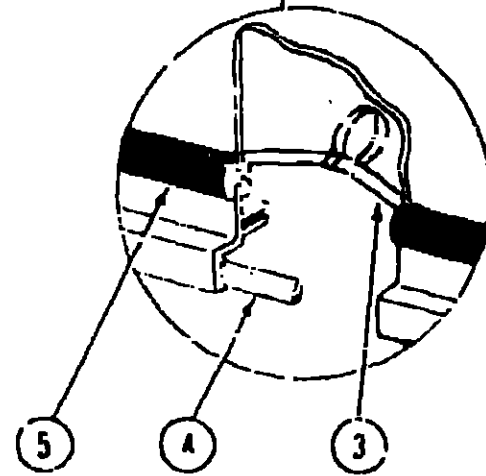
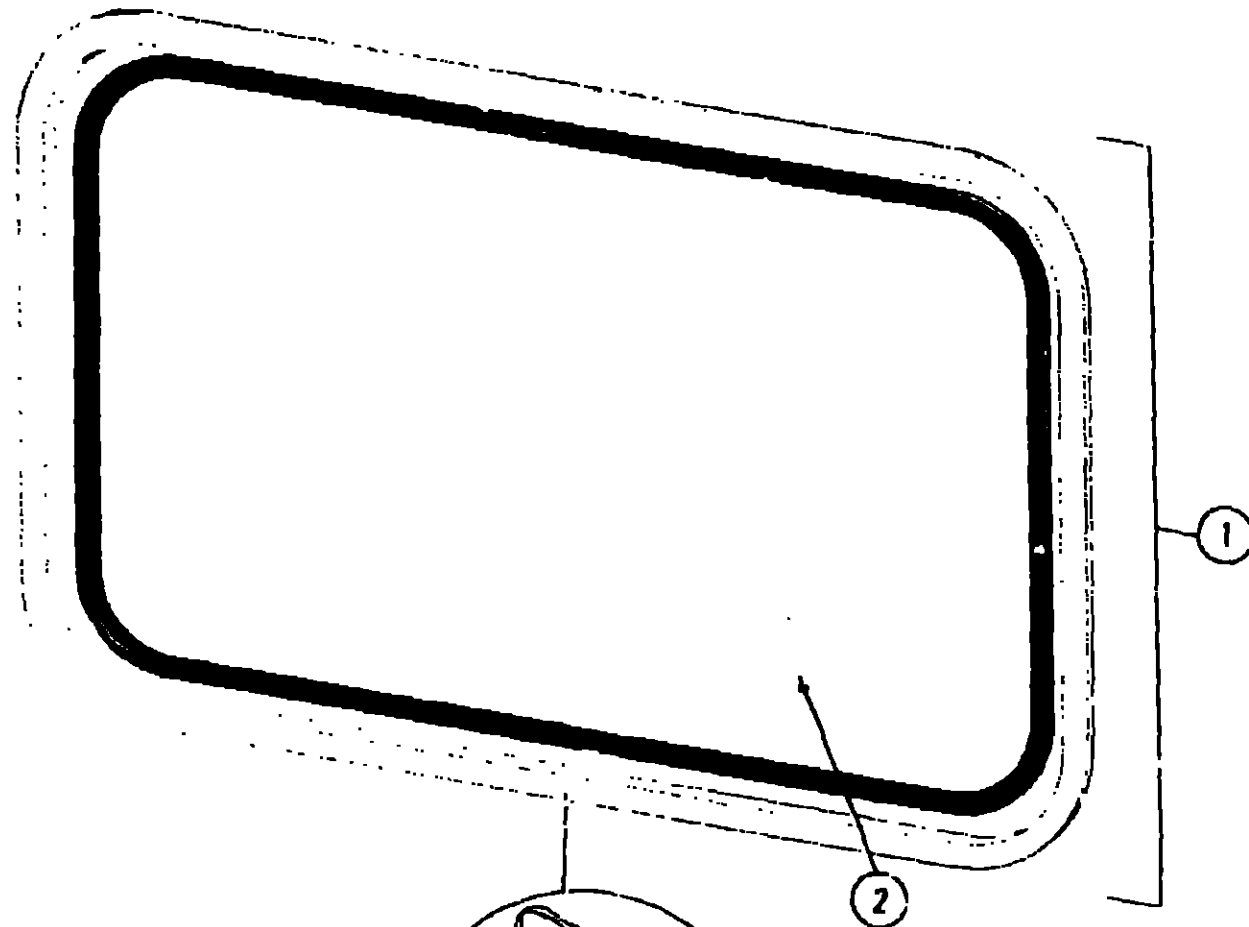
IC/F423RB
IC/F423RC
IF427RT

A-01 - C-02
C-03 - E-08
E-09 - G-16

1989 IC/F423RC INDEX

Floor Plan	C-03 - C-04
Accessories Group	C-05 - C-07
Bath Group	C-08 - C-09
Chassis Group	C-10 - C-12
Curtain, Cushion & Pad Group	C-13 - C-19
Dinette Group	C-20 - C-21
Driver's Compartment Group	C-22 - C-24
Electrical Group	D-01 - D-03
Exterior Body Group	D-04 - D-09
Galley Group	D-10 - D-12
Heating & Air Conditioning Group	D-13 - D-14
Interior Finish Group	D-15 - D-16
LP Group	D-17
Lounge Group	D-18
Water & Sewage Group	D-19 - D-20
Window, Vent & Exterior Door Group	D-21 - E-07

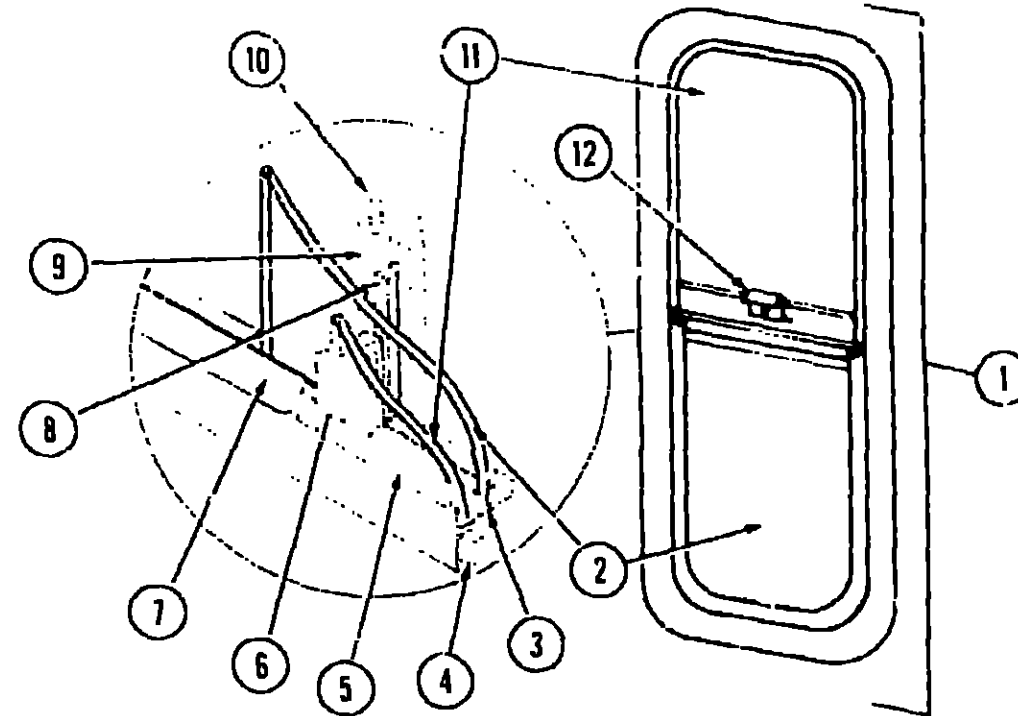
WINDOW, VENT & EXTERIOR DOOR GROUP (CONTINUED)



ESCAPE WINDOW

Key	Part Number	U/M	Description
1	079729-02-T03	EA	Window Asm. - Sidewall Escape - 22" x 24" - Black (w/o inside frame)
	079771-01-000	EA	Inside Frame - Beige (not included in assembly)
2	041392-03-000	EA	Glass - 1/8" x 21.6" x 19.6"
3	002285-01-000	FT	Filler - Weatherstrip - Black
4	069630-05-000	FT	Ribbon Sealer - 5/16" Bead x 15'
5	002272-01-000	FT	Weatherstrip - .125" Window
	006199-01-000	EA	Label - Exit - Escape Window

WINDOW, VENT & EXTERIOR DOOR GROUP (CONTINUED)



VERTICAL SLIDER WINDOW

Key	Part Number	U/M	Description
1	078453-01-T03	EA	Window Asm. - Vertical Slider - 37" x 15" - Black (w/o inside frame)
	083122-01-000	EA	Inside Frame - Beige (not included in assembly)
2	081980-03-000	EA	Glass - Slider - 1/8" x 14.4" x 19"
3	002324-02-000	FT	Channel - Weatherstrip - Glass Run - 1/8" Glass
4	069640-06-000	FT	Ribbon Sealer - 5/16" Bead x 15'
5	002309-02-000	FT	Spline - Glass - 1/8" Material - Black
6	1459886-03-007	EA	Seal Holder w/Fin Seal - Black
7	057374-02-000	FT	Extr. Ribbon - Window Seal - Black
8	073740-01-000	FT	Seal - Fin - Pile - .460"
9	078562-01-000	EA	Mullion - Slider Window - Black
10	002298-02-000	FT	Spline - .130" Dia. - Charcoal (Screen)
	081984-02-000	EA	Glass - Stationary - 1/8" x 14.4" x 19"
12	047369-01-700	EA	Latch Kit - Window - Plastic w/Fastener
	079204-01-000	EA	Bracket - Mullion - Black
	002291-02-000	SF	Screen - Window - 16" - Charcoal

1989 ITASCA
TABLE OF CONTENTS

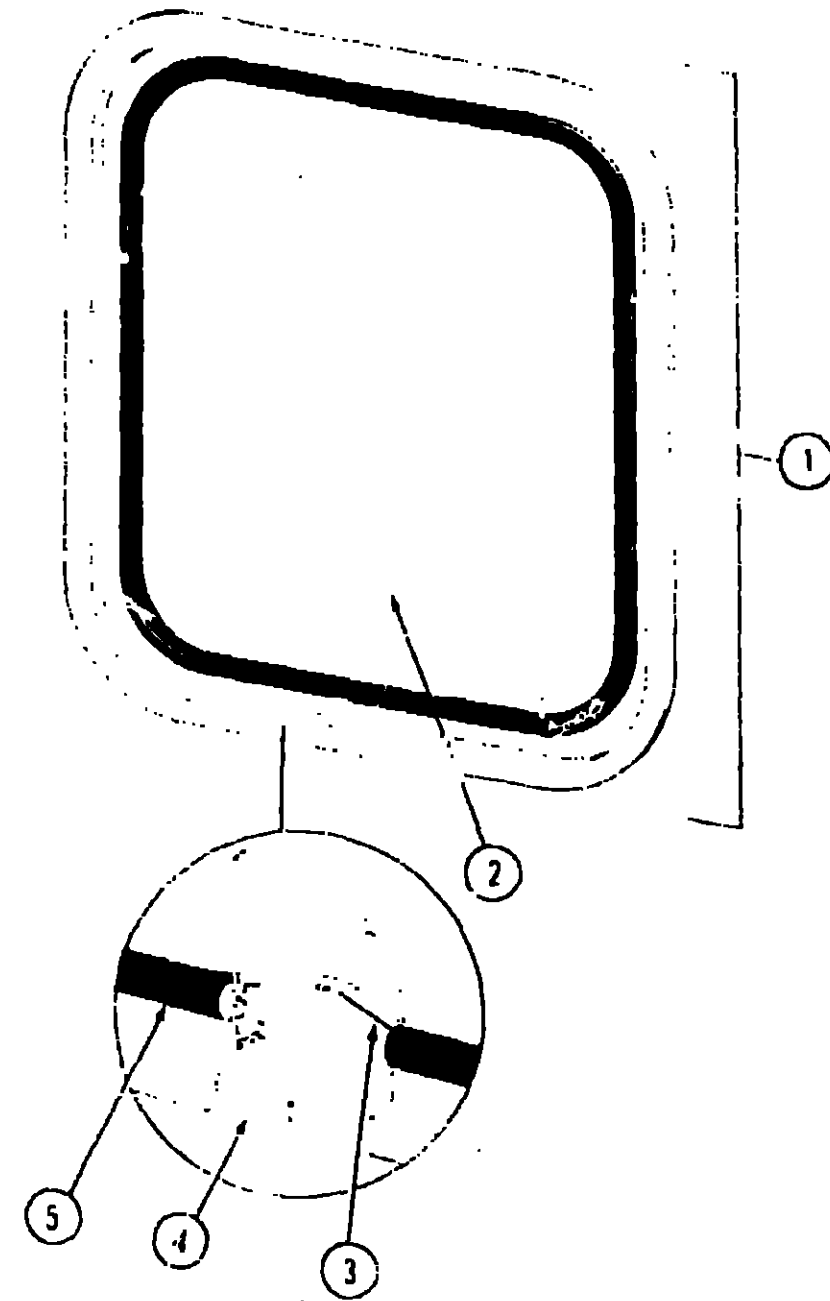
IC/F423RB
IC/F423RC
IF427R1

A-01 - C-02
C-03 - E-08
E-09 - G-16

1989 IC/F423RC INDEX

Floor Plan	C-03 - C-04
Accessories Group	C-05 - C-07
Bath Group	C-08 - C-09
Chassis Group	C-10 - C-12
Curtain, Cushion & Pad Group	C-13 - C-19
Dinette Group	C-20 - C-21
Driver's Compartment Group	C-22 - C-24
Electrical Group	D-01 - D-03
Exterior Body Group	D-04 - D-09
Galley Group	D-10 - D-12
Heating & Air Conditioning Group	D-13 - D-14
Interior Finish Group	D-15 - D-16
LP Group	D-17
Lounge Group	D-18
Water & Sewage Group	D-19 - D-20
Window, Vent & Exterior Door Group	D-21 - E-07

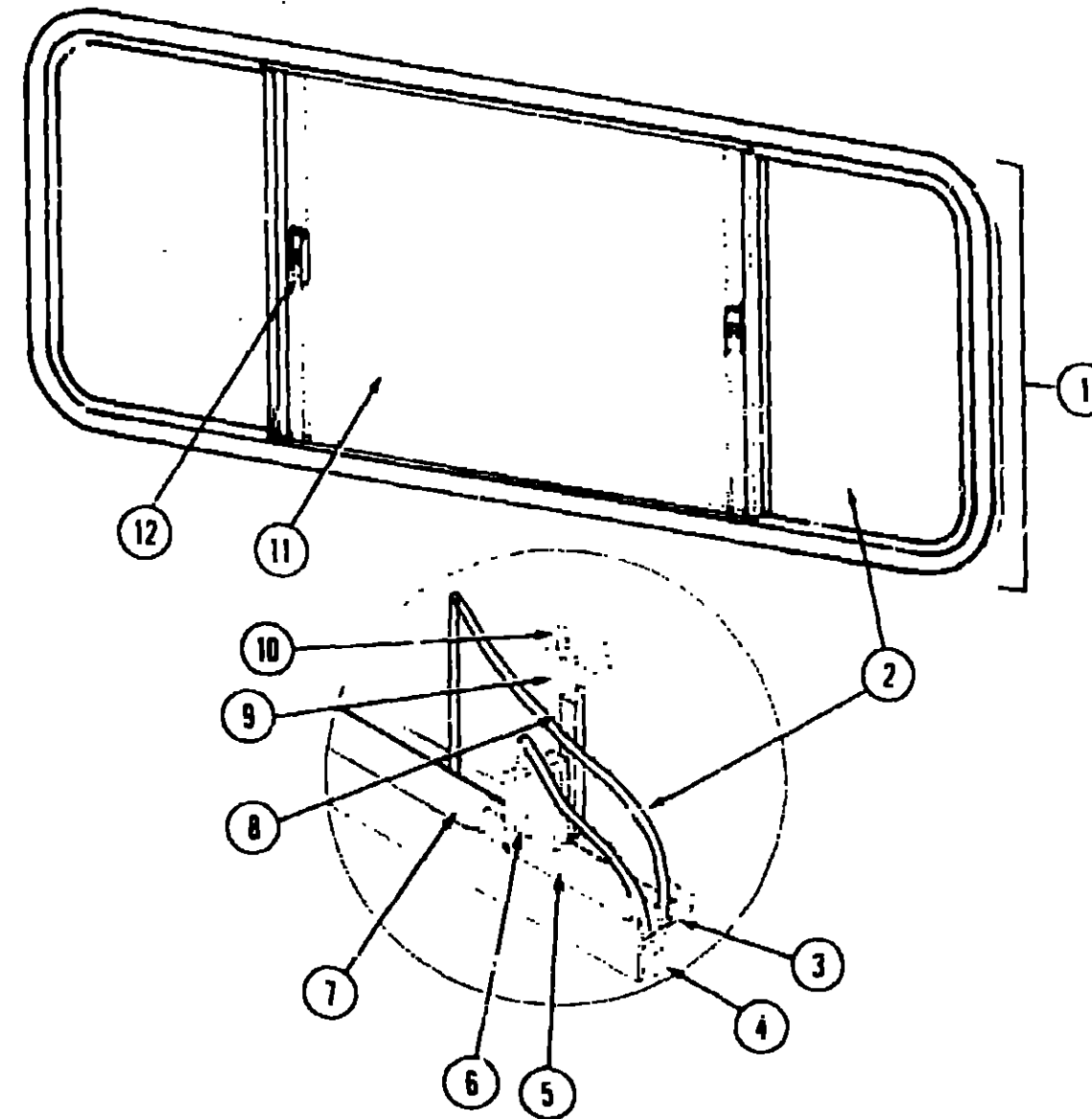
WINDOW, VENT & EXTERIOR DOOR GROUP (CONTINUED)



ESCAPE WINDOW

Key	Part Number	U/M	Description
1	079415-01-T03	EA	Window Asm. - Rear Escape - 23" x 29" - Black (w/o inside frame)
	020749-05-000	EA	Inside Frame - Beige (not included in assembly)
2	002173-02-000	EA	Glass - 1/8" x 19.6" x 25.9"
3	002285-01-000	FT	Filler - Weatherstrip - Black
4	069640-05-000	FT	Ribbon Sealer - 5/16" Bead x 15'
5	002282-01-000	FT	Weatherstrip - 1.25" Window
	006199-01-000	EA	Label - Exit - Escape Window

WINDOW, VENT & EXTERIOR DOOR GROUP (CONTINUED)



DOUBLE SLIDER WINDOW

Key	Part Number	U/M	Description
1	078269-04-X11	EA	Window Asm. - Double Slider (w/o inside frame)
	083122-26-000	EA	Inside Frame - Double Slider - Beige (not included in assembly)
2	081980-10-000	EA	Glass - Sliding - 30.7" x 19.3" x 1/8"
3	002324-02-000	FT	Channel Weatherstrip - Glass
4	069640-05-000	FT	Sealer Ribbon - 5/16" Bead x 15'
5	002309-02-000	FT	Spline - Glass - 1/8" - Black
6	069886-03-001	EA	Seal Holder - 1/8" Glass - Black
7	024096-02-000	FT	Vinyl Window Seal - Black
8	073740-01-000	FT	Fin Seal - .460 Pile
9	083923-02-000	EA	Mullion - Slider Window - Black
	002292-02-000	SC	Screen - Window - 26" Charcoal
10	002298-02-000	FT	Spline - .130" Dia. - Charcoal (Screen)
11	002188-07-000	EA	Glass - Stationary - 30.74" x 24.75" x 1/8"
12	047369-01-700	EA	Latch Kit - Window - Plastic w/Fastener
	081377-01-000	EA	Adhesive - Cyanoacrylate
	002328-01-000	EA	Block - Window - 1/8" x 3/16" x 1'

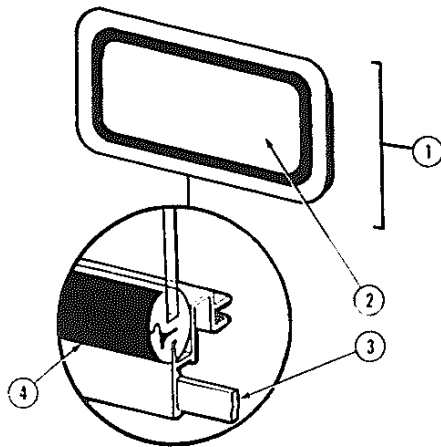
1989 ITASCA
TABLE OF CONTENTS

IC/F423RB
IC/F423RC
IF427RT

A-01 - C-02
C-03 - E-08
E-09 - G-16

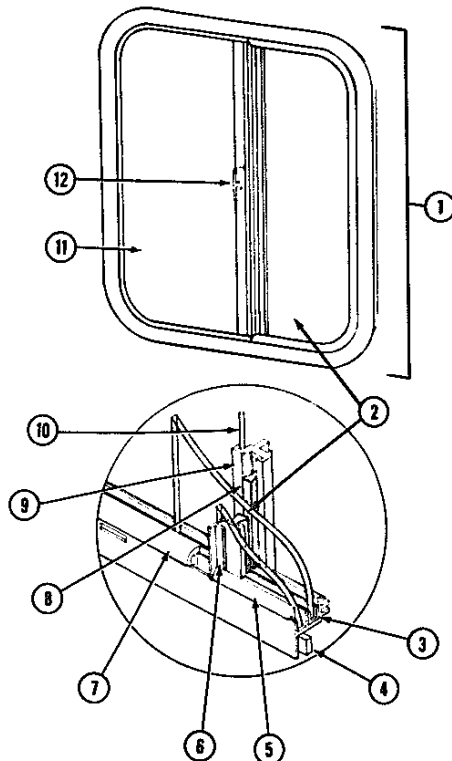
1989 IC/F423RC INDEX

Floor Plan	C-03 - C-04
Accessories Group	C-05 - C-07
Bath Group	C-08 - C-09
Chassis Group	C-10 - C-12
Curtain, Cushion & Pad Group	C-13 - C-19
Dinette Group	C-20 - C-21
Driver's Compartment Group	C-22 - C-24
Electrical Group	D-01 - D-03
Exterior Body Group	D-04 - D-09
Galley Group	D-10 - D-12
Heating & Air Conditioning Group	D-13 - D-14
Interior Finish Group	D-15 - D-16
LP Group	D-17
Lounge Group	D-18
Water & Sewage Group	D-19 - D-20
Window, Vent & Exterior Door Group	D-21 - E-07



FRONT PICTURE WINDOW

Key	Part Number	U/M	Description
1	078533-04-X08	EA	Window Asm. - Front Picture - 15" x 30" - Black (w/o inside frame)
	041938-06-000	EA	Inside Frame - Black (not included in assembly)
2	002200-05-000	EA	Glass - TP - Picture Window - 15.3" x 30"
3	069640-06-000	FT	Ribbon Sealer - 5/16" Bead x 15'
4	002281-01-000	FT	Weatherstrip - Self Seal - .06" Panel x 3/16" - Black



SINGLE SLIDER

Key	Part Number	U/M	Description
1	078266-02-T03	EA	Window Asm. - Single Slider - 19.25" x 24.5" (w/o inside frame)
	083122-03-000	EA	Inside Frame - Beige (not included in assembly)
2	081890-05-000	EA	Glass - Sliding - 1/8" x 19" x 13.68"
3	002324-02-000	FT	Channel - Weatherstrip - Glass Run - 1/8" Glass
4	069640-06-000	FT	Ribbon Sealer - 5/16" Bead x 15'
5	002309-02-000	FT	Spline - Glass - 1/8" Material - Black
6	M69886-03-011	EA	Seal Holder w/Fin Seal - Black
7	057374-02-000	FT	Extr. Rubber - Window Seal - Black
8	073740-01-000	FT	Seal - Fin - Pile -.460"
9	075582-02-000	EA	Mullion - Slider Window - Black
10	002298-02-000	FT	Spline - .130" Dia. - Charcoal (Screen)
11	081984-03-000	EA	Glass - Stationary - 1/8" x 19" x 12.30"
12	047369-01-700	EA	Latch Kit - Window - Plastic w/Fastener
	078204-01-000	EA	Bracket - Mullion - Black
	002292-02-000	SF	Screen - Window 20" - Charcoal

1989 ITASCA
TABLE OF CONTENTS

IC/F423RB
IC/F423RC
IF427RT

A-01 - C-02
C-03 - E-08
E-09 - G-16

1989 IC/F423RC INDEX

Floor Plan	C-03 - C-04
Accessories Group	C-05 - C-07
Bath Group	C-08 - C-09
Chassis Group	C-10 - C-12
Curtain, Cushion & Pad Group	C-13 - C-19
Dinette Group	C-20 - C-21
Driver's Compartment Group	C-22 - C-24
Electrical Group	D-01 - D-03
Exterior Body Group	D-04 - D-09
Galley Group	D-10 - D-12
Heating & Air Conditioning Group	D-13 - D-14
Interior Finish Group	D-15 - D-16
LP Group	D-17
Lounge Group	D-18
Water & Sewage Group	D-19 - D-20
Window, Vent & Exterior Door Group	D-21 - E-07

WINDOW, VENT & EXTERIOR DOOR GROUP (CONTINUED)

ACCESS DOORS & HARDWARE

Key	Part Number	U/M	Description
	078010-03-000	EA	Door Asm. - Fuel Fill
	077963-01-000	EA	Gasket - Fuel Fill
	072447-04-000	EA	Shroud - Fuel Fill
	052009-01-000	EA	Door Asm. - Water Heater
	M01883-01-T95	EA	Door Asm. - Generator
	009003-01-000	EA	Lock Asm. - Twist Type
	088794-01-000	EA	Door Asm. - Power Cord w/Hatch
	079578-03-X08	EA	Door Asm. - Storage
	064075-07-000	FT	Seal - Door - Bulb
	079366-04-000	EA	Lock Asm. - Key Type - w/o Keys
	081801-02-000	EA	Hinge - Continuous - 2" x 96"
	079149-01-T03	EA	Door Asm. - Luggage
	041312-01-000	FT	Seal - Bulb "E" - Section
	081103-03-000	EA	Door Asm. - Refrigerator Access
	086755-02-000	EA	Latch - 1/4 Turn
	093633-01-000	EA	Handle - 1/4 Turn Latch
	084104-01-000	EA	Jamb - Vent Door - Refrigerator
	084104-01-700	EA	Lock - Male Dryus Fastener
	081104-01-701	EA	Lock - Female Dryus Fastener
	079455-04-T95	EA	Door Asm. - Storage
	064075-07-000	FT	Seal - Door - Bulb
	079366-04-000	EA	Lock Asm. - Key Type - w/o Keys
	081801-02-000	EA	Hinge - Continuous - 2" x 96"
	079455-03-T95	EA	Door Asm. - LP
	064075-07-000	FT	Seal - Door - Bulb
	079927-03-000	EA	Lock Asm. - Twist Type - Double Cam
	081801-02-000	EA	Hinge - Continuous - 2" x 96"
	089384-01-X08	EA	Door Asm. - Storage
	064075-07-000	FT	Seal - Door - Bulb
	079366-04-000	EA	Lock Asm. - Key Type - w/o Keys
	081801-02-000	EA	Hinge - Continuous - 2" x 96"
	083264-04-X08	EA	Door Asm. - Storage
	064075-07-000	FT	Seal - Door - Bulb
	079366-04-000	EA	Lock Asm. - Key Type - w/o Keys
	081801-02-000	EA	Hinge - Continuous - 2" x 96"
	077408-01-000	EA	Lock Asm. - Key Type (Rear Cap)
	079368-01-000	FT	Seal - Access Door
	083615-06-000	EA	Door Holder - Off White

VENTS & SKYLIGHTS

Key	Part Number	U/M	Description
	090395-01-Y12	EA	Vent - Non-Powered - Roof (w/o Screen Asm.)
	078786-01-Y12	EA	Screen Asm. - Non-Powered - Roof Vent
	084079-03-000	EA	Ventilator - Roof - Powered (Fantastic)
	090394-01-Y12	EA	Vent Asm. - Roof - Powered (w/o Screen Asm.)
	064469-08-000	EA	Vent - Roof - Powered - 14" x 14" - 12V (w/o Screen Asm.) (CSA)
	078785-01-Y12	EA	Screen Asm. - Powered - Roof Vent
	084073-03-000	EA	Vent - Roof - Refrigerator
	084073-04-000	EA	Base - Refrigerator Roof Vent
	092698-01-01A	EA	Vent w/Door - Range Hood - Off White
	083558-01-000	EA	Roof Vent - Pipe Cover

1989 ITASCA TABLE OF CONTENTS

IC/F423RB	A-01 - C-02
IC/F423RC	C-03 - E-08
IF427RT	E-09 - G-16

1989 IC/F423RC INDEX

Floor Plan	C-03 - C-04
Accessories Group	C-05 - C-07
Bath Group	C-08 - C-09
Chassis Group	C-10 - C-12
Curtain, Cushion & Pad Group	C-13 - C-19
Dinette Group	C-20 - C-21
Front's Compartment Group	C-22 - C-24
Electrical Group	D-01 - D-03
External Body Group	D-04 - D-09
Galley Group	D-10 - D-12
Heating & Air Conditioning Group	D-13 - D-14
Interior Finish Group	D-15 - D-16
LP Group	D-17
Lounge Group	D-18
Water & Sewage Group	D-19 - D-20
Window, Vent & Exterior Door Group	D-21 - E-07