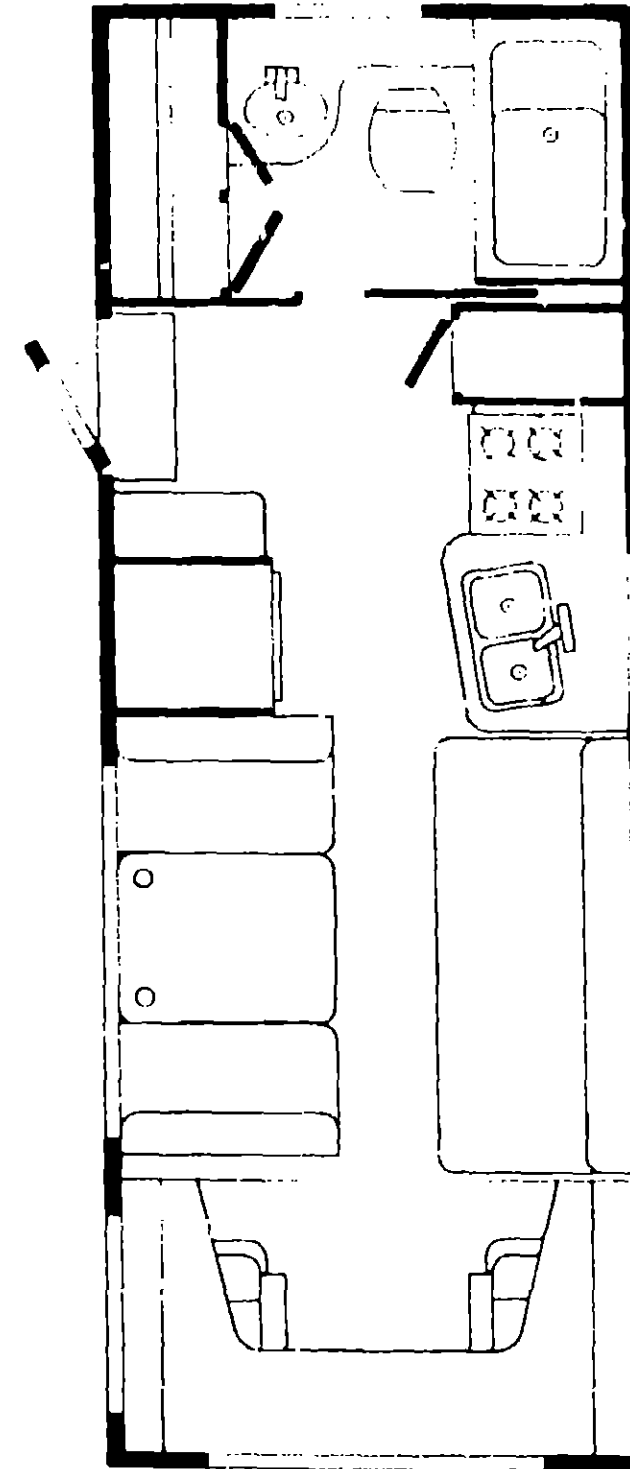


# 1989 IC/F423RB



## 1989 ITASCA TABLE OF CONTENTS

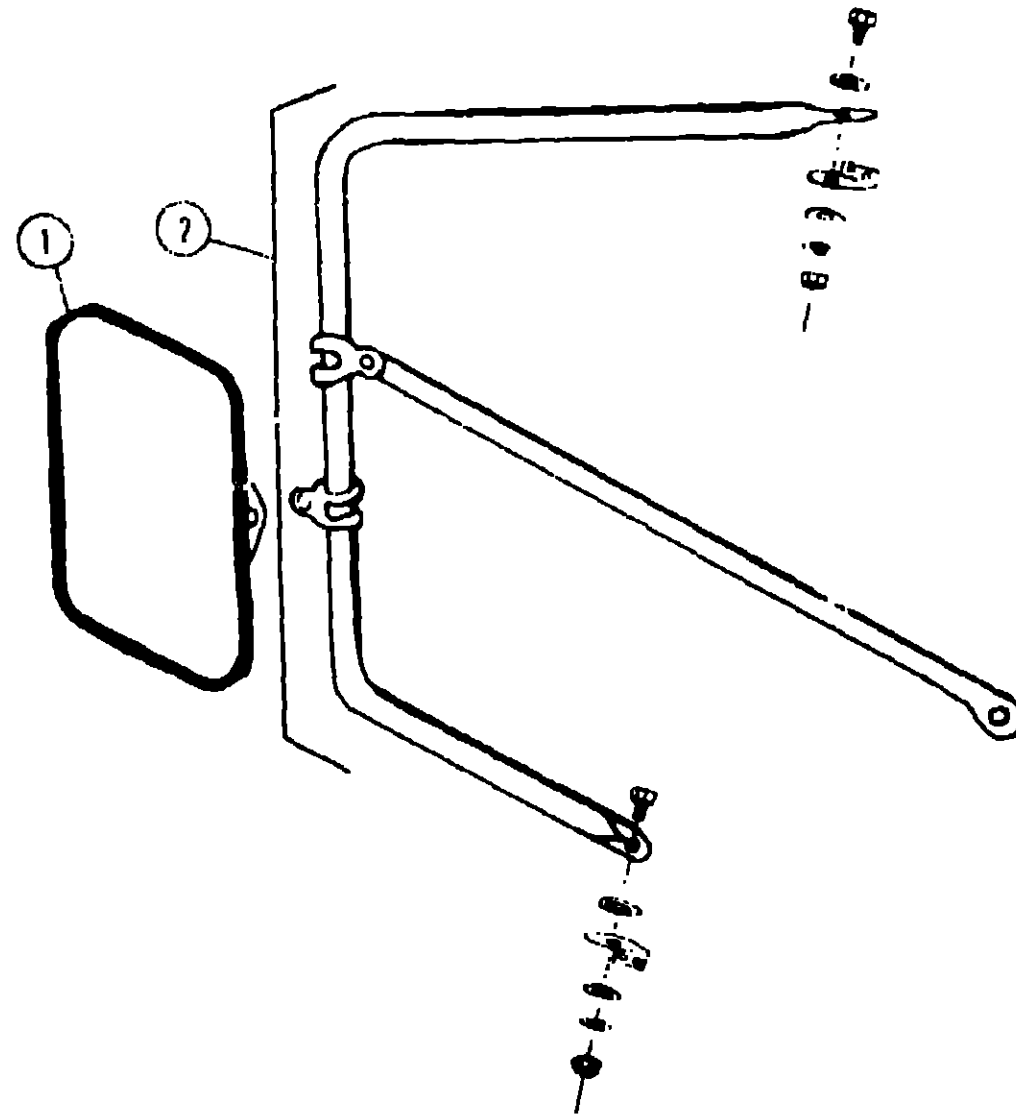
IC/F423RB  
IC/F423RC  
IF427RT

A-01 - C-02  
C-03 - E-08  
E-09 - G-16

## 1989 IC/F423RB INDEX

Floor Plan	A-01 - A-02
Accessories Group	A-03 - A-05
Bath Group	A-06 - A-07
Chassis Group	A-08 - A-10
Curtain, Cushion & Pad Group	A-11 - A-16
Dinette Group	A-17 - A-18
Driver's Compartment Group	A-19 - A-21
Electrical Group	A-22 - A-24
Exterior Body Group	B-01 - B-06
Galley Group	B-07 - B-09
Heating & Air Conditioning Group	B-10 - B-11
Interior Finish Group	B-12 - B-13
LP Group	B-14
Lounge Group	B-15
Water & Sewage Group	B-16 - B-17
Window, Vent & Exterior Door Group	B-18 - C-02

## ACCESSORIES GROUP



EXTERIOR MIRRORS

Key	Part Number	U/M	Description
1	049347-01-000	EA	Mirror Head - 7 1/2 x 10 1/2 - Stainless Steel
2	062047-01-000	EA	Arm - West Coast Mirror - Stainless Steel
2	062047-02-000	EA	Arm - West Coast Mirror - Off White
	006043-01-000	EA	Mirror - Convex - Adhesive Back

### WHEEL COVER & MOUNTING HARDWARE

Key	Part Number	U/M	Description
	083181-01-000	EA	Wheel Cover - 16" (Set/4) (Ford)
	083181-01-700	EA	Wheel Cover - 16" (1) (Ford)
	083181-02-000	EA	Wheel Cover - 16.5 (Set/4) (Chevrolet)
	083181-02-700	EA	Wheel Cover - 16" (1) (Chevrolet)

### MICROWAVE/BROWNING OVEN (OPTION 133)

Key	Part Number	U/M	Description
	091269-01-000	EA	Microwave/Browning Oven
	091269-02-000	EA	Frame Kit - Microwave
	088682-10-000	EA	Bracket Asm. - Microwave - Left
	088682-12-000	EA	Bracket Asm. - Microwave - Right

## ACCESSORIES GROUP (CONTINUED)

### MISCELLANEOUS ACCESSORIES

Key	Part Number	U/M	Description
	054185-31-000	EA	Owner's Manual - 1989 - Winnebago & Itasca
	092310-01-000	EA	Binder - 3 Ring - Vendor Manual
	092319-01-000	EA	Page - Plastic Packet
	076319-01-000	EA	Antenna - TV - 44.5" Mast
	040069-01-000	EA	Floor Mat - Winnebago - 10 1/2" x 26"
	092131-01-Y05	EA	Floor Mat - Driver (Chevrolet)
	092432-01-Y05	EA	Floor Mat - Passenger (Chevrolet)
	093410-01-Y05	EA	Floor Mat - Driver (Ford)
	093410-02-Y05	EA	Floor Mat - Passenger (Ford)
	044860-01-000	EA	Stepwell Mat - Black Rubber - Driver
	044860-02-000	EA	Stepwell Mat - Black Rubber - Passenger
	017516-01-000	EA	Mud Flap - 14" x 18" - Rear - Black
	064089-01-000	EA	Splashguard - Black Rubber - Front
	041944-03-000	EA	Fire Extinguisher - 5 BC (US)
	041944-05-000	EA	Fire Extinguisher - 5 BC (CSA)
	084472-01-000	EA	Holder - Fire Extinguisher
	094499-01-000	EA	Fire Extinguisher - IA 10BC (UL)
	094499-02-000	EA	Fire Extinguisher - IA 10BC (CSA)
	094651-01-01A	EA	Holder - Recessed - Fire Extinguisher
	072852-01-000	EA	Smoke Detector w/9 Volt Battery
	080208-01-000	EA	Lug Wrench
	080208-02-000	EA	Leverage Bar - Lug Wrench
	006113-01-000	EA	Jack - Hydraulic - 6 Ton - w/Handle
	079165-01-U10	EA	Tire Cover Asm. - Off White - Plastic
	086269-01-000	EA	Picture - Decorative (Option 46H)

### TV ANTENNA/CABLE READY W/TV STAND (OPTION 42P)

Key	Part Number	U/M	Description
	076319-01-000	EA	Antenna - TV Roof Mount - 44.5"
	076319-06-000	EA	Adaptor - Cable Roof Plate
	076319-09-000	EA	Wallplate/Receptacle - Brown
	076319-11-000	EA	Adapter - Coax w/Splitter
	084357-02-W24	EA	TV Stand Asm. - w/o Hardware
	058331-14-000	EA	Mirror - Safety Glass - 14" x 12.7"
	084356-04-000	EA	Insert - TV Stand - Tan
	084412-01-000	EA	Support - Hinged
	084451-01-000	EA	Catch - TV Shelf - Brass
	087236-01-000	EA	Label - Cable Input
	087236-02-000	EA	Label - TV Outlet
	086756-01-000	EA	Splitter - TV - 2 Way
	086777-02-000	EA	Plate - Wall Outlet - Antenna/Cable - Brown
	086778-01-000	EA	Receptacle - Outside - Cable TV - Off White
	086778-04-000	EA	Gasket - Receptacle - TV/Cable

\*\*The illustrated parts breakdown of this item is provided on the Common Items Fiche.

### EXPORT GENERATORS (3.5KW) (OPTIONS 05A & 3831A)

Key	Part Number	U/M	Description
	100974-05-000	EA	Generator - Onan - 4.0kw
	081634-02-000	EA	Generator - Emerald - 3.5kw
	008054-01-000	EA	Power Cord - 10-3 - 30 Amp. - 25' (UL)
	008052-01-000	EA	Power Cord - 10-3 - 30 Amp. - 25' (CSA)
	092615-01-000	EA	Converter - 40 Amp. w/Charger
	086252-01-000	EA	Exhaust Pipe - Generator
	086494-01-000	EA	Bracket - Exhaust
	081364-01-000	EA	Muffler - Generator - 3.5KW
	007131-01-000	EA	Hanger - Tailpiece
	078045-01-000	EA	Plate - Support - Generator
	084565-01-000	EA	Plate - Support - Generator
	086246-01-000	EA	Tray Asm. - Generator Set

## 1989 ITASCA TABLE OF CONTENTS

IC/F423RB  
IC/F423RC  
IF427RT

A-01 - C-02  
C-03 - F-08  
E-09 - G-16

## 1989 IC/F423RB INDEX

Floor Plan	A-01 - A-02
Accessories Group	A-03 - A-05
Bath Group	A-06 - A-07
Chassis Group	A-08 - A-10
Curtain, Cushion & Pad Group	A-11 - A-16
Dinette Group	A-17 - A-18
Driver's Compartment Group	A-19 - A-21
Electrical Group	A-22 - A-24
Exterior Body Group	B-01 - B-06
Galley Group	B-07 - B-09
Heating & Air Conditioning Group	B-10 - B-11
Interior Finish Group	B-12 - B-13
LP Group	B-14
Lounge Group	B-15
Water & Sewage Group	B-16 - B-17
Window, Vent & Exterior Door Group	B-18 - C-02

## ACCESSORIES GROUP (CONTINUED)

### RADIO & RELATED COMPONENTS

Key	Part Number	U/M	Description
	092311-01-000	EA	Radio - AM/FM Stereo - w/Cassette
	007004-01-000	EA	Antenna - Radio - Cab Mount
	074979-01-000	EA	Speaker Cover Protector - Plastic (Chevrolet)
	089340-01-000	EA	Speaker - Grille - 6.50" - Square
	073741-03-000	EA	Speaker - 4" x 6" - Oval (Ford)
	073741-04-000	EA	Grille - Speaker - 4" x 6" - Oval (Ford)
	079305-02-000	EA	Radio Mounting Kit (Ford)
	091211-01-000	EA	Radio Mounting Kit (Chevrolet)
	094097-01-000	EA	Speaker - 5.25" - w/o Grille
	061059-01-000	EA	Wire Asm - 9 Pin - Audiovox Radio

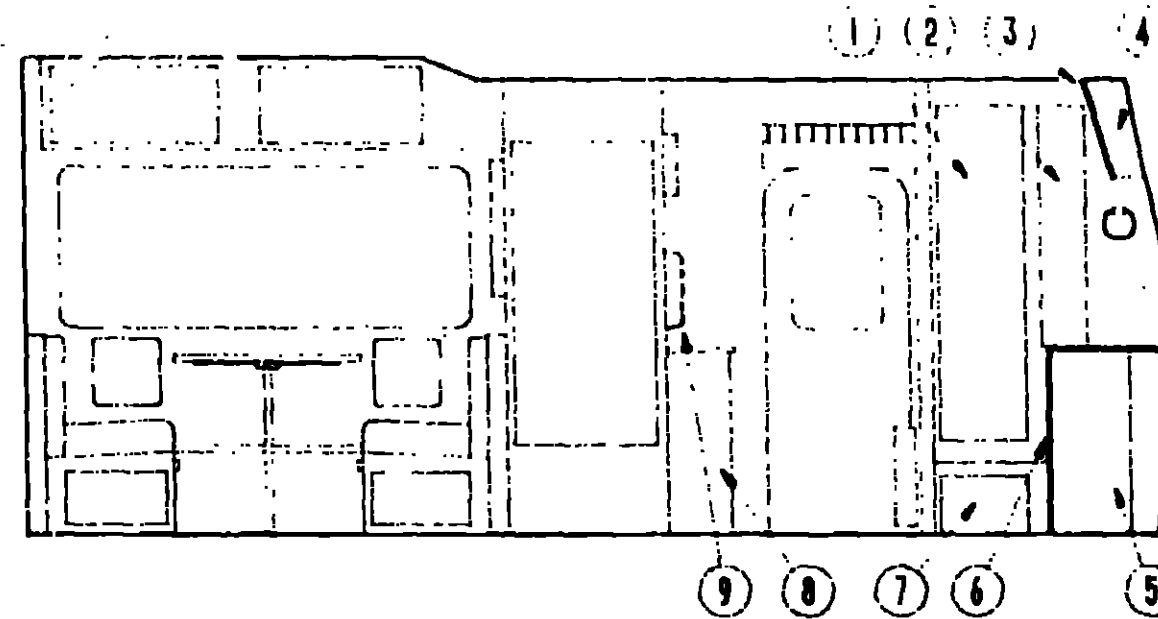
### GENERATORS & COMPONENTS (OPTION 39C)

Key	Part Number	U/M	Description
	100973-02-000	EA	Generator - Emerald - 4.0 kw
	701629-02-000	EA	Installation Package
	086252-01-000	EA	Exhaust Pipe - Generator
	076494-01-000	EA	Bracket - Exhaust
	058322-03-000	EA	Tube - Exhaust - 1.5 ID - 90°
	081254-01-000	EA	Muffler - Generator - Emerald
	007067-01-000	EA	Insulation - Fiberglass - 1"
	078045-01-000	EA	Plate - Generator Support
	086246-01-000	EA	Tray - Generator Mounting

### RACK & LADDER COMPONENTS (OPTION 35U)

Key	Part Number	U/M	Description
	080997-01-T03	EA	Ladder Asm. - Lower
	080999-01-T03	EA	Ladder Asm. - Upper
	081026-01-T03	EA	Rack Asm. - Right
	081026-02-T03	EA	Rack Asm. - Left
	081055-01-000	EA	Spring Grip - Internal
	081056-01-000	EA	Pin - Quick Release
	081107-01-000	EA	Bracket - Bumper Pin
	067165-01-000	EA	Bracket - Mounting - Rear & Ladder
	080866-01-000	EA	Stand Off - Rack & Ladder Asm.
	067130-01-000	EA	Ladder Step
	076980-01-000	EA	End Cap - Ladder Step
	081152-01-000	EA	Bumper Plate - Brite Dip - Lower Ladder
	064093-01-000	EA	Luggage Box - 14" x 30" x 60" (Optional)
	038327-01-000	EA	Tape - Anti-Slip - 2" x 60"

## BATH GROUP



### BATH & WARDROBE CABINETRY

Key	Part Number	U/M	Description
1	M88304-B2-X08	EA	Door Asm. - Wardrobe Cabinet - 16.7" x 48" - w/o Hardware
2	M88304-A3-X08	EA	Door Asm. - Wardrobe Cabinet - 39.9" x 12" - w/o Hardware
3	088303-52-X08	EA	Door Asm. - Medicine Cabinet - 15.1" x 30.1" - w/o Hardware
	058331-05-000	EA	Mirror Asm. - Medicine Cabinet - 12" x 26"
13	093446-06-Y15	EA	Door Asm. - Medicine Cabinet - w/o Hardware
	058331-32-000	EA	Mirror Asm. - Medicine - 13.6" x 27.6"
4	076073-01-000	EA	Medicine Cabinet - 15.4" x 29.4" - Almond
5	M82428-01-Y05	EA	Cabinet Asm. - Lavatory - w/Countertop - w/o Door, Drawer & Hardware
	M02556-01-Y30	EA	Countertop Asm. - Lavatory
	081893-02-X11	EA	Drawer Face - Lavatory - w/o Hardware
	077251-01-000	EA	Drawer - Tiltout - Plastic
6	M88304-96-X11	EA	Door Asm. - Lavatory - 14.3" x 26.7" - w/o Hardware
	082441-01-W24	EA	Door Complete - Sliding
	058331-04-000	EA	Mirror - Safety Glass - 12" x 42"
7	M88304-57-X23	EA	Door Asm. - Furnace - 12.7" x 17.7" - w/o Hardware
8	M82446-01-X08	EA	Cabinet Asm. - Entrance - w/Countertop - w/o Doors & Hardware
	M02557-01-X08	EA	Countertop Asm. - Entrance Cabinet
	M88304-B0-X08	EA	Door Asm. - Entrance Cabinet - 10" x 25.1" - Left - w/o Hardware
	M88304-97-X08	EA	Door Asm. - Entrance Cabinet - 10" x 25.1" - Right - w/o Hardware
9	074491-01-000	EA	Magazine Rack
†	Part used after 4/26/89.		

## 1989 ITASCA TABLE OF CONTENTS

IC/F423RB  
IC/F423RC  
IF-127RT

A-01 - A-02  
C-03 - E-08  
E-09 - G-16

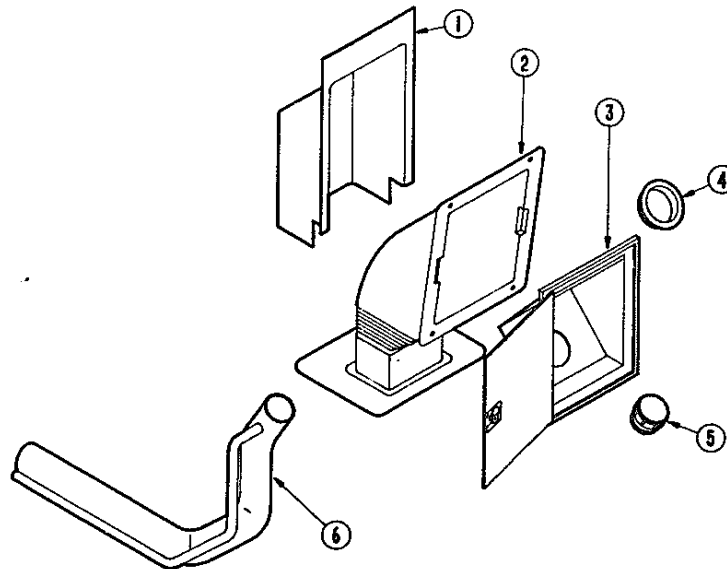
## 1989 IC/F423RB INDEX

Floor Plan	A-01 - A-02
Accessories Group	A-03 - A-05
Bath Group	A-06 - A-07
Chassis Group	A-08 - A-10
Curtain, Cushion & Pad Group	A-11 - A-16
Dinette Group	A-17 - A-18
Driver's Compartment Group	A-19 - A-21
Electrical Group	A-22 - A-24
Exterior Body Group	B-01 - B-06
Galley Group	B-07 - B-09
Heating & Air Conditioning Group	B-10 - B-11
Interior Finish Group	B-12 - B-13
LP Group	B-14
Lounge Group	B-15
Water & Sewage Group	B-16 - B-17
Window, Vent & Exterior Door Group	B-18 - C-02

## BATH GROUP (CONTINUED)

### BATH & WARDROBE HARDWARE

Key	Part Number	U/M	Description
	M01817-01-T03	EA	Bathtub Asm. w/Strainer
	079657-02-000	EA	Door Asm. - Shower - Satin Brass
	050712-05-000	EA	Handle - Shower Door - Mill Finish
	079235-01-000	EA	Header - Shower Door
	079234-01-000	EA	Jamb - Shower Door - Beige - Left
	079234-02-000	EA	Jamb - Shower Door - Beige - Right
	080257-01-000	EA	Shroud - Bathtub - Off White
	031558-03-000	EA	Faucet - Tub & Shower - Brass
**	011048-02-000	EA	Shower Head - w/60" Hose
**	075606-01-000	EA	Shower Panel - Faucet - Plastic
	056729-01-000	EA	Strainer - Bathtub Asm.
	066435-01-000	EA	Nut Strainer - Plastic - Bathtub Asm.
	066436-01-000	EA	Slip Nut - 1.5" Tailpiece - Bathtub Asm.
	069735-01-000	EA	Washer - Tailpiece - 1.5" - Plastic - Bathtub Asm.
	011056-03-000	EA	Faucet - Lavatory
	091253-01-000	EA	Gasket - Lavatory Faucet
	011069-02-000	EA	Tailpiece - 1.5" x 1.25" x 4" - Plastic
	089366-01-000	EA	Sink - Oval - Ivory Plastic
	063740-01-000	EA	Toilet - Thetford - Aqua Magic
	009134-01-000	EA	Tissue Holder
	075454-02-000	EA	Towel Ring - Bright Brass
	082441-01-W24	EA	Door Asm. - Complete - Sliding
	058331-04-060	EA	Mirror - Safety Glass - 12" x 42"
	009089-01-000	EA	Clip - Mirror
	064467-01-000	EA	Guide - Wall Mount - Sliding Door
	009156-01-000	EA	Hanger - Sliding Door
	058034-02-000	EA	Latch Door w/o Lock - Sliding Door
	075149-05-000	EA	Track - 57" - Sliding Door
	075145-04-000	EA	Cover - Track - 32" - Sliding Door
	009112-01-000	EA	Flange - Clothes Rod - 1"
	075680-02-000	EA	Clothes Rod - Adjustable
	042438-01-000	EA	Dowel - Wooden - 1" Dia. x 4'
**	033580-01-000	EA	Towel Ring - Chrome w/Plastic Ring



### FUEL FILL COMPONENTS

Key	Part Number	U/M	Description
1	078040-01-000	EA	Shroud - Fuel Fill - Upper
2	083578-01-000	EA	Boot - Fuel Fill
	084235-01-000	EA	Support Flange - Fuel Fill Boot
3	078010-03-000	EA	Door Asm. - Fuel Fill - Off White
	077983-01-000	EA	Gasket - Fuel Door
	042441-01-000	EA	Lock Asm. - Fuel Fill
4	078200-01-00	EA	Gasket - Fuel Fill (Ford)
*5	NOTE	EA	Fuel Cap (Chevrolet)
6	074888-03-000	EA	Filler Neck - Fuel Fill (Chevrolet)
6	081187-03-000	EA	Filler Neck - Fuel Fill (Ford)
	066732-01-000	EA	Hose - Fuel Fill - .62 ID

\* NOTE: This item is chassis supplied.

## 1989 ITASCA TABLE OF CONTENTS

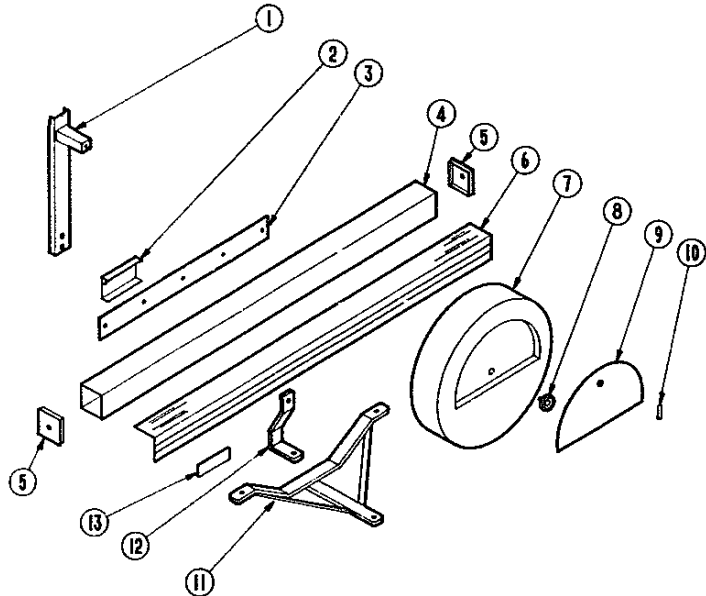
IC/F423RB  
IC/F423RC  
IF427RT

A-01 - C-02  
C-03 - E-08  
E-09 - G-16

## 1989 IC/F423RB INDEX

Floor Plan	A-01 - A-02
Accessories Group	A-03 - A-05
Bath Group	A-06 - A-07
Chassis Group	A-08 - A-10
Curtain, Cushion & Pad Group	A-11 - A-16
Dinette Group	A-17 - A-18
Driver's Compartment Group	A-19 - A-21
Electrical Group	A-22 - A-24
Exterior Body Group	B-01 - B-06
Galley Group	B-07 - B-09
Heating & Air Conditioning Group	B-10 - B-11
Interior Finish Group	B-12 - B-13
LP Group	B-14
Lounge Group	B-15
Water & Sewage Group	B-16 - B-17
Window, Vent & Exterior Door Group	B-18 - C-02

### CHASSIS GROUP (CONTINUED)



### SPARE TIRE, HITCH & REAR BUMPER

Key	Part Number	U/M	Description
1	079027-01-000	EA	Bracket Asm. - Tire Carrier
2	M84600-02-000	EA	Mount Support - Tire Carrier
3	M22150-01-000	EA	Bracket - Rear Bumper
4	064602-01-000	EA	Bumper Asm. - Square - Off White
5	039779-01-000	EA	Bumper Cap - Black Rubber - 4" x 4"
6	041332-03-000	EA	Cover - Bumper - w/o Reflector - 4" Square x 92"
7	079799-01-000	EA	Cover - Spare Tire - Off White
8	064082-02-000	EA	Bolt - Retainer - Wheel Cover
9	M02047-01-T95	EA	Door - Tire Cover - Off White
10	077408-02-000	EA	Lock Asm. - Key Type
11	064833-03-000	EA	Trailer Hitch Asm.
12	064824-02-000	EA	Support - Trailer Hitch
13	041332-02-000	EA	Reflector - Bumper Cover - Self Adhesive - 6 1/2" x 3/4"
	070917-02-000	EA	Tire - Michelin - Radial
	062400-02-000	EA	Wheel - Steel - 6" x 16.5"
	051377-01-000	EA	Valve Stem Asm.

### CHASSIS GROUP (CONTINUED)

#### MISCELLANEOUS CHASSIS PARTS

Key	Part Number	U/M	Description
	047441-01-000	EA	Battery Terminal - Horizontal Lug
	051697-01-000	EA	Bracket - Battery Tie Down - 6.9"
	010497-01-000	EA	Clamp - Closed - 5/8 ID
	007161-01-000	EA	Clamp - Hose - Spring Type 112
	062401-01-000	EA	Clamp - Hose - Wormgear - .22" ID - 1" ID
	062401-02-000	EA	Clamp - Hose - Wormgear - 1.58" - 2.5" ID
	062401-03-000	EA	Clamp - Hose - Wormgear - .25" ID - 1" ID
	062401-04-000	EA	Clamp - Hose - Wormgear - .69" ID - 1.25" ID
	062401-06-000	EA	Clamp - Hose - Wormgear - .22" ID - .62" ID
	023146-01-000	EA	Clamp - Screw Type - 4"
	078781-12-000	EA	Compartment Asm. - Storage
	078781-03-000	EA	Compartment Asm. - Storage
	007063-01-000	FT	Hose - Gas - 1/4 ID x 1/2 OD
	007108-01-000	FT	Hose - Heater - 5/8 ID
	006113-01-000	EA	Jack - Hydraulic - 6 Ton - w/Handle
	080208-02-000	EA	Leverage Bar - Lug Wrench (Chevrolet)
	080208-01-000	EA	Lug Wrench (Chevrolet)
	017516-01-000	EA	Mud Flap w/Holes - 14" x 18" - Black
	064089-01-000	EA	Splash Guard - Black Rubber
	045731-01-000	EA	Rock Guard
	081264-01-000	EA	Shield - Heat Deflector
	094795-01-000	EA	Speedometer - Kilometer (CSA)
	094797-03-000	EA	Instrument Cluster (CSA)
	083212-05-000	EA	Speed Control (Chevrolet)
	077848-01-000	EA	Step Asm. - Pulout
	076241-01-000	EA	Support Asm. - Step
	074889-01-000	EA	Tray - Battery
	074894-01-000	EA	Guide - Track - Battery Tray
	086246-01-000	EA	Tray Asm. - Generator
	052431-02-000	EA	Tray Asm. - Luggage Compartment
	057724-01-000	EA	Wheelwell - Plastic
	008343-01-000	EA	Wire Tie - 6"

NOTE: Remainder of exhaust components available from Chassis Service Center.

### 1989 ITASCA TABLE OF CONTENTS

IC/F423RB	A-01 - C-02
IC/F423RC	C-03 - E-08
IF427RT	E-09 - G-16

### 1989 IC/F423RB INDEX

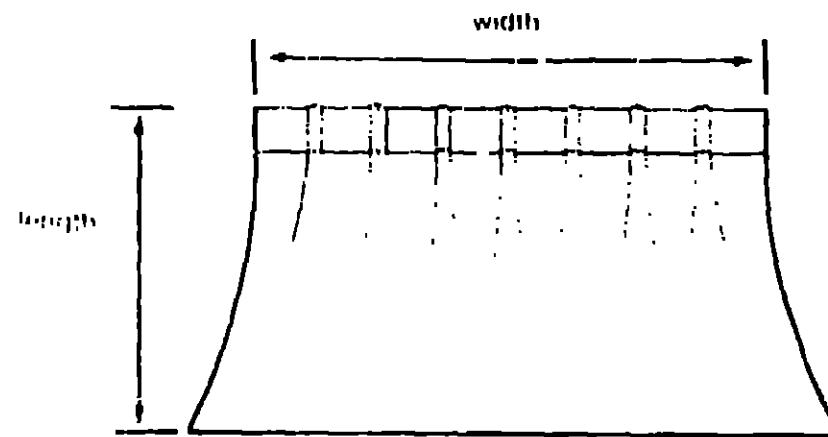
Floor Plan	A-01 - A-02
Accessories Group	A-03 - A-05
Bath Group	A-06 - A-07
Chassis Group	A-08 - A-10
Curtain, Cushion & Pad Group	A-11 - A-16
Dinette Group	A-17 - A-18
Driver's Compartment Group	A-19 - A-21
Electrical Group	A-22 - A-24
Exterior Body Group	B-01 - B-06
Galley Group	B-07 - B-09
Heating & Air Conditioning Group	B-10 - B-11
Interior Finish Group	B-12 - B-13
LP Group	B-14
Lounge Group	B-15
Water & Sewage Group	B-16 - B-17
Window, Vent & Exterior Door Group	B-18 - C-02

## CURTAIN, CUSHION & PAD GROUP

### NOTICE

In order to assist our Part Sales Dept. in providing interior software items, please include the serial number and the color code number from the vehicle certification label when ordering. This label is located on the left sidewall at the end of the dash (A-Body), or on the driver's floor plate (C-Body).

An example of a color code number is P31, which designates an overall color scheme of a particular unit. The color listed after the item description on the microfiche, indicates the overall unit color. Order the item you desire according to unit color code.



NOTE: Use this illustration when determining length and width measurements for curtains. You will note the width measurement is taken on the top of the curtain with the curtain fully extended. The length measurement is taken from top to bottom.

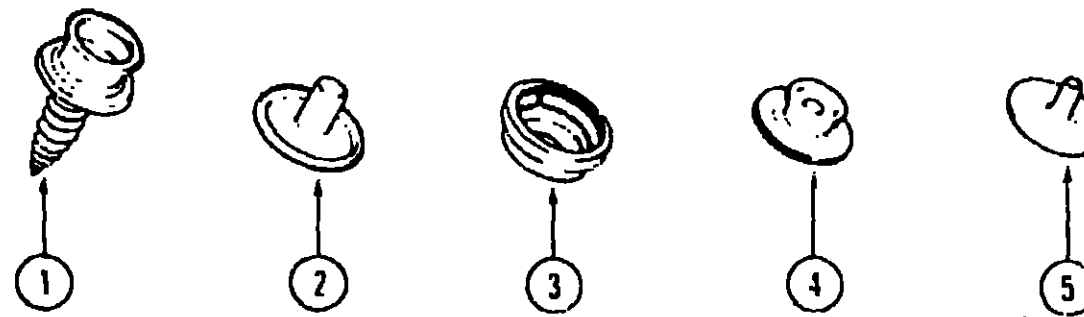
### CURTAIN & BLIND HARDWARE

Key	Part Number	U/M	Description
	029094-04-000	EA	Tape - Loop - 1" Wide - Black
	029096-03-000	EA	Tape - Hook - 1" Wide - Black
	048394-02-000	EA	Tape - Hook - .75" Wide - Beige
	048395-02-000	EA	Tape - Loop - .75" Wide - Beige
	088792-01-000	EA	Tape - Hook - 5/8" - Non-Adhesive
	088792-02-000	EA	Tape - Loop - .75" - Adhesive - Beige
	056003-01-000	EA	Bracket - Drapery Retainer - Right
	056003-02-000	EA	Bracket - Drapery Retainer - Left
	039175-01-000	EA	Rod - Cafe Curtain - 48" x 84"
	039175-02-000	CA	Bracket - Cafe Curtain
	039175-03-000	EA	Rod - Cafe Curtain - 28" x 48"
	039175-05-000	EA	Bracket - Cafe Curtain - Center
	091904-01-000	FT	Track - Curtain - Beige
	089335-01-000	FT	Track - Curtain - Brown
	071551-04-000	EA	Track - Curtain - Beige - 36"
	087253-01-000	EA	Pull - Shade - Clear Plastic
	061433-05-000	EA	Roller - Shade - 72 25"
	084474-01-000	EA	Bracket - Roller Shade - 1 3/8"
	101067-01-000	FT	Trim - Valance - 8" - Oak

## CURTAIN, CUSHION & PAD GROUP (CONTINUED)

### FABRIC & TRIM

Key	Part Number	U/M	Description
	088274-52-000	YD	Fabric - Upholstery - Main - Blue Haze (Y28)
	088274-53-000	YD	Fabric - Upholstery - Main - Rosewood (Y29)
	088274-79-000	YD	Fabric - Upholstery - Accent - Sky Blue (Y28)
	088274-76-000	YD	Fabric - Upholstery - Accent - Columbine (Y29)
	072333-61-000	YD	Fabric - Drapery Wraparound/Blackout - Pacific (Y28)
	072333-62-000	YD	Fabric - Drapery Wraparound/Blackout - Rose Beige (Y29)
	072333-63-000	YD	Fabric - Pull Shade - Entrance Door - Bond
	081926-01-000	YD	Backing - Quilting - Celestra
	087272-01-000	YD	Lining - Drapery - 48" Ivory
	029103-01-000	YD	Buckram - Non-Woven - 2
	079680-01-000	YD	Vinyl - Expanded - 26 oz. Buckskin (Ent. Caps)
	072860-84-000	YD	Carpet - Graphite (Y28)
	072860-69-000	YD	Carpet - Rose Mist (Y29)



Key	Part Number	U/M	Description
1	029130-01-000	EA	Socket - Snap Fastener
2	029155-01-000	EA	Cap - Snap - .156" Dia. x .17" Barrel
3	029156-01-000	EA	Socket - Snap Fastener
4	029092-01-000	EA	Stud - Nickel Finish
5	029093-01-000	EA	Eyelet - Nickel Finish

### TRIMS & PADS

Key	Part Number	U/M	Description
	064415-23-000	YD	Trim Braid - Pull Shade (Y28)
	084415-24-000	YD	Trim Braid - Pull Shade (Y29)
	070578-06-T03	EA	Button Asm. - #30 - Vinyl
	057550-03-Y03	EA	Button Asm. - Nail - Vinyl (Door Pad)
	071127-11-Y28	EA	Button Asm. - #30 Round - Hook Back (Presto Bed)
	078155-01-000	EA	Strap Asm. - Cushion (Dinette Cushion)
	058632-01-X08	EA	Strap Asm. - Bunk (Front Overhead)
	081519-01-Y07	EA	Pad Asm. - Dinette - Front (Y28)
	081519-01-Y09	EA	Pad Asm. - Dinette - Front (Y29)
	081519-02-Y07	EA	Pad Asm. - Dinette - Rear (Y28)
	081519-02-Y09	EA	Pad Asm. - Dinette - Rear (Y29)
	059491-01-Y07	EA	Pad Asm. - Door - Passenger - Upper (Chevrolet) (Y28)
	059491-01-Y09	EA	Pad Asm. - Door - Passenger - Upper (Chevrolet) (Y29)
	059492-01-Y07	EA	Pad Asm. - Door - Driver - Upper (Chevrolet) (Y28)
	059492-01-Y09	EA	Pad Asm. - Door - Driver - Upper (Chevrolet) (Y29)
	082552-03-Y07	EA	Pad Asm. - Door - Driver - Lower (Chevrolet) (Y28)
	082552-03-X10	EA	Pad Asm. - Door - Driver - Lower (Chevrolet) (Y29)
	082552-02-Y07	EA	Pad Asm. - Door - Passenger - Lower (Chevrolet) (Y28)
	082552-02-X10	EA	Pad Asm. - Door - Passenger - Lower (Chevrolet) (Y29)

## 1989 ITASCA TABLE OF CONTENTS

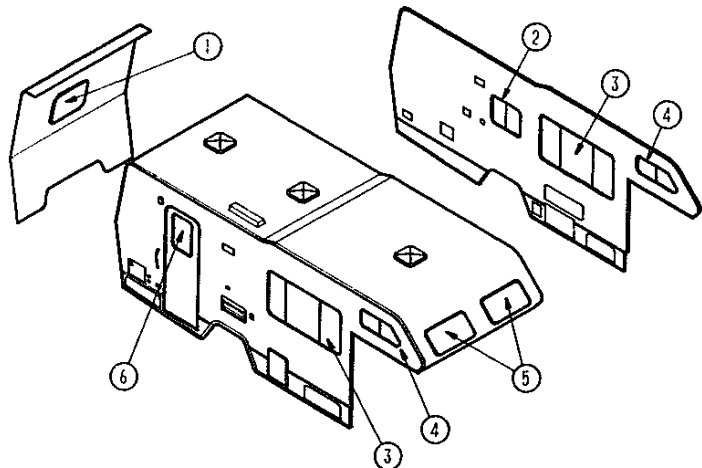
IC/F423RB  
IC/F423RC  
IF427RT

A-01 - C-02  
C-03 - F-08  
F-09 - G-16

## 1989 IC/F423RB INDEX

Floor Plan	A-01 - A-02
Accessories Group	A-03 - A-05
Bath Group	A-06 - A-07
Chassis Group	A-08 - A-10
Curtain, Cushion & Pad Group	A-11 - A-16
Dinette Group	A-17 - A-18
Driver's Compartment Group	A-19 - A-21
Electrical Group	A-22 - A-24
Exterior Body Group	B-01 - B-06
Galley Group	B-07 - B-09
Heating & Air Conditioning Group	B-10 - B-11
Interior Finish Group	B-12 - B-13
LP Group	B-14
Lounge Group	B-15
Water & Sewage Group	B-16 - B-17
Window, Vent & Exterior Door Group	B-18 - C-02

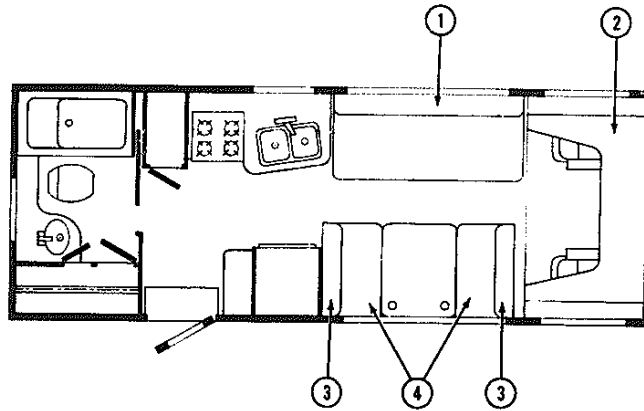
**CURTAIN, CUSHION & PAD GROUP (CONTINUED)**



**CURTAINS, SHADES, VALANCES & TIEBACKS**

Key	Part Number	U/M	Description
1	M81977-24-Y05	EA	Valance Asm. - Padded w/Wood Trim - 35.5" (Y28)
1	M81977-24-Y06	EA	Valance Asm. - Padded w/Wood Trim - 35.5" (Y29)
1	093455-02-Y28	EA	Shade Asm. - 33.25"
1	093455-02-Y29	EA	Shade Asm. - 33.25"
2	M81977-20-Y05	EA	Valance Asm. - Padded w/Wood Trim - 27.9" (Y28)
2	M81977-20-Y06	EA	Valance Asm. - Padded w/Wood Trim - 27.9" (Y29)
2	093455-12-Y28	EA	Shade Asm. - Pull - 27.25"
2	093455-12-Y29	EA	Shade Asm. - Pull - 27.25"
3	M81977-31-Y05	EA	Valance Asm. - Padded w/Wood Trim - 67.5" (Y28)
3	M81977-31-Y06	EA	Valance Asm. - Padded w/Wood Trim - 67.5" (Y29)
3	093454-01-Y07	EA	Curtain Asm. w/Gathers & Snap Top - 33.5" x 15" (Y28)
3	093454-01-Y06	EA	Curtain Asm. w/Gathers & Snap Top - 33.5" x 15" (Y29)
3	093455-01-Y28	EA	Shade Asm. - Pull - 65.25"
3	093455-01-Y29	EA	Shade Asm. - Pull - 65.25"
4	073323-33-Y30	EA	Curtain Asm. w/Rod Top & Bottom - 17.5" x 24" (Y28)
4	073323-33-Y06	EA	Curtain Asm. w/Rod Top & Bottom - 17.5" x 24" (Y29)
5	073323-37-Y30	EA	Curtain Asm. w/Rod Top & Bottom - 21" x 30" (Y28)
5	073323-37-Y06	EA	Curtain Asm. w/Rod Top & Bottom - 21" x 30" (Y29)
6	M81977-26-Y73	EA	Valance Asm. - 27.4" - Entrance Door (Y28)
6	M81977-26-Y06	EA	Valance Asm. - 27.4" - Entrance Door (Y29)
6	093455-11-Y07	EA	Shade Asm. - Pull - 24.25" (Y28)
6	093455-11-Y29	EA	Shade Asm. - Pull - 24.25" (Y29)
7	073295-04-Y30	EA	Curtain Asm. w/Lining - Front Wraparound - 23" x 64" - Right (Y28)
7	073295-04-Y06	EA	Curtain Asm. w/Lining - Front Wraparound - 23" x 64" - Right (Y29)
7	073295-06-Y30	EA	Curtain Asm. w/Lining - Front Wraparound - 23" x 64" - Left (Y28)
7	073295-06-Y06	EA	Curtain Asm. w/Lining - Front Wraparound - 23" x 64" - Left (Y29)
9	093452-01-Y15	EA	Curtain Asm. w/Snap Top - 48" x 50" - Right Blackout (Y28)
9	093452-01-Y06	EA	Curtain Asm. w/Snap Top - 48" x 50" - Right Blackout (Y29)
9	093452-02-Y15	EA	Curtain Asm. w/Snap Top - 48" x 50" - Left Blackout (Y28)
9	093452-02-Y06	EA	Curtain Asm. w/Snap Top - 48" x 50" - Left Blackout (Y29)
9	073260-24-Y30	EA	Tieback Asm. - 2" x 14" (Y28)
9	073260-24-Y06	EA	Tieback Asm. - 2" x 14" (Y29)
9	073260-23-Y23	EA	Tieback Asm. - 3" x 18" (Y28)
9	073260-23-Y06	EA	Tieback Asm. - 3" x 18" (Y29)
9	057534-01-000	EA	Tieback - 6" - Clear Plastic

**CURTAIN, CUSHION & PAD GROUP (CONTINUED)**



**PRESTO BED**

Key	Part Number	U/M	Description
1	091826-04-Y18	EA	Bed Asm. - Presto - Complete (Y28)
1	091826-04-Y29	EA	Bed Asm. - Presto - Complete (Y29)
	M81826-04-Y18	EA	Cover Asm. - Presto Bed (Y28)
	M91826-04-Y29	EA	Cover Asm. - Presto Bed (Y29)
	057470-01-000	EA	Frame Asm. - Back
	081923-01-000	EA	Frame Asm. - Seat
	088274-52-000	YD	Fabric - Presto Bed (Y28)
	088274-53-000	YD	Fabric - Presto Bed (Y29)

**FRONT BUNK**

Key	Part Number	U/M	Description
2	073310-07-Y07	EA	Cushion Asm. - Front Bunk - 54" x 76" x 4" (Y28)
2	073310-07-Y29	EA	Cushion Asm. - Front Bunk - 54" x 76" x 4" (Y29)
	M73310-07-Y07	EA	Cover Asm. - Front Bunk Cushion (Y28)
	M73310-07-Y29	EA	Cover Asm. - Front Bunk Cushion (Y29)
	088274-52-000	YD	Fabric - Front Bunk Cushion (Y28)
	088274-53-000	YD	Fabric - Front Bunk Cushion (Y29)

**DINETTE CUSHION**

Key	Part Number	U/M	Description
3	088927-18-Y07	EA	Cushion Asm. - 13" x 38" x 5" - Back (Y28)
3	088927-18-Y29	EA	Cushion Asm. - 13" x 38" x 5" - Back (Y29)
	M88927-18-Y07	EA	Cover Asm. - Back - Dinette Cushion (Y28)
	M88927-18-Y29	EA	Cover Asm. - Back - Dinette Cushion (Y29)
4	088927-19-Y07	EA	Cushion Asm. - 22" x 38" x 5" - Seat (Y28)
4	088927-19-Y29	EA	Cushion Asm. - 22" x 38" x 5" - Seat (Y29)
	M88927-19-Y07	EA	Cover Asm. - Seat - Dinette Cushion (Y28)
	M88927-19-Y29	EA	Cover Asm. - Seat - Dinette Cushion (Y29)
	078155-01-000	EA	Strap Asm. - Cushion Snap
	088274-52-000	YD	Fabric - Dinette Cushion (Y28)
	088274-53-000	YD	Fabric - Dinette Cushion (Y29)

**1989 ITASCA  
TABLE OF CONTENTS**

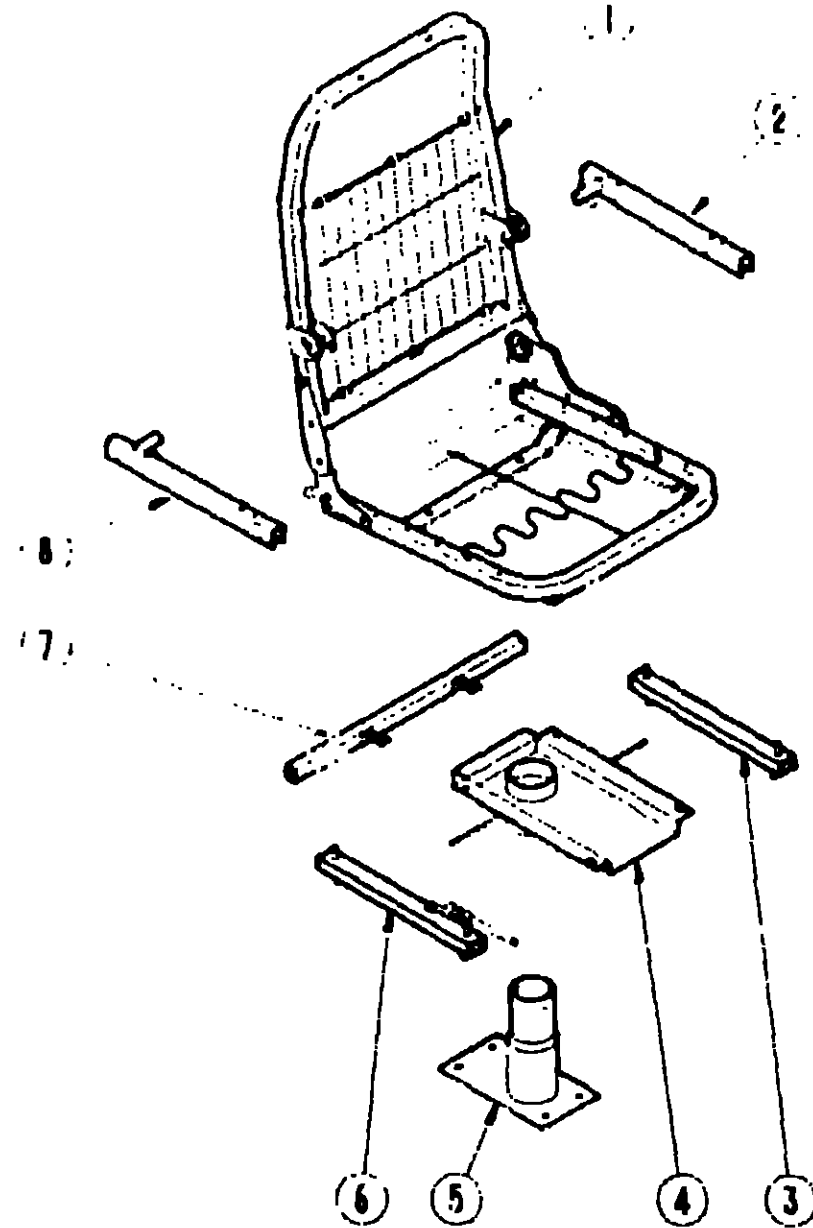
IC/F423RB  
IC/F423RC  
IF427RT

A-01 - C-02  
C-03 - E-08  
E-09 - G-16

**1989 IC/F423RB INDEX**

Floor Plan	A-01 - A-02
Accessories Group	A-03 - A-05
Bath Group	A-05 - A-07
Chassis Group	A-08 - A-10
Curtain, Cushion & Pad Group	A-11 - A-16
Dinette Group	A-17 - A-18
Driver's Compartment Group	A-19 - A-21
Electrical Group	A-22 - A-24
Exterior Body Group	B-01 - B-06
Galley Group	B-07 - B-09
Heating & Air Conditioning Group	B-10 - B-11
Interior Finish Group	B-12 - B-13
LP Group	B-14
Lounge Group	B-15
Water & Sewage Group	B-16 - B-17
Window, Vent & Exterior Door Group	B-18 - C-02

**CURTAIN, CUSHION & PAD GROUP (CONTINUED)**



**BUCKET SEAT HARDWARE**

Key	Part Number	U/M	Description
1	M80906-01-000	EA	Frame Asm. - Bucket Seat
2	081268-02-000	EA	Frame - Armrest - Left
3	069246-01-000	EA	Adjuster Asm. - Seat - w/Lock
4	069585-27-000	EA	Top Plate - Non-Powered Seat
5	069585-08-000	EA	Sub Plate - 8" - Used w/Non-Powered Seat
6	069246-02-000	EA	Adjuster Asm. - Seat w/o Lock
7	065485-29-000	EA	Seat Belt Bar - 20"
8	081268-01-000	EA	Frame - Armrest - Right
	080730-05-000	EA	Shield - Recliner

**CURTAIN, CUSHION & PAD GROUP (CONTINUED)**

**STRATON BUCKET SEAT**

Key	Part Number	U/M	Description
	083909-26-Y07	EA	Seat Asm. - Straton w/Right Armrest (Y28)
	083909-26-Y09	EA	Seat Asm. - Straton w/Right Armrest (Y29)
	M01864-35-Y07	EA	Cover Asm. - Seat Cushion (Y28)
	M01864-35-Y09	EA	Cover Asm. - Seat Cushion (Y29)
	M01864-36-Y07	EA	Cover Asm. - Back Cushion (Y28)
	M01864-36-Y09	EA	Cover Asm. - Back Cushion (Y29)
	080243-23-Y07	EA	Armrest Asm. - Right (Y28)
	080243-23-Y09	EA	Armrest Asm. - Right (Y29)
	M80243-23-Y07	EA	Cover Asm. - Armrest (Y28)
	M80243-23-Y09	EA	Cover Asm. - Armrest (Y29)
	083909-27-Y07	EA	Seat Asm. - Straton w/Left Armrest (Y28)
	083909-27-Y09	EA	Seat Asm. - Straton w/Left Armrest (Y29)
	M01864-35-Y07	EA	Cover Asm. - Seat Cushion (Y28)
	M01864-35-Y09	EA	Cover Asm. - Seat Cushion (Y29)
	M01864-36-Y07	EA	Cover Asm. - Back Cushion (Y28)
	M01864-36-Y09	EA	Cover Asm. - Back Cushion (Y29)
	080243-24-Y07	EA	Armrest Asm. - Left (Y28)
	080243-24-Y09	EA	Armrest Asm. - Left (Y29)
	M80243-24-Y07	EA	Cover Asm. - Armrest (Y28)
	M80243-24-Y09	EA	Cover Asm. - Armrest (Y29)
	088274-79-000	YD	Fabric - Straton Seat (Y28)
	088274-78-000	YD	Fabric - Straton Seat (Y29)

**1989 ITASCA  
TABLE OF CONTENTS**

IC/F423RB  
IC/F423RC  
IF4271T

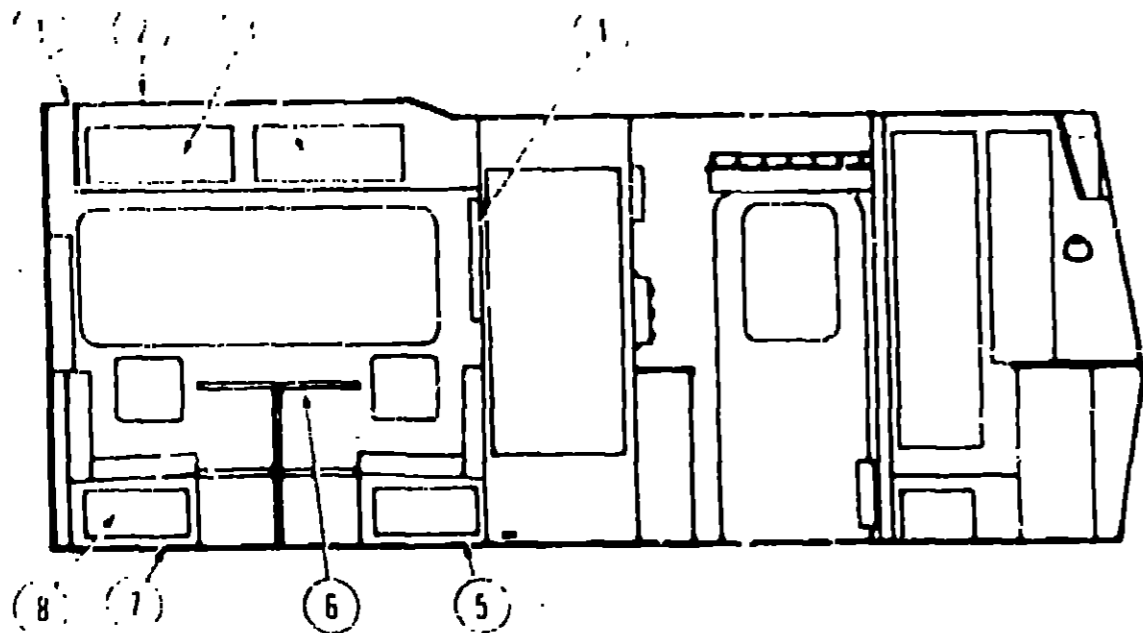
A-01 - C-02  
C-03 - E-08  
E-09 - G-16

**1989 IC/F423RB INDEX**

Floor Plan	A-01 - A-02
Accessories Group	A-03 - A-05
Bath Group	A-06 - A-07
Chassis Group	A-08 - A-10
Curtain, Cushion & Pad Group	A-11 - A-16
Dinette Group	A-17 - A-18
Driver's Compartment Group	A-19 - A-21
Electrical Group	A-22 - A-24
Exterior Body Group	B-01 - B-06
Galley Group	B-07 - B-09
Heating & Air Conditioning Group	B-10 - B-11
Interior Finish Group	B-12 - B-13
LP Group	B-14
Lounge Group	B-15
Water & Sewage Group	B-16 - B-17
Window, Vent & Exterior Door Group	B-18 - C-02



### DINETTE GROUP

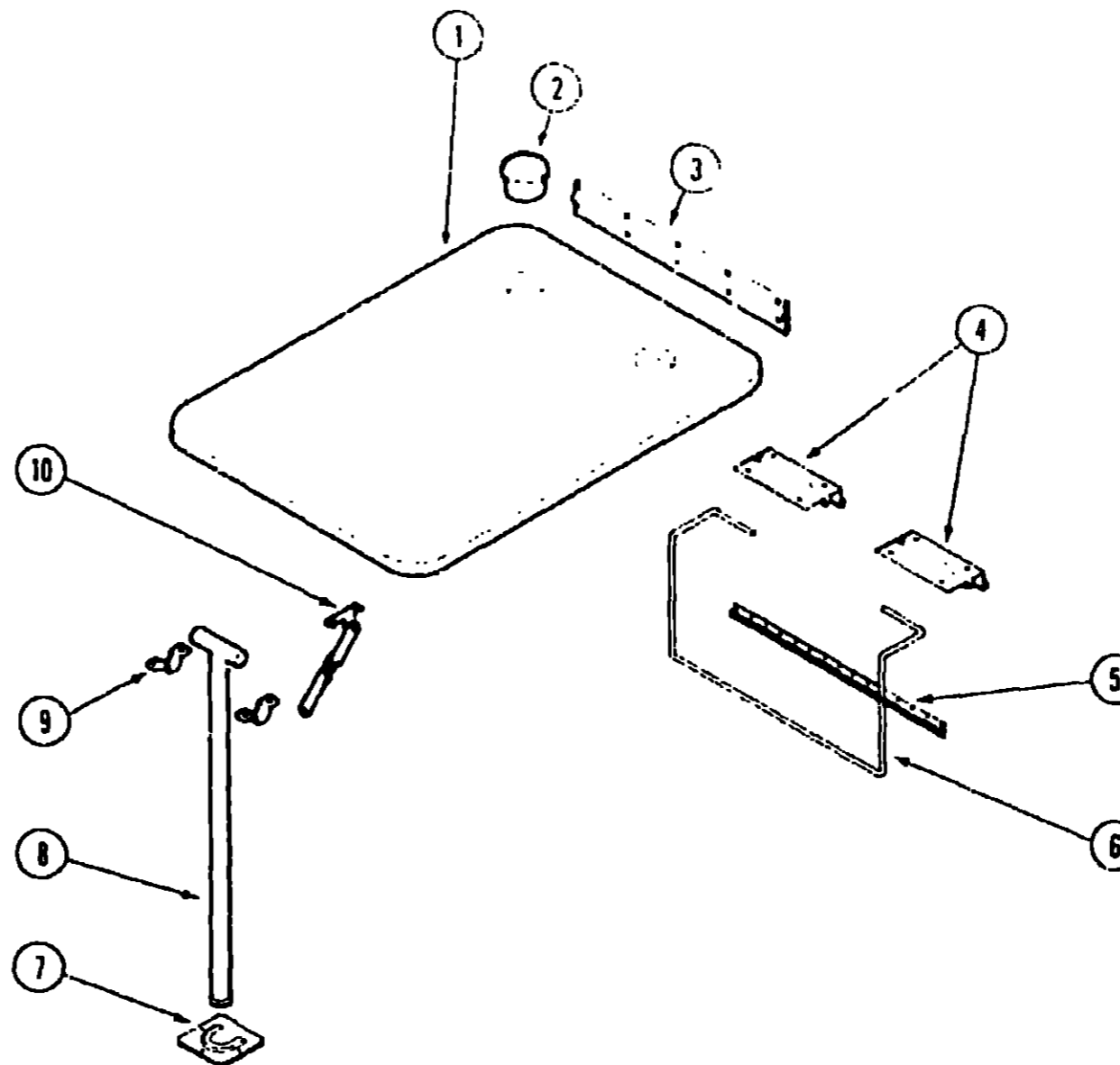


### DINETTE CABINETRY

Key	Part Number	U/M	Description
1	081280-1B-W24	EA	End Cap - Dinette Overhead
2	M924G1-01-Y05	EA	Cabinet Asm. - Dinette Overhead - w/o Doors or Hardware
3	M88304-84-X08	EA	Door Asm. - Dinette Overhead - 14.3" x 21.8" - w/o Hardware
4	084357-02-W24	EA	Shell Asm. - TV w/o Plug
	084451-01-000	EA	Catch - TV Shell - Brass
	058331-14-000	EA	Mirror - Safety Glass - 14" x 12.7"
5	M02175-05-W24	EA	Cabinet Asm. - Dinette Seat - w/o Door or Hardware
	M02174-07-X08	EA	Cabinet Asm. - Dinette Back
	081519-01-Y07	EA	Pad Asm. - Dinette Back
	081519-01-Y06	EA	Pad Asm. - Dinette Back
6	M02115-09-Y30	EA	Table Asm. - Dinette - w/o Hardware
7	M02175-04-W24	EA	Cabinet Asm. - Dinette Seat - w/o Door or Hardware
	M02174-03-W30	EA	Cabinet Asm. - Dinette Back
	081519-02-Y07	EA	Pad Asm. - Dinette Back
	081519-02-Y06	EA	Pad Asm. - Dinette Back
8	M88304-21-X08	EA	Door Asm. - Dinette Seat - 10" x 19" - w/o Hardware

See the next page for the breakdown of this item.

### DINETTE GROUP (CONTINUED)



### DINETTE TABLE & HARDWARE

Key	Part Number	U/M	Description
1	M02115-09-Y30	EA	Table - Dinette - w/o Hardware
2	064781-05-000	EA	Cup Holder - Two Step - Beige
3	053200-05-000	EA	Support - Table - 23.5" - Beige
4	088410-01-000	EA	Hanger - Table - Beige
5	024281-07-000	EA	Bracket - Table Lift
6	024275-05-000	EA	Rod - Table Lift - Beige
7	049493-01-000	EA	Catch - Table Leg
8	024276-17-000	EA	Leg Asm. - Table - Tan
9	064050-02-000	EA	Hinge - Table Leg - Tan
10	024282-01-000	EA	Brace Table Leg
	024283-01-000	EA	Clip - 1" - 1.25" - OD Tube - Black

### 1989 ITASCA TABLE OF CONTENTS

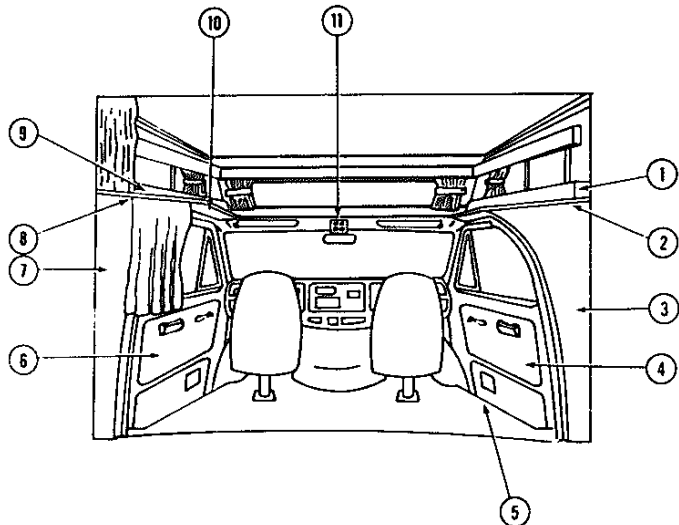
IC/F423RB  
IC/F423RC  
IF427RT

A-01 - C-02  
C-03 - E-08  
E-09 - G-16

### 1989 IC/F423RB INDEX

Floor Plan	A-01 - A-02
Accessories Group	A-03 - A-05
Bath Group	A-06 - A-07
Chassis Group	A-08 - A-10
Curtain, Cushion & Pad Group	A-11 - A-16
Dinette Group	A-17 - A-18
Driver's Compartment Group	A-19 - A-21
Electrical Group	A-22 - A-24
Exterior Body Group	B-01 - B-06
Galley Group	B-07 - B-09
Heating & Air Conditioning Group	B-10 - B-11
Interior Finish Group	B-12 - B-13
LP Group	B-14
Lounge Group	B-15
Water & Sewage Group	B-16 - B-17
Window, Vent & Exterior Door Group	B-18 - C-02

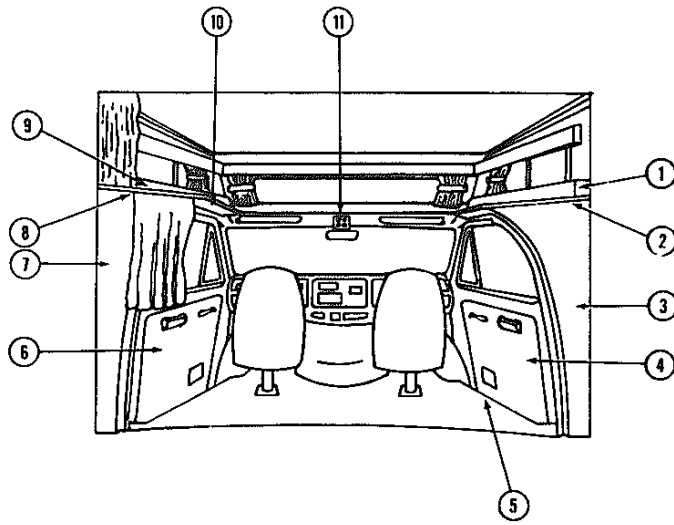
### DRIVER'S COMPARTMENT GROUP



MISCELLANEOUS DRIVER'S COMPARTMENT COMPONENTS (CHEVROLET)

Key	Part Number	U/M	Description
1	087012-01-X08	EA	Cabinet Asm. - Headboard
2	M92068-01-Y30	EA	Sleeper Board Asm.
	079800-01-000	EA	Trim - Front - Sleeper Board
3	092436-01-Y05	EA	Wingwall Asm. - Inner - Passenger
4	059491-01-Y07	EA	Side Panel - Cab Door - Passenger
4	059491-01-Y09	EA	Side Panel - Cab Door - Passenger
5	044860-02-000	EA	Step Well Mat - Passenger
5	044860-01-000	EA	Step Well Mat - Driver
	092432-01-Y05	EA	Floor Mat - Passenger
	092431-01-Y05	EA	Floor Mat - Driver
6	059492-01-Y07	EA	Side Panel - Cab Door - Driver
6	059492-01-Y09	EA	Side Panel - Cab Door - Driver
7	092436-02-Y05	EA	Wingwall Asm. - Inner - Driver
8	080742-01-000	FT	Accent Trim - Vinyl
9	087012-01-X08	EA	Cabinet Asm. - Headboard
10	091829-01-X08	EA	Headliner Asm.
11	M01298-03-000	EA	Console - Overhead - 7.5" x 6.14" - Beige
	024461-01-000	EA	Switch - Battery
	024462-01-000	EA	Switch - Battery Condition
	024976-01-000	EA	Switch - Generator w/o Circuit Board
	031035-01-000	EA	Gauge - Generator Hourmeter
	024459-04-000	EA	Gauge - Voltmeter
	024459-02-000	EA	Bracket - Mounting - Voltmeter Gauge

### DRIVER'S COMPARTMENT GROUP (CONTINUED)



MISCELLANEOUS DRIVER'S COMPARTMENT COMPONENTS (FORD)

Key	Part Number	U/M	Description
1	087012-01-X08	EA	Cabinet Asm. - Headboard
2	M92068-01-Y30	EA	Sleeper Board Asm.
	079800-03-000	EA	Trim - Front Sleeper Board
3	092037-01-X81	EA	Wingwall Asm. - Inner - Passenger
**4	NOTE		
5	092411-01-Y05	EA	Floor Mat - Passenger
	092410-01-Y05	EA	Floor Mat - Driver
**6	NOTE		
7	092037-02-X81	EA	Panel Asm. - Cab Door - Driver - Beige
8	080742-01-000	FT	Accent Trim - Vinyl
9	087012-01-X08	EA	Cabinet Asm. - Headboard
10	091831-01-X08	EA	Headliner Asm. w/Vinyl
11	M01298-01-000	EA	Console - Overhead - 7.5" x 6.14" - Black
	024461-01-000	EA	Switch - Battery
	024462-01-000	EA	Switch - Battery Condition
	024976-01-000	EA	Switch - Generator w/o Circuit Board
	031035-01-000	EA	Gauge - Generator Hourmeter
	024459-04-000	EA	Gauge - Voltmeter
	024459-02-000	EA	Bracket - Mounting - Voltmeter Gauge

\*\* This part is supplied by your Ford dealer.

### 1989 ITASCA TABLE OF CONTENTS

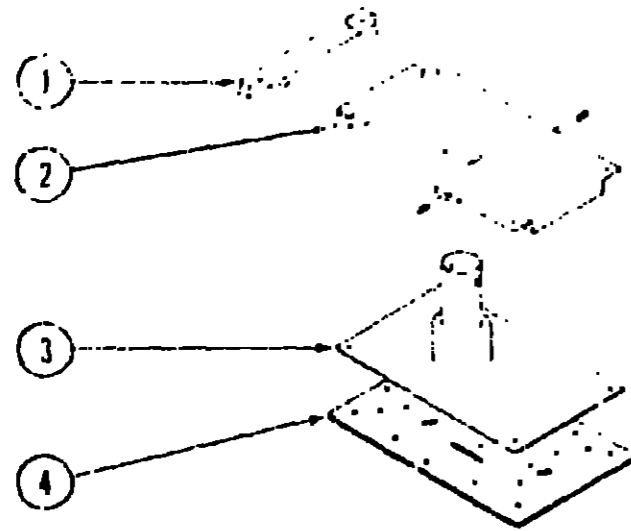
IC/F423RB  
IC/F423RC  
IF427RT

A-01 - C-02  
C-03 - E-08  
E-09 - G-16

### 1989 IC/F423RB INDEX

Floor Plan	A-01 - A-02
Accessories Group	A-03 - A-05
Bath Group	A-06 - A-07
Chassis Group	A-08 - A-10
Curtain, Cushion & Pad Group	A-11 - A-16
Dinette Group	A-17 - A-18
Driver's Compartment Group	A-19 - A-21
Electrical Group	A-22 - A-24
Exterior Body Group	B-01 - B-06
Galley Group	B-07 - B-09
Heating & Air Conditioning Group	B-10 - B-11
Interior Finish Group	B-12 - B-13
LP Group	B-14
Lounge Group	B-15
Water & Sewage Group	B-16 - B-17
Window, Vent & Exterior Door Group	B-18 - C-02

**DRIVER'S COMPARTMENT GROUP (CONTINUED)**



**BUCKET SEAT PEDESTAL & SEAT BELTS**

Key	Part Number	U/M	Description
1	069585-29-000	EA	Bar - Seat Belt - 20"
2	069585-27-000	EA	Plate - Top - Pedestal Asm.
3	069585-03-000	EA	Plate - Side - Pedestal Asm.
4	069585-02-000	EA	Plate - Base - Pedestal Asm. - Bucket Seat
	055271-02-000	EA	Belt Asm. - Seat - 2" x 72" - Black
	007021-01-000	EA	Belt Asm. - Seat - 2" x 90" - Black
	041322-01-000	EA	Washer - Flat 15/32" ID x 2 3/8" OD - Seat Belt
	057759-01-000	EA	Bracket - Seat Belt Washer
	069246-01-000	EA	Adjuster Asm. - Seat - w/Lock
	069246-02-000	EA	Adjuster Asm. - Seat - w/o Lock
	007221-01-000	EA	Spacer - Seat Adjuster
	080730-02-000	EA	Recliner Drive - Driver
	080730-01-000	EA	Recliner Drive - Passenger

**ELECTRICAL GROUP**

**BULBS**

Key	Part Number	U/M	Description
	008103-01-000	EA	Bulb - 53 (Aisle Light)
	072696-01-709	EA	Bulb - 912 (Stove Hood)
	008215-01-000	EA	Bulb - 1003 (Shower Light)
	067479-01-000	EA	Bulb - 1076 (Wall Lamp)
	063914-01-000	EA	Bulb - 1129 (Reading Light)
	008218-01-000	EA	Bulb - 1141 (Dome Light)
	037934-01-000	EA	Bulb - 1156 (Back-Up Light)
	037935-01-000	EA	Bulb - 1157 (Tail Lamp)
	084880-01-705	EA	Bulb - DC Light (Refrigerator)
	088737-01-710	EA	Bulb - 30W (Microwave Oven)
	078424-02-700	EA	Bulb - Fluorescent - 18" (Galley)
	087694-01-700	EA	Bulb - GE561 (Wardrobe Light)

**FUSES & CIRCUIT BREAKERS**

Key	Part Number	U/M	Description
	082901-02-000	EA	Fuse 5 Amp. - Automotive
	062901-05-000	EA	Fuse - 15 Amp. - Automotive
	008211-01-000	EA	Circuit Breaker - 6 Amp. - 12 Volt
	093654-01-000	EA	Circuit Breaker - 6 Amp. - 12 Volt
	093654-02-000	EA	Circuit Breaker - 15 Amp. - 12 Volt
	088779-01-000	EA	Circuit Breaker - 15 Amp.
	083210-02-000	EA	Circuit Breaker - 15 Amp. - 120 Volt (Ground Fault Interrupter)
	083209-02-000	EA	Circuit Breaker - 15/15 Amp. - 120 Volt
	083209-03-000	EA	Circuit Breaker - 15/20 Amp. - 120 Volt
	033573-01-000	EA	Circuit Breaker - 20 Amp. - 12 Volt
	083209-05-000	EA	Circuit Breaker - 20 Amp. - 120 Volt
	094811-01-000	EA	Circuit Breaker - 20/20 Amp. - 120 Volt
	093655-01-000	EA	Circuit Breaker - 25 Amp. - 12 Volt
	008268-01-000	EA	Circuit Breaker - 30 Amp. - 12 Volt
	083209-04-000	EA	Circuit Breaker - 20 Amp. - 120 Volt
	083209-06-000	EA	Circuit Breaker - 30/15 Amp. - 120 Volt
	094810-01-000	EA	Circuit Breaker - 30/30 Amp. - 120 Volt (Export)
	093655-03-000	EA	Circuit Breaker - 40 Amp. - 12 Volt
	083209-08-000	EA	Circuit Breaker Blank
	008277-01-000	EA	Fuse Holder - Black - Panel Mount

**MISCELLANEOUS ELECTRICAL COMPONENTS**

Key	Part Number	U/M	Description
	063739-01-000	EA	Battery - 12 Volt - 80 Amp. - Gould
	072852-01-000	EA	Smoke Detector w/9 Volt Battery
	083208-01-000	EA	Converter - 32 Amp. w/Charger
	034809-01-000	EA	Load Center - 240 Volt - 125 Amp. (Export)
	048649-01-000	EA	Fan - 6 Blade - 6"

**1989 ITASCA  
TABLE OF CONTENTS**

IC/F423RB  
IC/F423RC  
IF427RT

A-01 - C-02  
C-03 - E-08  
E-09 - G-16

**1989 IC/F423RB INDEX**

Floor Plan	A-01 - A-02
Accessories Group	A-03 - A-05
Bath Group	A-06 - A-07
Chassis Group	A-08 - A-10
Curtain, Cushion & Pad Group	A-11 - A-16
Dinette Group	A-17 - A-18
Driver's Compartment Group	A-19 - A-21
Electrical Group	A-22 - A-24
Exterior Body Group	B-01 - B-06
Galley Group	B-07 - B-09
Heating & Air Conditioning Group	B-10 - B-11
Interior Finish Group	B-12 - B-13
LP Group	B-14
Lounge Group	B-15
Water & Sewage Group	B-16 - B-17
Window, Vent & Exterior Door Group	B-18 - C-02

**ELECTRICAL GROUP (CONTINUED)**

**WIRES, SWITCHES, & RECEPTACLES**

Key	Part Number	U/M	Description
	008208-01-000	EA	Box - Electrical - 3" x 3 5/8" - Plastic
	093607-01-000	EA	Box - Electrical - 4" x 2 1/8" x 2 1/8"
	008289-01-000	EA	Box - Electrical - 4" x 4" - 1/2 x 3/4 Steel
	008289-02-000	EA	Box - Electrical - 4" x 4" (CSA)
	058049-01-000	EA	Box - Electrical - 2" x 3" x 2 25" - Steel
	041953-01-000	FT	Conduit - Convolute Slit - 5" ID
	041953-09-000	FT	Conduit - Convolute Slit - 50" ID
	041953-10-000	FT	Conduit - Convolute Slit - .75" ID
	008356-01-000	EA	Connector - Plastic - 3/8" Avg
	058078-01-000	EA	Connector - P:gtail - Clear Nylon
	008311-01-000	EA	Connector - Wire Nut - Red
	008311-01-000	EA	Connector - Wire Nut - Gray
	079090-01-000	EA	Connector - Molded - 12/2 Lead
	031967-01-000	EA	Contact - Receptacle
	008054-01-000	EA	Cord - Power - 10-3 30 Amp. - 25'
	008052-01-000	EA	Cord - Power - 10-3 30 Amp. (CSA)
	008294-01-000	EA	Cover Plate - Blank - Steel 4 x 4 (USA)
	064450-01-000	EA	Housing - Trailer Plug
	064399-01-000	EA	Housing Asm. - Trailer Pin
	097746-01-000	EA	Housing Asm. - Trailer Cap
	097745-02-000	EA	Housing Asm. - Trailer Receptacle - 48"
	064398-01-000	EA	Housing Asm. - Trailer Receptacle
	088473-05-000	EA	Housing Pin - 6 Position In Line
	054532-01-000	EA	Housing Pin - 6 Position
	054532-02-000	EA	Housing Pin - 4 Position
	088473-08-000	EA	Housing Pin - 4 Position
	088475-01-000	EA	Pin - Connector
	075736-02-000	EA	Receptacle/Cover Asm. - Off White (Exterior)
	084277-02-000	EA	Receptacle Cover - Brown (Ground Fault Interrupter)
	004076-02-000	EA	Receptacle - 15 Amp. - 125 Volt - Brown (Ground Fault Interrupter)
	024924-02-000	EA	Receptacle - Power Cord
	058707-01-000	EA	Receptacle - Single - Brown
	007940-01-000	EA	Receptacle - Slide - 16 to 12 Awg.
	088476-01-000	EA	Socket - Connector
	088476-02-000	EA	Socket - Connector - 12-10 Ga.
	024461-01-000	EA	Switch - Battery
	024462-01-000	EA	Switch - Battery Condition
	024776-01-000	EA	Switch - Generator w/o Circuit Board
	077942-01-000	EA	Switch - Dummy - Black
	008195-01-000	EA	Switch - Push Button - 12 Volt
	079362-03-000	EA	Switch Plate - 3 Gang - 2 Switch
	007942-01-000	EA	Tab - 18 to 14 Awg. Wire
	007949-01-000	EA	Tab - 14 to 10 Awg. Wire
	007955-01-000	EA	Tab - HS. - 6 Position
	035416-04-000	EA	Terminal Ring - #10 Stud Fit
	008328-01-000	EA	Terminal Ring - 12/10 Wire
	008348-01-000	EA	Terminal Ring - 2 - 3/8 Stud
	008331-01-000	EA	Terminal Ring - 4 - 3/8 Stud
	062036-02-000	EA	Terminal - Pack - Con - 18/14 AWG
	086777-02-000	EA	Wallplate - Antenna Power
	008026-01-000	FT	Wire - 12/2 Romex w/Ground
	008028-01-000	FT	Wire - 18.5 Bonded - Blue/Red/Yellow/Orange/White
	008024-01-000	FT	Wire - 18.5 Bonded - Orange/White/Yellow/Blue/Brown
	008025-01-000	FT	Wire - 18.5 Bonded - Orange/White/Yellow/Blue/Green
	008030-01-000	FT	Wire - Bonded
	008343-01-000	EA	Wire Tie - 6"
	008343-02-000	EA	Wire Tie - 14"

**ELECTRICAL GROUP (CONTINUED)**

**EXTERIOR LIGHTS**

Key	Part Number	U/M	Description
	042405-01-000	EA	Lens - Clearance Light - Red w/Roller
	042405-02-000	EA	Lens - Clearance Light - Amber w/Roller
	042405-03-000	EA	Base - Rectangular Clearance Light
	091983-01-000	EA	Gasket - Light - Side Marker
	062742-04-000	EA	Wedge Asm. - Tail Light - Off White
	058032-02-000	EA	Tail Light - 2 Bulb - Black
	007309-01-000	EA	Light - License Plate
	059540-01-000	EA	Bracket - License Plate
	008089-01-000	EA	Porch Light - Recessed (US)
	008089-02-000	EA	Porch Light - Recessed (CSA)
	008089-01-700	EA	Lens - Porch Light
	091981-01-000	EA	Gasket - Porch Light
	008215-01-000	EA	Bulb - Porch Light

**INTERIOR LIGHTS**

Key	Part Number	U/M	Description
	072353-08-000	EA	Reading Light - Single - Brass w/Tan Switch
	063914-01-000	EA	Bulb - 1139 (Reading Light)
	087694-01-000	EA	Light Asm. - Wardrobe w/Switch
	087694-01-700	EA	Bulb - Wardrobe - Light
	007309-01-000	EA	Light - Step Well - Round - 12V
	098024-01-01A	EA	Dome Light - 1 Bulb - Ivory
	098024-02-01A	EA	Dome Light - 1 Bulb - Ivory (CSA)
	098024-03-01A	EA	Dome Light - 2 Bulb - Ivory
	098024-04-01A	EA	Dome Light - 2 Bulb - Ivory (CSA)

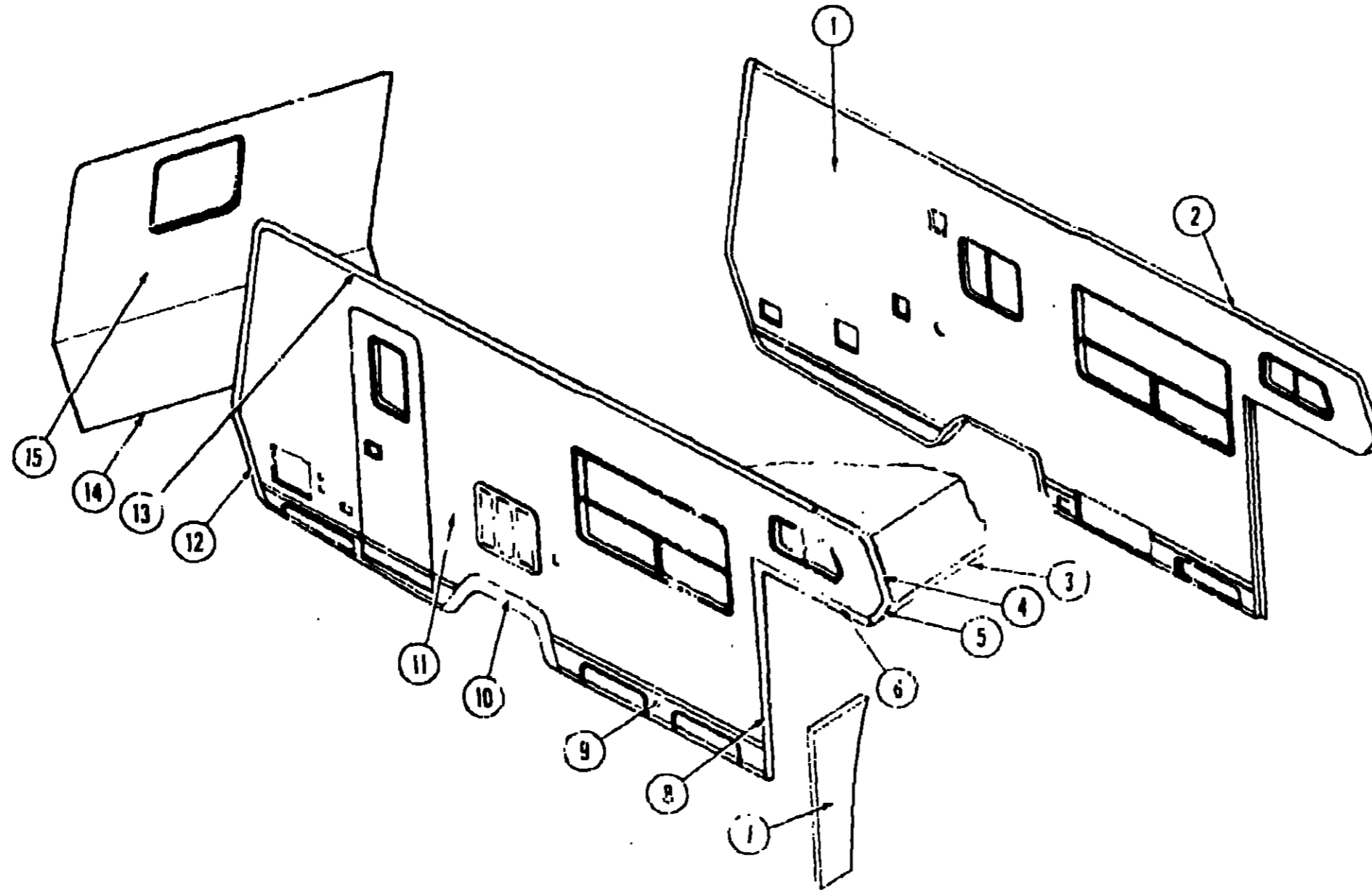
**1989 ITASCA  
TABLE OF CONTENTS**

IC/F423RB	A-01 - C-02
IC/F423RC	C-07 - E-08
IF427RT	E-09 - G-16

**1989 IC/F423RB INDEX**

Floor Plan	A-01 - A-02
Accessories Group	A-03 - A-05
Bath Group	A-06 - A-07
Chassis Group	A-08 - A-10
Curtain, Cushion & Pad Group	A-11 - A-16
Dinette Group	A-17 - A-18
Driver's Compartment Group	A-19 - A-21
Electrical Group	A-22 - A-24
Exterior Body Group	B-01 - B-06
Galley Group	B-07 - B-09
Heating & Air Conditioning Group	B-10 - B-11
Interior Finish Group	B-12 - B-13
LP Group	B-14
Lounge Group	B-15
Water & Sewage Group	B-16 - B-17
Window, Vent & Exterior Door Group	B-18 - C-02

**EXTERIOR BODY GROUP**  
EXTERIOR BODY PANELS



**1989 ITASCA**  
**TABLE OF CONTENTS**

IC/F423RB  
IC/F423RC  
IF427RT

A-01 - C-02  
C-03 - E-08  
E-09 - G-16

**1989 IC/F423RB INDEX**

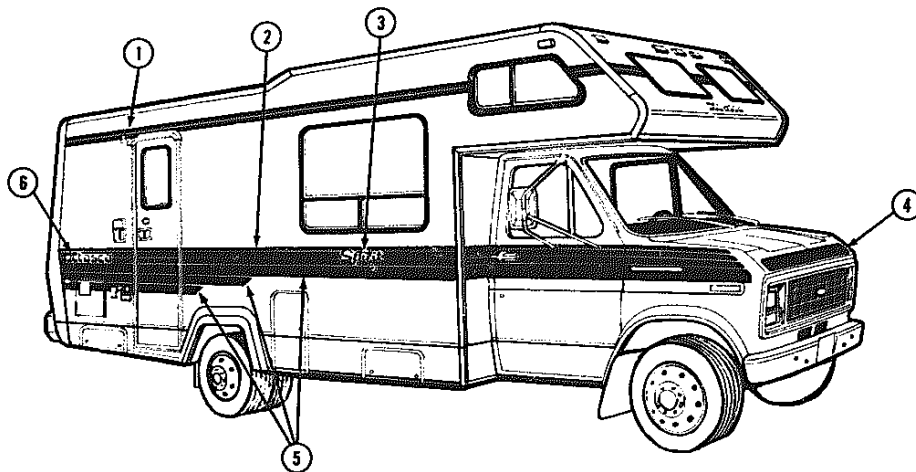
Floor Plan	A-01 - A-02
Accessories Group	A-03 - A-05
Bath Group	A-06 - A-07
Chassis Group	A-03 - A-10
Curain, Cushion & Pad Group	A-11 - A-16
Dinette Group	A-17 - A-18
Driver's Compartment Group	A-19 - A-21
Electrical Group	A-22 - A-24
Exterior Body Group	B-01 - B-06
Galley Group	B-07 - B-09
Heating & Air Conditioning Group	B-10 - B-11
Interior Finish Group	B-12 - B-13
LP Group	B-14
Lounge Group	B-15
Water & Sewage Group	B-16 - B-17
Window, Vent & Exterior Door Group	B-18 - C-02

Key	Part Number	U/M	Description
1	M92140-01-Y28	EA	Sidewall Asm. - Drivers
1	M92140-01-Y29	EA	Sidewall Asm. - Drivers
	M93447-01-Y28	EA	Floor Asm.
	M76177-01-700	EA	Roof Section - Cab Over To First Seam
2	076802-08-000	EA	Trim - Contour - Upper Front - Driver
	076802-07-000	EA	Trim - Contour - Upper Front - Passenger
3	039644-05-000	EA	Trim - Sleeper Board Front
4	085490-01-000	EA	Trim - Contour Point - Sleeper - Passenger
	085490-02-000	EA	Trim - Contour Point - Sleeper - Driver
5	086889-01-000	EA	Trim - Contour - Sleeper - Passenger
	086889-02-000	EA	Trim - Contour - Sleeper - Driver
6	076975-05-000	EA	Trim - Wingwall - Passenger
	076975-06-000	EA	Trim - Wingwall - Driver
7	M82343-02-U01	EA	Wingwall Asm. - Passenger (Chevrolet)
7	M81653-02-U01	EA	Wingwall Asm. - Passenger (Ford)
	M82343-01-U01	EA	Wingwall Asm. - Driver (Chevrolet)
	M81653-01-U01	EA	Wingwall Asm. - Driver (Ford)

Key	Part Number	U/M	Description
8	076975-03-000	EA	Trim - Wingwall Transition - Passenger
	076975-04-000	EA	Trim - Wingwall Transition - Driver
9	059576-05-000	EA	Feature Strip w/o Insert - 14.8"
	001030-02-100	EA	Insert - Feature Strip - 17" - Stucco
	009731-01-000	EA	Cap - Feature Strip Trim
10	075189-01-000	EA	Trim - Wheelwell - Rear Passenger
	075189-02-000	EA	Trim - Wheelwell - Rear Driver
11	M92141-01-Y28	EA	Sidewall Asm. - Passenger (Y05)
11	M92141-01-Y29	EA	Sidewall Asm. - Passenger (Y06)
12	076805-01-000	EA	Trim - Contour - Rear Passenger
	076805-02-000	EA	Trim - Contour - Rear Driver
13	077339-07-000	EA	Trim - Contour - Upper Rear Passenger
	077339-08-000	EA	Trim - Contour - Upper Rear Driver
14	074966-02-000	EA	Trim - Backwall - Lower
15	M82397-01-Y28	EA	Backwall Asm.
15	M82397-01-Y29	EA	Backwall Asm.
	086180-55-001	EA	U-Channel - Extrusion - 192" - Off White

## EXTERIOR BODY GROUP (CONTINUED)

### LABELS & DECALS



Key	Part Number	U/M	Description
1	065217-MS-000	FT	Film - Multistripe - 3.3" x 150' - Blue/Dark Rose
2	069245-F5-000	FT	Film - Multistripe - 4.21" x 150' - Dark Rose/Rose
3	093565-01-01A	EA	Decal - Logo - "Spirit"
4	081940-09-000	EA	Decal - Hood - Blue (Ford)
4	081944-09-000	EA	Decal - Hood - Blue (Chevrolet)
5	078831-58-000	FT	Decal Stripping - 3.5" x 150' - Blue
6	078852-01-000	EA	Decal - Logo - "Itasca" - 6.5"
	078191-01-000	EA	Decal - Logo - "Itasca" - Black

## 1989 ITASCA TABLE OF CONTENTS

IC/F423RB  
IC/F423RC  
IF427RT

A-01 - C-02  
C-03 - E-08  
E-09 - G-16

## 1989 IC/F423RB INDEX

Floor Plan	A-01 - A-02
Accessories Group	A-03 - A-05
Bath Group	A-06 - A-07
Chassis Group	A-08 - A-10
Curtain, Cushion & Pad Group	A-11 - A-16
Dinette Group	A-17 - A-18
Driver's Compartment Group	A-19 - A-21
Electrical Group	A-22 - A-24
Exterior Body Group	B-01 - B-06
Galley Group	B-07 - B-09
Heating & Air Conditioning Group	B-10 - B-11
Interior Finish Group	B-12 - B-13
LP Group	B-14
Lounge Group	B-15
Water & Sewage Group	B-16 - B-17
Window, Vent & Exterior Door Group	B-18 - C-02

**EXTERIOR BODY GROUP (CONTINUED)**

**LABELS & EXTERIOR PAINT**

Key	Part Number	U/M	Description
	091243-01-000	EA	Label - Air Conditioner Cover
	087236-01-000	EA	Label - Cable - Input
	087236-02-000	EA	Label - Cable - Output
	065748-01-000	EA	Label - Caution - Battery Charging
	006195-01-000	EA	Label - Electrical Test
	047731-01-000	EA	Label - Emergency Exit
	006199-01-000	EA	Label - Exit - Escape Window
	064378-01-000	EA	Label - Flying "W" w/Thermo Panel
	061417-01-000	EA	Label - Fuel
	087207-02-000	EA	Label - Fuel Cap Removal
	006196-01-000	EA	Label - Gas Test
	054531-01-000	EA	Label - LP Gas Only
	073998-01-000	EA	Label - LPG Odor Warning
	040944-01-000	EA	Label - Open - Entrance Door
	061606-01-000	EA	Label - Overlay - Vehicle Certification
	006015-01-000	EA	Label - Patent Motor Home
	088757-01-000	EA	Label - Retail - 8 5/8" x 12 7/8"
	056259-01-000	EA	Label - Safety Check List
	006064-01-000	EA	Label - Seat - w/o Seat Belts
	006187-01-000	EA	Label - Sewage
	006006-01-000	EA	Label - Thermo Panel - 2 1/4" x 2 1/4"
	075221-01-000	EA	Label - Trailer Hitch Capacity
	091224-02-000	EA	Label - Trailer Lighting
	075220-01-000	EA	Label - Warning - Exterior Load Limit
	050225-01-000	EA	Label - Warning - Stove Vent - US
	079966-01-000	EA	Label - Warning - Stowed Motion
	023768-01-000	EA	Label - Warning - LPG (CSA)
	006188-01-000	EA	Label - Waste Water
	006197-01-000	EA	Label - Water Test
	006062-01-000	EA	Tag - Electrical - 110 Volt Connection
	006040-01-000	EA	Tag - Gas - Refueling Warning
	006040-02-000	EA	Tag - Gas - Refueling Warning (CSA)
	006019-01-000	EA	Tag - RV1 Approval - Plastic
	045681-03-000	EA	Paint - Gloss Black - Acrylic Enamel - 16 oz. Aerosol (99 Dupont)
	041561-03-000	EA	Paint - Off White Acrylic Enamel - 16 oz. Aerosol (45396A Dupont)
	074559-01-000	EA	Label "LPG" - 3.3" x 1.75" (Calif. Code)

**MISCELLANEOUS EXTERNALLY MOUNTED PARTS**

Key	Part Number	U/M	Description
	083558-01-000	EA	Plumbing Seal - Roof Vent - 1.5
	009126-01-000	EA	Assist Handle - Chrome
	010230-02-000	EA	Fill - City Water - Recessed - Off White
	087659-04-000	EA	Fill - City Water - Off White
	081240-03-000	EA	Fill - City Water - Lockable - Off White

**EXTERIOR BODY GROUP (CONTINUED)**

**SEALANTS & ADHESIVES**

Key	Part Number	U/M	Description
	004020-01-000	QT	Adhesive - ABS Cement (Plastic Fittings)
	002337-01-000	EA	Adhesive - 1300 Tube - 3M (Windows)
	004005-02-000	GL	Adhesive - Swifts - Glue (Sidewalls)
	053766-07-000	EA	Bedding Compound - Tube - Beige (Exterior)
	053766-06-000	EA	Bedding Compound - Tube - Clear (Window)
	053766-08-000	EA	Bedding Compound - Tube - Gray (Exterior)
	053766-05-000	EA	Bedding Compound - Tube - Gray (Sidewalls to Floor)
	353766-02-000	EA	Bedding Compound - Tube - Off White (Exterior)
	002328-02-000	EA	Block - Rubber Spacer (Windshield)
	004336-01-000	EA	Caulk - Latex - Golden Walnut (Sidewalls)
	077967-01-000	EA	Sealant - Acrylic Latex - Tube - Off White (Interior Sealant)
	034552-04-000	EA	Sealant - Silicone - Beige
	034552-02-000	EA	Sealant - Silicone - Clear
	034552-07-000	EA	Sealant - Silicone - Dark Gray
	034552-06-000	EA	Sealant - Silicone - Off White
	069637-01-000	EA	Sealant - Weatherban 404 - Tube - White (Door Caulk)
	072889-01-000	EA	Sealant - Urethane - Black (Windshield)
	069640-01-000	FT	Sealer Ribbon - .25" Bead x 20'
	069640-02-000	FT	Sealer Ribbon - .5" x .125" x 30'
	069640-03-000	FT	Sealer Ribbon - .75" x .125" x 30'
	069640-04-000	FT	Sealer Ribbon - 2" x .09" x 45'
	069640-05-000	FT	Sealer Ribbon - 2.5" x .09" x 50'
	069640-06-000	FT	Sealer Ribbon - 5/16" Bead x 15'
	069640-07-000	FT	Sealer Ribbon - 3/2" x 3/32" x 30'
	002316-01-000	FT	Sealer Tape - 3/32" x 3/3" - White (Window)
	002707-01-000	FT	Sealer Tape - 5/16" x 3/4"
	002707-02-000	FT	Sealer Tape - 5/16" x 1/2"
	040545-01-000	GL	Sealer - Seam Weld
	053752-04-000	EA	Seam Sealer - Tube - Aluminum (Roof)
	063642-01-000	FT	Tape - Adhesive - .10mm x 1.5" Wide
	038888-01-000	EA	Tape - Butyl - .31" x .31" x 148" (Windshield)
	076322-01-000	FT	Tape - Foam - Double Coated - .025 x 1" (Fiberglass Sidewall Seams)
	076322-02-000	FT	Tape - Foam - Double Coated - .045 x 1" (Fiberglass Sidewall Seams)
	009200-01-000	EA	Tape - Furnace - 1.5"
	002825-01-000	FT	Weather Stripping (Roof Vent)

**SHEET FIBERGLASS, ALUMINUM & STYROFOAM**

Key	Part Number	U/M	Description
	044487-01-000	EA	Aluminum - Mill Finish - No Design - 96" x 360" (Roof)
	000868-01-000	SF	Styrofoam - 3/4" x 24" x 96"
	000870-01-000	SF	Styrofoam - 1 1/2" x 24" x 96"
	000870-03-000	SF	Styrofoam - 1.34" x 48" x 96"
	000870-05-000	SF	Styrofoam - .50" x 24" x 96"
	083574-01-000	SF	Styrofoam - 1.5" x 24" x 85.25"
	076054-46-000	EA	Fiberglass Sheet - 48" x 205" - Off White
	076054-47-000	EA	Fiberglass Sheet - 48" x 262" - Off White
	077517-24-000	EA	Fiberglass Sheet - 48" x 96" - Off White

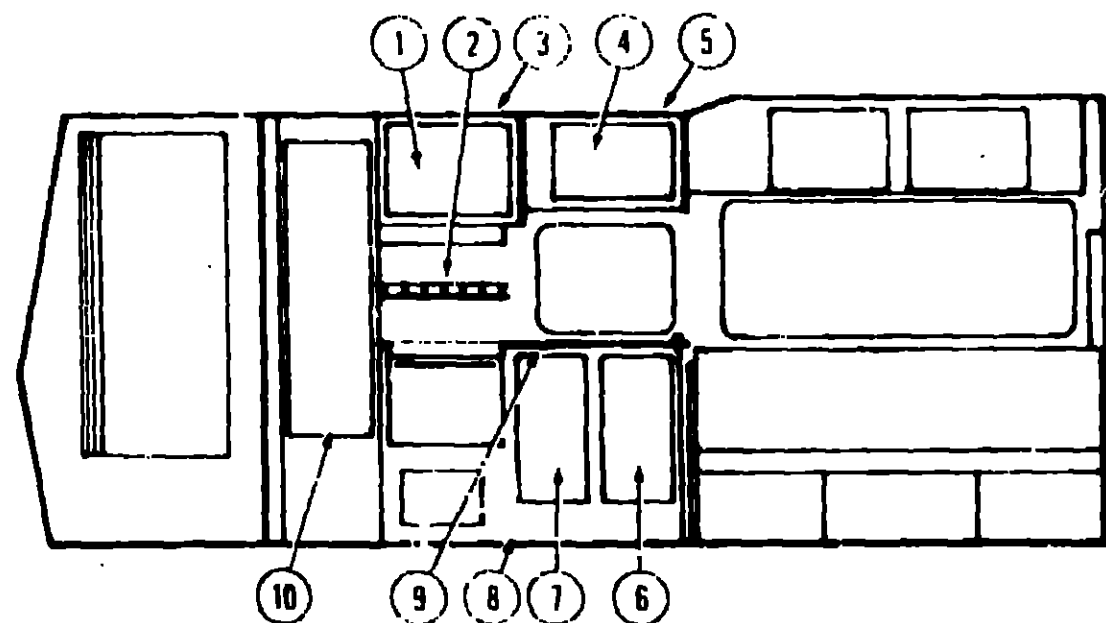
**1989 ITASCA  
TABLE OF CONTENTS**

IC/F423RB	A-01 - C-02
IC/F423RC	C-03 - E-08
IF427RT	E-09 - G-16

**1989 IC/F423RB INDEX**

Floor Plan	A-01 - A-02
Accessories Group	A-03 - A-05
Bath Group	A-06 - A-07
Chassis Group	A-08 - A-10
Curtain, Cushion & Pad Group	A-11 - A-16
Dinette Group	A-17 - A-18
Driver's Compartment Group	A-19 - A-21
Electrical Group	A-22 - A-24
Exterior Body Group	B-01 - B-06
Galley Group	B-07 - B-09
Heating & Air Conditioning Group	B-10 - B-11
Interior Finish Group	B-12 - B-13
LP Group	B-14
Lounge Group	B-15
Water & Sewage Group	B-16 - B-17
Window, Vent & Exterior Door Group	B-18 - C-02

### GALLEY GROUP



### GALLEY CABINETRY

Key	Part Number	U/M	Description
1	M88304-01-X08	EA	Door Asm. - Galley Overhead - 19" x 22.8" - w/o Hardware
2	074490-01-000	EA	Spice Rack Asm.
3	M92036-01-X81	EA	Cabinet Asm. - Galley Overhead - w/o Doors or Hardware
	081280-24-X81	EA	Cap Asm. - End Cap
4	M88301-84-X08	EA	Door Asm. - Galley Overhead - 14.3" x 26.7" - w/o Hardware
5	M92463-01-Y05	EA	Cabinet Asm. - Galley Overhead - w/o Door or Hardware
6	M88304-13-X08	EA	Door Asm. - Galley Cabinet - 33.3" x 14.29" - w/o Hardware
7	M88304-14-X08	EA	Door Asm. - Galley Cabinet - 33.3" x 14.39" - w/o Hardware
8	M82447-01-Y30	EA	Cabinet Asm. - Galley - w/Countertop - w/o Doors, Drawers or Hardware
9	M02558-01-Y30	EA	Countertop Asm. - Galley
	M88304-C9-X08	EA	Door Asm. - Refrigerator Cabinet - 3.10m - 23.8" x 10.8" - w/o Hardware
10	M88304-B1-X08	EA	Door Asm. - Pantry - 54.9" x 14.3" - w/o Hardware
	082448-01-YJJ	EA	Cabinet Asm. - Pantry - w/o Doors or Hardware
	077404-02-000	EA	Drawer - Plastic - 20" x 12.7"

### GALLEY GROUP (CONTINUED)

#### GALLEY HARDWARE

Key	Part Number	U/M	Description
	098654-01-000	EA	Sink - Stainless Steel - Double
	066437-01-000	EA	Strainer - w/Basket - Sink
	011053-04-000	EA	Faucet - Swing Spout - 8"
	081530-01-Y30	EA	Cover Asm. - Sink
	056334-01-000	EA	Wastebasket - 9 3/4" x 7" x 10" - White
	058478-01-000	EA	Bracket - Wastebasket Support - Door Mount
	077409-02-000	EA	Drawer Slide - Plastic - 20.75"
	077404-02-000	EA	Drawer - Plastic - 20" x 12.7"
	093288-03-01A	EA	Tray - Silverware - Plastic
	094067-01-01A	EA	Drawer Divider - Plastic
	074490-01-000	EA	Rack Asm. - Spice
	054450-01-000	EA	Level - Refrigerator
	055516-01-000	EA	Bracket - Tiedown - Stove - Left
	055516-02-000	EA	Bracket - Tiedown - Stove - Right
	067544-01-000	EA	Bracket - Tiedown - Refrigerator
	067544-02-000	EA	Bracket - Tiedown - Refrigerator
	088682-10-000	EA	Bracket - Microwave - Right
	093682-12-000	EA	Bracket - Microwave - Left

#### GALLEY APPLIANCES

Key	Part Number	U/M	Description
	094039-02-000	EA	Refrigerator - 3-Way Large Double Door
	094039-01-700	EA	P.C. Board Asm.
	094039-01-701	EA	Eyebrow Asm.
	094039-01-702	EA	Upper Door Gasket - Gray
	094039-01-703	EA	Hinge Plate - Left (Brown)
	094039-01-704	EA	Hinge Plate - Left (Black)
	094039-01-705	EA	Upper Door Liner - White (Brown)
	094039-01-706	EA	Upper Door Liner - White (Black)
	094039-01-707	EA	Upper Door Handle Asm. (Brown)
	094039-01-708	EA	Upper Door Handle Asm. (Black)
	094039-01-709	EA	Hinge Plate - Bottom (Brown)
	094039-01-710	EA	Hinge Plate - Bottom (Black)
	094039-01-711	EA	Juice Rack - Gray w/Silver Trim
	094039-01-712	EA	Door Bin - Gray w/Silver Trim
	094039-01-713	EA	Lower Door Gasket - Gray
	094039-01-714	EA	Lower Door Liner - White (Brown)
	094039-01-715	EA	Lower Door Liner - White (Black)
	094039-01-716	EA	Lower Door Handle Asm. (Brown)
	094039-01-717	EA	Lower Door Handle Asm. (Black)
	094039-01-718	EA	Milk Bin - Gray w/Silver Trim
	094039-01-719	EA	Dairy Keeper - Gray w/Silver Trim
	094039-01-720	EA	Cabinet Asm. - Brown Frame w/White Liner
	094039-01-721	EA	Cabinet Asm. - Black Frame w/White Liner
	094039-01-722	EA	Hole Plug - Hinge Holes - Black
	094039-01-723	EA	Hinge Bracket - Top - Black
	094039-01-724	EA	Hinge Bracket - Top - Black
	094039-01-725	EA	Hinge Pin - Male - Black
	094039-01-726	EA	Evaporator Shell
	094039-01-727	EA	Hinge Bracket - Center Hinge (Brown)
	094039-01-728	EA	Hinge Bracket - Center Hinge (Black)
	094039-01-729	EA	Hinge Pin - Shaft - Center Hinge (Brown)
	094039-01-730	EA	Hinge Pin - Shaft - Center Hinge (Black)
	094039-01-731	EA	Crisper - Gray w/Silver Trim
	094039-01-732	EA	Front Cover - Bottom Trim - Black
	094039-01-733	EA	Wire Shelf - Middle
	094039-01-734	EA	Wire Shelf - Top w/Riser
	094039-01-735	EA	Inside Drip Tray - White
	094039-01-736	EA	Light Switch - Black
	094039-01-737	EA	Power Supply
	094039-01-738	EA	Manual Shut-Off - Harper Wyman

### 1989 ITASCA TABLE OF CONTENTS

IC/F423RB  
IC/F423RC  
IF427RT

A-01 - C-02  
C-03 - E-08  
E-09 - G-16

### 1989 IC/F423RB INDEX

Floor Plan	A-01 - A-02
Accessories Group	A-03 - A-05
Bath Group	A-06 - A-07
Chassis Group	A-08 - A-10
Curtain, Cushion & Pad Group	A-11 - A-16
Dinette Group	A-17 - A-18
Driver's Compartment Group	A-19 - A-21
Electrical Group	A-22 - A-24
Exterior Body Group	B-01 - B-06
Galley Group	B-07 - B-09
Heating & Air Conditioning Group	B-10 - B-11
Interior Finish Group	B-12 - B-13
LP Group	B-14
Lounge Group	B-15
Water & Sewage Group	B-16 - B-17
Window, Vent & Exterior Door Group	B-18 - C-02



## GALLEY GROUP (CONTINUED)

### GALLEY APPLIANCES (CONT.)

Key	Part Number	U/M	Description
	092696-05-01A	EA	Hood - Range - w/Monitor - Almond
	092698-01-01A	EA	Hood Vent - w/Door
	092696-01-701	EA	Knob - Plastic
	092696-01-702	EA	Register/Wire Asm
	092696-01-703	EA	Fuse Holder
	092696-01-704	EA	Switch - Lever Asm. Module
	092696-01-705	EA	Actuator - Rod/Turnbuckle
	092696-01-707	EA	Gasket - Vent
	092696-01-708	EA	Mounting Clip - Vent
	092696-01-709	EA	Lamp #912
	092696-01-710	EA	Holder - Lamp
	092696-01-711	EA	Lens - Lamp
	092696-03-700	EA	Chassis w/Wiring - Almond (US)
	790973-01-700	EA	Motor
	092696-01-717	EA	Mesh Filter
	072351-02-700	EA	Clock Asm.
	077153-01-704	EA	Circuit Board - Tanks
	072696-03-701	EA	Control Panel Asm
	072696-03-702	EA	Panel - Face Plate
	079353-01-700	EA	Test Connector
	075470-01-702	EA	Switch - On/Off/On - Fan Motor
	075470-01-703	EA	Switch - On/Momentary
	075470-01-705	EA	Switch - On/Off/On - Momentary
	085280-02-000	EA	Cover - Burner - Bi-Fold - SST (Option 13A)
	055282-04-000	EA	Range w/Oven - 4 Burner - Almond
	075280-01-000	EA	Cover - Burner - Bi-Fold - SST

## HEATING & AIR CONDITIONING GROUP

### FURNACES & REPAIR PARTS

Key	Part Number	U/M	Description
	075696-02-000	EA	Furnace - 34,000 BTU - Suburban (Option 33A)
	075696-02-700	EA	Cabinet Asm.
	075696-02-701	EA	Tinnerman "U" Clip
	075696-02-702	EA	Cabinet Front
	075696-02-703	EA	Duct Collar
	075696-02-704	EA	Thermostat
	075696-02-705	EA	Power Supply Harness
	075696-02-706	EA	Electrode
	075696-02-707	EA	Burner Access Door
	075696-02-708	EA	Gasket - Electrode
	075696-02-709	EA	Glass Disc
	075696-02-710	EA	Gasket - Burner Access Door
	075696-02-711	EA	Limit Switch
	075696-02-712	EA	Module Board
	075696-02-713	EA	Relay - Time Delay
	075696-02-714	EA	Vent Cap & Exhaust Tube Asm.
	075696-02-715	EA	Burner Asm.
	075696-02-716	EA	Orifice - Main Burner
	075696-02-717	EA	Gasket - Manifold
	075696-02-718	EA	Manifold Pipe
	075696-02-719	EA	Valve
	075696-02-720	EA	Pipe Asm. - Gas Inlet
	075696-02-721	EA	Gasket - Gas Inlet Pipe
	075696-02-722	EA	Elbow - 90°
	075696-02-723	EA	Valve - Manual - Off
	075696-02-724	EA	Wheel - Room Air
	075696-02-725	EA	Blower Housing Asm
	075696-02-726	EA	Microswitch & Paddle Asm.
	075696-02-727	EA	Bracket - Motor Mount
	075696-02-728	EA	Gasket - Crossover Tube
	075696-02-729	EA	Crossover Tube
	075696-02-730	EA	Motor Asm.
	075696-02-731	EA	Gasket - Motor Mount
	075696-02-732	EA	Housing - Combustion Air Asm.
	075696-02-733	EA	Wheel - Combustion Air
	075696-02-734	EA	Gasket - Combustion Air Housing
	075696-02-735	EA	Housing - Combustion Air - Outside
	075696-02-736	EA	Intake Tube Asm.
**	075695-01-000	EA	Furnace - 24,000 BTU - Suburban
	093365-01-000	EA	Thermostat - Suburban Furnace
	009198-01-000	FT	Duct - Flexible - 4" ID x 25'
	056464-01-000	EA	Register - 4" Dia. - Plastic - w/Damper
	056462-02-000	EA	Register - 4" Dia. - Plastic - w/o Damper
	009200-01-000	EA	Tape - Furnace - 1 1/2"
	010326-01-000	EA	Adaptor - Flare - w/Cone Gasket
	023146-01-000	EA	Clamp - Screw Type - 4"

\*\* The illustrated parts breakdown for this part is provided on the Common Items Fiche.

### REAR HEATER (OPTION 611)

Key	Part Number	U/M	Description
	084405-01-000	EA	Rear Heater Asm. - w/o Switch
	062401-04-000	EA	Clamp - Hose - Wormgear
	007108-01-000	EA	Hose - Heater - 3/8 ID SAE
	083081-01-000	EA	Hose Formed
	087202-02-000	EA	Switch - Off/Low/Med/High
	087202-01-000	EA	Knob - Heater Switch
	064410-02-000	EA	Decal - Rear Auto Heater
	084374-01-000	EA	Bracket - Switch - Heater
	084374-02-000	EA	Bracket - Switch - Heater

## 1989 ITASCA TABLE OF CONTENTS

IC/F423RB	A-01 - C-02
IC/F423RC	C-03 - E-08
IF427RT	E-09 - G-16

## 1989 IC/F423RB INDEX

Floor Plan	A-01 - A-02
Accessories Group	A-03 - A-05
Bath Group	A-06 - A-07
Chassis Group	A-08 - A-10
Curtain, Luggage & Pad Group	A-11 - A-16
Dinette Group	A-17 - A-18
Driver's Compartment Group	A-19 - A-21
Electrical Group	A-22 - A-24
Exterior Body Group	B-01 - B-06
Galley Group	B-07 - B-09
Heating & Air Conditioning Group	B-10 - B-11
Interior Finish Group	B-12 - B-13
LP Group	B-14
Lounge Group	B-15
Water & Sewage Group	B-16 - B-17
Window, Vent & Exterior Door Group	B-18 - C-02

## HEATING & AIR CONDITIONING GROUP (CONTINUED)

### ROOF AIR CONDITIONER & PARTS

Key	Part Number	U/M	Description
	093764-01-000	EA	Ceiling Asm. - Air Conditioner - Cool Only (Option 29)
	092441-01-000	EA	Ceiling Asm. - Air Conditioner - 220 Volt (European) (Option 29)
	093763-01-04A	EA	Air Conditioner - 110 Volt - Roof Mount - 13,500 BTU - Off White (Option 29)
	093763-04-700	EA	Shroud - Ivory/Charcoal
	093763-01-705	EA	Decal - Heat/Cool Thermostat
	093763-01-711	EA	Gasket - Package
	093763-01-712	EA	Fan Blade - Condenser
	093306-01-701	EA	Decal Package
	042204-01-703	EA	Thermostat
	073742-02-704	EA	Run Capacitor (Compressor)
	091225-01-710	EA	Start Capacitor
	091225-01-709	EA	Start Relay
	076303-01-712	EA	Motor
	073742-01-701	EA	Safector Switch
	073742-01-702	EA	Decal - Cool
	073742-01-703	EA	Decal - Heat & Cool
	081606-01-708	EA	Switch - Limit
	091225-01-713	EA	Knob
	076303-01-707	EA	Filter (Package of 12)
	091225-01-717	EA	Decal - Thermostat (Cool Only)
	081606-01-712	EA	Ceiling Shroud (Ivory)
	092440-01-000	EA	Air Conditioner - 220 Volt - Roof Mount - 13,500 BTU (European) (Option 29)

### AUTOMOTIVE HEATER & AIR CONDITIONER

Key	Part Number	U/M	Description
	081051-02-000	EA	A/C - Compressor Mount Package - 350 CID
	073716-01-000	EA	A/C - Condenser Asm. - "C" - Tube 0
	073716-01-700	EA	Coil Condenser
	073716-01-701	EA	Receiver Drier
	073716-01-702	EA	Hose Asm. - #6
	073716-01-703	EA	Hose Asm. - #8
	074027-01-000	EA	Evaporator Asm. - A/C (Chevrolet)
	074027-01-700	EA	Motor
	074027-01-701	EA	Liquid Hose - #6
	074027-01-702	EA	Hose - Suction - #10
	074027-01-703	EA	Louver
	074027-01-704	EA	Escutcheon
	074027-01-705	EA	Thermostat
	074027-01-706	EA	Knob - Thermostat
	074027-01-707	EA	Knob - Air
	074027-01-708	EA	Solenoid - Vacuum Switch
	074027-01-709	EA	Center Lower - Escutcheon
	074027-01-710	EA	Coil - Evaporator
	074027-01-711	EA	Blower - Wheel
	086781-01-000	EA	Evaporator Asm. - A/C (Ford)
	072343-05-000	EA	Compressor/Clutch (Chevrolet)
	072343-07-000	EA	Compressor/Clutch (Ford)
	057108-01-000	FT	Hose - Heater - 5/8" ID SAE 20R
	049413-01-000	EA	Rear Heater Asm.
	062401-04-000	EA	Clamp - Worm Drive - .69" - 1.25 ID

## INTERIOR FINISH GROUP

### FABRIC & FLOOR COVERINGS

Key	Part Number	U/M	Description
	088274-52-000	YD	Fabric - Upholstery - Main - Blue Haze (Y28)
	088274-53-000	YD	Fabric - Upholstery - Main - Rosewood (Y29)
	088274-79-000	YD	Fabric - Upholstery - Accent - Sky Blue (Y28)
	088274-78-000	YD	Fabric - Upholstery - Accent - Columbine (Y29)
	072333-61-000	YD	Fabric - Drapery - Pacific (Y28)
	072333-62-000	YD	Fabric - Drapery - Rose Beige (Y29)
	087272-01-000	YD	Lining - Drapery - 48" - Ivory
	079680-01-000	YD	Vinyl - Expanded - 26 oz. Buckskin (Headliner)
	072333-63-000	YD	Fabric - Pull Shade - Entrance Door - Bone
	091261-01-000	FT	Backing - Carpet - Non-Skid - 12" Wide
	093486-01-000	SY	Carpet - Outside Storage Compartment
	093486-01-001	EA	Carpet - Outside Storage Compartment (1SY)
	072860-84-000	SY	Carpet - Graphite (Y28)
	072860-69-000	SY	Carpet - Rose Mist (Y29)
	079970-09-000	YD	Tape Carpet - 3/4"

### CABINETS & TABLE HARDWARE

Key	Part Number	U/M	Description
	059777-02-000	EA	Hinge - Cabinet Door - Brass
	074493-02-000	EA	Overhead Door - Support - Sprung
	088264-01-000	EA	Pull - Cabinet - Polished Brass
	051376-01-000	EA	Back Plate - Door Pull - Polished Brass
	093586-03-000	EA	Catch - Spring Roller
	009021-01-000	EA	Catch - Nylon Grill
	009021-02-000	EA	Strike - Spring Steel
	009018-01-000	EA	Catch - Elbow - Spring Loaded
	093586-04-000	EA	Strike - Steel Spring
	074045-06-000	EA	Plug - 1/2" - Oak
	077400-02-000	EA	Slide - Plastic Drawers
	084451-01-000	EA	Catch - TV Shelf - Brass
	009059-01-000	EA	Hinge - 2" - Brass - TV Shelf
	058034-02-000	EA	Latch - Sliding Door - w/o Lock
	009156-01-000	EA	Hanger - Sliding Door
	051781-05-000	EA	Cup Holder - Two Step
	024281-01-000	EA	Bracket - Lower Wall Mount
	051200-05-000	EA	Bracket - Upper Wall Mount
	024281-05-000	EA	Bracket - Table Lift
	049493-01-000	EA	Catch - Table Leg - Mounts on Floor
	064050-02-000	EA	Hinge - Bracket - Leg Folding
	052276-17-000	EA	Leg Asm. - Table - Regal Oak
	058410-01-000	EA	Hanger - Table
	024282-01-000	EA	Brace - Table Leg
	024283-01-000	EA	Clip - 1" - 1.25" - OD Tube - Black

### MISCELLANEOUS

Key	Part Number	U/M	Description
	053552-02-W24	EA	Handle Asm. - Assist - Vinyl
	041944-03-000	EA	Fire Extinguisher - 5BC - w/o Bracket (US)
	041944-05-000	EA	Fire Extinguisher - 5 BC - w/o Bracket (CSA)
	094499-01-000	EA	Fire Extinguisher - 10BC - w/Bracket (US)
	094499-02-000	EA	Fire Extinguisher - 10BC - w/Bracket (CSA)
	094651-01-01A	EA	Holder - Recessed - Fire Extinguisher
	072852-01-000	EA	Smoke Detector w/9 Vol/ Battery
	054185-31-000	EA	Owner's Manual - Winnebago/Itasca - 1989

## 1989 ITASCA TABLE OF CONTENTS

IC/F423RB	A-01 - C-02
IC/F423RC	C-03 - E-08
IF427RT	E-09 - G-16

## 1989 IC/F423RB INDEX

Floor Plan	A-01 - A-02
Accessories Group	A-03 - A-05
Cloth Group	A-06 - A-07
Curtain Group	A-08 - A-10
Curtain, Cushion & Pad Group	A-11 - A-16
Dinette Group	A-17 - A-18
Driver's Compartment Group	A-19 - A-21
Electrical Group	A-22 - A-24
Exterior Body Group	B-01 - B-06
Galley Group	B-07 - B-09
Heating & Air Conditioning Group	B-10 - B-11
Interior Finish Group	B-12 - B-13
LP Group	B-14
Lounge Group	B-15
Water & Sewage Group	B-16 - B-17
Window, Vent & Exterior Door Group	B-18 - C-02

**INTERIOR FINISH GROUP (CONTINUED)**

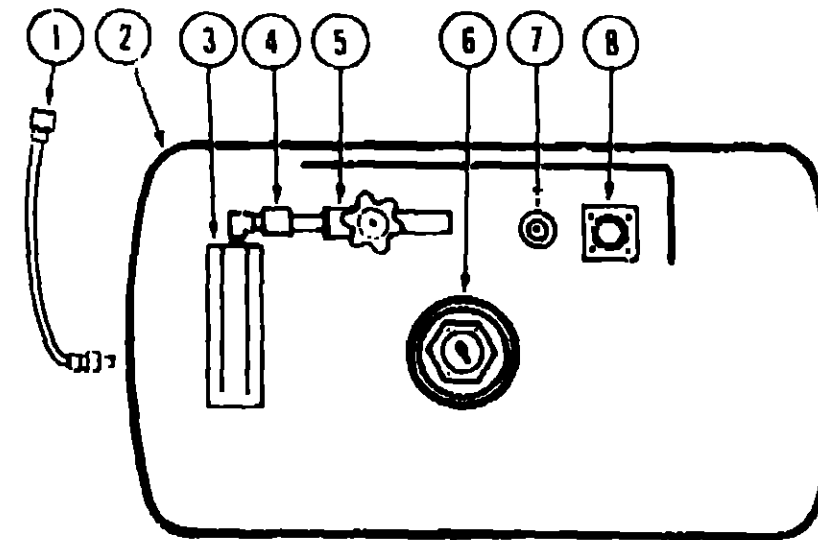
**PANELING & COUNTERTOP**

Key	Part Number	U/M	Description
	074497-10-000	SF	Paneling - Regal Oak - 48" x 84" (Cabinets)
	074497-14-000	SF	Paneling - Cross - Silk - 48" x 84" (Ceiling)
	088272-44-000	SF	Paneling - Decor - Charcoal - 48" x 84" (Main Wall)
	038272-35-000	SF	Paneling - Decor - Slate - 48" x 84" (Galley & Bath) (Y28)
	088272-36-000	SF	Paneling - Decor - Grey Salmon - 48" x 84" (Galley & Bath) (Y25)
	088272-38-000	SF	Paneling - Decor - Bone (Wet Bath)
	074498-28-000	SF	Plastic Laminate - Tan (Lavatory)
	074498-24-000	SF	Plastic Laminate - Regal Oak (Woodgrain)
	076325-16-000	FT	Edge Molding - Regal Oak

**INTERIOR MOLD & TRIMS**

Key	Part Number	U/M	Description
	069733-70-000	EA	Batt Strip - Regal Oak - 8' (Woodgrain)
	085284-03-000	EA	Batt Strip - Regal Oak - Tape Adhesive
	068263-30-000	EA	Batt Strip - Cross - Silk Splatter (Ceiling)
	088263-21-000	EA	Batt Strip - Charcoal - 8' (Main Wall)
	085284-13-000	FT	Batt Strip - Charcoal - Tape Adhesive (Main Wall)
	088263-23-000	EA	Batt Strip - Kent - 8' (Galley) (Y28)
	088263-24-000	EA	Batt Strip - Kent - 8' (Galley) (Y29)
	088263-18-000	EA	Batt Strip - Merino - Neutral
	085284-09-000	FT	Batt Strip - Merino Neutral - Tape Adhesive
	088263-18-000	EA	Batt Strip (Shower) - Bone - 8'
	086229-04-000	EA	Batten - 1" - Ceiling Molding - Ivory
	009809-17-000	EA	F-Molding - 1" - Regal Oak
	009812-17-000	EA	F-Molding - 1/2" - Regal Oak
	083620-01-000	FT	T-Molding - w/Edge Lips - Grady Brown
	083620-04-000	FT	T-Molding - w/Edge Lips - Light Oak
	070504-01-000	FT	U-Channel - .65" - Light Brown
	070504-06-000	FT	U-Channel - .815" - Regal Oak
	009778-07-000	FT	U-Channel - 1" - Regal Oak
	009767-06-000	FT	Wallng - Beige
	085746-01-000	FT	J-Molding - .75" w/Lips - Grady Brown
	024700-17-000	EA	Cover - Sidewall Roll Bar - Beige (Wall/Ceiling)
	022932-08-000	FT	Molding - Reverse Cover - Champagne White
	022932-01-000	FT	Molding - Reverse Cover - T-Shaped - Vinyl
	012357-11-000	FT	Molding - Outside Corner - Light Oak
	017840-01-000	FT	Molding - Wall Cap
	080176-02-000	EA	Corner Cap - Radius Plastic - Light Oak
	081521-02-000	EA	Molding - 64 Hole Space

**LP GROUP**



Key	Part Number	U/M	Description
1	045703-01-000	EA	Hose Asm. - LP - 3/8" ID x 24" (US)
1	045703-02-000	EA	Hose Asm. - LP - 3/8" ID x 24" (CSA)
2	074142-01-000	EA	Tank Asm. - LP - Frame Mount - 80 Pound - 13" Dia. x 44"
3	081938-01-000	EA	Cover - LP Regulator
3	076301-01-000	EA	Regulator - Two Stage
4	090976-02-000	EA	Safety Valve - Electric
5	040421-01-703	EA	Valve - Vapor Relief
6	040421-01-707	EA	Gauge - Float - w/Visible Dial - 80 Pound Tank
6	040421-01-706	EA	Dial - Visible Face - Float Gauge (Tank w/o Electric Transmitter)
6	040440-01-000	EA	Dial - Visible Face - Float Gauge (Tank w/Electric Transmitter)
7	040421-01-700	EA	Gauge - Liquid Level - 20% LP
8	040421-01-701	EA	Valve - Filler - LP
8	040421-01-702	EA	Cap - Plastic Fill Valve
8	040421-01-711	EA	Inner Tank Valve - 80% Fill
	065741-01-000	EA	Gauge - Diaphragm Pressure - Test Leak
	097395-01-000	EA	LP Gas Leak Detector
	065318-02-000	EA	Elbow - 90° - 3/8" MPT x 3/8 FPT
	093280-01-000	EA	Bracket - LP
	065742-01-000	EA	Tee - .38 F. x .25 F. x .25 FPT
	090976-02-000	EA	Safety Valve - LP
	034591-02-000	EA	Adaptor - Speed - LP Regulator w/Flow Dev.
	093511-01-000	EA	Vapor Kit - LP Generator

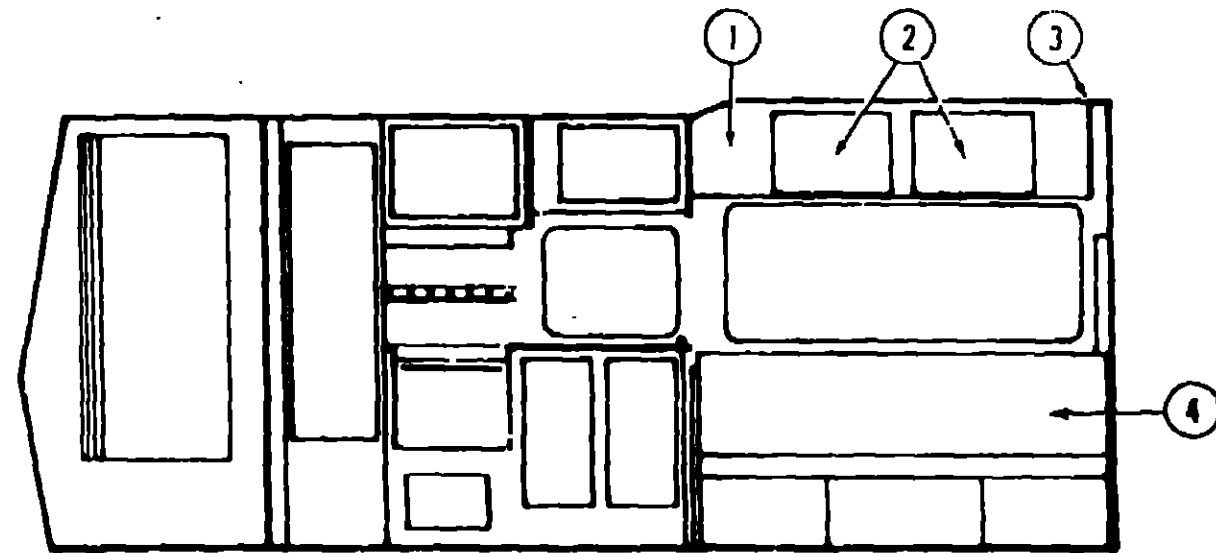
**1989 ITASCA  
TABLE OF CONTENTS**

IC/F423RB	A-01 - C-02
IC/F423RC	C-03 - E-08
IF427RT	E-09 - G-16

**1989 IC/F423RB INDEX**

Floor Plan	A-01 - A-02
Accessories Group	A-03 - A-05
Bath Group	A-06 - A-07
Chassis Group	A-08 - A-10
Curtain, Cushion & Pad Group	A-11 - A-16
Director Group	A-17 - A-18
Driver's Compartment Group	A-19 - A-21
Electrical Group	A-22 - A-24
Exterior Body Group	B-01 - B-06
Galley Group	B-07 - B-09
Heating & Air Conditioning Group	B-10 - B-11
Interior Finish Group	B-12 - B-13
LP Group	B-14
Lounge Group	B-15
Water & Sewage Group	B-16 - B-17
Window, Vent & Exterior Door Group	B-18 - C-02

**LOUNGE GROUP**



**FRONT LOUNGE CABINERY**

Key	Part Number	U/M	Description
1	M92462-01-Y05	EA	Cabinet Asm. - Overhead - Driver - w/o Doors or Hardware
2	M88304-B4-X08	EA	Door Asm. - Overhead Cabinet - 14.3" x 26.7" - w/o Hardware
3	081280-21-W24	EA	End Cap - Overhead Cabinet
4	091826-04-Y05	EA	Couch Asm. - Complete
4	091826-04-Y06	EA	Couch Asm. - Complete

See the Curtain, Cushion & Pad Group for the breakdown of this item.

**WATER & SEWAGE GROUP**

**DRAINAGE SYSTEM**

Key	Part Number	U/M	Description
	062422-01-000	EA	Adapter - Offset Reducer - 3" x 1 1/2"
	089330-01-000	EA	Adapter - Sewer Hose End
	033302-02-000	EA	Adapter Asm. - Strainer - 1 1/2" (CSA)
	010122-01-000	EA	Bushing - Plastic - Rhd - 1 1/2 S x 1 1/4 T
	010121-01-000	EA	Bushing - Plastic - Rhd - 1 1/2 S x 1 1/4 H
	011091-02-000	EA	Continuous Waste - Double Sink - 11 7/8" (US)
	053874-01-000	EA	Continuous Waste Asm. (CSA)
	010115-01-000	EA	Coupler - Plastic - 1 1/2 H x H
	078406-01-000	EA	Coupler - Rubber - 3" x 3"
	010009-01-000	EA	Elbow - Plastic - 1/4 DD x 1 1/2 x 90°
	041956-01-000	EA	Elbow - Plastic - 1/4 BD x 3" x 90°
	010000-01-000	EA	Elbow - Plastic - 1/3 BD x 1 1/4 x 45° x H
	031126-01-000	EA	Elbow - Plastic - 1/4 BD x 1 1/2 x 90°
	010051-01-000	EA	Elbow - Plastic - 1/8 BD x 1 1/2 x 45°
	010006-01-000	EA	Elbow - Plastic - 1/8 BD x 1 1/2 x 45° H x H
	010008-01-000	EA	Elbow - Plastic - 1/4 BD x 1 1/2 x 90° - Left
	034250-01-000	EA	Elbow - Plastic - 1/4 BD x 1 1/2 x 90° H x H
	031111-01-000	EA	Elbow - Plastic - 1/4 BD x 1 1/4 x 90°
	033761-01-000	EA	Elbow - Plastic - 1/4 BD x 1 1/2 x 90°
	037101-02-000	EA	Elbow - Plastic - 1/4" Bend Vent - 1 1/2" Hub (CSA)
	070924-01-000	EA	Elbow - Plastic - Swivel - 1/2 MPT x 1/2 FP
	011056-03-000	EA	Faucet - Lavatory - Brass
	031558-03-000	EA	Faucet - Tub & Shower - Brass
	011053-04-000	EA	Faucet - Swing Spout - 8" - Galley
	091254-01-000	EA	Gasket - Galley Faucet
	010147-01-000	EA	Flange - Closet - Red - 4" x 3" (US)
	010147-02-000	EA	Flange - Closet - Red - 4" x 3" (CSA)
	024676-01-000	EA	Flange - Closet - 4" x 3" (US)
	024676-02-000	EA	Flange - Closet - 4" x 3" (CSA)
	091253-01-000	EA	Gasket - Lavatory Faucet
	061607-01-000	EA	Grommet - Holding Tank Coupler - 1 1/2"
	061607-02-000	EA	Grommet - Holding Tank Coupler - 3"
	066435-01-000	EA	Nut - Strainer
	075726-01-000	EA	Outlet Extension - Sewer
	011066-03-000	EA	P-Trap - 1 1/4" - Plastic (US)
	011066-02-000	EA	P-Trap - 1 1/4" - Plastic (CSA) (Lavatory/Shower)
	053715-01-000	EA	P-Trap - 1 1/4" - Plastic w/Union (CSA) (Galley)
	010194-01-000	FT	Pipe - Plastic - 1 1/4"
	010195-01-000	FT	Pipe - Plastic - 1 1/2"
	010197-01-000	FT	Pipe - Plastic - 3"
	010166-01-000	EA	Plug - Plastic - 1 1/4"
	062422-01-000	EA	Reducer /Adapter - 3" x 1 1/2"
	093558-01-000	EA	Roof Vent - Covered - Vent Pipe
	062422-01-000	EA	Sewer Cap - 3"
	010201-01-000	EA	Sewer Hose - 3" ID x 20'
	011048-02-000	EA	Shower Head w/60" Hose (US)
	011048-03-000	EA	Shower Head w/60" Hose (CSA)
	M02630-08-Y21	EA	Shower Pan Asm.
	068615-01-000	FA	Sink - Double - Stainless Steel
	089366-01-000	EA	Sink - Oval - Plastic - Ivory
	066436-01-000	EA	Slip Nut - 1.5 - Tailpiece
	066729-01-000	EA	Strainer - Shower/Tub Drain
	066437-01-000	EA	Strainer - Sink - Galley
	011069-02-000	EA	Tailpiece - 1 1/2 x 1 1/4 x 4" - Brass
	074870-01-000	EA	Tank - Holding - 30 Gal.
	074861-01-000	EA	Tank - Holding - 35 Gal.
	010079-01-000	EA	Tee - Plastic - 1 1/2 H x 1 1/2 H x 1 1/4 H
	010072-01-000	EA	Tee - Plastic - Red - 1 1/2 H x 1 1/4 H x 1 1/2 H
	010071-01-000	EA	Tee - Plastic - 1 1/2 H x H x H
	063740-02-000	EA	Toilet - Ivory - Aqua Magic
	070916-01-000	EA	Valve - Dual - 3" x 1.5"
	062421-01-000	EA	Valve - 1 1/2" w/Handle
	073968-01-000	EA	Vent - Mechanical Trap Arm
	069735-01-000	EA	Washer - Tailpiece - 1.5 - Plastic
	010073-01-000	EA	Wye - Plastic - 1 1/2 x 45 x H x H

**1989 ITASCA  
TABLE OF CONTENTS**

IC/F423RB  
IC/F423RC  
IF427RT

A-01 - C-02  
C-03 - E-08  
E-09 - G-16

**1989 IC/F423RB INDEX**

Floor Plan	A-01 - A-02
Accessories Group	A-03 - A-05
Bath Group	A-06 - A-07
Chassis Group	A-08 - A-10
Curtain, Cushion & Pad Group	A-11 - A-16
Dinette Group	A-17 - A-18
Driver's Compartment Group	A-19 - A-21
Electrical Group	A-22 - A-24
Exterior Body Group	B-01 - B-06
Galley Group	B-07 - B-09
Heating & Air Conditioning Group	B-10 - B-11
Interior Finish Group	B-12 - B-13
LP Group	B-14
Lounge Group	B-15
Water & Sewage Group	B-16 - B-17
Window, Vent & Exterior Door Group	B-18 - C-02

**WATER & SEWAGE GROUP (CONTINUED)**

**WATER LINES & HARDWARE**

Key	Part Number	U/M	Description
	044927-01-000	EA	Adapter - Plastic - 1 1/4" MPT x 1 1/4" Bar (Water Tank)
	079317-01-000	EA	Adapter - Swivel - .5 Tube x .5 FPT
	052954-01-000	EA	Adapter - Nose Cone - 3/8" or 1/2" - Plastic
	036555-02-000	EA	Cap - Brass - 1/2" Flare
	052959-02-000	EA	Connector - Plastic - 1/2" F x 1/2" MPT
	052959-03-000	EA	Connector - 1/2" x 3/8 MPT - Plastic
	010219-01-000	EA	Elbow - Plastic - 1 1/3" MPT x 1 1/4" Barb
	065120-01-000	EA	Elbow - Plastic - Swivel - 50
	035539-01-000	EA	Elbow - Plastic - 3/8 MPT x 3/8" BARB
	052957-02-000	EA	Elbow - Plastic - 1/2" F x 1/2" MPT
	011056-03-000	EA	Faucet - Lavatory - Brass
	091253-01-000	EA	Gasket - Lavatory Faucet
	011053-04-000	EA	Faucet - Swing Spout - Galley - 8"
	091254-01-000	EA	Gasket - Galley Faucet
	075242-03-000	EA	Faucet - Tub/Shower - Brass
	077954-02-000	EA	Filter/Screen (In Water Tank)
	000D34-05-00C	EA	Nut - Hex - 5/16 - 18 CAD
	052952-01-000	EA	Nut - Plastic - 1/2" F
	052952-02-000	EA	Nut - Plastic - 5/8 Flare
	052953-01-000	EA	Nut - Faucet - 1/2" Tube x 1/2" FPT
	049032-01-000	EA	Patch - Spinweld - Plastic - 3/8"
	045729-01-000	EA	Pump - Water - 2.8 GPM - Direct Flow (US)
	045729-02-000	EA	Pump - Water - 2.8 GPM - Direct Flow (CSA)
	045729-01-700	EA	Motor - Black
	045729-01-701	EA	Baseplate Kit
	045729-01-702	EA	Diaphragm Kit
	045729-01-703	EA	Valve Asm. - Kit
	045729-01-704	EA	Upper Housing
	045729-01-705	EA	Switch Cap Kit - w/Switch
	045729-01-706	EA	Pumphead
	045729-01-707	EA	Lower - Housing
	091208-01-000	EA	Rubber Washer - .06 x .75 x .50
	011048-02-000	EA	Shower Head - w/60" Hose
	042989-03-000	EA	Spinweld Fitting - Plastic - 1/4" NPT
	042989-05-000	EA	Spinweld Fitting - Plastic - 1/2" FPT
	042989-04-000	EA	Spinweld Fitting - Plastic - 3/8" FPT
	052955-01-000	EA	Toe - Plastic - 1/2" F x 1/2" F x 1/2" MPT
	052956-01-000	EA	Toe - Plastic - 1/2" F x 1/2" MPT x 1/2" F
	052958-01-000	EA	Toe - Plastic - 1/2" F x 1/2" F x 1/2" F
	034700-01-000	FT	Tubing - Polybutyl - 1/2" OD x 20' (Water Line)
	079381-01-000	FT	Tubing - Flex/Smooth - 1.25 ID (Water Tank)
	074462-02-000	FT	Tubing - Vinyl - 3/8" ID
	052960-01-000	EA	Valve - Line Drain - 1/2" F x 1/2" F
	074510-03-000	EA	Water Tank - 18 Gal. w/Fittings
	053520-05-000	EA	Water Tank - 18 Gal. w/Fittings
	051391-03-000	EA	Water Heater - w/o Motoraid - Electronic Tune - Atwood - G6A-3E
	051393-01-000	EA	Water Heater - w/Motoraid - Direct Ignition - Atwood - GH6-3E

The illustrated parts breakdown for this item is provided on the Common Items Fiche.

**WINDOWS, VENTS & EXTERIOR DOORS GROUP**

**ACCESS DOORS & HARDWARE**

Key	Part Number	U/M	Description
	078010-03-000	EA	Door Asm. - Fuel Fill
	077963-01-000	EA	Gasket - Fuel Fill
	072447-04-000	EA	Shroud - Fuel Fill
	052009-01-000	EA	Door Asm. - Water Heater
	079246-01-000	EA	Jamb - Generator Door
	047305-01-000	EA	Lock Asm. - Key Type (Set/1)
	075726-01-000	EA	Outlet Extension - Sewer
	075730-01-000	EA	Sewer Cap
	088794-01-000	EA	Door Asm. - Power Cord w/Hatch
	079578-03-X08	EA	Door Asm. - Storage
	064975-07-000	FT	Seal - Door - Bulb
	079366-04-000	EA	Lock Asm. - Key Type - w/o Keys
	081801-02-000	EA	Hinge - Continuous - 2" x 96"
	079149-01-T03	EA	Door Asm. - Luggage
	041312-01-000	FT	Seal - Bulb "E" - Section
	083223-03-000	EA	Lock Asm. - Key Type (Set/1)
	084103-03-000	EA	Door Asm. - Refrigerator Access
	086755-02-000	EA	Latch - 1/4 Turn
	093633-01-000	EA	Handle - 1/4 Turn Latch
	084104-01-000	EA	Jamb - Vent Door - Refrigerator
	084104-01-700	EA	Lock - Male Dryus Fastener
	084104-01-701	EA	Lock - Female Dryus Fastener
	079455-04-T95	EA	Door Asm. - Storage
	064075-07-000	FT	Seal - Door - Bulb
	079366-04-000	EA	Lock Asm. - Key Type - w/o Keys
	061801-02-000	EA	Hinge - Continuous - 2" x 96"
	079455-03-T95	EA	Door Asm. - LP
	054075-07-000	FT	Seal - Door - Bulb
	079927-03-000	EA	Lock Asm. - Twist Type - Double Cam
	081801-02-000	EA	Hinge - Continuous - 2" x 96"
	089384-01-X08	EA	Door Asm. - Storage
	064075-07-000	FT	Seal - Door - Bulb
	079366-04-000	EA	Lock Asm. - Key Type - w/o Keys
	061801-02-000	EA	Hinge - Continuous - 2" x 96"
	083264-04-X08	EA	Door Asm. - Storage
	064075-07-000	FT	Seal - Door - Bulb
	079366-04-000	EA	Lock Asm. - Key Type - w/o Keys
	061801-02-000	EA	Hinge - Continuous - 2" x 96"
	077408-01-000	EA	Lock Asm. - Key Type (Rear Cap)
	079368-01-000	FT	Seal - Access Door
	083615-06-000	EA	Door Holder - Off White

**VENTS & SKYLIGHTS**

Key	Part Number	U/M	Description
	090395-01-Y12	EA	Vent - Non-Powered - Roof (w/o Screen Asm.)
	078796-01-Y12	EA	Screen Asm. - Non-Powered - Roof Vent
	064079-03-000	EA	Ventilator - Roof - Powered (Fantastic)
	090394-01-Y12	EA	Vent Asm. - Roof - Powered (w/o Screen Asm.)
	078785-01-Y12	EA	Screen Asm. - Powered - Roof Vent
	084073-03-000	EA	Vent - Roof - Refrigerator
	084073-04-000	EA	Base - Refrigerator Roof Vent
	092698-01-01A	EA	Vent w/Door - Range Hood - Off White
	083558-01-000	EA	Roof Vent - Pipe Cover

**1989 ITASCA  
TABLE OF CONTENTS**

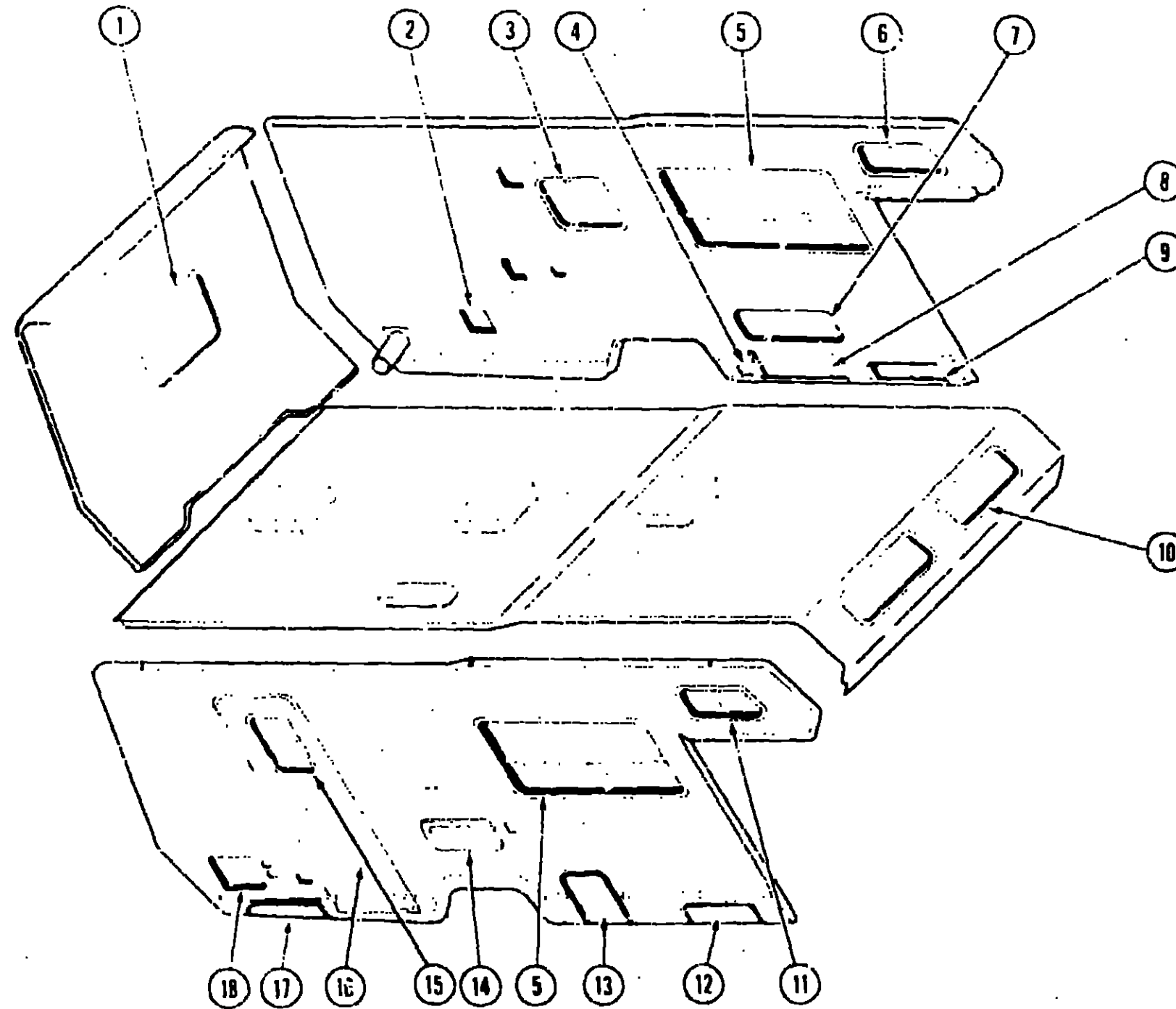
IC/F423RB	A-01 - C-02
IC/F423RC	C-03 - E-08
IF427RT	E-09 - G-16

**1989 IC/F423RB INDEX**

Floor Plan	A-01 - A-02
Accessories Group	A-03 - A-05
Bath Group	A-06 - A-07
Chassis Group	A-08 - A-10
Curtain, Cushion & Pad Group	A-11 - A-16
Dinette Group	A-17 - A-18
Driver's Compartment Group	A-19 - A-21
Electrical Group	A-22 - A-24
Exterior Body Group	B-01 - B-06
Galley Group	B-07 - B-09
Heating & Air Conditioning Group	B-10 - B-11
Interior Finish Group	B-12 - B-13
LP Group	B-14
Lounge Group	B-15
Water & Sewage Group	B-16 - B-17
Window, Vent & Exterior Door Group	B-18 - C-02

## WINDOW, VENT & EXTERIOR DOOR GROUP (CONTINUED)

### WINDOWS & ACCESS DOORS



## 1989 ITASCA TABLE OF CONTENTS

IC/F423RB  
IC/F423RC  
IF427RT

A-01 - C-02  
C-03 - E-08  
E-09 - G-16

## 1989 IC/F423RB INDEX

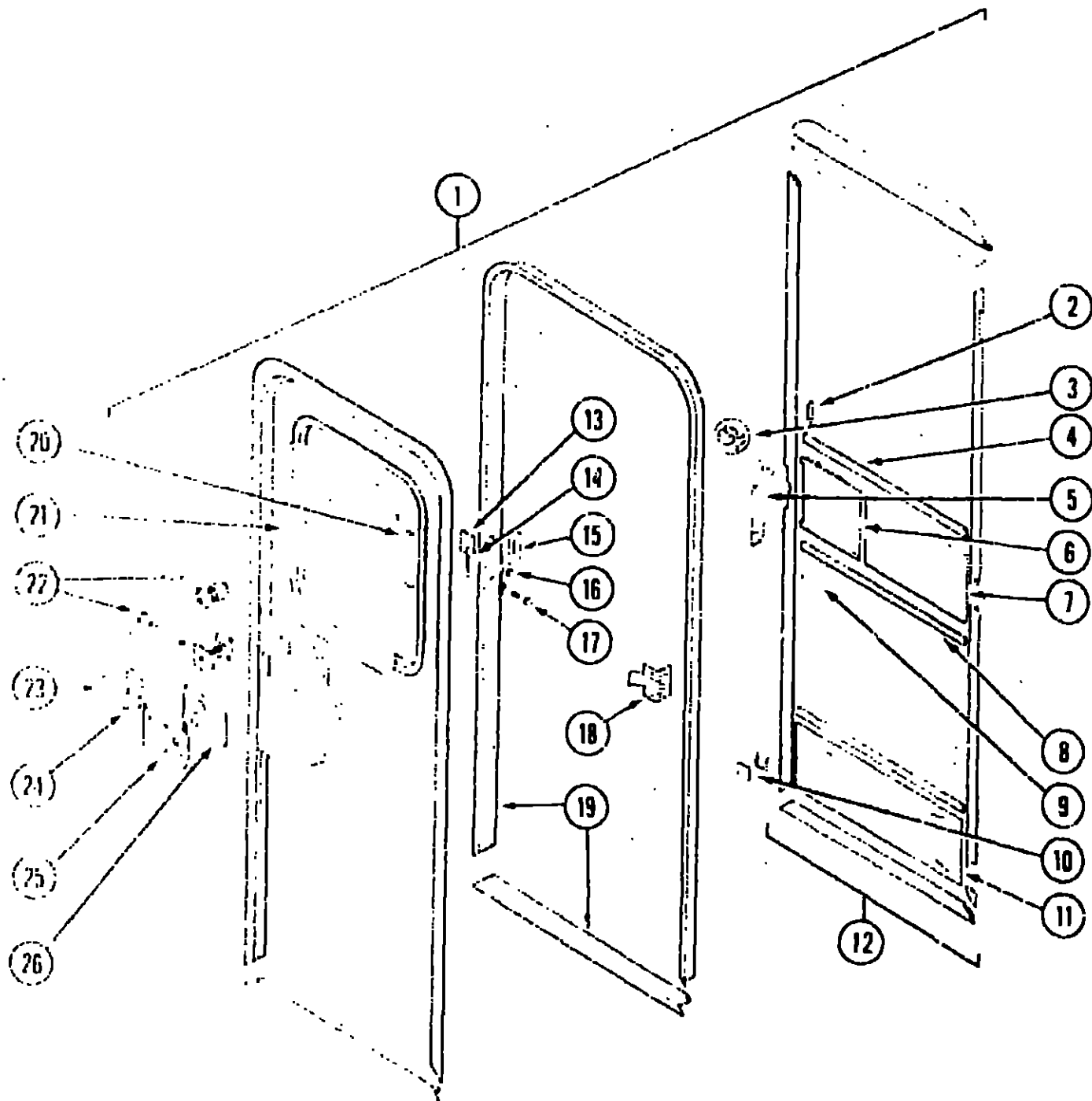
Floor Plan	A-01 - A-02
Accessories Group	A-03 - A-05
Bath Group	A-06 - A-07
Chassis Group	A-08 - A-10
Curtain, Cushion & Pad Group	A-11 - A-16
Dinette Group	A-17 - A-18
Driver's Compartment Group	A-19 - A-21
Electrical Group	A-22 - A-24
Exterior Body Group	B-01 - B-06
Galley Group	B-07 - B-09
Heating & Air Conditioning Group	B-10 - B-11
Interior Finish Group	B-12 - B-13
LP Group	B-14
Lounge Group	B-15
Water & Sewage Group	B-16 - B-17
Window, Vent & Exterior Door Group	B-18 - C-02

Key	Part Number	U/M	Description
1	079415-01-T03	EA	Window Asm. - Escape
	052423-01-000	EA	Door Asm. - Sewer Hose - Off White
2	076010-03-000	EA	Door Asm. - Fuel Fill
3	076266-03-T03	EA	Window Asm. - Single Slider
4	080794-01-000	EA	Door Asm. - Power Cord
5	078269-04-X11	EA	Window Asm. - Double Tipout
6	086227-02-000	EA	Window Asm. - Bunk - Slant Slider - Left
	086228-06-000	EA	Inside Frame - Bunk - Slant Slider - Left
7	079578-03-X08	EA	Door Asm. - Storage
8	079149-01-T03	EA	Door Asm. - Luggage
8	1179321-01-T03	EA	Door Asm. - Generator

Key	Part Number	U/M	Description
9	079455-04-T95	EA	Door Asm. - Storage
10	078533-04-X08	EA	Window Asm. - Front Picture
11	086227-01-000	EA	Window Asm. - Bunk - Slant Slider - Right
	086228-05-000	EA	Inside Frame - Bunk - Slant Slider - Right
12	079455-03-T95	EA	Door Asm. - LP
13	089384-01-X08	EA	Door Asm. - Storage
14	084103-03-000	EA	Door Asm. - Refrigerator Access - Half Door
15	079733-04-T03	EA	Window Asm. - Picture
16	M01870-21-Y30	EA	Door Asm. - Radius Entry w/Screen Door
17	083264-04-X08	EA	Door Asm. - Storage
18	052009-01-000	EA	Door Asm. - Water Heater - Off White

WINDOW, VENT & EXTERIOR DOOR GROUP (CONTINUED)

WINDOW, VENT & EXTERIOR DOOR GROUP (CONTINUED)



Key	Part Number	U/M	Description
1	M0187C-21-Y21	EA	Door Asm. - Entrance w/Screen Door
	095276-01-01A	EA	Frame Asm. - Entrance Door - Off White
	089740-01-000	EA	Frame - Entrance Door - Bottom Portion
	044582-02-000	EA	Drip Cap - Top Entrance Door Jamb - Off White
	075629-06-000	EA	Garnish - Radius - Entrance Door
2	050712-05-000	EA	Door Handle - Screen Door
3	009018-01-000	EA	Roller Catch - Screen Door
	058025-02-000	EA	Clip - Roller Latch Catch
	005016-01-000	EA	Catch - Elbow - Spring Loaded - Screen Door
4	078592-02-000	EA	Screen Door Mullion - Upper & Lower - Slider
	078777-01-000	EA	Slider Channel (Mullion Insert)
5	079087-02-000	EA	Strike - Slider - Screen Door
6	079086-02-000	EA	Slider - Screen Door
7	016454-01-000	EA	Insert - Screen Door
8	002294-01-000	FT	Spline - Black
9	002293-02-000	SF	Screen - Window - 26" Charcoal
10	085774-01-000	FT	Fastener - Dual Lock - 1" Wide
10	085774-02-000	FT	Fastener - Dual Lock - 1" Wide
11	078552-03-000	EA	Insert - Screen Door - Lower
12	079012-01-U01	EA	Screen Door Asm.
	078595-01-000	EA	Plate - Screen Door
13	077461-01-000	EA	Strike Cover
14	041546-03-000	EA	Angle Bracket
15	079173-01-000	EA	Deadbolt - Gasket
16	058000-01-000	EA	Plug - Tapered Plastic
17	039539-01-000	EA	Strikes
18	079361-05-000	EA	Hinge
19	095277-02-01A	EA	Door Jamb - Entrance Door
20	087581-01-000	FT	Window Seal
21	002181-06-000	EA	Glass - Picture Window
	079733-04-T03	EA	Window Asm. - Picture - 17" x 25" (w/o inside frame)
	067609-03-000	EA	Inside Frame (not included in assembly)
22	039738-01-000	EA	Deadbolt Asm. - Round
22	095229-01-01A	EA	Deadbolt Asm. - Square - Black
23	098173-01-03A	EA	Stiffener - Entrance Door
24	039540-01-000	EA	Latch Asm. - Entrance Door
25	045017-10-000	EA	Latch Asm. - Plate - Black
26	039979-03-000	EA	Cover Asm. - Latch Plate - Black
	039984-01-000	EA	Cap - Black Vinyl - Lock Grip
	075673-01-000	FT	Seal - Pile - Adhesive Back
	075671-01-000	FT	Seal - Spunge - Lazy T Shaped
	002718-01-000	EA	Cover - Key
	091067-01-000	EA	Seal - Lock - Flat w/Slit
	070231-01-000	EA	Spacer Latch - Screen Door

ENTRANCE DOOR

1989 ITASCA  
TABLE OF CONTENTS

IC/F423RB  
IC/F423RC  
IF427RT

A-01 - C-02  
C-03 - E-08  
E-09 - G-16

1989 IC/F423RB INDEX

Floor Plan	A-01 - A-02
Accessories Group	A-03 - A-05
Bath Group	A-06 - A-07
Chassis Group	A-08 - A-10
Curtain, Cushion & Pad Group	A-11 - A-16
Dinette Group	17 - A-18
Driver's Compartment Group	A-19 - A-21
Electrical Group	A-22 - A-24
Exterior Body Group	B-01 - B-06
Galley Group	B-07 - B-09
Heating & Air Conditioning Group	B-10 - B-11
Interior Finish Group	B-12 - B-13
LP Group	B-14
Lounge Group	B-15
Water & Sewage Group	B-16 - B-17
Window, Vent & Exterior Door Group	B-18 - C-02

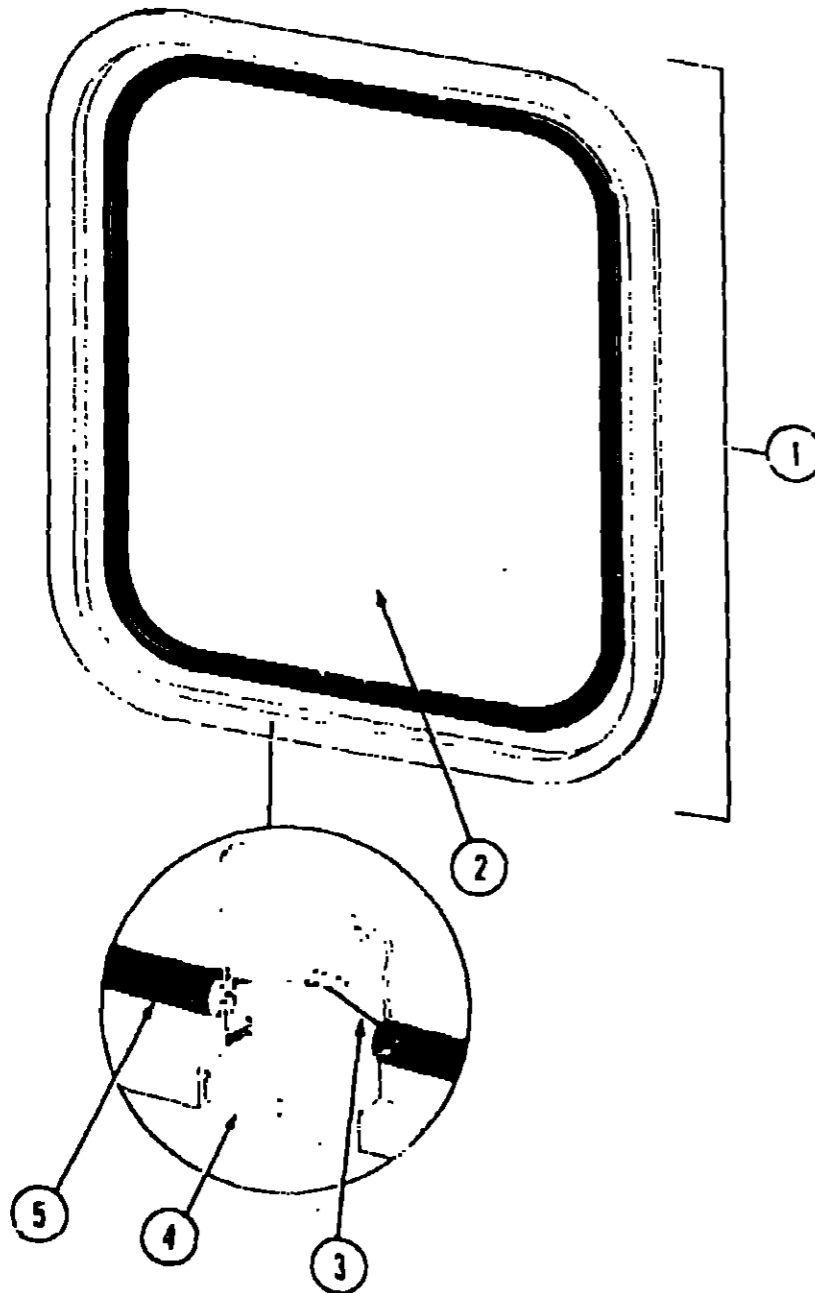
WINDOW, VENT & EXTERIOR DOOR GROUP (CONTINUED)

WINDOW, VENT & EXTERIOR DOOR GROUP (CONTINUED)

1989 ITASCA  
TABLE OF CONTENTS

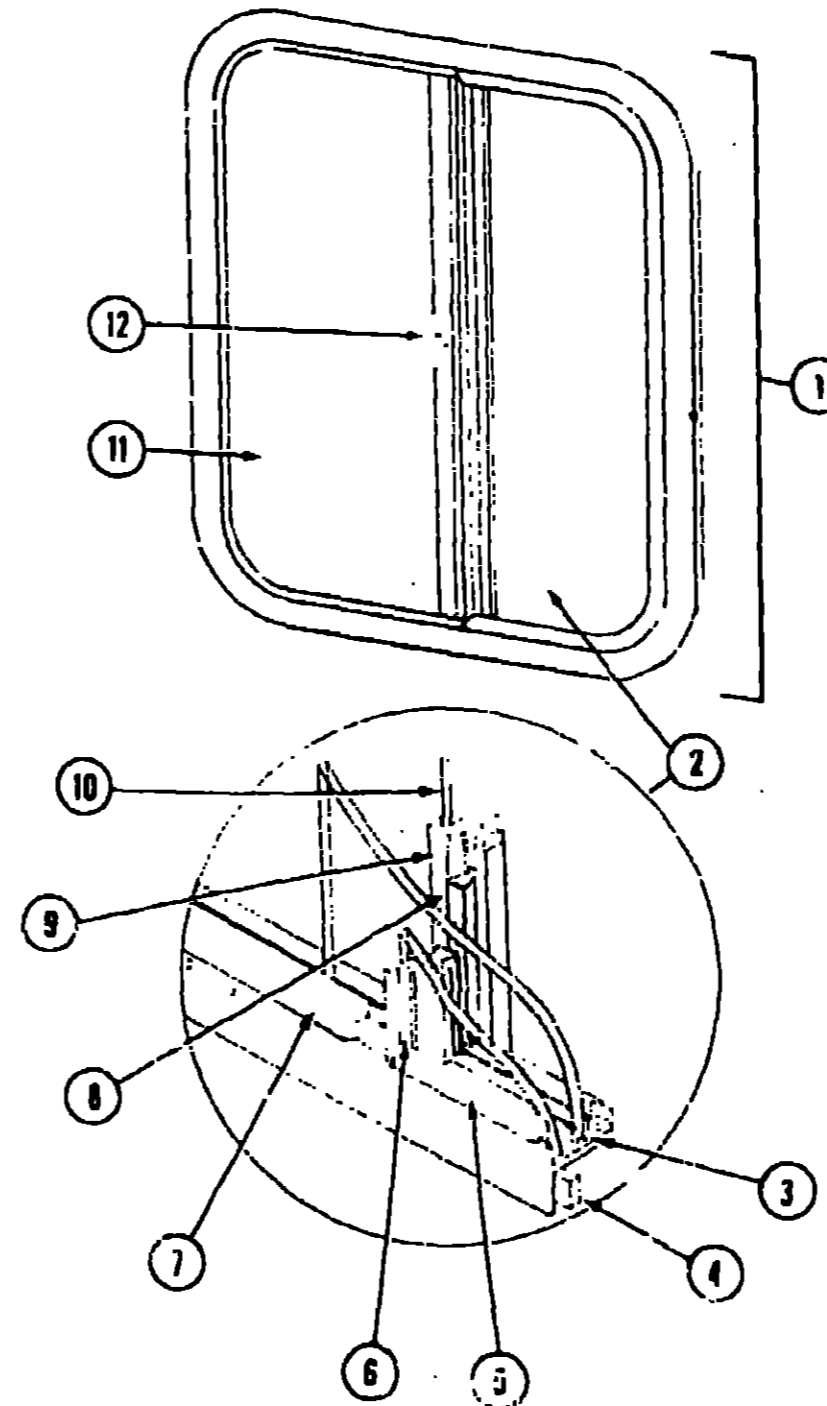
IC/F423RB  
IC/F423RC  
IF427RT

A-01 - C-02  
C-03 - E-08  
E-09 - G-16



ESCAPE WINDOW

Key	Part Number	U/M	Description
1	079415-01-103	EA	Window Asm. - Rear Escape - 23" x 29" - Black (w/o inside frame)
	070749-05-000	EA	Inside Frame - Beige (not included in assembly)
2	002174-02-000	EA	Glass - 19.6" x 19.6" x 25.8"
3	002285-01-000	FT	Filler - Weatherstrip - Black
4	069640-05-000	FT	Ribbon Sealer - 5/16" Bead x 15'
5	002282-01-000	FT	Weatherstrip - 1.25" Window
	066199-01-000	EA	Label - Exit - Escape Window



SINGLE SLIDER

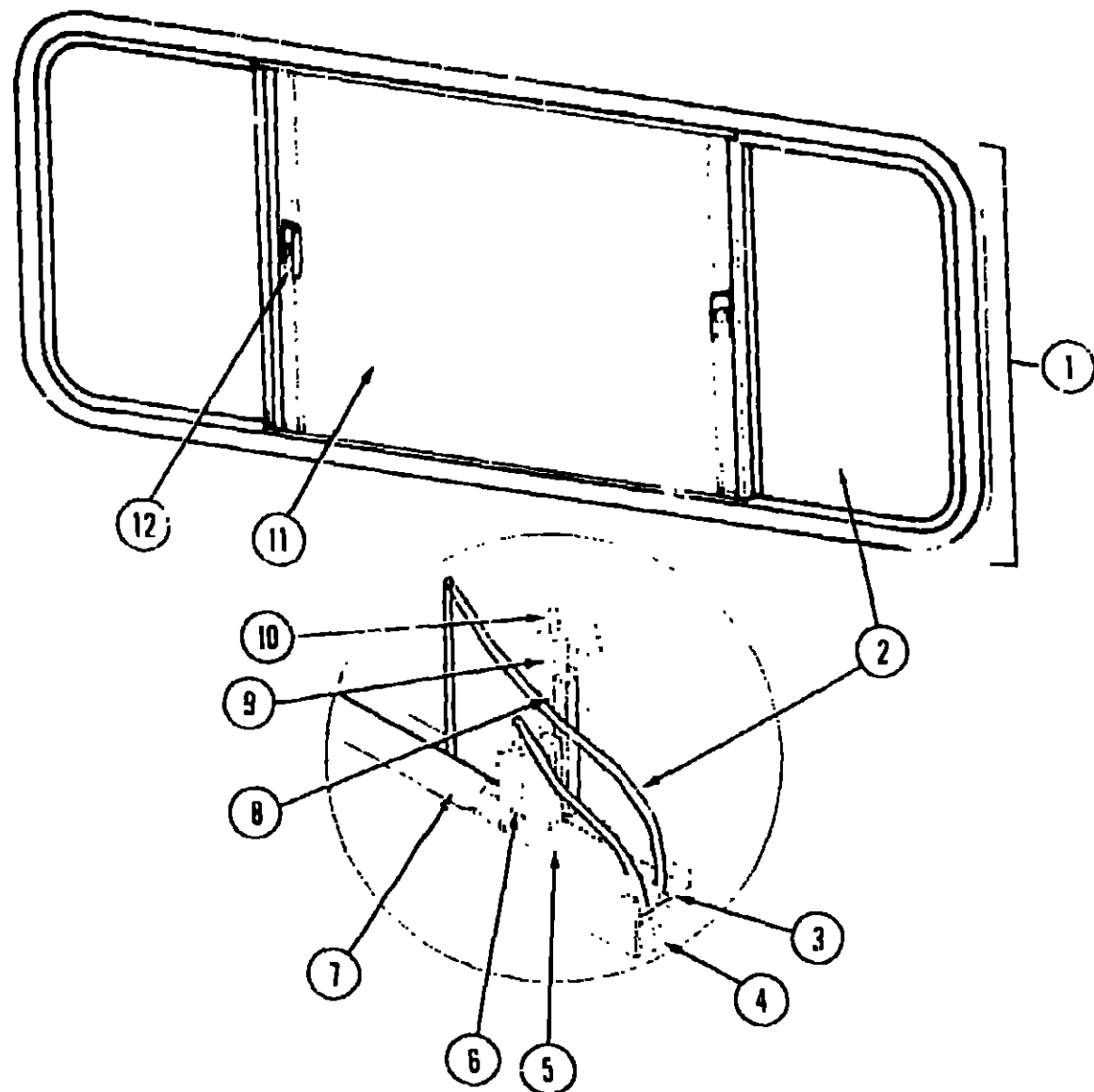
Key	Part Number	U/M	Description
1	078266-03-T03	EA	Window Asm. - Single Slider - 19.25" x 24.5" (w/o inside frame)
	081122-03-000	EA	Inside Frame - Beige (not included in assembly)
2	081980-05-000	EA	Glass - Sliding - 1/8" x 19" x 13.68"
3	002324-02-000	FT	Channel - Weatherstrip - Glass Run - 1/8" Glass
4	069640-06-000	FT	Ribbon Sealer - 5/16" Bead x 15'
5	002309-02-000	FT	Spline - Glass - 1/8" Material - Black
6	169886-03-011	EA	Seal Holder w/Fin Seal - Black
7	057374-02-000	FT	Extr. Rubber - Window Seal - Black
8	073740-01-000	FT	Seal - Fin - Pile - .460"
9	084170-02-000	EA	Mullion - Slider Window - Black
10	002298-02-000	FT	Spline - .130" Dia. - Charcoal (Screen)
11	081984-03-000	EA	Glass - Stationary - 1/8" x 19" x 12.30"
12	047369-01-700	EA	Latch Kit - Window - Plastic w/Fastener
	079204-01-000	EA	Bracket - Mullion - Black
	002292-02-000	SF	Screen - Window 20" - Charcoal

1989 IC/F423RB INDEX

Floor Plan	A-01 - A-02
Accessories Group	A-03 - A-05
Bath Group	A-06 - A-07
Chassis Group	A-08 - A-10
Curtain, Cushion & Pad Group	A-11 - A-16
Dinette Group	A-17 - A-18
Driver's Compartment Group	A-19 - A-21
Electrical Group	A-22 - A-24
Exterior Body Group	B-01 - B-06
Galley Group	B-07 - B-10
Heating & Air Conditioning Group	B-10 - B-11
Interior Finish Group	B-12 - B-13
LP Group	C-01
Lounge Group	C-15
Water & Sewage Group	D-16 - B-17
Window, Vent & Exterior Door Group	B-18 - C-02



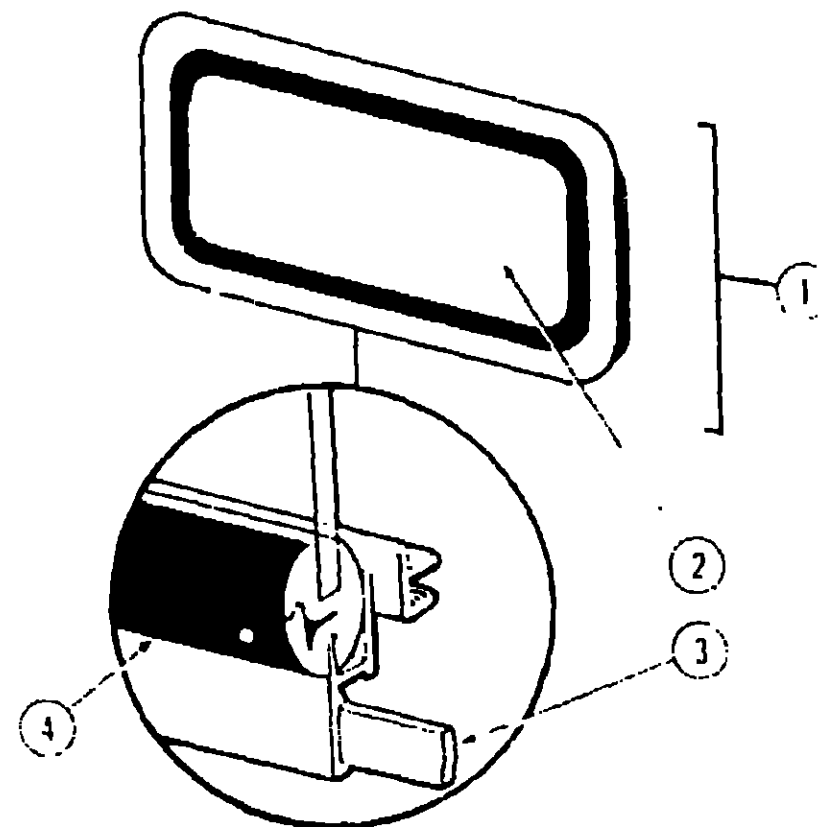
WINDOW, VENT & EXTERIOR DOOR GROUP (CONTINUED)



DOUBLE SLIDER WINDOW

Key	Part Number	U/M	Description
1	078269-04-X11	EA	Window Asm. - Double Slider (w/o inside frame)
	083122-25-000	EA	Inside Frame - Double Slider - Beige (not included in assembly)
2	081980-10-000	EA	Glass - Sliding - 30.7" x 19.3" x 1/8"
3	002324-02-000	FT	Channel Weatherstrip - Glass
4	069640-06-000	FT	Sealer Ribbon - 5/16" Bead x 15'
5	002309-02-000	FT	Spline - Glass - 1/8" - Black
6	069886-03-001	EA	Seal Holder - 1/8" Glass - Black
7	024096-02-000	FT	Vinyl Window Seal - Black
8	073740-01-000	FT	Fin Seal - .460 Pile
9	083926-02-001	EA	Mullion - Slider Window - Black
	002292-02-000	SF	Screen - Window - 26" Charcoal
10	002278-02-000	FT	Spline - .130" Dia. - Charcoal (Screen)
11	002188-07-000	EA	Glass - Stationary - 30.74" x 24.75" x 1/8"
12	047369-01-700	EA	Latch Kit - Window - Plastic w/Fastener
	081377-01-000	FA	Adhesive - Cyanoacrylate
	002328-01-C00	EA	Block - Window - 1/8" x 3/16" x 1"

WINDOW, VENT & EXTERIOR DOOR GROUP (CONTINUED)



FRONT PICTURE WINDOW

Key	Part Number	U/M	Description
1	078533-04-X08	EA	Window Asm. - Front Picture - 15" x 30" - Black (w/o inside frame)
	041938-06-000	EA	Inside Frame - Black (not included in assembly)
2	002200-05-000	EA	Glass - TP - Picture Window - 15.3" x 30"
3	069640-06-000	FT	Ribbon Sealer - 5/16" Bead x 15'
4	002281-01-000	FT	Weatherstrip - Self Seal - .06" Panel x 3/16" - Black

1989 ITASCA  
TABLE OF CONTENTS

IC/F423RB  
IC/F423PC  
IF427RT

A-01 - C-02  
C-03 - E-08  
E-09 - G-16

1989 IC/F423RB INDEX

Floor Plan	A-01 - A-02
Accessories Group	A-03 - A-05
Bath Group	A-06 - A-07
Chassis Group	A-08 - A-10
Curtain, Cushion & Pad Group	A-11 - A-16
Dinette Group	A-17 - A-18
Driver's Compartment Group	A-19 - A-21
Electrical Group	A-22 - A-24
Exterior Body Group	B-01 - B-06
Galley Group	B-07 - B-09
Heating & Air Conditioning Group	B-10 - B-11
Interior Finish Group	B-12 - B-13
LP Group	B-14
Lounge Group	B-15
Water & Sewage Group	B-16 - B-17
Window, Vent & Exterior Door Group	B-18 - C-02