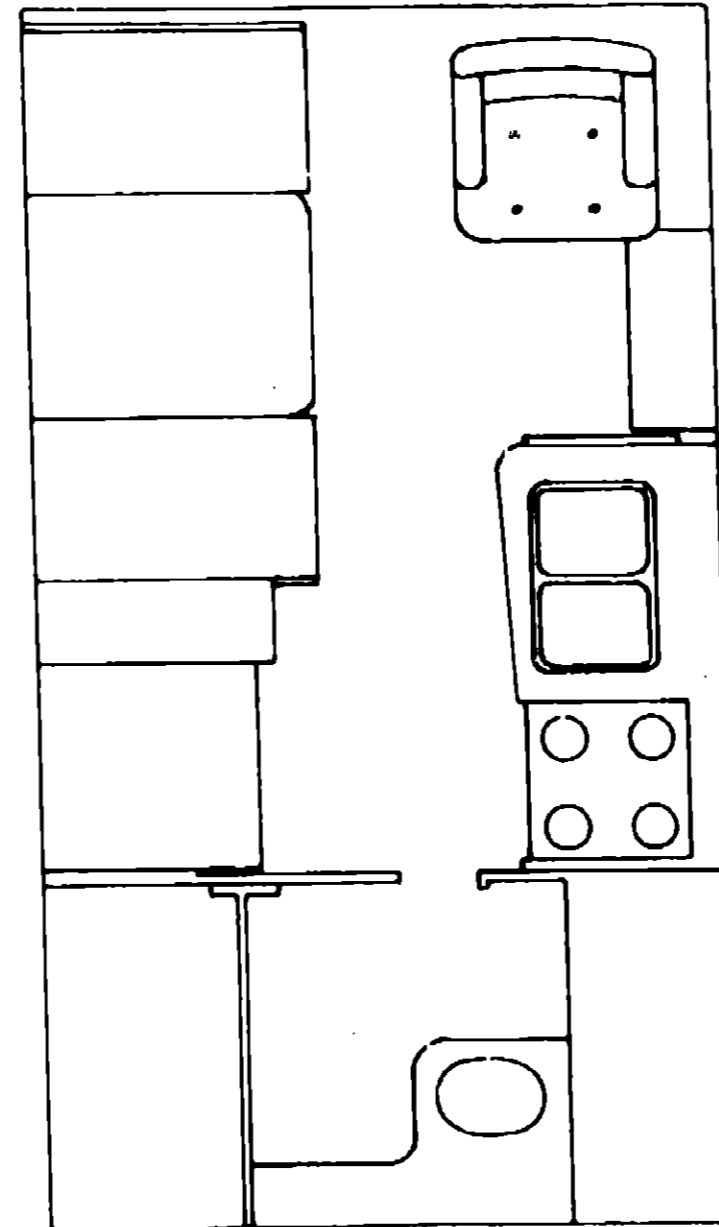


**1989 ITASCA
TABLE OF CONTENTS**

IC/F420RG
IC/F421RB

A-01 - B-22
B-23 - D-15

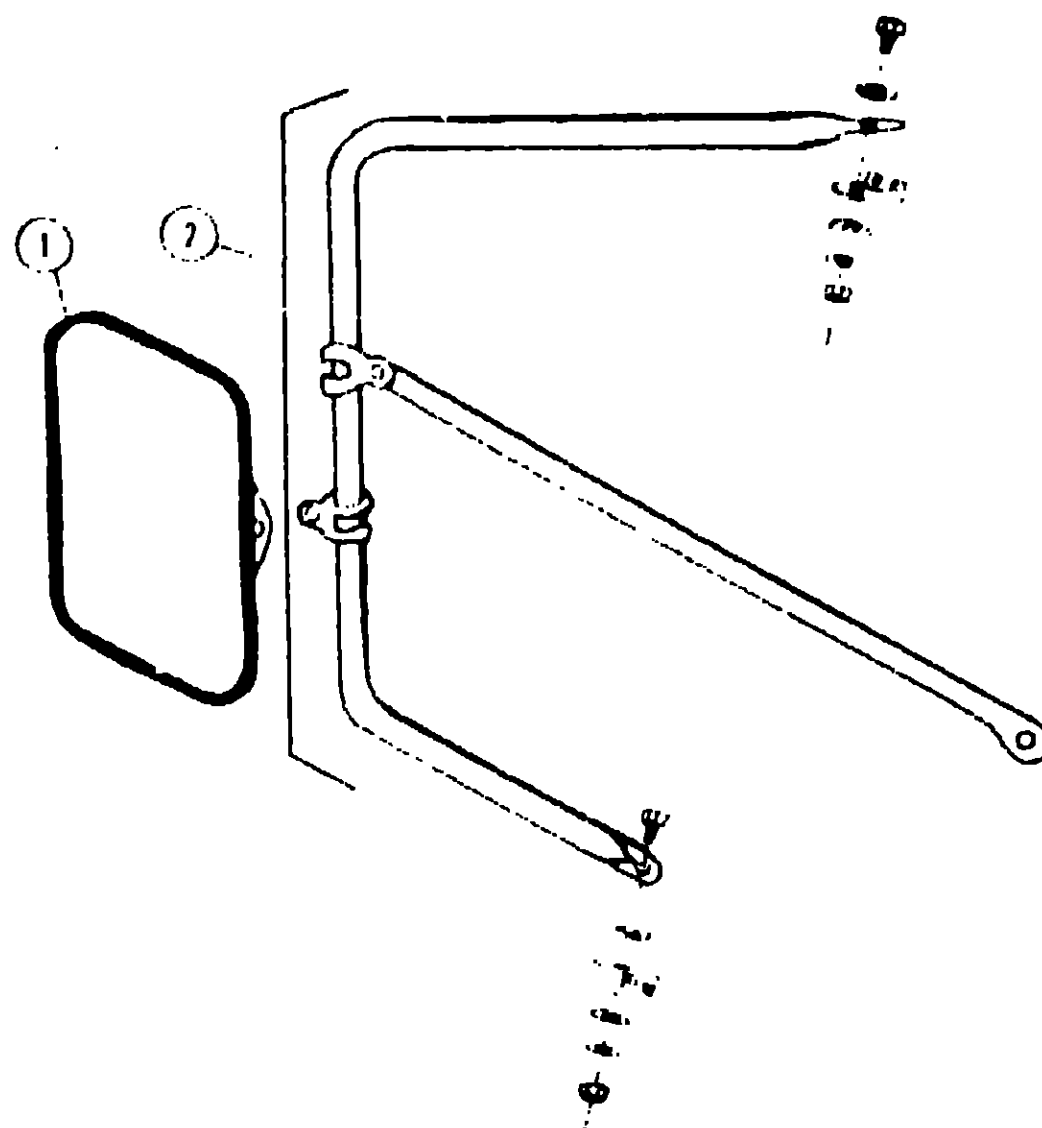
**1989
IC/F421RB**



1989 IC/F421RB INDEX

Floor Plan	B-23 - B-24
Accessories Group	C-01 - C-02
Bath Group	C-03
Chassis Group	C-04 - C-05
Curtain, Cushion & Pad Group	C-06 - C-10
Dinette Group	C-11 - C-12
Driver's Compartment Group	C-13 - C-14
Electrical Group	C-15 - C-16
Exterior Body Group	C-17 - C-22
Galley Group	C-23
Heating & Air Conditioning Group	C-24
Interior Finish Group	D-01 - D-02
LP Group	D-03
Lounge Group	D-04
Water & Sewage Group	D-05
Window, Vent & Exterior Door Group	D-06 - D-15

ACCESSORIES GROUP



EXTERNAL MIRRORS

Key	Part Number	U/M	Description
	062010-01-000	EA	Mirror - Convex - 12" x 12" - 1/2" - Stainless Steel
	062010-02-000	EA	Anti-Blind Spot Mirror - Convex - 12" x 12" - 1/2" - Stainless Steel
	062010-03-000	EA	Mirror - Convex - Adhesive Back

WHEEL COVER LINER & MOUNTING HARDWARE

Key	Part Number	U/M	Description
	062010-01-000	EA	Wheel Cover Liner - (See 11-11-11)
	062010-02-000	EA	Wheel Cover Liner - (See 11-11-11)
	062010-03-000	EA	Wheel Cover Liner - (See 11-11-11)
	062010-04-000	EA	Wheel Cover Liner - (See 11-11-11)
	062010-05-000	EA	Wheel Cover Liner - (See 11-11-11)
	062010-06-000	EA	Wheel Cover Liner - (See 11-11-11)

ACCESSORIES GROUP (CONTINUED)

RADIO & RELATED COMPONENTS

Key	Part Number	U/M	Description
	062010-01-000	EA	Antenna - Hood - 12" x 12" x 1/2"
	062010-02-000	EA	Radio - AM/FM - 200/100 - 200/100 - 200/100
	062010-03-000	EA	Radio - AM/FM - 200/100 - 200/100 - 200/100
	062010-04-000	EA	Speaker - Loud - Protection - Plastic
	062010-05-000	EA	Speaker - Loud - 200/100
	062010-06-000	EA	Radio Mounting Kit - Front
	062010-07-000	EA	Radio Mounting Kit - Rear/Left
	062010-08-000	EA	Speaker - Loud - 200/100
	062010-09-000	EA	Speaker - Loud - 200/100

GENERATORS & COMPONENTS

Key	Part Number	U/M	Description
	062010-01-000	EA	Generator - Onan - 100/100 - Front
	062010-02-000	EA	Generator - Onan - 100/100 - Front - Exhaust
	062010-03-000	EA	Exhaust Pipe
	062010-04-000	EA	Muffler
	062010-05-000	EA	Muffler - 100/100
	062010-06-000	EA	Insulator - 100/100
	062010-07-000	EA	Exhaust Pipe - Exhaust

MISCELLANEOUS ACCESSORIES

Key	Part Number	U/M	Description
	062010-01-000	EA	Owner's Manual - 1989 - Back & Wheelchair
	062010-02-000	EA	Antenna - 12" x 12" x 1/2" - 12" x 12" - 1/2"
	062010-03-000	EA	Mat - Flip - 20" x 20" - 1/2" - Black - Front
	062010-04-000	EA	Eye - Extender - 1/2" - 100/100
	062010-05-000	EA	Eye - Extender - 1/2" - 100/100 - UIC
	062010-06-000	EA	Eye - Extender - 1/2" - 100/100
	062010-07-000	EA	Mirror - Convex - 12" x 12" x 1/2"
	062010-08-000	EA	Frame - 1/2" - 100/100
	062010-09-000	EA	Ladder Arm - 1/2" - 100/100
	062010-10-000	EA	Back Asm - Right
	062010-11-000	EA	Back Asm - Left
	062010-12-000	EA	Ladder Step
	062010-13-000	EA	End Cap - Ladder Step
	062010-14-000	EA	Stand Off - Rail & Ladder Asm
	062010-15-000	EA	Cap - Insert - Round - 1/2" - Black - Rail
	062010-16-000	EA	Bracket - Mounting - Back & Ladder
	062010-17-000	EA	Mat - Brown - Front Passenger Side (100/100)
	062010-18-000	EA	Mat - Brown - Front Driver Side (100/100)
	062010-19-000	EA	Mat - Brown - Front Passenger Side (100/100)
	062010-20-000	EA	Mat - Brown - Front Driver Side (100/100)
	062010-21-000	EA	Mat - Extended Drive - Wheelchair
	062010-22-000	EA	Smoke Detector - 2/9 Volt Battery
	062010-23-000	EA	Anti-Slip Tape - 2"
	062010-24-000	EA	Hold Down Bumper - Gold
	062010-25-000	FT	New Seat Back - 1"

The illustrated parts breakdown for this item is provided on the separate parts list.

1989 ITASCA TABLE OF CONTENTS

IC/F421RB	A-01 - B-20
IC/F421RB	B-21 - D-15

1989 IC/F421RB INDEX

Body Panel	B-21 - B-22
Accessories Group	B-23 - B-25
Bath Group	B-26 - B-27
Chassis Group	C-01 - C-02
Custom - Custom & Part Group	C-03 - C-04
Driver's Compartment Group	D-01 - D-03
Electrical Group	E-01 - E-02
Exterior Body Group	F-01 - F-02
Galley Group	G-01 - G-02
Heating & Air Conditioning Group	H-01 - H-02
Interior Finish Group	I-01 - I-02
LP Group	L-01 - L-02
Luggage Group	L-03 - L-04
Water & Sewage Group	M-01 - M-02
Windows - Vent & Exterior Door Group	N-01 - N-02

BATH GROUP

BATH CABINETRY

Key	Part Number	U/M	Description
	0512341-01-000	EA
	0512342-01-000	EA
	0512343-01-000	EA
	0512344-01-000	EA
	0512345-01-000	EA
	0512346-01-000	EA
	0512347-01-000	EA
	0512348-01-000	EA
	0512349-01-000	EA
	0512350-01-000	EA

BATH HARDWARE

Key	Part Number	U/M	Description
	0512351-01-000	EA
	0512352-01-000	EA
	0512353-01-000	EA
	0512354-01-000	EA
	0512355-01-000	EA
	0512356-01-000	EA
	0512357-01-000	EA
	0512358-01-000	EA
	0512359-01-000	EA
	0512360-01-000	EA
	0512361-01-000	EA
	0512362-01-000	EA
	0512363-01-000	EA
	0512364-01-000	EA
	0512365-01-000	EA
	0512366-01-000	EA
	0512367-01-000	EA
	0512368-01-000	EA
	0512369-01-000	EA
	0512370-01-000	EA
	0512371-01-000	EA
	0512372-01-000	EA
	0512373-01-000	EA
	0512374-01-000	EA
	0512375-01-000	EA
	0512376-01-000	EA
	0512377-01-000	EA
	0512378-01-000	EA
	0512379-01-000	EA
	0512380-01-000	EA
	0512381-01-000	EA
	0512382-01-000	EA
	0512383-01-000	EA
	0512384-01-000	EA
	0512385-01-000	EA
	0512386-01-000	EA
	0512387-01-000	EA
	0512388-01-000	EA
	0512389-01-000	EA
	0512390-01-000	EA
	0512391-01-000	EA
	0512392-01-000	EA
	0512393-01-000	EA
	0512394-01-000	EA
	0512395-01-000	EA
	0512396-01-000	EA
	0512397-01-000	EA
	0512398-01-000	EA
	0512399-01-000	EA
	0512400-01-000	EA

Notes: 1. 2. 3.

CHASSIS GROUP

Key	Part Number	U/M	Description
	0512401-01-000	EA	Battery Terminal - Horizontal Lug
	0512402-01-000	EA	Bracket - License Plate (Body)
	0512403-01-000	EA	Clamp - Cover - 3/8 ID
	0512404-01-000	EA	Clamp - Cover - 1/2 ID
	0512405-01-000	EA	Clamp - Hose - Spring Type - 1 1/2"
	0512406-01-000	EA	Clamp - Hose - Vtampcar - 2 1/2 ID - 1 ID
	0512407-01-000	EA	Clamp - Hose - Vtampcar - 2 1/2 ID - 1 1/2 ID
	0512408-01-000	EA	Clamp - Hose - Vtampcar - 2 1/2 ID - 1 3/4 ID
	0512409-01-000	EA	Clamp - Hose - Vtampcar - 2 1/2 - 1 3/4
	0512410-01-000	EA	Clamp - Screw Type - 4
	0512411-01-000	EA	Clamp - Screw Type - 4
	0512412-01-000	EA	Hanger - Tail Pipe
	0512413-01-000	EA	Hose - Fuel - 5/16 ID - 5/16 OD
	0512414-01-000	EA	Latch - Bar - Lug Wrench (Chassis)
	0512415-01-000	EA	Lug Wrench - 1 1/2" - 1" (Chassis)
	0512416-01-000	EA	Mud Flap - 20" - 14" - 18" - Black
	0512417-01-000	EA	Splash Guard - Back Outlet
	0512418-01-000	EA	Rim - Wheel - 6.00 x 16.0 - R Hole (Front)
	0512419-01-000	EA	Step Asm - Polant
	0512420-01-000	EA	Tire - 8.00 x 16.5 Ply Poly
	0512421-01-000	EA	Tire - 8.00 x 16.5 - White - Schwarzl - Radial
	0512422-01-000	EA	Tire - LT15/85R16 LRD
	0512423-01-000	EA	Valve - Stem Asm - TR500
	0512424-01-000	EA	Extension - Valve - Stem
	0512425-01-000	EA	Wheel Well - Plastic
	0512426-01-000	EA	Wheel Well - Plastic
	0512427-01-000	EA	Wire Tie - 6
	0512428-01-000	EA	Strand - Fuel Fill - Lower

NOTE: Remainder of chassis components available from Chassis Service Center

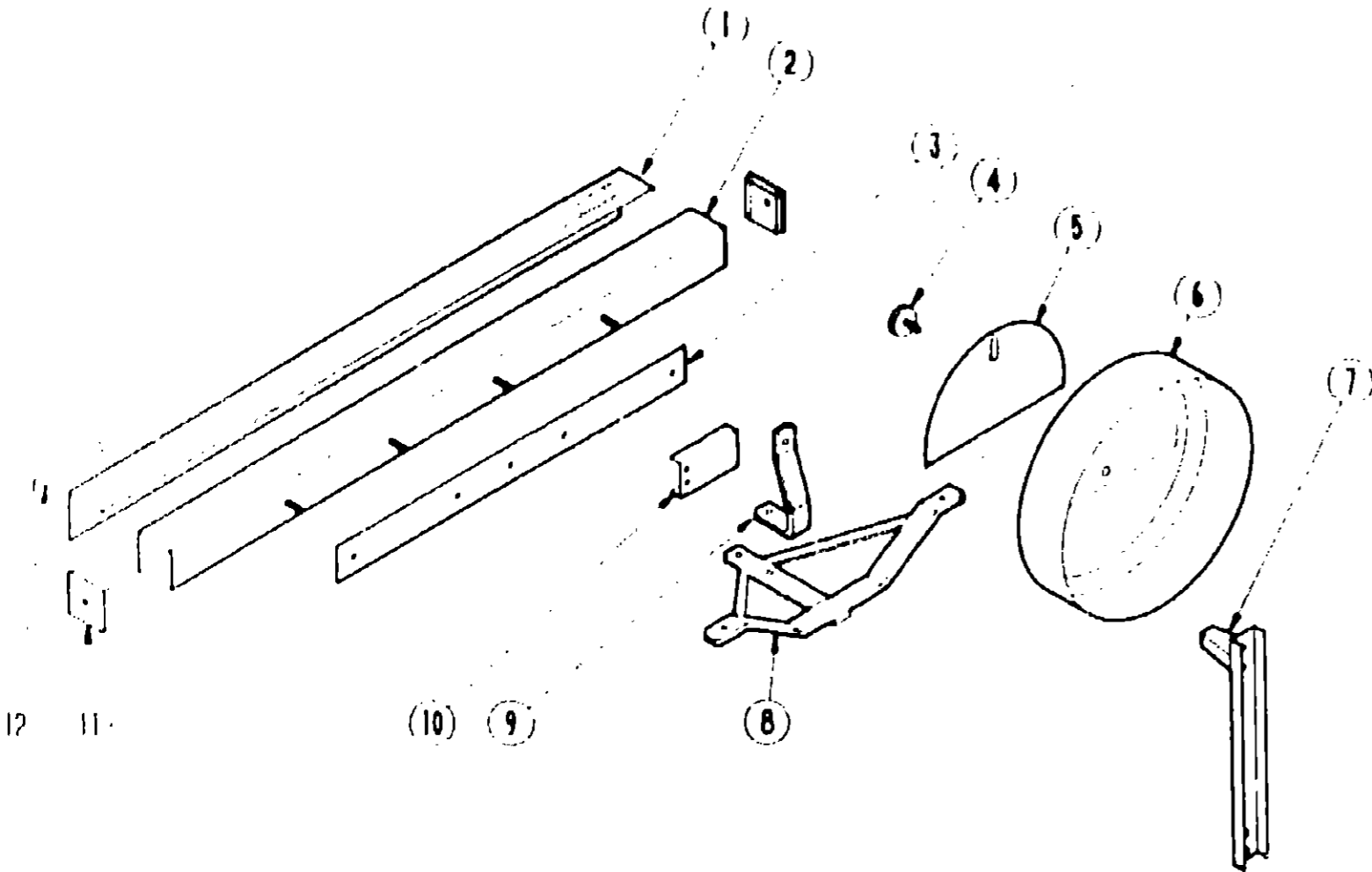
**1989 ITASCA
TABLE OF CONTENTS**

IC/F421RB	A-01 - B-02
IC/F421RB	B-03 - C-15

1989 IC/F421RB INDEX

Floor Plan	B-04 - B-05
Accessories Group	C-01 - C-02
Bath Group	C-03
Chassis Group	C-04 - C-05
Curtain - Cushion & Pad Group	C-06 - C-10
Driveline Group	C-11 - C-12
Driver's Compartment Group	C-13 - C-14
Electrical Group	C-15 - C-16
Exterior Body Group	C-17 - C-22
Galley Group	C-23
Heating & Air Conditioning Group	C-24
Interior Finish Group	D-01 - D-02
LP Group	D-03
Lounge Group	D-04
Water & Sewage Group	D-05
Window - Vent & Exterior Door Group	D-06 - D-15

CHASSIS GROUP (CONTINUED)



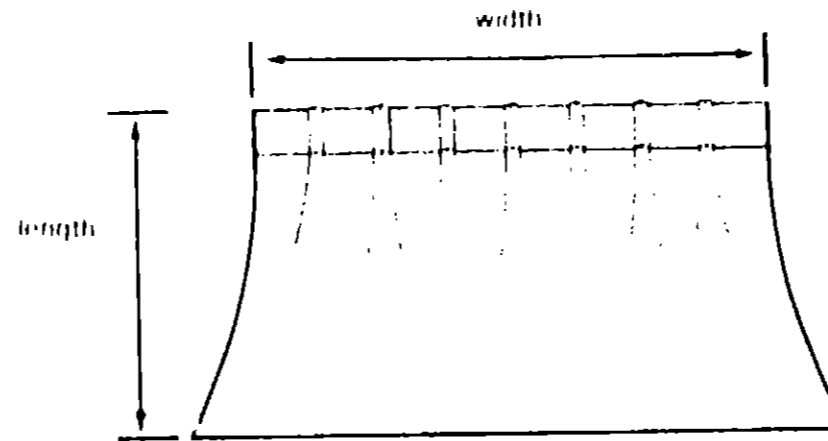
REAR BUMPER & TRAILER HITCH

Key	Part Number	U/M	Description
1	072333-61-000	EA	Bumper Cover - Aluminum Fits 4" Square Bumper
2	072333-62-000	EA	Bumper Asm - Square - 92" - Off White
3	088274-52-000	EA	Bracket - Bumper Mount
4	088274-53-000	EA	Retaining Nut - Tire Cover
5	088274-79-000	EA	Door Asm - Tire Cover w/Lock
6	088274-78-000	EA	Tire Cover Asm - Off White
7	052859-01-W30	EA	Bracket Asm - Spare Tire Cover
8	079680-01-000	EA	Trailer Hitch Asm
9	078155-01-000	EA	Support - Trailer Hitch
10	079349-01-Y28	EA	Tire Corner Support
11	071127-10-Y26	EA	Cap - Rubber - 4" x 4" - Square Bumper
12	071127-10-Y29	EA	Reflector - 6.5" x 7.5" - Bumper Cover

CURTAIN, CUSHION & PAD GROUP

NOTICE

In order to avoid our Part Dept. Dept. in providing incorrect software items, please include the model number and the color code number from the vehicle certification label when ordering. This label is located on the driver's door latch plate (C-Body). An example of a color code number is P31, which designates an overall color scheme of a particular unit. The color listed after the item description on the macroflex indicates the overall unit color. Order the items you desire according to unit color code.



NOTE: Use this illustration when determining length and width measurements for curtains. You will note the width measurement is taken on the top of the curtain with the curtain fully extended. The length measurement is taken from top to bottom.

FABRICS, TRIMS, & PADS

Key	Part Number	U/M	Description
	072333-61-000	YD	Fabric - Drapery (Y28)
	072333-62-000	YD	Fabric - Drapery (Y29)
	088274-52-000	YD	Fabric w/Pattern - Upholstery (Y28)
	088274-53-000	YD	Fabric w/Pattern - Upholstery (Y29)
	088274-79-000	YD	Fabric - Upholstery Accent (Y28)
	088274-78-000	YD	Fabric - Upholstery Accent (Y29)
	052859-01-W30	FT	Accent Trim (Dinette Seat Back)
	079680-01-000	YD	Expanded Vinyl - 26 oz - Buckskin
	078155-01-000	EA	Strap - Cushion
	079349-01-Y28	YD	Welt Asm. - Accent
	079349-01-Y29	YD	Welt Asm. - Accent
	071127-10-Y26	EA	Button Asm - #30
	071127-10-Y29	EA	Button Asm - #30
	081519-01-Y07	EA	Pad Asm - Dinette - Rear (Y28)
	081519-01-Y09	EA	Pad Asm - Dinette - Rear (Y29)
	081519-02-Y07	EA	Pad Asm - Dinette - Front (Y28)
	081519-02-Y09	EA	Pad Asm - Dinette - Front (Y29)
	059491-01-Y07	EA	Pad Asm - Door - Passenger Side (Chevrolet) (Y28)
	059491-01-Y09	EA	Pad Asm - Door - Passenger Side (Chevrolet) (Y29)
	059492-01-Y07	EA	Pad Asm - Door - Driver Side (Chevrolet) (Y28)
	059492-01-Y09	EA	Pad Asm - Door - Driver Side (Chevrolet) (Y29)

**1989 ITASCA
TABLE OF CONTENTS**

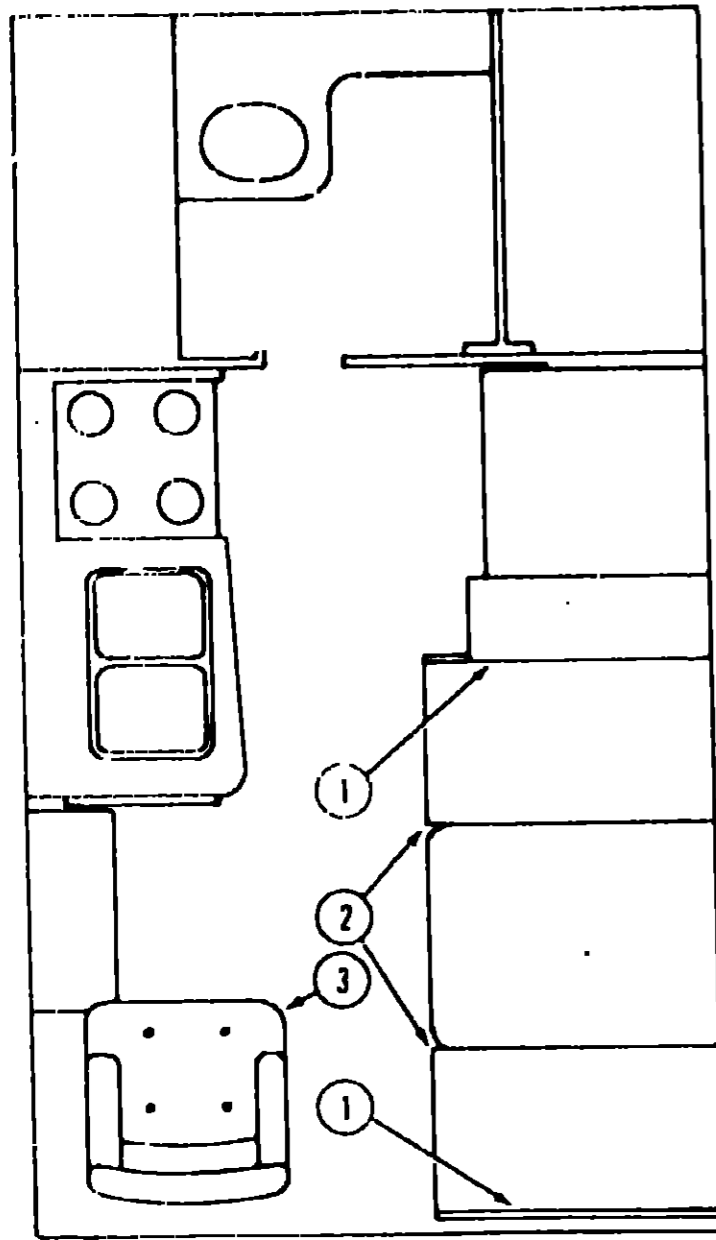
IC/F420RG
IC/F421RB

A-01 - B-22
B-23 - D-15

1989 IC/F421RB INDEX

Floor Plan	B-23 - B-24
Accessories Group	C-01 - C-02
Bath Group	C-03
Chassis Group	C-04 - C-05
Curtain, Cushion & Pad Group	C-06 - C-10
Dinette Group	C-11 - C-12
Driver's Compartment Group	C-13 - C-14
Electrical Group	C-15 - C-16
Exterior Body Group	C-17 - C-22
Galley Group	C-23
Heating & Air Conditioning Group	C-24
Interior Finish Group	D-01 - D-02
LP Group	D-03
Lounge Group	D-04
Water & Sewage Group	D-05
Window, Vent & Exterior Door Group	D-06 - D-15

CURTAIN, CUSHION & PAD GROUP (CONTINUED)



FRONT OVERHEAD BUNK CUSHIONS

Key	Part Number	U/M	Description
1	088927-18-Y27	EA	Cushion Asm - 22" x 31" x 76" x 4" (Y28)
2	088927-19-Y29	EA	Cushion Asm - 22" x 31" x 76" x 4"
3	088927-18-Y27	EA	Cover Asm - Front Bunk Cushion (Y28)
3	088927-19-Y29	EA	Cover Asm - Front Bunk Cushion

CURTAIN, CUSHION & PAD GROUP (CONTINUED)

DINETTE CUSHION

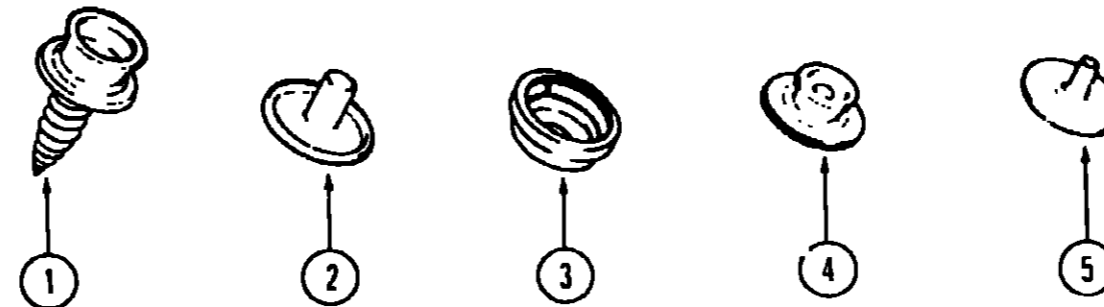
Key	Part Number	U/M	Description
1	088927-18-Y27	EA	Cushion Asm - Dinette Back - 13" x 38" x 5" (Y28)
1	088927-19-Y29	EA	Cushion Asm - Dinette Back - 13" x 38" x 5"
2	088927-18-Y27	EA	Cover Asm - Dinette Back - 13" x 38" x 5" (Y28)
2	088927-19-Y29	EA	Cover Asm - Dinette Back - 13" x 38" x 5"
2	088927-19-Y29	EA	Cushion Asm - Dinette Bottom - 22" x 38" x 5" (Y28)
2	088927-18-Y27	EA	Cushion Asm - Dinette Bottom - 22" x 38" x 5"
2	088927-19-Y29	EA	Cover Asm - Dinette Bottom - 22" x 38" x 5" (Y28)
2	088927-18-Y27	EA	Cover Asm - Dinette Bottom - 22" x 38" x 5"

SWIVEL CHAIR

Key	Part Number	U/M	Description
3	092389-02-Y28	EA	Swivel Chair Asm (Starlet II) Used up to 1/22/89
3	092389-02-Y29	EA	Swivel Chair Asm (Starlet II) Used up to 1/22/89
3	092389-02-Y28	EA	Cover Asm (Starlet II) Used up to 1/22/89
3	092389-02-Y29	EA	Cover Asm (Starlet II) Used up to 1/22/89
3	096100-01-Y26	EA	Swivel Chair (Anthem) Used from 1/23/89 (Y28)
3	096100-01-Y27	EA	Swivel Chair (Anthem) Used from 1/23/89 (Y29)
3	096100-01-Y26	EA	Cover Asm (Anthem) Used from 1/23/89 (Y28)
3	096100-01-Y27	EA	Cover Asm (Anthem) Used from 1/23/89 (Y29)
	088245-01-000	EA	Base w/Legs
	088245-03-000	EA	Swivel Plate
	088245-06-000	EA	Extension - 7"
	093481-03-000	EA	Top Plate w/Lock - Peristal

BUCKET SEATS

Key	Part Number	U/M	Description
	083909-26-Y28	EA	Seat Asm - Straton w/Right Armrest (Driver Side)
	083909-26-Y29	EA	Seat Asm - Straton w/Right Armrest (Driver Side)
	083909-27-Y28	EA	Seat Asm - Straton w/Left Armrest (Passenger Side)
	083909-27-Y29	EA	Seat Asm - Straton w/Left Armrest (Passenger Side)
	M01864-35-Y28	EA	Cover Asm - Bucket Seat Bottom
	M01864-35-Y29	EA	Cover Asm - Bucket Seat Bottom
	M01864-36-Y28	EA	Cover Asm - Bucket Seat Back
	M01864-36-Y29	EA	Cover Asm - Bucket Seat Back
	080243-23-Y28	EA	Armrest Asm - Right (Driver Seat)
	080243-23-Y29	EA	Armrest Asm - Right (Driver Seat)
	080243-24-Y28	EA	Armrest Asm - Left (Passenger Seat)
	080243-24-Y29	EA	Armrest Asm - Left (Passenger Seat)
	M80243-23-Y28	EA	Cover Asm - Armrest - Right (Driver Seat)
	M80243-23-Y29	EA	Cover Asm - Armrest - Right (Driver Side)
	M80243-24-Y28	EA	Cover Asm - Armrest - Left (Passenger Side)
	M80243-24-Y29	EA	Cover Asm - Armrest - Left (Passenger Side)



Key	Part Number	U/M	Description
1	029130-01-000	EA	Socket - Snap Fastener
2	029155-02-000	EA	Cap - Snap
3	029156-02-000	EA	Socket - Snap Fastener
4	029092-01-000	EA	Stud - Nickel Finish
5	029093-01-000	EA	Eyelet - Nickel Finish

**1989 ITASCA
TABLE OF CONTENTS**

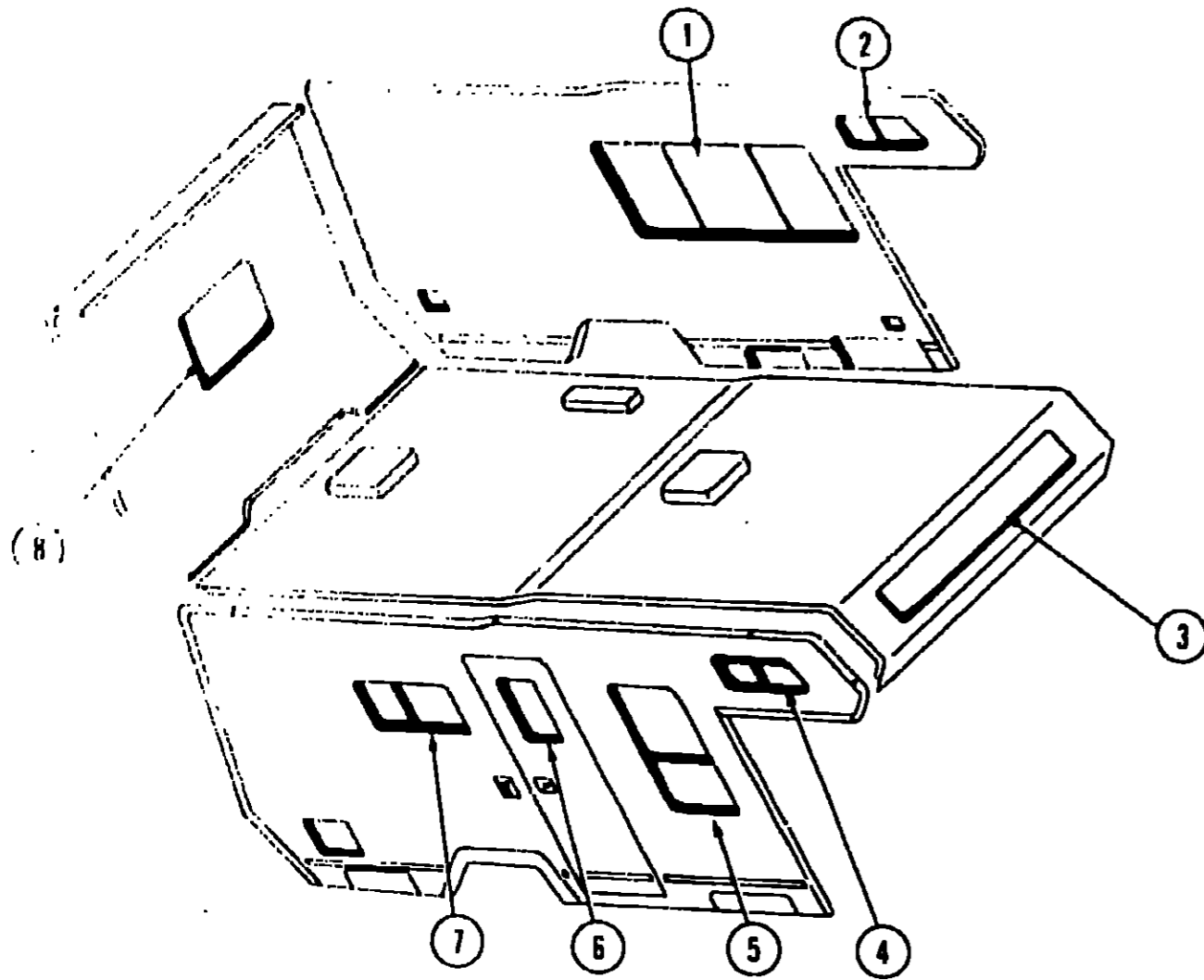
IC/F420RG
IC/F421RB

A-01 - B-22
B-23 - D-15

1989 IC/F421RB INDEX

Floor Plan	B-23 - B-24
Accessories Group	C-01 - C-02
Bath Group	C-03
Chassis Group	C-04 - C-05
Curtain, Cushion & Pad Group	C-06 - C-10
Dinette Group	C-11 - C-12
Driver's Compartment Group	C-13 - C-14
Electrical Group	C-15 - C-16
Exterior Body Group	C-17 - C-22
Galley Group	C-23
Heating & Air Conditioning Group	C-24
Interior Finish Group	D-01 - D-02
LP Group	D-03
Lounge Group	D-04
Water & Sewage Group	D-05
Window, Vent & Exterior Door Group	D-06 - D-15

CURTAIN, CUSHION & PAD GROUP (CONTINUED)



CURTAINS, SHADES, VALANCES & TIEBACKS

Key	Part Number	U/M	Description
5	093454-03-Y05	EA	Curtain Asm w/Snap Top - 33.5" x 15" (Y28)
5	093454-03-Y06	EA	Curtain Asm w/Snap Top - 33.5" x 15" (Y29)
5	080824-09-Y07	EA	Valance Asm. w/Snap Top - 67.5" (Y28)
5	080824-09-Y06	EA	Valance Asm. w/Snap Top - 67.5" (Y29)
5	093455-10-Y28	EA	Shade Asm. - Double Hem - 65.25"
5	093455-10-Y29	EA	Shade Asm. - Double Hem - 65.25"
6	093455-11-Y07	EA	Curtain Asm w/Rod Top & Bottom - 17 1/2" x 24" (Y28)
6	093455-11-Y29	EA	Curtain Asm w/Rod Top & Bottom - 17 1/2" x 24" (Y29)
7	093455-12-Y28	EA	Curtain Asm w/Rod Top & Bottom - 21" x 30" (Y28)
7	093455-12-Y29	EA	Curtain Asm w/Rod Top & Bottom - 21" x 30" (Y29)
8	093455-02-Y28	EA	Curtain Asm w/Rod Top & Bottom - 17 1/2" x 24" (Y28)
8	093455-02-Y29	EA	Curtain Asm w/Rod Top & Bottom - 17 1/2" x 24" (Y29)

CURTAIN, CUSHION & PAD GROUP (CONTINUED)

CURTAINS, SHADES, VALANCES & TIEBACKS (CONT.)

Key	Part Number	U/M	Description
5	093454-03-Y05	EA	Curtain Asm w/Gathered Top - 35.5" x 10" (Y28)
5	093454-03-Y06	EA	Curtain Asm w/Gathered Top - 35.5" x 10" (Y29)
5	080824-09-Y07	EA	Valance Asm - Entrance/Lounge - 54" (Y28)
5	080824-09-Y06	EA	Valance Asm - Entrance/Lounge - 54" (Y29)
5	093455-10-Y28	EA	Shade Asm - Double Hem - 19.25"
5	093455-10-Y29	EA	Shade Asm - Double Hem - 19.25"
6	093455-11-Y07	EA	Shade Asm - Double Hem - 24.25" (Y28)
6	093455-11-Y29	EA	Shade Asm - Double Hem - 24.25" (Y29)
7	081977-20-Y05	EA	Valance Asm w/Insert - 28" (Y28)
7	081977-20-Y06	EA	Valance Asm w/Insert - 28" (Y29)
7	093455-12-Y28	EA	Shade Asm. - Double Hem - 27.25"
7	093455-12-Y29	EA	Shade Asm. - Double Hem - 27.25"
8	081977-24-Y05	EA	Valance Asm w/Wood Trim - 35.5" (Y28)
8	081977-24-Y06	EA	Valance Asm w/Wood Trim - 35.5" (Y29)
8	093455-02-Y28	EA	Shade Asm - Double Hem - 33.25"
8	093455-02-Y29	EA	Shade Asm - Double Hem - 33.25"
	073295-04-Y30	EA	Curtain Asm w/Lining - Front Wraparound - 23" x 64" - Passenger Side (Y28)
	073295-04-Y06	EA	Curtain Asm w/Lining - Front Wraparound - 23" x 64" - Passenger Side (Y29)
	073295-06-Y30	EA	Curtain Asm w/Lining - Front Wraparound - 23" x 64" - Driver Side (Y28)
	073295-06-Y06	EA	Curtain Asm w/Lining - Front Wraparound - 23" x 64" - Driver Side (Y29)
	093452-01-Y15	EA	Curtain Asm - Blackout - Snap Top - 48" x 50" - Passenger Side (Y28)
	093452-01-Y06	EA	Curtain Asm - Blackout - Snap Top - 48" x 50" - Passenger Side (Y29)
	073304-57-Y15	EA	Curtain Asm - Blackout - Snap Top - 48" x 50" - Driver Side (Y28)
	073304-57-Y06	EA	Curtain Asm - Blackout - Snap Top - 48" x 50" - Driver Side (Y29)
	073260-23-Y23	EA	Tieback Asm - 3" x 18" (Y28)
	073260-23-Y06	EA	Tieback Asm - 3" x 18" (Y29)
	073260-24-Y30	EA	Tieback Asm - 2" x 14" (Y28)
	073260-24-Y06	EA	Tieback Asm - 2" x 14" (Y29)
	057534-01-000	EA	Tieback Asm - 6" - Clear Plastic

CURTAIN & CUSHION HARDWARE

Key	Part Number	U/M	Description
	084434-01-000	EA	Shade Brackets
	087253-01-000	EA	Shade Pull - Clear Plastic
	039175-02-000	EA	Bracket - Curtain Rod - Cafe
	039175-05-000	EA	Bracket - Curtain Rod - Center
	056003-02-000	EA	Bracket - Drapery Retainer - Left
	056003-01-000	EA	Bracket - Drapery Retainer - Right
	084434-01-000	EA	Bracket - Roller Shade - 1 3/8"
	093175-03-000	EA	Rod - Cafe Curtain - Extension 20" - 48"
	039175-01-000	EA	Rod - Cafe Curtain - Extension 48" - 84"
	048394-02-000	YD	Tape Hook - .75" x 50 Yd - Beige
	048395-02-000	YD	Tape Loop - .75" x 50 Yd - Beige
	029090-01-000	FT	Tie - Drapery - Clear Vinyl
	091904-01-000	FT	Track - Curtain - Light Beige
	089335-01-000	FT	Track - Curtain - Brown Plastic

**1989 ITASCA
TABLE OF CONTENTS**

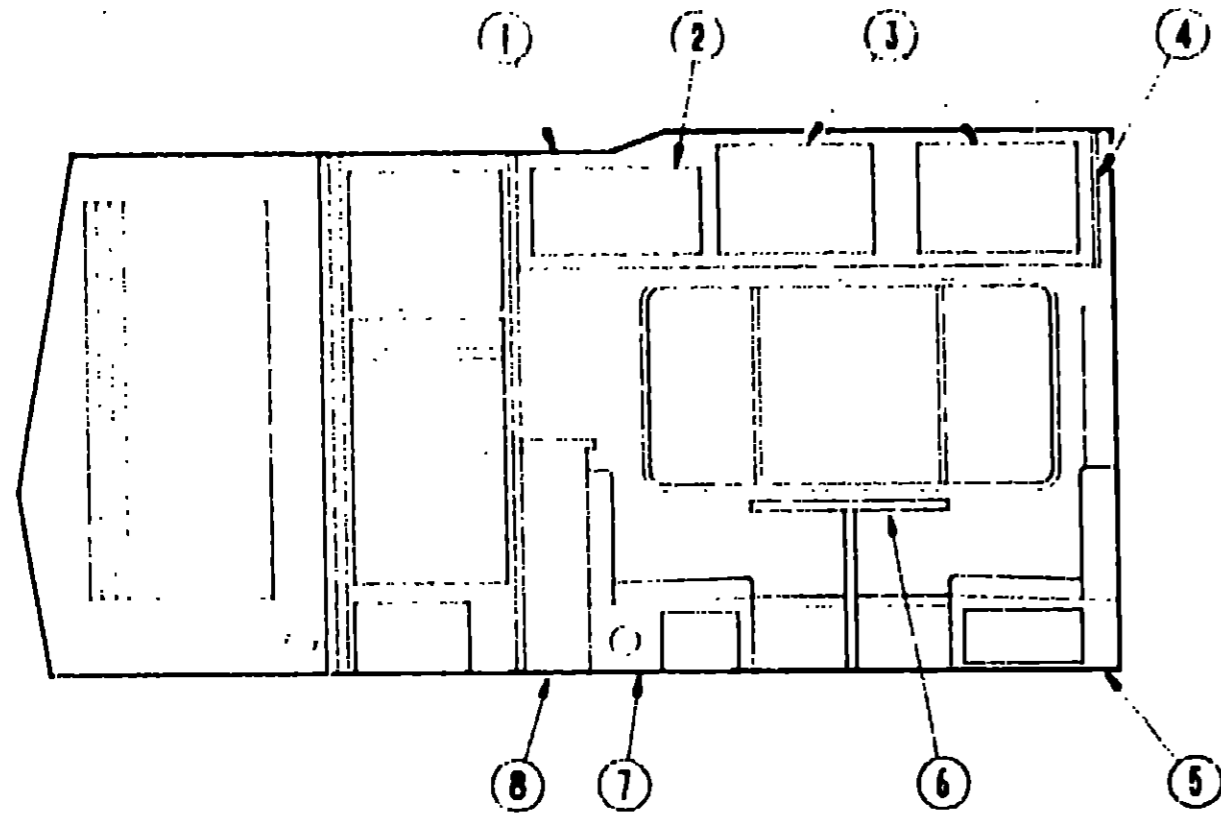
IC/F420RG
IC/F421RB

A-01 - B-22
B-23 - D-15

1989 IC/F421RB INDEX

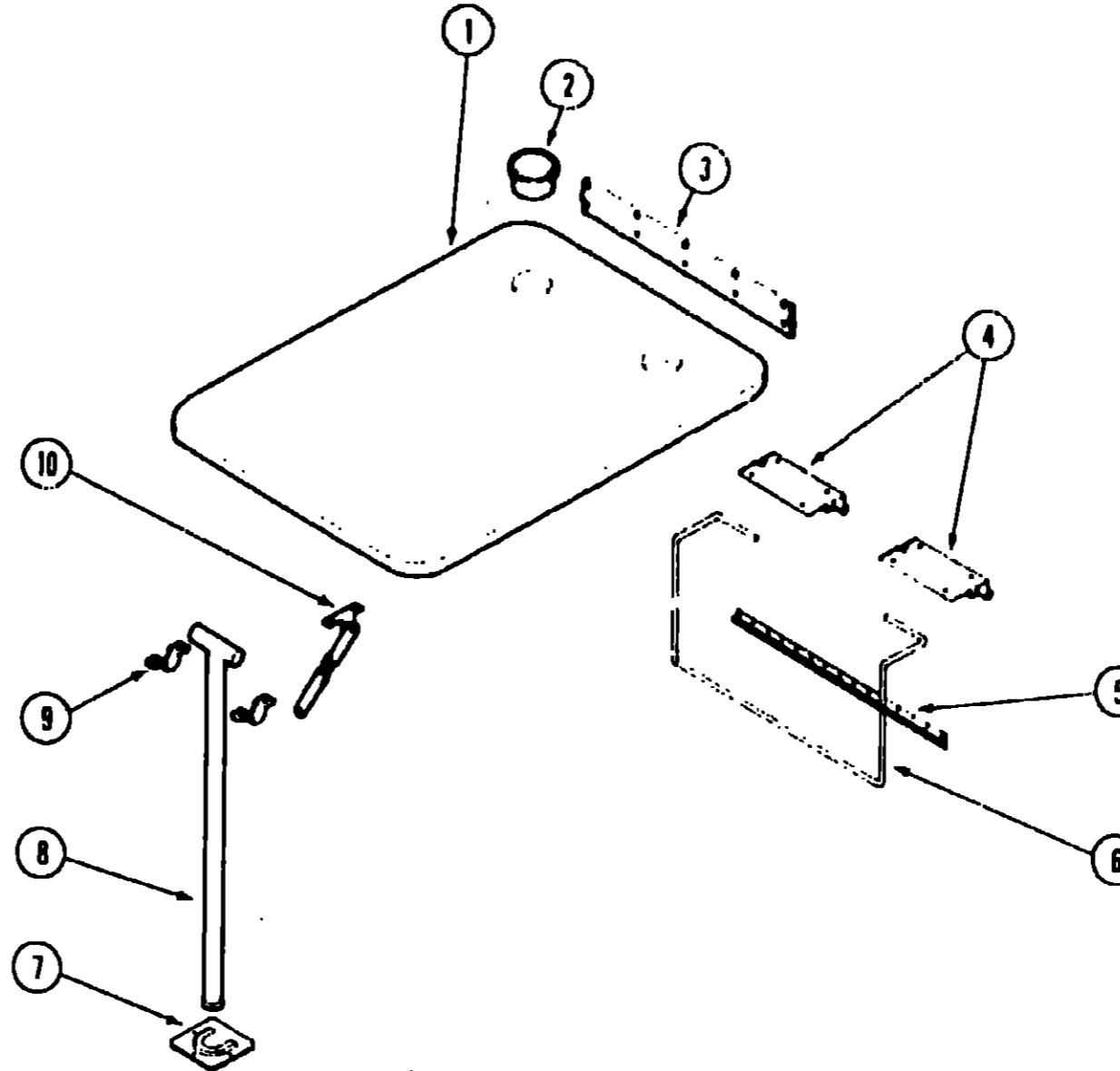
Floor Plan	B-23 - B-24
Accessories Group	C-01 - C-02
Bath Group	C-03
Chassis Group	C-04 - C-05
Curtain, Cushion & Pad Group	C-06 - C-10
Dinette Group	C-11 - C-12
Driver's Compartment Group	C-13 - C-14
Electrical Group	C-15 - C-16
Exterior Body Group	C-17 - C-22
Galley Group	C-23
Heating & Air Conditioning Group	C-24
Interior Finish Group	D-01 - D-02
LP Group	D-03
Lounge Group	D-04
Water & Sewage Group	D-05
Window, Vent & Exterior Door Group	D-06 - D-15

DINETTE GROUP



Key	Part Number	U/M	Description
1	M02115-01-Y05	EA	Cabinet Asm. - Dinette Overhead - w/o Doors or Hardware
2	M00304-A2-X08	EA	Door Asm - Dinette Overhead - 11" x 22" - w/o Hardware
3	M00304-B0-X08	EA	Door Asm - Dinette Overhead - 14.4" x 26.7" - w/o Hardware
4	001280-21-V24	EA	End Cap - Dinette Overhead
5	M02175-02-V10	EA	Cabinet Asm - Dinette Seat - w/o Door or Hardware
6	M00304-21-X08	EA	Door Asm - Dinette Seat - 19" x 10" - w/o Hardware
7	M02174-01-W30	EA	Cabinet Asm - Dinette Back
8	M01299-01-L03	EA	Table Asm. - Dinette - w/o Hardware
9	M02175-06-X08	EA	Cabinet Asm - Dinette Seat
10	M02174-06-X08	EA	Cabinet Asm - Dinette Back
11	079676-01-X08	EA	Cabinet Asm - Hamper - w/o Countertop
12	M02068-01-X08	EA	Countertop Asm - Hamper - Flip-Up
13	M02069-01-X08	EA	Countertop Asm - Hamper

DINETTE GROUP (CONTINUED)



DINETTE TABLE & HARDWARE

Key	Part Number	U/M	Description
1	M02115-09-Y30	EA	Table - Dinette - w/o Hardware
2	064781-05-000	EA	Cup Holder - Two Step - Beige
3	053200-05-000	EA	Support - Table - 18.5" - Beige
4	088410-01-000	EA	Hanger - Table - Beige
5	024281-07-000	EA	Bracket - Table Lift
6	024275-05-000	EA	Rod - Table Lift - Tan
7	049493-01-000	EA	Catch - Table Leg
8	024276-21-000	EA	Leg Asm. - Table - Beige
9	064050-03-000	EA	Hinge - Table Leg - Tan
10	024282-01-000	EA	Brace - Table Leg
	024283-01-000	EA	Clip - 1" - 1.25" - OD Tube - Black
	004384-01-000	EA	Rubber Bumper - Brown

1989 ITASCA TABLE OF CONTENTS

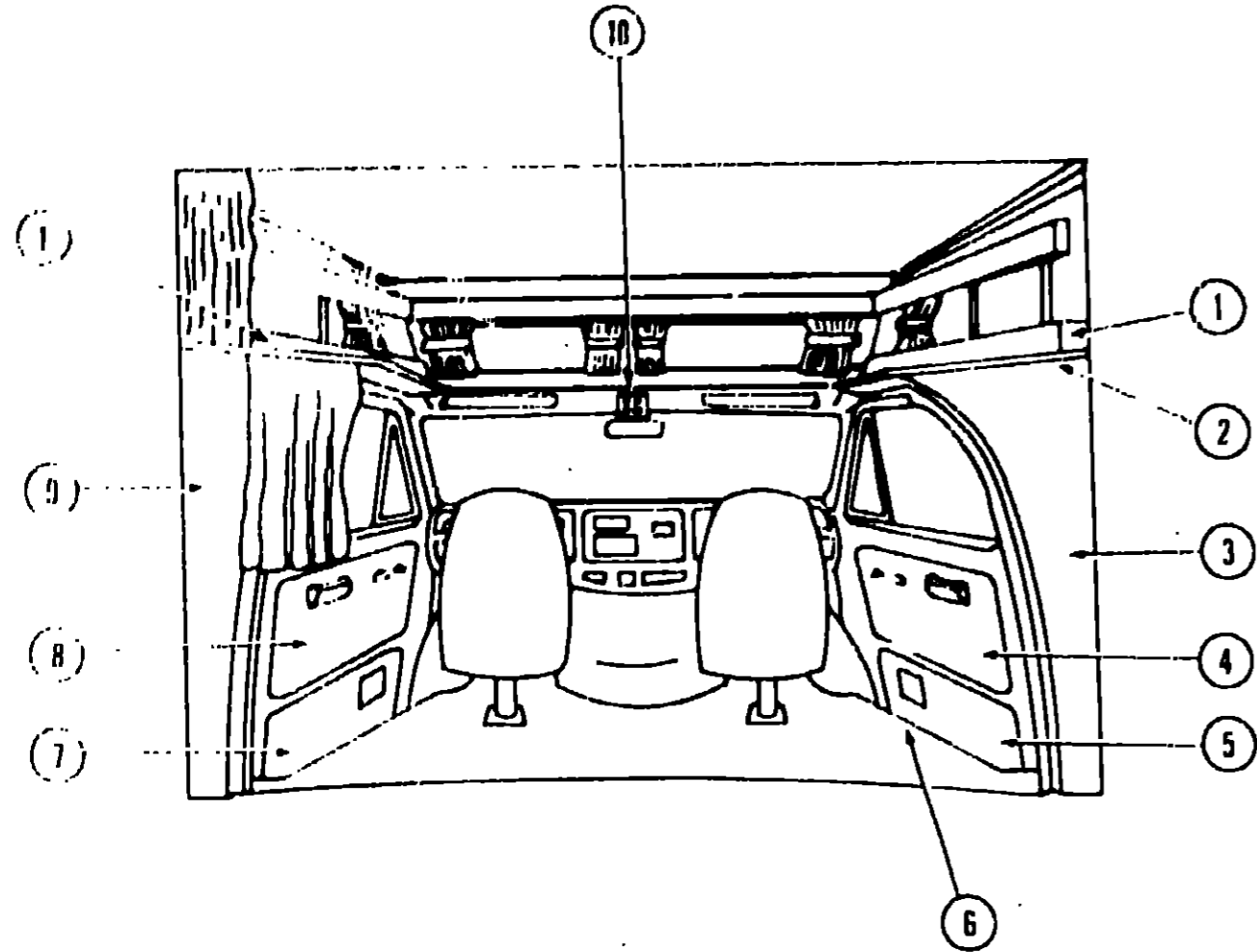
IC/F420FIG
IC/F421HB

A-01 - B-22
B-23 - D-15

1989 IC/F421RB INDEX

Floor Plan	B-23 - B-24
Accessories Group	C-01 - C-02
Bath Group	C-03
Chassis Group	C-04 - C-05
Curtain, Cushion & Pad Group	C-06 - C-10
Dinette Group	C-11 - C-12
Driver's Compartment Group	C-13 - C-11
Electrical Group	C-15 - C-16
Exterior Body Group	C-17 - C-22
Galley Group	C-23
Heating & Air Conditioning Group	C-24
Interior Finish Group	D-01 - D-02
LP Group	D-03
Lounge Group	D-04
Water & Sewage Group	D-05
Window Vent & Exterior Door Group	D-06 - D-15

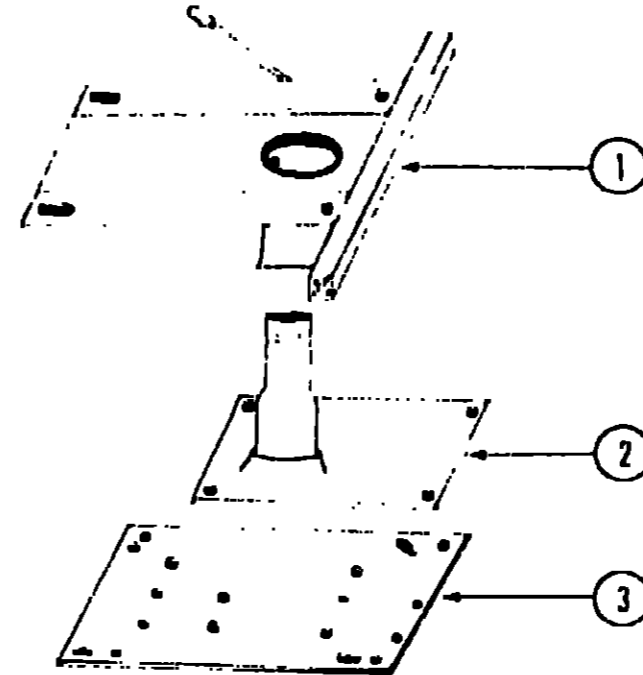
DRIVERS COMPARTMENT GROUP



MISCELLANEOUS DRIVERS COMPARTMENT COMPONENTS

Key	Part Number	U/M	Description
1	087012-01-X08	EA	Headboard Asm. - Passenger Side
2	1592068-01-Y30	EA	Panel Asm. - Sleeper Board - w/o Vinyl
	080742-01-000	FT	Vinyl Trim - Front Sleeper Board
	079600-03-000	EA	Inner Trim - Front Sleeper Board - Off White
3	092436-01-Y05	EA	Panel Asm. - Inner Wingwall Transition - Passenger Side (Chevrolet)
4	092437-01-X81	EA	Panel Asm. - Inner Wingwall Transition - Passenger Side (Ford)
5	059491-01-Y07	EA	Side Panel - Cab Door - Passenger Side (Chevrolet) (Y28)
6	059491-01-Y09	EA	Side Panel - Cab Door - Passenger Side (Chevrolet) (Y29)
7	082552-02-Y07	EA	Side Panel - Cab Door - Passenger Side (Chevrolet) (Y28)
8	082552-02-X10	EA	Side Panel - Cab Door - Passenger Side (Chevrolet) (Y29)
9	043860-02-000	EA	Door Step Mat - Black Rubber - Passenger Side
	043860-01-000	EA	Door Step Mat - Black Rubber - Driver Side
10	082552-03-Y07	EA	Side Panel - Cab Door - Driver Side (Chevrolet) (Y28)
	082552-03-X10	EA	Side Panel - Cab Door - Driver Side (Chevrolet) (Y29)
11	059492-01-Y07	EA	Side Panel - Cab Door - Driver Side (Chevrolet) (Y28)
12	059492-01-Y09	EA	Side Panel - Cab Door - Driver Side (Chevrolet) (Y29)
13	092436-02-Y05	EA	Panel Asm. - Inner Wingwall Transition - Driver Side (Chevrolet)
14	092437-02-X81	EA	Panel Asm. - Inner Wingwall Transition - Driver Side (Ford)
15	070351-05-000	EA	Console - Overhead - Chevrolet
16	049360-04-000	EA	Console - Overhead - Ford
	024461-01-000	EA	Switch - Battery
	024462-01-000	EA	Switch - Battery Condition
	024976-01-000	EA	Switch - Generator w/o Circuit Board
	031035-01-000	EA	Gauge - Generator Hourmeter
	024459-04-000	EA	Gauge - Voltmeter

DRIVER'S COMPARTMENT GROUP (CONTINUED)



BUCKET SEAT PEDESTAL & SEAT BELTS

Key	Part Number	U/M	Description
1	069585-27-000	EA	Plate - Top - Pedestal Asm. - Bucket Seat
2	069585-03-000	EA	Plate - Sub - Pedestal Asm. - Bucket Seat
3	069585-03-000	EA	Plate - Base - Pedestal Asm. - Bucket Seat
	069585-05-000	EA	Hardware Kit - Bolt/Acorn Nut - 4 ea. - Pedestal Asm.
	079467-04-000	EA	Loose Parts Kit - Bucket Seat
	056271-02-000	EA	Belt Asm. - Seat - 2" x 72" - Black
	041322-01-000	EA	Washer - Flat 15/32" ID x 2 3/8" OD - Seat Belt
	057759-01-000	EA	Bracket - Seat Belt Washer
	069246-01-000	EA	Adjuster Asm. - Seat - w/Lock
	069246-02-000	EA	Adjuster Asm. - Seat - w/o Lock
	069585-29-000	EA	Bar - Seat Belt - 20"
	091871-01-000	EA	Seat Belt Cover - Light Oak

**1989 ITASCA
TABLE OF CONTENTS**

IC/F420RG
IC/F421RB

A-01 - B-22
B-23 - D-15

1989 IC/F421RB INDEX

Floor Plan	B-23 - B-24
Accessories Group	C-01 - C-02
Bath Group	C-03
Chassis Group	C-04 - C-05
Curtain, Cushion & Pad Group	C-06 - C-10
Dinette Group	C-11 - C-12
Driver's Compartment Group	C-13 - C-14
Electrical Group	C-15 - C-16
Exterior Body Group	C-17 - C-22
Galley Group	C-21
Heating & Air Conditioning Group	C-24
Interior Finish Group	D-01 - D-02
LP Group	D-03
Lounge Group	D-04
Water & Sewage Group	D-05
Window, Vent & Exterior Door Group	D-06 - D-15

ELECTRICAL GROUP

BULBS

Key	Part Number	U/M	Description
	668220-01-000	EA	Bulb - 12V - 25W
	668101-01-000	EA	Bulb - 53
	668213-01-000	EA	Bulb - 57
	668214-01-000	EA	Bulb - 67
	668196-01-000	EA	Bulb - 194
	675470-01-707	EA	Bulb - 912
	668215-01-000	EA	Bulb - 1003
	667474-01-000	EA	Bulb - 1076
	667414-01-000	EA	Bulb - 1139
	668218-01-000	EA	Bulb - 1141
	667435-01-000	EA	Bulb - 1157
	667438-02-000	EA	Bulb - 9431808

FUSES & CIRCUIT BREAKER

Key	Part Number	U/M	Description
	008233-01-000	EA	Fuse - 6 Amp - 12 Volt
	008234-01-000	EA	Fuse - 10 Amp - 12 Volt
	008235-01-000	EA	Fuse - 15 Amp - 12 Volt
	008236-01-000	EA	Fuse - 20 Amp - 12 Volt
	062901-02-000	EA	Fuse - 5 Amp - Automotive
	064209-01-000	EA	Circuit Breaker - 15 Amp. - 120 Volt
	062901-05-000	EA	Fuse - 15 Amp - Automotive
	008211-01-000	EA	Circuit Breaker - 6 Amp. - 12 Volt
	073573-01-000	EA	Circuit Breaker - 20 Amp - 12 Volt - w/Mount
	062968-01-000	EA	Circuit Breaker - 30 Amp. - 12 Volt - w/Mount
	063209-03-000	EA	Circuit Breaker - 15/20 Amp. - 120 Volt
	063209-04-000	EA	Circuit Breaker - 30 Amp - 120 Volt
	063209-05-000	EA	Circuit Breaker - 20 Amp. - 120 Volt
	063209-06-000	EA	Circuit Breaker - 30/15 Amp. - 120 Volt
	063209-07-000	EA	Circuit Breaker - 20/20 Amp. - 120 Volt
	063209-08-000	EA	Circuit Breaker Blank
	063210-02-000	EA	Circuit Breaker - GRI, 15 Amp. 120 Volt
	063210-01-000	EA	Circuit Breaker - 30/30
	063211-01-000	EA	Circuit Breaker - 20/20

INTERIOR LIGHTS

Key	Part Number	U/M	Description
	033508-02-000	EA	Light - Dome - Ivory - 1 Bulb - US
	033509-02-000	EA	Light - Dome - Ivory - 2 Bulb - US
	061424-01-000	EA	Light - 12 V Receptacle - Aisle - IP
	067309-01-000	EA	Light - Step Well
	082169-01-000	EA	Light - Make-Up - 3 Bulb
	087694-02-000	EA	Light - Wardrobe w/Switch

ELECTRICAL GROUP (CONTINUED)

EXTERIOR LIGHTS

Key	Part Number	U/M	Description
	058532-01-000	EA	Tail Lamp Asm - 2 Bulb - Chrome - Driver/Passenger
	059540-01-000	EA	Bracket - License Plate
	062742-01-000	EA	Wedge - Tail Lamp w/License Plate - Left - Off White
	062740-04-000	EA	Wedge - Tail Lamp - Right - Off White
	042405-03-000	EA	Base - Rectangular Clearance Light
	042405-01-000	EA	Lens - Clearance Light - Red w/Reflex
	042405-02-000	EA	Lens - Clearance Light - Amber w/Reflex
	048917-01-000	EA	Ass't Handle Asm - w/Light
	041332-02-000	EA	Reflector - Red - Rear Bumper
	008089-01-000	EA	Porch Light - Recessed

WIRE, SWITCHES & RECEPTACLES

Key	Part Number	U/M	Description
	008289-01-000	EA	Box - Electrical - 4" x 4" - 1/2 & 3/4 - Steel - UL
	058049-01-000	EA	Box - Electrical - 2" x 3" x 2.25" - Steel
	041953-01-000	EA	Conduit - Convolute Silt - 5" ID
	058020-01-000	EA	Connector - Pigtail - Clear Nylon
	008314-01-000	EA	Connector - Wire Nut - Gray
	008311-01-000	EA	Connector - Wire Nut - Red
	031968-01-000	EA	Contact Plug - Brass - Tin Plated
	071298-01-000	EA	Control Center - 32 Amp - 120 Volt/12 Volt
	008054-01-000	EA	Cord - Power - 10-3 Amp - 25' - UL
	008052-01-000	EA	Cord - Power - 10-3 30 Amp - 25' - CSA
	069238-01-000	EA	Cover - Electrical Box - 4" x 4"
	008294-02-000	EA	Cover - Flat Blank - 4" x 4" - Steel - US
	008277-01-000	EA	Fuse Holder - Panel Mount - Black
	064399-01-000	EA	Housing Asm. - Trailer Pin
	064398-01-000	EA	Housing Asm. - Trailer Receptacle
	094809-01-000	EA	Load Center - 240 Volt 125 Amp
	058708-01-000	EA	Receptacle - Duplex - Brown
	024924-02-000	EA	Receptacle - Power Cord
	058707-01-000	EA	Receptacle - Single - Brown
	008188-01-000	EA	Relay Solenoid - 3 Terminal
	024461-01-000	EA	Switch - Ball - STMP
	056264-01-000	EA	Switch - Leaf Actuator
	008195-01-000	EA	Switch - Push Button - 12 Volt
	079362-03-000	EA	Switch Plate - 3 Gang - 2 Switch
	079363-01-000	EA	Switch Plate - Single w/Switch
	079364-01-000	EA	Switch - On/Off - Rocker - Brown
	047443-02-000	EA	Terminal - .250 Receptacle - 12-10 AWG
	008348-01-000	EA	Terminal Ring - 2 - w/3/8 Stud
	008331-01-000	EA	Terminal Ring - 4 - w/3/8 Stud
	008328-01-000	EA	Terminal Ring - 12/10 Wire
	008028-01-000	FT	Wire - 18.5 Bonded - Blue/Red/Yellow/Orange/White
	008024-01-000	FT	Wire - 18.5 Bonded - Orange/White/Yellow/Blue/Brown
	008025-01-000	FT	Wire - 18.5 Bonded - Orange/White/Yellow/Blue/Green
	008026-01-000	FT	Wire w/Ground - Romex - 12/2

**1989 ITASCA
TABLE OF CONTENTS**

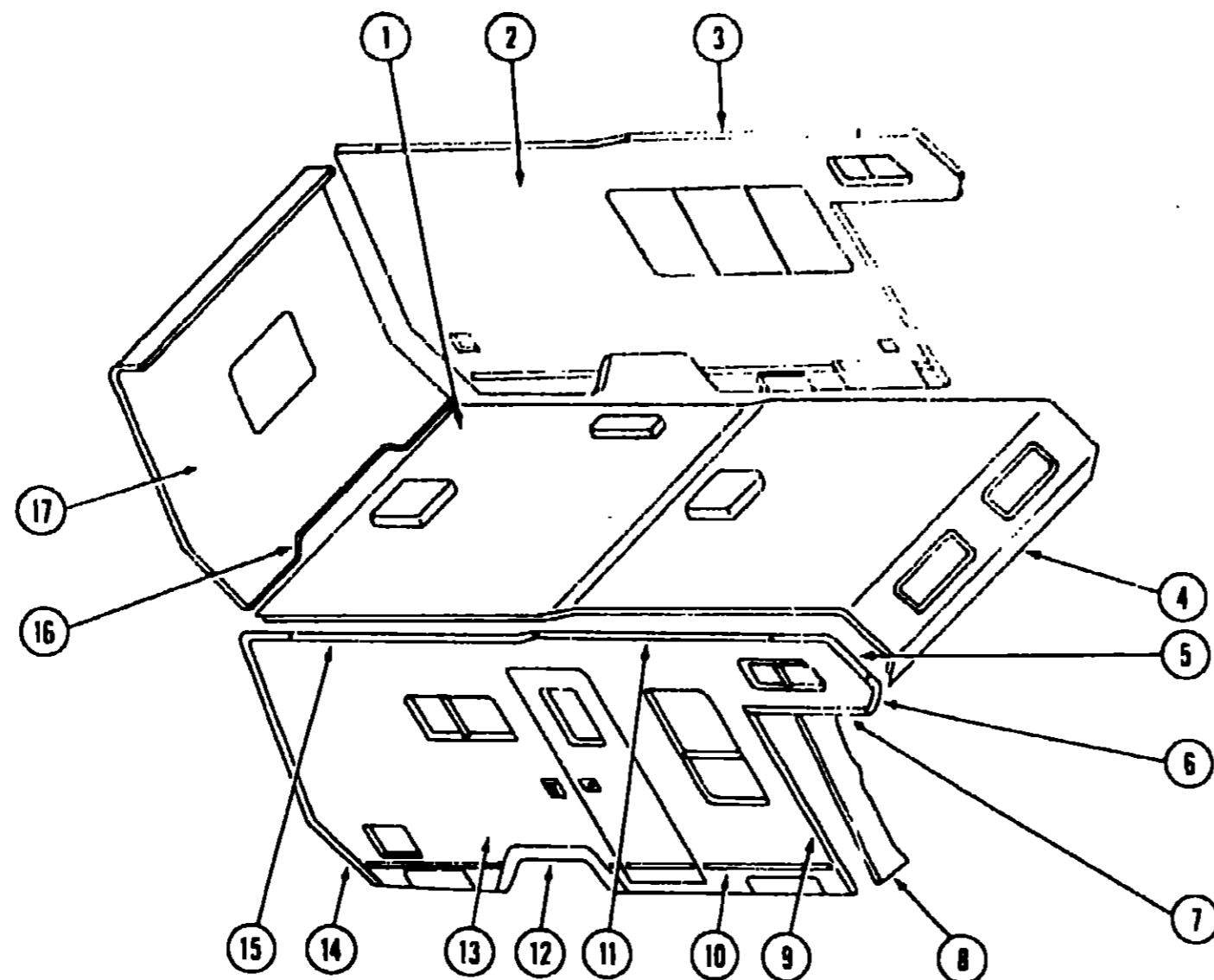
IC/F420RG	A-01 - B-22
IC/F421RB	B-23 - D-15

1989 IC/F421RB INDEX

Floor Plan	B-23 - B-24
Accessories Group	C-01 - C-02
Bath Group	C-03
Chassis Group	C-04 - C-05
Curtain, Cushion & Pad Group	C-06 - C-10
DINETTE Group	C-11 - C-12
Driver's Compartment Group	C-13 - C-14
Electrical Group	C-15 - C-16
Exterior Body Group	C-17 - C-22
Galley Group	C-23
Heating & Air Conditioning Group	C-24
Interior Finish Group	D-01 - D-02
LP Group	D-03
Lounge Group	D-04
Water & Sewage Group	D-05
Window, Vent & Exterior Door Group	D-06 - D-15

EXTERIOR BODY GROUP

EXTERIOR BODY PANELS



1989 ITASCA TABLE OF CONTENTS

IC/F420RG
IC/F421RB

A-01 - B-22
B-23 - D-15

1989 IC/F421RB INDEX

Floor Plan	B-23 - B-24
Accessories Group	C-01 - C-02
Bath Group	C-03
Chassis Group	C-04 - C-05
Curtain, Cushion & Pad Group	C-06 - C-10
Dinette Group	C-11 - C-12
Driver's Compartment Group	C-13 - C-14
Electrical Group	C-15 - C-16
Exterior Body Group	C-17 - C-22
Galley Group	C-23
Heating & Air Conditioning Group	C-24
Interior Finish Group	D-01 - D-02
LP Group	D-03
Lounge Group	D-04
Water & Sewage Group	D-05
Window, Vent & Exterior Door Group	D-06 - D-15

Key	Part Number	U/M	Description
1	M92133-01-Y28	EA	Sidewall Asm - Passenger Side
2	M92133-01-Y29	EA	Sidewall Asm - Passenger Side
3	072349-11-000	EA	Contour Trim - Upper Rear Passenger Side - Off White
4	072349-12-000	EA	Contour Trim - Upper Rear Driver Side - Off White
5	073966-02-000	EA	Backwall Trim - Lower - Driver or Passenger Side
6	073966-03-000	EA	Contour Trim - Backwall - Passenger Side - Off White
7	073966-02-000	EA	Contour Trim - Backwall - Driver Side - Off White
8	M83646-01-Y28	EA	Backwall Asm
9	M83646-01-Y29	EA	Backwall Asm
10	M83646-01-Y28	EA	Backwall Asm
11	M83646-01-Y29	EA	Backwall Asm
12	M83646-01-Y28	EA	Backwall Asm
13	M83646-01-Y29	EA	Backwall Asm
14	M83646-01-Y28	EA	Backwall Asm
15	M83646-01-Y29	EA	Backwall Asm
16	M83646-01-Y28	EA	Backwall Asm
17	M83646-01-Y29	EA	Backwall Asm
18	M83646-01-Y28	EA	Backwall Asm
19	M83646-01-Y29	EA	Backwall Asm
20	M83646-01-Y28	EA	Backwall Asm
21	M83646-01-Y29	EA	Backwall Asm
22	M83646-01-Y28	EA	Backwall Asm
23	M83646-01-Y29	EA	Backwall Asm
24	M83646-01-Y28	EA	Backwall Asm
25	M83646-01-Y29	EA	Backwall Asm
26	M83646-01-Y28	EA	Backwall Asm
27	M83646-01-Y29	EA	Backwall Asm
28	M83646-01-Y28	EA	Backwall Asm
29	M83646-01-Y29	EA	Backwall Asm
30	M83646-01-Y28	EA	Backwall Asm
31	M83646-01-Y29	EA	Backwall Asm
32	M83646-01-Y28	EA	Backwall Asm
33	M83646-01-Y29	EA	Backwall Asm
34	M83646-01-Y28	EA	Backwall Asm
35	M83646-01-Y29	EA	Backwall Asm
36	M83646-01-Y28	EA	Backwall Asm
37	M83646-01-Y29	EA	Backwall Asm
38	M83646-01-Y28	EA	Backwall Asm
39	M83646-01-Y29	EA	Backwall Asm
40	M83646-01-Y28	EA	Backwall Asm
41	M83646-01-Y29	EA	Backwall Asm
42	M83646-01-Y28	EA	Backwall Asm
43	M83646-01-Y29	EA	Backwall Asm
44	M83646-01-Y28	EA	Backwall Asm
45	M83646-01-Y29	EA	Backwall Asm
46	M83646-01-Y28	EA	Backwall Asm
47	M83646-01-Y29	EA	Backwall Asm
48	M83646-01-Y28	EA	Backwall Asm
49	M83646-01-Y29	EA	Backwall Asm
50	M83646-01-Y28	EA	Backwall Asm
51	M83646-01-Y29	EA	Backwall Asm
52	M83646-01-Y28	EA	Backwall Asm
53	M83646-01-Y29	EA	Backwall Asm
54	M83646-01-Y28	EA	Backwall Asm
55	M83646-01-Y29	EA	Backwall Asm
56	M83646-01-Y28	EA	Backwall Asm
57	M83646-01-Y29	EA	Backwall Asm
58	M83646-01-Y28	EA	Backwall Asm
59	M83646-01-Y29	EA	Backwall Asm
60	M83646-01-Y28	EA	Backwall Asm
61	M83646-01-Y29	EA	Backwall Asm
62	M83646-01-Y28	EA	Backwall Asm
63	M83646-01-Y29	EA	Backwall Asm
64	M83646-01-Y28	EA	Backwall Asm
65	M83646-01-Y29	EA	Backwall Asm
66	M83646-01-Y28	EA	Backwall Asm
67	M83646-01-Y29	EA	Backwall Asm
68	M83646-01-Y28	EA	Backwall Asm
69	M83646-01-Y29	EA	Backwall Asm
70	M83646-01-Y28	EA	Backwall Asm
71	M83646-01-Y29	EA	Backwall Asm
72	M83646-01-Y28	EA	Backwall Asm
73	M83646-01-Y29	EA	Backwall Asm
74	M83646-01-Y28	EA	Backwall Asm
75	M83646-01-Y29	EA	Backwall Asm
76	M83646-01-Y28	EA	Backwall Asm
77	M83646-01-Y29	EA	Backwall Asm
78	M83646-01-Y28	EA	Backwall Asm
79	M83646-01-Y29	EA	Backwall Asm
80	M83646-01-Y28	EA	Backwall Asm
81	M83646-01-Y29	EA	Backwall Asm
82	M83646-01-Y28	EA	Backwall Asm
83	M83646-01-Y29	EA	Backwall Asm
84	M83646-01-Y28	EA	Backwall Asm
85	M83646-01-Y29	EA	Backwall Asm
86	M83646-01-Y28	EA	Backwall Asm
87	M83646-01-Y29	EA	Backwall Asm
88	M83646-01-Y28	EA	Backwall Asm
89	M83646-01-Y29	EA	Backwall Asm
90	M83646-01-Y28	EA	Backwall Asm
91	M83646-01-Y29	EA	Backwall Asm
92	M83646-01-Y28	EA	Backwall Asm
93	M83646-01-Y29	EA	Backwall Asm
94	M83646-01-Y28	EA	Backwall Asm
95	M83646-01-Y29	EA	Backwall Asm
96	M83646-01-Y28	EA	Backwall Asm
97	M83646-01-Y29	EA	Backwall Asm
98	M83646-01-Y28	EA	Backwall Asm
99	M83646-01-Y29	EA	Backwall Asm
100	M83646-01-Y28	EA	Backwall Asm

Key	Part Number	U/M	Description
12	039614-08-000	EA	Trim - Sleeper Board - Front
13	M92068-01-Y05	EA	Sleeper Board Asm
14	M81653-01-U01	EA	Wingwall Asm - Passenger Side (Ford)
14	M81653-02-U01	EA	Wingwall Asm - Driver Side (Ford)
14	M82343-01-U01	EA	Wingwall Asm - Passenger Side (Chevrolet)
14	M82343-02-U01	EA	Wingwall Asm - Driver Side (Chevrolet)
15	076975-03-000	EA	Trim - Wingwall Transition - Passenger Side - Off White
15	076975-04-000	EA	Trim - Wingwall Transition - Driver Side - Off White
16	059576-05-000	EA	Feature Strip - Extr. Aluminum - 1 1/2" - Autumn White
16	001030-02-100	EA	Insert - Feature Strip - 17" - Stucco - Off White
16	009731-01-000	EA	End Cap - Feature Strip
17	030266-10-000	EA	Rear Trim - Wheel Well - Passenger Side
17	080266-02-000	EA	Rear Trim - Wheel Well - Driver Side
17	077517-04-001	EA	Fiberglass Sheets - 48" x 259" - Mesa - Off White
17	077517-04-002	EA	Fiberglass Sheets - 48" x 259" - Mesa - Off White
17	001054-01-011	EA	Aluminum - No Design - 48" x 96" - Off White
17	000868-01-000	SF	Styrofoam - 75" x 24" x 96"
17	000870-01-000	SF	Styrofoam - 1 1/2" x 24" x 96"
17	000870-03-000	SF	Styrofoam - 1 3/4" x 48" x 96"

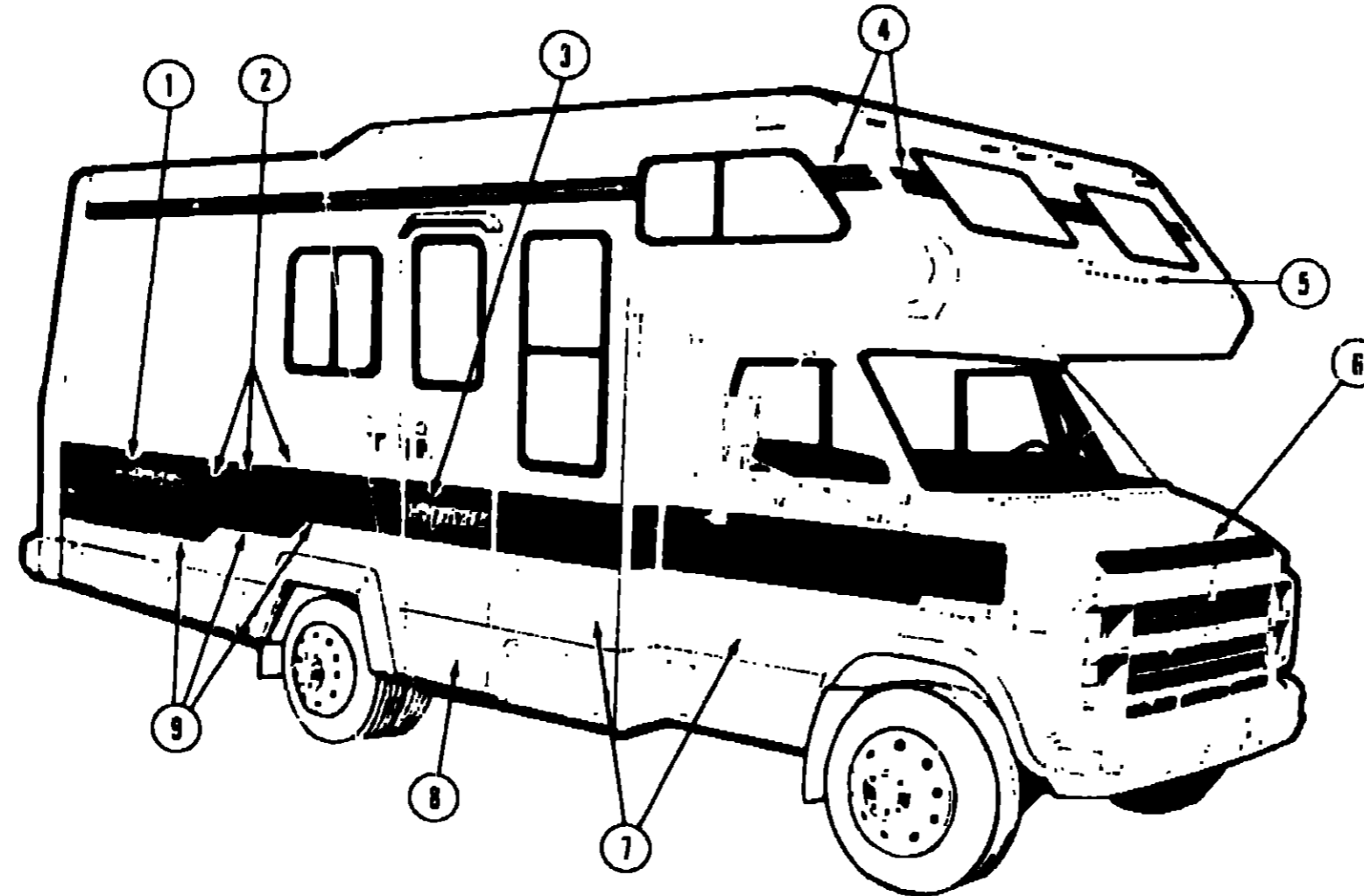
EXTERIOR BODY GROUP (CONTINUED)

DECALS, FILM STRIPE & PAINT

1989 ITASCA TABLE OF CONTENTS

IC/F420RG
IC/F421RB

A-01 - B-22
B-23 - D-15



Key	Part Number	U/M	Description
1	078852-08-000	EA	Decal - Logo - "Itasca" - Black (Driver or Passenger Side)
2	069245-F5-000	EA	Film - Multistrip - 4.41" - Dark Rose/Rose
3	093565-01-01A	EA	Decal - Logo - "Spirit" - Black/White
4	065217-M5-000	EA	Film - Multistripe - 3.3" - Blue/Dark Rose
5	076191-01-000	EA	Decal - Logo - "Itasca"
6	061544-09-000	EA	Decal - Hood (Chevrolet)
7	081940-09-000	EA	Decal - Hood (Ford)
8	11PN		Paint - Off White - Dupont (45396A)
9	11PN		Paint - Gray - Dupont (44489U)
9	078831-68-000	EA	Decal - Stripping - Blue

1989 IC/F421RB INDEX

Floor Plan	B-23 - B-24
Accessories Group	C-01 - C-02
Bath Group	C-03
Chassis Group	C-04 - C-05
Curtain, Cushion & Pad Group	C-06 - C-10
Dinette Group	C-11 - C-12
Driver's Compartment Group	C-13 - C-14
Electrical Group	C-15 - C-16
Exterior Body Group	C-17 - C-22
Galley Group	C-23
Heating & Air Conditioning Group	C-24
Interior Finish Group	D-01 - D-02
LP Group	D-03
Lounge Group	D-04
Water & Sewage Group	D-05
Window, Vent & Exterior Door Group	D-06 - D-15

EXTERIOR BODY GROUP (CONTINUED)

MISCELLANEOUS EXTERNALLY MOUNTED PARTS

Key	Part Number	U/M	Description
	042524-01-000	EA	Plumbing Seal - Roof Vent - 1 1/2" x 3/4"
	042525-01-000	EA	Access Handle
	042526-01-000	EA	Fall - City Water - Decked - Off White
	042527-01-000	EA	Water Fit - Fuelable - Off White
EA-11	042528-01-000	EA	Beats, Fuses, Bulbs, Fuses & Fasteners

SEALANTS & ADHESIVES

Key	Part Number	U/M	Description
	042529-01-000	QT	Adhesive - ABS Cement (Plastic Fittings)
	042530-01-000	EA	Adhesive - 1500 Total - 325 (Windows)
	042531-01-000	GL	Adhesive - Swells - Glue (Sidewalls)
	042532-01-000	EA	Bedding Compound - Tube - Beige (Interior)
	042533-01-000	EA	Bedding Compound - Tube - Clear (Windows)
	042534-01-000	EA	Bedding Compound - Tube - Gray (Exterior)
	042535-01-000	EA	Bedding Compound - Tube - Gray (Sidewalls to Fibers)
	042536-01-000	EA	Bedding Compound - Tube - Off White (Exterior)
	042537-01-000	EA	Block - Rubber Spacer (Windshield)
	042538-01-000	EA	Coak - Latex - Golden Walnut (Sidewalls)
	042539-01-000	EA	Sealant - Acrylic Latex - Tube - Off White (Interior Sealant)
	042540-01-000	EA	Sealant - Silicone - Beige
	042541-01-000	EA	Sealant - Silicone - Clear
	042542-01-000	EA	Sealant - Silicone - Dark Gray
	042543-01-000	EA	Sealant - Silicone - Off White
	042544-01-000	EA	Sealant - Weatherban 404 - Tube - White (Door Caulk)
	042545-01-000	EA	Sealant - Urethane - Black (Windshield)
	042546-01-000	FT	Sealer Ribbon - 75" Head x 20"
	042547-01-000	FT	Sealer Ribbon - 5" x 125" x 30"
	042548-01-000	FT	Sealer Ribbon - 75" x 125" x 30"
	042549-01-000	FT	Sealer Ribbon - 2" x 09" x 45" (P Series)
	042550-01-000	FT	Sealer Ribbon - 2 1/2" x 09" x 50"
	042551-01-000	FT	Sealer Ribbon - 5/16" Bead x 15"
	042552-01-000	FT	Sealer Ribbon - 2" x 3/32" x 30"
	042553-01-000	FT	Sealer Tape - 3/32" x 3/8" - White (Window)
	042554-01-000	FT	Sealer Tape - 5/16" x 3/4"
	042555-01-000	FT	Sealer Tape - 5/16" x 1/2"
	042556-01-000	GL	Sealer - Seam Weld
	042557-01-000	EA	Seam Sealer - Tube - Aluminum (Roof)
	042558-01-000	FT	Tape - Adhesive - 10mm x 1 1/2" Wide
	042559-01-000	EA	Tape - Butyl - 31" x 31" x 148" (Windshield)
	042560-01-000	FT	Tape - Foam - Double Coated - 025 x 1" (Fiberglass Sidewall Seams)
	042561-01-000	FT	Tape - Foam - Double Coated - 045 x 1" (Fiberglass Sidewall Seams)
	042562-01-000	EA	Tape - Furnace - 1 1/2"
	042563-01-000	FT	Weather Stripping (Roof Vent)

EXTERIOR BODY GROUP (CONTINUED)

LABELS & EXTERIOR PAINT

Key	Part Number	U/M	Description
	042564-01-000	EA	Label - Air Conditioner Cover
	042565-01-000	EA	Label - Cable - Input
	042566-01-000	EA	Label - Cable - Output
	042567-01-000	EA	Label - Caution - Battery Charging
	042568-01-000	EA	Label - Electrical Test
	042569-01-000	EA	Label - Emergency Exit
	042570-01-000	EA	Label - Exit - Escape Window
	042571-01-000	EA	Label - Flying - W / w Thermo Panel
	042572-01-000	EA	Label - Fuel
	042573-01-000	EA	Label - Fuel Cap Removal
	042574-01-000	EA	Label - LP Gas - Only
	042575-01-000	EA	Label - LPG Odor Warning
	042576-01-000	EA	Label - Open - Entrance Door
	042577-01-000	EA	Label - Overlay - Vehicle Certification
	042578-01-000	EA	Label - Patent Motor Home
	042579-01-000	EA	Label - Retail - 8 5/8" x 17 7/8"
	042580-01-000	EA	Label - Safety Check List
	042581-01-000	EA	Label - Seat - w/o Seat Belts
	042582-01-000	EA	Label - Sewage
	042583-01-000	EA	Label - Thermo Panel - 2 1/4" x 2 1/4"
	042584-01-000	EA	Label - Trailer Hitch Capacity
	042585-01-000	EA	Label - Trailer Lighting
	042586-01-000	EA	Label - Warning - Exterior Load Limit
	042587-01-000	EA	Label - Warning - Stove Vent - US
	042588-01-000	EA	Label - Warning - Stowed Motion
	042589-01-000	EA	Label - Waste Water
	042590-01-000	EA	Label - Water Test
	042591-01-000	EA	Tag - Electrical - 110 Volt Connection
	042592-01-000	EA	Tag - Gas - Refueling Warning (US)
	042593-01-000	EA	Tag - Gas - Refueling Warning (CSA)
	042594-01-000	EA	Tag - RVI Approval - Plastic
	042595-01-000	EA	Paint - Gloss Black - Acrylic Enamel - 16 oz Aerosol (99 Dupont)
	042596-01-000	EA	Paint - Off White Acrylic Enamel - 16 oz Aerosol (45396A Dupont)
	042597-01-000	EA	Label - LPG - 3 3/4" x 1 7/8" (Calif Code)
	042598-01-000	EA	Label - Warning - LPG (CSA)

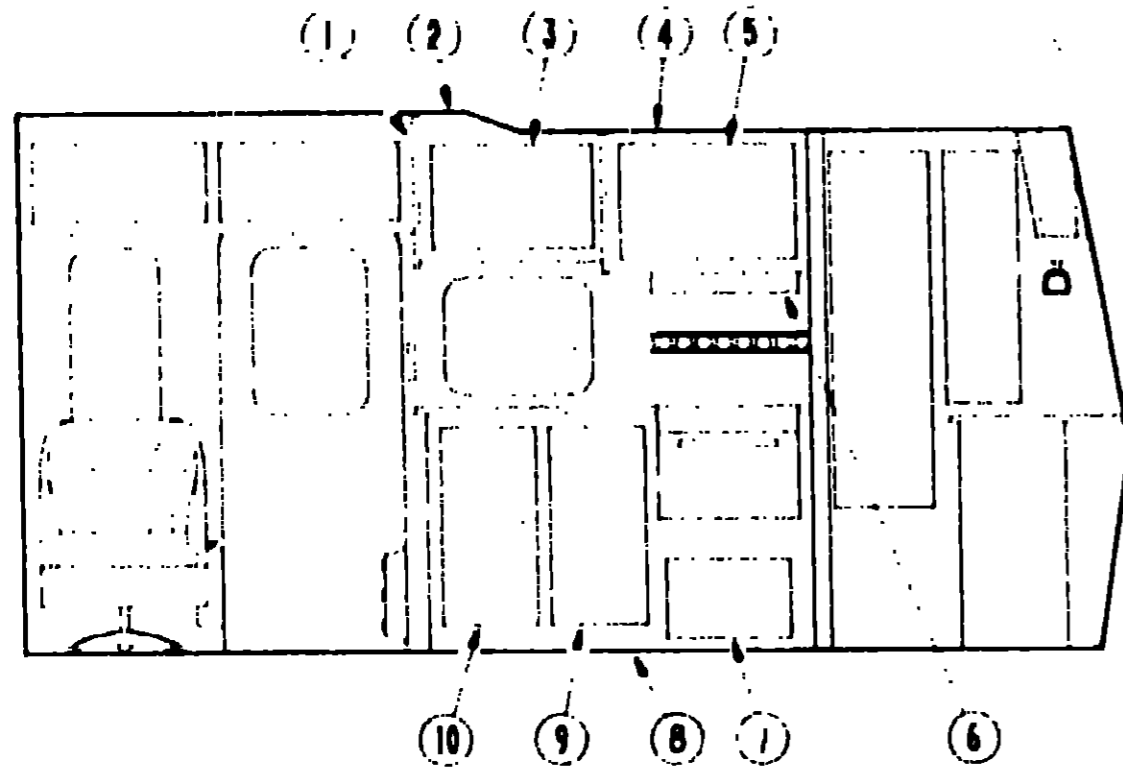
**1989 ITASCA
TABLE OF CONTENTS**

IC/F420RG	A-01 - B-22
IC/F421RB	B-23 - D-15

1989 IC/F421RB INDEX

Floor Plan	B-23 - B-24
Accessories Group	C-01 - C-02
Bath Group	C-03
Chassis Group	C-04 - C-05
Curtain, Cushion & Pad Group	C-06 - C-10
Dinette Group	C-11 - C-12
Driver's Compartment Group	C-13 - C-14
Electrical Group	C-15 - C-16
Exterior Body Group	C-17 - C-21
Galley Group	C-22
Heating & Air Conditioning Group	C-23
Interior Finish Group	D-01 - D-02
LP Group	D-03
Lounge Group	D-04
Water & Sewage Group	D-05
Window, Vent & Exterior Door Group	D-06 - D-15

GALLEY GROUP



GALLEY CABINETRY

Key	Part Number	U/M	Description
1	009198-01-000	EA	End Cap - Galley Overhead
2	009198-01-000	EA	Cabinet Asm - Galley Overhead - w/o Doors or Hardware
3	009198-01-000	EA	Door Asm - Galley Overhead Cabinet - w/o Hardware
4	009200-01-000	EA	Cabinet Asm - Microwave - w/o Door or Hardware
5	009200-01-000	EA	Door Asm - Microwave Cabinet - Left - w/o Hardware
6	009200-01-000	EA	Range Hood - Almond - UL
7	009200-01-000	EA	Door Asm - Galley Cabinet
8	009200-01-000	EA	Cabinet Asm - Galley - w/o Countertop, Doors, Drawers or Hardware
9	009200-01-000	EA	Drawer Asm - Galley Cabinet - w/o Hardware
10	009200-01-000	EA	Countertop Asm - Galley Cabinet
11	009200-01-000	EA	Door Asm - Galley Cabinet - w/o Hardware
12	009200-01-000	EA	Door Asm - Galley Cabinet - w/o Hardware
13	009200-01-000	EA	Drawer - Galley Cabinet - 20" x 12"
14	009200-01-000	EA	Drawer Slide - 20 75" Plastic

GALLEY APPLIANCES & HARDWARE

Key	Part Number	U/M	Description
1	009200-01-000	EA	Microwave - Magic Chef
2	009200-01-000	EA	Range - 4 Burner - w/Oven - Magic Chef - Almond
3	009200-01-000	EA	Top - Man - Almond
4	009200-01-000	EA	Refrigerator - AC/DC/Gas - Norcold - 6'
5	009200-01-000	EA	Level Refrigerator
6	009200-01-000	EA	Sink Cover - Large
7	009200-01-000	EA	Sink - Stainless Steel - Double w/Bolts
8	009200-01-000	EA	Faucet - Swing Spout - 8" - US/CSA
9	009200-01-000	EA	Aerator - Swing Spout Faucet
10	009200-01-000	EA	Strainer w/Basket - Sink
11	009200-01-000	EA	Spice Rack - Oak
12	009200-01-000	EA	Magazine Rack - Oak
13	009200-01-000	EA	Hinge - Cabinet Door - Brass
14	009200-01-000	EA	Prop - Overhead Door
15	009200-01-000	EA	Pull - Polished Brass
16	009200-01-000	EA	Silverware Drawer Tray - Beige

HEATING & AIR CONDITIONING GROUP

FURNACE & ROOF AIR CONDITIONER

Key	Part Number	U/M	Description
1	075695-01-000	EA	Furnace - 24 000 BTU - w/Direct Ignition - HI-24S
2	009198-01-000	EA	Duct - Flexible - 4" ID x 25'
3	056464-01-000	EA	Register - 4 Dia - Plastic w/Damper
4	056464-05-000	EA	Register - 4 Dia - Plastic w/o Damper
5	009200-01-000	EA	Tape - Furnace - 1 1/2"
6	023146-01-000	EA	Clamp - Screw Type - 4"
7	022756-01-000	EA	Air Conditioner Wire Cover - Angle - Black
8	093764-01-000	EA	Shroud Asm - Cooling - Inside - Roof Air - 13,500 BTU (US/CSA)
9	092441-01-000	EA	Shroud Asm - Cooling - Inside - Roof Air - 13,500 BTU (European)
10	093763-01-01A	EA	Air Conditioner - Roof Mount - 13,500 BTU (US/CSA)
11	092440-01-000	EA	Air Conditioner - Roof Mount - 13,500 BTU (European)

AUTOMOTIVE HEATER & AIR CONDITIONER (CHEVROLET)

Key	Part Number	U/M	Description
1	073716-01-000	EA	A/C - Condensor Asm - "C" - Tube O
2	074027-01-000	EA	A/C - Evaporator Asm - Cutaway
3	074027-01-700	EA	Motor
4	074027-01-701	EA	Hose - Liquid - #6
5	074027-01-702	EA	Hose - Suction - #10
6	074027-01-703	EA	Louver
7	074027-01-704	EA	Escutcheon
8	074027-01-705	EA	Thermostat
9	074027-01-706	EA	Knob - Temperature
10	074027-01-707	EA	Knob - Air
11	074027-01-708	EA	Scionid - Vacuum Switch
12	074027-01-709	EA	Center - Lower Escutcheon
13	074027-01-710	EA	Coil - Evaporator
14	074027-01-711	EA	Blower - Wheel
15	074027-01-712	EA	Blower - Housing
16	007108-01-000	EA	Hose - Heater - 5/8" ID SAE#20R3
17	062401-01-000	EA	Clamp - Worm Drive - 69" - 1 25" ID

1989 ITASCA TABLE OF CONTENTS

IC/F420RG
IC/F421RB

A-01 - B-22
B-23 - D-15

1989 IC/F421RB INDEX

Floor Plan	B-23 - B-24
Accessories Group	C-01 - C-02
Bath Group	C-03
Chassis Group	C-04 - C-05
Curtain, Cushion & Pad Group	C-06 - C-10
Dinette Group	C-11 - C-12
Driver's Compartment Group	C-13 - C-14
Electrical Group	C-15 - C-16
Exterior Body Group	C-17 - C-22
Galley Group	C-23
Heating & Air Conditioning Group	C-24
Interior Finish Group	D-01 - D-02
LP Group	D-03
Lounge Group	D-04
Water & Sewage	D-05
Window Vent & Exterior Door Group	D-06 - D-15

INTERIOR FINISH GROUP

INTERIOR MOLDING & TRIM

Key	Part Number	U/M	Description
	001055-14-000	FT	Molding - Edge Band - Regal Oak (Table)
	001057-03-000	EA	Molding Retainer - Corner - 1"
	001060-02-000	EA	Molding - Plastic - Outside Corner - 1"
	001062-01-000	FT	Molding - Plastic - Outside Corner - 1/2"
	001067-11-000	FT	Molding - Radius Corner - 7" - Light Oak
	001068-08-000	FT	Molding - Reverse Corner - Champagne White
	001070-03-000	FT	Batt Strip - Regal Oak - Tape - Adhesive
	001071-04-000	EA	Batt Strip - Ivory - 8" (Bath)
	001072-01-000	EA	Batt Strip - Kent (Bath/Galley)
	001073-09-000	FT	Batt Strip - Menno Neutral - Tape - Adhesive (Wall)
	001074-01-000	FT	Batt Strip - Cascade Charcoal - Tape - Adhesive (Wall)
	001075-01-000	EA	Batt Strip - Crosslink Spatter - 8" (Ceiling)
	001076-01-000	FT	U-Channel - 065 - Light Brown
	001078-01-000	FT	U Channel - 1" - Light Oak
	001079-01-000	FT	Molding - Beige

PANELING & COUNTERTOP MATERIAL

Key	Part Number	U/M	Description
	001087-19-000	SF	Paneling - Regal Oak - 48" x 84" (28 SF) (Cabinets)
	001091-13-000	SF	Paneling - Decor - Bono - 48" x 84" (28 SF) (Bath)
	001092-15-000	SF	Paneling - Decor - Slate - 48" x 84" (28 SF) (Galley) (Y28)
	001093-15-000	SF	Paneling - Decor - Gray Salmon - 48" x 84" (28 SF) (Galley) (Y29)
	001097-14-000	SF	Paneling - Crosslink - 48" x 96" (32 SF) (Ceiling)
	001099-14-000	SF	Paneling - Rainbow - 48" x 84" (28 SF) (Wall)
	001100-04-000	SF	Plastic Laminate - Sterling - 48" x 96" (32 SF) (Woodgrain)
	001101-04-000	SF	Plastic Laminate - Sterling - 48" x 96" (32 SF) (Galley/Bath)

FABRICS & CARPET

Key	Part Number	U/M	Description
	001111-01-000	YD	Fabric - Drapery (Y28)
	001113-01-000	YD	Fabric - Drapery (Y23)
	001115-01-000	YD	Fabric w/Pattern - Upholstery (Y28)
	001117-01-000	YD	Fabric w/Pattern - Upholstery (Y29)
	001119-01-000	YD	Fabric - Upholstery Accent (Y28)
	001121-01-000	YD	Fabric - Upholstery Accent (Y29)
	001123-01-000	YD	Expanded Vinyl - 26 oz. Buckskin
	001125-01-000	YD	Carpet - Graphite (Y28)
	001127-01-000	YD	Carpet - Rose Mist (Y29)
	001129-01-000	FT	Carpet J-Trim
	001131-01-000	SY	Carpet Pad

INTERIOR FINISH GROUP (CONTINUED)

CABINETRY & TABLE HARDWARE

Key	Part Number	U/M	Description
	001246-50-000	EA	Table - Dinette - 50 Hardware
	001278-05-000	EA	Cup Handle - Two Step - Beige
	001320-05-000	EA	Support Table - 16 1/2" - Beige
	001410-01-000	EA	Handle - Table - Beige
	001428-07-000	EA	Bracket - Table Lift
	001427-05-000	EA	Rod - Table Lift - Tan
	001493-01-000	EA	Catch - Table Leg
	001427-21-000	EA	Leg Arm - Table - Beige
	001495-03-000	EA	Hinge - Table Leg - Tan
	021262-01-000	EA	Brace Table Leg
	021283-01-000	EA	Clip - 1" - 1 25" - OD Tube - Black
	001354-01-000	EA	Rubber Bumper - Brown
	009112-01-000	EA	Flange - 1" - Off White
	077109-01-000	EA	Slide - Drawer - Plastic - 20 7/8"
	009021-01-000	EA	Catch - Nylon - Furnace Door
	009021-02-000	EA	Strike - Nylon Catch - Furnace Door
	074493-02-000	EA	Support - Sprung - Door
	058034-02-000	EA	Latch - Door w/o Lock - Sliding Door
	064467-01-000	EA	Guide - Wall Mount - Door Pocket
	088264-01-000	EA	Pull - Brass - Polished
	059777-02-000	EA	Hinge - Light Brass
	009016-01-000	EA	Catch - Elbow - Spring Loaded
	093596-03-000	EA	Catch - Spring Roller
	093586-04-000	EA	Strike - Spring Steel

CURTAIN & CUSHION HARDWARE

Key	Part Number	U/M	Description
	039175-02-000	EA	Bracket - Curtain Rod - Cafe
	039175-05-000	EA	Bracket - Curtain Rod - Center
	056003-02-000	EA	Bracket - Drapery Retainer - Left
	056003-01-000	EA	Bracket - Drapery Retainer - Right
	084434-01-000	EA	Bracket - Roller Shade - 1 3/8"
	093175-03-000	EA	Rod - Cafe Curtain - Extension - 28" - 48
	039175-01-000	EA	Rod - Cafe Curtain - Extension - 48" - 84
	048394-02-000	YD	Tape Hood - 75" x 50 Yd - Beige
	048395-02-000	YD	Tape Loop - 75" x 50 YD - Beige
	029090-01-000	FT	Tr - Drapery - Clear Vinyl
	091904-01-000	EA	Track - Curtain - Light Beige
	089335-01-000	FT	Track - Curtain - Brown Plastic

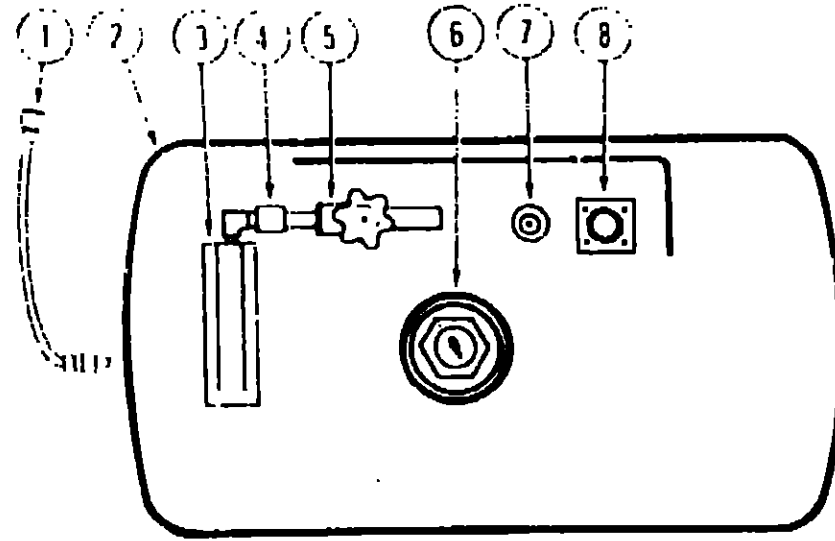
**1989 ITASCA
TABLE OF CONTENTS**

IC/F420RG	A-01 - B-27
IC/F421RB	B-23 - D-15

1989 IC/F421RB INDEX

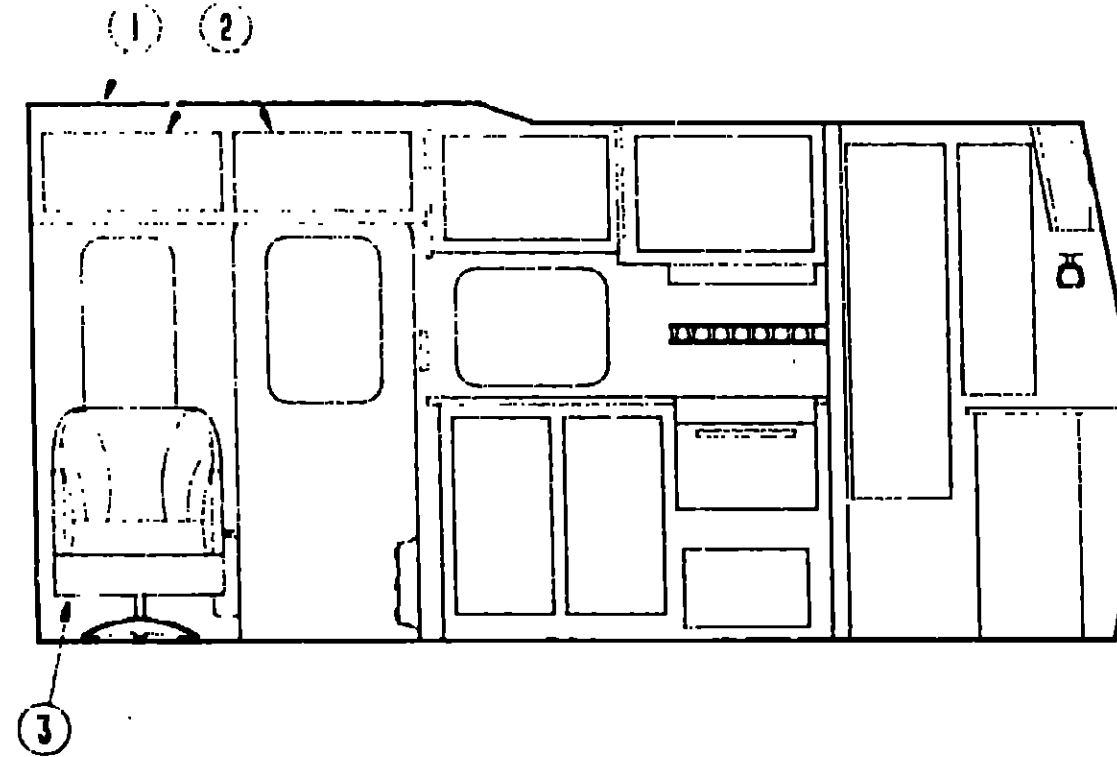
Floor Plan	B-23 - B-24
Accessories Group	C-01 - C-02
Bath Group	C-03
Chassis Group	C-04 - C-05
Curtain, Cushion & Pad Group	C-06 - C-10
Decorative Group	C-11 - C-12
Lower's Compartment Group	C-13 - C-14
Electrical Group	C-15 - C-16
Exterior Body Group	C-17 - C-22
Galley Group	C-23
Heating & Air Conditioning Group	C-24
Interior Finish Group	D-01 - D-02
LP Group	D-03
Lounge Group	D-04
Water & Sewage Group	D-05
Window, Vent & Exterior Door Group	D-06 - D-15

LP GROUP



Key	Part Number	U/M	Description
1	M92454-01-Y05	EA	Hose Asm. - LP - 3/8" ID x 18'
2	M88304-51-Y05	EA	LP Tank - 47 Pound - 13" x 24"
3	092389-02-Y28	EA	Cover - LP Regulator
3	092389-02-Y29	EA	Regulator - Two Stage
3	M92389-02-Y28	EA	Safety Valve - Electric
3	M92389-02-Y29	EA	Valve - Vapor Relief
3	M92389-02-Y27	EA	Gauge - Float - w/Visible Dial
3	M96100-01-Y26	EA	Dial - Visible Face - Float Gauge
3	M96100-01-Y27	EA	Dial - Visible Face - Float Gauge (w/Electric Transmitter)
3	M96100-01-Y26	EA	Gauge - Liquid Level
3	M96100-01-Y27	EA	Valve - Filler
3	M96100-01-Y26	EA	Cap - Filler Valve
3	M96100-01-Y27	EA	Inner Tank Valve - 80% Fill
3	M96100-01-Y26	EA	Gauge - Diaphragm Pressure - Test Leak
3	M96100-01-Y27	EA	LP Gas Leak Detector

LOUNGE GROUP



LOUNGE OVERHEAD & CABINERY

Key	Part Number	U/M	Description
1	M92454-01-Y05	EA	Cabinet Asm. - Entrance Door Overhead
2	M88304-51-Y05	EA	Door Asm. - Side Overhead - w/o Hardware
3	092389-02-Y28	EA	Swivel Chair Asm. (Starlet II) Used up to 1/22/89
3	092389-02-Y29	EA	Swivel Chair Asm. (Starlet II) Used up to 1/22/89
3	M92389-02-Y28	EA	Cover Asm. (Starlet II) Used up to 1/22/89
3	M92389-02-Y29	EA	Cover Asm. (Starlet II) Used up to 1/22/89
3	096100-01-Y26	EA	Swivel Chair (Anthem) Used from 1/23/89 (Y28)
3	096100-01-Y27	EA	Swivel Chair (Anthem) Used from 1/23/89 (Y29)
3	M96100-01-Y26	EA	Cover Asm. (Anthem) Used from 1/23/89 (Y28)
3	M96100-01-Y27	EA	Cover Asm. (Anthem) Used from 1/23/89 (Y29)
	088245-01-000	EA	Base w/Legs
	088245-03-000	EA	Swivel Plate
	088245-06-000	EA	Extension - 7"
	093181-03-000	EA	Top Plate w/Lock - Pedestal

**1989 ITASCA
TABLE OF CONTENTS**

IC/F420RG
IC/F421RB

A-01 - B-22
B-23 - D-15

1989 IC/F421RB INDEX

Floor Plan	B-23 - B-24
Accessories Group	C-01 - C-02
Bath Group	C-03
Chassis Group	C-04 - C-05
Curtain, Cushion & Pad Group	C-06 - C-10
Dinette Group	C-11 - C-12
Driver's Compartment Group	C-13 - C-14
Electrical Group	C-15 - C-16
Exterior Body Group	C-17 - C-22
Galley Group	C-23
Heating & Air Conditioning Group	C-24
Interior Finish Group	D-01 - D-02
LP Group	D-03
Lounge Group	D-04
Water & Sewage Group	D-05
Window, Vent & Exterior Door Group	D-06 - D-15

WATER & SEWAGE GROUP

PLUMBING & REPAIR PARTS

Key	Part Number	U/M	Description
	062422-01-000	EA	Adapter - Hose Offset - Reducer - 3" x 1 1/2"
	062423-01-000	EA	Adapter - Hose Cone - 3/8 or 1/2 - Plastic
	063006-01-000	QT	Adhesive - ABS Cement
	064121-01-000	EA	Bushing - Plastic - 1 1/2 S x 1 1/4 H
	064127-01-000	EA	Closet Flange - US
	064127-02-000	EA	Closet Flange - CSA
	064128-02-000	EA	Continuous Waste - Double Sink - 11 7/8" - US
	064306-01-000	EA	Coupler Rubber - 3" x 3"
	064906-01-000	EA	Elbow - Plastic - 1/8 BD x 1 1/2 x 45° H x H
	064908-01-000	EA	Elbow - Plastic - 1/4 BD x 1 1/2 x 90° Long Turn
	064911-01-000	EA	Elbow - ST - Plastic - 1/8 BD x 1 1/2 x 45°
	064911-01-000	EA	Elbow - Plastic - 1/4 BD x 1 1/4 x 90° Long Turn
	064917-01-000	EA	Elbow - Plastic - 1/2 F x 3/8 MPT
	064918-02-000	EA	Elbow - Plastic - 1/4 BD Vent 1 1/2" H
	064924-01-000	EA	Elbow - Plastic - Swivel - 1/2 MPT x 1/2 FP
	064924-01-000	EA	Filter & Screen (Water Tank)
	064936-01-000	FT	Flexible Tubing - 1 1/4 ID x 10'
	064967-01-000	EA	Grommet - Holding Tank Coupler - 1 1/2"
	064967-02-000	EA	Grommet - Holding Tank Coupler - 3"
	064992-01-000	EA	Nut - 1/2 F - Plastic
	064996-03-000	EA	P-Trap - 1 1/4" Plastic - US
	064997-01-000	FT	Pipe - Plastic - 3" x 240" - Black
	064999-02-000	EA	Pump - Water - 2 8 G P.M. - Direct Drive - Shurflo - CSA
	064999-01-000	EA	Sewer Hose - 3" x 8' w/Clamp
	064989-05-000	EA	Spinweld Fitting - Plastic - 1/2 FPT
	064989-03-000	EA	Spinweld Fitting - Plastic - 1/4 NPT
	064989-04-000	EA	Spinweld Fitting - Plastic - 3/8 FPT
	064989-01-000	EA	Spinweld Patch - Plastic 3/8"
	064993-03-000	EA	Tailpiece - 1 1/2" x 1 3/4" x 4" - Plastic
	064994-01-000	EA	Tee - Plastic - 1 1/2 x H x H x H
	064994-01-000	EA	Tee - Plastic - 1 1/2 H x 1 1/2 H x 1 1/4 H
	064995-01-000	EA	Tee - Plastic - 1/2 F x 1/2 F x 1/2 MPT
	064995-01-000	EA	Tee - Plastic - 1/2 F x 1/2 F x 1/2 F
	064996-01-000	F1	Tubing - Polybutyl - 1/2 OD (Water Line)
	064981-01-000	F1	Tubing - Flexible - Smooth - 1 25 ID
	064992-02-000	FT	Tubing - Vinyl - 3/8 ID
	064991-01-000	EA	Valve - 1/2" w/Handle - Dump
	064990-01-000	EA	Valve - Line Drain - 1/2 F x 1/2 F
	064990-01-000	EA	Vent - Mechanical - Trap Arm
	064993-01-000	EA	Wye - 45° - 1 1/2 H x 1 1/2 H x 1 1/2 H

HOLDING TANKS & WATER HEATER

Key	Part Number	U/M	Description
	064989-01-000	EA	Tank Asm - Water - 35 Gallon - w/Fittings
	064989-01-000	EA	Tank - Water - 35 Gallon - w/o Fittings
	064989-01-000	EA	Tank - Holding - 32 Gallon - w/o Fittings - Main
	064989-01-000	EA	Tank - Holding - 21 Gallon - w/o Fittings - Aux.
	064989-01-000	EA	Water Heater - w/Electronic Ignition - G6A-3E

Illustrated parts breakdown for this item is provided on the Common Items Fiche

WINDOW, VENT & EXTERIOR DOOR GROUP

ACCESS DOORS

Key	Part Number	U/M	Description
	079455-03-T95	EA	Door Asm - LP
	079455-06-T95	EA	Door Asm - Battery
	M79321-01-T03	EA	Door Asm - Generator - w/o Ballie
	079149-01-T03	EA	Door Asm - Luggage (Gen)
	084103-03-000	EA	Door - Refrigerator Access
	084104-03-000	EA	Door Jamb - Refrigerator Vent
	052009-01-000	EA	Door Asm - Water Heater Access
	078010-03-000	EA	Door Asm - Fuel Fill - Off White
	088794-01-000	EA	Door - Power Cord - w/Hatch
	088794-10-000	EA	Hatch - Power Cord Door
	083615-06-000	EA	Door Holder - Off White Plastic
	042441-01-000	EA	Lock Asm - Key Type (Gas Fill)
	079927-03-000	EA	Lock Asm - Twist Type (Battery)
	083223-03-000	EA	Lock Asm - Key Type w/Clip (Luggage)
	052950-01-000	EA	Lock Asm Kit - Twist Type w/Clip (Generator)
	052951-01-000	EA	Clip - Twist - Lock Retainer
	079366-01-000	EA	Lock Asm - Key Type (Battery)
	077408-02-000	EA	Lock Asm - Key Type (Luggage)
	079368-01-000	FT	Seal - Access Door
	084067-01-000	FT	Seal - e - Rubber

VENTS

Key	Part Number	U/M	Description
	065103-02-000	EA	Cover - Refrigerator Vent - 9 88" x 20.5" - Plastic
	065103-01-000	EA	Frame Asm - Refrigerator Vent - 8 17" x 22 94" - Plastic
	055218-01-000	EA	Cover Asm. - Roof Vent
	084878-01-000	EA	Vent - Stovehood - Outside - Off White
	052586-01-000	EA	Ventilator - Round Skylight - Non-Powered
	048835-01-000	EA	Vent Asm. - Roof - Non-Powered - w/o Screen
	090394-01-Y12	EA	Vent Asm. - Roof - Powered - w/o Screen
	084079-03-000	EA	Vent Asm. - Roof - Powered (Fantastic)
	078785-01-Y12	EA	Screen Asm - Roof Vent
	078786-01-Y12	EA	Screen Asm - Roof Vent - Non-Powered
	083558-01-000	EA	Roof Vent - Pipe Cover
	084616-01-000	EA	Shroud Vent - Range Hood

**1989 ITASCA
TABLE OF CONTENTS**

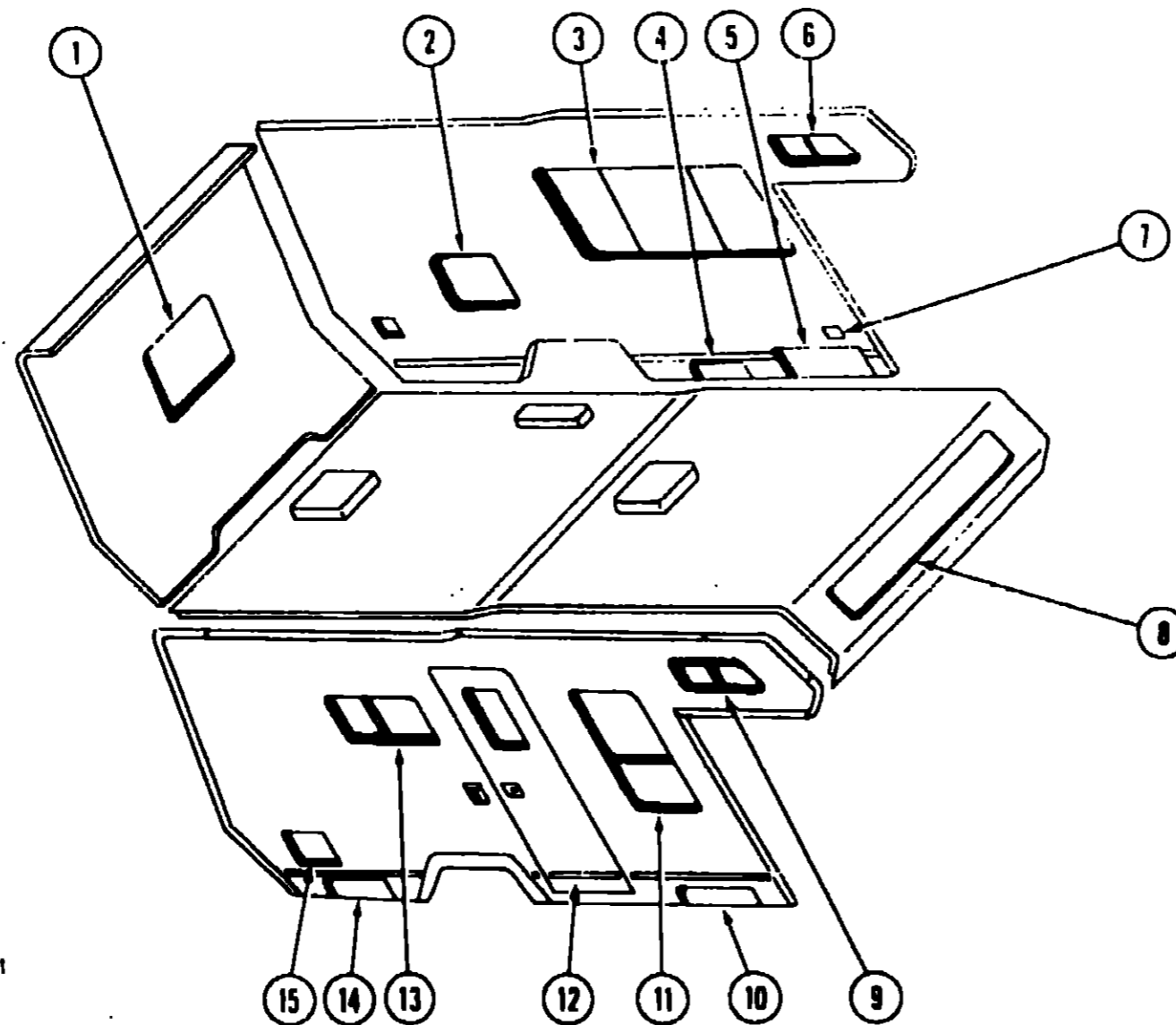
IC/F420RG	A-01 - B-22
IC/F421RB	B-23 - D-15

1989 IC/F421RB INDEX

Floor Plan	B-23 - B-24
Accessories Group	C-01 - C-02
Bath Group	C-03
Chassis Group	C-04 - C-05
Curtain, Cushion & Pad Group	C-06 - C-10
Dinette Group	C-11 - C-12
Driver's Compartment Group	C-13 - C-14
Electrical Group	C-15 - C-16
Exterior Body Group	C-17 - C-22
Galley Group	C-23
Heating & Air Conditioning Group	C-24
Interior Finish Group	D-01 - D-02
LP Group	D-03
Lounge Group	D-04
Water & Sewage Group	D-05
Window, Vent & Exterior Door Group	D-06 - D-15

WINDOW, VENT & EXTERIOR DOOR GROUP (CONTINUED)

WINDOWS & ACCESS DOORS



Key	Part Number	U/M	Description
1	027015 01 101	EA	Window Asm - Escape
2	084301 03 000	EA	Door - Refrigerator Access
3	084301 03 090	EA	Door Jamb - Refrigerator Vent
4	026009 04 211	EA	Window Asm - Double Slider
5	027015 06 195	FA	Door Asm - Storage
6	017903 01 101	EA	Door Asm - Generator
7	026009 01 103	EA	Door Asm - Lugtrape
8	080227 02 000	EA	Window Asm - Bunk Slant Slider
9	080229 02 000	EA	Inside Frame - Bunk - Beige
10	080229 01 000	EA	Door Asm - Power Cord w/latch
11	026009 04 200	EA	Window Asm - Front Picture
12	080227 01 000	EA	Window Asm - Bunk Slant Slider
13	080229 05 000	EA	Inside Frame - Bunk - Beige
14	026009 03 195	EA	Door Asm - LP
15	026009 01 103	EA	Window Asm - Vertical Slider
16	060020 01 805	EA	Door Asm - Entry w/Screen Door
17	060020 01 806	EA	Door Asm - Entry w/Screen Door
18	026009 04 103	EA	Window Asm - Picture
19	026009 02 103	EA	Window Asm - Slider
20	026009 01 001	EA	Door Asm - Storage
21	026009 01 000	EA	Door Asm - Water Heater
22	026009 01 000	EA	Door - Fuel Fill - Off White

1989 ITASCA TABLE OF CONTENTS

IC/F420RG
IC/F421RB

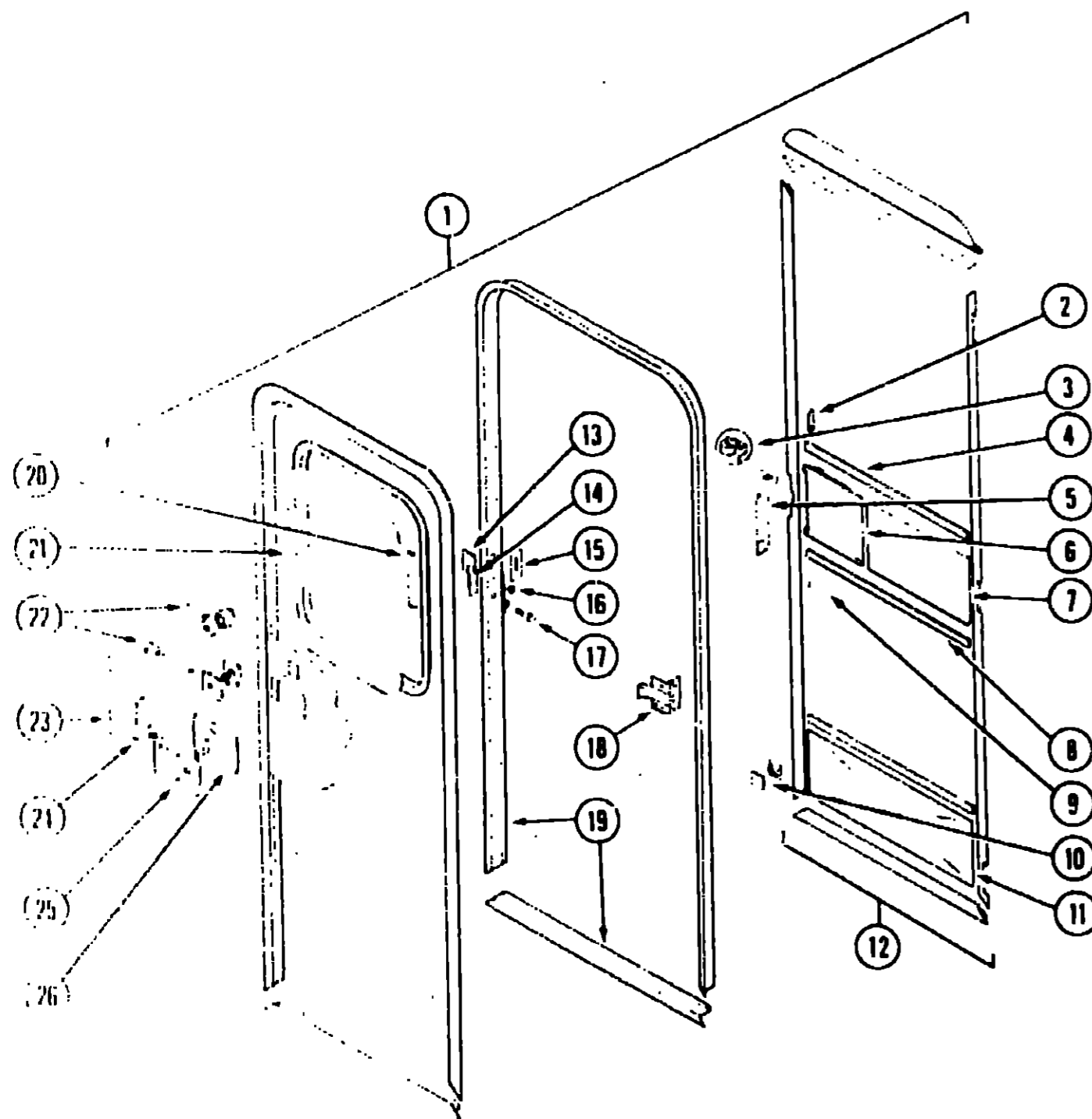
A-01 - B-22
B-23 - D-15

1989 IC/F421RB INDEX

Floor Plan	B-23 - B-24
Accessories Group	C-01 - C-02
Bath Group	C-03
Chassis Group	C-04 - C-05
Curtain, Cushion & Pad Group	C-06 - C-10
Dinette Group	C-11 - C-12
Driver's Compartment Group	C-13 - C-14
Electrical Group	C-15 - C-16
Exterior Body Group	C-17 - C-22
Galley Group	C-23
Heating & Air Conditioning Group	C-24
Interior Finish Group	D-01 - D-02
LP Group	D-03
Lounge Group	D-04
Water & Sewage Group	D-05
Window, Vent & Exterior Door Group	D-06 - D-15

WINDOW, VENT & EXTERIOR DOOR GROUP (CONTINUED)

ENTRANCE DOOR



Key	Part Number	U/M	Description
1	M01870-21-Y28	EA	Door Asm. - w/Screen Door (Y29)
2	050712-05-000	EA	Door Handle - Screen Door
3	009018-01-000	EA	Roller Catch
	009016-01-000	EA	Elbow Catch - Spring Loaded
4	078592-01-000	EA	Screen Door Mullion - Upper & Lower Slider
	078777-01-000	EA	Slider Channel (Mullion Insert)
5	079087-02-000	EA	Screen Door Slider Strike
6	079086-02-000	EA	Screen Door Slider
7	016454-01-000	EA	Screen Door Insert
8	002294-01-000	FT	Spline - Black
9	002293-02-000	SF	Window Screen - 26" Charcoal
10	085774-01-000	FT	Dual Lock Fastener - 1" Wide - Black
10	085774-02-000	FT	Dual Lock Fastener - 1" Wide - Black
11	078552-01-000	EA	Screen Door Insert - Lower
12	079012-01-U01	EA	Screen Door Asm.
13	077461-03-000	EA	Strike Cover
14	041546-03-000	EA	Angle Bracket
15	079173-01-000	EA	Deadbolt Gasket
16	058806-01-000	EA	Plug - Tapered Plastic
17	039539-01-000	EA	Strike
18	079361-05-000	EA	Hinge
19	095277-02-01A	EA	Door Jamb
20	087561-01-000	FT	Window Seal
21	002181-06-000	EA	Glass
	079733-04-T03	EA	Window Asm. w/o Inside Frame
	067609-03-000	EA	Inside Frame - Window Asm.
22	083205-01-000	EA	Deadbolt Asm.
22	095229-01-01A	EA	Deadbolt Asm. - Square - Black
23	075739-02-000	EA	Stiffener
24	039540-01-000	EA	Latch Asm. - Hook
25	045017-05-000	EA	Latch Asm. - Plate
25	045017-10-000	EA	Latch Asm. - Plate - Black
26	039979-01-000	EA	Cover Asm. - Latch Plate
26	039979-03-000	EA	Cover Asm. - Latch Plate - Black
	039984-01-000	EA	Cap - Black Vinyl - Lock Grip
	075673-01-000	FT	Seal - Pile - Adhesive Back
	075671-01-000	FT	Seal - Sponge - Lazy T Shape
	075639-04-000	EA	Garnish - Radius - Entrance Door

1989 ITASCA TABLE OF CONTENTS

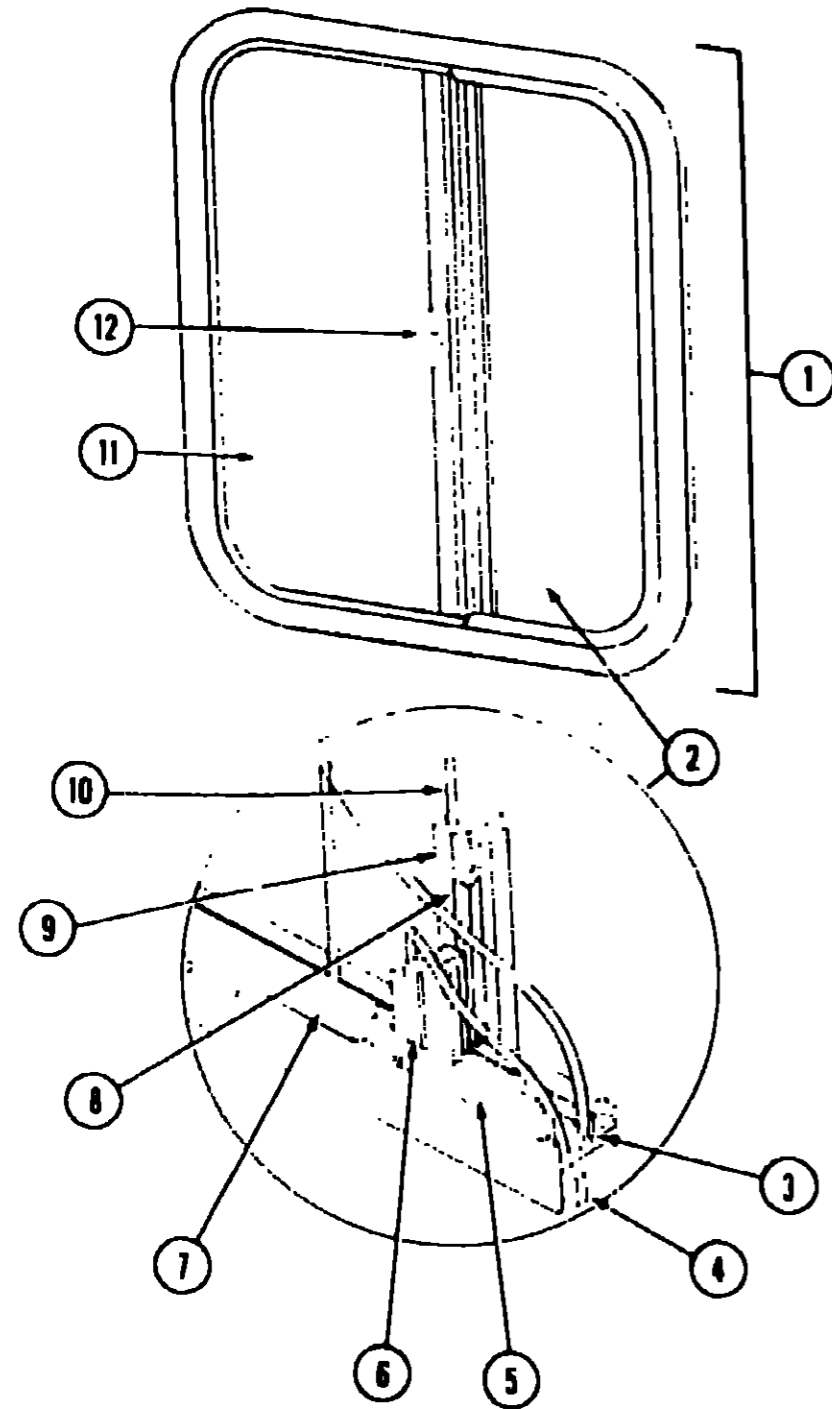
IC/F420RG
IC/F421RB

A-01 - B-22
B-23 - D-15

1989 IC/F421RB INDEX

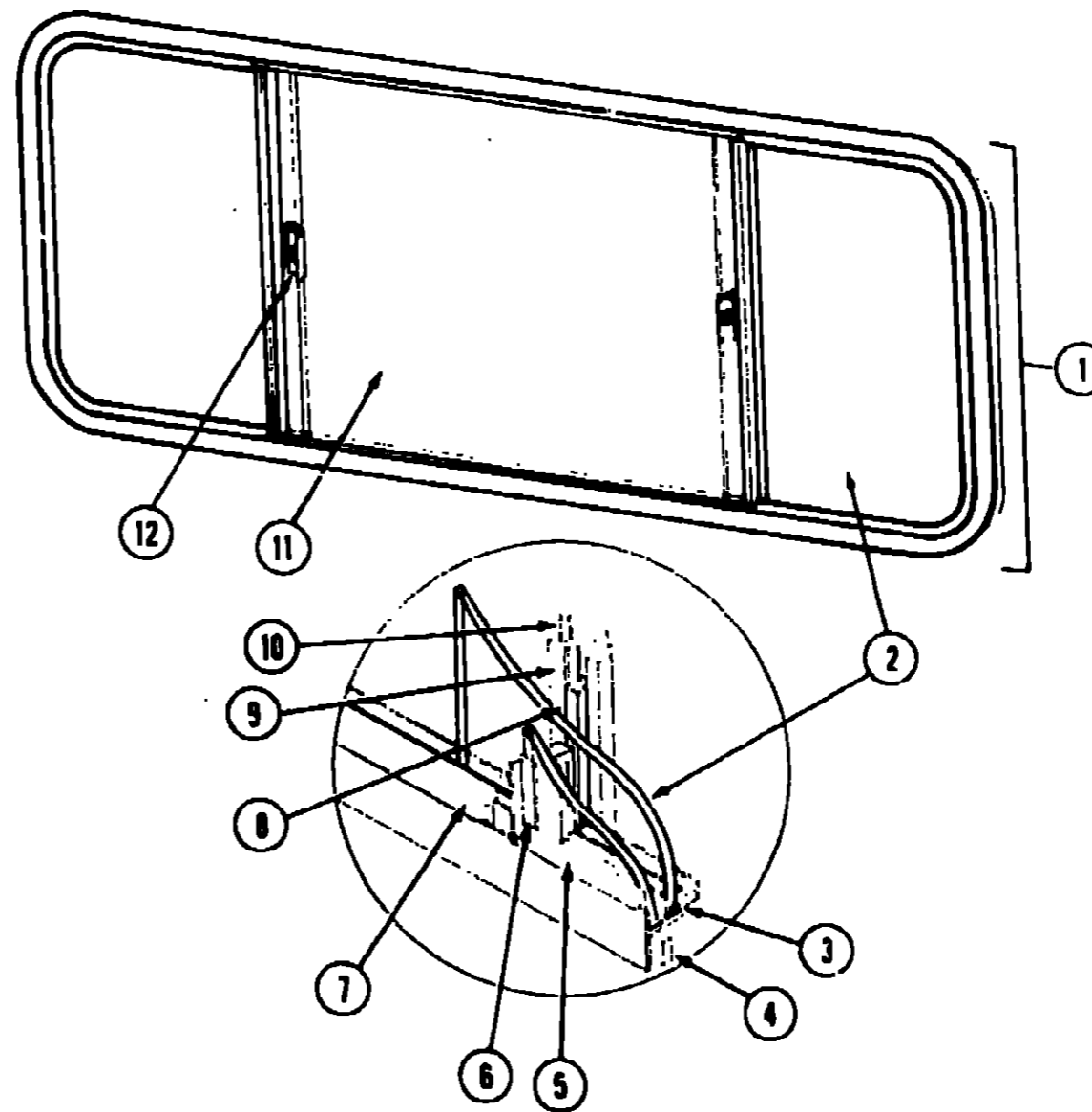
Floor Plan	B-23 - B-24
Accessories Group	C-01 - C-02
Bath Group	C-03
Chassis Group	C-04 - C-05
Curtain, Cushion & Pad Group	C-06 - C-10
Dinette Group	C-11 - C-12
Driver's Compartment Group	C-13 - C-14
Electrical Group	C-15 - C-16
Exterior Body Group	C-17 - C-22
Galley Group	C-23
Heating & Air Conditioning Group	C-24
Interior Finish Group	D-01 - D-02
LP Group	D-03
Lounge Group	D-04
Water & Sewage Group	D-05
Window, Vent & Exterior Door Group	D-06 - D-15

WINDOW, VENT & EXTERIOR DOOR GROUP (CONTINUED)



Key	Part Number	U/M	Description
1	078266-02-103	EA	Window Asm. - Black (w/o inside frame)
	083122-01-000	EA	Inside Frame - Beige (not included in assembly)
2	081980-05-000	EA	Glass - Sliding - 1/8" x 19" x 13.68"
3	002324-02-000	FT	Channel - Weatherstrip - Glass
4	069640-06-000	FT	Ribbon Sealer - 5/16" Bead x 15'
5	002309-02-000	FT	Spline - Glass - 1/8" Material - Black
6	069886-03-011	EA	Seal - Holder w/Fin Seal - Black
7	057374-02-000	FT	Extr Vinyl - Window Seal - Black
8	073740-01-000	FT	Seal - Fin - Pile - .460"
9	078562-02-000	EA	Mullion - Slider Window - Black
	002292-02-000	SF	Screen - Window - 20" Charcoal
10	002298-02-000	FT	Spline - .130" Dia - Charcoal (Screen)
11	081984-03-000	EA	Glass - Stationary - 1/8" x 19" x 12.3"
12	047369-01-700	EA	Latch Kit - Window - Plastic w/Fastener

WINDOW, VENT & EXTERIOR DOOR GROUP (CONTINUED)



DOUBLE SLIDER WINDOW

Key	Part Number	U/M	Description
1	078269-04-X11	EA	Window Asm. - Double Slider (w/o inside frame)
	083122-26-000	EA	Inside Frame - Double Slider - Beige (not included in assembly)
2	081980-10-000	EA	Glass - Sliding - 1/8" x 30.6" x 19.31" - Gray
3	002324-02-000	FT	Channel - Weatherstrip - Glass
4	069640-06-000	FT	Sealer Ribbon - 5/16" Bead x 15'
5	002309-02-000	FT	Spline - Glass - 1/8" - Black
6	069886-03-000	EA	Seal Holder - 1/8" Glass - Black
7	024096-02-000	FT	Vinyl Window Seal - Black
8	073740-01-000	FT	Fin Seal - .460" Pile
9	083926-02-001	EA	Mullion - Slider Window - Black
	002293-02-000	SF	Screen - Window - 26" - Charcoal
10	002298-02-000	FT	Spline - .130" Dia - Charcoal (Screen)
11	002188-07-000	EA	Glass - Stationary - 1/8" x 30.7" x 24.75"
12	047369-01-700	EA	Latch Kit - Window - Plastic w/Fastener

1989 ITASCA
TABLE OF CONTENTS

IC/F420RG
IC/F421RB

A-01 - B-22
B-23 - D-15

1989 IC/F421RB INDEX

Floor Plan	B-23 - B-24
Accessories Group	C-01 - C-02
Bath Group	C-03
Chassis Group	C-04 - C-05
Curtain, Cushion & Pad Group	C-06 - C-10
Dinette Group	C-11 - C-12
Driver's Compartment Group	C-13 - C-14
Electrical Group	C-15 - C-16
Exterior Body Group	C-17 - C-22
Galley Group	C-23
Heating & Air Conditioning Group	C-24
Interior Finish Group	D-01 - D-02
LP Group	D-03
Lounge Group	D-04
Water & Sewage Group	D-05
Window, Vent & Exterior Door Group	D-06 - D-15

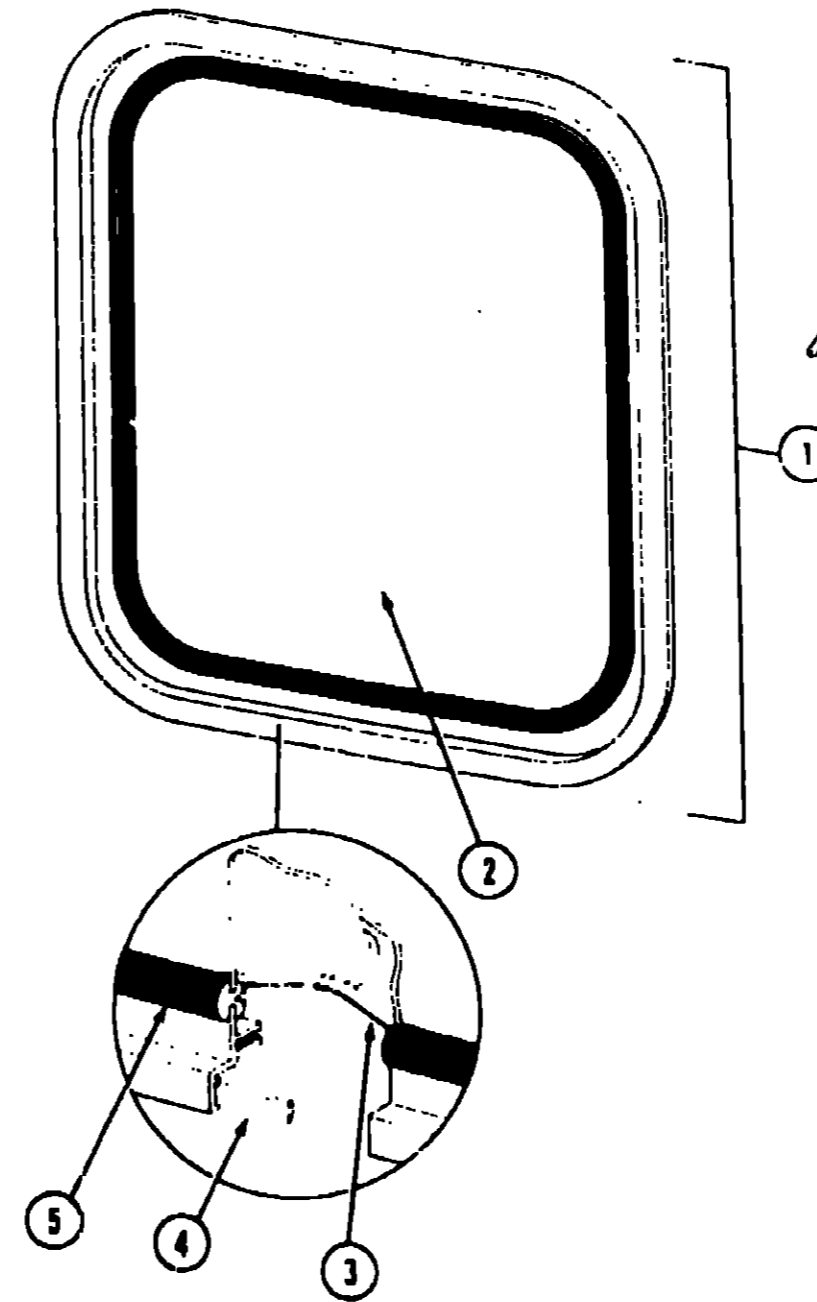
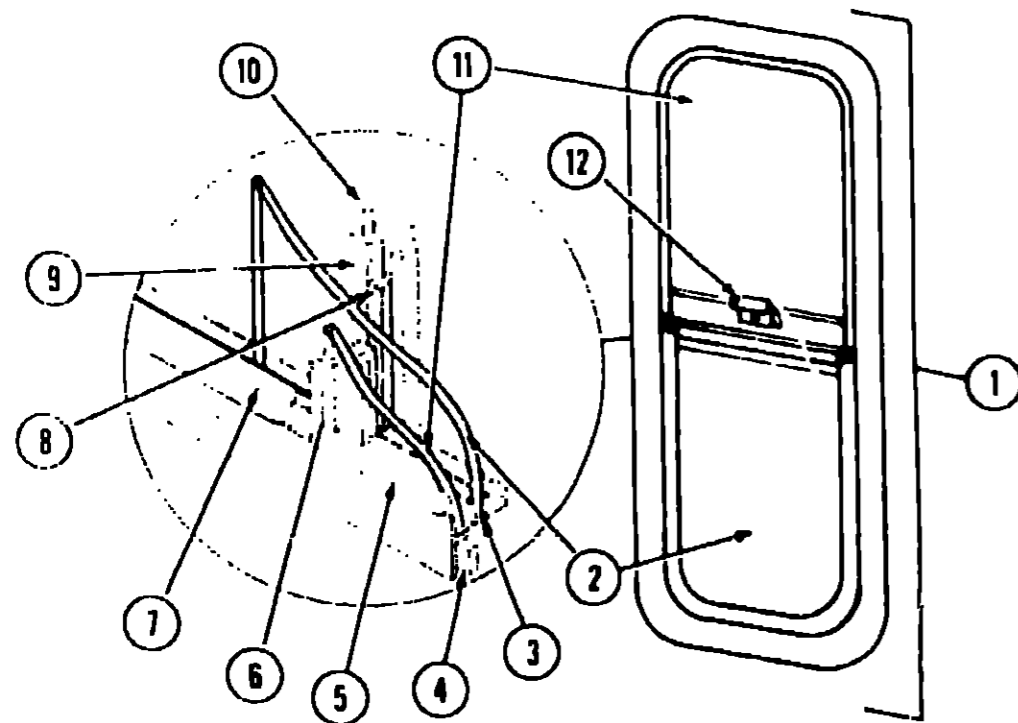
WINDOW, VENT & EXTERIOR DOOR GROUP (CONTINUED)

WINDOW, VENT & EXTERIOR DOOR GROUP (CONTINUED)

1989 ITASCA
TABLE OF CONTENTS

IC/F420RG
IC/F421RB

A-01 - B-22
B-23 - D-15



Key	Part Number	U/M	Description
1	079415-01-T03	EA	Window Asm - Vertical Slider - 37" x 15" - Black (w/o inside frame)
2	020749-05-000	EA	Inside Frame - Beige (not included in assembly)
3	002174-02-000	EA	Glass - Slider - 1/8" x 14.4" x 19"
4	002285-01-000	FT	Channel - Weatherstrip - Glass Run - 1/8" Glass
5	069640-05-000	FT	Ribbon Sealer - 5/16" x 15'
6	002282-01-000	FT	Spline - Glass - 1/8" Material - Black
7	069686-03-007	EA	Seal Holder w/Fin Seal - Black
8	057374-02-000	FT	Extr Rubber - Window Seal - Black
9	023740-01-000	FT	Seal - Fin - Pile - .460"
10	028562-01-000	EA	Mullion - Slider Window - Black
11	002298-02-000	FT	Spline - 130" Dia - Charcoal (Screen)
12	061984-01-000	EA	Glass - Stationary - 1/8" x 14.4" x 19"
13	012764-01-700	EA	Latch Kit - Window - Plastic w/Fastener
14	029264-01-000	EA	Bracket - Mullion - Black
15	002291-02-000	SF	Screen - Window 16" - Charcoal

Key	Part Number	U/M	Description
1	079415-01-T03	EA	Window Asm - Rear Escape - 23" x 29" - Black (w/o inside frame)
2	020749-05-000	EA	Inside Frame - Beige (not included in assembly)
3	002174-02-000	EA	Glass - 1/8" x 19.6" x 25.9"
4	002285-01-000	FT	Filler Weatherstrip - Black
5	069640-05-000	FT	Ribbon Sealer - 5/16" Bead x 15'
6	002282-01-000	FT	Weatherstrip - 1.25" Window
7	006199-01-000	EA	Label - Exit - Escape Window

1989 IC/F421RB INDEX

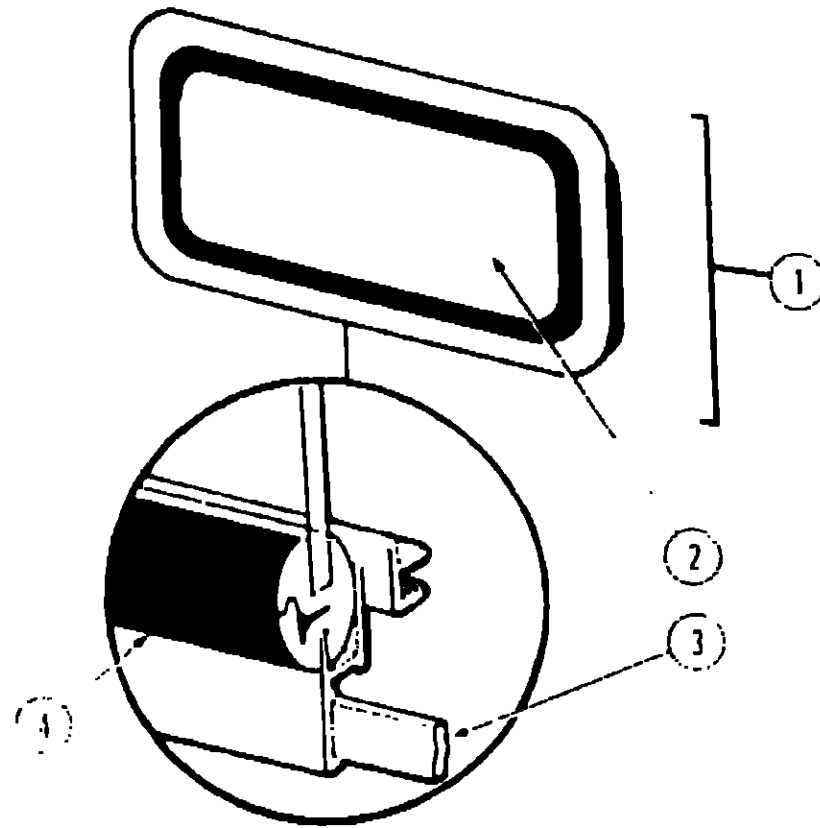
Floor Plan	B-23 - B-24
Accessories Group	C-01 - C-02
Bath Group	C-03
Chassis Group	C-04 - C-05
Curtain, Cushion & Pad Group	C-06 - C-10
Dinette Group	C-11 - C-12
Driver's Compartment Group	C-13 - C-14
Electrical Group	C-15 - C-16
Exterior Body Group	C-17 - C-22
Galley Group	C-23
Heating & Air Conditioning Group	C-24
Interior Finish Group	D-01 - D-02
LP Group	D-03
Lounge Group	D-04
Water & Sewage Group	D-05
Window, Vent & Exterior Door Group	D-06 - D-15

WINDOW, VENT & EXTERIOR DOOR GROUP (CONTINUED)

**1989 ITASCA
TABLE OF CONTENTS**

IC/F420RG
IC/F421RB

A-01 - B-22
B-23 - D-15



Key	Part Number	U/M	Description
1	078433-04-X08	EA	Window Asm - Front Picture - 15" x 30" - Black (w/o inside frame)
2	041948-06-000	EA	Inside Frame - Beige (not included in assembly)
3	002700-05-000	EA	Glass - TP - Picture Window
4	069640-06-000	FT	Ribbon Sealer - 5/16" Bead x 15'
5	002781-01-000	FT	Weatherstrip - Self Seal - .06" Panel x 3/16" - Black

1989 IC/F421RB INDEX

Floor Plan	B-23 - B-24
Accessories Group	C-01 - C-02
Bath Group	C-03
Chassis Group	C-04 - C-05
Curtain, Cushion & Pad Group	C-06 - C-10
Dinette Group	C-11 - C-12
Driver's Compartment Group	C-13 - C-14
Electrical Group	C-15 - C-16
Exterior Body Group	C-17 - C-22
Galley Group	C-23
Heating & Air Conditioning Group	C-24
Interior Finish Group	D-01 - D-02
LP Group	D-03
Lounge Group	D-04
Water & Sewage Group	D-05
Window, Vent & Exterior Door Group	D-06 - D-15