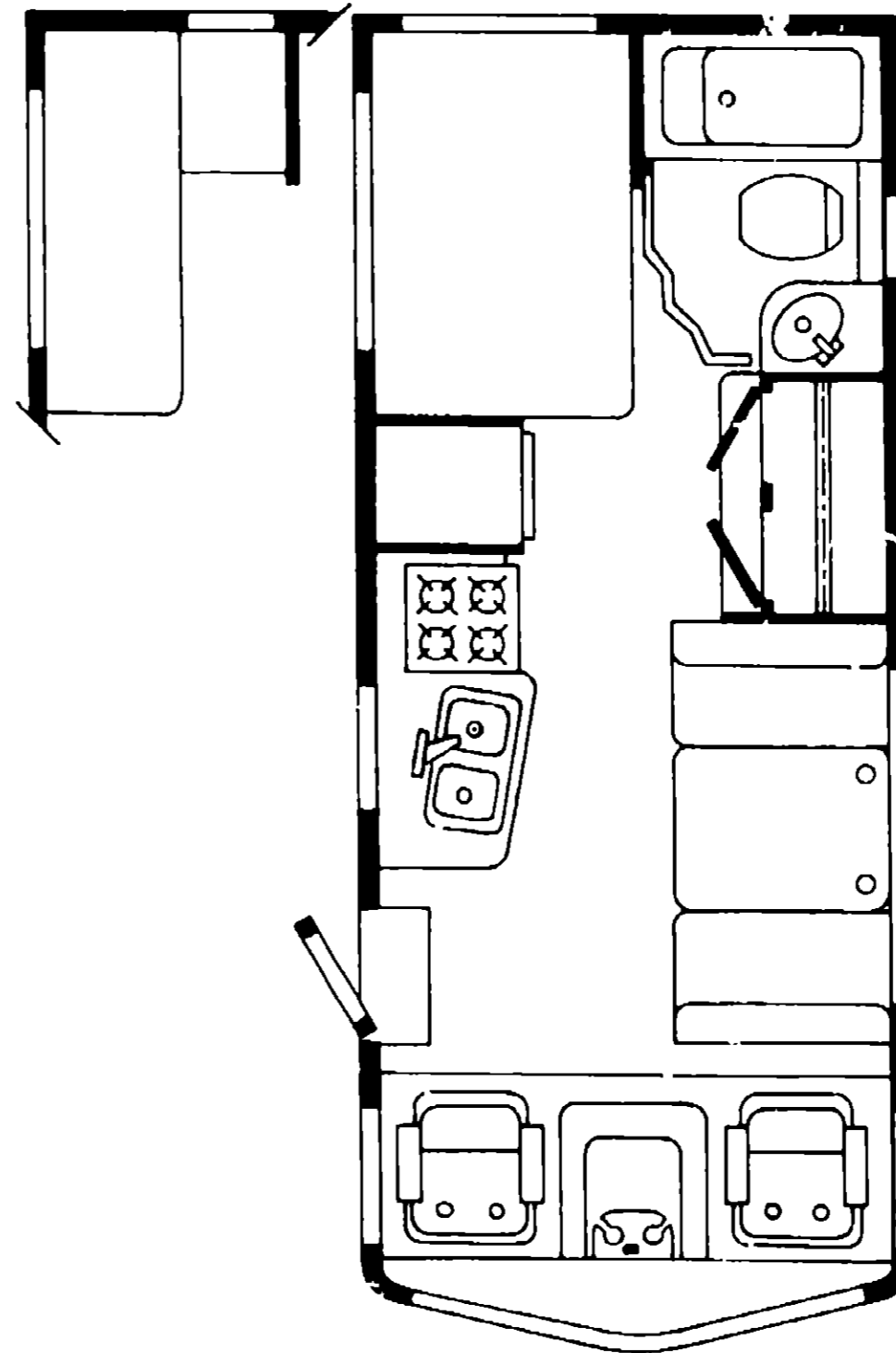


1988 WCN22RC



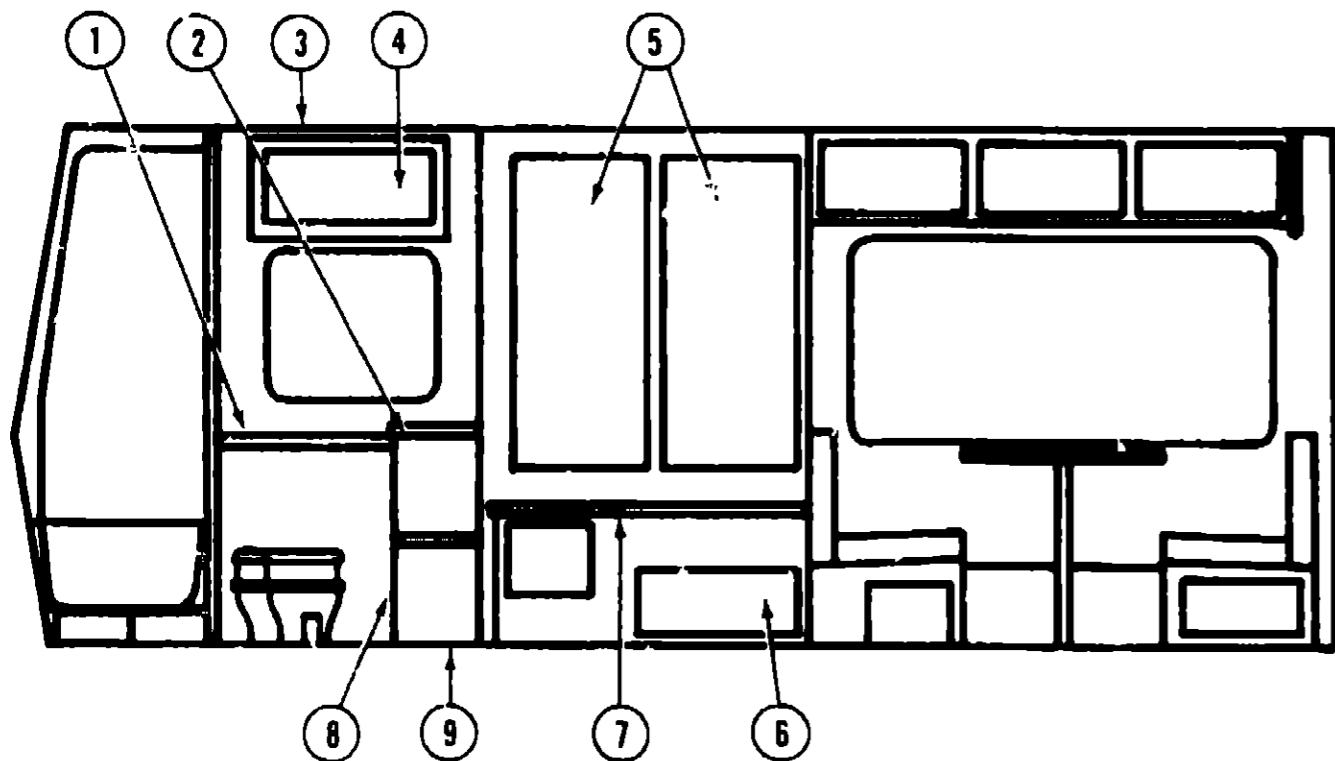
1988 N-SERIES TABLE OF CONTENTS

W/ICN22EC	A-01 - A-22
WCN22RC	A-23 - B-14
W/ICN27RT	B-15 - C-18
W/ICN27RU	C-19 - D-20
W/ICN31RT & W/IJN31RT	D-21 - E-18
W/ICN33RU	E-19 - F-16

1988 WCN22RC INDEX

Floor Plan	A-23 - A-24
Bath Group	B-01
Chassis Group	B-02
Curtain, Cushion & Pad Group	B-03 - B-05
Dinette Group	B-06
Exterior Body Group	B-07 - B-08
Galley Group	B-09
Lounge Group	B-10
Window, Vent & Exterior Door Group	B-11 - B-13

BATH GROUP



BATH CABINETRY & MISCELLANEOUS HARDWARE

Key	Part Number	U/M	Description
1	M02198-01-X11	EA	Countertop Asm - Pipe Cover
2	M02106-01-X08	EA	Countertop Asm - Lavatory Cabinet
3	076073-01-000	EA	Cabinet Asm - Medicine - w/o Door & Hardware
4	088303-52-X08	EA	Door Asm - Medicine Cabinet - 15 5" x 29 5" - w/Mirror - w/o Hardware
	076073-01-700	EA	Latch - Medicine Cabinet
5	M88304-64-X11	EA	Door Asm - w/Mirror - Wardrobe Cabinet - 20 6" x 48" - w/o Hardware
6	M88304-73-X11	EA	Door Asm - Wardrobe Cabinet - Lower - 10" x 25 20" - w/o Hardware
	081508-01-W27	EA	Drawer Asm. - Wardrobe - 19 1" x 20 8"
7	M02426-01-X11	EA	Countertop Asm - Wardrobe
8	M88403-19-X08	EA	Door Asm - Lavatory Cabinetry - 12' x 25 9" - w/o Hardware
9	M81548-01-X11	EA	Cabinet Asm. - Lavatory - w/o Countertop, Doors or Drawers
	080224-31-000	EA	Door Asm - Folding - w/o Hardware - 46" x 75"
	080224-04-000	EA	Track - Folding Door - 90° - Beige
	075606-01-000	EA	Shower Panel - Faucet - Plastic
	M81520-01-W30	EA	Pantry Asm. - w/o Racks
	082129-01-000	EA	Slide Asm - Pantry Top
	082129-02-000	EA	Slide Asm. - Pantry Bottom
	075451-01-000	EA	Storage Rack - Canned Goods - Pantry
	075451-02-000	EA	Clip - Storage Rack - White
	061604-01-000	EA	Slide Bolt - Pantry Asm - Antique Brass
	078097-01-000	EA	Bracket - Catch - Pantry
	076098-01-000	EA	Bracket - Slide - Pantry
	075603-01-000	EA	Threshold - Shower Door - Beige
	079234-01-000	EA	Jamb - Shower Door - Right - Beige
	079234-02-000	EA	Jamb - Shower Door - Left - Beige
	079235-01-000	EA	Header - Shower Door - Beige
	079657-01-000	EA	Door Asm. - Shower - Aluminum
	079657-02-000	EA	Door Asm - Shower - Satin Brass
			Not Illustrated

CHASSIS GROUP

MISCELLANEOUS CHASSIS

Key	Part Number	U/M	Description
**	007125-06-000	EA	Clamp Asm - Muffler - 2 25"
**	007125-07-000	EA	Clamp Asm - Muffler - 2 50"
	010497-01-000	EA	Clamp - Close - 5/8 I.D.
	007161-01-000	EA	Clamp - Hose - Spring Type 112
	062401-01-000	EA	Clamp - Hose - Wormgear - 22" I.D. - 1" I.D.
	062401-03-000	EA	Clamp - Hose - Wormgear - 25" I.D. - 1" I.D.
	062401-02-000	EA	Clamp - Hose - Wormgear - 1 56" I.D. - 2 5" I.D.
	062401-04-000	EA	Clamp - Hose - Wormgear - 69" I.D. - 1 25" I.D.
	062401-05-000	EA	Clamp - Hose - Wormgear - 2" I.D. - 3" I.D.
	062401-06-000	EA	Clamp - Hose - Wormgear - 22" I.D. - 62" I.D.
	062401-08-000	EA	Clamp - Hose - Wormgear - 4 06" I.D. - 5" I.D.
	023146-01-000	EA	Clamp - Screw Type - 4"
	062628-01-000	EA	Clip - Prop Rod - Hood
	088580-06-000	EA	Compartment - Power Cord - Black Plastic
	071656-01-000	EA	Cover - Radiator - Rear
	080722-01-000	EA	Cover - Radiator - Rear Back (Fan Shroud)
	020167-03-000	EA	Dirt Guard - Rear Wheel
	024138-01-000	FT	Hose - Fuel - 5/16" I.D. SAE 30RI
	066732-01-000	FT	Hose - Fuel Fill - 62 I.D.
	007111-02-000	EA	Hose - Fuel Fill - 2 00 I.D.
	007111-01-000	EA	Hose - Fuel Fill - 2 25 I.D.
	079059-02-000	EA	Hose - 90° - 61" x 4" x 6"
	017516-01-000	EA	Mud Flap w/Holes - 14" x 18" - Black
	089359-02-000	EA	Rim - Wheel - 16" x 6"
	086273-01-000	EA	Relay - Battery Disconnect
	081264-01-000	EA	Heat Shield - Deflector
	075146-01-000	EA	Heat Shield - Muffler
	053322-08-000	EA	Heat Shield - Exhaust
	079942-01-000	EA	Shock Absorber - Stabilizer - Front
	063977-08-000	EA	Step Asm - Drive Door
	063977-10-000	CA	Step Asm - Passenger Door
	077848-01-000	EA	Step Asm - Entry
	076241-01-000	EA	Support Asm - Electric Step
**	061411-03-000	EA	Tailpipe Extension - 2 25" x 10 5'
**	081918-01-000	EA	Tailpipe Extension - 2 25" x 11 44'
	050273-02-000	EA	Tire - 7 5" x 16" - XCA - Tubeless
	040546-03-000	EA	Tire - 7 5" x 16" - 8 Ply - Tube - Polyester
	078137-02-000	EA	Tray - Luggage
	051377-01-000	EA	Valve Stem Asm - TR500
	055080-01-000	EA	Wheelwell - Plastic
	008343-01-000	EA	Wire Tie - 6"
	047441-01-000	EA	Battery Terminal - Horizontal Lug
	075723-01-000	EA	Block - Switch - Spacer w/o Holes
	065450-04-000	EA	Bracket - Battery Tie Down - 6 9"
	078010-04-000	EA	Door Asm & Upper Shroud - Fuel Fill - Beige
	089310-01-000	EA	Cap - Fuel Fill
	072447-01-000	EA	Shroud - Fuel Fill - Inside
	083578-01-000	EA	Boot - Fuel Fill
	077963-01-000	EA	Gasket - Door - Gas Fill
**			Remainder of exhaust Components available from chassis service center

1988 N-SERIES TABLE OF CONTENTS

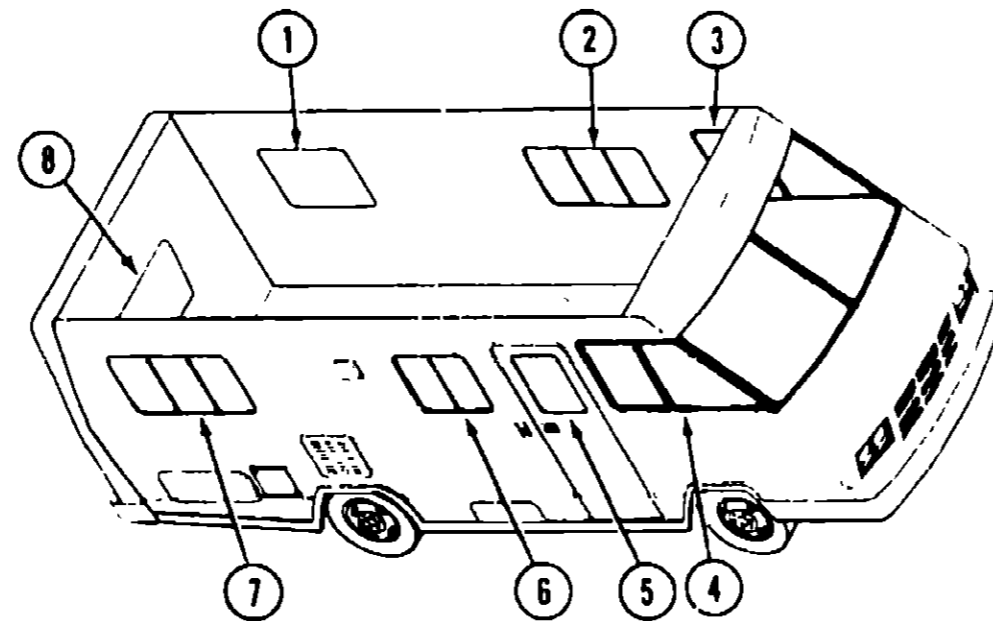
W/ICN22EC	A-01 - A-22
WCN22RC	A-23 - B-14
W/ICN27RT	B-15 - C-18
W/ICN27RU	C-19 - D-20
W/ICN31RT & W/IJN31RT	D-21 - E-18
W/ICN33RU	E-19 - F-16

1988 WCN22RC INDEX

Floor Plan	A-23 - A-24
Bath Group	B-01
Chassis Group	B-02
Curtain, Cushion & Pad Group	B-03 - B-05
Dinette Group	B-06
Exterior Body Group	B-07 - B-08
Galley Group	B-09
Lounge Group	B-10
Window, Vent & Exterior Door Group	B-11 - B-13

CURTAIN, CUSHION & PAD GROUP

CURTAIN, SHADES, VALANCES & TIEBACKS



1988 N-SERIES TABLE OF CONTENTS

W/ICN22EC	A-01 - A-22
WCN22RC	A-23 - B-14
W/ICN27RT	B-15 - C-18
W/ICN27RU	C-19 - D-20
W/ICN31RT & W/IJN31RT	D-21 - E-18
W/ICN33RU	E-19 - F-16

Key	Part Number	U/M	Description
1	085191-10-X11	EA	Valance Asm - 31 5" - w/Insert (X11, X12, X13)
1	085304-74-000	EA	Blinds - Pleated - 28" x 24" Drop (X11)
1	085304-73-000	EA	Blinds - Pleated - 28" x 24" Drop (X12)
1	085304-75-000	EA	Blinds - Pleated - 28" x 24" Drop (X13)
1	073304-39-X08	EA	Curtain Asm - w/Snap Top - 27 5" x 10" (X11, X12, X13)
†1	073304-50-X08	EA	Curtain Asm. - w/Snap Top - 26 5" x 10" (X11, X12, X13)
2	085191-01-X11	EA	Valance Asm - 68 5" - w/Insert (X11, X12, X13)
2	085304-20-000	EA	Blinds - Pleated - 65" x 33" Drop (X11)
2	085304-19-000	EA	Blinds - Pleated - 65" x 33" Drop (X12)
2	085304-17-000	EA	Blinds - Pleated - 65" x 33" Drop (X13)
2	082127-77-000	EA	Woven Wood Shade - 65" x 33" Drop
2	085190-16-X11	EA	Curtain Asm. - Darts & Snaps Top - Right (X11, X12, X13)
2	085190-19-X11	EA	Curtain Asm. - Darts & Snaps Top - Left (X11, X12, X13)
2	087318-07-X11	EA	Curtain Asm. - Pleats & Snaps Top - Use w/Woven Woods
3	073304-41-X23	EA	Curtain Asm - w/Snaps Top - Front Wraparound - 32 5" x 86" - Drivers
††3	073304-49-X11	EA	Curtain Asm. - w/Snaps Top - Front Wraparound - 34" x 86" - Both
4	073304-40-X23	EA	Curtain Asm. - w/Snaps Top - Front Wraparound - 32 5" x 86" - Passengers
††4	073304-49-X11	EA	Curtain Asm - w/Snaps Top - Front Wraparound - 34" x 86" - Both
5	085191-04-X11	EA	Valance Asm. - 27 4" w/Insert (X11, X12, X13)
5	084755-04-X11	EA	Shade - 24.25" (X11, X12, X13)
6	085191-03-X11	EA	Valance Asm - 29 5" w/Insert (X11, X12, X13)
6	085304-71-000	EA	Blinds - Pleated - 27" x 22" Drop (X11)
6	085304-70-000	EA	Blinds - Pleated - 27" x 22" Drop (X12)
6	085304-72-000	EA	Blinds - Pleated - 27" x 22" Drop (X13)
7	088926-04-X11	EA	Valance Asm. - Quilted - 64" w/Trim
7	088926-04-X12	EA	Valance Asm. - Quilted - 64" w/Trim
7	088926-04-X13	EA	Valance Asm. - Quilted - 64" w/Trim
7	088926-04-XA0	EA	Valance Asm. - Quilted - 64" w/Trim (X11)
*†7	088926-04-XA1	EA	Valance Asm. - Quilted - 64" w/Trim (X12)
*†7	088926-04-XA2	EA	Valance Asm. - Quilted - 64" w/Trim (X13)
7	084755-30-X11	EA	Shade - 60.25" (X11, X12, X13)
7	085190-07-X08	EA	Curtain Asm. - Darts & Snaps Top - 29.5" x 15" (X11)
7	085190-07-X09	EA	Curtain Asm - Darts & Snaps Top - 29 5" x 15" (X12)
7	085190-07-X10	EA	Curtain Asm - Darts & Snaps Top - 29 5" x 15" (X13)

Key	Part Number	U/M	Description
*†7	085190-07-XA0	EA	Curtain Asm - Darts & Snaps Top - 29 5" x 15" (X11)
*†7	085190-07-XA1	EA	Curtain Asm - Darts & Snaps Top - 29 5" x 15" (X12)
*†7	085190-07-XA2	EA	Curtain Asm - Darts & Snaps Top - 29 5" x 15" (X13)
7	086226-42-X11	EA	Curtain Asm. - Sheers - 28 5" x 78" (X11, X12, X13)
8	086109-03-X08	EA	Valance Asm. - Quilted - 37" w/Trim (X11)
8	086109-03-X09	EA	Valance Asm - Quilted - 37" w/Trim (X12)
8	086109-03-X10	EA	Valance Asm - Quilted - 37" w/Trim (X13)
*†8	086109-03-XA0	EA	Valance Asm - Quilted - 37" w/Trim (X11)
*†8	086109-03-XA1	EA	Valance Asm - Quilted - 37" w/Trim (X12)
*†8	086109-03-XA2	EA	Valance Asm. - Quilted - 37" w/Trim (X13)
8	084755-32-X11	EA	Shade Asm. - 33.25" (X11, X12, X13)
8	085190-07-X08	EA	Curtain Asm. - Darts & Snaps Top - 29.5" x 15" (X11)
8	085190-07-X09	EA	Curtain Asm - Darts & Snaps Top - 29.5" x 15" (X12)
8	085190-07-X10	EA	Curtain Asm - Darts & Snaps Top - 29.5" x 15" (X13)
*†8	085190-07-XA0	EA	Curtain Asm - Darts & Snaps Top - 29.5" x 15" (X11)
*†8	085190-07-XA1	EA	Curtain Asm - Darts & Snaps Top - 29 5" x 15" (X12)
*†8	085190-07-XA2	EA	Curtain Asm - Darts & Snaps Top - 29 5" x 15" (X13)
8	073323-19-X11	EA	Curtain Asm - Sheers - 29" x 30" (X11, X12, X13)
*	073304-04-X74	EA	Curtain Asm - Snaps Top - Room Divider - 64" x 53" (X11, X12, X13)
*	077591-05-X11	EA	Curtain Asm - Velcro Top - Bunk Privacy - 60" x 50" - Passenger (X11, X12, X13)
*	077591-06-X11	EA	Curtain Asm - Velcro Top - Bunk Privacy - 60" x 50" - Drivers (X11, X12, X13)
†*	077591-09-X11	EA	Curtain Asm. - Velcro Top - Bunk Privacy - 60" x 47.5" - Passenger (X11, X12, X13)
†*	077591-10-X11	EA	Curtain Asm. - Velcro Top - Bunk Privacy - 60" x 47.5" - Drivers (X11, X12, X13)
*	073260-23-X08	EA	Tieback Asm - 3" x 18" - Drapery (X11, X12, X13)
*	Not Illustrated		
†	Used in units produced after 9/7/87		
††	Used in units produced after 8/19/86		
*†	Used in units produced after 2/22/88		
†	Used in units produced after 7/22/87		

1988 WCN22RC INDEX

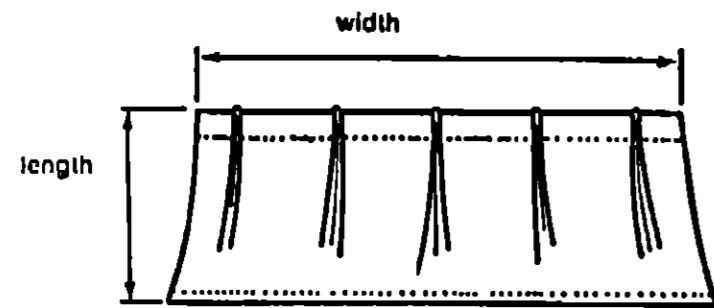
Floor Plan	A-23 - A-24
Bath Group	B-01
Chassis Group	B-02
Curtain, Cushion & Pad Group	B-03 - B-05
Dinette Group	B-06
Exterior Body Group	B-07 - B-08
Galley Group	B-09
Lounge Group	B-10
Window, Vent & Exterior Door Group	B-11 - B-13

CURTAIN, CUSHION & PAD GROUP (CONTINUED)

NOTICE

In order to assist our Parts Sales Dept. in providing interior software items, please include the serial number and the color code number from the vehicle certification label when ordering. This label is located on the left sidewall at the end of the dash (A-Body), or on the driver's door latch plate (C-Body).

An example of a color code number is P31, which designates an overall color scheme of a particular unit. The color listed after the item description on the microfiche, indicates the overall unit color. Order the item you desire according to unit color code.



NOTE

Use this illustration when determining length and width measurement for curtains. You will note the width measurement is taken on the top of the curtain with the curtain fully extended. The length measurement is taken from top to bottom.



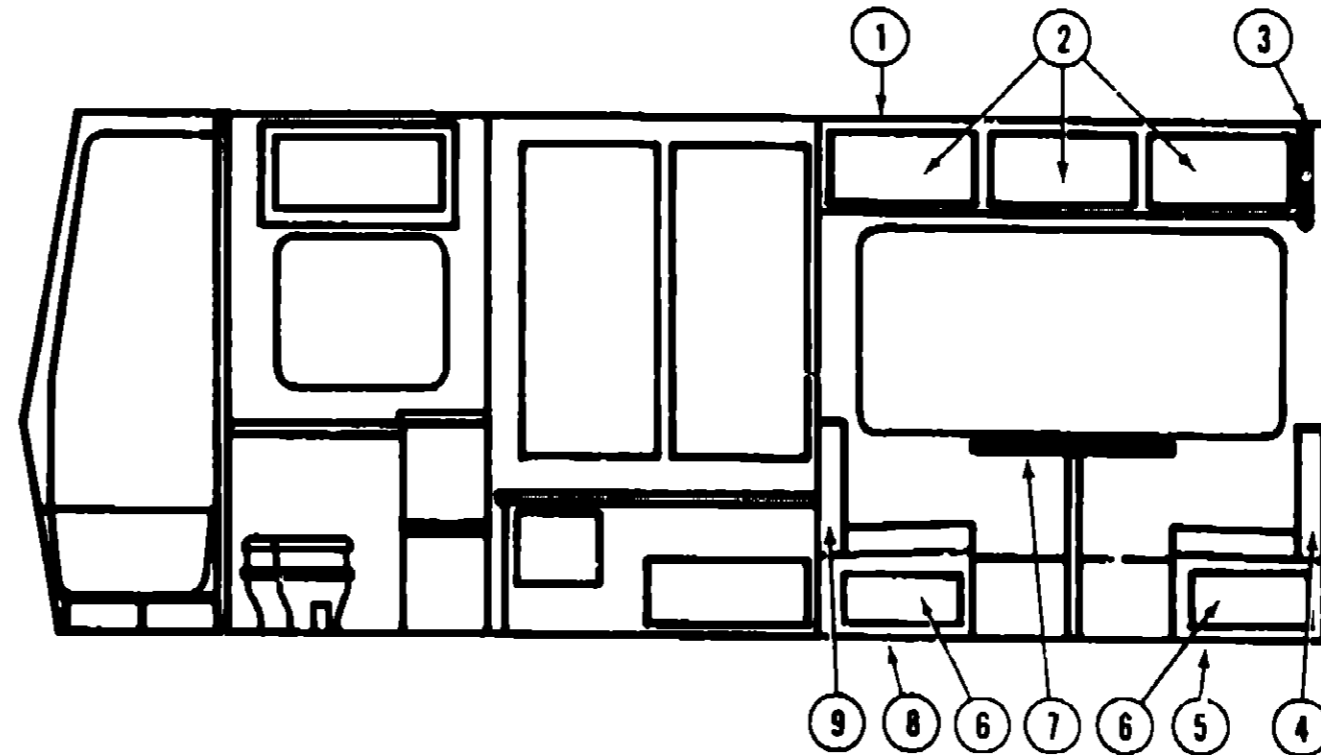
Key	Part Number	U/M	Description
1	029130-01-000	EA	Socket - Snap Fastener
2	029155-01-000	EA	Cap - Snap - 156" Dia x 17" Barrel
3	029156-01-000	EA	Socket - Snap Fastener
4	029092-01-000	EA	Stud - Nickel Finish
5	092093-01-000	EA	Eyelet - Nickel Finish

PADS

Key	Part Number	U/M	Description
	086109-03-X08	EA	Headboard Asm. - Gathered - 44" (X11)
	086109-03-X09	EA	Headboard Asm. - Gathered - 44" (X12)
	086109-03-X10	EA	Headboard Asm. - Gathered - 44" (X13)
†	086109-03-XA0	EA	Headboard Asm. - Gathered - 44" (X11)
†	086109-03-XA1	EA	Headboard Asm. - Gathered - 44" (X12)
†	086109-03-XA2	EA	Headboard Asm. - Gathered - 44" (X13)
	081519-03-X11	EA	Pad Asm. - Dinette - Front
	081519-03-X12	EA	Pad Asm. - Dinette - Front
	081519-03-X13	EA	Pad Asm. - Dinette - Front
	081519-04-X11	EA	Pad Asm. - Dinette - Rear
	081519-04-X12	EA	Pad Asm. - Dinette - Rear
	081519-04-X13	EA	Pad Asm. - Dinette - Rear

† Used in units produced after 2/22/88

DINETTE GROUP



1988 N-SERIES TABLE OF CONTENTS

W/ICN22EC	A-01 - A-22
WCN22RC	A-23 - B-14
W/ICN27RT	B-15 - C-18
W/ICN27RU	C-19 - D-20
W/ICN31RT & W/IJN31RT	D-21 - E-18
W/ICN33RU	E-19 - F-16

CONVENTIONAL DINETTE & OVERHEAD CABINERY

Key	Part Number	U/M	Description
1	M81302-05-X11	EA	Cabinet Asm. - Dinette Overhead - w/o Doors or Hardware
2	M88304-16-X23	EA	Door Asm. - Dinette Overhead - w/o Hardware - 12" x 21 8"
3	081325-01-W30	EA	Pad Asm. - End Cap - Dinette Overhead - Front - Vinyl
4	M03115-01-X11	EA	Cabinet Asm. - Dinette Back - Right
5	M03114-01-X11	EA	Cabinet Asm. - Dinette Seat - Right - w/o Hardware
6	M88304-21-X08	EA	Door Asm. - Dinette Seat - w/o Hardware - 10" x 19"
7	M81299-01-X36	EA	Table Asm. - Dinette - w/o Hardware
8	M02175-04-W24	EA	Cabinet Asm. - Dinette Seat - Left - w/o Door or Hardware
9	M02174-03-W30	EA	Cabinet Asm. - Dinette Back - Left
•	053200-05-000	EA	Bracket - Upper Wall Mount - 23 5"
•	088410-01-000	EA	Bracket - Table Mount - Beige
•	024275-05-000	EA	Rod - Table Lift - 8" x 23 5" - Beige
•	024281-07-000	EA	Bracket - Lower Wall Mount - 22 12"
•	024276-17-000	EA	Leg Asm. - Table - 29 5" - Tan
••	064050-02-000	EA	Hinge - Table Leg - Tan
••	024282-01-000	EA	Brace - Table Leg
••	024283-01-000	EA	Clip - 1" O.D. Tube
•	049493-05-000	EA	Catch - Table Leg - Mounts on Floor - Tan
•	064781-01-000	EA	Cup Holder - 3 47" O.D. x 2 75" x 1 5" - Chrome
•	064781-02-000	EA	Cup Holder - 3 47" O.D. x 2 75" I.D. x 1 5" - Beige
•			Not Illustrated

•• The illustrated parts breakdown for this item is provided on the Common Items Fiche

DINETTE PADS

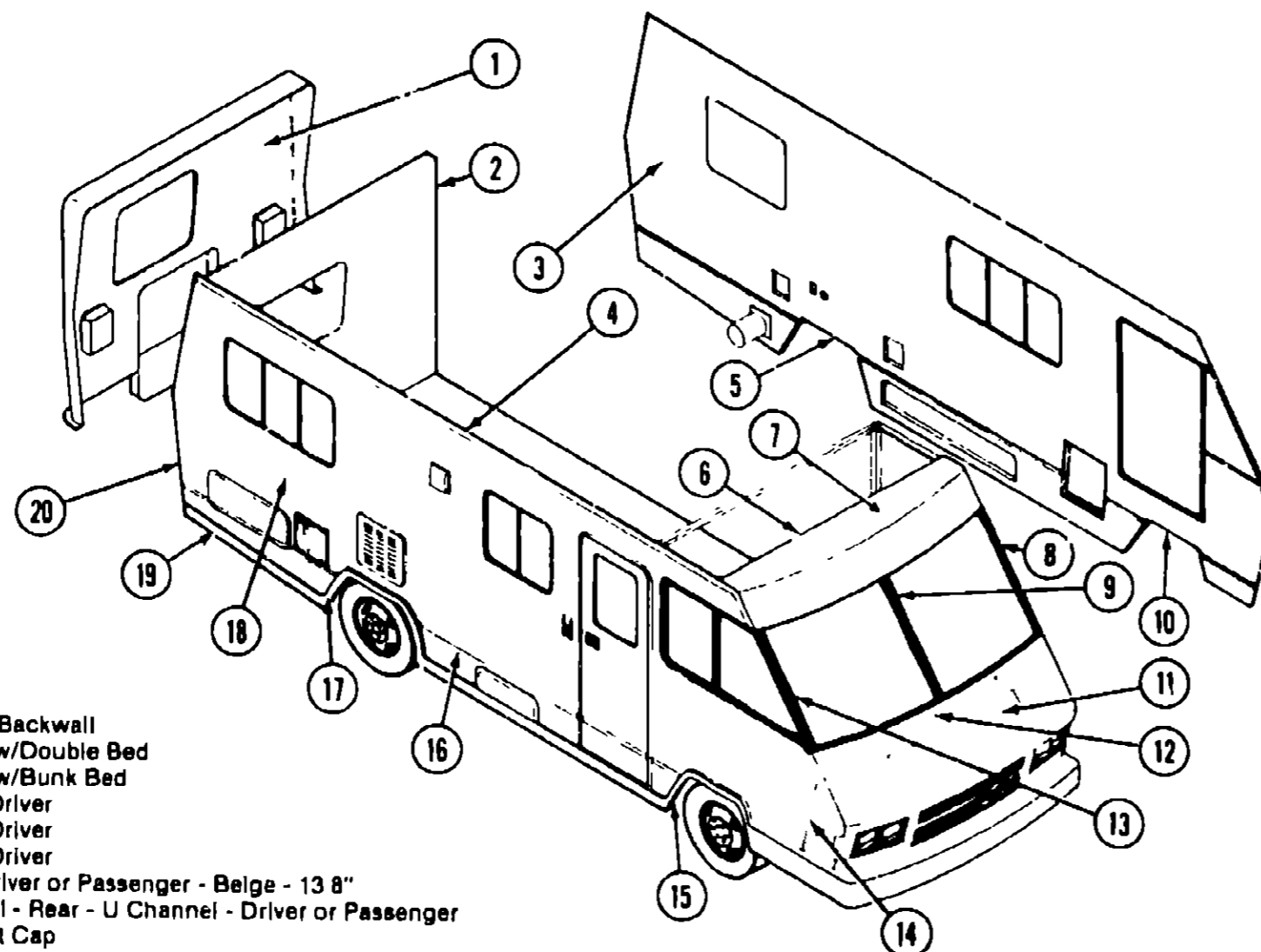
Key	Part Number	U/M	Description
	081519-03-X11	EA	Pad Asm. - Dinette - Right
	081519-03-X12	EA	Pad Asm. - Dinette - Right
	081519-03-X13	EA	Pad Asm. - Dinette - Right
	081519-04-X11	EA	Pad Asm. - Dinette - Left
	081519-04-X12	EA	Pad Asm. - Dinette - Left
	081519-04-X13	EA	Pad Asm. - Dinette - Left

1988 WCN22RC INDEX

Floor Plan	A-23 - A-24
Bath Group	B-01
Chassis Group	B-02
Curtain, Cushion & Pad Group	B-03 - B-05
Dinette Group	B-06
Exterior Body Group	B-07 - B-08
Galley Group	B-09
Lounge Group	B-10
Window, Vent & Exterior Door Group	B-11 - B-13

EXTERIOR BODY GROUP

EXTERIOR BODY PANELS



Key	Part Number	U/M	Description
1	M01898-05-W07	EA	Rear Cap Asm - Backwall
*	082224-01-W07	EA	Backwall Asm - w/Double Bed
2	082224-02-X11	EA	Backwall Asm - w/Bunk Bed
3	M89758-01-X11	EA	Sidewall Asm - Driver
3	M89758-01-W12	EA	Sidewall Asm - Driver
3	M89758-01-W13	EA	Sidewall Asm - Driver
4	078800-06-000	ER	Trim - Upper - Driver or Passenger - Beige - 13 8"
5	089749-01-000	EA	Trim - Wheel Well - Rear - U Channel - Driver or Passenger
6	078580-01-000	EA	Trim - Roof/Front Cap
7	M02959-01-W07	EA	Cap - Over Windshield - Beige
8	087601-02-000	FT	Trim - Molding - Windshield - Driver
*	084903-01-000	EA	Trim - Molding - Windshield - Upper & Lower
9	083178-02-000	EA	Trim - Molding - Windshield - Center
10	089909-01-000	EA	Trim - Wheel Well - Front - U Channel - Driver or Passenger
11	086045-01-W07	EA	Access Panel - w/Hardware
*	086425-02-000	EA	Headlamp Bezel - Drivers
†	086425-06-000	EA	Headlamp Bezel - Drivers
*	086425-01-000	EA	Headlamp Bezel - Passenger
†	086425-05-000	EA	Headlamp Bezel - Passenger
*	086402-01-000	EA	Grille Panel - Front Shroud - Beige
†	086402-02-000	EA	Grille Panel - Front Shroud - Beige
*	088252-01-000	FT	Trim - Chrome Grille Mold; .g - 5/8" - w/Adhesive Back
*	073308-01-000	EA	Screw Asm - Headlamp - Adjusting
*	049359-01-000	EA	Spring - Headlamp Retainer
*	062207-01-000	EA	Headlamp Guard
12	M01115-12-W07	EA	Panel Asm. - Front Shroud (Includes access panel)
13	087601-01-000	EA	Trim - Molding - Windshield - Passenger
*	084897-01-000	EA	Cap - Reveal Molding - Windshield
14	086414-01-000	EA	Trim - Fiberglass Panel - Passenger - Beige
*	086414-03-000	EA	Trim - Fiberglass Panel - Driver - Beige
15	078556-07-000	EA	Trim - Wheel Well - Front - Plastic - Passenger
*	078556-08-000	EA	Trim - Wheel Well - Front - Plastic - Driver
*	Not Illustrated		
†	Used in units produced after 10/19/87.		

Key	Part Number	U/M	Description
16	059578-08-000	EA	Feature Strip - Extr. Beige - 14' - w/o Insert
*	009731-01-000	EA	End Cap - Feature Strip Insert
*	001030-12-002	FA	Insert - Feature Strip - Beige - 17'
17	075070-01-000	EA	Trim - Wheel Well - Rear - Plastic - Passenger
*	075070-03-000	EA	Trim - Wheel Well - Rear - Plastic - Driver
18	M89757-01-X11	EA	Sidewall Asm. - Passenger
18	M89757-01-X12	EA	Sidewall Asm. - Passenger
18	M89757-01-X13	EA	Sidewall Asm. - Passenger
19	079407-05-001	EA	Extr - Rocker Panel - 16' - Beige
19	086526-55-001	EA	Extr - Door Rocker Panel - 16' - Beige
20	073502-23-000	EA	Trim - Passenger Rear - Beige
*	073502-24-000	EA	Trim - Driver Rear - Beige
*	050406-13-000	EA	Trim - Backwall - Lower - Driver or Passenger
*	086145-01-X11	EA	Roof Asm
*	086415-03-000	EA	Bumper End Cap - Front Passenger - Beige
*	086415-01-000	EA	Bumper End Cap - Front Driver - Beige
*	078578-01-000	EA	Bumper End Cap - Rear Passenger - Beige
*	078578-02-000	EA	Bumper End Cap - Rear Driver - Beige
*	077064-01-000	EA	Cable Release (Access Panel)
*	077407-01-000	EA	Bracket - Cable Release
*	R77007-01-950	EA	Striker - Hood Latch
*	R77006-59-931	EA	Latch - Hood
*	R77006-38-499	EA	Spring - Hood Release
*	082828-01-000	EA	Clip - Prop Rod
*	Not Illustrated		

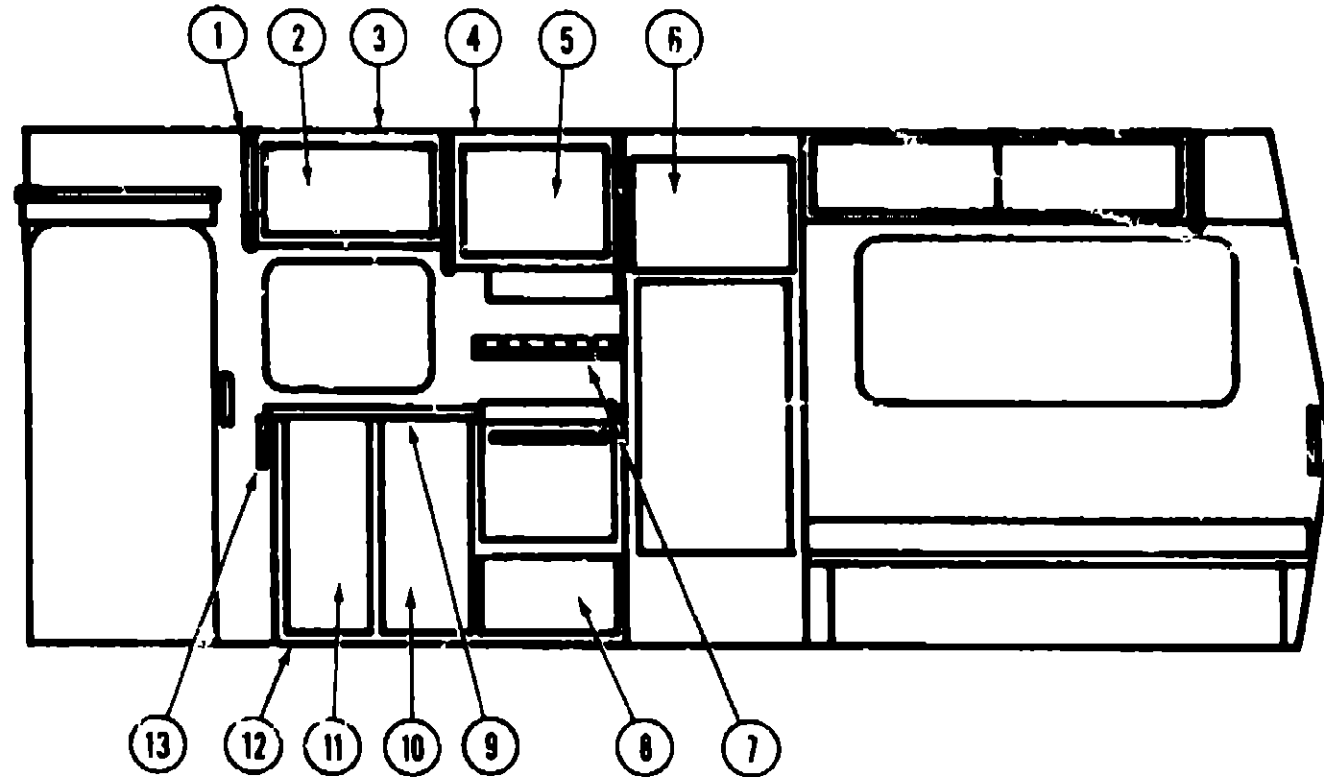
1988 N-SERIES TABLE OF CONTENTS

W/ICN22EC	A-01 - A-22
WCN22RC	A-23 - B-14
W/ICN27RT	B-15 - C-18
W/ICN27RJ	C-19 - D-20
W/ICN31RT & W/IJN31RT	D-21 - E-18
W/ICN33RU	E-19 - F-16

1988 WCN22RC INDEX

Floor Plan	A-23 - A-24
Bath Group	B-01
Chassis Group	B-02
Curtain, Cushion & Pad Group	B-03 - B-05
Dinette Group	B-06
Exterior Body Group	B-07 - B-08
Galley Group	B-09
Lounge Group	B-10
Window, Vent & Exterior Door Group	B-11 - B-13

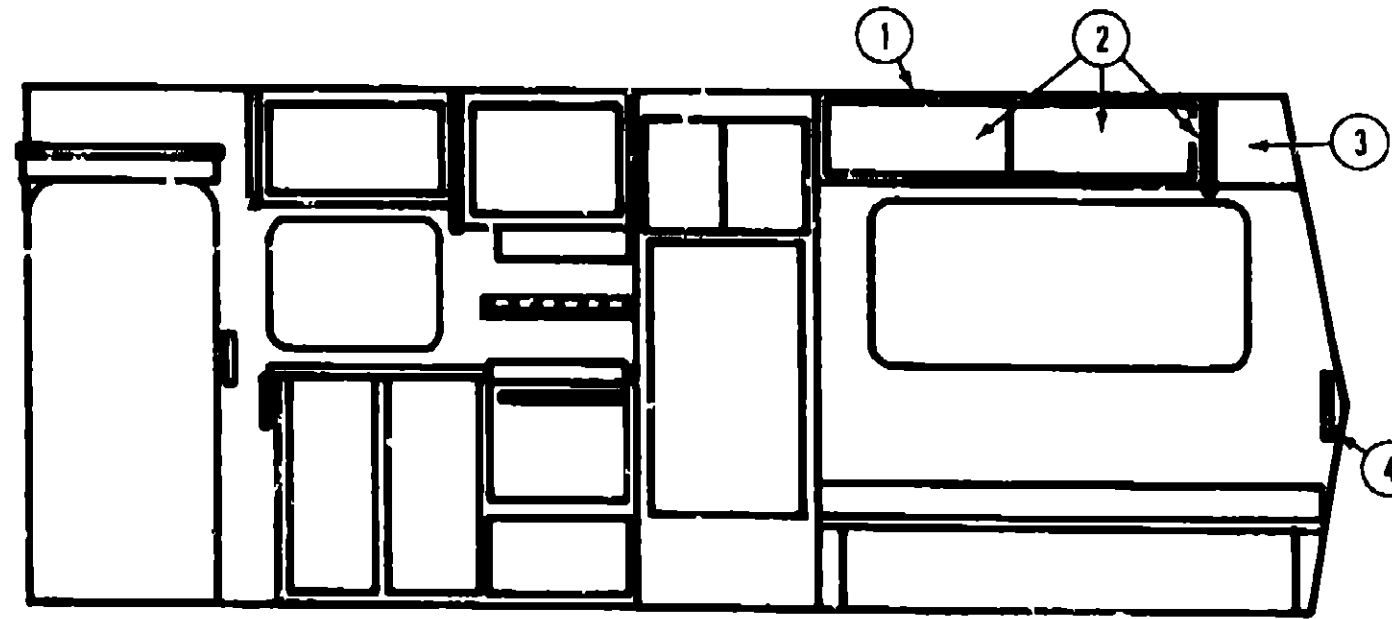
GALLEY GROUP



GALLEY CABINETRY

Key	Part Number	U/M	Description
1	081320-04-W30	EA	Pad Asm - End Cap - Galley Overhead
2	M88304-11-X11	EA	Door Asm - Galley Overhead - w/o Hardware - 15.74" x 27.95"
3	M81656-01-X11	EA	Cabinet Asm - Galley Overhead - w/o Doors or Hardware
4	M88307-07-X11	EA	Cabinet Asm - Galley Overhead - w/o Doors or Hardware
5	M88304-01-X08	EA	Door Asm - Galley Overhead - 17.71" x 22.83" - w/o Hardware
6	M88304-A0-X11	EA	Door Asm - Refrigerator Cabinet - 19.88" x 21.8" - w/o Hardware
7	074460-02-W24	EA	Spice Rack - Oak
8	M92083-04-X11	EA	Door Asm - Furnace - Galley Cabinet 13.3" x 21.8"
	072389-35-000	EA	Mesh - Furnace Grille - 18" x 9.8
9	M02465-01-W30	EA	Countertop Asm. - Galley
10	M88304-14-X08	EA	Door Asm. - Galley Cabinet - w/o Hardware - Right
11	M88304-13-X08	EA	Door Asm. - Galley Cabinet - w/o Hardware - Left
	M82184-10-X11	EA	Drawer Asm. - Galley Cabinet (used with microwave option)
	M82564-03-W30	EA	Cabinet Asm. - Galley - w/o Countertop, Doors, Drawers or Hardware (used with microwave option)
12	M82564-01-X11	EA	Cabinet Asm. - Galley - w/o Countertop, Doors, Drawers or Hardware
13	080812-02-W30	EA	Extension Asm - Galley
	077404-02-000	EA	Drawer - Plastic - 20" x 12.7"
			Not Illustrated

LOUNGE GROUP



DOUBLE BED & SIDE BUNKS

Key	Part Number	U/M	Description
1	081536-01-X11	EA	Cabinet Asm - Lounge Overhead - w/o Doors or Hardware
2	M88304-10-X23	EA	Door Asm - Overhead Cabinet - w/o Hardware - 12" x 21.8"
3	M81540-01-X11	EA	Cabinet Asm - Rear Lounge Overhead - w/o Doors or Hardware
	M88304-16-X23	EA	Door Asm - Rear Lounge Overhead - w/o Hardware - 12" x 21.8"
4	086109-03-X08	EA	Headboard Asm - Double Bed (X11)
4	086109-03-X09	EA	Headboard Asm - Double Bed (X12)
4	086109-03-X10	EA	Headboard Asm - Double Bed (X13)
†4	086109-03-XA0	EA	Headboard Asm - Double Bed (X11)
†4	086109-03-XA1	EA	Headboard Asm - Double Bed (X12)
†4	086109-03-XA2	EA	Headboard Asm. - Double Bed (X13)
	M88304-21-X08	EA	Door Asm. - Double Bed
	M81537-01-W24	EA	Cabinet Asm. - Nightstand - w/o Countertop or Drawers
	M02472-01-W24	EA	Countertop Asm - Nightstand Cabinet
	M78921-03-W24	EA	Drawer - Nightstand Cabinet - w/o Hardware
			Not Illustrated
†			Used in units produced after 2/22/88

1988 N-SERIES TABLE OF CONTENTS

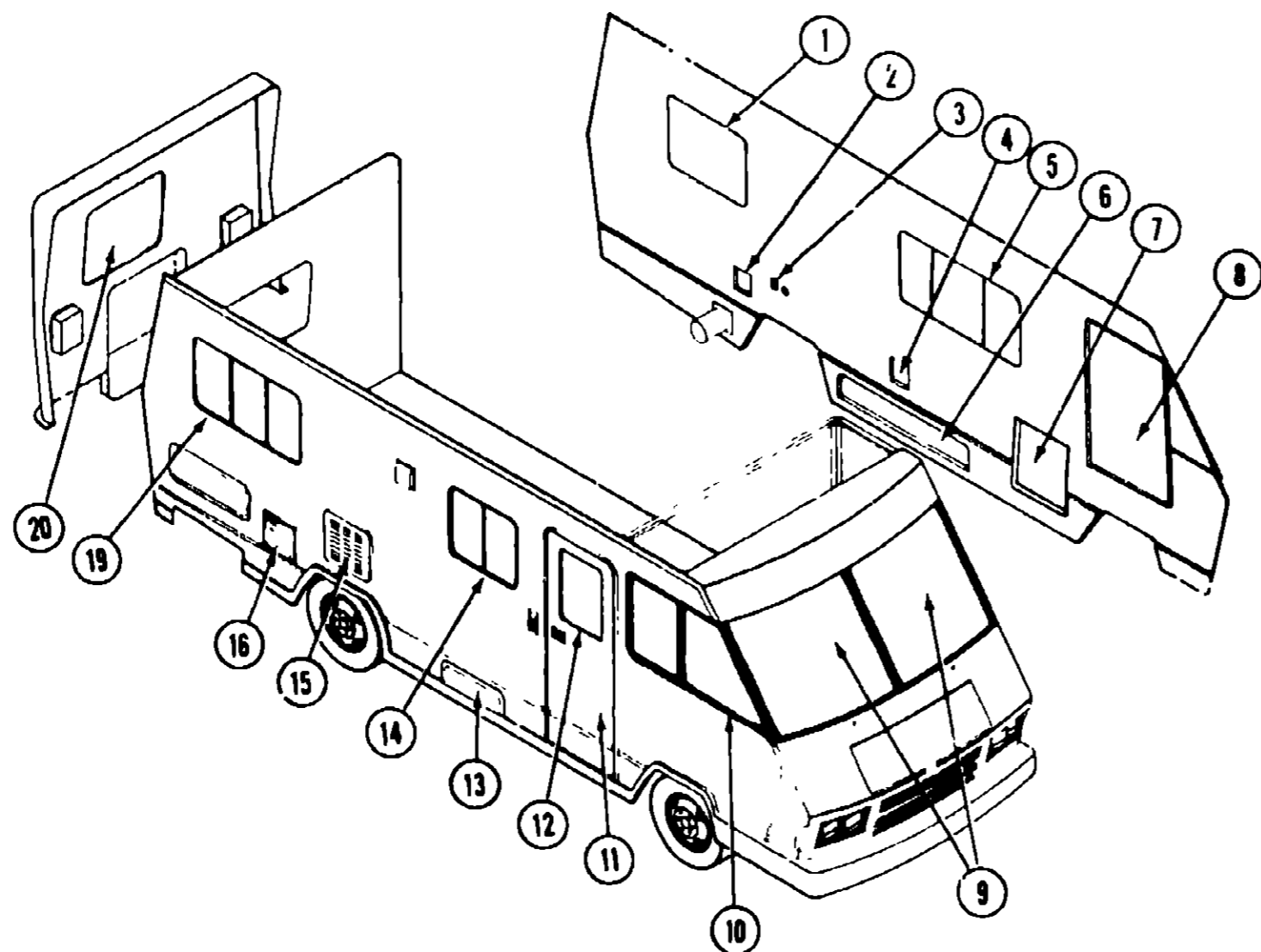
W/ICN22FC	A-01 - A-22
WCN22RC	A-23 - B-14
W/ICN27RT	B-15 - C-18
W/ICN27RU	C-19 - D-20
W/ICN31RT & W/IJN31RT	D-21 - E-18
W/ICN33RU	E-19 - F-16

1988 WCN22RC INDEX

Floor Plan	A-23 - A-24
Bath Group	B-01
Chassis Group	B-02
Curtain, Cushion & Pad Group	B-03 - B-05
Dinette Group	B-06
Exterior Body Group	B-07 - B-08
Galley Group	B-09
Lounge Group	B-10
Window, Vent & Exterior Door Group	B-11 - B-13

WINDOW, VENT & EXTERIOR DOOR GROUP

WINDOWS & ACCESS DOORS



1988 N-SERIES TABLE OF CONTENTS

W/ICN22EC	A-01 - A-22
WCN22RC	A-23 - B-14
W/ICN27RT	B-15 - C-18
W/ICN27RU	C-19 - D-20
W/ICN31RT & W/IJN31RT	D-21 - E-18
W/ICN33RU	E-19 - F-16

1988 WCN22RC INDEX

Floor Plan	A-23 - A-24
Bath Group	B-01
Chassis Group	B-02
Curtain, Cushion & Pad Group	B-03 - B-05
Dinette Group	B-06
Exterior Body Group	B-07 - B-08
Galley Group	B-09
Lounge Group	B-10
Window, Vent & Exterior Door Group	B-11 - B-13

Key	Part Number	U/M	Description
1	078728-02-T03	EA	Window Asm. - Escape
2	078010-04-000	EA	Door Asm. - Fuel Fill (See Access Doors)
3	081240-01-000	EA	Waterfill - Lockable
4	078960-02-T03	EA	Door Asm. - Power Cord (See Access Doors)
†4	088794-02-000	EA	Door Asm. - Power Cord (See Access Doors)
5	085354-02-W07	EA	Window Asm. - Double Tip Out
6	086531-06-X11	EA	Door Asm. - Storage
7	079578-05-X11	EA	Door Asm. - Storage
8	085025-04-000	EA	Window Asm. - Left Front Slant Slider
9	084464-01-000	EA	Glass - Windshield - Passenger
9	084464-02-000	EA	Glass - Windshield - Driver
10	084976-03-W30	EA	Window Asm. - Right Front Slant Slider
11	M01870-15-X11	EA	Door Asm. - Entrance
12	078733-04-T03	EA	Window Asm. - Picture
13	088517-05-X11	EA	Door Asm. - Access
†	Used in units produced after 9/28/87.		

Key	Part Number	U/M	Description
14	078266-02-T03	EA	Window Asm. - Single Slider
15	084103-01-000	EA	Door Asm. - Refrigerator Access
*	084104-01-000	EA	Jamb - Refrigerator Door
*	084104-01-700	EA	Lock - Male - Refrigerator Door
*	084104-01-701	EA	Lock - Female - Refrigerator Door
16	082009-02-000	EA	Door Asm. - Water Heater
17	090198-01-X11	EA	Door Asm. - Generator
18	079578-01-T03	EA	Door Asm. - Luggage
19	078271-01-T03	EA	Window Asm. - Single Slider
**	078266-01-T03	EA	Window Asm. - Single Slider
20	079415-01-T03	EA	Window Asm. - Rear Escape
**	079733-01-T03	EA	Window Asm. - Picture
*	Not illustrated		
**	Parts for bunkhouse option (not illustrated)		

WINDOW, VENT & EXTERIOR DOOR GROUP (CONTINUED)

ACCESS DOORS

Key	Part Number	U/M	Description
	086531-06-X11	EA	Door Asm - Storage - Beige - Drivers Right
	079578-01-T03	EA	Door Asm - Luggage - Beige - Passenger Rear
	086517-05-X11	EA	Door Asm - Storage - Beige - Passenger Front
	090198-01-X11	EA	Door Asm - Generator w/o Baffle
	084103-01-000	EA	Door Asm - Refrigerator Access - w/Twist Lock - Beige
	052009-02-000	EA	Door Asm - Water Heater - Beige
	052423-02-000	EA	Door - Sewage Hose - Beige
	086182-01-W07	EA	Sewage Hose Compartment - w/Door & Jamb
	078010-04-000	EA	Door - Fuel Fill - Beige
	063742-02-000	EA	Door - Power Cord - Beige
	052424-02-000	EA	Jamb - Power Cord/Fuel Fill Door - Beige
	054543-02-000	EA	Hatch - Power Cord Door
†	088794-02-000	EA	Door Asm - Power Cord - w/Hatch - Beige
	082684-01-000	EA	Key Set
	052181-03-000	EA	Baffle - Generator Door
	083615-03-000	EA	Door Holder - Beige Plastic
	079368-01-000	EA	Seal - Bulb
	042442-01-000	EA	Lock Asm - Twist Type - 90° Rotation - 1 5" Latch - 6" Depth
	077408-01-000	EA	Lock Asm - Key Type - 90° Rotation - 2 5" Latch - 1" Depth
	079366-04-000	EA	Lock Asm - Key Type - 90° Rotation - 1 3" Latch - 1 9" Depth
	075927-03-000	EA	Lock Asm - Twist Type - 90° Rotation - 1 3" Latch - 1 9" Depth
	052951-01-000	EA	Clip - Twist Lock - Retainer
	085730-01-000	EA	Latch Asm - Paddle - w/Lock
	085730-04-000	EA	Latch Asm - Paddle - w/o Lock

† Used in units produced after 9/20/87

WINDSHIELD

Key	Part Number	U/M	Description
	084464-01-000	EA	Glass - Windshield - Passenger
	084464-02-000	EA	Glass - Windshield - Driver
	083178-01-000	FT	Reveal, folding - Centered Barb
	084903-01-000	FT	Reveal Molding - Offset Barb
	084897-02-000	EA	Reveal Molding - T-Cap
	087601-01-000	EA	Trim Molding - Windshield Post - Right
	087601-02-000	EA	Trim Molding - Windshield Post - Left

VENTS

Key	Part Number	U/M	Description
	084073-04-000	EA	Base - Refrigerator Vent
	084073-01-000	EA	Cover - Refrigerator Vent - Beige
	084616-02-000	EA	Vent - Stovehood - Outside - Beige
	090392-01-X19	EA	Vent Asm - Roof - Non-Powered - w/o Screen
	090393-01-X11	EA	Vent Asm - Roof - Powered - w/o Screen
	077902-01-000	EA	Panel - Inner Skylight
	080910-01-000	EA	Panel - Outer Skylight
	081171-01-000	EA	Trim - Skylight Outer
	083558-01-000	EA	Pipe Cover - Roof Vent - Covered
	078786-01-T03	EA	Screen Asm - Roof Vent - Non Powered
	078785-01-T03	EA	Screen Asm - Roof Vent - Powered

1988 N-SERIES TABLE OF CONTENTS

W/ICN22EC	A-01 - A-22
WCN22RC	A-23 - B-14
W/ICN27RT	B-15 - C-18
W/ICN27RU	C-19 - D-20
W/ICN31RT & W/IJN31RT	D-21 - E-18
W/ICN33RU	E-19 - F-16

1988 WCN22RC INDEX

Floor Plan	A-23 - A-24
Bath Group	B-01
Chassis Group	B-02
Curtain, Cushion & Pad Group	B-03 - B-05
Dinette Group	B-06
Exterior Body Group	B-07 - B-08
Galley Group	B-09
Lounge Group	B-10
Window Vent & Exterior Door Group	B-11 - B-13