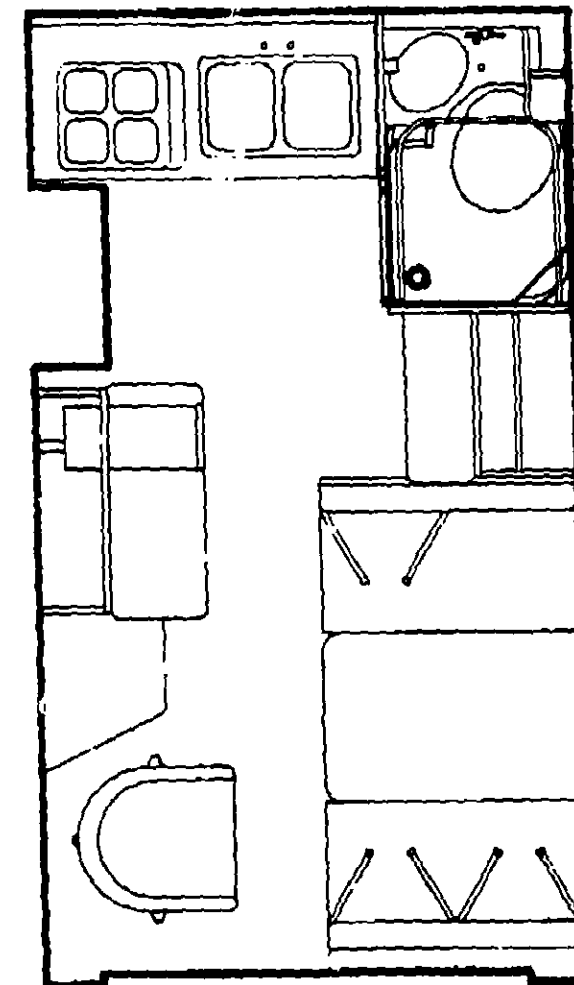


# 1988 W/IT319RK



## 1988 WINNEBAGO-ITASCA TABLE OF CONTENTS

W/IT319RK	A-01 - B-04
W/IT319RB	B-05 - C-08
W/IC420EG	C-09 - D-06
W/IF420RG	D-07 - E-10
W/IC420RG	D-07 - E-10
W/IF421RB	E-11 - F-04
W/IC421RB	E-11 - F-04
W/IF424RB	F-05 - G-02
W/IC424RB	F-05 - G-02
W/IF424RC	G-03 - H-02
W/IC424RC	G-03 - H-02
W/IF426RT	H-03 - I-02

## 1988 W/IT319RK INDEX

Floor Plan	A-01 - A-02
Accessories Group	A-03
Bath Group	A-04
Chassis Group	A-04
Curtain, Cushion & Pad Group	A-05 - A-12
Dinette Group	A-13
Driver's Compartment Group	A-14
Exterior Body Group	A-15 - A-19
Galley Group	A-20 - A-21
Lounge Group	A-22
Water & Sewage Group	A-23
Window, Vent & Exterior Door Group	A-24 - B-03

## ACCESSORIES GROUP

### MISCELLANEOUS ACCESSORIES

Key	Part Number	U/M	Description
	084438-03-000	EA	Speed Control Package - Electric Dana
	084438-03-701	EA	Regulator Asm.
	084438-03-702	EA	Neutral Safety Pigtail
	084438-03-703	EA	Wire Asm - Neutral Safety Switch
	041944-04-000	EA	Fire Extinguisher - Dry - 5 BC
	084472-01-000	EA	Recessed Holder - Fire Extinguisher
	072852-01-000	EA	Smoke Detector w/9 Volt Battery
	006069-01-000	EA	Key Case - Leather
	084445-01-000	EA	Mirror Asm - Exterior - Right Hand
	084445-02-000	EA	Mirror Asm - Exterior - Left Hand
	086780-01-000	EA	Mud Flaps - Toyota (Set of 2) - Rubber - Black
	084774-01-000	EA	Bracket - Antenna - Radio
	084424-01-000	EA	Plug - Rubber - Antenna Hole

## BATH GROUP

Key	Part Number	U/M	Description
	M88846-01-X01	EA	Cabinet Asm - Lavatory - w/o Countertop, Doors or Drawer
	M03105-01-X01	EA	Countertop Asm. - Lavatory Cabinet
	M88301-22-X01	EA	Door Asm. - Lavatory - w/o Hardware
	M88304-42-W17	EA	Door Asm - Medicine Cabinet - w/Mirror - w/o Hardware
	M82429-03-W17	EA	Door Asm - Bath - w/o Latch

### BATH HARDWARE

Key	Part Number	U/M	Description
	M02630-06-W17	EA	Shower Pan
	011056-01-000	EA	Faucet - Lavatory
	011059-03-000	EA	Faucet - Shower
	009112-01-000	EA	Flange - 1" Closet Rod
	011048-02-000	EA	Shower Head - w/60" Hose
	088401-01-000	EA	Shower Panel - Faucet Plastic
	066729-01-000	EA	Strainer - Shower
	066435-01-000	EA	Nut Strainer - Plastic
	066436-01-000	EA	Slip Nut - 1 5" Tail Piece
	069735-01-000	EA	Washer - Tail Piece - 1 5" - Plastic
	011069-03-000	EA	Tailpiece - 1 5" x 1 25" x 4" - Brass
	087892-01-000	EA	Sink - Oval - Beige Plastic - 10" x 13"
†	090029-01-000	EA	Sink - Oval - Beige Plastic - 10 6" x 13 6"
	011083-01-000	EA	Tail Piece w/Stopper - 1 25" x 5" - Plastic - Sink
	063740-01-000	EA	Toilet - Thetford - Aqua Magic IV - Ivory
	009134-01-000	EA	Tissue Holder
	009133-01-000	EA	Towel Bar - 12" Plastic
	058331-19-000	EA	Mirror - Tempered Glass - 10 86" x 14 4"
	057671-01-000	EA	Screw Cover - #8 - Antique White
	058335-02-000	EA	Latch - Bath Door
	085279-02-000	EA	Holder - Toothbrush/Tumbler

† Used in units produced after 7/6/87

## 1988 WINNEBAGO-ITASCA TABLE OF CONTENTS

W/IT319RK	A-01 - B-04
W/IT319RB	B-05 - C-06
W/IC420EG	C-09 - D-06
W/IF420RG	D-07 - E-10
W/IC420RG	D-07 - E-10
W/IF421RB	E-11 - F-04
W/IC421RB	E-11 - F-04
W/IF424RB	F-05 - G-02
W/IC424RB	F-05 - G-02
W/IF424RC	G-03 - H-02
W/IC424RC	G-03 - H-02
W/IF426RT	H-03 - I-02

## CHASSIS GROUP

Key	Part Number	U/M	Description
	084696-01-000	EA	Tailpipe Extension - 2"
	007125-06-000	EA	Clamp Asm - Muffler - 2 25"
	010497-01-000	EA	Clamp - Closed - 5/8 I.D.
	007161-01-000	EA	Clamp - Hose - Spring Type 112
	062401-01-000	EA	Clamp - Hose - Wormgear - 22" I.D. - 1" I.D.
	062401-02-000	EA	Clamp - Hose - Wormgear - 1 56" I.D. - 2 5" I.D.
	062401-03-000	EA	Clamp - Hose - Wormgear - 25" I.D. - 1" I.D.
	062401-04-000	EA	Clamp - Hose - Wormgear - 69" I.D. - 1 25" I.D.
	062401-05-000	EA	Clamp - Hose - Wormgear - 2" I.D. - 3" I.D.
	062401-06-000	EA	Clamp - Hose - Wormgear - 22" I.D. - 62" I.D.
	084622-01-000	EA	Bumper Asm - Rear - Black
	084468-01-000	EA	Filler Neck - Main Fuel Tank

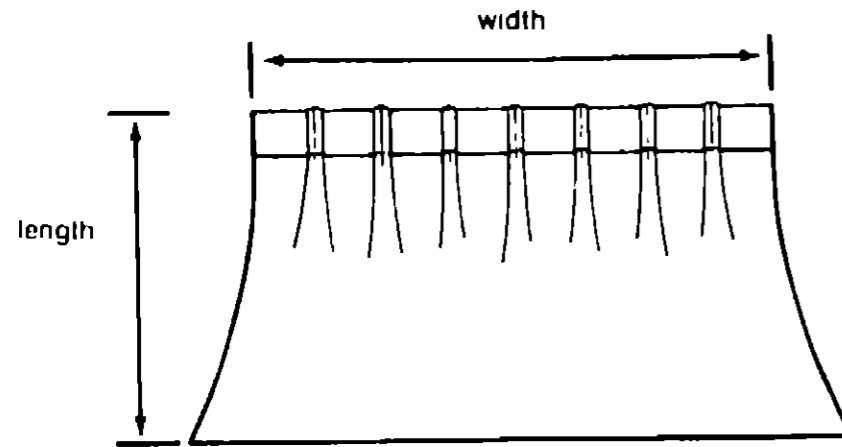
NOTE: Remainder of exhaust components available from chassis service center

## 1988 W/IT319RK INDEX

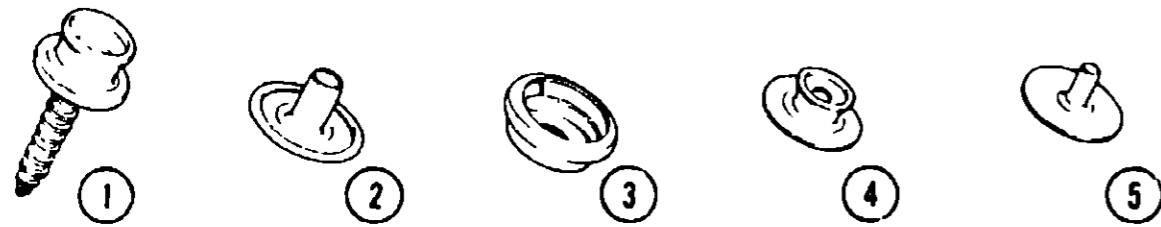
Floor Plan	A-01 - A-02
Accessories Group	A-03
Bath Group	A-04
Chassis Group	A-04
Curtain, Cushion & Pad Group	A-05 - A-12
Dinette Group	A-13
Driver's Compartment Group	A-14
Exterior Body Group	A-15 - A-19
Galley Group	A-20 - A-21
Lounge Group	A-22
Water & Sewage Group	A-23
Window, Vent & Exterior Door Group	A-24 - B-03

**NOTICE**

In order to assist our Parts Sales Dept in providing interior software items, please include the serial number and the color code number from the vehicle certification label when ordering. This label is located on the left sidewall at the end of the dash (A-Body), or on the driver's door latch plate (C-Body).  
An example of a color code number is P31, which designates an overall color scheme of a particular unit. The color listed after the item description on the microfiche, indicates the overall unit color. Order the item you desire according to unit color code.



**NOTE**  
Use this illustration when determining length and width measurements for curtains. You will note the width measurement is taken on the top of the curtain with the curtain fully extended. The length measurement is taken from top to bottom.



Key	Part Number	U/M	Description
1	029130-01-000	EA	Socket - Snap Fastener
2	029155-01-000	EA	Cap - Snap - 156" Dia x 17" Barrel
3	029156-01-000	EA	Socket - Snap Fastener
4	029092-01-000	EA	Stud - Nickel Finish
5	029093-01-000	EA	Eyelet - Nickel Finish

**CURTAIN & CUSHION HARDWARE**

Key	Part Number	U/M	Description
	039175-02-000	EA	Bracket - Curtain Rod
	039175-05-000	EA	Bracket - Curtain Rod - Center
	009224-01-000	EA	Curtain Rod - Extension - 28" x 48" - Bath
	042439-01-000	EA	Bracket - Curtain Rod - Single
	039175-03-000	EA	Curtain Rod - Extension - 28" x 48"
	039175-01-000	EA	Curtain Rod - Extension - 48" x 84"
	087253-01-000	EA	Pull - Window Shade - Clear Plastic
	078155-01-000	EA	Strap Asm - Cushion Snap
	009701-01-000	EA	Carrier - Curtain L Rod
	009702-01-000	EA	End Stop - Curtain L Rod
	056003-01-000	EA	Bracket - Drapery Retainer - Right
	056003-02-000	EA	Bracket - Drapery Retainer - Left

**1988 WINNEBAGO-ITASCA  
TABLE OF CONTENTS**

W/IT319RK	A-01 - B-04
W/IT319RB	B-05 - C-08
W/IC420EG	C-09 - D-06
W/IF420RG	D-07 - E-10
W/IC420RG	D-07 - E-10
W/IF421RB	E-11 - F-04
W/IC421RB	E-11 - F-04
W/IF424RB	F-05 - G-02
W/IC424RB	F-05 - G-02
W/IF424RC	G-03 - H-02
W/IC424RC	G-03 - H-02
W/IF426RT	H-03 - I-02

**WINNEBAGO**

**FABRICS, TRIMS & PADS**

Key	Part Number	U/M	Description
	072333-45-000	YD	Fabric - Drapery (X01)
	072333-51-000	YD	Fabric - Drapery (X02)
	088274-35-000	YD	Fabric w/Pattern - Upholstery (X01)
	088274-34-000	YD	Fabric w/Pattern - Upholstery (X02)
	086274-14-000	YD	Fabric - Upholstery Accent (X01)
	088274-10-000	YD	Fabric - Upholstery Accent (X02)
	052859-07-X01	FT	Accent Trim (Dinette Seat Back)
	052859-07-X26	FT	Accent Trim (Dinette Seat Back) (X02)
	079680-01-000	YD	Expanded Vinyl - 26 oz - Buckskin
	071127-10-X01	EA	Button Asm - #30 Round
	071127-10-X02	EA	Button Asm - #30 Round
	078155-01-000	EA	Strap Asm - Cushion
	079349-01-X01	YD	Welt Asm - Accent
	079349-01-X02	EA	Welt Asm - Accent
	086120-01-X01	EA	Pad Asm - Map Pocket - 12" x 16"
	086120-01-X02	EA	Pad Asm - Map Pocket - 12" x 16"

**1988 W/IT319RK INDEX**

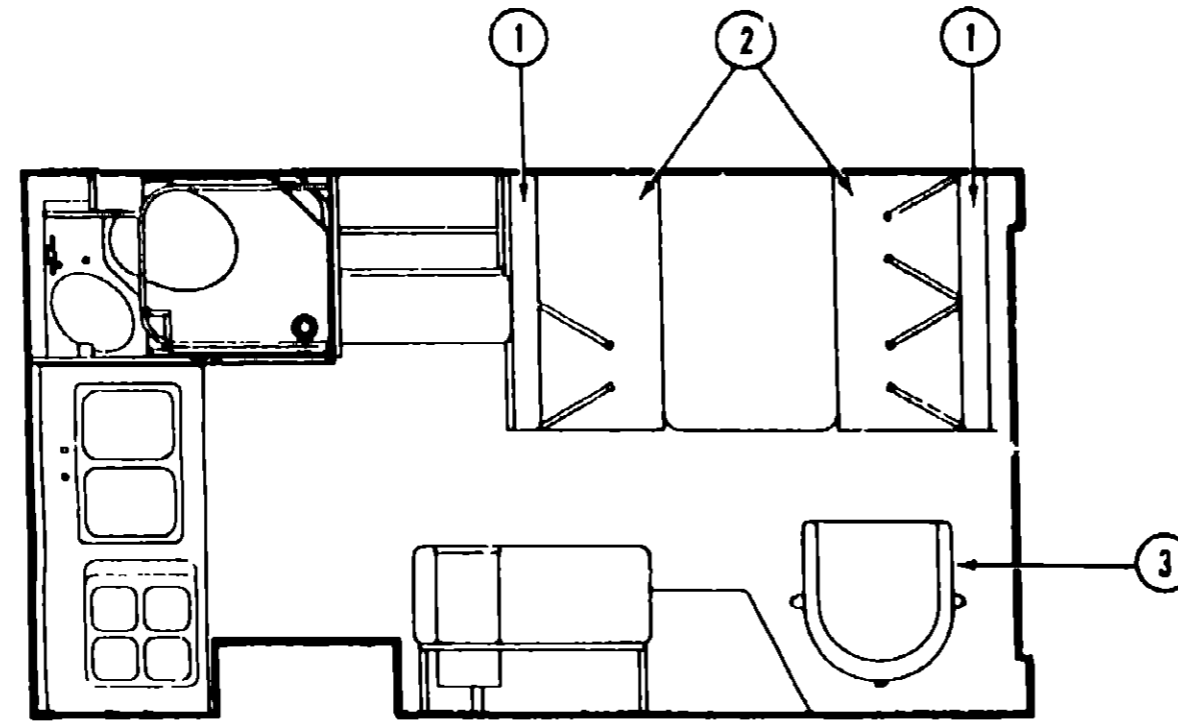
Floor Plan	A-01 - A-02
Accessories Group	A-03
Bath Group	A-04
Chassis Group	A-04
Curtain, Cushion & Pad Group	A-05 - A-12
Dinette Group	A-13
Driver's Compartment Group	A-14
Exterior Body Group	A-15 - A-19
Galley Group	A-20 - A-21
Lounge Group	A-22
Water & Sewage Group	A-23
Window, Vent & Exterior Door Group	A-24 - B-03

**ITASCA**

**FABRICS, TRIMS & PADS**

Key	Part Number	U/M	Description
	072333-61-000	EA	Fabric - Drapery
	072333-62-000	EA	Fabric - Drapery
	088274-52-000	YD	Fabric w/Pattern - Upholstery
	088274-53-000	YD	Fabric w/Pattern - Upholstery
	088274-66-000	YD	Fabric - Upholstery Accent
	088274-67-000	YD	Fabric - Upholstery Accent
	052859-07-X26	FT	Accent Trim (Dinette Seat Back)
	052859-07-X27	FT	Accent Trim (Dinette Seat Back)
	079680-01-000	YD	Expanded Vinyl - 26 oz Buckskin
	071127-10-X26	EA	Button Asm - #30 Round
	071127-10-X27	EA	Button Asm - #30 Round
	078155-01-000	EA	Strap Asm - Cushion
	079349-01-X20	YD	Welt Asm - Accent - Clay
	079349-01-X22	YD	Welt Asm - Accent - Jade
	086120-01-X26	EA	Pad Asm - Map Pocket - 12" x 16"
	086120-01-X27	EA	Pad Asm - Map Pocket - 12" x 16"

**CURTAIN, CUSHION & PAD GROUP (CONTINUED)**



**1988 WINNEBAGO-ITASCA  
TABLE OF CONTENTS**

W/IT319RK	A-01 - B-04
W/IT319RB	B-05 - C-08
W/IC420EG	C-09 - D-06
W/IF420RG	D-07 - E-10
W/IC420RG	D-07 - E-10
W/IF421RB	E-11 - F-04
W/IC421RB	E-11 - F-04
W/IF424RB	F-05 - G-02
W/IC424RB	F-05 - G-02
W/IF424RC	G-03 - H-02
W/IC424RC	G-03 - H-02
W/IF426RT	H-03 - I-02

**WINNEBAGO**

**DINETTE CUSHION**

Key	Part Number	U/M	Description
1	081998-84-X01	EA	Cushion Asm - Dinette Back - 17 25" x 38" x 5"
1	081998-84-X02	EA	Cushion Asm - Dinette Back - 17 25" x 38" x 5"
	M81998-84-X01	EA	Cover Asm - Dinette Back Cushion - 17 25" x 38" x 5"
	M81998-84-X02	EA	Cover Asm - Dinette Back Cushion - 17 25" x 38" x 5"
2	081998-85-X01	EA	Cushion Asm - Dinette Bottom - 17 5" x 38" x 5"
2	081998-85-X02	EA	Cushion Asm - Dinette Bottom - 17 5" x 38" x 5"
	M81998-85-X01	EA	Cover Asm - Dinette Bottom Cushion - 17 5" x 38" x 5"
	M81998-85-X02	EA	Cover Asm - Dinette Bottom Cushion - 17 5" x 38" x 5"

**WINNEBAGO**

**SWIVEL CHAIR**

Key	Part Number	U/M	Description
3	084754-04-X01	EA	Chair Asm w/Pillow Back - Swivel
3	084754-04-X02	EA	Chair Asm w/Pillow Back - Swivel
	088245-03-000	EA	Plate - Swivel - Swivel Chair
	088245-01-000	EA	Base w/Legs - Swivel Chair
	088245-05-000	EA	Extension - 5" - Swivel Chair

**WINNEBAGO**

**FRONT OVERHEAD BUNK CUSHIONS**

Key	Part Number	U/M	Description
	084753-03-X01	EA	Cushion Asm - Front Bunk - 52" x 81" x 4"
	084753-03-X02	EA	Cushion Asm - Front Bunk - 52" x 81" x 4"
	M84753-03-X01	EA	Cover Asm - Front Bunk - 52" x 81" x 4"
	M84753-03-X02	EA	Cover Asm - Front Bunk - 52" x 81" x 4"
	084753-04-X01	EA	Cushion Asm - Front Bunk - 24" x 41" x 4" - U Shaped
	084753-04-X02	EA	Cushion Asm - Front Bunk - 24" x 41" x 4" - U Shaped
	M84753-04-X01	EA	Cover Asm - Front Bunk - 24" x 41" x 4" - U Shaped
	M84753-04-X02	EA	Cover Asm - Front Bunk - 24" x 41" x 4" - U Shaped

**ITASCA**

**DINETTE CUSHION**

Key	Part Number	U/M	Description
1	081998-84-X26	EA	Cushion Asm - Dinette Back - 17 25" x 38" x 5"
1	081998-84-X27	EA	Cushion Asm - Dinette Back - 17 25" x 38" x 5"
	M81998-84-X26	EA	Cover Asm - Dinette Back Cushion - 17 25" x 38" x 5"
	M81998-84-X27	EA	Cover Asm - Dinette Back Cushion - 17 25" x 38" x 5"
2	081998-85-X26	EA	Cushion Asm - Dinette Bottom - 17 5" x 38" x 5"
2	081998-85-X27	EA	Cushion Asm - Dinette Bottom - 17 5" x 38" x 5"
	M81998-85-X26	EA	Cover Asm - Dinette Bottom Cushion - 17 5" x 38" x 5"
	M81998-85-X27	EA	Cover Asm - Dinette Bottom Cushion - 17 5" x 38" x 5"

**ITASCA**

**SWIVEL CHAIR**

Key	Part Number	U/M	Description
3	084754-04-X26	EA	Chair Asm w/Pillow Back - Swivel
3	084754-04-X27	EA	Chair Asm w/Pillow Back - Swivel
	088245-03-000	EA	Plate - Swivel - Swivel Chair
	088245-01-000	EA	Base w/Legs - Swivel Chair
	088245-05-000	EA	Extension - 5" - Swivel Chair

**ITASCA**

**FRONT OVERHEAD BUNK CUSHIONS**

Key	Part Number	U/M	Description
	084753-03-X26	EA	Cushion Asm - Front Bunk - 52" x 81" x 4"
	084753-03-X27	EA	Cushion Asm - Front Bunk - 52" x 81" x 4"
	M84753-03-X26	EA	Cover Asm - Front Bunk - 52" x 81" x 4"
	M84753-03-X27	EA	Cover Asm - Front Bunk - 52" x 81" x 4"
	084753-04-X26	EA	Cushion Asm - Front Bunk - 24" x 41" x 4" - U Shaped
	084753-04-X27	EA	Cushion Asm - Front Bunk - 24" x 41" x 4" - U Shaped
	M84753-04-X26	EA	Cover Asm - Front Bunk - 24" x 41" x 4" - U Shaped
	M84753-04-X27	EA	Cover Asm - Front Bunk - 24" x 41" x 4" - U Shaped

**1988 W/IT319RK INDEX**

Floor Plan	A-01 - A-02
Accessories Group	A-03
Bath Group	A-04
Chassis Group	A-04
Curtain, Cushion & Pad Group	A-05 - A-12
Dinette Group	A-13
Driver's Compartment Group	A-14
Exterior Body Group	A-15 - A-19
Galley Group	A-20 - A-21
Lounge Group	A-22
Water & Sewage Group	A-23
Window, Vent & Exterior Door Group	A-24 - B-03

**CURTAIN, CUSHION & PAD GROUP (CONTINUED)**

**WINNEBAGO**

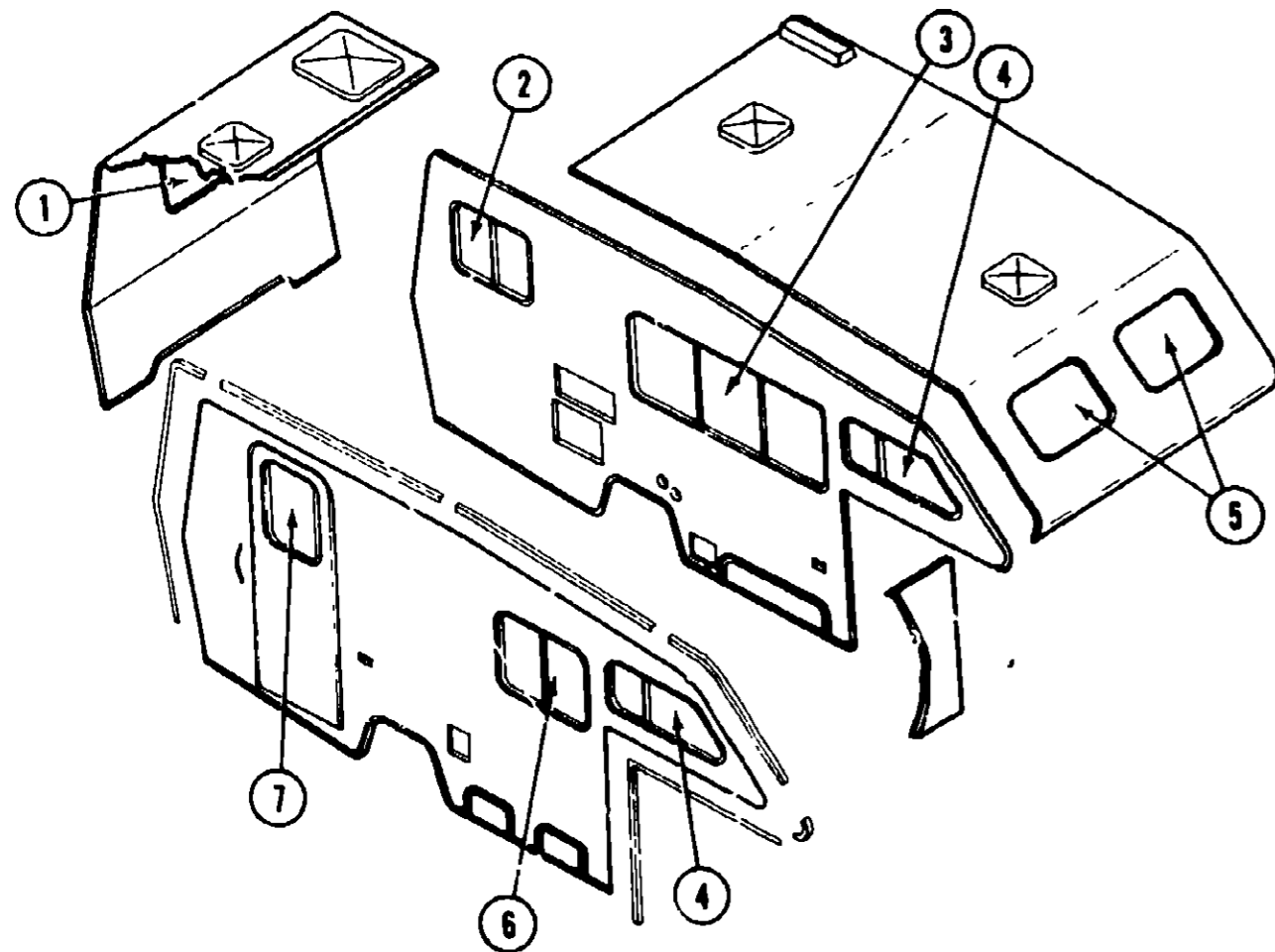
**BUCKET SEAT COVERS**

Key	Part Number	U/M	Description
	086740-01-X01	EA	Seat Cover Asm - Bucket
	086740-01-X02	EA	Seat Cover Asm - Bucket

**ITASCA**

**BUCKET SEAT COVERS**

Key	Part Number	U/M	Description
	086740-01-X26	EA	Seat Cover Asm - Bucket
	086740-01-X27	EA	Seat Cover Asm - Bucket



**CURTAIN, CUSHION & PAD GROUP (CONTINUED)**

**WINNEBAGO**

**CURTAIN, VALANCES, SHADES & TIEBACKS**

Key	Part Number	U/M	Description
1	066226-41-X01	EA	Curtain Asm - 27" x 20"
1	066226-41-X02	EA	Curtain Asm - 27" x 20"
1	066226-44-X01	EA	Curtain Valance Asm - 5" x 60"
1	066226-44-X02	EA	Curtain Valance Asm - 5" x 60"
1	084755-25-X01	EA	Shade Asm - 27.25"
†1	084755-25-XA3	EA	Shade Asm - 27.25" (X01)
†1	084755-25-XA6	EA	Shade Asm - 27.25" (X01)
1	084755-25-X02	EA	Shade Asm - 27.25"
†1	084755-25-XA7	EA	Shade Asm - 27.25" (X02)
2	069777-03-000	EA	Valance Asm - Plastic
2	087253-01-000	EA	Shade Asm - 28.25"
3	066226-25-X01	EA	Curtain Asm - 30" x 22"
3	066226-25-X02	EA	Curtain Asm - 30" x 22"
3	066226-43-X01	EA	Curtain Valance Asm - 5" x 90"
3	066226-43-X02	EA	Curtain Valance Asm - 5" x 90"
3	084755-02-X01	EA	Shade Asm - 67.25"
†3	084755-02-XA6	EA	Shade Asm - 67.25" (X01)
3	084755-02-X02	EA	Shade Asm - 67.25"
†3	084755-02-XA7	EA	Shade Asm - 67.25" (X02)
4	073323-33-X33	EA	Curtain Asm - 17.5" x 24" (X01)
4	073323-33-X35	EA	Curtain Asm - 17.5" x 24" (X02)
5	073323-37-X33	EA	Curtain Asm - 21" x 30" (X01)
5	073323-37-X35	EA	Curtain Asm - 21" x 30" (X02)
6	066226-44-X01	EA	Curtain Valance Asm - 5" x 60"
6	066226-44-X02	EA	Curtain Valance Asm - 5" x 60"
6	066226-41-X01	EA	Curtain Asm - 27" x 20"
6	066226-41-X02	EA	Curtain Asm - 27" x 20"
6	084755-06-X01	EA	Shade Asm - 33.25"
†6	084755-06-XA3	EA	Shade Asm - 33.25" (X01)
†6	084755-06-XA6	EA	Shade Asm - 33.25" (X01)
6	084755-06-X02	EA	Shade Asm - 33.25"
†6	084755-06-XA7	EA	Shade Asm - 33.25" (X02)
7	073304-46-X01	EA	Curtain Asm - 34" x 33"
7	073304-46-X02	EA	Curtain Asm - 34" x 33"
•	076892-03-X01	EA	Curtain Asm - Blackout - 35" x 55"
•	076892-03-X02	EA	Curtain Asm - Blackout - 35" x 55"
•	084481-04-000	EA	Curtain Asm - Shower - 65" x 60"
•	073260-24-X33	EA	Tieback Asm - 2" x 14" (X01)
•	073260-24-X35	EA	Tieback Asm - 2" x 14" (X02)
•	073260-26-X01	EA	Tieback Asm - 3" x 16"
•	073260-26-X02	EA	Tieback Asm - 3" x 16"
•	057534-07-000	EA	Tieback Asm - Clear - 10"
•			Not illustrated

† Used in units produced after 12/1/87

‡ Used in units produced after 3/1/88

**1988 WINNEBAGO-ITASCA  
TABLE OF CONTENTS**

W/IT319RK	A-01 - B-04
W/IT319RB	B-05 - C-08
W/IC420EG	C-09 - D-08
W/IF420RG	D-07 - E-10
W/IC420RG	D-07 - E-10
W/IF421RB	E-11 - F-04
W/IC421RB	E-11 - F-04
W/IF424RB	F-05 - G-02
W/IC424RB	F-05 - G-02
W/IF424RC	G-03 - H-02
W/IC424RC	G-03 - H-02
W/IF426RT	H-03 - I-02

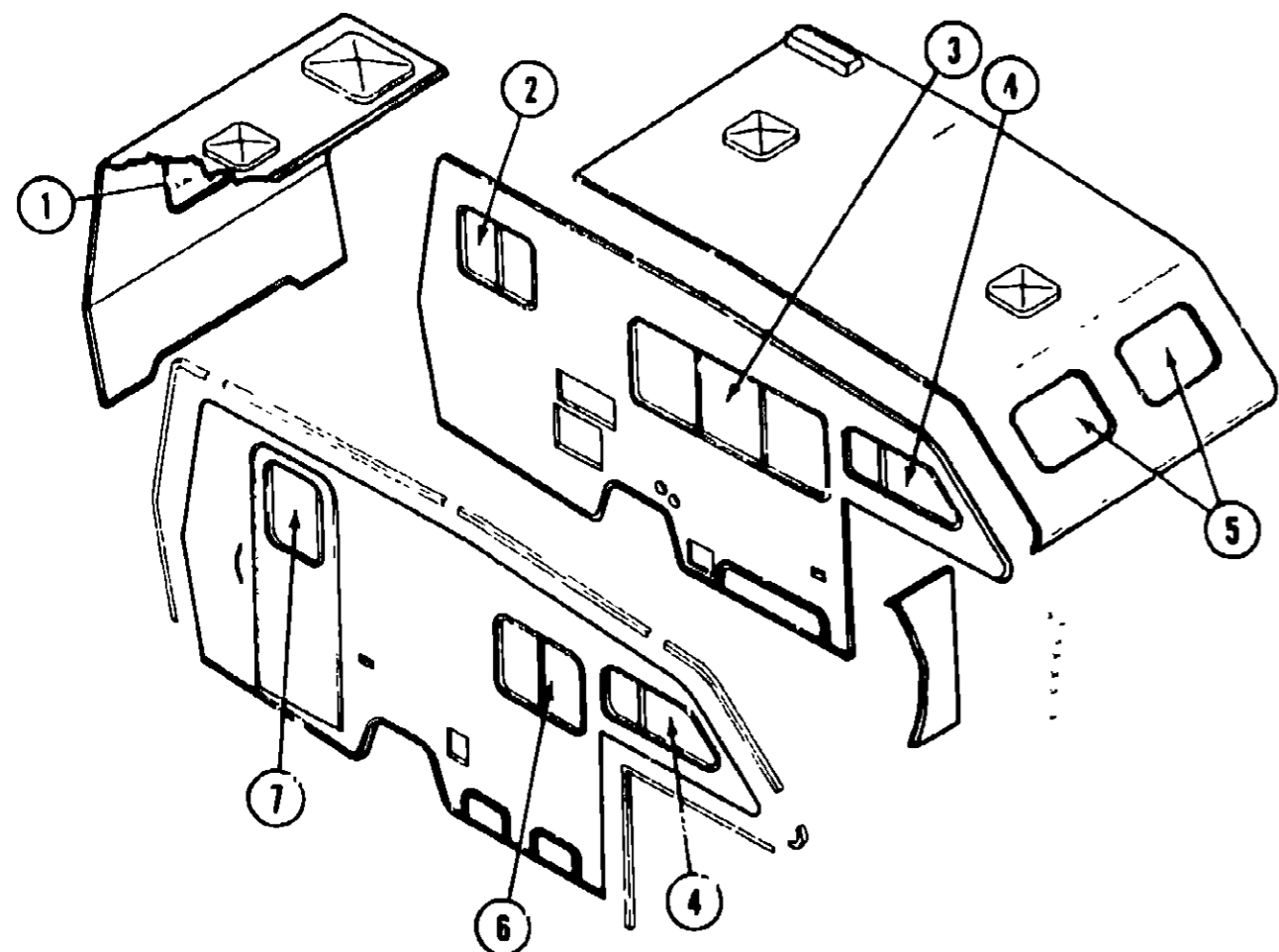
**1988 W/IT319RK INDEX**

Floor Plan	A-01 - A-02
Accessories Group	A-03
Bath Group	A-04
Chassis Group	A-04
Curtain, Cushion & Pad Group	A-05 - A-12
Dinette Group	A-13
Driver's Compartment Group	A-14
Exterior Body Group	A-15 - A-19
Galley Group	A-20 - A-21
Lounge Group	A-22
Water & Sewage Group	A-23
Window, Vent & Exterior Door Group	A-24 - B-03

**CURTAIN, CUSHION & PAD GROUP (CONTINUED)**

ITASCA

**CURTAIN, VALANCES, SHADES & TIEBACKS**



Key	Part Number	U/M	Description
1	066226-45-X26	EA	Curtain Asm. - 25" x 10"
†1	066226-45-XA4	EA	Curtain Asm. - 25" x 10" (X26)
1	066226-45-X27	EA	Curtain Asm. - 25" x 10"
1	066226-44-X26	EA	Valance Asm. - 5" x 60"
†1	066226-44-XA4	EA	Valance Asm. - 5" x 60" (X26)
1	066226-44-X27	EA	Valance Asm. - 5" x 60"
1	084755-25-X26	EA	Shade Asm. - 27.25"
1	084755-25-X27	EA	Shade Asm. - 27.25"
2	069777-03-000	EA	Valance Asm. - Plastic
2	084755-01-X26	EA	Shade Asm. - 28.25"
3	066226-25-X26	EA	Curtain Asm. - 30" x 22"
†3	066226-25-XA4	EA	Curtain Asm. - 30" x 22" (X26)
3	066226-25-X27	EA	Curtain Asm. - 30" x 22"
3	066226-43-X26	EA	Valance Asm. - 5" x 90"
†3	066226-43-XA4	EA	Valance Asm. - 5" x 90" (X26)
3	066226-43-X27	EA	Valance Asm. - 5" x 90"
3	084755-02-X26	EA	Shade Asm. - 67.25"
4	073323-33-X34	EA	Curtain Asm. - 17.5" x 24" (X26)
†4	073323-33-XA4	EA	Curtain Asm. - 17.5" x 24" (X26)
4	073323-33-X08	EA	Curtain Asm. - 17.5" x 24" (X27)
5	073323-37-X34	EA	Curtain Asm. - 21" x 30" (X26)
†5	073323-37-XA4	EA	Curtain Asm. - 21" x 30" (X26)
5	073323-37-X27	EA	Curtain Asm. - 21" x 30"
6	066226-44-X26	EA	Curtain Valance Asm. - 5" x 60"
†6	066226-44-XA4	EA	Curtain Valance Asm. - 5" x 60" (X26)
6	066226-44-X27	EA	Valance Asm. - 5" x 60"
6	066226-41-X26	EA	Curtain Asm. - 27" x 20"
†6	066226-41-XA4	EA	Curtain Asm. - 27" x 20" (X26)
6	066226-41-X27	EA	Curtain Asm. - 27" x 20"
6	084755-06-X26	EA	Shade Asm. - 33.25"
6	084755-06-X27	EA	Shade Asm. - 33.25"
7	073304-46-X26	EA	Curtain Asm. - 34" x 33"
†7	073304-46-XA4	EA	Curtain Asm. - 34" x 33" (X26)
7	073304-46-X27	EA	Curtain Asm. - 34" x 33"
•	076892-03-X26	EA	Curtain Asm. - Blackout - 35" x 55"
†•	076892-03-XA4	EA	Curtain Asm. - Blackout - 35" x 55" (X26)
•	076892-03-X27	EA	Curtain Asm. - Blackout - 35" x 55"
•	084481-04-000	EA	Curtain Asm. - Shower - 65" x 60"
•	073260-24-X34	EA	Tieback Asm. - 2" x 14"
†•	073260-24-XA4	EA	Tieback Asm. - 2" x 14" (X26)
•	073260-24-X08	EA	Tieback Asm. - 2" x 14" (X27)
•	073260-26-X26	EA	Tieback Asm. - 3" x 16"
†•	073260-26-XA4	EA	Tieback Asm. - 3" x 16" (X26)
•	057534-26-X27	EA	Tieback Asm. - 3" x 16"
•	Not illustrated		
†	Used in units produced after 10/1/87		

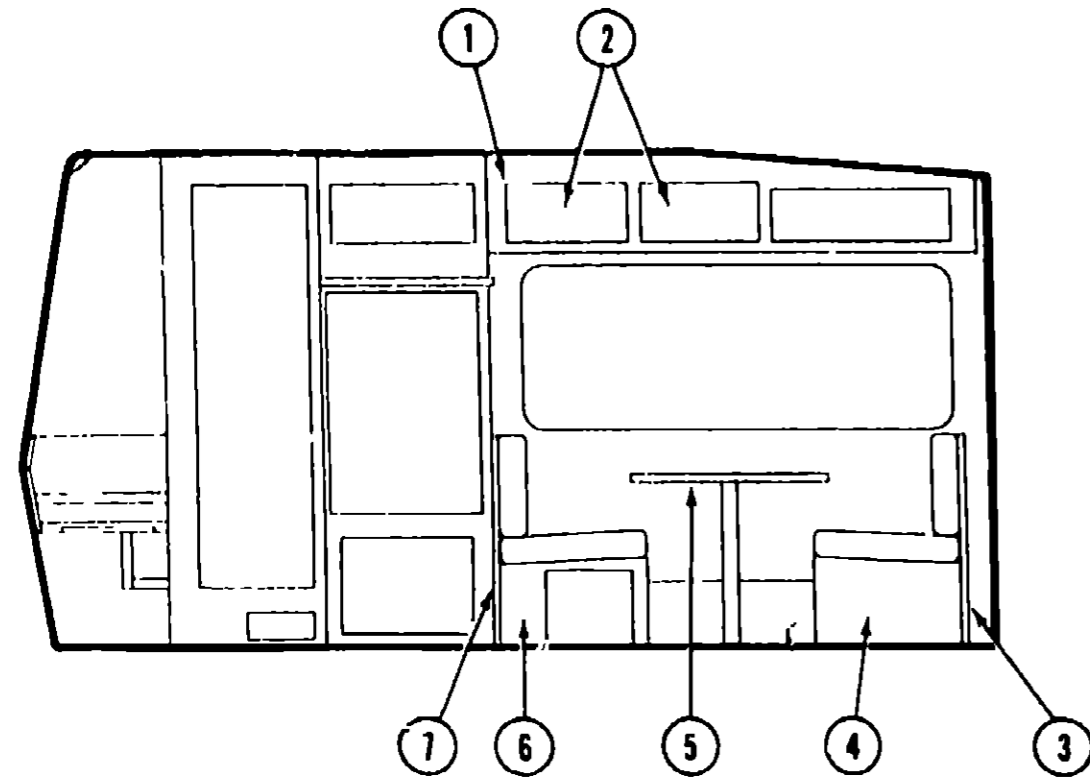
**1988 WINNEBAGO-ITASCA  
TABLE OF CONTENTS**

W/IT319RK	A-01 - B-04
W/IT319RB	B-05 - C-00
W/IC420EG	C-09 - D-06
W/IF420RG	D-07 - E-10
W/IC420RG	D-07 - E-10
W/IF421RB	E-11 - F-04
W/IC421RB	E-11 - F-04
W/IF424RB	F-05 - G-02
W/IC424RB	F-05 - G-02
W/IF424RC	G-03 - H-02
W/IC424RC	G-03 - H-02
W/IF426RT	H-03 - I-02

**1988 W/IT319RK INDEX**

Floor Plan	A-01 - A-02
Accessories Group	A-03
Bath Group	A-04
Chassis Group	A-04
Curtain, Cushion & Pad Group	A-05 - A-12
Dinette Group	A-13
Driver's Compartment Group	A-14
Exterior Body Group	A-15 - A-19
Galley Group	A-20 - A-21
Lounge Group	A-22
Water & Sewage Group	A-23
Window Ven' & Exterior Door Group	A-24 - B-03

## DINETTE GROUP

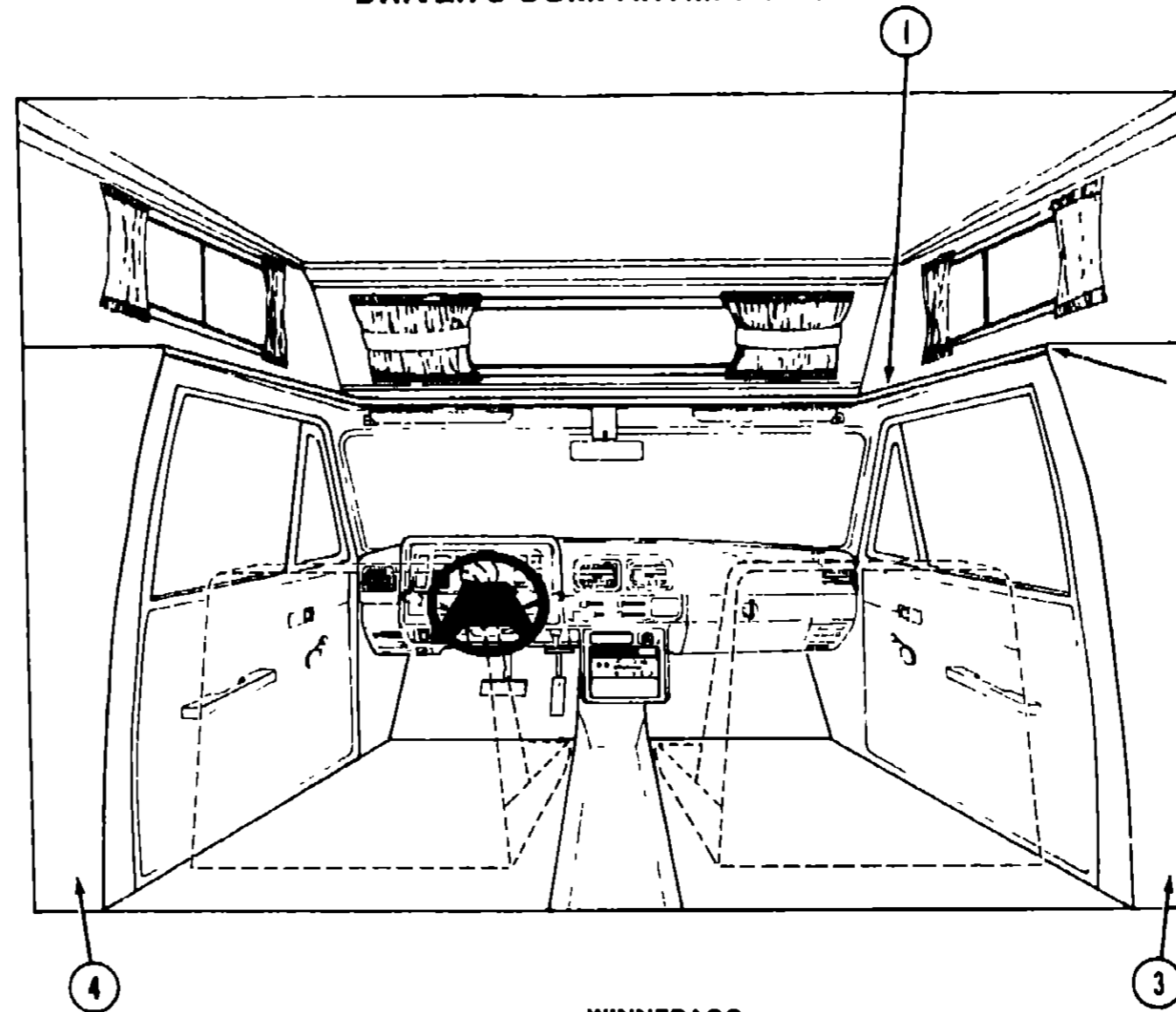


### WINNEBAGO & ITASCA

#### CONVENTIONAL DINETTE & OVERHEAD CABINERY

Key	Part Number	U/M	Description
1	M88569-01-X01	EA	Cabinet Asm - Dinette Overhead - w/o Doors or Hardware
2	M88301-31-X01	EA	Door Asm - Dinette Overhead - w/o Hardware
3	M02913-03-X01	EA	Cabinet Asm - Dinette Back - Trim Not Included
4	M02914-01-W17	EA	Cabinet Asm - Dinette Seat
5	M81299-07-X01	EA	Table Asm - Dinette - w/o Hardware
6	MC2914-03-W17	EA	Cabinet Asm - Dinette Seat
7	M02913-04-X01	EA	Cabinet Asm - Dinette Back - Trim Not Included
	081518-01-W24	FA	Dinette Seat Board
	074493-02-000	EA	Support - Sprung Door Asm - Overhead Cabinet
	053200-09-000	EA	Bracket - Upper Wall Mount - 18 5" - Beige
	053201-08-000	EA	Bracket - Table Mount - 18" - Beige
	088410-01-000	EA	Bracket - Table Mount - Two Required - Beige
	024275-10-000	EA	Rod - Table Lift - Tan
	024281-08-000	EA	Bracket - Lower Wall Mount - 13 5" - Beige
	024276-17-000	EA	Leg Asm - Table - 26 75" - Tan
	064050-02-000	EA	Hinge - Table Leg - Tan
	024282-01-000	EA	Brace - Table Leg
	024283-01-000	EA	Clip - 1" O D Tube
	049493-05-000	EA	Catch - Table Leg - Mounts on Floor - Tan
	064781-02-000	EA	Cup Holder - 3 47" O D x 2 75" I D x 1 5" - Beige
	064781-05-000	EA	Cup Holder - Two Step - Beige Plastic
			Not illustrated

## DRIVER'S COMPARTMENT GROUP



### WINNEBAGO

#### MISCELLANEOUS DRIVER'S COMPARTMENT COMPONENTS

Key	Part Number	U/M	Description
1	M84656-01-X01	EA	Panel Asm - Sleeper Board w/o Vinyl
2	079600-02-000	EA	Trim - Front - Sleeper Board
	080742-01-000	FT	Insert - Trim - Sleeper Board - Vinyl
3	M84568-03-X01	EA	Panel Asm - Wingwall Transition - Inner - Passenger
3	M84568-03-X02	EA	Panel Asm - Wingwall Transition - Inner - Passenger
4	M84568-02-X01	EA	Panel Asm - Wingwall Transition - Inner - Drivers
4	M84568-02-X02	EA	Panel Asm - Wingwall Transition - Inner - Driver
			Not illustrated

### ITASCA

#### MISCELLANEOUS DRIVER'S COMPARTMENT COMPONENTS

Key	Part Number	U/M	Description
1	M84656-01-W17	EA	Panel Asm - Sleeper Board w/o Vinyl
2	079800-02-000	EA	Trim - Front - Sleeper Board
	080742-01-000	FT	Insert - Trim - Sleeper Board - Vinyl
3	M84568-03-W18	EA	Panel Asm - Wingwall Transition - Inner - Passenger
3	M84568-03-X27	EA	Panel Asm - Wingwall Transition - Inner - Passenger
4	M84568-02-W18	EA	Panel Asm - Wingwall Transition - Inner - Drivers
4	M84568-02-X27	EA	Panel Asm - Wingwall Transition - Inner - Driver
			Not illustrated

## 1988 WINNEBAGO-ITASCA TABLE OF CONTENTS

W/IT319RK	A-01 - B-04
W/IT319RB	B-05 - C-05
W/IC420EG	C-09 - D-06
W/IF420RG	D-07 - E-10
W/IC420RG	D-07 - E-10
W/IF421RB	E-11 - F-04
W/IC421RB	E-11 - F-04
W/IF424RB	F-05 - G-02
W/IC424RB	F-05 - G-02
W/IF424RC	G-03 - H-02
W/IC424RC	G-03 - H-02
W/IF426RT	H-03 - I-02

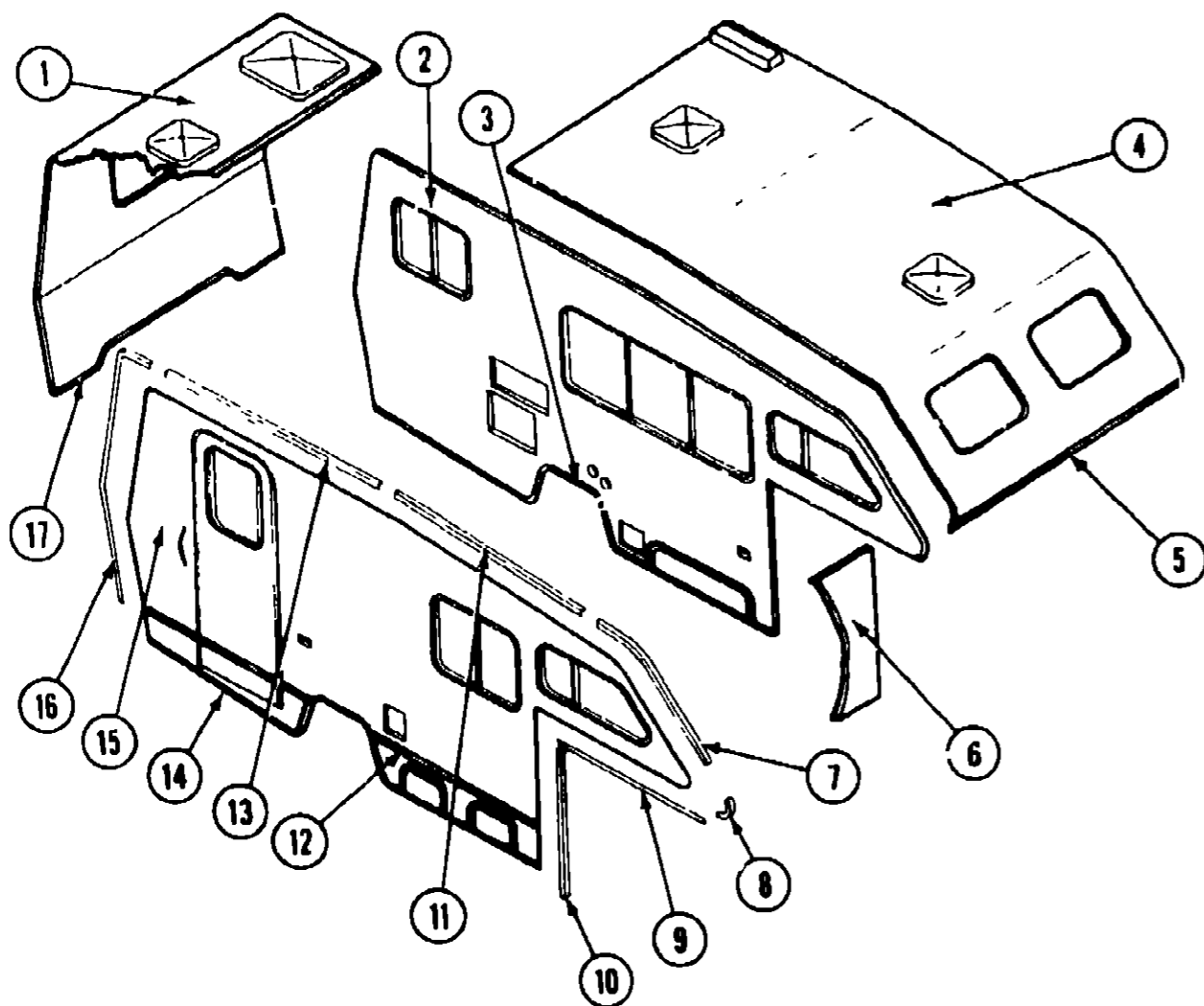
## 1988 W/IT319RK INDEX

Floor Plan	A-01 - A-02
Accessories Group	A-03
Bath Group	A-04
Chassis Group	A-04
Curtain, Cushion & Pad Group	A-05 - A-12
Dinette Group	A-13
Driver's Compartment Group	A-14
Exterior Body Group	A-15 - A-19
Galley Group	A-20 - A-21
Lounge Group	A-22
Water & Sewage Group	A-23
Window, Vent & Exterior Door Group	A-24 - B-03

# EXTERIOR BODY GROUP

WINNEBAGO

## EXTERIOR BODY PANELS & TRIM



Key	Part Number	U/M	Description
1	M88442-01-X01	EA	Backwall Asm.
1	M88442-01-X02	EA	Backwall Asm
2	M88391-01-X01	EA	Sidewall Asm. - Drivers
2	M88391-01-X02	EA	Sidewall Asm - Drivers
3	084440-03-000	EA	Trim - Wheelwell - Rear Drivers - Off White
	084440-04-000	EA	Trim - Wheelwell - Rear Passengers - Off White
4	M88394-01-X01	EA	Roof Asm
5	039644-07-000	EA	Trim - Sleeper Board - Front - Off White
6	M84655-02-W17	EA	Wingwall Asm - Drivers
	M84655-01-W17	EA	Wingwall Asm - Passengers
7	085490-03-000	EA	Trim - Front Contour - Passengers - Off White
	085490-04-000	EA	Trim - Front Contour - Drivers - Off White
8	086889-01-000	EA	Trim - Front Radius - Passengers - Off White Plastic
	086889-02-000	EA	Trim - Front Radius - Drivers - Off White Plastic
9	076975-05-000	EA	Trim - Sleeper Board - Passengers - Off White
	076975-06-000	EA	Trim - Sleeper Board - Drivers - Off White
10	076975-07-000	EA	Trim - Wingwall - Passengers - Off White
	076975-08-000	EA	Trim - Wingwall - Drivers - Off White
11	076975-09-000	EA	Trim - Roof to Sidewall - Front - Off White
12	059576-05-000	EA	Feature Strip - w/o Insert - Exit - 14' - Off White
	001030-02-000	EA	Insert - Feature Strip - 17' - Off White
	009731-01-000	EA	End Cap - Feature Strip
13	087965-01-000	EA	Trim - Roof to Sidewall - Rear Passengers - Off White
	087965-02-000	EA	Trim - Roof to Sidewall - Rear Drivers - Off White
14	002776-01-000	EA	U-Channel - Extrusion - 1 75" x 16' - Unpainted
	002365-01-001	EA	U-Channel - Extrusion - 1" x 18' - Unpainted
15	M88392-01-X01	EA	Sidewall Asm - Passengers
15	M88392-01-X02	EA	Sidewall Asm - Passengers
16	076805-05-000	EA	Trim - Backwall to Sidewall - Passengers - Off White
	076805-06-000	EA	Trim - Backwall to Sidewall - Drivers - Off White
17	085004-01-000	EA	Trim - Backwall - Lower - Passengers or Drivers - Off White
			Not keyed

## 1988 WINNEBAGO-ITASCA TABLE OF CONTENTS

W/IT319RK	A-01 - B-04
W/IT319RB	B-05 - C-08
W/IC420EG	C-09 - D-06
W/IF420RG	D-07 - E-10
W/IC420RG	D-07 - E-10
W/IF421RB	E-11 - F-04
W/IC421RB	E-11 - F-04
W/IF424RB	F-05 - G-02
W/IC424RB	F-05 - G-02
W/IF424RC	G-03 - H-02
W/IC424RC	G-03 - H-02
W/IF426RT	H-03 - I-02

## 1988 W/IT319RK INDEX

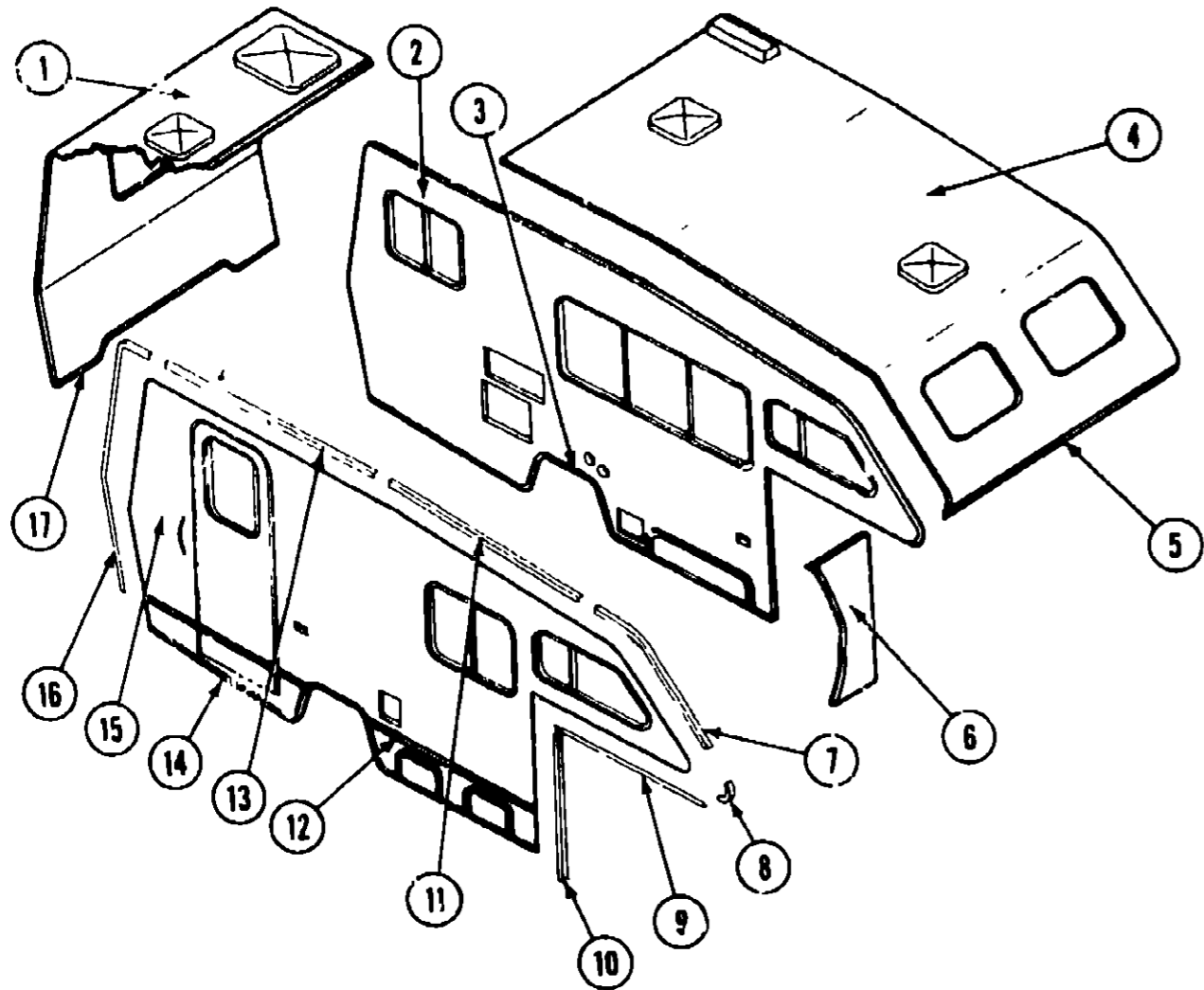
Floor Plan	A-01 - A-02
Accessories Group	A-03
Bath Group	A-04
Chassis Group	A-04
Curtain, Cushion & Pad Group	A-05 - A-12
Dinette Group	A-13
Driver's Compartment Group	A-14
Exterior Body Group	A-15 - A-19
Galley Group	A-20 - A-21
Lounge Group	A-22
Water & Sewage Group	A-23
Window, Vent & Exterior Door Group	A-24 - B-03



# EXTERIOR BODY GROUP (CONTINUED)

ITASCA

## EXTERIOR BODY PANELS & TRIM



Key	Part Number	U/M	Description
1	M88442-01-X26	EA	Backwall Asm
2	M88391-01-X26	EA	Sidewall Asm - Drivers
3	084440-03-000	EA	Trim - Wheelwell - Rear Drivers - Off White
	084440-04-000	EA	Trim - Wheelwell - Rear Passengers - Off White
4	M88394-01-W17	EA	Roof Asm.
5	039644-07-000	EA	Trim - Sleeper Board - Front - Off White
6	M84655-02-W17	EA	Wingwall Asm. - Drivers
	M84655-01-W17	EA	Wingwall Asm. - Passengers
7	085490-03-000	EA	Trim - Front Contour - Passengers - Off White
	085490-04-000	EA	Trim - Front Contour - Drivers - Off White
8	086889-01-000	EA	Trim - Front Radius - Passengers - Off White Plastic
	086889-02-000	EA	Trim - Front Radius - Drivers - Off White Plastic
9	076975-05-000	EA	Trim - Sleeper Board - Passengers - Off White
	076975-06-000	EA	Trim - Sleeper Board - Drivers - Off White
10	076975-07-000	EA	Trim - Wingwall - Passengers - Off White
	076975-08-000	EA	Trim - Wingwall - Drivers - Off White
11	076975-09-000	EA	Trim - Roof to Sidewall - Front - Off White
12	059576-05-000	EA	Feature Strip - w/o Insert - Extr - 14' - Off White
	001030-02-000	EA	Insert - Feature Strip - 17' - Off White
	009731-01-000	EA	End Cap - Feature Strip
13	087965-01-000	EA	Trim - Roof to Sidewall - Rear Passengers - Off White
	087965-02-000	EA	Trim - Roof to Sidewall - Rear Drivers - Off White
14	002776-01-000	EA	U-Channel - Extrusion - 1.75" x 18' - Unpainted
	002365-01-001	EA	U-Channel - Extrusion - 1" x 18' - Unpainted
15	M88392-01-X26	EA	Sidewall Asm. - Passengers
16	076805-05-000	EA	Trim - Backwall to Sidewall - Passengers - Off White
	076805-06-000	EA	Trim - Backwall to Sidewall - Drivers - Off White
17	085004-01-000	EA	Trim - Backwall - Lower - Passengers or Drivers - Off White
			Not keyed

## 1988 WINNEBAGO-ITASCA

### TABLE OF CONTENTS

W/IT313RK	A-01 - B-04
W/IT319RB	B-05 - C-08
W/IC420EG	C-09 - D-08
W/IF420RG	D-07 - E-10
W/IC42CRG	D-07 - E-10
W/IF421RB	F-11 - F-04
W/IC421RB	E-11 - F-04
W/IF424RB	F-05 - G-02
W/IC424RB	F-05 - G-02
W/IF424RC	G-03 - H-02
W/IC424RC	G-03 - H-02
W/IF426RT	H-03 - I-02

### 1988 W/IT319RK INDEX

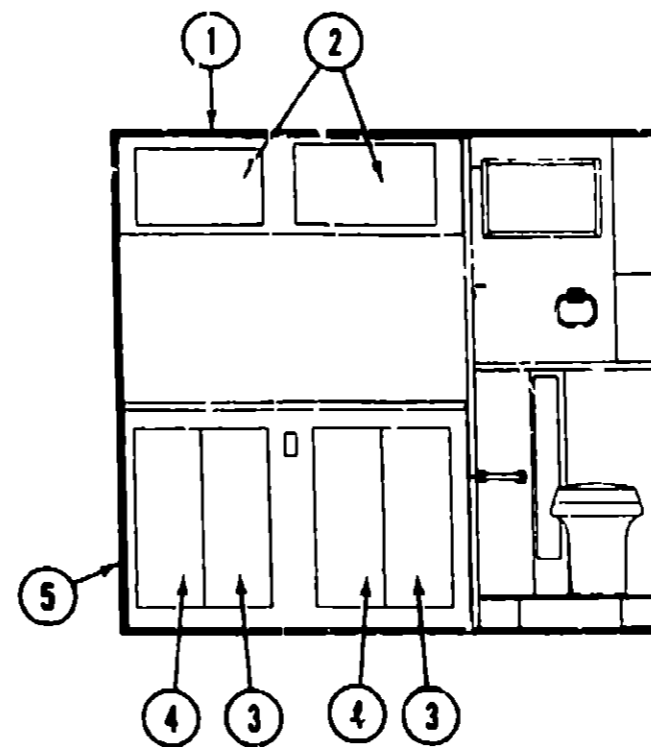
Floor Plan	A-01 - A-02
Accessories Group	A-03
Bath Group	A-04
Chassis Group	A-04
Curtain, Cushion & Pad Group	A-05 - A-12
Dinette Group	A-13
Driver's Compartment Group	A-14
Exterior Body Group	A-15 - A-19
Galley Group	A-20 - A-21
Lounge Group	A-22
Water & Sewage Group	A-23
Window, Vent & Exterior Door Group	A-24 - B-03

**EXTERIOR BODY GROUP (CONTINUED)**

**MISCELLANEOUS EXTERNALLY MOUNTED PARTS**

Key	Part Number	U/M	Description
	083558-02-000	EA	Plumbing Seal - Roof Vent - 1 5" - w/Cover
	010230-02-000	EA	Fill - City Water - Recessed - Off White
	081240-03 000	EA	Water Fill - Lockable - Off White
	083578-01-000	EA	Boot - Fuel Fill
	084235-01-000	EA	Support - Flange - Fuel Fill Boot
	078040-02-000	EA	Shroud - Fuel Fill - Upper
	054530-01-000	EA	Door Stop
	038327-01-000	EA	Tape - Antislip - 2" x 60'
	009428-02-000	EA	Hatch - Power Cord - Off White

**GALLEY GROUP**



**GALLEY CABINETRY**

Key	Part Number	U/M	Description
1	M88560-01-X01	EA	Cabinet Asm - Galley Overhead - w/o Doors or Hardware
2	M88301-26-X01	EA	Door Asm - Galley Overhead - w/o Hardware
3	M88301-24-X01	EA	Door Asm - Galley - Right - w/o Hardware
4	M88301-25-X01	EA	Door Asm - Galley - Left - w/o Hardware
5	M88553-01-W17	EA	Cabinet Asm - Galley - w/o Countertop, Doors, Drawers or Hardware
•	M03104-01-W17	EA	Countertop Asm - Galley
•	077404-02-000	EA	Drawer - Plastic - 20" x 27"
•	081710-01-000	EA	Slide - Drawer - Plastic
•			Not Illustrated

**1988 WINNEBAGO-iTASCA  
TABLE OF CONTENTS**

W/IT319RK	A-01 - B-04
W/IT319RB	B-05 - C-08
W/IC420EG	C-09 - D-06
W/IF420FG	D-07 - E-10
W/IC420RG	D-07 - E-10
W/IF421FB	E-11 - F-04
W/IC421RB	E-11 - F-04
W/IF424RB	F-05 - G-02
W/IC424RB	F-05 - G-02
W/IF424RC	G-03 - H-02
W/IC424RC	G-03 - H-02
W/IF426RT	H-03 - I-02

**1988 W/IT319RK INDEX**

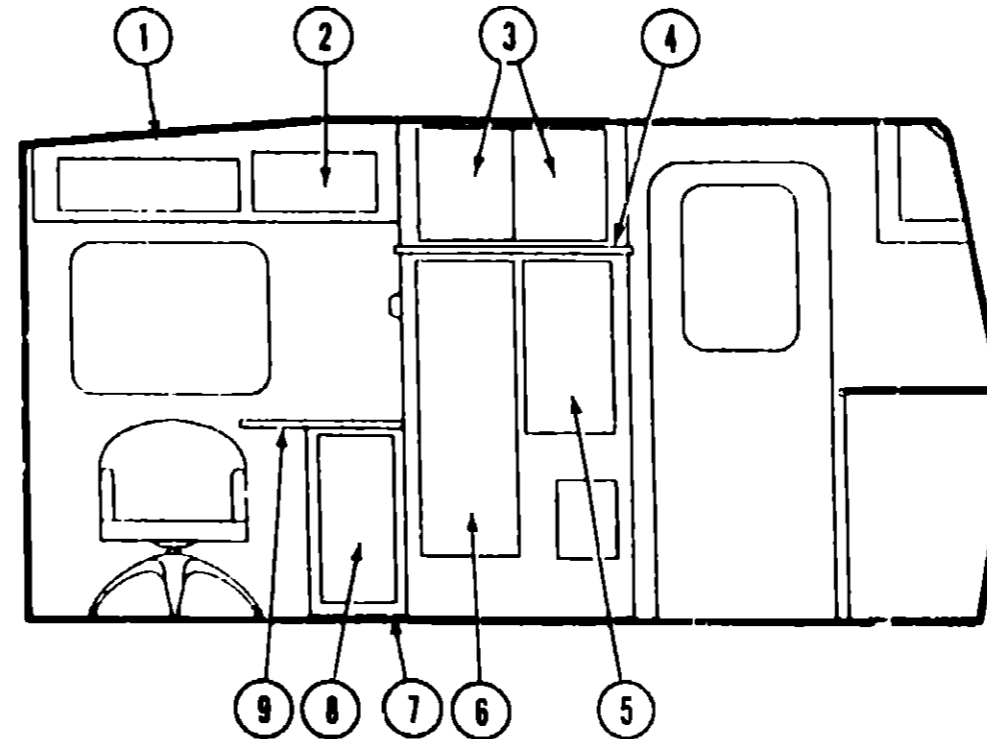
Floor Plan	A-01 - A-02
Accessories Group	A-03
Bath Group	A-04
Chassis Group	A-04
Curtain, Cushion & Pad Group	A-05 - A-12
Dinette Group	A-13
Driver's Compartment Group	A-14
Exterior Body Group	A-15 - A-19
Galley Group	A-20 - A-21
Lounge Group	A-22
Water & Sewage Group	A-23
Window, Vent & Exterior Door Group	A-24 - B-03

## GALLEY GROUP (CONTINUED)

### GALLEY HARDWARE & APPLIANCES

Key	Part Number	U/M	Description
	054450-01-000	EA	Level - Refrigerator
**	068615-01-000	EA	Sink - Stainless Steel - Double w/Bolts
**	011053-01-700	EA	Faucet - Swing Spout - 1" - US
**	011053-01-700	EA	Aerator - Swing Spout Faucet
	066432-01-000	EA	Stainer w/Basket - Sink
	088264-01-000	EA	Pull - Cabinet - Polished
	074493-02-000	EA	Door Support - Sprung
	059777-02-000	EA	Hinge - Cabinet Door - Antique Light Brass
	039873-01-700	EA	Door Catch & Strike - Nylon & Spring Steel
	081710-01-000	EA	Slide - Drawer - 20 7/8" - Plastic
	077404-02-000	EA	Drawer - 20" x 12 7/8" - Plastic
	066435-01-000	EA	Nut Stainer
	011083-01-000	EA	Plug - 1 1/4" x 5" - w/Stopper
	088777-01-000	EA	Panel - Monitor - Jensen
	084426-01-000	EA	Range Top - 4 Burner
	064473-01-000	EA	Refrigerator - 2'Way - 6' EG2
	064473-01-700	EA	Flame Viewer
	064473-01-701	EA	System - Cooling
	064473-01-702	EA	Orifice
	064473-01-703	EA	Heater
	064473-01-704	EA	Control Panel
	064473-01-705	EA	Control Panel Insert
	064473-01-706	EA	Fins
	064473-01-707	EA	Fin Cover
	064473-01-708	EA	Top Breaker Strip - Coffee
	064473-01-709	EA	Evaporator - Door - Coffee
	064473-01-710	EA	Bottom Trim - Coffee
	064473-01-711	EA	RH Breaker Strip - Coffee
	064473-01-712	EA	LH Breaker Strip - Coffee
	064473-01-713	EA	Short Shelf
	064473-01-714	EA	Crisper Cover
	064473-01-715	EA	Long Shelf
	064473-01-716	EA	Crisper - Coffee
	064473-01-717	EA	Hinge Pins
	064473-01-718	EA	Decorative Strip
	064473-01-719	EA	Liner Foamed Asm
	064473-01-720	EA	Diary Keeper
	064473-01-721	EA	Door Gasket
	064473-01-722	EA	Connector Rod
	064473-01-723	EA	Door Rail
	064473-01-724	EA	Door Trim Asm
	064473-01-725	EA	Door Asm
	064473-01-726	EA	Door Frame
	064473-01-727	EA	Crisper F/2 Dr Model
	065741-01-000	EA	Gauge - LP - Refrigerator
**	The illustrated parts breakdown for this item is provided on the Common Items Fiche		

## LOUNGE GROUP



### NIGHTSTAND & WARDROBE

Key	Part Number	U/M	Description
1	M88570-01-X01	EA	Cabinet Asm - Swivel Chair Overhead - w/o Door or Hardware
2	M88301-31-X01	EA	Door Asm - Swivel Chair Overhead - w/o Hardware
3	M88301-27-X01	EA	Door Asm - Wardrobe - Upper - w/o Hardware
4	088542-11-W17	EA	Countertop Asm - Wardrobe
5	M88301-29-X01	EA	Door Asm - Wardrobe - Lower Right - w/o Hardware
6	M88301-11-X01	EA	Door Asm - Wardrobe - Lower Left - w/o Hardware
7	088647-01-W17	EA	Cabinet Asm - Nightstand - w/o Countertop or Door
8	M88301-08-X01	EA	Door Asm - Nightstand - w/o Hardware
9	M03108-01-W17	EA	Countertop Asm - Nightstand

### SWIVEL CHAIR OPTION

Key	Part Number	U/M	Description
	084754-04-X01	EA	Chair Asm - Swivel
	084754-04-X02	EA	Chair Asm - Swivel
	084754-04-X26	EA	Chair Asm - Swivel
	084754-04-X27	EA	Chair Asm - Swivel
	088245-03-000	EA	Plate - Swivel Chair
	088245-01-000	EA	Base w/Legs - Swivel Chair
	088245-05-000	EA	Extention - 7" - Swivel Chair

## 1988 WINNEBAGO-ITASCA TABLE OF CONTENTS

W/IT319RK	A-01 - B-04
W/IT319RB	B-05 - C-08
W/IC420EG	C-09 - D-06
W/IF420RG	D-07 - E-10
W/IC420RG	D-07 - E-10
W/IF421RB	E-11 - F-04
W/IC421RB	E-11 - F-04
W/IF424RB	F-05 - G-02
W/IC424RB	F-05 - G-02
W/IF424RC	G-03 - H-02
W/IC424RC	G-03 - H-02
W/IF426R1	H-03 - I-02

## 1988 W/IT319RK INDEX

Floor Plan	A-01 - A-02
Accessories Group	A-03
Bath Group	A-04
Chassis Group	A-04
Curtain, Cushion & Pad Group	A-05 - A-12
Dinette Group	A-13
Driver's Compartment Group	A-14
Exterior Body Group	A-15 - A-19
Galley Group	A-20 - A-21
Lounge Group	A-22
Water & Sewage Group	A-23
Window, Vent & Exterior Door Group	A-24 - B-03

**WATER & SEWAGE GROUP**

**PLUMBING & REPAIR PARTS**

Key	Part Number	U/M	Description
	033302-02-000	EA	Adapter Asm - SWVC Strain - 1 1/2"
	010326-01-000	EA	Adapter - Flare - w/Cone Gasket
	062422-01-000	EA	Adapter - Hose Offset - Reducer - 3" x 1 1/2"
	052954-01-000	EA	Adapter - Hose Cone - 3/8 x 1/2 - Plastic
	010224-01-000	EA	Adapter - Plastic - 3/8 MPT x 3/8 Barb
	044927-01-000	EA	Adapter - Plastic - 1 1/4 MPT x 1 1/4 Barb
	031602-02-000	EA	Adapter - Plastic - 1 1/2 H x FPT
	062416-01-000	EA	Adapter - Termination - 3"
	004020-01-000	QT	Adhesive - ABS Cement
	011048-04-000	EA	Breaker - Vacuum - 1/8 MPT - Nylon
**	010121-01-000	EA	Bushing - Plastic - 1 1/2 S x 1 1/4 H
	010122-01-000	EA	Bushing - Plastic - 1 1/2 S x 1 1/4 T
	010123-01-000	EA	Bushing - Plastic 2 S x 1 1/2 H
	036522-02-000	EA	Cap - Brass - 1/2 Flare
	075730-01-000	EA	Cap - Sewer - 3"
	052959-02-000	EA	Connector - 1/2 F x 1/2 MPT - Plastic
	052959-03-000	EA	Connector - 1/2 F x 3/8 MPT - Plastic
	011091-02-000	EA	Continuous Waste - Double Sink - 11 7/8" - US
	078406-01-000	EA	Coupler Rubber - 3" x 3"
	052960-01-000	EA	Drain Valve - 1/2 F x 1/2 F - Plastic
	010000-01-000	EA	Elbow - Plastic - 1/8 BD x 1 1/4 x 45° H x H
	010005-01-000	EA	Elbow - Plastic - 1/16 BD x 1 1/2
	010006-01-000	EA	Elbow - Plastic - 1/8 BD x 1 1/2 x 45° H x H
	010008-01-000	EA	Elbow - Plastic - 1/4 BD x 1 1/2 x 90° Left
	010051-01-000	EA	Elbow - ST - Plastic - 1/8 BD x 1 1/2 x 45°
	010219-01-000	EA	Elbow - 1 1/4 Barb x 1 1/4 MPT x 90°
	031111-01-000	EA	Elbow - Plastic - 1/4 BD x 1 1/4 x 90° Left
	034250-01-000	EA	Elbow - Plastic - 1/4 BD x 1 1/2 x 90° x H x H
	035539-01-000	EA	Elbow - Plastic - 3/8 MPT x 3/8 Barb
	052957-01-000	EA	Elbow - Plastic - 1/2 F x 3/8 MPT
	052957-02-000	EA	Elbow - Plastic - 1/2 F x 1/2 MPT (In Tank Filter)
	059536-01-000	EA	Elbow - 1 1/4 - Slip Joint Ends
	065120-01-000	EA	Elbow - Plastic - Swivel - 50
	070924-01-000	EA	Elbow - Plastic - Swivel - 1/2 MPT x 1/2 FP
	077954-02-000	EA	Filter/Screen (In Water Tank)
	039647-02-000	EA	Filter - Water Pump - 1/2" MPT
	039647-03-000	EA	Filter - Water Pump - 1/2" Flare
	063641-01-000	EA	Flange - Closet - 4" F x 4" FPT - US
	079381-01-000	FT	Flexible Tubing - 1 1/4 I D x 10'
	061607-01-000	EA	Grommet - Holding Tank Coupler - 1 1/2'
	061607-02-000	EA	Grommet - Holding Tank Coupler - 3"
	052961-01-000	EA	Header - 1/2 F x 1/2 F x 1/2 F x 1/2 F
**	046524-01-000	EA	Kit - Holding Tank Fittings - Blank Tank
**	046524-02-000	EA	Kit - Water Tank Fittings - Blank Tank
	052953-01-000	EA	Nut - Faucet - 1/2 Tube x 1/2 FPT
	052952-01-000	EA	Nut - 1/2 F - Plastic
**	011066-03-000	EA	P-Trap - 1 1/4" Plastic - US
	010197-01-000	FT	Pipe - Plastic - 3" x 240" - Black
	045729-01-000	EA	Pump - Water - 2 8 G P M - Direct Drive - Shurflo - US
**	010201-01-000	EA	Sewer Hose - 3" x 8" w/Clamp
	042989-02-000	EA	Spinweld Fittings - Plastic - 1/2 FPT (In Tank Fitter)
	042989-03-000	EA	Spinweld Fittings - Plastic - 1/4 NPT
	042989-04-000	EA	Spinweld Fittings - Plastic 3/8 FPT
**	The illustrated parts breakdown for this item is provided on the Common Items Fiche		

**WATER & SEWAGE GROUP (CONTINUED)**

**PLUMBING & REPAIR PARTS (CONT.)**

Key	Part Number	U/M	Description
	011069-02-000	EA	Tailpiece - 1 1/2" x 1 1/4" x 4" - Brass
	010071-01-000	EA	Tee - Plastic - 1 1/2 x H x H x H
	010072-01-000	EA	Tee - Plastic - 1 1/2 H x 1 1/4 H x 1 1/2 H
**	010079-01-000	EA	Tee - Plastic - 1 1/2 H x 1 1/2 H x 1 1/4 H
	046172-01-000	EA	Tee - Plastic - 3/8 B x 3/8 B x 3/8 MPT
	052955-01-000	EA	Tee - Plastic - 1/2 F x 1/2 F x 1/2 MPT
	052956-01-000	EA	Tee - Plastic - 1/2 F x 1/2 MPT x 1/2 F
	052958-01-000	EA	Tee - Plastic - 1/2 F x 1/2 F x 1/2 F
**	01033-01-000	EA	Trap Adapter - Plastic - 1 1/2 H x MPT
	039800-01-000	FT	Tubing - Polybutyl - 1/2 O D (Water Line)
	079381-01-000	FT	Tubing - Flexible - Smooth - 1 25 I D
	074462-02-000	FT	Tubing - Vinyl - 3/8 I D
	062421-01-000	EA	Valve - 1 1/2" - w/Handle
	062418-02-000	EA	Valve - 3" - w/o Handle
	052960-01-000	EA	Valve - Line Drain - 1/2 F x 1/2 F
	052962-01-000	EA	Valve - Stool - 90° - 1/2 F x 3/8 MPT
	010073-01-000	EA	Wye - Plastic - 1 1/2 x 45 H x H
	078842-01-000	EA	Valve - 3" x 1 5" Tee - w/Handle
	079968-01-000	EA	Vent - Mechanical Trap Arm
**	The illustrated parts breakdown for this item is provided on the Common Items Fiche		

**HOLDING TANKS & WATER HEATER**

Key	Part Number	U/M	Description
	M02458-76-000	EA	Tank Asm - Water - w/Fittings
	074300-01-000	EA	Tank - Holding - 13 Gallon - w/o Fittings - Waste Water
	084679-01-000	EA	Tank - Holding - 11 5 Gallon - w/o Fittings - Sewage
	051391-02-000	EA	Water Heater - w/o Motor Aid - Atwood - G4-SM

**1988 WINNEBAGO-ITASCA  
TABLE OF CONTENTS**

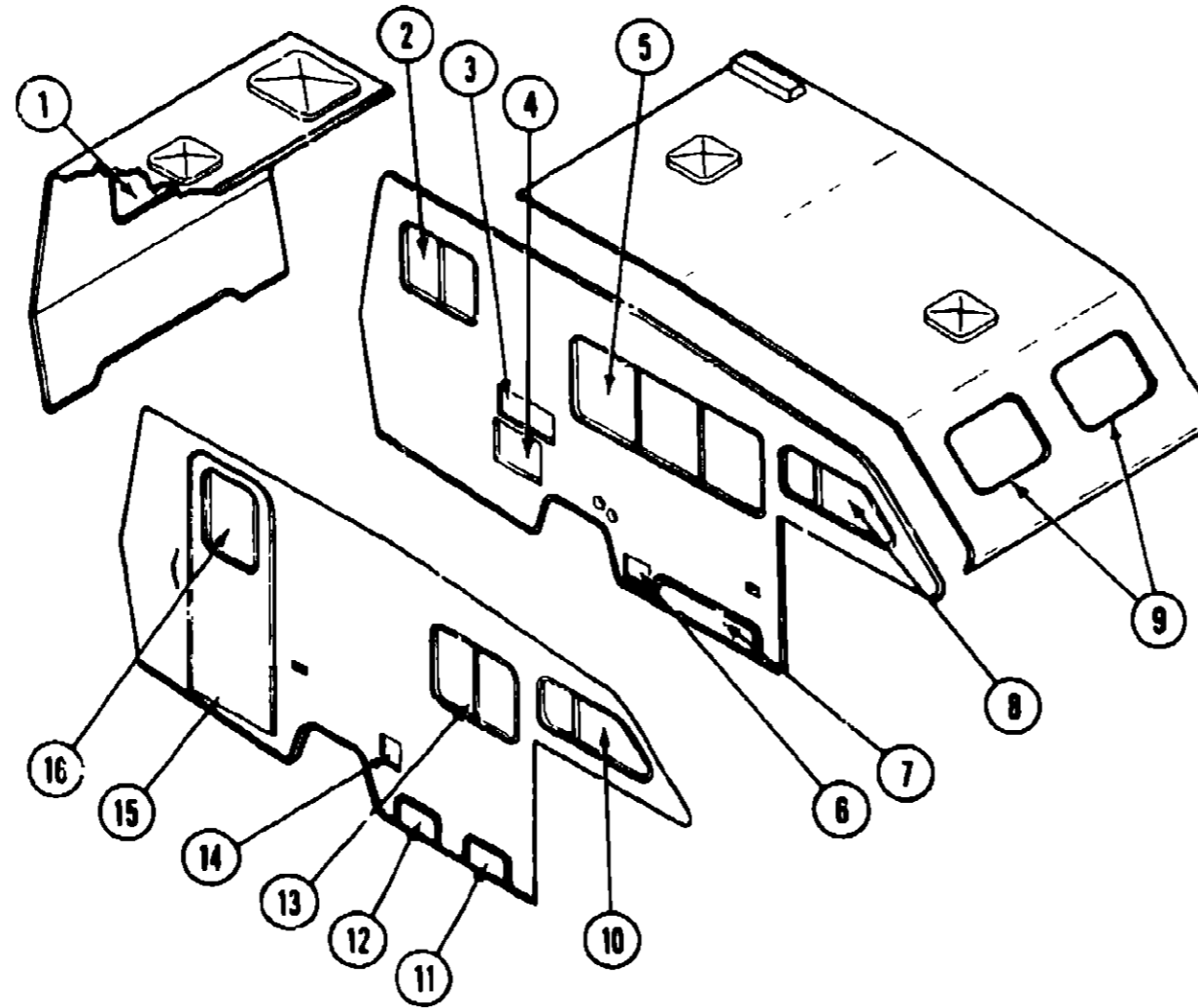
W/IT319RK	A-01 - B-04
W/IT319RB	B-05 - C-08
W/IC420EG	C-09 - D-06
W/IF420RG	D-07 - E-10
W/IC420RG	D-07 - E-10
W/IF421RB	E-11 - F-04
W/IC421RB	E-11 - F-04
W/IF424RB	F-05 - G-02
W/IC424RB	F-05 - G-02
W/IF424RC	G-03 - H-02
W/IC424RC	G-03 - H-02
W/IF426RT	H-03 - I-02

**1988 W/IT319RK INDEX**

Floor Plan	A-01 - A-02
Accessories Group	A-03
Bath Group	A-04
Chassis Group	A-04
Curtain, Cushion & Pad Group	A-05 - A-12
Dinette Group	A-13
Driver's Compartment Group	A-14
Exterior Body Group	A-15 - A-19
Galley Group	A-20 - A-21
Lounge Group	A-22
Water & Sewage Group	A-23
Window, Vent & Exterior Door Group	A-24 - B-03

# WINDOW, VENTS & EXTERIOR DOOR GROUP

## WINDOWS & ACCESS DOORS



## 1988 WINNEBAGO-ITASCA TABLE OF CONTENTS

W/IT319RK	A-01 - B-04
W/IT319RB	B-05 - C-08
W/IC420EG	C-09 - D-06
W/IF420RG	D-07 - E-10
W/IC420RG	D-07 - E-10
W/IF421RB	E-11 - F-04
W/IC421RB	E-11 - F-04
W/IF424RB	F-05 - G-02
W/IC424RB	F-05 - G-02
W/IF424RC	G-03 - H-02
W/IC424RC	G-03 - H-02
W/IF426RT	H-03 - I-02

Key	Part Number	U/M	Description
1	079729-02-T03	EA	Window Asm - Escape
	020749-07-000	EA	Inside Frame - Escape Window
2	078266-03-T03	EA	Window Asm - Single Slider - Bath
	083122-03-000	EA	Frame - Inside Bath Window
3	011104-03-000	EA	Door Asm - Refrigerator Access - Off White
3	011104-03-000	EA	Jamb - Refrigerator Door - Off White
4	052609-01-000	EA	Door Asm - Water Heater
5	078269-01-T03	EA	Window Asm - Double Slider - Dinette
	083122-09-000	EA	Frame - Inside Dinette Window
6	052423-01-000	EA	Door Asm - Sewer Hose Compartment
6	052424-01-000	EA	Jamb - Sewer Hose Compartment
	085969-01-000	EA	Sewer Hose Compartment - Tube
7	084574-04-X01	EA	Door Asm - Storage - Left
8	086227-02-000	EA	Window Asm - Bunk Slant Slider - Left
	086228-06-000	EA	Inside Frame - Bunk Left (not included in assembly)
9	078533-03-W17	EA	Window Asm - Front Picture - 14" x 24"
	041938-05-000	EA	Frame - Inside - Front Picture Window
10	086227-01-000	EA	Window Asm - Bunk Slant Slider - Right
	086228-05-000	EA	Inside Frame - Bunk Right (not included in assembly)
11	084571-01-U28	EA	Door Asm - Storage - Right Front
12	084574-03-X01	EA	Door Asm - Storage - Right Rear
13	078266-08-W17	EA	Window Asm - Single Slider
14	078010-03-000	EA	Door Asm - Fuel Fill - Off White
15	M01870-10-W17	EA	Door Asm - Entrance - w/Screen Door & Window
16	079733-04-T03	EA	Window Asm - Picture - 17" x 25"
	067609-03-000	EA	Frame - Inside Entrance Door Window
	081240-UJ-000	EA	Water Fill - Lockable - Off White
	087659-04-000	EA	Water Fill - City
	009426-02-000	EA	Power Cord Hatch - Off White
			Not keyed

## 1988 W/IT319RK INDEX

Floor Plan	A-01 - A-02
Accessories Group	A-03
Bath Group	A-04
Chassis Group	A-04
Curtain, Cushion & Pad Group	A-05 - A-12
Dinette Group	A-13
Driver's Compartment Group	A-14
Exterior Body Group	A-15 - A-19
Galley Group	A-20 - A-21
Lounge Group	A-22
Water & Sewage Group	A-23
Window, Vent & Exterior Door Group	A-24 - B-03

# WINDOW, VENT & EXTERIOR DOOR GROUP (CONTINUED)

## ACCESS DOORS & HARDWARE

Key	Part Number	U/M	Description
	085969-01-000	EA	Outlet Extension - Lewage
	052423-01-000	EA	Door Asm - Sewage Hose
	052424-01-000	EA	Jamb - Power Cord Door & Sewer Hose Door - Off White
	009426-02-000	EA	Hatch - Power Cord Door
	083615-06-000	EA	Door Holder - Off White
	041312-01-000	EA	Seal - Bulb - 'e' Section
	042442-01-000	EA	Lock Asm - Twist Type
	047305-01-000	EA	Lock Asm - Key Type w/Clip - Metal
	083223-03-000	EA	Lock Asm - Key Type (Storage)
	052951-01-000	EA	Clip - Twist Lock - Retainer
	079366-04-000	EA	Lock Asm. - Key Type - w/o Keys
	052950-01-700	EA	Lock Asm - Twist Type - White

## VENTS

Key	Part Number	U/M	Description
**	048835-01-000	EA	Vent Asm - Roof - Non-Powered - w/o Screen - Aluminum
	078786-01-T03	EA	Screen Asm - Roof Vent - Non-Powered
	078785-01-T03	EA	Screen Asm - Roof Vent - Powered
	065103-01-000	EA	Roof Base - Refrigerator
	065103-02-000	EA	Roof Cap - Refrigerator
	084616-01-000	EA	Vent - Cover - Range Hood - Off White
††	084079-03-000	EA	Vent Asm - Roof - Powered - Fan (Fantastic)
†	090395-01-X11	EA	Vent Asm - Roof - Non Powered
**	The illustrated parts breakdown for this item is provided on the Common Items Fiche		
†	Used in units produced after 7/20/87		
††	Used in units produced after 3/21/88		

## 1988 WINNEBAGO-ITASCA TABLE OF CONTENTS

W/IT319RK	A-01 - B-04
W/IT319RB	B-05 - C-08
W/IC420EG	C-09 - D-06
W/IF420RG	D-07 - E-10
W/IC420RG	D-07 - E-10
W/IF421RB	E-11 - F-04
W/IC421RB	E-11 - F-04
W/IF424RB	F-05 - G-02
W/IC424RB	F-05 - G-02
W/IF424RC	G-03 - H-02
W/IC424RC	G-03 - H-02
W/IF426RT	H-03 - I-02

## 1988 W/IT319RK INDEX

Floor Plan	A-01 - A-02
Accessories Group	A-03
Bath Group	A-04
Chassis Group	A-04
Curtain, Cushion & Pad Group	A-05 - A-12
Dinette Group	A-13
Driver's Compartment Group	A-14
Exterior Body Group	A-15 - A-19
Galley Group	A-20 - A-21
Lounge Group	A-22
Water & Sewage Group	A-23
Window, Vent & Exterior Door Group	A-24 - B-03