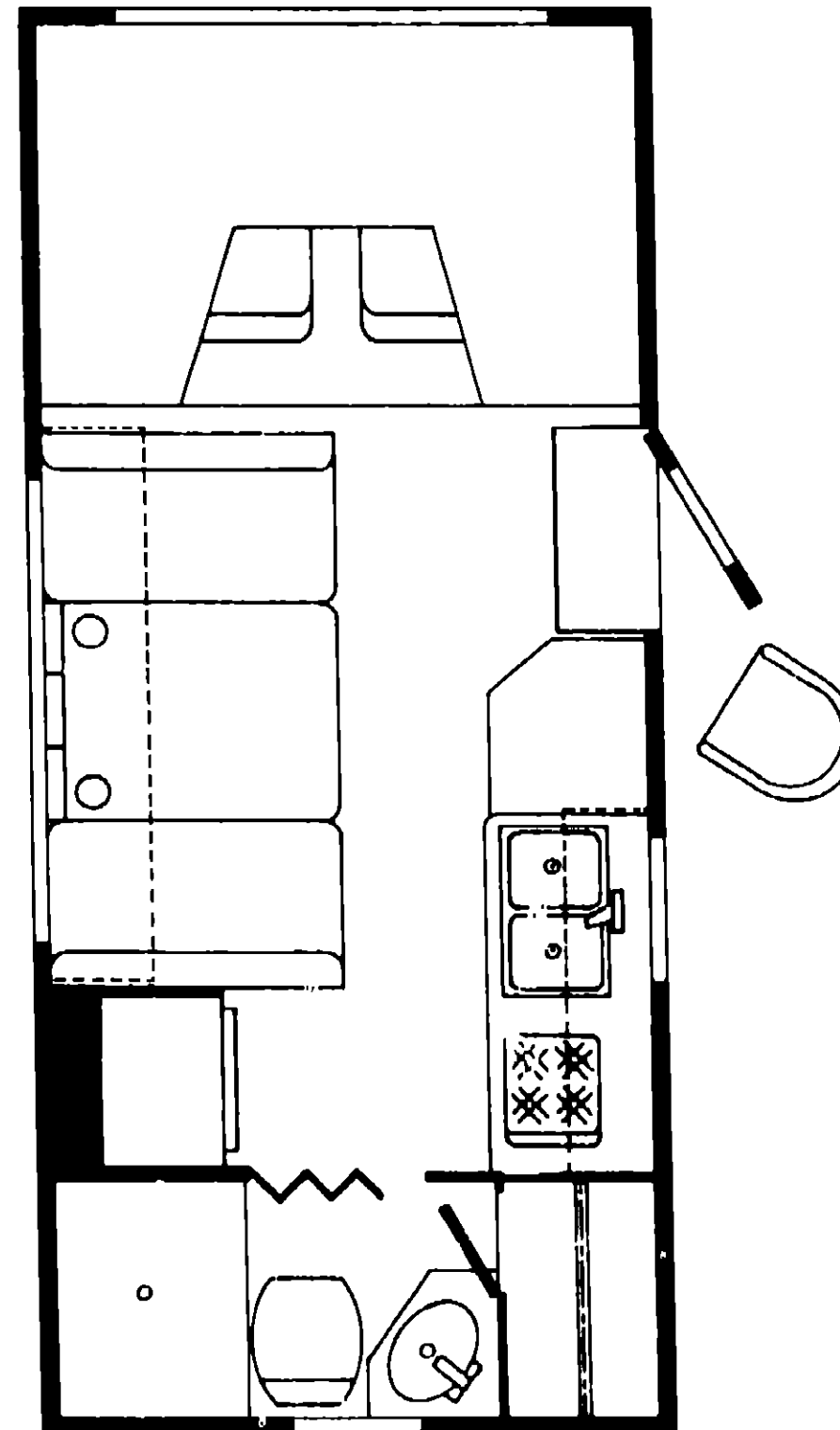


1988 W/IT319RB



1988 WINNEBAGO-ITASCA TABLE OF CONTENTS

W/IT319RK	A-01 - B-04
W/IT319RB	B-05 - C-06
W/IC420EG	C-09 - D-06
W/IF420RG	D-07 - E-10
W/IC420RG	D-07 - E-10
W/IF421RB	E-11 - F-04
W/IC421RB	E-11 - F-04
W/IF424RB	F-05 - G-02
W/IC424RB	F-05 - G-02
W/IF424...	G-03 - H-02
W/IC424...	G-03 - H-02
W/IF425RT	H-03 - I-02

1988 W/IT319RB INDEX

Floor Plan	B-05 - B-06
Accessories Group	B-07
Bath Group	B-08
Chassis Group	B-09
Curtain, Cushion & Pad Group	B-10 - B-18
Dinette Group	B-19
Driver's Compartment Group	B-20
Exterior Body Group	B-21 - C-01
Galley Group	C-02
Lounge Group	C-03
Water & Sewage Group	C-04
Window, Vent & Exterior Door Group	C-05 - C-07

ACCESSORIES GROUP

MISCELLANEOUS ACCESSORIES

Key	Part Number	U/M	Description
	054185-28-000	EA	Owners Manual - 1988 - Itasca & Winnebago
**	084438-03-000	EA	Speed Control Package - Electric Dana
	041944-04-000	EA	Fire Extinguisher - Dry - 5 BC
	084472-01-000	EA	Recessed Holder - Fire Extinguisher
	073414-01-000	EA	Wheel Cover - 14" (Mag Type) (Set of 4)
	073414-01-700	EA	Wheel Cover - 14" (Mag Type) (1)
	072852-01-000	EA	Smoke Detector w/9 Volt Battery
	006089-01-000	EA	Key Case - Leather
	084445-01-000	EA	Mirror Asm - Exterior - Right Hand
	084445-02-000	EA	Mirror Asm - Exterior - Left Hand
	086780-01-000	EA	Mud Flaps - Toyota (Set of 2) - Rubber - Black
**	The illustrated parts breakdown for this item is provided on the Common Items Fiche		

BATH GROUP

Key	Part Number	U/M	Description
	M84673-03-X01	EA	Cabinet Asm - Lavatory - w/o Countertop, Doors or Drawer
	M02912-01-X01	EA	Countertop Asm. - Lavatory Cabinet - Apricot Blush
	M88301-28-X01	EA	Door Asm. - Lavatory - w/o Hardware
	M84991-01-X01	EA	Cabinet Asm - Medicine - w/o Door
	M88304-18-W24	EA	Door Asm - Medicine Cabinet - w/Mirror - w/o Hardware
	M88301-20-X01	EA	Door Asm - Wardrobe Cabinet - w/o Hardware
	042488-04-000	EA	Door Asm - Folding - Walnut

BATH HARDWARE

Key	Part Number	U/M	Description
	M02630-03-U28	EA	Shower Pan
	011056-01-000	EA	Faucet - Lavatory
	011059-01-000	EA	Faucet - Shower
	009112-01-000	EA	Flange - 1" Closet Rod
	011048-02-000	EA	Shower Head - w/60" Hose
	075806-01-000	EA	Shower Panel - Faucet Plastic
	066729-01-000	EA	Strainer - Shower
	066435-01-000	EA	Nut Strainer - Plastic
	066436-01-000	EA	Slip Nut - 1.5" Tail Piece
	069735-01-000	EA	Washer - Tail Piece - 1 5" - Plastic
	011069-03-000	EA	Tailpiece - 1 5" x 1.25" x 4" - Brass
	089368-01-000	EA	Sink - Oval - Ivory Plastic
	011083-01-000	EA	Tail Piece w/Stopper - 1 25" x 5" - Plastic - Sink
	063740-01-000	EA	Toilet - Thetford - Aqua Magic IV - Ivory
	009134-01-000	EA	Tissue Holder
	009133-01-000	EA	Towel Bar - 12" Plastic
	033580-01-000	EA	Towel Ring - Chrome w/Plastic Ring
	059783-01-000	EA	Clothes Rod - Slotted Aluminum - 7'
	058331-05-000	EA	Mirror - Tempered Glass - 12" x 26"
	057871-01-000	EA	Screw Cover - #8 - Antique White
	059783-01-000	EA	Clothes Rod - Slotted - 7'

1988 WINNEBAGO-ITASCA TABLE OF CONTENTS

W/IT319RK	A-01 - B-04
W/IT319RB	B-05 - C-06
W/IC420EG	C-09 - D-08
W/IF420RG	D-07 - E-10
W/IC420RG	D-07 - E-10
W/IF421RB	E-11 - F-04
W/IC421RB	E-11 - F-04
W/IF424RB	F-05 - G-02
W/IC424RB	F-05 - G-02
W/IF424RC	G-03 - H-02
W/IC424RC	G-03 - H-02
W/IF426RT	H-03 - I-02

1988 W/IT319RB INDEX

Floor Plan	B-05 - B-06
Accessories Group	B-07
Bath Group	B-08
Chassis Group	B-09
Curtain, Cushion & Pad Group	B-10 - B-18
Dinette Group	B-19
Driver's Compartment Group	B-20
Exterior Body Group	B-21 - C-01
Galley Group	C-02
Lounge Group	C-03
Water & Sewage Group	C-04
Window, Vent & Exterior Door Group	C-05 - C-07

CHASSIS GROUP

Key	Part Number	U/M	Description
	084696-01-000	EA	Tailpipe Extension - 2"
	007125-06-000	EA	Clamp Asm - Muffler - 2 25"
	010497-01-000	EA	Clamp - Closed - 5/8 I.D
	007161-01-000	EA	Clamp - Hose - Spring Type 112
	062401-01-000	EA	Clamp - Hose - Wormgear - 22" I.D - 1" I.D
	062401-02-000	EA	Clamp - Hose - Wormgear - 1 5/8" I.D - 2 5/8" I.D
	062401-03-000	EA	Clamp - Hose - Wormgear - 25" I.D - 1" I.D
	062401-04-000	EA	Clamp - Hose - Wormgear - 69" I.D - 1 25" I.D
	062401-05-000	EA	Clamp - Hose - Wormgear - 2" I.D - 3" I.D
	062401-06-000	EA	Clamp - Hose - Wormgear - 22" I.D - 62" I.D
	084622-01-000	EA	Bumper Asm - Rear - Black
	084468-01-000	EA	Filler Neck - Main Fuel Tank

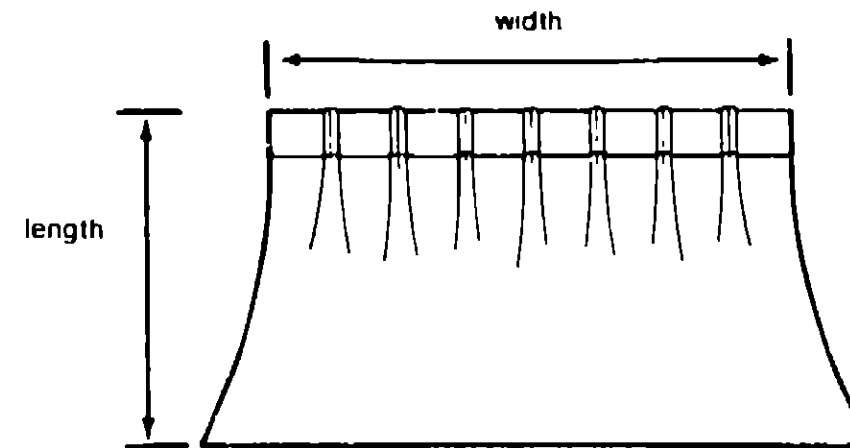
NOTE Remainder of exhaust components available from chassis service center

CURTAIN, CUSHION & PAD GROUP

NOTICE

In order to assist our Parts Sales Dept in providing interior software items, please include the serial number and the color code number from the vehicle certification label when ordering. This label is located on the left sidewall at the end of the dash (A-Body), or on the driver's door latch plate (C-Body).

An example of a color code number is P31, which designates an overall color scheme of a particular unit. The color listed after the item description on the microfiche, indicates the overall unit color. Order the item you desire according to unit color code.



NOTE

Use this illustration when determining length and width measurements for curtains. You will note the width measurement is taken on the top of the curtain with the curtain fully extended. The length measurement is taken from top to bottom.



Key	Part Number	U/M	Description
1	029130-01-000	EA	Socket - Snap Fastener
2	029155-01-000	EA	Cap - Snap - .156" Dia x 17" Barrel
3	029156-01-000	EA	Socket - Snap Fastener
4	029092-01-000	EA	Stud - Nickel Finish
5	029093-01-000	EA	Eyelet - Nickel Finish

1988 WINNEBAGO-ITASCA TABLE OF CONTENTS

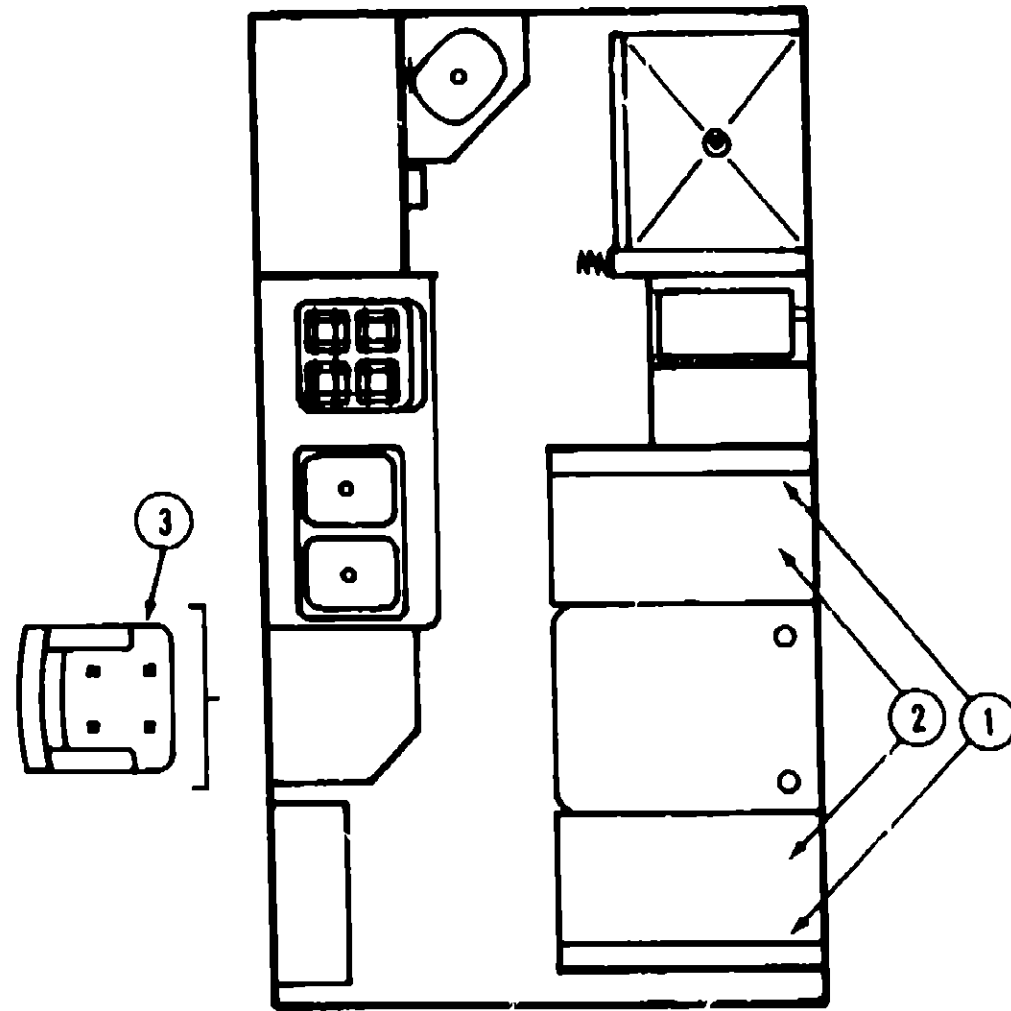
W/IT319RK	A-01 - B-04
W/IT319RB	B-05 - C-06
W/IC420EG	C-09 - D-06
W/IF420RG	D-07 - E-10
W/IC420RG	D-07 - E-10
W/IF421RB	E-11 - F-04
W/IC421RB	E-11 - F-04
W/IF424RB	F-05 - G-02
W/IC424RB	F-05 - G-02
W/IF424RC	G-03 - H-02
W/IC424RC	G-03 - H-02
W/IF426RT	H-03 - I-02

1988 W/IT319RB INDEX

Floor Plan	B-05 - B-06
Accessories Group	B-07
Bath Group	B-08
Chassis Group	B-09
Curtain, Cushion & Pad Group	B-10 - B-18
Dinette Group	B-19
Driver's Compartment Group	B-20
Exterior Body Group	B-21 - C-01
Galley Group	C-02
Lounge Group	C-03
Water & Sewage Group	C-04
Window, Vent & Exterior Door Group	C-05 - C-07

CURTAIN, CUSHION & PAD GROUP (CONTINUED)

CURTAIN, CUSHION & PAD GROUP (CONTINUED)



**WINNEBAGO
DINETTE CUSHION**

Key	Part Number	U/M	Description
1	081998-52-X01	EA	Cushion Asm - Dinette Back - 19.25" x 38" x 5"
1	081998-52-X02	EA	Cushion Asm - Dinette Back - 19.25" x 38" x 5"
	M81998-52-X01	EA	Cover Asm - Dinette Back Cushion - 19.25" x 38" x 5"
	M81998-52-X02	EA	Cover Asm - Dinette Back Cushion - 19.25" x 38" x 5"
2	081998-53-X01	EA	Cushion Asm - Dinette Bottom - 17.5" x 38" x 5"
2	081998-53-X02	EA	Cushion Asm - Dinette Bottom - 17.5" x 38" x 5"
	M81998-53-X01	EA	Cover Asm - Dinette Bottom Cushion - 17.5" x 38" x 5"
	M81998-53-X02	EA	Cover Asm - Dinette Bottom Cushion - 17.5" x 38" x 5"

**WINNEBAGO
SWIVEL CHAIR**

Key	Part Number	U/M	Description
3	084754-04-X01	EA	Chair Asm. w/Pillow Back - Swivel
3	084754-04-X02	EA	Chair Asm. w/Pillow Back - Swivel
	088245-03-000	EA	Plate - Tilt & Swivel - Swivel Chair
	088245-01-000	EA	Base w/Legs - Swivel Chair
	088245-05-000	EA	Extension - 7" - Swivel Chair

WINNEBAGO

BUCKET SEAT COVERS

Key	Part Number	U/M	Description
	086740-01-X01	EA	Seat Cover Asm - Bucket
	086740-01-X02	EA	Seat Cover Asm - Bucket

WINNEBAGO

FRONT OVERHEAD BUNK CUSHIONS

Key	Part Number	U/M	Description
	084753-03-X01	EA	Cushion Asm - Front Bunk - 52" x 81" x 4"
	084753-03-X02	EA	Cushion Asm - Front Bunk - 52" x 81" x 4"
	M84753-03-X01	EA	Cover Asm - Front Bunk - 52" x 81" x 4"
	M84753-03-X02	EA	Cover Asm - Front Bunk - 52" x 81" x 4"
	084753-04-X01	EA	Cushion Asm - Front Bunk - 24" x 41" x 4" - U Shaped
	084753-04-X02	EA	Cushion Asm - Front Bunk - 24" x 41" x 4" - U Shaped
	M84753-04-X01	EA	Cover Asm - Front Bunk - 24" x 41" x 4" - U Shaped
	M84753-04-X02	EA	Cover Asm - Front Bunk - 24" x 41" x 4" - U Shaped

WINNEBAGO

FABRICS, TRIMS & PADS

Key	Part Number	U/M	Description
	072333-45-000	YD	Fabric - Drapery (X01)
	072333-51-000	YD	Fabric - Drapery (X02)
	088274-35-000	YD	Fabric w/Pattern - Upholstery (X01)
	088274-34-000	YD	Fabric w/Pattern - Upholstery (X02)
	088274-14-000	YD	Fabric - Upholstery Accent (X01)
	088274-10-000	YD	Fabric - Upholstery Accent (X02)
	052859-07-X01	FT	Accent Trim (Dinette Seat Back)
	052859-07-X26	FT	Accent Trim (Dinette Seat Back) (X02)
	079880-01-000	YD	Expanded Vinyl - 26 oz. - Buckskin
	071127-10-X01	EA	Button Asm. - #30 Round
	071127-10-X02	EA	Button Asm. - #30 Round
	078155-01-000	EA	Strap Asm. - Cushion
	079349-01-X01	YD	Welt Asm. - Accent
	079349-01-X02	EA	Welt Asm. - Accent
	086120-01-X01	EA	Pad Asm - Map Pocket - 12" x 16"
	086120-01-X02	EA	Pad Asm - Map Pocket - 12" x 16"

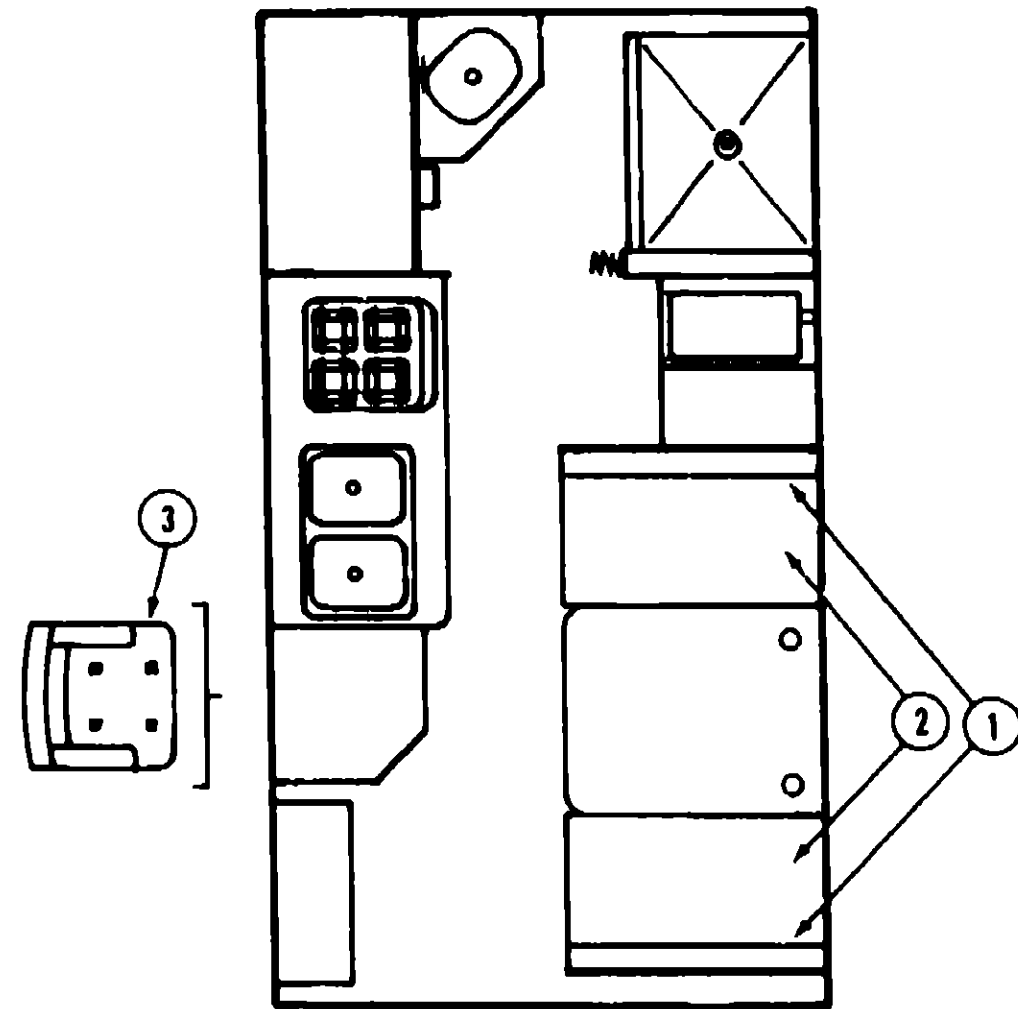
**1988 WINNEBAGO-ITASCA
TABLE OF CONTENTS**

W/IT319RK	A-01 - B-04
W/IT319RB	B-05 - C-08
W/IC420EG	C-09 - D-08
W/IF420RG	D-07 - E-10
W/IC420RG	D-07 - E-10
W/IF421RB	E-11 - F-04
W/IC421RB	E-11 - F-04
W/IF424RB	F-05 - G-02
W/IC424RB	F-05 - G-02
W/IF424RC	G-03 - H-02
W/IC424RC	G-03 - H-02
W/IF426RT	H-03 - I-02

1988 W/IT319RB INDEX

Floor Plan	B-05 - B-06
Accessories Group	B-07
Bath Group	B-08
Chassis Group	B-09
Curtain, Cushion & Pad Group	B-10 - B-18
Dinette Group	B-19
Driver's Compartment Group	B-20
Exterior Body Group	B-21 - C-01
Galley Group	C-02
Lounge Group	C-03
Water & Sewage Group	C-04
Window, Vent & Exterior Door Group	C-05 - C-07

CURTAIN, CUSHION & PAD GROUP (CONTINUED)



ITASCA

DINETTE CUSHION

Key	Part Number	U/M	Description
1	081998-52-X26	EA	Cushion Asm. - Dinette Back - 19.25" x 38" x 5"
1	081998-52-X27	EA	Cushion Asm. - Dinette Back - 19.25" x 38" x 5"
	M81998-52-X26	EA	Cover Asm. - Dinette Back Cushion - 19.25" x 38" x 5"
	M81998-52-X27	EA	Cover Asm. - Dinette Back Cushion - 19.25" x 38" x 5"
2	081998-53-X26	EA	Cushion Asm. - Dinette Bottom - 17.5" x 38" x 5"
2	081998-53-X27	EA	Cushion Asm. - Dinette Bottom - 17.5" x 38" x 5"
	M81998-53-X26	EA	Cover Asm. - Dinette Bottom Cushion - 17.5" x 38" x 5"
	M81998-53-X27	EA	Cover Asm. - Dinette Bottom Cushion - 17.5" x 38" x 5"

ITASCA

SWIVEL CHAIR

Key	Part Number	U/M	Description
3	084754-04-X26	EA	Chair Asm. w/Pillow Back - Swivel
3	084754-04-X27	EA	Chair Asm. w/Pillow Back - Swivel
	088245-03-000	EA	Plate - Tilt & Swivel - Swivel Chair
	088245-01-000	EA	Base w/Legs - Swivel Chair
	088245-05-000	EA	Extension - 7" - Swivel Chair

CURTAIN, CUSHION & PAD GROUP (CONTINUED)

ITASCA

BUCKET SEAT COVERS

Key	Part Number	U/M	Description
	086740-01-X26	EA	Seat Cover Asm - Bucket
	086740-01-X27	EA	Seat Cover Asm - Bucket

ITASCA

FRONT OVERHEAD BUNK CUSHIONS

Key	Part Number	U/M	Description
	084753-C3-X26	EA	Cushion Asm - Front Bunk - 52" x 81" x 4"
	084753-03-X27	EA	Cushion Asm - Front Bunk - 52" x 81" x 4"
	M84753-03-X26	EA	Cover Asm - Front Bunk - 52" x 81" x 4"
	M84753-03-X27	EA	Cover Asm - Front Bunk - 52" x 81" x 4"
	084753-04-X26	EA	Cushion Asm - Front Bunk - 24" x 41" x 4" - U-Shaped
	084753-04-X27	EA	Cushion Asm. - Front Bunk - 24" x 41" x 4" - U-Shaped
	M84753-04-X26	EA	Cover Asm - Front Bunk - 24" x 41" x 4" - U-Shaped
	M84753-04-X27	EA	Cover Asm - Front Bunk - 24" x 41" x 4" - U-Shaped

ITASCA

FABRICS, TRIMS & PADS

Key	Part Number	U/M	Description
	072333-61-000	EA	Fabric - Drapery
	072333-62-000	EA	Fabric - Drapery
	088274-52-000	YD	Fabric w/Pattern - Upholstery
	088274-53-000	YD	Fabric w/Pattern - Upholstery
	088274-66-000	YD	Fabric - Upholstery Accent
	088274-67-000	YD	Fabric - Upholstery Accent
	052859-07-X26	FT	Accent Trim (Dinette Seat Back)
	052859-07-X27	FT	Accent Trim (Dinette Seat Back)
	079680-01-000	YD	Expanded Vinyl - 28 oz. Buckskin
	071127-10-X26	EA	Button Asm. - #30 Round
	071127-10-X27	EA	Button Asm. - #30 Round
	078155-01-000	EA	Strap Asm. - Cushion
	079349-01-X20	YD	Welt Asm. - Accent - Clay
	079349-01-X22	YD	Welt Asm. - Accent - Jac
	088120-01-X26	EA	Pad Asm. - Map Pocket - 12" x 16"
	088120-01-X27	EA	Pad Asm. - Map Pocket - 12" x 16"

**1988 WINNEBAGO-ITASCA
TABLE OF CONTENTS**

W/IT319RK	A-01 - B-04
W/IT319RB	B-05 - C-06
W/IC420EG	C-09 - D-08
W/IF420RG	D-07 - E-10
W/IC420RG	D-07 - E-10
W/IF421RB	E-11 - F-04
W/IC421RB	E-11 - F-04
W/IF424RB	F-05 - G-02
W/IC424RB	F-05 - G-02
W/IF424RC	G-03 - H-02
W/IC424RC	G-03 - H-02
W/IF426RT	H-03 - I-02

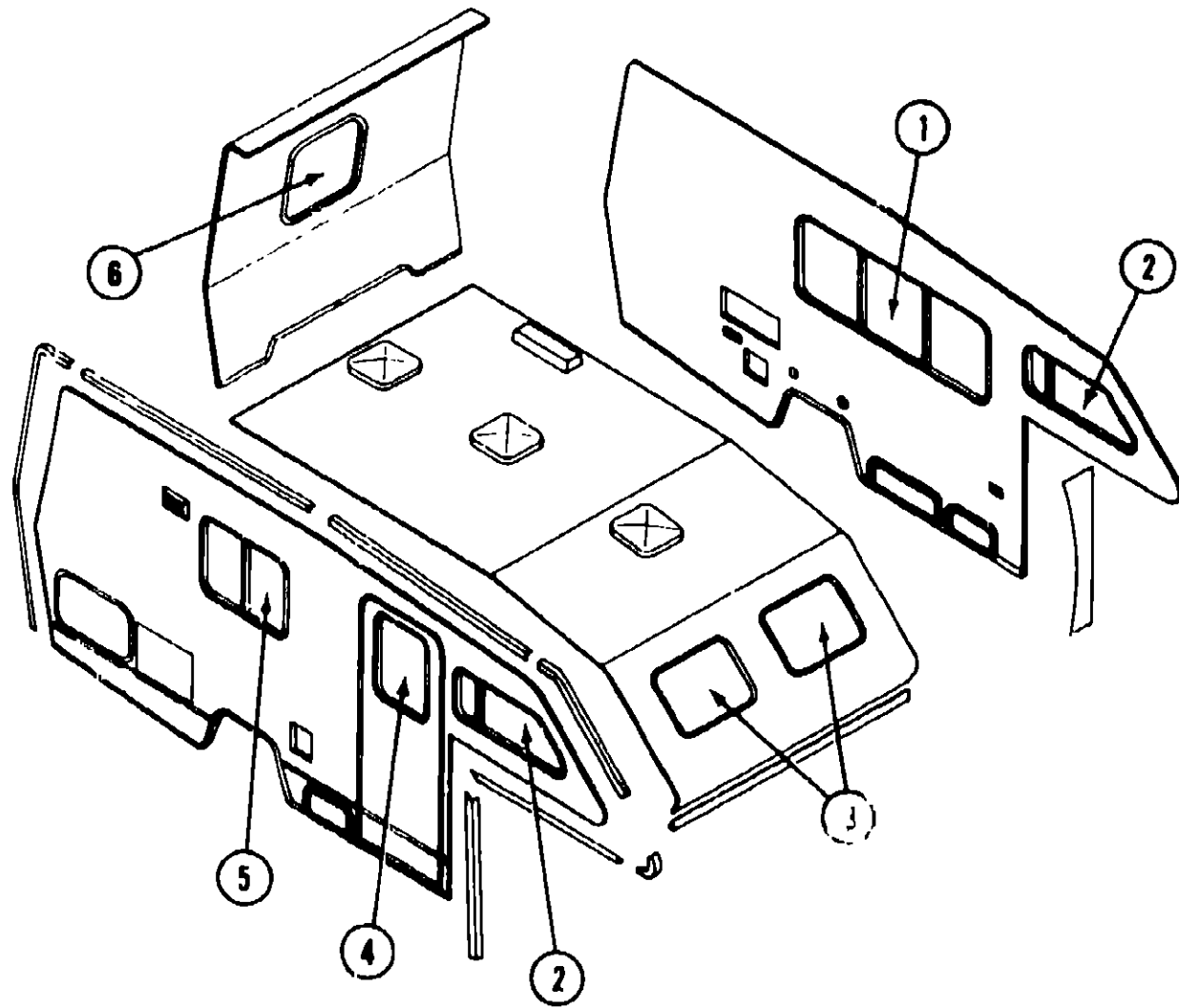
1988 W/IT319RB INDEX

Floor Plan	B-05 - B-06
Accessories Group	B-07
Bath Group	B-08
Chassis Group	B-09
Curtain, Cushion & Pad Group	B-10 - B-16
Dinette Group	B-19
Driver's Compartment Group	B-20
Exterior Body Group	B-21 - C-01
Galley Group	C-02
Lounge Group	C-03
Water & Sewage Group	C-04
Window, Vent & Exterior Door Group	C-05 - C-07

CURTAIN, CUSHION & PAD GROUP (CONTINUED)

WINNEBAGO

CURTAIN, VALANCES, SHADES & TIEBACKS



Key	Part Number	U/M	Description
1	066226-25-X01	EA	Curtain Asm - 30" x 22"
1	066226-25-X02	EA	Curtain Asm - 30" x 22"
1	066226-43-X01	EA	Valance Asm - 4" x 75"
1	066226-43-X02	EA	Valance Asm - 4" x 75"
1	084755-02-X01	EA	Pull Shade Asm - 67.25"
†1	084755-02-XA3	EA	Pull Shade Asm - 67.25" (X01)
1	084755-02-X02	EA	Pull Shade Asm - 67.25"
‡1	084755-02-XA7	EA	Pull Shade Asm - 67.25" (X02)
2	073323-33-X33	EA	Curtain Asm - 17.5" x 24"
2	073323-33-X35	EA	Curtain Asm - 17.5" x 24"
3	073323-37-X33	EA	Curtain Asm - 21" x 30"
3	073323-37-X35	EA	Curtain Asm - 21" x 30"
4	073304-36-X01	EA	Curtain Asm - 34" x 37"
4	073304-36-X02	EA	Curtain Asm - 34" x 37"
5	066226-27-X01	EA	Curtain Asm - 21" x 10"
5	066226-27-X02	EA	Curtain Asm - 21" x 10"
5	066226-44-X01	EA	Valance Asm - 5" x 60"
5	066226-44-X02	EA	Valance Asm - 5" x 60"
5	084755-01-X01	EA	Pull Shade Asm - 28.5" x 30"
†5	084755-01-XA3	EA	Pull Shade Asm - 28.5" x 30" (X01)
5	084755-01-X02	EA	Pull Shade Asm - 28.5" x 30"
‡5	084755-01-XA7	EA	Pull Shade Asm - 28.5" x 30" (X02)
6	084755-01-X01	EA	Pull Shade Asm - 28.5" x 30"
†6	084755-01-XA3	EA	Pull Shade Asm - 28.5" x 30" (X01)
6	084755-01-X02	EA	Pull Shade Asm - 28.5" x 30"
‡6	084755-01-XA7	EA	Pull Shade Asm - 28.5" x 30" (X02)
•	076892-03-X01	EA	Curtain Asm - Blackout - 35" x 55"
•	076892-03-X02	EA	Curtain Asm - Blackout - 35" x 55"
•	084481-04-000	EA	Curtain Asm Shower - 65" x 60"
•	073260-24-X33	EA	Tieback Asm - 2" x 14"
•	073260-24-X35	EA	Tieback Asm - 2" x 14"
•	073260-26-X01	EA	Tieback Asm - 3" x 16"
•	073260-26-X02	EA	Tieback Asm - 3" x 16"
•	Not Illustrated		
†	Used after 12/1/87		
‡	Used after 3/1/88		

1988 WINNEBAGO-ITASCA TABLE OF CONTENTS

W/IT319RK	A-01 - B-04
W/IT319RB	B-05 - C-06
W/IC420EQ	C-09 - D-06
W/IF420RG	D-07 - E-10
W/IC420RG	D-07 - E-10
W/IF421RB	E-11 - F-04
W/IC421RB	E-11 - F-04
W/IF424RB	F-05 - G-02
W/IC424RB	F-05 - G-02
W/IF424RC	G-03 - H-02
W/IC424RC	G-03 - H-02
W/IF428RT	H-03 - I-02

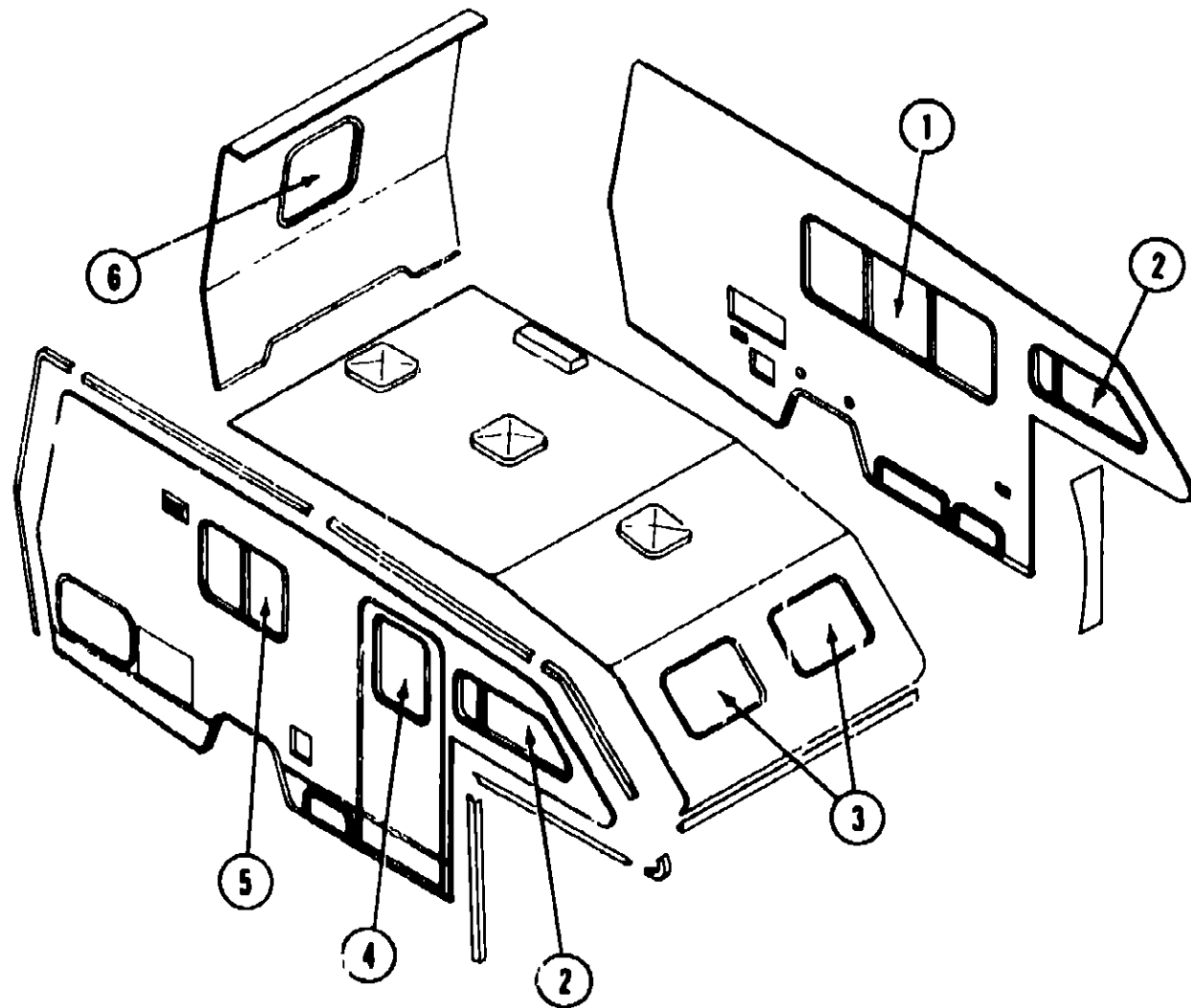
1988 W/IT319RB INDEX

Floor Plan	B-05 - B-06
Accessories Group	B-07
Bath Group	B-08
Chassis Group	B-09
Curtain, Cushion & Pad Group	B-10 - B-18
Dinette Group	B-19
Driver's Compartment Group	B-20
Exterior Body Group	B-21 - C-01
Galley Group	C-02
Lounge Group	C-03
Water & Sewage Group	C-04
Window, Vent & Exterior Door Group	C-05 - C-07

CURTAIN, CUSHION & PAD GROUP (CONTINUED)

ITASCA

CURTAIN, VALANCES, SHADES & TIEBACKS



Key	Part Number	U/M	Description
1	066226-25-X26	EA	Curtain Asm - 30" x 22"
†1	066226-25-XA4	EA	Curtain Asm - 30" x 22" (X26)
1	066226-25-X27	EA	Curtain Asm - 30" x 22"
1	066226-43-X26	EA	Valance Asm - 5" x 60"
1	066226-43-XA4	EA	Valance Asm - 5" x 60" (X26)
1	066226-43-X27	EA	Valance Asm - 5" x 60"
1	084755-02-X26	EA	Shade Asm - 67 25" (X26, X27)
2	073323-33-X34	EA	Curtain Asm - 17.5" x 24"
2	073323-33-X08	EA	Curtain Asm - 17.5" x 24"
3	073323-37-X26	EA	Curtain Asm - 21" x 30" - Rod Top
3	073323-37-X27	EA	Curtain Asm - 21" x 30" - Rod Top
4	073304-36-X26	EA	Curtain Asm - 34" x 37" - Snap Top
†4	073304-36-XA4	EA	Curtain Asm - 34" x 37" - Snap Top (X26)
4	073304-36-X27	EA	Curtain Asm - 34" x 37" - Snap Top
5	066226-27-X26	EA	Curtain Asm - 22.5" x 10"
†5	066226-27-XA4	EA	Curtain Asm - 22.5" x 10" (X26)
5	066226-27-X27	EA	Curtain Asm - 22.5" x 10"
5	066226-44-X26	EA	Valance Asm - 5" x 60"
†5	066226-44-XA4	EA	Valance Asm - 5" x 60" (X26)
5	066226-44-X27	EA	Valance Asm - 5" x 60"
5	084755-01-X26	EA	Shade Asm - 28.5" (X26, X27)
6	084755-01-X26	EA	Shade Asm - 28.5" (X26, X27)
•	073260-24-X34	EA	Tieback Asm - 2" x 14"
†•	073260-24-XA4	EA	Tieback Asm - 2" x 14" (X26)
•	073260-24-X08	EA	Tieback Asm - 2" x 14"
•	073260-26-X26	EA	Tieback Asm - 3" x 18"
†•	073260-26-XA4	EA	Tieback Asm - 3" x 18" (X26)
•	073260-26-X27	EA	Tieback Asm - 3" x 18"
•	084481-04-000	EA	Curtain Asm - Shower - 66" x 62"
•	076892-03-X26	EA	Curtain Asm - Blackout - 35" x 55"
†•	076892-03-XA4	EA	Curtain Asm - Blackout - 35" x 55" (X26)
•	076892-03-X27	EA	Curtain Asm - Blackout - 35" x 55"
•	Not keyed		
†	Used in units produced after 10/1/87		

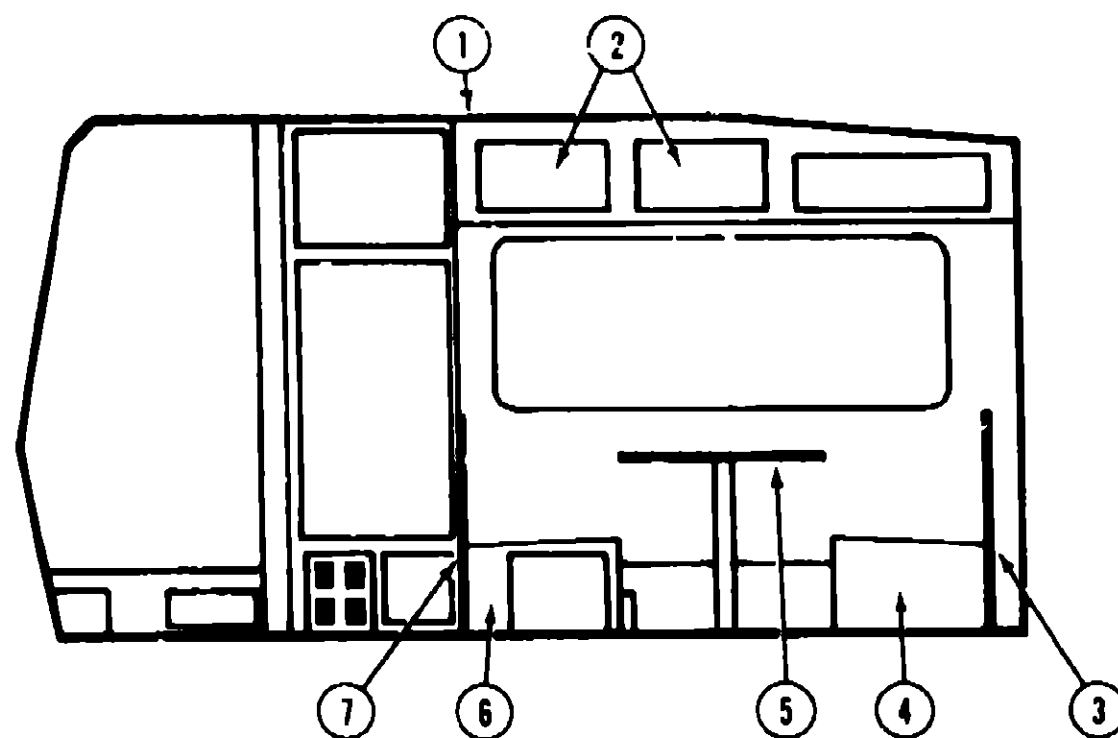
1988 WINNEBAGO-ITASCA TABLE OF CONTENTS

W/IT319RK	A-01 - B-04
W/IT319RB	B-05 - C-06
W/IC420EG	C-09 - D-06
W/IF420RG	D-07 - E-10
W/IC420RG	D-07 - E-10
W/IF421RB	E-11 - F-04
W/IC421RB	E-11 - F-04
W/IF424RB	F-05 - G-02
W/IC424RB	F-05 - G-02
W/IF424RC	G-03 - H-02
W/IC424RC	G-03 - H-02
W/IF426RT	H-03 - I-02

1988 W/IT319RB INDEX

Floor Plan	B-05 - B-06
Accessories Group	B-07
Bath Group	B-08
Chassis Group	B-09
Curtain, Cushion & Pad Group	B-10 - B-18
Dinette Group	B-19
Driver's Compartment Group	B-20
Exterior Body Group	B-21 - C-01
Galley Group	C-02
Lounge Group	C-03
Water & Sewage Group	C-04
Window, Vent & Exterior Door Group	C-05 - C-07

DINETTE GROUP



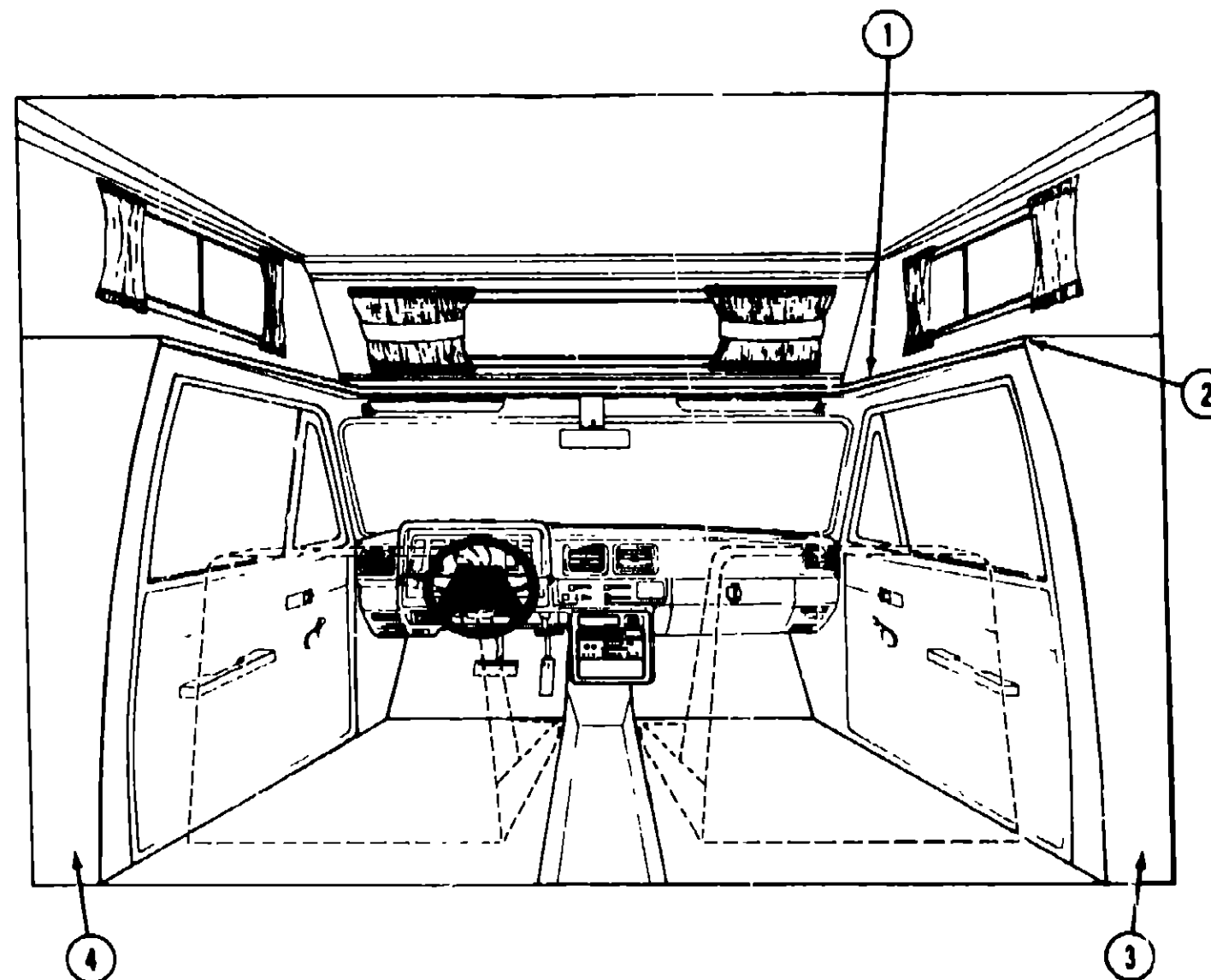
CONVENTIONAL DINETTE & OVERHEAD CABINERY

Key	Part Number	U/M	Description
1	M84662-01-X01	EA	Cabinet Asm - Dinette Overhead - w/o Doors or Hardware
2	M88301-30-X01	EA	Door Asm. - Dinette Overhead - w/o Hardware
3	M02913-01-X01	EA	Cabinet Asm - Dinette Back - Winnebago
3	M02913-01-X26	EA	Cabinet Asm - Dinette Back - Itasca
4	M02914-01-W17	EA	Cabinet Asm - Dinette Seat
5	M81299-01-W24	EA	Table Asm. - Dinette - w/o Hardware
6	M02914-02-W17	EA	Cabinet Asm. - Dinette Seat
7	M02913-02-X01	EA	Cabinet Asm - Dinette Back - Winnebago
7	M02913-02-X26	EA	Cabinet Asm. - Dinette Back - Itasca
	081518-01-W24	EA	Dinette Seat Board
	U74493-02-000	EA	Support - Sprung Door Asm - Overhead Cabinet
	053200-05-000	EA	Bracket - Upper Wall Mount - 23.5" - Beige
	053201-06-000	EA	Bracket - Table Mount - 23" - Beige
†	088410-01-000	EA	Bracket - Table Mount - 23" - Beige
	024275-05-000	EA	Rod - Table Lift - 8" x 23.5" - Beige
	024281-07-000	EA	Bracket - Lower Wall Mount - 22.12" - Beige
	024276-17-000	EA	Leg Asm. - Table - 26.75" - Tan
	064050-02-000	EA	Hinge - Table Leg - Tan
	024282-01-000	EA	Brace - Table Leg
	024283-01-000	EA	Clip - 1" O D Tube
	049493-05-000	EA	Catch - Table Leg - Mounts on Floor - Tan
	064781-02-000	EA	Cup Holder - 3.47" O D. x 2.75" I D. x 1.5" - Beige
‡	064781-05-000	EA	Cup Holder - Two-Step - Beige
			Not Illustrated

† Used in units produced after 9/7/87

‡ Used in units produced after 10/12/87

DRIVER'S COMPARTMENT GROUP



WINNEBAGO

MISCELLANEOUS DRIVER'S COMPARTMENT COMPONENTS

Key	Part Number	U/M	Description
1	M84656-01-X01	EA	Panel Asm. - Sleeper Board w/o Vinyl
2	079800-02-000	EA	Trim - Front - Sleeper Board
3	M84568-01-X01	EA	Panel Asm. - Wingwall Transition - Inner - Passengers
3	M84568-01-X02	EA	Panel Asm. - Wingwall Transition - Inner - Passengers
4	M84568-02-X01	EA	Panel Asm. - Wingwall Transition - Inner - Drivers
4	M84568-02-X02	EA	Panel Asm. - Wingwall Transition - Inner - Drivers

ITASCA

MISCELLANEOUS DRIVER'S COMPARTMENT COMPONENTS

Key	Part Number	U/M	Description
1	M84656-01-W17	EA	Panel Asm. - Sleeper Board - w/o Vinyl
2	079800-02-000	EA	Trim - Front - Sleeper Board
3	M84568-01-W18	EA	Panel Asm. - Wingwall Transition - Inner - Passengers
3	M84568-01-X27	EA	Panel Asm. - Wingwall Transition - Inner - Passengers
4	M84568-02-W18	EA	Panel Asm. - Wingwall Transition - Inner - Drivers
4	M84568-02-X27	EA	Panel Asm. - Wingwall Transition - Inner - Drivers

1988 WINNEBAGO-ITASCA TABLE OF CONTENTS

W/IT319RK	A-01 - B-04
W/IT319RB	B-05 - C-06
W/IC420EG	C-09 - D-06
W/IF420RG	D-07 - E-10
W/IC420RG	D-07 - E-10
W/IF421RB	E-11 - F-04
W/IC421PB	E-11 - F-04
W/IF424RB	F-05 - G-02
W/IC424RB	F-05 - G-02
W/IF424RC	G-03 - H-02
W/IC424HC	G-03 - H-02
W/IF426RT	H-03 - I-02

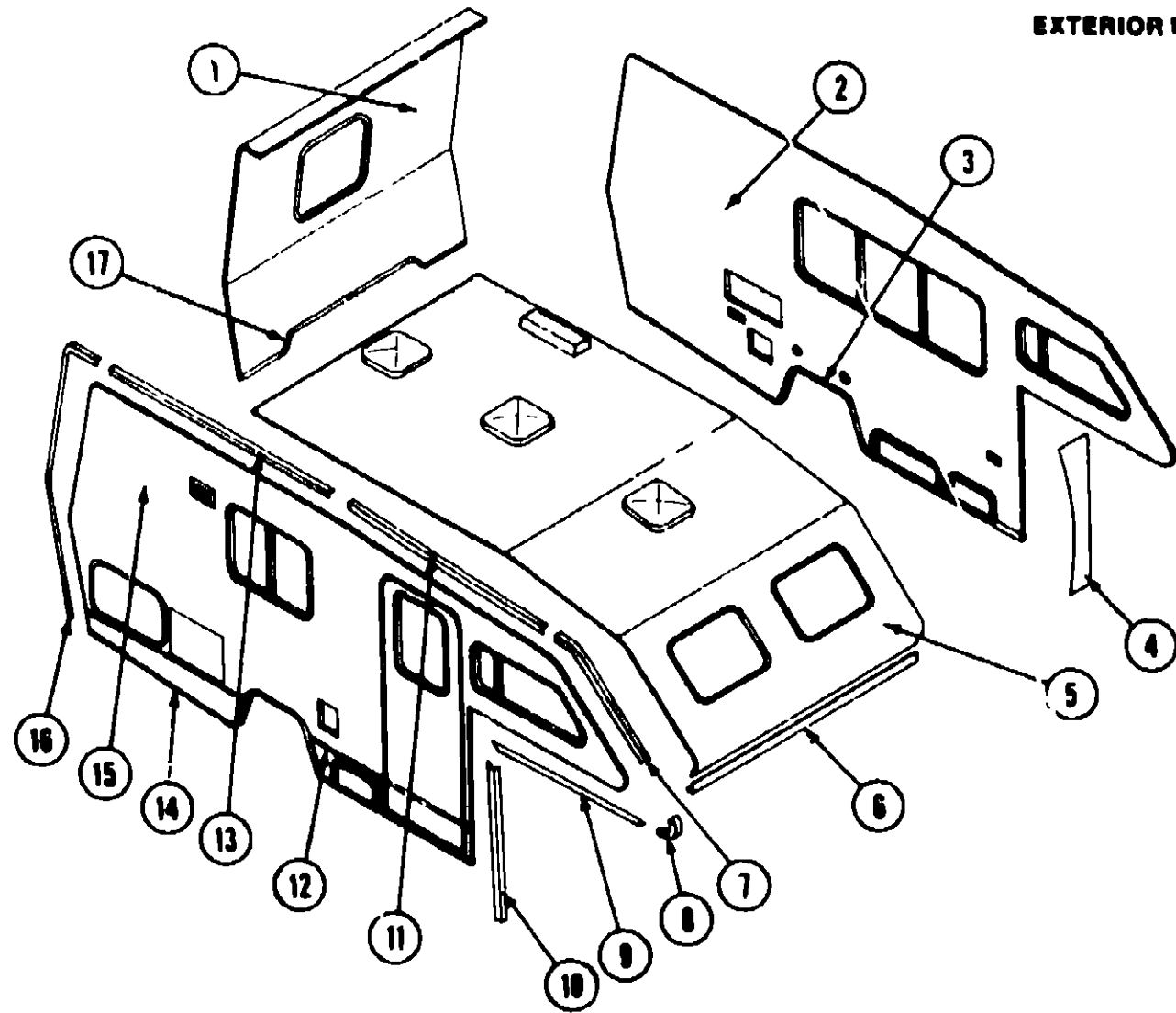
1988 W/IT319RB INDEX

Floor Plan	B-05 - B-06
Accessories Group	B-07
Bath Group	B-08
Chassis Group	B-09
Curtain, Cushion & Pad Group	B-10 - B-18
Dinette Group	B-19
Driver's Compartment Group	B-20
Exterior Body Group	B-21 - C-01
Galley Group	C-02
Lounge Group	C-03
Water & Sewage Group	C-04
Window, Vent & Exterior Door Group	C-05 - C-07

EXTERIOR BODY GROUP

WINNEBAGO

EXTERIOR BODY PANELS & TRIM



Key	Part Number	U/M	Description
1	M84648-01-X01	EA	Backwall Asm
1	M84648-01-X02	EA	Backwall Asm
2	M86560-01-X01	EA	Sidewall Asm - Drivers
2	M86560-01-X02	EA	Sidewall Asm - Drivers
3	084440-03-000	EA	Trim - Wheelwell - Rear Drivers - Off White
	084440-04-000	EA	Trim - Wheelwell - Rear Passengers - Off White
4	M84855-02-W17	EA	Wingwall Asm - Drivers
	M84855-01-W17	EA	Wingwall Asm - Passengers
5	M88627-01-X01	EA	Roof Asm
6	039844-07-000	EA	Trim - Sleeper Board - Front - Off White
7	085490-03-000	EA	Trim - Front Contour - Passengers - Off White
	085490-04-000	EA	Trim - Front Contour - Drivers - Off White
8	086889-01-000	EA	Trim - Front Radius - Passengers - Off White Plastic
	086889-02-000	EA	Trim - Front Radius - Drivers - Off White Plastic
9	076975-05-000	EA	Trim - Sleeper Board - Passengers - Off White
	076975-06-000	EA	Trim - Sleeper Board - Drivers - Off White
10	076975-07-000	EA	Trim - Wingwall - Passengers - Off White
	076975-08-000	EA	Trim - Wingwall - Drivers - Off White
11	076975-09-000	EA	Trim - Roof to Sidewall - Front - Off White
12	059578-05-000	EA	Feature Strip - w/o Insert - Extr. - 14' - Off White
	001030-02-000	EA	Insert - Feature Strip - 17' - Off White
	009731-01-000	EA	End Cap - Feature Strip
13	087985-01-000	EA	Trim - Roof to Sidewall - Rear Passengers - Off White
	087985-02-000	EA	Trim - Roof to Sidewall - Rear Drivers - Off White
14	002776-01-000	EA	U-Channel - Extrusion - 1 7/8" x 18' - Unpainted
	002365-01-001	EA	U-Channel - Extrusion - 1" x 18' - Unpainted
15	M86581-01-X01	EA	Sidewall Asm. - Passengers
15	M86581-01-X02	EA	Sidewall Asm. - Passengers
16	076805-05-000	EA	Trim - Backwall to Sidewall - Passengers - Off White
	076805-06-000	EA	Trim - Backwall to Sidewall - Drivers - Off White
17	085004-01-000	EA	Trim - Backwall - Lower - Passengers or Drivers - Off White
			Not keyed

1988 WINNEBAGO-ITASCA TABLE OF CONTENTS

W/IT319RK	A-01 - B-04
W/IT319RB	B-05 - C-08
W/IC420EG	C-09 - D-08
W/IF420RG	D-07 - E-10
W/IC420RG	D-07 - E-10
W/IF421RB	E-11 - F-04
W/IC421RB	E-11 - F-04
W/IF424RB	F-05 - G-02
W/IC424RB	F-05 - G-02
W/IF424RC	G-03 - H-02
W/IC424RC	G-03 - H-02
W/IF426RT	H-03 - I-02

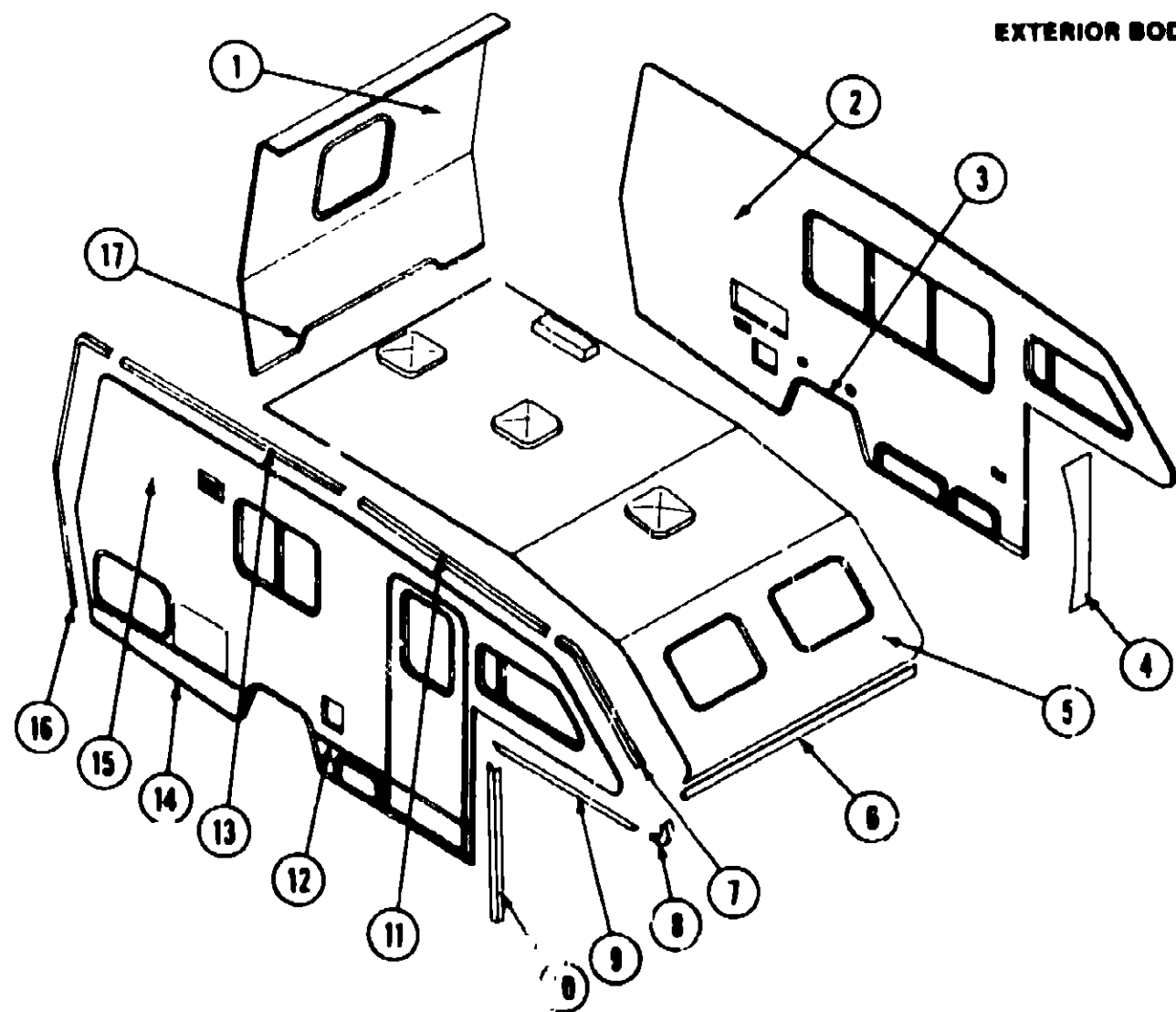
1988 W/IT319RB INDEX

Floor Plan	B-05 - F-06
Accessories Group	LI-07
Bath Group	B-08
Chassis Group	B-09
Curtain, Cushion & Pad Group	B-10 - A-18
Dinette Group	B-19
Driver's Compartment Group	B-20
Exterior Body Group	B-21 - C-01
Galley Group	C-02
Lounge Group	C-03
Water & Sewage Group	C-04
Window, Vent & Exterior Door Group	C-05 - C-07

EXTERIOR BODY GROUP (CONTINUED)

ITASCA

EXTERIOR BODY PANELS & TRIM



Key	Part Number	U/M	Description
1	M84648-01-X26	EA	Backwall Asm
2	M86560-01-X26	EA	Sidewall Asm - Drivers
3	084440-03-000	EA	Trim - Wheelwell - Rear Drivers - Off White
	084440-04-000	EA	Trim - Wheelwell - Rear Passengers - Off White
4	M84655-02-W17	EA	Wingwall Asm - Drivers
	M84655-01-W17	EA	Wingwall Asm. - Passengers
5	M89627-01-X26	EA	Roof Asm
6	039644-07-000	EA	Trim - Sleeper Board - Front - Off White
7	085490-03-000	EA	Trim - Front Contour - Passengers - Off White
	085490-04-000	EA	Trim - Front Contour - Drivers - Off White
8	086889-01-000	EA	Trim - Front Radius - Passengers - Off White Plastic
	086889-02-000	EA	Trim - Front Radius - Drivers - Off White Plastic
9	076975-05-000	EA	Trim - Sleeper Board - Passengers - Off White
	076975-06-000	EA	Trim - Sleeper Board - Drivers - Off White
10	076975-07-000	EA	Trim - Wingwall - Passengers - Off White
	076975-08-000	EA	Trim - Wingwall - Drivers - Off White
11	076975-09-000	EA	Trim - Roof to Sidewall - Front - Off White
12	059576-05-000	EA	Feature Strip - w/o Insert - Extr - 14' - Off White
	001030-02-000	EA	Insert - Feature Strip - 17' - Off White
	009731-01-000	EA	End Cap - Feature Strip
13	087985-01-000	EA	Trim - Roof to Sidewall - Rear Passengers - Off White
	087985-02-000	EA	Trim - Roof to Sidewall - Rear Drivers - Off White
14	002776-01-000	EA	U-Channel - Extrusion - 1 1/2" x 18' - Unpainted
	002385-01-001	EA	U-Channel - Extrusion - 1" x 18' - Unpainted
15	M86581-01-X26	EA	Sidewall Asm - Passengers
16	076805-05-000	EA	Trim - Backwall to Sidewall - Passengers - Off White
	076805-06-000	EA	Trim - Backwall to Sidewall - Drivers - Off White
17	085004-0-000	EA	Trim - Backwall - Lower - Passengers or Drivers - Off White
			Not keyed

1988 WINNEBAGO-ITASCA TABLE OF CONTENTS

W/IT319RK	A-01 - B-04
W/IT319RB	B-05 - C-08
W/IC420EG	C-09 - D-03
W/IF420RG	D-07 - E-10
W/IC420RG	D-07 - E-10
W/IF421RB	E-11 - F-04
W/IC421RB	E-11 - F-04
W/IF424RB	F-05 - G-02
W/IC424RB	F-05 - G-02
W/IF424RC	G-03 - H-02
W/IC424RC	G-03 - H-02
W/IF426RT	H-03 - I-02

1988 W/IT319RB INDEX

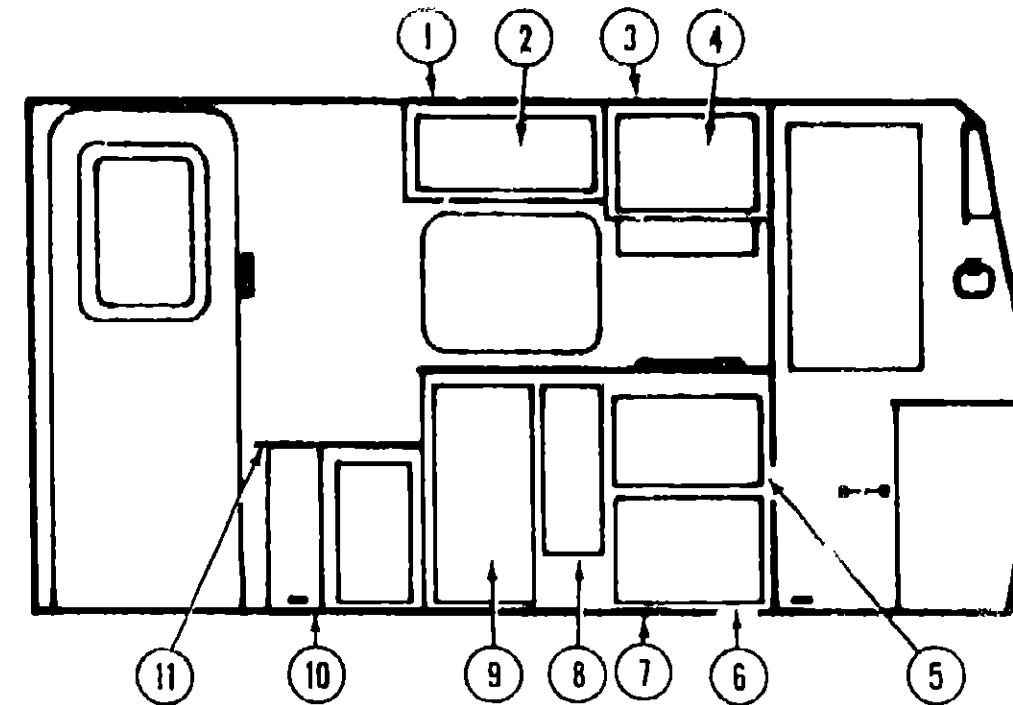
Floor Plan	B-05 - B-06
Accessories Group	B-07
Bath Group	B-08
Chassis Group	A-09
Curtain, Cover & Pad Group	B-10 - B-16
Dinette Group	B-19
Driver's Compartment Group	B-20
Exterior Body Group	B-21 - C-01
Galley Group	C-02
Lounge Group	C-03
Water & Sewage Group	C-04
Window, Vent & Exterior Door Group	C-05 - C-07

EXTERIOR BODY GROUP (CONTINUED)

MISCELLANEOUS EXTERNALLY MOUNTED PARTS

Key	Part Number	U/M	Description
	083558-02-000	EA	Plumbing Seal - Roof Vent - 1 5" - w/Cover
	010230-02-000	EA	Fill - City Water - Recessed - Off White
	081240-03-000	EA	Water Fill - Lockable - Off White
	083578-01-000	EA	Boot - Fuel Fill
	084235-01-000	EA	Support - Flange - Fuel Fill Boot
	078040-01-000	EA	Shroud - Fuel Fill - Upper
	054530-01-000	EA	Door Stop
	038327-01-000	EA	Tape - Antislip - 2" x 60'

GALLEY GROUP



GALLEY CABINETRY

Key	Part Number	U/M	Description
1	M84664-03-X01	EA	Cabinet Asm - Galley Overhead - w/o Doors or Hardware
2	M88301-06-X01	EA	Door Asm - Galley Overhead - w/o Hardware
3	M84748-01-X01	EA	Cabinet Asm - Galley Overhead - w/o Doors or Hardware
4	M88301-21-X01	EA	Door Asm - Galley Overhead - w/o Hardware
5	M88301-16-X01	EA	Door Asm - Galley - w/o Hardware
6	M88589-01-X01	EA	Cabinet Asm - Galley - w/o Countertop Doors, Drawers or Hardware
*	088589-13-X01	EA	Countertop Asm - Galley
*	077404-02-000	EA	Drawer - Plastic - 20" x 12 7"
7	M88301-15-X01	EA	Door Asm - Galley - w/o Hardware
8	M88301-14-X01	EA	Door Asm - Galley - w/o Hardware
*	M88301-12-X01	EA	Door Asm - Refrigerator Cabinet - Upper - w/o Hardware
*	M88301-18-X01	EA	Door Asm - Refrigerator Cabinet - Lower - w/o Hardware
9	M88301-28-X01	EA	Door Asm - Corner Cabinet - w/o Hardware
10	M88591-01-X01	EA	Cabinet Asm - Corner Galley
11	088591-12-X01	EA	Countertop Asm - Corner Cabinet
*			Not illustrated

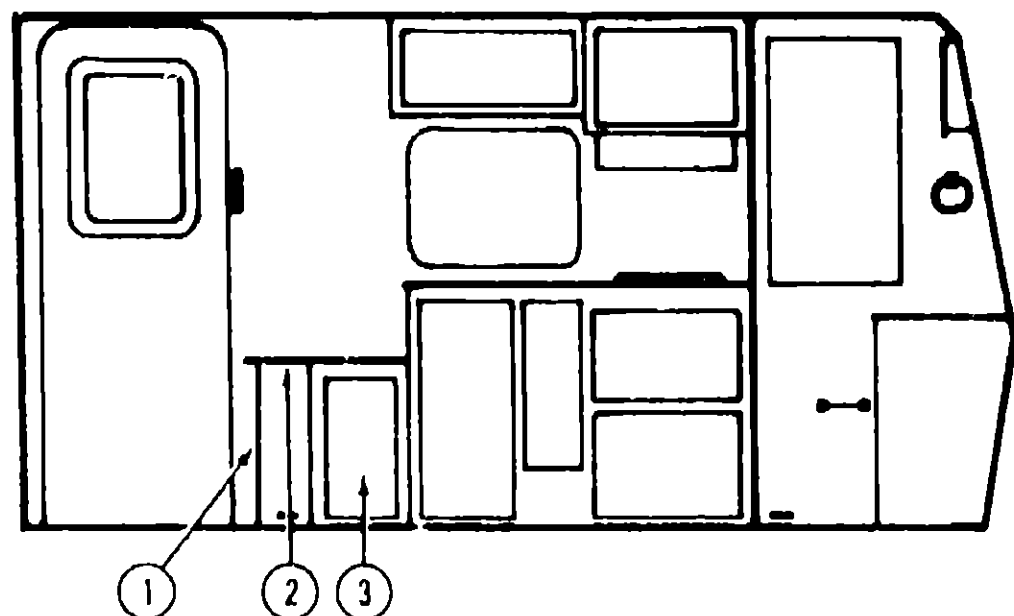
**1988 WINNEBAGO-ITASCA
TABLE OF CONTENTS**

W/IT310RK	A-01 - B-04
W/IT319RB	B-05 - C-08
W/IC420EG	C-09 - D-06
W/IF420RG	D-07 - E-10
W/IC420RG	D-07 - E-10
W/IF421RB	E-11 - F-04
W/IC421RB	E-11 - F-04
W/IF424RB	F-05 - G-02
W/IC424RB	F-05 - G-02
W/IF424RC	G-03 - H-02
W/IC424RC	G-03 - H-02
W/IF426RT	H-03 - I-02

1988 W/IT319RB INDEX

Floor Plan	B-05 - B-06
Accessories Group	B-07
Bath Group	B-08
Chassis Group	B-09
Curtain, Cushion & Pad Group	B-10 - B-18
Dinette Group	B-19
Driver's Compartment Group	B-20
Exterior Body Group	B-21 - C-01
Galley Group	C-02
Lounge Group	C-03
Water & Sewage Group	C-04
Window, Vent & Exterior Door Group	C-05 - C-07

LOUNGE GROUP



STORAGE CABINET

Key	Part Number	U/M	Description
1	M88591-01-X01	EA	Cabinet Asm
2	088591-12-X01	EA	Countertop Asm
3	M88301-28-X01	EA	Door Asm - 21 85" x 12' - w/o Hardware

SWIVEL CHAIR OPTION

Key	Part Number	U/M	Description
	084754-04-X01	EA	Chair Asm - Swivel
	084754-04-X02	EA	Chair Asm - Swivel
	084754-04-X26	EA	Chair Asm - Swivel
	084754-04-X27	EA	Chair Asm - Swivel
	088245-03-000	EA	Plate - Tilt & Swivel Chair
	088245-01-000	EA	Base w/Legs - Swivel Chair
	088245-05-000	EA	Extention - 7' - Swivel Chair

WATER & SEWAGE GROUP

HOLDING TANKS & WATER HEATER

Key	Part Number	U/M	Description
	M02458-B1-000	EA	Tank Asm. - Water - 14 Gallon - w/Fittings
	074300-01-000	EA	Tank - Holding - 13 Gallon - w/o Fittings - Waste Water
	084679-01-000	EA	Tank - Holding - 11.5 Gallon - w/o Fittings - Sewage
	051391-02-000	EA	Water Heater - w/o Motor Aid - Atwood - G4-SM

1988 WINNEBAGO-ITASCA TABLE OF CONTENTS

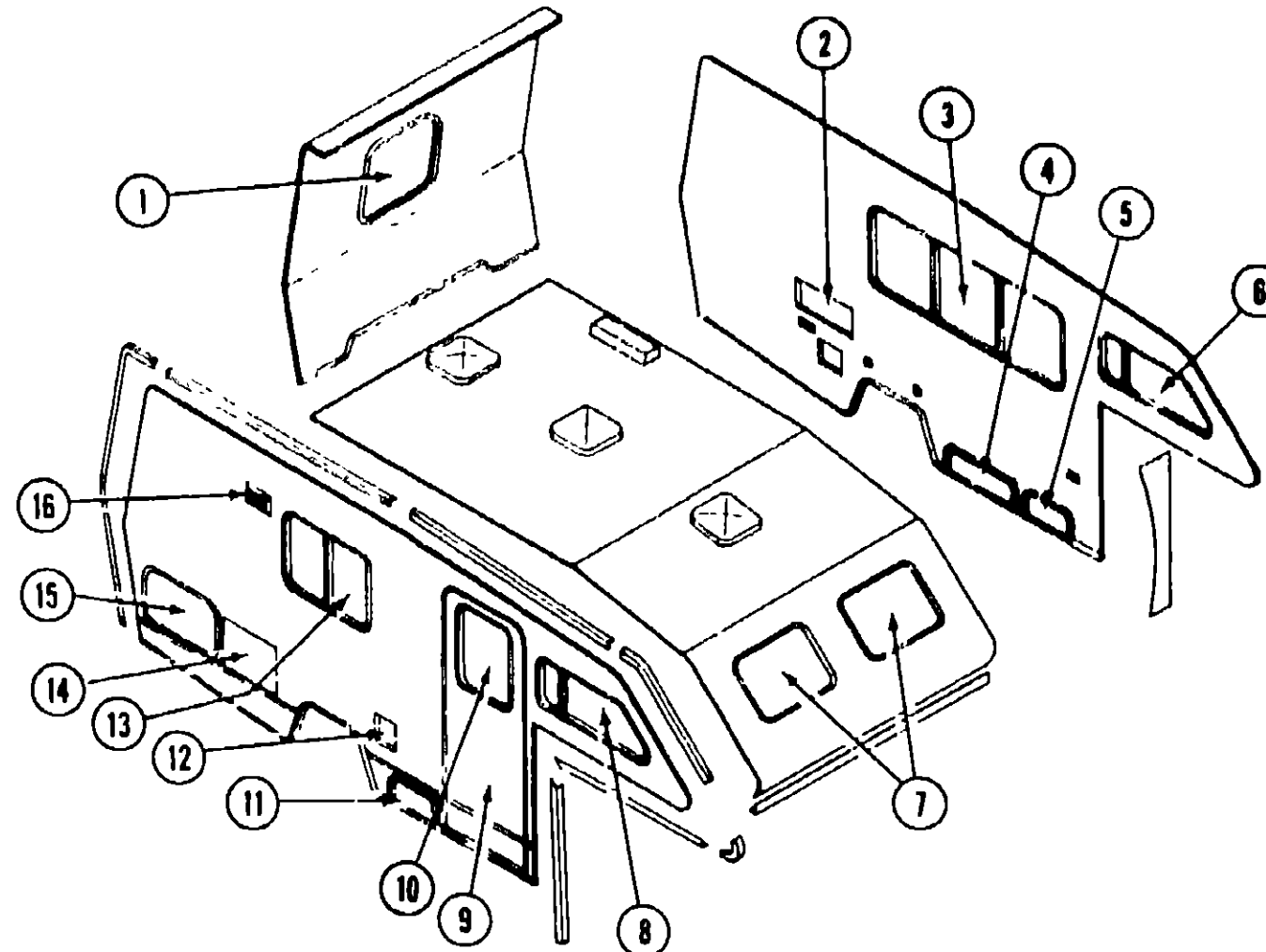
W/IT319RK	A-01 - B-04
W/IT319RB	B-05 - C-06
W/IC420EG	C-09 - D-06
W/IF420RG	D-07 - E-10
W/IC420RG	D-07 - E-10
W/IF421RB	E-11 - F-04
W/IC421RB	E-11 - F-04
W/IF424RB	F-05 - G-02
W/IC424RB	F-05 - G-02
W/IF424RC	G-03 - H-02
W/IC424RC	G-03 - H-02
W/IF425RT	H-03 - I-02

1988 W/IT319RB INDEX

Floor Plan	B-05 - B-06
Accessories Group	B-07
Bath Group	B-08
Chassis Group	B-09
Curtain, Cushion & Pad Group	B-10 - B-18
Dinette Group	B-19
Driver's Compartment Group	B-20
Exterior Body Group	B-21 - C-01
Galley Group	C-02
Lounge Group	C-03
Water & Sewage Group	C-04
Window, Vent & Exterior Door Group	C-05 - C-07

WINDOW, VENTS & EXTERIOR DOOR GROUP

WINDOWS & ACCESS DOORS



Key	Part Number	U/M	Description
1	079729-02-T03	EA	Window Asm - Escape
•	020749-07-000	EA	Inside Frame - Escape Window - Beige (not included in assembly)
2	084103-03-000	EA	Door Asm - Refrigerator Access
•	084104-03-000	EA	Jamb - Refrigerator Door - Off White
•	086182-02-W04	EA	Compartment Asm - Sewer Hose
•	052423-01-000	EA	Door Asm - Sewer Hose - Off White
•	052424-01-000	EA	Jamb - Sewer Hose Door - Off White
•	042442-01-000	EA	Lock Asm - Twist Type
3	078269-01-T03	EA	Window Asm - Double Slider
•	083122-09-000	EA	Inside Frame - Dinette Window - Beige (not included in assembly)
4	084574-02-X01	EA	Door Asm - Storage
5	084574-01-U28	EA	Door Asm - LP
•	009426-02-000	EA	Power Cord Hatch
6	086227-02-000	EA	Window Asm - Bunk Slant Slider - Left
•	086228-06-000	EA	Inside Frame - Bunk Left (not included in assembly)
7	078533-03-W17	EA	Window Asm - Front Bunk
•	041938-05-000	EA	Inside Frame - Front Bunk - Beige (not included in assembly)
8	086227-01-000	EA	Window Asm - Bunk Slant Slider
•	086228-05-000	EA	Inside Frame - Bunk Right (not included in assembly)
9	M01870-10-X01	EA	Door Asm - Radius Entry w/Screen Door - w/Window
10	079733-04-T03	EA	Window Asm - Picture
•	067609-03-000	EA	Inside Frame - Entrance Door - Beige (not included in assembly)
11	084574-03-U28	EA	Door Asm - Battery
12	078010-03-000	EA	Door Asm - Fuel Fill
13	078266-02-T03	EA	Window Asm - Slider
•	083122-03-000	EA	Inside Frame - Galley Window - Beige (not included in assembly)
14	052009-01-000	EA	Door Asm - Water Heater
15	079576-04-U28	EA	Door Asm - Storage
16	084616-01-000	EA	Shroud - Range Hood Vent - Off White
•	Not illustrated		

198J WINNEBAGO-ITASCA TABLE OF CONTENTS

W/IT319RK	A-01 - B-04
W/IT319RB	B-05 - C-08
W/IC420EQ	C-09 - D-08
W/IF420RG	D-07 - E-10
W/IC420RQ	D-07 - E-10
W/IF421RB	E-11 - F-04
W/IC421RB	F-11 - F-04
W/IF424RB	F-05 - G-02
W/IC424RB	F-05 - G-02
W/IF424RC	G-03 - H-02
W/IC424RC	G-03 - H-02
W/IF42GRT	H-03 - I-02

1988 W/IT319RB INDEX

Floor Plan	B-05 - B-06
Accessories Group	B-07
Bath Group	B-08
Chassis Group	B-09
Curtain, Cushion & Pad Group	B-10 - B-18
Dinette Group	B-19
Driver's Compartment Group	B-20
Exterior Body Group	B-21 - C-01
Galley Group	C-02
Loungo Group	C-03
Waier & Sewage Group	C-04
Window Vent & Exterior Door Group	C-05 - C-07

WINDOW, VENT & EXTERIOR DOOR GROUP (CONTINUED)

ACCESS DOORS & HARDWARE

Key	Part Number	U/M	Description
	075726-01-000	EA	Outlet Extension - Sewage
	075730-01-000	EA	End Cap - Sewage Hose
	052424-01-000	EA	Jamb - Power Cord Door - Off White
	009426-02-000	EA	Hatch - Power Cord Door
	083616-06-000	EA	Door Holder - Off White
	041312-01-000	EA	Seal - Bulb - 'e' Section
	042442-01-000	EA	Lock Asm - Twist Type
	047305-01-000	EA	Lock Asm - Key Type w/Clip - Metal
	083223-03-000	EA	Lock Asm - Key Type (Storage)
	052951-01-000	EA	Clip - Twist Lock - Retainer
	079366-04-000	EA	Lock Asm - Key Type - w/o Keys
	052950-01-700	EA	Lock Asm - Twist Type - White

VENTS

Key	Part Number	U/M	Description
**	048835-01-000	EA	Vent Asm - Roof - Non-Powered - w/o Screen - Aluminum
	078786-01-T03	EA	Screen Asm - Roof Vent - Non-Powered
	078785-01-T03	EA	Screen Asm - Roof Vent - Powered
	065103-01-000	EA	Roof Base - Refrigerator
	065103-02-000	EA	Roof Cap - Refrigerator
	084616-01-000	EA	Vent - Cover - Range Hood - Off White
††	084079-03-000	EA	Vent Asm - Roof - Powered - Fan (Fantastic)
†	090395-01-X11	EA	Vent Asm - Roof - Non Powered

** The illustrated parts breakdown for this item is provided on the Common Items Fiche
† Used in units produced after 7/20/87
†† Used in units produced after 3/21/88

1988 WINNEBAGO-ITASCA TABLE OF CONTENTS

W/IT319RK	A-01 - B-04
W/IT319RB	B-05 - C-08
W/IC420EG	C-09 - D-06
W/IF420RG	D-07 - E-10
W/IC420RG	D-07 - E-10
W/IF421RB	E-11 - F-04
W/IC421RB	E-11 - F-04
W/IF424RB	F-05 - G-02
W/IC424RB	F-05 - G-02
W/IF424RC	G-03 - H-02
W/IC424RC	G-03 - H-02
W/IF426RT	H-03 - I-02

1988 W/IT319RB INDEX

Floor Plan	B-05 - B-06
Accessories Group	B-07
Bath Group	B-08
Chassis Group	B-09
Curtain, Cushion & Pad Group	B-10 - B-18
Dinette Group	B-19
Driver's Compartment Group	B-20
Exterior Body Group	B-21 - C-01
Galley Group	C-02
Lounge Group	C-03
Water & Sewage Group	C-04
Window Vent & Exterior Door Group	C-05 - C-07