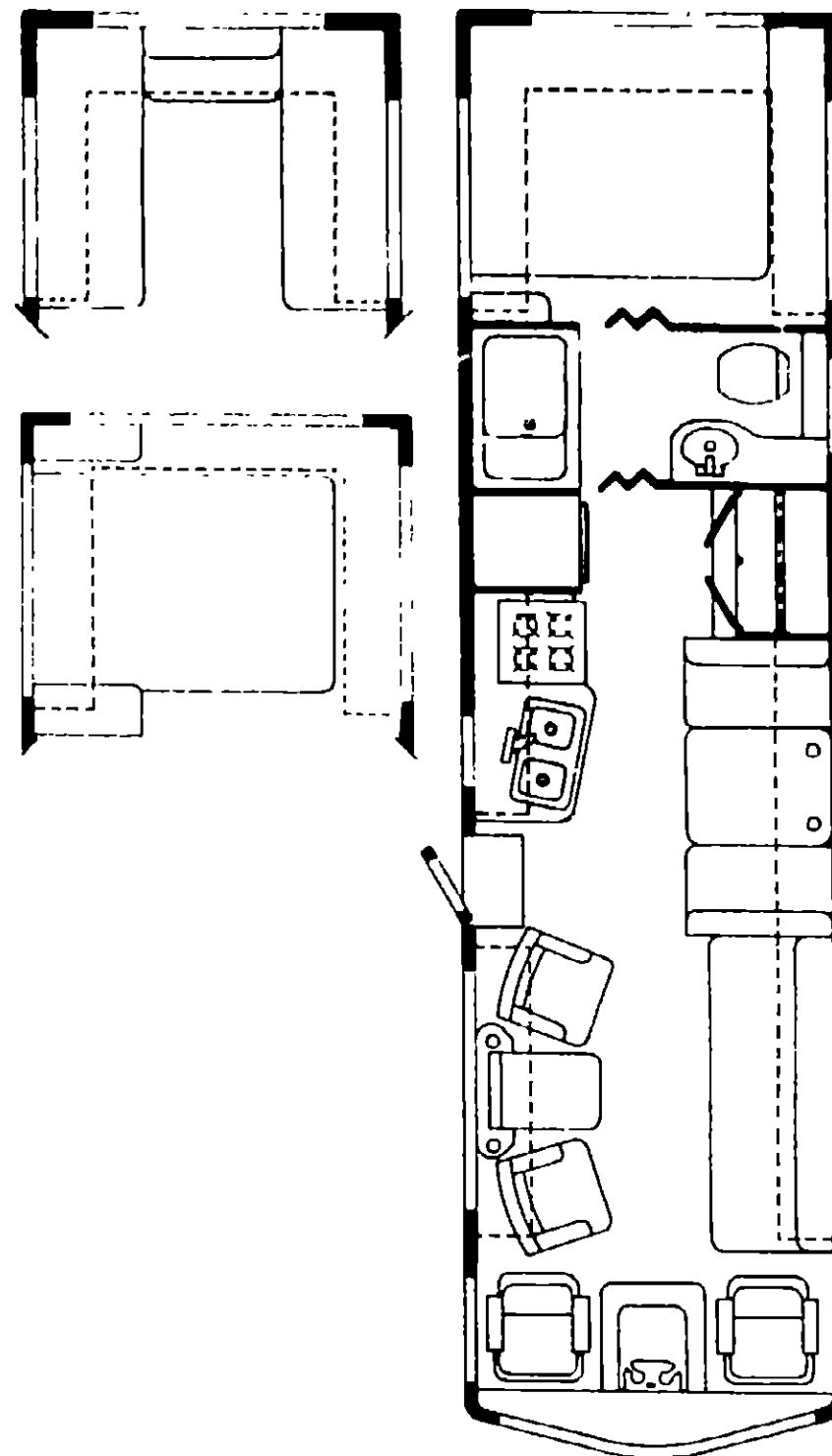


1988 W/IM34RQ



1988 M SERIES TABLE OF CONTENTS

W/IM27RQ	A-01 - A-24
W/IM31RQ	B-01 - C-06
W/IM34RQ	C-07 - D-06

1988 W/IM34RQ INDEX

Floor Plan	C-07 - C-08
Bath Group	C-09
Curtain, Cushion & Pad Group	C-10 - C-18
Dinette Group	C-19
Exterior Body Group	C-20 - C-24
Galley Group	D-01
Lounge Group	D-02 - D-03
Window, Vent & Exterior Door Group	D-04 - D-06

BATH GROUP

BATH CABINETRY

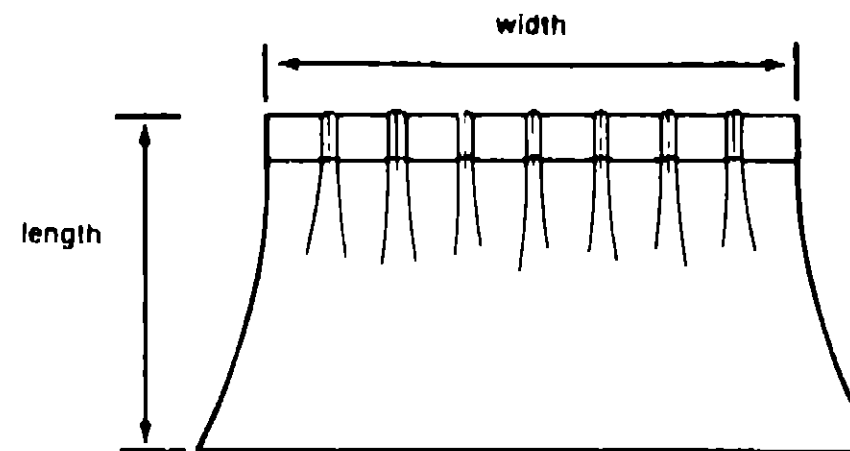
Key	Part Number	U/M	Description
	M81304-03-X11	EA	Cabinet Asm. - Lavatory - w/o Countertop, Doors, or Drawers
	M02162-01-X11	EA	Countertop Asm. - Lavatory Cabinet
	M88304-09-X11	EA	Door Asm - Hamper - w/o Hardware
	M88304-08-X11	EA	Door Asm. - Lavatory Cabinet
	M88304-01-X11	EA	Mirror Asm - Bath Wall
	081893-02-X11	EA	Tilt Out - Drawer Face - Lavatory & Pipe Cover
	076073-01-000	EA	Cabinet Asm - Medicine - 15.4" x 29.4" - Almond
	088303-52-X08	EA	Door Asm - Medicine Cabinet - w/Mirror
	058331-05-000	EA	Mirror - 12" x 28" - Medicine Cabinet Door
	M88304-D3-X14	EA	Door Asm. - Wardrobe Cabinet - Lower Right - w/o Hardware
	M88304-D2-X14	EA	Door Asm. - Wardrobe Cabinet - Lower Left - w/o Hardware
	M88304-22-X11	EA	Door Asm. - Wardrobe Cabinet - Upper - w/o Hardware
	089997-13-X14	EA	Countertop Asm. - Wardrobe
	M81305-01-W30	EA	Cabinet Asm. - Pipe Cover
	M02153-01-X11	EA	Countertop Asm.
	M91842-01-X19	EA	Door Asm. - Bath w/c Lockset
	M81520-01-W30	EA	Pantry Asm - Pullout
	080224-29-000	EA	Folding Door - Front - 35" x 75"
	080224-05-000	EA	Track - Front Folding Door - 29.5'
	080224-01-700	EA	Latch & Catch Asm - Folding Door
	080224-30-000	EA	Folding Door - Rear - 46" x 75"
	080224-07-000	EA	Track - Rear Folding Door - S Curve
	078097-01-000	EA	Bracket - Catch Pantry

CURTAIN, CUSHION & PAD GROUP

NOTICE

In order to assist our Parts Sales Dept. in providing interior software items, please include the serial number and the color code number from the vehicle certification label when ordering. This label is located on the left sidewall at the end of the dash (A-Body), or on the driver's door latch plate (C-Body)

An example of a color code number is P31, which designates an overall color scheme of a particular unit. The color listed after the item description on the microfiche, indicates the overall unit color. Order the item you desire according to unit color code



NOTE

Use this illustration when determining length and width measurements for curtains. You will note the width measurement is taken on the top of the curtain with the curtain fully extended. The length measurement is taken from top to bottom.



Key	Part Number	U/M	Description
1	029130-01-000	EA	Socket - Snap Fastener
2	029155-01-000	EA	Cap - Snap - 156" Dia x 17" Barrel
3	029156-01-000	EA	Socket - Snap Fastener
4	029092-01-000	EA	Stud - Nickel Finish
5	092093-01-000	EA	Eyelet - Nickel Finish

1988 M SERIES TABLE OF CONTENTS

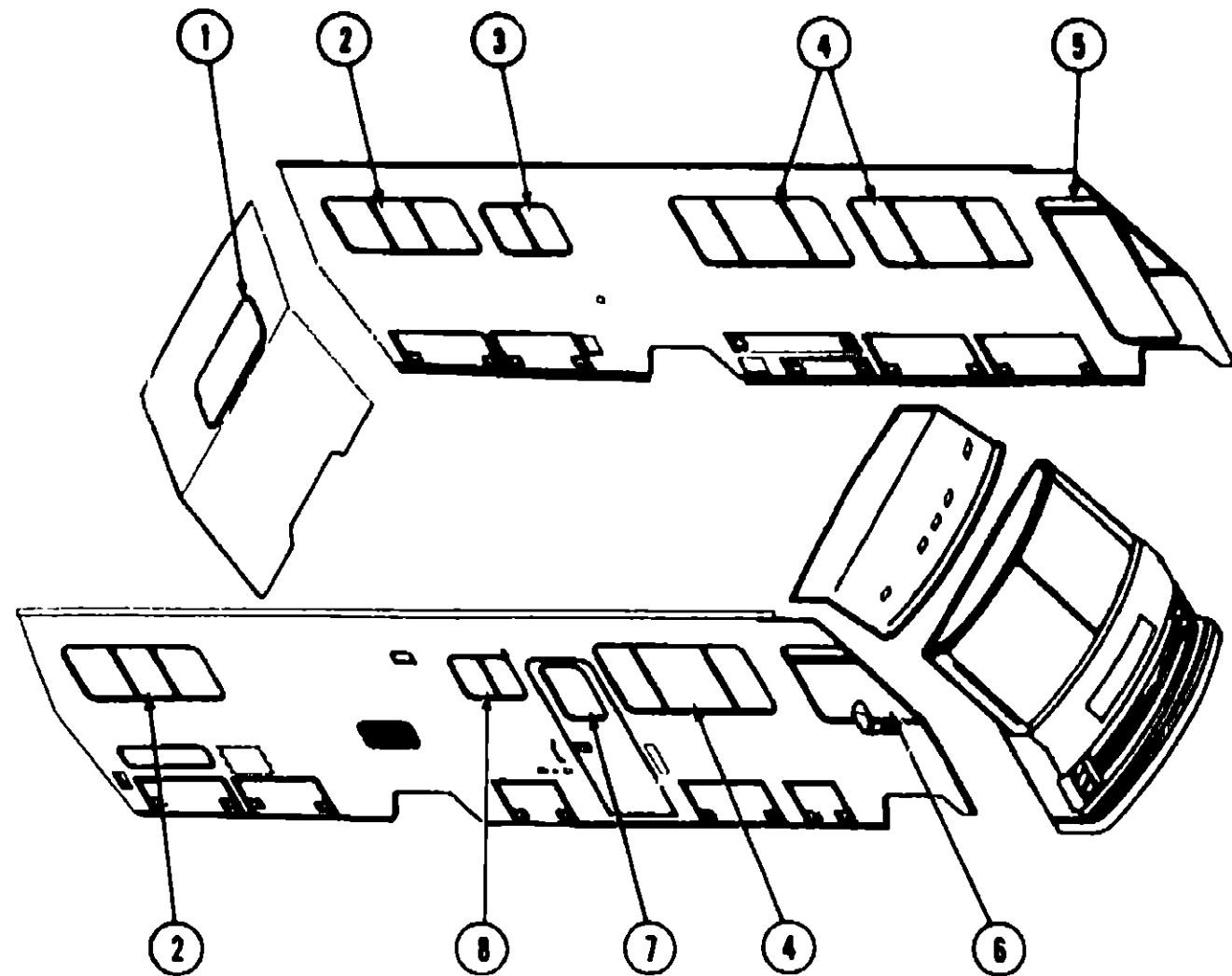
W/IM27RQ
W/IM31RQ
W/IM34RQ

A-01 - A-24
B-01 - C-08
C-07 - D-09

1988 W/IM34RQ INDEX

Floor Plan	C-07 - C-08
Bath Group	C-09
Curtain, Cushion & Pad Group	C-10 - C-18
Dinette Group	C-19
Exterior Body Group	C-20 - C-24
Galley Group	D-01
Lounge Group	D-02 - D-03
Window, Vent & Exterior Door Group	D-04 - D-08

CURTAIN, CUSHION & PAD GROUP (CONTINUED)



WINNEBAGO

CURTAINS, SHADES VALANCES & TIEBACKS

Key	Part Number	U/M	Description
1	084755-29-X11	EA	Shade Asm - Linen - 72 25"
1	088926-01-X11	EA	Valance Asm - Quilted - 76" (X14)
1	088926-01-X12	EA	Valance Asm - Quilted - 76" (X15)
1	088926-01-X13	EA	Valance Asm - Quilted - 76" (X16)
**1	088926-01-XA0	EA	Valance Asm - Quilted - 76" (X14)
†1	088926-01-XA1	EA	Valance Asm - Quilted - 76" (X15)
††1	088926-01-XA2	EA	Valance Asm - Quilted - 76" (X16)
1	085190-07-X08	EA	Curtain Asm w/Snap Top - 29 5" x 15" (X14)
1	085190-07-X09	EA	Curtain Asm w/Snap Top - 29 5" x 15" (X15)
1	085190-07-X10	EA	Curtain Asm w/Snap Top - 29 5" x 15" (X16)
**1	085190-07-XA0	EA	Curtain Asm w/Snap Top - 29 5" x 15" (X14)
†1	085190-07-XA1	EA	Curtain Asm w/Snap Top - 29 5" x 15" (X15)
††1	085190-07-XA2	EA	Curtain Asm w/Snap Top - 29 5" x 15" (X16)
1	066226-42-X11	EA	Curtain Asm - Sheer - 28" x 78"
2	084755-30-X11	EA	Shade Asm - Linen - 60 25"
2	088926-04-X11	EA	Valance Asm - Quilted - 64" (X14)
2	088926-04-X12	EA	Valance Asm - Quilted - 64" (X15)
2	088926-04-X13	EA	Valance Asm - Quilted - 64" (X16)
**2	088926-04-XA0	EA	Valance Asm - Quilted - 64" (X14)
†2	088926-04-XA1	EA	Valance Asm - Quilted - 64" (X15)
††2	088926-04-XA2	EA	Valance Asm - Quilted - 64" (X16)
2	085190-07-X08	EA	Curtain Asm w/Snap Top - 29 5" x 15" (X14)
2	085190-07-X09	EA	Curtain Asm w/Snap Top - 29 5" x 15" (X15)
2	085190-07-X10	EA	Curtain Asm w/Snap Top - 29 5" x 15" (X16)
**2	085190-07-XA0	EA	Curtain Asm w/Snap Top - 29 5" x 15" (X14)
†2	085190-07-XA1	EA	Curtain Asm w/Snap Top - 29 5" x 15" (X15)
††2	085190-07-XA2	EA	Curtain Asm w/Snap Top - 29 5" x 15" (X16)
2	066226-42-X11	EA	Curtain Asm - Sheer - 28" x 78"

CURTAIN, CUSHION & PAD GROUP (CONTINUED)

WINNEBAGO

CURTAINS, SHADES VALANCES & TIEBACKS (CONT.)

Key	Part Number	U/M	Description
3	085304-77-000	EA	Blind - Pleated - 32" x 26" Drop (X14)
3	085304-78-000	EA	Blind - Pleated - 32" x 26" Drop (X15)
3	085304-78-000	EA	Blind - Pleated - 32" x 26" Drop (X16)
3	085191-02-X11	EA	Valance Asm. - w/Insert - 35 5"
3	073304-39-X08	EA	Curtain Asm. - w/Snap Top - 27.8" x 10"
4	085304-20-000	EA	Blinds - Pleated - 65" x 33" Drop (X14)
4	085304-19-000	EA	Blinds - Pleated - 65" x 33" Drop (X15)
4	085304-17-000	EA	Blinds - Pleated - 65" x 33" Drop (X16)
4	085191-01-X11	EA	Valance Asm. - w/Insert - 68.5"
4	085190-18-X11	EA	Curtain Asm. w/Snap Top - 33 5" x 44" - Right
4	085190-19-X11	EA	Curtain Asm. w/Snap Top - 33.5" x 44" - Left
5	073304-41-X23	EA	Curtain Asm. - Front Wraparound - 32 5" x 88"
*†5	073304-49-X11	EA	Curtain Asm. - Front Wraparound - 34" x 88"
5	077591-08-X11	EA	Curtain Asm - Front Bunk - 60" x 60"
†5	077591-10-X11	EA	Curtain Asm - Front Bunk - 60" x 47 5"
***	082127-77-000	EA	Shade Asm. - Woven Wood - 65" x 33" Drop
***	087318-07-X11	EA	Curtain Asm. w/Snap Top - 33 2" x 15"
6	073304-40-X23	EA	Curtain Asm - Front Wraparound - 32 5" x 88"
*†6	073304-49-X11	EA	Curtain Asm - Front Wraparound - 34" x 88"
6	077591-05-X11	EA	Curtain Asm - Front Bunk - 60" x 50"
†6	077591-09-X11	EA	Curtain Asm. - Front Bunk - 60" x 47 5"
7	084755-04-X11	EA	Shade Asm. w/Braid Trim - 24 25"
7	085191-04-X11	EA	Valance Asm. w/Insert - 27.4"
8	085304-71-000	EA	Blind - Pleated - 27" x 22" Drop (X14)
8	085304-70-000	EA	Blind - Pleated - 27" x 22" Drop (X15)
8	085304-72-000	EA	Blind - Pleated - 27" x 22" Drop (X16)
8	085191-03-X11	EA	Valance Asm w/Insert - 29 5"
*	073280-23-X08	EA	Tieback Asm - 3" x 18" - Drapery
***	Parts used on the Woven Woods Option		
*†	Parts used after 8/18/07		
†	Parts used after 7/22/87		
**	Parts used after 2/22/88		
†	Parts used after 1/18/88		
††	Parts used after 1/25/88		

1988 M SERIES

TABLE OF CONTENTS

W/IM37RQ	A-01 - A-24
W/IM31RQ	B-01 - C-08
W/IM34RQ	C-07 - D-08

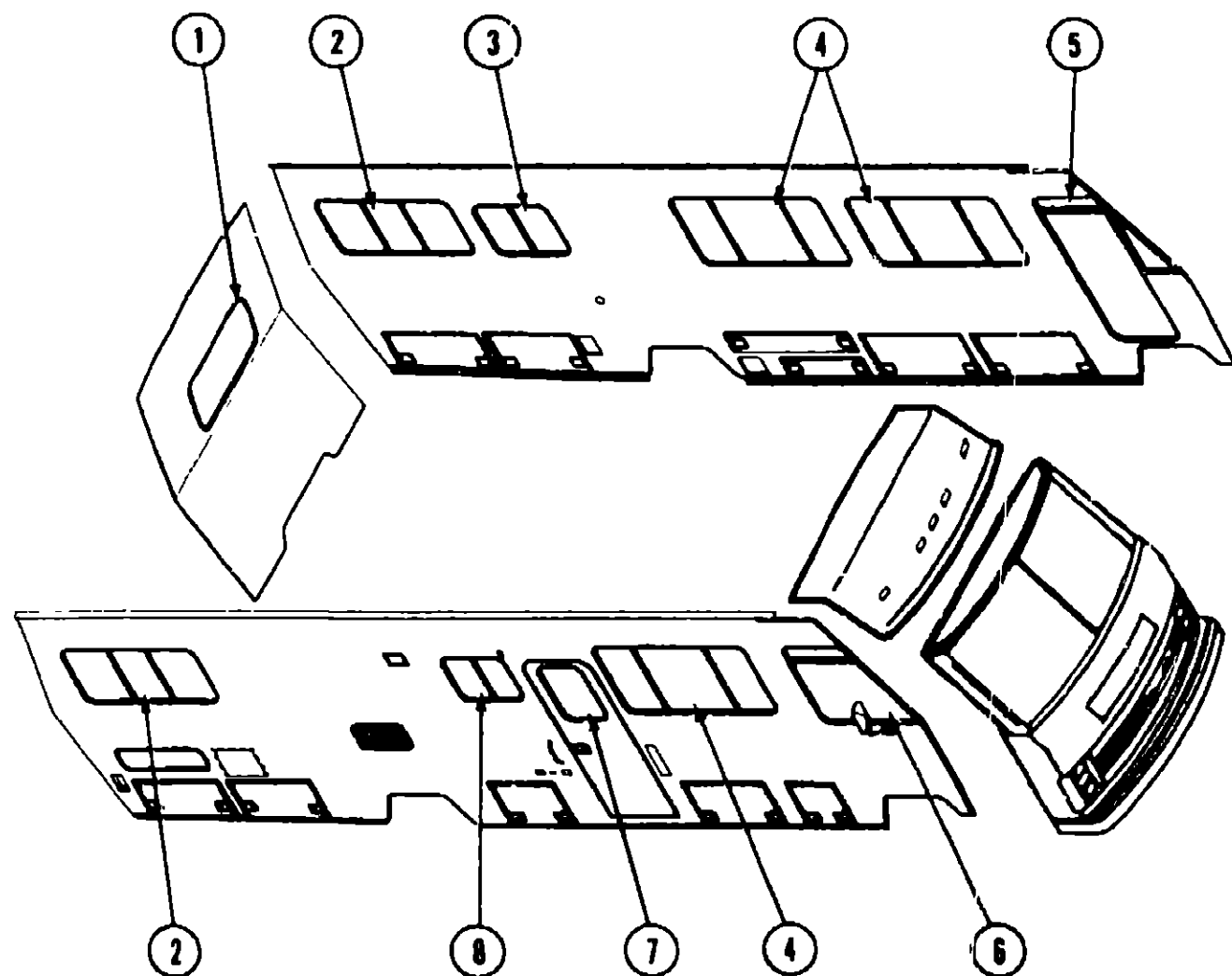
1988 W/IM34RQ INDEX

Floor Plan	C-07 - C-08
Bath Group	C-09
Curtain, Cushion & Pad Group	C-10 - C-18
Dinette Group	C-19
Exterior Body Group	C-20 - C-24
Galley Group	D-01
Lounge Group	D-02 - D-03
Window, Vent & Exterior Door Group	D-04 - D-08

CURTAIN, CUSHION & PAD GROUP (CONTINUED)

PAD & WALL TRIMS

Key	Part Number	U/M	Description
	081519-03-X23	EA	Pad Asm. - Dinette - Front (X14)
	081519-03-X24	EA	Pad Asm. - Dinette - Front (X15)
	081519-03-X25	EA	Pad Asm. - Dinette - Front (X16)
	081519-04-X23	EA	Pad Asm. - Dinette - Rear (X14)
	081519-04-X24	EA	Pad Asm. - Dinette - Rear (X15)
	081519-04-X25	EA	Pad Asm. - Dinette - Rear (X16)
	059414-08-000	EA	Pad Asm. - Trim - Sidewall - Right - Vinyl
	059467-04-T03	EA	Pad Asm. - Map Pocket - Right Vinyl
	086109-02-X11	EA	Headboard Asm. - 26" - Gathered (X14) (Twin)
	086109-02-X12	EA	Headboard Asm. - 26" - Gathered (X15) (Twin)
	086109-02-X13	EA	Headboard Asm. - 26" - Gathered (X16) (Twin)
†	086109-02-XA0	EA	Headboard Asm. - 26" - Gathered (X14) (Twin)
•	086109-02-XA1	EA	Headboard Asm. - 26" - Gathered (X15) (Twin)
**	086109-02-XA2	EA	Headboard Asm. - 26" - Gathered (X16) (Twin)
	086109-03-X08	EA	Headboard Asm. - 44" - Gathered (X14) (Double/Queen)
	086109-03-X09	EA	Headboard Asm. - 44" - Gathered (X15) (Double/Queen)
	086109-03-X10	EA	Headboard Asm. - 44" - Gathered (X16) (Double/Queen)
†	086109-03-XA0	EA	Headboard Asm. - 44" - Gathered (X14) (Double/Queen)
•	086109-03-XA1	EA	Headboard Asm. - 44" - Gathered (X15) (Double/Queen)
**	086109-03-XA2	EA	Headboard Asm. - 44" - Gathered (X16) (Double/Queen)
†	Parts used after 2/22/88		
•	Parts used after 1/18/88		
**	Parts used after 1/25/88		



CURTAIN, CUSHION & PAD GROUP (CONTINUED)

ITASCA K78

CURTAINS, SHADES, VALANCES & TIEBACKS

Key	Part Number	U/M	Description
1	084755-03-X36	EA	Shade Asm. - Linen - 72.25"
**1	084755-03-XA3	EA	Shade Asm. - Linen - 72.25"
†1	084755-03-XA6	EA	Shade Asm. - Linen - 72.25"
1	079558-20-X36	EA	Valance Asm. - Gathered - 5" x 140"
1	079559-11-X33	EA	Curtain Asm. - Gathered - 32" x 41"
2	084755-05-X78	EA	Shade Asm. - Linen - 80.25"
**2	084755-05-XA3	EA	Shade Asm. - Linen - 80.25"
†2	084755-05-XA6	EA	Shade Asm. - Linen - 80.25"
2	079558-21-X36	EA	Valance Asm. - Gathered - 5" x 120"
2	079559-11-X33	EA	Curtain Asm. - Gathered - 32" x 41"
3	082118-B9-000	EA	Blind - 32" x 26" Drop
3	M81977-24-X36	EA	Valance Asm. - Padded - 35.5"
3	073304-39-X36	EA	Curtain Asm. w/Snap Top - 27.5" x 10"
4	082118-C8-000	EA	Blind - 65" x 33" Drop
4	M81977-23-X36	EA	Valance Asm. - Padded - 68.5"
4	087318-07-X36	EA	Curtain Asm. w/Snap Top - 33.5" x 15"
5	073304-41-X20	EA	Curtain Asm. - Front Wraparound - 32.5" x 86"
†5	073304-49-X33	EA	Curtain Asm. - Front Wraparound - 34" x 86"
5	077591-08-X36	EA	Curtain Asm. - Front Bunk - 60" x 50"
†5	077591-10-X36	EA	Curtain Asm. - Front Bunk - 60" x 47.5"
6	073304-40-X20	EA	Curtain Asm. - Front Wraparound - 32.5" x 86"
†6	073304-49-X33	EA	Curtain Asm. - Front Wraparound - 34" x 86"
6	077591-05-X36	EA	Curtain Asm. - Front Bunk - 60" x 50"
†6	077591-09-X36	EA	Curtain Asm. - Front Bunk - 60" x 47.5"
7	084755-04-X33	EA	Shade Asm. - Linen - 24.25"
**7	084755-04-XA3	EA	Shade Asm. - Linen - 24.25"
†7	084755-04-XA6	EA	Shade Asm. - Linen - 24.25"
7	M81977-26-X36	EA	Valance Asm. - Padded - 27.4"
8	082118-B0-000	EA	Blind - 27" x 22" Drop
8	M81977-02-X36	EA	Valance Asm. - Padded - 35.8"
•	073260-23-WB6	EA	Tieback Asm. - 3" x 18" - Drapery
•	073260-27-X78	EA	Tieback Asm. - 3" x 23" - Bedspread
•	073260-34-X33	EA	Tieback Asm. - 3" x 20" - Drapery
**	073260-34-XB3	EA	Tieback Asm. - 4" x 20" - Drapery
•	Not illustrated		
†	Parts used after 7/22/87		
††	Parts used after 8/19/87		
**	Parts used after 12/1/87		
†	Parts used after 3/1/88		

1988 M SERIES

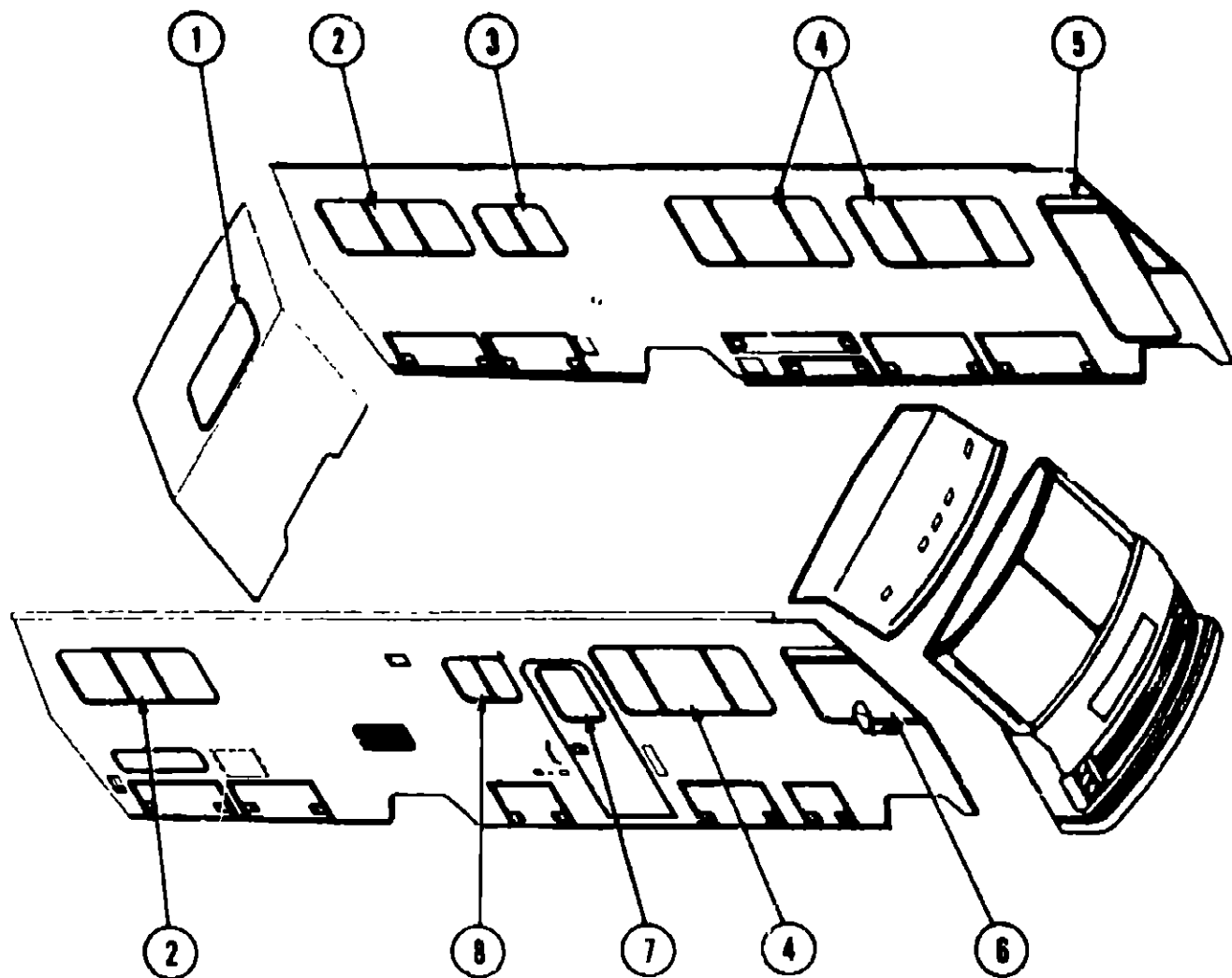
TABLE OF CONTENTS

W/IM27RQ	A-01 - A-24
W/IM31RQ	B-01 - C-08
W/IM34RQ	C-07 - D-08

1988 W/IM34RQ INDEX

Floor Plan	C-07 - C-08
Bath Group	C-09
Curtain, Cushion & Pad Group	C-10 - C-18
Dinette Group	C-19
Exterior Body Group	C-20 - C-24
Galley Group	D-01
Lounge Group	D-02 - D-03
Window, Vent & Exterior Door Group	D-04 - D-08

CURTAIN, CUSHION & PAD GROUP (CONTINUED)



CURTAIN, CUSHION & PAD GROUP (CONTINUED)

ITASCA X71

CURTAINS, SHADES, VALANCES & TIEBACKS

Key	Part Number	U/M	Description
1	084755-03-X37	EA	Shade Asm - Linen - 72.25"
**1	084755-03-XA3	EA	Shade Asm - Linen - 72.25"
*†1	084755-03-XA6	EA	Shade Asm - Linen - 72.25"
1	079558-20-X37	EA	Valance Asm - Gathered - 5" x 140"
1	079559-11-X34	EA	Curtain Asm - Gathered - 32" x 41"
2	084755-05-X37	EA	Shade Asm - Linen - 80.25"
**2	084755-05-XA3	EA	Shade Asm - Linen - 80.25"
*†2	084755-05-XA6	EA	Shade Asm - Linen - 80.25"
2	079558-21-X37	EA	Valance Asm - Gathered - 5" x 120"
2	079559-11-X34	EA	Curtain Asm - Gathered - 32" x 41"
3	088729-02-000	EA	Blind - 32" x 28" Drop
3	M81977-24-X37	EA	Valance Asm - Padded - 35.5"
†3	M81977-24-XA4	EA	Valance Asm - Padded - 35.5"
3	073304-39-X37	EA	Curtain Asm - w/Snap Top - 27.5" x 10"
4	088729-01-000	EA	Blind - 65" x 33" Drop
4	M81977-23-X37	EA	Valance Asm - Padded - 68.5"
†4	M81977-23-XA4	EA	Valance Asm - padded - 68.5"
4	087318-07-X37	EA	Curtain Asm w/Snap Top - 33.5" x 15"
5	073304-41-X37	EA	Curtain Asm - Front Wraparound - 32.5" x 86"
††5	073304-49-X34	EA	Curtain Asm - Front Wraparound - 34" x 86"
†5	073304-49-XA4	EA	Curtain Asm - Front Wraparound - 34" x 86"
5	077591-06-X37	EA	Curtain Asm - Front Bunk - 60" x 50"
†5	077591-10-X37	EA	Curtain Asm - Front Bunk - 60" x 47.5"
†5	077591-10-XA4	EA	Curtain Asm - Front Bunk - 60" x 47.5"
6	073304-40-X37	EA	Curtain Asm - Front Wraparound - 32.5" x 86"
††6	073304-49-X34	EA	Curtain Asm - Front Wraparound - 34" x 86"
†6	073304-49-XA4	EA	Curtain Asm - Front Wraparound - 34" x 86"
6	077591-05-X37	EA	Curtain Asm - Front Bunk - 60" x 50"
†6	077591-09-X37	EA	Curtain Asm - Front Bunk - 60" x 47.5"
†6	077591-09-XA4	EA	Curtain Asm - Front Bunk - 60" x 47.5"
7	084755-04-X34	EA	Shade Asm - Linen - 24.25"
**7	084755-04-XA3	EA	Shade Asm - Linen - 24.25"
*†7	084755-04-XA6	EA	Shade Asm - Linen - 24.25"
7	M81977-26-X37	EA	Valance Asm - Padded - 27.4"
†7	M81977-26-XA4	EA	Valance Asm - Padded - 27.4"
8	088729-03-000	EA	Blind - 27" x 22" Drop
8	M81977-02-X37	EA	Valance Asm - Padded - 35.8"
†8	M81977-02-XA4	EA	Valance Asm - Padded - 35.8"
.	073260-23-X34	EA	Tieback Asm - 3" x 18" - Drapery
†	073260-23-XA4	EA	Tieback Asm - 3" x 18" - Drapery
.	073260-27-X79	EA	Tieback Asm - 3" x 23" - Bedspread
.	073260-34-X34	EA	Tieback Asm - 3" x 23" - Bedspread
†	073260-34-XB4	EA	Tieback Asm - 3" x 20" - Drapery
**	073260-34-XA4	EA	Tieback Asm - 4" x 20" - Drapery
.			Not illustrated
†			Parts used after 7/22/87
††			Parts used after 8/19/87
†*			Parts used after 10/1/87
**			Parts used after 12/1/87
*†			Parts used after 3/1/86

**1988 M SERIES
TABLE OF CONTENTS**

W/IM27RQ	A-01 - A-84
W/IM31RQ	B-01 - C-08
W/IM34RQ	C-07 - D-08

1988 W/IM34RQ INDEX

Floor Plan	C-07 - C-08
Bath Group	C-09
Curtain, Cushion & Pad Group	C-10 - C-18
Dinette Group	C-19
Exterior Body Group	C-20 - C-24
Galley Group	D-01
Lounge Group	D-02 - D-03
Window, Vent & Exterior Door Group	D-04 - D-08

CURTAIN, CUSHION & PAD GROUP (CONTINUED)

ITASCA

PADS & WALL TRIMS

Key	Part Number	U/M	Description
	081519-01-X08	EA	Pad Asm - Dinette - Front (X70)
	081519-01-X09	EA	Pad Asm - Dinette - Front (X71)
	081519-01-W05	EA	Pad Asm - Dinette - Front (X72)
	081519-02-X08	EA	Pad Asm - Dinette - Front (X70)
	081519-02-X09	EA	Pad Asm - Dinette - Front (X71)
	081519-02-W05	EA	Pad Asm - Dinette - Front (X72)
	059414-08-000	EA	Pad Asm - Trim - Sidewall - Right - Vinyl
	059467-04-T03	EA	Pad Asm - Map Pocket - Right Vinyl
	077463-08-X36	EA	Headboard Asm - Twin (X70)
	077463-08-X37	EA	Headboard Asm - Twin (X71)
	077463-08-X38	EA	Headboard Asm - Twin (X72)
	077463-09-X33	EA	Headboard Asm - Double (X70)
	077463-09-X37	EA	Headboard Asm - Double (X71)
	077463-09-X38	EA	Headboard Asm - Double (X72)
	077463-10-X36	EA	Headboard Asm - Queen (X70)
	077463-10-X37	EA	Headboard Asm - Queen (X71)
	077463-10-X38	EA	Headboard Asm - Queen (X72)

CURTAIN, CUSHION & PAD GROUP (CONTINUED)

ITASCA X72

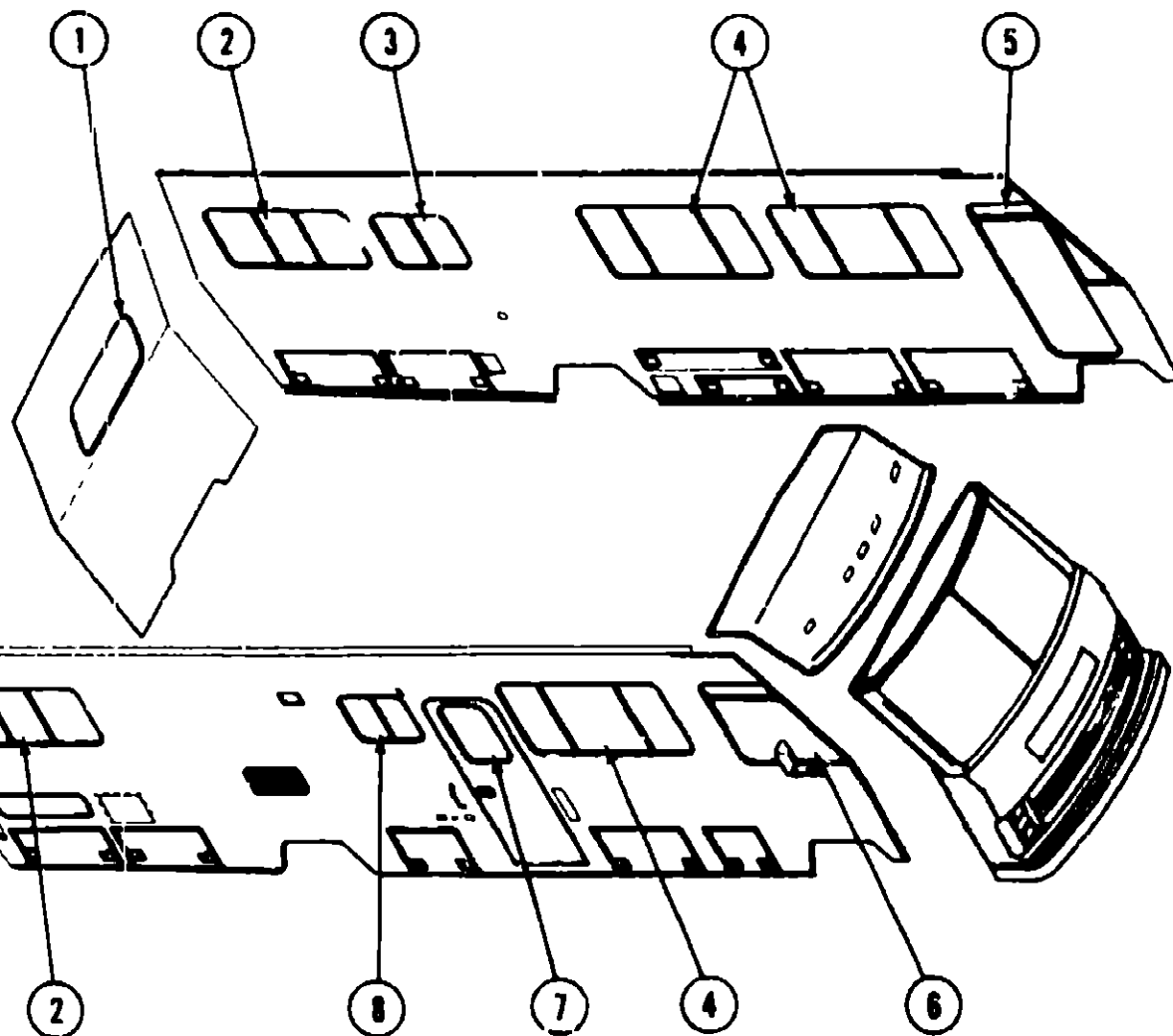
CURTAINS, SHADES, VALANCES & TIEBACKS

Key	Part Number	U/M	Description
1	084755-03-X38	EA	Shade Asm - Linen - 72 25"
*†1	084755-03-XA8	EA	Shade Asm - Linen - 72 25"
1	079558-20-X38	EA	Valance Asm - Gathered - 5" x 140"
1	079559-11-X35	EA	Curtain Asm - Gathered - 32" x 41"
2	084755-05-X38	EA	Shade Asm - Linen - 80 25"
*†2	084755-05-XA8	EA	Shade Asm - Linen - 80 25"
2	079558-21-X38	EA	Valance Asm - Gathered - 5" x 120"
2	079559-11-X35	EA	Curtain Asm - Gathered - 32" x 41"
3	082118-B8-000	EA	Blind - 32" x 26" Drop
3	M81977-24-X38	EA	Valance Asm - Padded - 35 5"
3	073304-39-X38	EA	Curtain Asm - w/Snap Top - 27 5" x 10'
4	082118-C7-000	EA	Blind - 65" x 33" Drop
4	M81977-23-X38	EA	Valance Asm - Padded - 68 5"
4	087318-07-X38	EA	Curtain Asm w/Snap Top - 33 5" x 15"
5	073304-41-X19	EA	Curtain Asm - Front Wraparound - 32 5" x 86"
†15	073304-49-X35	EA	Curtain Asm - Front Wraparound - 34" x 86"
5	077591-06-X38	EA	Curtain Asm - Front Bunk - 60" x 50"
†5	077591-10-X38	EA	Curtain Asm - Front Bunk - 60" x 47 5"
5	073304-40-X19	EA	Curtain Asm - Front Wraparound - 32 5" x 86"
††0	073304-49-X35	EA	Curtain Asm - Front Wraparound - 34" x 86"
6	077591-05-X38	EA	Curtain Asm - Front Bunk - 60" x 50"
†6	077591-09-X38	EA	Curtain Asm - Front Bunk - 60" x 47 5"
7	084755-04-X35	EA	Shade Asm - Linen - 24 25"
*†7	084755-04-XA8	EA	Shade Asm - Linen - 24 25"
7	M81977-26-X38	EA	Valance Asm - Padded - 27 4"
8	082118-A9-000	EA	Blind - 27" x 22" Drop
8	M81977-02-X38	EA	Valance Asm - Padded - 35 8"
•	073260-23-X19	EA	Tieback Asm - 3" x 18" - Drapery
•	073260-27-X30	EA	Tieback Asm - 3" x 23" - Bedspread
•	073260-34-X35	EA	Tieback Asm - 3" x 20" - Drapery
•			Not Illustrated
†			Parts used after 7/22/87
††			Parts used after 8/19/87
**			Parts used after 12/1/87
*†			Parts used after 3/1/88

1988 M SERIES

TABLE OF CONTENTS

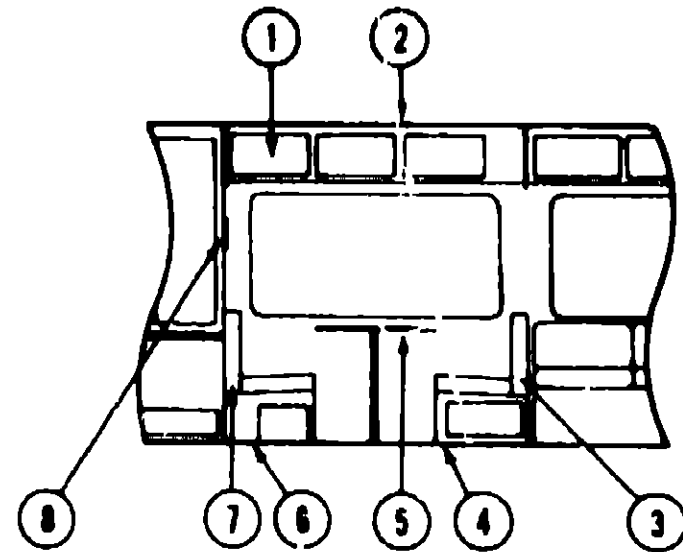
W/IM27RQ	A-01 - A-24
W/IM31RQ	B-01 - C-08
W/IM34RQ	C-07 - D-08



1988 W/IM34RQ INDEX

Floor Plan	C-07 - C-08
Bath Group	C-08
Curtain, Cushion & Pad Group	C-10 - C-18
Dinette Group	C-19
Exterior Body Group	C-20 - C-24
Galley Group	D-01
Lounge Group	D-02 - D-03
Window, Vent & Exterior Door Group	D-04 - D-08

DINETTE GROUP



CONVENTIONAL DINETTE & OVERHEAD CABINERY

Key	Part Number	U/M	Description
1	M88304-16-Y23	EA	Door Asm - Dinette Overhead w/o Hardware
2	M81302-11-X11	EA	Cabinet Asm - Dinette Overhead - w/o Doors or Hardware
3	M02174-01-W30	EA	Cabinet Asm - Dinette Back - Front
4	M02175-02-W30	EA	Cabinet Asm - Dinette Seat - w/o Doors or Hardware
5	M02115-09-X36	EA	Table Asm - Dinette - w/o Hardware (W07, W08, W09)
6	M02175-03-W30	EA	Cabinet Asm - Dinette Seat - Rear - w/o Doors or Hardware
7	M02174-05-W30	EA	Cabinet Asm - Dinette Back - Rear
8	086269-01-000	EA	Picture & Frame
.	086779-01-000	EA	Clock - 8 25" x 8 25"
.	074493-02-000	EA	Support - Sprung Door Asm - Overhead Cabinet
.	053200-05-000	EA	Bracket - Upper Wall Mount - 23 5" - Beige
**	088410-01-000	EA	Bracket - Table Mount - 23" - Beige
.	024275-05-000	EA	Rod - Table Lift - 8" x 23 5" - Beige
.	024281-07-000	EA	Bracket - Lower Wall Mount - 22 12" - Beige
.	024276-17-000	EA	Leg Asm - Table - 26 75" - Tan
**	064050-02-000	EA	Hinge - Table Leg - Tan
**	024282-01-000	EA	Brace - Table Leg
**	024283-01-000	EA	Clip - 1" O D Tube
.	064781-05-000	EA	Cup Holder - 3 47" O D x 2 75" I D x 1 5" - Beige
.	Not illustrated		
**	The illustrated parts breakdown for this item is provided on the Common Items File		

EXTERIOR BODY GROUP

ACCESS PANEL HARDWARE

Key	Part Number	U/M	Description
	078718-02-000	EA	Bracket Asm. - Striker Latch
	074178-01-000	EA	Bracket - Cable Release - Inside
	073339-02-000	EA	Arm - Hinge - Hood
	080197-01-000	EA	Bracket - Hinge Arm - Hood - Right
	080197-02-000	EA	Bracket - Hinge Arm - Hood - Left
	058788-02-000	EA	Hood Bolt - Adjusting
	073342-01-000	EA	Bracket Asm - Latch Hood
	073341-01-000	EA	Bracket - Latch Hood
	073345-01-000	EA	Latch Complete - Hood
	078718-02-000	EA	Bracket Asm - Striker Latch
	078787-02-000	EA	Plate Asm - Mounting
	088252-02-000	FT	Chrome Trim - 1"
	088252-03-000	FT	Chrome Trim - 2"

1988 M SERIES TABLE OF CONTENTS

W/IM27RQ	A-01 - A-24
W/IM31FQ	B-01 - C-08
W/IM34RQ	C-07 - D-08

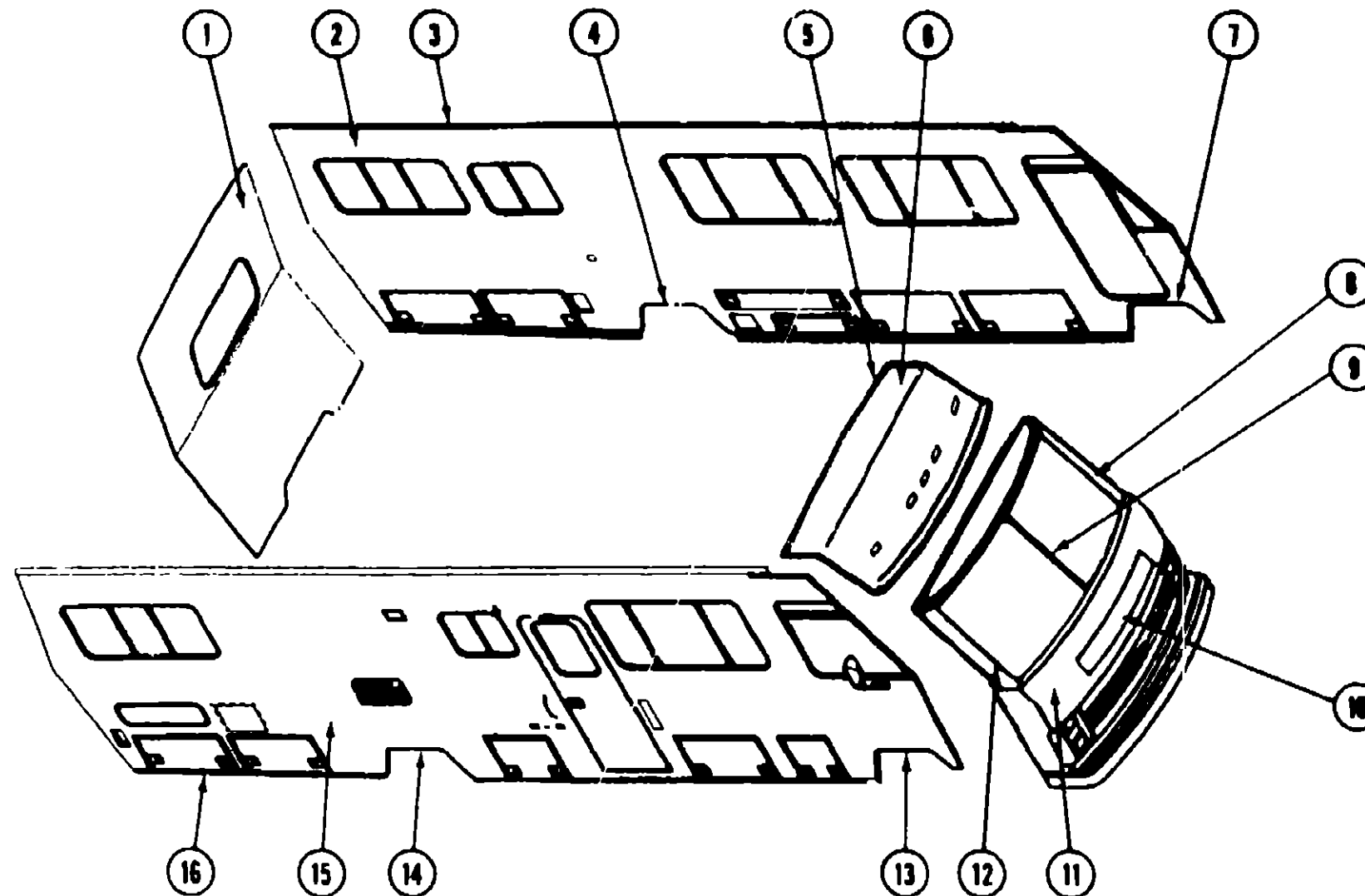
1988 W/IM34RQ INDEX

Floor Plan	C-07 - C-08
Bath Group	C-09
Curtain, Cushion & Pad Group	C-10 - C-18
Dinette Group	C-19
Exterior Body Group	C-20 - C-24
Galley Group	D-01
Lounge Group	D-02 - D-03
Window, Vent & Exterior Door Group	D-04 - D-08

EXTERIOR BODY GROUP (CONTINUED)

W/IMBAGO

EXTERIOR BODY PANELS



1998 M SERIES TABLE OF CONTENTS

W/IM27RQ
W/IM31RQ
W/IM34RQ

A-01 - A-04
B-01 - C-08
C-07 - D-08

1998 W/IM34RQ INDEX

Floor Plan	C-07 - C-08
Bath Group	C-08
Curtain, Cushion & Pad Group	C-10 - C-18
Dinette Group	C-19
Exterior Body Group	C-20 - C-24
Galley Group	D-01
Lounge Group	D-02 - D-03
Window, Vent & Exterior Door Group	D-04 - D-08

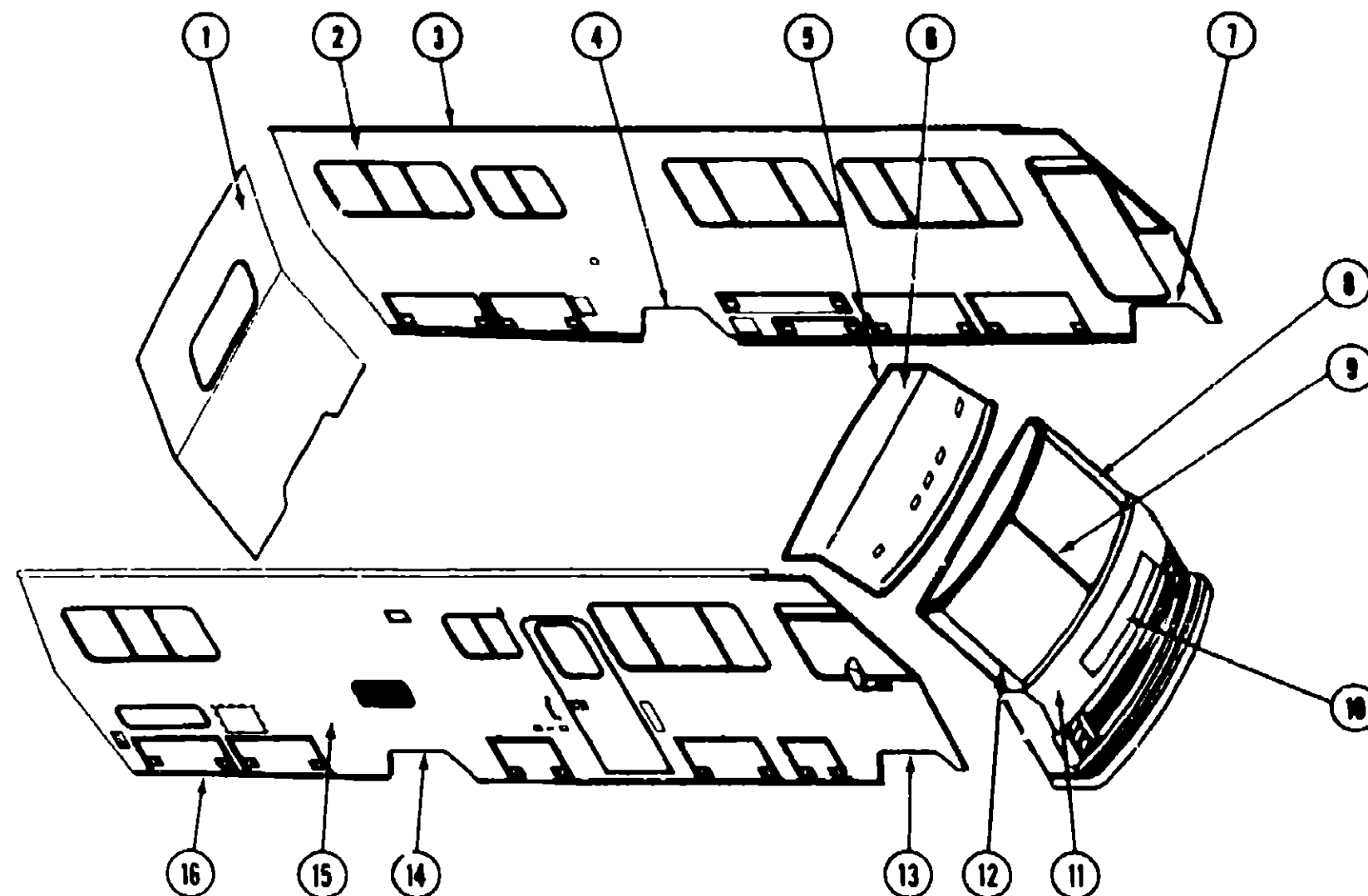
Key	Part Number	U/M	Description
1	089558-01-X14	EA	Backwall Asm
·	M03186-01-X14	EA	Rear Cap Asm - Backwall
2	M89977-01-X14	EA	Sidewall Asm - Driver (X14, X16)
2	M89977-01-X15	EA	Sidewall Asm - Driver (X15)
3	078600-06-000	EA	Trim - Sidewall - Upper - Driver or Passenger - Beige
4	089749-01-000	EA	Trim - Wheelwell - Rear - U Channel - Drivers or Passenger
5	078580-01-000	EA	Trim - Roof/Front Cap
6	M02959-04-X14	EA	Cap - Over Windshield - Beige
7	089909-01-000	EA	Trim - Wheelwell - Front - U Channel - Driver or Passenger
8	079225-04-000	EA	Trim Post - Windshield - Driver
·	077944-02-000	EA	Reveal Molding - Upper - Driver
·	077945-02-000	EA	Reveal Molding - Lower - Driver
9	078676-05-000	EA	Reveal Molding - Center - Windshield
10	089768-01-X14	EA	Access Panel w/Hardware
·	090202-02-000	EA	Headlamp Bezel - Driver
·	090202-01-000	EA	Headlamp Bezel - Passenger
·	073308-01-000	EA	Screw Asm - Headlamp - Adjusting
·	049359-01-000	EA	Spring - Headlamp Retainer
·	069821-01-X14	EA	Grille Asm - 5 Bar
11	M01115-17-X14	EA	Panel Asm - Front Shroud (Includes access panel)

Key	Part Number	U/M	Description
12	079225-03-000	EA	Trim Post - Windshield - Passenger
·	077944-01-000	EA	Reveal Molding - Upper - Passenger
·	077945-01-000	EA	Reveal Molding - Lower - Passenger
13	078556-07-000	EA	Trim - Wheelwell - Front - Plastic - Passenger
·	078556-06-000	EA	Trim - Wheelwell - Front - Plastic - Driver
·	058576-06-000	EA	Feature Strip - Extr Beige - 14' - w/o Insert
·	009731-01-000	EA	End Cap - Feature Strip Insert
·	001030-12-002	EA	Insert - Feature Strip - Beige - 17'
14	075070-01-000	EA	Trim - Wheelwell - Rear - Plastic - Passenger
·	075070-03-000	EA	Trim - Wheelwell - Rear - Plastic - Driver
15	M89978-01-X14	EA	Sidewall Asm - Passenger (X14, X16)
15	M89978-01-X15	EA	Sidewall Asm - Passenger (X15)
16	073502-25-000	EA	Trim - Rear - Beige
·	050406-13-000	EA	Trim - Lower Backwall - Driver or Passenger
·	089702-01-X14	EA	Roof Asm
·	078577-01-000	EA	Bumper End Cap - Front - Passenger
·	078577-02-000	EA	Bumper End Cap - Front - Driver
·	078578-01-000	EA	Bumper End Cap - Rear - Passenger
·	078578-02-000	EA	Bumper End Cap - Rear - Driver
·	Not illustrated		

EXTERIOR BODY GROUP (CONTINUED)

ITASCA

EXTERIOR BODY PANELS



1998 M SERIES TABLE OF CONTENTS

W/IM27RQ
W/IM31RQ
W/IM34RQ

A-01 - A-24
B-01 - C-08
C-07 - D-08

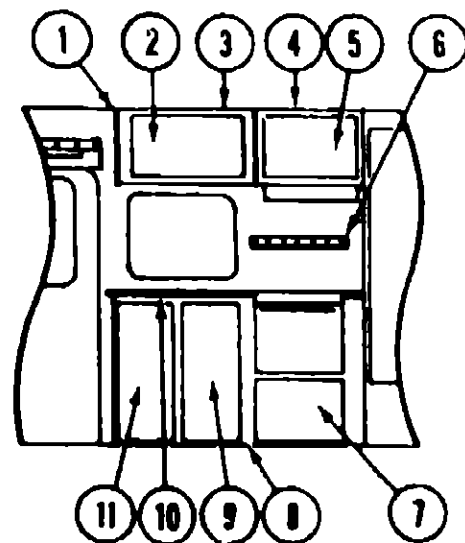
1998 W/IM34RQ INDEX

Floor Plan	C-07 - C-08
Bath Group	C-09
Curtain, Cushion & Pad Group	C-10 - C-18
Dinette Group	C-19
Exterior Body Group	C-20 - C-24
Galley Group	D-01
Lounge Group	D-02 - D-03
Window, Vent & Exterior Door Group	D-04 - D-08

Key	Part Number	U/M	Description
1	089558-01-X70	EA	Backwall Asm
•	M03166-01-X70	EA	Rear Cap Asm - Backwall
2	M89977-01-X70	EA	Sidewall Asm - Driver
•	M89977-01-X71	EA	Sidewall Asm - Driver
•	M89977-01-X72	EA	Sidewall Asm - Driver
3	078600-12-000	EA	Trim - Sidewall - Upper - Driver or Passenger - Beige
4	089749-01-000	EA	Trim Wheelwell Rear - U Channel - Driver or Passenger
5	078580-01-000	EA	Trim - Roof/Front Cap
6	M02959-04-X70	EA	Cap - Over Windshield - Beige
7	089909-01-000	EA	Trim - Wheelwell - Front - U Channel - Driver or Passenger
8	079225-04-000	EA	Trim Post - Windshield Driver
•	077944-02-000	EA	Reveal Molding - Upper - Driver
•	077945-02-000	EA	Reveal Molding - Lower - Driver
9	076676-05-000	EA	Reveal Molding - Center Windshield
10	089768-01-X70	EA	Access Panel w/Hardware
•	090202-02-000	EA	Headlamp Bezel - Driver
•	090202-01-000	EA	Headlamp Bezel - Passenger
•	073308-01-000	EA	Screw Asm - Headlamp Adjusting
•	049359-01-000	EA	Spring - Headlamp Retainer
•	090411-01-X70	EA	Grill Asm - 5 Bar - Large - Upper
•	090412-01-X70	EA	Grill Asm - 5 Bar - Small - Lower
•	088252-02-000	EA	Front Chrome

Key	Part Number	U/M	Description
11	M01115-19-X70	EA	Panel Asm - Front Shroud (includes access panel)
12	079225-03-000	EA	Trim Post - Windshield - Passenger
•	077944-01-000	EA	Reveal Molding - Upper - Passenger
•	077945-01-000	EA	Reveal Molding - Lower - Passenger
13	078556-13-000	EA	Trim - Wheelwell - Front - Plastic - Passenger
•	078556-14-000	EA	Trim - Wheelwell - Front - Plastic - Driver
•	059576-11-000	EA	Feature Strip - Extr Gray - 14' - w/o Insert
•	009731-01-000	EA	End Cap - Feature Strip Insert
•	001030-12 (X)2	EA	Insert - Feature Strip - Gray - 17'
14	075070-02-000	EA	Trim - Wheelwell - Rear - Plastic - Passenger
•	075070-04-000	EA	Trim - Wheelwell - Rear - Plastic - Driver
15	M89978-01-X70	EA	Sidewall Asm - Passenger
•	M89978-01-X71	EA	Sidewall Asm - Passenger
•	M89978-01-X72	EA	Sidewall Asm - Passenger
16	073502-26-000	EA	Trim - Rear - Beige
•	050406-13-000	EA	Trim - Lower Backwall - Driver or Passenger
•	089702-02-X70	EA	Roof Asm
•	078577-05-000	EA	Bumper End Cap - Front - Passenger
•	078577-06-000	EA	Bumper End Cap - Front - Driver
•	078578-07-000	EA	Bumper End Cap - Rear - Passenger
•	078578-08-000	EA	Bumper End Cap - Rear - Driver
•	Not illustrated		

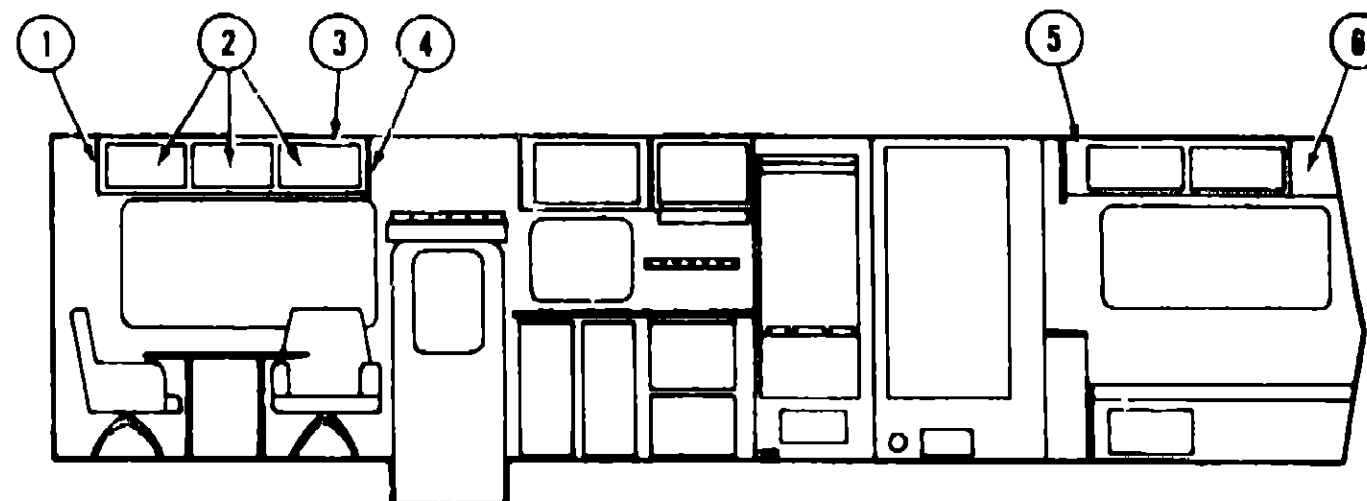
GALLEY GROUP



GALLEY CABINERY

Key	Part Number	U/M	Description
1	081320-04-W30	EA	Pad Asm - End Cap - Galley Overhead - Vinyl
2	M88304-11-X11	EA	Door Asm - Galley Overhead - w/o Hardware
3	M81656-07-X11	EA	Cabinet Asm - Galley Overhead - w/o Doors or Hardware
4	M88307-06-X11	EA	Cabinet Asm - Galley Overhead - w/o Hardware
5	M88304-01-X08	EA	Door Asm - Galley Overhead - w/o Hardware
6	074490-02-W24	EA	Spice Rack - Oak
7	M92073-03-X11	EA	Door Asm - Furnace w/Mesh Insert - w/o Hardware
.	072369-36-000	EA	Mesh Insert - Furnace Door - Bronze
8	M03180-01-X14	EA	Cabinet Asm - Galley - w/o Doors, Drawers, Countertop or Hardware
9	M88304-14-X08	EA	Door Asm - Galley Cabinet - Right - w/o Hardware
10	M02482-02-X14	EA	Countertop Asm - Galley Cabinet
11	M88304-13-X08	EA	Door Asm - Galley Cabinet - Left - w/o Hardware
.	080812-02-W30	EA	Extension Asm - Galley
.	M88304-21-X08	EA	Door Asm - Refrigerator Cabinet - w/o Hardware
.			Not illustrated

LOUNGE GROUP



LOUNGE OVERHEAD CABINERY

Key	Part Number	U/M	Description
1	081325-02-X36	EA	Pad Asm - End Cap - Front Overhead - Vinyl
2	M88304-16-X23	EA	Door Asm - Overhead Cabinet - w/o Hardware
3	M81550-16-X11	EA	Cabinet Asm - Front Overhead - Passenger - w/o Doors or Hardware
.	M81302-18-X11	EA	Cabinet Asm - Front Overhead - Driver - w/o Doors or Hardware
4	081325-01-W30	EA	Pad - End Cap - Front Overhead - Vinyl
5	M81730-20-X11	EA	Cabinet Asm - Rear Overhead - Passenger - w/o Doors or Hardware
.	081325-04-W30	EA	Pad Asm - Lounge Overhead - Vinyl
.	M81730-26-X14	EA	Cabinet Asm - Rear Overhead - Driver - w/o Door or Hardware
.	081375-03-W30	EA	Pad Asm - Lounge Overhead - Vinyl
.	M88304-50-X23	EA	Door Asm - Rear Overhead - Driver or Passenger - w/o Hardware
6	M81308-22-X11	EA	Cabinet Asm - Rear Overhead - Backwall - w/o Doors or Hardware
.	M88304-08-X11	EA	Door Asm - Rear Overhead - Backwall - w/o Hardware
.			Not illustrated

TWIN BED CABINERY (Option)

Key	Part Number	U/M	Description
	083441-03-X11	EA	Cabinet Asm - Nightstand - w/o Doors or Hardware
	M88304-02-X23	EA	Door Asm - Nightstand - w/o Hardware
	M02809-01-X19	EA	Countertop Asm - Nightstand - Upper
	M02808-01-X19	EA	Countertop Asm - Nightstand - Lower
	M85452-01-W30	EA	Cabinet Asm - Twin Bed - Right Sidewall
	M85453-01-W30	EA	Cabinet Asm - Twin Bed - Left Sidewall
	084357-01-W13	EA	TV Stand Asm - Foldout
	M88304-58-X23	EA	Door Asm - Twin Bed - w/o Hardware

1988 M SERIES TABLE OF CONTENTS

W/IM27RQ
W/IM31RQ
W/IM34RQ

A-01 - A-24
B-01 - C-08
C-07 - D-08

1988 W/IM34RQ INDEX

Floor Plan	C-07 - C-08
Bath Group	C-08
Curtain, Cushion & Pad Group	C-10 - C-18
Dinette Group	C-18
Exterior Body Group	C-20 - C-24
Galley Group	D-01
Lounge Group	D-02 - D-08
Window, Vent & Exterior Door Group	D-04 - D-08

LOUNGE GROUP (CONTINUED)

DOUBLE BED W/VANITY & WARDROBE (Option)

Key	Part Number	U/M	Description
	061724-01-X11	EA	Cabinet Asm - Nightstand - w/o Countertop (Rear)
	M02476-01-X11	EA	Countertop Asm - Nightstand
	061723-01-X11	EA	Cabinet Asm - Nightstand - w/o Countertop (Front)
	M02477-01-X11	EA	Countertop Asm - Nightstand
	M68304-02-X23	EA	Door Asm - Double Bed

SWIVEL CHAIRS W/PULLOUT TABLE

Key	Part Number	U/M	Description
	M90095-01-X14	EA	Cabinet Asm - Pullout Table
	090095-16-X14	EA	Table Asm - Pullout
	090095-11-X11	EA	Countertop Asm - T V, Shelf - Pullout Table
	090095-12-X11	EA	Top - Cupholder - Pullout Table
	090095-14-X14	EA	Top - Hinged Lid - Pullout Table
	080726-01-000	EA	Handle - Pullout Table
	079921-01-000	EA	Roller - Nylon - w/Shaft
	079769-01-000	EA	Support - Pullout Table - Beige
	009059-01-000	EA	Hinge - Brass
	079606-01-000	EA	Magazine Rack

QUEEN BED W/NIGHTSTAND

Key	Part Number	U/M	Description
	061723-01-X11	EA	Cabinet Asm - Nightstand
	M02477-01-X11	EA	Countertop Asm - Nightstand
	061723-01-X11	EA	Cabinet Asm - Nightstand
	M02477-01-X11	EA	Countertop Asm - Nightstand
	064357-01-W13	EA	T V Stand Asm - Foldout
	M68304-02-X23	EA	Door Asm - Queen Bed

WINDOWS, VENTS & EXTERIOR DOORS GROUP

DRIVER DOOR W/ROLL-UP WINDOW

Key	Part Number	U/M	Description
	M89487-02-X14	EA	Door Asm - w/Roll-Up Window - Beige
	M89487-02-X70	EA	Door Asm - w/Roll-Up Window - Gray
	M03170-02-000	EA	Jamb Asm - Cab Door - Beige
	M03170-04-000	EA	Jamb Asm - Cab Door - Gray
	063983-01-000	EA	Hinge Asm - Beige
	063983-03-000	EA	Hinge Asm - Gray
	082150-01-000	FT	Seal - Sponge (Jamb)
	082150-02-000	FT	Seal - Sponge (Door)
	083731-01-000	EA	Cap - Push On - Zinc
	081400-06-000	EA	Assist Strap - Sandstone
	084219-01-000	EA	Retainer Strap - Driver Door
	083729-01-000	EA	Rivnut - 1/4 x 20 unc - 030 - 125
	081903-01-000	EA	Shaft - Mounting Knob
	081906-02-000	EA	Knob - Control - Slide Bolt - Driver
	081906-01-000	EA	Slide Bolt - Driver Door
	081907-02-000	EA	Regulator Asm - Window - Driver
	081910-01-000	FT	Channel - Window - Sliding
	081912-01-000	EA	Weatherstrip - Rigid
	083886-06-000	EA	Assist Handle - Door - Beige
	083886-09-000	EA	Assist Handle - Door - Gray
	075722-01-000	EA	Block - Switch - Spacer
	073118-01-000	EA	Retainer - Attachment Plate
	073119-01-000	EA	Attachment Plate - Striker
	079661-01-000	EA	Shim - Strike - Cab Door
	R77007-56-702	EA	Plate - Door Lock - Driver
	R77040-01-538	EA	Door Handle
	R77007-05-374	EA	Plate - Door Handle Spacer
	R77006-50-326	EA	Door - Handle Inner
	R77006-13-480	EA	Cap - Inner - Window Crank
	072036-01-000	EA	Crank - Hand - Glass Lift
	072036-01-000	EA	Cap - Crank - Hand
	073110-03-000	EA	Rod - Lock - Driver
	R77006-84-355	EA	Link - Door Handle - Control
	R77030-58-048	EA	Washer
	R77030-33-009	EA	Nut - w/Washer
	081488-02-000	EA	Glass - Door - Roll-Up
	083223-02-000	EA	Lock Asm - Key Type (Set of 2)
	076542-04-000	EA	Rod Control - Latch - Driver

**1998 M SERIES
TABLE OF CONTENTS**

W/IM27RQ	A-01 - A-24
W/IM31RQ	B-01 - C-08
W/IM34RQ	C-07 - D-09

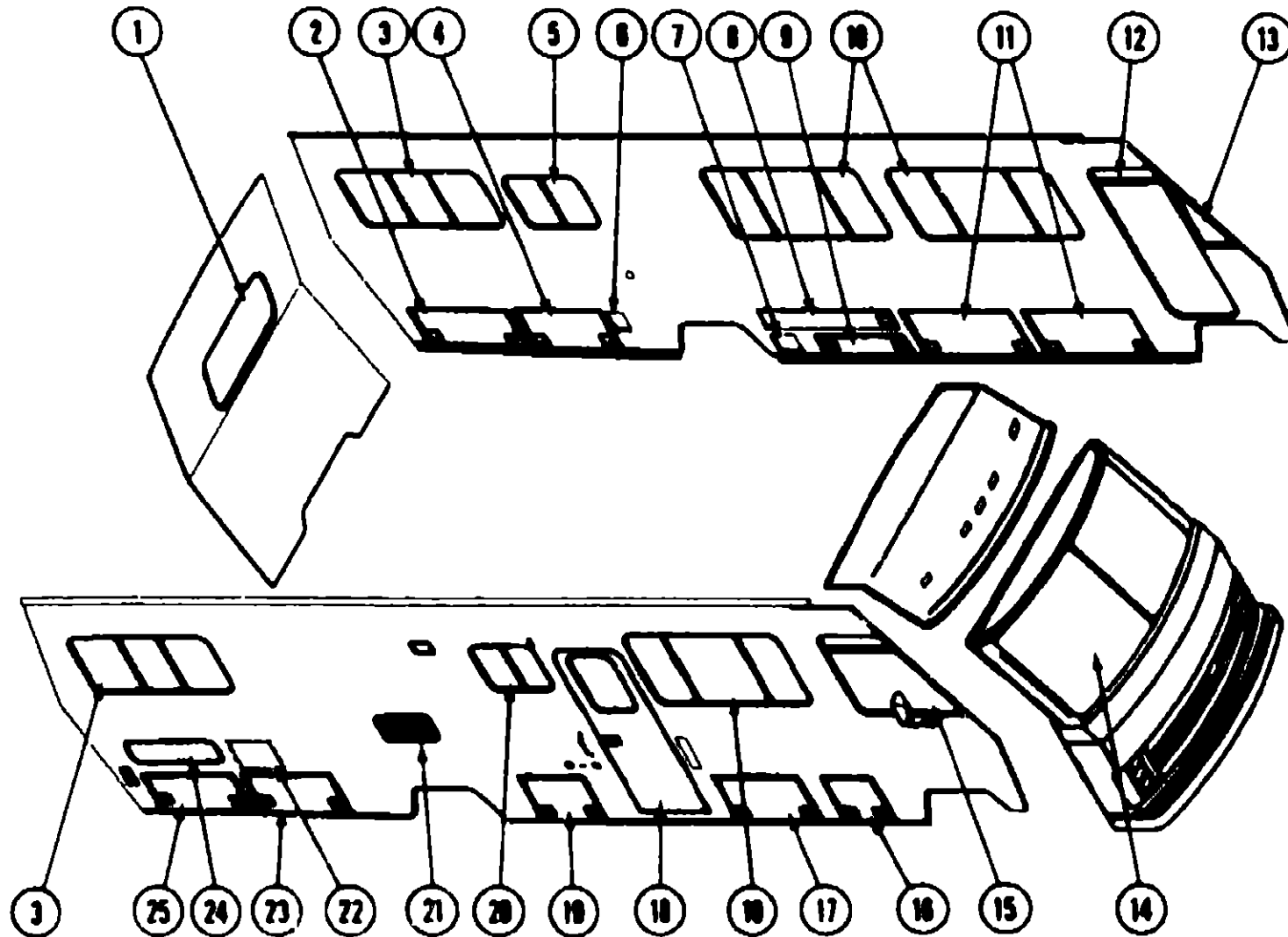
1998 W/IM34RQ INDEX

Floor Plan	C-07 - C-08
Bath Group	C-08
Curtain, Cushion & Pad Group	C-10 - C-18
Dinette Group	C-19
Exterior Body Group	C-20 - C-24
Galley Group	D-01
Lounge Group	D-02 - D-03
Window, Vent & Exterior Door Group	D-04 - D-09

WINDOW, VENT & EXTERIOR DOOR GROUP (CONTINUED)

WINNEBAGO

WINDOWS & EXTERIOR DOORS



1988 M SERIES TABLE OF CONTENTS

W/IM27RQ
W/IM31RQ
W/IM34RQ

A-01 - A-24
B-01 - C-08
C-07 - D-08

1988 W/IM34RQ INDEX

Floor Plan C-07 - C-08
Bath Group C-08
Curtain, Cushion & Pad Group C-10 - C-18
Dinette Group C-18
Exterior Body Group C-20 - C-24
Galley Group D-01
Lounge Group D-02 - D-03
Window, Vent & Exterior Door Group D-04 - D-08

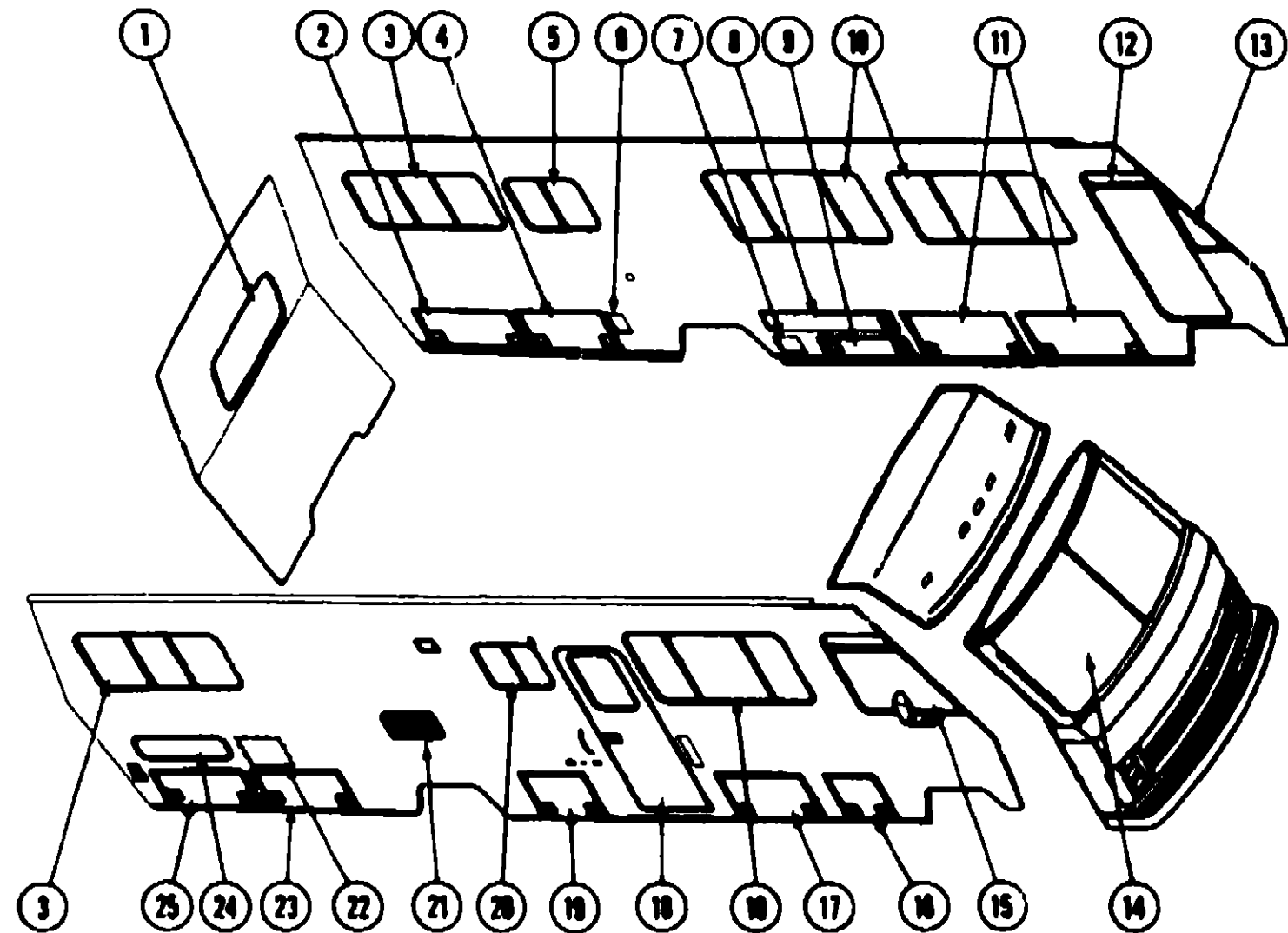
Key	Part Number	U/M	Description
1	078528-01-T03	EA	Window Asm - Escape
†2	087472-04-X14	EA	Door Asm - Luggage - w/Rocker Panel
2	087472-02-W81	EA	Door Asm - Luggage - w/o Rocker Panel
3	078271-01-T03	EA	Window Asm - Center Slider
†4	087472-07-W14	EA	Door Asm - Luggage - w/Rocker Panel
4	087472-08-W81	EA	Door Asm - Luggage - w/o Rocker Panel
5	078768-04-T03	EA	Window Asm - Single Slider
6	052423-02-000	EA	Door Asm - Sewage
7	088794-02-000	EA	Door Asm - Power Cord
8	087449-01-W81	EA	Door Asm - Luggage
9	M01883-01-T03	EA	Door Asm - Generator
**9	M79321-02-T03	EA	Door Asm - Generator
10	078268-02-W24	EA	Window Asm - Double Slider
†11	087448-07-X14	EA	Door Asm - Luggage - w/Rocker Panel
11	087448-03-W81	EA	Door Asm - Luggage - w/o Rocker Panel
12	089819-02-X14	EA	Window Asm - Vista Picture
13	079421-02-T03	EA	Window Asm - Slant
14	088793-02-000	EA	Glass - Windshield - Driver
14	088793-01-000	EA	Glass - Windshield - Passenger

Key	Part Number	U/M	Description
15	089807-01-X14	EA	Window Asm - Slant Slider
·	089819-01-X14	EA	Window Asm - Vista Picture
†16	087448-09-X14	EA	Door Asm - Luggage - w/Rocker Panel
16	087448-10-X14	EA	Door Asm - Luggage - w/o Rocker Panel
†17	087448-07-X14	EA	Door Asm - Luggage - w/Rocker Panel
17	087448-03-W81	EA	Door Asm - Luggage - w/o Rocker Panel
18	M01870-18-X14	EA	Door Asm - Entrance
·	079733-04-T03	EA	Window Asm - Entrance Door
†19	087485-03-X14	EA	Door Asm - Luggage/LP - w/Rocker Panel
19	087485-04-X14	EA	Door Asm - Luggage/LP - w/o Rocker Panel
20	078268-02-000	EA	Window Asm - Single Slider
21	084103-01-000	EA	Door Asm - Refrigerator Vent
·	084104-01-000	EA	Jamb - Refrigerator Vent Door
22	052708-02-000	EA	Door Asm - Water Heater
†23	087472-09-X14	EA	Door Asm - Luggage - w/Rocker Panel
23	087472-10-X14	EA	Door Asm - Luggage - w/o Rocker Panel
24	079578-03-W13	EA	Door Asm - Storage
†25	087472-03-X14	E	Door Asm - Luggage - w/Rocker Panel
25	087472-01-W81	EA	Door Asm - Luggage - w/o Rocker Panel
·	Not illustrated		
**	Parts used after 9/1/87		
†	Parts used on units produced before 2/1/88		

WINDOW, VENT & EXTERIOR DOOR GROUP (CONTINUED)

ITASC A

WINDOWS & EXTERIOR DOORS



1988 M SERIES TABLE OF CONTENTS

W/IM27RQ
W/IM31RQ
W/IM34RQ

A-01 - A-24
B-01 - C-08
C-07 - D-08

1988 W/IM34RQ INDEX

Floor Plan	C-07 - C-08
Bath Group	C-08
Curtain, Cushion & Pad Group	C-10 - C-18
Dinette Group	C-19
Exterior Body Group	C-20 - C-24
Galley Group	D-01
Lounge Group	D-02 - D-03
Window, Vent & Exterior Door Group	D-04 - D-08

Key	Part Number	U/M	Description
1	078528-01-T03	EA	Window Asm - Escape
†2	087472-04-X70	EA	Door Asm - Luggage - w/Rocker Panel
2	087472-02-W84	EA	Door Asm - Luggage - w/o Rocker Panel
3	078271-01-T03	EA	Window Asm - Center Slider
†4	087472-07-X70	EA	Door Asm - Luggage - w/Rocker Panel
4	087472-08-W84	EA	Door Asm - Luggage - w/o Rocker Panel
5	078788-04-T03	EA	Window Asm - Single Slider
6	052423-03-000	EA	Door Asm Sewage
7	088794-03-000	EA	Door Asm - Power Cord
8	087448-01-X70	EA	Door Asm - Luggage
9	M01883-01-W30	EA	Door Asm - Generator
**9	M79321-02-X70	EA	Door Asm - Generator
10	078289-02-W24	EA	Window Asm - Double Slider
†11	087448-07-X70	EA	Door Asm - Luggage - w/Rocker Panel
11	087448-03-W84	EA	Door Asm - Luggage - w/o Rocker Panel
12	089818-02-X14	EA	Window Asm - Vista Picture
13	079421-02-T03	EA	Window Asm - Slant
14	088793-02-000	EA	Glass - Windshield - Driver
14	088793-01-000	EA	Glass - Windshield - Passenger

Key	Part Number	U/M	Description
15	088807-01-X14	EA	Window Asm - Slant Slider
.	089818-01-X14	EA	Window Asm - Vista Picture
†16	087448-08-X70	EA	Door Asm - Luggage - w/Rocker Panel
16	087448-10-X70	EA	Door Asm - Luggage - w/o Rocker Panel
†17	087448-07-X70	EA	Door Asm - Luggage - w/Rocker Panel
17	087448-03-W84	EA	Door Asm - Luggage - w/o Rocker Panel
18	M01870-18-X70	EA	Door Asm - Entrance
.	079733-04-T03	EA	Window Asm - Entrance Door
†19	087485-03-X70	EA	Door Asm - Luggage/LP - w/Rocker Panel
19	087485-04-X70	EA	Door Asm - Luggage/LP - w/o Rocker Panel
20	078288-02-000	EA	Window Asm - Single Slider
21	084103-02-000	EA	Door Asm - Refrigerator Vent
.	084104-02-000	EA	Jamb - Refrigerator Vent Door
22	052008-02-000	EA	Door Asm - Water Heater
†23	087472-08-X70	EA	Door Asm - Luggage - w/Rocker Panel
23	087472-10-X70	EA	Door Asm - Luggage - w/o Rocker Panel
24	079578-03-W36	EA	Door Asm - Storage
†25	087472-03-X70	EA	Door Asm - Luggage - w/Rocker Panel
25	087472-01-W84	EA	Door Asm - Luggage - w/o Rocker Panel
.	Not illustrated		
**	Parts used after 9/1/87		
†	Parts used on units produced before 2/1/88		

WINDOW, VENT & EXTERIOR DOOR GROUP (CONTINUED)

ACCESS DOOR HARDWARE

Key	Part Number	U/M	Description
	052424-02-000	EA	Jamb - Power Cord/Fuel Fill Door - Beige
	052424-03-000	EA	Jamb - Power Cord/Fuel Fill Door - Gray
	078200-01-000	EA	Gasket - Fuel Fill - 3 5/4"
	042442-01-000	EA	Lock Asm. - Twist Type (Power Cord)
	079927-03-000	EA	Lock Asm - Twist Type
	085730-01-000	EA	Latch Asm - Paddle - Plastic (w/Key Lock) Beige
	085730-04-000	EA	Latch Asm - Paddle - Plastic (w/o Key Lock) Beige
	085730-02-000	EA	Lock Asm - Paddle - Plastic (w/Key Lock) Gray
	085730-05-000	EA	Lock Asm - Paddle - Plastic (w/o Key Lock) Gray
	079386-03-000	EA	Lock Asm - Key Type - w/o Keys - 1 3" Latch - 2 10" Depth
	079386-04-000	EA	Lock Asm - Key Type - w/o Keys - 1 3" Latch - 1 90" Depth
	079386-01-000	FT	Seal - Access Doors
	083615-04-000	EA	Door Stop - Plastic - Beige
	083615-05-000	EA	Door Stop - Plastic - Gray
	086809-01-000	EA	Striker - Paddle Latch - Beige
	086809-02-000	EA	Striker - Paddle Latch - Gray

VENTS

Key	Part Number	U/M	Description
	084073-04-000	EA	Base - Refrigerator Vent
	084073-01-000	EA	Cover - Refrigerator Vent - Beige
	084073-01-000	EA	Cover - Refrigerator Vent - Gray
	075056-01-000	EA	Vent Asm - Roof - Non-Powered - w/o Screen
†	090392-01-X19	EA	Vent Asm - Roof - Non Powered - w/o Screen
**	084079-01-000	EA	Vent Asm - Roof - Powered Fantastic Ceiling Vent
†	084079-04-000	EA	Vent Asm - Roof - Powered Fantastic Ceiling Vent
‡	090393-01-X11	EA	Vent Asm - Roof - Powered - w/o Screen
	078786-01-T03	EA	Screen Asm - Roof Vent - Non Powered
	078785-01-T03	EA	Screen Asm - Roof Vent - Powered
**	079537-01-000	EA	Vent Asm - Roof - Powered - w/o Screen
	083558-01-000	EA	Vent - Roof - Vent Pipe - Covered
	084616-02-000	EA	Vent - Range Hood - S/W - Beige
	084616-03-000	EA	Vent - Range Hood - S/W - Gray
	080508-01-000	EA	Panel - Inner Skylight
	080507-01-000	EA	Panel - Outer Skylight
	080258-01-000	EA	Trim - Skylight Outer
**	The illustrated parts breakdown for this item is provided on the Common Items Fiche		
†	Used in units produced after 2-26-88		
‡	Used in units produced after 2-20-87		

WINDSHIELD

Key	Part Number	U/M	Description
	086793-01-000	EA	Glass - Windshield - Passenger
	086793-02-000	EA	Glass - Windshield - Driver
	076676-05-000	EA	Revel Molding - Centered Barb
	077944-01-000	EA	Revel Molding - Upper Passenger
	077944-02-000	EA	Revel Molding - Upper Driver
	077945-01-000	EA	Revel Molding - Lower Passenger
	077945-02-000	EA	Revel Molding - Lower Driver
	077952-02-000	EA	Cap - Center Revel Molding - Top & Bottom
	079225-03-000	EA	Trim - W/S Post Passenger - Black
	079225-04-000	EA	Trim - W/S Post Drivers - Black

1988 M SERIES TABLE OF CONTENTS

W/M27RQ	A-01 - A-34
W/M31RQ	B-01 - C-08
W/M34RQ	C-07 - D-08

1988 W/M34RQ INDEX

Floor Plan	C-07 - C-08
Bath Group	C-08
Curtain, Cushion & Pad Group	C-10 - C-18
Dinette Group	C-19
Exterior Body Group	C-20 - C-34
Galley Group	D-01
Lounge Group	D-02 - D-08
Window, Vent & Exterior Door Group	D-04 - D-08