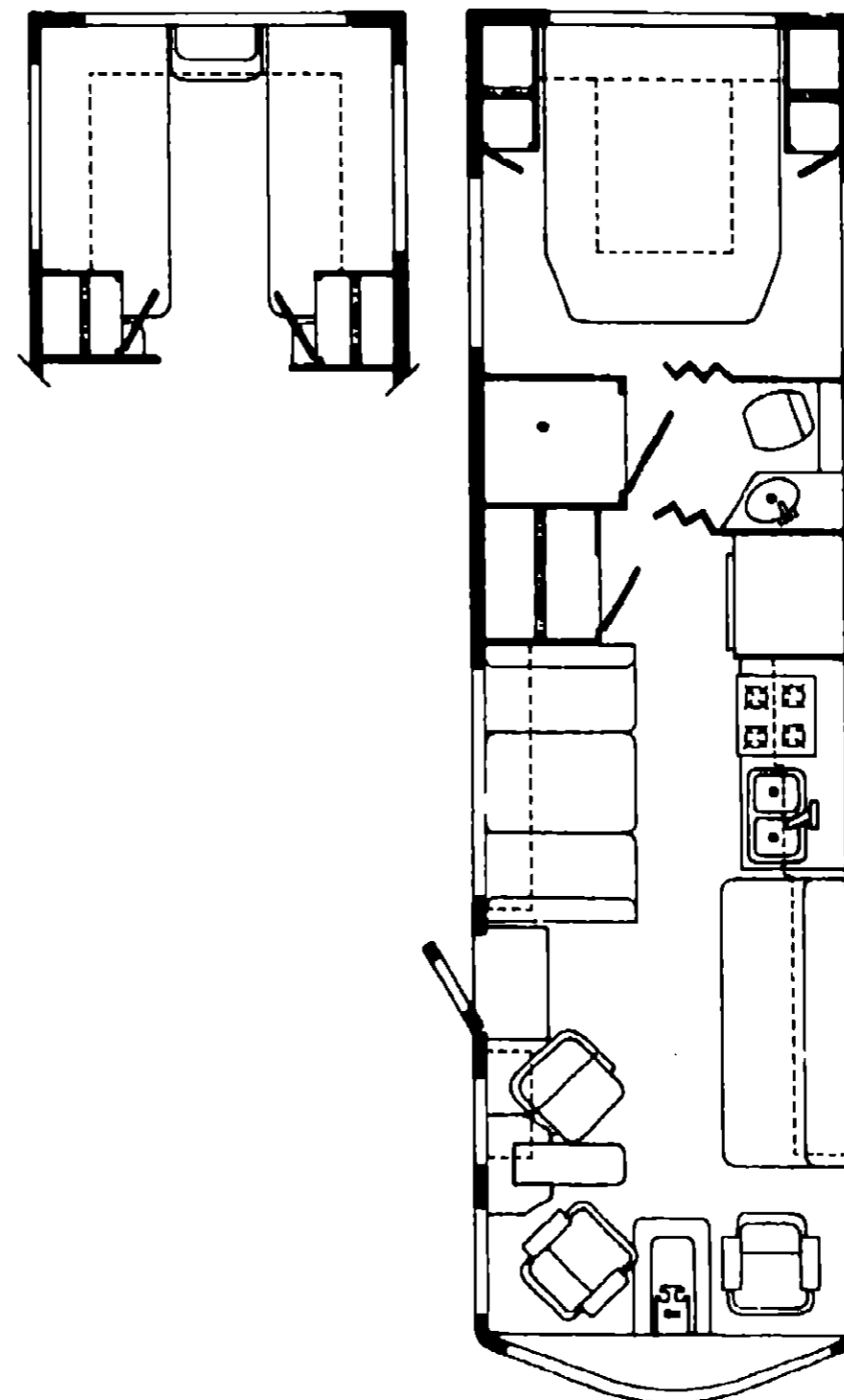


1988 W/IM31RQ



1988 M SERIES TABLE OF CONTENTS

W/IM27RQ	A-01 - A-24
W/IM31RQ	B-01 - C-08
W/IM34RQ	C-07 - D-08

1988 W/IM31RQ INDEX

Floor Plan	B-01 - B-02
Bath Group	B-03
Curtain, Cushion & Pad Group	B-04 - B-12
Dinette Group	B-13 - B-14
Exterior Body Group	B-15 - B-18
Galley Group	B-19 - B-20
Lounge Group	B-21 - B-23
Window, Vent & Exterior Door Group	B-24 - C-08

BATH GROUP

WARDROBE CABINETS

Key	Part Number	U/M	Description
	M88304-E3-X11	EA	Door Asm. - Wardrobe Cabinet - Upper - w/o Hardware
	088331-27-000	EA	Mirror - Wardrobe Door
	M88302-B4-X14	EA	Door Asm. - Wardrobe Cabinet - Lower - w/o Hardware
	M88304-B3-X14	EA	Door Asm. - Wardrobe Cabinet - Lower - w/o Hardware

BATH CABINETRY

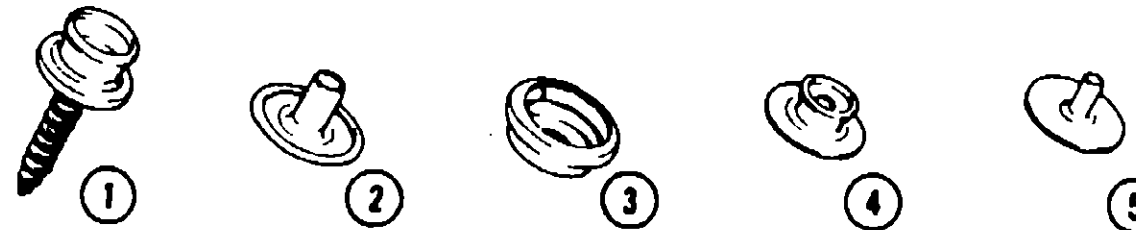
Key	Part Number	U/M	Description
	M88523-01-X14	EA	Cabinet Asm. - Lavatory - w/o Countertop, Doors or Drawers
	088523-11-X14	EA	Countertop Asm. - Lavatory Cabinet
	M88304-D6-X11	EA	Door Asm. - Lavatory - w/o Hardware
	077251-01-000	EA	Tipout Drawer - Plastic
	M88723-01-X14	EA	Cabinet Asm. - Medicine Cabinet - Front Bath Wall
	M88304-E1-W24	EA	Door Asm. - Medicine Cabinet - Front Bath Wall - w/Mirror - w/o Hardware
	076073-01-000	EA	Cabinet Asm. - Medicine - 15.4" x 29.4" - Almond
	088303-52-X08	EA	Door Asm. - Medicine Cabinet - w/Mirror - w/o Hardware
	080224-29-000	EA	Door Asm. - Folding - Front - w/o Hardware
	080224-30-000	EA	Door Asm. - Folding - Rear - w/o Hardware
	089318-01-000	EA	Door Asm. - Shower - Gold
	075603-01-000	EA	Threshold - Door - Bath

BATH & WARDROBE HARDWARE

Key	Part Number	U/M	Description
	M02429-02-000	EA	Shower Pan Asm. w/Strainer
	075242-03-000	EA	Faucet - Shower - Brass
	091253-01-000	EA	Gasket - Faucet - Lavatory
	075240-03-000	EA	Faucet - Lavatory - Brass
**	011048-02-000	EA	Shower Head - w/60" Hose
	075606-01-000	EA	Shower Panel - Faucet - Plastic
	088440-01-000	EA	Strainer - w/Rubber Washer - Shower
	088436-01-000	EA	Slip Nut - 1.5" Tail Piece - Bathtub Asm.
	011069-03-000	EA	Tailpiece - 1.5" x 1.75" - Plastic
	089366-01-000	EA	Sink - Oval - Ivory - Plastic
**	064076-01-000	EA	Toilet - Thetford - Aqua Magic - Ivory
	075452-02-000	EA	Tissue Holder - Brass
	075454-02-000	EA	Towel Ring - Brass w/Mounting Hardware
	05A331-05-000	EA	Mirror - Tempered Glass - 12" x 26"
	058331-10-000	EA	Mirror - Tempered Glass - 14" x 17"
	057671-01-000	EA	Screw Cover - #8 - Antique White
	009089-01-000	EA	Clip - Mirror
	059777-02-000	EA	Hinge - Antique Brass
	009112-01-000	EA	Flange - 1" - Clothes Rod
	076367-01-000	EA	Bracket - Medicine Cabinet
	080224-28-000	EA	Track - Folding Door - Front
	080224-07-000	EA	Track - Folding Door - Rear

** The illustrated parts breakdown for this item is provided on the Common Items Fiche.

CURTAIN, CUSHION & PAD GROUP



Key	Part Number	U/M	Description
1	029130-01-000	EA	Socket - Snap Fastener
2	029155-01-000	EA	Cap - Snap - .156" Dia. x 17" Barrel
3	029156-01-000	EA	Socket - Snap Fastener
4	029092-01-000	EA	Stud - Nickel Finish
5	092093-01-000	EA	Eyelet - Nickel Finish

WINNEBAGO

PAD & WALL TRIMS

Key	Part Number	U/M	Description
	081519-03-X23	EA	Pad Asm. - Dinette - Front (X14)
	081519-03-X24	EA	Pad Asm. - Dinette - Front (X15)
	081519-03-X25	EA	Pad Asm. - Dinette - Front (X16)
	081519-04-X23	EA	Pad Asm. - Dinette - Rear (X14)
	081519-04-X24	EA	Pad Asm. - Dinette - Rear (X15)
	081519-04-X25	EA	Pad Asm. - Dinette - Rear (X16)
	053414-06-000	EA	Pad Asm. - Trim - Sidewall - Right - Vinyl
	059467-04-T03	EA	Pad Asm. - Map Pocket - Right Vinyl
	090583-01-X14	EA	Headboard Asm. (Twin)
	089577-01-X14	EA	Headboard Asm. (Queen)

ITASCA

PADS & WALL TRIMS

Key	Part Number	U/M	Description
	081519-01-X70	EA	Pad Asm. - Dinette - Front (X70)
	081519-01-X71	EA	Pad Asm. - Dinette - Front (X71)
	081519-01-X72	EA	Pad Asm. - Dinette - Front (X72)
	081519-02-X70	EA	Pad Asm. - Dinette - Front (X70)
	081519-02-X71	EA	Pad Asm. - Dinette - Front (X71)
	081519-02-X72	EA	Pad Asm. - Dinette - Front (X72)
	059414-06-000	EA	Pad Asm. - Trim - Sidewall - Right - Vinyl
	059467-04-T03	EA	Pad Asm. - Map Pocket - Right Vinyl
	090583-01-X14	EA	Headboard Asm. - Twin - Oak
	089577-01-X14	EA	Headboard Asm. - Queen - Oak

1988 M SERIES TABLE OF CONTENTS

W/IM27RQ
W/IM31RQ
W/IM34RQ

A-01 - A-24
B-01 - C-06
C-07 - D-08

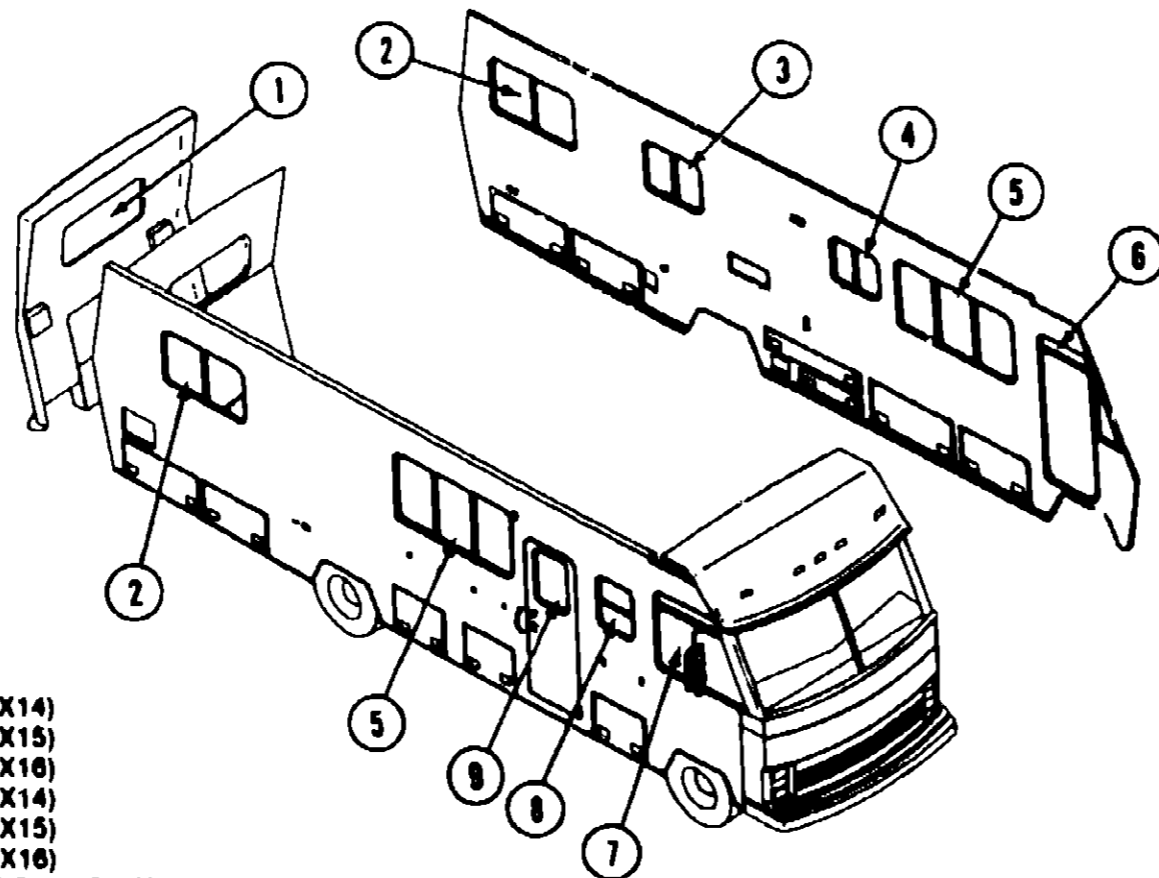
1988 W/IM31RQ INDEX

Floor Plan	B-01 - B-02
Bath Group	B-03
Curtain, Cushion & Pad Group	B-04 - B-12
Dinette Group	B-13 - B-14
Exterior Body Group	B-15 - B-18
Galley Group	B-19 - B-20
Lounge Group	B-21 - B-23
Window, Vent & Exterior Door Group	B-24 - C-06

CURTAIN, CUSHION & PAD GROUP (CONTINUED)

WINNEBAGO

CURTAINS, SHADES, VALANCES & TIEBACKS



**1988 M SERIES
TABLE OF CONTENTS**

W/IM27RQ
W/IM31RQ
W/IM34RQ

A-01 - A-24
B-01 - C-08
C-07 - D-08

Key	Part Number	U/M	Description
1	084755-27-X11	EA	Shade Asm. - Linen - 53 25"
1	088926-07-X11	EA	Valance Asm. - Quilted - 58" (X14)
1	088926-07-X12	EA	Valance Asm. - Quilted - 58" (X15)
1	088926-07-X13	EA	Valance Asm. - Quilted - 58" (X16)
**1	088926-07-XA0	EA	Valance Asm. - Quilted - 58" (X14)
†1	088926-07-XA1	EA	Valance Asm. - Quilted - 58" (X15)
††1	088926-07-XA2	EA	Valance Asm. - Quilted - 58" (X16)
1	085190-26-X14	EA	Curtain Asm. w/Snap Top - 28 5" x 15" (X14)
1	085190-26-X15	EA	Curtain Asm. w/Snap Top - 28 5" x 15" (X15)
1	085190-26-X16	EA	Curtain Asm. w/Snap Top - 28.5" x 15" (X16)
**1	085190-26-XA0	EA	Curtain Asm. w/Snap Top - 28 5" x 15" (X14)
†1	085190-26-XA1	EA	Curtain Asm. w/Snap Top - 28 5" x 15" (X15)
††1	085190-26-XA2	EA	Curtain Asm. w/Snap Top - 28 5" x 15" (X16)
1	088226-42-X11	EA	Curtain Asm. - Sheer - 28" x 78"
2	084755-33-X11	EA	Shade Asm. - Linen - 80.25"
2	088926-02-X11	EA	Valance Asm. - Quilted - 50" (X14)
2	088926-02-X12	EA	Valance Asm. - Quilted - 50" (X15)
2	088926-02-X13	EA	Valance Asm. - Quilted - 50" (X16)
*†	091101-01-X14	EA	Valance Asm. - Quilted - 48" (X14)
**2	091101-01-XA0	EA	Valance Asm. - Quilted - 48" (X14)
†2	091101-01-XA1	EA	Valance Asm. - Quilted - 48" (X15)
††2	091101-01-XA2	EA	Valance Asm. - Quilted - 48" (X16)
2	085190-07-X08	EA	Curtain Asm. w/Snap Top - 29.5" x 15" (X14)
2	085190-07-X09	EA	Curtain Asm. w/Snap Top - 29 5" x 15" (X15)
2	085190-07-X10	EA	Curtain Asm. w/Snap Top - 29.5" x 15" (X16)
**2	085190-07-XA0	EA	Curtain Asm. w/Snap Top - 29 5" x 15" (X14)
†2	085190-07-XA1	EA	Curtain Asm. w/Snap Top - 29.5" x 15" (X15)
††2	085190-07-XA2	EA	Curtain Asm. w/Snap Top - 29.5" x 15" (X16)
2	088226-42-X11	EA	Curtain Asm. - Sheer - 28" x 78"
3	085304-77-000	EA	Blind - Pleated - 32" x 26" Drop (X14)
3	085304-76-000	EA	Blind - Pleated - 32" x 26" Drop (X15)
3	085304-78-000	EA	Blind - Pleated - 32" x 26" Drop (X16)
3	085191-02-X11	EA	Valance Asm. - w/Insert - 35 5"
3	073304-39-X08	EA	Curtain Asm. - w/Snap Top - 27.5" x 10"
4	085304-71-000	EA	Blind - Pleated - 27" x 22" Drop (X14)
4	085304-70-000	EA	Blind - Pleated - 27" x 22" Drop (X15)
4	085304-72-000	EA	Blind - Pleated - 27" x 22" Drop (X16)
4	085191-03-X11	EA	Valance Asm. w/Insert - 29 5"
**	Parts used after 2/22/88.		
†	Parts used after 1/18/88.		
††	Parts used after 1/25/88.		

Key	Part Number	U/M	Description
5	085304-20-000	EA	Blinds - Pleated - 65" x 33" Drop (X14)
5	085304-19-000	EA	Blinds - Pleated - 65" x 33" Drop (X15)
5	085304-17-000	EA	Blinds - Pleated - 65" x 33" Drop (X16)
5	085191-01-X11	EA	Valance Asm. - w/Insert - 68.5"
5	085190-16-X11	EA	Curtain Asm. w/Snap Top - 33 5" x 44" - Right
5	085190-19-X11	EA	Curtain Asm. w/Snap Top - 33 5" x 44" - Left
***5	082127-77-000	EA	Shade Asm. - Woven Wood - 65" x 33" Drop
***6	087318-07-X11	EA	Curtain Asm. w/Snap Top - 33.2" x 15"
6	073304-51-X11	EA	Curtain Asm. - Front Wraparound - 36" x 86"
6	077591-06-X11	EA	Curtain Asm. - Front Bunk - 60" x 50"
6	077591-10-X11	EA	Curtain Asm. - Front Bunk - 60" x 47.5"
7	073304-51-X11	EA	Curtain Asm. - Front Wraparound - 36" x 86"
7	077591-05-X11	EA	Curtain Asm. - Front Bunk - 60" x 50"
**7	077591-09-X11	EA	Curtain Asm. - Front Bunk - 60" x 47.5"
8	085304-80-000	EA	Blind - Pleated - 21" x 27" Drop
8	085304-81-000	EA	Blind - Pleated - 21" x 27" Drop
8	085304-82-000	EA	Blind - Pleated - 21" x 27" Drop
8	085191-12-000	EA	Valance Asm. - w/Insert - 24"
8	085190-20-X15	EA	Curtain Asm. - w/Snap Top - 29" x 10"
***8	082127-83-000	EA	Shade Asm. - Woven Wood - 21" x 27.6" Drop
***8	087318-07-X11	EA	Curtain Asm. - w/Snap Top - 33 2" x 15"
9	084755-04-X11	EA	Shade Asm. w/Braid Trim - 24 25"
9	085191-04-X11	EA	Valance Asm. w/Insert - 27 4"
.	073260-23-X08	EA	Tieback Asm. - 3" x 18" - Drapery
***	Parts used on the Woven Woods Option.		
*†	Parts used after 8/18/87.		
†	Parts used after 7/22/87.		
**	Parts used after 2/22/88.		
†	Parts used after 1/18/88.		
††	Parts used after 1/25/88.		

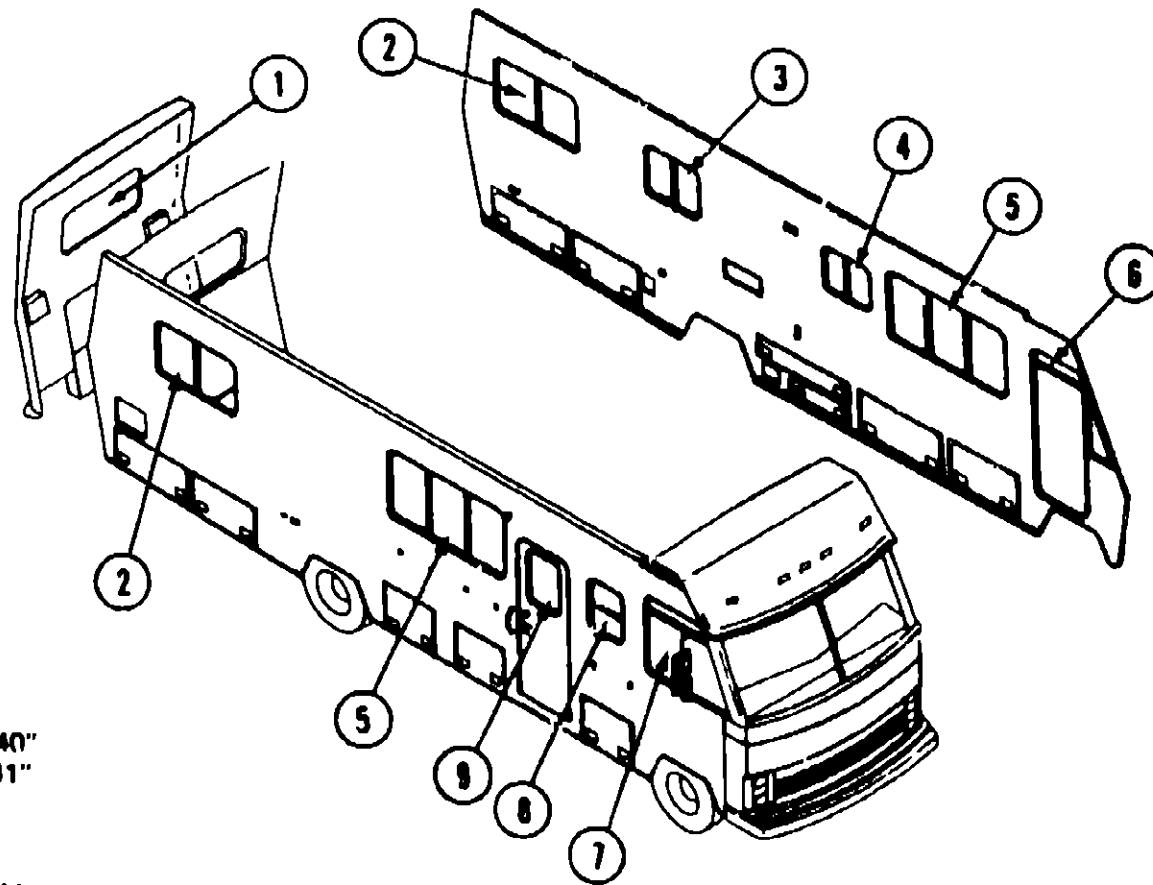
1988 W/IM31RQ INDEX

Floor Plan	B-01 - B-02
Bath Group	B-03
Curtain, Cushion & Pad Group	B-04 - B-12
Dinette Group	B-13 - B-14
Exterior Body Group	B-15 - B-18
Galley Group	B-19 - B-20
Lounge Group	B-21 - B-23
Window, Vent & Exterior Door Group	B-24 - C-08

CURTAIN, CUSHION & PAD GROUP (CONTINUED)

ITASCA X70

CURTAINS, SHADES, VALANCES & TIEBACKS



1988 M SERIES TABLE OF CONTENTS

W/IM27RQ
W/IM31RQ
W/IM34RQ

A-01 - A-24
B-01 - C-08
C-07 - D-09

Key	Part Number	U/M	Description
1	084755-15-X38	EA	Shade Asm. - Linen - 53 25"
**1	084755-15-XA3	EA	Shade Asm. - Linen - 53 25"
*†1	084755-15-XA6	EA	Shade Asm. - Linen - 53 25"
1	079558-20-X38	EA	Valance Asm. - Gathered - 5" x 140"
1	079558-11-X33	EA	Curtain Asm. - Gathered - 32" x 41"
2	084755-13-X33	EA	Shade Asm. - Linen - 47 25"
**2	084755-13-XA3	EA	Shade Asm. - Linen - 47.25"
*†2	084755-13-XA6	EA	Shade Asm. - Linen - 47 25"
2	079558-21-X38	EA	Valance Asm. - Gathered - 5" x 120"
2	079558-11-X33	EA	Curtain Asm. - Gathered - 32" x 41"
3	082118-B9-000	EA	Blind - 32" x 26" Drop
3	M81977-24-X36	EA	Valance Asm. - Padded - 35 5"
3	073304-39-X36	EA	Curtain Asm. w/Snap Top - 27 5" x 10"
4	082118-B0-000	EA	Blind - 27" x 22" Drop
4	M81977-22-X36	EA	Valance Asm. - Padded - 29 5"
5	082118-C8-000	EA	Blind - 65" x 33" Drop
5	M81977-23-X70	EA	Valance Asm. - Padded - 68 5"
5	087318-07-X36	EA	Curtain Asm. - w/Snap Top - 33 5" x 15"
6	073304-51-X33	EA	Curtain Asm. - Front Wraparound - 36" x 86"
6	077591-08-X36	EA	Curtain Asm. - Front Bunk - 60" x 50"
†6	077591-10-X36	EA	Curtain Asm. - Front Bunk - 60" x 47.5"
7	073304-51-X33	EA	Curtain Asm. - Front Wraparound - 36" x 86"
7	077591-05-X36	EA	Curtain Asm. - Front Bunk - 60" x 50"
†7	077591-09-X36	EA	Curtain Asm. - Front Bunk - 60" x 47.5"
8	082118-E3-000	EA	Blind - 21" x 27" Drop
8	M81977-28-X36	EA	Valance Asm. - Padded - 24 5"
8	085190-20-X70	EA	Curtain Asm. - w/Snap Top - 29" x 10"
9	084755-04-X33	EA	Shade Asm. - Linen - 24 25"
**9	084755-04-XA3	EA	Shade Asm. - Linen - 24.25"
*†9	084755-04-XA6	EA	Shade Asm. - Linen - 24.25"
9	M81977-26-X36	EA	Valance Asm. - Padded - 27 4"
.	073260-23-WB6	EA	Tieback Asm. - 3" x 18" - Drapery
.	073260-27-X78	EA	Tieback Asm. - 3" x 23" - Bedspread
.	073260-34-X33	EA	Tieback Asm. - 3" x 20" - Drapery
**	073260-34-XB3	EA	Tieback Asm. - 4" x 20" - Drapery

Not Illustrated
† Parts used after 7/22/87.
†† Parts used after 8/19/87.
** Parts used after 12/1/87.
*† Parts used after 3/1/88

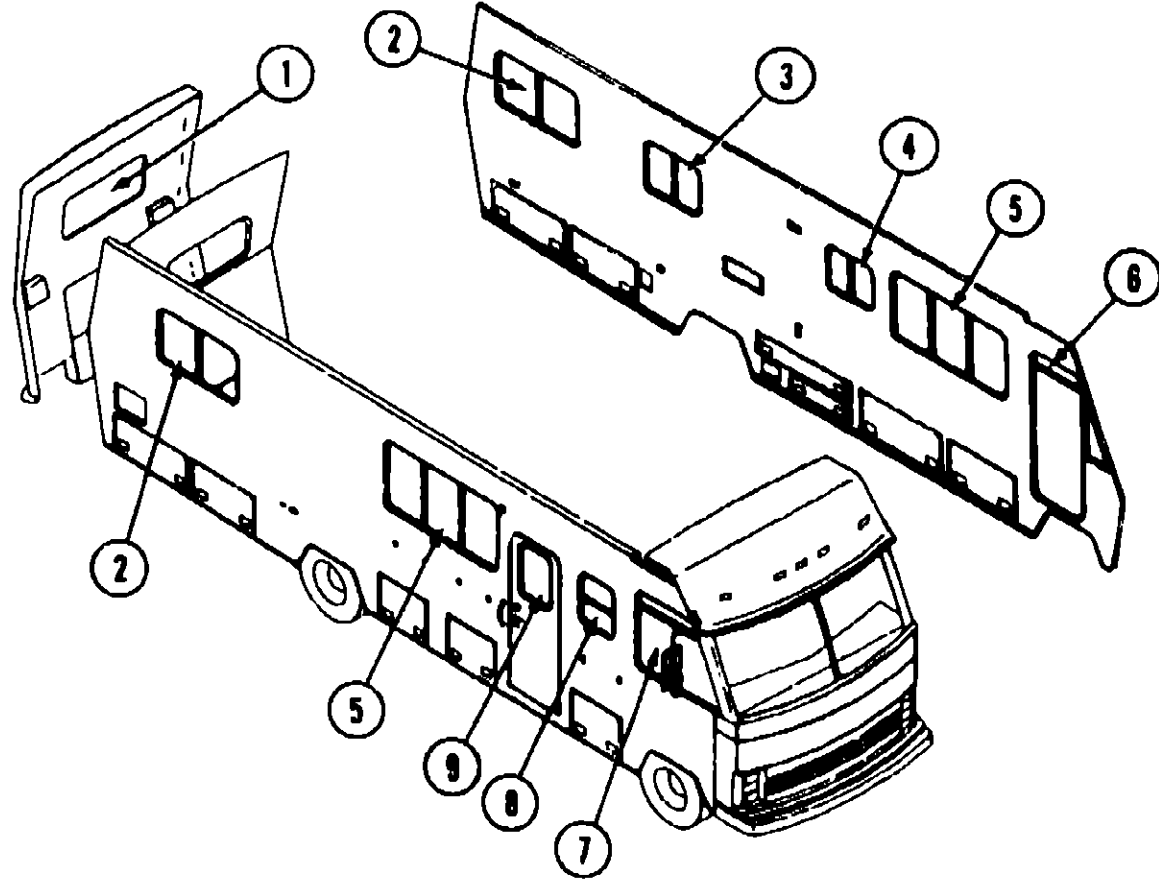
1988 W/IM31RQ INDEX

Floor Plan	B-01 - B-02
Bath Group	B-03
Curtain, Cushion & Pad Group	B-04 - B-12
Dinette Group	B-13 - B-14
Exterior Body Group	B-15 - B-18
Galley Group	B-19 - B-20
Lounge Group	B-21 - B-23
Window, Vent & Exterior Door Group	B-24 - C-08

CURTAIN, CUSHION & PAD GROUP (CONTINUED)

ITASCA X71

CURTAINS, SHADES, VALANCES & TIEBACKS



Key	Part Number	U/M	Description
1	084755-15-X37	EA	Shade Asm - Linen - 53 25"
**1	084755-15-XA3	EA	Shade Asm. - Linen - 53 25"
*†1	084755-15-XA8	EA	Shade Asm. - Linen - 53 25"
1	079558-20-X37	EA	Valance Asm - Gathered - 5" x 140"
1	079558-11-X34	EA	Curtain Asm - Gathered - 32" x 41"
2	084755-13-X33	EA	Shade Asm - Linen - 47.25"
**2	084755-13-XA3	EA	Shade Asm - Linen - 47 25"
*†2	084755-13-XA8	EA	Shade Asm. - Linen - 47.25"
2	079558-21-X37	EA	Valance Asm - Gathered - 5" x 120"
2	079558-11-X34	EA	Curtain Asm - Gathered - 32" x 41"
3	088729-02-000	EA	Blind - 32" x 28" Drop
3	M81977-24-X37	EA	Valance Asm. - Padded - 35 5"
†3	M81977-24-XA4	EA	Valance Asm - Padded - 35 5"
3	073304-39-X37	EA	Curtain Asm. - w/Snap Top - 27 5" x 10"
4	088729-03-000	EA	Blind - 27" x 22" Drop
4	M81977-22-X37	EA	Valance Asm - Padded - 29 5"
†4	M81977-22-XA4	EA	Valance Asm - padded - 29 5"
5	088729-01-000	EA	Blind - 65" x 33" Drop
5	M81977-23-X71	EA	Valance Asm. - Padded - 68.5"
†5	M81977-23-XA4	EA	Valance Asm. - Padded - 68 5"
5	087318-07-X37	EA	Curtain Asm - w/Snap Top - 33 5" x 15"
†5	087318-07-XA4	EA	Curtain Asm - w/Snap Top - 33 5" x 15"
6	073304-51-X34	EA	Curtain Asm - Front Wraparound - 38" x 86"
†6	073304-51-XA4	EA	Curtain Asm - Front Wraparound - 38" x 86"
6	077591-06-X37	EA	Curtain Asm - Front Bunk - 60" x 50"
†6	077591-10-X37	EA	Curtain Asm - Front Bunk - 60" x 47 5"
†6	077591-10-XA4	EA	Curtain Asm - Front Bunk - 60" x 47.5"
7	073304-51-X34	EA	Curtain Asm - Front Wraparound - 38" x 86"
†7	073304-51-XA4	EA	Curtain Asm. - Front Wraparound - 38" x 86"
7	077591-05-X37	EA	Curtain Asm. - Front Bunk - 60" x 50"
†7	077591-09-X37	EA	Curtain Asm. - Front Bunk - 60" x 47 5"
†7	077591-09-XA4	EA	Curtain Asm - Front Bunk - 60" x 47.5"
8	088729-08-000	EA	Blind - 21" x 27" Drop
8	M81977-28-X37	EA	Valance Asm. - Padded - 24 5"
†8	M81977-28-XA4	EA	Valance Asm. - Padded - 24 5"
8	085190-20-X71	EA	Curtain Asm - w/Snap Top - 29" x 10"
†8	085190-20-XA4	EA	Curtain Asm. - w/Snap Top - 29" x 10"
9	084755-04-X34	EA	Shade Asm. - Linen - 24.25"
**9	084755-04-XA3	EA	Shade Asm. - Linen - 24 25"
*†9	084755-04-XA8	EA	Shade Asm. - Linen - 24.25"
9	M81977-26-X37	EA	Valance Asm. - Padded - 27.4"
†9	M81977-26-XA4	EA	Valance Asm. - Padded - 27.4"
.	073260-23-X34	EA	Tieback Asm. - 3" x 18" - Drapery
†	073260-23-XA4	EA	Tieback Asm. - 3" x 18" - Drapery
.	073260-27-X79	EA	Tieback Asm. - 3" x 23" - Bedspread
.	073260-34-X31	EA	Tieback Asm. - 3" x 23" - Bedspread
†	073260-34-XB4	EA	Tieback Asm. - 3" x 20" - Drapery
**	073260-34-XA4	EA	Tieback Asm. - 4" x 20" - Drapery
.	Not illustrated		
†	Parts used after 7/22/87.		
††	Parts used after 8/19/87		
†*	Parts used after 10/1/87.		
**	Parts used after 12/1/87		
*†	Parts used after 3/1/88.		

1988 M SERIES

TABLE OF CONTENTS

W/IM27RQ
W/IM31RQ
W/IM34RQ

A-01 - A-24
B-01 - C-08
C-07 - D-09

1988 W/IM31RQ INDEX

Floor Plan	B-01 - B-02
Bath Group	B-03
Curtain, Cushion & Pad Group	B-04 - B-12
Dinette Group	B-13 - B-14
Exterior Body Group	B-15 - B-18
Galley Group	B-19 - B-20
Lounge Group	B-21 - B-23
Window, Vent & Exterior Door Group	B-24 - C-08

CURTAIN, CUSHION & PAD GROUP (CONTINUED)

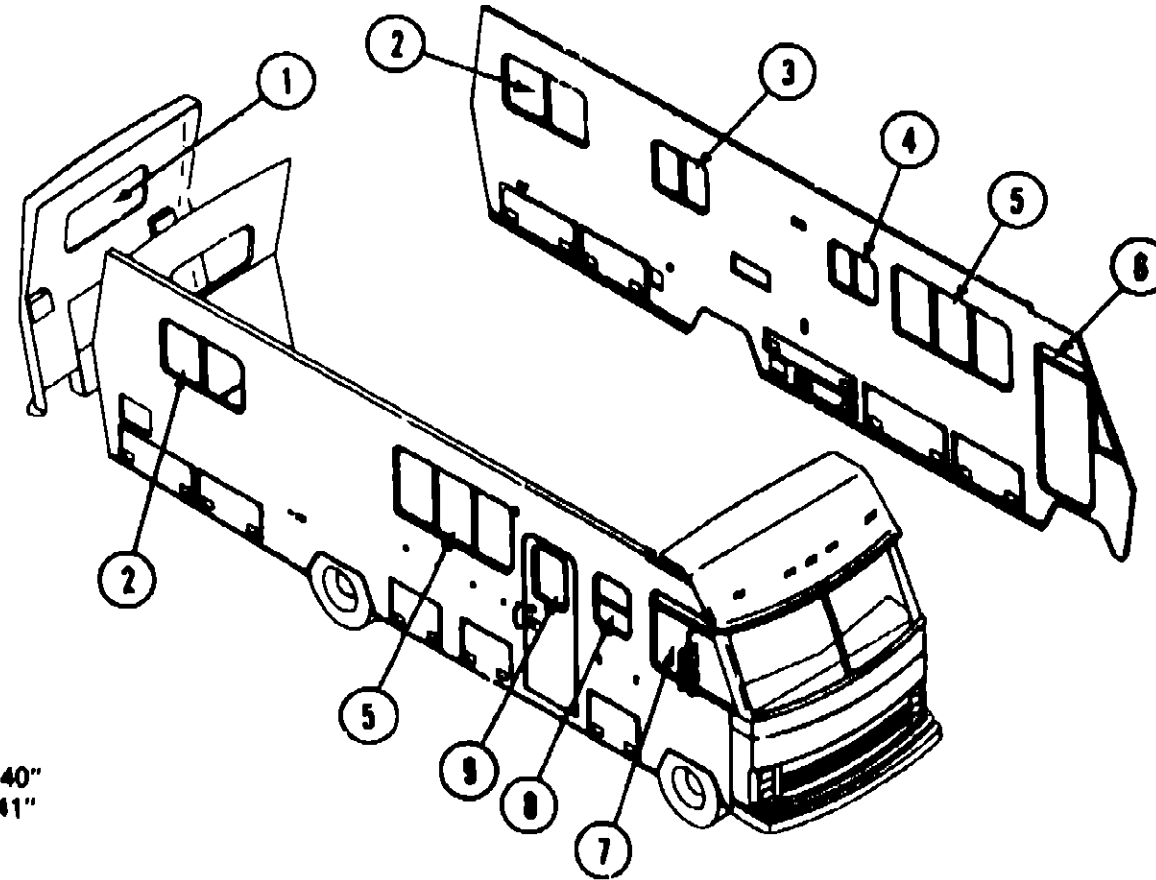
ITASCA X72

CURTAINS, SHADES, VALANCES & TIEBACKS

1988 M SERIES TABLE OF CONTENTS

W/1M27RQ
W/1M31RQ
W/1M34RQ

A-01 - A-24
B-01 - C-08
C-07 - D-08



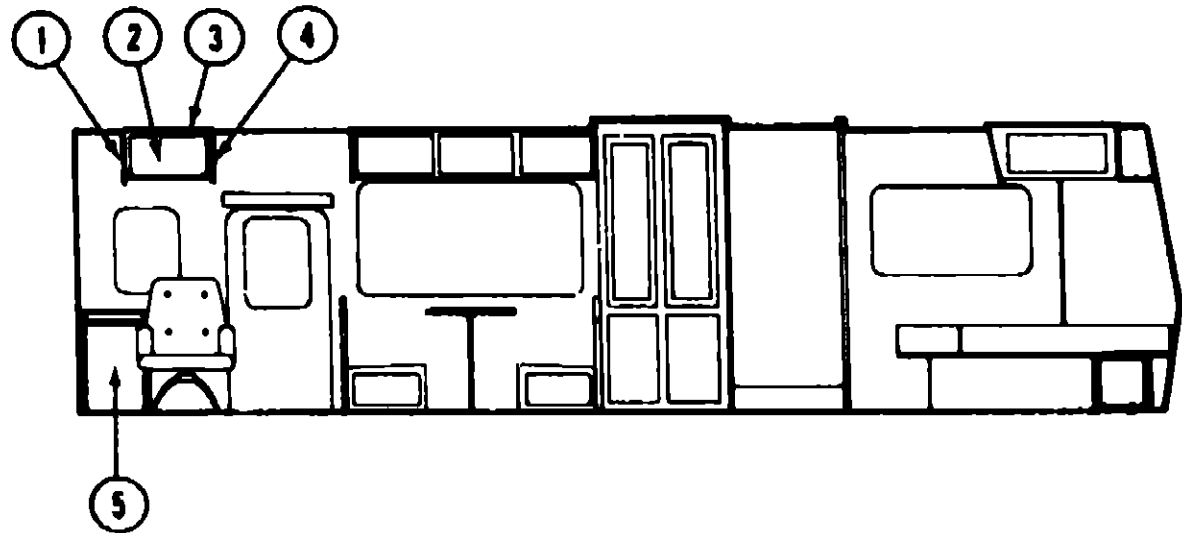
Key	Part Number	U/M	Description
1	084755-15-X38	EA	Shade Asm - Linen - 53 25"
*†1	084755-15-XA8	EA	Shade Asm - Linen - 53 25"
1	079558-20-X38	EA	Valance Asm - Gathered - 5" x 140"
1	079559-11-X35	EA	Curtain Asm - Gathered - 32" x 41"
2	084755-13-X35	EA	Shade Asm - Linen - 47.25"
*†2	084755-13-XA8	EA	Shade Asm - Linen - 47.25"
2	079558-21-X38	EA	Valance Asm - Gathered - 5" x 120"
2	079559-11-X35	E./.	Curtain Asm - Gathered - 32" x 41"
3	082118-B8-000	EA	Blind - 32" x 28" Drop
3	M81977-24-X38	EA	Valance Asm - Padded - 35.5"
3	073304-39-X38	EA	Curtain Asm - w/Snap Top - 27.5" x 10"
4	082118-A9-000	EA	Blind - 27" x 22" Drop
4	M81977-22-X38	EA	Valance Asm - Padded - 29.5"
5	082118-C7-000	EA	Blind - 65" x 33" Drop
5	M81977-23-X72	EA	Valance Asm - Padded - 68.5"
5	087318-07-X38	EA	Curtain Asm - w/Snap Top - 33.5" x 15"
6	073304-51-X35	EA	Curtain Asm - Front Wraparound - 36" x 86"
6	077591-06-X38	EA	Curtain Asm - Front Bunk - 60" x 50"
†6	077591-10-X38	EA	Curtain Asm - Front Bunk - 60" x 47.5"
7	073304-51-X35	EA	Curtain Asm - Front Wraparound - 36" x 86"
7	077591-06-X38	EA	Curtain Asm - Front Bunk - 60" x 50"
†7	077591-09-X38	EA	Curtain Asm - Front Bunk - 60" x 47.5"
8	082118-E2-000	EA	Blind - 21" x 27" Drop
8	M81977-28-X38	EA	Valance Asm - Padded - 24.5"
8	085190-20-X72	EA	Curtain Asm - w/Snap Top - 29" x 10"
9	084755-04-X35	EA	Shade Asm - Linen - 24.25"
*†9	084755-04-XA8	EA	Shade Asm - Linen - 24.25"
9	M81977-26-X72	EA	Valance Asm - Padded - 27.4"
.	073280-23-X19	EA	Tieback Asm. - 3" x 18" - Drapery
.	073280-27-X80	EA	Tieback Asm. - 3" x 23" - Bedspread
.	073280-34-X35	EA	Tieback Asm. - 3" x 20" - Drapery

† Parts used after 7/22/87.
†† Parts used after 8/19/87.
** Parts used after 12/1/87.
*† Parts used after 3/1/88.

1988 W/1M31RQ INDEX

Floor Plan	B-01 - B-02
Bath Group	B-03
Curtain, Cushion & Pad Group	B-04 - B-12
Dinette Group	B-13 - B-14
Exterior Body Group	B-15 - B-18
Galley Group	B-19 - B-20
Lounge Group	B-21 - B-23
Window, Vent & Exterior Door Group	B-24 - C-08

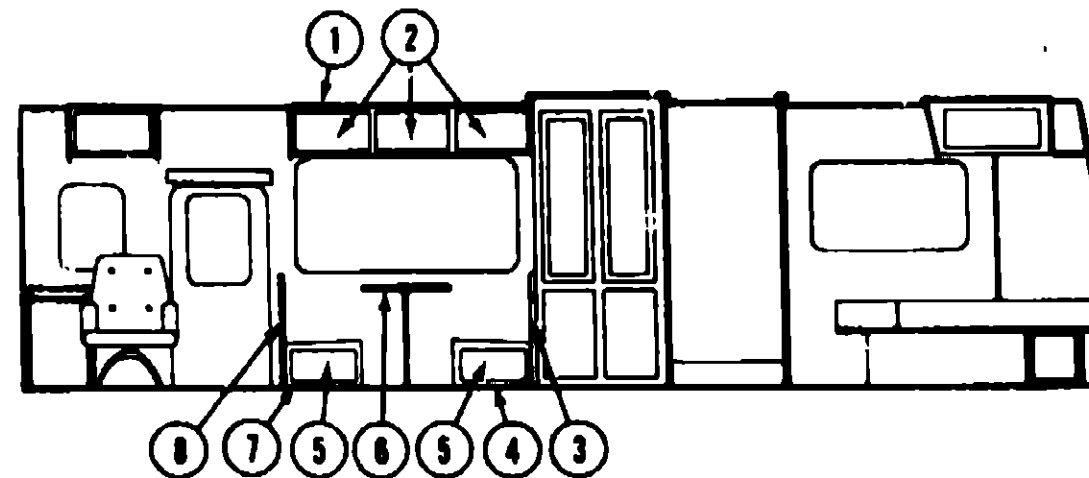
DINETTE GROUP



SWIVEL CHAIR DINETTE & OVERHEAD CABINETS

Key	Part Number	U/M	Description
1	081325-02-X30	EA	Pad Asm. - End Cap - Front Overhead - Left - Vinyl
2	M88304-16-X23	EA	Door Asm - Overhead Cabinet - w/o Hardware - Drivers & Passenger
3	M88171-01-X14	EA	Cabinet Asm. - Front Overhead - Passenger - w/o Doors or Hardware
*	M81550-26-X14	EA	Cabinet Asm - Front Overhead - Driver - w/o Doors or Hardware
4	081325-01-W30	EA	Pad Asm. - End Cap - Front Overhead - Right - Vinyl
† 5	M81180-01-X14	EA	Cabinet Asm - Pullout Table
5	M88758-01-X14	EA	Cabinet Asm - Pullout Table
†	031180-01-X14	EA	Table Asm - Pullout
*	079921-01-000	EA	Roller w/Shaft - Nylon
*	088245-01-000	EA	Chair Base w/Leg
*	088245-03-000	EA	Plate - Swivel w/Lock
*	088245-04-000	EA	Extension - 4"
†	088245-05-000	EA	Extension - 5"
*			Not keyed
†			Parts used after 11/29/87

DINETTE GROUP (CONTINUED)



DINETTE CABINETS

Key	Part Number	U/M	Description
1	M81550-29-X14	EA	Cabinet Asm. - Dinette Overhead - w/o Doors or Hardware
1	081325-04-W30	EA	Pad Asm - End Cap - Dinette Overhead
2	M88304-16-X23	EA	Door Asm. - Dinette Overhead - w/o Hardware
3	M02174-01-W30	EA	Cabinet Asm - Dinette Back - Right
4	M02175-02-W30	EA	Cabinet Asm. - Dinette Seat - Right w/o Door
5	M88304-21-X08	EA	Door Asm. - Dinette Seat - w/o Hardware
6	M81299-07-X01	EA	Table - Dinette - w/o Hardware
7	M03158-01-X14	EA	Cabinet Asm. - Dinette Seat - Left - w/o Door
8	M03158-01-X14	EA	Cabinet Asm - Dinette Back - Left
*	053201-08-000	EA	Hanger - Table - 18" - Beige
*	074483-02-000	EA	Support - Sprung Door Asm. - Overhead Cabinet
*	053200-09-000	EA	Bracket - Upper Wall Mount - 18.5" - Beige
*	024275-11-000	EA	Rod - Table Lift - Beige
*	024281-11-000	EA	Bracket - Lower Wall Mount - 17.12" - Beige
*	024276-17-000	EA	Leg Asm. - Table - 28.75" - Tan
*	054050-02-000	EA	Hinge - Table Leg
**	024282-01-000	EA	Brace - Table Leg
**	024283-01-000	EA	Clip - 1" O.D. Tube
*	048463-05-000	EA	Catch - Table Leg - Mounts on Floor - Tan
*	084781-01-000	EA	Cup Holder - 3.47" O.D. x 2.75" I.D. x 1.5" - Chrome Plastic
*	084781-02-000	EA	Cup Holder - 3.47" O.D. x 2.75" I.D. x 1.5" - Beige Plastic
*	084781-05-000	EA	Cup Holder - Two Step - Beige Plastic
*			Not keyed

** The illustrated parts breakdown for this item is provided on the Common Items Fiche

1988 M SERIES TABLE OF CONTENTS

W/IM27RQ
W/IM31RQ
W/IM34RQ

A-01 - A-24
B-01 - C-08
C-07 - D-08

1988 W/IM31RQ INDEX

Floor Plan	B-01 - B-02
Bath Group	B-03
Curtain, Cushion & Pad Group	B-04 - B-12
Dinette Group	B-13 - B-14
Exterior Body Group	B-15 - B-18
Galley Group	B-19 - B-20
Lounge Group	B-21 - B-23
Window, Vent & Exterior Door Group	B-24 - C-06

EXTERIOR BODY GROUP

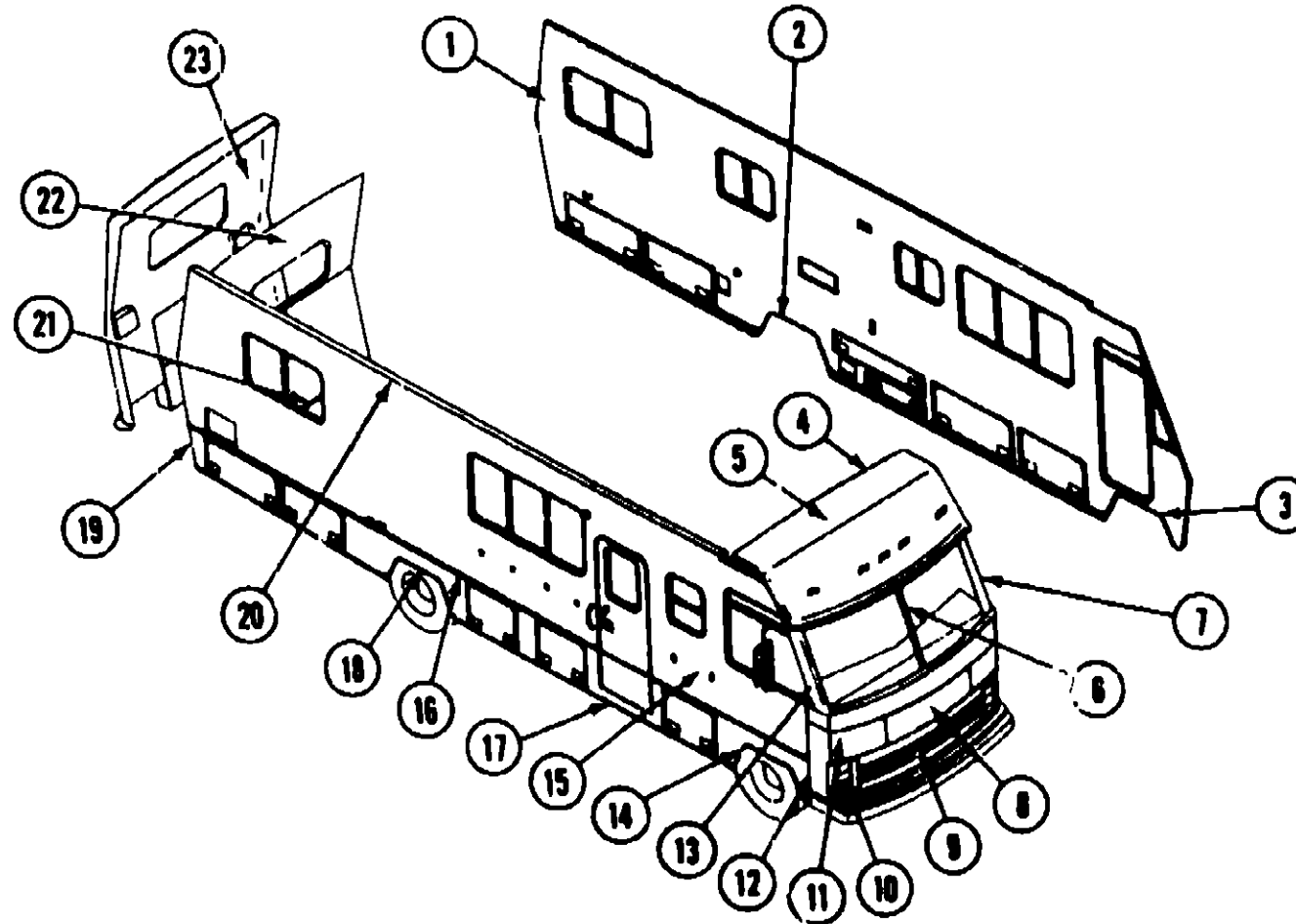
WINNEBAGO

EXTERIOR BODY PANELS

1988 M SERIES TABLE OF CONTENTS

W/IM27RQ
W/IM31RQ
W/IM34RQ

A-01 - A-24
B-01 - C-06
C-07 - D-08



1988 W/IM31RQ INDEX

Floor Plan	B-01 - B-02
Bath Group	B-03
Curtain, Cushion & Pad Group	B-04 - B-12
Dinette Group	B-13 - B-14
Exterior Body Group	B-15 - B-18
Galley Group	B-19 - B-20
Lounge Group	B-21 - B-23
Window, Vent & Exterior Door Group	B-24 - C-08

Key	Part Number	U/M	Description
1	M89198-01-X14	EA	Sidewall Asm. - Passenger (X14, X18)
1	M89198-01-X15	EA	Sidewall Asm. - Passenger (X15)
2	075070-03-000	EA	Trim - Wheelwell - Rear Drivers - Beige Plastic
2	089749-01-000	EA	Trim - Wheelwell - Rear Drivers - U-Channel
3	078556-06-000	EA	Trim - Wheelwell - Front Drivers - Beige Plastic
3	089909-01-000	EA	Trim - Wheelwell - Front Drivers - U-Channel
4	078580-01-000	EA	Trim - Roof Cap - Mill Finished
5	M02959-04-X14	EA	Cap - Over Windshield - Beige Fiberglass
6	070876-05-000	EA	Reveal Molding - W/S - Center Barb
•	077944-01-000	EA	Reveal Molding - Upper Passenger
•	077944-02-000	EA	Reveal Molding - Upper Drivers
•	077945-01-000	EA	Reveal Molding - Lower Passenger
•	077945-02-000	EA	Reveal Molding - Lower Drivers
•	077952-02-000	EA	Cap - Reveal Molding
7	079255-04-000	EA	Trim Post - W/S - Drivers
8	089768-01-X14	EA	Access Panel - w/Hardware
9	089821-01-X14	EA	Grille Asm. - 5 Bar (Fits Upper or Lower)
•	088252-02-000	FT	Trim - Chrome Plastic - 1"
•	088252-03-000	FT	Trim - Chrome Plastic - 2"
10	090202-01-000	EA	Headlamp Bazel - Passenger
•	090202-02-000	FA	Headlamp Sezel - Drivers
•	049359-01-000	EA	Spring - Headlamp Retainer
11	M01115-17-X14	EA	Panel Asm. - Front Shroud (includes access panel)
•	089924-01-000	EA	Panel - Front Shroud - w/o Access Panel
12	089922-02-000	EA	Trim - Sidewall to Front Shroud - Beige
13	079255-03-000	EA	Trim Post - W/S - Passenger
14	078556-07-000	EA	Trim - Wheelwell - Plastic - Beige
14	089909-01-000	EA	Trim - Front U-Channel - Wheelwell - Passenger

B-15

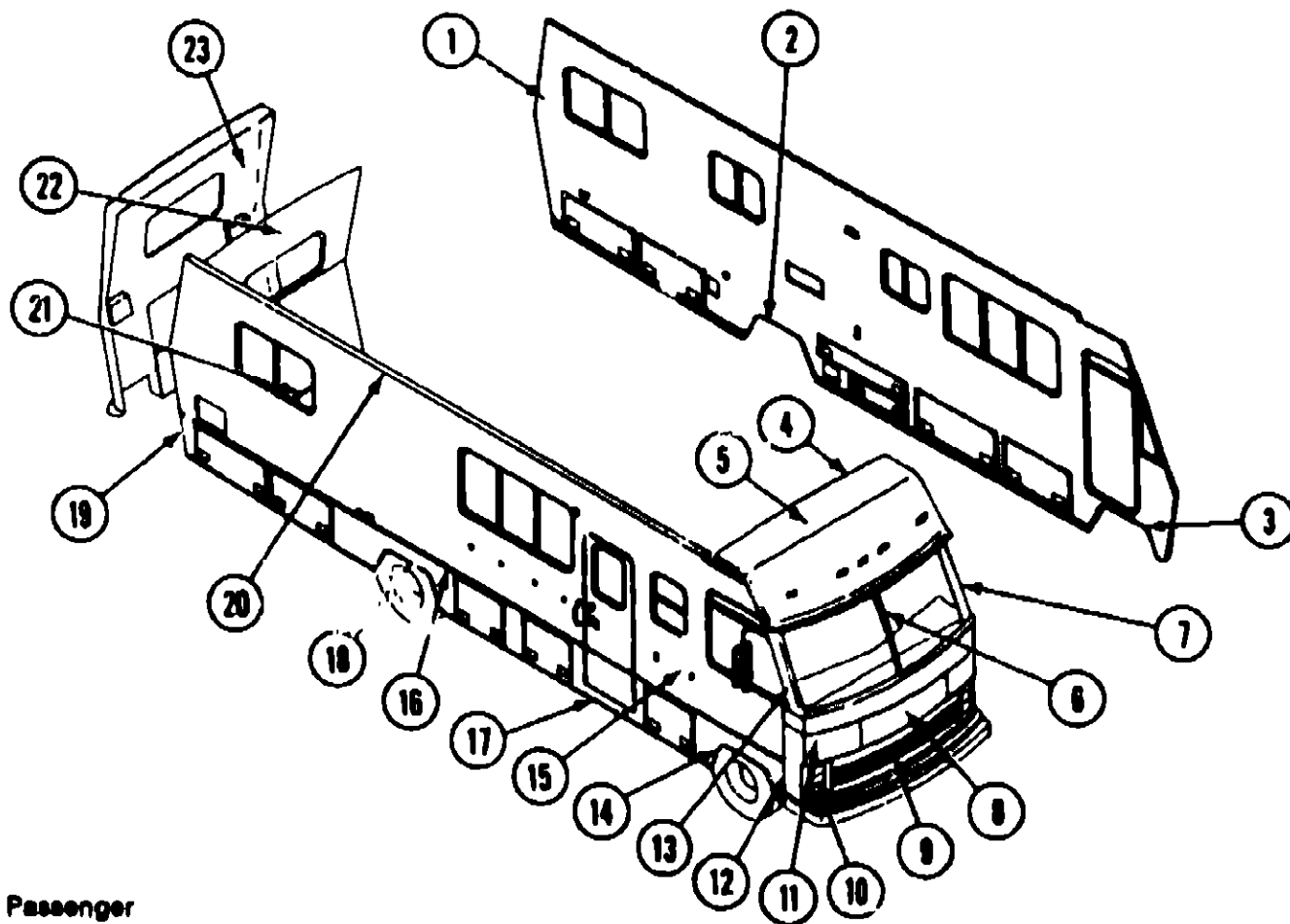
Key	Part Number	U/M	Description
15	M89194-01-X14	EA	Sidewall Asm. - Right
18	069579-08-000	EA	Feature Strip - Extr. Beige - 14' - w/o Insert
•	009731-01-000	EA	End Cap - Feature Strip Insert
•	001030-12-100	EA	Insert - Feature Strip - Beige - 17'
17	087618-01-000	EA	Trim - Stepwell - Beige
18	075070-01-000	EA	Trim - Wheelwell - Passenger - Beige Plastic
18	089749-01-000	EA	Trim - Wheelwell - Passenger - U-Channel
19	073502-25-000	EA	Trim - Backwall to Sidewall - Passenger - Beige
•	073502-27-000	EA	Trim - Backwall to Sidewall - Drivers - Beige
20	078600-06-000	EA	Trim - Roof Joint - 13.85" - Beige
20	078967-06-000	EA	Roof Joint Angle - 13.79'
21	050406-13-000	EA	Trim - Backwall - Lower
•	089659-01-X14	EA	Roof Asm. - Chalel
22	089558-01-X14	EA	Backwall Asm.
23	M03166-01-X14	EA	Backwall Cap Asm. - Beige Fiberglass
•	078578-01-000	EA	Bumper End Cap - Rear - Passenger - Beige
•	078578-02-000	EA	Bumper End Cap - Rear - Drivers - Beige
•	078577-01-000	EA	Bumper End Cap - Front Passenger - Beige
•	078577-02-000	EA	Bumper End Cap - Front Drivers - Beige
•	081395-14-000	EA	Fiberglass Board - 32.25" - Beige - Flat
•	001018-01-024	EA	Aluminum - Beige - No Design - 48" x 96"
•	044487-01-001	EA	Aluminum - Mill Finish - No Design (Roof) - 96" x 360"
•	000868-01-000	SF	Styrofoam - 75" x 24" x 96"
•	000870-05-000	SF	Styrofoam - 50" x 24" x 96"
•	000870-03-000	SF	Styrofoam - 1.34" x 48" x 96"
•			Not keyed

B-16

EXTERIOR BODY GROUP (CONTINUED)

ITASCA

EXTERIOR BODY PANELS



1988 M SERIES TABLE OF CONTENTS

W/IM27RQ
W/IM31RQ
W/IM34RQ

A-01 - A-24
B-01 - C-08
C-07 - D-08

Key	Part Number	U/M	Description
1	M89198-01-X70	EA	Sidewall Asm. - Passenger
1	M89198-01-X71	EA	Sidewall Asm. - Passenger
1	M89198-01-X72	EA	Sidewall Asm. - Passenger
2	075070-04-000	EA	Trim - Wheelwell - Rear Drivers - Gray Plastic
2	089749-01-000	EA	Trim - Wheelwell - Rear Drivers - U-Channel
3	078556-14-000	EA	Trim - Wheelwell - Front Drivers - Gray Plastic
3	089909-01-000	EA	Trim - Wheelwell - Front Drivers - U-Channel
4	078580-01-000	EA	Trim - Roof Cap - Mill Finished
5	M02959-04-X70	EA	Cap - Over Windshield - Gray Fiberglass
6	078876-06-000	EA	Reveal Molding - W/S - Center Barb
.	077944-01-000	EA	Reveal Molding - Upper Passenger
.	077944-02-000	EA	Reveal Molding - Upper Drivers
.	077945-01-000	EA	Reveal Molding - Lower Passenger
.	077945-02-000	EA	Reveal Molding - Lower Drivers
.	077962-02-000	EA	Cap - Reveal Molding
7	079256-04-000	EA	Trim Post - W/S - Drivers
8	089768-01-X70	EA	Access Panel - w/Hardware
9	090411-01-X70	EA	Grille Asm. - 5 Bar - Upper
9	090412-01-X70	EA	Grille Asm. - 5 Bar - Lower
.	088252-02-000	FT	Trim - Chrome Plastic - 1"
.	088252-03-000	FT	Trim - Chrome Plastic - 2"
10	090202-01-000	EA	Headlamp Bezel - Passenger
.	090202-02-000	EA	Headlamp Bezel - Drivers
.	049369-01-000	EA	Spring - Headlamp Retainer
11	M01115-19-X70	EA	Panel Asm. - Front Shroud (includes access panel)
.	090209-02-000	EA	Panel - Front Shroud - w/o Access Panel
12	089922-02-000	EA	Trim - Sidewall to Front Shroud - Beige
13	079255-03-000	EA	Trim Post - W/S - Passenger
14	078556-13-000	EA	Trim - Wheelwell - Front Passenger - Gray Plastic
14	089909-01-000	EA	Trim - Front U-Channel - Wheelwell - Passenger

B-17

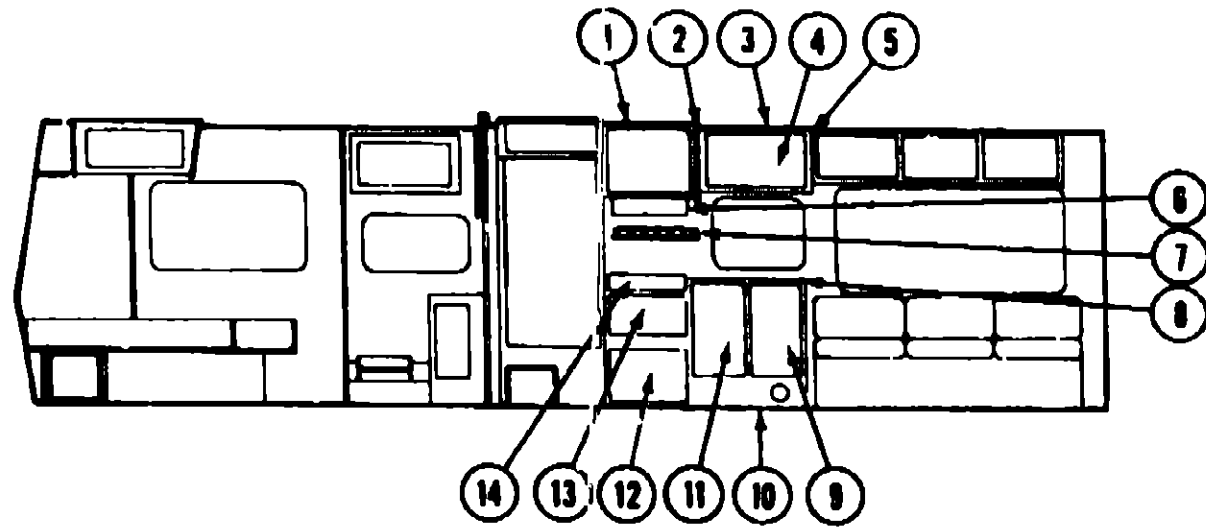
Key	Part Number	U/M	Description
15	M89194-01-X70	EA	Sidewall Asm. - Right
16	059576-11-000	EA	Feature Strip - Extr. Light Gray - 14' - w/o Insert
.	009731-01-000	EA	End Cap - Feature Strip Inse 1
.	001030-11-100	EA	Insert - Feature Strip - Gray - 17'
17	087618-02-000	EA	Trim - Stepwell - Gray
18	075070-02-000	EA	Trim - Wheelwell - Passenger - Gray Plastic
18	089749-01-000	EA	Trim - Wheelwell - Passenger - U-Channel
19	073502-28-000	EA	Trim - Backwall to Sidewall - Passenger - Gray
.	073502-28-000	EA	Trim - Backwall to Sidewall - Drivers - Gray
20	078800-14-000	EA	Trim - Roof Joint - 168 62" - Gray
20	078887-08-000	EA	Roof Joint Angle - 13.79"
21	050406-13-000	EA	Trim - Backwall - Lower
.	088859-02-X70	EA	Roof Asm. - Sunrailer
22	089554-01-X70	EA	Backwall Asm.
23	M03168-01-X70	EA	Backwall Cap Asm. - Gray Fiberglass
.	078578-07-000	EA	Bumper End Cap - Rear - Passenger - Gray
.	078578-08-000	EA	Bumper End Cap - Rear - Drivers - Gray
.	078577-08-000	EA	Bumper End Cap - Front Passenger - Gray
.	078577-05-000	EA	Bumper End Cap - Front Drivers - Gray
.	081395-22-000	EA	Fiberglass Board - 32.25" - Gray - Flat
.	044487-01-001	EA	Aluminum - Mill Finish - No Design (Roof) - 98" x 360"
.	000868-01-000	SF	Styrofoam - .75" x 24" x 98"
.	000870-05-000	SF	Styrofoam - 50" x 24" x 6J"
.	000870-03-000	SF	Styrofoam - 1 3/4" x 48" x 98"
.			Not keyed

1988 W/IM31RQ INDEX

Floor Plan	B-01 - B-02
Bath Group	B-03
Curtain, Cushion & Pad Group	B-04 - B-12
Dinette Group	B-13 - B-14
Exterior Body Group	B-15 - B-18
Galley Group	B-19 - B-20
Lounge Group	B-21 - B-23
Window, Vent & Exterior Door Group	B-24 - C-08

B-18

GALLEY GROUP



GALLEY CABINETRY & APPLIANCES

Key	Part Number	U/M	Description
‡1	M88307-02-X70	EA	Cabinet Asm. - Galley Overhead - w/o Hardware
1	088307-02-X14	EA	Cabinet Asm. - Galley Overhead - w/o Hardware (Microwave)
†	M88304-01-X08	EA	Door Asm. - Microwave Overhead - w/o Hardware (w/Oven Option)
2	091320-08-X38	EA	End Cap - Galley Overhead (Microwave)
3	M81656-03-X11	EA	Cabinet Asm. - Galley Overhead - w/o Doors or Hardware
4	M88304-11-X11	EA	Door Asm. - Galley Overhead - w/o Hardware
5	081320-03-W30	EA	Pad Asm. - End Cap - Galley Overhead
†6	080973-01-000	EA	Range Hood - Powered w/Monitor
6	078353-01-000	EA	Range Hood - Powered w/Monitor
6	078352-01-000	EA	Range Hood - Non-Powered w/Light
7	074490-01-000	EA	Spice Rack - Oak
8	088071-11-X14	EA	Countertop Asm. - Galley Cabinet
9	M88304-06-X11	EA	Door Asm. - Galley Cabinet - Front - w/o Hardware
‡10	M03167-01-X14	EA	Cabinet Asm. - Galley - w/o Doors or Hardware
10	M03167-02-X14	EA	Cabinet Asm. - Galley - w/o Doors or Hardware
11	M88304-05-X11	EA	Door Asm. - Galley Cabinet - Rear - w/o Hardware
12	M92073-04-X11	EA	Door Asm. - Furnace - 13.38" x 21.85" - w/o Hardware
13	M82184-11-X38	EA	Drawer Asm. - Galley Cabinet - 12" x 21.85"
14	081374-01-000	EA	Range - 4 Burner - w/o Oven - Almond
.			Not keyed
‡			Used w/Oven Option
†			Used in units produced after 10/1/87

GALLEY GROUP (CONTINUED)

GALLEY MISCELLANEOUS

Key	Part Number	U/M	Description
	079356-08-000	EA	Duct Extension - Range Hood
1	080867-02-000	EA	Duct Extension - Range Hood
	088737-01-000	EA	Microwave Convection Oven - Magic Chef
	088737-02-000	EA	Frame Kit - Microwave Oven
	084880-02-000	EA	Refrigerator - 3 Way - Double Door - Norcold 8883
	085280-02-000	EA	Cover - 4 Burner - Bi-Fold - SST (w/o Oven)
	084782-02-000	EA	Range & Oven - 4 Burner - Almond Top
	085280-01-000	EA	Cover - 4 Burner - Bi-Fold - SST (w/Oven)
	088315-01-000	EA	Sink - Stainless Steel - Double w/Bolts
	084072-01-000	EA	Faucet - Single Control - 8" Center
	091254-01-000	EA	Gasket - Galley Faucet
	084488-04-000	EA	Slide Asm. - Galley Cabinet - Front
	084488-05-000	EA	Slide Asm. - Galley Cabinet - Rear
	077409-02-000	EA	Slide - Galley Drawer - 20.75"
	088437-01-000	EA	Strainer w/Basket - Sink
	074981-01-000	EA	Cutting Board - Maple
	081530-01-107	EA	Sink Cover - Large
	058334-01-000	EA	Wastebasket - 9.75" x 7" x 10" - White
	077404-02-000	EA	Drawer - 20" x 12.70" - Plastic
	011083-01-000	EA	Plug - 1.25" x 5" - w/Stopper
†			Used in units produced after 10/1/87.

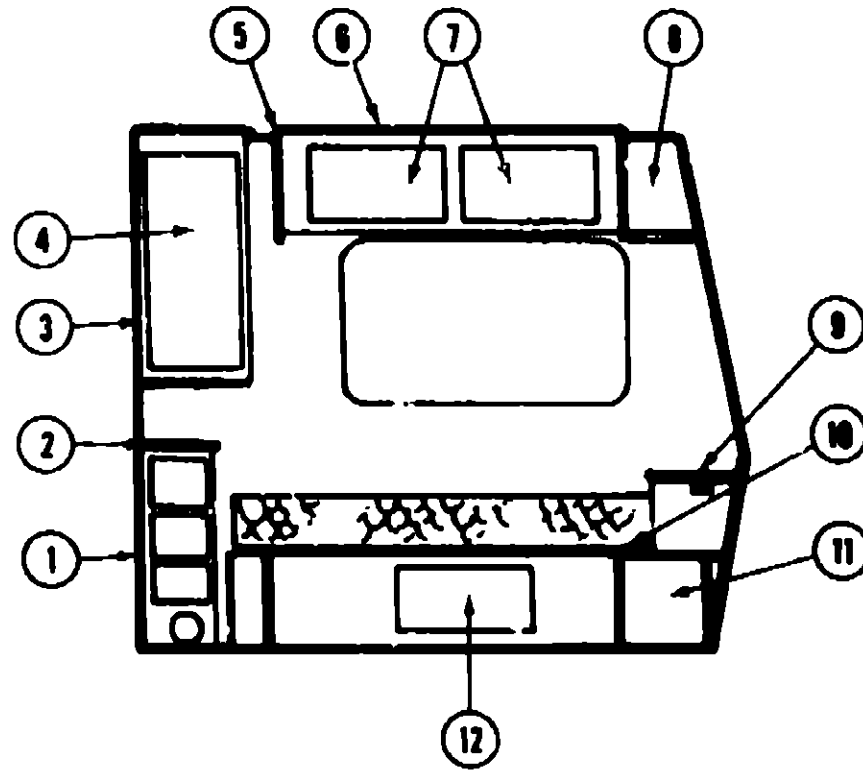
1988 M SERIES TABLE OF CONTENTS

W/IM27RQ	A-01 - A-24
W/IM31RQ	B-01 - C-08
W/IM34RQ	C-07 - D-09

1988 W/IM31RQ INDEX

Floor Plan	B-01 - B-02
Bath Group	B-03
Curtain, Cushion & Pad Group	B-04 - B-12
Dinette Group	B-13 - B-14
Exterior Body Group	B-15 - B-18
Galley Group	B-19 - B-20
Lounge Group	B-21 - B-23
Window, Vent & Exterior Door Group	B-24 - C-08

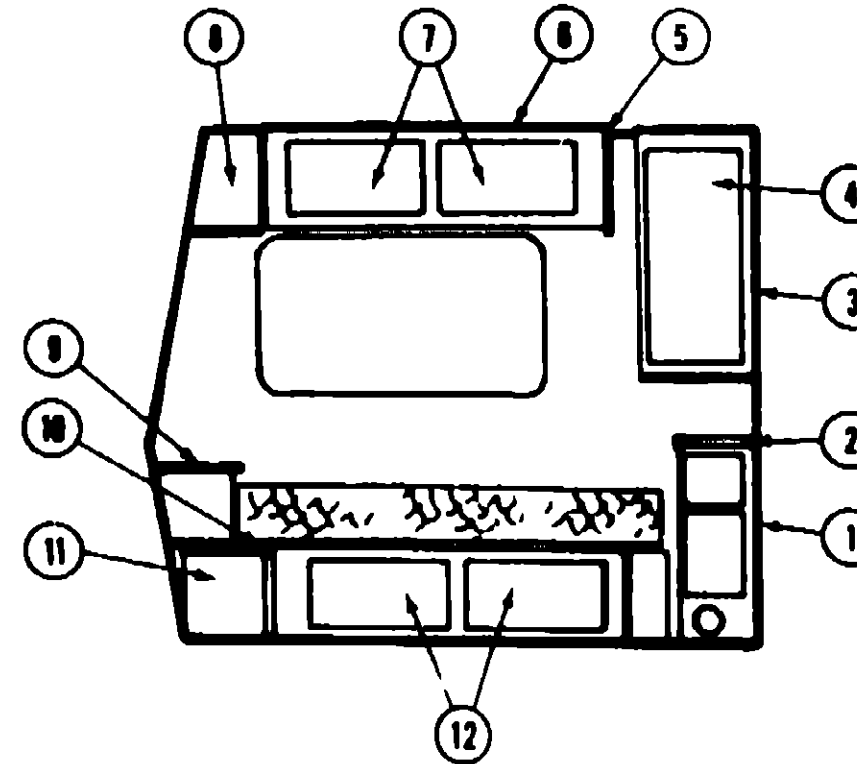
LOUNGE GROUP



TWIN BED

Key	Part Number	U/M	Description
1	081794-01-X11	EA	Cabinet Asm - Nightstand - Passenger - w/o Countertop
2	M02158-01-X11	EA	Countertop Asm - Nightstand - Passenger
3	M88603-01-X14	EA	Cabinet Asm - Shirt Closet - Passenger - w/o Doors
4	M88304-82-X08	EA	Door Asm. - Shirt Closet - w/o Hardware
5	081280-13-W24	EA	Padded Bottom Cap - Shirt Closet - Buckskin
6	081280-13-W24	EA	Padded End Cap - Passenger Overhead - Buckskin
7	M88304-16-X23	EA	Door Asm - Passenger Overhead - w/o Hardware
8	M81308-08-X11	EA	Cabinet Asm - Backwall Overhead - w/o Doors
9	M88304-08-X11	EA	Door Asm. - Backwall Overhead - w/o Hardware
10	M02809-01-X19	EA	Countertop Asm - Nightstand - Upper
11	M02808-01-X19	EA	Countertop Asm. - Nightstand - Lower
12	M83441-01-X19	EA	Cabinet Asm - Nightstand - w/o Doors
	M88304-02-X23	EA	Door Asm - Nightstand - w/o Hardware
	077404-02-000	EA	Drawer - 20" x 12.7" - Plastic
	M88304-02-X23	EA	Door Asm - Twin Bed - 11" x 21.85" - w/o Hardware
			Not keyed

LOUNGE GROUP (CONTINUED)



TWIN BED

Key	Part Number	U/M	Description
1	080882-01-X14	EA	Cabinet Asm. - Nightstand - Drivers - w/o Countertop
2	080882-11-X14	EA	Countertop Asm - Nightstand - Drivers
3	M88604-01-X14	EA	Cabinet Asm - Shirt Closet - Drivers - w/o Doors
4	M88304-82-X08	EA	Door Asm - Shirt closet - w/o Hardware
5	081280-16-W24	EA	Padded Bottom - Cap - Shirt Closet - Buckskin
6	081325-03-W30	EA	Padded End Cap - Drivers Rear Overhead - Buckskin
7	M88304-16-X23	EA	Door Asm - Drivers Rear Overhead - w/o Hardware
8	M81308-08-X11	EA	Cabinet Asm - Backwall Overhead - w/o Doors
9	M88304-08-X11	EA	Door Asm - Backwall Overhead - w/o Hardware
10	M02809-01-X19	EA	Countertop Asm - Nightstand - Upper
11	M02808-01-X19	EA	Countertop Asm. - Nightstand - Lower
12	M83441-01-X19	EA	Cabinet Asm - Nightstand - w/o Doors
	M88304-02-X23	EA	Door Asm. - Nightstand - w/o Hardware
	077404-02-000	EA	Drawer - 20" x 12.7" - Plastic
	M88304-02-X23	EA	Door Asm - Twin Bed - 11" x 21.85" - w/o Hardware
			Not keyed

1988 M SERIES TABLE OF CONTENTS

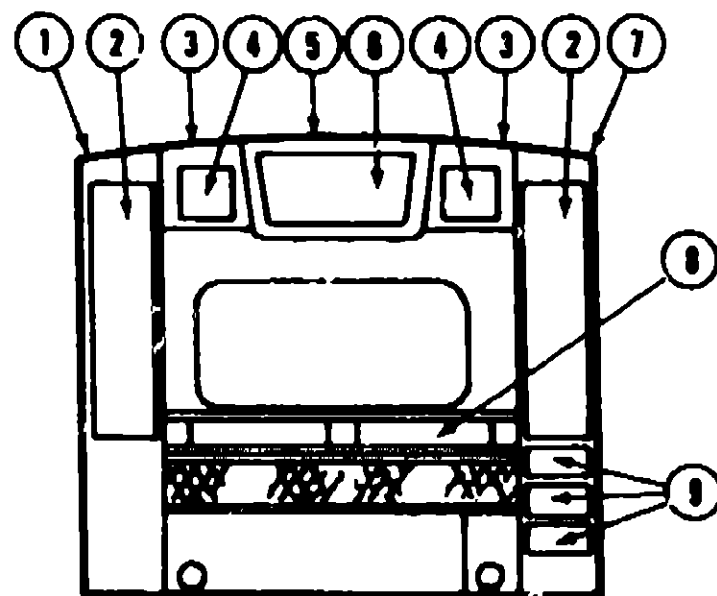
W/IM27RO
W/IM31RO
W/IM34RO

A-01 - A-34
B-01 - C-08
C-07 - D-08

1988 W/IM31RO INDEX

Floor Plan	B-01 - B-02
Bath Group	B-03
Curtain, Cushion & Pad Group	B-04 - B-12
Dinette Group	B-13 - B-14
Exterior Body Group	B-15 - B-18
Galley Group	B-19 - B-20
Lounge Group	B-21 - B-23
Window, Vent & Exterior Door Group	B-24 - C-08

LOUNGE GROUP (CONTINUED)



QUEEN BED

Key	Part Number	U/M	Description
1	089170-01-X14	EA	Cabinet Asm - Wardrobe - Rear Passenger - w/o Doors
2	M88304-09-X08	EA	Door Asm. - Wardrobe - 12" x 48" - w/o Hardware
3	M88158-01-X14	EA	Cabinet Asm - Backwall Overhead - w/o Doors
4	M88304-08-X14	EA	Door Asm. - Backwall Overhead - 11" x 11" - w/o Hardware
5	M88682-01-X14	EA	Cabinet Asm. - Center Rear Overhead - w/o Doors
6	M88304-07-X14	EA	Door Asm. - Center Rear Overhead - 12" x 29 13" - w/o Hardware
8	088688-01-X14	EA	Padded End Cap Asm. - Buckskin
7	089188-01-X14	EA	Cabinet Asm - Wardrobe - Rear Drivers - w/o Doors
8	088677-01-X14	EA	Headboard Asm. - Queen Bed
8	082327-01-X14	EA	Headboard Asm. - Queen Bed - Used w/Rear Stereo
•	080338-01-000	EA	Radio - AM/FM Stereo Cassette - Magnadyne
•	080844-01-000	EA	Antenna - Radio - 18"
•	080882-01-000	EA	Bracket - Rear Stereo Antenna
9	M78821-11-X14	EA	Drawer Asm. - Wardrobe Cabinet - w/Glides
•			Not keyed

CELEBRITY COUCH/SED CABINETS

Key	Part Number	U/M	Description
	M81550-28-X14	EA	Cabinet Asm. - Celebrity Couch Overhead - w/o Doors
	M88304-18-X23	EA	Door Asm. - Celebrity Couch Overhead - w/o Hardware
	081326-03-W30	EA	End Cap - Celebrity Couch Overhead - Frnt

WINDOWS, VENTS & EXTERIOR DOOR GROUP

ACCESS DOOR HARDWARE

Key	Part Number	U/M	Description
	082424-02-000	EA	Jamb - Power Cord/Fuel Fill Door - Beige
	082424-01-000	EA	Jamb - Power Cord/Fuel Fill Door - Gray
	078200-01-000	EA	Gasket - Fuel Fill - 3.94"
	042442-01-000	EA	Lock Asm. - Twist Type (Power Cord)
	078827-03-000	EA	Lock Asm. - Twist Type
	085730-01-000	EA	Latch Asm - Paddle - Plastic (w/Key Lock) Beige
	085730-04-000	EA	Latch Asm - Paddle - Plastic (w/o Key Lock) Beige
	085730-02-000	EA	Lock Asm - Paddle - Plastic (w/Key Lock) Gray
	085730-05-000	EA	Lock Asm - Paddle - Plastic (w/o Key Lock) Gray
	078388-03-000	EA	Lock Asm. - Key Type - w/o Keys - 1 3" Latch - 2.10" Depth
	078388-04-000	EA	Lock Asm - Key Type - w/o Keys - 1 3" Latch - 1 90" Depth
	078388-01-000	FT	Seal - Access Doors
	083815-04-000	EA	Door Stop - Plastic - Beige
	083815-05-000	EA	Door Stop - Plastic - Gray
	088809-01-000	EA	Striker - Paddle Latch - Beige
	088809-02-000	EA	Striker - Paddle Latch - Gray

VENTS

Key	Part Number	U/M	Description
	084073-04-000	EA	Base - Refrigerator Vent
	084073-01-000	EA	Cover - Refrigerator Vent - Beige
	084073-01-000	EA	Cover - Refrigerator Vent - Gray
	075056-01-000	EA	Vent Asm. - Roof - Non-Powered - w/o Screen
†	080382-01-X18	EA	Vent Asm. - Roof - Non-Powered - w/o Screen
**	084078-01-000	EA	Vent Asm. - Roof - Powered Fantastic Ceiling Vent
†	084078-04-000	EA	Vent Asm. - Roof - Powered Fantastic Ceiling Vent
‡	080383-01-X11	EA	Vent Asm. - Roof - Powered - w/o Screen
	078786-01-T03	EA	Screen Asm. - Roof Vent - Non Powered
	078786-01-T03	EA	Screen Asm. - Roof Vent - Powered
**	078537-01-000	EA	Vent Asm - Roof - Powered - w/o Screen
	083558-01-000	EA	Vent - Roof - Vent Pipe - Covered
	084616-02-000	EA	Vent - Range Hood - S/W - Beige
	084616-03-000	EA	Vent - Range Hood - S/W - Gray
	080508-01-000	EA	Panel - Inner Skylight
	080507-01-000	EA	Panel - Outer Skylight
	080258-01-000	EA	Trim - Skylight Outer
**	The illustrated parts breakdown for this item is provided on the Common Items Fiche		
†	Used in units produced after 2-28-88		
‡	Used in units produced after 2-20-87		

WINDSHIELD

Key	Part Number	U/M	Description
	088783-01-000	EA	Glass - Windshield - Passenger
	088783-02-000	EA	Glass - Windshield - Driver
	078878-05-000	EA	Revel Molding - Centered Barb
	077844-01-000	EA	Revel Molding - Upper Passenger
	077844-02-000	EA	Revel Molding - Upper Driver
	077845-01-000	EA	Revel Molding - Lower Passenger
	077845-02-000	EA	Revel Molding - Lower Driver
	077852-02-000	EA	Cap - Center Revel Molding - Top & Bottom
	078225-03-000	EA	Trim - W/S Post Passenger - Black
	078225-04-000	EA	Trim - W/S Post Drivers - Black

**1988 M SERIES
TABLE OF CONTENTS**

W/IM27RQ	A-01 - A-84
W/IM31RQ	B-01 - C-08
W/IM34RQ	C-07 - D-08

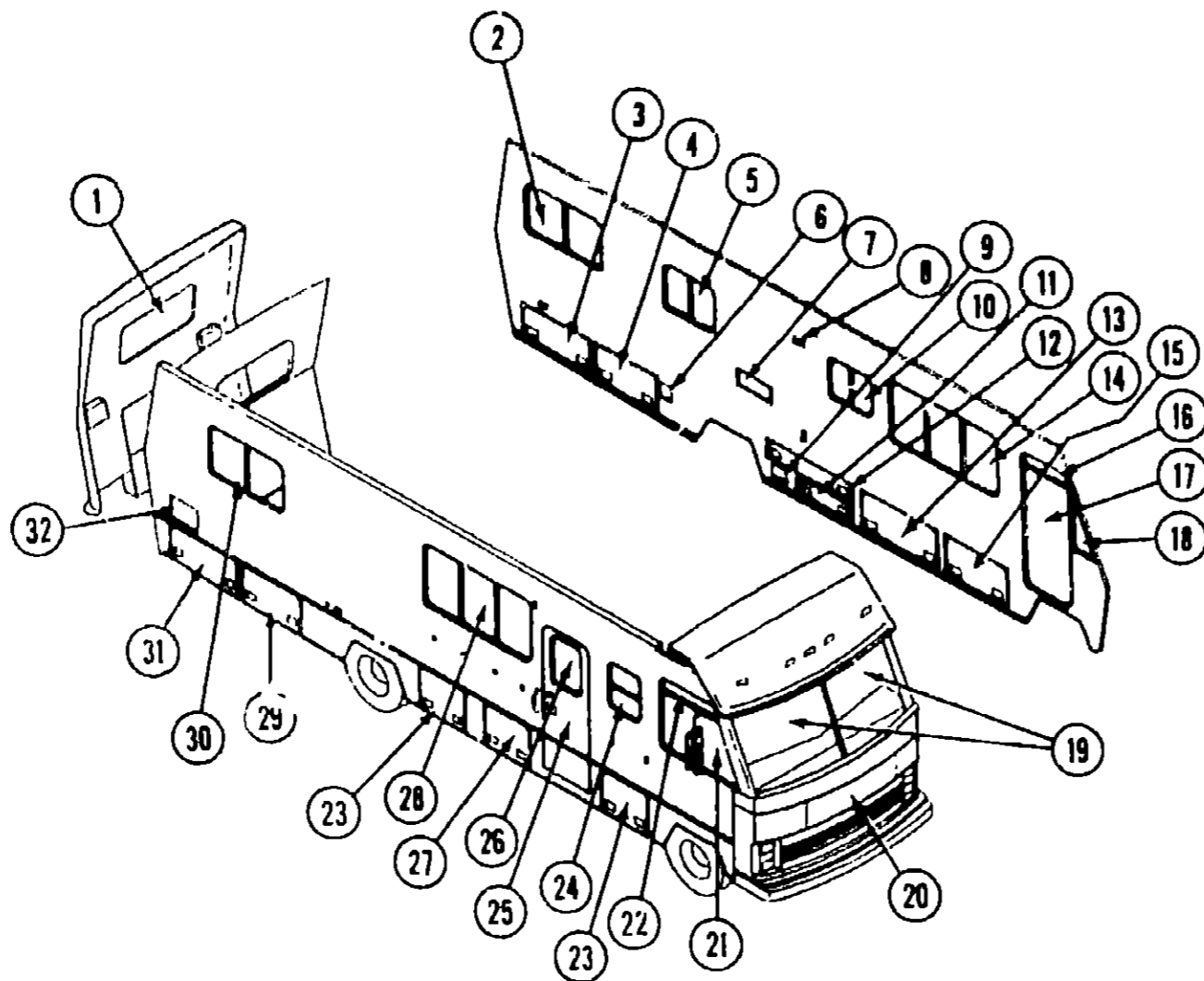
1988 W/IM31RQ INDEX

Floor Plan	B-01 - B-02
Bath Cup	B-03
Curtain, Cushion & Pad Group	B-04 - B-12
Dinette Group	B-13 - B-14
Exterior Body Group	B-15 - B-18
Galley Group	B-19 - B-20
Lounge Group	B-21 - B-23
Window, Vent & Exterior Door Group	B-24 - C-08

WINDOW, VENT & EXTERIOR DOOR GROUP (CONTINUED)

WINNEBAGO

WINDOWS & EXTERIOR DOORS



1988 M SERIES

TABLE OF CONTENTS

W/IM27RQ
W/IM31RQ
W/IM34RQ

A-01 - A-24
B-01 - C-06
C-07 - D-09

1988 W/IM31RQ INDEX

Floor Plan	B-01 - B-02
Bath Group	B-03
Curtain, Cushion & Pad Group	B-04 - B-12
Dinette Group	B-13 - B-14
Exterior Body Group	B-15 - B-18
Galley Group	B-19 - B-20
Lounge Group	B-21 - B-23
Window, Vent & Exterior Door Group	B-24 - C-06

Key	Part Number	U/M	Description
1	078528-01-T03	EA	Window Asm - Escape
2	078266-06-T03	EA	Window Asm - Single Slider
†3	087472-04-X14	EA	Door Asm - Luggage - w/Rocker Panel
3	087472-02-W81	EA	Door Asm - Luggage - w/o Rocker Panel
†4	087472-07-X14	EA	Door Asm - Sewage - w/Rocker Panel
4	087472-08-W81	EA	Door Asm - Sewage - w/o Rocker Panel
5	078266-04-T03	EA	Window Asm - Slider
6	078010-04-000	EA	Door Asm - Fuel Fill
7	084103-01-000	EA	Door Asm - Refrigerator Vent
7	084104-01-000	EA	Jamb Asm - Refrigerator Door
8	084616-02-000	EA	Vent Shroud - Range Hood
9	088794-02-000	EA	Door Asm - Power Cord - w/Hatch
10	078266-03-T03	EA	Window Asm - Single Slider
11	087449-01-W81	EA	Door Asm - Luggage
12	M79321-02-T03	EA	Door Asm - Generator
†13	087448-07-X14	EA	Door Asm - Luggage - w/Rocker Panel
13	087448-03-W81	EA	Door Asm - Luggage - w/o Rocker Panel
14	078269-02-W24	EA	Window Asm - Double Slider
†15	087448-06-X14	EA	Door Asm - Luggage - w/Rocker Panel
15	087448-02-W81	EA	Door Asm - Luggage - w/o Rocker Panel
16	089619-02-X14	EA	Window Asm - Vista - Drivers

Key	Part Number	U/M	Description
17	M89487-02-X14	EA	Door Asm - Drivers
18	079421-02-T03	EA	Window Asm - Front Slant
19	088703-02-000	EA	Windshield - Drivers
19	088793-01-000	EA	Windshield - Passenger
20	089768-01-X14	EA	Panel Asm - Hood
21	089607-01-X14	EA	Window Asm - Front Slant Slider
22	089619-01-X14	EA	Window Asm - Vista
†23	087448-05-X14	EA	Door Asm - Luggage - w/Rocker Panel
23	087448-01-W81	EA	Door Asm - Luggage - w/o Rocker Panel
24	078453-02-U25	EA	Window Asm - Vertical Slider
25	M01870-18-X14	EA	Door Asm - Entrance
26	079733-04-T03	EA	Window Asm - Picture - 17" x 25"
†27	087495-03-X14	EA	Door Asm - Luggage/LP - w/Rocker Panel
27	087495-04-X14	EA	Door Asm - Luggage/LP - w/o Rocker Panel
28	078269-02-W24	EA	Window Asm - Double Slider
†29	087472-09-X14	EA	Door Asm - Luggage - w/Rocker Panel
29	087472-10-X14	EA	Door Asm - Luggage - w/o Rocker Panel
30	078266-05-T03	EA	Window Asm - Single Slider
†31	087472-03-X14	EA	Door Asm - Luggage - w/Rocker Panel
31	087472-01-W81	EA	Door Asm - Luggage - w/o Rocker Panel
32	052009-02-000	EA	Door Asm - Water Heater
†	Parts used on units before 2/1/88		

WINDOW, VENT & EXTERIOR DOOR GROUP (CONTINUED)

ITASCA

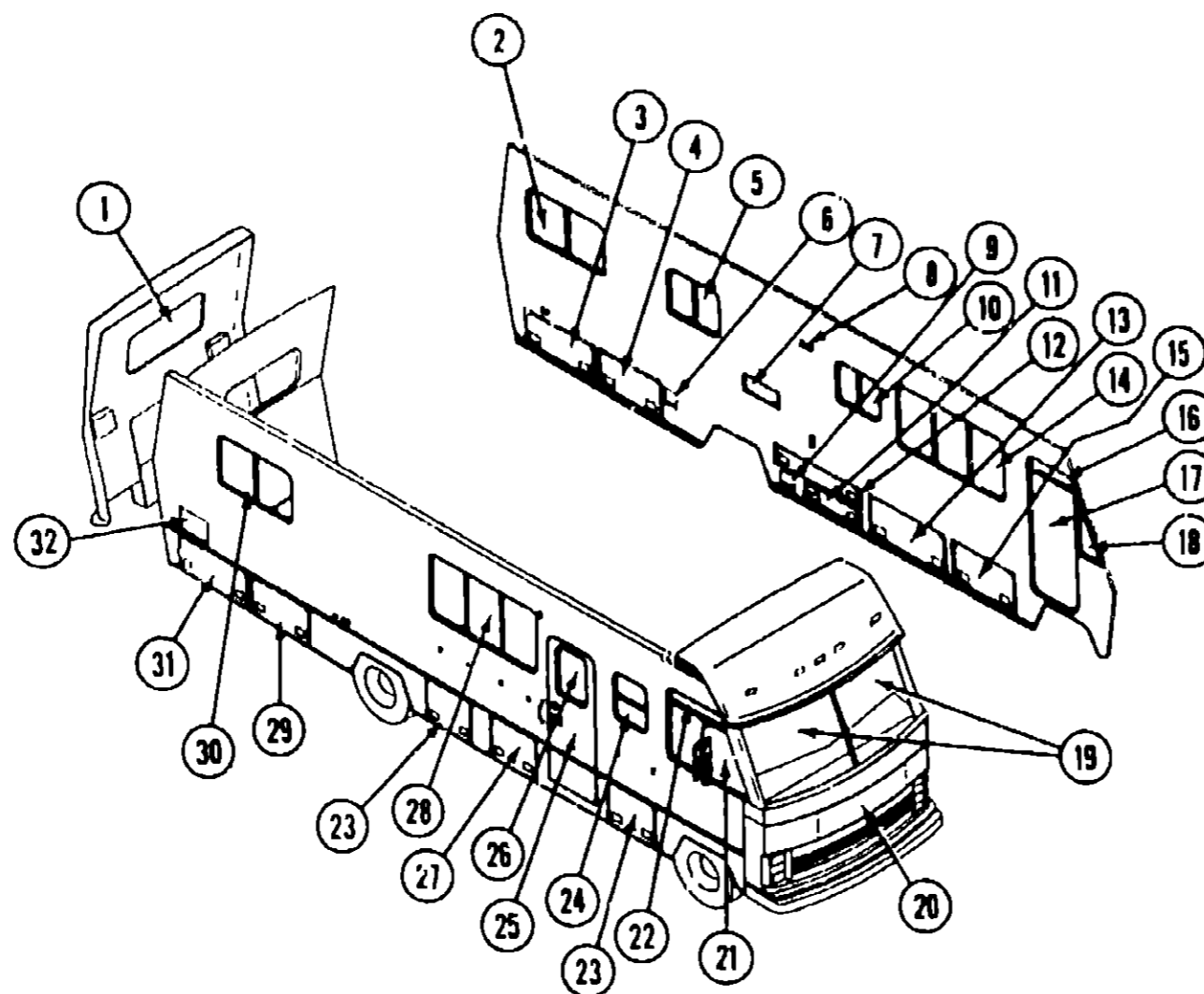
WINDOWS & EXTERIOR DOORS

1988 M SERIES

TABLE OF CONTENTS

W/IM27RQ
W/IM31RQ
W/IM34RQ

A-01 - A-24
B-01 - C-06
C-07 - D-09



1988 W/IM31RQ INDEX

Floor Plan	B-01 - B-02
Bath Group	B-03
Curtain, Cushion & Pad Group	B-04 - B-12
Dinette Group	B-13 - B-14
Exterior Body Group	B-15 - B-18
Galley Group	B-19 - B-20
Lounge Group	B-21 - B-23
Window, Vent & Exterior Door Group	B-24 - C-06

Key	Part Number	U/M	Description
	1 078528-01-T03	EA	Window Asm - Escape
	2 078266 06-T03	EA	Window Asm - Single Slider
†	3 087482-04-X70	EA	Door Asm - Luggage - w/Rocker Panel
	3 087472-02-W84	EA	Door Asm - Luggage - w/o Rocker Panel
†	4 087472-07-X70	EA	Door Asm - Sewage - w/Rocker Panel
	4 087472-08-W84	EA	Door Asm - Sewage - w/o Rocker Panel
	5 078266-04-T03	EA	Window Asm - Slider
	6 078010-05-000	EA	Door Asm - Fuel Fill
	7 084103-02-000	EA	Door Asm - Refrigerator Vent
	7 084104-02-000	EA	Jamb Asm - Refrigerator Door
	8 084616-03-000	EA	Vent Shroud - Range Hood
	9 088794-03-000	EA	Door Asm - Power Cord - w/Hatch
	10 078266-03-T03	EA	Window Asm - Single Slider
	11 087449-01-X70	EA	Door Asm - Luggage
	12 M79321-02-X70	EA	Door Asm - Generator
†	13 087448-07-X70	EA	Door Asm - Luggage - w/Rocker Panel
	13 087448-03-W84	EA	Door Asm - Luggage - w/o Rocker Panel
	14 078269-02-W24	EA	Window Asm - Double Slider
†	15 087448-06-X70	EA	Door Asm - Luggage - w/Rocker Panel
	15 087448-02-W84	EA	Door Asm - Luggage - w/o Rocker Panel
	16 089619-02-X14	EA	Window Asm - Vista - Drivers

Key	Part Number	U/M	Description
	17 M89487-02-X70	EA	Door Asm - Drivers
	18 079421-02-T03	EA	Window Asm - Front Slant
	19 088793-02-000	EA	Windshield - Drivers
	19 088793-01-000	EA	Windshield - Passenger
	20 089768-01-X70	EA	Panel Asm - Hood
	21 089607-01-X14	EA	Window Asm - Front Slant Slider
	22 089618-01-X14	EA	Window Asm - Vista
†	23 087448-05-X70	EA	Door Asm - Luggage - w/Rocker Panel
	23 087448-01-W84	EA	Door Asm - Luggage - w/o Rocker Panel
	24 078453-02-U25	EA	Window Asm - Vertical Slider
	25 M01870-18-X70	EA	Door Asm - Entrance
	26 079733-04-T03	EA	Window Asm - Picture - 17" x 25"
†	27 087495-03-X70	EA	Door Asm - Luggage/LP - w/Rocker Panel
	27 087495-04-X70	EA	Door Asm - Luggage/LP - w/o Rocker Panel
	28 070269-02-W24	EA	Window Asm - Double Slider
†	29 087472-09-X70	EA	Door Asm - Luggage - w/Rocker Panel
	29 087472-10-X70	EA	Door Asm - Luggage - w/o Rocker Panel
	30 078266-05-T03	EA	Window Asm - Single Slider
†	31 087472-03-X70	EA	Door Asm - Luggage - w/Rocker Panel
	31 087472-01-W84	EA	Door Asm - Luggage - w/o Rocker Panel
	32 052009-03-000	EA	Door Asm - Water Heater

† Parts used on units before 2/1/88

WINDOW, VENT & EXTERIOR DOOR GROUP (CONTINUED)

DRIVER DOOR W/ROLL-UP WINDOW

Key	Part Number	U/M	Description
	M88487-02-X14	EA	Door Asm. - w/Roll-Up Window - Beige
	M88487-02-X70	EA	Door Asm. - w/Roll-Up Window - Gray
	M03170-02-000	EA	Jamb Asm. - Cab Door - Beige
	M03170-04-000	EA	Jamb Asm - Cab Door - Gray
	083883-01-000	EA	Hinge Asm - Beige
	083883-03-000	EA	Hinge Asm. - Gray
	082150-01-000	FT	Seal - Sponge (Jamb)
	082150-02-000	FT	Seal - Sponge (Door)
	083731-01-000	EA	Cap - Push On - Zinc
	081400-08-000	EA	Assist Strap - Sandstone
	084219-01-000	EA	Retainer Strap - Driver Door
	083729-01-000	EA	Rivnut - 1/4 x 20 unc - 030 - 125
	081903-01-000	EA	Shaft - Mounting Knob
	081905-02-000	EA	Knob - Control - Slide Bolt - Driver
	081906-01-000	EA	Slide Bolt - Driver Door
	081907-02-000	EA	Regulator Asm. - Window - Driver
	081910-01-000	FT	Channel - Window - Sliding
	081912-01-000	EA	Weatherstrip - Rigid
	083886-08-000	EA	Assist Handle - Door - Beige
	083886-09-000	EA	Assist Handle - Door - Gray
	075722-01-000	EA	Block - Switch - Spacer
	073118-01-000	EA	Retainer - Attachment Plate
	073119-01-000	EA	Attachment Plate - Striker
	079561-01-000	EA	Shim - Strike - Cab Door
	R77007-56-702	EA	Plate - Door Lock - Driver
	R77040-01-538	EA	Door Handle
	R77007-05-374	EA	Plate - Door Handle Spacer
	R77006-50-328	EA	Door - Handle Inner
	R77006-13-460	EA	Cap - Inner - Window Crank
	072035-01-000	EA	Crank - Hand - Glass Lift
	072036-01-000	EA	Cap - Crank - Hand
	073110-03-000	EA	Rod - Lock - Driver
	R77006-84-355	EA	Link - Door Handle - Control
	R77030-58-048	EA	Washer
	R77030-33-009	EA	Nut - w/Washer
	081488-02-000	EA	Glass - Door - Roll-Up
	083223-02-000	EA	Lock Asm - Key Type (Set of 2)
	076542-04-000	EA	Rod Control - Latch - Driver

**1988 M SERIES
TABLE OF CONTENTS**

W/IM27RQ	A-01 - A-24
W/IM31RQ	B-01 - C-08
W/IM34RQ	C-07 - D-09

1988 W/IM31RQ INDEX

Floor Plan	B-01 - B-02
Bath Group	B-03
Curtain, Cushion & Pad Group	B-04 - B-12
Dinette Group	B-13 - B-14
Exterior Body Group	B-15 - B-18
Galley Group	B-19 - B-20
Lounge Group	B-21 - B-23
Window, Vent & Exterior Door Group	B-24 - C-08