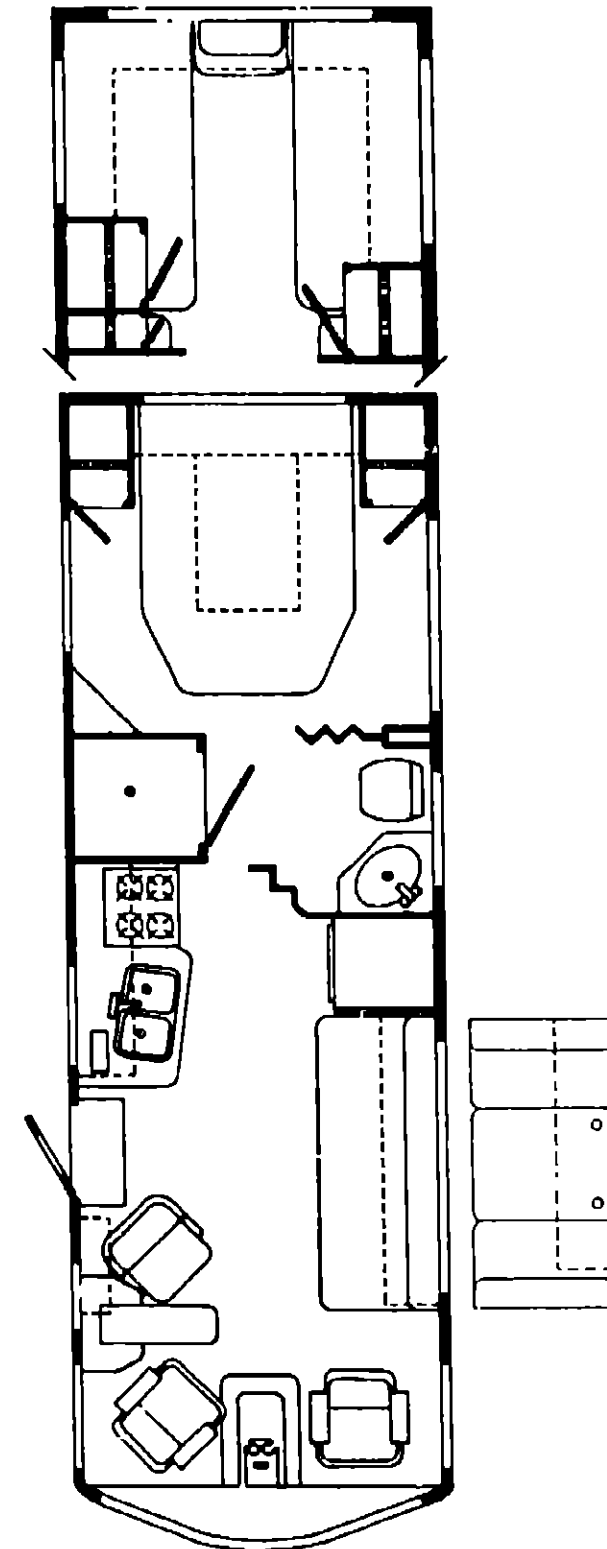


1988 W/IM27RQ



1988 M SERIES TABLE OF CONTENTS

W/IM27RQ	A-01 - A-24
W/IM31RQ	B-01 - C-06
W/IM34RQ	C-07 - D-09

1988 W/IM27RQ INDEX

Floor Plan	A-01 - A-02
Bath Group	A-03
Curtain, Cushion & Pad Group	A-04 - A-09
Dinette Group	A-10
Exterior Body Group	A-11 - A-15
Ganey Group	A-16
Lounge Group	A-17 - A-18
Window, Vent & Exterior Door Group	A-19 - A-24

BATH GROUP

BATH CABINERY

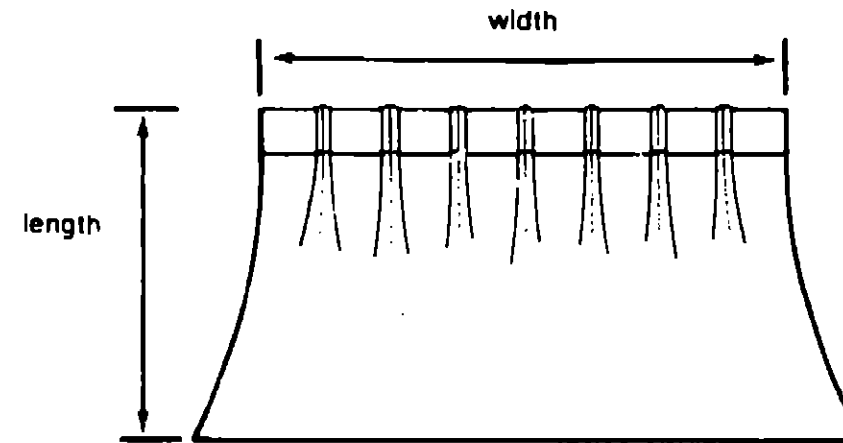
Key	Part Number	U/M	Description
	M89160-01-X14	EA	Cabinet Asm. - Lavatory - w/o Countertop, Doors or Drawer
	089160-11-X14	EA	Countertop Asm. - Lavatory Cabinet
	M88304-08-X14	EA	Door Asm. - Lavatory Cabinet - 10.8" x 23.8" - w/o Hardware
	076073-01-000	EA	Cabinet Asm. - Medicine - Sidewall - w/o Door or Hardware
	M89723-01-X14	EA	Cabinet Asm. - Medicine - Bath Wall - w/o Door or Hardware
	M98304-E1-W24	EA	Door Asm. - Medicine Cabinets - 15.5" x 29.5" - w/o Hardware
	089318-01-000	EA	Door Asm. - Shower - Gold - 29.8"
	089318-01-700	EA	Strap for Shower Door
	089318-01-701	EA	Vinyl Sweep
	089318-02-000	EA	Jamb Expander - Shower Door
	080224-30-000	EA	Door Asm. - Folding - 36" x 72" - Rear
	080224-22-000	EA	Track - Folding Door - 32" - Beige
	080224-20-000	EA	Door Asm. - Folding - 35" x 75" - Front
	080224-25-000	EA	Track - Folding Door - "S" Curve - Beige

CURTAIN, CUSHION & PAD GROUP

NOTICE

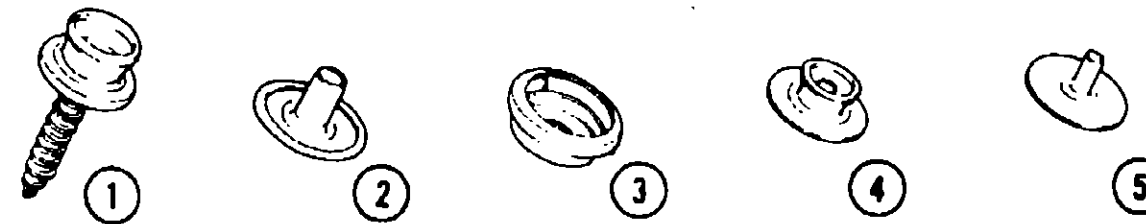
In order to assist our Parts Sales Dept. in providing interior software items, please include the serial number and the color code number from the vehicle certification label when ordering. This label is located on the left sidewall at the end of the dash (A-Body), or on the driver's door latch plate (C-Body).

An example of a color code number is P31, which designates an overall color scheme of a particular unit. The color listed after the item description on the microfiche, indicates the overall unit color. Order the item you desire according to unit color code.



NOTE:

Use this illustration when determining length and width measurements for curtains. You will note the width measurement is taken on the top of the curtain with the curtain fully extended. The length measurement is taken from top to bottom.



Key	Part Number	U/M	Description
1	029130-01-000	EA	Socket - Snap Fastener
2	029155-01-000	EA	Cap - Snap - .156" Dia. x 17" Barrel
3	029156-01-000	EA	Socket - Snap Fastener
4	029092-01-000	EA	Stud - Nickel Finish
5	029093-01-000	EA	Eyelet - Nickel Finish

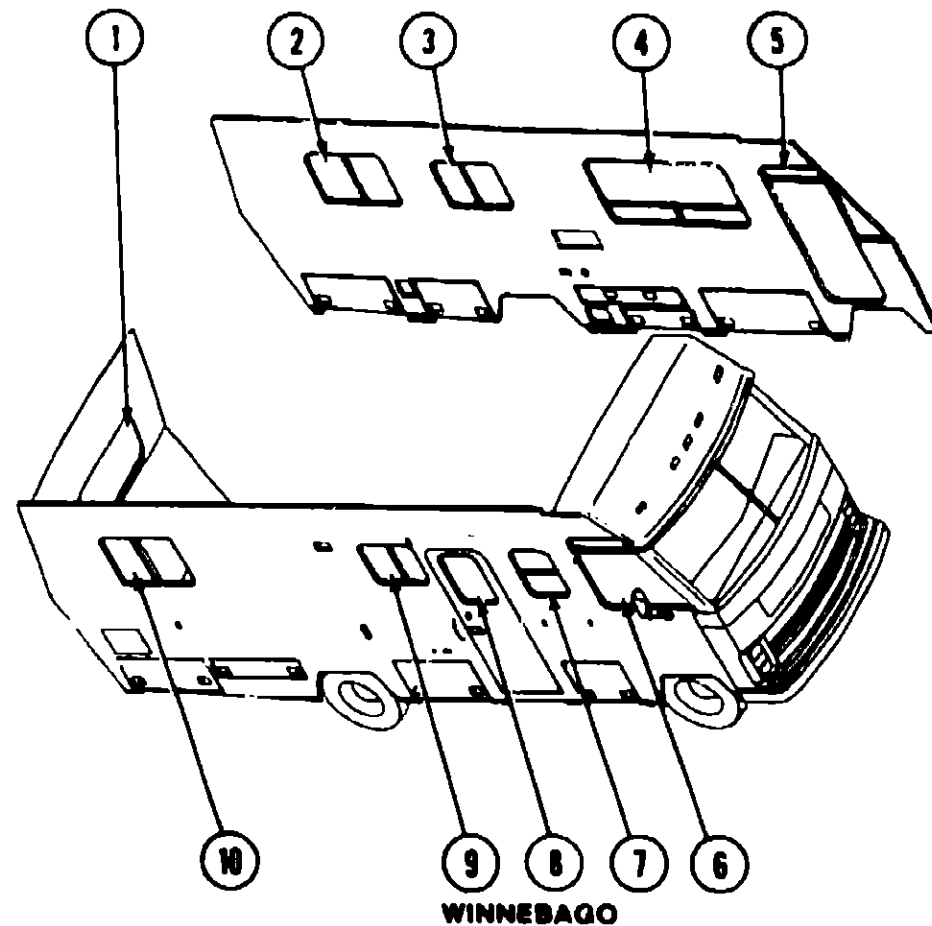
1988 M SERIES TABLE OF CONTENTS

W/IM27RQ	A-01 - A-24
W/IM31RQ	B-01 - C-08
W/IM34RQ	C-07 - D-09

1988 W/IM27RQ INDEX

Floor Plan	A-01 - A-02
Bath Group	A-03
Curtain, Cushion & Pad Group	A-04 - A-09
Dinette Group	A-10
Exterior Body Group	A-11 - A-15
Galley Group	A-16
Lounge Group	A-17 - A-18
Window, Vent & Exterior Door Group	A-19 - A-24

CURTAIN, CUSHION & PAD GROUP (CONTINUED)



CURTAINS, SHADES, VALANCES & TIEBACKS

Key	Part Number	U/M	Description
1	084755-27-X11	EA	Shade Asm. - Linen - 53.25"
1	088926-07-X11	EA	Valance Asm. - Quilted - 58" (X14)
1	088926-07-X12	EA	Valance Asm. - Quilted - 58" (X15)
1	088926-07-X13	EA	Valance Asm. - Quilted - 58" (X16)
**1	088926-07-XA0	EA	Valance Asm. - Quilted - 58" (X14)
**1	088926-07-XA1	EA	Valance Asm. - Quilted - 58" (X15)
**1	088926-07-XA2	EA	Valance Asm. - Quilted - 58" (X16)
1	085190-26-X14	EA	Curtain Asm. w/Snap Top - 28.5" x 15"
1	085190-26-X15	EA	Curtain Asm. w/Snap Top - 28.5" x 15"
1	085190-26-X16	EA	Curtain Asm. w/Snap Top - 28.5" x 15"
**1	085190-26-XA0	EA	Curtain Asm. w/Snap Top - 28.5" x 15" (X14)
**1	085190-26-XA1	EA	Curtain Asm. w/Snap Top - 28.5" x 15" (X15)
**1	085190-26-XA2	EA	Curtain Asm. w/Snap Top - 28.5" x 15" (X16)
1	086226-42-X11	EA	Curtain Asm. - Sheer - 28" x 78"
2	084755-33-X11	EA	Shade Asm. - Linen - 48.25"
2	088926-02-X11	EA	Valance Asm. - Quilted - 50" (X14)
2	088926-02-X12	EA	Valance Asm. - Quilted - 50" (X15)
2	088926-02-X13	EA	Valance Asm. - Quilted - 50" (X16)
†2	091101-01-X14	EA	Valance Asm. - Angle Corner - 48"
†2	091101-01-X15	EA	Valance Asm. - Angle Corner - 48"
†2	091101-01-X16	EA	Valance Asm. - Angle Corner - 48"
**2	091101-01-XA0	EA	Valance Asm. - Angle Corner - 48" (X14)
**2	091101-01-XA1	EA	Valance Asm. - Angle Corner - 48" (X15)
**2	091101-01-XA2	EA	Valance Asm. - Angle Corner - 48" (X16)
2	085190-26-X14	EA	Curtain Asm. w/Snap Top - 28.5" x 15"
2	085190-26-X15	EA	Curtain Asm. w/Snap Top - 28.5" x 15"
2	085190-26-X16	EA	Curtain Asm. w/Snap Top - 28.5" x 15"
**2	085190-26-XA0	EA	Curtain Asm. w/Snap Top - 28.5" x 15" (X14)
**2	085190-26-XA1	EA	Curtain Asm. w/Snap Top - 28.5" x 15" (X15)
**2	085190-26-XA2	EA	Curtain Asm. w/Snap Top - 28.5" x 15" (X16)
2	086226-42-X11	EA	Curtain Asm. - Sheer - 28" x 78"
†	Parts used after 8/17/87		
**	Parts used after 2/22/88		

CURTAIN, CUSHION & PAD GROUP (CONTINUED)

WINNEBAGO

CURTAINS, SHADES, VALANCES & TIEBACKS (CONT.)

Key	Part Number	U/M	Description
3	085191-02-X11	EA	Valance Asm. w/Insert - 35.5"
3	073304-39-X08	EA	Curtain Asm. w/Snap Top - 27.5" x 10"
3	085304-77-000	EA	Blind - Pleated - 32" x 26" Drop (X14)
3	085304-78-000	EA	Blind - Pleated - 32" x 26" Drop (X15)
3	085304-78-000	EA	Blind - Pleated - 32" x 26" Drop (X16)
4	085191-01-X11	EA	Valance Asm. w/Insert - 68.5"
4	085190-19-X11	EA	Curtain Asm. w/Snap Top - 33.5" x 44" - Left
4	085190-18-X11	EA	Curtain Asm. w/Snap Top - 33.5" x 44" - Right
4	085304-20-000	EA	Blind - Pleated - 65" x 33" Drop (X14)
4	085304-19-000	EA	Blind - Pleated - 65" x 33" Drop (X15)
4	085304-17-000	EA	Blind - Pleated - 65" x 33" Drop (X16)
††	082127-77-000	EA	Shade Asm. - Woven Wood - 65" x 33" Drop
††	087318-07-X11	EA	Curtain Asm. w/Snap Top - 33.5" x 15"
5	073304-51-X11	EA	Curtain Asm. - Front Wraparound - 36" x 86"
5	077591-08-X11	EA	Curtain Asm. - Blackout - 60" x 50"
*†5	077591-10-X11	EA	Curtain Asm. - Blackout - 60" x 47.5"
6	077591-05-X11	EA	Curtain Asm. - Blackout - 60" x 50"
*†6	077591-09-X11	EA	Curtain Asm. - Blackout - 60" x 47.5"
7	085191-12-X11	EA	Valance Asm. w/Insert - 24"
7	085190-20-X14	EA	Curtain Asm. w/Snap Top - 29" x 10"
7	075304-80-000	EA	Blind - Pleated - 21" x 27" Drop (X14)
7	075304-81-000	EA	Blind - Pleated - 21" x 27" Drop (X15)
7	075304-82-000	EA	Blind - Pleated - 21" x 27" Drop (X16)
††	082127-83-000	EA	Shade Asm. - Woven Wood - 21" x 27.5"
8	084755-04-X11	EA	Shade Asm. - Linen - 24.25"
8	085191-04-X11	EA	Valance Asm. w/Insert - 27.4"
9	085191-03-X11	EA	Valance Asm. w/Insert - 29.25"
9	085304-71-000	EA	Blind - Pleated - 27" x 22" Drop (X14)
9	085304-70-000	EA	Blind - Pleated - 27" x 22" Drop (X15)
9	085304-72-000	EA	Blind - Pleated - 27" x 22" Drop (X16)
10	084755-32-X11	EA	Shade Asm. - Linen - 33.25"
10	088926-03-X08	EA	Valance Asm. - Quilted - 37" (X14)
10	088926-03-X09	EA	Valance Asm. - Quilted - 37" (X15)
10	088926-03-X10	EA	Valance Asm. - Quilted - 37" (X16)
†10	091101-02-X14	EA	Valance Asm. - Angle Corner - 35"
†10	091101-02-X15	EA	Valance Asm. - Angle Corner - 35"
†10	091101-02-X1C	EA	Valance Asm. - Angle Corner - 35"
**10	091101-02-XA0	EA	Valance Asm. - Angle Corner - 35" (X14)
**10	091101-02-XA1	EA	Valance Asm. - Angle Corner - 35" (X15)
**10	091101-02-XA2	EA	Valance Asm. - Angle Corner - 35" (X16)
10	085190-26-X14	EA	Curtain Asm. w/Snap Top - 28.5" x 15"
10	085190-26-X15	EA	Curtain Asm. w/Snap Top - 28.5" x 15"
10	085190-26-X16	EA	Curtain Asm. w/Snap Top - 28.5" x 15"
**10	085190-26-XA0	EA	Curtain Asm. w/Snap Top - 28.5" x 15" (X14)
**10	085190-26-XA1	EA	Curtain Asm. w/Snap Top - 28.5" x 15" (X15)
**10	085190-26-XA2	EA	Curtain Asm. w/Snap Top - 28.5" x 15" (X16)
10	086226-51-X14	EA	Curtain Asm. - Sheer - 28" x 30"
.	073260-23-X08	EA	Tieback Asm. - 3" x 18"
.	Not Illustrated		
†	Parts used after 7/22/87		
**	Parts used after 2/22/88		
††	Woven Wood Option		

1988 M SERIES

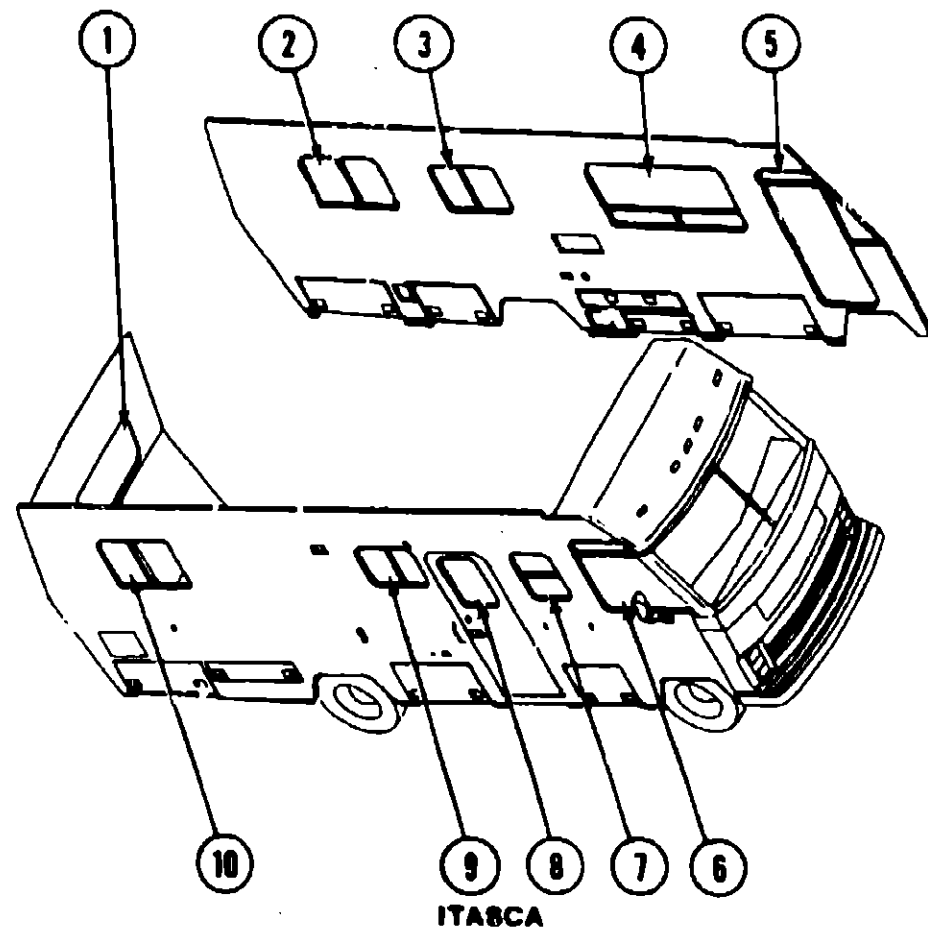
TABLE OF CONTENTS

W/IM27RQ	A-01 - A-24
W/IM31RQ	B-01 - C-09
W/IM34RQ	C-07 - D-08

1988 W/IM27RQ INDEX

Floor Plan	A-01 - A-02
Bath Group	A-03
Curtain, Cushion & Pad Group	A-04 - A-09
Dinette Group	A-10
Exterior Body Group	A-11 - A-15
Galley Group	A-16
Lounge Group	A-17 - A-18
Window, Vent & Exterior Door Group	A-19 - A-24

CURTAIN, CUSHION & PAD GROUP (CONTINUED)



CURTAINS, SHADES, VALANCES & TIEBACKS

Key	Part Number	U/M	Description
1	084755-15-X36	EA	Shade Asm. - Linen - 53.25" (X70, X71)
†1	084755-15-XA3	EA	Shade Asm. - Linen - 53.25" (X70, X71)
**1	084755-15-XA6	EA	Shade Asm. - Linen - 53.25" (X70, X71)
1	084755-15-X38	EA	Shade Asm. - Linen - 53.25" (X72)
**1	084755-15-XA8	EA	Shade Asm. - Linen - 53.25" (X72)
1	079558-20-X36	EA	Valance Asm. w/Gathers - 5" x 140" (X70)
1	079558-20-X37	EA	Valance Asm. w/Gathers - 5" x 140" (X71)
1	079558-20-X38	EA	Valance Asm. w/Gathers - 5" x 140" (X72)
1	079559-11-X33	EA	Curtain Asm. w/Gathers - 32" x 41" (X70)
1	079559-11-X34	EA	Curtain Asm. w/Gathers - 32" x 41" (X71)
1	079559-11-X35	EA	Curtain Asm. w/Gathers - 32" x 41" (X72)
2	084755-13-X33	EA	Shade Asm. - Linen - 47.25" (X70, X71)
†2	084755-13-XA3	EA	Shade Asm. - Linen - 47.25" (X70, X71)
**2	084755-13-XA6	EA	Shade Asm. - Linen - 47.25" (X70, X71)
2	084755-13-X35	EA	Shade Asm. - Linen - 47.25" (X72)
**2	084755-13-XA8	EA	Shade Asm. - Linen - 47.25" (X72)
2	079558-23-X33	EA	Valance Asm. w/Gathers - 5" x 75" (X70)
2	079558-23-X34	EA	Valance Asm. w/Gathers - 5" x 75" (X71)
2	079558-23-X35	EA	Valance Asm. w/Gathers - 5" x 75" (X72)
2	079559-11-X33	EA	Curtain Asm. w/Gathers - 32" x 41" (X70)
2	079559-11-X34	EA	Curtain Asm. w/Gathers - 32" x 41" (X71)
2	079559-11-X35	EA	Curtain Asm. w/Gathers - 32" x 41" (X72)
3	M81977-24-X36	EA	Valance Asm. - Padded - 35.5" (X70)
3	M81977-24-X37	EA	Valance Asm. - Padded - 35.5" (X71)
††3	M81977-24-XA4	EA	Valance Asm. - Padded - 35.5" (X71)
3	M81977-24-X38	EA	Valance Asm. - Padded - 35.5" (X72)
3	073304-39-X36	EA	Curtain Asm. w/Snap Top - 27.5" x 10" (X70)
3	073304-39-X37	EA	Curtain Asm. w/Snap Top - 27.5" x 10" (X71)
††3	073304-39-XA4	EA	Curtain Asm. w/Snap Top - 27.5" x 10" (X71)
3	073304-39-X38	EA	Curtain Asm. w/Snap Top - 27.5" x 10" (X72)
††			Parts used after 10/1/87
†			Parts used after 12/1/87
**			Parts used after 3/1/88

CURTAIN, CUSHION & PAD GROUP (CONTINUED)

ITABCA

CURTAINS, SHADES, VALANCES & TIEBACKS (CONT.)

Key	Part Number	U/M	Description
3	082118-B9-000	EA	Blind - Mini - 32" x 26" Drop (X70)
3	088729-02-000	EA	Blind - Mini - 32" x 26" Drop (X71)
3	082118-B2-000	EA	Blind - Mini - 32" x 26" Drop (X72)
4	M81977-23-X36	EA	Valance Asm. - Padded - 66.5" (X70)
4	M81977-23-X37	EA	Valance Asm. - Padded - 66.5" (X71)
††4	M81977-23-XA4	EA	Valance Asm. - Padded - 66.5" (X71)
4	M81977-23-X38	EA	Valance Asm. - Padded - 66.5" (X72)
4	087318-07-X36	EA	Curtain Asm. w/Snap Top - 33.5" x 15" (X70)
4	087318-07-X37	EA	Curtain Asm. w/Snap Top - 33.5" x 15" (X71)
††4	087318-07-XA4	EA	Curtain Asm. w/Snap Top - 33.5" x 15" (X71)
4	087318-07-X38	EA	Curtain Asm. w/Snap Top - 33.5" x 15" (X72)
4	082118-C8-000	EA	Blind - Mini - 65" x 33" Drop (X70)
4	088729-01-000	EA	Blind - Mini - 65" x 33" Drop (X71)
4	082118-C7-000	EA	Blind - Mini - 65" x 33" Drop (X72)
5	073304-51-X33	EA	Curtain Asm. - Front Wraparound (X70)
5	073304-51-X34	EA	Curtain Asm. - Front Wraparound (X71)
††5	073304-51-XA4	EA	Curtain Asm. - Front Wraparound (X71)
5	073304-51-X35	EA	Curtain Asm. - Front Wraparound (X72)
5	077591-08-X36	EA	Curtain Asm. - Blackout - 60" x 50" - Left (X70)
5	077591-08-X37	EA	Curtain Asm. - Blackout - 60" x 50" - Left (X71)
5	077591-08-X38	EA	Curtain Asm. - Blackout - 60" x 50" - Left (X72)
5	077591-10-X36	EA	Curtain Asm. - Blackout - 60" x 47.5" - Left (X70)
5	077591-10-X37	EA	Curtain Asm. - Blackout - 60" x 47.5" - Left (X71)
††5	077591-10-XA4	EA	Curtain Asm. - Blackout - 60" x 47.5" - Left (X71)
5	077591-10-X38	EA	Curtain Asm. - Blackout - 60" x 47.5" - Left (X72)
6	077591-05-X36	EA	Curtain Asm. - Blackout - 60" x 50" - Right (X70)
6	077591-05-X37	EA	Curtain Asm. - Blackout - 60" x 50" - Right (X71)
6	077591-05-X38	EA	Curtain Asm. - Blackout - 60" x 50" - Right (X72)
6	077591-09-X36	EA	Curtain Asm. - Blackout - 60" x 47.5" (X70)
6	077591-09-X37	EA	Curtain Asm. - Blackout - 60" x 47.5" (X71)
††6	077591-09-XA4	EA	Curtain Asm. - Blackout - 60" x 47.5" (X71)
6	077591-09-X38	EA	Curtain Asm. - Blackout - 60" x 47.5" (X72)
7	M81977-28-X36	EA	Valance Asm. - Padded - 24.5"
7	M81977-28-X37	EA	Valance Asm. - Padded - 24.5"
††7	M81977-28-XA4	EA	Valance Asm. - Padded - 24.5"
7	M81977-28-X38	EA	Valance Asm. - Padded - 24.5"
7	085190-20-X70	EA	Curtain Asm. w/Snap Top - 29" x 10"
7	085190-20-X71	EA	Curtain Asm. w/Snap Top - 29" x 10"
††7	085190-20-XA4	EA	Curtain Asm. w/Snap Top - 28" x 10"
7	085190-20-X72	EA	Curtain Asm. w/Snap Top - 29" x 10"
8	084755-04-X33	EA	Shade Asm. - Linen - 24.25" (X70, X71)
†8	084755-04-XA3	EA	Shade Asm. - Linen - 24.25" (X70, X71)
**8	084755-04-XA6	EA	Shade Asm. - Linen - 24.25" (X70, X71)
8	084755-04-X35	EA	Shade Asm. - Linen - 24.25" (X72)
**8	084755-04-XA8	EA	Shade Asm. - Linen - 24.25" (X72)
8	M81977-26-X36	EA	Valance Asm. - Padded - 27.4" (X70)
8	M81977-26-X37	EA	Valance Asm. - Padded - 27.4" (X71)
††8	M81977-26-XA4	EA	Valance Asm. - Padded - 27.4" (X71)
8	M81977-26-X38	EA	Valance Asm. - Padded - 27.4" (X72)
9	M81977-22-X36	EA	Valance Asm. - Padded - 29.5" (X70)
9	M81977-22-X37	EA	Valance Asm. - Padded - 29.5" (X71)
††9	M81977-22-XA4	EA	Valance Asm. - Padded - 29.5" (X71)
9	M81977-22-X38	EA	Valance Asm. - Padded - 29.5" (X72)
9	082118-B0-000	EA	Blind - Mini - 27" x 22" Drop (X70)
9	088729-03-000	EA	Blind - Mini - 27" x 22" Drop (X71)
9	082118-A9-000	EA	Blind - Mini - 27" x 22" Drop (X72)
.			Not illustrated
††			Parts used after 10/1/87
†			Parts used after 12/1/87
**			Parts used after 3/1/88

**1988 M SERIES
TABLE OF CONTENTS**

W/IM27RQ	A-01 - A-24
W/IM31RQ	B-01 - C-08
W/IM34RQ	C-07 - D-09

1988 W/IM27RQ INDEX

Floor Plan	A-01 - A-02
Bath Group	A-03
Curtain, Cushion & Pad Group	A-04 - A-09
Dinette Group	A-10
Exterior Body Group	A-11 - A-15
Galley Group	A-16
Lounge Group	A-17 - A-18
Window, Vent & Exterior Door Group	A-19 - A-24

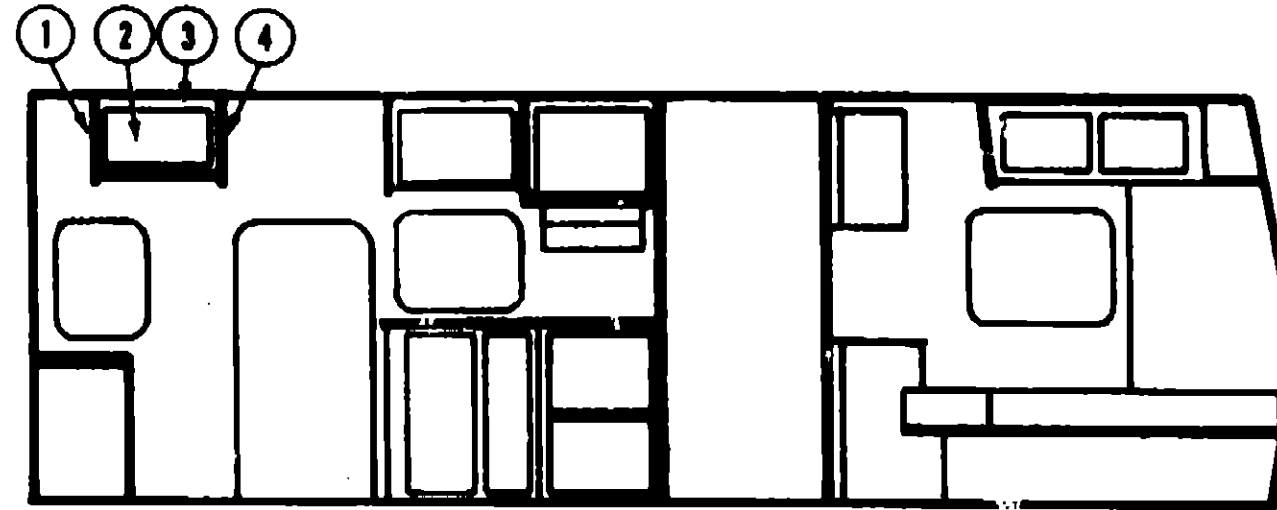
CURTAIN, CUSHION & PAD GROUP (CONTINUED)

ITASCA

CURTAINS, SHADES, VALANCES & TIEBACKS (CONT.)

Key	Part Number	U/M	Description
10	084755-08-X33	EA	Shade Asm. - Linen - 33.25" (X70, X71)
†10	084755-08-XA3	EA	Shade Asm. - Linen - 33.25" (X70, X71)
**10	084755-08-XA6	EA	Shade Asm. - Linen - 33.25" (X70, X71)
10	084755-08-X35	EA	Shade Asm. - Linen - 33.25" (X72)
**10	084755-08-XA8	EA	Shade Asm. - Linen - 33.25" (X72)
10	079558-23-X33	EA	Valance Asm. w/Gathers - 5" x 75" (X70)
10	079558-23-X34	EA	Valance Asm. w/Gathers - 5" x 75" (X71)
10	079558-23-X35	EA	Valance Asm. w/Gathers - 5" x 75" (X72)
10	079558-11-X33	EA	Curtain Asm. w/Gathers - 32" x 41" (X70)
10	079558-11-X34	EA	Curtain Asm. w/Gathers - 32" x 41" (X71)
10	079558-11-X35	EA	Curtain Asm. w/Gathers - 32" x 41" (X72)
.	073260-23-WB6	EA	Tieback Asm. - 3" x 18" - Drapery (X70)
.	073260-23-W34	EA	Tieback Asm. - 3" x 18" - Drapery (X71)
**	073260-23-XA4	EA	Tieback Asm. - 3" x 18" - Drapery (X71)
.	073260-23-X19	EA	Tieback Asm. - 3" x 18" - Drapery (X72)
.	073260-27-X76	EA	Tieback Asm. - 3" x 23" - Bedspread (X70)
.	073260-27-X79	EA	Tieback Asm. - 3" x 23" - Bedspread (X71)
.	073260-27-X80	EA	Tieback Asm. - 3" x 23" - Bedspread (X72)
.	073260-34-X33	EA	Tieback Asm. - 4" x 20" - Drapery (X70)
†	073260-34-XB3	EA	Tieback Asm. - 4" x 20" - Drapery (X70)
.	073260-34-X34	EA	Tieback Asm. - 4" x 20" - Drapery (X71)
††	073260-34-XB4	EA	Tieback Asm. - 4" x 20" - Drapery (X71)
†	073260-34-XA4	EA	Tieback Asm. - 4" x 20" - Drapery (X71)
.	073260-34-X35	EA	Tieback Asm. - 4" x 20" - Drapery (X72)
.	Not illustrated		
††	Parts used after 10/1/87		
†	Parts used after 12/1/87		
**	Parts used after 3/1/88		

DINETTE GROUP



SWIVEL CHAIR CABINERY

Key	Part Number	U/M	Description
1	081325-02-X36	EA	Pad Asm. - End Cap - Front Overhead - Vinyl
2	M88304-16-X23	EA	Door Asm. - Overhead Cabinetry - w/o Hardware
3	M89171-01-X14	EA	Cabinet Asm. - Front Overhead - Passenger - w/o Doors or Hardware
.	M81550-30-X14	EA	Cabinet Asm. - Front Overhead - Driver - w/o Doors or Hardware
4	081325-01-W30	EA	Pad Asm. - End Cap - Front Overhead - Vinyl
.	M91180-01-X14	EA	Table Asm. - Pullout
.	081298-01-X11	EA	Table Asm. - Pedestal
.	009040-03-000	EA	Base - Mounts on Table
.	009040-06-000	EA	Leg - Pedestal Table - 27.5"
.	041194-01-000	EA	Base - Table - Flush Mount in Floor
.	082048-01-000	EA	Clip - Pedestal Leg
.	082938-01-U04	EA	Support - Table
.	Not illustrated		

DINETTE CABINERY & HARDWARE (OPTION)

Key	Part Number	U/M	Description
	M02174-01-W30	EA	Cabinet Asm. - Dinette Back - Right
	M02174-03-W30	EA	Cabinet Asm. - Dinette Back - Left
	M02175-02-W30	EA	Cabinet Asm. - Dinette Seat - Right w/o Door
	M02175-04-W24	EA	Cabinet Asm. - Dinette Seat - Left w/o Door
	M88304-21-X08	EA	Door Asm. - Dinette Seat - 10" x 19" - w/o Hardware
	M02115-08-X36	EA	Table Asm. - Dinette - w/o Hardware
	088410-01-000	EA	Hanger - Table - Beige
	074493-02-000	EA	Support - Sprung Door Asm. - Overhead Cabinet
	063200-05-000	EA	Bracket - Upper Wall Mount - Beige
	024275-05-000	EA	Rod - Table Lift - 8" x 23.5" - Beige
	024281-07-000	EA	Bracket - Lower Wall Mount - Beige
	024276-17-000	EA	Leg Asm. - Table
	064050-02-000	EA	Hinge - Table Leg
**	024282-01-000	EA	Brace - Table Leg
**	024283-01-000	EA	Clip - Table Leg
	049493-05-000	EA	Catch - Table Leg - Mounts on Floor
	084781-05-000	EA	Cup Holder - 3.47" O.D. x 2.75" I.D. x 1.5"
**	The illustrated parts breakdown for this item is provided on the Common Items Fiche.		

1988 M SERIES

TABLE OF CONTENTS

W/IM27RQ
W/IM31RQ
W/IM34RQ

A-01 - A-24
B-01 - C-08
C-07 - D-08

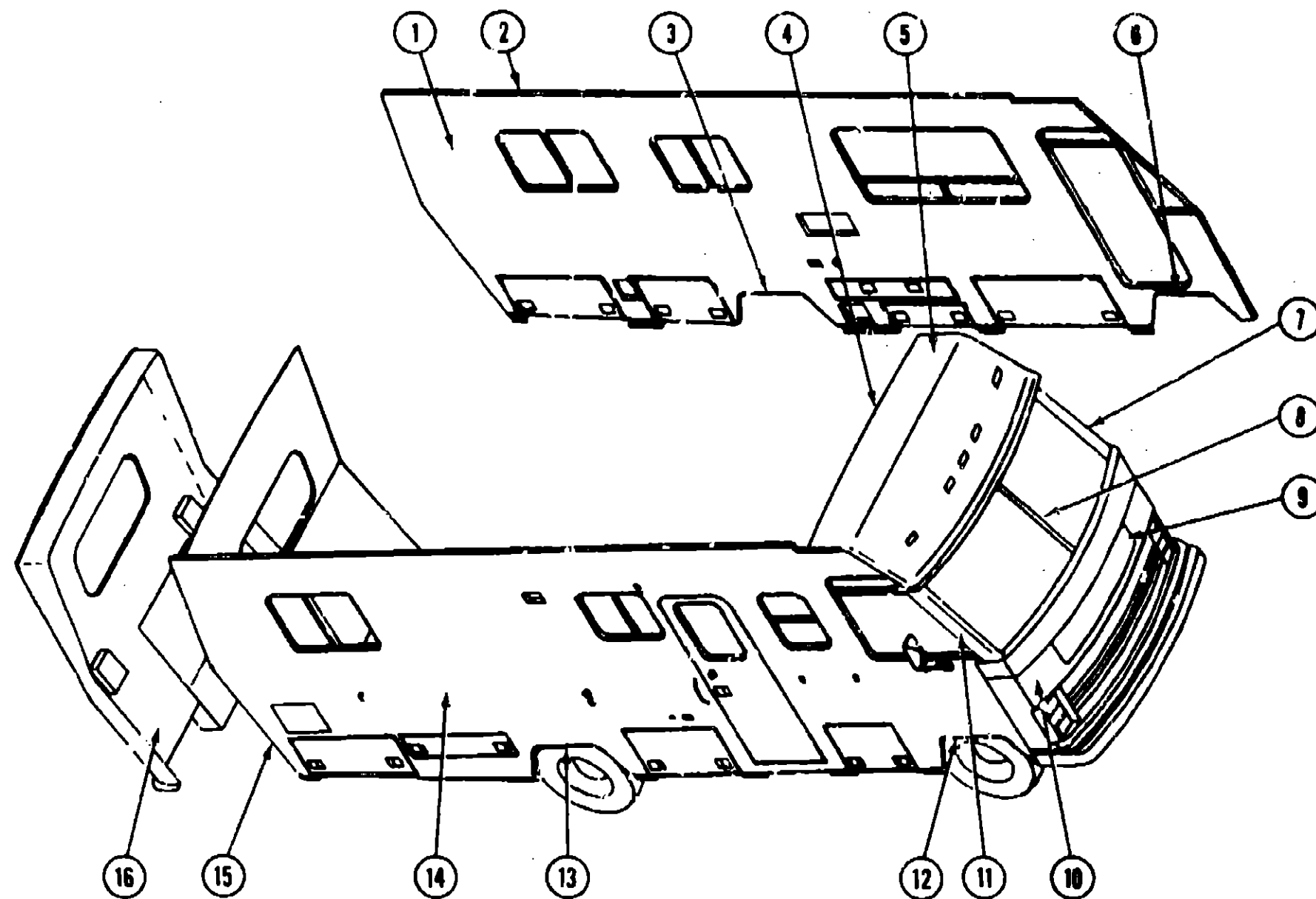
1988 W/IM27RQ INDEX

Floor Plan	A-01 - A-02
Bath Group	A-03
Curtain, Cushion & Pad Group	A-04 - A-09
Dinette Group	A-10
Exterior Body Group	A-11 - A-15
Galley Group	A-16
Lounge Group	A-17 - A-18
Window, Vent & Exterior Door Group	A-19 - A-24

EXTERIOR BODY GROUP

WINNEBAGO

EXTERIOR BODY PANELS



1988 M SERIES TABLE OF CONTENTS

W/IM27RQ
W/IM31RQ
W/IM34RQ

A-01 - A-24
B-01 - C-08
C-07 - D-08

1988 W/IM27RQ INDEX

Floor Plan	A-01 - A-02
Bath Group	A-03
Curtain, Cushion & Pad Group	A-04 - A-09
Dinette Group	A-10
Exterior Body Group	A-11 - A-15
Galley Group	A-16
Lounge Group	A-17 - A-18
Window, Vent & Exterior Door Group	A-19 - A-24

Key	Part Number	U/M	Description
1	M89042-01-X14	EA	Sidewall Asm. - Driver (X14, X18)
1	M89042-01-X15	EA	Sidewall Asm. - Driver (X15)
2	078600-06-000	EA	Trim - Upper Sidewall - Driver or Passenger - Beige
3	089749-01-000	EA	Trim - Wheelwell - Rear - U-Channel - Driver or Passenger
	075070-03-000	EA	Trim - Wheelwell - Rear - Plastic - Driver
4	078580-01-000	EA	Trim - Roof/Front Cap
5	M02859-04-X14	EA	Cap - Over Windshield - Beige
6	089909-01-000	EA	Trim - Wheelwell - Front - U-Channel - Driver or Passenger
	078556-08-000	EA	Trim - Wheelwell - Front - Plastic - Driver
7	079225-04-000	EA	Trim Post - Windshield - Driver
	077944-02-000	EA	Reveal Molding - Upper - Driver
	077945-02-000	EA	Reveal Molding - Lower - Driver
8	078676-05-000	EA	Reveal Molding - Center - Windshield
9	089768-01-X14	EA	Access Panel w/Hardware
	090202-02-000	EA	Headlamp Bezel - Driver
	090202-01-000	EA	Headlamp Bezel - Passenger
	073308-01-000	EA	Screw Asm. - Headlamp - Adjusting
	049359-01-000	EA	Spring - Headlamp Retainer
	089821-01-X14	EA	Grille Asm. - 5 Bar

Key	Part Number	U/M	Description
10	M01115-17-X14	EA	Panel Asm. - Front Shroud (Includes access panel)
11	079225-03-000	EA	Trim Post - Windshield - Passenger
	077944-01-000	EA	Reveal Molding - Upper - Passenger
	077945-01-000	EA	Reveal Molding - Lower - Passenger
12	078556-07-000	EA	Trim - Wheelwell - Front - Plastic - Passenger
	058576-08-000	EA	Feature Strip - Extr. Beige - 14' - w/o Insert
	001030-12-002	EA	Insert - Feature Strip - Beige - 17'
	009731-01-000	EA	End Cap - Feature Strip Insert
13	075070-01-000	EA	Trim - Wheelwell - Rear - Plastic - Passenger
14	M89041-01-X14	EA	Sidewall Asm. - Passenger (X14, X16)
14	M89041-01-X15	EA	Sidewall Asm. - Passenger (X15)
15	073502-25-000	EA	Trim - Rear - Beige
	050406-13-000	EA	Trim - Lower Backwall - Driver or Passenger
16	M03166-01-X14	EA	Rear Cap Asm. - Backwall
	089556-01-X14	EA	Backwall Asm.
	089986-01-X14	EA	Roof Asm.
	078577-01-000	EA	Bumper End Cap - Front - Passenger
	078577-02-000	EA	Bumper End Cap - Front - Driver
	078576-01-000	EA	Bumper End Cap - Rear - Passenger
	078576-02-000	EA	Bumper End Cap - Rear - Driver
			Not illustrated

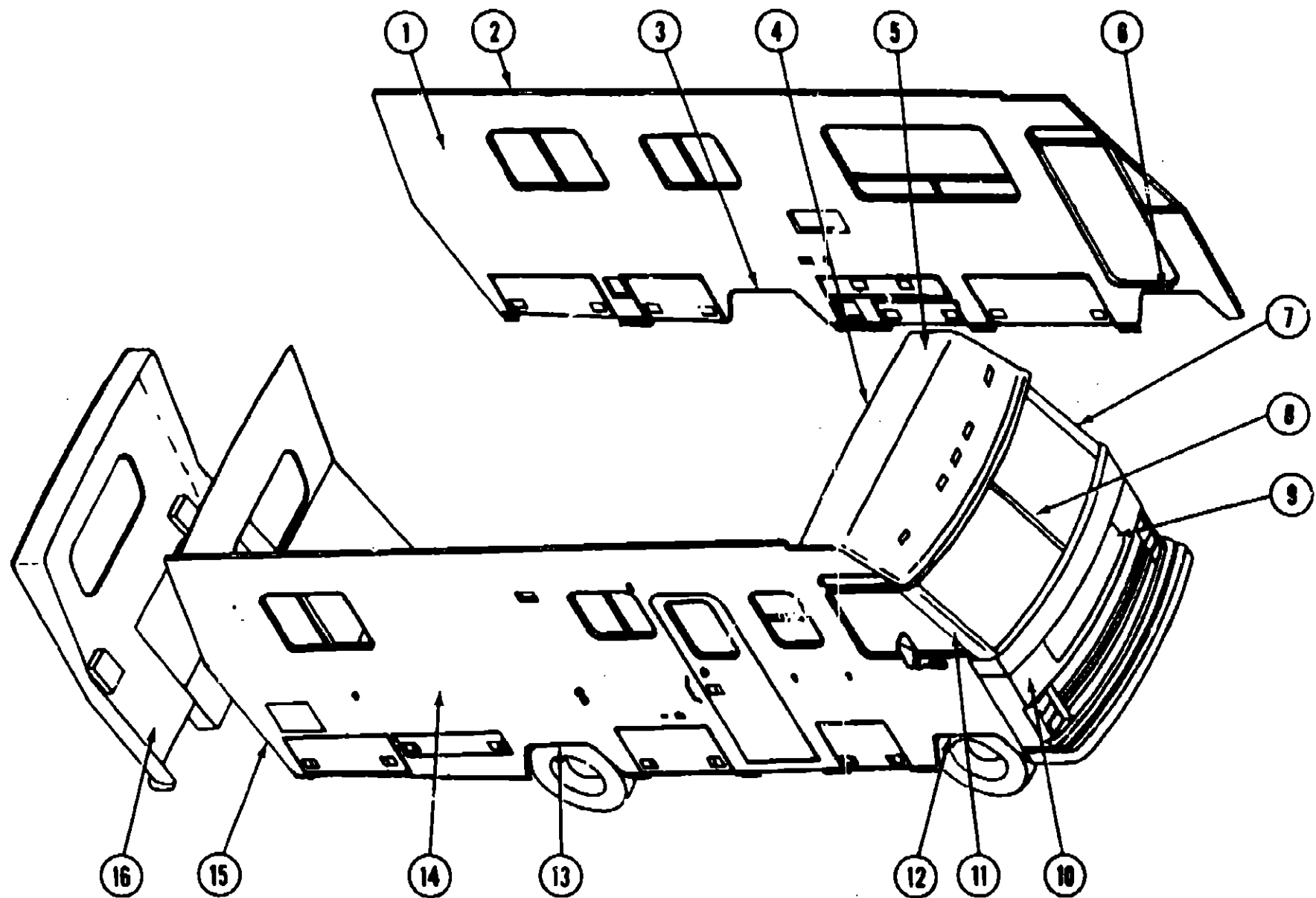
A-11

A-12

EXTERIOR BODY GROUP (CONTINUED)

ITASCA

EXTERIOR BODY PANELS



1988 M SERIES TABLE OF CONTENTS

W/IM27RQ
W/IM31RQ
W/IM34RQ

A-01 - A-24
B-01 - C-06
C-07 - D-08

1988 W/IM27RQ INDEX

Floor Plan	A-01 - A-02
Bath Group	A-03
Curta'n, Cushion & Pad Group	A-04 - A-09
Dinette Group	A-10
Exterior Body Group	A-11 - A-15
Galley Group	A-16
Lounge Group	A-17 - A-18
Window, Vent & Exterior Door Group	A-19 - A-24

Key	Part Number	U/M	Description
1	M89042-01-X70	EA	Sidewall Asm. - Driver
1	M89042-01-X71	EA	Sidewall Asm. - Driver
1	M89042-01-X72	EA	Sidewall Asm. - Driver
2	078800-12-000	EA	Trim - Upper Sidewall - Driver or Passenger - Gray
3	069749-01-000	EA	Trim - Wheelwell - Rear - U-Channel - Driver or Passenger
•	075070-04-000	EA	Trim - Wheelwell - Rear - Plastic - Driver
4	078580-01-000	EA	Trim - Roof/Front Cap
5	M02959-04-X70	EA	Cap - Over Windshield - Gray
6	069909-01-000	EA	Trim - Wheelwell - Front - U-Channel - Driver or Passenger
•	078556-14-000	EA	Trim - Wheelwell - Front - Plastic - Driver
7	079225-04-000	EA	Trim Post - Windshield - Driver
•	077944-02-000	EA	Reveal Molding - Upper - Driver
•	077945-02-000	EA	Reveal Molding - Lower - Driver
8	078676-05-000	EA	Reveal Molding - Center - Windshield
9	069766-01-X70	EA	Access Panel w/Hardware
•	090202-02-000	EA	Headlamp Bezel - Driver
•	090202-01-000	EA	Headlamp Bezel - Passenger
•	073308-01-000	EA	Screw Asm. - Headlamp - Adjusting
•	049369-01-000	EA	Spring - Headlamp Retainer
•	090411-01-X70	EA	Grille Asm. - 5 Bar - Large - Upper
•	090412-01-X70	EA	Grille Asm. - 5 Bar - Small - Lower

A-13

Key	Part Number	U/M	Description
10	M01115-19-X70	EA	Panel Asm. - Front Shroud (Includes access panel)
11	079225-03-000	EA	Trim Post - Windshield - Passenger
•	077944-01-000	EA	Reveal Molding - Upper - Passenger
•	077945-01-000	EA	Reveal Molding - Lower - Passenger
12	078556-13-000	EA	Trim - Wheelwell - Front - Plastic - Passenger
•	059576-11-000	EA	Feature Strip - Extr. Gray - 14' - w/o Insert
•	001030-11-100	EA	Insert - Feature Strip - Gray - 17'
•	003731-01-000	EA	End Cap - Feature Strip Insert
13	075070-02-000	EA	Trim - Wheelwell - Rear - Plastic - Passenger
14	M89041-01-X70	EA	Sidewall Asm. - Passenger
14	M89041-01-X71	EA	Sidewall Asm. - Passenger
14	M89041-01-X72	EA	Sidewall Asm. - Passenger
15	073502-26-000	EA	Trim - Rear - Gray
•	051408-13-000	EA	Trim - Lower Backwall - Driver or Passenger
16	M03166-01-X70	EA	Rear Cap Asm. - Backwall
•	086556-01-X70	EA	Backwall Asm.
•	069702-02-X70	EA	Roof Asm.
•	078577-05-000	EA	Bumper End Cap - Front - Passenger
•	078577-06-000	EA	Bumper End Cap - Front - Driver
•	078578-07-000	EA	Bumper End Cap - Rear - Passenger
•	078578-08-000	EA	Bumper End Cap - Rear - Driver
•			Not Illustrated

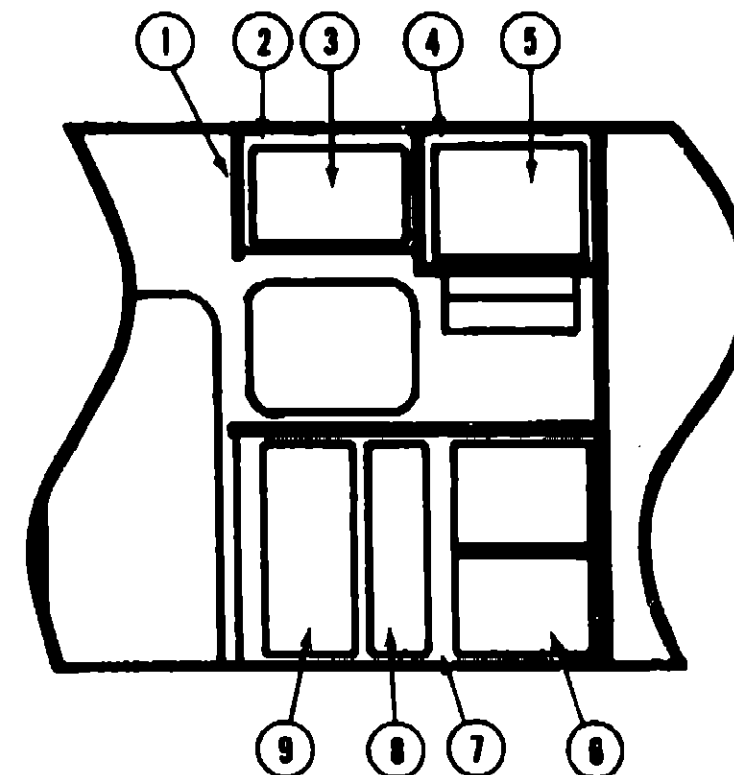
A-14

EXTERIOR BODY GROUP (CONTINUED)

ACCESS PANEL HARDWARE

Key	Part Number	U/M	Description
	076716-02-000	EA	Bracket Asm. - Striker Latch
	074178-01-000	EA	Bracket - Cable Release - Inside
	073338-02-000	EA	Arm - Hinge - Hood
	090197-01-000	EA	Bracket - Hinge Arm - Hood - Right
	090197-02-000	EA	Bracket - Hinge Arm - Hood - Left
	058788-02-000	EA	Hood Bolt - Adjusting
	073342-01-000	EA	Bracket Asm. - Latch Hood
	073341-01-000	EA	Bracket - Latch Hood
	073345-01-000	EA	Latch - Complete - Hood
	076716-02-000	EA	Bracket Asm. - Striker Latch
	078767-02-000	EA	Plate Asm. - Mounting
	068252-02-000	FT	Chrome Trim - 1"
	068252-03-000	FT	Chrome Trim - 2"

GALLEY GROUP



GALLEY CABINETRY

Key	Part Number	U/M	Description
1	081320-04-W30	EA	Pad Asm. - End Cap - Vinyl
2	M89161-01-X14	EA	Cabinet Asm. - Galley Overhead - w/o Door or Hardware
3	M88304-B7-X14	EA	Door Asm. - Galley Cabinet - 15.7" x 20.4" - w/o Hardware
4	M88307-04-X11	EA	Cabinet Asm. - Galley Overhead - w/o Door or Hardware (Microwave)
5	M88304-01-X08	EA	Door Asm. - Galley Cabinet - 17.7" x 22.8" - w/o Hardware
6	M92073-04-X11	EA	Door Asm. - Furnace - 13.3" x 21.8" - w/o Hardware
*	072389-21-000	EA	Mesh Insert - Furnace Door - 18.4" x 12.5"
7	M03163-01-X14	EA	Cabinet Asm. - Galley - w/o Doors, Countertop or Hardware
**	M03163-02-X14	EA	Cabinet Asm. - Galley - w/o Doors, Countertop, Drawer or Hardware
**	M82184-10-X11	EA	Drawer Asm. - Galley Cabinet - w/o Hardware
*	069159-12-X70	EA	Countertop Asm. - Galley Cabinet
8	M88304-A4-X08	EA	Door Asm. - Galley Cabinet - 9.8" x 33.4" - w/o Hardware
9	M88304-13-X08	EA	Door Asm. - Galley Cabinet - 14.3" x 33.4" - w/o Hardware
*			Not illustrated
**			Parts used in the microwave option.

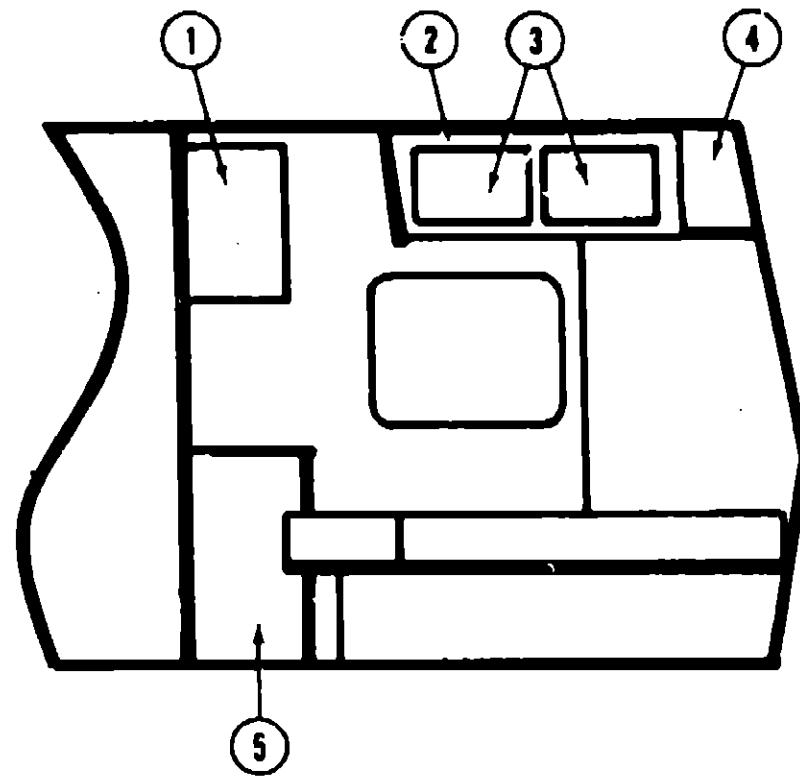
**1988 M SERIES
TABLE OF CONTENTS**

W/IM27RQ	A-01 - A-24
W/IM31RQ	B-01 - C-08
W/IM34RQ	C-07 - D-09

1988 W/IM27RQ INDEX

Floor Plan	A-01 - A-02
Bath Group	A-03
Curtain, Cushion & Pad Group	A-04 - A-09
Dinette Group	A-10
Exterior Body Group	A-11 - A-15
Galley Group	A-16
Lounge Group	A-17 - A-18
Window, Vent & Exterior Door Group	A-19 - A-24

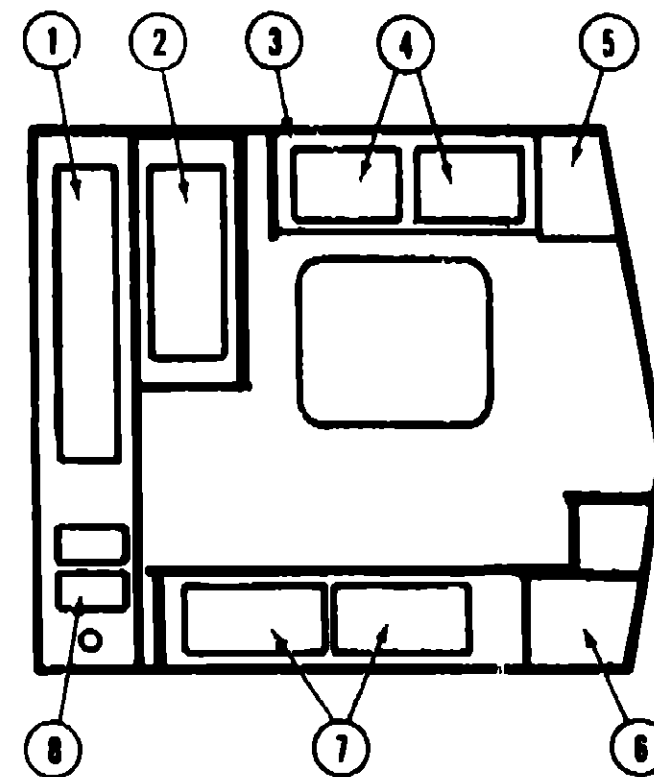
LOUNGE GROUP



QUEEN BED CABINETRY

Key	Part Number	U/M	Description
1	089168-01-X14	EA	Cabinet Asm. - Upper Vanity - w/o Door or Hardware
•	M88304-B8-X11	EA	Door Asm. - Vanity Cabinet - 15.7" x 20.5" - w/o Hardware
•	090588-01-X14	EA	Mirror Asm. - Vanity
2	M89155-01-X14	EA	Cabinet Asm. - Center Overhead - w/o Doors or Hardware
3	M88304-08-X11	EA	Door Asm. - Overhead Cabinet - w/o Hardware
•	089599-01-X14	EA	Pad Asm. - End Cap - Overhead - Vinyl
4	M89156-01-000	EA	Cabinet Asm. - Rear Overhead - w/o Doors or Hardware
•	M88304-D8-X14	EA	Door Asm. - Rear Overhead - 11" x 11" - w/o Hardware
•	M88304-09-X08	EA	Door Asm. - Wardrobe Cabinet - 12" x 48" - w/o Hardware
•	M78921-11-X'4	EA	Drawer Asm. - Wardrobe Cabinet - Left - w/o Hardware
5	089167-01-X14	EA	Cabinet Asm. - Lower Vanity - w/o Countertop, Doors or Hardware
•	M88304-21-X08	EA	Door Asm. - Vanity Cabinet - 10" x 19.9" - w/o Hardware
•	089167-11-X14	EA	Countertop Asm. - Vanity Cabinet
•			Not illustrated

LOUNGE GROUP (CONTINUED)



TWIN BED CABINETRY

Key	Part Number	U/M	Description
1	M88304-09-X08	EA	Door Asm. - Wardrobe Cabinet - 12" x 48" - w/o Hardware
2	M88304-82-X08	EA	Door Asm. - Shirt Closets - 14.3" x 33.4" - w/o Hardware
•	081280-13-W24	EA	Pad Asm. - End Cap - Shirt Closets - Vinyl
3	M81313-05-X14	EA	Cabinet Asm. - Overhead - Right - w/o Doors or Hardware
4	M88304-08-X11	EA	Door Asm. - Overhead Cabinet - 12" x 18.7" - w/o Hardware
•	M88600-02-X14	EA	Cabinet Asm. - Overhead - Left - w/o Doors or Hardware
•	M88304-16-X23	EA	Door Asm. - Overhead Cabinet - 12" x 21.8" - w/o Hardware
•	081325-04-W30	EA	Pad Asm. - End Cap - Side Overheads - Vinyl
5	M81308-25-X14	EA	Cabinet Asm. - Overhead - Rear - w/o Doors or Hardware
6	M83441-01-X19	EA	Cabinet Asm. - Nightstand - w/o Door, Countertop or Hardware
•	M02803-01-X19	EA	Countertop Asm. - Nightstand - Lower
•	M02808-01-X19	EA	Countertop Asm. - Nightstand - Upper
7	M88304-02-X23	EA	Door Asm. - Bed/Nightstand - 11" x 21.8" - w/o Hardware
8	M78921-11-X14	EA	Drawer Asm. - Wardrobe Cabinet - w/o Hardware
•	089534-01-X14	EA	Cabinet Asm. - Nightstand - Left - w/o Countertop, Drawers or Hardware
•	089534-11-X14	EA	Countertop Asm. - Nightstand - Left
•	078921-02-W13	EA	Drawer Asm. - Nightstand - Left - w/o Hardware
•			Not illustrated

**1988 M SERIES
TABLE OF CONTENTS**

W/IM27RQ
W/IM31RQ
W/IM34RQ

A-01 - A-24
B-01 - C-08
C-07 - D-09

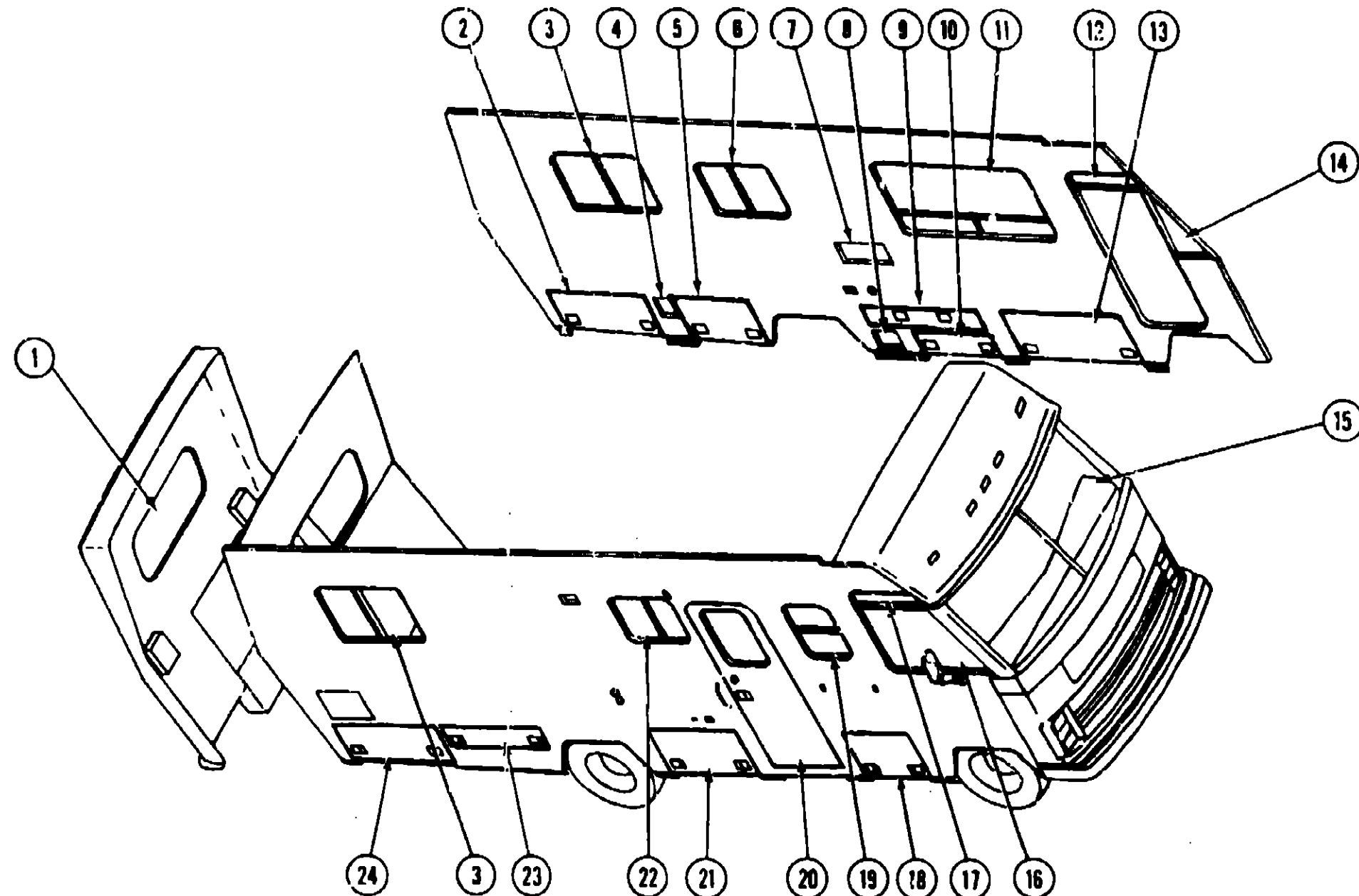
1988 W/IM27RQ INDEX

Floor Plan	A-01 - A-02
Bath Group	A-03
Curtain, Cushion & Pad Group	A-04 - A-09
Dinette Group	A-10
Exterior Body Group	A-11 - A-15
Galley Group	A-16
Lounge Group	A-17 - A-18
Window, Vent & Exterior Door Group	A-19 - A-24

WINDOWS, VENTS & EXTERIOR DOORS GROUP

WINNEBAGO

WINDOWS & EXTERIOR DOORS



1988 M SERIES TABLE OF CONTENTS

W/IM27RQ
W/IM31RQ
W/IM34RQ

A-01 - A-24
B-01 - C-08
C-07 - D-09

1988 W/IM27RQ INDEX

Floor Plan	A-01 - A-02
Bath Group	A-03
Curtain, Cushion & Pad Group	A-04 - A-09
Dinette Group	A-10
Exterior Body Group	A-11 - A-15
Galley Group	A-16
Lounge Group	A-17 - A-18
Window, Vent & Exterior Door Group	A-19 - A-24

Key	Part Number	U/M	Description
1	078528-01-T03	EA	Window Asm. - Escape
†2	087472-03-X14	EA	Door Asm. - Luggage - w/Rocker Panel
2	087472-15-X14	EA	Door Asm. - Luggage - w/o Rocker Panel
3	078266-06-T03	EA	Window Asm. - Single Slider
4	078010-04-000	EA	Door Asm. - Fuel Fill - Beige
†5	087472-05-X14	EA	Door Asm. - Luggage - w/Rocker Panel
5	087472-06-X14	EA	Door Asm. - Luggage - w/o Rocker Panel
6	078266-04-T03	EA	Window Asm. - Slider
7	084103-01-000	EA	Door Asm. - Refrigerator Vent
8	084104-01-000	EA	Jamb Asm. - Refrigerator Vent Door
8	088794-02-000	EA	Door Asm. - Power Cord w/Hatch
9	087448-01-W81	EA	Door Asm. - Luggage
10	M79321-02-T03	EA	Door Asm. - Generator
11	078269-02-W24	EA	Window Asm. - Double Slider
12	089619-02-X14	EA	Window Asm. - Vista Picture
†13	087448-08-X14	EA	Door Asm. - Luggage - w/Rocker Panel
13	087448-04-X14	EA	Door Asm. - Luggage - w/o Rocker Panel

Key	Part Number	U/M	Description
14	078421-02-T03	EA	Window Asm. - Slant
15	068793-02-000	EA	Glass - Windshield - Driver
15	068793-01-000	EA	Glass - Windshield - Passenger
16	089607-01-X14	EA	Window Asm. - Front Slant
17	089719-01-X14	EA	Window Asm. - Vista Picture
†18	087448-05-X14	EA	Door Asm. - Luggage - w/Rocker Panel
18	087448-01-W81	EA	Door Asm. - Luggage - w/o Rocker Panel
19	078453-02-U25	EA	Window Asm. - Vertical Slider
20	M01870-18-X14	EA	Door Asm. - Entrance
20	078733-04-T03	EA	Window Asm. - Entrance Door
†21	087495-02-X14	EA	Door Asm. - Luggage/LP - w/Rocker Panel
21	087495-01-W81	EA	Door Asm. - Luggage/LP - w/o Rocker Panel
22	078266-02-T03	EA	Window Asm. - Single Slider
23	087448-02-X14	EA	Door Asm. - Luggage
†24	087472-04-X14	EA	Door Asm. - Luggage - w/Rocker Panel
24	087472-14-X14	EA	Door Asm. - Luggage - w/o Rocker Panel

A-19

† Not Illustrated

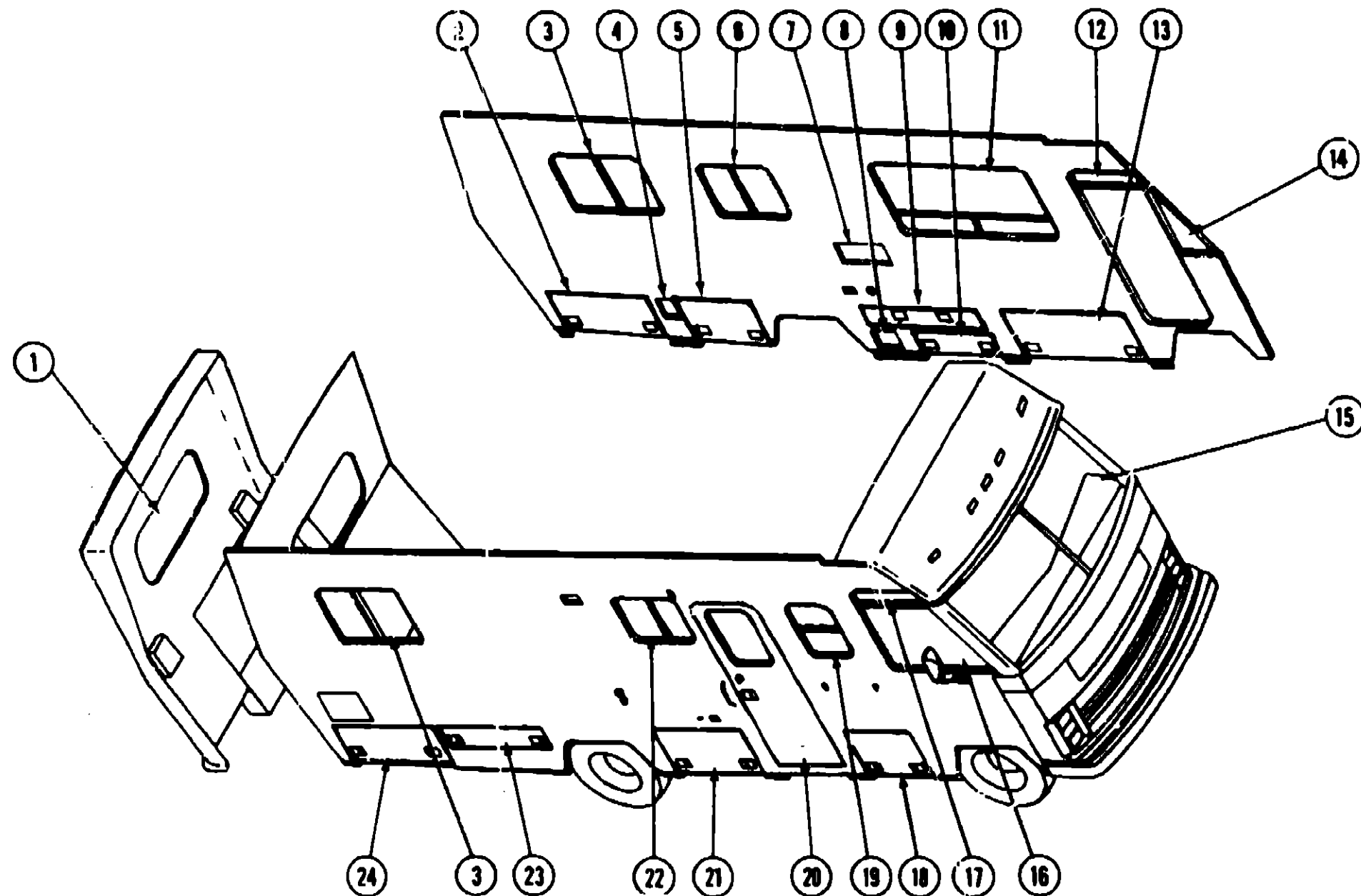
† Parts used on units produced before 2/1/88

A-20

WINDOW, VENT & EXTERIOR DOOR GROUP (CONTINUED)

ITASCA

WINDOWS & EXTERIOR DOORS



1988 M SERIES TABLE OF CONTENTS

W/IM27RQ
W/IM31RQ
W/IM34RQ

A-01 - A-24
B-01 - C-06
C-07 - D-08

1988 W/IM27RQ INDEX

Floor Plan A-01 - A-02
Bath Group A-03
Curtain, Cushion & Pad Group A-04 - A-09
Dinette Group A-10
Exterior Body Group A-11 - A-15
Galley Group A-16
Lounge Group A-17 - A-18
Window, Vent & Exterior Door Group A-19 - A-24

Key	Part Number	U/M	Description
1	078528-01-T03	EA	Window Asm. - Escape
†2	087472-03-X70	EA	Door Asm. - Luggage - w/Rocker Panel
2	087472-15-X70	EA	Door Asm. - Luggage - w/o Rocker Panel
3	078266-06-T03	EA	Window Asm. - Single Slider
4	078010-05-000	EA	Door Asm. - Fuel Fill - Gray
†5	087472-05-X70	EA	Door Asm. - Luggage - w/Rocker Panel
5	087472-06-X70	EA	Door Asm. - Luggage - w/o Rocker Panel
6	078266-04-T03	EA	Window Asm. - Slider
7	084103-02-000	EA	Door Asm. - Refrigerator Vent
8	084104-02-000	EA	Jamb Asm. - Refrigerator Vent Door
8	088794-03-000	EA	Door Asm. - Power Cord w/Hatch
9	087448-01-X70	EA	Door Asm. - Luggage
10	M79321-02-X70	EA	Door Asm. - Generator
11	078266-02-W24	EA	Window Asm. - Double Slider
12	089619-02-X14	EA	Window Asm. - Vista Picture
†13	087448-08-X70	EA	Door Asm. - Luggage - w/Rocker Panel
13	087448-04-X70	EA	Door Asm. - Luggage - w/o Rocker Panel

Key	Part Number	U/M	Description
14	079421-02-T03	EA	Window Asm. - Slant
15	088793-02-000	EA	Glass - Windshield - Driver
15	088793-01-000	EA	Glass - Windshield - Passenger
16	089607-01-X14	EA	Window Asm. - Front Slant
17	089619-01-X14	EA	Window Asm. - Vista Picture
†18	087448-05-X70	EA	Door Asm. - Luggage - w/Rocker Panel
18	087448-01-W84	EA	Door Asm. - Luggage - w/o Rocker Panel
19	078453-02-U25	EA	Window Asm. - Vertical Slider
20	M01870-18-X70	EA	Door Asm. - Entrance
20	079733-04-T03	EA	Window Asm. - Entrance Door
†21	087495-02-X14	EA	Door Asm. - Luggage/LP - w/Rocker Panel
21	087495-01-W84	EA	Door Asm. - Luggage/LP - w/o Rocker Panel
22	078266-02-T03	EA	Window Asm. - Single Slider
23	087448-02-X70	EA	Door Asm. - Luggage
†24	087472-04-X70	EA	Door Asm. - Luggage - w/Rocker Panel
24	087472-14-X70	EA	Door Asm. - Luggage - w/o Rocker Panel
.	Not Illustrated		
†	Parts used on units before 2/1/88.		

WINDOW, VENT & EXTERIOR DOOR GROUP (CONTINUED)

ACCESS DOOR HARDWARE

Key	Part Number	U/M	Description
	052424-02-000	EA	Jamb - Power Cord/Fuel Fill Door - Beige
	052424-03-000	EA	Jamb - Power Cord/Fuel Fill Door - Gray
	078200-01-000	EA	Gasket - Fuel Fill - 3.54"
	042442-01-000	EA	Lock Asm. - Twist Type (Power Cord)
	079927-03-000	EA	Lock Asm. - Twist Type
	085730-01-000	EA	Latch Asm. - Paddle - Plastic (w/Key Lock) Beige
	085730-04-000	EA	Latch Asm. - Paddle - Plastic (w/o Key Lock) Beige
	085730-02-000	EA	Lock Asm. - Paddle - Plastic (w/Key Lock) Gray
	085730-05-000	EA	Lock Asm. - Paddle - Plastic (w/o Key Lock) Gray
	079386-03-000	EA	Lock Asm. - Key Type - w/o Keys - 1.3" Latch - 2.10" Depth
	079386-04-000	EA	Lock Asm. - Key Type - w/o Keys - 1.3" Latch - 1.50" Depth
	079386-01-000	FT	Seal - Access Doors
	083615-04-000	EA	Door Stop - Plastic - Beige
	083615-05-000	EA	Door Stop - Plastic - Gray
	086809-01-000	EA	Striker - Paddle Latch - Beige
	086809-02-000	EA	Striker - Paddle Latch - Gray

VENTS

Key	Part Number	U/M	Description
	084073-04-000	EA	Base - Refrigerator Vent
	084073-01-000	EA	Cover - Refrigerator Vent - Beige
	084073-01-000	EA	Cover - Refrigerator Vent - Gray
	075056-01-000	EA	Vent Asm. - Roof - Non-Powered - w/o Screen
†	080392-01-X19	EA	Vent Asm. - Roof - Non Powered - w/o Screen
**	084078-01-000	EA	Vent Asm. - Roof - Powered Fantastic Ceiling Vent
†	084076-04-000	EA	Vent Asm. - Roof - Powered Fantastic Ceiling Vent
‡	080393-01-X11	EA	Vent Asm. - Roof - Powered - w/o Screen
	078786-01-T03	EA	Screen Asm. - Roof Vent - Non Powered
	078785-01-T03	EA	Screen Asm. - Roof Vent - Powered
**	079537-01-000	EA	Vent Asm. - Roof - Powered - w/o Screen
	083558-01-000	EA	Vent - Roof - Vent Pipe - Covered
	084616-02-000	EA	Vent - Range Hood - S/W - Beige
	084616-03-000	EA	Vent - Range Hood - S/W - Gray
	080503-01-000	EA	Panel - Inner Skylight
	080507-01-000	EA	Panel - Outer Skylight
	080258-01-000	EA	Trim - Skylight Outer

** The illustrated parts breakdown for this item is provided on the Common Item Fiche.
 † Used in units produced after 2-28-88
 ‡ Used in units produced after 2-20-87

WINDSHIELD

Key	Part Number	U/M	Description
	088793-01-000	EA	Glass - Windshield - Passenger
	088793-02-000	EA	Glass - Windshield - Driver
	078676-05-000	EA	Revel Molding - Centered Barb
	077944-01-000	EA	Revel Molding - Upper Passenger
	077944-02-000	EA	Revel Molding - Upper Driver
	077945-01-000	EA	Revel Molding - Lower Passenger
	077945-02-000	EA	Revel Molding - Lower Driver
	077952-02-000	EA	Cap - Center Revel Molding - Top & Bottom
	079225-03-000	EA	Trim - W/S Post Passenger - Black
	079225-04-000	EA	Trim - W/S Post Drivers - Black

WINDOW, VENT & EXTERIOR DOOR GROUP (CONTINUED)

DRIVER DOOR W/ROLL-UP WINDOW

Key	Part Number	U/M	Description
	M89487-02-X14	EA	Door Asm. - w/Roll-Up Window - Beige
	M89487-02-X70	EA	Door Asm. - w/Roll-Up Window - Gray
	M03170-02-000	EA	Jamb Asm. - Cab Door - Beige
	M03170-04-000	EA	Jamb Asm. - Cab Door - Gray
	083983-01-000	EA	Hinge Asm. - Beige
	083983-03-000	EA	Hinge Asm. - Gray
	082150-01-000	FT	Seal - Sponge (Jamb)
	082150-02-000	FT	Seal - Sponge (Door)
	083731-01-000	EA	Cap - Push On - Zinc
	081400-08-000	EA	Assist Strap - Sandstone
	084219-01-000	EA	Retainer Strap - Driver Door
	083729-01-000	ZA	Rivnut - 1/4 x 20 unc. - .30 - .125
	081903-01-000	EA	Shaft - Mounting Knob
	081905-02-000	EA	Knob - Control - Slide Bolt - Driver
	081908-01-000	EA	Slide Bolt - Driver Door
	081907-02-000	EA	Regulator Asm. - Window - Driver
	081110-01-000	FT	Channel - Window - Sliding
	081912-01-000	EA	Weatherstrip - Rigid
	083886-08-000	EA	Assist Handle - Door - Beige
	083886-09-000	EA	Assist Handle - Door - Gray
	075722-01-000	EA	Block - Switch - Spacer
	073119-01-000	EA	Retainer - Attachment Plate
	073119-01-000	EA	Attachment Plate - Striker
	079561-01-000	EA	Shim - Strike - Cab Door
	R77007-56-702	EA	Plate - Door Lock - Driver
	R77040-01-538	EA	Door Handle
	R77007-05-374	EA	Plate - Door Handle Spacer
	R77008-50-328	EA	Door - Handle Inner
	R77008-13-480	EA	Cap - Inner - Window Crank
	072035-01-000	EA	Crank - Hand - Glass Lift
	072038-01-000	EA	Cap - Crank - Hand
	073110-03-000	EA	Rod - Lock - Driver
	R77008-84-355	EA	Link - Door Handle - Control
	R77030-56-048	EA	Washer
	R77030-33-009	EA	Nut - w/Washer
	081488-02-000	EA	Glass - Door - Roll-Up
	083223-02-000	EA	Lock Asm. - Key Type (Set of 2)
	078542-04-000	EA	Rod Control - Latch - Driver

1988 M SERIES

TABLE OF CONTENTS

W/IM27RQ	A-01 - A-24
W/IM31RQ	B-01 - C-08
W/IM34RQ	C-07 - D-08

1988 W/IM27RQ INDEX

Floor Plan	A-01 - A-02
Bath Group	A-03
Curtain, Cushion & Pad Group	A-04 - A-09
Dinette Group	A-10
Exterior Body Group	A-11 - A-15
Galley Group	A-16
Lounge Group	A-17 - A-18
Window, Vent & Exterior Door Group	A-19 - A-24