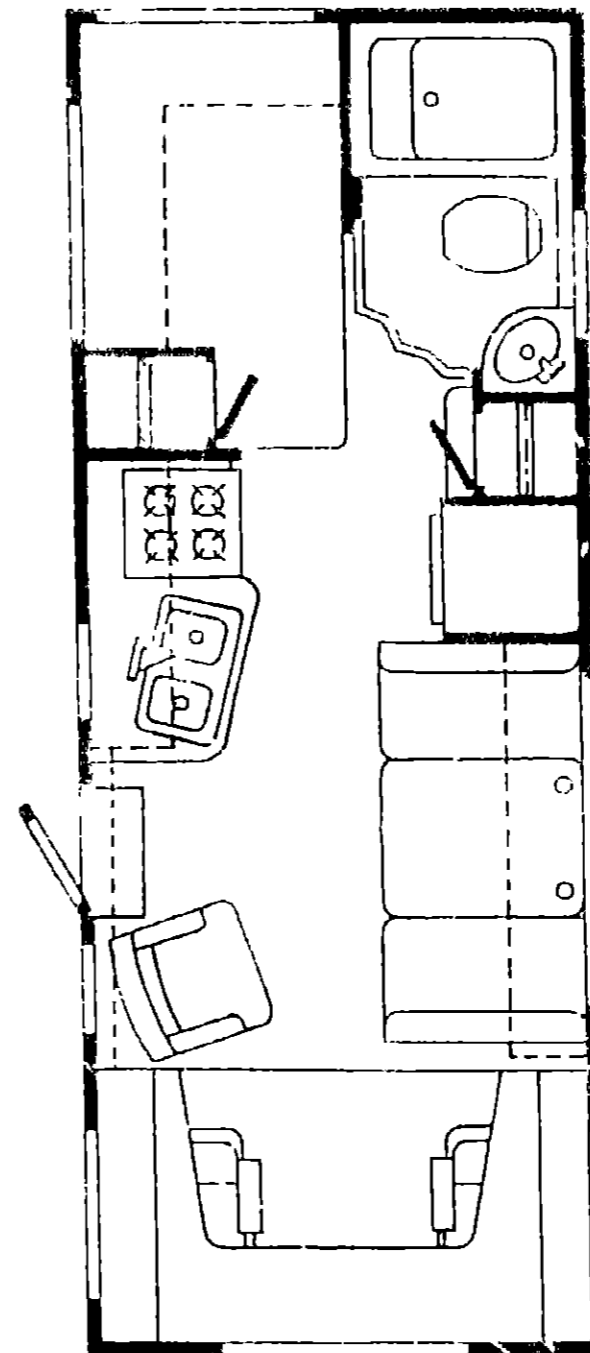


1988
W/IF424RC
W/IC424RC



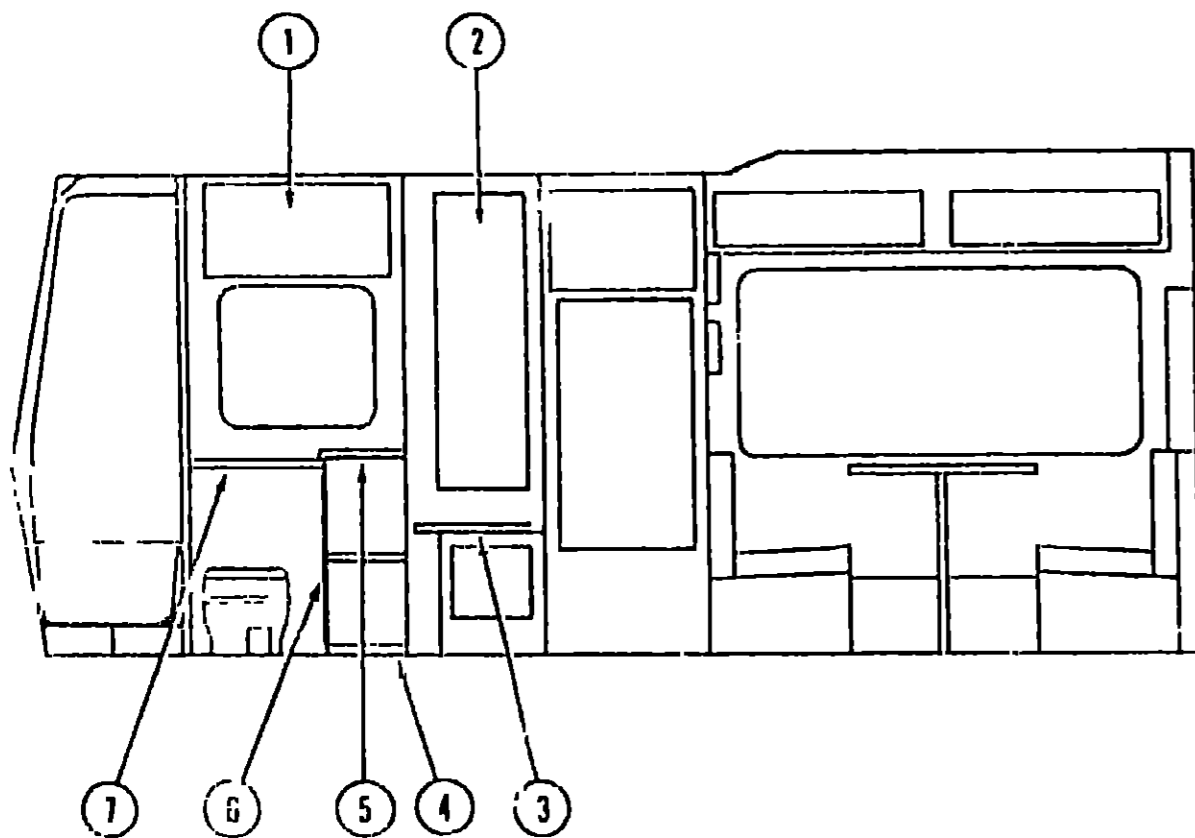
1988 WINNEBAGO-ITASCA
TABLE OF CONTENTS

W/IT319RK	A-01 - E-04
W/IT319RB	B-05 - C-03
W/IC420EG	C-09 - D-03
W/IF420RG	D-07 - E-10
W/IC420FG	D-07 - E-10
W/IF421FB	E-11 - F-04
W/IC421FB	E-11 - F-04
W/IF424RB	F-05 - G-02
W/IC424RB	F-05 - G-02
W/IF424RC	G-03 - H-02
W/IC424RC	G-03 - H-02
W/IF426F-1	H-03 - I-02

1988 W/IF424RC & W/IC424RC
INDEX

Floor Plan	G-03 - G-04
Bath Group	C-05
Curtain, Cushion & Pad Group	G-05 - G-14
Dinette Group	G-15
Exterior Body Group	G-16 - G-20
Galley Group	G-21
Lounge Group	G-22
Window, Vent & Exterior Door Group	G-23 - H-01

BATH GROUP



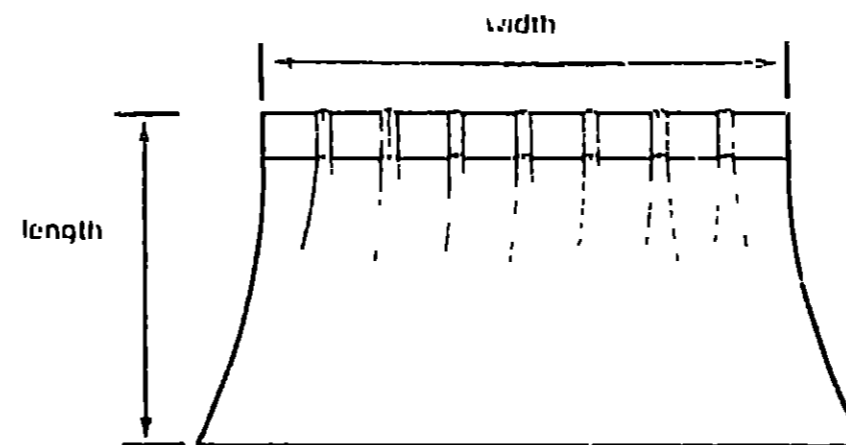
Key	Part Number	U/M	Description
1	088301-50-X08	EA	Door Asm w/Mirror - 29 1" x 15 5" - w/o Hardware
•	076073-01-030	EA	Cabinet Asm - Medicine - Almond
•	076387-01-000	EA	Bracket - Medicine Cabinet
2	088301-83-X08	EA	Door Asm - Wardrobe Cabinet - w/o Hardware
3	M02447-01-W24	EA	Countertop Asm - Wardrobe
4	M81548-01-X08	EA	Cabinet Asm - Lavatory
5	M02406-01-X08	EA	Countertop Asm - Lavatory Cabinet
6	M88304-19-X08	EA	Door Asm - Lavatory - 12' x 25 9" - w/o Hardware
7	M02473-01-X08	EA	Countertop Asm - Pipe Cover
•	080224-26-000	EA	Door Asm - Folding - 46" x 75"
•	090224-04-000	EA	Track Asm - Folding Door - 90°
•	080224-01-700	EA	Latch & Catch Asm - Folding Door
•	079657-02-000	EA	Door Asm - Shower - Satin Brass
•	Not illustrated		

CURTAIN, CUSHION & PAD GROUP

NOTICE

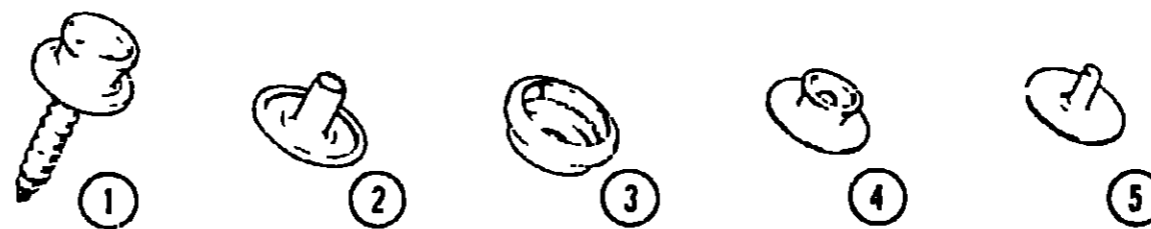
In order to assist our Parts Sales Dept. in providing interior software items, please include the serial number and the color code number from the vehicle certification label when ordering. This label is located on the left sidewall at the end of the dash (A-Body), or on the driver's door latch plate (C-Body).

An example of a color code number is P31, which designates an overall color scheme of a particular unit. The color listed after the item description on the microfiche, indicates the overall unit color. Order the item you desire according to unit color code.



NOTE

Use this illustration when determining length and width measurements for curtains. You will note the width measurement is taken on the top of the curtain with the curtain fully extended. The length measurement is taken from top to bottom.



Key	Part Number	U/M	Description
1	029130-01-000	EA	Socket - Snap Fastener
2	029155-01-000	EA	Cap - Snap - 156" Dia x 17' Barrel
3	029156-01-000	EA	Socket - Snap Fastener
4	029092-01-000	EA	Stud - Nickel Finish
5	029093-01-000	EA	Eyelet - Nickel Finish

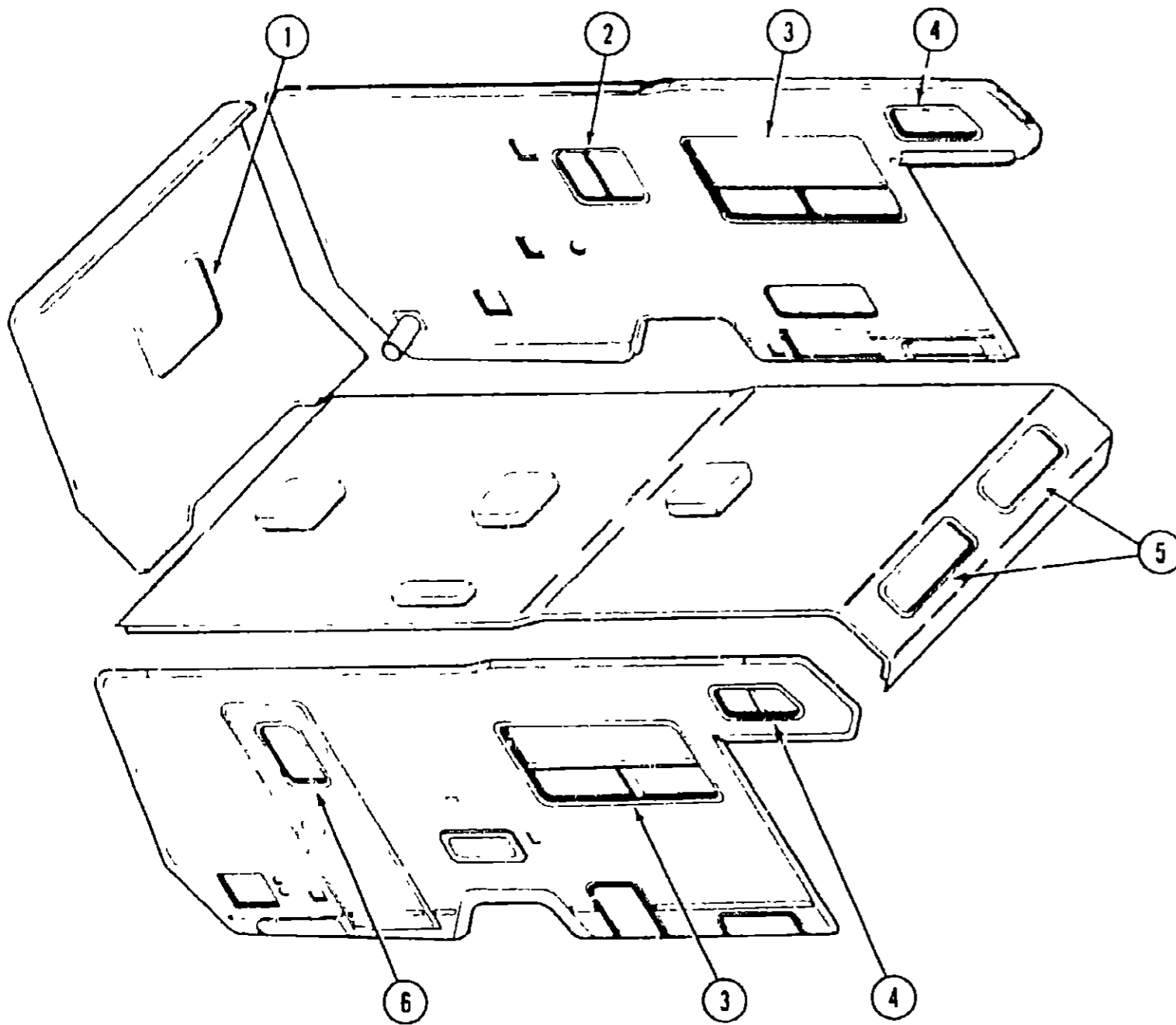
1988 WINNEBAGO-ITASCA TABLE OF CONTENTS

W/IT319RK	A-01 - B-04
W/IT319RB	B-05 - C-08
W/IC420EG	C-09 - D-06
W/IF420RG	D-07 - E-10
W/IC420RG	D-07 - E-10
W/IF421RB	E-11 - F-04
W/IC421RB	E-11 - F-04
W/IF424RB	F-05 - G-02
W/IC424RB	F-05 - G-02
W/IF424RC	G-03 - H-02
W/IC424RC	G-03 - H-02
W/IF426RT	H-03 - I-02

1988 W/IF424RC & W/IC424RC INDEX

Floor Plan	G-03 - G-04
Bath Group	G-05
Curtain, Cushion & Pad Group	G-06 - G-14
Dinette Group	G-15
Exterior Body Group	G-16 - G-20
Galley Group	G-21
Lounge Group	G-22
Window, Vent & Exterior Door Group	G-23 - H-01

CURTAIN, CUSHION & PAD GROUP (CONTINUED)



WINNEBAGO

CURTAINS, SHADES, VALANCES & TIEBACKS

Key	Part Number	U/M	Description
1	085190-07-X08	EA	Curtain Asm w/Darts - 29 5' x 15" (X08)
**	085190-07-XA0	EA	Curtain Asm w/Darts - 29 5' x 15" (X08)
1	085190-07-X09	EA	Curtain Asm w/Darts - 29 5' x 15" (X09)
**	085190-07-XA1	EA	Curtain Asm w/Darts - 29 5' x 15" (X09)
1	085190-07-X10	EA	Curtain Asm w/Darts - 29 5' x 15" (X10)
**	085190-07-XA2	EA	Curtain Asm w/Darts - 29 5' x 15" (X10)
1	073323-19-X11	EA	Curtain Asm w/Rod Top - Sheer - 29' x 30'
1	088926-03-X08	EA	Valance Asm - Quilted - 37" (X08)
**	088926-03-XA0	EA	Valance Asm - Quilted - 37" (X08)
1	088926-03-X09	EA	Valance Asm - Quilted - 37" (X09)
**	088926-03-XA1	EA	Valance Asm - Quilted - 37" (X09)
1	088926-03-X10	EA	Valance Asm - Quilted - 37" (X10)
**	088926-03-XA2	EA	Valance Asm - Quilted - 37" (X10)
1	084755-32-X11	EA	Shade Asm - Linen - 33 25'
**	Parts used after 2/22/88		

CURTAIN, CUSHION & PAD GROUP (CONTINUED)

WINNEBAGO

CURTAINS, SHADES, VALANCES & TIEBACKS (CONT.)

Key	Part Number	U/M	Description
2	073304-39-X08	EA	Curtain Asm w/Snap Top - 27 5' x 10"
2	M81977-21-X08	EA	Valance Asm - 31 7"
2	082118-B4-000	EA	Blind - 28' x 24" Drop (X08)
2	088729-10-000	EA	Blind - 28' x 24" Drop (X09)
2	082118-B5-000	EA	Blind - 28' x 24" Drop (X10)
3	087318-07-X11	EA	Curtain Asm w/Snap Top - 33 5" x 15"
3	M81977-23-X08	EA	Valance Asm - 68 5'
3	M81977-23-X09	EA	Valance Asm - 68 5'
3	M81977-23-X10	EA	Valance Asm - 68 5'
3	082118-C6-000	EA	Blind - 65" x 33" Drop (X08)
3	088729-01-000	EA	Blind - 65" x 33" Drop (X09)
3	082118-C7-000	EA	Blind - 65" x 33" Drop (X10)
4	073323-33-X08	EA	Curtain Asm w/Rod Top & Bottom - 17 5' x 24"
5	073323-37-X08	EA	Curtain Asm w/Rod Top & Bottom - 21' x 30'
6	085190-15-X08	EA	Curtain Asm w/Darts - 45" x 10"
6	082118-A5-000	EA	Blind - 19" x 42 5" Drop (X08)
6	088729-09-000	EA	Blind - 19" x 42 5" Drop (X09)
6	082118-A6-000	EA	Blind - 19" x 42 5" Drop (X10)
7	084755-04-X11	EA	Shade Asm - Linen - 24 25'
7	080824-06-X08	EA	Valance Asm - Entrance Door
8	M81977-22-X08	EA	Valance Asm - 29 5'
8	082118-A8-000	EA	Blind - 27" x 22" Drop (X08)
8	088729-03-000	EA	Blind - 27" x 22" Drop (X09)
8	082118-A9-000	EA	Blind - 27" x 22" Drop (X10)
9	085190-07-X08	EA	Curtain Asm w/Snap Top - 29 5' x 15" (X08)
**	085190-07-XA0	EA	Curtain Asm w/Snap Top - 29 5" x 15" (X08)
9	085190-07-X09	EA	Curtain Asm w/Snap Top - 29 5" x 15" (X09)
**	085190-07-XA1	EA	Curtain Asm w/Snap Top - 29 5" x 15" (X09)
9	085190-07-X10	EA	Curtain Asm w/Snap Top - 29 5" x 15" (X10)
**	085190-07-XA2	EA	Curtain Asm w/Snap Top - 29 5" x 15" (X10)
9	066226-42-X11	EA	Curtain Asm w/Rod Top - Sheer - 28' x 78"
9	088926-02-X11	EA	Valance Asm - Quilted - 50" (X08)
**	088926-02-XA0	EA	Valance Asm - Quilted - 50" (X08)
9	088926-02-X12	EA	Valance Asm - Quilted - 50" (X09)
**	088926-02-XA1	EA	Valance Asm - Quilted - 50" (X09)
9	088926-02-X13	EA	Valance Asm - Quilted - 50" (X10)
**	088926-02-XA2	EA	Valance Asm - Quilted - 50" (X10)
9	084755-28-X11	EA	Shade Asm - Linen - 47 25'
.	077591-01-X08	EA	Curtain Asm w/Velcro - 52" x 40" - Right
.	077591-02-X08	EA	Curtain Asm w/Velcro - 52" x 42" - Left
.	073295-04-X08	EA	Curtain Asm w/Lining - Front Wraparound - 23" x 64'
.	073295-06-X08	EA	Curtain Asm w/Lining - Front Wraparound - 23" x 64'
.	073260-23-X08	EA	Tieback Asm - 3" x 18" - Drapery
.	073260-24-X08	EA	Tieback Asm - 2" x 14" - Drapery
.	Not illustrated		
**	Parts used after 2/22/88		

**1988 WINNEBAGO-ITASCA
TABLE OF CONTENTS**

W/IT319RK	A-01 - B-04
W/IT319RB	B-05 - C-08
W/IC420EG	C-09 - D-06
W/IF420RG	D-07 - E-10
W/IC420RG	D-07 - E-10
W/IF421RB	E-11 - F-04
W/IC421RB	E-11 - F-04
W/IF424RB	F-05 - G-02
W/IC424RB	F-05 - G-02
W/IF424RC	G-03 - H-02
W/IC424RC	G-03 - H-02
W/IF426RT	H-03 - I-02

**1988 W/IF424RC & W/IC424RC
INDEX**

Floor Plan	G-03 - G-04
Bath Group	G-05
Curtain Cushion & Pad Group	G-06 - G-14
Dinette Group	G-15
Exterior Body Group	G-16 - G-20
Galley Group	G-21
Lounge Group	G-22
Window, Vent & Exterior Door Group	G-23 - H-01

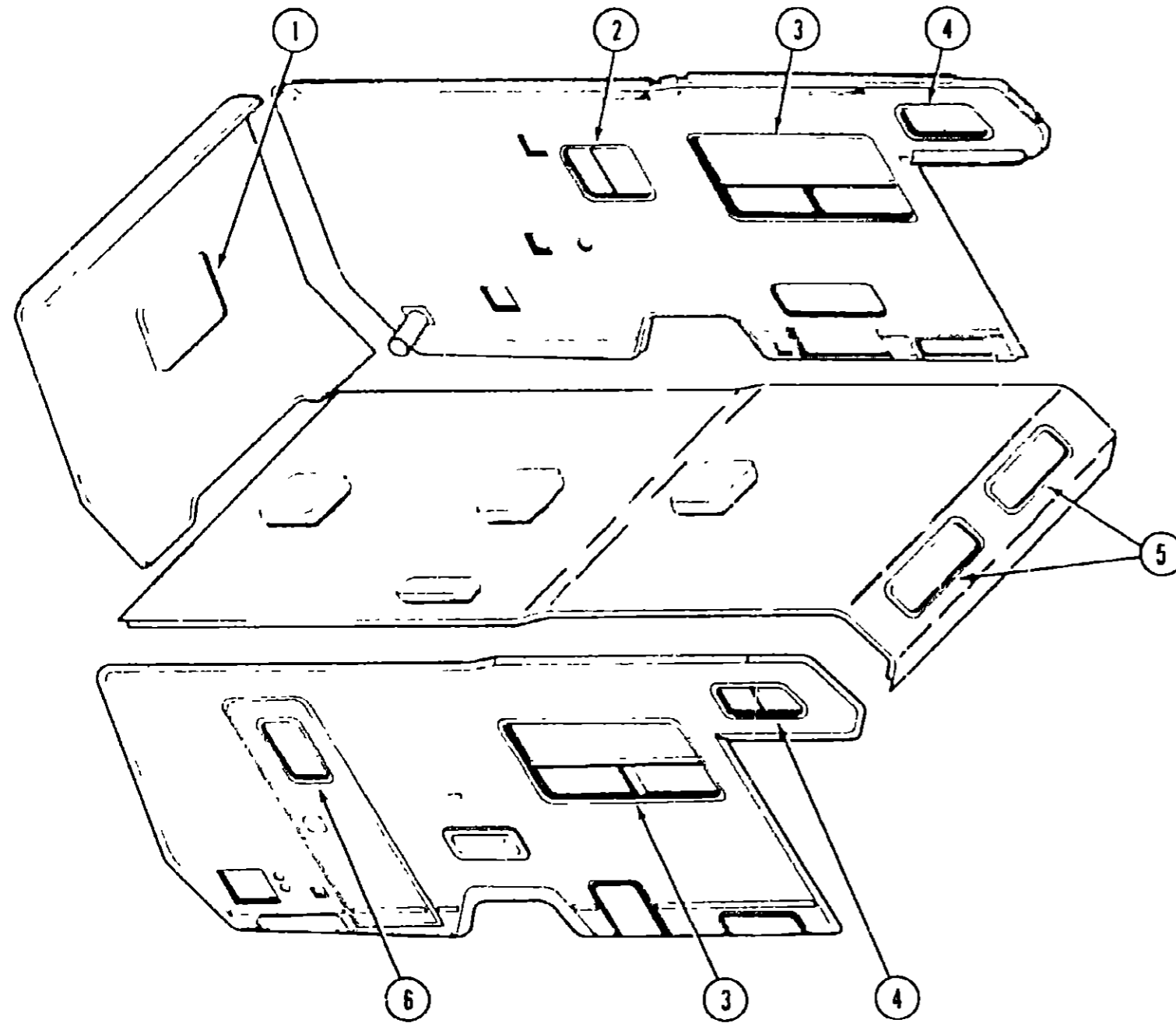
CURTAIN, CUSHION & PAD GROUP (CONTINUED)

CURTAIN, CUSHION & PAD GROUP (CONTINUED)

ITASCA X33

CURTAINS, SHADES, VALANCES & TIEBACKS

**1988 WINNEBAGO-ITASCA
TABLE OF CONTENTS**



Key	Part Number	U/M	Description
1	079558-23-X33	EA	Valance Asm w/Gathers - 5" x 75"
1	079559-12-X33	EA	Curtain Asm w/Gathers - 32" x 24"
1	084755-06-X33	EA	Shade Asm - Linen - 33 25"
††1	084755-06-XA3	EA	Shade Asm - Linen - 33 25"
**1	084755-06-XA6	EA	Shade Asm - Linen - 33 25"
2	079558-14-WB6	EA	Valance Asm w/Gathers - 5" x 75"
2	079559-07-X33	EA	Curtain Asm w/Gathers - 27 2" x 20"
2	084755-06-X33	EA	Shade Asm - Linen - 33 25"
††2	084755-06-XA3	EA	Shade Asm - Linen - 33 25"
**2	084755-06-XA6	EA	Shade Asm - Linen - 33 25"
3	079558-13-WB6	EA	Valance Asm w/Gathers - 5" x 140"
3	079559-15-X33	EA	Curtain Asm w/Gathers - 36" x 44"
3	084755-02-X33	EA	Shade Asm - Linen - 67 25"
††3	084755-02-XA3	EA	Shade Asm - Linen - 67 25"
**3	084755-02-XA6	EA	Shade Asm - Linen - 67 25"
4	073323-33-X33	EA	Curtain Asm w/Rod Top & Bottom - 17 5" x 24"
5	073323-37-X33	EA	Curtain Asm w/Rod Top & Bottom - 21" x 30"
6	080824-06-X33	EA	Valance Asm - Entrance Door
6	085190-15-X33	EA	Curtain Asm w/Darts - 45" x 10"
6	084755-12-X33	EA	Shade Asm - Linen - 19 25"
††6	084755-12-XA3	EA	Shade Asm - Linen - 19 25"
**6	084755-12-XA6	EA	Shade Asm - Linen - 19 25"
7	084755-04-X33	EA	Shade Asm - Linen - 24 25"
††7	084755-04-XA3	EA	Shade Asm - Linen - 24 25"
**7	084755-04-XA6	EA	Shade Asm - Linen - 24 25"
8	079558-14-WB6	EA	Valance Asm w/Gathers - 5" x 75"
8	084755-01-X33	EA	Shade Asm - Linen - 28 25"
††8	084755-01-XA3	EA	Shade Asm - Linen - 28 25"
**8	084755-01-XA6	EA	Shade Asm - Linen - 28 25"
9	079558-22-X33	EA	Valance Asm w/Gathers - 5" x 95"
9	079559-11-X33	EA	Curtain Asm w/Gathers - 32" x 41"
9	084755-13-X33	EA	Shade Asm - Linen - 47 25"
††9	084755-13-XA3	EA	Shade Asm - Linen - 47 25"
**9	084755-13-XA6	EA	Shade Asm - Linen - 47 25"
.	077591-01-X33	EA	Curtain Asm w/Velcro Top - Blackout - 52" x 40"
.	077591-02-X33	EA	Curtain Asm w/Velcro Top - Blackout - 52" x 42"
.	073295-04-X33	EA	Curtain Asm w/Lining - Front Wraparound - 23" x 64"
.	073295-06-X33	EA	Curtain Asm w/Lining - Front Wraparound - 23" x 64"
.	073260-24-X33	EA	Tieback Asm - 2" x 14" - Drapery
.	073260-33-X33	EA	Tieback Asm - 3" x 14" - Drapery
.	073260-23-WB6	EA	Tieback Asm - 3" x 18" - Drapery
.	073260-27-X78	EA	Tieback Asm - 3" x 23" - Bedspread
.	073260-28-X78	EA	Tieback Asm - 3" x 23" - Drapery
.	073260-34-X33	EA	Tieback Asm - 4" x 20" - Drapery
††	073260-34-XB3	EA	Tieback Asm - 4" x 20" - Drapery
.			Not illustrated
††			Parts used after 12/1/87
**			Parts used after 3/1/88

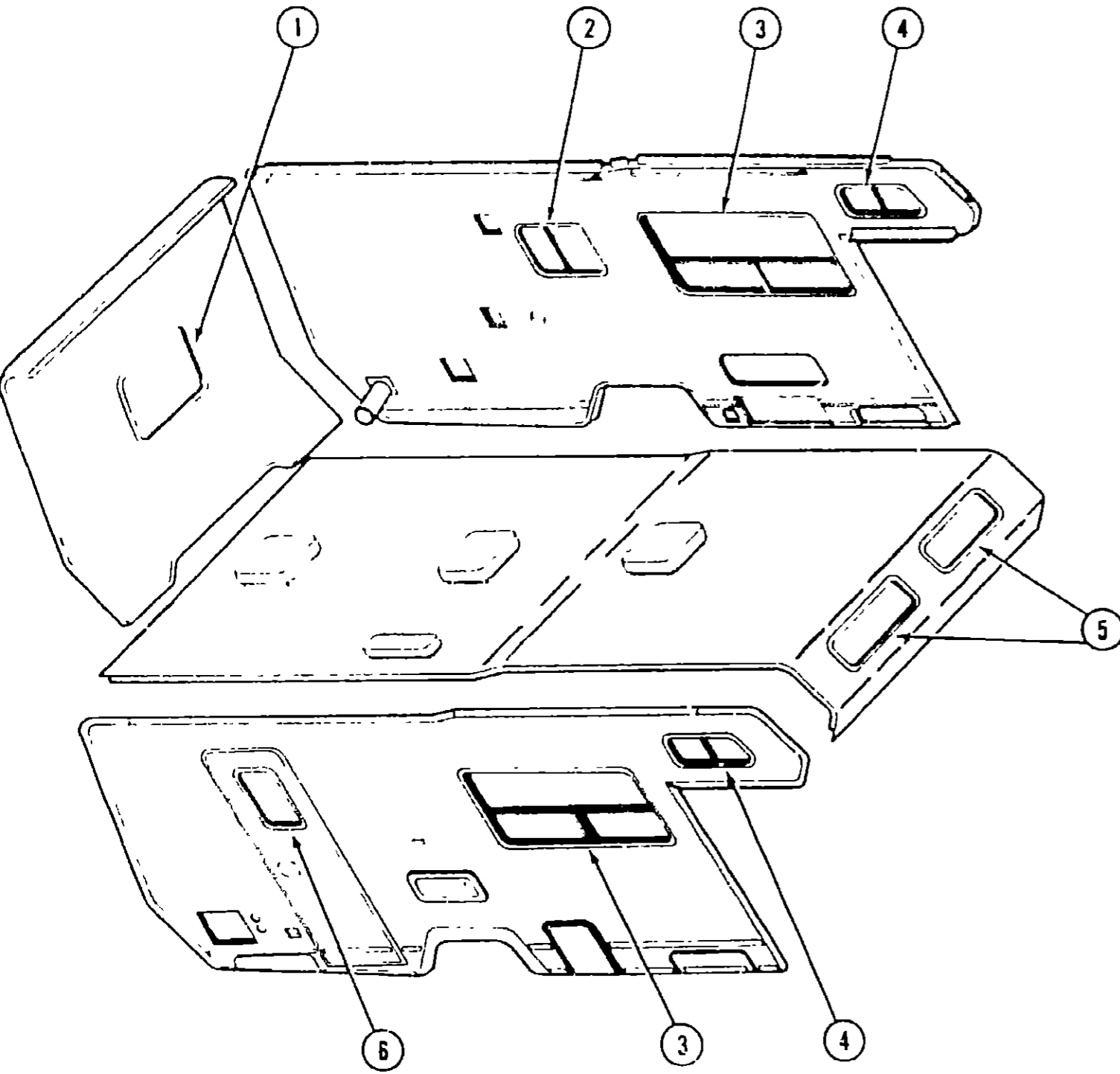
W/IT319RK	A-01 - B-04
W/IT319RB	B-05 - C-08
W/IC420EG	C-09 - D-06
W/IF420RG	D-07 - E-10
W/IC420RG	D-07 - E-10
W/IF421RB	E-11 - F-04
W/IC421RB	E-11 - F-04
W/IF424RB	F-05 - G-02
W/IC424RB	F-05 - G-02
W/IF424RC	G-03 - H-02
W/IC424RC	G-03 - H-02
W/IF426RT	H-03 - I-02

**1988 W/IF424RC & W/IC424RC
INDEX**

Floor Plan	G-03 - G-04
Bath Group	G-05
Curtain, Cushion & Pad Group	G-06 - G-14
Dinette Group	G-15
Exterior Body Group	G-16 - G-20
Galley Group	G-21
Lounge Group	G-22
Window, Vent & Exterior Door Group	G-23 - H-01

CURTAIN, CUSHION & PAD GROUP (CONTINUED)

CURTAIN, CUSHION & PAD GROUP (CONTINUED)



ITASCA X34

CURTAINS, SHADES, VALANCES & TIEBACKS

Key	Part Number	U/M	Description
1	079558-23-X34	EA	Valance Asm w/Gathers - 5" x 75"
1	079559-12-X34	EA	Curtain Asm w/Gathers - 32" x 24"
†	084755-06-X34	EA	Shade Asm - Linen - 33 25"
††	084755-06-XA3	EA	Shade Asm - Linen - 33 25"
**1	084755-06-XA6	EA	Shade Asm - Linen - 33 25"

ITASCA X34

CURTAINS, SHADES, VALANCES & TIEBACKS (CONT.)

Key	Part Number	U/M	Description
2	079558-14-X34	EA	Valance Asm w/Gathers - 5" x 75"
†2	079558-14-XA4	EA	Valance Asm w/Gathers - 5" x 75"
2	079559-07-X34	EA	Curtain Asm w/Gathers - 27 5" x 20"
†2	079558-07-XA4	EA	Curtain Asm w/Gathers - 27 5" x 20"
2	084755-06-X34	EA	Shade Asm - Linen - 33 25"
††2	084755-06-XA3	EA	Shade Asm - Linen - 33 25"
**2	084755-06-XA6	EA	Shade Asm - Linen - 33 25"
3	079558-13-W34	EA	Valance Asm w/Gathers - 5" x 140"
†3	079558-13-XA4	EA	Valance Asm w/Gathers - 5" x 140"
3	079559-15-X34	EA	Curtain Asm w/Gathers - 36" x 44"
†3	079559-15-XA4	EA	Curtain Asm w/Gathers - 36" x 44"
3	084755-02-X34	EA	Shade Asm - Linen - 87 25"
††3	084755-02-XA3	EA	Shade Asm - Linen - 87 25"
**3	084755-02-XA6	EA	Shade Asm - Linen - 87 25"
4	073323-37-X34	EA	Curtain Asm w/Rod Top & Bottom - 17.5" x 24"
†4	073323-33-XA4	EA	Curtain Asm w/Rod Top & Bottom - 17 5" x 24"
5	073323-37-X34	EA	Curtain Asm w/Rod Top & Bottom - 21" x 30"
†5	073323-37-XA4	EA	Curtain Asm w/Rod Top & Bottom - 21" x 30"
6	080824-06-X34	EA	Valance Asm - Entrance Door
†6	080924-06-XA4	EA	Valance Asm - Entrance Door
6	085190-15-X34	EA	Curtain Asm w/Darts - 45" x 10"
†6	085190-15-XA4	EA	Curtain Asm w/Darts - 45" x 10"
6	084755-12-X34	EA	Shade Asm - Linen - 19 25"
††6	084755-12-XA3	EA	Shade Asm - Linen - 19 25"
**6	084755-12-XA6	EA	Shade Asm - Linen - 19 25"
7	084755-04-X34	EA	Shade Asm - Linen - 24 25"
††7	084755-04-XA3	EA	Shade Asm - Linen - 24 25"
**7	084755-04-XA6	EA	Shade Asm - Linen - 24 25"
8	079558-14-W34	EA	Valance Asm w/Gathers - 5" x 75"
†8	079558-14-XA4	EA	Valance Asm w/Gathers - 5" x 75"
8	084755-01-X34	EA	Shade Asm - Linen - 28 25"
††8	084755-01-XA3	EA	Shade Asm - Linen - 28 25"
**8	084755-01-XA6	EA	Shade Asm - Linen - 28 25"
9	079558-22-X34	EA	Valance Asm w/Gathers - 5" x 95"
9	079559-11-X34	EA	Curtain Asm w/Gathers - 32" x 41"
9	084755-13-X34	EA	Shade Asm - Linen - 47 25"
††9	084755-13-XA3	EA	Shade Asm - Linen - 47 25"
**9	084755-13-XA6	EA	Shade Asm - Linen - 47 25"
.	077591-01-X34	EA	Curtain Asm w/Velcro Top - Blackout - 52" x 40"
†	077591-01-XA4	EA	Curtain Asm w/Velcro Top - Blackout - 52" x 40"
.	077591-02-X34	EA	Curtain Asm w/Velcro Top - Blackout - 52" x 42"
†	077591-02-XA4	EA	Curtain Asm w/Velcro Top - Blackout - 52" x 42"
.	073295-04-X34	EA	Curtain Asm w/Lining - Front Wraparound - 23" x 64"
†	073295-04-XA4	EA	Curtain Asm w/Lining - Front Wraparound - 23" x 64"
.	073295-06-X33	EA	Curtain Asm w/Lining - Front Wraparound - 23" x 64"
†	073295-06-XA4	EA	Curtain Asm w/Lining - Front Wraparound - 23" x 64"
.	073260-24-X79	EA	Tieback Asm - 2" x 14" - Drapery
†	073260-24-XA4	EA	Tieback Asm - 2" x 14" - Drapery
.	073260-33-X34	EA	Tieback Asm - 3" x 14" - Drapery
†	073260-33-XA4	EA	Tieback Asm - 3" x 14" - Drapery
.	073260-23-X34	EA	Tieback Asm - 3" x 18" - Drapery
.	073260-27-WB6	EA	Tieback Asm - 3" x 23" - Bedspread
.	073260-28-X79	EA	Tieback Asm - 3" x 23" - Drapery
†	073260-28-XA4	EA	Tieback Asm - 3" x 23" - Drapery
.	073260-34-X34	EA	Tieback Asm - 4" x 20" - Drapery
†	073260-34-XB4	EA	Tieback Asm - 4" x 20" - Drapery
††	073260-34-XA4	EA	Tieback Asm - 4" x 20" - Drapery
.	Not illustrated		

† Parts used after 10/1/87
 †† Parts used after 12/1/87
 ** Parts used after 3/1/88

**1988 WINNEBAGO-ITASCA
TABLE OF CONTENTS**

W/IT319RK	A-01 - B-04
W/IT319RB	B-05 - C-08
W/IC420EG	C-09 - D-08
W/IF420RG	D-07 - E-10
W/IC420RG	D-07 - E-10
W/IF421RB	E-11 - F-04
W/IC421RB	E-11 - F-04
W/IF424RB	F-05 - G-02
W/IC424RB	F-05 - G-02
W/IF424RC	G-03 - H-02
W/IC424RC	G-03 - H-02
W/IF426RT	H-03 - I-02

**1988 W/IF424RC & W/IC424RC
INDEX**

Floor Plan	G-03 - G-04
Bath Group	G-05
Curtain, Cushion & Pad Group	G-06 - G-14
Dinette Group	G-15
Exterior Body Group	G-16 - G-20
Galley Group	G-21
Lounge Group	G-22
Window Vent & Exterior Door Group	G-23 - H-01

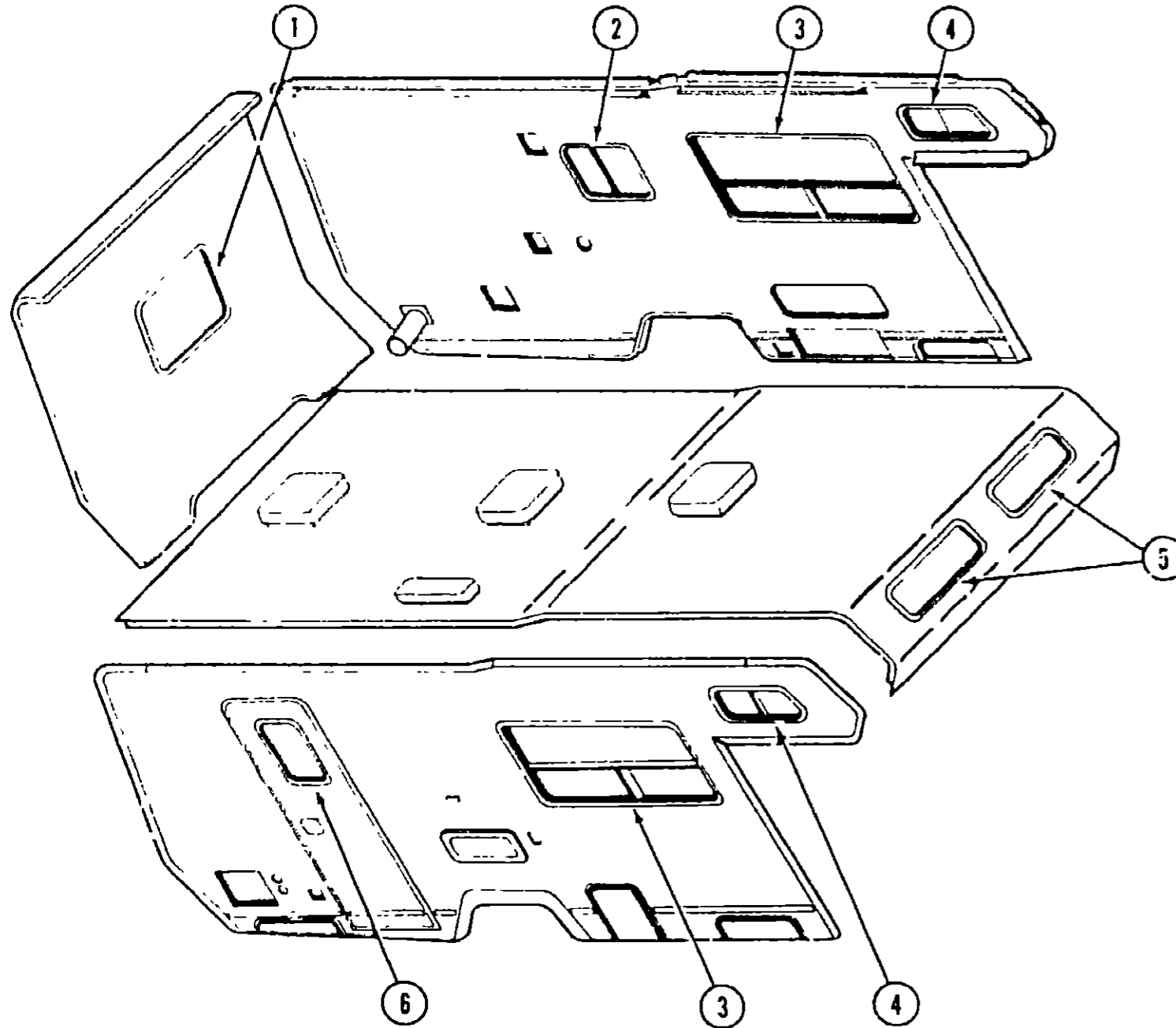
CURTAIN, CUSHION & PAD GROUP (CONTINUED)

CURTAIN, CUSHION & PAD GROUP (CONTINUED)

ITASCA X35

CURTAINS, SHADES, VALANCES & TIEBACKS

**1988 WINNEBAGO-ITA5CA
TABLE OF CONTENTS**



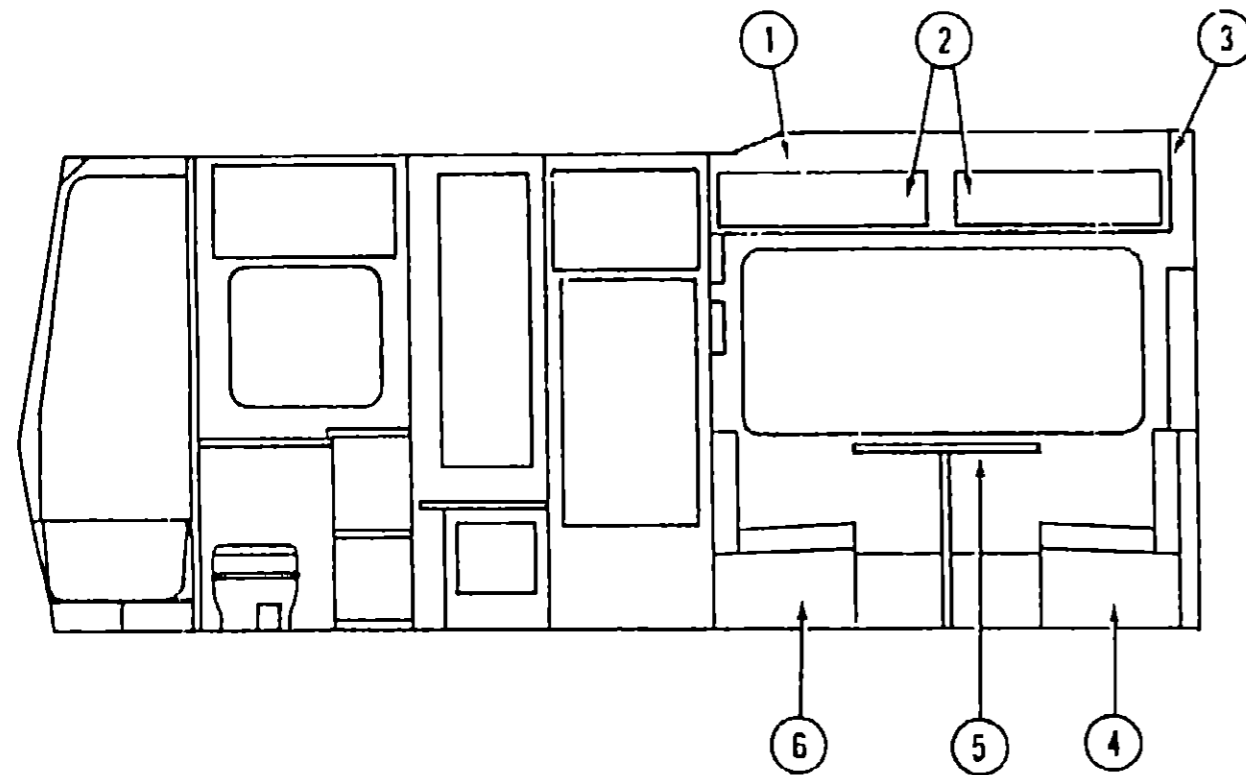
Key	Part Number	U/M	Description
1	079558-23-X35	EA	Valance Asm w/Gathers - 5" x 75"
1	079559-12-X35	EA	Curtain Asm w/Gathers - 32' x 24"
1	084755-06-X35	EA	Shade Asm - Linen - 33 25"
**1	084755-06-XA8	EA	Shade Asm - Linen - 33 25"
2	079558-14-X35	EA	Valance Asm w/Gathers - 5" x 75"
2	079559-07-X35	EA	Curtain Asm w/Gathers - 27 2" x 20"
2	084755-06-X35	EA	Shade Asm - Linen - 33 25"
**2	084755-06-XA8	EA	Shade Asm - Linen - 33 25"
3	079558-13-X35	EA	Valance Asm w/Gathers - 5" x 110"
3	079559-15-X35	EA	Curtain Asm w/Gathers - 36" x 44"
3	084755-02-X35	EA	Shade Asm - Linen - 67 25"
**3	084755-02-XA8	EA	Shade Asm - Linen - 67 25"
4	073323-33-X35	EA	Curtain Asm w/Rod Top & Bottom - 17 5" x 24"
5	073323-37-X35	EA	Curtain Asm w/Rod Top & Bottom - 21" x 30"
6	080824-06-X35	EA	Valance Asm - Entrance Door
6	085190-15-X35	EA	Curtain Asm w/Darts - 45" x 10"
6	084755-12-X35	EA	Shade Asm - Linen - 19 25"
**6	084755-12-XA8	EA	Shade Asm - Linen - 19 25"
7	084755-04-X35	EA	Shade Asm - Linen - 24 25"
**7	084755-04-XA8	EA	Shade Asm - Linen - 24 25"
8	079558-14-X35	EA	Valance Asm w/Gathers - 5' x 75"
8	084755-01-X35	EA	Shade Asm - Linen - 28 25"
**8	084755-01-XA8	EA	Shade Asm - Linen - 28 25"
9	079558-22-X35	EA	Valance Asm w/Gathers - 5" x 95"
9	079559-11-X35	EA	Curtain Asm w/Gathers - 32' x 41"
9	084755-13-X35	EA	Shade Asm - Linen - 47 25"
**9	084755-13-XA8	EA	Shade Asm - Linen - 47 25"
.	077591-01-X35	EA	Curtain Asm w/Velcro Top - Blackout - 52" x 40"
.	077591-02-X35	EA	Curtain Asm w/Velcro Top - Blackout - 52" x 42"
.	073295-04-X35	EA	Curtain Asm w/Lining - Front Wraparound - 23" x 64"
.	073295-06-X35	EA	Curtain Asm w/Lining - Front Wraparound - 23" x 64"
.	073260-24-X35	EA	Tieback Asm - 2" x 14" - Drapery
.	073260-33-X35	EA	Tieback Asm - 3" x 14" - Drapery
.	073260-23-X19	EA	Tieback Asm - 3" x 18" - Drapery
.	073260-27-X80	EA	Tieback Asm - 3" x 23" - Bedspread
.	073260-28-X80	EA	Tieback Asm - 3" x 23" - Drapery
.	073260-34-X35	EA	Tieback Asm - 4" x 20" - Drapery
.			Not illustrated
†			Parts used after 10/1/87
**			Parts used after 3/1/88

W/IT319RK	A-01 - B-04
W/IT319RB	B-05 - C-08
W/IC420EG	C-09 - D-06
W/IF420RG	D-07 - E-10
W/IC420RG	D-07 - E-10
W/IF421RB	E-11 - F-04
W/IC421RB	E-11 - F-04
W/IF424RB	F-05 - G-02
W/IC424RB	F-05 - G-02
W/IF424RC	G-03 - H-02
W/IC424RC	G-03 - H-02
W/IF426RT	H-03 - I-02

**1988 W/IF424RC & W/IC424RC
INDEX**

Floor Plan	G-03 - G-04
Bath Group	G-05
Curtain, Cushion & Pad Group	G-06 - G-14
Dinette Group	G-15
Exterior Body Group	G-16 - G-20
Galley Group	G-21
Lounge Group	G-22
Window, Vent & Exterior Door Group	G-23 - H-01

DINETTE GROUP



DINETTE CABINETRY

Key	Part Number	U/M	Description
1	M81739-01-X08	EA	Cabinet Asm - Dinette Overhead - w/o Doors or Hardware
2	M88304-84-X08	EA	Door Asm - Dinette Overhead - 14 3" x 26 7" - w/o Hardware
3	081280-03-X08	EA	Pad Asm - End Cap - Dinette Overhead - Vinyl
4	M02487-01-W24	EA	Cabinet Asm - Dinette Seat
*	M02486-01-W24	EA	Cabinet Asm - Dinette Back
5	M02115-09-U17	EA	Table Asm - Dinette - w/o Hardware
6	M02489-01-W24	EA	Cabinet Asm - Dinette Seat
*	M02488-01-W24	EA	Cabinet Asm - Dinette Back
*	053200-05-000	EA	Bracket - Upper Wall Mount - 23 5'
**	053201-06-000	EA	Bracket - Table Mount - 23"
*	088410-01-000	EA	Hanger - Table - Beige
*	024275-05-000	EA	Rod - Table Lift - 8" x 23 5" - Beige
*	024281-07-000	EA	Bracket - Lower Wall Mount - 22 12" - Beige
*	024276-17-000	EA	Leg Asm - Table - Tan
**	064050-02-000	EA	Hinge - Table Leg
**	024282-01-000	EA	Brace - Table Leg
**	024283-01-000	EA	Clip - 1" O D Tube
*	049493-05-000	EA	Catch - Table Leg - Mounts on Floor - Tan
*	064781-03-000	EA	Cup Holder - 3 47" O D x 2 75" I D x 1 5" - Tan
*			Not illustrated
**	The illustrated parts breakdown for this item is provided on the Common Items Fiche		

EXTERIOR BODY GROUP

TAGS & EXTERIOR PAINT

Key	Part Number	U/M	Description
	006195-01-000	EA	Label - Electrical Test
	047731-01-000	EA	Label - Emergency Exit
	006199-01-000	EA	Label - Exit - Escape Window
	006018-01-000	EA	Tag - RVI Approved - Plastic
	054531-01-000	EA	Label - LP Gas Only
	077956-01-000	EA	Label - Warning, Smoke Detect
	087207-02-000	EA	Label - Fuel Cap Removal
	087236-01-000	EA	Label - Cable, Input
	088249-01-000	EA	Label - Warning, Elec Step
	091243-01-000	EA	Label - A/C Cover
	091224-01-000	EA	Label - Trailer Lighting
	061417-01-000	EA	Label - Fuel
	087207-02-000	EA	Label - Fuel Cap Removal
	006196-01-000	EA	Label - Gas Test
	054531-01-000	EA	Label - LP Gas Only
	058259-01-000	EA	Label - Safety Check List
	006064-01-000	EA	Label - Seat - w/o Seat Belts
	006187-01-000	EA	Label - Sewage
	075220-01-000	EA	Label - Warning - Exterior Load Limit
	050225-01-000	EA	Label - Warning - Stove Vent - IJS
	006188-01-000	EA	Label - Waste Water
	006197-01-000	EA	Label - Water Test
	006062-01-000	EA	Tag - Electrical - 110 Volt Connection
	006040-01-000	EA	Tag - Gas - Refueling Warning
	044486-03-000	EA	Paint - Beige Acrylic Enamel - 16 oz. Aerosol (7633A Dupont)
	045681-03-000	EA	Paint - Gloss Black - Acrylic Enamel - 16 oz. Aerosol (99 Dupont)
	058637-05-000	EA	Paint - Gray Acrylic Enamel - 16 oz. Aerosol (61357 Dupont)
	041561-03-000	EA	Paint - Off White Acrylic Enamel - 16 oz. Aerosol (45396A Dupont)
	074559-01-000	EA	Label "LPG" - 3 3" x 1 75" - (Calif. Code)

1988 WINNEBAGO-ITASCA TABLE OF CONTENTS

W/IT319RK	A-01 - B-04
W/IT319RB	B-05 - C-08
W/IC420EG	C-09 - D-06
W/IF420RG	D-07 - E-10
W/IC420RG	D-07 - E-10
W/IF421RB	E-11 - F-04
W/IC421RB	E-11 - F-04
W/IF424RB	F-05 - G-02
W/IC424RB	F-05 - G-02
W/IF424RC	G-03 - H-02
W/IC424RC	G-03 - H-02
W/IF426RT	H-03 - I-02

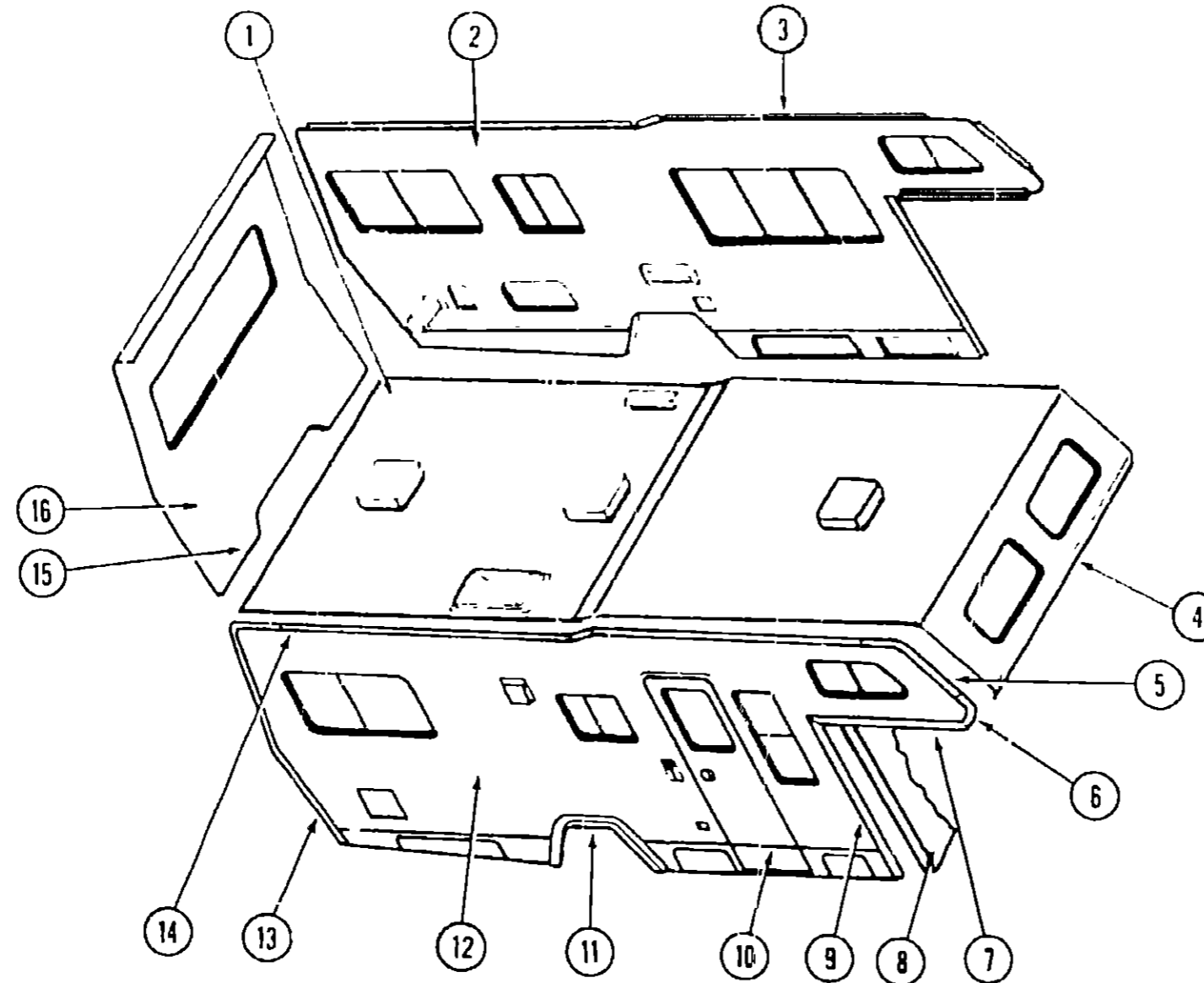
1988 W/IF424RC & W/IC424RC INDEX

Floor Plan	G-03 - G-04
Bath Group	G-05
Curtain, Cushion & Pad Group	G-06 - G-14
Dinette Group	G-15
Exterior Body Group	G-16 - G-20
Galley Group	G-21
Lounge Group	G-22
Window Vent & Exterior Door Group	G-23 - H-01

EXTERIOR BODY GROUP (CONTINUED)

WINNEBAGO

EXTERIOR BODY PANELS



Key	Part Number	U/M	Description
1	M88629-01-X08	EA	Roof Asm
*	M76177-01-700	EA	Roof Section - Cab Over To First Seam
2	M88980-01-X08	EA	Sidewall Asm - Driver
2	M88980-01-X09	EA	Sidewall Asm - Driver
2	M88980-01-X10	EA	Sidewall Asm - Driver
3	076802-08-000	EA	Trim - Contour - Upper Front - Driver - Off White
*	076802-07-000	EA	Trim - Contour - Upper Front - Passenger - Off White
4	039644-08-000	EA	Trim - Sleeper Board - Front - Off White
5	085490-01-000	EA	Trim - Contour - Front - Passenger - Off White
*	085490-02-000	EA	Trim - Contour - Front - Driver - Off White
6	086889-01-000	EA	Trim - Front Radius - Passenger - Off White
*	086889-02-000	EA	Trim - Front Radius - Driver - Off White
7	076975-05-000	EA	Trim - Wingwall - Passenger - Off White
*	076975-06-000	EA	Trim - Wingwall - Driver - Off White
8	M82343-03-W04	EA	Wingwall Asm - Passenger
*	M82343-04-W04	EA	Wingwall Asm - Driver
9	076975-03-000	EA	Trim - Wingwall Transition - Passenger - Off White
*	076975-04-000	EA	Trim - Wingwall Transition - Driver - Off White
10	002444-01-016	EA	Feature Strip - w/o Insert - Extr - 14' - Brown
*	001030-02-003	EA	Insert - Off White
*	009731-01-000	EA	End Cap - Feature Strip

1988 WINNEBAGO-ITASCA TABLE OF CONTENTS

W/IT319RK	A-01 - B-04
W/IT319RB	B-05 - C-08
W/IC420EG	C-09 - D-06
W/IF420RG	D-07 - E-10
W/IC420RG	D-07 - E-10
W/IF421RB	E-11 - F-04
W/IC421RB	E-11 - F-04
W/IF424RB	F-05 - G-02
W/IC424RB	F-05 - G-02
W/IF424RC	G-03 - H-02
W/IC424RC	G-03 - H-02
W/IF426RT	H-03 - I-02

1988 W/IF424RC & W/IC424RC INDEX

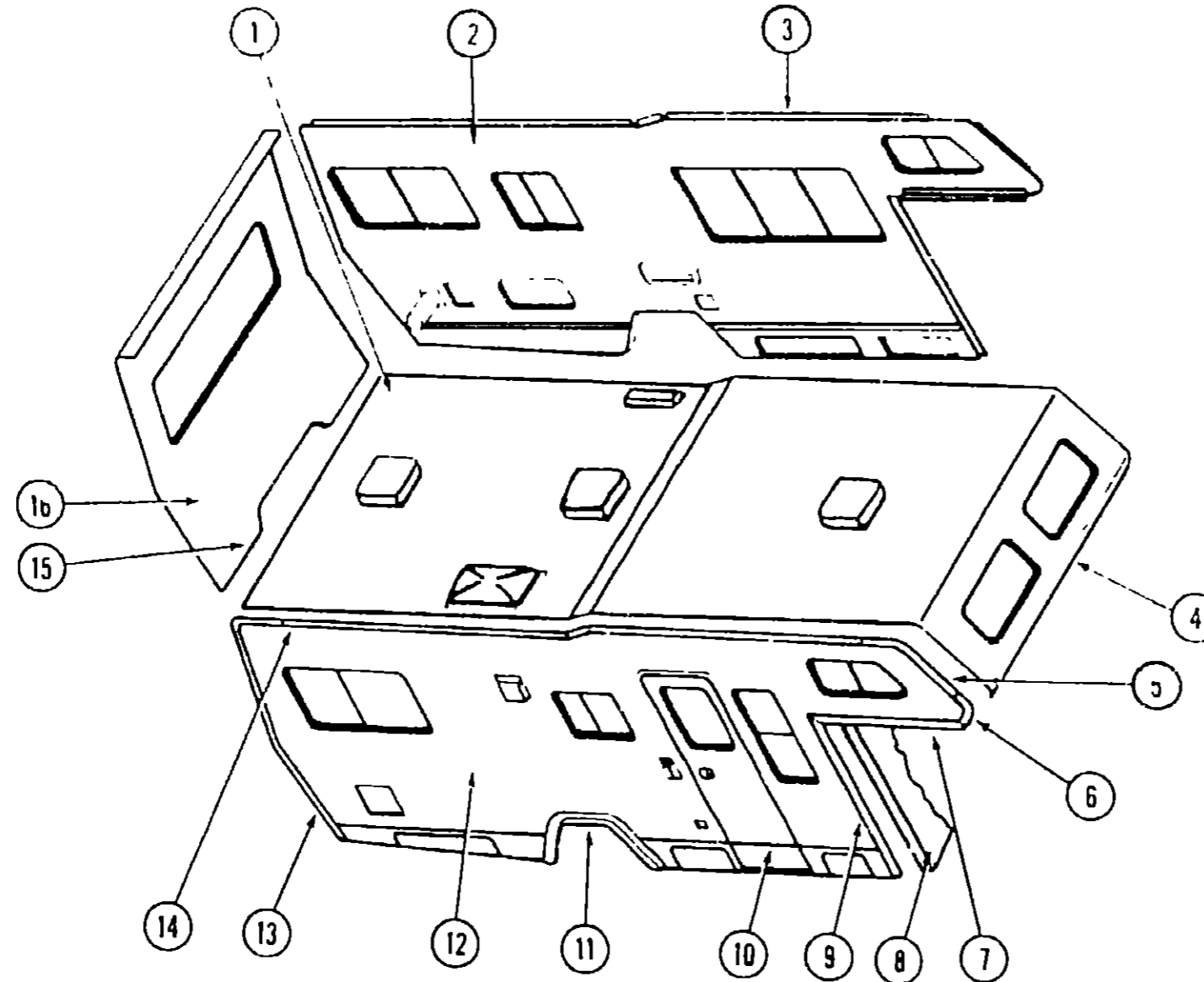
Floor Plan	G-03 - G-04
Bath Group	G-05
Curtain, Cushion & Pad Group	G-06 - G-14
Dinette Group	G-15
Exterior Body Group	G-16 - G-20
Galley Group	G-21
Lounge Group	C-22
Window, Vent & Exterior Door Group	G-23 - H-01

Key	Part Number	U/M	Description
11	075189-01-000	EA	Trim - Wheelwell - Rear Passenger - Off White
*	075189-02-000	EA	Trim - Wheelwell - Rear Driver - Off White
*	080266-06-000	EA	Trim - Wheelwell - Rear Passenger - Extrusion
*	080266-07-000	EA	Trim - Wheelwell - Rear Driver - Extrusion
12	M88981-01-X08	EA	Sidewall Asm - Passenger
12	M88981-01-X09	EA	Sidewall Asm - Passenger
12	M88981-01-X10	EA	Sidewall Asm - Passenger
13	076805-01-000	EA	Trim - Contour - Rear Passenger - Off White
*	076805-02-000	EA	Trim - Contour - Rear Driver - Off White
14	077339-07-000	EA	Trim - Contour - Upper Rear Passenger - Off White
*	077339-08-000	EA	Trim - Contour - Upper Rear Driver - Off White
15	074966-02-000	EA	Trim - Backwall - Lower - Off White
16	M82384-01-W04	EA	Backwall Asm
*	M01898-07-U10	EA	Rear Cap Asm - Fiberglass
*	078578-05-000	EA	End Cap - Bumper - Rear - Right - Off White
*	078578-06-000	EA	End Cap - Bumper - Rear - Left - Off White
*			Not illustrated

EXTERIOR BODY GROUP (CONTINUED)

ITASCA

EXTERIOR BODY PANELS



1988 WINNEBAGO-ITASCA TABLE OF CONTENTS

W/IT319RK	A-01 - B-04
W/IT319RB	B-05 - C-08
W/IC420EG	C-09 - D-06
W/IF420RG	D-07 - E-10
W/IC420RG	D-07 - E-10
W/IF421RB	E-11 - F-04
W/IC421RB	E-11 - F-04
W/IF424RB	F-05 - G-02
W/IC424RB	F-05 - G-02
W/IF424RC	G-03 - H-02
W/IC424RC	G-03 - H-02
W/IF426RT	H-03 - I-02

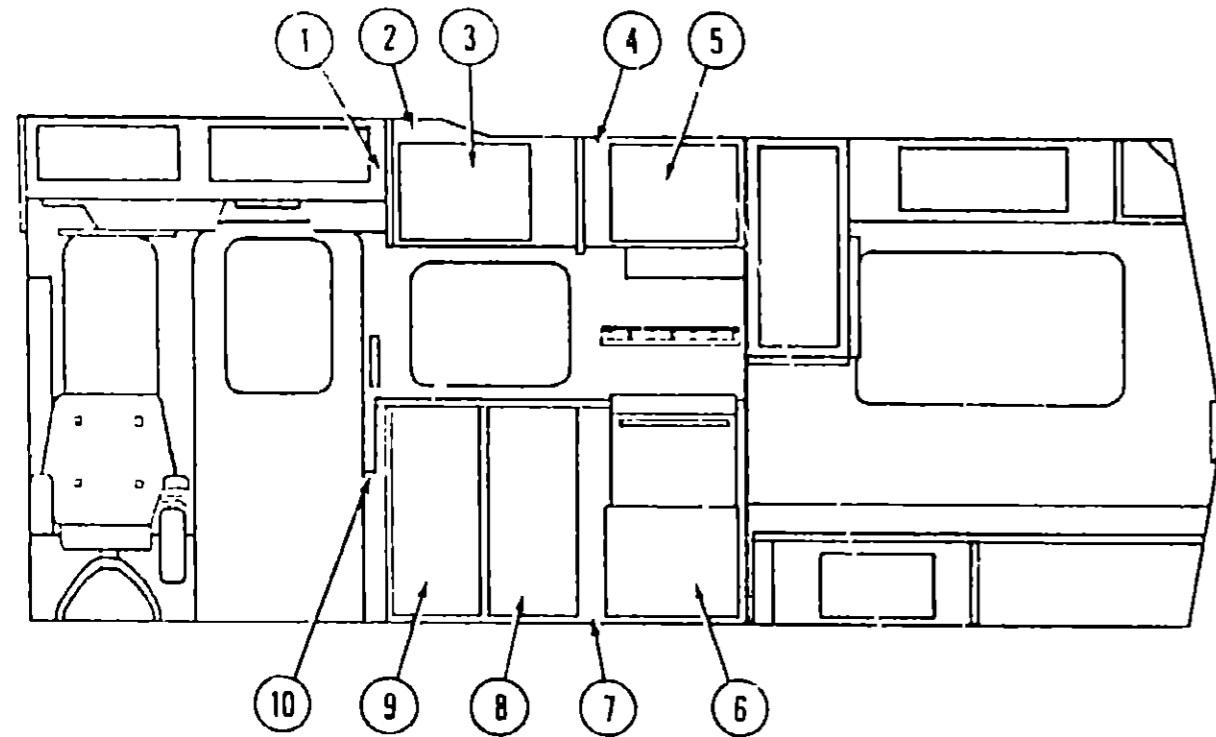
1988 W/IF424RC & W/IC424RC INDEX

Floor Plan	G-03 - G-04
Bath Group	G-05
Curtain, Cushion & Pad Group	G-06 - G-14
Dinette Group	G-15
Exterior Body Group	G-16 - G-20
Galley Group	G-21
Lounge Group	G-22
Window Vent & Exterior Door Group	G-23 - H-01

Key	Part Number	U/M	Description
1	M88629-01-X08	EA	Roof Asm
•	M76177-01-700	EA	Roof Section - Cab Over To First Seam
2	M03108-01-X33	EA	Sidewall Asm - Driver
•	M03108-01-X34	EA	Sidewall Asm - Driver
•	M03108-01-X35	EA	Sidewall Asm - Driver
3	076802-08-000	EA	Trim - Contour - Upper Front - Driver - Off White
•	076602-07-000	EA	Trim - Contour - Upper Front - Passenger - Off White
4	039644-08-000	EA	Trim - Sleeper Board - Front - Off White
5	085490-01-000	EA	Trim - Contour - Front - Passenger - Off White
•	085490-02-000	EA	Trim - Contour - Front - Driver - Off White
6	086889-01-000	EA	Trim - Front Radius - Passenger - Off White
•	086889-02-000	EA	Trim - Front Radius - Driver - Off White
7	076975-05-000	EA	Trim - Wingwall - Passenger - Off White
•	076975-06-000	EA	Trim - Wingwall - Driver - Off White
8	M82343-03-W04	EA	Wingwall Asm - Passenger
•	M82343-04-W04	EA	Wingwall Asm - Driver
9	076975-03-000	EA	Trim - Wingwall Transition - Passenger - Off White
•	076975-04-000	EA	Trim - Wingwall Transition - Driver - Off White
10	002444-01-016	EA	Feature Strip - w/o Insert - Extr - 14' - Brown
•	009731-02-003	EA	Insert - Off White
•	009731-01-000	EA	End Cap - Feature Strip

Key	Part Number	U/M	Description
11	075189-01-000	EA	Trim - Wheelwell - Rear Passenger - Off White
•	075189-02-000	EA	Trim - Wheelwell - Rear Driver - Off White
•	080265-06-000	EA	Trim - Wheelwell - Rear Passenger - Extrusion
•	080266-07-000	EA	Trim - Wheelwell - Rear Driver - Extrusion
12	M03107-01-X33	EA	Sidewall Asm - Passenger
•	M03107-01-X34	EA	Sidewall Asm - Passenger
•	M03107-01-X35	EA	Sidewall Asm - Passenger
13	076805-01-000	EA	Trim - Contour - Rear Passenger - Off White
•	076805-02-000	EA	Trim - Contour - Rear Driver - Off White
14	077339-07-000	EA	Trim - Contour - Upper Rear Passenger - Off White
•	077339-08-000	EA	Trim - Contour - Upper Rear Driver - Off White
15	074966-02-000	EA	Trim - Backwall - Lower - Off White
16	M03106-01-X33	EA	Backwall Asm
•	078578-05-000	EA	End Cap - Bumper - Rear - Right - Off White
•	078578-06-000	EA	End Cap - Bumper - Rear - Left - Off White
•			Not illustrated

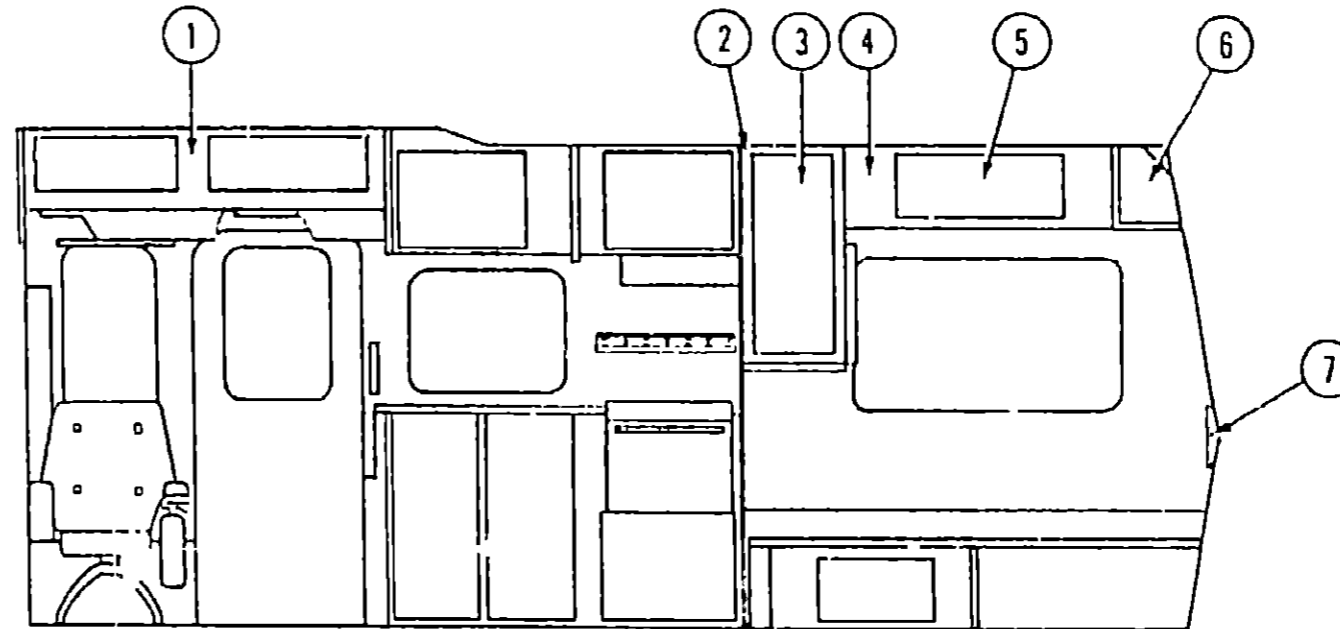
GALLEY GROUP



GALLEY CABINETRY

Key	Part Number	U/M	Description
1	081280-06-W24	EA	Pad Asm - End Cap - Galley Overhead - Vinyl
2	M82340-01-W24	EA	Cabinet Asm - Galley Overhead - w/o Doors or Hardware
3	M88304-84-W24	EA	Door Asm - Galley Overhead - 14 3" x 26 7" - w/o Hardware
4	M88307-01-X08	EA	Cabinet Asm - Galley Overhead - w/o Door or Hardware
5	M88304-01-X08	EA	Door Asm - Galley Overhead - 17 7" x 22 8" - w/o Hardware
6	M92073-05-X11	EA	Door Asm - Galley Overhead - Furnace - 15 9" x 21 1" - w/o Hardware
7	M88568-01-X08	EA	Cabinet Asm - Galley - w/o Countertop, Door, Drawer or Hardware
**	M82184-11-X36	EA	Drawer Asm - Galley Cabinet - w/o Hardware
•	M03091-01-X08	EA	Countertop Asm - Galley
8	M88304-14-X08	EA	Door Asm - Galley Cabinet - 14 3" x 33 4" - w/o Hardware
9	M88304-13-X08	EA	Door Asm - Galley Cabinet - 14 3" x 33 4" - w/o Hardware
10	080812-03-W24	EA	Extension Asm - Galley
•	077404-01-000	EA	Drawer - Plastic - 20" x 12 7"
•	M88304-12-X08	EA	Door Asm - Refrigerator Cabinet - 18 1" x 27 9" - w/o Hardware
•	009049-01-000	EA	Table - Support - Drop Leaf
•	009059-01-000	EA	Hinge - Brass
•	079606-03-W30	EA	Rack Asm - Magazine
•	Not illustrated		
**	Parts used with Microwave Option		

LOUNGE GROUP



LOUNGE CABINETRY

Key	Part Number	U/M	Description
1	M88544-01-X08	EA	Cabinet Asm - Overhead - Entrance
•	M88304-99-X08	EA	Door Asm - Entrance Overhead - 10" x 19" - w/o Hardware
•	081280-08-X08	EA	Pad Asm - End Cap - Entrance Overhead - Vinyl
2	M81735-01-W24	EA	Cabinet Asm - Overhead Shirt Closet - w/o Door or Hardware
3	M88304-82-X08	EA	Door Asm - Shirt Closet - 14 3" x 33 4" - w/o Hardware
•	081280-13-W24	EA	Pad Asm - End Cap - Shirt Closet - Vinyl
4	081735-01-X08	EA	Cabinet Asm - Rear Overhead - w/o Doors or Hardware
5	M88304-66-X08	EA	Door Asm - Overhead Cabinets - 11 4" x 28 1" - w/o Hardware
6	M81731-01-X08	EA	Cabinet Asm - Rear Overhead - w/o Doors or Hardware
**7	NOTE	EA	Headboard Asm - 44" - Gathered
8	M88304-21-X08	EA	Door Asm - Double Bed - 10" x 19" - w/o Hardware
•	084357-02-W24	EA	TV Stand Asm
•	084431-01-000	EA	Catch - TV Shelf - Brass
•	Not illustrated		
**	Refer to 1988 "C" Series Common Items Fiche		

1988 WINNEBAGO-ITASCA TABLE OF CONTENTS

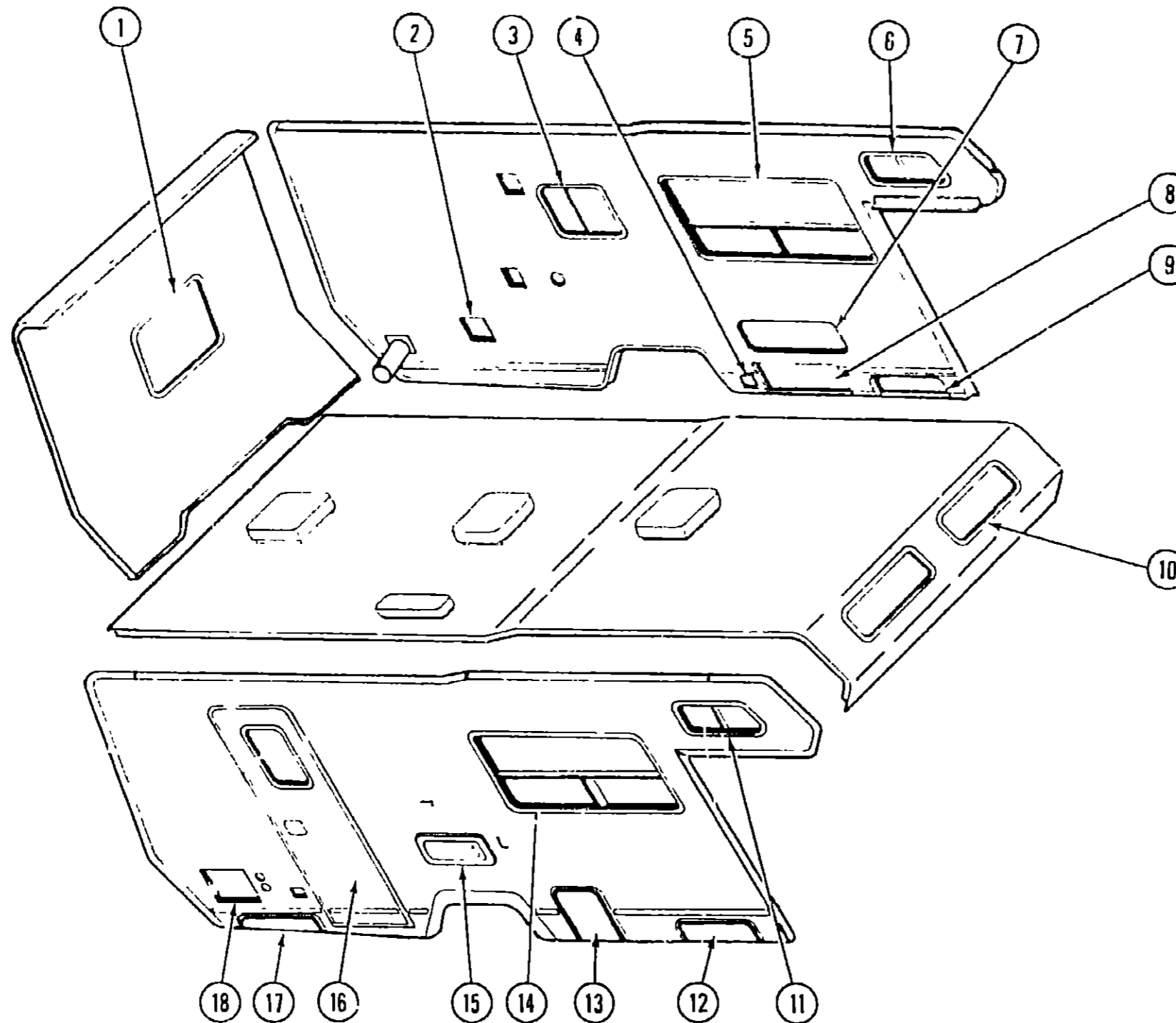
W/IT319RK	A-01 - B-04
W/IT319RB	B-05 - C-08
W/IC420EG	C-09 - D-06
W/IF420RG	D-07 - E-10
W/IC420RG	D-07 - E-10
W/IF421RB	E-11 - F-04
W/IC421RB	E-11 - F-04
W/IF424RB	F-05 - G-02
W/IC424RB	F-05 - G-02
W/IF424RC	G-03 - H-02
W/IC424RC	G-03 - H-02
W/IF426RT	H-03 - I-02

1988 W/IF424RC & W/IC424RC INDEX

Floor Plan	G-03 - G-04
Bath Group	G-05
Curtain, Cushion & Pad Group	G-06 - G-14
Dinette Group	G-15
Exterior Body Group	G-16 - G-20
Galley Group	G-21
Lounge Group	G-22
Window, Vent & Exterior Door Group	G-23 - H-01

WINDOW, VENT & EXTERIOR DOOR GROUP

WINDOWS & ACCESS DOORS



Key	Part Number	U/M	Description
1	078010-03-000	EA	Door Asm - Fuel Fill
2	079729-02-T03	EA	Window Asm - Escape
3	063742-01-000	EA	Door Asm - Power Cord
4	084103-03-000	EA	Door Asm - Refrigerator Access
5	085354-02-W07	EA	Window Asm - Double
6	079455-02-T95	EA	Door Asm - Storage
7	086227-02-000	EA	Window Asm - Bunk - Slant Slider - Left
8	079455-03-T95	EA	Door Asm - LP
9	078533-04-X08	EA	Window Asm - Picture
10	086227-01-000	EA	Window Asm - Bunk - Slant Slider - Right
11	079455-04-T95	EA	Door Asm - Battery

Key	Part Number	U/M	Description
12	078453-01-T03	EA	Window Asm - Vertical Slider
13	079733-04-T03	EA	Window Asm - Picture
14	M01890-19-X08	EA	Door Asm - Entrance
15	079455-01-T95	EA	Door Asm - Storage
16	078266-02-T03	EA	Window Asm - Single Slider
17	086182-02-W04	EA	Door Asm - Sewer Compartment
18	052009-01-000	EA	Door Asm - Water Heater
19	079578-02-T95	EA	Door Asm - Luggage
20	M01883-01-T95	EA	Door Asm - Generator
21	078266-05-T03	EA	Window Asm - Single Slider
21	079415-01-T03	EA	Window Asm - Escape

1988 WINNEBAGO-ITASCA TABLE OF CONTENTS

W/IT319RK	A-01 - B-04
W/IT319RB	B-05 - C-08
W/IC420EG	C-09 - D-06
W/IF420RG	D-07 - E-10
W/IC420RG	D-07 - E-10
W/IF421RB	E-11 - F-04
W/IC421RB	E-11 - F-04
W/IF424RB	F-05 - G-02
W/IC424RB	F-05 - G-02
W/IF424RC	G-03 - H-02
W/IC424RC	G-03 - H-02
W/IF426RT	H-03 - I-02

1988 W/IF424RC & W/IC424RC INDEX

Floor Plan	G-03 - G-04
Bath Group	G-05
Curtain, Cushion & Pad Group	G-06 - G-14
Dinette Group	G-15
Exterior Body Group	G-16 - G-20
Galley Group	G-21
Lounge Group	G-22
Window, Vent & Exterior Door Group	G-23 - H-01

WINDOW, VENT & EXTERIOR DOOR GROUP (CONTINUED)

ACCESS DOOR HARDWARE

Key	Part Number	U/M	Description
	052424-01-000	EA	Jamb - Power Cord/Fuel Full Door - Off White
	088794-10-000	EA	Hatch - Power Cord Door
	079246-01-000	EA	Jamb Asm - Generator Door - Off White
	064075-04-000	FT	Seal - Bulb - Door - 25'
	041312-01-000	FT	Seal - Bulb - E' Section
	042442-01-000	EA	Lock Asm - Twist Type (Power Cord)
	079366-03-000	EA	Lock Asm - Key Type - w/o Keys - 1 3 Latch - 2 10' Depth
	079366-04-000	EA	Lock Asm - Key Type - w/o Keys - 1 3 Latch - 1 90" Depth
	083223-03-000	EA	Lock Asm - Key Type
	079927-03-000	EA	Lock Asm - Twist Type - Double Cam

1988 WINNEBAGO-ITASCA TABLE OF CONTENTS

W/IT319RK	A-01 - B-04
W/IT319RB	B-05 - C-08
W/IC420EG	C-09 - D-06
W/IF420RG	D-07 - E-10
W/IC420RG	D-07 - E-10
W/IF421RB	E-11 - F-04
W/IC421RB	E-11 - F-04
W/IF424RB	F-05 - G-02
W/IC424RB	G-03 - H-02
W/IF424RC	G-03 - H-02
W/IC424RC	G-03 - H-02
W/IF426RT	H-03 - I-02

1988 W/IF424RC & W/IC424RC INDEX

Floor Plan	G-03 - G-04
Bath Group	G-05
Curtain, Cushion & Pad Group	G-06 - G-14
Dinette Group	G-15
Exterior Body Group	G-16 - G-20
Galley Group	G-21
Lounge Group	G-22
Window Vent & Exterior Door Group	G-23 - H-01