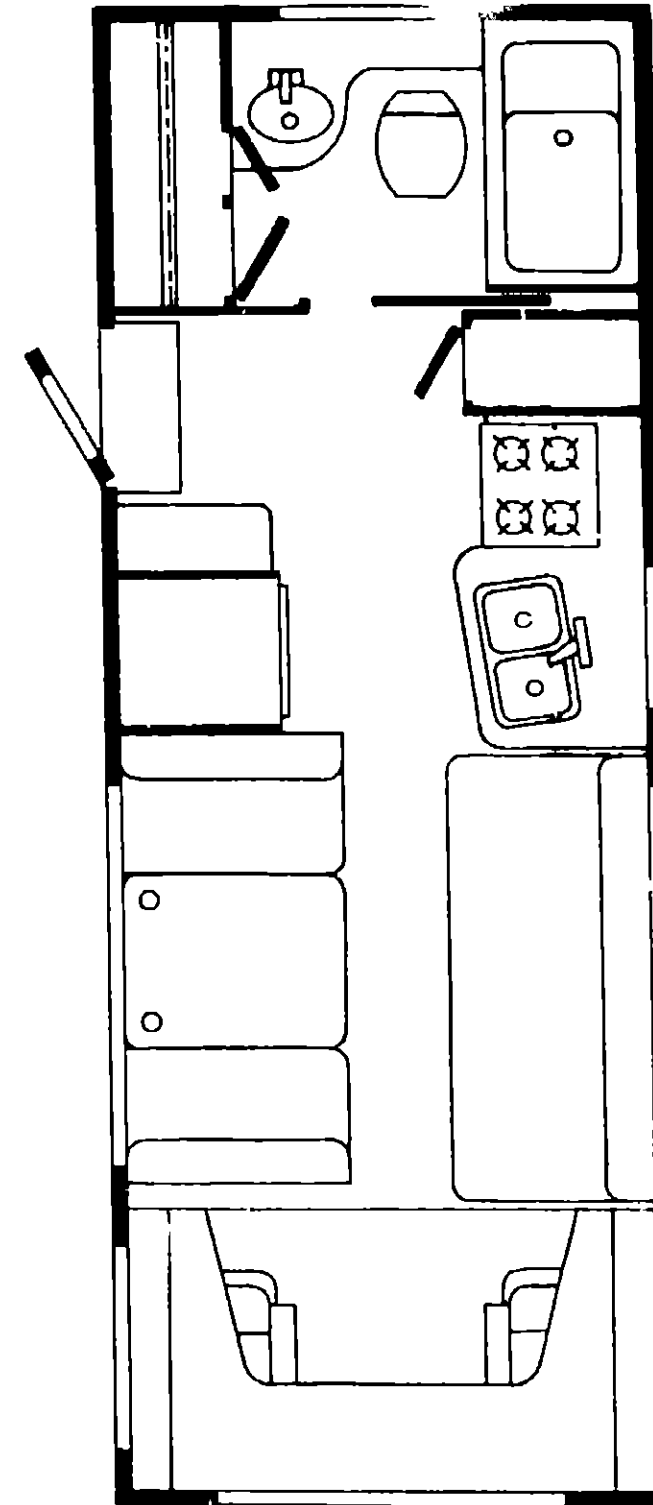


1988
W/IF424RB
W/IC424RB



1988 WINNEBAGO-ITASCA
TABLE OF CONTENTS

W/IT319RK	A-01 - B-04
W/IT319RB	B-05 - C-08
W/IC420EG	C-09 - D-06
W/IF420RG	D-07 - E-10
W/IC420RG	D-07 - E-10
W/IF421RB	E-11 - F-04
W/IC421RB	E-11 - F-04
W/IF424RB	F-05 - G-02
W/IC424RB	F-05 - G-02
W/IF424RC	G-03 - H-02
W/IC424RC	G-03 - H-02
W/IF426RT	H-03 - I-02

1988 W/IF424RB & W/IC424RB
INDEX

Floor Plan	F-05 - F-06
Bath Group	F-07
Curtain, Cushion & Pad Group	F-08 - F-14
Dinette Group	F-15
Exterior Body Group	F-16 - F-20
Galley Group	F-21
Lounge Group	F-22
Window, Vent & Exterior Door Group	F-23 - G-01

BATH GROUP

BATH CABINETRY

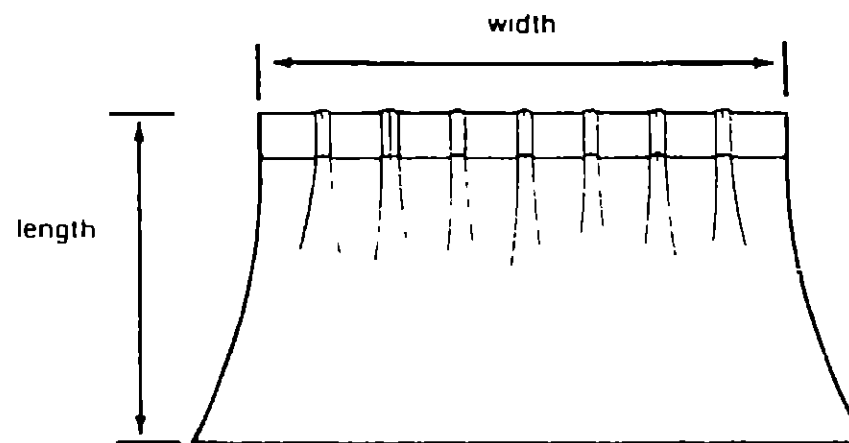
Key	Part Number	U/M	Description
	M82428-01-X08	EA	Cabinet Asm - Lavatory - w/o Countertop Doors or Drawer
	M02556-01-X08	EA	Countertop Asm - Lavatory Cabinet
	M88304-96-X11	EA	Door Asm - Lavatory - 26 7" x 14 3" - w/o Hardware
	081894-03-W04	EA	Drawer Face - Lavatory - w/o Hardware
	076073-01-000	EA	Cabinet Asm - Medicine - 15 4" x 29 4" - Almond
	088303-52-X08	EA	Door Asm - Medicine Cabinet - 16 7" x 30 1" - w/o Hardware
	M88304-B2-X08	EA	Door Asm - Wardrobe Cabinet - 16 7" x 48" - w/o Hardware
	M88304-A3-X08	EA	Door Asm - Wardrobe Cabinet - 39 9" x 12" - w/o Hardware
	077251-01-000	EA	Drawer - Tiltout - Plastic
	082441-01-W24	EA	Door Complete - Sliding
	M88304-57-X23	EA	Door Asm Furnace - 12 7" x 17 7" - w/o Hardware
	M82446-01-X08	EA	Cabinet Asm - Entrance Door - w/o Countertop or Hardware
	M02557-01-X08	EA	Countertop Asm - Entrance Cabinet
	074491-02-W24	EA	Magazine Rack

CURTAIN, CUSHION & PAD GROUP

NOTICE

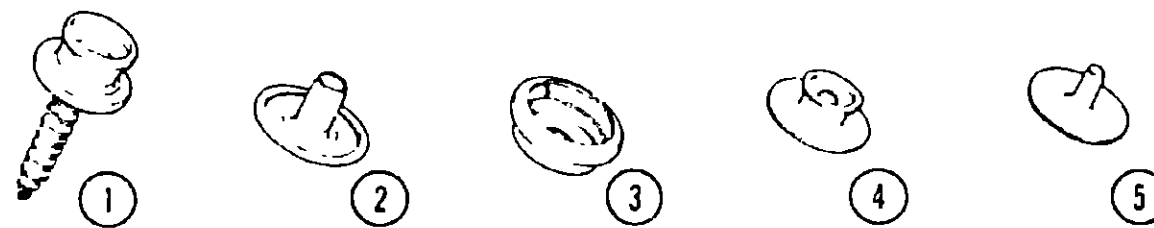
In order to assist our Parts Sales Dept. in providing interior software items, please include the serial number and the color code number from the vehicle certification label when ordering. This label is located on the left sidewall at the end of the dash (A-Body), or on the driver's door latch plate (C-Body).

An example of a color code number is P31, which designates an overall color scheme of a particular unit. The color listed after the item description on the microfiche indicates the overall unit color. Order the item you desire according to unit color code.



NOTE

Use this illustration when determining length and width measurements for curtains. You will note the width measurement is taken on the top of the curtain with the curtain fully extended. The length measurement is taken from top to bottom.



Key	Part Number	U/M	Description
1	029130-01-000	EA	Socket - Snap Fastener
2	029155-01-000	EA	Cap - Snap - 156" Dia x 17" Barrel
3	029156-01-000	EA	Socket - Snap Fastener
4	029092-01-000	EA	Stud - Nickel Finish
5	029093-01-000	EA	Eyelet - Nickel Finish

1988 WINNEBAGO-ITASCA TABLE OF CONTENTS

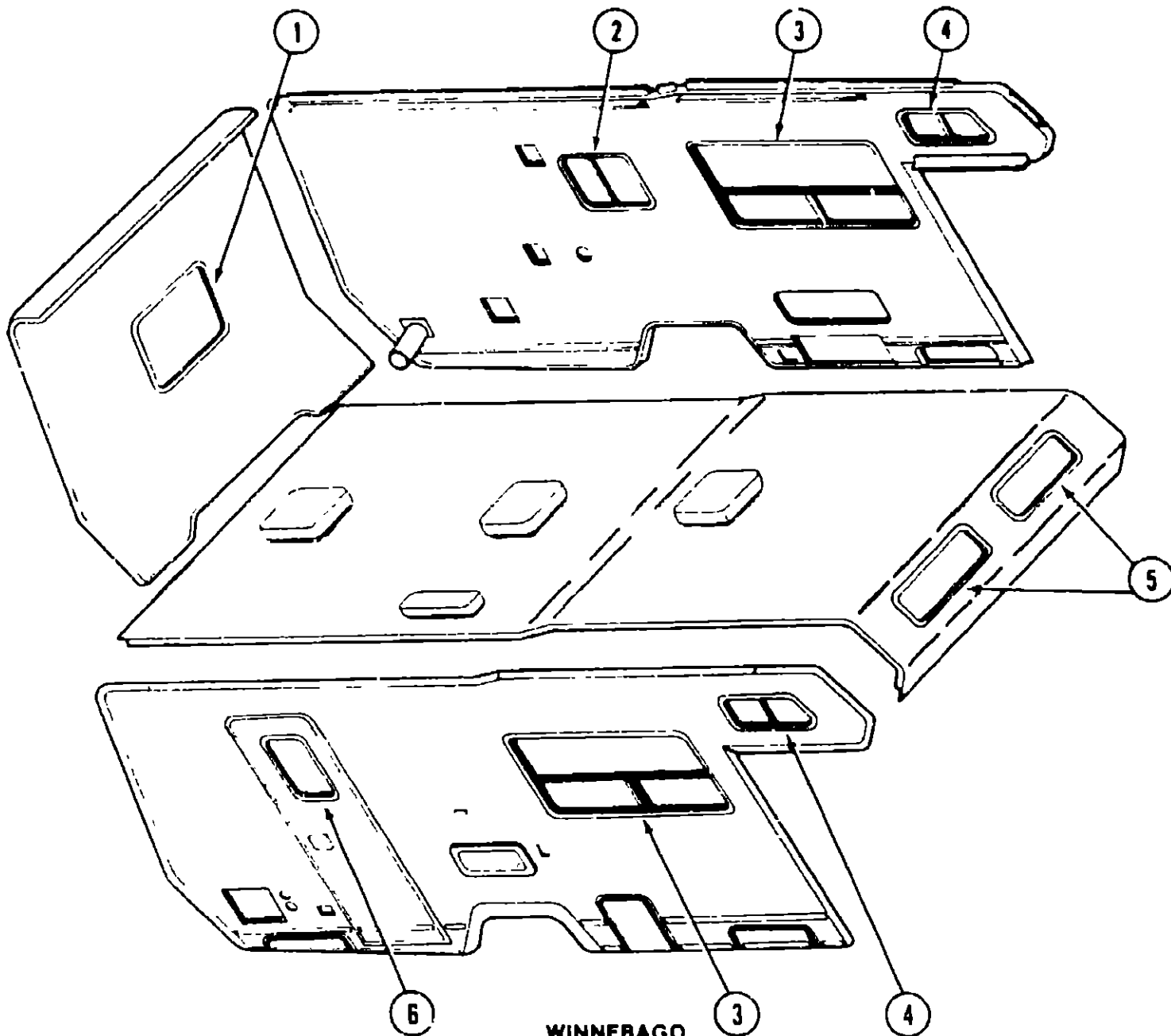
W/IT319RK	A-01 - B-04
W/IT319RB	B-05 - C-08
W/IC420EG	C-09 - D-06
W/IF420RG	D-07 - E-10
W/IC420RG	D-07 - E-10
W/IF421RB	E-11 - F-04
W/IC421RB	E-11 - F-04
W/IF424RB	F-05 - G-02
W/IC424RB	F-05 - G-02
W/IF424RC	G-03 - H-02
W/IC424RC	G-03 - H-02
W/IF426RT	H-03 - I-02

1988 W/IF424RB & W/IC424RB INDEX

Floor Plan	F-05 - F-06
Bath Group	F-07
Curtain, Cushion & Pad Group	F-08 - F-14
Dinette Group	F-15
Exterior Body Group	F-16 - F-20
Galley Group	F-21
Lounge Group	F-22
Window, Vent & Exterior Door Group	F-23 - G-01

CURTAIN, CUSHION & PAD GROUP (CONTINUED)

CURTAIN, CUSHION & PAD GROUP (CONTINUED)



CURTAINS, SHADES, VALANCES & TIEBACKS

Key	Part Number	U/M	Description
1	M81977-24-X08	EA	Valance Asm - 35 2"
1	082118-B7-000	EA	Blinds - 32" x 26" Drop (X08)
1	088729-02-000	EA	Blinds - 32" x 26" Drop (X09)
1	082118-B8-000	EA	Blinds - 32" x 26" Drop (X10)
2	M81977-25-X08	EA	Valance Asm - 27 9"
2	082118-A8-000	EA	Blinds - 27" x 22" Drop (X08)
2	088729-03-000	EA	Blinds - 27" x 22" Drop (X09)
2	082118-A9-000	EA	Blinds - 27" x 22" Drop (X10)
3	M81977-23-X08	EA	Valance Asm - 68 5"
3	M81977-23-X09	EA	Valance Asm - 68 5"
3	M81977-23-X10	EA	Valance Asm - 68 5"
3	087318-07-X11	EA	Curtain Asm w/Snap Top - 33 5"
3	082118-C6-000	EA	Blinds - 65" x 33" Drop (X08)
3	088729-01-000	EA	Blinds - 65" x 33" Drop (X09)
3	082118-C7-000	EA	Blinds - 65" x 33" Drop (X10)
4	073323-33-X08	EA	Curtain Asm w/Rod Top & Bottom - 17 5" x 24"
5	073323-37-X08	EA	Curtain Asm w/Rod Top & Bottom - 21" x 30"
6	084755-04-X11	EA	Shade Asm - Linen - 24 25"
6	M81977-26-X08	EA	Valance Asm - 27 4"

WINNEBAGO

CURTAINS, SHADES, VALANCES & TIEBACKS (CONT.)

Key	Part Number	U/M	Description
*	073295-04-X08	EA	Curtain Asm - Front Wraparound - 23" x 64" - Right
*	073295-06-X08	EA	Curtain Asm - Front Wraparound - 23" x 64" - Left
*	077591-03-X08	EA	Curtain Asm - Blackout - 70" x 50" - Right
*	077591-04-X08	EA	Curtain Asm - Blackout - 70" x 50" - Left
**	077591-01-X08	EA	Curtain Asm - Blackout - 52" x 40"
**	077591-02-X08	EA	Curtain Asm - Blackout - 52" x 42"
*	073260-23-X08	EA	Tieback Asm - 3" x 18" - Drapery
*	073260-24-X08	EA	Tieback Asm - 2" x 14" - Drapery
*	Not illustrated		
**	Parts used after 7/22/87		

ITASCA X33

CURTAINS, SHADES, VALANCES & TIEBACKS

Key	Part Number	U/M	Description
1	079558-15-X33	EA	Valance Asm w/Gathers - 5" x 40"
1	079559-14-X33	EA	Curtain Asm w/Gathers - 26' x 20"
1	084755-06-X33	EA	Shade Asm - Linen - 33 25"
†1	084755-06-XA3	EA	Shade Asm - Linen - 33 25"
††1	084755-06-XA6	EA	Shade Asm - Linen - 33 25"
2	M81977-20-X33	EA	Valance Asm - 27 9"
2	084755-18-X33	EA	Shade Asm - Linen - 27 5"
†2	084755-18-XA3	EA	Shade Asm - Linen - 27 5"
††2	084755-18-XA6	EA	Shade Asm - Linen - 27.5"
3	079558-13-WB6	EA	Valance Asm w/Gathers - 5' x 140"
3	079559-15-X33	EA	Curtain Asm w/Gathers - 36' x 44"
3	084755-02-X33	EA	Shade Asm - Linen - 67 25"
†3	084755-02-XA3	EA	Shade Asm - Linen - 67 25"
††3	084755-02-XA6	EA	Shade Asm - Linen - 67 25"
4	073323-33-X33	EA	Curtain Asm w/Rod Top & Bottom - 17 5" x 24"
5	073323-37-X33	EA	Curtain Asm w/Rod Top & Bottom - 21" x 30"
6	079558-14-WB6	EA	Valance Asm w/Gathers - 5" x 75"
6	084755-04-X33	EA	Shade Asm - Linen - 24 25"
†6	084755-04-XA3	EA	Shade Asm - Linen - 24 25"
††6	084755-04-XA6	EA	Shade Asm - Linen - 24 25"
*	073295-04-X33	EA	Curtain Asm - Front Wraparound - 23" x 64" - Right
*	073295-06-X33	EA	Curtain Asm - Front Wraparound - 23" x 64" - Left
*	077591-03-X33	EA	Curtain Asm - Blackout - 70" x 50" - Right
*	077591-04-X33	EA	Curtain Asm - Blackout - 70" x 50" - Left
**	077591-01-X33	EA	Curtain Asm - Blackout - 52" x 40"
**	077591-02-X33	EA	Curtain Asm - Blackout - 52" x 42"
*	073260-24-X33	EA	Tieback Asm - 2" x 14" - Drapery
*	073260-28-X33	EA	Tieback Asm - 3" x 23" - Drapery
†	073260-34-X33	EA	Tieback Asm - 4" x 20" - Drapery
*	073260-34-XB3	EA	Tieback Asm - 4" x 20" - Drapery
*	Not keyed		
†	Parts used after 12/1/87		
††	Parts used after 3/1/88		
†*	Parts used after 9/1/87		
**	Parts used after 7/22/87		

**1988 WINNEBAGO-ITASCA
TABLE OF CONTENTS**

W/IT319RK	A-01 - B-04
W/IT319RB	B-05 - C-08
W/IC420EG	C-09 - D-06
W/IF420RG	D-07 - E-10
W/IC420RG	D-07 - E-10
W/IF421RB	E-11 - F-04
W/IC421RB	E-11 - F-04
W/IF424RB	F-05 - G-02
W/IC424RB	F-05 - G-02
W/IF424RC	G-03 - H-02
W/IC424RC	G-03 - H-02
W/IF426RT	H-03 - I-02

**1988 W/IF424RB & W/IC424RB
INDEX**

Floor Plan	F-05 - F-06
Bath Group	F-07
Curtain, Cushion & Pad Group	F-08 - F-14
Dinette Group	F-15
Exterior Body Group	F-16 - F-20
Galley Group	F-21
Lounge Group	F-22
Window, Vent & Exterior Door Group	F-23 - G-01

CURTAIN, CUSHION & PAD GROUP (CONTINUED)

CURTAIN, CUSHION & PAD GROUP (CONTINUED)

ITASCA X34

CURTAINS, SHADES, VALANCES & TIEBACKS (CONT.)

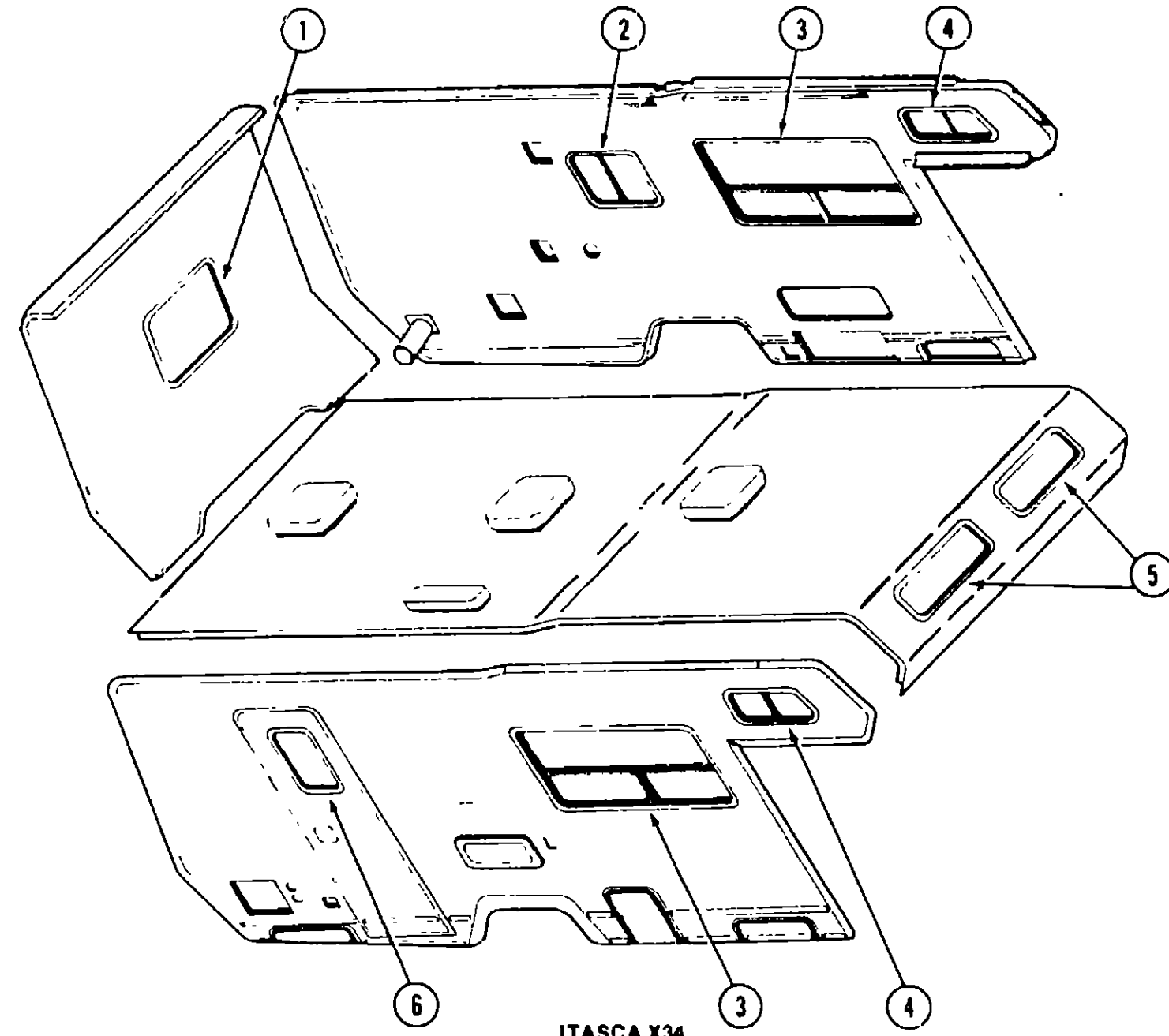
**1988 WINNEBAGO-ITASCA
TABLE OF CONTENTS**

Key	Part Number	U/M	Description
4	073323-33-X34	EA	Curtain Asm w/Rod Top & Bottom - 17 5" x 24"
*†4	073323-33-XA4	EA	Curtain Asm w/Rod Top & Bottom - 17 5" x 24"
5	073323-37-X34	EA	Curtain Asm w/Rod Top & Bottom - 21" x 30"
*†5	073323-37-XA4	EA	Curtain Asm w/Rod Top & Bottom - 21" x 30"
6	079558-14-X34	EA	Valance Asm w/Gathers - 5" x 75"
*†6	079558-14-XA4	EA	Valance Asm w/Gathers - 5" x 75"
6	084755-04-X34	EA	Shade Asm - Linen - 24 25"
†6	084755-04-XA3	EA	Shade Asm - Linen - 24 25"
††6	084755-04-XA6	EA	Shade Asm - Linen - 24 25"
.	073295-04-X34	EA	Curtain Asm - Front Wraparound - 23" x 64" - Right
*†	073295-04-XA4	EA	Curtain Asm - Front Wraparound - 23" x 64" - Right
.	073295-06-X34	EA	Curtain Asm - Front Wraparound - 23" x 64" - Left
*†	073295-06-XA4	EA	Curtain Asm - Front Wraparound - 23" x 64" - Left
.	077591-03-X34	EA	Curtain Asm - Blackout - 70" x 50" - Right
.	077591-04-X34	CA	Curtain Asm - Blackout - 70" x 50" - Left
**	077591-01-X34	EA	Curtain Asm - Blackout - 52" x 40"
*†	077591-01-XA4	EA	Curtain Asm - Blackout - 52" x 40"
**	077591-02-X34	EA	Curtain Asm - Blackout - 52" x 42"
*†	077591-02-XA4	EA	Curtain Asm - Blackout - 52" x 42"
.	073260-24-X34	EA	Tieback Asm - 2" x 14" - Drapery
*†	073260-24-XA4	EA	Tieback Asm - 2" x 14" - Drapery
.	073260-28-WB6	EA	Tieback Asm - 3" x 23" - Drapery
*†	073260-34-X34	EA	Tieback Asm - 4" x 20" - Drapery
*†	073260-34-XB4	EA	Tieback Asm - 4" x 20" - Drapery
†	073260-34-XA4	EA	Tieback Asm - 4" x 20" - Drapery
.			Not keyed
†			Parts used after 12/1/87
††			Parts used after 3/1/88
*†			Parts used after 9/1/87
**			Parts used after 7/22/87
*†			Parts used after 10/1/87

W/IT319RK	A-01 - B-04
W/IT319RB	B-05 - C-08
W/IC420EG	C-09 - D-06
W/IF420RG	D-07 - E-10
W/IC420RG	D-07 - E-10
W/IF421RB	E-11 - F-04
W/IC421RB	E-11 - F-04
W/IF424RB	F-05 - G-02
W/IC424RB	F-05 - G-02
W/IF424RC	G-03 - H-02
W/IC424RC	G-03 - H-02
W/IF426RT	H-03 - I-02

**1988 W/IF424RB & W/IC424RB
INDEX**

Floor Plan	F-05 - F-06
Bath Group	F-07
Curtain, Cushion & Pad Group	F-08 - F-14
Dinette Group	F-15
Exterior Body Group	F-16 - F-20
Galley Group	F-21
Lounge Group	F-22
Window, Vent & Exterior Door Group	F-23 - G-01



ITASCA X34

CURTAINS, SHADES, VALANCES & TIEBACKS

Key	Part Number	U/M	Description
1	079558-15-X34	EA	Valance Asm w/Gathers - 5' x 40"
*†1	079558-15-XA4	EA	Valance Asm w/Gathers - 5' x 40"
1	079559-14-X34	EA	Curtain Asm w/Gathers - 26" x 20"
*†1	079559-14-XA4	EA	Curtain Asm w/Gathers - 26" x 20"
1	084755-06-X34	EA	Shade Asm - Linen - 33 25"
†1	084755-06-XA3	EA	Shade Asm - Linen - 33 25"
††1	084755-06-XA6	EA	Shade Asm - Linen - 33 25"
2	M81977-20-X34	EA	Valance Asm - 27 9"
2	084755-18-X34	EA	Shade Asm - Linen - 27 5"
†2	084755-18-XA3	EA	Shade Asm - Linen - 27 5"
††2	084755-18-XA6	EA	Shade Asm - Linen - 27 5"
3	079558-13-X34	EA	Valance Asm w/Gathers - 5' x 140"
*†3	079558-13-XA4	EA	Valance Asm w/Gathers - 5' x 140"
3	079559-15-X33	EA	Curtain Asm w/Gathers - 36" x 44"
*†3	079559-15-XA4	EA	Curtain Asm w/Gathers - 36" x 44"
3	084755-02-X34	EA	Shade Asm - Linen - 67 25"
†3	084755-02-XA3	EA	Shade Asm - Linen - 67 25"
††3	084755-03-XA6	EA	Shade Asm - Linen - 67 25"

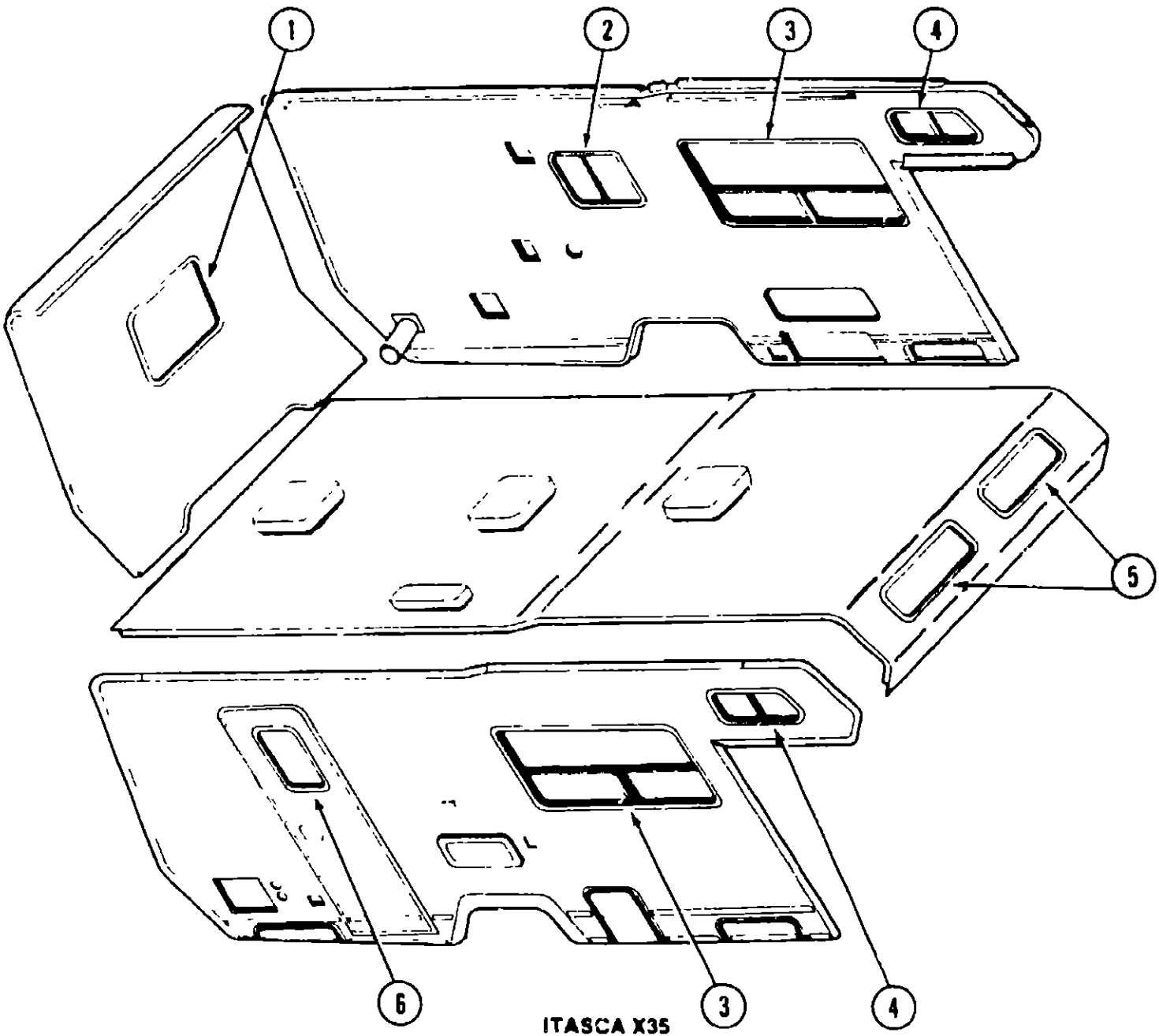
CURTAIN, CUSHION & PAD GROUP (CONTINUED)

CURTAIN, CUSHION & PAD GROUP (CONTINUED)

ITASCA X35

CURTAINS, SHADES, VALANCES & TIEBACKS (CONT.)

**1988 WINNEBAGO-ITASCA
TABLE OF CONTENTS**



Key	Part Number	U/M	Description
•	073295-04-X35	EA	Curtain Asm - Front Wraparound - 23" x 64" - Right
•	073295-06-X35	EA	Curtain Asm - Front Wraparound - 23" x 64" - Left
•	077591-03-X35	EA	Curtain Asm - Blackout - 70" x 50" - Right
•	077591-04-X35	EA	Curtain Asm - Blackout - 70" x 50" - Left
••	077591-01-X35	EA	Curtain Asm - Blackout - 52" x 40"
•	077591-02-X35	EA	Curtain Asm - Blackout - 52" x 42"
•	073260-24-X35	EA	Tieback Asm - 2" x 14" - Drapery
•	073260-28-X80	EA	Tieback Asm - 3" x 23" - Drapery
†	073260-34-X35	EA	Tieback Asm - 4" x 20" - Drapery
•			Not keyed
††			Parts used after 3/1/88
†			Parts used after 9/1/87
••			Parts used after 7/22/87

W/IT319RK	A-01 - B-04
W/IT319RB	B-05 - C-08
W/IC420EG	C-09 - D-06
W/IF420RG	D-07 - E-10
W/IC420RG	D-07 - E-10
W/IF421RB	E-11 - F-04
W/IC421RB	E-11 - F-04
W/IF424RB	F-05 - G-02
W/IC424RB	F-05 - G-02
W/IF424RC	G-03 - H-02
W/IC424RC	G-03 - H-02
W/IF426RT	H-03 - I-02

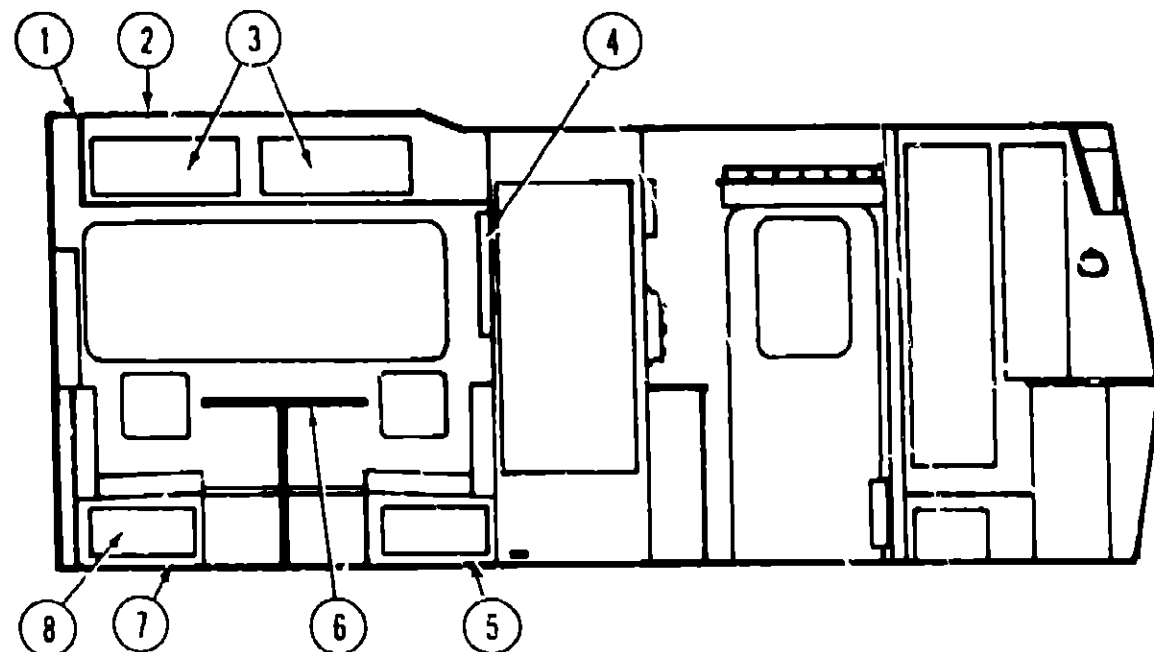
**ITASCA X35
CURTAINS, SHADES, VALANCES & TIEBACKS**

Key	Part Number	U/M	Description
1	079558-15-X35	EA	Valance Asm w/Gathers - 5" x 40"
1	079559-14-X35	EA	Curtain Asm w/Gathers - 26" x 20"
1	084755-06-X35	EA	Shade Asm - Linen - 33 25"
††1	084755-06-XA8	EA	Shade Asm - Linen - 33 25"
2	MB1977-20-X35	EA	Valance Asm - 27 9"
2	084755-18-X35	EA	Shade Asm - Linen - 27 5"
††2	084755-18-XA8	EA	Shade Asm - Linen - 27 5"
3	079558-13-X35	EA	Valance Asm w/Gathers - 5' x 140"
3	079559-15-X35	EA	Curtain Asm w/Gathers - 36" x 44"
3	084755-02-X35	EA	Shade Asm - Linen - 67 25"
††3	084755-03-XA8	EA	Shade Asm - Linen - 67 25"
4	073323-33-X35	EA	Curtain Asm w/Rod Top & Bottom - 17 5" x 24"
5	073323-37-X35	EA	Curtain Asm w/Rod Top & Bottom - 21" x 30"
6	079558-14-X35	EA	Valance Asm w/Gathers - 5" x 75"
6	084755-04-X35	EA	Shade Asm - Linen - 24 25"
††6	084755-04-XA8	EA	Shade Asm - Linen - 24 25"

**1988 W/IF424RB & W/IC424RB
INDEX**

Floor Plan	F-05 - F-06
Bath Group	F-07
Curtain, Cushion & Pad Group	F-08 - F-14
Dinette Group	F-15
Exterior Body Group	F-16 - F-20
Galley Group	F-21
Lounge Group	F-22
Window, Vent & Exterior Door Group	F-23 - G-01

DINETTE GROUP



DINETTE CABINETRY

Key	Part Number	U/M	Description
1	081280-C4-W24	EA	Pad Asm - End Cap - Dinette Overhead - Vinyl
2	M82444-01-X08	EA	Cabinet Asm - Dinette Overhead - w/o Doors or Hardware
3	M88304-A9-X08	EA	Door Asm - Dinette Overhead - 14 3" x 21 8" - w/o Hardware
4	084357-02-W24	EA	Shelf Asm - TV - w/o Plug
*	084451-01-000	EA	Catch - TV Shelf - Brass
5	M02175-05-W24	EA	Cabinet Asm - Dinette Seat - w/o Door or Hardware
*	M02174-01-W30	EA	Cabinet Asm - Dinette Back
6	M81299-01-W24	EA	Table Asm - Dinette - w/o Hardware
7	M02175-04-W24	EA	Cabinet Asm - Dinette Seat - w/o Door or Hardware
*	M02174-03-W30	EA	Cabinet Asm - Dinette Back
8	M88304-21-X08	EA	Door Asm - Dinette Seat - 10" x 19" - w/o Hardware
*	074493-01-000	EA	Support - Sprung Door Asm - Overhead Cabinet
*	088410-01-000	EA	Hanger - Table - Beige
*	053200-05-000	EA	Bracket - Upper Wall Mount - 23 5" - Beige
**	053201-06-000	EA	Bracket - Table Mount - 23" - Beige
*	024275-05-000	EA	Rod - Table Lift - 8" x 23 5" - Beige
*	024281-07-000	EA	Bracket - Lower Wall Mount - 22 12" - Beige
*	024276-17-000	EA	Leg Asm - Table - 26 75" - Tan
**	064050-02-000	EA	Hinge - Table Leg - Tan
**	024282-01-000	EA	Brace - Table Leg
**	024283-01-000	EA	Clip - 1" O D Tube
*	049493-05-000	EA	Catch - Table Leg - Mounts on Floor - Tan
*	064781-05-000	EA	Cup Holder - Beige
*			Not illustrated
**	The illustrated parts breakdown for this item is provided on the Common Items Fiche		

EXTERIOR BODY GROUP

SEALANTS, ADHESIVES & FASTENERS

Key	Part Number	U/M	Description
	034552-02-000	EA	Sealant - Clear Silicone
	069637-01-000	EA	Sealant - Weatherban 404 Tube
	002707-02-000	FT	Tape - Sealer - 5/16" x 1/2"
	009200-01-000	EA	Tape - Furnace - 1 1/2"
	002835-01-000	FT	Weather Stripping - Roof Vent
	004005-01-000	GL	Adhesive - Swifts Glue (Sidewalls)
	004020-01-000	QT	Adhesive - ABS Cement (Plastic Fittings)
	029051-01-000	EA	Adhesive - Spray Vinyl
	053766-01-000	EA	Bedding Compound - Tube - Black - Schnee Moorehead
	053766-02-000	EA	Bedding Compound - Tube - White - Schnee Moorehead
	069640-01-000	FT	Tape - 1/4" Bead x 20' - Gray - 3M
	069640-02-000	FT	Tape - 1/2" x 1/8" x 30' - Gray - 3M
	069640-03-000	FT	Tape - 3/4" x 1/8" x 30' - Gray - 3M
	069640-04-000	FT	Tape - 2" x 3/32" x 45' - Gray - 3M
	069640-05-000	FT	Tape - 2 1/2" x 3/32" x 50' - Gray - 3M
	073112-01-000	EA	Mounting Clip - Wheel Lip
	073050-01-000	EA	Mounting Clip - Valance Panel
	038886-01-000	EA	Tape - Butyl - 31" x 148" Long
	076322-02-000	FT	Tape - Foam - Double Coated
	079296-01-000	FT	Foam - Open Cell
**	NOTE	EA	Fasteners & Screws
**	The illustrated parts breakdown for this item is provided on the common Items Fiche		

1988 WINNEBAGO-ITASCA TABLE OF CONTENTS

W/IT319RK	A-01 - B-04
W/IT319RB	B-05 - C-08
W/IC420EG	C-09 - D-06
W/IF420RG	D-07 - E-10
W/IC420RG	D-07 - E-10
W/IF421RB	E-11 - F-04
W/IC421RB	E-11 - F-04
W/IF424RB	F-05 - G-02
W/IC424RB	F-05 - G-02
W/IF424RC	G-03 - H-02
W/IC424RC	G-03 - H-02
W/IF426RT	H-03 - I-02

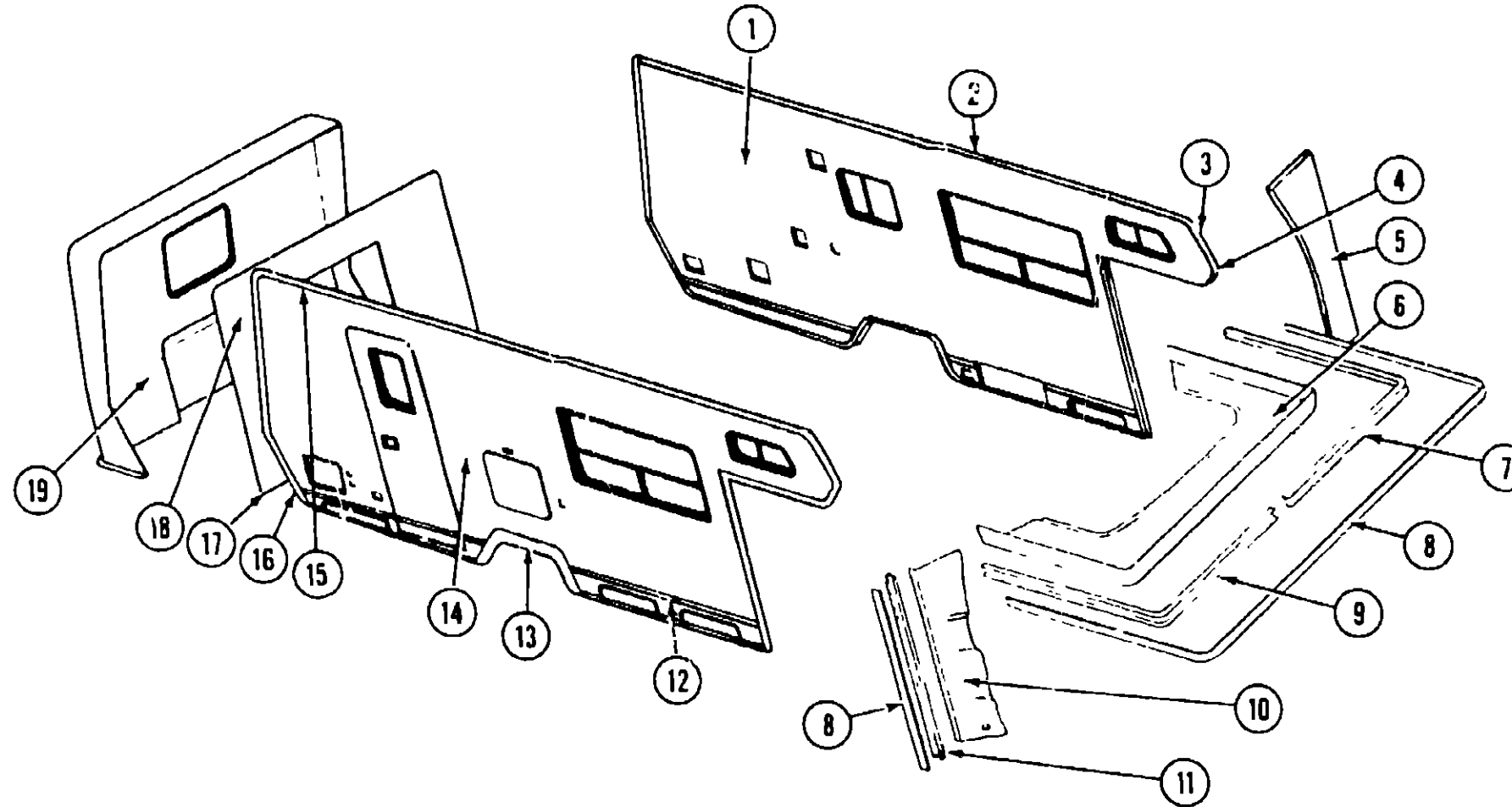
1988 W/IF424RB & W/IC424RB INDEX

Floor Plan	F-05 - F-06
Bath Group	F-07
Curtain, Cushion & Pad Group	F-08 - F-14
Dinette Group	F-15
Exterior Body Group	F-16 - F-20
Galley Group	F-21
Lounge Group	F-22
Window, Vent & Exterior Door Group	F-23 - G-01

EXTERIOR BODY GROUP (CONTINUED)

WINNEBAGO

EXTERIOR BODY PANELS



Key	Part Number	U/M	Description
1	M86982-01-X08	EA	Sidewall Asm - Drivers
1	M83982-01-X09	EA	Sidewall Asm - Drivers
1	M28982-01-X10	EA	Sidewall Asm - Drivers
•	M88612-01-X08	EA	Roof Asm
•	M76177-01-700	EA	Roof Section - Cab Over To First Seam
2	076802-08-000	EA	Trim - Contour - Upper Front - Drivers - Off White
•	076802-07-000	EA	Trim - Contour - Upper Front - Passengers - Off White
3	086889-04-000	EA	Trim - Contour - Steeper - Drivers - Off White
•	086889-03-000	EA	Trim - Contour - Steeper - Passengers - Off White
4	085490-02-000	EA	Trim - Contour Point - Sleeper - Drivers - Off White
•	085490-01-000	EA	Trim - Contour Point - Sleeper - Passenger - Off White
5	M81653-04-X08	EA	Wingwall Asm - Drivers (Ford)
5	M82343-04-W04	EA	Wingwall Asm - Drivers (Chevy)
•	M81653-03-X08	EA	Wingwall Asm - Passengers (Ford)
•	M82343-03-W04	EA	Wingwall Asm - Passengers (Chevy)
6	080858-01-000	EA	Cap - Sleeper Board Transition - Fiberglass (Ford)
6	080861-01-000	EA	Cap - Sleeper Board Transition - Fiberglass (Chevy)
7	085491-02-000	EA	Trim - Transition Cap - Front Left - Off White - Aluminum
8	086279-02-000	FT	Molding - Transition Trim - Off White
9	085491-01-000	EA	Trim - Transition Cap - Front Right - Off White - Aluminum
10	080683-02-W04	EA	Panel Asm - Right Wingwall Transition (Ford)
•	080683-01-W04	EA	Panel Asm - Left Wingwall Transition (Ford)
10	080684-02-W04	EA	Panel Asm - Right Wingwall Transition (Chevy)
•	080684-01-W04	EA	Panel Asm - Left Wingwall Transition (Chevy)
11	085492-01-000	EA	Trim - Transition Panel - Off White - Aluminum
•	087275-01-000	EA	Cap - Transition Trim - Off White - Notched Left
•	087275-02-000	EA	Cap - Transition Trim - Off White - Notched Right
•	087276-01-000	EA	Filler - Transition Panel - Right - Off White - ABS Plastic
•	087276-02-000	EA	Filler - Transition Panel - Left - Off White - ABS Plastic

1988 WINNEBAGO-ITASCA TABLE OF CONTENTS

W/IT319RK	A-01 - B-04
W/IT319RB	B-05 - C-08
W/IC420EG	C-09 - D-06
W/IF420RG	D-07 - E-10
W/IC420RG	D-07 - E-10
W/IF421RB	E-11 - F-04
W/IC421RB	E-11 - F-04
W/IF424RB	F-05 - G-02
W/IC424RB	F-05 - G-02
W/IF424RC	G-03 - H-02
W/IC424RC	G-03 - H-02
W/IF426R	H-03 - I-02

1988 W/IF424RB & W/IC424RB INDEX

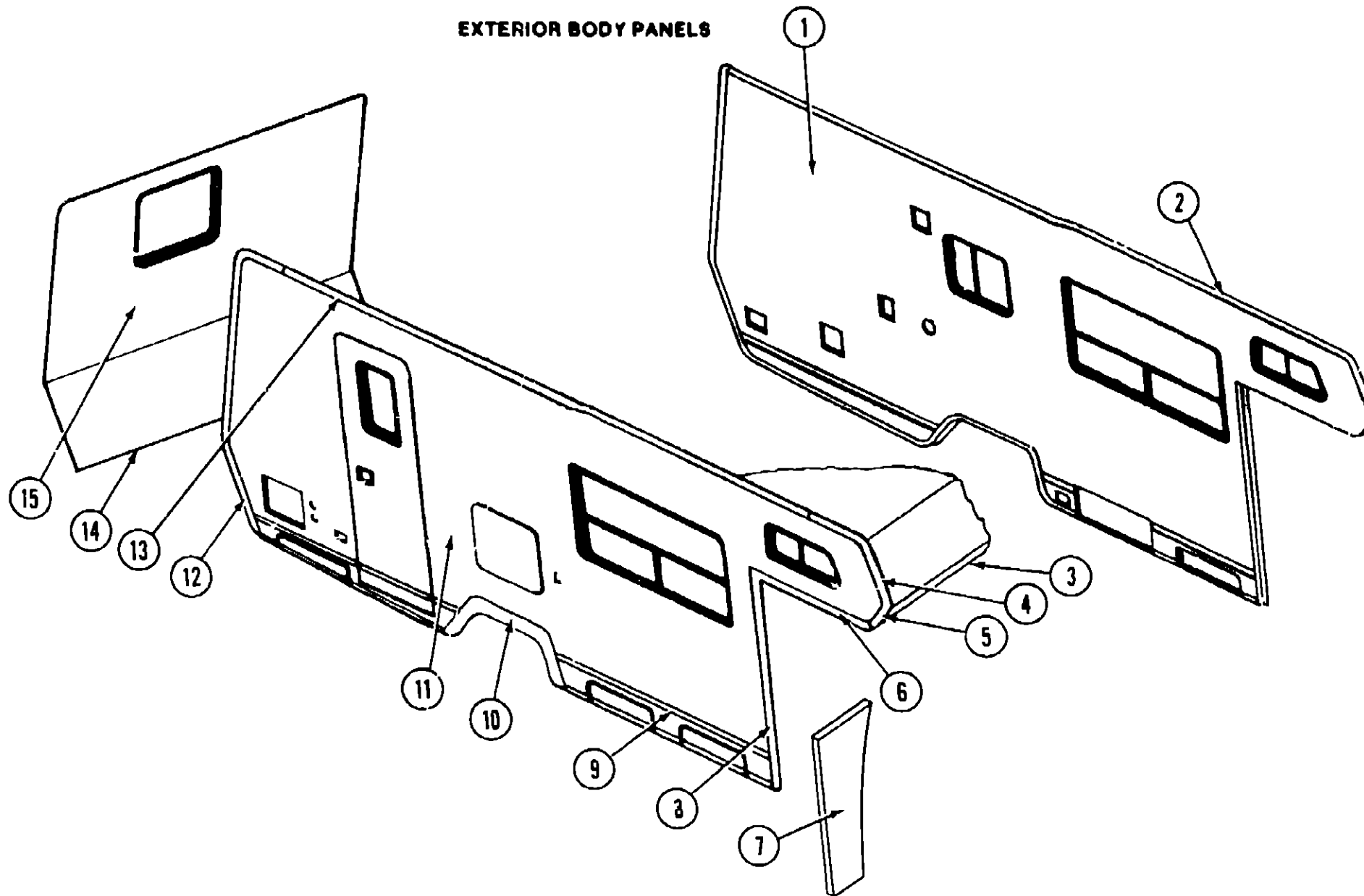
Floor Plan	F-05 - F-06
Bath Group	F-07
Curtain, Cushion & Pad Group	F-08 - F-14
Dinette Group	F-15
Exterior Body Group	F-16 - F-20
Galley Group	F-21
Lounge Group	F-22
Window, Vent & Exterior Door Group	F-23 - G-01

Key	Part Number	U/M	Description
12	059576-05-000	EA	Feature Strip - w/o Insert - 14 8" - Off White
•	091030-02-003	EA	Insert - Feature Strip - 17" - Stucco - Off White
13	075189-01-000	EA	Trim - Wheel Well - Right Rear - Off White
•	075189-02-000	EA	Trim - Wheel Well - Left Rear - Off White
14	M88983-01-X08	EA	Sidewall Asm - Passenger
14	M88983-01-X09	EA	Sidewall Asm - Passenger
14	M88983-01-X10	EA	Sidewall Asm - Passenger
15	077339-07-000	EA	Trim - Contour - Upper Right Rear - Off White
•	077339-08-000	EA	Trim - Contour - Upper Left Rear - Off White
16	073502-15-000	EA	Trim - Fiberglass Cap - Right Rear - Off White
•	073502-16-000	EA	Trim - Fiberglass Cap - Left Rear - Off White
17	074966-02-000	EA	Trim - Backwall - Lower - Off White
18	082398-01-X08	EA	Backwall Asm (X08, X10)
18	082398-01-X09	EA	Backwall Asm
19	M01898-07-L110	EA	Rear Cap Asm - Fiberglass - Off White - w/o Hardware
•	078578-05-000	EA	Bumper Cap - Rear - Right
•	078578-06-000	EA	Bumper Cap - Rear - Left
•	Not Illustrated		

EXTERIOR BODY GROUP (CONTINUED)

ITASCA

EXTERIOR BODY PANELS



1988 WINNEBAGO-ITASCA TABLE OF CONTENTS

W/IT319RK	A-01 - B-04
W/IT319RB	B-05 - C-08
W/IC420EG	C-09 - D-06
W/IF420RG	D-07 - E-10
W/IC420RG	D-07 - E-10
W/IF421RB	E-11 - F-04
W/IC421RB	E-11 - F-04
W/IF424RB	F-05 - G-02
W/IC424RB	F-05 - G-02
W/IF424RC	G-03 - H-02
W/IC424RC	G-03 - H-02
W/IF426RT	H-03 - I-02

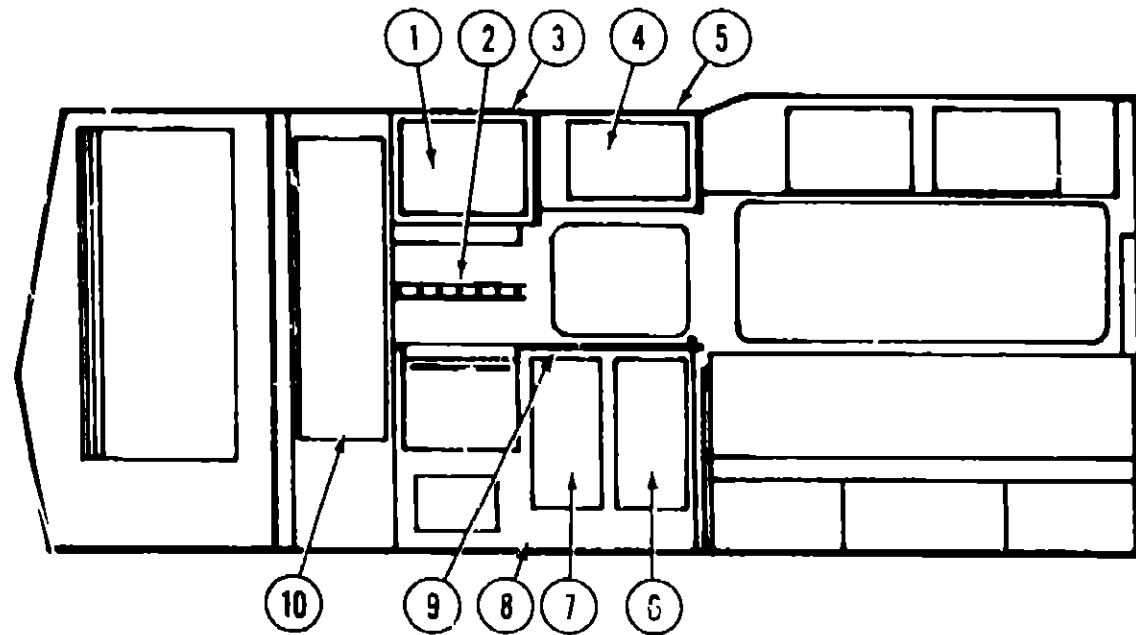
1988 W/IF424RB & W/IC424RB INDEX

Floor Plan	F-05 - F-06
Bath Group	F-07
Curtain, Cushion & Pad Group	F-08 - F-14
Dinette Group	F-15
Exterior Body Group	F-16 - F-20
Galley Group	F-21
Lounge Group	F-22
Window, Vent & Exterior Door Group	F-23 - G-01

Key	Part Number	U/M	Description
1	M03153-01-XJ3	EA	Sidewall Asm - Driver
1	M03153-01-X34	EA	Sidewall Asm - Driver
1	M03153-01-X35	EA	Sidewall Asm - Driver
•	M88612-01-X08	EA	Roof Asm
•	M7F177-01-700	EA	Roof Section - Cab Over To First Seam
2	076902-08-000	EA	Trim - Contour - Upper Front - Driver - Off White
•	076802-07-000	EA	Trim - Contour - Upper Front - Passenger - Off White
3	039644-08-000	EA	Trim - Sleeper Board - Front - Off White
4	085490-01-000	EA	Trim - Contour - Front - Passenger - Off White
•	085490-02-000	EA	Trim - Contour - Front - Driver - Off White
5	086889-01-000	EA	Trim - Front Radius - Passenger - Off White
•	086889-02-000	EA	Trim - Front Radius - Driver - Off White
6	076975-05-000	EA	Trim - Wingwall - Passenger - Off White
•	076975-06-000	EA	Trim - Wingwall - Driver - Off White
7	M82343-01-U01	EA	Wingwall Asm - Passenger (Chevy)
•	M82343-02-U01	EA	Wingwall Asm - Driver (Chevy)
7	M81653-01-U01	EA	Wingwall Asm - Passenger (Ford)
•	M81653-02-U01	EA	Wingwall Asm - Driver (Ford)

Key	Part Number	U/M	Description
8	076975-03-000	EA	Trim - Wingwall Transition - Passenger - Off White
•	076975-04-000	EA	Trim - Wingwall Transition - Driver - Off White
9	059576-05-001	EA	Feature Strip - w/o Insert - Extr - 14 8" - Off White
•	009731-01-000	EA	End Cap - Feature Strip
•	001030-02-003	EA	Insert - Feature Strip - 17" - Stucco - Off White
10	075189-01-000	EA	Trim - Wheelwell - Rear Passenger - Off White
•	075189-02-000	EA	Trim - Wheelwell - Rear Driver - Off White
11	M89412-01-X33	EA	Sidewall Asm - Passenger
11	M89412-01-X34	EA	Sidewall Asm - Passenger
11	M89412-01-X35	EA	Sidewall Asm - Passenger
12	076805-01-000	EA	Trim - Contour - Rear Passenger - Off White
•	076805-02-000	EA	Trim - Contour - Rear Driver - Off White
13	077339-07-000	EA	Trim - Contour - Upper Rear Passenger - Off White
•	077339-08-000	EA	Trim - Contour - Upper Rear Driver - Off White
14	074966-02-000	EA	Trim - Backwall - Lower - Passenger or Driver
15	M03095-01-X33	EA	Backwall Asm
15	M03095-01-X34	EA	Backwall Asm
15	M03095-01-X35	EA	Backwall Asm
•	Not Illustrated		

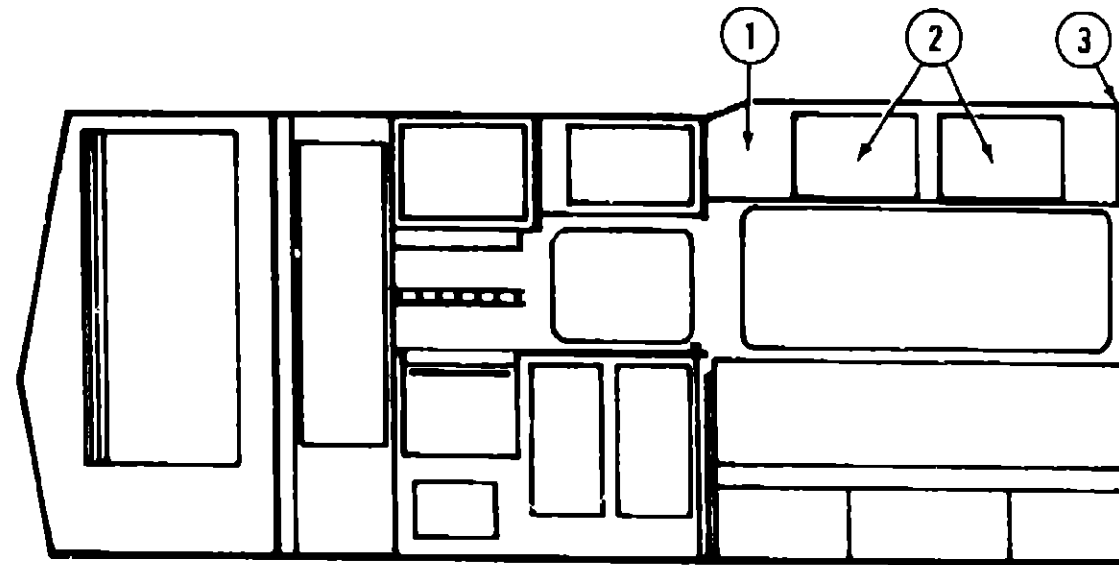
GALLEY GROUP



GALLEY CABINETRY

Key	Part Number	U/M	Description
1	M88304-01-X08	EA	Door Asm - Galley Overhead - 19" x 22 8" - w/o Hardware
2	074490-07-W24	EA	Spice Rack Asm - Oak
3	M88307-05-X11	EA	Cabinet Asm - Galley Overhead - w/o Doors or Hardware
4	M88301-84-X08	EA	Door Asm - Galley Overhead - 14 3" x 26 7" - w/o Hardware
5	M83073-01-X08	EA	Cabinet Asm - Galley Overhead - w/o Door or Hardware
6	M88304-13-X08	EA	Door Asm - Galley Cabinet - 33 3" x 14 29" - w/o Hardware
7	M88304-14-X08	EA	Door Asm - Galley Cabinet - 33 3" x 14 29" - w/o Hardware
8	M82447-01-W24	EA	Cabinet Asm - Galley - w/o Countertop, Doors, Drawers or Hardware
9	M02558-01-W24	EA	Countertop Asm - Galley
*	M88304-C9-X08	EA	Door Asm - Refrigerator Cabinet - Bottom - 23 8" x 10 8" - w/o Hardware
10	M88304-B1-X08	EA	Door Asm - Pantry - 54 9" x 14 3" - w/o Hardware
*	077404-01-000	EA	Drawer - Plastic - 20" x 12 7"
*	M82184-01-X08	EA	Drawer Asm - Storage (Used with Microwave Option)
*	Not illustrated		

LOUNGE GROUP



SPRUNG COUCH

Key	Part Number	U/M	Description
1	M82445-01-X08	EA	Cabinet Asm - Overhead - Driver - w/o Doors or Hardware
2	M88304-A9-X08	EA	Door Asm - Overhead Cabinet - 14 3" x 21 8" - w/o Hardware
3	081280-03-X08	EA	Pad Asm - End Cap - Overhead Cabinet - Vinyl
*	091826-05-X11	EA	Couch Asm - Complete - Presto Bed
*	083759-01-W24	EA	Extension Asm - Presto Bed
*	083125-03-000	EA	Brace - Couch
*	083175-04-000	EA	Brace - Couch
*	Not illustrated		

1988 WINNEBAGO-ITASCA TABLE OF CONTENTS

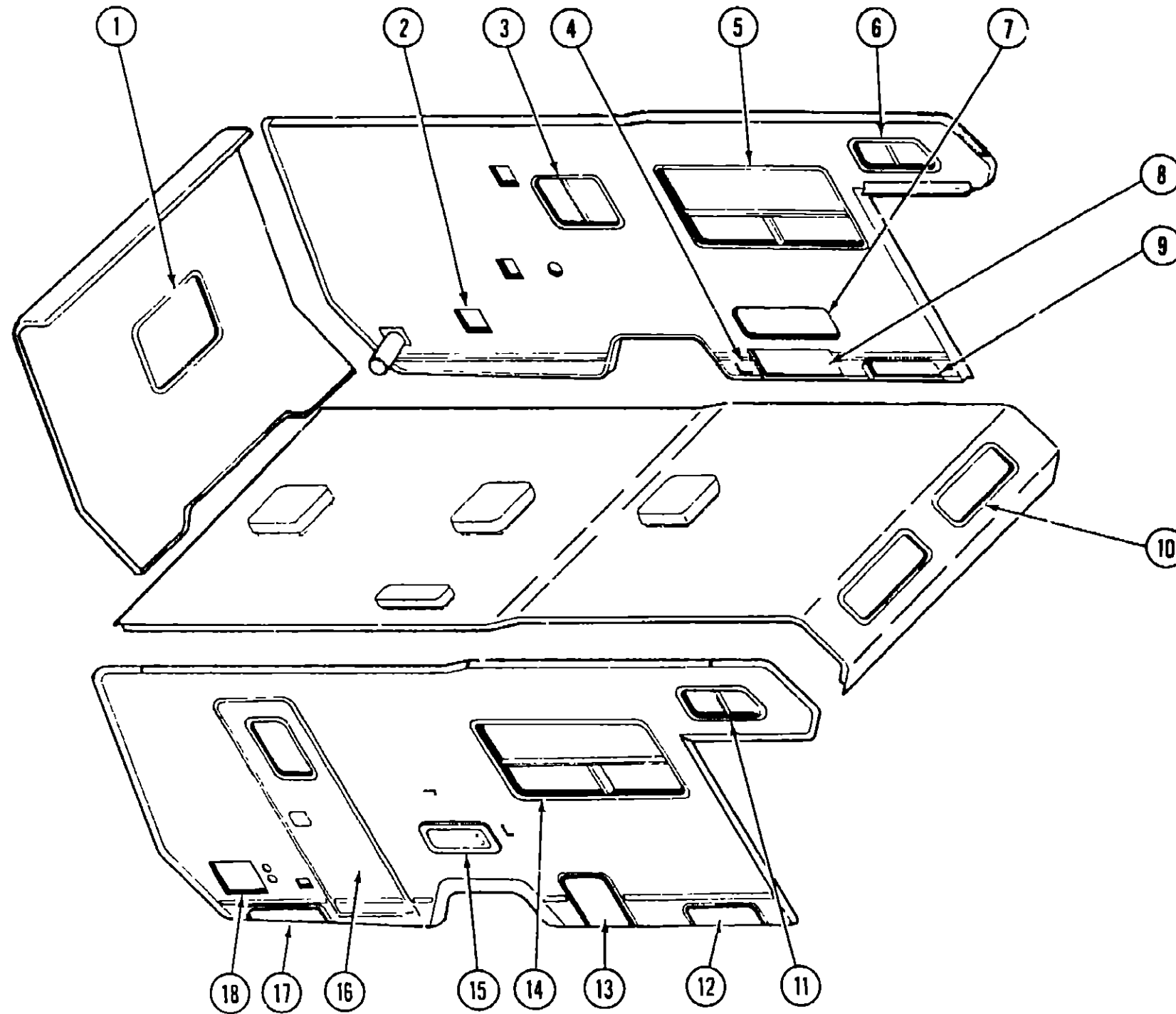
W/IT319RK	A-01 - B-04
W/IT319RB	B-05 - C-08
W/IC420EG	C-09 - D-06
W/IF420RG	D-07 - E-10
W/IC420RG	D-07 - E-10
W/IF421RB	E-11 - F-04
W/IC421RB	E-11 - F-04
W/IF424RB	F-05 - G-02
W/IC424RB	F-05 - G-02
W/IF424RC	G-03 - H-02
W/IC424RC	G-03 - H-02
W/IF426RT	H-03 - I-02

1988 W/IF424RB & W/IC424RB INDEX

Floor Plan	F-05 - F-06
Bath Group	F-07
Curtain, Cushion & Pad Group	F-08 - F-14
Dinette Group	F-15
Exterior Body Group	F-16 - F-20
Galley Group	F-21
Lounge Group	F-22
Window, Vent & Exterior Door Group	F-23 - G-01

WINDOW, VENTS & EXTERIOR DOOR GROUP

WINDOWS & ACCESS DOORS



Key	Part Number	U/M	Description
1	079415-01-T03	EA	Window Asm - Escape
2	052423-01-000	EA	Door Asm - Sewer Hose - Off White
3	078010-03-000	EA	Door Asm - Fuel Fill
4	078266-03-T03	EA	Window Asm - Single Slider
5	088794-01-000	EA	Door Asm - Power Cord
6	085254-02-W07	EA	Window Asm - Double Tipout
7	086227-02-000	EA	Window Asm - Bunk - Slant Slider - Left
8	086228-06-000	EA	Frame - Inside - Left Bunk - Slant Slider
9	079578-03-X08	EA	Door Asm - Storage
10	079149-01-T03	EA	Door Asm - Luggage
11	M79321-01-T03	EA	Door Asm - Generator

Key	Part Number	U/M	Description
12	079455-04-T95	EA	Door Asm - Storage
13	078533-04-X08	EA	Window Asm - Front Picture
14	086227-01-000	EA	Window Asm - Bunk - Slant Slider - Right
15	086228-05-000	EA	Frame - Inside - Right Bunk - Slant Slider
16	079455-03-T95	EA	Door Asm - LP
17	089384-01-X08	EA	Door Asm - Storage
18	084103-03-000	EA	Door Asm - Refrigerator Access - Half Door
19	079733-04-T03	EA	Window Asm - Picture
20	M01070-20-X08	EA	Door Asm - Radius Entry w/Screen Door
21	083264-04-X08	EA	Door Asm - Storage
22	052009-01-000	EA	Door Asm - Water Heater - Off White
23	.	.	Not illustrated

1988 WINNEBAGO-ITASCA TABLE OF CONTENTS

W/IT319RK	A-01 - B-04
W/IT319RB	B-05 - C-08
W/IC420EG	C-09 - D-06
W/IF420RG	D-07 - E-10
W/IC420RG	D-07 - E-10
W/IF421RB	E-11 - F-04
W/IC421RB	E-11 - F-04
W/IF424RB	F-05 - G-02
W/IC424RB	F-05 - G-02
W/IF424RC	G-03 - H-02
W/IC424RC	G-03 - H-02
W/IF426RT	H-03 - I-02

1988 W/IF424RB & W/IC424RB INDEX

Floor Plan	F-05 - F-06
Bath Group	F-07
Curtain, Cushion & Pad Group	F-06 - F-14
Dinette Group	F-15
Exterior Body Group	F-16 - F-20
Galley Group	F-21
Lounge Group	F-22
Window, Vent & Exterior Door Group	F-23 - G-01

WINDOW, VENT & EXTERIOR DOOR GROUP (CONTINUED)

ACCESS DOORS HARDWARE

Key	Part Number	U/M	Description
	079246-01-000	EA	Jamb Asm - Generator Door
	084104-03-000	EA	Jamb Asm - Refrigerator Door
	084104-01-700	EA	Lock - Male Dyrus Fastener
	084104-01-701	EA	Lock - Female Dyrus Fastener
	075726-01-000	EA	Outlet Extension - Sewage
	075730-01-000	EA	End Cap - Sewage Hose
	064075-04-000	FT	Seal - Bulb - Door - 300"
	041312-01-000	EA	Seal - Bulb - E' Section
	083615-06-000	EA	Door Holder - Off White Plastic
	042442-01-000	EA	Lock Asm - Twist Type - 90° Rotation - 1 5" Latch - 6" Depth
	079366-03-000	EA	Lock Asm - Key Type - w/o Key
	083223-03-000	EA	Lock Asm - Key Type (Set of 1) (Generator Door)
	077408-01-000	EA	Lock Asm - Key Type - 90° Rotation - 2 5" Latch - 1" Depth
	079365-01-000	EA	Lock Asm - Key Type - 90° Rotation - 1 3" Latch - 2 1" Depth
	079927-03-000	EA	Lock Asm - Twist Type - 1 3" Latch - 2 1" Depth

1988 WINNEBAGO-ITASCA TABLE OF CONTENTS

W/IT319RK	A-01 - B-04
W/IT319RB	B-05 - C-08
W/IC420EG	C-09 - D-06
W/IF420RG	D-07 - E-10
W/IC420RG	D-07 - E-10
W/IF421RB	E-11 - F-04
W/IC421RB	E-11 - F-04
W/IF424RB	F-05 - G-02
W/IC421RB	F-05 - G-02
W/IF424RB	G-03 - H-02
W/IC424RB	G-03 - H-02
W/IF426RT	H-03 - I-02

1988 W/IF424RB & W/IC424RB INDEX

Floor Plan	F-05 - F-06
Bath Group	F-07
Curtain Cushion & Pad Group	F-08 - F-14
Dinette Group	F-15
Exterior Body Group	F-16 - F-20
Galley Group	F-21
Lounge Group	F-22
Window, Vent & Exterior Door Group	F-23 - G-01