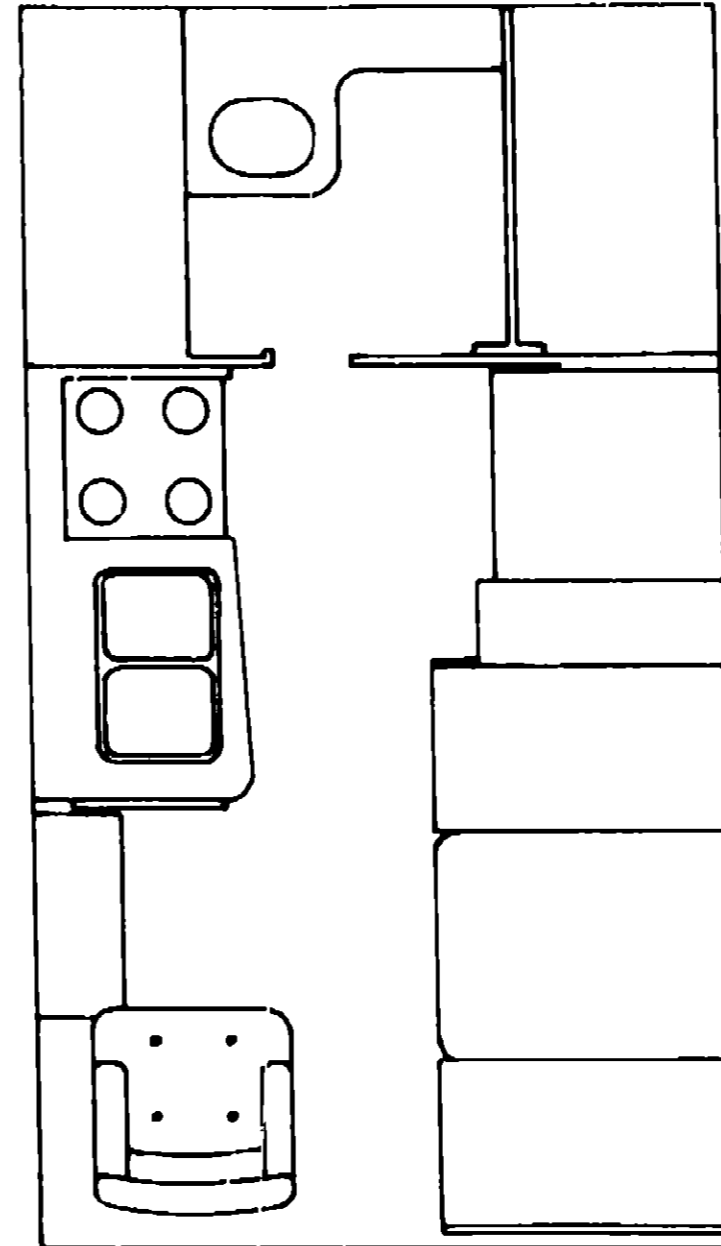


1988
W/IF421RB
W/IC421RB



1988 WINNEBAGO-ITASCA
TABLE OF CONTENTS

W/IT319RK	A-01 - B-04
W/IT319RB	B-05 - C-08
W/IC420EG	C-09 - D-08
W/IF420RG	D-07 - E-10
W/IC420RG	D-07 - E-10
W/IF421RB	E-11 - F-04
W/IC421RB	E-11 - F-04
W/IF424RB	F-05 - G-02
W/IC424RB	F-05 - G-02
W/IF424RC	G-03 - H-02
W/IC424RC	G-03 - H-02
W/IF428RT	H-03 - I-02

1988 W/IF421RB & W/IC421RB
INDEX

Floor Plan	E-11 - E-12
Bath Group	E-13
Curtain, Cushion & Pad Group	E-14 - E-20
Dinette Group	E-21
Exterior Body Group	E-22 - E-24
Galley Group	F-01
Lounge Group	F-02
Window, Vent & Exterior Door Group	F-03 - F-04

BATH GROUP

BATH CABINETRY

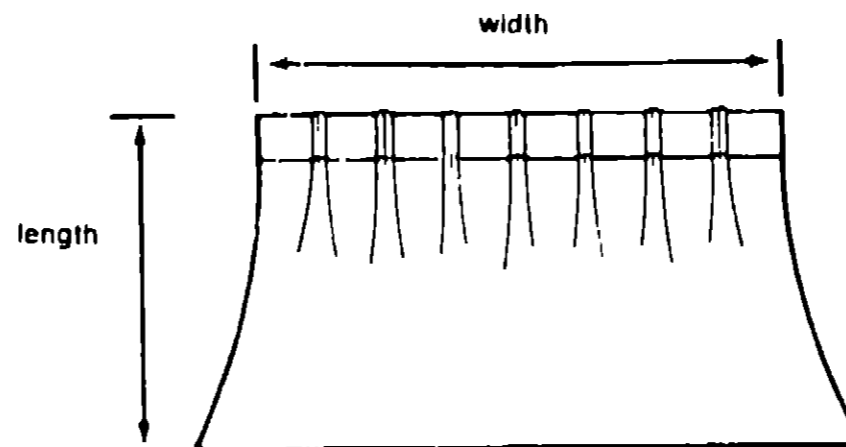
Key	Part Number	U/M	Description
	M82428-03-X08	EA	Cabinetry Asm - Lavatory - w/o Doors, Countertop, or Hardware
	M02558-01-X08	EA	Countertop Asm. - Lavatory
	081893-02-X11	EA	Face Asm - Lavatory - w/o Hardware
	077251-01-000	EA	Drawer - Tiltout - Plastic
	M88304-86-X08	EA	Door Asm - Lavatory Cabinet - 26 7" x 14 3" - w/o Hardware
	076073-01-000	EA	Cabinet Asm - Medicine - w/o Doors or Hardware
	068303-52-X08	EA	Door Asm - Medicine Cabinet - 45 5" x 15 5" - w/o Hardware
	060834-01-W24	EA	Door Asm - Sliding - w/o Hardware
	058034-02-000	EA	Latch Door w/o Lock
	M88304-A3 X08	EA	Door Asm - Wardrobe - 39 9" x 12" - w/o Hardware
	M88304-B2-X08	EA	Door Asm - Wardrobe - 48" x 16 7" - w/o Hardware

CURTAIN, CUSHION & PAD GROUP

NOTICE

In order to assist our Parts Sales Dept. in providing interior software items, please include the serial number and the color code number from the vehicle certification label when ordering. This label is located on the left sidewall at the end of the dash (A-Body), or on the driver's door latch plate (C-Body).

An example of a color code number is P31, which designates an overall color scheme of a particular unit. The color listed after the item description on the microfiche, indicates the overall unit color. Order the item you desire according to unit color code.



NOTE

Use this illustration when determining length and width measurements for curtains. You will note the width measurement is taken on the top of the curtain with the curtain fully extended. The length measurement is taken from top to bottom.



Key	Part Number	U/M	Description
1	029130-01-000	EA	Socket - Snap Fastener
2	029155-01-000	EA	Cap - Snap - 156" Dia x 17" Barrel
3	029156-01-000	EA	Socket - Snap Fastener
4	029092-01-000	EA	Stud - Nickel Finish
5	029093-01-000	EA	Eyelet - Nickel Finish

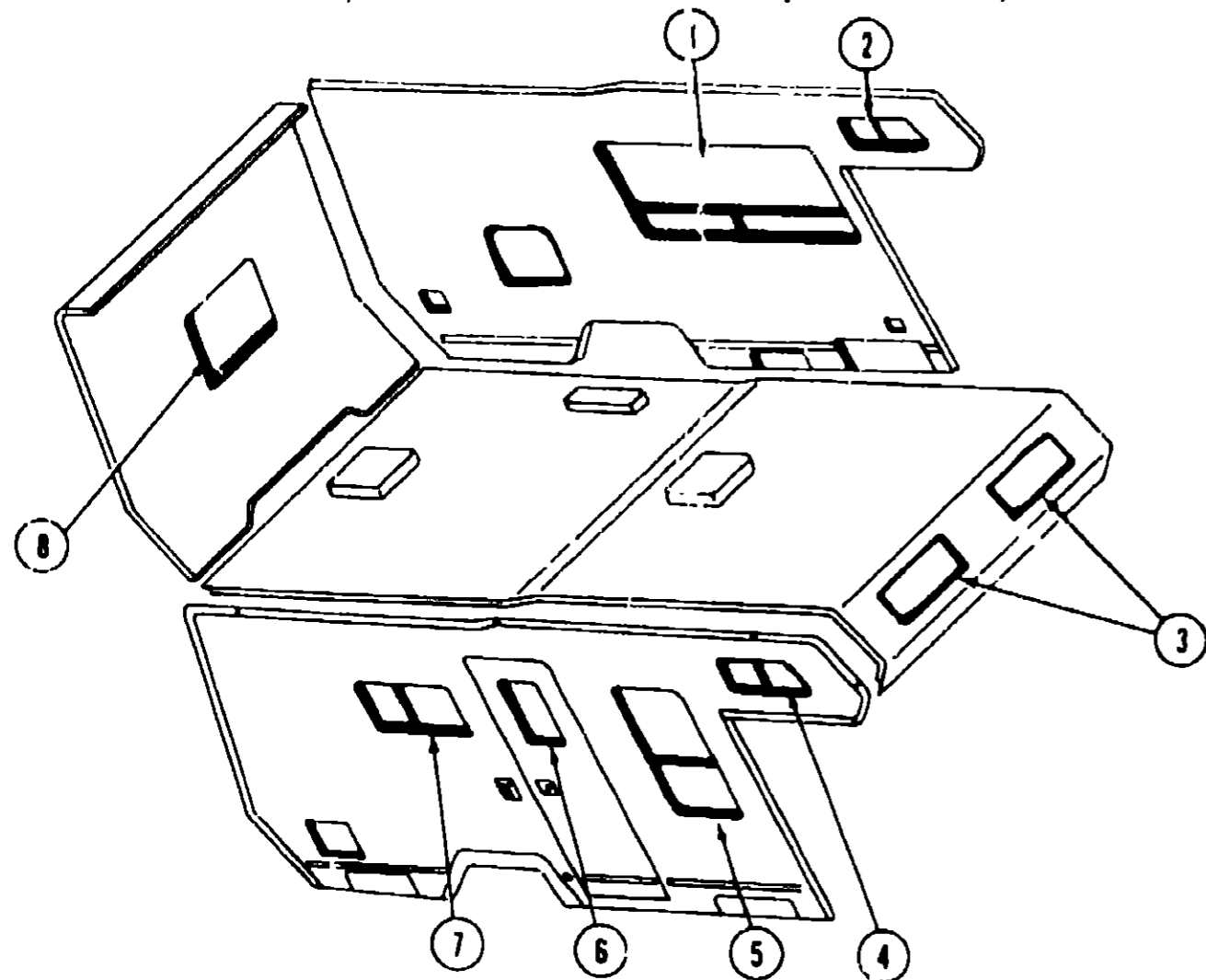
1988 WINNEBAGO-ITASCA TABLE OF CONTENTS

W/IT319RK	A-01 - B-04
W/IT319RB	B-05 - C-08
W/IC420EG	C-09 - D-06
W/IF420RG	D-07 - E-10
W/IC420RG	D-07 - E-10
W/IF421RB	E-11 - F-04
W/IC421RB	E-11 - F-04
W/IF424RB	F-05 - G-02
W/IC424RB	F-05 - G-02
W/IF424RC	G-03 - H-02
W/IC424RC	G-03 - H-02
W/IF426RT	H-03 - I-02

1988 W/IF421RB & W/IC421RB INDEX

Floor Plan	E-11 - E-12
Bath Group	E-13
Curtain, Cushion & Pad Group	E-14 - E-20
Dinette Group	E-21
Exterior Body Group	E-22 - E-24
Galley Group	F-01
Lounge Group	F-02
Window, Vent & Exterior Door Group	F-03 - F-04

CURTAIN, CUSHION & PAD GROUP (CONTINUED)



WINNEBAGO

CURTAINS, SHADES, VALANCES & TIEBACKS

Key	Part Number	U/M	Description
1	M81977-24-X08	EA	Valance Asm - 35 2"
1	082118-B9-000	EA	Blinds - 32" x 26" Drop (X08)
1	088729-02-000	EA	Blinds - 32" x 26" Drop (X09)
1	082118-B8-000	EA	Blinds - 32" x 26" Drop (X10)
2	M81977-23-X08	EA	Valance Asm - 68 5"
2	087318-07-X11	EA	Curtain Asm w/Snap Top - 33 5"
2	082118-C8-000	EA	Blinds - 65" x 33" Drop (X08)
2	088729-01-000	EA	Blinds - 65" x 33" Drop (X09)
2	082118-C7-000	EA	Blinds - 65" x 33" Drop (X10)
3	073323-33-X08	EA	Curtain Asm w/Rod Top & Bottom - 17 5" x 24"
4	073323-37-X08	EA	Curtain Asm w/Rod Top & Bottom - 21" x 30"
5	080824-06-X08	EA	Valance Asm - Entrance Door
5	085190-15-X08	EA	Curtain Asm w/Darts - 45" x 10"
5	082118-A5-000	EA	Blinds - 19" x 42 5" Drop (X08)
5	086729-09-000	EA	Blinds - 19" x 42 5" Drop (X09)
5	082118-A6-000	EA	Blinds - 19" x 42 5" Drop (X10)
6	080824-06-X08	EA	Valance Asm - Entrance Door
6	084755-04-X11	EA	Shade Asm - Linen - 24 26"
7	M81977-20-X08	EA	Valance Asm - 28"
7	082118-B0-000	EA	Blinds - 27" x 22" Drop (X08)
7	088729-03-000	EA	Blinds - 27" x 22" Drop (X09)
7	082118-A8-000	EA	Blinds - 27" x 22" Drop (X10)
.	073295-04-X08	EA	Curtain Asm - Front Wraparound - 23" x 64" - Right
.	073295-06-X08	EA	Curtain Asm - Front Wraparound - 23" x 64" - Left

CURTAIN, CUSHION & PAD GROUP (CONTINUED)

WINNEBAGO

CURTAINS, SHADES, VALANCES & TIEBACKS (CONT.)

Key	Part Number	U/M	Description
.	077591-03-X08	EA	Curtain Asm - Blackout - 70" x 50" - Right
.	077591-04-X08	EA	Curtain Asm - Blackout - 70" x 50" - Left
..	077591-01-X08	EA	Curtain Asm - Blackout - 52" x 40"
..	077591-02-X08	EA	Curtain Asm - Blackout - 52" x 42"
.	073260-23-X08	EA	Tieback Asm - 3" x 18" - Drapery
.	073260-24-X08	EA	Tieback Asm - 2" x 14" - Drapery
.	Not Illustrated		
..	Parts used after 7/22/87		

ITASCA X33

CURTAINS, SHADES, VALANCES & TIEBACKS

Key	Part Number	U/M	Description
1	079558-15-X33	EA	Valance Asm. w/Gathers - 5" x 40"
1	079558-14-X33	EA	Curtain Asm. w/Gathers - 26" x 20"
1	084755-06-X33	EA	Shade Asm - Linen - 33 25"
†	084755-06-XA3	EA	Shade Asm - Linen - 33 25"
††	084755-06-XA6	EA	Shade Asm - Linen - 33.25"
2	079558-13-WB6	EA	Valance Asm w/Gathers - 5" x 140"
2	079558-15-X33	EA	Curtain Asm w/Gathers - 36" x 44"
2	084755-02-X33	EA	Shade Asm - Linen - 67 25"
†2	084755-02-XA3	EA	Shade Asm - Linen - 67 25"
††2	084755-02-XA6	EA	Shade Asm - Linen - 67 25"
3	073323-33-X33	EA	Curtain Asm w/Rod Top & Bottom - 17 25" x 24"
4	073323-37-X33	EA	Curtain Asm w/Rod Top & Bottom - 21" x 30"
5	080824-06-X33	EA	Valance Asm - Entrance Door
5	085190-15-X33	EA	Curtain Asm w/Darts - 45" x 10"
5	084755-12-X33	EA	Shade Asm - Linen - 19 25"
†5	084755-12-XA3	EA	Shade Asm - Linen - 19 25"
††5	084755-12-XA6	EA	Shade Asm - Linen - 19 25"
6	080824-06-X33	EA	Valance Asm - Entrance Door
6	084755-04-X33	EA	Shade Asm - Linen - 24 25"
†6	084755-04-XA3	EA	Shade Asm - Linen - 24 25"
††6	084755-04-XA6	EA	Shade Asm - Linen - 24 25"
7	M81977-20-X33	EA	Valance Asm - 28"
7	084755-18-X33	EA	Shade Asm - Linen - 27 50"
†7	084755-18-XA3	EA	Shade Asm - Linen - 27 50"
††7	084755-18-XA6	EA	Shade Asm - Linen - 27 50"
.	073295-04-X33	EA	Curtain Asm - Front Wraparound - 23" x 64" - Right
.	073295-06-X33	EA	Curtain Asm - Front Wraparound - 23" x 64" - Left
.	077591-03-X33	EA	Curtain Asm - Blackout - 70" x 50" - Right
.	077591-04-X33	EA	Curtain Asm - Blackout - 70" x 50" - Left
.	077591-01-X33	EA	Curtain Asm - Blackout - 52" x 40"
.	077591-02-X33	EA	Curtain Asm - Blackout - 52" x 42"
.	073260-24-X33	EA	Tieback Asm - 2" x 14" - Drapery
.	073260-28-WB6	EA	Tieback Asm - 3" x 23" - Drapery
.	073260-34-X33	EA	Tieback Asm - 4" x 20" - Drapery
.	073260-34-XB3	EA	Tieback Asm - 4" x 20" - Drapery
.	Not keyed		
†	Parts used after 12/1/87		
††	Parts used after 3/1/88		
†*	Parts used after 9/1/87		
..	Parts used after 7/22/87		

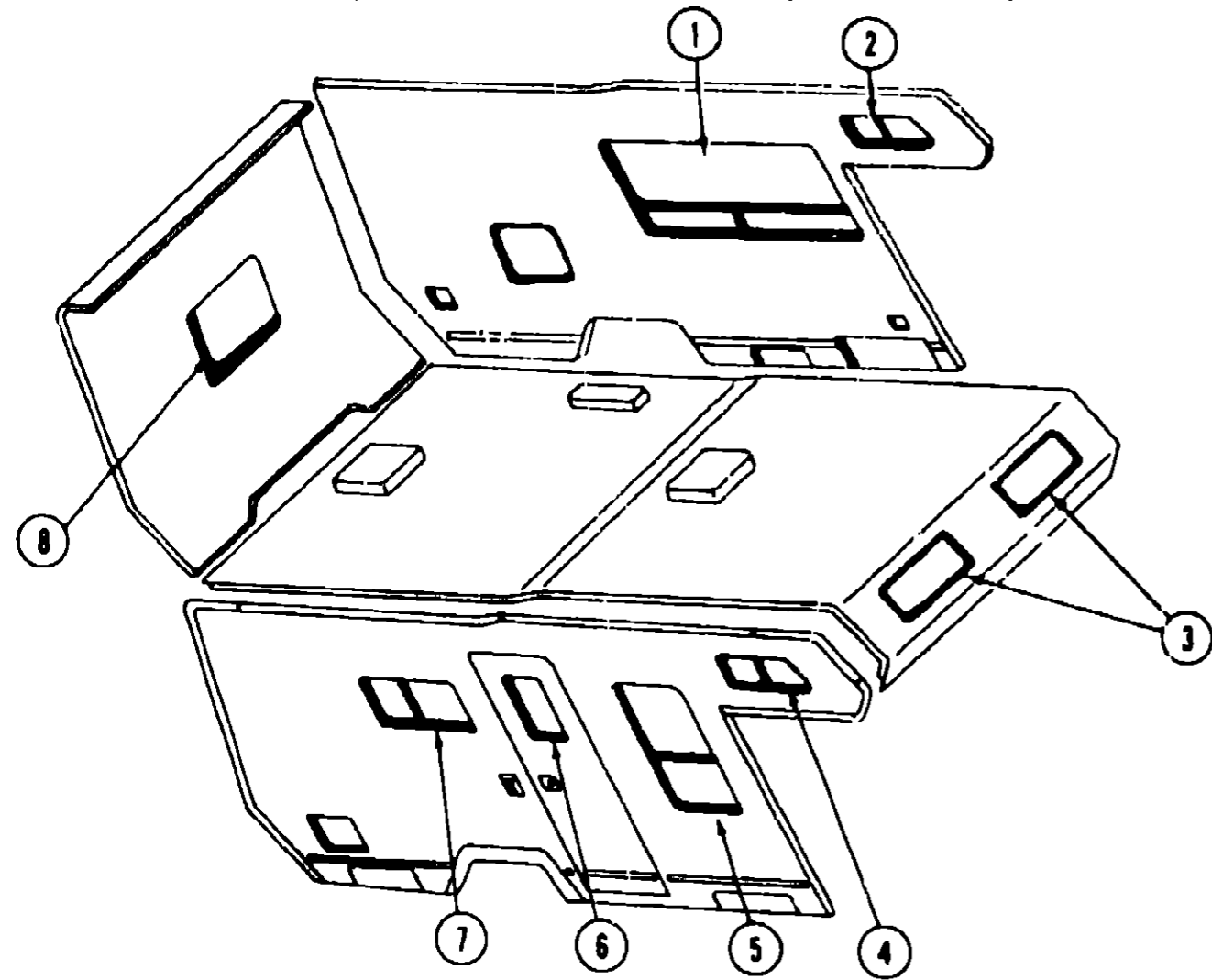
**1988 WINNEBAGO-ITASCA
TABLE OF CONTENTS**

W/IT319FIK	A-01 - B-04
W/IT319RB	B-05 - C-08
W/IC420EG	C-09 - D-08
W/IF420RC	D-07 - E-10
W/IC420RG	U-07 - E-10
W/IF421RB	E-11 - F-04
W/IC421RB	E-11 - F-04
W/IF424RB	F-05 - G-02
W/IC424RB	F-05 - G-02
W/IF424RC	G-03 - H-02
W/IC424RC	G-03 - H-02
W/IF426RT	H-03 - I-02

**1988 W/IF421RB & W/IC421RB
INDEX**

Floor Plan	E-11 - E-12
Bath Group	E-13
Curtain, Cushion & Pad Group	E-14 - E-20
Dinette Group	E-21
Exterior Body Group	E-22 - E-24
Galley Group	F-01
Lounge Group	F-02
Window Vent & Exterior Door Group	F-03 - F-04

CURTAIN, CUSHION & PAD GROUP (CONTINUED)



ITASCA X34

CURTAINS, SHADES, VALANCES & TIEBACKS

Key	Part Number	U/M	Description
1	079558-15-X34	EA	Valance Asm w/Gathers - 5" x 40"
*†1	079558-15-XA4	EA	Valance Asm w/Gathers - 5" x 40"
1	079559-14-X34	EA	Curtain Asm w/Gathers - 26" x 20"
*†1	079559-14-XA4	EA	Curtain Asm w/Gathers - 26" x 20"
1	084755-06-X34	EA	Shade Asm - Linen - 33 25"
†1	084755-06-XA3	EA	Shade Asm - Linen - 33 25"
††1	084755-06-XA6	EA	Shade Asm - Linen - 33 25"
2	079558-13-X34	EA	Valance Asm w/Gathers - 5" x 140"
*†2	079558-13-XA4	EA	Valance Asm w/Gathers - 5" x 140"
2	079559-15-X33	EA	Curtain Asm w/Gathers - 36" x 44"
*†2	079559-15-XA4	EA	Curtain Asm w/Gathers - 36" x 44"
2	084755-02-X34	EA	Shade Asm - Linen - 67 25"
†2	084755-02-XA3	EA	Shade Asm - Linen - 67 25"
††2	084755-02-XA6	EA	Shade Asm - Linen - 67 25"
3	073323-33-X34	EA	Curtain Asm w/Rod Top & Bottom - 17 25" x 24"
*†3	073323-33-XA4	EA	Curtain Asm w/Rod Top & Bottom - 17 25" x 24"
4	073323-37-X34	EA	Curtain Asm w/Rod Top & Bottom - 21" x 30"
*†4	073323-37-XA4	EA	Curtain Asm w/Rod Top & Bottom - 21" x 30"
5	080824-06-X34	EA	Valance Asm - Entrance Door
*†5	080824-06-XA4	EA	Valance Asm - Entrance Door
5	085190-15-X34	EA	Curtain Asm w/Darts - 45" x 10"
*†5	085190-15-XA4	EA	Curtain Asm w/Darts - 45" x 10"
5	084755-12-X34	EA	Shade Asm - Linen - 19 25"
†5	084755-12-XA3	EA	Shade Asm - Linen - 19 25"
††5	084755-12-XA6	EA	Shade Asm - Linen - 19 25"

CURTAIN, CUSHION & PAD GROUP (CONTINUED)

ITASCA X34

CURTAINS, SHADES, VALANCES & TIEBACKS (CONT.)

Key	Part Number	U/M	Description
5	080824-06-X34	EA	Valance Asm - Entrance Door
*†5	080824-06-XA4	EA	Valance Asm - Entrance Door
6	084755-04-X34	EA	Shade Asm - Linen - 24.25"
†6	084755-04-XA3	EA	Shade Asm - Linen - 24.25"
††6	084755-04-XA6	EA	Shade Asm - Linen - 24.25"
7	M81977-20-X34	EA	Valance Asm - 28"
7	084755-18-X34	EA	Shade Asm - Linen - 27.50"
†7	084755-18-XA3	EA	Shade Asm - Linen - 27.50"
††7	084755-18-XA6	EA	Shade Asm - Linen - 27.50"
*	073295-04-X34	EA	Curtain Asm - Front Wrapround - 23" x 64" - Right
*†	073295-04-XA4	EA	Curtain Asm - Front Wrapround - 23" x 64" - Right
*	073295-06-X34	EA	Curtain Asm - Front Wrapround - 23" x 64" - Left
*†	073295-06-XA4	EA	Curtain Asm - Front Wrapround - 23" x 64" - Left
*	077591-03-X34	EA	Curtain Asm - Blackout - 70" x 50" - Right
*	077591-04-X34	EA	Curtain Asm - Blackout - 70" x 50" - Left
**	077591-01-X34	EA	Curtain Asm - Blackout - 52" x 40"
*†	077591-01-XA4	EA	Curtain Asm - Blackout - 52" x 40"
**	077591-02-X34	EA	Curtain Asm - Blackout - 52" x 42"
*†	077591-02-XA4	EA	Curtain Asm - Blackout - 52" x 42"
*	073260-24-X34	EA	Tieback Asm - 2" x 14" - Drapery
*†	073260-24-XA4	EA	Tieback Asm - 2" x 14" - Drapery
*	073260-28-X73	EA	Tieback Asm - 3" x 23" - Drapery
†*	073260-34-X34	EA	Tieback Asm - 4" x 20" - Drapery
*†	073260-34-XB4	EA	Tieback Asm - 4" x 20" - Drapery
†	073260-34-XA4	EA	Tieback Asm - 4" x 20" - Drapery
*			Not keyed
†			Parts used after 12/1/87
††			Parts used after 3/1/88
†*			Parts used after 9/1/87
**			Parts used after 7/22/87
*†			Parts used after 10/1/87

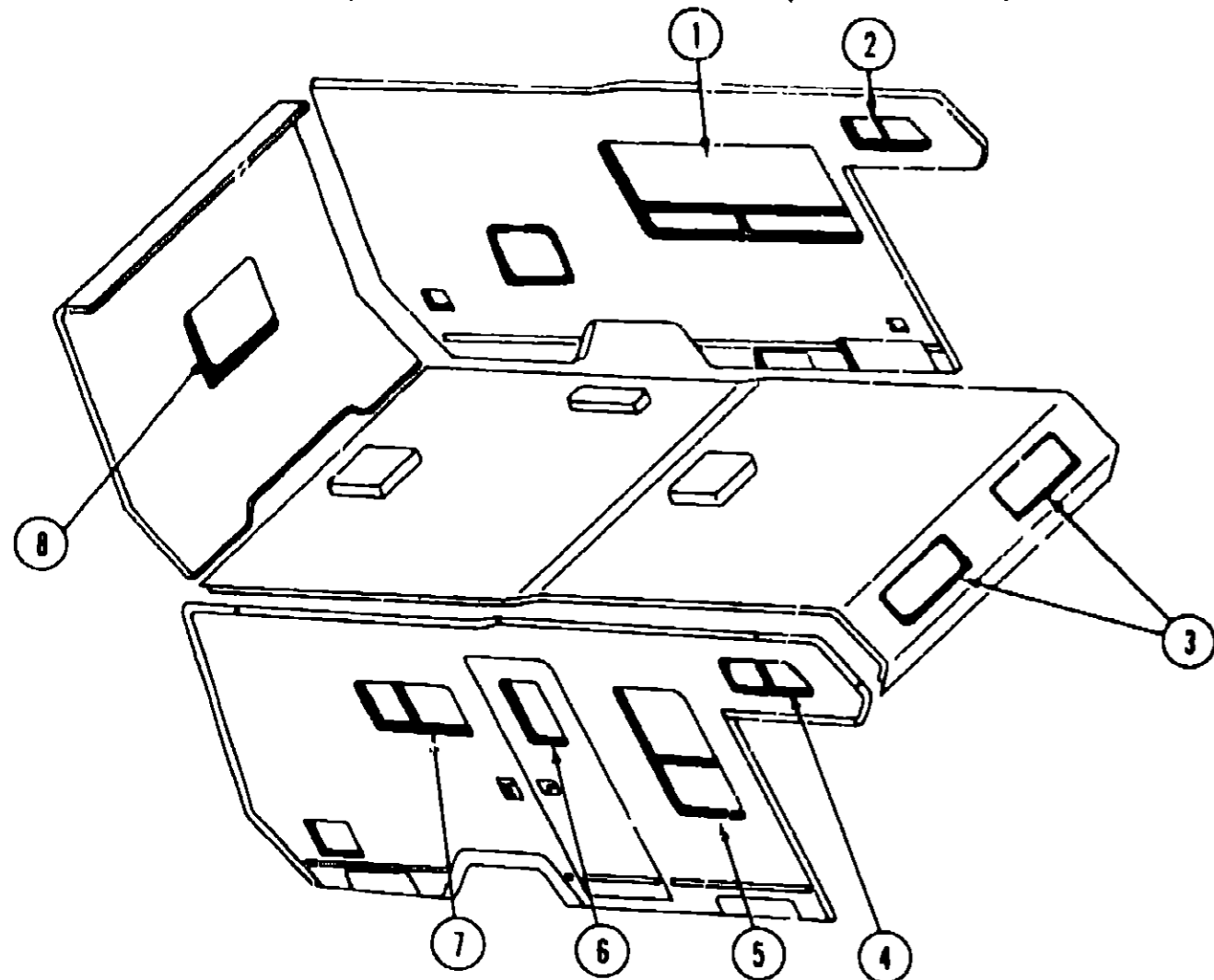
**1988 WINNEBAGO-ITASCA
TABLE OF CONTENTS**

W/IT319RK	A-01 - B-04
W/IT319RB	B-05 - C-08
W/IC420EG	C-09 - D-08
W/IF420RG	D-07 - E-10
W/IC420RG	D-07 - E-10
W/IF421RB	E-11 - F-04
W/IC421RB	E-11 - F-04
W/IF424RB	F-05 - G-02
W/IC424RB	F-05 - G-02
W/IF424RC	G-03 - H-02
W/IC424RC	G-03 - H-02
W/IF426RT	H-03 - I-02

**1988 W/IF421RB & W/IC421RB
INDEX**

Floor Plan	E-11 - E-12
Bath Group	E-13
Curtain, Cushion & Pad Group	E-14 - E-20
Dinette Group	E-21
Exterior Body Group	E-22 - E-24
Galley Group	F-01
Lounge Group	F-02
Window Vent & Exterior Door Group	F-03 - F-04

CURTAIN, CUSHION & PAD GROUP (CONTINUED)



ITASCA X35

CURTAINS, SHADES, VALANCES & TIEBACKS

Key	Part Number	U/M	Description
1	079558-15-X35	EA	Valance Asm w/Gathers - 5" x 40"
1	079559-14-X35	EA	Curtain Asm w/Gathers - 26" x 20"
1	084755-06-X35	EA	Shade Asm - Linen - 33 25"
††1	084755-06-XA8	EA	Shade Asm - Linen - 33 25"
2	079558-13-X35	EA	Valance Asm w/Gathers - 5" x 140"
2	079559-15-X35	EA	Curtain Asm w/Gathers - 36" x 44"
2	084755-02-X35	EA	Shade Asm - Linen - 67 25"
††2	084755-02-XA8	EA	Shade Asm - Linen - 67 25"
3	073323-33-X35	EA	Curtain Asm w/Rod Top & Bottom - 17 5" x 24"
4	073323-37-X35	EA	Curtain Asm w/Rod Top & Bottom - 21" x 30"
5	060824-06-X35	EA	Valance Asm - Entrance Door
5	064755-12-X35	EA	Shade Asm - Linen - 19 25"
††5	084755-12-XA8	EA	Shade Asm - Linen - 19 25"
6	079558-14-X35	EA	Valance Asm - Entrance Door
6	084755-04-X35	EA	Shade Asm - Linen - 24 25"
††6	084755-04-XA8	EA	Shade Asm - Linen - 24 25"

CURTAIN, CUSHION & PAD GROUP (CONTINUED)

ITASCA X36

CURTAINS, SHADES, VALANCES & TIEBACKS (CONT.)

Key	Part Number	U/M	Description
7	M81977-20-X35	EA	Valance Asm. - 27.9"
7	084755-18-X35	EA	Shade Asm. - Linen - 27.5"
††7	084755-18-XA8	EA	Shade Asm. - Linen - 27.5"
.	073295-04-X35	EA	Curtain Asm. - Front Wraparound - 23" x 64" - Right
.	073295-06-X35	EA	Curtain Asm. - Front Wraparound - 23" x 64" - Left
.	077591-03-X35	EA	Curtain Asm. - Blackout - 70" x 50" - Right
.	077591-04-X35	EA	Curtain Asm. - Blackout - 70" x 50" - Left
.	077591-01-X35	EA	Curtain Asm. - Blackout - 52" x 40"
.	077591-02-X35	EA	Curtain Asm. - Blackout - 52" x 42"
.	073260-24-X35	EA	Tieback Asm - 2" x 14" - Drapery
.	073260-28-X80	EA	Tieback Asm - 3" x 23" - Drapery
.	073260-34-X35	EA	Tieback Asm - 4" x 20" - Drapery
.	Not Illustrated		
††	Parts used after 3/1/88		

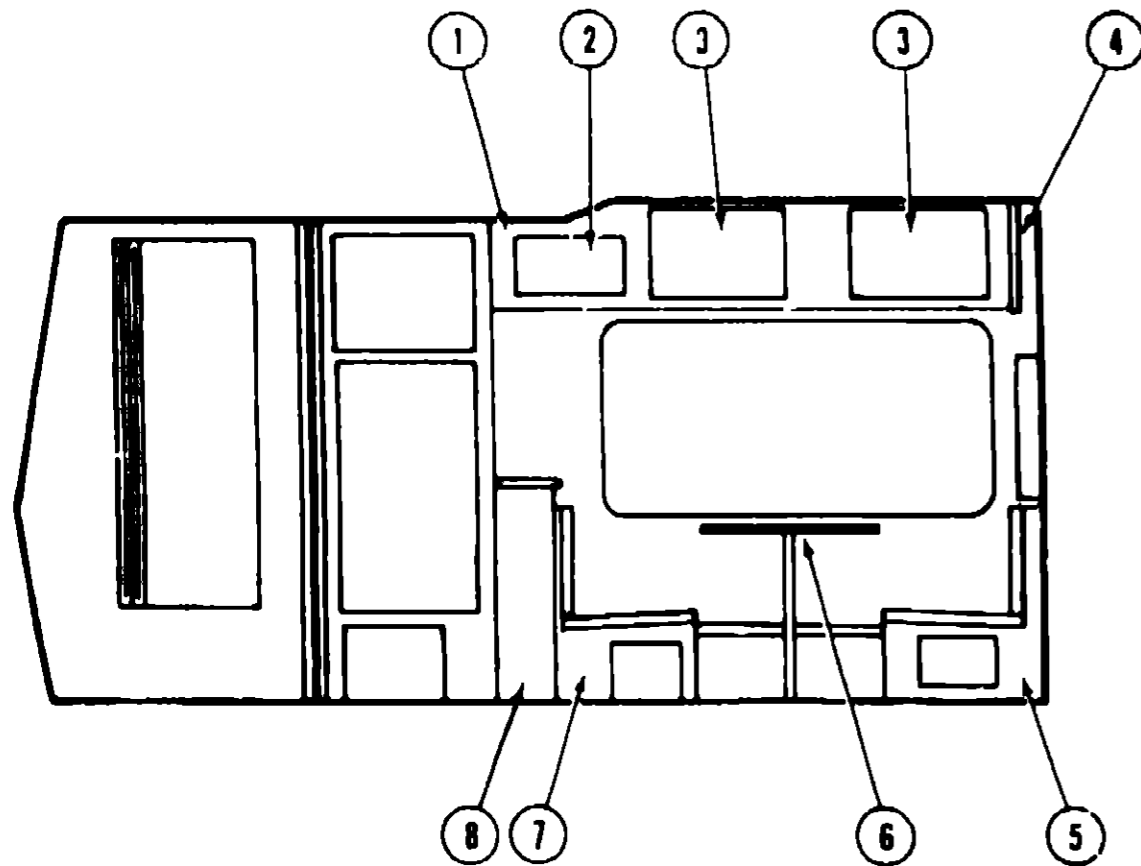
**1988 WINNEBAGO-ITASCA
TABLE OF CONTENTS**

W/IT316RK	A-01 - B-04
W/IT319RB	B-05 - C-08
W/IC420EG	C-09 - D-06
W/IF420RG	D-07 - E-10
W/IC420RG	D-07 - E-10
W/IF421RE	F-11 - F-04
W/IC421RB	E-11 - F-04
W/IF424RB	F-05 - G-02
W/IC424RB	F-05 - G-02
W/IF424RC	G-03 - H-02
W/IC424RC	G-03 - H-02
W/IF426RT	H-03 - I-02

**1988 W/IF421RB & W/IC421RB
INDEX**

Floor Plan	E-11 - E-12
Bath Group	E-13
Curtain, Cushion & Pad Group	E-14 - E-20
Dinette Group	E-21
Exterior Body Group	E-22 - E-24
Galley Group	F-01
Lounge Group	F-02
Window, Vent & Exterior Door Group	F-03 - F-04

DINETTE GROUP



Key	Part Number	U/M	Description
1	M83131-01-X08	EA	Cabinet Asm - Dinette Overhead - w/o Doors or Hardware
2	M88304-A2-X08	EA	Door Asm - Dinette Overhead - 11" x 21 8" - w/o Hardware
3	M88304-B4-X08	EA	Door Asm. - Dinette Overhead - 14 3" x 26 8" - w/o Hardware
4	081280-03-X08	EA	Pad Asm. - End Cap - Dinette Overhead - Vinyl
5	M02175-02-W30	EA	Cabinet Asm - Dinette Seat - w/o Door or Hardware
•	M88304-21-X08	EA	Door Asm - Dinette Seat - 19" x 10" - w/o Hardware
•	M02174-01-W30	EA	Cabinet Asm - Dinette Back
6	M02115-09-X36	EA	Table Asm - Dinette - w/o Hardware
7	M02175-06-X08	EA	Cabinet Asm - Dinette Seat - w/o Door or Hardware
•	M02174-06-X08	EA	Cabinet Asm - Dinette Back
8	079676-01-X08	EA	Cabinet Asm - Hamper - w/o Countertop
•	M02068-01-X08	EA	Countertop Asm. - Hamper - Flip-Up
•	M02069-01-X08	EA	Countertop Asm - Hamper
•	053200-05-000	EA	Bracket - Upper Wall Mount - 23 5"
**	053201-06-000	EA	Bracket - Table Mount - 23"
•	024275-05-000	EA	Rod - Table Lift - 8" x 23 5"
•	024281-07-000	EA	Bracket - Lower Wall Mount
•	024276-14-000	EA	Leg Asm - Table - 26 75"
**	064050-01-000	EA	Hinge - Table Leg
**	024282-01-000	EA	Brace - Table Leg
**	024283-01-000	EA	Clip - 1" O D Tube
•	049493-05-000	EA	Catch - Table Leg - Mounts on Floor
•	064781-03-000	EA	Cup Holder - 3 47" O D x 2 75" I D x 1 5"
•	016604-02-000	EA	Angle Brace - Seat - 2 5" - Brown
•			Not illustrated

** The illustrated parts breakdown for this item is provided on the Common Items Fiche

EXTERIOR BODY GROUP

MISCELLANEOUS EXTERNALLY MOUNTED PARTS

Key	Part Number	U/M	Description
	083558-02-000	EA	Plumbing Seal - Roof Vent - 1.5" - w/Cover
	010230-02-000	EA	Fill - City Water - Recessed - Off White
	081240-03-000	EA	Water Fill - Lockable - Off White
	083578-01-000	EA	Boot - Fuel Fill
	084235-01-000	EA	Support - Flange - Fuel Fill Boot
	078040-02-000	EA	Shroud - Fuel Fill - Upper
	054530-01-000	EA	Door Stop
	038327-01-000	EA	Tape - Antislip - 2" x 80'
	009426-02-000	EA	Hatch - Power Cord - Off White

1988 WINNEBAGO-ITASCA TABLE OF CONTENTS

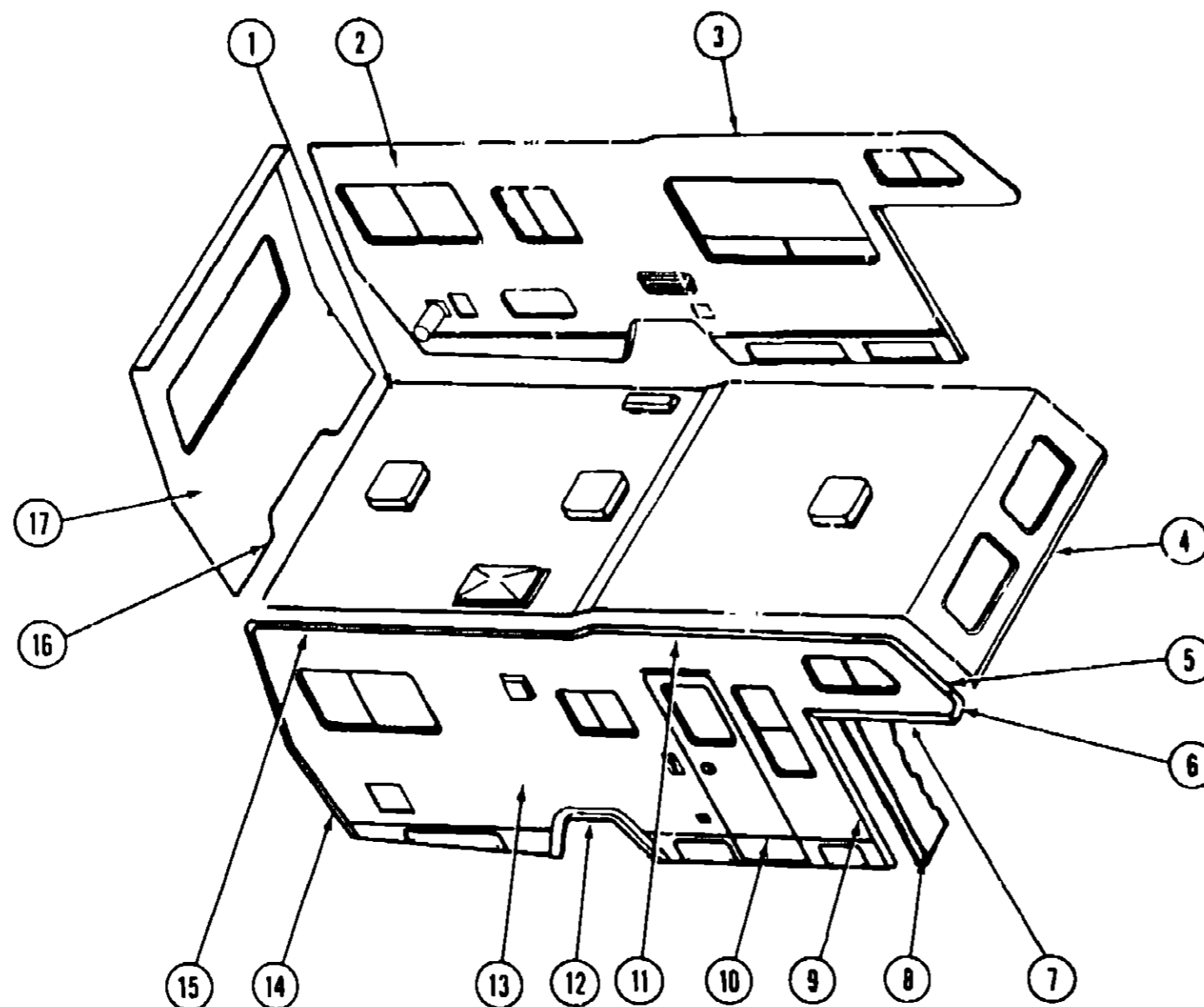
W/IT319RK	A-01 - B-04
W/IT319RB	B-05 - C-08
W/IC420EG	C-09 - D-06
W/IF420RG	D-07 - E-10
W/IC420RG	D-07 - E-10
W/IF421RB	E-11 - F-04
W/IC421RB	E-11 - F-04
W/IF424RB	F-05 - G-02
W/IC424RB	F-05 - G-02
W/IF424RC	G-03 - H-02
W/IC424RC	G-03 - H-02
W/IF426RT	H-03 - I-02

1988 W/IF421RB & W/IC421RB INDEX

Floor Plan	E-11 - E-12
Bath Group	E-13
Curtain, Cushion & Pad Group	E-14 - E-20
Dinette Group	E-21
Exterior Body Group	E-22 - E-24
Galley Group	F-01
Lounge Group	F-02
Window, Vent & Exterior Door Group	F-03 - F-04

EXTERIOR BODY GROUP (CONTINUED)

EXTERIOR BODY PANELS



Key	Part Number	U/M	Description
1	M88630-01-X08	EA	Roof Asm
•	M76177-01-700	EA	Roof Section - Cab Over To First Seam
2	M86313-01-X08	EA	Sidewall Asm - Driver
3	076802-08-000	EA	Trim - Contour - Upper Front - Driver - Off White
4	039644-08-000	EA	Trim - Sleeper Board - Front - Off White
•	M81652-01-W04	EA	Sleeperboard Asm
5	085490-01-000	EA	Trim - Contour - Front - Passenger - Off White
•	085490-02-000	EA	Trim - Contour - Front - Driver - Off White
6	086889-01-000	EA	Trim - Front Radius - Plastic - Passenger - Off White
•	086889-02-000	EA	Trim - Front Radius - Plastic - Driver - Off White
7	076975-05-000	EA	Trim - Wingwall - 52 7" - Passenger - Off White
•	076975-06-000	EA	Trim - Wingwall - 52 7" - Driver - Off White
8	M82343-01-U01	EA	Wingwall Asm - Passenger (Chevy)
•	M82343-02-U01	EA	Wingwall Asm - Driver (Chevy)
9	076975-03-000	EA	Trim - Wingwall Transition - Passenger - Off White
•	076975-04-000	EA	Trim - Wingwall Transition - Driver - Off White

Key	Part Number	U/M	Description
10	002444-01-001	EA	Feature Strip - w/o Insert - Extr - 14' - Brown
•	001030-02-100	EA	Insert - Feature Strip - 17' - Stucco - Off White
•	009731-01-000	EA	End Cap - Feature Strip
11	076802-07-000	EA	Trim - Contour - Upper Front - Passenger - Off White
12	075189-03-000	EA	Trim - Wheel Well - Rear Passenger - Off White
•	075189-04-000	EA	Trim - Wheelwell - Rear Driver - Off White
13	M86312-01-X08	EA	Sidewall Asm - Passenger
13	M86312-01-X09	EA	Sidewall Asm - Passenger
13	M86312-01-X10	EA	Sidewall Asm - Passenger
14	076805-01-000	EA	Trim - Contour - Rear Passenger - Off White
•	076805-02-000	EA	Trim - Contour - Rear Driver - Off White
15	077339-11-000	EA	Trim - Contour - Upper Rear Passenger - Off White
•	077339-12-000	EA	Trim - Contour - Upper Rear Driver - Off White
16	074966-02-000	EA	Trim - Backwall - Lower - Passenger or Driver
17	M03050-01-X08	EA	Backwall Asm
•			Not illustrated

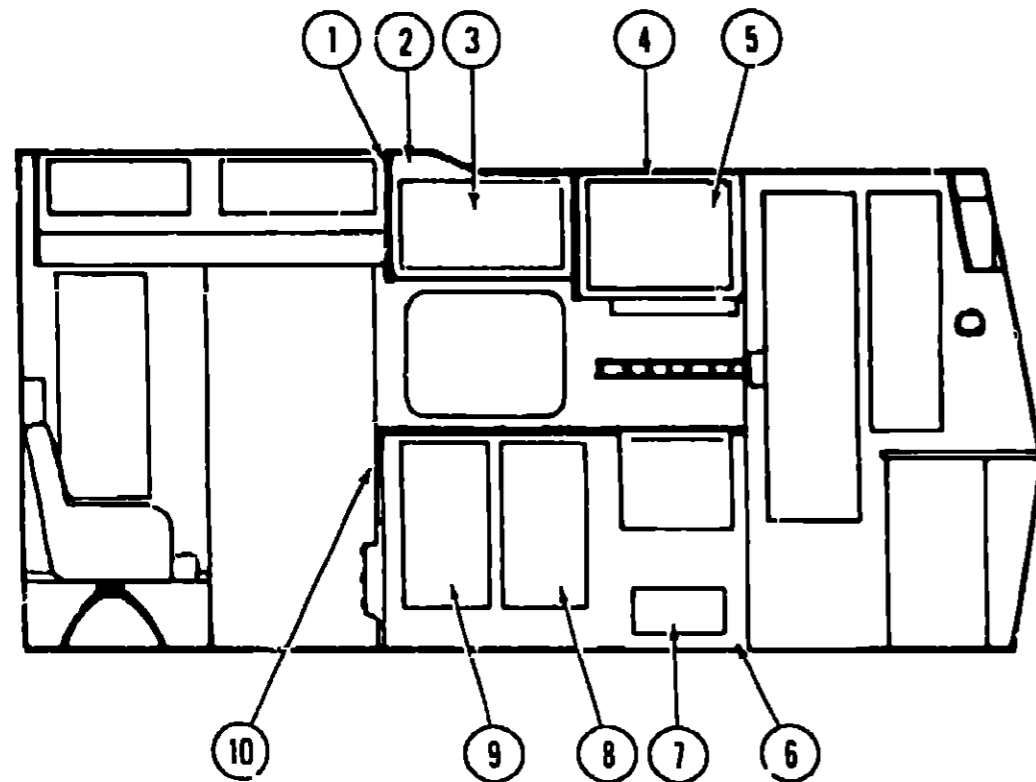
1988 WINNEBAGO-ITASCA TABLE OF CONTENTS

W/IT319RK	A-01 - B-04
W/IT319RB	B-05 - C-08
W/IC420EQ	C-09 - D-06
W/IF420RQ	D-07 - E-10
W/IC420RG	D-07 - E-10
W/IF421RB	E-11 - F-04
W/IC421RB	E-11 - F-04
W/IF424RB	F-05 - G-02
W/IC424RB	F-05 - G-02
W/IF424RC	G-03 - H-02
W/IC424RC	G-03 - H-02
W/IF426RT	H-03 - I-02

1988 W/IF421RB & W/IC421RB INDEX

Floor Plan	E-11 - E-12
Bath Group	E-13
Curtain, Cushion & Pad Group	E-14 - E-20
Dinette Group	E-21
Exterior Body Group	E-22 - E-24
Galley Group	F-01
Lounge Group	F-02
Window, Vent & Exterior Door Group	F-03 - F-04

GALLEY GROUP



GALLEY CABINETRY

Key	Part Number	U/M	Description
1	081280-06-W24	EA	Pad Asm - End Cap - Galley Overhead - Left - Vinyl
2	M83137-01-X08	EA	Cabinet Asm - Galley Overhead - w/o Doors or Hardware
3	M88304-84-X08	EA	Door Asm - Galley Overhead - 14 3' x 26 8' - w/o Hardware
4	M88307-01-X08	EA	Cabinet Asm - Microwave Cabinet - w/o Door or Hardware
*	081280-10-W24	EA	Pad Asm - End Cap - Microwave Cabinet - Vinyl
5	M88304-01-X08	EA	Door Asm - Microwave Overhead - 17 7' x 22 8' - w/o Hardware
6	M88578-01-X08	EA	Cabinet Asm - Galley - w/o Doors or Hardware
*	088578-11-X08	EA	Countertop Asm - Galley
7	M88304-05-X23	EA	Door Asm - Galley - 21 8" x 15 9" - w/o Hardware
**	ME2184-01-X36	EA	Drawer Asm - Galley Cabinet - w/o Hardware
8	M88304-14-X08	EA	Door Asm - Galley Cabinet - 33 4" x 14 3" - w/o Hardware
9	M88304-13-X08	EA	Door Asm - Galley Cabinet - 33 4" x 14 3" - w/o Hardware
10	080812-03-W24	EA	Extension Asm - Galley Countertop - w/o Hardware
*	077404-01-000	EA	Drawer - Plastic - 20' x 12 7'
*	074490-01-000	EA	Spice Rack - Oak
*	074491-01-000	EA	Magazine Rack - Oak
*	081530-01-W07	CA	Cover Asm - Sink
*			Not illustrated
**			Parts used with Microwave Option

LOUNGE GROUP

CORNER CABINETRY

Key	Part Number	U/M	Description
	M88543-01-X08	EA	Cabinet Asm - Overhead - Entrance Door
	081280-08-X08	EA	Pad Asm - End Cap - Entrance Overhead - Vinyl

1988 WINNEBAGO-ITASCA TABLE OF CONTENTS

W/IT319RK	A-01 - B-04
W/IT319RB	B-05 - C-08
W/IC420EG	C-09 - D-06
W/IF420RG	D-07 - E-10
W/IC420RG	D-07 - E-10
W/IF421RB	E-11 - F-04
W/IC421RB	E-11 - F-04
W/IF424RB	F-05 - G-02
W/IC424RB	F-05 - G-02
W/IF424RC	G-03 - H-02
W/IC424RC	G-03 - H-02
W/IF425RT	H-03 - I-02

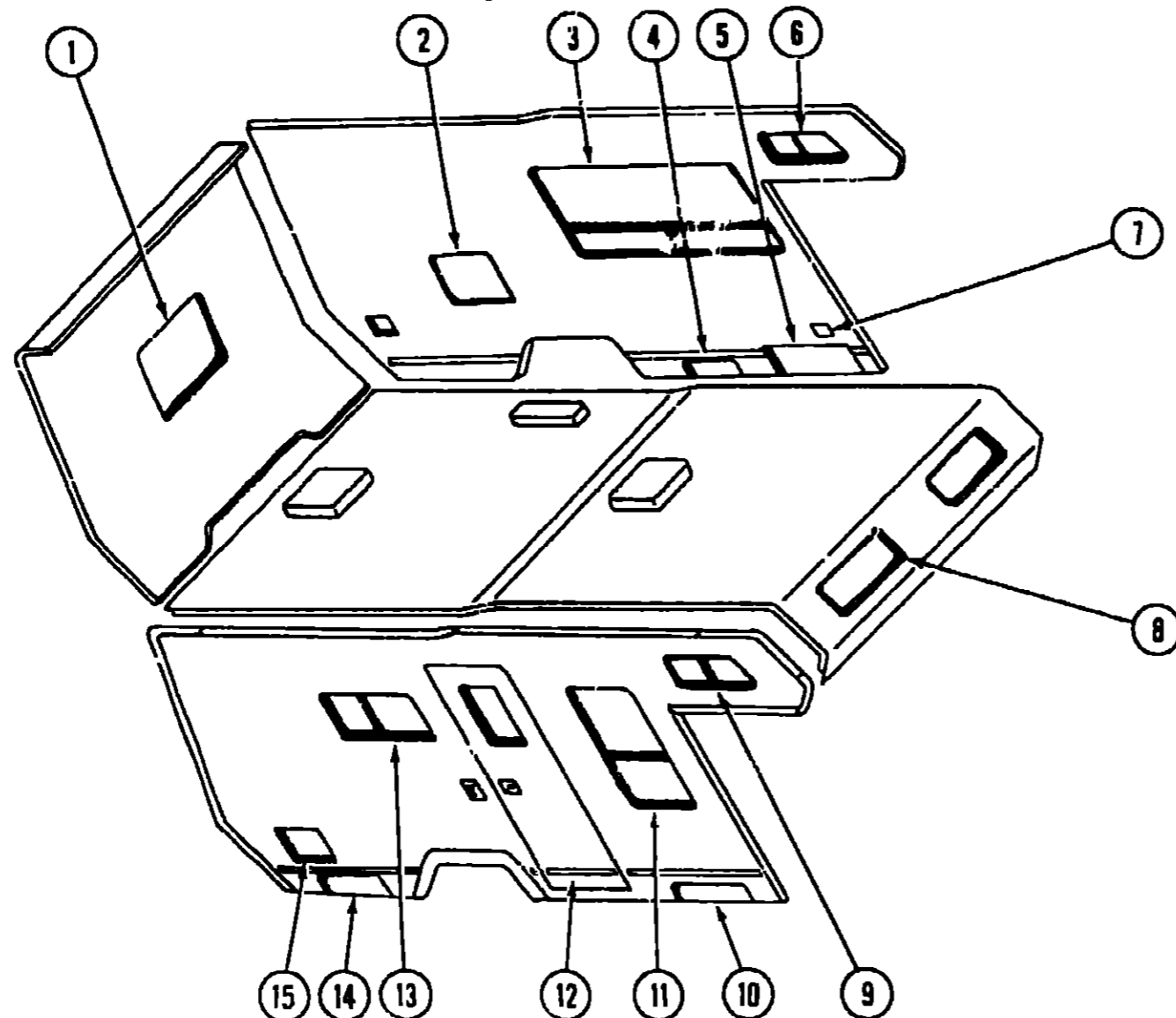
1988 W/IF421RB & W/IC421RB INDEX

Floor Plan	E-11 - E-12
Bath Group	E-13
Curtain Cushion & Pad Group	E-14 - E-20
Dinette Group	E-21
Exterior Body Group	E-22 - E-24
Galley Group	F-01
Lounge Group	F-02
Window, Vent & Exterior Door Group	F-03 - F-04

WINDOW, VENT & EXTERIOR DOOR GROUP

WINNEBAGO & ITSACA

WINDOWS & ACCESS DOORS



Key	Part Number	U/M	Description
1	079415-01-T03	EA	Window Asm - Escape
2	084103-03-000	EA	Door Asm - Refrigerator Access
3	085354-02-W07	EA	Window Asm - Double Tipout (Winnebago)
3	078269-02-W24	EA	Window Asm - Double Slider (Itasca)
4	079455-06-T95	EA	Door Asm - Storage
5	M79321-01-T03	EA	Door Asm - Generator
5	079149-01-T03	EA	Door Asm - Luggage
6	086227-02-000	EA	Window Asm - Bunk
7	088794-01-000	EA	Door Asm - Power Cord
8	078533-04-X08	EA	Window Asm - Front Bunk
9	086227-01-000	EA	Window Asm - Bunk
10	079455-03-T95	EA	Door Asm - LP
11	078453-01-T03	EA	Window Asm - Vertical Slider
12	M01870-02-W24	EA	Door Asm - Entry w/Screen Door
	M01870-04-T03	EA	Door Asm - Entry w/Screen Door w/Window
	079733-04-T03	EA	Window Asm - Picture
13	078266-02-T03	EA	Window Asm - Slider
14	083264-01-U01	EA	Door Asm - Storage
15	052009-01-000	EA	Door Asm - Water Heater
	052423-01-000	EA	Door Asm - Sewage
	070010-03-000	EA	Door - Fuel Fill - Off Win
			Not illustrated

1988 WINNEBAGO-ITASCA TABLE OF CONTENTS

W/IT319RK	A-01 - B-04
W/IT319RB	B-05 - C-06
W/IC420EG	C-09 - D-06
W/IF420FG	D-07 - E-10
W/IC420RG	D-07 - E-10
W/IF421RB	E-11 - F-04
W/IC421RB	E-11 - F-04
W/IF424RB	F-05 - G-02
W/IC424RB	F-05 - G-02
W/IF424RC	G-03 - H-02
W/IC424RC	G-03 - H-02
W/IF426RT	H-03 - I-02

1988 W/IF421RB & W/IC421RB INDEX

Floor Plan	E-11 - E-12
Bath Group	E-13
Curtain Cushion & Pad Group	E-14 - E-20
Dinette Group	E-21
Exterior Body Group	E-22 - E-24
Galley Group	F-01
Lounge Group	F-02
Window, Vent & Exterior Door Group	F-03 - F-04