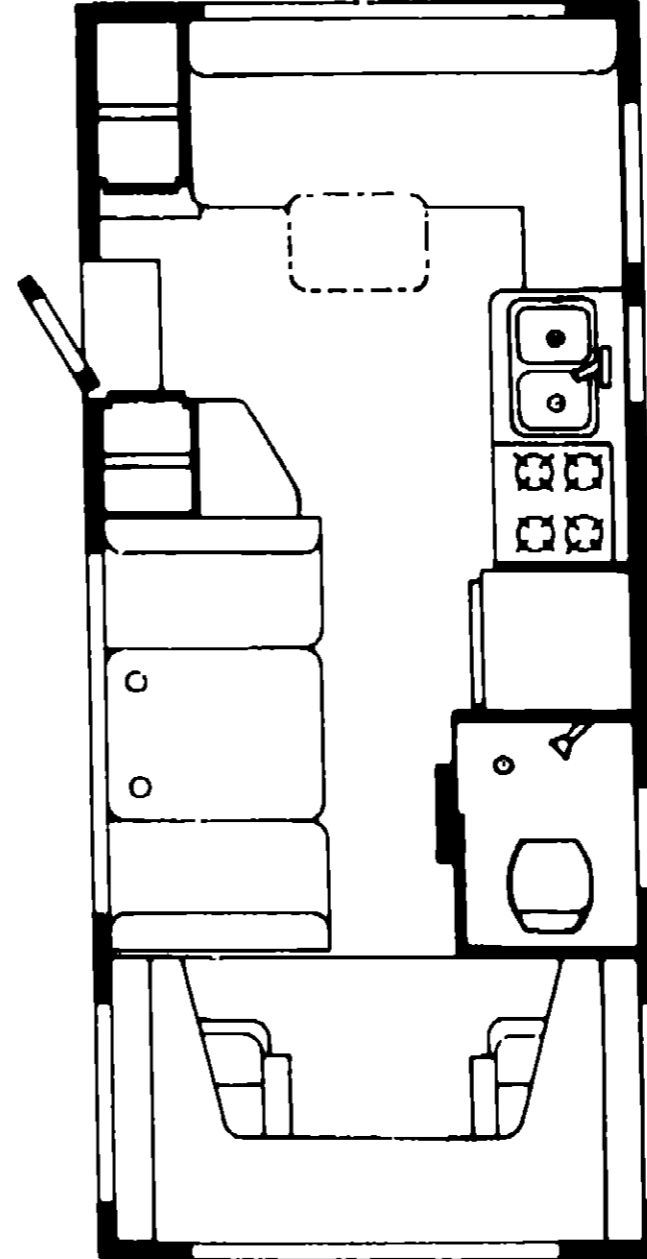


**1988**  
**W/IF420RG**  
**W/IC420RG**



**1988 WINNEBAGO-ITASCA**  
**TABLE OF CONTENTS**

W/IT319RK	A-01 - B-04
W/IT319RB	B-05 - C-06
W/IC420EG	C-09 - D-06
W/IF420RG	D-07 - E-10
W/IC420RG	D-07 - E-10
W/IF421RB	E-11 - F-04
W/IC421RB	E-11 - F-04
W/IF424RB	F-05 - G-02
W/IC424RB	F-05 - G-02
W/IF424RC	G-03 - H-02
W/IC424RC	G-03 - H-02
W/IF426RT	H-03 - I-07

**1988 W/IF420RG & W/IC420RG**  
**INDEX**

Floor Plan	D-07 - D-08
Bath Group	D-09
Curtain, Cushion & Pad Group	D-10 - D-17
Dinette Group	D-18
Driver's Compartment Group	D-19 - D-24
Exterior Body Group	E-01 - E-05
Galley Group	E-05 - E-06
Lounge Group	E-07
Window, Vent & Exterior Door Group	E-08 - E-10

## BATH GROUP

### BATH HARDWARE

Key	Part Number	U/M	Description
	075240-03-000	EA	Faucet - Lavatory - US - Brass
†	075240-05-000	EA	Faucet - Lavatory - US - Brass
	075241-03-000	EA	Faucet - Shower - US - Brass
	075452-02-000	EA	Holder - Tissue - Brass
	059777-02-000	EA	Hinge - Brass
	068435-01-000	EA	Nut - Strainer - Plastic
	057671-01-000	EA	Screw Cover (No. 8)
	011048-02-000	EA	Shower Head w/60" Hose
	M02606-01-000	EA	Shower Pan
	084481-03-000	EA	Curtain Asm - Shower - 73" x 64"
	083511-01-000	EA	Catch Basin - Lavatory Sink
	086436-01-000	EA	Slip Nut - 1 5" Tailpiece - Bathtub
	066440-01-000	EA	Strainer - Shower Pan - w/Rubber Washer
	011083-01-000	EA	Tail Piece - 1 25" x 5" - Plastic - w/Stopper
**	064076-01-000	EA	Toilet - Thetford - Aqua Magic - Ivory - Model 50
	083801-01-000	EA	Track Asm - Shower Curtain
	064467-01-000	EA	Door Guide - Wall Mount
	075454-02-000	EA	Towel Ring - Brass
	050712-04-000	EA	Handle - Shower Door
	069735-01-000	EA	Washer - Tailpiece - 1 5" Plastic
	009156-01-000	EA	Hanger - Sliding Door
	074470-01-000	EA	Pull - Release Pin Hinge - Right
	074470-02-000	EA	Pull - Release Pin Hinge - Left
**	The illustrated parts breakdown for this item is provided on the Common Items Fiche		
†	Used in units produced after 10/10/88		

### BATH CABINETRY

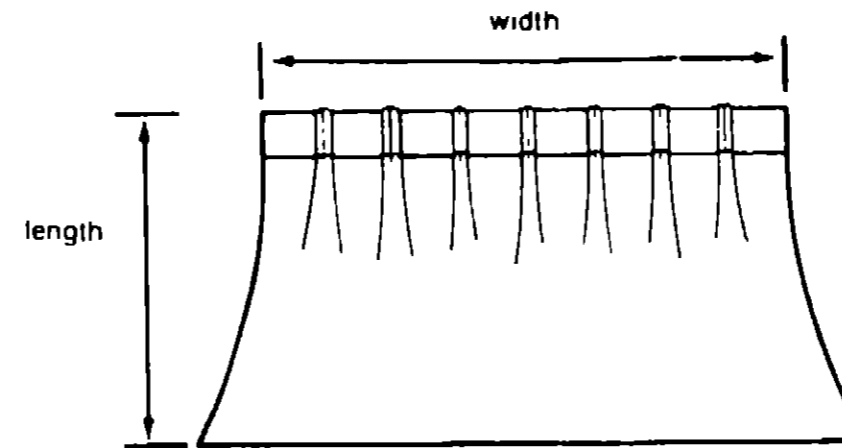
Key	Part Number	U/M	Description
	083869-01-W24	EA	Door Asm - Bathroom - w/o Hardware
	080744-01-000	EA	Medicine Cabinet w/Oak Frame
	M02633-01-X08	EA	Cabinet Asm - Fold-up Sink - Complete
	083842-01-X08	EA	Cabinet Asm - Sink - Foldup
	083856-01-X08	EA	Cabinet Asm - Lavatory
	M02596-01-X08	EA	Countertop Asm - Flip-up Sink - Top
	M02597-01-X08	EA	Countertop Asm - Flip-up Sink - Bottom
	082189-01-000	EA	Light Asm. - Make-up 3 Bulb
	083511-01-000	EA	Catch Basin - Lavatory Sink
	083509-01-000	EA	Backsplash - Lavatory - Off White

## CURTAIN, CUSHION & PAD GROUP

### NOTICE

In order to assist our Parts Sales Dept. in providing interior software items, please include the serial number and the color code number from the vehicle certification label when ordering. This label is located on the left sidewall at the end of the dash (A-Body), or on the driver's door latch plate (C-Body).

An example of a color code number is P31, which designates an overall color scheme of a particular unit. The color listed after the item description on the microfiche, indicates the overall unit color. Order the item you desire according to unit color code.



### NOTE

Use this illustration when determining length and width measurements for curtains. You will note the width measurement is taken on the top of the curtain with the curtain fully extended. The length measurement is taken from top to bottom.



Key	Part Number	U/M	Description
1	029130-01-000	EA	Socket - Snap Fastener
2	029155-02-000	EA	Cap - Snap - 1 58" Dia x 17" Barrel
3	029158-02-000	EA	Socket - Snap Fastener
4	029092-01-000	EA	Stud - Nickel Finish
5	029093-01-000	EA	Eyelet - Nickel Finish

## 1988 WINNEBAGO-ITASCA TABLE OF CONTENTS

W/IT319RK	A-01 - B-04
W/IT319RB	B-05 - C-08
W/IC420EG	C-09 - D-06
W/IF420RG	D-07 - E-10
W/IC420RG	D-07 - E-10
W/IF421RB	E-11 - F-04
W/IC421RB	E-11 - F-04
W/IF424RB	F-05 - G-02
W/IC424RB	F-05 - G-02
W/IF424RC	G-03 - H-02
W/IC424RC	G-03 - H-02
W/IF426RT	H-03 - I-02

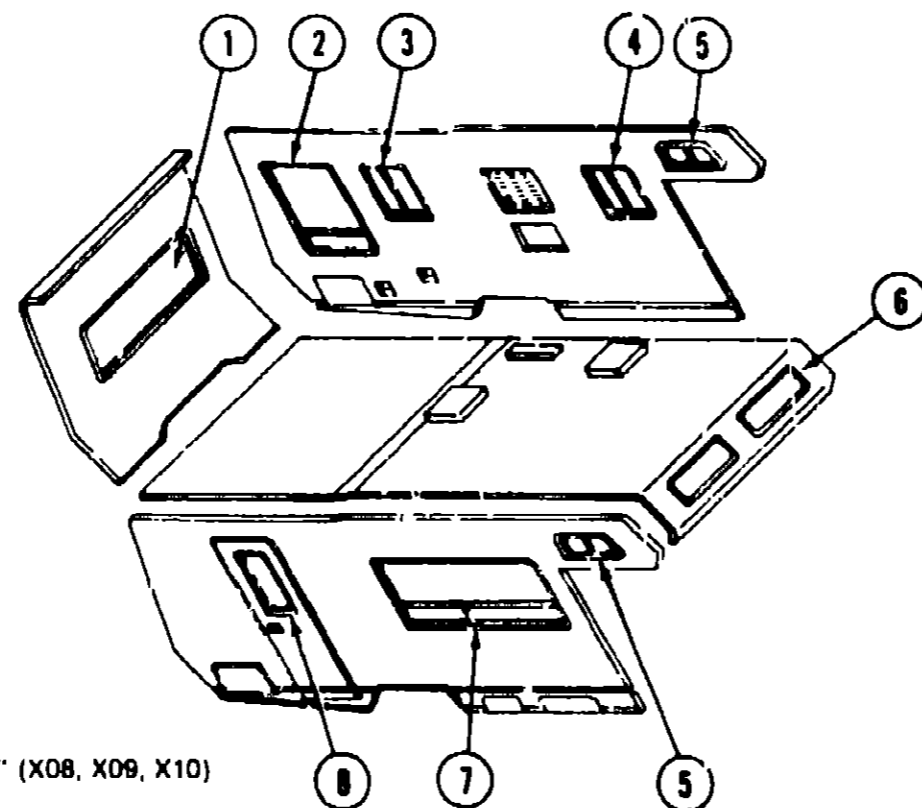
## 1988 W/IF420RG & W/IC420RG INDEX

Floor Plan	D-07 - D-08
Bath Group	D-09
Curtain, Cushion & Pad Group	D-10 - D-17
Dinette Group	D-18
Driver's Compartment Group	D-19 - D-24
Exterior Body Group	E-01 - E-05
Galley Group	E-05 - E-06
Lounge Group	E-07
Window, Vent & Exterior Door Group	E-08 - E-10

# CURTAIN, CUSHION & PAD GROUP (CONTINUED)

WINNEBAGO

## CURTAINS, SHADES, VALANCES & TIEBACKS



Key	Part Number	U/M	Description
1	M81977-18-X08	EA	Valance Asm - 74 6" (X08, X09, X10)
1	087318-10-X08	EA	Curtain Asm - w/Pleats & Snaps Top - 27 5" x 15" (X08, X09, X10)
1	088729-33-000	EA	Blinds - Mini - 71" x 26" Drop (X08)
1	088729-34-000	EA	Blinds - Mini - 71" x 26" Drop (X09)
1	088729-35-000	EA	Blinds - Mini - 71" x 26" Drop (X10)
2	M81977-19-X08	EA	Valance Asm - 59" (X08, X09, X10)
2	085190-03-X08	EA	Curtain Asm - w/Darts & Snaps Top - 41" x 10" (X08, X09, X10)
2	088729-17-000	EA	Blinds - Mini - 32" x 26" Drop (X08)
2	088729-18-000	EA	Blinds - Mini - 32" x 26" Drop (X09)
2	088729-19-000	EA	Blinds - Mini - 32" x 26" Drop (X10)
3	M81977-19-X08	EA	Valance Asm - 59" (X08, X09, X10)
3	082118-B1-000	EA	Blind - Mini - 27" x 26" Drop (X08)
3	088729-12-000	EA	Blind - Mini - 27" x 26" Drop (X09)
3	082118-B2-000	EA	Blind - Mini - 27" x 26" Drop (X10)
4	084261-02-W24	EA	Valance Asm - Bath - Stained
4	082118-B7-000	EA	Blind - Mini - 32" x 26" Drop (X08)
4	088729-02-000	EA	Blind - Mini - 32" x 26" Drop (X09)
4	082118-B8-000	EA	Blind - Mini - 32" x 26" Drop (X10)
5	073323-33-X08	EA	Curtain Asm - w/Rod Top & Bottom - 17 5" x 24" (X08, X09, X10)
6	073323-37-X08	EA	Curtain Asm - w/Rod Top & Bottom - 21" x 30" (X08, X09, X10)
7	M81997-23-X08	EA	Valance Asm - 68 5" (X08, X09, X10)
7	087318-07-X11	EA	Curtain Asm - w/Pleats & Snaps Top (X08, X09, X10)
7	082118-C6-000	EA	Blind - Mini - 65" x 33" Drop (X08)
7	088729-01-000	EA	Blind - Mini - 65" x 33" Drop (X09)
7	082118-C7-000	EA	Blind - Mini - 65" x 33" Drop (X10)
8	073304-42-X08	EA	Curtain Asm - w/Snaps Top - 34" x 37" (X08, X09, X10)
*	073295-04-X08	EA	Curtain Asm - Wraparound - 23" x 64" - Passenger (X08, X09, X10)
*	073295-06-X08	EA	Curtain Asm - Wraparound - 23" x 64" - Drivers (X08, X09, X10)
*	077591-01-X08	EA	Curtain Asm - Blackout - 52" x 40" - Passenger (X08, X09, X10)
*	077591-02-X08	EA	Curtain Asm - Blackout - 52" x 40" - Drivers (X08, X09, X10)
†	077591-03-X08	EA	Curtain Asm - Blackout - 70" x 50" - Passenger (X08, X09, X10)
†	077591-04-X08	EA	Curtain Asm - Blackout - 70" x 50" - Drivers (X08, X09, X10)
*	073260-23-X08	EA	Tieback Asm - 3" x 18" (X08, X09, X10)
*	073260-24-X08	EA	Tieback Asm - 2" x 14" (X08, X09, X10)
*	057534-01-000	EA	Tieback Asm - 6" - Clear Plastic

† Used in units produced after 07/22/87

\* Not keyed

## 1988 WINNEBAGO-ITASCA TABLE OF CONTENTS

W/IT310RK	A-01 - B-04
W/IT316RB	B-05 - C-08
W/IC420EG	C-09 - D-06
W/IF420RG	D-07 - E-10
W/IC420RG	D-07 - E-10
W/IF421RB	E-11 - F-04
W/IC421RB	E-11 - F-04
W/IF424RB	F-05 - G-02
W/IC424FB	F-05 - G-02
W/IF424RC	G-03 - H-02
W/IC424RC	G-03 - H-02
W/IF426R1	H-03 - I-02

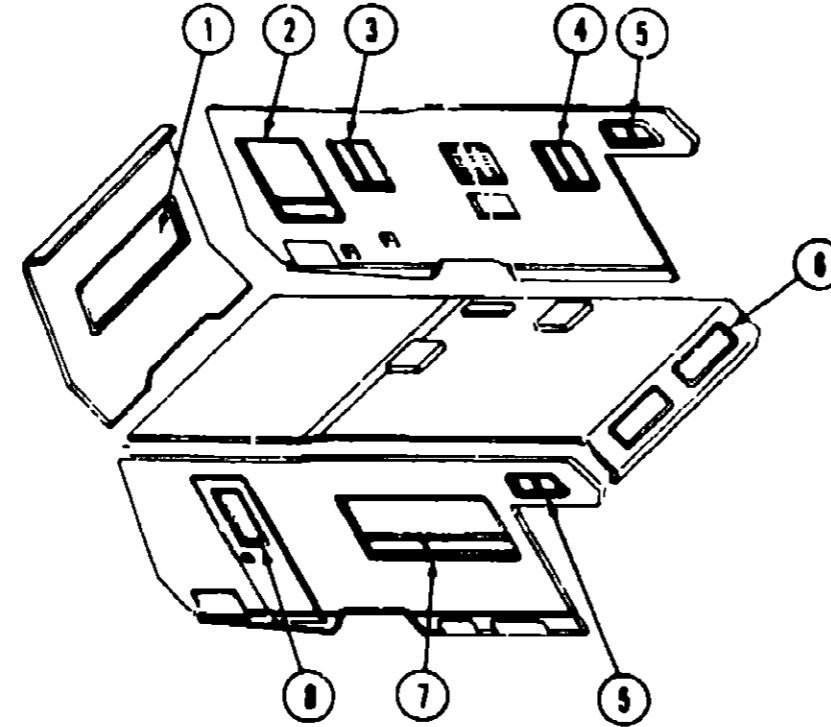
## 1988 W/IF420RG & W/IC420RG INDEX

Floor Plan	D-07 - D-08
Bath Group	D-09
Curtain, Cushion & Pad Group	D-10 - D-17
Dinette Group	D-18
Driver's Compartment Group	D-19 - D-24
Exterior Body Group	E-01 - E-05
Galley Group	E-05 - E-06
Lounge Group	E-07
Window, Vent & Exterior Door Group	E-08 - E-10

**CURTAIN, CUSHION & PAD GROUP (CONTINUED)**

ITASCA

**CURTAINS, SHADES, VALANCES & TIEBACKS**



**1988 WINNEBAGO-ITASCA  
TABLE OF CONTENTS**

W/IT319RK	A-01 - B-04
W/IT319RB	B-05 - C-08
W/IC420EG	C-09 - D-06
W/IF420RG	D-07 - E-10
W/IC420RG	D-07 - E-10
W/IF421RB	E-11 - F-04
W/IC421RB	E-11 - F-04
W/IF424RB	F-05 - G-02
W/IC424RB	F-05 - G-02
W/IF424RC	G-03 - H-02
W/IC424RC	G-03 - H-02
W/IF426RT	H-03 - I-02

Key	Part Number	U/M	Description
1	087318-10-X33	EA	Curtain Asm - w/Pleats & Snaps - 27.5" x 15"
1	087318-10-X34	EA	Curtain Asm - w/Pleats & Snaps - 27.5" x 15"
†1	087318-10-XA4	EA	Curtain Asm - w/Pleats & Snaps - 27.5" x 15" (X34)
1	087318-10-X35	EA	Curtain Asm - w/Pleats & Snaps - 27.5" x 15"
1	M81977-18-X36	EA	Valance Asm - 74.6" (X33)
1	M81977-18-X37	EA	Valance Asm - 74.6" (X34)
1	M81977-18-X38	EA	Valance Asm - 74.6" (X35)
1	084755-03-X36	EA	Shade Asm - Linen - 72.25" (X33)
††1	084755-03-XA3	EA	Shade Asm - Linen - 72.25" (X33)
‡1	084755-03-XA6	EA	Shade Asm - Linen - 72.25" (X33)
1	084755-03-X37	EA	Shade Asm - Linen - 72.25" (X34)
††1	084755-03-XA3	EA	Shade Asm - Linen - 72.25" (X34)
‡1	084755-03-XA0	EA	Shade Asm - Linen - 72.25" (X34)
1	084755-03-X38	EA	Shade Asm - Linen - 72.25" (X35)
‡1	084755-03-XA8	EA	Shade Asm - Linen - 72.25" (X35)
2	085190-03-X33	EA	Curtain Asm - w/Darts & Snaps Top - 41" x 10"
2	085190-03-X34	EA	Curtain Asm - w/Darts & Snaps Top - 41" x 10"
†2	085190-03-XA4	EA	Curtain Asm - w/Darts & Snaps Top - 41" x 10" (X34)
2	085190-03-X35	EA	Curtain Asm - w/Darts & Snaps Top - 41" x 10"
2	M81977-19-X33	EA	Valance Asm - 59"
2	M81977-19-X34	EA	Valance Asm - 59"
2	M81977-19-X35	EA	Valance Asm - 59"
2	084755-08-X33	EA	Shade Asm - Linen - 29.25"
††2	084755-08-XA3	EA	Shade Asm - Linen - 29.25" (X33)
‡2	084755-08-XA6	EA	Shade Asm - Linen - 29.25" (X33)
2	084755-08-X34	EA	Shade Asm - Linen - 29.25"
††2	084755-08-XA3	EA	Shade Asm - Linen - 29.25" (X34)
‡2	084755-08-XA6	EA	Shade Asm - Linen - 29.25" (X34)
2	084755-08-X35	EA	Shade Asm - Linen - 29.25"
‡2	084755-08-XA8	EA	Shade Asm - Linen - 29.25" (X35)

Key	Part Number	U/M	Description
3	M81977-19-X33	EA	Valance Asm - 59"
3	M81977-19-X34	EA	Valance Asm - 59"
3	M81977-19-X35	EA	Valance Asm - 59"
3	084755-01-X33	EA	Shade Asm - Linen - 28.25"
††3	084755-01-XA3	EA	Shade Asm - Linen - 28.25" (X33)
‡3	084755-01-XA6	EA	Shade Asm - Linen - 28.25" (X33)
3	084755-01-X34	EA	Shade Asm - Linen - 28.25"
††3	084755-01-XA3	EA	Shade Asm - Linen - 28.25"
‡3	084755-01-XA6	EA	Shade Asm - Linen - 28.25" (X34)
3	084755-01-X35	EA	Shade Asm - Linen - 28.25"
‡3	084755-01-XA8	EA	Shade Asm - Linen - 28.25" (X35)
4	M84261-02-W24	EA	Valance Asm - Bath
4	084755-06-X33	EA	Shade Asm - Linen - 33.25"
††4	084755-06-XA3	EA	Shade Asm - Linen - 33.25" (X33)
‡4	084755-06-XA6	EA	Shade Asm - Linen - 33.25" (X33)
4	084755-06-X34	EA	Shade Asm - Linen - 33.25"
††4	084755-06-XA3	EA	Shade Asm - Linen - 33.25" (X34)
‡4	084755-06-XA6	EA	Shade Asm - Linen - 33.25" (X34)
4	084755-06-X35	EA	Shade Asm - Linen - 33.25"
‡4	084755-06-XA8	EA	Shade Asm - Linen - 33.25" (X35)
5	073323-33-X33	EA	Curtain Asm - w/Rod Top & Bottom - 17.5" x 24"
5	073323-33-X34	EA	Curtain Asm - w/Rod Top & Bottom - 17.5" x 24"
†5	073323-33-XA4	EA	Curtain Asm - w/Rod Top & Bottom - 17.5" x 24" (X34)
5	073323-33-X35	EA	Curtain Asm - w/Rod Top & Bottom - 17.5" x 24"
6	073323-37-X33	EA	Curtain Asm - w/Rod Top & Bottom - 21" x 30"
6	073323-37-X34	EA	Curtain Asm - w/Rod Top & Bottom - 21" x 30"
†6	073323-37-XA4	EA	Curtain Asm - w/Rod Top & Bottom - 21" x 30" (X34)
6	073323-37-X35	EA	Curtain Asm - w/Rod Top & Bottom - 21" x 30"
†			Used in units produced after 10/01/87
††			Used in units produced after 12/01/87
‡			Used in units produced after 03/01/88

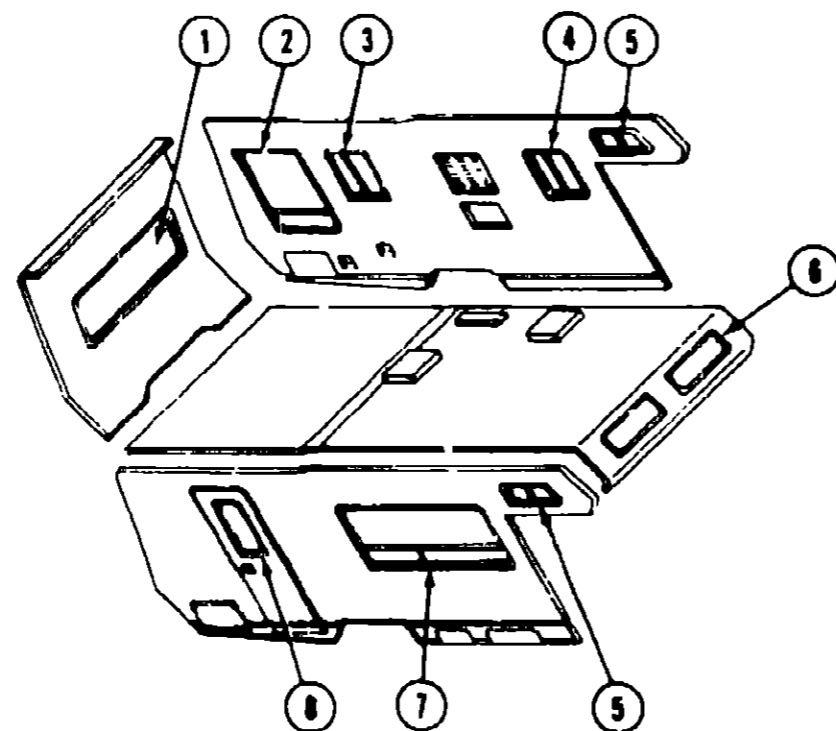
**1988 W/IF420RG & W/IC420RG  
INDEX**

Floor Plan	D-07 - D-08
Bath Group	D-09
Curtain, Cushion & Pad Group	D-10 - D-17
Dinette Group	D-18
Driver's Compartment Group	D-19 - D-24
Exterior Body Group	E-01 - E-05
Galley Group	E-05 - E-06
Lounge Group	E-07
Window, Vent & Exterior Door Group	E-08 - E-10

**CURTAIN, CUSHION & PAD GROUP (CONTINUED)**

ITASCA

**CURTAIN, SHADES, VALANCES & TIEBACKS (CONT.)**



**1988 WINNEBAGO-ITASCA  
TABLE OF CONTENTS**

W/IT319RK	A-01 - B-04
W/IT319RB	B-05 - C-06
W/IC420EG	C-09 - D-06
W/IF420RG	D-07 - E-10
W/IC420RG	D-07 - E-10
W/IF421RB	E-11 - F-04
W/IC421RB	E-11 - F-04
W/IF424RB	F-05 - G-02
W/IC424RB	F-05 - G-02
W/IF424RC	G-03 - H-02
W/IC424RC	G-03 - H-02
W/IF426RT	H-03 - I-02

Key	Part Number	U/M	Description
7	087318-07-036	EA	Curtain Asm - w/Pleat & Snap Top - 33 5" x 15" (X33)
7	087318-07-037	EA	Curtain Asm - w/Pleat & Snap Top - 33 5" x 15" (X34)
†7	087318-07-0A4	EA	Curtain Asm - w/Pleat & Snap Top - 33 5" x 15" (X34)
7	087318-07-038	EA	Curtain Asm - w/Pleat & Snap Top - 33 5" x 15" (X35)
7	M81977-17-X33	EA	Valance Asm - 69.30"
7	M81977-17-X34	EA	Valance Asm - 69.30"
7	M81977-17-X35	EA	Valance Asm - 69.30"
7	084755-02-X33	EA	Shade Asm - Linen - 67 25"
††7	084755-02-XA3	EA	Shade Asm - Linen - 67 25" (X33)
†7	084755-02-XA6	EA	Shade Asm - Linen - 67 25" (X33)
7	084755-02-X34	EA	Shade Asm - Linen - 67 25"
††7	084755-02-XA4	EA	Shade Asm - Linen - 67.25" (X34)
†7	084755-02-XA6	EA	Shade Asm - Linen - 67 25" (X34)
7	084755-02-X35	EA	Shade Asm - Linen - 67 25"
†7	084755-02-XA6	EA	Shade Asm - Linen - 67 25" (X35)
8	073304-42-X33	EA	Curtain Asm - w/Snap Top - 34" x 37"
8	073304-42-X34	EA	Curtain Asm - w/Snap Top - 34" x 37"
†8	073304-42-XA4	EA	Curtain Asm - w/Snap Top - 34" x 37" (X34)
8	073304-42-X35	EA	Curtain Asm - w/Snap Top - 34" x 37"
•	073295-04-X33	EA	Curtain Asm - Wraparound - Passenger - 23" x 64"
•	073295-04-X34	EA	Curtain Asm - Wraparound - Passenger - 23" x 64"
†•	073295-04-XA4	EA	Curtain Asm - Wraparound - Passenger - 23" x 64" (X34)
•	073295-04-X35	EA	Curtain Asm - Wraparound - Passenger - 23" x 64"
•	073295-06-X33	EA	Curtain Asm - Wraparound - Drivers - 23" x 64"
•	073295-06-X34	EA	Curtain Asm - Wraparound - Drivers - 23" x 64"
†•	073295-06-XA4	EA	Curtain Asm - Wraparound - Drivers - 23" x 64" (X34)
•	073295-06-X35	EA	Curtain Asm - Wraparound - Drivers - 23" x 64"
•	077591-01-X33	EA	Curtain Asm - Blackout - Passenger - 52" x 40"
•	077591-01-X34	EA	Curtain Asm - Blackout - Passenger - 52" x 40"
†•	077591-01-XA4	EA	Curtain Asm - Blackout - Passenger - 52" x 40" (X34)
•	077591-01-X35	EA	Curtain Asm - Blackout - Passenger - 52" x 40"

Key	Part Number	U/M	Description
•	077591-02-X33	EA	Curtain Asm - Blackout - Drivers - 52" x 40"
•	077591-02-X34	EA	Curtain Asm - Blackout - Drivers - 52" x 40"
†•	077591-02-XA4	EA	Curtain Asm - Blackout - Drivers - 52" x 40" (X34)
•	077591-02-X35	EA	Curtain Asm - Blackout - Drivers - 52" x 40"
•	073260-23-WB6	EA	Tieback Asm - 3" x 18" (X33)
•	073260-23-W34	EA	Tieback Asm - 3" x 18"
†•	073260-23-XA4	EA	Tieback Asm - 3" x 18" (X34)
•	073260-23-X19	EA	Tieback Asm - 3" x 18" (X35)
•	073260-24-X33	EA	Tieback Asm - 2" x 14"
•	073260-24-X34	EA	Tieback Asm - 2" x 14"
†•	073260-24-XA4	EA	Tieback Asm - 2" x 14" (X34)
•	073260-24-X35	EA	Tieback Asm - 2" x 14"
•	073260-34-X33	EA	Tieback Asm - 4" x 20" w/Braid
•	073260-34-X34	EA	Tieback Asm - 4" x 20" w/Braid
†•	073260-34-XB4	EA	Tieback Asm - 4" x 20" w/Braid (X34)
††•	073260-34-XA4	EA	Tieback Asm - 4" x 20" w/Braid (X34)
•	073260-34-X35	EA	Tieback Asm - 4" x 20" w/Braid
•	057534-01-000	EA	Tieback Asm - 6" - Clear Plastic
•	057534-04-000	EA	Tieback Asm - 20" - Clear Plastic
†	Used in units produced after 10/01/87		
††	Used in units produced after 12/01/87		
‡	Used in units produced after 03/01/88		
•	Not keyed		

**1988 W/IF420RG & W/IC420RG  
INDEX**

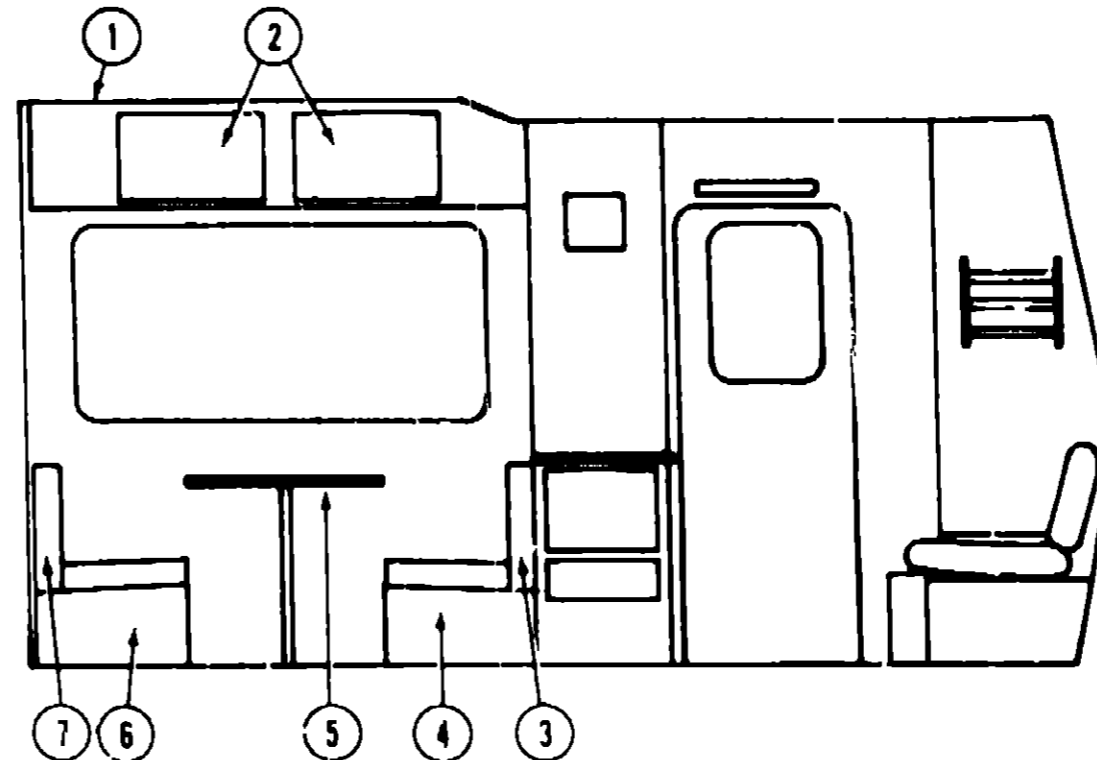
Floor Plan	D-07 - D-06
Bath Group	D-09
Curtain, Cushion & Pad Group	D-10 - D-17
Dinette Group	D-18
Driver's Compartment Group	D-19 - D-24
Exterior Body Group	E-01 - E-05
Galley Group	E-05 - E-06
Lounge Group	E-07
Window, Vent & Exterior Door Group	E-08 - E-10

**CURTAIN, CUSHION & PAD GROUP (CONTINUED)**

**CURTAIN & CUSHION HARDWARE**

Key	Part Number	U/M	Description
	053163-01-000	EA	Bracket - Couch Slide
	054398-01-000	EA	Bracket - Couch - Brown
	039175-02-000	EA	Bracket - Curtain Rod - Cafe
	039175-05-000	EA	Bracket - Curtain Rod - Cafe - Center
	039175-05-000	EA	Bracket - Curtain Rod - Cafe - Center
	056003-02-000	EA	Bracket - Drapery Retainer - Left
	056003-01-000	EA	Bracket - Drapery Retainer - Right
	084434-01-000	EA	Bracket - Roller Shade - 1 3/8"
	M80906-01-000	EA	Frame Asm - Seat, Back & Spring
	080730-03-700	EA	Handle Kit - Recliner
	080731-02-000	EA	Hinge - Recliner - Slave
	083170-01-000	EA	Installation Bracket - Blind - Right
	083170-02-000	EA	Installation Bracket - Blind - Left
	039175-01-000	EA	Rod - Cafe Curtain - Extension 48" x 84"
	039175-03-000	EA	Rod - Cafe Curtain - Extension 28" x 48"
	048394-02-000	YD	Tape Hook - .75" x 50 yd - Beige
	048395-02-000	YD	Tape Loop - 75" x 50 YD - Beige
	029090-01-000	FT	Tie - Drapery - Clear Vinyl
	056116-01-000	EA	Track - Curtain - Brown Plastic
	079619-01-000	EA	Bracket - Tieback
	081381-01-000	EA	Swivel Snap - Curtain Track - Graber
	052327-05-006	EA	Track - Curtain - 31" - Beige
	050296-01-002	EA	Track - Curtain - 192" - Unpainted

**DINETTE GROUP**



**1988 WINNEBAGO-ITASCA  
TABLE OF CONTENTS**

W/IT319RK	A-01 - B-04
W/IT319RB	B-05 - C-08
W/IC420EG	C-09 - D-08
W/IF420RG	D-07 - E-10
W/IC420RG	D-07 - E-10
W/IF421RB	E-11 - F-04
W/IC421RB	E-11 - F-04
W/IF424RB	F-05 - G-02
W/IC424RB	F-05 - G-02
W/IF424RC	G-03 - H-02
W/IC424RC	G-03 - H-02
W/IF426RT	H-03 - I-02

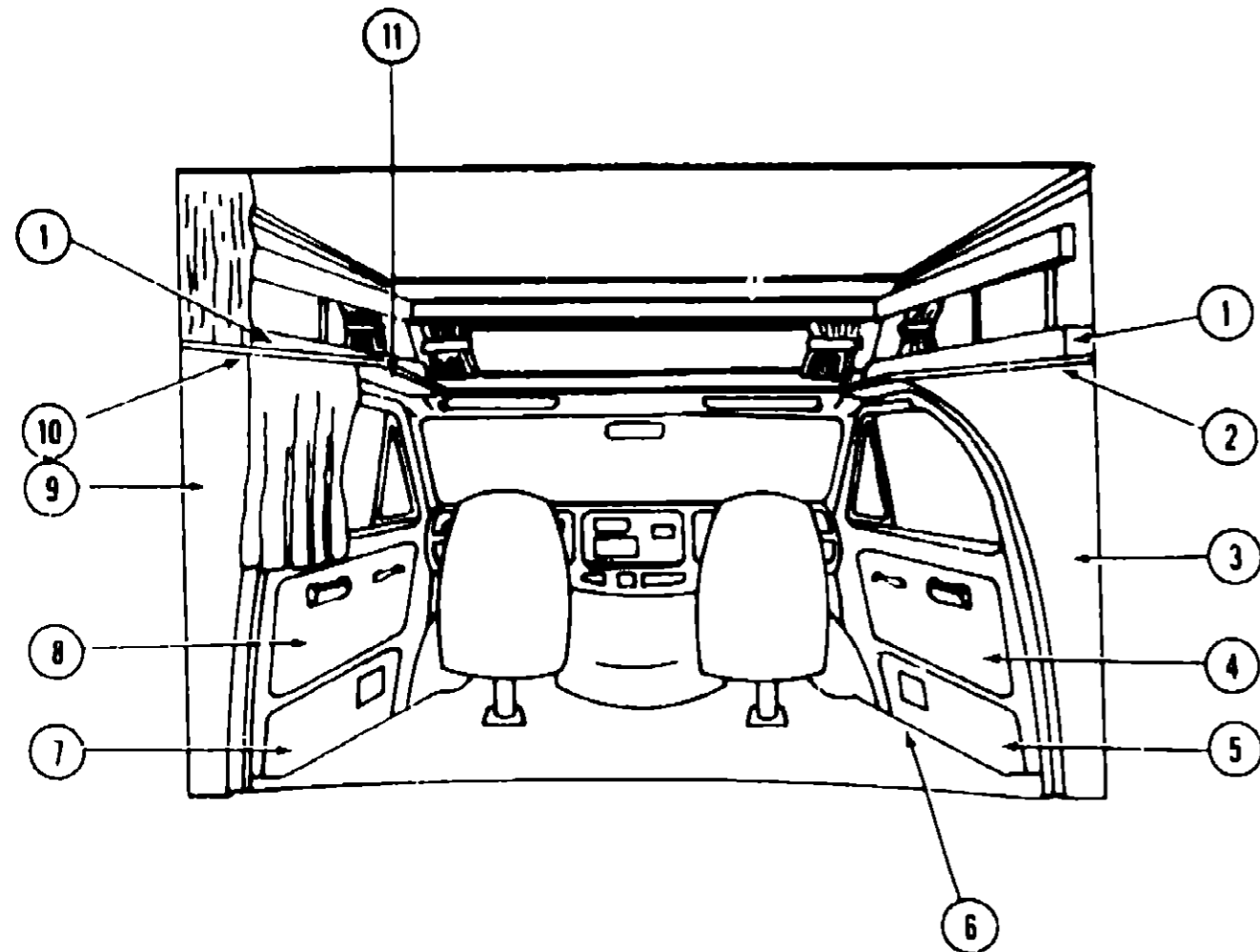
**CONVENTIONAL DINETTE & OVERHEAD CABINETRY**

Key	Part Number	U/M	Description
1	083638-01-X08	EA	Cabinet Asm - Dinette Overhead - w/o Doors or Hardware - Winnebago
1	M83638-03-X33	EA	Cabinet Asm - Dinette Overhead - w/o Doors or Hardware - Itasca
*	081280-04-W24	EA	Pad Asm - End Cap - Dinette Overhead - Winnebago
*	081280-18-W24	EA	End Cap - Dinette Overhead - Itasca
2	M88304-84-X08	EA	Door Asm - Dinette Overhead - w/o Hardware
3	M02589-01-W24	EA	Cabinet Asm - Dinette Back - Right
4	M02590-01-W24	EA	Cabinet Asm - Dinette Seat - Right
5	M02115-09-U17	EA	Table Asm. - Dinette - w/o Hardware
6	M02175-04-W24	EA	Cabinet Asm - Dinette Seat - Left - w/o Door or Hardware
*	M88304-21-X08	EA	Door Asm - Dinette Seat - Left - w/o Hardware
7	M02174-03-W30	EA	Cabinet Asm - Dinette Back - Left
*	053200-05-000	EA	Bracket - Upper Wall Mount - 23 5"
*	088410-01-000	EA	Bracket - Table Mount (2 Required)
*	024275-05-000	EA	Rod - Table Lift - 8" x 23 5"
*	024281-07-000	EA	Bracket - Lower Wall Mount - 22 12"
*	024276-17-000	EA	Leg Asm. - Table - 26 5"
*	J4050-02-000	EA	Hinge - Table Leg
*	J24282-01-000	EA	Brace - Table Leg
**	024283-01-000	EA	Clip - 1" - 1 25" O D Tube
*	049493-02-000	EA	Catch - Table Leg - Mounts on Floor
*	064781-02-000	EA	Cup Holder - 3 47" O D x 2 75" I D. x 1.5" - Beige Plastic
*	064781-05-000	EA	Cup Holder - Two Step - Beige Plastic
*			Not Illustrated
**	The illustrated parts breakdown for this item is provided on the Common Items Fiche		

**1988 W/IF420RG & W/IC420RG  
INDEX**

Floor Plan	D-07 - D-08
Bath Group	D-09
Curtain, Cushion & Pad Group	D-10 - D-17
Dinette Group	D-18
Driver's Compartment Group	D-19 - D-24
Exterior Body Group	E-01 - E-05
Galley Group	E-05 - E-08
Lounge Group	E-07
Window, Vent & Exterior Door Group	E-08 - E-10

## DRIVER'S COMPARTMENT GROUP



### WINNEBAGO CHEVROLET

#### MISCELLANEOUS DRIVER'S COMPARTMENT COMPONENTS

Key	Part Number	U/M	Description
1	082068-01-X08	EA	Head Board Asm - Passenger
2	M81652-01-W04	EA	Panel Asm - Sleeper Board - w/o Vinyl
.	080742-01-000	FT	Trim - Front - Sleeper Board - Vinyl
.	079800-01-000	EA	Trim - Sleeper Board - Off White
3	M82554-04-W24	EA	Panel Asm - Wingwall Transition - Inner Passenger (X09)
4	059491-01-X08	EA	Side Panel - Cab Door - Passenger
4	059491-01-X09	EA	Side Panel - Cab Door - Passenger
4	059491-02-W05	EA	Side Panel - Cab Door - Passenger (X10)
5	082552-02-X08	EA	Panel Asm - Cab Door - Passenger
5	082552-02-W25	EA	Panel Asm - Cab Door - Passenger (X09)
5	082552-02-X10	EA	Panel Asm - Cab Door - Passenger
6	080359-01-000	EA	Door Step Mat - Black Rubber - Chevrolet
.	083218-01-000	EA	Floor Mat - Front - "Winnebago" - Right
.	083218-02-000	EA	Floor Mat - Front - "Winnebago" - Left
.	080359-01-000	EA	Plate - Stepwell - Chevrolet
7	082552-03-X08	EA	Panel Asm - Cab Door - Driver
7	082552-03-W04	EA	Panel Asm - Cab Door - Driver (X09)
7	082552-03-X10	EA	Panel Asm - Cab Door - Driver
8	059492-01-X08	EA	Side Panel - Cab Door - Driver
8	059492-01-X09	EA	Side Panel - Cab Door - Driver
8	059492-02-W05	EA	Side Panel - Cab Door - Driver (X10)
9	M82554-05-W24	EA	Panel Asm - Wingwall Transition - Inner Driver (X08)
.			Not illustrated

## DRIVER'S COMPARTMENT GROUP (CONTINUED)

### WINNEBAGO CHEVROLET

#### MISCELLANEOUS DRIVER'S COMPARTMENT COMPONENTS (CONT.)

Key	Part Number	U/M	Description
10	052859-01-W30	FT	Accent Trim - Buckskin Vinyl
11	084591-01-U01	EA	Headliner Asm - Overhead Bunk - Vinyl
.	024461-01-000	EA	Switch - Battery
.	024462-01-000	EA	Switch - Battery Condition
.	024976-01-000	EA	Switch - Generator w/o Circuit Board
.	031035-02-000	EA	Gauge - Generator Hourmeter
.	024459-04-000	EA	Gauge - Voltmeter
†	091825-01-X08	EA	Headliner Asm - Overhead Bunk - Vinyl (? Required)
†	091877-01-X08	EA	Headliner Asm - Overhead Bunk - Vinyl (1 Required)
.			Not illustrated
†			Used in units produced after 11/15/87

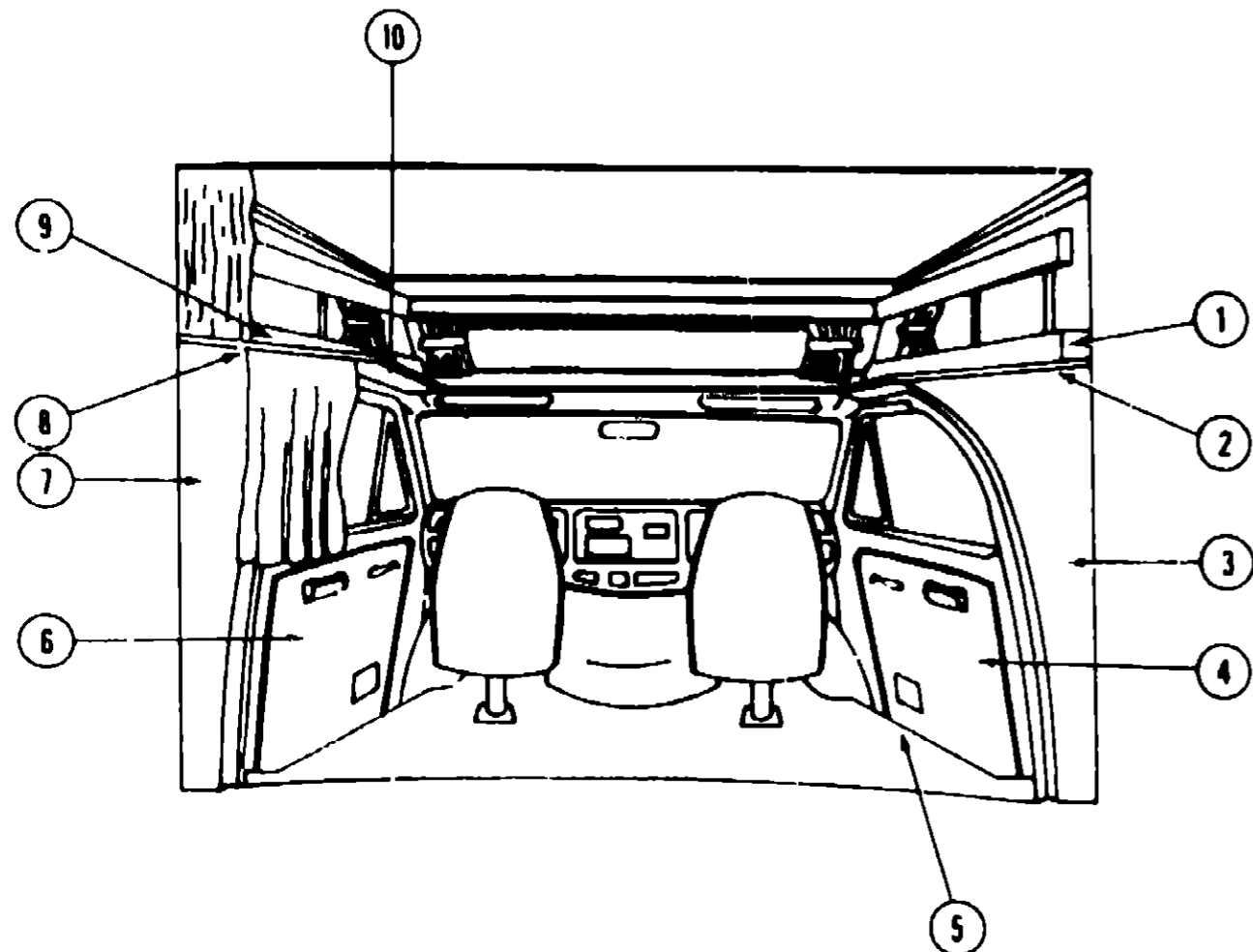
## 1988 WINNEBAGO-ITASCA TABLE OF CONTENTS

W/IT319RK	A-01 - B-04
W/IT319RB	B-05 - C-08
W/IC420EG	C-09 - D-08
W/IF420RG	D-07 - E-10
W/IC420RG	D-07 - E-10
W/IF421RB	E-11 - F-04
W/IC421RB	E-11 - F-04
W/IF424RB	F-05 - G-02
W/IC424RB	F-05 - G-02
W/IF424RC	G-03 - H-02
W/IC424RC	G-03 - H-02
W/IF426RT	H-03 - I-02

## 1988 W/IF420RG & W/IC420RG INDEX

Floor Plan	D-07 - D-08
Bath Group	D-09
Curtain, Cushion & Pad Group	D-10 - D-17
Dinette Group	D-18
Driver's Compartment Group	D-19 - D-24
Exterior Body Group	E-01 - E-05
Galley Group	E-05 - E-08
Lounge Group	E-07
Window, Vent & Exterior Door Group	E-08 - E-10

**DRIVER'S COMPARTMENT GROUP (CONTINUED)**



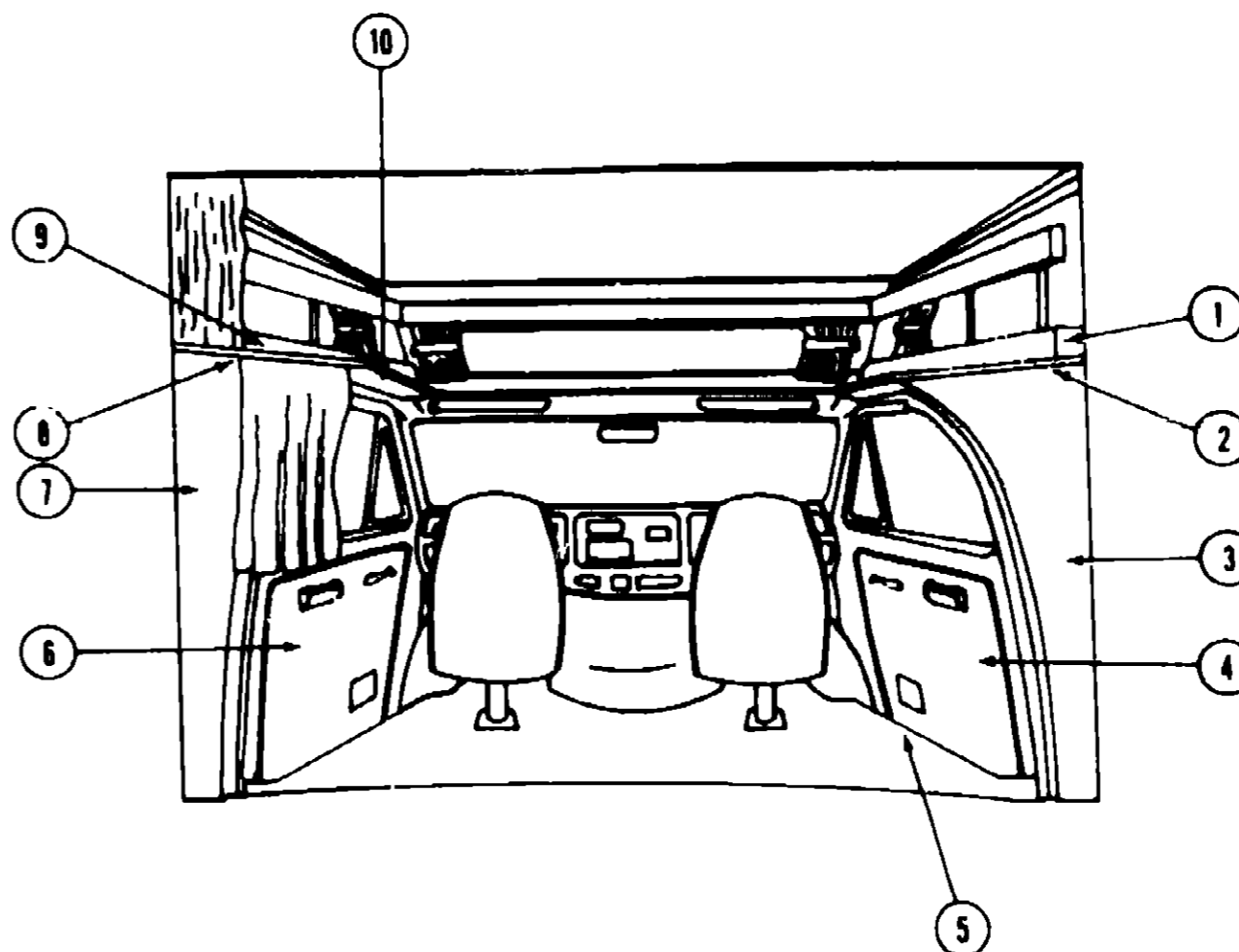
**WINNEBAGO FORD**

**MISCELLANEOUS DRIVER'S COMPARTMENT COMPONENTS**

Key	Part Number	U/M	Description
1	087012-01-X08	EA	Cabinet Asm - Headboard
2	M81652-01-W04	EA	Panel Asm - Sleeper Board - w/o Vinyl
•	080742-01-000	FT	Trim - Front - Sleeper Board - Vinyl
•	079800-01-000	EA	Trim - Sleeper Board - Off White
3	M82066-01-W24	EA	Panel Asm - Wingwall Transition - Inner Passenger (X08, X09, X10)
**4	NOTE	EA	Side Panel - Cab Door - Passenger
5	083219-01-000	EA	Door Step Mat - Passenger - Brown - Ford
•	083219-02-000	EA	Door Step Mat - Driver - Brown - Ford
•	080359-02-000	EA	Plate - Stepwell - Ford
**6	NOTE	EA	Panel Asm - Cab Door - Driver - Beige
7	M82066-02-W24	EA	Panel Asm - Wingwall Transition - Inner Driver (X08, X09, X10)
8	052859-01-W30	FT	Accent Trim - Dark Sandrift Vinyl
9	087012-01-X08	EA	Cabinet Asm - Headboard
10	083431-01-U01	EA	Headliner Asm - Overhead Bunk
•	024461-01-000	EA	Switch - Battery
•	024462-01-000	EA	Switch - Battery Condition
•	024976-01-000	EA	Switch - Generator w/o Circuit Board
•	031035-02-000	EA	Gauge - Generator Hourmeter
•	024459-04-000	EA	Gauge - Voltmeter
•	024459-02-000	EA	Bracket - Mounting - Voltmeter Gauge
†	091825-01-X08	EA	Headliner Asm - Overhead Bunk - Vinyl (2 Required)
†	091831-01-X08	EA	Headliner Asm - Overhead Bunk - Vinyl (1 Required)
•			Not illustrated

† Used in units produced after 11/15/87  
 \*\* This part is supplied by your Ford Dealer

**DRIVER'S COMPARTMENT GROUP (CONTINUED)**



**ITASCA FORD**

**MISCELLANEOUS DRIVER'S COMPARTMENT COMPONENTS**

Key	Part Number	U/M	Description
1	087012-01-X08	EA	Cabinet Asm - Headboard
2	M81652-01-W04	EA	Panel Asm - Sleeper Board - w/o Vinyl
•	079800-01-000	EA	Trim - Front Sleeper Board
•	080742-01-000	FT	Trim - Front Sleeper Board - Buckskin Vinyl
3	M82066-01-W24	EA	Panel Asm - Wingwall Transition - Inner Passenger
**4	NOTE	EA	Side Panel - Cab Door - Passenger
5	083219-01-000	EA	Door Step Mat - Passenger - Brown - Ford
•	083219-02-000	EA	Door Step Mat - Driver - Brown - Ford
•	080359-02-000	EA	Plate - Stepwell - Ford
**6	NOTE	EA	Panel Asm - Cab Door - Driver - Beige
7	M82066-02-W24	EA	Panel Asm - Wingwall Transition - Inner Driver
8	052859-01-W30	FT	Accent Trim - Dark Sandrift Vinyl
9	087012-01-X08	EA	Cabinet Asm - Headboard
10	083431-01-U01	EA	Headliner Asm - Overhead Bunk
•	024461-01-000	EA	Switch - Battery
•	024462-01-000	EA	Switch - Battery Condition
•	024976-01-000	EA	Switch - Generator w/o Circuit Board
•	031035-02-000	EA	Gauge - Generator Hourmeter
•	024459-04-000	EA	Gauge - Voltmeter
•	024459-02-000	EA	Bracket - Mounting - Voltmeter Gauge
†	091825-01-X08	EA	Headliner Asm - Overhead Bunk - Vinyl (2 Required)
†	091831-01-X08	EA	Headliner Asm - Overhead Bunk - Vinyl (1 Required)
•			Not illustrated

† Used in units produced after 11/15/87  
 \*\* This part is supplied by your Ford Dealer

† Used in units produced after 11/15/87

**1988 WINNEBAGO-ITASCA  
TABLE OF CONTENTS**

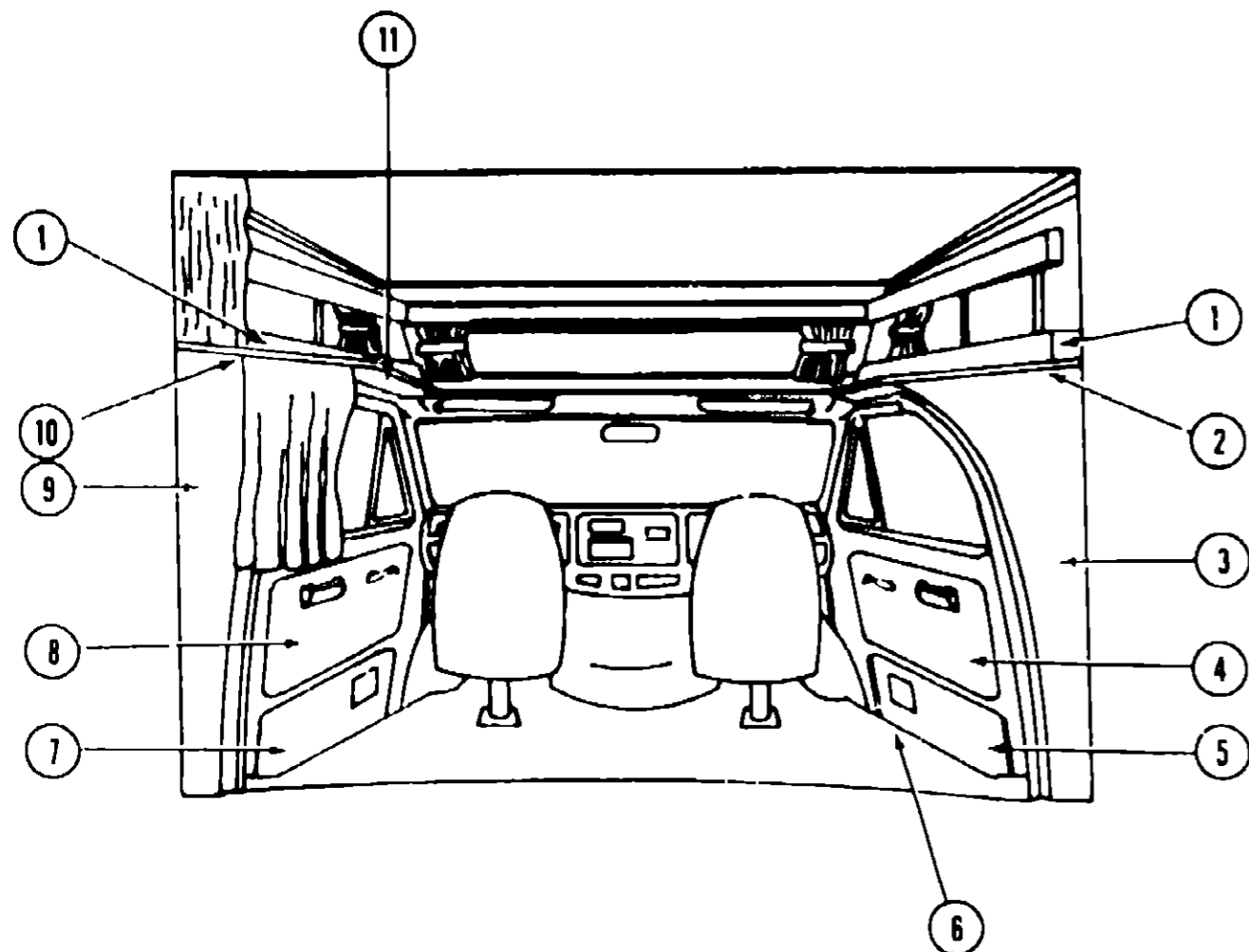
W/IT319AK	A-01 - B-04
W/IT319RB	B-05 - C-08
W/IC420EG	C-09 - D-06
W/IF420RG	D-07 - E-10
W/IC420RG	D-07 - E-10
W/IF421RB	E-11 - F-04
W/IC421RB	E-11 - F-04
W/IF424RB	F-05 - G-02
W/IC424RB	F-05 - G-02
W/IF424RC	G-03 - H-02
W/IC424RC	G-03 - H-02
W/IF428RT	H-03 - I-02

**1988 W/IF420RG & W/IC420RG  
INDEX**

Floor Plan	D-07 - D-08
Bath Group	D-09
Curtain, Cushion & Pad Group	D-10 - D-17
Dinette Group	D-18
Driver's Compartment Group	D-19 - D-24
Exterior Body Group	E-01 - E-05
Galley Group	E-05 - E-06
Lounge Group	E-07
Window, Vent & Exterior Door Group	E-08 - E-10



**DRIVER'S COMPARTMENT GROUP (CONTINUED)**



**ITASCA CHEVROLET**

**MISCELLANEOUS DRIVER'S COMPARTMENT COMPONENTS**

Key	Part Number	U/M	Description
1	087012-01-X08	EA	Head Board Asm - Passenger
2	M81652-01-W04	EA	Panel Asm - Sleeper Board - w/o Vinyl
.	080742-01-000	FT	Trim - Front - Sleeper Board - Vinyl - Buckskin
.	079800-01-000	EA	Trim - Sleeper Board - Off White
3	M82554-04-W24	EA	Panel Asm. - Wingwall Transition - Inner Passenger
4	059491-01-X33	EA	Side Panel - Cab Door - Passenger
4	059491-01-X34	EA	Side Panel - Cab Door - Passenger
4	059491-02-W05	EA	Side Panel - Cab Door - Passenger
5	082552-02-X33	EA	Panel Asm - Cab Door - Passenger (X33, X34)
5	082552-02-X10	EA	Panel Asm - Cab Door - Passenger (X35)
6	080359-01-000	EA	Plate - Stepwell - Chevrolet
.	083218-03-000	EA	Floor Mat - Front - "Winnebago" - Right
.	083218-04-000	EA	Floor Mat - Front - "Winnebago" - Left
7	082552-03-X33	EA	Panel Asm. - Cab Door - Driver (X33, X34)
7	082552-03-X10	EA	Panel Asm - Cab Door - Driver (X35)
8	059492-01-X33	EA	Side Panel - Cab Door - Driver
8	059492-01-X34	EA	Side Panel - Cab Door - Driver
8	059492-02-W05	EA	Side Panel - Cab Door - Driver
9	M82554-05-W24	EA	Panel Asm - Wingwall Transition - Inner Driver
†	091825-01-X08	EA	Headliner Asm - Overhead Bunk - Vinyl (2 Required)
†	091929-01-X08	EA	Headliner Asm - Overhead Bunk - Vinyl (1 Required)
.			Not illustrated
†			Used in units produced after 11/15/87

**DRIVER'S COMPARTMENT GROUP (CONTINUED)**

**ITASCA CHEVROLET**

**MISCELLANEOUS DRIVER'S COMPARTMENT COMPONENTS (CONT)**

Key	Part Number	U/M	Description
10	052859-01-T03	FT	Accent Trim - Dark Sandrift Vinyl
11	087930-01-X33	EA	Headliner Asm - Overhead Bunk - Vinyl
†	091825-01-X08	EA	Headliner Asm - Overhead Bunk - Vinyl (2 Required)
†	091829-01-X08	EA	Headliner Asm - Overhead Bunk - Vinyl (1 Required)
.	024461-01-000	EA	Switch - Battery
.	024462-01-000	EA	Switch - Battery Condition
.	024976-01-000	EA	Switch - Generator w/o Circuit Board
.	031035-02-000	EA	Gauge - Generator Hourmeter
.	024459-04-000	EA	Gauge - Voltmeter
.			Not illustrated
†			Used in units produced after 11/15/87

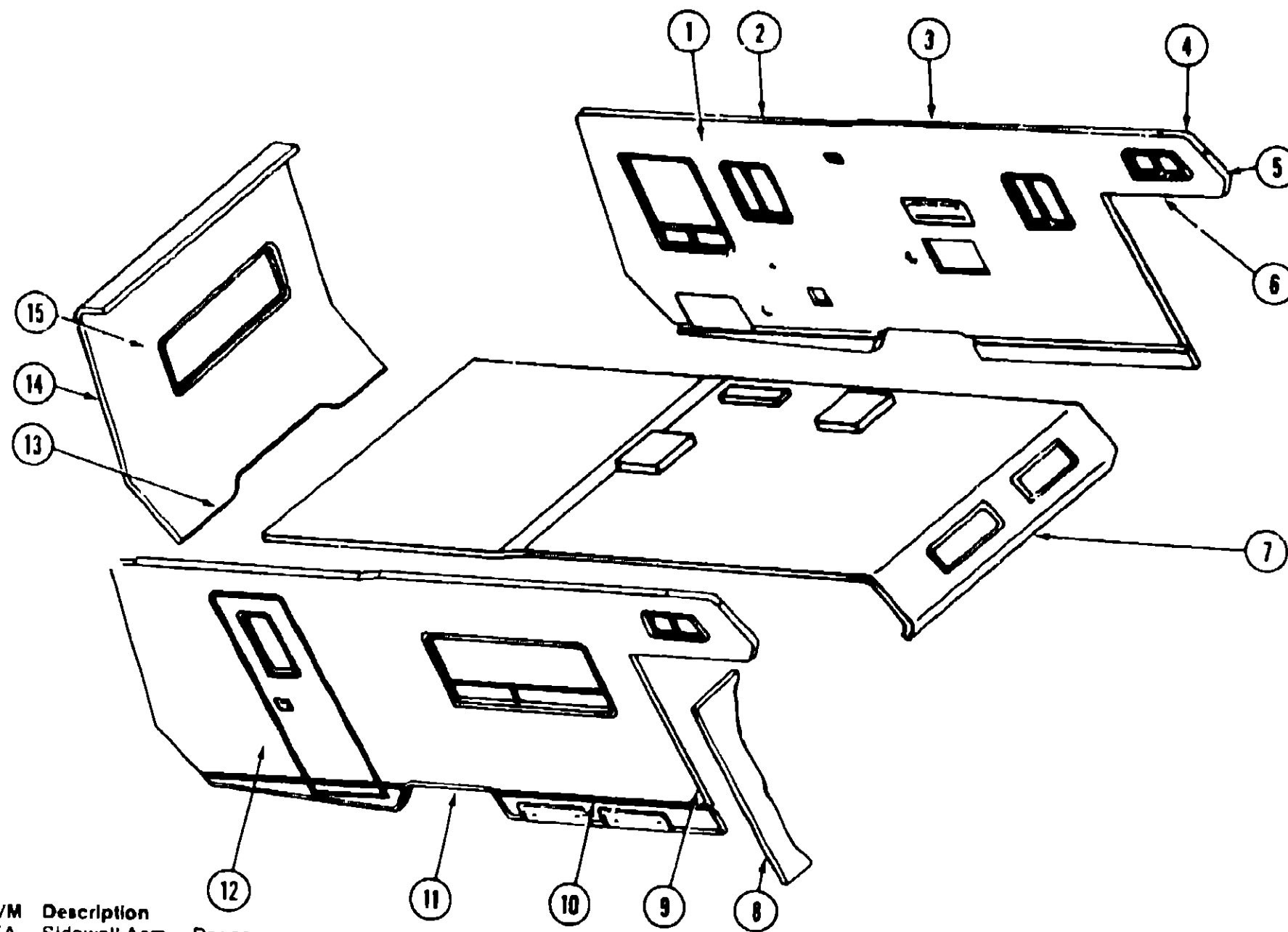
**1988 WINNEBAGO-ITASCA  
TABLE OF CONTENTS**

W/IT319RK	A-01 - B-04
W/IT319RB	B-05 - C-08
W/IC420EG	C-09 - D-06
W/IF420RG	D-07 - E-10
W/IC420RG	D-07 - E-10
W/IF421RB	F-11 - F-04
W/IC421RB	E-11 - F-04
W/IF424RB	F-05 - G-02
W/IC424RB	F-05 - G-02
W/IF424RC	G-03 - H-02
W/IC424RC	G-03 - H-02
W/IF426RT	H-03 - I-02

**1988 W/IF420RG & W/IC420RG  
INDEX**

Floor Plan	D-07 - D-08
Bath Group	D-09
Curtain, Cushion & Pad Group	D-10 - D-17
Dinette Group	D-18
Driver's Compartment Group	D-19 - D-24
Exterior Body Group	E-01 - E-05
Galley Group	E-05 - E-06
Lounge Group	E-07
Window, Vent & Exterior Door Group	E-08 - E-10

**EXTERIOR BODY GROUP  
WINNEBAGO  
EXTERIOR BODY PANELS**



**1988 WINNEBAGO-ITASCA  
TABLE OF CONTENTS**

W/IT319RK	A-01 - B-04
W/IT319RB	B-05 - C-08
W/IC420EG	C-09 - D-06
W/IF420RG	D-07 - E-10
W/IC420RG	D-07 - E-10
W/IF421RB	E-11 - F-04
W/IC421RB	E-11 - F-04
W/IF424RB	F-05 - G-02
W/IC424RB	F-05 - G-02
W/IF424RC	G-03 - H-02
W/IC424RC	G-03 - H-02
W/IF426RT	H-03 - I-02

**1988 W/IF420RG & W/IC420RG  
INDEX**

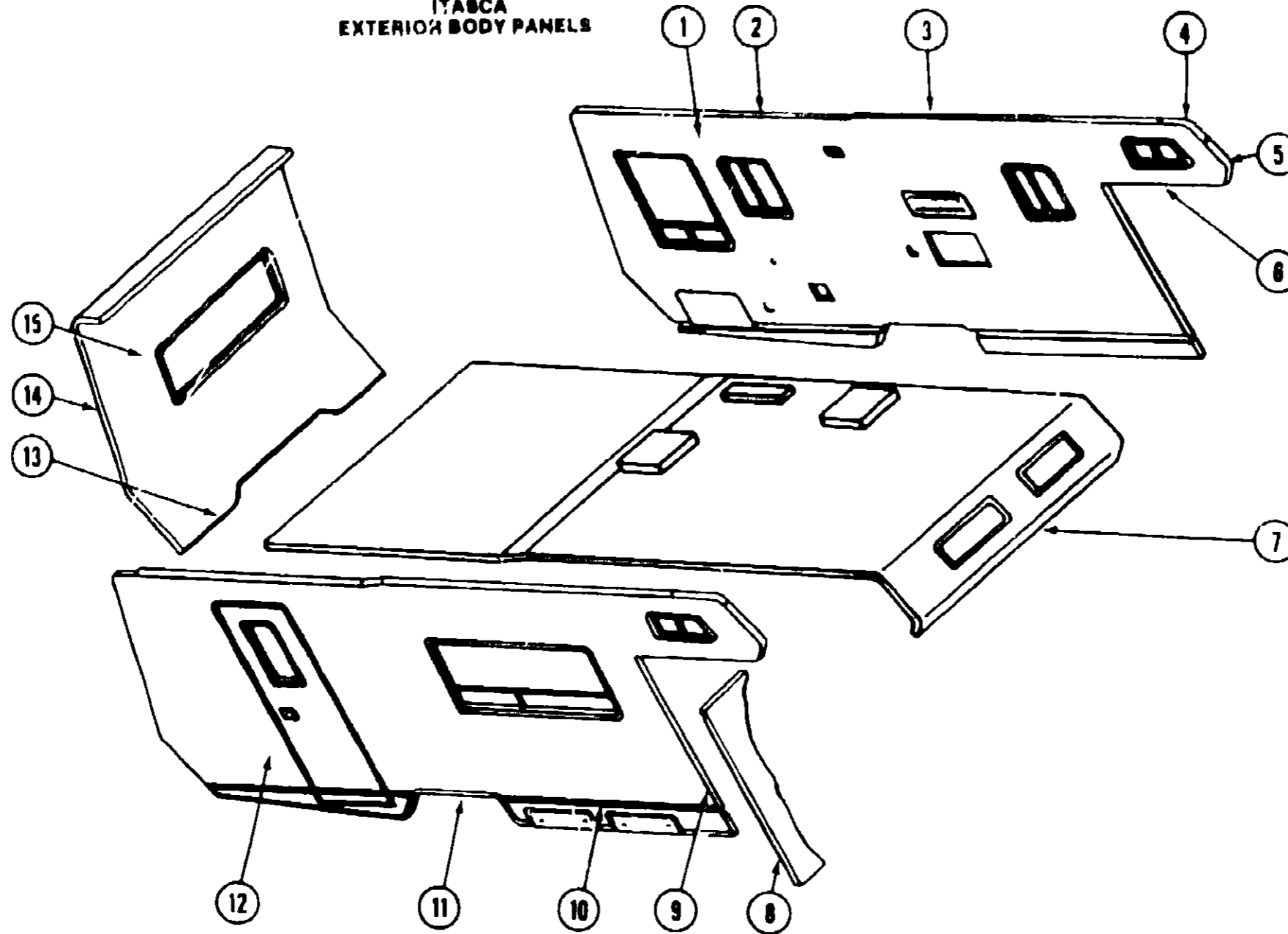
Floor Plan	D-07 - D-08
Bath Group	D-09
Curtain, Cushion & Pad Group	D-10 - D-17
Dinette Group	D-18
Driver's Compartment Group	D-19 - D-24
Exterior Body Group	E-01 - E-05
Galley Group	E-05 - E-06
Lounge Group	E-07
Window Vent & Exterior Door Group	E-08 - E-10

Key	Part Number	U/M	Description
1	M85926-01-X08	EA	Sidewall Asm - Driver
1	M85926-01-X09	EA	Sidewall Asm - Driver
1	M85926-01-X10	EA	Sidewall Asm - Driver
2	077339-12-000	EA	Contour Trim - Upper Rear Driver - Off White
•	077339-11-000	EA	Contour Trim - Upper Rear Passenger - Off White
3	076802-08-000	EA	Contour Trim - Upper Front Driver - Off White
•	076802-07-000	EA	Contour Trim - Upper Front Passenger - Off White
4	085490-02-000	EA	Contour Trim - Sleeper - Driver - Off White
•	085490-01-000	EA	Contour Trim - Sleeper - Passenger - Off White
5	086889-02-000	EA	Trim - Front Radius - Plastic - Driver - Off White
•	086889-01-000	EA	Trim - Front Radius - Plastic - Passenger - Off White
6	076975-06-000	EA	Trim - Wingwall - 52 2' - Driver - Off White
•	076975-05-000	EA	Trim - Wingwall - 52 2' - Passenger - Off White
7	039644-08-000	EA	Trim - Sleeperboard - Front
•	M81652-01-X87	EA	Sleeper Board Asm
8	M82343-01-U01	EA	Wingwall Asm - Passenger - Chevrolet
•	M81653-01-U01	EA	Wingwall Asm - Passenger - Ford
•	M82343-02-U01	EA	Wingwall Asm - Driver - Chevrolet
•	M81653-02-U01	EA	Wingwall Asm - Driver - Ford
9	076975-03-000	EA	Trim - Wingwall Transition - Passenger - Off White
•	076975-04-000	EA	Trim - Wingwall Transition - Driver - Off White
10	059576-05-000	EA	Feature Strip - Extr. Aluminum - 14 8' - Autumn White

Key	Part Number	U/M	Description
•	001030-02-100	EA	Insert - Feature Strip - 17' Stucco - Off White
•	009731-01-000	EA	End Cap - Feature Strip
•	041746-01-000	FT	Extr. Vinyl - Bubble Seal - Wingwall
11	080266-02-000	EA	Rear Trim - Wheelwell - Driver or Passenger
12	M89429-01-X08	EA	Sidewall Asm - Passenger
12	M89429-01-X09	EA	Sidewall Asm - Passenger
12	M39429-01-X10	EA	Sidewall Asm - Passenger
13	074966-02-000	EA	Backwall Trim - Lower - Driver or Passenger
14	076805-01-000	EA	Contour Trim - Backwall - Passenger - Off White
•	076805-02-000	EA	Contour Trim - Backwall - Driver - Off White
15	M83695-01-X08	EA	Backwall Asm
15	M83695-01-X09	EA	Backwall Asm
15	M83695-01-X10	EA	Backwall Asm
•	M88631-01-X08	EA	Roof Asm
•	001054-01-011	EA	Aluminum - No Design - 48" x 96" - Off White
•	000868-01-000	SF	Styrofoam - 75" x 24" x 96"
•	000870-01-000	SF	Styrofoam - 1 5" x 24" x 96"
•	000870-03-000	SF	Styrofoam - 1 34" x 48" x 96"
•	000870-02-000	SF	Styrofoam - 1 5" x 48" x 96"
•	Not illustrated		

**EXTERIOR BODY GROUP (CONTINUED)**

ITASCA  
EXTERIOR BODY PANELS



Key	Part Number	U/M	Description
1	M85926-01-X33	EA	Sidewall Asm - Driver
1	M85926-01-X34	EA	Sidewall Asm - Driver
1	M85926-01-X35	EA	Sidewall Asm - Driver
2	077339-12-000	EA	Contour Trim - Upper Rear Driver - Off White
	077339-11-000	EA	Contour Trim - Upper Rear Passenger - Off White
3	076802-08-000	EA	Contour Trim - Upper Front Driver - Off White
	076802-07-000	EA	Contour Trim - Upper Front Passenger - Off White
4	085490-02-000	EA	Contour Trim - Sleeper - Driver - Off White
	085490-01-000	EA	Contour Trim - Sleeper - Passenger - Off White
5	086889-02-000	EA	Trim - Front Radius - Plastic - Driver - Off White
	086889-01-000	EA	Trim - Front Radius - Plastic - Passenger - Off White
6	076975-06-000	EA	Trim - Wingwall - 52 2' - Driver - Off White
	076975-05-000	EA	Trim - Wingwall - 52 2' - Passenger - Off White
7	039644-08-000	EA	Trim - Sleeperboard - Front
	M81652-01-X87	EA	Sleeper Board Asm
8	M82343-01-U01	EA	Wingwall Asm - Passenger - Chevrolet
	M81653-01-U01	EA	Wingwall Asm - Passenger - Ford
	M82343-02-U01	EA	Wingwall Asm - Driver - Chevrolet
	M81653-02-U01	EA	Wingwall Asm - Driver - Ford
9	076975-03-000	EA	Trim - Wingwall Transition - Passenger - Off White
	076975-04-000	EA	Trim - Wingwall Transition - Driver - Off White
10	059576-05-000	EA	Feature Strip - Extr Aluminum - 14 8' - Autumn White

Key	Part Number	U/M	Description
	001030-02-100	EA	Insert - Feature Strip - 17' Stucco - Off White
	009731-01-000	EA	End Cap - Feature Strip
	041746-01-000	FT	Extr Vinyl - Bubble Seal - Wingwall
11	080266-02-000	EA	Rear Trim - Wheelwell - Driver or Passenger
12	M89429-01-X33	EA	Sidewall Asm - Passenger
12	M89429-01-X34	EA	Sidewall Asm - Passenger
12	M89429-01-X35	EA	Sidewall Asm - Passenger
13	074966-02-000	EA	Backwall Trim - Lower - Driver or Passenger
14	076805-01-000	EA	Contour Trim - Backwall - Passenger - Off White
	076805-02-000	EA	Contour Trim - Backwall - Driver - Off White
15	M90099-01-X33	EA	Backwall Asm
15	M90099-01-X34	EA	Backwall Asm
15	M90099-01-X35	EA	Backwall Asm
	M88631-01-X08	EA	Roof Asm
	001054-01-011	EA	Aluminum - No Design - 48' x 96" - Off White
	000868-01-000	SF	Styrofoam - 75' x 24" x 96"
	000870-01-000	SF	Styrofoam - 1 5" x 24" x 96"
	000870-03-000	SF	Styrofoam - 1 34" x 48" x 96"
	000870-02-000	SF	Styrofoam - 1 5" x 48" x 96"
			Not illustrated

**1988 WINNEBAGO-ITASCA  
TABLE OF CONTENTS**

W/IT319RK	A-01 - B-04
W/IT319RB	B-05 - C-08
W/IC420EG	C-09 - D-08
W/IF420RG	D-07 - E-10
W/IC420RG	D-07 - E-10
W/IF421RB	E-11 - F-04
W/IC421RB	E-11 - F-04
W/IF424RB	F-05 - G-02
W/IC424RB	F-05 - G-02
W/IF424RC	G-03 - H-02
W/IC424RC	G-03 - H-02
W/IF426RT	H-03 - I-02

**1988 W/IF420RG & W/IC420RG  
INDEX**

Floor Plan	D-07 - D-08
Bath Group	D-09
Curtain, Cushion & Pad Group	D-10 - D-17
Dinette Group	D-18
Driver's Compartment Group	D-19 - D-24
Exterior Body Group	E-01 - E-05
Galley Group	E-05 - E-06
Lounge Group	E-07
Window, Vent & Exterior Door Group	E-08 - E-10

## EXTERIOR BODY GROUP (CONTINUED)

### MISCELLANEOUS EXTERNALLY MOUNTED PARTS

Key	Part Number	U/M	Description
	083558-01-000	EA	Plumbing Seal - Roof Vent - 1 5' - w/Cap
	087659-04-000	EA	Fill - City Water - Recessed - Off White
	081240-03-000	EA	Water Fill - Lockable - Off White
	078040-02-000	EA	Shroud - Fuel Fill - Upper
	083478-01-000	EA	Boot - Fuel Fill

NOTE See the Common Items Fiche for Screws & Fasteners

## GALLEY GROUP (CONTINUED)

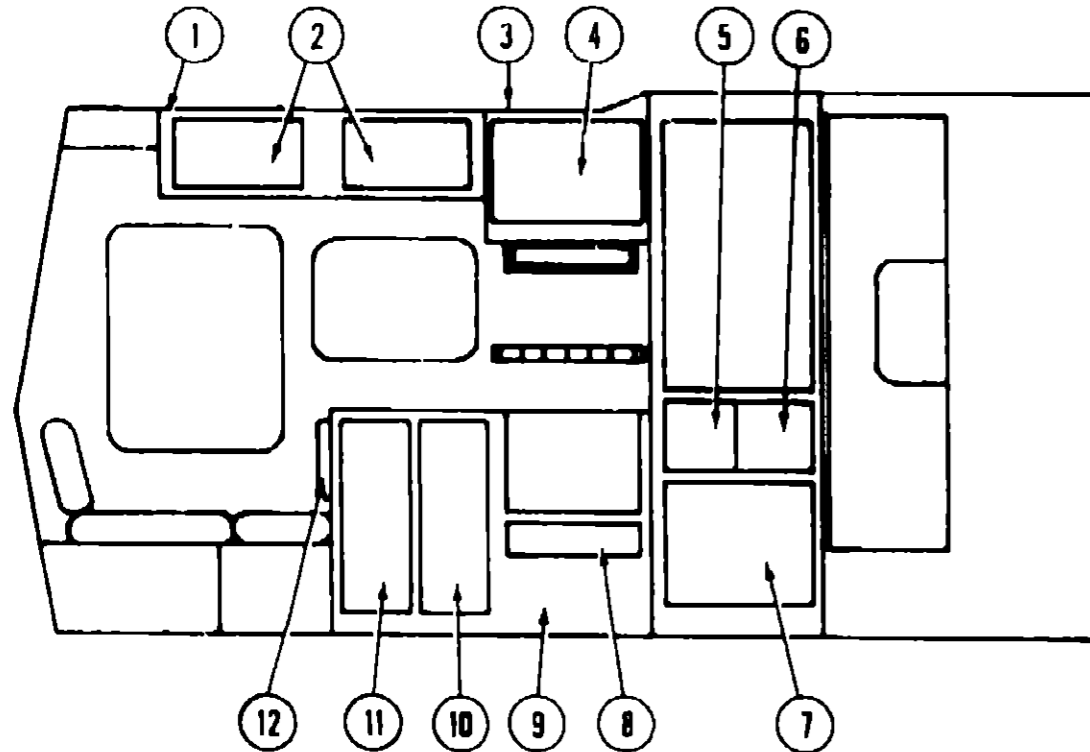
### GALLEY APPLIANCES & HARDWARE

Key	Part Number	U/M	Description
	079353-01-000	EA	Range Hood - w/Light & Monitor - Almond
	079354-03-000	EA	Spacer - Range Hood - 3.85"
††	090973-01-000	EA	Range Hood - w/o Monitor Panel - Almond
††	090967-02-000	EA	Spacer - Range Hood - 3.85" - Almond
**	064473-02-000	EA	Refrigerator - AC/DC/Gas - Norcold 8' - 778 - EG3
	064473-04-000	EA	Refrigerator - AC/DC/Gas - Norcold 8' - 875-EG3
	054450-01-000	EA	Level Refrigerator
	068615-01-000	EA	Sink - Stainless Steel - Double w/Bolts
**	011053-01-000	EA	Faucet - Swing Spout - 8' - US
†	011053-03-000	EA	Faucet - Swing Spout - 8"
**	011053-01-700	EA	Aerator - Swing Spout Faucet
	052953-01-000	EA	Nut - Faucet - 1/2 Tube x 1/2 FPT
	066437-01-000	EA	Strainer w/Basket - Sink
	074490-01-000	EA	Spice Rack - Oak
	059777-02-000	EA	Hinge - Cabinet Door - Brass
	088264-01-000	EA	Pull - Cabinet Door
	077409-01-000	EA	Slide - Drawer - Plastic - 20 75"
	077409-02-000	EA	Slide - Drawer - Plastic - 20 75"
	090939-01-000	EA	LP Gas Detector
	055282-04-000	EA	Range - 4 Burner - w/Small Oven - Almond
	081374-01-000	EA	Range - 4 Burner - w/o Oven - Almond
	081374-01-700	EA	Trim - Top Right
	081374-01-701	EA	Trim - Top Left
	081374-01-702	EA	Panel - Minifold - Warm Black
	081374-01-703	EA	Trim - Top Rear
	081374-01-704	EA	Guard Fabric
	055282-04-000	EA	Range - 4 Burner - Small Oven - Almond
	055282-04-700	EA	Panel - Oven Door - Almond
	009021-01-000	EA	Catch - Nylon
	009021-02-000	EA	Strike - Spring Steel
‡	093586-01-000	EA	Catch - Spring Roller
‡	093587-01-000	EA	Strike - Spring Steel
‡	Used in units produced after 11/15/87		
†	Used in units produced after 10/23/88		
††	Used in units produced after 10/1/87		
**	The illustrated parts breakdown for this item is provided on the Common Items Fiche		

## 1988 WINNEBAGO-ITASCA TABLE OF CONTENTS

W/IT319RK	A-01 - B-04
W/IT319RB	B-06 - C-08
W/IC420FG	C-09 - D-06
W/IF420FG	D-07 - E-10
W/IC420RG	D-07 - E-10
W/IF421RB	E-11 - F-04
W/IC421RB	E-11 - F-04
W/IF424RB	F-05 - G-02
W/IC424RB	F-05 - G-02
W/IF424RC	G-03 - H-02
W/IC424RC	G-03 - H-02
W/IF426RT	H-03 - I-02

## GALLEY GROUP



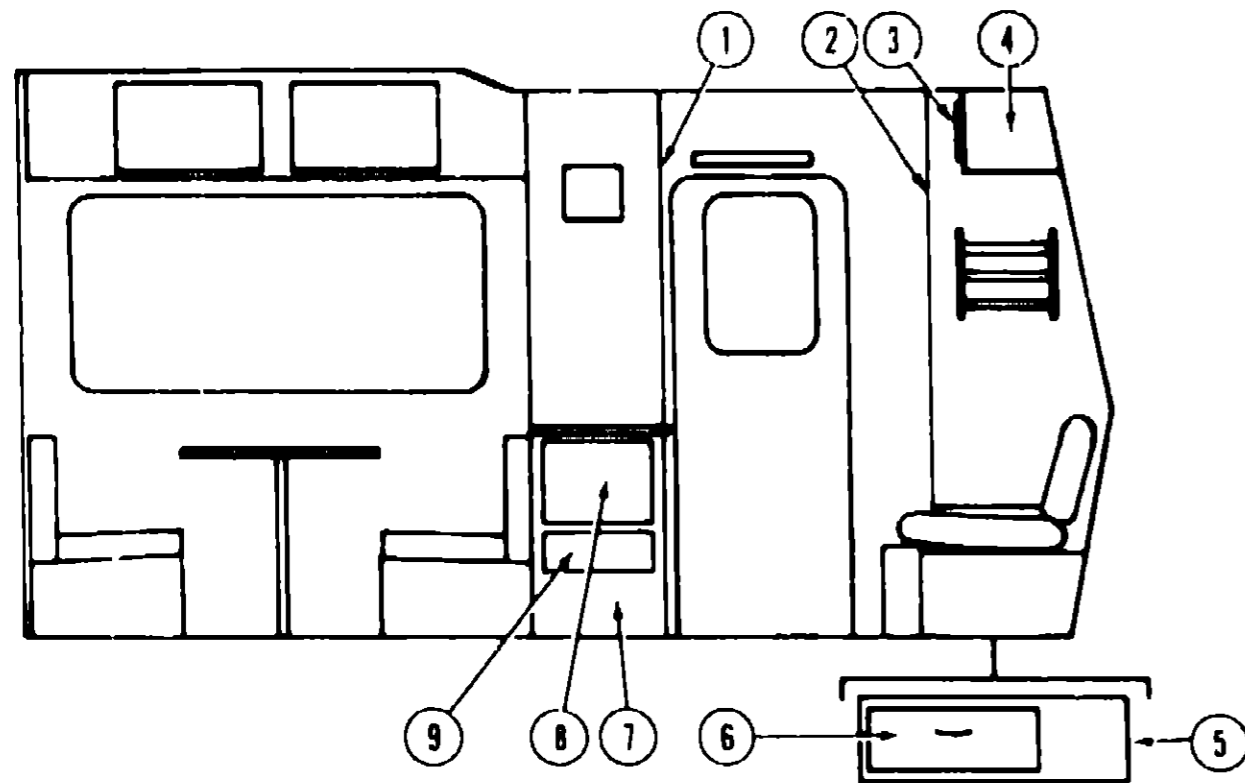
### GALLEY CABINETRY

Key	Part Number	U/M	Description
1	082825-02-W24	EA	Cap Asm - Galley Overhead
2	M83540-01-X08	EA	Cabinet Asm - Galley Overhead - w/o Doors or Hardware
3	M88304-A2-X08	EA	Door Asm - Galley Overhead - 11 02' x 21 8" - w/o Hardware
4	M88304-94-X11	EA	Door Asm - Refrigerator Cabinet - Upper - 21 8" x 14 37" - w/o Hardware
5	M88304-A1-W24	EA	Door Asm - Refrigerator Cabinet - Lower - 21 8" x 19 88" - w/o Hardware
6	M83663-01-W24	EA	Cabinet Asm - Galley - w/o Countertops, Doors or Hardware
**6	M83663-03-W24	EA	Cabinet Asm - Galley - w/o Countertops, Doors or Hardware
7	M88304-05-X23	EA	Door Asm - Galley Cabinet - 21 8" x 15 9" - w/o Hardware
8	M88304-A4-X08	EA	Door Asm - Galley Cabinet - 9 84" x 33 46" - w/o Hardware
9	M88304-13-X08	EA	Door Asm - Galley Cabinet - 14 37' x 33 46" - w/o Hardware
10	M02607-01-W24	EA	Countertop Asm - Galley Cabinet
11	080812-03-W24	EA	Galley Extension Asm
**	M82184-11-X36	EA	Drawer Asm - Galley Cabinet
**	Used with Microwave Convection Option		

## 1988 W/IF420RG & W/IC420RG INDEX

Floor Plan	D-07 - D-08
Bath Group	D-08
Curtain, Cushion & Pad Group	D-10 - D-17
Dinette Group	D-13
Driver's Compartment Group	D-19 - D-24
Exterior Body Group	E-01 - E-05
Galley Group	E-05 - E-06
Lounge Group	E-07
Window Vent & Exterior Door Group	E-08 - E-10

## LOUNGE GROUP



### LOUNGE OVERHEAD & WARDROBE CABINERY

Key	Part Number	U/M	Description
1	M88304-A3-X08	EA	Door Asm - Wardrobe Cabinet - w/o Hardware
2	M88304-A3-X08	EA	Door Asm - Wardrobe Cabinet - w/o Hardware
3	M88403-66-X08	EA	Door Asm - Rear Overhead Cabinet - w/o Hardware
4	M83545-01-X08	EA	Cabinet Asm - Rear Overhead - w/o Doors or Hardware
5	M89609-01-X08	EA	Cabinet Asm - Couch - w/o Drawers Doors or Hardware
6	M88304-04-X08	EA	Door Asm - w/o Hardware
7	081298-01-X11	EA	Table Asm - Pedestal
8	088563-01-X08	EA	Cabinet Asm - Furnace - w/o Countertop Door or Hardware
9	088563-12-X08	EA	Countertop Asm - Furnace Cabinet - Sunset Oak
10	M92073-02-X11	EA	Door Asm - Furnace w/Mesh Insert - 14 3/4" x 17 9/16" - w/o Hardware
11	081893-02-X11	EA	Drawer Face - w/o Hardware
12	077251-01-000	EA	Drawer Tipout - Plastic
13	074491-02-W24	EA	Magazine Rack - Oak
14	Not illustrated		

### LOUNGE HARDWARE

Key	Part Number	U/M	Description
15	009040-06-000	EA	Leg - Pedestal Table - 2 25/32" O D x 27 5/8" - Chrome
16	009040-03-000	EA	Base - Table Leg - Mounts on Table
17	041194-01-000	EA	Base - Table Leg - Mounts in Floor
18	056875-02-000	EA	Leg Asm - Couch
19	076840-01-000	EA	Shock Cord
20	022517-01-000	EA	End Cap - 1" x 1" - Brown
21	053163-01-000	EA	Bracket Couch Slide
22	053347-01-000	EA	Wire - Pin - Spring - 3/32"
23	053348-01-000	EA	Steel Pin - 1/4" x 4" x 3/32" Hole
24	054398-01-000	EA	Bracket - Center Support - Lester Lounge - Brown
25	009112-01-000	EA	Flange - 1 Closet Rod - Chrome
26	062046-01-000	EA	Clip - Pedestal Leg
27	009049-01-000	EA	Table Support - Drop Leaf
28	003059-01-000	EA	Hinge - 2" - Gold
29	009021-01-000	EA	Catch - Nylon - Furnace Door
30	009021-02-000	EA	Strike - Nylon Catch - Furnace Door

## WINDOW, VENT & EXTERIOR DOOR GROUP

### ACCESS DOORS

Key	Part Number	U/M	Description
31	078010-03-000	EA	Door - Fuel Fill - Off White
32	083742-01-000	EA	Door - Power Cord - Off White
33	052424-01-000	EA	Jamb - Power Cord/Fuel Fill Door
34	052543-01-000	EA	Hatch - Power Cord Door
35	083615-08-000	EA	Door Holder - Off White Plastic
36	042441-01-000	EA	Lock Asm - Key Type - Gas Fill
37	079927-03-000	EA	Lock Asm - Twist Type - 2.10" Offset
38	047305-01-000	EA	Lock Asm - Key Type w/Clip
39	052950-01-700	EA	Lock Asm Kit - Twist Type w/Clip - White Plastic
40	052951-01-000	EA	Clip - Twist - Lock Retainer
41	079368-01-000	FT	Seal - Access Door
42	045017-05-000	EA	Latch - Entrance Door
43	083205-01-000	EA	Deadbolt - 5" Press Fit - Entrance Door
44	088794-01-000	EA	Door Asm - Power Cord w/Hatch
45	083223-03-000	EA	Lock Asm - Key Type
46	†		Used in units produced after 9/28/87
47	†		Used in units produced after 01/04/88

### VENTS

Key	Part Number	U/M	Description
48	065103-02-000	EA	Cover - Refrigerator Vent - 9 8/8" x 20 5/8" - Plastic
49	065103-01-000	EA	Base Asm - Refrigerator Vent - 8 17/16" x 22 9/16" - Plastic
50	084878-01-000	EA	Vent - Stovehood - Outside - Off White
51	052586-01-000	EA	Ventilator - Round Skylight - Non-Powered
52	048835-01-000	EA	Vent Asm - Roof - Non-Powered - w/o Screen - Alum
53	048789-01-000	EA	Vent Asm - Roof - Powered
54	090394-01-X11	EA	Vent Asm - Powered
55	090395-01-X11	EA	Vent Asm - Non-Powered
56	078785-01-T03	EA	Screen Asm - Roof Vent
57	078786-01-T03	EA	Screen Asm - Roof Vent - Non-Powered
58	083558-01-000	EA	Roof Vent - Pipe Cover
59	084616-01-000	EA	Shroud Vent - Range Hood
60	**		The illustrated parts breakdown for this item is provided on the Common Items Fiche
61	†		Used in units produced after 07/20/87

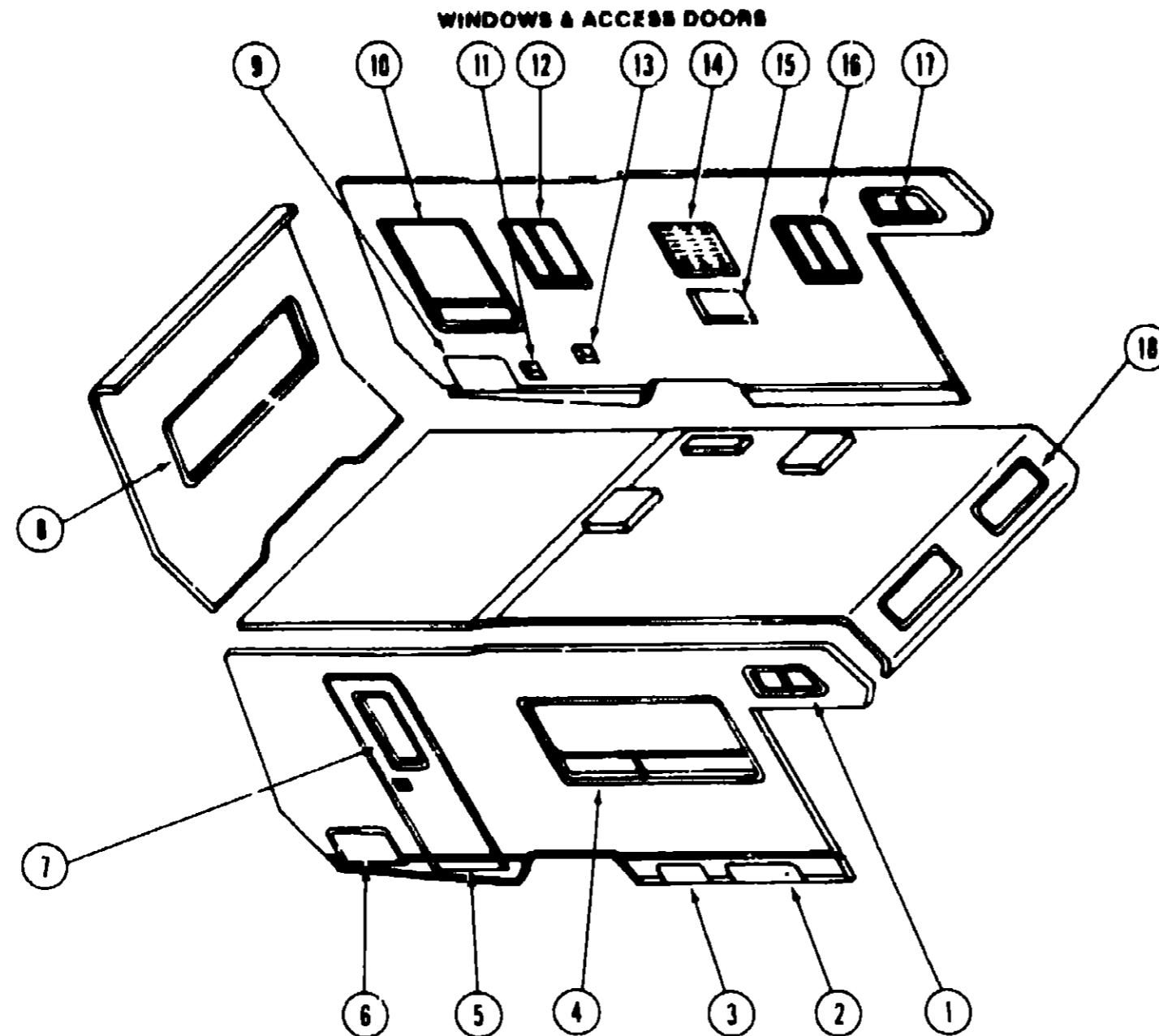
## 1988 WINNEBAGO-ITASCA TABLE OF CONTENTS

W/IT319AK	A-01 - B-04
W/IT319RB	B-05 - C-08
W/IC420EG	C-09 - D-08
W/IF420RG	D-07 - E-10
W/IC420RG	D-07 - E-10
W/IF421RB	E-11 - F-04
W/IC421RB	E-11 - F-04
W/IF424RB	F-05 - G-02
W/IC424RB	F-05 - G-02
W/IF424RC	G-03 - H-02
W/IC424RC	G-03 - H-02
W/IF426RT	H-03 - I-02

## 1988 W/IF420RG & W/IC420RG INDEX

Floor Plan	D-07 - D-08
Bath Group	D-09
Curtain, Cushion & Pad Group	D-10 - D-17
Dinette Group	D-18
Driver's Compartment Group	D-19 - D-24
Exterior Body Group	E-01 - E-05
Galley Group	E-05 - E-08
Lounge Group	E-07
Window, Vent & Exterior Door Group	E-08 - E-10

## WINDOW, VENT & EXTERIOR DOOR GROUP (CONTINUED)



Key	Part Number	U/M	Description
1	086227-01-000	EA	Window Asm - Bunk Slant Slider
2	079455-03-T95	EA	Door Asm - Battery
3	079455-06-T95	EA	Door Asm - Storage
4	085354-02-W07	EA	Window Asm - Double Tipout
5	M01870-02-W04	EA	Door Asm - Radius Entry w/Screen Door
6	079123-01-T03	EA	Door Asm - Luggage
7	079733-04-T03	EA	Window Asm - Picture
8	078536-01-T03	EA	Window Asm - Escape

Key	Part Number	U/M	Description
9	083840-01-W04	EA	Door Asm - Generator
9	083839-01-W87	EA	Door Asm - Luggage
10	085353-06-W04	EA	Window Asm - Lower Slider
†11	088794-01-000	EA	Door Asm - Power Cord w/Hatch
11	078950-01-T95	EA	Door Asm - Power Cord w/Hatch
12	078266-03-W17	EA	Window Asm - Single Slider
13	078010-03-000	EA	Door Asm - Fuel Fill
14	084103-03-000	EA	Door Asm - Refrigerator Access
14	084104-03-000	EA	Jamb Asm - Refrigerator Access
15	052009-01-000	EA	Door Asm - Water Heater Access
16	078266-04-T03	EA	Window Asm - Single Slider
17	086227-02-000	EA	Window Asm - Bunk Slant Slider
18	078533-04 X08	EA	Window Asm - Front Picture
†	Used in units produced after 9/28/87		

## 1988 WINNEBAGO-ITASCA TABLE OF CONTENTS

W/IT319RK	A-01 - B-04
W/IT319RB	B-05 - C-08
W/IC420EG	C-09 - D-06
W/IF420RG	D-07 - E-10
W/IC420RG	D-07 - E-10
W/IF421RB	E-11 - F-04
W/IC421RB	E-11 - F-04
W/IF424RB	F-05 - G-02
W/IC424RB	F-05 - G-02
W/IF424RC	G-03 - H-02
W/IC424RC	G-03 - H-02
W/IF428RT	H-03 - I-02

## 1988 W/IF420RG & W/IC420RG INDEX

Floor Plan	D-07 - D-08
Bath Group	D-09
Curtain, Cushion & Pad Group	D-10 - D-17
Dinette Group	D-18
Driver's Compartment Group	D-19 - D-24
Exterior Body Group	E-01 - E-05
Galley Group	E-05 - E-08
Lounge Group	E-07
Window, Vent & Exterior Door Group	E-08 - E-10