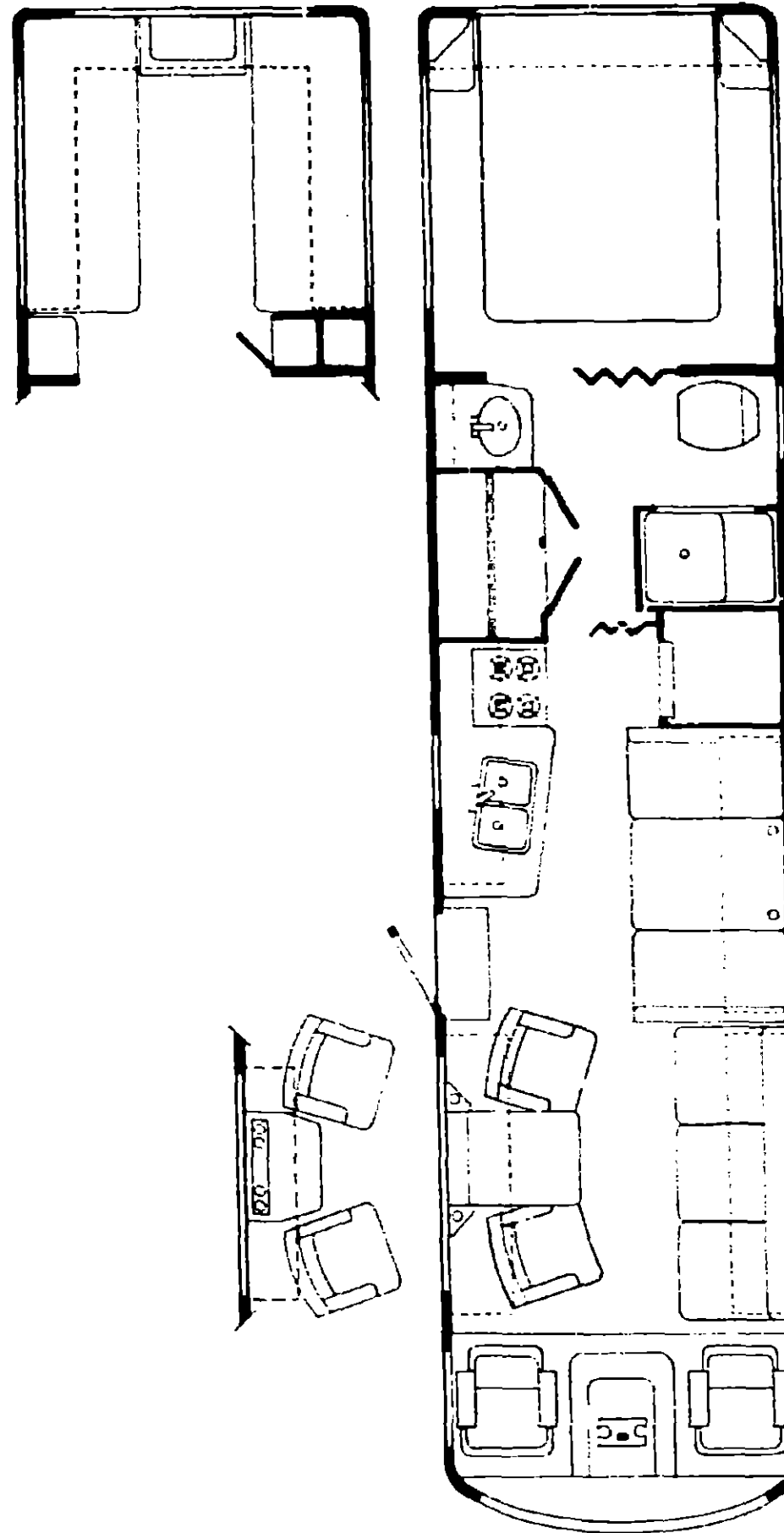


# 1988 W/ICP37RQ



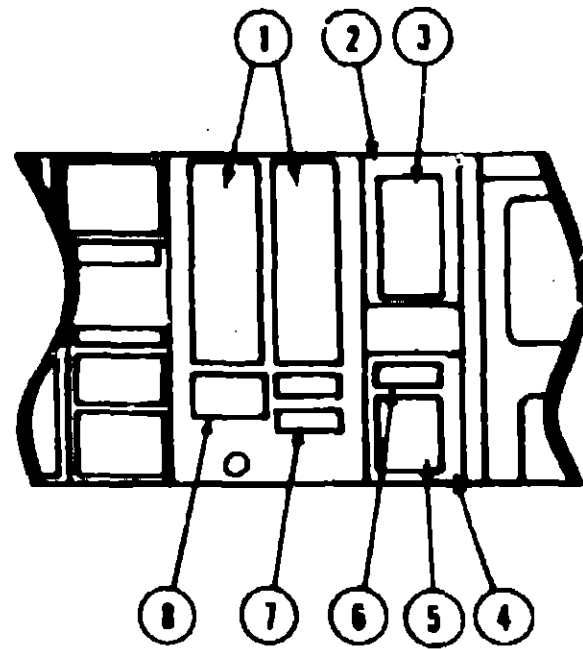
## 1988 WINNEBAGO/ITASCA TABLE OF CONTENTS

Introduction	A-01
Abbreviations	A-02
W/ICP20ET	A-03 - A-20
W/ICP20EU	A-21 - B-16
W/ICP32RQ, W/IJP32RQ	B-17 - C-22
W/ICP34RU	C-23 - E-08
W/ICP37RQ	E-07 - F-10

## 1988 W/ICP37RQ INDEX

Floor Plan	E-07 - E-08
Bath Group	E-09
Curtain, Cushion & Pad Group	E-10 - E-18
Dinette Group	E-19 - E-21
Exterior Body Group	E-22 - F-03
Galley Group	F-04
Lounge Group	F-05 - F-08
Window, Vent & Exterior Door Group	F-09 - F-10

## BATH GROUP



WINNEBAGO

### BATH & WARDROBE CABINETRY

Key	Part Number	U/M	Description
1	M88304-87-X19	EA	Door Asm. - Mirror - 48" x 16.7" - w/o Hardware
2	086023-01-X19	EA	Cabinet Asm. - Medicine - w/o Doors or Hardware
3	M88304-41-X19	EA	Door Asm. - Mirror - Medicine Cabinet - 29.5" x 15.5" - w/o Hardware
4	M86116-01-X19	EA	Cabinet Asm. - Lavatory - Wall
•	M03000-01-X19	EA	Countertop Asm. - Lavatory Cabinet
5	M88304-76-X19	EA	Door Asm. - Lavatory Cabinet - 14.4" x 17.9" - w/o Hardware
6	081893-01-X19	EA	Face Asm. - Lavatory Drawer
7	M78921-06-W13	EA	Drawer Asm. - Wardrobe Cabinet - w/o Hardware
8	M92093-02-X19	EA	Door Asm. - Furnace - w/o Hardware
•	M02972-01-X19	EA	Countertop Asm. - Bath Storage Cabinet
•	M88304-44-X19	EA	Door Asm. - Bath Storage Cabinet - 16.4" x 11.4" - w/o Hardware
•	080224-18-000	EA	Folding Door - Front - w/o Latch
•	080224-21-000	EA	Folding Door - Rear - w/o Latch
•			Not illustrated

## ITASCA

### BATH & WARDROBE CABINETRY

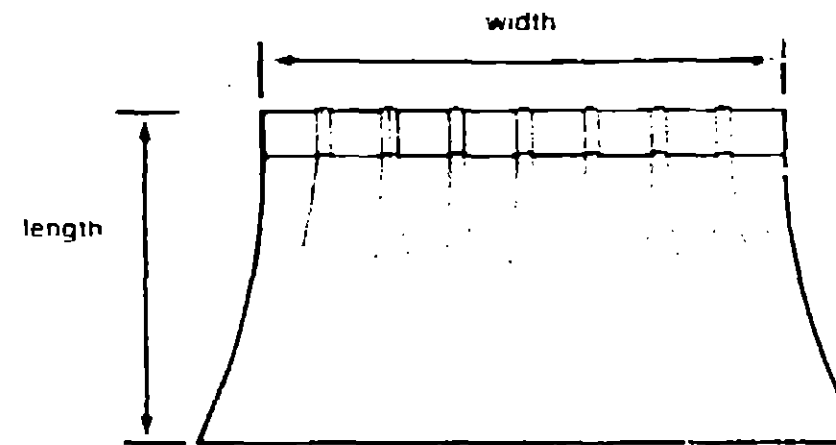
Key	Part Number	U/M	Description
1	M88304-87-X75	EA	Door Asm. - Mirror - 48" x 16.7" - w/o Hardware
2	086023-01-X75	EA	Cabinet Asm. - Medicine - w/o Doors or Hardware
3	M88304-41-X75	EA	Door Asm. - Mirror - Medicine Cabinet - 29.5" x 15.5" - w/o Hardware
4	M86116-01-X75	EA	Cabinet Asm. - Lavatory - Wall
•	M03000-01-X19	EA	Countertop Asm. - Lavatory Cabinet
5	M88304-76-X75	EA	Door Asm. - Lavatory Cabinet - 14.4" x 17.9" - w/o Hardware
6	081893-01-X75	EA	Face Asm. - Lavatory Drawer
7	M78921-06-W36	EA	Drawer Asm. - Wardrobe Cabinet - w/o Hardware
8	M92093-02-X75	EA	Door Asm. - Furnace - w/o Hardware
•	M02972-01-X19	EA	Countertop Asm. - Bath Storage Cabinet
•	M88304-44-X75	EA	Door Asm. - Bath Storage Cabinet - 16.4" x 11.4" - w/o Hardware
•	080224-18-000	EA	Folding Door - Front - w/o Latch
•	080224-21-000	EA	Folding Door - Rear - w/o Latch
•			Not illustrated

## CURTAIN, CUSHION & PAD GROUP

### NOTICE

In order to assist our Part Sales Dept. in providing interior software items, please include the serial number and the color code number from the vehicle certification label when ordering. This label is located on the left sidewall at the end of the dash (A-Body), or on the driver's door latch plate (C-Body).

An example of a color code number is P31, which designates an overall color scheme of a particular unit. The color listed after the item description on the microfiche, indicates the overall unit color. Order the item you desire according to unit color code.



### NOTE

Use this illustration when determining length and width measurements for curtains. You will note the width measurement is taken on the top of the curtain with the curtain fully extended. The length measurement is taken from top to bottom.



Key	Part Number	U/M	Description
1	029130-01-000	EA	Socket - Snap Fastener
2	029155-01-000	EA	Cap - Snap - .156" Dia. x 17" Barrel
3	029156-01-000	EA	Socket - Snap Fastener
4	029092-01-000	EA	Stud - Nickel Finish
5	029093-01-000	EA	Eyelet - Nickel Finish

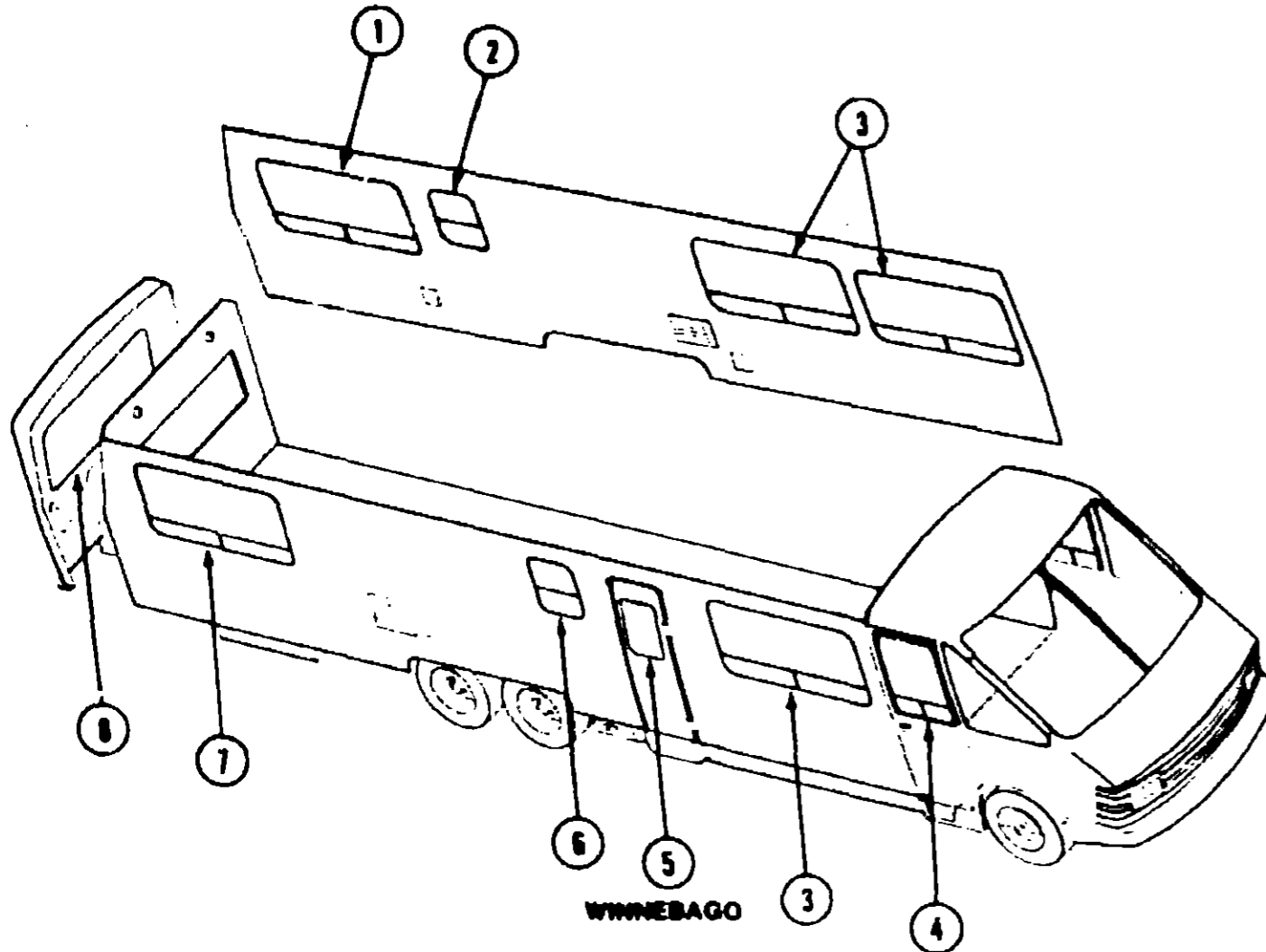
## 1988 WINNEBAGO/ITASCA TABLE OF CONTENTS

Introduction	A-01
Abbreviations	A-02
W/ICP28ET	A-03 - A-20
W/ICP28EU	A-21 - B-18
W/ICP32RQ, W/JP32RQ	B-17 - C-22
W/ICP34RU	C-23 - E-08
W/ICP37RQ	E-07 - F-10

## 1988 W/ICP37RQ INDEX

Floor Plan	E-07 - E-08
Bath Group	E-09
Curtain, Cushion & Pad Group	E-10 - E-16
Dinette Group	E-19 - E-21
Exterior Body Group	E-22 - F-03
Galley Group	F-04
Lounge Group	F-05 - F-08
Window, Vent & Exterior Door Group	F-09 - F-10

**CURTAIN, CUSHION & PAD GROUP (CONTINUED)**



**CURTAINS, SHADES, VALANCES & TIEBACKS**

Key	Part Number	U/M	Description
1	089058-03-X19	EA	Padded - Window Valance - Right (X19, X21)
1	089058-03-X20	EA	Padded - Window Valance - Right (X20)
1	089058-03-X22	EA	Padded - Window Valance - Right (X22)
1	089058-04-X19	EA	Padded - Window Valance - Left (X19, X21)
1	089058-04-X20	EA	Padded - Window Valance - Left (X20)
1	089058-04-X22	EA	Padded - Window Valance - Left (X22)
1	088730-02-000	EA	Blind - Day/Nighter - 59.5" x 36"
1	M77188-38-X19	EA	Valance Asm. - 66.5"
1	M77188-38-X20	EA	Valance Asm. - 66.5"
1	M77188-38-X21	EA	Valance Asm. - 66.5"
1	M77188-38-X22	EA	Valance Asm. - 66.5"
†	089058-05-X19	EA	Padded - Window Valance - Right (X19, X22)
†	089058-05-X20	EA	Padded - Window Valance - Right (X20)
†	089058-05-X22	EA	Padded - Window Valance - Right (X22)
†	088730-04-000	EA	Blind - Day/Nighter - 43.5" x 35"
††2	085327-09-000	EA	Blinds - Micro Mini - 30" x 30" (X19)
††2	085327-07-000	EA	Blinds - Micro Mini - 30" x 30" (X20)
††2	085327-28-000	EA	Blinds - Micro Mini - 30" x 30" (X21)
††2	085327-08-000	EA	Blinds - Micro Mini - 30" x 30" (X22)
2	085327-36-000	EA	Blinds - Micro Mini - 28" x 28" (X19)
2	085327-37-000	EA	Blinds - Micro Mini - 28" x 28" (X20)
2	085327-38-000	EA	Blinds - Micro Mini - 28" x 28" (X21)
2	085327-39-000	EA	Blinds - Micro Mini - 28" x 28" (X22)
††2	073304-38-X19	EA	Curtain Asm. w/Snap Top - 31.5" x 9" (X19, X21, X22)
††2	073304-38-X20	EA	Curtain Asm. w/Snap Top - 31.5" x 9" (X20)
2	073304-45-X19	EA	Curtain Asm. w/Snaps - 30" x 9" (X19, X21, X22)
2	073304-45-X20	EA	Curtain Asm. w/Snaps - 30" x 9" (X20)
†	Parts for the Twin Bed Option		
††	Parts used on units produced before 8-24-87		

**CURTAIN, CUSHION & PAD GROUP (CONTINUED)**

**WINNEBAGO**

**CURTAINS, SHADES, VALANCES & TIEBACKS (CONT.)**

Key	Part Number	U/M	Description
3	089058-01-X19	EA	Padded - Window Valance - Right
3	089058-01-X20	EA	Padded - Window Valance - Right
3	089058-01-X21	EA	Padded - Window Valance - Right
3	089058-01-X22	EA	Padded - Window Valance - Right
3	089058-02-X19	EA	Padded - Window Valance - Left
3	089058-02-X20	EA	Padded - Window Valance - Left
3	089058-02-X21	EA	Padded - Window Valance - Left
3	089058-02-X22	EA	Padded - Window Valance - Left
3	085327-32-000	EA	Blind - Micro Mini - 59" x 36" (X19)
3	085327-31-000	EA	Blind - Micro Mini - 59" x 36" (X20)
3	085327-27-000	EA	Blind - Micro Mini - 59" x 36" (X21)
3	085327-34-000	EA	Blind - Micro Mini - 59" x 36" (X22)
†3	082127-80-000	EA	Shade - Woven Wood - 59" x 36" (X19, X21, X22)
**4	073304-40-X19	EA	Curtain Asm. - 32.5" x 86" Front Wraparound Right (X19, X21, X22)
**4	073304-40-X20	EA	Curtain Asm. - 32.5" x 86" Front Wraparound Right (X20)
**4	073304-41-X19	EA	Curtain Asm. - 32.5" x 86" Front Wraparound Right (X19, X20, X22)
**4	073304-41-X20	EA	Curtain Asm. - 32.5" x 86" Front Wraparound Right (X20)
4	073304-48-X35	EA	Curtain Asm. - 34" x 86" - Front Wraparound (X19, X21, X22)
4	073304-48-X33	EA	Curtain Asm. - 34" x 86" - Front Wraparound (X20)
5	084755-04-X19	EA	Shade Asm. - 24.5" (X19, X20)
5	084755-04-X21	EA	Shade Asm. - 24.5" (X21)
5	084755-04-X22	EA	Shade Asm. - 24.5" (X22)
††6	085327-08-000	EA	Blind - Micro Mini - 30" x 30" (X19)
††6	085327-07-000	EA	Blind - Micro Mini - 30" x 30" (X20)
††6	085327-28-000	EA	Blind - Micro Mini - 30" x 30" (X21)
††6	085327-08-000	EA	Blind - Micro Mini - 30" x 30" (X22)
6	085327-36-000	EA	Blind - Micro Mini - 28" x 28" (X19)
6	085327-37-000	EA	Blind - Micro Mini - 28" x 28" (X20)
6	085327-38-000	EA	Blind - Micro Mini - 28" x 28" (X21)
6	085327-39-000	EA	Blind - Micro Mini - 28" x 28" (X22)
7	089058-03-X19	EA	Padded - Window Valance - Right (X19, X21)
7	089058-03-X20	EA	Padded - Window Valance - Right (X20)
7	089058-03-X22	EA	Padded - Window Valance - Right (X22)
7	089058-04-X19	EA	Padded - Window Valance - Left (X19, X21)
7	089058-04-X20	EA	Padded - Window Valance - Left (X20)
7	089058-04-X22	EA	Padded - Window Valance - Left (X22)
7	088730-02-000	EA	Blind - Day/Nighter - 59.5" x 36"
7	M77188-38-X19	EA	Valance Asm. - 66.5"
7	M77188-38-X20	EA	Valance Asm. - 66.5"
7	M77188-38-X21	EA	Valance Asm. - 66.5"
7	M77188-38-X22	EA	Valance Asm. - 66.5"
8	089058-05-X19	EA	Padded - Window Valance - Right (X19, X21)
8	089058-05-X20	EA	Padded - Window Valance - Right (X20)
8	089058-05-X22	EA	Padded - Window Valance - Right (X22)
8	089058-06-X19	EA	Padded - Window Valance - Left (X19, X21)
8	089058-06-X20	EA	Padded - Window Valance - Left (X20)
8	089058-06-X22	EA	Padded - Window Valance - Left (X22)
8	088730-03-000	EA	Blind - Day/Nighter - 48.5" x 35"
*	077591-01-X19	EA	Curtain Asm. w/Velcro Top - 52" x 40" - Blackout - Right (X19, X21, X22)
*	077591-01-WB6	EA	Curtain Asm. w/Velcro Top - 52" x 40" - Blackout - Right (X20)
*	077591-02-X19	EA	Curtain Asm. w/Velcro Top - 52" x 40" - Blackout - Left (X19, X21, X22)
*	077591-02-WB6	EA	Curtain Asm. w/Velcro Top - 52" x 40" - Blackout - Left (X20)
*	084382-02-X19	EA	Curtain Asm. - Shower - 61" x 24" (X19, X21, X22)
*	084382-02-WB6	EA	Curtain Asm. - Shower - 61" x 24" (X20)
*	073260-23-X19	EA	Tie Back Asm. - 3" x 18" - Drapery (X19, X21, X22)
*	073260-23-WB6	EA	Tie Back Asm. - 3" x 18" - Drapery (X20)
*	Not illustrated		
†*	Parts used on the Woven Wood Option		
**	Parts used on units produced before 8-19-87		
††	Parts used on units produced before 8-24-87		

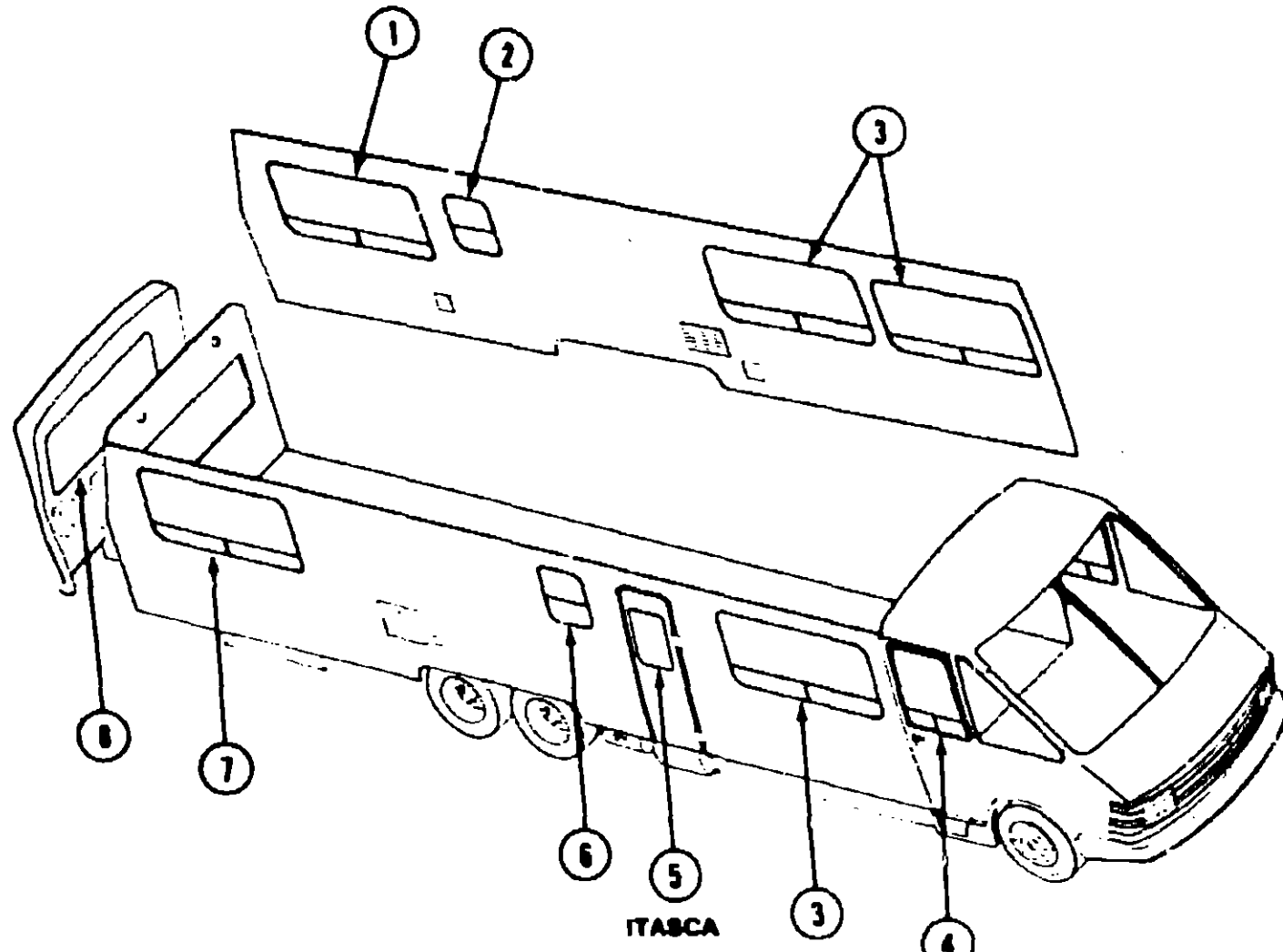
**1988 WINNEBAGO/ITASCA  
TABLE OF CONTENTS**

Introduction	A-01
Abbreviations	A-02
W/ICP28ET	A-03 - A-20
W/ICP28EU	A-21 - B-18
W/ICP32RQ, W/IJP32RQ	B-17 - C-27
W/ICP34RU	C-23 - E-08
W/ICP37RQ	E-07 - F-10

**1988 W/ICP37RQ INDEX**

Floor Plan	E-07 - E-08
Bath Group	E-09
Curtain, Cushion & Pad Group	E-10 - E-18
Dinette Group	E-19 - E-21
Exterior Body Group	E-22 - F-03
Galley Group	F-04
Lounge Group	F-05 - F-08
Window, Vent & Exterior Door Group	F-09 - F-10

**CURTAIN, CUSHION & PAD GROUP (CONTINUED)**



**CURTAINS, VALANCE & TIEBACKS**

Key	Part Number	U/M	Description
1	064269-10-X75	EA	Curtain Asm. w/Snap Top - 37.5" x 18"
1	064269-10-X76	EA	Curtain Asm. w/Snap Top - 37.5" x 18"
1	064269-10-X77	EA	Curtain Asm. w/Snap Top - 37.5" x 18"
1	M77188-38-X75	EA	Valance Asm. - 66.5"
1	M77188-38-X76	EA	Valance Asm. - 66.5"
1	M77188-38-X77	EA	Valance Asm. - 66.5"
††2	073304-38-X75	EA	Curtain Asm. w/Snap Top - 31.5" x 9" (X75, X76)
††2	073304-38-X19	EA	Curtain Asm. w/Snap Top - 31.5" x 9" (X77)
**2	073304-45-X75	EA	Curtain Asm. w/Snap Top - 30" x 9" (X75, X76)
2	073304-45-XA4	EA	Curtain Asm. w/Snap Top - 30" x 9" (X75, X76)
2	073304-45-X19	EA	Curtain Asm. w/Snap Top - 30" x 9" (X77)
3	069058-01-X75	EA	Padded - Window Valance - Right
3	069058-01-X76	EA	Padded - Window Valance - Right
3	069058-01-X77	EA	Padded - Window Valance - Right
3	069058-02-X75	EA	Padded - Window Valance - Left
3	069058-02-X76	EA	Padded - Window Valance - Left
3	069058-02-X77	EA	Padded - Window Valance - Left
†4	073304-40-X37	EA	Curtain Asm. - 32.5" x 86" - Front Wraparound - Right (X75, X76)
†4	073304-40-X19	EA	Curtain Asm. - 32.5" x 86" - Front Wraparound - Right (X77)
†4	073304-41-X37	EA	Curtain Asm. - 32.5" x 86" - Front Wraparound - Left (X75, X76)
†4	073304-41-X19	EA	Curtain Asm. - 32.5" x 86" - Front Wraparound - Left (X77)
†4	073304-49-X34	EA	Curtain Asm. w/Snap Top - 34" x 86" - Front Wraparound - (X75, X76)
4	073304-49-XA4	EA	Curtain Asm. w/Snap Top - 34" x 86" - Front Wraparound (X75, X76)
4	073304-49-X35	EA	Curtain Asm. w/Snap Top - 34" x 86" - Front Wraparound (X77)

\*\* Parts used from 8-25-87 thru 10-1-87  
 †† Parts used before 8-24-87  
 † Parts used before 8-19-88  
 †\* Parts used from 8-20-87 thru 10-1-87

**CURTAIN, CUSHION & PAD GROUP (CONTINUED)**

ITASCA

**CURTAINS, VALANCES, & TIEBACKS (CONT.)**

Key	Part Number	U/M	Description
5	064269-09-X75	EA	Curtain Asm. w/Snap Top - 35.5" x 18"
5	064269-09-X76	EA	Curtain Asm. w/Snap Top - 35.5" x 18"
5	064269-09-X77	EA	Curtain Asm. w/Snap Top - 35.5" x 18"
†	077591-01-X79	EA	Curtain Asm. w/Velcro Top - 52" x 40" (X75, X76)
*	077591-01-XA4	EA	Curtain Asm. w/Velcro Top - 52" x 40" (X75, X76)
*	077591-01-X19	EA	Curtain Asm. w/Velcro Top - 52" x 40" (X77)
†	077591-02-X79	EA	Curtain Asm. w/Velcro Top - 52" x 40" (X75, X76)
*	077591-02-XA4	EA	Curtain Asm. w/Velcro Top - 52" x 40" (X75, X76)
*	077591-02-X19	EA	Curtain Asm. w/Velcro Top - 52" x 40" (X77)
†	073260-23-X34	EA	Tieback Asm. - 3" x 18" (X75, X76)
*	073260-23-XA4	EA	Tieback Asm. - 3" x 18" (X75, X76)
*	073260-23-X19	EA	Tieback Asm. - 3" x 18" (X77)
*			Not illustrated
†	Parts used before 10-1-87		

Note: The Shades, Blinds & Woven Woods are on the next page.

**1988 WINNEBAGO/ITASCA  
TABLE OF CONTENTS**

Introduction	A-01
Abbreviations	A-02
W/ICP26ET	A-03 - A-20
W/ICP28EU	A-21 - B-16
W/ICP32RQ, W/IJP32RQ	B-17 - C-22
W/ICP34RU	C-23 - E-08
W/ICP37PQ	E-07 - F-10

**1988 W/ICP37RQ INDEX**

Floor Plan	E-07 - E-08
Bath Group	E-09
Curtain, Cushion & Pad Group	E-10 - E-18
Dinette Group	E-19 - E-21
Exterior Body Group	E-22 - F-03
Galley Group	F-04
Lounge Group	F-05 - F-08
Window, Vent & Exterior Door Group	F-09 - F-10

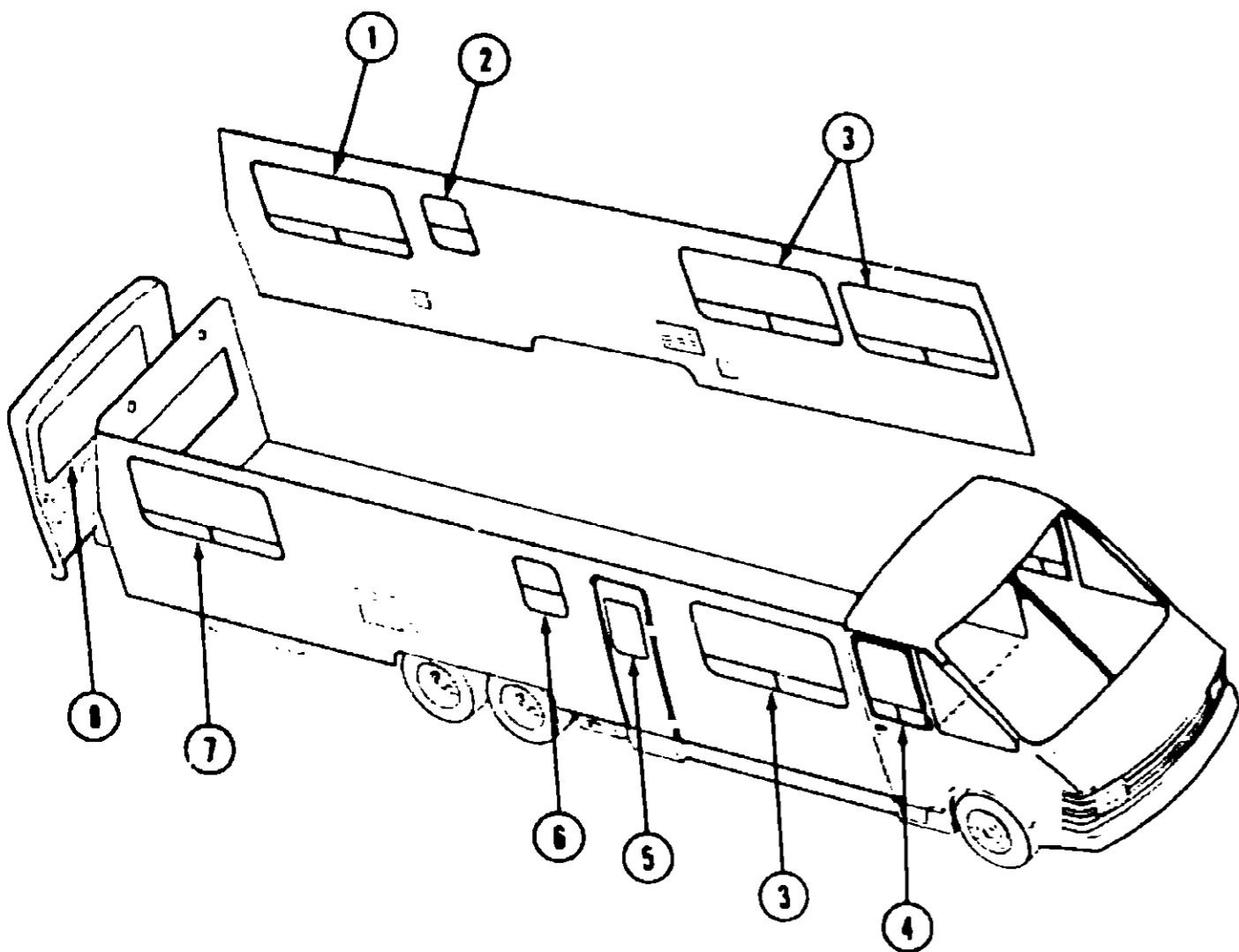
**CURTAIN, CUSHION & PAD GROUP (CONTINUED)**

**CURTAIN, CUSHION & PAD GROUP (CONTINUED)**

ITASCA

**SHADES, BLINDS & WOVEN WOODS (CONT.)**

**1988 WINNEBAGO/ITASCA  
TABLE OF CONTENTS**



Key	Part Number	U/M	Description
†4	084755-04-X75	EA	Shade Asm. - Pull - 24.25" - Linen
†4	084755-04-X76	EA	Shade Asm. - Pull - 24.25" - Linen
†4	084755-04-X77	EA	Shade Asm. - Pull - 24.25" - Linen
4	084755-04-XA8	EA	Shade Asm. - Pull - 24.25" - Linen (X75, X77)
4	084755-04-XA7	EA	Shade Asm. - Pull - 24.25" - Linen (X76)
**5	082127-82-000	EA	Shade Asm. - Woven Wood - 30" x 30" (X75)
**5	088729-14-000	EA	Blind - 30" x 30" (X76)
**5	088729-16-000	EA	Blind - 30" x 30" (X77)
5	082127-84-000	EA	Shade Asm. - Woven Wood - 28" x 28" (X75)
5	088729-28-000	EA	Blind - 28" x 28" (X76)
5	088729-29-000	EA	Blind - 28" x 28" (X77)
†6	084755-20-X75	EA	Shade Asm. - Pull - 64.25" - Linen (X75)
†6	084755-20-X76	EA	Shade Asm. - Pull - 64.25" - Linen (X76)
†6	084755-20-X77	EA	Shade Asm. - Pull - 64.25" - Linen (X77)
6	084755-20-XA8	EA	Shade Asm. - Pull - 64.25" - Linen (X75, X76)
6	084755-20-XA7	EA	Shade Asm. - Pull - 64.25" - Linen (X77)
†7	084755-21-X75	EA	Shade Asm. - Pull - 50.25" - Linen (X75)
†7	084755-21-X80	EA	Shade Asm. - Pull - 50.25" - Linen (X76)
†7	084755-21-X77	EA	Shade Asm. - Pull - 50.25" - Linen (X77)
7	084755-21-XA8	EA	Shade Asm. - Pull - 50.25" - Linen (X75, X77)
7	084755-21-XA7	EA	Shade Asm. - Pull - 50.25" - Linen (X76)
†	Parts used before 1-25-88		
**	Parts used before 8-24-87		
††	Parts used after 1-26-87		

Introduction	A-01
Abbreviations	A-02
W/ICP28ET	A-03 - A-20
W/ICP28EU	A-21 - B-18
W/ICP32RQ, W/IJP32RQ	B-17 - C-22
W/ICP34RU	C-23 - E-08
W/ICP37RQ	E-07 - F-10

ITASCA

**SHADES, BLINDS & WOVEN WOODS**

Key	Part Number	U/M	Description
1	084755-20-X75	EA	Shade Asm. - Pull - 64.25" - Linen
1	084755-20-X76	EA	Shade Asm. - Pull - 64.25" - Linen
1	084755-20-X77	EA	Shade Asm. - Pull - 64.25" - Linen
††1	084755-20-XA8	EA	Shade Asm. - Pull - 64.25" - Linen (X75, X76)
††1	084755-20-XA7	EA	Shade Asm. - Pull - 64.25" - Linen (X77)
†	084755-22-X75	EA	Shade Asm. - Pull - 45.5" - Linen (X75, X76)
†	084755-22-X77	EA	Shade Asm. - Pull - 45.5" - Linen (X77)
**2	082127-82-000	EA	Shade Asm. - Woven Wood - 30" x 30" (X75)
**2	088729-14-000	EA	Blind - 30" x 30" (X76)
**2	088729-16-000	EA	Blind - 30" x 30" (X77)
2	082127-84-000	EA	Shade - Woven Wood - 28" x 28" (X75)
2	088729-28-000	EA	Blinds - 28" x 28" (X76)
2	088729-29-000	EA	Blinds - 28" x 28" (X77)
3	082127-81-000	EA	Shade Asm. - Woven Wood - 59" x 36" (X75)
3	088729-13-000	EA	Blind - 59" x 35" (X76)
3	088729-15-000	EA	Blind - 59" x 35" (X77)

**1988 W/ICP37RQ INDEX**

Floor Plan	E-07 - E-08
Bath Group	E-09
Curtain, Cushion & Pad Group	E-10 - E-18
Dinette Group	E-19 - E-21
Exterior Body Group	E-22 - F-03
Galley Group	F-04
Lounge Group	F-05 - F-08
Window, Vent & Exterior Door Group	F-09 - F-10

**CURTAIN, CUSHION & PAD GROUP (CONTINUED)**

**WINNEBAGO**

**TRIM PADS**

Key	Part Number	U/M	Description
	089104-03-X19	EA	Insert - Upper Drivers Door
	089104-03-X20	EA	Insert - Upper Drivers Door
	089104-03-X21	EA	Insert - Upper Drivers Door
	089104-03-X22	EA	Insert - Upper Drivers Door
	089105-03-X19	EA	Insert - Lower Drivers Door
	089105-03-X20	EA	Insert - Lower Drivers Door
	089105-03-X21	EA	Insert - Lower Drivers Door
	089105-03-X22	EA	Insert - Lower Drivers Door
	089106-03-X19	EA	Insert - Map Pocket - Drivers Door
	089106-03-X20	EA	Insert - Map Pocket - Drivers Door
	089106-03-X21	EA	Insert - Map Pocket - Drivers Door
	089106-03-X22	EA	Insert - Map Pocket - Drivers Door
	089107-02-X19	EA	Insert - Side Upper - Driver
	089107-02-X20	EA	Insert - Side Upper - Driver
	089107-02-X21	EA	Insert - Side Upper - Driver
	089107-02-X22	EA	Insert - Side Upper - Driver
	089109-02-X19	EA	Insert - Side Upper - Passenger
	089109-02-X20	EA	Insert - Side Upper - Passenger
	089109-02-X21	EA	Insert - Side Upper - Passenger
	089109-02-X22	EA	Insert - Side Upper - Passenger
	089108-02-X19	EA	Insert - Side Lower - Driver
	089108-02-X20	EA	Insert - Side Lower - Driver
	089108-02-X21	EA	Insert - Side Lower - Driver
	089108-02-X22	EA	Insert - Side Lower - Driver
	089110-02-X19	EA	Insert - Side Lower - Passenger
	089110-02-X20	EA	Insert - Side Lower - Passenger
	089110-02-X21	EA	Insert - Side Lower - Passenger
	089110-02-X22	EA	Insert - Side Lower - Passenger
	089111-02-X19	EA	Insert - Front Center Overhead
	089111-02-X20	EA	Insert - Front Center Overhead
	089111-02-X21	EA	Insert - Front Center Overhead
	089111-02-X22	EA	Insert - Front Center Overhead
	089112-03-X19	EA	Insert - Front Overhead (Sunvisor) - Passenger
	089112-03-X20	EA	Insert - Front Overhead (Sunvisor) - Passenger
	089112-03-X21	EA	Insert - Front Overhead (Sunvisor) - Passenger
	089112-03-X22	EA	Insert - Front Overhead (Sunvisor) - Passenger
	089112-04-X19	EA	Insert - Front Overhead (Sunvisor) - Driver
	089112-04-X20	EA	Insert - Front Overhead (Sunvisor) - Driver
	089112-04-X21	EA	Insert - Front Overhead (Sunvisor) - Driver
	089112-04-X22	EA	Insert - Front Overhead (Sunvisor) - Driver
	089113-02-X19	EA	Wall Pad - TT Chair - 12" x 16"
	089113-02-X20	EA	Wall Pad - TT Chair - 12" x 16"
	089113-02-X21	EA	Wall Pad - TT Chair - 12" x 16"
	089113-02-X22	EA	Wall Pad - TT Chair - 12" x 16"
	081519-01-X19	EA	Pad Asm. - Dinette Seat - Right
	081519-01-X08	EA	Pad Asm. - Dinette Seat - Right (X20)
	081519-01-X21	EA	Pad Asm. - Dinette Seat - Right
	081519-01-X22	EA	Pad Asm. - Dinette Seat - Right
	081519-02-X19	EA	Pad Asm. - Dinette Seat - Left
	081519-02-X08	EA	Pad Asm. - Dinette Seat - Left (X20)
	081519-02-X21	EA	Pad Asm. - Dinette Seat - Left
	081519-02-X22	EA	Pad Asm. - Dinette Seat - Left

**CURTAIN, CUSHION & PAD GROUP (CONTINUED)**

**ITASCA**

**TRIM PADS**

Key	Part Number	U/M	Description
	089104-03-X75	EA	Insert - Upper Drivers Door
	089104-03-X76	EA	Insert - Upper Drivers Door
	089104-03-X77	EA	Insert - Upper Drivers Door
	089105-03-X75	EA	Insert - Lower Drivers Door
	089105-03-X76	EA	Insert - Lower Drivers Door
	089105-03-X77	EA	Insert - Lower Drivers Door
	089106-03-X75	EA	Insert - Map Pocket - Drivers Door
	089106-03-X76	EA	Insert - Map Pocket - Drivers Door
	089106-03-X77	EA	Insert - Map Pocket - Drivers Door
	089107-02-X75	EA	Insert - Side Upper - Driver (X75)
	089107-02-X79	EA	Insert - Side Upper - Driver (X76)
	089107-02-X22	EA	Insert - Side Upper - Driver (X77)
	089109-02-X75	EA	Insert - Side Upper - Passenger (X75)
	089109-02-X79	EA	Insert - Side Upper - Passenger (X76)
	089109-02-X22	EA	Insert - Side Upper - Passenger (X77)
	089108-02-X75	EA	Insert - Side Lower - Driver (X75)
	089108-02-X79	EA	Insert - Side Lower - Driver (X76)
	089108-02-X22	EA	Insert - Side Lower - Driver (X77)
	089110-02-X75	EA	Insert - Side Lower - Driver (X75)
	089110-02-X79	EA	Insert - Side Lower - Driver (X76)
	089110-02-X22	EA	Insert - Side Lower - Driver (X77)
	089111-02-X75	EA	Insert - Front Center Overhead (X75)
	089111-02-X79	EA	Insert - Front Center Overhead (X76)
	089111-02-X22	EA	Insert - Front Center Overhead (X77)
	089112-03-X75	EA	Insert - Front Overhead (Sunvisor) - Passenger (X75)
	089112-03-X79	EA	Insert - Front Overhead (Sunvisor) - Passenger (X76)
	089112-03-X22	EA	Insert - Front Overhead (Sunvisor) - Passenger (X77)
	089112-04-X75	EA	Insert - Front Overhead (Sunvisor) - Driver (X75)
	089112-04-X79	EA	Insert - Front Overhead (Sunvisor) - Driver (X76)
	089112-04-X22	EA	Insert - Front Overhead (Sunvisor) - Driver (X77)
	089113-02-X75	EA	Wall Pad - TT Chair - 12" x 16" (X75)
	089113-02-X37	EA	Wall Pad - TT Chair - 12" x 16" (X76)
	089113-02-X22	EA	Wall Pad - TT Chair - 12" x 16" (X77)
	081519-01-X75	EA	Pad Asm. - Dinette Seat - Right (X75)
	081519-03-X76	EA	Pad Asm. - Dinette Seat - Right (X76)
	081519-03-X77	EA	Pad Asm. - Dinette Seat - Right (X77)
	081519-02-X75	EA	Pad Asm. - Dinette Seat - Left (X75)
	081519-04-X76	EA	Pad Asm. - Dinette Seat - Left (X76)
	081519-04-X77	EA	Pad Asm. - Dinette Seat - Left (X77)

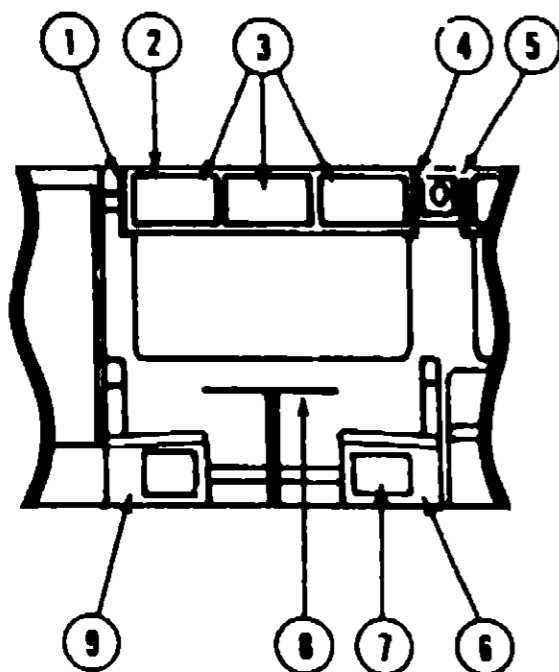
**1988 WINNEBAGO/ITASCA  
TABLE OF CONTENTS**

Introduction	A-01
Abbreviations	A-02
W/ICP20ET	A-03 - A-20
W/ICP20EU	A-21 - B-16
W/ICP32RQ, W/IJP32RQ	B-17 - C-22
W/ICP34RU	C-23 - E-08
W/ICP37RQ	E-07 - F-10

**1988 W/ICP37RQ INDEX**

Floor Plan	E-07 - E-08
Bath Group	E-09
Curtain, Cushion & Pad Group	E-10 - E-18
Dinette Group	E-19 - E-21
Exterior Body Group	E-22 - F-03
Galley Group	F-04
Lounge Group	F-05 - F-08
Window, Vent & Exterior Door Group	F-09 - F-10

## DINETTE GROUP

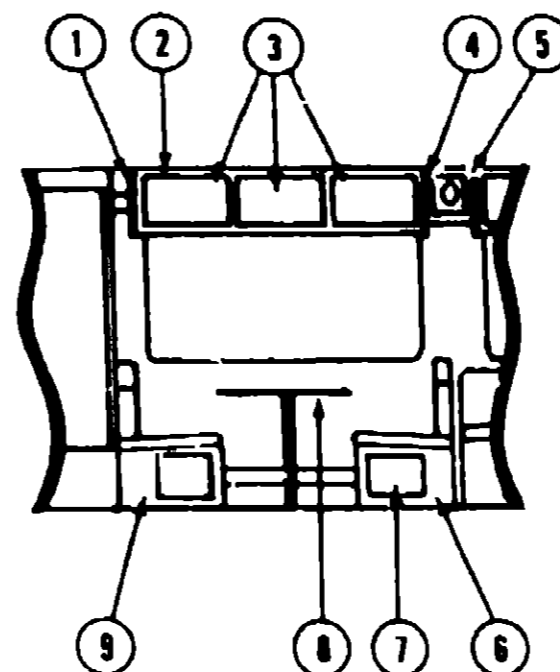


WINNEBAGO

### CONVENTIONAL DINETTE & COMPONENTS

Key	Part Number	U/M	Description
1	085468-02-X19	EA	End Cap Asm. - Dinette Overhead - Vinyl
2	M03110-17-X19	EA	Cabinet Asm. - Dinette Overhead - w/o Doors or Hardware
3	M88304-38-X19	EA	Door Asm. - Dinette Overhead - 12" x 18.7" - w/o Hardware
4	085468-01-X19	EA	End Cap Asm. - Dinette Overhead - Vinyl
5	M02929-52-W13	EA	Cabinet Asm. - Speaker - Left
6	M02964-01-W13	EA	Cabinet Asm. - Dinette Seat - w/o Doors or Hardware
•	M02963-01-W13	EA	Cabinet Asm. - Dinette Back
7	M88304-40-X19	EA	Door Asm. - Dinette Seat - 19" x 10" - w/o Hardware
7	M88304-26-X19	EA	Door Asm. - Dinette Seat - w/Auxiliary Furnace - w/o Hardware
8	M88913-01-X19	EA	Table Asm. - Dinette
9	M02964-02-W13	EA	Cabinet Asm. - Dinette Seat - w/o Door or Hardware
•	M02963-02-W13	EA	Cabinet Asm. - Dinette Back
•	053200-05-000	EA	Bracket - Upper Wall Mount - 23.5" - Beige
•	088410-01-000	EA	Bracket - Table Mount - 23" - Beige
•	024275-05-000	EA	Rod - Table Lift - 8" x 23.5" - Beige
•	024276-17-000	EA	Leg Asm. - Table - Tan
•	024281-07-000	EA	Bracket - Lower Wall Mount - 22.12" - Beige
•	024282-01-000	EA	Brace - Table Leg
•	024283-01-000	EA	Clip - 1" O.D. Tube
•	049493-05-000	EA	Catch - Table Leg - Mounts on Floor - Tan
•	064050-02-000	EA	Hinge - Table Leg
•	Not illustrated		

## DINETTE GROUP (CONTINUED)



ITASCA

### CONVENTIONAL DINETTE & COMPONENTS

Key	Part Number	U/M	Description
1	085468-02-W36	EA	End Cap Asm. - Dinette Overhead - Vinyl
2	M03110-18-X75	EA	Cabinet Asm. - Dinette Overhead - w/o Doors or Hardware
3	M88304-38-X75	EA	Door Asm. - Dinette Overhead - 12" x 18.7" - w/o Hardware
4	085468-01-W36	EA	End Cap Asm. - Dinette Overhead - Vinyl
5	M02929-52-W36	EA	Cabinet Asm. - Speaker - Left
6	M02964-01-W36	EA	Cabinet Asm. - Dinette Seat - w/o Doors or Hardware
•	M02963-01-W36	EA	Cabinet Asm. - Dinette Back
7	M88304-40-X75	EA	Door Asm. - Dinette Seat - 19" x 10" - w/o Hardware
7	M88304-26-X75	EA	Door Asm. - Dinette Seat - w/Auxiliary Furnace - w/o Hardware
8	M88913-01-X19	EA	Table Asm. - Dinette
9	M02964-02-W36	EA	Cabinet Asm. - Dinette Seat - w/o Door or Hardware
•	M02963-02-W36	EA	Cabinet Asm. - Dinette Back
•	053200-05-000	EA	Bracket - Upper Wall Mount - 23.5" - Beige
•	088410-01-000	EA	Bracket - Table Mount - 23" - Beige
•	024275-05-000	EA	Rod - Table Lift - 8" x 23.5" - Beige
•	024276-17-000	EA	Leg Asm. - Table - Tan
•	024281-07-000	EA	Bracket - Lower Wall Mount - 22.12" - Beige
•	024282-01-000	EA	Brace - Table Leg
•	024283-01-000	EA	Clip - 1" O.D. Tube
•	049493-05-000	EA	Catch - Table Leg - Mounts on Floor - Tan
•	064050-02-000	EA	Hinge - Table Leg
•	Not illustrated		

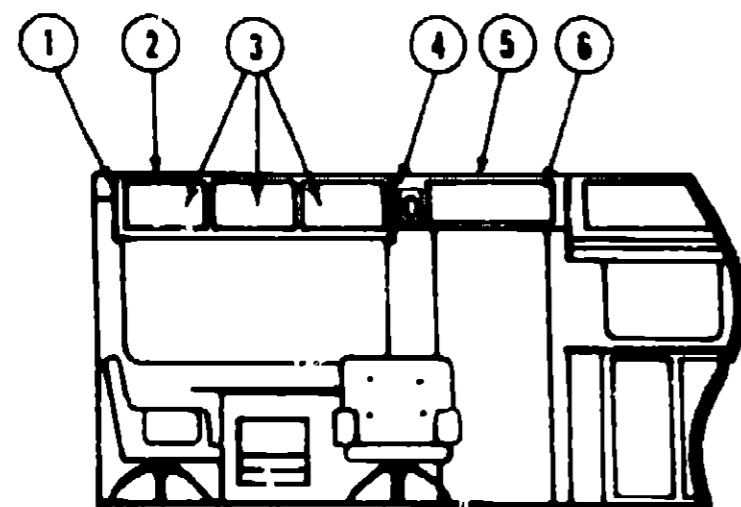
## 1988 WINNEBAGO/ITASCA TABLE OF CONTENTS

Introduction	A-01
Abbreviations	A-02
W/ICP28ET	A-03 - A-20
W/ICP28EU	A-21 - B-16
W/ICP32RQ, W/IJP32RQ	B-17 - C-22
W/ICP34RU	C-23 - E-06
W/ICP37RQ	E-07 - F-10

## 1988 W/ICP37RQ INDEX

Floor Plan	E-07 - E-08
Bath Group	E-09
Curtain, Cushion & Pad Group	E-10 - E-18
Dinette Group	E-19 - E-21
Exterior Body Group	E-22 - F-03
Galley Group	F-04
Lounge Group	F-05 - F-06
Window, Vent & Exterior Door Group	F-09 - F-10

**DINETTE GROUP (CONTINUED)**



**WINNEBAGO**

**SWIVEL CHAIR W/PULLOUT TABLE**

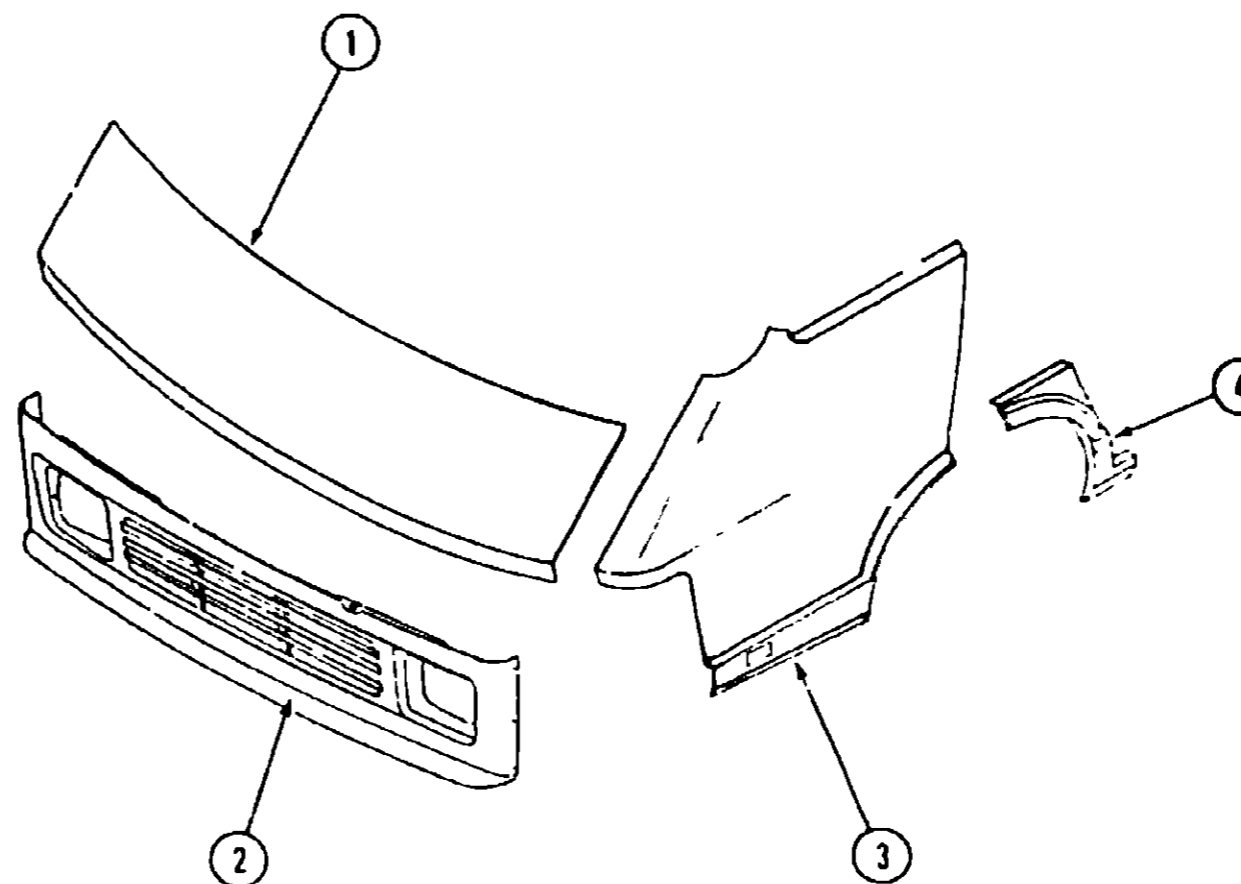
Key	Part Number	U/M	Description
1	085468-02-X19	EA	End Cap Asm - Swivel Chair Overhead - Vinyl
2	M03110-15-X19	EA	Cabinet Asm - Swivel Chair Overhead - w/o Doors or Hardware
3	M88304-38-X19	EA	Door Asm - Swivel Chair Overhead - 12" x 18 7" - w/o Hardware
4	085468-01-X19	EA	End Cap Asm - Swivel Chair Overhead - Vinyl
5	M03110-19-X19	EA	Cabinet Asm - Entrance Door - w/o Doors or Hardware
6	M88304-45-X19	EA	Door Asm - Entrance Door Overhead - w/o Hardware
.	M02414-01-X19	EA	Countertop Asm - Cup Holder - w/o Hardware
.	M02417-01-X19	EA	Cover - Pullout Table
.	M02415-01-X19	EA	Table Asm. - Pullout - w/o Handle
.	M02416-01-X19	EA	Top - T V. - Pullout Table
.	079606-05-W13	EA	Magazine Rack Asm
.	079921-01-000	EA	Nylon Roller w/Shaft
.	080728-01-000	EA	Handle - Recessed - Brown Plastic
.			Not illustrated

**ITASCA**

**SWIVEL CHAIR W/PULLOUT TABLE**

Key	Part Number	U/M	Description
1	085468-02-W36	EA	End Cap Asm. - Swivel Chair Overhead - Vinyl
2	M03110-16-X75	EA	Cabinet Asm - Swivel Chair Overhead - w/o Doors or Hardware
3	M88304-38-X75	EA	Door Asm - Swivel Chair Overhead - 12' x 18 7" - w/o Hardware
4	085468-01-W36	EA	End Cap Asm - Swivel Chair Overhead - Vinyl
5	M03110-20-X75	EA	Cabinet Asm - Entrance Door - w/o Doors or Hardware
6	M88304-45-X75	EA	Door Asm - Entrance Door Overhead - w/o Hardware
.	M02414-01-X75	EA	Countertop Asm - Cup Holder - w/o Hardware
.	M02417-01-X75	EA	Cover - Pullout Table
.	M02415-01-X75	EA	Table Asm - Pullout - w/o Handle
.	M02416-01-X75	EA	Top - T V. - Pullout Table
.	079606-05-W36	EA	Magazine Rack Asm
.	079921-01-000	EA	Nylon Roller w/Shaft
.	080728-01-000	EA	Handle - Recessed - Brown Plastic
.			Not illustrated

**EXTERIOR BODY GROUP**



**WINNEBAGO**

**EXTERIOR BODY PANEL (CAB)**

Key	Part Number	U/M	Description
1	084759-01-W13	EA	Hood Panel
.	058786-02-000	EA	Hood Bolt - Adjusting
.	M02680-01-U25	EA	Hinge Asm - Hood - Right
.	M02680-02-U25	EA	Hinge Asm - Hood - Left
.	062628-01-000	EA	Clip - Prop Rod
.	077064-01-000	EA	Cable Asm - Hood Release
.	073336-02-000	EA	Bracket - Mounting Latch
.	077407-01-000	EA	Bracket - Hood Release Cable
2	M01608-06-X19	EA	Grille - Panel Asm
.	090526-01-000	EA	Headlamp Bezel - Right Hand
.	090526-02-000	EA	Headlamp Bezel - Left Hand
3	084751-04-W13	EA	Fender Panel - Front Left
.	084751-03-W13	EA	Fender Panel - Front Right
4	084714-02-000	EA	Fender Panel - Rear Left
.	084714-01-000	EA	Fender Panel - Rear Right
.	M01615-08-W13	EA	Roof Cap - Front Cab
.			Not illustrated

**1988 WINNEBAGO/ITASCA  
TABLE OF CONTENTS**

Introduction	A-01
Abbreviations	A-02
W/ICP28ET	A-03 - A-20
W/ICP28EU	A-21 - B-18
W/ICP32RQ, W/IJP32RQ	B-17 - C-22
W/ICP34RU	C-23 - E-08
W/ICP37RQ	E-07 - F-10

**1988 W/ICP37RQ INDEX**

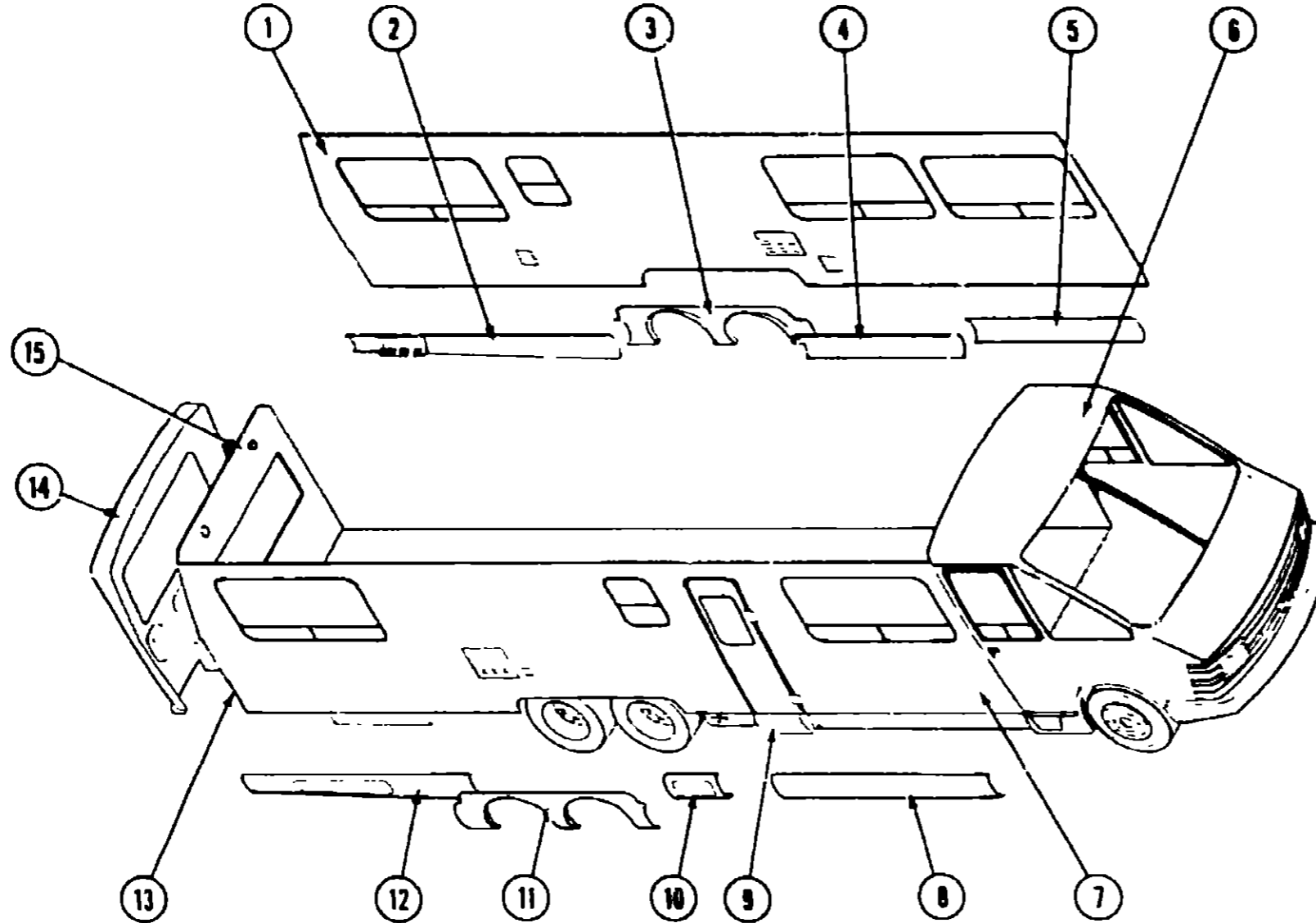
Floor Plan	E-07 - E-08
Bath Group	E-09
Curtain, Cushion & Pad Group	E-10 - E-18
Dinette Group	E-19 - E-21
Exterior Body Group	E-22 - F-03
Galley Group	F-04
Lounge Group	F-05 - F-08
Window Vent & Exterior Door Group	F-09 - F-10



## EXTERIOR BODY GROUP (CONTINUED)

WINNEBAGO

### EXTERIOR BODY PANELS



Key	Part Number	U/M	Description
1	M90165-01-X19	EA	Sidewall Asm - Left (X19, X22)
1	M90165-01-X20	EA	Sidewall Asm - Left (X20)
1	M90165-01-X21	EA	Sidewall Asm - Left (X21)
2	M02586-30-W13	EA	Valance Panel Asm - Rear - Left
3	086653-02-W13	EA	Valance Panel Asm - Wheelwell - Left
	076515-01-000	EA	Trim - Rear - Wheelwell
4	085037-03-W13	EA	Valance Panel Asm - Center - Left
5	085037-02-W13	EA	Valance Panel Asm - Front - Left
6	M01615-08-W13	EA	Front Cap Asm
7	M90164-01-X19	EA	Sidewall Asm - Right (X19, X22)
7	M90164-01-X20	EA	Sidewall Asm - Right (X20)
7	M90164-01-X21	EA	Sidewall Asm - Right (X21)
8	085037-01-W13	EA	Valance Panel Asm - Front - Right
9	086684-01-X19	EA	Valance Panel Asm - Entrance Door

Key	Part Number	U/M	Description
10	M02586-27-W13	EA	Valance Panel Asm - Center - Right
11	086653-01-X19	EA	Valance Panel Asm - Wheelwell - Right
12	M02586-28-W13	EA	Valance Panel Asm - Rear - Right
13	086622-01-000	EA	Fiberglass Trim - Rear - Right
	086622-02-000	EA	Fiberglass Trim - Rear - Left
14	M01616-11-W13	EA	Rear Cap Asm - Beige
14	M01616-13-W13	EA	Rear Cap Asm - w/TV Monitor - Beige
	077395-01-000	EA	Spare Tire Shield
15	085182-01-X19	EA	Backwall Asm
	M85048-01-X19	EA	Roof Asm (X2)
**	M90144-01-X19	EA	Roof Asm (X3)
	073050-02-000	EA	Mounting Clip - valance Panel
	085738-01-000	EA	Roof Trim Cove - 144"
			Not illustrated
**	Parts used for the X3 unit		

## 1988 WINNEBAGO/ITASCA TABLE OF CONTENTS

Introduction	A-01
Abbreviations	A-02
W/ICP28ET	A-03 - A-20
W/ICP28EU	A-21 - B-16
W/ICP32HQ, W/JP32RQ	B-17 - C-22
W/ICP34PU	C-23 - E-08
W/ICP37RQ	E-07 - F-10

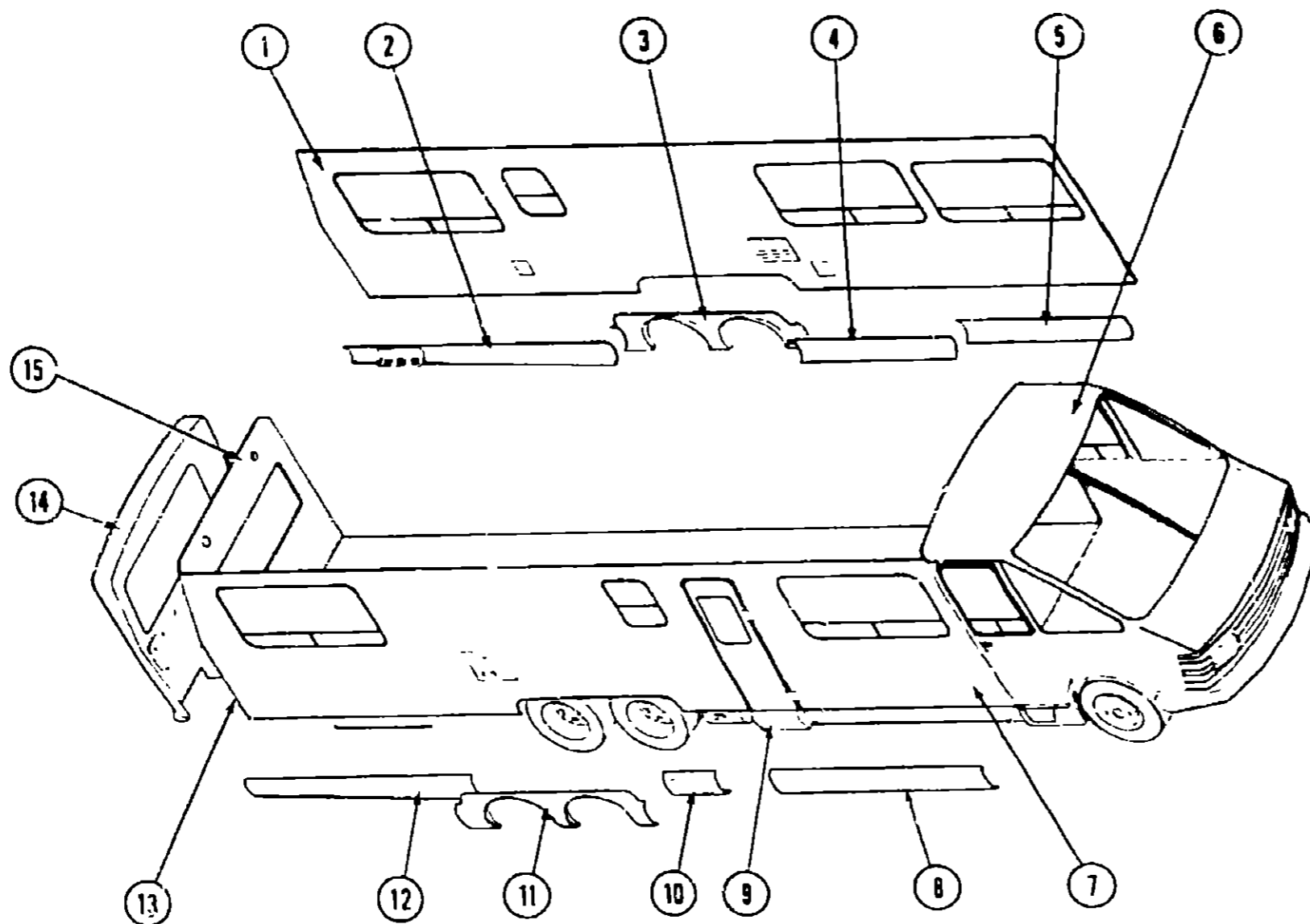
## 1988 W/ICP37RQ INDEX

Floor Plan	E-07 - E-08
Bath Group	E-09
Curtain, Cushion & Pad Group	E-10 - E-18
Dinette Group	E-19 - E-21
Exterior Body Group	E-22 - F-03
Galley Group	F-04
Lounge Group	F-05 - F-08
Window, Vent & Exterior Door Group	F-09 - F-10

# EXTERIOR BODY GROUP (CONTINUED)

ITASCA

## EXTERIOR BODY PANELS



### 1988 WINNEBAGO ITASCA TABLE OF CONTENTS

Introduction	A-01
Abbreviations	A-02
W/ICP28ET	A-03 - A-20
W/ICP28EU	A-21 - B-16
W/ICP32RQ, W/IJP32RQ	B-17 - C-22
W/ICP34RU	C-23 - E-06
W/ICP37RQ	E-07 - F-10

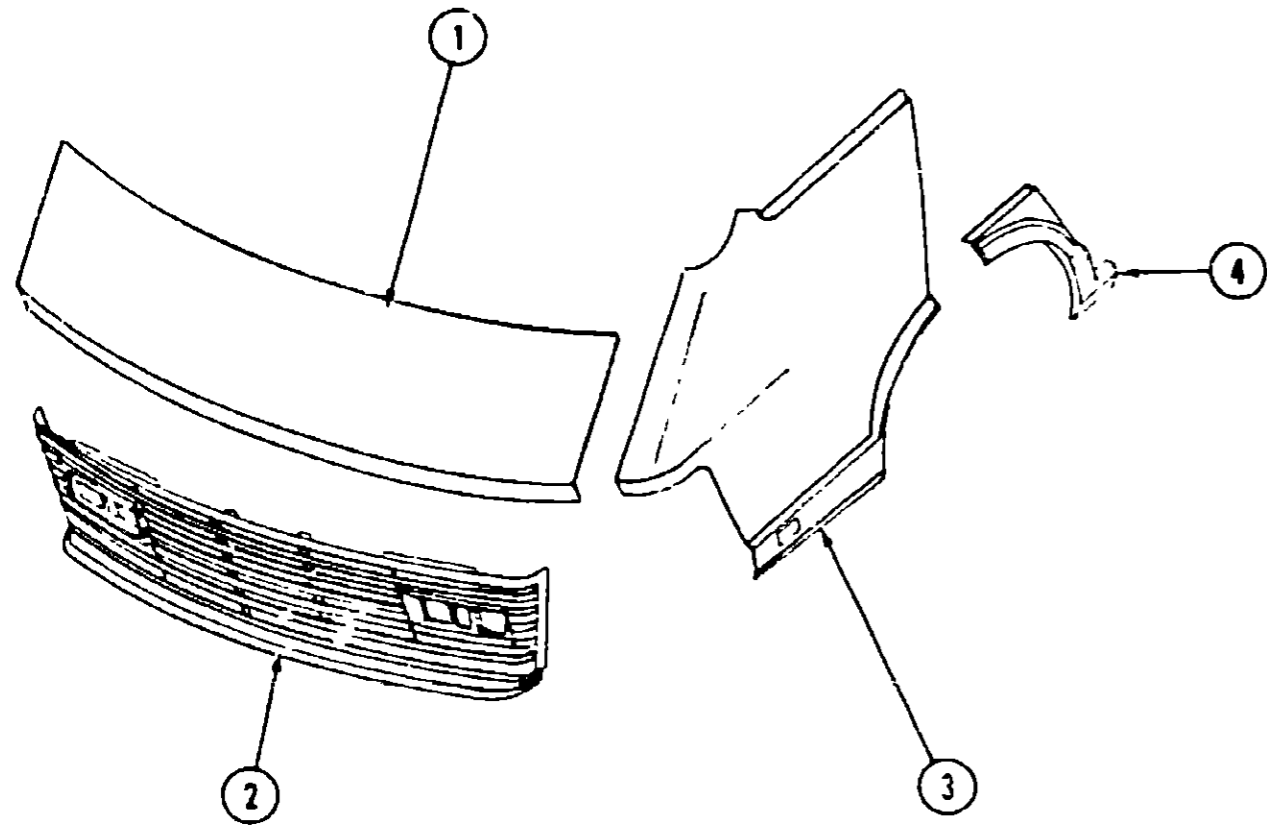
### 1988 W/ICP37RQ INDEX

Floor Plan	E-07 - E-08
Bath Group	E-09
Curtain, Cushion & Pad Group	E-10 - E-18
Dinette Group	E-19 - E-21
Exterior Body Group	E-22 - F-03
Galley Group	F-04
Lounge Group	F-05 - F-08
Window Vent & Exterior Door Group	F-09 - F-10

Key	Part Number	U/M	Description
1	M90165-01-X75	EA	Sidewall Asm - Left
1	M90165-01-X76	EA	Sidewall Asm - Left
1	M90165-01-X77	EA	Sidewall Asm - Left
2	M02586-30-W36	EA	Valance Panel Asm - Rear - Left
3	086653-02-W36	EA	Valance Panel Asm - Wheelwell - Left
*	076515-01-000	EA	Trim - Rear - Wheelwell
4	085037-03-W36	EA	Valance Panel Asm - Center - Left
5	085037-02-W36	EA	Valance Panel Asm - Front - Left
6	M01615-08-W36	EA	Front Cap Asm
7	M90164-01-X75	EA	Sidewall Asm - Right
7	M90164-01-X76	EA	Sidewall Asm - Right
7	M90164-01-X77	EA	Sidewall Asm - Right
8	085037-01-W36	EA	Valance Panel Asm - Front - Right
9	086684-01-X75	EA	Valance Panel Asm - Entrance Door

Key	Part Number	U/M	Description
10	M02586-27-W36	EA	Valance Panel Asm - Center - Right
11	086653-01-X75	EA	Valance Panel Asm - Wheelwell - Right
12	M02586-28-W36	EA	Valance Panel Asm - Rear - Right
13	086922-03-000	EA	Fiberglass Trim - Rear - Right
*	086922-04-000	EA	Fiberglass Trim - Rear - Left
14	M01616-12-W36	EA	Rear Cap Asm - Beige
14	M01616-14-W36	EA	Rear Cap Asm - w/TV Monitor - Beige
*	077395-01-000	EA	Spare Tire Shield
15	085162-01-W36	EA	Backwall Asm
*	M85048-01-X19	EA	Roof Asm (X2)
**	M90144-01-X19	EA	Roof Asm (X3)
*	073050-02-000	EA	Mounting Clip - Valance Panel
*	085738-01-000	EA	Roof Trim Cove - 144"
			Not illustrated
**	Parts used for the X3 unit		

### EXTERIOR BODY GROUP (CONTINUED)

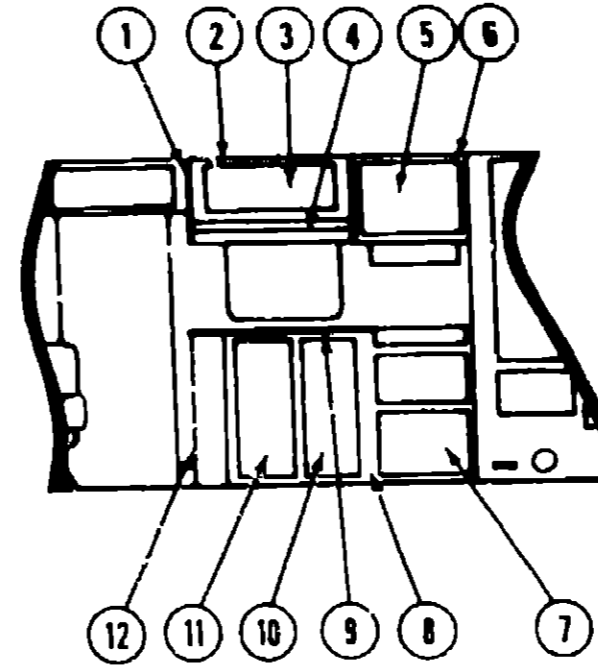


ITASCA

#### EXTERIOR BODY PANEL (CAB)

Key	Part Number	U/M	Description
1	084759-01-W36	EA	Hood Panel
•	058786-02-00J	EA	Hood Bolt - Adjusting
•	M02680-01-U16	EA	Hinge Asm - Hood - Right
•	M02680-02-U16	EA	Hinge Asm - Hood - Left
•	062628-01-000	EA	Clip - Prop Rcd
•	077064-01-000	EA	Cable Asm - Hood Release
•	073336-02-000	EA	Bracket - Mounting Latch
•	077407-01-000	EA	Bracket - Hood Release Cable
2	M01608-05-W36	EA	Grille - Panel Asm
•	076910-01-000	EA	Headlamp Bezel - Right Hand
•	076910-02-000	EA	Headlamp Bezel - Left Hand
3	084751-04-W36	EA	Fender Panel - Front Left
•	084751-03-W36	EA	Fender Panel - Front Right
•	084714-04-000	EA	Fender Panel - Rear Left
•	084714-03-000	EA	Fender Panel - Rear Right
•	M01615-08-W36	EA	Roof Cap - Front Cab
•			Not illustrated

### GALLEY GROUP



WINNEBAGO

#### GALLEY CABINETRY

Key	Part Number	U/M	Description
1	085468-02-X19	EA	End Cap - Galley Overhead - Vinyl
2	M03110-09-X19	EA	Cabinet Asm - Galley Overhead - w/o Doors or Hardware
3	M88304-36-X19	EA	Door Asm - Galley Overhead - 12' x 29 1" - w/o Hardware
4	086094-01-X19	EA	Spice Rack Asm
5	M88304-80-X19	EA	Door Asm - Overhead - 17 7" x 22 8" - w/o Hardware
6	M03110-07-X19	EA	Cabinet Asm - Overhead - w/o Doors or Hardware
7	M88304-33-X19	EA	Door Asm - Galley Cabinet - 15 9" x 21 8" - w/o Hardware
8	M88936-01-X19	EA	Cabinet Asm - Galley - w/o Doors Drawers Countertop or Hardware
9	088936-16-X19	EA	Countertop Asm - Galley Cabinet
10	M88304-32-X19	EA	Door Asm - Galley Cabinet - 14 3" x 33 5" - w/o Hardware
11	M88304-31-X19	EA	Door Asm - Galley Cabinet - 14 3" x 33 5" - w/o Hardware
**	M82184-09-X19	EA	Drawer Asm - Galley Cabinet
12	M88304-37-X19	EA	Door Asm - Mirror - 15 4" x 25 6" - w/o Hardware
**			The parts used in the Microwave Option

ITASCA

#### GALLEY CABINETRY

Key	Part Number	U/M	Description
1	085468-02-W36	EA	End Cap - Galley Overhead - Vinyl
2	M03110-10-X75	EA	Cabinet Asm - Galley - Overhead - w/o Doors or Hardware
3	M88304-36-X75	EA	Door Asm - Galley Overhead - 12' x 29 1" - w/o Hardware
4	086094-01-W36	EA	Spice Rack Asm
5	M88304-80-X75	EA	Door Asm - Overhead - 17 7" x 22 8" - w/o Hardware
6	M03110-08-X75	EA	Cabinet Asm - Overhead - w/o Doors or Hardware
7	M88304-33-X75	EA	Door Asm - Galley Cabinet - 15 8" x 21 5" - w/o Hardware
8	M88936-01-X75	EA	Cabinet Asm - Galley - w/o Doors Drawers Countertop or Hardware
9	088936-16-X19	EA	Countertop Asm - Galley Cabinet
10	M88304-32-X75	EA	Door Asm - Galley Cabinet - 14 3" x 33 5" - w/o Hardware
11	M88304-31-X75	EA	Door Asm - Galley Cabinet - 14 3" x 33 5" - w/o Hardware
**	M82184-10-X75	EA	Drawer Asm - Galley Cabinet
12	M88304-37-X75	EA	Door Asm - Mirror - 15 4" x 25 6" - w/o Hardware
**			The parts used in the Microwave Option

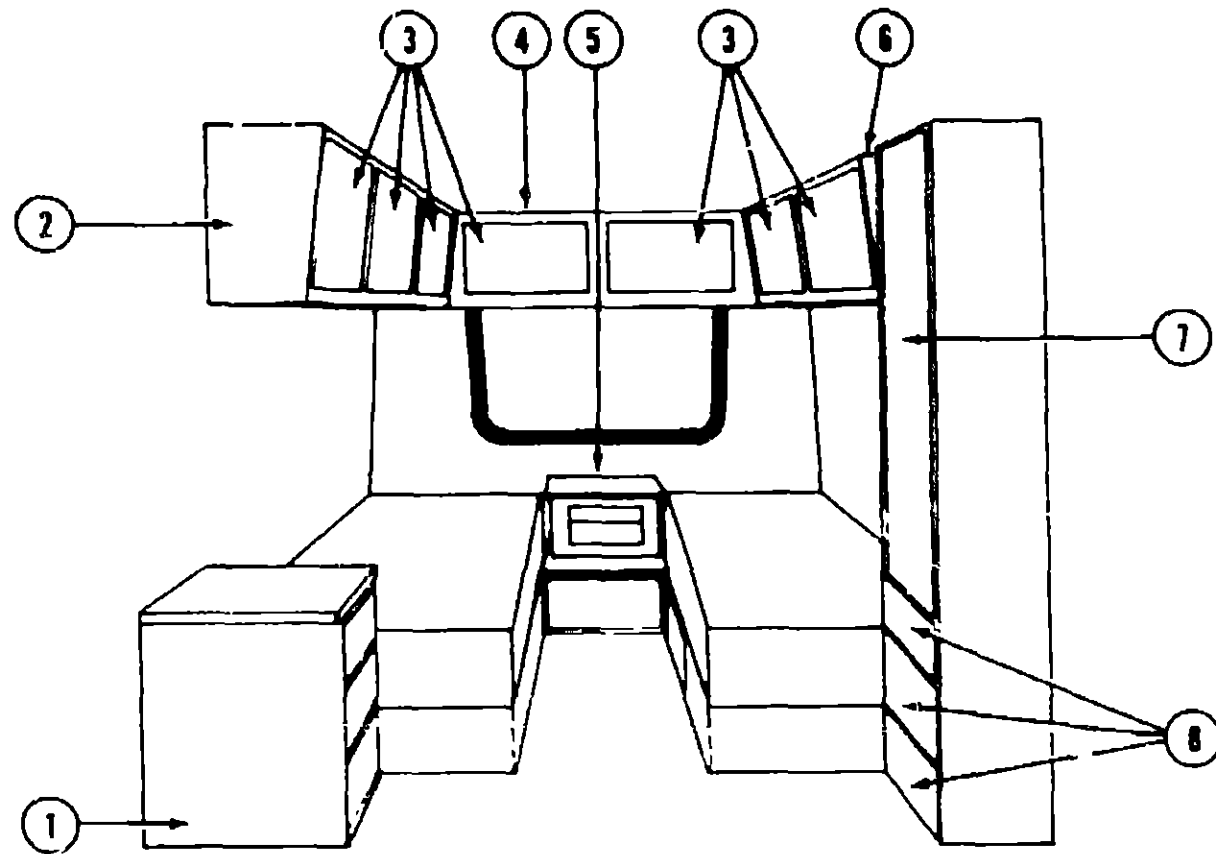
### 1988 WINNEBAGO/ITASCA TABLE OF CONTENTS

Introduction	A-01
Abbreviations	A-02
W/ICP26ET	A-03 - A-20
W/ICP26EU	A-21 - B-16
W/ICP32RQ, W/JP32RQ	B-17 - C-22
W/ICP34RU	C-23 - E-06
W/ICP37RQ	E-07 - F-10

### 1988 W/ICP37RQ INDEX

Floor Plan	E-07 - E-08
Bath Group	E-09
Curtain Cushion & Panel Group	E-10 - E-18
Dinette Group	E-19 - E-21
Exterior Body Group	E-22 - F-03
Galley Group	F-04
Lounge Group	F-05 - F-06
Window Vent & Exterior Door Group	F-09 - F-10

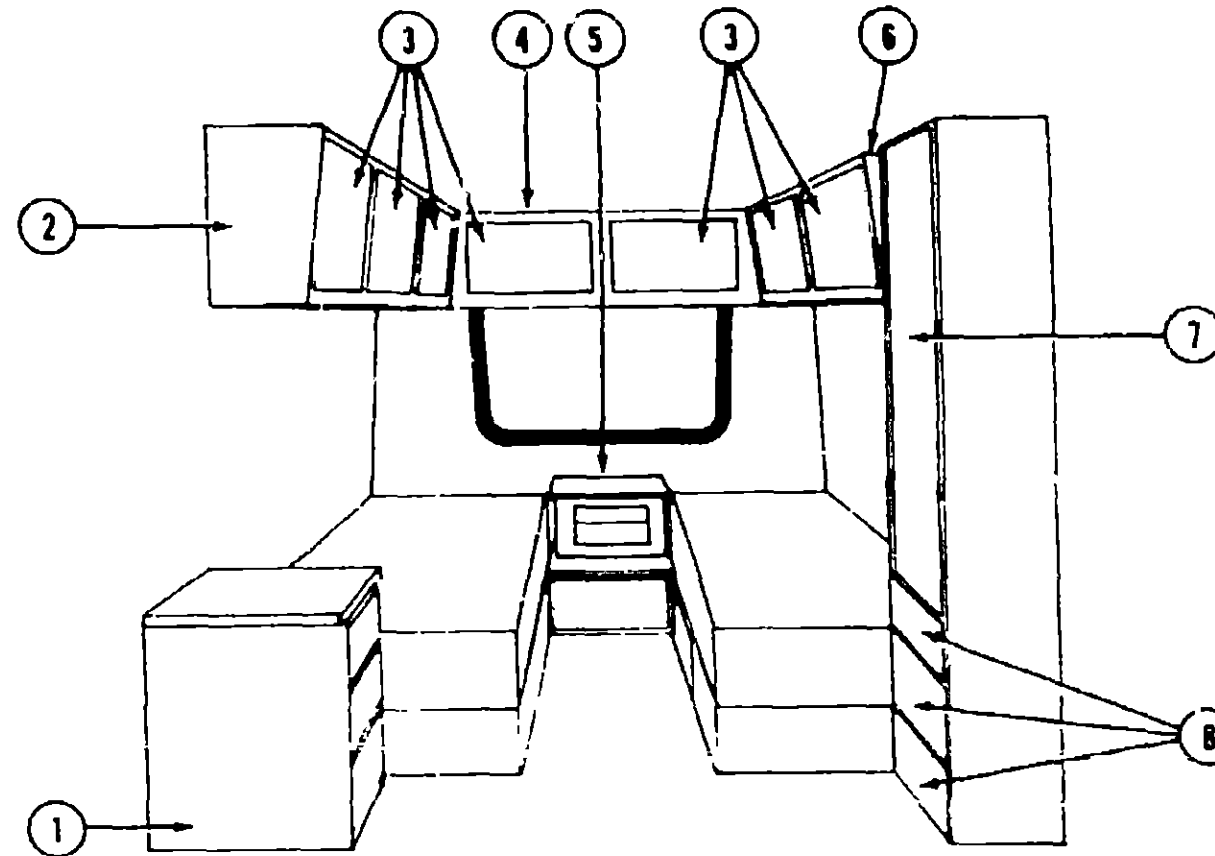
**LOUNGE GROUP**



**WINNEBAGO  
TWIN BED OPTIONS**

Key	Part Number	U/M	Description
1	M87831-01-X19	EA	Cabinet Asm - Nightstand - w/o Countertop, Drawer, Door or Hardware
•	M03000-14-X19	EA	Countertop Asm - Nightstand Cabinet
•	M78921-09-W13	EA	Drawer Asm - Nightstand Cabinet - w/o Hardware
2	M03110-03-X19	EA	Cabinet Asm - Sidewall Overhead - w/o Doors or Hardware
3	M88304-49-X19	EA	Door Asm - Overhead - 12' x 21 9" - w/o Hardware
4	M03110-01-X19	EA	Cabinet Asm - Rear Overhead - w/o Doors or Hardware
5	M83441-01-X19	EA	Cabinet Asm - Nightstand - w/o Countertop, Door or Hardware
•	M02608-01-X19	EA	Countertop Asm - Nightstand Cabinet - Bottom
•	M02609-01-X19	EA	Countertop Asm - Nightstand Cabinet - Top
•	M88304-10-X19	EA	Door Asm - Nightstand Cabinet - 11 0' x 21 9" - w/o Hardware
6	M03110-05-X19	EA	Cabinet Asm - Sidewall Cabinet - w/o Doors or Hardware
•	M88304-47-X19	EA	Door Asm - Twin Bed Cabinet - 12' x 29 1" - w/o Hardware
7	M88304-48-X19	EA	Door Asm - Wardrobe - 12' x 48 3" - w/o Hardware
8	M78921-12-X19	EA	Drawer Asm - Wardrobe Cabinet - w/o Hardware
•			Not illustrated

**LOUNGE GROUP (CONTINUED)**



**ITASCA  
TWIN BED OPTIONS**

Key	Part Number	U/M	Description
1	M87831-01-X75	EA	Cabinet Asm - Nightstand - w/o Countertop, Drawer, Door or Hardware
•	M03000-14-X75	EA	Countertop Asm - Nightstand Cabinet
•	M78921-09-W36	EA	Drawer Asm - Nightstand Cabinet - w/o Hardware
2	M03110-04-X75	EA	Cabinet Asm - Sidewall Overhead - w/o Doors or Hardware
3	M88304-49-X75	EA	Door Asm - Overhead - 12' x 21 9" - w/o Hardware
4	M03110-02-X75	EA	Cabinet Asm - Rear Overhead - w/o Doors or Hardware
5	M83441-01-X75	EA	Cabinet Asm - Nightstand - w/o Countertop, Door or Hardware
•	M02608-01-X75	EA	Countertop Asm - Nightstand Cabinet - Bottom
•	M02609-01-X75	EA	Countertop Asm - Nightstand Cabinet - Top
•	M88304-10-X75	EA	Door Asm - Nightstand Cabinet - 11 0' x 21 9" - w/o Hardware
6	M03110-06-X75	EA	Cabinet Asm - Sidewall Cabinet - w/o Doors or Hardware
•	M88304-47-X75	EA	Door Asm - Twin Bed Cabinet - 12' x 29 1" - w/o Hardware
7	M88304-48-X75	EA	Door Asm - Wardrobe - 12' x 48 3" - w/o Hardware
8	M78921-12-X75	EA	Drawer Asm - Wardrobe Cabinet - w/o Hardware
•			Not illustrated

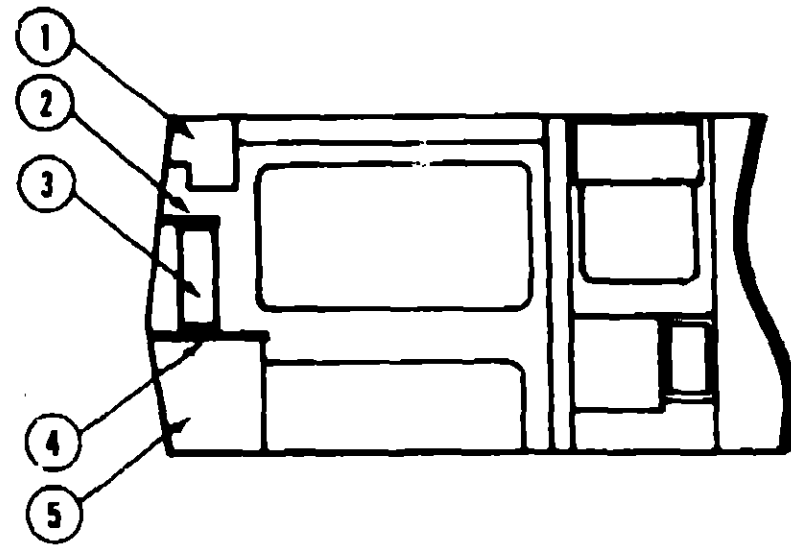
**1988 WINNEBAGO/ITASCA  
TABLE OF CONTENTS**

Introduction	A-01
Abbreviations	A-02
W/ICP26ET	A-03 - A-20
W/ICP2LEU	A-21 - B-16
W/ICP32RQ, W/IJP32RQ	B-17 - C-22
W/ICP34RU	C-23 - E-06
W/ICP37RQ	E-07 - F-10

**1988 W/ICP37RQ INDEX**

Floor Plan	E-07 - E-08
Bath Group	E-09
Curtain, Cushion & Pad Group	E-10 - E-18
Dinette Group	E-19 - E-21
Exterior Body Group	E-22 - F-03
Galley Group	F-04
Lounge Group	F-05 - F-08
Window, Vent & Exterior Door Group	F-09 - F-10

**LOUNGE GROUP (CONTINUED)**



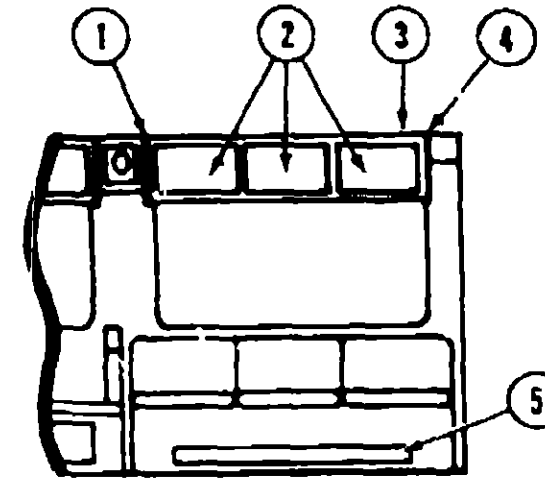
**WINNEBAGO  
QUEEN BED**

Key	Part Number	U/M	Description
1	M03110-11-X19	EA	Cabinet Asm. - Rear Overhead - w/o Doors or Hardware
*	M88304-36-X19	EA	Door Asm. - Rear Overhead - 12" x 29.1" - w/o Hardware
2	M03000-05-X19	EA	Countertop Asm. - Nightstand Cabinet - Upper Right
*	M03000-07-X19	EA	Countertop Asm. - Nightstand Cabinet - Upper Left
3	M88304-34-X19	EA	Door Asm. - Nightstand Cabinet - 10.8" x 23.8" - w/o Hardware
4	M03000-02-X19	EA	Countertop Asm. - Nightstand Cabinet - Lower Right
*	M03000-04-X19	EA	Countertop Asm. - Nightstand Cabinet - Lower Left
5	M85153-01-X19	EA	Cabinet Asm. - Nightstand - Right - w/o Countertop, Door, Drawer or Hardware
*	M86108-01-X19	EA	Cabinet Asm. - Nightstand - Left - w/o Countertop, Door, Drawer or Hardware
*	M86322-01-X19	EA	Cabinet Asm. - Nightstand - Left - Radio Option - w/o Countertop, Door, Drawer or Hardware
*	M78921-04-W13	EA	Drawer Asm. - Nightstand Cabinet - w/o Hardware
*	084357-01-W13	EA	Stand Asm. - TV
*	055331-10-000	EA	Mirror - TV Stand - 14" x 17"
*			Not illustrated

**ITASCA  
QUEEN BED**

Key	Part Number	U/M	Description
1	M03110-12-X75	EA	Cabinet Asm. - Rear Overhead - w/o Doors or Hardware
*	M88304-36-X75	EA	Door Asm. - Rear Overhead - 12" x 29.1" - w/o Hardware
2	M03000-05-X75	EA	Countertop Asm. - Nightstand Cabinet - Upper Right
*	M03000-07-X75	EA	Countertop Asm. - Nightstand Cabinet - Upper Left
3	M88304-34-X75	EA	Door Asm. - Nightstand Cabinet - 10.8" x 23.8" - w/o Hardware
4	M03000-02-X75	EA	Countertop Asm. - Nightstand Cabinet - Lower Right
*	M03000-04-X75	EA	Countertop Asm. - Nightstand Cabinet - Lower Left
5	M85153-01-X75	EA	Cabinet Asm. - Nightstand - Right - w/o Countertop, Door, Drawer or Hardware
*	M86108-01-X75	EA	Cabinet Asm. - Nightstand - Left - w/o Countertop, Door, Drawer or Hardware
*	M86322-01-W36	EA	Cabinet Asm. - Nightstand - Left - Radio Option - w/o Countertop, Door, Drawer or Hardware
*	M78921-04-W36	EA	Drawer Asm. - Nightstand Cabinet - w/o Hardware
*	084357-01-W36	EA	Stand Asm. - TV
*	058331-10-000	EA	Mirror - TV Stand - 14" x 17"
*			Not illustrated

**LOUNGE GROUP (CONTINUED)**



**WINNEBAGO  
FRONT LOUNGE**

Key	Part Number	U/M	Description
1	085468-02-X19	EA	End Cap Asm. - Front Lounge - Vinyl
2	M88304-38-X19	EA	Door Asm. - Front Overhead - 12" x 18.7" - w/o Hardware
3	M03110-13-X19	EA	Front Overhead Cabinet - w/o Doors or Hardware
4	085468-01-X19	EA	End Cap Asm. - Front Lounge Overhead - Vinyl
5	090406-01-X19	EA	Drawer Asm. - Couch

**ITASCA  
FRONT LOUNGE**

Key	Part Number	U/M	Description
1	085468-02-W36	EA	End Cap Asm. - Front Lounge - Vinyl
2	M88304-38-X75	EA	Door Asm. - Front Overhead - 12" x 18.7" - w/o Hardware
3	M03110-14-X75	EA	Front Overhead Cabinet - w/o Doors or Hardware
4	085468-01-W36	EA	End Cap Asm. - Front Lounge Overhead - Vinyl
5	090406-01-X75	EA	Drawer Asm. - Couch

**1988 WINNEBAGO/ITASCA  
TABLE OF CONTENTS**

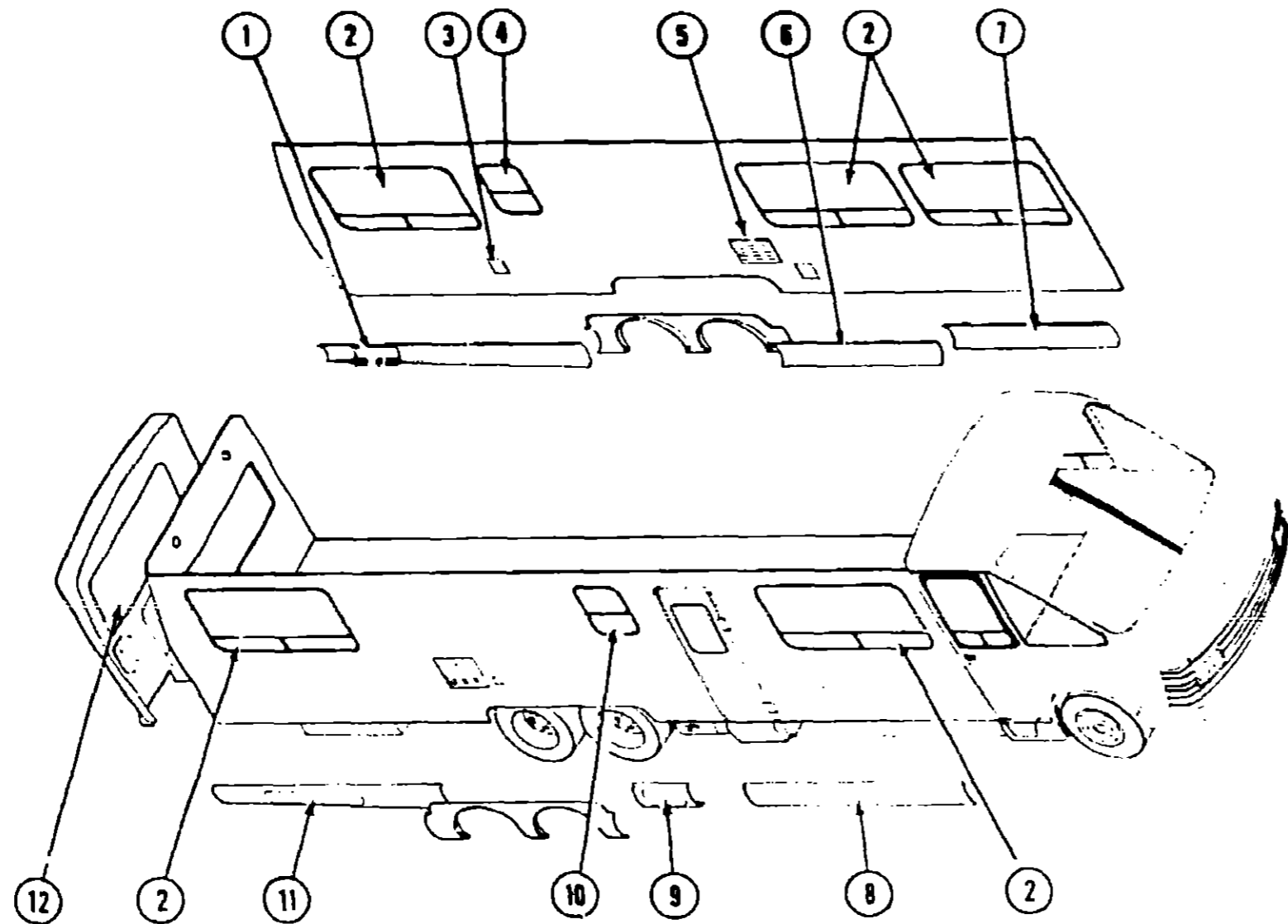
Introduction	A-01
Abbreviations	A-02
W/ICP28ET	A-03 - A-20
W/ICP28EU	A-21 - B-16
W/ICP32RQ, W/IJP32RQ	B-17 - C-22
W/ICP34RU	C-23 - E-06
W/ICP37RQ	E-07 - F-10

**1988 W/ICP37RQ INDEX**

Floor Plan	E-07 - E-08
Bath Group	E-09
Curtain, Cushion & Pad Group	E-10 - E-18
Dinette Group	E-19 - E-21
Exterior Body Group	E-22 - F-03
Galley Group	F-04
Lounge Group	F-05 - F-08
Window, Vent & Exterior Door Group	F-09 - F-10

## WINDOW, VENT & EXTERIOR DOOR GROUP

### WINDOW & ACCESS DOORS



WINNEBAGO

ITASCA

Key	Part Number	U/M	Description
1	085040-01-W13	EA	Door Asm. - Generator/Luggage
2	085354-01-W07	EA	Window Asm. - Double
**	085353-02-W07	EA	Window Asm. - Single
3	078010-01-000	EA	Door Asm. - Fuel Fill
4	085353-07-W07	EA	Window Asm. - Single
5	084104-01-000	EA	Jamb Vent Door - Refrigerator
6	085037-03-W13	EA	Door Asm. - Valance
7	085354-01-W07	EA	Window Asm. - Double
8	085037-02-W13	EA	Window Asm. - Double
9	085037-01-W13	EA	Window Asm. - Double
10	085031-01-X19	EA	Door Asm. - L.P.
11	052009-02-000	EA	Door Asm. - Water Heater
12	085034-01-W13	EA	Door Asm. - Storage
13	076648-03-000	EA	Window Asm. - Escape
**	Parts used for the Twin Bed Option		

Key	Part Number	U/M	Description
1	085040-01-W36	EA	Door Asm. - Generator, Luggage
2	085354-01-W07	EA	Window Asm. - Double
**	085353-02-W07	EA	Window Asm. - Single
3	078010-02-000	EA	Door Asm. - Fuel Fill
4	085353-07-W07	EA	Window Asm. - Single
5	084104-02-000	EA	Jamb Vent Door - Refrigerator
6	085037-03-W36	EA	Door Asm. - Valance
7	085354-01-W07	EA	Window Asm. - Double
8	085037-02-W13	EA	Window Asm. - Double
9	085037-01-W13	EA	Window Asm. - Double
10	085031-01-X75	EA	Door Asm. - L.P.
11	052009-03-000	EA	Door Asm. - Water Heater
12	085034-01-W36	EA	Door Asm. - Storage
13	076648-03-000	EA	Window Asm. - Escape
**	Parts used for the Twin Bed Option		

## 1988 WINNEBAGO/ITASCA TABLE OF CONTENTS

Introduction	A-01
Abbreviations	A-02
W/ICP26ET	A-03 - A-20
W/ICP26EU	A-21 - B-16
W/ICP32FIQ, W/IJP32RQ	B-17 - C-22
W/ICP34RU	C-23 - E-06
W/ICP37RC	E-07 - F-10

## 1988 W/ICP37RQ INDEX

Floor Plan	E-07 - E-08
Bath Group	E-09
Curtain, Cushion & Pad Group	E-10 - E-18
Dinette Group	E-19 - E-21
Exterior Body Group	E-22 - F-03
Galley Group	F-04
Lounge Group	F-05 - F-07
Window, Vent & Exterior Door Group	F-09 - F-10