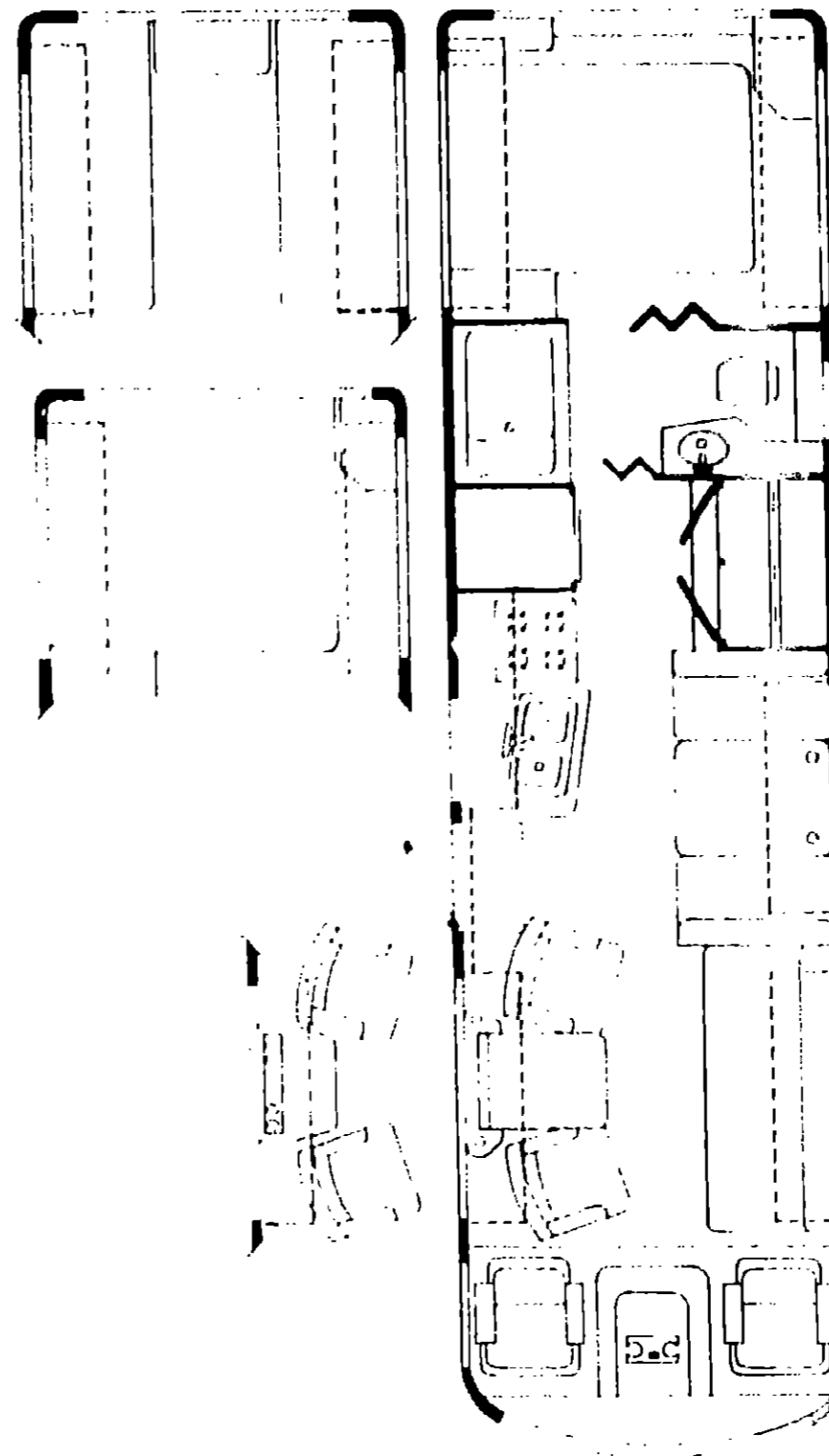


1988 W/ICP34RU



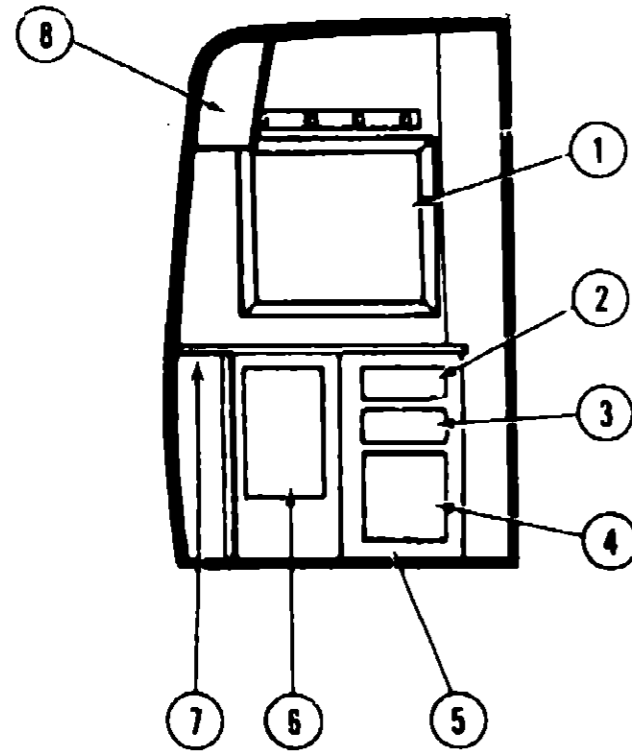
1988 WINNEBAGO/ITASCA TABLE OF CONTENTS

Introduction	A-01
Abbreviations	A-02
W/ICP26ET	A-03 - A-20
W/ICP28EU	A-21 - B-16
W/ICP32RQ, W/ICP32RQ	B-17 - C-22
W/ICP34RU	C-23 - E-06
W/ICP37RQ	E-07 - F-10

1988 W/ICP34RU INDEX

Floor Plan	C-23 - C-24
Bath Group	D-01 - D-05
Curtain, Cushion & Pad Group	D-06 - D-12
Dinette Group	D-13 - D-17
Exterior Body Group	D-18 - D-24
Galley Group	E-01
Lounge Group	E-02 - E-04
Window, Vent & Exterior Door Group	E-05 - E-06

BATH GROUP

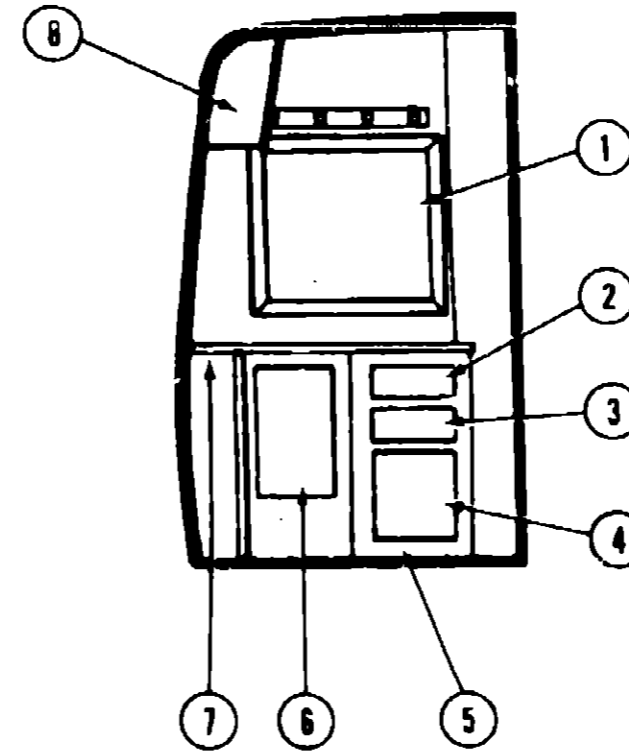


WINNEBAGO X1

BATH CABINERY

Key	Part Number	U/M	Description
1	M88304-A6-X19	EA	Mirror Asm. - 27.6" x 33.5" - w/o Hardware
2	081893-01-X19	EA	Face Asm. - Lavatory Drawer
	077251-01-000	EA	Drawer - Plastic Tilt-Out
3	M78921-01-W13	EA	Drawer Asm. - Lavatory Cabinet
4	M88304-43-X19	EA	Door Asm. - Lavatory - 16.2" x 11.4" - w/o Hardware
5	M82369-01-X19	EA	Cabinet Asm. - Lavatory - w/o Drawers, Doors or Hardware
	M02587-01-X19	EA	Countertop Asm. - Lavatory Cabinet
6	M88304-C8-X19	EA	Door Asm. - Hamper - 19.7" x 11.2" - w/o Hardware
7	M02582-01-X19	EA	Countertop Asm. - Pipe Cover
8	076073-01-000	EA	Cabinet - Medicine - Almond - w/o Door or Hardware
	088303-52-X08	EA	Door Asm. w/Mirror - Medicine Cabinet - 15.6" x 29.5" - w/o Hardware
	080224-18-000	EA	Door Asm. - Front - Folding - 35" x 75" - w/o Latch
	080224-13-000	EA	Track - Folding Door - Beige
	082934-01-W13	EA	Door Asm. - Rear Sliding - w/o Latch
	062906-02-000	EA	Door Panel Asm. - Shower
			Not illustrated

BATH GROUP (CONTINUED)



ITASCA X1

BATH CABINERY

Key	Part Number	U/M	Description
1	M88304-A6-X19	EA	Mirror Asm. - 27.6" x 33.5" - w/o Hardware
2	081893-01-X75	EA	Face Asm. - Lavatory Drawer
	077251-01-000	EA	Drawer - Plastic Tilt-Out
3	M78921-01-W36	EA	Drawer Asm. - Lavatory Cabinet
4	M88304-28-X75	EA	Door Asm. - Lavatory - 16.2" x 11.4" - w/o Hardware
5	M82369-02-X75	EA	Cabinet Asm. - Lavatory - w/o Drawers, Doors or Hardware
	M02587-01-X19	EA	Countertop Asm. - Lavatory Cabinet
6	M88304-C8-X75	EA	Door Asm. - Hamper - 19.7" x 11.2" - w/o Hardware
7	M02582-01-X19	EA	Countertop Asm. - Pipe Cover
8	076073-01-000	EA	Cabinet - Medicine - Almond - w/o Door or Hardware
	088303-52-X75	EA	Door Asm. w/Mirror - Medicine Cabinet - 15.6" x 29.5" - w/o Hardware
	080224-17-000	EA	Door Asm. - Front - Folding - 35" x 75" - w/o Latch
	080224-13-000	EA	Track - Folding Door - Beige
	082934-01-W36	EA	Door Asm. - Rear Sliding - w/o Latch
	062906-02-000	EA	Door Panel Asm. - Shower
			Not illustrated

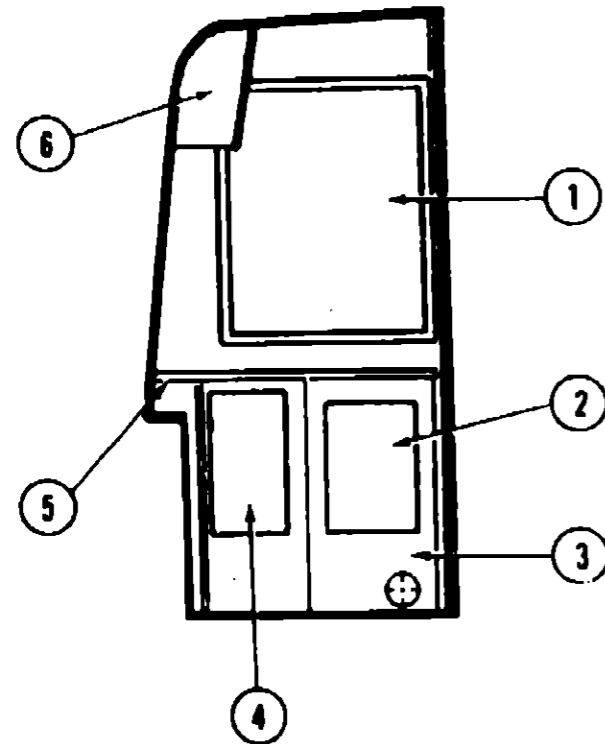
1988 WINNEBAGO/ITASCA TABLE OF CONTENTS

Introduction	A-01
Abbreviations	A-02
W/ICP28ET	A-03 - A-20
W/ICP28EU	A-21 - B-18
W/ICP32RQ, W/IJP32RQ	B-17 - C-22
W/ICP34RU	C-23 - E-06
W/ICP37RQ	E-07 - F-10

1988 W/ICP34RU INDEX

Floor Plan	C-23 - C-24
Bath Group	D-01 - D-05
Curtain, Cushion & Pad Group	D-06 - D-12
Dinette Group	D-13 - D-17
Exterior Body Group	D-18 - D-24
Galley Group	E-01
Lounge Group	E-02 - E-04
Window, Vent & Exterior Door Group	E-05 - E-06

BATH GROUP (CONTINUED)

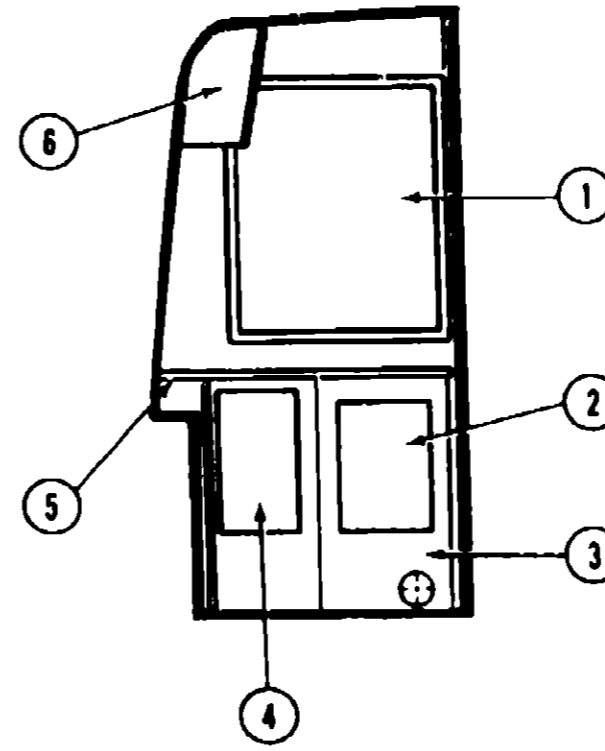


WINNEBAGO X2

BATH CABINETRY

Key	Part Number	U/M	Description
1	M88304-A6-X19	EA	Mirror Asm. - 27.6" x 33.5" - w/o Hardware
2	M88304-D9-X19	EA	Door Asm. - Lavatory - 12.8" x 17.7" - w/o Hardware
3	M91186-01-X19	EA	Cabinet Asm. - Lavatory - w/o Doors or Hardware
	091186-11-X19	EA	Countertop Asm. - Lavatory Cabinet
4	M88304-C8-X19	EA	Door Asm. - Hamper - 19.7" x 11.2" - w/o Hardware
5	090612-11-X19	EA	Countertop Asm. - Pipe Cover
	081893-01-X19	EA	Face Asm. - Lavatory Drawer
	077251-01-000	EA	Drawer - Plastic Tilt-Out
6	076073-01-000	EA	Cabinet - Medicine - Almond - w/o Door or Hardware
	088303-52-X08	EA	Door Asm. w/Mirror - Medicine Cabinet - 15.6" x 29.5" - w/o Hardware
	080224-18-000	EA	Door Asm. - Front - Folding - 35" x 75" - w/o Latch
	080224-13-000	EA	Track - Folding Door - Beige
	082934-01-W13	EA	Door Asm. - Rear Sliding - w/o Latch
	062906-02-000	EA	Door Panel Asm. - Shower
			Not illustrated

BATH GROUP (CONTINUED)



ITASCA X2

BATH CABINETRY

Key	Part Number	U/M	Description
1	M88304-A6-X19	EA	Mirror Asm. - 27.6" x 33.5" - w/o Hardware
2	M88304-D9-X19	EA	Door Asm. - Lavatory - 12.8" x 17.7" - w/o Hardware
3	M91186-01-X75	EA	Cabinet Asm. - Lavatory - w/o Doors or Hardware
	091186-11-X19	EA	Countertop Asm. - Lavatory Cabinet
4	M88304-C8-X75	EA	Door Asm. - Hamper - 19.7" x 11.2" - w/o Hardware
5	090612-11-X75	EA	Countertop Asm. - Pipe Cover
	081893-01-X19	EA	Face Asm. - Lavatory Drawer
	077251-01-000	EA	Drawer - Plastic Tilt-Out
6	076073-01-000	EA	Cabinet - Medicine - Almond - w/o Door or Hardware
	088303-52-X75	EA	Door Asm. w/Mirror - Medicine Cabinet - 15.6" x 29.5" - w/o Hardware
	080224-17-000	EA	Door Asm. - Front - Folding - 35" x 75" - w/o Latch
	080224-13-000	EA	Track - Folding Door - Beige
	082934-01-W36	EA	Door Asm. - Rear Sliding - w/o Latch
	062906-02-000	EA	Door Panel Asm. - Shower
			Not illustrated

**1988 WINNEBAGO/ITASCA
TABLE OF CONTENTS**

Introduction	A-01
Abbreviations	A-02
W/ICP28ET	A-03 - A-20
W/ICP28EU	A-21 - B-16
W/ICP32RQ, W/IJP32RQ	B-17 - C-22
W/ICP34RU	C-23 - E-06
W/ICP37RQ	E-07 - F-10

1988 W/ICP34HU INDEX

Floor Plan	C-23 - C-24
Bath Group	D-01 - D-05
Curtain, Cushion & Pad Group	D-06 - D-12
Dinette Group	D-13 - D-17
Exterior Body Group	D-18 - D-24
Galley Group	E-01
Lounge Group	E-02 - E-04
Window, Vent & Exterior Door Group	E-05 - E-06

BATH GROUP (CONTINUED)

WINNEBAGO

WARDROBE CABINETRY

Key	Part Number	U/M	Description
	M88304-35-X19	EA	Door Asm. - Wardrobe - 16.7" x 48.0" - w/o Hardware
	M88304-87-X19	EA	Door Asm. - Wardrobe - 16.7" x 48.0" - w/o Hardware
	M88304-D1-X19	EA	Door Asm. - Lower Right - 17.7" x 21.8" - w/o Hardware
	M88304-C1-X19	EA	Door Asm. - Lower Right - 14.4" x 21.8" - w/o Hardware
	M88304-D0-X19	EA	Door Asm. - Lower Left - 17.7" x 21.8" - w/o Hardware
	M88304-C2-X19	EA	Door Asm. - Lower Left - 14.4" x 21.8" - w/o Hardware
	Parts used to produce the X2 units.		

ITASCA

WARDROBE CABINETRY

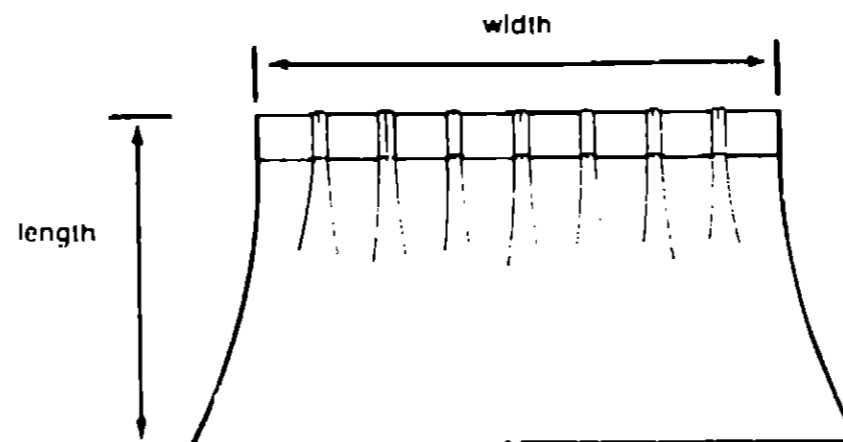
Key	Part Number	U/M	Description
	M88304-22-X19	EA	Door Asm. - Wardrobe - 10.7" x 48.0" - w/o Hardware
	M88304-87-X75	EA	Door Asm. - Wardrobe - 16.7" x 48.0" - w/o Hardware
	M88304-D3-X75	EA	Door Asm. - Lower Right - 17.7" x 21.8" - w/o Hardware
	M88304-C1-X75	EA	Door Asm. - Lower Right - 14.4" x 21.8" - w/o Hardware
	M88304-D2-X75	EA	Door Asm. - Lower Left - 17.7" x 21.8" - w/o Hardware
	M88304-C2-X75	EA	Door Asm. - Lower Left - 14.4" x 21.8" - w/o Hardware
	Parts used to produce the X2 units.		

CURTAIN CUSHION & PAD GROUP

NOTICE

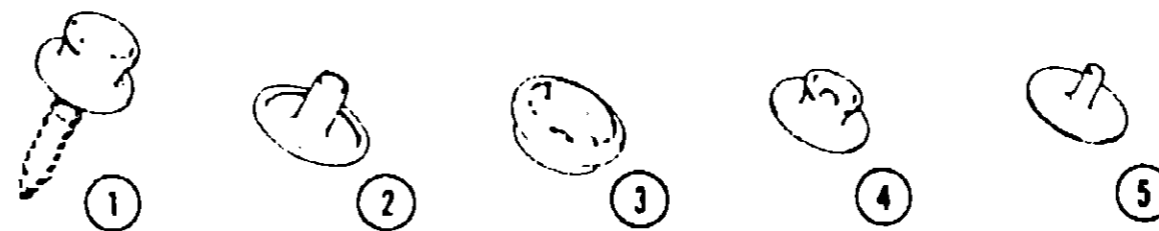
In order to assist our Part Sales Dept. in providing interior software items, please include the serial number and the color code number from the vehicle certification label when ordering. This label is located on the left sidewall at the end of the dash (A-Body), or on the driver's door latch plate (C-Body).

An example of a color code number is P31, which designates an overall color scheme of a particular unit. The color listed after the item description on the microfiche, indicates the overall unit color. Order the item you desire according to unit color code.



NOTE:

Use this illustration when determining length and width measurements for curtains. You will note the width measurement is taken on the top of the curtain with the curtain fully extended. The length measurement is taken from top to bottom.



Key	Part Number	U/M	Description
1	029130-01-000	EA	Socket - Snap Fastener
2	029155-01-000	EA	Cap - Snap - .156" Dia. x 17" Barrel
3	029156-01-000	EA	Socket - Snap Fastener
4	029092-01-000	EA	Stud - Nickel Finish
5	029093-01-000	EA	Eyelet - Nickel Finish

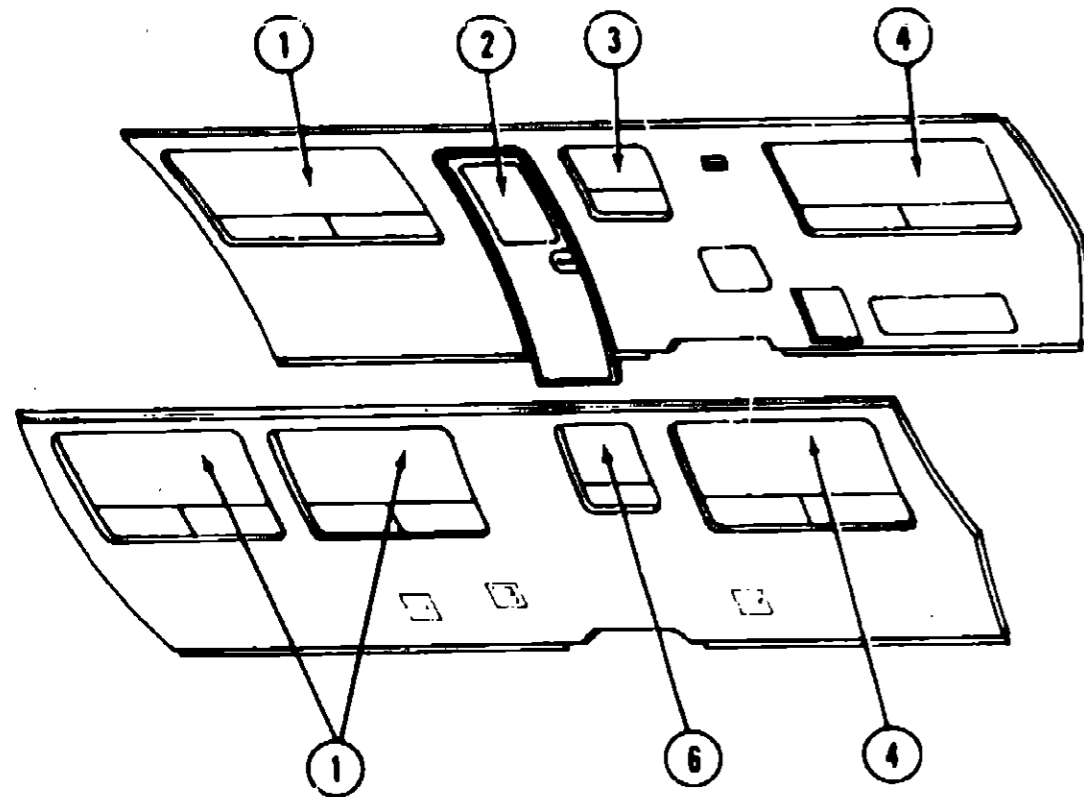
**1988 WINNEBAGO/ITASCA
TABLE OF CONTENTS**

Introduction	A-01
Abbreviations	A-02
W/ICP26ET	A-03 - A-20
W/ICP26EU	A-21 - B-16
W/ICP32RQ, W/IJP32RQ	B-17 - C-22
W/ICP34RU	C-23 - E-06
W/ICP37RQ	E-07 - F-10

1988 W/ICP34RU INDEX

Floor Plan	C-23 - C-24
Bath Group	D-01 - D-05
Curtain, Cushion & Pad Group	D-06 - D-12
Dinette Group	D-13 - D-17
Exterior Body Group	D-18 - D-24
Galley Group	E-01
Lounge Group	E-02 - E-04
Window, Vent & Exterior Door Group	E-05 - E-06

CURTAIN, CUSHION & PAD GROUP (CONTINUED)



WINNEBAGO

CURTAINS, SHADES, VALANCES & TIEBACKS

Key	Part Number	U/M	Description
1	089058-01-X19	EA	Padded - Window Panel - Right
1	089058-01-X20	EA	Padded - Window Panel - Right
1	089058-01-X21	EA	Padded - Window Panel - Right
1	089058-01-X22	EA	Padded - Window Panel - Right
1	089058-02-X19	EA	Padded - Window Panel - Left
1	089058-02-X20	EA	Padded - Window Panel - Left
1	089058-02-X21	EA	Padded - Window Panel - Left
1	089058-02-X22	EA	Padded - Window Panel - Left
1	085327-32-000	EA	Blind - Micro Mini - 59" x 36" (X19)
1	085327-31-000	EA	Blind - Micro Mini - 59" x 36" (X20)
1	085327-27-000	EA	Blind - Micro Mini - 59" x 36" (X21)
1	085327-34-000	EA	Blind - Micro Mini - 59" x 36" (X22)
†	082127-80-000	EA	Shade - Woven Wood - 59" x 36" (X19, X21, X22)
2	084755-04-XA9	EA	Shade Asm. - Pull - 24.25" - Linen (X19, X20)
2	084755-04-XA7	EA	Shade Asm. - Pull - 24.25" - Linen - (X21)
2	084755-04-X22	EA	Shade Asm. - Pull - 24.25" - Linen - (X22)
††3	085327-09-000	EA	Blind - Micro Mini - 30" x 30" (X19)
††3	085327-07-000	EA	Blind - Micro Mini - 30" x 30" (X20)
††3	085327-28-000	EA	Blind - Micro Mini - 30" x 30" (X21)
††3	085327-08-000	EA	Blind - Micro Mini - 30" x 30" (X22)
3	085327-38-000	EA	Blind - Micro Mini - 28" x 28" (X19)
3	085327-37-000	EA	Blind - Micro Mini - 28" x 28" (X20)
3	085327-38-000	EA	Blind - Micro Mini - 28" x 28" (X21)
3	085327-39-000	EA	Blind - Micro Mini - 28" x 28" (X22)
4	089058-03-X19	EA	Padded - Window Valance - Right (X19, X21)
4	089058-03-X20	EA	Padded - Window Valance - Right (X20)
4	089058-03-X22	EA	Padded - Window Valance - Right (X22)
4	089058-04-X19	EA	Padded - Window Valance - Left (X19, X21)
4	089058-04-X20	EA	Padded - Window Valance - Left (X20)
4	089058-04-X22	EA	Padded - Window Valance - Left (X22)
4	088730-02-000	EA	Blind - Day/Nighter - 59.5" x 36"
†			Woven Wood Option
††			Parts used on units produced before 8-23-87

CURTAIN, CUSHION & PAD GROUP (CONTINUED)

WINNEBAGO

CURTAINS, SHADES, VALANCES & TIEBACKS (CONT.)

Key	Part Number	U/M	Description
5	M01624-02-X19	EA	Valance Asm. - Rear (X19, X21)
5	M01624-02-X20	EA	Valance Asm. - Rear (X20)
5	M01624-02-X22	EA	Valance Asm. - Rear (X22)
5	089058-03-X19	EA	Padded - Window Valance - Right (X19, X21)
5	089058-03-X20	EA	Padded - Window Valance - Right (X20)
5	089058-03-X22	EA	Padded - Window Valance - Right (X22)
5	089058-04-X19	EA	Padded - Window Valance - Left (X19, X21)
5	089058-04-X20	EA	Padded - Window Valance - Left (X20)
5	089058-04-X22	EA	Padded - Window Valance - Left (X22)
**5	088730-02-000	EA	Blind - Day/Nighter - 59.5" x 36"
**5	088730-04-000	EA	Blind - Day/Nighter - 43.5" x 35"
††6	073304-38-X19	EA	Curtain Asm. w/Snap Top - 31.5" x 9" (X19, X21, X22)
††6	073304-38-X20	EA	Curtain Asm. w/Snap Top - 31.5" x 9" (X20)
6	073304-45-X29	EA	Curtain Asm. w/Snap Top - 30" x 9"
6	073304-45-X20	EA	Curtain Asm. w/Snap Top - 30" x 9"
6	073304-45-X21	EA	Curtain Asm. w/Snap Top - 30" x 9"
6	073304-45-X22	EA	Curtain Asm. w/Snap Top - 30" x 9"
†	073304-40-X19	EA	Curtain Asm. - Front Wraparound - 32.5" x 86" - Right (X19, X21, X22)
†	073304-40-X20	EA	Curtain Asm. - Front Wraparound - 32.5" x 86" - Right (X20)
†	073304-41-X19	EA	Curtain Asm. - Front Wraparound - 32.5" x 86" - Left (X19, X21, X22)
†	073304-41-X20	EA	Curtain Asm. - Front Wraparound - 32.5" x 86" - Left (X20)
•	073304-49-X35	EA	Curtain Asm. - Front Wraparound - 34" x 86" (X19, X21, X22)
•	073304-49-X33	EA	Curtain Asm. - Front Wraparound - 34" x 86" (X20)
•	077591-01-X19	EA	Curtain Asm. w/Velcro Top - 52" x 40" - Blackout - Right (X19, X21, X22)
•	077591-01-WB6	EA	Curtain Asm. w/Velcro Top - 52" x 40" - Blackout - Right (X20)
•	077591-02-X19	EA	Curtain Asm. w/Velcro Top - 52" x 40" - Blackout - Left (X19, X21, X22)
•	077591-02-WB6	EA	Curtain Asm. w/Velcro Top - 52" x 40" - Blackout - Left (X20)
•	073260-23-X19	EA	Tieback Asm. - 3" x 18" - Drapery (X19, X21, X22)
•	073260-23-WB6	EA	Tieback Asm. - 3" x 18" - Drapery (X20)
•			Not illustrated
**			Caution: Care must be taken when ordering these parts. Measure carefully first.
†			Parts used on units produced before 8-19-87.

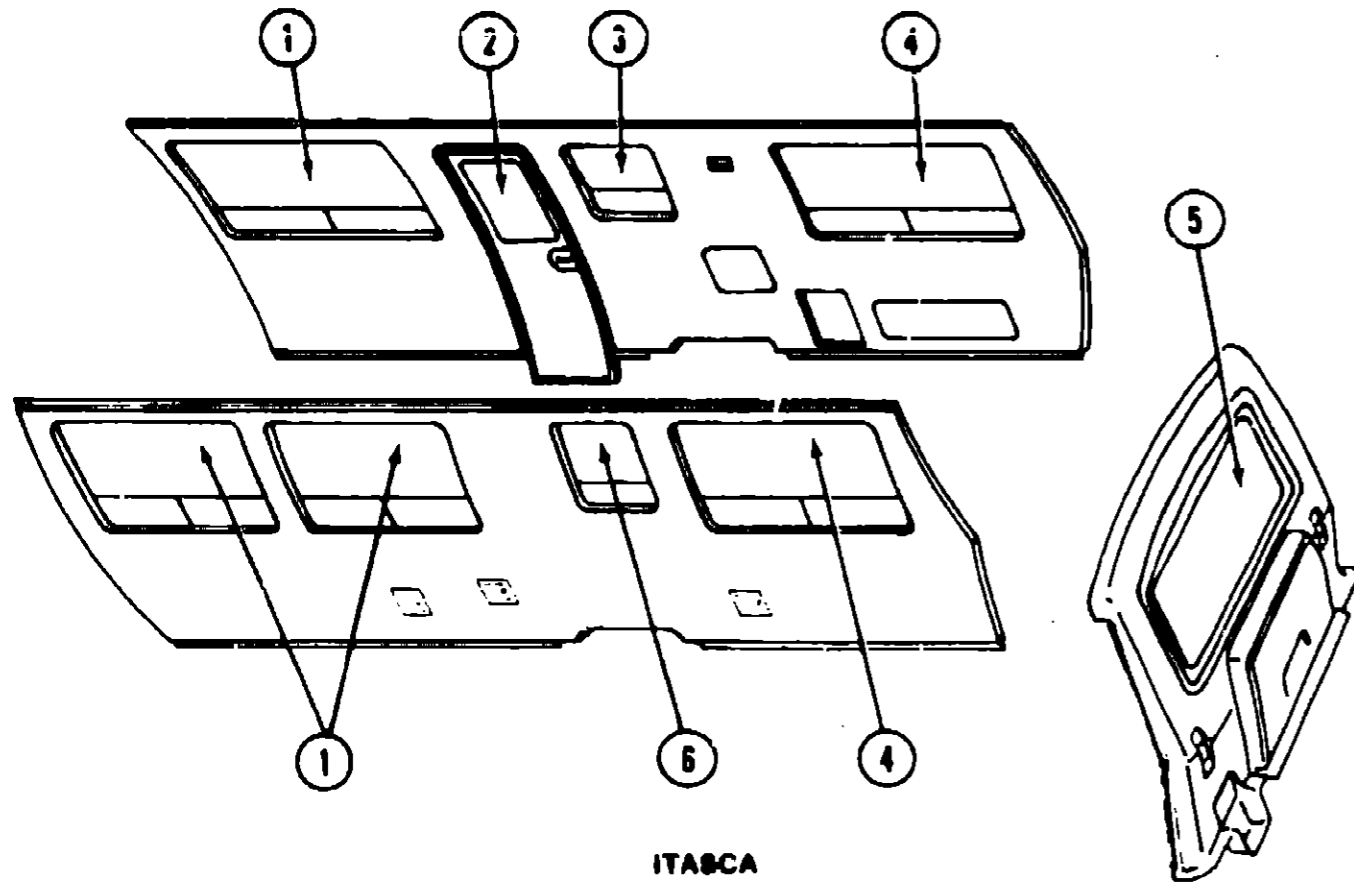
**1988 WINNEBAGO/ITASCA
TABLE OF CONTENTS**

Introduction	A-01
Abbreviations	A-02
W/ICP28ET	A-03 - A-20
W/ICP28EU	A-21 - B-16
W/ICP32RQ, W/IJP32RQ	B-17 - C-22
W/ICP34RU	C-23 - E-08
W/ICP37RQ	E-07 - F-10

1988 W/ICP34RU INDEX

Floor Plan	C-23 - C-24
Bath Group	D-01 - D-05
Curtain, Cushion & Pad Group	D-06 - D-12
Dinette Group	D-13 - D-17
Exterior Body Group	D-18 - D-24
Galley Group	E-01
Lounge Group	E-02 - E-04
Window, Vent & Exterior Door Group	E-05 - E-08

CURTAIN, CUSHION & PAD GROUP (CONTINUED)



ITASCA

CURTAINS, SHADES, VALANCES & TIEBACKS

Key	Part Number	U/M	Description
1	089058-01-X75	EA	Padded - Window Panel - Right
1	089058-01-X76	EA	Padded - Window Panel - Right
1	089058-01-X77	EA	Padded - Window Panel - Right
1	089058-02-X75	EA	Padded - Window Panel - Left
1	089058-02-X76	EA	Padded - Window Panel - Left
1	089058-02-X77	EA	Padded - Window Panel - Left
1	082127-81-000	EA	Shade - Woven Wood - 59" x 36" (X75)
1	088729-13-000	EA	Blind - Micro Mini - 59" x 35" (X76)
1	088729-15-000	EA	Blind - Micro Mini - 59" x 35" (X77)
2	084755-04-XA8	EA	Shade Asm. - Pull - 25.25" - Linen (X75, X77)
2	084755-04-XA7	EA	Shade Asm. - Pull - 25.25" - Linen (X76)
†3	082127-82-000	EA	Shade - Woven Wood - 30" x 30" (X75)
3	082127-84-000	EA	Shade - Woven Wood - 28" x 28" (X75)
†3	088729-14-000	EA	Blind - Mini - 30" x 30" (X76)
†3	088729-15-000	EA	Blind - Mini - 30" x 30" (X77)
3	088729-28-000	EA	Blind - Micro Mini - 28" x 28" (X76)
3	088729-29-000	EA	Blind - Micro Mini - 28" x 28" (X77)
4	084755-20-XA8	EA	Shade Asm. - Pull - 64.25" - Linen (X75, X77)
4	084755-20-XA7	EA	Shade Asm. - Pull - 64.25" - Linen (X76)
4	084269-10-X75	EA	Curtain Asm. w/Snap Top - 37.5" x 18"
4	084269-10-X76	EA	Curtain Asm. w/Snap Top - 37.5" x 18"
4	084269-10-X77	EA	Curtain Asm. w/Snap Top - 37.5" x 18"
5	M01624-02-X75	EA	Valance Asm. - Rear
5	M01624-02-X76	EA	Valance Asm. - Rear
5	M01624-02-X77	EA	Valance Asm. - Rear
**5	084755-19-XA8	EA	Shade Asm. - Pull - 64.25" - Linen (X75, X77)
**5	084755-19-XA7	EA	Shade Asm. - Pull - 64.25" - Linen (X76)
**5	084755-21-XA8	EA	Shade Asm. - Pull - 50.25" - Linen (X75, X77)
**5	084755-21-XA7	EA	Shade Asm. - Pull - 50.25" - Linen (X76)
5	084269-09-X75	EA	Curtain Asm. w/Snap Top - 35.5" x 18"
5	084269-09-X76	EA	Curtain Asm. w/Snap Top - 35.5" x 18"
5	084269-09-X77	EA	Curtain Asm. w/Snap Top - 35.5" x 18"
**	Caution: Care must be taken when ordering these parts. Measure carefully first.		

CURTAIN, CUSHION & PAD GROUP (CONTINUED)

ITASCA

CURTAINS, SHADES, VALANCES & TIEBACKS (CONT.)

Key	Part Number	U/M	Description
†6	082127-82-000	EA	Shade - Woven Wood - 30" x 30" (X75)
6	082127-84-000	EA	Shade - Woven Wood - 28" x 28" (X75)
†6	088729-14-000	EA	Blind - Mini - 30" x 30" (X76)
†6	088729-15-000	EA	Blind - Mini - 30" x 30" (X77)
6	088729-28-000	EA	Blind - Micro Mini - 28" x 28" (X76)
6	088729-29-000	EA	Blind - Micro Mini - 28" x 28" (X77)
†6	073304-38-X75	EA	Curtain Asm. w/Snap Top - 31.5" x 9" (X75, X76)
†6	073304-38-X19	EA	Curtain Asm. w/Snap Top - 31.5" x 9" (X77)
6	073304-45-XA4	EA	Curtain Asm. w/Snap Top - 30" x 9" (X75, X76)
6	073304-45-X19	EA	Curtain Asm. w/Snap Top - 30" x 9" (X77)
•	077591-01-XA4	EA	Curtain Asm. w/Velcro Top - 52" x 40" - Blackout - Right (X75, X76)
•	077591-01-X19	EA	Curtain Asm. w/Velcro Top - 52" x 40" - Blackout - Right (X77)
•	077591-02-XA4	EA	Curtain Asm. w/Velcro Top - 52" x 40" - Blackout - Left (X75, X76)
•	077591-02-X19	EA	Curtain Asm. w/Velcro Top - 52" x 40" - Blackout - Left (X77)
†	073304-40-X35	EA	Curtain Asm. - Front Wraparound - 32.5" x 86" - Right (X75, X76)
†	073304-40-X19	EA	Curtain Asm. - Front Wraparound - 32.5" x 86" - Right (X77)
†	073304-41-X35	EA	Curtain Asm. - Front Wraparound - 32.5" x 86" - Left (X75, X76)
†	073304-41-X19	EA	Curtain Asm. - Front Wraparound - 32.5" x 86" - Left (X77)
•	073304-49-XA4	EA	Curtain Asm. - Front Wraparound - 34" x 86" (X75, X76)
•	073304-49-X35	EA	Curtain Asm. - Front Wraparound - 34" x 86" (X77)
•	073260-23-XA4	EA	Tieback Asm. - 3" x 18" - Drapery (X75, X76)
•	073260-23-X19	EA	Tieback Asm. - 3" x 18" - Drapery (X77)
•	Not illustrated		
†	Parts used on units produced before 8-19-87.		
†*	Parts used on units produced before 8-24-87.		

**1988 WINNEBAGO/ITASCA
TABLE OF CONTENTS**

Introduction	A-01
Abbreviations	A-02
W/ICP26ET	A-03 - A-20
W/ICP28EU	A-21 - B-16
W/ICP32RQ, W/IJP32RQ	B-17 - C-22
W/ICP34RU	C-23 - E-06
W/ICP37RQ	E-07 - F-10

1988 W/ICP34RU INDEX

Floor Plan	C-23 - C-24
Bath Group	D-01 - D-05
Curtain, Cushion & Pad Group	D-08 - D-12
Dinette Group	D-13 - D-17
Exterior Body Group	D-18 - D-24
Galley Group	E-01
Lounge Group	E-02 - E-04
Window, Vent & Exterior Door Group	E-05 - E-06

CURTAIN, CUSHION & PAD GROUP (CONTINUED)

WINNEBAGO

TRIM PADS

Key	Part Number	U/M	Description
	089104-03-X19	EA	Insert - Upper Drivers Door
	089104-03-X20	EA	Insert - Upper Drivers Door
	089104-03-X21	EA	Insert - Upper Drivers Door
	089104-03-X22	EA	Insert - Upper Drivers Door
	089105-03-X19	EA	Insert - Lower Drivers Door
	089105-03-X20	EA	Insert - Lower Drivers Door
	089105-03-X21	EA	Insert - Lower Drivers Door
	089105-03-X22	EA	Insert - Lower Drivers Door
	089106-03-X19	EA	Insert - Map Pocket - Drivers Door
	089106-03-X20	EA	Insert - Map Pocket - Drivers Door
	089106-03-X21	EA	Insert - Map Pocket - Drivers Door
	089106-03-X22	EA	Insert - Map Pocket - Drivers Door
	089107-02-X19	EA	Insert - Side Upper - Driver
	089107-02-X20	EA	Insert - Side Upper - Driver
	089107-02-X21	EA	Insert - Side Upper - Driver
	089107-02-X22	EA	Insert - Side Upper - Driver
	089108-02-X19	EA	Insert - Side Upper - Passenger
	089108-02-X20	EA	Insert - Side Upper - Passenger
	089108-02-X21	EA	Insert - Side Upper - Passenger
	089108-02-X22	EA	Insert - Side Upper - Passenger
	089108-02-X19	EA	Insert - Side Lower - Driver
	089108-02-X20	EA	Insert - Side Lower - Driver
	089108-02-X21	EA	Insert - Side Lower - Driver
	089108-02-X22	EA	Insert - Side Lower - Driver
	089110-02-X19	EA	Insert - Side Lower - Passenger
	089110-02-X20	EA	Insert - Side Lower - Passenger
	089110-02-X21	EA	Insert - Side Lower - Passenger
	089110-02-X22	EA	Insert - Side Lower - Passenger
	089111-02-X19	EA	Insert - Front Center Overhead
	089111-02-X20	EA	Insert - Front Center Overhead
	089111-02-X21	EA	Insert - Front Center Overhead
	089111-02-X22	EA	Insert - Front Center Overhead
	089112-03-X19	EA	Insert - Front Overhead (Sunvisor) - Passenger
	089112-03-X20	EA	Insert - Front Overhead (Sunvisor) - Passenger
	089112-03-X21	EA	Insert - Front Overhead (Sunvisor) - Passenger
	089112-03-X22	EA	Insert - Front Overhead (Sunvisor) - Passenger
	089112-04-X19	EA	Insert - Front Overhead (Sunvisor) - Driver
	089112-04-X20	EA	Insert - Front Overhead (Sunvisor) - Driver
	089112-04-X21	EA	Insert - Front Overhead (Sunvisor) - Driver
	089112-04-X22	EA	Insert - Front Overhead (Sunvisor) - Driver
	089113-02-X19	EA	Wall Pad - TT Chair - 12" x 16"
	089113-02-X20	EA	Wall Pad - TT Chair - 12" x 16"
	089113-02-X21	EA	Wall Pad - TT Chair - 12" x 16"
	089113-02-X22	EA	Wall Pad - TT Chair - 12" x 16"
	081519-01-X19	EA	Pad Asm. - Dinette Seat - Right
	081519-01-X20	EA	Pad Asm. - Dinette Seat - Right (X20)
	081519-01-X21	EA	Pad Asm. - Dinette Seat - Right
	081519-01-X22	EA	Pad Asm. - Dinette Seat - Right
	081519-02-X19	EA	Pad Asm. - Dinette Seat - Left
	081519-02-X20	EA	Pad Asm. - Dinette Seat - Left (X20)
	081519-02-X21	EA	Pad Asm. - Dinette Seat - Left
	081519-02-X22	EA	Pad Asm. - Dinette Seat - Left

CURTAIN, CUSHION & PAD GROUP (CONTINUED)

ITASCA

TRIM PADS

Key	Part Number	U/M	Description
	089104-03-X75	EA	Insert - Upper Drivers Door
	089104-03-X76	EA	Insert - Upper Drivers Door
	089104-03-X77	EA	Insert - Upper Drivers Door
	089105-03-X75	EA	Insert - Lower Drivers Door
	089105-03-X76	EA	Insert - Lower Drivers Door
	089105-03-X77	EA	Insert - Lower Drivers Door
	089106-03-X75	EA	Insert - Map Pocket - Drivers Door
	089106-03-X76	EA	Insert - Map Pocket - Drivers Door
	089106-03-X77	EA	Insert - Map Pocket - Drivers Door
	089107-02-X75	EA	Insert - Side Upper - Driver (X75)
	089107-02-X79	EA	Insert - Side Upper - Driver (X76)
	089107-02-X22	EA	Insert - Side Upper - Driver (X77)
	089109-02-X75	EA	Insert - Side Upper - Passenger (X75)
	089109-02-X79	EA	Insert - Side Upper - Passenger (X76)
	089109-02-X22	EA	Insert - Side Upper - Passenger (X77)
	089108-02-X75	EA	Insert - Side Lower - Driver (X75)
	089108-02-X79	EA	Insert - Side Lower - Driver (X76)
	089108-02-X22	EA	Insert - Side Lower - Driver (X77)
	089110-02-X75	EA	Insert - Side Lower - Driver (X75)
	089110-02-X79	EA	Insert - Side Lower - Driver (X76)
	089110-02-X22	EA	Insert - Side Lower - Driver (X77)
	089111-02-X75	EA	Insert - Front Center Overhead (X75)
	089111-02-X79	EA	Insert - Front Center Overhead (X76)
	089111-02-X22	EA	Insert - Front Center Overhead (X77)
	089112-03-X75	EA	Insert - Front Overhead (Sunvisor) - Passenger (X75)
	089112-03-X79	EA	Insert - Front Overhead (Sunvisor) - Passenger (X76)
	089112-03-X22	EA	Insert - Front Overhead (Sunvisor) - Passenger (X77)
	089112-04-X75	EA	Insert - Front Overhead (Sunvisor) - Driver (X75)
	089112-04-X79	EA	Insert - Front Overhead (Sunvisor) - Driver (X76)
	089112-04-X22	EA	Insert - Front Overhead (Sunvisor) - Driver (X77)
	089113-02-X75	EA	Wall Pad - TT Chair - 12" x 16" (X75)
	089113-02-X37	EA	Wall Pad - TT Chair - 12" x 16" (X76)
	089113-02-X22	EA	Wall Pad - TT Chair - 12" x 16" (X77)
	081519-01-X75	EA	Pad Asm. - Dinette Seat - Right (X75)
	081519-03-X76	EA	Pad Asm. - Dinette Seat - Right (X76)
	081519-03-X77	EA	Pad Asm. - Dinette Seat - Right (X77)
	081519-02-X75	EA	Pad Asm. - Dinette Seat - Left (X75)
	081519-04-X76	EA	Pad Asm. - Dinette Seat - Left (X76)
	081519-04-X77	EA	Pad Asm. - Dinette Seat - Left (X77)

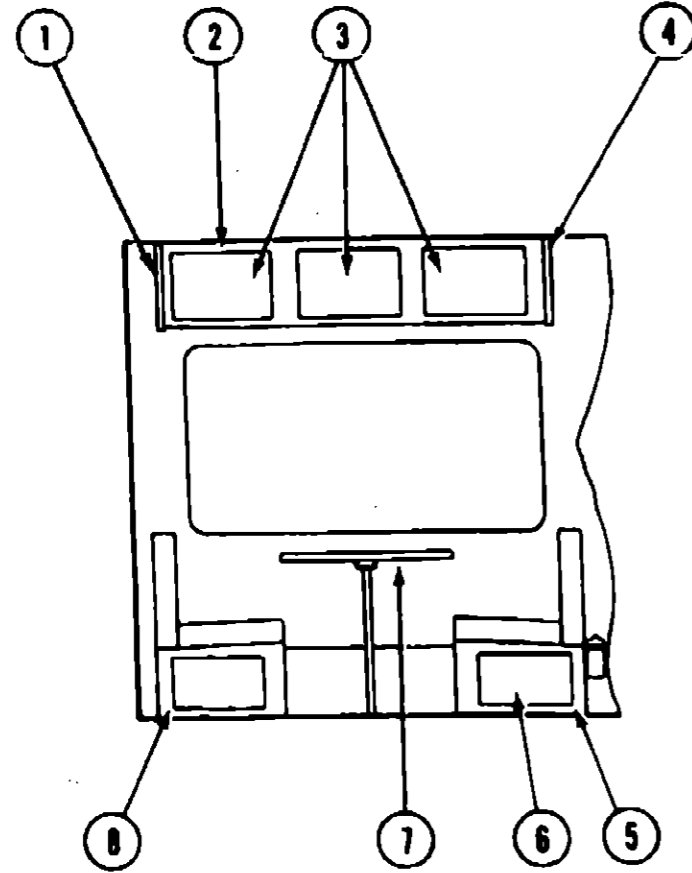
**1988 WINNEBAGO/ITASCA
TABLE OF CONTENTS**

Introduction	A-01
Abbreviations	A-02
W/ICP26ET	A-03 - A-20
W/ICP20EU	A-21 - B-16
W/ICP3211Q, W/IJP32RQ	B-17 - C-22
W/ICP34FU	C-23 - E-06
W/ICP37FQ	E-07 - F-10

1986 W/ICP4RU INDEX

Floor Plan	C-23 - C-24
Bath Group	D-01 - D-05
Curtain, Cushion & Pad Group	D-06 - D-12
Dinette Group	D-13 - D-17
Exterior Body Group	D-18 - D-24
Galley Group	E-01
Lounge Group	E-02 - E-04
Window, Vent & Exterior Door Group	E-05 - E-06

DINETTE GROUP

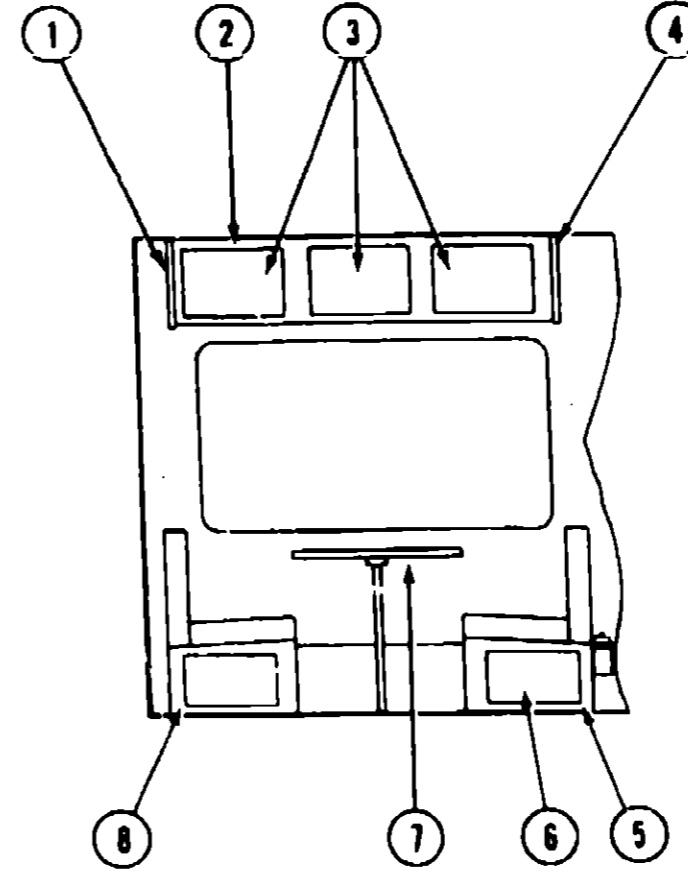


WINNEBAGO

CONVENTIONAL DINETTE & COMPONENTS

Key	Part Number	U/M	Description
1	085468-02-W13	EA	End Cap Asm. - Vinyl
2	M03110-88-X19	EA	Cabinet Asm. - Dinette Overhead - w/o Doors or Hardware
3	M88304-38-X19	EA	Door Asm. - Dinette Overhead - 12" x 18.7" - w/o Hardware
4	085468-01-W13	EA	End Cap Asm. - Vinyl
5	M03183-02-X19	EA	Cabinet Asm. - Dinette Seat - w/o Doors or Hardware
6	M03183-01-X19	EA	Cabinet Asm. - Dinette Back
7	M88304-40-X19	EA	Door Asm. - Dinette Seat - 10" x 19.1" - w/o Hardware
8	M03084-13-X19	EA	Table Asm. - Dinette
9	M03184-02-X19	EA	Cabinet Asm. - Dinette Seat - w/o Hardware
10	M03184-01-X19	EA	Cabinet Asm. - Dinette Back - w/o Hardware
11	053200-05-000	EA	Bracket - Upper Wall Mount - 23.5" - Beige
12	053201-06-000	EA	Bracket - Table Mount - 23" - Beige
13	024275-05-000	EA	Rod - Table Left - 8" x 23.5" - Beige
14	024276-17-000	EA	Leg Asm. - Table - Tan
15	024281-07-000	EA	Bracket - Lower Wall Mount - 22.12" - Beige
16	024282-01-000	EA	Brace - Table Leg
17	024283-01-000	EA	Clip - 1" O.D. Tube
18	084050-02-000	EA	Hinge - Table Leg
19	049493-05-000	EA	Catch - Table Leg - Mounts to Floor - Fan
20	088410-01-000	EA	Hanger - Table - Beige
			Not Illustrated

DINETTE GROUP (CONTINUED)



ITASCA

CONVENTIONAL DINETTE & COMPONENTS

Key	Part Number	U/M	Description
1	085468-02-W36	EA	End Cap Asm. - Vinyl
2	M03110-89-X75	EA	Cabinet Asm. - Dinette Overhead - w/o Doors or Hardware
3	M88304-38-X75	EA	Door Asm. - Dinette Overhead - 12" x 18.7" - w/o Hardware
4	085468-01-W36	EA	End Cap Asm. - Vinyl
5	M03183-02-X75	EA	Cabinet Asm. - Dinette Seat - w/o Doors or Hardware
6	M03183-01-X75	EA	Cabinet Asm. - Dinette Back
7	M88304-40-X75	EA	Door Asm. - Dinette Seat - 10" x 19.1" - w/o Hardware
8	M03084-13-X19	EA	Table Asm. - Dinette
9	M03184-02-X75	EA	Cabinet Asm. - Dinette Seat - w/o Hardware
10	M03184-01-X75	EA	Cabinet Asm. - Dinette Back - w/o Hardware
11	053200-05-000	EA	Bracket - Upper Wall Mount - 23.5" - Beige
12	053201-06-000	EA	Bracket - Table Mount - 23" - Beige
13	024275-05-000	EA	Rod - Table Left - 8" x 23.5" - Beige
14	024276-17-000	EA	Leg Asm. - Table - Tan
15	024281-07-000	EA	Bracket - Lower Wall Mount - 22.12" - Beige
16	024282-01-000	EA	Brace - Table Leg
17	024283-01-000	EA	Clip - 1" O.D. Tube
18	084050-02-000	EA	Hinge - Table Leg
19	049493-05-000	EA	Catch - Table Leg - Mounts to Floor
20	088410-01-000	EA	Hanger - Table - Beige
			Not Illustrated

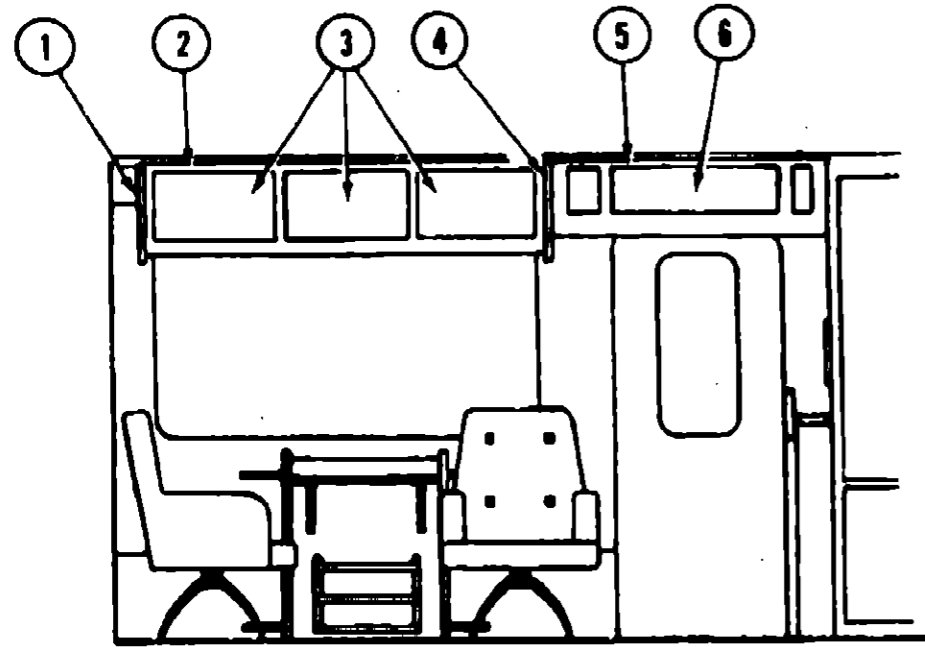
**1988 WINNEBAGO/ITASCA
TABLE OF CONTENTS**

Introduction	A-01
Abbreviations	A-02
W/ICP28ET	A-03 - A-20
W/ICP28EU	A-21 - B-16
W/ICP32RQ, W/IJP32RQ	B-17 - C-22
V/ICP34RU	C-23 - E-08
W/ICP37RQ	E-07 - F-10

1988 W/ICP34RU INDEX

Floor Plan	C-23 - C-24
Bath Group	D-01 - D-05
Curtain, Cushion & Pad Group	D-06 - D-12
Dinette Group	D-13 - D-17
Exterior Body Group	D-18 - D-24
Galley Group	E-01
Lounge Group	E-02 - E-04
Window, Vent & Exterior Door Group	E-05 - E-08

DINETTE GROUP (CONTINUED)

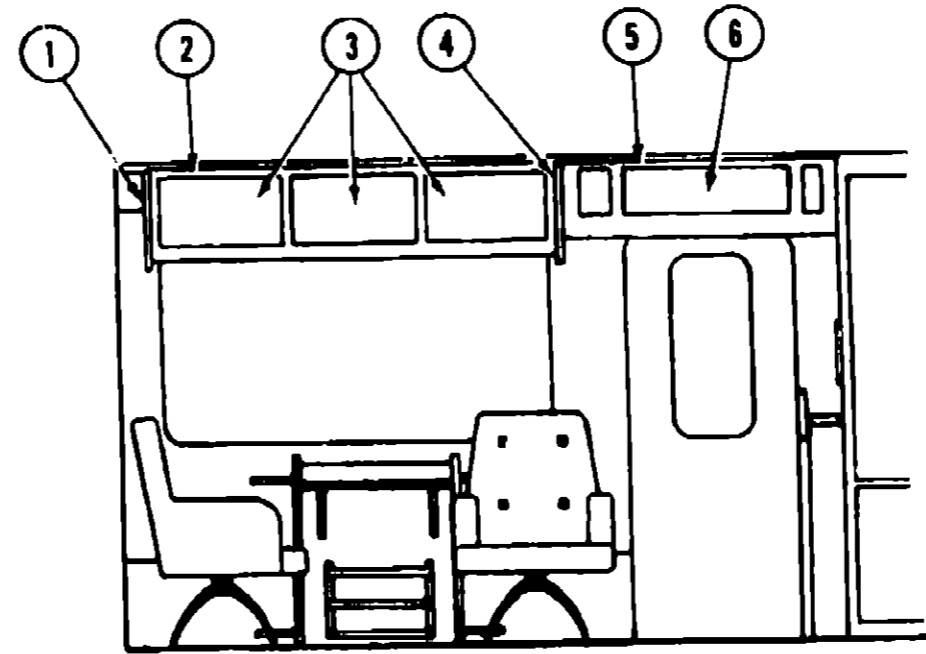


WINNEBAGO

SWIVEL CHAIR W/PULLOUT TABLE

Key	Part Number	U/M	Description
1	085468-02-W13	EA	End Cap Asm. - Vinyl
2	M03110-88-X19	EA	Cabinet Asm. - Swivel Chair Overhead - w/o Doors or Hardware
3	M88304-38-X19	EA	Door Asm. - Swivel Chair Overhead - w/o Hardware
4	085468-01-W13	EA	End Cap Asm. - Vinyl
5	M03136-01-X19	EA	Cabinet Asm. - Entrance Door - w/o Doors or Hardware
6	M88304-45-X19	EA	Door Asm. - Entrance Door Cabinet - 10" x 29.5" - w/o Hardware
	090095-12-X11	EA	Cupholder - Top
	090095-14-X14	EA	Cover - Table
	090095-18-X14	EA	Pullout Top
	090095-11-X11	EA	Top - TV - Pullout Table
	M90095-02-X19	EA	Table - Pullout
	M81727-02-X19	EA	Cabinet Asm. - Pullout Table
	079608-01-W13	EA	Magazine Rack Asm.
	079789-01-000	EA	Support - Pullout Table - Beige
	079921-01-000	EA	Nylon Roller w/Shaft
	009059-01-000	EA	Hinge - W in Brass
	080728-01-000	EA	Handle - Recessed - Brown Plastic
			Not Illustrated

DINETTE GROUP (CONTINUED)



ITASCA

SWIVEL CHAIR W/PULLOUT TABLE

Key	Part Number	U/M	Description
1	085468-02-W36	EA	End Cap Asm. - Vinyl
2	M03110-87-X75	EA	Cabinet Asm. - Swivel Chair Overhead - w/o Doors or Hardware
3	M88304-38-X75	EA	Door Asm. - Swivel Chair Overhead - w/o Hardware
4	085468-01-W36	EA	End Cap Asm. - Vinyl
5	M03136-02-X75	EA	Cabinet Asm. - Entrance Door - w/o Doors or Hardware
6	M88304-45-X75	EA	Door Asm. - Entrance Door Cabinet - 10" x 29.5" - w/o Hardware
	090095-12-X17	EA	Cupholder - Top
	090095-14-X75	EA	Cover - Table
	090095-18-X75	EA	Pullout Top
	090095-11-X75	EA	Top - TV - Pullout Table
	M90095-02-X75	EA	Table Asm. - Pullout
	M81727-02-X75	EA	Cabinet Asm. - Pullout Table
	079608-01-W36	EA	Magazine Rack Asm.
	079789-01-000	EA	Support - Pullout Table - Beige
	079921-01-000	EA	Nylon Roller w/Shaft
	009059-01-000	EA	Hinge - W in Brass
	080728-01-000	EA	Handle - Recessed - Brown Plastic
			Not Illustrated

**1988 WINNEBAGO/ITASCA
TABLE OF CONTENTS**

Introduction	A-01
Abbreviations	A-02
W/ICP28ET	A-03 - A-20
W/ICP28EU	A-21 - B-16
W/ICP32RQ, W/IJP32RQ	B-17 - C-22
W/ICP34RU	C-23 - E-08
W/ICP37RQ	E-07 - F-10

1988 W/ICP34RU INDEX

Floor Plan	C-23 - C-24
Bath Group	D-01 - D-05
Curtain, Cushion & Pad Group	D-06 - D-12
Dinette Group	D-13 - D-17
Exterior Body Group	D-18 - D-24
Galley Group	E-01
Lounge Group	E-02 - E-04
Window, Vent & Exterior Door Group	E-05 - E-08

DINETTE GROUP (CONTINUED)

WINNEBAGO

SWIVEL CHAIR & ICE MAKER

Key	Part Number	U/M	Description
	M82687-01-X19	EA	Cabinet Asm. - Ice Maker
	M02493-01-X19	EA	Countertop Asm. - Ice Maker
	M02494-01-X19	EA	Table - Slide Out
	074489-01-000	EA	Beverage Holder w/Tray
	078238-08-W30	EA	Access Panel
**	076799-01-000	EA	Ice Maker - Black Glass
**	The illustrated parts breakdown for this item is provided on the Common Items Fiche.		

ITASCA

SWIVEL CHAIR & ICE MAKER

Key	Part Number	U/M	Description
	M82687-01-X75	EA	Cabinet Asm. - Ice Maker
	M02493-01-X75	EA	Countertop Asm. - Ice Maker
	M02494-01-X75	EA	Table - Slide Out
	074489-01-000	EA	Beverage Holder w/Tray
	078238-08-W36	EA	Access Panel
**	076799-01-000	EA	Ice Maker - Black Glass
**	The illustrated parts breakdown for this item is provided on the Common Items Fiche.		

EXTERIOR BODY GROUP

WINNEBAGO X1

EXTERIOR BODY PANELS (CAB)

Key	Part Number	U/M	Description
	084759-01-W13	EA	Hood Panel
	058786-02-000	EA	Hood Bolt - Adjusting
	R77006-38-499	EA	Spring - Hood Latch Cable
	M02680-01-U25	EA	Hinge Asm. - Hood - Right
	M02680-02-U25	EA	Hinge Asm. - Hood - Left
	077252-01-000	EA	Hinge Pin - Stainless Steel
	077407-01-000	EA	Bracket - Hood Release Cable
	M01608-04-W13	EA	Grille - Panel Asm.
	076777-01-000	EA	Grille Panel - Chrome
	070907-01-000	EA	Headlamp Capsule Asm. - High/Low Beam - Left or Right
	076911-01-000	EA	Headlamp Bezel - Right Hand
	076911-02-000	EA	Headlamp Bezel - Left Hand
	084751-02-W13	EA	Fender Panel - Front Left
	084751-01-W13	EA	Fender Panel - Front Right
	075759-03-000	EA	Fender Panel - Rear Left
	075759-01-000	EA	Fender Panel - Rear Right
	075767-01-000	EA	Bumper End - Plastic - Passenger - Beige
	075767-03-000	EA	Bumper End - Plastic - Driver - Beige
	M01615-07-U07	EA	Roof Cap - Front Cab

ITASCA X1

EXTERIOR BODY PANELS (CAB)

Key	Part Number	U/M	Description
	084759-01-W36	EA	Hood Panel
	058786-02-000	EA	Hood Bolt - Adjusting
	R77006-38-499	EA	Spring - Hood Latch Cable
	M02680-01-U16	EA	Hinge Asm. - Hood - Right
	M02680-02-U16	EA	Hinge Asm. - Hood - Left
	077252-01-000	EA	Hinge Pin - Stainless Steel
	077407-01-000	EA	Bracket - Hood Release Cable
	M01608-05-W36	EA	Grille - Panel Asm.
	086407-01-000	EA	Grille Panel - Gray - Chrome
	088252-01-000	FT	Trim - Chrome
	070907-01-000	EA	Headlamp Capsule Asm. - High/Low Beam - Left or Right
	076910-01-000	EA	Headlamp Bezel - Right Hand
	076910-02-000	EA	Headlamp Bezel - Left Hand
	084751-02-W36	EA	Fender Panel - Front Left
	084751-01-W36	EA	Fender Panel - Front Right
	075759-04-000	EA	Fender Panel - Rear Left
	075759-02-000	EA	Fender Panel - Rear Right
	075767-02-000	EA	Bumper End - Plastic - Passenger - Gray
	075767-04-000	EA	Bumper End - Plastic - Driver - Gray
	M01615-07-U16	EA	Roof Cap - Front Cab

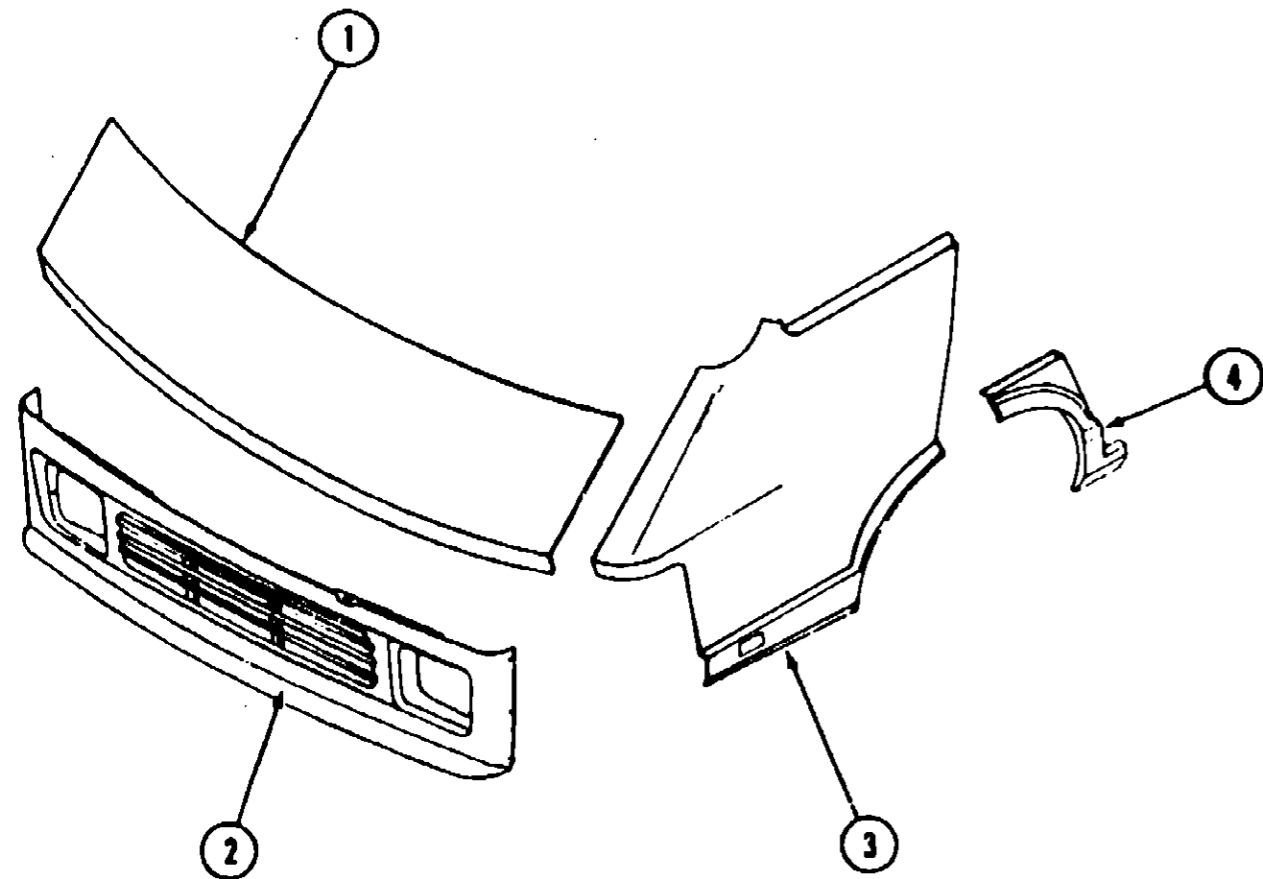
1988 WINNEBAGO/ITASCA TABLE OF CONTENTS

Introduction	A-01
Abbreviations	A-02
W/ICP28ET	A-03 - A-20
W/ICP28EU	A-21 - B-16
W/ICP32RQ, W/IJP32RQ	B-17 - C-22
W/ICP34RU	C-23 - E-08
W/ICP37RQ	E-07 - F-10

1988 W/ICP34RU INDEX

Floor Plan	C-23 - C-24
Bath Group	D-01 - D-05
Curtain, Cushion & Pad Group	D-06 - D-12
Dinette Group	D-13 - D-17
Exterior Body Group	D-18 - D-24
Galley Group	E-01
Lounge Group	E-02 - E-04
Window, Vent & Exterior Door Group	E-05 - E-06

EXTERIOR BODY GROUP (CONTINUED)

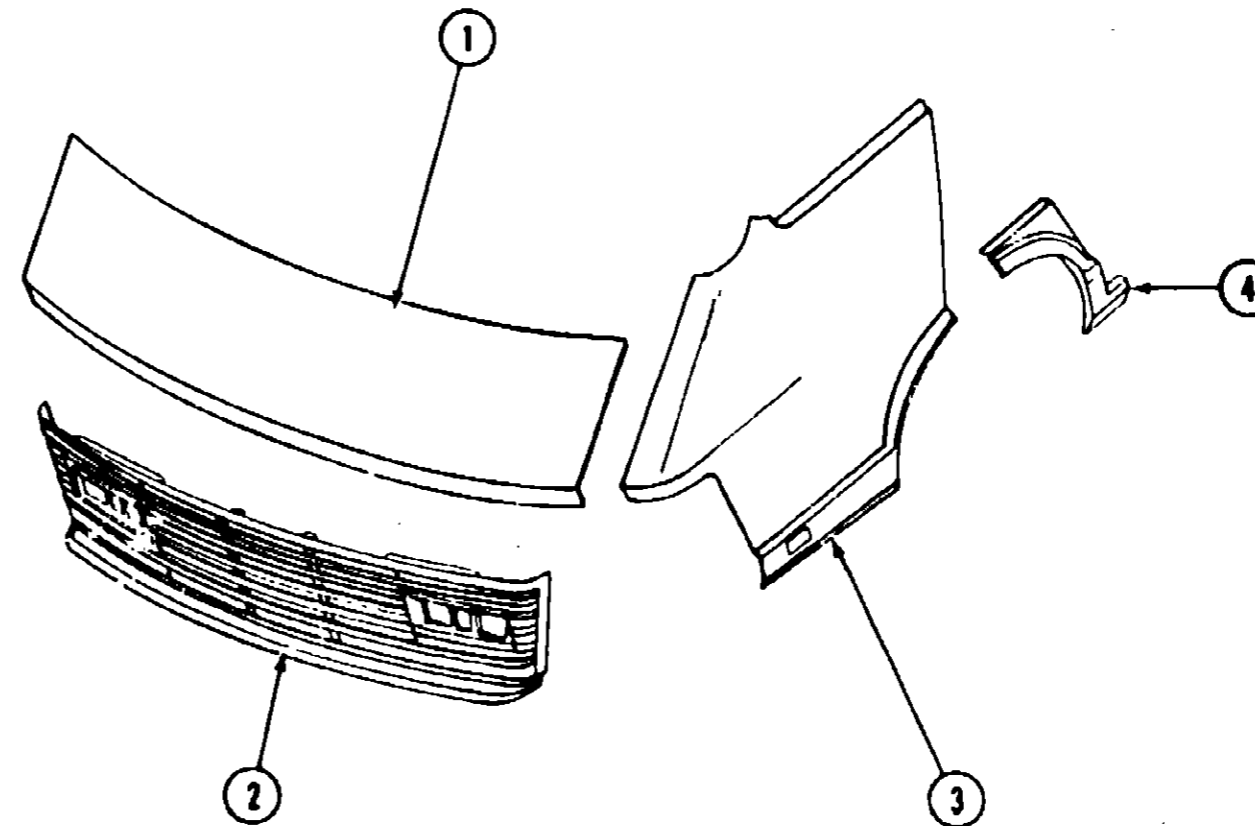


WINNEBAGO X2

EXTERIOR BODY PANELS (CAB)

Key	Part Number	U/M	Description
1	084759-01-W13	EA	Hood Panel
•	058786-02-000	EA	Hood Bolt - Adjusting
•	M02680-01-U25	EA	Hinge Asm. - Hood - Right
•	M02680-02-U25	EA	Hinge Asm. - Hood - Left
•	082628-01-000	EA	Clip - Prop Rod
•	077084-01-000	EA	Cable Asm. - Hood Release
•	073336-02-000	EA	Bracket - Mounting Latch
•	077407-01-000	EA	Bracket - Hood Release Cable
2	M01808-08-X19	EA	Grille - Panel Asm.
•	090526-01-000	EA	Headlamp Bezel - Right Hand
•	090526-02-000	EA	Headlamp Bezel - Left Hand
3	084751-04-W13	EA	Fender Panel - Front Left
•	084751-03-W13	EA	Fender Panel - Front Right
4	084714-02-000	EA	Fender Panel - Rear Left
•	084714-01-000	EA	Fender Panel - Rear Right
•	M01815-08-W13	EA	Roof Cap - Front Cab
•			Not Illustrated

EXTERIOR BODY GROUP (CONTINUED)



ITASCA X2

EXTERIOR BODY PANELS (CAB)

Key	Part Number	U/M	Description
1	084759-01-W36	EA	Hood Panel
•	058786-02-000	EA	Hood Bolt - Adjusting
•	M02680-01-U18	EA	Hinge Asm. - Hood - Right
•	M02680-02-U18	EA	Hinge Asm. - Hood - Left
•	082628-01-000	EA	Clip - Prop Rod
•	077084-01-000	EA	Cable Asm. - Hood Release
•	073336-02-000	EA	Bracket - Mounting Latch
•	077407-01-000	EA	Bracket - Hood Release Cable
2	M01808-05-W36	EA	Grille - Panel Asm.
•	076910-01-000	EA	Headlamp Bezel - Right Hand
•	076910-02-000	EA	Headlamp Bezel - Left Hand
3	084751-04-W36	EA	Fender Panel - Front Left
•	084751-03-W36	EA	Fender Panel - Front Right
4	084714-04-000	EA	Fender Panel - Rear Left
•	084714-03-000	EA	Fender Panel - Rear Right
•	M01815-08-W36	EA	Roof Cap - Front Cab
•			Not Illustrated

**1988 WINNEBAGO/ITASCA
TABLE OF CONTENTS**

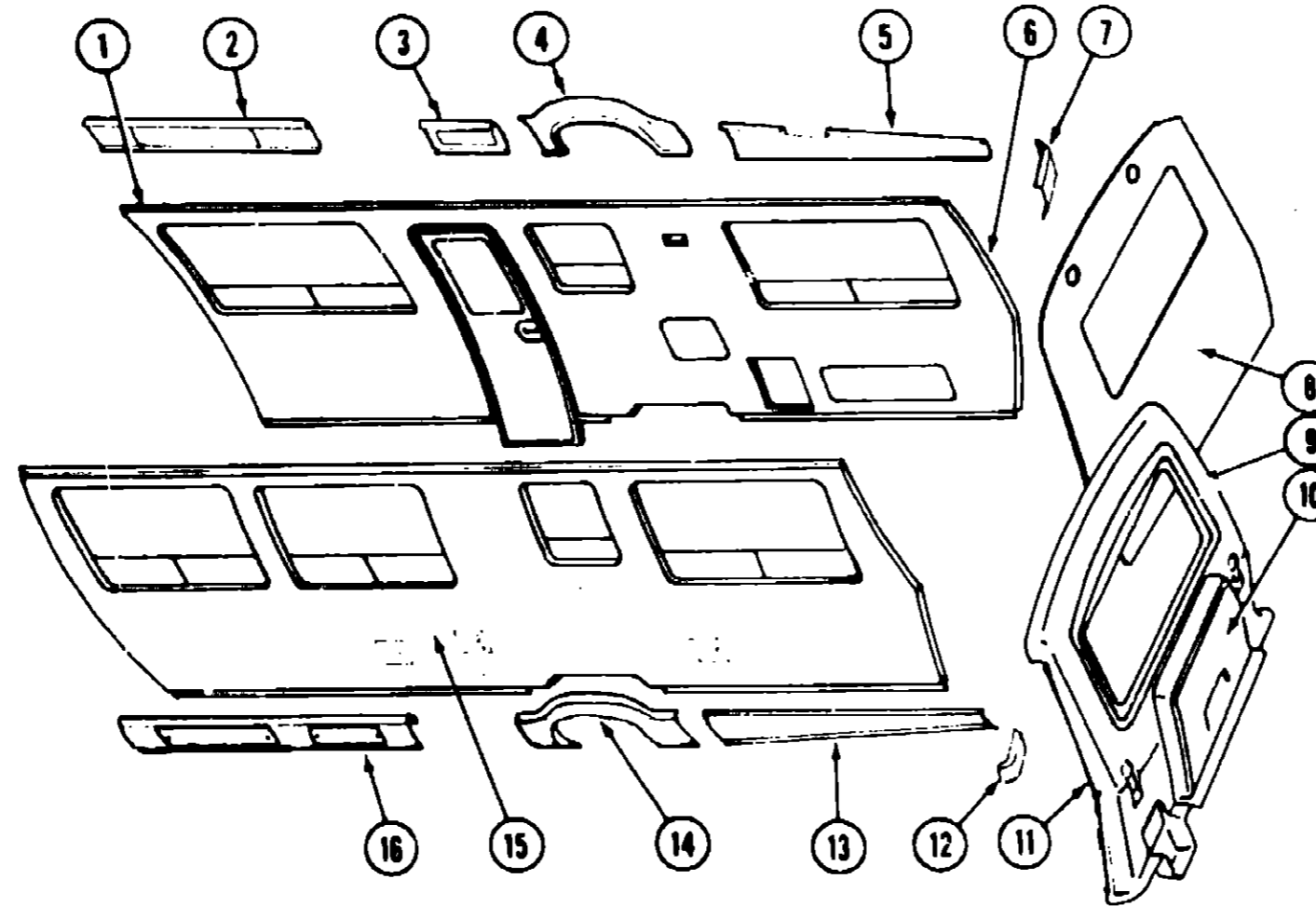
Introduction	A-01
Abbreviations	A-02
W/ICP28ET	A-03 - A-23
W/ICP28EU	A-21 - B-18
W/ICP32RQ, W/IJP32RQ	B-17 - C-22
W/ICP34RU	C-23 - E-08
W/ICP37RQ	E-07 - F-10

1988 W/ICP34RU INDEX

Floor Plan	C-23 - C-24
Bath Group	D-01 - D-05
Curtain, Cushion & Pad Group	D-06 - D-12
Dinette Group	D-13 - D-17
Exterior Body Group	D-18 - D-24
Galley Group	E-01
Lounge Group	E-02 - E-04
Window, Vent & Exterior Door Group	E-05 - E-08

EXTERIOR BODY GROUP (CONTINUED)

EXTERIOR BODY PANELS



1988 WINNEBAGO/ITASCA TABLE OF CONTENTS

Introduction	A-01
Abbreviations	A-02
W/ICP28ET	A-03 - A-20
W/ICP28EU	A-21 - B-16
W/ICP32RQ, W/IJP32RQ	B-17 - C-22
W/ICP34RU	C-23 - E-08
W/ICP37RQ	E-07 - F-10

WINNEBAGO XI

Key	Part Number	U/M	Description
1	M87135-01-X19	EA	Sidewall Asm. - Passenger (X19, X22)
1	M87135-01-X20	EA	Sidewall Asm. - Passenger (X20)
1	M87135-01-X21	EA	Sidewall Asm. - Passenger (X21)
2	M01629-10-000	EA	Valance Panel - Front - Right
3	M01629-08-000	EA	Valance Panel - Center - Right
•	076948-03-000	EA	Valance Panel - Entrance Door
4	076234-05-000	EA	Wheelwell Trim - Rear - Right
5	076238-07-000	EA	Valance Panel - Rear - Right
6	073502-07-000	EA	Fiberglass Trim - Rear - Right
7	077330-01-000	EA	Bumper End-Cap - Rear - Right
8	077141-01-X19	EA	Backwall Asm.
9	M01616-05-U07	EA	Rear Cap Asm.
10	M01990-03-U07	EA	Spare Tire Cover
11	073502-08-000	EA	Fiberglass Trim - Rear - Left
12	077330-03-000	EA	Bumper End Cap - Rear - Left
13	077792-11-000	EA	Valance Panel - Rear - Left
14	076234-07-000	EA	Wheelwell Trim - Rear - Left
15	M87133-01-X19	EA	Sidewall Asm. - Driver (X19, X22)
15	M87133-01-X20	EA	Sidewall Asm. - Driver (X20)
15	M87133-01-X21	EA	Sidewall Asm. - Driver (X21)
16	M01629-06-000	EA	Valance Asm. - Front - Left
•	M87159-01-X19	EA	Roof Asm.
•	073505-08-000	EA	Roof Trim - 180" - Beige
•	076515-01-000	EA	Inside Trim - Rear Wheelwell - Right/Left - Steel
•	077412-01-000	EA	Trim Cap - Rear Upper Corner - Right Sidewall
•	077412-02-000	EA	Trim Cap - Rear Upper Corner - Left Sidewall
•			Not illustrated

ITASCA XI

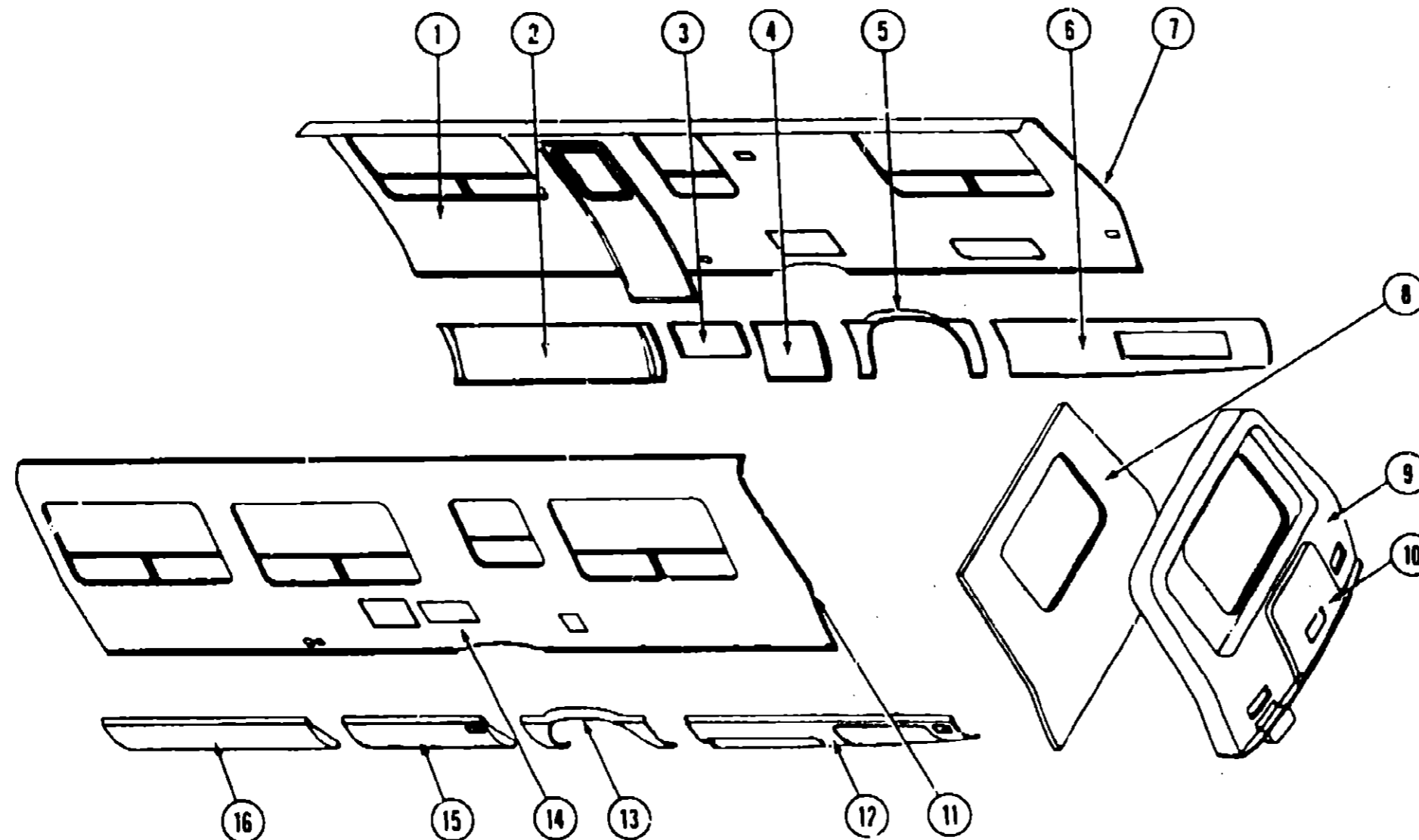
Key	Part Number	U/M	Description
1	M87135-01-X75	EA	Sidewall Asm. - Passenger
1	M87135-01-X76	EA	Sidewall Asm. - Passenger
1	M87135-01-X77	EA	Sidewall Asm. - Passenger
2	M01629-11-000	EA	Valance Panel - Front - Right
3	M01629-09-000	EA	Valance Panel - Center - Right
•	076948-04-000	EA	Valance Panel - Entrance Door
4	076234-06-000	EA	Wheelwell Trim - Rear - Right
5	076238-08-000	EA	Valance Panel - Rear - Right
6	073502-09-000	EA	Fiberglass Trim - Rear - Right
7	077330-02-000	EA	Bumper End-Cap - Rear - Right
8	077141-01-X21	EA	Backwall Asm.
9	M01616-06-U16	EA	Rear Cap Asm.
10	M01990-04-U16	EA	Spare Tire Cover
11	073502-10-000	EA	Fiberglass Trim - Rear - Left
12	077330-04-000	EA	Bumper End Cap - Rear - Left
13	077792-12-000	EA	Valance Panel - Rear - Left
14	076234-08-000	EA	Wheelwell Trim - Rear - Left
15	M87133-01-X75	EA	Sidewall Asm. - Driver
15	M87133-01-X76	EA	Sidewall Asm. - Driver
15	M87133-01-X77	EA	Sidewall Asm. - Driver
16	M01629-07-000	EA	Valance Asm. - Front - Left
•	M87159-01-X75	EA	Roof Asm.
•	073505-08-000	EA	Roof Trim - 180" - Gray
•	076515-01-000	EA	Inside Trim - Rear Wheelwell - Right/Left - Steel
•	077412-03-000	EA	Trim Cap - Rear Upper Corner - Right Sidewall
•	077412-04-000	EA	Trim Cap - Rear Upper Corner - Left Sidewall
•			Not illustrated

1988 W/ICP34RU INDEX

Floor Plan	C-23 - C-24
Bath Group	D-01 - D-05
Curtain, Cushion & Pad Group	D-06 - D-12
Dinette Group	D-13 - D-17
Exterior Body Group	D-18 - D-24
Galley Group	E-01
Lounge Group	E-02 - E-04
Window, Vent & Exterior Door Group	E-05 - E-08

EXTERIOR BODY GROUP (CONTINUED)

EXTERIOR BODY PANELS



WINNEBAGO X2

ITASCA X2

Key	Part Number	U/M	Description
1	M91279-01-X19	EA	Sidewall Asm. - Passenger (X19, X22)
1	M91279-01-X20	EA	Sidewall Asm. - Passenger (X20)
1	M91279-01-X21	EA	Sidewall Asm. - Passenger (X21)
2	085037-01-W13	EA	Valance Panel - Front - Right
3	088684-01-X19	EA	Valance Panel - Entrance Door
4	M02586-40-X19	EA	Valance Panel - Center - Right
5	088358-03-X19	EA	Wheelwell Trim - Rear - Right
6	M02586-41-X19	EA	Valance Panel - Rear - Right
7	088922-01-000	EA	Fiberglass Trim - Rear - Right
8	085182-01-X19	EA	Backwall Asm.
9	M01816-11-W13	EA	Rear Cap Asm.
10	M01990-04-X19	EA	Spare Tire Cover
11	088922-02-000	EA	Fiberglass Trim - Rear - Left
12	M02586-42-X19	EA	Valance Panel - Rear - Left
13	088358-02-X19	EA	Wheelwell Trim - Rear - Beige
14	M91280-01-X19	EA	Sidewall Asm. - Driver (X19, X22)
14	M91280-01-X20	EA	Sidewall Asm. - Driver (X20)
14	M91280-01-X21	EA	Sidewall Asm. - Driver (X21)
15	090552-01-X19	EA	Valance Panel - Center - Left
16	085037-02-W13	EA	Valance Panel - Front - Left
.	M90151-01-X19	EA	Roof Asm.
.	083805-01-000	EA	Trim Cap - Front - Roof - Beige
.	083805-03-000	EA	Trim Cap - Rear - Roof - Beige
.	076515-01-000	EA	Trim - Wheelwell - Rear
.			Not Illustrated

Key	Part Number	U/M	Description
1	M91279-01-X75	EA	Sidewall Asm. - Passenger
1	M91279-01-X76	EA	Sidewall Asm. - Passenger
1	M91279-01-X77	EA	Sidewall Asm. - Passenger
2	085037-01-W36	EA	Valance Panel - Front - Right
3	088684-01-X75	EA	Valance Panel - Entrance Door
4	M02586-40-X75	EA	Valance Panel - Center - Right
5	088358-03-X75	EA	Wheelwell Trim - Rear - Right
6	M02586-41-X75	EA	Valance Panel - Rear - Right
7	088922-03-000	EA	Fiberglass Trim - Rear - Right
8	085182-01-X38	EA	Backwall Asm.
9	M01816-12-W36	EA	Rear Cap Asm.
10	M01990-03-X75	EA	Spare Tire Cover
11	088922-04-000	EA	Fiberglass Trim - Rear - Left
12	M02586-42-X75	EA	Valance Panel - Rear - Left
13	088358-02-X75	EA	Wheelwell Trim - Rear - Gray
14	M91280-01-X75	EA	Sidewall Asm. - Driver (X19, X22)
14	M91280-01-X76	EA	Sidewall Asm. - Driver (X20)
14	M91280-01-X77	EA	Sidewall Asm. - Driver (X21)
15	090552-01-X75	EA	Valance Panel - Center - Left
16	085037-02-W36	EA	Valance Panel - Front - Left
.	M90151-01-X19	EA	Roof Asm.
.	083805-02-000	EA	Trim Cap - Front - Roof - Gray
.	083805-04-000	EA	Trim Cap - Rear - Roof - Gray
.	076515-01-000	EA	Trim - Wheelwell - Rear
.			Not Illustrated

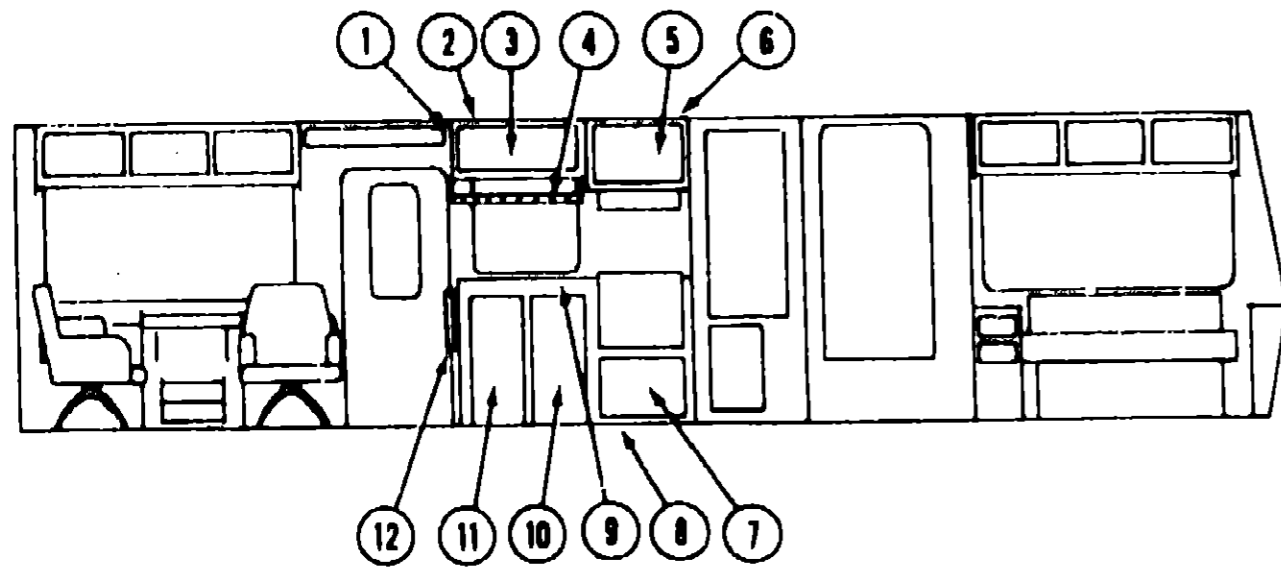
**1988 WINNEBAGO/ITASCA
TABLE OF CONTENTS**

Introduction	A-01
Abbreviations	A-02
W/ICP28ET	A-03 - A-20
W/ICP28EU	A-21 - B-16
W/ICP32RQ, W/IJP32RQ	B-17 - C-22
W/ICP34RU	C-23 - E-08
W/ICP37RQ	E-07 - F-10

1988 W/ICP34RU INDEX

Floor Plan	C-23 - C-24
Bath Group	D-01 - D-05
Curtain, Cushion & Pad Group	D-06 - D-12
Dinette Group	D-13 - D-17
Exterior Body Group	D-18 - D-24
Galley Group	E-01
Lounge Group	E-02 - E-04
Window, Vent & Exterior Door Group	E-05 - E-08

GALLEY GROUP



WINNEBAGO
GALLEY CABINETRY

Key	Part Number	U/M	Description
1	085468-02-X19	EA	End Cap - Galley Overhead
2	M03110-84-X19	EA	Cabinet Asm. - Galley Overhead - w/o Doors or Hardware
3	M88304-D5-X19	EA	Door Asm. - Galley Overhead - 12" x 25.9" - w/o Hardware
4	076570-04-W13	EA	Spice Rack Asm.
5	M88304-80-X19	EA	Door Asm. - Range Overhead - 17.7" x 22.8" - w/o Hardware
6	M03110-07-X19	EA	Cabinet Asm. - Range Overhead - w/o Door or Hardware
7	M88304-67-X11	EA	Door Asm. - Furnace - 15.9" x 21.8" - w/o Hardware
8	M92073-04-X11	EA	Door Asm. - Furnace - 13.3" x 21.8" - w/o Hardware
9	M90527-01-X19	EA	Cabinet Asm. - Galley
**	M82184-09-X19	EA	Drawer Asm. - Galley Storage
10	090257-13-X19	EA	Countertop - Galley Cabinet
11	M88304-32-X19	EA	Door Asm. - Galley Cabinet - 14.3" x 33.4" - w/o Hardware
12	M88304-31-X19	EA	Door Asm. - Galley Cabinet - 14.3" x 33.4" - w/o Hardware
12	090527-19-X19	EA	Countertop - Galley Extension

Doors used before 12-14-87.
** Parts used with the Microwave Oven Option

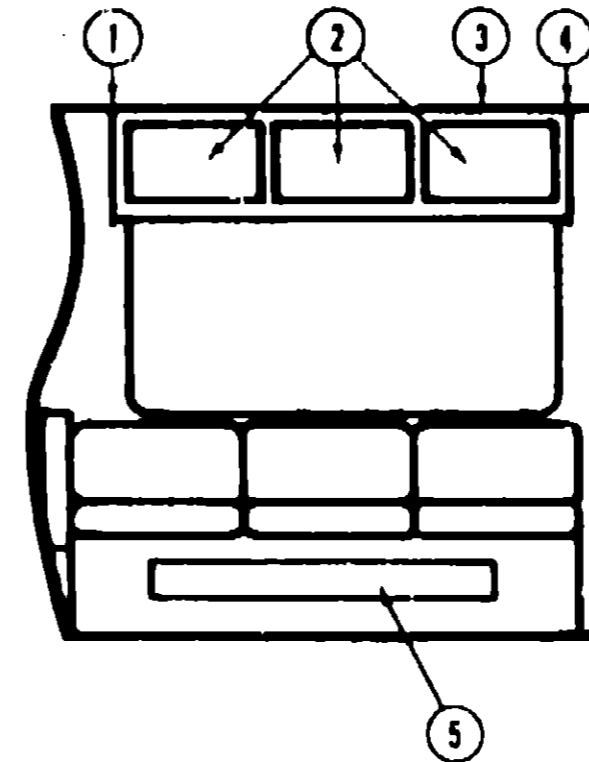
ITASCA

GALLEY CABINETRY

Key	Part Number	U/M	Description
1	085468-02-W36	EA	End Cap - Galley Overhead
2	M03110-85-X75	EA	Cabinet Asm. - Galley Overhead - w/o Doors or Hardware
3	M88304-D5-X75	EA	Door Asm. - Galley Overhead - 12" x 25.9" - w/o Hardware
4	076570-04-W36	EA	Spice Rack Asm.
5	M88304-80-X75	EA	Door Asm. - Range Overhead - 17.7" x 22.8" - w/o Hardware
6	M03110-08-X75	EA	Cabinet Asm. - Range Overhead - w/o Door or Hardware
7	M88304-67-X75	EA	Door Asm. - Furnace - 15.9" x 21.8" - w/o Hardware
8	M92073-01-X75	EA	Door Asm. - Furnace - 13.3" x 21.8" - w/o Hardware
8	M90527-01-X75	EA	Cabinet Asm. - Galley
**	M82184-09-X75	EA	Drawer Asm. - Galley Storage
9	090257-13-X75	EA	Countertop - Galley Cabinet
10	M88304-32-X75	EA	Door Asm. - Galley Cabinet - 14.3" x 33.4" - w/o Hardware
11	M88304-31-X75	EA	Door Asm. - Galley Cabinet - 14.3" x 33.4" - w/o Hardware
12	090527-19-X75	EA	Countertop - Galley Extension

Doors used before 12-14-87.
** Parts used with the Microwave Oven Option

LOUNGE GROUP



WINNEBAGO
FRONT COUCH

Key	Part Number	U/M	Description
1	085468-02-W13	EA	End Cap Asm. - Front Lounge - Vinyl
2	M88304-38-X19	EA	Door Asm. - Couch Overhead - 12" x 18.7" - w/o Hardware
3	M03110-86-X19	EA	Cabinet Asm. - Front Lounge Overhead - w/o Doors & Hardware
4	085468-01-W13	EA	End Cap Asm. - Front Lounge - Vinyl
5	090406-01-X19	EA	Drawer Asm. - Couch

ITASCA

FRONT COUCH

Key	Part Number	U/M	Description
1	085468-02-W36	EA	End Cap Asm. - Front Lounge - Vinyl
2	M88304-38-X75	EA	Door Asm. - Couch Overhead - 12" x 18.7" - w/o Hardware
3	M03110-87-X75	EA	Cabinet Asm. - Front Lounge Overhead - w/o Doors & Hardware
4	085468-01-W36	EA	End Cap Asm. - Front Lounge - Vinyl
5	090406-01-X73	EA	Drawer Asm. - Couch

1988 WINNEBAGO/ITASCA TABLE OF CONTENTS

Introduction	A-01
Abbreviations	A-02
W/ICP20ET	A-03 - A-20
W/ICP20EU	A-21 - B-16
W/ICP32RO, W/IJP32RO	B-17 - C-22
W/ICP34RU	C-23 - E-08
W/ICP37RO	E-07 - F-10

1988 W/ICP34RU INDEX

Floor Plan	C-23 - C-24
Bath Group	D-01 - D-05
Curtain, Cushion & Pad Group	D-06 - D-12
Dinette Group	D-13 - D-17
Exterior Body Group	D-18 - D-24
Galley Group	E-01
Lounge Group	E-02 - E-04
Window, Vent & Exterior Door Group	E-05 - E-08

LOUNGE GROUP (CONTINUED)

WINNEBAGO

DOUBLE/QUEEN BED CABINETS

Key	Part Number	U/M	Description
	082099-01-X19	EA	Cabinet Asm. - Nightstand - w/o Countertop, Drawers, or Hardware
	M01568-01-X19	EA	Countertop Asm. - Nightstand
	M78921-02-W13	EA	Drawer Asm. - Nightstand Cabinet - w/o Hardware
	082100-01-X19	EA	Cabinet Asm. - Nightstand - Rear Backwall - w/o Countertop
	M01567-01-X19	EA	Countertop Asm. - Nightstand
	M03110-82-X19	EA	Cabinet Asm. - Passenger Overhead - w/o Doors or Hardware
	M03110-80-X19	EA	Cabinet Asm. - Driver Overhead - w/o Doors or Hardware
	M88304-49-X19	EA	Door Asm. - Rear Side Overhead - 12" x 21.8" - w/o Hardware

ITASCA

DOUBLE BED & NIGHTSTANDS

Key	Part Number	U/M	Description
	082099-01-X75	EA	Cabinet Asm. - Nightstand - w/o Countertop, Drawers, or Hardware
	M01568-01-X75	EA	Countertop Asm. - Nightstand
	M78921-02-W36	EA	Drawer Asm. - Nightstand Cabinet - w/o Hardware
	082100-01-X75	EA	Cabinet Asm. - Nightstand - Rear Backwall - w/o Countertop
	M01567-01-X75	EA	Countertop Asm. - Nightstand
	M03110-83-X75	EA	Cabinet Asm. - Passenger Overhead - w/o Doors or Hardware
	M03110-81-X75	EA	Cabinet Asm. - Driver Overhead - w/o Doors or Hardware
	M88304-49-X75	EA	Door Asm. - Rear Side Overhead - 12" x 21.8" - w/o Hardware

LOUNGE GROUP (CONTINUED)

WINNEBAGO

TWIN BED & OVERHEAD CABINETS OPTION

Key	Part Number	U/M	Description
	M81957-01-W13	EA	Cabinet Asm. - Twin Bed - Left - w/o Hardware
	M85945-01-W13	EA	Cabinet Asm. - Twin Bed - Right - w/o Hardware
	M03110-29-X19	EA	Cabinet Asm. - Drivers Overhead - w/o Doors or Hardware
	M88304-38-X19	EA	Door Asm. - Drivers Overhead Cabinet - 12" x 18.7" - w/o Hardware
	M03110-82-X19	EA	Cabinet Asm. - Overhead - w/o Doors or Hardware
	M88304-49-X19	EA	Door Asm. - Overhead Cabinet - w/o Hardware
	083441-03-X11	EA	Cabinet Asm. - Nightstand - w/o Countertop, Door or Hardware
	M02609-01-X19	EA	Countertop Asm. - Nightstand - Top
	M02608-01-X19	EA	Countertop Asm. - Nightstand - Bottom
	M88304-10-X19	EA	Door Asm. - Nightstand - 11" x 21.9" - w/o Hardware

• Parts used on the X1 unit only

ITASCA

TWIN BED & OVERHEAD CABINETS OPTION

Key	Part Number	U/M	Description
	M89984-01-X75	EA	Cabinet Asm. - Twin Bed - Left - w/o Hardware
	M90616-01-X75	EA	Cabinet Asm. - Twin Bed - Right - w/o Hardware
	M03110-30-X75	EA	Cabinet Asm. - Drivers Overhead - w/o Doors or Hardware
	M88304-38-X75	EA	Door Asm. - Drivers Overhead Cabinet - 12" x 18.7" - w/o Hardware
	M03110-83-X75	EA	Cabinet Asm. - Passenger Overhead - w/o Doors or Hardware
	M88304-49-X75	EA	Door Asm. - Overhead Cabinet - w/o Hardware
	083441-03-X75	EA	Cabinet Asm. - Nightstand - w/o Countertop, Door or Hardware
	M02609-01-X75	EA	Countertop Asm. - Nightstand - Top
	M02608-01-X75	EA	Countertop Asm. - Nightstand - Bottom
	M88304-10-X75	EA	Door Asm. - Nightstand - 11" x 21.9" - w/o Hardware

• Parts used on the X1 unit only

1988 WINNEBAGO/ITASCA TABLE OF CONTENTS

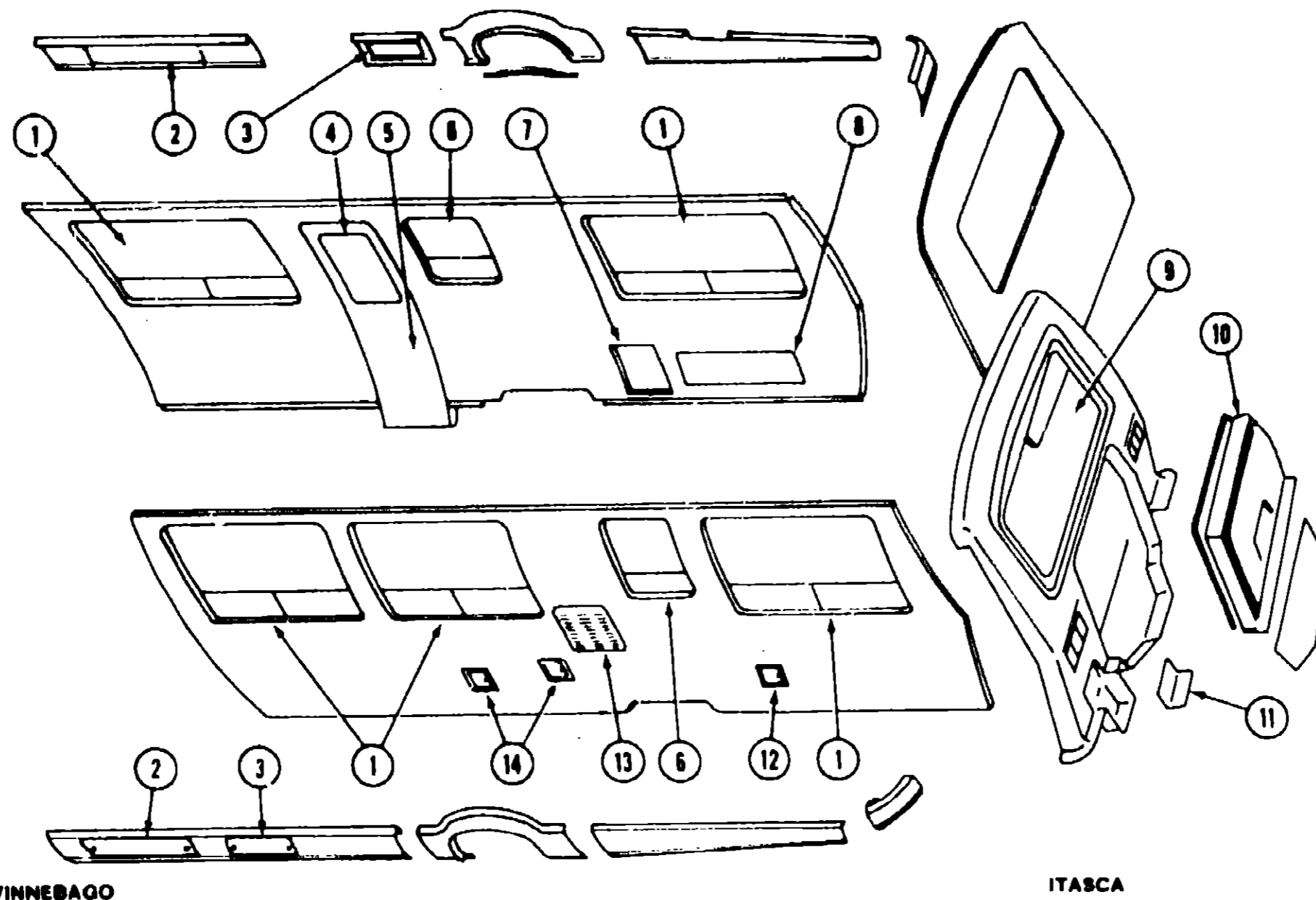
Introduction	A-01
Abbreviations	A-02
W/ICP28ET	A-03 - A-20
W/ICP28EU	A-21 - B-16
W/ICP32RQ, W/IJP32RQ	B-17 - C-22
W/ICP34RU	C-23 - E-08
W/ICP37RQ	E-07 - F-10

1988 W/ICP34RU INDEX

Floor Plan	C-23 - C-24
Bath Group	D-01 - D-05
Curtain, Cushion & Pad Group	D-06 - D-12
Dinette Group	D-13 - D-17
Exterior Body Group	D-18 - D-24
Galley Group	E-01
Lounge Group	E-02 - E-04
Window, Vent & Exterior Door Group	E-05 - E-08

WINDOW, VENT & EXTERIOR DOOR GROUP

WINDOWS & ACCESS DOORS



WINNEBAGO

ITASCA

Key	Part Number	U/M	Description
1	085354-01-W07	EA	Window Asm. - Double
2	076510-03-700	EA	Door Asm. - Storage
3	076510-01-700	EA	Door Asm. - Storage
4	079733-04-T03	EA	Window Asm. - Picture
5	M84385-01-X19	EA	Door Asm. - Entrance
6	085353-07-W07	EA	Window Asm. - Single
7	052009-02-000	EA	Door Asm. - Water Heater
8	M83965-01-W13	EA	Door Asm. - Generator
9	079578-03-W13	EA	Door Asm. - Luggage
10	M01990-03-U07	EA	Cover Spare Tire
11	077137-01-000	EA	Door Asm. - Sewer Hose Compartment
12	078010-01-000	EA	Door Asm. - Fuel Fill
13	084103-01-000	EA	Door Asm. - Refrigerator Vent
14	088794-02-000	EA	Door Asm. - Power Cord
.	M78469-02-000	EA	Window Asm. - Drivers Door
.	077209-02-000	EA	Inside Frame - Drivers Door Window - Black
.	M78469-01-000	EA	Window Asm. - Passenger Door
.	077209-01-000	EA	Inside Frame - Passengers Door Window - Black
.			Not illustrated

Key	Part Number	U/M	Description
1	085354-01-W07	EA	Window Asm. - Double
2	076510-03-700	EA	Door Asm. - Storage
3	076510-01-700	EA	Door Asm. - Storage
4	079733-04-T03	EA	Window Asm. - Picture
5	M84385-01-X19	EA	Door Asm. - Entrance
6	085353-07-W07	EA	Window Asm. - Single
7	052009-03-000	EA	Door Asm. - Water Heater
8	M83965-01-W36	EA	Door Asm. - Generator
9	079578-03-W36	EA	Door Asm. - Luggage
10	M01990-04-U16	EA	Cover Spare Tire
11	077137-02-000	EA	Door Asm. - Sewer Hose Compartment
12	078010-02-000	EA	Door Asm. - Fuel Fill
13	084103-02-000	EA	Door Asm. - Refrigerator Vent
14	088794-03-000	EA	Door Asm. - Power Cord
.	M78469-02-000	EA	Window Asm. - Drivers Door
.	077209-02-000	EA	Inside Frame - Drivers Door Window - Black
.	M78469-01-000	EA	Window Asm. - Passenger Door
.	077209-01-000	EA	Inside Frame - Passengers Door Window - Black
.			Not illustrated

1988 WINNEBAGO/ITASCA TABLE OF CONTENTS

Introduction	A-01
Abbreviations	A-02
W/ICP28ET	A-03 - A-20
W/ICP28EU	A-21 - B-16
W/ICP32RQ, W/IJP32RQ	B-17 - C-22
W/ICP34RU	C-23 - E-08
W/ICP37RQ	E-07 - F-10

1988 W/ICP34RU INDEX

Floor Plan	C-23 - C-24
Bath Group	D-01 - D-05
Curtain, Cushion & Pad Group	D-06 - D-12
Dinette Group	D-13 - D-17
Exterior Body Group	D-18 - D-24
Galley Group	E-01
Lounge Group	E-02 - E-04
Window, Vent & Exterior Door Group	E-05 - E-08