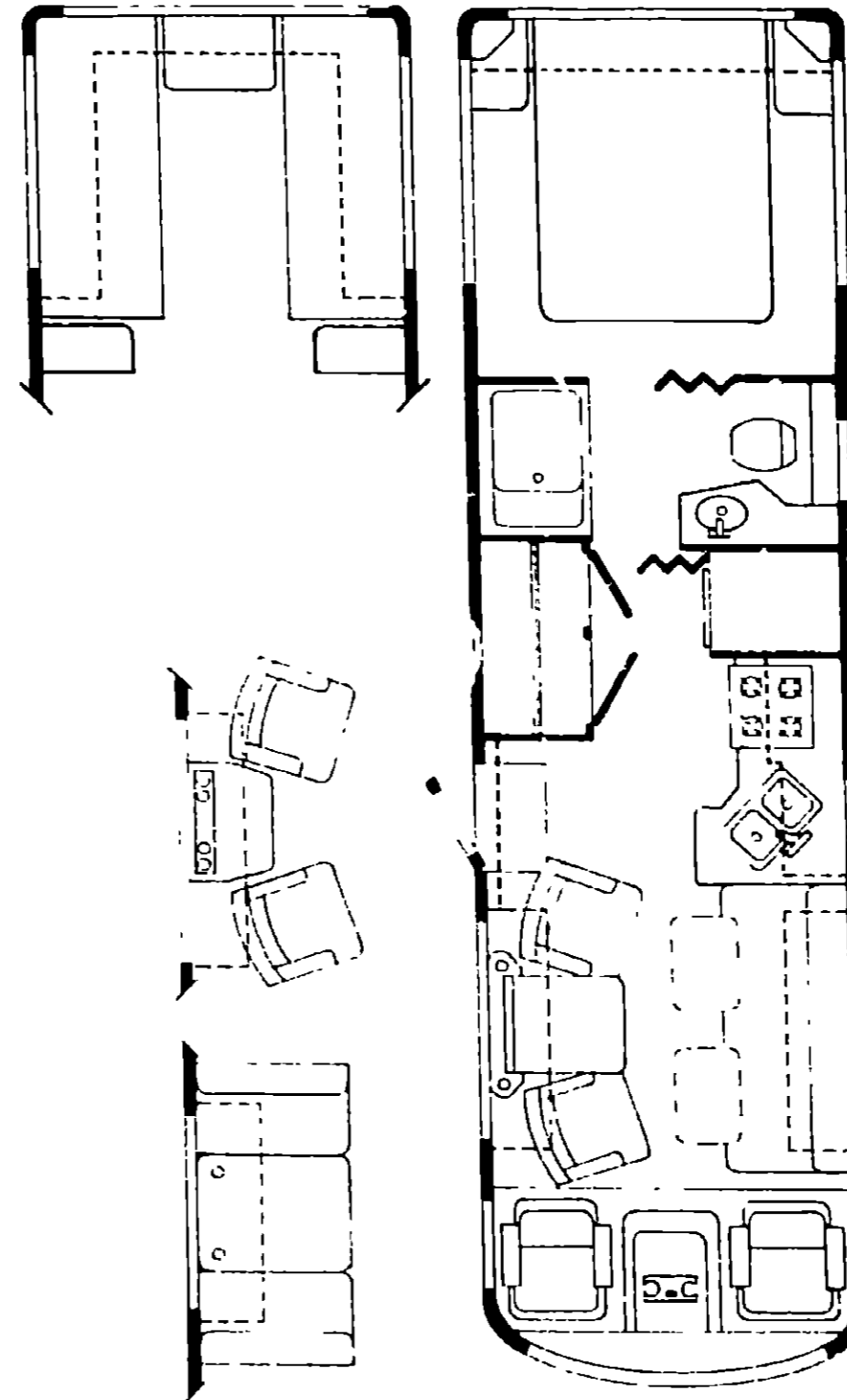


# 1988 W/ICP32RQ W/IJP32RQ



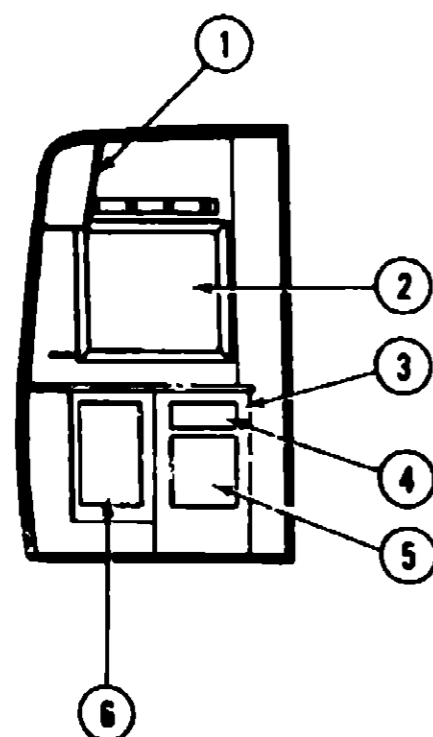
## 1988 WINNEBAGO/ITASCA TABLE OF CONTENTS

Introduction	A-01
Abbreviations	A-02
W/ICP26ET	A-02 - A-20
W/ICP28EU	A-21 - B-16
W/ICP32RQ, W/IJP32RQ	B-17 - C-22
W/ICP34RU	C-23 - E-06
W/ICP37RQ	E-07 - F 10

## 1988 W/ICP32RQ, W/IJP32RQ INDEX

Floor Plan	B-17 - B-18
Bath Group	B-19 - B-21
Curtain, Cushion & Pad Group	B-22 - C-04
Dinette Group	C-05 - C-08
Exterior Body Group	C-09 - C-14
Galley Group	C-15
Lounge Group	C-16 - C-19
Window, Vent & Exterior Door Group	C-20 - C-22

## BATH GROUP

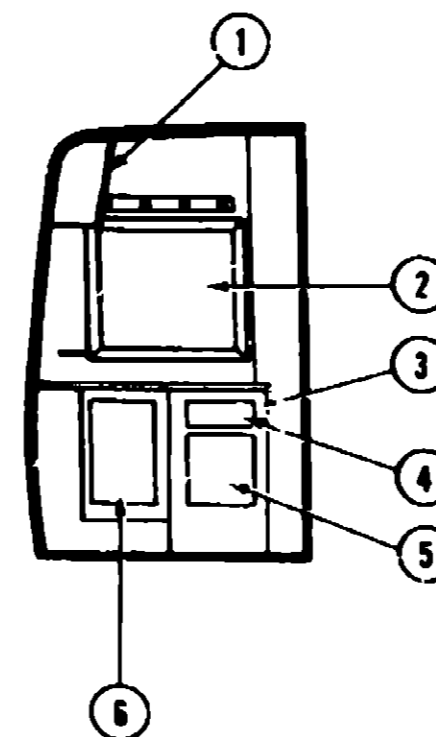


WINNEBAGO

### BATH CABINETRY

Key	Part Number	U/M	Description
1	M88303-52-000	EA	Door Asm - Medicine Cabinet w/o Hardware
	076073-01-000	EA	Cabinet - Medicine - 15 4" x 29 4"
2	M88304-C3-X19	EA	Mirror Asm - Wall - w/o Hardware
3	M89183-01-X19	EA	Cabinet Asm - Lavatory - w/o Countertop, Doors or Drawers
	089183-11-X19	EA	Countertop Asm - Lavatory Cabinet
4	081893-01-X19	EA	Face Asm - Drawer - Lavatory
	077251-01-000	EA	Tipout Drawer - Plastic
5	M88304-43-X19	EA	Door Asm - Lavatory - w/o Hardware
6	M88304-C8-X19	EA	Door Asm - Lavatory - Hamper - w/o Hardware
	089405-11-X19	EA	Countertop Asm - Pipe Cover
	080224-18-000	EA	Door Asm - Folding - Front - w/o Hardware
	080224-27-000	EA	Track - Folding Door - Front
	080224-32-000	EA	Door Asm - Folding - Rear - w/o Hardware
	080224-23-000	EA	Track - Folding Door - Rear
	062906-02-000	EA	Door Asm - Shower Panel
	M91842-01-X19	EA	Door Asm - Bath - w/o Latch
	075603-01-000	EA	Threshold - Bath Door
			Not illustrated

## BATH GROUP (CONTINUED)



ITASCA

### BATH CABINETRY

Key	Part Number	U/M	Description
1	M88303-52-000	EA	Door Asm - Medicine Cabinet w/o Hardware
	076073-01-000	EA	Cabinet - Medicine - 15 4" x 29 4"
2	M88304-C3-X75	EA	Mirror Asm - Wall - w/o Hardware
3	M89183-01-X75	EA	Cabinet Asm - Lavatory - w/o Countertop, Doors or Drawers
	089183-11-X75	EA	Countertop Asm - Lavatory Cabinet
4	081893-01-X75	EA	Face Asm - Drawer - Lavatory
	077251-01-000	EA	Tipout Drawer - Plastic
5	M88304-43-X75	EA	Door Asm - Lavatory - w/o Hardware
6	M88304-C8-X75	EA	Door Asm - Lavatory - Hamper - w/o Hardware
	089405-11-X75	EA	Countertop Asm - Pipe Cover
	080224-18-000	EA	Door Asm - Folding - Front - w/o Hardware
	080224-27-000	EA	Track - Folding Door - Front
	080224-32-000	EA	Door Asm - Folding - Rear - w/o Hardware
	080224-23-000	EA	Track - Folding Door - Rear
	062906-02-000	EA	Door Asm - Shower Panel
	M91842-01-X75	EA	Door Asm - Bath - w/o Latch
	075603-01-000	EA	Threshold - Bath Door
			Not illustrated

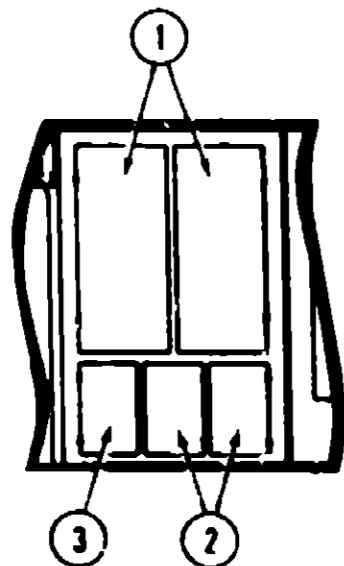
## 1988 WINNEBAGO/ITASCA TABLE OF CONTENTS

Introduction	A-01
Abbreviations	A-02
W/ICP20ET	A-03 - A-20
W/ICP29EU	A-21 - B-16
W/ICP32RQ, W/IJP32RQ	B-17 - C-22
W/ICP34RU	C-23 - E-08
W/ICP37RQ	E-07 - F-10

## 1988 W/ICP32RQ, W/IJP32RQ INDEX

Floor Plan	B-17 - B-18
Bath Group	B-19 - B-21
Curtain, Cushion & Pad Group	B-22 - C-04
Dinette Group	C-05 - C-08
Exterior Body Group	C-09 - C-14
Galley Group	C-15
Lounge Group	C-16 - C-19
Window, Vent & Exterior Door Group	C-20 - C-22

**BATH GROUP (CONTINUED)**



**WINNEBAGO  
WARDROBE CABINETRY**

Key	Part Number	U/M	Description
1	M88304-B5-X19	EA	Door Asm - Wardrobe Cabinet - Upper - w/c Hardware
2	M88304-C1-X19	EA	Door Asm - Wardrobe Cabinet - Lower - w/o Hardware
3	M88304-C2-X19	EA	Door Asm - Wardrobe Cabinet - Lower - w/o Hardware
•	077404-01-000	EA	Drawer - 20" x 12 7/8" - Plastic
•	077409-01-000	EA	Slide - Plastic Drawer
•	081646-01-000	EA	Storage Rack - White Wire
•	075451-02-000	EA	Clip - Storage Rack
•			Not illustrated

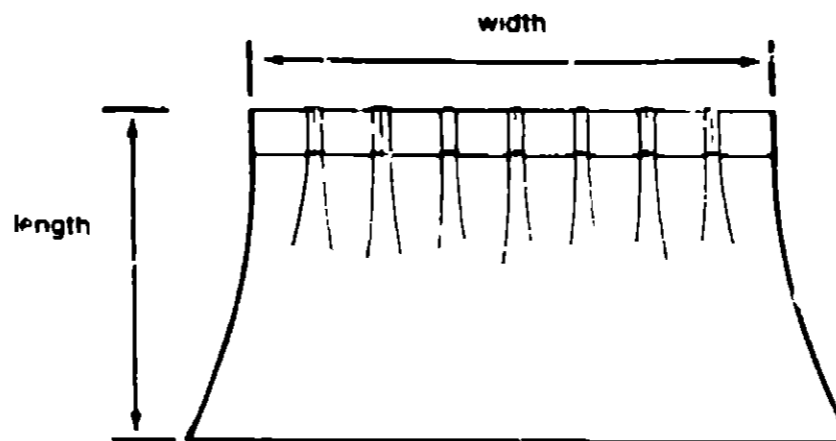
**ITASCA  
WARDROBE CABINETRY**

Key	Part Number	U/M	Description
1	M88304-B5-X75	EA	Door Asm - Wardrobe Cabinet - Upper - w/o Hardware
2	M88304-C1-X75	EA	Door Asm - Wardrobe Cabinet - Lower - w/o Hardware
3	M88304-C2-X75	EA	Door Asm - Wardrobe Cabinet - Lower - w/o Hardware
•	077404-01-000	EA	Drawer - 20" x 12 7/8" - Plastic
•	077409-01-000	EA	Slide - Plastic Drawer
•	081646-01-000	EA	Storage Rack - White Wire
•	075451-02-000	EA	Clip - Storage Rack
•			Not illustrated

**CURTAIN, CUSHION & PAD GROUP**

In order to assist our Part Sales Dept. in providing interior software items, please include the serial number and the color code number from the vehicle certification label when ordering. This label is located on the left sidewall at the end of the dash (A-Body) or on the driver's door latch plate (C-Body).

An example of a color code number is P31 which designates an overall color scheme of a particular unit. The color listed after the item description on the microfiche indicates the overall unit color. Order the item you desire according to unit color code.



**NOTE**  
Use this illustration when determining length and width measurements for curtains. You will note the width measurement is taken at the top of the curtain with the curtain fully extended. The length measurement is taken from top to bottom.



Key	Part Number	U/M	Description
1	029130-01-000	EA	Socket - Snap Fastener
2	029155-01-000	EA	Cap - Snap - 156 Dia x 17 Barrel
3	029156-01-000	EA	Socket - Snap Fastener
4	029092-01-000	EA	Stud - Nickel Finish
5	029093-01-000	EA	Eyelet - Nickel Finish

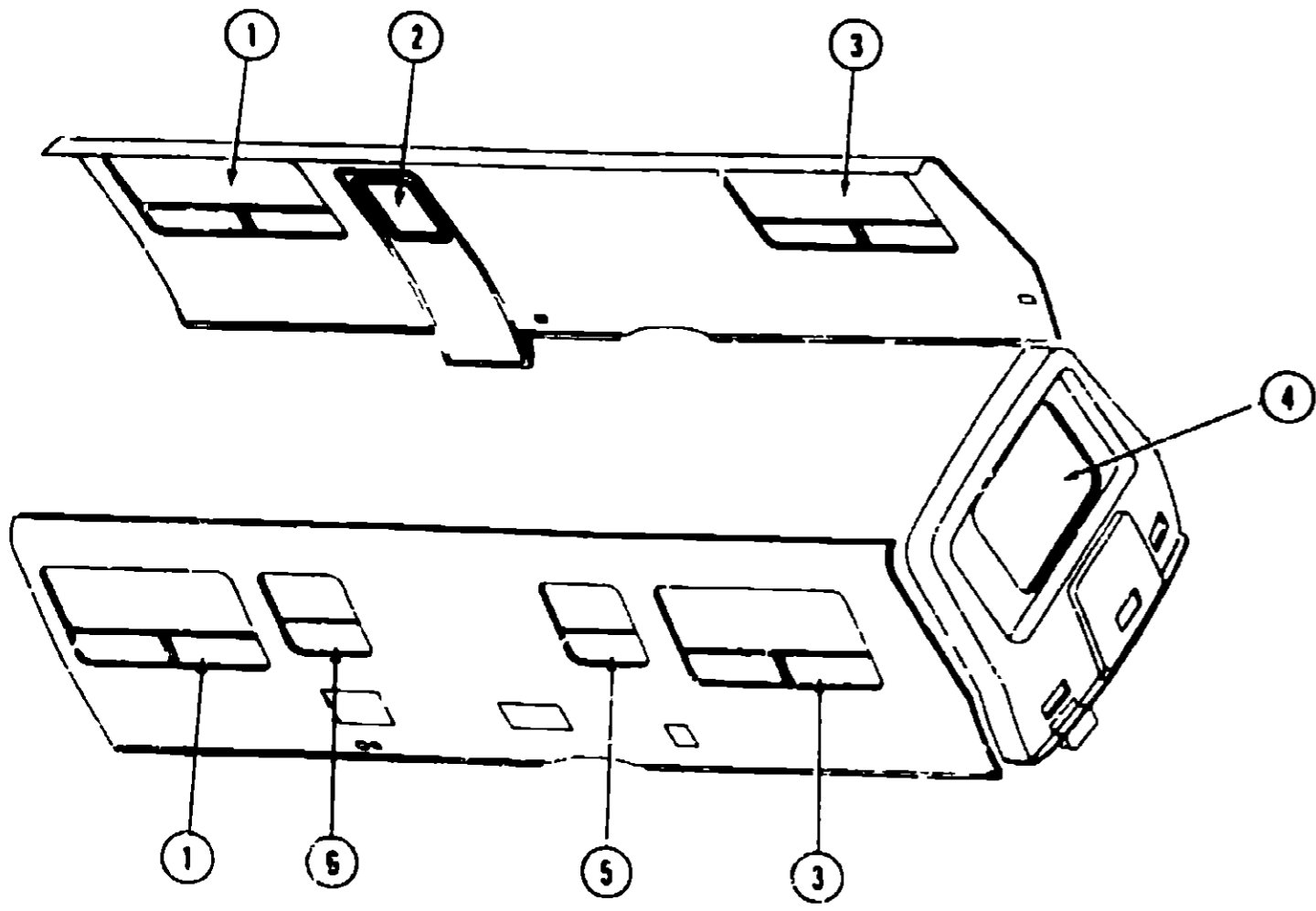
**1988 WINNEBAGO/ITASCA  
TABLE OF CONTENTS**

Introduction	A-01
Abbreviations	A-02
W/ICP28ET	A-03 - A-20
W/ICP28EU	A-21 - B-16
W/ICP32RQ, W/IJP32RQ	B-17 - C-22
W/ICP34RU	C-23 - E-08
W/ICP37RQ	E-09 - F-10

**1988 W/ICP32RQ, W/IJP32RQ INDEX**

Floor Plan	B-17 - B-18
Bath Group	B-19 - B-21
Curtain, Cushion & Pad Group	B-22 - C-04
Dinette Group	C-05 - C-08
Exterior Body Group	C-09 - C-14
Galley Group	C-15
Lounge Group	C-16 - C-19
Window Vent & Exterior Door Group	C-20 - C-22

**CURTAIN, CUSHION & PAD GROUP (CONTINUED)**



**WINNEBAGO**

**CURTAINS, SHADES, VALANCES & TIEBACKS**

Key	Part Number	U/M	Description
1	085327-32-000	EA	Blinds - Micro Mini - 59" x 36" Drop (X19)
1	085327-31-000	EA	Blinds - Micro Mini - 59" x 36" Drop (X20)
1	085327-27-000	EA	Blinds - Micro Mini - 59" x 36" Drop (X21)
1	085327-34-000	EA	Blinds - Micro Mini - 59" x 36" Drop (X22)
1	089058-01-X19	EA	Padded - Window Panel - Right
1	089058-01-X20	EA	Padded - Window Panel - Right
1	089058-01-X21	EA	Padded - Window Panel - Right
1	089058-01-X22	EA	Padded - Window Panel - Right
1	089058-02-X19	EA	Padded - Window Panel - Left
1	089058-02-X20	EA	Padded - Window Panel - Left
1	089058-02-X21	EA	Padded - Window Panel - Left
1	089058-02-X22	EA	Padded - Window Panel - Left
**	082127-80-000	EA	Shade Asm - Woven Wood - 59" x 36" Drop (X19, X21, X22)
†2	084755-04-X19	EA	Shade Asm - Pull - Linen - 24 25" (X19, X20)
†2	084755-04-X21	EA	Shade Asm - Pull - Linen - 24 25" (X21)
†2	084755-04-X22	EA	Shade Asm - Pull - Linen - 24 25" (X22)
2	084755-04-XA9	EA	Shade Asm - Pull - Linen - 24 25" (X19, X20)
2	084755-04-XA7	EA	Shade Asm - Pull - Linen - 24 25" (X21)
2	084755-04-XA8	EA	Shade Asm - Pull - Linen - 24 25" (X22)
3	086730-02-000	EA	Blind - Day/Nighter - 59 5" x 36" Drop
3	M77188-38-X19	EA	Valance Asm - 66 5" (X19, X21)
3	M77188-38-X20	EA	Valance Asm - 66 5" (X20)
3	M77188-38-X22	EA	Valance Asm - 66 5" (X22)

\*\* Parts used on the Woven Wood Option  
† Parts used on units produced before 1-25-88

**CURTAIN, CUSHION & PAD GROUP (CONTINUED)**

**WINNEBAGO**

**CURTAINS, SHADES, VALANCES & TIEBACKS (CONT.)**

Key	Part Number	U/M	Description
3	089058-03-X19	EA	Padded - Window Panel - Right (X19, X21)
3	089058-03-X20	EA	Padded - Window Panel - Right (X20)
3	089058-03-X22	EA	Padded - Window Panel - Right (X22)
3	089058-04-X19	EA	Padded - Window Panel - Left (X19, X21)
3	089058-04-X20	EA	Padded - Window Panel - Left (X20)
3	089058-04-X22	EA	Padded - Window Panel - Left (X22)
4	086730-03-000	EA	Blind - Day/Nighter - 48 2" x 35" Drop
4	089058-05-X19	EA	Padded - Window Panel - Right (X19, X21)
4	089058-05-X20	EA	Padded - Window Panel - Right (X20)
4	089058-05-X22	EA	Padded - Window Panel - Right (X21)
4	089058-06-X19	EA	Padded - Window Panel - Left (X19, X21)
4	089058-06-X20	EA	Padded - Window Panel - Left (X20)
4	089058-06-X22	EA	Padded - Window Panel - Left (X21)
5	085327-36-000	EA	Blinds - Micro Mini - 59" x 36" Drop (X19)
5	085327-37-000	EA	Blinds - Micro Mini - 59" x 36" Drop (X20)
5	085327-38-000	EA	Blinds - Micro Mini - 59" x 36" Drop (X21)
5	085327-39-000	EA	Blinds - Micro Mini - 59" x 36" Drop (X22)
††5	073304-38-X19	EA	Curtain Asm w/Snap Top - 31 5" x 9" (X19, X21, X22)
††5	073304-38-X20	EA	Curtain Asm w/Snap Top - 31 5" x 9" (X20)
5	073304-45-X19	EA	Curtain Asm w/Snap Top - 30" x 9" (X19, X21, X22)
5	073304-45-X20	EA	Curtain Asm w/Snap Top - 30" x 9" (X20)
††6	085327-07-000	EA	Blinds - Micro Mini - 30" x 30" Drop (X19)
††6	085327-08-000	EA	Blinds - Micro Mini - 30" x 30" Drop (X20)
††6	085327-09-000	EA	Blinds - Micro Mini - 30" x 30" Drop (X21)
††6	085327-28-000	EA	Blinds - Micro Mini - 30" x 30" Drop (X22)
6	085327-36-000	EA	Blinds - Micro Mini - 28" x 28" Drop (X19)
6	085327-37-000	EA	Blinds - Micro Mini - 28" x 28" Drop (X19)
6	085327-38-000	EA	Blinds - Micro Mini - 28" x 28" Drop (X19)
6	085327-39-000	EA	Blinds - Micro Mini - 28" x 28" Drop (X19)
†	073304-40-X19	EA	Curtain Asm - Front Wraparound w/Lining - 32 5" x 86" - Right (X19, X21, X22)
†	073304-40-X20	EA	Curtain Asm - Front Wraparound w/Lining - 32 5" x 86" - Right (X20)
†	073304-41-X19	EA	Curtain Asm - Front Wraparound w/Lining - 32 5" x 86" - Left (X19, X21, X22)
†	073304-41-X20	EA	Curtain Asm - Front Wraparound w/Lining - 32 5" x 86" - Left (X20)
*	073304-49-X35	EA	Curtain Asm - Front Wraparound w/Lining - 34" x 85" (X19, X21, X22)
*	073304-49-X33	EA	Curtain Asm - Front Wraparound w/Lining - 34" x 86" (X20)
*	077591-02-X19	EA	Curtain Asm w/Velcro Top - Bunk Privacy - Left (X19, X21, X22)
*	077591-02-X22	EA	Curtain Asm w/Velcro Top - Bunk Privacy - Left (X20)
*	077591-01-X19	EA	Curtain Asm w/Velcro Top - Bunk Privacy - Right (X19, X21, X22)
*	077591-01-X22	EA	Curtain Asm w/Velcro Top - Bunk Privacy - Right (X20)

†† Parts used on units produced before 8-24-87  
† Parts used on units before 8-20-87

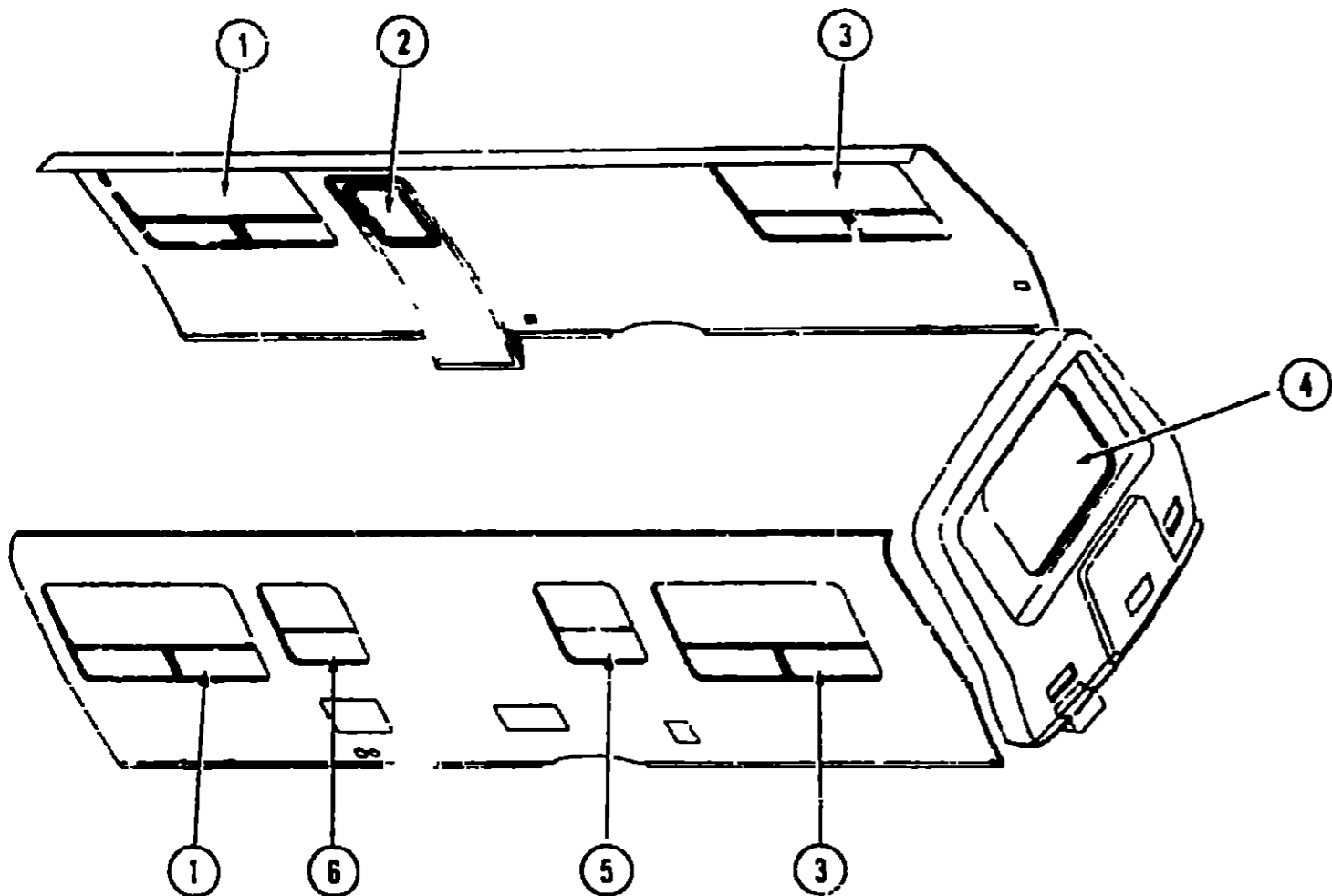
**1988 WINNEBAGO/T/A3CA TABLE OF CONTENTS**

Introduction	A-01
Abbreviations	A-02
W/ICP28ET	A-03 - A-20
W/ICP28EU	A-21 - B-16
W/ICP32RQ, W/IJP32RQ	B-17 - C-22
W/ICP34RU	C-23 - E-08
W/ICP37RJ	E-07 - F-10

**1988 W/ICP32RQ, W/IJP32RQ INDEX**

Floor Plan	B-17 - B-18
Bath Group	P-19 - B-21
Curtain, Cushion & Pad Group	B-22 - C-04
Dinette Group	C-05 - C-08
Exterior Body Group	C-09 - C-14
Galley Group	C-15
Lounge Group	C-16 - C-19
Window, Vent & Exterior Door Group	C-20 - C-22

**CURTAIN, CUSHION & PAD GROUP (CONTINUED)**



**ITASCA**

**CURTAINS, SHADES, VALANCES & TIEBACKS**

Key	Part Number	U/M	Description
1	089058-01-X75	EA	Padded - Window Panel - Right
1	089058-01-X76	EA	Padded - Window Panel - Right
1	089058-01-X77	EA	Padded - Window Panel - Right
1	089058-02-X75	EA	Padded - Window Panel - Left
1	089058-02-X76	EA	Padded - Window Panel - Left
1	089058-02-X77	EA	Padded - Window Panel - Left
1	082127-81-000	EA	Shade Asm - Woven Wood - 59" x 36" Drop (X75)
1	088729-13-000	EA	Blind - 59" x 35" Drop (X75)
1	088729-15-000	EA	Blind - 59" x 35" Drop (X77)
2	07755-04-X22	EA	Shade Asm - Pull - Linen - 24 25" (X75, X77)
2	07755-04-X76	EA	Shade Asm - Pull - Linen - 24 25" (X76)
2	07755-20-X75	EA	Shade Asm - Pull - Linen - 64 25" (X75, X77)
2	07755-20-X76	EA	Shade Asm - Pull - Linen - 64 25" (X76)
3	077188-38-X75	EA	Valance Asm - 66 5"
3	077188-38-X76	EA	Valance Asm - 66 5"
3	077188-38-X77	EA	Valance Asm - 66 5"
3	084269-10-X75	EA	Curtain Asm w/Snap Top - 37 5" x 18"
3	084269-10-X76	EA	Curtain Asm w/Snap Top - 37 5" x 18"
4	084755-21-X75	EA	Shade Asm - Pull - Linen - 50 25" (X75, X77)
4	084755-21-X76	EA	Shade Asm - Pull - Linen - 50 25" (X76)
4	084269-09-X75	EA	Curtain Asm w/Snap Top - 35 5" x 18"
4	084269-09-X76	EA	Curtain Asm w/Snap Top - 35 5" x 18"
4	084269-09-X77	EA	Curtain Asm w/Snap Top - 35 5" x 18"

**CURTAIN, CUSHION & PAD GROUP (CONTINUED)**

**ITASCA**

**CURTAINS, SHADES, VALANCES, & TIEBACKS (CONT.)**

Key	Part Number	U/M	Description
5	082127-82-000	EA	Shade Asm - Woven Wood - 30" x 30" Drop (X75)
5	088729-14-000	EA	Blind - 30" x 30" (X76)
5	088729-16-000	EA	Blind - 30" x 30" (X77)
15	082127-84-000	EA	Shade Asm - Woven Wood - 28" x 28" Drop (X75)
15	088729-28-000	EA	Blind - 28" x 28" Drop (X76)
15	088729-29-000	EA	Blind - 28" x 28" Drop (X77)
5	073304-38-X75	EA	Curtain Asm w/Snap Top - 31 5" x 9" (X75, X76)
5	073304-38-X19	EA	Curtain Asm w/Snap Top - 31 5" x 9" (X77)
15	073304-45-X75	EA	Curtain Asm w/Snap Top - 30" x 30" (X75, X76)
15	073304-45-XA4	EA	Curtain Asm w/Snap Top - 30" x 30" (X75, X76)
15	073304-45-X19	EA	Curtain Asm w/Snap Top - 30" x 30" (X77)
6	082127-82-000	EA	Shade Asm - Woven Wood - 30" x 30" Drop (X75)
6	088729-14-000	EA	Blind - 30" x 30" Drop (X76)
6	088729-16-000	EA	Blind - 30" x 30" Drop (X77)
16	082127-84-000	EA	Shade Asm - Woven Wood - 28" x 28" Drop (X75)
16	088729-28-000	EA	Blind - 28" x 28" Drop (X76)
16	088729-29-000	EA	Blind - 28" x 28" Drop (X77)
•	073304-40-X37	EA	Curtain Asm - Front Wraparound - 32 5" x 86" Right (X75, X76)
•	073304-40-X19	EA	Curtain Asm - Front Wraparound - 32 5" x 86" Right (X77)
•	073304-41-X37	EA	Curtain Asm - Front Wraparound - 32 5" x 86" Left (X75, X76)
•	073304-41-X19	EA	Curtain Asm - Front Wraparound - 32 5" x 86" Left (X77)
†	073304-49-X34	EA	Curtain Asm - Front Wraparound - 34" x 86" (X75, X76)
††	073304-49-XA4	EA	Curtain Asm - Front Wraparound - 34" x 86" (X75, X76)
†	073304-49-X35	EA	Curtain Asm - Front Wraparound - 34" x 86" (X77)
•	077591-02-XA4	EA	Curtain Asm w/Velcro Top - Bunk Privacy - Left (X75, X76)
•	077591-02-X19	EA	Curtain Asm w/Velcro Top - Bunk Privacy - Left (X77)
•	077591-01-XA4	EA	Curtain Asm w/Velcro Top - Bunk Privacy - Right (X75, X76)
•	077591-01-X19	EA	Curtain Asm w/Velcro Top - Bunk Privacy - Right (X77)
•	073260-23-XA4	EA	Tieback Asm - 3" x 18" - Drapery (X75, X76)
•	073260-23-X19	EA	Tieback Asm - 3" x 18" - Drapery (X77)
•			Not illustrated

† Denotes a size change Please measure carefully  
 †† Denotes a fabric change Effective as of 10-1-87

**1988 WINNEBAGO/ITASCA  
TABLE OF CONTENTS**

Introduction	A-01
Abbreviations	A-02
W/ICP26ET	A-03 - A-20
W/ICP28EU	A-21 - B-16
W/ICP32RQ, W/IJP32RQ	B-17 - C-22
W/ICP34RU	C-23 - E-08
W/ICP37RQ	E-07 - F-10

**1988 W/ICP32RQ, W/IJP32RQ INDEX**

Floor Plan	B-17 - B-19
Bath Group	B-19 - B-21
Curtain, Cushion & Pad Group	B-22 - C-04
Dinette Group	C-05 - C-09
Exterior Body Group	C-09 - C-10
Galley Group	C-15
Lounge Group	C-16 - C-19
Window, Vent & Exterior Door Group	C-20 - C-22

**CURTAIN, CUSHION & PAD GROUP (CONTINUED)**

**WINNEBAGO**

**TRIM PADS**

Key	Part Number	U/M	Description
	089104-02-X19	EA	Insert - Upper Drivers Door
	089104-03-X20	EA	Insert - Upper Drivers Door
	089104-03-X21	EA	Insert - Upper Drivers Door
	089104-03-X22	EA	Insert - Upper Drivers Door
	089105-03-X19	EA	Insert - Lower Drivers Door
	089105-03-X20	EA	Insert - Lower Drivers Door
	089105-03-X21	EA	Insert - Lower Drivers Door
	089105-03-X22	EA	Insert - Lower Drivers Door
	089106-03-X19	EA	Insert - Map Pocket - Drivers Door
	089106-03-X20	EA	Insert - Map Pocket - Drivers Door
	089106-03-X21	EA	Insert - Map Pocket - Drivers Door
	089106-03-X22	EA	Insert - Map Pocket - Drivers Door
	089107-02-X19	EA	Insert - Side Upper - Driver
	089107-02-X20	EA	Insert - Side Upper - Driver
	089107-02-X21	EA	Insert - Side Upper - Driver
	089107-02-X22	EA	Insert - Side Upper - Driver
	089114-02-X19	EA	Insert - Side Upper - Passenger
	089114-02-X20	EA	Insert - Side Upper - Passenger (X20)
	089114-02-X21	EA	Insert - Side Upper - Passenger
	089114-02-X22	EA	Insert - Side Upper - Passenger
	089108-02-X19	EA	Insert - Side Lower - Driver
	089108-02-X20	EA	Insert - Side Lower - Driver
	089108-02-X21	EA	Insert - Side Lower - Driver
	089108-02-X22	EA	Insert - Side Lower - Driver
	089111-02-X19	EA	Insert - Front Center Overhead
	089111-02-X20	EA	Insert - Front Center Overhead
	089111-02-X21	EA	Insert - Front Center Overhead
	089111-02-X22	EA	Insert - Front Center Overhead
	089112-03-X19	EA	Insert - Front Overhead (Sunvisor) - Passenger
	089112-03-X20	EA	Insert - Front Overhead (Sunvisor) - Passenger
	089112-03-X21	EA	Insert - Front Overhead (Sunvisor) - Passenger
	089112-03-X22	EA	Insert - Front Overhead (Sunvisor) - Passenger
	089112-04-X19	EA	Insert - Front Overhead (Sunvisor) - Driver
	089112-04-X20	EA	Insert - Front Overhead (Sunvisor) - Driver
	089112-04-X21	EA	Insert - Front Overhead (Sunvisor) - Driver
	089112-04-X22	EA	Insert - Front Overhead (Sunvisor) - Driver
	089113-02-X19	EA	Wall Pad - TT Chair - 12' x 16'
	089113-02-X20	EA	Wall Pad - TT Chair - 12' x 16'
	089113-02-X21	EA	Wall Pad - TT Chair - 12' x 16'
	089113-02-X22	EA	Wall Pad - TT Chair - 12' x 16'
	081519-05-X19	EA	Pad Asm - Dinette Seat - Right
	081519-05-X20	EA	Pad Asm - Dinette Seat - Right
	081519-05-X21	EA	Pad Asm - Dinette Seat - Right
	081519-05-X22	EA	Pad Asm - Dinette Seat - Right
	081519-06-X19	EA	Pad Asm - Dinette Seat - Left
	081519-06-X20	EA	Pad Asm - Dinette Seat - Left
	081519-06-X21	EA	Pad Asm - Dinette Seat - Left
	081519-06-X22	EA	Pad Asm - Dinette Seat - Left
	089045-01-W13	EA	Pad Asm - T V Cabinet

**CURTAIN, CUSHION & PAD GROUP (CONTINUED)**

**ITASCA**

**TRIM PADS**

Key	Part Number	U/M	Description
	089104-03-X75	EA	Insert - Upper Drivers Door
	089104-03-X76	EA	Insert - Upper Drivers Door
	089104-03-X77	EA	Insert - Upper Drivers Door
	089105-03-X75	EA	Insert - Lower Drivers Door
	089105-03-X76	EA	Insert - Lower Drivers Door
	089105-03-X77	EA	Insert - Lower Drivers Door
	089106-03-X75	EA	Insert - Map Pocket - Drivers Door
	089106-03-X76	EA	Insert - Map Pocket - Drivers Door
	089106-03-X77	EA	Insert - Map Pocket - Drivers Door
	089107-02-X75	EA	Insert - Side Upper - Driver (X75)
	089107-02-X79	EA	Insert - Side Upper - Driver (X76)
	089107-02-X22	EA	Insert - Side Upper - Driver (X77)
	089114-02-X75	EA	Insert - Side Upper - Passenger (X75)
	089114-02-X79	EA	Insert - Side Upper - Passenger (X76)
	089114-02-X22	EA	Insert - Side Upper - Passenger (X77)
	089108-02-X75	EA	Insert - Side Lower - Driver (X75)
	089108-02-X79	EA	Insert - Side Lower - Driver (X76)
	089108-02-X22	EA	Insert - Side Lower - Driver (X77)
	089111-02-X75	EA	Insert - Front Center Overhead (X75)
	089111-02-X79	EA	Insert - Front Center Overhead (X76)
	089111-02-X22	EA	Insert - Front Center Overhead (X77)
	089112-03-X75	EA	Insert - Front Overhead (Sunvisor) - Passenger (X75)
	089112-03-X79	EA	Insert - Front Overhead (Sunvisor) - Passenger (X76)
	089112-03-X22	EA	Insert - Front Overhead (Sunvisor) - Passenger (X77)
	089112-04-X75	EA	Insert - Front Overhead (Sunvisor) - Driver (X75)
	089112-04-X79	EA	Insert - Front Overhead (Sunvisor) - Driver (X76)
	089112-04-X22	EA	Insert - Front Overhead (Sunvisor) - Driver (X77)
	089113-02-X75	EA	Wall Pad - TT Chair - 12' x 16' (X75)
	089113-02-X79	EA	Wall Pad - TT Chair - 12' x 16' (X76)
	089113-02-X22	EA	Wall Pad - TT Chair - 12' x 16' (X77)
	081519-01-X75	EA	Pad Asm - Dinette Seat - Right (X75)
	081519-03-X76	EA	Pad Asm - Dinette Seat - Right (X76)
	081519-03-X77	EA	Pad Asm - Dinette Seat - Right (X77)
	081519-02-X75	EA	Pad Asm - Dinette Seat - Left (X75)
	081519-04-X76	EA	Pad Asm - Dinette Seat - Left (X76)
	081519-04-X77	EA	Pad Asm - Dinette Seat - Left (X77)
	089045-01-W36	EA	Pad Asm - T V Cabinet

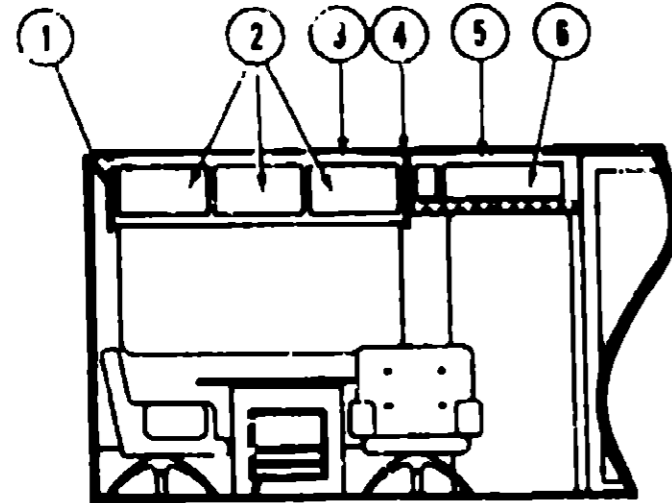
**1968 WINNEBAGO/ITASCA  
TABLE OF CONTENTS**

Introduction	A-01
Abbreviations	A-02
W/ICP28ET	A-03 - A-20
W/ICP28EU	A-21 - B-16
W/ICP32RQ, W/IJP32RQ	B-17 - C-22
W/ICP34FU	C-23 - E-06
W/ICP37RQ	E-07 - F-10

**1968 W/ICP32RQ, W/IJP32RQ INDEX**

Floor Plan	B-17 - B-18
Bath Group	B-19 - B-21
Curtain Cushion & Pad Group	B-22 - C-04
Dinette Group	C-05 - C-06
Exterior Body Group	C-09 - C-14
Galley Group	C-15
Lounge Group	C-16 - C-19
Window Vent & Exterior Door Group	C-20 - C-22

## DINETTE GROUP

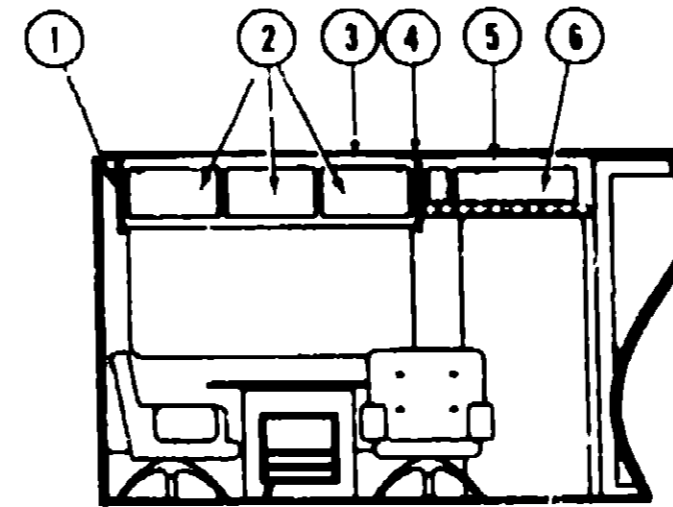


### WINNEBAGO

#### SWIVEL CHAIR DINETTE & OVERHEAD CABINERY

Key	Part Number	U/M	Description
1	085468-02-X19	EA	Pad Asm - End Cap - Front Overhead - Left Vinyl
2	M68304-38-X19	EA	Door Asm - Overhead Cabinet - w/o Hardware
3	M03110-15-X19	EA	Cabinet Asm - Front Overhead - Passenger - w/o Doors or Hardware
4	M03110-13-X19	EA	Cabinet Asm - Front Overhead - Driver - w/o Doors or Hardware
5	085468-01-X19	EA	Pad Asm - End Cap - Front Overhead - Right - Vinyl
6	M03110-59-Y19	EA	Cabinet Asm - Entrance Door Overhead
7	M88304-45-X19	EA	Door Asm - Entrance Cabinet
8	M81727-02-X19	EA	Cabinet Asm - Pullout Table
9	M02415-01-X19	EA	Table Asm - Pullout
10	M02416-01-X19	EA	Countertop Asm - Pullout Table
11	M02414-01-X19	EA	Top - Cupholder - Pullout Table
12	M02417-01-X19	EA	Hinged Top - Pullout Table - w/o Hardware
13	080728-01-000	EA	Handle - Pullout Table
14	079606-01-W13	EA	Magazine Rack
15	081298-01-X11	EA	Table Asm - Pedestal
16	009040-03-000	EA	Base - Table - Mounts to Table
17	009040-04-000	EA	Leg - Pedestal Table
18	062046-01-000	EA	Clip - Pedestal Table
19	041194-01-000	EA	Base - Table - Flush Mounts in Floor
20			Not illustrated

## DINETTE GROUP (CONTINUED)



### ITASCA

#### SWIVEL CHAIR DINETTE & OVERHEAD CABINERY

Key	Part Number	U/M	Description
1	085468-02-W36	EA	Pad Asm - End Cap - Front Overhead - Left Vinyl
2	M88304-38-X75	EA	Door Asm - Overhead Cabinet - w/o Hardware
3	M03110-16-W75	EA	Cabinet Asm - Front Overhead - Passenger - w/o Doors or Hardware
4	M03110-14-X75	EA	Cabinet Asm - Front Overhead - Driver - w/o Doors or Hardware
5	085468-01-W36	EA	Pad Asm - End Cap - Front Overhead - Right - Vinyl
6	M03110-60-X76	EA	Cabinet Asm - Entrance Door Overhead
7	M88304-45-X75	EA	Door Asm - Entrance Cabinet
8	M81727-02-X75	EA	Cabinet Asm - Pullout Table
9	M02415-01-X75	EA	Table Asm - Pullout
10	M02416-01-X75	EA	Countertop Asm - Pullout Table
11	M02414-01-X75	EA	Top - Cupholder - Pullout Table
12	M02417-01-X75	EA	Hinged Top - Pullout Table - w/o Hardware
13	080728-01-000	EA	Handle - Pullout Table
14	079606-01-W36	EA	Magazine Rack
15	081298-01-X11	EA	Table Asm - Pedestal
16	009040-03-000	EA	Base - Table - Mounts to Table
17	009040-04-000	EA	Leg - Pedestal Table
18	062046-01-000	EA	Cup - Pedestal Table
19	041194-01-000	EA	Base - Table - Flush Mounts in Floor
20			Not illustrated

## 1988 WINNEBAGO/ITASCA TABLE OF CONTENTS

Introduction	A-01
Abbreviations	A-02
W/ICP26ET	A-03 - A-20
W/ICP28EU	A-21 - B-16
W/ICP32RQ, W/IJP32RQ	B-17 - C-22
W/ICP34RU	C-23 - E-06
W/ICP37RQ	F-07 - F-10

## 1988 W/ICP32RQ, W/IJP32RQ INDEX

Floor Plan	B-17 - B-18
Bath Group	B-19 - B-21
Curtain, Cushion & Pad Group	B-22 - C-04
Dinette Group	C-05 - C-08
Exterior Body Group	C-09 - C-14
Galley Group	C-15
Lounge Group	C-16 - C-19
Window Vent & Exterior Door Group	C-20 - C-22

## DINETTE GROUP (CONTINUED)

### WINNEBAGO

#### DINETTE CABINETS & HARDWARE (OPTION)

Key	Part Number	U/M	Description
	M03110-17-X19	EA	Cabinet Asm - Dinette Overhead - w/o Doors or Hardware
	M88304-38-X19	EA	Door Asm - Overhead Cabinet - w/o Hardware
	M03126-01-X19	EA	Cabinet Asm - Dinette Back - Right
	M03128-01-X19	EA	Cabinet Asm - Dinette Back - Left
	M03125-01-X19	EA	Cabinet Asm - Dinette Seat - Right - w/o Door
	M03127-01-X19	EA	Cabinet Asm - Dinette Seat - Left - w/o Door
	M88304-40-X19	EA	Door Asm - Dinette Seats - w/c Hardware
	M88913-01-X19	EA	Table - Dinette - w/o Hardware
	C53200-05-000	EA	Bracket - Upper Wall Mount - 23 5" - Beige
	088410-01-000	EA	Hanger - Table - Beige
	024275-05-000	EA	Rod - Table Lift - 8" x 23 5" - Beige
	024281-07-000	EA	Bracket - Lower Wall Mounts - 22 12" - Beige
	024276-17-000	EA	Leg Asm - Table - 26 75" - Tan
	064050-02-000	EA	Hinge - Table Leg
**	024282-01-000	EA	Brace - Table Leg
**	024283-01-000	EA	Clip - 1" O D Tube
**	049493-05-000	EA	Catch - Table Leg - Mounts on Floor - Tan
**	The illustrated parts breakdown for this item is provided on the Common Items Fiche		

### WINNEBAGO

#### SWIVEL CHAIR & ICE MAKER (OPTION)

Key	Part Number	U/M	Description
	M82887-01-X19	EA	Cabinet Asm - Ice Maker
	074489-02-W30	EA	Holder - Beverage Tray
	M02493-01-X19	EA	Countertop Asm - Ice Maker
	M02494-01-X19	EA	Slide Out Table
**	076799-01-000	EA	Ice Maker - Black Glass
**	The illustrated parts breakdown for this item is provided on the Common Items Fiche		

## DINETTE GROUP (CONTINUED)

### ITASCA

#### DINETTE CABINETS & HARDWARE (OPTION)

Key	Part Number	U/M	Description
	M03110-18-X75	EA	Cabinet Asm - Dinette Overhead - w/o Doors or Hardware
	M88304-38-X75	EA	Door Asm - Overhead Cabinet - w/o Hardware
	M03126-01-X75	EA	Cabinet Asm - Dinette Back - Right
	M03128-01-X75	EA	Cabinet Asm - Dinette Back - Left
	M03125-01-X75	EA	Cabinet Asm - Dinette Seat - Right - w/o Door
	M03127-01-X75	EA	Cabinet Asm - Dinette Seat - Left - w/o Door
	M88304-40-X75	EA	Door Asm - Dinette Seats - w/o Hardware
	M88913-01-X19	EA	Table - Dinette - w/o Hardware
	053200-05-000	EA	Bracket - Upper Wall Mount - 23 5" - Beige
	088410-01-000	EA	Hanger - Table - Beige
	024275-05-000	EA	Rod - Table Lift - 8" x 23 5" - Beige
	024281-07-000	EA	Bracket - Lower Wall Mounts - 22 12" - Beige
	024276-17-000	EA	Leg Asm - Table - 26 75" - Tan
	064050-02-000	EA	Hinge - Table Leg
**	024282-01-000	EA	Brace - Table Leg
**	024283-01-000	EA	Clip - 1" O D Tube
**	049493-05-000	EA	Catch - Table Leg - Mounts on Floor - Tan
**	The illustrated parts breakdown for this item is provided on the Common Items Fiche		

### ITASCA

#### SWIVEL CHAIR & ICE MAKER (OPTION)

Key	Part Number	U/M	Description
	M82887-01-X75	EA	Cabinet Asm - Ice Maker
	074489-02-W36	EA	Holder - Beverage Tray
	M02493-01-X75	EA	Countertop Asm - Ice Maker
	M02494-01-X75	EA	Slide Out Table
**	076799-01-000	EA	Ice Maker - Black Glass
**	The illustrated parts breakdown for this item is provided on the Common Items Fiche		

## 1988 WINNEBAGO/ITASCA TABLE OF CONTENTS

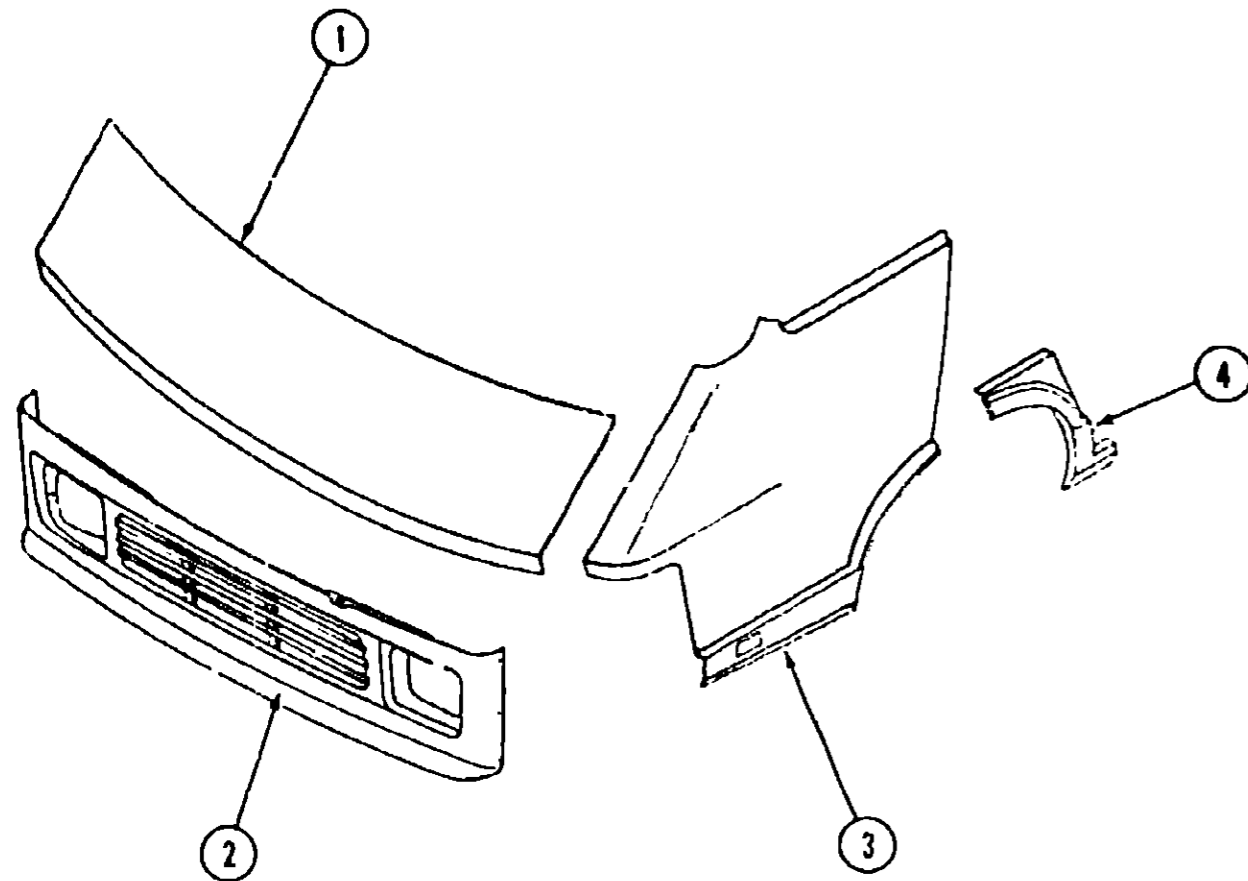
Introduction	A-01
Abbreviations	A-02
W/ICP20ET	A-03 - A-20
W/ICP20EU	A-21 - B-16
W/ICP32RQ, W/IJP32RQ	B-17 - C-22
W/ICP34RU	C-23 - E-08
W/ICP37RQ	E-07 - F-10

## 1988 W/ICP32RQ, W/IJP32RQ INDEX

Floor Plan	B-17 - E-18
Bath Group	B-19 - B-21
Curtain, Cushion & Pad Group	B-22 - C-04
Dinette Group	C-05 - C-08
Exterior Body Group	C-09 - C-14
Galley Group	C-15
Lounge Group	C-16 - C-19
Window, Vent & Exterior Door Group	C-20 - C-22



## EXTERIOR BODY GROUP

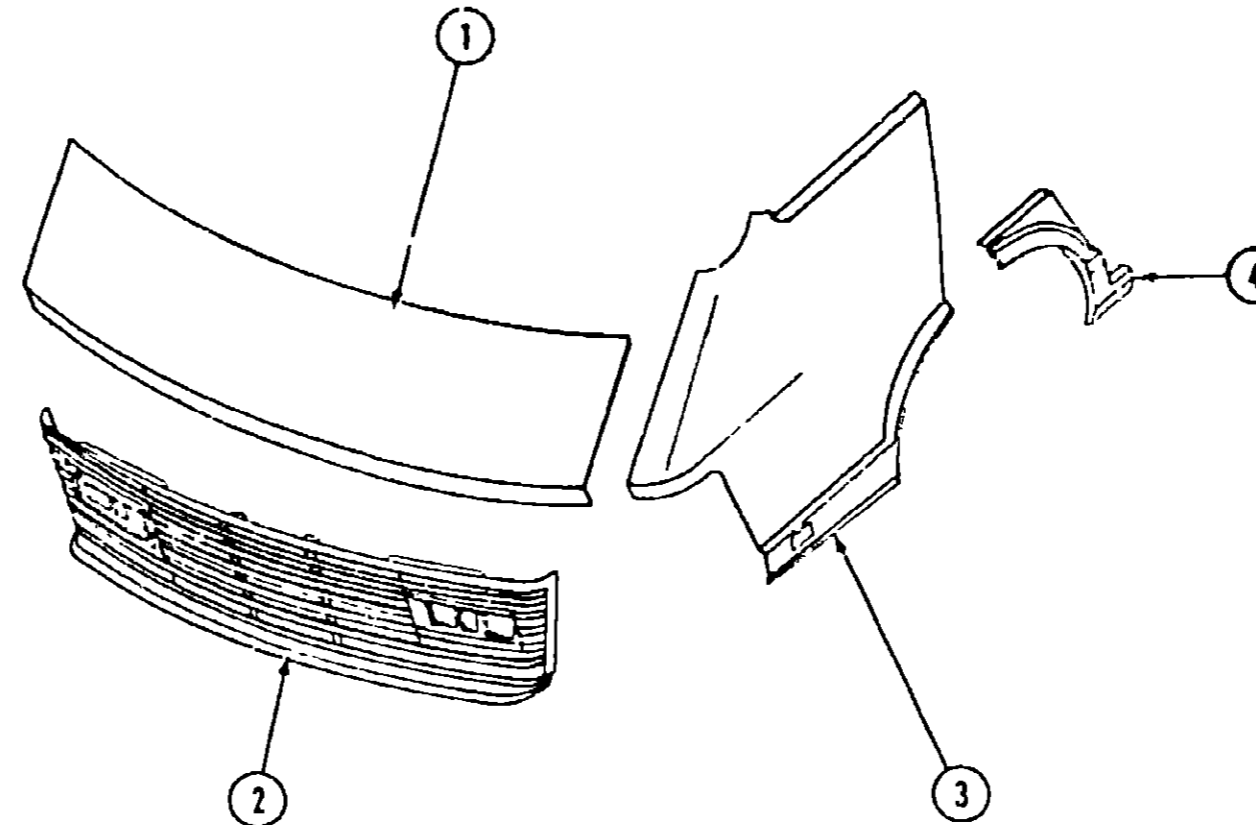


WINNEBAGO

### EXTERIOR BODY PANELS (CAB)

Key	Part Number	U/M	Description
1	084759-01-W13	EA	Hood Panel
•	058786-02-000	EA	Hood Bolt - Adjusting
•	M02680-01-U25	EA	Hinge Asm - Hood - Right
•	M02680-02-U25	EA	Hinge Asm - Hood - Left
•	062628-01-000	EA	Clip - Prop Rod
•	077064-01-000	EA	Cable Asm - Hood Release
•	073336-02-000	EA	Bracket - Mounting Latch
•	077407-01-000	EA	Bracket - Hood Release Cable
2	M01608-06-X19	EA	Grille - Panel Asm
•	090526-01-000	EA	Headlamp Bezel - Right Hand
•	090526-02-000	EA	Headlamp Bezel - Left Hand
3	084751-04-W13	EA	Fender Panel - Front Left
•	084751-03-W13	EA	Fender Panel - Front Right
4	084714-02-000	EA	Fender Panel - Rear Left
•	084714-01-000	EA	Fender Panel - Rear Right
•	M01615-08-W13	EA	Roof Cap - Front Cab
•	Not illustrated		

## EXTERIOR BODY GROUP (CONTINUED)



ITASCA

### EXTERIOR BODY PANELS (CAB)

Key	Part Number	U/M	Description
1	084759-01-W36	EA	Hood Panel
•	058786-02-000	EA	Hood Bolt - Adjusting
•	M02680-01-U16	EA	Hinge Asm - Hood - Right
•	M02680-02-U16	EA	Hinge Asm - Hood - Left
•	062628-01-000	EA	Clip - Prop Rod
•	077064-01-000	EA	Cable Asm - Hood Release
•	073336-02-000	EA	Bracket - Mounting Latch
•	077407-01-000	EA	Bracket - Hood Release Cable
2	M01608-05-W36	EA	Grille - Panel Asm
•	076910-01-000	EA	Headlamp Bezel - Right Hand
•	076910-02-000	EA	Headlamp Bezel - Left Hand
3	084751-04-W36	EA	Fender Panel - Front Left
•	084751-03-W36	EA	Fender Panel - Front Right
4	084714-04-000	EA	Fender Panel - Rear Left
•	084714-03-000	EA	Fender Panel - Rear Right
•	M01615-08-W36	EA	Roof Cap - Front Cab
•	Not illustrated		

## 1988 WINNEBAGO/ITASCA TABLE OF CONTENTS

Introduction	A-01
Abbreviations	A-02
W/ICP28ET	A-03 - A-20
W/ICP28EU	A-21 - B-16
W/ICP32RQ, W/IJP32RQ	B-17 - C-22
W/ICP34RU	C-23 - E-06
W/ICP37RQ	E-07 - F-10

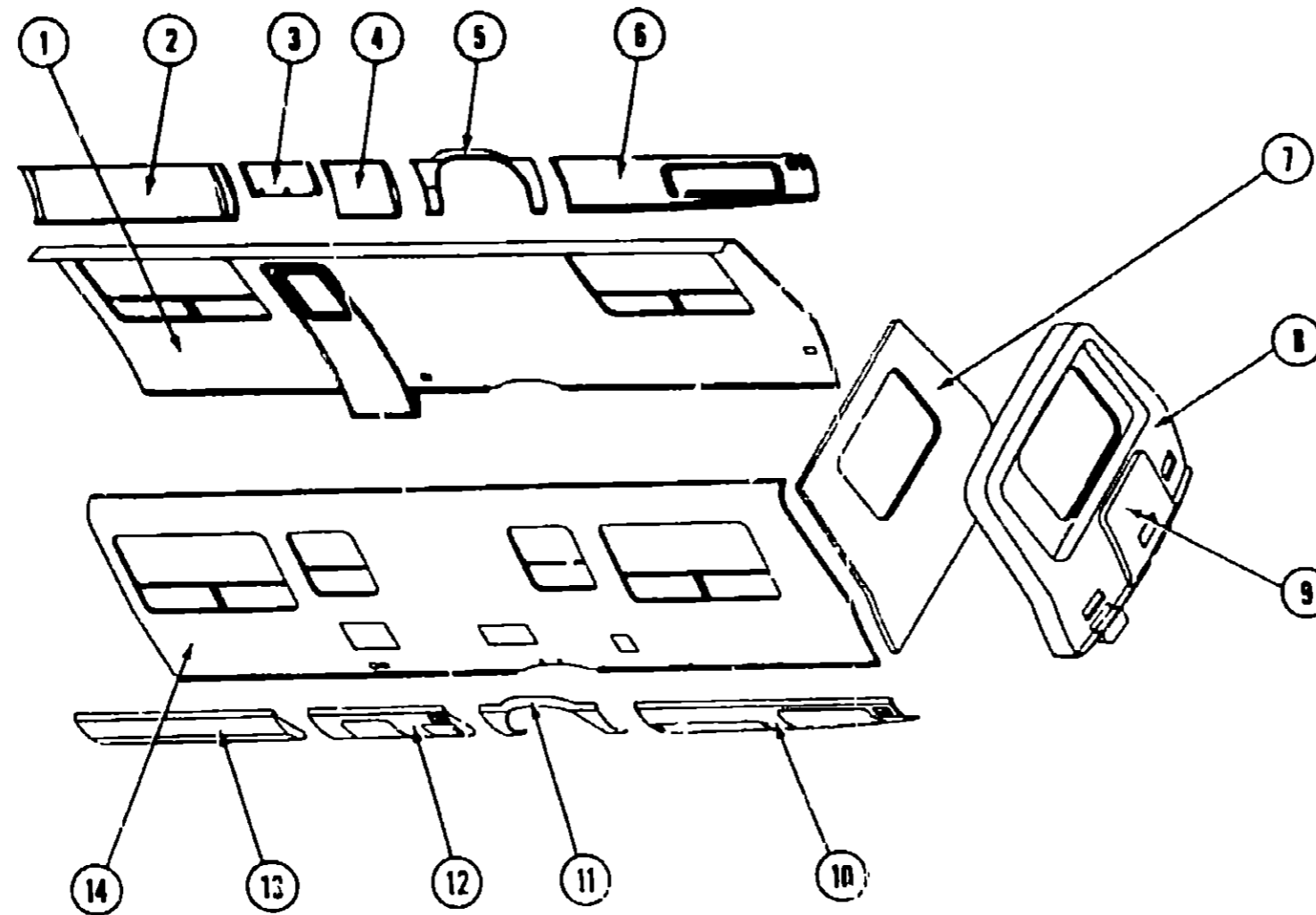
## 1988 W/ICP32RQ, W/IJP32RQ INDEX

Floor Plan	B-17 - B-18
Bath Group	B-19 - B-21
Curtain Cushion & Pad Group	B-22 - C-04
Dinette Group	C-05 - C-08
Exterior Body Group	C-09 - C-14
Galley Group	C-15
Lounge Group	C-16 - C-19
Window, Vent & Exterior Door Group	C-20 - C-22

# EXTERIOR BODY GROUP (CONTINUED)

WINNEBAGO

## EXTERIOR BODY PANELS



Key	Part Number	U/M	Description
1	M88347-01-X19	EA	Sidewall Asm - Right (X19 X22)
1	M88347-01-X20	EA	Sidewall Asm - Right (X20)
1	M88347-01-X21	EA	Sidewall Asm - Right (X21)
2	085037-01-W13	EA	Panel Asm - Front Valance - Right
3	088684-01-X19	EA	Panel Asm - Valance - Entrance Door
4	088362-01-X19	EA	Panel Asm - Center Valance - Right
5	088358-01-X19	EA	Panel Asm - Wheelwell - Right
6	085486-03-000	EA	Valance Panel - Rear Right - Beige
7	085182-01-X19	EA	Backwall Asm (X19 X22)
7	085182-01-X20	EA	Backwall Asm
7	085182-01-X21	EA	Backwall Asm
8	M01616-21-X19	EA	Rear Cap Asm - Beige
9	M01990-04-X19	EA	Spare Tire Cover Asm

Key	Part Number	U/M	Description
10	089083-01-000	EA	Valance Panel - Rear Left - Beige
11	088356-02-X13	EA	Panel Asm - Wheelwell - Left
12	089086-01-000	EA	Panel Asm - Center Valance - Left
13	085037-02-W13	EA	Panel Asm - Front Valance - Left
14	M88349-01-X19	EA	Sidewall Asm - Left (X19 X22)
14	M88349-01-X20	EA	Sidewall Asm - Left
14	M88439-01-X21	EA	Sidewall Asm - Left
	M88345-01-X19	EA	Roof Asm - 180 - Beige
	085738-01-000	EA	Cove Trim - Roof
	073505-06-000	EA	Roof Trim - 180 - Beige
	076515-01-000	EA	Inside Trim - Wheelwell - Rear - Left/Right - Steel
	086922-01-000	EA	Trim Panel - Rear Right - Beige
	086922-02-000	EA	Trim Panel - Rear Left - Beige
			Not illustrated

## 1988 WINNEBAGO/TASCA TABLE OF CONTENTS

Introduction	A-01
Abbreviations	A-02
W/ICP28ET	A-03 - A-20
W/ICP28EU	A-21 - B-18
W/ICP32RQ, W/IJP32RQ	B-17 - C-22
W/ICP34RU	C-23 - E-08
W/ICP37RQ	E-07 - F-10

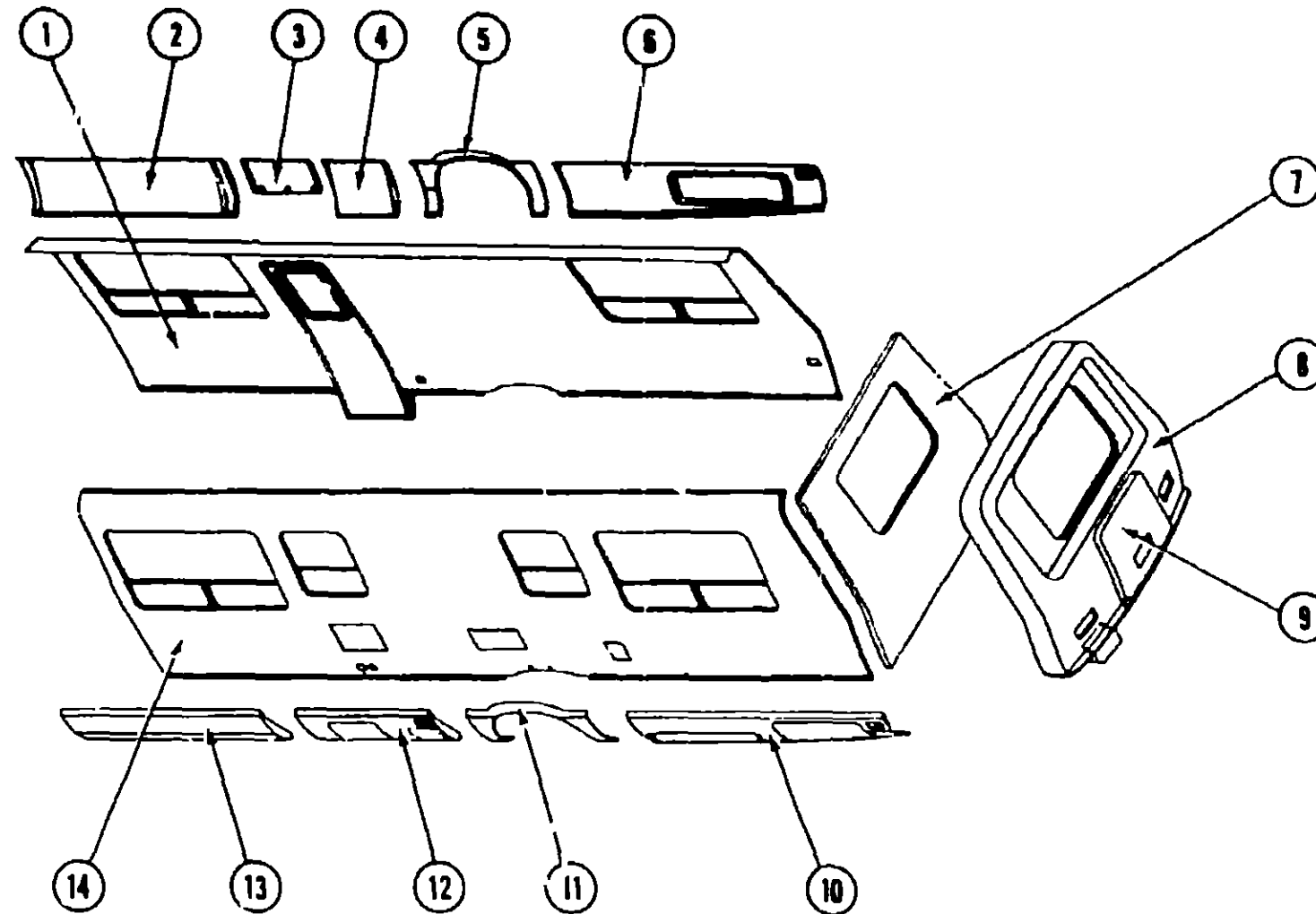
## 1988 W/ICP32RQ, W/IJP32RQ INDEX

Floor Plan	B-17 - B-18
Bath Group	B-19 - B-21
Curtain Cushion & Pad Group	B-22 - C-04
Dinette Group	C-05 - C-08
Exterior Body Group	C-09 - C-14
Galley Group	C-15
Lounge Group	C-16 - C-19
Window, Vent & Exterior Door Group	C-20 - C-22

## EXTERIOR BODY GROUP (CONTINUED)

ITASCA

EXTERIOR BODY PANELS



Key	Part Number	U/M	Description
1	M88347-01-X75	EA	Sidewall Asm - Right
2	085037-01-X75	EA	Panel Asm - Front Valance - Right
3	088684-01-X75	EA	Panel Asm - Valance - Entrance Door
4	088362-01-X75	EA	Panel Asm - Center Valance - Right
5	088358-01-X75	EA	Panel Asm - Wheelwell - Right
6	085486-04-000	EA	Valance Panel - Rear Right - Beige
7	085182-01-W36	EA	Backwall Asm
8	M01616-22-X75	EA	Rear Cap Asm - Beige
9	M01990-03-X75	EA	Spare Tire Cover Asm
*	086922-03-000	EA	Trim Panel - Rear Right - Gray
*	086922-04-000	EA	Trim Panel - Rear Left - Gray

Key	Part Number	U/M	Description
10	089083-02-000	EA	Valance Panel - Rear Left Beige
11	088358-02-X75	EA	Panel Asm - Wheelwell - Left
12	089086-01-000	EA	Panel Asm - Center Valance - Left
13	085037-02-W36	EA	Panel Asm - Front Valance Left
14	M88349-01-X75	EA	Sidewall Asm - Left
14	M88349-01-X76	EA	Sidewall Asm - Left
14	M88439-01-X77	EA	Sidewall Asm - Left
*	M88345-01-X19	EA	Roof Asm
*	085738-01-000	EA	Cove Trim - Roof
*	073505-08-000	EA	Roof Trim - 180' - Gray
*	076515-01-000	EA	Inside Trim - Wheelwell - Rear - Left/Right - Steel
*			Not illustrated

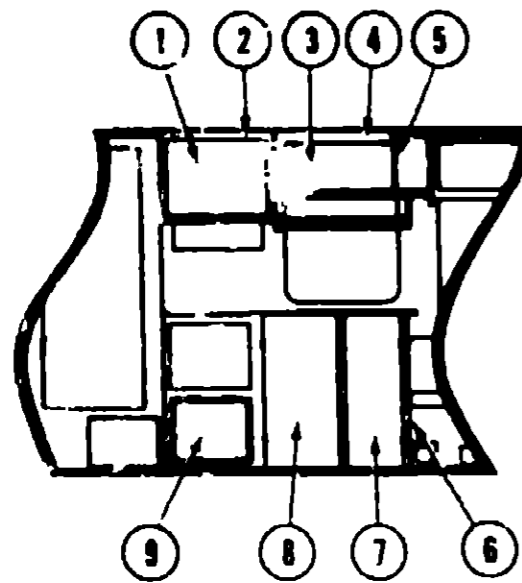
## 1988 WINNEBAGO/ITASCA TABLE OF CONTENTS

Introduction	A-01
Abbreviations	A-02
W/ICP28ET	A-03 - A-20
W/ICP28EU	A-21 - B-18
W/ICP32RQ, W/IJP32RQ	B-17 - C-22
W/ICP34RU	C-23 - E-08
W/ICP37RQ	E-07 - F-10

## 1988 W/ICP32RQ, W/IJP32RQ INDEX

Floor Plan	B-17 - B-18
Bath Group	B-19 - B-21
Curtain Cushion & Pad Group	B-22 - C-04
Dinette Group	C-05 - C-08
Exterior Body Group	C-09 - C-14
Galley Group	C-15
Lounge Group	C-16 - C-19
Window Vent & Exterior Door Group	C-20 - C-22

### GALLEY GROUP



WINNEBAGO  
GALLEY CABINETRY

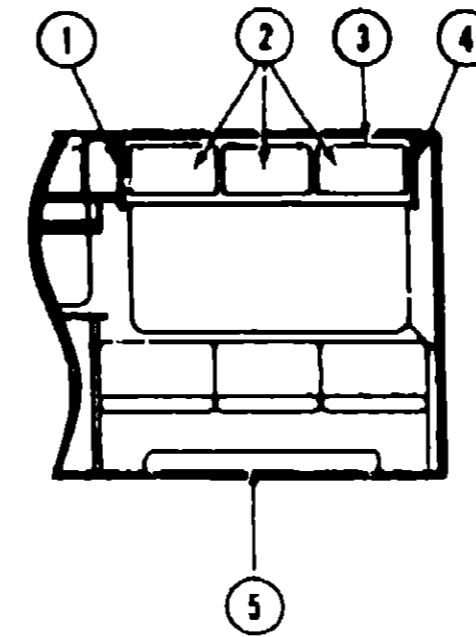
Key	Part Number	U/M	Description
1	M88304-80-X19	EA	Door Asm - Galley Microwave - w/o Hardware
2	M03110-47-X19	EA	Cabinet Asm - Galley - Microwave - w/o Door or Hardware
3	M88304-D5-X19	EA	Door Asm - Galley Overhead - w/o Hardware
4	M03110-63-X19	EA	Cabinet Asm - Galley Overhead - w/o Doors or Hardware
5	085468-01-X19	EA	Pad Asm - End Cap - Galley Overhead - Vinyl
6	M88948-01-X19	EA	Cabinet Asm - Galley - w/o Doors, Countertop or Hardware
*	088948-12-X19	EA	Countertop Asm - Galley Cabinet
**	M88948-02-X19	EA	Cabinet Asm - Galley - w/o Doors Countertop or Hardware
**	M82184-09-X19	EA	Drawer Asm - Galley Cabinet
7	M88304-32-X19	EA	Door Asm - Galley - w/o Hardware
8	M88304-31-X19	EA	Door Asm - Galley - w/o Hardware
9	M92073-04-X11	EA	Door Asm - Furnace - w/o Hardware
*	072369-21-000	EA	Mesh Insert - Furnace Door - 16 4" x 12 5" - Gold
*			Not illustrated
**			Used with microwave option

### ITASCA

#### GALLEY CABINETRY

Key	Part Number	U/M	Description
1	M88304-30-X75	EA	Door Asm - Galley Microwave - w/o Hardware
2	M03110-48-X75	EA	Cabinet Asm - Galley - Microwave - w/o Door or Hardware
3	M88304-D5-X75	EA	Door Asm - Galley Overhead - w/o Hardware
4	M03110-64-X75	EA	Cabinet Asm - Galley Overhead - w/o Doors or Hardware
5	085468-02-W36	EA	Pad Asm - End Cap - Galley Overhead - Vinyl
6	M88948-01-X75	EA	Cabinet Asm - Galley - w/o Doors Countertop or Hardware
*	088948-12-X75	EA	Countertop Asm - Galley Cabinet
**	M88948-02-X75	EA	Cabinet Asm - Galley - w/o Doors Countertop or Hardware
**	M82184-10-X75	EA	Drawer Asm - Galley Cabinet
7	M88304-32-X75	EA	Door Asm - Galley - w/o Hardware
8	M88304-31-X75	EA	Door Asm - Galley - w/o Hardware
9	M92073-01-X75	EA	Door Asm - Furnace - w/o Hardware
*	072369-21-000	EA	Mesh Insert - Furnace Door - 18 4" x 12 5" - Gold
*			Not illustrated
**			Used with microwave option

### LOUNGE GROUP



WINNEBAGO  
FRONT LOUNGE

Key	Part Number	U/M	Description
1	085468-02-X19	EA	End Cap Asm - Front Lounge - Vinyl
2	M88304-38-X19	EA	Door Asm - Front Overhead - 12" x 18 7" - w/o Hardware
3	M03110-13-X19	EA	Front Overhead Cabinet - w/o Doors or Hardware
4	085468-01-X19	EA	End Cap Asm - Front Lounge - Vinyl
5	090406-01-X19	EA	Drawer Asm - Couch

### ITASCA

#### FRONT LOUNGE

Key	Part Number	U/M	Description
1	085468-02-V36	EA	End Cap Asm - Front Lounge - Vinyl
2	M88304-38-X75	EA	Door Asm - Front Overhead - 12" x 18 7" - w/o Hardware
3	M03110-14-X75	EA	Front Overhead Cabinet - w/o Doors or Hardware
4	085468-01-X36	EA	End Cap Asm - Front Lounge - Vinyl
5	090406-01-X75	EA	Drawer Asm - Couch

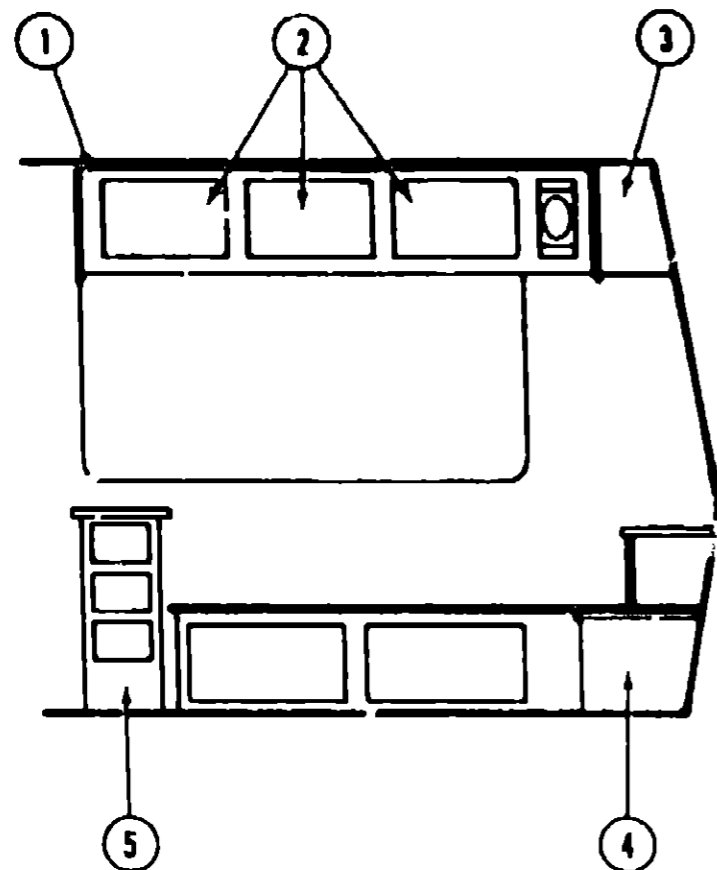
## 1988 WINNEBAGO/ITASCA TABLE OF CONTENTS

Introduction	A-01
Abbreviations	A-02
W/ICP26ET	A-03 - A-20
W/ICP26EU	A-21 - B-16
W/ICP32RQ, W/IJP32RQ	B-17 - C-22
W/ICF34RU	C-23 - E-06
W/ICP37RQ	E-07 - F-10

## 1988 W/ICP32RQ, W/IJP32RQ INDEX

Floor Plan	B-17 - B-18
Bath Group	B-19 - B-21
Curtain, Cushion & Pad Group	B-22 - C-04
Dinette Group	C-05 - C-08
Exterior Body Group	C-09 - C-14
Galley Group	C-15
Lounge Group	C-16 - C-19
Window, Vent & Exterior Door Group	C-20 - C-22

**LOUNGE GROUP (CONTINUED)**

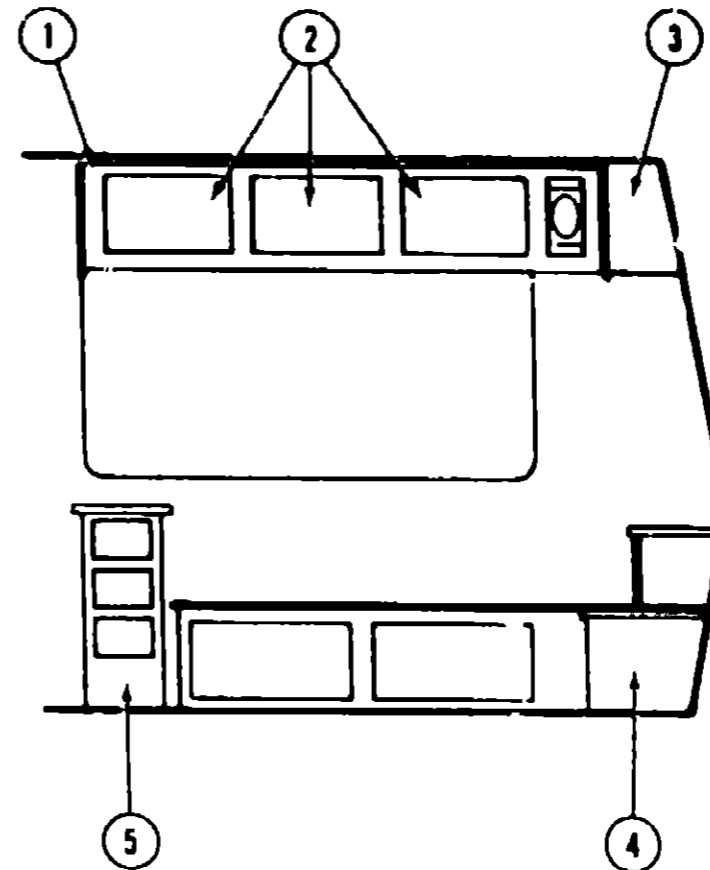


**WINNEBAGO**

**TWIN BED CABINERY (OPTION)**

Key	Part Number	U/M	Description
1	M03110-55-X19	EA	Cabinet Asm - Lounge Overhead - Passenger - w/o Doors or Hardware
•	M03110-57-X19	EA	Cabinet Asm - Lounge Overhead - Driver - w/o Doors or Hardware
2	M88304-32-X19	EA	Door Asm - Lounge Overhead - w/o Hardware
3	M03110-68-X19	EA	Cabinet Asm - Rear Overhead - w/o Doors or Hardware
•	M88304-49-X19	EA	Door Asm - Rear Overhead - w/o Hardware
4	083441-03-X11	EA	Cabinet Asm - Nightstand - w/o Countertop Door or Hardware
•	M88304-10-X19	EA	Door Asm - Nightstand or Bed Cabinets - w/o Hardware
•	M02608-01-X19	EA	Countertop Asm - Nightstand - Lower
•	M02609-01-X19	EA	Countertop Asm - Nightstand - Upper
•	G34357-01-W13	EA	T V Stand Asm
5	088958-01-X19	EA	Cabinet Asm - Nightstand - Passenger - w/o Countertop Drawers or Hardware
•	088958-11-X19	EA	Countertop Asm - Nightstand - Passenger
•	M78921-02-W13	EA	Drawer Asm - Nightstand - Passenger - w/o Hardware
•	088959-01-X19	EA	Cabinet Asm - Nightstand - w/o Countertop Doors or Hardware
•	088959-11-X19	EA	Countertop Asm - Nightstand
•	M88304-B9-X19	EA	Door Asm - Nightstand - w/o Hardware
•			Not illustrated

**LOUNGE GROUP (CONTINUED)**



**ITASCA**

**TWIN BED CABINERY (OPTION)**

Key	Part Number	U/M	Description
1	M03110-56-X75	EA	Cabinet Asm - Lounge Overhead - Passenger - w/o Doors or Hardware
•	M03110-58-X75	EA	Cabinet Asm - Lounge Overhead - Driver - w/o Doors or Hardware
2	M88304-38-X75	EA	Door Asm - Lounge Overhead - w/o Hardware
3	M03110-69-X75	EA	Cabinet Asm - Rear Overhead - w/o Doors or Hardware
•	M88304-C8-X75	EA	Door Asm - Rear Overhead - w/o Hardware
4	083441-03-X75	EA	Cabinet Asm - Nightstand - w/o Countertop Door or Hardware
•	M88304-10-X75	EA	Door Asm - Nightstand or Bed Cabinets - w/o Hardware
•	M02608-01-X75	EA	Countertop Asm - Nightstand - Lower
•	M02609-01-X75	EA	Countertop Asm - Nightstand - Upper
•	084357-01-W36	EA	T V Stand Asm
5	088958-01-X75	EA	Cabinet Asm - Nightstand - Passenger - w/o Countertop Drawers or Hardware
•	088958-11-X75	EA	Countertop Asm - Nightstand - Passenger
•	M78921-02-W36	EA	Drawer Asm - Nightstand - Passenger - w/o Hardware
•	088959-01-X75	EA	Cabinet Asm - Nightstand - w/o Countertop Doors or Hardware
•	088959-11-X75	EA	Countertop Asm - Nightstand
•	M88304-B9-X75	EA	Door Asm - Nightstand - w/o Hardware
•			Not illustrated

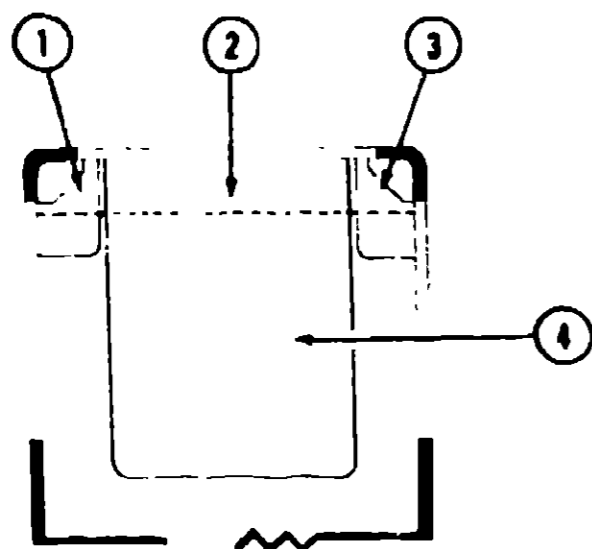
**1988 WINNEBAGO/ITASCA  
TABLE OF CONTENTS**

Introduction	A-01
Abbreviations	A-02
W/ICP28ET	A-03 - A-20
W/ICP28EU	A-21 - B-18
W/ICP32RQ, W/IJP32RQ	B-17 - C-22
W/ICP34RU	C-23 - E-08
W/ICP37RQ	E-07 - F-10

**1988 W/ICP32RQ, W/IJP32RQ INDEX**

Floor Plan	B-17 - B-18
Bath Group	B-19 - B-21
Curtain, Cushion & Pad Group	B-22 - C-04
Dinette Group	C-05 - C-08
Exterior Body Group	C-09 -
Galley Group	C-10 -
Lounge Group	C-15 - C-19
Window Vent & Exterior Door Group	C-20 - C-22

**LOUNGE GROUP (CONTINUED)**



**WINNEBAGO**

**QUEEN BED CABINETRY**

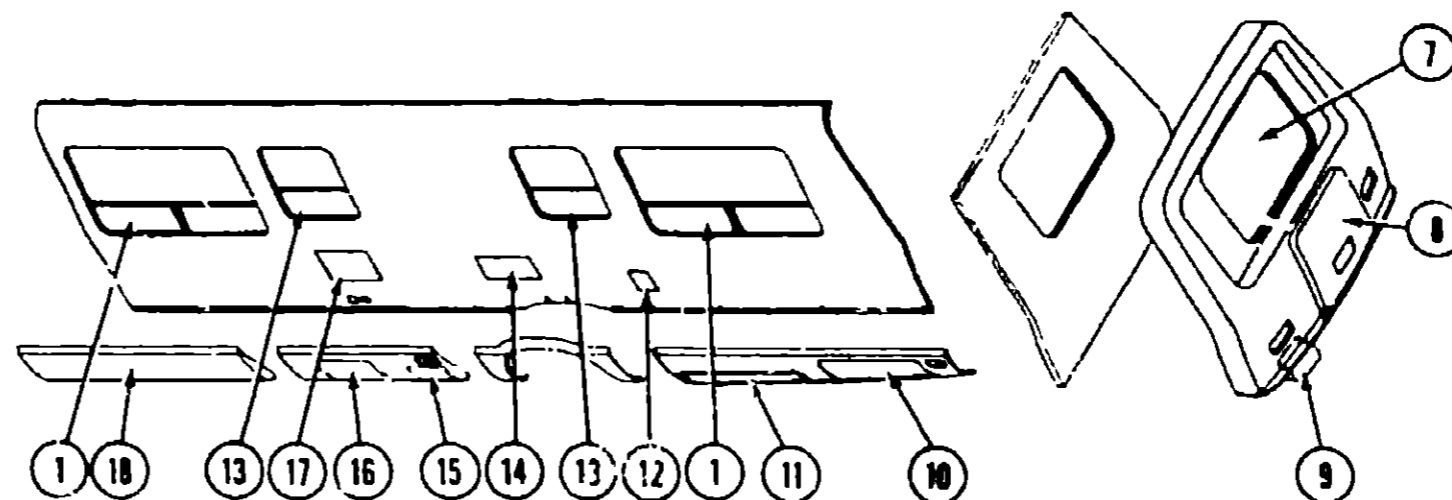
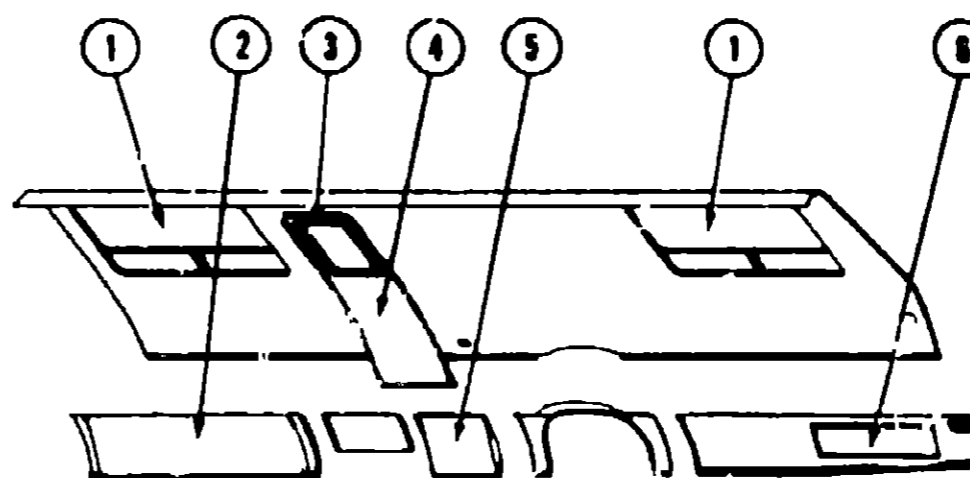
Key	Part Number	U/M	Description
1	M85153-01-X19	EA	Cabinetry Asm - Nightstand - w/o Countertop Drawers or Door
•	M03000-05-X19	EA	Countertop Asm - Nightstand - Lower
•	M03000-02-X19	EA	Countertop Asm - Nightstand - Upper
2	M03110-11-X19	EA	Cabinet Asm - Overhead - w/o Doors
•	M88304-36-X19	EA	Door Asm - Rear Overhead Cabinet - w/o Hardware
3	M89383-01-X19	EA	Cabinet Asm - Nightstand - w/o Countertop Drawers or Door
•	089383-15-X19	EA	Countertop Asm - Nightstand - Upper
•	089383-16-X19	EA	Countertop Asm - Nightstand - Lower
•	M88304-34-X19	EA	Door Asm - Nightstand - Right or Left - w/o Hardware
•	033224-01-000	EA	Glass - Bar Door
•	083204-02-000	EA	Button - Glass Retaining
•	081376-01-000	EA	Backplate - Brass
•	M78921-04-W13	EA	Drawer Asm - Nightstand - Right or Left - w/o Hardware
4	M89070-01-X19	EA	Cabinet Asm - Queen Bed
•			Not Keyed

**ITASCA**

**QUEEN BED CABINETRY**

Key	Part Number	U/M	Description
1	M85153-01-X75	EA	Cabinetry Asm - Nightstand - w/o Countertop Drawers or Door
•	M03000-05-X75	EA	Countertop Asm - Nightstand - Lower
•	M03000-02-X75	EA	Countertop Asm - Nightstand - Upper
2	M03110-12-X75	EA	Cabinet Asm - Overhead - w/o Doors
•	M88304-36-X75	EA	Door Asm - Rear Overhead Cabinet - w/o Hardware
3	M89383-01-X75	EA	Cabinet Asm - Nightstand - w/o Countertop Drawers or Door
•	089383-15-X75	EA	Countertop Asm - Nightstand - Upper
•	089383-16-X75	EA	Countertop Asm - Nightstand - Lower
•	M88304-78-X75	EA	Door Asm - Nightstand - Right or Left - w/o Hardware
•	083224-01-000	EA	Glass - Bar Door
•	083204-02-000	EA	Button - Glass Retaining
•	081376-01-000	EA	Backplate - Brass
•	M78921-04-W36	EA	Drawer Asm - Nightstand - Right or Left - w/o Hardware
4	M89070-01-X75	EA	Cabinet Asm - Queen Bed
•			Not Keyed

**WINDOW, VENT & EXTERIOR DOOR GROUP**



**WINNEBAGO**

**WINDOW & ACCESS DOORS**

Key	Part Number	U/M	Description
1	085354-01-W07	EA	Window Asm - Double
2	085037-01-W13	EA	Door Asm - Front Valance
3	079733-04-T03	EA	Window Asm - Pictures
4	M84385-01-X19	EA	Door Asm - Entrance
5	088362-01-X19	EA	Door Asm - Center Valance
6	085034-01-W13	EA	Door Asm - Storage
7	087985-03-W13	EA	Window Asm - Escape
8	M01990-04-X19	EA	Spare Tire Cover
9	077137-01-000	EA	Door Asm - Sewer Hose Compartment
10	085040-01-W13	EA	Door Asm - Generator
10	085040-02-W13	EA	Door Asm - Luggage
11	088369-01-X19	EA	Door Asm - Access Panel
12	078010-01-000	EA	Door Asm - Fuel Fill
13	085353-07-W07	EA	Window Asm - Vertical Slider
14	084104-01-000	EA	Refrigerator Access
15	088366-01-X19	EA	Door Asm - Power Cord
16	085031-01-X19	EA	Door Asm - LP
17	052009-02-000	EA	Door Asm - Water Heater
18	085037-02-W13	EA	Door Asm - Front Valance
•	M78469-02-000	EA	Window Asm - Driver Door
•	077209-02-000	EA	Inside Frame - Driver Door - Black
•	M78469-01-000	EA	Window Asm - Passengers Door
•	077209-01-000	EA	Inside Frame - Passenger Door - Black
•			Not illustrated

**1988 WINNEBAGO/ITASCA  
TABLE OF CONTENTS**

Introduction	A-01
Abbreviations	A-02
W/ICP28ET	A-03 - A-20
W/ICP28EU	A-21 - B-16
W/ICP32RQ, W/IJP32RQ	B-17 - C-22
W/ICP34RU	C-23 - E-06
W/ICP37RO	E-07 - F-10

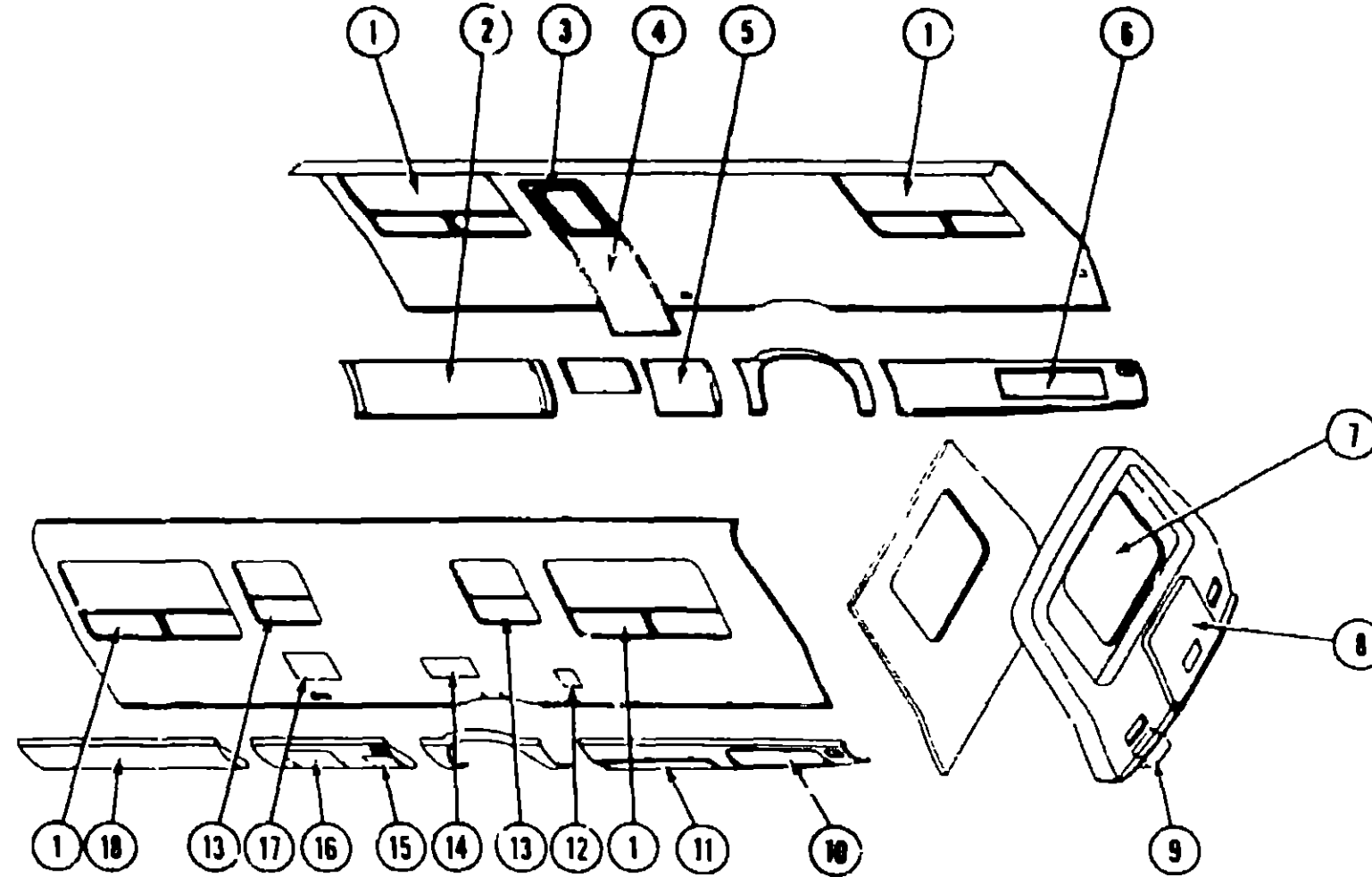
**1988 W/ICP32RQ, W/IJP32RQ INDEX**

Floor Plan	B-17 - B-18
Bath Group	B-19 - B-21
Curtain Cushion & Pad Group	B-22 - C-04
Dinette Group	C-05 - C-08
Exterior Body Group	C-09 - C-14
Galley Group	C-15
Lounge Group	C-16 - C-19
Window, Vent & Exterior Door Group	C-20 - C-22

# WINDOW, VENT & EXTERIOR DOOR GROUP (CONTINUED)

ITASCA

## WINDOW & ACCESS DOORS



Key	Part Number	U/M	Description
1	085354-01-W07	EA	Window Asm - Double
2	085037-01-W36	EA	Door Asm - Front Valance
3	079733-04-T03	EA	Window Asm - Pictures
4	M84385-01-X75	EA	Door Asm - Entrance
5	088362-01-X75	EA	Door Asm - Center Valance
6	085034-01-W36	EA	Door Asm - Storage
7	087985-03-W36	EA	Window Asm - Escape
8	M01990-04 X75	EA	Spare Tire Cover
9	077137-02-000	EA	Door Asm - Sewer Hose Compartment
10	085040-01-W36	EA	Door Asm - Generator
10	085040-02-W36	EA	Door Asm - Luggage
11	088369-01-X75	EA	Door Asm - Access Panel
12	078010-02-000	EA	Door Asm - Fuel Fill
13	085353-07-W07	EA	Window Asm - Vertical Slider
14	C84104-02-000	EA	Refrigerator Access
15	088366-01-X75	EA	Door Asm - Power Cord
16	085031-01-X75	EA	Door Asm - LP
17	052009-03-000	EA	Door Asm - Water Heater
18	085037-02-W36	EA	Door Asm - Front Valance
*	M78469-02-000	EA	Window Asm - Driver Door
*	077209-02-000	EA	Inside Frame - Driver Door - Black
*	M78469-01-000	EA	Window Asm - Passengers Door
*	077209-01-000	EA	Inside Frame - Passenger Door - Black
*			Not illustrated

# 1988 WINNEBAGO/ITASCA TABLE OF CONTENTS

Introduction	A-01
Abbreviations	A-02
W/ICP28ET	A-03 - A-20
W/ICP28EU	A-21 - E-18
W/ICP32RQ, W/IJP32RQ	B-17 - C-22
W/ICP34RU	C-23 - E-08
W/ICP37RQ	E-07 - F-10

## 1988 W/ICP32RQ, W/IJP32RQ INDEX

Floor Plan	B-17 - B-18
Bain Group	B-19 - B-21
Curtain Cushion & Pad Group	B-22 - C-04
Dinette Group	C-05 - C-08
Exterior Body Group	C-09 - C-14
Galley Group	C-15
Lounge Group	C-16 - C-19
Window Vent & Exterior Door Group	C-20 - C-22