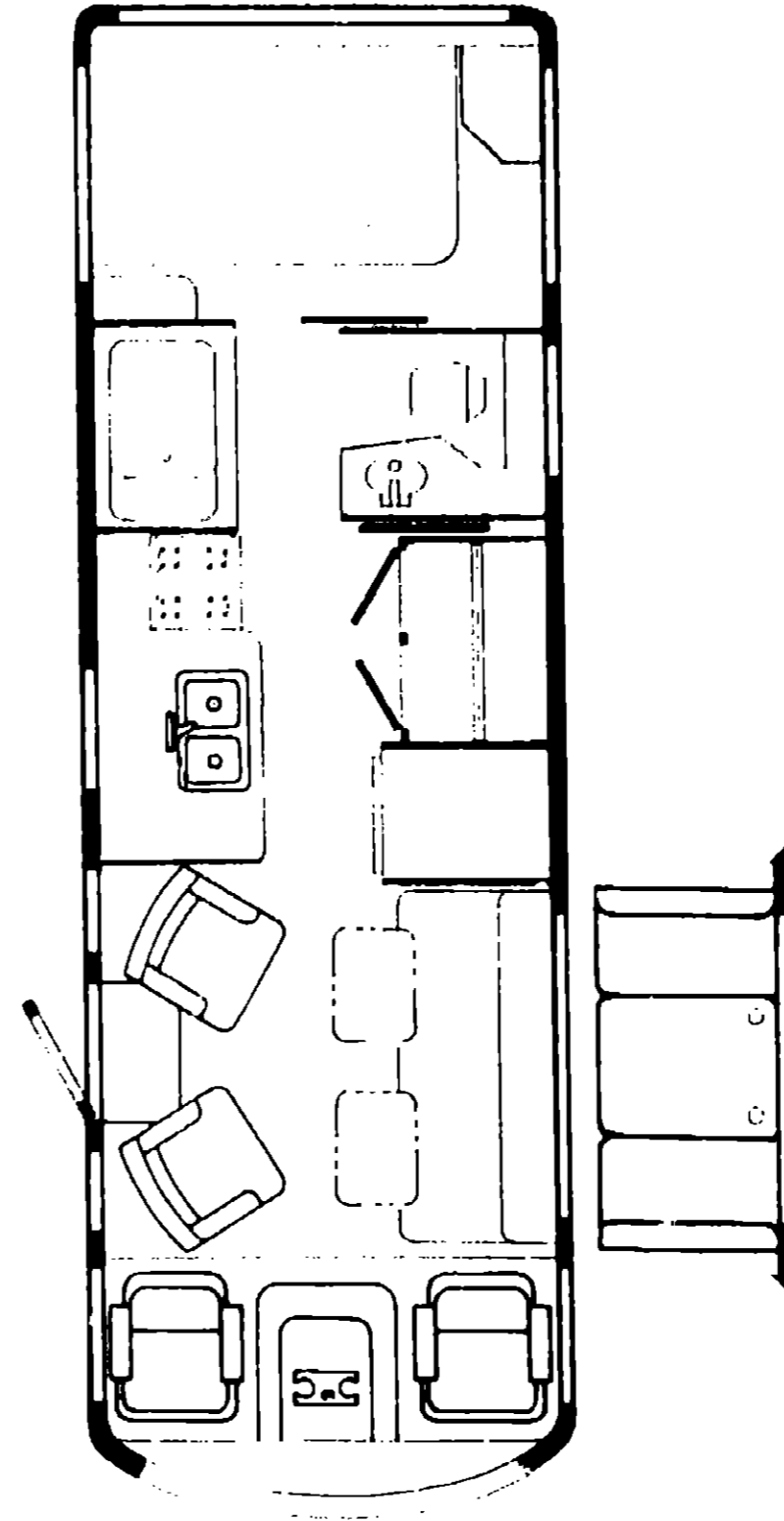


1988 W/ICP28EU



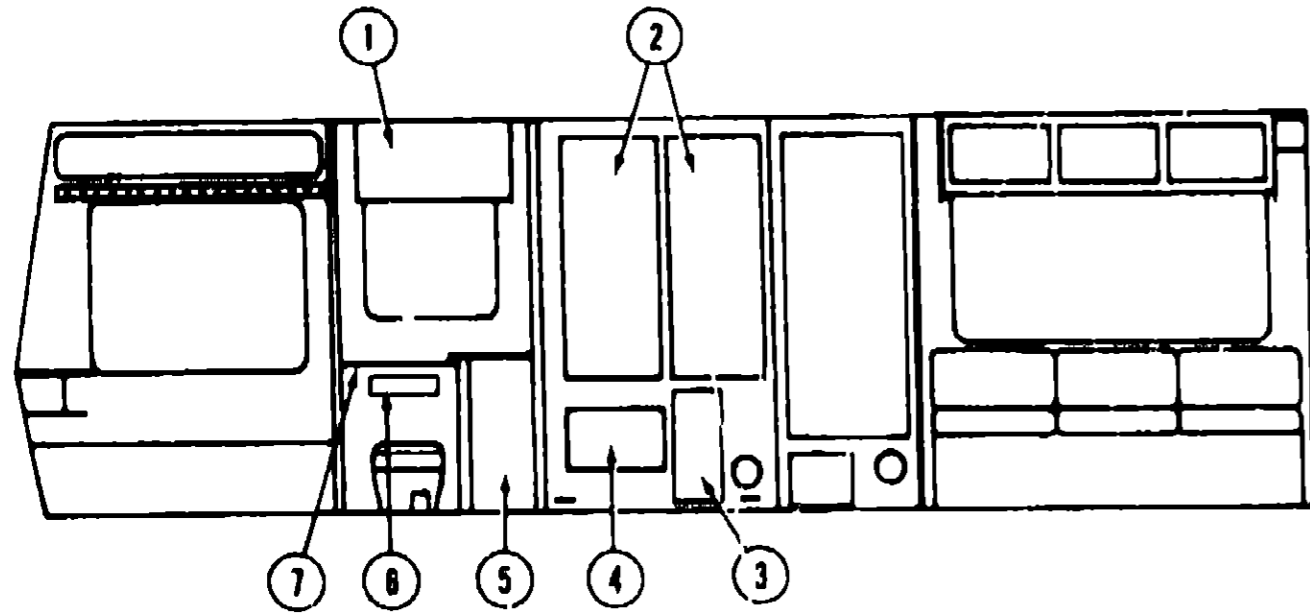
1988 WINNEBAGO/ITASCA TABLE OF CONTENTS

Introduction	A-01
Abbreviations	A-02
W/ICP28ET	A-03 - A-20
W/ICP28EU	A-21 - B-16
W/ICP32RQ, W/IJP32RQ	B-17 - C-22
W/ICP34RU	C-23 - E-08
W/ICP37RQ	E-07 - F-10

1988 W/ICP28RU INDEX

Floor Plan	A-21 - A-22
Bath Group	A-23
Curtain, Cushion & Pad Group	A-24 - B-04
Dinette Group	B-05 - B-06
Exterior Body Group	B-07 - B-12
Galley Group	B-13
Lounge Group	B-14
Window, Vent & Exterior Door Group	B-15 - B-16

BATH GROUP



BATH & WARDROBE CABINTRY

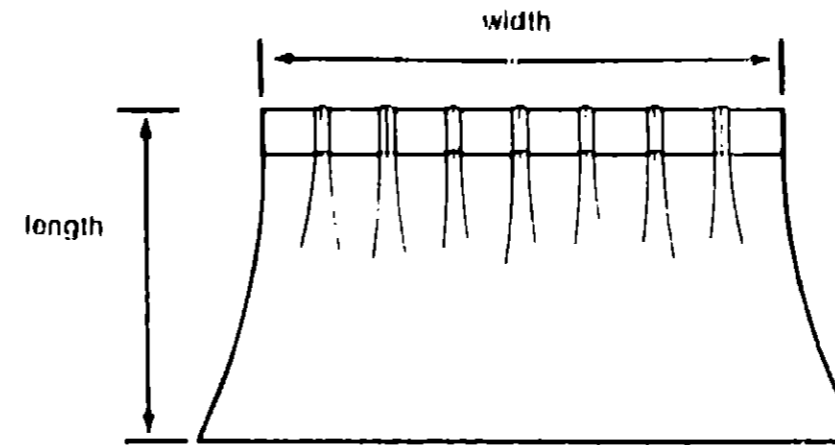
Key	Part Number	U/M	Description
1	068303-52-X08	ER	Door Asm. - Medicine Cabinet w/Mirror - w/o Hardware
•	076073-01-000	EA	Cabinet Asm. - Medicine - Almond
2	M88304-64-X11	EA	Door Asm. - Wardrobe Cabinet - w/o Hardware
3	M88304-65-X11	EA	Door Asm. - Wardrobe Cabinet - w/o Hardware
4	M92073-02-X11	EA	Door Asm. - Furnace - Wardrobe Cabinet - w/o Hardware
5	M87845-01-X23	EA	Cab.net Asm. - Lavatory - w/o Countertop, Doors or Hardware
•	M03000-15-X23	EA	Countertop Asm. - Lavatory
•	M88304-A6-X19	EA	Mirror Asm. - Bath Wall
•	M88304-69-X11	EA	Door Asm. - Haniper - w/o Hardware
•	M88304-28-X11	EA	Door Asm. - Lavatory - w/o Hardware
•	061893-02-X11	EA	Face Asm. - Lavatory Drawer - w/o Hardware
•	077251-01-000	EA	Drawer - Plastic - Tilt-Out
6	061893-02-U10	EA	Face Asm. - Pipe Cover Drawer - w/o Hardware
7	M02542-01-X23	EA	Countertop Asm. - Pipe Cover
•	080224-18-000	EA	Folding Door - Front - 35" x 75"
•	082934-01-W13	EA	Sliding Door - Rear - w/o Latch
•	Not Illustrated		

CURTAIN, CUSHION & PAD GROUP

NOTICE

In order to assist our Part Sales Dept. in providing interior software items, please include the serial number and the color code number from the vehicle certification label when ordering. This label is located on the left sidewall at the end of the dash (A-Body), or on the driver's door latch plate (C-Body).

An example of a color code number is P31, which designates an overall color scheme of a particular unit. The color listed after the item description on the microfiche, indicates the overall unit color. Order the item you desire according to unit color code.



NOTE:

Use this illustration when determining length and width measurements for curtains. You will note the width measurement is taken on the top of the curtain with the curtain fully extended. The length measurement is taken from top to bottom.



Key	Part Number	U/M	Description
1	029130-01-000	EA	Socket - Snap Fastener
2	029155-01-000	EA	Cap - Snap - .156" Dia. x .17" Barrel
3	029156-01-000	EA	Socket - Snap Fastener
4	029092-01-000	EA	Stud - Nickel Finish
5	029093-01-000	EA	Eyelet - Nickel Finish

1988 WINNEBAGO/ITASCA TABLE OF CONTENTS

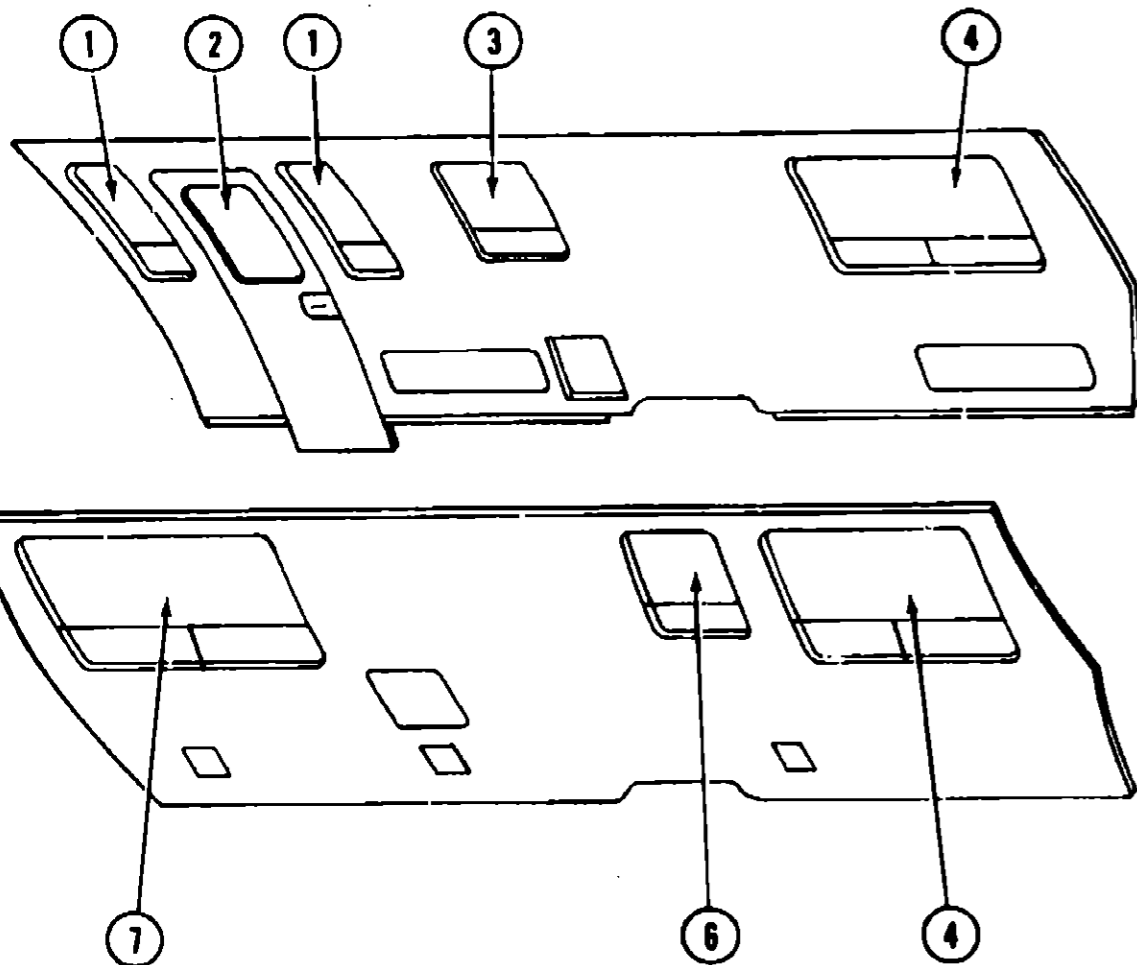
Introduction	A-01
Abbreviations	A-02
W/ICP26ET	A-03 - A-20
W/ICP28EU	A-21 - B-16
W/ICP32RQ, W/IJP32RQ	B-17 - C-22
W/ICP34RU	C-23 - E-08
W/ICP37RQ	E-07 - F-10

1988 W/ICP28RU INDEX

Floor Plan	A-21 - A-22
Bath Group	A-23
Curtain, Cushion & Pad Group	A-24 - B-04
Dinette Group	B-05 - B-06
Exterior Body Group	B-07 - B-12
Galley Group	B-13
Lounge Group	B-14
Window, Vent & Exterior Door Group	B-15 - B-18

CURTAIN, CUSHION & PAD GROUP (CONTINUED)

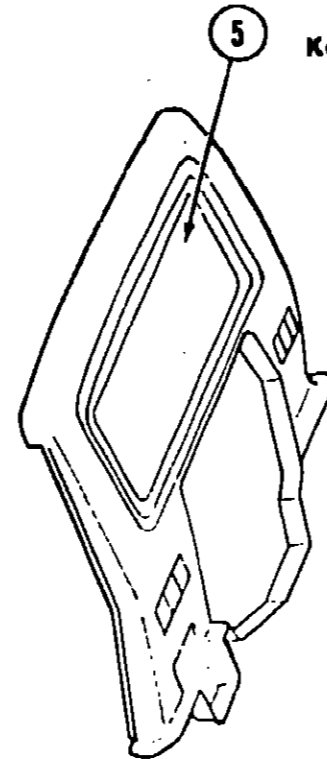
CURTAINS, SHADES, VALANCES & TIEBACKS



Key	Part Number	U/M	Description
1	085190-27-X23	EA	Curtain Asm. w/Darts - 41" x 10"
1	084755-12-X23	EA	Shade Asm. - Fabric - 19.25" - Linen
2	084755-04-X11	EA	Shade Asm. - Fabric - 24.25" - Linen
3	084755-24-X23	EA	Shade Asm. - Fabric - 30.25" - Linen
4	085190-18-X23	EA	Curtain Asm. w/Snap Top - 37.5" x 15"
4	085190-18-X24	EA	Curtain Asm. w/Snap Top - 37.5" x 15"
4	085190-18-X25	EA	Curtain Asm. w/Snap Top - 37.5" x 15"
4	084755-22-X23	EA	Shade Asm. - Fabric - 45.50" - Linen
5	085190-17-X23	EA	Curtain Asm. w/Snap Top - 35.5" x 18"
5	085190-17-X24	EA	Curtain Asm. w/Snap Top - 35.5" x 18"
5	085190-17-X25	EA	Curtain Asm. w/Snap Top - 35.5" x 18"
5	084755-21-X23	EA	Shade Asm. - Fabric - 50.25" - Linen
5	M01624-02-X23	EA	Valance Asm. - Rear
5	M01624-02-X24	EA	Valance Asm. - Rear
5	M01624-02-X25	EA	Valance Asm. - Rear
6	073304-38-X23	EA	Curtain Asm. w/Snap Top - 31.5" x 9"
6	084755-24-X23	EA	Shade Asm. - Fabric - 30.25" - Linen
7	085190-12-X23	EA	Curtain Asm. w/Snap Top - 38" x 15"
7	084755-20-X23	EA	Shade Asm. - Fabric - 64.25" - Linen
•	077591-01-X23	EA	Curtain Asm. w/Velcro Top - 52" x 40" - Blackout (Right)
•	077591-02-X23	EA	Curtain Asm. w/Velcro Top - 52" x 42" - Blackout (Left)
•	073304-49-X11	EA	Curtain Asm. w/Snap Top - Front Wraparound - 34" x 86"
•	073260-23-X08	EA	Tie Back Asm. - 3" x 18" - Drapery
•	073260-28-X23	EA	Tie Back Asm. - 3" x 23" - Drapery
•	084434-01-000	EA	Tie Back - Bracket
•			Not Illustrated

CURTAIN, CUSHION & PAD GROUP (CONTINUED)

ITASCA



Key	Part Number	U/M	Description
1	085190-27-X78	EA	Curtain Asm. w/Darts - 41" x 10" (X78)
1	085190-27-XA4	EA	Curtain Asm. w/Darts - 41" x 10" (X79)
1	085190-27-X80	EA	Curtain Asm. w/Darts - 41" x 10" (X80)
1	084755-12-XA3	EA	Shade Asm. - Fabric - 19.25" - Linen (X78, X79)
1	084755-12-X35	EA	Shade Asm. - Fabric - 19.25" - Linen (X80)
2	084755-04-XA3	EA	Shade Asm. - Fabric - 24.25" - Linen (X78, X79)
2	084755-04-X35	EA	Shade Asm. - Fabric - 24.25" - Linen (X80)
3	084755-24-XA3	EA	Shade Asm. - Fabric - 30.25" - Linen (X78, X79)
3	084755-24-X80	EA	Shade Asm. - Fabric - 30.25" - Linen (X80)
4	085190-18-X78	EA	Curtain Asm. w/Snap Top - 37.5" x 15"
4	085190-18-X79	EA	Curtain Asm. w/Snap Top - 37.5" x 15"
4	085190-18-X80	EA	Curtain Asm. w/Snap Top - 37.5" x 15"
4	084755-22-XA3	EA	Shade Asm. - Fabric - 45.50" - Linen (X78, X79)
4	084755-22-X80	EA	Shade Asm. - Fabric - 45.50" - Linen (X80)
5	085190-17-X78	EA	Curtain Asm. w/Snap Top - 35.5" x 18"
5	085190-17-X79	EA	Curtain Asm. w/Snap Top - 35.5" x 18"
5	085190-17-X80	EA	Curtain Asm. w/Snap Top - 35.5" x 18"
5	084755-21-X78	EA	Shade Asm. - Fabric - 50.25" - Linen (X78, X79)
5	084755-21-X80	EA	Shade Asm. - Fabric - 50.25" - Linen (X80)
5	M01624-02-X78	EA	Valance Asm. - Rear
5	M01624-02-X79	EA	Valance Asm. - Rear
5	M01624-02-X80	EA	Valance Asm. - Rear
6	073304-38-X20	EA	Curtain Asm. w/Snap Top - 31.5" x 9" (X78)
6	073304-38-XA4	EA	Curtain Asm. w/Snap Top - 31.5" x 9" (X79)
6	073304-38-X19	EA	Curtain Asm. w/Snap Top - 31.5" x 9" (X80)
6	084755-24-XA3	EA	Shade Asm. - Fabric - 30.25" - Linen (X78, X79)
6	084755-24-X80	EA	Shade Asm. - Fabric - 30.25" - Linen (X80)
7	085190-12-X78	EA	Curtain Asm. w/Snap Top - 38" x 15" (X78)
7	085190-12-XA4	EA	Curtain Asm. w/Snap Top - 38" x 15" (X79)
7	085190-12-X80	EA	Curtain Asm. w/Snap Top - 38" x 15" (X80)
7	084755-20-XA3	EA	Shade Asm. - Fabric - 64.25" - Linen (X78, X79)
7	084755-20-X75	EA	Shade Asm. - Fabric - 64.25" - Linen (X80)
•	077591-01-WB6	EA	Curtain Asm. w/Velcro Top - 52" x 40" - Blackout (Right) (X78)
•	077591-01-XA4	EA	Curtain Asm. w/Velcro Top - 52" x 40" - Blackout (Right) (X79)
•	077591-01-X19	EA	Curtain Asm. w/Velcro Top - 52" x 40" - Blackout (Right) (X80)
•	077591-02-WB6	EA	Curtain Asm. w/Velcro Top - 52" x 40" - Blackout (Right) (X78)
•	077591-02-XA4	EA	Curtain Asm. w/Velcro Top - 52" x 40" - Blackout (Right) (X79)
•	077591-02-X19	EA	Curtain Asm. w/Velcro Top - 52" x 40" - Blackout (Right) (X80)
•	073304-49-X33	EA	Curtain Asm. w/Snap Top - Front Wraparound - 34" x 86" (X78)
•	073304-49-XA4	EA	Curtain Asm. w/Snap Top - Front Wraparound - 34" x 86" (X79)
•	073304-49-X35	EA	Curtain Asm. w/Snap Top - Front Wraparound - 34" x 86" (X80)
•	043260-23-WB6	EA	Tie Back Asm. - 3" x 18" - Drapery (X78)
•	043260-23-XA4	EA	Tie Back Asm. - 3" x 18" - Drapery (X79)
•	043260-23-X19	EA	Tie Back Asm. - 3" x 18" - Drapery (X80)
•	073260-27-X78	EA	Tie Back Asm. - 3" x 23" - Bedspread (X78)
•	073260-27-X79	EA	Tie Back Asm. - 3" x 23" - Bedspread (X79)
•	073260-27-X80	EA	Tie Back Asm. - 3" x 23" - Bedspread (X80)
•	073260-34-XB3	EA	Tie Back Asm. - 4" x 20" - Drapery (X78)
•	073260-34-XA4	EA	Tie Back Asm. - 4" x 20" - Drapery (X79)
•	073260-34-X35	EA	Tie Back Asm. - 4" x 20" - Drapery (X80)
•			Not Illustrated

1988 WINNEBAGO/ITASCA TABLE OF CONTENTS

Introduction	A-01
Abbreviations	A-02
W/ICP28ET	A-03 - A-20
W/ICP28EU	A-21 - B-16
W/ICP32RQ, W/IJP32RQ	B-17 - C-22
W/ICP34RU	C-23 - E-06
W/ICP37RC	E-07 - F-10

1988 W/ICP28RU INDEX

Floor Plan	A-21 - A-22
Bath Group	A-23
Curtain, Cushion & Pad Group	A-24 - B-04
Dinette Group	B-05 - B-06
Exterior Body Group	B-07 - B-12
Galley Group	B-13
Lounge Group	B-14
Window, Vent & Exterior Door Group	B-15 - B-16

CURTAIN, CUSHION & PAD GROUP (CONTINUED)

**WINNEBAGO
TRIM PADS**

Key	Part Number	U/M	Description
	089104-02-X23	EA	Insert - Upper Drivers Door
	089104-02-X24	EA	Insert - Upper Drivers Door
	089104-02-X25	EA	Insert - Upper Drivers Door
	089105-02-X23	EA	Insert - Lower Drivers Door
	089105-02-X24	EA	Insert - Lower Drivers Door
	089105-02-X25	EA	Insert - Lower Drivers Door
	089106-02-X23	EA	Insert - Map Pocket - Drivers Door
	089106-02-X24	EA	Insert - Map Pocket - Drivers Door
	089106-02-X25	EA	Insert - Map Pocket - Drivers Door
	089107-01-X23	EA	Insert - Side Upper - Drivers
	089107-01-X24	EA	Insert - Side Upper - Drivers
	089107-01-X25	EA	Insert - Side Upper - Drivers
	089114-01-X23	EA	Insert - Side Upper - Passenger
	089114-01-X24	EA	Insert - Side Upper - Passenger
	089114-01-X25	EA	Insert - Side Upper - Passenger
	089108-01-X23	EA	Insert - Side Lower - Driver
	089108-01-X24	EA	Insert - Side Lower - Driver
	089108-01-X25	EA	Insert - Side Lower - Driver
	089111-01-X23	EA	Insert - Front Center Overhead
	089111-01-X24	EA	Insert - Front Center Overhead
	089111-01-X25	EA	Insert - Front Center Overhead
	089112-01-X23	EA	Insert - Front Overhead (Sunvisor) - Passenger
	089112-01-X24	EA	Insert - Front Overhead (Sunvisor) - Passenger
	089112-01-X25	EA	Insert - Front Overhead (Sunvisor) - Passenger
	089112-02-X23	EA	Insert - Front Overhead (Sunvisor) - Driver
	089112-02-X24	EA	Insert - Front Overhead (Sunvisor) - Driver
	089112-02-X25	EA	Insert - Front Overhead (Sunvisor) - Driver
	089113-01-X11	EA	Wall Pad - TT Chair - 12" x 16" (X23)
	089113-01-X12	EA	Wall Pad - TT Chair - 12" x 16" (X24)
	089113-01-X13	EA	Wall Pad - TT Chair - 12" x 16" (X25)
	081519-03-X23	EA	Pad Asm. - Dinette Seat - Right
	081519-03-X24	EA	Pad Asm. - Dinette Seat - Right
	081519-03-X25	EA	Pad Asm. - Dinette Seat - Right
	081519-04-X23	EA	Pad Asm. - Dinette Seat - Left
	081519-04-X24	EA	Pad Asm. - Dinette Seat - Left
	081519-04-X25	EA	Pad Asm. - Dinette Seat - Left

CURTAIN, CUSHION & PAD GROUP (CONTINUED)

**ITASCA
TRIM PADS**

Key	Part Number	U/M	Description
	089104-04-X20	EA	Inset - Upper Drivers Door (X78)
	089104-04-X79	EA	Inset - Upper Drivers Door (X79)
	089104-04-X80	EA	Inset - Upper Drivers Door (X80)
	089105-04-X20	EA	Inset - Lower Drivers Door (X78)
	089105-04-X79	EA	Inset - Lower Drivers Door (X79)
	089105-04-X80	EA	Inset - Lower Drivers Door (X80)
	089106-04-X20	EA	Inset - Map Pocket - Drivers Door (X78)
	089106-04-X79	EA	Inset - Map Pocket - Drivers Door (X79)
	089106-04-X80	EA	Inset - Map Pocket - Drivers Door (X80)
	089107-02-X20	EA	Inset - Side Upper - Drivers (X78)
	089107-02-X79	EA	Inset - Side Upper - Drivers (X79)
	089107-02-X80	EA	Inset - Side Upper - Drivers (X80)
	089114-02-X78	EA	Inset - Side Upper - Passenger (X78)
	089114-02-X79	EA	Inset - Side Upper - Passenger (X79)
	089114-02-X80	EA	Inset - Side Upper - Passenger (X80)
	089108-02-X20	EA	Inset - Side Lower - Driver (X78)
	089108-02-X79	EA	Inset - Side Lower - Driver (X79)
	089108-02-X80	EA	Inset - Side Lower - Driver (X80)
	089111-02-X20	EA	Inset - Front Center Overhead (X78)
	089111-02-X79	EA	Inset - Front Center Overhead (X79)
	089111-02-X80	EA	Inset - Front Center Overhead (X80)
	089112-03-X20	EA	Inset - Front Overhead (Sunvisor) - Passenger (X78)
	089112-03-X79	EA	Inset - Front Overhead (Sunvisor) - Passenger (X79)
	089112-03-X80	EA	Inset - Front Overhead (Sunvisor) - Passenger (X80)
	089112-04-X20	EA	Inset - Front Overhead (Sunvisor) - Driver (X78)
	089112-04-X79	EA	Inset - Front Overhead (Sunvisor) - Driver (X79)
	089112-04-X80	EA	Inset - Front Overhead (Sunvisor) - Driver (X80)
	081519-01-X08	EA	Pad Asm. - Dinette Seat - Right (X78)
	081519-01-X09	EA	Pad Asm. - Dinette Seat - Right (X79)
	081519-01-W05	EA	Pad Asm. - Dinette Seat - Right (X80)
	081519-02-X08	EA	Pad Asm. - Dinette Seat - Left (X78)
	081519-02-X09	EA	Pad Asm. - Dinette Seat - Left (X79)
	081519-02-W05	EA	Pad Asm. - Dinette Seat - Left (X80)

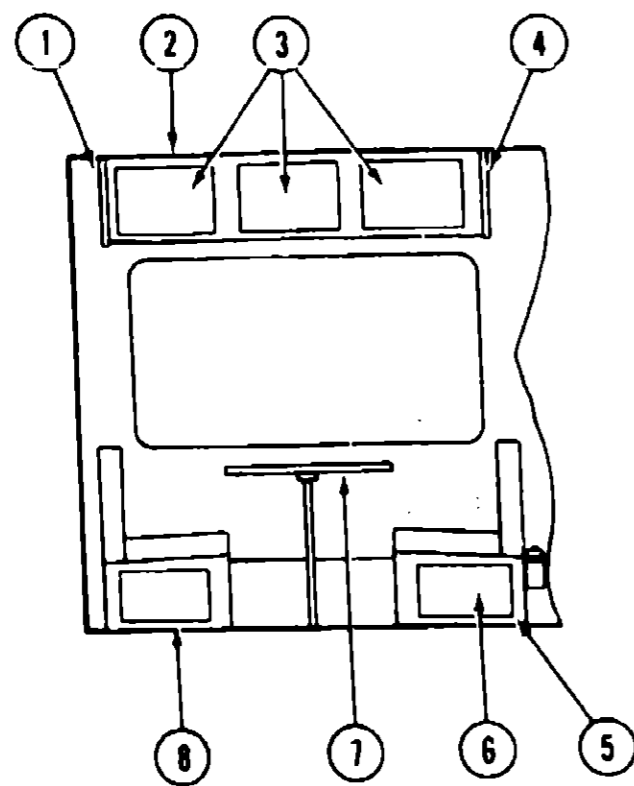
**1988 WINNEBAGO/ITASCA
TABLE OF CONTENTS**

Introduction	A-01
Abbreviations	A-02
W/ICP28ET	A-03 - A-20
W/ICP28EU	A-21 - B-16
W/ICP32RQ, W/IJP32RQ	B-17 - C-22
W/ICP34RU	C-23 - E-06
W/ICP37RQ	E-07 - F-10

1988 W/ICP28RU INDEX

Floor Plan	A-21 - A-22
Bath Group	A-23
Curtain, Cushion & Pad Group	A-24 - B-04
Dinette Group	B-05 - B-06
Exterior Body Group	B-07 - B-12
Galley Group	C-13
Lounge Group	B-14
Window, Vent & Exterior Door Group	B-15 - B-16

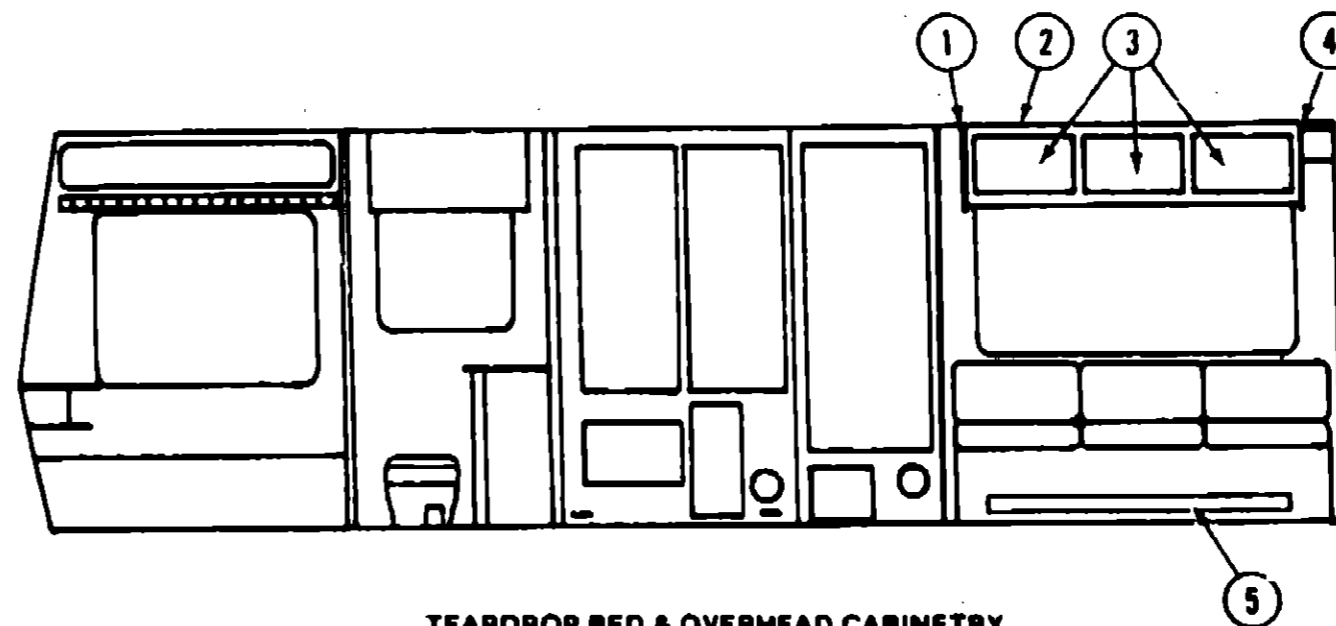
DINETTE GROUP



DINETTE & COMPONENTS

Key	Part Number	U/M	Description
1	076548-02-X19	EA	End Cap Asm. - Dinette Overhead - Vinyl
2	M03110-36-X78	EA	Cabinet Asm. - Dinette Overhead - w/o Doors or Hardware
3	M88304-08-X11	EA	Door Asm. - Dinette Overhead - 12.1" x 20.9" - w/o Hardware
4	076548-01-X19	EA	End Cap Asm. - Dinette Overhead - Vinyl
5	M02647-01-X78	EA	Cabinet Asm. - Dinette Seat - w/o Doors or Hardware
	M02648-01-X78	EA	Cabinet Asm. - Dinette Back
6	M88304-21-X08	EA	Door Asm. - Dinette Seat - 16.7" x 10.1" - w/o Hardware
7	M81299-01-X23	EA	Table Asm. - Dinette - Driftwood
8	M02647-02-X78	EA	Cabinet Asm. - Dinette Seat - w/o Door or Hardware
	M02648-02-X78	EA	Cabinet Asm. - Dinette Back
	053200-05-000	EA	Bracket - Upper Wall Mount - 23.5" - Beige
	053201-06-000	EA	Bracket - Table Mount - 23" - Beige
	024275-05-000	EA	Rod - Table Lift - 8" x 23.5" - Beige
	024276-17-000	EA	Leg Asm. - Table - Tan
	024281-07-000	EA	Bracket - Lower Wall Mount - 22.12" - Beige
	024282-01-000	EA	Brace - Table Leg
	024283-01-000	EA	Clip - 1" O.D. Tube
	049493-05-000	EA	Catch - Table Leg - Mounts on Floor - Tan
	064050-02-000	EA	Hinge - Table Leg
	064781-05-000	EA	Cup Holder - 3.5" x 1.5"
			Not illustrated

DINETTE GROUP (CONTINUED)



TEARDROP BED & OVERHEAD CABINERY

Key	Part Number	U/M	Description
1	076548-02-X19	EA	Pad Asm. - End Cap - Dinette Overhead - Left - Vinyl
2	M03110-36-X78	EA	Cabinet Asm. - Dinette Overhead - w/o Doors or Hardware
3	M88304-08-X11	EA	Door Asm. - Dinette Overhead - w/o Hardware
4	076548-01-X19	EA	Pad Asm. - End Cap - Dinette Overhead - Right - Vinyl
5	090406-01-X19	EA	Drawer Asm. - Couch
	081298-01-X23	EA	Table Asm. - w/o Hardware
	009040-06-000	EA	Leg - Pedestal Table - 27.5" x 2.25" O.D.
	009040-03-000	EA	Base - Table Leg - Mounts on Table
	041194-01-000	EA	Base - Table Leg - Mounts in Floor
	062046-01-000	EA	Clip - Pedestal Leg
			Not illustrated

1988 WINNEBAGO/ITASCA TABLE OF CONTENTS

Introduction	A-01
Abbreviations	A-02
W/ICP28ET	A-03 - A-20
W/ICP28EU	A-21 - B-16
W/ICP32RQ, W/IJP32RQ	B-17 - C-22
W/ICP34RU	C-23 - E-06
W/ICP37RO	E-07 - F-10

1988 W/ICP28RU INDEX

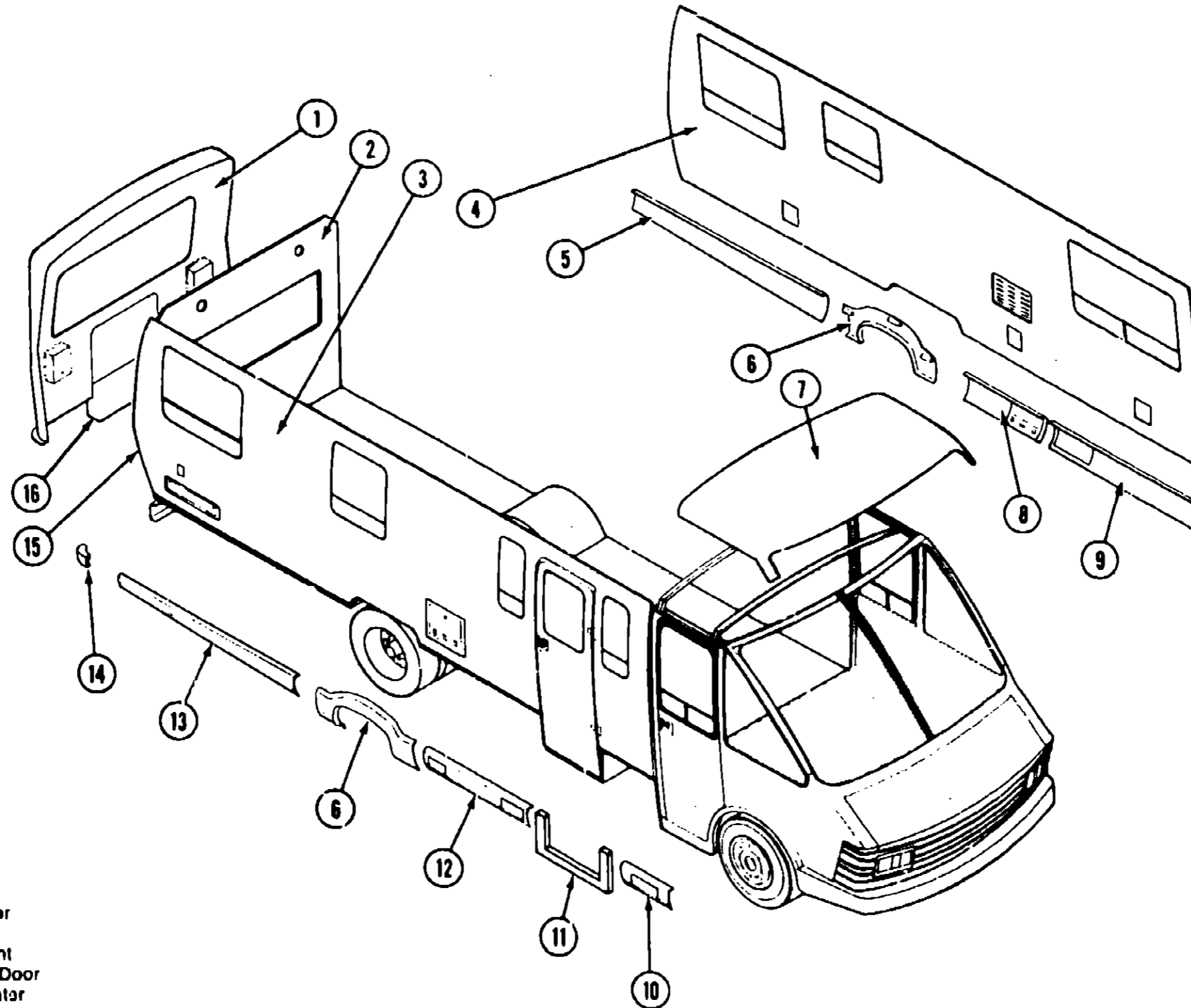
Floor Plan	A-21 - A-22
Bath Group	A-23
Curtain, Cushion & Pad Group	A-24 - B-04
Dinette Group	B-05 - B-06
Exterior Body Group	B-07 - B-12
Galley Group	B-13
Lounge Group	B-14
Window, Vent & Exterior Door Group	B-15 - B-16

EXTERIOR BODY GROUP

WINNEBAGO EXTERIOR BODY PANELS

1988 WINNEBAGO/ITASCA TABLE OF CONTENTS

Introduction	A-01
Abbreviations	A-02
W/ICP26ET	A-03 - A-20
W/ICP28EU	A-21 - B-16
W/ICP32RQ, W/IJP32RQ	B-17 - C-22
W/ICP34RU	C-23 - E-06
W/ICP37RQ	E-07 - F-10



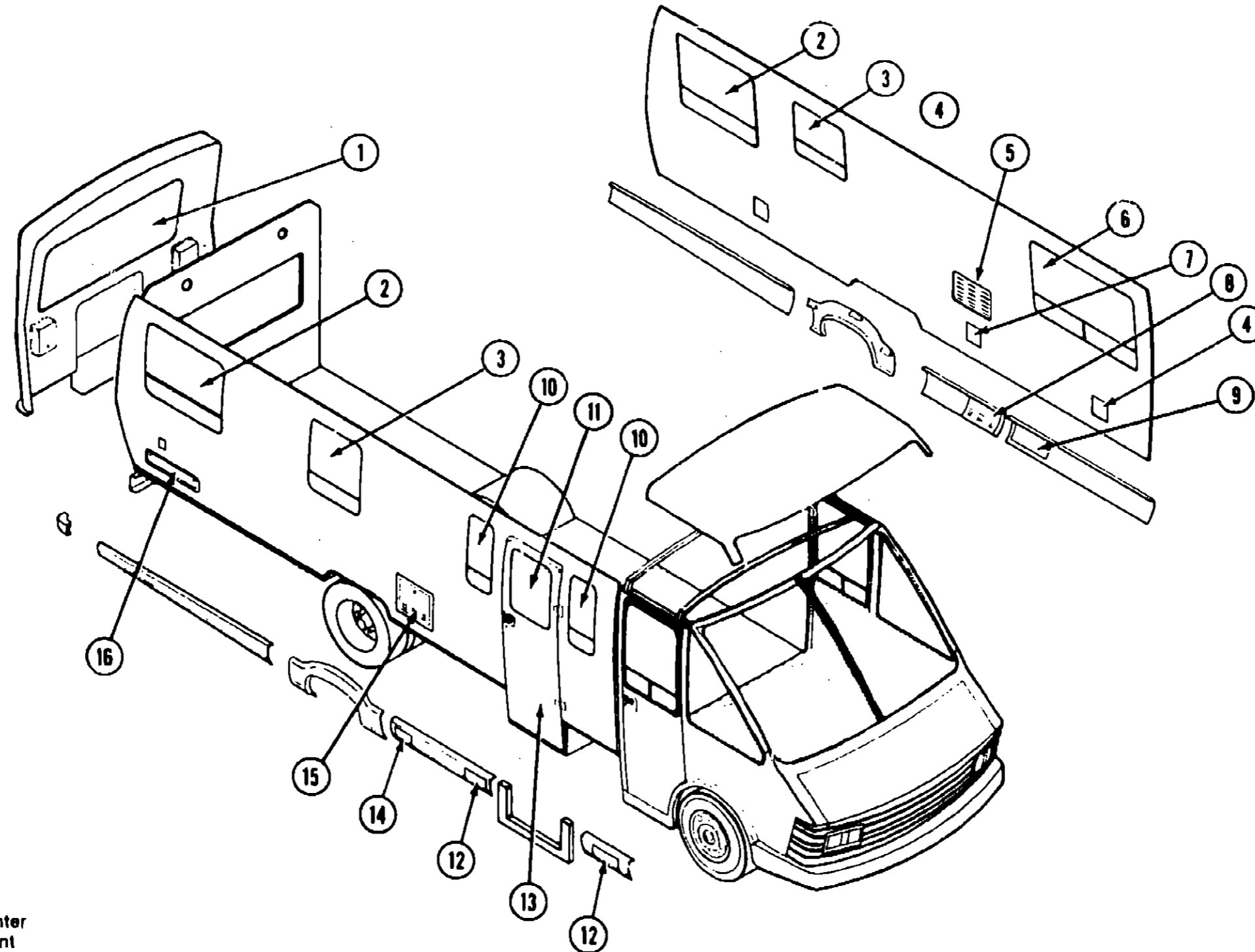
Key	Part Number	U/M	Description
1	M01616-15-X23	EA	Rear Cap Panel - Beige
2	069542-01-X23	EA	Backwall Asm.
3	M87839-01-X23	EA	Sidewall Asm. - Right
3	M87839-01-X24	EA	Sidewall Asm. - Right
3	M87839-01-X25	EA	Sidewall Asm. - Right
4	M87840-01-X23	EA	Sidewall Asm. - Left
4	M87840-01-X24	EA	Sidewall Asm. - Left
4	M87840-01-X25	EA	Sidewall Asm. - Left
5	M02586-07-X23	EA	Valance Panel - Left Rear
6	082925-01-U07	EA	Wheelwell Trim - Rear - Beige
7	M01615-07-U07	EA	Roof Cap - Front Cab - Beige
8	M02586-06-X23	EA	Valance Panel Asm. - Left Center
9	M02586-38-X23	EA	Valance Panel Asm. - Left Front
10	M02586-01-X23	EA	Valance Panel Asm. - Right Front
11	M02586-03-U07	EA	Valance Panel Asm. - Entrance Door
12	M02586-02-X23	EA	Valance Panel Asm. - Right Center
13	M02586-04-X23	EA	Valance Panel Asm. - Right Rear
14	077330-05-000	EA	Bumper End Cap - Right Rear
	077330-08-000	EA	Bumper End Cap - Left Rear
15	073502-07-000	EA	Fiberglass Trim - Right Rear - Beige
	073502-08-000	EA	Fiberglass Trim - Left Rear - Beige
16	M01990-04-X19	EA	Spare Tire Cover
	M89793-01-X23	EA	Roof Asm. - Beige
	073505-06-000	EA	Roof Trim - 180" - Beige
	072942-10-000	EA	Roof Trim Insert - Beige - 15'
	076515-01-000	EA	Trim - Wheelwell - Rear - Left/Right
	077412-01-000	EA	Trim Cap - Rear Upper Corner - Sidewall - Right
	077412-04-000	EA	Trim Cap - Rear Upper Corner - Sidewall - Left
			Not illustrated

1988 W/ICP28RU INDEX

Floor Plan	A-21 - A-22
Bath Group	A-23
Curtain, Cushion & Pad Group	A-24 - B-04
Dinette Group	B-05 - B-06
Exterior Body Group	B-07 - B-12
Galley Group	B-13
Lounge Group	B-14
Window, Vent & Exterior Door Group	B-15 - B-16

EXTERIOR BODY GROUP (CONTINUED)

ITASCA EXTERIOR BODY PANELS



Key	Part Number	U/M	Description
1	M01616-16-X78	EA	Rear Cap Panel - Gray
2	089542-01-X78	EA	Backwall Asm.
3	M87839-01-X78	EA	Sidewall Asm. - Right
3	M87839-01-X79	EA	Sidewall Asm. - Right
3	M87839-01-X80	EA	Sidewall Asm. - Right
4	M87840-01-X78	EA	Sidewall Asm. - Left
4	M87840-01-X79	EA	Sidewall Asm. - Left
4	M87840-01-X80	EA	Sidewall Asm. - Left
5	M02586-07-U16	EA	Valance Panel - Left Rear
6	082925-01-U16	EA	Wheelwell Trim - Rear - Gray
7	M01615-07-U16	EA	Roof Cap - Front Cab - Gray
8	M02586-06-U16	EA	Valance Panel Asm. - Left Center
9	M02586-38-W78	EA	Valance Panel Asm. - Left Front
10	M02586-01-U16	EA	Valance Panel Asm. - Right Front
11	M02586-03-U16	EA	Valance Panel Asm. - Entrance Door
12	M02586-02-U16	EA	Valance Panel Asm. - Right Center
13	M02586-04-U16	EA	Valance Panel Asm. - Right Rear
14	077330-07-000	EA	Bumper End Cap - Right Rear
	077330-08-000	EA	Bumper End Cap - Left Rear
15	073502-09-000	EA	Fiberglass Trim - Right Rear - Gray
	073502-10-000	EA	Fiberglass Trim - Left Rear - Gray
16	M01990-03-X75	EA	Spare Tire Cover
	M89793-01-X78	EA	Roof Asm. - Gray
	073505-08-000	EA	Roof Trim - 180" - Gray
	072942-12-000	EA	Roof Trim Insert - Gray - 15'
	076515-01-000	EA	Trim - Wheelwell - Rear - Left/Right
	077412-03-000	EA	Trim Cap - Rear Upper Corner - Sidewall - Right
	077412-04-000	EA	Trim Cap - Rear Upper Corner - Sidewall - Left
			Not Illustrated

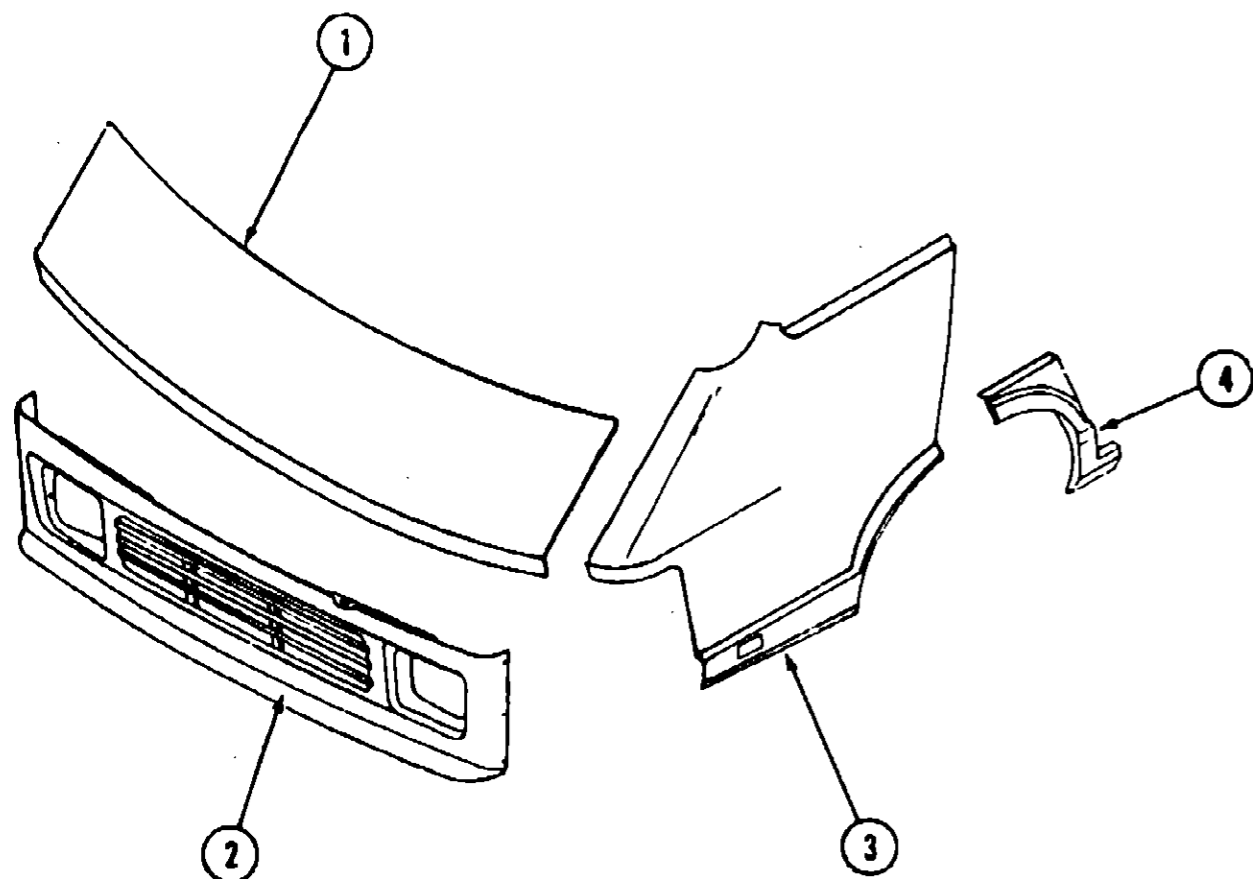
1988 WINNEBAGO/ITASCA TABLE OF CONTENTS

Introduction	A-01
Abbreviations	A-02
W/ICP26ET	A-03 - A-20
W/ICP28EU	A-21 - B-16
W/ICP32RQ, W/IJP32RQ	B-17 - C-22
W/ICP34RU	C-23 - E-06
W/ICP37FQ	E-07 - F-10

1988 W/ICP28RU INDEX

Floor Plan	A-21 - A-22
Bath Group	A-23
Curtain, Cushion & Pad Group	A-24 - B-04
Dinette Group	B-05 - B-06
Exterior Body Group	B-07 - B-12
Galley Group	B-13
Lounge Group	B-14
Window, Vent & Exterior Door Group	B-15 - B-16

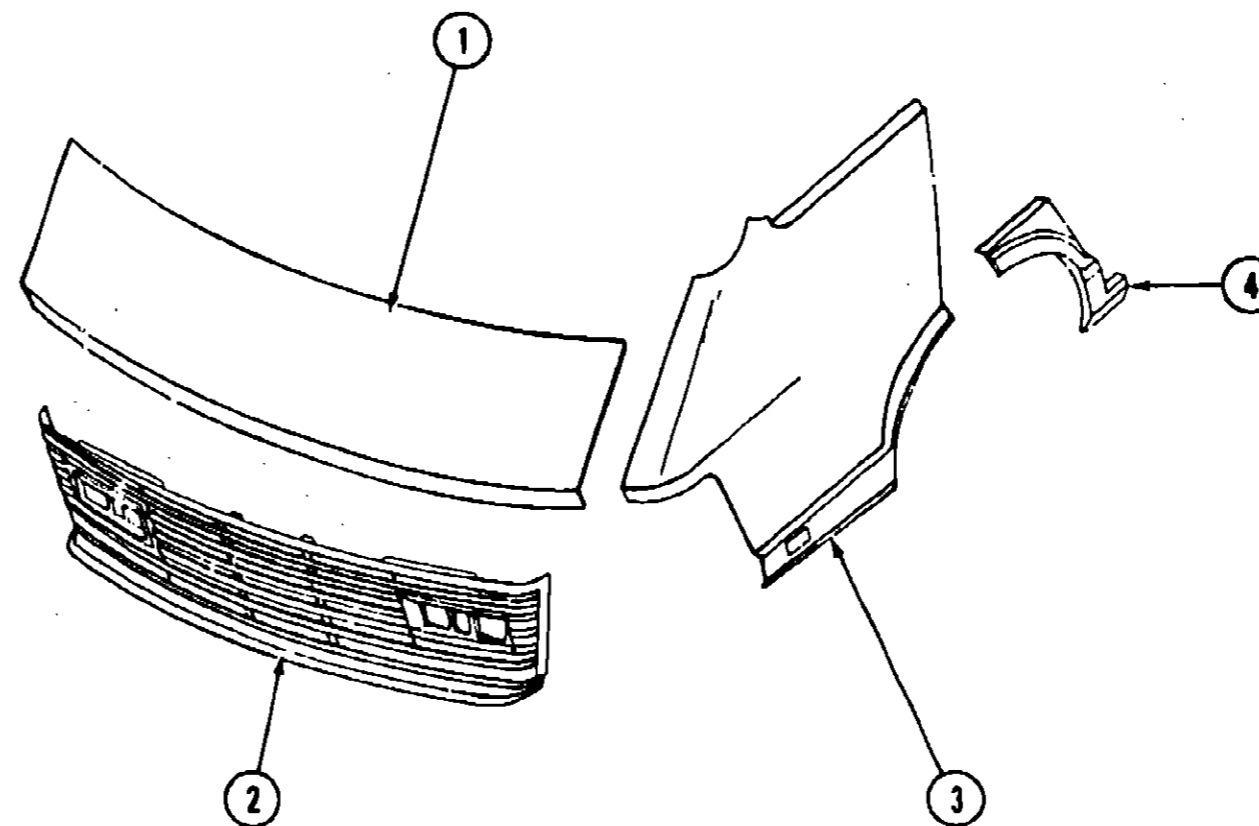
EXTERIOR BODY GROUP (CONTINUED)



**WINNEBAGO
EXTERIOR BODY PANELS (CAB)**

Key	Part Number	U/M	Description
	084759-01-W13	EA	Hood Panel
2	076777-02-000	EA	Grill Panel - Gray
	M01608-04-W10	EA	Grille - Panel Asm.
3	084751-02-W13	EA	Fender Panel - Front Left
	084240-01-U25	EA	Fender Panel - Front Right
4	084166-03-000	EA	Fender Panel - Rear Left
	058786-02-000	EA	Hood Bolt - Adjusting
	R77006-38-499	EA	Spring - Hood Latch Cable
	M02680-01-U25	EA	Hinge Asm. - Hood - Right
	M02680-02-U25	EA	Hinge Asm. - Hood - Left
	077252-01-000	EA	Hinge Pin - Stainless Steel
	077407-01-000	EA	Bracket - Hood Release Cable
	070907-01-000	EA	Headlamp Capsule Asm. - High/Low Beam - Left or Right
	076911-05-000	EA	Headlamp Bezel - Chrome - Right Hand
	076911-06-000	EA	Headlamp Bezel - Chrome - Left Hand
	075767-01-000	EA	Bumper End - Plastic - Passenger Side - Beige
	075767-03-000	EA	Bumper End - Plastic - Drivers Side - Beige
	076345-01-000	EA	Lamp Asm. - Park/Turn - Amber - Left or Right
	M01615-07-U07	EA	Roof Cap - Front Cab
	Not illustrated		

EXTERIOR BODY GROUP (CONTINUED)



**ITASCA
EXTERIOR BODY PANELS**

Key	Part Number	U/M	Description
	084759-01-W36	EA	Hood Panel
2	088407-01-000	EA	Grill Panel - Gray
	M01608-05-W36	EA	Grille - Panel Asm.
3	084751-02-W36	EA	Fender Panel - Front Left
	084240-01-W36	EA	Fender Panel - Front Right
4	084166-04-000	EA	Fender Panel - Rear Left
	058786-02-000	EA	Hood Bolt - Adjusting
	R77006-38-499	EA	Spring - Hood Latch Cable
	M02680-01-U16	EA	Hinge Asm. - Hood - Right
	M02680-02-U16	EA	Hinge Asm. - Hood - Left
	077252-01-000	EA	Hinge Pin - Stainless Steel
	077407-01-000	EA	Bracket - Hood Release Cable
	076910-01-000	EA	Headlamp Bezel - Chrome - Right Hand
	076910-02-000	EA	Headlamp Bezel - Chrome - Left Hand
	075767-02-000	EA	Bumper End - Plastic - Passenger Side - Gray
	075767-04-000	EA	Bumper End - Plastic - Drivers Side - Gray
	076345-01-000	EA	Lamp Asm. - Park/Turn - Amber - Left or Right
	M01615-07-U16	EA	Roof Cap - Front Cab
	Not illustrated		

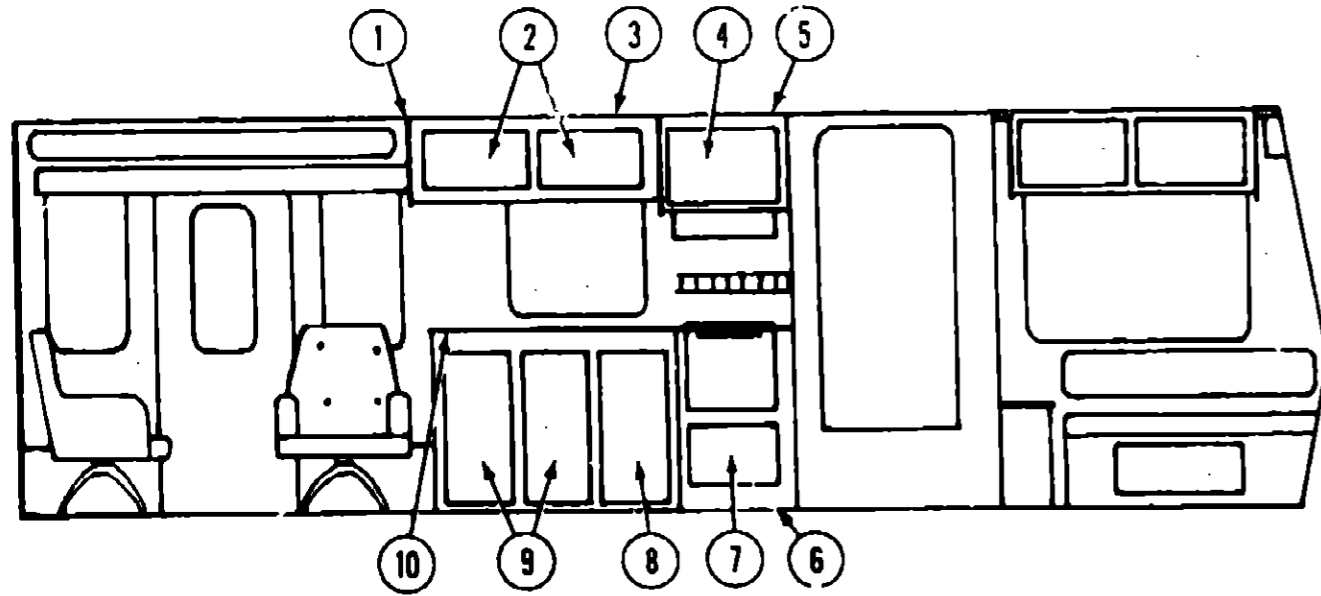
**1988 WINNEBAGO/ITASCA
TABLE OF CONTENTS**

Introduction	A-01
Abbreviations	A-02
W/ICP28ET	A-03 - A-20
W/ICF28EU	A-21 - B-16
W/ICP32RQ, W/IJP32RQ	B-17 - C-22
W/ICP34RU	C-23 - E-06
W/ICP37RQ	E-07 - F-10

1988 W/ICP28RU INDEX

Floor Plan	A-21 - A-22
Bath Group	A-23
Curtain, Cushion & Pad Group	A-24 - B-04
Dinette Group	B-05 - B-06
Exterior Body Group	B-07 - B-12
Galley Group	B-13
Lounge Group	B-14
Window, Vent & Exterior Door Group	B-15 - B-16

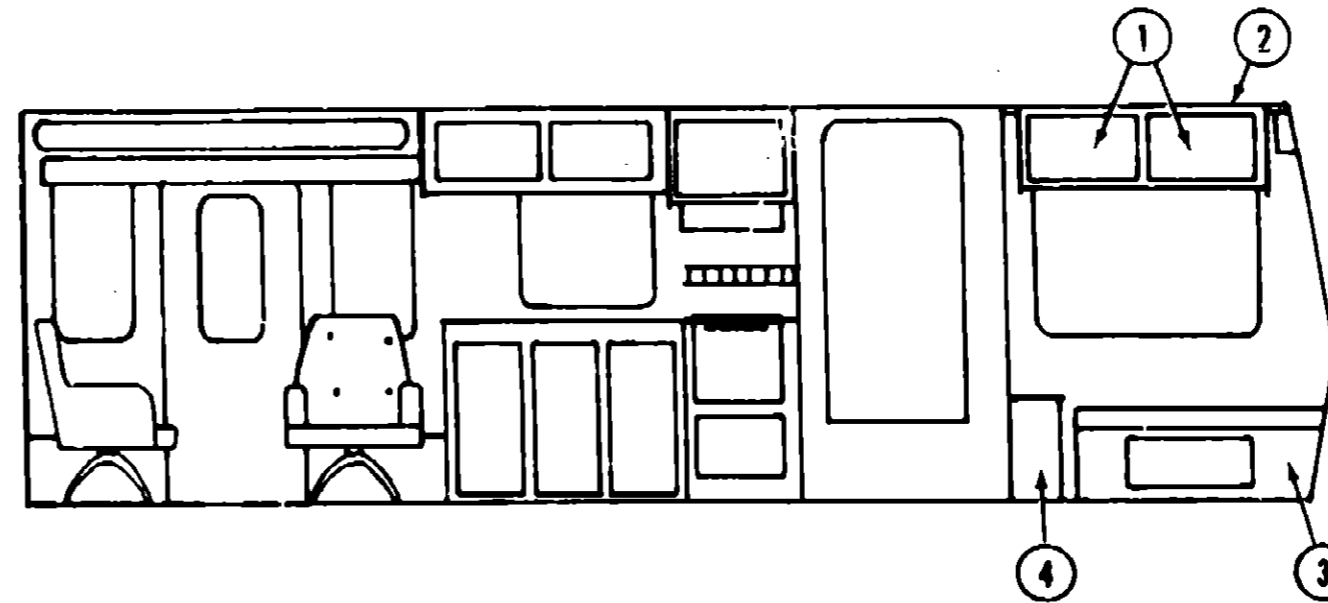
GALLEY GROUP



GALLEY CABINERY

Key	Part Number	U/M	Description
1	075748-04-W13	EA	Pad Asm. - End Cap - Galley Overhead - Left - Vinyl
2	M88304-16-X23	EA	Door Asm. - Galley Overhead - w/o Hardware
3	M03110-52-X78	EA	Cabinet Asm. - Galley Overhead - w/o Doors or Hardware
4	M88304-16-X23	EA	Door Asm. - Galley Overhead - w/o Hardware
5	M03110-46-X78	EA	Cabinet Asm. - Galley Overhead - w/o Doors or Hardware
6	M89546-01-X23	EA	Cabinet Asm. - Galley - w/o Doors, Drawers, Countertop or Hardware
**6	M89546-02-X23	EA	Cabinet Asm. - Galley - w/o Doors, Drawers, Countertop or Hardware
**	M82184-10-X11	EA	Drawer Asm. - w/o Clip
7	M88304-05-X23	EA	Door Asm. - Galley Cabinet - w/o Hardware
8	M88304-14-X08	EA	Door Asm. - Galley Cabinet - w/o Hardware
9	M88304-13-X08	EA	Door Asm. - Galley Cabinet - w/o Hardware
10	089546-11-X23	EA	Countertop Asm. - Galley
*	M81520-01-W30	EA	Pantry Asm. - Pullout
*			Not illustrated
**			Parts used with the Microwave Option

LOUNGE GROUP



DOUBLE BED W/NIGHTSTAND

Key	Part Number	U/M	Description
1	M88304-16-X23	EA	Door Asm. - Rear Overhead Cabinet - w/o Hardware
2	M03110-50-X78	EA	Cabinet Asm. - Rear Overhead - Right - w/o Doors or Hardware
*	M03110-54-X78	EA	Cabinet Asm. - Rear Overhead - Left - w/o Doors or Hardware
3	M89925-01-X23	EA	Cabinet Asm. - Double Bed Base
*	M88304-A8-X78	EA	Door Asm. - Rear Bed Cabinet
4	082776-01-X23	EA	Cabinet Asm. - Nightstand - w/o Countertop
*	M02537-01-X23	EA	Countertop Asm. - Nightstand Cabinet
*	087065-02-X23	EA	Cabinet Asm. - TV Stand
*	M03007-01-X19	EA	Countertop Asm. - TV Cabinet
*	M88304-A7-X11	EA	Door Asm. - TV Cabinet
*			Not illustrated

SWIVEL CHAIR CABINETS & HARDWARE

Key	Part Number	U/M	Description
	M87999-01-X78	EA	Cabinet Asm. - Entrance Door Overhead - w/o Doors or Hardware
	M88304-30-X78	EA	Door Asm. - Entrance Cabinet - w/o Hardware
	058331-17-000	EA	Mirror - Safety Glass - 8.75" x 12.50"
	088245-01-000	EA	Base - Chair w/Legs - Swivel Chair
	088245-04-000	EA	Extension - 5"

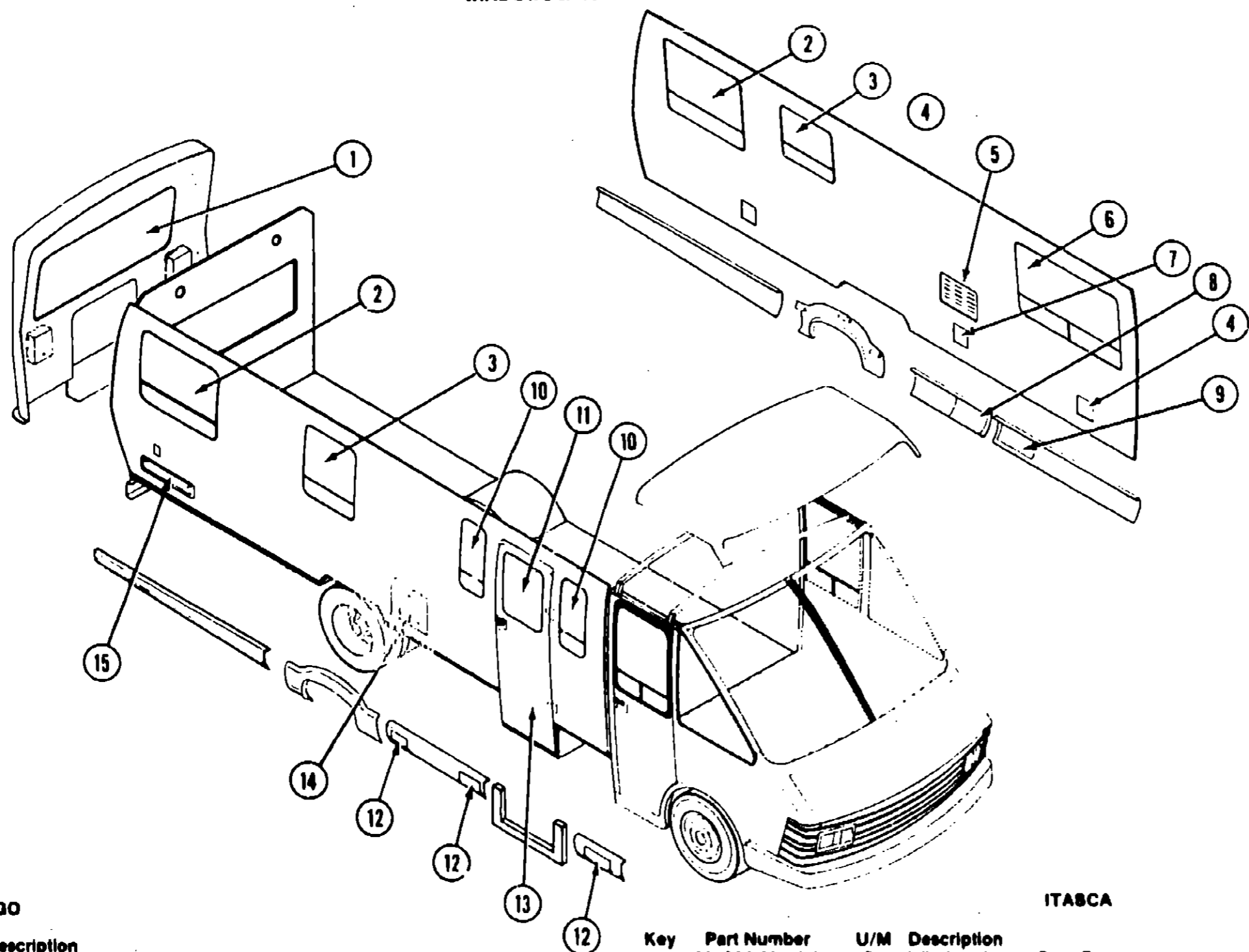
1988 WINNEBAGO/ITASCA TABLE OF CONTENTS

Introduction	A-01
Abbreviations	A-02
W/ICP28ET	A-03 - A-20
W/ICP28EU	A-21 - B-16
W/ICP32RQ, W/IJP32RQ	B-17 - C-22
W/ICP34RU	C-23 - E-06
W/ICP37RQ	E-07 - F-10

1988 W/ICP28RU INDEX

Floor Plan	A-21 - A-22
Bath Group	A-23
Curtain, Cushion & Pad Group	A-24 - B-04
Dinette Group	B-05 - B-06
Exterior Body Group	B-07 - B-12
Galley Group	B-13
Lounge Group	B-14
Window, Vent & Exterior Door Group	B-15 - B-16

WINDOWS, VENTS & EXTERIOR DOORS
WINDOWS & ACCESS DOORS



**1988 WINNEBAGO/ITASCA
TABLE OF CONTENTS**

Introduction	A-01
Abbreviations	A-02
W/ICP26ET	A-03 - A-20
W/ICP26EU	A-21 - B-16
W/ICP32RQ, W/IJP32RQ	B-17 - C-22
W/ICP34RU	C-23 - E-06
W/ICP37RQ	E-07 - F-10

1988 W/ICP26RU INDEX

Floor Plan	A-21 - A-22
Bath Group	A-23
Curtain, Cushion & Pad Group	A-24 - B-04
Dinette Group	B-05 - B-06
Exterior Body Group	B-07 - B-12
Galley Group	B-13
Lounge Group	B-14
Window, Vent & Exterior Door Group	B-15 - B-16

WINNEBAGO

Key	Part Number	U/M	Description
1	087985-03-W13	EA	Window Asm. - Rear Escape
2	085353-02-W07	EA	Window Asm. - Awning
3	085353-07-W07	EA	Window Asm. - Awning
4	078010-01-000	EA	Door Asm. - Fuel Fill
5	084104-02-000	EA	Door Asm. - Refrigerator Access
6	085354-01-W07	EA	Window Asm. - Awning
7	063742-02-000	EA	Door - Power Cord
8	083974-01-X23	EA	Door Asm. - Generator
9	083095-03-U25	EA	Door Asm. - Luggage
10	085353-03-W07	EA	Window Asm. - Awning
11	079733-04-T03	EA	Window Asm. - Picture
12	083095-02-U07	EA	Door Asm. - Luggage
13	M84385-01-X23	EA	Door Asm. - Entrance
14	052009-02-000	EA	Door Asm. - Water Heater
15	079578-03-W13	EA	Door Asm. - Luggage
.	M01990-04-X19	EA	Door - Spare Tire
.	077137-01-000	EA	Door - Sewer Hose Compartment
.	Not illustrated		

B-15

ITASCA

Key	Part Number	U/M	Description
1	087985-03-W13	EA	Window Asm. - Rear Escape
2	085353-02-W07	EA	Window Asm. - Awning
3	085353-07-W07	EA	Window Asm. - Awning
4	078010-02-000	EA	Door Asm. - Fuel Fill
5	084104-02-000	EA	Door Asm. - Refrigerator Access
6	085354-01-W07	EA	Window Asm. - Awning
7	063742-03-000	EA	Door - Power Cord
8	083974-01-U16	EA	Door Asm. - Generator
9	083095-03-U16	EA	Door Asm. - Luggage
10	085353-03-W07	EA	Window Asm. - Awning
11	079733-04-T03	EA	Window Asm. - Picture
12	083095-02-U16	EA	Door Asm. - Luggage
13	M84385-01-X78	EA	Door Asm. - Entrance
14	052009-03-000	EA	Door Asm. - Water Heater
15	079578-03-W36	EA	Door Asm. - Luggage
.	M01990-03-X75	EA	Door - Spare Tire
.	077137-02-000	EA	Door - Sewer Hose Compartment
.	Not illustrated		

B-16