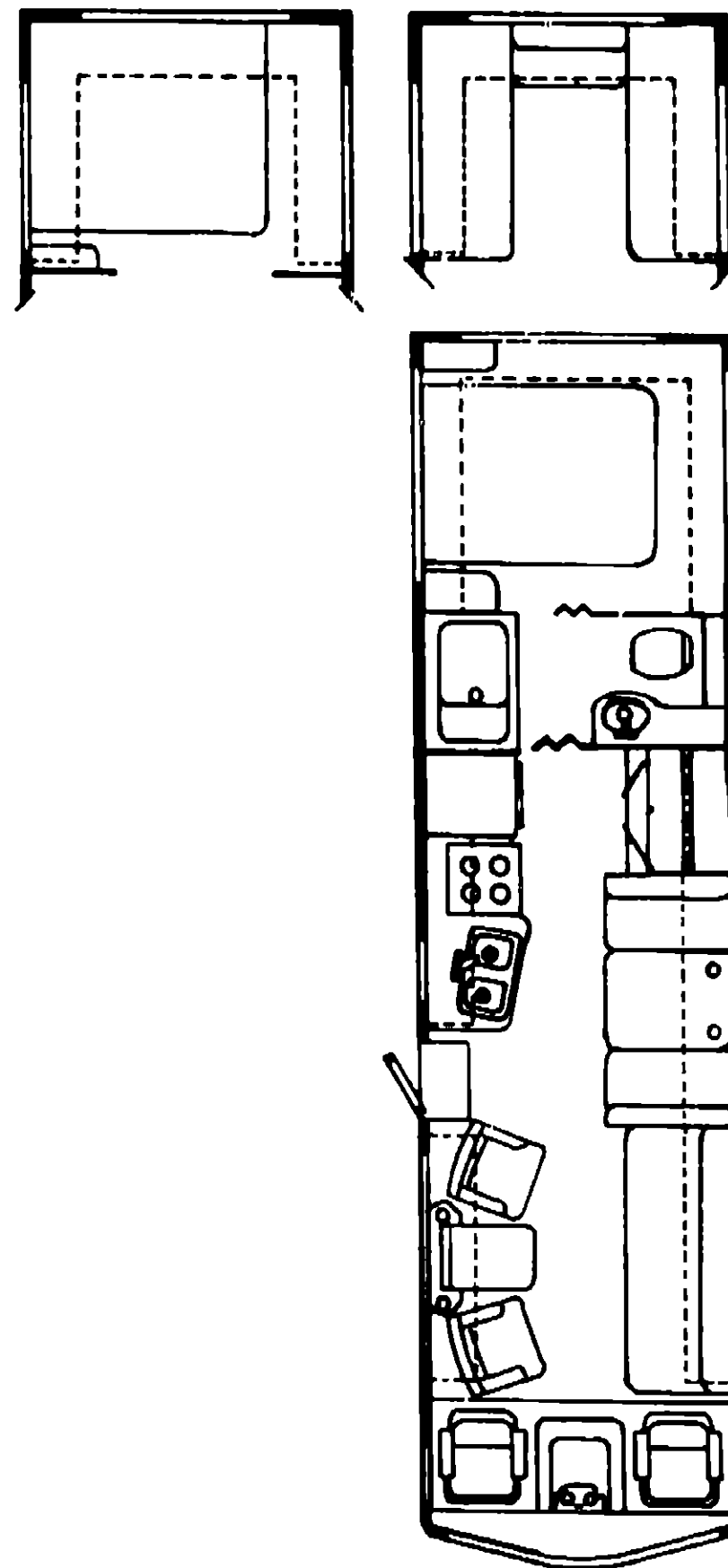


1988 W/ICN33RU



1988 N-SERIES TABLE OF CONTENTS

W/ICN22EC	A 01 - A-22
WCN22RC	A-23 - B-14
W/ICN27RT	B-15 - C-18
W/ICN27RU	C-19 - D-20
W/ICN31RT & W/IJN31RT	D-21 - E-18
W/ICN33RU	E-19 - F-16

1988 W/ICN33RU INDEX

Floor Plan	E-19 - E-20
Bath Group	E-21
Curtain Cushion & Pad Group	E-22 - F-04
Dinette Group	F-05
Exterior Body Group	F-06 - F-10
Galley Group	F-11
Lounge Group	F-12 - F-14
Window Vent & Exterior Door Group	F-15 - F-16

BATH GROUP

BATH CABINETRY

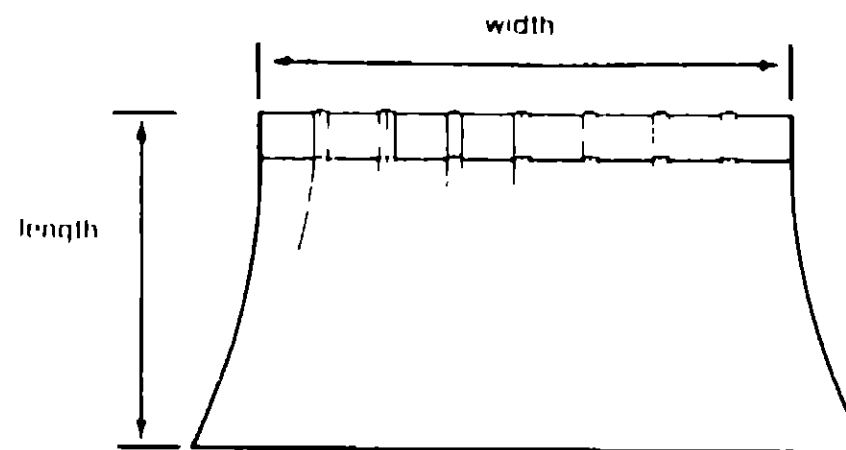
Key	Part Number	U/M	Description
	M81304-03-X11	EA	Cabinet Asm - Lavatory - w/o Countertop, Doors, or Drawers
	M02162-01-X11	EA	Countertop Asm. - Lavatory Cabinet
	M88304-69-X11	EA	Door Asm - Hamper - w/o Hardware
	M88304-B6-X11	EA	Door Asm - Lavatory Cabinet
	M88304-91-X11	EA	Mirror Asm - Bath Wall
	081894-03-W04	EA	Tilt Out - Drawer Face - Lavatory & Pipe Cover
	076073-01-000	EA	Cabinet Asm - Medicine - 15 4" x 29 4" - Almond
	088303-52-X08	EA	Door Asm - Medicine Cabinet - w/Mirror
	058331-05-000	EA	Mirror - 12" x 26" - Medicine Cabinet Door
	M88304-B8-X11	EA	Door Asm - Wardrobe Cabinet - Lower - w/o Hardware
	M88304-22-X11	EA	Door Asm - Wardrobe Cabinet - Upper - w/o Hardware
	M02480-01-X11	EA	Countertop Asm - Wardrobe
	M81305-01-W30	EA	Cabinet Asm - Pipe Cover
	M02153-01-X11	EA	Countertop Asm - Pipe Cover
	M87868-01-W33	EA	Door Asm - Bath w/o Lockset
	M81520-01-W30	EA	Pantry Asm - Pullout
	080224-29-000	EA	Folding Door - Front - 35" x 75"
	080224-06-000	EA	Track - Front Folding Door - 29 5'
	080224-01-700	EA	Latch & Catch Asm - Folding Door
	080224-30-000	EA	Folding Door - Rear - 46" x 75"
	080224-19-000	EA	Track - Rear Folding Door - S Curve

CURTAIN, CUSHION & PAD GROUP

NOTICE

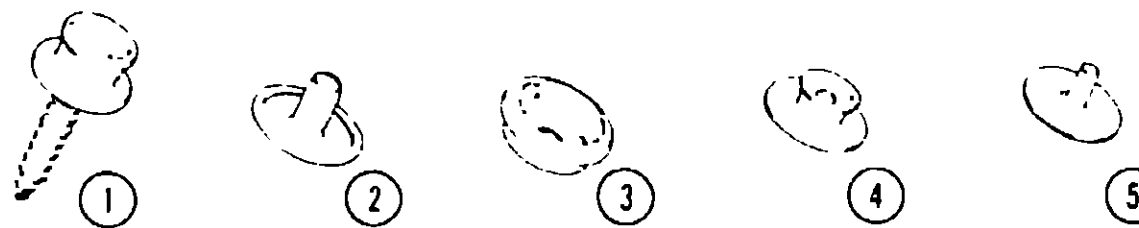
In order to assist our Parts Sales Dept. in providing interior software items, please include the serial number and the color code number from the vehicle certification label when ordering. This label is located on the left sidewall at the end of the dash (A-Body), or on the driver's door latch plate (C-Body).

An example of a color code number is P31, which designates an overall color scheme of a particular unit. The color listed after the item description on the microfiche indicates the overall unit color. Order the item you desire according to unit color code.



NOTE

Use this illustration when determining length and width measurements for curtains. You will note the width measurement is taken on the top of the curtain with the curtain fully extended. The length measurement is taken from top to bottom.



Key	Part Number	U/M	Description
1	029130-01-000	EA	Socket - Snap Fastener
2	029155-01-000	EA	Cap - Snap - 156" Dia x 17' Barrel
3	029156-01-000	EA	Socket - Snap Fastener
4	029092-01-000	EA	Stud - Nickel Finish
5	029093-01-000	EA	Eyelet - Nickel Finish

1988 N-SERIES TABLE OF CONTENTS

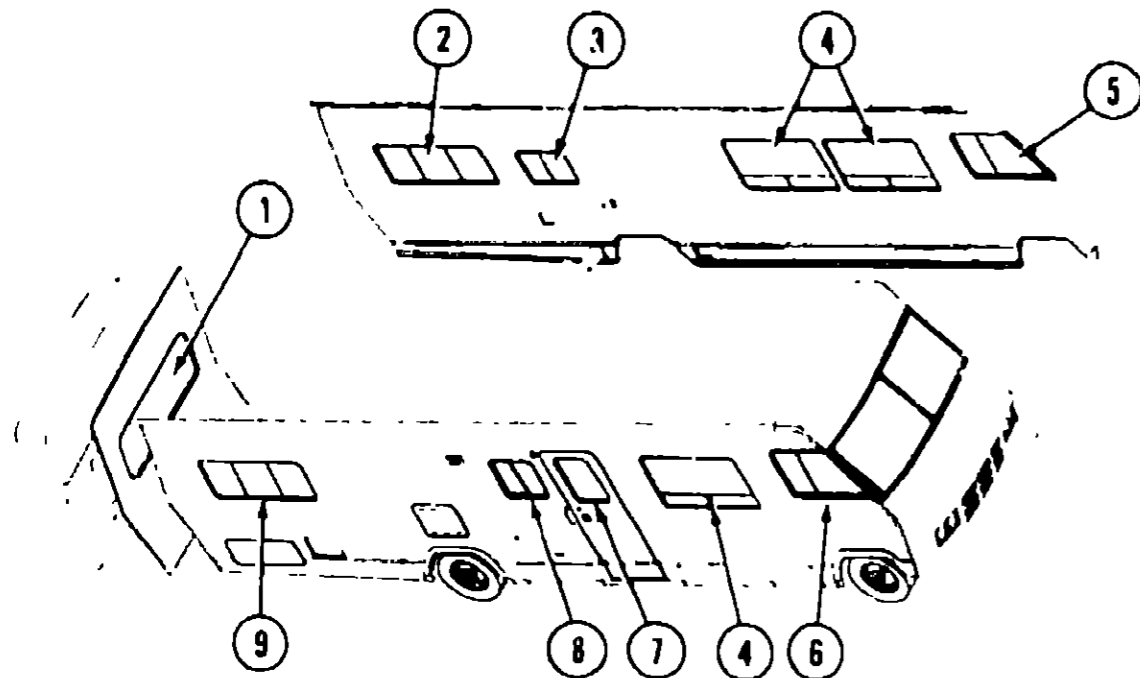
W/ICN22EC	A-01 - A-22
WCN22RC	A-23 - B-14
W/ICN27RT	B-15 - C-18
W/ICN27RU	C-19 - D-20
W/ICN31RT & W/IJN31RT	D-21 - E-18
W/ICN33RU	E-19 - F-16

1988 W/ICN33RU INDEX

Floor Plan	E-19 - E-20
Bath Group	E-21
Curtain, Cushion & Pad Group	E-22 - F-04
Dinette Group	F-05
Exterior Body Group	F-06 - F-10
Galley Group	F-11
Lounge Group	F-12 - F-14
Window Vent & Exterior Door Group	F-15 - F-16

CURTAIN, CUSHION & PAD GROUP (CONTINUED)

CURTAIN, CUSHION & PAD GROUP (CONTINUED)



WINNEBAGO

CURTAINS, SHADES VALANCES & TIEBACKS

Key	Part Number	U/M	Description
1	084755-29-X11	EA	Shade Asm - Linen - 72 25"
1	088926-01-X11	EA	Valance Asm - Quilted - 76"
1	088926-01-X12	EA	Valance Asm - Quilted - 76"
1	088926-01-X13	EA	Valance Asm - Quilted - 76"
**1	088926-01-XA0	EA	Valance Asm - Quilted - 76" (X11)
†1	088926-01-XA1	EA	Valance Asm - Quilted - 76" (X12)
††1	088926-01-XA2	EA	Valance Asm - Quilted - 76" (X13)
1	085190-07-X08	EA	Curtain Asm w/Snap Top - 29 5" x 15" (X11)
1	085190-07-X09	EA	Curtain Asm w/Snap Top - 29 5" x 15" (X12)
1	085190-07-X10	EA	Curtain Asm w/Snap Top - 29 5" x 15" (X13)
**1	085190-07-XA0	EA	Curtain Asm w/Snap Top - 29 5" x 15" (X11)
†1	085190-07-XA1	EA	Curtain Asm w/Snap Top - 29 5" x 15" (X12)
††1	085190-07-XA2	EA	Curtain Asm w/Snap Top - 29 5" x 15" (X13)
1	066226-42-X11	EA	Curtain Asm - Sheer - 28" x 78"
2	084755-30-X11	EA	Shade Asm - Linen - 60 25"
2	088926-04-X11	EA	Valance Asm - Quilted - 64"
2	088926-04-X12	EA	Valance Asm - Quilted - 64"
2	088926-04-X13	EA	Valance Asm - Quilted - 64"
**2	088926-04-XA0	EA	Valance Asm - Quilted - 64" (X11)
†2	088926-04-XA1	EA	Valance Asm - Quilted - 64" (X12)
††2	088926-04-XA2	EA	Valance Asm - Quilted - 64" (X13)
2	085190-07-X08	EA	Curtain Asm w/Snap Top - 29 5" x 15" (X11)
2	085190-07-X09	EA	Curtain Asm w/Snap Top - 29 5" x 15" (X12)
2	085190-07-X10	EA	Curtain Asm w/Snap Top - 29 5" x 15" (X13)
**2	085190-07-XA0	EA	Curtain Asm w/Snap Top - 29 5" x 15" (X11)
†2	085190-07-XA1	EA	Curtain Asm w/Snap Top - 29 5" x 15" (X12)
††2	085190-07-XA2	EA	Curtain Asm w/Snap Top - 29 5" x 15" (X13)
1	066226-42-X11	EA	Curtain Asm - Sheer - 28" x 78"
3	085304-77-000	EA	Blind - Pleated - 32' x 26" Drop (X11)
3	085304-76-000	EA	Blind - Pleated - 32' x 26" Drop (X12)
3	085304-78-000	EA	Blind - Pleated - 32' x 26" Drop (X13)
3	085191-02-X11	EA	Valance Asm - w/Insert - 35 5"
3	073304-39-X08	EA	Curtain Asm - w/Snap Top - 27 5" x 10'
**	Parts used after 2/22/88		
†	Parts used after 1/18/88		
††	Parts used after 1/25/88		

WINNEBAGO

CURTAINS, SHADES VALANCES & TIEBACKS (CONT.)

Key	Part Number	U/M	Description
4	085304-20-000	EA	Blinds - Pleated - 65" x 33" Drop (X11)
4	085304-19-000	EA	Blinds - Pleated - 65" x 33" Drop (X12)
4	085304-17-000	EA	Blinds - Pleated - 65" x 33" Drop (X13)
4	085191-01-X11	EA	Valance Asm - w/Insert - 68 5"
4	085190-16-X11	EA	Curtain Asm w/Snap Top - 33 5" x 44" - Right
4	085190-19-X11	EA	Curtain Asm w/Snap Top - 33 5" x 44" - Left
**	082127-77-000	EA	Shade Asm - Woven Wood - 55" x 33" Drop
**	087318-07-X11	EA	Curtain Asm w/Snap Top - 33 2" x 15'
5	073304-41-X23	EA	Curtain Asm - Front Wraparound - 32 5" x 86"
†5	073304-49-X11	EA	Curtain Asm - Front Wraparound - 34" x 86"
5	077591-06-X11	EA	Curtain Asm - Front Bunk - 60" x 50"
†5	077591-10-X11	EA	Curtain Asm - Front Bunk - 60" x 47 5"
6	073304-40-X23	EA	Curtain Asm - Front Wraparound - 32 5" x 86"
†6	073304-49-X11	EA	Curtain Asm - Front Wraparound - 34" x 86"
6	077591-05-X11	EA	Curtain Asm - Front Bunk - 60" x 50"
†6	077591-09-X11	EA	Curtain Asm - Front Bunk - 60" x 47 5"
7	084755-04-X11	EA	Shade Asm w/Braid Trim - 24 25"
7	085191-04-X11	EA	Valance Asm w/Insert - 27 4"
8	085304-71-000	EA	Blind - Pleated - 27' x 22" Drop (X11)
8	085304-70-000	EA	Blind - Pleated - 27' x 22" Drop (X12)
8	085304-72-000	EA	Blind - Pleated - 27' x 22" Drop (X13)
8	085191-03-X11	EA	Valance Asm w/Insert - 29 5"
*	073260-23-X08	EA	Tieback Asm - 3' x 18" - Drapery
**	Parts used on the Woven Woods Option		
†	Parts used after 8/18/87		
††	Parts used after 7/22/87		

WINNEBAGO

PAD & WALL TRIMS

Key	Part Number	U/M	Description
	081519-03-X23	EA	Pad Asm - Dinette - Front (X11)
	081519-03-X24	EA	Pad Asm - Dinette - Front (X12)
	081519-03-X25	EA	Pad Asm - Dinette - Front (X13)
	081519-04-X23	EA	Pad Asm - Dinette - Rear (X11)
	081519-04-X24	EA	Pad Asm - Dinette - Rear (X12)
	081519-04-X25	EA	Pad Asm - Dinette - Rear (X13)
	059414-06-000	EA	Pad Asm - Trim - Sidewall - Right - Vinyl
	059467-04-T03	EA	Pad Asm - Map Pocket - Right Vinyl
	086109-02-X11	EA	Headboard Asm - 26" - Gathered (X11) (Twin)
	086109-02-X12	EA	Headboard Asm - 26" - Gathered (X12) (Twin)
	086109-02-X13	EA	Headboard Asm - 26" - Gathered (X13) (Twin)
†	086109-02-XA0	EA	Headboard Asm - 26" - Gathered (X11) (Twin)
*	086109-02-XA1	EA	Headboard Asm - 26" - Gathered (X12) (Twin)
**	086109-02-XA2	EA	Headboard Asm - 26" - Gathered (X13) (Twin)
	086109-03-X08	EA	Headboard Asm - 44" - Gathered (X11) (Double/Queen)
	086109-03-X09	EA	Headboard Asm - 44" - Gathered (X12) (Double/Queen)
	086109-03-X10	EA	Headboard Asm - 44" - Gathered (X13) (Double/Queen)
†	086109-03-XA0	EA	Headboard Asm - 44" - Gathered (X11) (Double/Queen)
*	086109-03-XA1	EA	Headboard Asm - 44" - Gathered (X12) (Double/Queen)
**	086109-03-XA2	EA	Headboard Asm - 44" - Gathered (X13) (Double/Queen)
†	Parts used after 2/22/88		
*	Parts used after 1/18/88		
**	Parts used after 1/25/88		

**1988 N-SERIES
TABLE OF CONTENTS**

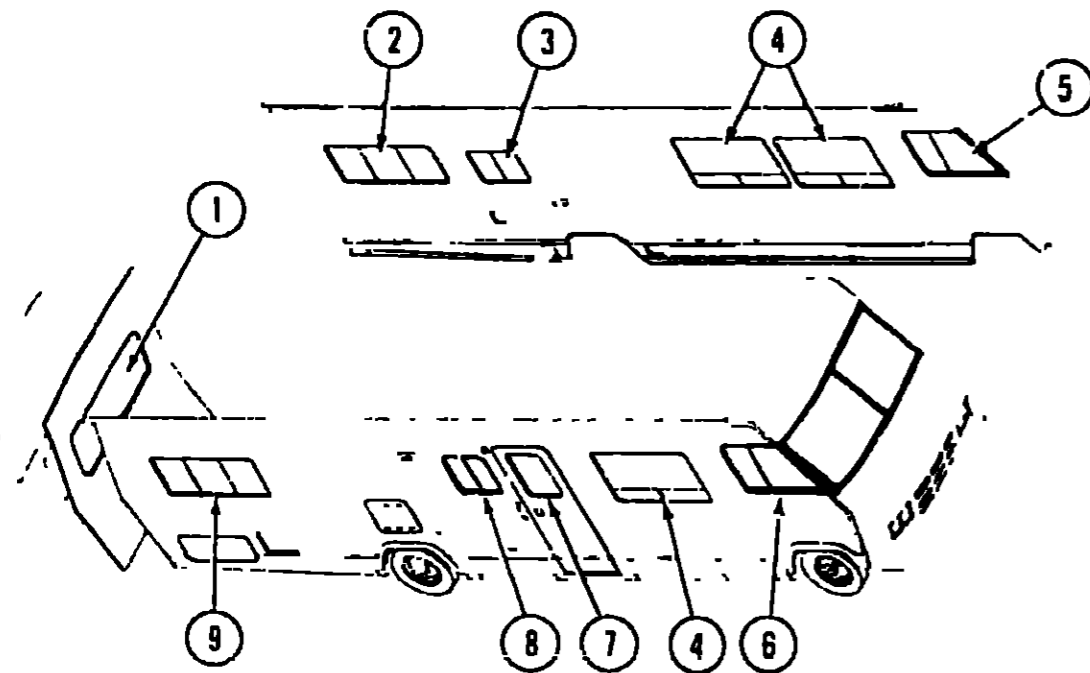
W/ICN22EC	A-01 - A-22
WCN22RC	A-23 - B-14
W/ICN27RT	B-15 - C-18
W/ICN27RU	C-19 - D-20
W/ICN31RT & W/IJN31RT	D-21 - E-18
W/ICN33RU	E-19 - F-16

1988 W/ICN33RU INDEX

Floor Plan	E-19 - E-20
Bath Group	E-21
Curtain, Cushion & Pad Group	E-22 - F-04
Dinette Group	F-05
Exterior Body Group	F-06 - F-10
Galley Group	F-11
Lounge Group	F-12 - F-14
Window Vent & Exterior Door Group	F-15 - F-16

CURTAIN, CUSHION & PAD GROUP (CONTINUED)

CURTAIN, CUSHION & PAD GROUP (CONTINUED)



ITASCA X36

ITASCA X37

CURTAINS, SHADES, VALANCES & TIEBACKS

CURTAINS, SHADES, VALANCES & TIEBACKS

**1988 N-SERIES
TABLE OF CONTENTS**

Key	Part Number	U/M	Description
1	084755-03-X36	EA	Shade Asm - Linen - 72 25"
**1	084755-03-XA3	EA	Shade Asm - Linen - 72 25'
*†1	084755-03-XA6	EA	Shade Asm - Linen - 72 25'
1	079558-20-X36	EA	Valance Asm - Gathered - 5' x 140
1	079559-11-X33	EA	Curtain Asm - Gathered - 32' x 41
2	084755-05-X78	EA	Shade Asm - Linen - 60 25'
**2	084755-05-XA3	EA	Shade Asm - Linen - 60 25'
*†2	084755-05-XA6	EA	Shade Asm - Linen - 60 25'
2	079558-21-X36	EA	Valance Asm - Gathered - 5' x 120
2	079559-11-X33	EA	Curtain Asm - Gathered - 32' x 41
3	082118-B9-000	EA	Blind - 32' x 25' Drop
3	M81977-24-X36	EA	Valance Asm - Padded - 35 5'
3	073304-39-X36	EA	Curtain Asm w Snap Top - 27 5' x 10
4	082118-C8-000	EA	Blind - 65' x 33' Drop
4	M81977-23-X36	EA	Valance Asm - Padded - 68 5'
4	087318-07-X36	EA	Curtain Asm w Snap Top - 33 5' x 15
5	073304-41-X20	EA	Curtain Asm - Front Wraparound - 32 5' x 86
†15	073304-49-X33	EA	Curtain Asm - Front Wraparound - 34' x 86
5	077591-06-X36	EA	Curtain Asm - Front Bunk - 60' x 50
15	077591-10-X36	EA	Curtain Asm - Front Bunk - 60' x 47 5'
6	073304-40-X20	EA	Curtain Asm - Front Wraparound - 32 5' x 86
†16	073304-49-X33	EA	Curtain Asm - Front Wraparound - 34' x 86
6	077591-05-X36	EA	Curtain Asm - Front Bunk - 60' x 50"
16	077591-09-X36	EA	Curtain Asm - Front Bunk - 60' x 47 5'
7	084755-04-X33	EA	Shade Asm - Linen - 24 25'
**7	084755-04-XA3	EA	Shade Asm - Linen - 24 25'
*†7	084755-04-XA6	EA	Shade Asm - Linen - 24 25'
7	M81977-26-X36	EA	Valance Asm - Padded - 27 4'
8	082118-B0-000	EA	Blind - 27' x 22' Drop
8	M81977-02-X36	EA	Valance Asm - Padded - 35 8'
•	073260-23-WB3	EA	Tieback Asm - 3' x 18' - Drapery
•	073260-27-X/8	EA	Tieback Asm - 3' x 23' - Bedspread
•	073260-34-X33	EA	Tieback Asm - 3' x 20' - Drapery
•	073260-24-XB3	EA	Tieback Asm - 4' x 20' - Drapery
•	Not illustrated		
†	Parts used after 7/22/87		
††	Parts used after 8/19/87		
**	Parts used after 12/1/87		
*†	Parts used after 3/1/88		

Key	Part Number	U/M	Description
1	084755-03-X37	EA	Shade Asm - Linen - 72 25'
**1	084755-03-XA3	EA	Shade Asm - Linen - 72 25'
*†1	084755-03-XA6	EA	Shade Asm - Linen - 72 25'
1	079558-20-X37	EA	Valance Asm - Gathered - 5" x 140
1	079559-11-X34	EA	Curtain Asm - Gathered - 32" x 41'
2	084755-05-X37	EA	Shade Asm - Linen - 60 25'
**2	084755-05-XA3	EA	Shade Asm - Linen - 60 25'
*†2	084755-05-XA6	EA	Shade Asm - Linen - 60 25'
2	079558-21-X37	EA	Valance Asm - Gathered - 5' x 120
2	079559-11-X34	EA	Curtain Asm - Gathered - 32' x 41
3	088729-02-000	EA	Blind - 32' x 26' Drop
3	M81977-24-X37	EA	Valance Asm - Padded - 35 5'
*†3	M81977-24-XA4	EA	Valance Asm - Padded - 35 5'
3	073304-39-X37	EA	Curtain Asm - w Snap Top - 27 5' x 10
4	088729-01-000	EA	Blind - 65" x 33' Drop
4	M81977-23-X37	EA	Valance Asm - Padded - 68 5'
*†4	M81977-23-XA4	EA	Valance Asm - padded - 68 5'
4	077318-07-X37	EA	Curtain Asm w Snap Top - 33 5' x 15
5	073304-41-X37	EA	Curtain Asm - Front Wraparound - 32 5' x 86
†15	073304-49-X34	EA	Curtain Asm - Front Wraparound - 34' x 86
†	073304-49-XA4	EA	Curtain Asm - Front Wraparound - 34' x 86
5	077591-06-X37	EA	Curtain Asm - Front Bunk - 60' x 50
15	077591-10-X37	EA	Curtain Asm - Front Bunk - 60' x 47 5'
†	077591-10-XA4	EA	Curtain Asm - Front Bunk - 60' x 47 5'
6	073304-40-X37	EA	Curtain Asm - Front Wraparound - 32 5' x 86
†	073304-49-X34	EA	Curtain Asm - Front Wraparound - 34' x 86
†	073304-49-XA4	EA	Curtain Asm - Front Wraparound - 34' x 86
6	077591-05-X37	EA	Curtain Asm - Front Bunk - 60' x 50
†	077591-09-X37	EA	Curtain Asm - Front Bunk - 60' x 47 5'
†	077591-09-XA4	EA	Curtain Asm - Front Bunk - 60' x 47 5'
7	084755-04-X34	EA	Shade Asm - Linen - 24 25'
**7	084755-04-XA3	EA	Shade Asm - Linen - 24 25'
*†7	084755-04-XA6	EA	Shade Asm - Linen - 24 25'
7	M81977-26-X37	EA	Valance Asm - Padded - 27 4'
†	M81977-26-XA4	EA	Valance Asm - Padded - 27 4'
8	088729-03-000	EA	Blind - 27' x 22' Drop
8	M81977-02-X37	EA	Valance Asm - Padded - 35 8'
†	M81977-02-XA4	EA	Valance Asm - Padded - 35 8'
•	073260-23-X34	EA	Tieback Asm - 3' x 18' - Drapery
•	073260-27-X79	EA	Tieback Asm - 3' x 18' - Drapery
•	073260-34-X34	EA	Tieback Asm - 3' x 23' - Bedspread
•	073260-34-XB4	EA	Tieback Asm - 3' x 20' - Bedspread
•	073260-34-XA1	EA	Tieback Asm - 4' x 20' - Drapery
•	Not illustrated		
†	Parts used after 7/22/87		
††	Parts used after 8/19/87		
†	Parts used after 10/1/87		
*	Parts used after 12/1/87		
†	Parts used after 3/1/88		

W/ICN22EC	A-01 - A-22
WCN22RC	A-23 - B-14
W/ICN27RT	B-15 - C-18
W/ICN27RU	C-19 - D-20
W/ICN31RT & W/IJN31RT	D-21 - E-18
W/ICN33RU	E-19 - F-16

1988 W/ICN33RU INDEX

Floor Plan	E-19 - E-20
Bath Group	E-21
Curtain, Cushion & Pad Group	E-22 - F-04
Dinette Group	F-05
Exterior Body Group	F-06 - F-10
Galley Group	F-11
Lounge Group	F-12 - F-14
Window Vent & Exterior Door Group	F-15 - F-16

CURTAIN, CUSHION & PAD GROUP (CONTINUED)

CURTAIN, CUSHION & PAD GROUP (CONTINUED)

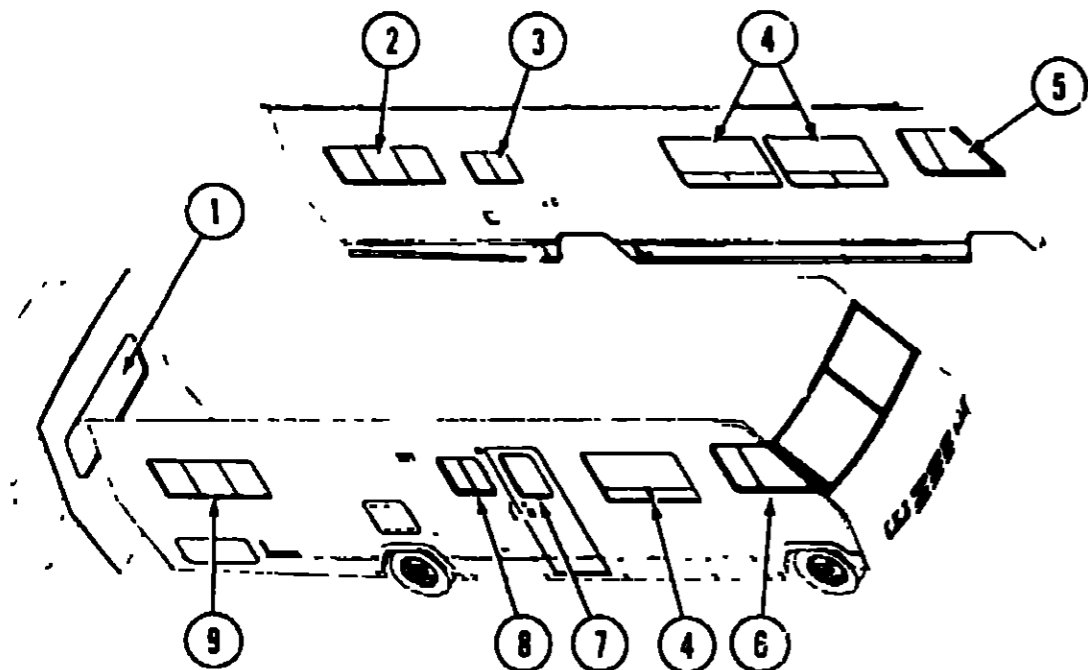
ITASCA

PADS & WALL TRIMS

Key	Part Number	U/M	Description
	081519-01-X08	EA	Pad Asm - Dinette - Front (X36)
	081519-01-X09	EA	Pad Asm - Dinette - Front (X37)
	081519-01-W05	EA	Pad Asm - Dinette - Front (X38)
	081519-02-X08	EA	Pad Asm - Dinette - Front (X36)
	081519-02-X09	EA	Pad Asm - Dinette - Front (X37)
	081519-02-W05	EA	Pad Asm - Dinette - Front (X38)
	059414-06-000	EA	Pad Asm - Trim - Sidewall - Right - Vinyl
	059467-04-T03	EA	Pad Asm - Map Pocket - Right Vinyl
	077463-08-X36	EA	Headboard Asm - Twin
	077463-08-X37	EA	Headboard Asm - Twin
	077463-08-X38	EA	Headboard Asm - Twin
	077463-09-X33	EA	Headboard Asm - Double (X36)
	077463-09-X37	EA	Headboard Asm - Double
	077463-09-X38	EA	Headboard Asm - Double
	077463-10-X36	EA	Headboard Asm - Queen
	077463-10-X37	EA	Headboard Asm - Queen
	077463-10-X38	EA	Headboard Asm - Queen

**1988 N-SERIES
TABLE OF CONTENTS**

W/ICN22EC	A-01 - A-22
WCN22RC	A-23 - B-14
W/ICN27RT	B-15 - C-18
W/ICN27RU	C-19 - D-20
W/ICN31RT & W/IJN31RT	D 21 - E-18
W/ICN33RU	E 19 - F-16



ITASCA X38

CURTAINS, SHADES, VALANCES & TIEBACKS

Key	Part Number	U/M	Description
1	084755-03-X38	EA	Shade Asm - Linen - 72 25
*11	084755-03-XA8	EA	Shade Asm - Linen - 72 25
1	079558-20-X38	EA	Valance Asm - Gathered - 5 x 140
1	079559-11-X35	EA	Curtain Asm - Gathered - 32' x 41
2	084755-05-X38	EA	Shade Asm - Linen - 60 25
*12	084755-05-XA8	EA	Shade Asm - Liner - 60 25
2	079558-21-X38	EA	Valance Asm - Gathered - 5 x 120'
2	079559-11-X35	EA	Curtain Asm - Gathered - 32 x 41
3	082118-B8-000	EA	Blind - 32' x 26" Drop
3	M81977-24-X38	EA	Valance Asm - Padded - 35 5
3	073304-39-X38	EA	Curtain Asm - w/Snap Top - 27 5' x 10
4	082118-C7-000	EA	Blind - 65 x 33 Drop
4	M81977-23-X38	EA	Valance Asm - Padded - 68 5
4	087318-07-X38	EA	Curtain Asm w/Snap Top - 33 5" x 15
5	073304-41-X19	EA	Curtain Asm - Front Wraparound - 32 5 x 86
†15	073304-49-X35	EA	Curtain Asm - Front Wraparound - 34 x 96
5	077591-06-X38	EA	Curtain Asm - Front Bunk - 60 x 50"
15	077591-10-X38	EA	Curtain Asm - Front Bunk - 60 x 47 5
6	073304-40-X19	EA	Curtain Asm - Front Wraparound - 32 5 x 86'
†16	073304-49-X35	EA	Curtain Asm - Front Wraparound - 34' x 86'
6	077591-05-X38	EA	Curtain Asm - Front Bunk - 60 x 50
*6	077591-09-X38	EA	Curtain Asm - Front Bunk - 60 x 47 5
7	084755-04-X35	EA	Shade Asm - Linen - 24 25'
17	084755-01-XA8	EA	Shade Asm - Linen - 24 25
7	M81977-26-X38	EA	Valance Asm - Padded - 27 4
8	082118-A9-000	EA	Blind - 27 x 22' Drop
8	M81977-02-X38	EA	Valance Asm - Padded - 35 8
	073260-23-X19	EA	Tieback Asm - 3 x 18' - Drapery
	073260-27-X80	EA	Tieback Asm - 3 x 23 - Bedspread
	073260-34-X35	EA	Tieback Asm - 3' x 20 - Drapery

Not illustrated

† Parts used after 7 22 87

†† Parts used after 8 19 87

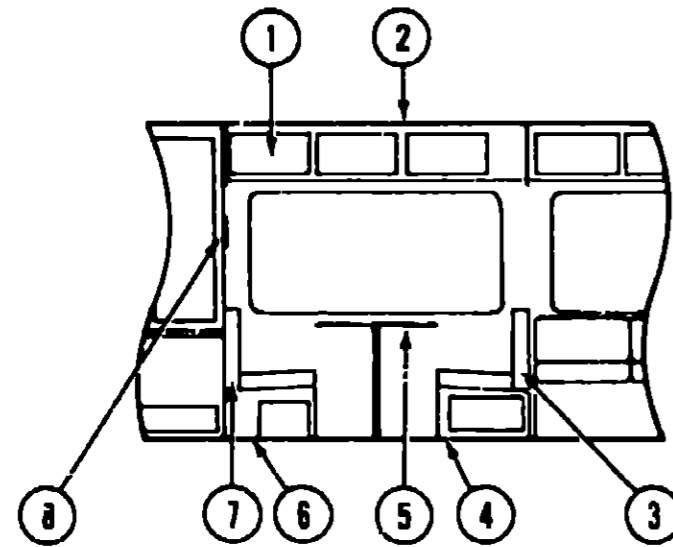
** Parts used after 12 1 87

*† Parts used after 3 1 88

1988 W/ICN33RU INDEX

Floor Plan	E-19 - E-20
Bath Group	E-21
Curtain Cushion & Pad Group	E-22 - F-04
Dinette Group	F-05
Exterior Body Group	F-06 - F-10
Galley Group	F-11
Lounge Group	F-12 - F-14
Window Vent & Exterior Door Group	F-15 - F-16

DINETTE GROUP



CONVENTIONAL DINETTE & OVERHEAD CABINETRY

Key	Part Number	U/M	Description
1	M88304-16-X23	EA	Door Asm - Dinette Overhead w/o Hardware
2	081302-11-X11	EA	Cabinet Asm - Dinette Overhead - w/o Doors or Hardware
3	M02174-01-W30	EA	Cabinet Asm - Dinette Back - Front
4	M02175-02-W30	EA	Cabinet Asm - Dinette Seat - w/o Doors or Hardware
5	M02115-09-U17	EA	Table Asm - Dinette - w/o Hardware (W07, W08, W09)
6	M02175-03-W30	EA	Cabinet Asm - Dinette Seat - Rear - w/o Doors or Hardware
7	M02174-05-W30	EA	Cabinet Asm - Dinette Back - Rear
8	086269-01-000	EA	Picture & Frame
.	074493-02-000	EA	Support - Sprung Door Asm - Overhead Cabinet
.	053200-05-000	EA	Bracket - Upper Wall Mount - 23.5 - Beige
**	088410-01-000	EA	Bracket - Table Mount - 23' - Beige
.	024275-05-000	EA	Rod - Table Lift - 8 x 23.5' - Beige
.	024281-07-000	EA	Bracket - Lower Wall Mount - 22.12 - Beige
.	024276-17-000	EA	Leg Asm - Table - 26.75 - Tan
**	064050-02-000	EA	Hinge - Table Leg - Tan
**	024282-01-000	EA	Brace - Table Leg
**	024283-01-000	EA	Clip - 1" O.D. Tube
.	064781-05-000	EA	Cup Holder - 3.47 O.D. x 2.75 I.D. x 1.5 - Beige
.			Not illustrated
**			The illustrated parts breakdown for this item is provided on the Common Items Fiche

EXTERIOR BODY GROUP

WINNEBAGO

ACCESS PANEL HARDWARE

Key	Part Number	U/M	Description
	076716-02-000	EA	Bracket Asm - Striker Latch
	074178-01-000	EA	Bracket - Cable Release - Inside
	077064-01-000	EA	Cable Asm - Hood Release
	R77006-59-931	EA	Latch - Hood
	R77006-38-499	EA	Spring
	R77007-01-950	EA	Striker - Latch Hood
	088252-01-000	FT	Chrome Trim - 5.8

ITASCA

ACCESS PANEL HARDWARE

Key	Part Number	U/M	Description
	076837-01-000	EA	Rod - Hood Prop
	062628-01-000	EA	Clip - Prop Rod
	058833-01-000	EA	Bracket - Prop Rod
	085934-01-000	EA	Hinge - Access Panel - Passenger
	085934-02-000	EA	Hinge - Access Panel - Driver
	058960-01-000	EA	Bracket - Hinge Asm - Hood - Driver
	058960-02-000	EA	Bracket - Hinge Asm - Hood - Passenger
	R77006-68-721	EA	Cable - Release (Access Panel)
	074178-01-000	EA	Bracket - Cable Release - Inside
	R77007-01-950	EA	Striker - Hook Latch
	R77006-59-931	EA	Latch - Hood
	R77006-38-499	EA	Spring
	R77006-19-765	EA	Cable Sheath
	073341-01-000	EA	Bracket - Hood Latch
	079793-01-000	EA	Mesh - Outside Grille
	079794-01-000	EA	Mesh - Grille
	080754-02-000	EA	Chrome Trim - Grill - 91.50

1988 N-SERIES TABLE OF CONTENTS

W/ICN22EC	A-01 - A-22
WCN22RC	A-23 - B-14
W/ICN27RT	B-15 - C-18
W/ICN27RU	C-19 - D-20
W/ICN31RT & W/IJN31RT	D-21 - E-18
W/ICN33RU	E-19 - F-16

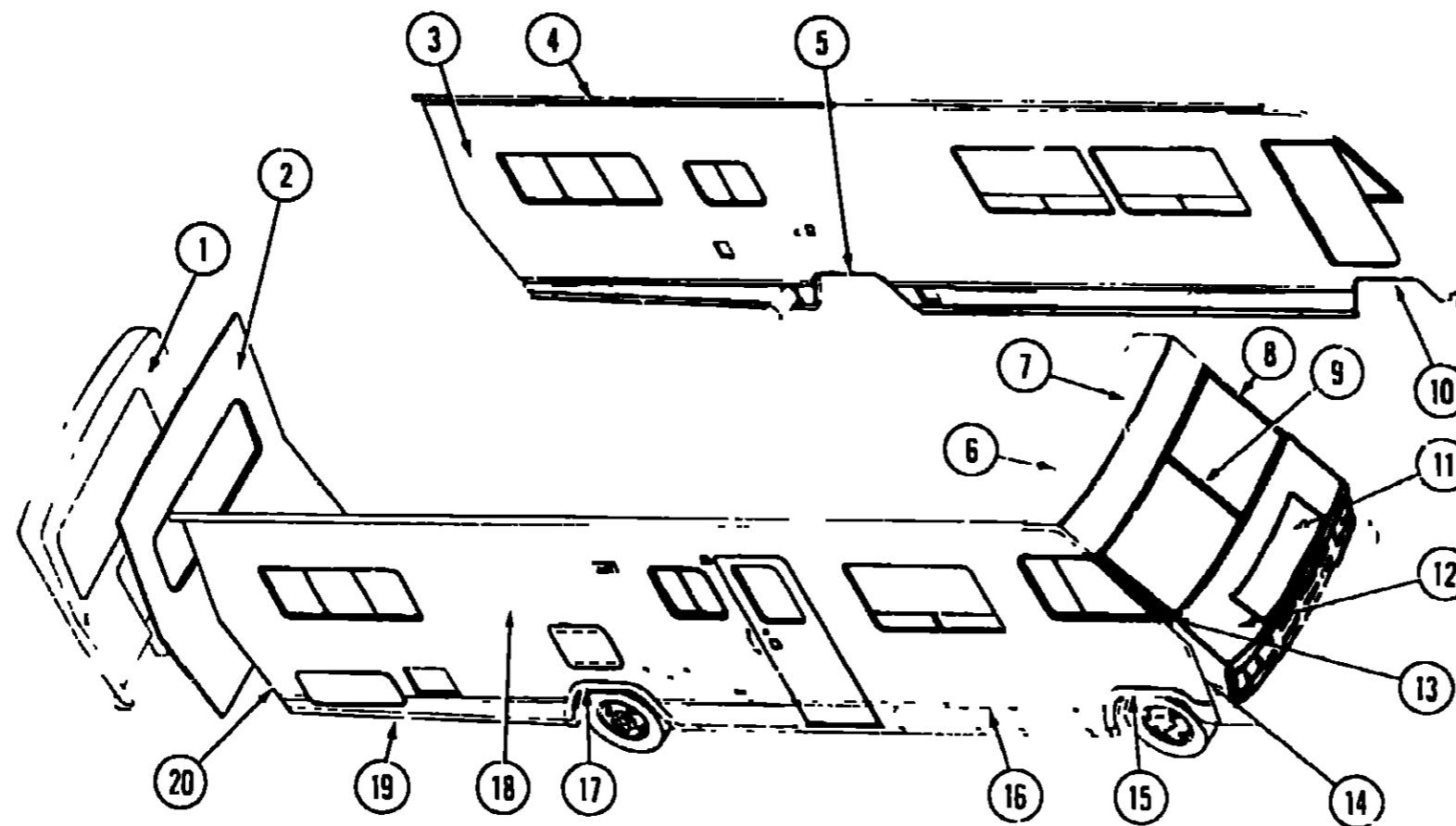
1988 W/ICN33RU INDEX

Floor Plan	E-19 - E-20
Bath Group	E-21
Curtain Cushion & Pad Group	E-22 - F-04
Dinette Group	F-05
Exterior Body Group	F-06 - F-10
Galley Group	F-11
Lounge Group	F-12 - F-14
Window Vent & Exterior Door Group	F-15 - F-16

EXTERIOR BODY GROUP (CONTINUED)

WINNEBAGO

EXTERIOR BODY PANELS



1988 N-SERIES TABLE OF CONTENTS

W/ICN22EC	A-01 - A-27
WCN22RC	A-23 - B-14
W/ICN27RT	B-15 - C-18
W/ICN27RU	C-19 - D-20
W/ICN31RT & W/IJN31RT	D-21 - E-18
W/ICN33RU	E-19 - F-16

Key	Part Number	U/M	Description
1	M01898-05-W07	EA	Rear Cap Asm - Backwall
2	082085-01-W07	EA	Backwall Asm
3	M89011-01-X11	EA	Sidewall Asm - Driver
3	M89011-01-X12	EA	Sidewall Asm - Driver
3	M89011-01-X13	EA	Sidewall Asm - Driver
4	078600-06-000	EA	Trim - Sidewall - Upper - Driver or Passenger - Beige
5	089749-01-000	EA	Trim - Wheel Well - Rear - U Channel - Driver or Passenger
6	078580-01-000	EA	Trim - Roof/Front Cap
7	M02959-01-W07	EA	Cap - Over Windshield - Beige
8	087601-02-000	EA	Trim - Contour - Windshield - Driver
9	084903-01-000	FT	Trim - Molding - Windshield
9	089909-01-000	EA	Trim - Wheel Well - Front - U Channel - Driver or Passenger
11	086045-01-W07	EA	Access Panel - w/ Hardware
	086425-06-000	FA	Headlamp Bezel - Driver
	086425-05-000	EA	Headlamp Bezel - Passenger
	088252-01-000	FT	Trim - Chrome
	073308-01-000	EA	Screw Asm - Headlamp - Adjusting
	049359-01-000	EA	Spring - Headlamp Retainer
12	M01115-12-W07	EA	Panel Asm - Front Shroud (includes access panel)
13	087601-01-000	EA	Trim - Contour - Windshield - Passenger
	084897-01-000	EA	Cap - Reveal Molding - Windshield

Key	Part Number	U/M	Description
14	086414-01-000	EA	Trim - Fiberglass Panel - Passenger - Beige
	086414-03-000	EA	Trim - Fiberglass Panel - Driver - Beige
15	078556-07-000	EA	Trim - Wheel Well - Front - Plastic - Passenger
	078556-08-000	EA	Trim - Wheel Well - Front - Plastic - Driver
16	059576-08-000	EA	Feature Strip - Extr Beige - 14 - w/o Insert
	009731-01-000	EA	End Cap - Feature Strip Insert
	001030-12-002	EA	Insert - Feature Strip - Beige - 17
17	075070-01-000	EA	Trim - Wheel Well - Rear - Plastic - Passenger
	075070-03-000	EA	Trim - Wheel Well - Rear - Plastic - Driver
18	M89C09-01-X11	EA	Sidewall Asm - Passenger
18	M89009-01-X12	EA	Sidewall Asm - Passenger
18	M89009-01-X13	EA	Sidewall Asm - Passenger
19	072639-05-001	EA	Extr - Rocker Panel - 216 (Rear)
20	073502-23-000	EA	Trim - Passenger Rear - Beige
	073502-24-000	EA	Trim - Driver Rear - Beige
	050406-13-000	EA	Trim - Backwall - Lower - Driver or Passenger
	090398-01-X11	EA	Roof Asm
	086415-01-000	EA	Bumper End Cap - Front Passenger - Beige
	086415-03-W07	EA	Bumper End Cap - Front Driver - Beige
	078578-01-000	EA	Bumper End Cap - Rear Passenger - Beige
	078578-02-000	EA	Bumper End Cap - Rear Driver - Beige
			Not illustrated

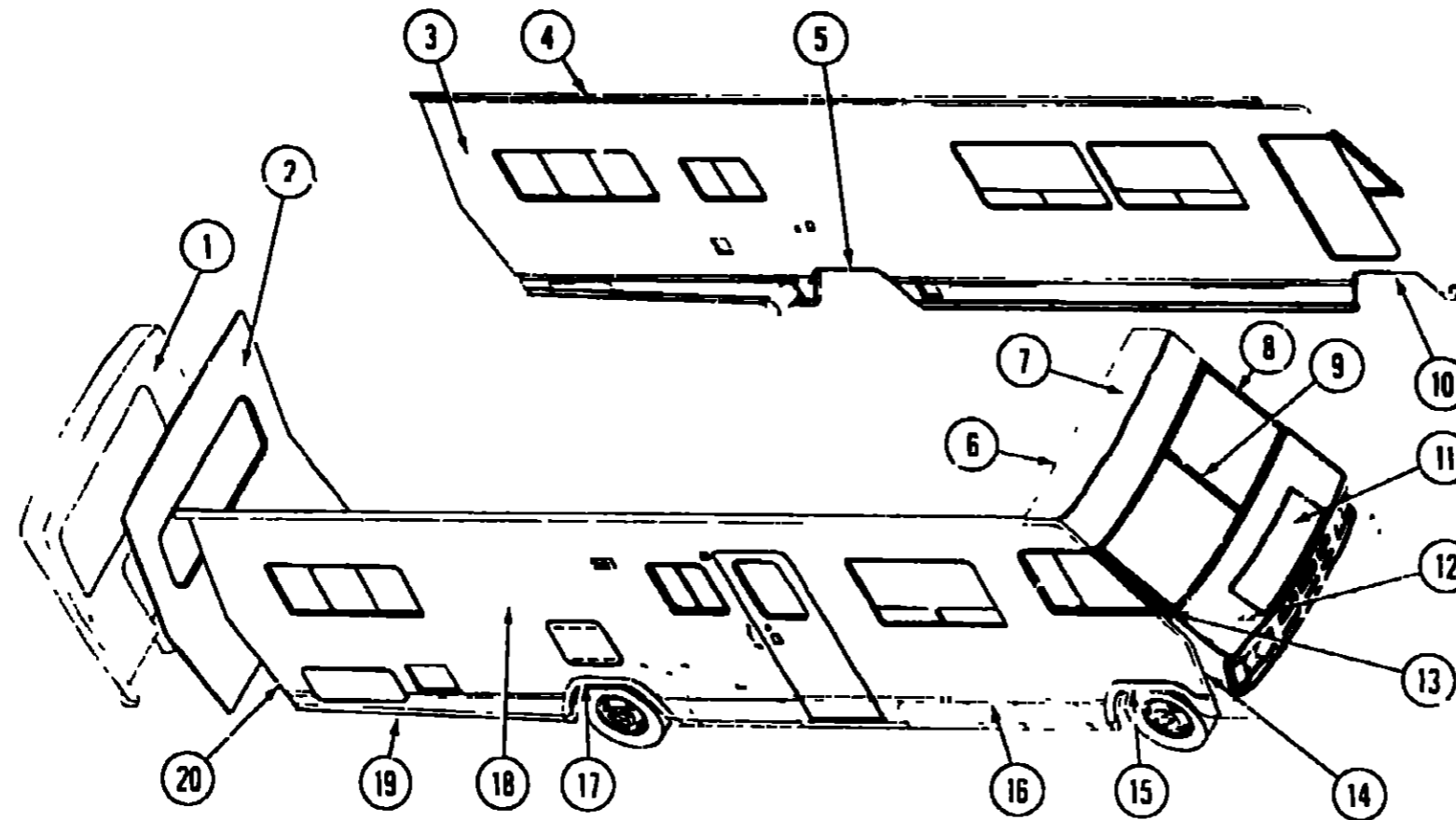
1988 W/ICN33RU INDEX

Floor Plan	E-19 - E-20
Bath Group	E-21
Curtain Cushion & Pad Group	E-22 - F-04
Dinette Group	F-05
Exterior Body Group	F-06 - F-10
Galley Group	F-11
Lounge Group	F-12 - F-14
Window Vent & Exterior Door Group	F-15 - F-16

EXTERIOR BODY GROUP (CONTINUED)

ITASCA

EXTERIOR BODY PANELS



1988 N-SERIES TABLE OF CONTENTS

W/ICN22EC	A-01 - A-22
WCN22RC	A-23 - B-14
W/ICN27RT	B-15 - C-18
W/ICN27RU	C-19 - D-20
W/ICN31RT & W/IJN31RT	D-21 - E-18
W/ICN33RU	E-19 - F-16

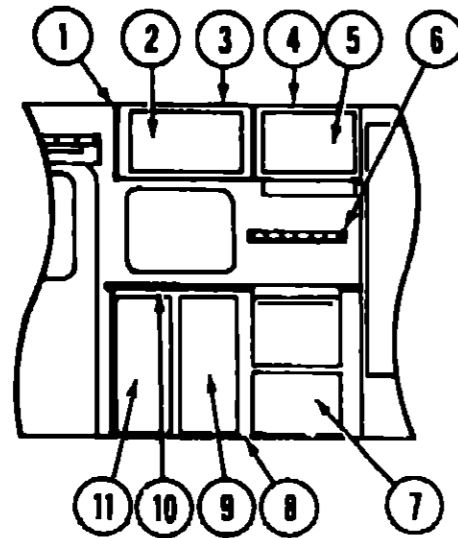
Key	Part Number	U/M	Description
1	M01898-05-T09	EA	Rear Cap Asm - Backwall
2	082085-01-X36	EA	Backwall Asm
3	M89012-01-X36	EA	Sidewall Asm - Driver
3	M89012-01-X37	EA	Sidewall Asm - Driver
3	M89012-01-X38	EA	Sidewall Asm - Driver
4	078600-12-000	EA	Trim - Sidewall - Upper - Driver or Passenger - Gray
5	058487-07-000	EA	Trim - Wheel Well - Rear - U Channel - Driver or Passenger
6	078580-01-000	EA	Trim - Roof/Front Cap
7	M01899-01-T09	EA	Cap - Over Windshield - Gray
8	087601-CZ J00	FA	Trim - Contour - Windshield - Driver
9	084903-01-000	FT	Trim - Molding - Windshield
10	089909-01-000	EA	Trim - Wheel Well - Front - U Channel - Driver or Passenger
11	078281-01-T09	EA	Access Panel - w Hardware
	076910-02-000	EA	Headlamp Bezel - Driver
	076910-01-000	EA	Headlamp Bezel - Passenger
	073308-01-000	EA	Screw Asm - Headlamp - Adjusting
	049359-01-000	EA	Spring - Headlamp Retainer
12	M01115 11-T09	EA	Panel Asm - Front Shroud (includes access panel)
13	087601-01-000	EA	Trim - Contour - Windshield - Passenger
	084897-02-000	EA	Cap - Reveal Molding - Windshield
11	086114-02-000	EA	Trim - Fiberglass Panel - Passenger - Gray
	086414-04-000	EA	Trim - Fiberglass Panel - Driver - Gray

Key	Part Number	U/M	Description
15	078556-05-000	EA	Trim - Wheel Well - Front - Plastic - Passenger
	078556-06-000	EA	Trim - Wheel Well - Front - Plastic - Driver
16	059576-11-000	EA	Feature Strip - Extr Gray - 14 - w o Insert
	009731-01-000	EA	End Cap - Feature Strip Insert
	001030-11-100	EA	Insert - Feature Strip - 17
17	075070-02-000	EA	Trim - Wheel Well - Rear - Plastic - Passenger
	075070-04-000	EA	Trim - Wheel Well - Rear - Plastic - Driver
18	M89010-01-X36	EA	Sidewall Asm - Passenger
18	M89010-01-X37	EA	Sidewall Asm - Passenger
18	M89010-01-X38	EA	Sidewall Asm - Passenger
19	072639-05-002	EA	Extr - Rocker Panel - 216 (Rear)
20	073502-11-000	EA	Trim - Passenger Rear - Gray
	073502-12-000	EA	Trim - Driver Rear - Gray
	050406-13-000	EA	Trim - Backwall - Lower - Driver or Passenger
	090398-02-X36	EA	Roof Asm
	078577-05-000	EA	Bumper End Cap - Front Passenger - Gray
	078577-06-000	EA	Bumper End Cap - Front Driver - Gray
	078578-07-000	EA	Bumper End Cap - Rear Passenger - Gray
	078578-08-000	EA	Bumper End Cap - Rear Driver - Gray
			Not illustrated

1988 W/ICN33RU INDEX

Floor Plan	E-19 - E-20
Bath Group	E-21
Curtain Cushion & Pad Group	E-22 - F-04
Dinette Group	F-05
Exterior Body Group	F-06 - F-10
Galley Group	F-11
Lounge Group	F-12 - F-14
Window Vent & Exterior Door Group	F-15 - F-16

GALLEY GROUP

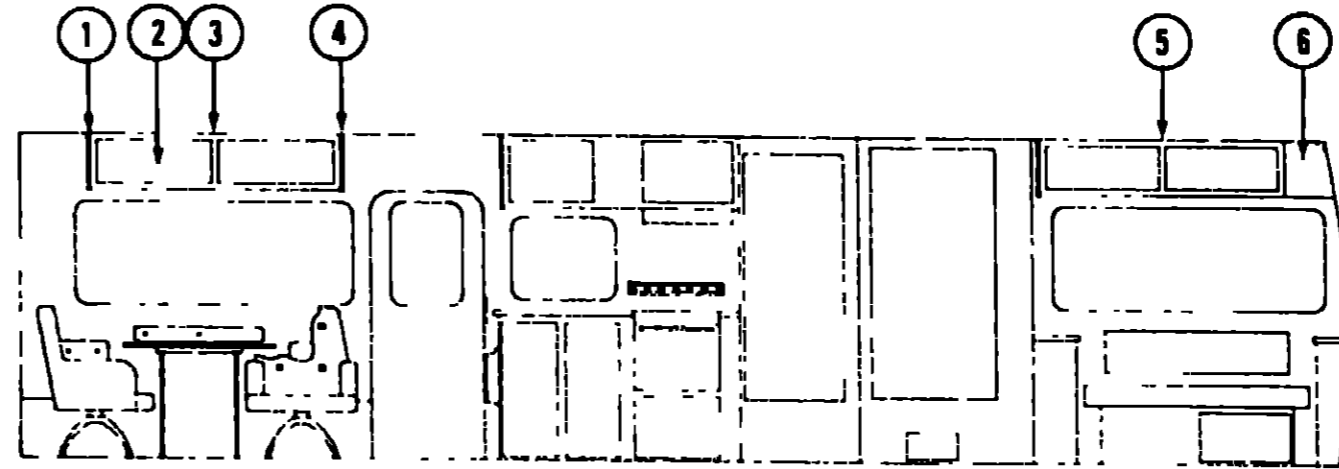


GALLEY CABINETRY

Key	Part Number	U/M	Description
1	081320-04-W30	EA	Pad Asm - End Cap - Galley Overhead - Vinyl
2	M88304-11-X11	FA	Door Asm - Galley Overhead - w/o Hardware
3	M81656-07-X11	EA	Cabinet Asm - Galley Overhead - w/o Doors or Hardware
4	M88307-06-X11	EA	Cabinet Asm - Galley Overhead - w/o Hardware
5	M88304-01-X08	EA	Door Asm - Galley Overhead - w/o Hardware
6	074490-02-W24	EA	Spice Rack - Oak
7	M92073-03-X11	EA	Door Asm - Furnace w/ Mesh Insert - w/o Hardware
*	072369-36-000	EA	Mesh Insert - Furnace Door - Bronze
8	M82486-01-X11	EA	Cabinet Asm - Galley - w/o Doors Drawers Countertop or Hardware
**	M82486-03-W30	EA	Cabinet Asm - Galley - w/o Doors Drawers Countertop or Hardware
**	M82184-10-X11	EA	Drawer Asm - Galley Cabinet - w/o Hardware
9	M88304-14-X08	EA	Door Asm - Galley Cabinet - Right - w/o Hardware
10	M02482-01-X11	EA	Countertop Asm - Galley Cabinet
11	M88304-13-X08	EA	Door Asm - Galley Cabinet - Left - w/o Hardware
*	080812-02-W30	EA	Extension Asm - Galley
*			Not illustrated

**Used with microwave option

LOUNGE GROUP



LOUNGE OVERHEAD CABINETRY

Key	Part Number	U/M	Description
1	081325-02-X36	EA	Pad Asm - End Cap - Front Overhead - Vinyl
2	M88304-16-X23	EA	Door Asm - Overhead Cabinet - w/o Hardware
3	M81550-16-X11	EA	Cabinet Asm - Front Overhead - Passenger - w/o Doors or Hardware
*	M81302-18-X11	EA	Cabinet Asm - Front Overhead - Driver - w/o Doors or Hardware
4	081325-01-W30	EA	Pad - End Cap - Front Overhead - Vinyl
5	M81730-20 X11	EA	Cabinet Asm - Rear Overhead - Passenger - w/o Doors or Hardware
*	M81730-24-X11	EA	Cabinet Asm - Rear Overhead - Driver - w/o Door or Hardware
	M88304-50-X23	EA	Door Asm - Rear Overhead - Driver or Passenger - w/o Hardware
6	M81308-22-X11	EA	Cabinet Asm - Rear Overhead - Backwall - w/o Doors or Hardware
*	M88304-08-X23	EA	Door Asm - Rear Overhead - Backwall - w/o Hardware
*			Not illustrated

1988 N-SERIES TABLE OF CONTENTS

W/ICN22EC	A-01 - A-22
WCN22RC	A-23 - B-14
W/ICN27RT	B-15 - C-18
W/ICN27RU	C-19 - D-20
W/ICN31RT & W/IJN31RT	D-21 - E-18
W/ICN33RU	E-19 - F-16

1988 W/ICN33RU INDEX

Floor Plan	E-19 - E-20
Bath Group	E-21
Curtain, Cushion & Pad Group	E-22 - F-04
Dinette Group	F-05
Exterior Body Group	F-06 - F-10
Galley Group	F-11
Lounge Group	F-12 - F-14
Window Vent & Exterior Door Group	F-15 - F-16

LOUNGE GROUP (CONTINUED)

TWIN BED CABINERY

Key	Part Number	U/M	Description
	M83441-03-X11	EA	Cabinet Asm - Nightstand - w/o Doors or Hardware
	M88304-02-X23	EA	Door Asm - Nightstand - w/o Hardware
	M02609-01-X19	EA	Countertop Asm - Nightstand - Upper
	M02608-01-X19	EA	Countertop Asm - Nightstand - Lower
	M85452-01-W30	EA	Cabinet Asm - Twin Bed - Right Sidewall
	M85453-01-W30	EA	Cabinet Asm - Twin Bed - Left Sidewall
	084357-01-W13	EA	TV Stand Asm - Foldout
	M88304-58-X23	EA	Door Asm - Twin Bed - w/o Hardware
	086109-02-X11	EA	Headboard Asm - Twin Bed
	086109-02-X12	EA	Headboard Asm - Twin Bed
	086109-02-X13	EA	Headboard Asm - Twin Bed
	086109-02-XA0	EA	Headboard Asm - Twin Bed (X11)
	086109-02-XA1	EA	Headboard Asm - Twin Bed (X12)
	086109-02-XA2	EA	Headboard Asm - Twin Bed (X13)
	Parts used after 2/22/88		

DOUBLE BED W/VANITY & WARDROBE

Key	Part Number	U/M	Description
	081724-01-X11	EA	Cabinet Asm - Nightstand - w/o Countertop (Rear)
	M02478-01-X11	EA	Countertop Asm - Nightstand
	081723-01-X11	EA	Cabinet Asm - Nightstand - w/o Countertop
	M02477-01-X11	EA	Countertop Asm - Nightstand
	M88304-02-X23	EA	Door Asm - Double Bed
	086109-03-X08	EA	Headboard Asm - Double (X11)
	086109-03-X09	EA	Headboard Asm - Double (X12)
	086109-03-X13	EA	Headboard Asm - Double (X13)
	086109-03-XA0	EA	Headboard Asm - Double (X11)
	086109-03-XA1	EA	Headboard Asm - Double (X12)
	086109-03-XA2	EA	Headboard Asm - Double (X13)
	Parts used after 2/22/88		

LOUNGE GROUP (CONTINUED)

SWIVEL CHAIRS W/PULLOUT TABLE

Key	Part Number	U/M	Description
	M81727-03-X11	EA	Cabinet Asm - Pullout Table
	M02415-01-X19	EA	Table Asm - Pullout
	M02416-01-X19	EA	Countertop Asm - T V Shell - Pullout Table
	M02414-01-X19	EA	Top - Cupholder - Pullout Table
	M02417-01-X19	EA	Top - Hinged Lid - Pullout Table
	080728-01-000	EA	Handle - Pullout Table
	079921-01-000	EA	Roller - Nylon - w/Shaft
	079789-01-000	EA	Support - Pullout Table - Beige
	009059-01-000	EA	Hinge - Brass

QUEEN BED W/NIGHTSTAND

Key	Part Number	U/M	Description
	M87455-01-X11	EA	Cabinet Asm - T V Stand
	M03000-09-X11	EA	Countertop Asm - T V Stand
	081723-01-X11	EA	Cabinet Asm - Nightstand
	M02477-01-X11	EA	Countertop Asm - Nightstand
	084357-01-W13	EA	T V Stand Asm - Foldout
	M88304-02-X23	EA	Door Asm - Queen Bed

**1988 N-SERIES
TABLE OF CONTENTS**

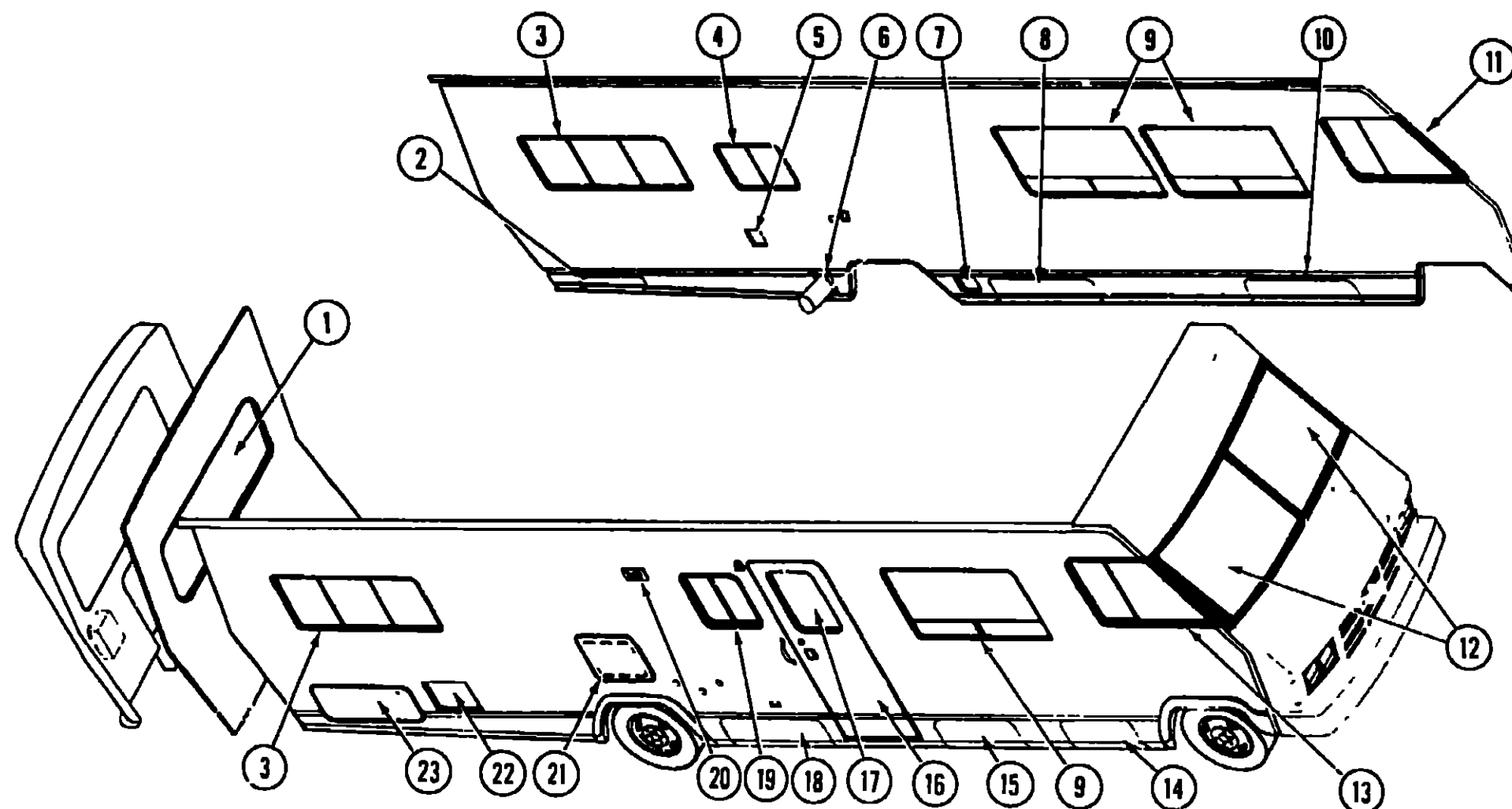
W/ICN22EC	A-01 - A-22
WCN22RC	A-23 - B-14
W/ICN27RT	B-15 - C-18
W/ICN27RU	C-19 - D-20
W/ICN31RT & W/IJN31RT	D-21 - E-18
W/ICN33RU	E-19 - F-16

1988 W/ICN33RU INDEX

Floor Plan	E-19 - E-20
Bath Group	E-21
Curtain, Cushion & Pad Group	E-22 - F-04
Dinette Group	F-05
Exterior Body Group	F-06 - F-10
Galley Group	F-11
Lounge Group	F-12 - F-14
Window Vent & Exterior Door Group	F-15 - F-16

WINDOWS, VENTS & EXTERIOR DOOR GROUP

WINDOWS & ACCESS DOORS



1988 N-SERIES TABLE OF CONTENTS

W/ICN22EC	A-01 - A-22
WCN22RC	A-23 - B-14
W/ICN27RT	B-15 - C-18
W/ICN27RU	C-19 - D-20
W/ICN31RT & W/IJN31RT	D-21 - E-18
W/ICN33RU	E-19 - F-16

WINNEBAGO

Key	Part Number	U/M	Description
1	078536-01-T03	EA	Window Asm - Escape
2	086552-08-W07	EA	Door Asm - Storage
3	078271-01-T03	EA	Window Asm - Single Slider
4	078266-04-T03	EA	Window Asm - Single Slider
5	078010-04-000	EA	Door Asm - Fuel Fill
6	052423-02-000	EA	Door Asm - Sewage Hose - Beige
7	063742-02-000	EA	Door Asm - Power Cord
8	086531-05-X11	EA	Door Asm - Storage
9	085354-02-W07	EA	Window Asm - Double Tipout
10	089563-01-X11	EA	Door Asm - Luggage
11	086531-04-X11	EA	Door Asm - Luggage
12	084978-04-000	EA	Window Asm - Slant
13	084464-01-000	EA	Glass - Windshield - Passenger
13	084464-02-000	EA	Glass - Windshield - Driver
14	084978-03-W30	EA	Window Asm - Slant Slider
15	086517-06-X11	EA	Door Asm - Access
16	M01870-15-X11	EA	Door Asm - Entrance
17	079733-04-T03	EA	Window Asm - Picture
18	086517-05-X11	EA	Door Asm - Access
19	078266-02-T03	EA	Window Asm - Single Slider
20	084616-02-000	EA	Vent - Stovehood
21	084104-01-000	EA	Door Asm - Refrigerator Access
22	052009-02-000	EA	Door Asm - Water Heater
23	M01883-01-T03	EA	Door Asm - Generator

ITASCA

Key	Part Number	U/M	Description
1	078536-01-T03	EA	Window Asm - Escape
2	086552-02-W30	EA	Door Asm - Storage
3	078271-01-T03	EA	Window Asm - Single Slider
4	078266-04-T03	EA	Window Asm - Single Slider
5	078010-05-000	EA	Door Asm - Fuel Fill
6	052423-03-000	EA	Door Asm - Sewage Hose
7	063742-03-000	EA	Door Asm - Power Cord
8	086531-02-W30	EA	Door Asm - Storage
9	085354-02-W07	EA	Window Asm - Double Tipout
10	089563-01-X36	EA	Door Asm - Luggage
11	086531-01-W30	EA	Door Asm - Luggage
12	085025-02-000	EA	Window Asm - Slant
13	077675-01-000	EA	Glass - Windshield - Passenger
13	077675-02-000	EA	Glass - Windshield - Driver
14	084978-03-W30	EA	Window Asm - Slant Slider
15	086517-02-W30	EA	Door Asm - Access
16	M01870-12-X36	EA	Door Asm - Entrance
17	079733-04-T03	EA	Window Asm - Picture
18	086517-01-W30	EA	Door Asm - Access
19	078266-02-T03	EA	Window Asm - Single Slider
20	084616-03-000	EA	Vent - Stovehood
21	084104-02-000	EA	Door Asm - Refrigerator Access
22	052009-03-000	EA	Door Asm - Water Heater
23	M01883-01-W30	EA	Door Asm - Generator

1988 W/ICN33RU INDEX

Floor Plan	E-19 - E-20
Bath Group	E-21
Curtain, Cushion & Pad Group	E-22 - F-04
Dinette Group	F-05
Exterior Body Group	F-06 - F-10
Galley Group	F-11
Lounge Group	F-12 - F-14
Window, Vent & Exterior Door Group	F-15 - F-16