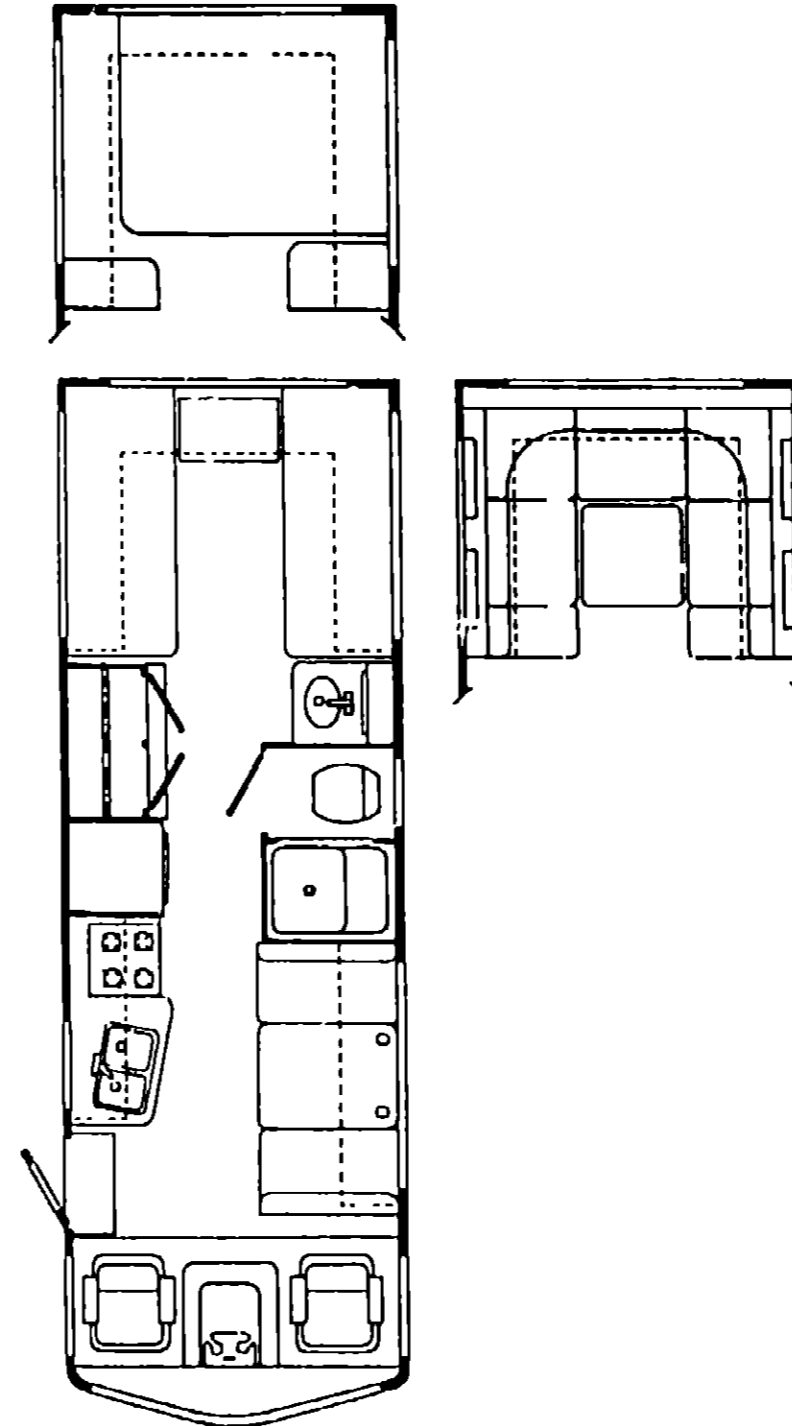


1988 W/ICN27RT



1988 N-SERIES TABLE OF CONTENTS

W/ICN22EC	A-01 - A-22
WCN22RC	A-23 - B-14
W/ICN27RT	B-15 - C-18
W/ICN27RU	C-19 - D-20
W/ICN31RT & W/IJN31RT	D-21 - E-18
W/ICN33RU	E-19 - F-16

1988 W/ICN27RT INDEX

Floor Plan	B-15 - B-16
Bath Group	B-17
Curtain, Cushion & Pad Group	B-19 - C-07
Dinette Group	C-08
Exterior Body Group	C-09 - C-12
Galley Group	C-13
Lounge Group	C-13 - C-14
Window, Vent & Exterior Door Group	C-15 - C-17

BATH GROUP

BATH CABINETRY

Key	Part Number	U/M	Description
	M83359-01-X11	EA	Cabinet Asm - Lavatory - w/o Countertop, Doors, or Drawers
	M02617-01-X11	EA	Countertop Asm - Lavatory Cabinet
	M88304-95-X11	EA	Door Asm - Lavatory Cabinet
	M88304-27-X23	EA	Door Asm - Medicine Cabinet - w/Mirror
	058331-05-000	EA	Mirror - 12" x 26" - Medicine Cabinet Door
	M88304-77-X11	EA	Door Asm - Wardrobe Cabinet - Lower Front - w/o Hardware - 14 37" x 16"
	M88304-94-X11	EA	Door Asm - Wardrobe Cabinet - Lower Rear - w/o Hardware - 21 85" x 14 37"
	M88304-22-X11	EA	Door Asm - Wardrobe Cabinet - Upper - w/o Hardware - 16 73" x 48"
	M02615-01-X11	EA	Countertop Asm - Wardrobe - Regal Oak
	M76876-01-W30	EA	Door Asm - Bath w/o Lockset
	075603-01-000	EA	Threshold - Bath Door
	078551-03-000	EA	Track - Curtain - Room Divider - 42" Beige

BATH HARDWARE

Key	Part Number	U/M	Description
	M02630-05-W89	EA	Shower Pan Asm.
	075242-03-000	EA	Faucet - Tub & Shower - Brass
	075240-03-000	EA	Faucet - Lavatory - Brass
**	011048-02-000	EA	Shower Head - w/60" Hose
	011048-04-000	EA	Vacuum Breaker - 1/8 MPT - Nylon - Shower Head
	075606-01-000	EA	Shower Panel - Faucet - Plastic
**	066729-01-000	EA	Strainer - Bathtub Asm.
	069735-01-000	EA	Washer - Tail Piece - 1.5" - Plastic - Bathtub Asm
	011069-03-000	EA	Tailpiece - 1 5" x 75" x 4" - Bathtub Asm
	058713-01-000	EA	Sink - Oval - Ivory Plastic
	057671-01-000	EA	Screw Cover - #8 - Antique White
	059777-02-000	EA	Hinge - Antique Light Brass
	075680-01-000	EA	Rod - Clothes - Adjustable
	009112-01-000	EA	Flange - 1" - Clothes Rod
	075687-02-000	EA	Lockset - Bath Door - Bronzestone
	075687-03-000	EA	Lockset - Bath Door - Coffee
	077251-01-000	EA	Drawer - Tiltout - Plastic

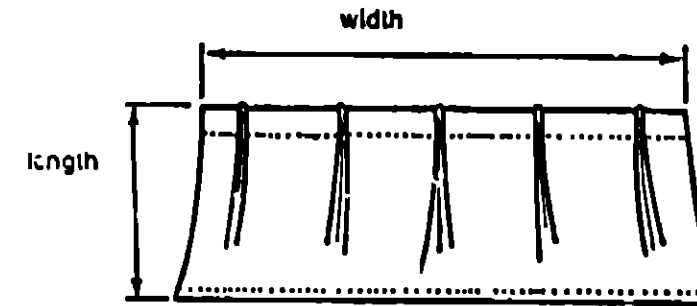
** The illustrated parts breakdown for this item is provided on the Common Items Fiche.

CURTAIN, CUSHION & PAD GROUP

NOTICE

In order to assist our Parts Sales Dept in providing interior software items, please include the serial number and the color code number from the vehicle certification label when ordering. This label is located on the left sidewall at the end of the dash (A-Body), or on the driver's door latch plate (C-Body).

An example of a color code number is P31, which designates an overall color scheme of a particular unit. The color listed after the item description on the microfiche, indicates the overall unit color. Order the item you desire according to unit color code.



NOTE

Use this illustration when determining length and width measurements for curtains. You will note the width measurement is taken on the top of the curtain with the curtain fully extended. The length measurement is taken from top to bottom.



Key	Part Number	U/M	Description
1	029130-01-000	EA	Socket - Snap Fastener
2	029155-01-000	EA	Cap - Snap - 1.56" Dia x 17" Barrel
3	029156-01-000	EA	Socket - Snap Fastener
4	029092-01-000	EA	Stud - Nickel Finish
5	092093-01-000	EA	Eyelet - Nickel Finish

1988 N-SERIES TABLE OF CONTENTS

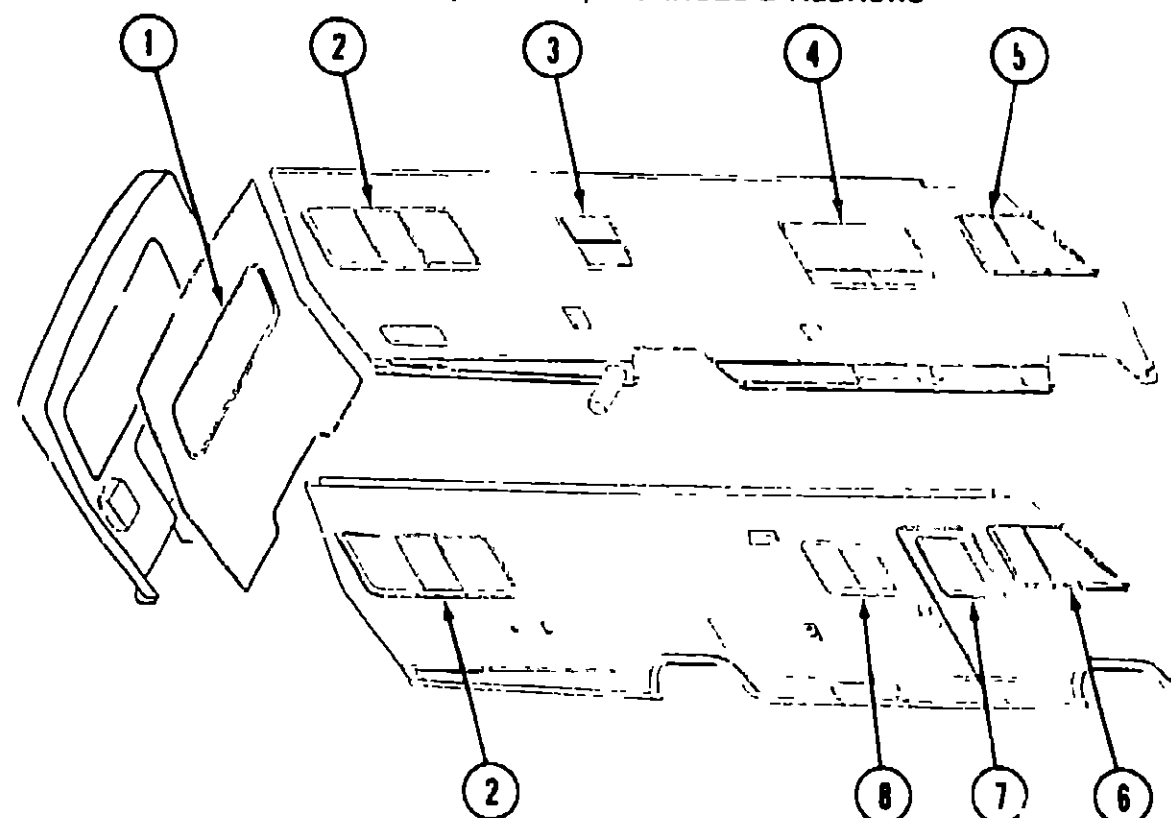
W/ICN22EC	A-01 - A-22
WCN22RC	A-23 - B-14
W/ICN27RT	B-15 - C-18
W/ICN27RU	C-19 - D-20
W/ICN31RT & W/IJN31RT	D-21 - E-18
W/ICN33RU	E-19 - F-16

1988 W/ICN27RT INDEX

Floor Plan	B-15 - B-16
Bath Group	B-17
Curtain, Cushion & Pad Group	B-19 - C-07
Dinette Group	C-08
Exterior Body Group	C-09 - C-12
Galley Group	C-13
Lounge Group	C-13 - C-14
Window, Vent & Exterior Door Group	C-15 - C-17

CURTAIN, CUSHION & PAD GROUP (CONTINUED)
WINNEBAGO

CURTAINS, SHADES, VALANCES & TIEBACKS



1988 N-SERIES
TABLE OF CONTENTS

W/ICN22EC	A-01 - A-22
WCN22RC	A-23 - B-14
W/ICN27RT	B-15 - C-18
W/ICN27RU	C-19 - D-20
W/ICN31RT & W/IJN31RT	D-21 - E-18
W/ICN33RU	E-19 - F-16

Key	Part Number	U/M	Description
1	085190-07-X08	EA	Curtain Asm. - w/Dart & Snap Top - 29.5" x 15" (X11)
†1	085190-07-XA0	EA	Curtain Asm. - w/Dart & Snap Top - 29.5" x 15" (X11)
1	085190-07-X09	EA	Curtain Asm. - w/Dart & Snap Top - 29.5" x 15" (X12)
†1	085190-07-XA1	EA	Curtain Asm. - w/Dart & Snap Top - 29.5" x 15" (X12)
1	085190-07-X10	EA	Curtain Asm. - w/Dart & Snap Top - 29.5" x 15" (X13)
†1	085190-07-XA2	EA	Curtain Asm. - w/Dart & Snap Top - 29.5" x 15" (X13)
1	088926-01-X11	EA	Valance Asm. - Quilted - 78" (X11)
†1	088926-01-XA0	EA	Valance Asm. - Quilted - 78" (X11)
1	088926-01-X12	EA	Valance Asm. - Quilted - 78" (X12)
†1	088926-01-XA1	EA	Valance Asm. - Quilted - 78" (X12)
1	088926-01-X13	EA	Valance Asm. - Quilted - 78" (X13)
†1	088926-01-XA2	EA	Valance Asm. - Quilted - 78" (X13)
1	088226-42-X11	EA	Curtain Asm. - Sheers - 28" x 78"
1	084755-29-X11	EA	Shade Asm. - Linen - 72.25"
1	085190-08-X23	EA	Curtain Asm. - w/Darts & Snaps Top - 29.5" x 15" - used w/Woven Woods
1	085191-05-X11	EA	Valance Asm. - w/Insert - 74" - Used w/Woven Woods
1	082127-78-000	EA	Shade Asm. - Woven Woods - 71" x 30" Drop
2	085190-07-X08	EA	Curtain Asm. - w/Darts & Snaps Top - 29.5" x 15" (X11)
†2	085190-07-XA0	EA	Curtain Asm. - w/Darts & Snaps Top - 29.5" x 15" (X11)
2	085190-07-X09	EA	Curtain Asm. - w/Darts & Snaps Top - 29.5" x 15" (X12)
†2	085190-07-XA1	EA	Curtain Asm. - w/Darts & Snaps Top - 29.5" x 15" (X12)
2	085190-07-X10	EA	Curtain Asm. - w/Darts & Snaps Top - 29.5" x 15" (X13)
†2	085190-07-XA2	EA	Curtain Asm. - w/Darts & Snaps Top - 29.5" x 15" (X13)
2	088926-04-X11	EA	Valance Asm. - Quilted - 64" (X11)
†2	088926-04-XA0	EA	Valance Asm. - Quilted - 64" (X11)
2	088926-04-X12	EA	Valance Asm. - Quilted - 64" (X12)
†2	088926-04-XA1	EA	Valance Asm. - Quilted - 64" (X12)
2	088926-04-X13	EA	Valance Asm. - Quilted - 64" (X13)
†2	088926-04-XA2	EA	Valance Asm. - Quilted - 64" (X13)
2	088226-42-X11	EA	Curtain Asm. - Sheers - 28" x 78"
2	084755-30-X11	EA	Shade Asm. - Linen - 80.25"
2	085190-08-X23	EA	Curtain Asm. - w/Darts & Snaps Top - 29.5" x 15" - Used w/Woven Woods
2	085191-08-X11	EA	Valance Asm. - w/Insert - 64" - Used w/Woven Woods

Key	Part Number	U/M	Description
2	082127-79-000	EA	Shade Asm. - Woven Wood - 59" x 29" Drop
3	073304-39-X08	EA	Curtain Asm. - w/Snaps Top - 27.5" x 10"
3	085191-12-X11	EA	Valance Asm. - w/Insert - 24"
3	085304-80-000	EA	Shade Asm. - Pleated - 21" x 27" Drop (X11)
3	085304-81-000	EA	Shade Asm. - Pleated - 21" x 27" Drop (X12)
3	085304-82-000	EA	Shade Asm. - Pleated - 21" x 27" Drop (X13)
4	085190-16-X11	EA	Curtain Asm. - w/Darts & Snaps Top - 33.5" x 44" - Front (X11, X12, X13)
4	085190-19-X11	EA	Curtain Asm. - w/Darts & Snaps Top - 33.5" x 44" - Rear (X11, X12, X13)
4	085191-01-X11	EA	Valance Asm. - w/Insert - 68.5"
4	085304-20-000	EA	Shade Asm. - Pleated - 65" x 33" Drop (X11)
4	085304-19-000	EA	Shade Asm. - Pleated - 65" x 33" Drop (X12)
4	085304-17-000	EA	Shade Asm. - Pleated - 65" x 33" Drop (X13)
4	087318-07-X11	EA	Curtain Asm. - w/Pleats & Snaps Top - 33.5" x 15" - Used w/Woven Woods
4	082127-77-000	EA	Shade Asm. - Woven Woods - 85" x 33" Drop (X11, X12, X13)
5	073304-49-X11	EA	Curtain Asm. - Front Wraparound - w/Snaps Top - 34" x 88"
5	077591-06-X11	EA	Curtain Asm. - Blackout - w/Velcro Top - Drivers - 60" x 50"
†5	077591-10-X11	EA	Curtain Asm. - Blackout w/Velcro Top - Drivers - 60" x 47.5"
6	073304-49-X11	EA	Curtain Asm. - Front Wraparound - w/Snaps Top - 34" x 88"
6	077591-05-X11	EA	Curtain Asm. - Blackout - w/Velcro Top - Passenger - 60" x 50"
†6	077591-09-X11	EA	Curtain Asm. - Blackout - w/Velcro Top - Passenger - 60" x 47.5"
7	085191-04-X11	EA	Valance Asm. - w/Insert - 27.4"
7	084755-04-X11	EA	Shade Asm. - 24.25" - Linen
8	085191-03-X11	EA	Valance Asm. - w/Insert - 29.5"
8	085304-71-000	EA	Shade Asm. - Pleated - 27" x 22" Drop (X11)
8	085304-70-000	EA	Shade Asm. - Pleated - 27" x 22" Drop (X12)
8	085304-72-000	EA	Shade Asm. - Pleated - 27" x 22" Drop (X13)
•	073304-29-X23	EA	Curtain Asm. - Room Divider - 64" x 40"
•	073304-35-X11	EA	Curtain Asm. - Room Divider - 64" x 50"
•	073260-23-X08	EA	Tieback Asm. - 3" x 18" - Drapery (X11, X12, X13)
†			Used in units produced after 2-2-88
††			Used in units produced after 1-18-88
‡			Used in units produced after 1-25-88
‡‡			Used in units produced after 7-22-87
			*Not Illustrated

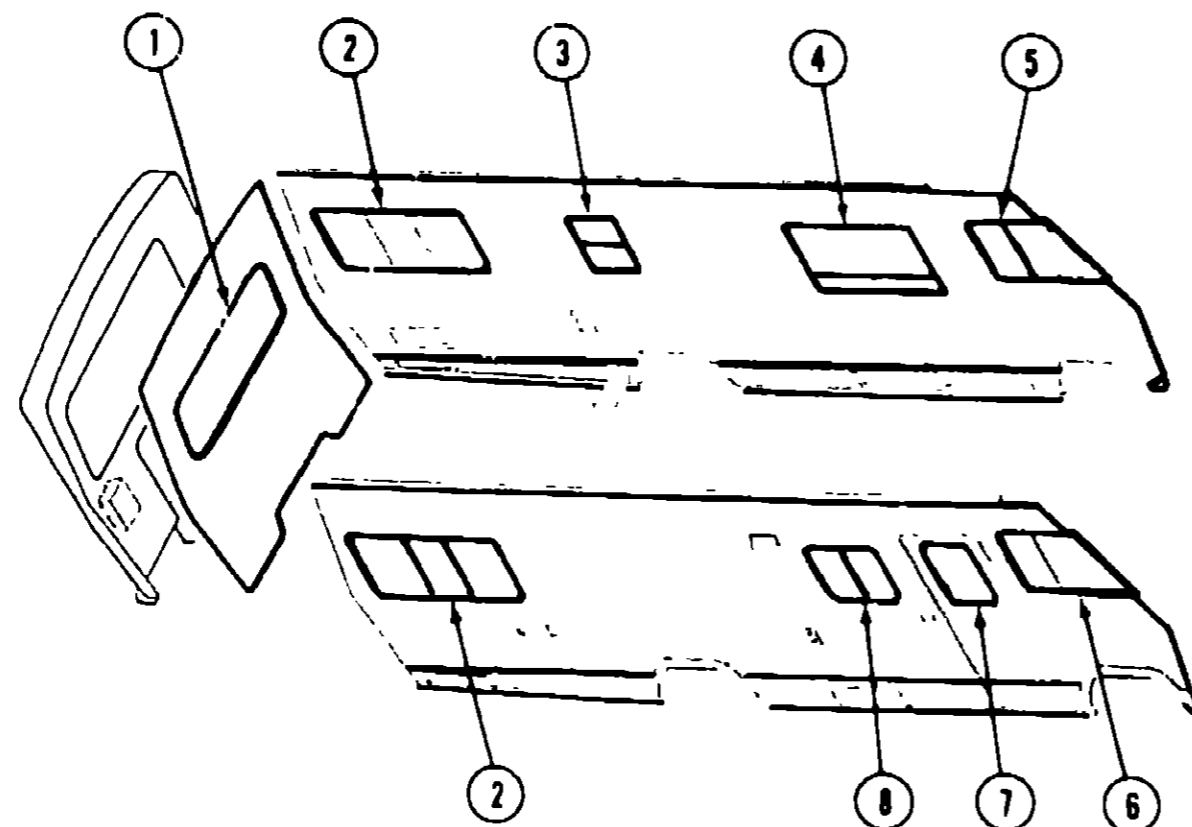
1988 W/ICN27RT INDEX

Floor Plan	B-15 - B-16
Bath Group	B-17
Curtain, Cushion & Pad Group	B-19 - C-07
Dinette Group	C-08
Exterior Body Group	C-09 - C-12
Galley Group	C-13
Lounge Group	C-13 - C-14
Window, Vent & Exterior Door Group	C-15 - C-17

CURTAIN, CUSHION & PAD GROUP (CONTINUED)

ITASCA

CURTAINS, SHADES, VALANCES & TIEBACKS FOR X36 UNITS



1988 N-SERIES TABLE OF CONTENTS

W/ICN22EC	A-01 - A-22
WCN22RC	A-23 - B-14
W/ICN27RT	B-15 - C-18
W/ICN27RU	C-19 - D-20
W/ICN31RT & W/IJN31RT	D-21 - E-18
W/ICN33RU	E-19 - F-16

Key	Part Number	U/M	Description
1	079559-11-X33	EA	Curtain Asm - Gathered - 32" x 41" (X36)
1	079558-20-X78	EA	Valance Asm - Gathered - 5" x 140" (X36)
1	084755-03-X38	EA	Shade Asm - 72.25" - Linen (X36)
†1	084755-03-XA3	EA	Shade Asm - 72.25" - Linen (X36)
‡1	084755-03-XA6	EA	Shade Asm - 72.25" - Linen (X36)
1	M81977-18-X36	EA	Valance Asm - 74.64" - Used w/Rear Lounge Option (X36)
1	082118-D1-000	EA	Blinds - 71" x 28" Drop - Used w/Rear Lounge Option (X36)
1	085190-06-WB6	EA	Curtain Asm - 29.5" x 15" - Used w/Rear Lounge Option (X36)
2	079559-11-X33	EA	Curtain Asm - Gathered - 32" x 41" (X36)
2	079558-21-X78	EA	Valance Asm - Gathered - 5" x 120" (X36)
2	084755-05-X78	EA	Shade Asm - 60.25" - Linen (X36)
‡2	084755-05-XA3	EA	Shade Asm - 60.25" - Linen (X36)
‡2	084755-05-XA6	EA	Shade Asm - 60.25" - Linen (X36)
2	M81977-27-X36	EA	Valance Asm - 64" - Used w/Rear Lounge Option (X36)
2	085190-06-WB6	EA	Curtain Asm - 29.5" x 15" - Used w/Rear Lounge Option (X36)
2	082118-C5-000	EA	Blinds - 58" x 28" Drop - Used w/Rear Lounge Option (X36)
3	M81977-28-X36	EA	Valance Asm - 24.5" (X36)
3	073304-39-X36	EA	Curtain Asm - Snap Top - 27.5" x 10" (X36)
3	082118-E3-000	EA	Blinds - 21" x 27" Drop (X36)
4	M81977-23-X36	EA	Valance Asm - 68.5" (X36)
4	087318-07-X36	EA	Curtain Asm - Pleat & Snap Top - 33.5" x 15" (X36)
4	082118-C8-000	EA	Blinds Asm - 65" x 33" Drop (X36)
5	073304-41-000	EA	Curtain Asm - Wraparound - 32.5" x 86" (X36)
†15	073304-49-X33	EA	Curtain Asm - Wraparound - 34" x 86" (X36)

Key	Part Number	U/M	Description
5	077591-10-X36	EA	Curtain Asm - Blackout - 60" x 47.5" (X36)
‡15	077591-06-X36	EA	Curtain Asm - Blackout - 60" x 50" (X36)
6	073304-40-X20	EA	Curtain Asm - Wraparound - 32.5" x 86"
††6	073304-49-X33	EA	Curtain Asm - Wraparound - 34" x 86"
6	077591-05-X36	EA	Curtain Asm - Blackout - 60" x 50"
‡†6	077591-09-X36	EA	Curtain Asm - Blackout - 60" x 47.5"
7	M81977-26-X36	EA	Valance Asm - 27.4" - Padded
7	084755-04-X33	EA	Shade Asm - 24.25" - Linen
†7	084755-04-XA3	EA	Shade Asm - 24.25" - Linen
‡7	084755-04-XA6	EA	Shade Asm - 24.25" - Linen
8	M81977-22-X36	EA	Valance Asm - 29.5" - Padded
8	082118-B0-000	EA	Blinds - 27" x 22" Drop
·	073304-29-WB6	EA	Curtain Asm - Room Divider - 64" x 40"
·	073304-35-X36	EA	Curtain Asm - Room Divider - 64" x 50"
·	073280-27-X78	EA	Tieback Asm - 3" x 23" - Bedspread
·	073280-34-X33	EA	Tieback Asm - 4" x 20" - Drapery
†·	073280-34-XB3	EA	Tieback Asm - 4" x 20" - Drapery
·	073280-23-WB6	EA	Tieback Asm - 3" x 18" - Drapery
·	057534-04-000	EA	Tieback Asm - 20" - Clear Plastic
·			Not Illustrated
‡‡			Used in units produced after 7-22-87
††			Used in units produced after 8-19-87
†			Used in units produced after 12-1-87
‡			Used in units produced after 3-1-88

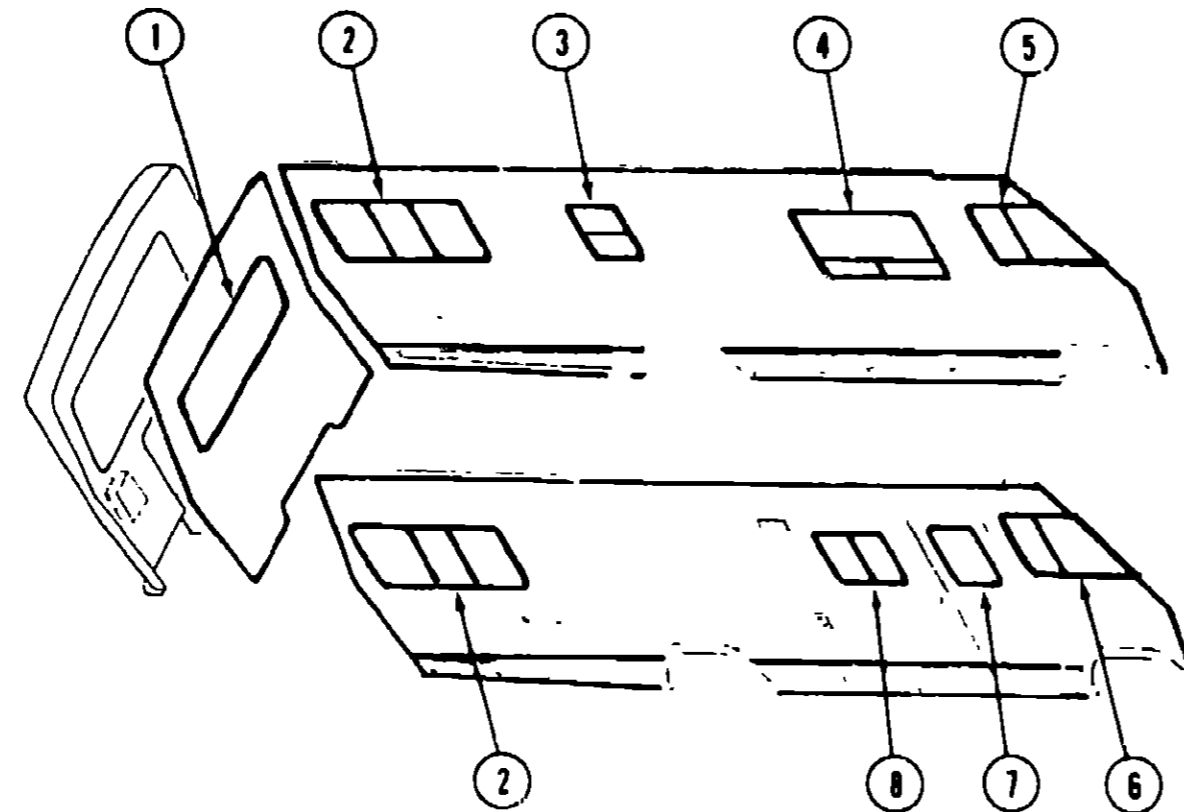
1988 W/ICN27RT INDEX

Floor Plan	B-15 - B-16
Bath Group	B-17
Curtain, Cushion & Pad Group	B-19 - C-07
Dinette Group	C-08
Exterior Body Group	C-09 - C-12
Galley Group	C-13
Lounge Group	C-13 - C-14
Window, Vent & Exterior Door Group	C-15 - C-17

CURTAIN, CUSHION & PAD GROUP (CONTINUED)

ITASCA

CURTAINS, SHADES, VALANCES & TIEBACKS FOR X37 UNITS



1988 N-SERIES TABLE OF CONTENTS

W/ICN22EC	A-01 - A-22
WCN22RC	A-23 - B-14
W/ICN27RT	B-15 - C-18
W/ICN27RU	C-19 - D-20
W/ICN31RT & W/IJN31RT	D-21 - E-18
W/ICN33RU	E-19 - F-16

Key	Part Number	U/M	Description
1	079559-11-X34	EA	Curtain Asm - Gathered - 32" x 41" (X37)
1	079558-20-X37	EA	Valance Asm - Gathered - 5" x 140" (X37)
1	084755-03-X37	EA	Shade Asm - 72 25" - Linen (X37)
†1	084755-03-XA3	EA	Shade Asm - 72 25" - Linen (X37)
‡1	084755-03-XA6	EA	Shade Asm - 72 25" - Linen (X37)
1	M81977-18-X37	EA	Valance Asm - 74.84" - Used w/Rear Lounge Option (X37)
1	088729-05-000	FA	Blinds - 7 1/2" x 28" Drop - Used w/Rear Lounge Option (X37)
1	085190-06-X79	EA	Curtain Asm - 29.5" x 15" - Used w/Rear Lounge Option (X37)
2	079559-11-X34	EA	Curtain Asm - Gathered - 32" x 41" (X37)
2	079558-21-X37	EA	Valance Asm - Gathered - 5" x 120" (X37)
2	084755-05-X37	EA	Shade Asm - 60.25" - Linen (X37)
‡2	084755-05-XA3	EA	Shade Asm - 60 25" - Linen (X37)
‡2	084755-05-XA6	EA	Shade Asm - 60.25" - Linen (X37)
2	M81977-27-X37	EA	Valance Asm - 64" - Used w/Rear Lounge Option (X37)
2	085190-06-X79	EA	Curtain Asm - 29 5" x 15" - Used w/Rear Lounge Option (X37)
2	088729-04-000	EA	Blinds - 59" x 28" Drop - Used w/Rear Lounge Option
3	M81977-28-X37	EA	Valance Asm - 24.5" (X37)
*13	M81977-28-XA4	EA	Valance Asm - 24 5" (X37)
3	073304-39-X37	EA	Curtain Asm - Snap Top - 27 5" x 10" (X37)
3	073304-39-XA4	EA	Curtain Asm - Snap Top - 27 5" x 10" (X37)
3	088729-08-000	EA	Blinds - 21" x 27" Drop - (X37)
4	M81977-23-X37	EA	Valance Asm - 68.5" (X37)
4	M81977-23-XA4	EA	Valance Asm - 68 5" (X37)
4	087318-07-X37	EA	Curtain Asm - Pleat & Snap Top - 33 5" x 15" (X37)
*14	087318-07-XA4	EA	Curtain Asm - Pleat & Snap Top - 33 5" x 15" (X37)
4	088729-01-000	EA	Blinds - 65" x 33" Drop (X37)

B-23

5	073304-41-X37	EA	Curtain Asm - Wraparound - 32 5" x 88" (X37)
††5	073304-49-X37	EA	Curtain Asm - Wraparound - 32 5" x 88" (X37)
*†5	073304-49-XA4	EA	Curtain Asm - Wraparound - 32 5" x 88" (X37)
5	077591-06-X37	EA	Curtain Asm - Blackout - 60" x 50" - Drivers (X37)
††5	077591-10-X37	EA	Curtain Asm - Blackout - 60" x 47 5" - Drivers (X37)
*†5	077591-10-XA4	EA	Curtain Asm - Blackout - 60" x 47 5" - Drivers (X37)
8	M81977-22-X37	EA	Valance Asm - 29 5" - Padded
*†8	M81977-22-XA4	EA	Valance Asm - 29 5" - Padded
8	088729-03-000	EA	Blinds - 27" x 22" Drop
*	073304-29-X37	EA	Curtain Asm - Room Divider - 64" x 40"
*†	073304-29-XA4	EA	Curtain Asm - Room Divider - 64" x 40"
*	073304-35-X37	EA	Curtain Asm - Room Divider - 64" x 50"
*†	073304-35-XA4	EA	Curtain Asm - Room Divider - 64" x 50"
*	073260-27-X79	EA	Tieback Asm - 3" x 23" - Bedspread
*	073260-23-X34	EA	Tieback Asm - 3" x 18" - Drapery
*†	073260-23-XA4	EA	Tieback Asm - 3" x 18" - Drapery
*	073260-34-X34	EA	Tieback Asm - 4" x 20" - Drapery
*†	073260-34-XB4	EA	Tieback Asm - 4" x 20" - Drapery
*†	073260-34-XA4	EA	Tieback Asm - 4" x 20" - Drapery
*	057534-04-000	EA	Tieback Asm - 20" - Clear Plastic
*	Not Illustrated		
††	Used in units produced after 7-22-87		
††	Used in units produced after 8-19-87		
*†	Used in units produced after 10-1-87		
†	Used in units produced after 12-01-87		
‡	Used in units produced after 3-1-88		

B-24

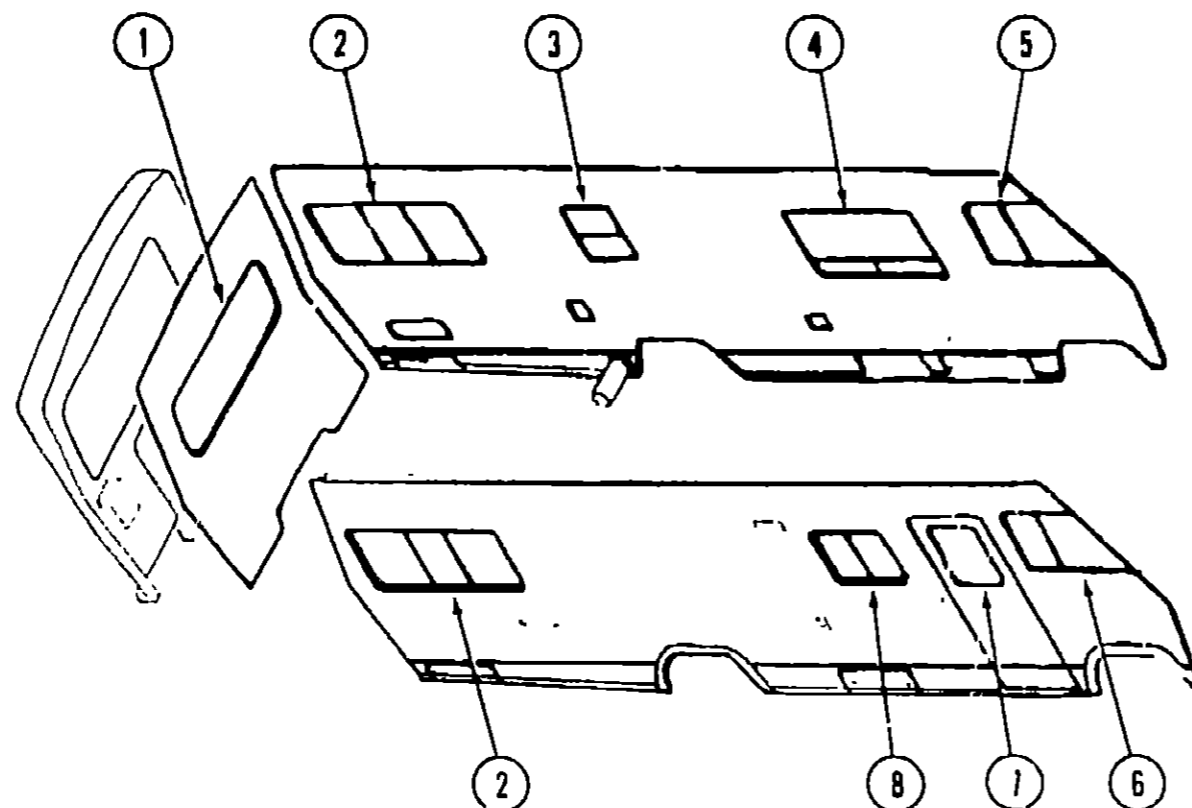
1988 W/ICN27RT INDEX

Floor Plan	B-15 - B-16
Bath Group	B-17
Curtain, Cushion & Pad Group	B-19 - C-07
Dinette Group	C-08
Exterior Body Group	C-09 - C-12
Galley Group	C-13
Lounge Group	C-13 - C-14
Window, Vent & Exterior Door Group	C-15 - C-17

CURTAIN, CUSHION & PAD GROUP (CONTINUED)

ITASCA

CURTAINS, SHADES, VALANCES & TIEBACKS FOR X36 UNITS



1988 N-SERIES TABLE OF CONTENTS

W/ICN22EC	A-01 - A-22
WCN22RC	A-23 - B-14
W/ICN27RT	B-15 - C-18
W/ICN27RU	C-19 - D-20
W/ICN31RT & W/IJN31RT	D-21 - E-18
W/ICN33RU	E-19 - F-18

Key	Part Number	U/M	Description
1	079559-11-X35	EA	Curtain Asm - Gathered - 32" x 41" (X38)
1	079558-20-X38	EA	Valance Asm - Gathered - 5" x 140" (X38)
1	084755-03-X38	EA	Shade Asm - 72 25" - Linen (X38)
‡1	084755-03-XA8	EA	Shade Asm - 72 25" - Linen (X38)
1	M81977-18-X38	EA	Valance Asm - 74 64" - Used w/Rear Lounge Option (X38)
1	082118-D0-000	EA	Blinds - 71" x 28" Drop - Used w/Rear Lounge Option (X38)
1	085190-06-X80	EA	Curtain Asm - 29 5" x 15" - Used w/Rear Lounge Option (X38)
2	079559-11-X35	EA	Curtain Asm - 32" x 41" (X38)
2	079558-21-X38	EA	Valance Asm - Gathered - 5" x 120" (X38)
2	084755-05-X38	EA	Shade Asm - 60 25" - Linen (X38)
‡2	084755-05-XA8	EA	Shade Asm - 60 25" - Linen (X38)
2	M81977-27-X38	EA	Valance Asm - 64" - Used w/Rear Lounge Option (X38)
2	085190-06-X80	EA	Curtain Asm - 29 5" x 15" - Used w/Rear Lounge Option (X38)
2	082118-C4-000	EA	Blinds - 59" x 28" Drop - Used w/Rear Lounge Option (X38)
3	M81977-28-X38	EA	Valance Asm - 24 5"
3	073304-39-X38	EA	Curtain Asm - Snaps Top - 27 5" x 10" (X38)
3	082118-E2-000	EA	Blinds - 21" x 27" Drop (X38)
4	M81977-23-X38	EA	Valance Asm - 68 5" (X38)
4	087318-07-X38	EA	Curtain Asm - Pleat & Snaps Top - 33 5" x 15" (X38)
4	082118-C7-000	EA	Blinds - 65" x 33" Drop (X36)
5	073304-41-X19	EA	Curtain Asm - Wraparound - 32 5" x 86" (X38)
††5	073304-49-X38	EA	Curtain Asm - Wraparound - 32 5" x 86" (X38)

C-1

Key	Part Number	U/M	Description
5	077591-06-X38	EA	Curtain Asm - Blackout - 60" x 50" (X38)
††5	077591-10-X38	EA	Curtain Asm - Blackout - 60" x 47 5" (X38)
6	073304-40-X19	EA	Curtain Asm - Wraparound - 32 5" x 86"
††6	073304-49-X38	EA	Curtain Asm - Wraparound - 34" x 86"
6	077591-05-X38	EA	Curtain Asm - Blackout - 60" x 50"
6	077591-09-X38	EA	Curtain Asm - Blackout - 60" x 47 5"
7	M81977-26-M38	EA	Valance Asm - 27 4" - Padded
7	084755-04-X35	EA	Shade Asm - 24 25" - Linen
‡7	084755-04-XA8	EA	Shade Asm - 24 25" - Linen
8	M81977-22-X38	EA	Valance Asm - 29 5" - Padded
8	082118-A9-000	EA	Blinds - 27" x 22" Drop
*	073304-29-X38	EA	Curtain Asm - Room Divider - 64" x 40"
*	073304-35-X38	EA	Curtain Asm - Room Divider - 64" x 50"
*	073260-27-X80	EA	Tieback Asm - 3" x 23" - Bedspread
*	073260-23-X19	EA	Tieback Asm - 3" x 18" - Drapery
*	073260-34-X35	EA	Tieback Asm - 4" x 20" - Drapery
*	057534-04-000	EA	Tieback Asm - 20" Clear Plastic
*			Not illustrated
‡			Used in units produced after 3-1-88
††			Used in units produced after 8-19-87
††			Used in units produced after 7-22-87

C-2

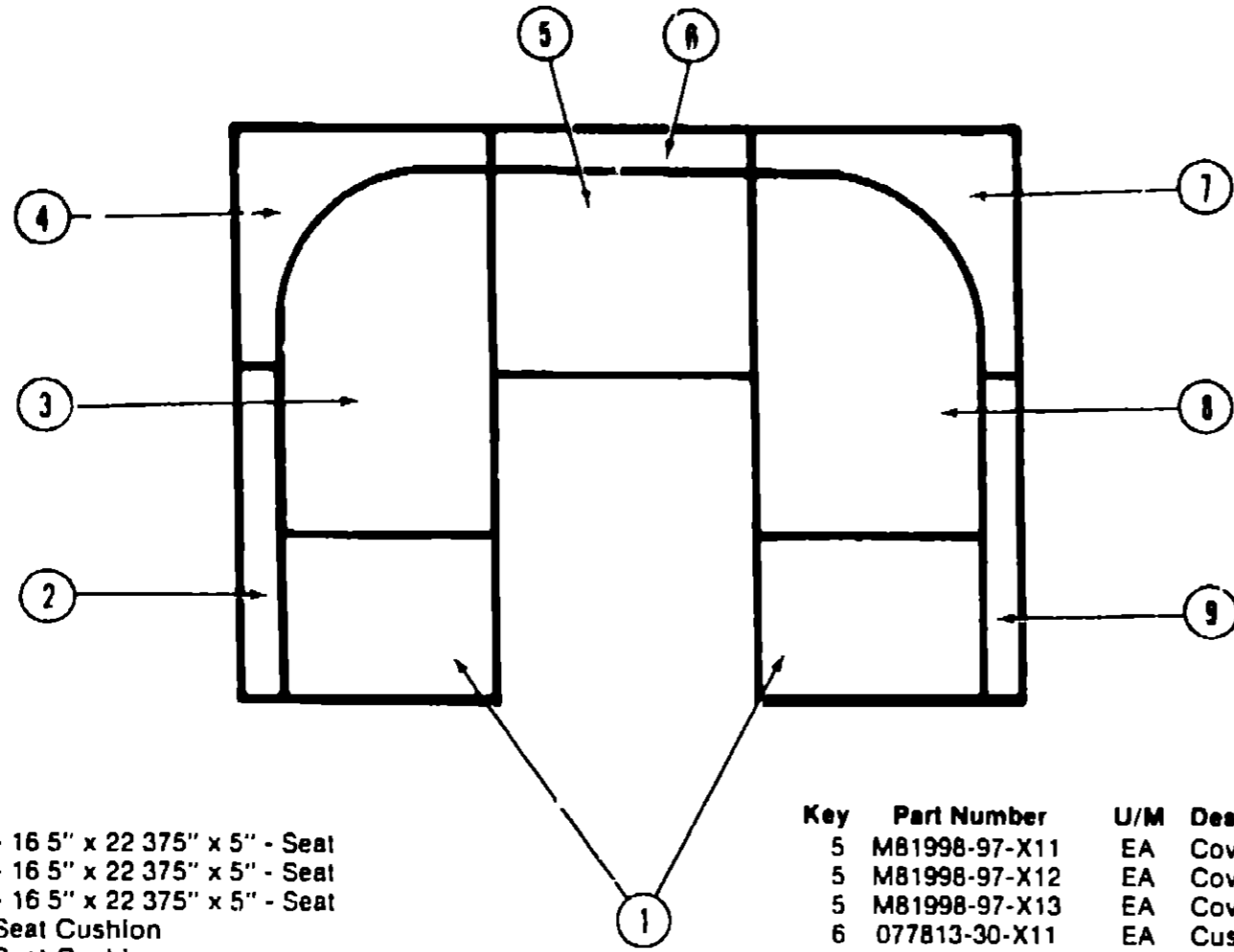
1988 W/ICN27RT INDEX

Floor Plan	B-15 - B-16
Bath Group	B-17
Curtain, Cushion & Pad Group	B-19 - C-07
Dinette Group	C-08
Exterior Body Group	C-09 - C-12
Galley Group	C-13
Lounge Group	C-13 - C-14
Window, Vent & Exterior Door Group	C-15 - C-17

CURTAIN, CUSHION & PAD GROUP (CONTINUED)

WINNEBAGO

LOUNGE CUSHIONS



Key	Part Number	U/M	Description
1	081998-93-X11	EA	Curtain Asm - 16 5" x 22 375" x 5" - Seat
1	081998-93-X12	EA	Curtain Asm - 16 5" x 22 375" x 5" - Seat
1	081998-93-X13	EA	Curtain Asm - 16 5" x 22 375" x 5" - Seat
1	M81998-93-X11	EA	Cover Asm - Seat Cushion
1	M81998-93-X12	EA	Cover Asm - Seat Cushion
1	M81998-93-X13	EA	Cover Asm - Seat Cushion
2	077813-29-X11	EA	Cushion Asm - 4" x 6" x 10" x 50" - Passenger - Back
2	077813-29-X12	EA	Cushion Asm - 4" x 6" x 10" x 50" - Passenger - Back
2	077813-29-X13	EA	Cushion Asm - 4" x 6" x 10" x 50" - Passenger - Back
2	M77813-29-X11	EA	Cover Asm - Back Cushion - Passenger
2	M77813-29-X12	EA	Cover Asm - Back Cushion - Passenger
2	M77813-29-X13	EA	Cover Asm - Back Cushion - Passenger
3	081998-96-X11	EA	Cushion Asm - 26 375" x 59 5" x 5" - Passengers - Seat
3	081998-96-X12	EA	Cushion Asm - 26 375" x 59 5" x 5" - Passengers - Seat
3	081998-96-X13	EA	Cushion Asm - 26 375" x 59 5" x 5" - Passengers - Seat
3	M81998-96-X11	EA	Cover Asm - Passenger Seat
3	M81998-96-X12	EA	Cover Asm - Passenger Seat
3	M81998-96-X13	EA	Cover Asm - Passenger Seat
4	077814-18-X11	EA	Cushion Asm - Corner Bolster - 26 375" x 25 625" - Passengers
4	077814-18-X12	EA	Cushion Asm - Corner Bolster - 26 375" x 25 625" - Passengers
4	077814-18-X13	EA	Cushion Asm - Corner Bolster - 26 375" x 25 625" - Passengers
4	M77814-18-X11	EA	Cover Asm - Passengers Corner Bolster
4	M77814-18-X12	EA	Cover Asm - Passengers Corner Bolster
4	M77814-18-X13	EA	Cover Asm - Passengers Corner Bolster
5	081998-97-X11	EA	Cushion Asm - 26 375" x 25 625" x 5" - Backwall Seat
5	081998-97-X12	EA	Cushion Asm - 26 375" x 25 625" x 5" - Backwall Seat
5	081998-97-X13	EA	Cushion Asm - 26 375" x 25 625" x 5" - Backwall Seat

Key	Part Number	U/M	Description
5	M81998-97-X11	EA	Cover Asm - Backwall Seat
5	M81998-97-X12	EA	Cover Asm - Backwall Seat
5	M81998-97-X13	EA	Cover Asm - Backwall Seat
6	077813-30-X11	EA	Cushion Asm - 6" x 6" x 10" x 25 625" - Backwall Bolster
6	077813-30-X12	EA	Cushion Asm - 6" x 6" x 10" x 25 625" - Backwall Bolster
6	077813-30-X13	EA	Cushion Asm - 6" x 6" x 10" x 25 625" - Backwall Bolster
6	M77813-30-X11	EA	Cover Asm - Backwall Bolster
6	M77813-30-X12	EA	Cover Asm - Backwall Bolster
6	M77813-30-X13	EA	Cover Asm - Backwall Bolster
7	077814-17-X11	EA	Cushion Asm - Corner Bolster - Drivers
7	077814-17-X12	EA	Cushion Asm - Corner Bolster - Drivers
7	077814-17-X13	EA	Cushion Asm - Corner Bolster - Drivers
7	M77814-17-X11	EA	Cover Asm - Corner Bolster - Drivers
7	M77814-17-X12	EA	Cover Asm - Corner Bolster - Drivers
7	M77814-17-X13	EA	Cover Asm - Corner Bolster - Drivers
8	081998-95-X11	EA	Cushion Asm - 26 375" x 59 5" x 5" - Drivers - Seat
8	081998-95-X12	EA	Cushion Asm - 26 375" x 59 5" x 5" - Drivers - Seat
8	081998-95-X13	EA	Cushion Asm - 26 375" x 59 5" x 5" - Drivers - Seat
8	M81998-95-X11	EA	Cover Asm - Drivers - Seat
8	M81998-95-X12	EA	Cover Asm - Drivers - Seat
8	M81998-95-X13	EA	Cover Asm - Drivers - Seat
9	077813-28-X11	EA	Cushion Asm - 4" x 6" x 10" x 50" - Drivers - Back
9	077813-28-X12	EA	Cushion Asm - 4" x 6" x 10" x 50" - Drivers - Back
9	077813-28-X13	EA	Cushion Asm - 4" x 6" x 10" x 50" - Drivers - Back
9	M77813-28-X11	EA	Cover Asm - Drivers Back
9	M77813-28-X12	EA	Cover Asm - Drivers Back
9	M77813-28-X13	EA	Cover Asm - Drivers Back

**1988 N-SERIES
TABLE OF CONTENTS**

W/ICN22EC	A-01 - A-22
WCN22RC	A-23 - B-14
W/ICN27RT	B-15 - C-18
W/ICN27RU	C-19 - D-20
W/ICN31RT & W/IJN31RT	D-21 - E-18
W/ICN31RU	E-19 - F-18

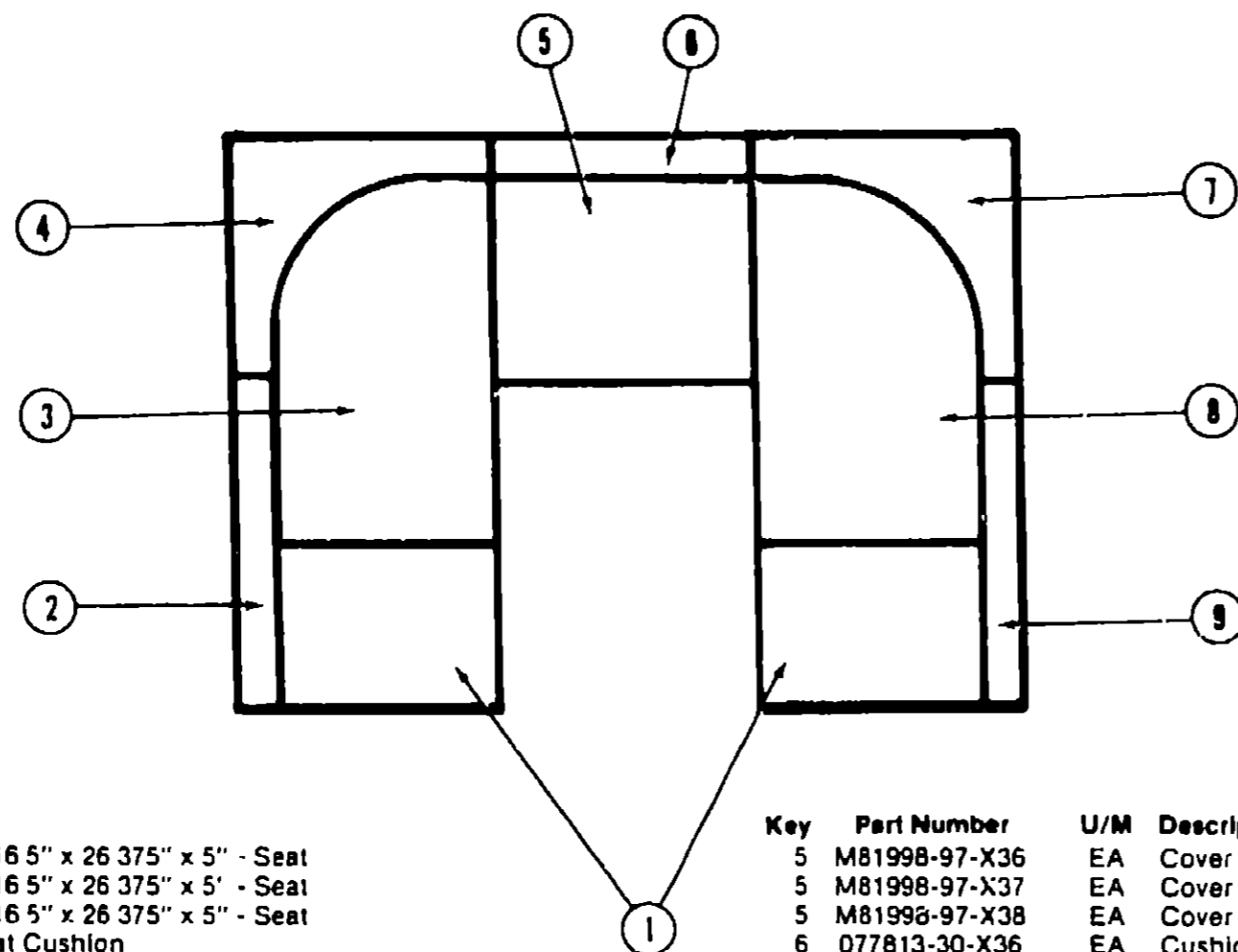
1988 W/ICN27RT INDEX

Floor Plan	B-15 - B-16
Bath Group	B-17
Curtain, Cushion & Pad Group	B-19 - C-07
Dinette Group	C-08
Exterior Body Group	C-09 - C-12
Galley Group	C-13
Lounge Group	C-13 - C-14
Window, Vent & Exterior Door Group	C-15 - C-17

CURTAIN, CUSHION & PAD GROUP (CONTINUED)

ITA/JCA

LOUNGE CUSHIONS



Key	Part Number	U/M	Description
1	081998-93-X36	EA	Cushion Asm - 16 5" x 26 375" x 5" - Seat
1	081998-93-X37	EA	Cushion Asm - 16 5" x 26 375" x 5" - Seat
1	081998-93-X38	EA	Cushion Asm - 16 5" x 26 375" x 5" - Seat
1	M81998-93-X36	EA	Cover Asm - Seat Cushion
1	M81998-93-X37	EA	Cover Asm - Seat Cushion
1	M81990-93-X38	EA	Cover Asm - Seat Cushion
2	077813-29-X36	EA	Cushion Asm - 4" x 6" x 10" x 50" - Passengers - Back
2	077813-29-X37	EA	Cushion Asm - 4" x 6" x 10" x 50" - Passengers - Back
2	077813-29-X38	EA	Cushion Asm - 4" x 6" x 10" x 50" - Passengers - Back
2	M77813-29-X36	EA	Cover Asm - Back Cushion - Passenger
2	M77813-29-X37	EA	Cover Asm - Back Cushion - Passenger
2	M77813-29-X38	EA	Cover Asm - Back Cushion - Passenger
3	081998-96-X36	EA	Cushion Asm - 26 375" x 59 5" x 5" - Passenger - Seat
3	081998-96-X37	EA	Cushion Asm - 26 375" x 59 5" x 5" - Passenger - Seat
3	081998-96-X38	EA	Cushion Asm - 26 375" x 59 5" x 5" - Passenger - Seat
3	M81998-96-X36	EA	Cover Asm - Passenger - Seat
3	M81998-96-X37	EA	Cover Asm - Passenger - Seat
3	M81998-96-X38	EA	Cover Asm - Passenger - Seat
4	077814-18-X36	EA	Cushion Asm - Corner Bolster - 26 375" x 25 625" - Passenger
4	077814-18-X37	EA	Cushion Asm - Corner Bolster - 26 375" x 25 625" - Passenger
4	077814-18-X38	EA	Cushion Asm - Corner Bolster - 26 375" x 25 625" - Passenger
4	M77814-18-X36	EA	Cover Asm - Passenger Corner Bolster
4	M77814-18-X37	EA	Cover Asm - Passenger Corner Bolster
4	M77814-18-X38	EA	Cover Asm - Passenger Corner Bolster
5	081998-97-X36	EA	Cushion Asm - 26 375" x 25 625" x 5" - Backwall Seat
5	081998-97-X37	EA	Cushion Asm - 26 375" x 25 625" x 5" - Backwall Seat
5	081998-97-X38	EA	Cushion Asm - 26 375" x 25 625" x 5" - Backwall Seat

Key	Part Number	U/M	Description
5	M81998-97-X36	EA	Cover Asm - Backwall Seat
5	M81998-97-X37	EA	Cover Asm - Backwall Seat
5	M81998-97-X38	EA	Cover Asm - Backwall Seat
6	077813-30-X36	EA	Cushion Asm - 6" x 6" x 10" x 25 625" - Backwall Bolster
6	077813-30-X37	EA	Cushion Asm - 6" x 6" x 10" x 25 625" - Backwall Bolster
6	077813-30-X38	EA	Cushion Asm - 6" x 6" x 10" x 25 625" - Backwall Bolster
6	M77813-30-X36	EA	Cover Asm - Backwall Bolster
6	M77813-30-X37	EA	Cover Asm - Backwall Bolster
6	M77813-30-X38	EA	Cover Asm - Backwall Bolster
7	077814-17-X36	EA	Cushion Asm - Corner Bolster - Drivers
7	077814-17-X37	EA	Cushion Asm - Corner Bolster - Drivers
7	077814-17-X38	EA	Cushion Asm - Corner Bolster - Drivers
7	M77814-17-X36	EA	Cover Asm - Corner Bolster - Drivers
7	M77814-17-X37	EA	Cover Asm - Corner Bolster - Drivers
7	M77814-17-X38	EA	Cover Asm - Corner Bolster - Drivers
8	081998-95-X36	EA	Cushion Asm - 26 375" x 59 5" x 5" - Drivers - Seat
8	081998-95-X37	EA	Cushion Asm - 26 375" x 59 5" x 5" - Drivers - Seat
8	081998-95-X38	EA	Cushion Asm - 26 375" x 59 5" x 5" - Drivers - Seat
8	M81998-95-X36	EA	Cover Asm - Drivers - Seat
8	M81998-95-X37	EA	Cover Asm - Drivers - Seat
8	M81998-95-X38	EA	Cover Asm - Drivers - Seat
9	077813-28-X36	EA	Cushion Asm - 4" x 6" x 10" x 50" - Drivers - Back
9	077813-28-X37	EA	Cushion Asm - 4" x 6" x 10" x 50" - Drivers - Back
9	077813-28-X38	EA	Cushion Asm - 4" x 6" x 10" x 50" - Drivers - Back
9	M77813-28-X36	EA	Cover Asm - Drivers Back
9	M77813-28-X37	EA	Cover Asm - Drivers Back
9	M77813-28-X38	EA	Cover Asm - Drivers Back

**1988 N-SERIES
TABLE OF CONTENTS**

W/ICN22EC	A-01 - A-22
WCN22RC	A-23 - B-14
W/ICN27RT	B-15 - C-18
W/ICN27RU	C-19 - D-20
W/ICN31RT & W/IJN31RT	D-21 - E-18
W/ICN33RU	E-19 - F-16

1988 W/ICN27RT INDEX

Floor Plan	B-15 - B-16
Bath Group	B-17
Curtain, Cushion & Pad Group	B-19 - C-07
Dinette Group	C-08
Exterior Body Group	C-09 - C-12
Galley Group	C-13
Lounge Group	C-13 - C-14
Window, Vent & Exterior Door Group	C-15 - C-17

CURTAIN, CUSHION & PAD GROUP (CONTINUED)

WINNEBAGO PADS

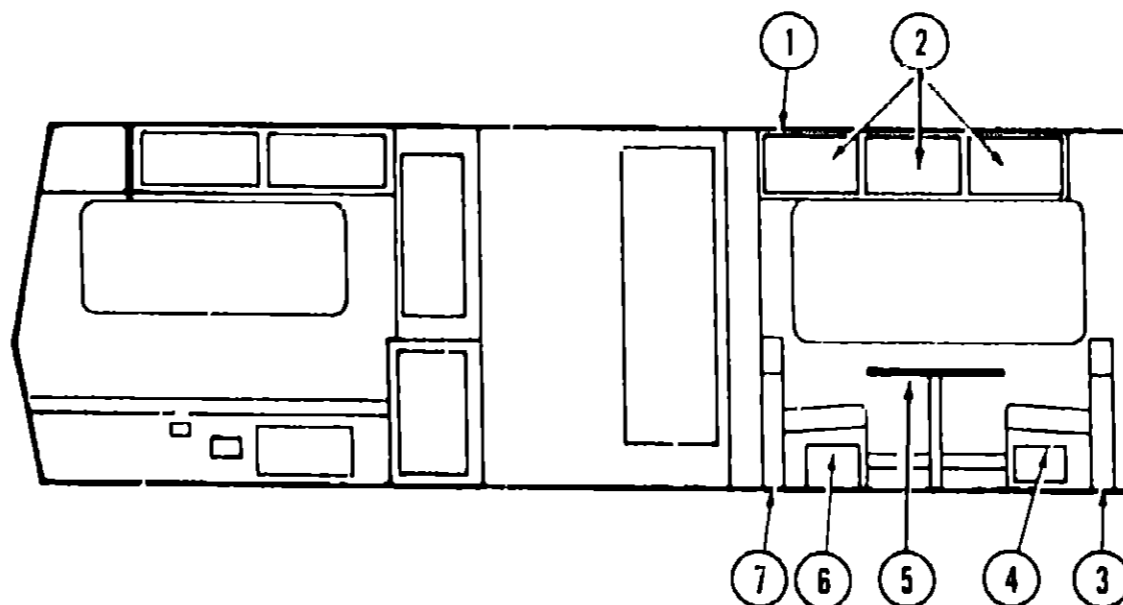
Key	Part Number	U/M	Description
	086109-02-X11	EA	Headboard Asm. - Gathered - 28" (X11)
†	086109-02-XA0	EA	Headboard Asm. - Gathered - 28" (X11)
	086109-02-X12	EA	Headboard Asm. - Gathered - 28" (X12)
††	086109-02-XA1	EA	Headboard Asm. - Gathered - 28" (X12)
	086109-02-X13	EA	Headboard Asm. - Gathered - 28" (X13)
‡	086109-02-XA2	EA	Headboard Asm. - Gathered - 28" (X13)
	086109-01-X11	EA	Headboard Asm. - Gathered 54" (X11)
†	086109-01-XA0	EA	Headboard Asm. - Gathered 54" (X11)
	086109-01-X12	EA	Headboard Asm. - Gathered 54" (X12)
††	086109-01-XA1	EA	Headboard Asm. - Gathered 54" (X12)
	086109-01-X13	EA	Headboard Asm. - Gathered 54" (X13)
‡	086109-01-XA2	EA	Headboard Asm. - Gathered 54" (X13)
	081519-03-X23	EA	Dinette Pad - Front (X11)
	081519-03-X24	EA	Dinette Pad - Front (X12)
	081519-03-X25	EA	Dinette Pad - Front (X13)
	081519-04-X23	EA	Dinette Pad - Rear (X11)
	081519-04-X24	EA	Dinette Pad - Rear (X12)
	081519-04-X25	EA	Dinette Pad - Rear (X13)
†	Used in units produced after 2-2-88		
††	Used in units produced after 1-18-88		
‡	Used in units produced after 1-25-88		

ITASCA

PADS

Key	Part Number	U/M	Description
	077463-08-X36	EA	Headboard Asm - Twin Bed
	077463-08-X37	EA	Headboard Asm - Twin Bed
	077463-08-X38	EA	Headboard Asm - Twin Bed
	077463-09-X36	EA	Headboard Asm - Double Bed
	077463-09-X34	EA	Headboard Asm - Double Bed
	077463-09-X35	EA	Headboard Asm - Double Bed
	081519-01-X08	EA	Dinette Pad - Front (X36)
	081519-01-X09	EA	Dinette Pad - Front (X37)
	081519-01-W05	EA	Dinette Pad - Front (X38)
	081519-02-X08	EA	Dinette Pad - Rear (X36)
	081519-02-X09	EA	Dinette Pad - Rear (X37)
	081519-02-W05	EA	Dinette Pad - Rear (X38)

DINETTE GROUP



**1988 N-SERIES
TABLE OF CONTENTS**

W/ICN22EC	A-01 - A-22
WCN22RC	A-23 - B-14
W/ICN27RT	B-15 - C-18
W/ICN27RU	C-19 - D-20
W/ICN31RT & W/IJN31RT	D-21 - E-18
W/ICN33RU	E-19 - F-16

CONVENTIONAL DINETTE & OVERHEAD CABINETRY

Key	Part Number	U/M	Description
1	M81550-06-X11	EA	Cabinet Asm - Dinette Overhead - w/o Doors or Hardware
2	M88304-16-X23	EA	Door Asm - Dinette Overhead w/o Hardware - 12" x 22"
*	081325-01-W30	EA	End Cap Asm - Padded
3	M03115-01-X11	EA	Cabinet Asm - Dinette Back - Front
4	M03114-01-X11	EA	Cabinet Asm - Dinette Seat - w/o Doors or Hardware
*	M88304-21-X08	EA	Door Asm - Dinette Seat - Front
5	M81299-01-W24	EA	Table Asm - Dinette - w/o Hardware
6	M02625-01-X11	EA	Cabinet Asm - Dinette Seat - Rear - w/o Doors or Hardware
7	M02626-01-W30	EA	Cabinet Asm - Dinette Back - Rear
*	Not keyed		

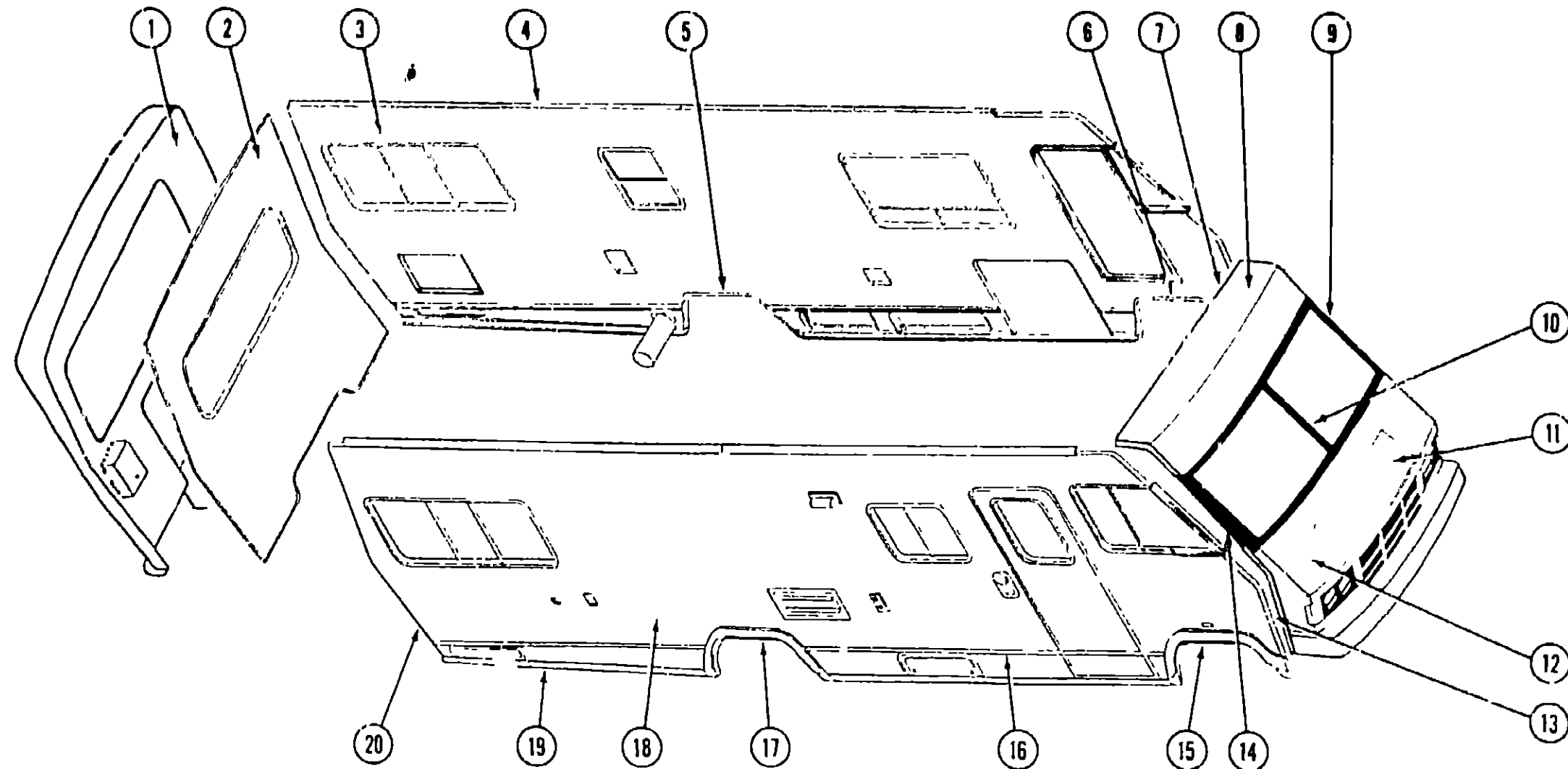
1988 W/ICN27RT INDEX

Floor Plan	B-15 - B-16
Bath Group	B-17
Curtain, Cushion & Pad Group	B-19 - C-07
Dinette Group	C-08
Exterior Body Group	C-09 - C-12
Galley Group	C-13
Lounge Group	C-13 - C-14
Window, Vent & Exterior Door Group	C-15 - C-17

EXTERIOR BODY GROUP

WINNEBAGO

EXTERIOR BODY PANELS



1988 N-SERIES TABLE OF CONTENTS

W/ICN22EC	A-01 - A-22
WCN22RC	A-23 - B-14
W/ICN27RT	B-15 - C-18
W/ICN27RU	C-19 - D-20
W/ICN31RT & W/IJN31RT	D-21 - E-18
W/ICN33RU	E-19 - F-16

1988 W/ICN27RT INDEX

Floor Plan	B-15 - B-16
Bath Group	B-17
Curtain, Cushion & Pad Group	B-19 - C-07
Dinette Group	C-08
Exterior Body Group	C-09 - C-12
Galley Group	C-13
Lounge Group	C-13 - C-14
Window, Vent & Exterior Door Group	C-15 - C-17

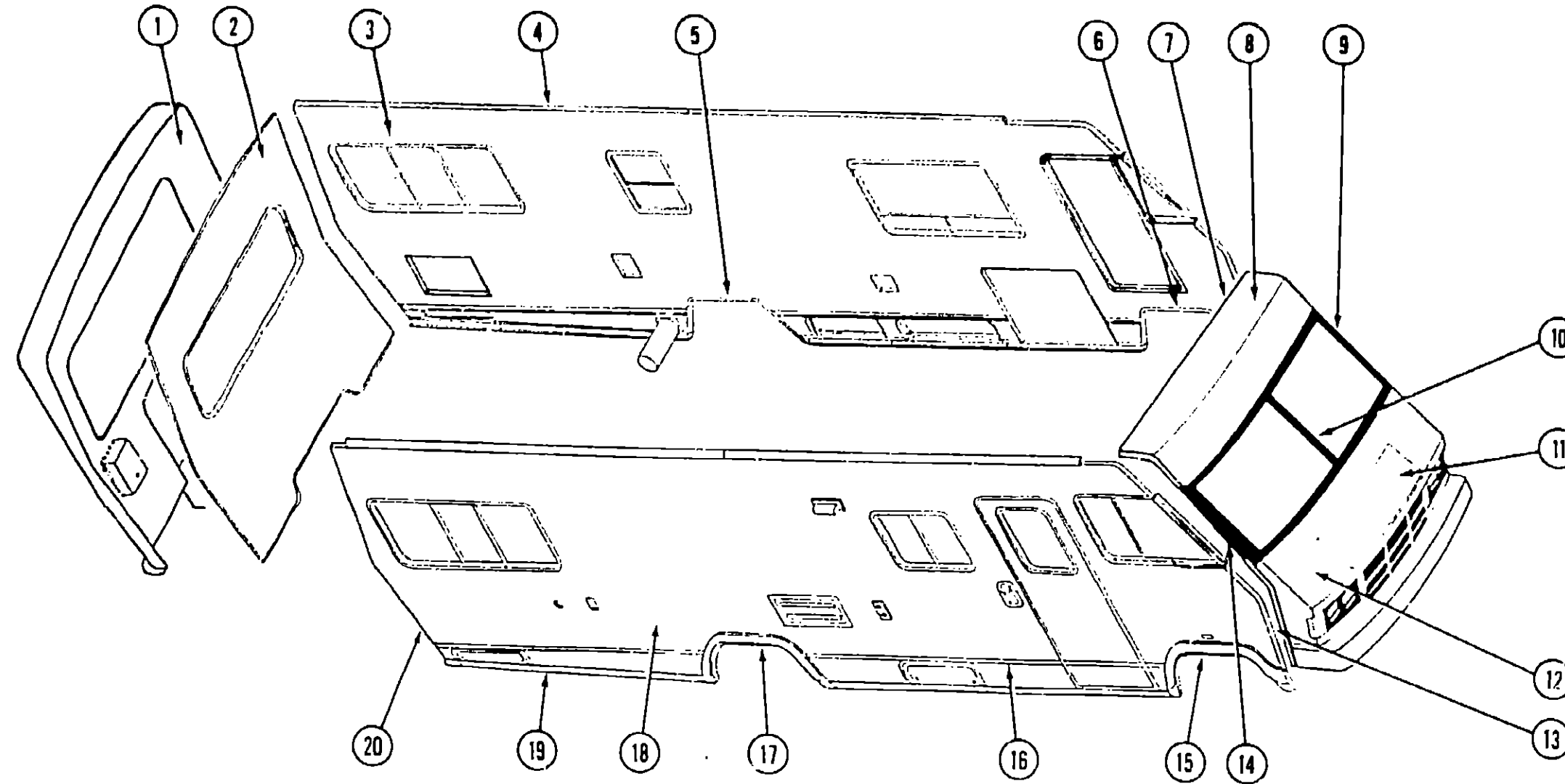
Key	Part Number	U/M	Description
1	M01898-05-W07	EA	Rear Cap Asm - Backwall
2	082085-01-W07	EA	Backwall Asm
3	M89014-01-X11	EA	Sidewall Asm - Driver
3	M89014-01-X12	EA	Sidewall Asm - Driver
3	M89014-01-X13	EA	Sidewall Asm - Driver
4	078600-15-000	EA	Trim - Sidewall - Upper - Driver or Passenger - Beige
5	089749-01-000	EA	Trim - Wheel Well - Rear - J Channel - Driver or Passenger
6	089709-01-000	EA	Trim - Wheel Well - Front - U Channel - Driver or Passenger
7	078580-01-000	EA	Trim - Roof/Front Cap
8	086401-03-000	EA	Cap - Over Windshield - Primed
9	087601-02-000	EA	Trim - Contour Windshield - Driver
•	084903-01-000	EA	Trim - Molding - Windshield - Upper & Lower
10	083178-01-000	FT	Trim - Molding - Windshield - Center
11	086402-01-000	EA	Access Panel - w/Hardware
†11	086402-02-000	EA	Access Panel - w/Hardware
•	086425-02-000	EA	Headlamp Bezel - Driver
•	086425-01-000	EA	Headlamp Bezel - Passenger
†	086425-06-000	EA	Headlamp Bezel - Passenger
†	086425-03-000	EA	Headlamp Bezel - Drivers
•	073308-01-000	EA	Screw Asm - Headlamp - Adjusting
•	049359-01-000	EA	Spring - Headlamp Retainer
•	062207-01-000	EA	Headlamp Guard
12	M01115-12-W07	EA	Panel Asm - Front Shroud (includes access panel)
13	086414-01-000	EA	Trim - Fiberglass Panel - Passenger - Beige
†	Used in units produced after 10-19-87		

Key	Part Number	U/M	Description
14	087601-01-000	EA	Trim - Contour - Windshield - Passenger
•	084897-02-000	EA	Cap - Reveal Molding - Windshield
•	086414-03-000	EA	Trim - Fiberglass Panel - Driver's - Beige
15	078556-07-000	EA	Trim - Wheel Well - Front - Plastic - Passenger
•	078556-08-000	EA	Trim - Wheel Well - Front - Plastic - Driver
16	059576-08-000	EA	Feature Strip - Extr Beige - 14' - w/o Insert
•	009731-01-000	EA	End Cap - Feature Strip Insert
•	001030-12-002	EA	Insert - Feature Strip - Beige - 17'
17	075070-01-000	EA	Trim - Wheel Well - Rear - Plastic - Passenger
•	075070-03-000	EA	Trim - Wheel Well - Rear - Plastic - Driver
18	M89015-01-X11	EA	Sidewall Asm - Passenger
18	M89015-01-X12	EA	Sidewall Asm - Passenger
18	M89015-01-X13	EA	Sidewall Asm - Passenger
19	079407-05-001	EA	Extr - Rocker Panel - 16' (Rear)
•	086526-55-001	EA	Extr - Rocker Panel (Front) - 16' - Beige
20	073502-23-000	EA	Trim - Passenger Rear - Beige
•	073502-24-000	EA	Trim - Driver Rear - Beige
•	086148-01-X11	EA	Roof Asm
•	086415-01-000	EA	Bumper End Cap - Front Passenger - Beige
•	086415-03-000	EA	Bumper End Cap - Front Driver - Beige
•	078578-01-000	EA	Bumper End Cap - Rear Passenger - Beige
•	078578-02-000	EA	Bumper End Cap - Rear Driver - Beige
•	Not illustrated		

EXTERIOR BODY GROUP (CONTINUED)

ITASCA

EXTERIOR BODY PANELS



1988 N-SERIES TABLE OF CONTENTS

W/ICN22EC	A-01 - A-22
WCN22RC	A-23 - B-14
W/ICN27RT	B-15 - C-18
W/ICN27RU	C-19 - D-20
W/ICN31RT & W/IJN31RT	D-21 - E-18
W/ICN33RU	E-19 - F-16

1988 W/ICN27RT INDEX

Floor Plan	B-15 - B-16
Bath Group	B-17
Curtain, Cushion & Pad Group	B-19 - C-07
Dinette Group	C-08
Exterior Body Group	C-09 - C-12
Galley Group	C-13
Lounge Group	C-13 - C-14
Window, Vent & Exterior Door Group	C-15 - C-17

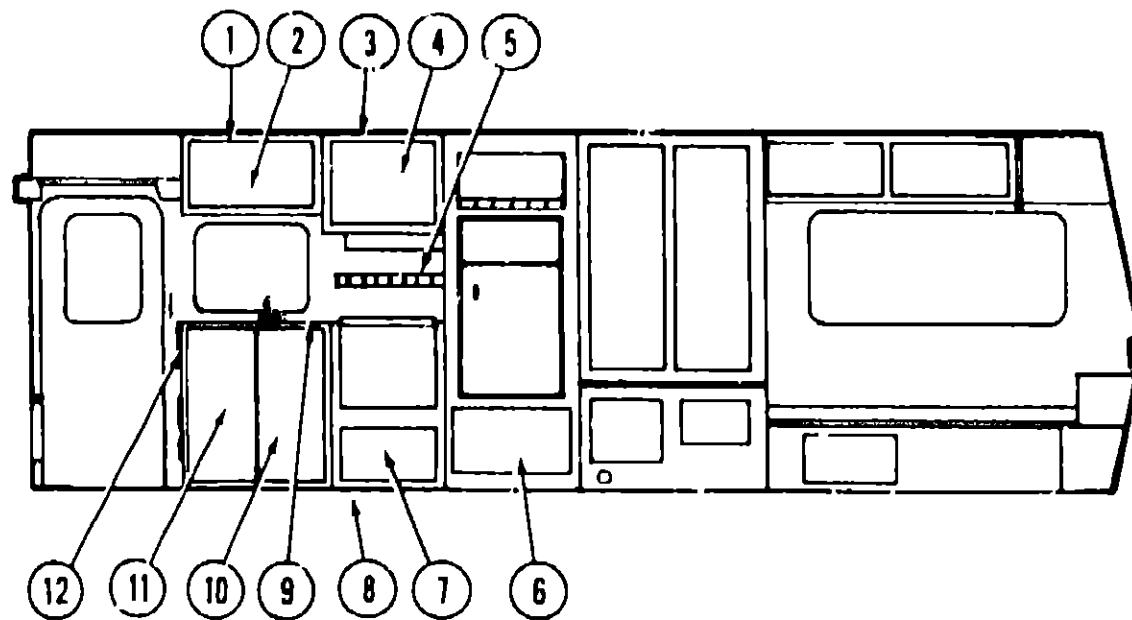
Key	Part Number	U/M	Description
1	M01898-05-T09	EA	Rear Cap Asm. - Backwall
2	082085-01-X36	EA	Backwall Asm.
3	M89016-01-X36	EA	Sidewall Asm. - Drivers
3	M89016-01-X37	EA	Sidewall Asm. - Drivers
3	M89016-01-X38	EA	Sidewall Asm. - Drivers
4	078600-16-000	EA	Trim - Sidewall - Upper - Drivers or Passengers - Gray
5	058487-07-000	EA	Trim - Wheelwell - Rear - U-Channel - Drivers or Passengers
6	073647-02-000	EA	Trim - Wheelwell - Front - U-Channel - Drivers or Passengers
7	078580-01-000	EA	Trim - Roof/Front Cap
8	078572-03-000	EA	Cap - Over Windshield - Primed
9	079225-02-000	EA	Trim - Contour - Windshield - Drivers
10	076676-02-000	EA	Trim - Molding - Windshield - Center
11	078281-01-T09	EA	Access Panel - w/Hardware
	076910-02-000	EA	Headlamp Bezel - Drivers
	076910-01-000	EA	Headlamp Bezel - Passengers
	073308-01-000	EA	Screw Asm. - Headlamp - Adjusting
	049359-01-000	EA	Spring - Headlamp Retainer
	062207-01-000	EA	Headlamp Guard
12	M01115-11-T09	EA	Panel Asm. - Front Shroud (includes access panel)
13	079224-03-000	EA	Trim - Front Shroud to Sidewall - Drivers and Passengers - Gray

C-11

Key	Part Number	U/M	Description
14	079225-01-000	EA	Trim - Contour - Windshield - Passenger
	077952-02-000	EA	Cap - Reveal Molding - Windshield
15	078556-05-000	EA	Trim - Wheelwell - Front - Gray Plastic - Passengers
	078556-06-000	EA	Trim - Wheelwell - Front - Gray Plastic - Drivers
16	059576-11-000	EA	Feature Strip - Extr. Gray - 14' w/o Insert
	009731-01-000	EA	End Cap - Feature Strip Insert
	001030-11-000	EA	Insert - Feature Strip
17	075070-02-000	EA	Trim - Wheelwell - Rear - Gray Plastic - Passengers
	075070-04-000	EA	Trim - Wheelwell - Rear - Gray Plastic - Drivers
18	M87164-01-X36	EA	Sidewall Asm. - Passengers
18	M87164-01-X37	EA	Sidewall Asm. - Passengers
18	M87164-01-X38	EA	Sidewall Asm. - Passengers
19	072639-05-002	EA	Extr. - Rocker Panel - 17' (Rear)
20	073502-11-000	EA	Trim - Passengers Rear - Gray
	073502-12-000	EA	Trim - Drivers Rear - Gray
	089991-02-X36	EA	Roof Asm.
	078577-05-000	EA	Bumper End Cap - Front Passengers - Gray
	078577-06-000	EA	Bumper End Cap - Front Drivers - Gray
	078578-07-000	EA	Bumper End Cap - Rear Passengers - Gray
	078578-08-000	EA	Bumper End Cap - Rear Drivers - Gray
			Not keyed

C-12

GALLEY GROUP



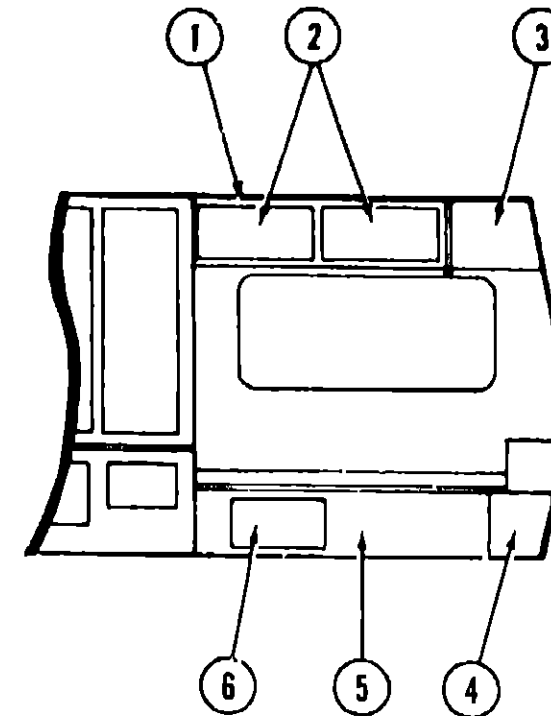
Key	Part Number	U/M	Description
1	M81656-09-X11	EA	Cabinet Asm - Galley Overhead - w/o Door or Hardware
*	081320-04-W30	EA	Pad Asm - End Cap - Galley Overhead - Vinyl
2	M88304-11-X11	EA	Door Asm - Galley Overhead - w/o Hardware
3	M88307-06-X11	EA	Cabinet Asm - Galley Overhead - w/o Door or Hardware
4	M88304-01-X08	EA	Door Asm - Galley Overhead - w/o Hardware
5	074490-02-W24	EA	Spice Rack - Oak
6	M88304-94-X11	EA	Door Asm - Refrigerator Cabinet - w/o Hardware
7	M92073-04-X11	EA	Door Asm - Furnace - w/o Hardware
*	072369-21-000	EA	Mesh Insert - Furnace Door - Bronze Tone
8	M82564-01-X11	EA	Cabinet Asm - Galley - w/o Doors, Drawers, Countertop or Hardware
**	M82564-03-W30	EA	Cabinet Asm - Galley - w/o Doors, Drawers, Countertop or Hardware
**	M82184-10-X11	EA	Drawer Asm - Galley Cabinet - w/o Hardware
9	M02465-01-W30	EA	Countertop Asm - Galley Cabinet
10	M88304-14-X08	EA	Door Asm - Galley Cabinet - w/o Hardware
11	M88304-13-X08	EA	Door Asm - Galley Cabinet - w/o Hardware
12	080812-02-W30	EA	Extension Asm - Galley Cabinet
*	074491-01-000	EA	Magazine Rack - Oak
*			Not illustrated
**			Used with Microwave Option

LOUNGE GROUP

HORSESHOE LOUNGE

Key	Part Number	U/M	Description
	M86061-01-W30	EA	Cabinet Asm - Hamper - Passengers
	M86061-02-W30	EA	Cabinet Asm - Hamper - Drivers
	M86062-01-W30	EA	Cabinet Asm - Lounge Back - Backwall
	M02969-01-X11	EA	Top Asm - Lounge Hamper - Side
	M02969-01-X12	EA	Top Asm - Lounge Hamper - Side
	M02969-01-X13	EA	Top Asm - Lounge Hamper - Side
	M02970-01-X11	EA	Top Asm - Lounge Back
	M02970-01-X12	EA	Top Asm - Lounge Back
	M02970-01-X13	EA	Top Asm - Lounge Back
	M88304-02-X23	EA	Door Asm - Horseshoe Lounge - Base
	081298-07-X11	EA	Table Asm - Pedestal - w/o Hardware
	009040-06-000	EA	Leg - Pedestal Table - Tan
	041194-01-000	EA	Base - Table - Flush Mount in Floor
	009040-03-000	EA	Base - Table - Raised Mount on Table

LOUNGE GROUP (CONTINUED)



TWIN BED CABINERY

Key	Part Number	U/M	Description
1	M81730-05-X11	EA	Cabinet Asm - Overhead - Right - w/o Doors or Hardware
*	M81730-06-X11	EA	Cabinet Asm - Overhead - Left - w/o Doors or Hardware
2	M88304-50-X23	EA	Door Asm - Overhead - w/o Hardware
3	M81308-07-X11	EA	Cabinet Asm - Overhead - Rear - w/o Doors or Hardware
*	M88304-08-X11	EA	Door Asm - Rear Overhead Cabinet - w/o Hardware
4	083441-03-X11	EA	Cabinet Asm - Nightstand - w/o Doors or Hardware
*	M02609-01-X19	EA	Countertop Asm - Nightstand - Upper
*	M02608-01-X19	EA	Countertop Asm - Nightstand - Lower
*	M88304-02-X23	EA	Door Asm - Nightstand
5	M83424-01-W30	EA	Cabinet Asm - Twin Bed - Right - w/o Doors or Hardware
*	M87456-01-W30	EA	Cabinet Asm - Twin Bed - Left - w/o Doors or Hardware
6	M88304-02-X23	EA	Door Asm - Twin Bed
*	086109-02-X11	EA	Headboard Asm - Twin Bed (X11)
*†	086109-02-XA0	EA	Headboard Asm - Twin Bed (X11)
*	086109-02-X12	EA	Headboard Asm - Twin Bed (X12)
†*	086109-02-XA1	EA	Headboard Asm - Twin Bed (X12)
*	086109-02-X13	EA	Headboard Asm - Twin Bed (X13)
†*	086109-02-XA2	EA	Headboard Asm - Twin Bed (X13)
*			Not illustrated
†			Used in units produced after 2-22-88

QUEEN BED W/NIGHTSTAND

Key	Part Number	U/M	Description
	083465-01-X11	EA	Cabinet Asm - Nightstand
	M88304-96-X11	EA	Door Asm - Nightstand
	M02623-01-Y11	EA	Countertop Asm - Nightstand
	084357-02-W24	EA	TV Stand Asm - Foldout
	M88304-02-X23	EA	Door Asm - Queen Bed

1988 N-SERIES TABLE OF CONTENTS

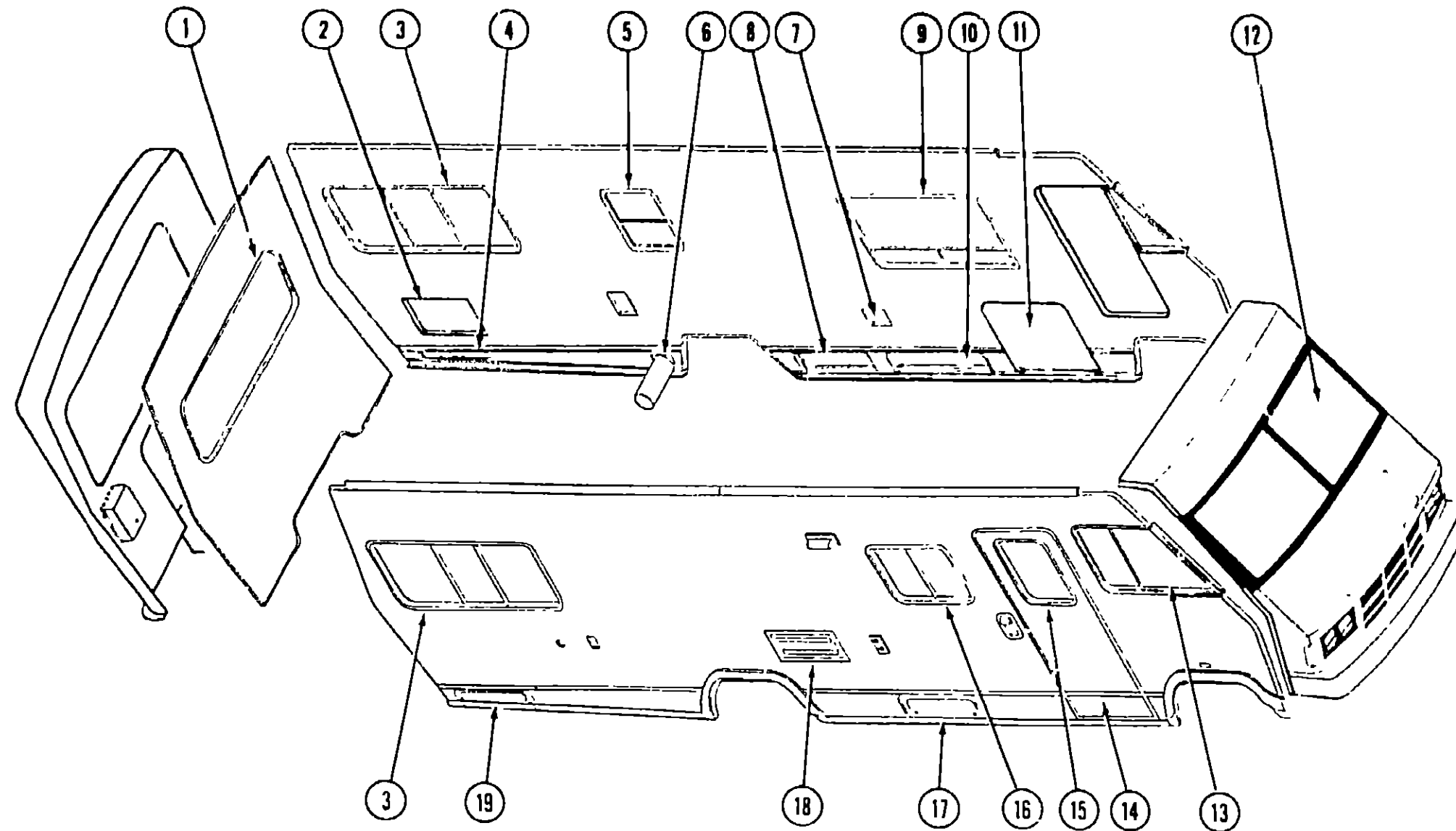
W/ICN22EC	A-01 - A-22
WCN22RC	A-23 - B-14
W/ICN27RT	B-15 - C-18
W/ICN27RU	C-19 - D-20
W/ICN31RT & W/IJN31RT	D-21 - E-18
W/ICN33RU	E-19 - F-16

1988 W/ICN27RT INDEX

Floor Plan	B-15 - B-16
Bath Group	B-17
Curtain, Cushion & Pad Group	B-19 - C-07
Dinette Group	C-08
Exterior Body Group	C-09 - C-12
Galley Group	C-13
Lounge Group	C-13 - C-14
Window, Vent & Exterior Door Group	C-15 - C-17

WINDOW, VENT & EXTERIOR DOOR GROUP

WINDOWS & ACCESS DOORS



Key	Part Number	U/M	Description
1	078536-01-T03	EA	Window Asm - Escape
2	052009-02-000	EA	Door Asm - Water Heater - Beige
2	052009-03-000	EA	Door Asm - Water Heater - Gray
3	078271-01-T03	EA	Window Asm - Center Slider
4	087437-03-X11	EA	Door Asm - Beige
4	087437-01-W30	EA	Door Asm - Gray
5	078453-02-U25	EA	Window Asm - Vertical Slider
6	052423-02-000	EA	Door Asm - Sewer Hose Compartment - Beige
6	052423-03-000	EA	Door Asm - Sewer Hose Compartment - Gray
7	078960-02-T03	EA	Door Asm - Power Cord - w/Hatch - Beige
7	078960-02-T09	EA	Door Asm - Power Cord - w/Hatch - Gray
†7	088794-02-000	EA	Door Asm - Power Cord - w/Hatch - Beige
†7	088794-03-000	EA	Door Asm - Power Cord - w/Hatch - Gray
8	088722-02-X11	EA	Door Asm - Storage - Beige
8	088722-01-X36	EA	Door Asm - Storage - Gray
9	085354-02-W07	EA	Window Asm - Tipout
10	086531-04-X11	EA	Door Asm - Storage - Beige
10	086531-01-W30	EA	Door Asm - Storage - Gray
11	079578-05-X11	EA	Door Asm - Storage - 22 6" x 19 68" - Beige
11	079578-05-W89	EA	Door Asm - Storage - 22 6" x 19 68" - Gray
†	Doors used after 9-28-87		

C-15

1988 N-SERIES TABLE OF CONTENTS

W/ICN22EC	A-01 - A-22
WCN22RC	A-23 - B-14
W/ICN27RT	B-15 - C-18
W/ICN27RU	C-19 - D-20
W/ICN31RT & W/IJN31RT	D-21 - E-18
W/ICN33RU	E-19 - F-16

1988 W/ICN27RT INDEX

Floor Plan	B-15 - B-16
Bath Group	B-17
Curtain, Cushion & Pad Group	B-19 - C-07
Dinette Group	C-08
Exterior Body Group	C-09 - C-12
Galley Group	C-13
Lounge Group	C-13 - C-14
Window Vent & Exterior Door Group	C-15 - C-17

Key	Part Number	U/M	Description
12	084464-01-000	EA	Glass - Windshield - Passenger - Winnebago
•	084464-02-000	EA	Glass - Windshield - Drivers - Winnebago
12	077675-02-000	EA	Glass - Windshield - Drivers - Itasca
•	077675-01-000	EA	Glass - Windshield - Passengers - Itasca
13	084978-03-W30	EA	Window Asm - Front Slant Slider
•	084982-01-W30	EA	Screen Asm - Slant Slider
•	085018-02-000	EA	Frame - Inside Slant Slider
14	M01870-15-X11	EA	Door Asm - Entrance - Beige
14	M01870-12-X36	EA	Door Asm - Entrance - Gray
15	079733-04-T03	EA	Window Asm - Entrance Door
16	078266-02-T03	EA	Window Asm - Single Slider
17	086517-05-X11	EA	Door Asm - Storage - 25 3" - Beige
17	086517-01-W30	EA	Door Asm - Storage - 25 3" - Gray
18	084103-02-000	EA	Door Asm - Refrigerator - Beige
18	084103-01-000	EA	Door Asm - Refrigerator - Gray
19	086552-11-X11	EA	Door Asm - Storage - Beige
19	086552-05-W30	EA	Door Asm - Storage - Gray
•	078010-04-000	EA	Door Asm - Fuel Fill - Beige
•	078010-05-000	EA	Door Asm - Fuel Fill - Gray
•	Not keyed		

C-16

WINDOW, VENT & EXTERIOR DOOR GROUP (CONTINUED)

ACCESS DOOR HARDWARE

Key	Part Number	U/M	Description
	052424-02-000	EA	Jamb - Power Cord/Fuel Fill Door
	054543-02-000	EA	Hatch Power Cord
	078200-01-000	EA	Gasket - Fuel Fill - 3.54"
	042442-01-000	EA	Lock Asm. - Twist Type (Power Cord)
	078927-03-000	EA	Lock Asm. - Twist Type
	085730-01-000	EA	Latch Asm. - Paddle - Plastic (w/Key Lock) Beige
	085730-04-000	EA	Latch Asm. - Paddle - Plastic (w/o Key Lock) Beige
	085730-02-000	EA	Lock Asm. - Paddle - Plastic (w/Key Lock) Gray
	085730-05-000	EA	Lock Asm. - Paddle - Plastic (w/o Key Lock) Gray
	079368-03-000	EA	Lock Asm. - Key Type - w/o Keys - 1 3" Latch - 2.10" Depth
	079368-04-000	EA	Lock Asm. - Key Type - w/o Keys - 1 3" Latch - 1.90" Depth
	079368-01-000	FT	Seal - Access Doors
	083615-04-000	EA	Door Stop - Plastic - Beige
	083615-05-000	EA	Door Stop - Plastic - Gray

VENTS

Key	Part Number	U/M	Description
	084073-04-000	EA	Base - Refrigerator Vent
	084073-01-000	EA	Cover - Refrigerator Vent - Beige
	084073-01-000	EA	Cover - Refrigerator Vent - Gray
	075056-01-000	EA	Vent Asm. - Roof - Non-Powered - w/o Screen
†	090392-01-X19	EA	Vent Asm. - Roof - Non-Powered - w/o Screen
**	084079-01-000	EA	Vent Asm. - Roof - Powered Fantastic Ceiling Vent
†	084079-04-000	EA	Vent Asm. - Roof - Powered Fantastic Ceiling Vent
‡	090393-01-X11	EA	Vent Asm. - Roof - Powered - w/o Screen
	078786-01-T03	EA	Screen Asm. - Roof Vent - Non Powered
	078785-01-T03	EA	Screen Asm. - Roof Vent - Powered
**	079537-01-000	EA	Vent Asm. - Roof - Powered - w/o Screen
	083558-01-000	EA	Vent - Roof - Vent Pipe - Covered
	084616-02-000	EA	Vent - Range Hood - S/W - Beige
	084616-03-000	EA	Vent - Range Hood - S/W - Gray
	080508-01-000	EA	Panel - Inner Skylight
	080507-01-000	EA	Panel - Outer Skylight
**	080258-01-000	EA	Trim - Skylight Outer
**	The illustrated parts breakdown for this item is provided on the Common Items Fiche		
†	Used in units produced after 2-28-88		
‡	Used in units produced after 2-20-87		

WINDSHIELD

Key	Part Number	U/M	Description
	084464-01-000	EA	Glass - Windshield - Passenger - Winnebago
	084464-02-000	EA	Glass - Windshield - Driver - Winnebago
	083178-02-000	EA	Revel Molding - Centered Barb - Winnebago
	084903-01-000	FT	Revel Molding - Offset Barb - Winnebago
	084897-02-000	EA	Cap - Center Revel Molding - Winnebago
	087601-01-000	EA	W/S Post Drivers - Black - Winnebago
	087601-02-000	EA	W/S Post Passenger - Black - Winnebago
	077675-02-000	EA	Glass - W/S - Drivers - Itasca
	077675-01-000	EA	Glass - W/S - Passenger - Itasca
	076676-02-000	EA	Revel Molding - Centered Barb - Itasca
	077944-01-000	EA	Revel Molding - Upper Passenger - Itasca
	077944-02-000	EA	Revel Molding - Upper Driver - Itasca
	077945-01-000	EA	Revel Molding - Lower Passenger - Itasca
	077945-02-000	EA	Revel Molding - Lower Driver - Itasca
	077952-02-000	EA	Cap - Center Revel Molding - Top & Bottom - Itasca
	079225-01-000	EA	Trim - W/S Post Passenger - Black - Itasca
	079225-02-000	EA	Trim - W/S Post Drivers - Black - Itasca

1988 N-SERIES TABLE OF CONTENTS

W/ICN22EC	A-01 - A-22
WCN22RC	A-23 - B-14
W/ICN27RT	B-15 - C-18
W/ICN27RU	C-19 - D-20
W/ICN31RT & W/IJN31RT	D-21 - E-18
W/ICN33RU	E-19 - F-16

1988 W/ICN27RT INDEX

Floor Plan	B-15 - B-16
Bath Group	B-17
Curtain, Cushion & Pad Group	B-19 - C-07
Dinette Group	C-08
Exterior Body Group	C-09 - C-12
Galley Group	C-13
Lounge Group	C-13 - C-14
Window, Vent & Exterior Door Group	C-15 - C-17