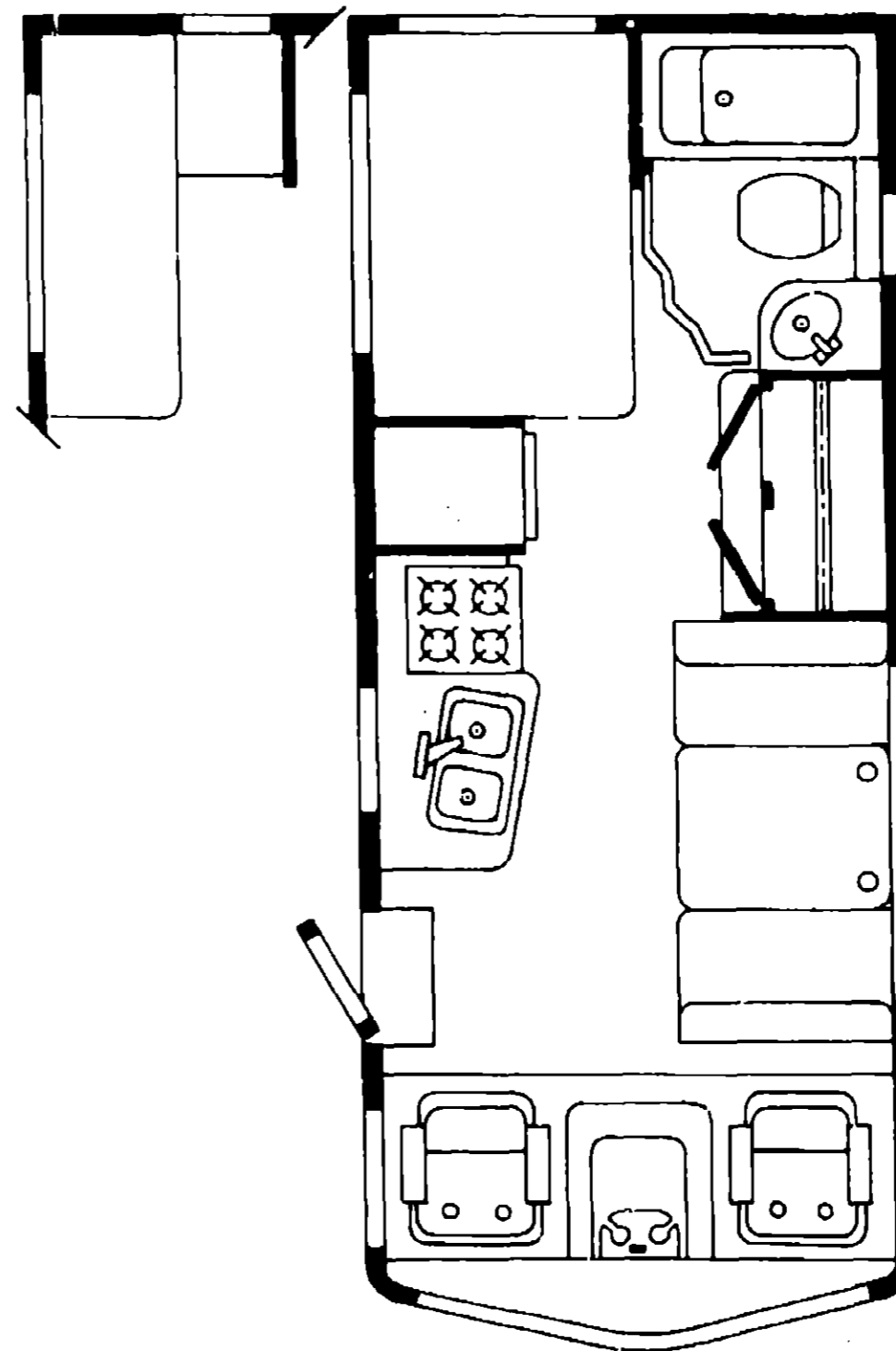


1988 W/ICN22EC



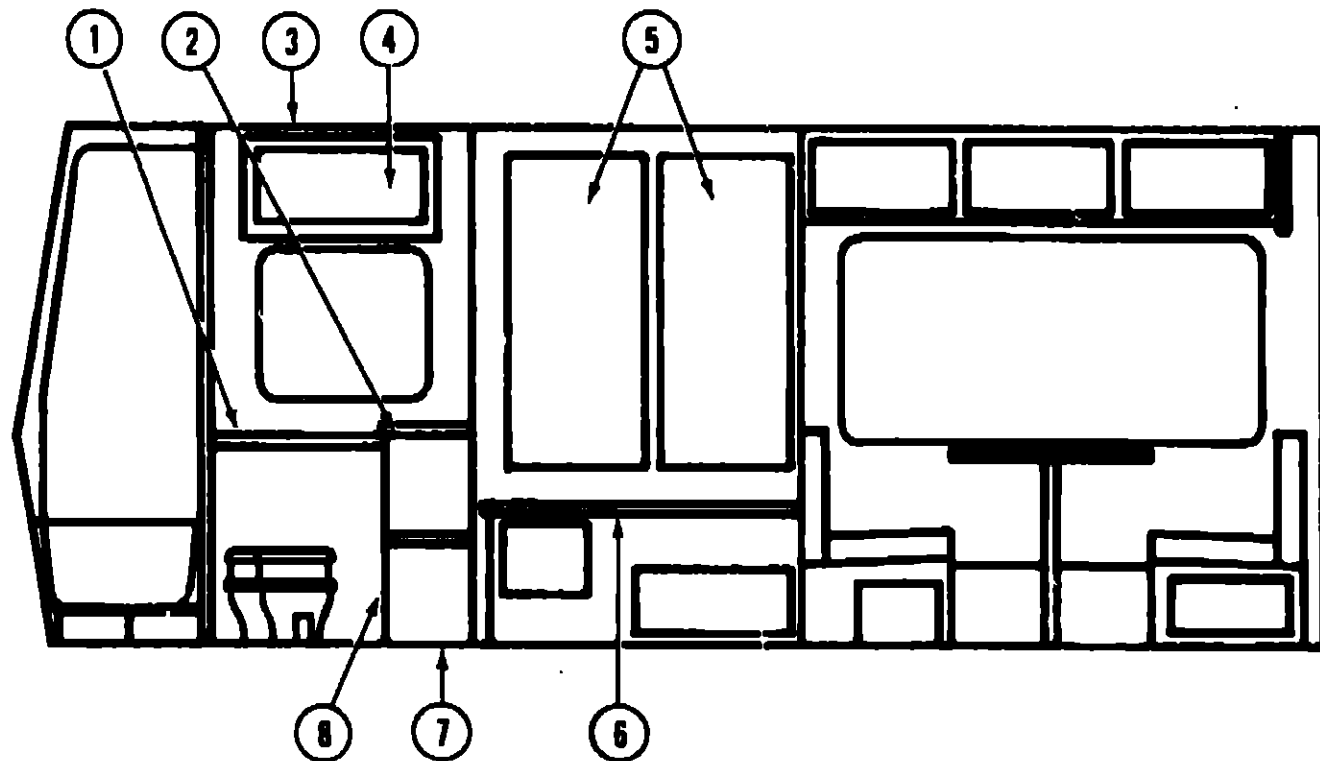
1988 N-SERIES TABLE OF CONTENTS

W/ICN22EC	A-01 - A-22
WCN22RC	A-23 - B-14
W/ICN27RT	B-15 - C-18
W/ICN27RU	C-19 - D-20
W/ICN31RT & W/IJN31RT	D-21 - E-18
W/ICN33RU	E-19 - F-16

1988 W/ICN22EC INDEX

Floor Plan	A-01 - A-02
Bath Group	A-03
Chassis Group	A-04
Curtain, Cushion & Pad Group	A-05 - A-10
Dinette Group	A-11
Exterior Body Group	A-13 - A-16
Galley Group	A-17
Lounge Group	A-18
Window, Vent & Exterior Door Group	A-17 - A-22

BATH GROUP



BATH CABINETRY & MISCELLANEOUS HARDWARE

Key	Part Number	U/M	Description
1	M03000-17-W89	EA	Countertop Asm. - Pipe Cover
2	M02406-01-W24	EA	Countertop Asm. - Lavatory Cabinet
3	M88174-01-X73	EA	Cabinet Asm. - Medicine - w/o Door & Hardware
4	M88304-18-W24	EA	Door Asm. - Medicine Cabinet - 15.5" x 29.5" - w/o Mirror & Hardware
5	M88304-20-X73	EA	Door Asm. - w/o Mirror - Wardrobe Cabinet - 20.6" x 50.2" - w/o Hardware
6	M03000-18-X73	EA	Countertop Asm. - Wardrobe
7	M88304-19-X08	EA	Door Asm. - Lavatory Cabinet - 12" x 25.9" - w/o Hardware
8	M81548-01-X11	EA	Cabinet Asm. - Lavatory - w/o Countertop, Doors or Drawers
.	080224-01-000	EA	Door Asm. - Folding - 46" x 75" - w/o Hardware - Sunset Oak
.	080224-26-000	EA	Door Asm. - Folding - 46" x 75" - w/o Hardware - Regal Oak
.	080224-04-000	EA	Track - Folding Door - 90° - Beige (For 080224-01-000 & 080224-26-000)
†	042488-05-000	EA	Door Asm. - Folding - 50" x 75" - w/o Hardware
†	086924-01-000	EA	Track - Folding Door - 90° - Beige
.	081508-01-W27	EA	Drawer Asm. - Wardrobe - 19.1" x 20.8"
.	075606-01-000	EA	Shower Panel - Faucet - Plastic
.	M81520-01-W30	EA	Pantry Asm. - w/o Racks
.	082129-01-000	EA	Slide Asm. - Pantry Top
.	082129-02-000	EA	Slide Asm. - Pantry Bottom
.	075451-01-000	EA	Storage Rack - Canned Goods - Pantry
.	075451-02-000	EA	Clip - Storage Rack - White
.	061604-01-000	EA	Slide Bolt - Pantry Asm. - Antique Brass
.	076097-01-000	EA	Bracket - Catch - Pantry
.	076098-01-000	EA	Bracket - Slide - Pantry
.	088406-01-000	EA	Threshold Trim - Shower Door - Beige
.	088404-01-000	EA	Jamb - Shower Door - Sides - Beige
.	088405-01-000	EA	Header - Shower Door - Beige
.	079782-03-000	EA	Track - Shower Curtain - 75" - Beige
.			Not illustrated

† Used in units produced after 2/18/88.

CHASSIS GROUP

MISCELLANEOUS CHASSIS

Key	Part Number	U/M	Description
..	007125-06-000	EA	Clamp Asm. - Muffler - 2.25"
..	007125-07-000	EA	Clamp Asm. - Muffler - 2.50"
	010497-01-000	EA	Clamp - Close - 5/8 I.D.
	007181-01-000	EA	Clamp - Hose - Spring Type 112
	062401-01-000	EA	Clamp - Hose - Wormgear - .22" I.D. - 1" I.D.
	062401-03-000	EA	Clamp - Hose - Wormgear - .25" I.D. - 1" I.D.
	062401-02-000	EA	Clamp - Hose - Wormgear - 1.56" I.D. - 2.5" I.D.
	062401-04-000	EA	Clamp - Hose - Wormgear - .69" I.D. - 1.25" I.D.
	062401-05-000	EA	Clamp - Hose - Wormgear - 2" I.D. - 3" I.D.
	062401-06-000	EA	Clamp - Hose - Wormgear - .22" I.D. - .82" I.D.
	062401-08-000	EA	Clamp - Hose - Wormgear - 4.06" I.D. - 5" I.D.
	023146-01-000	EA	Clamp - Screw Type - 4"
	062628-01-000	EA	Clip - Prop Rod - Hood
	088580-06-000	EA	Compartment - Power Cord - Black Plastic
	071656-01-000	EA	Cover - Radiator - Rear
	080722-01-000	EA	Cover - Radiator - Rear Back (Fan Shroud)
	020167-03-000	EA	Dirt Guard - Rear Wheel
	024138-01-000	FT	Hose - Fuel - 5/16" I.D. SAE 30RI
	066732-01-000	FT	Hose - Fuel Fill - .62 I.D.
	007111-02-000	EA	Hose - Fuel Fill - 2.00 I.D.
	007111-01-000	EA	Hose - Fuel Fill - 2.25 I.D.
	079059-02-000	EA	Hose - 90° - .61" x 4" x 6"
	017516-01-000	EA	Mud Flap w/Holes - 14" x 18" - Black
	089359-02-000	EA	Rim - Wheel - 16" x 6"
	086273-01-000	EA	Relay - Battery Disconnect
	081264-01-000	EA	Heat Shield - Deflector
	075146-01-000	EA	Heat Shield - Muffler
	053322-08-000	EA	Heat Shield - Exhaust
	079942-01-000	EA	Shock Absorber - Stabilizer - Front
	063977-08-000	EA	Step Asm. - Driver Door
	063977-10-000	EA	Step Asm. - Passenger Door
	077848-01-000	EA	Step Asm. - Entry
	076241-01-000	EA	Support Asm. - Electric Step
..	061411-03-000	EA	Tailpipe Extension - 2.25" x 10.5'
..	081918-01-000	EA	Tailpipe Extension - 2.25" x 11.44'
	050273-02-000	EA	Tire - 7.5" x 16" - XCA - Tubeless
	040546-03-000	EA	Tire - 7.5" x 16" - 8 Ply - Tube - Polyester
	078137-02-000	EA	Tray - Luggage
	051377-01-000	EA	Valve Stem Asm. - TR500
	055080-01-000	EA	Wheelwell - Plastic
	008343-01-000	EA	Wire Tie - 6"
	047441-01-000	EA	Battery Terminal - Horizontal Lug
	075723-01-000	EA	Block - Switch - Spacer w/o Holes
	065450-04-000	EA	Bracket - Battery Tie Down - 6.9"
	078010-04-000	EA	Door Asm. & Upper Shroud - Fuel Fill - Beige
	089310-01-000	EA	Cap - Fuel Fill
	072447-01-000	EA	Shroud - Fuel Fill - Inside
	083578-01-000	EA	Boot - Fuel Fill
	077963-01-000	EA	Gasket - Door - Gas Fill

.. Remainder of exhaust Components available from chassis service center.

1988 N-SERIES TABLE OF CONTENTS

W/ICN22EC	A-01 - A-22
WCN22RC	A-23 - B-14
W/ICN27RT	B-15 - C-18
W/ICN27RU	C-19 - D-20
W/ICN31RT & W/IJN31RT	D-21 - E-18
W/ICN33RU	E-19 - F-16

1988 W/ICN22EC INDEX

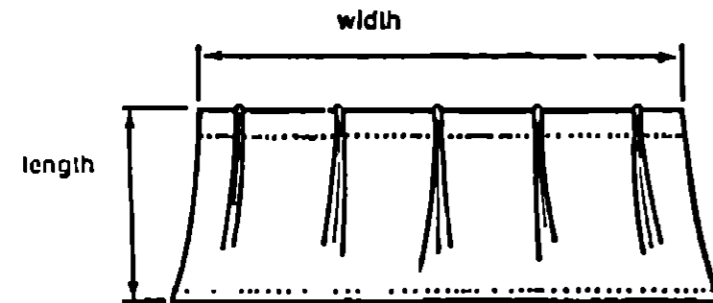
Floor Plan	A-01 - A-02
Bath Group	A-03
Chassis Group	A-04
Curtain, Cushion & Pad Group	A-05 - A-10
Dinette Group	A-11
Exterior Body Group	A-13 - A-16
Galley Group	A-17
Lounge Group	A-18
Window, Vent & Exterior Door Group	A-17 - A-22

CURTAIN, CUSHION & PAD GROUP

NOTICE

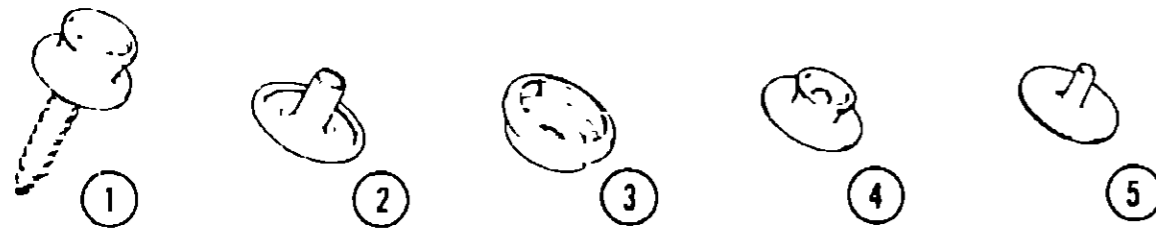
In order to assist our Parts Sales Dept in providing interior software items, please include the serial number and the color code number from the vehicle certification label when ordering. This label is located on the left sidewall at the end of the dash (A-Body), or on the driver's door latch plate (C-Body).

An example of a color code number is P31, which designates an overall color scheme of a particular unit. The color listed after the item description on the microfiche, indicates the overall unit color. Order the item you desire according to unit color code.



NOTE

Use this illustration when determining length and width measurements for curtains. You will note the width measurement is taken on the top of the curtain with the curtain fully extended. The length measurement is taken from top to bottom.



Key	Part Number	U/M	Description
1	029130-01-000	EA	Socket - Snap Fastener
2	029155-01-000	EA	Cap - Snap - 156 Dia x 17 Barrel
3	029156-C1-000	EA	Socket - Snap Fastener
4	029092-01-000	EA	Stud - Nickel Finish
5	092093-01-000	EA	Eyelet - Nickel Finish

CURTAIN, CUSHION & PAD GROUP (CONTINUED)

WINNEBAGO

PADS

Key	Part Number	U/M	Description
	081519-01-X08	EA	Pad Asm - Dinette - Front (X17, X73)
	081519-01-X22	EA	Pad Asm - Dinette - Front (X18, X74)
	081519-01-X11	EA	Pad Asm - Dinette - Front (X97)
	081519-02-X08	EA	Pad Asm - Dinette - Rear (X17, X73)
	081519-02-X22	EA	Pad Asm - Dinette - Rear (X18, X74)
	081519-02-X11	EA	Pad Asm - Dinette - Rear (X97)
	077463-16-X17	EA	Headboard Asm - Double (X17)
	077463-16-X18	EA	Headboard Asm - Double (X18)
	077463-16-X73	EA	Headboard Asm - Double (X73)
	077463-16-X74	EA	Headboard Asm - Double (X74)
	077463-16-X97	EA	Headboard Asm - Double (X97)

ITASCA

PADS

Key	Part Number	U/M	Description
	081519-01-X08	EA	Pad Asm - Dinette - Front (X73)
	081519-01-X22	EA	Pad Asm - Dinette - Front (X74)
	081519-02-X08	EA	Pad Asm - Dinette - Rear (X73)
	081519-02-X22	EA	Pad Asm - Dinette - Rear (X74)
	077463-16-X73	EA	Headboard Asm - Double (X73)
	077463-16-X74	EA	Headboard Asm - Double (X74)

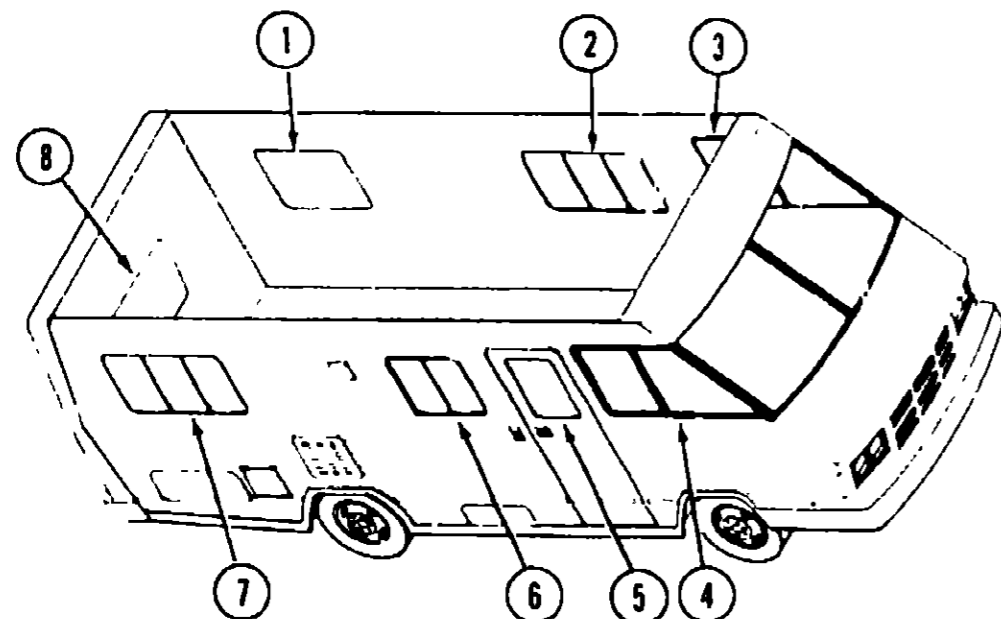
**1988 N-SERIES
TABLE OF CONTENTS**

W/ICN22EC	A-01 - A-22
WCN22RC	A-23 - B-14
W/ICN27RT	B-15 - C-18
W/ICN27RU	C-19 - D-20
W/ICN31RT & W/IJN31RT	D-21 - E-18
W/ICN33RU	E-19 - F-16

1988 W/ICN22EC INDEX

Floor Plan	A-01 - A-02
Bath Group	A-03
Chassis Group	A-04
Curtain, Cushion & Pad Group	A-05 - A-10
Dinette Group	A-11
Exterior Body Group	A-13 - A-16
Galley Group	A-17
Lounge Group	A-18
Window, Vent & Exterior Door Group	A-17 - A-22

CURTAIN, CUSHION & PAD GROUP (CONTINUED)



WINNEBAGO

CURTAIN, SHADE, VALANCES & TIEBACKS

Key	Part Number	U/M	Description
1	073304-39-X36	EA	Curtain Asm - Snaps Top - 27 5" x 10" (X17)
1	073304-39-X38	EA	Curtain Asm - Snaps Top - 27 5" x 10" (X18)
1	073304-39-X37	EA	Curtain Asm - Snaps Top - 27 5" x 10" (X73)
†1	073304-39-XA4	EA	Curtain Asm - Snaps Top - 27 5" x 10" (X73)
1	073304-39-X08	EA	Curtain Asm - Snaps Top - 27 5" x 10" (X74, X97)
1	M81977-21-X17	EA	Valance Asm - Padded (X17)
1	M81977-21-X18	EA	Valance Asm - Padded (X18)
1	M81977-21-X73	EA	Valance Asm - Padded (X73)
1	M81977-21-XA4	EA	Valance Asm - Padded (X73)
1	M81977-21-X08	EA	Valance Asm - Padded (X74, X97)
1	084755-01-X17	EA	Shade - w/Braid - 28 25" (X17)
1	084755-01-XA7	EA	Shade - w/Braid - 28 25" (X18)
1	084755-01-X26	EA	Shade - w/Braid - 28 25" (X73, X74, X97)
2	M81977-17-X17	EA	Valance Asm - Padded - 70" (X17)
2	M81977-17-X18	EA	Valance Asm - Padded - 70" (X18)
2	M81977-17-X34	EA	Valance Asm - Padded - 70" (X73)
†2	M81977-17-XA4	EA	Valance Asm - Padded - 70" (X73)
2	M81977-17-X74	EA	Valance Asm - Padded - 70" (X74)
2	M81977-17-X97	EA	Valance Asm - Padded - 70" (X97)
2	087318-07-X36	EA	Curtain Asm - Pleat & Snap Top - 33 5" x 15" (X17)
2	087318-07-X38	EA	Curtain Asm - Pleat & Snap Top - 33 5" x 15" (X18)
2	087318-07-X73	EA	Curtain Asm - Pleat & Snap Top - 33 5" x 15" (X73)
†2	087318-07-XA4	EA	Curtain Asm - Pleat & Snap Top - 33 5" x 15" (X73)
2	087318-07-X74	EA	Curtain Asm - Pleat & Snap Top - 33 5" x 15" (X74)
2	087318-07-X11	EA	Curtain Asm - Pleat & Snap Top - 33 5" x 15" (X97)
2	084755-02-X17	EA	Shade Asm - w/Braid - 67 25" (X17)
2	084755-02-XA7	EA	Shade Asm - w/Braid - 67 25" (X18)
2	084755-02-X26	EA	Shade Asm - w/Braid - 67 25" (X73, X74, X97)
3	077591-08-X17	EA	Curtain Asm - w/Velcro Top - Wraparound - 32 5" x 86" - Left (X17)
3	077591-08-X18	EA	Curtain Asm - w/Velcro Top - Wraparound - 32 5" x 86" - Left (X18)
3	077591-08-X73	EA	Curtain Asm - w/Velcro Top - Wraparound - 32 5" x 86" - Left (X73)
†3	077591-08-XA4	EA	Curtain Asm - w/Velcro Top - Wraparound - 32 5" x 86" - Left (X73)
3	077591-08-X74	EA	Curtain Asm - w/Velcro Top - Wraparound - 32 5" x 86" - Left (X74, X97)
4	077591-07-X17	EA	Curtain Asm - w/Velcro Top - 32 5" x 86" - Right (X17)
4	077591-07-X18	EA	Curtain Asm - w/Velcro Top - 32 5" x 86" - Right (X18)
4	077591-07-X73	EA	Curtain Asm - w/Velcro Top - 32 5" x 86" - Right (X73)
†4	077591-07-XA4	EA	Curtain Asm - w/Velcro Top - 32 5" x 86" - Right (X73)
4	077591-07-X74	EA	Curtain Asm - w/Velcro Top - 32 5" x 86" - Right (X74, X97)
†	Used in units produced after 10/1/87		

CURTAIN, CUSHION & PAD GROUP (CONTINUED)

CURTAIN, SHADES, VALANCES & TIEBACKS

Key	Part Number	U/M	Description
5	073304-30-X17	EA	Curtain Asm - Snap Top - 34" x 37" (X17)
5	073304-30-X18	EA	Curtain Asm - Snap Top - 34" x 37" (X18)
5	073304-30-X73	EA	Curtain Asm - Snap Top - 34" x 37" (X73)
†5	073304-30-XA4	EA	Curtain Asm - Snap Top - 34" x 37" (X73)
5	073304-30-X74	EA	Curtain Asm - Snap Top - 34" x 37" (X74, X97)
6	M81977-22-X36	EA	Valance Asm - Padded - 29 5" (X17)
6	M81977-22-X38	EA	Valance Asm - Padded - 29 5" (X18)
6	M81977-22-X73	EA	Valance Asm - Padded - 29 5" (X73)
†6	M81977-22-XA4	EA	Valance Asm - Padded - 29 5" (X73)
6	M81977-22-X08	EA	Valance Asm - Padded - 29 5" (X74, X97)
8	084755-01-X17	EA	Shade Asm - w/Braid - 28 25" (X17)
6	084755-01-XA7	EA	Shade Asm - w/Braid - 28 25" (X18)
6	084755-01-X26	EA	Shade Asm - w/Braid - 28 25" (X73, X74, X97)
7	066226-46-X17	EA	Valance Asm - 5" x 75" (X17)
7	066226-46-X18	EA	Valance Asm - 5" x 75" (X18)
7	066226-46-X73	EA	Valance Asm - 5" x 75" (X73)
7	066226-46-X74	EA	Valance Asm - 5" x 75" (X74)
7	066226-46-X97	EA	Valance Asm - 5" x 75" (X97)
7	066226-32-X17	EA	Curtain Asm - Rod Top - 30" x 22" (X17)
7	066226-32-X18	EA	Curtain Asm - Rod Top - 30" x 22" (X18)
7	066226-32-X73	EA	Curtain Asm - Rod Top - 30" x 22" (X73)
7	066226-32-X74	EA	Curtain Asm - Rod Top - 30" x 22" (X74)
7	066226-32-X97	EA	Curtain Asm - Rod Top - 30" x 22" (X97)
7	084755-05-X17	EA	Shade Asm - w/Braid - 60 25" (X17)
7	084755-05-X18	EA	Shade Asm - w/Braid - 60 25" (X18)
7	084755-05-X73	EA	Shade Asm - w/Braid - 60 25" (X73, X74, X97)
8	066226-47-X17	EA	Valance Asm - 5" x 20" (X17)
8	066226-47-X18	EA	Valance Asm - 5" x 20" (X18)
8	066226-47-X73	EA	Valance Asm - 5" x 20" (X73)
8	066226-47-X74	EA	Valance Asm - 5" x 20" (X74)
8	066226-47-X97	EA	Valance Asm - 5" x 20" (X97)
8	066226-40-X17	EA	Curtain Asm - Rod Top - 30" x 22" (X17)
8	066226-40-X18	EA	Curtain Asm - Rod Top - 30" x 22" (X18)
8	066226-40-X73	EA	Curtain Asm - Rod Top - 30" x 22" (X73)
8	066226-40-X74	EA	Curtain Asm - Rod Top - 30" x 22" (X74)
8	066226-40-X97	EA	Curtain Asm - Rod Top - 30" x 22" (X97)
8	084755-04-XA9	EA	Shade Asm - w/Braid - 24 25" (X17)
8	084755-04-XA7	EA	Shade Asm - w/Braid - 24 25" (X18)
8	084755-04-X26	EA	Shade Asm - w/Braid - 24 25" (X73)
8	084755-04-X11	EA	Shade Asm - w/Braid - 24 25" (X74, X97)
•	086121-03-000	EA	Curtain Asm - Shower Liner - 63" x 42"
•	073304-04-X17	EA	Curtain Asm - w/Snap Top - 64" x 53" - Privacy (X17)
•	073304-04-X18	EA	Curtain Asm - w/Snap Top - 64" x 53" - Privacy (X18)
•	073304-04-X73	EA	Curtain Asm - w/Snap Top - 64" x 53" - Privacy (X73)
•	073304-04-X74	EA	Curtain Asm - w/Snap Top - 64" x 53" - Privacy (X74, X97)
•	073260-23-WB6	EA	Tie Back Asm - 3" x 18" - Drapery (X17)
•	073260-23-X19	EA	Tie Back Asm - 3" x 18" - Drapery (X19)
•	073260-23-X34	EA	Tie Back Asm - 3" x 18" - Drapery (X73)
†•	073260-23-XA4	EA	Tie Back Asm - 3" x 18" - Drapery (X73)
•	073260-23-X08	EA	Tie Back Asm - 3" x 18" - Drapery (X74, X97)
•	073260-27-X17	EA	Tie Back Asm - 3" x 23" - Bedspread (X17)
•	073260-27-X18	EA	Tie Back Asm - 3" x 23" - Bedspread (X18)
•	073260-27-X73	EA	Tie Back Asm - 3" x 23" - Bedspread (X73)
•	073260-27-X74	EA	Tie Back Asm - 3" x 23" - Bedspread (X74)
•	073260-27-X97	EA	Tie Back Asm - 3" x 23" - Bedspread (X97)
•	057534-01-000	EA	Tie Back Asm - 6" - Clear Plastic
•	057534-04-000	EA	Tie Back Asm - 20" - Clear Plastic
•	Not illustrated		
†	Used in units produced after 10/1/87		

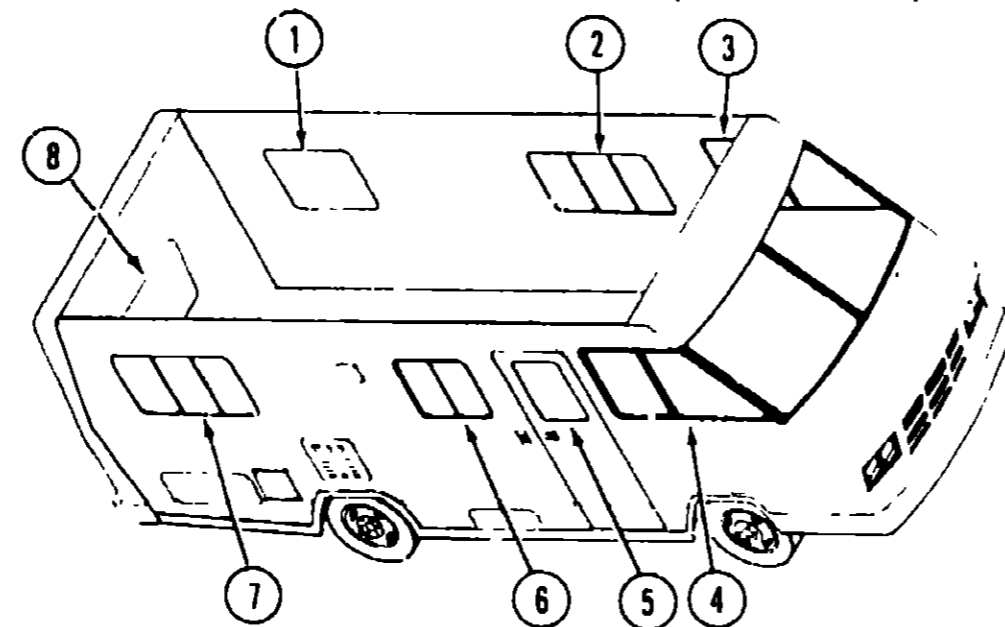
**1988 N-SERIES
TABLE OF CONTENTS**

W/ICN22EC	A-01 - A-22
WCN22RC	A-23 - B-14
W/ICN27RT	B-15 - C-18
W/ICN27RIJ	C-19 - D-20
W/ICN31RT & W/IJN31RT	D 21 - E-18
W/ICN33RU	E-19 - F-16

1988 W/ICN22EC INDEX

Floor Plan	A-01 - A-02
Bath Group	A-03
Chassis Group	A-04
Curtain, Cushion & Pad Group	A-05 - A-10
Dinette Group	A-11
Exterior Body Group	A-13 - A-16
Galley Group	A-17
Lounge Group	A-18
Window, Vent & Exterior Door Group	A-17 - A-22

CURTAIN, CUSHION & PAD GROUP (CONTINUED)



ITASCA

CURTAIN, SHADES, VALANCES & TIEBACKS

Key	Part Number	U/M	Description
1	M81977-21-X73	EA	Valance Asm - Padded - 31 7" (X73)
†1	M81977-21-XA4	EA	Valance Asm - Padded - 31 7" (X73)
1	M81977-21-X08	EA	Valance Asm - Padded - 31 7" (X74)
1	073304-39-XA4	EA	Curtain Asm - w/Snap Top - 27 5" x 10" (X73)
†1	073304-50-X73	EA	Curtain Asm - w/Snap Top - 27 5" x 10" (X73)
1	073304-39-X08	EA	Curtain Asm - w/Snap Top - 27 5" x 10" (X73)
†1	073304-50-X08	EA	Curtain Asm - w/Snap Top - 27 5" x 10" (X74)
1	084755-01-X26	EA	Shade Asm - w/Braid - 28 25" (X73, X74)
2	M81977-17-X34	EA	Valance Asm - Padded - 70" (X73)
†2	M81977-17-XA4	EA	Valance Asm - Padded - 70" (X73)
2	M81977-17-X74	EA	Valance Asm - Padded - 70" (X74)
2	087318-07-X73	EA	Curtain Asm - w/Pleat & Snap Top - 33 5" x 15" (X73)
†2	087318-07-XA4	EA	Curtain Asm - w/Pleat & Snap Top - 33 5" x 15" (X73)
2	087318-07-X74	EA	Curtain Asm - w/Pleat & Snap Top - 33 5" x 15"
2	084755-02-X26	EA	Shade Asm - w/Braid - 67 25"
3	077591-08-X73	EA	Curtain Asm - Velcro Top - Wraparound - 32 5" x 86" - Drivers (X73)
†3	077591-08-XA4	EA	Curtain Asm - Velcro Top - Wraparound - 32 5" x 86" - Drivers (X73)
3	077591-08-X74	EA	Curtain Asm - Velcro Top - Wraparound - 32 5" x 86" - Drivers
4	077591-07-X73	EA	Curtain Asm - Velcro Top - Wraparound - 32 5" x 86" - Passengers (X73)
†4	077591-07-XA4	EA	Curtain Asm - Velcro Top - Wraparound - 32 5" x 86" - Passengers (X73)
4	077591-07-X74	EA	Curtain Asm - Velcro Top - Wraparound - 32 5" x 86" - Passengers (X74)
5	073304-30-X73	EA	Curtain Asm - w/Snap Top - 34" x 37" (X73)
†5	073304-30-XA4	EA	Curtain Asm - w/Snap Top - 34" x 37" (X73)
5	073304-30-X74	EA	Curtain Asm - w/Snap Top - 34" x 37" (X74)

Key	Part Number	U/M	Description
6	M81977-22-X37	EA	Valance Asm - Padded - 30" (X73)
†6	M81977-22-XA4	EA	Valance Asm - Padded - 30" (X73)
6	M81977-22-X08	EA	Valance Asm - Padded - 30" (X74)
6	084755-01-X26	EA	Shade Asm - w/Braid - 28 5" (X73, X74)
7	066226-46-X73	EA	Valance Asm - Padded - 5" x 75" (X73)
7	066226-46-X74	EA	Valance Asm - Padded - 5" x 75" (X74)
7	066226-32-X73	EA	Curtain Asm - Rod Top - 30" x 20" (X73)
7	066226-32-X74	EA	Curtain Asm - Rod Top - 30" x 20" (X74)
7	084755-05-X73	EA	Shade Asm - w/Braid - 60 25" (X73, X74)
8	066226-47-X73	EA	Valance Asm - Padded - 5" x 20" (X73)
8	066226-47-X74	EA	Valance Asm - Padded - 5" x 20" (X74)
8	066226-40-X73	EA	Curtain Asm - Rod Top - 30" x 20" (X73)
8	066226-40-X74	EA	Curtain Asm - Rod Top - 30" x 20" (X74)
8	084755-04-X11	EA	Shade Asm - w/Braid - 24 25" (X73, X74)
•	073304-04-X73	EA	Curtain Asm - Snap Top - 64" x 53" - Privacy (X73)
†•	073304-04-XA4	EA	Curtain Asm - Snap Top - 64" x 53" - Privacy (X73)
•	073304-04-X74	EA	Curtain Asm - Snap Top - 64" x 53" - Privacy (X74)
•	086121-03-000	EA	Curtain Asm - Shower Liner - 63" x 42"
•	073260-23-X34	EA	Tieback Asm - Drapery - 3" x 18" (X73)
†•	073260-23-XA4	EA	Tieback Asm - Drapery - 3" x 18" (X73)
•	073260-23-X08	EA	Tieback Asm - Drapery - 3" x 18" (X74)
•	073260-27-X73	EA	Tieback Asm - Bedspread - 3" x 23" (X73)
•	073260-27-X74	EA	Tieback Asm - Bedspread - 3" x 23" (X74)
•	Not illustrated		
†	Used in units produced after 10/1/87		
‡	Used in units produced after 3/30/88		

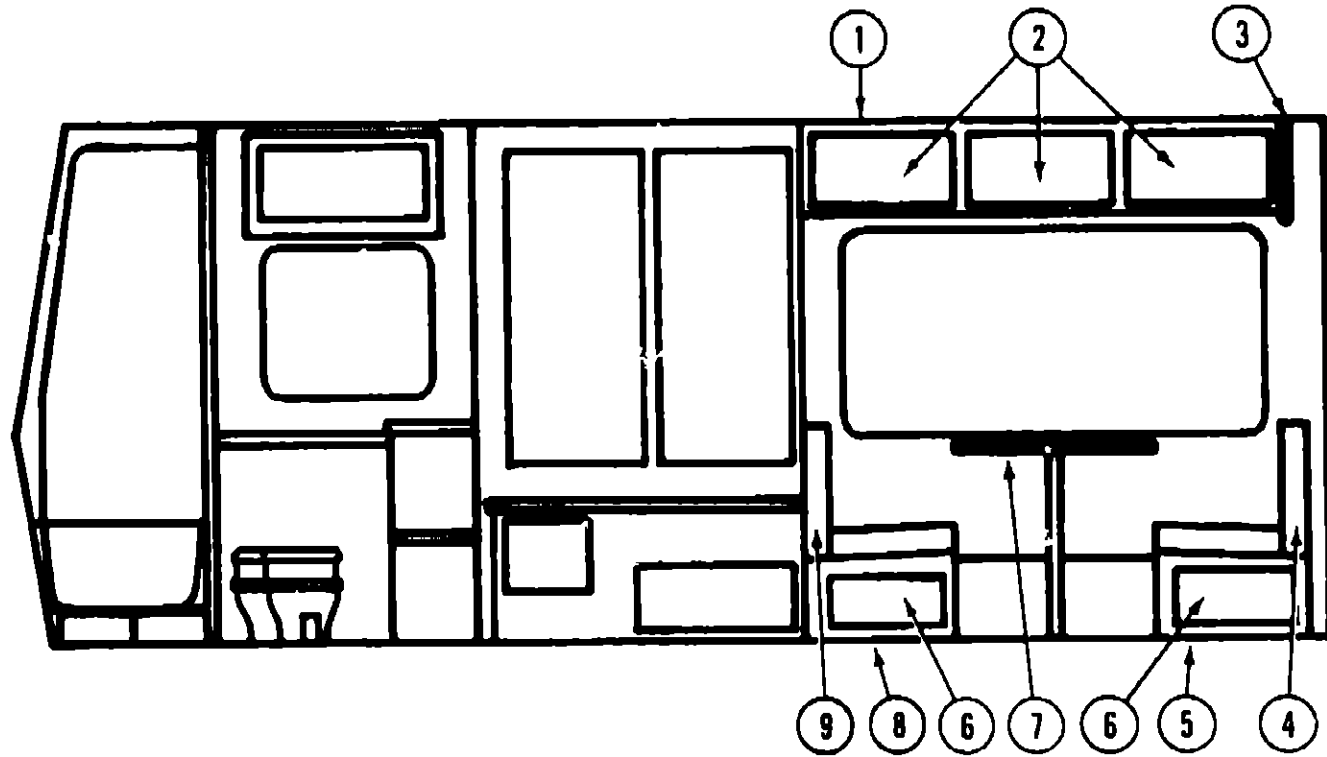
**1988 N-SERIES
TABLE OF CONTENTS**

W/ICN22EC	A-01 - A-22
WCN22RC	A-23 - B-14
W/ICN27RT	B-15 - C-18
W/ICN27RU	C-19 - D-20
W/ICN31RT & W/IJN31RT	D-21 - E-18
W/ICN33RU	E-19 - F-16

1988 W/ICN22EC INDEX

Floor Plan	A-01 - A-02
Bath Group	A-03
Chassis Group	A-04
Curtain, Cushion & Pad Group	A-05 - A-10
Dinette Group	A-11
Exterior Body Group	A-13 - A-16
Galley Group	A-17
Lounge Group	A-18
Window, Vent & Exterior Door Group	A-17 - A-22

DINETTE GROUP



1988 N-SERIES TABLE OF CONTENTS

W/ICN22EC	A-01 - A-22
WCN22RC	A-23 - B-14
W/ICN27RT	B-15 - C-16
W/ICN27RU	C-19 - -20
W/ICN31RT & W/IJN31RT	D-21 - E-18
W/ICN33RU	E-19 - F-16

CONVENTIONAL DINETTE & OVERHEAD CABINERY

Key	Part Number	U/M	Description
1	M88176-01-X73	EA	Cabinet Asm - Dinette Overhead - w/o Doors or Hardware
2	M88304-16-X23	EA	Door Asm - Dinette Overhead - w/o Hardware - 12" x 21 8"
3	081325-03-W30	EA	Pad Asm - End Cap - Dinette Overhead - Front - Vinyl
4	M03079-01-W89	EA	Cabinet Asm - Dinette Back - Right
5	M03078-01-W89	EA	Cabinet Asm - Dinette Seat - Right - w/o Hardware
6	M88304-21-X08	EA	Door Asm - Dinette Seat - w/o Hardware - 10 03" x 19 09"
7	M81299-06-X87	EA	Table Asm - Dinette - w/o Hardware
8	M03078-02-W89	EA	Cabinet Asm - Dinette Seat - Left - w/o Door or Hardware
9	M03079-02-W89	EA	Cabinet Asm - Dinette Back - Left
.	053200-05-000	EA	Bracket - Upper Wall Mount - 23 5"
**	088410-01-000	EA	Bracket - Table Mount - Beige
.	024275-05-000	EA	Rod - Table Lift - 8" x 23 5" - Beige
.	024281-07-000	EA	Bracket - Lower Wall Mount
.	024276-17-000	EA	Leg Asm - Table - 29 5" - Tan
**	064050-02-000	EA	Hinge - Table Leg - Tan
**	024282-01-000	EA	Brace - Table Leg
**	024283-01-000	EA	Clip - 1" O D Tube
.	049493-05-000	EA	Catch - Table Leg - Mounts on Floor - Tan
.	064781-02-000	EA	Cup Holder - 3 47" O D x 2 75" I D x 1 5" - Beige
.	064781-05-000	EA	Cup Holder - Two Step - Beige
.			Not illustrated

** The illustrated parts breakdown for this item is provided on the Common Items Fiche

DINETTE PADS

Key	Part Number	U/M	Description
	081519-01-X08	EA	Pad Asm - Dinette - Right (X17, X73)
	081519-01-X22	EA	Pad Asm - Dinette - Right (X18, X74)
	081519-01-X11	EA	Pad Asm - Dinette - Right (X97)
	081519-02-X08	EA	Pad Asm - Dinette - Left (X17, X73)
	081519-02-X22	EA	Pad Asm - Dinette - Left (X18, X74)
	081519-02-X97	EA	Pad Asm - Dinette - Left (X97)

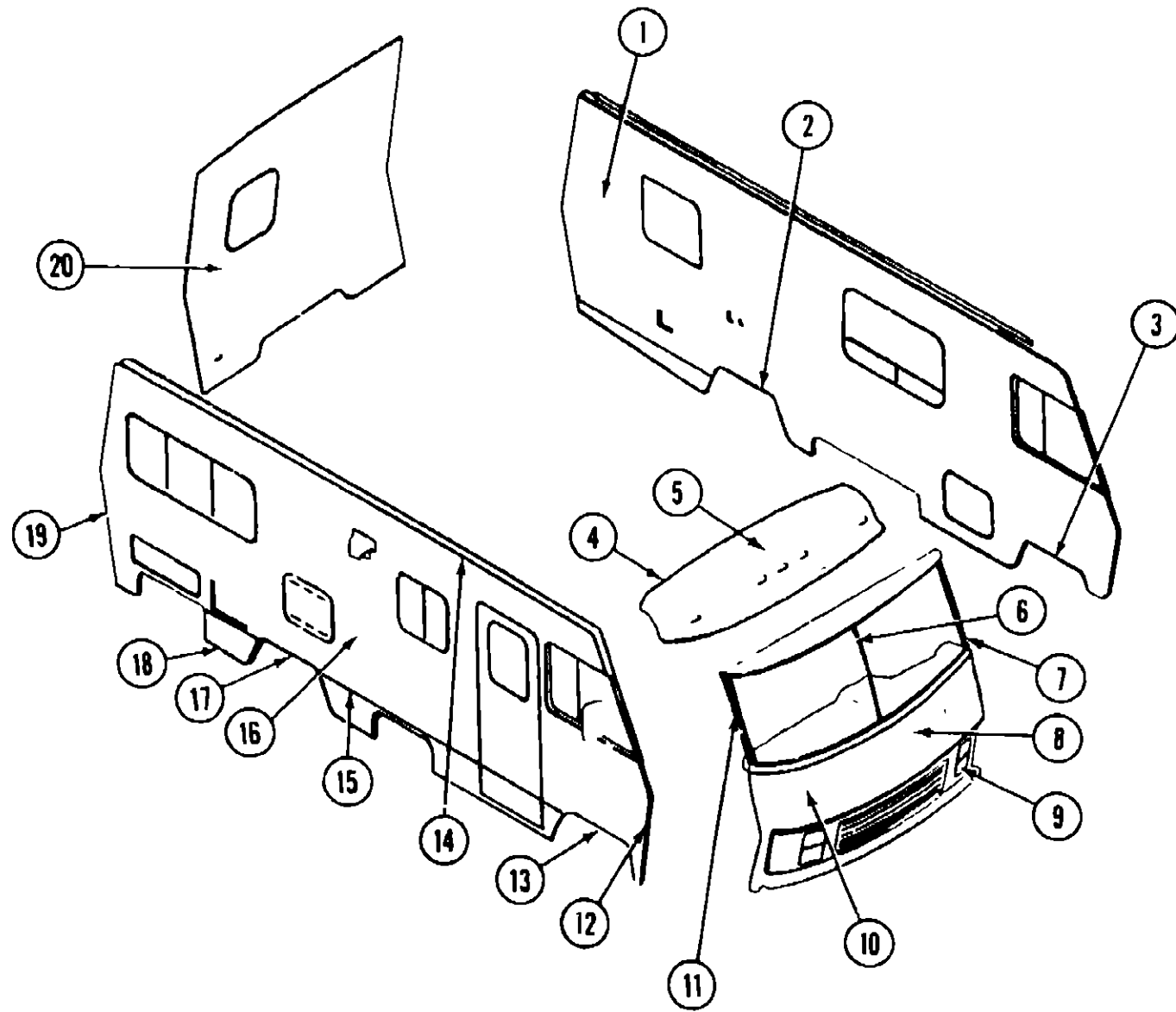
1988 W/ICN22EC INDEX

Floor Plan	A-01 - A-02
Bath Group	A-03
Chassis Group	A-04
Curtain, Cushion & Pad Group	A-05 - A-10
Dinette Group	A-11
Exterior Body Group	A-13 - A-16
Galley Group	A-17
Lounge Group	A-18
Window, Vent & Exterior Door Group	A-17 - A-22

EXTERIOR BODY GROUP

WINNEBAGO

EXTERIOR BODY PANELS



Key	Part Number	U/M	Description
1	M93510-01-X17	EA	Sidewall Asm - Drivers
1	M93510-01-X18	EA	Sidewall Asm. - Drivers
1	M93510-01-X73	EA	Sidewall Asm. - Drivers (X73, X74, X97)
2	089749-01-000	EA	Trim - Wheel Well - Rear - U-Channel - Left or Right
3	089909-01-000	EA	Trim - Wheel Well - Front - U-Channel - Left or Right
4	078580-01-000	CA	Trim - Roof/Front Cap
5	M01899-01-T03	EA	Cap - Over Windshield - Beige
6	076676-02-000	EA	Trim - Molding - W/S - Center
7	079225-02-000	EA	Trim - Contour - W/S - Drivers
.	077944-02-000	EA	Trim - Molding - W/S - Upper Left
.	077945-02-000	EA	Trim - Molding - W/S - Lower Left
8	089768-01-X14	EA	Panel Asm - Hood
9	050202-02-000	EA	Headlamp Bezel - Drivers
.	090202-01-000	EA	Headlamp Bezel - Passenger
.	091230-01-000	EA	Screw - Black - Headlamp Bezel
.	073308-01-000	EA	Screw Asm - Headlamp Adjusting
.	049359-01-000	EA	Spring - Headlamp - Retainer
.	062207-01-000	EA	Headlamp Guard
10	M01115-17-X14	EA	Panel Asm - Front Shroud (Includes hood panel)
11	079225-01-000	EA	Trim - Contour - W/S - Passenger
.	077944-01-000	EA	Trim - Molding - W/S - Upper - Right
.	077945-01-000	EA	Trim - Molding - W/S - Lower - Right
12	089922-01-000	EA	Trim - Fiberglass Panel - Beige
13	078556-07-000	EA	Trim - Wheel Well - Right Front - Beige
.	078556-08-000	EA	Trim - Wheel Well - Left Front - Beige
14	078600-06-000	EA	Trim - Sidewall - Upper - 13 8" - Beige
15	059576-08-000	EA	Feature Strip - Extr Beige - 15 1' - w/o Insert
.	009731-01-000	EA	End Cap - Feature Strip
.	001030-12-100	EA	Insert - Feature Strip - 17' - Beige
16	M93509-01-X17	EA	Sidewall Asm - Passenger
16	M93509-01-X18	EA	Sidewall Asm - Passenger
16	M93509-01-X73	EA	Sidewall Asm - Passenger (X73, X74)
16	M93509-01-X97	EA	Sidewall Asm - Passenger
17	075070-01-000	EA	Trim - Wheelwell - Right Rear - Beige
.	075070-03-000	EA	Trim - Wheelwell - Left Rear - Beige
18	002776-04-001	EA	Extr - Trim - U-Channel - 16'
19	090203-01-000	EA	Trim - Right Rear Side - Beige
.	090203-03-000	EA	Trim - Left Rear Side - Beige
20	M88142-01-X17	EA	Backwall Asm
20	M88142-01-X18	EA	Backwall Asm
20	M88142-01-X11	EA	Backwall Asm (X73 X74)
20	M88142-01-X97	EA	Backwall Asm
.	050406-06-000	EA	Trim - Backwall - Lower
.	089672-01-X73	EA	Roof Asm
.	078577-01-000	EA	Bumper End Cap - Front Passenger - Beige
.	078577-02-000	EA	Bumper End Cap - Front Drivers - Beige
.	086906-07-000	EA	Trim - Rear Upper Right - Beige Plastic
.	086906-08-000	EA	Trim - Rear Upper Left - Beige Plastic
.	072010-01-000	EA	Cable - Release (Hood)
.	073611-01-000	EA	Striker - Hood Latch
.	074178-01-000	EA	Bracket - Cable Release - Inside
.	074202-01-000	EA	Latch - Hood
.	073610-01-000	EA	Spring - Hood Release
.	062628-01-000	EA	Clip - Prop Rod
.	072011-01-000	EA	Cable Sheath
.	088252-02-000	FT	Chrome Trim - Grille - 1" Plastic
.	088252-03-000	FT	Chrome Trim - Grille - 2" Plastic
.			Not keyed

1988 N-SERIES TABLE OF CONTENTS

W/ICN22EC	A-01 - A-22
WCN22RC	A-23 - B-14
W/ICN27R1	B-15 - C-18
W/ICN27RU	C-19 - D-20
W/ICN31RT & W/IJN31RT	D-21 - E-18
W/ICN33RU	E-19 - F-16

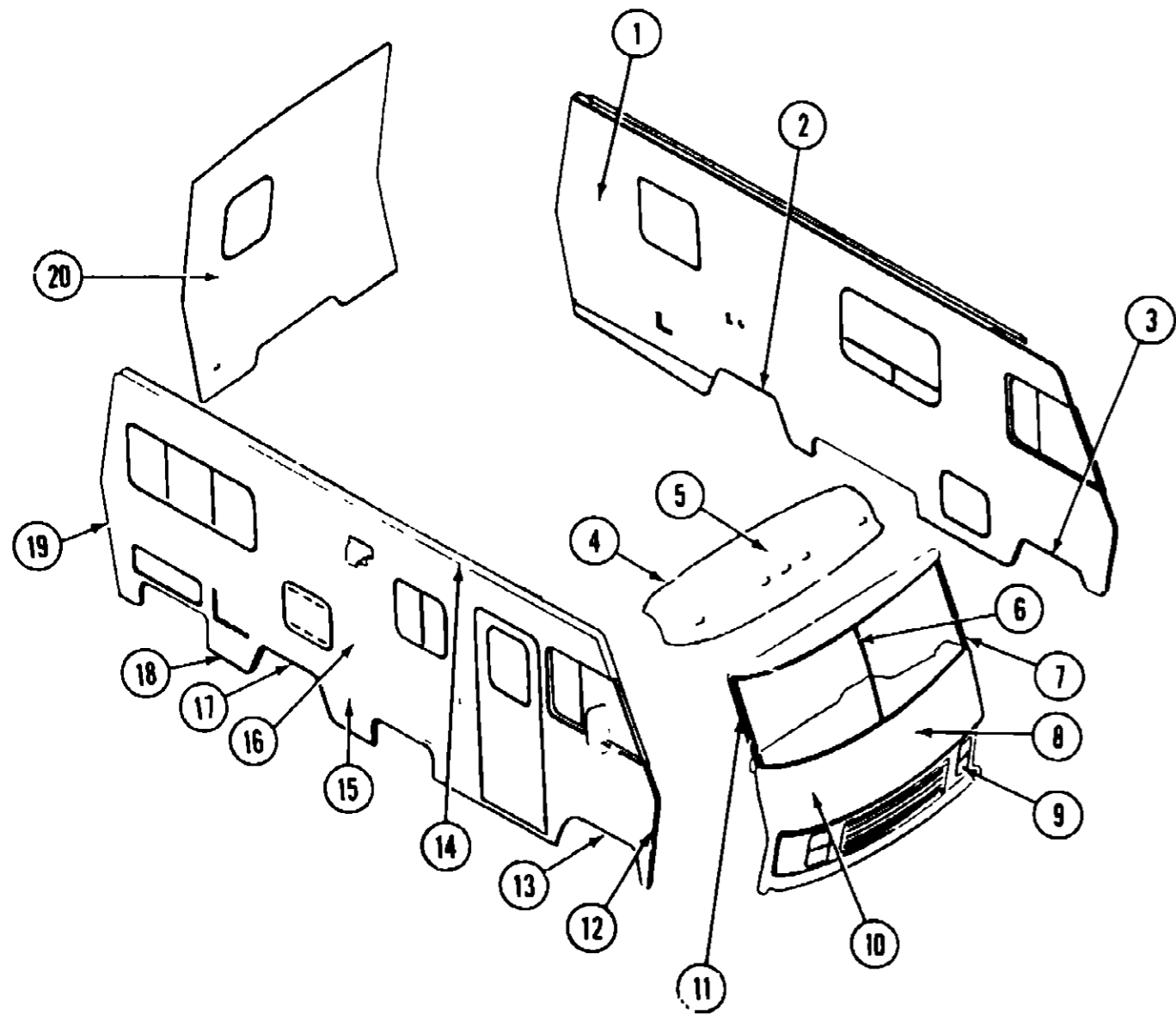
1988 W/ICN22EC INDEX

Floor Plan	A-01 - A-02
Bath Group	A-03
Chassis Group	A-04
Curtain, Cushion & Pad Group	A-05 - A-10
Dinette Group	A-11
Exterior Body Group	A-13 - A-16
Galley Group	A-17
Lounge Group	A-18
Window, Vent & Exterior Door Group	A-17 - A-22

EXTERIOR BODY GROUP (CONTINUED)

ITASCA

EXTERIOR BODY PANELS



Key	Part Number	U/M	Description
1	M88139-01-X73	EA	Sidewall Asm - Drivers
2	086887-03-000	EA	Trim- Wheel Well - Rear - U-Channel - Left or Right
3	086886-02-000	EA	Trim - Wheel Well - Front - U-Channel
4	078580-01-000	EA	Trim - Roof/Front Cap
5	M01899-01-T09	EA	Cap Over Windshleid
6	076676-02-000	EA	Trim - Molding - W/S - Center
7	079225-02-000	EA	Trim - Contour - W/S - Drivers
.	077944-02-000	EA	Trim - Molding - W/S - Upper Left
.	077945-02-000	EA	Trim - Molding - W/S - Lower Left
8	078281-01-T09	EA	Panel Asm - Hood
9	07691C-02-000	EA	Headlamp Bezel - Drivers
.	076910-01-000	EA	Headlamp Bezel - Passenger
.	091230-01-000	EA	Screw - Black - Headlamp Bezel
.	073308-01-000	EA	Screw Asm - Headlamp Adjusting
.	049359-01-000	EA	Spring - Headlamp - Retainer
.	062207-01-000	EA	Headlamp Guard
10	M01115-15-W89	EA	Panel Asm - Front Shroud (Includes hood panel)
11	079225-01-000	EA	Trim - Contour - W/S - Passenger
.	077944-01-000	EA	Trim - Molding - W/S - Upper - Right
.	077945-01-000	EA	Trim - Molding - W/S - Lower - Right
12	079224-03-000	EA	Trim - Fiberglass Panel - Gray
13	086886-02-000	EA	Trim - Wheel Well - Front
14	078600-08-000	EA	Trim - Sidewall - Upper - 8 76' - Gray
15	002444-01-020	EA	Feature Strip - Extr Gray - 15 1' - w/o Insert
.	009731-01-000	EA	End Cap - Feature Strip
.	001030-11-100	EA	Insert - Feature Strip - 17' - Gray
16	M88138-01-X73	EA	Sidewall Asm - Passenger
17	086887-03-000	EA	Trim - Wheelwell - Rear
18	002776-04-001	EA	Extr - Trim - U-Channel - 16' - Gray
19	090203-02-000	EA	Trim - Right Rear Side
.	090203-04-000	EA	Trim - Left Rear Side
20	M88142-01-X73	EA	Backwall Asm
.	086906-05-000	EA	Trim - Upper Rear Passenger - Gray Plastic
.	086906-06-000	EA	Trim - Upper Rear Drivers - Gray Plastic
.	050406-06-000	EA	Trim - Backwall - Lower
.	089672-01-X73	EA	Roof Asm
.	078577-05-000	EA	Bumper End Cap - Front Passenger - Gray
.	078577-06-000	EA	Bumper End Cap - Front Drivers - Gray
.	086906-05-000	EA	Trim - Rear Upper Right - Gray Plastic
.	086906-06-000	EA	Trim - Rear Upper Left - Gray Plastic
.	072010-01-000	EA	Cable - Release (Hood)
.	073611-01-000	EA	Striker - Hood Latch
.	074178-01-000	EA	Bracket - Cable Release - Inside
.	074202-01-000	EA	Latch - Hood
.	073610-01-000	EA	Spring - Hood Release
.	062628-01-000	EA	Clip - Prop Rod
.	072011-01-000	EA	Cable Shealth
.			Not keyed

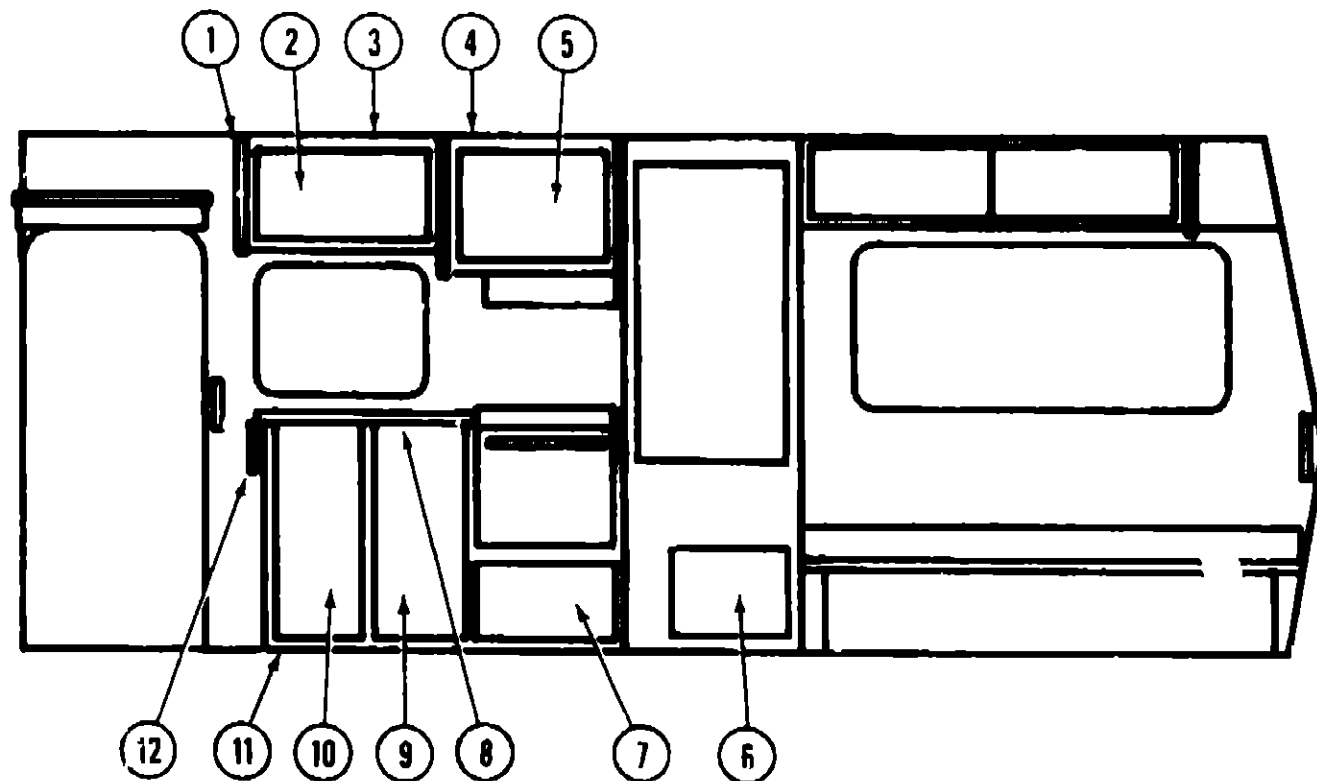
1988 N-SERIES TABLE OF CONTENTS

W/ICN22EC	A-01 - A-22
WCN22RC	A-23 - B-14
W/ICN27RT	B-15 - C-18
W/ICN27RU	C-19 - D-20
W/ICN31RT & W/IJN31RT	D-21 - E-18
W/ICN33RU	E-19 - F-16

1988 W/ICN22EC INDEX

Floor Plan	A-01 - A-02
Bath Group	A-03
Chassis Group	A-04
Curtain, Cushion & Pad Group	A-05 - A-10
Dinette Group	A-11
Exterior Body Group	A-13 - A-16
Galley Group	A-17
Lounge Group	A-18
Window, Vent & Exterior Door Group	A-17 - A-22

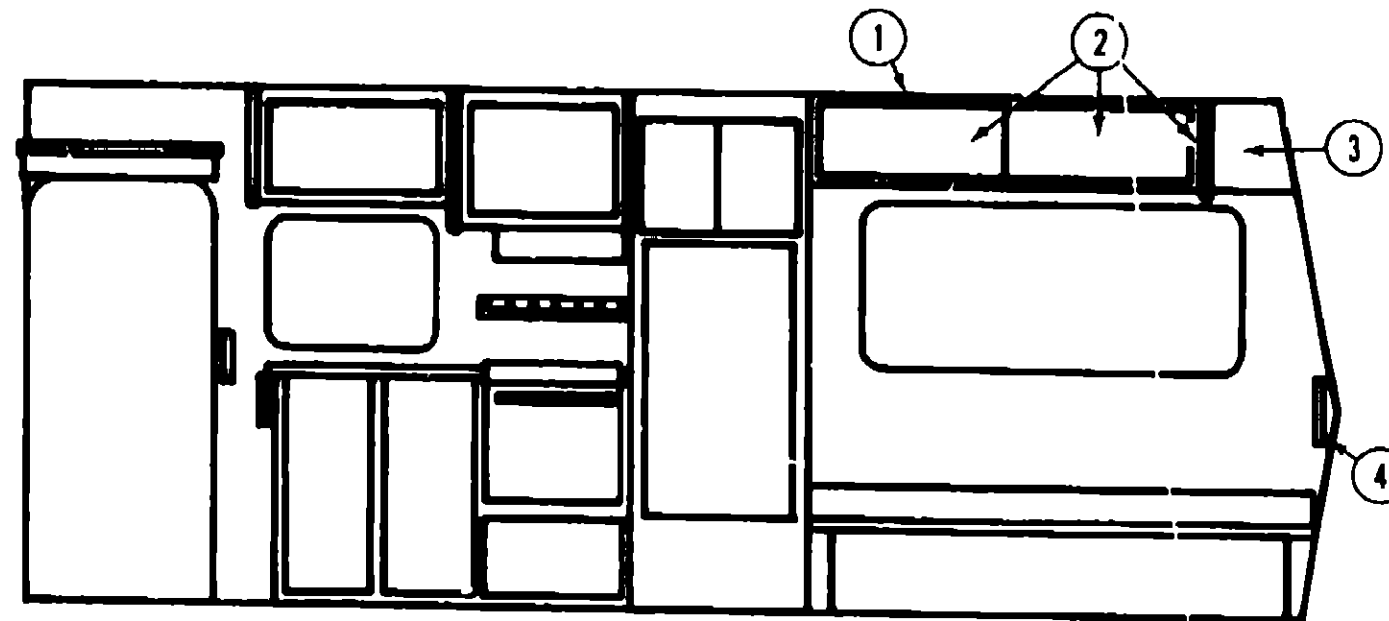
GALLEY GROUP



GALLEY CABINETRY

Key	Part Number	U/M	Description
1	081320-02-W30	EA	Pad Asm - End Cap - Galley Overhead
2	M88304-11-X11	EA	Door Asm - Galley Overhead - w/o Hardware - 15 75" x 28"
3	M88165-01-X73	EA	Cabinet Asm - Galley Overhead - w/o Doors or Hardware
4	M88166-01-X73	EA	Cabinet Asm - Galley Overhead - w/o Doors or Hardware
*	081320-07-W30	EA	End Cap Asm - Galley Overhead (Range)
5	M88304-12-X08	EA	Door Asm - Galley Overhead - w/o Hardware - 18 11" x 28"
6	M88304-15-X73	EA	Door Asm - Refrigerator Cabinet - 18 7" x 12 - w/o Hardware
7	MS2073-04-X11	EA	Door Asm - Furnace - Galley Cabinet - w/Mesh
*	072369-35-000	EA	Mesh - Furnace Grille - 18 3" x 9 8"
8	M03000-16-W89	EA	Countertop Asm - Galley
9	M88304-14-X08	EA	Door Asm - Galley Cabinet - w/o Hardware - Right - 14 4" x 33 5"
10	M88304-13-X08	EA	Door Asm - Galley Cabinet - w/o Hardware - Left - 14 4" x 33 5"
11	M88163-01-W89	EA	Cabinet Asm - Galley - w/o Countertop, Doors, Drawers or Hardware
12	080812-02-W30	EA	Extension Asm - Galley - Sand Quadrus
*	077404-01-000	EA	Drawer - Plastic - 20" x 12 7"
*			Not keyed

LOUNGE GROUP



WINNEBAGO & ITASCA

DOUBLE BED

Key	Part Number	U/M	Description
1	M88168-01-X73	EA	Cabinet Asm - Lounge Overhead - w/o Doors or Hardware
2	M88304-16-X23	EA	Door Asm - Overhead Cabinet - w/o Hardware
3	M88169-01-X73	EA	Cabinet Asm - Rear Lounge Overhead - w/o Doors or Hardware
4	077463-16-X17	EA	Headboard - Double Bed
4	077463-16-X18	EA	Headboard - Double Bed
4	077463-16-X73	EA	Headboard - Double Bed
4	077463-16-X74	EA	Headboard - Double Bed
4	077463-16-X97	EA	Headboard - Double Bed
*	M88304-17-X73	EA	Door Asm - Double Bed - w/o Hardware - 11 4" x 16 14"
*			Not illustrated

1988 N-SERIES TABLE OF CONTENTS

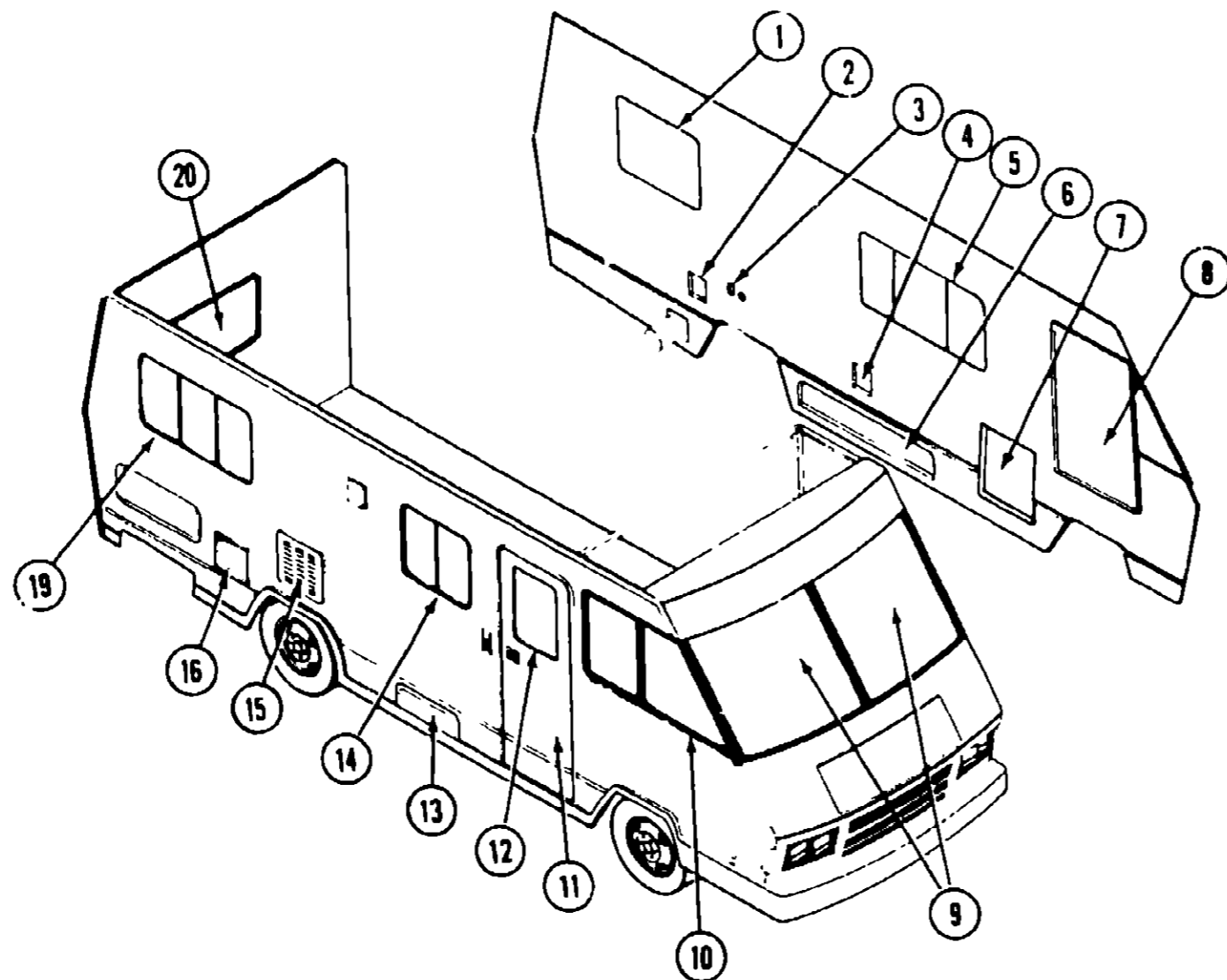
W/ICN22EC	A-01 - A-22
WCN22RC	A-23 - B-14
W/ICN27RT	B-15 - C-18
W/ICN27RU	C-19 - D-20
W/ICN31RT & W/IJN31RT	D-21 - E-18
W/ICN33RU	E-19 - F-16

1988 W/ICN22EC INDEX

Floor Plan	A-01 - A-02
Bath Group	A-03
Chassis Group	A-04
Curtain, Cushion & Pad Group	A-05 - A-10
Dinette Group	A-11
Exterior Body Group	A-13 - A-16
Galley Group	A-17
Lounge Group	A-18
Window, Vent & Exterior Door Group	A-17 - A-22

WINDOW, VENT & EXTERIOR DOOR GROUP

WINDOWS & ACCESS DOORS



1988 N-SERIES TABLE OF CONTENTS

W/ICN22EC	A-01 - A-22
WCN22RC	A-23 - B-14
W/ICN27RT	B-15 - C-18
W/ICN27RU	C-19 - D-20
W/ICN31RT & W/IJN31RT	D-21 - E-18
W/ICN33RU	E-19 - F-16

Key	Part Number	U/M	Description
1	079729-02-T03	EA	Window Asm - Escape - 22" x 24"
2	078010-05-000	EA	Door Asm - Fuel Fill - Gray
2	078010-04-000	EA	Door Asm - Fuel Fill - Beige
3	081240-02-000	EA	Waterfill - Lockable - Gray
3	081240-01-000	EA	Waterfill - Lockable - Beige
4	078960-02-T09	EA	Door Asm - Power Cord - Gray
4	078960-02-T03	EA	Door Asm - Power Cord - Beige
†4	088794-03-000	EA	Door Asm - Power Cord - Gray
†4	088794-02-000	EA	Door Asm - Power Cord - Beige
5	078269-02-W24	EA	Window Asm. - Double Slider
6	079455-08-W89	EA	Door Asm - Storage - 9 5" x 48" - Gray
6	086531-06-X11	EA	Door Asm - Storage - Beige
7	079578-05-W89	EA	Door Asm - Storage - 22.6" x 19.68" - Gray
7	079578-05-X11	EA	Door Asm - Storage - 22.6" x 19.68" - Beige
8	M82202-02-U04	EA	Door Asm - Drivers - Roll-Up Window - Beige
8	M82202-02-U13	EA	Door Asm - Drivers - Roll-Up Window - Gray
9	077675-01-000	EA	Glass - W/S - Passengers
*	077675-02-000	EA	Glass - W/S - Drivers

Key	Part Number	U/M	Description
10	092057-01-U04	EA	Window Asm - Right Front Slant Slider
11	M01870-12-X17	EA	Door Asm - Entrance - Beige
11	M01870-12-X36	EA	Door Asm - Entrance - Gray
12	079733-04-T03	EA	Window Asm - Picture
13	079455-03-W89	EA	Door Asm - LP - 9 5" x 21 7" - Gray
13	079578-01-T03	EA	Door Asm - LP - 10.75" x 30 3" - Beige
14	078266-02-T03	EA	Window Asm - Single Slider
15	084103-01-000	EA	Door Asm - Refrigerator Access - Beige
15	084103-02-000	EA	Door Asm - Refrigerator Access - Gray
16	052009-02-000	EA	Door Asm - Water Heater - Beige
16	052009-03-000	EA	Door Asm - Water Heater - Gray
17	090198-01-X11	EA	Door Asm - Generator - Beige
17	088278-01-W89	EA	Door Asm - Generator - Gray
18	079578-01-T03	EA	Door Asm - Storage - 10 75" x 30 3" - Beige
18	079578-01-T09	EA	Door Asm - Storage - 10 75" x 30 3" - Gray
19	078271-01-T03	EA	Window Asm - Center Slides
20	079729-02-T03	EA	Window Asm - Rear Escape - 22" x 24"

1988 W/ICN22EC INDEX

Floor Plan	A-01 - A-02
Bath Group	A-03
Chassis Group	A-04
Curtain, Cushion & Pad Group	A-05 - A-10
Dinette Group	A-11
Exterior Body Group	A-13 - A-16
Galley Group	A-17
Lounge Group	A-18
Window, Vent & Exterior Door Group	A-17 - A-22

† Used in units produced after 9/28/87

WINDOW, VENT & EXTERIOR DOOR GROUP (CONTINUED)

ACCESS DOORS

Key	Part Number	U/M	Description
	079455-08-W89	EA	Door Asm - Storage - 9 5" x 48" - Gray
	086531-06-X11	EA	Door Asm - Storage - Lower Left Center - Beige
	079578-05-W89	EA	Door Asm - Storage - 22 6" x 19 68" - Gray
	079578-05-X11	EA	Door Asm - Storage - 22 6" x 19 68" - Beige
	079455-03-W89	EA	Door Asm - LP - 9 5" x 21 7" - Gray
	079578-01-T03	EA	Door Asm - LP - 10 75" x 30 3" - Beige
	084103-01-000	EA	Door Asm - Refrigerator Access - Beige
	084103-02-000	EA	Door Asm - Refrigerator Access - Gray
	052009-02-000	EA	Door Asm - Water Heater - Beige
	052009-03-000	EA	Door Asm - Water Heater - Gray
	090198-01-X11	EA	Door Asm - Generator - Beige
	088278-01-W89	EA	Door Asm - Generator - Gray
	079578-01-T03	EA	Door Asm - Storage - 10 75" x 30 3" - Beige
	079578-01-T09	EA	Door Asm - Storage - 10 75" x 30 3" - Gray
	078010-05-000	EA	Door - Fuel Fill - Gray
	078010-04-000	EA	Door - Fuel Fill - Beige
	078960-02-109	EA	Door Asm - Power Cord - Gray
	078960-02-T03	EA	Door Asm - Power Cord - Beige
†	088794-03-000	EA	Door Asm - Power Cord - Gray
†	088794-02-000	EA	Door Asm - Power Cord - Beige
	052424-02-000	EA	Door Jamb - Power Cord/Fuel Fill - Beige
	052424-03-000	EA	Door Jamb - Power Cord/Fuel Fill - Gray
	054543-02-000	EA	Hatch - Power Cord - Beige
	054543-03-000	EA	Hatch - Power Cord - Gray
	063742-02-000	EA	Door - Power Cord - Beige
	063742-03-000	EA	Door - Power Cord - Gray
	083615-01-000	EA	Door Holder - Beige Plastic
	083615-03-000	EA	Door Holder - Gray Plastic
	064075-04-000	FT	Seal - Bulb - Foam
	076322-03-000	FT	Foam Tape - Double Coated - 045" x 5
	082150-02-000	FT	Seal - Sponge - Drivers Door
	075571-01-000	FT	Seal - Lazy T - Sponge - Entrance Door
	090340-01-000	FT	Seal - Foam Closed Cell - 25" x 5"
	091968-03-000	FT	Tape - Adhesive - 04" x 1'
	042442-01-000	EA	Lock Asm - Twist Type - 90° Rotation - 1 5" Latch - 6" Depth
	079366-04-000	EA	Lock Asm - Key Type - 90° Rotation - 1 3" Latch - 1 9" Depth
	079927-03-000	EA	Lock Asm - Twist Type - 1 3" Latch - 1 9" Depth
†	Used in units produced after 9/28/87		

WINDOW, VENT & EXTERIOR DOOR GROUP (CONTINUED)

VENTS

Key	Part Number	U/M	Description
	075056-01-000	EA	Vent Asm - Roof - Non-Powered - w/o Screen
	079537-01-000	EA	Vent Asm - Roof - Powered - w/o Screen
†	090392-01-X19	EA	Vent Asm - Roof - Non-Powered - w/o Screen
†	090393-01-X11	EA	Vent Asm - Roof - Powered - w/o Screen
	084073-04-000	EA	Base - Refrigerator Vent
	084073-01-000	EA	Cover - Refrigerator Vent - Beige
	084073-02-000	EA	Cover - Refrigerator Vent - Gray
	084616-02-000	EA	Vent - Stovehood - Outside - Beige
	084616-03-000	EA	Vent - Stovehood - Outside - Gray
†	Used in units produced after 7/19/87		

WINDSHIELD

Key	Part Number	U/M	Description
	077675-01-000	EA	Glass - Windshield - Passenger
	077675-02-000	EA	Glass - Windshield - Driver
	058291-01-000	FT	Edge Molding - Windshield Glass
	002326-02-000	EA	Block - Windshield Spacer
	077944-01-000	EA	Reveal Molding - Upper Right
	077944-02-000	EA	Reveal Molding - Upper Left
	077945-01-000	EA	Reveal Molding - Lower Right
	077945-02-000	EA	Reveal Molding - Lower Left
	077952-02-000	EA	Cap - Reveal Molding
	076676-02-000	EA	Reveal Molding - T-Cap - Center Barbed
	079225-01-000	EA	Trim Molding - Windshield Post - Right
	079225-02-000	EA	Trim Molding - Windshield Post - Left

**1988 N-SEPARATE
TABLE OF CONTENTS**

W/ICN22EC	A-01 - A-22
WCN22RC	A-23 - B-14
W/ICN27RT	B-15 - C-18
W/ICN27RU	C-19 - D-20
W/ICN31RT & W/IJN31RT	D-21 - E-18
W/ICN33RU	E-19 - F-16

1988 W/ICN22EC INDEX

Floor Plan	A-01 - A-02
Bath Group	A-03
Chassis Group	A-04
Curtain, Cushion & Pad Group	A-05 - A-10
Dinette Group	A-11
Exterior Body Group	A-13 - A-16
Galley Group	A-17
Lounge Group	A-18
Window, Vent & Exterior Door Group	A-17 - A-22