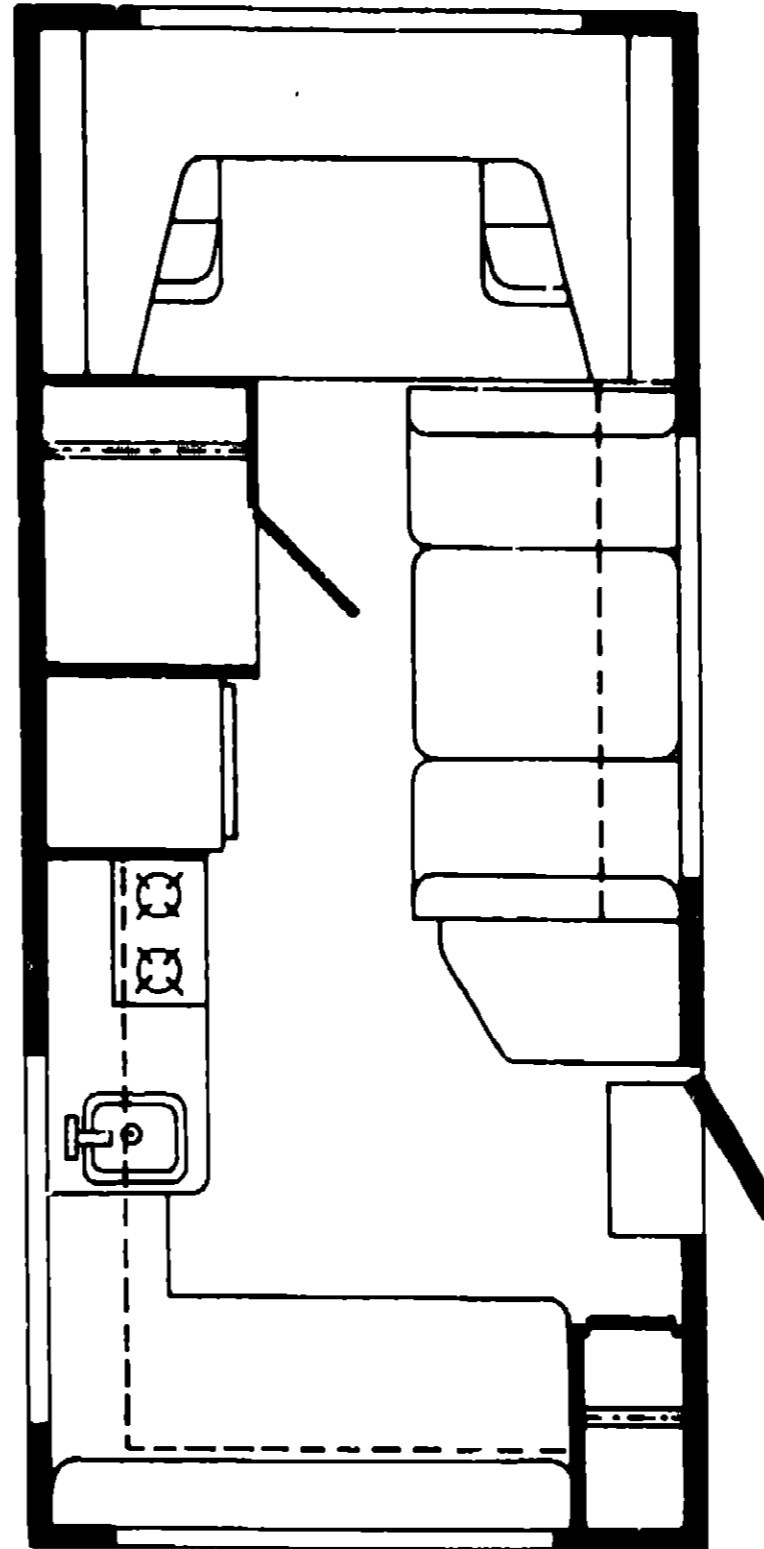


1988 W/IC420EG



1988 WINNEBAGO-ITASCA TABLE OF CONTENTS

W/IT319RK	A-01 - B-04
W/IT319RB	B-05 - C-06
W/IC420EG	C-09 - D-06
W/IF420RG	D-07 - E-10
W/IC420RG	D-07 - E-10
W/IF421RB	E-11 - F-04
W/IC421RC	E-11 - F-04
W/IF424RB	F-05 - G-02
W/IC424RB	F-05 - G-02
W/IF424RC	G-03 - H-02
W/IC424RC	G-03 - H-02
W/IF426RT	H-03 - I-02

1988 W/IC420EG INDEX

Floor Plan	C-09 - C-10
Bath Group	C-11
Curtain, Cushion & Pad Group	C-12 - C-17
Dinette Group	C-18
Driver's Compartment Group	C-19
Exterior Body Group	C-20 - C-22
Galley Group	C-23 - C-24
Lounge Group	D-01
Water & Sewage Group	D-02
Window, Vent & Exterior Door Group	D-03 - D-05

BATH GROUP

BATH CABINETS & HARDWARE

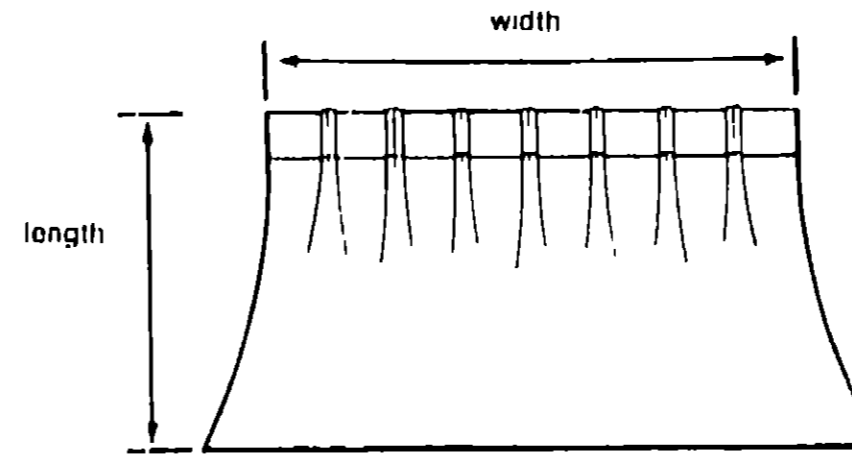
Key	Part Number	U/M	Description
	M87868-01-W10	EA	Door Asm. - Bathroom - w/o Hardware
	075687-02-000	EA	Lockset - Bronzestone
	M87925-01-W87	EA	Cabinet Asm. - Bath Countertop
	M03037-01-W87	EA	Countertop Asm. - Bath
	011056-01-000	EA	Faucet - Lavatory
	075452-02-000	EA	Holder - Tissue - Brass
	058331-14-000	EA	Mirror - Safety Glass - 14" x 12 70"
	009089-01-000	EA	Clip - Mirror
	075680-01-000	EA	Clothes Rod - Adjustable - 27" - 36"
	087892-01-000	EA	Lavatory - Plastic - 10 x 13 Beige
	090029-01-000	EA	Lavatory - Plastic - 10.6" x 10.6" - Beige
	063740-01-000	EA	Toilet - Aqua Marine - IV High
	009112-01-000	EA	Flange - Chrome Rod
	042438-01-000	EA	Dowel - Wood - 1" Dia. x 4'

CURTAIN, CUSHION & PAD GROUP

NOTICE

In order to assist our Parts Sales Dept. in providing interior software items, please include the serial number and the color code number from the vehicle certification label when ordering. This label is located on the left sidewall at the end of the dash (A-Body), or on the driver's door latch plate (C-Body).

An example of a color code number is P31, which designates an overall color scheme of a particular unit. The color listed after the item description on the microfiche, indicates the overall unit color. Order the item you desire according to unit color code.



NOTE

Use this illustration when determining length and width measurements for curtains. You will note the width measurement is taken on the top of the curtain with the curtain fully extended. The length measurement is taken from top to bottom.



Key	Part Number	U/M	Description
1	029130-01-000	EA	Socket - Snap Fastener
2	029155-01-000	EA	Cap - Snap - 1.56" Dia x 17" Barrel
3	029156-01-000	EA	Socket - Snap Fastener
4	029092-01-000	EA	Stud - Nickel Finish
5	029093-01-000	EA	Eyelet - Nickel Finish

1988 WINNEBAGO-ITASCA TABLE OF CONTENTS

W/IT319RK	A-01 - B-01
W/IT319RB	B-05 - C-06
W/IC420EG	C-09 - D-06
W/IF420RG	D-07 - E-10
W/IC420RG	D-07 - E-10
W/IF421RB	E-11 - F-04
W/IC421RB	E-11 - F-04
W/IF424RB	F-05 - G-02
W/IC424RB	F-05 - G-02
W/IF424RC	G-03 - H-02
W/IC424RC	G-03 - H-02
W/IF426RT	H-03 - I-02

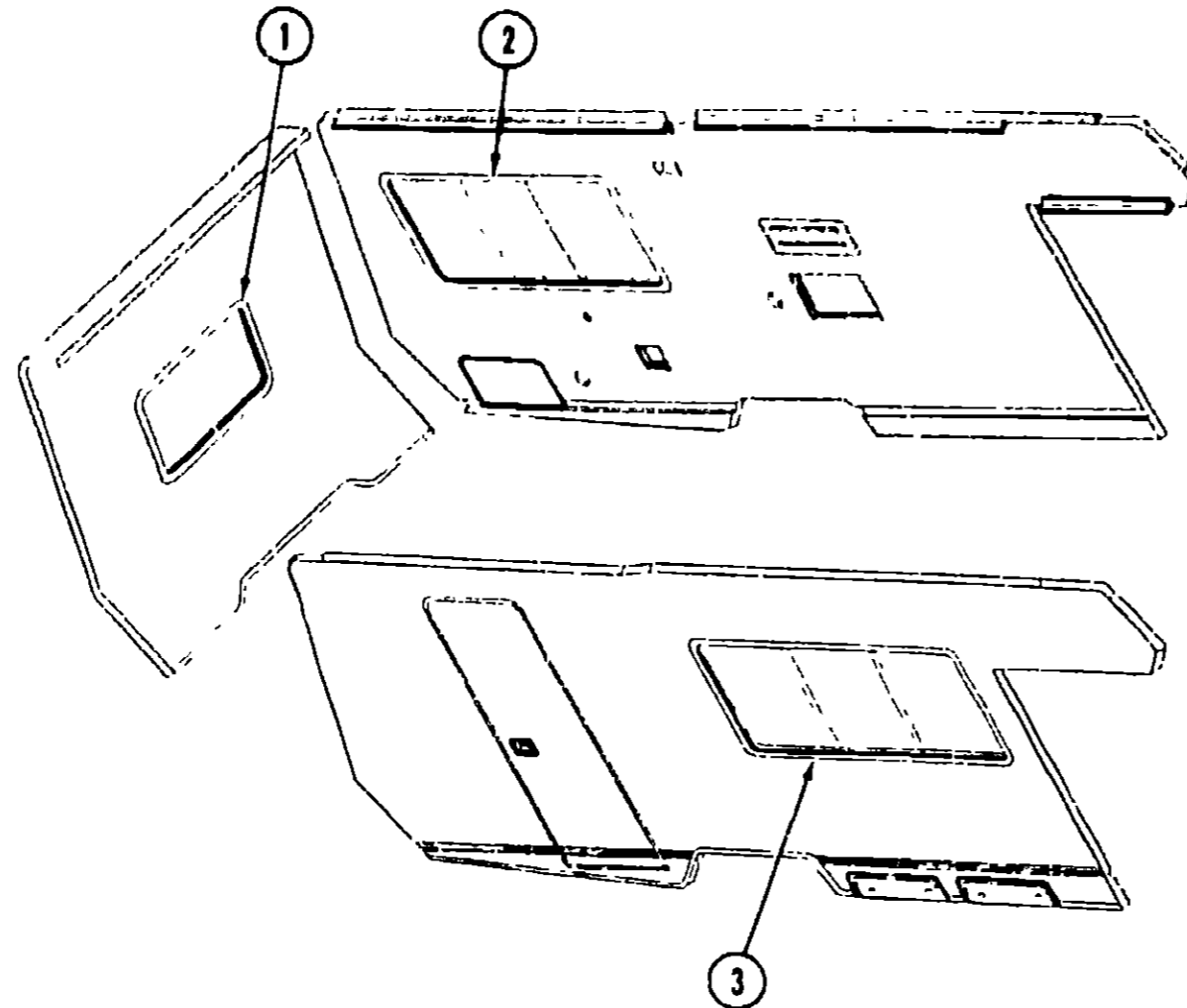
1988 W/IC420EG INDEX

Floor Plan	C-09 - C-10
Bath Group	C-11
Curtain, Cushion & Pad Group	C-12 - C-17
Dinette Group	C-18
Driver's Compartment Group	C-19
Exterior Body Group	C-20 - C-22
Galley Group	C-23 - C-24
Lounge Group	D-01
Water & Sewage Group	D-02
Window, Vent & Exterior Door Group	D-03 - D-05

CURTAIN, CUSHION & PAD GROUP (CONTINUED)

WINNEBAGO & ITASCA

CURTAINS, VALANCES & TIEBACKS



Key	Part Number	U/M	Description
1	066226-21-W87	EA	Curtain Asm w/Lining - 25" x 40"
1	066226-38-X87	EA	Valance Asm - 7" x 57"
2	066226-22-W87	EA	Curtain Asm w/Lining - 27 5" x 40"
2	066226-37-X87	EA	Valance Asm - 7" x 67"
3	066226-22-W87	EA	Curtain Asm w/Lining - 27 5" x 40"
3	066226-23-X87	EA	Valance Asm - 7" x 77"
•	073323-36-W87	EA	Curtain Asm w/Rod Top & Bottom - 19 5" x 30"
•	073260-13-X87	EA	Tieback Asm - 3" x 18"
•	073260-01-X87	EA	Tieback Asm - 2" x 14"
•	076892-04-W87	EA	Curtain Asm - Blackout - 45" x 56"
•	Not illustrated		

1988 WINNEBAGO-ITASCA TABLE OF CONTENTS

W/IT319PK	A-01 - B-04
W/IT319RB	B-05 - C-08
W/IC420EG	C-09 - D-06
W/IF420RG	D-07 - E-10
W/IC420RG	D-07 - E-10
W/IF421RB	E-11 - F-04
W/IC421RB	E-11 - F-04
W/IF424RB	F-05 - G-02
W/IC424RB	F-05 - G-02
W/IF424RC	G-03 - H-02
W/IC424RC	G-03 - H-02
W/IF426RT	H-03 - I-02

1988 W/IC420EG INDEX

Floor Plan	C-09 - C-10
Bath Group	C-11
Curtain, Cushion & Pad Group	C-12 - C-17
Dinette Group	C-18
Driver's Compartment Group	C-19
Exterior Body Group	C-20 - C-22
Galley Group	C-23 - C-24
Lounge Group	D-01
Water & Sewage Group	D-02
Window, Vent & Exterior Door Group	D-03 - D-05

CURTAIN, CUSHION & PAD GROUP (CONTINUED)

WINNEBAGO & ITASCA

COUCH

Key	Part Number	U/M	Description
1	073900-16-X87	EA	Cushion Asm. - Couch - 15.5" x 22" x 75" x 5"
	M73900-16-X87	EA	Cover Asm. - Couch Cushion - 15.5" x 22" x 75" x 5"
2	081998-81-X87	EA	Cushion Asm. - Side Cushion - 16" x 22.5" x 6"
	M81998-81-X87	EA	Cover Asm. - Side Cushion - 16" x 22.5" x 6"

WINNEBAGO & ITASCA

FRONT OVERHEAD BUNK CUSHIONS

Key	Part Number	U/M	Description
3	073310-07-X87	EA	Cushion Asm. - Front Bunk
	M73310-07-X87	EA	Cover Asm. - Front Bunk

WINNEBAGO & ITASCA

DINETTE CUSHION

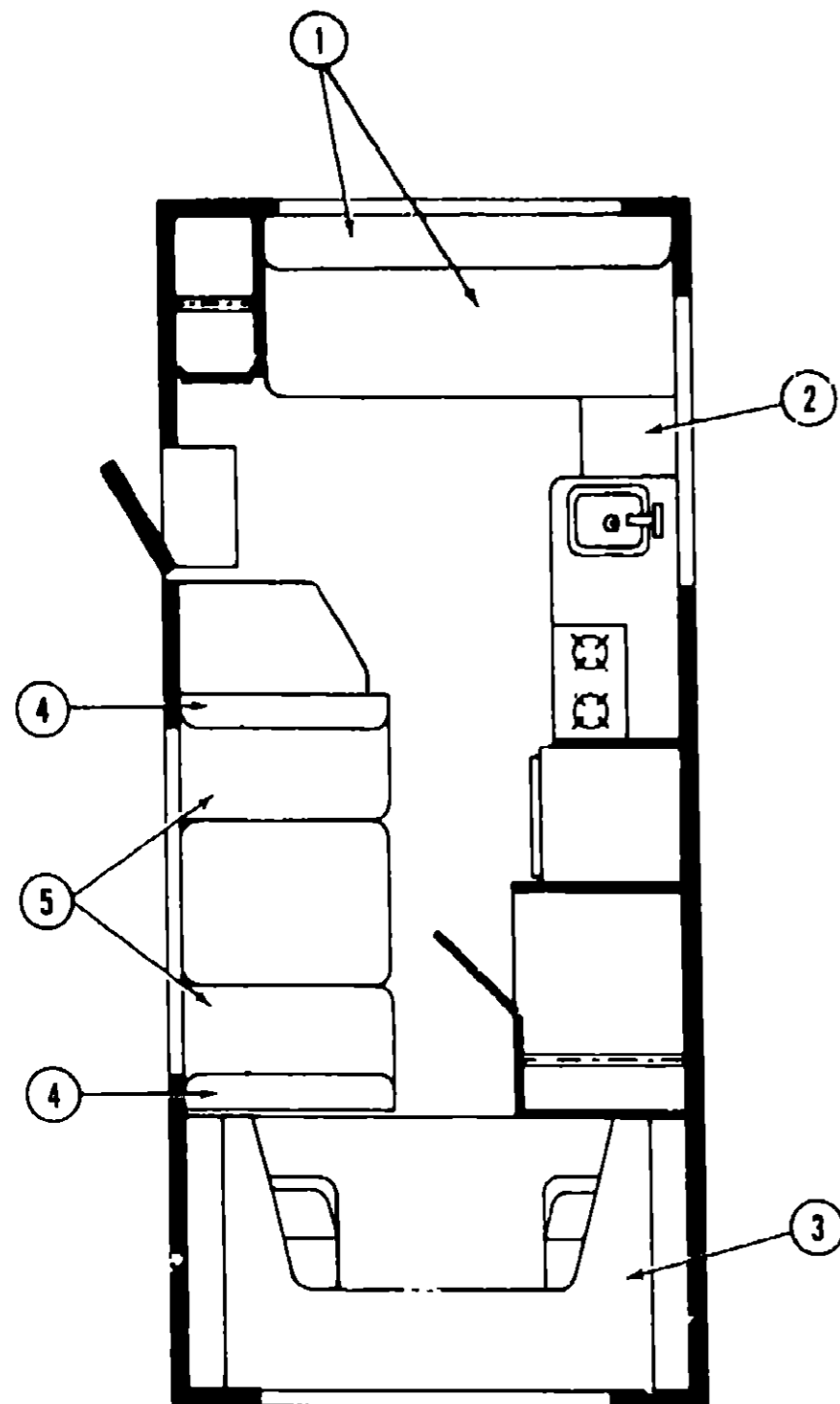
Key	Part Number	U/M	Description
4	081998-79-X87	EA	Cushion Asm. - Dinette Back - 19.25" x 38" x 5"
	M81998-79-X87	EA	Cover Asm. - Dinette Back Cushion - 19.25" x 38" x 5"
5	081998-80-X87	EA	Cushion Asm. - Dinette Bottom - 17.5" x 38" x 5"
	M81998-80-X87	EA	Cover Asm. - Dinette Bottom Cushion - 17.5" x 38" x 5"

**1988 WINNEBAGO-ITASCA
TABLE OF CONTENTS**

W/IT319RK	A-01 - B-04
W/IT319RB	B-05 - C-08
W/IC420EG	C-09 - D-06
W/IF420RG	D-07 - E-10
W/IC420RG	D-07 - E-10
W/IF421RB	E-11 - F-04
W/IC421RB	E-11 - F-04
W/IF424RB	F-05 - G-02
W/IC424RB	F-05 - G-02
W/IF424RC	G-03 - H-02
W/IC424RC	G-03 - H-02
W/IF426RT	H-03 - I-02

1988 W/IC420EG INDEX

Floor Plan	C-09 - C-10
Bath Group	C-11
Curtain, Cushion & Pad Group	C-12 - C-17
Dinette Group	C-18
Driver's Compartment Group	C-19
Exterior Body Group	C-20 - C-22
Galley Group	C-23 - C-24
Lounge Group	D-01
Water & Sewage Group	D-02
Window, Vent & Exterior Door Group	D-03 - D-05



CURTAIN, CUSHION & PAD GROUP (CONTINUED)

CURTAIN & CUSHION HARDWARE

Key	Part Number	U/M	Description
	053163-01-000	EA	Bracket - Couch Slide
	054398-01-000	EA	Bracket - Couch - Brown
	039175-02-000	EA	Bracket - Curtain Rod - Cafe
	039175-05-000	EA	Bracket - Curtain Rod - Center
	042439-01-000	EA	Bracket - Curtain Rod - Single
	039175-01-000	EA	Rod - Cafe Curtain - Extension - 48" - 84"
	049897-02-000	EA	Rod - Curtain - Flat - Extension 48" - 84"
	048394-02-000	YD	Tape Hook - .75" x 50 YD - Beige
	048395-02-000	YD	Tape Loop - .75" x 50 YD - Beige

WINNEBAGO & ITASCA

BUCKET SEATS

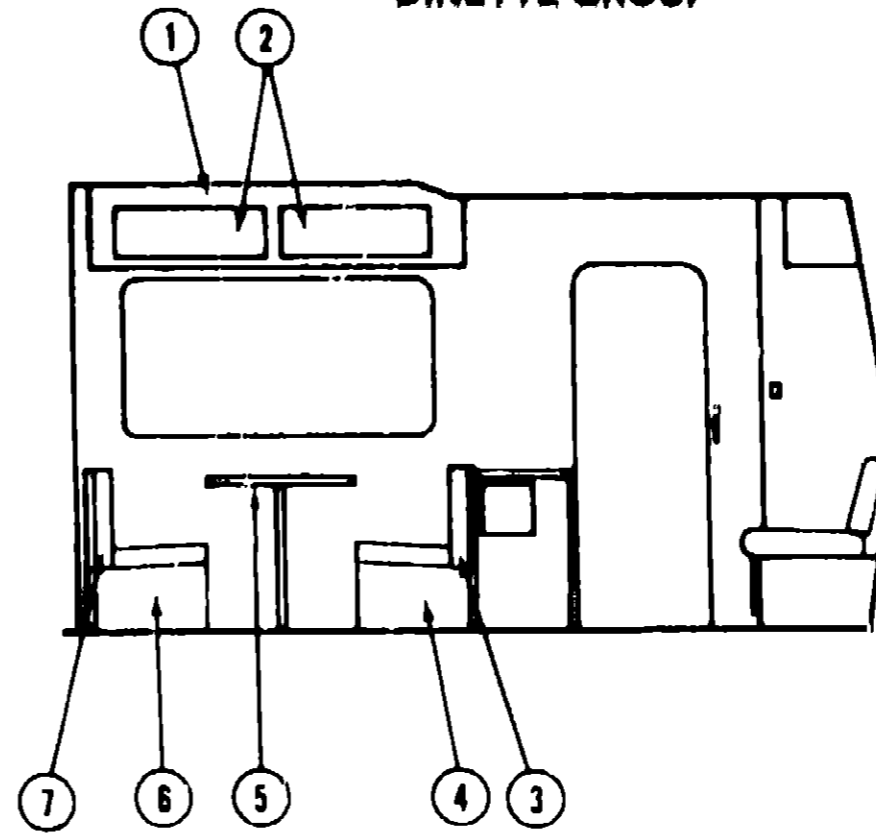
Key	Part Number	U/M	Description
	084191-03-X87	EA	Seat Asm. - Non Pillow
	M01864-29-X87	EA	Cover Asm - Seat Bottom
	M01864-30-X87	EA	Cover Asm - Seat Back

WINNEBAGO & ITASCA

FABRICS & TRIMS

Key	Part Number	U/M	Description
	088274-34-000	YD	Fabric - Main Upholstery (X87, X88)
	077484-01-000	YD	Vinyl - Accent - Gray (X87, X88)
	079680-01-000	YD	Vinyl - Expanded - Buckskin (X87, X88)
	072333-29-000	YD	Fabric - Drapery (X87, X88)
	071127-11-X87	EA	Button Asm - #30 Round - Fabric Covered
	071127-13-X87	EA	Button Asm - #30 Round - Gray Vinyl
	070578-06-W87	EA	Button Asm - #30 Round - Buckskin - Vinyl
	053552-02-W24	EA	Assist Handle - Interior - Buckskin - Vinyl
	080742-01-000	FT	Vinyl Trim - Sleeper Board - Buckskin
	052859-06-T03	FT	Vinyl Trim - Accent - Dark Sandrift

DINETTE GROUP



DINETTE & OVERHEAD CABINERY

Key	Part Number	U/M	Description
1	M#7861-01-X88	EA	Cabinet Asm - Dinette Overhead - w/o Doors or Hardware
2	M88301-33-X88	EA	Door Asm - Dinette Overhead Cabinet - w/o Hardware
3	M03027-01-X87	EA	Cabinet Asm - Dinette Back - Rear
4	M03026-01-X88	EA	Cabinet Asm - Dinette Seat - Rear
5	M81296-06-X87	EA	Table Asm - Dinette - w/o Hardware
6	M03026-02-X88	EA	Cabinet Asm - Dinette Seat - Front - w/o Hardware
7	M03027-02-X87	EA	Cabinet Asm - Dinette Back - Front
**	053200-08-000	EA	Bracket - Upper Wall Mount - 23 5"
**	053201-07-000	EA	Bracket - Table Mount - 23"
†	088410-01-000	EA	Bracket - Table Mount
*	024275-09-000	EA	Rod - Table Lift - 8" x 23 5"
*	024281-10-000	EA	Bracket - Lower Wall Mount - 22 12"
*	024276-17-000	EA	Leg Asm - Table - 26 5"
**	024282-01-000	EA	Brace - Table Leg
**	024283-01-000	EA	Clip - 1" - 1 25" O D Tube
*	049493-05-000	EA	Catch - Table Leg - Mounts on Floor
*	064781-05-000	EA	Cup Holder - 3 47" O D x 2 75" I D x 1 5"
*			Not illustrated
**	The illustrated parts breakdown for this item is provided on the Common Items Fiche		
†	Used in units produced after 9/7/87		

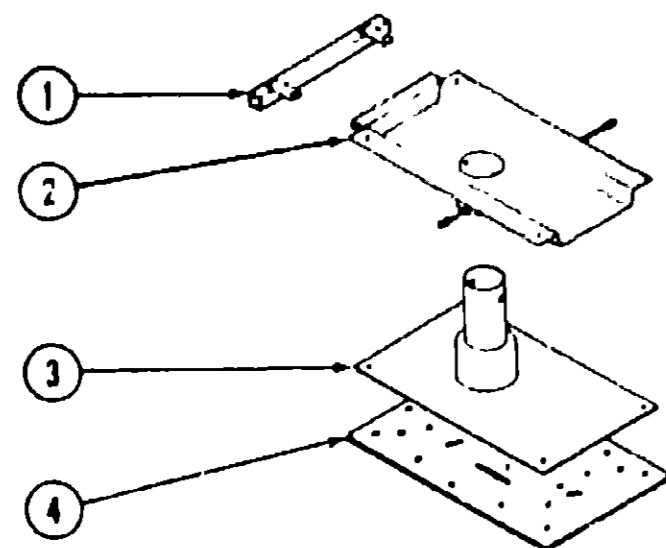
**1988 WINNEBAGO-ITASCA
TABLE OF CONTENTS**

W/IT319RK	A-01 - B-04
W/IT319RB	B-06 - C-08
W/IC420EG	C-09 - D-08
W/IF420RG	D-07 - E-10
W/IC420RG	D-07 - E-10
W/IF421RB	E-11 - F-04
W/IC421RB	F-11 - F-04
W/IF424RB	F-05 - G-02
W/IC424RB	F-05 - G-02
W/IF424RC	G-03 - H-02
W/IC424RC	G-03 - H-02
W/IF426RT	H-03 - I-02

1988 W/IC420EG INDEX

Floor Plan	C-09 - C-10
Bath Group	C-11
Curtain, Cushion & Pad Group	C-12 - C-17
Dinette Group	C-18
Driver's Compartment Group	C-19
Exterior Body Group	C-20 - C-22
Galley Group	C-23 - C-24
Lounge Group	D-01
Water & Sewage Group	D-02
Window, Vent & Exterior Door Group	D-03 - D-05

DRIVERS COMPARTMENT GROUP



BUCKET SEAT PEDESTAL & SEAT BELT

Key	Part Number	U/M	Description
1	069575-29-000	EA	Bar - Seat Belt - 20"
2	069585-27-000	EA	Plate - Top - Pedestal Asm - Bucket Seat
3	069585-03-000	EA	Plate - Sub - Pedestal Asm - Bucket Seat
4	069585-02-000	EA	Plate - Base - Pedestal Asm - Bucket Seat
.	007021-01-000	EA	Belt Asm - Seat - 2" x 90" - Black
.	041322-01-000	EA	Washer - Flat - 15/32" I D x 2 3/8" O D - Seat Belt
.	057759-01-000	EA	Bracket - Seat Belt Washer
.	069246-01-000	EA	Adjuster Asm - Seat - w/Lock
.	069246-02-000	EA	Adjuster Asm - Seat - w/o Lock
.			Not illustrated

MISCELLANEOUS DRIVERS COMPARTMENT COMPONENTS

Key	Part Number	U/M	Description
	087012-01-X88	EA	Headboard Asm
	080742-01-000	FT	Trim - Front - Sleeperboard - Vinyl
	079800-01-000	FA	Trim - Sleeperboard - Off White
	M87929-01-X88	EA	Panel Asm - Wingwall Transition - Inner - Passenger
	M87929-02-X88	EA	Panel Asm - Wingwall Transition - Inner - Driver
	087931-01-000	EA	Headliner - Overhead Bunk

EXTERIOR BODY GROUP

MISCELLANEOUS EXTERNALLY MOUNTED PARTS

Key	Part Number	U/M	Description
	083558-01-000	EA	Plumbing Seal - Roof Vent - 1.5" - w/Cap
	087659-04-000	EA	Fill - City Water - Recessed - Off White
	081240-03-000	EA	Water Fill - Lockable - Off White
	078040-01-000	EA	Shroud - Fuel Fill - Upper
	083578-01-000	EA	Boot - Fuel Fill

NOTE: See the Common Items Fiche for Screws & Fasteners.

1988 WINNEBAGO-ITASCA TABLE OF CONTENTS

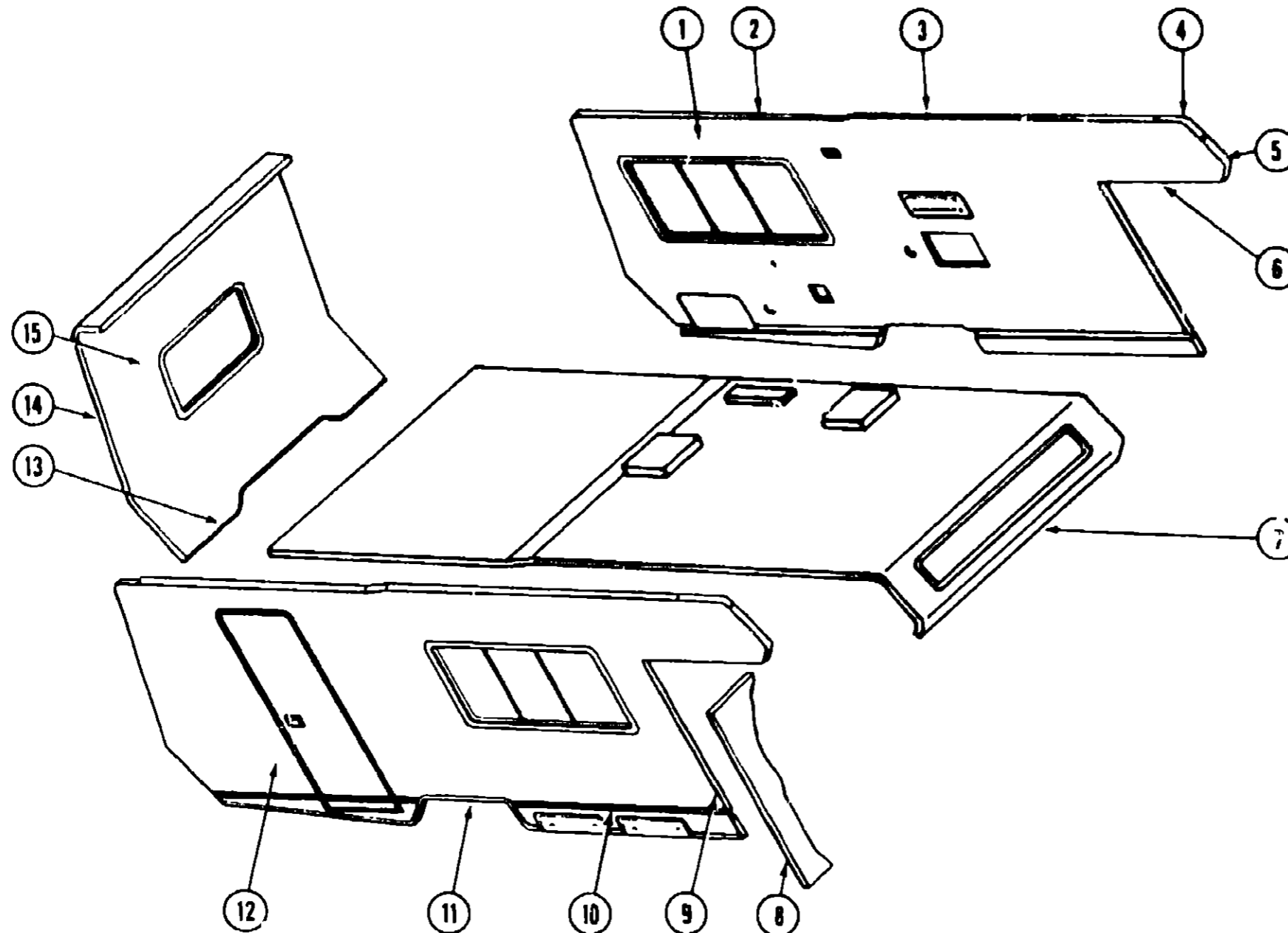
W/IT319RK	A-01 - B-04
W/IT319RB	B-05 - C-08
W/IC420EG	C-09 - D-08
W/IF420RG	D-07 - E-10
W/IC420HG	D-07 - E-10
W/IF421RB	E-11 - F-04
W/IC421RB	E-11 - F-04
W/IF424RB	F-05 - G-02
W/IC424RB	F-05 - G-02
W/IF424HC	G-03 - H-02
W/IC424RC	G-03 - H-02
W/IF428RT	H-03 - I-02

1988 W/IC420EG INDEX

Floor Plan	C-09 - C-10
Bath Group	C-11
Curtain, Cushion & Pad Group	C-12 - C-17
Dinette Group	C-18
Driver's Compartment Group	C-19
Exterior Body Group	C-20 - C-22
Galley Group	C-23 - C-24
Lounge Group	D-01
Water & Sewage Group	D-02
Window, Vent & Exterior Door Group	D-03 - D-05

EXTERIOR BODY GROUP (CONTINUED)

EXTERIOR BODY PANELS



Key	Part Number	U/M	Description
1	M87827-01-X87	EA	Sidewall Asm - Driver - Winnebago
1	M87827-01-X88	EA	Sidewall Asm - Driver - Itasca
2	077339-12-000	EA	Contour Trim - Upper Rear Driver - Off White
*	077339-11-000	EA	Contour Trim - Upper Rear Passenger - Off White
3	076802-08-000	EA	Contour Trim - Upper Front Driver - Off White
*	076802-07-000	EA	Contour Trim - Upper Front Passenger - Off White
4	085490-02-000	EA	Contour Trim - Sleeper - Driver - Off White
*	085490-01-000	EA	Contour Trim - Sleeper - Passenger - Off White
5	086889-02-000	EA	Trim - Front Radius - Plastic - Driver - Off White
*	086889-01-000	EA	Trim - Front Radius - Plastic - Passenger - Off White
6	076975-06-000	EA	Trim - Wingwall - 52 2" - Driver - Off White
*	076975-05-000	EA	Trim - Wingwall - 52 2" - Passenger - Off White
7	039644-08-000	EA	Trim - Sleeperboard - Front
*	M81652-01-X87	EA	Sleeper Board Asm
8	M82343-01-U01	EA	Wingwall Asm - Passenger
*	M82343-02-U01	EA	Wingwall Asm - Driver
9	076975-03-000	EA	Trim - Wingwall Transition - Passenger - Off White
*	076975-04-000	EA	Trim - Wingwall Transition - Driver - Off White
10	059576-05-000	EA	Feature Strip - Extr Aluminum - 14 8' - Autumn White

Key	Part Number	U/M	Description
*	001030-02-100	EA	Insert - Feature Strip - 17 Stucco - Off White
*	009731-01-000	EA	End Cap - Feature Strip
*	041746-01-000	FT	Extr Vinyl - Bubble Seal - Wingwall
11	080266-02-000	EA	Rear Trim - Wheelwell - Driver or Passenger
12	M87826-01-X87	EA	Sidewall Asm - Passenger - Winnebago
12	M87826-01-X88	EA	Sidewall Asm - Passenger - Itasca
13	074966-02-000	EA	Backwall Trim - Lower - Driver or Passenger
14	076805-01-000	EA	Contour Trim - Backwall - Passenger - Off White
*	076805-02-000	EA	Contour Trim - Backwall - Driver - Off White
15	M87828-01-X87	EA	Backwall Asm
*	M03149-01-X87	EA	Roof Asm
*	001054-01-011	EA	Aluminum - No Design - 48" x 96" - Off White
*	000868-01-000	SF	Styrofoam - 75" x 24" x 96"
*	000870-01-000	SF	Styrofoam - 1 5" x 24" x 96"
*	000870-03-000	SF	Styrofoam - 1 34" x 48" x 96"
*	000870-02-000	SF	Styrofoam - 1 5" x 48" x 96"
*			Not illustrated

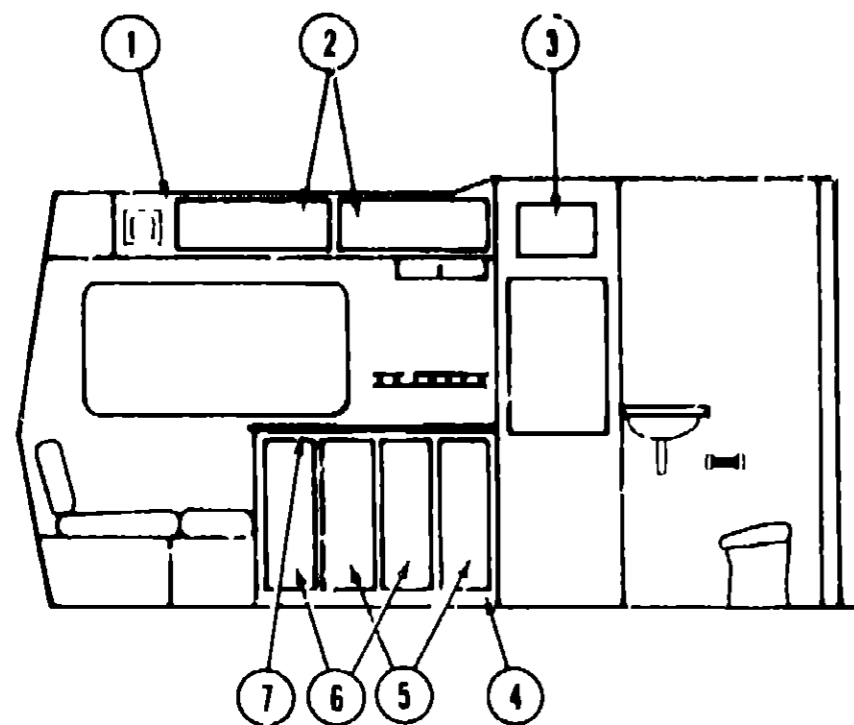
1988 WINNEBAGO-ITASCA TABLE OF CONTENTS

W/IT319RK	A-01 - B-04
W/IT319RB	B-05 - C-08
W/IC420EG	C-09 - D-06
W/IF420RG	D-07 - E-10
W/IC420RG	U-07 - E-10
W/IF421RB	E-11 - F-04
W/IC421RB	E-11 - F-04
W/IF424RB	F-05 - G-02
W/IC424RB	F-05 - G-02
W/IF424RC	G-03 - H-02
W/IC424RC	G-03 - H-02
W/IF426RT	H-03 - I-02

1988 W/IC420EG INDEX

Floor Plan	C-09 - C-10
Bath Group	C-11
Curtain, Cushion & Pad Group	C-12 - C-17
Dinette Group	C-18
Driver's Compartment Group	C-19
Exterior Body Group	C-20 - C-22
Galley Group	C-23 - C-24
Lounge Group	D-01
Water & Sewage Group	D-02
Window Vent & Exterior Door Group	D-03 - D-05

GALLEY GROUP



GALLEY CABINETRY

Key	Part Number	U/M	Description
1	M87860-01-X87	EA	Cabinet Asm - Galley Overhead - w/o Doors or Hardware
2	M88301-33-X87	EA	Door Asm - Galley Overhead Cabinet - 11 41" x 28 14" - w/o Hardware
3	M88301-05-X87	EA	Door Asm - Icebox/Refrigerator Cabinet - 18 7" x 12" - w/o Hardware
4	087859-01-X87	EA	Cabinet Asm - Galley - w/o Countertop, Doors or Hardware
**	087859-02-X87	EA	Cabinet Asm - Galley - w/o Countertop, Doors or Hardware
5	M88301-36-X87	EA	Door Asm - Galley Cabinet - 11 14" x 28 14" - w/o Hardware
6	M88301-35-X87	EA	Door Asm - Galley Cabinet - 11 14" x 28 14" - w/o Hardware
7	M03029-01-X87	EA	Countertop Asm - Galley Cabinet
**	M03029-02-X87	EA	Countertop Asm - Galley Cabinet
**	Parts used with the Interior Upgrade Package		

GALLEY GROUP (CONTINUED)

GALLEY APPLIANCES & HARDWARE

Key	Part Number	U/M	Description
	079352-01-000	EA	Range Hood - Non-Powered w/Light - Almond
	079354-03-000	EA	Spacer - Range Hood - 3 85"
**	064473-01-000	EA	Refrigerator - AC/DC/Gas - 10orcold 8' - 766 - EG2
	054450-01-000	EA	Level Refrigerator
	011029-01-000	EA	Sink - Stainless Steel - Single w/Bolts
	097264-01-000	EA	Faucet - Pump - Center Swing
**	011053-01-000	EA	Faucet - Swing Spout - 8" - IJS
**	011053-01-700	EA	Aerator - Swing Spout Faucet
	052953-01-000	EA	Nut - Faucet - 1/2 Tube x 1/2 FPT
	066437-01-000	EA	Strainer w/Basket - Sink
	074490-01-000	EA	Spice Rack - Oak
	059777-02-000	EA	Hinge - Cabinet Door - Brass
	086264-01-000	EA	Pull - Cabinet Door
	087265-01-000	EA	Ice Box - Deluxe - 75 - w/o Panel
	086270-01-000	EA	Range - 2 Burner - w/o Oven - Stainless Steel
	086270-01-701	EA	Grate Clip
	086270-01-702	EA	Grate
	086270-01-703	EA	Main Top
	086270-01-704	EA	Stud - Top Hold - Down
	086270-01-705	EA	Washer - Nylon - 8" Down
	086270-01-706	EA	Knob - Burner
	086270-01-707	EA	Valve Panel Asm
	086270-01-708	EA	Burner - Left
	086270-01-709	EA	Burner - Right
	086270-01-710	EA	Burner Valve - Complete
	086270-01-711	EA	Gas Regulator
	093586-01-000	EA	Catch - Spring Roller
	093587-01-000	EA	Strike - Spring Steel

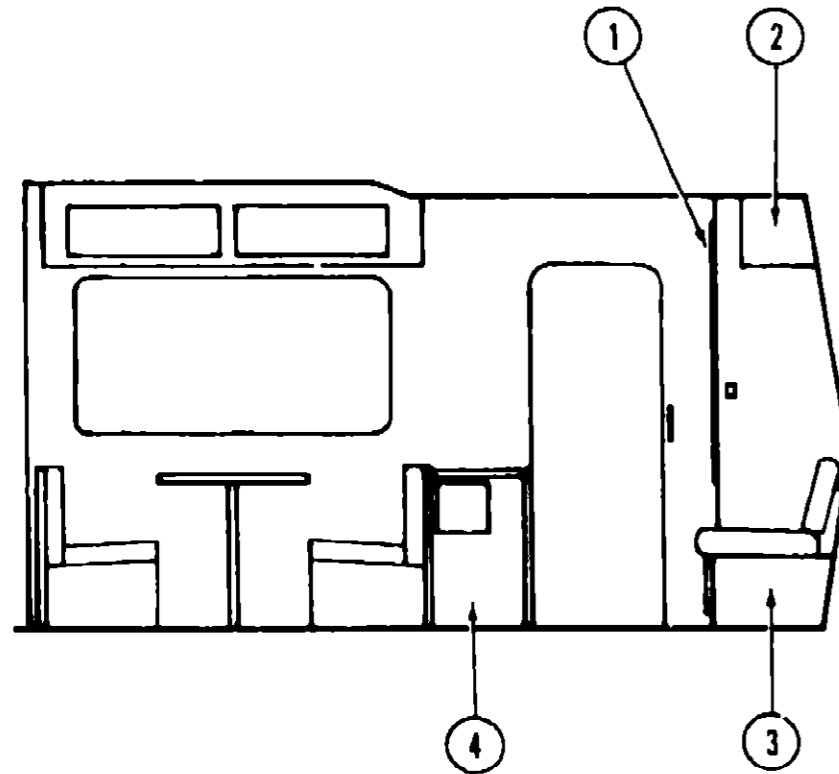
1988 WINNEBAGO-ITASCA TABLE OF CONTENTS

W/IT319RK	A-01 - B-04
W/IT319RB	B-05 - C-06
W/IC420EG	C-09 - D-06
W/IF420RG	D-07 - E-10
V/IC420RC	E-07 - E-10
W/IF421RB	E-11 - F-04
W/IC421RB	E-11 - F-04
W/IF424RB	F-05 - G-02
W/IC424RB	F-05 - G-02
W/IF424RC	G-03 - H-02
W/IC424RC	G-03 - H-02
W/IF426RT	H-03 - I-02

1988 W/IC420EG INDEX

Floor Plan	C-09 - C-10
Bath Group	C-11
Curtain, Cushion & Pad Group	C-12 - C-17
Dinette Group	C-18
Driver's Compartment Group	C-19
Exterior Body Group	C-20 - C-22
Galley Group	C-23 - C-24
Lounge Group	D-01
Water & Sewage Group	D-02
Window, Vent & Exterior Door Group	D-03 - D-05

LOUNGE GROUP



LOUNGE OVERHEAD & WARDROBE CABINERY

Key	Part Number	U/M	Description
1	M88301-34-X88	EA	Door Asm. - Wardrobe Cabinetry - w/o Hardware
2	M87862-01-W88	EA	Cabinet Asm. - Rear Overhead - w/o Doors or Hardware
*	M88301-33-X88	EA	Door Asm. - Rear Overhead - w/o Hardware
3	M87854-01-X88	EA	Cabinet Asm. - Couch - w/o Door or Hardware
*	M88301-32-X87	EA	Door Asm. - Couch Cabinet - w/o Hardware
4	087855-01-X87	EA	Cabinet Asm. - Nightstand - w/o Doors or Hardware
*	M03030-01-X87	EA	Countertop Asm. - Nightstand Cabinet
*	M88301-05-X87	EA	Door Asm. - Nightstand Cabinet - w/o Hardware
*	Not illustrated		

LOUNGE HARDWARE

Key	Part Number	U/M	Description
	083125-03-000	EA	Brace - Couch - Tan
	056875-02-000	EA	Leg Asm. - Couch
	022517-01-000	EA	End Cap - 1" x 1" - Brown
	053163-01-000	EA	Bracket - Couch - Sliding
	053347-01-000	EA	Wire - Pin - Spring - 3/32"
	053348-01-000	EA	Steel Pin - 1/4" x 4" x 3/32" Hole
	054398-01-000	EA	Bracket - Center Support - Couch - Brown
	009112-01-000	EA	Flange - 1" Closet Rod - Chrome
	009021-01-000	EA	Catch - Nylon - Furnace Door
	009021-02-000	EA	Strike - Steel - Furnace Door

WATER & SEWAGE GROUP

PLUMBING & REPAIR PARTS

Key	Part Number	U/M	Description
	010326-01-000	EA	Adapter - Flare - w/Cone Gasket
	062416-01-000	EA	Adapter - Hose - 3"
	052954-01-000	EA	Adapter - Hose Cone - 3/8 or 1/2 - Plastic
	004020-01-000	QT	Adhesive - ABS Cement
	062415-01-000	EA	Cap - Sewer - 3"
	052960-01-000	EA	Drain Valve - 1/2 F x 1/2 F - Plastic
	010006-01-000	EA	Elbow - Plastic - 1/8 BD x 1 1/2 x 45° H x H
	010008-01-000	EA	Elbow - Plastic - 1/4 BD x 1 1/2 x 90° Left
	010051-01-000	EA	Elbow - ST - Plastic - 1/8 BD x 1 1/2 x 45°
	041956-01-000	EA	Elbow - ST - Plastic - 1/4 BD x 3 x 90°
	031111-01-000	EA	Elbow - Plastic - 1/4 BD x 1 1/4 x 90° Left
	052957-02-000	EA	Elbow - Plastic - 1/2 F x 1/2 MPT (In Tank Filter)
	065120-01-000	EA	Elbow - Plastic - Swivel - 50
	070924-01-000	EA	Elbow - Plastic - Swivel - 1/2 MPT x 1/2 FP
	087264-01-000	EA	Faucet - Pump - Center Swing
	077354-02-000	EA	Filter/Screen - Water - In Tank
	061607-01-000	EA	Grommet - Holding Tank Coupler - 1 1/2"
	061607-02-000	EA	Grommet - Holding Tank Coupler - 3"
	052952-01-000	EA	Nut - 1/2 F - Plastic
	052953-01-000	EA	Nut - Faucet - 1/2 Tube x 1/2 FPT
	053770-01-000	EA	P-Trap - Plastic - Special
	010197-01-000	FT	Pipe - Plastic - 3" x 240" - Black
	045729-01-000	EA	Pump - Water - 2.8 G P M - Direct Drive - Shurflo - US
**	010201-01-000	EA	Sewer Hose - 3" x 8' w/Clamp
	042989-03-000	EA	Spinweld Fittings - Plastic - 1/4 NPT
	042989-04-000	EA	Spinweld Fittings - Plastic - 3/8 FPT
	049032-01-000	EA	Spinweld Patch - Plastic 3/8"
	010071-01-000	EA	Tee - Plastic - 1 1/2 x H x H x H
**	010079-01-000	EA	Tee - Plastic - 1 1/2 H x 1 1/2 H x 1 1/4 H
	052955-01-000	EA	Tee - Plastic - 1/2 F x 1/2 F x 1/2 MPT
	052958-01-000	EA	Tee - Plastic - 1/2 F x 1/2 F x 1/2 F
	053771-01-000	FT	Tubing - Vinyl Drain - 3/4 I D
	074462-01-000	FT	Tubing - Vinyl - 3/8 I D
	062418-01-000	EA	Valve - 3" w/Handle
	052960-01-000	EA	Valve - Line Drain - 1/2 F x 1/2 F
**	The illustrated parts breakdown for this item is provided on the Common Items Fiche		

HOLDING TANKS & WATER HEATER

Key	Part Number	U/M	Description
	057063-02-000	EA	Tank Asm. - Water - 28 Gallon - w/Fittings
	057063-01-000	EA	Tank - Water - 28 Gallon - w/o Fittings
	083041-01-000	EA	Tank - Holding - 30 Gallon - w/o Fittings
**	051391-02-000	EA	Water Heater - w/o Motor Aid - 4 Gallon
**	The illustrated parts breakdown for this item is provided on the Common Items Fiche		

1988 WINNEBAGO-ITASCA TABLE OF CONTENTS

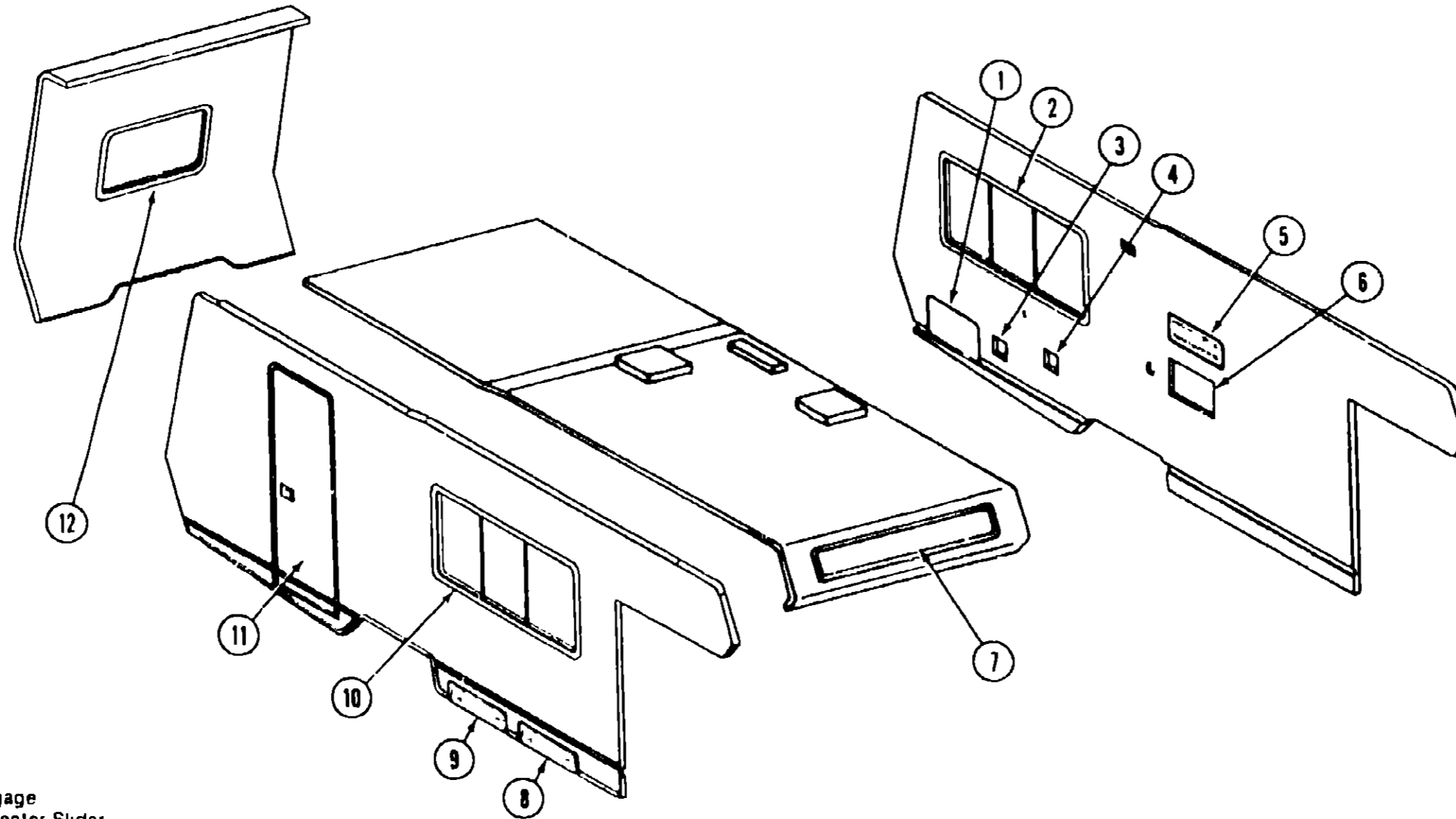
W/IT319RK	A-01 - B-04
W/IT319RB	B-05 - C-08
W/IC420EG	C-09 - D-06
W/IF420RG	D-07 - E-10
W/IC420RG	D-07 - E-10
W/IF421RB	E-11 - F-04
W/IC421RB	E-11 - F-04
W/IF424RB	F-05 - G-02
W/IC424RB	F-05 - G-02
W/IF424RC	G-03 - H-02
W/IC424RC	G-03 - H-02
W/IF426RT	H-03 - I-02

1988 W/IC420EG INDEX

Floor Plan	C-09 - C-10
Bath Group	C-11
Curtain, Cushion & Pad Group	C-12 - C-17
Dinette Group	C-18
Driver's Compartment Group	C-19
Exterior Body Group	C-20 - C-22
Galley Group	C-23 - C-24
Lounge Group	D-01
Water & Sewage Group	D-02
Window, Vent & Exterior Door Group	D-03 - D-05

WINDOW, VENTS & EXTERIOR DOOR GROUP

WINDOWS & ACCESS DOORS



Key	Part Number	U/M	Description
1	083839-01-W87	EA	Door Asm - Luggage
2	078271-01-T03	EA	Window Asm - Center Slider
*	083122-22-000	EA	Inside Frame - Tan (not included in assembly)
3	078960-01-T95	EA	Door - Power Cord - w/Hatch
*	063742-01-000	EA	Door - Power Cord
*	052424-01-000	EA	Jamb - Power Cord Door
*	054543-01-000	EA	Hatch - Power Cord Door
4	078010-03-000	EA	Door - Fuel Fill
5	084103-03-000	EA	Door Asm - Refrigerator Access
*	084104-03-000	EA	Jamb - Refrigerator Access
6	052009-01-000	EA	Door Asm - Water Heater
7	078533-03-W17	EA	Window Asm - Front Picture
*	041938-08-000	EA	Inside Frame - Tan (not included in assembly)
8	079455-06-T95	EA	Door Asm - LP
9	079455-06-T95	EA	Door Asm - Battery
10	078269-01-T03	EA	Window Asm - Double Slider
*	083122-21-000	EA	Inside Frame - Tan (not included in assembly)
11	M01870-13-X87	EA	Entrance Door - w/o Screen or Window
12	078528-01-T03	EA	Window Asm - Escape
*	074816-05-000	EA	Inside Frame - Tan (not included in assembly)
*	Not illustrated		

1988 WINNEBAGO-ITASCA TABLE OF CONTENTS

W/IT319RK	A-01 - B-04
W/IT319RB	B-05 - C-08
W/IC420EG	C-09 - D-08
W/IF420RG	D-07 - E-10
W/IC420RG	D-07 - E-10
W/IF421RB	E-11 - F-04
W/IC421RB	E-11 - F-04
W/IF424RB	F-05 - G-02
W/IC424RB	F-05 - G-02
W/IF424RC	G-03 - H-02
W/IC424RC	G-03 - H-02
W/IF426RT	H-03 - I-02

1988 W/IC420EG INDEX

Floor Plan	C-09 - C-10
Bath Group	C-11
Curtain, Cushion & Pad Group	C-12 - C-17
Dinette Group	C-18
Driver's Compartment Group	C-19
Exterior Body Group	C-20 - C-22
Galley Group	C-23 - C-24
Lounge Group	D-01
Water & Sewage Group	D-02
Window, Vent & Exterior Door Group	D-03 - D-05

WINDOW, VENT & EXTERIOR DOOR GROUP (CONTINUED)

ACCESS DOORS & HARDWARE

Key	Part Number	U/M	Description
	063742-01-000	EA	Door - Power Cord - Off White
	052424-01-000	EA	Jamb - Power Cord/Fuel Fill Door
	054543-01-000	EA	Hatch - Power Cord Door
	083615-06-000	EA	Door Stop - Plastic - Off White
	009101-01-000	EA	Door Holder - Male
	009101-02-000	EA	Door Holder - Female
	079927-03-000	EA	Lock Asm - Twist Type
	047305-01-000	EA	Lock Asm - Key Type w/Clip
	079366-04-000	EA	Lock Asm - Key Type
	079366-01-000	FT	Seal - Access Door

VENTS

Key	Part Number	U/M	Description
	065103-02-000	EA	Cover - Refrigerator Vent - 9 88" x 20 5" - Plastic
	065103-01-000	EA	Frame Asm - Refrigerator Vent - 8 17" x 22 94" - Plastic
	084878-09-000	EA	Vent - Stovehood - Outside - Off White
**	048835-01-000	EA	Vent Asm - Roof - Non Powered - w/o Screen - Alum
	078786-01-T03	EA	Screen Asm - Roof Vent - Non-Powered
	083558-01-000	EA	Roof Vent - Pipe Cover
	084610-01-000	EA	Shroud Vent - Range Hood - Off White
**	The illustrated parts breakdown for this item is provided on the Common Items Fiche		

ENTRANCE DOOR

Key	Part Number	U/M	Description
	M01870-13-X87	EA	Door Asm - Radius Entry - w/o Screen Door or Window
	078000-02-000	EA	Frame - Entry Door
	045017-05-000	EA	Paddle Asm - Door Lock - Exterior
	045017-05-700	EA	Lock Cylinder w/Keys - Lynor
	039539-01-000	EA	Striker Bolt - Entry Door
	039540-01-000	EA	Latch Claw - Entry Door
	039738-01-000	EA	Dead Bolt - Entry Door
	039979-01-000	EA	Plate - Inside Lock - Includes Inside Handle
	082640-06-000	FT	Ribtion Sealer - 5/16" Bead x 15'
	078591-03-000	EA	Jamb Asm - Entrance Door
	051049-01-000	EA	Jamb - Entrance Door - Bottom
	079361-05-000	EA	Hinge - Entrance Door
	058025-02-000	EA	Clip - Roller Latch Catch
	044582-02-000	EA	Drip Cap - Off White
	075739-01-000	EA	Stiffener - Entrance Door - Off White
	075673-01-000	FT	Seal - Pile - Adhesive Back
	075671-01-000	FT	Seal - Sponge - Lazy "T" Shaped
	063729-04-000	EA	Rivnut - 10-32 UNF - 010 - 080
	079173-01-000	EA	Gasket - Dead Bolt
	083205-01-000	EA	Dead Bolt - Press Fit - Harloc

1988 WINNEBAGO-ITASCA TABLE OF CONTENTS

W/IT319RK	A-01 - B-04
W/IT319RB	B-05 - C-08
W/IC420EG	C-09 - D-06
W/IF420RG	D-07 - E-10
W/IC420RG	D-07 - E-10
W/IF421RB	E-11 - F-04
W/IC421RB	E-11 - F-04
W/IF424RB	F-05 - G-02
W/IC424RB	F-05 - G-02
W/IF424RC	G-03 - H-02
W/IC424RC	G-03 - H-02
W/IF428RT	H-03 - I-02

1988 W/IC420EG INDEX

Floor Plan	C-09 - C-10
Bath Group	C-11
Curtain, Cushion & Pad Group	C-12 - C-17
Dinette Group	C-18
Driver's Compartment Group	C-19
Exterior Body Group	C-20 - C-22
Galley Group	C-23 - C-24
Lounge Group	D-01
Water & Sewage Group	D-02
Window, Vent & Exterior Door Group	D-03 - D-05