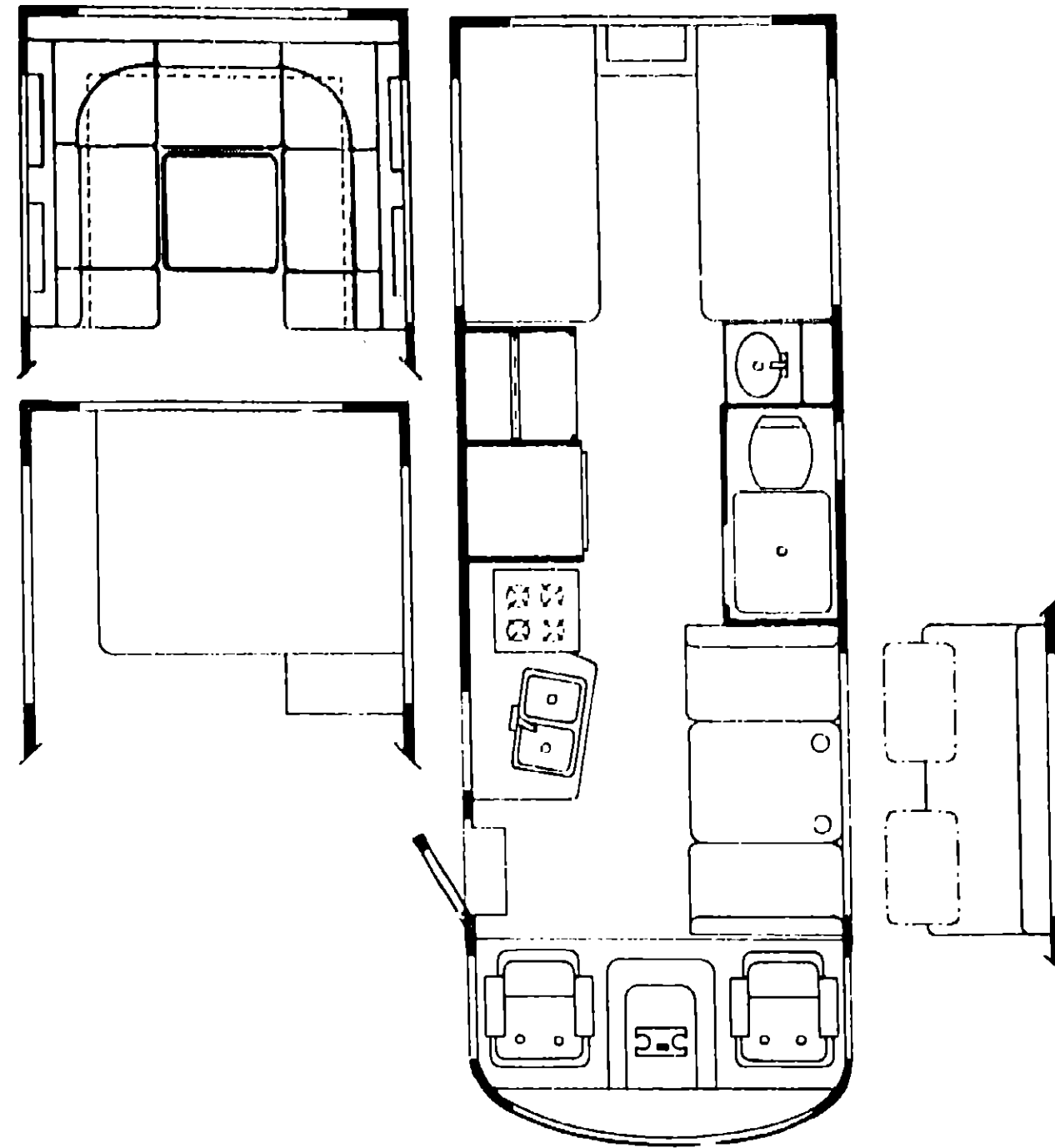


1988 W/CIP26ET



1988 WINNEBAGO/ITASCA TABLE OF CONTENTS

Introduction	A-01
Abbreviations	A-02
W/ICP26ET	A-03 - A-20
W/ICP28EU	A-21 - B-16
W/ICP32RQ, W/IJP32RQ	B-17 - C-22
W/ICP34RU	C-23 - E-08
W/ICP37RQ	E-07 - F-10

1988 W/ICP26ET INDEX

Floor Plan	A-03 - A-04
Bath Group	A-05
Curtain, Cushion & Pad Group	A-06 - A-11
Dinette Group	A-12
Exterior Body Group	A-13 - A-16
Galley Group	A-17
Lounge Group	A-18
Window, Vent & Exterior Door Group	A-19 - A-20

BATH GROUP

BATH & WARDROBE CABINETRY

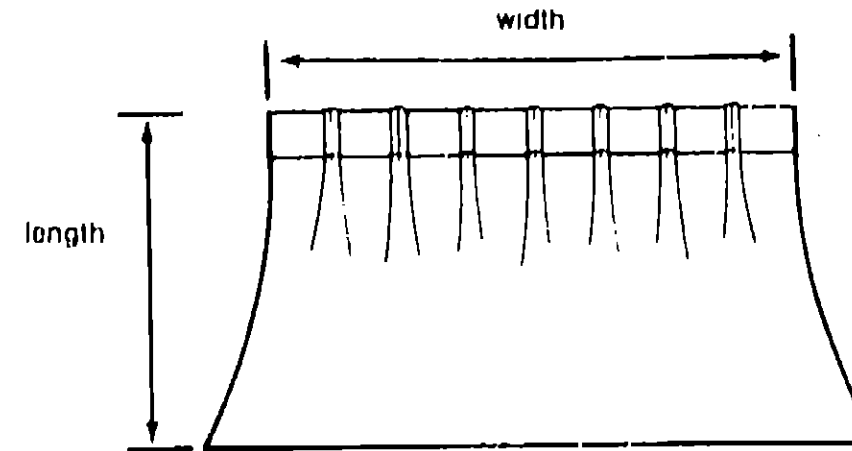
Key	Part Number	U/M	Description
	M83984-01-X23	EA	Cabinet Asm. - Lavatory - w/o Countertop, Doors or Hardware
	M02672-01-X23	EA	Countertop Asm. - Lavatory
	M88304-27-X23	EA	Door Asm. - Lavatory Cabinet - w/o Hardware (Upper)
	M88304-52-X23	EA	Door Asm. - Lavatory Cabinet (Lower)
	M88304-54-X23	EA	Door Asm. - Wardrobe Cabinet - Upper - w/o Hardware
	M88304-55-X23	EA	Door Asm. - Wardrobe Cabinet - Lower - w/o Hardware
	M87868-01-W33	EA	Door Asm. - Bath - w/o Hardware

CURTAIN, CUSHION & PAD GROUP

NOTICE

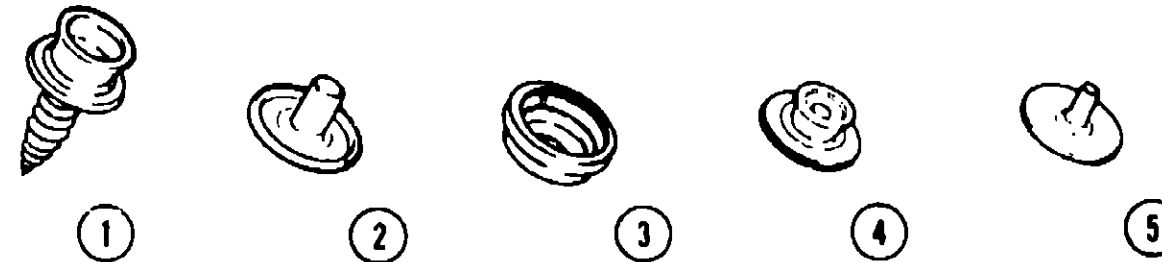
In order to assist our Part Sales Dept. in providing interior software items, please include the serial number and the color code number from the vehicle certification label when ordering. This label is located on the left sidewall at the end of the dash (A-Body), or on the driver's door latch plate (C-Body).

An example of a color code number is P31, which designates an overall color scheme of a particular unit. The color listed after the item description on the microfiche, indicates the overall unit color. Order the item you desire according to unit color code.



NOTE:

Use this illustration when determining length and width measurements for curtains. You will note the width measurement is taken on the top of the curtain with the curtain fully extended. The length measurement is taken from top to bottom.



Key	Part Number	U/M	Description
1	029130-01-000	EA	Socket - Snap Fastener
2	029155-01-000	EA	Cap - Snap - .156" Dia. x .17" Barrel
3	029156-01-000	EA	Socket - Snap Fastener
4	029092-01-000	EA	Stud - Nickel Finish
5	029093-01-000	EA	Eyelet - Nickel Finish

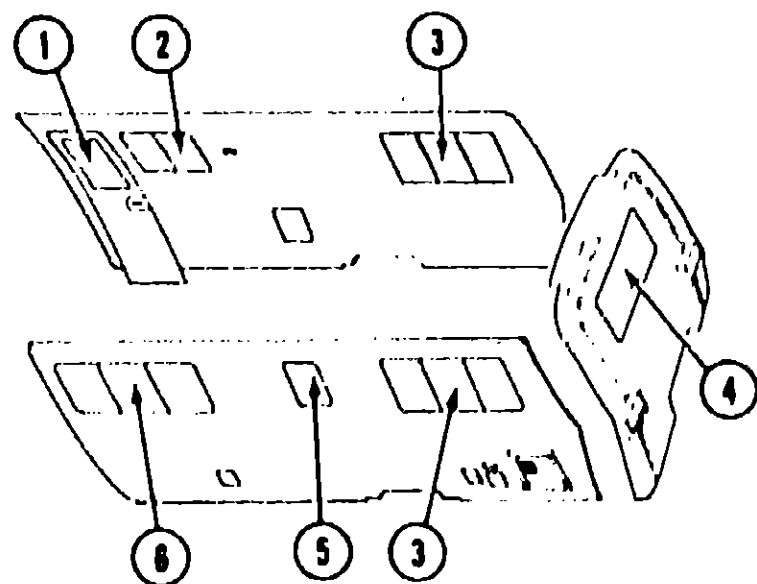
1988 WINNEBAGO/ITASCA TABLE OF CONTENTS

Introduction	A-01
Abbreviations	A-02
W/ICP26ET	A-03 - A-20
W/ICP26EU	A-21 - B-16
W/ICP32RC, W/IJP32RQ	B-17 - C-22
W/ICP34RLI	C-23 - E-06
W/ICP37RC	E-07 - F-10

1988 W/ICP26ET INDEX

Floor Plan	A-03 - A-04
Bath Group	A-05
Curtain, Cushion & Pad Group	A-06 - A-11
Dinette Group	A-12
Exterior Body Group	A-13 - A-16
Galley Group	A-17
Lounge Group	A-18
Window, Vent & Exterior Door Group	A-19 - A-20

CURTAIN, CUSHION & PAD GROUP (CONTINUED)



**WINNEBAGO
CURTAINS, VALANCES, SHADES & TIEBACKS**

Key	Part Number	U/M	Description
1	M77188-33-X23	EA	Valance Asm. - Entrance Door
1	084765-04-X11	EA	Shade Asm. - Fabric - 24.25" - Linen
2	M77188-34-X23	EA	Valance Asm. - Galley
2	084765-01-X28	EA	Shade Asm. - Fabric - 28.25" - Linen
2	073304-47-X11	EA	Curtain Asm. w/Snap Top - 22.5" x 10"
3	M77188-37-X23	EA	Valance Asm. - 64"
3	M77188-37-X24	EA	Valance Asm. - 64"
3	M77188-37-X25	EA	Valance Asm. - 64"
3	084755-05-X23	EA	Shade Asm. - Fabric - 80.25" - Linen
3	085190-07-X23	EA	Curtain Asm. w/Darts & Snap Top - 29.5" x 15"
3	085190-07-X24	EA	Curtain Asm. w/Darts & Snap Top - 29.5" x 15"
3	085190-07-X25	EA	Curtain Asm. w/Darts & Snap Top - 29.5" x 15"
**	M77188-31-X23	EA	Valance Asm. - 64"
**	085190-06-X23	EA	Curtain Asm. w/Darts & Snap Top - 29.5" x 15"
4	M77188-36-X23	EA	Valance Asm. - 57"
4	M77188-36-X24	EA	Valance Asm. - 57"
4	M77188-36-X25	EA	Valance Asm. - 57"
4	084755-15-X11	EA	Shade Asm. - Fabric - 53.25" - Linen
4	085190-07-X23	EA	Curtain Asm. w/Darts & Snap Top - 29.5" x 15"
4	085190-07-X24	EA	Curtain Asm. w/Darts & Snap Top - 29.5" x 15"
4	085190-07-X25	EA	Curtain Asm. w/Darts & Snap Top - 29.5" x 15"
**	M77188-30-X23	EA	Valance Asm. - 57"
**	085190-06-X23	EA	Curtain Asm. w/Dart & Snap Top - 29.5" x 15"
**	Parts used in the Horseshoe Lounge Option		

CURTAIN, CUSHION & PAD GROUP (CONTINUED)

**WINNEBAGO
CURTAINS, VALANCES SHADES & TIEBACKS (CONT.)**

Key	Part Number	U/M	Description
5	M77188-39-X23	EA	Valance Asm. - Bath
5	M77188-39-X24	EA	Valance Asm. - Bath
5	M77188-39-X25	EA	Valance Asm. - Bath
5	084755-14-X11	EA	Shade Asm. - Fabric - 21.25" - Linen
5	073304-43-X08	EA	Curtain Asm. w/Snap Top - 25.5" x 10"
6	M77188-32-X23	EA	Valance Asm. - Lounge
6	084765-02-X26	EA	Shade Asm. - Fabric - 67.25" - Linen
6	085190-02-X23	EA	Curtain Asm. w/Darts & Snap Top - 31" x 15"
*	084481-05-000	EA	Curtain Asm. - Shower - Vinyl
*	073304-49-X11	EA	Curtain Asm. w/Snap Top - Front Wraparound - 34" x 86"
*	077591-01-X23	EA	Curtain Asm. w/Velcro Top - Right Blackout - 52" x 40"
*	077591-02-X23	EA	Curtain Asm. w/Velcro Top - Left Blackout - 52" x 40"
*	073304-29-X23	EA	Curtain Asm. w/Snap Top - Room Divider - 64" x 40"
*	073260-23-X23	EA	Tie Back Asm. - 3" x 18" - Drapery
*	073260-28-X23	EA	Tie Back Asm. - 3" x 23" - Drapery
*	073260-27-X08	EA	Tie Back Asm. - 3" x 23" - Bedspread (X23)
*	073260-27-X09	EA	Tie Back Asm. - 3" x 23" - Bedspread (X24)
*	073260-27-X25	EA	Tie Back Asm. - 3" x 23" - Bedspread (X25)
*	Not illustrated		

**WINNEBAGO
FRONT TRIM PADS**

Key	Part Number	U/M	Description
	089104-02-X23	EA	Insert - Upper Drivers Door
	089104-02-X24	EA	Insert - Upper Drivers Door
	089104-02-X25	EA	Insert - Upper Drivers Door
	089105-02-X23	EA	Insert - Lower Drivers Door
	089105-02-X24	EA	Insert - Lower Drivers Door
	089105-02-X25	EA	Insert - Lower Drivers Door
	089106-02-X23	EA	Insert - Map Pocket - Drivers Door
	089106-02-X24	EA	Insert - Map Pocket - Drivers Door
	089106-02-X25	EA	Insert - Map Pocket - Drivers Door
	089107-01-X23	EA	Insert - Side Upper - Drivers
	089107-01-X24	EA	Insert - Side Upper - Drivers
	089107-01-X25	EA	Insert - Side Upper - Drivers
	089114-01-X23	EA	Insert - Side Upper - Passenger
	089114-01-X24	EA	Insert - Side Upper - Passenger
	089114-01-X25	EA	Insert - Side Upper - Passenger
	089108-01-X23	EA	Insert - Side Lower - Driver
	089108-01-X24	EA	Insert - Side Lower - Driver
	089108-01-X25	EA	Insert - Side Lower - Driver
	089111-01-X23	EA	Insert - Front Center Overhead
	089111-01-X24	EA	Insert - Front Center Overhead
	089111-01-X25	EA	Insert - Front Center Overhead
	089112-01-X23	EA	Insert - Front Overhead (Sunvisor) - Passenger
	089112-01-X24	EA	Insert - Front Overhead (Sunvisor) - Passenger
	089112-01-X25	EA	Insert - Front Overhead (Sunvisor) - Passenger
	089112-02-X23	EA	Insert - Front Overhead (Sunvisor) - Driver
	089112-02-X24	EA	Insert - Front Overhead (Sunvisor) - Driver
	089112-02-X25	EA	Insert - Front Overhead (Sunvisor) - Driver
	081519-03-X23	EA	Pad Asm. - Dinette Seat - Right
	081519-03-X24	EA	Pad Asm. - Dinette Seat - Right
	081519-03-X25	EA	Pad Asm. - Dinette Seat - Right
	081519-04-X23	EA	Pad Asm. - Dinette Seat - Left
	081519-04-X24	EA	Pad Asm. - Dinette Seat - Left
	081519-04-X25	EA	Pad Asm. - Dinette Seat - Left

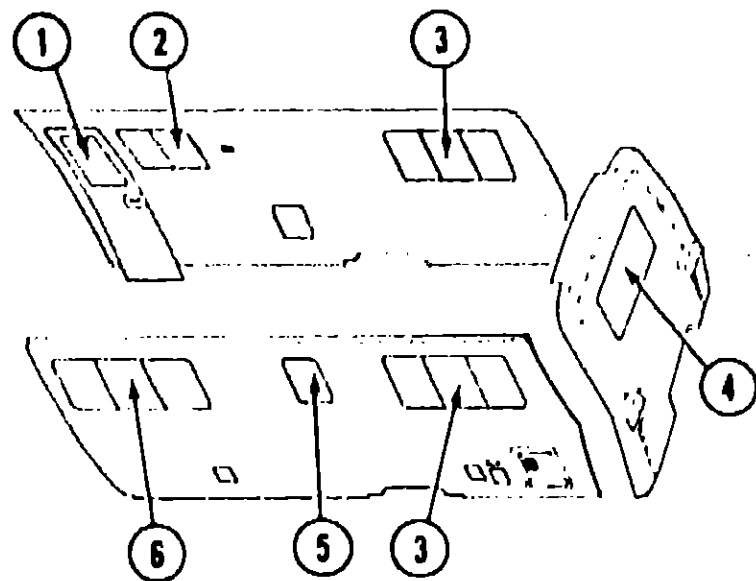
**1988 WINNEBAGO/ITASCA
TABLE OF CONTENTS**

Introduction	A-01
Abbreviations	A-02
W/ICP26ET	A-03 - A-20
W/ICP28EU	A-21 - B-18
W/ICP32RQ, W/IJP32RQ	B-17 - C-22
W/ICP34RU	C-23 - E-08
W/ICP37RQ	E-07 - F-10

1988 W/ICP26ET INDEX

Floor Plan	A-03 - A-04
Bath Group	A-05
Curtain, Cushion & Pad Group	A-06 - A-11
Dinette Group	A-12
Exterior Body Group	A-13 - A-16
Galley Group	A-17
Lounge Group	A-18
Window, Vent & Exterior Door Group	A-19 - A-20

CURTAIN, CUSHION & PAD GROUP (CONTINUED)



**ITASCA
CURTAINS, VALANCES, SHADES & TIEBACKS**

Key	Part Number	U/M	Description
1	M77188-33-X78	EA	Valance Asm. - Entrance Door (X78)
1	M77188-33-XA4	EA	Valance Asm. - Entrance Door (X79)
1	M77188-33-X80	EA	Valance Asm. - Entrance Door (X80)
1	084755-04-XA3	EA	Shade Asm. - Fabric - 24.25" - Linen (X78, X79)
1	084755-04-X35	EA	Shade Asm. - Fabric - 24.25" - Linen (X80)
2	M77188-34-X78	EA	Valance Asm. - Galley (X78)
2	M77188-34-XA4	EA	Valance Asm. - Galley (X79)
2	M77188-34-X80	EA	Valance Asm. - Galley (X80)
2	084755-01-XA3	EA	Shade Asm. - Fabric - 28.25" - Linen (X78, X79)
2	084755-01-X35	EA	Shade Asm. - Fabric - 28.25" - Linen (X80)
2	073304-47-X38	EA	Curtain Asm. w/Snap Top - 22.5" x 10" (X78)
2	073304-47-XA4	EA	Curtain Asm. w/Snap Top - 22.5" x 10" (X79)
2	073304-47-X38	EA	Curtain Asm. w/Snap Top - 22.5" x 10" (X80)
3	079558-20-X78	EA	Valance Asm. w/Gathers - 5" x 140" (X78)
3	079558-20-X79	EA	Valance Asm. w/Gathers - 5" x 140" (X79)
3	079558-20-X80	EA	Valance Asm. w/Gathers - 5" x 140" (X80)
3	084755-05-XA3	EA	Shade Asm. - Fabric - 60.25" - Linen (X78, X79)
3	084755-05-X80	EA	Shade Asm. - Fabric - 60.25" - Linen (X80)
3	079559-11-X33	EA	Curtain Asm. w/Gathers - 32" x 41" (X78)
3	079559-11-X34	EA	Curtain Asm. w/Gathers - 32" x 41" (X79)
3	079559-11-X35	EA	Curtain Asm. w/Gathers - 32" x 41" (X80)

CURTAIN, CUSHION & PAD GROUP (CONTINUED)

**ITASCA
CURTAINS, VALANCES, SHADES & TIEBACKS (CONT.)**

Key	Part Number	U/M	Description
**	M77188-31-X78	EA	Valance Asm. - 64" (X78)
**	M77188-31-XA4	EA	Valance Asm. - 64" (X79)
**	M77188-31-X80	EA	Valance Asm. - 64" (X80)
**	085190-06-WB6	EA	Curtain Asm. w/Snap Top - 29.5" x 15" (X78)
**	085190-06-XA4	EA	Curtain Asm. w/Snap Top - 29.5" x 15" (X79)
**	085190-06-X80	EA	Curtain Asm. w/Snap Top - 29.5" x 15" (X80)
4	079558-21-X78	EA	Valance Asm. w/Gathers - 5" x 120" (X78)
4	079558-21-X79	EA	Valance Asm. w/Gathers - 5" x 120" (X79)
4	079558-21-X80	EA	Valance Asm. w/Gathers - 5" x 120" (X80)
4	084755-15-XA3	EA	Shade Asm. - Fabric - 53.25" - Linen (X78, X79)
4	084755-15-X80	EA	Shade Asm. - Fabric - 53.25" - Linen (X80)
4	079559-11-X33	EA	Curtain Asm. w/Gathers - 32" x 41" (X78)
4	079559-11-X34	EA	Curtain Asm. w/Gathers - 32" x 41" (X79)
4	079559-11-X35	EA	Curtain Asm. w/Gathers - 32" x 41" (X80)
**	M77188-30-X78	EA	Valance Asm. - 57" (X78)
**	M77188-30-XA4	EA	Valance Asm. - 57" (X79)
**	M77188-30-X80	EA	Valance Asm. - 57" (X80)
**	085190-06-WB6	EA	Curtain Asm. w/Snap Top - 29.5" x 15" (X78)
**	085190-06-XA4	EA	Curtain Asm. w/Snap Top - 29.5" x 15" (X79)
**	085190-06-X80	EA	Curtain Asm. w/Snap Top - 29.5" x 15" (X80)
5	M77188-39-X78	EA	Valance Asm. - Bath (X78)
5	M77188-39-X79	EA	Valance Asm. - Bath (X79)
5	M77188-39-X80	EA	Valance Asm. - Bath (X80)
5	084755-14-XA3	EA	Shade Asm. - Fabric (X78, X79)
5	084755-14-X80	EA	Shade Asm. - Fabric (X80)
5	073304-43-X36	EA	Curtain Asm. w/Snap Top - 25.5" x 10" (X78)
5	073304-43-XA4	EA	Curtain Asm. w/Snap Top - 25.5" x 10" (X79)
5	073304-43-X38	EA	Curtain Asm. w/Snap Top - 25.5" x 10" (X80)
6	M77188-32-X78	EA	Valance Asm. - Lounge
6	M77188-32-XA4	EA	Valance Asm. - Lounge
6	M77188-32-X80	EA	Valance Asm. - Lounge
6	084755-02-XA3	EA	Shade Asm. - Fabric - 67.25" - Linen (X78, X79)
6	084755-02-X35	EA	Shade Asm. - Fabric - 67.25" - Linen (X80)
6	085190-02-X33	EA	Curtain Asm. w/Snap Top - 31" x 15" (X78)
6	085190-02-XA4	EA	Curtain Asm. w/Snap Top - 31" x 15" (X79)
6	085190-02-X35	EA	Curtain Asm. w/Snap Top - 31" x 15" (X80)
*	084481-05-000	EA	Curtain Asm. - Shower - Vinyl
*	077591-01-WB6	EA	Curtain Asm. w/Velcro Top - 52" x 40" - Blackout - Right (X78)
*	077591-01-XA4	EA	Curtain Asm. w/Velcro Top - 52" x 40" - Blackout - Right (X79)
*	077591-01-X19	EA	Curtain Asm. w/Velcro Top - 52" x 40" - Blackout - Right (X80)
*	077591-02-WB6	EA	Curtain Asm. w/Velcro Top - 52" x 42" - Blackout - Left (X78)
*	077591-02-XA4	EA	Curtain Asm. w/Velcro Top - 52" x 42" - Blackout - Left (X79)
*	077591-02-X19	EA	Curtain Asm. w/Velcro Top - 52" x 42" - Blackout - Left (X80)
*	073304-29-WB6	EA	Curtain Asm. w/Snap Top - 64" x 40" - Room Divider (X78)
*	073304-29-XA4	EA	Curtain Asm. w/Snap Top - 64" x 40" - Room Divider (X79)
*	073304-29-X80	EA	Curtain Asm. w/Snap Top - 64" x 40" - Room Divider (X80)
*	073304-49-X33	EA	Curtain Asm. w/Snap Top - Front Wraparound - 34" x 86" (X78)
*	073304-49-XA4	EA	Curtain Asm. w/Snap Top - Front Wraparound - 34" x 86" (X79)
*	073304-49-X35	EA	Curtain Asm. w/Snap Top - Front Wraparound - 34" x 86" (X80)
*	073260-23-WB6	EA	Tie Back Asm. - 3" x 18" - Drapery (X78)
*	073260-23-XA4	EA	Tie Back Asm. - 3" x 18" - Drapery (X79)
*	073260-23-X19	EA	Tie Back Asm. - 3" x 18" - Drapery (X80)
*	073260-27-X78	EA	Tie Back Asm. - 3" x 23" - Bedspread (X78)
*	073260-27-X79	EA	Tie Back Asm. - 3" x 23" - Bedspread (X79)
*	073260-27-X80	EA	Tie Back Asm. - 3" x 23" - Bedspread (X80)
**	073260-28-WB6	EA	Tie Back Asm. - 3" x 23" - Drapery (X78)
**	073260-28-XA4	EA	Tie Back Asm. - 3" x 23" - Drapery (X79)
**	073260-28-X80	EA	Tie Back Asm. - 3" x 23" - Drapery (X80)
*	Not illustrated		
**	Parts used in the Horseshoe Lounge Option.		

**1988 WINNEBAGO/ITASCA
TABLE OF CONTENTS**

Introduction	A-01
Abbreviations	A-02
W/ICP26ET	A-03 - A-20
W/ICP26EU	A-21 - B-16
W/ICP32RQ, W/IJP32RQ	B-17 - C-22
W/ICP34RU	C-23 - E-06
W/ICP37RQ	E-07 - F-10

1988 W/ICP26ET INDEX

Floor Plan	A-03 - A-04
Bath Group	A-05
Curtain, Cushion & Pad Group	A-06 - A-11
Dinette Group	A-12
Exterior Body Group	A-13 - A-16
Galley Group	A-17
Lounge Group	A-18
Window, Vent & Exterior Door Group	A-19 - A-20

CURTAIN, CUSHION & PAD GROUP (CONTINUED)

**ITASCA
TRIM PADS**

Key	Part Number	U/M	Description
	089104-04-X20	EA	Insert - Upper Drivers Door (X78)
	089104-04-X79	EA	Insert - Upper Drivers Door (X79)
	089104-04-X80	EA	Insert - Upper Drivers Door (X80)
	089105-04-X20	EA	Insert - Lower Drivers Door (X78)
	089105-04-X79	EA	Insert - Lower Drivers Door (X79)
	089105-04-X80	EA	Insert - Lower Drivers Door (X80)
	089106-04-X20	EA	Insert - Map Pocket - Drivers Door (X78)
	089106-04-X79	EA	Insert - Map Pocket - Drivers Door (X79)
	089106-04-X80	EA	Insert - Map Pocket - Drivers Door (X80)
	089107-02-X20	EA	Insert - Side Upper - Drivers (X78)
	089107-02-X79	EA	Insert - Side Upper - Drivers (X79)
	089107-02-X80	EA	Insert - Side Upper - Drivers (X80)
	089114-02-X78	EA	Insert - Side Upper - Passenger (X78)
	089114-02-X79	EA	Insert - Side Upper - Passenger (X79)
	089114-02-X80	EA	Insert - Side Upper - Passenger (X80)
	089108-02-X20	EA	Insert - Side Lower - Driver (X78)
	089108-02-X79	EA	Insert - Side Lower - Driver (X79)
	089108-02-X80	EA	Insert - Side Lower - Driver (X80)
	089111-02-X20	EA	Insert - Front Center Overhead (X78)
	089111-02-X79	EA	Insert - Front Center Overhead (X79)
	089111-02-X80	EA	Insert - Front Center Overhead (X80)
	089112-03-X20	EA	Insert - Front Overhead (Sunvisor) - Passenger (X78)
	089112-03-X79	EA	Insert - Front Overhead (Sunvisor) - Passenger (X79)
	089112-03-X80	EA	Insert - Front Overhead (Sunvisor) - Passenger (X80)
	089112-04-X20	EA	Insert - Front Overhead (Sunvisor) - Driver (X78)
	089112-04-X79	EA	Insert - Front Overhead (Sunvisor) - Driver (X79)
	089112-04-X80	EA	Insert - Front Overhead (Sunvisor) - Driver (X80)
	081519-01-X08	EA	Pad Asm. - Dinette Seat - Right (X78)
	081519-01-X09	EA	Pad Asm. - Dinette Seat - Right (X79)
	081519-01-W05	EA	Pad Asm. - Dinette Seat - Right (X80)
	081519-02-X08	EA	Pad Asm. - Dinette Seat - Left (X78)
	081519-02-X09	EA	Pad Asm. - Dinette Seat - Left (X79)
	081519-02-W05	EA	Pad Asm. - Dinette Seat - Left (X80)

DINETTE GROUP

DINETTE & COMPONENTS

Key	Part Number	U/M	Description
	M86382-01-X23	EA	Cabinet Asm. - Overhead
	M86304-21-X08	EA	Door Asm. - Dinette Seat Cabinet - Front - w/o Hardware
	M02645-01-W33	EA	Cabinet Asm. - Dinette Seat - Right - w/o Door or Hardware
	M02645-02-W33	EA	Cabinet Asm. - Dinette Seat - Left - w/o Door or Hardware
	M02646-02-W33	EA	Cabinet Asm. - Dinette Seat Back - Left
	M02646-01-W33	EA	Cabinet Asm. - Dinette Seat Back - Right
	M81299-01-X23	EA	Table Asm. - Dinette - w/o Hardware
	053200-05-000	EA	Bracket - Upper Wall Mount - 23.5" - Belge
	053201-06-000	EA	Bracket - Table Mount - 23"
	024275-05-000	EA	Rod - Table Lift - 8" x 23.5" - Belge
	024276-17-000	EA	Leg Asm. - Table - 29.5" - Tan
	024281-10-000	EA	Bracket - Lower Wall Mount - 22.12" - Tan
	024282-01-000	EA	Brace - Table Leg
	024283-01-000	EA	Clip - 1" O.D. Tube
	049493-05-000	EA	Catch - Table Leg - Mount on Floor
	064050-02-000	EA	Hinge - Table Leg
	064781-05-000	EA	Cup Holder - 3.5" x 1.5"

COUCH EXCHANGE DINETTE

Key	Part Number	U/M	Description
	081298-01-X23	EA	Table Asm. - Pedestal
	009040-06-000	EA	Leg - Pedestal - Tan
	081800-02-W33	EA	Panel Asm. - Couch End - Right
	081827-01-W33	EA	Panel Asm. - Couch End - Left
	081922-01-000	EA	Frame Asm. - Couch - Right
	081922-02-000	EA	Frame Asm. - Couch - Left
	081922-03-000	EA	Bars - Spacer - Couch - 74.75"
	081922-04-000	EA	Hardware Kit - Couch
	041194-01-000	EA	Base - Flush Mount - Pedestal Table

**1988 WINNEBAGO/ITASCA
TABLE OF CONTENTS**

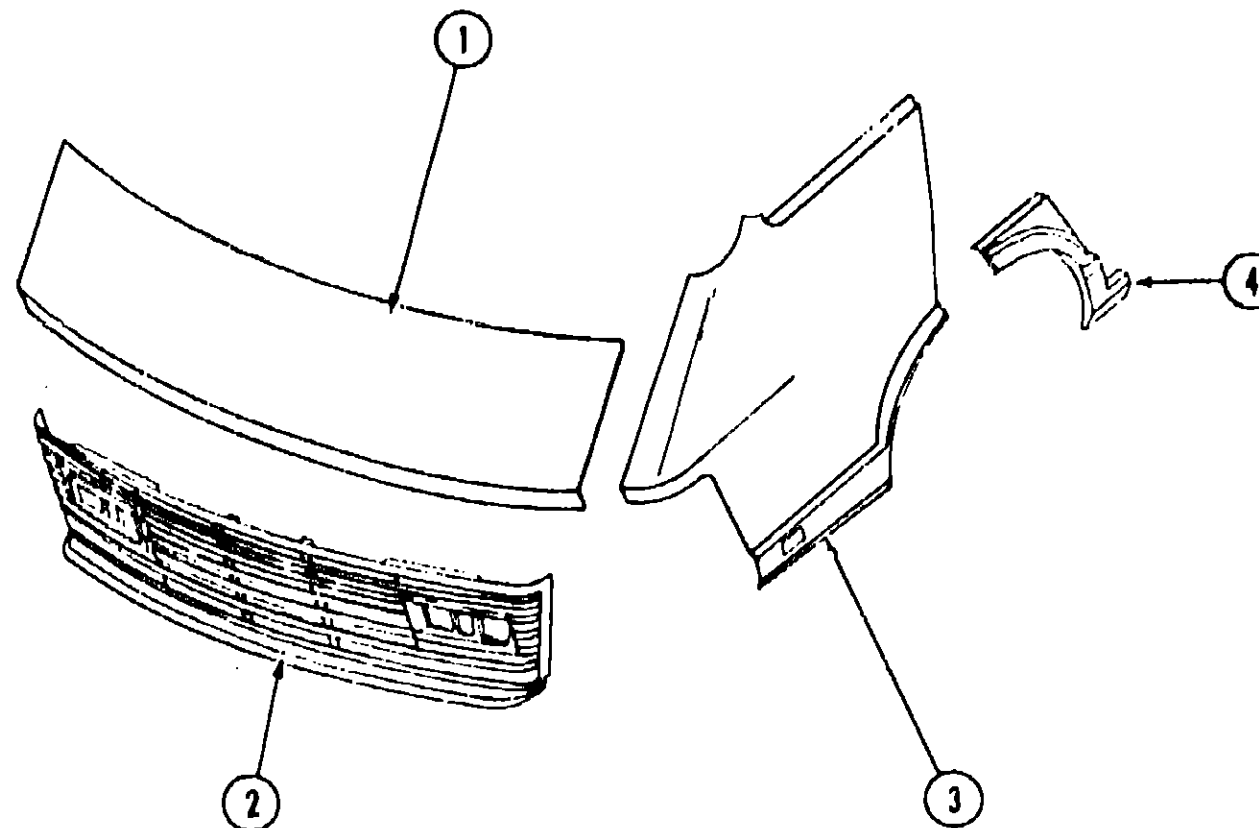
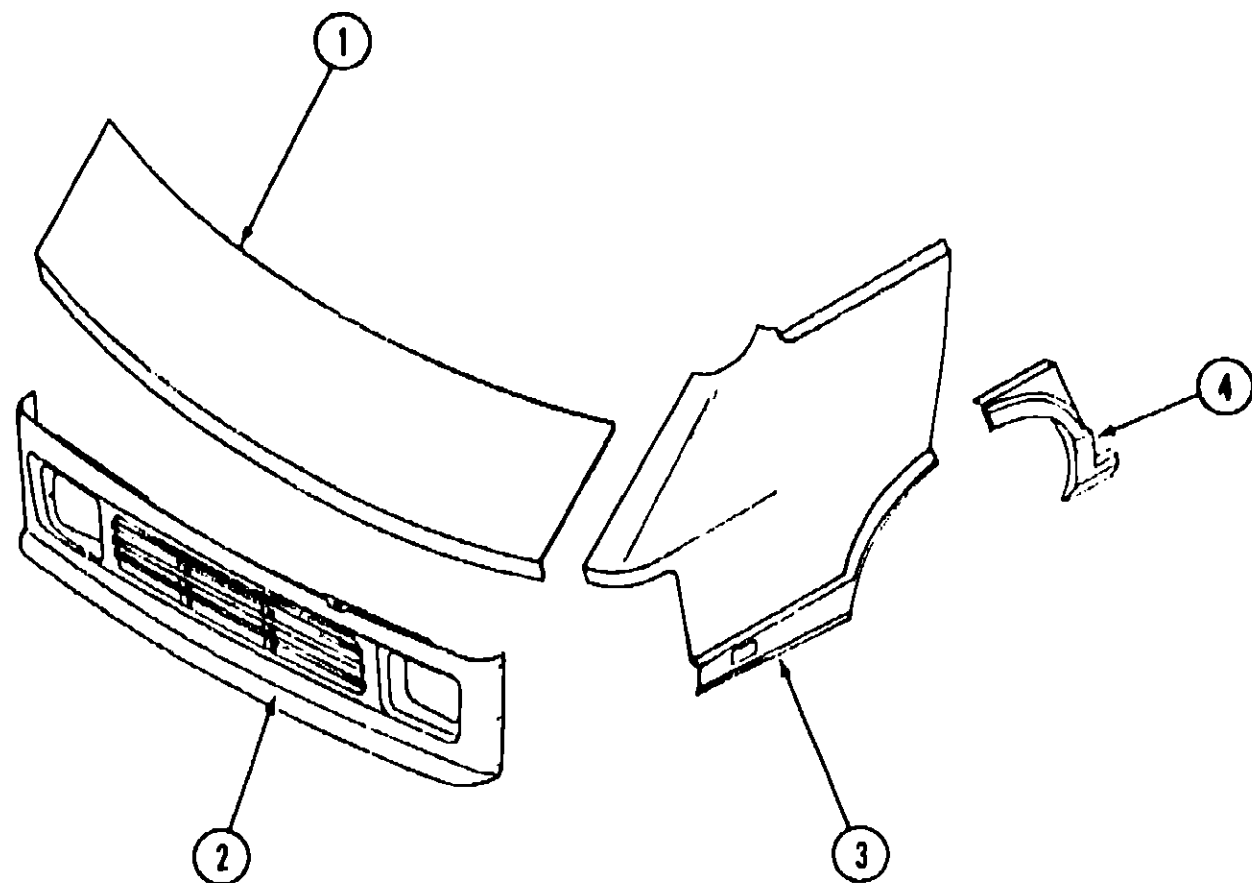
Introduction	A-01
Abbreviations	A-02
W/ICP26ET	A-03 - A-20
W/ICP26EU	A-21 - B-16
W/ICP32RQ, W/IJP32RQ	B-17 - C-22
W/ICP34RU	C-23 - E-06
W/ICP37RQ	E-07 - F-10

1988 W/ICP26ET INDEX

Floor Plan	A-03 - A-04
Bath Group	A-05
Curtain, Cushion & Pad Group	A-06 - A-11
Dinette Group	A-12
Exterior Body Group	A-13 - A-16
Galley Group	A-17
Lounge Group	A-18
Window, Vent & Exterior Door Group	A-19 - A-20

EXTERIOR BODY GROUP

EXTERIOR BODY GROUP (CONTINUED)



**1988 WINNEBAGO/ITASCA
TABLE OF CONTENTS**

Introduction	A-01
Abbreviations	A-02
W/ICP26ET	A-03 - A-20
W/ICP26EU	A-21 - B-16
W/ICP32RQ, W/IJP32RQ	B-17 - C-22
W/ICP34RU	C-23 - E-06
W/ICP37RQ	E-07 - F-10

**WINNEBAGO
EXTERIOR BODY PANELS (CAB)**

Key	Part Number	U/M	Description
1	084759-01-W13	EA	Hood Panel
2	076777-02-000	EA	Grill Panel - Gray
	M01608-04-W10	EA	Grille - Panel Asm.
3	084751-02-W13	EA	Fender Panel - Front Left - Used w/Door Option
	084240-01-U25	EA	Fender Panel - Front Right
4	084166-03-000	EA	Fender Panel - Rear Left - Used w/Door Option
	058786-02-000	EA	Hood Bolt - Adjusting
	R77006-38-499	EA	Spring - Hood Latch Cable
	M02680-01-U25	EA	Hinge Asm. - Hood - Right
	M02680-02-U25	EA	Hinge Asm. - Hood - Left
	077252-01-000	EA	Hinge Pin - Stainless Steel
	077407-01-000	EA	Bracket - Hood Release Cable
	070907-01-000	EA	Headlamp Capsule Asm. - High/Low Beam - Left or Right
	076911-05-000	EA	Headlamp Bezel - Right Hand
	076911-06-000	EA	Headlamp Bezel - Left Hand
	075767-01-000	EA	Bumper End - Plastic - Passenger Side - Beige
	075767-03-000	EA	Bumper End - Plastic - Drivers Side - Beige
	076345-01-000	EA	Lamp Asm. - Park/Turn - Amber - Left or Right
	M01615-07-U07	EA	Roof Cap - Front Cab
			Not illustrated

**ITASCA
EXTERIOR BODY PANELS (CAB)**

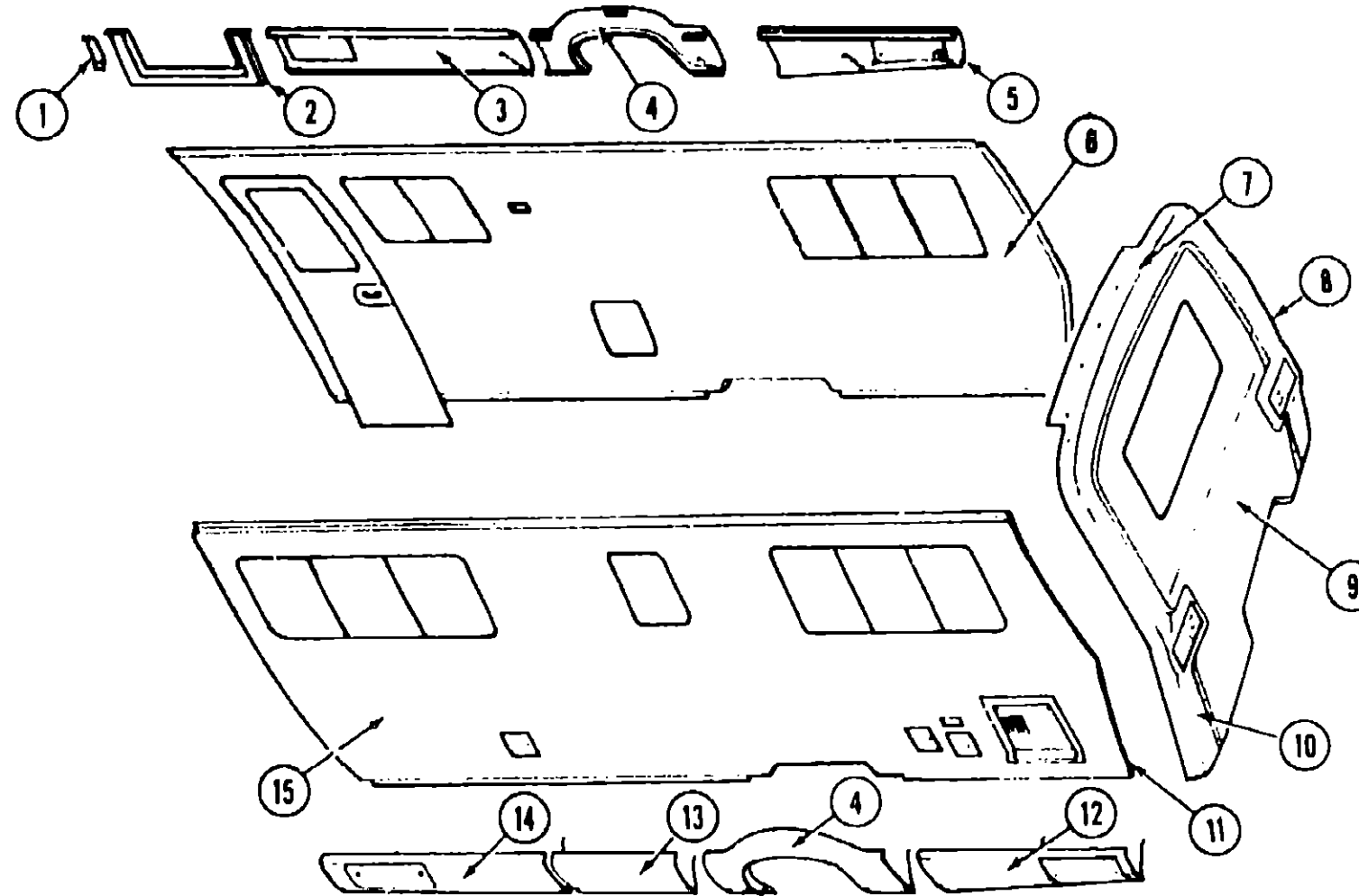
Key	Part Number	U/M	Description
1	084759-01-W36	EA	Hood Panel
2	088407-01-000	EA	Grill Panel - Gray
	M01608-05-W36	EA	Grille - Panel Asm.
3	084751-02-W36	EA	Fender Panel - Front Left - Used w/Door Option
	084240-01-W36	EA	Fender Panel - Front Right
4	084166-04-000	EA	Fender Panel - Rear Left - Used w/Door Option
	058786-02-000	EA	Hood Bolt - Adjusting
	R77006-38-499	EA	Spring - Hood Latch Cable
	M02680-01-U16	EA	Hinge Asm. - Hood - Right
	M02680-02-U16	EA	Hinge Asm. - Hood - Left
	077252-01-000	EA	Hinge Pin - Stainless Steel
	077407-01-000	EA	Bracket - Hood Release Cable
	076910-01-000	EA	Headlamp Bezel - Right Hand
	076910-02-000	EA	Headlamp Bezel - Left Hand
	075767-02-000	EA	Bumper End - Plastic - Passenger Side - Gray
	075767-04-000	EA	Bumper End - Plastic - Drivers Side - Gray
	076345-01-000	EA	Lamp Asm. - Park/Turn - Amber - Left or Right
	M01615-07-U16	EA	Roof Cap - Front Cab
			Not illustrated

1988 W/ICP26ET INDEX

Floor Plan	A-03 - A-04
Bath Group	A-05
Curtain, Cushion & Pad Group	A-06 - A-11
Dinette Group	A-12
Exterior Body Group	A-13 - A-16
Galley Group	A-17
Lounge Group	A-18
Window, Vent & Exterior Door Group	A-19 - A-20

EXTERIOR BODY GROUP (CONTINUED)

EXTERIOR BODY PANELS



WINNEBAGO

Key	Part Number	U/M	Description
1	M02586-25-U25	EA	Valance Panel - Right Front
2	M02586-03-U07	EA	Valance Panel - Entrance Door
3	M02586-20-U25	EA	Valance Panel - Right Center
4	082925-01-U07	EA	Wheelwell Trim - Rear - Beige
5	M02586-21-U25	EA	Valance Panel - Right Rear
6	M89813-01-X23	EA	Sidewall Asm. - Right
6	M89813-01-X24	EA	Sidewall Asm. - Right
6	M89813-01-X25	EA	Sidewall Asm. - Right
7	M02679-03-U25	EA	Trim Asm. - Top Rear - Beige Plastic
	• 077412-01-000	EA	Trim Cap - Right Rear Top - Beige Plastic
	• 077412-02-000	EA	Trim Cap - Left Rear Top - Beige Plastic
8	M02679-01-U25	EA	Trim Asm. - Right Rear - Beige Plastic
9	083951-01-X23	EA	Backwall Asm.
10	M02679-02-U25	EA	Trim Asm. - Left Rear - Beige Plastic
11	073502-08-000	EA	Trim - Plastic Rear Cap - Left - Beige
	• 073502-07-000	EA	Trim - Plastic Rear Cap - Right - Beige
12	M02586-24-U25	EA	Valance Panel - Left Rear
13	M02586-23-U25	EA	Valance Panel - Left Center
14	M02586-22-U25	EA	Valance Panel - Left Front
15	M89814-01-X23	EA	Sidewall Asm. - Left
	• M87642-01-W10	EA	Roof Asm.
	• 073505-06-000	EA	Roof Trim - 180" - Beige
	• 076515-02-000	EA	Inside Trim - Wheelwell - Rear - Left/Right - Steel
	• M01615-07-U17	EA	Roof Cap - Front Roof Cab - Beige
	•		Not illustrated

ITASCA

Key	Part Number	U/M	Description
1	M02586-25-W33	EA	Valance Panel - Right Front
2	M02586-03-U18	EA	Valance Panel - Entrance Door
3	M02586-20-W33	EA	Valance Panel - Right Center
4	082925-01-U16	EA	Wheelwell Trim - Rear - Gray
5	M02586-21-W33	EA	Valance Panel - Right Rear
6	M89813-01-X78	EA	Sidewall Asm. - Right
6	M89813-01-X79	EA	Sidewall Asm. - Right
6	M89813-01-X80	EA	Sidewall Asm. - Right
7	M02679-03-W33	EA	Trim Asm. - Top Rear - Gray Plastic
	• 077412-03-000	EA	Trim Cap - Right Rear Top - Gray Plastic
	• 077412-04-000	EA	Trim Cap - Left Rear Top - Gray Plastic
8	M02679-01-W33	EA	Trim Asm. - Right Rear - Gray Plastic
9	083951-01-W33	EA	Backwall Asm.
10	M02679-02-W33	EA	Trim Asm. - Left Rear - Gray Plastic
11	073502-10-000	EA	Trim - Plastic Rear Cap - Left - Gray
	• 073502-09-000	EA	Trim - Plastic Rear Cap - Right - Gray
12	M02586-24-W33	EA	Valance Panel - Left Rear
13	M02586-23-W33	EA	Valance Panel - Left Center
14	M02586-22-W33	EA	Valance Panel - Left Front
15	M89814-01-X78	EA	Sidewall Asm. - Left
	• M88707-01-X78	EA	Roof Asm.
	• 073505-08-000	EA	Roof Trim - 180" - Gray
	• 076515-02-000	EA	Inside Trim - Wheelwell - Rear - Left/Right - Steel
	• M01615-07-U16	EA	Roof Cap - Front Roof Cab - Gray
	•		Not illustrated

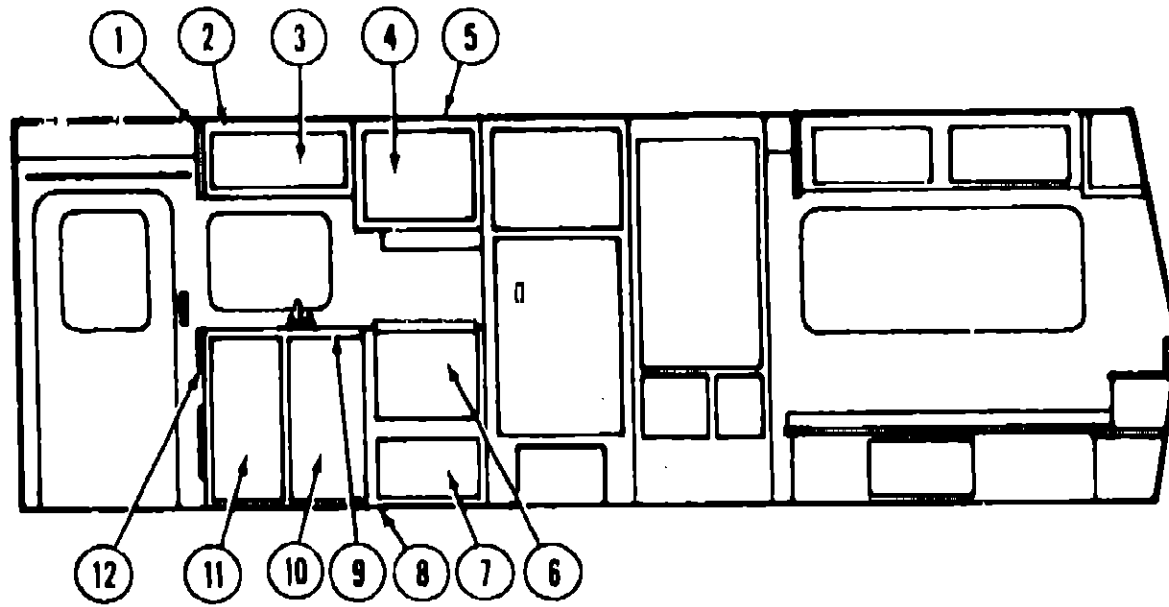
1988 WINNEBAGO/ITASCA TABLE OF CONTENTS

Introductic. i	A-01
Abbreviations	A-02
W/ICP26ET	A-03 - A-20
W/ICP28EU	A-21 - B-18
W/ICP32RO, W/IJP32RO	B-17 - C-22
W/ICP34RU	C-23 - E-06
W/ICP37RO	E-07 - F-10

1988 W/ICP26ET INDEX

Floor Plan	A-03 - A-04
Bath Group	A-05
Curtain, Cushion & Pad Group	A-06 - A-11
Dinette Group	A-12
Exterior Body Group	A-13 - A-16
Galley Group	A-17
Lounge Group	A-18
Window, Vent & Exterior Door Group	A-19 - A-20

GALLEY GROUP



GALLEY CABINETRY

Key	Part Number	U/M	Description
1	083993-01-X23	EA	End Cap - Galley Overhead
2	M83968-01-X23	EA	Cabinet Asm. - Galley Overhead - w/o Doors or Hardware
3	M88304-53-X23	EA	Door Asm. - Galley Overhead - w/o Hardware
4	M88304-01-X08	EA	Door Asm. - Range Overhead - w/o Hardware - Rear
5	M88704-01-X23	EA	Cabinet Asm. - Range Overhead - w/o Doors or Hardware
6	M88304-59-X23	EA	Door Asm. - Used w/Microwave
7	M88304-05-X23	EA	Door Asm. - Galley Cabinet - w/o Hardware - Lower
8	M88701-01-X23	EA	Cabinet Asm. - Galley - w/o Doors, Drawers, Countertop or Hardware
9	088701-13-X23	EA	Countertop Asm. - Galley Cabinet
10	M88304-14-X08	EA	Door Asm. - Galley Cabinet - w/o Hardware - Rear
11	M88304-13-X08	EA	Door Asm. - Galley Cabinet - w/o Hardware - Front
12	080812-03-W24	EA	Galley Counter Extension

LOUNGE GROUP

QUEEN BED W/NIGHT STAND

Key	Part Number	U/M	Description
	M83960-01-X23	EA	Cabinet Asm. - Rear Overhead - w/o Doors or Hardware
	M88304-50-X23	EA	Door Asm. - Rear Overhead - w/o Hardware
	087836-01-X23	EA	Cabinet Asm. - Nightstand - w/o Countertop, Doors or Hardware
	M03000-12-X23	EA	Countertop Asm. - Nightstand
	M88304-82-X23	EA	Door Asm. - Nightstand - w/o Hardware
	077404-01-000	EA	Drawer - Plastic - 20" x 12.7"
	077409-01-000	EA	Slide - Drawer - Plastic - 20.75"
	M87303-01-W33	EA	Cabinet Asm. - Queen Bed Base
	M88304-58-X23	EA	Door Asm. - Queen Bed - w/o Hardware

TWIN BED & OVERHEAD CABINETRY

Key	Part Number	U/M	Description
	M83960-01-X23	EA	Cabinet Asm. - Rear Overhead - Passenger Side - w/o Doors or Hardware
	M83960-02-X23	EA	Cabinet Asm. - Rear Overhead - Drivers Side - w/o Doors or Hardware
	M88304-50-X23	EA	Door Asm. - Side Overhead Cabinet - w/o Hardware
	M83959-01-X23	EA	Cabinet Asm. - Rear Overhead - Backwall - w/o Door or Hardware
	M88304-16-X23	EA	Door Asm. - Rear Overhead Cabinet - w/o Hardware
	M83441-01-X23	EA	Cabinet Asm. - Nightstand - w/o Door or Hardware
	M02609-01-X23	EA	Countertop Asm. - Nightstand - Top
	M02608-01-X23	EA	Countertop Asm. - Nightstand - Base
	M88304-02-X23	EA	Door Asm. - Nightstand - w/o Hardware
	081710-01-000	EA	Slide - Drawer - Plastic
	077404-01-000	EA	Drawer - Plastic - 20" x 12.7"
	M83961-01-W33	EA	Cabinet Asm. - Twin Bed - Right
	M85388-01-W33	EA	Cabinet Asm. - Twin Bed - Left
	084357-01-W13	EA	TV Shelf Asm.

HORSESHOE LOUNGE CABINETRY

Key	Part Number	U/M	Description
	M86567-01-W33	EA	Cabinet Asm. - Lounge - Right
	M86568-01-W33	EA	Cabinet Asm. - Lounge - Left
	M88304-58-X23	EA	Door Asm. - Lounge Cabinet - Side
	M86633-01-X23	EA	Cabinet Asm. - Hamper - Lounge - Right
	M86633-02-X23	EA	Cabinet Asm. - Hamper - Lounge - Left
	M87013-01-X23	EA	Cabinet Asm. - Hamper - Back
	M88403-21-X08	EA	Door Asm. - Lounge Cabinet - Middle
	081298-07-X23	EA	Table Asm. - Horseshoe Lounge

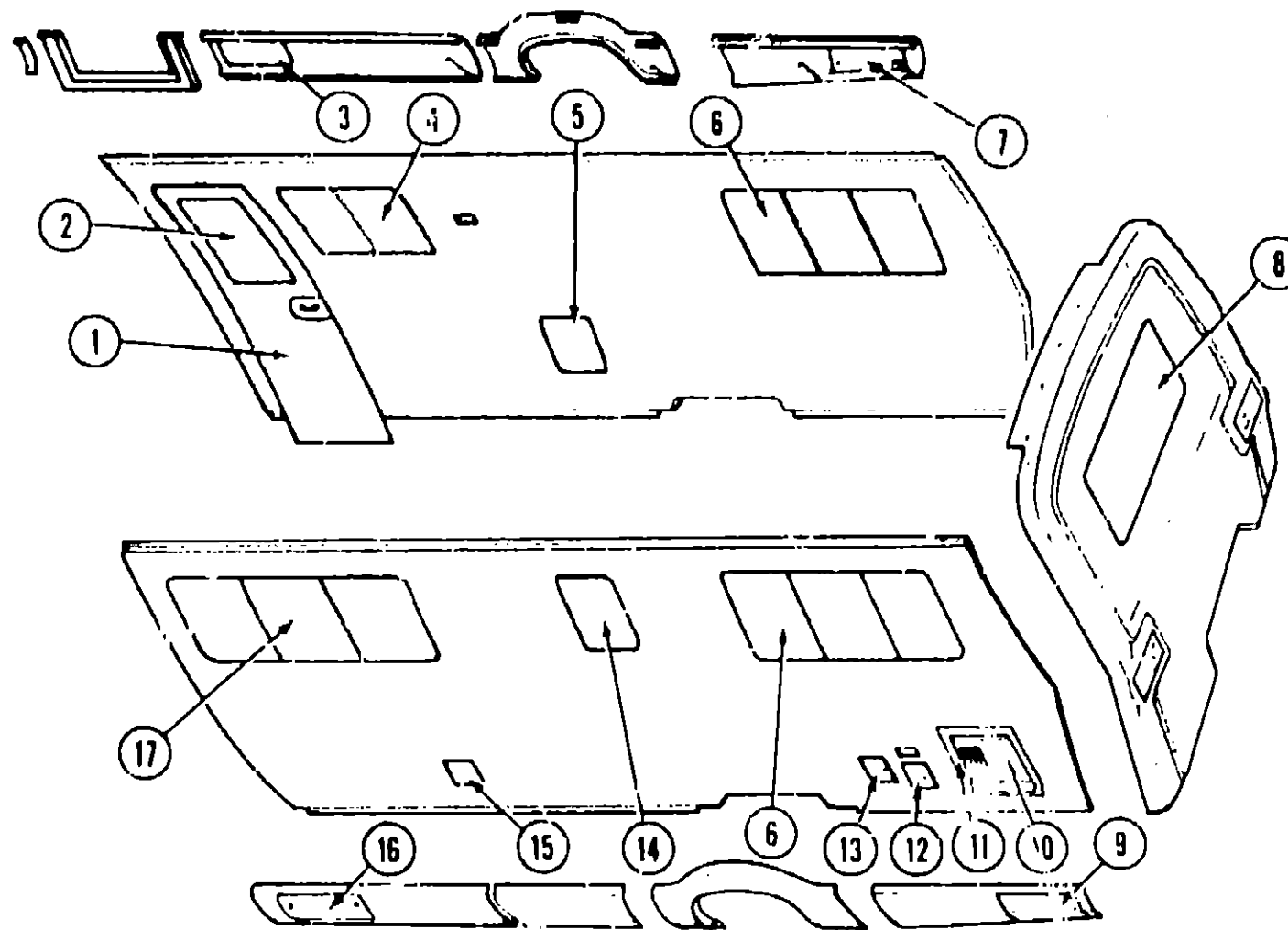
1988 WINNEBAGO/ITASC/ TABLE OF CONTENTS

Introduction	A-01
Abbreviations	A-02
W/ICP26ET	A-03 - A-20
W/ICP28EU	A-21 - B-16
W/ICP32RQ, W/IJP32RQ	B-17 - C-22
W/ICP34RU	C-23 - E-08
W/ICP37RQ	E-07 - F-10

1988 W/ICP26ET INDEX

Floor Plan	A-03 - A-04
Bath Group	A-05
Curtain, Cushion & Pad Group	A-06 - A-11
Dinette Group	A-12
Exterior Body Group	A-13 - A-16
Galley Group	A-17
Lounge Group	A-18
Window, Vent & Exterior Door Group	A-19 - A-20

WINDOW, VENT & EXTERIOR DOOR GROUP
WINDOWS & ACCESS DOORS



1988 WINNEBAGO/ITASCA
TABLE OF CONTENTS

Introduction	A-01
Abbreviations	A-02
W/ICP26ET	A-03 - A-20
W/ICP28EU	A-21 - B-18
W/ICP32RQ, W/IJP32RQ	B-17 - C-22
W/ICP34RU	C-23 - E-08
W/ICP37RQ	E-07 - F-10

WINNEBAGO

Key	Part Number	U/M	Description
1	M84385-01-X23	EA	Door Asm. - Entrance w/o Screen Door
2	079733-04-T03	EA	Window Asm. - Picture (w/o inside frame)
3	083095-03-U25	EA	Door Asm. - Storage - Beige
4	078266-02-T03	EA	Window Asm. - Single Slider
5	084103-01-000	EA	Door Asm. - Refrigerator Vent - Beige
6	078271-01-T03	EA	Window Asm. - Center Slider
7	084608-01-000	EA	Door Asm. - LP Access - Beige
8	078528-01-T03	EA	Window Asm. - Rear Escape
9	084609-01-000	EA	Door Asm. - Generator w/Louvers
10	052009-02-000	EA	Door Asm. - Water Heater - Beige
11	084701-01-000	EA	Shroud - Water Heater - Beige
12	052423-02-000	EA	Door Asm. - Sewer Hose - Beige
13	078010-01-000	EA	Door Asm. - Fuel Fill - Beige
14	078453-02-U25	EA	Window Asm. - Vertical Slider
15	088794-02-000	EA	Door Asm. - Power Cord - Beige
16	083095-03-W10	EA	Door Asm. - Storage - Beige
17	078269-01-T03	EA	Window Asm. - Double Slider

ITASCA

Key	Part Number	U/M	Description
1	M84385-01-X78	EA	Door Asm. - Entrance w/o Screen Door
2	079733-04-T03	EA	Window Asm. - Picture (w/o inside frame)
3	083095-03-U16	EA	Door Asm. - Storage - Gray
4	078266-02-T03	EA	Window Asm. - Single Slider
5	084103-02-000	EA	Door Asm. - Refrigerator Vent - Gray
6	078271-01-T03	EA	Window Asm. - Center Slider
7	084608-02-000	EA	Door Asm. - LP Access - Gray
8	078528-01-T03	EA	Window Asm. - Rear Escape
9	084609-03-000	EA	Door Asm. - Generator w/Louvers
10	052009-03-000	EA	Door Asm. - Water Heater - Gray
11	084701-C2-000	EA	Shroud - Water Heater - Gray
12	052423-03-000	EA	Door Asm. - Sewer Hose - Gray
13	078010-02-000	EA	Door Asm. - Fuel Fill - Gray
14	078453-02-U25	EA	Window Asm. - Vertical Slider
15	088794-03-000	EA	Door Asm. - Power Cord - Gray
16	083095-01-U16	EA	Door Asm. - Storage - Gray
17	078269-01-T03	EA	Window Asm. - Double Slider

1988 W/ICP26ET INDEX

Floor Plan	A-03 - A-04
Bath Group	A-05
Curtain, Cushion & Pad Group	A-06 - A-11
Dinette Group	A-12
Exterior Body Group	A-13 - A-16
Galley Group	A-17
Lounge Group	A-18
Window, Vent & Exterior Door Group	A-19 - A-20