

INTRODUCTION

The 1988 parts program has been designed to aid in ease of material retrieval. Do not be misled into using an illustration that looks right to you. Even though the illustration is the same, part numbers will often be different for different models.

Information is provided by year, group and model. To use the system, first determine the year and series of the motor home, then utilizing the alphabetical index provided on grid A-2, determine the group. With this information you should proceed to a given group for the information you need.

Most items common to more than one unit are illustrated and listed on the common items fiche. The top assembly number for any given unit is listed in each individual motor home listing. Reference is made to the common items fiche for a detailed breakdown.

The illustrations of various items are provided for clarification. Only keyed items for which part numbers are provided (on the illustration) may be purchased from Winnebago Industries.

ABBREVIATIONS

A	Amperes
A/C	Air Conditioning
Anod	Anodized
Asm	Assembly
Aux	Auxiliary
BF	Board Feet
Blk	Black
Brkt	Bracket
Cab	Cabinet
Ckt	Circuit
Db	Double
Dia	Diameter
EA	Each
Ext	Extension
Extr	Extrusion
Fin	Finish
Ft	Foot
Ga	Gauge
Gal	Gallon
G P M	Gallon per Minute
Grnd	Ground
Hdw	Hardware
I D	Inside Diameter
I/S	Inside
Mt	Mount
Mtg	Mounting
N/A	Not Available
O D	Outside Diameter
O/S	Outside
OVHD	Overhead
Oz	Ounce
Pcs	Pieces
Pkg	Package
Plas	Plastic
Qt	Quart
SF	Square Feet
SST	Stainless Steel
SY	Square Yard
TP	Tempered Plate
V	Volt
W	Watts
w/	With
Wdo	Window
w/o	Without
w/s	Windshield
w/s/w	Windshield Wiper

ALPHABETICAL INDEX

A	Group
Air Cond	Heating & Air Conditioning
Antenna - TV and Radio	Accessories
Armrests	Curtain, Cushion & Pad
Ash Tray	Driver's Compartment
B	
Batteries	Electrical
Batt Strips	Interior Finish
Bucket Seats	Curtain, Cushion & Pad
Bumpers and Brackets	Chassis
Bunks	Driver's Compartment
C	
Carpets	Interior Finish
Carrier Spare Tire	Chassis
Chairs - TT	Curtain, Cushion & Pad
Consoweld	Interior Finish
Converters	Electrical
Compartment - LP	LP
Compartment - Storage Roof	Accessories
Cover Motor	Driver's Compartment
Cover - Spare Tire	Chassis
Covers - Wheel Chrome	Accessories
Cushions	Curtain, Cushion & Pad
D	
Dash and Controls	Driver's Compartment
Decals	Exterior Body
Door - Entry	Window Vent & Exterior Door
Door - Refrig Access	Window Vent & Exterior Door
Door - Screen	Window Vent & Exterior Door
Door - Sewer/Electrical	Window Vent & Exterior Door
Door - Shower	Bath
F	
Fabrics	Curtain, Cushion & Pad
Fabrics	Interior Finish
Fire Extinguisher	Accessories
Fittings - Holding Tank	Water & Sewage
Fittings - Water Tank	Water & Sewage
Front End Components	Exterior Body
Furnace	Heating & Air Conditioning
G	
Gauges - Dash	Driver's Compartment
Generators	Accessories

1988 P-SERIES COMMON ITEMS TABLE OF CONTENTS

Introduction	A-01
Alphabetical Index	A-02 - A-04
Accessories Group	A-05 - A-08
Bath Group	A-09
Chassis Group	A-10 - A-17
Curtain, Cushion & Pad Group	A-18 - B-12
Driver's Compartment Group	B-13 - B-18
Electrical Group	B-19 - B-21
Exterior Body Group	B-22 - C-07
Galley Group	C-08
Heating & Air Conditioning Group	C-09
Interior Finish Group	C-10 - C-15
LP Group	C-16
Water & Sewage Group	C-17
Window Vent & Exterior Door Group	C-18 - D-16

ALPHABETICAL INDEX CONTINUED

H	Group
Hardware Cabinetry	Interior Finish
Hardware Table	Interior Finish
Hardware Couch	Interior Finish
Headlight Bezels	Exterior Body
Heater - Water	Water & Sewage
Hitch - Trailer	Chassis
Hood	Exterior Body
Hood - Range	Galley
Hose - Sewer	Water & Sewage
L	
Labels	Exterior Body
Lavatory	Bath
Leak Detectors LP	LP
Lights Exterior	Electrical
Lights Interior	Electrical
M	
Manual - Owners	Accessories
Mattress	Curtain, Cushion & Pad
Metals	Exterior Body
Microwave Oven	Accessories
Mirror Exterior	Accessories
Mirror Rearview	Driver's Compartment
Mud Flaps	Accessories
P	
Paints	Exterior Body
Paneling	Interior Finish
Panel - Sewage and Water - Wemac	Electrical
Power Cords	Electrical
Water Pumps - Demand	Water & Sewage
R	
Rack and Ladder - Roof	Accessories
Radios	Accessories
Range	Galley
Refrigerator	Galley
Regulator LP	LP

ALPHABETICAL INDEX CONTINUED

S	Group
Seat Belts	Driver's Compartment
Seat Pedestals	Driver's Compartment
Shower	Bath
Sink and Covers	Galley or Bath
Sleeper Board - C Body	Driver's Compartment
Speakers	Accessories
Speed Control	Accessories
Step Entry Door	Chassis
Sunvisors	Driver's Compartment
Switches - Interior Lights	Electrical
T	
Tank - Fuel	Chassis
Tank LP Gas	LP
Toilet	Bath
Tray Battery	Chassis
V	
Vacuum Cleaner	Accessories
Vents	Window Vent & Exterior Door
W	
Wheel Well	Chassis
Windows and Glass	Window Vent & Exterior Door
Windshield and Frame	Window Vent & Exterior Door
Windshield Washer	Electrical
Windshield Wiper	Electrical

**1988 P-SERIES
COMMON ITEMS
TABLE OF CONTENTS**

Introduction	A 01
Alphabetical Index	A-02 - A-04
Accessories Group	A-05 - A-08
Bath Group	A-09
Chassis Group	A-10 - A 17
Curtain, Cushion & Pad Group	A-18 - B 12
Driver's Compartment Group	B-13 - B 18
Electrical Group	B-19 - B 21
Exterior Body Group	B 22 - C 07
Galley Group	C-08
Heating & Air Conditioning Group	C 09
Interior Finish Group	C-10 - C-15
LP Group	C 16
Water & Sewage Group	C-17
Window Vent & Exterior Door Group	C-18 - D 16

ACCESSORIES GROUP

RACK & LADDER COMPONENTS

Key	Part Number	U/M	Description
	080997-03 T03	EA	Ladder Asm. - Lower
	080999-03-T03	EA	Ladder Asm - Upper
	081026-05-T03	EA	Rack Asm - Right
	081026-06-T03	EA	Rack Asm, Left
	081055-01 000	EA	Spring Grip - Internal
	081056-01-000	EA	Pin Quick Release
	081152-01 000	EA	Bumper Plate - Brite Dip
	081026-05-T03	EA	Rack Asm - Right (used on 26 ET only)
	081026-06 T03	EA	Rack Asm Left (used on 26 ET only)
	086372-01-W10	EA	Ladder Asm (used on 26 ET only)

MICROWAVE/CONVECTION OVEN & COMPONENTS

Key	Part Number	U/M	Description
	080737-01-000	EA	Microwave/Convection Oven - Magic Chef
	088682-03 000	EA	Bracket Asm - Microwave - Right
	088682-04 000	EA	Bracket Asm - Microwave - Left
	088737-02 000	EA	Frame Kit - Microwave Oven

FOG LAMP & COMPONENTS

Key	Part Number	U/M	Description
	079941-01-000	EA	Lamp Asm - Fog w/Cover - Amber
	079941-01-700	EA	Lamp Asm - (Set/2)
	079941-01-701	EA	Lens & Cover Only
	079341 01 702	EA	Switch - Fog Lamp
	079941-01-703	EA	Solenoid
	079941-01-704	EA	Shroud - Fan
	079941 01-705	EA	Lens Only
	079941-01-706	EA	Cover Only

CUSTOM STEERING WHEEL

Key	Part Number	U/M	Description
	080752-05-000	EA	Steering Wheel Custom
	080752-06-000	EA	Hub Adapter Steering Wheel
	080752-07-000	EA	Button - Horn - w/Wire
	080752-08-000	CA	Screw - Custom Steering Wheel

POWER SEARCHLIGHT & COMPONENTS

Key	Part Number	U/M	Description
	051057-02 000	EA	Searchlight - Power Driven
	051057-01-700	EA	Switch - Panel Asm (Aux)
	051057-01-701	EA	Switch - Panel Asm (Main)
	051057-01-702	EA	Joy Switch & Housing
	051057-01-703	EA	Toggle Switch - On/Off
	051057-01-704	EA	Micro Switch
	051057 03 000	EA	Switch Asm - Searchlight

WHEEL COVER & MOUNTING HARDWARE

Key	Part Number	U/M	Description
	083181-03-700	EA	Wheel Cover - 19 5
	083181-04-000	EA	Retainer Kit - 19 5 Wheel Cover (Set/4)
	083181-04-700	EA	Retainer Kit - 19 5 Front (1)
	083181-04-701	EA	Retainer Kit 19 5 Rear (1)
	083181-04 702	EA	Nut Cover - 19 6
	083181-04-703	EA	Cap Chrome Center
	083181-05-000	EA	Wheel Cover - 19 5 (Set/2) (Tag Axle)
	083181-06-000	EA	Retainer Kit - 19 5 (Set 2) (Tag Axle)
	083181-01-700	EA	Wheel Cover - 16 0 (1) (used on 26 ET)

ACCESSORIES GROUP (CONTINUED)

STYLIZED ALUMINUM WHEELS & COMPONENTS

Key	Part Number	U/M	Description
	077042 01 000	EA	Wheel - Polished Aluminum - 19 5" x 6" Front
	077042 02 000	EA	Wheel - Polished Aluminum - 19 5" x 6" Rear
	077043-01 000	EA	Lug Nut - 2 Pieces - Cone Seat & Flange
	077044 01 000	EA	Chrome Cover - Lug Nut - w/Skirt
	077045 01 000	EA	Chrome Cover - Front Axle - 2 Piece
	077045 02 000	EA	Chrome Cover - Rear Axle - 2 Piece
	078260 02 000	EA	Pouch Wrench 11" x 11"

CHROME WHEEL LINERS

Key	Part Number	U/M	Description
	086271-02 000	EA	Wheel Liner - Chrome - 19 5" (Set/4)
	086271 02 700	EA	Wheel Liner - 10 Lug - 19 5" - Front
	086271 02 701	EA	Wheel Liner - 10 Lug - 19 5" - Rear
	086271 02-702	EA	Axle Cover 10 Lug - 19 5" Front
	086271 02-703	EA	Axle Cover 10 Lug - 19 5" - Rear
	086271-02 704	EA	Cover - Lug Nut 19 5" Chrome
	086271 03 000	EA	Wheel Liner - Chrome - 19 5" (Set/2) Tag Axle
	077030 02 000	EA	Valve Stem Extension - 1 25'
	086271 04 000	EA	Wheel Liner - Chrome - 16 0 (Set/4) (used on 26 ET)
	086271 04-700	EA	Wheel Liner - Chevy - 16 0 - Front
	086271 04 701	EA	Wheel Liner - Chevy - 16 0 - Rear
	086271-04-702	EA	Axle Cover - Chevy - 16 0 - Front
	086271 04 703	EA	Axle Cover - Chevy - 16 0 - Rear
	036271 04 704	EA	Cover - Lug Nut - Chevy

EXTERIOR MIRRORS

Key	Part Number	U/M	Description
	077051 03-000	EA	Mirror Asm - Exterior - Right
	077051 04 000	EA	Mirror Asm - Exterior - Left
	086261 01-000	EA	Mirror Asm - Electronic Control & Heat Right
	086261 02-000	EA	Mirror Asm - Electronic Control & Heat - Left

The illustrated parts breakdown for this item is provided on the Common Items Fiche

GENERATORS & COMPONENTS

Key	Part Number	U/M	Description
	081634-01-000	EA	Generator - Onan - 6 5 - Emerald
	079654-03-000	EA	Generator - Onan - 4 0 - Emerald
	079654-05-000	EA	Pipe & Accessories Kit - Emerald
	081364-01-000	EA	Muffler - Generator - 6 5 Emerald
	083151-01-000	EA	Muffler - Generator - 6 5 Emerald (used w/2 Air Conditioners)
	078045-01-000	LA	Support Plate - Generator
	083152-01-000	EA	Exhaust Pipe - Generator
	007067-01-000	EA	Insulation - Fiberglass - 1
	084365-01-000	EA	Support Plate - Generator
	084455 01-000	EA	Pipe - Exhaust - Generator (used on 26 ET only)
	086087-01-000	EA	Sight Shield - Generator (used on 26 ET only)

1988 P-SERIES COMMON ITEMS TABLE OF CONTENTS

Introduction	A-01
Alphabetical Index	A-02 - A-04
Accessories Group	A-05 - A-08
Bath Group	A-09
Chassis Group	A-10 - A-17
Curtain, Cushion & Pad Group	A-18 - B-12
Driver's Compartment Group	B-13 - B-18
Electrical Group	B-19 - B-21
Exterior Body Group	B-22 - C-07
Galley Group	C-08
Heating & Air Conditioning Group	C-09
Interior Finish Group	C-10 - C-15
LP Group	C-16
Water & Sewage Group	C-17
Window Vent & Exterior Door Group	C-18 - D-18

ACCESSORIES GROUP (CONTINUED)

RADIO & RELATED COMPONENTS

Key	Part Number	U/M	Description
	077089-01-000	EA	Antenna - Radio
	031105-01-000	EA	Antenna - Side Mounted
	077448-01-000	EA	Bracket - Radio Front
	077066-02-000	EA	Cable - Antenna Extension 96"
	073741-04-000	EA	Grill Speaker - Oval - 4" x 6"
	089340-01-000	EA	Grill - Speaker - 6 1/2" Square
	031105-01-700	EA	Holder - Radio Antenna - Upper
	087884-01 000	EA	Radio - AM/FM Stereo - w/Cassette Electronic Tune
	084791-01-000	EA	Speaker - Recessed - 5 25"
	073741-03-000	EA	Speaker - 4' x 6" - Oval
	073431-01-000	EA	Speaker - 5 25" - 3 Way (Pair)
	073431-02 000	EA	Speaker - 5 25" Dia w/o Grill
	074979-01-000	EA	Speaker Cover - Light Oak
	074979-07 000	EA	Speaker Cover - Light Oak
	077442 01-000	EA	Support - Rear Radio

Parts used in the Rear Stereo Option

MISCELLANEOUS ACCESSORIES

Key	Part Number	U/M	Description
	054185 28-000	EA	Owners Manual 1988 - Winnebago & Itasca
	076319-01-000	EA	Antenna - TV - 44 5" Mast
	023111-01-000	EA	Food Center - Built In
	076799-01-000	EA	Ice Maker Black
	085732-01-000	EA	Clock - Plum (X22)
	085732 02-000	EA	Clock Peach (X19 X20, X21)
	081072-01-000	EA	Floor Mat Front - Right Winnebago
	081074-01-000	EA	Floor Mat - Front - Left - Winnebago
	081075-01-000	EA	Floor Mat - Entrance - Winnebago
	017516-01-000	EA	Mud Flap - 14' x 18' - Rear - Black
	017516-02-000	EA	Mud Flap - 14' x 12' - Front - Black
	041944-04-000	EA	Fire Extinguisher - 5 BC - w/o Mounting Bracket
	084472-01-000	EA	Holder Fire Extinguisher
	041944-03-000	EA	Fire Extinguisher Dry 5 BC (used In 26 ET or ty)
	072852-01-000	EA	Smoke Detector w/9 Volt Battery
	006069-01-000	EA	Key Case Leather
	080208-01-000	EA	Lug Wrench
	080208-02-000	EA	Leverage Bar - Lug Wrench
	006113-01-000	EA	Jack - Hydraulic - 6 Ton w/Handle
	036420-02-000	EA	Defroster Fan - 6 - 2 Speed Fan
	077988-01-000	EA	Bracket - Defroster Fan - Right
	077988-02-000	EA	Bracket - Defroster Fan - Left
	086758-01-000	EA	Television - 13 Digital Color - Remote Control
	086759-01-000	EA	VCR - VHS - Table Model
	086757-01 000	EA	Control Center - Channel Master
	064093-01-000	EA	Luggage Box - 14 x 30 x 60
	083212-06-000	EA	Speed Control - w/Smart Stick
	088746-01-000	EA	Step Asm - Electric (Kwikkee)
	088778-01-000	EA	Vacuum Cleaner - Hand Held

The illustrated parts breakdown for this item is provided on the Common Items Fiche

ACCESSORIES GROUP (CONTINUED)

AIR HORNS & COMPONENTS

Key	Part Number	U/M	Description
	077497 01 000	EA	Air Horn Kit - Twin Chromed
	077497 01-700	EA	Solenoid - Air Tank
	077497-01-701	EA	Switch - Compressor
	077497 01-702	EA	Toggle Switch w/Wire
	077497 01-703	EA	Air Tank
	077497 01 704	EA	Compressor w/Switch
	077497-02 000	EA	Hose Kit - Auxillary Air
	077497 03 000	EA	Parts Kit - Hose - Auxillary Air
	078239 01 000	EA	Label Plate - Horn

REAR VIEW TELEVISION OPTION

Key	Part Number	U/M	Description
	083207-01 000	EA	Television System - Rear View
	084349 01-U07	EA	Shroud Asm - Camera - Beige
	084349 01-U16	EA	Shroud Asm - Camera - Gray
	084409 01 000	EA	Seal - Camera Mounting
	084264 01 000	EA	Bracket - Mounting Camera

**1988 P-SERIES
COMMON ITEMS
TABLE OF CONTENTS**

Introduction	A-01
Alphabetical Index	A 02 - A 04
Accessories Group	A 05 - A-08
Bath Group	A 09
Chassis Group	A 10 - A 17
Curtain Cushion & Pad Group	A-18 B 12
Driver's Compartment Group	B 13 - B 18
Electrical Group	B 19 - B 21
Exterior Body Group	B 22 - C 07
Galley Group	C 08
Heating & Air Conditioning Group	C-09
Interior Finish Group	C-10 - C-15
LP Group	C-16
Water & Sewage Group	C-17
Window Vent & Exterior Door Group	C-18 D 16

BATH GROUP

BATH & WARDROBE HARDWARE

Key	Part Number	U/M	Description
	075240-03-000	EA	Faucet Lavatory - Brass
	075242-03-000	EA	Faucet - Tub & Shower - Brass
	089368-01-000	EA	Sink Oval - Ivory Plastic
	M02630-04 W13	EA	Shower Pan Asm, (used in 26ET & 37RQ)
	M01817-01-T03	EA	Bathtub Asm - w/Strainer
	075741-03-000	EA	Shroud - Bathtub
	009059-01-000	EA	Hinge - 2" - Gold
	059777-02-000	EA	Hinge - Cabinet Door Brass
	086283-01-000	EA	Pull - Polished Brass
	079021-01-000	EA	Catch - Nylon - Grill
	009021-02-000	EA	Strike Spring Steel
	011048-02-000	EA	Shower Head - w/60' Hose
	068729-01-000	EA	Strainer - Shower Pan & Tub
	066236-01-000	EA	Slip Nut - 1 5" Tall Piece - Bathtub
	066435-01-000	EA	Nut - Strainer - Plastic
	085278-01-000	EA	Tissue Holder - Recessed - Brass
	085279-01-000	EA	Toothbrush Holder/Tumbler - Brass
	075452-02-000	EA	Tissue Holder - Brass
	075680-01-000	EA	Clothes Rod - Adjustable
	075453-02-000	EA	Bar - Towel Rack
	075454-02-000	EA	Towel Ring - Brass
	080224-07-000	EA	Track - Folding Door - 'S' Curve Brown (Front)
	080224-23-000	EA	Track - Folding Door - Straight - 44 5" (Rear)
	080224-01-700	EA	Latch & Catch Asm - Folding Door
	009112-01-000	EA	Flange - 1' Closet Rod
	058331-05-000	EA	Mirror - Tempered Glass - 12 x 26
	058331-10-000	EA	Mirror - Tempered Glass - 14' x 17
	083204-01-000	EA	Retaining Button Glass
	085330-04-000	EA	Toilet - Shorty - Bone China - w/Spray
	085330-02-000	EA	Toilet Standard - Bone China
	081614-01-000	EA	Soap Dish - Brass
	075244-02-000	EA	Shower Curtain Liner
	075687-02-000	EA	Lockset - Bronze Tone

The illustrated parts breakdown for this item is provided on the Common Items Fiche

CHASSIS GROUP

MISCELLANEOUS

Key	Part Number	U/M	Description
	077995-02-000	EA	Baffle - Upper - Radiator
	065450-04-000	EA	Battery Tiedown - Plastic Coated
	077136-01-000	EA	Box - Power Cord (unit 26ET, 28EU)
	088557-01-000	EA	Box - Power Cord (unit 32RQ)
	089811-01-000	EA	Box - Power Cord (unit 37RQ)
	062401-01-000	EA	Clamp - Hose - Wormgear - 22 ID - 1" ID
	062401-02-000	EA	Clamp - Hose - Wormgear - 1 58 ID - 2 5' ID
	062401-03-000	EA	Clamp - Hose - Wormgear - 25 ID - 1" ID
	062401-04-000	EA	Clamp - Hose - Wormgear - 69 ID - 1 25 ID
	062401-05-000	EA	Clamp - Hose - Wormgear - 2" ID - 3' ID
	062401-06-000	EA	Clamp - Hose - Wormgear - .22" ID - 62' ID
	007125-03-000	EA	Clamp Asm - Muffler - 1 50 DIA
	007125-04-000	EA	Clamp Asm - Muffler - 1 12 DIA
	010497-01-000	EA	Clamp - Closed - 5/8 ID
	010499-01-000	EA	Clamp - Closed - 3/8 ID
	081938-01-000	EA	Compartment - LP Regulator
	007131-01-000	EA	Hanger Tailpipe
	007033-01-000	FT	Hose - Gas - 1/4 ID x 1/2 O D
	081245-01-000	EA	Hose - Fuel Fill - Formed
	024138-01-000	FT	Hose - Fuel - 3/16 ID
	017516-01-000	EA	Mud Flap - Black
	017516-02-000	EA	Mud Flap Black - 14" x 12 5" w/Holes
	079942-01-000	EA	Shock Absorber Stabilizer - Front
	079942-02-000	EA	Shock Absorber - Stabilizer - Rear
	081264-01-000	EA	Shield - Heat Deflector
	077848-01-000	EA	Step Asm - Pullout
	047743-01-000	EA	Spacker Rear Spring/Axle Stop
	085760-01-000	EA	Tank Asm - Fuel - 90 Gal
	076281-01-000	EA	Tray - Battery
	052431-02-000	EA	Tray - Luggage Compartment
	011069-03-000	EA	Tailpiece - 1 1/2" x 1 3/4' Plastic
	079661-01-000	EA	Valve Asm - Vent - Fuel Tank
	079662-01-000	EA	Vent Flange - Mounting - Fuel Tank
	075758-01-000	EA	Wheelwell - Plastic - Rear - Dual
	084488-01-000	EA	Wheelwell - Plastic - Rear - Single (Tag Axle)

TAG AXLE - AIR CONTROLLER

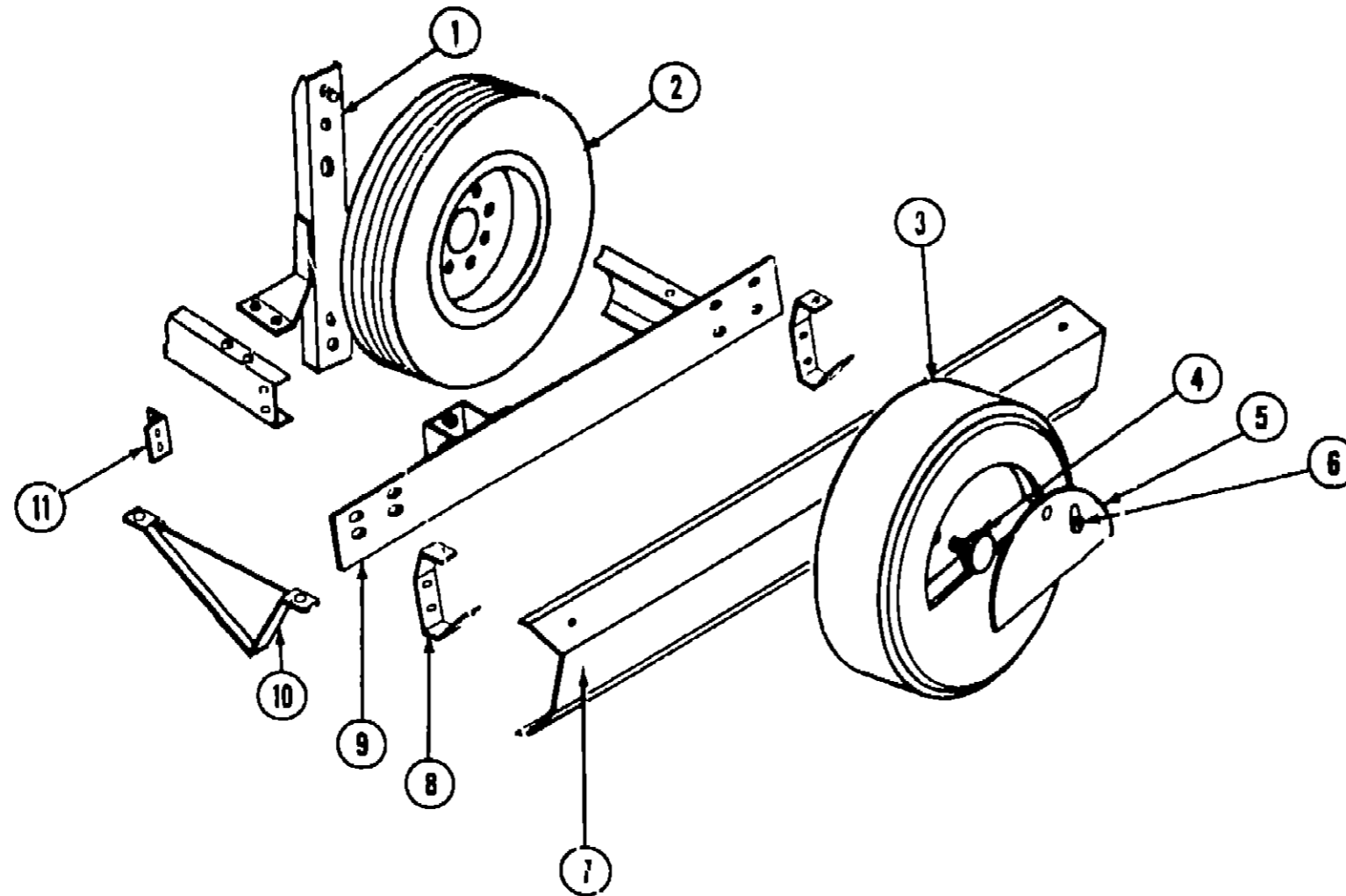
Key	Part Number	U/M	Description
	085752-01-000	EA	Air Suspension - P 30 - Superide
	085753-01-000	EA	Brake Controller - Weatheron
	085761-01-000	EA	Compressor - Air Tank - 12 Volt - 1/8 HP
	085159-01-000	EA	Light - Warning - Low Air
	085758-01-000	EA	Switch Asm - Low Air
	085757-01-000	EA	Switch - Pressure Control
	071375-02-000	EA	Tank Air Tag Axle
	085755-01-000	EA	Valve - Air Solenoid - 1/4 NPT-F
	085756-01-000	EA	Valve - Check - 1/4 NPT - Male
	085773-01-000	EA	Valve - Drain - Air Tank 1/4 MPT
	085769-01-000	EA	Valve Relief 1/4 MPT
	085754-01-000	EA	Valve Asm - Height Control - Right
	085754-02-000	EA	Valve Asm - Height Control - Left

1988 P-SERIES COMMON ITEMS TABLE OF CONTENTS

Introduction	A-01
Alphabetical Index	A-02 - A-04
Accessories Group	A-05 - A-08
Bath Group	A-09
Chassis Group	A-10 - A-17
Curtain, Cushion & Pad Group	A-18 - B-12
Driver's Compartment Group	B-13 - B-18
Electrical Group	B-19 - B-21
Exterior Body Group	B-22 - C-07
Galley Group	C-08
Heating & Air Conditioning Group	C-09
Interior Finish Group	C-10 - C-15
LP Group	C-16
Water & Sewage Group	C-17
Window, Vent & Exterior Door Group	C-18 - D-16

CHASSIS GROUP (CONTINUED)

SPARE TIRE & HITCH (26ET only)

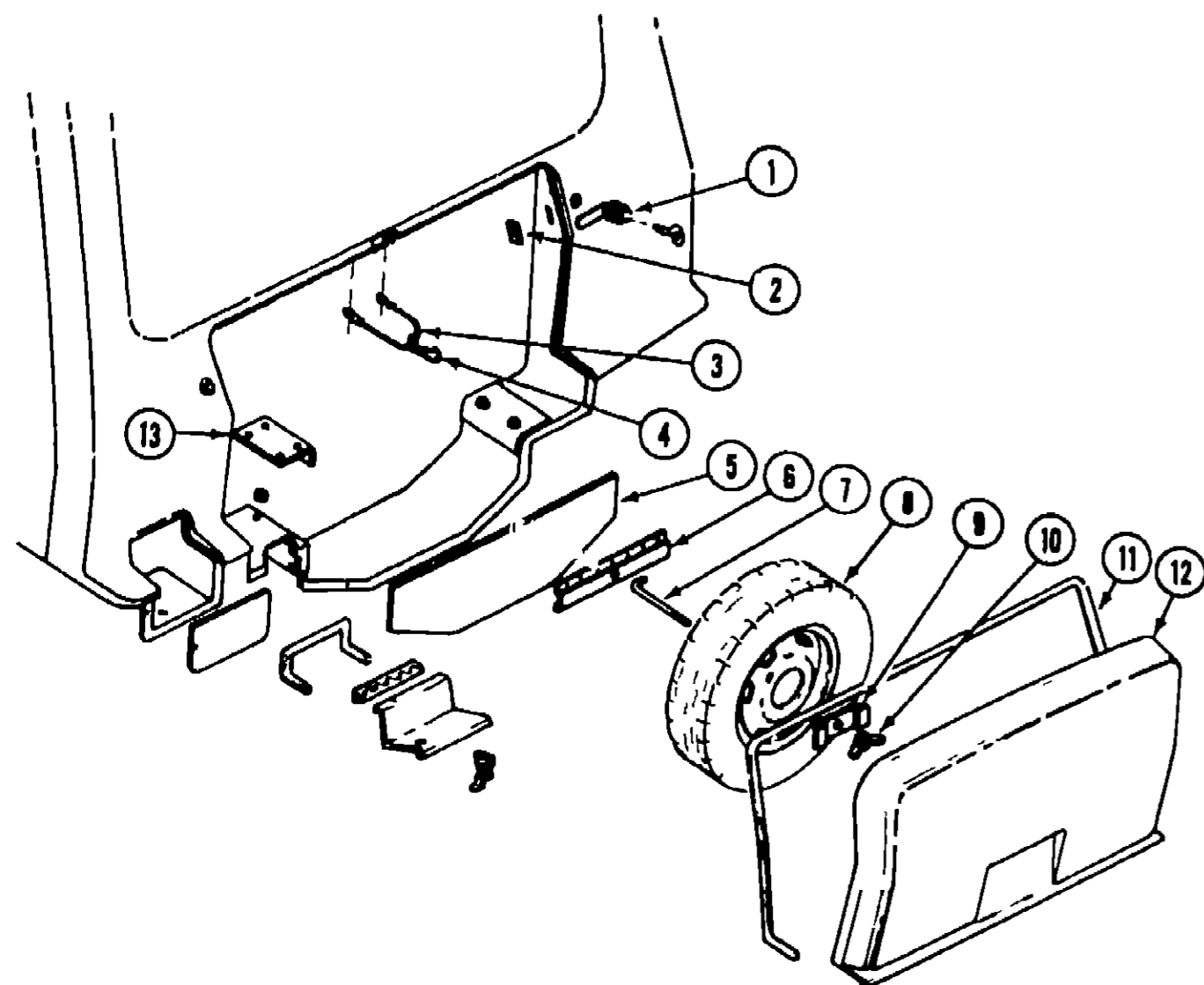


Key	Part Number	U/M	Description
1	080378-02-000	EA	Bracket - U Channel - Tire Carrier
2	040546-01-000	EA	Tire - 7 50 x 16 - 8 Ply
	064962-02-000	EA	Rim - Wheel - 16 0 - 6 0
3	079762-01-000	EA	Tire Cover - Beige - Plastic
3	079762-02-000	EA	Tire Cover - Gray - Plastic
4	064082-02-000	EA	Nut - Tire Cover Retainer
5	M02047-01-T03	EA	Door - Tire Cover - Beige Plastic
5	M02047-01-T18	EA	Door - Tire Cover - Gray Plastic
6	077408-02-000	EA	Lock Asm - Key Type
7	078584-01-000	EA	Bumper - Rear - Primed
7	078584-04-000	EA	Bumper - Rear - Beige
7	078584-10-000	EA	Bumper - Rear - Gray
8	078670-02-000	EA	Bracket to Bumper - Rear Bumper
9	079129-02-000	EA	Bracket to Frame - Rear Bumper
10	083376-01-000	EA	Skid Plate Asm
11	078668-01-000	EA	Support Angle - Rear Bumper Support to Frame
			Not Illustrated

1988 P-SERIES COMMON ITEMS TABLE OF CONTENTS

Introduction	A 01
Alphabetical Index	A 02 - A 04
Accessories Group	A 05 - A 08
Bath Group	A-09
Chassis Group	A-10 - A-17
Curtain, Cushion & Pad Group	A-18 - B-12
Driver's Compartment Group	B-13 - B 18
Electrical Group	B 19 - B 21
Exterior Body Group	B-22 - C-07
Galley Group	C-08
Heating & Air Conditioning Group	C 09
Interior Finish Group	C-10 C 15
LP Group	C 16
Water & Sewage Group	C 17
Window, Vent & Exterior Door Group	C-18 - D-16

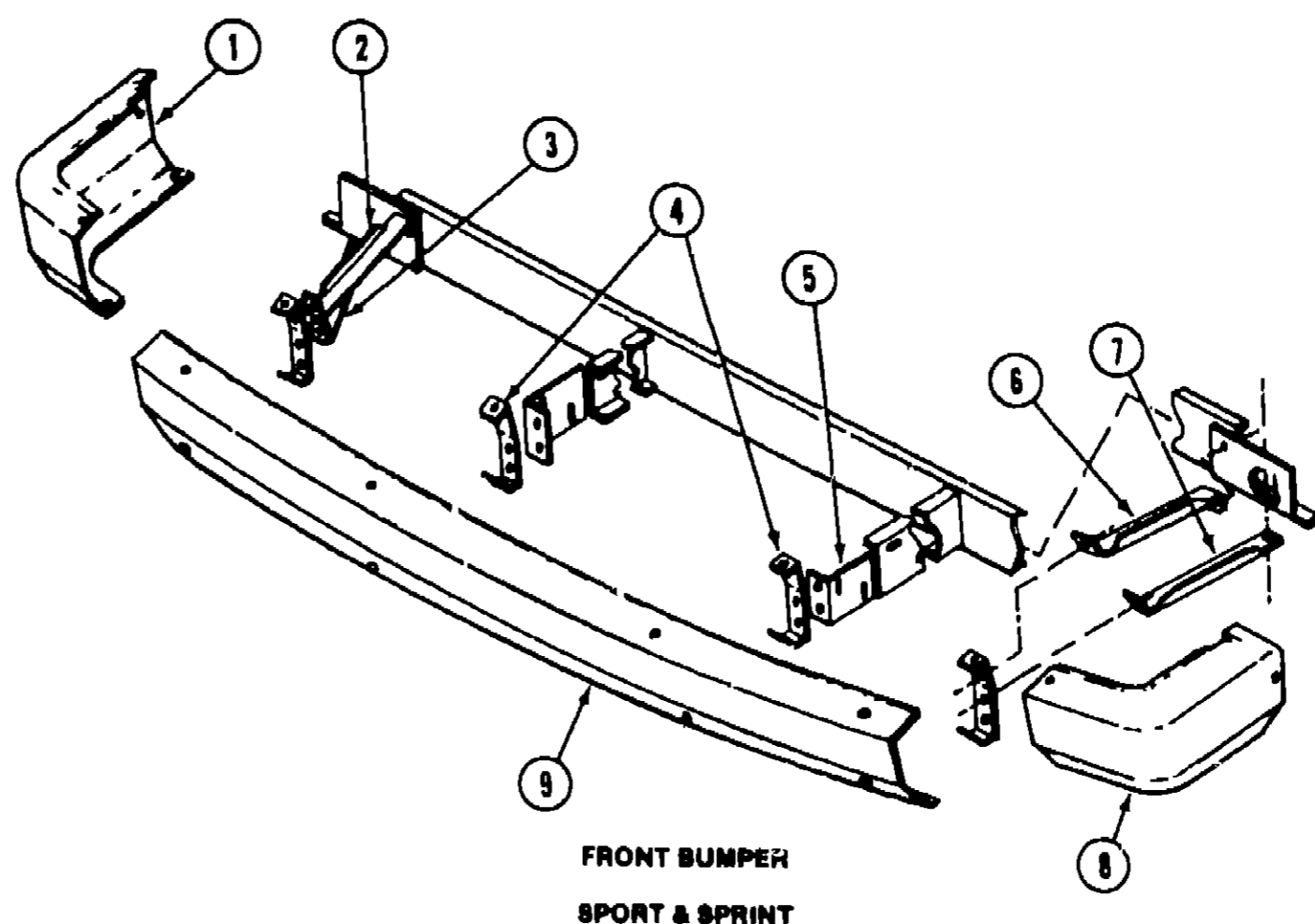
CHASSIS GROUP (CONTINUED)



SPARE TIRE & COMPARTMENT

Key	Part Number	U/M	Description
1	077406-01-000	EA	Lock Asm - Key Type
2	077941-01-000	EA	Rubber Seal - Flat w/Slit
3	076767-02-000	EA	Cable Asm
4	072463-01-000	EA	Spring Hook 1/2
5	077395-01-000	EA	Shield - Spare Tire
6	077403-01-000	EA	Support Bracket - Spare Tire
7	077411-01-000	EA	Retaining Rod - Spare Tire
8	007321-01-000	EA	Tire - 8 x 19.5 - 8 Ply Poly - Goodyear
8	007321-02-000	EA	Tire - 8 x 19.5 - 8 Ply - Tubeless - Goodrich
8	007324-04-000	EA	Tire - 8' x 19.5 - Radial - Michelin
	064963-01-000	EA	Rim - Wheel - 19.5 x 6.75
	077030-02-000	EA	Extension - Valve Stem - 1.25
9	077399-01-000	EA	Retainer - Spare Tire
10	064081-01-000	EA	Wing Nut - 3/8 - Spare Tire
11	073090-01-000	FT	Weather Seal
12	M01990-03-W13	EA	Cover - Spare Tire - Beige
12	M01990-04-U16	EA	Cover - Spare Tire - Gray
	077392-01-000	EA	Strike - Latch
	077080-01-000	EA	Angle Support - Pivot
	077381-01-000	EA	Plate - Pivot
	077385-01-000	EA	Pin Asm - Pivot
	077384-01-000	EA	Plate - Pin
13	077400-01-000	EA	Support - Spare Tire
	077393-01-000	EA	Support Asm - Strike
	077579-01-000	EA	Spacer - Spare Tire Support
			Not illustrated

CHASSIS GROUP (CONTINUED)



**FRONT BUMPER
SPORT & SPRINT**

Key	Part Number	U/M	Description
1	075767-01-000	EA	End Cap - Front Bumper - Passenger - Beige
1	075767-02-000	EA	End Cap - Front Bumper - Passenger - Gray
2	077853-01-000	EA	Brace - Upper - Front Bumper - Passenger
3	077854-01-000	EA	Brace - Lower - Front Bumper - Passenger
4	077852-01-000	EA	Bracket - Front Bumper
5	076527-01-000	EA	Bracket to Frame - Front Bumper
6	077853-02-000	EA	Brace - Upper - Front Bumper - Driver
7	077854-02-000	EA	Brace - Lower - Front Bumper - Driver
8	075767-03-000	EA	End Cap - Front Bumper - Driver - Beige
8	075767-04-000	EA	End Cap - Front Bumper - Driver - Gray
9	077850-01-000	EA	Bumper - Front - Plain
	005200-01-000	EA	Carriage Bolt - Chrome - 7/16 x 14 x 1 1/4
			Not illustrated

FRONT BUMPER

ELANDAN & WINDCRUISER

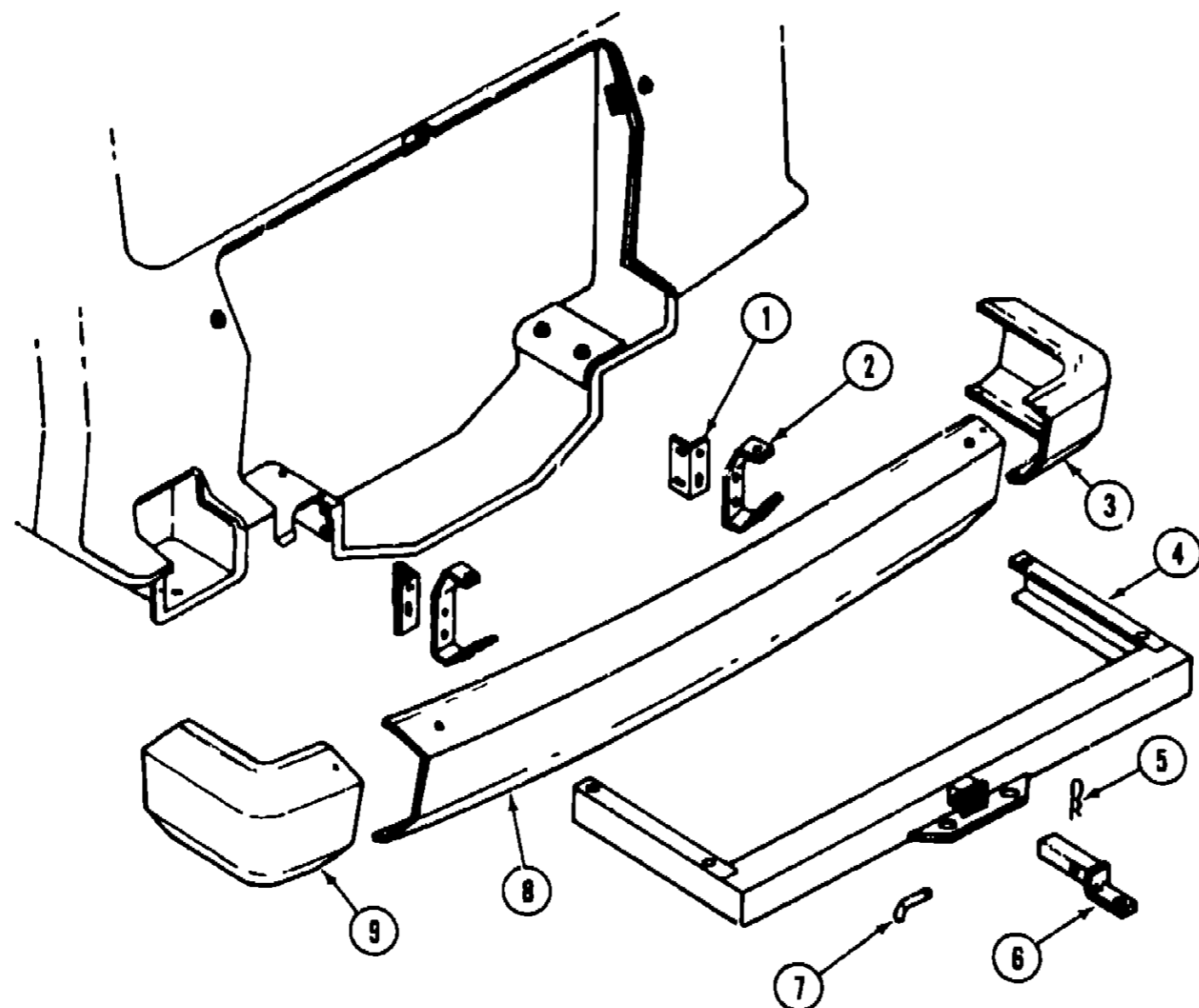
Key	Part Number	U/M	Description
	M88632-01-X19	EA	Bumper Asm - Front - Beige
	M88632-02-X75	EA	Bumper Asm - Front - Gray
	089039-01-000	EA	Brace - Upper - Front Bumper
	077854-01-000	EA	Brace - Lower - Front Bumper - Passenger
	077854-02-000	EA	Brace - Lower - Front Bumper - Driver
	086140-01-000	EA	Support Bracket - Bumper - Passenger
	086140-02-000	EA	Support Bracket - Bumper - Driver
	088942-01-000	EA	Bracket - Fog Lamp - Mounting - Passenger
	088942-02-000	EA	Bracket - Fog Lamp - Mounting - Driver

**1988 P-SERIES
COMMON ITEMS
TABLE OF CONTENTS**

Introduction	A-01
Alphabetical Index	A-02 - A-04
Accessories Group	A-05 - A-08
Bath Group	A-09
Chassis Group	A-10 - A-17
Curtain, Cushion & Pad Group	A-18 - B-12
Driver's Compartment Group	B-13 - B-18
Electrical Group	B-19 - B-21
Exterior Body Group	B-22 - C-07
Galley Group	C-08
Heating & Air Conditioning Group	C-09
Interior Finish Group	C-10 - C-15
LP Group	C-16
Water & Sewage Group	C-17
Window, Vent & Exterior Door Group	C-18 - D-16

CHASSIS GROUP (CONTINUED)

REAR BUMPER & HITCH



Key	Part Number	U/M	Description
1	076558-01-000	EA	Bracket to Frame - Rear Bumper
2	077855-01-000	EA	Bracket to Bumper - Rear
3	077330-01-000	EA	Bumper End Cap - Right - Beige (34RU X1)
3	077330-05-000	EA	Bumper End Cap - Right - Beige (28EU)
3	084614-01-000	EA	Bumper End Cap - Right - Beige (26ET)
3	077330-02-000	EA	Bumper End Cap - Right - Gray (34RU X1)
3	077330-07-000	EA	Bumper End Cap - Right - Gray (28EU)
3	084614-03-000	EA	Bumper End Cap - Right - Gray (26ET)
4	077617-01-000	EA	Hitch Asm - w/o Drawbar
5	034513-01-000	EA	Spring Pin - Hitch - 3/16 Wire
6	077613-01-000	EA	Drawbar Asm
7	034512-01-000	EA	Locking Pin - Drawbar

Key	Part Number	U/M	Description
8	077851-01-000	EA	Bumper - Rear - Plain (34RU & 28EU)
8	078584-01-000	EA	Bumper - Rear - Plain (26ET)
8	077851-04-000	EA	Bumper - Rear - Chrome (34RU X1)
8	077851-02-000	EA	Bumper - Rear - Beige (34RU X1 & 28EU)
8	078584-04-000	EA	Bumper - Rear - Beige (26ET)
8	077851-05-000	EA	Bumper - Rear - Gray (34RU X1 & 28EU)
8	078584-10-000	EA	Bumper - Rear - Gray (26ET)
9	077330-03-000	EA	Bumper End Cap - Left - Beige (34RU X1)
9	077330-06-000	EA	Bumper End Cap - Left - Beige (28EU)
9	084614-02-000	EA	Bumper End Cap - Left - Beige (26ET)
9	077330-04-000	EA	Bumper End Cap - Left - Gray (34RU X1)
9	077330-08-000	EA	Bumper End Cap - Left - Gray (28EU)
9	084614-04-000	EA	Bumper End Cap - Left - Gray (26ET)
	005200-01-000	EA	Carriage Bolt - Chrome - 7/16 x 14 x 1 1/4
			Not illustrated

1988 P-SERIES COMMON ITEMS TABLE OF CONTENTS

Introduction	A-01
Alphabetical Index	A-02 - A-04
Accessories Group	A-05 A-08
Bath Group	A-09
Chassis Group	A-10 - A-17
Curtain, Cushion & Pad Group	A-18 - B-12
Driver's Compartment Group	B-13 - B-18
Electrical Group	B-19 - B-21
Exterior Body Group	B-22 - C-07
Galley Group	C-08
Heating & Air Conditioning Group	C-09
Interior Finish Group	C-10 - C-15
LP Group	C-16
Water & Sewage Group	C-17
Window Vent & Exterior Door Group	C-18 - D-16

CHASSIS GROUP (CONTINUED)

REAR BUMPER & HITCH

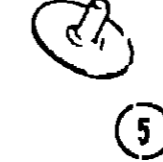
ELANDAN & WINDCRUISER

Key	Part Number	U/M	Description
	083376-01-000	EA	Skid Plate Asm
	M86700-01-W13	EA	Bumper Asm - Rear - Beige
	M86700-01-W38	EA	Bumper Asm - Rear - Gray
	077617 01-000	EA	Hitch Asm - w/o Drawbar
	034513-01-000	EA	Spring Pin - Hitch - 3/16" Wire
	077613-01-000	EA	Drawbar Asm
	034512 01-000	EA	Locking Pin - Drawbar

CURTAIN, CUSHION & PAD GROUP

FRONT BUNK CUSHIONS

Key	Part Number	U/M	Description
	079145-02 000	EA	Cushion Asm - Front Bunk - 30 x 69"
	M79145 02-000	EA	Cover Asm - Front Bunk Cushion



Key	Part Number	U/M	Description
1	029130 01 000	EA	Socket - Snap Fastener
2	029155 01-000	EA	Cap Snap - 156 Dia x 17 Barrel
3	029156-01-000	EA	Socket - Snap Fastener
4	029092 01-000	EA	Stud - Nickel Finish
5	029093 01 000	EA	Eyelet - Nickel Finish

CURTAIN HARDWARE

Key	Part Number	U/M	Description
	029094-04 000	YD	Tape - Loop - 1 Wide - Black
	029096-03-000	YD	Tape - Hook - 1 Wide - Black
	048394-02-000	YD	Tape - Hook - 75 Wide - Beige
	048395-02 000	YD	Tape - Loop - 75 Wide - Beige
	088792-02 000	YD	Tape - Loop - 75 Wide - Beige - Adhesive
	056003-01-000	EA	Bracket Drapery Retainer - Right
	056003 02 000	EA	Bracket Drapery Retainer - Left
	081381-01-000	EA	Swivel Snap - Curtain Track
	082139-01-000	EA	Bracket - Hold Down - Blinds
	083170-01-000	EA	Bracket - Blind Installation - Right
	083170-02-000	EA	Bracket - Blind Installation - Left
	084434-01-000	EA	Bracket - Roller Shade - 1 375
	087253-01-000	EA	Pull - Window Shade - Clear Plastic
	089335-01-000	EA	Track - Curtain - Brown Plastic
	086276-01-000	EA	Tape - Double Sided - 5
	078394 01-000	FT	Trim - Brass Vinyl - 437 Wide - Window Side Panel
	077046-01-000	EA	Track - Curtain - Front Wraparound - Passenger
	077046-02-000	EA	Track - Curtain - Front Wraparound - Drivers

1988 P-SERIES COMMON ITEMS TABLE OF CONTENTS

Introduction	A 01
Alphabetical Index	A-02 - A-04
Accessories Group	A-05 A 08
Bath Group	A-09
Chassis Group	A-10 A-17
Curtain, Cushion & Pad Group	A-18 - B-12
Driver's Compartment Group	B-13 - B 18
Electrical Group	B-19 - B-21
Exterior Body Group	B-22 C-07
Galley Group	C-08
Heating & Air Conditioning Group	C-09
Interior Finish Group	C-10 - C-15
LP Group	C 16
Water & Sewage Group	C-17
Window, Vent & Exterior Door Group	C-18 - D-16

1988 P-SERIES CURTAIN, CUSHION & PAD GROUP INDEX

Curtain Hardware	A-18
Winnebago Sport	A-19 - A-22
Winnebago Elandan	A 23 - B-02
Itasca Sprint	B-03 - B-08
Itasca Windcruiser	B-09 B-12

CURTAIN, CUSHION & PAD GROUP (CONTINUED)

WINNEBAGO SPORT

FABRICS

Key	Part Number	U/M	Description
	088274 11-000	YD	Fabric - Upholstery - Main Beige (X23)
	088274 12-000	YD	Fabric - Upholstery - Main - Blue (X24)
	088274 13-000	YD	Fabric - Upholstery - Main - Rose (X25)
	088274 29-000	YD	Fabric - Upholstery - Patterned - Beige (X23)
	088274 30-000	YD	Fabric - Upholstery - Patterned - Blue (X24)
	077498 A5-000	YD	Fabric - Upholstery - Patterned - Rose (X25)
	088273 07-000	YD	Fabric - Bedspread - Beige (X23)
	088273-08-000	YD	Fabric - Bedspread - Blue (X24)
	088273-09-000	YD	Fabric - Bedspread - Rose (X25)
	072333 49-000	YD	Fabric - Drapery - Blackout Wraparound (X23, X24 X25)
	075244-02-000	YD	Fabric - Shower Curtain
	038421-01-000	YD	Fabric - Mattress Ticking - Beige/Brown
	038421-04-000	YD	Fabric - Mattress Ticking - Cashew 82
	087272-01-000	YD	Fabric - Drapery Lining 48' - Ivory
	079680-01-000	YD	Vinyl - Expanded - 26 oz - Buckskin

BUCKET SEAT

Key	Part Number	U/M	Description
	083909-16-X23	EA	Seat Asm - Single Bucket - w/Headrest
	083909-16-X24	EA	Seat Asm - Single Bucket - w/Headrest
	083909-16 X25	EA	Seat Asm - Single Bucket - w/Headrest
	M01864-33-X23	EA	Cover Asm - Bucket - Seat
	M01864-33-X24	EA	Cover Asm - Bucket - Seat
	M01864 33-X25	EA	Cover Asm - Bucket - Seat
	M01864-34-X23	EA	Cover Asm - Bucket - Back
	M01864-34 X24	EA	Cover Asm - Bucket - Back
	M01864-34 X25	EA	Cover Asm - Bucket - Back
	071126-23-X23	EA	Skirt Asm - Single Bucket
	071126-23-X24	EA	Skirt Asm - Single Bucket
	071126-23-X25	EA	Skirt Asm - Single Bucket
	080243-25-X23	EA	Armrest Asm - Bucket Seat - Right
	080243-25-X24	EA	Armrest Asm - Bucket Seat - Right
	080243-25-X25	EA	Armrest Asm - Bucket Seat - Right
	M80243-25-X23	EA	Cover Asm - Right Armrest
	M80243-25-X24	EA	Cover Asm - Right Armrest
	M80243-25-X25	EA	Cover Asm - Right Armrest
	080243-26-X23	EA	Armrest Asm - Bucket Seat - Left
	080243-26-X24	EA	Armrest Asm - Bucket Seat - Left
	080243 26-X25	EA	Armrest Asm - Bucket Seat - Left
	M80243-26-X23	EA	Cover Asm - Left Armrest
	M80243-26-X24	EA	Cover Asm - Left Armrest
	M80243 26-X25	EA	Cover Asm - Left Armrest
	085268-02-X23	EA	Headrest Asm - Straton Bucket Seat
	085268-02-X24	EA	Headrest Asm - Straton Bucket Seat
	085268-02-X25	EA	Headrest Asm - Straton Bucket Seat
	M85268-02-X23	EA	Cover Asm - Headrest
	M85268-02-X24	EA	Cover Asm - Headrest
	M85268-02-X25	EA	Cover Asm - Headrest
	085269-02-X11	EA	Seat Asm - Double Bucket (X23)
	085269-02-X12	EA	Seat Asm - Double Bucket (X24)
	085269-02-X13	EA	Seat Asm - Double Bucket (X25)
	M01874-08-X11	EA	Cover Asm - Double Bucket - Back (X23)
	M01874-08-X12	EA	Cover Asm - Double Bucket - Back (X24)
	M01874-08-X13	EA	Cover Asm - Double Bucket - Back (X25)
	M01874-07-X11	EA	Cover Asm - Double Bucket - Seat (X23)
	M01874-07 X12	EA	Cover Asm - Double Bucket - Seat (X24)
	M01874-07-X13	EA	Cover Asm - Double Bucket - Seat (X25)
	071690-06-X11	EA	Skirt Asm - Double Bucket (X23)
	071690-06-X12	EA	Skirt Asm - Double Bucket (X24)
	071690-06-X13	EA	Skirt Asm - Double Bucket (X25)

CURTAIN, CUSHION & PAD GROUP (CONTINUED)

WINNEBAGO SPORT

TWIN BED

Key	Part Number	U/M	Description
	U77478-04-000	EA	Mattress - Inner Spring - 33" x 75'
	083986 14 X23	EA	Bedspread Asm - Fitted - 33" x 75" - Right
	083986-14-X24	EA	Bedspread Asm - Fitted - 33" x 75" - Right
	083986-14 X25	EA	Bedspread Asm - Fitted - 33" x 75" - Right
	083986-15-X23	EA	Bedspread Asm - Fitted - 33' x 75' - Left
	083986 15-X24	EA	Bedspread Asm - Fitted - 33' x 75' - Left
	083986-15 X25	EA	Bedspread Asm - Fitted - 33' x 75' - Left
	081997 01-X08	EA	Pillow Sham - Quilted - 30' x 26' (X23)
	081997-01-X09	EA	Pillow Sham - Quilted - 30' x 26' (X24)
	081997-01-X10	EA	Pillow Sham - Quilted - 30' x 26' (X25)

DOUBLE BED

Key	Part Number	U/M	Description
	077478 02-000	EA	Mattress - Inner Spring - 48' x 75"
	083986 13 X08	EA	Bedspread Asm - Fitted - 48' x 75" (X23)
	083986 13 X09	EA	Bedspread Asm - Fitted - 48' x 75" (X24)
	083986-13-X10	EA	Bedspread Asm - Fitted - 48' x 75' (X25)
	081997-01-X08	EA	Pillow Sham - Quilted - 30 x 26 (X23)
	081997-01 X09	EA	Pillow Sham - Quilted - 30 x 26' (X24)
	081997-01-X10	EA	Pillow Sham - Quilted - 30 x 26' (X25)

QUEEN BED

Key	Part Number	U/M	Description
	077478-06-000	EA	Mattress - Inner Spring - 60 x 80
	083986 04-X23	EA	Bedspread Asm - Fitted - 60
	083986-04-X24	EA	Bedspread Asm - Fitted - 60
	083986 04-X25	EA	Bedspread Asm - Fitted - 60
	081997-01-X08	EA	Pillow Sham - Quilted - 30 x 26 (X23)
	081997-01-X09	EA	Pillow Sham - Quilted - 30 x 26 (X24)
	081997-01-X10	EA	Pillow Sham - Quilted - 30 x 26 (X25)

DINETTE CUSHIONS

Key	Part Number	U/M	Description
	088927-03-X23	EA	Cushion Asm - 19 25 x 38 x 5 - Back
	088927-03-X24	EA	Cushion Asm - 19 25 x 38 x 5 - Back
	088927-03-X25	EA	Cushion Asm - 19 25 x 38 x 5 - Back
	M88927-03-X23	EA	Cover Asm - Dinette Back Cushion
	M88927-03 X24	EA	Cover Asm - Dinette Back Cushion
	M88927-03-X25	EA	Cover Asm - Dinette Back Cushion
	088927-04-X23	EA	Cushion Asm - 17 5 x 38 x 5 - Seat
	088927-04-X24	EA	Cushion Asm - 17 5 x 38 x 5 - Seat
	088927-04-X25	EA	Cushion Asm - 17 5 x 38 x 5 - Seat
	M88927-04 X23	EA	Cover Asm - Dinette Seat Cushion
	M88927-04 X24	EA	Cover Asm - Dinette Seat Cushion
	M88927-04 X25	EA	Cover Asm - Dinette Seat Cushion

CELEBRITY PRESTO BED (26ET)

Key	Part Number	U/M	Description
	089003-01-X23	EA	Bed Asm - Celebrity - Back
	089003 01-X24	EA	Bed Asm - Celebrity - Back
	089003-01-X25	EA	Bed Asm - Celebrity - Back
	M89003-01-X23	EA	Cover Asm - Presto Bed - Back
	M89003-01-X24	EA	Cover Asm - Presto Bed - Back
	M89003-01-X25	EA	Cover Asm - Presto Bed - Back
	089004-01-X23	EA	Bed Asm - Celebrity - Seat
	089004-01-X24	EA	Bed Asm - Celebrity - Seat
	089004-01-X25	EA	Bed Asm - Celebrity - Seat
	M89004-01-X23	EA	Cover Asm - Presto Bed - Seat
	M89004-01-X24	EA	Cover Asm - Presto Bed - Seat
	M89004-01-X25	EA	Cover Asm - Presto Bed - Seat

**1988 P-SERIES
COMMON ITEMS
TABLE OF CONTENTS**

Introduction	A-01
Alphabetical Index	A-02 - A-04
Accessories Group	A-05 A-08
Bath Group	A-09
Chassis Group	A-10 A 17
Curtain, Cushion & Pad Group	A-18 B 12
Driver's Compartment Group	B-13 B 18
Electrical Group	B-19 B-21
Exterior Body Group	B-22 C 07
Galley Group	C-08
Heating & Air Conditioning Group	C-09
Interior Finish Group	C 10 - C 15
LP Group	C 16
Water & Sewage Group	C-17
Window Vent & Exterior Door Group	C-18 D 16

1988 P-SERIES

**CURTAIN, CUSHION & PAD GROUP
INDEX**

Curtain Hardware	A-18
Winnebago Sport	A-19 - A-22
Winnebago Elandan	A 23 - B-02
Itasca Sprint	B-03 - B-08
Itasca Windcruiser	B-09 - B-12

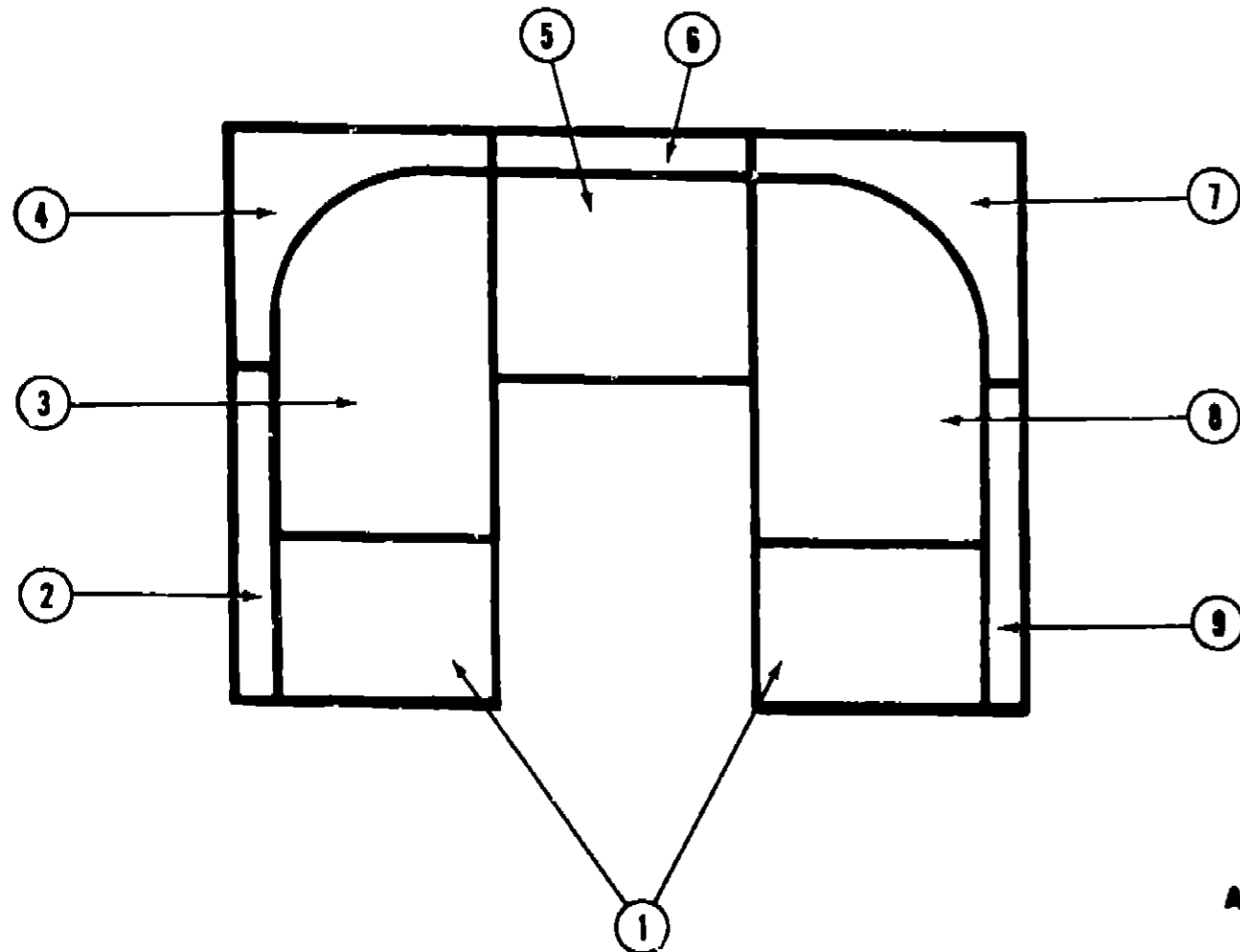
CURTAIN, CUSHION & PAD GROUP (CONTINUED)

**WINNEBAGO SPORT
CELEBRITY BED ASM (28EU)**

Key	Part Number	U/M	Description
	089007-01-X23	EA	Bed Asm - Celebrity w/o Pillows
	089007-01-X24	EA	Bed Asm - Celebrity w/o Pillows
	089007-01-X25	EA	Bed Asm - Celebrity w/o Pillows
	M89007-01-X11	EA	Cover Asm - Bed Asm (X23)
	M89007-01-X12	EA	Cover Asm - Bed Asm (X24)
	M89007-01-X13	EA	Cover Asm - Bed Asm (X25)
	085060-02-X23	EA	Cushion Asm - Pillow - Armrest
	085060-02-X24	EA	Cushion Asm - Pillow - Armrest
	085060-02-X25	EA	Cushion Asm - Pillow - Armrest
	M85060-02-X11	EA	Cover Asm - Armrest Cushion (X23)
	M85060-02-X24	EA	Cover Asm - Armrest Cushion
	M85060-02-X25	EA	Cover Asm - Armrest Cushion
	085357-01-X11	EA	Cushion Asm - Pillow w/Gathers (X23)
	085357-01-X12	EA	Cushion Asm - Pillow w/Gathers (X24)
	085357-01-X13	EA	Cushion Asm - Pillow w/Gathers (X25)
	M85357-01-X11	EA	Cover Asm - Pillow (X23)
	M85357-01-X12	EA	Cover Asm - Pillow (X24)
	M85357-01-X13	EA	Cover Asm - Pillow (X25)

CELEBRITY SWIVEL CHAIR (RECLINER)

Key	Part Number	U/M	Description
	086516-02-X11	EA	Chair Asm - Celebrity - Recliner (X23)
	086516-02-X12	EA	Chair Asm - Celebrity - Recliner (X24)
	086516-02-X13	EA	Chair Asm - Celebrity - Recliner (X25)
	039032-01-X11	EA	Skirt Asm - Reclining Chair (X23)
	089032-01-X12	EA	Skirt Asm - Reclining Chair (X24)
	089032-01-X13	EA	Skirt Asm - Reclining Chair (X25)



CURTAIN, CUSHION & PAD GROUP (CONTINUED)

WINNEBAGO SPORT

HORSESHOE LOUNGE CUSHION

Key	Part Number	U/M	Description
1	081998 94 X23	EA	Cushion Asm - 25" x 16" x 5" - Seat
1	081998 94 X24	EA	Cushion Asm - 25" x 16" x 5" - Seat
1	081998 94 X25	EA	Cushion Asm - 25" x 16" x 5" - Seat
	M81998 94 X23	EA	Cover Asm - Seat Cushion
	M81998 94 X24	EA	Cover Asm - Seat Cushion
	M81998 94 X25	EA	Cover Asm - Seat Cushion
2	077813 24-X23	EA	Cushion Asm - 6' x 9 5' x 49" - Back
2	077813 24 X24	EA	Cushion Asm - 6' x 9 5' x 49" - Back
2	077813 24-X25	EA	Cushion Asm - 6' x 9 5' x 49" - Back
	M77813 24-X23	EA	Cover Asm - Back Cushion
	M77813 24 X24	EA	Cover Asm - Back Cushion
	M77813 24-X25	EA	Cover Asm - Back Cushion
3	081998 89 X23	EA	Cushion Asm - 25' x 59' x 5' - Right
3	081998 89-X24	EA	Cushion Asm - 25' x 59' x 5' - Right
3	081998 89 X25	EA	Cushion Asm - 25' x 59' x 5' - Right
	M81998 89-X23	EA	Cover Asm - Right Cushion
	M81998 89-X24	EA	Cover Asm - Right Cushion
	M81998 89-X25	EA	Cover Asm - Right Cushion
4	077814-16-X23	EA	Cushion Asm - Corner Bolster 6' x 25' x 26 5' x 9 5'
4	077814-16-X24	EA	Cushion Asm - Corner Bolster 6' x 25' x 26 5' x 9 5'
4	077814-16-X25	EA	Cushion Asm - Corner Bolster 6' x 25' x 26 5' x 9 5'
	M77814-16-X23	EA	Cover Asm - Corner Bolster Cushion
	M77814-16-X24	EA	Cover Asm - Corner Bolster Cushion
	M77814-16-X25	EA	Cover Asm - Corner Bolster Cushion
5	081998 90-X23	EA	Cushion Asm - 25 x 26 5' x 5 - Back Center
5	081998 90-X24	EA	Cushion Asm - 25 x 26 5' x 5 - Back Center
5	081998 90-X25	EA	Cushion Asm - 25 x 26 5' x 5 - Back Center
	M81998 90-X23	EA	Cover Asm - Back Center Cushion
	M81998 90-X24	EA	Cover Asm - Back Center Cushion
	M81998 90-X25	EA	Cover Asm - Back Center Cushion
6	077813-25-X23	EA	Cushion Asm - 6 x 25 x 9 5 - Back
6	077813 25-X24	EA	Cushion Asm - 6 x 25 x 9 5 - Back
6	077813 25-X25	EA	Cushion Asm - 6 x 25' x 9 5' - Back
	M77813 25-X23	EA	Cover Asm - Back Cushion
	M77813 25 X24	EA	Cover Asm - Back Cushion
	M77813 25 X25	EA	Cover Asm - Back Cushion
7	077814-15 X23	EA	Cushion Asm - Corner Bolster - 6' x 25' x 26 5' x 9 5'
7	077814-15 X24	EA	Cushion Asm - Corner Bolster - 6' x 25' x 26 5' x 9 5'
7	077814-15-X25	EA	Cushion Asm - Corner Bolster - 6' x 25' x 26 5' x 9 5'
	M77814 15 X23	EA	Cover Asm - Corner Bolster Cushion
	M77814-15-X24	EA	Cover Asm - Corner Bolster Cushion
	M77814 15-X25	EA	Cover Asm - Corner Bolster Cushion
8	081998-88-X23	EA	Cushion Asm - 25 x 59' x 5 - Seat
8	081998-88-X24	EA	Cushion Asm - 25 x 59' x 5 - Seat
8	081998-88-X25	EA	Cushion Asm - 25 x 59' x 5 - Seat
	M81998-88-X23	EA	Cover Asm - Seat Cushion
	M81998-88-X24	EA	Cover Asm - Seat Cushion
	M81998 88 X25	EA	Cover Asm - Seat Cushion
9	077813-23-X23	EA	Cushion Asm - 6 x 9 5 x 49 - Back
9	077813-23-X24	EA	Cushion Asm - 6 x 9 5 x 49 - Back
9	077813 23-X25	EA	Cushion Asm - 6' x 9 5' x 49 - Back
	M77813-23-X23	EA	Cover Asm - Back Cushion
	M77813-23-X24	EA	Cover Asm - Back Cushion
	M77813-23 X25	EA	Cover Asm - Back Cushion

**1988 P-SERIES
COMMON ITEMS
TABLE OF CONTENTS**

Introduction	A-01
Alphabetical Index	A-02 - A-04
Accessories Group	A-05 - A-08
Bath Group	A-09
Chassis Group	A 10 - A 17
Curtain Cushion & Pad Group	A 18 - B 12
Driver's Compartment Group	B 13 - B-18
Electrical Group	B 19 - B 21
Exterior Body Group	B 22 - C-07
Galley Group	C-08
Heating & Air Conditioning Group	C 09
Interior Finish Group	C 10 - C-15
LP Group	C-16
Water & Sewage Group	C 17
Window Vent & Exterior Door Group	C 18 - D-16

1988 P-SERIES

**CURTAIN, CUSHION & PAD GROUP
INDEX**

Curtain Hardware	A-18
Winnebago Sport	A-19 - A 22
Winnebago Elandan	A-23 - B-02
Itasca Sprint	B-03 - B-08
Itasca Windcruiser	B-09 - B 12

CURTAIN, CUSHION & PAD GROUP (CONTINUED)

WINNEBAGO ELANDAN

TWIN BED

Key	Part Number	U/M	Description
	077476-04-000	EA	Mattress - Inner Spring - 33' x 75'
	063986-14 X19	EA	Bedsprad Asm Fitted 33" x 75" - Right (X19, X21)
	063986-14-X20	EA	Bedsprad Asm Fitted 33" x 75" - Right (X20)
	063986-14 X22	EA	Bedsprad Asm - Fitted - 33' x 75' - Right (X22)
	063976-15-X19	EA	Bedsprad Asm Fitted - 33' x 75' - Left (X19, X21)
	063986-15 X20	EA	Bedsprad Asm Fitted 33' x 75' Left (X20)
	063986-15-X22	EA	Bedsprad Asm - Fitted 33' x 75' - Left (X22)
	066110-01-X19	EA	Head Board Asm - Fan (X19, X21)
	066110-01-X20	EA	Head Board Asm - Fan (X20)
	066110-01-X22	EA	Head Board Asm - Fan (X22)
	061997-01-X19	EA	Pillow Sham Quilted 30 x 26 (X19, X21)
	061997-01 X20	EA	Pillow Sham Quilted - 30 x 26' (X20)
	061997-01-X22	EA	Pillow Sham - Quilted 30 x 26' (X22)

DOUBLE BED

ELANDAN

Key	Part Number	U/M	Description
	077478-02-000	EA	Mattress - Inner Spring - 48' x 75'
	063986-02-X19	EA	Bedsprad Asm - Fitted - 54' (X19 X21)
	063986-02-X20	EA	Bedsprad Asm - Fitted - 54' (X20)
	063986-02-X22	EA	Bedsprad Asm - Fitted - 54' (X22)
	066110-01-X19	EA	Head Board Asm - Fan (X19 X21)
	066110-01-X20	EA	Head Board Asm - Fan (X20)
	066110-01-X22	EA	Head Board Asm - Fan (X22)
	061997-01-X19	EA	Pillow Sham - Quilted 30 x 26' (X19 X21)
	061997-01-X20	EA	Pillow Sham - Quilted - 30 x 26 (X20)
	061997-01-X22	EA	Pillow Sham - Quilted 30 x 26 (X22)

QUEEN BED

ELANDAN

Key	Part Number	U/M	Description
	077478-06-000	EA	Mattress Inner Spring - 60 x 80
	063986-04 X19	EA	Bedsprad Asm - Fitted - 60 (X19 X21)
	063986-04 X20	EA	Bedsprad Asm - Fitted - 60 (X20)
	063986-04-X22	EA	Bedsprad Asm - Fitted 60 (X22)
	066110-01-X19	EA	Head Board Asm - Fan (X19 X2)
	066110-01-X20	EA	Head Board Asm - Fan (X20)
	066110-01-X22	EA	Head Board Asm Fan (X22)
	061997-01-X19	EA	Pillow Sham - Quilted - 30 x 26 (X19 X21)
	061997-01-X20	EA	Pillow Sham - Quilted - 30 x 26 (X20)
	061997-01-X22	EA	Pillow Sham - Quilted - 30 x 26 (X22)

CURTAIN, CUSHION & PAD GROUP (CONTINUED)

WINNEBAGO ELANDAN

FABRICS

Key	Part Number	U/M	Description
	068274 01 000	YD	Fabric - Upholstery - Main - Beige (X19)
	068274-07-000	YD	Fabric - Upholstery - Main - Peach (X20)
	068274 03-000	YD	Fabric - Upholstery - Main - Teal (X21)
	068274 02 000	YD	Fabric - Upholstery - Main - Wine (X22)
	068274 08 000	YD	Fabric - Upholstery - Accent - Beige (X19)
	068274 14 000	YD	Fabric - Upholstery - Accent - Peach (X20)
	068274 10 000	YD	Fabric - Upholstery - Accent - Teal (X21)
	068274 09-000	YD	Fabric - Upholstery - Accent - Wine (X22)
	072333 51 000	YD	Fabric Drapery - Cloud (X19, X21, X22)
	072333-45 000	YD	Fabric - Drapery - Blossom (X20)
	068273 11 000	YD	Fabric - Bedsprad - Jardin (X19 X21)
	068273 12-000	YD	Fabric - Bedsprad - Salmon (X20)
	068273 10-000	YD	Fabric - Bedsprad - Mauve (X22)
	038421-01-000	YD	Fabric - Mattress Ticking - Beige/Brown
	038421 04 000	YD	Fabric - Mattress Ticking - Cashew - 82
	067272 01-000	YD	Fabric - Drapery Lining - 48 - Ivory
	079680 01 000	YD	Vinyl - Expanded - 26 oz - Buckskin
	075244 02 000	YD	Fabric - Shower Curtain

**1988 P-SERIES
COMMON ITEMS
TABLE OF CONTENTS**

Introduction	A 01
Alphabetical Index	A 02 - A 04
Accessories Group	A-05 - A-08
Bath Group	A-09
Chassis Group	A-10 - A-17
Curtain, Cushion & Pad Group	A 18 - B-12
Driver's Compartment Group	B 13 - B-18
Electrical Group	B-19 - B 21
Exterior Body Group	B 22 - C-07
Galley Group	C-08
Heating & Air Conditioning Group	C-09
Interior Finish Group	C-10 - C-15
LP Group	C-16
Water & Sewage Group	C-17
Window Vent & Exterior Door Group	C-18 - D-16

1988 P-SERIES

**CURTAIN, CUSHION & PAD GROUP
INDEX**

Curtain Hardware	A-18
Winnebago Sport	A-19 - A-22
Winnebago Elandan	A-23 - B-02
Itasca Sprint	B-03 - B-08
Itasca Windcruiser	B-09 - B-12

CURTAIN, CUSHION & PAD GROUP (CONTINUED)

WINNEBAGO E' ANDAN

BUCKET SEAT W/MONOGRAM HEADREST

Key	Part Number	U/M	Description
	083909-19-X19	EA	Seat Asm Straton Bucket w/Monogram Headrest
	083909-19-X20	EA	Seat Asm - Straton Bucket w/Monogram Headrest
	083909-19-X21	EA	Seat Asm Straton Bucket w/Monogram Headrest
	003909-19-X22	EA	Seat Asm - Straton Bucket w/Monogram Headrest
	M01864-35 X19	EA	Cover Asm Straton Seat
	M01864 35 X20	EA	Cover Asm - Straton - Seat
	M01864 35 X21	EA	Cover Asm - Straton - Seat
	M01864 35 X22	EA	Cover Asm - Straton - Seat
	M01864 36-X19	EA	Cover Asm - Straton - Back
	M01864 36-X20	EA	Cover Asm - Straton - Back
	M01864 36-X21	EA	Cover Asm - Straton - Back
	M01864 36 X22	EA	Cover Asm - Straton Back
	080243-27-X19	EA	Armrest Asm - Right w/Remote Control
	080243 27-X20	EA	Armrest Asm - Right w/Remote Control
	080243 27-X21	EA	Armrest Asm - Right w/Remote Control
	080243-27 X22	EA	Armrest Asm - Right w/Remote Control
	M80243 23 X19	EA	Cover Asm - Armrest Asm - Right
	M80243 23 X20	EA	Cover Asm Armrest Asm - Right
	M80243-23 X21	EA	Cover Asm Armrest Asm - Right
	M80243-23-X22	EA	Cover Asm - Armrest Asm - Right
	080243 28 X19	EA	Armrest Asm - Left w/Remote Control
	080243 28-X20	EA	Armrest Asm - Left w/Remote Control
	080243 28-X21	EA	Armrest Asm - Left w/Remote Control
	080243 28-X22	EA	Armrest Asm - Left w/Remote Control
	M80243 24 X19	EA	Cover Asm - Armrest Asm - Left
	M80243 24-X20	EA	Cover Asm - Armrest Asm - Left
	M80243 24-X21	EA	Cover Asm - Armrest Asm - Left
	M80243-24 X22	EA	Cover Asm Armrest Asm Left
	085268-03 X19	EA	Headrest Asm - Straton w/Monogram
	085268-03 X20	EA	Headrest Asm - Straton w/Monogram
	085268 03 X21	EA	Headrest Asm Straton w/Monogram
	085268 03 X22	EA	Headrest Asm - Straton w/Monogram
	M85268 03 X19	EA	Cover Asm - Straton Headrest w/Monogram
	M85268 03 X20	EA	Cover Asm - Straton Headrest w/Monogram
	M85268-03-X21	EA	Cover Asm - Straton Headrest w/Monogram
	M85268-03-X22	EA	Cover Asm - Straton Headrest w/Monogram
	071126 24 X19	EA	Skirt Asm - Straton Bucket Seat
	071126 24 X20	EA	Skirt Asm - Straton Bucket Seat
	071126-24 X21	EA	Skirt Asm - Straton Bucket Seat
	071126 24 X22	EA	Skirt Asm - Straton Bucket Seat
	085269 03 X19	EA	Seat Asm - Double w/Monogram Headrest
	085269 03 X20	EA	Seat Asm - Double w/Monogram Headrest
	085269 03 X21	EA	Seat Asm - Double w/Monogram Headrest
	085269 03-X22	EA	Seat Asm - Double w/Monogram Headrest
	M01874 05 X19	EA	Cover Asm - Double Bucket - Seat
	M01874 05-X20	EA	Cover Asm - Double Bucket - Seat
	M01874-05-X21	EA	Cover Asm - Double Bucket - Seat
	M01874 05-X22	EA	Cover Asm - Double Bucket - Seat
	M01874-06-X19	EA	Cover Asm - Double Bucket - Back
	M01874 06-X20	EA	Cover Asm Double Bucket - Back
	M01874-06-X21	EA	Cover Asm - Double Bucket - Back
	M01874 06-X22	EA	Cover Asm - Double Bucket - Back
	071690 07-X19	EA	Skirt Asm Double Bucket
	071690 07-X20	EA	Skirt Asm - Double Bucket
	071690 07-X21	EA	Skirt Asm - Double Bucket
	071690 07-X22	EA	Skirt Asm Double Bucket

CURTAIN, CUSHION & PAD GROUP (CONTINUED)

WINNEBAGO ELANDAN

TEAR DROP BED

Key	Part Number	U/M	Description
	085355 02-X19	EA	Bed Asm Tear Drop w/o Pillow Back Cushions
	085355-02-X20	EA	Bed Asm - Tear Drop w/o Pillow Back Cushions
	085355-02-X21	EA	Bed Asm Tear Drop w/o Pillow Back Cushions
	085355-02 X22	EA	Bed Asm - Tear Drop w/o Pillow Back Cushions
	M85355-02-X19	EA	Cover Asm - Tear Drop Bed
	M85355-02-X20	EA	Cover Asm - Tear Drop Bed
	M85355-02-X21	EA	Cover Asm - Tear Drop Bed
	M85355-02-X22	EA	Cover Asm - Tear Drop Bed
	086545-02-X19	EA	Cushion Asm - Tear Drop Pillow
	086545 02-X20	EA	Cushion Asm - Tear Drop Pillow
	086545-02 X21	EA	Cushion Asm - Tear Drop Pillow
	086545 02 X22	EA	Cushion Asm - Tear Drop Pillow
	M86545-02-X19	EA	Cover Asm - Tear Drop Pillow Cushion
	M86545 02-X20	EA	Cover Asm - Tear Drop Pillow Cushion
	M86545 02-X21	EA	Cover Asm - Tear Drop Pillow Cushion
	M86545 02 X22	EA	Cover Asm - Tear Drop Pillow Cushion
	086546 01-X19	EA	Cushion Asm - Removable Armrest
	086546 01-X20	EA	Cushion Asm - Removable Armrest
	086546-01-X21	EA	Cushion Asm - Removable Armrest
	086546-01-X22	EA	Cushion Asm - Removable Armrest
	M86546 01-X19	EA	Cover Asm - Armrest Cushion
	M86546 01-X20	EA	Cover Asm - Armrest Cushion
	M86546 01-X21	EA	Cover Asm - Armrest Cushion
	M86546-01 X22	EA	Cover Asm - Armrest Cushion

TEAR DROP SWIVEL CHAIR (RECLINER)

Key	Part Number	U/M	Description
	086516 03-X19	EA	Chair Asm - Tear Drop Recliner
	086516-03-X20	EA	Chair Asm - Tear Drop Recliner
	086516-03-X21	EA	Chair Asm - Tear Drop Recliner
	086516 03 X22	EA	Chair Asm - Tear Drop Recliner
	089032-02-X19	EA	Skirt Asm - Tear Drop Recliner
	089032 02 X20	EA	Skirt Asm - Tear Drop Recliner
	089032-02-X21	EA	Skirt Asm - Tear Drop Recliner
	089032 02 X22	EA	Skirt Asm - Tear Drop Recliner

DINETTE CUSHIONS

Key	Part Number	U/M	Description
	088927-10-X19	EA	Cushion Asm - 19 25" x 38" x 5" - Back
	088927-10-X20	EA	Cushion Asm - 19 25" x 38" x 5" - Back
	088927-10-X21	EA	Cushion Asm - 19 25" x 38" x 5" - Back
	088927-10-X22	EA	Cushion Asm - 19 25" x 38" x 5" - Back
	M88927-10 X19	EA	Cover Asm - Dinette Back Cushion
	M88927 10 X20	EA	Cover Asm - Dinette Back Cushion
	M88927-10 X21	EA	Cover Asm Dinette Back Cushion
	M88927-10 X22	EA	Cover Asm - Dinette Back Cushion
	088927-11 X19	EA	Cushion Asm - 17 5" x 38" x 5" - Seat
	088927-11-X20	EA	Cushion Asm - 17 5" x 38" x 5" - Seat
	088927-11-X21	EA	Cushion Asm - 17 5" x 38" x 5" - Seat
	088927 11-X22	EA	Cushion Asm - 17 5" x 38" x 5" - Seat
	M88927 11 X19	EA	Cover Asm Dinette Seat Cushion
	M88927-11-X20	EA	Cover Asm - Dinette Seat Cushion
	M88927-11 X21	EA	Cover Asm Dinette Seat Cushion
	M88927 11 X22	EA	Cover Asm Dinette Seat Cushion

**1988 P-SERIES
COMMON ITEMS
TABLE OF CONTENTS**

Introduction	A-01
Alphabetical Index	A-02 - A-04
Accessories Group	A-05 - A-08
Bath Group	A-09
Chassis Group	A-10 - A-17
Curtain Cushion & Pad Group	A-18 - B-12
Driver's Compartment Group	B-13 - B-18
Electrical Group	B-19 - B-21
Exterior Body Group	B-22 - C-07
Galley Group	C-08
Heating & Air Conditioning Group	C-09
Interior Finish Group	C-10 - C-15
LP Group	C-16
Water & Sewage Group	C-17
Window Vent & Exterior Door Group	C-18 - D-16

1988 P-SERIES

**CURTAIN, CUSHION & PAD GROUP
INDEX**

Curtain Hardware	A-18
Winnebago Sport	A-19 - A-22
Winnebago Elandan	A-23 - B-02
Itasca Sprint	B-03 - B-08
Itasca Windcruiser	B-09 - B-12

CURTAIN, CUSHION & PAD GROUP (CONTINUED)

ITASCA SPRINT

FABRICS

Key	Part Number	U/M	Description
	088274 23-000	YD	Fabric - Upholstery - Main - Beige/Peach (X78)
	088274 24-000	YD	Fabric - Upholstery - Main - Blue/Gray (X79)
	088274 25-000	YD	Fabric - Upholstery - Main - Rose (X80)
	088274 26-000	YD	Fabric - Upholstery - Patterned - Beige/Peach (X78)
	088274 27-000	YD	Fabric - Upholstery - Patterned - Blue/Gray (X79)
	088274 28-000	YD	Fabric - Upholstery - Patterned - Rose (X80)
	088274-14-000	YD	Fabric - Upholstery - Plain - Beige/Peach (X78)
	088274-15-000	YD	Fabric - Upholstery - Plain - Blue/Gray (X79)
	077498-61-000	YD	Fabric - Upholstery - Plain - Rose (X80)
	072333-45-000	YD	Fabric - Drapery - Blackout - Wraparound - Beige/Peach (X78)
	072333 50-000	YD	Fabric - Drapery - Blackout - Wraparound - Blue/Gray (X79)
	072333-51-000	YD	Fabric - Drapery - Blackout - Wraparound - Rose (X80)
	088273-04-000	YD	Fabric - Bedspread - Beige/Peach (X78)
	088273 06-000	YD	Fabric - Bedspread - Blue/Gray (X79)
	088273-05-000	YD	Fabric - Bedspread - Rose (X80)
	075244 07-000	YD	Fabric - Shower Curtain
	038421-01-000	YD	Fabric - Mattress Ticking - Beige/Brown
	038421-04-000	YD	Fabric - Mattress Ticking - Cashew - 82
	079680 01-000	YD	Vinyl Expanded 26 oz Buckskin

3 PILLOW PRESTO BED (26ET)

Key	Part Number	U/M	Description
	073630 07 X78	EA	Bed Asm - Celebrity - Back
	073630-07 X79	EA	Bed Asm - Celebrity - Back
	073630-07 X80	EA	Bed Asm - Celebrity - Back
	M73630 07 X78	EA	Cover Asm - Presto Bed - Back
	M73630-07 X79	EA	Cover Asm - Presto Bed - Back
	M73630-07-X80	EA	Cover Asm - Presto Bed - Back
	073631-08 X78	EA	Bed Asm - Celebrity - Seat
	073631 08 X79	EA	Bed Asm - Celebrity - Seat
	073631 08 X80	EA	Bed Asm - Celebrity - Seat
	M73631-08 X78	EA	Cover Asm - Presto Bed - Seat
	M73631 08 X79	EA	Cover Asm - Presto Bed - Seat
	M73631-08 X80	EA	Cover Asm - Presto Bed - Seat

CURTAIN, CUSHION & PAD GROUP (CONTINUED)

ITASCA SPRINT

DINETTE CUSHION

Key	Part Number	U/M	Description
	088927 08 X33	EA	Cushion Asm - 19 25 x 38 x 5" - Back (X78)
	088927-08-X34	EA	Cushion Asm - 19 25 x 38" x 5" - Back (X79)
	088927-08-X35	EA	Cushion Asm - 19,25 x 38 x 5" - Back (X80)
	M88927-08-X33	EA	Cover Asm - Dinette Back Cushion (X78)
	M88927-08-X34	EA	Cover Asm - Dinette Back Cushion (X79)
	M88927-08-X35	EA	Cover Asm - Dinette Back Cushion (X80)
	088927-09-X33	EA	Cushion Asm - 17 5' x 38" x 5" Seat (X78)
	088927-09-X34	EA	Cushion Asm - 17 5' x 38" x 5" Seat (X79)
	088927-09 X35	EA	Cushion Asm - 17 5 x 38" x 5" - Seat (X80)
	M88927-09-X33	EA	Cover Asm - Dinette Seat Cushion (X78)
	M88927 09-X34	EA	Cover Asm - Dinette Seat Cushion (X79)
	M88927 09-X35	EA	Cover Asm - Dinette Seat Cushion (X80)

BUCKET SEAT

Key	Part Number	U/M	Description
	083909-16-X78	EA	Seat Asm - Single Bucket - w/Headrest
	083909-16 X79	EA	Seat Asm - Single Bucket w/Headrest
	083909-16-X80	EA	Seat Asm - Single Bucket w/Headrest
	M01864-33-X33	EA	Cover Asm - Bucket - Seat (X78)
	M01864-33-X34	EA	Cover Asm - Bucket - Seat (X79)
	M01864-33 X35	EA	Cover Asm - Bucket - Seat (X80)
	M01864-34-X33	EA	Cover Asm - Bucket - Back (X78)
	M01864-34-X34	EA	Cover Asm - Bucket - Back (X79)
	M01864-34 X35	EA	Cover Asm - Bucket - Back (X80)
	071126 23-X78	EA	Skirt Asm - Single Bucket
	071126-23 X79	EA	Skirt Asm - Single Bucket
	071126-23 X80	EA	Skirt Asm - Single Bucket
	080243-25-X33	EA	Armrest Asm - Bucket Seat - Right (X78)
	080243 25 X34	EA	Armrest Asm - Bucket Seat - Right (X79)
	080243 25 X35	EA	Armrest Asm - Bucket Seat - Right (X80)
	M80243-25-X33	EA	Cover Asm - Right Armrest (X78)
	M80243 25 X34	EA	Cover Asm - Right Armrest (X79)
	M80243 25 X35	EA	Cover Asm - Right Armrest (X80)
	080243 26 X33	EA	Armrest Asm - Bucket Seat - Left (X78)
	080243 26 X34	EA	Armrest Asm - Bucket Seat - Left (X79)
	080243 26-X35	EA	Armrest Asm - Bucket Seat - Left (X80)
	M80243 26 X33	EA	Cover Asm - Left Armrest (X78)
	M80243-26 X34	EA	Cover Asm - Left Armrest (X79)
	M80243 26-X35	EA	Cover Asm - Left Armrest (X80)
	085268 02 X33	EA	Headrest Asm - Strator Bucket Seat (X78)
	085268 02-X34	EA	Headrest Asm - Strator Bucket Seat (X79)
	085268 02-X35	EA	Headrest Asm - Strator Bucket Seat (X80)
	M85268 02 X33	EA	Cover Asm - Headrest (X78)
	M85268 02-X34	EA	Cover Asm - Headrest (X79)
	M85268 02-X35	EA	Cover Asm - Headrest (X80)
	085269 02-X36	EA	Seat Asm - Double Bucket (X78)
	085269 02 X37	EA	Seat Asm - Double Bucket (X79)
	085269 02-X38	EA	Seat Asm - Double Bucket (X80)
	M01874 08-X36	EA	Cover Asm - Double Bucket - Back (X78)
	M01874 08 X37	EA	Cover Asm - Double Bucket - Back (X79)
	M01874 08-X38	EA	Cover Asm - Double Bucket - Back (X80)
	M01874 07-X36	EA	Cover Asm - Double Bucket - Seat (X78)
	M01874 07 X37	EA	Cover Asm - Double Bucket - Seat (X79)
	M01874 07-X38	EA	Cover Asm - Double Bucket - Seat (X80)
	071690 06-X36	EA	Skirt Asm - Double Bucket (X78)
	071690 06 X37	EA	Skirt Asm - Double Bucket (X79)
	071690 06-X38	EA	Skirt Asm - Double Bucket (X80)

**1988 P-SERIES
COMMON ITEMS
TABLE OF CONTENTS**

Introduction	A-01
Alphabetical Index	A-02 - A-04
Accessories Group	A-05 - A-08
Bath Group	A-09
Chassis Group	A-10 - A-17
Curtain Cushion & Pad Group	A-18 - B-12
Driver's Compartment Group	B-13 - B-18
Electrical Group	B-19 - B-21
Exterior Body Group	B-22 - C-07
Galley Group	C-08
Heating & Air Conditioning Group	C-09
Interior Finish Group	C-10 - C-15
LP Group	C-16
Water & Sewage Group	C-17
Window Vent & Exterior Door Group	C-18 - D-16

1988 P-SERIES

**CURTAIN, CUSHION & PAD GROUP
INDEX**

Curtain Hardware	A-18
Winnebago Sport	A-19 - A-22
Winnebago Elandan	A-23 - B-02
Itasca Sprint	B-03 - B-08
Itasca Windcruiser	B-09 - B-12

CURTAIN, CUSHION & PAD GROUP (CONTINUED)

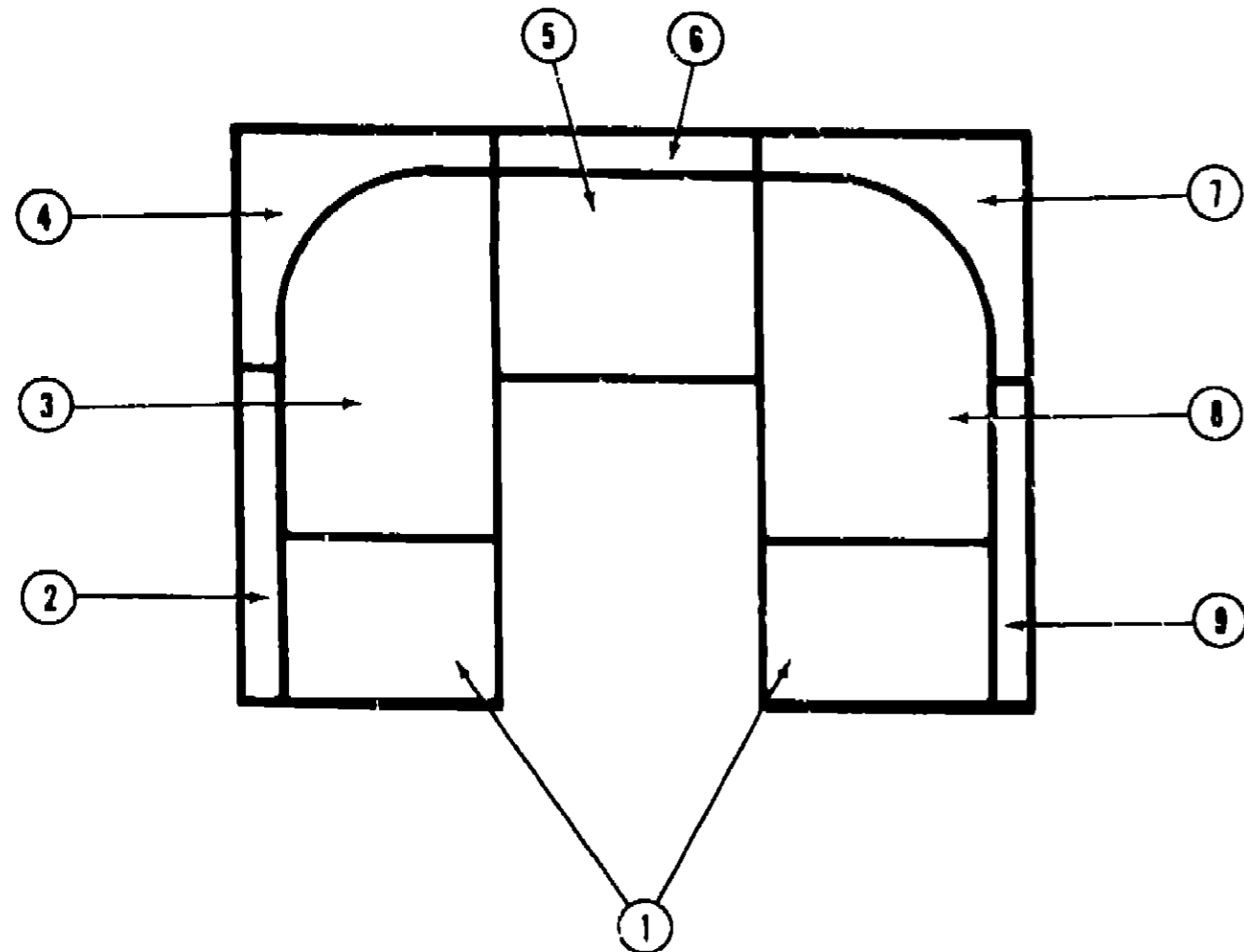
ITASCA SPRINT

QUEEN BED

Key	Part Number	U/M	Description
	077478-06-000	EA	Mattress - Inner Spring - 60' x 80
	083969-08-X36	EA	Bedsread Asm - Fitted - 60 (X78)
	083969-08-X37	EA	Bedsread Asm Fitted - 60 (X79)
	083969-08 X38	EA	Bedsread Asm - Fitted - 60 (X80)
	081997 01-X33	EA	Pillow Sham - Quilted - 30 x 26 (X78)
	081997-01 X34	EA	Pillow Sham - Quilted - 30' x 26' (X79)
	081997-01 X35	EA	Pillow Sham Quilted - 30 x 26 (X80)

TWIN BED

Key	Part Number	U/M	Description
	077478-04-000	EA	Mattress - Inner Spring - 33' x 75
	081969-04-X36	EA	Bedsread Asm - Fitted - 33 (X78)
	081969-04 X37	EA	Bedsread Asm Fitted - 33 (X79)
	081969-04 X38	EA	Bedsread Asm Fitted - 33' (X80)
	081997-01 X33	EA	Pillow Sham - Quilted 30 x 26 (X78)
	081997-01-X34	EA	Pillow Sham - Quilted - 30 x 26 (X79)
	081997-01 X35	EA	Pillow Sham Quilted - 30 x 26 (X80)



CURTAIN, CUSHION & PAD GROUP (CONTINUED)

ITASCA SPRINT

HORSESHOE LOUNGE CUSHION

Key	Part Number	U/M	Description
1	081998 94 X78	EA	Cushion Asm - 25' x 16' x 5' - Seat
1	081998 94 X79	EA	Cushion Asm 25 x 16 x 5 Seat
1	081998-94-X80	EA	Cushion Asm - 25' x 16' x 5' - Seat
	M81998 94 X78	EA	Cover Asm - Seat Cushion
	M81998 94 X79	EA	Cover Asm - Seat Cushion
	M81998-94 X80	EA	Cover Asm - Seat Cushion
2	077813 24 X78	EA	Cushion Asm 6 x 9.5' x 49 - Back
2	077813 24 X79	EA	Cushion Asm - 6 x 9.5 x 49 Back
2	077813 24 X80	EA	Cushion Asm - 6 x 9.5 x 49 - Back
	M77813-24 X78	EA	Cover Asm - Back Cushion
	M77813-24-X79	EA	Cover Asm - Back Cushion
	M77813-24-X80	EA	Cover Asm - Back Cushion
3	081998 89-X78	EA	Cushion Asm - 25 x 59 x 5 - Right
3	081998 89 X79	EA	Cushion Asm - 25' x 59 x 5 - Right
3	081998 89-X80	EA	Cushion Asm - 25 x 59 x 5' - Right
	M81998-89-X78	EA	Cover Asm - Right Cushion
	M81998 89-X79	EA	Cover Asm Right Cushion
	M81998-89 X80	EA	Cover Asm - Right Cushion
4	077814 16-X78	EA	Cushion Asm - Corner Bolster - 6 x 25 x 26.5 x 9.5
4	077814 16-X79	EA	Cushion Asm - Corner Bolster - 6 x 25 x 26.5 x 9.5
4	077814 16 X80	EA	Cushion Asm - Corner Bolster - 6' x 25 x 26.5' x 9.5
	M77814-16 X78	EA	Cover Asm - Corner Bolster Cushion
	M77814 16 X79	EA	Cover Asm - Corner Bolster Cushion
	M77814 16 X80	EA	Cover Asm - Corner Bolster Cushion
5	081998 90 X78	EA	Cushion Asm - 25 x 26.5 x 5 - Back Cushion
5	081998 90-X79	EA	Cushion Asm - 25' x 26.5 x 5" - Back Cushion
5	081998 90 X80	EA	Cushion Asm - 25' x 26.5' x 5 - Back Cushion
	M81998 90-X78	EA	Cover Asm - Back Center Cushion
	M81998 90 X79	EA	Cover Asm - Back Center Cushion
	M81998 90 X80	EA	Cover Asm - Back Center Cushion
6	077813 25 X78	EA	Cushion Asm - 6' x 25" x 9.5' - Back
6	077813 25 X79	EA	Cushion Asm 6' x 25' x 9.5' - Back
6	077813 25 X80	EA	Cushion Asm - 6" x 25' x 9.5 - Back
	M77813 25 X78	EA	Cover Asm - Back Cushion
	M77813 25 X79	EA	Cover Asm - Back Cushion
	M77813-25 X80	EA	Cover Asm - Back Cushion
7	077814 15 X78	EA	Cushion Asm - Corner Bolster - 6' x 25' x 26.5 x 9.5'
7	077814 15 X79	EA	Cushion Asm - Corner Bolster 6' x 25 x 26.5' x 9.5'
7	077814-15 X80	EA	Cushion Asm - Corner Bolster - 6' x 25' x 26.5 x 9.5
	M77814 15 X78	EA	Cover Asm - Corner Bolster Cushion
	M77814-15-X79	EA	Cover Asm - Corner Bolster Cushion
	M77814-15 X80	EA	Cover Asm - Corner Bolster Cushion
8	081998 88 X78	EA	Cushion Asm - 25 x 59' x 5" Seat
8	081998 88 X79	EA	Cushion Asm 25' x 59' x 5 - Seat
8	081998 88-X80	EA	Cushion Asm - 25' x 59 x 5" - Seat
	M81998 88 X78	EA	Cover Asm - Seat Cushion
	M81998 88-X79	EA	Cover Asm - Seat Cushion
	M81998 88-X80	EA	Cover Asm - Seat Cushion
9	077813-23 X78	EA	Cushion Asm - 6' x 9.5' x 49" - Back
9	077813-23 X79	EA	Cushion Asm - 6" x 9.5" x 49' - Back
9	077813 23 X80	EA	Cushion Asm - 6" x 9.5' x 49' Back
	M77813-23-X78	EA	Cover Asm - Back Cushion
	M77813-23-X79	EA	Cover Asm - Back Cushion
	M77813 23-X80	EA	Cover Asm - Back Cushion

**1988 P-SERIES
COMMON ITEMS
TABLE OF CONTENTS**

Introduction	A-01
Alphabetical Index	A-02 - A-04
Accessories Group	A-05 - A-08
Bath Group	A-09
Chassis Group	A-10 - A-17
Curtain, Cushion & Pad Group	A-18 - B-12
Driver's Compartment Group	B-13 - B-18
Electrical Group	B-19 - B-21
Exterior Body Group	B-22 - C-07
Galley Group	C-08
Heating & Air Conditioning Group	C-09
Interior Finish Group	C-10 - C-15
LP Group	C-16
Water & Sewage Group	C-17
Window, Vent & Exterior Door Group	C-18 - D-16

**1988 P-SERIES
CURTAIN, CUSHION & PAD GROUP
INDEX**

Curtain Hardware	A-18
Winnebago Sport	A-19 - A-22
Winnebago Elan'ran	A-23 - B-02
Itasca Sprint	B-03 - B-08
Itasca Windcruiser	B-09 - B-12

CURTAIN, CUSHION & PAD GROUP (CONTINUED)

ITASCA SPRINT

CELEBRITY SWIVEL CHAIR (RECLINER)

Key	Part Number	U/M	Description
	086516-04 X36	EA	Chair Asm - Celebrity - Recliner (X78)
	086516-04 X37	EA	Chair Asm - Celebrity - Recliner (X79)
	086516-04-X38	EA	Chair Asm - Celebrity - Recliner (X80)
	089032-03-X36	EA	Skirt Asm - Reclining Chair (X78)
	089032-03-X37	EA	Skirt Asm - Reclining Chair (X79)
	089032-03-X38	EA	Skirt Asm - Reclining Chair (X80)

CONTINENTAL VICTORIAN BED ASM (28EU)

Key	Part Number	U/M	Description
	085363-01-X33	EA	Bed Asm - Victorian (X78)
	085363-01-X37	EA	Bed Asm - Victorian (X79)
	085363-01-X38	EA	Bed Asm - Victorian (X80)
	M85363-01-X33	EA	Cover Asm - Victorian Bed (X78)
	M85363-01-X37	EA	Cover Asm - Victorian Bed (X79)
	M85363-01-X38	EA	Cover Asm - Victorian Bed (X80)
	081998-64 X33	EA	Cushion Asm - 13 5' x 16" x 24' x 5" - Right (X78)
	081998-64-X37	EA	Cushion Asm - 13 5' x 16" x 24' x 5" - Right (X79)
	081998-64-X80	EA	Cushion Asm - 13 5' x 16" x 24' x 5" - Right (X80)
	M81998-64-X33	EA	Cover Asm - Right Cushion (X78)
	M81998-64-X37	EA	Cover Asm - Right Cushion (X79)
	M81998-64 X38	EA	Cover Asm - Right Cushion (X80)
	081998-65-X33	EA	Cushion Asm - 17 5' x 24' x 5' - Center (X78)
	081998-65 X37	EA	Cushion Asm - 17 5' x 24' x 5' - Center (X79)
	081998-65-X80	EA	Cushion Asm - 17 5' x 24' x 5' - Center (X80)
	M81998-65-X33	EA	Cover Asm - Center Cushion (X78)
	M81998-65 X37	EA	Cover Asm - Center Cushion (X79)
	M81998-65-X38	EA	Cover Asm - Center Cushion (X80)
	081998-66-X33	EA	Cushion Asm - 13 5' x 16' x 24' x 5' - Left (X78)
	081998-66-X37	EA	Cushion Asm - 13 5' x 16' x 24' x 5' - Left (X79)
	081998-66 X80	EA	Cushion Asm - 13 5' x 16' x 24' x 5' - Left (X80)
	M81998-66-X33	EA	Cover Asm - Left Cushion (X78)
	M81998-66-X37	EA	Cover Asm - Left Cushion (X79)
	M81998-66-X38	EA	Cover Asm - Left Cushion (X80)

CURTAIN, CUSHION & PAD GROUP (CONTINUED)

ITASCA SPRINT

DOUBLE BED

Key	Part Number	U/M	Description
	077478 02-000	EA	Mattress - Inner Spring - 48 x 75'
	083986-13-X78	EA	Bedsread Asm - Fitted - 48 x 75'
	083986-13-X79	EA	Bedsread Asm - Fitted - 48 x 75'
	083986-13-X80	EA	Bedsread Asm - Fitted - 48 x 75'
	081997-01-X33	EA	Pillow Sham - Quilted 30 x 26 (X78)
	081997-01 X34	EA	Pillow Sham - Quilted 30 x 26 (X79)
	081997-01-X35	EA	Pillow Sham - Quilted - 30 x 26 (X80)

**1988 P-SERIES
COMMON ITEMS
TABLE OF CONTENTS**

Introduction	A-01
Alphabetical Index	A-02 - A-04
Accessories Group	A-05 - A-08
Bath Group	A-09
Chassis Group	A-10 - A-17
Curtain Cushion & Pad Group	A-18 - B-12
Driver's Compartment Group	B-13 - B-18
Electrical Group	B-19 - B-21
Exterior Body Group	B-22 - C-07
Galley Group	C-08
Heating & Air Conditioning Group	C-09
Interior Finish Group	C-10 - C-15
LP Group	C-16
Water & Sewage Group	C-17
Window Vent & Exterior Door Group	C-18 - D-18

**1988 P-SERIES
CURTAIN, CUSHION & PAD GROUP
INDEX**

Curtain Hardware	A-18
Winnebago Sport	A-19 - A-22
Winnebago Elandan	A-23 - B-02
Itasca Sprint	B-03 - B-08
Itasca Windcruiser	B-09 - B-12

CURTAIN, CUSHION & PAD GROUP (CONTINUED)

ITASCA WINDCRUISER

BUCKET SEAT W/MONOGRAM HEADREST

Key	Part Number	U/M	Description
	083909-19-X75	EA	Seat Asm - Straton Bucket w/Monogram Headrest
	083909-19-X76	EA	Seat Asm - Straton Bucket w/Monogram Headrest
	083909-19-X77	EA	Seat Asm - Straton Bucket w/Monogram Headrest
	M01864-35-X75	EA	Cover Asm - Straton - Seat
	M01864-35-X76	EA	Cover Asm - Straton - Seat
	M01864-35-X77	EA	Cover Asm - Straton - Seat
	M01864-36-X75	EA	Cover Asm - Straton - Back
	M01864-36-X76	EA	Cover Asm - Straton - Back
	M01864-36-X77	EA	Cover Asm - Straton - Back
	080243-27-X75	EA	Armrest Asm - Right w/Remote Control
	080243-27-X76	EA	Armrest Asm - Right w/Remote Control
	080243-27-X77	EA	Armrest Asm - Right w/Remote Control
	M80243-23-X75	EA	Cover Asm - Armrest Asm - Right
	M80243-23-X76	EA	Cover Asm - Armrest Asm - Right
	M80243-23-X77	EA	Cover Asm - Armrest Asm - Right
	080243-28-X75	EA	Armrest Asm - Left w/Remote Control
	080243-28-X76	EA	Armrest Asm - Left w/Remote Control
	030243-28-X77	EA	Armrest Asm - Left w/Remote Control
	M60243-24-X75	EA	Cover Asm - Armrest Asm - Left
	M60243-24-X76	EA	Cover Asm - Armrest Asm - Left
	M60243-24-X77	EA	Cover Asm - Armrest Asm - Left
	085268-03-X75	EA	Headrest Asm - Straton w/Monogram
	085268-03-X76	EA	Headrest Asm - Straton w/Monogram
	085268-03-X77	EA	Headrest Asm - Straton w/Monogram
	M85268-03-X75	EA	Cover Asm - Straton Headrest w/Monogram
	M85268-03-X76	EA	Cover Asm - Straton Headrest w/Monogram
	M85268-03-X77	EA	Cover Asm - Straton Headrest w/Monogram
	071126-24-X75	EA	Skirt Asm - Straton Bucket Seat
	071126-24-X76	EA	Skirt Asm - Straton Bucket Seat
	071126-24-X77	EA	Skirt Asm - Straton Bucket Seat (X77)
	085269-03-X75	EA	Seat Asm - Double w/Monogram Headrest
	085269-03-X76	EA	Seat Asm - Double w/Monogram Headrest
	085269-03-X77	EA	Seat Asm - Double w/Monogram Headrest (X77)
	M01874-05-X75	EA	Cover Asm - Double Bucket - Seat
	M01874-05-X76	EA	Cover Asm - Double Bucket - Seat
	M01874-05-X77	EA	Cover Asm - Double Bucket - Seat (X77)
	M01874-06-X75	EA	Cover Asm - Double Bucket - Back
	M01874-06-X76	EA	Cover Asm - Double Bucket - Back
	M01874-06-X77	EA	Cover Asm - Double Bucket - Back (X77)
	071690-07-X75	EA	Skirt Asm - Double Bucket
	071690-07-X76	EA	Skirt Asm - Double Bucket
	071690-07-X77	EA	Skirt Asm - Double Bucket (X77)

CURTAIN, CUSHION & PAD GROUP (CONTINUED)

ITASCA WINDCRUISER

TEAR DROP SWIVEL CHAIR (RECLINER)

Key	Part Number	U/M	Description
	086518-05-X75	EA	Chair Asm - Tear Drop Recliner
	086518-02-X76	EA	Chair Asm - Tear Drop Recliner
	086518-02-X77	EA	Chair Asm - Tear Drop Recliner
	089032-04-X75	EA	Skirt Asm - Tear Drop Recliner
	089032-01-X76	EA	Skirt Asm - Tear Drop Recliner
	089032-01-X77	EA	Skirt Asm - Tear Drop Recliner

COUCH & CHAIR HARDWARE

Key	Part Number	U/M	Description
	079386-01-000	EA	Frame Asm - Tear Drop Couch - w/o Drawer Slides
	079386-02-000	EA	Hardware Kit - Tear Drop Couch
	090406-01-X19	EA	Drawer Asm - Storage - Tear Drop Couch
	084466-04-000	EA	Slide Asm - Storage Drawer - Tear Drop Couch - Right
	084466-05-000	EA	Slide Asm - Storage Drawer - Tear Drop Couch - Left
	088245-01-000	EA	Base - Chair - Recliner w/Logs
	069246-05-000	EA	Adjuster Asm - Tear Drop Recliner - w/Remote
	069246-02-000	EA	Adjuster Asm - Tear Drop Recliner - w/o Lock
	088245-03-000	EA	Plate - Non Tilt Swivel - w/Lock - Tear Drop Recliner
	088245-04-000	EA	Extension - 4" - Tear Drop Recliner
	081922-01-000	EA	Frame Asm - Couch - Right Mechanism (26ET)
	081922-02-000	EA	Frame Asm - Couch - Left Mechanism (26ET)
	081922-03-000	EA	Bar - Spacer - H - 74 75' Couch (2 Required) (26ET)
	081922-04-000	EA	Hardware Kit - Couch (26ET)
	082525-01-000	EA	Brace - Couch - Floor (4 required) (26ET)
	083125-01-000	EA	Brace - Couch - Brown (3 required) (26ET)
	083125-02-000	EA	Brace - Couch - Brown (4 required) (26ET)
	081800-02-W33	EA	Panel Asm - Right Couch End (26ET)
	081827-01-W33	EA	Panel Asm - Left Couch End (26ET)

**1988 P-SERIES
COMMON ITEMS
TABLE OF CONTENTS**

Introduction	A-01
Alphabetical Index	A-02 A-04
Accessories Group	A-05 - A-08
Bath Group	A-09
Chassis Group	A-10 - A-17
Curtain, Cushion & Pad Group	A-18 - B-12
Driver's Compartment Group	B-13 - B-18
Electrical Group	B-19 - B-21
Exterior Body Group	B-22 - C-07
Galley Group	C-08
Heating & Air Conditioning Group	C-09
Interior Finish Group	C-10 C-15
LP Group	C-16
Water & Sewage Group	C-17
Window, Vent & Exterior Door Group	C-18 - D-18

**1988 P-SERIES
CURTAIN, CUSHION & PAD GROUP
INDEX**

Curtain Hardware	A-18
Winnebago Sport	A-19 - A-22
Winnebago Elandan	A-23 - B-02
Itasca Sprint	B-03 - B-08
Itasca Windcruiser	B-09 - B-12

CURTAIN, CUSHION & PAD GROUP (CONTINUED)

ITASCA WINDCRUISER

FABRICS

Key	Part Number	U/M	Description
	068274-18-000	YD	Fabric - Upholstery Main - Beige/Blue (X75)
	068274 18-000	YD	Fabric - Upholstery - Main - Gray (X76)
	068274 17-000	YD	Fabric - Upholstery - Main - Wine (X77)
	068274 31-000	YD	Fabric - Upholstery - Patterned - Gray (X76)
	068274 32-000	YD	Fabric - Upholstery - Patterned - Wine (X77)
	068274 33-000	YD	Fabric - Upholstery - Plain - Beige/Blue (X75)
	068274-15-000	YD	Fabric - Upholstery - Plain - Gray (X76)
	068274 09-000	YD	Fabric - Upholstery - Plain Wine (X77)
	068273-01-000	YD	Fabric - Bedspread - Beige/Blue (X75)
	068273-02-000	YD	Fabric - Bedspread - Gray (X76)
	068273-03-000	YD	Fabric - Bedspread - Wine (X77)
	072333-50-000	YD	Fabric - Blackout, Wraparound, Decorative Shower Curtain (X75 X76)
	072333-51-000	YD	Fabric - Blackout, Wraparound, Decorative Shower Curtain (X77)
	038421-01-000	YD	Fabric - Mattress Ticking - Beige/Brown
	038421-04-000	YD	Fabric - Mattress Ticking - Cashew - 82'
	079680-01-000	YD	Vinyl - Expanded - 26 oz Buckskin
	075244-02-000	YD	Fabric - Shower Curtain

TWIN BED

Key	Part Number	U/M	Description
	077478-04-000	EA	Mattress - Inner Spring - 33' x 75'
	083986-14-X75	EA	Bedspread Asm - Fitted - 33" x 75" - Right
	083986-14-X76	EA	Bedspread Asm - Fitted - 33" x 75" - Right
	083986-14-X77	EA	Bedspread Asm - Fitted - 33" x 75" - Right
	083986-15-X75	EA	Bedspread Asm - Fitted - 33" x 75" - Left
	083986-15 X76	EA	Bedspread Asm - Fitted - 33" x 75" - Left
	083986-15-X77	EA	Bedspread Asm - Fitted - 33" x 75" - Left
	086110-01-X75	EA	Headboard Asm - Fan
	086109-02-X76	EA	Headboard Asm - w/Gathers
	086109-02-X77	EA	Headboard Asm w/Gathers
	081997-01-X75	EA	Pillow Sham - Quilted - 30" x 26"
	081997-01-X76	EA	Pillow Sham - Quilted - 30" x 26"
	081997-01-X77	EA	Pillow Sham - Quilted - 30" x 26"

DOUBLE BED

Key	Part Number	U/M	Description
	077478 02-000	EA	Mattress - Inner Spring - 48' x 75'
	083986-02-X75	EA	Bedspread Asm - Fitted - 54"
	083986-02-X76	EA	Bedspread Asm - Fitted - 54"
	083986-02-X77	EA	Bedspread Asm - Fitted - 54"
	086110-01-X75	EA	Headboard Asm - Fan
	086109-02-X76	EA	Headboard Asm - w/Gathers
	086109-02-X77	EA	Headboard Asm w/Gathers
	081997-01-X75	EA	Pillow Sham - Quilted - 30" x 26"
	081997-01-X76	EA	Pillow Sham - Quilted - 30" x 26"
	081997-01-X77	EA	Pillow Sham - Quilted - 30" x 26"

QUEEN BED

Key	Part Number	U/M	Description
	077478-06-000	EA	Mattress - Inner Spring - 60' x 80'
	083986 04-X75	EA	Bedspread Asm - Fitted - 60"
	083986-04-X76	EA	Bedspread Asm - Fitted - 60"
	083986-04-X77	EA	Bedspread Asm - Fitted - 60"
	086110-01-X75	EA	Headboard Asm - Fan
	086109 06-X76	EA	Headboard Asm - w/Gathers
	086109-06-X77	EA	Headboard Asm - w/Gathers
	081997-01-X75	EA	Pillow Sham - Quilted - 30" x 26"
	081997-01-X76	EA	Pillow Sham - Quilted - 30" x 26"
	081997 01-X77	EA	Pillow Sham - Quilted - 30" x 26"

CURTAIN, CUSHION & PAD GROUP (CONTINUED)

ITASCA WINDCRUISER

CELEBRITY COUCH/PULLOUT BED

Key	Part Number	U/M	Description
	069056-01-X75	EA	Couch Asm - Celebrity - w/Pillow Back Cushions
	069007-01-X76	EA	Couch Asm - Celebrity - w/Pillow Back Cushions
	069007-01-X77	EA	Couch Asm - Celebrity - w/Pillow Back Cushions
	M89056-01-X75	EA	Cover Asm - Celebrity Bed
	M89007-01-X76	EA	Cover Asm - Celebrity Bed
	M89007-01-X77	EA	Cover Asm - Celebrity Bed
	068927-07-X75	EA	Cushion Asm - Celebrity Pillow
	065357-07-X76	EA	Cushion Asm - Celebrity Pillow
	065357-01-X77	EA	Cushion Asm - Celebrity Pillow
	M88927-07-X75	EA	Cover Asm - Celebrity Pillow Cushion
	M85357-01-X76	EA	Cover Asm - Celebrity Pillow Cushion
	M85357-01 X77	EA	Cover Asm - Celebrity Pillow Cushion
	065358-03-X75	EA	Cushion Asm - Removable Armrest
	065358-04-X76	EA	Cushion Asm - Removable Armrest
	065358-04-X77	EA	Cushion Asm - Removable Armrest
	M85358-03-X75	EA	Cover Asm - Armrest Cushion
	M85358-04-X76	EA	Cover Asm - Armrest Cushion
	M85358-04-X77	EA	Cover Asm - Armrest Cushion

DINETTE CUSHIONS (34RU & 37RU)

Key	Part Number	U/M	Description
	088927-05 X75	EA	Cushion Asm - 19 25" x 38" x 5" - Back
	088927-01-X76	EA	Cushion Asm - 19 25" x 38" x 5" - Back
	088927-01-X77	EA	Cushion Asm - 19 25" x 38" x 5" - Back
	M88927-05-X75	EA	Cover Asm - Back Cushion
	M88927-01-X76	EA	Cover Asm - Back Cushion
	M88927-01 X77	EA	Cover Asm - Back Cushion
	088927-06 X75	EA	Cushion Asm - 17 5" x 38" x 5" - Seat
	088927-02-X76	EA	Cushion Asm - 17 5" x 38" x 5" - Seat
	088927-02 X77	EA	Cushion Asm - 17 5" x 38" x 5" - Seat
	M88927 06 X75	EA	Cover Asm - Seat Cushion
	M88927 02 X76	EA	Cover Asm - Seat Cushion
	M88927 02 X77	EA	Cover Asm - Seat Cushion

DINETTE CUSHIONS (32 RQ)

Key	Part Number	U/M	Description
	088927-12 X75	EA	Cushion Asm - 19 25" x 38" x 5" - Back
	088927-15 X76	EA	Cushion Asm - 19 25" x 38" x 5" - Back
	088927-15 X77	EA	Cushion Asm - 19 25" x 38" x 5" - Back
	M88927 12 X75	EA	Cover Asm - Dinette Back Cushion
	M88927-15 X76	EA	Cover Asm - Dinette Back Cushion
	M88927-15 X77	EA	Cover Asm - Dinette Back Cushion
	088927-13 X75	EA	Cushion Asm - 17 5" x 36" x 5" - Seat
	088927-16 X76	EA	Cushion Asm - 17 5" x 36" x 5" - Seat
	088927-16 X77	EA	Cushion Asm - 17 5" x 36" x 5" - Seat
	M88927-13 X75	EA	Cover Asm - Dinette Seat Cushion
	M88927 16 X76	EA	Cover Asm - Dinette Seat Cushion
	M88927 16 X77	EA	Cover Asm - Dinette Seat Cushion

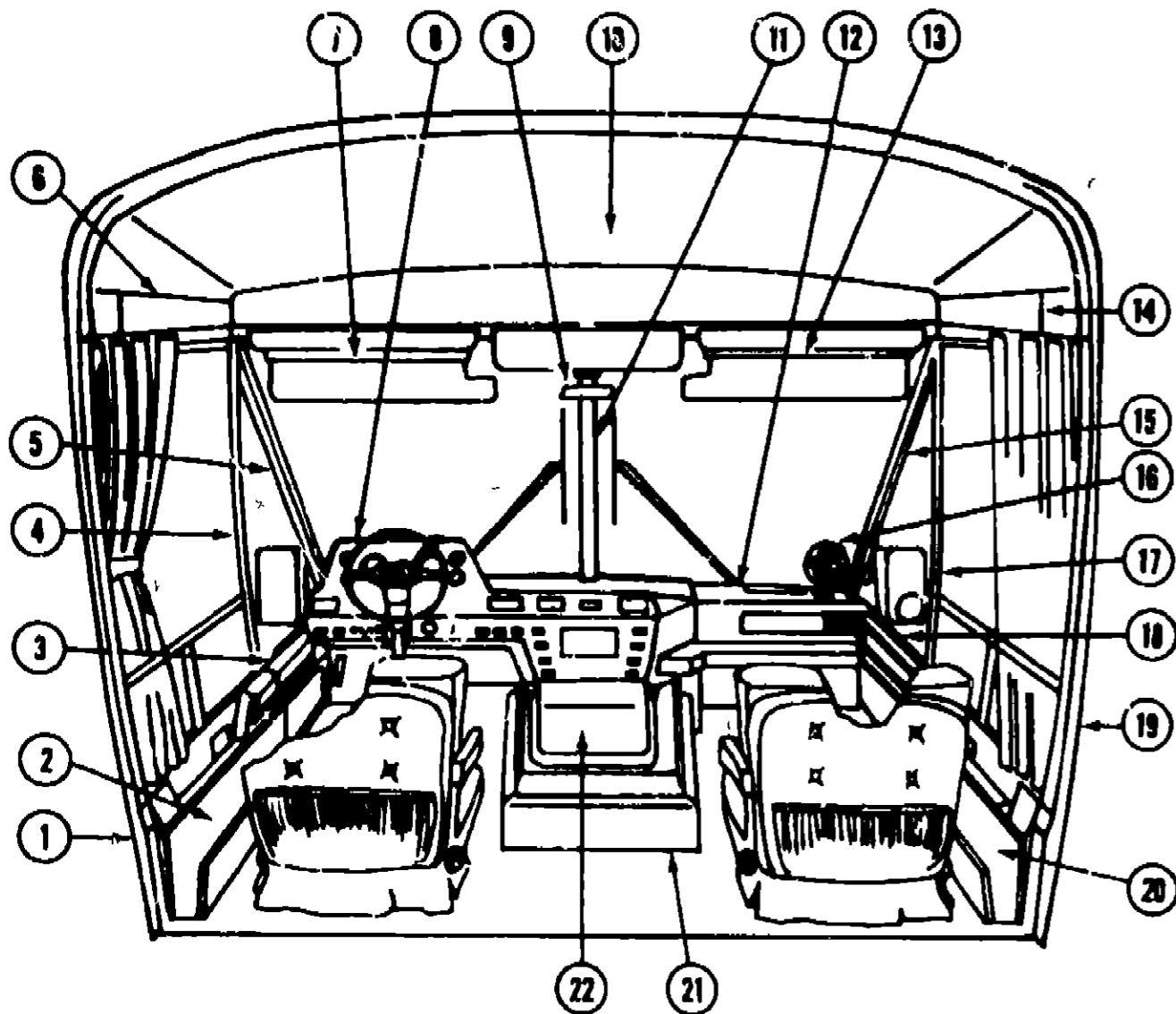
**1988 P-SERIES
COMMON ITEMS
TABLE OF CONTENTS**

Introduction	A-01
Alphabetical Index	A-02 - A-04
Accessories Group	A-05 - A-08
Bath Group	A-09
Chassis Group	A-10 A-17
Curtain Cushion & Pad Group	A-18 - B-12
Driver's Compartment Group	B-13 - B-18
Electrical Group	B-19 - B-21
Exterior Body Group	B-22 - C-07
Galley Group	C-08
Heating & Air Conditioning Group	C-09
Interior Finish Group	C-10 - C-15
LP Group	C-16
Water & Sewage Group	C-17
Window Vent & Exterior Door Group	C-18 - D-18

**1988 P-SERIES
CURTAIN, CUSHION & PAD GROUP
INDEX**

Curtain Hardware	A-18
Winnebago Sport	A 18 - A-22
Winnebago Elandan	A 23 - B-02
Itasca Sprint	B 03 - B-08
Itasca Windcruiser	B-09 - B 12

DRIVER'S COMPARTMENT GROUP



MISCELLANEOUS DRIVER'S COMPARTMENT COMPONENTS (WINNEBAGO)

Key	Part Number	U/M	Description
1	077111-06-000	EA	Panel Trim - Driver's Side
2	077117-06-000	EA	Side Panel Trim - Door
3	077116-03-000	EA	Side Panel Trim - Front
4	077113-06-000	EA	Trim Panel - Hinge Pillar
5	077112-06-000	EA	Trim - Windshield - Interior "A" Post - Left
6	077110-10-000	EA	Trim Cover - w/Bunk - Left
7	082286-01-X23	EA	Sunvisor Asm - Driver - Vinyl
7	082286-04-X19	EA	Sunvisor Asm - Driver - Vinyl w/Map Pocket
	083919-01-W13	EA	Cabinet Asm - Front Overhead (w/o Front Bunk)
	M03110-23-X19	EA	Cabinet Asm - Front Overhead - Right - w/o Doors or Hardware
	M03110-21-X19	EA	Cabinet Asm - Front Overhead - Left - w/o Doors or Hardware
	086714-01-W13	EA	Cabinet Asm - Television
	M88304-46-X19	EA	Door Asm - Front Overhead Cabinet - w/o Hardware
8	085253-01-W13	EA	Instrument Panel Asm - Upper - Left
	078808-05-000	EA	Dash Panel - Lower - Left
	078808-07-000	EA	Dash Panel - Lower - Left (w/Electronic Dash)
	Not Illustrated		
	Parts used with the Television Option		

DRIVER'S COMPARTMENT GROUP (CONTINUED)

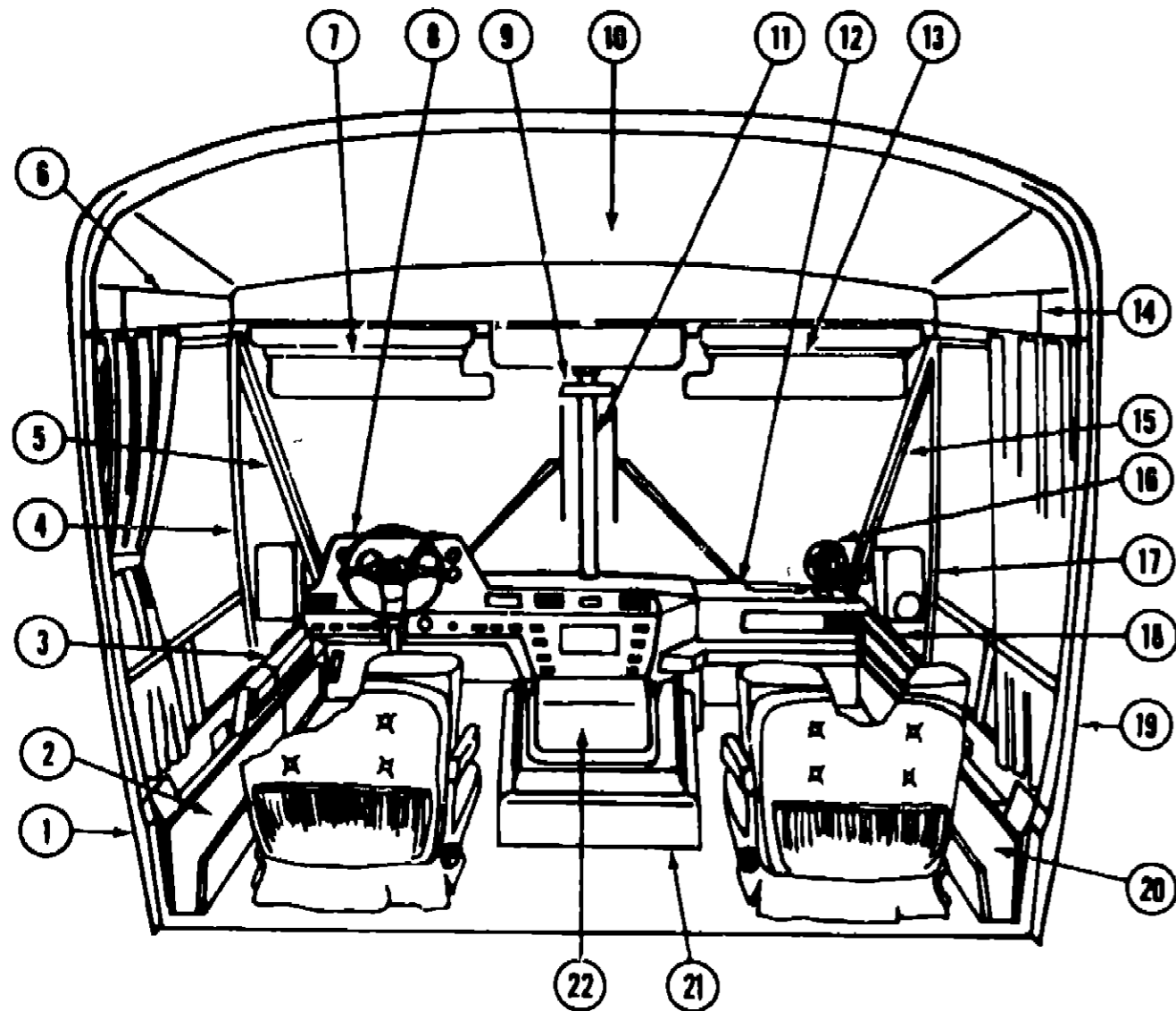
MISCELLANEOUS DRIVER'S COMPARTMENT COMPONENTS (WINNEBAGO) (CONT)

Key	Part Number	U/M	Description
9	040714-01-700	EA	Rearview Mirror Kit
	079926-01-000	EA	Lamp - Flex Arm
	079926-01-700	EA	Bulb - Flex Arm Lamp
10	077108-11-000	EA	Trim Panel - Roof Front - w/Bunk & TV Antenna
10	077108-06-000	EA	Trim Panel - Roof Front - w/o Bunk
10	077108-07-000	EA	Trim Panel - Roof Front - w/Antenna
10	077108-08-000	EA	Trim Panel - Roof Front - w/T V Cabinet
11	077114-03-000	EA	Trim Panel - Center - Pillar
	076783-01-000	EA	Louver Asm - A/C Adjustable
12	085252-01 W13	EA	Instrument Panel Asm - Upper - Right
13	082286-03 X23	EA	Sunvisor Asm - w/Mirror - Vinyl
	081017-01-000	EA	Clip - Sunvisor - Black
14	077110-09-000	EA	Trim Cover - w/Bunk - Right
15	077112-05-000	EA	Trim - Windshield - Interior - A Post - Right
16	036420-02-000	EA	Defroster Fan
	077988-01-000	EA	Bracket - Fan - Right
	077988-02-000	EA	Bracket - Fan - Left
17	077113-05-000	EA	Trim Panel - Hinge Pillar
18	077115-03-000	EA	Side Panel Trim - Front - w/Door
18	084811-05-000	EA	Side Panel Trim - Front - w/o Door
19	077111-05-000	EA	Trim Panel - Passenger Side
20	077117-05-000	EA	Side Panel Trim - Door
21	075839-01-000	EA	Motor Cover
	039623-01-000	EA	Sec1 - Engine Cover
	080544-01-000	EA	Trim - Motor Cover
22	076729-03-000	EA	Beverage Tray (Plastic)
22	081654-03-000	EA	Beverage Tray (Plastic) w/Double Bucket Seat
	077431-04-000	EA	Beverage Tray - Regal Oak
	089294-01-000	EA	Cigarette Lighter
	076359-01-000	EA	Panel Asm - Stepwell - Rear - Right
	076359-02-000	EA	Panel Asm - Stepwell - Rear - Left
	076360-01-000	EA	Panel Asm - Stepwell - Front - Right
	076360-02-000	EA	Panel Asm - Stepwell - Front - Left
	087030-01 X19	EA	Door Asm - Battery - Right
	087030-02 X19	EA	Door Asm - Battery - Left
	086755-01-000	EA	Latch - 1/4 Turn - Rotary - Plastic
	Not Illustrated		
	Parts used with the Television Option		

**1988 P-SERIES
COMMON ITEMS
TABLE OF CONTENTS**

Introduction	A-01
Alphabetical Index	A-02 - A-04
Accessories Group	A-05 - A-08
Bath Group	A-09
Chassis Group	A-10 - A-17
Curtain Cushion & Pad Group	A-18 - B-12
Driver's Compartment Group	B-13 - B-18
Electrical Group	B-19 - B-21
Exterior Body Group	B-22 - C-07
Galley Group	C-08
Heating & Air Conditioning Group	C-09
Interior Finish Group	C-10 - C-15
LP Group	C-16
Water & Sewage Group	C-17
Window Vent & Exterior Door Group	C-18 - D-16

DRIVER'S COMPARTMENT GROUP (CONTINUED)



MISCELLANEOUS DRIVER'S COMPARTMENT COMPONENTS (ITASCA)

Key	Part Number	U/M	Description
1	077111-04-000	EA	Panel Trim - Driver's Side
2	077117-04-000	EA	Side Panel Trim - Door
3	077116-02-000	EA	Side Panel Trim - Front
4	077113-04-000	EA	Trim Panel - Hinge Pillar
5	077112-04-000	EA	Trim - Windshield Interior - "A" Post - Left
6	077110-10-000	EA	Trim Cover - w/Bunk - Left
7	082286-01-W33	EA	Sunvisor Asm - Driver - Vinyl
7	082286-05-W33	EA	Sunvisor Asm - Driver - Vinyl - w/Map Pocket
	083919-01-W38	EA	Cabinet Asm - Front Overhead (w/o Front Bunk)
	M03110-22-X75	EA	Cabinet Asm - Front Overhead - Right - w/o Doors or Hardware
	M03110-24-X75	EA	Cabinet Asm - Front Overhead - Left - w/o Doors or Hardware
	086714-01-W38	EA	Cabinet Asm - Television
	M88304-03-X75	EA	Door Asm - Front Overhead Cabinet - w/o Hardware
8	085253-01-W36	EA	Instrument Panel Asm - Upper - Left
	076808-02-000	EA	Dash Panel - Lower - Left
	076808-08-000	EA	Dash Panel - Lower - Left (w/Electronic Dash)
			Not Illustrated
			Parts used with the Television Option

DRIVER'S COMPARTMENT GROUP (CONTINUED)

MISCELLANEOUS DRIVER'S COMPARTMENT COMPONENTS (ITASCA) (CONT)

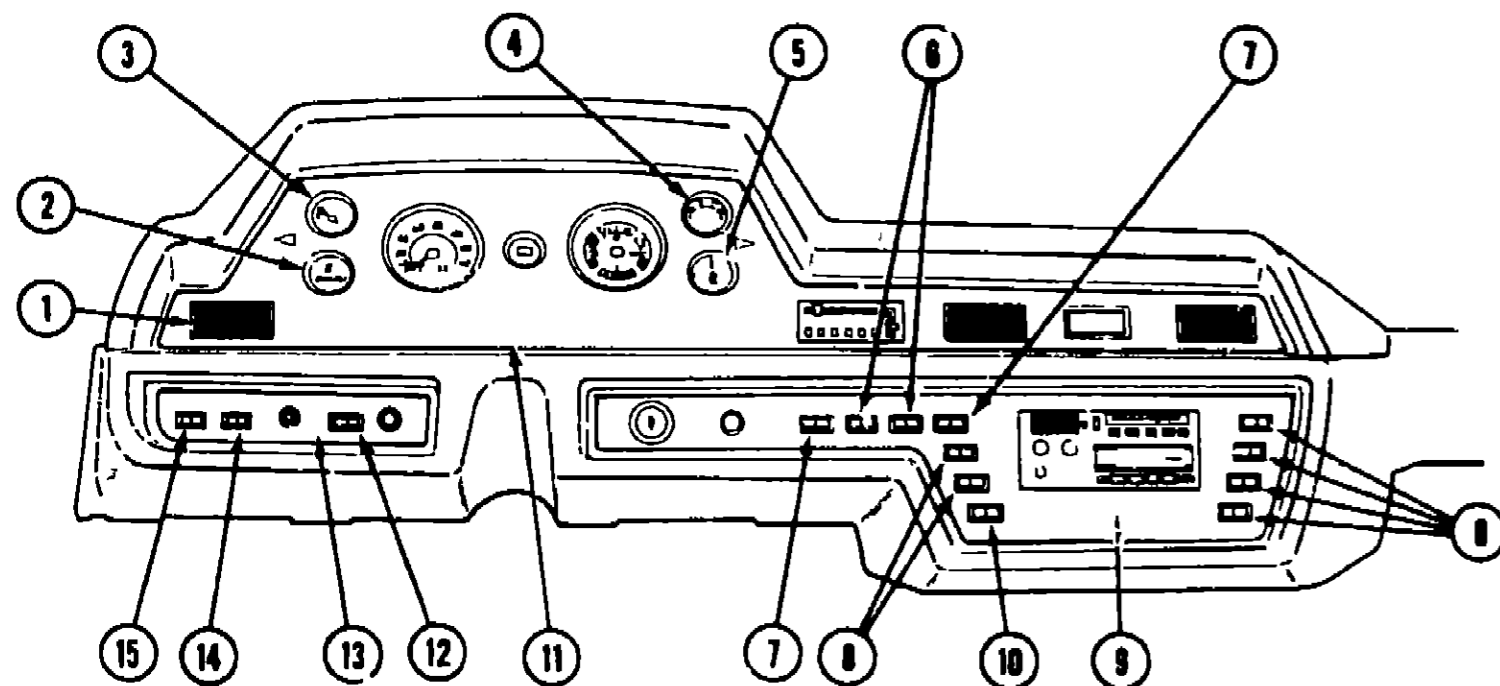
Key	Part Number	U/M	Description
9	040714-01-700	EA	Rearview Mirror Kit
	079926-01-000	EA	Lamp - Flex Arm
	079926-01-700	EA	Bulb - Flex Arm Lamp
10	077108-12-000	EA	Trim Panel - Roof Front - w/Bunk & TV Antenna
10	077108-04-000	EA	Trim Panel - Roof Front - w/o Bunk
10	077108-09-000	EA	Trim Panel - Roof Front - w/Antenna
10	077108-10-000	EA	Trim Panel - Roof Front - w/TV Cabinet
11	077114-02-000	EA	Trim Panel - Center Pillar
	076783-01-000	EA	Lounger Asm - A/C Adjustable
12	085252-01-W36	EA	Instrument Panel Asm - Upper - Right
13	082286-03-W33	EA	Sunvisor Asm - w/Mirror - Vinyl
	081917-01-000	EA	Clip - Sunvisor - Black
14	077110-03-000	EA	Trim Cover - w/Bunk - Right
15	077112-03-000	EA	Trim - Windshield Interior - A Post - Right
18	036420-02-000	EA	Defroster Fan
	077968-01-000	EA	Bracket - Fan - Right
	077968-02-000	EA	Bracket - Fan - Left
17	077113-03-000	EA	Trim Panel - Hinge Pillar
18	077115-02-000	EA	Side Panel Trim - Front
18	084811-07-000	EA	Side Panel Trim - Front - w/o Door
19	077111-03-000	EA	Trim Panel - Passenger Side
20	077117-03-000	EA	Side Panel Trim - Door
21	075939-01-000	EA	Motor Cover
	039623-01-000	EA	Spul - Engine Cover
	080544-01-000	EA	Trim - Motor Cover
22	076729-02-000	EA	Beverage Tray (Plastic)
22	081654-02-000	EA	Beverage Tray (Plastic) w/Double Bucket Seat
	077431-05-000	EA	Beverage Tray - Driftwood
	052367-01-000	EA	Cigarette Lighter
	076359-01-000	EA	Panel Asm - Stepwell - Rear - Right
	076359-02-000	EA	Panel Asm - Stepwell - Rear - Left
	076360-01-000	EA	Panel Asm - Stepwell - Front - Right
	076360-02-000	EA	Panel Asm - Stepwell - Front - Left
	087030-01-X75	EA	Door Asm - Battery - Right
	087030-02-X75	EA	Door Asm - Battery - Left
	086755-01-000	EA	Latch - 1/4 Turn - Rotary - Plastic
			Not Illustrated
			Parts used with the Television Option

**1986 P-SERIES
COMMON ITEMS
TABLE OF CONTENTS**

Introduction	A-01
Alphabetical Index	A-02 - A-04
Accessories Group	A-05 - A-06
Bath Group	A-09
Chassis Group	A-10 - A-17
Curtain, Cushion & Pad Group	A-18 - B-12
Driver's Compartment Group	B-13 - B-18
Electrical Group	B-19 - B-21
Exterior Body Group	B-22 - C-07
Galley Group	C-08
Heating & Air Conditioning Group	C-09
Interior Finish Group	C-10 - C-15
LP Group	C-16
Water & Sewage Group	C-17
Window Vent & Exterior Door Group	C-18 - D-16

DRIVER'S COMPARTMENT GROUP (CONTINUED)

DRIVER'S COMPARTMENT GROUP (CONTINUED)



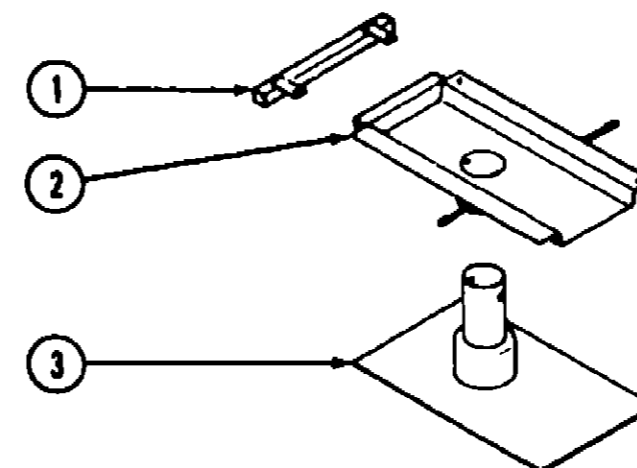
DASH SWITCHES & GAUGES

Key	Part Number	U/M	Description
1	076783-02-000	EA	Louver Arm - A/C Adjustable
2	031035-01-000	EA	Gauge - Hourmeter - Generator
3	024460-04-000	EA	Gauge - Vacuum
4	024459-04-070	EA	Gauge - Voltmeter
5	072341-01-710	EA	Control Asm - Heater
6	076759-05-000	EA	Switch - 3 Position
7	076759-04-000	EA	Switch - 3 Position
8	076759-01-000	EA	Switch - 2 Position
9	076217-07-000	EA	Instrument Panel - Lower (32RQ, 34RU & 37RQ)
9	076217-09-000	EA	Instrument Panel - Lower (26ET & 28EU)
10	086272-01-000	EA	Switch - Rocker - Auxillary Battery
11	076218-04-000	EA	Instrument Panel - Upper - Winnebago
11	076218-05-000	EA	Instrument Panel Upper - Itasca
12	076759-07-000	EA	Switch - 2 Position
13	076218-02-000	EA	Instrument Panel - Lower Left
14	076759-07-000	EA	Switch 2 Position
15	076759-03-000	EA	Switch - 3 Position
	081087-01-000	EA	Socket Asm, - Indicator Lamp
	087715-01-000	EA	Bracket - Electronic Dash (Itasca)
	087713-02-000	EA	Display Panel - Instrument Panel - Electronic Dash
	087714-02-000	EA	Computer Instrument Panel - w/o Aux Fuel - Electronic Dash
	087715-02-000	EA	Bezel Electronic Dash (Winnebago)
	081369-07-000	EA	Sender Kit - Speed - Electronic Dash

Not illustrated
Parts used with the Electronic Dash Option

FRONT BUNK & HARDWARE

Key	Part Number	U/M	Description
	076760-02-000	EA	Bunk - Hardware - Overhead - Complete
	077110-09-000	EA	Cover - Bunk Support - Right - Beige
	077110-03-000	EA	Cover Bunk Support Right - Gray
	077110-10-000	EA	Cover - Bunk Support Left Beige
	077110-04-000	EA	Cover Bunk Support - Left Gray
	077108-11-000	EA	Trim Panel - Front Bunk Beige
	077108-12-000	EA	Trim Panel - Front Bunk - Gray
	079144-02-T03	EA	Strap Asm - 3' x 20' - Beige
	079144-02-W33	EA	Strap Asm - 3' x 20' - Gray
	075943-01-000	EA	Brace - Valance - Beige



BUCKET SEAT PEDESTAL & SEAT BELTS

Key	Part Number	U/M	Description
1	089585-29-000	EA	Bar - Seat Belt 20'
2	089585-27-000	EA	Plate - Top - Pedestal Asm - Single Bucket Seat
2	089585-10-000	EA	Plate - Top - Pedestal Asm - Double Bucket Seat
2	089585-36-000	EA	Plate Top Pedestal Asm - Power Seat
3	089585-08-000	EA	Plate - Sub Pedestal Asm - Bucket Seat
3	089585-37-000	EA	Plate Sub - Vertical - 4.5 Nom - Power Seat
	007019-01-000	EA	Belt Asm - Seat - 2' x 84" - Black
	007021-01-000	EA	Belt Asm - Seat - 2' x 90" - Black
	056271-02-000	EA	Belt Asm - Seat - 2' x 72" - Black
	057759-01-000	EA	Bracket Seat Belt Washer
	089248-01-000	EA	Adjuster Asm - Seat - w/Lock
	089248-02-000	EA	Adjuster Asm - Seat - w/o Lock
	081373-01-000	EA	Seat - Power - 6 Way
	081373-02-700	EA	Switch Asm - Package
	081373-02-701	EA	Harness Asm - Left
	081373-02-702	EA	Harness Asm - Right
	081373-02-703	EA	Horizontal Adjustment Package
	081373-02-704	EA	Vertical Adjustment Package
	Not illustrated		

1988 P-SERIES COMMON ITEMS TABLE OF CONTENTS

Introduction	A-01
Alphabetical Index	A-02 - A-04
Accessories Group	A-05 - A-08
Bath Group	A-09
Chassis Group	A-10 - A-17
Curtain Cushion & Pad Group	A-18 - B-12
Driver's Compartment Group	B-13 - B-18
Electrical Group	B-19 - B-21
Exterior Body Group	B-22 - C-07
Galley Group	C-08
Heating & Air Conditioning Group	C-09
Interior Finish Group	C-10 - C-15
LP Group	C-16
Water & Sewage Group	C-17
Window, Vent & Exterior Door Group	C-18 - D-16

ELECTRICAL GROUP

BULBS

Key	Part Number	U/M	Description
	008103-01-000	EA	Bulb - 53
	008213-01-000	EA	Bulb - 57
	008214-01-000	EA	Bulb - 67
	038196-01-000	EA	Bulb 194
	008215-01-000	EA	Bulb - 1003
	087479-01-000	EA	Bulb - 1076
	083914-01-000	EA	Bulb - 1139
	008218-01-000	EA	Bulb - 1141
	037935-01-000	EA	Bulb 1157
	037936-01-000	EA	Bulb 1157A
	056288-02-000	EA	Bulb - 9431908
	081633-01-700	EA	Bulb - Make Up Light

FUSES & CIRCUIT BREAKERS

Key	Part Number	U/M	Description
	008234-01-000	EA	Fuse - 10 Amp - 12 Volt
	008235-01-000	EA	Fuse - 15 Amp - 12 Volt
	082901-02-000	EA	Fuse - 5 Amp - Automotive
	082901-05-000	EA	Fuse 15 Amp - Automotive
	008211-01-000	EA	Circuit Breaker - 6 Amp - 12 Volt
	033573-02-000	EA	Circuit Breaker - 15 Amp 12 Volt w/Mount
	033573-01-000	EA	Circuit Breaker - 20 Amp 12 Volt - w/Mount
	044468-03-000	EA	Circuit Breaker - 25 Amp 12 Volt - w/Mount
	008268-01-000	EA	Circuit Breaker - 30 Amp 12 Volt w/Mount
	083209-01-000	EA	Circuit Breaker - 15 Amp 120 Volt
	083210-02-000	EA	Circuit Breaker - 15 Amp 120 Volt (Ground Fault Interrupter)
	085720-01-000	EA	Circuit Breaker - 15 Amp
	085720-02-000	EA	Circuit Breaker - 20 Amp - 120 Volt
	085720-03-000	EA	Circuit Breaker - 25 Amp
	085720-04-000	EA	Circuit Breaker - 30 Amp - 120 Volt
	085720-05-000	EA	Circuit Breaker - 40 Amp
	083209-03-000	EA	Circuit Breaker - 15/20 Amp 120 Volt
	083209-05-000	EA	Circuit Breaker - 20 Amp 120 Volt
	083209-07-000	EA	Circuit Breaker - 20/20 Amp 120 Volt
	083209-04-000	EA	Circuit Breaker - 30 Amp - 120 Volt
	083209-06-000	EA	Circuit Breaker - 30/15 Amp 120 Volt
	071279-06-000	EA	Circuit Breaker - 30/15 Amp - 120 Volt
	083209-08-000	EA	Circuit Breaker Blank
	050283-02-000	EA	Circuit Breaker - Buss Bar
	082678-01-000	EA	Circuit Breaker - 40 Amp - 12 Volt
	082678-02-000	EA	Circuit Breaker 20 Amp 12 Volt

MISCELLANEOUS ELECTRICAL COMPONENTS

Key	Part Number	U/M	Description
	008188-01-000	EA	Solenoid - Dual Battery - Relay
	083208-01-000	EA	Control Center - 32 Amp
	083208-02-000	EA	Control Center - 45 Amp
	083208-03-000	EA	Control Center - 45 Amp
	083739-01-000	EA	Battery - 12 Volt 80 Amp - Gould
	038420-02-000	EA	Fan - 6' Defroster 2 Speed
	089294-01-000	EA	Lighter Asm - Cigarette

ELECTRICAL GROUP (CONTINUED)

WIRE, SWITCHES & RECEPTACLES

Key	Part Number	U/M	Description
	008288-01-000	EA	Box - Electrical - 3 x 3 5" - Plastic
	008289-01-000	EA	Box - Electrical - 4 x 4 1/2 & 3/4 Steel UL
	058049-01-000	EA	Box - Electrical - 2' x 3' x 2 25 Steel
	041953-01-000	FT	Conduit - Convoluted Silt - 5 I D
	041953-03-000	FT	Conduit - Convoluted Silt - 1' I D
	008353-01-000	EA	Connector - Clamping - 3/8 Cable UL & CSA
	058028-01-000	EA	Connector - Pigtail - Clear Nylon
	008311-01-000	EA	Connector - Wire Nut - Red
	031968-01-000	EA	Contact Plug - Brass - Tin Plated
	031967-01-000	EA	Contact - Receptacle
	008054-01-000	EA	Cord - Power - 10-3 30 Amp - 25' - UL
	008052-01-000	EA	Cord Power - 10-3 30 Amp 25' - CSA
	089238-01-000	EA	Cover - Electrical Box - 4" x 4'
	008294-01-000	EA	Cover - Flat Blank - 4' x 4" Steel US
	084399-01-000	LA	Housing Asm - Trailer Pin
	084450-01-000	EA	Housing Asm Trailer Plug
	084398-01-000	EA	Housing Asm Trailer Receptacle
	054532-02-000	EA	Housing Pin - 4 Position
	054532-01-000	EA	Housing Pin - 6 Position
	075736-03-000	EA	Receptacle/Cover Asm - Beige (Exterior)
	075736-01-000	EA	Receptacle/Cover Asm - Gray (Exterior)
	058708-01-000	EA	Receptacle - Duplex - Brown
	024924-02-000	EA	Receptacle - Power Cord
	058707-01-000	EA	Receptacle Single - Brown
	086273-01-000	EA	Relay - Battery Disconnect
	063912-01-000	EA	Relay - Canister SPDT w/Ground
	075723-01-000	EA	Switch - Block Spacer - w/o Holes
	075723-02-000	EA	Switch - Block Spacer - w/Holes
	056264-01-000	EA	Switch - Leaf Actuator
	076363-01-000	EA	Switch Plate - Single - w/Switches
	079364-01-000	EA	Switch - On/Off Pocker - Brown
	008195-01-000	EA	Switch - Push Button - 12 Volt
	076759-01-000	EA	Switch - SPST - Lock/Lock
	076759-03-000	EA	Switch - SPST - Lock/Lock/Lock
	076759-04-000	EA	Switch - SPDT - Mom/Lock/Mom
	076759-05-000	EA	Switch SPDT - Lock/Lock/Mom
	076759-06-000	EA	Switch - Dummy
	076759-07-000	EA	Switch - SPST - Mom Off/Lock (NO)
	047443-02-000	EA	Terminal - 250 Receptacle - 12 10 AWG
	008348-01-000	EA	Terminal Ring - 2 w/3/8 Stud
	008331-01-000	EA	Terminal Ring - 4 - w/3/8 Stud
	008328-01-000	EA	Terminal Ring - 12/10 Wire
	008024-01-000	FT	Wire - 18 5 Bonded - Blue/Red/Yellow/Orange/White
	008024-01-000	FT	Wire - 18 5 Bonded - Orange/White/Yellow/Blue/Brown
	008025-01-000	FT	Wire - 18 5 Bonded - Orange/White/Yellow/Blue/Green
	008026-01-000	FT	Wire w/Ground - Romex 12/2
	008343-01-000	EA	Wire Tie - 6"

WINDSHIELD WIPERS & WASHER

Key	Part Number	U/M	Description
	056000-02-000	EA	Washer Asm - Windshield
	072472-04-000	EA	Arm - Windshield Wiper - 29" - Black
	067191-02-700	EA	Motor Asm - Windshield Wiper
	087192-01-000	EA	Link Asm - Connecting - Left
	087193-01-000	EA	Link Asm - Connecting - Right
	049464-03-000	EA	Blade - Windshield Wiper - 20' - Black
	087190-02-000	EA	Shaft and Pivot Asm

1988 P-SERIES COMMON ITEMS TABLE OF CONTENTS

Introduction	A-01
Alphabetical Index	A-02 - A-04
Accessories Group	A-05 - A-08
Bath Group	A-09
Chassis Group	A 10 - A-17
Curtain Cushion & Pad Group	A 18 - B-12
Driver's Compartment Group	B 13 - B-18
Electrical Group	B-19 - B-21
Exterior Body Group	B-22 - C-07
Galley Group	C-08
Heating & Air Conditioning Group	C-09
Interior Finish Group	C-10 - C-15
LP Group	C-16
Water & Sewage Group	C-17
Window Vent & Exterior Door Group	C-18 - D-18

ELECTRICAL GROUP (CONTINUED)

INTERIOR LIGHT

Key	Part Number	U/M	Description
	065202-06-000	EA	Lamp - Decor - Wall - Brass & Black
	065202-03-000	EA	Lamp - Decor - Wall - Bright Brass
	062666-01-000	EA	Table Lamp - Brass w/Wood
	062666-02-000	EA	Shade - Table Lamp
	065201-02-000	EA	Shade Fabric - Parchment - Wall Lamp
	065201-03-000	EA	Shade - Fabric - Black Wall Lamp
	033508-02-000	EA	Light - Dome - Ivory 1 Bulb - US
	033508-03-000	EA	Light - Dome - Ivory - 1 Bulb - CSA
	033509-02-000	EA	Light - Dome - Ivory - 2 Bulb - US
	033509-03-000	EA	Light - Dome - Ivory - 2 Bulb - CSA
	076424-01-000	EA	Light - Fluorescent - 12V - 18"
	061424-01-000	EA	Light - 12V Receptacle - Aisle IP
	072353-06-000	EA	Light - Reading - 360° Swivel - fan
	061909-01-000	EA	Light - Strip - Clear - 18" w/Mounting
	062169-01-000	EA	Light - Make-Up 3-Bulb
	061633-01-000	EA	Light - Make-Up - 24"
	067694-01-000	EA	Light - Wardrobe w/Switch
	066260-01-000	EA	Light - Surface Mount - 12V
	066937-04-000	EA	Dome Light - Surface - w/o Switch
	077026-01-000	EA	Lens - Courtesy Light Clear Door Panels
	079926-01-000	EA	Lamp Flexible Arm
	076766-01-000	EA	Socket Lamp - Mini Bayonet

EXTERIOR LIGHTS

Key	Part Number	U/M	Description
	075660-01-000	EA	Lamp Asm - Side Marker - Amber
	075660-02-000	EA	Lamp Asm - Side Marker Red
	076795-01-000	EA	Light Asm - License
	067201-01-000	EA	Light - Dump Valve
	061237-01-000	EA	Light Asm - Cab Marker Amber
	061237-02-000	EA	Light Asm Cab Marker Red
	006069-01-000	EA	Light - Porch - Recessed
	006069-01 700	EA	Lens - Recessed Porch Light
	079841-01-000	EA	Lamp Asm - Fog - w/Amber Cover
	066747-01-000	EA	Lamp Asm - Fog w/Clear Lens
	075459-04-000	EA	Lamp Asm - Taillight - Red
	075459-05-000	EA	Lamp Asm Taillight - Amber
	075459-06-000	EA	Lamp Asm Taillight - Back Up w/Reflex
	051057-02-000	EA	Searchlight Power Driver
	076343-01-000	EA	Lamp Asm Park/Turn Clear - Left
	076343-02-000	EA	Lamp Asm - Park/Turn Clear Right
	076345-01-000	EA	Lens Asm Park/Turn Amber
	070907-01-000	EA	Headlamp Capsule Asm Rectangular (Winnebago) (26ET & 26EU)
	049185-01-000	EA	Headlamp Capsule Asm Rectangular - Left - High/Low Beam (Itasca)
	049186-01-000	EA	Headlamp Capsule Asm Rectangular - Right - High/Low Beam (Itasca)
	049187 01-000	EA	Headlamp Capsule Asm Rectangular - Left High Beam (Itasca)
	049188-01-000	EA	Headlamp Capsule Asm Rectangular - Right - High Beam (Itasca)

EXTERIOR BODY GROUP

ACCESS PANEL HARDWARE

Key	Part Number	U/M	Description
	076739-01-000	EA	Bracket - Grille Hanger - Inner Right
	076739-02-000	EA	Bracket - Grille Hanger - Inner - Left
	077407-01-000	EA	Bracket - Hood Release Cable
	073336-02-000	EA	Bracket - Mounting - Latch
	073342-01-000	EA	Bracket Asm - Latch Hood
	077064-01-000	EA	Cable Asm - Hood Release
	062626-01-000	EA	Clip Prop Rod
	077252-01-000	EA	Hinge Pin - Stainless Steel
	M02680-01-U25	EA	Hinge Asm - Hood - Right - Beige
	M02680-02-U25	EA	Hinge Asm - Hood - Left - Beige
	M02680-01 U16	EA	Hinge Asm - Hood - Right - Gray
	M02680-02-U16	EA	Hinge Asm - Hood - Left - Gray
	R77006-59-931	EA	Bracket - Hood Release
	R77006-68-172	EA	Plate - Spacer
	076837 01-000	EA	Prop Rod
	R77007-01 950	EA	Spring Hood Release
	076837-01-000	EA	Rod - Prop - Hood

SHEET FIBERGLASS, ALUMINUM & STYROFOAM

Key	Part Number	U/M	Description
	076054-29-001	EA	Fiberglass Sheet - 25 60 x 74 25 - Beige Smooth
	076054 26-001	EA	Fiberglass Sheet - 25 60 x 74 25 - Gray - Smooth
	041487-01-001	EA	Aluminum Mill Finish - No Design (Roof) - 96' x 360'
	000666-01-000	SF	Styrofoam - 3/4' x 24" x 96"
	000670-01-000	SF	Styrofoam - 1 1/2' x 24" x 96"
	000670-03-000	SF	Styrofoam - 1 3/4 x 48 x 96'
	000670-04-000	SF	Styrofoam - 1 3/4' x 24" x 96'
	064662-01 700	EA	Fiberglass/Partical Board Sheet - Beige
	064662-02 700	EA	Fiberglass/Partical Board Sheet - Gray

MISCELLANEOUS EXTERNALLY MOUNTED PARTS

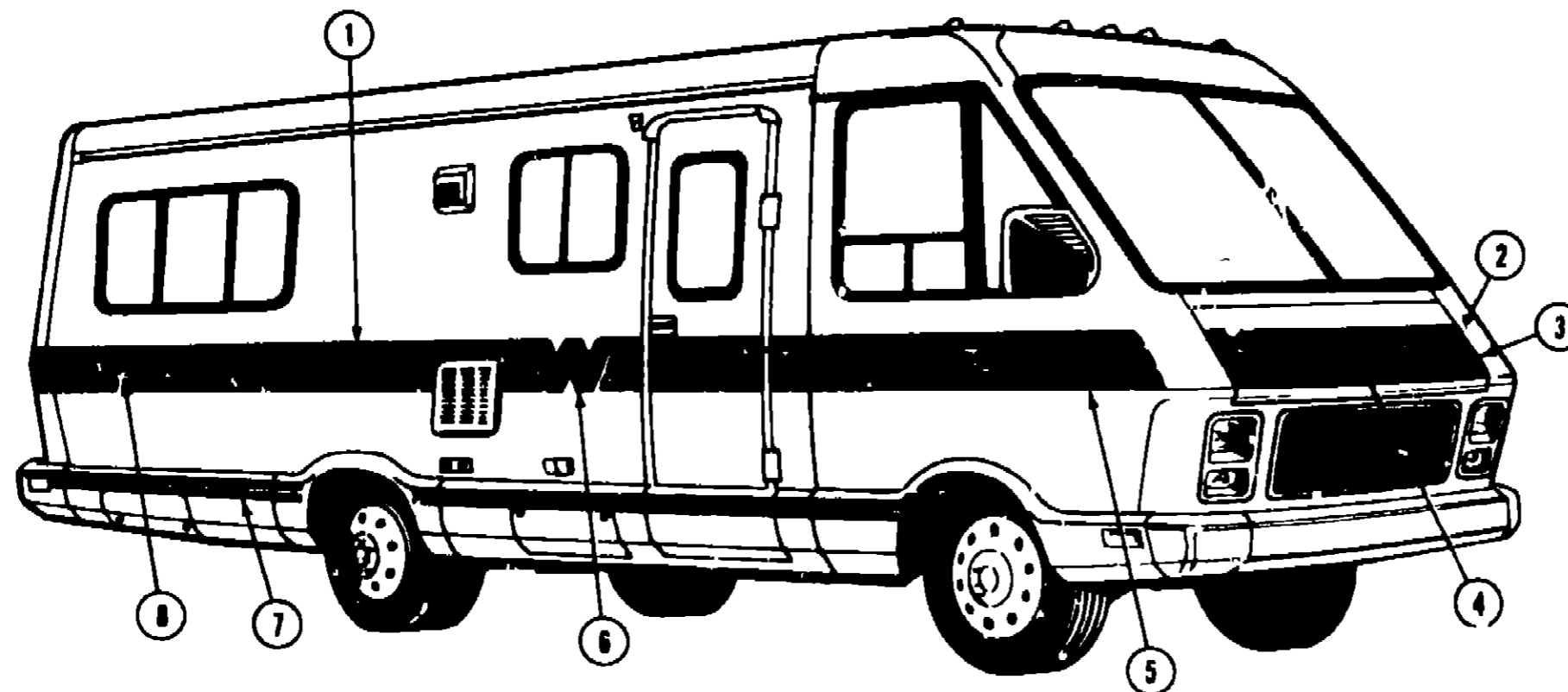
Key	Part Number	U/M	Description
	063558-01-000	EA	Plumbing Seal Roof Vent - 1 1/2' Covered
	067659-02-000	EA	Fill - City Water - Recessed - Beige
	067659-03-000	EA	Fill City Water Recessed - Gray
	061240-01-000	EA	Water Fill Lockable Beige
	061240-02-000	EA	Water Fill - Lockable - Gray
	077963 01-000	EA	Gasket - Gas Fill Door
	063578-01-000	EA	Boot Fuel Fill
	073050-02-000	EA	Mounting Clip Valance Panel

**1988 P-SERIES
COMMON ITEMS
TABLE OF CONTENTS**

Introduction	A-01
Alphabetical Index	A-02 - A-04
Accessories Group	A-05 - A-06
Bath Group	A-09
Chassis Group	A 10 - A-17
Curtain Cushion & Pad Group	A-18 - B-12
Driver's Compartment Group	B-13 - B-18
Electrical Group	B-19 - B-21
Exterior Body Group	B-22 - C-07
Galley Group	C-08
Heating & Air Conditioning Group	C-09
Interior Finish Group	C-10 - C 15
LP Group	C-16
Water & Sewage Group	C 17
Window Vent & Exterior Door Group	C-18 - D 16

EXTERIOR BODY GROUP (CONTINUED)

LABELS & DECALS (WINNEBAGO SPORT)



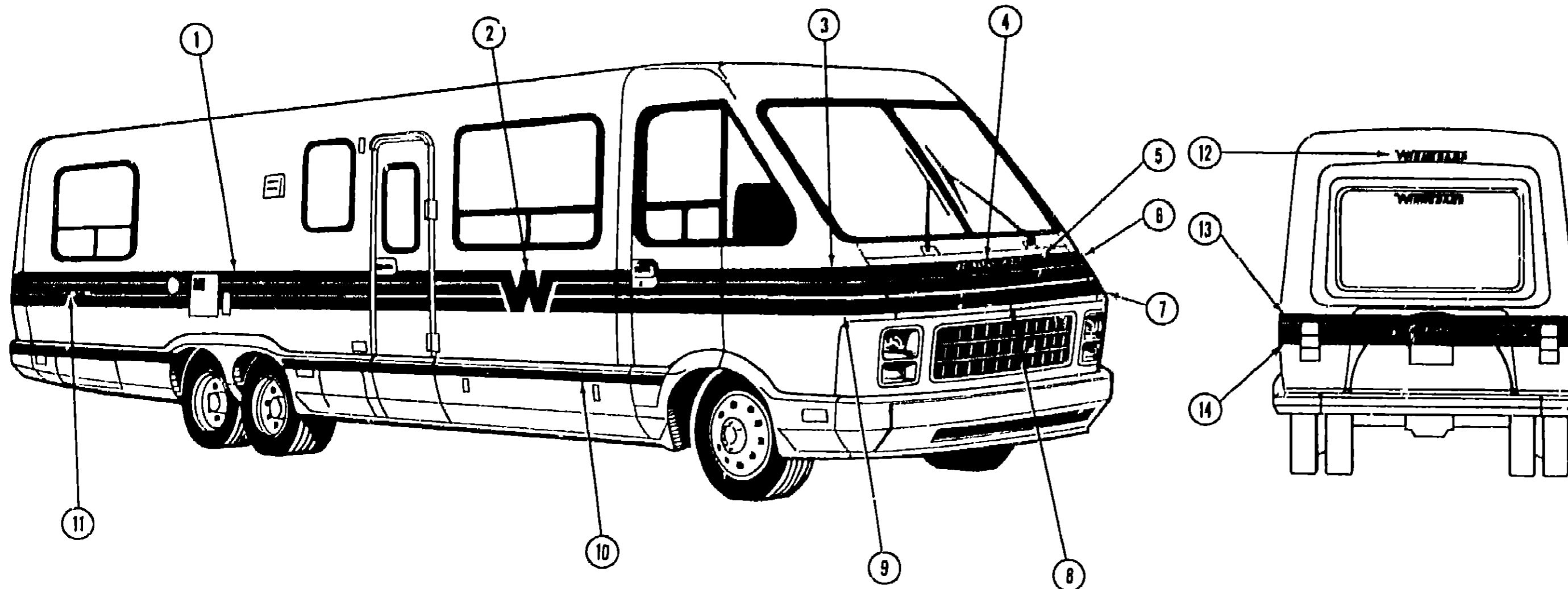
**1988 P-SERIES
COMMON ITEMS
TABLE OF CONTENTS**

Introduction	A-01
Alphabetical Index	A-02 - A-04
Accessories Group	A-05 - A-08
Bath Group	A-09
Chassis Group	A-10 - A-17
Curtain, Cushion & Pad Group	A-18 - B-12
Driver's Compartment Group	B-13 - B-18
Electrical Group	B-19 - B-21
Exterior Body Group	B-22 - C-07
Galley Group	C-08
Heating & Air Conditioning Group	C-09
Interior Finish Group	C 10 - C 15
LP Group	C 16
Water & Sewage Group	C-17
Window, Vent & Exterior Door Group	C 18 - D-16

Key	Part Number	U/M	Description
1	078831-51-000	FT	Decal Striping - 2 75' x 150' - Dark Brown
1	078831-52-000	FT	Decal Striping - 2 75" x 150' - Gray
1	078831-53-000	FT	Decal Striping - 2 75' x 150' - Burgundy
2	085322-20-000	EA	Decal - Hood - Elandan - Dark Brown
2	085322-21-000	EA	Decal - Hood - Elandan - Gray
2	085322-22-000	EA	Decal - Hood - Elandan - Burgundy
3	085322-23-000	EA	Decal - Hood - Elandan - Brown/Blue
3	085322-24-000	EA	Decal - Hood - Elandan - Blue/Rose
3	085322-25-000	EA	Decal - Hood - Elandan - Rose/Green
4	069245-03-000	EA	Decal - Winne
4	069245-04-000	EA	Decal - Bago
5	065217-J4-000	FT	Film - Multi-Stripe - 6 x 150 - Brown/Blue
5	065217-J5-000	FT	Film - Multi-Stripe - 6 x 150 - Blue/Rose
5	065217-J6-000	FT	Film - Multi-Stripe - 6' x 150 - Rose/Green
6	079351-21-000	EA	Decal - Flying 'W' - Dark Brown
6	079351-22-000	EA	Decal - Flying 'W' - Gray
6	079351-23-000	EA	Decal - Flying 'W' - Burgundy
7	065217-J7-000	FT	Film - Multi-Stripe - 1 82 x 150 - Brown/Blue
7	065217-J8-000	FT	Film - Multi-Stripe - 1 82" x 150 - Gray/Blue
7	065217-J9-000	FT	Film - Multi-Stripe - 1 82" x 150 - Burgundy/Rose
8	076754-01-000	EA	Decal - Logo - 'Elandan' - Chrome
	069333-01-000	EA	Decal - Logo - 'Sport' - Black
	050313-22-000	EA	Decal - Logo - 'Winnebago' 2 8" - Chrome
	Not illustrated		

EXTERIOR BODY GROUP (CONTINUED)

LABELS & DECALS (WINNEBAGO)



1988 P-SERIES COMMON ITEMS TABLE OF CONTENTS

Introduction	A 01
Alphabetical Index	A 02 - A-04
Accessories Group	A 05 - A-08
Bath Group	A-09
Chassis Group	A-10 - A-17
Curtain Cushion & Pad Group	A 18 - B-12
Driver's Compartment Group	B 13 - B 18
Electrical Group	B 19 - B 21
Exterior Body Group	B 22 - C-07
Galley Group	C 08
Heating & Air Conditioning Group	C 09
Interior Finish Group	C-10 - C 16
LP Group	C-18
Water & Sewage Group	C 17
Window, Vent & Exterior Door Group	C-18 - D-18

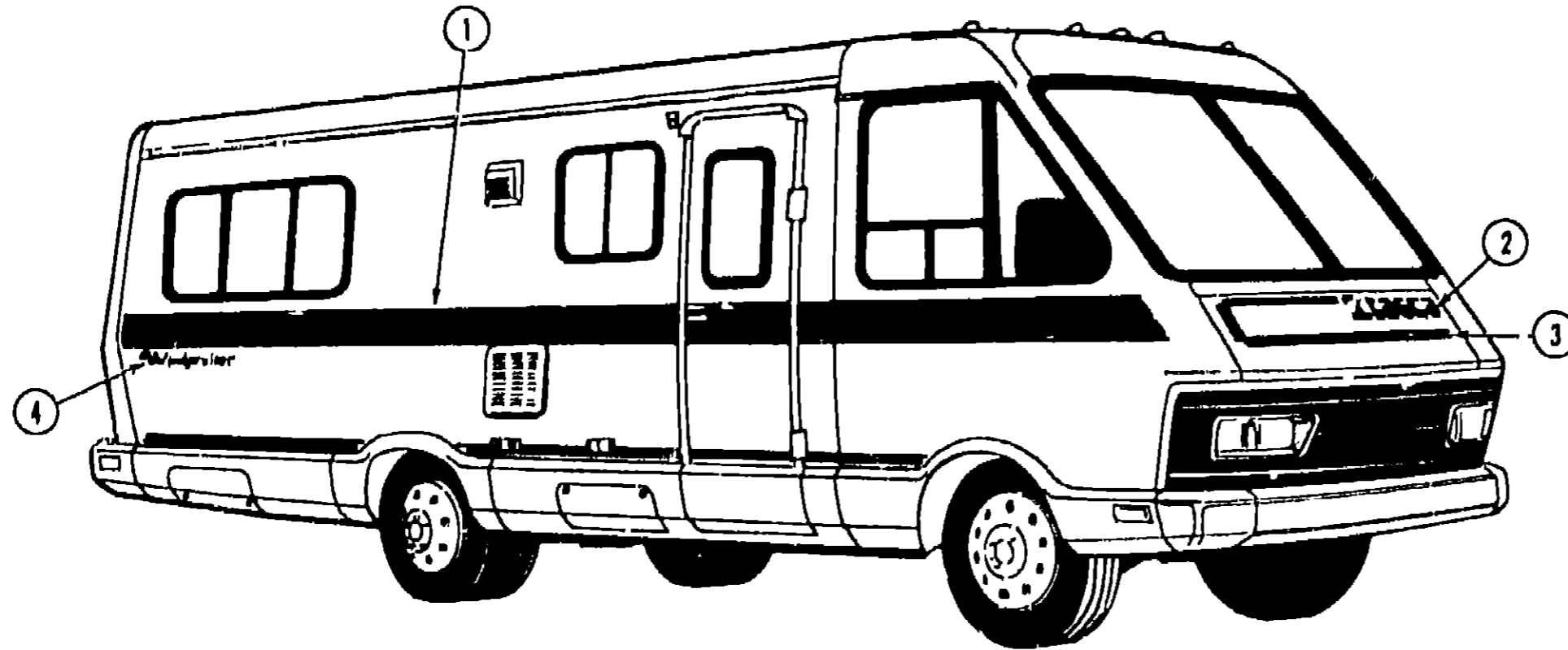
Key	Part Number	U/M	Description
1	07883* 50 000	FT	Decal Striping - 2 75 x 150 - Peach
1	065217 H8-000	FT	Film Multi Stripe Green/Burgundy (X19 X22)
1	065217-H9 000	FT	Film - Multi Stripe - Rose/Green (X20 X21)
2	079351-18-000	EA	Decal - Flying 'W' - Peach (X19 X20)
2	079351 19 000	EA	Decal Flying W - Green (X21)
2	079351 20 000	EA	Decal - Flying 'W' Burgundy (X22)
3	085326-13 000	EA	Corner Decal - Hood - Upper - Right - Peach (X19 X20)
3	085326-15-000	EA	Corner Decal - Hood - Upper - Right - Green (X21)
3	085326 17-000	EA	Corner Decal - Hood - Upper - Right - Burgundy (X22)
3	088772-01-000	EA	Decal - Winnebago ' - Medallion
5	085322-17-000	EA	Decal - Hood - Elandan - Peach (X19 X20)
5	085322 18-000	EA	Decal - Hood - Elandan - Green (X21)
5	085322 19 000	EA	Decal - Hood Elandan - Burgundy (X22)
6	085326-14 000	EA	Corner Decal - Hood - Upper - Left - Peach (X19 X20)
6	085326 16 000	EA	Corner Decal Hood Upper - Left - Green (X21)
6	085326 18 000	EA	Corner Decal - Hood - Upper - Burgundy (X22)
7	085326 20-000	EA	Corner Decal - Hood Lower - Left - Green/Burgundy (X19)
7	085326-22-000	EA	Corner Decal - Hood - Lower - Left - Rose/Green (X20)
7	085326-24 000	EA	Corner Decal Hood - Lower - Left - Rose/Peach (X21)
7	085326 26 000	EA	Corner Decal - Hood - Lower - Left - Green/Peach (X22)
8	085322 13 000	EA	Decal - Hood Elandan - Green/Burgundy (X19)
8	085322-14 000	EA	Decal - Hood - Elandan - Rose/Green (X20)
8	085322-15-000	EA	Decal - Hood Elandan - Rose/Peach (X21)
8	085326 16-000	EA	Decal - Hood Elandan - Green/Peach (X22)

Key	Part Number	U/M	Description
9	085326-19 000	EA	Corner Decal - Hood - Lower - Right - Green/Burgundy (X19)
9	085326-21-000	EA	Corner Decal Hood - Lower - Right - Rose/Green (X20)
9	085326-23-000	EA	Corner Decal Hood - Lower - Right - Rose/Peach (X21)
9	085326-25-000	EA	Corner Decal - Hood - Lower - Right - Green/Peach (X22)
10	065217 J0-000	FT	Film - Multi stripe - 1 62 x 150 - Peach/Green
10	065217-J1 000	FT	Film - Multi-stripe - 1 62 x 150 - Peach/Rose
10	065217-J2 000	FT	Film - Multi-stripe - 1 62 x 150' - Green/Rose
10	065217-J3 000	FT	Film - Multi-stripe - 1 62 x 150 - Burgundy/Green
11	076754-01-000	EA	Decal - 'Elandan' - Chrome
12	050313-22-000	EA	Decal - Logo - Winnebago - 2 80
13	085328 14 000	EA	Corner Decal - Rear - Upper - Left - Peach (X19 X20)
	085328 13 000	EA	Corner Decal - Rear - Upper - Right - Peach (X19 X20)
13	085328-16-000	EA	Corner Decal - Rear - Upper - Left - Green (X21)
	085328-15-000	EA	Corner Decal - Rear - Upper - Right - Green (X21)
13	085328 18-000	EA	Corner Decal - Rear - Upper - Left - Burgundy (X22)
	085328 17 000	EA	Corner Decal - Rear - Upper - Right - Burgundy (X22)
14	085328 20 000	EA	Corner Decal - Rear - Lower - Left - Green/Burgundy (X19)
	085328-19 000	EA	Corner Decal - Rear - Lower - Right - Green/Burgundy (X19)
14	065328 22 000	EA	Corner Decal - Rear - Lower - Left - Rose/Green (X20)
	085328 21-000	EA	Corner Decal - Rear - Lower - Right - Rose/Green (X20)
14	085328 24-000	EA	Corner Decal - Rear - Lower - Left - Rose/Peach (X21)
	085328-23-000	EA	Corner Decal - Rear - Lower - Right - Rose/Peach (X21)
14	085328 26-000	EA	Corner Decal - Rear - Lower - Left - Green/Peach (X22)
	085328 25-000	EA	Corner Decal - Rear - Lower - Right - Green/Peach (X22)

Not Keyed

EXTERIOR BODY GROUP (CONTINUED)

LABELS & DECALS (ITASCA SPRINT)



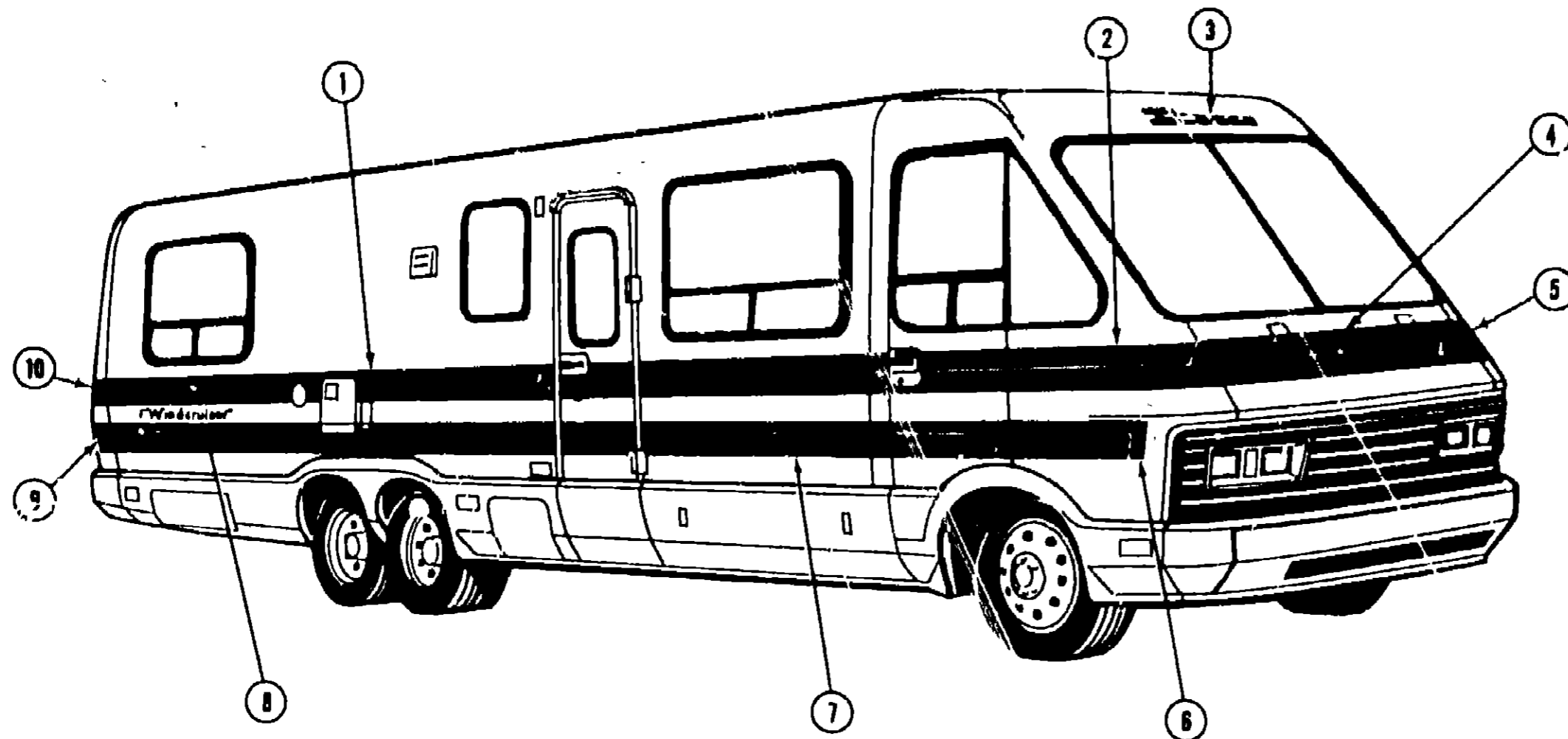
**1988 P-SERIES
COMMON ITEMS
TABLE OF CONTENTS**

Introduction	A-01
Alphabetical Index	A-02 - A-04
Accessories Group	A-05 - A-08
Bath Group	A-09
Chassis Group	A-10 - A-17
Curtain, Cushion & Pad Group	A-18 - B-12
Driver's Compartment Group	B-13 - B-18
Electrical Group	B-19 - B-21
Exterior Body Group	B-22 - C-07
Galley Group	C-08
Heating & Air Conditioning Group	C-09
Interior Finish Group	C-10 - C-15
LP Group	C-16
Water & Sewage Group	C-17
Window, Vent & Exterior Door Group	C-18 - D-16

Key	Part Number	U/M	Description
1	078196-33-000	FT	Film - Multi Stripe - 7'75" x 150" - Brown/Peach
1	078196-34-000	FT	Film - Multi Stripe - 7'75" x 150" - Gray/Peach
1	078196-35-000	FT	Film - Multi Stripe - 7'75" x 150" - Rose/Blue
2	078852-06-000	EA	Decal - Logo - Hood 'Itasca' - Black
3	065217-H5-000	FT	Film - Multi Stripe - 1'62" x 150" - Brown/Peach
3	065217-H6-000	FT	Film - Multi Stripe - 1'62" x 150" - Gray/Peach
3	065217-H7-000	FT	Film - Multi Stripe - 1'62" x 150" - Rose/Blue
4	078336-02-000	EA	Decal - Logo - 'Windcruise' - Black
	089332-01-000	EA	Decal - Logo - Sprint - Black
	078191-01-000	EA	Decal - Logo - 'Itasca' - Black (Backwall)
	084075-01-000	EA	Decal - By Winnebago Industries (Backwall)
			Not Illustrated

EXTERIOR BODY GROUP (CONTINUED)

LABELS & DECALS (ITASCA)



**1988 P-SERIES
COMMON ITEMS
TABLE OF CONTENTS**

Introduction	A-01
Alphabetical Index	A-02 - A-04
Accessories Group	A-05 - A-06
Bath Group	A-08
Chassis Group	A-10 - A-17
Curtain, Cushion & Pad Group	A-18 - B-12
Driver's Compartment Group	B-13 - B-18
Electrical Group	B-19 - B-21
Exterior Body Group	B-22 - C-07
Galley Group	C-08
Heating & Air Conditioning Group	C-09
Interior Finish Group	C-10 - C-15
LP Group	C-16
Water & Sewage Group	C-17
Window, Vent & Exterior Door Group	C-18 - D-18

Key	Part Number	U/M	Description
1	078196-30-000	FT	Film - Multi-Stripe - 7.75" x 150' - Gray/Blue
1	078196-31-000	FT	Film - Multi-Stripe - 7.75" x 150' - Gray/Green
1	078196-32-000	FT	Film - Multi-Stripe - 7.75" x 150' - Rose/Dark Blue
2	085348-07-000	EA	Corner Decal - Hood - Right - Gray/Blue
2	085348-09-000	EA	Corner Decal - Hood - Right - Gray/Green
2	085348-11-000	EA	Corner Decal - Hood - Right - Rose/Dark Blue
3	069227-02-000	EA	Decal - Logo - "Itasca" - 3.7" x 15.82"
4	085349-07-000	EA	Decal - Hood - "Windcruiser" - Blue
4	085349-08-000	EA	Decal - Hood - "Windcruiser" - Green
4	085349-09-000	EA	Decal - Hood - "Windcruiser" - Dark Blue
5	085348-08-000	EA	Corner Decal - Hood - Left - Gray/Blue
5	085348-10-000	EA	Corner Decal - Hood - Left - Gray/Green
5	085348-12-000	EA	Corner Decal - Hood - Left - Rose/Dark Blue
6	085343-03-000	EA	Side Decal - Front - Right - Gray
6	085343-07-000	EA	Side Decal - Front - Right - Rose
*	085343-04-000	EA	Side Decal - Front - Left - Gray
*	085343-08-000	EA	Side Decal - Front - Left - Rose

Key	Part Number	U/M	Description
7	069245-D3-000	FT	Film - Multi-Stripe - 7.36" x 150' - Gray
7	069245-D8-000	FT	Film - Multi-Stripe - 7.36" x 150' - Rose
8	076336-02-000	EA	Decal - Logo - "Windcruiser" - Black
9	085342-03-000	EA	Side Decal - Rear - Right - Gray
9	085342-07-000	EA	Side Decal - Rear - Right - Rose
*	085342-04-000	EA	Side Decal - Rear - Left - Gray
*	085342-08-000	EA	Side Decal - Rear - Left - Rose
10	085347-07-000	EA	Corner Decal - Rear - Right - Gray/Blue
10	085347-09-000	EA	Corner Decal - Rear - Right - Gray/Green
10	085347-11-000	EA	Corner Decal - Rear - Right - Rose/Dark Blue
*	085347-08-000	EA	Corner Decal - Rear - Left - Gray/Blue
*	085347-10-000	EA	Corner Decal - Rear - Left - Gray/Green
*	085347-12-000	EA	Corner Decal - Rear - Left - Rose/Dark Blue
*	084075-01-000	EA	Decal - "By Winnebago Industries"
*	Not illustrated		

EXTERIOR BODY GROUP (CONTINUED)

LABELS & EXTERIOR PAINT

Key	Part Number	U/M	Description
	074063-01-000	EA	Label - Air Conditioner Selector
	087256-01-000	EA	Label - Cable - Input
	068383-01-000	EA	Label - Diesel Fuel
	006195-01-000	EA	Label - Electrical Test
	047731-01-000	EA	Label - Emergency Exit
	006199-01-000	EA	Label - Exit - Escape Window
	057467-04-000	EA	Label - Exterior Loading Limit
	064378-01-000	EA	Label - Flying "W" w/Thermo Panel
	061417-01-000	EA	Label - Fuel
	067207-02-000	EA	Label - Fuel Cap Removal
	006196-01-000	EA	Label - Gas Test
	054531-01-000	EA	Label - LP Gas Only
	040944-01-000	EA	Label - Open - Entrance Door
	006015-01-000	EA	Label - Patent Motor Home
	056259-01-000	EA	Label - Safety Check List
	006064-01-000	EA	Label - Seat - w/o Seat Belts
	006187-01-000	EA	Label - Sewage
	077958-01-000	EA	Label - Warning - Smoke Detector
	006006-01-000	EA	Label - Thermo Panel - 2 1/4" x 2 1/4"
	075221-01-000	EA	Label - Trailer Hitch Capacity
	078236-02-000	EA	Label - TV Outlet
	068249-01-000	EA	Label - Warning - Electric Step
	075220-01-000	EA	Label - Warning - Exterior Load Limit
	050225-01-000	EA	Label - Warning - Stove Vent - US
	006188-01-000	EA	Label - Waste Water
	006197-01-000	EA	Label - Water Test
	077927-01-000	EA	Label - Warning - Wheel Nuts
	072863-01-000	EA	Nameplate - Diesel - 6 2L
	006062-01-000	EA	Tag - Electrical - 110 Volt Connection
	006040-01-000	EA	Tag - Gas - Refueling Warning
	044486-03-000	EA	Paint - Beige Acrylic Enamel - 16 oz. Aerosol (7657A Dupont)
	045681-03-000	EA	Paint - Gloss Black - Acrylic Enamel - 16 oz. Aerosol (99 Dupont)
	058637-05-000	EA	Paint - Gray Acrylic Enamel - 16 oz. Aerosol (71537 Dupont)
	041561-03-000	EA	Paint - Off White Acrylic Enamel - 16 oz. Aerosol (45396A Dupont)
	074559-01-000	EA	Label "LPG" 3 3" x 1 75" (Calif. Code)

GALLEY GROUP

GALLEY APPLIANCES & HARDWARE

Key	Part Number	U/M	Description
**	064879-01-000	EA	Refrigerator - 3-Way - Double Door - Right (EG366)
**	064880-01-000	EA	Refrigerator - 3-Way - Double Door - Right (EG368)
	064880-02-000	EA	Refrigerator - 3-Way - Double Door - Left (EG368)
	063628-01-000	EA	Baffle - Refrigerator
	090189-02-000	EA	Baffle - Refrigerator - Lower
**	079353-01-000	EA	Hood - Range w/Monitor Panel - US (w/2 Holding Tanks)
**	079353-02-000	EA	Hood - Range w/Monitor Panel - CSA (w/2 Holding Tanks)
**	079353-03-000	EA	Hood - Range w/Monitor Panel - US (w/3 Holding Tanks)
	079353-04-000	EA	Hood - Range w/Monitor Panel - CSA (w/3 Holding Tanks)
	055282-02-000	EA	Range - 4 Burner - Almond (26ET only)
	064782-02-000	EA	Range - 4 Burner - Almond Top
	064782-02-700	EA	Top - Main - 4 Burner - Almond
	064782-02-701	EA	Deflector Plate - Black
	064782-02-702	EA	Trim - Cab - Right - Black
	064782-02-703	EA	Trim - Cab - Left - Black
	064782-02-704	EA	Trim - Lower Outside Glass - Black
	064782-02-705	EA	Handle - Oven Door - Black
	064782-02-706	EA	Trim - Vertical - Black
	064782-02-707	EA	Panel - Manifold
	064782-02-708	EA	Valve - Mercury
	064782-02-709	EA	Glass - Oven Door
	064782-02-710	EA	Clip - Glass Holder
	064782-02-711	EA	Main Top - 4 Burner - Square - Almond
	064782-02-712	EA	Grate - Top Burner Square
	064782-02-713	EA	Gas Regulator
	064782-02-714	EA	Nipple - 1/8"
	064782-02-715	EA	Clip - Grate
	085280-04-000	EA	Cover - Burner - Bi-Fold - Almond
	085280-02-000	EA	Cover - Burner - Bi-Fold - Stainless Steel
	081374-01-000	EA	Range Top - 4 Burner - Almond - w/o Oven
	081374-01-700	EA	Trim - Cab Top - Right
	081374-01-701	EA	Trim - Cab Top - Left
	081374-01-702	EA	Panel - Manifold - Warm Black
	081374-01-703	EA	Trim Top Rear
	081374-01-704	EA	Guard - Fabric
	088737-01-000	EA	Microwave Oven - Magic Chef
	088737-02-000	EA	Frame Kit - Microwave Oven
	088682-03-000	EA	Bracket Asm. - Microwave - Right
	088682-04-000	EA	Bracket Asm. - Microwave - Left
	023111-01-000	EA	Blender - Built In
	081530-01-X19	EA	Sink Cover - Large
	068615-01-000	EA	Sink - Stainless Steel - Double
	066437-01-000	EA	Strainer - w/Basket - Sink
	084072-01-000	EA	Faucet - Swing Spout - 8"
	058334-01-000	EA	Wastebasket - 9 3/4" x 7" x 10" - White
	058478-01-000	EA	Bracket - Wastebasket Support
	077409-01-000	EA	Drawer Slide - Plastic - 20.75"
	077404-01-000	EA	Drawer Slide - Plastic - 20" x 12.7"
	037688-01-000	EA	Drawer Rail - V-Guide
	059777-02-000	EA	Hinge - Antique - Light Brass
	074981-01-000	EA	Cutting Board - Maple
	054450-01-000	EA	Level - Refrigerator
	084466-04-000	EA	Slide Asm. - Galley Cabinet Drawer - Right
	084466-05-000	EA	Slide Asm. - Galley Cabinet Drawer - Left

** The illustrated parts breakdown for this item is provided on the Common Items Fiche

**1988 P-SERIES
COMMON ITEMS
TABLE OF CONTENTS**

Introduction	A-01
Alphabetical Index	A-02 - A-04
Accessories Group	A-05 - A-08
Bath Group	A-09
Chassis Group	A-10 - A-17
Curtain, Cushion & Pad Group	A-18 - B-12
Driver's Compartment Group	B-13 - B-18
Electrical Group	B-19 - B-21
Exterior Body Group	B-22 - C-07
Galley Group	C-08
Heating & Air Conditioning Group	C-09
Interior Finish Group	C-10 - C-15
LP Group	C-16
Water & Sewage Group	C-17
Window, Vent & Exterior Door Group	C-18 - D-16

HEATING & AIR CONDITIONING GROUP

FURNACE & ROOF AIR CONDITIONER

Key	Part Number	U/M	Description
**	078182-01-000	EA	Furnace - 20,000 BTU - w/Electronic Ignition - Duo Therm
**	078182-03-000	EA	Furnace - 30,000 BTU - w/Electric Ignition - Duo Therm
**	075696-01-000	EA	Furnace - 34,000 BTU - w/Direct Ignition - Suburban
**	075697-01-000	EA	Furnace - 20,000 BTU - Forced Air - Suburban
**	090039-01-000	EA	Furnace - 30,000 BTU - Suburban
**	075697-02-000	EA	Intake Tube - .725" - Suburban Furnace
**	090039-03-000	EA	Vent Kit - Curved Wall
**	084405-01-000	EA	Heater Asm. - Rear - Ducter
**	084405-01-700	EA	Heater Core
**	084405-01-701	EA	Fan
**	034405-01-702	EA	Motor - 12 Volt
**	009198-01-000	FT	Duct - Flexible - 4" I.D. x 25'
**	056424-01-000	FT	Register - 4" Dia. - Plastic - w/Damper
**	056424-02-000	EA	Register - 4" Dia. - Plastic - w/o Damper
**	009200-01-000	EA	Tape - Furnace - 1 1/2"
**	081606-03-000	EA	Shroud Asm. - Ceiling - Roof Air - Cool Only (32RQ, 34RU, 37RQ)
**	081606-04-000	EA	Shroud Asm. - Ceiling - Roof Air - Heat & Cool - (32RQ, 34RU, 37RQ)
**	073743-01-000	EA	Shroud Asm. - Inside Ceiling - Roof Air - Cool Only (26ET & 28EU)
**	073744-01-000	EA	Shroud Asm. - Inside Ceiling - Roof Air - Heat & Cool (26ET & 28EU)
**	073742-03-000	EA	Air Conditioner - Roof Mount - Rotary - Beige (26ET & 28EU)
**	073742-04-000	EA	Air Conditioner - Roof Mount - Rotary - Gray (26ET & 28EU)
**	081606-01-000	EA	Air Conditioner - 110 Volt - Roof Mount - 13,500 - Beige (32RQ, 34RU & 37RQ)
**	081606-02-000	EA	Air Conditioner - 110 Volt - Roof Mount - 13,500 BTU - Grey (32RQ, 34RU, 37RQ)

** The illustrated parts breakdown for this item is provided on the Common Items Fiche.

AUTOMOTIVE HEATER

Key	Part Number	U/M	Description
	080426-02-000	EA	Heater/Evaporator Asm. - w/Pressure Sensor Switch
	080426-02-701	EA	Hose - Liquid
	080426-02-702	EA	Hose - Suction
	080426-02-703	EA	Switch - Pressure - Fan
	007108-01-000	FT	Hose - Heater - 5/8 I.D. SAE
	007108-02-000	FT	Hose - Heater - 3/4" I.D. SAE
	031170-01-000	EA	Clamp - Cable - 3/16" DIA

INTERIOR FINISH GROUP

PANELING & COUNTERTOP

SPORT

Key	Part Number	U/M	Description
	074498-78-000	SF	Paneling - Ritz Weave - 48" x 96" (Refrigerator)
	074497-10-000	SF	Paneling - Regal Oak - 48" x 84" (Wall, Cabinet)
	088272-04-000	SF	Paneling - Decor - Mauve (X23, X25) (Galley & Dry Bath) 48" x 84"
	088272-03-000	SF	Paneling - Decor - Slate (X24) (Galley & Dry Bath) 48" x 84"
	088272-07-000	SF	Paneling - Decor - Mauve (X23, X25) (Wet Bath) 48" x 84"
	088272-08-000	SF	Paneling - Decor - Slate (X24) (Wet Bath) 48" x 84"
	074498-13-000	SF	Plastic Laminate - Sand Quadrus (Galley, Dinette, Bath)
	074498-24-000	SF	Plastic Laminate - Regal Oak (Night Stand, Table Top)
	076325-15-000	FT	Edge Molding - Regal Oak - 1.312" x 600"

PANELING & COUNTERTOP

ELANDAN

Key	Part Number	U/M	Description
	088272-22-000	SF	Paneling - Decor - Marble (X19, X22) (Main Wall, Galley, Bath) 48" x 84"
	088272-21-000	SF	Paneling - Decor - Apricot (X20) (Main Wall, Galley, Bath) 48" x 84"
	088272-23-000	SF	Paneling - Decor - Sky (X21) (Main Wall, Galley, Bath) 48" x 84"
	088272-09-000	SF	Paneling - Decor - Marble (X19, X22) (Wet Bath) 48" x 84"
	088272-01-000	SF	Paneling - Decor - Apricot (X20) (Wet Bath) 48" x 84"
	088272-10-000	SF	Paneling - Decor - Sky (X21) (Wet Bath) 48" x 84"
	076773-03-000	SF	Paneling - Light Oak - 2 Sided (Cabinets) (All) 48" x 96"
	074497-10-000	SF	Paneling - Regal Oak (Cabinets) (All) 48" x 84"
	079866-01-000	SF	Paneling - Cedar Chipboard (Wardrobe) (All) 48" x 96"
	074498-26-000	SF	Plastic Laminate - Almond Slate (Galley, Dinette, Bath)
	074498-24-000	SF	Plastic Laminate - Regal Oak (Nightstand, Table Top)
	076325-16-000	FT	Edge Molding - Regal Oak - 1.312" x 600"

PANELING & COUNTERTOP

SPRINT

Key	Part Number	U/M	Description
	074497-10-000	SF	Paneling - Regal Oak - 48" x 84" (Wall, Cabinets)
	088272-14-000	SF	Paneling - Decor - Apricot (X78) (Galley, Dry Bath) 48" x 84"
	088272-15-000	SF	Paneling - Decor - Pearl (X79) (Galley, Dry Bath) 48" x 84"
	088272-16-000	SF	Paneling - Decor - Fawn (X80) (Galley, Dry Bath) 48" x 84"
	088272-11-000	SF	Paneling - Decor - Apricot (X78) (Wet Bath) 48" x 84"
	088272-12-000	SF	Paneling - Decor - Pearl (X79) (Wet Bath) 48" x 84"
	088272-13-000	SF	Paneling - Decor - Fawn (X80) (Wet Bath) 48" x 84"
	074498-13-000	SF	Plastic Laminate - Sand Quadrus (Galley, Dinette, Bath)
	074498-24-000	SF	Plastic Laminate - Regal Oak (Night Stand, Table Top)
	076325-15-000	FT	Edge Molding - Regal Oak - 1.312" x 600"

PANELING & COUNTERTOP

WINDCRUISER

Key	Part Number	U/M	Description
	074497-12-000	SF	Paneling - Neutral (Main Wall) 48" x 84" (All)
	088272-24-000	SF	Paneling - Decor - Pewter (X75) (Galley, Dry Bath) (X75) 48" x 84"
	088272-19-000	SF	Paneling - Decor - Steel (X76) (Galley, Dry Bath) (X76) 48" x 84"
	088272-20-000	SF	Paneling - Decor - Britany (X77) (Galley, Dry Bath) 48" x 84"
	088272-08-000	SF	Paneling - Decor - Pewter (X75) (Wet Bath) 48" x 84"
	088272-17-000	SF	Paneling - Decor - Steel (X76) (Wet Bath) 48" x 84"
	088272-18-000	SF	Paneling - Decor - Britany (X77) (Wet Bath) 48" x 84"
	076773-04-000	SF	Paneling - Driftwood - 2 Sided (Cabinets) (All) 48" x 84"
	074497-11-000	SF	Paneling - Driftwood (Cabinets) (All) 48" x 84"
	074498-26-000	SF	Plastic Laminate - Almond Slate (Galley, Dinette, Bath) (All)
	074498-25-000	SF	Plastic Laminate - Driftwood (Nightstand, Table Tops) (All)
	076325-17-000	FT	Edge Molding - Driftwood - 1.312" x 600"

1988 P-SERIES COMMON ITEMS TABLE OF CONTENTS

Introduction	A-01
Alphabetical Index	A-02 - A-04
Accessories Group	A-05 - A-08
Bath Group	A-09
Chassis Group	A-10 - A-17
Curtain, Cushion & Pad Group	A-18 - B-12
Driver's Compartment Group	B-13 - B-18
Electrical Group	B-19 - B-21
Exterior Body Group	B-22 - C-07
Galley Group	C-08
Heating & Air Conditioning Group	C-09
Interior Finish Group	C-10 - C-15
LP Group	C-16
Water & Sewage Group	C-17
Window, Vent & Exterior Door Group	C-18 - D-16

INTERIOR FINISH GROUP (CONTINUED)

INTERIOR MOLDINGS & TRIMS

SPORT & SPRINT

Key	Part Number	U/M	Description
	069733-70-000	EA	Batt Strip - Light Oak
	065264-03-000	EA	Batt Strip - Regal Oak (Adhesive)
	068263-16-000	EA	Batt Strip - Mauve (X23, X25) (Wet Bath)
	068263-16-000	EA	Batt Strip - Slate (X24) (Wet Bath)
	068263-06-000	EA	Batt Strip - Mauve (X23, X25) (Dry Bath)
	068263-07-000	EA	Batt Strip - Slate (X24) (Dry Bath)
	022992-08-000	FT	Molding - Reverse Cove - Champagne White
	066229-04-000	EA	Batt Strip - Ceiling 1" Ivory
	068220-01-000	EA	Retainer - Ceiling Batt Strip - 75"
	009767-10-000	FT	Walling - Mahogany
	065746-01-000	FT	J Trim - Carpet - Beige - PVC
	063020-01-000	FT	T Molding - 75' w/Lips - Grady Brown
	070504-01-000	FT	U Channel - 65' - Light Brown
	070504-06-000	FT	U Channel - 815" - Regal Oak
	081521-01-000	EA	Retainer - Outside Molding Corner - 192'
	042357-11-000	FT	Molding - Outside Corner - Light Oak
	009809-17-000	FT	F Molding 1" - Regal Oak
	009812-17-000	FT	F Molding - 5" - Regal Oak

INTERIOR MOLDINGS & TRIMS

ELANDAN

Key	Part Number	U/M	Description
	022992-08-000	FT	Molding - Reverse Cove - Champagne White
	009767-10-000	FT	Walling - Mahogany
	009767-06-000	FT	Walling - Beige
	083620-01-000	FT	T Molding - Gray Brown
	070504-01-000	FT	U Channel - 65' - Light Brown
	009778-07-000	FT	U Channel - 1" Regal Oak
	070504-06-000	FT	U Channel - 815' - Regal Oak
	009809-17-000	FT	F Molding 1 - Regal Oak
	009812-17-000	FT	F Molding - 5' - Regal Oak
	081521-01-000	EA	Retainer - Outside Corner Molding - 192
	042357-11-000	FT	Molding - Outside Corner - Light Oak
	079680-01-000	YD	Trim - Vinyl - Accent - Buckskin
	079653-04-000	EA	Batt Strip - Regal Oak
	088263-02-000	EA	Batt Strip - Decor - Marble (Main Wall) (X19, X22)
	088263-01-000	EA	Batt Strip - Decor - Apricot (Main Wall) (X20)
	088263-03-000	EA	Batt Strip - Decor - Sky (Main Wall) (X21)
	085284-07-000	FT	Decor Tape - Marble (Main Wall) (X19 X22)
	085284-06-000	FT	Decor Tape - Apricot (Main Wall) (X20)
	085284-08-000	FT	Decor Tape - Sky (Main Wall) (X21)
	088263-02-000	EA	Batt Strip - Decor - Marble (Galley Dry Bath) (X19 X22)
	088263-01-000	EA	Batt Strip - Decor - Apricot (Galley, Dry Bath) (X20)
	088263-03-000	EA	Batt Strip - Decor - Sky (Galley Dry Bath) (X21)
	088263-11-000	EA	Batt Strip - Decor - Marble (Wet Bath) (X19 X22)
	088263-10-000	EA	Batt Strip - Decor - Apricot (Wet Bath) (X20)
	088263-12-000	EA	Batt Strip - Decor - Sky (Wet Bath) (X21)
	072942-10-000	EA	Trim - Insert - Roof to Cove - 180 - Beige Plastic
	074044-65-000	EA	Batt Strip - Ceiling - Oak Trim w/Groove - 64
	078394-01-000	FT	Trim - Brass Vinyl - Ceiling Batt Insert 7/16

INTERIOR FINISH GROUP (CONTINUED)

INTERIOR MOLDINGS & TRIMS

WINDCRUISER

Key	Part Number	U/M	Description
	022992-08-000	FT	Molding - Reverse Cove - Champagne White
	009767-11-000	FT	Walling - Driftwood
	009767-06-000	FT	Walling - Beige
	083620-01-000	FT	T Molding - 75" - w/Lips - Grady Brown
	070504-01-000	FT	U Channel - 65 - Light Brown
	009778-08-000	FT	U Channel - 1" - Driftwood
	070504-07-000	FT	U Channel - 815" - Driftwood
	009809-18-000	FT	F Molding - 1" - Driftwood
	009812-18-000	FT	F Molding - 50" - Driftwood
	042357-12-000	FT	Molding - Outside Corner - Driftwood
	081521-01-000	EA	Retainer - Outside Corner Molding - 192"
	079680-01-000	YD	Trim - Vinyl - Accent - Buckskin
	079653-05-000	EA	Batt Strip - Driftwood
	085284-09-000	FT	Batt Strip - Neutral (Adhesive)
	088263-18-000	EA	Batt Strip - Neutral (Wall)
	088263-04-000	EA	Batt Strip - Pewter (Galley and Dry Bath)
	088263-13-000	EA	Batt Strip - Pewter (Wet Bath)
	074044-65-000	EA	Batt Strip - Ceiling - Oak Trim - w/Groove - 64"
	078394-01-000	FT	Trim - Brass Vinyl - Ceiling Batt Insert - 7/16"

MISCELLANEOUS

Key	Part Number	U/M	Description
	053552-02-W24	EA	Handle Asm - Asslat Vinyl
	041944-03-000	EA	Fire Extinguisher - 5BC - w/Bracket
	041944-04-000	EA	Fire Extinguisher - 5BC - w/o Bracket
	084472-01-000	EA	Holder - Plastic - Fire Extinguisher
	054185-28-000	EA	Owner's Manual - Winnebago/Itasca (1988)
	081072-01-000	EA	Floor Mat - Front - Right - Brown - 'Winnebago'
	081074-01-000	EA	Floor Mat - Front - Left - Brown - 'Winnebago'
	081075-01-000	EA	Floor Mat - Entrance - Brown - 'Winnebago'
	081072-02-000	EA	Floor Mat - Front - Right - Brown - Itasca
	081074-02-000	EA	Floor Mat - Front - Left - Brown - Itasca
	081075-02-000	EA	Floor Mat - Entrance - Brown - Itasca
	065201-03-000	EA	Lamp Shade - Fabric - Black - Wall Lamp
	082686-02-000	EA	Lamp Shade - Fabric - Table Lamp

CABINERY & TABLE HARDWARE

Key	Part Number	U/M	Description
	059777-02-000	EA	Hinge - Cabinet Door - Brass
	074493-02-000	EA	Overhead Door Support - Sprung
	009021-01-000	EA	Latch - Nylon Strike
	009021-02-000	EA	Latch - Spring Steel Catch
	088264-01-000	EA	Pull - Cabinet - Decorative Polished Brass
	084899-01-000	EA	Pull - Cabinet - Decorative - Polished Brass w/Clear Acrylic
	077409-01-000	EA	Slide - Drawer - Plastic
	009040-06-000	EA	Leg - Pedestal Table - 27 5 - Tan
	041194-01-000	EA	Base - Pedestal Table - Flush Mount Floor
	009040-03-000	EA	Base - Pedestal Table - Raised
	053200-05-000	EA	Bracket - Wall Mount - 23 5' - Beige (Dinette Table)
	088410-01-000	EA	Bracket - Mounts to Table - Beige (Dinette Table)
	024275-05-000	EA	Rod - Table Lift - 8' x 23 5 - Beige (Dinette Table)
	024276-17-000	EA	Leg Asm - Table - 29 5' - Tan (Dinette Table)
	064050-02-000	EA	Hinge - Table Leg - Tan (Dinette Table)
	024282-01-000	EA	Brace - Table Leg (Dinette Table)
	024283-01-000	EA	Clip - 1 - Table Leg (Dinette Table)
	049493-05-000	EA	Catch - Table Leg - Mounts on Floor - Tan
	009016-01-000	EA	Catch - Spring Loaded Elbow (Screen Door)
	076726-04-000	EA	Cover - Strike - Light Oak

**1988 F-SERIES
COMMON ITEMS
TABLE OF CONTENTS**

Introduction	A 01
Alphabetical Index	A-02 - A-04
Accessories Group	A 05 - A-08
Bath Group	A-09
Chassis Group	A 10 - A 17
Curtain, Cushion & Pad Group	A-18 - B-12
Driver's Compartment Group	B 13 - B-18
Electrical Group	B 19 - B 21
Exterior Body Group	B 22 - C-07
Galley Group	C 08
Heating & Air Conditioning Group	C-09
Interior Finish Group	C 10 - C-15
LP Group	C-16
Water & Sewage Group	C-17
Window, Vent & Exterior Door Group	C 18 - D 16

INTERIOR FINISH GROUP (CONTINUED)

FABRICS & CARPETS

SPORT

Key	Part Number	U/M	Description
	088274 11-000	YD	Fabric Upholstery - Main - Beige (X23)
	088274 12-000	YD	Fabric Upholstery - Main - Blue (X24)
	088274 13-000	YD	Fabric Upholstery - Main - Rose (X25)
	088274 29-000	YD	Fabric Upholstery - Patterned - Beige (X23)
	088274 30-000	YD	Fabric Upholstery - Patterned - Blue (X24)
	077498 A5-000	YD	Fabric Upholstery - Patterned - Rose (X25)
	088273 07-000	YD	Fabric - Bedspread - Beige (X23)
	088273 08-000	YD	Fabric - Bedspread - Blue (X24)
	088273 09-000	YD	Fabric - Bedspread - Rose (X25)
	072333 49-000	YD	Fabric - Drapery - Blackout Wraparound (X23, X24, X25)
	075244-02-000	YD	Fabric - Shower Curtain
	038421-01-000	YD	Fabric - Mattress Ticking - Beige/Brown
	038421-04-000	YD	Fabric - Mattress Ticking - Cashew - 82'
	087272 01-000	YD	Fabric - Drapery Lining 48" - Ivory
	079680 01-000	YD	Vinyl - Expanded - 28 oz - Buckskin
	075233 01-000	SY	Pad - Carpet - 3/8' Thickness
	072860-61-000	SY	Carpet - Storage Compartment - Outside
	072860 71-000	SY	Carpet - Beige (X23)
	072860 58-000	SY	Carpet - Blue (X24)
	072860 69-000	SY	Carpet - Rose (X25)

FABRICS & CARPETS

ELANDAN

Key	Part Number	U/M	Description
	088274 01-000	YD	Fabric Upholstery - Main - Beige (X19)
	088274 07-000	YD	Fabric Upholstery - Main - Peach (X20)
	088274-03-000	YD	Fabric Upholstery - Main - Teal (X21)
	088274-02-000	YD	Fabric Upholstery - Main - Wine (X22)
	088274 08-000	YD	Fabric Upholstery - Accent - Beige (X19)
	088274-14-000	YD	Fabric Upholstery - Accent - Peach (X20)
	088274-10-000	YD	Fabric Upholstery - Accent - Teal (X21)
	088274-09-000	YD	Fabric Upholstery - Accent - Wine (X22)
	072333 51-000	YD	Fabric - Drapery - Cloud (X19 X21 X22)
	072333-45-000	YD	Fabric - Drapery - Blossom (X20)
	088273 11-000	YD	Fabric - Bedspread - Jardin (X19 X21)
	088273-12-000	YD	Fabric - Bedspread - Salmon (X20)
	088273-10-000	YD	Fabric - Bedspread - Mauve (X22)
	038421-01-000	YD	Fabric - Mattress Ticking - Beige/Brown
	038421-04-000	YD	Fabric - Mattress Ticking - Cashew - 82'
	087272-01-000	YD	Fabric - Drapery Lining - 48" - Ivory
	079680-01-000	YD	Vinyl - Expanded - 26 oz - Buckskin
	075244-02-000	YD	Fabric - Shower Curtain
	075233-01-000	SY	Pad - Carpet - 3/8' Thickness
	072860-61-000	SY	Carpet - Storage Compartment - Outside
	072860-73-000	SY	Carpet - Beige Peach (X19 X20)
	072860-72-000	SY	Carpet - Teal (X21)
	072860-69-000	SY	Carpet - Wine (X22)

INTERIOR FINISH GROUP (CONTINUED)

FABRICS & CARPETS

SPRINT

Key	Part Number	U/M	Description
	088274 23-000	YD	Fabric Upholstery - Main - Beige/Peach (X78)
	088274 24-000	YD	Fabric Upholstery - Main - Blue/Gray (X79)
	088274 25-000	YD	Fabric Upholstery - Main - Rose (X80)
	088274 26-000	YD	Fabric Upholstery - Patterned - Beige/Peach (X78)
	088274 27-000	YD	Fabric Upholstery - Patterned - Blue/Gray (X79)
	088274-28-000	YD	Fabric Upholstery - Patterned - Rose (X80)
	088274-14-000	YD	Fabric Upholstery - Plain - Beige/Peach (X78)
	088274-15-000	YD	Fabric Upholstery - Plain - Blue/Gray (X79)
	077498 61-000	YD	Fabric Upholstery - Plain - Rose (X80)
	072333 45-000	YD	Fabric - Drapery - Blackout - Wraparound - Beige/Peach (X78)
	072333-50-000	YD	Fabric - Drapery - Blackout - Wraparound - Blue/Gray (X79)
	072333 51-000	YD	Fabric - Drapery - Blackout - Wraparound - Rose (X80)
	088273 04-000	YD	Fabric - Bedspread - Beige/Peach (X78)
	088273 08-000	YD	Fabric - Bedspread - Blue/Gray (X79)
	088273 05-000	YD	Fabric - Bedspread - Rose (X80)
	075244 02-000	YD	Fabric - Shower Curtain
	038421 01-000	YD	Fabric - Mattress Ticking - Beige/Brown
	038421-04-000	YD	Fabric - Mattress Ticking - Cashew - 82'
	079680 01-000	YD	Vinyl - Expanded - 28 oz Buckskin
	075233 01-000	SY	Pad - Carpet - 3/8' Thickness
	072860 61-000	SY	Carpet - Storage Compartment - Outside
	072860-73-000	SY	Carpet - Beige/Peach Blue/Gray (X78, X79)
	072860 69-000	SY	Carpet - Rose (X80)

FABRICS & CARPETS

WINDCRUISER

Key	Part Number	U/M	Description
	088274-10-000	YD	Fabric Upholstery - Main - Beige/Blue (X75)
	088274-16-000	YD	Fabric Upholstery - Main - Gray (X76)
	088274-17-000	YD	Fabric Upholstery - Main - Wine (X77)
	088274-31-000	YD	Fabric Upholstery - Patterned - Gray (X76)
	088274-32-000	YD	Fabric Upholstery - Patterned - Wine (X77)
	088274-33-000	YD	Fabric Upholstery - Plain - Beige/Blue (X75)
	088274-15-000	YD	Fabric Upholstery - Plain - Gray (X76)
	088274-09-000	YD	Fabric Upholstery - Plain - Wine (X77)
	088273-01-000	YD	Fabric - Bedspread - Beige/Blue (X75)
	088273-02-000	YD	Fabric - Bedspread - Gray (X76)
	088273 03-000	YD	Fabric - Bedspread - Wine (X77)
	072333-50-000	YD	Fabric - Blackout Wraparound Decorative Shower Curtain (X75 X76)
	072333-51-000	YD	Fabric - Blackout Wraparound Decorative Shower Curtain (X77)
	038421-01-000	YD	Fabric - Mattress Ticking - Beige/Brown
	038421-04-000	YD	Fabric - Mattress Ticking - Cashew - 82'
	079680-01-000	YD	Vinyl - Expanded - 26 oz Buckskin
	075244-02-000	YD	Fabric - Shower Curtain
	075233-01-000	SY	Pad - Carpet - 3/8' Thickness
	072860-61-000	SY	Carpet - Storage Compartment - Outside
	072860-70-000	SY	Carpet - Beige/Blue (X75)
	072860-74-000	SY	Carpet - Gray (X76)
	072860 69-000	SY	Carpet - Wine (X77)

**1988 P-SERIES
COMMON ITEMS
TABLE OF CONTENTS**

Introduction	A-01
Alphabetical Index	A-02 - A-04
Accessories Group	A-05 - A-08
Bath Group	A-09
Chassis Group	A-10 - A-17
Curtain, Cushion & Pad Group	A-18 - B-12
Driver's Compartment Group	B-13 - B-18
Electrical Group	B-19 - B-21
Exterior Body Group	B-22 - C-07
Galley Group	C-08
Heating & Air Conditioning Group	C-09
Interior Finish Group	C-10 - C-15
LP Group	C-16
Water & Sewage Group	C-17
Window Vent & Exterior Door Group	C-18 - D-16

INTERIOR FINISH GROUP (CONTINUED)

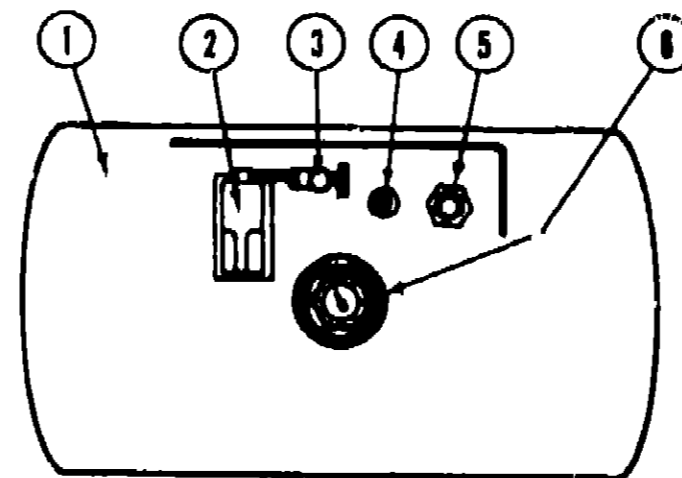
CURTAIN HARDWARE

Key	Part Number	U/M	Description
	029094-04-000	YD	Tape - Loop - 1" Wide - Black
	029096-03-000	YD	Tape - Hook - 1" Wide - Black
	048394-02-000	YD	Tape - Hook - 75" Wide - Beige
	048395-02-000	YD	Tape - Loop - 75" Wide - Beige
	068792-02-000	YD	Tape - Loop - 75" Wide - Beige - Adhesive
	056003-01-000	EA	Bracket Drapery Retainer - Right
	056003-02-000	EA	Bracket Drapery Retainer - Left
	081381-01-000	EA	Swivel Snap - Curtain Track
	082139-01-000	EA	Bracket - Hold Down - Blinds
	083170-01-000	EA	Bracket - Blind Installation - Right
	083170-02-000	EA	Bracket - Blind Installation - Left
	064434-01-000	EA	Bracket - Roller Shade - 1 3/5"
	087253-01-000	EA	Pull - Window Shade - Clear Plastic
	089335-01-000	EA	Track - Curtain - Brown Plastic
	088276-01-000	EA	Tape - Double Sided 5"
	078394-01-000	FT	Trim - Brass Vinyl - 437" Wide - Window Side Panel
	077046-01-000	EA	Track - Curtain - Front Wraparound - Passenger
	077046-02-000	EA	Track - Curtain - Front Wraparound - Drivers

COUCH & CHAIR HARDWARE

Key	Part Number	U/M	Description
	079386-01-000	EA	Frame Asm. - Tear Drop Couch - w/o Drawer Slides
	079386-02-000	EA	Hardware Kit - Tear Drop Couch
	090406-01-X19	EA	Drawer Asm - Storage - Tear Drop Couch
	084466-04-000	EA	Slide Asm - Storage Drawer - Tear Drop Couch - Right
	084466-05-000	EA	Slide Asm - Storage Drawer - Tear Drop Couch - Left
	088245-01-000	EA	Base - Chair - Recliner w/Legs
	069246-05-000	EA	Adjuster Asm - Tear Drop Recliner w/Remote
	069246-02-000	EA	Adjuster Asm - Tear Drop Recliner - w/o Lock
	088245-03-000	EA	Plate - Non Tilt Swivel - w/Lock Tear Drop Recliner
	088245-04-000	EA	Extension - 4' - Tear Drop Recliner
	081922-01-000	EA	Frame Asm - Couch - Right Mechanism (26ET)
	081922-02-000	EA	Frame Asm - Couch - Left Mechanism (26ET)
	081922-03-000	EA	Bar - Spacer - H - 74 7/8" Couch (2 Required) (26ET)
	081922-04-000	EA	Hardware Kit - Couch (26ET)
	082525-01-000	EA	Brace Couch - Floor (4 required) (26ET)
	083125-01-000	EA	Brace Couch - Brown (3 required) (26ET)
	083125-02-000	EA	Brace Couch - Brown (4 required) (26ET)
	081800-02-W33	LA	Panel Asm Right Couch End (26ET)
	081827-01-W33	EA	Panel Asm - Left Couch End (26ET)

LP GROUP



Key	Part Number	U/M	Description
1	074142-01-000	EA	Tank Asm - LP - Frame Mount 80 Pound - 13' x 44"
1	080450-01-000	EA	Tank Asm - LP - Frame Mount - 42 Pound 13" x 24"
1	088253-02-000	EA	Tank Asm - LP - Frame Mount - 100 Pound - 16" x 36"
2	081938-01-000	EA	Compartment - LP Regulator
	076301-01-000	EA	Regulator - Two Stage - LP Gas
3	040421-01-703	EA	Valve - Vapor Relief
4	040421-01-700	EA	Gauge - Liquid Level - 20% LP
5	040421-01-701	EA	Valve Filler - LP
	040421-01-702	EA	Cap - Plastic Fill Valve
6	042421-01-707	EA	Gauge - Float - w/Visible Dial 80 Pound Tank
	040421-01-706	EA	Dial - Visible Face - Float Gauge (Tank w/o Electric Transmitter)
	045703-01-000	EA	Hose Asm - LP 3/8" I D x 24' - US
	045703-02-000	EA	Hose Asm - LP 3/8" I D x 24' - CSA
	045703-03-000	EA	Hose Asm - LP - 3/8" I D x 18' - US
	045703-04-000	EA	Hose Asm LP - 3/8" I D x 14' - CSA
	065741-01-000	EA	Gauge - Diaphragm Pressure - Test Leak
			Not illustrated

**1988 P-SERIES
COMMON ITEMS
TABLE OF CONTENTS**

Introduction	A 01
Alphabetical Index	A 02 A 04
Accessories Group	A 05 A-08
Bath Group	A-09
Chassis Group	A 10 - A-17
Curtain, Cushion & Pad Group	A-18 B 12
Driver's Compartment Group	B 13 - B 18
Electrical Group	B 19 B 21
Exterior Body Group	B 22 - C-07
Galley Group	C-08
Heating & Air Conditioning Group	C-09
Interior Finish Group	C 10 - C-15
LP Group	C-16
Water & Sewage Group	C 17
Window, Vent & Exterior Door Group	C-18 - D-16

WATER & SEWAGE GROUP

PLUMBING & REPAIR PARTS

Key	Part Number	U/M	Description
	044927-01-000	EA	Adapter - Plastic - 1 1/4" MPT x 1 1/4" Bar
	010328-01-000	EA	Adapter - Flare - w/Cone Gasket
	082422-01-000	EA	Adapter - Hose Offset - Reducer - 3' x 1 1/2'
	052954-01-000	EA	Adapter - Hose Cone 3/8 or 1/2 - Plastic
	089330-01-000	EA	Adapter - Sewer Hose
	082415-01-000	EA	Cap - Sewer - 3"
	052959-02-000	EA	Connector - Plastic - 1/2" F x 1/2 MPT
	052959-03-000	EA	Connector - 1/2 F x 3/8 MPT - Plastic
	011091-02-000	EA	Continuous Waste - Double Sink - 11 7/8' US
	078408-01-000	EA	Coupler Rubber - 3" x 3'
	052980-01-000	EA	Drain Valve - 1/2 F x 1/2 F - Plastic
	037101-02-000	EA	Elbow Plastic - 1/4" BD Vent 1 1/2' H
	010000-01-000	EA	Elbow - Plastic - 1/8 BD x 1 1/4 x 45° H x H
	010005-01-000	EA	Elbow - Plastic - 1/16 BD x 1 1/2' x 2 1/2'
	010006-01-000	EA	Elbow - Plastic - 1/8 BD x 1 1/2 x 45° H x H
	010008-01-000	EA	Elbow - Plastic - 1/4 BD x 1 1/2 x 90° Left
	070924-01-000	EA	Elbow - Plastic - Swivel - 1/2" x 1/2
	052957-01-000	EA	Elbow - Plastic - 1/2 F x 3/8 MPT
	052957-02-000	EA	Elbow Plastic - 1/2 F x 1/2 MPT (In Tank Filter)
	035539-01-000	EA	Elbow Plastic - 3/8" MPT x 3/8 BARB
	065120-01-000	EA	Elbow Plastic Swivel - 50
	033761-01-000	EA	Elbow - Plastic - 1/4' BD 1 1/2' x 90 x LT
	010051-01-000	EA	Elbow - Plastic - ST - 1/8" BD 1 1/2' x 45
	077954-01-000	EA	Filter/Screen (In Water Tank)
	063641-01-000	EA	Flange - Closet - Red - 4 F x 3' FPT
	010147-01-000	EA	Flange - Closet - 4' F x 3' FPT - US
	010147-02-000	FA	Flange - Closet - 4' F x 3' FPT CSA
	079381-01-000	FT	Flexible Tubing - 1 1/4 ID x 10'
	061607-01-000	EA	Grommet - Holding Tank Coupler - 1 1/2
	061607-02-000	EA	Grommet - Holding Tank Coupler - 3
	052961-01-000	EA	Header - 1/2 F x 1/2 F x 1/2 F x 1/2 F
	062416-01-000	EA	Hose Adapter - 3'
	011066-03-000	EA	P-Trap - 1 1/4 Plastic - US
	011066-02-000	EA	P-Trap - 1 1/4 Plastic CSA
	053335-01-000	EA	P-Trap - 1 1/4 Plastic - w/Union
	049032-01-000	EA	Patch - Spinweld - Plastic - 3/8
	010197-01-000	EA	Pipe - Plastic - 3' x 240 - Black
	045729-01-000	EA	Pump - Water - 2 8 G P M - Direct Drive - Shurflo - US
	045729-02-000	EA	Pump - Water - 2 8 G P M - Direct Drive - Shurflo - CSA
	010201-01-000	EA	Sewer Hose - 3' x 8 w/Clamp
	010201-02-000	EA	Sewer Hose - 3' x 20
	042989-02-000	EA	Spinweld Fittings - Plastic - 1/2 FPT (In Tank Filter)
	042989-03-000	EA	Spinweld Fittings - Plastic - 1/4 NPT
	042989-04-000	EA	Spinweld Fittings - Plastic - 3/8 FPT
	042989-05-000	EA	Spinweld Fittings - Plastic - 1/2 FPT
	011069-02-000	EA	Tailpiece - 1 1/2 x 1 1/4 x 4 - Brass
	010071-01-000	EA	Tee - Plastic - 1 1/2 H x H x H
	010079-01-000	EA	Tee - Plastic - 1 1/2 H x 1 1/2 H x 1 1/4 H
	052955-01-000	EA	Tee - Plastic - 1/2 F x 1/2 F x 1/2 MPT
	052956-01-000	EA	Tee - Plastic - 1/2 F x 1/2 MPT x 1/2 F
	052958-01-000	EA	Tee - Plastic - 1/2 F x 1/2 F x 1/2 F
	074463-01-000	EA	Tee - 4 Way - 1/2 Flare
	039800-01-000	FT	Tubing - Polybutyl - 1/2 O D (Water Line)
	079381-01-000	FT	Tubing - Flexible - Smooth - 1 25 I D
	074462-02-000	FT	Tubing - Vinyl - 3/8 I D
	062421-01-000	EA	Valve - 1 1/2 - w/Handle
	062606-01-000	EA	Valve - Waste - 3
	052980-01-000	EA	Valve - Line Drain - 1/2 F x 1/2 F
	010073-01-000	EA	Wye - Plastic - 1 1/2 x 45 H x H
	079968-01-000	EA	Vent - Mechanical Trap Arm
	051391-03-000	EA	Water Heater - w/o Motor Aid - Electric Ignition - Atwood - G6A 3E
	051393-01-000	EA	Water Heater - Direct Ignition - Atwood - GH6-3E

The illustrated parts breakdown for this item is provided on the Common Items Fiche

WINDOW, VENT & EXTERIOR DOOR GROUP

VENTS, ACCESS DOORS AND HARDWARE

Key	Part Number	U/M	Description
	090392-01-X19	EA	Vent - Non Powered - Roof - Beige
*	090393-01 X11	EA	Vent - Powered - Roof - Beige
**	064470-02-000	EA	Vent - Non Powered - Roof (Jensen) Off White
**	064462-06-000	EA	Vent - Powered - Roof - w/o Light (Jensen)
*	064469-07-000	EA	Vent - Powered - Roof - w/Power Lift (Jensen)
**	064469-08-000	EA	Vent - Powered - Roof (Jensen) Beige
*	084079-01-000	EA	Vent - Powered - Roof (Fantastic) Beige
	061171-01-000	EA	Trim - Skylight - Outer
	080910-01-000	EA	Panel - Skylight - Outer
	077487-01-000	EA	Panel - Skylight - Outer - w/Trim Ring
	077902-01-000	EA	Panel - Skylight - Inner
	084073-01-000	EA	Vent - Refrigerator - Roof - Beige Plastic
	084073-04-000	EA	Base - Refrigerator Roof Vent
	084103-01-000	EA	Door - Refrigerator Vent
	064104-01-000	EA	Jamb - Refrigerator - Vent Door
	083558-01-000	EA	Cover - Vent Pipe - Plastic
	075697-02-000	EA	Vent Kit - Furnace - 20,000 BTU - Curved Sidewall
	090039-03-000	EA	Vent Kit - Furnace - 30,000 BTU - Curved Sidewall
	078010-02-000	EA	Door Asm - Fuel Fill - Gray
	078010-01-000	EA	Door Asm - Fuel Fill - Beige
	077963-01-000	EA	Gasket - Fuel Fill Door
	052009-02-000	EA	Door Asm - Water Heater Beige
	076859-01-000	EA	Shroud - Water Heater Door - Beige
	052009-03-000	EA	Door Asm - Water Heater - Gray
	076859-02-000	EA	Shroud - Water Heater - Gray
	063742-02-000	EA	Door Asm - Power Cord - 6 59' x 6 26' - Beige
	063742-03-000	EA	Door Asm - Power Cord - 6 59' x 6 26' - Gray
	052424-02-000	EA	Jamb - Power Cord Door - Beige
	052424-03-000	EA	Jamb - Power Cord Door - Gray
	054543-02-000	EA	Hatch - Power Cord Door - Beige
	054543-03-000	EA	Hatch - Power Cord Door - Gray
	052423-02-000	EA	Door Asm - Sewer Hose Compartment - Beige (Sidewall)
	052424-02-000	EA	Jamb - Sewer Hose Door - Beige (Sidewall)
	052423-03-000	EA	Door Asm - Sewer Hose Compartment - Gray (Sidewall)
	052424-03-000	EA	Jamb - Sewer Hose Door - Gray (Sidewall)
	077137-01-000	EA	Door Asm - Sewer Hose Compartment - Beige (Backwall)
	077137-02-000	EA	Door Asm - Sewer Hose Compartment - Gray (Backwall)
	034007-41-000	EA	Hinge - Access Door - 1 5 x 96 - Beige
	085730-01-000	EA	Latch Asm - Access Door - w/Lock - Plastic Paddle - Beige
	085730-02-000	EA	Latch Asm - Access Door - w/Lock - Plastic Paddle - Gray
	085730-04-000	EA	Latch Asm - Access Door - w/o Lock - Plastic Paddle - Beige
	085730-05-000	EA	Latch Asm - Access Door - w/o Lock - Plastic Paddle - Gray
	086810-05-000	EA	Bracket - Paddle Latch Retainer - Beige
	086810-06-000	EA	Bracket - Paddle Latch Retainer - Gray
	088727-01-000	EA	Cable Asm - w/Spring - Access Door
	076767-02-000	EA	Cable Asm - 1/16 x 16 5 - Access Door
	077222-01-000	EA	Spring - Cable Guard - Access Door
	042442-02-000	EA	Lock Asm - Twist Type - Access Door
	083615-04-000	EA	Holder - Door - Beige Plastic
	083615-05-000	EA	Holder - Door - Gray Plastic

The illustrated parts breakdown for this item is provided on the common Items Fiche

1988 P-SERIES COMMON ITEMS TABLE OF CONTENTS

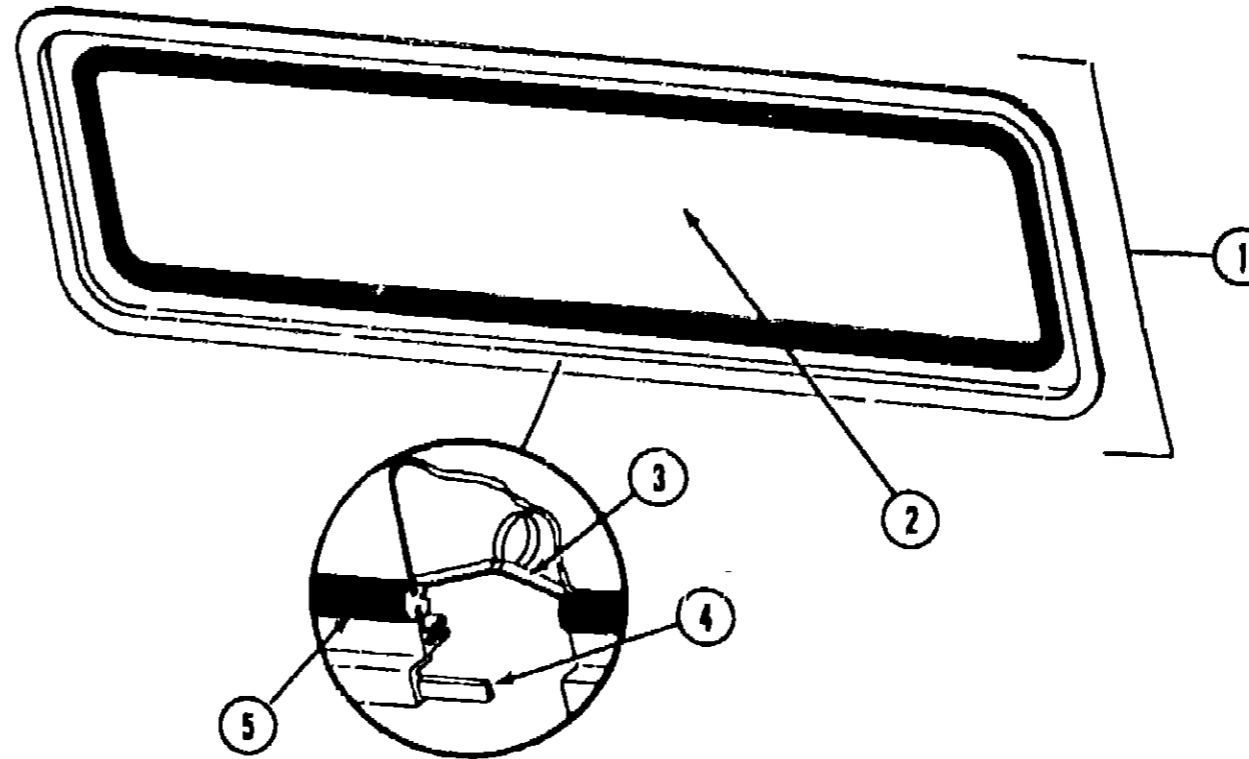
Introduction	A-01
Alphabetical Index	A-02 - A-04
Accessories Group	A-05 - A-08
Bath Group	A-09
Chassis Group	A-10 - A-17
Curtain, Cushion & Fan Group	A-18 - B-12
Driver's Compartment Group	B-13 - B-18
Electrical Group	B-19 - B-21
Exterior Body Group	B-22 - C-07
Galley Group	C-08
Heating & Air Conditioning Group	C-09
Interior Finish Group	C-10 - C-15
LP Group	C-16
Water & Sewage Group	C-17
Window Vent & Exterior Door Group	C-18 - D-16

WINDOW, VENT & EXTERIOR DOOR GROUP (CONTINUED)

WINDSHIELD & VENT WINDOWS

Key	Part Number	U/M	Description
	074887-01-000	EA	Glass - Windshield - Passenger
	074887-02-000	EA	Glass - Windshield - Driver
	076671-01-000	EA	Glass - Front Corner - Driver
	076671-02-000	EA	Glass - Front Corner - Passenger
	063179-01-000	FT	Reveal Molding - Windshield - Passenger or Driver
	063178-01-000	FT	Reveal Molding - Center Windshield or Front Corner Glass
	076644-02-000	EA	T-Cap Reveal Molding - Center Windshield
	076641-02-000	EA	Cap - Reveal Molding - Front Corner Glass - Upper
	076642-02-000	EA	Cap - Reveal Molding - Front Corner Glass - Lower

WINDOW, VENT & EXTERIOR DOOR GROUP (CONTINUED)



**1968 P-SERIES
COMMON ITEMS
TABLE OF CONTENTS**

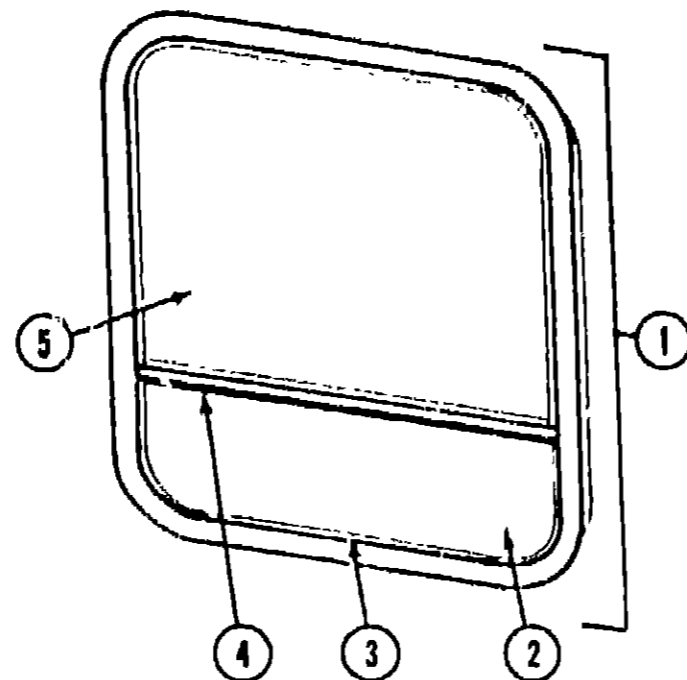
Introduction	A-01
Alphabetical Index	A-02 - A-04
Accessories Group	A-05 - A-06
Bath Group	A-09
Chassis Group	A-10 - A-17
Curtain, Cushion & Pad Group	A-18 - B-12
Driver's Compartment Group	B-13 - B-18
Electrical Group	B-19 - B-21
Exterior Body Group	B-22 - C-07
Galley Group	C-08
Heating & Air Conditioning Group	C-09
Interior Finish Group	C-10 - C-15
LP Group	C-16
Water & Sewage Group	C-17
Window, Vent & Exterior Door Group	C-18 - D-16

Key	Part Number	U/M	Description
1	076648-01-000	EA	Window Asm. - Escape - 30.68" x 57.68" (w/o inside frame)
	076650-01-000	EA	Inside Frame - Black (not included in assembly)
2	076337-01-000	EA	Glass - 1/8" x 55.7" x 28.7"
3	002285-01-000	FT	Filler - Weatherstrip - Black
4	069640-07-000	FT	Tape - 2" Bead x 45'
5	002282-01-000	FT	Weatherstrip - Window - .125" Black
			Not illustrated

Key	Part Number	U/M	Description
1	087985-03-W13	EA	Window Asm. - Escape - 30.6" x 46.81" (w/o inside frame)
	076650-03-000	EA	Inside Frame - Black (not included in assembly)
2	076337-03-000	EA	Glass - 1/8" x 44.8" x 28.7"
3	002285-01-000	FT	Filler - Weatherstrip - Black
4	069640-07-000	FT	Tape - 2" Bead x 45'
5	002282-01-000	FT	Weatherstrip - Window - .125" Black
			Not illustrated

Key	Part Number	U/M	Description
1	078528-01-T03	EA	Window Asm. - Escape - 22.53" x 47.75" - Black (w/o inside frame)
	074816-05-000	EA	Inside Frame - Escape Window - Tan (not included in assembly)
2	002174-02-000	EA	Glass - 1/8" x 19.6" x 44.8"
3	002285-01-000	FT	Filler - Weatherstrip - Black
4	069640-01-000	FT	Tape - 1/4" Bead x 20'
5	002282-01-000	FT	Weatherstrip - Window - .125" Black
	006199-01-000	EA	Label - Exit - Escape Window
			Not illustrated

WINDOW, VENT & EXTERIOR DOOR GROUP (CONTINUED)



**1988 P-SERIES
COMMON ITEMS
TABLE OF CONTENTS**

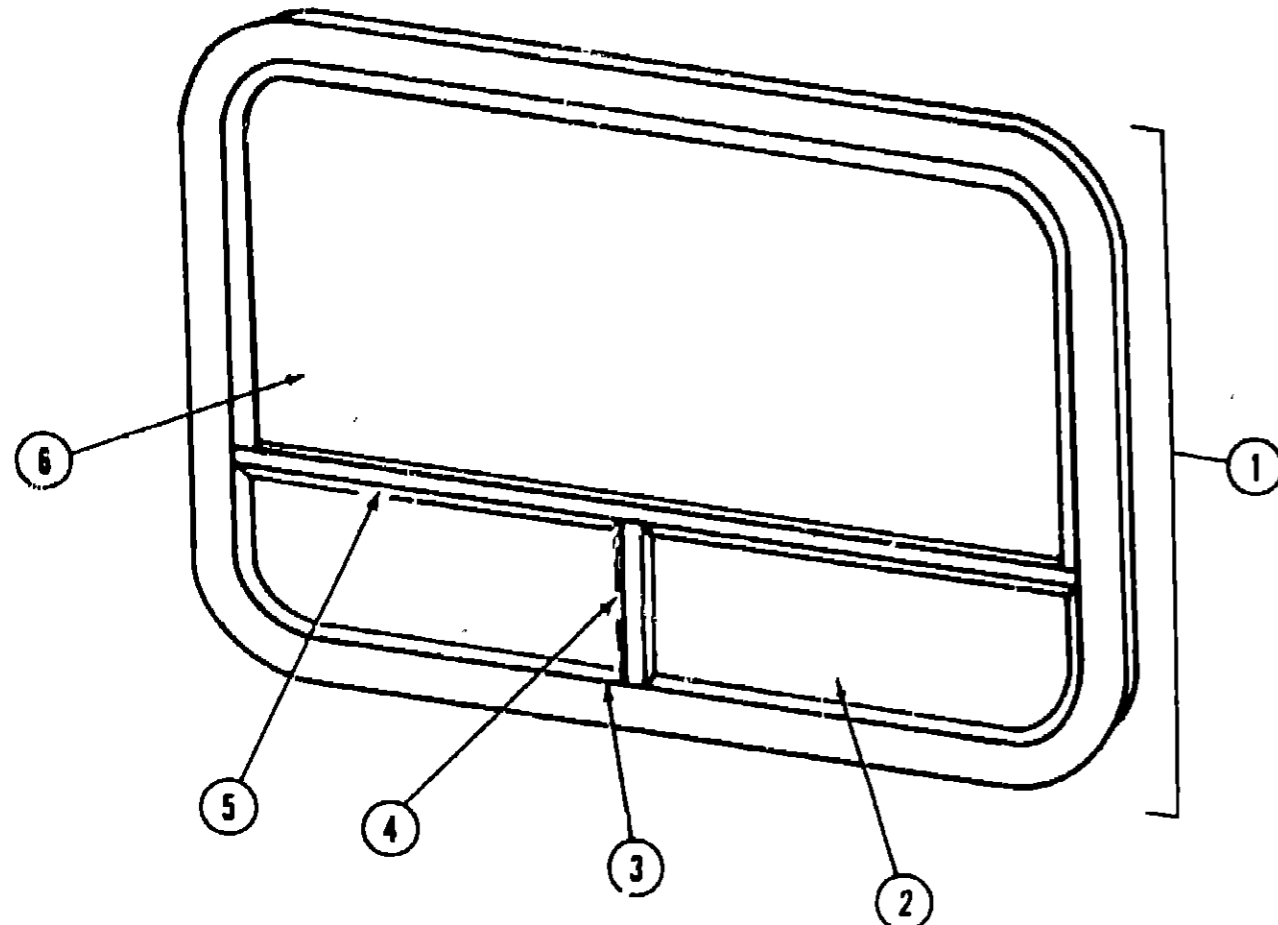
Introduction	A-01
Alphabetical Index	A-02 - A-04
Accessories Group	A-05 - A-08
Bath Group	A-09
Chassis Group	A-10 - A-17
Curtain, Cushion & Pad Group	A-18 - B-12
Driver's Compartment Group	B-13 - B-18
Electrical Group	B-19 - B-21
Exterior Body Group	B-22 - C-07
Galley Group	C-08
Heating & Air Conditioning Group	C-09
Interior Finish Group	C-10 - C-15
LP Group	C-16
Water & Sewage Group	C-17
Window, Vent & Exterior Door Group	C-18 - D-16

Key	Part Number	U/M	Description
1	085353-01-W07	EA	Window Asm. - Single - 27 3" x 26 2" (w/o inside frame)
•	081822-01-000	EA	Inside Frame - Black (not included in assembly)
2	084068-03-000	EA	Glass - 1/8" x 9 24" x 25 62" - Tipout
•	084580-01-W07	EA	Screen Asm. - Tipout Window - Single
3	084473-01-000	EA	Seal - Rubber - Tipout Window
4	083112-01-000	EA	Mullion - Horizontal - Black
5	081239-01-000	EA	Glass - 1/8" x 25 7" x 17" - Stationary
•	035302-02-000	EA	Operators Mech - Slant - Left
•	002291-02-000	SF	Screen - 16" Window - Charcoal
•	002298-02-000	FT	Spline - .130 Dia - Charcoal
•	068927-03-000	EA	Rubber Seal - .31 x 80
•	081243-01-000	EA	Clip - Screen - Black Plastic
•	081357-01-000	FT	Foam Seal - Vinyl
•	009439-05-000	EA	Knob - Black (not included in assembly)
•	009439-06-000	EA	Extension - .900" - Black (not included in assembly)
•	009439-07-000	EA	Screw - Use with Knob (not included in assembly)
•			Not illustrated

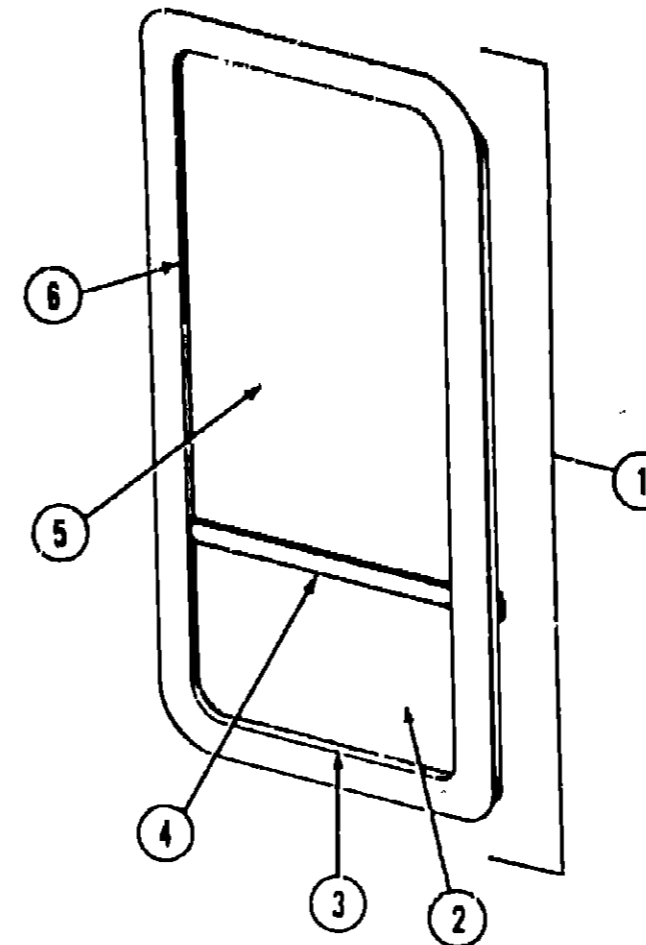
Key	Part Number	U/M	Description
1	085353-03-W07	EA	Window Asm. - Single - 14 23" x 32 22" (w/o inside frame)
•	081822-03-000	EA	Inside Frame - Black (not included in assembly)
2	085351-01-W07	EA	Window Asm. - Tipout
•	084068-01-000	EA	Glass - 1/8" x 9 24" x 14 64" - Tipout
•	084580-03-W07	EA	Screen Asm. - Left - Tipout
3	081357-01-000	FT	Bulb Seal
•	081359-01-000	FT	Window Seal
4	083112-03-000	EA	Mullion - Horizontal - Black
5	081239-04-000	EA	Glass - 1/8" x 25 7" x 17" - Stationary
•	083180-01-000	FT	Window Seal (Stationary)
•	035302-02-000	EA	Operating Mech - Left Hand
•	081243-01-000	EA	Screen Clip - Plastic - Black
•	002291-02-000	SF	Screen - Window - 16" - Charcoal
•	002298-02-000	FT	Spline - .130" Dia. - Charcoal (Screen)
•	076778-03-000	EA	Rivet - Plastic Pin Drive - Black
•	081354-01-000	EA	Sleeve - Torque Tube
•	083150-02-000	EA	Tube Asm. - Torque
•	009439-05-000	EA	Knob - Black (not included in assembly)
•	009439-06-000	EA	Extension - .900" - Black (not included in assembly)
•	009439-07-000	EA	Screw - Use with Knob (not included in assembly)
•			Not illustrated

Key	Part Number	U/M	Description
1	085353-02-W07	EA	Window Asm. - Single - 33 3" x 42.3" (w/o inside frame)
•	081822-02-000	EA	Inside Frame - Black (not included in assembly)
2	084068-05-000	EA	Glass - 1/8" x 9 24" x 41 7" - Tipout
•	084580-02-W07	EA	Screen Asm. - Tipout Window - Single
3	084067-01-000	EA	Seal - "e" - Sponge Rubber
4	083112-02-000	EA	Mullion - Horizontal - Black
5	081239-01-000	EA	Glass - 1/8" x 25 7" x 17" - Stationary
•	035302-02-000	EA	Operators Mech - Slant - Left
•	002291-02-000	SF	Screen - 16" Window - Charcoal
•	002298-02-000	FT	Spline - .130 Dia - Charcoal
•	068927-03-000	EA	Rubber Seal - .31" x 80
•	081243-01-000	EA	Clip - Screen - Black Plastic
•	081357-01-000	FT	Foam Seal - Vinyl
•	009439-05-000	EA	Knob - Black (not included in assembly)
•	009329-06-000	EA	Extension - .900" - Black (not included in assembly)
•	009439-07-000	EA	Screw - Used with Knob (not included in assembly)
•			Not illustrated

Key	Part Number	U/M	Description
1	085353-07-W07	EA	Window Asm. - Single - 24 8" x 24 92" (w/o inside frame)
•	084153-04-000	EA	Inside Frame - Black (not included in assembly)
2	084068-02-000	EA	Glass (Tipout) - 9 24" x 24 13"
•	084580-04-W07	EA	Screen Asm.
3	084067-01-000	FT	Bulb Seal (Tipout) Sponge Rubber
4	083112-04-000	EA	Mullion - Horizontal - Black
5	081239-05-000	EA	Glass - Stationary - 14 6" x 24 25"
•	083180-01-000	FT	Window Seal (Stationary)
•	035302-02-000	EA	Operating Mech - Right Hand
•	081243-01-000	EA	Screen Clip - Plastic - Black
•	002291-02-000	SF	Screen - Window - 16" - Charcoal
•	002298-02-000	FT	Spline - .130" Dia. - Charcoal (Screen)
•	076778-03-000	EA	Rivet - Plastic Pin Drive - Black
•	081354-01-000	EA	Sleeve - Torque Tube
•	083150-05-000	EA	Tube Asm. - Torque
•	009439-05-000	EA	Knob - Window Crankout - Black (not included in assembly)
•	009439-06-000	EA	Extension - .900 - Black (not included in assembly)
•	009439-07-000	EA	Screw - 8/32" x 1 1/4" - POH - Black (not included in assembly)
•			Not illustrated



Key	Part Number	U/M	Description
1	085354-01-W07	EA	Window Asm. - Double Tipout - 32 22" x 61.24" (w/o inside frame)
	081822-05-000	EA	Inside Frame - Black (not included in assembly)
2	084068-04-000	EA	Glass - 1/8" x 9.24" x 30.39" - Tipout
	084581-01-W07	EA	Screen Asm. - Tipout - Right
	084581-02-W07	EA	Screen Asm. - Tipout - Left
3	084067-01-000	FT	Seal - "e" - Sponge Rubber
4	084154-01-000	EA	Mullion - Vertical - Black
	084066-01-000	FT	Bulb Seal - Double - Sponge Rubber
5	083112-05-000	EA	Mullion - Horizontal - Black
	081357-01-000	FT	Foam Seal - Vinyl
6	081239-02-000	EA	Glass - 1/8" x 61.77" x 23" - Stationary
	002291-02-000	SF	Screen - 16" Window
	002298-02-000	FT	Spline - .130 Dia. - Charcoal (Screen)
	081243-01-000	EA	Clip - Screen - Plastic
	080918-01-000	EA	Spring - Torque Tube - Right
	080918-02-000	EA	Spring - Torque Tube - Left
	035302-01-000	EA	Operating Mech - Right
	035302-02-000	EA	Operating Mech - Left
	009439-05-000	EA	Knob - Black (not included in assembly)
	009439-06-000	EA	Extension - .900" - Black (not included in assembly)
	009439-07-000	EA	Screw - Use with Knob (not included in assembly)
			Not illustrated



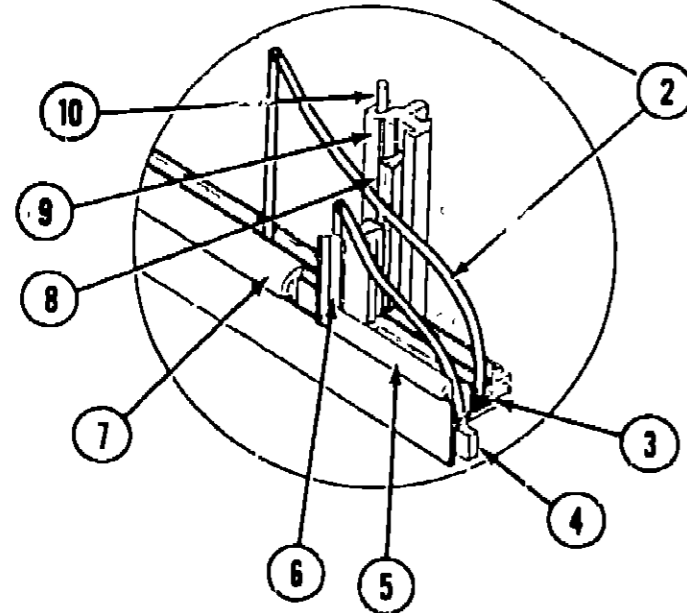
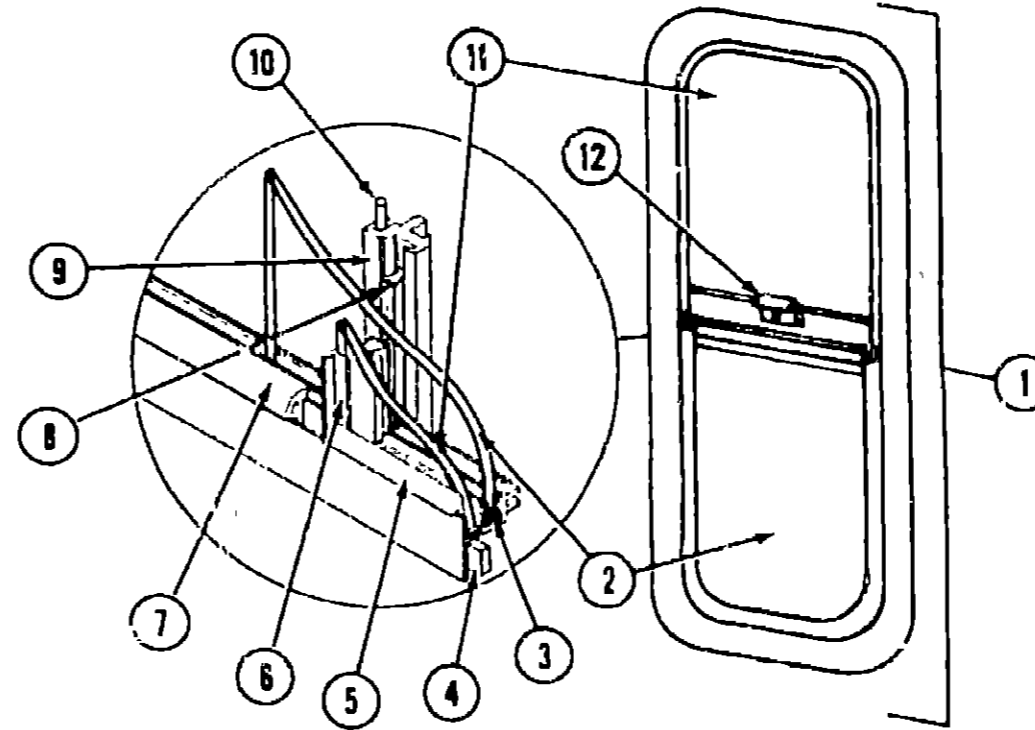
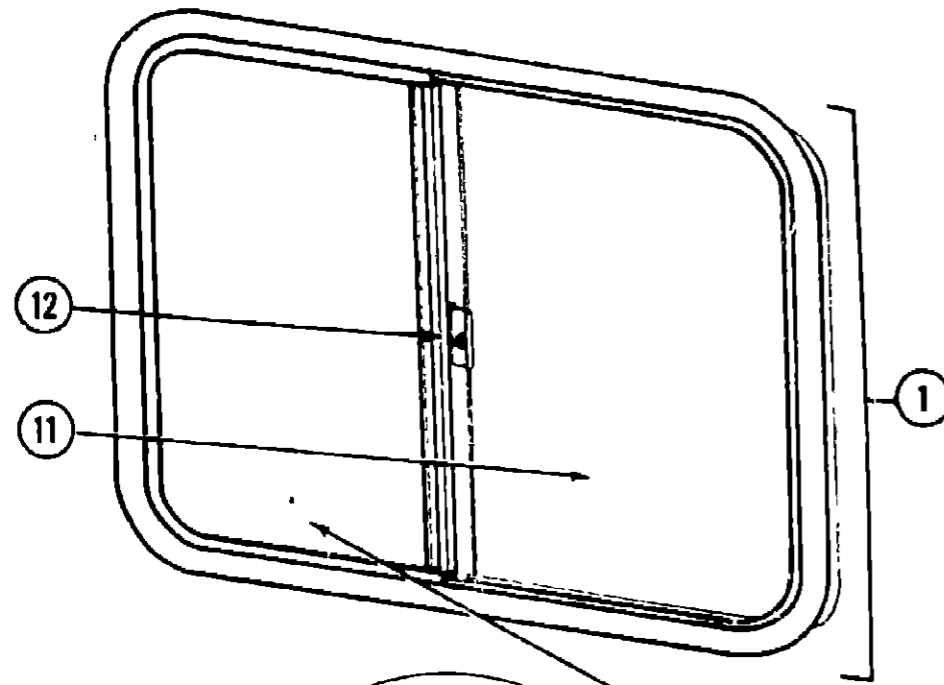
Key	Part Number	U/M	Description
1	085353-03-W07	EA	Window Asm. - Single - 14 23" x 32 22" (w/o inside frame)
	081822-03-000	EA	Inside Frame - Black (not included in assembly)
2	085351-01-W07	EA	Window Asm. - Tipout
	084068-01-000	EA	Glass - 1/8" x 9.24" x 14.64" - Tipout
	084580-03-W07	EA	Screen Asm. - Left - Tipout
3	081357-01-000	FT	Bulb Seal
	081359-01-000	FT	Window Seal
4	083112-03-000	EA	Mullion - Horizontal - Black
5	081239-04-000	EA	Glass - 1/8" x 25.7" x 17" - Stationary
6	083180-01-000	FT	Window Seal (Stationary)
	035302-02-000	EA	Operating Mech - Left Hand
	081243-01-000	EA	Screen Clip - Plastic - Black
	002291-02-000	SF	Screen - Window - 16" - Charcoal
	002298-02-000	FT	Spline - .130" Dia. - Charcoal (Screen)
	076778-03-000	EA	Rivet - Plastic Pin Drive - Black
	081354-01-000	EA	Sleeve - Torque Tube
	083150-02-000	EA	Tube Asm. - Torque
	009439-05-000	EA	Knob - Black (not included in assembly)
	009439-06-000	EA	Extension - .900" - Black (not included in assembly)
	009439-07-000	EA	Screw - Use with Knob (not included in assembly)
			Not illustrated

**1988 P-SERIES
COMMON ITEMS
TABLE OF CONTENTS**

Introduction	A-01
Alphabetical Index	A-02 - A-04
Accessories Group	A-05 - A-08
Bath Group	A-09
Chassis Group	A-10 - A-17
Curtain, Cushion & Pad Group	A-18 - B-12
Driver's Compartment Group	B-13 - B-18
Electrical Group	B-19 - B-21
Exterior Body Group	B-22 - C-07
Galley Group	C-08
Heating & Air Conditioning Group	C-09
Interior Finish Group	C-10 - C-15
LP Group	C-16
Water & Sewage Group	C-17
Window, Vent & Exterior Door Group	C-18 - D-16

**1988 P-SERIES
COMMON ITEMS
TABLE OF CONTENTS**

Introduction	A-01
Alphabetical Index	A-02 - A-04
Accessories Group	A-05 - A-08
Bath Group	A-09
Chassis Group	A-10 - A-17
Curtain, Cushion & Pad Group	A-18 - B-12
Driver's Compartment Group	B-13 - B-18
Electrical Group	B-19 - B-21
Exterior Body Group	B-22 - C-07
Galley Group	C-08
Heating & Air Conditioning Group	C-09
Interior Finish Group	C-10 - C-15
LP Group	C-16
Water & Sewage Group	C-17
Window, Vent & Exterior Door Group	C-18 - D-16



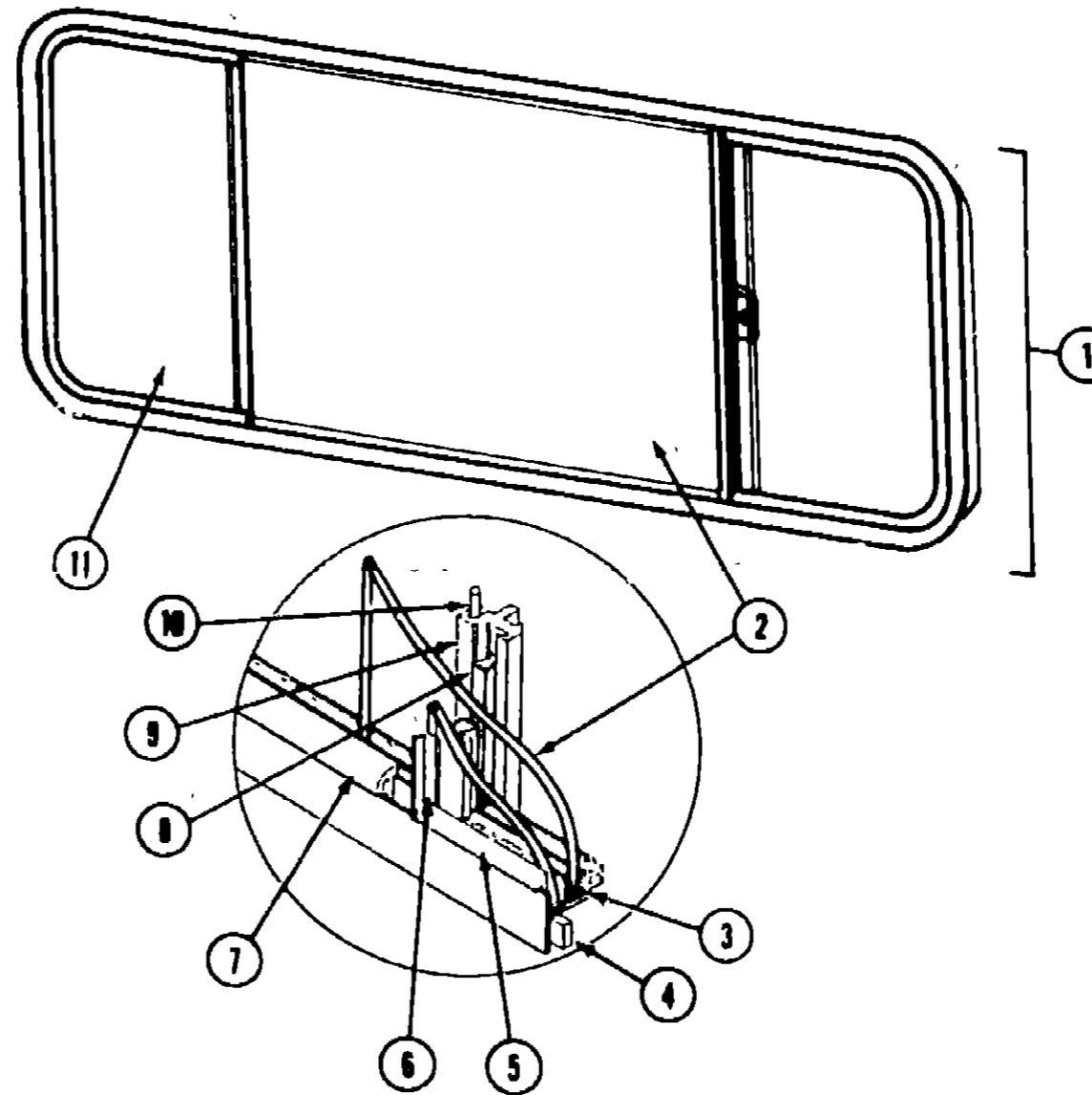
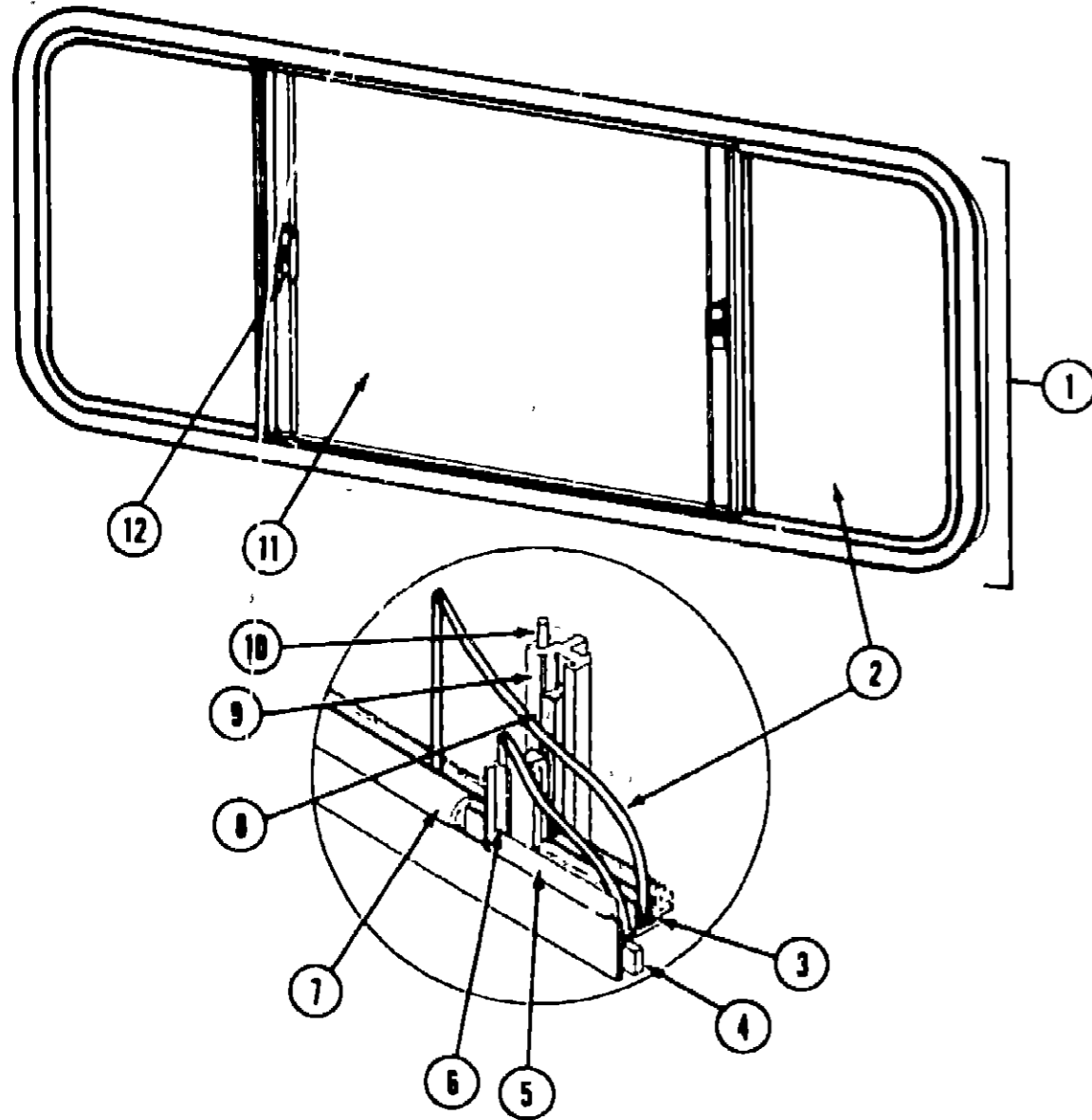
Key	Part Number	U/M	Description
1	078266-02-T03	EA	Window Asm. - Single Slider - 19 27" x 24 61" (w/o inside frame)
•	083122-03-000	EA	Inside Frame - Beige (not included in assembly)
2	081980-05-000	EA	Glass - Sliding - 1/8" x 19" x 13.08"
3	002324-02-000	FT	Channel - Weatherstrip - Glass Run - 1/8" Glass
4	069640-06-000	FT	Ribbon Sealer - 5/16" Bead x 15'
5	002309-02-000	FT	Spline - Glass - 1/8" Material - Black
6	M69886-03-011	EA	Seal Holder w/Fin Seal - Black
7	057374-02-000	FT	Extr. Rubber - Window Seal - Black
8	073740-01-000	FT	Seal - Fin - Pile - .460"
9	084170-02-000	EA	Mullion - Slider Window - Black
10	002298-02-000	SF	Spline - .130" Dia. - Charcoal (Screen)
11	081984-03-000	EA	Glass - Stationary - 1/8" x 19" x 12.30"
12	047369-01-700	EA	Latch Kit - Window - Plastic w/Fastener
•	079204-01-000	EA	Bracket - Mullion - Black
•	002292-02-000	SF	Screen - Window 20" - Charcoal
•			Not illustrated

Key	Part Number	U/M	Description
1	078453-02-U25	EA	Window Asm - Vertical Slider - 37" x 15" - Black (w/o inside frame)
•	083122-13-000	EA	Inside Frame - Beige (not included in assembly)
2	081981-01-000	EA	Glass - Slider
3	002324-02-000	FT	Channel - Weatherstrip - Glass Run - 1/8" Glass
4	069640-06-000	FT	Ribbon Sealer - 5/16" Bead x 15'
5	002309-02-000	FT	Spline - Glass - 1/8" Material - Black
6	M18025-04-000	EA	Seal Holder w/Fin Seal - Black
7	057374-02-000	FT	Extr. Rubber - Window Seal - Black
8	073740-01-000	FT	Seal - Fin - Pile - .460"
9	084170-06-000	EA	Mullion - Slider Window - Black
10	002298-02-000	FT	Spline - .130" Dia - Charcoal (Screen)
11	081984-04-000	EA	Glass - Stationary - 1/8" x 17 4" x 11 5"
12	047369-01-700	EA	Latch Kit - Window - Plastic w/Fastener
•	079204-01-000	EA	Bracket - Mullion - Black
•	002292-02-000	SF	Screen - Window 20" - Charcoal
•			Not illustrated

WINDOW, VENT & EXTERIOR DOOR GROUP (CONTINUED)

WINDOW, VENT & EXTERIOR DOOR GROUP (CONTINUED)

1988 P-SERIES
COMMON ITEMS
TABLE OF CONTENTS



Introduction	A-01
Alphabetical Index	A-02 - A-04
Accessories Group	A-05 - A-08
Bath Group	A-09
Chassis Group	A-10 - A-17
Curtain, Cushion & Pad Group	A-18 - B-12
Driver's Compartment Group	B-13 - B-18
Electrical Group	B-19 - B-21
Exterior Body Group	B-22 - C-07
Galley Group	C-08
Heating & Air Conditioning Group	C-09
Interior Finish Group	C-10 - C-15
LP Group	C-16
Water & Sewage Group	C-17
Window, Vent & Exterior Door Group	C-18 - D-16

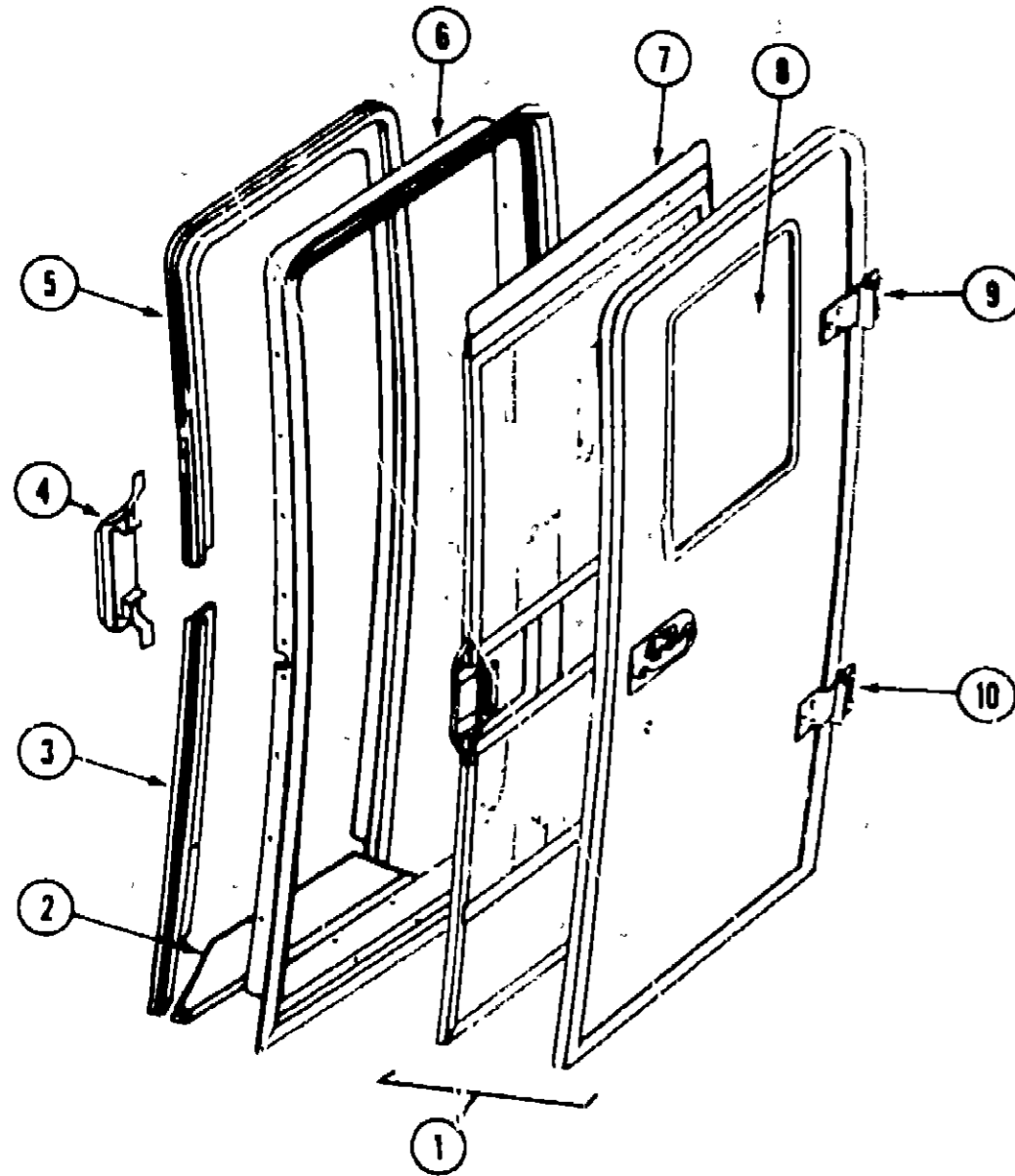
Key	Part Number	U/M	Description
1	078269-01-T03	EA	Window Asm. - Double Slider - 25" x 65" - Black (w/o inside frame)
•	083122-21-000	EA	Inside Frame - Tan (not included in assembly)
2	081980-04-000	EA	Glass - Sliding - 1/8" x 24" x 21.3"
3	002324-02-000	FT	Channel - Weatherstrip - Glass Run - 1/8" Glass
4	089640-06-000	FT	Ribbon Sealer - 5/16" x 15'
5	002309-02-000	FT	Spline - Glass - 1/8" - Black
6	M69886-03-003	EA	Seal Holder w/Fin Seal - 23 19" - Black
7	057374-02-000	FT	Extr. Vinyl - Window Seal - Black
8	073740-01-000	FT	Seal - Fin - Pile - .460"
9	078582-04-000	EA	Mullion - Slider Window - Black
10	002298-02-000	FT	Spline - .130" Dia. - Charcoal (Screen)
11	002188-05-000	EA	Glass - Stationary - 1/8" x 24" x 25.5"
12	047369-01-700	EA	Latch Kit - Window - Plastic w/Fastener
•	079204-01-000	EA	Bracket - Mullion - Black
•	002293-02-000	SF	Screen - Window - 26" - Charcoal
•			Not illustrated

Key	Part Number	U/M	Description
1	078271-01-T03	EA	Window Asm. - Center Slider - 55.69 x 24 27" (w/o inside frame)
•	083122-22-000	EA	Inside Frame - Center Slider - Tan (not included in assembly)
2	066727-02-000	EA	Glass - Sliding - 1/8" x 25 5" - 24"
3	002324-02-000	FT	Channel - Weatherstrip - Glass Run - 1/8" Glass
4	089640-06-000	FT	Ribbon Sealer - 5/16" Bead x 15'
5	002309-02-000	FT	Spline - Glass - 1/8" Material - Black
6	M69886-03-003	EA	Seal Holder w/Fin Seal - Black
7	057374-02-000	FT	Extr. Rubber - Window Seal - Black
8	073740-01-000	FT	Seal - Fin Pile - .460"
9	078582-02-000	EA	Mullion - Slider Window - Black
10	002298-02-000	FT	Spline - .130" Dia. - Charcoal (Screen)
11	081984-07-000	EA	Glass - Stationary - 1/8" x 24" - 16.5"
•	079204-01-000	EA	Bracket - Mullion - Black
•	047369-01-700	EA	Latch Kit - Window - Plastic w/Fastener
•	002293-02-000	SF	Screen - Window - 26" - Charcoal
•			Not illustrated

WINDOW, VENT & EXTERIOR DOOR GROUP (CONTINUED)

ENTRANCE DOOR

SPORT



Key	Part Number	U/M	Description
1	M84385-01-X23	EA	Door Asm - Entrance
2	088905-01-000	EA	Trim - Entrance Door - Lower
3	085016-01-000	EA	Trim - Entrance Door - Inside - Beige
4	076726-01-000	EA	Cover - Strike - Light Oak
5	085015-01-000	EA	Trim - Entrance Door - Inside - Beige
6	076947-03-000	EA	Jamb Asm - Entrance Door
7	084389-01-W13	EA	Screen Door - Complete
	076727-01-000	EA	Slider - Screen Door - Light Oak Plastic
	002293-02-000	SF	Screen - 26" Charcoal
	063638-02-000	EA	Strike - Screen Door
	076231-01-000	EA	Spacer - Screen Door - Latch
	078156-01-000	EA	Plate - Screen Door
	002294-01-000	FT	Spline - Screen Door - Black
	076738-02-000	EA	Transition Frame - Screen Door - Beige
	077437-01-000	EA	Strike - Roller Catch - Beige
8	079733-04-T03	EA	Window Asm - Picture (w/o inside frame)
	067609-03-000	EA	Inside Frame - Beige (not included in assembly)
	002181-06-000	EA	Glass - .115" x 16 25" x 24"
	002309-02-000	FT	Spline - Glass - 1/8 Material - Black
	089637-01-000	EA	Sealer - 3M EC5510
9	084097-01-000	EA	Hinge Asm - Upper - Beige
10	084096-01-000	EA	Hinge Asm - Lower - Beige
	009126-02-000	EA	Assist Handle - Black
	073303-02-000	EA	Latch Asm. - Inne
	076728-01-000	EA	Panel Trim - Light Oak Plastic
	R77007-05-374	EA	Gasket - Exterior Door Handle
	R77040-01-538	EA	Handle - Exterior Door
	R77006-50-261	EA	Handle - Interior - Right Door
	073104-01-000	EA	Escutcheon - Door Handle
	R77013-48-168	EA	Lock Bolt - Right
	R77007-51-201	EA	Cylinder & Key Set
	083205-01-000	EA	Deadbolt - Press Fit - 5"
	079173-01-000	EA	Gasket - Deadbolt - Exterior
	R77030-67-257	EA	Spline Pin
	080963-01-000	EA	Arm - Lock Control
	073111-01-000	EA	Rod - Latch
	073110-01-000	EA	Rod - Lock
	R77006-64-355	EA	Link - Control
	073093-01-000	EA	Support Asm. - Latch - Beige
	R77007-04-136	EA	Bracket - Lock
	083729-04-000	EA	Rivnut - 10-32 UNF
	076917-07-000	EA	Trim - Door - Upper
	076908-01-000	EA	Trim - Door - Lower
			Not Illustrated

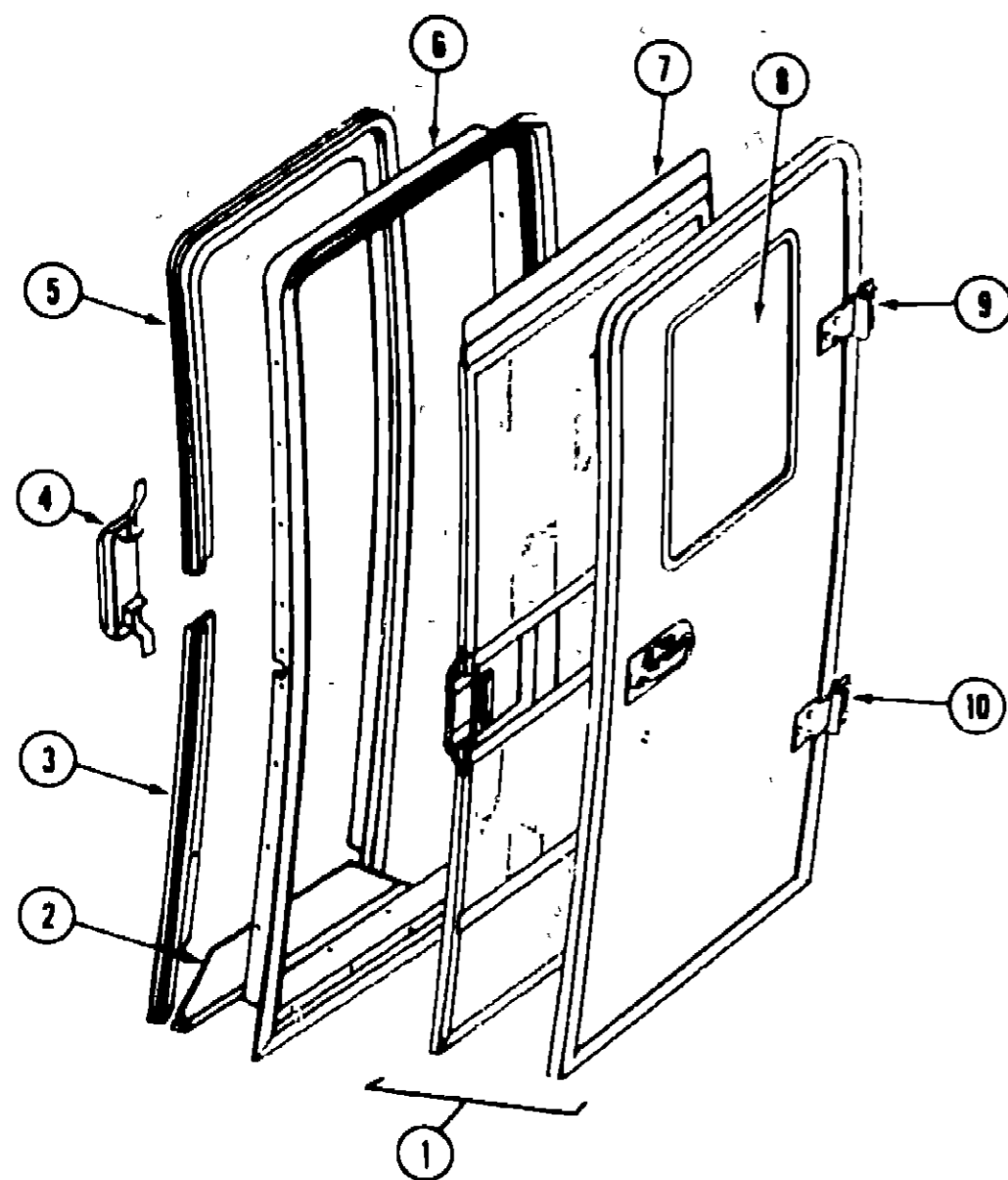
1988 P-SERIES COMMON ITEMS TABLE OF CONTENTS

Introduction	A-01
Alphabetical Index	A-02 - A-04
Accessories Group	A-05 - A-06
Bath Group	A-09
Chassis Group	A-10 - A-17
Curtain, Cushion & Pad Group	A-18 - B-12
Driver's Compartment Group	B-13 - B-18
Electrical Group	B-19 - B-21
Exterior Body Group	B-22 - C-07
Galley Group	C-08
Heating & Air Conditioning Group	C-09
Interior Finish Group	C-10 - C-15
LP Group	C-16
Water & Sewage Group	C-17
Window, Vent & Exterior Door Group	C-18 - D-18

WINDOW, VENT & EXTERIOR DOOR GROUP (CONTINUED)

ENTRANCE DOOR

ELANGAN



Key	Part Number	U/M	Description
1	M84385-01-X19	EA	Door Asm. - Entrance
2	086905-01-000	EA	Trim - Entrance Door - Lower
3	085016-01-000	EA	Trim - Entrance Door - Upper - Beige
4	076726-04-000	EA	Cover - Strike - Light Oak
5	085015-01-000	EA	Trim - Entrance Door
6	076947-03-000	EA	Jamb Asm - Entrance Door
7	084389-01-W13	EA	Screen Door - Complete
	076727-01-000	EA	Slider - Screen Door - Light Oak Plastic
	002293-02-000	SF	Screen - 26" Charcoal
	063338-02-000	EA	Strike - Screen Door
	076231-01-000	EA	Spacer - Screen Door - Latch
	078156-01-000	EA	Plate - Screen Door
	002294-01-000	FT	Spline - Screen Door - Black
	078738-02-000	EA	Transition Frame - Screen Door - Beige
	077437-01-000	EA	Strike - Roller Catch - Beige
8	079733-04-T03	EA	Window Asm. - Picture (w/o inside frame)
	067609-03-000	EA	Inside Frame - Beige (not included in assembly)
	002181-06-000	EA	Glass - .115" x 16 25" x 24"
	002309-02-000	FT	Spline - Glass - 1/8 Material - Black
	089837-01-000	EA	Sealer - 3M EC5510
9	084097-01-000	EA	Hinge Asm. - Upper - Beige
10	084096-01-000	EA	Hinge Asm. - Lower - Beige
	009126-02-000	EA	Assist Handle - Black
	073303-02-000	EA	Latch Asm. - Inner
	076726-01-000	EA	Panel Trim - Light Oak Plastic
	R77007-05-374	EA	Gasket - Exterior Door Handle
	R77040-01-538	EA	Handle - Exterior Door
	R77006-50-261	EA	Handle - Interior - Right Door
	073104-01-000	EA	Escutcheon - Door Handle
	R77013-48-168	EA	Lock Bolt - Right
	R77007-51-201	EA	Cylinder & Key Set
	083205-01-000	EA	Deadbolt - Press Fit - 5"
	079173-01-000	EA	Gasket - Deadbolt - Exterior
	R77030-67-257	EA	Spline Pin
	080963-01-000	EA	Arm - Lock Control
	073111-01-000	EA	Rod - Latch
	073110-01-000	EA	Rod - Lock
	R77006-64-355	EA	Link - Control
	073093-01-000	EA	Support Asm. - Latch - Beige
	R77007-04-138	EA	Bracket - Lock
	083729-04-000	EA	Rivnut - 10-32 UNF
	076907-07-000	EA	Trim - Door - Upper
	076908-01-000	EA	Trim - Door - Lower
			Not illustrated

1988 P-SERIES COMMON ITEMS TABLE OF CONTENTS

Introduction	A-01
Alphabetical Index	A-02 - A-04
Accessories Group	A-05 - A-08
Bath Group	A-09
Chassis Group	A-10 - A-17
Curtain, Cushion & Pad Group	A-18 - B-12
Driver's Compartment Group	B-13 - B-18
Electrical Group	B-19 - B-21
Exterior Body Group	B-22 - C-07
Galley Group	C-08
Heating & Air Conditioning Group	C-09
Interior Finish Group	C-10 - C-15
LP Group	C-16
Water & Sewage Group	C-17
Window, Vent & Exterior Door Group	C-18 - D-16

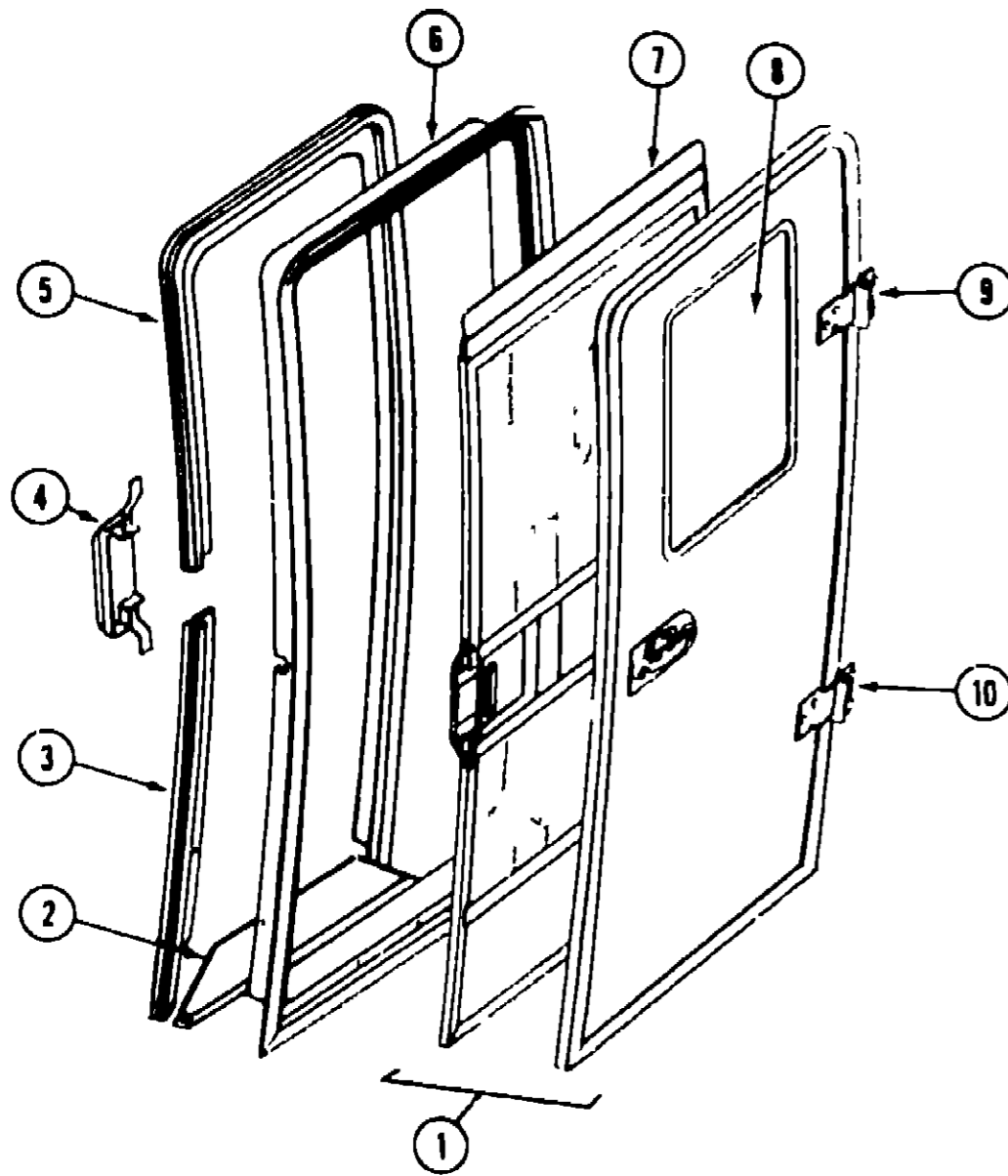
WINDOW, VENT & EXTERIOR DOOR GROUP (CONTINUED)

ENTRANCE DOOR

SPRINT

1988 P-SERIES COMMON ITEMS TABLE OF CONTENTS

Introduction	A-01
Alphabetical Index	A-02 - A-04
Accessories Group	A-05 - A-08
Bath Group	A-09
Chassis Group	A-10 - A-17
Curtain, Cushion & Pad Group	A-18 - B-12
Driver's Compartment Group	B-13 - B-18
Electrical Group	B-19 - B-21
Exterior Body Group	B-22 - C-07
Galley Group	C-08
Heating & Air Conditioning Group	C-09
Interior Finish Group	C-10 - C-15
LP Group	C-16
Water & Sewage Group	C-17
Window Vent & Exterior Door Group	C-18 - D-16



Key	Part Number	U/M	Description
1	M8-4385-01-X7	EA	Door Asm - Entrance
2	086905-01-07	EA	Trim - Entrance Door - Lower
3	085016-01-000	EA	Trim - Entrance Door - Inside - Beige
4	076726-01-000	EA	Cover - Strike Light Oak
5	085015-01-000	EA	Trim - Entrance Door - Inside - Beige
6	076947-04-000	EA	Jamb Asm - Entrance Door
7	084389-01 W13	EA	Screen Door - Complete
	076727-01-000	EA	Slider - Screen Door - Light Oak Plastic
	002293-02-000	SF	Screen - 26' Charcoal
	063638-02-000	EA	Strike - Screen Door
8	076231-01-000	EA	Spacer - Screen Door - Latch
	078156-01-000	EA	Plate - Screen Door
	002294-01-000	FT	Spline - Screen Door - Black
	076738-02-000	EA	Transition Frame - Screen Door - Beige
	077437-01 000	EA	Strike - Roller Catch - Beige
8	079733-04-T03	EA	Window Asm - Picture (w/o inside frame)
	067809-03-000	EA	Inside Frame - Beige (not included in assembly)
	002181-06-000	EA	Glass - 115 x 16 25 x 24
	002309-02-000	FT	Spline Glass - 1/8 Material - Black
	089637-01 000	EA	Sealer 3M EC5510
9	084097 02-000	EA	Hinge Asm - Upper - Gray
10	084096 02 000	EA	Hinge Asm - Lower - Gray
	009126 02-000	EA	Assist Handle - Black
	073303-02 000	EA	Latch Asm - Inner
	076728-02-000	EA	Panel Trim - Light Oak Plastic
	R77007-05-374	EA	Gasket - Exterior Door Handle
	R77040 01-538	EA	Handle - Exterior Door
	R77006-50-261	EA	Handle - Interior - Right Door
	073104-01-000	EA	Escutcheon - Door Handle
	R77013 48-188	EA	Lock Bolt - Right
	R77007 51 201	EA	Cylinder & Key Set
	083205-01-000	EA	Deadbolt Press Fit 5
	079173-01-000	EA	Gasket Deadbolt Exterior
	R77030-67-257	EA	Spline Pin
	080963-01-000	EA	Arm - Lock Control
	073111-01 000	EA	Rod - Latch
	073110 01-000	EA	Rod Lock
	R77006-64-355	EA	Link - Control
	073083-03-000	EA	Support Asm - Latch Gray
	R77007-04 136	EA	Bracket - Lock
	063729-04-000	EA	Rivnut 10 32 UNF
	076907 08 000	EA	Trim - Door - Upper Gray
	076908 02-000	EA	Trim - Door - Lower
			Not illustrated

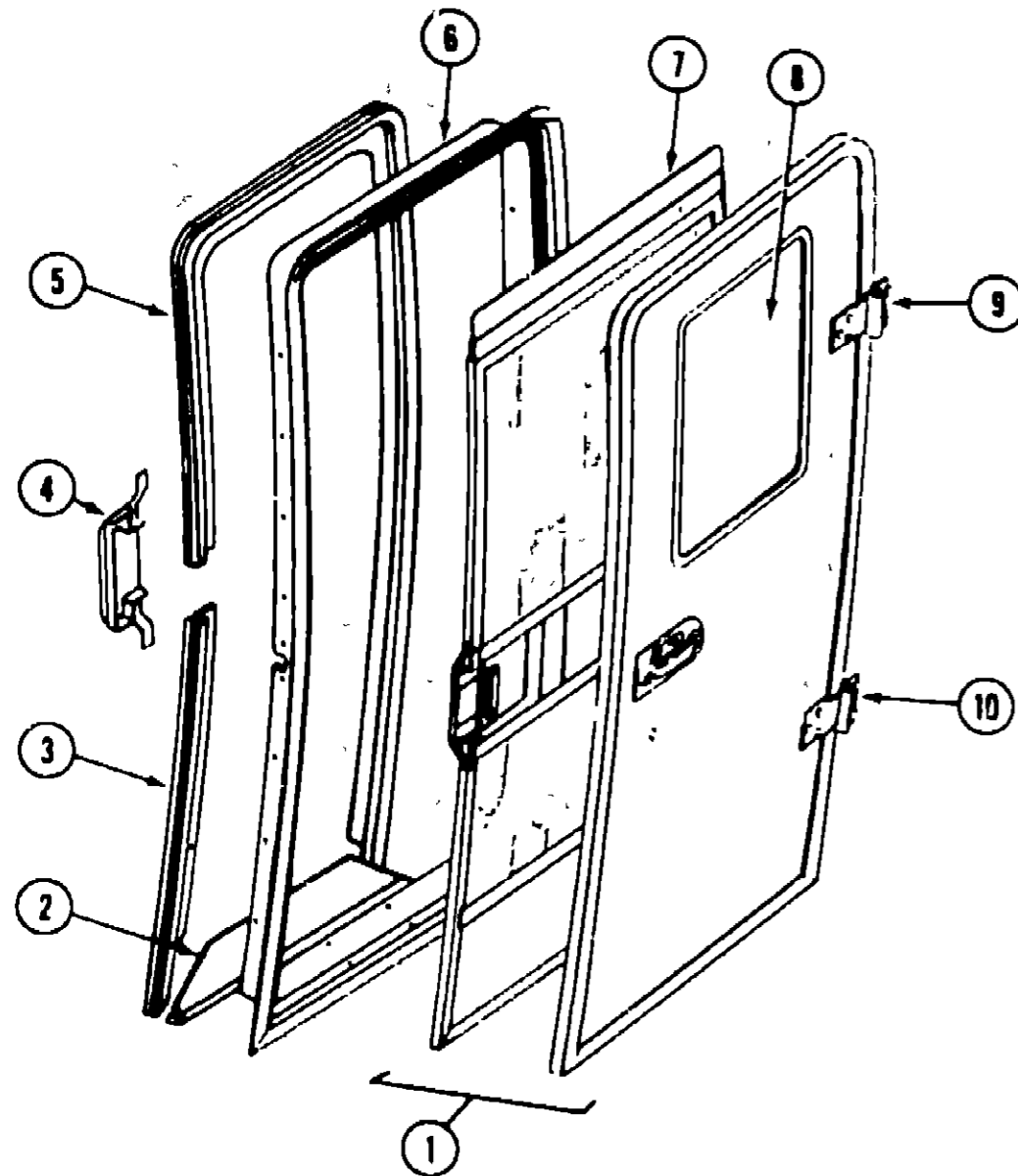
WINDOW, VENT & EXTERIOR DOOR GROUP (CONTINUED)

ENTRANCE DOOR

WINDCRUISE

1988 P-SERIES COMMON ITEMS TABLE OF CONTENTS

Introduction	A-01
Alphabetical Index	A-02 - A-04
Accessories Group	A-05 - A-08
Bath Group	A-09
Chassis Group	A-10 - A-17
Curtain, Cushion & Pad Group	A-18 - B-12
Driver's Compartment Group	B-13 - B-18
Electrical Group	B-19 - B-21
Exterior Body Group	B-22 - C-07
Galley Group	C-08
Heating & Air Conditioning Group	C-09
Interior Finish Group	C-10 - C-15
LP Group	C-16
Water & Sewage Group	C-17
Window, Vent & Exterior Door Group	C-18 - D-16

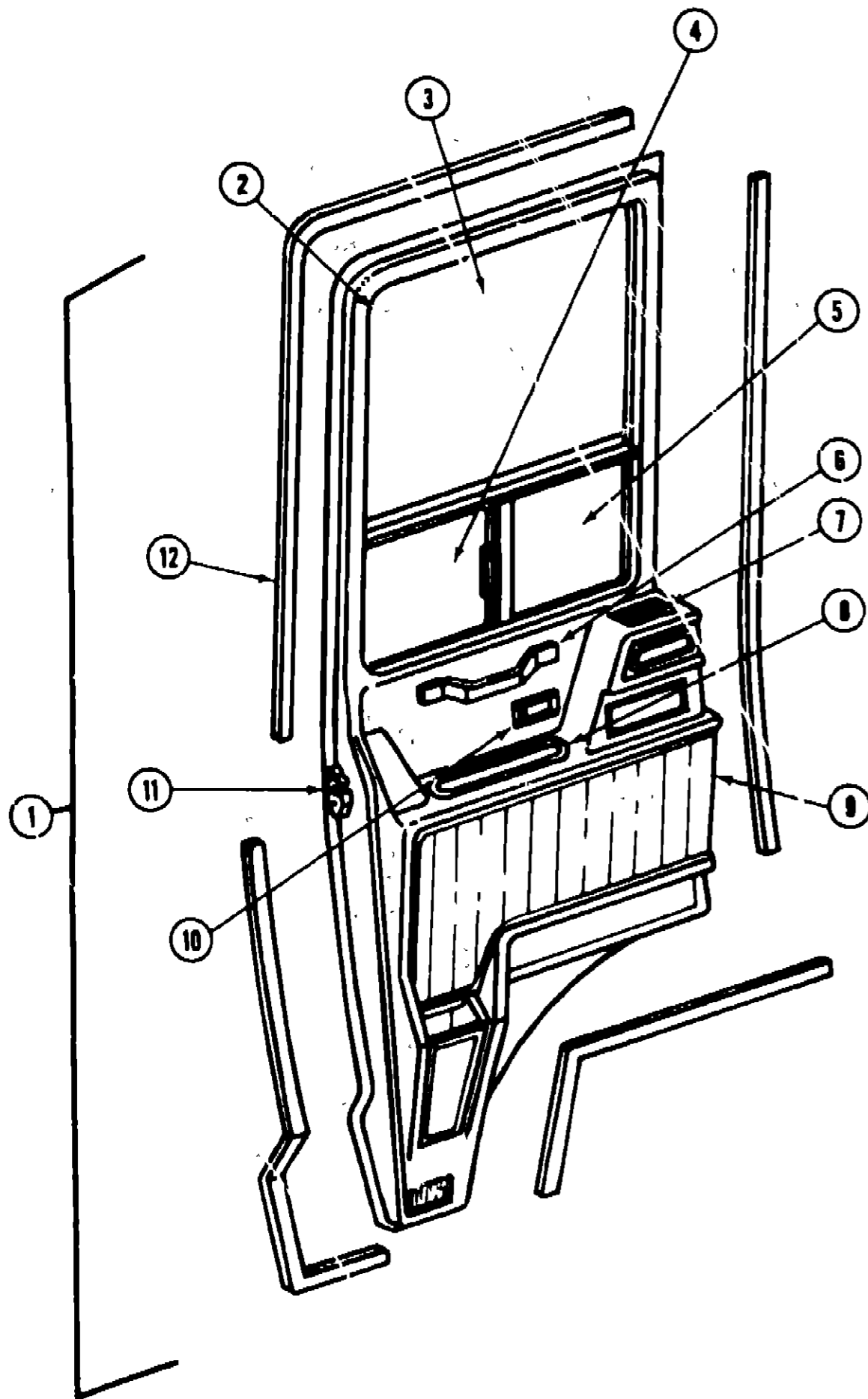


Key	Part Number	U/M	Description
1	M84385-01-X75	EA	Door Asm - Entrance
2	086905-01-000	EA	Trim - Entrance Door - Lower
3	085016-01-000	EA	Trim - Entrance Door - Inside - Beige
4	076726-04-000	EA	Cover - Strike - Light Oak
5	085015-01-000	EA	Trim - Entrance Door - Inside - Beige
6	076947-04-000	EA	Jamb Asm. - Entrance Door
7	084389-01-W13	EA	Screen Door - Complete
	076727-01-000	EA	Slider - Screen Door - Light Oak Plastic
	002293-02-000	SF	Screen - 26" Charcoal
	063638-02-000	EA	Strike - Screen Door
	076231-01-000	EA	Spacer - Screen Door - Latch
	078156-01-000	EA	Plate - Screen Door
	002294-01-000	FT	Spline - Screen Door - Black
	078738-02-000	EA	Transition Frame - Screen Door - Beige
	077437-01-000	EA	Strike - Roller Catch - Beige
8	079733-04-T03	EA	Window Asm - Picture (w/o inside frame)
	087609-03-000	EA	Inside Frame - Beige (not included in assembly)
	002181-06-000	EA	Glass - .115" x 16 25" x 24"
	002309-02-000	FT	Spline - Glass - 1/8 Material - Black
	069637-01-000	EA	Sealer - 3M EC5510
9	084097-02-000	EA	Hinge Asm. - Upper - Gray
10	084096-02-000	EA	Hinge Asm. - Lower - Gray
	009126-02-000	EA	Assist Handle - Black
	073303-02-000	EA	Latch Asm. - Inner
	076728-01-000	EA	Panel Trim - Light Oak Plastic
	R77007-05-374	EA	Gasket - Exterior Door Handle
	R77040-01-538	EA	Handle - Exterior Door
	R77006-50-261	EA	Handle - Interior - Right Door
	073104-04-000	EA	Escutcheon - Door Handle
	R77013-48-188	EA	Lock Bolt - Right
	R77007-51-201	EA	Cylinder & Key Set
	083205-01-000	EA	Deadbolt - Press Fit - 5"
	079173-01-000	EA	Gasket - Deadbolt - Exterior
	R77030-87-257	EA	Spline Pin
	080983-01-000	EA	Arm - Lock Control
	073111-01-000	EA	Rod - Latch
	073110-01-000	EA	Rod - Lock
	R77006-64-355	EA	Link - Control
	073303-02-000	EA	Latch Asm. - Inner - Right
	073093-03-000	EA	Support Asm. - Latch - Gray
	R77007-04-158	EA	Bracket - Lock
	063729-04-000	EA	Rivnut - 10-32 UNF
	076907-08-000	EA	Trim - Door - Upper - Gray
	076908-02-000	EA	Trim - Door - Lower
			Not illustrated

WINDOW, VENT & EXTERIOR DOOR GROUP (CONTINUED)

DRIVER CAB DOOR

SPORT & SPRINT



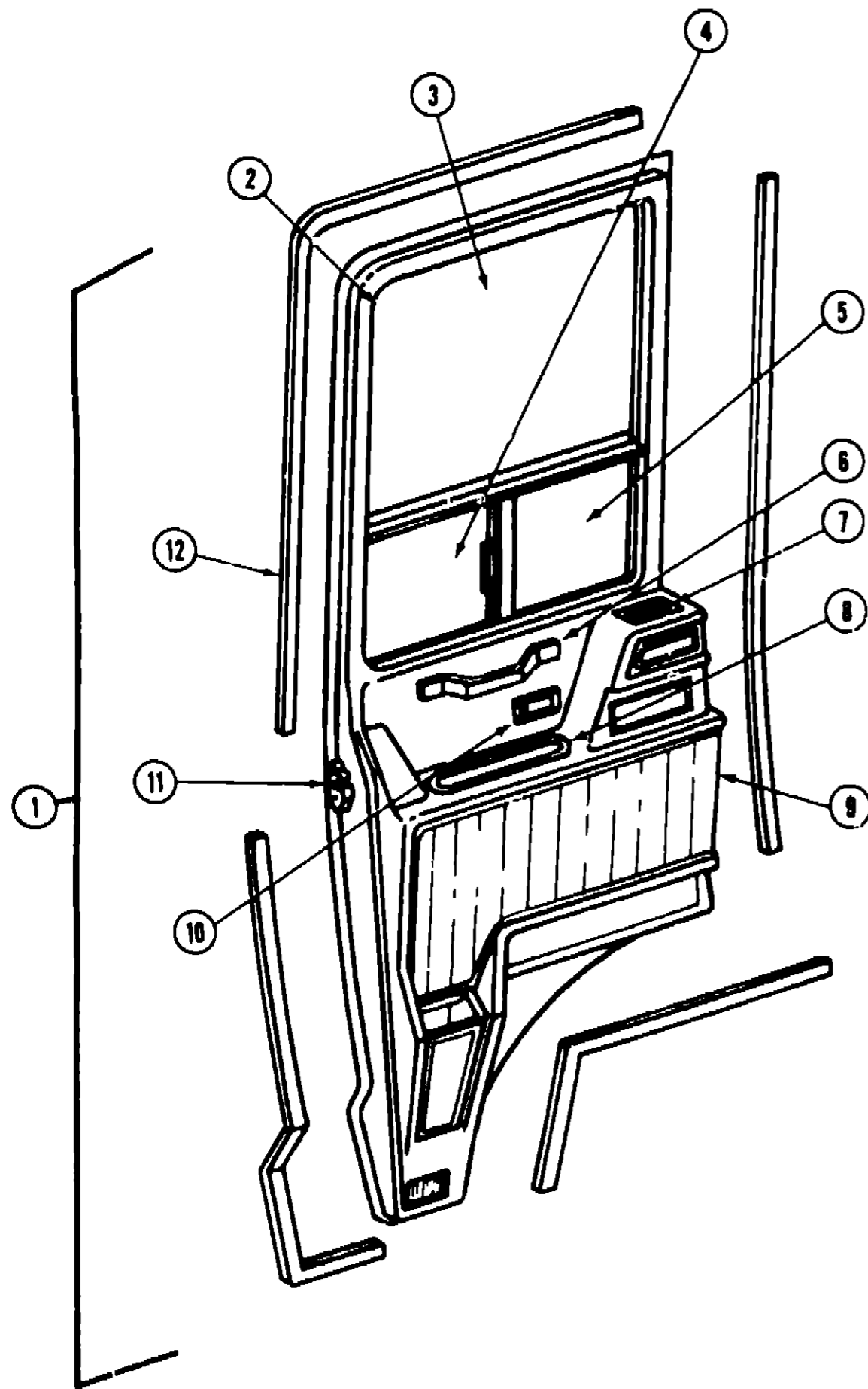
Key	Part Number	U/M	Description
1	M01596-05-X23	EA	Door Complete - Drivers - Beige - w/o Inserts
1	M01596-06-X78	EA	Door Complete - Drivers - Gray - w/o Inserts
2	M78469-02-000	EA	Window Asm - Drivers - w/Support
	077209-02-000	EA	Inside Frame Asm. - Window - Driver Door - Used w/Door
3	077036-01-000	EA	Glass - .19" x 28.9" x 22"
4	078379-01-000	EA	Glass - .19" x 15" x 9.3" - w/Hole
5	077378-01-000	EA	Glass - .19" x 15" x 9.3"
	077224-04-000	EA	Window Mullion - Horizontal - Driver
	077226-02-000	EA	Window Mullion - Vertical - Driver
	A02389-53-001	EA	Seal Holder - w/Fin Seal
	042077-01-000	FT	Channel - Weatherstrip - Glass
	041928-02-000	EA	Seal - Window Channel
	050216-02-000	EA	Spline - Vinyl Glass - .19 Black
6	061400-04-000	EA	Assist Strap - 12" - w/Woodgrain
7	078783-01-000	EA	Louver/Bezel Asm. - Black - 2"
	075671-01-000	FT	Sponge Seal - Lazy T Shape
	076542-01-000	EA	Control Rod - Right Hand Latch
	076543-01-000	EA	Control Rod - Right Hand Lock
	076542-02-000	EA	Control Rod - Left Hand Latch
	076543-02-000	EA	Control Rod - Left Hand Lock
	077187-02-000	EA	Door Prop Rod - Drivers
8	077118-03-000	EA	Storage Tray - Door Panel - Beige
8	077118-02-000	EA	Storage Tray - Door Panel - Gray
	077179-01-000	EA	Hose Adapter - 2" - Snap In
	077000-01-000	EA	Socket Asm. - w/8" Pigtail Leads
9	077117-06-000	EA	Door Panel - Front Inner - Driver - Beige
	077117-04-000	EA	Door Panel - Front Inner - Driver - Gray
	063886-03-000	EA	Assist Handle - Beige
	063886-04-000	EA	Assist Handle - Gray
10	R77006-50-261	EA	Door Handle - Interior - Right
10	R77006-50-326	EA	Door Handle - Interior - Left
	R77040-01-538	EA	Door Handle - Exterior
	R77007-05-374	EA	Gasket - Door Handle - Exterior
11	R77013-48-168	EA	Latch Asm. - Right
11	R77013-48-167	EA	Latch Asm. - Left
	R77007-62-747	EA	Latch Asm. - Inner - Right
	R77007-62-746	EA	Latch Asm. - Inner - Left
12	078813-01-000	FT	Seal - Entrance Door (Glue On)
	R77007-04-138	EA	Lock Bracket
	080963-01-000	EA	Arm - Lock Control
	R77030-67-257	EA	Spline Pine
	R77007-73-327	EA	Cylinder & Key
	R77008-84-355	EA	Control Link
	084580-02-000	EA	Check Strap - Front Door - 7"
	084219-01-000	EA	Retainer - Check Strap - Front Door
	R77013-48-185	EA	Striker - Door - Left
	R77013-48-166	EA	Striker - Door - Right
	081632-01-000	FT	Bulb Seal - Cab Door - w/Wire Channel
	075245-03-000	EA	Hinge - Cab Door - Beige
	075245-02-000	EA	Hinge - Cab Door - Gray
	031905-02-000	EA	Control Knob (Lock/Unlock) Left
			Not illustrated

1988 P-SERIES COMMON ITEMS TABLE OF CONTENTS

Introduction	A-01
Alphabetical Index	A-02 - A-04
Accessories Group	A-05 - A-08
Bath Group	A-09
Chassis Group	A-10 - A-17
Curtain, Cushion & Pad Group	A-18 - B-12
Driver's Compartment Group	B-13 - B-18
Electrical Group	B-19 - B-21
Exterior Body Group	B-22 - C-07
Galley Group	C-08
Heating & Air Conditioning Group	C-09
Interior Finish Group	C-10 - C-15
LP Group	C-16
Water & Sewage Group	C-17
Window, Vent & Exterior Door Group	C-18 - D-16

WINDOW, VENT & EXTERIOR DOOR GROUP (CONTINUED)

DRIVERS & PASSENGER CAB DOOR ELANDAN & WINDCRUISER



Key	Part Number	U/M	Description
1	M01596-08 X75	EA	Door Asm - Drivers - Gray - w/o Inserts
1	M01596-07-X19	EA	Door Asm - Drivers - Beige - w/o Inserts
	M01595-08-X75	EA	Door Asm - Passengers - Gray - w/o Inserts
	M01595-07-X19	EA	Door Asm - Passengers - Beige - w/o Inserts
2	M78469-01-000	EA	Window Asm - Passenger Door - w/Support
	M78469-02-000	EA	Window Asm - Drivers Door - w/Support
	077209-01-000	EA	Inside Frame Asm - Window - Passenger
	077209-02-000	EA	Inside Frame Asm - Window - Driver
3	077036-03-000	EA	Glass - 19' x 28.9 x 22
4	078379-01-000	EA	Glass - 19 x 15 x 9.3 - w/Hole
5	077378-01-000	EA	Glass - 19 x 15' x 9.3
	077224-03-000	EA	Window Mullion - Horizontal - Passenger
	077224-04-000	EA	Window Mullion - Horizontal - Driver
	077226-01-000	EA	Window Mullion - Vertical - Passenger
	077226-02-000	EA	Window Mullion - Vertical - Driver
	M02389-53-001	EA	Seal Holder - w/Fin Seal
	042077-01-000	FT	Channel - Weatherstrip - Glass
	041928-02-000	EA	Seal - Window Channel
	050216-02-000	EA	Spline - Vinyl Glass - 19 Black
6	061400-04-000	EA	Assist Strap - 12 - w/Woodgrain
7	076783-01-000	EA	Louver/Bezel Asm, - Black - 2
	075671-01-000	FT	Sponge Seal - Lazy U Shape
	076542-01-000	EA	Control Rod - Right Hand Latch
	076543-01-000	EA	Control Rod - Right Hand Lock
	076542-02-000	EA	Control Rod - Left Hand Latch
	076543-02-000	EA	Control Rod - Left Hand Lock
	077167-01-000	EA	Door Prop Rod - Passenger
	077167-02-000	EA	Door Prop Rod - Drivers
8	077118-02-000	EA	Storage Tray - Door Panel - Gray
8	077118-03-000	EA	Storage Tray - Door Panel - Beige
	077179-01-000	EA	Hose Adapter - 2 - Snap In
	077000-01-000	EA	Socket Asm - w/B Pigtail Lead
9	077117-04-000	EA	Door Panel - Front Inner - Driver - Gray
9	077117-06-000	EA	Door Panel - Front Inner - Driver - Beige
	077117-03-000	EA	Door Panel - Front Inner - Passenger - Gray
	077117-05-000	EA	Door Panel - Front Inner - Passenger - Beige
	063886-03-000	EA	Assist Handle - Beige Steel Tube
	063886-04-000	EA	Assist Handle - Gray Steel Tube
10	R77006-50-261	EA	Door Handle - Interior - Right
10	R77006-50-326	EA	Door Handle - Interior - Left
	R77040-01-538	EA	Door Handle - Exterior
	R77007-05-374	EA	Gasket - Door Handle - Exterior
11	R77013-48-168	EA	Latch Asm - Right
11	R77013-48-187	EA	Latch Asm - Left
	R77007-62-747	EA	Latch Asm - Inner - Right
	R77007-62-748	EA	Latch Asm - Inner - Left
12	076813-01-000	FT	Seal - Entrance Door (Glue On)
	R77007-04-136	EA	Lock Bracket
	080963-01-000	EA	Arm - Lock Control
	R77030-87-257	EA	Spline - Pine
	R77007-73-327	EA	Cylinder & Key
	R77008-64-355	EA	Control Link
	064580-02-000	EA	Check Strap - Front Door - 7'
	064219-01-000	EA	Retainer - Check Strap - Front Door
	R77013-48-165	EA	Striker - Door - Left
	R77013-48-188	EA	Striker - Door - Right
	081632-01-000	FT	Bulb Seal - Cab Door - w/Wire Channel
	075245-03-000	EA	Hinge - Cab Door - Beige
	075245-02-000	EA	Hinge - Cab Door - Gray
	081905-01-000	EA	Control Knob (Lock/Unlock) - Right
	081905-02-000	EA	Control Knob (Lock/Unlock) - Left
			Not Illustrated

1988 P-SERIES COMMON ITEMS TABLE OF CONTENTS

Introduction	
Alphabetical Index	A-
Accessories Group	A-
Bath Group	
Chassis Group	A-
Curtain - Cushion & Pad Group	A
Driver's Compartment Group	B-
Electrical Group	B
Exterior Body Group	B
Galley Group	
Heating & Air Conditioning Group	
Interior Finish Group	C
LP Group	
Water & Sewage Group	
Window Vent & Exterior Door Group	C