

1988 M & N SERIES COMMON ITEMS

INTRODUCTION

The 1988 parts program has been designed to aid in ease of material retrieval. Do not be misled into using an illustration that looks right to you. Even though the illustration is the same, part numbers will often be different for different models.

Information is provided by year, group and model. To use the system, first determine the year and series of the motor home, then utilizing the alphabetical index provided on grid A-2, determine the group. With this information you should proceed to a given group for the information you need.

Most items common to more than one unit, in a given series, are illustrated or listed on this series common items fiche. The top assembly number for any given item is listed in each individual motor home listing, reference is made to the 1984-88 motor home common items fiche for a detailed breakdown.

The illustrations of various items are provided for clarification. Only keyed items for which part numbers are provided (on the illustration) may be purchased from Winnebago Industries.

1988 M & N SERIES COMMON ITEMS TABLE OF CONTENTS

Introduction	A-01 - A-02
Accessories Group	A-03 - A-05
Bath Group	A-06
Chassis Group	A-07 - A-11
Curtain, Cushion & Pad Group	A-12 - B-02
Driver's Compartment Group	B-03 - B-06
Electrical Group	B-07 - B-09
Exterior Body Group	B-10 - B-19
Galley Group	B-20
Heating & Air Conditioning Group	B-21
Interior Finish Group	B-22 - C-01
LP Group	C-02
Water & Sewage Group	C-03
Window, Vent & Exterior Door Group	C-04 - C-18

ACCESSORIES GROUP

RACK & LADDER COMPONENTS

Key	Part Number	U/M	Description
	080997-04-X14	EA	Ladder Asm. - Lower - M Series
	080997-02-T03	EA	Ladder Asm. - Lower - N Series
	080999-02-T03	EA	Ladder Asm. - Upper
	081026-01-T03	EA	Rack Asm. - Right
	081026-02-T03	EA	Rack Asm. - Left
	081055-01-000	EA	Spring Grip - Internal
	081056-01-000	EA	Pin - Quick Release
	081114-01-000	EA	Cap - Insert - 1" Round

MICROWAVE/CONVECTION OVEN & COMPONENTS

Key	Part Number	U/M	Description
	088737-01-000	EA	Microwave/Convection Oven - Magic Chef
	088682-03-000	EA	Bracket Asm. - Microwave - Right
	088682-04-000	EA	Bracket Asm. - Microwave - Left
	088737-02-000	EA	Frame Kit - Microwave Oven

FOG LAMP & COMPONENTS

Key	Part Number	U/M	Description
	088747-01-000	EA	Lamp Asm. - Fog - Clear Lens
	089305-01-000	EA	Switch - Fog Lamp

CUSTOM STEERING WHEEL

Key	Part Number	U/M	Description
	080752-05-000	EA	Steering Wheel - Custom
	080752-06-000	EA	Hub Adapter - Steering Wheel
	080752-07-000	EA	Button - Horn - w/Wire
	080752-08-000	EA	Screw - Custom Steering Wheel

POWER SEARCHLIGHT & COMPONENTS

Key	Part Number	U/M	Description
	051057-02-000	EA	Searchlight - Power Driven
	051057-01-700	EA	Switch - Panel Asm. (Aux.)
	051057-01-701	EA	Switch - Panel Asm. (Main)
	051057-01-702	EA	Joy Switch & Housing
	051057-01-703	EA	Toggle Switch - On/Off
	051057-01-704	EA	Micro Switch
	051057-03-000	EA	Switch Asm. - Searchlight

WHEEL COVER & MOUNTING HARDWARE

Key	Part Number	U/M	Description
	083181-03-700	EA	Wheel Cover - 19.5"
	083181-04-000	EA	Retainer Kit - 19.5" Wheel Cover (Set/4)
	083181-04-700	EA	Retainer Kit - 19.5" Front (1)
	083181-04-701	EA	Retainer Kit - 19.5" Rear (1)
	083181-04-702	EA	Nut Cover - 19.6"
	083181-04-703	EA	Cap - Chrome Center
	083181-01-700	EA	Wheel Cover - 16.0" (1)

ACCESSORIES GROUP (CONTINUED)

CHROME WHEEL LINERS

Key	Part Number	U/M	Description
	091209-01-000	EA	Wheel Liner - Chrome - 19.5" (Set/4)
	091209-01-700	EA	Wheel Liner - 10 Lug - 19.5" - Front
	091209-01-701	EA	Wheel Liner - 10 Lug - 19.5" - Rear
	091209-01-702	EA	Axle Cover - 10 Lug - 19.5" - Front
	091209-01-703	EA	Axle Cover - 10 Lug - 19.5" - Rear
	091209-01-704	EA	Cover - Lug Nut - 19.5" Chrome
	077030-02-000	EA	Valve Stem Extension - 1.25"
	091209-04-000	EA	Wheel Liner - Chrome - 16.0" (Set/4)
	091209-04-700	EA	Wheel Liner - Chevy - 16.0" - Front
	091209-04-701	EA	Wheel Liner - Chevy - 16.0" - Rear
	086271-04-702	EA	Axle Cover - Chevy - 16.0" - Front
	086271-04-703	EA	Axle Cover - Chevy - 16.0" - Rear
	086271-04-704	EA	Cover - Lug Nut - Chevy

EXTERIOR MIRRORS

Key	Part Number	U/M	Description
**	086260-01-000	EA	Mirror Asm. - w/Convex - Right
**	086260-02-000	EA	Mirror Asm. - w/Convex - Left
**	086259-01-000	EA	Mirror Asm. - Remote Control - Right
**	086259-02-000	EA	Mirror Asm. - Remote Control - Left
**	The illustrated parts breakdown for this item is provided on the Common Items Fiche.		

GENERATORS & COMPONENTS

Key	Part Number	U/M	Description
	081634-01-000	EA	Generator - Onan - 6.5 kw - Emerald
	079654-03-000	EA	Generator - Onan - 4.0 kw - Emerald
	079654-04-000	EA	Generator - Onan - 4.0 kw - Emerald (22RC & 22EC)
	079654-01-700	EA	Hinge Kit - Emerald Generator
	078045-01-000	EA	Plate - Support - Generator - w/Lip
	084365-01-000	EA	Plate - Support - Generator - Flat
	079654-05-000	EA	Pipe - Exhaust - Emerald Generator (All)
	083152-01-000	EA	Pipe - Exhaust - Emerald Generator (27RU & 27RQ)
	081364-01-000	EA	Muffler - Generator - Emerald
	083151-01-000	EA	Muffler - Generator - Emerald (27RU & 27RQ)
	086246-01-000	EA	Tray - Generator for 33RU
	086494-01-000	EA	Bracket - Exhaust - Generator (33RU w/6.5)

RADIO & RELATED COMPONENTS

Key	Part Number	U/M	Description
	031105-02-000	EA	Antenna - Side Mount
	031105-01-700	EA	Holder - Radio Antenna - Upper
	090944-01-000	EA	Antenna - Rear Radio
	087683-01-000	EA	Radio - AM/FM Stereo - w/Cassette
	087684-01-000	EA	Radio - AM/FM Stereo - w/Auto Reverse Cassette - Electronic Tune
	090982-01-000	EA	Radio - AM/FM Stereo - w/Cassette - Electronic Tune #HCC-1035
	090339-01-000	EA	Radio - AM/FM Stereo - w/Cassette (Rear Stereo)
	064791-01-000	EA	Speaker - Recessed - 5.25" Dia.
	064792-01-000	EA	Grille - Speaker - Brown - 7.14" Square - Used - used w/064791-01-000
	089340-01-000	EA	Grille - Speaker - 6.5" Square - used w/064791-01-000
	073741-03-000	EA	Speaker - Oval - 4" x 6"
	073741-04-000	EA	Grille - Speaker - Oval - 4" x 6"
	073431-01-000	EA	Speaker - 3-Way - 5.25" Dia. - w/Grille (Hi-Comp)
	073431-02-000	EA	Speaker - 3-Way - 5.25" Dia. - w/o Grille (Hi-Comp)
	074979-01-000	EA	Cover - Speaker - Light Oak Plastic

*Used in units produced after 7-17-87

1988 M & N SERIES COMMON ITEMS TABLE OF CONTENTS

Introduction	A-01 - A-02
Accessories Group	A-03 - A-05
Bath Group	A-06
Chassis Group	A-07 - A-11
Curtain, Cushion & Pad Group	A-12 - B-02
Driver's Compartment Group	B-03 - B-06
Electrical Group	B-07 - B-09
Exterior Body Group	B-10 - B-19
Galley Group	B-20
Heating & Air Conditioning Group	B-21
Interior Finish Group	B-22 - C-01
L.P. Group	C-02
Water & Sewage Group	C-03
Window, Vent & Exterior Door Group	C-04 - C-18

ACCESSORIES GROUP (CONTINUED)

MISCELLANEOUS ACCESSORIES

Key	Part Number	U/M	Description
	054185-28-000	EA	Owners Manual - 1988 - Winnebago & Itasca
**	076319-01-000	EA	Antenna - TV - 44.5" Mast
	023111-01-000	EA	Food Center - Built In
	066779-01-000	EA	Clock - 8.25" x 8.25"
	085732-02-000	EA	Clock
	086269-01-000	EA	Picture - Decor
	081202-01-000	EA	Floor Mat - Front - Right - Winnebago
	081201-01-000	EA	Floor Mat - Front - Left - Winnebago
	081075-01-000	EA	Floor Mat - Entrance - Winnebago
	081202-02-000	EA	Floor Mat - Front - Right - Itasca
	081201-02-000	EA	Floor Mat - Front - Left - Itasca
	081705-02-000	EA	Floor Mat - Entrance - Itasca
	007038-01-000	EA	Floor Mat - Entrance - Winnebago - Black
	040069-01-000	EA	Floor Mat - Entrance - Itasca - Black
	017516-01-000	EA	Mud Flap - 14" x 18" - Rear - Black
	041944-04-000	EA	Fire Extinguisher - 5 BC - w/o Mounting Bracket
	084472-01-000	EA	Holder - Fire Extinguisher
	041944-03-000	EA	Fire Extinguisher Dry - 5 BC
	072852-01-000	EA	Smoke Detector w/9 Volt Battery
	006069-01-000	EA	Key Case - Leather
	080208-01-000	EA	Lug Wrench
	080208-02-000	EA	Leverage Bar - Lug Wrench
	006113-01-000	EA	Jack - Hydraulic - 6 Ton - w/Handle
	035420-02-000	EA	Defroster Fan - 6" - 2 Speed Fan
	086758-02-000	EA	Television - 13" Digital Color - Remote Control
	086759-02-000	EA	VCR - VHS - Table Model
	086757-01-000	EA	Control Center - Channel Master
**	083212-06-000	EA	Speed Control - w/Smart Stick
	091201-01-000	EA	Step Asm. - Electric (Kwikkee) Double
**	088746-01-000	EA	Step Asm. - Electric (Kwikkee)
	087249-01-000	EA	Motor Asm. - Rear Wiper
	087251-01-000	EA	Blade - Rear Wiper - 16" Black
	087252-01-000	EA	Arm Asm. - Rear Wiper - 20" Black
	087967-01-000	EA	Cover - Rear Wiper Motor - Inside
	088778-01-000	EA	Vacuum Cleaner - Hand Held
	087200-01-000	EA	Filter - Water Purification
	087200-02-000	EA	Cartridge - Water Filter - Purification
**	The illustrated parts breakdown for this item is provided on the Common Items Fiche.		

AIR HORNS & COMPONENTS

Key	Part Number	U/M	Description
	077497-01-000	EA	Air Horn Kit - Twin Chromed
	077497-01-700	EA	Solenoid - Air Tank
	077497-01-701	EA	Switch - Compressor
	077497-01-702	EA	Toggle Switch w/Wire
	077497-01-703	EA	Air Tank
	077497-01-704	EA	Compressor w/Switch
	077497-02-000	EA	Hose Kit - Auxiliary Air
	077497-03-000	EA	Parts Kit - Hose - Auxiliary Air
	079239-01-000	EA	Label Plate - Horn

BATH GROUP

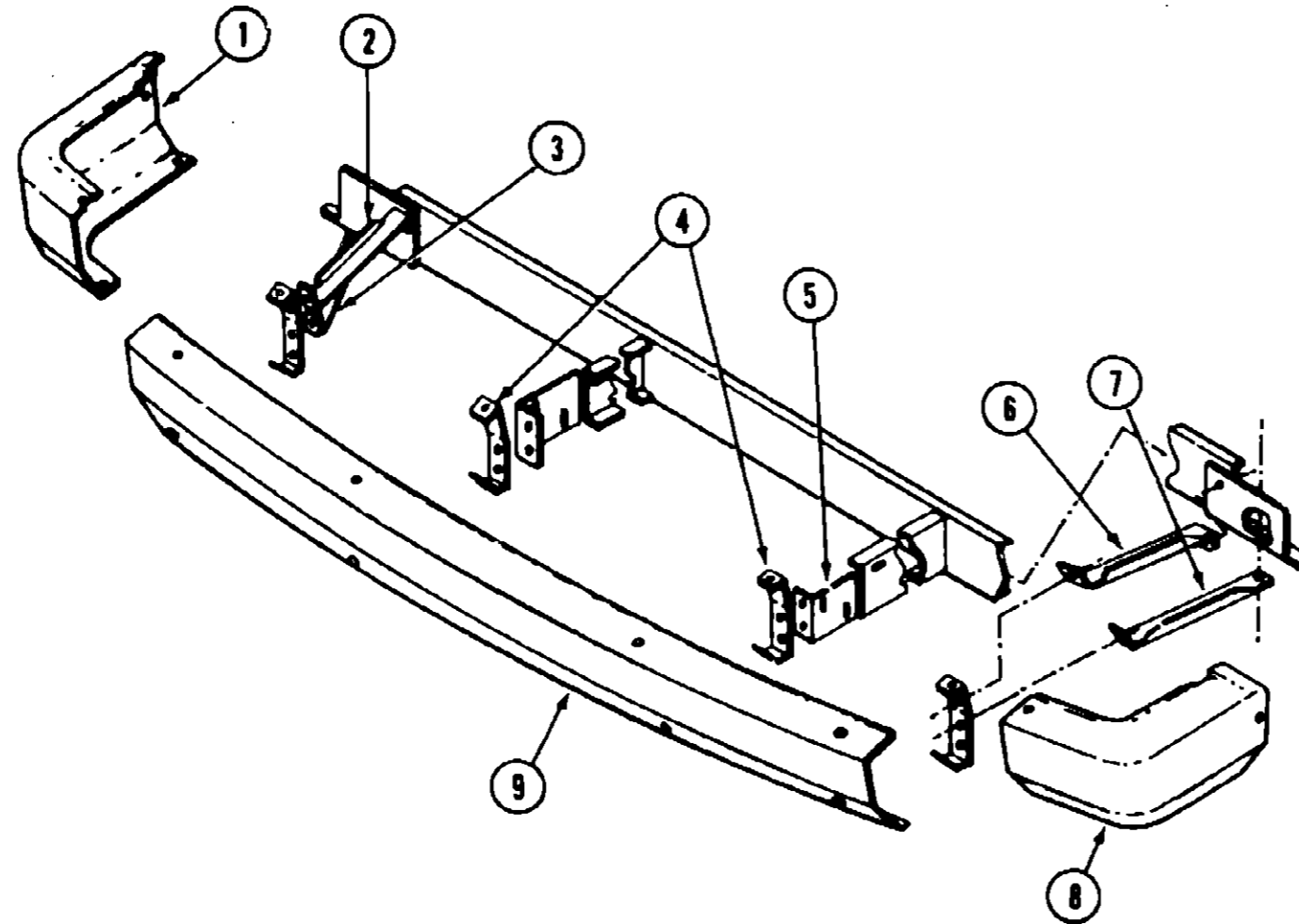
BATH & WARDROBE HARDWARE

Key	Part Number	U/M	Description
	075240-03-000	EA	Faucet Lavatory - Brass
	075242-03-000	EA	Faucet - Tub & Shower - Brass
	089366-01-000	EA	Sink Oval - Ivory Plastic
	M02673-02-X11	EA	Shower Pan Asm. - w/Strainer - 27RT
	M02630-05-W89	EA	Bathtub Asm. - w/Strainer - 22EC
	M02429-02-000	EA	Shower Pan Asm. w/Strainer - 27RQ, 31RQ
	M01817-01-T03	EA	Bathtub Asm. - w/Strainer - 22RC, 31RT, 33RU, 34RQ
	080256-01-000	EA	Shroud - Bathtub - 22RC, 31RT, 33RU, 34RQ
	009059-01-000	EA	Hinge - 2" - Gold
	059777-02-000	EA	Hinge - Cabinet Door - Brass
	086264-01-000	EA	Pull - Polished Brass
	009021-01-000	EA	Catch - Nylon - Grill
	009021-02-000	EA	Strike - Spring Steel
	011048-02-000	EA	Shower Head - w/60" Hose
	066440-01-000	EA	Strainer - Shower Pan - w/Rubber Washer
	066729-01-000	EA	Strainer - Tub
	066236-01-000	EA	Slip Nut - 1.5" Tail Piece - Bathtub
	066435-01-000	EA	Nut - Strainer - Plastic
	075452-01-000	EA	Tissue Holder - Brass
	009134-01-000	EA	Tissue Holder - Chrome
	075680-01-000	EA	Clothes Rod - Adjustable
	075453-02-000	EA	Bar - Towel Rack
	075454-02-000	EA	Towel Ring - Brass
	009112-01-000	EA	Flange - 1" Closet Rod
	058331-01-000	EA	Mirror - Tempered Glass - 19" x 26"
	058331-04-000	EA	Mirror - Tempered Glass - 12" x 42"
	058331-05-000	EA	Mirror - Tempered Glass - 12" x 26"
	058331-10-000	EA	Mirror - Tempered Glass - 14" x 17"
	058331-14-000	EA	Mirror - Tempered Glass - 14" x 12.7"
	058331-18-000	EA	Mirror - Tempered Glass - 11.25" x 22.14"
	058331-20-000	EA	Mirror - Tempered Glass - 13.2" x 44.52"
	058331-22-000	EA	Mirror - Tempered Glass - 17.16" x 44.52"
	058331-26-000	EA	Mirror - Tempered Glass - 6.3" x 19.92"
	083204-01-000	EA	Retaining Button - Glass - Brown Plastic
**	064076-01-000	EA	Toilet - Ivory (W27RQ, 31RQ, 27RT, 31RT)
**	039341-02-000	EA	Toilet - Marine - Ivory (W34RQ, 22RC, 33RU)
**	067487-01-000	EA	Toilet - Aqua Magic IV - Low (I27RQ, 31RQ, 27RT, 31RT)
**	063740-01-000	EA	Toilet - Aqua Magic IV - High (I34RQ, 22EC, 27F.U, 33RU)
	081614-01-000	EA	Soap Dish - Brass

1988 M & N SERIES COMMON ITEMS TABLE OF CONTENTS

Introduction	A-01 - A-02
Accessories Group	A-03 - A-05
Bath Group	A-06
Chassis Group	A-07 - A-11
Curtain, Cushion & Pad Group	A-12 - B-02
Driver's Compartment Group	B-03 - B-06
Electrical Group	B-07 - B-09
Exterior Body Group	B-10 - B-19
Galley Group	B-20
Heating & Air Conditioning Group	B-21
Interior Finish Group	B-22 - C-01
LP Group	C-02
Water & Sewage Group	C-03
Window, Vent & Exterior Door Group	C-04 - C-18

CHASSIS GROUP



1988 M & N SERIES COMMON ITEMS TABLE OF CONTENTS

Introduction	A-01 - A-02
Accessories Group	A-03 - A-05
Bath Group	A-06
Chassis Group	A-07 - A-11
Curtain, Cushion & Pad Group	A-12 - B-02
Driver's Compartment Group	B-03 - B-06
Electrical Group	B-07 - B-09
Exterior Body Group	B-10 - B-19
Galley Group	B-20
Heating & Air Conditioning Group	B-21
Interior Finish Group	B-22 - C-01
LP Group	C-02
Water & Sewage Group	C-03
Window, Vent & Exterior Door Group	C-04 - C-18

FRONT BUMPER

22RC, 22EC, 27RT, 27RU, 31RT, 33RU

Key	Part Number	U/M	Description
1	086415-01-000	EA	Bumper End - Beige - Right Front
1	078577-05-000	EA	Bumper End - Gray - Right Front
2	078002-01-000	EA	Brace - Upper Right - Front Bumper
3	078003-01-000	EA	Brace - Lower Right - Front Bumper
4	077852-01-000	EA	Bracket to Bumper - Front
5	078527-01-000	EA	Bracket to Frame - Front Bumper
6	078002-02-000	EA	Brace - Upper Left - Front Bumper
7	078003-02-000	EA	Brace - Lower Left - Front Bumper
8	086415-03-000	EA	Bumper End - Beige - Left Front
8	078577-06-000	EA	Bumper End - Gray - Left Front
9	077850-01-000	EA	Bumper - Front - Primed
9	077850-07-000	EA	Bumper - Front - Chrome
.	005200-01-000	EA	Carriage Bolt - Chrome - 7/16" x 14 x 1 1/4"
.	000D39-07-008	EA	Nut - Hex - 7/16" - 14
.			Not illustrated

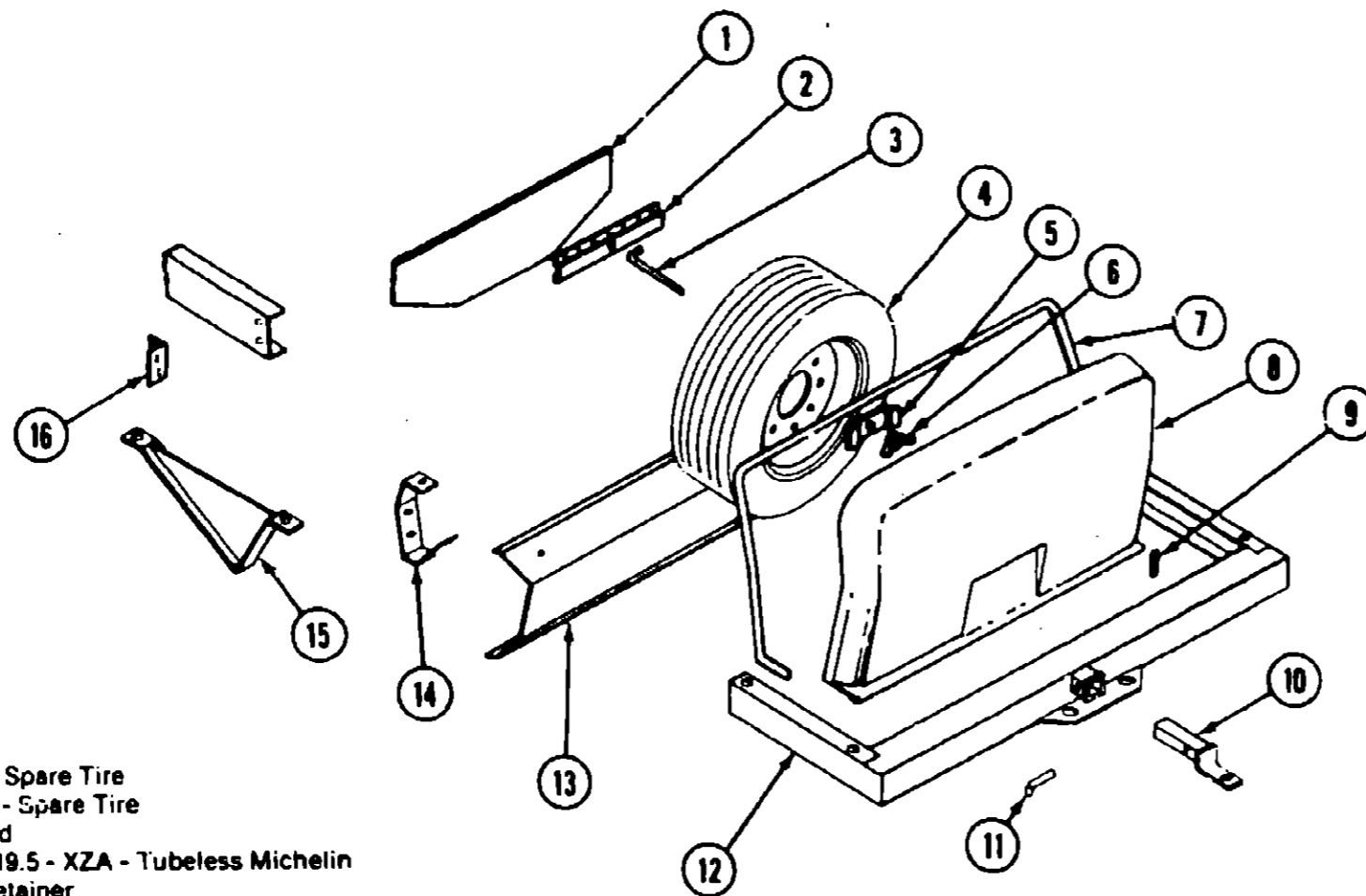
FRONT BUMPER

27RQ, 31RQ, 34RQ

Key	Part Number	U/M	Description
1	078577-01-000	EA	Bumper End - Beige - Right Front
1	078577-05-000	EA	Bumper End - Gray - Right Front
2	078002-01-000	EA	Brace - Upper Right - Front Bumper
3	078003-01-000	EA	Brace - Lower Right - Front Bumper
4	077852-01-000	EA	Bracket to Bumper - Front
5	078527-01-000	EA	Bracket to Frame - Front Bumper
6	078002-02-000	EA	Brace - Upper Left - Front Bumper
7	078003-02-000	EA	Brace - Lower Left - Front Bumper
8	078577-02-000	EA	Bumper End - Beige - Left Front
8	078577-06-000	EA	Bumper End - Gray - Left Front
9	077850-09-000	EA	Bumper - Front - Chrome
.	005200-01-000	EA	Carriage Bolt - Chrome - 7/16" x 14" x 1 1/4"
.			Not illustrated

CHASSIS GROUP (CONTINUED)

SPARE TIRE, HITCH & REAR BUMPER



Key	Part Number	U/M	Description
1	077395-01-000	EA	Dust Shield - Spare Tire
2	077403-01-000	EA	Rod Support - Spare Tire
3	077411-01-000	EA	Retaining Rod
4	007324-04-000	EA	Tire - 8.00 x 19.5 - XZA - Tubeless Michelin
5	077399-01-000	EA	Spare Tire Retainer
6	064081-01-000	EA	Wing Nut
7	058027-01-000	FT	Tire Cover Seal
8	079165-01-W07	EA	Tire Cover Asm. - Beige - 22RC, 27RT, 27RU, 31RT, 33RU
8	079165-02-X36	EA	Tire Cover Asm. - Gray - 27RT, 27RU, 31RT, 33RU
8	088425-01-X14	EA	Tire Cover Asm. - Beige - 27RQ, 31RQ, 34RQ
8	088425-01-X70	EA	Tire Cover Asm. - Gray - 27RQ, 31RQ, 34RQ
*	077408-01-000	EA	Lock Asm. - Tire Cover
*	077759-01-000	EA	Support Spacer - Spare Tire
*	077400-01-000	EA	Support - Spare Tire
9	034513-01-000	EA	Pin - Hitch - 3/16" Wire
10	077613-01-000	EA	Drawbar - Ball Mount
11	034512-01-000	EA	Locking Pin - Drawbar
12	077617-01-700	EA	Hitch Asm. - w/o Drawbar
13	078584-01-000	EA	Bumper - Rear - Primec
13	078584-08-000	EA	Bumper - Rear - Chromed
*	086415-01-000	EA	Bumper End - Passenger - Rear - Beige - W22RC, W27RT, W27RU, W31RT, W33RU
*	086415-03-000	EA	Bumper Ends - Drivers - Rear - Beige - W22RC, W27RT, W27RU, W31RT, W33RU
*	078577-01-000	EA	Bumper End - Passengers - Rear - Beige - W27RQ, W31RQ, W34RQ
*	078577-02-000	EA	Bumper End - Drivers - Rear - Beige - W27RQ, W31RQ, W34RQ
*	078577-05-000	EA	Bumper End - Passengers - Rear - Gray - All Itasca
*	078577-06-000	EA	Bumper End - Drivers - Rear - Gray - All Itasca
14	078670-02-000	EA	Bracket to Bumper - Rear
15	083376-01-000	EA	Skid Plate Asm.
16	078668-01-000	EA	Support Angle - Rear Bumper Support to Frame
*	005200-01-000	EA	Bumper Bolt - 7/16" - 14 x 1 1/4
*	000039-07-00B	EA	Nut - Hex - 7/16" - 14
*			Not illustrated

1988 M & N SERIES COMMON ITEMS TABLE OF CONTENTS

Introduction	A-01 - A-02
Accessories Group	A-03 - A-05
Bath Group	A-06
Chassis Group	A-07 - A-11
Curtain, Cushion & Pad Group	A-12 - B-02
Driver's Compartment Group	B-03 - B-06
Electrical Group	B-07 - B-09
Exterior Body Group	B-10 - B-19
Galley Group	B-20
Heating & Air Conditioning Group	B-21
Interior Finish Group	B-22 - C-01
LP Group	C-02
Water & Sewage Group	C-03
Window, Vent & Exterior Door Group	C-04 - C-18

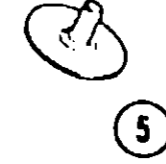
CHASSIS GROUP (CONTINUED)

MISCELLANEOUS CHASSIS

Key	Part Number	U/M	Description
	062401-04-000	EA	Clamp - Hose - Wormgear - .89" I.D. - 1.25" I.D.
	062401-05-000	EA	Clamp - Hose - Wormgear - 2" I.D. - 3" I.D.
	062401-06-000	EA	Clamp - Hose - Wormgear - .22" I.D. - .62" I.D.
	023146-01-000	EA	Clamp - Screw Type - 4"
	024490-01-000	EA	Compartment - Power Cord - Black Plastic
	071656-01-000	EA	Cover - Radiator - Rear
	060722-01-000	EA	Cover - Radiator - Rear Back (Fan Shroud)
	024138-01-000	FT	Hose - Fuel - 5/16" I.D. SAE 30RI
	066732-01-000	FT	Hose - Fuel Fill - .62 I.D.
	007111-02-000	EA	Hose - Fuel Fill - 2.00 I.D.
	007111-01-000	EA	Hose - Fuel Fill - 2.25 I.D.
	017516-01-000	EA	Mud Flap w/Holes - 14" x 18" - Black
	064963-01-000	EA	Rim - Wheel - 19.5" x 6.75"
	064962-02-000	EA	Rim - Wheel - 16" x 6"
	066273-01-000	EA	Relay - Battery Disconnect
	084086-01-000	EA	Air Spring Bellows - Rear
	079942-01-000	EA	Shock Absorber - Stabilizer - Front
	063977-08-000	EA	Step Asm. - Driver Door
	063977-10-000	EA	Step Asm. - Passenger Door
	077848-01-000	EA	Step Asm. - Entry - Pull Out
	007324-04-000	EA	Tire - 8.0" x 19.5" - Tubeless - Michelin
	007321-01-000	EA	Tire - 8.0" x 19.5" - 8 Ply - Tube - Polyester
	050273-02-000	EA	Tire - 7.5" x 16" - Tubeless - Michelin
	040546-03-000	EA	Tire - 7.5" x 16" - 8 Ply - Tube - Polyester
	051377-01-000	EA	Valve Stem Asm. - TR500
	055374-01-000	EA	Wheelwell - Plastic - 27RU, 31RT, 33RU
	055080-01-000	EA	Wheelwell - Plastic - 22RC, 22EC, 27RT
	067883-01-000	EA	Wheelwell - Plastic - 27RQ, 31RQ, 34RQ
	006343-01-000	EA	Wire Tie - 6"
	007125-07-000	EA	Clamp Asm. - Muffler - 1.62"
	007125-01-000	EA	Clamp Asm. - Muffler - 2.50"
	010497-01-000	EA	Clamp - Close - 5/8 I.D.
	007161-01-000	EA	Clamp - Hose - Spring Type 112
	062401-01-000	EA	Clamp - Hose - Wormgear - .22" I.D. x 1" I.D.
	062401-02-000	EA	Clamp - Hose - Wormgear - 1.56" I.D. - 2.5" I.D.
	062401-03-000	EA	Clamp - Hose - Wormgear - .25" I.D. - 1" I.D.
	076010-04-000	EA	Door Asm. & Upper Shroud - Fuel Fill - Beige
	076010-07-000	EA	Door Asm. & Wiper Shroud - Fuel Fill - Gray
	J72447-01-000	EA	Shroud - Fuel Fill - Inside
	083578-01-000	EA	Boot - Fuel Fill
	077963-01-000	EA	Gasket - Door - Gas Fill

Exhaust components available from Chassis Service Center

CURTAIN, CUSHION & PAD GROUP



Key	Part Number	U/M	Description
1	029130-01-000	EA	Socket - Snap Fastener
2	029155-01-000	EA	Cap - Snap - .156" Dia. x .17" Barrel
3	029156-01-000	EA	Socket - Snap Fastener
4	029092-01-000	EA	Stud - Nickel Finish
5	029093-01-000	EA	Eyelet - Nickel Finish

CURTAIN HARDWARE

Key	Part Number	U/M	Description
	029094-04-000	YD	Tape - Loop - 1" Wide - Black
	029096-03-000	YD	Tape - Hook - 1" Wide - Black
	048394-02-000	YD	Tape - Hook - .75" Wide - Beige
	048395-02-000	YD	Tape - Loop - .75" Wide - Beige
	088792-02-000	YD	Tape - Loop - .75" Wide - Beige - Adhesive
	056003-01-000	EA	Bracket Drapery Retainer - Right
	056003-02-000	EA	Bracket Drapery Retainer - Left
	081381-01-000	EA	Swivel Snap - Curtain Track
	082139-01-000	EA	Bracket - Hold Down - Blinds
	083170-01-000	EA	Bracket - Blind Installation - Right
	083170-02-000	EA	Bracket - Blind Installation - Left
	084434-01-000	EA	Bracket - Roller Shade - 1.375"
	087253-01-000	EA	Pull - Window Shade - Clear Plastic
	089335-01-000	EA	Track - Curtain - Brown Plastic
	086276-01-000	EA	Tape - Double Sided - 5"
	078394-01-000	FT	Trim - Brass Vinyl - .437" Wide - Window Side Panel
	077046-01-000	EA	Track - Curtain - Front Wraparound - Passenger
	077046-02-000	EA	Track - Curtain - Front Wraparound - Drivers
	029130-03-000	EA	Socket - Snap Fastener - 1"
	039175-01-000	EA	Rod - Curtain - Cafe Extension - 48" x 84"
	039175-02-000	EA	Bracket - Cafe Curtain Rod
	039175-05-000	EA	Bracket - Center - Cafe Curtain Rod
	079619-01-000	EA	Bracket - Tie Back
	079783-07-000	EA	Rod - Curtain - 55.8" - Beige
	079798-03-000	EA	Bracket - Curtain Rod - Right - Beige
	079798-04-000	EA	Bracket - Curtain Rod - Left - Beige

CHIEFTAIN, SUPERCHIEF, SUNFLYER, SUNCRUISER

COUCH & CHAIR HARDWARE

Key	Part Number	U/M	Description
	079386-01-000	EA	Frame Asm. - Couch - w/o Drawer Slides
	079386-02-000	EA	Hardware Kit - Couch
	090406-01-X19	EA	Drawer Asm. - Storage - Couch
	084466-04-000	EA	Slide Asm. - Storage Drawer - Couch - Right
	084466-05-000	EA	Slide Asm. - Storage Drawer - Couch - Left
	088245-01-000	EA	Base - Chair - Recliner w/Legs
	069246-05-000	EA	Adjuster Asm. - Recliner - w/Remote
	069246-02-000	EA	Adjuster Asm. - Recliner - w/o Lock
	088245-03-000	EA	Plate - Non Tilt Swivel - w/Lock - Recliner
	080245-04-000	EA	Extension - 4" - Recliner
	088245-05-000	EA	Extension - 5"

A-11

1988 M & N SERIES COMMON ITEMS TABLE OF CONTENTS

Introduction	A-01 - A-02
Accessories Group	A-03 - A-05
Bath Group	A-06
Chassis Group	A-07 - A-11
Curtain, Cushion & Pad Group	A-12 - B-02
Driver's Compartment Group	B-03 - B-06
Electrical Group	B-07 - B-09
Exterior Body Group	B-10 - B-19
Galley Group	B-20
Heating & Air Conditioning Group	B-21
Interior Finish Group	B-22 - C-01
LP Group	C-02
Water & Sewage Group	C-03
Window, Vent & Exterior Door Group	C-04 - C-18

1988 M & N SERIES CURTAIN, CUSHION & PAD GROUP INDEX

Hardware	A-12
Dinette Cushions	A-13 - A-14
Chairs	A-15
Pillow Shams & Twin Bed	A-16
Double Bed	A-17
Queen Bed	A-18
Couch	A-19 - A-20
Bucket Seats	A-21 - B-01
Front Bunk	B-01
Curtains	B-01
Fabrics	B-02

A-12

CURTAIN, CUSHION & PAD GROUP (CONTINUED)

CHIEFTAIN 22RC, 27RU

DINETTE CUSHIONS

Key	Part Number	U/M	Description
	088927-03-X11	EA	Cushion Asm. - 19.25" x 38" x 5" - Back (X11)
	088927-03-X09	EA	Cushion Asm. - 19.25" x 38" x 5" - Back (X12)
	088927-03-X10	EA	Cushion Asm. - 19.25" x 38" x 5" - Back (X13)
	M88927-03-X11	EA	Cover Asm. - Dinette Back Cushion (X11)
	M88927-03-X12	EA	Cover Asm. - Dinette Back Cushion (X12)
	M88927-03-X13	EA	Cover Asm. - Dinette Back Cushion (X13)
	088927-04-X11	EA	Cushion Asm. - 17.5" x 38" x 5" - Seat (X11)
	088927-04-X12	EA	Cushion Asm. - 17.5" x 38" x 5" - Seat (X12)
	088927-04-X13	EA	Cushion Asm. - 17.5" x 38" x 5" - Seat (X13)
	M88927-04-X11	EA	Cover Asm. - Dinette Seat Cushion (X11)
	M88927-04-X12	EA	Cover Asm. - Dinette Seat Cushion (X12)
	M88927-04-X13	EA	Cover Asm. - Dinette Seat Cushion (X13)

CHIEFTAIN 27RT, 31RT, 33RU

DINETTE CUSHIONS

Key	Part Number	U/M	Description
	088927-03-X23	EA	Cushion Asm. - 19.25" x 38" x 5" - Back (X11)
	088927-03-X24	EA	Cushion Asm. - 19.25" x 38" x 5" - Back (X12)
	088927-03-X25	EA	Cushion Asm. - 19.25" x 38" x 5" - Back (X13)
	M88927-03-X23	EA	Cover Asm. - Dinette Back Cushion (X11)
	M88927-03-X24	EA	Cover Asm. - Dinette Back Cushion (X12)
	M88927-03-X25	EA	Cover Asm. - Dinette Back Cushion (X13)
	088927-04-X23	EA	Cushion Asm. - 17.5" x 38" x 5" - Seat (X11)
	088927-04-X24	EA	Cushion Asm. - 17.5" x 38" x 5" - Seat (X12)
	088927-04-X25	EA	Cushion Asm. - 17.5" x 38" x 5" - Seat (X13)
	M88927-04-X23	EA	Cover Asm. - Dinette Seat Cushion (X11)
	M88927-04-X24	EA	Cover Asm. - Dinette Seat Cushion (X12)
	M88927-04-X25	EA	Cover Asm. - Dinette Seat Cushion (X13)

SUPERCHIEF

DINETTE CUSHIONS

Key	Part Number	U/M	Description
	088927-03-X14	EA	Cushion Asm. - 19.25" x 38" x 5" - Back
	088927-03-X15	EA	Cushion Asm. - 19.25" x 38" x 5" - Back
	088927-03-X16	EA	Cushion Asm. - 19.25" x 38" x 5" - Back
	M88927-03-X11	EA	Cover Asm. - Dinette Back Cushion (X14)
	M88927-03-X12	EA	Cover Asm. - Dinette Back Cushion (X15)
	M88927-03-X13	EA	Cover Asm. - Dinette Back Cushion (X16)
	088927-04-X14	EA	Cushion Asm. - 17.5" x 38" x 5" - Seat
	088927-04-X15	EA	Cushion Asm. - 17.5" x 38" x 5" - Seat
	088927-04-X16	EA	Cushion Asm. - 17.5" x 38" x 5" - Seat
	M88927-04-X11	EA	Cover Asm. - Dinette Seat Cushion (X14)
	M88927-04-X12	EA	Cover Asm. - Dinette Seat Cushion (X15)
	M88927-04-X13	EA	Cover Asm. - Dinette Seat Cushion (X16)

CURTAIN, CUSHION & PAD GROUP (CONTINUED)

SUNFLYER

DINETTE CUSHION

Key	Part Number	U/M	Description
	088927-08-X33	EA	Cushion Asm. - 19.25" x 38" x 5" - Back (X36)
	088927-08-X34	EA	Cushion Asm. - 19.25" x 38" x 5" - Back (X37)
	088927-08-X35	EA	Cushion Asm. - 19.25" x 38" x 5" - Back (X38)
	M88027-08-X33	EA	Cover Asm. - Dinette Back Cushion (X36)
	M88027-08-X34	EA	Cover Asm. - Dinette Back Cushion (X37)
	M88027-08-X35	EA	Cover Asm. - Dinette Back Cushion (X38)
	088927-09-X33	EA	Cushion Asm. - 17.5" x 38" x 5" - Seat (X36)
	088927-09-X34	EA	Cushion Asm. - 17.5" x 38" x 5" - Seat (X37)
	088927-09-X35	EA	Cushion Asm. - 17.5" x 38" x 5" - Seat (X38)
	M88927-09-X33	EA	Cover Asm. - Dinette Seat Cushion (X36)
	M88927-09-X34	EA	Cover Asm. - Dinette Seat Cushion (X37)
	M88927-09-X35	EA	Cover Asm. - Dinette Seat Cushion (X38)

SUNCRUIZER

DINETTE CUSHION

Key	Part Number	U/M	Description
	088927-08-X70	EA	Cushion Asm. - 19.25" x 38" x 5" - Back
	088927-08-X71	EA	Cushion Asm. - 19.25" x 38" x 5" - Back
	088927-08-X72	EA	Cushion Asm. - 19.25" x 38" x 5" - Back
	M88927-08-X33	EA	Cover Asm. - Dinette Back Cushion (X70)
	M88927-08-X34	EA	Cover Asm. - Dinette Back Cushion (X71)
	M88927-08-X35	EA	Cover Asm. - Dinette Back Cushion (X72)
	088927-09-X70	EA	Cushion Asm. - 17.5" x 38" x 5" - Seat
	088927-09-X71	EA	Cushion Asm. - 17.5" x 38" x 5" - Seat
	088927-09-X72	EA	Cushion Asm. - 17.5" x 38" x 5" - Seat
	M88927-09-X33	EA	Cover Asm. - Dinette Seat Cushion (X70)
	M88927-09-X34	EA	Cover Asm. - Dinette Seat Cushion (X71)
	M88927-09-X35	EA	Cover Asm. - Dinette Seat Cushion (X72)

ICN22EC

DINETTE CUSHION

Key	Part Number	U/M	Description
	081998-77-X73	EA	Cushion Asm. - 19.25" x 38" x 5" - Angled Corner Back
	081998-77-X74	EA	Cushion Asm. - 19.25" x 38" x 5" - Angled Corner Back
	M81998-77-X73	EA	Cover Asm. - Dinette Back Cushion - Angled
	M81998-77-X74	EA	Cover Asm. - Dinette Back Cushion - Angled
	081998-78-X73	EA	Cushion Asm. - 17.5" x 38" x 5" - Seat
	081998-78-X74	EA	Cushion Asm. - 17.5" x 38" x 5" - Seat
	M81998-78-X73	EA	Cover Asm. - Dinette Seat Cushion
	M81998-78-X74	EA	Cover Asm. - Dinette Seat Cushion

**1988 M & N SERIES
COMMON ITEMS
TABLE OF CONTENTS**

Introduction	A-01 - A-02
Accessories Group	A-03 - A-05
Bath Group	A-06
Chassis Group	A-07 - A-11
Curtain, Cushion & Pad Group	A-12 - B-02
Driver's Compartment Group	B-03 - B-06
Electrical Group	B-07 - B-09
Exterior Body Group	B-10 - B-19
Galley Group	B-20
Heating & Air Conditioning Group	B-21
Interior Finish Group	B-22 - C-01
LP Group	C-02
Water & Sewage Group	C-03
Window, Vent & Exterior Door Group	C-04 - C-18

**1988 M & N SERIES
CURTAIN, CUSHION & PAD GROUP
INDEX**

Hardware	A-12
Dinette Cushions	A-13 - A-14
Chairs	A-15
Pillow Shams & Twin Bed	A-16
Double Bed	A-17
Queen Bed	A-18
Couch	A-19 - A-20
Bucket Seats	A-21 - B-01
Front Bunk	B-01
Curtains	B-01
Fabrics	B-02

CURTAIN, CUSHION & PAD GROUP (CONTINUED)

CHIEFTAIN

CELEBRITY CHAIR

Key	Part Number	U/M	Description
	085059-02-X08	EA	Chair Asm. - Celebrity (X11)
	085059-02-X09	EA	Chair Asm. - Celebrity (X12)
	085059-02-X10	EA	Chair Asm. - Celebrity (X13)
	085187-02-X08	EA	Skirt Asm. - Celebrity Chair (X11)
	085187-02-X09	EA	Skirt Asm. - Celebrity Chair (X12)
	085187-02-X10	EA	Skirt Asm. - Celebrity Chair (X13)

SUPERCHIEF

CELEBRITY SWIVEL CHAIR (RECLINER)

Key	Part Number	U/M	Description
	086516-02-X14	EA	Chair Asm. - Celebrity - Recliner (X14)
	086516-02-X15	EA	Chair Asm. - Celebrity - Recliner (X15)
	086516-02-X16	EA	Chair Asm. - Celebrity - Recliner (X16)
	089032-01-X11	EA	Skirt Asm. - Reclining Chair (X14)
	089032-01-X12	EA	Skirt Asm. - Reclining Chair (X15)
	089032-01-X13	EA	Skirt Asm. - Reclining Chair (X16)

SUNFLYER

LOUNGE CHAIR — FAN BACK

Key	Part Number	U/M	Description
	085364-02-X36	EA	Chair Asm. - Fan Shaped
	085364-02-X37	EA	Chair Asm. - Fan Shaped
	085364-02-X35	EA	Chair Asm. - Fan Shaped (X38)
	085187-03-X36	EA	Skirt Asm. - Fan Backed Chair
	085187-03-X37	EA	Skirt Asm. - Fan Backed Chair
	085187-03-X38	EA	Skirt Asm. - Fan Backed Chair

SUNCRUISER

CELEBRITY SWIVEL CHAIR (RECLINER)

Key	Part Number	U/M	Description
	086516-04-X70	EA	Chair Asm. - Celebrity - Recliner (X70)
	086516-04-X71	EA	Chair Asm. - Celebrity - Recliner (X71)
	086516-04-X72	EA	Chair Asm. - Celebrity - Recliner (X72)
	089032-03-X36	EA	Skirt Asm. - Reclining Chair (X70)
	089032-03-X37	EA	Skirt Asm. - Reclining Chair (X71)
	089032-03-X38	EA	Skirt Asm. - Reclining Chair (X72)

CURTAIN, CUSHION & PAD GROUP (CONTINUED)

CHIEFTAIN & SUPERCHIEF

PILLOW SHAM

Key	Part Number	U/M	Description
	081997-01-X08	EA	Pillow Sham - Quilted - 30" x 26" (X11, X14)
	081997-01-X09	EA	Pillow Sham - Quilted - 30" x 26" (X12, X15)
	081997-01-X10	EA	Pillow Sham - Quilted - 30" x 26" (X13, X16)
	081997-01-XA0	EA	Pillow Sham - Quilted - 30" x 26" (X11, X14)
	081997-01-XA1	EA	Pillow Sham - Quilted - 30" x 26" (X12, X15)
	081997-01-XA2	EA	Pillow Sham - Quilted - 30" x 26" (X13, X16)
	Used in units produced after 11-30-87		

SUNFLYER & SUNCRUISER

PILLOW SHAM

Key	Part Number	U/M	Description
	081997-01-X33	EA	Pillow Sham - Quilted - 30" x 26" (X36, X70)
	081997-01-X34	EA	Pillow Sham - Quilted - 30" x 26" (X37, X71)
	081997-01-X35	EA	Pillow Sham - Quilted - 30" x 26" (X38, X72)

SUNFLYER & SUNCRUISER

TWIN BED

Key	Part Number	U/M	Description
	077478-04-000	EA	Mattress - Inner Spring - 33" x 75"
	081969-04-X36	EA	Bedsread Asm. - Fitted - 33" x 75" (X36, X70)
	081969-04-X37	EA	Bedsread Asm. - Fitted - 33" x 75" (X37, X71)
	081969-04-X38	EA	Bedsread Asm. - Fitted - 33" x 75" (X38, X72)

CHIEFTAIN & SUPERCHIEF

TWIN BED

Key	Part Number	U/M	Description
	077478-04-000	EA	Mattress - Inner Spring - 33" x 75"
	083986-14-X23	EA	Bedsread Asm. - Fitted - 33" x 75" - Passengers (X11) (X14)
	083986-14-X24	EA	Bedsread Asm. - Fitted - 33" x 75" - Passengers (X12) (X15)
	083986-14-X25	EA	Bedsread Asm. - Fitted - 33" x 75" - Passengers (X13) (X16)
	083986-14-XA0	EA	Bedsread Asm. - Fitted - 33" x 75" - Passengers (X11) (X14)
	083986-14-XA1	EA	Bedsread Asm. - Fitted - 33" x 75" - Passengers (X12) (X15)
	083986-14-XA2	EA	Bedsread Asm. - Fitted - 33" x 75" - Passengers (X13) (X16)
	083986-15-X23	EA	Bedsread Asm. - Fitted - 33" x 75" - Drivers (X11) (X14)
	083986-15-X24	EA	Bedsread Asm. - Fitted - 33" x 75" - Drivers (X12) (X15)
	083986-15-X25	EA	Bedsread Asm. - Fitted - 33" x 75" - Drivers (X13) (X16)
	083986-15-XA0	EA	Bedsread Asm. - Fitted - 33" x 75" - Drivers (X11) (X14)
	083986-15-XA1	EA	Bedsread Asm. - Fitted - 33" x 75" - Drivers (X12) (X15)
	083986-15-XA2	EA	Bedsread Asm. - Fitted - 33" x 75" - Drivers (X13) (X16)
	Used in units produced after 11-30-87		

**1988 M & N SERIES
COMMON ITEMS
TABLE OF CONTENTS**

Introduction	A-01 - A-02
Accessories Group	A-03 - A-05
Bath Group	A-06
Chassis Group	A-07 - A-11
Curtain, Cushion & Pad Group	A-12 - B-02
Driver's Compartment Group	B-03 - B-06
Electrical Group	B-07 - B-09
Exterior Body Group	B-10 - B-19
Galley Group	B-20
Heating & Air Conditioning Group	B-21
Interior Finish Group	B-22 - C-01
LP Group	C-02
Water & Sewage Group	C-03
Window, Vent & Exterior Door Group	C-04 - C-18

**1988 M & N SERIES
CURTAIN, CUSHION & PAD GROUP
INDEX**

Hardware	A-12
Dinette Cushions	A-13 - A-14
Chairs	A-15
Pillow Shams & Twin Bed	A-16
Double Bed	A-17
Queen Bed	A-18
Couch	A-19 - A-20
Bucket Seats	A-21 - B-01
Front Bunk	B-01
Curtains	B-01
Fabrics	B-02

CURTAIN, CUSHION & PAD GROUP (CONTINUED)

**CHIEFTAIN 27RU
DOUBLE BED**

Key	Part Number	U/M	Description
	077478-02-000	EA	Mattress - Inner Spring - 48" x 75"
	083986-13-X08	EA	Bedsread Asm. - Fitted - 48" x 75" (X11)
	083986-13-X09	EA	Bedsread Asm. - Fitted - 48" x 75" (X12)
	083986-13-X10	EA	Bedsread Asm. - Fitted - 48" x 75" (X13)
	083986-13-XA0	EA	Bedsread Asm. - Fitted - 48" x 75" (X11)
	083986-13-XA1	EA	Bedsread Asm. - Fitted - 48" x 75" (X12)
	083986-13-XA2	EA	Bedsread Asm. - Fitted - 48" x 75" (X13)

CHIEFTAIN 22RC

DOUBLE BED

Key	Part Number	U/M	Description
	077478-02-000	EA	Mattress - Inner Spring - 48" x 75"
	083986-12-X08	EA	Bedsread Asm. - Fitted - 48" x 75" (X11)
	083986-12-X09	EA	Bedsread Asm. - Fitted - 48" x 75" (X12)
	083986-12-X10	EA	Bedsread Asm. - Fitted - 48" x 75" (X13)
	083986-12-XA0	EA	Bedsread Asm. - Fitted - 48" x 75" (X11)
	083986-12-XA1	EA	Bedsread Asm. - Fitted - 48" x 75" (X12)
	083986-12-XA2	EA	Bedsread Asm. - Fitted - 48" x 75" (X13)

CHIEFTAIN 33RU & SUPERCHIEF 34RQ

DOUBLE BED

Key	Part Number	U/M	Description
	077478-03-000	EA	Mattress - Inner Spring - 54" x 75"
	083986-02-X11	EA	Bedsread Asm. - Fitted - 54" x 75" (X11) (X14)
	083986-02-X12	EA	Bedsread Asm. - Fitted - 54" x 75" (X12) (X15)
	083986-02-X13	EA	Bedsread Asm. - Fitted - 54" x 75" (X13) (X16)
	083986-02-XA0	EA	Bedsread Asm. - Fitted - 54" x 75" (X11) (X14)
	083986-02-XA1	EA	Bedsread Asm. - Fitted - 54" x 75" (X12) (X15)
	083986-02-XA2	EA	Bedsread Asm. - Fitted - 54" x 75" (X13) (X16)

SUNFLYER 22EC

DOUBLE BED

Key	Part Number	U/M	Description
	083496-07-000	EA	Mattress - Foam - 48" x 75"
	081969-06-X34	EA	Bedsread Asm. - Fitted - 48" x 76" (X73)
	081969-06-X35	EA	Bedsread Asm. - Fitted - 48" x 76" (X74)

SUNFLYER 27RU

DOUBLE BED

Key	Part Number	U/M	Description
	077478-02-000	EA	Mattress - Inner Spring - 48" x 75"
	081969-06-X33	EA	Bedsread Asm. - Fitted - 48" x 76" (X36)
	081969-06-X34	EA	Bedsread Asm. - Fitted - 48" x 76" (X37)
	081969-06-X35	EA	Bedsread Asm. - Fitted - 48" x 76" (X38)

SUNFLYER 33RU & SUNCRUISER 34RQ

DOUBLE BED

Key	Part Number	U/M	Description
	077478-03-000	EA	Mattress - Inner Spring - 54" x 75"
	081969-05-X36	EA	Bedsread Asm. - Fitted - 54" x 75" (X36, X70)
	081969-05-X37	EA	Bedsread Asm. - Fitted - 54" x 75" (X37, X71)
	081269-05-X38	EA	Bedsread Asm. - Fitted - 54" x 75" (X38, X72)

CURTAIN, CUSHION & PAD GROUP (CONTINUED)

**CHIEFTAIN 27RT
QUEEN BED**

Key	Part Number	U/M	Description
	077478-02-000	EA	Mattress - Inner Spring - 60" x 80"
	083986-04-X23	EA	Bedsread Asm. - Fitted - 60" (X11)
	083986-04-X24	EA	Bedsread Asm. - Fitted - 60" (X12)
	083986-04-X25	EA	Bedsread Asm. - Fitted - 60" (X13)
	083986-04-XA0	EA	Pillow Sham - Quilted - 30" x 26" (X11)
	083986-04-XA1	EA	Pillow Sham - Quilted - 30" x 26" (X12)
	083986-04-XA2	EA	Pillow Sham - Quilted - 30" x 26" (X13)

Used in units produced after 11-30-87

**CHIEFTAIN 33RU & SUPERCHIEF 34RQ
QUEEN BED**

Key	Part Number	U/M	Description
	077478-05-000	EA	Mattress - Inner Spring - 60" x 75"
	083986-08-X23	EA	Bedsread Asm. - Fitted - 60" (X11) (X14)
	083986-08-X24	EA	Bedsread Asm. - Fitted - 60" (X12) (X15)
	083986-08-X25	EA	Bedsread Asm. - Fitted - 60" (X13) (X16)
	083986-08-XA0	EA	Bedsread Asm. - Fitted - 60" (X11) (X14)
	083986-08-XA1	EA	Bedsread Asm. - Fitted - 60" (X12) (X15)
	083986-08-XA2	EA	Bedsread Asm. - Fitted - 60" (X13) (X16)

Used in units produced after 11-30-87

**CHIEFTAIN 31RT & SUPERCHIEF 27RQ, 31RQ
QUEEN BED**

Key	Part Number	U/M	Description
	079369-03-000	EA	Mattress - Inner Spring - 60" x 75" - Cut
	083986-16-X23	EA	Bedsread Asm. - Fitted - 60" (X11) (X14)
	083986-16-X24	EA	Bedsread Asm. - Fitted - 60" (X12) (X15)
	083986-16-X25	EA	Bedsread Asm. - Fitted - 60" (X13) (X16)
	083986-16-XA0	EA	Bedsread Asm. - Fitted - 60" (X11) (X14)
	083986-16-XA1	EA	Bedsread Asm. - Fitted - 60" (X12) (X15)
	083986-16-XA2	EA	Bedsread Asm. - Fitted - 60" (X13) (X16)

Used in units produced after 11-30-87

**SUNFLYER 31RT
QUEEN BED**

Key	Part Number	U/M	Description
	079369-03-000	EA	Mattress - Inner Spring - 60" x 75" - Cut Corners
	081969-18-X36	EA	Bedsread Asm. - Fitted - 60" - Cut Corners
	081969-18-X37	EA	Bedsread Asm. - Fitted - 60" - Cut Corners
	081969-18-X38	EA	Bedsread Asm. - Fitted - 60" - Cut Corners

**SUNFLYER 27RT, 33RU SUNCRUISER 34RQ
QUEEN BED**

Key	Part Number	U/M	Description
	077478-05-000	EA	Mattress - Inner Spring - 60" x 75"
	081969-08-X36	EA	Bedsread Asm. - Fitted - 60" (X36, X70)
	081969-08-X37	EA	Bedsread Asm. - Fitted - 60" (X37, X71)
	081969-08-X38	EA	Bedsread Asm. - Fitted - 60" (X38, X72)

**SUNCRUISER 27RQ, 31RQ
QUEEN BED**

Key	Part Number	U/M	Description
	079369-03-000	EA	Mattress - Inner Spring - 60" x 75" - Cut Corners
	081969-18-X70	EA	Bedsread Asm. - Fitted - 60" - Cut Corners
	081969-18-X71	EA	Bedsread Asm. - Fitted - 60" - Cut Corners
	081969-18-X72	EA	Bedsread Asm. - Fitted - 60" - Cut Corners

**1988 M & N SERIES
COMMON ITEMS
TABLE OF CONTENTS**

Introduction	A-01 - A-02
Accessories Group	A-03 - A-05
Bath Group	A-06
Chassis Group	A-07 - A-11
Curtain, Cushion & Pad Group	A-12 - B-02
Driver's Compartment Group	B-03 - B-06
Electrical Group	B-07 - B-09
Exterior Body Group	B-10 - B-19
Galley Group	B-20
Heating & Air Conditioning Group	B-21
Interior Finish Group	B-22 - C-01
LP Group	C-02
Water & Sewage Group	C-03
Window, Vent & Exterior Door Group	C-04 - C-18

**1988 M & N SERIES
CURTAIN, CUSHION & PAD GROUP
INDEX**

Hardware	A-12
Dinette Cushions	A-13 - A-14
Chairs	A-15
Pillow Shams & Twin Bed	A-16
Double Bed	A-17
Queen Bed	A-18
Couch	A-19 - A-20
Bucket Seats	A-21 - B-01
Front Bunk	B-01
Curtains	B-01
Fabrics	B-02

CURTAIN, CUSHION & PAD GROUP (CONTINUED)

CHEFTAIN

CELEBRITY COUCH/PULLOUT BED

Key	Part Number	U/M	Description
	089007-01-X11	EA	Couch Asm. - Celebrity - Three Pillow Back
	089007-01-X12	EA	Couch Asm. - Celebrity - Three Pillow Back
	089007-01-X13	EA	Couch Asm. - Celebrity - Three Pillow Back
	M89007-01-X11	EA	Cover Asm. - Celebrity Couch Seat
	M89007-01-X12	EA	Cover Asm. - Celebrity Couch Seat
	M89007-01-X13	EA	Cover Asm. - Celebrity Couch Seat
	085357-01-X11	EA	Cushion Asm. - Celebrity Pillow - Back
	085357-01-X12	EA	Cushion Asm. - Celebrity Pillow - Back
	085357-01-X13	EA	Cushion Asm. - Celebrity Pillow - Back
	M85357-01-X11	EA	Cover Asm. - Celebrity Pillow - Back
	M85357-01-X12	EA	Cover Asm. - Celebrity Pillow - Back
	M85357-01-X13	EA	Cover Asm. - Celebrity Pillow - Back
	085060-02-X11	EA	Cushion Asm. - Armrest Pillow - Celebrity Couch
	085060-02-X12	EA	Cushion Asm. - Armrest Pillow - Celebrity Couch
	085060-02-X13	EA	Cushion Asm. - Armrest Pillow - Celebrity Couch
	M85060-02-X11	EA	Cover Asm. - Armrest Pillow - Celebrity Couch
	M85060-02-X12	EA	Cover Asm. - Armrest Pillow - Celebrity Couch
	M85060-02-X13	EA	Cover Asm. - Armrest Pillow - Celebrity Couch

SUPERCHIEF

CELEBRITY COUCH/PULLOUT BED

Key	Part Number	U/M	Description
	089007-01-X14	EA	Couch Asm. - Celebrity - Three Pillow Back
	089007-01-X15	EA	Couch Asm. - Celebrity - Three Pillow Back
	089007-01-X16	EA	Couch Asm. - Celebrity - Three Pillow Back
	M89007-01-X14	EA	Cover Asm. - Celebrity Couch Seat
	M89007-01-X12	EA	Cover Asm. - Celebrity Couch Seat (X15)
	M89007-01-X13	EA	Cover Asm. - Celebrity Couch Seat (X16)
	085357-01-X14	EA	Cushion Asm. - Celebrity Pillow - Back
	085357-01-X15	EA	Cushion Asm. - Celebrity Pillow - Back
	085357-01-X16	EA	Cushion Asm. - Celebrity Pillow - Back
	M85357-01-X11	EA	Cover Asm. - Celebrity Pillow - Back (X14)
	M85357-01-X12	EA	Cover Asm. - Celebrity Pillow - Back (X15)
	M85357-01-X13	EA	Cover Asm. - Celebrity Pillow - Back (X16)
	085060-02-X14	EA	Cushion Asm. - Armrest Pillow - Celebrity Couch
	085060-02-X15	EA	Cushion Asm. - Armrest Pillow - Celebrity Couch
	085060-02-X16	EA	Cushion Asm. - Armrest Pillow - Celebrity Couch
	M85060-02-X11	EA	Cover Asm. - Armrest Pillow - Celebrity Couch (X14)
	M85060-02-X12	EA	Cover Asm. - Armrest Pillow - Celebrity Couch (X15)
	M85060-02-X13	EA	Cover Asm. - Armrest Pillow - Celebrity Couch (X16)

CURTAIN, CUSHION & PAD GROUP (CONTINUED)

SUNFLYER

VICTORIAN COUCH/PULLOUT BED

Key	Part Number	U/M	Description
	085363-01-X36	EA	Couch Asm. - Victorian - Three Pillow Back
	085363-01-X37	EA	Couch Asm. - Victorian - Three Pillow Back
	085363-01-X38	EA	Couch Asm. - Victorian - Three Pillow Back
	M85363-01-X36	EA	Cover Asm. - Victorian Couch Seat
	M85363-01-X37	EA	Cover Asm. - Victorian Couch Seat
	M85363-01-X38	EA	Cover Asm. - Victorian Couch Seat
	081998-64-X36	EA	Cushion Asm. - Victorian Pillow - Back - Rear
	081998-64-X37	EA	Cushion Asm. - Victorian Pillow - Back - Rear
	081998-64-X38	EA	Cushion Asm. - Victorian Pillow - Back - Rear
	M81998-64-X36	EA	Cover Asm. - Victorian Pillow - Back - Rear
	M81998-64-X37	EA	Cover Asm. - Victorian Pillow - Back - Rear
	M81998-64-X38	EA	Cover Asm. - Victorian Pillow - Back - Rear
	081998-65-X35	EA	Cushion Asm. - Victorian Pillow - Back - Center
	081998-65-X37	EA	Cushion Asm. - Victorian Pillow - Back - Center
	081998-65-X38	EA	Cushion Asm. - Victorian Pillow - Back - Center
	M81998-65-X36	EA	Cover Asm. - Victorian Pillow - Back - Center
	M81998-65-X37	EA	Cover Asm. - Victorian Pillow - Back - Center
	M81998-65-X38	EA	Cover Asm. - Victorian Pillow - Back - Center
	081998-66-X36	EA	Cushion Asm. - Victorian Pillow - Back - Front
	081998-66-X37	EA	Cushion Asm. - Victorian Pillow - Back - Front
	081998-66-X38	EA	Cushion Asm. - Victorian Pillow - Back - Front
	M81998-66-X36	EA	Cover Asm. - Victorian Pillow - Back - Front
	M81998-66-X37	EA	Cover Asm. - Victorian Pillow - Back - Front
	M81998-66-X38	EA	Cover Asm. - Victorian Pillow - Back - Front

SUNCRUISER

VICTORIAN COUCH/PULLOUT BED

Key	Part Number	U/M	Description
	085363-01-X70	EA	Couch Asm. - Victorian - Three Pillow Back
	085363-01-X71	EA	Couch Asm. - Victorian - Three Pillow Back
	085363-01-X72	EA	Couch Asm. - Victorian - Three Pillow Back
	M85353-01-X70	EA	Cover Asm. - Victorian Couch Seat
	M85363-01-X71	EA	Cover Asm. - Victorian Couch Seat
	M85363-01-X72	EA	Cover Asm. - Victorian Couch Seat
	081998-64-X70	EA	Cushion Asm. - Victorian Pillow - Back - Rear
	081998-64-X71	EA	Cushion Asm. - Victorian Pillow - Back - Rear
	081998-64-X72	EA	Cushion Asm. - Victorian Pillow - Back - Rear
	M81998-64-X70	EA	Cover Asm. - Victorian Pillow - Back - Rear
	M81998-64-X71	EA	Cover Asm. - Victorian Pillow - Back - Rear
	M81998-64-X72	EA	Cover Asm. - Victorian Pillow - Back - Rear
	081998-65-X70	EA	Cushion Asm. - Victorian Pillow - Back - Center
	081998-65-X71	EA	Cushion Asm. - Victorian Pillow - Back - Center
	081998-65-X72	EA	Cushion Asm. - Victorian Pillow - Back - Center
	M81998-65-X70	EA	Cover Asm. - Victorian Pillow - Back - Center
	M81998-65-X71	EA	Cover Asm. - Victorian Pillow - Back - Center
	M81998-65-X72	EA	Cover Asm. - Victorian Pillow - Back - Center
	081998-66-X70	EA	Cushion Asm. - Victorian Pillow - Back - Front
	081998-66-X71	EA	Cushion Asm. - Victorian Pillow - Back - Front
	081998-66-X72	EA	Cushion Asm. - Victorian Pillow - Back - Front
	M81998-66-X70	EA	Cover Asm. - Victorian Pillow - Back - Front
	M81998-66-X71	EA	Cover Asm. - Victorian Pillow - Back - Front
	M81998-66-X72	EA	Cover Asm. - Victorian Pillow - Back - Front

**1988 M & N SERIES
COMMON ITEMS
TABLE OF CONTENTS**

Introduction	A-01 - A-02
Accessories Group	A-03 - A-05
Bath Group	A-06
Chassis Group	A-07 - A-11
Curtain, Cushion & Pad Group	A-12 - B-02
Driver's Compartment Group	B-03 - B-06
Electrical Group	B-07 - B-09
Exterior Body Group	B-10 - B-19
Galley Group	B-20
Heating & Air Conditioning Group	B-21
Interior Finish Group	B-22 - C-01
LP Group	C-02
Water & Sewage Group	C-03
Window, Vent & Exterior Door Group	C-04 - C-18

**1988 M & N SERIES
CURTAIN, CUSHION & PAD GROUP
INDEX**

Hardware	A-12
Dinette Cushions	A-13 - A-14
Chairs	A-15
Pillow Shams & Twin Bed	A-16
Double Bed	A-17
Queen Bed	A-18
Couch	A-19 - A-20
Bucket Seats	A-21 - B-01
Front Bunk	B-01
Curtains	B-01
Fabrics	B-02

CURTAIN, CUSHION & PAD GROUP (CONTINUED)

**CHEFTAIN
BUCKET SEAT**

Key	Part Number	U/M	Description
	083909-16-X11	EA	Seat Asm. - Single Bucket - w/Headrest
	083909-16-X12	EA	Seat Asm. - Single Bucket - w/Headrest
	083909-16-X13	EA	Seat Asm. - Single Bucket - w/Headrest
	M01864-33-X08	EA	Cover Asm. - Bucket - Seat (X11)
	M01864-33-X09	EA	Cover Asm. - Bucket - Seat (X12)
	M01864-33-X10	EA	Cover Asm. - Bucket - Seat (X13)
	M01864-34-X08	EA	Cover Asm. - Bucket - Back (X11)
	M01864-34-X09	EA	Cover Asm. - Bucket - Back (X12)
	M01864-34-X10	EA	Cover Asm. - Bucket - Back (X13)
	071126-23-X11	EA	Skirt Asm. - Single Bucket
	071126-23-X12	EA	Skirt Asm. - Single Bucket
	071126-23-X13	EA	Skirt Asm. - Single Bucket
	080243-25-X08	EA	Armrest Asm. - Bucket Seat - Right (X11)
	080243-25-X09	EA	Armrest Asm. - Bucket Seat - Right (X12)
	080243-25-X10	EA	Armrest Asm. - Bucket Seat - Right (X13)
	M80243-25-X08	EA	Cover Asm. - Right Armrest (X11)
	M80243-25-X09	EA	Cover Asm. - Right Armrest (X12)
	M80243-25-X10	EA	Cover Asm. - Right Armrest (X13)
	080243-26-X08	EA	Armrest Asm. - Bucket Seat - Left (X11)
	080243-26-X09	EA	Armrest Asm. - Bucket Seat - Left (X12)
	080243-26-X10	EA	Armrest Asm. - Bucket Seat - Left (X13)
	M80243-26-X08	EA	Cover Asm. - Left Armrest (X11)
	M80243-26-X09	EA	Cover Asm. - Left Armrest (X12)
	M80243-26-X10	EA	Cover Asm. - Left Armrest (X13)
	085268-02-X08	EA	Headrest Asm. - Straton Bucket Seat (X11)
	085268-02-X09	EA	Headrest Asm. - Straton Bucket Seat (X12)
	085268-02-X10	EA	Headrest Asm. - Straton Bucket Seat (X13)
	M85268-02-X08	EA	Cover Asm. - Headrest (X11)
	M85268-02-X09	EA	Cover Asm. - Headrest (X12)
	M85268-02-X10	EA	Cover Asm. - Headrest (X13)
	085269-02-X11	EA	Seat Asm. - Double Bucket
	085269-02-X12	EA	Seat Asm. - Double Bucket
	085269-02-X13	EA	Seat Asm. - Double Bucket
	M01874-08-X11	EA	Cover Asm. - Double Bucket - Back
	M01874-08-X12	EA	Cover Asm. - Double Bucket - Back
	M01874-08-X13	EA	Cover Asm. - Double Bucket - Back
	M01874-07-X11	EA	Cover Asm. - Double Bucket - Seat
	M01874-07-X12	EA	Cover Asm. - Double Bucket - Seat
	M01874-07-X13	EA	Cover Asm. - Double Bucket - Seat
	071690-06-X11	EA	Skirt Asm. - Double Bucket
	071690-06-X12	EA	Skirt Asm. - Double Bucket
	071690-06-X13	EA	Skirt Asm. - Double Bucket

CURTAIN, CUSHION & PAD GROUP (CONTINUED)

**SUPERCHIEF
BUCKET SEAT**

Key	Part Number	U/M	Description
	083909-16-X14	EA	Seat Asm. - Single Bucket - w/Headrest
	083909-16-X15	EA	Seat Asm. - Single Bucket - w/Headrest
	083909-16-X16	EA	Seat Asm. - Single Bucket - w/Headrest
	M01864-33-X08	EA	Cover Asm. - Bucket - Seat (X14)
	M01864-33-X09	EA	Cover Asm. - Bucket - Seat (X15)
	M01864-33-X10	EA	Cover Asm. - Bucket - Seat (X16)
	M01864-34-X08	EA	Cover Asm. - Bucket - Back (X14)
	M01864-34-X09	EA	Cover Asm. - Bucket - Back (X15)
	M01864-34-X10	EA	Cover Asm. - Bucket - Back (X16)
	071126-23-X14	EA	Skirt Asm. - Single Bucket
	071126-23-X15	EA	Skirt Asm. - Single Bucket
	071126-23-X16	EA	Skirt Asm. - Single Bucket
	080243-25-X14	EA	Armrest Asm. - Bucket Seat - Right
	080243-25-X15	EA	Armrest Asm. - Bucket Seat - Right
	080243-25-X16	EA	Armrest Asm. - Bucket Seat - Right
	M80243-25-X08	EA	Cover Asm. - Right Armrest (X14)
	M80243-25-X09	EA	Cover Asm. - Right Armrest (X15)
	M80243-25-X10	EA	Cover Asm. - Right Armrest (X16)
	080243-26-X14	EA	Armrest Asm. - Bucket Seat - Left
	080243-26-X15	EA	Armrest Asm. - Bucket Seat - Left
	080243-26-X16	EA	Armrest Asm. - Bucket Seat - Left
	M80243-26-X08	EA	Cover Asm. - Left Armrest (X14)
	M80243-26-X09	EA	Cover Asm. - Left Armrest (X15)
	M80243-26-X10	EA	Cover Asm. - Left Armrest (X16)
	085268-02-X14	EA	Headrest Asm. - Straton Bucket Seat
	085268-02-X15	EA	Headrest Asm. - Straton Bucket Seat
	085268-02-X16	EA	Headrest Asm. - Straton Bucket Seat
	M85268-02-X08	EA	Cover Asm. - Headrest (X14)
	M85268-02-X09	EA	Cover Asm. - Headrest (X15)
	M85268-02-X10	EA	Cover Asm. - Headrest (X16)
	085269-02-X14	EA	Seat Asm. - Double Bucket
	085269-02-X15	EA	Seat Asm. - Double Bucket
	085269-02-X16	EA	Seat Asm. - Double Bucket
	M01874-08-X11	EA	Cover Asm. - Double Bucket - Back (X14)
	M01874-08-X12	EA	Cover Asm. - Double Bucket - Back (X15)
	M01874-08-X13	EA	Cover Asm. - Double Bucket - Back (X16)
	M01874-07-X11	EA	Cover Asm. - Double Bucket - Seat (X14)
	M01874-07-X12	EA	Cover Asm. - Double Bucket - Seat (X15)
	M01874-07-X13	EA	Cover Asm. - Double Bucket - Seat (X16)
	071690-06-X11	EA	Skirt Asm. - Double Bucket (X14)
	071690-06-X12	EA	Skirt Asm. - Double Bucket (X15)
	071690-06-X13	EA	Skirt Asm. - Double Bucket (X16)

**1988 M & N SERIES
COMMON ITEMS
TABLE OF CONTENTS**

Introduction	A-01 - A-02
Accessories Group	A-03 - A-05
Bath Group	A-06
Chassis Group	A-07 - A-11
Curtain, Cushion & Pad Group	A-12 - B-02
Driver's Compartment Group	B-03 - B-06
Electrical Group	B-07 - B-09
Exterior Body Group	B-10 - B-19
Galley Group	B-20
Heating & Air Conditioning Group	B-21
Interior Finish Group	B-22 - C-01
LP Group	C-02
Water & Sewage Group	C-03
Window, Vent & Exterior Door Group	C-04 - C-18

**1988 M & N SERIES
CURTAIN, CUSHION & PAD GROUP
INDEX**

Hardware	A-12
Dinette Cushions	A-13 - A-14
Chairs	A-15
Pillow Shams & Twin Bed	A-16
Double Bed	A-17
Queen Bed	A-18
Couch	A-19 - A-20
Bucket Seats	A-21 - B-01
Front Bunk	B-01
Curtains	B-01
Fabrics	B-02

CURTAIN, CUSHION & PAD GROUP (CONTINUED)

SUNFLYER

BUCKET SEAT

Key	Part Number	U/M	Description
	083909-16-X36	EA	Seat Asm. - Single Bucket - w/Headrest
	083909-16-X37	EA	Seat Asm. - Single Bucket - w/Headrest
	083909-16-X38	EA	Seat Asm. - Single Bucket - w/Headrest
	M01864-33-X33	EA	Cover Asm. - Bucket - Seat (X36)
	M01864-33-X34	EA	Cover Asm. - Bucket - Seat (X37)
	M01864-33-X35	EA	Cover Asm. - Bucket - Seat (X38)
	M01864-34-X33	EA	Cover Asm. - Bucket - Back (X36)
	M01864-34-X34	EA	Cover Asm. - Bucket - Back (X37)
	M01864-34-X35	EA	Cover Asm. - Bucket - Back (X38)
	071126-23-X36	EA	Skirt Asm. - Single Bucket
	071126-23-X37	EA	Skirt Asm. - Single Bucket
	071126-23-X38	EA	Skirt Asm. - Single Bucket
	080243-25-X33	EA	Armrest Asm. - Bucket Seat - Right (X36)
	080243-25-X34	EA	Armrest Asm. - Bucket Seat - Right (X37)
	080243-25-X35	EA	Armrest Asm. - Bucket Seat - Right (X38)
	M80243-25-X33	EA	Cover Asm. - Right Armrest (X36)
	M80243-25-X34	EA	Cover Asm. - Right Armrest (X37)
	M80243-25-X35	EA	Cover Asm. - Right Armrest (X38)
	080243-26-X33	EA	Armrest Asm. - Bucket Seat - Left (X36)
	080243-26-X34	EA	Armrest Asm. - Bucket Seat - Left (X37)
	080243-26-X35	EA	Armrest Asm. - Bucket Seat - Left (X38)
	M80243-26-X33	EA	Cover Asm. - Left Armrest (X36)
	M80243-26-X34	EA	Cover Asm. - Left Armrest (X37)
	M80243-26-X35	EA	Cover Asm. - Left Armrest (X38)
	085268-02-X33	EA	Headrest Asm. - Straton Bucket Seat (X36)
	085268-02-X34	EA	Headrest Asm. - Straton Bucket Seat (X37)
	085268-02-X35	EA	Headrest Asm. - Straton Bucket Seat (X38)
	M85268-02-X33	EA	Cover Asm. - Headrest (X36)
	M85268-02-X34	EA	Cover Asm. - Headrest (X37)
	M85268-02-X35	EA	Cover Asm. - Headrest (X38)
	085269-02-X36	EA	Seat Asm. - Double Bucket (X36)
	085269-02-X37	EA	Seat Asm. - Double Bucket (X37)
	085269-02-X38	EA	Seat Asm. - Double Bucket (X38)
	M01874-08-X36	EA	Cover Asm. - Double Bucket - Back
	M01874-08-X37	EA	Cover Asm. - Double Bucket - Back
	M01874-08-X38	EA	Cover Asm. - Double Bucket - Back
	M01874-07-X36	EA	Cover Asm. - Double Bucket - Seat
	M01874-07-X37	EA	Cover Asm. - Double Bucket - Seat
	M01874-07-X38	EA	Cover Asm. - Double Bucket - Seat
	071690-06-X36	EA	Skirt Asm. - Double Bucket
	071690-06-X37	EA	Skirt Asm. - Double Bucket
	071690-06-X38	EA	Skirt Asm. - Double Bucket

CURTAIN, CUSHION & PAD GROUP (CONTINUED)

SUNCRUISER

BUCKET SEAT

Key	Part Number	U/M	Description
	083909-16-X70	EA	Seat Asm. - Single Bucket - w/Headrest
	083909-16-X71	EA	Seat Asm. - Single Bucket - w/Headrest
	083909-16-X72	EA	Seat Asm. - Single Bucket - w/Headrest
	M01864-33-X33	EA	Cover Asm. - Bucket - Seat (X70)
	M01864-33-X34	EA	Cover Asm. - Bucket - Seat (X71)
	M01864-33-X35	EA	Cover Asm. - Bucket - Seat (X72)
	M01864-34-X33	EA	Cover Asm. - Bucket - Back (X70)
	M01864-34-X34	EA	Cover Asm. - Bucket - Back (X71)
	M01864-34-X35	EA	Cover Asm. - Bucket - Back (X72)
	071126-23-X36	EA	Skirt Asm. - Single Bucket (X70)
	071126-23-X37	EA	Skirt Asm. - Single Bucket (X71)
	071126-23-X38	EA	Skirt Asm. - Single Bucket (X72)
	080243-25-X70	EA	Armrest Asm. - Bucket Seat - Right
	080243-25-X71	EA	Armrest Asm. - Bucket Seat - Right
	080243-25-X72	EA	Armrest Asm. - Bucket Seat - Right
	M80243-25-X33	EA	Cover Asm. - Right Armrest
	M80243-25-X34	EA	Cover Asm. - Right Armrest
	M80243-25-X35	EA	Cover Asm. - Right Armrest
	080243-26-X70	EA	Armrest Asm. - Bucket Seat - Left
	080243-26-X71	EA	Armrest Asm. - Bucket Seat - Left
	080243-26-X72	EA	Armrest Asm. - Bucket Seat - Left
	M80243-26-X33	EA	Cover Asm. - Left Armrest
	M80243-26-X34	EA	Cover Asm. - Left Armrest
	M80243-26-X35	EA	Cover Asm. - Left Armrest
	085268-02-X70	EA	Headrest Asm. - Straton Bucket Seat
	085268-02-X71	EA	Headrest Asm. - Straton Bucket Seat
	085268-02-X72	EA	Headrest Asm. - Straton Bucket Seat
	M85268-02-X33	EA	Cover Asm. - Headrest (X70)
	M85268-02-X34	EA	Cover Asm. - Headrest (X71)
	M85268-02-X35	EA	Cover Asm. - Headrest (X72)
	085269-02-X70	EA	Seat Asm. - Double Bucket
	085269-02-X71	EA	Seat Asm. - Double Bucket
	085269-02-X72	EA	Seat Asm. - Double Bucket
	M01874-08-X36	EA	Cover Asm. - Double Bucket - Back (X70)
	M01874-08-X37	EA	Cover Asm. - Double Bucket - Back (X71)
	M01874-08-X38	EA	Cover Asm. - Double Bucket - Back (X72)
	M01874-07-X36	EA	Cover Asm. - Double Bucket - Seat (X70)
	M01874-07-X37	EA	Cover Asm. - Double Bucket - Seat (X71)
	M01874-07-X38	EA	Cover Asm. - Double Bucket - Seat (X72)
	071690-06-X70	EA	Skirt Asm. - Double Bucket
	071690-06-X37	EA	Skirt Asm. - Double Bucket (X71)
	071690-06-X38	EA	Skirt Asm. - Double Bucket (X72)

**1988 M & N SERIES
COMMON ITEMS
TABLE OF CONTENTS**

Introduction	A-01 - A-02
Accessories Group	A-03 - A-05
Bath Group	A-06
Chassis Group	A-07 - A-11
Curtain, Cushion & Pad Group	A-12 - B-02
Driver's Compartment Group	B-03 - B-08
Electrical Group	B-07 - B-09
Exterior Body Group	B-10 - B-19
Galley Group	B-20
Heating & Air Conditioning Group	B-21
Interior Finish Group	B-22 - C-01
LP Group	C-02
Water & Sewage Group	C-03
Window, Vent & Exterior Door Group	C-04 - C-18

**1988 M & N SERIES
CURTAIN, CUSHION & PAD GROUP
INDEX**

Hardware	A-12
Dinette Cushions	A-13 - A-14
Chairs	A-15
Pillow Shams & Twin Bed	A-16
Double Bed	A-17
Queen Bed	A-18
Couch	A-19 - A-20
Bucket Seats	A-21 - B-01
Front Bunk	B-01
Curtains	B-01
Fabrics	B-02

CURTAIN, CUSHION & PAD GROUP (CONTINUED)

ICH22EC

BUCKET SEAT

Key	Part Number	U/M	Description
	083909-15-X73	EA	Seat Asm. - Single Bucket - w/Headrest
	083909-15-X74	EA	Seat Asm. - Single Bucket - w/Headrest
	M01864-35-X20	EA	Cover Asm. - Bucket - Seat (X73)
	M01864-35-X22	EA	Cover Asm. - Bucket - Seat (X74)
	M01864-36-X20	EA	Cover Asm. - Bucket - Back (X73)
	M01864-36-X22	EA	Cover Asm. - Bucket - Back (X74)
	071126-24-X20	EA	Skirt Asm. - Single Bucket (X73)
	071126-24-X22	EA	Skirt Asm. - Single Bucket (X74)
	080243-23-X20	EA	Armrest Asm. - Bucket Seat - Right (X73)
	080243-23-X22	EA	Armrest Asm. - Bucket Seat - Right (X74)
	M80243-23-X20	EA	Cover Asm. - Right Armrest (X73)
	M80243-23-X22	EA	Cover Asm. - Right Armrest (X74)
	080243-24-X20	EA	Armrest Asm. - Bucket Seat - Left (X73)
	080243-24-X22	EA	Armrest Asm. - Bucket Seat - Left (X74)
	M80243-24-X20	EA	Cover Asm. - Left Armrest (X73)
	M80243-24-X22	EA	Cover Asm. - Left Armrest (X74)
	085268-01-X73	EA	Headrest Asm. - Straton Bucket Seat
	085268-01-X74	EA	Headrest Asm. - Straton Bucket Seat
	M85268-01-X73	EA	Cover Asm. - Headrest
	M85268-01-X74	EA	Cover Asm. - Headrest

FRONT BUNK CUSHIONS

Key	Part Number	U/M	Description
	079145-06-000	EA	Cushion Asm. - Front Bunk - 30" x 78" - 27RQ, 31RQ, 34RQ
	M79145-06-000	EA	Cover Asm. - Front Bunk Cushion
	079145-04-000	EA	Cushion Asm. - Front Bunk - 34" x 78" - 22RC, 22EC, 27RT, 27RU, 31RT, 33RU
	M79145-04-000	EA	Cover Asm. - Front Bunk Cushion

CURTAINS

Key	Part Number	U/M	Description
	073304-40-X23	EA	Curtain Asm. - Front Wraparound - 32.5" x 86" - Passenger (All Chieftains)
	073304-41-X23	EA	Curtain Asm. - Front Wraparound - 32.5" x 86" - Drivers (All Chieftains)
	073304-49-X11	EA	Curtain Asm. - Front Wraparound - 32.5" x 86" (All Chieftains)
	073304-51-X11	EA	Curtain Asm. - Front Wraparound - 36" x 86" (All Superchief)
	073304-40-X20	EA	Curtain Asm. - Front Wraparound - 32.5" x 86" - Passenger (All Sunflyers)
	073304-41-X20	EA	Curtain Asm. - Front Wraparound - 32.5" x 86" - Drivers (All Sunflyers)
	073304-49-X33	EA	Curtain Asm. - Front Wraparound - 34" x 86" (All Sunflyers)
	073304-51-X33	EA	Curtain Asm. - Front Wraparound - 36" x 86" (All Sunflyers)
	073304-04-X74	EA	Curtain Asm. - Privacy - 64" x 53" (Chieftain 22RC)
	077591-05-X11	EA	Curtain Asm. - Blackout - 60" x 50" - Passengers (Chieftain & Superchief)
	077591-06-X11	EA	Curtain Asm. - Blackout - 60" x 50" Drivers (Chieftain & Superchief)
†	077591-09-X11	EA	Curtain Asm. - Blackout - 60" x 47.5" Passenger (Chieftain & Superchief)
†	077591-10-X11	EA	Curtain Asm. - Blackout - 60" x 47.5" Drivers (Chieftain & Superchief)
	073304-04-X73	EA	Curtain Asm. - Privacy - 64" x 53" (Sunflyer 22EC)
†	073304-04-XA4	EA	Curtain Asm. - Privacy - 64" x 53" (Sunflyer 22EC)
	077591-05-X36	EA	Curtain Asm. - Blackout - 60" x 50" - Passenger (Sunflyer & Suncruiser)
	077591-06-X36	EA	Curtain Asm. - Blackout - 60" x 50" - Driver (Sunflyer & Suncruiser)
†	077591-09-X36	EA	Curtain Asm. - Blackout - 60" x 47.5" - Passenger (Sunflyer & Suncruiser)
†	077591-10-X36	EA	Curtain Asm. - Blackout - 60" x 47.5" - Drivers (Sunflyer & Suncruiser)

* Used in units produced after 8-19-87

† Used in units produced after 7-22-87

† Used in units produced after 10-1-87

CURTAIN, CUSHION & PAD GROUP (CONTINUED)

CHIEFTAIN & SUPERCHIEF

FABRICS

Key	Part Number	U/M	Description
	088274-11-000	YD	Fabric - Upholstery - Main - Beige (X11)
	088274-12-000	YD	Fabric - Upholstery - Main - Blue (X12)
	088274-13-000	YD	Fabric - Upholstery - Main - Rose (X13)
	088274-29-000	YD	Fabric - Upholstery - Patterned - Beige
	088274-30-000	YD	Fabric - Upholstery - Patterned - Blue
	077498-A5-000	YD	Fabric - Upholstery - Patterned - Rose
	088273-07-000	YD	Fabric - Bedspread - Beige (X11)
	088273-08-000	YD	Fabric - Bedspread - Blue (X12)
	088273-09-000	YD	Fabric - Bedspread - Rose (X13)
	088273-15-000	YD	Fabric - Drapery - Bedroom - Beige (X11)
	088273-16-000	YD	Fabric - Drapery - Bedroom - Blue (X12)
	088273-17-000	YD	Fabric - Drapery - Bedroom - Rose (X13)
	072333-49-000	YD	Fabric - Drapery (X11, X12, X13)
	075244-02-000	YD	Fabric - Shower Curtain
	038421-01-000	YD	Fabric - Mattress Ticking - Beige/Brown
	038421-04-000	YD	Fabric - Mattress Ticking - Cashew - 82"
	087272-01-000	YD	Fabric - Drapery Lining - 48" - Ivory
	079680-01-000	YD	Vinyl - Expanded - 26 oz. - Buckskin
	072333-48-000	YD	Fabric - Bedroom Sheer (X11, X12, X13)

* Used in units produced after 11-30-87

SUNFLYER & SUNCRUISER

FABRICS

Key	Part Number	U/M	Description
	088274-23-000	YD	Fabric - Upholstery - Main - Beige/Peach
	088274-24-000	YD	Fabric - Upholstery - Main - Blue/Gray
	088274-25-000	YD	Fabric - Upholstery - Main - Rose
	088274-26-000	YD	Fabric - Upholstery - Patterned - Beige/Peach
	088274-27-000	YD	Fabric - Upholstery - Patterned - Blue/Gray
	088274-28-000	YD	Fabric - Upholstery - Patterned - Rose
	088274-14-000	YD	Fabric - Upholstery - Plain - Beige/Peach
	088274-15-000	YD	Fabric - Upholstery - Plain - Blue/Gray
	077498-61-000	YD	Fabric - Upholstery - Plain - Rose
	072333-45-000	YD	Fabric - Drapery - Blackout - Wraparound - Beige/Peach
	072333-50-000	YD	Fabric - Drapery - Blackout - Wraparound - Blue/Gray
	072333-55-000	YD	Fabric - Drapery - Blackout - Wraparound - Blue/Gray
	072333-51-000	YD	Fabric - Drapery - Blackout - Wraparound - Rose
	088273-04-000	YD	Fabric - Bedspread - Beige/Peach
	088273-06-000	YD	Fabric - Bedspread - Blue/Gray
	088273-05-000	YD	Fabric - Bedspread - Rose
	075244-02-000	YD	Fabric - Shower Curtain
	079680-01-000	YD	Vinyl - Expanded - 26 oz. Buckskin

* Used in units produced after 10-1-87

SUNFLYER 22EC

FABRICS

Key	Part Number	U/M	Description
	088274-21-000	YD	Fabric - Upholstery - Main - Beige (X73)
	088274-22-000	YD	Fabric - Upholstery - Main - Wine (X74)
	088274-14-000	YD	Fabric - Upholstery - Accent - Beige (X73)
	088274-09-000	YD	Fabric - Upholstery - Accent - Wine (X74)
	072333-50-000	YD	Fabric - Drapery, Blackout, Wraparound - Beige (X73)
	072333-55-000	YD	Fabric - Drapery, Blackout, Wraparound - Beige (X73)
	07233-49-000	YD	Fabric - Drapery, Blackout, Wraparound - Wine (X74)
	088273-06-000	YD	Fabric - Bedspread - Beige (X73)
	088273-05-000	YD	Fabric - Bedspread - Wine (X74)
	079680-01-000	YD	Vinyl - Expanded - 26 oz. Buckskin

* Used in units produced after 10-1-87

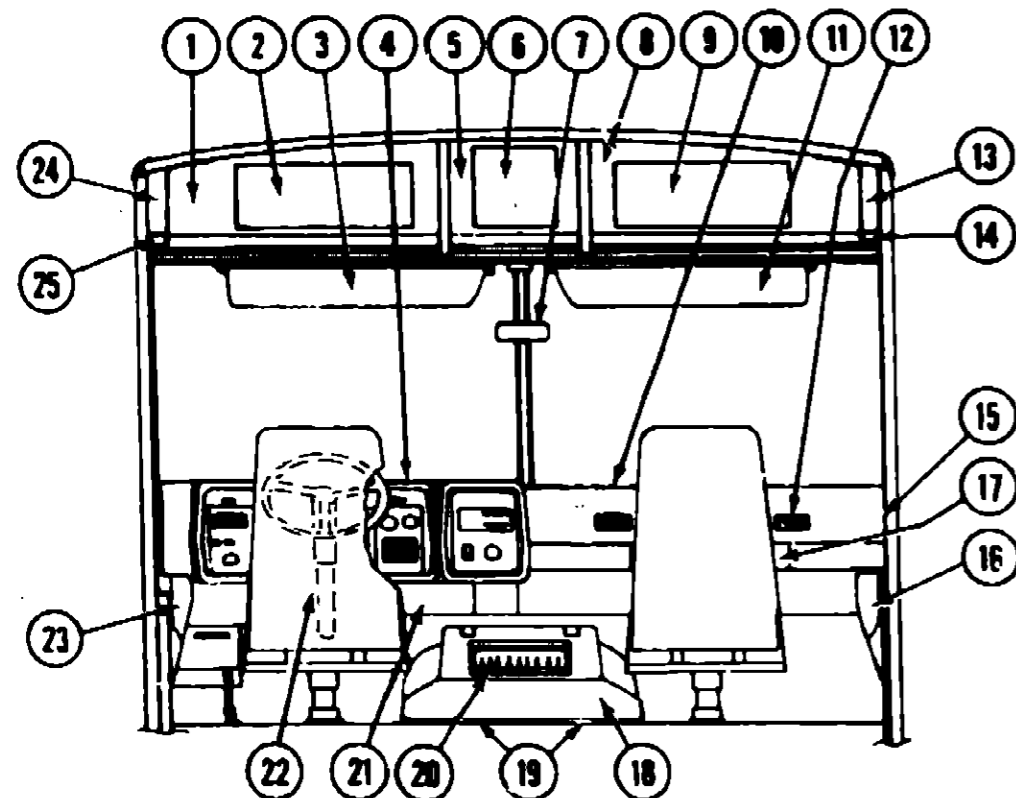
**1988 M & N SERIES
COMMON ITEMS
TABLE OF CONTENTS**

Introduction	A-01 - A-02
Accessories Group	A-03 - A-05
Bath Group	A-06
Chassis Group	A-07 - A-11
Curtain, Cushion & Pad Group	A-12 - B-02
Driver's Compartment Group	B-03 - B-06
Electrical Group	B-07 - B-09
Exterior Body Group	B-10 - B-19
Galley Group	B-20
Heating & Air Conditioning Group	B-21
Interior Finish Group	B-22 - C-01
LP Group	C-02
Water & Sewage Group	C-03
Window, Vent & Exterior Door Group	C-04 - C-18

**1988 M & N SERIES
CURTAIN, CUSHION & PAD GROUP
INDEX**

Hardware	A-12
Dinette Cushions	A-13 - A-14
Chairs	A-15
Pillow Shams & Twin Bed	A-16
Double Bed	A-17
Queen Bed	A-18
Couch	A-19 - A-20
Bucket Seats	A-21 - B-01
Front Bunk	B-01
Curtains	B-01
Fabrics	B-02

DRIVER'S COMPARTMENT GROUP



MISCELLANEOUS DRIVERS COMPARTMENT COMPONENTS

Key	Part Number	U/M	Description
	083917-01-W30	EA	Cabinet Asm. - Front Overhead - w/o Bunk (Chieftain 22RC)
1	M89985-01-X14	EA	Cabinet Asm. - Front Overhead - Drivers - w/o Bunk (Superchief, Suncruiser)
2	M88304-3C-X78	EA	Door Asm. - Front Overhead - Drivers - w/o Hardware (Superchief, Suncruiser)
3	082286-01-W07	EA	Sunvisor Asm. - Drivers
4	079088-01-000	EA	Dash Pad - Instrument Panel - Drivers
4	078582-02-000	EA	Dash Panel - Front Drivers - w/o Defroster Vents (Superchief, Sunflyer, Suncruiser)
4	086409-02-000	EA	Dash Panel - Front Drivers - w/o Defroster Vents (Chieftain)
5	M89986-01-X14	EA	Cabinet Asm. - Center Front Overhead - w/o Bunk (Superchief, Suncruiser)
6	M88304-08-X11	EA	Door Asm. - Center Front Overhead - w/o Hardware (Superchief, Suncruiser)
7	040714-01-700	EA	Mirror - Inside Rear View - w/Button Support
8	M89984-01-X14	EA	Cabinet Asm. - Front Overhead - Passengers - w/o Bunk (Superchief, Suncruiser)
9	M88304-30-X78	EA	Door Asm. - Front Overhead - Passengers - w/o Hardware (Superchief, Suncruiser)
	086413-01-000	EA	Headliner - Front - Light Oak Plastic (Chieftain)
	080085-02-T03	EA	Panel Asm. - Headliner - Upper Front - Padded Vinyl (Sunflyer)
	078811-02-T03	EA	Panel Asm. - Headliner - Bottom Front - Padded Vinyl (Sunflyer)
	081105-01-W30	EA	Trim - Headliner Pad - Regal Oak - 84.75" (Chieftain)
10	079089-01-000	EA	Dash Pad - Instrument Panel - Passenger
10	078581-02-000	EA	Dash Panel - Front Passengers - w/o Defroster Vents (Superchief, Sunflyer, Suncruiser)
10	086408-02-000	EA	Dash Panel - Front Passengers - w/o Defroster Vents (Chieftain)
11	082286-03-W07	EA	Sunvisor Asm. - Passenger - w/Mirror
12	039044-01-000	EA	Louver Asm. - Air Conditioner - Adjustable Vent

DRIVER'S COMPARTMENT GROUP (CONTINUED)

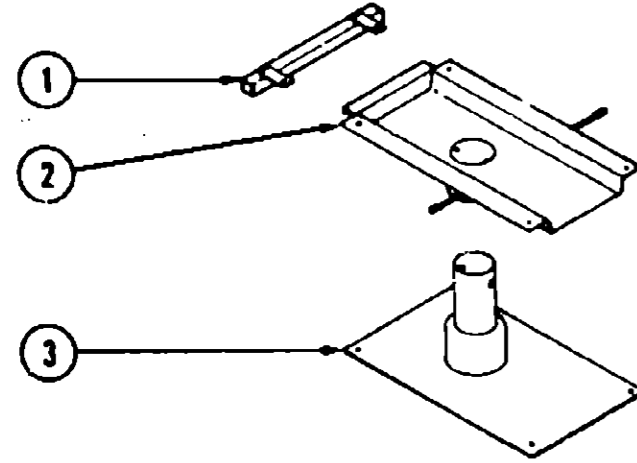
MISCELLANEOUS DRIVERS COMPARTMENT COMPONENTS (CONT.)

Key	Part Number	U/M	Description
13	080855-07-000	EA	Side Trim - Passengers Front Upper - w/o Bunk or Cabinet (Chieftain & Sunflyer)
13	080855-09-000	EA	Side Trim - Passengers Front Upper - w/Bunk or Cabinet (Chieftain & Sunflyer)
14	080856-03-000	EA	Side Trim - Passengers Front Lower - w/o Bunk or Cabinet (Chieftain & Sunflyer)
14	080856-05-000	EA	Side Trim - Passenger Front Lower - w/Bunk or Cabinet (Chieftain & Sunflyer)
	083918-01-W30	EA	Cabinet Asm. - Front Overhead Passengers - w/o Bunk (Chieftain 22RC)
14	090383-01-X14	EA	Side Trim - Passengers Front Lower - w/o Bunk (Superchief & Suncruiser)
15	059414-06-000	EA	Pad - Sidewall Trim - Passenger - Vinyl (Winnebago & Itasca)
16	072811-01-000	EA	Side Panel - Passenger - Plastic (Winnebago & Itasca)
	059467-04-T03	EA	Pad - Map Pocket - Passenger - Vinyl (Chieftain & Sunflyer)
17	022219-01-000	EA	Glove Compartment Door
	023892-01-000	EA	Glove Compartment Box - Black Fiberboard
	009118-01-000	EA	Glove Compartment Twist Lock
	024598-01-000	EA	Glove Compartment Hinge
18	075939-01-000	EA	Motor Cover - Fiberglass
	075564-01-000	EA	Mounting Bracket - Motor Cover
19	039823-01-000	FT	Seal - Engine Cover - Neoprene
20	080216-01-000	EA	Beverage Tray - w/Tape Pockets - Oak
20	086157-01-X36	EA	Beverage Tray Asm. - Light Oak Plastic w/Tape Holder
21	023834-01-000	EA	Panel - Knee Kick - Bottom of Dash
	078245-01-000	EA	Steering Column Boot - Vinyl
22	040594-01-000	EA	Cover - Steering Column - Black Plastic
22	085495-01-000	EA	Cover - Steering Column - Black Plastic (John Deere Chassis)
23	082471-02-000	EA	Panel - Drivers Door - Inner - Plastic
	046886-03-000	EA	Ash Tray - Chrome
	089294-01-000	EA	Cigarette Lighter Asm. - 12 volt
	061424-01-000	EA	Lamp Asm. - Map/Gauge
	061400-06-000	EA	Assist Strap - 12" - Sandstone
24	080855-08-000	EA	Side Trim - Drivers Front Upper - w/o Bunk or Cabinet (Chieftain & Sunflyer)
24	080855-10-000	EA	Side Trim - Drivers Front Upper - w/Bunk (Chieftain & Sunflyer)
25	080856-04-000	EA	Side Trim - Drivers Front Lower - w/o Bunk or Cabinet (Chieftain & Sunflyer)
25	080856-06-000	EA	Side Trim - Drivers Front Lower - w/Bunk (Chieftain & Sunflyer)
	083918-02-W30	EA	Cabinet Asm. - Front Overhead Drivers - w/o Bunk (Chieftain 22RC)
25	090383-02-X14	EA	Side Trim - Drivers Front Lower - w/o Bunk (Superchief & Suncruiser)
	054250-01-000	EA	Support - Dimmer Switch - w/o Hole
			Not illustrated

1988 M & N SERIES COMMON ITEMS TABLE OF CONTENTS

Introduction	A-01 - A-02
Accessories Group	A-03 - A-05
Bath Group	A-06
Chassis Group	A-07 - A-11
Curtain, Cushion & Pad Group	A-12 - B-02
Driver's Compartment Group	B-03 - B-06
Electrical Group	B-07 - B-09
Exterior Body Group	B-10 - B-19
Galley Group	B-20
Heating & Air Conditioning Group	B-21
Interior Finish Group	B-22 - C-01
LP Group	C-02
Water & Sewage Group	C-03
Window, Vent & Exterior Door Group	C-04 - C-18

DRIVER'S COMPARTMENT GROUP (CONTINUED)



BUCKET SEAT PEDESTAL & SEAT BELTS

Key	Part Number	U/M	Description
1	069585-29-000	EA	Bar - Seat Belt - 20"
2	069585-27-000	EA	Plate - Top - Pedestal Asm. - Single Bucket Seat
2	069585-10-000	EA	Plate - Top - Pedestal Asm. - Double Bucket Seat
2	069585-36-000	EA	Plate - Top - Pedestal Asm - Power Seat
3	069585-08-000	EA	Plate - Sub - Pedestal Asm. - Bucket Seat
3	069585-37-000	EA	Plate - Sub - Vertical - 5" - Power Seat
.	007019-01-000	EA	Belt Asm. - Seat - 2" x 84" - Black
.	007021-01-000	EA	Belt Asm. - Seat - 2" x 90" - Black
.	056271-02-000	EA	Belt Asm. - Seat - 2" x 72" - Black
.	057759-010-00	EA	Bracket - Seat Belt Washer
.	069246-01-000	EA	Adjuster Asm. - Seat - w/ Lock
.	069246-02-000	EA	Adjuster Asm. - Seat - w/o Lock
.	081373-01-000	EA	Seat - Power - 6 Way
.	081373-02-700	EA	Switch Asm. - Package
.	081373-02-701	EA	Harness Asm. - Left
.	081373-02-702	EA	Harness Asm. - Right
.	081373-02-703	EA	Horizontal Adjustment Package
.	081373-02-704	EA	Vertical Adjustment Package
.	Not illustrated		

DRIVER'S COMPARTMENT GROUP (CONTINUED)

FRONT BUNK

Key	Part Number	U/M	Description
	076760-02-000	EA	Overhead Bunk Hardware (Superchief & Suncruiser)
	076760-03-000	EA	Overhead Bunk Hardware (Chieftain & Sunflyer)
	081717-01-X11	EA	Bed Asm. - Front Bunk (Chieftain)
	081717-01-W07	EA	Bed Asm. - Front Bunk (Sunflyer)
	079144-02-T03	EA	Bunk Strap
	042541-04-000	EA	Latch Asm. - w/o Strike - Brass
	042541-05-000	EA	Latch Strike - Brass
	080855-09-000	EA	Side Trim - Passengers Front Upper (Chieftain & Sunflyer)
	080856-05-000	EA	Side Trim - Passengers Front Lower (Chieftain & Sunflyer)
	080855-10-000	EA	Side Trim - Drivers Front Upper (Chieftain & Sunflyer)
	080856-06-000	EA	Side Trim - Drivers Front Lower (Chieftain & Sunflyer)

DASH SWITCHES & GAUGES

Key	Part Number	U/M	Description
	024461-01-000	EA	Switch - Battery
	024462-01-000	EA	Switch - Battery Condition
	065963-04-000	EA	Switch - Battery - Dual Boost
	024976-01-000	EA	Switch - Generator w/o Circuit Board
	024459-04-000	EA	Gauge - Voltmeter
	024460-04-000	EA	Gauge - Vacuum
	031035-01-000	EA	Gauge - Generator Hourmeter
	065963-04-000	EA	Switch - Aux. Battery - DPDT

**1988 M & N SERIES
COMMON ITEMS
TABLE OF CONTENTS**

Introduction	A-01 - A-02
Accessories Group	A-03 - A-05
Bath Group	A-06
Chassis Group	A-07 - A-11
Curtain, Cushion & Pad Group	A-12 - B-02
Driver's Compartment Group	B-03 - B-06
Electrical Group	B-07 - B-09
Exterior Body Group	B-10 - B-19
Galley Group	B-20
Heating & Air Conditioning Group	B-21
Interior Finish Group	B-22 - C-01
LP Group	C-02
Water & Sewage Group	C-03
Window, Vent & Exterior Door Group	C-04 - C-18

ELECTRICAL GROUP

BULBS

Key	Part Number	U/M	Description
	008103-01-000	EA	Bulb - 53
	008213-01-000	EA	Bulb - 57
	008214-01-000	EA	Bulb - 67
	036196-01-000	EA	Bulb - 194
	008215-01-000	EA	Bulb - 1003
	067479-01-000	EA	Bulb - 1076
	063914-01-000	EA	Bulb - 1139
	008216-01-000	EA	Bulb - 1141
	037935-01-000	EA	Bulb - 1157
	037936-01-000	EA	Bulb - 1157A
	056268-02-000	EA	Bulb - 9431808
	081633-01-700	EA	Bulb - Make Up Light

FUSES & CIRCUIT BREAKERS

Key	Part Number	U/M	Description
	008234-01-000	EA	Fuse - 10 Amp. - 12 Volt
	082901-02-000	EA	Fuse - 5 Amp. - Automotive
	062901-05-000	EA	Fuse - 15 Amp. - Automotive
	008211-01-000	EA	Circuit Breaker - 6 Amp. - 12 Volt
	044486-03-000	EA	Circuit Breaker - 25 Amp. - 12 Volt - w/Mount
	083209-01-000	EA	Circuit Breaker - 15 Amp. - 120 Volt
	083210-02-000	EA	Circuit Breaker - 15 Amp. - 120 Volt (Ground Fault Interrupter)
	083209-01-000	EA	Circuit Breaker - 15 Amp. - 120 Volt
	085720-04-000	EA	Circuit Breaker - 30 Amp. - 120 Volt
	083209-03-000	EA	Circuit Breaker - 15/20 Amp. - 120 Volt
	083209-05-000	EA	Circuit Breaker - 20 Amp. - 120 Volt
	083209-07-000	EA	Circuit Breaker - 20/20 Amp. - 120 Volt
	083209-04-000	EA	Circuit Breaker - 30 Amp. - 120 Volt
	083209-06-000	EA	Circuit Breaker - 30/15 Amp. - 120 Volt
	083209-02-000	EA	Circuit Breaker - 15/15 Amp. - 120 Volt
	083209-08-000	EA	Circuit Breaker Blank
	082678-01-000	EA	Circuit Breaker - 40 Amp. - 12 Volt
	082678-02-000	EA	Circuit Breaker - 20 Amp. - 12 Volt

MISCELLANEOUS ELECTRICAL COMPONENTS

Key	Part Number	U/M	Description
	008188-01-000	EA	Solenoid - Dual Battery - Relay
	083208-01-000	EA	Control Center - 32 Amp.
	083208-02-000	EA	Control Center - 45 Amp. - BW6345A (CSA)
	083208-03-000	EA	Control Center - 45 Amp. - BW6345UL
	063739-01-000	EA	Battery - 12 Volt - 80 Amp. - Gould
	036420-02-000	EA	Fan - 6" Defroster - 2 Speed
	089294-01-000	EA	Lighter Asm. - Cigarette
	072852-01-000	EA	Detector - Smoke

REAR WIPER & WASHER

Key	Part Number	U/M	Description
	087249-01-000	EA	Motor Asm. - Rear Wiper - 68° Wipe
	087251-01-000	EA	Wiper Blade - 16" Black
	087252-01-000	EA	Arm Asm. - Rear Wiper - 20" Black
	087967-01-000	EA	Cover - Rear Wiper - Light Oak

ELECTRICAL GROUP (CONTINUED)

INTERIOR LIGHT

Key	Part Number	U/M	Description
	085202-06-000	EA	Lamp - Decor - Bright Brass - 10" Wall Mount
	065202-03-000	EA	Lamp - Decor - Wall - Bright Brass
	065586-01-000	EA	Table Lamp - Brass w/Wood
	082686-02-000	EA	Shade - Table Lamp
	065201-02-000	EA	Shade - Fabric - Parchment - Wall Lamp
	033508-02-000	EA	Light - Dome - Ivory - 1 Bulb - US
	033508-03-000	EA	Light - Dome - Ivory - 1 Bulb - CSA
	033509-02-000	EA	Light - Dome - Ivory - 2 Bulb - US
	033509-03-000	EA	Light - Dome - Ivory - 2 Bulb - CSA
	078424-02-000	EA	Light - Fluorescent - 12V - 18"
	061424-01-000	EA	Light - 12V Receptacle - Aisle - 1P
	072353-08-000	EA	Light - Reading - 360° Swivel - Tan
	081909-01-000	EA	Light - Strip - Clear - 18" w/Mounting
	082169-01-000	EA	Light - Make-Up - 3-Bulb
	081633-01-000	EA	Light - Make-Up - 24"
	087694-01-000	EA	Light - Wardrobe w/Switch
	086280-01-000	EA	Light - Surface Mount - 12V
	068937-04-000	EA	Dome Light - Surface - w/o Switch
	079926-01-000	EA	Lamp - Flexible Arm
	076788-01-000	EA	Socket Lamp - Mini Bayonet
	007309-01-000	EA	Light - Step Well

EXTERIOR LIGHTS

Key	Part Number	U/M	Description
	042405-03-000	EA	Base - Rectangle Light
	042405-01-000	EA	Lens - Rectangular Light - Red w/Reflex
	042405-02-000	EA	Lens - Rectangular Light - Amber w/Reflex
	076795-01-000	EA	Light Asm. - License
	081250-01-000	EA	Light Asm. - Cab Marker - Amber
	081250-02-000	EA	Light Asm. - Cab Marker - Red
	008089-01-000	EA	Light - Porch - Recessed
	008089-01-700	EA	Lens - Recessed Porch Light
	088747-01-000	EA	Lamp Asm. - Fog - w/Clear Lens
	075459-04-000	EA	Lamp Asm. - Taillight - Red
	075459-05-000	EA	Lamp Asm. - Taillight - Amber
	075459-06-000	EA	Lamp Asm. - Taillight - Back Up w/Reflex
	051057-02-000	EA	Searchlight - Power Driver
	076343-01-000	EA	Lamp Asm. - Park/Turn - Clear - Left (Sunflyer)
	076343-02-000	EA	Lamp Asm. - Park/Turn - Clear - Right (Sunflyer)
	076345-01-000	EA	Lens Asm. - Park/Turn - Amber
	049185-01-000	EA	Headlamp Capsule Asm. - Rectangular - Left - High/Low Beam
	049186-01-000	EA	Headlamp Capsule Asm. - Rectangular - Right - High/Low Beam
	049187-01-000	EA	Headlamp Capsule Asm. - Rectangular - Left - High Beam
	049188-01-000	EA	Headlamp Capsule Asm. - Rectangular - Right - High Beam

WINDSHIELD WIPERS & WASHER

Key	Part Number	U/M	Description
	049464-03-000	EA	Blade - W/S Wiper - 20" Black
	057653-01-000	EA	Arm Asm. - W/S Wiper - 18" Black (Superchief, Sunflyer, Suncruiser)
	072472-04-000	EA	Arm Asm. - W/S Wiper - 29" Black (Chieftain)
	072472-02-000	EA	Adapter Kit - W/S Wiper Arm - Pantograph (Chieftain)
	067188-01-000	EA	Stud/Crank - W/S Wiper (Superchief, Sunflyer, Suncruiser)
	067190-01-000	EA	Shaft & Pivot Arm - W/S Wiper - Passenger (Superchief, Sunflyer, Suncruiser)
	067190-02-000	EA	Shaft & Pivot Arm - W/S Wiper - Drivers (Superchief, Sunflyer, Suncruiser)
	067191-02-000	EA	Motor - 2 Speed - W/S Wiper (Superchief, Sunflyer, Suncruiser)
	067192-01-000	EA	Link Asm. - Connecting - Drivers (Superchief, Sunflyer, Suncruiser)
	067193-01-000	EA	Link Asm. - Connecting - Passenger (Superchief, Sunflyer, Suncruiser)

1968 M & N SERIES COMMON ITEMS TABLE OF CONTENTS

Introduction	A-01 - A-02
Accessories Group	A-03 - A-05
Bath Group	A-06
Chassis Group	A-07 - A-11
Curtain, Cushion & Pad Group	A-12 - B-02
Driver's Compartment Group	B-03 - B-06
Electrical Group	B-07 - B-09
Exterior Body Group	B-10 - B-19
Galley Group	B-20
Heating & Air Conditioning Group	B-21
Interior Finish Group	B-22 - C-01
LP Group	C-02
Water & Sewage Group	C-03
Window, Vent & Exterior Door Group	C-04 - C-18

ELECTRICAL GROUP (CONTINUED)

WIRE, SWITCHES & RECEPTACLES

Key	Part Number	U/M	Description
	008288-01-000	EA	Box - Electrical - 3" x 3.5" - Plastic
	008289-01-000	EA	Box - Electrical - 4" x 4" - 1/2 & 3/4 Steel - UL
	058049-01-000	EA	Box - Electrical - 2" x 3" x 2.25" - Steel
	041953-01-000	FT	Conduit - Convolute Slit - .5" I.D.
	041953-03-000	FT	Conduit - Convolute Slit - 1" I.D.
	008353-01-000	EA	Connector - Clamping - 3/8 Cable - UL & CSA
	058026-01-000	EA	Connector - Pigtail - Clear Nylon
	008311-01-000	EA	Connector - Wire Nut - Red
	031968-01-000	EA	Contact Plug - Brass - Tin Plated
	031967-01-000	EA	Contact - Receptacle
	008054-01-000	EA	Cord - Power - 10-3 30 Amp. - 25' - UL
	008052-01-000	EA	Cord - Power - 10-3 30 Amp. - 25' - CSA
	069238-01-000	EA	Cover - Electrical Box - 4" x 4"
	008294-01-000	EA	Cover - Flat Blank - 4" x 4" - Steel - US
	064399-01-000	EA	Housing Asm. - Trailer Pin
	064450-01-000	EA	Housing Asm. - Trailer Plug
	064398-01-000	EA	Housing Asm. - Trailer Receptacle
	054532-02-000	EA	Housing Pin - 4 Position
	054532-01-000	EA	Housing Pin - 6 Position
	075736-03-000	EA	Receptacle/Cover Asm. - Beige (Exterior)
	075736-01-000	EA	Receptacle/Cover Asm. - Gray (Exterior)
	058708-01-000	EA	Receptacle - Duplex - Brown
	024924-02-000	EA	Receptacle - Power Cord
	058707-01-000	EA	Receptacle - Single - Brown
	066273-01-000	EA	Relay - Battery Disconnect
	063912-01-000	EA	Relay - Canister SPDT w/Ground
	075723-01-000	EA	Switch - Block Spacer - w/3 Holes
	075723-02-000	EA	Switch - Block Spacer - w/4 Holes
	056264-01-000	EA	Switch - Leaf Actuator
	079363-01-000	EA	Switch Plate - Single - w/Switches
	079364-01-000	EA	Switch - On/Off Rocker - Brown
	008195-01-000	EA	Switch - Push Button - 12 Volt
	076759-01-000	EA	Switch - SPST - Lock/Lock
	076759-03-000	EA	Switch - SPST - Lock/Lock/Lock
	076759-04-000	EA	Switch - SPDT - Mom/Lock/Mom
	076759-05-000	EA	Switch - SPDT - Lock/Lock/Mom
	076759-06-000	EA	Switch - Dummy
	047443-02-000	EA	Terminal - .250 Receptacle - 12-10 AWG
	008343-01-000	EA	Terminal Ring - 2 - w/3/8 Stud
	008331-01-000	EA	Terminal Ring - 4 - w/3/8 Stud
	008328-01-000	EA	Terminal Ring - 12/10 Wire
	008028-01-000	FT	Wire - 18.5 Bonded - Blue/Red/Yellow/Orange/White
	008024-01-000	FT	Wire - 18.5 Bonded - Orange/White/Yellow/Blue/Brown
	008025-01-000	FT	Wire - 18.5 Bonded - Orange/White/Yellow/Blue/Green
	008026-01-000	FT	Wire w/Ground - Romex - 12/2
	008343-01-000	EA	Wire Tie - 6"

EXTERIOR BODY GROUP

SHEET FIBERGLASS PANEL, ALUMINUM TO STYROFOAM

Key	Part Number	U/M	Description
	081395-14-000	EA	Panel - Fiberglass Board - Beige - 78.74" x 32.25'
	081395-05-000	EA	Panel - Fiberglass Board - Beige - 70.23" x 21.5'
	081395-23-000	EA	Panel - Fiberglass Board - Beige - 23.62" x 10'
	081395-07-000	EA	Panel - Fiberglass Board - Beige - 47.99" x 8'
	081395-22-000	EA	Panel - Fiberglass Board - Gray - 78.74" x 32.25'
	081395-06-000	EA	Panel - Fiberglass Board - Gray - 70.23" x 21.5'
	081395-24-000	EA	Panel - Fiberglass Board - Gray - 23.62" x 10'
	081395-08-000	EA	Panel - Fiberglass Board - Gray - 47.99" x 8'
	044487-01-001	EA	Alum. - Mill Finish - No Design (Roof) 96" x 360"
	001054-01-041	EA	Alum. - Flat - Off White - 48" x 360"
	001054-03-003	EA	Alum. - Flat - Gray - 48" x 96"
	001054-01-011	EA	Alum. - Flat - Off White - 48" x 96"
	000868-01-000	EA	Styrofoam - .75" x 24" x 96"
	000870-03-000	EA	Styrofoam - 1.34" x 48" x 96"

MISCELLANEOUS EXTERNALLY MOUNTED PARTS

Key	Part Number	U/M	Description
	083558-01-000	EA	Plumbing Seal - Roof Vent - 1.5" - Covered
	009126-01-000	EA	Assist Handle - Chrome
	081240-01-000	EA	Water Fill - Lockable - Beige
	087659-02-000	EA	Fill - City Water - Beige - Brass Fittings
	081240-02-000	EA	Water Fill - Lockable - Gray
	087659-03-000	EA	Fill - City Water - Gray - Brass Fittings

SEALANTS & ADHESIVES

Key	Part Number	U/M	Description
	004020-01-000	QT	Adhesive - ABS Cement (Plastic Fittings)
	002337-01-000	EA	Adhesive - 1300 Tube - 3M (Windows)
	004005-02-000	GL	Adhesive - Swifts - Glue (Sidewalls)
	034552-04-000	EA	Bedding Compound - Tube - Beige (Exterior)
	034552-02-000	EA	Bedding Compound - Tube - Clear (Window)
	053766-08-000	EA	Bedding Compound - Tube - Gray (Exterior)
	053766-02-000	EA	Bedding Compound - Tube - Off White (Exterior)
	002328-02-000	EA	Block - Rubber Spacer (Windshield)
	004336-01-000	EA	Caulk - Latex - Golden Walnut (Sidewalls)
	077967-01-000	EA	Sealant - Acrylic Latex - Tube - Off White (Interior Sealant)
	034552-04-000	EA	Sealant - Silicone - Beige
	034552-02-000	EA	Sealant - Silicone - Clear
	034552-07-000	EA	Sealant - Silicone - Dark Gray
	034552-06-000	EA	Sealant - Silicone - Off White
	069637-01-000	EA	Sealant - Weatherhan 404 - Tube - White (Door Caulk)
	069640-02-000	FT	Sealant Ribbon - .5" x .125" x 30'
	069640-03-000	FT	Sealer Ribbon - .75" x .125" x 30'
	069640-05-000	FT	Sealer Ribbon - 2.5" x .09" x 50'
	069640-06-000	FT	Sealer Ribbon - 5/16" Bead x 15'
	069640-07-000	FT	Sealer Ribbon - 2" x 3/32" x 30'
	062707-01-000	FT	Sealer Tape - 5/16" x 3/4"
	002707-02-000	FT	Sealer Tape - 5/16" x 1/2"
	053752-04-000	EA	Seam Sealer - Tube - Aluminum (Roof)
	063642-01-000	FT	Tape - Adhesive - .10 mm x 1.5" Wide
	038886-01-000	EA	Tape - Butyl - .31" x 31" x 148" (Windshield)
	076322-02-000	FT	Tape - Foam - Double Coated - .045 x 1" (Fiberglass Sidewall Seams)
	009200-01-000	EA	Tape - Furnace - 1.5"
	002825-01-000	FT	Weather Striping (Roof Vent)

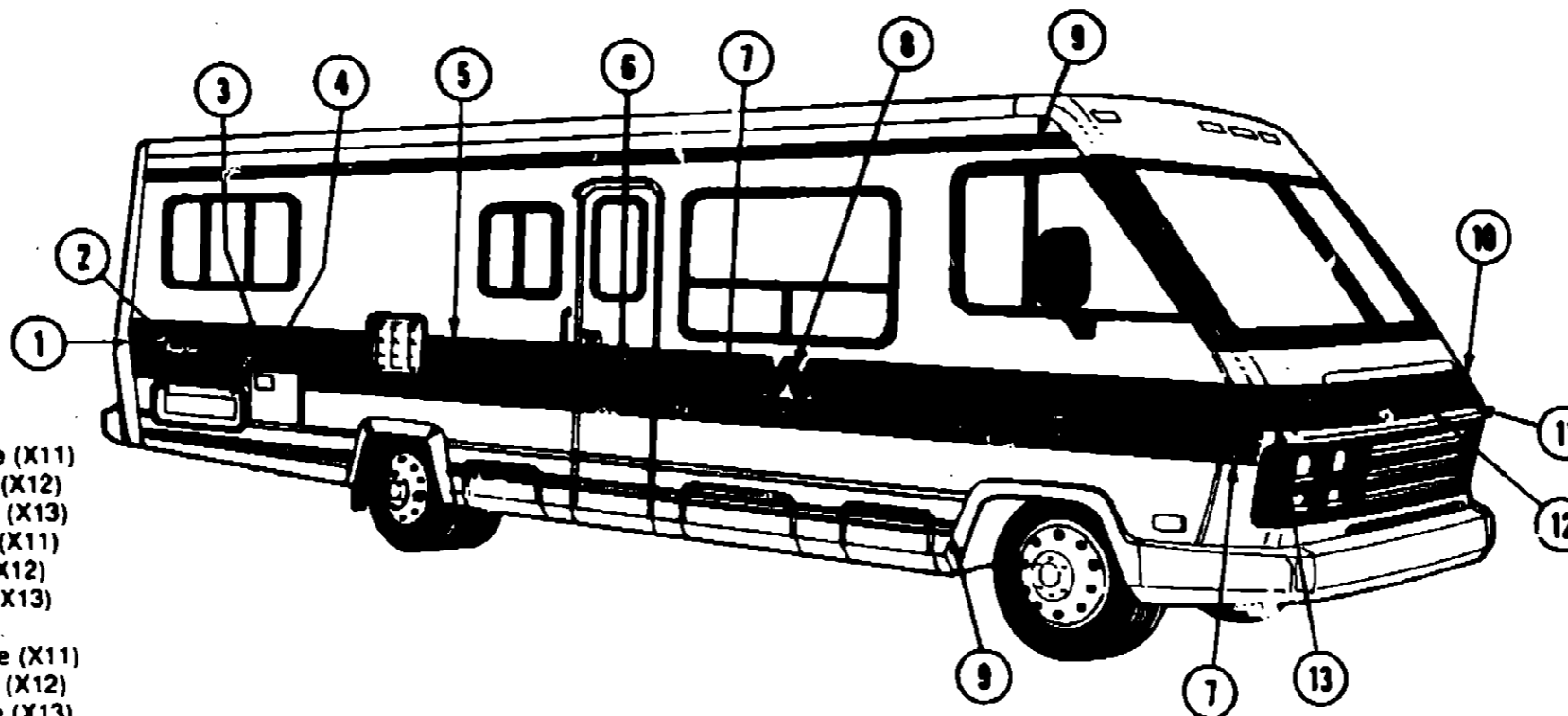
1988 M & N SERIES COMMON ITEMS TABLE OF CONTENTS

Introduction	A-01 - A-02
Accessories Group	A-03 - A-05
Bath Group	A-06
Chassis Group	A-07 - A-11
Curtain, Cushion & Pad Group	A-12 - B-02
Driver's Compartment Group	B-03 - B-06
Electrical Group	B-07 - B-09
Exterior Body Group	B-10 - B-19
Galley Group	B-20
Heating & Air Conditioning Group	B-21
Interior Finish Group	B-22 - C-01
LP Group	C-02
Water & Sewage Group	C-03
Window, Vent & Exterior Door Group	C-04 - C-18

EXTERIOR BODY GROUP (CONTINUED)

DECALS & FILMSTRIPE

CHEFTAIN



Key	Part Number	U/M	Description
1	085297-05-000	EA	Decal - Rear Part 1 - Right - Beige (X11)
1	085297-13-000	EA	Decal - Rear Part 1 - Right - Blue (X12)
1	085297-17-000	EA	Decal - Rear Part 1 - Right - Rose (X13)
*	085297-C3-000	EA	Decal - Rear Part 1 - Left - Beige (X11)
*	085297-14-000	EA	Decal - Rear Part 1 - Left - Blue (X12)
*	085297-18-000	EA	Decal - Rear Part 1 - Left - Rose (X13)
2	058719-03-000	EA	Decal Logo - "Chieftain"
3	085297-11-000	EA	Decal - Rear Part 2 - Right - Beige (X11)
3	085297-15-000	EA	Decal - Rear Part 2 - Right - Blue (X12)
3	085297-19-000	EA	Decal - Rear Part 2 - Right - Rose (X13)
*	085297-12-000	EA	Decal - Rear Part 2 - Left - Beige (X11)
*	085297-16-000	EA	Decal - Rear Part 2 - Left - Blue (X12)
*	085297-20-000	EA	Decal - Rear Part 2 - Left - Rose (X13)
4	073724-04-000	EA	Decal Logo - "22"
4	073724-06-000	EA	Decal Logo - "26"
4	073724-07-000	EA	Decal Logo - "27"
4	073724-08-000	EA	Decal Logo - "30"
4	073724-10-000	EA	Decal Logo - "31"
4	073724-09-000	EA	Decal Logo - "33"
5	078831-23-000	FT	Decal - Stripe - 1.75" - Beige (X11)
5	078831-42-000	FT	Decal - Stripe - 1.75" - Blue (X12)
5	078831-44-000	FT	Decal - Stripe - 1.75" - Rose (X13)
6	078831-26-000	FT	Decal - Stripe - 4.85" - Beige (X11)
6	078831-43-000	FT	Decal - Stripe - 4.85" - Blue (X12)
6	078831-45-000	FT	Decal - Stripe - 4.85" - Rose (X13)
7	078196-28-000	FT	Film - Multi Stripe - 4.5" - Beige (X11)
7	078196-29-000	FT	Film - Multi Stripe - 4.5" - Blue (X12)
7	078196-15-000	FT	Film - Multi Stripe - 4.5" - Rose (X13)
8	079351-09-000	EA	Decal - Flying W - Beige (X11)
8	079351-16-000	EA	Decal - Flying W - Blue (X12)
8	079351-17-000	EA	Decal - Flying W - Rose (X13)
9	065217-G7-000	FT	Film - Multi Stripe - 2.4" - Beige (X11)
9	065217-G8-000	FT	Film - Multi Stripe - 2.4" - Blue (X12)
9	065217-G9-000	FT	Film - Multi Stripe - 2.4" - Rose (X13)
10	085290-06-000	EA	Decal - Corner - Left - Beige (X11)
10	085290-08-000	EA	Decal - Corner - Left - Blue (X12)
10	085290-10-000	EA	Decal - Corner - Left - Rose (X13)
11	085298-03-000	EA	Decal - Hood - Beige (X11)
11	085298-04-000	EA	Decal - Hood - Blue (X12)
11	085298-05-000	EA	Decal - Hood - Rose (X13)
12	069745-03-000	EA	Decal - "Winne"
12	069745-04-000	EA	Decal - "Bago"
13	085299-05-000	EA	Decal - Corner - Right - Beige (X11)
13	085299-07-000	EA	Decal - Corner - Right - Blue (X12)
13	085299-09-000	EA	Decal - Corner - Right - Rose (X13)
*	050313-22-000	EA	Decal - Logo "Winnebago" - 2.8" - Chrome
*			Not illustrated

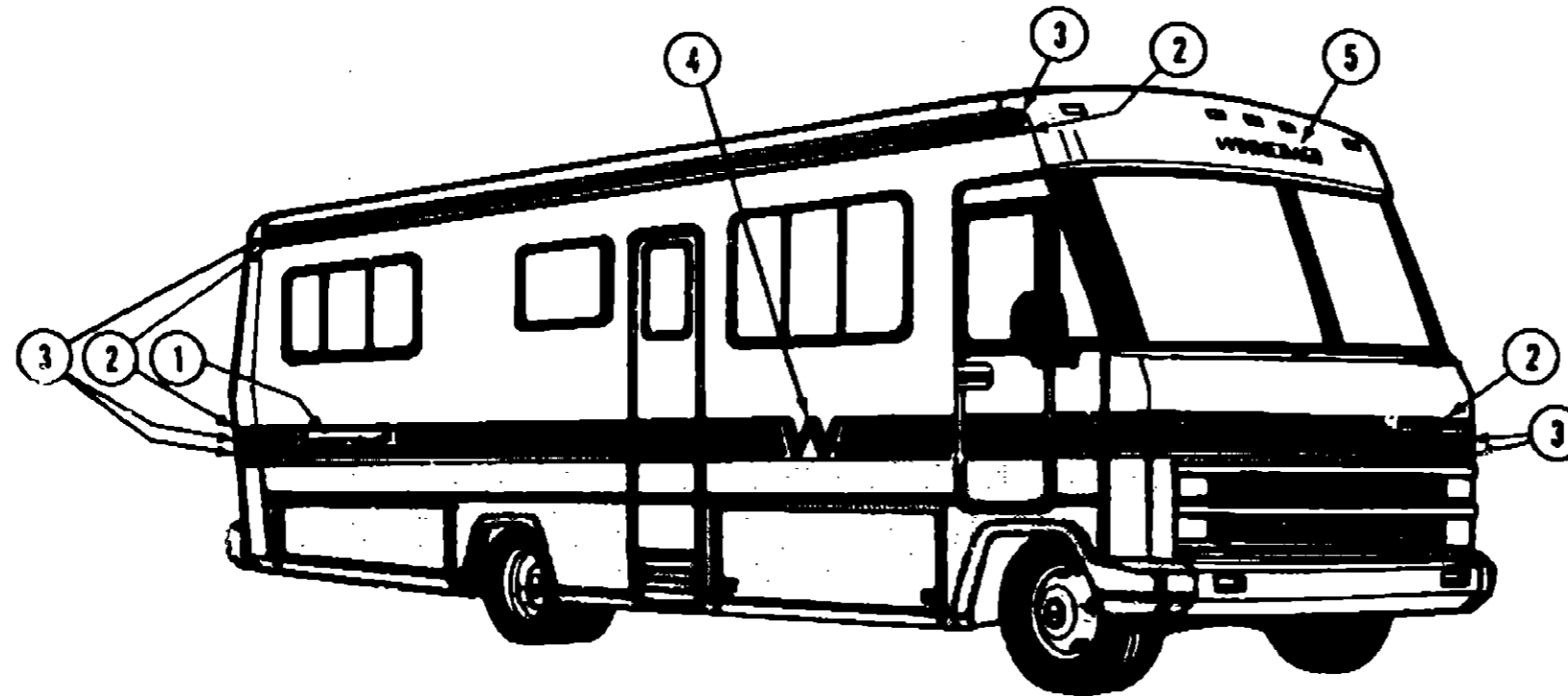
1988 M & N SERIES COMMON ITEMS TABLE OF CONTENTS

Introduction	A-01 - A-02
Accessories Group	A-03 - A-05
Bath Group	A-06
Chassis Group	A-07 - A-11
Curtain, Cushion & Pad Group	A-12 - B-02
Driver's Compartment Group	B-03 - B-08
Electrical Group	B-07 - B-09
Exterior Body Group	B-10 - B-19
Galley Group	B-20
Heating & Air Conditioning Group	B-21
Interior Finish Group	B-22 - C-01
LP Group	C-02
Water & Sewage Group	C-03
Window, Vent & Exterior Door Group	C-04 - C-18

EXTERIOR BODY GROUP (CONTINUED)

DECALS & FILMSTRIPE

SUPERCHIEF



**1988 M & N SERIES
COMMON ITEMS
TABLE OF CONTENTS**

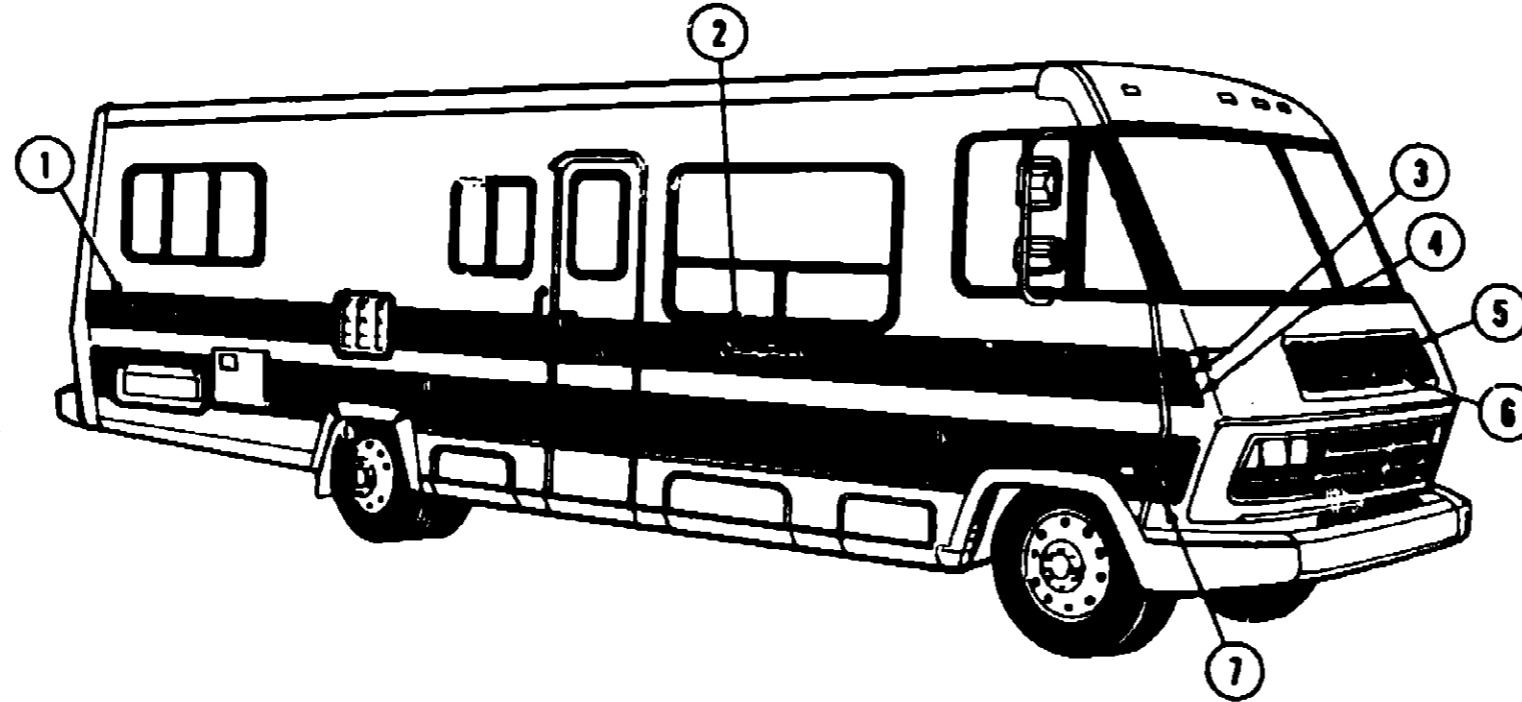
Introduction	A-01 - A-02
Accessories Group	A-03 - A-05
Bath Group	A-06
Chassis Group	A-07 - A-11
Curtain, Cushion & Pad Group	A-12 - B-02
Driver's Compartment Group	B-03 - B-06
Electrical Group	B-07 - B-09
Exterior Body Group	B-10 - B-19
Galley Group	B-20
Heating & Air Conditioning Group	B-21
Interior Finish Group	B-22 - C-01
LP Group	C-02
Water & Sewage Group	C-03
Window, Vent & Exterior Door Group	C-04 - C-18

Key	Part Number	U/M	Description
1	089364-01-000	EA	Decal - Logo "Superchief" Black
2	078831-57-000	FT	Decal - Stripe - 1.38" - Beige (X14)
2	078831-58-000	FT	Decal - Stripe - 1.38" - Blue (X15)
2	078831-59-000	FT	Decal - Stripe - 1.38" - Rose (X16)
3	078831-60-000	FT	Decal - Stripe - 2.25" (X14, X15, X16)
4	079351-28-000	EA	Decal - Flying W - Beige (X14)
4	079351-29-000	EA	Decal - Flying W - Blue (X15)
4	079351-30-000	EA	Decal - Flying W - Rose (X16)
5	050313-22-000	EA	Decal - Logo "Winnebago" 2.8" - Front & Rear

EXTERIOR BODY GROUP (CONTINUED)

DECALS & FILMSTRIP

SUNFLYER



Key	Part Number	U/M	Description
1	078852-08-000	EA	Decal - Logo - "Itasca" - 6.5" x 25.5" - Sides & Rear
2	058718-02-000	EA	Decal - "Sunflyer"
3	069245-D5-000	FT	Film - Multi-Stripe - 5.1" x 150' - Light Green Metallic (X38)
3	069245-D6-000	FT	Film - Multi-Stripe - 5.1" x 150' - Rust Metallic (X37)
3	069245-D7-000	FT	Film - Multi-Stripe - 5.1" x 150' - Burgundy/Rose (X38)
4	078831-48-000	FT	Decal - Stripping - 3.5" x 150' - Dark Green (X36)
4	078831-27-000	FT	Decal - Stripping - 3.5" x 150' - Gray (X37)
4	078831-49-000	FT	Decal - Stripping - 3.5" x 150' - Rose (X38)
5	087206-04-000	EA	Decal - Hood - Brown/Peach/Blue Green (X36)
5	087206-05-000	EA	Decal - Hood - Gray/Brown/Peach (X37)
5	087206-06-000	EA	Decal - Hood - Rose/Blue/Brown (X38)
6	078852-09-000	EA	Decal - Logo - "Itasca" - Hood - Gray (X36, X37, X38)
6	078852-08-000	EA	Decal - Logo - "Itasca" - Hood - Black - 6.5 (X36, X37, X38)
7	065217-H3-000	FT	Film - Stripe - 11" x 150' - Dark Green (X36)
7	065217-C3-000	FT	Film - Stripe - 11" x 150' - Gray (X37)
7	065217-H4-000	FT	Film - Stripe - 11" x 150' - Rose (X38)
.	084075-01-000	EA	Decal - "By Winnebago Ind."
.			Not illustrated

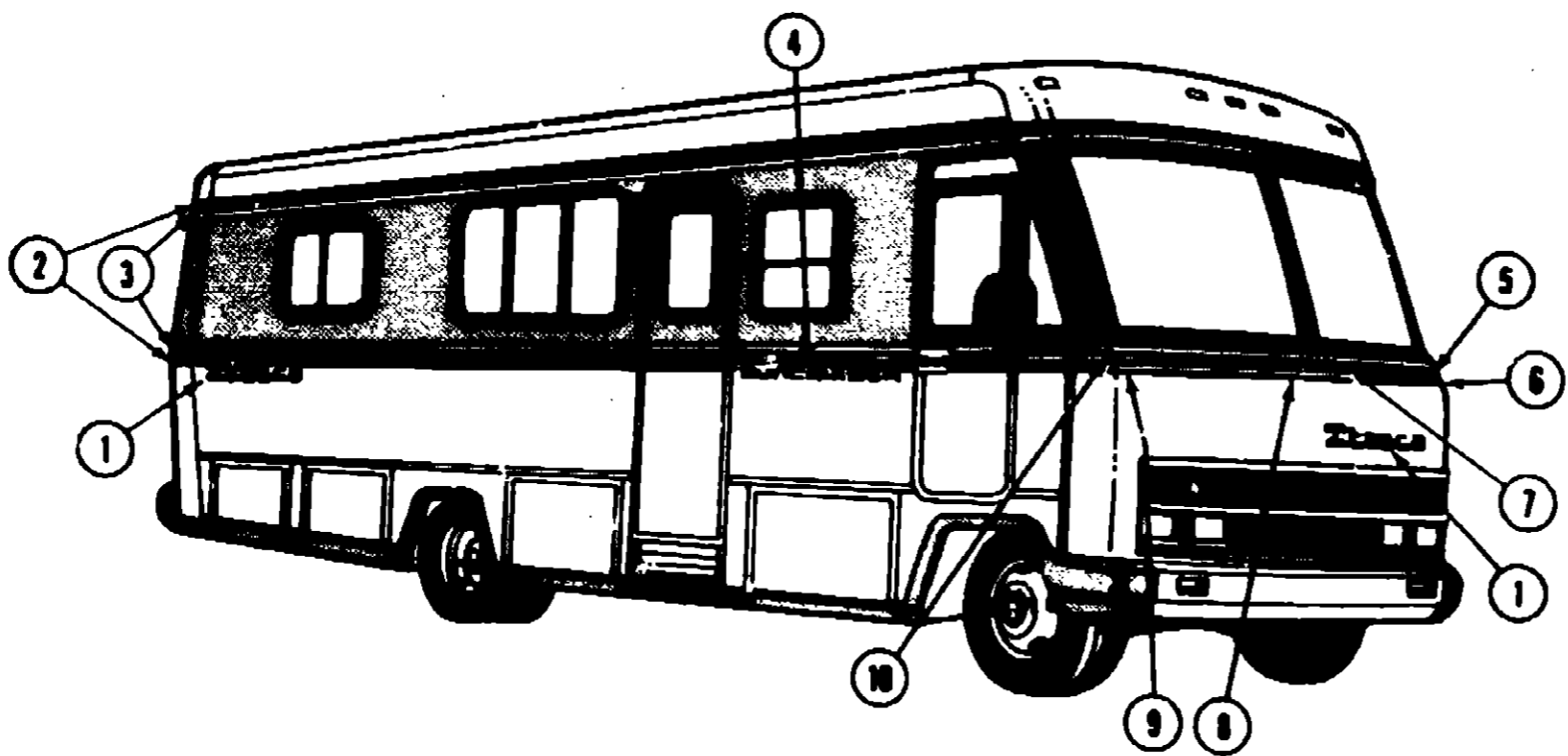
1988 M & N SERIES COMMON ITEMS TABLE OF CONTENTS

Introduction	A-01 - A-02
Accessories Group	A-03 - A-05
Bath Group	A-06
Chassis Group	A-07 - A-11
Curtain, Cushion & Pad Group	A-12 - B-02
Driver's Compartment Group	B-03 - B-06
Electrical Group	B-07 - B-09
Exterior Body Group	B-10 - B-19
Galley Group	B-20
Heating & Air Conditioning Group	B-21
Interior Finish Group	B-22 - C-01
LP Group	C-02
Water & Sewage Group	C-03
Window, Vent & Exterior Door Group	C-04 - C-18

EXTERIOR BODY GROUP (CONTINUED)

DECALS & FILMSTRIFE

SUNCRUISER



**1988 M & N SERIES
COMMON ITEMS
TABLE OF CONTENTS**

Introduction	A-01 - A-02
Accessories Group	A-03 - A-05
Bath Group	A-06
Chassis Group	A-07 - A-11
Curtain, Cushion & Pad Group	A-12 - B-02
Driver's Compartment Group	B-03 - B-06
Electrical Group	B-07 - B-09
Exterior Body Group	B-10 - B-19
Galley Group	B-20
Heating & Air Conditioning Group	B-21
Interior Finish Group	B-22 - C-01
LP Group	C-02
Water & Sewage Group	C-03
Window, Vent & Exterior Door Group	C-04 - C-18

Key	Part Number	U/M	Description
1	078191-01-000	EA	Decal - Logo "Itasca" Black - Front, Back & Sides
2	065217-L4-000	FT	Film - Multi-Stripe - 1.8" - Beige Peach (X70)
2	065217-L5-000	FT	Film - Multi-Stripe - 1.8" - Blue Gray (X71)
2	065217-L6-000	FT	Film - Multi-Stripe - 1.8" - Rose (X72)
3	078831-62-000	FT	Decal - Stripe - .88" - Gray (X70, X71, X72)
4	073705-01-000	EA	Decal - Logo "SunCruiser" Black (X70, X71, X72)
5	090984-02-000	EA	Decal - Front Upper Drivers - Gray (X70, X71, X72)
6	090985-02-000	EA	Decal - Front Lower Drivers - Beige Peach (X70)
6	090985-04-000	EA	Decal - Front Lower Drivers - Blue Gray (X71)
6	090985-06-000	EA	Decal - Front Lower Drivers - Rose (X72)
7	078831-61-000	FT	Decal - Stripe - 1.0" - Front - Gray (X70, X71, X72)
8	065217-L7-000	FT	Film - Multi-Stripe - 2.25" - Front - Beige Peach (X70)
8	065217-L8-000	FT	Film - Multi-Stripe - 2.25" - Front - Blue Gray (X71)
8	065217-L9-000	FT	Film - Multi-Stripe - 2.25" - Front - Rose (X72)
9	090985-01-000	EA	Decal - Front Lower - Passengers - Beige Peach (X70)
9	090985-03-000	EA	Decal - Front Lower - Passengers - Blue Gray (X71)
9	090985-05-000	EA	Decal - Front Lower - Passengers - Rose (X72)
10	090984-01-000	EA	Decal - Front Upper - Passengers - Gray (X70, X71, X72)
*	084075-01-000	EA	Decal - Logo "By Winnebago Ind."
*	Not illustrated		

EXTERIOR BODY GROUP (CONTINUED)

LABELS & EXTERIOR PAINT

Key	Part Number	U/M	Description
	006195-01-000	EA	Label - Electrical Test
	047731-01-000	EA	Label - Emergency Exit
	006199-01-000	EA	Label - Exit - Escape Window
	061417-01-000	EA	Label - Fuel
	006196-01-000	EA	Label - Gas Test
	054531-01-000	EA	Label - LP Gas Only
	056259-01-000	EA	Label - Safety Check List
	006064-01-000	EA	Label - Seat - w/o Seat Belts
	006187-01-000	EA	Label - Sewage
	075220-01-000	EA	Label - Warning - Exterior Load Limit
	050225-01-000	EA	Label - Warning - Stove Vent - US
	006198-01-000	EA	Label - Waste Water
	006197-01-000	EA	Label - Water Test
	006062-01-000	EA	Tag - Electrical - 110 Volt Connection
	008040-01-000	EA	Tag - Gas - Refueling Warning
	044486-03-000	EA	Paint - Beige Acrylic Enamel - 16 oz. Aerosol (7633A Dupont)
	045681-03-000	EA	Paint - Gloss Black - Acrylic Enamel - 16 oz. Aerosol (99 Dupont)
	058837-05-000	EA	Paint - Gray Acrylic Enamel - 16 oz. Aerosol (71537 Dupont)
	041561-03-000	EA	Paint - Off White Acrylic Enamel - 16 oz. Aerosol (45396A Dupont)
	074559-01-000	EA	Label "LPG" - 3.3" x 1.75" (Calif. Code)

GALLEY GROUP

GALLEY APPLIANCES

Key	Part Number	U/M	Description
**	084879-01-000	EA	Refrigerator - 3 Way - Double Door (886EG3)
**	084880-01-000	EA	Refrigerator - 3 Way - Double Door (888EG3)
**	088248-01-000	EA	Refrigerator - 3 Way (878EG3)
**	079353-01-000	EA	Range Hood - w/2 Holding Tank Panel - w/8" x 14.5" Screen
**	090973-01-000	EA	Range Hood - w/2 Holding Tank Panel - w/8.5" x 9.5" Screen
**	079353-03-000	EA	Range Hood - w/3 Holding Tank Panel - w/8" x 14.5" Screen
**	090973-03-000	EA	Range Hood - w/3 Holding Tank Panel - w/8.5" x 9.5" Screen
**	079353-04-000	EA	Range Hood - w/2 Holding Tank No Clock Panel - w/8" x 14.5" Screen
**	090973-05-000	EA	Range Hood - w/2 Holding Tank No Clock Panel - w/8.5" x 9.5" Screen
**	081374-01-000	EA	Range Top - 4 Burner - Almond - Magic Chef
**	085280-02-000	EA	Cover - Range Top w/o Oven - BiFold - Stainless Steel - Inline Hinge Slot
**	064782-02-000	EA	Range w/Large Oven - 4 Burner - Almond - Magic Chef
**	055282-04-000	EA	Range w/Small Oven - 4 Burner - Almond - Magic Chef
**	085280-01-000	EA	Cover - Range Top w/Oven - Bi-Fold - Stainless Steel - Off Set Hinge Slot
**	088737-01-000	EA	Microwave/Convection - Oven - Sharp
**	088682-01-000	EA	Bracket Asm. - Microwave - Right
**	088682-02-000	EA	Bracket Asm. - Microwave - Left
**	088737-02-000	EA	Frame Kit - Microwave - Magic Chef
**	023111-01-000	EA	Slender - Built In
**	081530-01-W07	EA	Sink Cover - Large
**	068615-01-000	EA	Sink - Stainless Steel - Double
**	066437-01-000	EA	Strainer - w/Basket - Sink
**	084072-01-000	EA	Faucet - Swing Spout - 8" - Single Handle
**	011053-01-000	EA	Faucet - 8" Swing Spout - Two Handles
**	058334-01-000	EA	Wastebasket - 9 3/4" x 7" x 10" - White
**	058478-01-000	EA	Bracket - Wastebasket Support
**	077409-01-000	EA	Drawer Slide - Plastic - 20.75"
**	077409-02-000	EA	Drawer Slide - Plastic - 20.75" - Tan
**	037688-01-000	EA	Drawer Rail - V-Guide
**	059777-02-000	EA	Hinge - Antique - Light Brass
**	074981-01-000	EA	Cutting Board - Maple
**	054450-01-000	EA	Level - Refrigerator
**	084466-04-000	EA	Slide Asm. - Galley Cabinet Drawer - Right
**	084466-05-000	EA	Slide Asm. - Galley Cabinet Drawer - Left
**	090939-01-000	EA	LP Leak Detector

** The illustrated parts breakdown for this item is provided on the Common Items Fiche.

1988 M & N SERIES COMMON ITEMS TABLE OF CONTENTS

Introduction	A-01 - A-02
Accessories Group	A-03 - A-05
Bath Group	A-06
Chassis Group	A-07 - A-11
Curtain, Cushion & Pad Group	A-12 - B-02
Driver's Compartment Group	B-03 - B-08
Electrical Group	B-07 - B-09
Exterior Body Group	B-10 - B-19
Galley Group	B-20
Heating & Air Conditioning Group	B-21
Interior Finish Group	B-22 - C-01
LP Group	C-02
Water & Sewage Group	C-03
Window, Vent & Exterior Door Group	C-04 - C-18

HEATING & AIR CONDITIONING GROUP

FURNACE & ROOF AIR CONDITIONER

Key	Part Number	U/M	Description
**	075665-01-000	EA	Furnace - 24,000 BTU - w/Direct Ignition - Suburban
**	075666-01-000	EA	Furnace - 34,000 BTU - w/Direct Ignition - Suburban
**	074466-01-000	EA	Furnace - 45,000 BTU - w/Direct Ignition - Suburban
**	084405-01-000	EA	Heater Asm. - Rear - Ducted
**	084405-01-700	EA	Heater Core
**	084405-01-701	EA	Fan
**	084405-01-702	EA	Motor - 12 Volt
**	009196-01-000	FT	Duct - Flexible - 4" I.D. x 25'
**	055464-01-000	EA	Register - 4" Dia. - Plastic - w/Damper
**	055464-02-000	EA	Register - 4" Dia. - Plastic - w/o Damper
**	091961-01-000	EA	Register - 4" x 8" - w/o Damper - Brown Steel
**	091961-02-000	EA	Register - 4" x 8" - w/Damper - Brown Steel
**	009200-01-000	EA	Tape - Furnace - 1 1/2"
**	081606-03-000	EA	Shroud Asm. - Ceiling - Roof Air - Cool Only (32RQ, 34RU, 37RQ)
**	081606-04-000	EA	Shroud Asm. - Ceiling - Roof Air - Heat & Cool (32RQ, 34RU, 37RQ)
**	073743-01-000	EA	Shroud Asm. - Inside Ceiling - Roof Air - Cool Only
**	073742-03-000	EA	Air Conditioner - Roof Mount - Rotary - Beige "TSR"
**	073742-02-000	EA	Air Conditioner - Roof Mount - Rotary - Gray "TSR"
**	The illustrated parts breakdown for this item is provided on the Common Items Fiche.		

AUTOMOTIVE HEATER

Key	Part Number	U/M	Description
**	072341-07-000	EA	Heater/Evaporator Asm.
**	072341-07-700	EA	Resistor - Jumper harness
**	072341-07-701	EA	Thermostat
**	072341-07-702	EA	Liquid Hose - w/Special Tap
**	072341-08-000	EA	Duct & Control Kit
**	072341-08-700	EA	Reservoir Vacuum
**	072341-09-701	EA	Heat Plenum - Passenger
**	072341-09-000	EA	Heater Accessory Kit
**	007103-01-000	FT	Hose - Heater - 5/8 I.D. SAE
**	007261-01-000	EA	Hose - Flexible 2.5" I.D.

INTERIOR FINISH GROUP

INTERIOR MOLDINGS & TRIMS

WINNEBAGO & ITASCA

Key	Part Number	U/M	Description
**	089733-70-000	EA	Batt Strip - Regal Oak
**	085264-03-000	EA	Batt Strip - Regal Oak (Adhesive)
**	088263-15-000	EA	Batt Strip - Mauve (Wet Bath) (X11, X13) (X14, X16)
**	088263-16-000	EA	Batt Strip - Slate (Wet Bath) (X12) (X15)
**	088263-06-000	EA	Batt Strip - Mauve (Dry Bath) (X11, X13) (X14, X16)
**	088263-07-000	EA	Batt Strip - Slate (Dry Bath) (X12) (X15)
**	022992-08-000	FT	Molding - Reverse Cove - Champagne White
**	086229-04-000	EA	Batt Strip - Ceiling - 1" - Ivory
**	069733-66-000	EA	Batt Strip - Tweed/Sand
**	085264-05-000	FT	Batt Tape - Classique/Tweed - Adhesive
**	088263-08-000	EA	Batt Strip - Cord/Bone - Galley & Bath
**	088263-09-000	EA	Batt Strip - Cord/Bone - Wet Bath
**	089733-62-000	EA	Batt Strip - Pebble Beach - Ceiling
**	086229-01-000	EA	Retainer - Ceiling Batt Strip - .75"
**	009767-06-000	FT	Welting - Beige
**	085746-01-000	FT	J-Trim - Carpet - Beige - PVC
**	083620-01-000	FT	T-Molding - .75" w/Lips - Grady Brown
**	070504-01-000	FT	U-Channel - .65" - Light Brown
**	070504-06-000	FT	U-Channel - .815" - Regal Oak
**	081521-01-000	EA	Retainer - Outside Corner Molding - 192"
**	042357-11-000	FT	Molding - Outside Corner - Light Oak
**	009809-17-000	FT	F-Molding - 1" - Regal Oak
**	009812-17-000	FT	F-Molding - .5" - Regal Oak

PANELING & COUNTERTOP

WINNEBAGO

Key	Part Number	U/M	Description
**	074497-10-000	SF	Paneling - Regal Oak - 48" x 84" (Wall, Cabinet)
**	088272-04-000	SF	Paneling - Decor - Mauve (Galley & Dry Bath) 48" x 84" (X11, X13, X14, X16)
**	088272-03-000	SF	Paneling - Decor - Slate (Galley & Dry Bath) 48" x 84" (X12, X15)
**	088272-07-000	SF	Paneling - Decor - Mauve (Wet Bath) 48" x 84" (X11, X13, X14, X16)
**	088272-06-000	SF	Paneling - Decor - Slate (X24) (Wet Bath) 48" x 84" (X12, X15)
**	074498-13-000	SF	Plastic Laminate - Sand Quadrus (Galley, Dinette, Bath)
**	074498-24-000	SF	Plastic Laminate - Regal Oak (Night Stand, Table Top)
**	076325-15-000	FT	Edge Molding - Regal Oak - 1.312" x 600"

PANELING & COUNTERTOP

ITASCA

Key	Part Number	U/M	Description
**	074497-10-000	SF	Paneling - Regal Oak - 48" x 84" (Wall, Cabinets)
**	088272-14-000	SF	Paneling - Decor - Apricot (Galley, Dry Bath) 48" x 84" (X36, X70)
**	088272-15-000	SF	Paneling - Decor - Pearl (Galley, Dry Bath) 48" x 84" (X37, X71)
**	088272-16-000	SF	Paneling - Decor - Fawn (Galley, Dry Bath) 48" x 84" (X38, X72)
**	088272-11-000	SF	Paneling - Decor - Apricot (Wet Bath) 48" x 84" (X36, X70)
**	088272-12-000	SF	Paneling - Decor - Pearl (Wet Bath) 48" x 84" (X37, X71)
**	088272-13-000	SF	Paneling - Decor - Fawn (Wet Bath) 48" x 84" (X38, X72)
**	074498-13-000	SF	Plastic Laminate - Sand Quadrus (Galley, Dinette, Bath)
**	074498-24-000	SF	Plastic Laminate - Regal Oak (Night Stand, Table Top)
**	076325-15-000	FT	Edge Molding - Regal Oak - 1.312" x 600"

1988 M & N SERIES COMMON ITEMS TABLE OF CONTENTS

Introduction	A-01 - A-02
Accessories Group	A-03 - A-05
Bath Group	A-06
Chassis Group	A-07 - A-11
Curtain, Cushion & Pad Group	A-12 - B-02
Driver's Compartment Group	B-03 - B-06
Electrical Group	B-07 - B-09
Exterior Body Group	B-10 - B-19
Galley Group	B-20
Heating & Air Conditioning Group	B-21
Interior Finish Group	B-22 - C-01
LP Group	C-02
Water & Sewage Group	C-03
Window, Vent & Exterior Door Group	C-04 - C-18

EXTERIOR BODY GROUP (CONTINUED)

CABINETS & TABLE HARDWARE

Key	Part Number	U/M	Description
	059777-02-000	EA	Hinge - Cabinet Door - Brass
	074483-02-000	EA	Overhead Door Support - Sprung
	009021-01-000	EA	Latch - Nylon Strike
	009021-02-000	EA	Latch - Spring Steel Catch
	088264-01-000	EA	Pull - Cabinet - Decorative Polished Brass
	077409-02-000	EA	Slide - Drawer - Plastic - Tan
	009040-08-000	EA	Leg - Pedestal Table - 27.5" - Tan
	041194-01-000	EA	Base - Pedestal Table - Flush Mount Floor
	009040-03-000	EA	Base - Pedestal Table - Raised
	053200-05-000	EA	Bracket - Wall Mount - 23.5" - Beige (Dinette Table)
	053200-09-000	EA	Bracket - Wall Mount 18.5" Beige (Dinette Table)
	058410-01-000	EA	Bracket - Mounts to Table - Beige (Dinette Table)
	024275-05-000	EA	Rod - Table Lift - 8" x 23.5" - Beige (Dinette Table)
	024276-17-000	EA	Leg Asm. - Table - 29.5" - Tan (Dinette Table)
	064050-02-000	EA	Hinge - Table Leg - Tan (Dinette Table)
	024282-01-000	EA	Brace - Table Leg (Dinette Table)
	024283-01-000	EA	Clip - 1" - Table Leg (Dinette Table)
	049493-05-000	EA	Catch - Table Leg - Mounts on Floor - Tan
	009016-01-000	EA	Catch - Spring Loaded Elbow (Screen Door)
	076726-04-000	EA	Cover - Strike - Light Oak
	053201-08-000	EA	Bracket - Wall Mount - Hanger - 18" Beige

CURTAIN HARDWARE

Key	Part Number	U/M	Description
	029094-04-000	YD	Tape - Loop - 1" Wide - Black
	029096-03-000	YD	Tape - Hook - 1" Wide - Black
	048394-02-000	YD	Tape - Hook - .75" Wide - Beige
	048395-02-000	YD	Tape - Loop - .75" Wide - Beige
	088792-02-000	YD	Tape - Loop - .75" Wide - Beige - Adhesive
	056003-01-000	EA	Bracket Drapery Retainer - Right
	056003-02-000	EA	Bracket Drapery Retainer - Left
	081381-01-000	EA	Swivel Snap - Curtain Track
	082139-01-000	EA	Bracket - Hold Down - Blinds
	083170-01-000	EA	Bracket - Blind Installation - Right
	083170-02-000	EA	Bracket - Blind Installation - Left
	084434-01-000	EA	Bracket - Roller Shade - 1.375"
	087253-01-000	EA	Pull - Window Shade - Clear Plastic
	089335-01-000	EA	Track - Curtain - Brown Plastic
	086276-01-000	EA	Tape - Double Sided - .5"
	078394-01-000	FT	Trim - Brass Vinyl - .437" Wide - Window Side Panel

COUCH & CHAIR HARDWARE

Key	Part Number	U/M	Description
	079386-01-000	EA	Frame Asm. - Continental Bed - w/o Drawer Slides
	079386-02-000	EA	Hardware Kit - Continental Couch
	080245-01-000	EA	Base - Chair - Recliner w/Legs
	069246-05-000	EA	Adjuster Asm. - Recliner - w/Remote
	069246-02-000	EA	Adjuster Asm. - Recliner - w/o Lock
	088245-03-000	EA	Plate - Non Tilt Swivel - w/Lock - Tear Drop Recliner
	088245-04-000	EA	Extension - 4" - Tear Drop Recliner

EXTERIOR BODY GROUP (CONTINUED)

FABRICS & CARPETS

WINNEBAGO

Key	Part Number	U/M	Description
	088274-11-000	YD	Fabric - Upholstery - Main - Beige (X11, X14)
	088274-12-000	YD	Fabric - Upholstery - Main - Blue (X12, X15)
	088274-13-000	YD	Fabric - Upholstery - Main - Rose (X13, X16)
	088274-25-000	YD	Fabric - Upholstery - Patterned - Beige (X11, X14)
	088274-30-000	YD	Fabric - Upholstery - Patterned - Blue (X12, X15)
	077498-A5-000	YD	Fabric - Upholstery - Patterned - Rose (X13, X16)
	088273-07-000	YD	Fabric - Bedspread - Beige (X11, X14)
	088273-08-000	YD	Fabric - Bedspread - Blue (X12, X15)
	088273-09-000	YD	Fabric - Bedspread - Rose (X13, X16)
	072333-49-000	YD	Fabric - Drapery - Blackout - Wraparound
	375244-02-000	YD	Fabric - Shower Curtain
	038421-01-000	YD	Fabric - Mattress Ticking - Beige/Brown
	038421-04-000	YD	Fabric - Mattress Ticking - Cashew - 82"
	087272-01-000	YD	Fabric - Drapery Lining - 48" - Ivory
	079680-01-000	YD	Vinyl - Expanded - 26 oz. - Buckskin
	075233-01-000	SY	Pad - Carpet - 3/8" Thickness
	072860-61-000	SY	Carpet - Storage Compartment - Outside
	072860-71-000	SY	Carpet - Beige (X11, X14)
	072860-58-000	SY	Carpet - Blue (X12, X15)
	072860-69-000	SY	Carpet - Rose (X13, X16)

FABRICS & CARPETS

ITASCA

Key	Part Number	U/M	Description
	088274-23-000	YD	Fabric - Upholstery - Main - Beige/Peach (X36, X70)
	088274-24-000	YD	Fabric - Upholstery - Main - Blue/Gray (X37, X71)
	088274-25-000	YD	Fabric - Upholstery - Main - Rose (X38, X72)
	088274-26-000	YD	Fabric - Upholstery - Patterned - Beige/Peach (X36, X70)
	088274-27-000	YD	Fabric - Upholstery - Patterned - Blue/Gray (X37, X71)
	088274-28-000	YD	Fabric - Upholstery - Patterned - Rose (X38, X72)
	088274-14-000	YD	Fabric - Upholstery - Plain - Beige/Peach (X36, X70)
	088274-15-000	YD	Fabric - Upholstery - Plain - Blue/Gray (X37, X71)
	077498-61-000	YD	Fabric - Upholstery - Plain - Rose (X38, X72)
	072333-45-000	YD	Fabric - Drapery - Blackout - Wraparound - Beige/Peach (X36, X70)
	072333-50-000	YD	Fabric - Drapery - Blackout - Wraparound - Blue/Gray (X37, X71)
	072333-55-000	YD	Fabric - Drapery - Blackout - Wraparound - Blue/Gray (X37, X71)
	072333-51-000	YD	Fabric - Drapery - Blackout - Wraparound - Rose (X38, X72)
	088273-04-000	YD	Fabric - Bedspread - Beige/Peach (X36, X70)
	088273-06-000	YD	Fabric - Bedspread - Blue/Gray (X37, X71)
	088273-05-000	YD	Fabric - Bedspread - Rose (X38, X72)
	075244-02-000	YD	Fabric - Shower Curtain
	038421-01-000	YD	Fabric - Mattress Ticking - Beige/Brown
	038421-04-000	YD	Fabric - Mattress Ticking - Cashew - 82"
	079680-01-000	YD	Vinyl - Expanded - 26 oz. Buckskin
	075233-01-000	SY	Pad - Carpet - 3/8" Thickness
	072860-61-000	SY	Carpet - Storage Compartment - Outside
	072860-73-000	SY	Carpet - Beige/Peach, Blue/Gray (X36, X37, X70, X71)
	072860-69-000	SY	Carpet - Rose (X38, X72)

Used in units produced after 10-1-87.

**1988 M & N SERIES
COMMON ITEMS
TABLE OF CONTENTS**

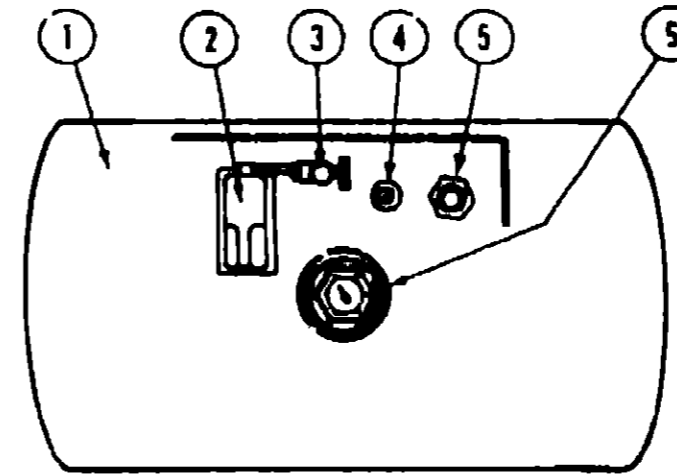
Introduction	A-01 - A-02
Accessories Group	A-03 - A-05
Bath Group	A-06
Chassis Group	A-07 - A-11
Curtain, Cushion & Pad Group	A-12 - B-02
Driver's Compartment Group	B-03 - B-06
Electrical Group	B-07 - B-09
Exterior Body Group	B-10 - B-19
Galley Group	B-20
Heating & Air Conditioning Group	B-21
Interior Finish Group	B-22 - C-01
LP Group	C-02
Water & Sewage Group	C-03
Window, Vent & Exterior Door Group	C-04 - C-18

EXTERIOR BODY GROUP (CONTINUED)

MISCELLANEOUS

Key	Part Number	U/M	Description
	053552-02-W24	EA	Handle Asm. - Assist - Vinyl
	041944-03-000	EA	Fire Extinguisher - 5BC - w/Bracket
	041944-04-000	EA	Fire Extinguisher - 5BC - w/o Bracket
	084472-01-000	EA	Holder - Plastic - Fire Extinguisher
	054185-28-000	EA	Owner's Manual - Winnebago/Itasca (1988)
	007038-01-000	EA	Floor Mat - Entrance - Black Winnebago
	040069-01-000	EA	Floor Mat - Entrance - Black Itasca
	081202-01-000	EA	Floor Mat - Front - Right - Brown - "Winnebago"
	081201-01-000	EA	Floor Mat - Front - Left - Brown - "Winnebago"
	081075-01-000	EA	Floor Mat - Entrance - Brown - "Winnebago"
	081202-02-000	EA	Floor Mat - Front - Right - Brown - "Itasca"
	081201-02-000	EA	Floor Mat - Front - Left - Brown - "Itasca"
	081075-02-000	EA	Floor Mat - Entrance - Brown - "Itasca"
	065201-02-000	FA	Lamp Shade - Fabric - Parchment - Wall Lamp
	082686-02-000	EA	Lamp Shade - Fabric - Table Lamp

LP GROUP



Key	Part Number	U/M	Description
1	074142-01-000	EA	Tank Asm. - LP - Frame Mount - 80 Pound - 13" x 44"
1	088253-01-000	EA	Tank Asm. - LP - Frame Mount - 80 Pound - 16" x 30"
2	081938-01-000	EA	Compartment - LP Regulator
*	076301-01-000	EA	Regulator - Two Stage - LP Gas
3	040421-01-703	EA	Valve - Vapor Relief
4	040421-01-700	EA	Gauge - Liquid Level - 20% LP
5	040421-01-701	EA	Valve - Filler - LP
*	040421-01-702	EA	Cap - Plastic Fill Valve
6	042421-01-707	EA	Gauge - Float - w/Visible Dial - 80 Pound Tank
*	040421-01-706	EA	Dial - Visible Face - Float Gauge (Tank w/o Electric Transmitter)
*	045703-01-000	EA	Hose Asm. - LP - 3/8" I.D. x 24" - US
*	045703-02-000	EA	Hose Asm. - LP - 3/8" I.D. x 24" - CSA
*	045703-03-000	EA	Hose Asm. - LP - 3/8" I.D. x 18" - US
*	045703-04-000	EA	Hose Asm. - LP - 3/8" I.D. x 14" - CSA
*	065741-01-000	EA	Gauge - Diaphragm Pressure - Test Leak
*			Not illustrated

**1988 M & N SERIES
COMMON ITEMS
TABLE OF CONTENTS**

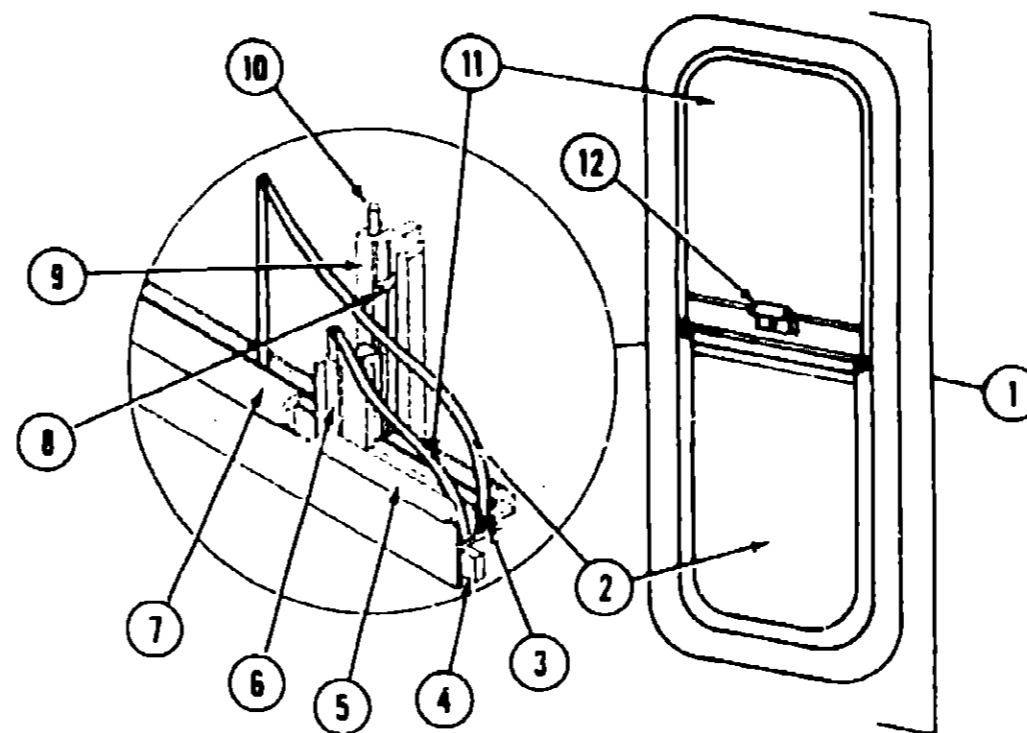
Introduction	A-01 - A-02
Accessories Group	A-03 - A-05
Bath Group	A-06
Chassis Group	A-07 - A-11
Curtain, Cushion & Pad Group	A-12 - B-02
Driver's Compartment Group	B-03 - B-06
Electrical Group	B-07 - B-09
Exterior Body Group	B-10 - B-19
Galley Group	B-20
Heating & Air Conditioning Group	B-21
Interior Finish Group	B-22 - C-01
LP Group	C-02
Water & Sewage Group	C-03
Window, Vent & Exterior Door Group	C-04 - C-18

WATER & SEWAGE GROUP

PLUMBING & REPAIR PARTS

Key	Part Number	U/M	Description
	044927-01-000	EA	Adapter - Plastic - 1 1/4" MPT x 1 1/4" Bar
	010326-01-000	EA	Adapter - Flare - w/Cone Gasket
	062422-01-000	EA	Adapter - Hose Offset - Reducer - 3" x 1 1/2"
	052954-01-000	EA	Adapter - Hose Cone - 3/8 or 1/2 - Plastic
	069330-01-000	EA	Adapter - Sewer Hose
	062415-01-000	EA	Cap - Sewer - 3"
	052959-02-000	EA	Connector - Plastic - 1/2" F x 1/2 MPT
	052959-03-000	EA	Connector - 1/2 F x 3/8 MPT - Plastic
	011091-02-000	EA	Continuous Waste - Double Sink - 11 7/8" - US
	078406-01-000	EA	Coupler Rubber - 3" x 3"
	052960-01-000	EA	Drain Valve - 1/2 F x 1/2 F - Plastic
	037101-02-000	EA	Elbow Plastic - 1/4" BD Vert 1 1/2" H
	010000-01-000	EA	Elbow - Plastic - 1/8 BD x 1 1/4 x 45° H x H
	010005-01-000	EA	Elbow - Plastic - 1/16 BD x 1 1/2" x 2 1/2"
	010006-01-000	EA	Elbow - Plastic - 1/8 BD x 1 1/2 x 45° H x H
	010008-01-000	EA	Elbow - Plastic - 1/4 BD x 1 1/2 x 90° Left
	070924-01-000	EA	Elbow - Plastic - Swivel - 1/2" x 1/2"
	052957-01-000	EA	Elbow - Plastic - 1/2 F x 3/8 MPT
	052957-02-000	EA	Elbow - Plastic - 1/2 F x 1/2 MPT (In Tank Filter)
	035539-01-000	EA	Elbow - Plastic - 3/8" MPT x 3/8 BARB
	065120-01-000	EA	Elbow - Plastic - Swivel - .50
	033761-01-000	EA	Elbow - Plastic - 1/4" BD 1 1/2" x 90 x LT
	010051-01-000	EA	Elbow - Plastic - ST - 1/8" BD 1 1/2" x 45
	077954-01-000	EA	Filter/Screen (In Water Tank)
	063641-01-000	EA	Flange - Closet - Red - 4 F x 3" FPT
	010147-01-000	EA	Flange - Closet - 4" F x 3" FPT - US
	010147-02-000	EA	Flange - Closet - 4" F x 3" FPT - CSA
	079381-01-000	FT	Flexible Tubing - 1 1/4 ID x 10'
	061607-01-000	EA	Grommet - Holding Tank Coupler - 1 1/2"
	061607-02-000	EA	Grommet - Holding Tank Coupler - 3"
	052961-01-000	EA	Header - 1/2 F x 1/2 F x 1/2 F x 1/2 F
	062416-01-000	EA	Hose Adapter - 3"
	011066-03-000	EA	P-Trap - 1 1/4" Plastic - US
	011066-02-000	EA	P-Trap - 1 1/4" Plastic - CSA
	053335-01-000	EA	P-Trap - 1 1/4" Plastic - w/Union
	049032-01-000	EA	Patch - Spinweld - Plastic - 3/8"
	010197-01-000	EA	Pipe - Plastic - 3" x 240" - Black
	045729-01-000	EA	Pump - Water - 2.8 G.P.M. - Direct Drive - Shurflo - US
	045729-02-000	EA	Pump - Water - 2.8 G.P.M. - Direct Drive - Shurflo - CSA
	010201-01-000	EA	Sewer Hose - 3" x 8' w/Clamp
	010201-02-000	EA	Sewer Hose - 3" x 20'
	042989-02-000	EA	Spinweld Fittings - Plastic - 1/2 FPT (In Tank Filter)
	042989-03-000	EA	Spinweld Fittings - Plastic - 1/4 NPT
	042989-04-000	EA	Spinweld Fittings - Plastic - 3/8 FPT
	042989-05-000	EA	Spinweld Fittings - Plastic - 1/2 FPT
	011069-02-000	EA	Tailpiece - 1 1/2" x 1 1/4" x 4" - Brass
	010071-01-000	EA	Tee - Plastic - 1 1/2 H x H x H
	010079-01-000	EA	Tee - Plastic - 1 1/2 H x 1 1/2 H x 1 1/4 H
	052955-01-000	EA	Tee - Plastic - 1/2 F x 1/2 F x 1/2 MPT
	052956-01-000	EA	Tee - Plastic - 1/2 F x 1/2 MPT x 1/2 F
	052958-01-000	EA	Tee - Plastic - 1/2 F x 1/2 F x 1/2 F
	074463-01-000	EA	Tee - 4 Way - 1/2" Flare
	039800-01-000	FT	Tubing - Polybutyl - 1/2 O.D. (Water Line)
	079381-01-000	FT	Tubing - Flexible - Smooth - 1.25 I.D.
	074462-02-000	FT	Tubing - Vinyl - 3/8 I.D.
	062421-01-000	EA	Valve - 1 1/2" - w Handle
	082696-01-000	EA	Valve - Waste - 3"
	052960-01-000	EA	Valve - Line Drain - 1/2 F x 1/2 F
	010073-01-000	EA	Wye - Plastic - 1 1/2 x 45 H x H
	079968-01-000	EA	Vent - Mechanical Trap Arm
	051391-03-000	EA	Water Heater - w/o Motor Aid - Electric Ignition - Atwood - G6A-3E
	051393-01-000	EA	Water Heater - Direct Ignition - Atwood - GH6-3E w/Motor Aid

WINDOW, VENT & EXTERIOR DOOR GROUP

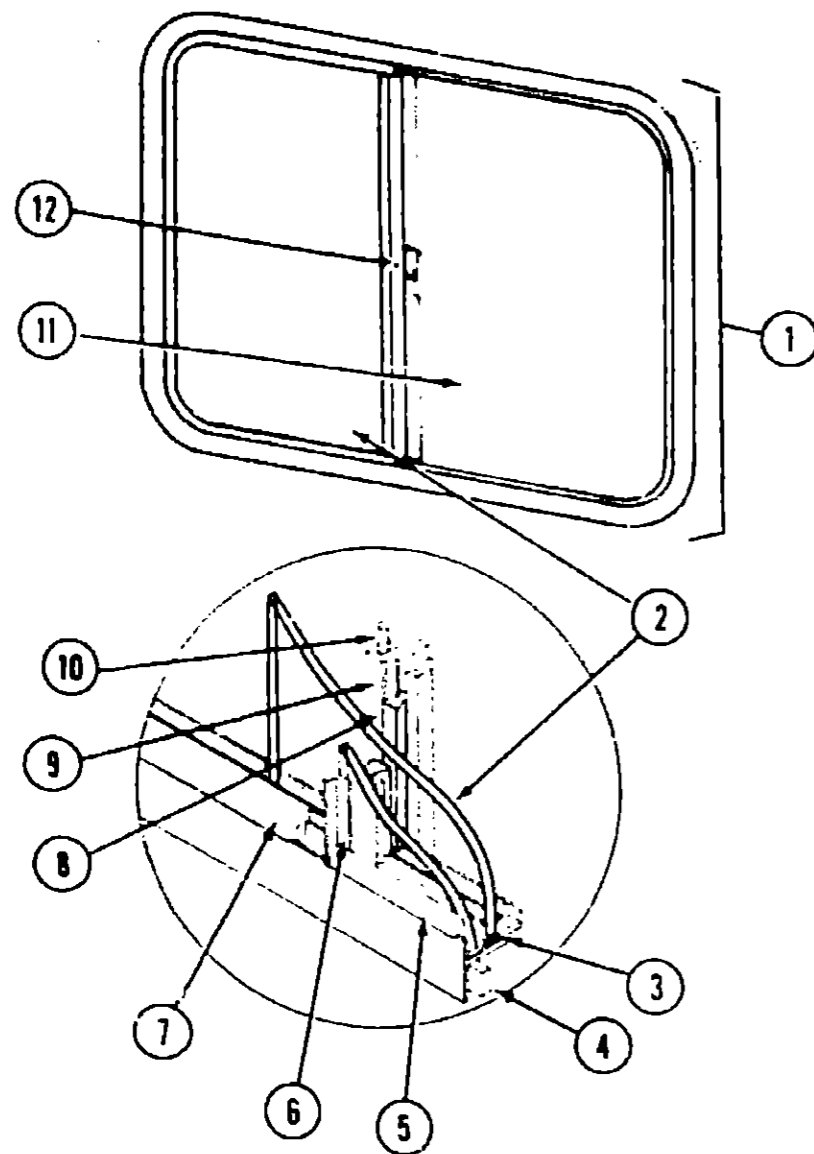


Key	Part Number	U/M	Description
1	078453-02-U25	EA	Window Asm. - Vertical Slider - 37" x 15" - Black (w/o inside frame)
	083122-13-000	EA	Inside Frame - Beige (not included in assembly)
2	081981-01-000	EA	Glass - Slider
3	002324-02-000	FT	Channel - Weatherstrip - Glass Run - 1/8" Glass
4	069640-06-000	FT	Ribbon Seater - 5/16" Bead x 15'
5	002309-02-000	FT	Spline - Glass - 1/8" Material - Black
6	M18025-04-000	EA	Seal Holder w/Fin Seal - Black
7	057374-02-000	FT	Extr. Rubber - Window Seal - Black
8	073740-01-000	FT	Seal - Fin - Pile - .460"
9	084170-06-000	EA	Mullion - Slider Window - Black
10	002298-02-000	FT	Spline - .130" Dia. - Charcoal (Screen)
11	081984-04-000	EA	Glass - Stationary - 1/8" x 17.4" x 11.5"
12	047369-01-700	EA	Latch Kit - Window - Plastic w/Fastener
	079204-01-000	EA	Bracket - Mullion - Black
	002292-02-000	SF	Screen - Window 20" - Charcoal
			Not illustrated

1988 M & N SERIES COMMON ITEMS TABLE OF CONTENTS

Introduction	A-01 - A-02
Accessories Group	A-03 - A-05
Bath Group	A-06
Chassis Group	A-07 - A-11
Curtain, Cushion & Pad Group	A-12 - B-02
Driver's Compartment Group	B-03 - B-06
Electrical Group	D-07 - B-09
Exterior Body Group	B-10 - B-19
Galley Group	B-20
Heating & Air Conditioning Group	B-21
Interior Finish Group	B-22 - C-01
LP Group	C-02
Water & Sewage Group	C-03
Window, Vent & Exterior Door Group	C-04 - C-18

WINDOW, VENT & EXTERIOR DOOR GROUP (CONTINUED)



Key	Part Number	U/M	Description
1	078266-02-T03	EA	Window Asm. - Single Slider - 19.27" x 24.61" (w/o inside frame)
.	083122-03-000	EA	Inside Frame - Beige (not included in assembly)
2	081980-05-000	EA	Glass - Sliding - 1/8" x 19" x 13.68"
3	002324-02-000	FT	Channel - Weatherstrip - Glass Run - 1/8" Glass
4	069640-06-000	FT	Ribbon Sealer - 5/16" Bead x 15"
5	002309-02-000	FT	Spline - Glass - 1/8" Material - Black
6	M69886-03-011	EA	Seal Holder w/Fin Seal - Black
7	057374-02-000	FT	Extr. Rubber - Window Seal - Black
8	073740-01-000	FT	Seal - Fin - Pile - .460"
9	084170-02-000	EA	Mullion - Slider Window - Black
10	002298-02-000	SF	Spline - .130" Dia. - Charcoal (Screen)
11	081984-03-000	EA	Glass - Stationary - 1/8" x 19" x 12.30"
12	047369-01-700	EA	Latch Kit - Window - Plastic w/Fastener
.	079204-01-000	EA	Bracket - Mullion - Black
.	002292-02-000	SF	Screen - Window 20" - Charcoal
.			Not illustrated

WINDOW, VENT & EXTERIOR DOOR GROUP (CONTINUED)

Key	Part Number	U/M	Description
1	078266-03-T03	EA	Window Asm. - Left Single Slider - Black (w/o inside frame)
.	083122-03-000	EA	Inside Frame - Beige (not included in assembly)
2	081980-05-000	EA	Glass - Sliding - 1/8" x 19" x 13.68" - Gray
3	002324-02-000	FT	Channel - Weatherstrip - Glass Run - 1/8" Glass
4	069640-06-000	FT	Ribbon Sealer - 5/16" Bead x 15"
5	002309-02-000	FT	Spline - Glass - 1/8" - Black
6	M69886-03-011	EA	Seal Holder w/Fin Seal - 1/8" - Black
7	057374-02-000	FT	Extr. Vinyl - Window Seal - Black
8	073740-01-000	FT	Seal - Fin - Pile - .460"
9	078562-02-000	EA	Inside Mullion - Slider Window - Black
10	002298-02-000	FT	Spline - .130" Dia. - Charcoal (Screen)
11	081984-03-000	EA	Glass - Stationary
12	047369-01-700	EA	Latch Kit - Window - Plastic w/Fastener
.	002292-02-000	SF	Screen - Window - 20" - Charcoal
.			Not illustrated

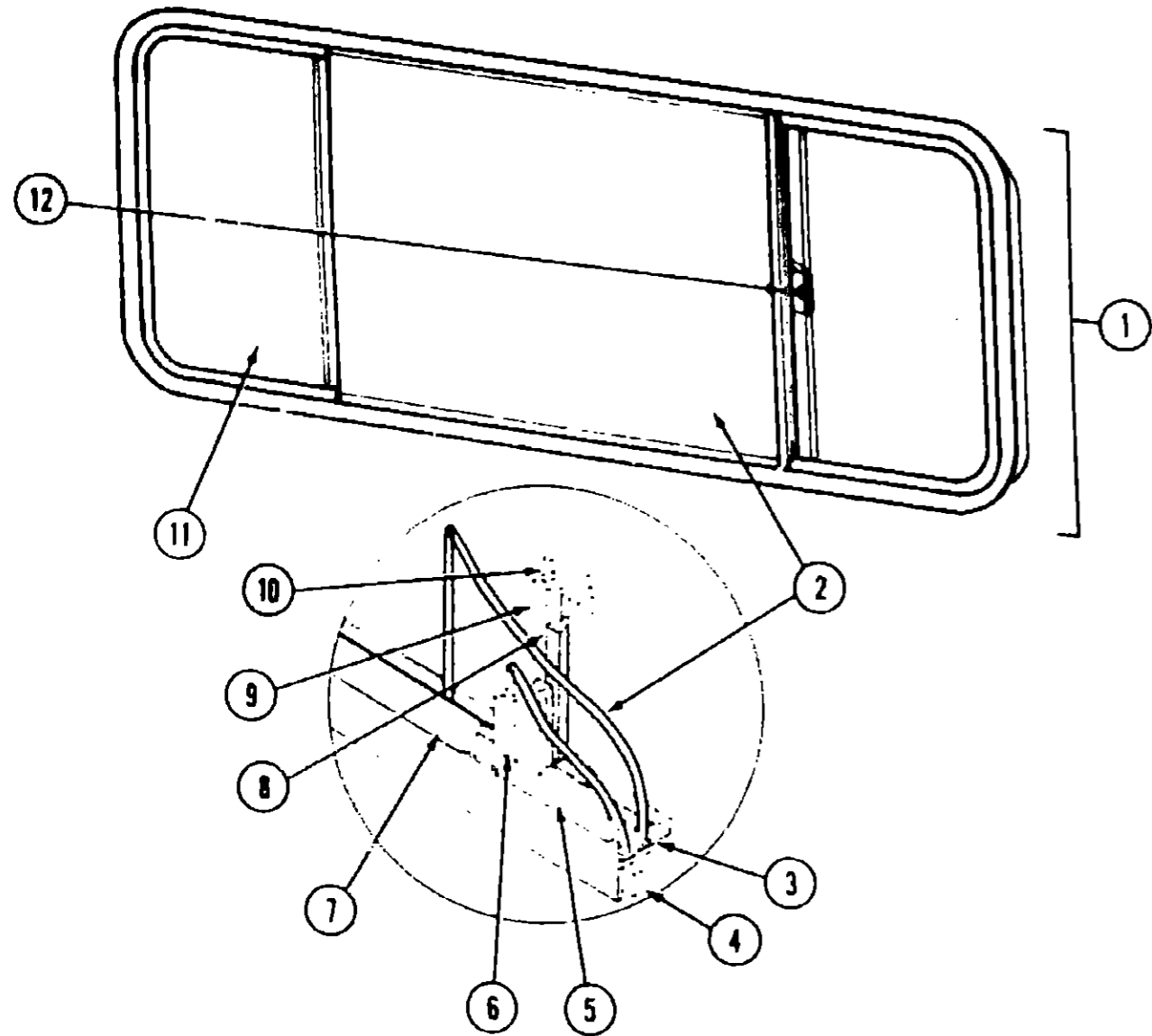
Key	Part Number	U/M	Description
1	078266-05-T03	EA	Window Asm. - Right Single Slider - Black (w/o inside frame)
1	078266-06-T03	EA	Window Asm. - Left Single Slider - Black (w/o inside frame)
.	083122-07-000	EA	Inside Frame - Beige (not included in assembly)
2	081980-04-000	EA	Glass - Sliding - 1/8" x 24" x 21.03"
3	002324-02-000	FT	Channel - Weatherstrip - Glass Run - 1/8" Glass
4	069640-06-000	FT	Ribbon Sealer - 5/16" Bead x 15"
5	002309-02-000	FT	Spline - Glass - 1/8" Material - Black
6	M69886-03-003	EA	Seal Holder w/Fin Seal - Black
7	057374-02-000	FT	Extr. Rubber - Window Seal - Black
8	073740-01-000	FT	Seal - Fin - Pile - .460"
9	078562-04-000	EA	Mullion - Slider Window - Black
10	002298-02-000	FT	Spline - .130" Dia. Charcoal (Screen)
11	081984-02-000	EA	Glass - Stationary - 1/8" x 14.4" x 19"
12	047369-01-700	EA	Latch Kit - Window - Plastic w/Fastener
.	079204-01-000	EA	Bracket - Mullion - Black
.	002293-02-000	SF	Screen - Window - 26" - Charcoal (Screen)
.			Not illustrated

Key	Part Number	U/M	Description
1	078266-04-T03	EA	Window Asm. - Left Single Slider - Black (w/o inside frame)
.	083122-05-000	EA	Inside Frame - Beige (not included in assembly)
2	081980-02-000	EA	Glass - Sliding - 1/8" x 22" x 13.68" - Gray
3	002324-02-000	FT	Channel - Weatherstrip - Glass Run - 1/8" Glass
4	069640-06-000	FT	Ribbon Sealer - 5/16" Bead x 15"
5	002309-02-000	FT	Spline - Glass - 1/8" - Black
6	M18025-03-000	EA	Seal Holder w/Fin Seal - 1/8" - Black
7	057374-02-000	FT	Extr. Vinyl - Window Seal - Black
8	073740-01-000	FT	Seal - Fin - Pile - .460"
9	078562-03-000	EA	Inside Mullion - Slider Window - Black
10	002298-02-000	FT	Spline - .130" Dia. - Charcoal (Screen)
11	081984-01-000	EA	Glass - Stationary
12	047369-01-700	EA	Latch Kit - Window - Plastic w/Fastener
.	023713-02-000	EA	Weephole Cover - Black Plastic
.	002293-02-000	SF	Screen - Window - 26" Charcoal
.			Not illustrated

**1988 M & N SERIES
COMMON ITEMS
TABLE OF CONTENTS**

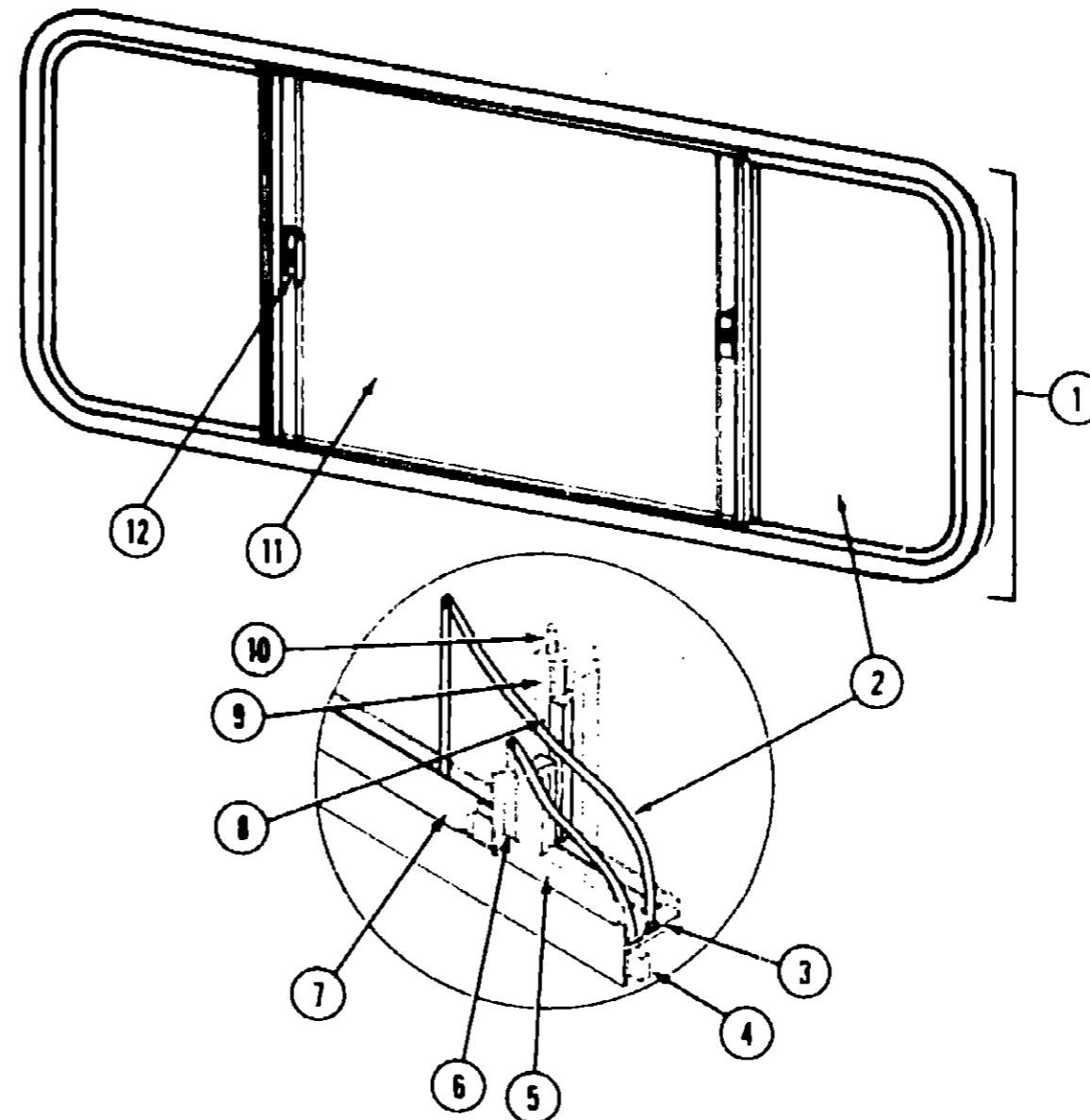
Introduction	A-01 - A-02
Accessories Group	A-03 - A-05
Bath Group	A-06
Chassis Group	A-07 - A-11
Curtain, Cushion & Pad Group	A-12 - B-02
Driver's Compartment Group	B-03 - B-06
Electrical Group	B-07 - B-09
Exterior Body Group	B-10 - B-19
Galley Group	B-20
Heating & Air Conditioning Group	B-21
Interior Finish Group	B-22 - C-01
LP Group	C-02
Water & Sewage Group	C-03
Window, Vent & Exterior Door Group	C-04 - C-18

WINDOW, VENT & EXTERIOR DOOR GROUP (CONTINUED)



Key	Part Number	U/M	Description
1	078266-07-W07	EA	Window Asm. - Single Slider - Left (w/o inside frame)
.	083122-19-000	EA	Inside Frame - Beige (not included in assembly)
2	081980-08-000	EA	Glass - Sliding - 1/8" x 24" x 21.03" - Gray
3	002324-02-000	FT	Channel - Weatherstrip - Glass Run - 1/8" Glass
4	069640-06-000	FT	Ribbon Sealer - 5/16" Bead x 15'
5	002309-02-000	FT	Spline - Glass - 1/8" Material - Black
6	M69886-03-003	EA	Seal Holder w/Fin Seal - Black
7	057374-02-000	FT	Extr. Rubber - Window Seal - Black
8	073740-01-000	FT	Seal - Fin - Pile - .460"
9	084170-04-000	EA	Mullion - Slider Window - Black
10	002298-02-000	FT	Spline - .130" Dia. Charcoal (Screen)
11	081984-08-000	EA	Glass - Stationary - 1/8" x 24" x 23.49" - Gray
12	047369-01-700	EA	Latch Kit - Window - Plastic w/Fastener
.	002293-02-000	SF	Screen - Window - 26" - Charcoal (Screen)
.			Not illustrated

WINDOW, VENT & EXTERIOR DOOR GROUP (CONTINUED)

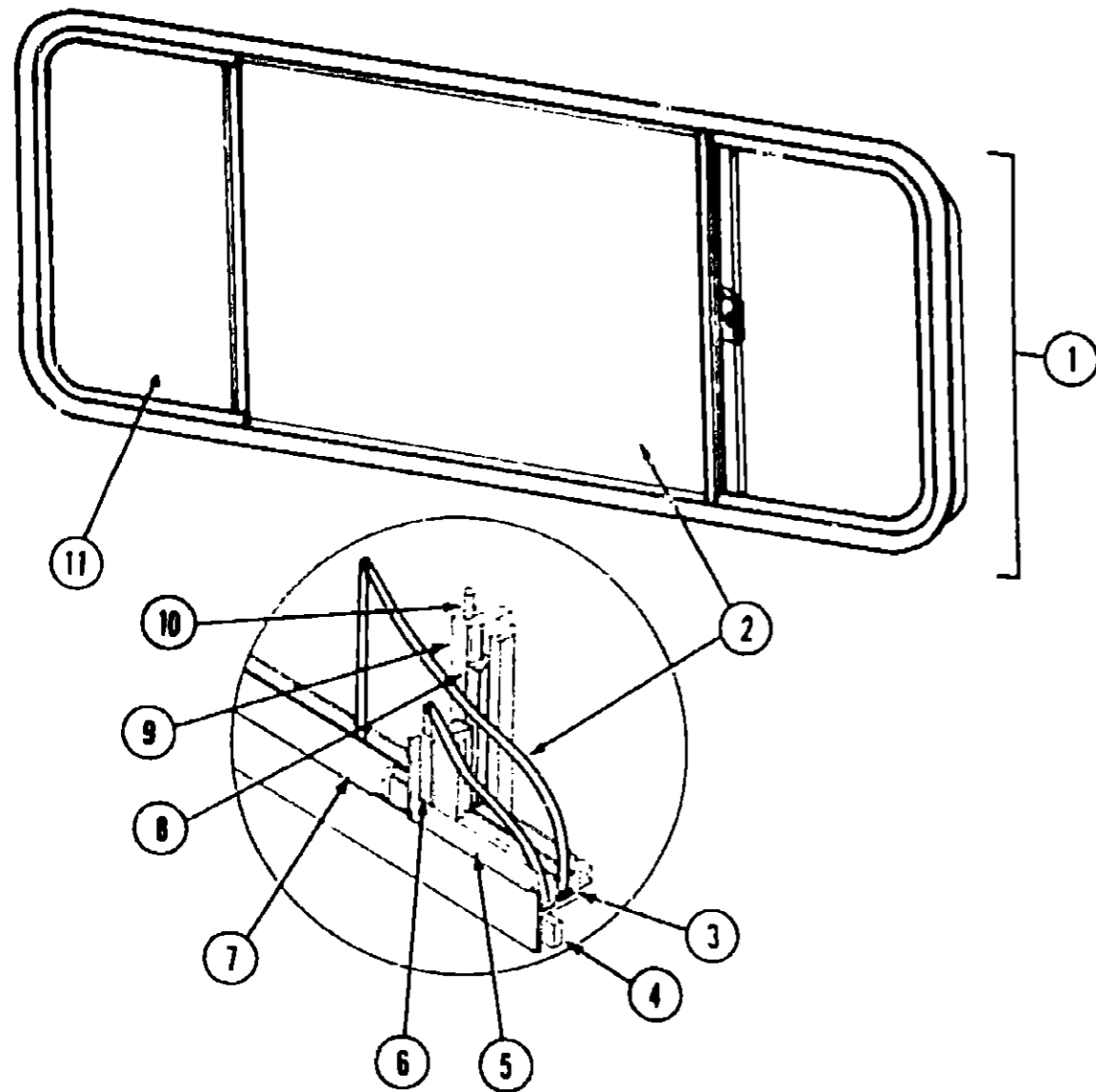


Key	Part Number	U/M	Description
1	078269-01-T03	EA	Window Asm. - Double Slider - 25" x 65" - Black (w/o inside frame)
.	083122-09-000	EA	Inside Frame - Beige (not included in assembly)
2	081980-04-000	EA	Glass - Sliding - 1/8" x 24" x 21.3"
3	002324-02-000	FT	Channel - Weatherstrip - Glass Run - 1/8" Glass
4	069640-06-000	FT	Ribbon Sealer - 5/16" x 15'
5	002309-02-000	FT	Spline - Glass - 1/8" - Black
6	M69886-03-003	EA	Seal Holder w/Fin Seal - 23.19" - Black
7	057374-02-000	FT	Extr. Vinyl - Window Seal - Black
8	073740-01-000	FT	Seal - Fin - Pile - .460"
9	078562-04-000	EA	Mullion - Slider Window - Black
10	002298-02-000	FT	Spline - .130" Dia. - Charcoal (Screen)
11	002188-05-000	EA	Glass - Stationary - 1/8" x 24" x 25.5"
12	047369-01-700	EA	Latch Kit - Window - Plastic w/Fastener
.	079204-01-000	EA	Bracket - Mullion - Black
.	002293-02-000	SF	Screen - Window - 26" - Charcoal
.			Not illustrated

**1988 M & N SERIES
COMMON ITEMS
TABLE OF CONTENTS**

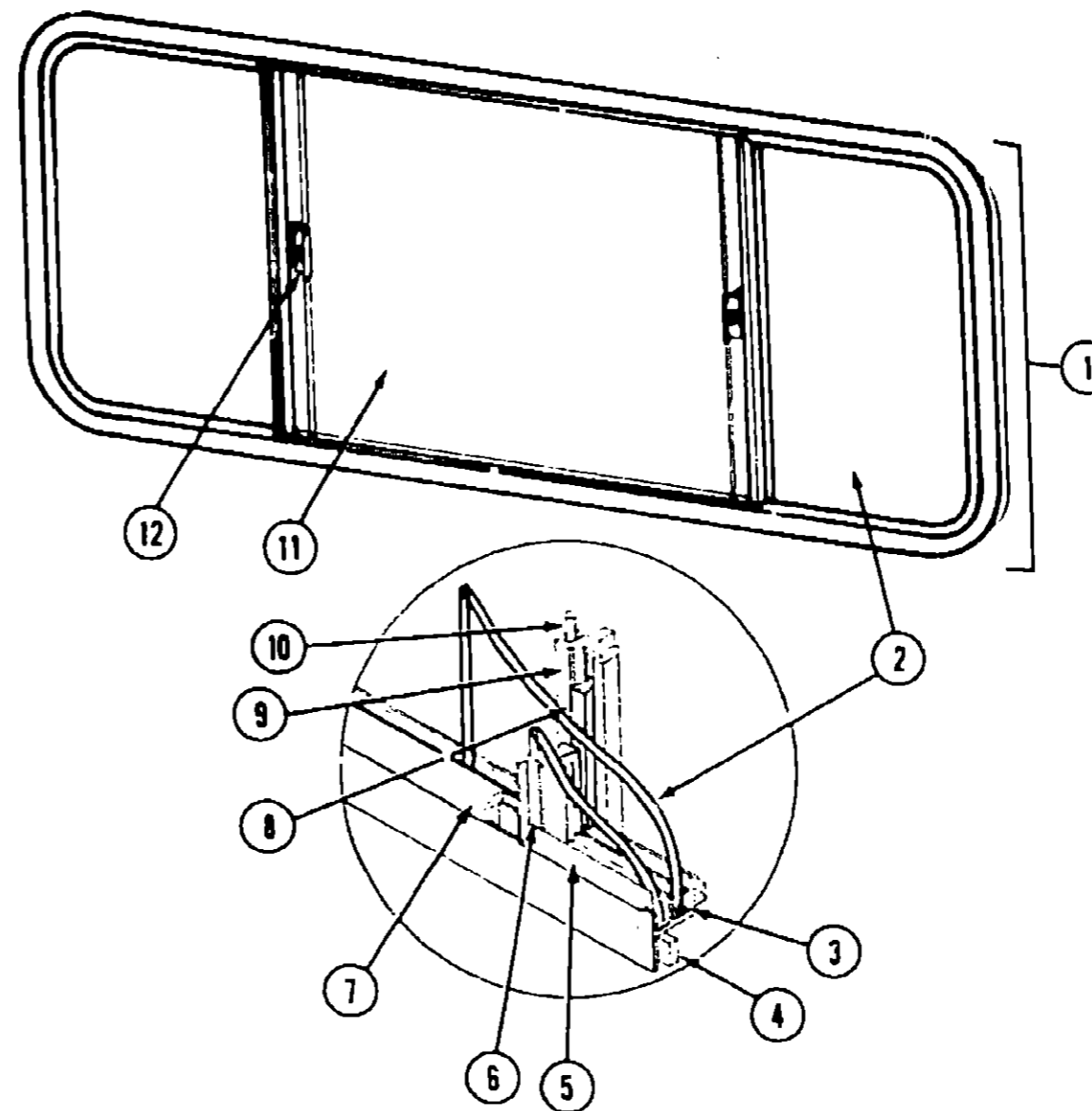
Introduction	A-01 - A-02
Accessories Group	A-03 - A-05
Bath Group	A-06
Chassis Group	A-07 - A-11
Curtain, Cushion & Pad Group	A-12 - B-02
Driver's Compartment Group	B-03 - B-06
Electrical Group	B-07 - B-09
Exterior Body Group	B-10 - B-19
Galley Group	B-20
Heating & Air Conditioning Group	B-21
Interior Finish Group	B-22 - C-01
LP Group	C-02
Water & Sewage Group	C-03
Window, Vent & Exterior Door Group	C-04 - C-18

WINDOW, VENT & EXTERIOR DOOR GROUP (CONTINUED)



Key	Part Number	U/M	Description
1	078271-01-T03	EA	Window Asm. - Center Slider - 55.69 x 24.27" (w/o inside frame)
.	083122-09-000	EA	Inside Frame - Center Slider - Beige (not included in assembly)
2	066727-02-000	EA	Glass - Sliding - 1/8" x 25.5" - 24"
3	002324-02-000	FT	Channel - Weatherstrip - Glass Run - 1/8" Glass
4	069640-06-000	FT	Ribbon Sealer - 5/16" Bead x 15'
5	002309-02-000	FT	Spline - Glass - 1/8" Material - Black
6	M69886-03-003	EA	Seal Holder w/Fin Seal - Black
7	057374-02-000	FT	Extr. Rubber - Window Seal - Black
8	073740-01-000	FT	Seal - Fin Pile - .460"
9	078562-02-000	EA	Mullion - Slider Window - Black
10	002298-02-000	FT	Spline - .130" Dia. - Charcoal (Screen)
11	081984-07-000	EA	Glass - Stationary - 1/8" x 24" - 16.5"
.	079204-01-000	EA	Bracket - Mullion - Black
.	047369-01-700	EA	Latch Kit - Window - Plastic w/Fastener
.	002293-02-000	SF	Screen - Window - 26" - Charcoal
.			Not illustrated

WINDOW, VENT & EXTERIOR DOOR GROUP (CONTINUED)



Key	Part Number	U/M	Description
1	078269-02-W24	EA	Window Asm. - Double Slider - Black (w/o inside frame)
.	083122-17-000	EA	Inside Frame - Beige (not included in assembly)
2	081980-07-000	EA	Glass - Sliding
3	002324-02-000	FT	Channel - Weatherstrip - Glass Run - 1/8" Glass
4	069640-06-000	FT	Ribbon Sealer - 5/16" x 15'
5	002309-02-000	FT	Spline - Glass - 1/8" - Black
6	018025-11-000	EA	Seal Holder w/Fin Seal - Black
7	057374-02-000	FT	Extr. Vinyl - Window Seal - Black
8	073740-01-000	FT	Seal - Fin - Pile - .460"
9	084170-08-000	EA	Mullion - Slider Window - Black
10	002298-02-000	FT	Spline - .130" Dia. - Charcoal (Screen)
11	002188-07-000	EA	Glass - Stationary
12	047369-01-700	EA	Latch Kit - Window - Plastic w/Fastener
.	002293-02-000	SF	Screen - Window - 26" - Charcoal
.			Not illustrated

**1988 M & N SERIES
COMMON ITEMS
TABLE OF CONTENTS**

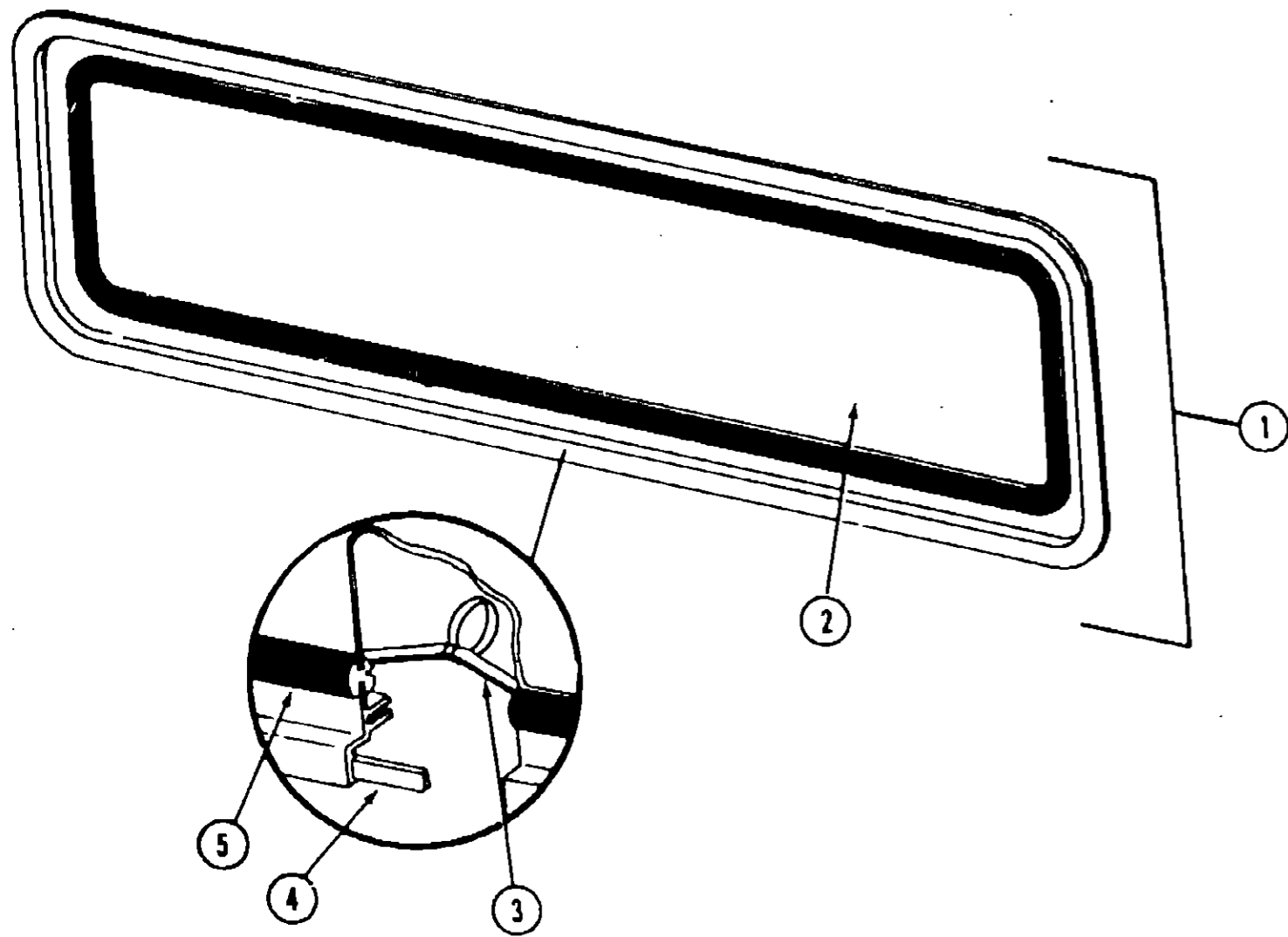
Introduction	A-01 - A-02
Accessories Group	A-03 - A-05
Bath Group	A-06
Chassis Group	A-07 - A-11
Curtain, Cushion & Pad Group	A-12 - B-02
Driver's Compartment Group	B-03 - B-06
Electrical Group	B-07 - B-09
Exterior Body Group	B-10 - B-19
Galley Group	B-20
Heating & Air Conditioning Group	B-21
Interior Finish Group	B-22 - C-01
LP Group	C-02
Water & Sewage Group	C-03
Window, Vent & Exterior Door Group	C-24 - C-18

WINDOW, VENT & EXTERIOR DOOR GROUP (CONTINUED)

WINDOW, VENT & EXTERIOR DOOR GROUP (CONTINUED)

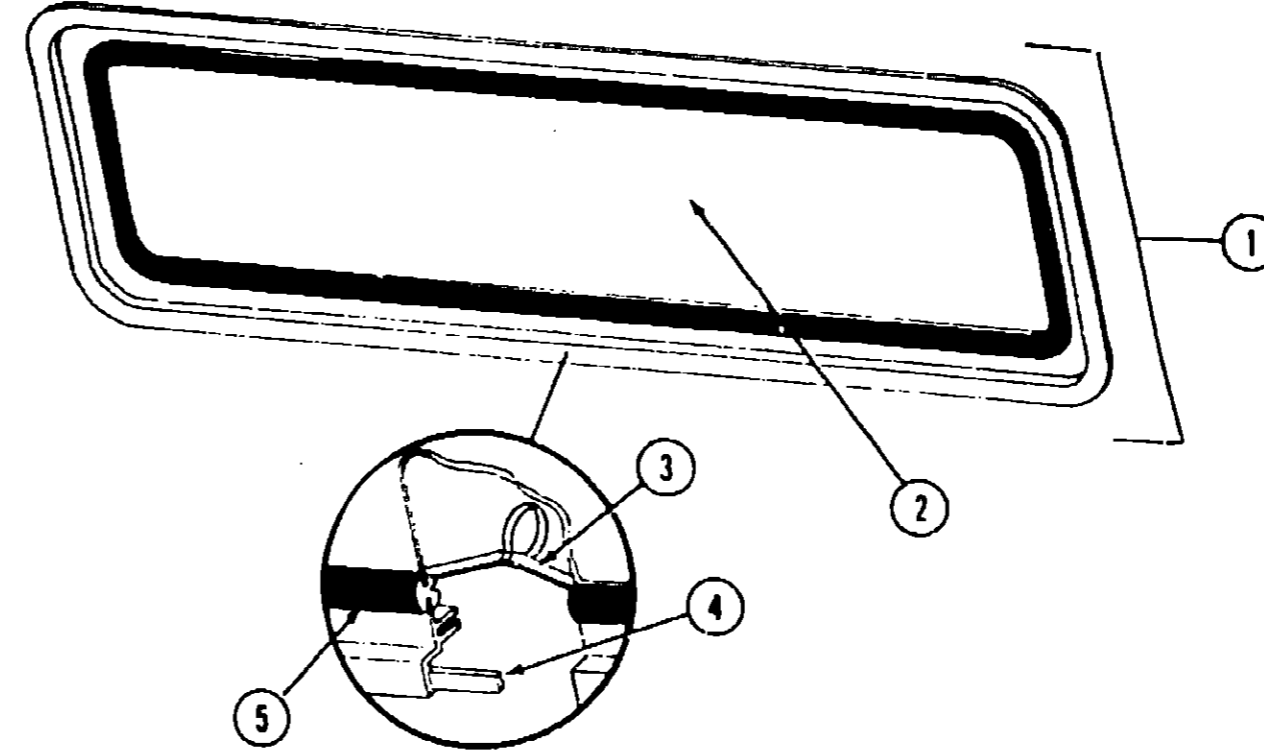
**1988 M & N SERIES
COMMON ITEMS
TABLE OF CONTENTS**

Introduction	A-01 - A-02
Accessories Group	A-03 - A-05
Bath Group	A-06
Chassis Group	A-07 - A-11
Curtain, Cushion & Pad Group	A-12 - B-02
Driver's Compartment Group	B-03 - B-06
Electrical Group	B-07 - B-09
Exterior Body Group	B-10 - B-19
Galley Group	B-20
Heating & Air Conditioning Group	B-21
Interior Finish Group	B-22 - C-01
LP Group	C-02
Water & Sewage Group	C-03
Window, Vent & Exterior Door Group	C-04 - C-18

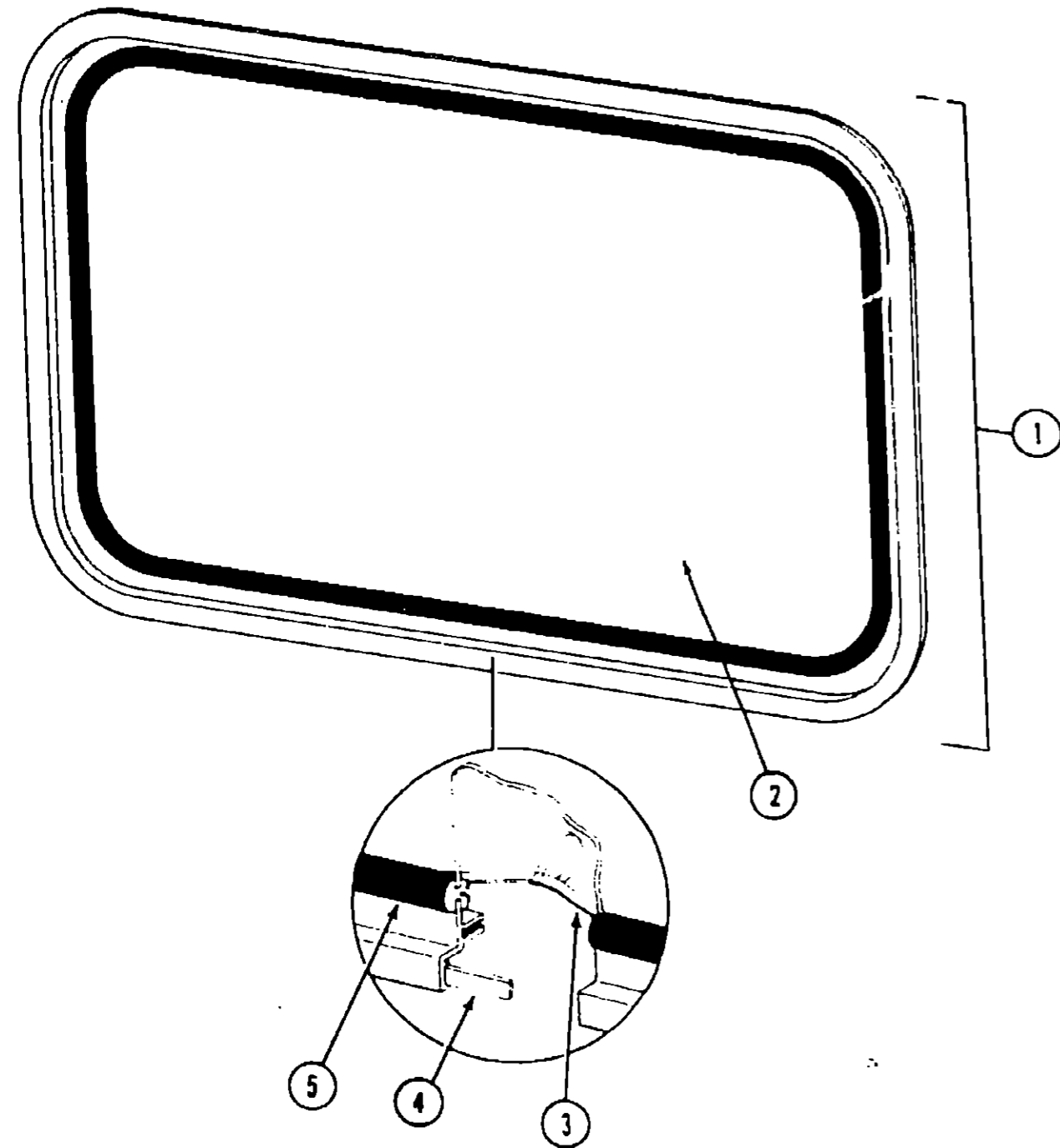


Key	Part Number	U/M	Description
1	078536-01-T03	EA	Window Asm. - Escape - 23" x 68" - Black (w/o inside frame)
•	042027-05-000	EA	Inside Frame - Escape Window - Beige (not included in assembly)
2	002178-01-000	EA	Glass - 1/8" x 19.61" x 64.80"
3	002285-01-000	FT	Filler - Weatherstrip - Black
4	069640-01-000	FT	Tape - 1/4" Bead x 20'
5	002282-01-000	FT	Weatherstrip - Window - .125" Black
•	006199-01-000	EA	Label - Exit - Escape Window
•			Not illustrated

Key	Part Number	U/M	Description
1	078528-01-T03	EA	Window Asm. - Escape - 22.53" x 47.75" - Black (w/o inside frame)
•	074816-01-000	EA	Inside Frame - Escape Window - Beige (not included in assembly)
2	002174-02-000	EA	Glass - 1/8" x 19.6" x 44.8"
3	002285-01-000	FT	Filler - Weatherstrip - Black
4	069640-01-000	FT	Tape - 1/4" Bead x 20'
5	002282-01-000	FT	Weatherstrip - Window - .125" Black
•	006199-01-000	EA	Label - Exit - Escape Window
•			Not illustrated

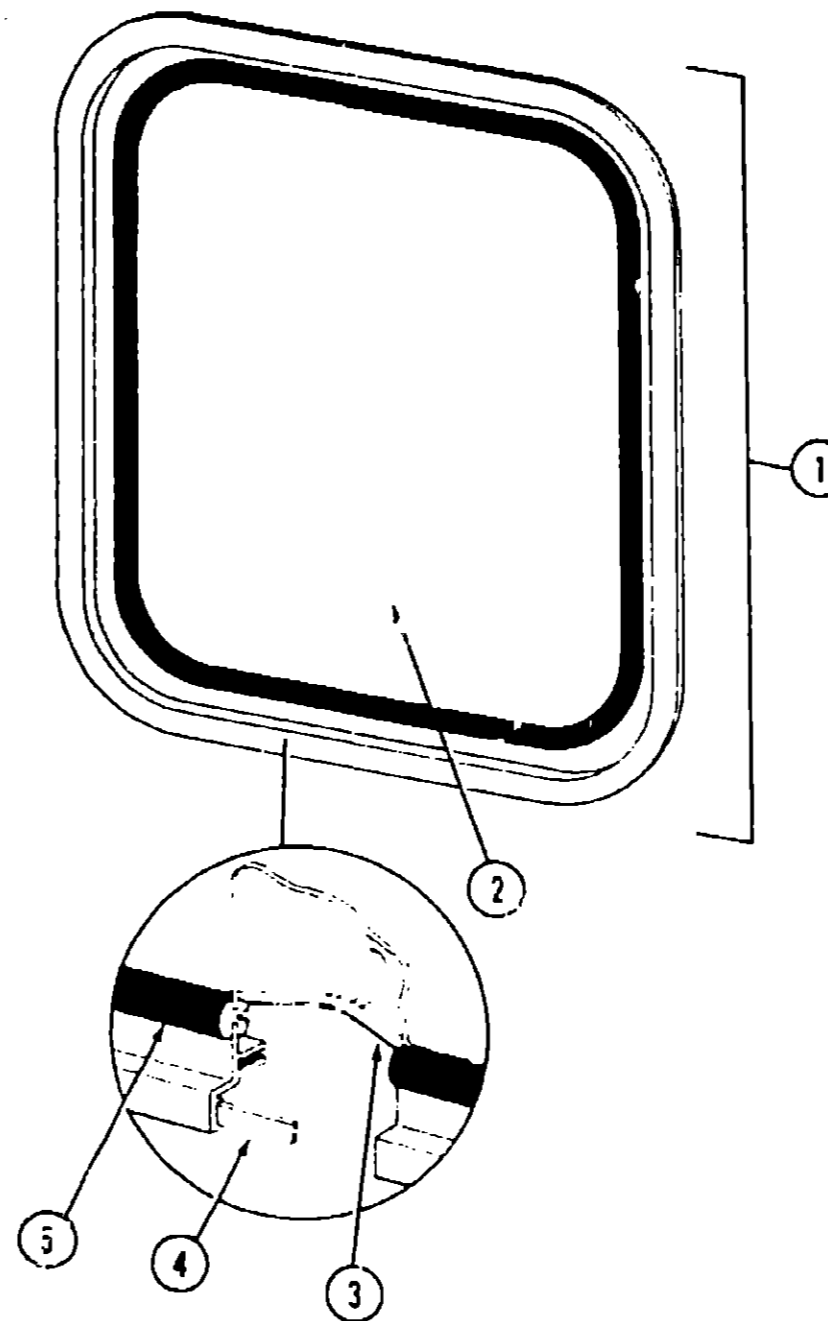


WINDOW, VENT & EXTERIOR DOOR GROUP (CONTINUED)



Key	Part Number	U/M	Description
1	079415-01-T03	EA	Window Asm. - Escape (w/o inside frame)
•	020749-05-000	EA	Inside Frame - Escape Window - Beige (not included in assembly)
2	002174-01-000	EA	Glass - 1/8" x 19.61" x 25.92"
3	002285-01-000	FT	Filler - Weatherstrip - Black
4	069640-01-000	FT	Tape - 2" Bead x 45'
5	002282-01-000	FT	Weatherstrip - Window - .125" Black
•	006199-01-000	EA	Label - Exit - Escape Window

WINDOW, VENT & EXTERIOR DOOR GROUP (CONTINUED)



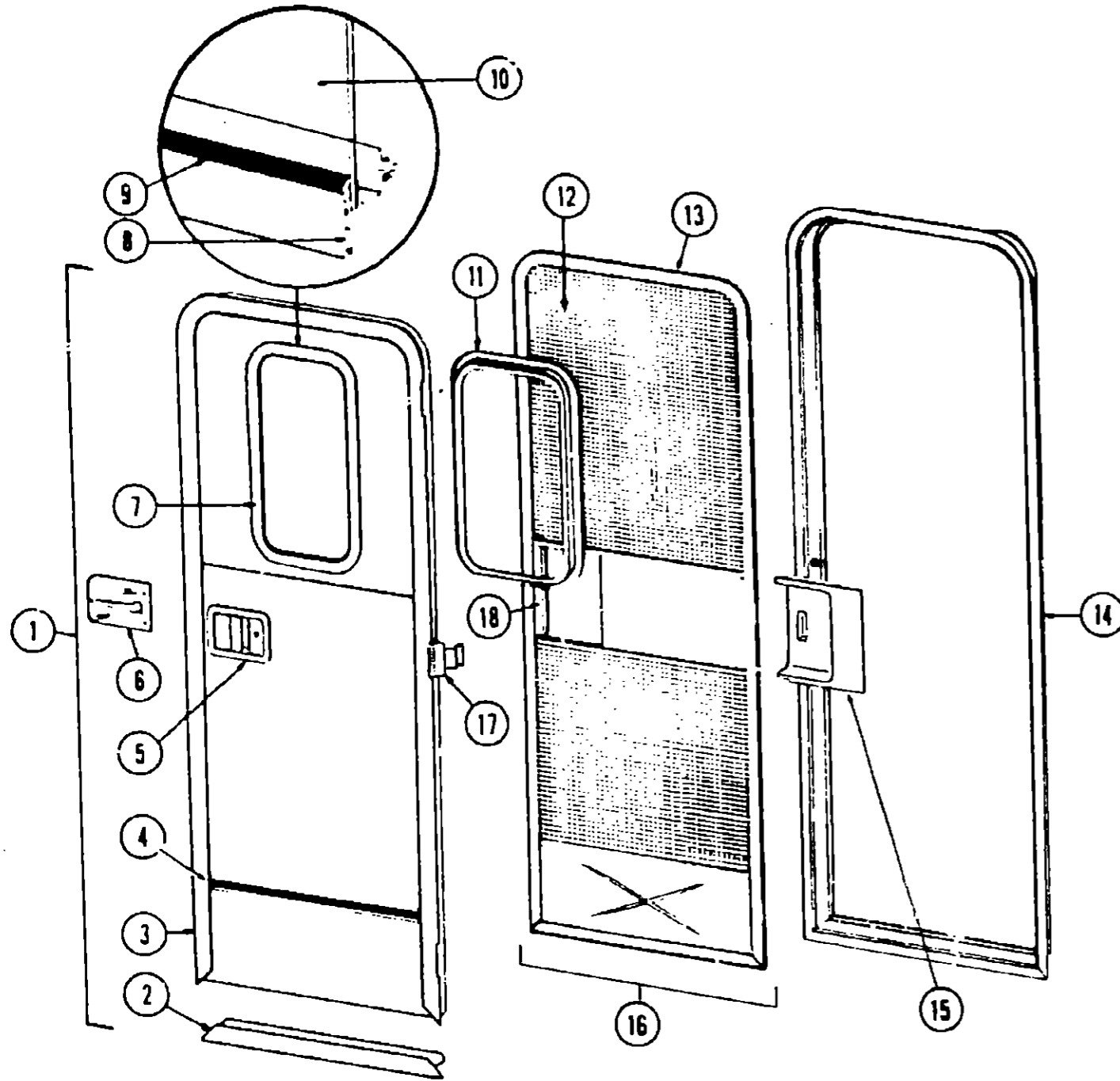
Key	Part Number	U/M	Description
1	079729-02-T03	EA	Window Asm. - Escape - 22" x 24" - Black (w/o inside frame)
•	079771-01-000	EA	Inside Frame - Window - Beige (not included in assembly)
2	041392-03-000	EA	Glass - 1/8" x 21.65" x 19.61"
3	002285-01-000	FT	Filler - Weatherstrip - Black
4	069640-06-000	FT	Ribbon Sealer - 5/16" Bead x 15'
5	002282-01-000	FT	Weatherstrip - Window - .125" - Black
•	023713-02-000	EA	Weephole Cover - Black Plastic
•	006199-01-000	EA	Label - Exit - Escape Window
•	Not illustrated		

1988 M & N SERIES
COMMON ITEMS
TABLE OF CONTENTS

Introduction	A-01 - A-02
Accessories Group	A-03 - A-05
Bath Group	A-06
Chassis Group	A-07 - A-11
Curtain, Cushion & Pad Group	A-12 - B-02
Driver's Compartment Group	B-03 - B-06
Electrical Group	B-07 - B-09
Exterior Body Group	B-10 - B-19
Galley Group	B-20
Heating & Air Conditioning Group	B-21
Interior Finish Group	B-22 - C-01
LP Group	C-02
Water & Sewage Group	C-03
Window, Vent & Exterior Door Group	C-04 - C-18

WINDOW, VENT & EXTERIOR DOOR GROUP (CONTINUED)

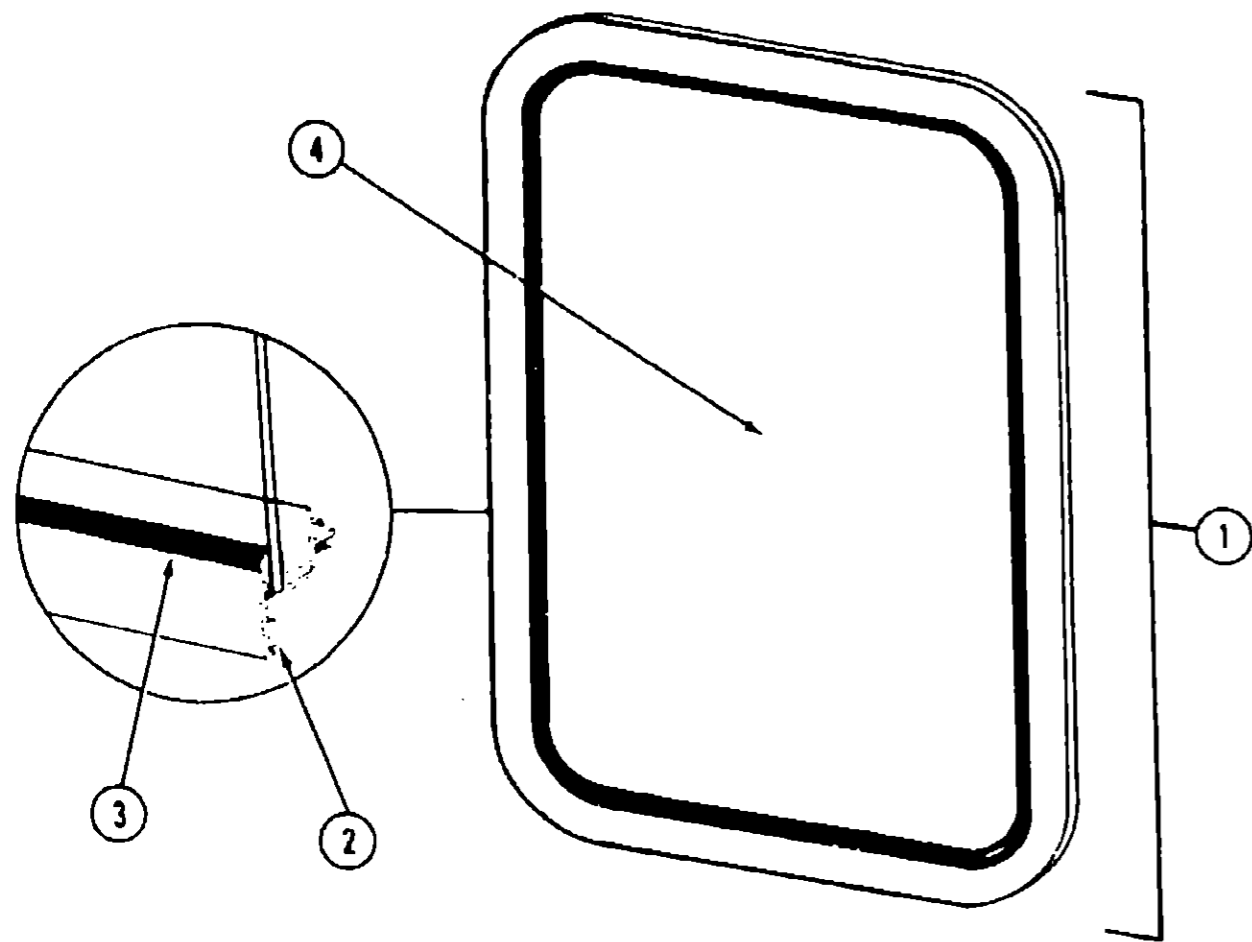
ENTRANCE & SCREEN DOOR



Key	Part Number	U/M	Description
1	M01870-15-X11	EA	Door Asm. - Radius Entry w/Screen Door - Chieftain
1	M01870-18-X14	EA	Door Asm. - Radius Entry w/Screen Door - Superchief
1	M01870-18-X70	EA	Door Asm. - Radius Entry w/Screen Door - Suncruiser
1	M01870-12-X36	EA	Door Asm. - Radius Entry w/Screen Door - Sunflyer
2	089748-02-000	EA	Frame - Entry Door (Bottom Portion Only) - Chieftain, Superchief
2	077998-03-000	EA	Frame - Entry Door (Bottom Portion Only) - Sunflyer
2	089748-03-000	EA	Frame - Entry Door (Bottom Portion Only) - Suncruiser
3	089747-02-000	EA	Frame - Entry Door (Except Bottom Portion) - Chieftain, Superchief
3	076863-03-000	EA	Frame - Entry Door (Except Bottom Portion) - Sunflyer
3	089747-03-000	EA	Frame - Entry Door (Except Bottom Portion) - Suncruiser
4	059576-08-000	EA	Feature Strip w/o Insert - Extr. - 14" - Beige
4	059576-11-000	EA	Feature Strip w/o Insert - Extr. - 14" - Gray
.	001030-12-100	EA	Insert - Feature Strip - 17" - Stucco - Beige
.	001030-11-100	EA	Insert - Feature Strip - 17" - Stucco - Gray
.	009731-01-000	EA	End Cap - Feature Strip
5	045017-05-000	EA	Paddle Asm. - Door Lock - Exterior
.	045017-05-700	EA	Lock Cylinder w/Keys - Lynor
.	039539-01-000	EA	Striker Bolt - Entry Doors
.	039540-01-000	EA	Latch Claw - Entry Door
.	039738-01-000	EA	Dead Bolt - Entry Door
6	039979-01-000	EA	Plate - Inside Lock - Includes Inside Handle
7	079733-04-T03	EA	Window Asm. - Picture - 17" x 25" - Black (w/o inside frame)
8	069640-06-000	FT	Ribbon Sealer - 5/16" Bead x 15'
9	002309-02-000	FT	Spline - Glass - 1/8" Black
10	002181-06-000	EA	Glass - Picture Window - 1/8" x 16.25" x 24" - Gray
11	067609-03-000	EA	Inside Frame - Beige (not included in assembly)
12	002293-02-000	SF	Screen - Window - 26" - Charcoal
13	056795-01-000	FT	Seal Tape - 1/8" x 3/8" - Press On
14	078591-01-000	EA	Jamb Asm. - Entrance Door
.	051049-01-000	EA	Jamb - Entrance Door - Bottom
15	079086-01-000	EA	Slider - Screen Door - Light Oak Plastic
16	079012-01-T03	EA	Door Asm. - Screen
17	079361-05-000	EA	Hinge - Entrance Door (3 used per door)
18	079087-01-000	EA	Cap - Screen Door - Light Oak Plastic
.	009018-01-000	EA	Catch Asm. - Single Roller w/Strike - Screen Door
.	076231-01-000	EA	Spacer - Latch - Screen Door
.	077437-01-000	EA	Strike - Roller Catch
.	044582-01-000	EA	Drip Cap - Beige
.	044582-06-000	EA	Drip Cap - Gray
.	079278-01-000	EA	Seal - Mocket - Entrance Door
.	073090-01-000	FT	Seal - Entrance Door
.	075739-02-000	EA	Stiffener - Entrance Door - Beige
.	075739-01-000	EA	Stiffener - Entrance Door - Gray
.	075673-01-000	FT	Seal - Pile - Adhesive Back
.	075671-01-000	FT	Seal - Sponge - Lazy "T" Shaped
.	002294-01-000	FT	Spline - Black - .135 x .138 (Screen Door)
.	063638-02-000	EA	Strike - Screen Door
.	063729-04-000	EA	Rivnut - 10-32 UNF - .010 - .080
.	075639-01-000	EA	Garnish - Radius - Entrance Door
.	083205-01-000	EA	Deadbolt Lock - Press Fit - 5"
.			Not illustrated

1988 M & N SERIES COMMON ITEMS TABLE OF CONTENTS

Introduction	A-01 - A-02
Accessories Group	A-03 - A-05
Bath Group	A-06
Chassis Group	A-07 - A-11
Curtain, Cushion & Pad Group	A-12 - B-02
Driver's Compartment Group	B-03 - B-06
Electrical Group	B-07 - B-09
Exterior Body Group	B-10 - B-19
Galley Group	B-20
Heating & Air Conditioning Group	B-21
Interior Finish Group	B-22 - C-01
LP Group	C-02
Water & Sewage Group	C-03
Window, Vent & Exterior Door Group	C-04 - C-18



Key	Part Number	U/M	Description
1	079733-04-TC3	EA	Window Asm. - Picture - 13" x 23" Black (w/o inside frame)
-	067609-03-000	EA	Inside Frame - Window - Beige (not included in assembly)
2	06940-06-000	FT	Ribbon Sealer - 5/16" Bead x 15'
3	002309-02-000	FT	Spline - Glass - 1/8" - Black
4	002181-06-000	EA	Glass - .115" x 12" x 22"
-	Not illustrated		

**1988 M & N SERIES
COMMON ITEMS
TABLE OF CONTENTS**

Introduction	A-01 - A-02
Accessories Group	A-03 - A-05
Bath Group	A-06
Chassis Group	A-07 - A-11
Curtain, Cushion & Pad Group	A-12 - B-02
Driver's Compartment Group	B-03 - B-06
Electrical Group	B-07 - B-09
Exterior Body Group	B-10 - B-19
Galley Group	B-20
Heating & Air Conditioning Group	B-21
Interior Finish Group	B-22 - C-01
LP Group	C-02
Water & Sewage Group	C-03
Window, Vent & Exterior Door Group	C-04 - C-18