

# 1988 C SERIES COMMON ITEMS

## 1988 C-SERIES COMMON ITEMS TABLE OF CONTENTS

Introduction	A-01 - A-02
Accessories Group	A-03 - A-04
Bath Group	A-05
Chassis Group	A-06 - A-09
Curtain, Cushion & Pad Group	A-10 - A-22
Driver's Compartment Group	A-23 - A-24
Electrical Group	B-01 - B-03
Exterior Body Group	B-04 - B-17
Galley Group	B-18 - B-19
Heating & Air Conditioning Group	B-20
Interior Finish Group	B-21 - C-01
LP Group	C-02
Water & Sewage Group	C-03
Window, Vent & Exterior Door Group	C-04 - C-20

### INTRODUCTION

The 1988 parts program has been designed to aid in ease of material retrieval. Do not be misled into using an illustration that looks right to you. Even though the illustration is the same, part numbers will often be different for different models.

Information is provided by year, group and model. To use the system, first determine the year and series of the motor home, then utilizing the alphabetical index provided on grid A-2, determine the group. With this information you should proceed to a given group for the information you need.

Most items common to more than one unit, in a given series, are illustrated or listed on this series common items fiche. The top assembly number for any given item is listed in each individual motor home listing, reference is made to the 1984-88 motor home common items fiche for a detailed breakdown.

The illustrations of various items are provided for clarification. Only keyed items for which part numbers are provided (on the illustration) may be purchased from Winnebago Industries.

## ACCESSORIES GROUP

### EXTERIOR MIRRORS

Key	Part Number	U/M	Description
	049347-01-000	EA	Mirror Head - 7 1/2" x 10 1/2" - Stainless Steel
	049347-02-000	EA	Mirror Head - 7 1/2" x 10 1/2" - Off White
	062047-01-000	EA	Arm Asm. - West Coast Mirror - Stainless Steel
	062047-02-000	EA	Arm Asm. - West Coast Mirror - Off White
	006043-01-000	EA	Mirror - Convex - Adhesive Back
	064445-01-000	EA	Mirror Asm. - Exterior - Passenger - Toyota
	064445-02-000	EA	Mirror Asm. - Exterior - Driver - Toyota

### WHEEL COVER LINER & MOUNTING HARDWARE

Key	Part Number	U/M	Description
	083181-01-000	EA	Wheel Cover - 16" (Set/4)
	083181-01-700	EA	Wheel Cover - 16" (1)
	083181-02-000	EA	Wheel Cover - 16.5" (Set/4)
	083181-02-700	EA	Wheel Cover - 16.5" (1)
	083181-04-702	EA	Nut Cover (Wheel Cover)
	083181-04-700	EA	Retainer (Set/4) (Wheel Cover)
	083181-04-701	EA	Retainer (1) (Wheel Cover)
	091209-03-000	EA	Wheel Simulator Liner (Set/4) (Ford & Chevy)
	091209-03-700	EA	Wheel Simulator Liner (1) Front
	091209-03-701	EA	Wheel Simulator Liner (1) Rear
	091209-03-702	EA	Front Axle Cover
	091209-03-703	EA	Rear Axle Cover
	091209-03-704	EA	Snap Ring

### RADIO & RELATED COMPONENTS

Key	Part Number	U/M	Description
	007004-01-000	EA	Antenna - Radio - Cab Mount
	067683-01-000	EA	Radio - AM/FM/Stereo - w/Cassette - Audiovox
	067684-01-000	EA	Radio - AM/FM/Stereo - w/Auto Reverse Cassette - Electronic Tune - Audiovox
	090782-01-000	EA	Radio - AM/FM - w/Cassette - Electronic Tune - Audiovox
	074979-01-000	EA	Speaker Cover Protector - Plastic
	073431-01-000	EA	Speaker - 5.25" - 3/Way (Pair)
	064791-01-000	EA	Speaker - Recessed - 5.25"
	079385-02-000	EA	Radio - Mounting Kit - Ford
	073741-03-000	EA	Speaker - 4" x 6" Oval
	073741-04-000	EA	Speaker Grill - 4" x 6" Oval

### GENERATORS & COMPONENTS

Key	Part Number	U/M	Description
	083561-01-000	EA	Generator - Kohler - 2.5 kw
	080662-01-000	EA	Exhaust Pipe - Kohler
	083800-01-000	EA	Baffle Cover - Kohler
	080749-01-700	EA	Muffler Kit - Kohler
	079654-04-000	EA	Generator - 4.0 kw - Emerald
	079654-05-000	EA	Pipe & Accessories - 4.0 kw - Emerald
	701629-02-000	EA	Installation Package - Emerald
	024732-01-016	EA	Tailpipe - 1.5" O.D. x 43.50" - Emerald
	081364-01-000	EA	Muffler - Generator - 4.0 Emerald - Nelson
	007125-04-000	EA	Muffler Clamp - 1.12"
	078045-01-000	EA	Plate Support - Generator

## ACCESSORIES GROUP (CONTINUED)

### MISCELLANEOUS ACCESSORIES

Key	Part Number	U/M	Description
	054185-28-000	EA	Owners Manual - 1988 - Itasca & Winnebago
**	076319-01-000	EA	Antenna - TV Roof Mount - 44.5" Mast
**	076319-02-000	EA	Antenna - TV Roof Mount - 23.5" Mast
	017516-01-000	EA	Mud Flap w/Holes - 14" x 18" - Black - Rear
	064089-01-000	EA	Splash Guard - Black Rubber - Front
	066780-01-000	EA	Mud Flaps - Toyota (Set of 2) - Rubber - Black
	041944-07-000	EA	Fire Extinguisher - w/Bracket - 5BC
	064472-01-000	EA	Holder - Fire Extinguisher
	068737-01-000	EA	Microwave/Convection Oven - Magic Chef
	068737-02-000	EA	Frame Kit - Microwave Oven
	081016-01-T03	EA	Ladder Asm. (1 Piece)
	080997-01-T03	EA	Ladder Asm. - Lower (2 Piece)
	090999-01-T03	EA	Ladder Asm. - Upper (2 Piece)
	081026-01-T03	EA	Rack Asm. - Right
	081026-02-T03	EA	Rack Asm. - Left
	067130-01-000	EA	Ladder Step
	076980-02-000	EA	End Cap - Ladder Step
	067125-01-000	EA	Stand Off - Rack & Ladder Asm.
	067165-01-000	EA	Bracket - Mounting - Rack & Ladder
	063219-01-000	EA	Mat - Front - Brown - Passenger "W" (Ford)
	063219-02-000	EA	Mat - Front - Brown - Driver "W" (Ford)
	063219-03-000	EA	Mat - Front - Brown - Passenger "I" (Ford)
	063219-04-000	EA	Mat - Front - Brown - Driver "I" (Ford)
	063218-01-000	EA	Mat - Front - Brown - Passenger "W" (Chevy)
	063218-02-000	EA	Mat - Front - Brown - Driver "W" (Chevy)
	063218-03-000	EA	Mat - Front - Brown - Passenger "I" (Chevy)
	063218-04-000	EA	Mat - Front - Brown - Driver "I" (Chevy)
	081075-01-000	EA	Mat - Entrance Door - "Winnebago"
	061075-02-000	EA	Mat - Entrance Door - "Itasca"
	072852-01-000	EA	Smoke Detector w/9 Volt Battery
	066779-01-000	EA	Clock - 8.25" x 8.25"
	006009-01-000	EA	Key Case - Leather
	069587-01-000	EA	Lug Wrench - 1" x 1.25" x 16.3"
	069580-02-000	EA	Leverage Bar - 22" - Lug Wrench
	006113-01-000	EA	Jack - Hydraulic - 6 Ton - w/Handle
	022756-01-000	EA	Cover - Roof Air Conditioner - Plastic
	079941-01-000	EA	Lamp Asm. - Fog w/Cover - Amber
	079942-05-000	EA	Shock Absorber - Stabilizer - Front
	079942-06-000	EA	Shock Absorber - Stabilizer - Rear
**	075461-01-000	EA	Electric Step Asm. - w/Light

\*\* The illustrated parts breakdown for this item is provided on the Common Items Fiche.

## 1988 C-SERIES COMMON ITEMS TABLE OF CONTENTS

Introduction	A-01 - A-02
Accessories Group	A-03 - A-04
Bath Group	A-05
Chassis Group	A-06 - A-09
Curtain, Cushion & Pad Group	A-10 - A-22
Driver's Compartment Group	A-23 - A-24
Electrical Group	B-01 - B-03
Exterior Body Group	B-04 - B-17
Galley Group	B-18 - B-19
Heating & Air Conditioning Group	B-20
Interior Finish Group	B-21 - C-01
LP Group	C-02
Water & Sewage Group	C-03
Window, Vent & Exterior Door Group	C-04 - C-20

## BATH GROUP

### BATH & WARDROBE HARDWARE

Key	Part Number	U/M	Description
	075240-03-000	EA	Faucet - Lavatory - Brass
	075242-03-000	EA	Faucet - Shower - Brass
	011056-01-000	EA	Faucet - Lavatory
	011056-03-000	EA	Faucet - Shower
	009112-01-000	EA	Flange - 1" Closet Rod
	069735-01-000	EA	Washer - Tail Piece - 1.5" - Plastic
	011069-03-000	EA	Tailpiece - 1.5" x 1.25" x 4" - Brass
	009134-01-000	EA	Tissue Holder
	075452-01-000	EA	Tissue Holder - Brass
	009133-01-000	EA	Towel Bar - 12" Plastic
	075453-02-000	EA	Towel Bar - Brass
	081614-01-000	EA	Soap Dish - Brass
	075680-01-000	EA	Clothes Rod - Adjustable
	009112-01-000	EA	Flange - 1" Closet Rod
	059783-01-000	EA	Clothes Rod - Slotted
	009059-01-000	EA	Hinge - 2" - Gold
	059777-02-000	EA	Hinge - Cabinet Door - Brass
	086283-01-000	EA	Pull - Polished Brass
	009021-01-000	EA	Catch - Nylon - Grill
	009021-02-000	EA	Strike - Spring Steel
	011048-02-000	EA	Shower Head - w/60" Hose
	066729-01-000	EA	Strainer - Shower Pan & Tub
	066440-01-000	EA	Strainer w/Rubber Washer - Shower Pan
	066236-01-000	EA	Slip Nut - 1.5" Tail Piece - Bathtub
	066435-01-000	EA	Nut - Strainer - Plastic
	057671-01-000	EA	Screw Cover - #8 - Antique White
	079657-02-000	EA	Door Asm. - Shower - Satin Brass
	079235-01-000	EA	Header - Shower Door
	079234-01-000	EA	Jamb - Shower Door - Beige - Left
	079234-02-000	EA	Jamb - Shower Door - Beige - Right
	075244-02-000	EA	Shower Curtain Liner
**	063740-01-000	EA	Toilet - Aqua Magic IV (High)
**	067487-01-000	EA	Toilet - Aqua Magic IV (Low)

\*\* The illustrated parts breakdown for this item is provided on the Common Items Fiche.

## CHASSIS GROUP

### MISCELLANEOUS

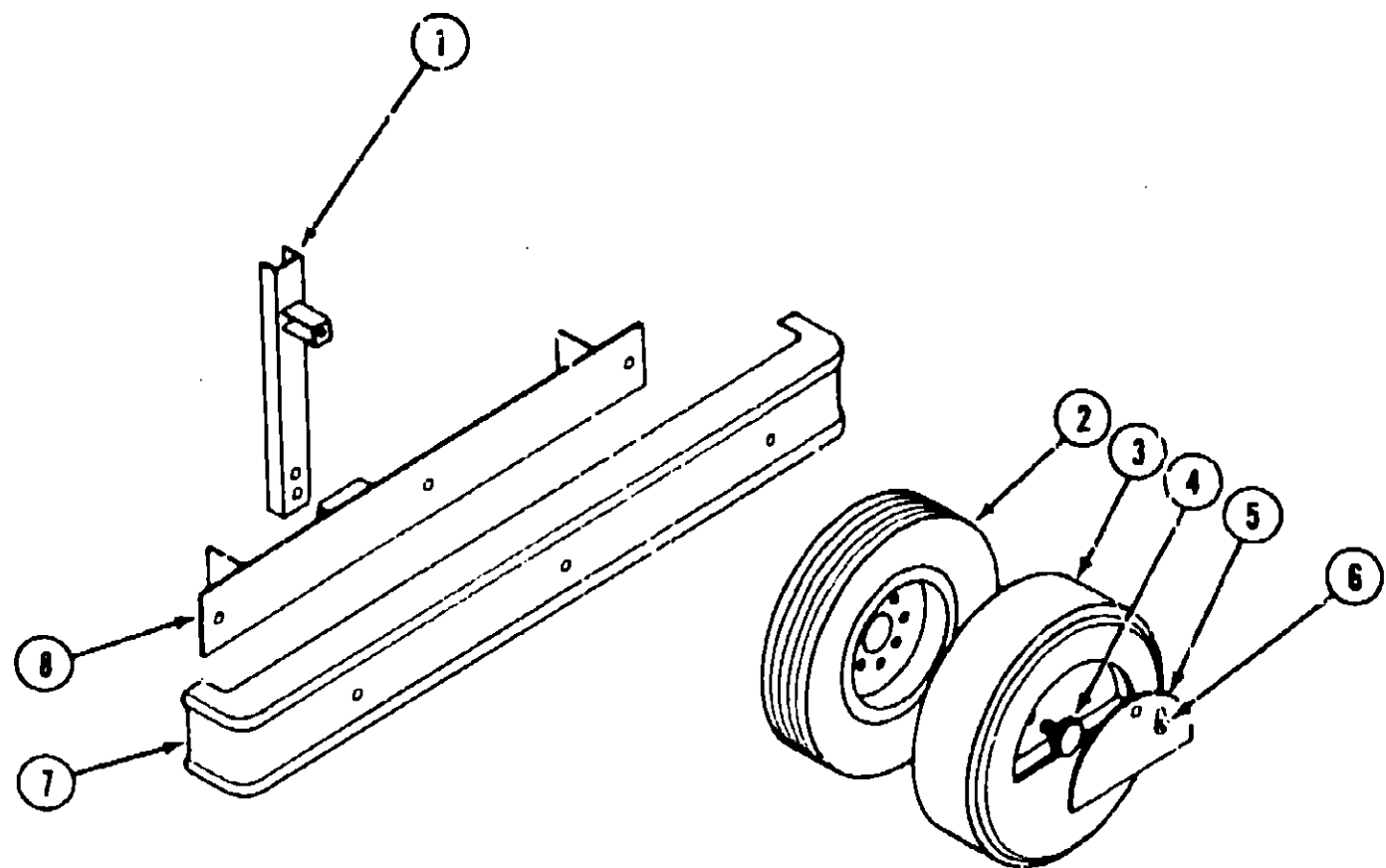
Key	Part Number	U/M	Description
	084096-01-000	EA	Tailpipe Extension - 2"
	007161-01-000	EA	Clamp - Hose - Spring Type 112
	082401-01-000	EA	Clamp - Hose - Wormgear - .22" I.D. - 1" I.D.
	082401-02-000	EA	Clamp - Hose - Wormgear - 1.56" I.D. - 2.5" I.D.
	082401-03-000	EA	Clamp - Hose - Wormgear - .25" I.D. - 1" I.D.
	082401-04-000	EA	Clamp - Hose - Wormgear - .69" I.D. - 1.25" I.D.
	082401-05-000	EA	Clamp - Hose - Wormgear - 2" I.D. - 3" I.D.
	082401-06-000	EA	Clamp - Hose - Wormgear - .22" I.D. - .62" I.D.
	047441-01-000	EA	Battery Terminal - Horizontal Lug
	059540-01-000	EA	Bracket - License Plate
	065451-02-000	EA	Bracket - Battery Tie Down - 10.82"
	065451-03-000	EA	Bracket - Battery Tie Down - 14"
	007063-01-000	FT	Hose - Fuel - 1/4 I.D. x 1/2 O.D.
	006113-01-000	EA	Jack - Hydraulic - 6" Ton - w/Handle
	066780-01-000	EA	Mud Flap - Toyota (Set of 2) - Black Rubber
	017516-01-000	EA	Mud Flap w/Holes - 14" x 18" - Black - Rear
	064069-01-000	EA	Splash Guard - Black Rubber - Front
	060356-01-000	EA	Step Well Plate - Chevy
	060356-02-000	EA	Step Well Plate - Ford
	060449-01-000	EA	Step Asm. - Entrance w/Swing Arm
	064637-01-000	EA	Wheel Well (Toyota)
	057724-01-000	EA	Wheel Well - Plastic
	064069-01-000	EA	Splash Guard - Black Rubber
	J76241-01-000	EA	Support Asm. - Step
	007131-01-000	EA	Hanger - Tail Pipe
	069580-02-000	EA	Leverage Bar - 22" - Lug Wrench
	066780-01-000	EA	Lug Wrench - 1" x 1.25" x 10.3"
	079971-01-000	EA	Tray - Aux. Battery
	079942-03-000	EA	Shock Absorber Stabilizer - Front (Chevy)
	079942-04-000	EA	Shock Absorber Stabilizer - Rear (Chevy)
	079942-05-000	EA	Shock Absorber Stabilizer - Front (Ford)
	079942-06-000	EA	Shock Absorber Stabilizer - Rear (Ford)
	079384-03-000	EA	Running Board - Passenger (Chevy)
	079384-04-000	EA	Running Board - Driver (Chevy)
	079384-05-000	EA	Running Board - Passenger (Ford)
	079384-06-000	EA	Running Board - Driver (Ford)
	079384-01-000	EA	Running Board - Hardware (Chevy)
	079384-02-000	EA	Running Board - Hardware (Ford)

NOTE Remainder of exhaust components available from Chassis Service Center

## 1988 C-SERIES COMMON ITEMS TABLE OF CONTENTS

Introduction	A-01 - A-02
Accessories Group	A-03 - A-04
Bath Group	A-05
Chassis Group	A-06 - A-09
Curtain, Cushion & Pad Group	A-10 - A-22
Driver's Compartment Group	A-23 - A-24
Electrical Group	B-01 - B-03
Exterior Body Group	B-04 - B-17
Galley Group	B-18 - B-19
Heating & Air Conditioning Group	B-20
Interior Finish Group	B-21 - C-01
LP Group	C-02
Water & Sewage Group	C-03
Window, Vent & Exterior Door Group	C-04 - C-20

**CHASSIS GROUP (CONTINUED)**

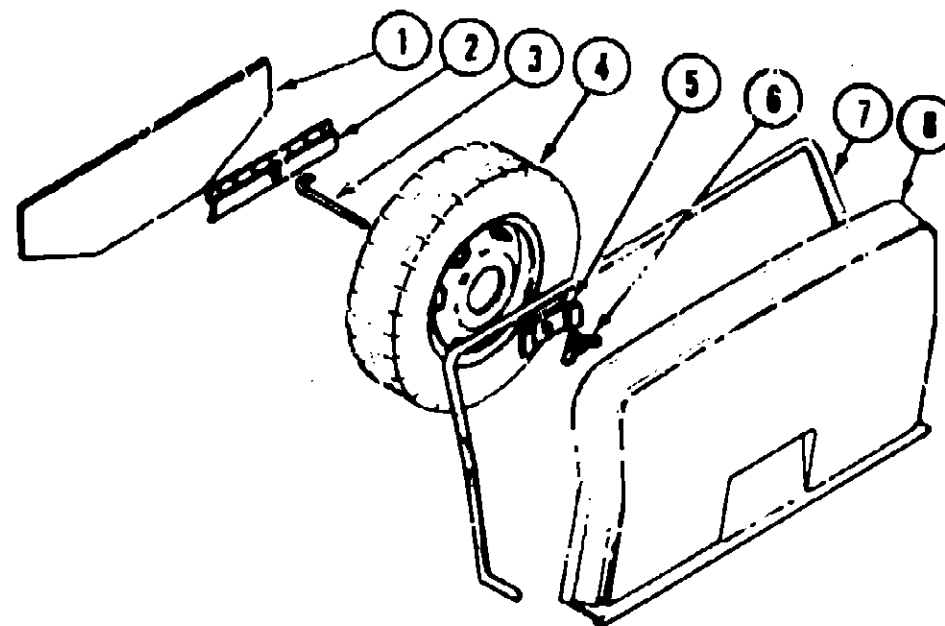


**ITASCA 24', 26' MODEL 3**

**SPARE TIRE & REAR BUMPER**

Key	Part Number	U/M	Description
1	079027-01-000	EA	Bracket Asm. - Tire Carrier
2	070917-02-000	EA	Tire - Michelin - Radial
3	079799-01-000	EA	Tire Cover - Off White - Plastic
4	064082-02-000	EA	Nut - Retaining - Wheel Cover
5	M02047-01-T95	EA	Door Panel - Tire Cover - Off White
6	077408-01-000	EA	Lock Asm. - Key Type
7	048474-01-000	EA	Bumper - Rear - Chrome
8	064601-03-000	EA	Bracket - Bumper Mount

**CHASSIS GROUP (CONTINUED)**



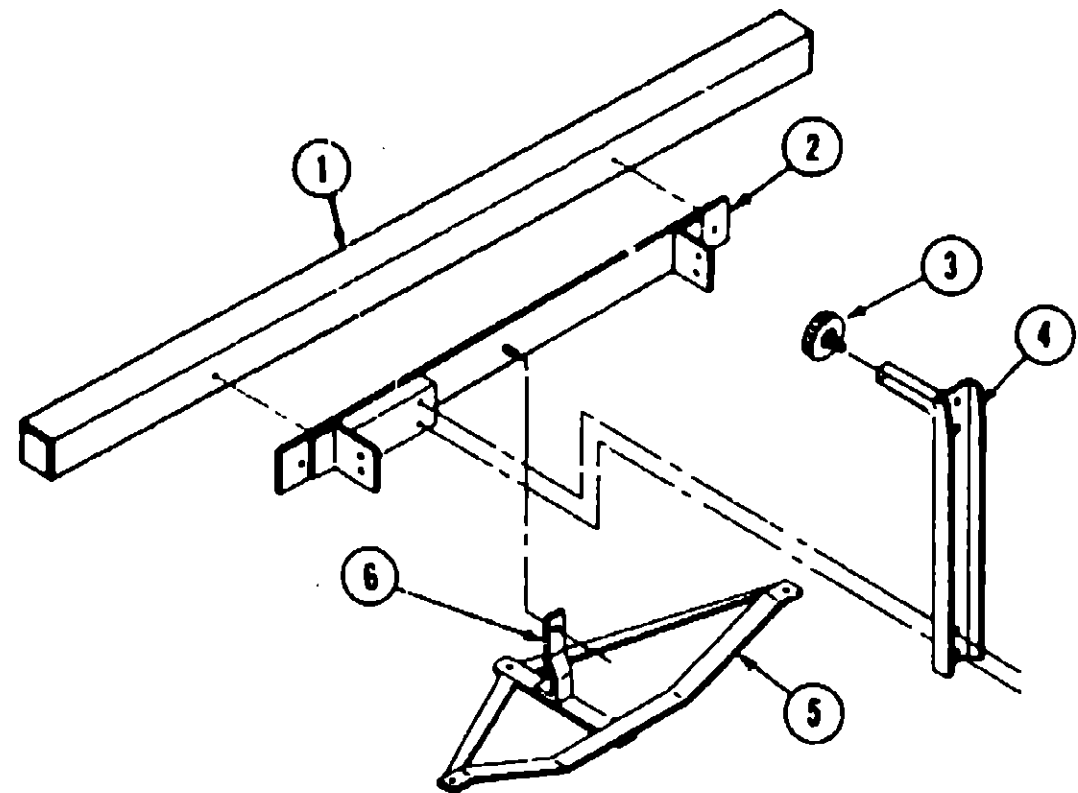
**WINNEBAGO 24', 26' MODELS**

**SPARE TIRE & REAR BUMPER**

Key	Part Number	U/M	Description
1	077395-01-000	EA	Dust Shield - Spare Tire
2	077403-01-000	EA	Rod Support - Spare Tire
3	077411-01-000	EA	Retaining Rod
4	070917-02-000	EA	Tire - Michelin - Radial
5	077399-01-000	EA	Spare Tire - Retainer
6	077759-01-000	EA	Support Spacer - Spare Tire
7	064081-01-000	EA	Wing Nut
8	077491-01-000	EA	Tire Cover Seal
•	078165-01-U10	EA	Cover Asm. - Tire
•	078584-09-000	EA	Bumper - Rear - Chrome
•	078668-01-000	EA	Support Angle - Rear Bumper
•	078670-02-000	EA	Bracket Asm. - Rear Bumper
•	078018-01-000	EA	Strap - Tire Carrier
•	077408-01-000	EA	Lock Asm. - Tire Cover
•	078578-05-000	EA	End Cap - Bumper - Right
•	078578-06-000	EA	End Cap - Bumper - Left
•			Not illustrated

**1988 C-SERIES  
COMMON ITEMS  
TABLE OF CONTENTS**

Introduction	A-01 - A-02
Accessories Group	A-03 - A-04
Bath Group	A-05
Chassis Group	A-06 - A-09
Curtain, Cushion & Pad Group	A-10 - A-22
Driver's Compartment Group	A-23 - A-24
Electrical Group	B-01 - B-03
Exterior Body Group	B-04 - B-17
Galley Group	B-18 - B-19
Heating & Air Conditioning Group	B-20
Interior Finish Group	B-21 - C-01
LP Group	C-02
Water & Sewage Group	C-03
Window, Vant & Exterior Door Group	C-04 - C-20



WINNEBAGO & ITASCA 20', 21' MODELS  
REAR BUMPER & TRAILER HITCH

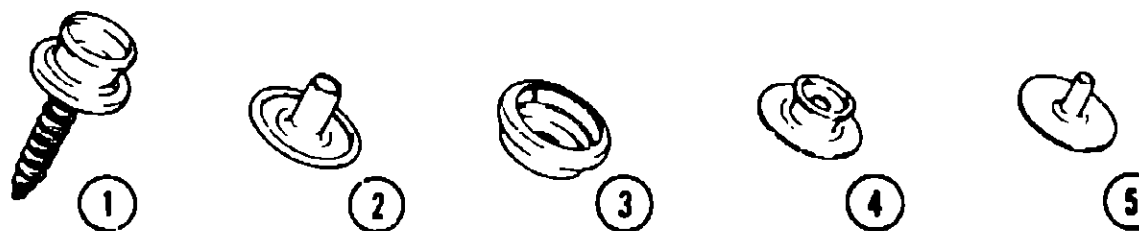
Key	Part Number	U/M	Description
1	064602-05-000	EA	Bumper Asm. - Square - 92"
•	039779-01-000	EA	Cap - Rubber - 4" x 4" - Square Bumper
2	064601-01-000	EA	Bracket Asm. - Bumper Mount (w/40" Mounting Brackets) (Chevy)
2	064601-03-000	EA	Bracket Asm. - Bumper Mount (w/41.5" Mounting Brackets) (Ford)
3	064082-02-000	EA	Retaining Nut - Tire Cover
4	079027-01-000	EA	Bracket Asm. - Spare Tire Cover
•	079799-01-000	E	Tire Cover Asm. - Off White
•	M02047-01-T95	EA	Door Asm. - Tire Cover
•	077408-02-000	EA	Lock Asm. - Key Type
5	064833-02-000	EA	Trailer Hitch Asm. (w/38.75" Mounting Holes) (Chevy)
5	064833-03-000	EA	Trailer Hitch Asm. (w/40" Mounting Holes) (Ford)
6	064824-02-000	EA	Support - Trailer Hitch
•	041332-02-000	EA	Reflector - 6.5" x .75" - Bumper Cover
•	041332-03-000	EA	Bumper Cover - Aluminum Fits 4" Square Bumper
•			Not illustrated

REAR BUMPER & TIRE CARRIER (TOYOTA)

Key	Part Number	U/M	Description
	084622-01-000	EA	Bumper Asm. - Rear - Black
	084773-01-000	EA	Bracket - Spare Tire Mounting

CURTAIN & CUSHION HARDWARE

Key	Part Number	U/M	Description
	039175-02-000	EA	Bracket - Curtain Rod - Cafe
	039175-05-000	EA	Bracket - Curtain Rod - Center
	056003-02-000	EA	Bracket - Drapery Retainer - Left
	056003-01-000	EA	Bracket - Drapery Retainer - Right
	084434-01-000	EA	Bracket - Roller Shade - 1 3/8"
	079798-03-000	EA	Bracket Asm. - Curtain Rod - Right
	079798-04-000	EA	Bracket Asm. - Curtain Rod - Left
	080730-03-700	EA	Handle Kit - Recliner
	080731-02-000	EA	Hinge - Recliner - Slave
	083170-01-000	EA	Installation Bracket - Blind - Right - Clear
	083170-02-000	EA	Installation Bracket - Blind - Left - Clear
	082139-01-000	EA	Bracket - Hold Down - Blinds - Right
	082139-03-000	EA	Bracket - Hold Down - Blinds - Left
	039175-01-000	EA	Rod - Cafe Curtain - Extension - 48" x 84"
	039175-03-000	EA	Rod - Cafe Curtain - Extension - 28" x 48"
	048394-02-000	YD	Tape Hook - .75" x 50 YD - Beige
	029086-05-000	YD	Tape Hook - .50" - Velcro - Beige
	048395-01-000	YD	Tape Loop - 1" x 50 YD - Beige
	029090-01-000	FT	Tie - Drapery - Clear Vinyl
	078551-03-000	EA	Track - Curtain - Beige - 42"
	079619-01-000	EA	Bracket - Tie Back
	081381-01-000	EA	Swivel Snap - Curtain Track



Key	Part Number	U/M	Description
1	029130-01-000	EA	Socket - Snap Fastener
2	029155-01-000	EA	Cap - Snap - .156" Dia. x 17" Barrel
3	029156-01-000	EA	Socket - Snap Fastener
4	029092-01-000	EA	Stud - Nickel Finish
5	029093-01-000	EA	Eyelet - Nickel Finish

1988 C-SERIES  
COMMON ITEMS  
TABLE OF CONTENTS

Introduction	A-01 - A-02
Accessories Group	A-03 - A-04
Bath Group	A-05
Chassis Group	A-06 - A-09
Curtain, Cushion & Pad Group	A-10 - A-22
Driver's Compartment Group	A-23 - A-24
Electrical Group	B-01 - B-03
Exterior Body Group	B-04 - B-17
Galley Group	B-18 - B-19
Heating & Air Conditioning Group	B-20
Interior Finish Group	B-21 - C-01
LP Group	C-02
Water & Sewage Group	C-03
Window, Vent & Exterior Door Group	C-04 - C-20

**CURTAIN, CUSHION & PAD GROUP (CONTINUED)**

**WINNEBAGO  
BUCKET SEATS**

Key	Part Number	U/M	Description
	083909-11-X08	EA	Seat Asm. - Straton w/Right Armrest
	083909-11-X09	EA	Seat Asm. - Straton w/Right Armrest
	083909-11-X10	EA	Seat Asm. - Straton w/Right Armrest
	M01864-33-X08	EA	Cover Asm. - Seat Cushion
	M01864-33-X09	EA	Cover Asm. - Seat Cushion
	M01864-33-X10	EA	Cover Asm. - Seat Cushion
	M01864-34-X08	EA	Cover Asm. - Back Cushion
	M01864-34-X09	EA	Cover Asm. - Back Cushion
	M01864-34-X10	EA	Cover Asm. - Back Cushion
	080243-25-X08	EA	Armrest Asm. - Right
	080243-25-X09	EA	Armrest Asm. - Right
	080243-25-X10	EA	Armrest Asm. - Right
	M80243-25-X08	EA	Cover Asm. - Armrest
	M80243-25-X09	EA	Cover Asm. - Armrest
	M80243-25-X10	EA	Cover Asm. - Armrest
	083909-12-X08	EA	Seat Asm. - Straton w/Left Armrest
	083909-12-X09	EA	Seat Asm. - Straton w/Left Armrest
	083909-12-X10	EA	Seat Asm. - Straton w/Left Armrest
	M01864-33-X08	EA	Cover Asm. - Seat Cushion
	M01864-33-X09	EA	Cover Asm. - Seat Cushion
	M01864-33-X10	EA	Cover Asm. - Seat Cushion
	M01864-34-X08	EA	Cover Asm. - Back Cushion
	M01864-34-X09	EA	Cover Asm. - Back Cushion
	M01864-34-X10	EA	Cover Asm. - Back Cushion
	080243-26-X08	EA	Armrest Asm. - Left
	080243-26-X09	EA	Armrest Asm. - Left
	080243-26-X10	EA	Armrest Asm. - Left
	M80243-26-X08	EA	Cover Asm. - Armrest
	M80243-26-X09	EA	Cover Asm. - Armrest
	M80243-26-X10	EA	Cover Asm. - Armrest
	085268-02-X08	EA	Headrest Asm. - Straton Seat
	085268-02-X09	EA	Headrest Asm. - Straton Seat
	085268-02-X10	EA	Headrest Asm. - Straton Seat
	M85268-02-X08	EA	Cover Asm. - Headrest
	M85268-02-X09	EA	Cover Asm. - Headrest
	M85268-02-X10	EA	Cover Asm. - Headrest

**CURTAIN, CUSHION & PAD GROUP (CONTINUED)**

**ITASCA  
BUCKET SEATS**

Key	Part Number	U/M	Description
	083909-11-X33	EA	Seat Asm. - Straton w/Right Armrest
	083909-11-X34	EA	Seat Asm. - Straton w/Right Armrest
	083909-11-X35	EA	Seat Asm. - Straton w/Right Armrest
	M01864-33-X33	EA	Cover Asm. - Seat Cushion
	M01864-33-X34	EA	Cover Asm. - Seat Cushion
	M01864-33-X35	EA	Cover Asm. - Seat Cushion
	M01864-34-X33	EA	Cover Asm. - Back Cushion
	M01864-34-X34	EA	Cover Asm. - Back Cushion
	M01864-34-X35	EA	Cover Asm. - Back Cushion
	080243-25-X33	EA	Armrest Asm. - Right
	080243-25-X34	EA	Armrest Asm. - Right
	080243-25-X35	EA	Armrest Asm. - Right
	M80243-25-X33	EA	Cover Asm. - Armrest
	M80243-25-X34	EA	Cover Asm. - Armrest
	M80243-25-X35	EA	Cover Asm. - Armrest
	083909-12-X33	EA	Seat Asm. - Straton w/Left Armrest
	083909-12-X34	EA	Seat Asm. - Straton w/Left Armrest
	083909-12-X35	EA	Seat Asm. - Straton w/Left Armrest
	M01864-33-X33	EA	Cover Asm. - Seat Cushion
	M01864-33-X34	EA	Cover Asm. - Seat Cushion
	M01864-33-X35	EA	Cover Asm. - Seat Cushion
	M01864-34-X33	EA	Cover Asm. - Back Cushion
	M01864-34-X34	EA	Cover Asm. - Back Cushion
	M01864-34-X35	EA	Cover Asm. - Back Cushion
	080243-26-X33	EA	Armrest Asm. - Left
	080243-26-X34	EA	Armrest Asm. - Left
	080243-26-X35	EA	Armrest Asm. - Left
	M80243-26-X33	EA	Cover Asm. - Armrest
	M80243-26-X34	EA	Cover Asm. - Armrest
	M80243-26-X35	EA	Cover Asm. - Armrest
	085268-02-X33	EA	Headrest Asm. - Straton Seat
	085268-02-X34	EA	Headrest Asm. - Straton Seat
	085268-02-X35	EA	Headrest Asm. - Straton Seat
	M85268-02-X33	EA	Cover Asm. - Headrest
	M85268-02-X34	EA	Cover Asm. - Headrest
	M85268-02-X35	EA	Cover Asm. - Headrest

**1988 C-SERIES  
COMMON ITEMS  
TABLE OF CONTENTS**

Introduction	A-01 - A-02
Accessories Group	A-03 - A-04
Bath Group	A-05
Chassis Group	A-06 - A-09
Curtain, Cushion & Pad Group	A-10 - A-22
Driver's Compartment Group	A-23 - A-24
Electrical Group	B-01 - B-03
Exterior Body Group	B-04 - B-17
Galley Group	B-18 - B-19
Heating & Air Conditioning Group	B-20
Interior Finish Group	B-21 - C-01
LP Group	C-02
Water & Sewage Group	C-03
Window, Vent & Exterior Door Group	C-04 - C-20

**WINNEBAGO**  
**DINETTE CUSHION**

Key	Part Number	U/M	Description
	088927-03-X11	EA	Cushion Asm. - Dinette Back - 19.25" x 38" x 5" (X08)
	088927-03-X12	EA	Cushion Asm. - Dinette Back - 19.25" x 38" x 5" (X09)
	088927-03-X13	EA	Cushion Asm. - Dinette Back - 19.25" x 38" x 5" (X10)
	M88927-03-X11	EA	Cover Asm. - Dinette Back Curtain - 19.25" x 38" x 5" (X08)
	M88927-03-X12	EA	Cover Asm. - Dinette Back Curtain - 19.25" x 38" x 5" (X09)
	M88927-03-X13	EA	Cover Asm. - Dinette Back Curtain - 19.25" x 38" x 5" (X10)
	088927-04-X11	EA	Cushion Asm. - Dinette Bottom - 17.5" x 38" x 5" (X08)
	088927-04-X12	EA	Cushion Asm. - Dinette Bottom - 17.5" x 38" x 5" (X09)
	088927-04-X13	EA	Cushion Asm. - Dinette Bottom - 17.5" x 38" x 5" (X10)
	M88972-04-X11	EA	Cover Asm. - Dinette Bottom Cushion - 17.5" x 38" x 5" (X08)
	M88972-04-X12	EA	Cover Asm. - Dinette Bottom Cushion - 17.5" x 38" x 5" (X09)
	M88972-04-X13	EA	Cover Asm. - Dinette Bottom Cushion - 17.5" x 38" x 5" (X10)

**WINNEBAGO**  
**CELEBRITY SWIVEL CHAIR**

Key	Part Number	U/M	Description
	085059-02-X08	EA	Chair Asm. w/Pillow Back - Swivel
	085059-02-X09	EA	Chair Asm. w/Pillow Back - Swivel
	085059-02-X10	EA	Chair Asm. w/Pillow Back - Swivel
	085187-02-X08	EA	Skirt Asm. - Swivel Chair
	085187-02-X09	EA	Skirt Asm. - Swivel Chair
	085187-02-X10	EA	Skirt Asm. - Swivel Chair
	088245-03-000	EA	Plate - Non-Tilt - Swivel Chair
	035036-04-000	EA	Base w/Legs - Swivel Chair
	088245-05-000	EA	Extension - 5" - Swivel Chair

**WINNEBAGO**  
**FRONT OVERHEAD BUNK CUSHIONS**

Key	Part Number	U/M	Description
	073310-06-X08	EA	Cushion Asm. - Front Bunk
	073310-06-X09	EA	Cushion Asm. - Front Bunk
	073310-06-X10	EA	Cushion Asm. - Front Bunk
	M73310-06-X08	EA	Cover Asm. - Front Bunk Cushion
	M73310-06-X09	EA	Cover Asm. - Front Bunk Cushion
	M73310-06-X10	EA	Cover Asm. - Front Bunk Cushion

**WINNEBAGO**  
**PRESTO BED**

Key	Part Number	U/M	Description
	091826-05-X11	EA	Presto Bed Asm. - Complete (X08)
	091826-05-X12	EA	Presto Bed Asm. - Complete (X09)
	091826-05-X13	EA	Presto Bed Asm. - Complete (X10)
	057470-01-000	EA	Frame Asm. - Back - Sprung Couch
	081923-01-000	EA	Frame Asm. - Seat - Sprung Couch

**ITASCA**  
**DINETTE CUSHION**

Key	Part Number	U/M	Description
	088927-08-X33	EA	Cushion Asm. - Dinette Back - 19.25" x 38" x 5"
	088927-08-X34	EA	Cushion Asm. - Dinette Back - 19.25" x 38" x 5"
	088927-08-X35	EA	Cushion Asm. - Dinette Back - 19.25" x 38" x 5"
	M88927-08-X33	EA	Cover Asm. - Dinette Back Curtain - 19.25" x 38" x 5"
	M88927-08-X34	EA	Cover Asm. - Dinette Back Curtain - 19.25" x 38" x 5"
	M88927-08-X35	EA	Cover Asm. - Dinette Back Curtain - 19.25" x 38" x 5"
	088927-09-X33	EA	Cushion Asm. - Dinette Bottom - 17.5" x 38" x 5"
	088927-09-X34	EA	Cushion Asm. - Dinette Bottom - 17.5" x 38" x 5"
	088927-09-X35	EA	Cushion Asm. - Dinette Bottom - 17.5" x 38" x 5"
	M88927-09-X33	EA	Cover Asm. - Dinette Bottom Cushion - 17.5" x 38" x 5"
	M88927-09-X34	EA	Cover Asm. - Dinette Bottom Cushion - 17.5" x 38" x 5"
	M88927-09-X35	EA	Cover Asm. - Dinette Bottom Cushion - 17.5" x 38" x 5"

**ITASCA**  
**CELEBRITY SWIVEL CHAIR**

Key	Part Number	U/M	Description
	085384-02-X33	EA	Chair Asm. w/Pillow Back - Swivel
	085384-02-X34	EA	Chair Asm. w/Pillow Back - Swivel
	085384-02-X35	EA	Chair Asm. w/Pillow Back - Swivel
	085187-03-X33	EA	Skirt Asm. - Swivel Chair
	085187-03-X34	EA	Skirt Asm. - Swivel Chair
	085187-03-X35	EA	Skirt Asm. - Swivel Chair
	088245-03-000	EA	Plate - Non-Tilt - Swivel Chair
	035036-04-000	EA	Base w/Legs - Swivel Chair
	088245-05-000	EA	Extension - 5" - Swivel Chair

**ITASCA**  
**FRONT OVERHEAD BUNK CUSHIONS**

Key	Part Number	U/M	Description
	073310-08-X33	EA	Cushion Asm. - Front Bunk
	073310-08-X34	EA	Cushion Asm. - Front Bunk
	073310-08-X35	EA	Cushion Asm. - Front Bunk
	M73310-08-X33	EA	Cover Asm. - Front Bunk Cushion
	M73310-08-X34	EA	Cover Asm. - Front Bunk Cushion
	M73310-08-X35	EA	Cover Asm. - Front Bunk Cushion

**ITASCA**  
**PRESTO BED**

Key	Part Number	U/M	Description
	081826-04-X33	EA	Presto Bed Asm. - Complete
	081826-04-X34	EA	Presto Bed Asm. - Complete
	081826-04-X35	EA	Presto Bed Asm. - Complete
	057470-01-000	EA	Frame Asm. - Back - Sprung Couch
	081923-01-000	EA	Frame Asm. - Seat - Sprung Couch

**1988 C-SERIES**  
**COMMON ITEMS**  
**TABLE OF CONTENTS**

Introduction	A-01 - A-02
Accessories Group	A-03 - A-04
Bath Group	A-05
Chassis Group	A-06 - A-09
Curtain, Cushion & Pad Group	A-10 - A-22
Driver's Compartment Group	A-23 - A-24
Electrical Group	B-01 - B-03
Exterior Body Group	B-04 - B-17
Galley Group	B-18 - B-19
Heating & Air Conditioning Group	B-20
Interior Finish Group	B-21 - C-01
LP Group	C-02
Water & Sewage Group	C-03
Window, Vent & Exterior Door Group	C-04 - C-20

**WINNEBAGO**

**DOUBLE BED MATTRESS**

Key	Part Number	U/M	Description
	077478-02-000	EA	Mattress - Innerspring - 48" x 75" x 7.75"
	083886-12-X08	EA	Bedsprad - Double Bed (X08)
	083886-12-XA0	EA	Bedsprad - Double Bed (X08)
	083886-12-X09	EA	Bedsprad - Double Bed (X09)
†	083886-12-XA1	EA	Bedsprad - Double Bed (X09)
	083886-12-X10	EA	Bedsprad - Double Bed (X10)
**	083886-12-XA2	EA	Bedsprad - Double Bed (X10)
	081997-01-X02	EA	Pillow Sham - 30" x 26" (X08)
	081997-01-XA0	EA	Pillow Sham - 30" x 26" (X08)
	081997-01-X09	EA	Pillow Sham - 30" x 26" (X09)
†	081997-01-XA1	EA	Pillow Sham - 30" x 26" (X09)
	081997-01-X10	EA	Pillow Sham - 30" x 26" (X10)
**	081997-01-XA2	EA	Pillow Sham - 30" x 26" (X10)
	086109-06-X08	EA	Headboard Asm. - 44" (X08)
	086109-06-X09	EA	Headboard Asm. - 44" (X09)
	086109-06-X09	EA	Headboard Asm. - 44" (X09)
†	086109-06-X09	EA	Headboard Asm. - 44" (X09)
	086109-06-X10	EA	Headboard Asm. - 44" (X10)
**	086109-06-X10	EA	Headboard Asm. - 44" (X10)
†	Parts used after 1/18/88.		
**	Parts used after 1/25/88.		
*	Parts used after 2/22/88.		

**WINNEBAGO**

**FABRICS & TRIMS**

Key	Part Number	U/M	Description
	088274-11-000	YD	Fabric w/Pattern - Upholstery - Main - Tweed (X08)
	088274-12-000	YD	Fabric w/Pattern - Upholstery - Main - Pearl Gray (X08)
	088274-13-000	YD	Fabric w/Pattern - Upholstery - Main - Blossom (X10)
	088274-35-000	YD	Fabric w/Pattern - Upholstery - Main - Alabaster (X01)
	088274-34-000	YD	Fabric w/Pattern - Upholstery - Main - Jewel (X02, X87)
	088274-29-000	YD	Fabric - Upholstery Accent - Tweed (X08)
	088274-30-000	YD	Fabric - Upholstery Accent - Quicksilver (X09)
	088274-A5-000	YD	Fabric - Upholstery Accent - Carlet (X10)
	088274-14-000	YD	Fabric - Upholstery Accent - Dusk (X01)
	088274-10-000	YD	Fabric - Upholstery Accent - Azure (X02)
	072333-49-000	YD	Fabric - Drapery (Blackout Curtains) (X08, X09, X10)
	072333-48-000	YD	Fabric - Drapery (Sheers) (X08, X09, X10)
	072333-45-000	YD	Fabric - Drapery (X01)
	072333-51-000	YD	Fabric - Drapery (X02)
	072333-29-000	YD	Fabric - Drapery - Gray (X87, X88)
	087272-01-000	YD	Drapery - Lining - Ivory - 48"
	088273-07-000	YD	Fabric - Drapery & Bedsprad - Taupe (X08)
	088273-03-000	YD	Fabric - Drapery & Bedsprad - Blue (X09)
	088273-09-000	YD	Fabric - Drapery & Bedsprad - Mauve (X10)
*	088273-15-000	YD	Fabric - Drapery & Bedsprad - Multi (X08)
†	088273-16-000	YD	Fabric - Drapery & Bedsprad - Wedgewood (X09)
**	088273-17-000	YD	Fabric - Drapery & Bedsprad - Mauve (X10)
	052859-05-T03	FT	Trim Asm. - Accent - Buckskin
	079680-01-000	YD	Vinyl - Expanded - 26 oz. - Buckskin
	077484-01-G00	YD	Vinyl - Smoke (X87)
*	Parts used after 2/22/88.		
†	Parts used after 1/18/88.		
**	Parts used after 1/25/88.		

**ITASCA**

**DOUBLE BED MATTRESS**

Key	Part Number	U/M	Description
	077478-02-000	EA	Mattress - Innerspring - 48" x 75" x 7.75"
	081989-06-X33	EA	Bedsprad - Double Bed
	081989-06-X34	EA	Bedsprad - Double Bed
	081989-06-X35	EA	Bedsprad - Double Bed
	081997-01-X33	EA	Pillow Sham - 30" x 26"
	081997-01-X34	EA	Pillow Sham - 30" x 26"
	081997-01-X35	EA	Pillow Sham - 30" x 26"
	077463-16-X33	EA	Headboard Asm. - 41"
	077463-16-X34	EA	Headboard Asm. - 44"
	077463-16-X35	EA	Headboard Asm. - 44"

**ITASCA**

**FABRICS & TRIMS**

Key	Part Number	U/M	Description
	088274-23-000	YD	Fabric w/Pattern - Upholstery - Main - Marble (X33)
	088274-24-000	YD	Fabric w/Pattern - Upholstery - Main - Shadow (X34)
	088274-25-000	YD	Fabric w/Pattern - Upholstery - Main - Rouge (X35)
	088274-21-000	YD	Fabric w/Pattern - Upholstery - Main - Dove (X26)
	088274-22-000	YD	Fabric w/Pattern - Upholstery - Main - Rosewood (X27)
	088274-34-000	YD	Fabric w/Pattern - Upholstery - Main - Jewel (X88)
	088274-28-000	YD	Fabric w/Pattern - Upholstery Accent - Marble (X33)
	088274-27-000	YD	Fabric w/Pattern - Upholstery Accent - Shadow (X34)
	088274-29-000	YD	Fabric w/Pattern - Upholstery Accent - Rouge (X35)
	088274-14-000	YD	Fabric - Plain Accent - Dusk (X33)
	088274-15-000	YD	Fabric - Plain Accent - Silver (X34)
	077488-61-000	YD	Fabric - Plain Accent - Old Rose (X35)
	088274-14-000	YD	Fabric - Plain Accent - Dusk (X26)
	088274-09-000	YD	Fabric - Plain Accent - Rosewood (X27)
	072333-45-000	YD	Fabric - Drapery (X33)
	072333-50-000	YD	Fabric - Drapery (X34)
*	072333-55-000	YD	Fabric - Drapery (X34)
	072333-51-000	YD	Fabric - Drapery (X35)
	088273-04-000	YD	Fabric - Drapery & Bedsprad - Sky (X33)
	088273-06-000	YD	Fabric - Drapery & Bedsprad - Pearl (X34)
	088273-05-000	YD	Fabric - Drapery & Bedsprad - Mauve (X35)
	052859-05-T03	FT	Trim Asm. - Accent - Buckskin
	079680-01-000	YD	Vinyl - Expanded - 26 oz. Buckskin
	077484-01-000	YD	Vinyl - Smoke (X88)
*	Parts used after 10/1/87.		

**1988 C-SERIES  
COMMON ITEMS  
TABLE OF CONTENTS**

Introduction	A-01 - A-02
Accessories Group	A-03 - A-04
Bath Group	A-06
Chassis Group	A-08 - A-09
Curtain, Cushion & Pad Group	A-10 - A-22
Driver's Compartment Group	A-23 - A-24
Electrical Group	B-01 - B-03
Exterior Body Group	B-04 - B-17
Galley Group	B-18 - B-19
Heating & Air Conditioning Group	B-20
Interior Finish Group	R-21 - C-01
LP Group	C-02
Water & Sewage Group	C-03
Window, Vent & Exterior Door Group	C-04 - C-20



**WINNEBAGO 43BRG**

**COUCH**

Key	Part Number	U/M	Description
	073900-18-X08	EA	Cushion Asm. - Couch Cushion - 15.5" x 25" x 75"
	073930-18-X09	EA	Cushion Asm. - Couch Cushion - 15.5" x 25" x 75"
	073900-18-X10	EA	Cushion Asm. - Couch Cushion - 15.5" x 25" x 75"
	M73900-18-X08	EA	Cover Asm. - Couch Cushion - 15.5" x 25" x 75" x 5"
	M73900-13-X09	EA	Cover Asm. - Couch Cushion - 15.5" x 25" x 75" x 5"
	M73900-18-X10	EA	Cover Asm. - Couch Cushion - 15.5" x 25" x 75" x 5"
	088927-14-X08	EA	Cushion Asm. - Couch Cushion - 22.5" x 18" x 5"
	088927-14-X09	EA	Cushion Asm. - Couch Cushion - 22.5" x 18" x 5"
	088927-14-X10	EA	Cushion Asm. - Couch Cushion - 22.5" x 18" x 5"
	M88927-14-X08	EA	Cover Asm. - Couch Cushion - 22.5" x 18" x 5"
	M88927-14-X09	EA	Cover Asm. - Couch Cushion - 22.5" x 18" x 5"
	M88927-14-X10	EA	Cover Asm. - Couch Cushion - 22.5" x 18" x 5"

**WINNEBAGO**

**TRIM PADS**

Key	Part Number	U/M	Description
	081519-03-X23	EA	Pad Asm. - Dinette - Right
	081519-03-X24	EA	Pad Asm. - Dinette - Right
	081519-03-X25	EA	Pad Asm. - Dinette - Right
	081519-04-X23	EA	Pad Asm. - Dinette - Left
	081519-04-X24	EA	Pad Asm. - Dinette - Left
	081519-04-X25	EA	Pad Asm. - Dinette - Left
	074891-05-X08	EA	Cover w/Pocket - Motor - Chevy
	074891-05-X09	EA	Cover w/Pocket - Motor - Chevy
	074891-05-X10	EA	Cover w/Pocket - Motor - Chevy
	088885-15-X08	EA	Cover w/Pocket - Motor - Ford
	088885-15-X09	EA	Cover w/Pocket - Motor - Ford
	088885-15-X10	EA	Cover w/Pocket - Motor - Ford
	059491-01-X08	EA	Pad Asm. - Door - Passenger - Upper - Chevy
	059491-01-X09	EA	Pad Asm. - Door - Passenger - Upper - Chevy
	059491-01-W05	EA	Pad Asm. - Door - Passenger - Upper - Chevy
	082552-02-X08	EA	Pad Asm. - Door - Passenger - Lower - Chevy
	082552-02-X09	EA	Pad Asm. - Door - Passenger - Lower - Chevy
	082552-02-X10	EA	Pad Asm. - Door - Passenger - Lower - Chevy
	059492-01-X08	EA	Pad Asm. - Door - Driver - Upper - Chevy
	059492-01-X09	EA	Pad Asm. - Door - Driver - Upper - Chevy
	059492-01-W05	EA	Pad Asm. - Door - Driver - Upper - Chevy
	082552-03-X08	EA	Pad Asm. - Door - Driver - Lower - Chevy
	082552-03-X09	EA	Pad Asm. - Door - Driver - Lower - Chevy
	082552-03-X10	EA	Pad Asm. - Door - Driver - Lower - Chevy
	070578-04-X20	EA	Button Asm. - #30 - Screw Stud (X08)
	070578-04-X09	EA	Button Asm. - #30 - Screw Stud (X09)
	070578-04-W08	EA	Button Asm. - #30 - Screw Stud (X10)
	070578-10-X08	EA	Button Asm. - #30 - Screw Stud (X08)
	070578-10-X09	EA	Button Asm. - #30 - Screw Stud (X09)
	070578-10-X10	EA	Button Asm. - #30 - Screw Stud (X10)

**ITASCA 43BRG**

**COUCH**

Key	Part Number	U/M	Description
	073900-15-X33	EA	Cushion Asm. - Couch Cushion - 15.5" x 25" x 75"
	073900-15-X34	EA	Cushion Asm. - Couch Cushion - 15.5" x 25" x 75"
	073900-15-X35	EA	Cushion Asm. - Couch Cushion - 15.5" x 25" x 75"
	M73900-15-X33	EA	Cover Asm. - Couch Cushion - 15.5" x 25" x 75" x 5"
	M73900-15-X34	EA	Cover Asm. - Couch Cushion - 15.5" x 25" x 75" x 5"
	M73900-15-X35	EA	Cover Asm. - Couch Cushion - 15.5" x 25" x 75" x 5"
	088927-17-X33	EA	Cushion Asm. - Couch Cushion - 22.5" x 18" x 5"
	088927-17-X34	EA	Cushion Asm. - Couch Cushion - 22.5" x 18" x 5"
	088927-17-X35	EA	Cushion Asm. - Couch Cushion - 22.5" x 18" x 5"
	M88927-17-X33	EA	Cover Asm. - Couch Cushion - 22.5" x 18" x 5"
	M88927-17-X34	EA	Cover Asm. - Couch Cushion - 22.5" x 18" x 5"
	M88927-17-X35	EA	Cover Asm. - Couch Cushion - 22.5" x 18" x 5"

**ITASCA**

**TRIM PADS**

Key	Part Number	U/M	Description
	081519-01-X08	EA	Pad Asm. - Dinette - Right
	081519-01-X09	EA	Pad Asm. - Dinette - Right
	081519-01-W05	EA	Pad Asm. - Dinette - Right
	081519-02-X08	EA	Pad Asm. - Dinette - Left
	081519-02-X09	EA	Pad Asm. - Dinette - Left
	081519-02-W05	EA	Pad Asm. - Dinette - Left
	M74891-01-X33	EA	Cover w/Pocket - Motor - Chevy
	M74891-01-X34	EA	Cover w/Pocket - Motor - Chevy
	M74891-01-X35	EA	Cover w/Pocket - Motor - Chevy
	074891-16-X33	EA	Cover w/Pocket - Motor - Ford
	074891-16-X34	EA	Cover w/Pocket - Motor - Ford
	074891-16-X35	EA	Cover w/Pocket - Motor - Ford
	059491-01-X33	EA	Pad Asm. - Door - Passenger - Upper - Chevy
	059491-01-X34	EA	Pad Asm. - Door - Passenger - Upper - Chevy
	059491-01-W05	EA	Pad Asm. - Door - Passenger - Upper - Chevy
	082552-02-X33	EA	Pad Asm. - Door - Passenger - Lower - Chevy
	082552-02-X34	EA	Pad Asm. - Door - Passenger - Lower - Chevy
	082552-02-X10	EA	Pad Asm. - Door - Passenger - Lower - Chevy
	059492-01-X33	EA	Pad Asm. - Door - Driver - Upper - Chevy
	059492-01-X34	EA	Pad Asm. - Door - Driver - Upper - Chevy
	059492-01-W05	EA	Pad Asm. - Door - Driver - Upper - Chevy
	082552-03-X33	EA	Pad Asm. - Door - Driver - Lower - Chevy
	082552-03-X34	EA	Pad Asm. - Door - Driver - Lower - Chevy
	082552-03-X10	EA	Pad Asm. - Door - Driver - Lower - Chevy
	070578-04-X20	EA	Button Asm. - #30 - Screw Stud (X33)
	070578-04-X09	EA	Button Asm. - #30 - Screw Stud (X34)
	070578-04-W08	EA	Button Asm. - #30 - Screw Stud (X35)

**1988 C SERIES  
COMMON ITEMS  
TABLE OF CONTENTS**

Introduction	A-01 - A-02
Accessories Group	A-03 - A-04
Bath Group	A-05
Chassis Group	A-06 - A-09
Curtain, Cushion & Pad Group	A-10 - A-22
Driver's Compartment Group	A-23 - A-24
Electrical Group	B-01 - B-03
Exterior Body Group	B-04 - B-17
Galley Group	B-18 - B-19
Heating & Air Conditioning Group	B-20
Interior Finish Group	B-21 - C-01
LP Group	C-02
Water & Sewage Group	C-03
Window, Vent & Exterior Door Group	C-04 - C-20

**CURTAIN, CUSHION & PAD GROUP (CONTINUED)**

**WINNEBAGO**

**TWIN BED**

Key	Part Number	U/M	Description
	077478-04-000	EA	Mattress - Innerspring - 33" x 75"
	083988-14-X08	EA	Bedspreed Asm. - Twin - Right (X08)
	083988-14-XA0	EA	Bedspreed Asm. - Twin - Right (X08)
	083688-14-X09	EA	Bedspreed Asm. - Twin - Right (X09)
†	083988-14-XA1	EA	Bedspreed Asm. - Twin - Right (X09)
	083988-14-X10	EA	Bedspreed Asm. - Twin - Right (X10)
**	083988-14-XA2	EA	Bedspreed Asm. - Twin - Right (X10)
	083988-15-X08	EA	Bedspreed Asm. - Twin - Left (X08)
	083988-15-XA0	EA	Bedspreed Asm. - Twin - Left (X08)
	083988-15-X09	EA	Bedspreed Asm. - Twin - Left (X09)
†	083988-15-XA1	EA	Bedspreed Asm. - Twin - Left (X09)
	083988-15-X10	EA	Bedspreed Asm. - Twin - Left (X10)
**	083988-15-XA2	EA	Bedspreed Asm. - Twin - Left (X10)
	081997-01-X08	EA	Pillow Sham - 30" x 26" (X08)
	081997-01-XA0	EA	Pillow Sham - 30" x 26" (X08)
	081997-01-X09	EA	Pillow Sham - 30" x 26" (X09)
†	081997-01-XA1	EA	Pillow Sham - 30" x 26" (X09)
	081997-01-X10	EA	Pillow Sham - 30" x 26" (X10)
**	081997-01-XA2	EA	Pillow Sham - 30" x 26" (X10)
	086109-02-X11	EA	Headboard Asm. w/Gathers - 26" (X08)
	086109-02-XA0	EA	Headboard Asm. w/Gathers - 26" (X08)
	086109-02-X12	EA	Headboard Asm. w/Gathers - 26" (X09)
†	086109-02-XA1	EA	Headboard Asm. w/Gathers - 26" (X09)
	086109-02-X13	EA	Headboard Asm. w/Gathers - 26" (X10)
**	086109-02-XA2	EA	Headboard Asm. w/Gathers - 26" (X10)
†	Parts used after 1/18/88.		
**	Parts used after 1/25/88.		
*	Parts used after 2/22/88.		

**ITASCA**

**TWIN BED**

Key	Part Number	U/M	Description
	077478-04-000	EA	Mattress - Innerspring - 33" x 75"
	081989-04-X36	EA	Bedspreed Asm. - Twin - 33" w/10" Ruffle (X33)
	081989-04-X37	EA	Bedspreed Asm. - Twin - 33" w/10" Ruffle (X34)
	081989-04-X38	EA	Bedspreed Asm. - Twin - 33" w/10" Ruffle (X35)
	081997-01-X33	EA	Pillow Sham - Quilted - 30" x 26"
	081997-01-X34	EA	Pillow Sham - Quilted - 30" x 26"
	081997-01-X35	EA	Pillow Sham - Quilted - 30" x 26"
	077463-08-X36	EA	Headboard Asm. - Twin (X33)
	077463-08-X37	EA	Headboard Asm. - Twin (X34)
	077463-08-X38	EA	Headboard Asm. - Twin (X35)

**CURTAIN, CUSHION & PAD GROUP (CONTINUED)**

**CAMPSITE**

**COUCH**

Key	Part Number	U/M	Description
	073900-16-X87	EA	Cushion Asm. - Couch Cushion - 15.5" x 22" x 75" x 5"
	M73900-16-X87	EA	Cover Asm. - Couch Cushion - 15.5" x 22" x 75" x 5"
	081998-81-X87	EA	Cushion Asm. - Couch Cushion - 18" x 22.3" x 8"
	M81998-81-X87	EA	Cover Asm. - Couch Cushion - 18" x 22.5" x 8"

**CAMPSITE**

**FABRICS, TRIMS & PADS**

Key	Part Number	U/M	Description
	088274-34-000	YD	Fabric - Main Upholstery (X87, X88)
	077484-01-000	YD	Vinyl - Accent - Gray (X87, X88)
	079880-01-000	YD	Vinyl - Expanded - Buckskin (X87, X88)
	072333-29-000	YD	Fabric - Drapery (X87, X88)
	071127-11-X87	EA	Button Asm. - #30 Round - Fabric Covered
	071127-13-X87	EA	Button Asm. - #30 Round - Gray Vinyl
	070578-08-W87	EA	Button Asm. - #30 Round - Buckskin - Vinyl
	053552-02-W24	EA	Assist Handle - Interior - Buckskin - Vinyl
	080742-01-000	FT	Vinyl Trim - Sleeper Board - Buckskin
	052859-06-T03	FT	Vinyl Trim - Accent - Dark Sandrift

**CAMPSITE**

**FRONT OVERHEAD BUNK CUSHION**

Key	Part Number	U/M	Description
	073310-07-X87	EA	Cushion Asm. - Front Bunk - 22" x 31" x 76" x 4"
	M73310-07-X87	EA	Cover Asm. - Front Bunk - 22" x 31" x 76" x 4"

**CAMPSITE**

**DINETTE CUSHION**

Key	Part Number	U/M	Description
	081998-79-X87	EA	Cushion Asm. - Dinette Back - 19.25" x 38" x 5"
	M81998-79-X87	EA	Cover Asm. - Dinette Back - 19.25" x 38" x 5"
	081998-80-X87	EA	Cushion Asm. - Dinette Bottom - 17.5" x 38" x 5"
	M81998-80-X87	EA	Cover Asm. - Dinette Bottom - 17.5" x 38" x 5"

**1988 C-SERIES  
COMMON ITEMS  
TABLE OF CONTENTS**

Introduction	A-01 - A-02
Accessories Group	A-03 - A-04
Bath Group	A-05
Chassis Group	A-06 - A-09
Curtain, Cushion & Pad Group	A-10 - A-22
Driver's Compartment Group	A-23 - A-24
Electrical Group	B-01 - B-03
Exterior Body Group	B-04 - B-17
Galley Group	B-18 - B-19
Heating & Air Conditioning Group	B-20
Interior Finish Group	B-21 - C-01
LP Group	C-02
Water & Sewage Group	C-03
Window, Vent & Exterior Door Group	C-04 - C-20

**CURTAIN, CUSHION & PAD GROUP (CONTINUED)**

**WINNEBAGO 319**

**SWIVEL CHAIR**

Key	Part Number	U/M	Description
	084754-04-X01	EA	Chair Asm. w/Pillow Back - Swivel
	084754-04-X02	EA	Chair Asm. w/Pillow Back - Swivel
	088245-03-000	EA	Plate - Swivel - Swivel Chair
	088245-01-000	EA	Base w/Legs - Swivel Chair
	088245-05-000	EA	Extension - 5" - Swivel Chair

**WINNEBAGO 319**

**BUCKET SEAT COVERS**

Key	Part Number	U/M	Description
	086740-01-X01	EA	Seat Cover Asm. - Bucket
	086740-01-X02	EA	Seat Cover Asm. - Bucket

**WINNEBAGO 319**

**FRONT OVERHEAD BUNK CUSHIONS**

Key	Part Number	U/M	Description
	084753-03-X01	EA	Cushion Asm. - Front Bunk - 52" x 81" x 4"
	084753-03-X02	EA	Cushion Asm. - Front Bunk - 52" x 81" x 4"
	M84753-03-X01	EA	Cover Asm. - Front Bunk - 52" x 81" x 4"
	M84753-03-X02	EA	Cover Asm. - Front Bunk - 52" x 81" x 4"
	084753-04-X01	EA	Cushion Asm. - Front Bunk - 24" x 41" x 4" - U Shaped
	084753-04-X02	EA	Cushion Asm. - Front Bunk - 24" x 41" x 4" - U Shaped
	M84753-04-X01	EA	Cover Asm. - Front Bunk - 24" x 41" x 4" - U Shaped
	M84753-04-X02	EA	Cover Asm. - Front Bunk - 24" x 41" x 4" - U Shaped

**WINNEBAGO 319**

**FABRICS, TRIMS & PADS**

Key	Part Number	U/M	Description
	072333-45-000	YD	Fabric - Drapery (X01)
	072333-51-000	YD	Fabric - Drapery (X02)
	088274-35-000	YD	Fabric w/Pattern - Upholstery (X01)
	088274-34-000	YD	Fabric w/Pattern - Upholstery (X02)
	088274-14-000	YD	Fabric - Upholstery Accent (X01)
	088274-10-000	YD	Fabric - Upholstery Accent (X02)
	052858-07-X01	FT	Accent Trim (Dinette Seat Back)
	052858-07-X26	FT	Accent Trim (Dinette Seat Back) (X02)
	079880-01-000	YD	Expanded Vinyl - 26 oz. - Buckskin
	071127-10-X01	EA	Button Asm. - #30 Round
	071127-10-X02	EA	Button Asm. - #30 Round
	078155-01-000	EA	Strap Asm. - Cushion
	079349-01-X01	YD	Welt Asm. - Accent
	079349-01-X02	EA	Welt Asm. - Accent
	086120-01-X01	EA	Pad Asm. - Map Pocket - 12" x 16"
	086120-01-X02	EA	Pad Asm. - Map Pocket - 12" x 16"

**CURTAIN, CUSHION & PAD GROUP (CONTINUED)**

**ITASCA 319**

**SWIVEL CHAIR**

Key	Part Number	U/M	Description
	084754-04-X26	EA	Chair Asm. w/Pillow Back - Swivel
	084754-04-X27	EA	Chair Asm. w/Pillow Back - Swivel
	088245-03-000	EA	Plate - Swivel - Swivel Chair
	088245-01-000	EA	Base w/Legs - Swivel Chair
	088245-05-000	EA	Extension - 5" - Swivel Chair

**ITASCA 319**

**BUCKET SEAT COVERS**

Key	Part Number	U/M	Description
	086740-01-X26	EA	Seat Cover Asm. - Bucket
	086740-01-X27	EA	Seat Cover Asm. - Bucket

**ITASCA 319**

**FRONT OVERHEAD BUNK CUSHIONS**

Key	Part Number	U/M	Description
	084753-03-X26	EA	Cushion Asm. - Front Bunk - 52" x 81" x 4"
	084753-03-X27	EA	Cushion Asm. - Front Bunk - 52" x 81" x 4"
	M84753-03-X26	EA	Cover Asm. - Front Bunk - 52" x 81" x 4"
	M84753-03-X27	EA	Cover Asm. - Front Bunk - 52" x 81" x 4"
	084753-04-X26	EA	Cushion Asm. - Front Bunk - 24" x 41" x 4" - U Shaped
	084753-04-X27	EA	Cushion Asm. - Front Bunk - 24" x 41" x 4" - U Shaped
	M84753-04-X26	EA	Cover Asm. - Front Bunk - 24" x 41" x 4" - U Shaped
	M84753-04-X27	EA	Cover Asm. - Front Bunk - 24" x 41" x 4" - U Shaped

**ITASCA 319**

**FABRICS, TRIMS & PADS**

Key	Part Number	U/M	Description
	072333-61-000	EA	Fabric - Drapery
	072333-62-000	EA	Fabric - Drapery
	088274-52-000	YD	Fabric w/Pattern - Upholstery
	088274-53-000	YD	Fabric w/Pattern - Upholstery
	088274-66-000	YD	Fabric - Upholstery Accent
	088274-67-000	YD	Fabric - Upholstery Accent
	052858-07-X26	FT	Accent Trim (Dinette Seat Back)
	052858-07-X27	FT	Accent Trim (Dinette Seat Back)
	079880-01-000	YD	Expanded Vinyl - 26 oz. Buckskin
	071127-10-X26	EA	Button Asm. - #30 Round
	071127-10-X27	EA	Button Asm. - #30 Round
	078155-01-000	EA	Strap Asm. - Cushion
	079349-01-X20	YD	Welt Asm. - Accent - Clay
	079349-01-X22	YD	Welt Asm. - Accent - Jade
	086120-01-X05	EA	Pad Asm. - Map Pocket - 12" x 16"
	086120-01-X27	EA	Pad Asm. - Map Pocket - 12" x 16"

**1988 C-SERIES  
COMMON ITEMS  
TABLE OF CONTENTS**

Introduction	A-01 - A-02
Accessories Group	A-03 - A-04
Bath Group	A-05
Chassis Group	A-06 - A-08
Curtain, Cushion & Pad Group	A-10 - A-22
Driver's Compartment Group	A-23 - A-24
Electrical Group	B-01 - B-03
Exterior Body Group	B-04 - B-17
Galley Group	B-18 - B-19
Heating & Air Conditioning Group	B-20
Interior Finish Group	B-21 - C-01
LP Group	C-02
Water & Sewage Group	C-03
Window, Vent & Exterior Door Group	C-04 - C-20

**DRIVER'S COMPARTMENT GROUP**

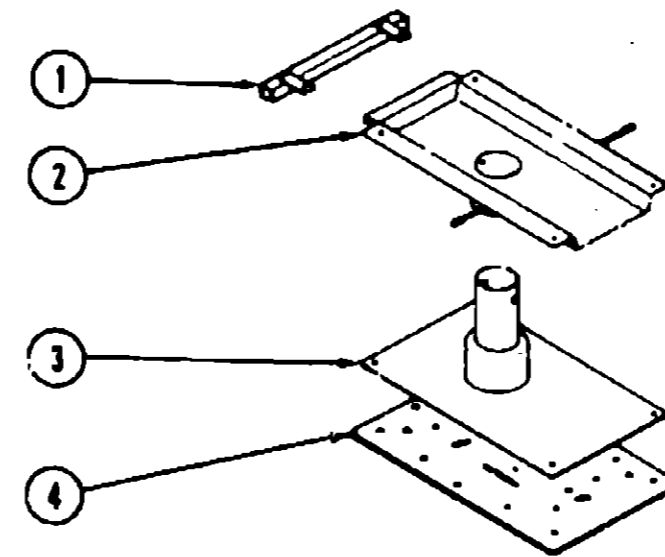
**MISCELLANEOUS DRIVER'S COMPARTMENT COMPONENTS (FORD)**

Key	Part Number	U/M	Description
	087012-01-X08	EA	Cabinet Asm. - Headboard
	078800-01-000	EA	Trim - Front Sleeper Board - Aluminum - Off White
	M82088-01-W24	EA	Wingwall Asm. - Inner Passenger
	M82088-02-W24	EA	Wingwall Asm. - Inner Driver
	082088-01-W24	EA	Accent Trim - Dark Sandrift Vinyl
	087012-01-X08	EA	Cabinet Asm. - Headboard
	M01288-01-000	EA	Console - Overhead - 7.5" x 6.14" - Black
	024461-01-000	EA	Switch - Battery
	024462-01-000	EA	Switch - Battery Condition
	024878-01-000	EA	Switch - Generator w/o Circuit Board
	031035-02-000	EA	Gauge - Generator Hourmeter
	024459-04-000	EA	Gauge - Voltmeter
	024459-02-000	EA	Bracket - Mounting - Voltmeter Gauge
	083218-01-000	EA	Mat - Front - Brown - Passenger "W"
	083218-02-000	EA	Mat - Front - Brown - Driver "W"
	083218-03-000	EA	Mat - Front - Brown - Passenger "I"
	083218-04-000	EA	Mat - Front - Brown - Passenger "I"

**MISCELLANEOUS DRIVER'S COMPARTMENT COMPONENTS (CHEVY)**

Key	Part Number	U/M	Description
	087012-01-X08	EA	Cabinet Asm. - Headboard
	078800-01-000	EA	Trim - Front - Sleeper Board
	M82554-04-W24	EA	Wingwall Asm. - Inner - Passenger
	M82554-05-W24	EA	Wingwall Asm. - Inner - Driver
	082088-01-W24	EA	Accent Trim - Dark Sandrift Vinyl
	087012-01-X08	EA	Cabinet Asm. - Headboard
	M01288-03-000	EA	Console - Overhead - 7.5" x 6.14" - Beige
	024461-01-000	EA	Switch - Battery
	024462-01-000	EA	Switch - Battery Condition
	024878-01-000	EA	Switch - Generator w/o Circuit Board
	031035-02-000	EA	Gauge - Generator Hourmeter
	024459-04-000	EA	Gauge - Voltmeter
	024459-02-000	EA	Bracket - Mounting - Voltmeter Gauge
	083218-01-000	EA	Mat - Front - Brown - Passenger "W"
	083218-02-000	EA	Mat - Front - Brown - Driver "W"
	083218-03-000	EA	Mat - Front - Brown - Passenger "I"
	083218-04-000	EA	Mat - Front - Brown - Driver "I"

**DRIVER'S COMPARTMENT GROUP (CONTINUED)**



**BUCKET SEAT PEDESTAL & SEAT BELTS**

Key	Part Number	U/M	Description
1	089585-29-000	EA	Bar - Seat Belt - 20"
2	089585-27-000	EA	Plate - Top - Pedestal Asm. - Bucket Seat
3	089585-03-000	EA	Plate - Sub - Pedestal Asm. - Bucket Seat
4	089585-02-000	EA	Plate - Base - Pedestal Asm. - Bucket Seat
.	056271-02-000	EA	Belt Asm. - Seat - 2" x 72" - Black
.	007021-01-000	EA	Belt Asm. - Seat - 2" x 90" - Black
.	041322-01-000	EA	Washer - Flat 15/32" I.D. x 2 3/8" O.D. - Seat Belt
.	057753-01-000	EA	Bracket - Seat Belt Washer
.	069246-01-000	EA	Adjuster Asm. - Seat - w/Lock
.	069246-02-000	EA	Adjuster Asm. - Seat - w/o Lock
.	080730-02-000	EA	Recliner Drive - Driver
.	080730-01-000	EA	Recliner Drive - Passenger
.			Not illustrated

**1988 C-SERIES  
COMMON ITEMS  
TABLE OF CONTENTS**

Introduction	A-01 - A-02
Accessories Group	A-03 - A-04
Bath Group	A-05
Chassis Group	A-06 - A-08
Curtain, Cushion & Pad Group	A-10 - A-22
Driver's Compartment Group	A-23 - A-24
Electrical Group	B-01 - B-03
Exterior Body Group	B-04 - B-17
Galley Group	B-18 - B-19
Heating & Air Conditioning Group	B-20
Interior Finish Group	B-21 - C-01
LP Group	C-02
Water & Sewage Group	C-03
Window, Vent & Exterior Door Group	C-04 - C-20

## ELECTRICAL GROUP

### BULBS

Key	Part Number	U/M	Description
	008103-01-000	EA	Bulb - 53
	008213-01-000	EA	Bulb - 57
	008214-01-000	EA	Bulb - 67
	036196-01-000	EA	Bulb - 194
	008215-01-000	EA	Bulb - 1003
	067479-01-000	EA	Bulb - 1076
	063914-01-000	EA	Bulb - 1139
	008218-01-000	EA	Bulb - 1141
	037935-01-000	EA	Bulb - 1157
	037936-01-000	EA	Bulb - 1157A
	058288-02-000	EA	Bulb - 9431808
	081633-01-700	EA	Bulb - Make Up Light

### FUSES & CIRCUIT BREAKERS

Key	Part Number	U/M	Description
	008234-01-000	EA	Fuse - 10 Amp. - 12 Volt
	008235-01-000	EA	Fuse - 15 Amp. - 12 Volt
	062601-02-000	EA	Fuse - 5 Amp. - Automotive
	062901-05-000	EA	Fuse - 15 Amp. - Automotive
	008211-01-000	EA	Circuit Breaker - 6 Amp. - 12 Volt
	033573-02-000	EA	Circuit Breaker - 15 Amp. - 12 Volt - w/Mount
	033573-01-000	EA	Circuit Breaker - 20 Amp. - 12 Volt - w/Mount
	044466-03-000	EA	Circuit Breaker - 25 Amp. - 12 Volt - w/Mount
	008268-01-000	EA	Circuit Breaker - 30 Amp. - 12 Volt - w/Mount
	063209-01-000	EA	Circuit Breaker - 15 Amp. - 120 Volt
	063210-02-000	EA	Circuit Breaker - 15 Amp. - 120 Volt (Ground Fault Interrupter)
	065720-01-000	EA	Circuit Breaker - 15 Amp.
	065720-02-000	EA	Circuit Breaker - 20 Amp. - 120 Volt
	065720-03-000	EA	Circuit Breaker - 25 Amp.
	065720-04-000	EA	Circuit Breaker - 30 Amp. - 120 Volt
	065720-05-000	EA	Circuit Breaker - 40 Amp.
	063209-03-000	EA	Circuit Breaker - 15/20 Amp. - 120 Volt
	063209-05-000	EA	Circuit Breaker - 20 Amp. - 120 Volt
	063209-07-000	EA	Circuit Breaker - 20/20 Amp. - 120 Volt
	063209-04-000	EA	Circuit Breaker - 30 Amp. - 120 Volt
	063209-06-000	EA	Circuit Breaker - 30/15 Amp. - 120 Volt
	071279-04-000	EA	Circuit Breaker - 30 Amp. - 120 Volt
	063209-08-000	EA	Circuit Breaker Blank
	050283-02-000	EA	Circuit Breaker - Buss Bar
	062678-01-000	EA	Circuit Breaker - 40 Amp. - 12 Volt
	062678-02-000	EA	Circuit Breaker - 20 Amp. - 12 Volt

### MISCELLANEOUS ELECTRICAL COMPONENTS

Key	Part Number	U/M	Description
	008188-01-000	EA	Solenoid - Dual Battery - Relay
	063206-01-000	EA	Control Center - 32 Amp.
	064454-01-000	EA	Control Center - 25 Amp.
	068777-01-000	EA	Monitor Panel (Toyota)
	068777-01-700	EA	Overlay - F/7655
	068777-01-701	EA	P.C. Board Asm. - F/7655
	068777-01-702	EA	Switch
	068777-01-703	EA	Switch
	068777-01-704	EA	Bezel
	068777-02-000	EA	Wire Asm. - Monitor Panel

## ELECTRICAL GROUP (CONTINUED)

### WIRE, SWITCHES & RECEPTACLES

Key	Part Number	U/M	Description
	008058-01-000	EA	Adapter - Power Cord
	008288-01-000	EA	Box - Electrical - 3" x 3.5" - Plastic
	008289-01-000	EA	Box - Electrical - 4" x 4" - 1/2 & 3/4 Steel - UL
	058049-01-000	EA	Box - Electrical - 2" x 3" x 2.25" - Steel
	041953-01-000	EA	Conduit - Convolute Slit - .5" I.D.
	058028-01-000	EA	Connector - Pigtail - Clear Nylon
	008314-01-000	EA	Connector - Wire Nut - Gray
	008311-01-000	EA	Connector - Wire Nut - Red
	031968-01-000	EA	Contact Plug - Brass - Tin Plated
	031967-01-000	EA	Contact - Receptacle
	008054-01-000	EA	Cord - Power - 10-3 30 Amp. - 25' - UL
	068238-01-000	EA	Cover - Electrical Box - 4" x 4"
	064077-02-000	EA	Cover Plate - Receptacle - Ground Fault Interrupter - Brown
	008164-01-000	EA	Cover Plate - Switch - Brown
	008294-01-000	EA	Cover - flat Blank - 4" x 4" - Steel - US
	008277-01-000	EA	Fuse Holder - Panel Mount - Black
	064399-01-000	EA	Housing Asm. - Trailer Pin
	064450-01-000	EA	Housing Asm. - Trailer Plug
	064398-01-000	EA	Housing Asm. - Trailer Receptacle
	054532-01-000	EA	Housing Pin - 6 Position
	054532-02-000	EA	Housing Pin - 4 Position
	046885-01-000	EA	Plaque - Mounting Switch
	058708-01-000	EA	Receptacle - Duplex - Brown
	064076-02-000	EA	Receptacle - Ground Fault Interrupter - 125 Volt - Brown
	024924-02-000	EA	Receptacle - Power Cord
	058707-01-000	EA	Receptacle - Single - Brown
	024461-01-000	EA	Switch - Battery
	024462-01-000	EA	Switch - Battery Condition
	077942-01-000	EA	Switch - Dummy - Black
	077942-02-000	EA	Switch - Dummy - Brown
	056264-01-000	EA	Switch - Leaf Actuator
	079364-01-000	EA	Switch - On/Off Rocker - Brown
	008195-01-000	EA	Switch - Push Button - 12 Volt
	064404-01-000	EA	Switch - Off, Low, Med, High - Black (Evans 306)
	047430-02-000	EA	Terminal - .250 Receptacle - 12-10 AWG
	008348-01-000	EA	Terminal Ring - 2 - w/3/8 Stud
	008331-01-000	EA	Terminal Ring - 4 - w/3/8 Stud
	008328-01-000	EA	Terminal Ring - 12/10 Wire
	054080-01-000	EA	Wire Asm. - Generator Switch
	006028-01-000	FT	Wire - 18.5 Bonded - Blue/Red/Yellow/Orange/White
	008024-01-000	FT	Wire - 18.5 Bonded - Orange/White/Yellow/Blue/Brown
	008025-01-000	FT	Wire - 18.5 Bonded - Orange/White/Yellow/Blue/Green
	008026-01-000	FT	Wire w/Ground - Romex - 12/2

## 1988 C-SERIES COMMON ITEMS TABLE OF CONTENTS

Introduction	A-01 - A-02
Accessories	A-03 - A-04
Bath Group	A-05
Chassis Group	A-06 - A-09
Curtain, Cushion & Pad Group	A-10 - A-22
Driver's Compartment Group	A-23 - A-24
Electrical Group	B-01 - B-03
Exterior Body Group	B-04 - B-17
Galley Group	B-18 - B-19
Heating & Air Conditioning Group	B-20
Interior Finish Group	B-21 - C-01
LP Group	C-02
Water & Sewage Group	C-03
Window, Vent & Exterior Door Group	C-04 - C-20

**ELECTRICAL GROUP (CONTINUED)**

**INTERIOR LIGHTS**

Key	Part Number	U/M	Description
	072353-08-000	EA	Reading Light - 360° Swivel - Brass
	033508-02-000	EA	Light - Dome - Ivory - 1 Bulb - US
	033509-02-000	EA	Light - Dome - Ivory - 2 Bulb - US
	087694-01-000	EA	Light - Wardrobe w/Switch
	078424-02-000	EA	Light - Fluorescent - 12 Volt - 18" - Almond
	082169-01-000	EA	Light - Make-Up - 3 Bulb
	082688-01-000	EA	Lamp Asm. - Table - Brass w/Wood
	082168-02-000	EA	Shade - Table Lamp
	081474-01-000	EA	Light - 12 Volt Receptacle - Aisle - IP
	007311-01-000	EA	Light - Step Well
	077078-01-000	EA	Lens - Courtesy Light - Clear

**EXTERIOR LIGHTS**

Key	Part Number	U/M	Description
	076795-01-000	EA	Lamp Asm. - License
	042405-03-000	EA	Base - Rectangular Clearance Light
	042405-01-000	EA	Lens - Clearance Light - Red w/Reflex
	042405-02-000	EA	Lens - Clearance Light - Amber w/Reflex
	075459-04-000	EA	Lamp Asm. - Tail Light - Red
	075459-05-000	EA	Lamp Asm. - Tail Light - Amber
	075459-08-000	EA	Lamp Asm. - Tail Light - Back-Up w/Reflex
	091983-01-000	EA	Gasket - Light - Side Marker
	098432-01-000	EA	Light Asm. - License & Bracket
	081638-02-000	EA	Tail Light Asm. - Double - Black Trim
	081638-01-700	EA	Lens - Tail Light - Red
	081638-01-701	EA	Lens - Tail Light - w/Back-Up
	081638-03-000	EA	Bezel - Angle Mount - Tail Light
	048817-01-000	EA	Assist Handle Asm. w/Light
	016280-01-000	EA	Light - Dome - Surface - No Switch
	081250-02-000	EA	Light Asm. - Cab Marker - Red

**EXTERIOR BODY GROUP**

**SHEET FIBERGLASS, ALUMINUM & STYROFOAM**

Key	Part Number	U/M	Description
	001054-01-011	EA	Aluminum Sheet - 48" x 96" - Off White - No Design
	044487-01-001	EA	Aluminum Sheet - 96" x 360" - Mill Finish - No Design
	039155-28-008	EA	Aluminum Sheet - 48" x 360" - Off White - Mesa II
	078054-44-000	EA	Fiberglass Sheet - 48.08" x 198" - Off White - Flat
	078054-45-000	EA	Fiberglass Sheet - 48.08" x 255" - Off White - Flat
	078054-48-000	EA	Fiberglass Sheet - 48.08" x 229" - Off White - Flat
	078054-49-000	EA	Fiberglass Sheet - 48.08" x 286" - Off White - Flat
	077517-18-000	EA	Fiberglass Sheet - 48.08" x 238" - Off White - Mesa
	077517-21-000	EA	Fiberglass Sheet - 48.08" x 268" - Off White - Mesa
	077517-24-000	EA	Fiberglass Sheet - 48.08" x 96" - Off White - Flat
	000888-01-000	SF	Styrofoam - .75" x 24" x 96"
	000870-01-000	SF	Styrofoam - 1.5" x 24" x 96"
	000870-03-000	SF	Styrofoam - 1.34" x 48" x 96"

**LABELS & EXTERIOR PAINT**

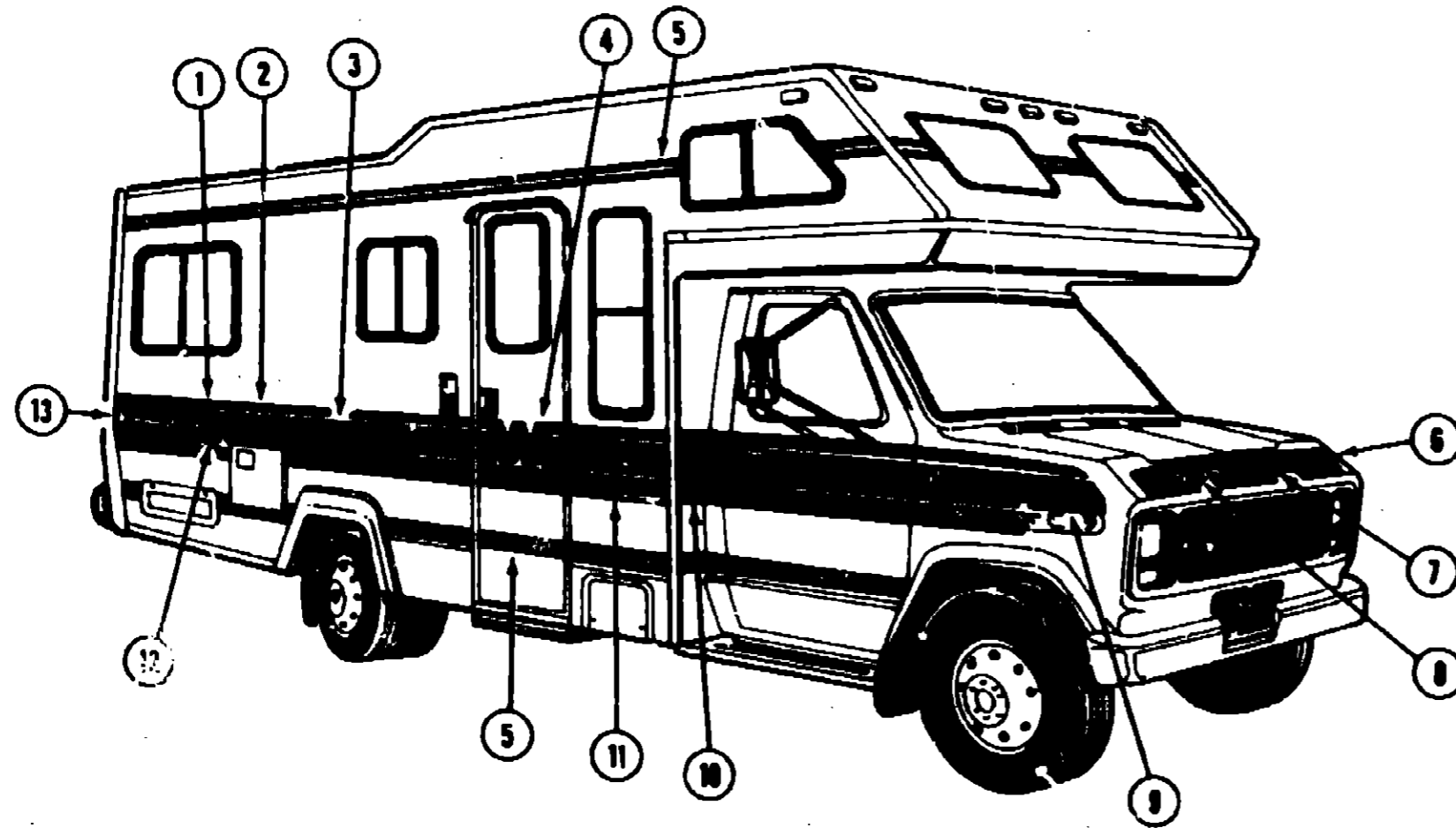
Key	Part Number	U/M	Description
	006186-01-000	EA	Label - Gas Test
	054531-01-000	EA	Label - LP Gas Only
	040944-01-000	EA	Label - Open - Entrance Door
	008015-01-000	EA	Label - Patent Motor Home
	058259-01-000	EA	Label - Safety Check List
	008084-01-000	EA	Label - Seat - w/o Seat Belts
	006187-01-000	EA	Label - Sewage
	008008-01-000	EA	Label - Thermo Panel - 2 1/4" x 2 1/4"
	075221-01-000	EA	Label - Trailer Hitch Capacity
	075220-01-000	EA	Label - Warning - Exterior Load Limit
	077856-01-000	EA	Label - Warning - Smoke Detector
	050225-01-000	EA	Label - Warning - Smoke Vent - US
	008188-01-000	EA	Label - Waste Water
	008197-01-000	EA	Label - Water Test
	008082-01-000	EA	Tag - Electrical - 110 Volt Connection
	008040-01-000	EA	Tag - Gas - Refueling Warning
	045881-03-000	EA	Paint - Gloss Black - Acrylic Enamel - 16 oz. Aerosol (99 Dupont)
	041581-03-000	EA	Paint - Off White Acrylic Enamel - 16 oz. Aerosol (45398A Dupont)
	074559-01-000	EA	Label - "LPG" 3.3" x 1.75" (Calif. Code)

**1988 C-SERIES  
COMMON ITEMS  
TABLE OF CONTENTS**

Introduction	A-01 - A-02
Accessories	A-03 - A-04
Bath Group	A-06
Chassis Group	A-08 - A-09
Curtain, Cushion & Pad Group	A-10 - A-22
Driver's Compartment Group	A-23 - A-24
Electrical Group	B-01 - B-03
Exterior Body Group	B-04 - B-17
Galley Group	B-18 - B-19
Heating & Air Conditioning Group	B-20
Interior Finish Group	B-21 - C-01
LP Group	C-02
Water & Sewage Group	C-03
Window, Vent & Exterior Door Group	C-04 - C-20

EXTERIOR BODY GROUP (CONTINUED)

DECALS & FILM STRIPE (WINNEBAGO)



1988 C-SERIES  
COMMON ITEMS  
TABLE OF CONTENTS

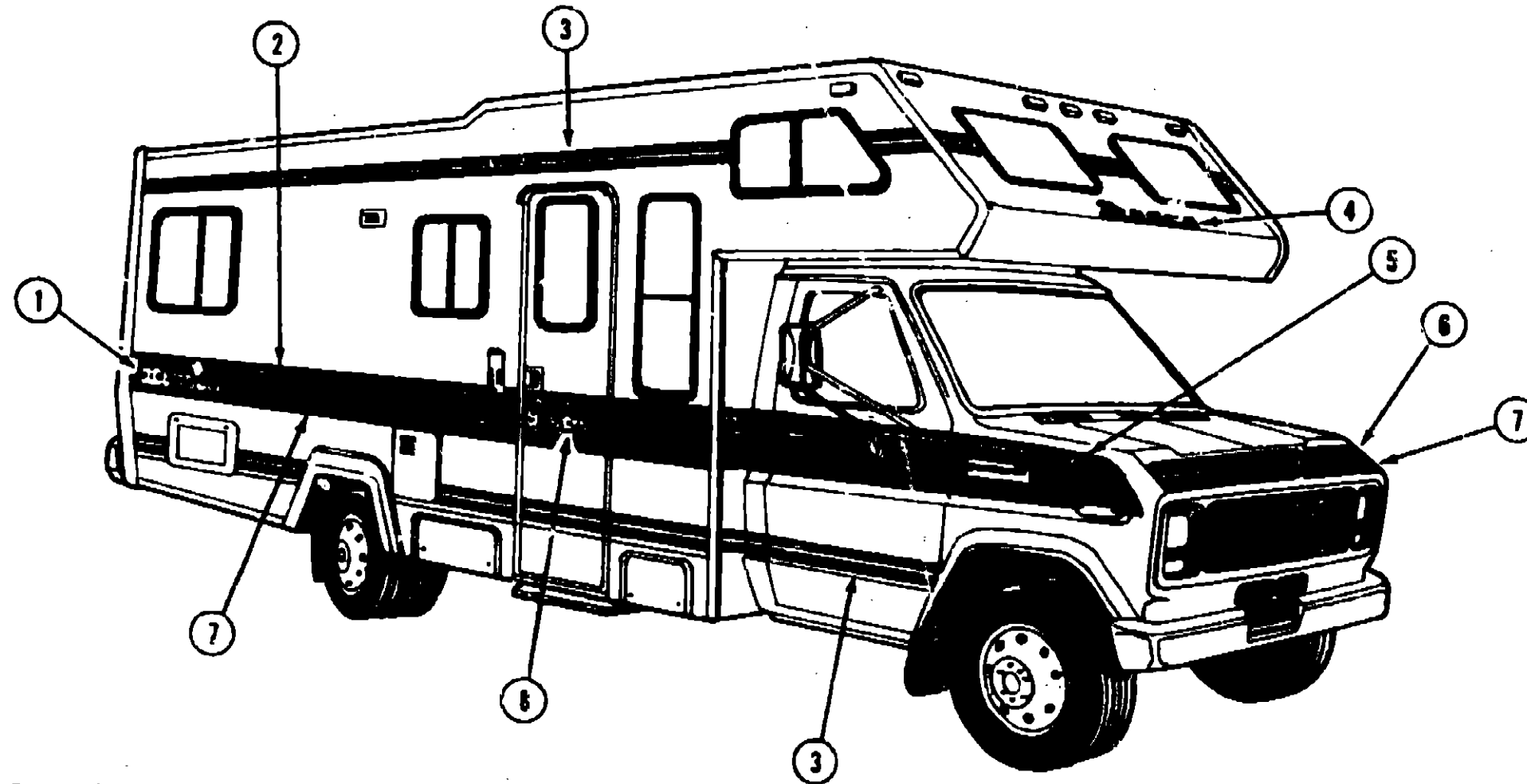
Introduction	A-01 - A-02
Accessories	A-03 - A-04
Bath Group	A-05
Chassis Group	A-06 - A-09
Curtain, Cushion & Pad Group	A-10 - A-22
Driver's Compartment Group	A-23 - A-24
Electrical Group	B-01 - B-03
Exterior Body Group	B-04 - B-17
Galley Group	B-18 - B-19
Heating & Air Conditioning Group	B-20
Interior Finish Group	B-21 - C-01
LP Group	C-02
Water & Sewage Group	C-03
Window, Vent & Exterior Door Group	C-04 - C-20

Key	Part Number	U/M	Description
1	085297-05-000	EA	Decal - Rear - Passenger Side (X08)
1	085297-13-000	EA	Decal - Rear - Passenger Side (X09)
1	085297-17-000	EA	Decal - Rear - Passenger Side (X10)
•	085297-06-000	EA	Decal - Rear - Drivers Side (X08)
•	085297-14-000	EA	Decal - Rear - Drivers Side (X09)
•	085297-18-000	EA	Decal - Rear - Drivers Side (X10)
2	078831-23-000	FT	Decal Striping - 1.75" x 150' (X08)
2	078831-42-000	FT	Decal Striping - 1.75" x 150' (X09)
2	078831-44-000	FT	Decal Striping - 1.75" x 150' (X10)
3	078831-26-000	FT	Decal Striping - 4.85" x 150' (X08)
3	078831-43-000	FT	Decal Striping - 4.85" x 150' (X09)
3	078831-45-000	FT	Decal Striping - 4.85" x 150' (X10)
4	079351-09-000	EA	Decal - Flying "W" (X08)
4	079351-16-000	EA	Decal - Flying "W" (X09)
4	079351-17-000	EA	Decal - Flying "W" (X10)
5	085217-G7-000	FT	Film Multistripe - 2.40" x 150' (X08)
5	085217-G8-000	FT	Film Multistripe - 2.40" x 150' (X09)
5	085217-G9-000	FT	Film Multistripe - 2.40" x 150' (X10)
6	081940-08-000	EA	Decal Striping - Hood (X08) (Ford)
6	081940-08-000	EA	Decal Striping - Hood (X09) (Ford)
6	081940-07-000	EA	Decal Striping - Hood (X10) (Ford)
6	081944-08-000	EA	Decal Striping - Hood (X08) (Chevy)
6	081944-08-000	EA	Decal Striping - Hood (X09) (Chevy)
6	081944-07-000	EA	Decal Striping - Hood (X10) (Chevy)
7	089745-04-000	EA	Decal - "Bogo"
8	089745-03-000	EA	Decal - "Winnie"

Key	Part Number	U/M	Description
9	085298-05-000	EA	Decal Striping - Passenger (X08) (Ford)
9	085298-06-000	EA	Decal Striping - Passenger (X09) (Ford)
9	085298-07-000	EA	Decal Striping - Passenger (X10) (Ford)
9	085323-05-000	EA	Decal Striping - Passenger (X08) (Chevy)
9	085323-06-000	EA	Decal Striping - Passenger (X09) (Chevy)
9	085323-07-000	EA	Decal Striping - Passenger (X10) (Chevy)
•	085298-08-000	EA	Decal Striping - Driver (X08) (Ford)
•	085298-10-000	EA	Decal Striping - Driver (X09) (Ford)
•	085298-08-000	EA	Decal Striping - Driver (X10) (Ford)
•	085323-08-000	EA	Decal Striping - Driver (X08) (Chevy)
•	085323-10-000	EA	Decal Striping - Driver (X09) (Chevy)
•	085323-08-000	EA	Decal Striping - Driver (X10) (Chevy)
10	085329-05-000	EA	Decal Striping - Passenger (X08)
10	085329-06-000	EA	Decal Striping - Passenger (X09)
10	085329-07-000	EA	Decal Striping - Passenger (X10)
•	085329-08-000	EA	Decal Striping - Driver (X08)
•	085329-10-000	EA	Decal Striping - Driver (X09)
•	085329-08-000	EA	Decal Striping - Driver (X10)
11	078188-28-000	FT	Film - Multistripe - 4.50" x 150' (X08)
11	078188-29-000	FT	Film - Multistripe - 4.50" x 150' (X09)
11	078188-15-000	FT	Film - Multistripe - 4.50" x 150' (X10)
12	085297-11-000	FT	Decal - Rear - Passenger Side (X08)
12	085297-15-000	FT	Decal - Rear - Passenger Side (X09)
12	085297-19-000	FT	Decal - Rear - Passenger Side (X10)
•	085297-12-000	FT	Decal - Rear - Drivers Side (X08)
•	085297-16-000	FT	Decal - Rear - Drivers Side (X09)
•	085297-20-000	FT	Decal - Rear - Drivers Side (X10)
13	075478-02-000	EA	Decal - Logo - "Minnie Winnie" - Chrome
•	050313-22-000	EA	Decal - Logo - "Winnebago" - 2.80" - Chrome
•			Not Illustrated

## EXTERIOR BODY GROUP (CONTINUED)

DECALS & FILM STRIPE (ITASCA)



## 1988 C-SERIES COMMON ITEMS TABLE OF CONTENTS

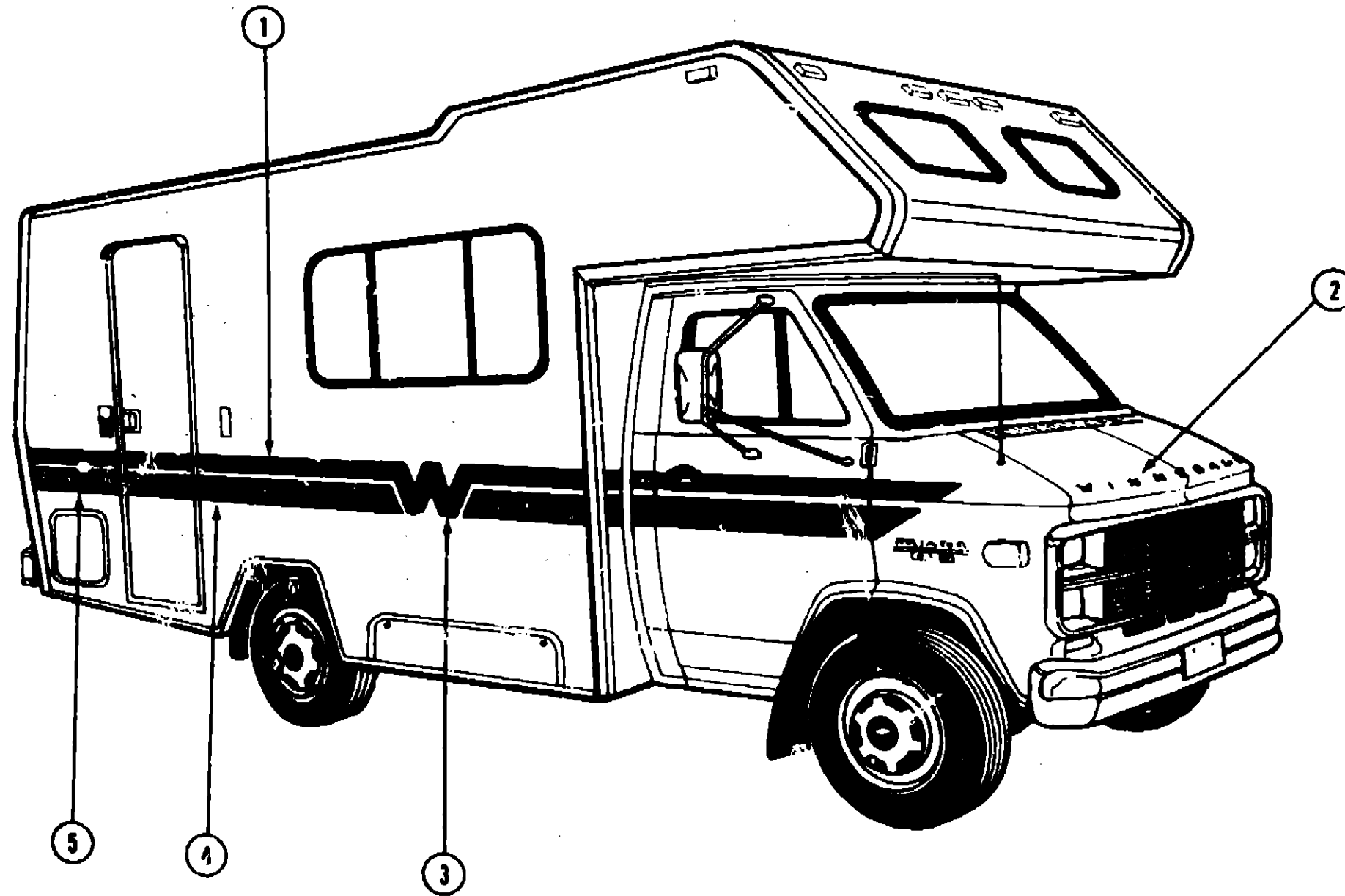
Introduction	A-01 - A-02
Accessories	A-03 - A-04
Bath Group	A-05
Chassis Group	A-06 - A-09
Curtain, Cushion & Pad Group	A-10 - A-22
Driver's Compartment Group	A-23 - A-24
Electrical Group	B-01 - B-03
Exterior Body Group	B-04 - B-17
Galley Group	B-18 - B-19
Heating & Air Conditioning Group	B-20
Interior Finish Group	B-21 - C-01
LP Group	C-02
Water & Sewage Group	C-03
Window, Vent & Exterior Door Group	C-04 - C-20

Key	Part Number	U/M	Description
1	078852-08-000	EA	Decal - Logo (Itasca)
2	089245-D5-000	FT	Film Multistripe - 5.10" x 150" (X33)
2	089245-D6-000	FT	Film Multistripe - 5.10" x 150" (X34)
2	089245-D7-000	FT	Film Multistripe - 5.10" x 150" (X35)
3	085217-H0-000	FT	Film Multistripe - 3.30" x 150" (X33)
3	085217-H1-000	FT	Film Multistripe - 3.30" x 150" (X34)
3	085217-H2-000	FT	Film Multistripe - 3.30" x 150" (X35)
4	088227-08-000	EA	Decal Logo "Itasca" (Tire Cover)
5	088768-01-000	EA	Decal Striping - Passenger (X33) (Ford)
5	088768-03-000	EA	Decal Striping - Passenger (X34) (Ford)
5	088768-05-000	EA	Decal Striping - Passenger (X35) (Ford)
5	088774-01-000	EA	Decal Striping - Passenger (X33) (Chevy)
5	088774-03-000	EA	Decal Striping - Passenger (X34) (Chevy)
5	088774-05-000	EA	Decal Striping - Passenger (X35) (Chevy)
•	088768-02-000	EA	Decal Striping - Drivers (X33) (Ford)
•	088768-04-000	EA	Decal Striping - Drivers (X34) (Ford)
•	088768-06-000	EA	Decal Striping - Drivers (X35) (Ford)
•	088774-02-000	EA	Decal Striping - Drivers (X33) (Chevy)
•	088774-04-000	EA	Decal Striping - Drivers (X34) (Chevy)
•	088774-06-000	EA	Decal Striping - Drivers (X35) (Chevy)
6	078831-46-000	FT	Decal Striping - 1.75" x 150" (X33)
6	078831-23-000	FT	Decal Striping - 1.75" x 150" (X34)
6	078831-47-000	FT	Decal Striping - 1.75" x 150" (X35)
7	078831-48-000	FT	Decal Striping - 3.50" x 150" (X33)
7	078831-27-000	FT	Decal Striping - 3.50" x 150" (X34)
7	078831-49-000	FT	Decal Striping - 3.50" x 150" (X35)
8	078851-04-000	EA	Decal Logo - "Sundancer"
•	Not illustrated		



**EXTERIOR BODY GROUP (CONTINUED)**  
**DECALS & FILM STRIPE (WINNEBAGO CAMPSITE)**

**1988 C-SERIES  
COMMON ITEMS  
TABLE OF CONTENTS**

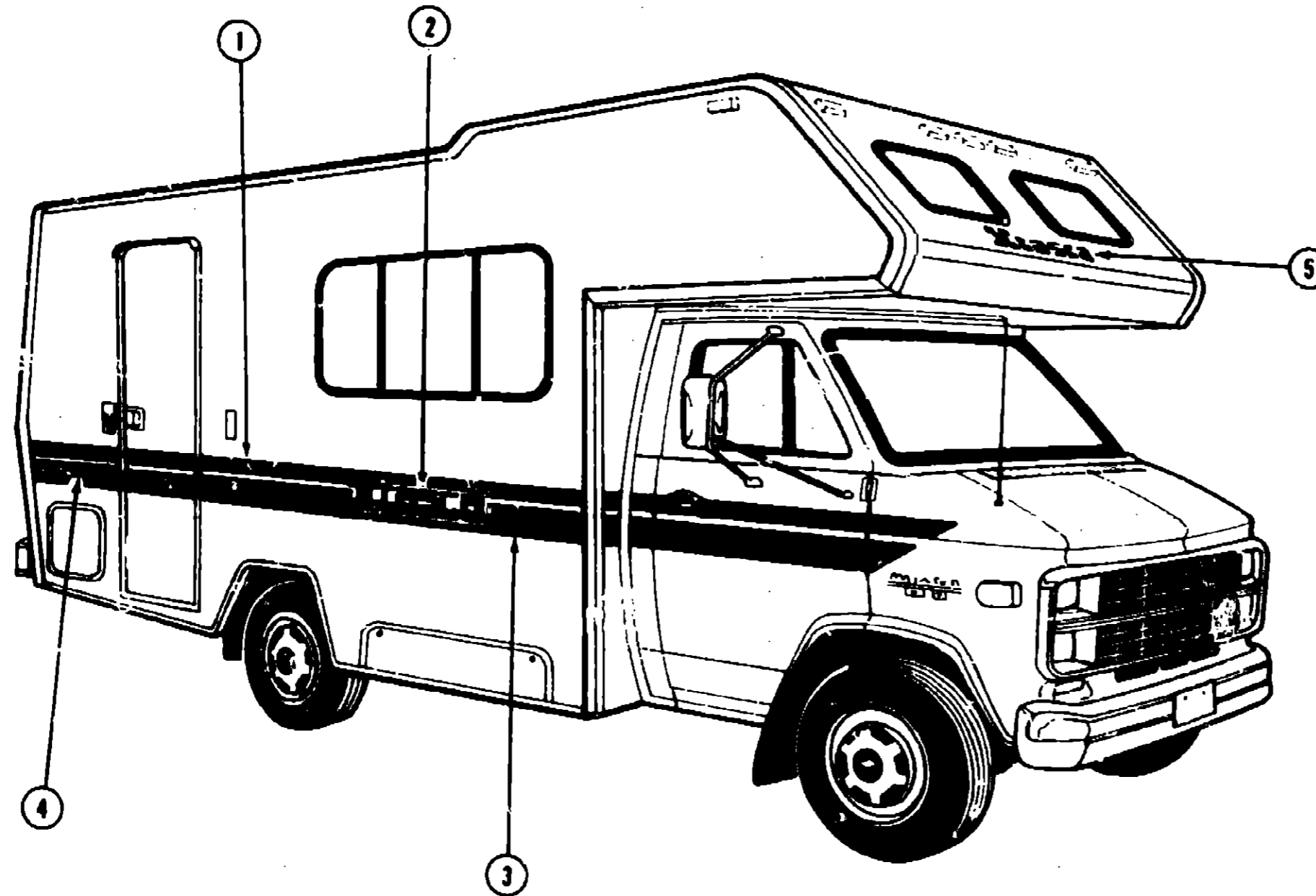


Introduction	A-01 - A-02
Accessories	A-03 - A-04
Bath Group	A-05
Chassis Group	A-06 - A-09
Curtain, Cushion & Pad Group	A-10 - A-22
Driver's Compartment Group	A-23 - A-24
Electrical Group	B-01 - B-03
Exterior Body Group	B-04 - B-17
Galley Group	B-18 - B-19
Heating & A/r Conditioning Group	B-20
Interior Finish Group	B-21 - C-01
LP Group	C-02
Water & Sewage Group	C-03
Window, Vent & Exterior Door Group	C-04 - C-20

Key	Part Number	U/M	Description
1	078831-54-000	FT	Decal - Striping - 1.75" x 150" - Green
2	069745-03-000	EA	Decal - "Winnie" - Chrome
*	069745-04-000	EA	Decal - "Bago" - Chrome
3	079351-16-000	EA	Decal - Flying "W" - Gray
4	078831-55-000	FT	Decal - Striping - 4.85" x 150" - Green
5	087700-01-000	EA	Decal - Logo - "Campsite"
*	050313-22-000	EA	Decal - Logo - "Winnebago" - 2.80" - Chrome (Backwall)
*			Not illustrated

## EXTERIOR BODY GROUP (CONTINUED)

### DECALS & FILM STRIPE (ITASCA CAMPSITE)

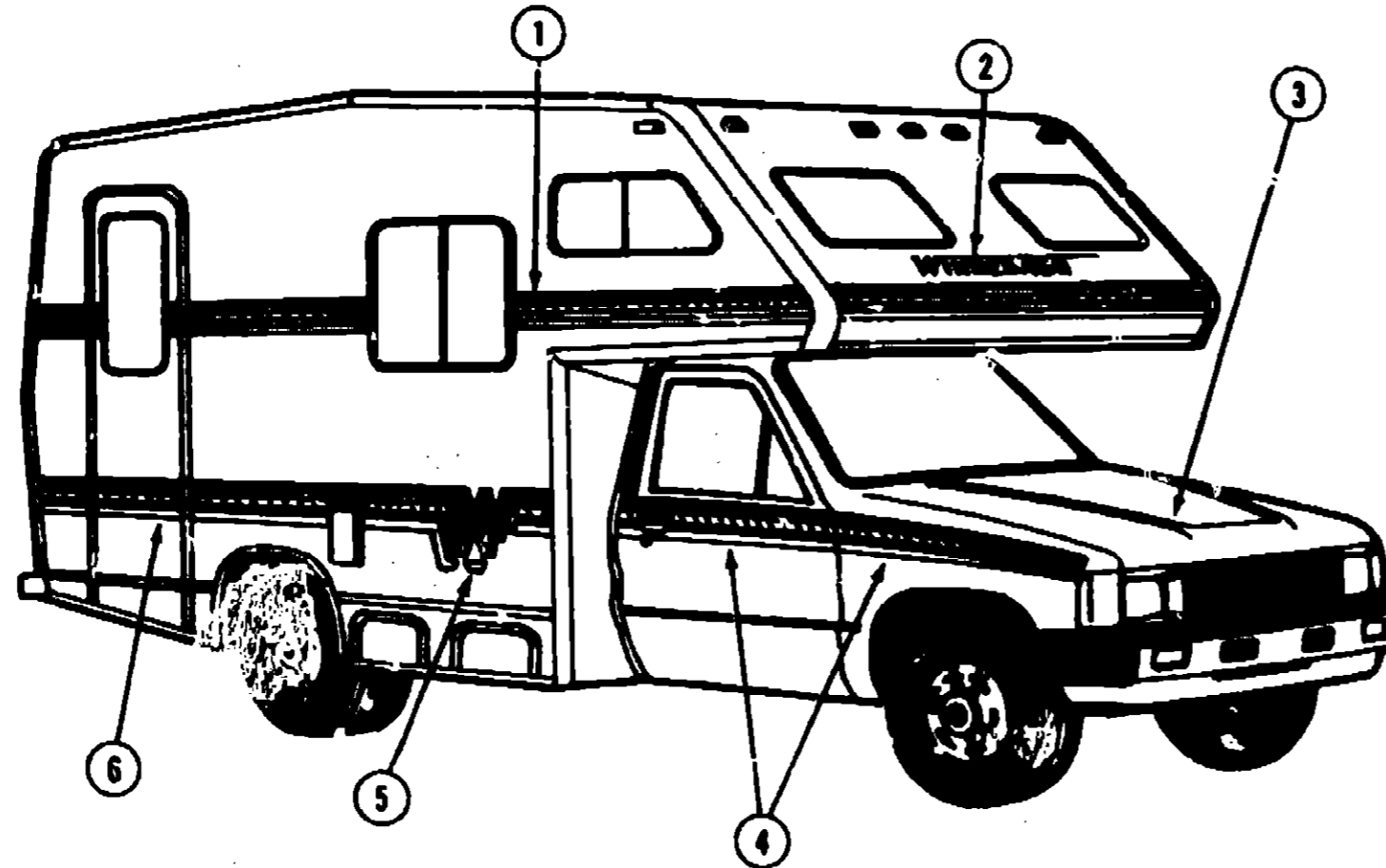


Key	Part Number	U/M	Description
1	078831-54-000	FT	Decal - Striping - 1.75" x 150' - Green
2	078852-08-000	EA	Decal - Logo - "Itasca" - 6.25" x 25.5" - Black
3	078831-55-000	FT	Decal - Striping - 4.85" x 150' - Green
4	087700-01-000	EA	Decal - Logo - "Campsite"
5	078191-01-000	EA	Decal - Logo - "Itasca" (Backwall)

## 1988 C-SERIES COMMON ITEMS TABLE OF CONTENTS

Introduction	A-01 - A-02
Accessories	A-03 - A-04
Bath Group	A-05
Chassis Group	A-06 - A-09
Curtain, Cushion & Pad Group	A-10 - A-22
Driver's Compartment Group	A-23 - A-24
Electrical Group	B-01 - B-03
Exterior Body Group	B-04 - B-17
Galley Group	B-18 - B-19
Heating & Air Conditioning Group	B-20
Interior Finish Group	B-21 - C-01
LP Group	C-02
Water & Sewage Group	C-03
Window, Vent & Exterior Door Group	C-04 - C-20

**EXTERIOR BODY GROUP (CONTINUED)**  
**DECALS & FILM STRIPE (TOYOTA WINNEBAGO)**



**1983 C-SERIES  
COMMON ITEMS  
TABLE OF CONTENTS**

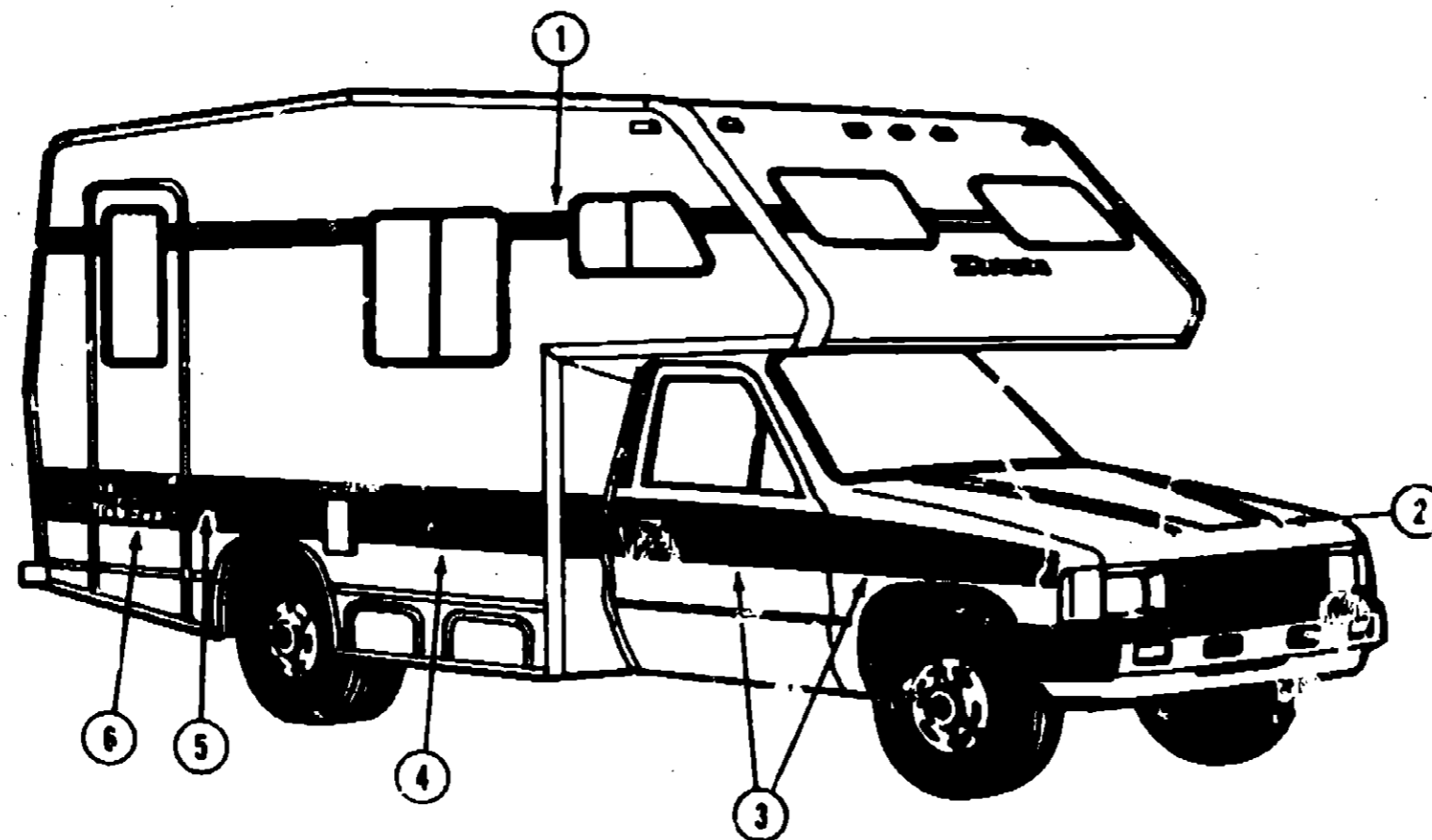
Introduction	A-01 - A-02
Accessories	A-03 - A-04
Bath Group	A-05
Chassis Group	A-06 - A-08
Curtain, Cushion & Pad Group	A-10 - A-22
Driver's Compartment Group	A-23 - A-24
Electrical Group	B-01 - B-03
Exterior Body Group	B-04 - B-17
Galley Group	B-18 - B-19
Heating & Air Conditioning Group	B-20
Interior Finish Group	B-21 - C-01
LP Group	C-02
Water & Sewage Group	C-03
Window, Vent & Exterior Door Group	C-04 - C-20

Key	Part Number	U/N	Description
1	069245-F0-000	FT	Film - Multistripe - 3.76" x 150' (X01)
1	069245-F1-000	FT	Film - Multistripe - 3.76" x 150' (X02)
2	0503-J-22-000	EA	Decal Logo "Winnebago"
3	069245-E8-000	FT	Film - Multistripe - 2.36" x 150' (X01)
3	069245-E9-000	FT	Film - Multistripe - 2.36" x 150' (X02)
4	064437-09-000	EA	Decal Striping - Door/Fender - Passenger (X01)
4	064437-11-000	EA	Decal Striping - Door/Fender - Passenger (X02)
•	064437-10-000	EA	Decal Striping - Door/Fender - Driver (X01)
•	064437-12-000	EA	Decal Striping - Door/Fender - Driver (X02)
5	064439-09-000	EA	Decal "W" - Passenger Side (X01)
5	064439-11-000	EA	Decal "W" - Passenger Side (X02)
•	064439-10-000	EA	Decal "W" - Drivers Side (X01)
•	064439-12-000	EA	Decal "W" - Drivers Side (X02)
6	069245-F2-000	FT	Film - Multistripe - 7.30" x 150' (X01)
6	069245-F3-000	FT	Film - Multistripe - 7.30" x 150' (X02)
•	Not Illustrated		

**EXTERIOR BODY GROUP (CONTINUED)**

**DECALS & FILM STRIPE (TOYOTA ITASCA)**

**1999 C-SERIES  
COMMON ITEMS  
TABLE OF CONTENTS**



Introduction	A-01 - A-02
Accessories	A-03 - A-04
Bath Group	A-05
Chassis Group	A-06 - A-09
Curtain, Cushion & Pad Group	A-10 - A-22
Driver's Compartment Group	A-23 - A-24
Electrical Group	B-01 - B-03
Exterior Body Group	B-04 - B-17
Galley Group	B-18 - B-19
Heating & Air Conditioning Group	B-20
Interior Finish Group	B-21 - C-01
LP Group	C-02
Water & Sewage Group	C-03
Window, Vent & Exterior Door Group	C-04 - C-20

Key	Part Number	U/M	Description
1	065217-L0-000	FT	Film - Multistripe - 3.30" x 150' (X26)
1	065217-L1-000	FT	Film - Multistripe - 3.30" x 150' (X27)
2	078191-01-000	EA	Decal Logo - "Itasca"
3	089299-01-000	EA	Decal Striping - Door/Fender - Passenger (X26)
3	089299-03-000	EA	Decal Striping - Door/Fender - Passenger (X27)
*	089299-02-000	EA	Decal Striping - Door/Fender - Driver (X26)
*	089299-04-000	EA	Decal Striping - Door/Fender - Driver (X27)
4	078831-52-000	FT	Decal Striping - 2.75" x 150'
5	069245-F4-000	FT	Film Multistripe - 4.21" x 150' (X26)
5	069245-F5-000	FT	Film Multistripe - 4.21" x 150' (X27)
6	078852-06-000	EA	Decal Logo "Itasca"
*			Not illustrated

**EXTERIOR BODY GROUP (CONTINUED)**

**SEALANTS & ADHESIVES**

Key	Part Number	U/M	Description
	004020-01-000	QT	Adhesive - ABS Cement (Plastic Fittings)
	002337-01-000	EA	Adhesive - 1300 Tube - 3M (Windows)
	004005-02-000	GL	Adhesive - Swifts - Glue (Sidewalls)
	053786-07-000	EA	Bedding Compound - Tube - Beige (Exterior)
	053786-08-000	EA	Bedding Compound - Tube - Clear (Window)
	053786-08-000	EA	Bedding Compound - Tube - Gray (Exterior)
	053786-05-000	EA	Bedding Compound - Tube - Gray (Sidewalls to Floor)
	053786-02-000	EA	Bedding Compound - Tube - Off White (Exterior)
	002328-02-000	EA	Block - Rubber Spacer (Windshield)
	004378-01-000	EA	Caulk - Latex - Golden Walnut (Sidewalls)
	077957-01-000	EA	Sealant - Acrylic Latex - Tube - Off White (Interior Sealant)
	034552-04-000	EA	Sealant - Silicone - Beige
	034552-02-000	EA	Sealant - Silicone - Clear
	034552-07-000	EA	Sealant - Silicone - Dark Gray
	034552-08-000	EA	Sealant - Silicone - Off White
	088537-01-000	EA	Sealant - Weatherban 404 - Tube - White (Door Caulk)
	072089-01-000	EA	Sealant - Urethane - Black (Windshield)
	088840-01-000	FT	Sealer Ribbon - .25" Bead x 20'
	088840-02-000	FT	Sealer Ribbon - .5" x .125" x 30'
	088840-03-000	FT	Sealer Ribbon - .75" x .125" x 30'
	088840-04-000	FT	Sealer Ribbon - 2" x .09" x 45' (P-Series)
	088840-05-000	FT	Sealer Ribbon - 2.5" x .08" x 50'
	088840-06-000	FT	Sealer Ribbon - 5/16" Bead x 15'
	088840-07-000	FT	Sealer Ribbon - 2" x 3/32" x 30'
	002318-01-000	FT	Sealer Tape - 3/32" x 3/8" - White (Window)
	002707-01-000	FT	Sealer Tape - 5/16" x 3/4"
	002707-02-000	FT	Sealer Tape - 5/16" x 1/2"
	040545-01-000	GL	Sealer - Seam Weld
	053752-04-000	EA	Seam Sealer - Tube - Aluminum (Roof)
	083842-01-000	FT	Tape - Adhesive - .10 mm x 1.5" Wide
	038886-01-000	EA	Tape - Butyl - .31" x .31" x 148" (Windshield)
	076322-01-000	FT	Tape - Foam - Double Coated - .025" x 1" (Fiberglass Sidewall Seams)
	076322-02-000	FT	Tape - Foam - Double Coated - .045" x 1" (Fiberglass Sidewall Seams)
	008200-01-000	EA	Tape - Furnace - 1.5"
	002325-01-000	FT	Weather Striping (Roof Vent)

**MISCELLANEOUS EXTERNALLY MOUNTED PARTS**

Key	Part Number	U/M	Description
	083558-01-000	EA	Plumbing Seal - Roof Vent - 1.5
	048817-01-000	EA	Assist Handle - w/Light
	048817-01-700	EA	Lens - Assist Handle
	010230-02-000	EA	Fill - City Water - Recessed - Off White
	087659-04-000	EA	Fill - City Water - Off White
	081240-03-000	EA	Fill - City Water - Lockable - Off White
	072447-02-000	EA	Shroud - Fuel Fill
	079384-01-700	EA	Hardware Set - Running Board (Chevy)
	079384-01-701	EA	Tread - Running Boards (Set of 4) (Chevy)
	079384-01-702	EA	Trim - Wheel Lip - Chrome (Chevy)
	079384-03-000	EA	Running Board - Right (Chevy)
	079384-04-000	EA	Running Board - Left (Chevy)
	079384-07-000	EA	Bracket - Running Board Mounting (Chevy)
	079384-02-700	EA	Hardware Set - Running Board (Ford)
	079384-02-701	EA	Tread - Running Board (Ford)
	079384-02-702	EA	Trim - Wheel Lip - Chrome (Ford)
	079384-02-703	EA	Trim - Wheel Lip - Chrome - 9" (Ford)
	079384-05-000	EA	Running Board - Right (Ford)
	079384-06-000	EA	Running Board - Left (Ford)
	079384-09-000	EA	Bracket - Rear - Z (Ford)
	079384-10-000	EA	Bracket - Front - Z (Ford)
	080358-01-000	EA	Plate - Stepwell (Chevy)
	080358-02-000	EA	Plate - Stepwell (Ford)

**GALLEY GROUP**

**GALLEY HARDWARE & APPLIANCES**

Key	Part Number	U/M	Description
	079382-01-000	EA	Hood - Range - Non-Powered w/Light - w/8" x 14.5" Screen
	079382-02-000	EA	Hood - Range - Powered w/Light - w/8" x 14.5" Screen (Toyota)
	079383-01-000	EA	Hood - Range - Powered w/Monitor - w/8" x 14.5" Screen
	080973-01-000	EA	Hood - Range - Powered w/Monitor - w/8.5" x 9.5" Screen
	060973-10-000	EA	Hood - Range - Powered w/Light - w/8" x 9.5" Screen (Toyota)
	055282-02-000	EA	Range w/Small Oven - 4 Burner - Almond - Magic Chef
	055282-02-700	EA	Top - Main - Almond
	055282-01-000	EA	Range w/Small Oven - 4 Burner - Brushed Chrome - Magic Chef
	055282-01-701	EA	Frame - Lower Door - Magic Chef
	055282-01-702	EA	Glass - Door Front - Magic Chef
	055282-01-703	EA	Panel - Door - Black
	055282-03-000	EA	Range w/Small Oven - 4 Burner - Black - Magic Chef
	055282-03-700	EA	Thermostat
	055282-03-701	EA	Main - Top - Black
	055282-03-702	EA	Knob - Thermostat
	055282-03-704	EA	Thermostat - Inlet Fitting
	055282-03-705	EA	Trim - Left Cab - Black
	055282-03-706	EA	Trim - Vertical - Black
	055282-03-707	EA	Trim - Right Cab - Black
	055282-03-708	EA	Plug - Plastic
	055282-04-000	EA	Range w/Small Oven - 4 Burner - Almond w/o Glass Door
	055282-04-700	EA	Panel - Oven Door - Almond
	088790-01-000	EA	Range Top - 2 Burner - Stainless Steel
	088790-01-700	EA	Grate
	088790-01-701	EA	Cook Top - Stainless Steel
	088790-01-702	EA	Regulator w/3/8 Flare
	081374-01-000	EA	Range Top - 4 Burner - Almond
	081374-01-700	EA	Trim - Cab Top - Right
	081374-01-701	EA	Trim - Cab Top - Left
	081374-01-702	EA	Panel - Manifold - Warm Black
	081374-01-703	EA	Trim - Top - Rear
	081374-01-704	EA	Guard - Fabric
	084426-01-000	EA	Range Top - 4 Burner - Almond (Toyota)
	084426-01-700	EA	Grate
	084426-01-701	EA	Clip
	084426-01-702	EA	Burner Head
	084426-01-703	EA	Gasket
	084426-01-704	EA	Cook Top
	084426-01-706	EA	Mixing Tube (Long - Right Side)
	084426-01-707	EA	Mixing Tube (Long - Left Side)
	084426-01-708	EA	Gas Tap (GH)
	084426-01-709	EA	Gas Tap (GH - 125)
	084426-01-710	EA	Locking Plate
	084426-01-711	EA	O Ring
	084426-01-712	EA	O Ring
	084426-01-713	EA	Jet (0,0,55)
	084426-01-714	EA	Jet (0,0,70)
	084426-01-715	EA	Injector (07,5)
	084426-01-716	EA	Injector (011,5)
	084426-01-717	EA	Gasket
	084426-01-718	EA	Gas Tube - 3/8" Male Stand Fit
	084426-01-719	EA	Clamping Stamp
	084426-01-720	EA	Screw
	084426-01-721	EA	Nut
	084426-01-722	EA	Operating Knob (Brown)
	084426-01-723	EA	Regular
	088737-01-000	EA	Oven - Microwave/Convection - Magic Chef
	088737-02-000	EA	Frame Kit - Microwave
	081587-01-000	EA	Bracket - Tie Down - Range - Right
	081587-02-000	EA	Bracket - Tie Down - Range - Left

The illustrated parts breakdown for this item is found on the Common Items Fiche.

**1968 C-SERIES  
COMMON ITEMS  
TABLE OF CONTENTS**

Introduction	A-01 - A-02
Accessories	A-03 - A-04
Bath Group	A-05
Chassis Group	A-06 - A-08
Curtain, Cushion & Pad Group	A-10 - A-22
Driver's Compartment Group	A-23 - A-24
Electrical Group	B-01 - B-03
Exterior Body Group	B-04 - B-17
Galley Group	B-18 - F-19
Heating & Air Conditioning Group	B-20
Interior Finish Group	B-21 - C-01
LP Group	C-02
Water & Sewage Group	C-03
Window, Vent & Exterior Door Group	C-04 - C-20

**GALLEY GROUP (CONTINUED)**

**GALLEY HARDWARE & APPLIANCES (CONT.)**

Key	Part Number	U/M	Description
**	084473-01-000	EA	Refrigerator - AC/Gas - Norcold - 776-EG2
**	084473-03-000	EA	Refrigerator - AC/Gas - Norcold - 875-EG2
**	084473-04-000	EA	Refrigerator - AC/DC/Gas - Norcold - 875-EG3
**	084878-01-000	EA	Refrigerator - AC/DC/Gas - Norcold - 888-EG3
	054850-01-000	EA	Level - Refrigerator
	088815-01-000	EA	Sink - Stainless Steel - Double w/Boils
	011053-01-000	EA	Faucet - Swing Spout - 8" - US
	011053-02-000	EA	Faucet - Swing Spout - 8" - CSA
	011053-01-700	EA	Aerator - Swing Spout Faucet
	081530-01-W07	EA	Sink Cover - Large - Beige Crescent
	074881-01-000	EA	Cutting Board - Maple
	074881-02-W24	EA	Magazine Rack - Oak
	058334-01-000	EA	Wastebasket - 9 3/4" x 7" x 10" - White
**	058478-01-000	EA	Support - Wastebasket - Metal - Door Mount
** The illustrated parts breakdown for this item is found on the Common Items Fiche.			

**HEATING & AIR CONDITIONING GROUP**

**FURNACE & ROOF AIR CONDITIONER**

Key	Part Number	U/M	Description
**	075686-01-000	EA	Furnace - 34,000 BTU - w/Direct Ignitor - Suburban
**	080039-01-000	EA	Furnace - 30,000 BTU - Suburban
	084444-01-000	EA	Furnace - 12,000 BTU - Hydro Flame
	075685-01-000	EA	Furnace - 24,000 BTU - w/Direct Ignition - Suburban
	058424-01-000	EA	Register - 4" Dia. - Plastic - w/Damper
	058424-02-000	EA	Register - 4" Dia. - Plastic - w/o Damper
	008200-01-000	EA	Tap - Furnace - 1 1/2"
**	076304-01-000	EA	Shroud Asm. - Ceiling - Roof Air - Cool Only (7100 BTU)
**	073743-01-000	EA	Shroud Asm. - Inside Ceiling - Roof Air - Cool Only
**	073742-01-000	EA	Air Conditioner - Roof Mount - Rotary TSR
**	076303-01-000	EA	Air Conditioner - Roof Mount (7100 BTU)
** The illustrated parts breakdown for this item is provided on the Common Items Fiche.			

**1988 C-SERIES  
COMMON ITEMS  
TABLE OF CONTENTS**

Introduction	A-01 - A-02
Accessories	A-23 - A-24
Bath Group	A-05
Chassis Group	A-08 - A-09
Curtain, Cushion & Pad Group	A-10 - A-22
Driver's Compartment Group	A-23 - A-24
Electrical Group	B-01 - B-03
Exterior Body Group	B-04 - B-17
Galley Group	B-18 - B-19
Heating & Air Conditioning Group	B-20
Interior Finish Group	B-21 - C-01
LP Group	C-02
Water & Sewage Group	C-03
Window, Vent & Exterior Door Group	C-04 - C-23

## INTERIOR FINISH GROUP

### WINNEBAGO

#### PANELING & PLASTIC LAMINATE

Key	Part Number	U/M	Description
	074497-12-000	SF	Paneling - Merino/Neutral - 48" x 84" (Wall) (X01, X02)
	074497-08-000	SF	Paneling - Classique Tweed/Sand - 48" x 84" (Wall) (All C-Bodies Except X01, X02, X87, X88)
	074497-10-000	SF	Paneling - Regal Oak (Cabinets) (Wall) (X87, X88)
	086272-14-000	SF	Paneling - Tickertape/Apricot (Galley, Dry Bath) (X33)
	086272-15-000	SF	Paneling - Tickertape/Pearl (Galley, Dry Bath) (X34)
	086272-16-000	SF	Paneling - Tickertape/Fawn (Galley, Dry Bath) (X35, X26, X27)
	086272-04-000	SF	Paneling - Ritz Weave/Mauve (Galley, Dry Bath) (X08, X10)
	086272-03-000	SF	Paneling - Ritz Weave/Slate (Galley, Dry Bath) (X09)
	086272-19-000	SF	Paneling - Chevron Cali/Steel (Galley) (X01)
	086272-20-000	SF	Paneling - Chevron Cali/Brittany (Galley) (X02)
	086272-11-000	SF	Paneling - Tickertape/Apricot (Wet Bath) (X33)
	086272-12-000	SF	Paneling - Tickertape/Pearl (Wet Bath) (X34)
	086272-13-000	SF	Paneling - Tickertape/Fawn (Wet Bath) (X35, X26, X27)
	086272-07-000	SF	Paneling - Ritz Weave/Mauve (Wet Bath) (X08, X10)
	086272-06-000	SF	Paneling - Ritz Weave/Slate (Wet Bath) (X09)
	074497-07-000	SF	Paneling - Textone/Pebble Beach (Ceiling)
	086272-17-000	SF	Paneling - Chevron Cali/Steel (Wet Bath) (X01)
	086272-18-000	SF	Paneling - Chevron Cali/Brittany (Wet Bath) (X02)
	074498-13-000	SF	Plastic Laminate - Sand Quadrus (Galley & Bath)
	074498-24-000	SF	Plastic Laminate - Regal Oak (Nightstands)
	076325-16-000	SF	Plastic Edging (Woodgrain)

### WINNEBAGO

#### BATT STRIPS

Key	Part Number	U/M	Description
	089733-70-000	EA	Batt Strip - Regal Oak (Wall) (X87, X88)
	085284-03-000	EA	Wall Tape - Regal Oak (Wall) (X87, X88)
	089733-86-000	EA	Batt Strip - Classique Tweed/Sand (Wall) (All C-Bodies Except X01, X02, X87, X88)
	085284-05-000	FT	Wall Tape - Classique Tweed/Sand (Wall) (All C-Bodies Except X01, X02, X87, X88)
	089733-70-000	EA	Batt Strip - Regal Oak (Wall) (X87, X88)
	085284-03-000	FT	Wall Tape - Regal Oak (Wall) (X87, X88)
	086263-18-000	EA	Batt Strip - Merino/Neutral (Wall) (X01, X02)
	085284-09-000	FT	Wall Tape - Merino/Neutral (Wall) (X01, X02)
	086263-06-000	EA	Batt Strip - Ritz Weave/Mauve (Galley & Dry Bath) (X08, X10)
	086263-07-000	EA	Batt Strip - Ritz Weave/Slate (Galley & Dry Bath) (X09)
	086263-08-000	EA	Batt Strip - Cord Bone (Galley & Dry Bath) (X33, X34, X35)
	086263-09-000	EA	Batt Strip - Cord Bone (Wet Bath) (X33, X34, X35)
	086263-15-000	EA	Batt Strip - Ritz Weave/Mauve (Wet Bath) (X08, X10)
	086263-16-000	EA	Batt Strip - Ritz Weave/Slate (Wet Bath) (X09)
	089733-82-000	EA	Batt Strip - Pebble Beach/LT409 Champagne (Ceiling)

## INTERIOR FINISH GROUP (CONTINUED)

### ITASCA

#### PANELING & PLASTIC LAMINATE

Key	Part Number	U/M	Description
	074497-12-000	SF	Paneling - Merino/Neutral - 48" x 84" (Wall) (X01, X02)
	074497-08-000	SF	Paneling - Classique Tweed/Sand - 48" x 84" (Wall) (All C-Bodies Except X01, X02, X87, X88)
	074497-10-000	SF	Paneling - Regal Oak (Cabinets) (Wall) (X87, X88)
	086272-14-000	SF	Paneling - Tickertape/Apricot (Galley, Dry Bath) (X33)
	086272-15-000	SF	Paneling - Tickertape/Pearl (Galley, Dry Bath) (X34)
	086272-16-000	SF	Paneling - Tickertape/Fawn (Galley, Dry Bath) (X35, X26, X27)
	086272-04-000	SF	Paneling - Ritz Weave/Mauve (Galley, Dry Bath) (X08, X10)
	086272-03-000	SF	Paneling - Ritz Weave/Slate (Galley, Dry Bath) (X09)
	086272-19-000	SF	Paneling - Chevron Cali/Steel (Galley) (X01)
	086272-20-000	SF	Paneling - Chevron Cali/Brittany (Galley) (X02)
	086272-11-000	SF	Paneling - Tickertape/Apricot (Wet Bath) (X33)
	086272-12-000	SF	Paneling - Tickertape/Pearl (Wet Bath) (X34)
	086272-13-000	SF	Paneling - Tickertape/Fawn (Wet Bath) (X35, X26, X27)
	086272-07-000	SF	Paneling - Ritz Weave/Mauve (Wet Bath) (X08, X10)
	086272-06-000	SF	Paneling - Ritz Weave/Slate (Wet Bath) (X09)
	074497-07-000	SF	Paneling - Textone/Pebble Beach (Ceiling)
	086272-17-000	SF	Paneling - Chevron Cali/Steel (Wet Bath) (X01)
	086272-18-000	SF	Paneling - Chevron Cali/Brittany (Wet Bath) (X02)
	074498-13-000	SF	Plastic Laminate - Sand Quadrus (Galley & Bath)
	074498-24-000	SF	Plastic Laminate - Regal Oak (Nightstands)
	076325-16-000	SF	Plastic Edging (Woodgrain)

### ITASCA

#### BATT STRIPS

Key	Part Number	U/M	Description
	089733-70-000	EA	Batt Strip - Regal Oak (Wall) (X87, X88)
	085284-03-000	EA	Wall Tape - Regal Oak (Wall) (X87, X88)
	089733-86-000	EA	Batt Strip - Classique Tweed/Sand (Wall) (All C-Bodies Except X01, X02, X87, X88)
	085284-05-000	FT	Wall Tape - Classique Tweed/Sand (Wall) (All C-Bodies Except X01, X02, X87, X88)
	089733-70-000	EA	Batt Strip - Regal Oak (Wall) (X87, X88)
	085284-03-000	FT	Wall Tape - Regal Oak (Wall) (X87, X88)
	086263-18-000	EA	Batt Strip - Merino/Neutral (Wall) (X01, X02)
	085284-09-000	FT	Wall Tape - Merino/Neutral (Wall) (X01, X02)
	086263-06-000	EA	Batt Strip - Ritz Weave/Mauve (Galley & Dry Bath) (X08, X10)
	086263-07-000	EA	Batt Strip - Ritz Weave/Slate (Galley & Dry Bath) (X09)
	086263-08-000	EA	Batt Strip - Cord Bone (Galley & Dry Bath) (X33, X34, X35)
	086263-09-000	EA	Batt Strip - Cord Bone (Wet Bath) (X33, X34, X35)
	086263-15-000	EA	Batt Strip - Ritz Weave/Mauve (Wet Bath) (X08, X10)
	086263-16-000	EA	Batt Strip - Ritz Weave/Slate (Wet Bath) (X09)
	089733-82-000	EA	Batt Strip - Pebble Beach/LT409 Champagne (Ceiling)

## 1986 C-SERIES COMMON ITEMS TABLE OF CONTENTS

Introduction	A-01 - A-02
Accessories Group	A-03 - A-04
Bath Group	A-05
Chassis Group	A-06 - A-09
Curtain, Cushion & Pad Group	A-10 - A-22
Driver's Compartment Group	A-23 - A-24
Electrical Group	B-01 - B-13
Exterior Body Group	B-04 - B-17
Galley Group	B-18 - B-19
Heating & Air Conditioning Group	B-20
Interior Finish Group	B-21 - C-01
LP Group	C-02
Water & Sewage Group	C-03
Windows, Vent & Exterior Door Group	C-04 - C-20

**INTERIOR FINISH GROUP (CONTINUED)**

**WINNEBAGO**

**FABRICS, TRIMS & CARPETS**

Key	Part Number	U/M	Description
	088274-11-000	YD	Fabric w/Pattern - Upholstery - Main - Tweed (X08)
	088274-12-000	YD	Fabric w/Pattern - Upholstery - Main - Pearl Gray (X08)
	088274-13-000	YD	Fabric w/Pattern - Upholstery - Main - Blossom (X10)
	088274-35-000	YD	Fabric w/Pattern - Upholstery - Main - Alabaster (X01)
	088274-34-000	YD	Fabric w/Pattern - Upholstery - Main - Jewel (X02, X87)
	088274-28-000	YD	Fabric - Upholstery Accent - Tweed (X08)
	088274-30-000	YD	Fabric - Upholstery Accent - Quicksilver (X08)
	088274-A5-000	YD	Fabric - Upholstery Accent - Carlet (X10)
	088274-14-000	YD	Fabric - Upholstery Accent - Dusk (X01)
	088274-10-000	YD	Fabric - Upholstery Accent - Azure (X02)
	072333-48-000	YD	Fabric - Drapery (Blackout Curtains) (X08, X09, X10)
	072333-48-000	YD	Fabric - Drapery (Sheers) (X08, X09, X10)
	072333-45-000	YD	Fabric - Drapery (X01)
	072333-51-000	YD	Fabric - Drapery (X02)
	072333-29-000	YD	Fabric - Drapery - Gray (X87, X88)
	087272-01-000	YD	Drapery - Lining - Ivory - 48"
	088273-07-000	YD	Fabric - Drapery & Bedspread - Taupe (X08)
	088273-08-000	YD	Fabric - Drapery & Bedspread - Blue (X08)
	088273-09-000	YD	Fabric - Drapery & Bedspread - Mauve (X10)
	088273-15-000	YD	Fabric - Drapery & Bedspread - Multi (X08)
	088273-16-000	YD	Fabric - Drapery & Bedspread - Wedgewood (X08)
	088273-17-000	YD	Fabric - Drapery & Bedspread - Mauve (X10)
	052859-05-T03	FT	Trim Asm. - Accent - Buckskin
	079880-01-000	YD	Vinyl - Expanded - 26 oz. - Buckskin
	077484-01-000	YD	Vinyl - Smoke (X87)
	072880-71-000	SY	Carpet - Pirates Alley (X08)
	072880-58-000	SY	Carpet - Champagne (X08)
	072880-65-000	SY	Carpet - Rose Mist (X10)
	075233-01-000	SY	Pad - Carpet - 3/8" x 6' Roll
	Parts used after 2/22/88.		
	† Parts used after 1/18/88.		
	** Parts used after 1/25/88.		

**WINNEBAGO 319**

**FABRICS, TRIMS & CARPETS**

Key	Part Number	U/M	Description
	072333-45-000	YD	Fabric - Drapery (X01)
	072333-51-000	YD	Fabric - Drapery (X02)
	088274-35-000	YD	Fabric w/Pattern - Upholstery (X01)
	088274-34-000	YD	Fabric w/Pattern - Upholstery (X02)
	088274-14-000	YD	Fabric - Upholstery Accent (X01)
	088274-10-000	YD	Fabric - Upholstery Accent (X02)
	052859-07-X01	FT	Accent Trim (Dinette Seat Back)
	052859-07-X26	FT	Accent Trim (Dinette Seat Back) (X02)
	079880-01-000	YD	Expanded Vinyl - 26 oz. - Buckskin
	071127-10-X01	EA	Button Asm. - #30 Round
	071127-10-X02	EA	Button Asm. - #30 Round
	078155-01-000	EA	Strap Asm. - Cushion
	078349-01-X01	EA	Welt Asm. - Accent
	078349-01-X02	EA	Welt Asm. - Accent
	088120-01-X01	EA	Pad Asm. - Map Pocket - 12" x 16"
	088120-01-X02	EA	Pad Asm. - Map Pocket - 12" x 16"
	072880-73-000	SY	Carpet - Sienna Sand (X01)
	072880-72-000	SY	Carpet - Cool Oasis (X02)
	075233-01-000	SY	Pad - Carpet - 3/8" x 6' Roll

**INTERIOR FINISH GROUP (CONTINUED)**

**ITASCA**

**FABRICS, TRIMS & CARPETS**

Key	Part Number	U/M	Description
	088274-23-000	YD	Fabric w/Pattern - Upholstery - Main - Marble (X33)
	088274-24-000	YD	Fabric w/Pattern - Upholstery - Main - Shadow (X34)
	088274-25-000	YD	Fabric w/Pattern - Upholstery - Main - Rouge (X35)
	088274-21-000	YD	Fabric w/Pattern - Upholstery - Main - Dove (X26)
	088274-22-000	YD	Fabric w/Pattern - Upholstery - Main - Rosewood (X27)
	088274-34-000	YD	Fabric w/Pattern - Upholstery - Main - Jewel (X88)
	088274-28-000	YD	Fabric w/Pattern - Upholstery - Main - Pearl (X34)
	088274-27-000	YD	Fabric w/Pattern - Upholstery - Main - Shadow (X34)
	088274-29-000	YD	Fabric w/Pattern - Upholstery - Main - Rouge (X35)
	088274-14-000	YD	Fabric - Plain Accent - Dusk (X33)
	088274-15-000	YD	Fabric - Plain Accent - Silver (X34)
	077484-01-000	YD	Fabric - Plain Accent - Old Rose (X35)
	088274-14-000	YD	Fabric - Plain Accent - Dusk (X26)
	088274-08-000	YD	Fabric - Plain Accent - Rosewood (X27)
	072333-45-000	YD	Fabric - Drapery (Blackout Curtains) (X08)
	072333-50-000	YD	Fabric - Drapery (Blackout Curtains) (X09)
	072333-55-000	YD	Fabric - Drapery (Blackout Curtains) (X04)
	072333-51-000	YD	Fabric - Drapery (Blackout Curtains) (X05)
	088273-04-000	YD	Fabric - Drapery & Bedspread - Sky (X35)
	088273-05-000	YD	Fabric - Drapery & Bedspread - Pearl (X34)
	052859-05-T03	FT	Trim Asm. - Accent - Buckskin
	079880-01-000	YD	Vinyl - Expanded - 26 oz. Buckskin
	077484-01-000	YD	Vinyl - Smoke (X88)
	072880-73-000	SY	Carpet - Sienna Sand (X33) (X34)
	072880-69-000	SY	Carpet - Rose Mist (X35)
	075233-01-000	SY	Pad - Carpet - 3/8" x 6' Roll
	Parts used after 10/1/87.		

**ITASCA 319**

**FABRICS, TRIMS & CARPETS**

Key	Part Number	U/M	Description
	072333-61-000	YD	Fabric - Drapery
	072333-62-000	YD	Fabric - Drapery
	088274-52-000	YD	Fabric w/Pattern - Upholstery
	088274-53-000	YD	Fabric w/Pattern - Upholstery
	088274-66-000	YD	Fabric - Upholstery Accent
	088274-67-000	YD	Fabric - Upholstery Accent
	052859-07-X26	FT	Accent Trim (Dinette Seat Back)
	052859-07-X27	FT	Accent Trim (Dinette Seat Back)
	079880-01-000	YD	Expanded Vinyl - 26 oz. - Buckskin
	071127-10-X26	EA	Button Asm. - #30 Round
	071127-10-X27	EA	Button Asm. - #30 Round
	078155-01-000	EA	Strap Asm. - Cushion
	078349-01-X20	EA	Welt Asm. - Accent - Clay
	078349-01-X22	EA	Welt Asm. - Accent - Jade
	088120-01-X26	EA	Pad Asm. - Map Pocket - 12" x 16"
	088120-01-X27	EA	Pad Asm. - Map Pocket - 12" x 16"
	072880-58-000	SY	Carpet - Champagne (X26)
	072880-69-000	SY	Carpet - Rose Mist (X27)
	075233-01-000	SY	Pad - Carpet - 3/8" x 6' Roll

**1988 C-SERIES  
COMMON ITEMS  
TABLE OF CONTENTS**

Introduction	A-01 - A-02
Accessories Group	A-03 - A-04
Bath Group	A-05
Chairs Group	A-06 - A-09
Curtain, Cushion & Pad Group	A-10 - A-22
Driver's Compartment Group	A-23 - A-24
Electrical Group	B-01 - B-03
Exterior Body Group	B-04 - B-17
Galley Group	B-18 - B-19
Heating & Air Conditioning Group	B-20
Interior Finish Group	B-21 - C-01
LP Group	C-02
Water & Sewage Group	C-03
Window, Vent & Exterior Door Group	C-04 - C-20



**INTERIOR FINISH GROUP (CONTINUED)**

**CURTAIN & CUSHION HARDWARE**

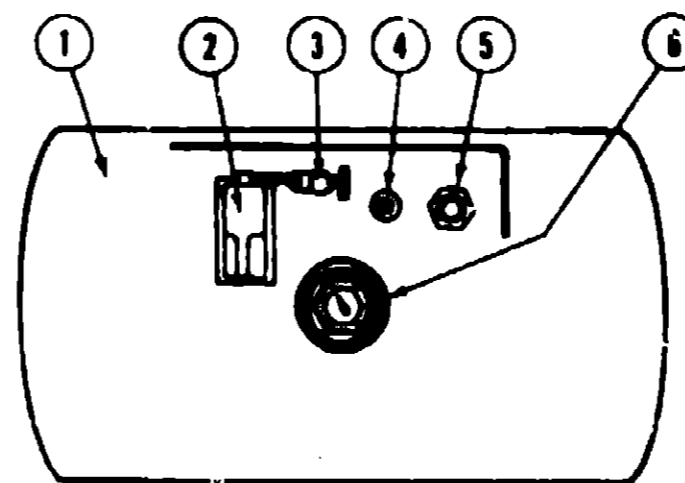
Key	Part Number	U/M	Description
	039175-02-000	EA	Bracket - Curtain Rod - Cafe
	039175-05-000	EA	Bracket - Curtain Rod - Center
	058003-02-000	EA	Bracket - Drapery Retainer - Left
	058003-01-000	EA	Bracket - Drapery Retainer - Right
	084434-01-000	EA	Bracket - Roller Shade - 1 3/8"
	079798-03-000	EA	Bracket Asm. - Curtain Rod - Right
	079798-04-000	EA	Bracket Asm. - Curtain Rod - Left
	080730-03-700	EA	Handle Kit - Recliner
	080731-02-000	EA	Hinge - Recliner - Slave
	083170-01-000	EA	Installation Bracket - Blind - Right - Clear
	083170-02-000	EA	Installation Bracket - Blind - Left - Clear
	082139-01-000	EA	Bracket - Hold Down - Blinds - Right
	082139-03-000	EA	Bracket - Hold Down - Blinds - Left
	039175-01-000	EA	Rod - Cafe Curtain - Extension - 48" x 84"
	039175-03-000	EA	Rod - Cafe Curtain - Extension - 28" x 48"
	048394-02-000	YD	Tape Hook - .75" x 50 Yds - Beige
	029096-05-000	YD	Tape Hook - .50" - Velcro - Beige
	048395-01-000	YD	Tape Loop - 1" x 50 YD - Beige
	029090-01-000	FT	Tie - Drapery - Clear Vinyl
	078551-03-000	EA	Track - Curtain - Beige - 42"
	079519-01-000	EA	Bracket - Tie Back
	081381-01-000	EA	Swivel Snap - Curtain Track

**CAMPSITE**

**FABRICS, TRIMS & CARPETS**

Key	Part Number	U/M	Description
	086274-34-000	YD	Fabric - Main Upholstery (X87, X88)
	077484-01-000	YD	Vinyl - Accent - Gray (X87, X88)
	079680-01-000	YD	Vinyl - Expanded - Buckskin (X87, X88)
	072333-29-000	YD	Fabric - Drapery (X87, X88)
	071127-11-X87	EA	Button Asm. - #30 Round - Fabric Covered
	071127-13-X87	EA	Button Asm. - #30 Round - Gray Vinyl
	070578-06-W87	EA	Button Asm. - #30 Round - Buckskin Vinyl
	053552-02-W24	EA	Assist Handle - Interior - Buckskin Vinyl
	080742-01-000	FT	Vinyl Trim - Sleeper Board - Buckskin
	052859-01-U01	FT	Vinyl Trim - Accent - Dark Sandrift
	072860-67-000	SY	Carpet - Voyager (X87, X88)
	075233-01-000	SY	Pad - Carpet - 3/8" x 6' Roll

**LP GROUP**



Key	Part Number	U/M	Description
	081837-01-000	EA	Tank Asm. - LP - Frame Mount - 68 Pound - 14" x 22"
	074140-01-000	EA	Tank Asm. - LP - Frame Mount - 28 Pound - 10" x 23"
	074142-01-000	EA	Tank Asm. - LP - Frame Mount - 50 Pound - 13" x 44"
	080450-01-000	EA	Tank Asm. - LP - Frame Mount - 42 Pound - 13" x 24"
	090939-01-000	EA	Detector - LP Gas Leak - Marshalltown Instruments
	031938-01-000	EA	Compartment - LP Regulator
	076301-01-000	EA	Regulator - Two Stage - US (Dual)
	076301-02-000	EA	Regulator - Two Stage - CSA (Dual)
	040421-01-703	EA	Valve - Vapor Relief
	040421-01-700	EA	Gauge - Liquid Level - 20% LP
	040421-01-701	EA	Valve - Filler - LP
	040421-01-702	EA	Cap - Plastic Fill Valve
	040421-01-707	EA	Gauge - Float w/Visible Dial
	040421-01-706	EA	Dial - Visible Face - Float Gauge (Tank w/o Electric Transmitter)
	040420-01-000	EA	Dial - Transmitter - 0 - 90 Ohm (Float Gauge)
	045703-01-000	EA	Hose Asm. - LP - 3/8" I.D. x 24" - US
	045703-02-000	EA	Hose Asm. - LP - 3/8" I.D. x 24" - CSA
	045703-03-000	EA	Hose Asm. - LP - 3/8" I.D. x 10" - US
	045703-04-000	EA	Hose Asm. - LP - 3/8" I.D. x 14" - CSA
	065742-01-000	EA	Tee - .38 F x .39 F x .25 FPT
			Not illustrated

**1988 C-SERIES  
COMMON ITEMS  
TABLE OF CONTENTS**

Introduction	A-01 - A-02
Accessories	A-03 - A-04
Bath Group	A-06
Chassis Group	A-08 - A-09
Curtain, Cushion & Pad Group	A-10 - A-22
Driver's Compartment Group	A-23 - A-24
Electrical Group	B-01 - B-03
Exterior Body Group	B-04 - B-17
Galley Group	B-18 - B-19
Heating & Air Conditioning Group	B-20
Interior Finish Group	B-21 - C-01
LP Group	C-02
Water & Sewage Group	C-03
Window, Vent & Exterior Door Group	C-04 - C-20

**WATER & SEWAGE GROUP**

**PLUMBING & REPAIR PARTS**

**WINDOW, VENT & EXTERIOR DOOR GROUP**

**VENTS**

**1998 C-SERIES  
COMMON ITEMS  
TABLE OF CONTENTS**

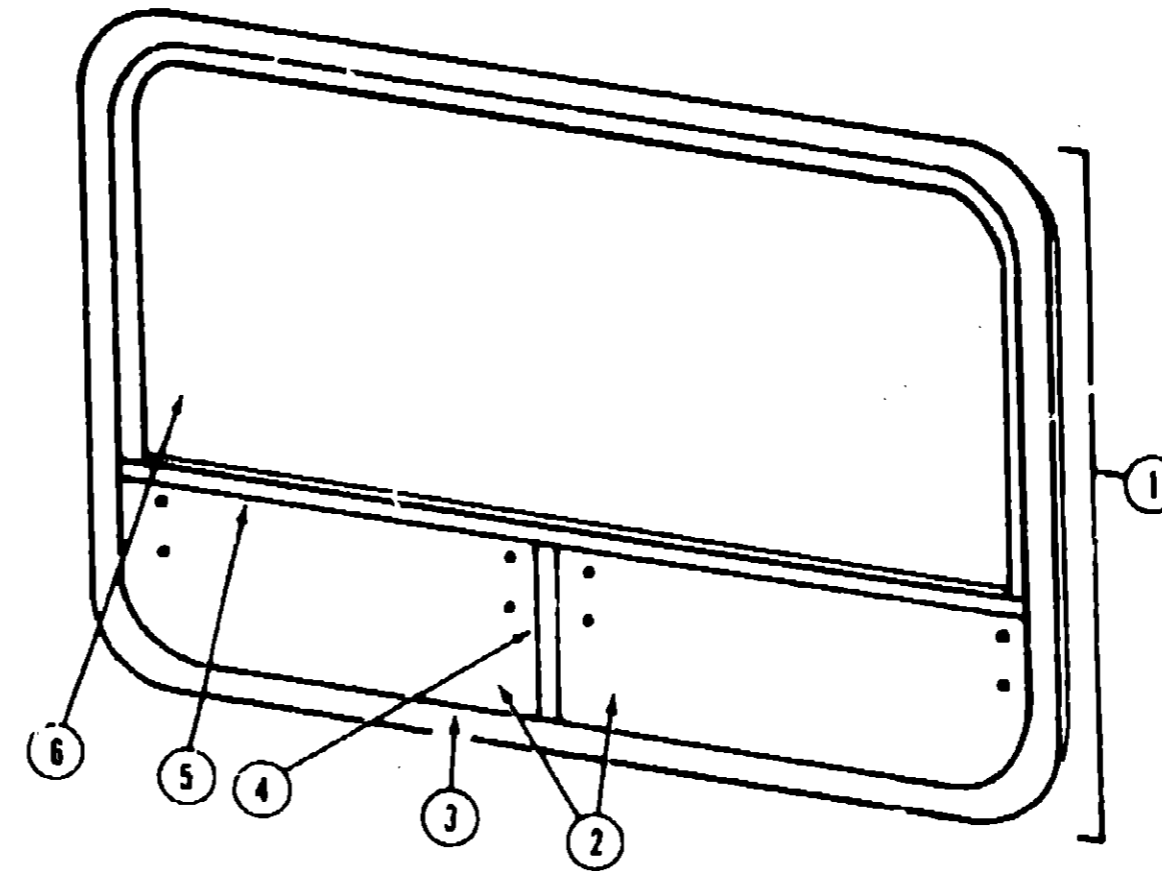
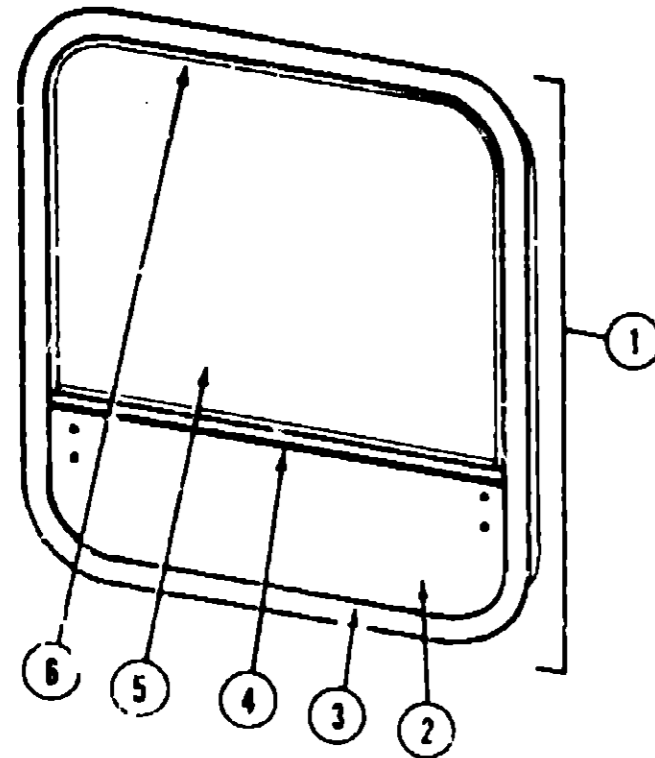
Key	Part Number	U/B:	Description
	047827-01-000	EA	Adapter - Plastic - 1/1/4" MPT x 1 1/4" Bar
	010328-01-000	EA	Adapter - Flare - w/Cone Gasket
	082422-01-000	EA	Adapter - Hose Offset - Reducer - 3" x 1 1/2"
	052954-01-000	EA	Adapter - Hose Cone - 3/8 or 1/2 - Plastic
	088330-01-000	EA	Adapter - Sewer Hose
	082415-01-000	EA	Cap - Sewer - 3"
	052958-02-000	EA	Connector - Plastic - 1/2" F x 1/2 MPT
	052958-03-000	EA	Connector - 1/2" F x 3/8 MPT - Plastic
	011091-02-000	EA	Continuous Waste - Double Sink - 11 7/8" - US
	078408-01-000	EA	Coupler Hubber - 3" x 3"
	052980-01-000	EA	Drain Valve - 1/2 F x 1/2 F - Plastic
	037101-02-000	EA	Elbow - Plastic - 1/4" BD Vent 1 1/2" H
	010005-01-000	EA	Elbow - Plastic - 1/8 BD x 1 1/4 x 45° H x H
	010005-01-000	EA	Elbow - Plastic - 1/16 BD x 1 1/2" x 2 1/2"
	010008-01-000	EA	Elbow - Plastic - 1/8 BD x 1 1/2 x 45° H x H
	010009-01-000	EA	Elbow - Plastic - 1/4 BD x 1 1/2 x 90° Left
	070924-01-000	EA	Elbow - Plastic - Swivel - 1/2" x 1/2"
	052957-01-000	EA	Elbow - Plastic - 1/2 F x 3/8 MPT
	052957-02-000	EA	Elbow - Plastic - 1/2 F x 1/2 MPT (In Tank Filter)
	035538-01-000	EA	Elbow - Plastic - 3/8" MPT x 3/8 BARB
	085120-01-000	EA	Elbow - Plastic - Swivel - .50
	033781-01-000	EA	Elbow - Plastic - 1/4" BD 1 1/2" x 90 x LT
	010051-01-000	EA	Elbow - Plastic - ST - 1/8" BD 1 1/2" x 45
	077954-01-000	EA	Filter/Screen (In Water Tank)
	083341-01-000	EA	Flange - Closet - Red - 4 F x 3" FPT
	010147-01-000	EA	Flange - Closet - 4" F x 3" FPT - IJS
	010147-02-000	EA	Flange - Closet - 4" F x 3" FPT - CSA
	079381-01-000	FT	Flexible Tubing - 1 1/4 ID x 10'
	081807-01-000	EA	Grommet - Holding Tank Coupler - 1 1/2"
	081807-02-000	FA	Grommet - Holding Tank Coupler - 3"
	052981-01-000	EA	Header - 1/2 F x 1/2 F x 1/2 F x 1/2 F
	082418-01-000	EA	Hose Adapter - 3"
	011088-03-000	EA	P-Trap - 1 1/4" Plastic - US
	011088-02-000	EA	P-Trap - 1 1/4" Plastic - CSA
	053335-01-000	EA	P-Trap - 1 1/4" Plastic - w/Union
	049032-01-000	EA	Patch - Spinweld - Plastic - 3/8"
	010187-01-000	EA	Pipe - Plastic - 3" x 240" - Black
	045729-01-000	EA	Pump - Water - 2.8 G.P.M. - Direct Drive - Shurflo - US
	045729-02-000	EA	Pump - Water - 2.8 G.P.M. - Direct Drive - Shurflo - CSA
	010201-01-000	EA	Sewer Hose - 3" x 8' w/Clamp
	010201-02-000	EA	Sewer Hose - 3" x 20'
	042989-02-000	EA	Spinweld Fittings - Plastic - 1/2 FPT (In Tank Filter)
	042989-03-000	EA	Spinweld Fittings - Plastic - 1/4 NPT
	042989-04-000	EA	Spinweld Fittings - Plastic - 3/8 FPT
	042989-05-000	EA	Spinweld Fittings - Plastic - 1/2 FPT
	011088-02-000	EA	Tailpiece - 1 1/2" x 1 1/4" x 4" - Brass
	010071-01-000	EA	Tee - Plastic - 1 1/2 H x H x H
	010078-01-000	EA	Tee - Plastic - 1 1/2 H x 1 1/2 H x 1 1/4 H
	052955-01-000	EA	Tee - Plastic - 1/2 F x 1/2 F x 1/2 MPT
	052956-01-000	EA	Tee - Plastic - 1/2 F x 1/2 MPT x 1/2 F
	052958-01-000	EA	Tee - Plastic - 1/2 F x 1/2 F x 1/2 F
	074463-01-000	EA	Tee - 4 Way - 1/2" Flare
	039800-01-000	FT	Tubing - Polybutyl - 1/2 O.D. (Water Line)
	079381-01-000	FT	Tubing - Flexible - Smooth - 1.25 I.D.
	074462-02-000	FT	Tubing - Vinyl - 3/8 I.D.
	082421-01-000	EA	Valve - 1 1/2" - w/Handle
	082985-01-000	EA	Valve - Waste - 3"
	052980-01-000	EA	Valve - Line Drain - 1/2 F x 1/2 F
	010073-01-000	EA	Wye - Plastic - 1 1/2 x 45 H x H
	079988-01-000	EA	Vent - Mechanical Trap Arm
**	051391-03-000	EA	Water Heater - w/o Motor Aid - Electric Ignition - Atwood - G6A-3E
**	051393-01-000	EA	Water Heater - Direct Ignition - Atwood - GH6-3E

Key	Part Number	U/B:	Description
	085133-01-000	EA	Base - Refrigerator Vent
	084073-04-000	EA	Base - Refrigerator Vent - Styled - Off White
	085133-02-000	EA	Roof Vent - Refrigerator
	084073-03-000	EA	Roof Vent - Refrigerator - Styled - Off White
**	080384-01-X11	EA	Roof Vent Asm. - Power Exhaust - w/o Screen
**	084079-02-000	EA	Roof Vent Asm. - Power Exhaust (Fantastic)
**	080385-01-X11	EA	Roof Vent Asm. - Non Power - w/o Screen
**	078785-01-T03	EA	Screen Asm. - Roof Vent - Powered
**	078785-01-T03	EA	Screen Asm. - Roof Vent - Non Powered
	084878-01-000	EA	Vent - Range Hood - Sidewall - Straight (Duct)
	084818-01-000	EA	Shroud - Range Hood Vent - Off White (Outside)

\*\* The illustrated parts breakdown for this item is provided on the Common Items Fiche.

Introduction	A-01 - A-02
Accessories	A-03 - A-04
Bath Group	A-05
Chassis Group	A-06 - A-08
Curtain, Cushion & Pad Group	A-10 - A-22
Driver's Compartment Group	A-23 - A-24
Electrical Group	B-01 - B-03
Exterior Body Group	B-04 - B-17
Galley Group	B-18 - B-19
Heating & Air Conditioning Group	B-20
Interior Finish Group	B-21 - C-01
LP Group	C-02
Water & Sewage Group	C-03
Window, Vent & Exterior Door Group	C-04 - C-20

\*\*The illustrated parts breakdown for this item is provided on the Common Item Fiche.



**1988 C-SERIES  
COMMON ITEMS  
TABLE OF CONTENTS**

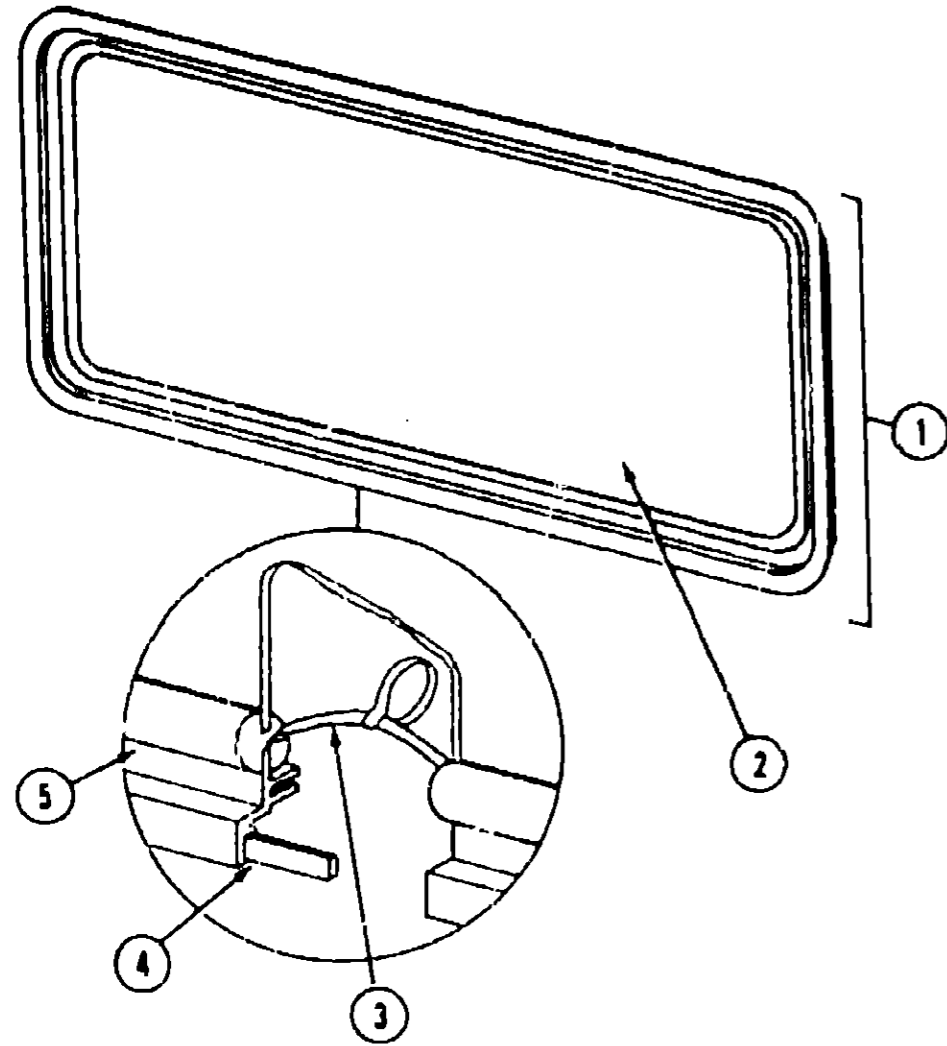
Introduction	A-01 - A-02
Accessories Group	A-03 - A-04
Bath Group	A-05
Chassis Group	A-06 - A-09
Curtain, Cushion & Pac Group	A-10 - A-22
Driver's Compartment Group	A-23 - A-24
Electrical Group	B-01 - B-03
Exterior Body Group	B-04 - B-17
Galley Group	B-18 - B-19
Heating & Air Conditioning Group	B-20
Interior Finish Group	B-21 - C-01
LP Group	C-02
Water & Sewage Group	C-03
Window, Vent & Exterior Door Group	C-04 - C-20

Key	Part Number	U/M	Description
1	085353-06-W07	EA	Window Asm. - Single Tipout (w/o inside frame)
•	081822-07-000	EA	Inside Frame - Black (not included in assembly)
2	084068-03-000	EA	Glass - 1/8" x 9.24" x 25.82" - Tipout
2	084580-06-W07	EA	Screen Asm. - Tipout Window - Single
3	084473-02-000	EA	Seal - Rubber - Tipout Window
4	083112-01-000	EA	Mullion - Horizontal - Black
5	081239-12-000	EA	Glass - 1/8" x 25.7" x 25.1" - Stationary
6	083180-01-000	FT	Window Seal (Stationary)
•	035302-02-000	EA	Operators Mech - Slant - Left
•	002291-02-000	JF	Screen - 16" - Charcoal
•	002298-02-000	FT	Spline - .130 Dia. - Charcoal
•	068927-03-000	EA	Rubber Seal - .31 x .80
•	081243-01-000	EA	Clip - Screen - Black Plastic
•	081357-01-000	FT	Foam Seal - Vinyl
•			Not illustrated

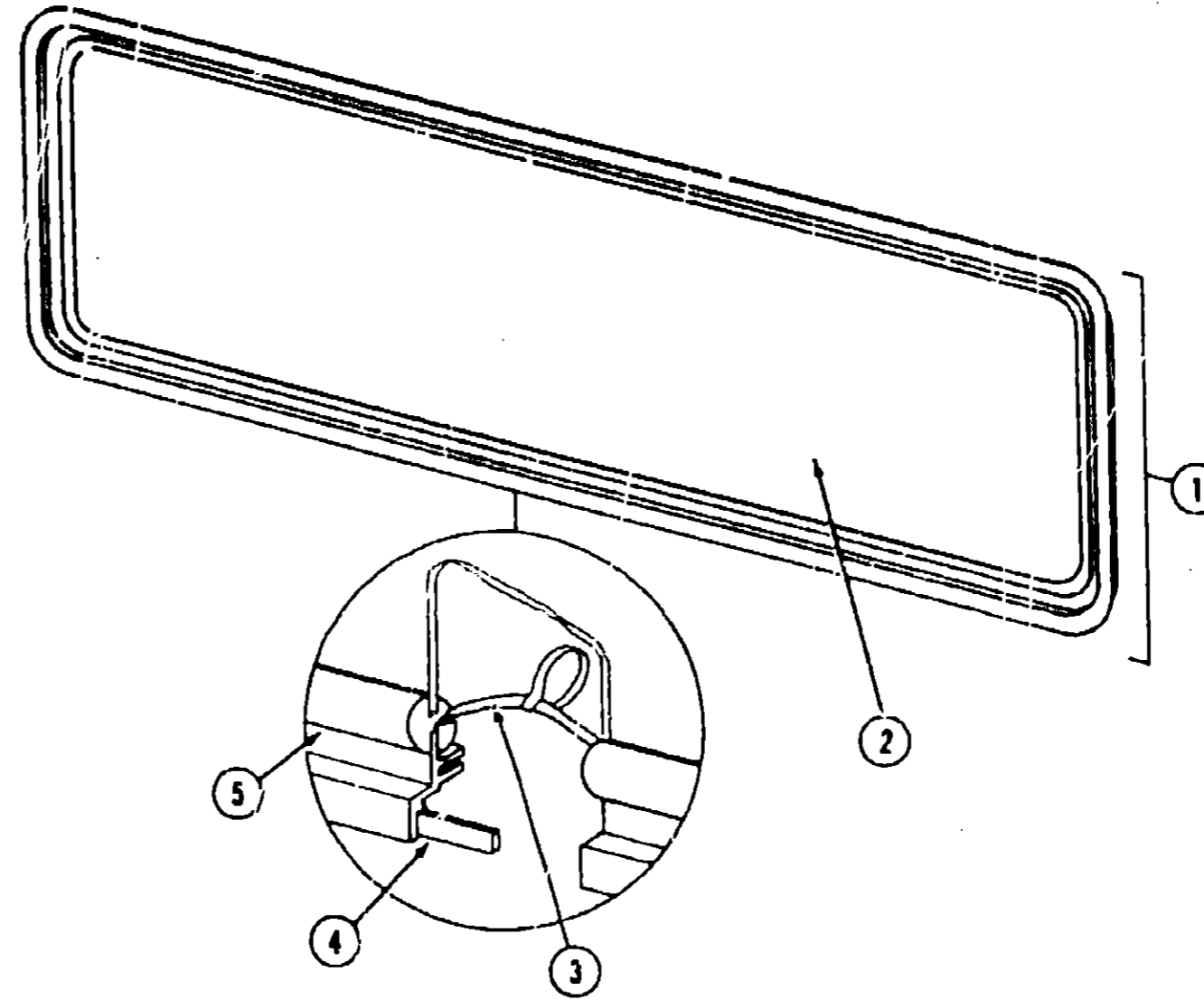
Key	Part Number	U/M	Description
1	085354-02-W07	EA	Window Asm. - Double Tipout (w/o inside frame)
•	084153-06-000	EA	Inside Frame - Black (not included in assembly)
2	084068-04-000	EA	Glass - 1/8" x 9.24" x 30.39" - Tipout
•	084581-01-W07	EA	Screen Asm. - Tipout - Right
•	084581-02-W07	EA	Screen Asm. - Tipout - Left
3	084067-01-000	FT	Seal - "P" - Sponge Rubber
4	084154-01-000	EA	Mullion - Vertical - Black
•	084066-01-000	FT	Bulb Seal - Double - Sponge Rubber
5	083112-05-000	EA	Mullion - Horizontal - Black
•	081357-01-000	FT	Foam Seal - Vinyl
6	081239-11-000	EA	Glass - 1/8" x 61.7" x 20.5" - Stationary
•	002291-02-000	SF	Screen - 16" Window
•	002298-02-000	FT	Spline - .130 Dia. - Charcoal (Screen)
•	081243-01-000	EA	Clip - Screen - Plastic
•	080918-01-000	EA	Spring - Torque Tube - Right
•	080918-02-000	EA	Spring - Torque Tube - Left
•	035302-01-000	EA	Operating Mech - Right
•	035302-02-000	EA	Operating Mech - Left
•			Not illustrated

**1988 C-SERIES  
COMMON ITEMS  
TABLE OF CONTENTS**

Introduction	A-01 - A-02
Accessories	A-03 - A-04
Bath Group	A-05
Chassis Group	A-06 - A-08
Curtain, Cushion & Pad Group	A-10 - A-22
Driver's Compartment Group	A-23 - A-24
Electrical Group	B-01 - B-03
Exterior Body Group	B-04 - B-17
Galley Group	B-18 - B-19
Heating & Air Conditioning Group	B-20
Interior Finish Group	B-21 - C-01
LP Group	C-02
Water & Sewage Group	C-03
Window, Vent & Exterior Door Group	C-04 - C-20



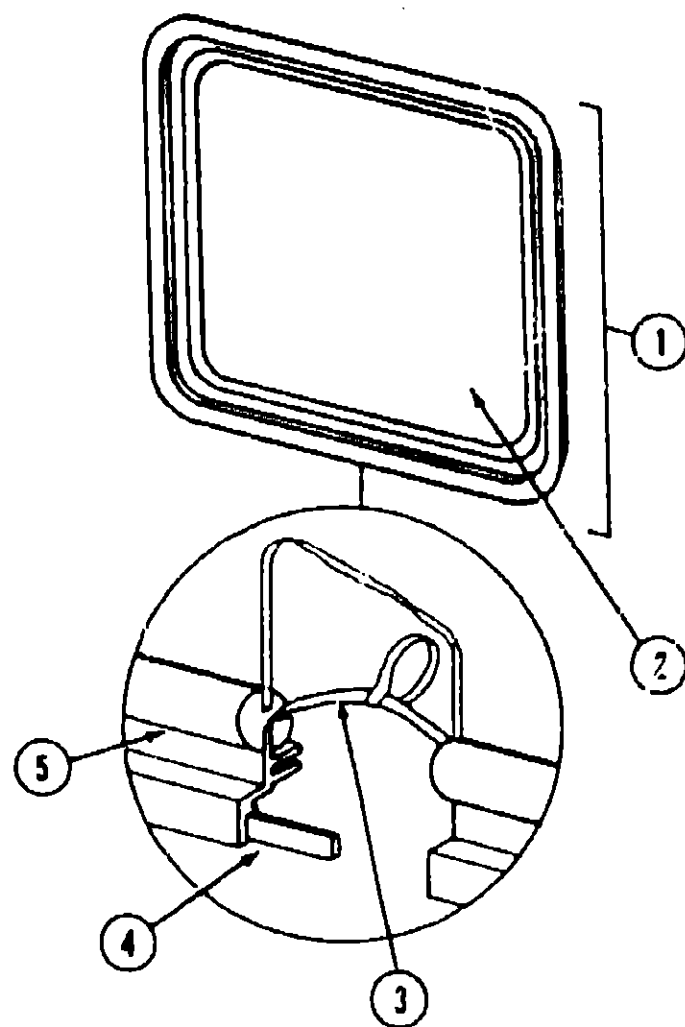
Key	Part Number	U/M	Description
1	078528-01-T03	EA	Window Asm. - 21.5" x 47" - Escape (w/o inside frames)
•	074816-05-000	EA	Inside Frame - Tan (not included in assembly)
2	002174-02-000	EA	Glass - 1/8" x 44.82" x 19.61"
3	002285-01-000	FT	Filler - Weatherstrip - Black
4	069640-07-000	FT	Sealer Ribbon - 2" x 30'
5	002282-01-000	FT	Weatherstrip - Window - .125" Black
•	006199-01-000	EA	Label - Exit - Escape Window
•			Not illustrated



Key	Part Number	U/M	Description
1	078536-01-T03	EA	Window Asrn. - Rear Escape - 23" x 68" - Black (w/o inside frame)
•	042027-05-000	EA	Inside Frame (not included in assembly)
2	002178-01-000	EA	Glass - 1/8" x 19.61" x 64.80"
3	002285-01-000	FT	Filler - Weatherstrip - Black
4	069640-05-000	FT	Ribbon Sealer - 5/16" Bead x 15'
5	002282-01-000	FT	Weatherstrip - .125" Window
•	006199-01-000	EA	Label - Exit - Escape Window
•			Not illustrated

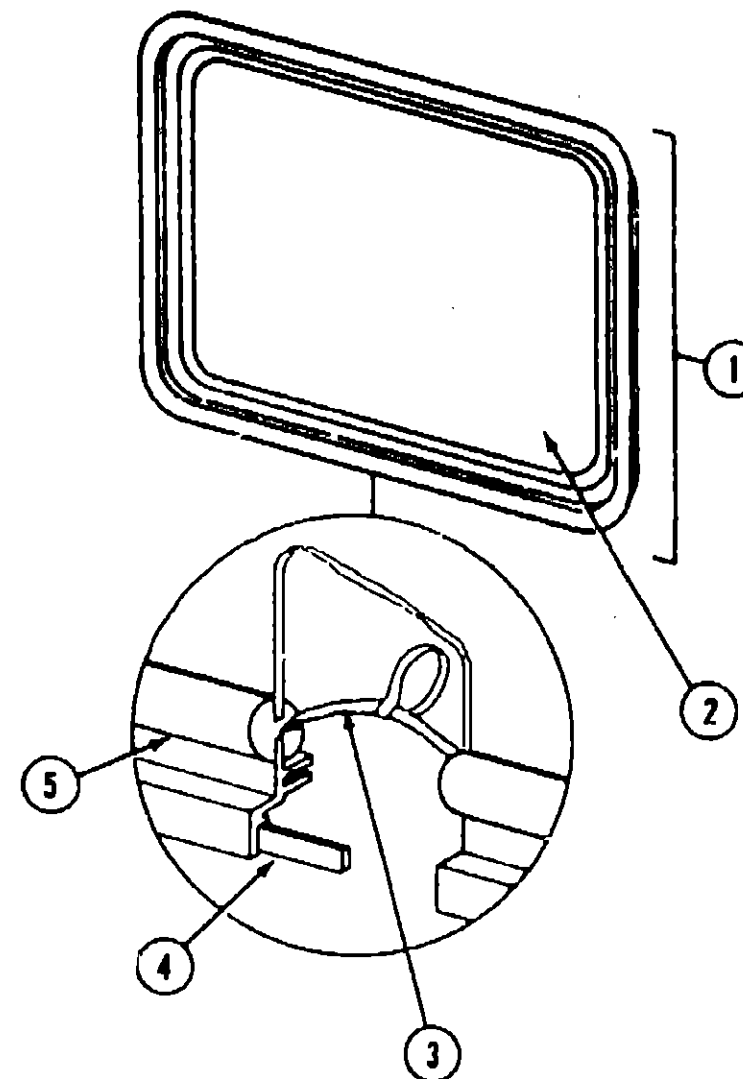
1988 C-SERIES  
COMMON ITEMS  
TABLE OF CONTENTS

Introduction	A-01 - A-02
Accessories	A-03 - A-04
Bath Group	A-05
Chassis Group	A-06 - A-08
Curtain, Cushion & Pad Group	A-10 - A-22
Driver's Compartment Group	A-23 - A-24
Electrical Group	B-01 - B-03
Exterior Body Group	B-04 - B-17
Galley Group	B-18 - B-19
Heating & Air Conditioning Group	B-20
Interior Finish Group	B-21 - C-01
LP Group	C-02
Water & Sewage Group	C-03
Window, Vent & Exterior Door Group	C-04 - C-20



Key	Part Number	U/M	Description
1	079729-02-T03	EA	Window Asm. - Sidewall Escape - 22" x 24" - Black (w/o inside frame)
*	079771-01-00G	EA	Inside Frame - Beige (not included in assembly)
2	041392-03-000	EA	Glass - 1/8" x 21.6" x 19.6"
3	002285-01-000	FT	Filler - Weatherstrip - Black
4	069640-05-000	FT	Ribbon Sealer - 5/16" Bead x 15'
5	002282-01-000	FT	Weatherstrip - .125" Window
*	006199-01-000	EA	Label - Exit - Escape Window
*			Not illustrated

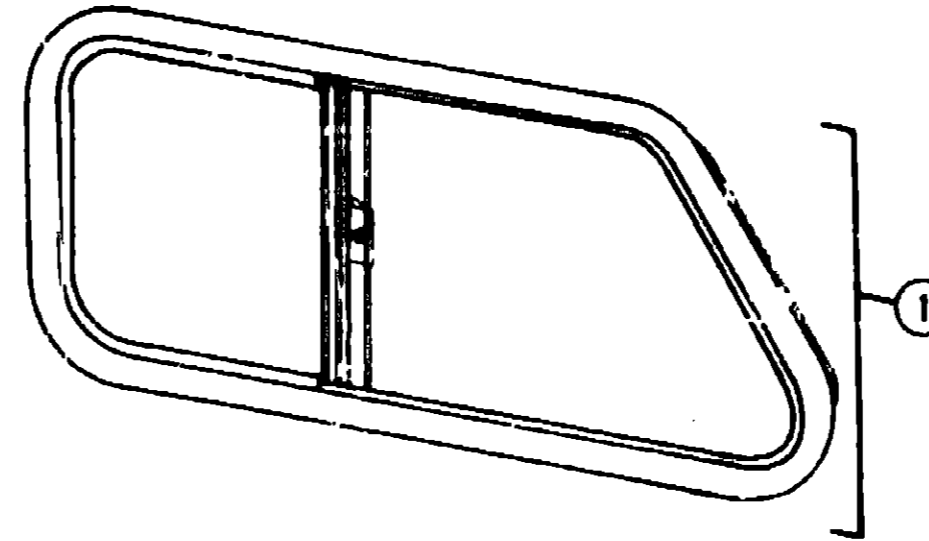
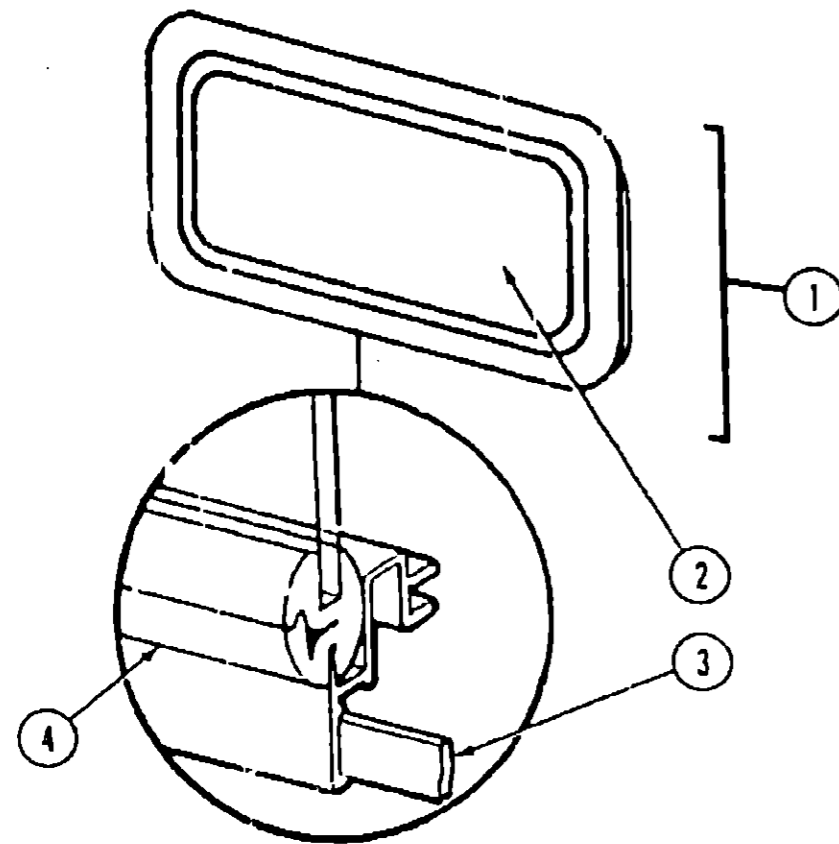
Key	Part Number	U/M	Description
1	079729-03-W17	EA	Window Asm. - Rear Escape - 22" x 24" - Black (w/o inside frame)
*	020749-07-000	EA	Inside Frame (not included in assembly)
2	041392-03-000	EA	Glass - 1/8" x 21.6" x 19.6"
3	002285-01-000	FT	Filler - Weatherstrip - Black
4	069640-05-000	FT	Ribbon Sealer - 5/16" Bead x 15'
5	002282-01-000	FT	Weatherstrip - .125" Window
*	006199-01-000	EA	Label - Exit - Escape Window
*			Not illustrated



Key	Part Number	U/M	Description
1	079415-01-T03	EA	Window Asm. - Rear Escape - 23" x 29" - Black (w/o inside frame)
*	020749-05-000	EA	Inside Frame - Beige (not included in assembly)
2	002174-02-000	EA	Glass - 1/8" x 19.6" x 25.9"
3	002285-01-000	FT	Filler - Weatherstrip - Black
4	069640-05-000	FT	Ribbon Sealer - 5/16" Bead x 15'
5	002282-01-000	FT	Weatherstrip - 1.25" Window
*	006199-01-000	EA	Label - Exit - Escape Window
*			Not illustrated

**1988 C-SERIES  
COMMON ITEMS  
TABLE OF CONTENTS**

Introduction	A-01 - A-02
Accessories	A-03 - A-04
Bath Group	A-05
Chassis Group	A-06 - A-09
Curtain, Cushion & Pad Group	A-10 - A-22
Driver's Compartment Group	A-23 - A-24
Electrical Group	B-01 - B-03
Exterior Body Group	B-04 - B-17
Galley Group	B-18 - B-19
Heating & Air Conditioning Group	B-20
Interior Finish Group	B-21 - C-01
LP Group	C-02
Water & Sewage Group	C-03
Window, Vent & Exterior Door Group	C-04 - C-20

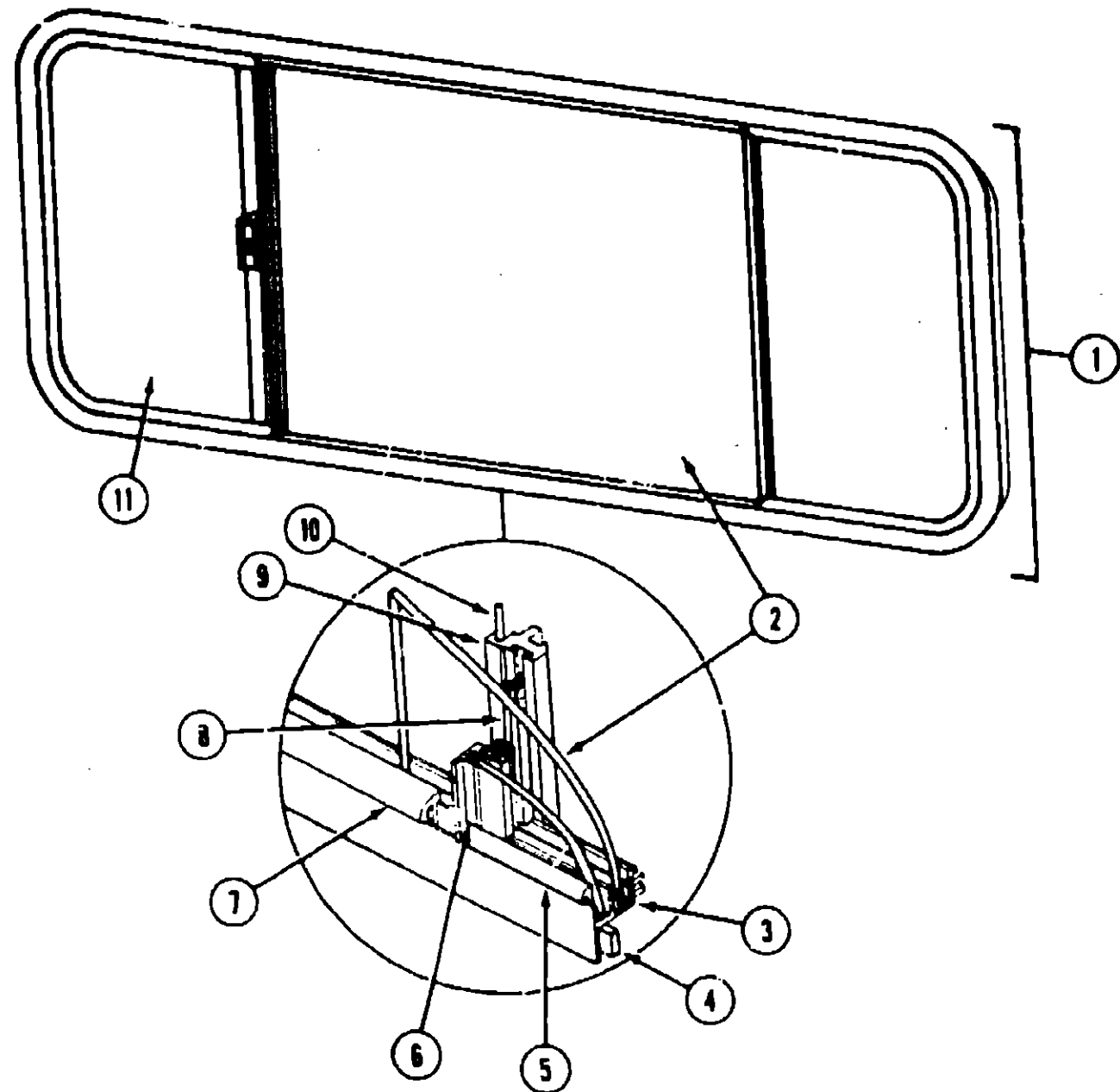


Key	Part Number	U/M	Description
1	078533-03-W17	EA	Window Asm. - Front Picture - 14" x 24" - Black (w/o inside frame)
•	041938-05-000	EA	Inside Frame - Black (not included in assembly)
2	002200-04-000	EA	Glass - TP - Picture Window
3	069640-06-000	FT	Ribbon Sealer - 5/16" Bead x 15'
4	002281-01-000	FT	Weatherstrip - Self Seal - .06" Panel x 3/16" - Black
•			Not illustrated

Key	Part Number	U/M	Description
1	078533-04-X08	EA	Window Asm. - Front Picture - 15" x 30" - Black (w/o inside frame)
•	041938-06-000	EA	Inside Frame - Beige (not included in assembly)
•	041938-08-000	EA	Inside Frame - Tan (not included in assembly)
2	002200-05-000	EA	Glass - TP - Picture Window
3	069640-06-000	FT	Ribbon Sealer - 5/16" Bead x 15'
4	002281-01-000	FT	Weatherstrip - Self Seal - .06" Panel x 3/16" - Black
•			Not illustrated

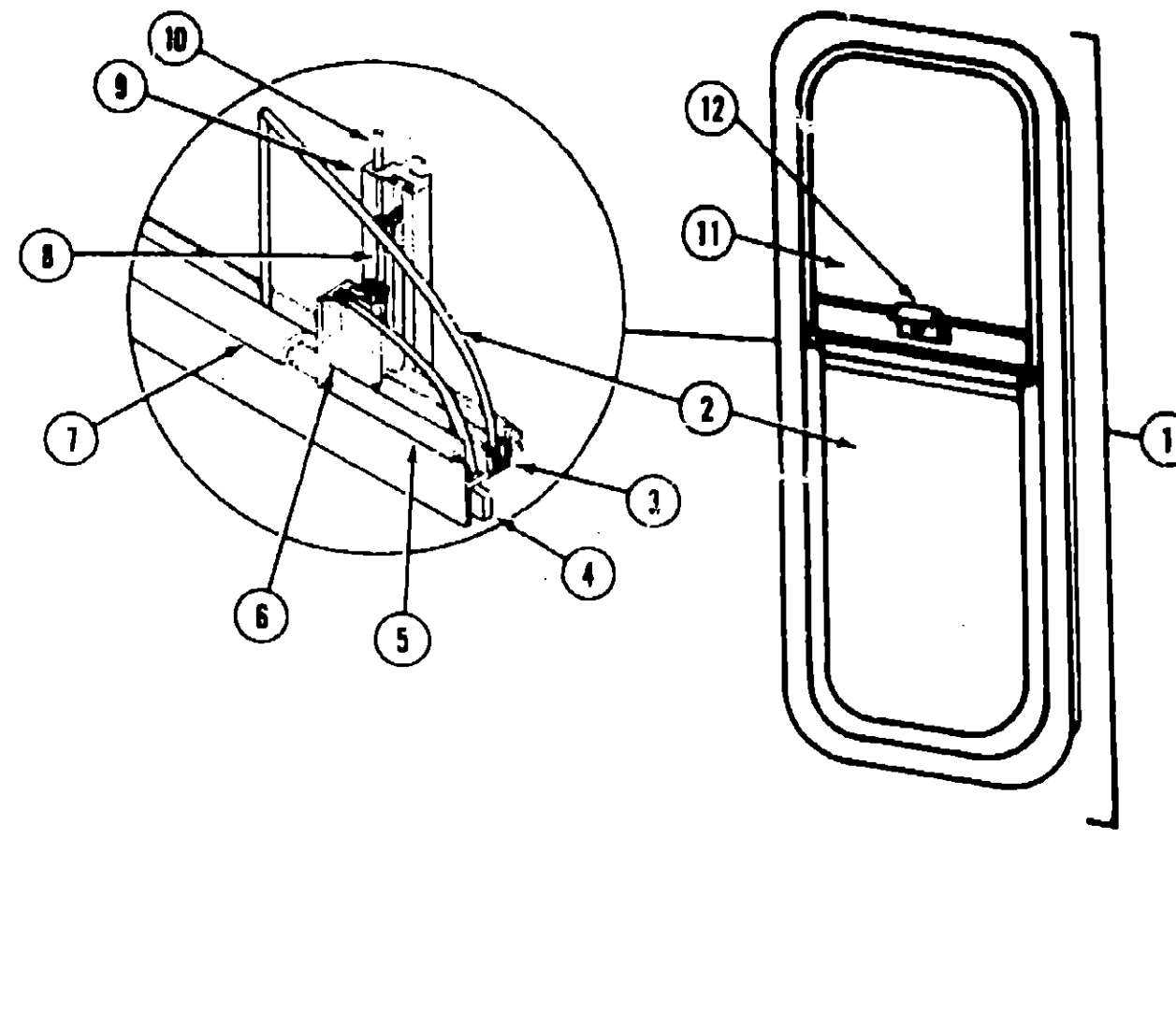
Key	Part Number	U/M	Description
1	086227-01-000	EA	Window Asm. - Bunk Slanted Slider (Passenger)
1	086227-02-000	EA	Window Asm. - Bunk Slanted Slider (Driver)
•	086228-05-000	EA	Inside Frame - Bunk Slanted Slider (Passenger)
•	086228-06-000	EA	Inside Frame - Bunk Slanted Slider (Driver)
•	069640-06-000	FT	Ribbon Sealer - 5/16" Bead x 15'
•			Not illustrated

**WINDOW, VENT & EXTERIOR DOOR GROUP (CONTINUED)**



Key	Part Number	U/M	Description
1	078271-01-T03	EA	Window Asm. - Center Slider - 25" x 56" - Black (w/o inside frame)
*	083122-22-000	EA	Inside Frame - Tan (not included in assembly) (Campsite)
2	066727-02-000	EA	Glass - Sliding - 1/8" x 25.5" x 24"
3	002324-02-000	FT	Channel - Weatherstrip - Glass
4	069640-06-000	FT	Tape - 1/4" Bead x 15'
5	002309-02-000	FT	Spline - Glass - 1/8" Material - Black
6	M69886-03-000	EA	Seal Holder w/Fin Seal - Fin Pile - 23.19"
7	057374-02-000	FT	Extr. Vinyl - Window Seal - Black
8	073740-01-000	FT	Fin Seal - .460" Pile
9	084170-04-000	EA	Mullion - Slider Window - Black
10	002298-02-000	FT	Spline - .130" Dia. - Charcoal (Screen)
11	081984-07-000	EA	Glass - Stationary - 1/8" x 24" x 16.53"
*	002293-02-000	SF	Screen - Window - 26" - Charcoal
*	047369-01-700	EA	Latch Kit - Window - 26" - Charcoal
*			Not illustrated

**WINDOW, VENT & EXTERIOR DOOR GROUP (CONTINUED)**

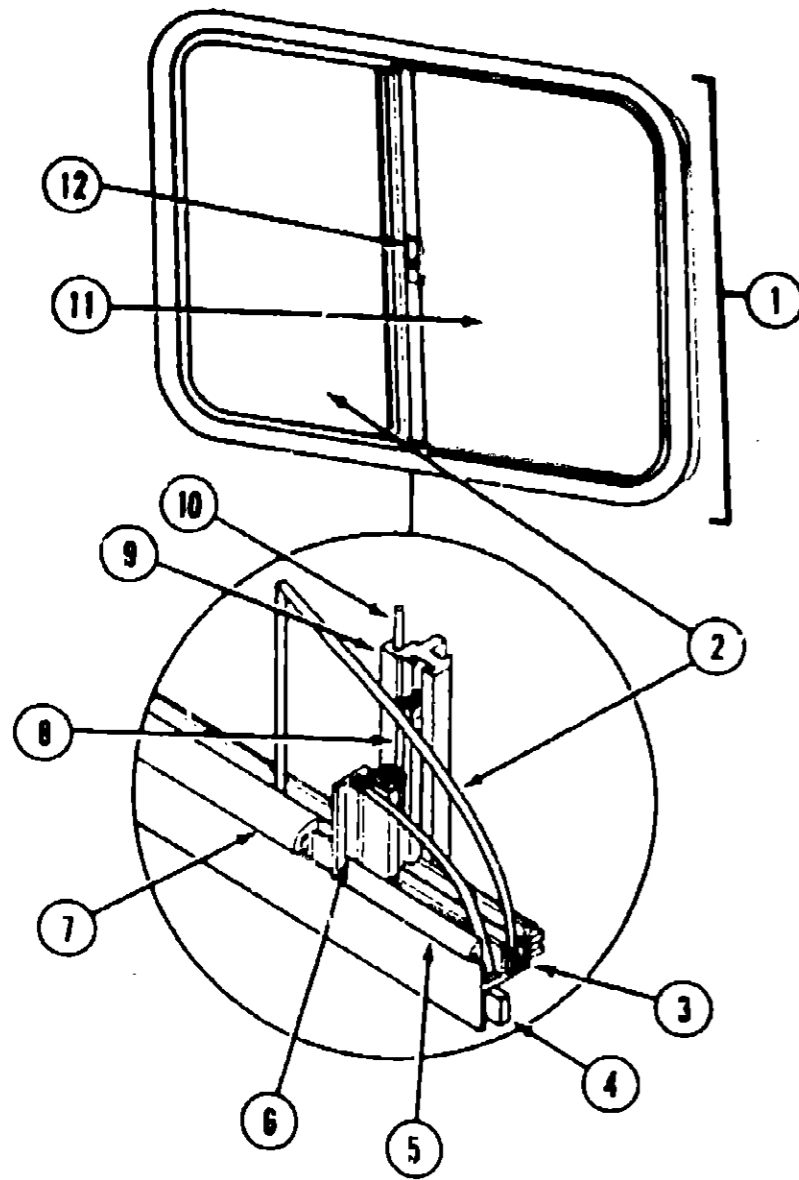


Key	Part Number	U/M	Description
1	078453-01-T03	EA	Window Asm. - Vertical Slider - 37" x 15" - Black (w/o inside frame)
*	083122-01-000	EA	Inside Frame - Beige (not included in assembly)
2	081980-03-000	EA	Glass - Slider - 1/8" x 14.4" x 19"
3	002324-02-000	FT	Channel - Weatherstrip - Glass Run - 1/8" Glass
4	069640-06-000	FT	Ribbon Sealer - 5/16" Bead x 15'
5	002309-02-000	FT	Spline - Glass - 1/8" Material - Black
6	M69886-03-007	EA	Seal Holder w/Fin Seal - Black
7	057374-02-000	FT	Extr. Ribbon - Window Seal - Black
8	073740-01-000	FT	Seal - Fin - Pile - .460"
9	078562-01-000	EA	Mullion - Slider Window - Black
10	002298-02-000	FT	Spline - .130" Dia. - Charcoal (Screen)
11	081984-02-000	EA	Glass - Stationary - 1/8" x 14.4" x 19"
12	047369-01-700	EA	Latch Kit - Window - Plastic w/Fastener
*	079204-01-000	EA	Bracket - Mullion - Black
*	002291-02-000	SF	Screen - Window 16" - Charcoal
*			Not illustrated

**1988 C-SERIES  
COMMON ITEMS  
TABLE OF CONTENTS**

Introduction	A-01 - A-02
Accessories	A-03 - A-04
Bath Group	A-05
Chassis Group	A-06 - A-08
Curtain, Cushion & Pad Group	A-10 - A-22
Driver's Compartment Group	A-23 - A-24
Electrical Group	B-01 - B-03
Exterior Body Group	B-04 - B-17
Galley Group	B-18 - B-19
Heating & Air Conditioning Group	B-20
Interior Finish Group	B-21 - C-01
LP Group	C-02
Water & Sewage Group	C-03
Window, Vent & Exterior Door Group	C-04 - C-20

1988 C-SERIES  
COMMON ITEMS  
TABLE OF CONTENTS



Key	Part Number	U/M	Description
1	078266-06-T03	EA	Window Asm. - Single Slider - 24.5" x 43" - Driver (w/o inside frame)
1	078266-05-T03	EA	Window Asm. - Single Slide - 24.5" x 43" - Passenger (w/o inside frame)
.	083122-07-000	EA	Inside Frame - Beige (not included in assembly)
2	081980-04-000	EA	Glass - Sliding - 1/8" x 24" x 21.03"
3	002324-02-000	FT	Channel - Weatherstrip - Glass Run - 1/8" Glass
4	069640-06-000	FT	Ribbon Sealer - 5/16" Bead x 15'
5	002309-02-000	FT	Spline - Glas - 1/8" Material - Black
6	M69886-03-003	EA	Seal Holder w/Fin Seal - Black
7	057374-02-000	FT	Extr. Rubber - Window Seal - Black
8	073740-01-000	FT	Seal - Fin - Pile - .460"
9	078562-04-000	EA	Mullion - Slider Window - Black
10	002298-02-000	FT	Spline - .130" Dia. Charcoal (Screen)
11	081984-05-000	EA	Glass - Stationary - 1/8" x 24" x 23.49"
12	047369-01-700	EA	Latch Kit - Window - Plastic w/Fastener
.	079204-01-000	EA	Bracket - Mullion - Black
.	002293-02-000	SF	Screen - Window 26" - Charcoal (Screen)
.			Not illustrated

Key	Part Number	U/M	Description
1	078266-08-W17	EA	Window Asm. - Single Slider - Passenger - 22.5" x 25" (w/o inside frame)
.	083122-05-000	EA	Inside Frame - Beige (not included in assembly)
2	081980-02-000	EA	Glass - Sliding - 1/8" x 22" x 13.68"
3	002324-02-000	FT	Channel - Weatherstrip - Glass Run - 1/8" Glass
4	069640-06-000	FT	Ribbon Sealer - 5/16" Bead x 15'
5	002309-02-000	FT	Spline - Glass - 1/8" Material - Black
6	M18025-03-000	EA	Seal Holder w/Fin Seal - Black
7	057374-02-000	FT	Extr. Rubber - Window Seal - Black
8	073740-01-000	FT	Seal - Fin - Pile - .460"
9	084170-03-000	EA	Mullion - Slider Window - Black
10	002298-02-000	SF	Spline - .130" Dia. - Charcoal (Screen)
11	081984-01-000	EA	Glass - Stationary - 1/8" x 22" x 18.53"
12	047369-01-700	EA	Latch Kit - Window - Plastic w/Fastener
.	079204-01-000	EA	Bracket - Mullion - Black
.	002293-02-000	SF	Screen - Window - 26" - Charcoal
.			Not illustrated

Key	Part Number	U/M	Description
1	078266-02-T03	EA	Window Asm. - Single Slider - Driver - 19.25" x 24.5" (w/o inside frame)
1	078266-03-T03	EA	Window Asm. - Single Slider - Passenger - 19.25" x 24.5" (w/o inside frame)
.	083122-03-000	EA	Inside Frame - Beige (not included in assembly)
2	081980-05-000	EA	Glass - Sliding - 1/8" x 19" x 13.68"
3	002324-02-000	FT	Channel - Weatherstrip - Glass Run - 1/8" Glass
4	069640-06-000	FT	Ribbon Sealer - 5/16" Bead x 15'
5	002309-02-000	FT	Spline - Glass - 1/8" Material - Black
6	M69886-03-011	EA	Seal Holder w/Fin Seal - Black
7	057374-02-000	FT	Extr. Rubber - Window Seal - Black
8	073740-01-000	FT	Seal - Fin - Pile - .460"
9	078562-02-000	EA	Mullion - Slider Window - Black
10	002298-02-000	SF	Spline - .130" Dia. - Charcoal (Screen)
11	081984-03-000	EA	Glass - Stationary - 1/8" x 19" x 12.30"
12	047369-01-700	EA	Latch Kit - Window - Plastic w/Fastener
.	079204-01-000	EA	Bracket - Mullion - Black
.	002291-02-000	SF	Screen - Window 16" - Charcoal
.			Not illustrated

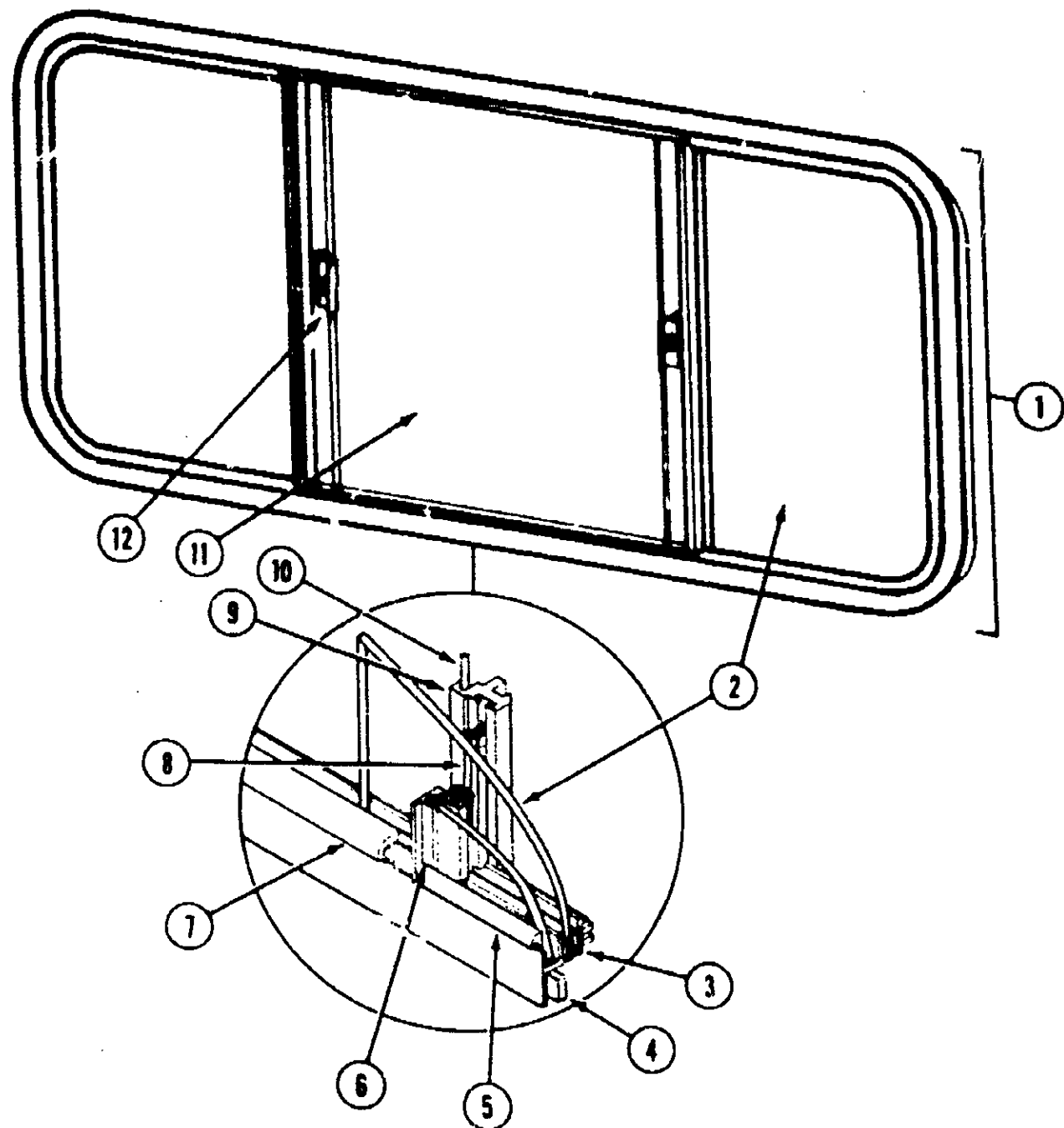
Key	Part Number	U/M	Description
1	078266-04-T03	EA	Window Asm. - 22.5" x 29" - Black (w/o inside frame)
.	083122-05-000	EA	Inside Frame - Beige (not included in assembly)
2	081980-02-000	EA	Glass - Sliding - 1/8" x 22" x 13.68"
3	002324-02-000	FT	Channel - Weatherstrip - Glass
4	069640-06-000	FT	Ribbon Sealer - 5/16" Bead x 15'
5	002309-02-000	FT	Spline - Glass - 1/8" Material - Black
6	M18025-03-000	EA	Seal - Holder w/Fin Seal - Black
7	057374-02-000	FT	Extr. Vinyl - Window Seal - Black
8	073740-01-000	FT	Seal - Fin - Pile - .460"
9	078562-03-000	EA	Mullion - Slider Window - Black
.	002293-02-000	SF	Screen - Window - 26" - Charcoal
10	002298-02-000	FT	Spline - .130" Dia. - Charcoal (Screen)
11	081984-01-000	EA	Glass - Stationary - 1/8" x 22" x 16.53"
12	047369-01-700	EA	Latch Kit - Window - Plastic w/Fastener
.			Not illustrated

Introduction	A-01 - A-02
Accessories	A-03 - A-04
Bath Group	A-05
Chassis Group	A-06 - A-08
Curtain, Cushion & Pad Group	A-10 - A-22
Driver's Compartment Group	A-23 - A-24
Electrical Group	B-01 - B-03
Exterior Body Group	B-04 - B-17
Galley Group	B-18 - B-19
Heating & Air Conditioning Group	B-20
Interior Finish Group	B-21 - C-01
LP Group	C-02
Water & Sewage Group	C-03
Window, Vent & Exterior Door Group	C-04 - C-20



**WINDOW, VENT & EXTERIOR DOOR GROUP (CONTINUED)**

**WINDOW, VENT & EXTERIOR DOOR GROUP (CONTINUED)**



Key	Part Number	U/M	Description
1	078269-01-T03	EA	Window Asm. - Double Slider - 25" x 65" - Black (w/o inside frame)
.	083122-09-000	EA	Inside Frame - Beige (not included in assembly)
.	083122-21-000	EA	Inside Frame (not included in assembly) (Composite)
2	081980-04-000	EA	Glass - Sliding - 1/8" x 24" x 21.3"
3	002324-02-000	FT	Channel - Weatherstrip - Glass Run - 1/8" Glass
4	069640-06-000	FT	Ribbon Sealer - 5/16" x 15'
5	002309-02-000	FT	Spline - Glass - 1/8" - Black
6	M89886-03-003	EA	Seal Holder w/Fin Seal - 23.18" - Black
7	057374-02-000	FT	Extr. Vinyl - Window Seal - Black
8	073740-01-000	FT	Seal - Fin - Pile - .460"
9	084170-04-000	EA	Mullion - Slider Window - Black
10	002298-02-000	FT	Spline - .130" Dia. - Charcoal (Screen)
11	002188-05-000	EA	Glass - Stationary - 1/8" x 24" x 25.5"
12	047369-01-700	EA	Latch Kit - Window - Plastic w/Fastener
.	079204-01-000	EA	Bracket - Mullion - Black
.	002293-02-000	SF	Screen - Window - 26" - Charcoal
.			Not illustrated

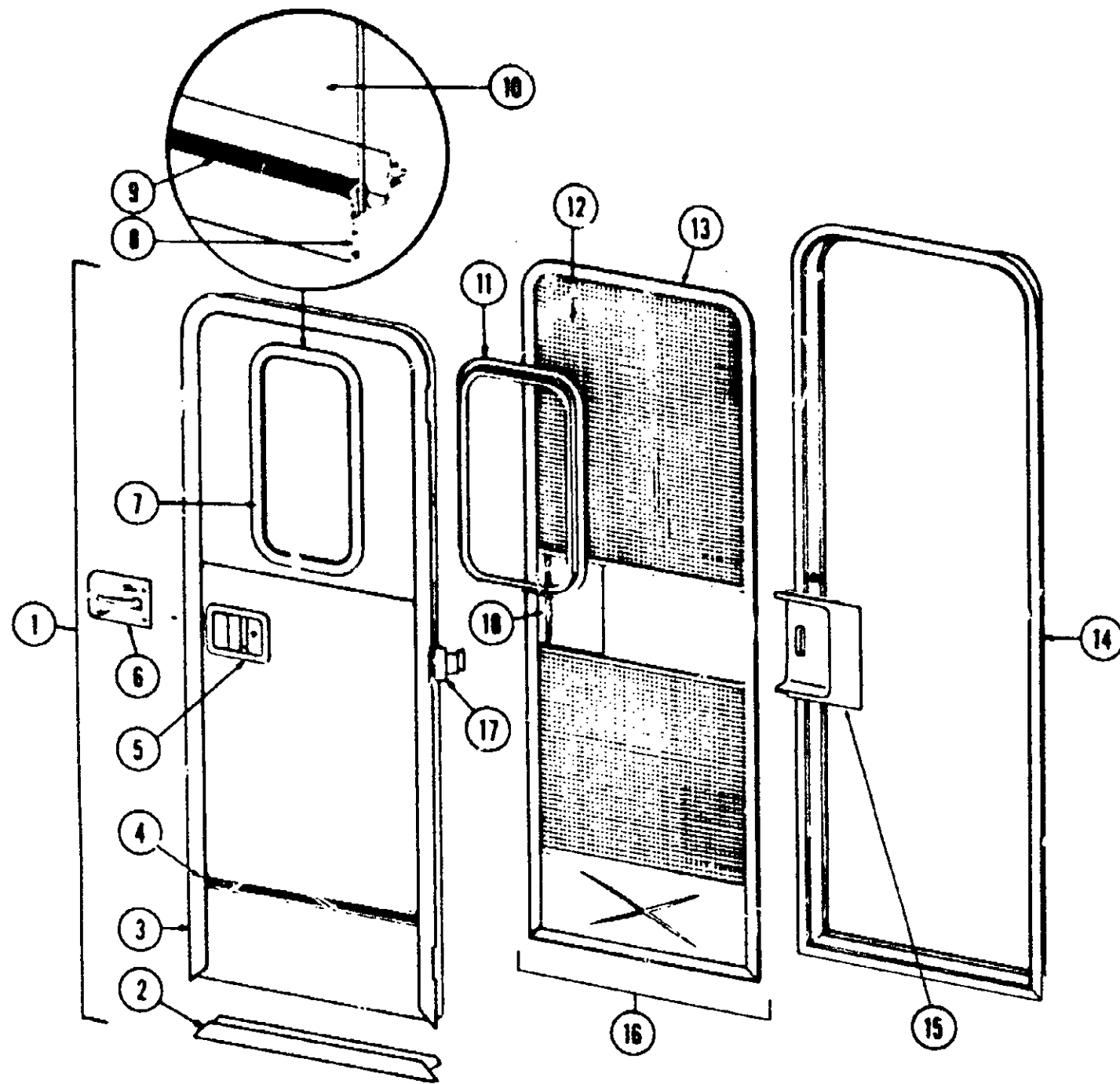
**1998 C-SERIES  
COMMON ITEMS  
TABLE OF CONTENTS**

Introduction	A-01 - A-02
Accessories	A-03 - A-04
Bath Group	A-05
Chassis Group	A-06 - A-08
Curtain, Cushion & Pad Group	A-10 - A-22
Driver's Compartment Group	A-23 - A-24
Electrical Group	B-01 - B-03
Exterior Body Group	B-04 - B-17
Galley Group	B-18 - B-19
Heating & Air Conditioning Group	B-20
Interior Finish Group	B-21 - C-01
LP Group	C-02
Water & Sewage Group	C-03
Window, Vent & Exterior Door Group	C-04 - C-20

Key	Part Number	U/M	Description
1	078269-02-W24	EA	Window Asm. - Double Slider - 31" x 62.5" (w/o inside frame)
.	083122-17-000	EA	Inside Frame - Beige (not included in assembly)
2	081980-07-000	EA	Glass - Sliding - 1/8" x 30.7" x 20.3" - Gray
3	002324-02-000	FT	Channel - Weatherstrip - Glass
4	069640-06-000	FT	Ribbon Sealer - 5/16" Bead x 15'
5	002309-02-000	FT	Spline - Glass - 1/8" Material - Black
6	018025-11-000	EA	Seal Holder - 1/8" Glass - Black
7	057374-02-000	FT	Extr. Vinyl - Window Seal - Black
8	073740-01-000	FT	Seal - Fin - Pile - .460"
9	084170-08-000	EA	Mullion - Slider Window - Black
.	002293-02-000	SF	Screen - Window - 26" - Charcoal
10	002298-02-000	FT	Spline - .130" Dia. - Charcoal (Screen)
11	002188-07-000	EA	Glass - Stationary - 1/8" x 30.7" x 24.8"
12	047369-01-700	EA	Latch Kit - Window - Plastic w/Fastener
.			Not illustrated

ENTRANCE & SCREEN DOOR

1988 C-SERIES  
COMMON ITEMS  
TABLE OF CONTENTS



Key	Part Number	U/M	Description
1	M01870-02-W04	EA	Door Asm. - w/Screen Door (WC421RB, IC421RB, WF421RB, IF421RB, IC424RC, IF424RC, IF428RT)
1	M01870-03-W04	EA	Door Asm. - w/Screen Door (WF420RG, IF420RG, IF424RB)
1	M01870-03-X08	EA	Door Asm. - w/Screen Door (WC420RG, IC420RG, IC424RB)
1	M01870-10-X01	EA	Door Asm. - w/Screen Door (WT319RB, IT319RB)
1	M01870-10-W17	EA	Door Asm. - w/Screen Door (WT319RK, IT319RK)
1	M01870-13-X87	EA	Door Asm. - w/o Screen Door (WC420EG, IC420EG)
1	M01870-19-X08	EA	Door Asm. - w/Screen Door (WC424RC, WF424RC, WF428RT)
1	M01870-20-X08	EA	Door Asm. - w/Screen Door (WC424RB, WF424RB)
2	077998-01-000	EA	Frame (used w/Mesa sidewall)
2	077998-04-000	EA	Frame (used w/smooth sidewall)
3	078000-02-000	EA	Frame - Entry Door (except bottom portion)
4	059576-05-000	EA	Feature Strip w/o Insert - Extr. - 14" - Off White
4	001030-02-003	EA	Insert - Feature Strip - 17" - Stucco - Off White
4	009731-01-000	EA	End Cap - Feature Strip
5	045017-05-000	EA	Paddle Asm. - Door Lock - Exterior
5	045017-05-700	EA	Lock Cylinder w/Keys - Lynor
5	039539-01-000	EA	Striker Bolt - Entry Door
5	039540-01-000	EA	Latch Claw - Entry Door
5	039738-01-000	EA	Dead Bolt - Entry Door
5	083205-01-000	EA	Dead Bolt - Press Fit
6	039979-01-000	EA	Plate - Inside Lock - Included inside Handle
6	052186-01-000	EA	Lock Asm. - Complete - Lynor
7	074733-04-T03	EA	Window Asm. - Picture - 17" x 25" - Black (w/o inside frame)
8	069640-06-000	FT	Ribbon Sealer - 5/16" Bead x 15'
9	002309-02-000	FT	Spline - Glass - 1/8" Black
10	073113-01-000	EA	Glass - Picture Window - 1/8" x 16.25" x 24" - Gray
11	069609-03-000	EA	Inside Frame - Beige (not included in assembly)
12	002293-02-000	SF	Screen - Window - 26" - Charcoal
13	056795-02-000	FT	Seal Tape - 1/8" x 3/8" - Press On
14	078591-03-000	EA	Jamb Asm. - Entrance Door
14	078591-05-000	EA	Jamb Asm. - Entrance Door (w/ T319RK, IT319RK)
15	079086-02-000	EA	Slider - Screen Door - Light Color Plastic
16	079012-01-U01	EA	Door Asm. - Screen
17	079561-08-000	EA	Hinge - Entrance Door (3 used per door)
17	079087-02-000	EA	Cap - Screen Door - Off White Plastic
18	009016-01-000	EA	Catch - Elbow - Spring Loaded - Screen Door
18	009018-01-000	EA	Catch Asm. - Single Roller - Screen Door
18	076231-01-000	EA	Spacer - Latch - Screen Door
18	058025-02-000	EA	Clip - Roller Latch Catch
18	044582-02-000	EA	Drip Cap - Off White
18	075739-01-000	EA	Stiffener - Entrance Door - Off White
18	075673-01-000	FT	Seal - Pile - Adhesive Back
18	075671-01-000	FT	Seal - Sponge - Lazy "T" Shaped
18	002294-01-000	FT	Spline - Black - .135" x 138 (Screen Door)
18	063729-04-000	EA	Rivnut - 10-32 UNF - 010 - .080
18	075639-04-000	EA	Garnish - Radius - Entrance Door
			Not illustrated

Introduction	A-01 - A-02
Accessories	A-03 - A-04
Bath Group	A-05
Chassis Group	A-06 - A-08
Curtain, Cushion & Pad Group	A-10 - A-22
Driver's Compartment Group	A-23 - A-24
Electrical Group	B-01 - B-03
Exterior Body Group	B-04 - B-17
Galley Group	B-18 - B-19
Heating & Air Conditioning Group	B-20
Interior Finish Group	B-21 - C-01
LP Group	C-02
Water & Sewage Group	C-03
Window, Vent & Exterior Door Group	C-04 - C-20