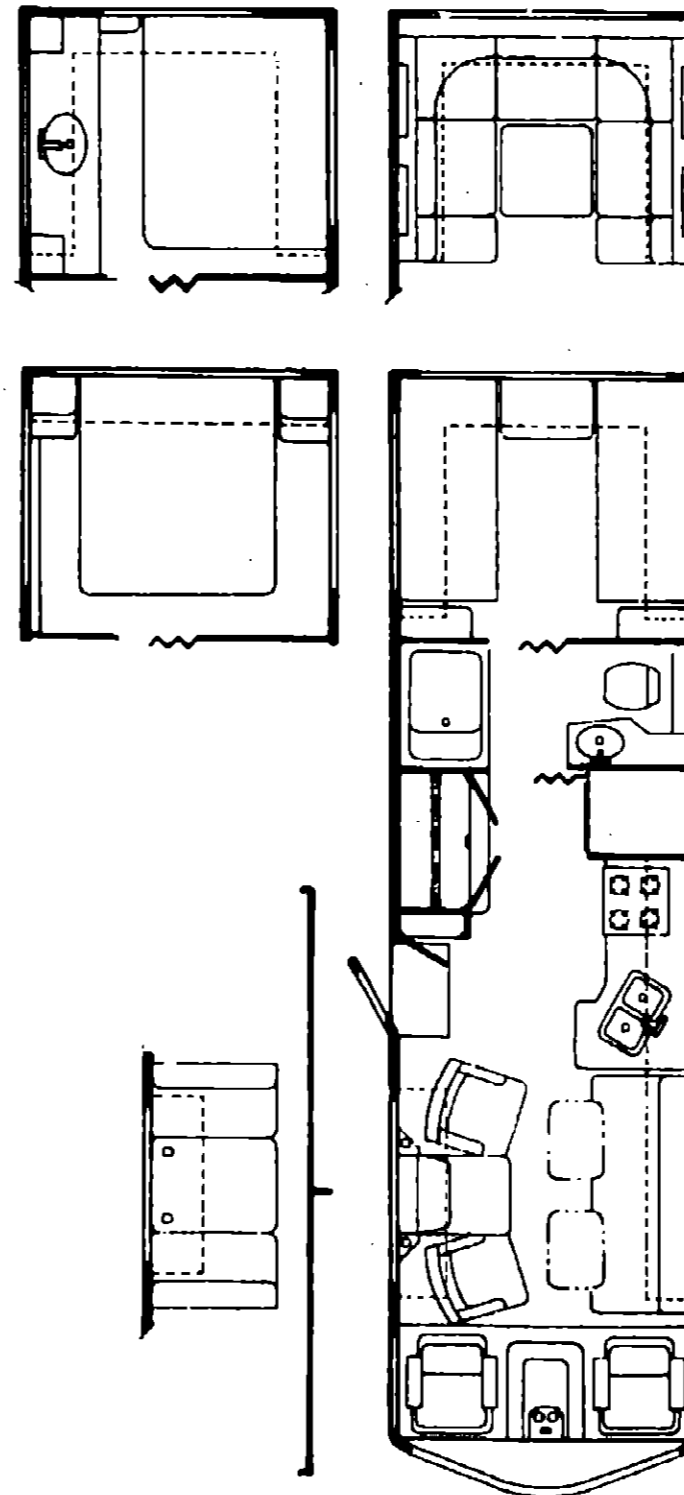


# 1987 WJN32RQ



## 1987 WINNEBAGO TABLE OF CONTENTS

|         |             |
|---------|-------------|
| WT319RK | A-01 - B-16 |
| WF421RB | B-17 - D-18 |
| WJN32RQ | D-17 - G-05 |

## 1987 WJN32RQ INDEX

|                                    |             |
|------------------------------------|-------------|
| Floor Plan                         | D-17 - D-18 |
| Accessories Group                  | D-19 - D-21 |
| Bath Group                         | D-22 - D-23 |
| Chassis Group                      | D-24 - E-02 |
| Curtain, Cushion & Pad Group       | E-03 - E-12 |
| Dinette Group                      | E-13 - E-14 |
| Driver's Compartment Group         | E-15 - E-17 |
| Electrical Group                   | E-18 - E-20 |
| Exterior Body Group                | E-21 - F-02 |
| Galley Group                       | F-03 - F-05 |
| Heating & Air Conditioning Group   | F-06        |
| Interior Finish Group              | F-07 - F-09 |
| LP Group                           | F-10        |
| Lounge Group                       | F-11 - F-14 |
| Water & Sewage Group               | F-15 - F-16 |
| Window, Vent & Exterior Door Group | F-17 - G-05 |

## ACCESSORIES GROUP

### RADIO & RELATED COMPONENTS

| Key | Part Number   | U/M | Description                                    |
|-----|---------------|-----|--|
|     | 031105-02-000 | EA  | Antenna - Radio - Side Mount                   |
|     | 031105-01-700 | EA  | Antenna - Holder - Radio - Upper               |
|     | 064792-01-000 | EA  | Grille - Speaker - w/Mesh - Brown              |
|     | 074014-01-000 | EA  | Grille - Speaker - Round                       |
|     | 089340-01-000 | EA  | Grille - Speaker - Square - 6.5"               |
|     | 075903-01-000 | EA  | Radio - AM/FM/MPX w/Cassette                   |
|     | 067684-01-000 | EA  | Radio - AM/FM/MPX w/Cassette - Electronic Tune |
|     | 074979-01-000 | EA  | Speaker Cover Protector - Plastic              |
|     | 073431-01-000 | EA  | Speaker - 5.25 - 3/Way (Pair)                  |
|     | 064791-01-000 | EA  | Speaker - Recessed - 5.25"                     |

### MISCELLANEOUS ACCESSORIES

| Key | Part Number   | U/M | Description                             |
|-----|---------------|-----|---|
|     | 054185-26-000 | EA  | Owners Manual - 1987 Itasca & Winnebago |
| **  | 076319-01-000 | EA  | Antenna - TV Roof Mount - 44.5" Mast    |
|     | 017516-01-000 | EA  | Mud Flaps w/Holes - 14" x 18" - Black   |
|     | 041944-04-000 | EA  | Fire Extinguisher - 5 B.C.              |
|     | 064472-01-000 | EA  | Holder - Recessed - Fire Extinguisher   |
|     | 072652-01-000 | EA  | Smoke Detector w/9 Volt Battery         |
|     | 006069-01-000 | EA  | Key Case - Leather                      |
|     | 007038-01-000 | EA  | Door Mat - 10.5" x 26" - Black Rubber   |
|     | 081075-01-000 | EA  | Floor Mat - Entrance - Winnebago        |
|     | 081201-01-000 | EA  | Floor Mat - Left Front - Winnebago      |
|     | 081202-01-000 | EA  | Floor Mat - Right Front - Winnebago     |
|     | 080208-01-000 | EA  | Lug Wrench                              |
|     | 080208-03-000 | EA  | Leverage Bar - Lug Wrench (John Deere)  |
|     | 006113-01-000 | EA  | Jack - Hydraulic - 6 Ton - w/Handle     |
|     | 063706-01-000 | EA  | Cover - Air Conditioner - Vinyl         |
|     | 066758-01-000 | EA  | TV - 13" Digital - Color - Remote       |
|     | 066759-01-000 | EA  | VCR - VHS Table Model                   |
|     | 087680-01-000 | EA  | Electric Step Asm. - Triple             |
|     | 023111-01-000 | EA  | Blender - Built In                      |
|     | 079941-01-000 | EA  | Lamp Asm. - Fog w/Cover - Amber         |
|     | 079941-01-700 | EA  | Lamp Asm. - Fog - Set/2                 |
|     | 079941-01-701 | EA  | Lens & Cover Only                       |
|     | 079941-01-702 | EA  | Switch - Fog Lights                     |
|     | 079941-01-703 | EA  | Solenoid                                |
|     | 079941-01-704 | EA  | Switch Plate                            |

\*\* The illustrated parts breakdown for this item is provided on the Common Items Fiche.

### OPTIONAL LUGGAGE BOX, RACK & LADDER

| Key | Part Number   | U/M | Description                      |
|-----|---------------|-----|----------------------------------|
|     | 064093-01-000 | EA  | Box - Luggage - 14" x 30" x 60"  |
|     | 081026-01-T03 | EA  | Rack Asm. - Right                |
|     | 081026-02-T03 | EA  | Rack Asm. - Left                 |
|     | 081026-01-T03 | EA  | Rack Asm. - Right                |
|     | 081026-02-T03 | EA  | Rack Asm. - Left                 |
|     | 081115-01-000 | EA  | Cap - Top - Rack & Ladder - 1"   |
|     | 081116-01-000 | EA  | Slide - Top - Rack & Ladder - 1" |
|     | 081114-01-000 | EA  | End Cap - Ladder Step            |
|     | 081016-03-W81 | EA  | Ladder Asm.                      |

## ACCESSORIES GROUP (CONTINUED)

### OPTIONAL MICROWAVE & COMPONENTS

| Key | Part Number   | U/M | Description                              |
|-----|---------------|-----|--|
|     | 081379-01-000 | EA  | Microwave/Convection Oven - Sharp        |
| †   | 088737-01-000 | EA  | Microwave Oven - Convection - Magic Chef |
| †   | 088737-02-000 | EA  | Frame Kit - Microwave Oven               |
|     | 081459-03-000 | EA  | Bracket Asm. - Microwave - Right         |
|     | 081459-04-000 | EA  | Bracket Asm. - Microwave - Left          |
|     | 081456-01-000 | EA  | Angle Asm. - Microwave - Right           |
|     | 081456-02-000 | EA  | Angle Asm. - Microwave - Left            |
|     | 081555-01-T03 | EA  | Trim Asm. - Microwave                    |
|     | 082876-01-000 | EA  | Baffle Asm. - Microwave                  |

† Parts used after 5/12/87.

### GENERATORS & COMPONENTS

| Key | Part Number   | U/M | Description                            |
|-----|---------------|-----|--|
|     | 081634-01-000 | EA  | Generator - Onan - 6.5 kw - Emerald    |
|     | 079654-03-000 | EA  | Generator - Onan - 4.0 kw - Emerald    |
|     | 052168-01-000 | EA  | Generator - Onan - 4.25 kw             |
|     | 079654-05-000 | EA  | Pipe & Accessories Kit - Emerald       |
|     | 078045-01-000 | EA  | Support Plate - Generator              |
|     | 083151-01-000 | EA  | Muffler - Generator - 1.62 O.D.        |
|     | 083152-01-000 | EA  | Pipe - Exhaust Generator               |
|     | 081364-01-000 | EA  | Muffler - 6.5 kw - Generator - Emerald |
|     | 007067-01-000 | SF  | Insulation - Fiberglass - 1"           |

### OPTIONAL VACUUM CLEANER & COMPONENTS

| Key | Part Number   | U/M | Description                 |
|-----|---------------|-----|-----------------------------|
|     | 055285-01-000 | EA  | Vacuum Cleaner - Built In   |
|     | 055285-01-700 | EA  | Accessories Kit - Standard  |
|     | 055285-01-701 | EA  | Filter - 8 per Package      |
|     | 055285-01-702 | EA  | Hose - 20' - Vacuum Cleaner |
|     | 055285-01-703 | EA  | Rug Tool                    |
|     | 055285-01-704 | EA  | Crevice Tool                |
|     | 055285-01-705 | EA  | Upholstery Tool             |
|     | 055285-01-706 | EA  | Wands - Set (2)             |
|     | 055285-01-707 | EA  | Dust Bubble - Complete      |

### EXTERIOR MIRROR & COMPONENTS

| Key | Part Number   | U/M | Description                                       |
|-----|---------------|-----|---|
|     | 088260-01-000 | EA  | Mirror Asm. - Exterior - w/Convex - Passenger     |
|     | 088260-02-000 | EA  | Mirror Asm. - Exterior - w/Convex - Driver        |
|     | 088259-01-000 | EA  | Mirror Asm. - Exterior - Remote Control Passenger |
|     | 088259-02-000 | EA  | Mirror Asm. - Exterior - Remote Control Driver    |
|     | 088260-63-000 | EA  | Accessories Kit - Exterior Mirror                 |

## 1987 WINNEBAGO TABLE OF CONTENTS

|         |             |
|---------|-------------|
| WT319RK | A-01 - B-16 |
| WF421RB | B-17 - D-16 |
| WJN32RQ | D-17 - G-05 |

## 1987 WJN32RQ INDEX

|                                    |             |
|------------------------------------|-------------|
| Floor Plan                         | D-17 - D-18 |
| Accessories Group                  | D-19 - D-21 |
| Bath Group                         | D-22 - D-23 |
| Chassis Group                      | D-24 - E-02 |
| Curtain, Cushion & Pad Group       | E-03 - E-12 |
| Dinette Group                      | E-13 - E-14 |
| Driver's Compartment Group         | E-15 - E-17 |
| Electrical Group                   | E-18 - E-20 |
| Exterior Body Group                | E-21 - F-02 |
| Galley Group                       | F-03 - F-05 |
| Heating & Air Conditioning Group   | F-06        |
| Interior Finish Group              | F-07 - F-09 |
| LP Group                           | F-10        |
| Lounge Group                       | F-11 - F-14 |
| Water & Sewage Group               | F-15 - F-16 |
| Window, Vent & Exterior Door Group | F-17 - G-05 |

## ACCESSORIES GROUP (CONTINUED)

### WHEELS, MOUNTING HARDWARE & LINERS

| Key | Part Number   | U/M | Description                        |
|-----|---------------|-----|------------------------------------|
|     | 083181-03-000 | EA  | Wheel Cover - 19.5" - S 1/4        |
|     | 083181-03-700 | EA  | Wheel Cover - 19.5" (1)            |
|     | 064082-02-000 | EA  | Nut - Retaining Wheel Cover        |
|     | 083181-07-000 | EA  | Retainer Kit - 19.5" - Wheel Cover |
|     | 086271-01-000 | EA  | Liner - Wheel - 19.5" - Set/4      |

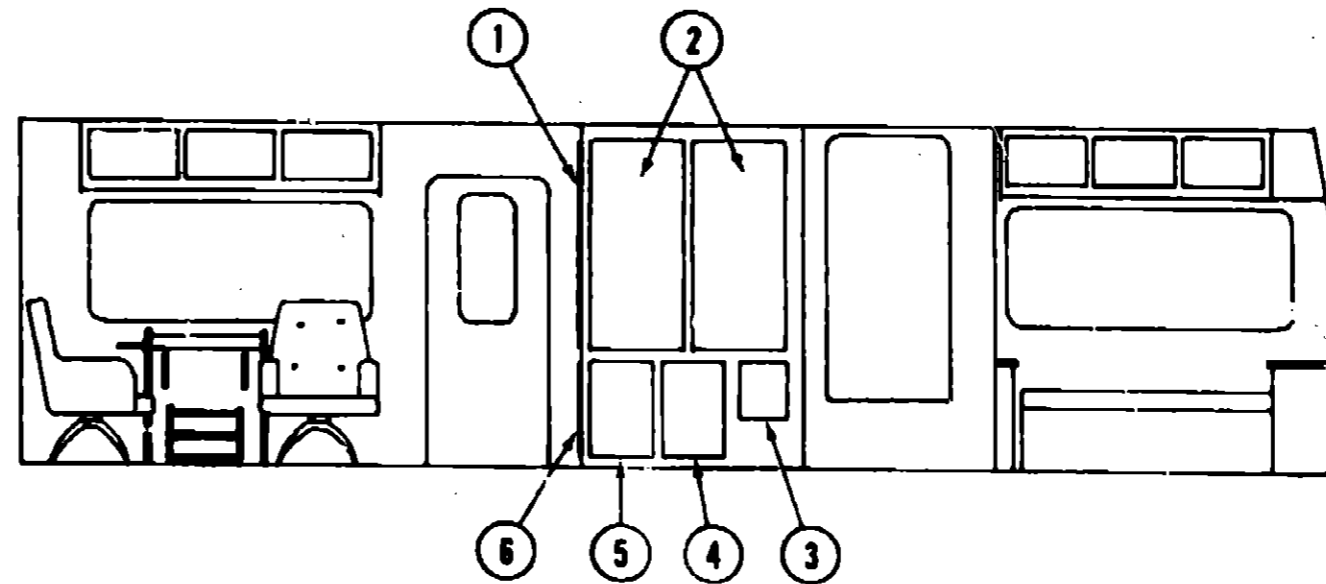
### OPTIONAL AIR HORNS & COMPONENTS

| Key | Part Number   | U/M | Description                      |
|-----|---------------|-----|----------------------------------|
|     | 077497-01-000 | EA  | Air Horn Kit - Twin Chromed      |
|     | 077497-01-700 | EA  | Solenoid - Air Tank              |
|     | 077497-01-701 | EA  | Switch - Compressor              |
|     | 077497-01-702 | EA  | Toggle Switch w/Wire             |
|     | 077497-01-703 | EA  | Air Tank                         |
|     | 077497-01-704 | EA  | Compressor w/Switch              |
|     | 077497-02-000 | EA  | Hose Kit - Auxiliary Air         |
|     | 077497-03-000 | EA  | Parts Kit - Hose - Auxiliary Air |
|     | 078239-01-000 | EA  | Label Plate - Horn               |

### REAR WINDOW WIPER/WASHER OPTION

| Key | Part Number   | U/M | Description                   |
|-----|---------------|-----|-------------------------------|
|     | 087249-01-000 | EA  | Motor Asm. - Wiper - 68°      |
|     | 087251-01-000 | EA  | Blade - 16" Wiper - Black     |
|     | 097252-01-000 | EA  | Arm Asm. - 20" Wiper - Black  |
|     | 087967-01-000 | EA  | Cover - Wiper Motor - Lt. Oak |

## BATH GROUP



### WARDROBE CABINETS

| Key | Part Number   | U/M | Description   |
|-----|---------------|-----|---|
| 1   | M82424-03-W07 | EA  | Door Asm. - Wardrobe Cabinet - Upper - w/o Hardware |
|     | 083224-02-000 | EA  | Glass - Wardrobe Door                               |
|     | 081471-12-W30 | EA  | Glass Holder - Wardrobe Cabinet - 4 Holes           |
| 2   | M81501-16-W07 | EA  | Door Asm. - Wardrobe Cabinet - Upper - w/o Hardware |
| 3   | M81501-20-W07 | EA  | Door Asm. - Wardrobe Cabinet - Lower - w/o Hardware |
| 4   | M81501-18-W07 | EA  | Door Asm. - Wardrobe Cabinet - Lower - w/o Hardware |
| 5   | M81501-19-W07 | EA  | Door Asm. - Wardrobe Cabinet - Lower - w/o Hardware |
| 6   | M81501-22-W07 | EA  | Door Asm. - Wardrobe Cabinet - Lower - w/o Hardware |
|     | 081471-11-W30 | EA  | Glass Holder - Wardrobe Cabinet - 5 Holes           |
|     | M02124-01-U04 | EA  | Countertop Asm. - Wardrobe Cabinet                  |
|     | 077404-01-000 | EA  | Drawer - 20" x 12.7" - Plastic                      |
|     | 077409-01-000 | EA  | Slide - Plastic Drawer                              |
|     | 081646-01-000 | EA  | Storage Rack - White Wire                           |
|     | 075451-02-000 | EA  | Clip - Storage Rack                                 |
|     |               |     | Not illustrated                                     |

## 1987 WINNEBAGO TABLE OF CONTENTS

WT319RK  
WF421RB  
WJN32RQ

A-01 - B-16  
B-17 - D-16  
D-17 - G-05

## 1987 WJN32RQ INDEX

|                                    |             |
|------------------------------------|-------------|
| Floor Plan                         | D-17 - D-18 |
| Accessories Group                  | D-19 - D-21 |
| Bath Group                         | D-22 - D-23 |
| Chassis Group                      | D-24 - E-02 |
| Curtain, Cushion & Pad Group       | E-03 - E-12 |
| Dinette Group                      | E-13 - E-14 |
| Driver's Compartment Group         | E-15 - E-17 |
| Electrical Group                   | E-18 - E-20 |
| Exterior Body Group                | E-21 - F-02 |
| Galley Group                       | F-03 - F-05 |
| Heating & Air Conditioning Group   | F-06        |
| Interior Finish Group              | F-07 - F-09 |
| LP Group                           | F-10        |
| Lounge Group                       | F-11 - F-14 |
| Water & Sewage Group               | F-15 - F-16 |
| Window, Vent & Exterior Door Group | F-17 - G-05 |

## BATH GROUP (CONTINUED)

### BATH CABINERY

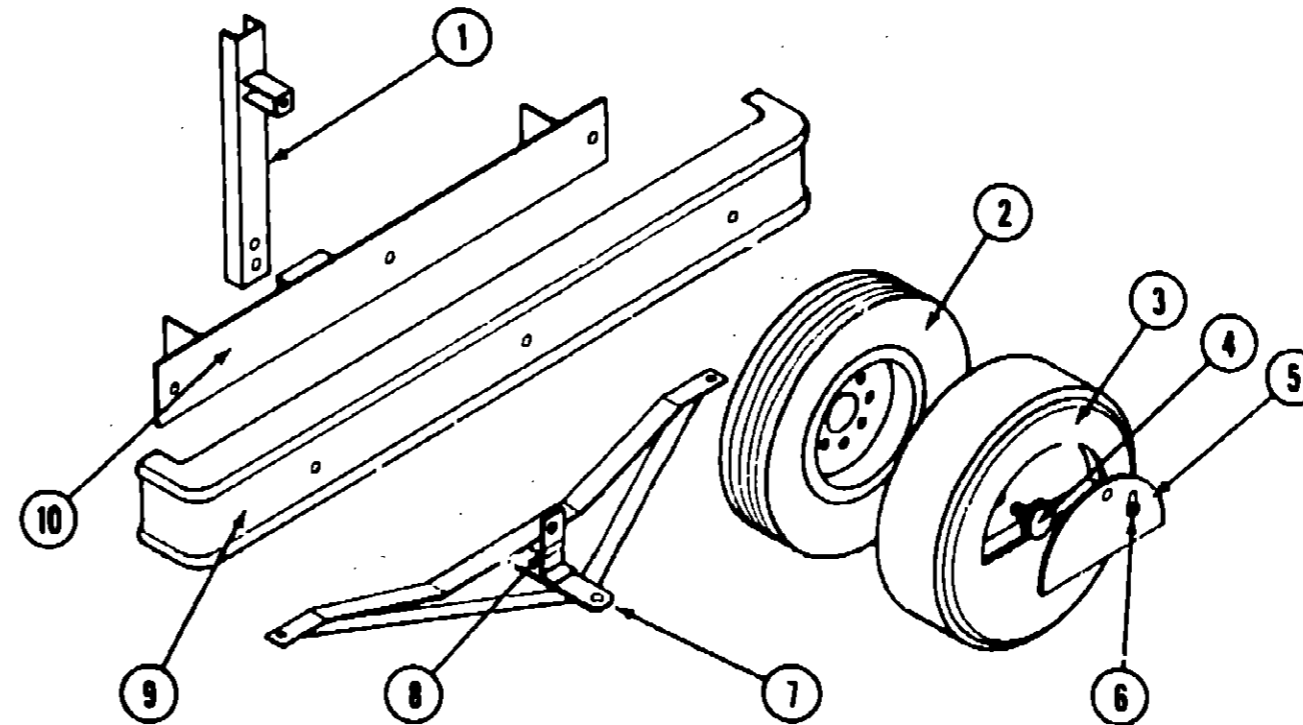
| Key | Part Number   | U/M | Description   |
|-----|---------------|-----|---|
|     | M82195-01-W07 | EA  | Cabinet Asm. - Lavatory - w/o Countertop, Doors or Drawers  |
|     | M02194-01-W07 | EA  | Countertop Asm. - Lavatory Cabinet (WB1)                    |
|     | M02194-01-W08 | EA  | Countertop Asm. - Lavatory Cabinet (WB2)                    |
|     | M02194-01-W09 | EA  | Countertop Asm. - Lavatory Cabinet (WB3)                    |
|     | M81501-98-W07 | EA  | Door Asm. - Lavatory - Hamper - w/o Hardware                |
|     | M81501-42-W07 | EA  | Door Asm. - Lavatory - w/o Hardware                         |
|     | 077251-01-000 | EA  | Tipout Drawer - Plastic                                     |
|     | 076073-01-000 | EA  | Cabinet Asm. - Medicine - 15.4" x 29.4"                     |
|     | 081535-01-U04 | EA  | Door Asm. - Medicine Cabinet - 29.4" x 15.5" - w/o Hardware |
|     | 081535-03-U01 | EA  | Mirror Asm. - Wall - 29.4" x 22.5" - w/o Hardware           |
|     | M02195-01-W07 | EA  | Countertop Asm. - Pipe Cover (WB1)                          |
|     | M02195-01-W08 | EA  | Countertop Asm. - Pipe Cover (WB2)                          |
|     | M02195-01-W09 | EA  | Countertop Asm. - Pipe Cover (WB3)                          |
|     | 080224-02-000 | EA  | Door Asm. - Folding - Front - w/o Hardware                  |
|     | 080224-03-000 | EA  | Door Asm. - Folding - Rear - w/o Hardware                   |
|     | 079657-01-000 | EA  | Door Asm. - Folding - Shower - Plastic                      |
|     | 075803-01-000 | EA  | Threshold - Door - Bath                                     |

### BATH & WARDROBE HARDWARE

| Key | Part Number   | U/M | Description  |
|-----|---------------|-----|--|
|     | M01817-01-T03 | EA  | Bathtub Asm. w/Strainer                              |
|     | 075242-03-000 | EA  | Faucet - Tub & Shower - Brass                        |
|     | 075240-03-000 | EA  | Faucet - Lavatory - Brass                            |
| **  | 011048-02-000 | EA  | Shower Head - w/60" Hose                             |
|     | 011048-04-000 | EA  | Vacuum Breaker - 1/8 MPT - Nylon - Shower Head       |
|     | 075606-01-000 | EA  | Shower Panel - Faucet - Plastic                      |
| **  | 066729-01-000 | EA  | Strainer - Bathtub Asm.                              |
|     | 066436-01-000 | EA  | Slip Nut - 1.5" Tail Piece - Bathtub Asm.            |
|     | 069735-01-000 | EA  | Washer - Tail Piece - 1.5" Plastic - Bathtub Asm.    |
|     | 011069-02-000 | EA  | Tailpiece - 1.5" x 1.25" x 4" - Brass - Bathtub Asm. |
|     | 080258-01-000 | EA  | Shroud - Bathtub Asm.                                |
| **  | 058713-01-000 | EA  | Sink - Oval - Ivory - Plastic                        |
|     | 064076-01-000 | EA  | Toilet - Thetford - Aqua Magic - Ivory               |
|     | 075452-02-000 | EA  | Tissue Holder - Brass                                |
|     | 075453-02-000 | EA  | Towel Bar - 18" - Brass                              |
|     | 075454-02-000 | EA  | Towel Ring - Brass w/Mounting Hardware               |
|     | 079235-01-000 | EA  | Header - Shower Door Track - Beige                   |
|     | 079234-01-000 | EA  | Jamb - Shower Door - Rear - Beige                    |
|     | 079234-02-000 | EA  | Jamb - Shower Door - Front - Beige                   |
|     | 058331-01-000 | EA  | Mirror - Tempered Glass - 19" x 28"                  |
|     | 058331-05-000 | EA  | Mirror - Tempered Glass - 12" x 28"                  |
|     | 058331-10-000 | EA  | Mirror - Tempered Glass - 14" x 17"                  |
|     | 057871-01-000 | EA  | Screw Cover - #8 - Antique White                     |
|     | 009089-01-000 | EA  | Clip - Mirror  |
|     | 059777-02-000 | EA  | Hinge - Antique Brass                                |
|     | 068433-01-000 | EA  | Hook - Cup - Bright                                  |
|     | 009112-01-000 | EA  | Flange - 1" - Clothes Rod                            |
|     | 071832-01-000 | EA  | Bag - Hamper - 49" w/Elastic Top                     |
|     | 078367-01-000 | EA  | Bracket - Medicine Cabinet                           |
|     | 080224-05-000 | EA  | Track - Folding Door - ST - 29.5"                    |
|     | 080224-07-000 | EA  | Track - Folding Door - "S" - Curve                   |

\*\* The illustrated parts breakdown for this item is provided on the Common Items Fiche.

## CHASSIS GROUP



### SPARE TIRE, HITCH & REAR BUMPER

| Key | Part Number     | U/M | Description                       |
|-----|-----------------|-----|-----------------------------------|
| 1   | 080378-03-000   | EA  | Bracket - Tire Carrier            |
| 2   | 0J7324-04-000   | EA  | Tire - 8.00" x 19.5" - Michelin   |
| 3   | 079762-03-000   | EA  | Tire Cover - Beige Plastic        |
| 4   | 064082-01-000   | EA  | Bolt - Plastic Retainer - Wheel   |
| 5   | M02047-01-T03   | EA  | Door - Tire Cover - Beige Plastic |
| 6   | 077408-02-000   | EA  | Lock Asm. - Key Type              |
| 7   | 064833-01-700   | EA  | Hitch Asm. - Trailer              |
| 8   | 064824-02-000   | EA  | Support - Trailer Hitch           |
| 9   | 048474-01-000   | EA  | Bumper - Rear - Chrome            |
| *   | 020858-03-000   | EA  | Bumper - Rear - Beige             |
| *   | 076527-01-000   | EA  | Support - Bumper                  |
| *   | 022150-01-000   | EA  | Bracket - Rear Bumper             |
| 10  | 064801-01-000   | EA  | Bracket Asm. - Bumper             |
| *   | 083376-01-000   | EA  | Skid - Plate Asm.                 |
| *   | 078668-01-000   | EA  | Support - Rear Bumper             |
| *   | Not Illustrated |     |                                   |

## 1987 WINNEBAGO TABLE OF CONTENTS

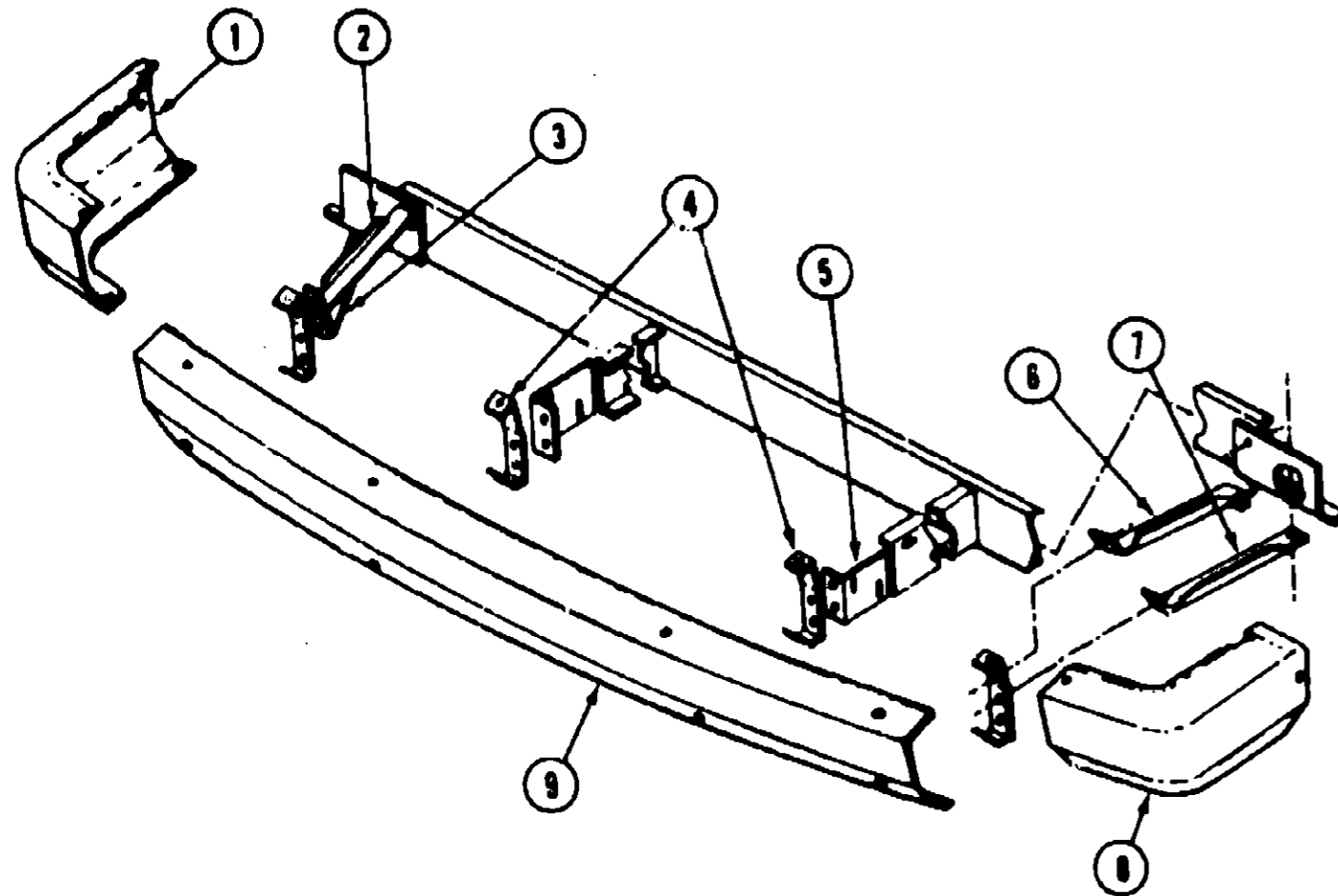
WT319RK  
WF421RB  
WJN32RQ

A-01 - B-16  
B-17 - D-18  
D-17 - G-05

## 1987 WJN32RQ INDEX

|                                    |             |
|------------------------------------|-------------|
| Floor Plan                         | D-17 - D-18 |
| Accessories Group                  | D-19 - D-21 |
| Bath Group                         | D-22 - D-23 |
| Chassis Group                      | D-24 - E-02 |
| Curtain, Cushion & Pad Group       | E-03 - E-12 |
| Dinette Group                      | E-13 - E-14 |
| Driver's Compartment Group         | E-15 - E-17 |
| Electrical Group                   | E-18 - E-20 |
| Exterior Body Group                | E-21 - F-02 |
| Galley Group                       | F-03 - F-05 |
| Heating & Air Conditioning Group   | F-06        |
| Interior Finish Group              | F-07 - F-09 |
| LP Group                           | F-10        |
| Lounge Group                       | F-11 - F-14 |
| Water & Sewage Group               | F-15 - F-18 |
| Window, Vent & Exterior Door Group | F-17 - G-05 |

## CHASSIS GROUP (CONTINUED)



**FRONT BUMPER**

| Key | Part Number     | U/M | Description                                  |
|-----|-----------------|-----|--|
| 1   | 086415-01-000   | EA  | Bumper End - Beige - Right Front             |
| 2   | 078002-01-000   | EA  | Brace - Upper Right - Front Bumper           |
| 3   | 078003-01-000   | EA  | Brace - Lower Right - Front Bumper           |
| 4   | 077852-01-000   | EA  | Bracket to Bumper - Front                    |
| 5   | 076527-01-000   | EA  | Bracket to Frame - Front Bumper              |
| 6   | 078002-02-000   | EA  | Brace - Upper Left - Front Bumper            |
| 7   | 078003-02-000   | EA  | Brace - Lower Left - Front Bumper            |
| 8   | 086415-03-000   | EA  | Bumper End - Beige - Left Front              |
| 9   | 077850-06-000   | EA  | Bumper - Front - Beige                       |
| 9   | 077850-07-000   | EA  | Bumper - Front - Chrome                      |
| .   | 005200-01-000   | EA  | Carriage Bolt - Chrome - 7/16" x 14 x 1 1/4" |
| .   | Not illustrated |     |  |

## CHASSIS GROUP (CONTINUED)

### MISCELLANEOUS CHASSIS

| Key | Part Number   | U/M | Description                                      |
|-----|---------------|-----|--|
|     | 047441-01-000 | EA  | Battery Terminal - Horizontal Lug                |
|     | 075723-01-000 | EA  | Block - Switch - Spacer w/n Holes                |
|     | 084093-01-000 | EA  | Box - Luggage                                    |
|     | 051897-01-000 | EA  | Bracket - Battery Tie Down - 6.9"                |
|     | 007125-04-000 | EA  | Clamp Asm. - Muffler - 1.12"                     |
|     | 010497-01-000 | EA  | Clamp - Close - 5/8 I.D.                         |
|     | 007161-01-000 | EA  | Clamp - Hose - Spring Type 112                   |
|     | 082401-01-000 | EA  | Clamp - Hose - Wormgear - .22" I.D. x 1" I.D.    |
|     | 082401-02-000 | EA  | Clamp - Hose - Wormgear - 1.56" I.D. - 2.5" I.D. |
|     | 082401-03-000 | EA  | Clamp - Hose - Wormgear - .25" I.D. - 1" I.D.    |
|     | 082401-04-000 | EA  | Clamp - Hose - Wormgear - .69" I.D. - 1.25" I.D. |
|     | 082401-05-000 | EA  | Clamp - Hose - Wormgear - 2" I.D. - 3" I.D.      |
|     | 082401-06-000 | EA  | Clamp - Hose - Wormgear - .22" I.D. - .62" I.D.  |
|     | 023146-01-000 | EA  | Clamp - Screw Type - 4"                          |
|     | 024490-01-000 | EA  | Compartment - Power Cord - Black Plastic         |
|     | 071656-01-000 | EA  | Cover - Radiator - Rear                          |
|     | 080722-01-000 | EA  | Cover - Radiator - Rear Back (Fan Shroud)        |
|     | 020167-03-000 | EA  | Dirt Guard - Rear Wheel                          |
|     | 007131-01-000 | EA  | Hanger - Tail Pipe                               |
|     | 024138-01-000 | FT  | Hose - Fuel - 5/16" I.D. SAE 30R1                |
|     | 088732-01-000 | FT  | Hose - Fuel Fill - .62 I.D.                      |
|     | 007111-02-000 | EA  | Hose - Fuel Fill - 2.00 I.D.                     |
|     | 007111-01-000 | EA  | Hose - Fuel Fill - 2.25 I.D.                     |
|     | 008113-01-000 | EA  | Jack - Hydraulic - 6 Ton - w/Handle              |
|     | 080208-01-000 | EA  | Lug Wrench                                       |
|     | 080208-03-000 | EA  | Leverage Bar - 1.5" x 8"                         |
|     | 017518-01-000 | EA  | Mud Flap w/Holes - 14" x 18" - Black             |
|     | 086281-01-000 | EA  | Rim - Wheel - 19.5" x 8.75"                      |
|     | 075146-01-000 | EA  | Shield - Heat Muffler                            |
|     | 083977-07-000 | EA  | Step Asm. - Driver Door                          |
|     | 007324-04-000 | EA  | Tire - 8.00" x 19.5 - Michelin                   |
|     | 048594-01-000 | EA  | Tray - Battery                                   |
|     | 051377-01-000 | EA  | Valve Stem Asm. - TR500                          |
|     | 087883-01-000 | EA  | Wheelwell - Plastic                              |
|     | 008343-01-000 | EA  | Wire Tie - 6"                                    |

NOTE: Remainder of exhaust components available from chassis service centers.

## 1987 WINNEBAGO TABLE OF CONTENTS

|         |             |
|---------|-------------|
| WT319RK | A-01 - B-16 |
| WF421RB | B-17 - D-16 |
| WJN32RQ | D-17 - G-05 |

## 1987 WJN32RQ INDEX

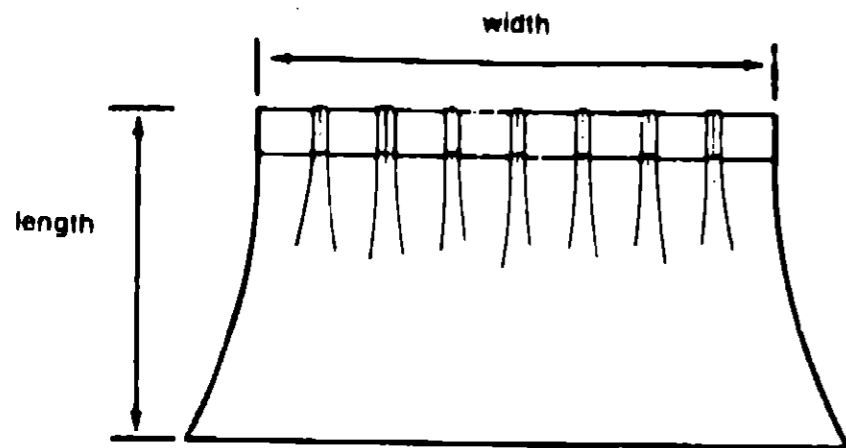
|                                    |             |
|------------------------------------|-------------|
| Floor Plan                         | D-17 - D-18 |
| Accessories Group                  | D-19 - D-21 |
| Bath Group                         | D-22 - D-23 |
| Chassis Group                      | D-24 - E-02 |
| Curtain, Cushion & Pad Group       | E-03 - E-12 |
| Dinette Group                      | E-13 - E-14 |
| Driver's Compartment Group         | E-15 - E-17 |
| Electrical Group                   | E-18 - E-20 |
| Exterior Body Group                | E-21 - F-02 |
| Galley Group                       | F-03 - F-05 |
| Heating & Air Conditioning Group   | F-06        |
| Interior Finish Group              | F-07 - F-09 |
| LP Group                           | F-10        |
| Lounge Group                       | F-11 - F-14 |
| Water & Sewage Group               | F-15 - F-16 |
| Window, Vent & Exterior Door Group | F-17 - G-05 |

# CURTAIN, CUSHION & PAD GROUP

## NOTICE

In order to assist our Parts Sales Dept. in providing interior software items, please include the serial number and the color code number from the vehicle certification label when ordering. This label is located on the left sidewall at the end of the dash (A-Body), or on the driver's door latch plate (C-Body).

An example of a color code number is P31, which designates an overall color scheme of a particular unit. The color listed after the item description on the microfiche, indicates the overall unit color. Order the item you desire according to unit color code.



### NOTE:

Use this illustration when determining length and width measurements for curtains. You will note the width measurement is taken on the top of the curtain with the curtain fully extended. The length measurement is taken from top to bottom.

## CURTAIN & CUSHION HARDWARE

| Key | Part Number   | U/M | Description                          |
|-----|---------------|-----|--------------------------------------|
|     | 082139-03-000 | EA  | Bracket - Hold Down - Blinds         |
|     | 082139-02-000 | EA  | Bracket - Hold Down - Blinds         |
|     | 085283-01-000 | EA  | Bracket - Hold Back - Clear          |
|     | 084434-01-000 | EA  | Bracket - Roller Shade - 1 3/8"      |
|     | 056003-01-000 | EA  | Bracket - Drapery Retainer           |
|     | 056003-02-000 | EA  | Bracket - Drapery Retainer           |
|     | 083170-03-000 | EA  | Bracket - Installation - Right       |
|     | 083170-04-000 | EA  | Bracket - Installation - Left        |
|     | 079619-01-000 | EA  | Bracket - Tie Back                   |
|     | 080211-03-000 | EA  | Clip - Decor Pad                     |
|     | 048394-02-000 | YD  | Tape Hook - .75" x 50 yds. - Beige   |
|     | 048395-02-000 | YD  | Tape Loop - .75" x 50 yds. - Beige   |
|     | 029090-01-000 | FT  | Tie Back - Drapery - Clear           |
|     | 056116-01-000 | EA  | Track - Curtain - Brown Plastic      |
|     | 079946-01-000 | EA  | Track - Curtain - Wraparound - Right |
|     | 079946-02-000 | EA  | Track - Curtain - Wraparound - Left  |

# CURTAIN, CUSHION & PAD GROUP (CONTINUED)

## FABRICS, TRIMS & PADS

| Key | Part Number   | U/M | Description   |
|-----|---------------|-----|---|
|     | 077498-91-000 | YD  | Fabric - Main w/Pattern - Jade/Taupe (W81)              |
|     | 074498-92-000 | YD  | Fabric - Main w/Pattern - Rose (W82)                    |
|     | 077498-93-000 | YD  | Fabric - Main w/Pattern - Taupe (W83)                   |
|     | 074498-A8-000 | YD  | Fabric - Patterned Accent - Jade/Taupe (W81)            |
|     | 074498-A5-000 | YD  | Fabric - Patterned Accent - Rose (W82)                  |
|     | 074498-A7-000 | YD  | Fabric - Patterned Accent - Taupe (W83)                 |
|     | 074498-95-000 | YD  | Fabric - Plain Accent - Jade/Taupe (W81)                |
|     | 074498-91-000 | YD  | Fabric - Plain Accent - Rose (W82)                      |
|     | 074498-96-000 | YD  | Fabric - Plain Accent - Taupe (W83)                     |
|     | 089729-47-000 | YD  | Fabric - Bedspread/Draperies - Jade/Taupe (W81)         |
|     | 089729-48-000 | YD  | Fabric - Bedspread/Draperies - Rose (W82)               |
|     | 089729-49-000 | YD  | Fabric - Bedspread/Draperies - Taupe (W83)              |
|     | 072333-34-000 | YD  | Fabric - Bedroom Accent/Tieback - Jade/Taupe (W81)      |
|     | 072333-35-000 | YD  | Fabric - Bedroom Accent/Tieback - Rose (W82)            |
|     | 072333-36-000 | YD  | Fabric - Bedroom Accent/Tieback - Taupe (W83)           |
|     | 072333-39-000 | YD  | Fabric - Drapery - Jade/Taupe (W81)                     |
|     | 072333-37-000 | YD  | Fabric - Drapery - Rose (W82)                           |
|     | 072333-38-000 | YD  | Fabric - Drapery - Taupe (W83)                          |
|     | 081807-02-000 | YD  | Fabric - Headliner - Sandstone                          |
|     | 087272-01-000 | YD  | Fabric - Drapery Lining - Ivory - 48"                   |
|     | 072333-44-000 | YD  | Fabric - Drapery - Natural (Pull Shades)                |
|     | 079680-01-000 | YD  | Vinyl - Expanded - 28 oz. - Buckskin                    |
|     | 079680-02-000 | YD  | Vinyl - Expanded - 28 oz. - Sandrift                    |
|     | 038421-02-000 | YD  | Fabric - Mattress Ticking - Beige/Brown                 |
|     | 038421-04-000 | YD  | Fabric - Mattress Ticking - Cashew                      |
|     | 057550-03-T03 | EA  | Button Asm. - Nail #36 - 3/8" Shank - Vinyl             |
|     | 070578-08-T03 | EA  | Button Asm. - S. rew Stud - #30 - Vinyl                 |
|     | 057093-01-T03 | EA  | Button Asm. - Nail #30 - Vinyl                          |
|     | 071127-12-W07 | EA  | Button Asm. - Round Hook - #30 - Jade/Taupe (W81)       |
|     | 071127-12-W08 | EA  | Button Asm. - Round Hook - #30 - Rose (W82)             |
|     | 071127-12-W09 | EA  | Button Asm. - Round Hook - #30 - Taupe (W83)            |
|     | 071127-10-W04 | EA  | Button Asm. - Round Hook - #30 - Jade/Taupe (W81)       |
|     | 071127-10-W05 | EA  | Button Asm. - Round Hook - #30 - Rose (W82)             |
|     | 071127-10-W06 | EA  | Button Asm. - Round Hook - #30 - Taupe (W83)            |
|     | 078155-01-000 | EA  | Strap Asm. - Cushion                                    |
|     | 079144-02-T03 | EA  | Strap Asm. - Bunk                                       |
|     | 081519-01-W04 | EA  | Pad Asm. - Dinette - Front - Jade/Taupe (W81)           |
|     | 081519-01-U09 | EA  | Pad Asm. - Dinette - Front - Rose (W82)                 |
|     | 081519-01-W06 | EA  | Pad Asm. - Dinette - Front - Taupe (W83)                |
|     | 081519-02-W04 | EA  | Pad Asm. - Dinette - Rear - Jade/Taupe (W81)            |
|     | 081519-02-W05 | EA  | Pad Asm. - Dinette - Rear - Rose (W82)                  |
|     | 081519-02-W06 | EA  | Pad Asm. - Dinette - Rear - Taupe (W83)                 |
|     | 059414-06-000 | EA  | Pad Asm. - Trim - Sidewall - Right - Vinyl              |
|     | 059467-04-T03 | EA  | Pad Asm. - Map Pocket - Right Vinyl                     |
|     | 077641-90-000 | EA  | Wall Pad - Swivel Chairs - 16" x 12" - Jade/Taupe (W81) |
|     | 077641-61-000 | EA  | Wall Pad - Swivel Chairs - 16" x 12" - Rose (W82)       |
|     | 077641-91-000 | EA  | Wall Pad - Swivel Chairs - 16" x 12" - Taupe (W83)      |

## 1987 WINNEBAGO TABLE OF CONTENTS

|         |             |
|---------|-------------|
| WT319RK | A-01 - B-16 |
| WF421RB | B-17 - D-16 |
| WJN32RQ | D-17 - G-06 |

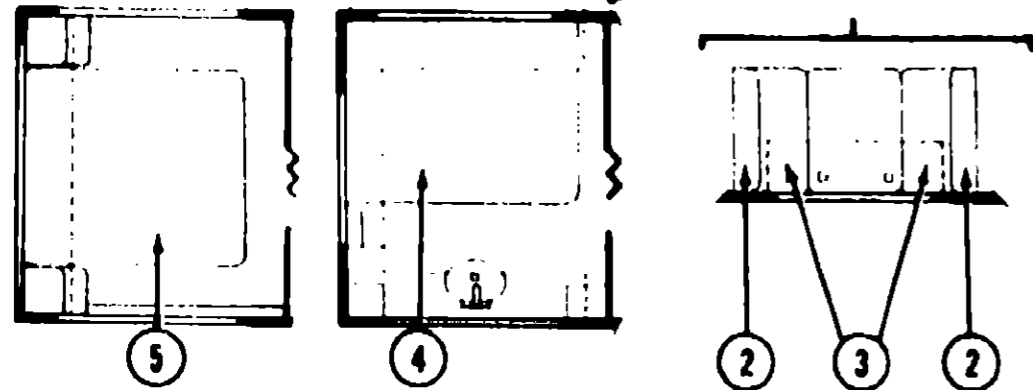
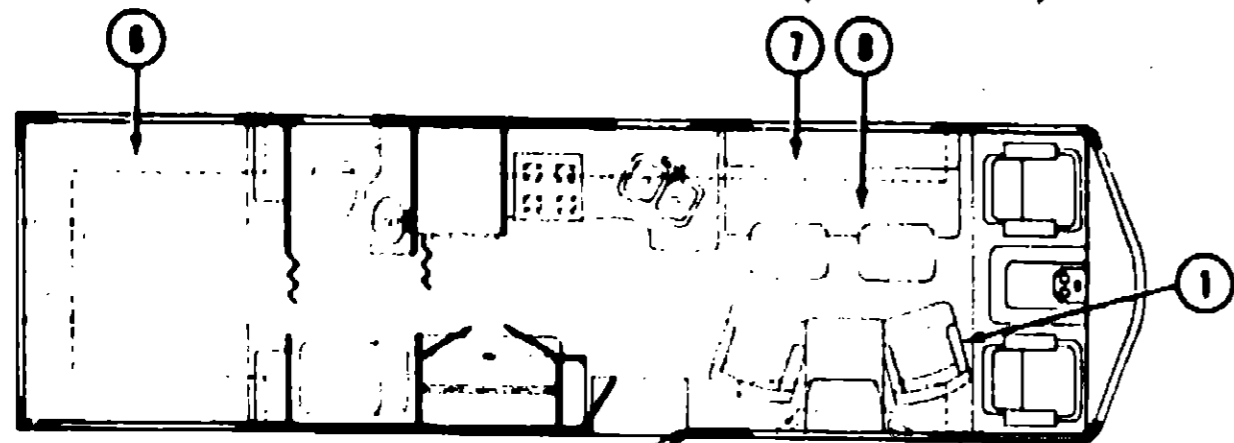
## 1987 WJN32RQ INDEX

|                                    |             |
|------------------------------------|-------------|
| Floor Plan                         | D-17 - D-18 |
| Accessories Group                  | D-19 - D-21 |
| Bath Group                         | D-22 - D-23 |
| Chassis Group                      | D-24 - E-02 |
| Curtain, Cushion & Pad Group       | E-03 - E-12 |
| Dinette Group                      | E-13 - E-14 |
| Driver's Compartment Group         | E-15 - E-17 |
| Electrical Group                   | E-18 - E-20 |
| Exterior Body Group                | E-21 - F-02 |
| Galley Group                       | F-03 - F-05 |
| Heating & Air Conditioning Group   | F-06        |
| Interior Finish Group              | F-07 - F-09 |
| LP Group                           | F-10        |
| Lounge Group                       | F-11 - F-14 |
| Water & Sewage Group               | F-15 - F-16 |
| Window, Vent & Exterior Door Group | F-17 - G-05 |



| Key | Part Number   | U/M | Description                          |
|-----|---------------|-----|--------------------------------------|
| 1   | 029130-01-000 | EA  | Socket - Snap Fastener               |
| 2   | 029155-01-000 | EA  | Cap - Snap - .156" Dia. x 17" Barrel |
| 3   | 029156-01-000 | EA  | Socket - Snap Fastener               |
| 4   | 029092-01-000 | EA  | Stud - Nickel Finish                 |
| 5   | 092093-01-000 | EA  | Eyelet - Nickel Finish               |

**CURTAIN, CUSHION & PAD GROUP (CONTINUED)**



**CELEBRITY CHAIR**

| Key | Part Number   | U/M | Description                                      |
|-----|---------------|-----|--|
| 1   | 085059-01-W04 | EA  | Chair Asm. - Celebrity - Jade/Taupe (W81)        |
| 1   | 085059-01-W05 | EA  | Chair Asm. - Celebrity - Rose (W82)              |
| 1   | 085059-01-W08 | EA  | Chair Asm. - Celebrity - Taupe (W83)             |
|     | 085187-01-W04 | EA  | Skirt Asm. - Celebrity - Jade/Taupe (W81)        |
|     | 085187-01-W08 | EA  | Skirt Asm. - Celebrity - Rose (W82)              |
|     | 085187-01-W08 | EA  | Skirt Asm. - Celebrity - Taupe (W83)             |
|     | 035036-01-000 | EA  | Plate - Tilt & Swivel Chair                      |
|     | 035036-04-000 | EA  | Base w/Legs - Swivel Chair                       |
|     | 088245-05-000 | EA  | Extension - 5" - Swivel Chair                    |
| 1   | 086516-01-W07 | EA  | Chair Asm. - EZ Back Recliner - Jade/Taupe (W81) |
| 1   | 086516-01-W08 | EA  | Chair Asm. - EZ Back Recliner - Rose (W82)       |
| 1   | 086516-01-W09 | EA  | Chair Asm. - EZ Back Recliner - Taupe (W83)      |
|     | 075174-05-W07 | EA  | Skirt Asm. - Recliner Chair - Jade/Taupe (W81)   |
|     | 075174-05-W08 | EA  | Skirt Asm. - Recliner Chair - Rose (W82)         |
|     | 075174-05-W09 | EA  | Skirt Asm. - Recliner Chair - Taupe (W83)        |
|     | 069246-03-000 | EA  | Adjuster Asm. - TT Chair - w/Lock                |
|     | 069246-04-000 | EA  | Adjuster Asm. - TT Chair - w/o Lock              |
|     | 088245-04-000 | EA  | Extension - 4" - Recliner Chair                  |

Parts used on the Reclining Swivel Chair

**DINETTE CUSHIONS**

| Key | Part Number   | U/M | Description  |
|-----|---------------|-----|--|
| 2   | 081998-77-W04 | EA  | Cushion Asm. - Dinette Back - 19.25" x 38" x 5" - Jade/Taupe (W81) |
| 2   | 081998-77-W05 | EA  | Cushion Asm. - Dinette Back - 19.25" x 38" x 5" - Rose (W82)       |
| 2   | 081998-77-W06 | EA  | Cushion Asm. - Dinette Back - 19.25" x 38" x 5" - Taupe (W83)      |
|     | M81998-77-W04 | EA  | Cover Asm. - Dinette Back Cushion - Jade/Taupe (W81)               |
|     | M81998-77-W05 | EA  | Cover Asm. - Dinette Back Cushion - Rose (W82)                     |
|     | M81998-77-W06 | EA  | Cover Asm. - Dinette Back Cushion - Taupe (W83)                    |
| 3   | 081998-78-W04 | EA  | Cushion Asm. - Dinette Seat - 17.5" x 38" x 5" - Jade/Taupe (W81)  |
| 3   | 081998-78-W05 | EA  | Cushion Asm. - Dinette Seat - 17.5" x 38" x 5" - Rose (W82)        |
| 3   | 081998-78-W06 | EA  | Cushion Asm. - Dinette Seat - 17.5" x 38" x 5" - Taupe (W83)       |
|     | M81998-78-W04 | EA  | Cover Asm. - Dinette Seat Cushion - Jade/Taupe (W81)               |
|     | M81998-78-W05 | EA  | Cover Asm. - Dinette Seat Cushion - Rose (W82)                     |
|     | M81998-78-W06 | EA  | Cover Asm. - Dinette Seat Cushion - Taupe (W83)                    |

**CURTAIN, CUSHION & PAD GROUP (CONTINUED)**

**QUEEN BED**

| Key | Part Number   | U/M | Description  |
|-----|---------------|-----|--|
| 4   | 077478-06-000 | EA  | Mattress - Innerspring - 80" x 75" x 7.5" - Sealy          |
| 4   | 083498-04-000 | EA  | Mattress - Foam - 80" x 75" x 7"                           |
|     | 085385-01-W07 | EA  | Bedsprad Asm. - 80" x 78" w/Flip-up Top - Jade/Taupe (W81) |
|     | 085385-01-W08 | EA  | Bedsprad Asm. - 80" x 78" w/Flip-up Top - Rose (W82)       |
|     | 085385-01-W09 | EA  | Bedsprad Asm. - 80" x 78" w/Flip-up Top - Taupe (W83)      |
|     | 088109-01-W07 | EA  | Headboard Asm. w/Gathers (W81)                             |
|     | 088109-01-W08 | EA  | Headboard Asm. w/Gathers (W82)                             |
|     | 088109-01-W09 | EA  | Headboard Asm. w/Gathers (W83)                             |

**DOUBLE BED**

| Key | Part Number   | U/M | Description                                       |
|-----|---------------|-----|---|
| 5   | 077478-03-000 | EA  | Mattress - Innerspring - 54" x 75" x 7.5" - Sealy |
| 5   | 083498-03-000 | EA  | Mattress - Foam - 54" x 75" x 7"                  |
|     | 083988-02-W81 | EA  | Bedsprad Asm. - Fitted - 54" - Jade/Taupe         |
|     | 083988-02-W82 | EA  | Bedsprad Asm. - Fitted - 54" - Rose               |
|     | 083988-02-W83 | EA  | Bedsprad Asm. - Fitted - 54" - Taupe              |
|     | 081997-01-W07 | EA  | Pillow Sham - Quilted - 30" x 26" (W81)           |
|     | 081997-01-W08 | EA  | Pillow Sham - Quilted - 30" x 26" (W82)           |
|     | 081997-01-W09 | EA  | Pillow Sham - Quilted - 30" x 26" (W83)           |
|     | 088109-01-W07 | EA  | Headboard Asm. w/Gathers (W81)                    |
|     | 088109-01-W08 | EA  | Headboard Asm. w/Gathers (W82)                    |
|     | 088109-01-W09 | EA  | Headboard Asm. w/Gathers (W83)                    |

**TWIN BED**

| Key | Part Number   | U/M | Description                                       |
|-----|---------------|-----|---|
| 6   | 077478-04-000 | EA  | Mattress - Innerspring - 33" x 75" x 7.5" - Sealy |
| 6   | 083498-01-000 | EA  | Mattress - Foam - 33" x 75" x 7"                  |
|     | 083988-03-W04 | EA  | Bedsprad Asm. - Fitted - 33" (W81)                |
|     | 083988-03-W05 | EA  | Bedsprad Asm. - Fitted - 33" (W82)                |
|     | 083988-03-W08 | EA  | Bedsprad Asm. - Fitted - 33" (W83)                |
|     | 081997-01-W07 | EA  | Pillow Asm. - Quilted - 30" x 26" (W81)           |
|     | 081997-01-W08 | EA  | Pillow Asm. - Quilted - 30" x 26" (W82)           |
|     | 081997-01-W09 | EA  | Pillow Asm. - Quilted - 30" x 26" (W83)           |
|     | 088109-02-W07 | EA  | Headboard Asm. - w/Gathers - 33" (W81)            |
|     | 088109-02-W08 | EA  | Headboard Asm. - w/Gathers - 33" (W82)            |
|     | 088109-02-W09 | EA  | Headboard Asm. - w/Gathers - 33" (W83)            |

**CONTINENTAL BED**

| Key | Part Number   | U/M | Description   |
|-----|---------------|-----|---|
| 7   | 081998-17-W07 | EA  | Pillow Asm. - 16" x 23" x 5" - Jade/Taupe (W81)         |
| 7   | 081998-17-W08 | EA  | Pillow Asm. - 16" x 23" x 5" - Rose (W82)               |
| 7   | 081998-17-W09 | EA  | Pillow Asm. - 16" x 23" x 5" - Taupe (W83)              |
|     | M81998-17-W07 | EA  | Cover Asm. - Pillow - 16" x 23" x 5" - Jade/Taupe (W81) |
|     | M81998-17-W08 | EA  | Cover Asm. - Pillow - 16" x 23" x 5" - Rose (W82)       |
|     | M81998-17-W09 | EA  | Cover Asm. - Pillow - 16" x 23" x 5" - Taupe (W83)      |
| 8   | 079448-01-W07 | EA  | Bed Asm. - #65 - Jade/Taupe (W81)                       |
| 8   | 079448-01-W08 | EA  | Bed Asm. - #65 - Rose (W82)                             |
| 8   | 079448-01-W09 | EA  | Bed Asm. - #65 - Taupe (W83)                            |
|     | M79448-01-W07 | EA  | Cover Asm. - Seat - Jade/Taupe (W81)                    |
|     | M79448-01-W08 | EA  | Cover Asm. - Seat - Rose (W82)                          |
|     | M79448-01-W09 | EA  | Cover Asm. - Seat - Taupe (W83)                         |
|     | 085060-01-W07 | EA  | Cushion Asm. - Pillow Armrest (W81)                     |
|     | 085060-01-W08 | EA  | Cushion Asm. - Pillow Armrest (W82)                     |
|     | 085060-01-W09 | EA  | Cushion Asm. - Pillow Armrest (W83)                     |
|     | M85060-01-W07 | EA  | Cover Asm. - Armrest Cushion (W81)                      |
|     | M85060-01-W08 | EA  | Cover Asm. - Armrest Cushion (W82)                      |
|     | M85060-01-W09 | EA  | Cover Asm. - Armrest Cushion (W83)                      |

**1987 WINNEBAGO  
TABLE OF CONTENTS**

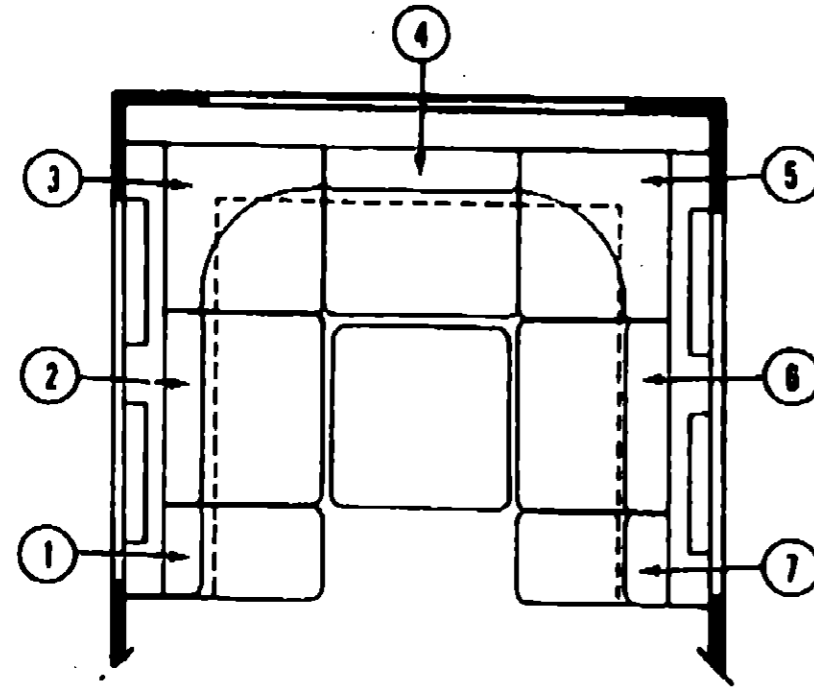
WT319RK  
WF421RB  
WJN32RQ

A-01 - B-18  
B-17 - D-16  
D-17 - G-05

**1987 WJN32RQ INDEX**

|                                    |             |
|------------------------------------|-------------|
| Floor Plan                         | D-17 - D-18 |
| Accessories Group                  | D-19 - D-21 |
| Bath Group                         | D-22 - D-23 |
| Chassis Group                      | D-24 - E-02 |
| Curtain, Cushion & Pad Group       | E-03 - E-12 |
| Dinette Group                      | E-13 - E-14 |
| Driver's Compartment Group         | E-15 - E-17 |
| Electrical Group                   | E-18 - E-20 |
| Exterior Body Group                | E-21 - F-02 |
| Galley Group                       | F-03 - F-05 |
| Heating & Air Conditioning Group   | F-06        |
| Interior Finish Group              | F-07 - F-09 |
| LP Group                           | F-10        |
| Lounge Group                       | F-11 - F-14 |
| Water & Sewage Group               | F-15 - F-16 |
| Window, Vent & Exterior Door Group | F-17 - G-05 |

**CURTAIN, CUSHION & PAD GROUP (CONTINUED)**



**HORSESHOE LOUNGE CUSHIONS**

| Key | Part Number   | U/M | Description   |
|-----|---------------|-----|---|
| 1   | 077813-16-W07 | EA  | Cushion Asm. - Back - 4" x 6" x 12" x 16 3/4" (W81) |
| 1   | 077813-16-W08 | EA  | Cushion Asm. - Back - 4" x 6" x 12" x 16 3/4" (W82) |
| 1   | 077813-16-W09 | EA  | Cushion Asm. - Back - 4" x 6" x 12" x 16 3/4" (W83) |
| 1   | M77813-16-W07 | EA  | Cover Asm. - Back Cushion (W81)                     |
| 1   | M77813-16-W08 | EA  | Cover Asm. - Back Cushion (W82)                     |
| 1   | M77813-16-W09 | EA  | Cover Asm. - Back Cushion (W83)                     |
| •   | 081998-03-W07 | EA  | Cushion Asm. - Seat - 26 3/8" x 16 3/4" x 5" (W81)  |
| •   | 081998-03-W08 | EA  | Cushion Asm. - Seat - 26 3/8" x 16 3/4" x 5" (W82)  |
| •   | 081998-03-W09 | EA  | Cushion Asm. - Seat - 26 3/8" x 16 3/4" x 5" (W83)  |
| •   | M81998-03-W07 | EA  | Cover Asm. - Seat Cushion (W81)                     |
| •   | M81998-03-W08 | EA  | Cover Asm. - Seat Cushion (W82)                     |
| •   | M81998-03-W09 | EA  | Cover Asm. - Seat Cushion (W83)                     |
| 2   | 077813-13-W07 | EA  | Cushion Asm. - Back - 4" x 6" x 12" x 33 1/2" (W81) |
| 2   | 077813-13-W08 | EA  | Cushion Asm. - Back - 4" x 6" x 12" x 33 1/2" (W82) |
| 2   | 077813-13-W09 | EA  | Cushion Asm. - Back - 4" x 6" x 12" x 33 1/2" (W83) |
| 2   | M77813-13-W07 | EA  | Cover Asm. - Back Cushion (W81)                     |
| 2   | M77813-13-W08 | EA  | Cover Asm. - Back Cushion (W82)                     |
| 2   | M77813-13-W09 | EA  | Cover Asm. - Back Cushion (W83)                     |
| •   | 081998-05-W07 | EA  | Cushion Asm. - Seat - 26 3/8" x 33 1/2" x 5" (W81)  |
| •   | 081998-05-W08 | EA  | Cushion Asm. - Seat - 26 3/8" x 33 1/2" x 5" (W82)  |
| •   | 081998-05-W09 | EA  | Cushion Asm. - Seat - 26 3/8" x 33 1/2" x 5" (W83)  |
| •   | M81998-05-W07 | EA  | Cover Asm. - Seat Cushion (W81)                     |
| •   | M81998-05-W08 | EA  | Cover Asm. - Seat Cushion (W82)                     |
| •   | M81998-05-W09 | EA  | Cover Asm. - Seat Cushion (W83)                     |
| 3   | 077814-08-W07 | EA  | Cushion Asm. - Back - 4" x 6" x 12" x 26 3/8" (W81) |
| 3   | 077814-08-W08 | EA  | Cushion Asm. - Back - 4" x 6" x 12" x 26 3/8" (W82) |
| 3   | 077814-08-W09 | EA  | Cushion Asm. - Back - 4" x 6" x 12" x 26 3/8" (W83) |
| 3   | M77814-08-W07 | EA  | Cover Asm. - Back Cushion (W81)                     |
| 3   | M77814-08-W08 | EA  | Cover Asm. - Back Cushion (W82)                     |
| 3   | M77814-08-W09 | EA  | Cover Asm. - Back Cushion (W83)                     |
| •   | 081998-26-W07 | EA  | Cushion Asm. - Seat - 26 3/8" x 26 3/8" x 5" (W81)  |
| •   | 081998-26-W08 | EA  | Cushion Asm. - Seat - 26 3/8" x 26 3/8" x 5" (W82)  |
| •   | 081998-26-W09 | EA  | Cushion Asm. - Seat - 26 3/8" x 26 3/8" x 5" (W83)  |
| •   | M81998-26-W07 | EA  | Cover Asm. - Seat Cushion (W81)                     |
| •   | M81998-26-W08 | EA  | Cover Asm. - Seat Cushion (W82)                     |
| •   | M81998-26-W09 | EA  | Cover Asm. - Seat Cushion (W83)                     |

**CURTAIN, CUSHION & PAD GROUP (CONTINUED)**

**HORSESHOE LOUNGE CUSHIONS**

| Key | Part Number   | U/M | Description   |
|-----|---------------|-----|---|
| 4   | 077813-15-W07 | EA  | Cushion Asm. - Back - 4" x 6" x 12" x 26 3/4" (W81) |
| 4   | 077813-15-W08 | EA  | Cushion Asm. - Back - 4" x 6" x 12" x 26 3/4" (W82) |
| 4   | 077813-15-W09 | EA  | Cushion Asm. - Back - 4" x 6" x 12" x 26 3/4" (W83) |
| 4   | M77813-15-W07 | EA  | Cover Asm. - Back Cushion (W81)                     |
| 4   | M77813-15-W08 | EA  | Cover Asm. - Back Cushion (W82)                     |
| 4   | M77813-15-W09 | EA  | Cover Asm. - Back Cushion (W83)                     |
| •   | 081998-25-W07 | EA  | Cushion Asm. - Seat - 26 3/8" x 26 3/8" x 5" (W81)  |
| •   | 081998-25-W08 | EA  | Cushion Asm. - Seat - 26 3/8" x 26 3/8" x 5" (W82)  |
| •   | 081998-25-W09 | EA  | Cushion Asm. - Seat - 26 3/8" x 26 3/8" x 5" (W83)  |
| •   | M81998-25-W07 | EA  | Cover Asm. - Seat Cushion (W81)                     |
| •   | M81998-25-W08 | EA  | Cover Asm. - Seat Cushion (W82)                     |
| •   | M81998-25-W09 | EA  | Cover Asm. - Seat Cushion (W83)                     |
| 5   | 077814-09-W07 | EA  | Cushion Asm. - Back - 4" x 6" x 12" x 26 3/8" (W81) |
| 5   | 077814-09-W11 | EA  | Cushion Asm. - Back - 4" x 6" x 12" x 26 3/8" (W82) |
| 5   | 077814-09-W09 | EA  | Cushion Asm. - Back - 4" x 6" x 12" x 26 3/8" (W83) |
| 5   | M77814-09-W07 | EA  | Cover Asm. - Back Cushion (W81)                     |
| 5   | M77814-09-W08 | EA  | Cover Asm. - Back Cushion (W82)                     |
| 5   | M77814-09-W09 | EA  | Cover Asm. - Back Cushion (W83)                     |
| •   | 081998-27-W07 | EA  | Cushion Asm. - Seat - 26 3/8" x 26 3/8" x 5" (W81)  |
| •   | 081998-27-W08 | EA  | Cushion Asm. - Seat - 26 3/8" x 26 3/8" x 5" (W82)  |
| •   | 081998-27-W09 | EA  | Cushion Asm. - Seat - 26 3/8" x 26 3/8" x 5" (W83)  |
| •   | M81998-27-W07 | EA  | Cover Asm. - Seat Cushion (W81)                     |
| •   | M81998-27-W08 | EA  | Cover Asm. - Seat Cushion (W82)                     |
| •   | M81998-27-W09 | EA  | Cover Asm. - Seat Cushion (W83)                     |
| 6   | 077813-14-W07 | EA  | Cushion Asm. - Back - 4" x 6" x 12" x 33 1/2" (W81) |
| 6   | 077813-14-W08 | EA  | Cushion Asm. - Back - 4" x 6" x 12" x 33 1/2" (W82) |
| 6   | 077813-14-W09 | EA  | Cushion Asm. - Back - 4" x 6" x 12" x 33 1/2" (W83) |
| 6   | M77813-14-W07 | EA  | Cover Asm. - Back Cushion (W81)                     |
| 6   | M77813-14-W08 | EA  | Cover Asm. - Back Cushion (W82)                     |
| 6   | M77813-14-W09 | EA  | Cover Asm. - Back Cushion (W83)                     |
| •   | 081998-06-W07 | EA  | Cushion Asm. - Seat - 26 3/8" x 33 1/2" x 5" (W81)  |
| •   | 081998-06-W08 | EA  | Cushion Asm. - Seat - 26 3/8" x 33 1/2" x 5" (W82)  |
| •   | 081998-06-W09 | EA  | Cushion Asm. - Seat - 26 3/8" x 33 1/2" x 5" (W83)  |
| •   | M81998-06-W07 | EA  | Cover Asm. - Seat Cushion (W81)                     |
| •   | M81998-06-W08 | EA  | Cover Asm. - Seat Cushion (W82)                     |
| •   | M81998-06-W09 | EA  | Cover Asm. - Seat Cushion (W83)                     |
| 7   | 077813-17-W07 | EA  | Cushion Asm. - Back - 4" x 6" x 12" x 16 3/4" (W81) |
| 7   | 077813-17-W08 | EA  | Cushion Asm. - Back - 4" x 6" x 12" x 16 3/4" (W82) |
| 7   | 077813-17-W09 | EA  | Cushion Asm. - Back - 4" x 6" x 12" x 16 3/4" (W83) |
| 7   | M77813-17-W07 | EA  | Cover Asm. - Back Cushion (W81)                     |
| 7   | M77813-17-W08 | EA  | Cover Asm. - Back Cushion (W82)                     |
| 7   | M77813-17-W09 | EA  | Cover Asm. - Back Cushion (W83)                     |
| •   | 081998-04-W07 | EA  | Cushion Asm. - Seat - 26 3/8" x 16 3/4" x 5" (W81)  |
| •   | 081998-04-W08 | EA  | Cushion Asm. - Seat - 26 3/8" x 16 3/4" x 5" (W82)  |
| •   | 081998-04-W09 | EA  | Cushion Asm. - Seat - 26 3/8" x 16 3/4" x 5" (W83)  |
| •   | M81998-04-W07 | EA  | Cover Asm. - Seat Cushion (W81)                     |
| •   | M81998-04-W08 | EA  | Cover Asm. - Seat Cushion (W82)                     |
| •   | M81998-04-W09 | EA  | Cover Asm. - Seat Cushion (W83)                     |
| •   | Not Keyed Out |     |   |

**1987 WINNEBAGO  
TABLE OF CONTENTS**

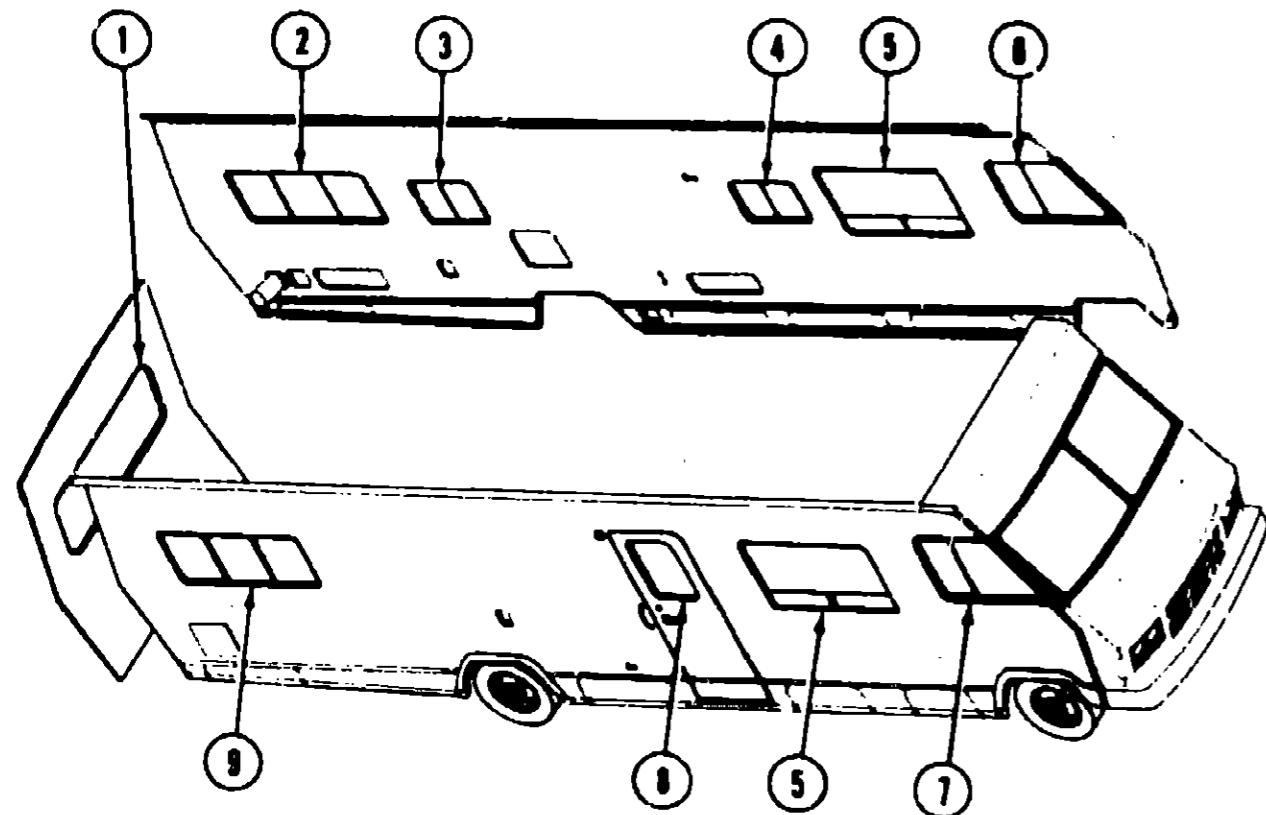
|         |             |
|---------|-------------|
| WT319RK | A-01 - B-16 |
| WF421RB | B-17 - D-16 |
| WJN32RQ | D-17 - G-06 |

**1987 WJN32RQ INDEX**

|                                    |             |
|------------------------------------|-------------|
| Floor Plan                         | D-17 - D-18 |
| Accessories Group                  | D-19 - D-21 |
| Bath Group                         | D-22 - D-23 |
| Chassis Group                      | D-24 - E-02 |
| Curtain, Cushion & Pad Group       | E-03 - E-12 |
| Dinette Group                      | E-13 - E-14 |
| Driver's Compartment Group         | E-15 - E-17 |
| Electrical Group                   | E-18 - E-20 |
| Exterior Body Group                | E-21 - F-02 |
| Galley Group                       | F-03 - F-05 |
| Heating & Air Conditioning Group   | F-06        |
| Interior Finish Group              | F-07 - F-09 |
| LP Group                           | F-10        |
| Lounge Group                       | F-11 - F-14 |
| Water & Sewage Group               | F-15 - F-16 |
| Window, Vent & Exterior Door Group | F-17 - G-05 |



**CURTAIN, CUSHION & PAD GROUP (CONTINUED)**



**CURTAINS, SHADES, VALANCES & TIEBACKS**

| Key | Part Number   | U/M | Description                              |
|-----|---------------|-----|--|
| 1   | 085200-13-W81 | EA  | Shade Asm. - Fabric - 53.25"             |
| 1   | 085200-13-W82 | EA  | Shade Asm. - Fabric - 53.25"             |
| 1   | 085200-13-W83 | EA  | Shade Asm. - Fabric - 53.25"             |
| 1   | 086480-08-W07 | EA  | Valance Asm. - w/Insert - 60" (W81)      |
| 1   | 086480-08-W08 | EA  | Valance Asm. - w/Insert - 60" (W82)      |
| 1   | 086480-08-W09 | EA  | Valance Asm. - w/Insert - 60" (W83)      |
| 1   | 085190-07-W07 | EA  | Curtain Asm. w/Darts - 29.5" x 15" (W81) |
| 1   | 085190-07-W08 | EA  | Curtain Asm. w/Darts - 29.5" x 15" (W82) |
| 1   | 085190-07-W09 | EA  | Curtain Asm. w/Darts - 29.5" x 15" (W83) |
| †   | 085304-65-000 | EA  | Blinds - Pleated - 52" x 29" Drop (W81)  |
| †   | 085304-66-000 | EA  | Blinds - Pleated - 52" x 29" Drop (W82)  |
| †   | 085304-54-000 | EA  | Blinds - Pleated - 52" x 29" Drop (W83)  |
| †   | 085191-07-W07 | EA  | Valance Asm. w/Insert - 56" (W81)        |
| †   | 085191-07-W08 | EA  | Valance Asm. w/Insert - 56" (W82)        |
| †   | 085191-07-W09 | EA  | Valance Asm. w/Insert - 56" (W83)        |
| †   | 085190-06-W07 | EA  | Curtain Asm. w/Dart - 29.5" x 15" (W81)  |
| †   | 085190-06-W08 | EA  | Curtain Asm. w/Dart - 29.5" x 15" (W82)  |
| †   | 085190-06-W09 | EA  | Curtain Asm. w/Dart - 29.5" x 15" (W83)  |
| 2   | 085200-08-W07 | EA  | Shade Asm. - Fabric - 69.25" (W81)       |
| 2   | 085200-08-W08 | EA  | Shade Asm. - Fabric - 69.25" (W82)       |
| 2   | 085200-08-W09 | EA  | Shade Asm. - Fabric - 69.25" (W83)       |
| 2   | 086480-04-W07 | EA  | Valance Asm. w/Insert - 72" (W81)        |
| 2   | 086480-04-W08 | EA  | Valance Asm. w/Insert - 72" (W82)        |
| 2   | 086480-04-W09 | EA  | Valance Asm. w/Insert - 72" (W83)        |
| 2   | 085190-07-W07 | EA  | Curtain Asm. w/Darts - 29.5" x 15" (W81) |
| 2   | 085190-07-W08 | EA  | Curtain Asm. w/Darts - 29.5" x 15" (W82) |
| 2   | 085190-07-W09 | EA  | Curtain Asm. w/Darts - 29.5" x 15" (W83) |
| †   | 085304-63-000 | EA  | Blinds - Pleated - 67" x 29" Drop (W81)  |
| †   | 085304-62-000 | EA  | Blinds - Pleated - 67" x 29" Drop (W82)  |
| †   | 085304-60-000 | EA  | Blinds - Pleated - 67" x 29" Drop (W83)  |
| †   | 085191-01-W04 | EA  | Valance Asm. w/Insert - 68.5" (W81)      |
| †   | 085191-01-W05 | EA  | Valance Asm. w/Insert - 68.5" (W82)      |
| †   | 085191-01-W06 | EA  | Valance Asm. w/Insert - 68.5" (W83)      |
| †   | 085190-06-W07 | EA  | Curtain Asm. w/Dart - 29.5" x 15" (W81)  |
| †   | 085190-06-W08 | EA  | Curtain Asm. w/Dart - 29.5" x 15" (W82)  |
| †   | 085190-06-W09 | EA  | Curtain Asm. w/Dart - 29.5" x 15" (W83)  |

**CURTAIN, CUSHION & PAD GROUP (CONTINUED)**

**CURTAINS, SHADES, VALANCES & TIEBACKS (CONT.)**

| Key | Part Number                               | U/M | Description   |
|-----|---|-----|---|
| 3   | 082118-B7-000                             | EA  | Blinds - 32" x 26" Drop (W81)                         |
| 3   | 082118-B8-000                             | EA  | Blinds - 32" x 26" Drop (W82)                         |
| 3   | 082118-B9-000                             | EA  | Blinds - 32" x 26" Drop (W83)                         |
| 3   | 085191-02-W07                             | EA  | Valance Asm. w/Insert - 35.5" (W81)                   |
| †3  | 085191-02-WB7                             | EA  | Valance Asm. w/Insert - 35.5" (W81)                   |
| 3   | 085191-02-W08                             | EA  | Valance Asm. w/Insert - 35.5" (W82)                   |
| 3   | 085191-02-W09                             | EA  | Valance Asm. w/Insert - 35.5" (W83)                   |
| 3   | 073304-39-W04                             | EA  | Curtain Asm. w/Snap Top - 27.5" x 10" (W81)           |
| †3  | 073304-39-WB7                             | EA  | Curtain Asm. w/Snap Top - 27.5" x 10" (W81)           |
| 3   | 073304-39-W05                             | EA  | Curtain Asm. w/Snap Top - 27.5" x 10" (W82)           |
| 3   | 073304-39-W06                             | EA  | Curtain Asm. w/Snap Top - 27.5" x 10" (W83)           |
| 4   | 082118-A8-000                             | EA  | Blinds - Mini - 27" x 22" (W81)                       |
| 4   | 082118-A9-000                             | EA  | Blinds - Mini - 27" x 22" (W82)                       |
| 4   | 082118-B0-000                             | EA  | Blinds - Mini - 27" x 22" (W83)                       |
| 4   | 085191-03-W07                             | EA  | Valance Asm. w/Insert - 29.5" (W81)                   |
| †4  | 085191-03-WB7                             | EA  | Valance Asm. w/Insert - 29.5" (W81)                   |
| 4   | 085191-03-W08                             | EA  | Valance Asm. w/Insert - 29.5" (W82)                   |
| 4   | 085191-03-W09                             | EA  | Valance Asm. w/Insert - 29.5" (W83)                   |
| 5   | 085304-18-000                             | EA  | Blinds - Pleated - 65" x 33" Drop (W81)               |
| 5   | 085304-17-000                             | EA  | Blinds - Pleated - 65" x 33" Drop (W82)               |
| 5   | 085304-16-000                             | EA  | Blinds - Pleated - 65" x 33" Drop (W83)               |
| 5   | 085191-01-W04                             | EA  | Valance Asm. w/Insert - 68.5" (W81)                   |
| †5  | 085191-01-WB7                             | EA  | Valance Asm. w/Insert - 68.5" (W81)                   |
| 5   | 085191-01-W05                             | EA  | Valance Asm. w/Insert - 68.5" (W82)                   |
| 5   | 085191-01-W06                             | EA  | Valance Asm. w/Insert - 68.5" (W83)                   |
| 5   | 085190-01-W04                             | EA  | Curtain Asm. w/Darts - 37" x 15" (W81)                |
| †5  | 085190-01-WB7                             | EA  | Curtain Asm. w/Darts - 37" x 15" (W81)                |
| 5   | 085190-01-W05                             | EA  | Curtain Asm. w/Darts - 37" x 15" (W82)                |
| 5   | 085190-01-W06                             | EA  | Curtain Asm. w/Darts - 37" x 15" (W83)                |
| **  | 082118-C6-000                             | EA  | Blinds - Mini - 65" x 33" Drop (W81)                  |
| **  | 082118-C7-000                             | EA  | Blinds - Mini - 65" x 33" Drop (W82)                  |
| **  | 082118-C8-000                             | EA  | Blinds - Mini - 65" x 33" Drop (W83)                  |
| 6   | 073304-41-W07                             | EA  | Curtain Asm. - Front Wraparound w/Lining (W81)        |
| †6  | 073304-41-WB7                             | EA  | Curtain Asm. - Front Wraparound w/Lining (W81)        |
| 6   | 073304-41-W08                             | EA  | Curtain Asm. - Front Wraparound w/Lining (W82)        |
| 6   | 083304-41-W30                             | EA  | Curtain Asm. - Front Wraparound w/Lining (W83)        |
| 6   | 077591-06-W07                             | EA  | Curtain w/Velcro Top - Bunk Privacy - Driver (W81)    |
| †6  | 077591-06-WB7                             | EA  | Curtain w/Velcro Top - Bunk Privacy - Driver (W81)    |
| 6   | 077591-06-W32                             | EA  | Curtain w/Velcro Top - Bunk Privacy - Driver (W82)    |
| 6   | 077591-06-W30                             | EA  | Curtain w/Velcro Top - Bunk Privacy - Driver (W83)    |
| 7   | 073304-40-W07                             | EA  | Curtain Asm. - Front Wraparound w/Lining (W81)        |
| †7  | 073304-40-WB7                             | EA  | Curtain Asm. - Front Wraparound w/Lining (W81)        |
| 7   | 073304-40-W08                             | EA  | Curtain Asm. - Front Wraparound w/Lining (W82)        |
| 7   | 073304-40-W30                             | EA  | Curtain Asm. - Front Wraparound w/Lining (W83)        |
| 7   | 077591-05-W07                             | EA  | Curtain w/Velcro Top - Bunk Privacy - Passenger (W81) |
| †7  | 077591-05-WB7                             | EA  | Curtain w/Velcro Top - Bunk Privacy - Passenger (W81) |
| 7   | 077591-05-W32                             | EA  | Curtain w/Velcro Top - Bunk Privacy - Passenger (W82) |
| 7   | 077591-05-W30                             | EA  | Curtain w/Velcro Top - Bunk Privacy - Passenger (W83) |
| 8   | 084755-04-W04                             | EA  | Shade Asm. w/Braid Trim - 24.25" (W81)                |
| †8  | 084755-04-WA7                             | EA  | Shade Asm. w/Braid Trim - 24.25" (W81)                |
| 8   | 084755-04-W01                             | EA  | Shade Asm. w/Braid Trim - 24.25" (W82)                |
| †8  | 084755-04-WA8                             | EA  | Shade Asm. w/Braid Trim - 24.25" (W82)                |
| 8   | 084755-04-W06                             | EA  | Shade Asm. w/Braid Trim - 24.25" (W83)                |
| †8  | 084755-04-WA6                             | EA  | Shade Asm. w/Braid Trim - 24.25" (W83)                |
| 8   | 085191-04-W04                             | EA  | Valance Asm. w/Insert - 27.4" (W81)                   |
| †8  | 085191-04-WB7                             | EA  | Valance Asm. w/Insert - 27.4" (W81)                   |
| 8   | 085191-04-W05                             | EA  | Valance Asm. w/Insert - 27.4" (W82)                   |
| 8   | 085191-04-W06                             | EA  | Valance Asm. w/Insert - 27.4" (W83)                   |
| **  | Parts used on the Mini Blind Option       |     |   |
| †   | Parts used in the Horseshoe Lounge Option |     |   |
| ††  | Parts used after 10/20/86                 |     |   |
| †   | Parts used after 2/1/87                   |     |   |

**1987 WINNEBAGO  
TABLE OF CONTENTS**

|         |             |
|---------|-------------|
| WT319RK | A-01 - B-16 |
| WF421RB | B-17 - D-16 |
| WJN32RQ | D-17 - G-06 |

**1987 WJN32RQ INDEX**

|                                    |             |
|------------------------------------|-------------|
| Floor Plan                         | D-17 - D-18 |
| Accessories Group                  | D-19 - D-21 |
| Bath Group                         | D-22 - D-23 |
| Chassis Group                      | D-24 - E-02 |
| Curtain, Cushion & Pad Group       | E-03 - E-12 |
| Dinette Group                      | E-13 - E-14 |
| Driver's Compartment Group         | E-15 - E-17 |
| Electrical Group                   | E-18 - E-20 |
| Exterior Body Group                | E-21 - F-02 |
| Galley Group                       | F-03 - F-05 |
| Heating & Air Conditioning Group   | F-06        |
| Interior Finish Group              | F-07 - F-09 |
| LP Group                           | F-10        |
| Lounge Group                       | F-11 - F-14 |
| Water & Sewage Group               | F-15 - F-16 |
| Window, Vent & Exterior Door Group | F-17 - G-05 |

**CURTAIN, CUSHION & PAD GROUP (CONTINUED)**

**CURTAINS, SHADES, VALANCES & TIEBACKS (CONT.)**

| Key | Part Number   | U/M | Description   |
|-----|---------------|-----|---|
| 9   | 085200-08-W07 | EA  | Shade Asm. - Fabric - 69.25" (W81)                            |
| 9   | 085200-08-W08 | EA  | Shade Asm. - Fabric - 69.25" (W82)                            |
| 9   | 085200-08-W09 | EA  | Shade Asm. - Fabric - 69.25" (W83)                            |
| 9   | 086480-04-W07 | EA  | Valance Asm. w/Insert - 72" (W81)                             |
| 9   | 086480-04-W08 | EA  | Valance Asm. w/Insert - 72" (W82)                             |
| 9   | 086480-04-W09 | EA  | Valance Asm. w/Insert - 72" (W83)                             |
| 9   | 085190-07-W07 | EA  | Curtain Asm. w/Darts - 29.5" x 15" (W81)                      |
| 9   | 085190-07-W08 | EA  | Curtain Asm. w/Darts - 29.5" x 15" (W82)                      |
| 9   | 085190-07-W09 | EA  | Curtain Asm. w/Darts - 29.5" x 15" (W83)                      |
| 9   | 085200-08-W07 | EA  | Shade Asm. - Fabric - 47.25" (used w/Double Bed Option) (W81) |
| 9   | 085200-08-W08 | EA  | Shade Asm. - Fabric - 47.25" (used w/Double Bed Option) (W82) |
| 9   | 085200-08-W09 | EA  | Shade Asm. - Fabric - 47.25" (used w/Double Bed Option) (W83) |
| 9   | 086480-05-W07 | EA  | Valance Asm. w/Insert - 72" (used w/Double Bed Option) (W81)  |
| 9   | 086480-05-W08 | EA  | Valance Asm. w/Insert - 72" (used w/Double Bed Option) (W82)  |
| 9   | 086480-05-W09 | EA  | Valance Asm. w/Insert - 72" (used w/Double Bed Option) (W83)  |
| †   | 085304-83-000 | EA  | Blinds - Pleated - 67" x 29" Drop (W81)                       |
| †   | 085304-82-000 | EA  | Blinds - Pleated - 67" x 29" Drop (W82)                       |
| †   | 085304-80-000 | EA  | Blinds - Pleated - 67" x 29" Drop (W83)                       |
| †   | 085191-01-W04 | EA  | Valance Asm. w/Insert - 68.5" (W81)                           |
| †   | 085191-01-W05 | EA  | Valance Asm. w/Insert - 68.5" (W82)                           |
| †   | 085191-01-W08 | EA  | Valance Asm. w/Insert - 68.5" (W83)                           |
| †   | 085190-06-W07 | EA  | Curtain Asm. w/Darts - 29.5" x 15" (W81)                      |
| †   | 085190-06-W08 | EA  | Curtain Asm. w/Darts - 29.5" x 15" (W82)                      |
| †   | 085190-06-W09 | EA  | Curtain Asm. w/Darts - 29.5" x 15" (W83)                      |
| †   | 073280-23-W04 | EA  | Tieback Asm. - 3" x 18" - Drapery (W81)                       |
| †   | 073280-23-W07 | EA  | Tieback Asm. - 3" x 18" - Drapery (W81)                       |
| †   | 073280-23-W05 | EA  | Tieback Asm. - 3" x 18" - Drapery (W82)                       |
| †   | 073280-23-W08 | EA  | Tieback Asm. - 3" x 18" - Drapery (W83)                       |
| †   | 057534-01-000 | EA  | Tieback - Clear Plastic - 6"                                  |
| †   |               |     | Not illustrated   |
| †   |               |     | Parts used after 2/1/87                                       |
| †   |               |     | Parts used in the Horseshoe Lounge/Pleated Blind Option       |

**FRONT BUNK**

| Key | Part Number   | U/M | Description                                      |
|-----|---------------|-----|--|
|     | 079145-04-000 | EA  | Cushion Asm. - Front Bunk - 4" x 34" x 78"       |
|     | M79145-04-000 | EA  | Cover Asm. - Front Bunk Cushion - 4" x 34" x 78" |
|     | 079144-02-T03 | EA  | Bunk Strap - Vinyl                               |

**CURTAIN, CUSHION & PAD GROUP (CONTINUED)**

**BUCKET SEATS**

| Key | Part Number   | U/M | Description  |
|-----|---------------|-----|--|
|     | 084191-02-W04 | EA  | Seat Asm. - Comet I - Jade/Taupe (W81)                             |
|     | 084191-02-W05 | EA  | Seat Asm. - Comet I - Rose (W82)                                   |
|     | 084191-02-W08 | EA  | Seat Asm. - Comet I - Taupe (W83)                                  |
|     | M01864-3-W04  | EA  | Cover Asm. - Seat Bottom - Jade/Taupe (W81)                        |
|     | M01864-23-W05 | EA  | Cover Asm. - Seat Bottom - Rose (W82)                              |
|     | M01864-21-W08 | EA  | Cover Asm. - Seat Bottom - Taupe (W83)                             |
|     | M01864-24-W04 | EA  | Cover Asm. - Seat Back - Jade/Taupe (W81)                          |
|     | M01864-24-W05 | EA  | Cover Asm. - Seat Back - Rose (W82)                                |
|     | M01864-22-W08 | EA  | Cover Asm. - Seat Back - Taupe (W83)                               |
|     | 078804-07-W07 | EA  | Seat Asm. - Granduur - Jade/Taupe (W81)                            |
|     | 078804-07-W08 | EA  | Seat Asm. - Granduur - Rose (W82)                                  |
|     | 078804-07-W09 | EA  | Seat Asm. - Granduur - Taupe (W83)                                 |
|     | M01863-01-W07 | EA  | Cover Asm. - Bucket Seat Bottom - Jade/Taupe (W81)                 |
|     | M01863-01-W08 | EA  | Cover Asm. - Bucket Seat Bottom - Rose (W82)                       |
|     | M01863-01-W09 | EA  | Cover Asm. - Bucket Seat Bottom - Taupe (W83)                      |
|     | M01863-02-W07 | EA  | Cover Asm. - Bucket Seat Back - Jade/Taupe (W81)                   |
|     | M01863-02-W08 | EA  | Cover Asm. - Bucket Seat Back - Rose (W82)                         |
|     | M01863-02-W09 | EA  | Cover Asm. - Bucket Seat Back - Taupe (W83)                        |
|     | 080243-07-W04 | EA  | Armrest Asm. - Right - Jade/Taupe (W81)                            |
|     | 080243-07-W05 | EA  | Armrest Asm. - Right - Rose (W82)                                  |
|     | 080243-07-W08 | EA  | Armrest Asm. - Right - Taupe (W83)                                 |
|     | 080243-08-W04 | EA  | Armrest Asm. - Left - Jade/Taupe (W81)                             |
|     | 080243-08-W05 | EA  | Armrest Asm. - Left - Rose (W82)                                   |
|     | 080243-08-W08 | EA  | Armrest Asm. - Left - Taupe (W83)                                  |
|     | M80243-01-W04 | EA  | Cover Asm. - Armrest - Right - Jade/Taupe (W81)                    |
|     | M80243-01-W05 | EA  | Cover Asm. - Armrest - Right - Rose (W82)                          |
|     | M80243-01-W08 | EA  | Cover Asm. - Armrest - Right - Taupe (W83)                         |
|     | M80243-02-W04 | EA  | Cover Asm. - Armrest - Left - Jade/Taupe (W81)                     |
|     | M80243-02-W05 | EA  | Cover Asm. - Armrest - Left - Rose (W82)                           |
|     | M80243-02-W08 | EA  | Cover Asm. - Armrest - Left - Taupe (W83)                          |
|     | 080242-04-W04 | EA  | Headrest Asm. - Jade/Taupe (W81)                                   |
|     | 080242-04-W05 | EA  | Headrest Asm. - Rose (W82)   |
|     | 080242-04-W08 | EA  | Headrest Asm. - Taupe (W83)  |
|     | M80242-01-W04 | EA  | Cover Asm. - Headrest - Jade/Taupe (W81)                           |
|     | M80242-01-W05 | EA  | Cover Asm. - Headrest - Rose (W82)                                 |
|     | M80242-01-W08 | EA  | Cover Asm. - Headrest - Taupe (W83)                                |
|     | 071126-16-W07 | EA  | Skirt Asm. - Single Bucket - Jade/Taupe (W81)                      |
|     | 071126-16-W08 | EA  | Skirt Asm. - Single Bucket - Rose (W82)                            |
|     | 071126-16-W09 | EA  | Skirt Asm. - Single Bucket - Taupe (W83)                           |
|     | 079281-02-W81 | EA  | Seat Asm. - Double Bucket - Jade/Taupe                             |
|     | 079281-02-W82 | EA  | Seat Asm. - Double Bucket - Rose                                   |
|     | 079281-02-W83 | EA  | Seat Asm. - Double Bucket - Taupe                                  |
|     | M01874-03-W81 | EA  | Cover Asm. - Bucket Seat Bottom - Double Bucket - Jade/Taupe (W81) |
|     | M01874-03-W37 | EA  | Cover Asm. - Bucket Seat Bottom - Double Bucket - Rose (W82)       |
|     | M01874-03-W83 | EA  | Cover Asm. - Bucket Seat Bottom - Double Bucket - Taupe (W83)      |
|     | M01874-04-W81 | EA  | Cover Asm. - Bucket Seat Back - Double Bucket - Jade/Taupe (W81)   |
|     | M01874-04-W37 | EA  | Cover Asm. - Bucket Seat Back - Double Bucket - Rose (W82)         |
|     | M01874-04-W83 | EA  | Cover Asm. - Bucket Seat Back - Double Bucket - Taupe (W83)        |
|     | 080243-02-W07 | EA  | Armrest Asm. - Left - Double Bucket - Jade/Taupe (W81)             |
|     | 080243-02-W08 | EA  | Armrest Asm. - Left - Double Bucket - Rose (W82)                   |
|     | 080243-02-W09 | EA  | Armrest Asm. - Left - Double Bucket - Taupe (W83)                  |
|     | 080242-01-W07 | EA  | Headrest Asm. - Double Bucket - Jade/Taupe (W81)                   |
|     | 080242-01-W08 | EA  | Headrest Asm. - Double Bucket - Rose (W82)                         |
|     | 080242-01-W09 | EA  | Headrest Asm. - Double Bucket - Taupe (W83)                        |
|     | 071690-04-W81 | EA  | Skirt Asm. - Double Bucket - Jade/Taupe (W81)                      |
|     | 071690-04-W37 | EA  | Skirt Asm. - Double Bucket - Rose (W82)                            |
|     | 071690-04-W83 | EA  | Skirt Asm. - Double Bucket - Taupe (W83)                           |

**1987 WINNEBAGO  
TABLE OF CONTENTS**

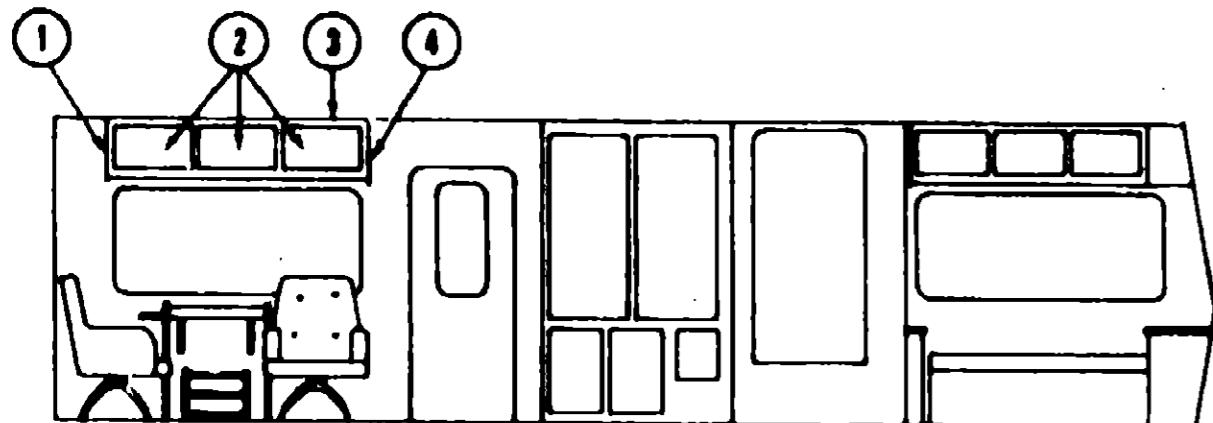
|         |             |
|---------|-------------|
| WT319RK | A-01 - B-18 |
| WF421RB | B-17 - D-18 |
| WJN32RQ | D-17 - G-05 |

**1987 WJN32RQ INDEX**

|                                    |             |
|------------------------------------|-------------|
| Floor Plan                         | D-17 - D-18 |
| Accessories Group                  | D-19 - D-21 |
| Bath Group                         | D-22 - D-23 |
| Chassis Group                      | D-24 - E-02 |
| Curtain, Cushion & Pad Group       | E-03 - E-12 |
| Dinette Group                      | E-13 - E-14 |
| Driver's Compartment Group         | E-15 - E-17 |
| Electrical Group                   | E-18 - E-20 |
| Exterior Body Group                | E-21 - F-02 |
| Galley Group                       | F-03 - F-05 |
| Heating & Air Conditioning Group   | F-06        |
| Interior Finish Group              | F-07 - F-09 |
| LP Group                           | F-10        |
| Lounge Group                       | F-11 - F-14 |
| Water & Sewage Group               | F-15 - F-16 |
| Window, Vent & Exterior Door Group | F-17 - G-05 |

**DINETTE GROUP**

**DINETTE GROUP (CONTINUED)**



**SWIVEL CHAIR DINETTE & OVERHEAD CABINETRY**

| Key | Part Number   | U/M | Description   |
|-----|---------------|-----|---|
| 1   | 081325-02-T03 | EA  | Pad Asm. - End Cap - Front Overhead - Left - Vinyl                |
| 2   | M81503-01-W07 | EA  | Door Asm. - Overhead Cabinet - w/o Hardware                       |
| 3   | 081550-04-W07 | EA  | Cabinet Asm. - Front Overhead - Passenger - w/o Doors or Hardware |
| .   | 081550-06-W07 | EA  | Cabinet Asm. - Front Overhead - Driver - w/o Doors or Hardware    |
| 4   | 081325-01-T03 | EA  | Pad Asm. - End Cap - Front Overhead - Right - Vinyl               |
| .   | M81727-03-W07 | EA  | Cabinet Asm. - Pullout Table                                      |
| .   | M02415-01-U04 | EA  | Table Asm. - Pullout  |
| .   | M02416-01-U04 | EA  | Countertop Asm. - Pullout Table                                   |
| .   | M02414-01-U04 | EA  | Top - Cupholder - Pullout Table                                   |
| .   | M02417-01-U04 | EA  | Hinged Top - Pullout Table - w/o Hardware                         |
| .   | 079806-03-T03 | EA  | Magazine Rack   |
| .   | 080728-01-000 | EA  | Handle - Pullout Table  |
| .   | 035036-04-000 | EA  | Base w/Leg - Swivel Chair   |
| †   | 088245-01-000 | EA  | Chair Base w/Leg  |
| †   | 088245-02-000 | EA  | Plate - Tilter w/Lock   |
| †   | 088245-04-000 | EA  | Extension - 4"  |
| †   | 088245-05-000 | EA  | Extension - 5"  |
| .   | 081298-01-U04 | EA  | Table Asm. - Pedestal   |
| .   | 009040-03-000 | EA  | Base - Table - Mount on Table                                     |
| .   | 009040-04-000 | EA  | Leg - Pedestal Table  |
| .   | 082046-01-000 | EA  | Clip - Pedestal Leg   |
| .   | 041194-01-000 | EA  | Base - Table - Flush Mount in Floor                               |
| .   |               |     | Not illustrated   |
| †   |               |     | Parts used after 3/1/87   |

**DINETTE CABINETRY & HARDWARE (OPTION)**

| Key   | Part Number   | U/M | Description                                     |
|---|---------------|-----|---|
|   | M02174-02-W07 | EA  | Cabinet Asm. - Dinette Back - Right             |
|   | M02174-03-W07 | EA  | Cabinet Asm. - Dinette Back - Left              |
|   | M02175-01-W07 | EA  | Cabinet Asm. - Dinette Seat - Right w/o Door    |
|   | M02175-04-W04 | EA  | Cabinet Asm. - Dinette Seat - Left - w/o Door   |
|   | M02115-09-U17 | EA  | Table - Dinette - w/o Hardware                  |
|   | M81501-10-W04 | EA  | Door Asm. - Left - Dinette Seat - w/o Hardware  |
|   | M81501-11-W07 | EA  | Door Asm. - Right - Dinette Seat - w/o Hardware |
|   | 063201-06-000 | EA  | Hanger - Table - 23" - Beige                    |
|   | 074483-02-000 | EA  | Support - Sprung Door Asm. - Overhead Cabinet   |
|   | 063200-05-000 | EA  | Bracket - Upper Wall Mount - 23.5" - Beige      |
|   | 063201-06-000 | EA  | Bracket - Table Mount - 23"                     |
|   | 024275-05-000 | EA  | Rod - Table Lift - 8" x 23.6" - Beige           |
|   | 024281-07-000 | EA  | Bracket - Lower Wall Mount - 22.12" - Beige     |
|   | 024276-17-000 | EA  | Leg Asm. - Table - 26.75" - Tan                 |
|   | 064050-02-000 | EA  | Hinge - Table Leg                               |
| **  | 024282-01-000 | EA  | Brace - Table Leg                               |
| **  | 024283-01-000 | EA  | Clip - 1" O.D. Tube                             |
|   | 049493-05-000 | EA  | Catch - Table Leg - Mounts on Floor - Tan       |
| **  | 064781-01-000 | EA  | Cup Holder - 3.47" O.D. x 2.75" I.D. x 1.5"     |
| ** The illustrated parts breakdown for this item is provided on the Common Items Fiche. |               |     |   |

**1987 WINNEBAGO  
TABLE OF CONTENTS**

|         |             |
|---------|-------------|
| WT319RK | A-01 - B-18 |
| WF421RB | D-17 - D-18 |
| WJN32RQ | D-17 - G-05 |

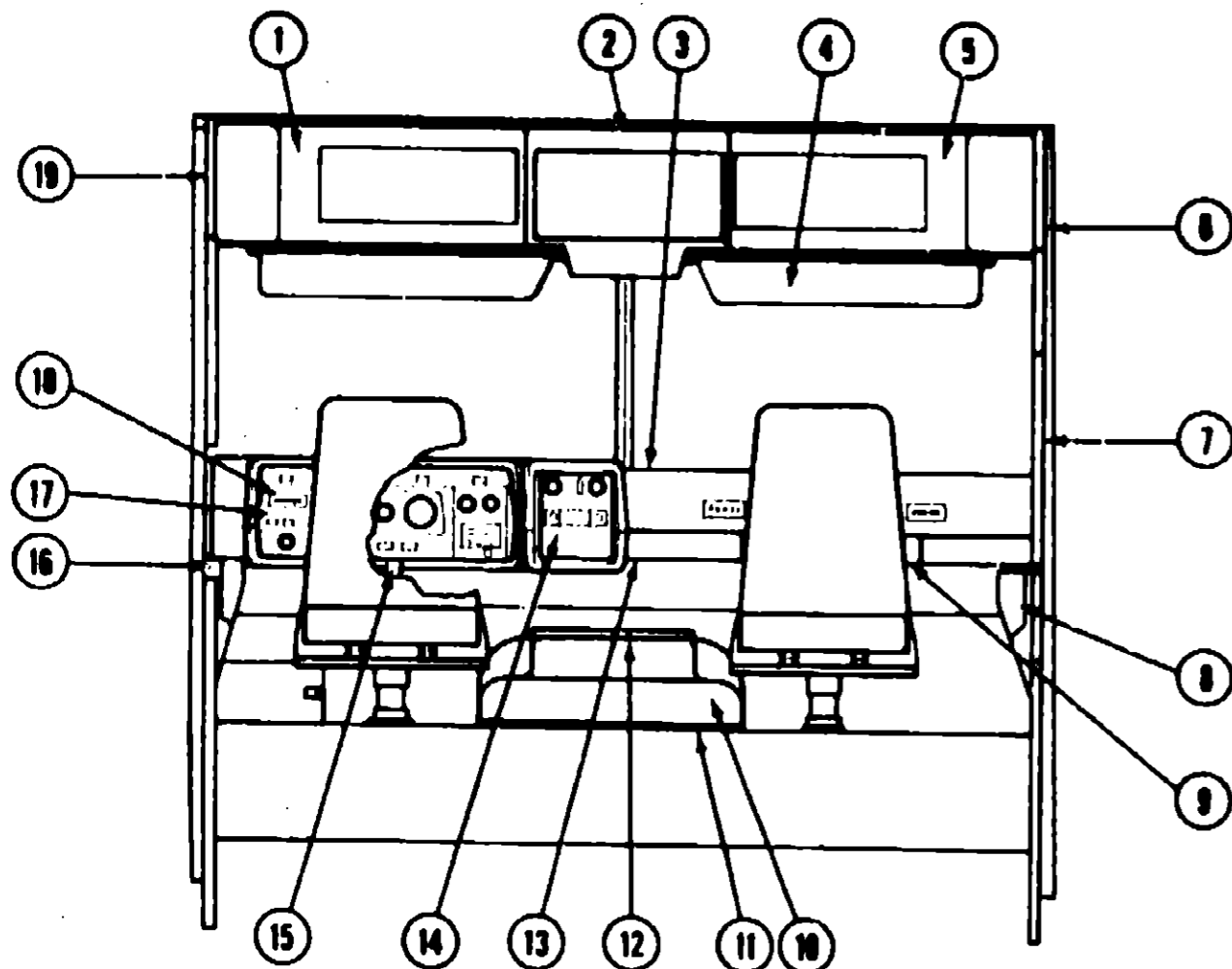
**1987 WJN32RQ INDEX**

|                                    |             |
|------------------------------------|-------------|
| Floor Plan                         | D-17 - D-18 |
| Accessories Group                  | D-19 - D-21 |
| Bath Group                         | D-22 - D-23 |
| Chassis Group                      | D-24 - E-02 |
| Curtain, Cushion & Pad Group       | E-03 - E-12 |
| Dinette Group                      | E-13 - E-14 |
| Driver's Compartment Group         | E-15 - E-17 |
| Electrical Group                   | E-18 - E-20 |
| Exterior Body Group                | E-21 - F-02 |
| Galley Group                       | F-03 - F-05 |
| Heating & Air Conditioning Group   | F-06        |
| Interior Finish Group              | F-07 - F-09 |
| LP Group                           | F-10        |
| Lounge Group                       | F-11 - F-14 |
| Water & Sewage Group               | F-15 - F-16 |
| Window, Vent & Exterior Door Group | F-17 - G-05 |

**DRIVER'S COMPARTMENT GROUP**

**DRIVER'S COMPARTMENT GROUP (CONTINUED)**

**MISCELLANEOUS DRIVER'S COMPARTMENT COMPONENTS (CONT.)**



**MISCELLANEOUS DRIVER'S COMPARTMENT COMPONENTS**

| Key | Part Number   | U/M | Description  |
|-----|---------------|-----|--|
| 1   | 087919-02-W81 | EA  | Cabinet Asm. - Front Overhead - Left - w/o Doors or Hardware |
| .   | M81503-06-W07 | EA  | Door Asm. - Overhead Cabinets - w/o Hardware                 |
| .   | 086413-02-000 | EA  | Headliner - Front - Light Oak - w/o Bunk                     |
| 2   | M87920-03-W81 | EA  | Cabinet Asm. - TV - w/o Door or Hardware                     |
| .   | M81503-04-W07 | EA  | Door Asm. - TV Cabinet - w/o Hardware                        |
| .   | 040714-01-700 | EA  | Mirror - Inside - Rear View                                  |
| **3 | M01113-21-W07 | EA  | Dash Asm. - Complete - w/Gauges & Switches (John Deere)      |
| .   | 079089-01-000 | EA  | Dash Pad - Passenger - Brown                                 |
| .   | 079083-01-000 | EA  | Dash Pad - Drivers - Brown                                   |
| .   | 024990-01-000 | EA  | Outlet - Defroster w/Swivel - 2" - Tan                       |
| .   | 086491-01-000 | EA  | Gasket - Defroster Outlet                                    |
| 4   | 082286-01-U04 | EA  | Sunvisor Asm. - Right  |
| .   | 082286-03-U04 | EA  | Sunvisor Asm. - Left   |
| .   | 085709-01-000 | EA  | Clip Asm. - Sunvisor - Black                                 |
| 5   | 087919-01-W81 | EA  | Cabinet Asm. - Front Overhead - Right - w/o Door or Hardware |
| 6   | 088133-01-W81 | EA  | Pad Asm. - Sidewall - Vinyl - w/o Bunk                       |
| .   | 080856-03-000 | EA  | Side Trim - Right Front - Lower (w/o Bunk)                   |
| 7   | 059414-06-000 | EA  | Pad - Sidewall Trim - Passenger - Vinyl                      |
| 8   | 072811-01-000 | EA  | Side Panel - Passenger - Plastic                             |
| .   | 059467-04-T03 | EA  | Pad - Map Pocket - Passenger - Vinyl                         |
| 9   | 022219-01-000 | EA  | Glove Compartment Door                                       |
| .   | 023892-01-000 | EA  | Glove Compartment Box - Black Fiberboard                     |
| .   | 009118-01-000 | EA  | Glove Compartment Twist Lock                                 |
| .   | 024598-01-000 | EA  | Glove Compartment Hinge                                      |
| .   | 034309-01-000 | EA  | Glove Compartment Chain - Door                               |
| 10  | 075839-01-000 | EA  | Motor Cover - Fiberglass                                     |
| .   | 075564-01-000 | EA  | Mounting Bracket - Motor Cover                               |
| .   | 075564-02-000 | EA  | Mounting Bracket - Motor Cover                               |
| 11  | 039823-01-000 | FT  | Seal - Engine Cover - Neoprene                               |
| .   |               |     | Not illustrated  |

| Key | Part Number   | U/M | Description                                    |
|-----|---------------|-----|--|
| 12  | 080216-01-000 | EA  | Beverage Tray                                  |
| 13  | 023834-01-000 | EA  | Panel - Knee Kick - Bottom of Dash             |
| 14  | 078006-13-000 | EA  | Bezel - Entertainment Center - w/o Generator   |
| 15  | 085486-01-000 | EA  | Cover - Steering Column (John Deere Only)      |
| .   | 078246-01-000 | EA  | Steering Column Boot - Vinyl                   |
| 16  | 082471-02-000 | EA  | Panel - Drivers Door - Inner - Plastic         |
| .   | 046886-03-000 | EA  | Ash Tray - Chrome                              |
| 17  | 088286-07-000 | EA  | Bezel - Control Panel                          |
| .   | 089294-01-000 | EA  | Cigarette Lighter Asm. - 12 Volt               |
| .   | 081424-01-000 | EA  | Lamp Asm. - Map/Gauge                          |
| .   | 081400-06-000 | EA  | Assist Strap - 12" - Medium Almond             |
| 18  | 039044-01-000 | EA  | Louver Asm. - Air Conditioning - Adjustable    |
| 19  | 088133-02-W81 | EA  | Pad Asm. - Sidewall - Vinyl - w/o Bunk         |
| .   | 080856-04-000 | EA  | Side Trim - Left Front - Lower (w/o Bunk)      |
| .   | 077114-04-000 | EA  | Windshield Trim - Center                       |
| .   | 077387-04-000 | EA  | Windshield Trim - Interior - Lower - Passenger |
| .   | 077387-02-000 | EA  | Windshield Trim - Interior - Lower - Driver    |
| .   | 078579-01-000 | EA  | Windshield Trim - Interior - Upper - Passenger |
| .   | 078579-02-000 | EA  | Windshield Trim - Interior - Upper - Driver    |
| .   | 085483-01-000 | EA  | Windshield Trim - Post - Driver                |
| .   | 085483-02-000 | EA  | Windshield Trim - Post - Passenger             |
| .   |               |     | Not illustrated                                |

**DASH SWITCHES & GAUGES**

| Key | Part Number   | U/M | Description                              |
|-----|---------------|-----|--|
|     | 024461-01-000 | EA  | Switch - Battery                         |
|     | 024462-01-000 | EA  | Switch - Battery Condition               |
|     | 024464-01-000 | EA  | Switch - Washer                          |
|     | 024467-01-000 | EA  | Switch - Wiper                           |
|     | 024976-01-000 | EA  | Switch - Generator w/o Circuit Board     |
|     | 074007-02-000 | EA  | Switch - Intermittent - Windshield Wiper |
|     | 087288-01-000 | EA  | Switch - Rear Wiper                      |
|     | 087695-01-000 | EA  | Switch - Mirror Heater                   |
|     | 024459-04-000 | EA  | Gauge - Voltmeter                        |
|     | 024460-04-000 | EA  | Gauge - Vacuum                           |
|     | 024460-02-000 | EA  | Mounting Bracket - Vacuum Gauge          |
|     | 031035-02-000 | EA  | Gauge - Generator Hourmeter              |

**1987 WINNIBAGO  
TABLE OF CONTENTS**

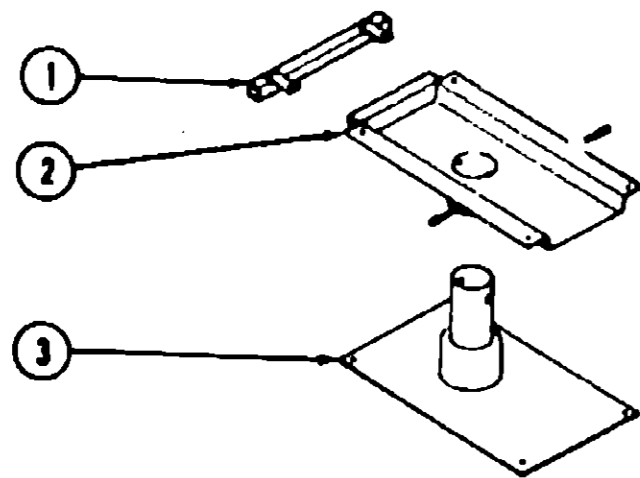
|         |             |
|---------|-------------|
| WT319AK | A-01 - B-16 |
| WF421RB | B-17 - D-16 |
| WJN32RQ | D-17 - G-05 |

**1987 WJN32RQ INDEX**

|                                    |             |
|------------------------------------|-------------|
| Floor Plan                         | D-17 - D-16 |
| Accessories Group                  | D-19 - D-21 |
| Bath Group                         | D-22 - D-23 |
| Chassis Group                      | D-24 - E-02 |
| Curtain, Cushion & Pad Group       | E-03 - E-12 |
| Dinette Group                      | E-13 - E-14 |
| Driver's Compartment Group         | E-15 - E-17 |
| Electrical Group                   | E-18 - E-20 |
| Exterior Body Group                | E-21 - F-02 |
| Galley Group                       | F-03 - F-05 |
| Heating & Air Conditioning Group   | F-06        |
| Interior Finish Group              | F-07 - F-09 |
| LP Group                           | F-10        |
| Lounge Group                       | F-11 - F-14 |
| Water & Sewage Group               | F-15 - F-16 |
| Window, Vent & Exterior Door Group | F-17 - G-05 |

NOTE: To be special ordered only.

## DRIVER'S COMPARTMENT GROUP (CONTINUED)



### BUCKET SEAT PEDESTAL & SEAT BELTS

| Key | Part Number   | U/M | Description   |
|-----|---------------|-----|---|
| 1   | 089585-29-000 | EA  | Bar - Seat Belt - 20"                                 |
| 2   | 089585-27-000 | EA  | Plate - Top - Pedestal Asm. - Single Bucket Seat      |
| 2   | 089585-20-000 | EA  | Plate - Top - Pedestal Asm. - Powered S at            |
| 2   | 089585-10-000 | EA  | Plate - Top - P. Jestal Asm. - Double Bucket Seat     |
| 3   | 089585-08-000 | EA  | Plate - Sub - Pedestal Asm. - Bucket Seat             |
| .   | 089585-05-000 | EA  | Hardware Kit - Bolt/Acorn Nut - 4 ea. - Pedestal Asm. |
| .   | 007019-01-000 | EA  | Belt Asm. - Seat - 2" x 84" - Black                   |
| .   | 007021-01-000 | EA  | Belt Asm. - Seat - 2" x 90" - Black                   |
| .   | 056271-01-000 | EA  | Belt Asm. - Seat - 2" x 72" - Black                   |
| .   | 057759-01-000 | EA  | Bracket - Seat Belt Washer                            |
| .   | 089246-01-000 | EA  | Adjuster Asm. - Seat - w/Lock                         |
| .   | 089246-02-000 | EA  | Adjuster Asm. - Seat - w/o Lock                       |
| .   | 081373-02-000 | EA  | Power Seat Adjustment Asm. - w/Frame                  |
| .   | 081373-02-700 | EA  | Switch Asm. Package                                   |
| .   | 081737-02-701 | EA  | Harness Asm. - Left                                   |
| .   | 081737-02-702 | EA  | Harness Asm. - Right                                  |
| .   | 081737-02-703 | EA  | Horizontal Adjustment P ckage                         |
| .   | 081737-02-704 | EA  | Vertical Adjustment P ckage                           |
| .   |               |     | Not illustrated                                       |

### FRONT BUNK & PULL DOWN STORAGE

| Key | Part Number   | U/M | Description                                      |
|-----|---------------|-----|--|
|     | 076760-03-000 | EA  | Overhead Bunk Hardware                           |
|     | 086413-01-000 | EA  | Headliner - Front - Lt. Oak - w/Bunk             |
|     | 088184-01-W81 | EA  | Pad Asm. - Sidewall - Vinyl - w/Bunk - Passenger |
|     | 088184-02-W81 | EA  | Pad Asm. - Sidewall - Vinyl - w/Bunk - Driver    |
|     | 088185-01-W81 | EA  | Cabinet Asm. - Front - w/o Doors or Hardware     |
|     | M81503-02-W07 | EA  | Door Asm. - Front Overhead - w/o Hardware        |
|     | 081717-01-W07 | EA  | Bed Asm. - Front Bunk                            |
|     | 079144-02-T03 | EA  | Bunk Strap                                       |
|     | 042541-04-000 | EA  | Latch Asm. - w/o Strike - Brass                  |
|     | 042541-05-000 | EA  | Latch Strike - Brass                             |
|     | 080856-05-000 | EA  | Side Trim - Right Front - Lower                  |
|     | 080856-06-000 | EA  | Side Trim - Left Front - Lower                   |

## ELECTRICAL GROUP

### BULBS

| Key | Part Number   | U/M | Description          |
|-----|---------------|-----|----------------------|
|     | 008103-01-000 | EA  | Bulb - 53            |
|     | 038198-01-000 | EA  | Bulb - 194           |
|     | 087479-01-000 | EA  | Bulb - 1076          |
|     | 081633-01-700 | EA  | Bulb - Make-up Light |

### FUSES & CIRCUIT BREAKERS

| Key | Part Number   | U/M | Description                                   |
|-----|---------------|-----|---|
|     | 008233-01-000 | EA  | Fuse - 6 Amp. - 12 Volt                       |
|     | 008234-01-000 | EA  | Fuse - 10 Amp. - 12 Volt                      |
|     | 062801-02-000 | EA  | Fuse - 5 Amp. - Automotive                    |
|     | 082801-05-000 | EA  | Fuse - 15 Amp. - Automotive                   |
|     | 008211-01-000 | EA  | Circuit Breaker - 6 Amp. - 12 Volt            |
|     | 008208-01-000 | EA  | Circuit Breaker - 40 Amp. - 12 Volt           |
|     | 033573-02-000 | EA  | Circuit Breaker - 15 Amp. - 12 Volt - w/Mount |
|     | 033573-01-000 | EA  | Circuit Breaker - 20 Amp. - 12 Volt - w/Mount |
|     | 044466-03-000 | EA  | Circuit Breaker - 25 Amp. - 12 Volt - w/Mount |
|     | 008268-01-000 | EA  | Circuit Breaker - 30 Amp. - 12 Volt - w/Mount |
|     | 071280-01-000 | EA  | Circuit Breaker - Blank                       |
|     | 083209-08-000 | EA  | Circuit Breaker - Blank                       |
|     | 050283-02-000 | EA  | Circuit Breaker - Buss Bar                    |
|     | 071279-07-000 | EA  | Circuit Breaker - 20/20 - 120 Volt            |
|     | 083209-01-000 | EA  | Circuit Breaker - 15 Amp. - 120 Volt          |
|     | 085720-01-000 | EA  | Circuit Breaker - 15 Amp.                     |
|     | 083209-02-000 | EA  | Circuit Breaker - 15/15 Amp. - 120 volt       |
|     | 083209-03-000 | EA  | Circuit Breaker - 15/20 Amp. - 120 Volt       |
|     | 082678-02-000 | EA  | Circuit Breaker - 20 Amp. - 12 Volt           |
|     | 085720-02-000 | EA  | Circuit Breaker - 20 Amp.                     |
|     | 083209-05-000 | EA  | Circuit Breaker - 20 Amp. - 120 Volt.         |
|     | 085720-03-000 | EA  | Circuit Breaker - 25 Amp.                     |
|     | 085720-04-000 | EA  | Circuit Breaker - 30 Amp.                     |
|     | 083209-04-000 | EA  | Circuit Breaker - 30 Amp - 120 Volt           |
|     | 083209-06-000 | EA  | Circuit Breaker - 30/15 Amp - 120 Volt        |
|     | 082678-01-000 | EA  | Circuit Breaker - 40 Amp. - 12 Volt           |
|     | 085720-05-000 | EA  | Circuit Breaker - 40 Amp.                     |
|     | 083210-01-000 | EA  | Circuit Breaker - GFI - 20 Amp. - 120 Volt    |
|     | 083210-02-000 | EA  | Circuit Breaker - GFI - 15 Amp - 120 Volt     |

## 1987 WINNEBAGO TABLE OF CONTENTS

WT319RK  
WF421RB  
WJN32RQ

A-01 - B-18  
B-17 - D-16  
D-17 - C-05

## 1987 WJN32RQ INDEX

|                                    |             |
|------------------------------------|-------------|
| Floor Plan                         | D-17 - D-18 |
| Accessories Group                  | D-19 - D-21 |
| Bath Group                         | D-22 - D-23 |
| Chassis Group                      | D-24 - E-02 |
| Curtain, Cushion & Pad Group       | E-03 - E-12 |
| Dinette Group                      | E-13 - E-14 |
| Driver's Compartment Group         | E-15 - E-17 |
| Electrical Group                   | E-18 - E-20 |
| Exterior Body Group                | E-21 - F-02 |
| Galley Group                       | F-03 - F-05 |
| Heating & Air Conditioning Group   | F-06        |
| Interior Finish Group              | F-07 - F-09 |
| LP Group                           | F-10        |
| Lounge Group                       | F-11 - F-14 |
| Water & Sewage Group               | F-15 - F-16 |
| Window, Vent & Exterior Door Group | F-17 - G-05 |

## ELECTRICAL GROUP (CONTINUED)

### WIRE, SWITCHES & RECEPTACLES

| Key | Part Number   | U/M | Description   |
|-----|---------------|-----|---|
|     | 006268-01-000 | EA  | Box - Electrical - 3" x 3.5" - Plastic                |
|     | 006269-01-000 | EA  | Box - Electrical - 4" x 4" - 1/2 & 3/4 Steel - UL     |
|     | 006269-02-000 | EA  | Box - Electrical - 4" x 4" - 1/2 & 3/4 Steel - CSA    |
|     | 058049-01-000 | EA  | Box - Electrical - 2" x 3" x 2.25" - Steel            |
|     | 041963-01-000 | EA  | Conduit - Convolute Silt - .5" I.D.                   |
|     | 006363-01-000 | EA  | Connector - Clamping - 3/8 Cable - UL & CSA           |
|     | 058028-01-000 | EA  | Connector - Pigtail - Clear Nylon                     |
|     | 008314-01-000 | EA  | Connector - Wire Nut - Gray                           |
|     | 008311-01-000 | EA  | Connector - Wire Nut - Red                            |
|     | 031968-01-000 | EA  | Contact Plug - Brass - Tin Plated                     |
|     | 031967-01-000 | EA  | Contact - Receptacle                                  |
|     | 008054-01-000 | EA  | Cord - Power - 10-3 30 Amp. - 25' - UL                |
|     | 008052-01-000 | EA  | Cord - Power - 10-3 30 Amp. - 25' - CSA               |
|     | 009238-01-000 | EA  | Cover - Electrical Box - 4" x 4"                      |
|     | 064077-01-000 | EA  | Cover - Receptacle - Ground Fault Interrupter - Ivory |
|     | 024571-03-000 | EA  | Cover Plate - Receptacle - Jumbo - Brown Plastic      |
|     | 008164-01-000 | EA  | Cover Plate - Switch - Brown                          |
|     | 008294-01-000 | EA  | Cover - Flat Blank - 4" x 4" - Steel - US             |
|     | 008294-02-000 | EA  | Cover - Flat Blank - 4" x 4" - Steel - CSA            |
|     | 009250-01-000 | EA  | Fuse Holder - In Line - 10 Amp.                       |
|     | 008250-02-000 | EA  | Fuse Holder - In Line - 15 Amp.                       |
|     | 008277-01-000 | EA  | Fuse Holder - Panel Mount - Black                     |
|     | 064399-01-000 | EA  | Housing Asm. - Trailer Pin                            |
|     | 064450-01-000 | EA  | Housing Asm. - Trailer Plug                           |
|     | 064398-01-000 | EA  | Housing Asm. - Trailer Receptacle                     |
|     | 054532-01-000 | EA  | Housing Pin - 6 Position                              |
|     | 046885-01-000 | EA  | Plaque - Mounting Switch                              |
|     | 075736-03-000 | EA  | Receptacle/Cover Asm. - Beige (Exterior)              |
|     | 058708-01-000 | EA  | Receptacle - Duplex - Brown                           |
|     | 058708-02-000 | EA  | Receptacle - Duplex - Ivory                           |
|     | 024924-02-000 | EA  | Receptacle - Power Cord                               |
|     | 058707-01-000 | EA  | Receptacle - Single - Brown                           |
|     | 063912-01-000 | EA  | Relay - Canister SPDT w/Ground                        |
|     | 008188-01-000 | EA  | Relay - Solenoid - 3 Terminal                         |
|     | 066273-01-000 | EA  | Relay - Battery Disconnect                            |
|     | 075723-01-000 | EA  | Switch - Block Spacer - w/o Holes                     |
|     | 075723-02-000 | EA  | Switch - Block Spacer - w/Holes                       |
|     | 077942-01-000 | EA  | Switch - Dummy - Black                                |
|     | 056264-01-000 | EA  | Switch - Leaf Actuator                                |
|     | 081066-01-000 | EA  | Switch - 2 Gang - 2 Switch                            |
|     | 079362-01-000 | EA  | Switch Plate - 3 Gang - 2 Switches                    |
|     | 079363-01-000 | EA  | Switch Plate - Single - w/Switches                    |
|     | 079364-01-000 | EA  | Switch - On/Off Rocker - Brown                        |
|     | 008195-01-000 | EA  | Switch - Push Button - 12 Volt                        |
|     | 047443-02-000 | EA  | Terminal - .250 Receptacle - 12-10 AWG                |
|     | 008348-01-000 | EA  | Terminal Ring - 2 - w/3/8 Stud                        |
|     | 008331-01-000 | EA  | Terminal Ring - 4 - w/3/8 Stud                        |
|     | 008328-01-000 | EA  | Terminal Ring - 12/10 Wire                            |
|     | 054865-01-000 | EA  | Wire Asm. - Generator Switch                          |
|     | 008028-01-000 | FT  | Wire - 18.5 Bonded - Blue/Red/Yellow/Orange/White     |
|     | 008024-01-000 | FT  | Wire - 18.5 Bonded - Orange/White/Yellow/Blue/Brown   |
|     | 008025-01-000 | FT  | Wire - 18.5 Bonded - Orange/White/Yellow/Blue/Green   |
|     | 008026-01-000 | FT  | Wire w/Ground - Romex - 12/2                          |

## ELECTRICAL GROUP (CONTINUED)

### INTERIOR LIGHT

| Key | Part Number   | U/M | Description                                 |
|-----|---------------|-----|---|
|     | 066202-03-000 | EA  | Lamp - Decor - Wall - Bright Brass - 2 Bulb |
|     | 066202-08-000 | EA  | Lamp - Decor - Wall - Bright Brass          |
|     | 033608-02-000 | EA  | Light - Dome - Ivory - 1 Bulb - US          |
|     | 033608-03-000 | EA  | Light - Dome - Ivory - 1 Bulb - CSA         |
|     | 033609-02-000 | EA  | Light - Dome - Ivory - 2 Bulb - US          |
|     | 033609-03-000 | EA  | Light - Dome - Ivory - 2 Bulb - CSA         |
|     | 078424-02-000 | EA  | Light - Fluorescent - 12V - 18" - Almond    |
|     | 081424-01-000 | EA  | Light - 12V Receptacle - Aisle - IP         |
|     | 066280-01-000 | EA  | Light - Surface Mount - 12 Volt             |
|     | 007309-01-000 | EA  | Light - Step Well                           |
|     | 066937-04-000 | EA  | Dome Light - Surface - w/o Switch           |
|     | 081633-01-000 | EA  | Light - Make-up                             |
|     | 082686-01-000 | EA  | Lamp - Decor - Table - Brass w/Wood         |
|     | 082686-02-000 | EA  | Shade - Table Lamp                          |
|     | 085201-02-000 | EA  | Shade - Parchment - 2 Bulbs - Lamp          |
|     | 081909-01-000 | EA  | Light Strip - 18" Clear Plastic             |

### EXTERIOR LIGHTS

| Key | Part Number   | U/M | Description  |
|-----|---------------|-----|--|
|     | 042405-01-000 | EA  | Lens - Rectangular - Red w/Reflex                  |
|     | 042405-02-000 | EA  | Lens - Rectangular - Amber w/Reflex                |
|     | 042405-03-000 | EA  | Base - Rectangular Side Marker Light               |
|     | 008089-01-000 | EA  | Light - Porch - Recessed                           |
|     | 049185-01-000 | EA  | Headlight Capsule Asm. - High/Low Beam - Driver    |
|     | 049186-01-000 | EA  | Headlight Capsule Asm. - High/Low Beam - Passenger |
|     | 049187-01-000 | EA  | Headlight Capsule Asm. - High Beam - Driver        |
|     | 049188-01-000 | EA  | Headlight Capsule Asm. - High Beam - Passenger     |
|     | 081250-02-000 | EA  | Light Asm. - Clearance - Red                       |
|     | 081250-01-000 | EA  | Light Asm. - Clearance - Amber                     |
|     | 064901-01-000 | EA  | Lamp Asm. - Park/Turn                              |

### WINDSHIELD WIPERS & WASHER

| Key | Part Number   | U/M | Description                            |
|-----|---|-----|--|
|     | 056000-02-000   | EA  | Washer Asm. - Windshield               |
|     | 049464-03-000   | EA  | Blade - Windshield Wiper - 20" - Black |
|     | 072472-02-000   | EA  | Adapter Arm - Wiper Pantograph         |
|     | 072472-04-000   | EA  | Wiper - Pantograph - 29"               |
|     | ** The illustrated parts breakdown for this item is provided on the Common Items Fiche. |     |  |

### MISCELLANEOUS ELECTRICAL COMPONENTS

| Key | Part Number   | U/M | Description                                     |
|-----|---------------|-----|---|
|     | 008188-01-000 | EA  | Solenoid - Dual Battery - Relay                 |
|     | 065201-02-000 | EA  | Lamp Shade - Fabric - Parchment                 |
|     | 093208-02-000 | EA  | Control Center - 45 Amp. 120 Amp 112 Volt - CSA |
|     | 033208-03-000 | EA  | Control Center - 45 Amp. - 120 Amp./12 Volt     |

## 1987 WINNEBAGO TABLE OF CONTENTS

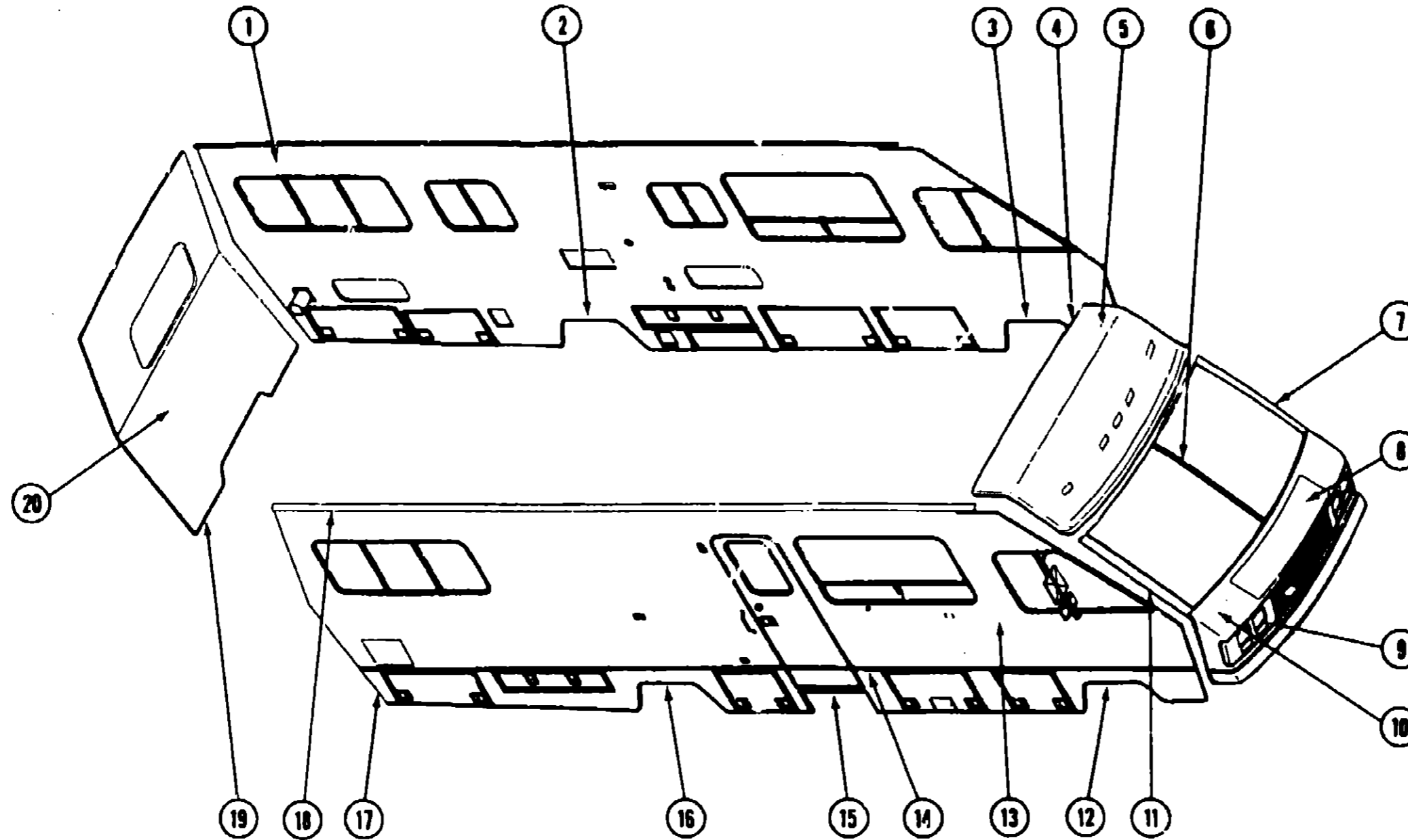
|         |             |
|---------|-------------|
| WT319RK | A-01 - B-16 |
| WF421RB | B-17 - D-16 |
| WJN32RQ | D-17 - G-05 |

## 1987 WJN32RQ INDEX

|                                    |             |
|------------------------------------|-------------|
| Floor Plan                         | D-17 - D-18 |
| Accessories Group                  | D-19 - D-21 |
| Bath Group                         | D-22 - D-23 |
| Chassis Group                      | D-24 - E-02 |
| Curtain, Cushion & Pad Group       | E-03 - E-12 |
| Dinette Group                      | E-13 - E-14 |
| Driver's Compartment Group         | E-15 - E-17 |
| Electrical Group                   | E-18 - E-20 |
| Exterior Body Group                | E-21 - F-02 |
| Galley Group                       | F-03 - F-05 |
| Heating & Air Conditioning Group   | F-06        |
| Interior Finish Group              | F-07 - F-09 |
| LP Group                           | F-10        |
| Lounge Group                       | F-11 - F-14 |
| Water & Sewage Group               | F-15 - F-16 |
| Window, Vent & Exterior Door Group | F-17 - G-05 |

# EXTERIOR BODY GROUP

## EXTERIOR BODY PANELS



# 1987 WINNEBAGO TABLE OF CONTENTS

WT319RK  
WF421RB  
WJN32RQ

A-01 - B-16  
B-17 - D-16  
D-17 - G-05

# 1987 WJN32RQ INDEX

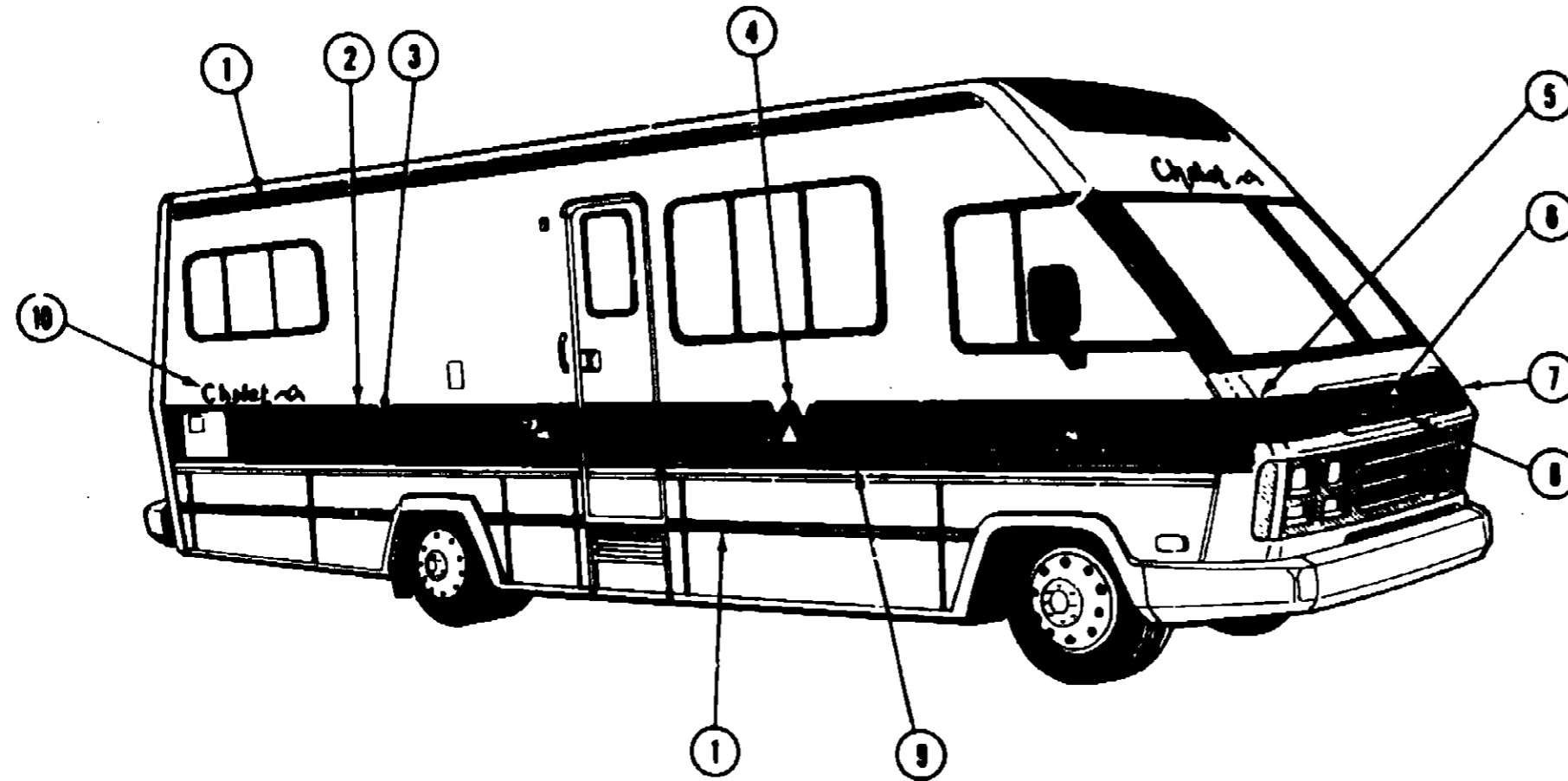
|                                    |             |
|------------------------------------|-------------|
| Floor Plan                         | D-17 - D-18 |
| Accessories Group                  | D-19 - D-21 |
| Bath Group                         | D-22 - D-23 |
| Chassis Group                      | D-24 - E-02 |
| Curtain, Cushion & Pad Group       | E-03 - E-12 |
| Dinette Group                      | E-13 - E-14 |
| Driver's Compartment Group         | E-15 - E-17 |
| Electrical Group                   | E-18 - E-20 |
| Exterior Body Group                | E-21 - F-02 |
| Galley Group                       | F-03 - F-05 |
| Heating & Air Conditioning Group   | F-06        |
| Interior Finish Group              | F-07 - F-09 |
| LP Group                           | F-10        |
| Lounge Group                       | F-11 - F-14 |
| Water & Sewage Group               | F-15 - F-16 |
| Window, Vent & Exterior Door Group | F-17 - G-05 |

| Key | Part Number   | U/M | Description                                       |
|-----|---------------|-----|---|
| 1   | M87641-01-W81 | EA  | Sidewall Asm. - Left (W81, W83)                   |
| 1   | M17641-01-W82 | EA  | Sidewall Asm. - Left                              |
| 2   | 017616-05-000 | EA  | Trim - Rear U-Channel - Wheelwell - Beige         |
| 3   | 078556-09-000 | EA  | Trim Wheelwell - Plastic - Beige                  |
| 3   | 087615-03-000 | EA  | Trim - Front U-Channel - Wheelwell - Driver       |
| 4   | 078580-01-000 | EA  | Trim - Roof Cap - Mill Finish                     |
| 5   | M02959-02-W81 | EA  | Cap - Over Windshield - Beige                     |
| 6   | 083178-01-000 | FT  | Reveal Molding - Windshield - Center              |
| 7   | 087601-02-000 | EA  | Trim Post - Windshield - Driver                   |
|     | 084903-01-000 | FT  | Reveal Molding - Upper/Lower - Driver/Passenger   |
| 8   | M86045-01-W07 | EA  | Access Panel - w/Hardware                         |
| 9   | 086425-01-000 | EA  | Headlamp Bezel - Passenger                        |
|     | 086425-02-000 | EA  | Headlamp Bezel - Driver                           |
|     | 049359-01-000 | EA  | Spring - Headlamp Retainer                        |
| 10  | M01115-12-W07 | EA  | Panel Asm. - Front Shroud (includes access panel) |
| 11  | 087601-01-000 | EA  | Trim Post - Windshield - Passenger                |
| 12  | 078556-11-000 | EA  | Trim - Wheelwell - Plastic - Beige                |
| 13  | 087615-01-000 | EA  | Trim - Front U-Channel - Wheelwell - Passenger    |
| 13  | M87640-01-W81 | EA  | Sidewall Asm. - Right                             |

| Key | Part Number   | U/M | Description  |
|-----|---------------|-----|--|
| 14  | 059576-08-000 | EA  | Feature Strip - Extr. Beige - 14' - w/o Insert         |
|     | 009731-01-000 | EA  | End Cap - Feature Strip Insert                         |
|     | 001030-12-100 | EA  | Insert - Feature Strip - Beige - 17'                   |
| 15  | 087618-01-000 | EA  | Trim - Stepwell - Beige                                |
| 16  | 087616-01-000 | EA  | Trim - Rear U-Channel - Wheelwell - Beige              |
| 17  | 087614-01-000 | EA  | Trim - Rear Sidewall - Beige                           |
| 18  | 087972-01-000 | EA  | Trim - Sidewall - Beige                                |
| 19  | 050406-06-000 | EA  | Trim - Backwall - Lower                                |
|     | 087830-01-W81 | EA  | Roof Asm. - Chalet                                     |
| 20  | M87874-01-W81 | EA  | Backwall Asm.  |
|     | 086906-03-000 | EA  | Rear Trim - Upper Passenger - Plastic - Beige          |
|     | 086906-04-000 | EA  | Rear Trim - Upper Driver - Plastic - Beige             |
|     | 086908-03-000 | EA  | Rear Trim - Contour - Passenger - Beige                |
|     | 086908-04-000 | EA  | Rear Trim - Contour - Driver - Beige                   |
|     | 086415-01-000 | EA  | Bumper End Cap - Front - Passenger - Beige             |
|     | 086415-03-000 | EA  | Bumper End Cap - Front - Driver - Beige                |
|     | 077517-45-000 | EA  | Fiberglass Sidewall Skin - 45.68" x 374" - Mesa        |
|     | 001018-01-024 | EA  | Aluminum - Beige - No Design - 48" x 96"               |
|     | 044487-01-001 | EA  | Aluminum - Mill Finish - No Design (Roof) - 96" x 360" |
|     | 000658-01-000 | SF  | Styrofoam - .75" x 24" x 96"                           |
|     | 000870-01-000 | SF  | Styrofoam - 1.50" x 24" x 96"                          |
|     | 000870-03-000 | SF  | Styrofoam - 1.34" x 48" x 96"                          |
|     |               |     | Not illustrated  |

## EXTERIOR BODY GROUP (CONTINUED)

### LABELS & DECALS



## 1987 WINNEBAGO TABLE OF CONTENTS

WT310RK  
WF421RB  
WJN32RQ

A-01 - B-16  
B-17 - D-16  
D-17 - G-05

| Key | Part Number   | U/M | Description  |
|-----|---------------|-----|--|
| 1   | 065217-D4-000 | EA  | Film - Multi Stripe - 2.4" - Light Green/Peach (W81) |
| 1   | 065217-D5-000 | EA  | Film - Multi Stripe - 2.4" - Rose/Burgundy (W82)     |
| 1   | 065217-D6-000 | EA  | Film - Multi Stripe - 2.4" - Brown/Peach (W83)       |
| 2   | 078831-21-000 | FT  | Decal - Stripe - 1.75" - Light Green (W81)           |
| 2   | 078831-22-000 | FT  | Decal - Stripe - 1.75" - Rose (W82)                  |
| 2   | 078831-23-000 | FT  | Decal - Stripe - 1.75" - Brown (W83)                 |
| 3   | 078831-24-000 | FT  | Decal - Stripe - 4.75" - Light Green (W81)           |
| 3   | 078831-25-000 | FT  | Decal - Stripe - 4.75" - Rose (W82)                  |
| 3   | 078831-26-000 | FT  | Decal - Stripe - 4.75" - Brown (W83)                 |
| 4   | 079351-07-000 | EA  | Decal - Flying "W" - Light Green (W81)               |
| 4   | 079351-08-000 | EA  | Decal - Flying "W" - Rose (W82)                      |
| 4   | 079351-09-000 | EA  | Decal - Flying "W" - Brown (W83)                     |
| 5   | 085299-01-000 | EA  | Decal - Corner - Right - Light Green (W81)           |
| 5   | 085299-03-000 | EA  | Decal - Corner - Right - Rose (W82)                  |
| 5   | 085299-05-000 | EA  | Decal - Corner - Right - Brown (W83)                 |

| Key | Part Number   | U/M | Description                                   |
|-----|---------------|-----|---|
| 6   | 069745-03-000 | EA  | Decal - "Winnie"                              |
| *   | 069745-04-000 | EA  | Decal - "Bago"                                |
| 7   | 085299-02-000 | EA  | Decal - Corner - Left - Light Green (W81)     |
| 7   | 085299-04-000 | EA  | Decal - Corner - Left - Rose (W82)            |
| 7   | 085299-06-000 | EA  | Decal - Corner - Left - Brown (W83)           |
| 8   | 085298-01-000 | EA  | Decal - Hood - Light Green (W81)              |
| 8   | 085298-02-000 | EA  | Decal - Hood - Rose (W82)                     |
| 8   | 085298-03-000 | EA  | Decal - Hood - Brown (W83)                    |
| 9   | 078196-14-000 | FT  | Film - Multi Stripe - 4.5" - Peach (W81, W83) |
| 9   | 078196-15-000 | FT  | Film - Multi Stripe - 4.5" - Burgundy (W82)   |
| 10  | 087663-01-000 | EA  | Decal - Logo - "Chalet"                       |
| *   | 050313-22-000 | EA  | Decal - Logo - "Winnebago" - 2.8" - Chrome    |
| *   |               |     | Not illustrated                               |

## 1987 WJN32RQ INDEX

|                                    |             |
|------------------------------------|-------------|
| Floor Plan                         | D-17 - D-18 |
| Accessories Group                  | D-19 - D-21 |
| Bath Group                         | D-22 - D-23 |
| Chassis Group                      | D-24 - E-02 |
| Curtain, Cushion & Pad Group       | E-03 - E-12 |
| Dinette Group                      | E-13 - E-14 |
| Driver's Compartment Group         | E-15 - E-17 |
| Electrical Group                   | E-18 - E-20 |
| Exterior Body Group                | E-21 - F-02 |
| Galley Group                       | F-03 - F-05 |
| Heating & Air Conditioning Group   | F-06        |
| Interior Finish Group              | F-07 - F-09 |
| LP Group                           | F-10        |
| Lounge Group                       | F-11 - F-14 |
| Water & Sewage Group               | F-15 - F-16 |
| Window, Vent & Exterior Door Group | F-17 - G-05 |



**EXTERIOR BODY GROUP (CONTINUED)**

**LABELS & EXTERIOR PAINT**

| Key | Part Number   | U/M | Description   |
|-----|---------------|-----|---|
|     | 068383-01-000 | EA  | Label - Diesel Fuel   |
|     | 006195-01-000 | EA  | Label - Electrical Test   |
|     | 047731-01-000 | EA  | Label - Emergency Exit  |
|     | 006199-01-000 | EA  | Label - Exit - Escape Window                                      |
|     | 057467-04-000 | EA  | Label - Exterior Loading Limit                                    |
|     | 064378-01-000 | EA  | Label - Flying "W" w/Thermo Panel                                 |
|     | 061417-01-000 | EA  | Label - Fuel  |
|     | 087207-02-000 | EA  | Label - Fuel Cap Removal  |
|     | 006196-01-000 | EA  | Label - Gas Test  |
|     | 054531-01-000 | EA  | Label - LP Gas Only   |
|     | 040944-01-000 | EA  | Label - Open - Entrance Door                                      |
|     | 006015-01-000 | EA  | Label - Patent Motor Home   |
|     | 056259-01-000 | EA  | Label - Safety Check List   |
|     | 006064-01-000 | EA  | Label - Seat - w/o Seat Belts                                     |
|     | 006187-01-000 | EA  | Label - Sewage  |
|     | 006006-01-000 | EA  | Label - Thermo Panel - 2 1/4" x 2 1/4"                            |
|     | 075221-01-000 | EA  | Label - Trailer Hitch Capacity                                    |
|     | 088249-01-000 | EA  | Label - Warning - Electrical Step                                 |
|     | 075220-01-000 | EA  | Label - Warning - Exterior Load Limit                             |
|     | 050225-01-000 | EA  | Label - Warning - Stove Vent - US                                 |
|     | 006188-01-000 | EA  | Label - Waste Water   |
|     | 006197-01-000 | EA  | Label - Water Test  |
|     | 072863-01-000 | EA  | Nameplate - Diesel - 6.2L   |
|     | 006062-01-000 | EA  | Tag - Electrical - 110 Volt Connection                            |
|     | 006040-01-000 | EA  | Tag - Gas - Refueling Warning                                     |
|     | 044486-03-000 | EA  | Paint - Beige Acrylic Enamel - 16 oz. Aerosol (7633A Dupont)      |
|     | 045681-03-000 | EA  | Paint - Gloss Black - Acrylic Enamel - 16 oz. Aerosol (99 Dupont) |
|     | 058637-05-000 | EA  | Paint - Gray Acrylic Enamel - 16 oz. Aerosol (61357 Dupont)       |
|     | 041561-03-000 | EA  | Paint - Off White Acrylic Enamel - 16 oz. Aerosol (45396A Dupont) |
|     | 074559-01-000 | EA  | Label "LPG" - 3.3" x 1.75" - (Calif. Code)                        |

**ACCESS PANEL HARDWARE**

| Key | Part Number   | U/M | Description                      |
|-----|---------------|-----|----------------------------------|
|     | 076837-01-000 | EA  | Rod - Hood Prop                  |
|     | 085934-01-000 | EA  | Hinge Asm. - Hood - Right        |
|     | 085934-02-000 | EA  | Hinge Asm. - Hood - Left         |
|     | 077407-01-000 | EA  | Bracket - Hood Release Cable     |
|     | 073341-01-000 | EA  | Bracket Asm. - Latch Hood        |
|     | 077064-01-000 | EA  | Cable Asm. - Hood Release        |
|     | 074178-01-000 | EA  | Bracket - Cable Release - Inside |
|     | R77006-38-499 | EA  | Spring - Latch Hood Cable        |
|     | 073342-01-000 | EA  | Bracket Asm. - Latch Hood        |
|     | 073336-02-000 | EA  | Bracket - Mounting Latch         |
|     | 086309-01-000 | EA  | Latch - Complete                 |
|     | R77007-01-950 | EA  | Striker - Latch Hood             |

**MISCELLANEOUS EXTERNALLY MOUNTED PARTS**

| Key | Part Number   | U/M | Description                          |
|-----|---------------|-----|--------------------------------------|
|     | 083558-01-000 | EA  | Plumbing Seal - Roof Vent - 1.5"     |
|     | 009126-01-000 | EA  | Assist Handle - Chrome               |
|     | 087659-02-000 | EA  | Fill - City Water - Recessed - Beige |
|     | 081240-01-000 | EA  | Fill Water - Lockable - Beige        |
|     | 083578-01-000 | EA  | Boot - Fuel Fill                     |
|     | 078200-01-000 | EA  | Gasket - Fuel Fill                   |

**EXTERIOR BODY GROUP (CONTINUED)**

**SEALANTS & ADHESIVES**

| Key | Part Number   | U/M | Description   |
|-----|---------------|-----|---|
|     | 004020-01-000 | QT  | Adhesive - ABS Cement (Plastic Fittings)                            |
|     | 002337-01-000 | EA  | Adhesive - 1300 Tube - 3M (Windows)                                 |
|     | 004005-02-000 | GL  | Adhesive - Swifts - Glue (Sidewalls)                                |
|     | 053766-07-000 | EA  | Bedding Compound - Tube - Beige (Exterior)                          |
|     | 053766-06-000 | EA  | Bedding Compound - Tube - Clear (Window)                            |
|     | 053766-08-000 | EA  | Bedding Compound - Tube - Gray (Exterior)                           |
|     | 053766-05-000 | EA  | Bedding Compound - Tube - Gray (Sidewalls to Floor)                 |
|     | 053766-02-000 | EA  | Bedding Compound - Tube - Off White (Exterior)                      |
|     | 002328-02-000 | EA  | Block - Rubber Spacer (Windshield)                                  |
|     | 004336-01-000 | EA  | Caulk - Latex - Golden Walnut (Sidewalls)                           |
|     | 077967-01-000 | EA  | Sealant - Acrylic Latex - Tube - Off White (Interior Sealant)       |
|     | 034552-04-000 | EA  | Sealant - Silicone - Beige  |
|     | 034552-02-000 | EA  | Sealant - Silicone - Clear  |
|     | 034552-07-000 | EA  | Sealant - Silicone - Dark Gray                                      |
|     | 034552-06-000 | EA  | Sealant - Silicone - Off White                                      |
|     | 069637-01-000 | EA  | Sealant - Weatherban 404 - Tube - White (Door Caulk)                |
|     | 072889-01-000 | EA  | Sealant - Urethane - Black (Windshield)                             |
|     | 069640-01-000 | FT  | Sealer Ribbon - .25" Bead x 20'                                     |
|     | 069640-02-000 | FT  | Sealer Ribbon - .5" x .125" x 30'                                   |
|     | 069640-03-000 | FT  | Sealer Ribbon - .75" x .125" x 30'                                  |
|     | 069640-04-000 | FT  | Sealer Ribbon - 2" x .09" x 45' (P Series)                          |
|     | 069640-05-000 | FT  | Sealer Ribbon - 2.5" x .09" x 50'                                   |
|     | 069640-06-000 | FT  | Sealer Ribbon - 5/16" Bead x 15'                                    |
|     | 069640-07-000 | FT  | Sealer Ribbon - 2" x 3/32" x 30'                                    |
|     | 002316-01-000 | FT  | Sealer Tape - 3/32" x 3/8" - White (Window)                         |
|     | 002707-01-000 | FT  | Sealer Tape - 5/16" x 3/4"  |
|     | 002707-02-000 | FT  | Sealer Tape - 5/16" x 1/2"  |
|     | 040545-01-000 | GL  | Sealer - Seam Weld  |
|     | 053752-04-000 | EA  | Seam Sealer - Tube - Aluminum (Roof)                                |
|     | 063642-01-000 | FT  | Tape - Adhesive - .10 mm. x 1.5" Wide                               |
|     | 038886-01-000 | EA  | Tape - Butyl - .31" x .31" x 148" (Windshield)                      |
|     | 076322-01-000 | FT  | Tape - Foam - Double Coated - .025 x 1" (Fiberglass Sidewall Seams) |
|     | 076322-02-000 | FT  | Tape - Foam - Double Coated - .045 x 1" (Fiberglass Sidewall Seams) |
|     | 009200-01-000 | EA  | Tape - Furnace - 1.5"   |
|     | 002825-01-000 | FT  | Weather Striping (Roof Vent)  |

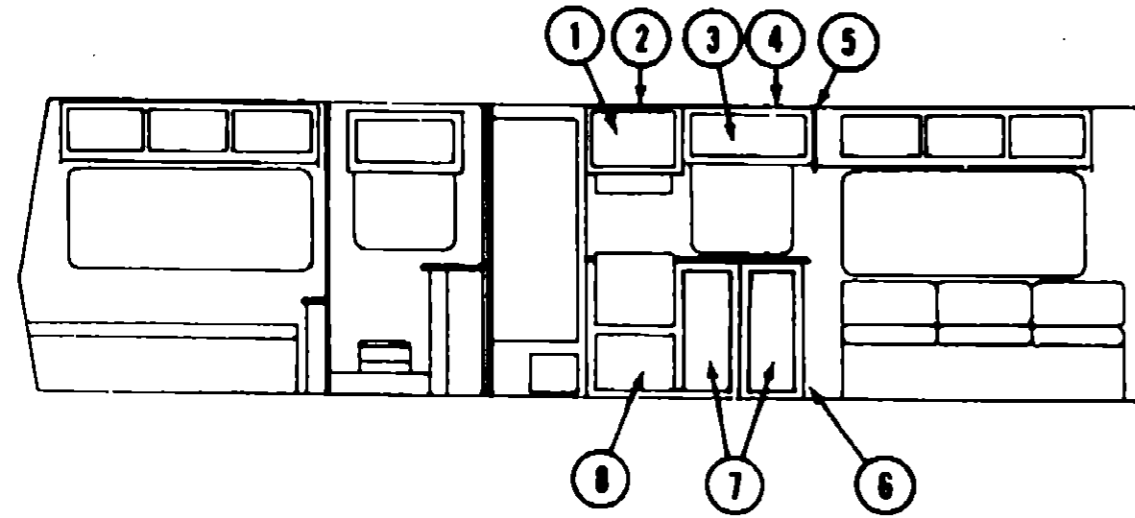
**1987 WINNEBAGO  
TABLE OF CONTENTS**

|         |             |
|---------|-------------|
| WT319RK | A-01 - B-16 |
| WF421RB | B-17 - D-16 |
| WJN32RQ | D-17 - G-05 |

**1987 WJN32RQ INDEX**

|                                    |             |
|------------------------------------|-------------|
| Floor Plan                         | D-17 - D-18 |
| Accessories Group                  | D-19 - D-21 |
| Bath Group                         | D-22 - D-23 |
| Chassis Group                      | D-24 - E-02 |
| Curtain, Cushion & Pad Group       | E-03 - E-12 |
| Dinette Group                      | E-13 - E-14 |
| Driver's Compartment Group         | E-15 - E-17 |
| Electrical Group                   | E-18 - E-20 |
| Exterior Body Group                | E-21 - F-02 |
| Galley Group                       | F-03 - F-05 |
| Heating & Air Conditioning Group   | F-06        |
| Interior Finish Group              | F-07 - F-09 |
| LP Group                           | F-10        |
| Lounge Group                       | F-11 - F-14 |
| Water & Sewage Group               | F-15 - F-16 |
| Window, Vent & Exterior Door Group | F-17 - G-05 |

## GALLEY GROUP



**GALLEY CABINETRY**

| Key | Part Number   | U/M | Description  |
|-----|---------------|-----|--|
| 1   | M81523-01-W07 | EA  | Door Asm. - Galley Overhead - w/o Hardware                         |
| 2   | 081460-07-W07 | EA  | Cabinet Asm. - Galley Overhead - w/o Doors or Hardware (Microwave) |
| 3   | M81523-04-W07 | EA  | Door Asm. Galley Overhead - w/o Hardware                           |
| 4   | 081656-03-W07 | EA  | Cabinet Asm. - Galley Overhead - w/o Doors or Hardware             |
| 5   | 081320-03-T03 | EA  | Pad Asm. - End Cap - Galley Overhead - Vinyl                       |
| 6   | M81999-01-W07 | EA  | Cabinet Asm. - Galley - w/o Doors, Countertop, or Hardware         |
| *   | M02193-01-W07 | EA  | Countertop Asm. - Galley Cabinet                                   |
| **  | M81999-03-W07 | EA  | Cabinet Asm. - Galley - w/o Doors, Countertop, Drawers or Hardware |
| **  | M02193-01-W07 | EA  | Countertop Asm. - Galley Cabinet                                   |
| **  | M82184-03-W07 | EA  | Drawer Asm. - Galley Cabinet                                       |
| 7   | M81501-02-W04 | EA  | Door Asm. - Galley - w/o Hardware                                  |
| 8   | M81507-02-W07 | EA  | Door Asm. - Furnace - w/o Hardware                                 |
| *   | 072369-21-000 | EA  | Mesh Insert - Furnace Door - 18.4" x 12.5" - Gold                  |
| *   | 077925-01-000 | EA  | Rail Asm. - Galley - 72"   |
| .   |               |     | Not illustrated  |
| **  |               |     | Used with microwave option   |

## GALLEY GROUP (CONTINUED)

### GALLEY HARDWARE & APPLIANCES

| Key | Part Number   | U/M | Description  |
|-----|---------------|-----|--|
| **  | 079353-03-000 | EA  | Hood - Range - Powered w/Monitor - Almond - US                                       |
| **  | 079353-04-000 | EA  | Hood - Range - Powered w/Monitor - Almond - CSA                                      |
|     | 079355-08-000 | EA  | Duct Extension - Hood Range  |
|     | 064782-02-000 | EA  | Range w/Small Oven - 4 Burner - Almond - Magic Chef                                  |
|     | 064782-02-700 | EA  | Top - Main - 4 Burner - Almond   |
|     | 064782-02-701 | EA  | Deflector Plate - Black  |
|     | 064782-02-702 | EA  | Trim - Cabinet - Right - Black   |
|     | 064782-02-703 | EA  | Trim - Cabinet - Left - Black  |
|     | 064782-02-704 | EA  | Trim - Lower Outside Glass - Black   |
|     | 067782-02-705 | EA  | Handle - Oven Door - Black   |
|     | 064782-02-706 | EA  | Vertical Trim - Black  |
|     | 064782-02-707 | EA  | Panel - Manifold   |
|     | 064782-02-708 | EA  | Valve - Mercury  |
|     | 081374-01-000 | EA  | Range Top - 4 Burner - Almond  |
|     | 081374-01-700 | EA  | Trim - Cabinet - Top Right   |
|     | 081374-01-701 | EA  | Trim - Cabinet - Top Left  |
|     | 081374-01-702 | EA  | Panel - Manifold Warm - Black  |
|     | 081374-01-703 | EA  | Trim - Top - Rear  |
|     | 081374-01-704 | EA  | Guard - Fabric   |
|     | 054450-01-000 | EA  | Level - Refrigerator   |
|     | 081379-01-000 | EA  | Microwave Convection Oven - Sharp  |
| †   | 088737-01-000 | EA  | Microwave Convection Oven - Magic Chef   |
| †   | 088737-02-000 | EA  | Frame Kit - Microwave Oven   |
|     | 081459-03-000 | EA  | Bracket Asm. - Microwave - Right   |
|     | 081459-04-000 | EA  | Bracket Asm. - Microwave - Left  |
|     | 081456-01-000 | EA  | Angle Asm. - Microwave Right   |
|     | 081456-02-000 | EA  | Angle Asm. - Microwave Left  |
|     | 081555-01-T03 | EA  | Trim Ring - Microwave  |
|     | 082876-01-000 | EA  | Air Exhaust Duct - Microwave   |
|     | 023111-01-000 | EA  | Blender - Built In   |
| **  | 068615-01-000 | EA  | Sink - Stainless Steel - Double w/Bolts  |
| **  | 011053-01-000 | EA  | Faucet - Swing Spout - 8" - US   |
| **  | 011053-02-000 | EA  | Faucet - Swing Spout - 8" - CSA  |
| **  | 011053-01-700 | EA  | Aerator - Swing Spout Faucet   |
|     | 066437-01-000 | EA  | Strainer w/Basket - Sink   |
|     | 081530-01-W07 | EA  | Sink Cover - Large   |
|     | 009049-01-000 | EA  | Support - Drop Leaf Table  |
|     | 009059-01-000 | EA  | Hinge - 2" - Gold - Drop Leaf Table  |
|     | 074490-01-000 | EA  | Spice Rack - Oak   |
|     | 074981-01-000 | EA  | Cutting Board - Maple  |
|     | 058334-01-000 | EA  | Wastebasket - 9 3/4" x 7" x 10" - White  |
|     | 059777-02-000 | EA  | Hinge - Cabinet Door - Antique Brass   |
|     | 009021-01-000 | EA  | Catch - Nylon - Cabinet Door   |
|     | 009021-02-000 | EA  | Strike - Spring Steel - Cabinet Door   |
|     | 077409-01-000 | EA  | Slider - Drawer - 20.75" - Plastic   |
|     | 077404-01-000 | EA  | Drawer - 20" x 12.70" - Plastic  |
|     | 011083-01-000 | EA  | Plug - 1 1/4" x 5" - w/Stopper   |
| **  |               |     | The illustrated parts breakdown for this item is provided on the Common Items Fiche. |
| †   |               |     | Parts used after 5/12/87   |

## 1987 WINNEBAGO TABLE OF CONTENTS

|         |             |
|---------|-------------|
| WT319RK | A-01 - B-16 |
| WF421RB | B-17 - D-16 |
| WJN32RQ | D-17 - G-05 |

## 1987 WJN32RQ INDEX

|                                    |             |
|------------------------------------|-------------|
| Floor Plan                         | D-17 - D-18 |
| Accessories Group                  | D-19 - D-21 |
| Bath Group                         | D-22 - D-23 |
| Chassis Group                      | D-24 - E-02 |
| Curtain, Cushion & Pad Group       | E-03 - E-12 |
| Dinette Group                      | E-13 - E-14 |
| Driver's Compartment Group         | E-15 - E-17 |
| Electrical Group                   | E-18 - E-20 |
| Exterior Body Group                | E-21 - F-02 |
| Galley Group                       | F-03 - F-05 |
| Heating & Air Conditioning Group   | F-06        |
| Interior Finish Group              | F-07 - F-09 |
| LP Group                           | F-10        |
| Lounge Group                       | F-11 - F-14 |
| Water & Sewage Group               | F-15 - F-16 |
| Window, Vent & Exterior Door Group | F-17 - G-05 |

## GALLEY GROUP (CONTINUED)

### GALLEY HARDWARE & APPLIANCES (CONT.)

| Key | Part Number   | U/M | Description                              |
|-----|---------------|-----|--|
|     | 084880-02-000 | EA  | Refrigerator - 3 Way - Large Double Door |
|     | 084880-01-700 | EA  | Cooling Unit - #8683                     |
|     | 084880-01-701 | EA  | Handle - Lower Door                      |
|     | 084880-01-702 | EA  | Cabinet Asm. - Foamed                    |
|     | 084880-01-703 | EA  | Liner w/Frame - Foamed - Lower Door      |
|     | 084880-01-704 | EA  | Panel Holder - Lower Door                |
|     | 084880-01-705 | EA  | Orifice                                  |
|     | 084880-01-706 | EA  | Bulb - Light - D.C.                      |
|     | 084880-01-707 | EA  | Heater - 3 Way                           |
|     | 084880-01-708 | EA  | Baffle Asm.                              |
|     | 084880-01-709 | EA  | Socket - Lamp                            |
|     | 084880-01-710 | EA  | Electrode - Ignition                     |
|     | 084880-01-711 | EA  | Electrode - Sensor                       |
|     | 084880-01-712 | EA  | Control Module                           |
|     | 084880-01-713 | EA  | Male Connector                           |
|     | 084880-01-714 | EA  | Burner (No Electrodes)                   |
|     | 084880-01-715 | EA  | Shut Off Valve - Manual                  |
|     | 084880-01-716 | EA  | Burner Tube                              |
|     | 084880-01-717 | EA  | Control Module (Channel)                 |
|     | 084880-01-718 | EA  | Valve - Gas                              |
|     | 084880-01-719 | EA  | Elbow - Brass                            |
|     | 084880-01-720 | EA  | Spring - Door Handle                     |
|     | 084880-01-721 | EA  | Cover - Power Supply                     |
|     | 084880-01-722 | EA  | Cover - Crisper                          |
|     | 084880-01-723 | EA  | Board - Power Supply - 3 Way             |
|     | 084880-01-724 | EA  | Plate - Hinge - Bottom                   |
|     | 084880-01-725 | EA  | Plate - Hinge - Top                      |
|     | 084880-01-726 | EA  | Bracket - Hinge - Center                 |
|     | 084880-01-727 | EA  | Gasket - Upper Door                      |
|     | 084880-01-728 | EA  | Gasket - Lower Door                      |
|     | 084880-01-729 | EA  | Eyebrow - 3 Way                          |
|     | 084880-01-730 | EA  | Crisper                                  |
|     | 084880-01-731 | EA  | Pin - Hinge                              |
|     | 084880-01-732 | EA  | Latch                                    |
|     | 084880-01-733 | EA  | Dairy Keeper                             |
|     | 084880-01-734 | EA  | Bracket Asm. - Hinge - Right             |
|     | 084880-01-735 | EA  | Bracket Asm. - Hinge - Left              |
|     | 084880-01-736 | EA  | Light Switch - Brown                     |
|     | 084880-01-737 | EA  | Liner w/Frame - Foamed - Upper Door      |
|     | 084880-01-738 | EA  | Control Bracket Asm. - 3 Way             |
|     | 084880-01-739 | EA  | End Cap - Spring Catch                   |
|     | 084880-01-740 | EA  | End Cap - Stop Catch                     |
|     | 084880-01-741 | EA  | Switch - Humidity                        |
|     | 084880-01-742 | EA  | Trim - Lower Seal                        |
|     | 084880-01-743 | EA  | P/C Board - 3 Way                        |
|     | 084880-01-744 | EA  | Hinge Pin Shaft - Center                 |
|     | 084880-01-745 | EA  | Hinge Bushing                            |
|     | 084880-01-746 | EA  | Cable                                    |
|     | 084880-01-747 | EA  | Hole Plug                                |
|     | 084880-01-748 | EA  | Snap In Plug                             |
|     | 084880-01-749 | EA  | Hinge - Bushing                          |
|     | 084880-01-750 | EA  | Door - Shelf Bins                        |

## HEATING & AIR CONDITIONING GROUP

### FURNACE & ROOF AIR CONDITIONER

| Key | Part Number  | U/M | Description  |
|-----|--|-----|--|
| ..  | 075686-01-000  | EA  | Furnace - 34,000 BTU - w/Direct Ignition                           |
|     | 069636-02-000  | EA  | Connector - 4" Duct  |
|     | 009198-01-000  | EA  | Duct - Flexible - 4" I.D. x 25'                                    |
|     | 058464-01-000  | EA  | Register - 4" Dia. - Plastic - w/Damper                            |
|     | 058464-02-000  | EA  | Register - 4" Dia. - Plastic - w/o Damper                          |
|     | 009200-01-000  | EA  | Tape - Furnace - 1 1/2"  |
|     | 023146-01-000  | EA  | Clamp - Screw Type - 4"  |
| ..  | 073743-01-000  | EA  | Shroud Asm. - Ceiling - Inside - Roof Air 13,500 BTU - Cool Only   |
| ..  | 073744-01-000  | EA  | Shroud Asm. - Ceiling - Inside - Roof Air 13,500 BTU - Heat & Cool |
| ..  | 073742-01-000  | EA  | Air Conditioner - 110 Volt - Roof Mount - 13,500 BTU Rotary        |
| ..  | The illustrated parts breakdown for this item is provided on the Common Items Fiche. |     |  |

### AUTOMOTIVE HEATER & AIR CONDITIONER

| Key | Part Number   | U/M | Description  |
|-----|---------------|-----|--|
|     | 072341-07-000 | EA  | Heater/Evaporator - Less Duct Control              |
|     | 072341-07-700 | EA  | Jumper Harness Resistor                            |
|     | 072341-07-701 | EA  | Thermostat   |
|     | 072341-08-000 | EA  | Duct & Control Kit - Used w/Pressure Sensor System |
|     | 072341-08-700 | EA  | Reservoir Vacuum                                   |
|     | 072342-05-000 | EA  | Condensor Asm.                                     |
|     | 072343-06-000 | EA  | Compressor/Clutch - w/Rear Mounted Valves          |
|     | 088744-01-000 | EA  | A/C Complete - Mount & Drive Package               |
|     | 039044-01-000 | EA  | Louver Asm. - A/C Adjustable                       |
|     | 007076-01-700 | FT  | Hose - Flexible PVC - 2" I.D.                      |
|     | 007281-01-700 | FT  | Hose - Flexible PVC - 2 1/2" I.D.                  |
|     | 007108-01-000 | FT  | Hose - Heater - 5/8" I.D. SAE 20R3                 |
|     | 062401-04-000 | EA  | Clamp - Worm Drive - .69" - 1.25" I.D.             |
|     | 010227-01-000 | EA  | Tee - Plastic - Barb 5/8" or 3/4" Hose             |
|     | 072341-05-000 | EA  | Core - Evaporator                                  |

### AUXILIARY HEATER ASSEMBLY

| Key | Part Number   | U/M | Description                                   |
|-----|---------------|-----|---|
|     | 084405-01-000 | EA  | Heater Asm. - Rear - Auxiliary                |
|     | 084405-01-700 | EA  | Heater Core                                   |
|     | 084405-01-701 | EA  | Fan   |
|     | 084405-01-702 | EA  | Motor Asm.                                    |
|     | 076312-01-000 | EA  | Mesh - Grille - 7.38" x 6.75" - Gold Aluminum |
|     | 084410-01-000 | EA  | Decal - Rear Auto Heater                      |

## 1987 WINNEBAGO TABLE OF CONTENTS

|         |             |
|---------|-------------|
| WT319RK | A-01 - B-16 |
| WF421RB | B-17 - D-16 |
| WJN32RQ | D-17 - G-05 |

## 1987 WJN32RQ INDEX

|                                    |             |
|------------------------------------|-------------|
| Floor Plan                         | D-17 - D-18 |
| Accessories Group                  | D-19 - D-21 |
| Bath Group                         | D-22 - D-23 |
| Chassis Group                      | D-24 - E-02 |
| Curtain, Cushion & Pad Group       | E-03 - E-12 |
| Dinette Group                      | E-13 - E-14 |
| Driver's Compartment Group         | E-15 - E-17 |
| Electrical Group                   | E-18 - E-20 |
| Exterior Body Group                | E-21 - F-02 |
| Galley Group                       | F-03 - F-05 |
| Heating & Air Conditioning Group   | F-06        |
| Interior Finish Group              | F-07 - F-09 |
| LP Group                           | F-10        |
| Lounge Group                       | F-11 - F-14 |
| Water & Sewage Group               | F-15 - F-16 |
| Window, Vent & Exterior Door Group | F-17 - G-05 |

## INTERIOR FINISH GROUP

### CURTAIN & CUSHION HARDWARE

| Key | Part Number   | U/M | Description                                 |
|-----|---------------|-----|---|
|     | 061381-01-000 | EA  | Swivel Snap - Curtain Track                 |
|     | 029130-01-000 | EA  | Snap Socket - Curtain Bottom                |
|     | 062139-02-000 | EA  | Bracket - Blind - Hold Down                 |
|     | 063170-03-000 | EA  | Bracket - Blind - Top Right                 |
|     | 063170-04-000 | EA  | Bracket - Blind - Top Left                  |
|     | 056003-01-000 | EA  | Bracket - Drapery - Retainer - Right        |
|     | 056003-02-000 | EA  | Bracket - Drapery - Retainer - Left         |
|     | 062139-03-000 | EA  | Bracket - Hold Down - Blind                 |
|     | 079619-01-000 | EA  | Bracket - Tie Back                          |
|     | 064434-01-000 | EA  | Bracket - Shade                             |
|     | 066263-01-000 | EA  | Pull - Window Shade - Polished Brass        |
|     | 048394-02-000 | YD  | Tape Hook - .75" x 50 yd - Beige            |
|     | 048395-02-000 | YD  | Tape Loop - .75" x 50 YD - Beige            |
|     | 029090-01-000 | FT  | Tie - Drapery - Clear Vinyl                 |
|     | 056116-01-000 | EA  | Track - Curtain - Brown Plastic - Top       |
|     | 079946-01-000 | EA  | Track - Curtain - Wraparound - Right        |
|     | 079946-02-000 | EA  | Track - Curtain - Wraparound - Left         |
|     | 085283-01-000 | EA  | Bracket - Curtain Hold Back - Clear Plastic |
|     | 087253-01-000 | EA  | Shade Pull - Clear Plastic                  |

### PANELING & LAMINATE

| Key | Part Number   | U/M | Description  |
|-----|---------------|-----|--|
|     | 074497-09-000 | SF  | Paneling - Sand - 48" x 84" (28 SF) (Wall)                               |
|     | 074496-61-000 | SF  | Paneling - Decor - Pom/Peach - 48" x 84" (28SF) (Galley/Bath) (W81, W83) |
|     | 074496-62-000 | SF  | Paneling - Decor - Pom/Mauve - 48" x 84" (28SF) (Galley/Bath) (W82)      |
|     | 074497-03-000 | CF  | Paneling - Sunset Oak - 48" x 84" (28SF) (Cabinets)                      |
|     | 074498-13-000 | SF  | Plastic Laminate - Sand Quadrus (Galley/Dinette)                         |
|     | 074498-21-000 | SF  | Plastic Laminate - Sea Frost (Bath) (W81)                                |
|     | 074498-15-000 | SF  | Plastic Laminate - Blush (Bath) (W82)                                    |
|     | 074498-16-000 | SF  | Plastic Laminate - T/Apricot (Bath) (W83)                                |
|     | 074498-05-000 | SF  | Plastic Laminate - Sunset Oak (Nightstand & Table Tops)                  |
|     | 076325-04-000 | FT  | Plastic Laminate - Edge Band - Sunset Oak (1 5/16" x 600')               |

## INTERIOR FINISH GROUP (CONTINUED)

### INTERIOR MOLDING & TRIM

| Key | Part Number   | U/M | Description   |
|-----|---------------|-----|---|
|     | 024700-21-000 | EA  | Cover - Sidewall Roll Bar - Beige                     |
|     | 061521-01-001 | EA  | Molding w/Holes - Corner - 16"                        |
|     | 042357-09-000 | FT  | Molding - Radius Corner - 7' Eln                      |
|     | 022952-08-000 | FT  | Molding - Reverse Cove - White                        |
|     | 066229-01-000 | EA  | Retainer - .75" - Batt Strip - Brown Plastic          |
|     | 066229-02-000 | EA  | Batt Strip - 1" - Tan Plastic                         |
|     | 065284-01-000 | FT  | Batt Strip - Adhesive Tape - Woodgrain                |
|     | 069733-66-000 | EA  | Batt Strip - Classique Tweed - 8' (Wall)              |
|     | 085284-05-000 | FT  | Batt Strip - Adhesive Tape - Classique Tweed          |
|     | 069733-71-000 | EA  | Batt Strip - Winnie - 8' (Galley & Bath)              |
|     | 069733-74-000 | EA  | Batt Strip - Winnie - 8' (Wet Bath)                   |
|     | 069733-37-000 | EA  | Batt Strip - Sunset Oak - 8' (Wall)                   |
|     | 070504-01-000 | FT  | U-Channel - .065" - Light Brown                       |
|     | 009778-04-000 | FT  | U-Channel - 1" - Grady Brown                          |
|     | 083620-01-000 | FT  | T-Molding - .75" - w/Edge Lips - Grady Brown          |
|     | 076325-04-000 | FT  | T-Molding - 1 5/16" - Sunset Oak                      |
|     | 077840-01-T03 | EA  | Molding - Wall Cap - 96" - Vinyl Covered - Sunset Oak |
|     | 077953-01-000 | EA  | Grommet - 1" Hole - Liner                             |
|     | 009767-06-000 | FT  | Welting - Beige                                       |
|     | 042356-01-000 | EA  | Plug - 3/8" - Mahogany                                |

### CABINETS & TABLE HARDWARE

| Key | Part Number   | U/M | Description                                 |
|-----|---------------|-----|---|
|     | 053200-05-000 | EA  | Bracket - Upper Wall Mount - 23.5" - Beige  |
| **  | 053201-06-000 | EA  | Bracket - Table Mount - 23" - Beige         |
|     | 024275-05-000 | EA  | Rod - Table Lift - 8" x 23.5" - Beige       |
|     | 024281-07-000 | EA  | Bracket - Lower Wall Mount - 22.12" - Beige |
|     | 024276-17-000 | EA  | Leg Asm. - Table - 26.5" - Tan              |
|     | 064050-02-000 | EA  | Hinge - Table Leg - Tan                     |
| **  | 024282-01-000 | EA  | Brace - Table Leg                           |
| **  | 024283-01-000 | EA  | Clip - 1" O.D. Tube                         |
|     | 049493-05-000 | EA  | Catch - Table Leg - Mounts on Floor - Tan   |
|     | 009112-01-000 | EA  | Flange - 1" - Chrome - Closet Rod           |
|     | 077409-01-000 | EA  | Slide - Drawer - Plastic - 20.75"           |
|     | 009049-01-000 | EA  | Table Support - Drop Leaf                   |
|     | 009059-01-000 | EA  | Hinge - 2" - Drop Leaf Table - Gold         |
|     | 086263-01-000 | EA  | Pull - Polished Brass Centers               |
|     | 009016-01-000 | EA  | Elbow - Catch - Spring Loaded               |
|     | 057671-01-000 | EA  | Screw Cover - #8 - Off White                |
|     | 072369-20-000 | EA  | Mesh - Grille - 22" x 12" - Duraton Bronze  |
|     | 009021-01-000 | EA  | Catch - Nylon                               |
|     | 009021-02-000 | EA  | Strike - Nylon Catch                        |
| **  | 059777-02-000 | EA  | Hinge - Cabinet Door - Antique Light Brass  |
|     | 074493-02-000 | EA  | Support - Sprung - Door                     |
|     | 066433-01-000 | EA  | Hook - Cup - Bright                         |
|     | 075680-01-000 | EA  | Clothes Rod - Adjustable - 27" x 36"        |
|     | 041194-01-000 | EA  | Base - Table - Flush Mounts in Floor        |
|     | 009040-03-000 | EA  | Base - Table - Mounts on Table              |
|     | 080728-01-000 | EA  | Handle - Pullout Table                      |
|     | 086263-01-000 | EA  | Pull - Polished Brass                       |
|     | 084466-02-000 | EA  | Slide Asm. - Drawer - Right                 |
|     | 084466-03-000 | EA  | Slide Asm. - Drawer - Left                  |
|     | 084466-04-000 | EA  | Slide Asm. - Cabinet - Right                |
|     | 084466-05-000 | EA  | Slide Asm. - Cabinet - Left                 |
|     | 084451-01-000 | EA  | Catch - TV Shelf - Brass                    |

\*\* The illustrated parts breakdown for this item is provided on the Common Items Fiche.

## 1987 WINNEBAGO TABLE OF CONTENTS

|         |             |
|---------|-------------|
| WT319RK | A-01 - B-16 |
| WF421RB | B-17 - D-16 |
| WJN32RQ | D-17 - G-05 |

## 1987 WJN32RQ INDEX

|                                    |             |
|------------------------------------|-------------|
| Floor Plan                         | D-17 - D-18 |
| Accessories Group                  | D-19 - D-21 |
| Bath Group                         | D-22 - D-23 |
| Chassis Group                      | D-24 - E-02 |
| Curtain, Cushion & Pad Group       | E-03 - E-12 |
| Dinette Group                      | E-13 - E-14 |
| Driver's Compartment Group         | E-15 - E-17 |
| Electrical Group                   | E-18 - E-20 |
| Exterior Body Group                | E-21 - F-02 |
| Galley Group                       | F-03 - F-05 |
| Heating & Air Conditioning Group   | F-06        |
| Interior Finish Group              | F-07 - F-09 |
| LP Group                           | F-10        |
| Lounge Group                       | F-11 - F-14 |
| Water & Sewage Group               | F-15 - F-16 |
| Window, Vent & Exterior Door Group | F-17 - G-05 |

## INTERIOR FINISH GROUP (CONTINUED)

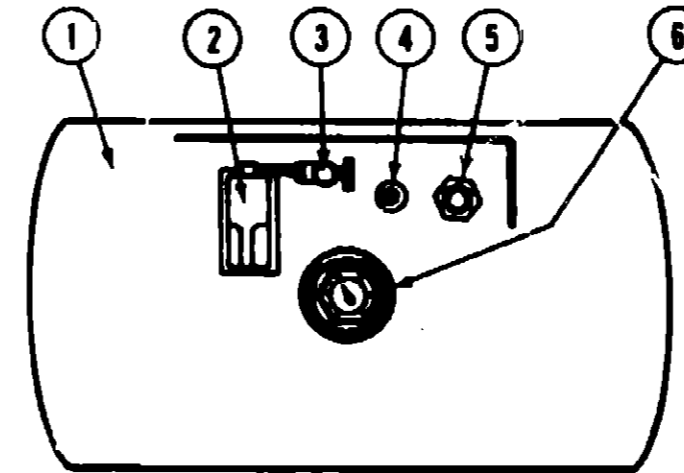
### FABRICS & CARPET

| Key | Part Number   | U/M | Description   |
|-----|---------------|-----|---|
|     | 081607-02-000 | YD  | Fabric - Headliner - Sandstone                          |
|     | 077498-91-000 | YD  | Fabric - Main - Jade/Taupe (W81)                        |
|     | 077498-92-000 | YD  | Fabric - Main - Rose (W82)                              |
|     | 077498-93-000 | YD  | Fabric - Main - Taupe (W83)                             |
|     | 077498-A6-000 | YD  | Fabric - Stripped Accent - Jade/Taupe (W81)             |
|     | 077498-A5-000 | YD  | Fabric - Stripped Accent - Rose (W82)                   |
|     | 077498-A7-000 | YD  | Fabric - Stripped Accent - Taupe (W83)                  |
|     | 077498-95-000 | YD  | Fabric - Plain Accent - Jade/Taupe (W81)                |
|     | 077498-61-000 | YD  | Fabric - Plain Accent - Rose (W82)                      |
|     | 077498-96-000 | YD  | Fabric - Plain Accent - Taupe (W83)                     |
|     | 069729-47-000 | YD  | Fabric - Bedspread Drapery - Jade/Taupe (W81)           |
|     | 069729-48-000 | YD  | Fabric - Bedspread Drapery - Rose (W82)                 |
|     | 069729-49-000 | YD  | Fabric - Bedspread Drapery - Taupe (W83)                |
|     | 072333-34-000 | YD  | Fabric - Drapery - Shades & Tie Back - Jade/Taupe (W81) |
|     | 072333-35-000 | YD  | Fabric - Drapery - Shades & Tie Back - Rose (W82)       |
|     | 072333-36-000 | YD  | Fabric - Drapery - Shades & Tie Back - Taupe (W83)      |
|     | 072333-39-000 | YD  | Fabric - Wraparound & Blackout - Jade/Taupe (W81)       |
|     | 072333-37-000 | YD  | Fabric - Wraparound & Blackout - Rose (W82)             |
|     | 072333-38-000 | YD  | Fabric - Wraparound & Blackout - Taupe (W83)            |
|     | 052859-01-W07 | FT  | Trim Asm. - Accent - Sandrift                           |
|     | 079680-01-000 | YD  | Vinyl - Expanded - 26 oz. - Buckskin                    |
|     | 079680-02-000 | YD  | Vinyl - Expanded - 26 oz. - Sandrift                    |
|     | 038421-01-000 | YD  | Fabric - Mattress Ticking                               |
|     | 029012-01-000 | BF  | Foam - Rolled - 3/8"                                    |
|     | 072860-58-000 | YD  | Carpet - Jade/Taupe (W81)                               |
|     | 072860-56-000 | YD  | Carpet - Rose (W82)                                     |
|     | 072860-57-000 | YD  | Carpet - Taupe (W83)                                    |

### MISCELLANEOUS PARTS

| Key | Part Number   | U/M | Description                              |
|-----|---------------|-----|--|
|     | 053552-02-W04 | EA  | Handle Asm. - Interior Assist            |
|     | 041944-04-000 | EA  | Fire Extinguisher - Dry 5BC              |
|     | 084472-01-000 | EA  | Holder - Recessed Fire Extinguisher      |
|     | 054185-26-000 | EA  | Owner's Manual - 1987 Itasca & Winnebago |
|     | 007038-01-000 | EA  | Door Mat - 10 1/2" x 26" - Black Rubber  |
|     | 086296-01-000 | EA  | Picture - Decor                          |
|     | 065201-02-000 | EA  | Lamp Shade - Fabric - Parchment          |
|     | 082686-02-000 | EA  | Shade - Table Lamp                       |

## LP GROUP



| Key | Part Number   | U/M | Description   |
|-----|---------------|-----|---|
| 1   | 074142-01-000 | EA  | Tank Asm. - LP - Frame Mount - 80 Pound - 13" x 44"               |
|     | 065741-01-000 | EA  | Detector - LP Gas Leak - Marshalltown Instruments                 |
| 2   | 081938-01-000 | EA  | Compartment - LP Regulator  |
|     | 076301-01-000 | EA  | Regulator - Two Stage - US (Dual)                                 |
|     | 076301-02-000 | EA  | Regulator - Two Stage - CSA (Dual)                                |
| 3   | 040421-01-703 | EA  | Valve - Vapor Relief  |
| 4   | 040421-01-700 | EA  | Gauge - Liquid Level - 20% LP                                     |
| 5   | 040421-01-701 | EA  | Valve - Filler - LP   |
|     | 040421-01-702 | EA  | Cap - Plastic Fill Valve  |
| 6   | 040421-01-707 | EA  | Gauge - Float - w/Visible Dial                                    |
|     | 040421-01-706 | EA  | Dial - Visible Face - Float Gauge (Tank w/o Electric Transmitter) |
|     | 040440-01-000 | EA  | Dial - Transmitter - 0 - 90 Ohm (Float Gauge)                     |
|     | 045703-01-000 | EA  | Hose Asm. - LP - 3/8" I.D. x 24" - US                             |
|     | 045703-02-000 | EA  | Hose Asm. - LP - 3/8" I.D. x 24" - CSA                            |
|     | 045703-03-000 | EA  | Hose Asm. - LP - 3/8" I.D. x 18" - US                             |
|     | 045703-04-000 | EA  | Hose Asm. - LP - 3/8" I.D. x 14" - CSA                            |
|     | 065742-01-000 | EA  | Tee - .38 F x .39 F x .25 FPT                                     |
|     |               |     | Not illustrated   |

## 1987 WINNEBAGO TABLE OF CONTENTS

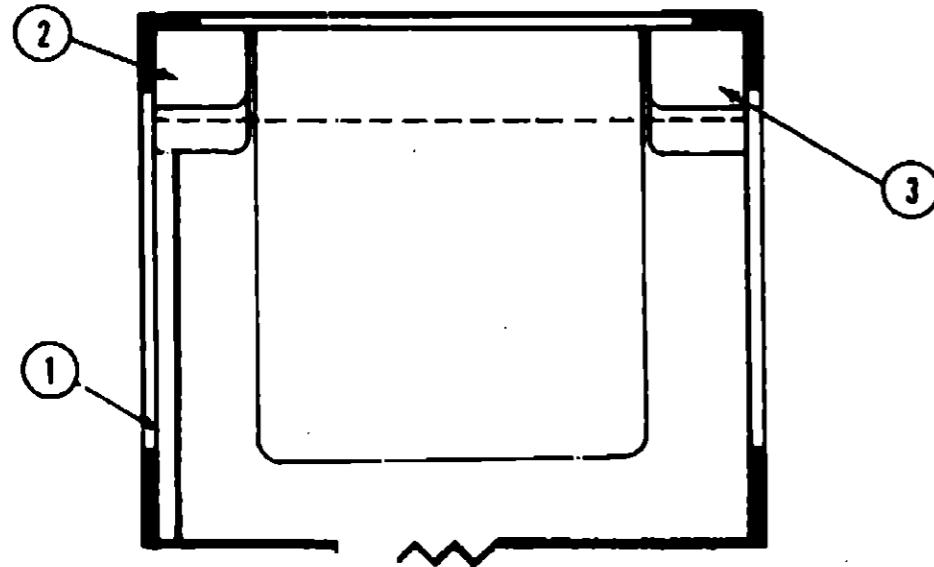
WT319RK  
WF421RB  
WJN32RQ

A-01 - B-16  
B-17 - D-16  
D-17 - G-05

## 1987 WJN32RQ INDEX

|                                    |             |
|------------------------------------|-------------|
| Floor Plan                         | D-17 - D-18 |
| Accessories Group                  | D-19 - D-21 |
| Bath Group                         | D-22 - D-23 |
| Chassis Group                      | D-24 - E-02 |
| Curtain, Cushion & Pad Group       | E-03 - E-12 |
| Dinette Group                      | E-13 - E-14 |
| Driver's Compartment Group         | E-15 - E-17 |
| Electrical Group                   | E-18 - E-20 |
| Exterior Body Group                | E-21 - F-02 |
| Galley Group                       | F-03 - F-05 |
| Heating & Air Conditioning Group   | F-06        |
| Interior Finish Group              | F-07 - F-09 |
| LP Group                           | F-10        |
| Lounge Group                       | F-11 - F-14 |
| Water & Sewage Group               | F-15 - F-16 |
| Window, Vent & Exterior Door Group | F-17 - G-05 |

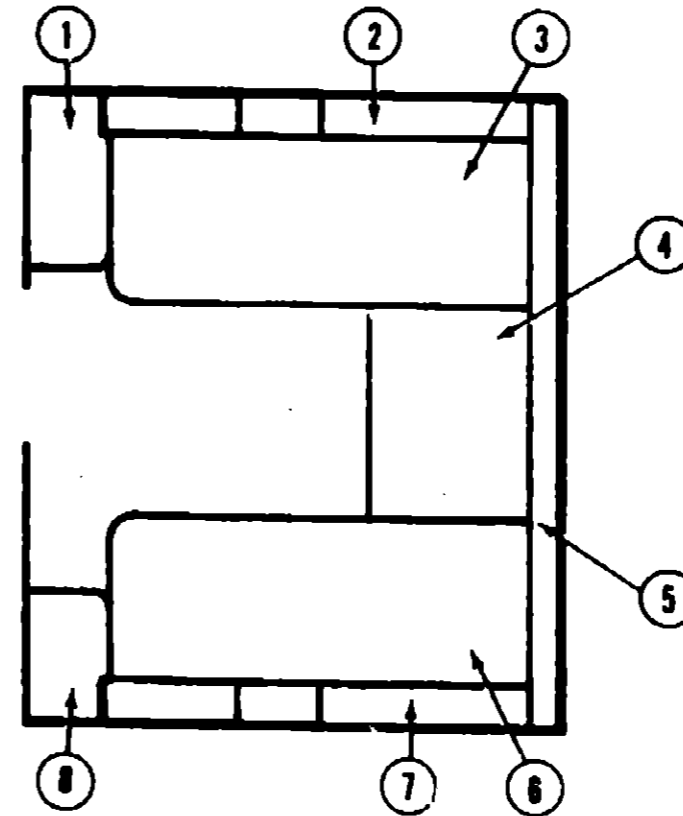
## LOUNGE GROUP



QUEEN BED

| Key | Part Number   | U/M | Description   |
|-----|---------------|-----|---|
| 1   | 081975-01-W07 | EA  | Cabinet Asm. - Pipe Cover - w/o Hardware                        |
| 2   | M81759-01-W07 | EA  | Cabinet Asm. - Nightstand - w/o Countertop, Drawer, or Hardware |
|     | M02159-01-W07 | EA  | Countertop Asm. - Nightstand - Lower                            |
|     | M02159-02-W07 | EA  | Countertop Asm. - Nightstand - Upper                            |
|     | M78921-04-W13 | EA  | Drawer Asm. - Nightstand Cabinets - w/o Hardware                |
|     | 081707-05-W07 | EA  | Cabinet Asm. - Rear Overhead - w/o Doors or Hardware            |
|     | M81503-02-W07 | EA  | Door Asm. - Overhead Cabinet - w/o Hardware                     |
| 3   | M81760-01-W07 | EA  | Cabinet Asm. - Nightstand - w/o Countertop, Drawer or Hardware  |
|     | M02160-01-W07 | EA  | Countertop Asm. - Nightstand - Lower                            |
|     | M02160-02-W07 | EA  | Countertop Asm. - Nightstand - Upper                            |
|     | M81501-03-W07 | EA  | Door Asm. - Queen Bed Cabinet - w/o Hardware                    |
|     | 086109-01-W07 | EA  | Headboard Asm. w/Gathers (W81)                                  |
|     | 086109-01-W08 | EA  | Headboard Asm. w/Gathers (W82)                                  |
|     | 086109-01-W09 | EA  | Headboard Asm. w/Gathers (W83)                                  |
|     |               |     | Not illustrated   |

## LOUNGE GROUP (CONTINUED)



HORSESHOE LOUNGE OPTION

| Key | Part Number   | U/M | Description  |
|-----|---------------|-----|--|
| 1   | 081794-01-W07 | EA  | Cabinet Asm. - Nightstand Cabinet - Right - w/o Countertop or Hardware |
|     | M02158-01-W07 | EA  | Countertop Asm. - Nightstand Cabinet - w/o Hardware                    |
|     | 081970-03-W07 | EA  | Cabinet Asm. - Lounge Overhead - Right - w/o Doors or Hardware         |
|     | M81503-01-W07 | EA  | Door Asm. - Lounge Overhead - w/o Hardware                             |
| 2   | M86061-01-W07 | EA  | Cabinet Asm. - Hamper - Right - w/o Top or Hardware                    |
|     | M02969-01-W07 | EA  | Top Asm. - Hamper Cabinet - Side - Jade/Taupe (W81)                    |
|     | M02969-01-W08 | EA  | Top Asm. - Hamper Cabinet - Side - Rose (W82)                          |
|     | M02969-01-W09 | EA  | Top Asm. - Hamper Cabinet - Side - Taupe (W83)                         |
| 3   | M87007-01-W07 | EA  | Cabinet Asm. - Lounge - Right  |
| 4   | M86063-01-U04 | EA  | Cabinet Asm. - Lounge Center - w/o Door or Hardware                    |
|     | M81501-10-W04 | EA  | Door Asm. - Lounge Cabinets - w/o Hardware                             |
| 5   | M86062-01-U04 | EA  | Cabinet Asm. - Lounge Back - w/o Top or Hardware                       |
|     | 081308-09-W07 | EA  | Cabinet Asm. - Rear Overhead - w/o Doors or Hardware                   |
|     | M02970-01-W07 | EA  | Top Asm. - Back Cabinet - Jade/Taupe (W81)                             |
|     | M02970-01-W08 | EA  | Top Asm. - Back Cabinet - Rose (W82)                                   |
|     | M02970-01-W09 | EA  | Top Asm. - Back Cabinet - Taupe (W83)                                  |
| 6   | M87008-01-W07 | EA  | Cabinet Asm. - Lounge - Left - w/o Door or Hardware                    |
| 7   | M86061-02-W07 | EA  | Cabinet Asm. - Hamper - Left - w/o Top or Hardware                     |
| 8   | 087882-01-W81 | EA  | Cabinet Asm. - Nightstand Cabinet - Left - w/o Countertop or Hardware  |
|     | M03000-13-W07 | EA  | Countertop Asm. - Nightstand Cabinet - w/o Hardware                    |
|     | 081970-01-W07 | EA  | Cabinet Asm. - Lounge Overhead - Left - w/o Doors or Hardware          |
|     | 081298-07-U04 | EA  | Table Asm. - Dinette   |
|     |               |     | Not illustrated  |

## 1987 WINNEBAGO TABLE OF CONTENTS

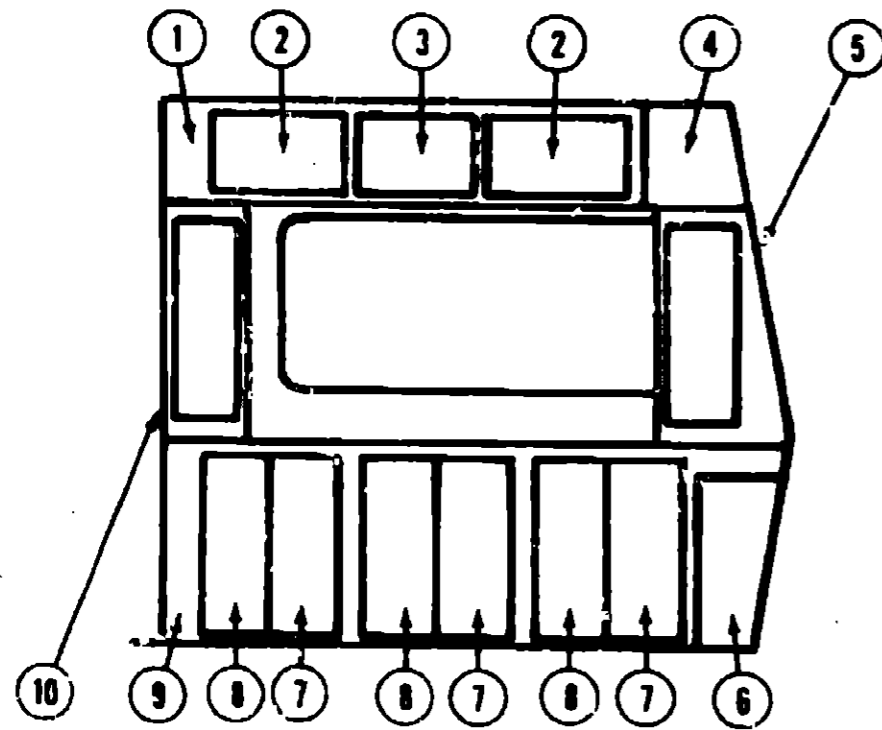
WT319RK  
WF421RB  
WJN32RQ

A-01 - B-16  
B-17 - D-16  
D-17 - G-05

## 1987 WJN32RQ INDEX

|                                    |             |
|------------------------------------|-------------|
| Floor Plan                         | D-17 - D-18 |
| Accessories Group                  | D-19 - D-21 |
| Bath Group                         | D-22 - D-23 |
| Chassis Group                      | D-24 - E-02 |
| Curtain, Cushion & Pad Group       | E-03 - E-12 |
| Dinette Group                      | E-13 - E-14 |
| Driver's Compartment Group         | E-15 - E-17 |
| Electrical Group                   | E-18 - E-20 |
| Exterior Body Group                | E-21 - F-02 |
| Galley Group                       | F-03 - F-05 |
| Heating & Air Conditioning Group   | F-06        |
| Interior Finish Group              | F-07 - F-09 |
| LP Group                           | F-10        |
| Lounge Group                       | F-11 - F-14 |
| Water & Sewage Group               | F-15 - F-16 |
| Window, Vent & Exterior Door Group | F-17 - G-05 |

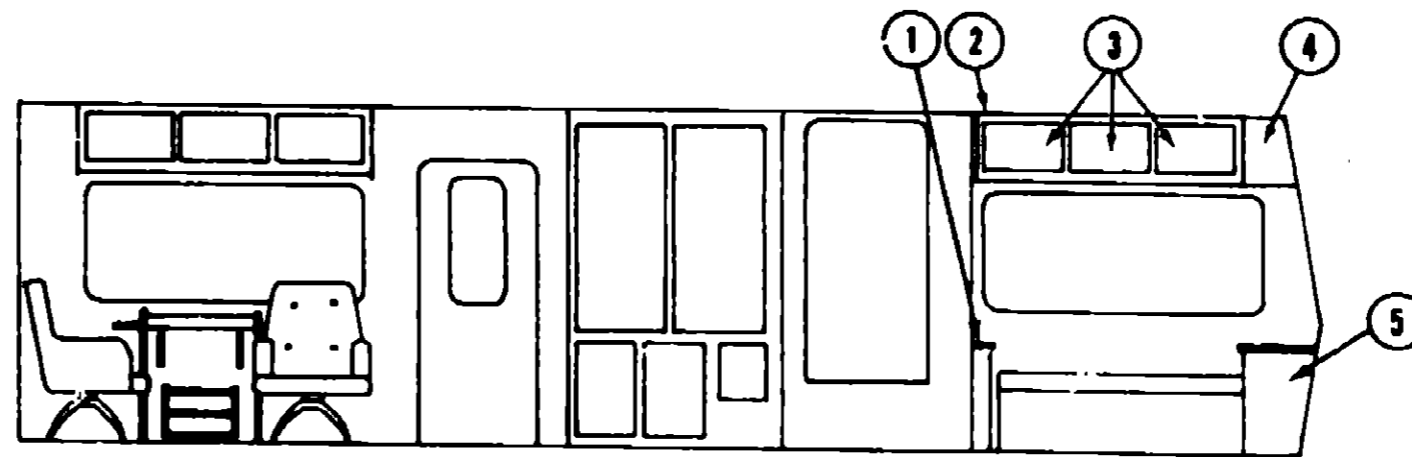
**LOUNGE GROUP (CONTINUED)**



**DOUBLE BED OPTION**

| Key | Part Number     | U/M | Description  |
|-----|-----------------|-----|--|
| 1   | 085164-04-W07   | EA  | Cabinet Asm. - Overhead - Passenger - w/o Doors or Hardware  |
| •   | 084996-04-W07   | EA  | Cabinet Asm. - Overhead - Driver - w/o Doors or Hardware     |
| 2   | M81503-01-W07   | EA  | Door Asm. - Overhead Cabinet - w/o Hardware                  |
| 3   | M81503-04-W07   | EA  | Door Asm. - Overhead Cabinet - w/o Hardware                  |
| 4   | 085165-01-W07   | EA  | Cabinet Asm. - Rear Overhead - w/o Doors or Hardware         |
| •   | M85168-02-W07   | EA  | Door Asm. - Rear Overhead w/Mirror - w/o Hardware            |
| •   | 058331-13-000   | EA  | Mirror - Safety Glass - 9.4" x 15.2"                         |
| 5   | M84988-01-W07   | EA  | Cabinet Asm. - Storage - w/o Door or Hardware                |
| •   | M82424-05-W07   | EA  | Door Asm. - Storage Cabinets w/Mirror - w/o Hardware         |
| •   | 058331-12-000   | EA  | Mirror - Safety Glass - 6.3" x 25.6"                         |
| 6   | M84584-01-W07   | EA  | Cabinet Asm. - Nightstand - w/o Countertop or Hardware       |
| •   | M02932-01-W07   | EA  | Countertop Asm. - Nightstand Cabinet                         |
| 7   | M81502-19-W07   | EA  | Door Asm. - Vanity Cabinet - Right - w/o Hardware            |
| 8   | M81502-20-W07   | EA  | Door Asm. - Vanity Cabinet - Left - w/o Hardware             |
| 9   | M84756-01-W07   | EA  | Cabinet Asm. - Vanity - w/o Countertop, Doors or Hardware    |
| •   | M02933-01-W07   | EA  | Countertop Asm. - Vanity Cabinet                             |
| 10  | M84660-01-W07   | EA  | Cabinet Asm. - Storage Cabinet - Left - w/o Door or Hardware |
| •   | M81501-30-W07   | EA  | Door Asm. - Double Bed Cabinet - w/o Hardware                |
| •   | 086109-01-W07   | EA  | Headboard Asm. w/Gathers (W81)                               |
| •   | 086109-01-W08   | EA  | Headboard Asm. w/Gathers (W82)                               |
| •   | 086109-01-W09   | EA  | Headboard Asm. w/Gathers (W83)                               |
| •   | Not illustrated |     |  |

**LOUNGE GROUP (CONTINUED)**



**TWIN BED CABINERY OPTION**

| Key | Part Number     | U/M | Description  |
|-----|-----------------|-----|--|
| 1   | 081794-01-W07   | EA  | Cabinet Asm. - Nightstand - w/o Countertop or Hardware             |
| 1   | M02158-01-W07   | EA  | Countertop Asm. - Nightstand - w/o Hardware                        |
| •   | 087862-01-W81   | EA  | Cabinet Asm. - Nightstand - w/o Countertop or Hardware             |
| •   | M03000-13-W07   | EA  | Countertop Asm. - Nightstand - w/o Hardware                        |
| 2   | 081970-03-W07   | EA  | Cabinet Asm. - Lounge Overhead - Passenger - w/o Doors or Hardware |
| •   | 081970-01-W07   | EA  | Cabinet Asm. - Lounge Overhead - Driver - w/o Doors or Hardware    |
| 3   | M81503-01-W07   | EA  | Door Asm. - Overhead Cabinets - w/o Hardware                       |
| 4   | 081308-09-W07   | EA  | Cabinet Asm. - Rear Overhead - w/o Doors or Hardware               |
| •   | M81503-04-W07   | EA  | Door Asm. - Rear Overhead - w/o Hardware                           |
| •   | M83441-01-W07   | EA  | Cabinet Asm. - Nightstand - w/o Countertop, Door or Hardware       |
| •   | M81501-93-W07   | EA  | Door Asm. - Nightstand Cabinet - w/o Hardware                      |
| •   | M02608-01-W07   | EA  | Countertop Asm. - Nightstand - Lower                               |
| •   | M02609-01-W07   | EA  | Countertop Asm. - Nightstand - Upper                               |
| •   | 084357-01-W07   | EA  | T.V. Stand Asm.  |
| •   | M81501-30-W07   | EA  | Door Asm. - Twin Bed Cabinets - w/o Hardware                       |
| •   | 086109-02-W07   | EA  | Headboard Asm. - w/Gathers - 33" (W81)                             |
| •   | 086109-02-W08   | EA  | Headboard Asm. - w/Gathers - 33" (W82)                             |
| •   | 086109-02-W09   | EA  | Headboard Asm. - w/Gathers - 33" (W83)                             |
| •   | Not illustrated |     |  |

**1987 WINNEBAGO  
TABLE OF CONTENTS**

WT319RK  
WF421RB  
WJN32RQ

A-01 - B-16  
B-17 - D-16  
D-17 - G-05

**1987 WJN32RQ INDEX**

|                                    |             |
|------------------------------------|-------------|
| Floor Plan                         | D-17 - D-18 |
| Accessories Group                  | D-19 - D-21 |
| Bath Group                         | D-22 - D-23 |
| Chassis Group                      | D-24 - E-02 |
| Curtain, Cushion & Pad Group       | E-03 - E-12 |
| Dinette Group                      | E-13 - E-14 |
| Driver's Compartment Group         | E-15 - E-17 |
| Electrical Group                   | E-18 - E-20 |
| Exterior Body Group                | E-21 - F-02 |
| Galley Group                       | F-03 - F-05 |
| Heating & Air Conditioning Group   | F-06        |
| Interior Finish Group              | F-07 - F-09 |
| LP Group                           | F-10        |
| Lounge Group                       | F-11 - F-14 |
| Water & Sewage Group               | F-15 - F-16 |
| Window, Vent & Exterior Door Group | F-17 - G-05 |

## WATER & SEWAGE GROUP

### PLUMBING & REPAIR PARTS

| Key | Part Number   | U/M | Description  |
|-----|---------------|-----|--|
|     | 033302-02-000 | EA  | Adapter Asm. - SWVC Strain - 1 1/2"                      |
|     | 010326-01-000 | EA  | Adapter - Flare - w/Cone Gasket                          |
|     | 062422-01-000 | EA  | Adapter - Hose Offset - Reducer - 3" x 1 1/2"            |
|     | 052954-01-000 | EA  | Adapter - Hose Cone - 3/8 or 1/2 - Plastic               |
|     | 010224-01-000 | EA  | Adapter - Plastic - 3/8 MPT x 3/8 Barb                   |
|     | 044927-01-000 | EA  | Adapter - Plastic - 1 1/4" MPT x 1 1/4 Barb              |
|     | 031602-02-000 | EA  | Adapter - Plastic - 1 1/2 H x FPT                        |
|     | 062417-01-000 | EA  | Adapter - Termination - 3"                               |
|     | 004020-01-000 | QT  | Adhesive - ABS Cement                                    |
| **  | 010121-01-000 | EA  | Bushing - Plastic - 1 1/2 S x 1 1/4 H                    |
|     | 036522-02-000 | EA  | Cap - Brass - 1/2 Flare                                  |
|     | 075730-01-000 | EA  | Cap - Sewer - 3"   |
|     | 087200-02-000 | EA  | Cartridge - Water Purification                           |
|     | 052959-03-000 | EA  | Connector - 1/2 F x 3/8 MPT - Plastic                    |
|     | 011091-02-000 | EA  | Continuous Waste - Double Sink - 11 7/8" - US            |
|     | 078406-01-000 | EA  | Coupler Rubber - 3" x 3"                                 |
|     | 010000-01-000 | EA  | Elbow - Plastic - 1/8 BD x 1 1/4 x 45° H x H             |
|     | 010006-01-000 | EA  | Elbow - Plastic - 1/8 BD x 1 1/2 x 45° H x H             |
|     | 010008-01-000 | EA  | Elbow - Plastic - 1/4 BD x 1 1/2 x 90° Left              |
|     | 010051-01-000 | EA  | Elbow - ST - Plastic - 1/8 BD x 1 1/2 x 45°              |
|     | 010061-01-000 | EA  | Elbow - ST Plastic 1/8 BD x 3" x 453 x H                 |
|     | 033761-01-000 | EA  | Elbow - ST - Plastic 1/4 BD x 1 1/2" x 90° x LT          |
|     | 031111-01-000 | EA  | Elbow - Plastic - 1/4 BD x 1 1/4 x 90° Left              |
|     | 052957-01-000 | EA  | Elbow - Plastic - 1/2 F x 3/8 MPT                        |
|     | 052957-02-000 | EA  | Elbow - Plastic - 1/2 F x 1/2 MPT (In Tank Filter)       |
|     | 065120-01-000 | EA  | Elbow - Plastic - Swivel - .50                           |
|     | 070924-01-000 | EA  | Elbow - Plastic - Swivel - 1/2 MPT x 1/2 FP              |
|     | 077954-02-000 | EA  | Filter/Screen (In Water Tank)                            |
|     | 087200-01-000 | EA  | Filter - Water Purification                              |
|     | 063641-01-000 | EA  | Flange - Closet - 4" F x 3" FPT - US                     |
|     | 063641-02-000 | EA  | Flange - Closet - 4" F x 3" FPT - CSA                    |
|     | 079381-01-000 | FT  | Flexible Tubing - 1 1/4 I.D. x 10'                       |
|     | 061607-01-000 | EA  | Grommet - Holding Tank Coupler - 1 1/2"                  |
|     | 061607-02-000 | EA  | Grommet - Holding Tank Coupler - 3"                      |
|     | 052961-01-000 | EA  | Header - 1/2 F x 1/2 F x 1/2 F x 1/2 F                   |
|     | 010201-01-000 | EA  | Hose - Sewer - 3 ID x 8 FT                               |
|     | 052953-01-000 | EA  | Nut - Faucet - 1/2 Tube x 1/2 FPT                        |
|     | 052952-01-000 | EA  | Nut - 1/2 F - Plastic                                    |
| **  | 011066-03-000 | EA  | P-Trap - 1 1/4" Plastic - US                             |
| **  | 011066-02-000 | EA  | P-Trap - 1 1/4" Plastic - CSA                            |
|     | 053335-01-000 | EA  | P-Trap - Plastic - 1 1/4 H x H - w/Union - CSA           |
|     | 010197-01-000 | EA  | Pipe - Plastic - 3" x 240" - Black                       |
|     | 045729-01-000 | EA  | Pump - Water - 2.8 G.P.M. - Direct Drive - Shurflo - US  |
|     | 045729-02-000 | EA  | Pump - Water - 2.8 G.P.M. - Direct Drive - Shurflo - CSA |
| **  | 010201-01-000 | EA  | Sewer Hose - 3" x 8' w/Clamp                             |
|     | 042989-05-000 | EA  | Spinweld Fittings - Plastic - 1/2 FPT (In Tank Fitter)   |
|     | 042989-03-000 | EA  | Spinweld Fittings - Plastic - 1/4 NPT                    |
|     | 042989-04-000 | EA  | Spinweld Fittings - Plastic - 3/8 FPT                    |
|     | 011069-02-000 | EA  | Tailpiece - 1 1/2" x 1 1/4" x 4" - Brass                 |
|     | 010071-01-000 | EA  | Tee - Plastic - 1 1/2 x H x H x H                        |
| **  | 010079-01-000 | EA  | Tee - Plastic 1 1/2 H x 1 1/2 H x 1 1/4 H                |
|     | 052955-01-000 | EA  | Tee - Plastic - 1/2 F x 1/2 F x 1/2 MPT                  |
|     | 052958-01-000 | EA  | Tee - Plastic - 1/2 F x 1/2 F x 1/2 F                    |
|     | 039800-01-000 | FT  | Tubing - Polybutyl - 1/2 O.D. (Water Line)               |
|     | 079381-01-000 | FT  | Tubing - Flexible - Smooth - 1.25 I.D.                   |
|     | 074462-02-000 | FT  | Tubing - Vinyl - 3/8 I.D.                                |
|     | 062421-01-000 | EA  | Valve - 1 1/2" - w/Handle                                |
|     | 052960-01-000 | EA  | Valve - Line Drain - 1/2 F x 1/2 F                       |
|     | 077054-01-000 | EA  | Valve - Plastic - 1/2 M x 1/2 M - 1/4 Comp.              |
|     | 010073-01-000 | EA  | Wye - Plastic - 1 1/2 x 45 H x H                         |

\*\* The illustrated parts breakdown for this is provided on the Common Items Fiche.

## WATER & SEWAGE GROUP (CONTINUED)

### HOLDING TANKS & WATER HEATERS

| Key | Part Number   | U/M | Description  |
|-----|---------------|-----|--|
|     | 081189-02-000 | EA  | Tank Asm. - Water - 48 Gallon - w/Fittings                     |
|     | 081189-01-000 | EA  | Tank - Water - 48 Gallon - w/o Fittings                        |
|     | 088672-01-000 | EA  | Tank - Holding - 55 Gallon - w/o Fittings - Waste Water        |
|     | 088671-01-000 | EA  | Tank - Holding - 27 Gallon - w/o Fittings - Sewage             |
| **  | 051391-01-000 | EA  | Water Heater - w/o Motor Aid - Atwood - G6A-3                  |
| **  | 051391-03-000 | EA  | Water Heater - w/Motor Aid - Atwood - G6A-3E                   |
| **  | 051393-01-000 | EA  | Water Heater - w/Motor Aid - Direct Ignition - Atwood - GH6-3E |

\*\* The illustrated parts breakdown for this item is provided on the Common Items Fiche.

## 1987 WINNEBAGO TABLE OF CONTENTS

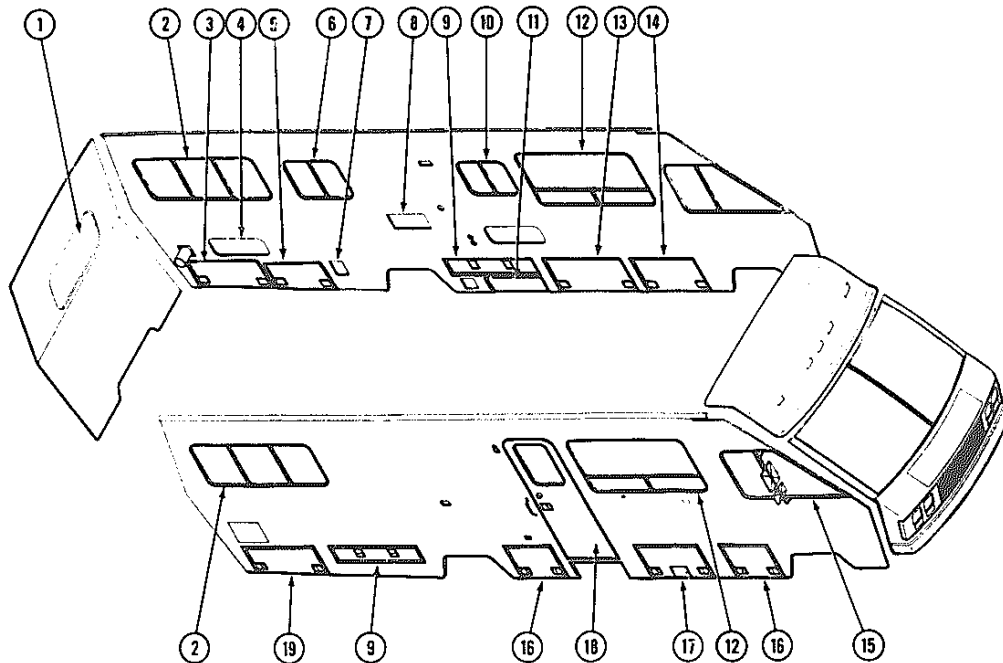
|         |             |
|---------|-------------|
| WT319RK | A-01 - B-16 |
| WF421RB | B-17 - D-18 |
| WJN32RQ | D-17 - G-05 |

## 1987 WJN32RQ INDEX

|                                    |             |
|------------------------------------|-------------|
| Floor Plan                         | D-17 - D-18 |
| Accessories Group                  | D-19 - D-21 |
| Bath Group                         | D-22 - D-23 |
| Chassis Group                      | D-24 - E-02 |
| Curtain, Cushion & Pad Group       | E-03 - E-12 |
| Dinette Group                      | E-13 - E-14 |
| Driver's Compartment Group         | E-15 - E-17 |
| Electrical Group                   | E-18 - E-20 |
| Exterior Body Group                | E-21 - F-02 |
| Galley Group                       | F-03 - F-05 |
| Heating & Air Conditioning Group   | F-06        |
| Interior Finish Group              | F-07 - F-09 |
| LP Group                           | F-10        |
| Lounge Group                       | F-11 - F-14 |
| Water & Sewage Group               | F-15 - F-16 |
| Window, Vent & Exterior Door Group | F-17 - G-05 |



**WINDOW, VENT & EXTERIOR DOOR GROUP**  
WINDOWS & ACCESS DOORS



**1987 WINNEBAGO**  
**TABLE OF CONTENTS**

WT319RK  
WF421RB  
WJN32RQ

A-01 - B-16  
B-17 - D-16  
D-17 - G-05

**1987 WJN32RQ INDEX**

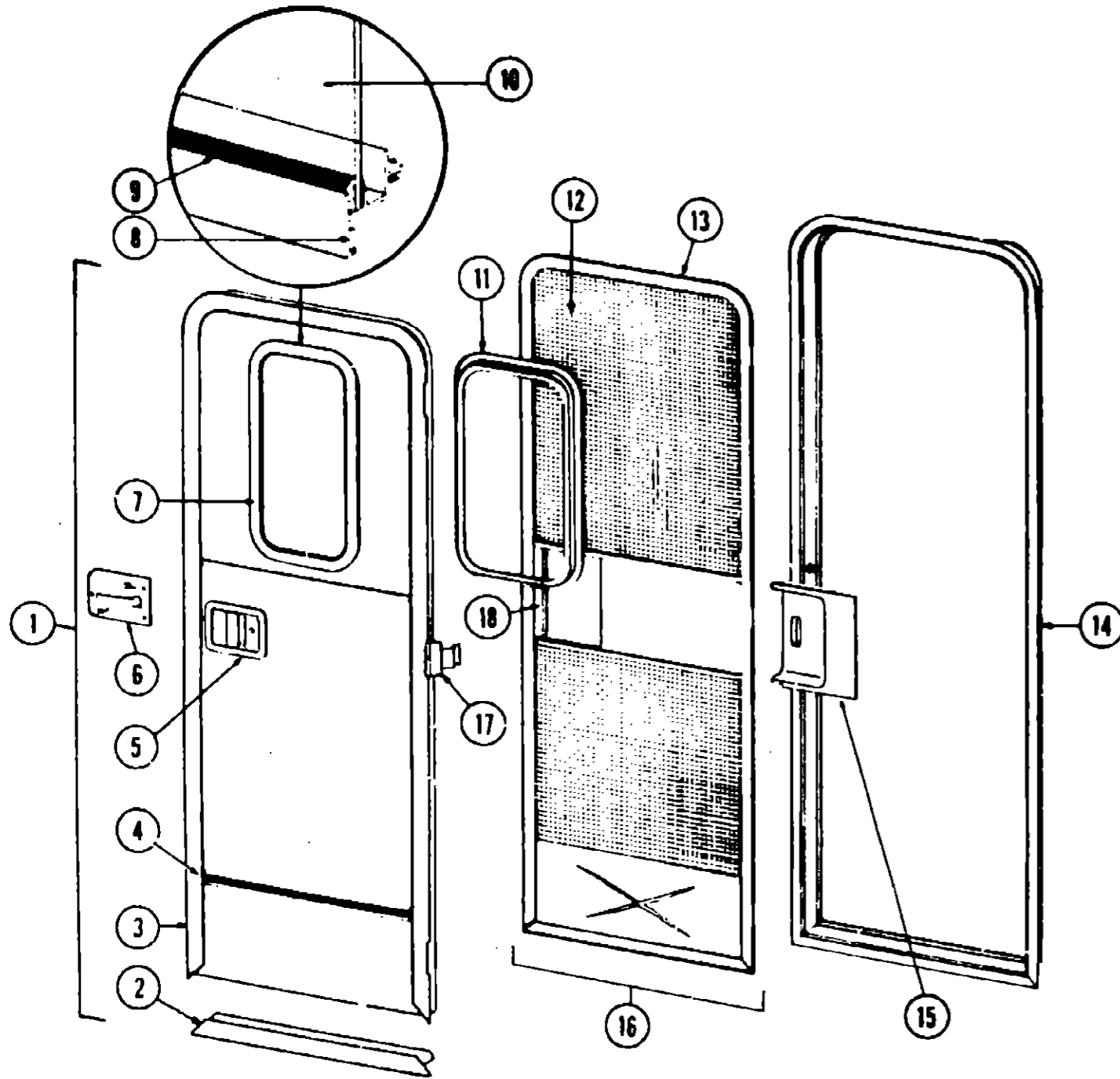
|                                    |             |
|------------------------------------|-------------|
| Floor Plan                         | D-17 - D-18 |
| Accessories Group                  | D-19 - D-21 |
| Bath Group                         | D-22 - D-23 |
| Chassis Group                      | D-24 - E-02 |
| Curtain, Cushion & Pad Group       | E-03 - E-12 |
| Dinette Group                      | E-13 - E-14 |
| Driver's Compartment Group         | E-15 - E-17 |
| Electrical Group                   | E-18 - E-20 |
| Exterior Body Group                | E-21 - F-02 |
| Galley Group                       | F-03 - F-05 |
| Heating & Air Conditioning Group   | F-06        |
| Interior Finish Group              | F-07 - F-09 |
| LP Group                           | F-10        |
| Lounge Group                       | F-11 - F-14 |
| Water & Sewage Group               | F-15 - F-16 |
| Window, Vent & Exterior Door Group | F-17 - G-05 |

| Key | Part Number   | U/M | Description  |
|-----|---------------|-----|--|
| 1   | 078528-01-T03 | EA  | Window Asm - Escape                                      |
| *   | 052423-02-000 | EA  | Door - Sewer Hose - Beige                                |
| 2   | 078269-01-T03 | EA  | Window Asm - Double Slider                               |
| 2   | 078266-05-T03 | EA  | Window Asm - Single Slider (used with Double Bed Option) |
| 3   | 087472-02-W81 | EA  | Door Asm - Luggage                                       |
| 4   | 079578-01-T03 | EA  | Door Asm - Storage                                       |
| 5   | 087472-08-W81 | EA  | Door Asm - Storage                                       |
| 6   | 078266-04-T03 | EA  | Window Asm - Slider                                      |
| 7   | 078010-04-000 | EA  | Door Asm - Fuel Fill - Gray                              |
| 8   | 078969-04-T03 | EA  | Door Asm - Refrigerator Access                           |
| **  | 084104-01-000 | EA  | Door Asm - Refrigerator Access                           |
| 9   | 087449-01-W81 | EA  | Door Asm - Storage                                       |
| 10  | 078266-03-T03 | EA  | Window Asm - Slider                                      |
| *   | CS3742-03-000 | EA  | Door Asm - Power Cord                                    |
| 11  | M79321-03-W81 | EA  | Door Asm - Generator                                     |
| ††  | 078269-02-W24 | EA  | Window Asm - Double Slider                               |
| 12  | 085354-02-W07 | EA  | Window Asm - Awning                                      |

| Key | Part Number  | U/M | Description                    |
|-----|--|-----|--------------------------------|
| 13  | 087448-03-W81  | EA  | Door Asm - Luggage             |
| 14  | 087448-02-W81  | EA  | Door Asm - Luggage             |
| *   | 084464-01-000  | EA  | Glass - Windshield - Passenger |
| *   | 084464-02-000  | EA  | Glass - Windshield - Driver    |
| 15  | 084978-01-W30  | EA  | Window Asm - Slant Slider      |
| **  | 079421-01-T02  | EA  | Window Asm - Slant - Right     |
| 16  | 087448-01-W81  | EA  | Door Asm - Storage             |
| 17  | 087495-01-W81  | EA  | Door Asm - Luggage/LP          |
| 18  | M01870-14-W81  | EA  | Door Asm - Entrance            |
| *   | 079733-04-T03  | EA  | Window Asm - Picture           |
| 19  | 087472-01-W81  | EA  | Door Asm - Luggage             |
| *   | 052009-02-000  | EA  | Door Asm - Water Heater        |
|     |  |     | Not keyed out                  |
| †   | Parts used with the Roll Up Door                               |     |                                |
| **  | These are the part numbers of the doors produced after 11/3/86 |     |                                |
| ††  | Part used on units produced after 2/2/87                       |     |                                |

# WINDOW, VENT & EXTERIOR DOOR GROUP (CONTINUED)

## ENTRANCE & SCREEN DOOR



| Key | Part Number   | U/M | Description  |
|-----|---------------|-----|--|
| 1   | M01870-14-WB1 | EA  | Door Asm. - Radius Entry w/Screen Door                       |
| 2   | 077998-03-000 | EA  | Frame - Entry Door (Bottom Portion Only)                     |
| 3   | 076863-03-000 | EA  | Frame - Entry Door (Except Bottom Portion)                   |
| 4   | 059576-11-000 | EA  | Feature Strip w/o Insert - 14"                               |
|     | 001030-12-100 | EA  | Insert - Feature Strip - 17" - Stucco - Beige                |
|     | 009731-01-000 | EA  | End Cap - Feature Strip                                      |
| 5   | 045017-05-000 | EA  | Paddle Asm. - Door Lock - Exterior                           |
|     | 045017-05-700 | EA  | Lock Cylinder w/Keys - Lynor                                 |
|     | 039539-01-000 | EA  | Striker Bolt - Entry Doors                                   |
|     | 039540-01-000 | EA  | Latch Claw - Entry Door                                      |
|     | 039738-01-000 | EA  | Dead Bolt - Entry Door                                       |
| 6   | 039979-01-000 | EA  | Plate - Inside Lock - Includes Inside Handle                 |
| 7   | 079733-04-T03 | EA  | Window Asm. - Picture - 17" x 25" - Black (w/o inside frame) |
| 8   | 069640-06-000 | FT  | Ribbon Sealer - 5/16" Bead x 15"                             |
| 9   | 002309-02-000 | FT  | Spline - Glass - 1/8" Black                                  |
| 10  | 002181-06-000 | EA  | Glass - Picture Window - 1/8" x 16.25" x 24" - Gray          |
| 11  | 067609-03-000 | EA  | Inside Frame - Beige (not included in assembly)              |
| 12  | 002293-02-000 | SF  | Screen - Window - 26" - Charcoal                             |
| 13  | 056795-01-000 | FT  | Seal Tape - 1/78" x 3/8" - Press On                          |
| 14  | 078591-02-000 | EA  | Jamb Asm. - Entrance Door                                    |
|     | 051049-01-000 | EA  | Jamb - Entrance Door - Bottom                                |
| 15  | 079086-01-000 | EA  | Slider - Screen Door - Light Oak Plastic                     |
| 16  | 079012-01-T03 | EA  | Door Asm. - Screen   |
| 17  | 079361-07-000 | EA  | Hinge - Entrance Door (3 used per door)                      |
| 18  | 079087-01-000 | EA  | Cap - Screen Door - Light Oak Plastic                        |
|     | 009018-01-000 | EA  | Catch Asm. - Single Roller w/Strike - Screen Door            |
|     | 076231-01-000 | EA  | Spacer - Latch - Screen Door                                 |
|     | 077437-01-000 | EA  | Strike - Roller Catch  |
|     | 044582-03-000 | EA  | Drip Cap - Beige   |
|     | 079278-01-000 | EA  | Seal - Mocket - Entrance Door                                |
|     | 073090-01-000 | FT  | Seal - Entrance Door   |
|     | 075739-02-000 | EA  | Stiffener - Entrance Door - Beige                            |
|     | 075673-01-000 | FT  | Seal - Pile - Adhesive Back                                  |
|     | 075671-01-000 | FT  | Seal - Sponge - Lazy "T" Shaped                              |
|     | 002294-01-000 | FT  | Spline - Black - .135 x .138 (Screen Door)                   |
|     | 063638-02-000 | EA  | Strike - Screen Door   |
|     | 063729-04-000 | EA  | Rivnut - 10-32 UNF - .010-.080                               |
|     | 075539-01-000 | EA  | Garnish - Radius - Entrance Door                             |
|     | 083205-01-000 | EA  | Deadbolt Lock - Press Fit - 5"                               |
|     |               |     | Not illustrated  |

## 1987 WINNEBAGO TABLE OF CONTENTS

|         |             |
|---------|-------------|
| WT319RK | A-01 - B-16 |
| WF421RB | B-17 - D-16 |
| WJN32RQ | D-17 - G-05 |

## 1987 WJN32RQ INDEX

|                                    |             |
|------------------------------------|-------------|
| Floor Plan                         | D-17 - D-18 |
| Accessories Group                  | D-19 - D-21 |
| Bath Group                         | D-22 - D-23 |
| Chassis Group                      | D-24 - E-02 |
| Curtain, Cushion & Pad Group       | E-03 - E-12 |
| Dinette Group                      | E-13 - E-14 |
| Driver's Compartment Group         | E-15 - E-17 |
| Electrical Group                   | E-18 - E-20 |
| Exterior Body Group                | E-21 - F-02 |
| Galley Group                       | F-03 - F-05 |
| Heating & Air Conditioning Group   | F-06        |
| Interior Finish Group              | F-07 - F-09 |
| LP Group                           | F-10        |
| Lounge Group                       | F-11 - F-14 |
| Water & Sewage Group               | F-15 - F-16 |
| Window, Vent & Exterior Door Group | F-17 - G-05 |

**WINDOW, VENT & EXTERIOR DOOR GROUP (CONTINUED)**

**DRIVER DOOR W/ROLL-UP WINDOW**

| Key | Part Number   | U/M | Description                              |
|-----|---------------|-----|--|
|     | M82202-01-U04 | EA  | Door Asm. - w/Roll-Up Window - Passenger |
|     | M82202-02-U04 | EA  | Door Asm. - w/Roll-Up Window - Driver    |
|     | 064184-02-000 | EA  | Drip Cap - Cab Door - Passenger          |
|     | 064184-01-000 | EA  | Drip Cap - Cab Door - Driver             |
|     | M02684-01-000 | EA  | Jamb Asm. - Cab Door - Passenger         |
|     | M02684-02-000 | EA  | Jamb Asm. - Cab Door - Driver            |
|     | 063993-11-000 | EA  | Hinge Asm. - Passenger                   |
|     | 063993-09-000 | EA  | Hinge Asm. - Driver                      |
|     | 082150-01-000 | FT  | Seal - Sponge (Jamb)                     |
|     | 082150-02-000 | FT  | Seal - Sponge (Door)                     |
|     | 063731-01-000 | EA  | Cap - Push On - Zinc                     |
|     | 061400-06-000 | EA  | Assist Strap - Sandstone                 |
|     | 064219-01-000 | EA  | Retainer Strap - Driver Door             |
|     | 063729-01-000 | EA  | Rivnut - 1/4 x 20 unc. - .030 - .125     |
|     | 081903-01-000 | EA  | Shaft - Mounting Knob                    |
|     | 081905-01-000 | EA  | Knob - Control - Slide Bolt - Passenger  |
|     | 081905-02-000 | EA  | Knob - Control - Slide Bolt - Driver     |
|     | 081906-01-000 | EA  | Slide Bolt - Driver Door                 |
|     | 081907-01-000 | EA  | Regulator Asm. - Window - Passenger      |
|     | 081907-02-000 | EA  | Regulator Asm. - Window - Driver         |
|     | 081910-01-000 | FT  | Channel - Window - Sliding               |
|     | 081912-01-000 | EA  | Weatherstrip - Rigid                     |
|     | 063886-09-000 | EA  | Assist Handle - Door                     |
|     | 075722-01-000 | EA  | Block - Switch - Spacer                  |
|     | 073118-01-000 | EA  | Retainer - Attachment Plate              |
|     | 073119-01-000 | EA  | Attachment Plate - Striker               |
|     | 079561-01-000 | EA  | Shim - Strike - Cab Door                 |
|     | R77007-56-701 | EA  | Plate - Door Lock - Passenger            |
|     | R77007-56-702 | EA  | Plate - Door Lock - Driver               |
|     | R77040-01-538 | EA  | Door Handle                              |
|     | R77007-05-374 | EA  | Plate - Door Handle Spacer               |
|     | R77006-50-326 | EA  | Door - Handle Inner - Driver             |
|     | R77006-50-261 | EA  | Door - Handle Inner - Passenger          |
|     | R77006-13-460 | EA  | Cap - Inner - Window Crank               |
|     | 072035-01-000 | EA  | Crank - Hand - Glass Lift                |
|     | 072036-01-000 | EA  | Cap - Crank - Hand                       |
|     | 073110-02-000 | EA  | Rod - Lock - Passenger                   |
|     | 073110-03-000 | EA  | Rod - Lock - Driver                      |
|     | R77006-64-355 | EA  | Link - Door Handle - Control             |
|     | R77030-58-048 | EA  | Washer                                   |
|     | R77030-33-009 | EA  | Nut - w/Washer                           |
|     | R77007-62-746 | EA  | Lock - Left Tumbler Assembly             |
|     | R77007-62-747 | EA  | Lock - Right Tumbler Assembly            |
|     | 081488-01-000 | EA  | Glass - Door - Roll-Up                   |
|     | 083223-02-000 | EA  | Lock Asm. - Key Type (Set of 2)          |
|     | 076542-03-000 | EA  | Rod Control - Latch - Passenger          |
|     | 076542-04-000 | EA  | Rod Control - Latch - Driver             |

**WINDOW, VENT & EXTERIOR DOOR GROUP (CONTINUED)**

**VENTS**

| Key | Part Number   | U/M | Description                                 |
|-----|---------------|-----|---|
|     | 084073-04-000 | EA  | Base - Refrigerator Vent                    |
|     | 084073-01-000 | EA  | Cover - Refrigerator Vent                   |
|     | 084878-01-000 | EA  | Vent - Stovehood - Outside                  |
|     | 075056-01-000 | EA  | Vent Asm. - Roof - Non-Powered - w/o Screen |
| **  | 079537-01-000 | EA  | Vent Asm. - Roof - Powered - w/o Screen     |
|     | 083558-01-000 | EA  | Roof Vent - Pipe Cover                      |
|     | 080507-01-000 | EA  | Skylight - Outside Panel                    |
|     | 080508-01-000 | EA  | Skylight - Inside Panel                     |
|     | 080258-01-000 | EA  | Collar - Skylight                           |
|     | 034315-02-000 | EA  | Shroud - Vent - Hood Range - Beige          |
|     | 078785-01-T03 | EA  | Screen Asm. - Roof Vent                     |
| **  | 078786-01-T03 | EA  | Screen Asm. - Roof Vent - Non Powered       |

\*\* The illustrated parts breakdown for this item is provided on the Common Items Fiche.

**ACCESS HARDWARE**

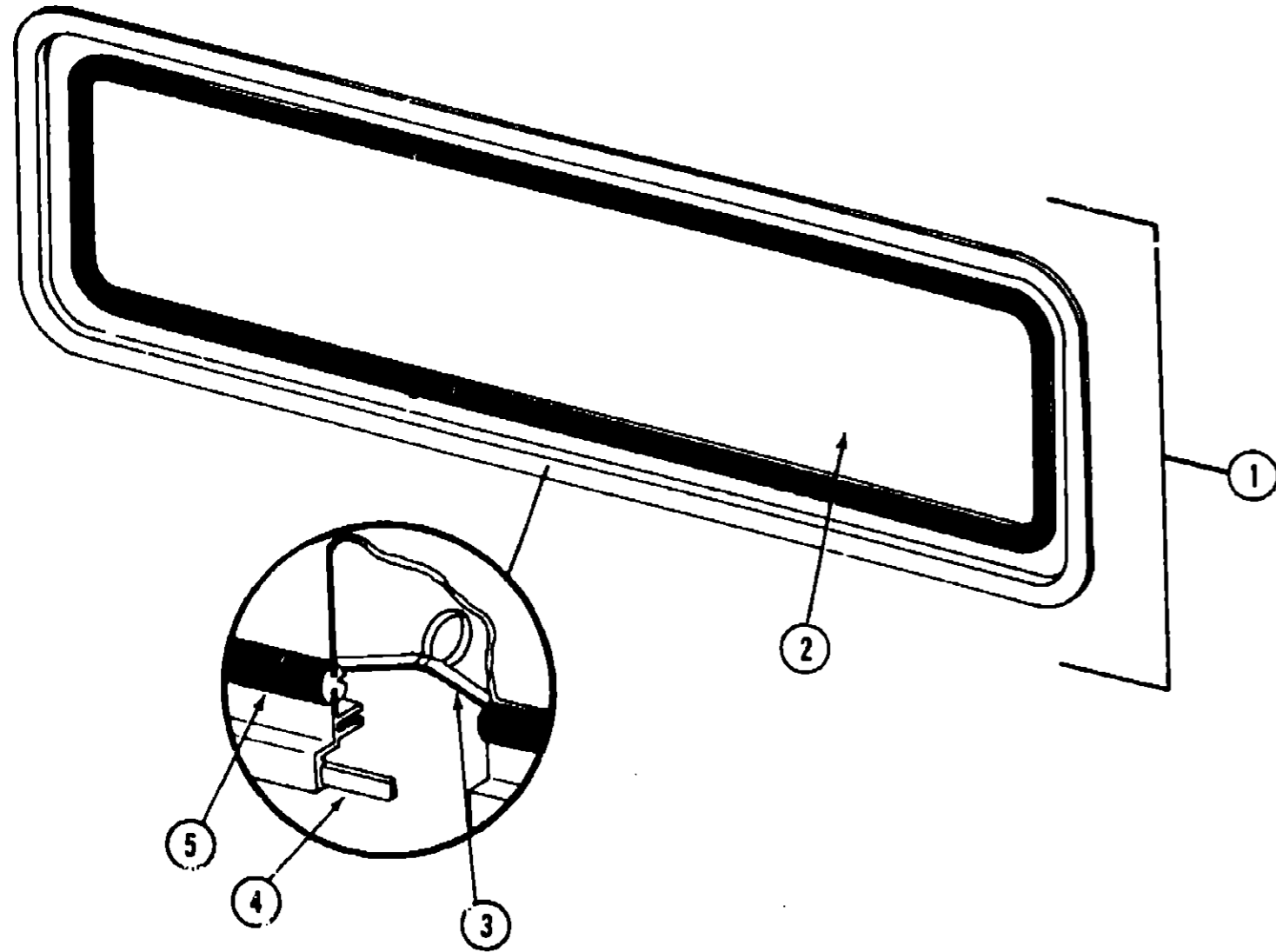
| Key | Part Number   | U/M | Description  |
|-----|---------------|-----|--|
|     | 075726-01-000 | EA  | Outlet Extension - Sewage                                      |
|     | 075730-01-000 | EA  | End Cap - Sewage Hose  |
|     | 052424-02-000 | EA  | Jamb - Power Cord/Fuel Fill - Beige                            |
|     | 054543-02-000 | EA  | Hatch - Power Cord   |
|     | 084103-01-000 | EA  | Jamb - Refrigerator Door Vent                                  |
|     | 083615-01-000 | EA  | Door Stop - Beige Plastic                                      |
|     | 042442-01-000 | EA  | Lock Asm. - Twist Type - 90° Rotation - 1.5" Latch - .6" Depth |
|     | 042441-01-000 | EA  | Lock Asm. - Key Type - 90° Rotation - 1.25" Latch - .62" Depth |
|     | 079368-01-000 | FT  | Seal - Access Doors  |
|     | 079366-04-000 | EA  | Lock Asm. - Key Type - w/o Keys                                |
|     | 085730-01-000 | EA  | Latch Asm. - Paddle - Plastic - w/Key Lock                     |
|     | 085730-04-000 | EA  | Latch Asm. - Paddle - Plastic - w/o Key Lock                   |
|     | 083223-01-000 | EA  | Lock Asm. - Key Type (Set of 1)                                |
|     | 083223-02-000 | EA  | Lock Asm. - Key Type (Set of 2)                                |

**1987 WINNEBAGO  
TABLE OF CONTENTS**

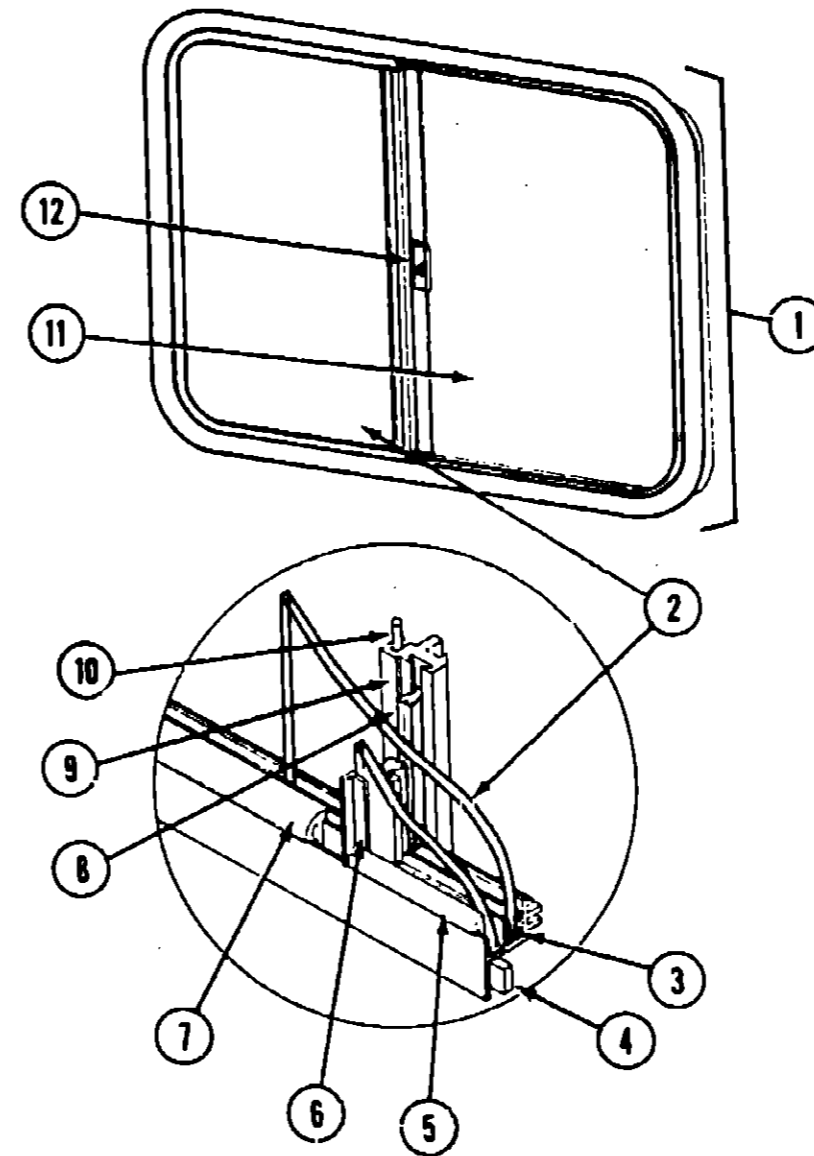
|         |             |
|---------|-------------|
| WT319RK | A-01 - B-16 |
| WF421RB | B-17 - D-16 |
| WJN32RQ | D-17 - G-05 |

**1987 WJN32RQ INDEX**

|                                    |             |
|------------------------------------|-------------|
| Floor Plan                         | D-17 - D-18 |
| Accessories Group                  | D-19 - D-21 |
| Bath Group                         | D-22 - D-23 |
| Chassis Group                      | D-24 - E-02 |
| Curtain, Cushion & Pad Group       | E-03 - E-12 |
| Dinette Group                      | E-13 - E-14 |
| Driver's Compartment Group         | E-15 - E-17 |
| Electrical Group                   | E-18 - E-20 |
| Exterior Body Group                | E-21 - F-02 |
| Galley Group                       | F-03 - F-05 |
| Heating & Air Conditioning Group   | F-06        |
| Interior Finish Group              | F-07 - F-09 |
| LP Group                           | F-10        |
| Lounge Group                       | F-11 - F-14 |
| Water & Sewage Group               | F-15 - F-16 |
| Window, Vent & Exterior Door Group | F-17 - G-05 |



| Key | Part Number   | U/M | Description   |
|-----|---------------|-----|---|
| 1   | 078528-01-T03 | EA  | Window Asm. - Escape (w/o inside frame)                         |
| •   | 074816-01-000 | EA  | Inside Frame - Escape Window - Beige (not included in assembly) |
| 2   | 002174-02-000 | E   | Glass - 1/8" x 19.61" x 44.82"                                  |
| 3   | 002285-01-000 | FT  | Filler - Weatherstrip - Black                                   |
| 4   | 069640-01-000 | FT  | Tape - 2" Bead x 45'  |
| 5   | 002282-01-000 | FT  | Weatherstrip - Window - .125" Black                             |
| •   | 006199-01-000 | EA  | Label - Exit - Escape Window                                    |
| •   |               |     | Not illustrated   |



| Key | Part Number   | U/M | Description   |
|-----|---------------|-----|---|
| 1   | 078266-03-T03 | EA  | Window Asm. - Left Single Slider - Black (w/o inside frame) |
| •   | 083122-03-000 | EA  | Inside Frame - Beige (not included in assembly)             |
| 2   | 081980-05-000 | EA  | Glass - Sliding - 1/8" x 19" x 13.68" - Gray                |
| 3   | 002324-02-000 | FT  | Channel - Weatherstrip - Glass Run - 1/8" Glass             |
| 4   | 069640-06-000 | FT  | Ribbon Sealer - 5.16" Bead x 15'                            |
| 5   | 002309-02-000 | FT  | Spline - Glass - 1/8" - Black                               |
| 6   | M69886-03-011 | EA  | Seal Holder w/Fin Seal - 1/8" - Black                       |
| 7   | 057374-02-000 | FT  | Extr. Vinyl - Window Seal - Black                           |
| 8   | 073740-01-000 | FT  | Seal - Fin - Pile - .460"                                   |
| 9   | 078562-02-000 | EA  | Inside Mullion - Slider Window - Black                      |
| 10  | 002298-02-000 | FT  | Spline - .130" Dia. - Charcoal (Screen)                     |
| 11  | 081984-03-000 | EA  | Glass - Stationary  |
| 12  | 047369-01-700 | EA  | Latch Kit - Window - Plastic w/Fastener                     |
| •   | 002292-02-000 | SF  | Screen - Window - 20" - Charcoal                            |
| •   |               |     | Not illustrated   |

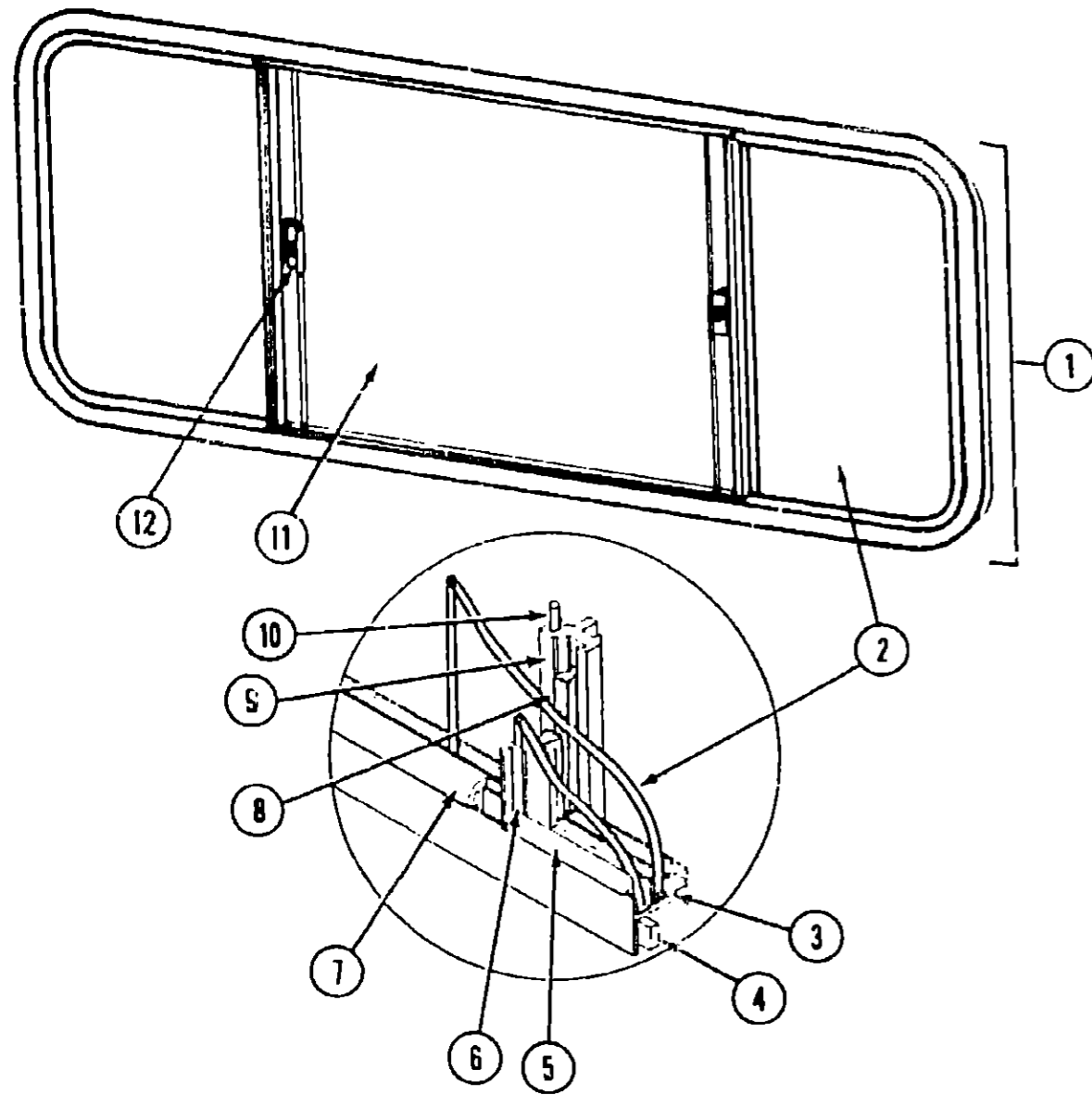
1987 WINNEBAGO  
TABLE OF CONTENTS

WT319RK  
WF421RB  
WJN32RQ

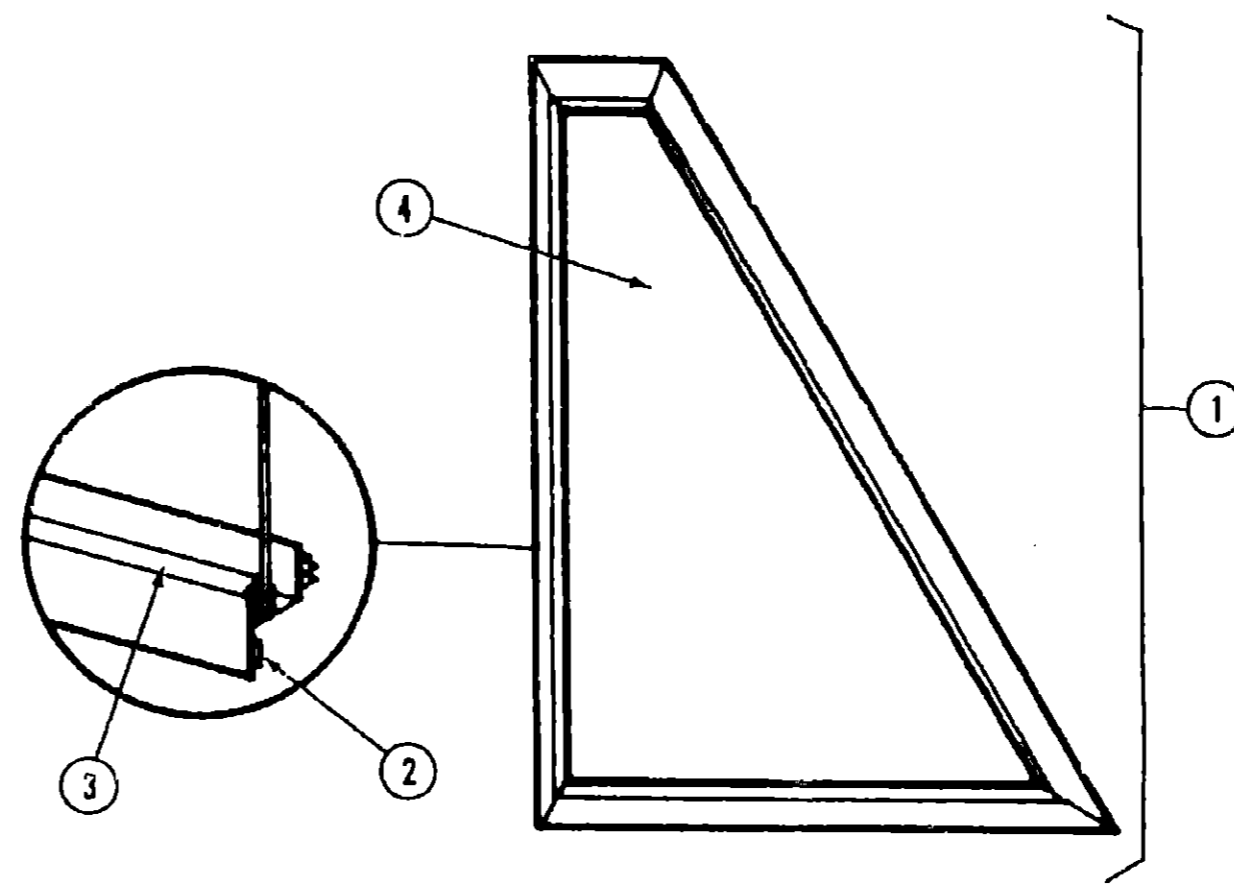
A-01 - B-18  
B-17 - D-16  
D-17 - G-05

1987 WJN32RQ INDEX

|                                    |             |
|------------------------------------|-------------|
| Floor Plan                         | D-17 - D-18 |
| Accessories Group                  | D-19 - D-21 |
| Bath Group                         | D-22 - D-23 |
| Chassis Group                      | D-24 - E-02 |
| Curtain, Cushion & Pad Group       | E-03 - E-12 |
| Dinette Group                      | E-13 - E-14 |
| Driver's Compartment Group         | E-15 - E-17 |
| Electrical Group                   | E-18 - E-20 |
| Exterior Body Group                | E-21 - F-02 |
| Galley Group                       | F-03 - F-05 |
| Heating & Air Conditioning Group   | F-06        |
| Interior Finish Group              | F-07 - F-09 |
| LP Group                           | F-10        |
| Lounge Group                       | F-11 - F-14 |
| Water & Sewage Group               | F-15 - F-16 |
| Window, Vent & Exterior Door Group | F-17 - G-05 |



| Key | Part Number   | U/M | Description  |
|-----|---------------|-----|--|
| 1   | 078269-01-T03 | EA  | Window Asm. - Double Slider - 25" x 65" - Black (w/o inside frame) |
| .   | 083122-09-000 | EA  | Inside Frame - Beige (not included in assembly)                    |
| 2   | 081980-04-000 | EA  | Glass - Sliding - 1/8" x 24" x 21.3"                               |
| 3   | 002324-02-000 | FT  | Channel - Weatherstrip - Glass Run - 1/8" Glass                    |
| 4   | 069640-06-000 | FT  | Ribbon Sealer - 5/16" Bead x 15'                                   |
| 5   | 002309-02-000 | FT  | Spline - Glass - 1/8" - Black                                      |
| 6   | M69886-03-003 | EA  | Seal Holder w/Fin Seal - 23.19" - Black                            |
| 7   | 057374-02-000 | FT  | Extr. Vinyl - Window Seal - Black                                  |
| 8   | 073740-01-000 | FT  | Seal - Fin - Pile - .460"  |
| 9   | 078562-04-000 | EA  | Mullion - Slider Window - Black                                    |
| 10  | 002298-02-000 | FT  | Spline - .130" Dia. - Charcoal (Screen)                            |
| 11  | 002188-05-000 | EA  | Glass - Stationary - 1/8" x 24" x 25.5"                            |
| 12  | 047369-01-700 | EA  | Latch Kit - Window - Plastic w/Fastener                            |
| .   | 079204-01-000 | EA  | Bracket - Mullion - Black  |
| .   | 002293-02-000 | SF  | Screen - Window - 26" - Charcoal                                   |
| .   |               |     | Not illustrated  |



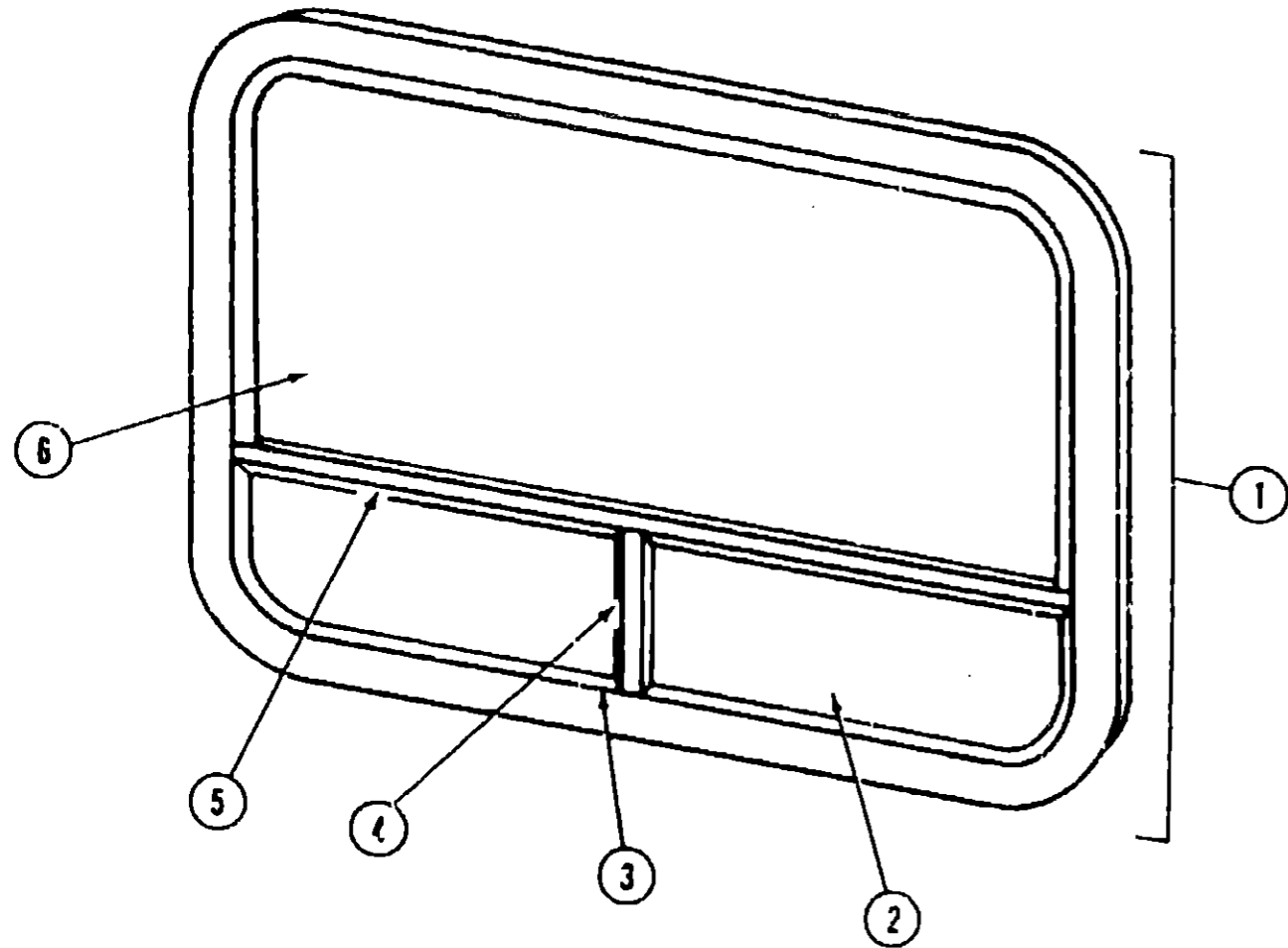
| Key | Part Number   | U/M | Description   |
|-----|---------------|-----|---|
| 1   | 079421-01-T03 | EA  | Window Asm. - Front Slant - Passenger (w/o inside frame)      |
| .   | 079215-01-000 | EA  | Inside Frame - Front Slant - Beige (not included in assembly) |
| 2   | 069640-01-000 | FT  | Tepe - 1/4" Bead x 20'  |
| 3   | 050216-02-000 | FT  | Spline - Glass - 1/8" Black                                   |
| 4   | 057656-04-000 | EA  | Glass - .19" x 28.11" x 26.13"                                |
| .   |               |     | Not illustrated   |

1987 WINNEBAGO  
TABLE OF CONTENTS

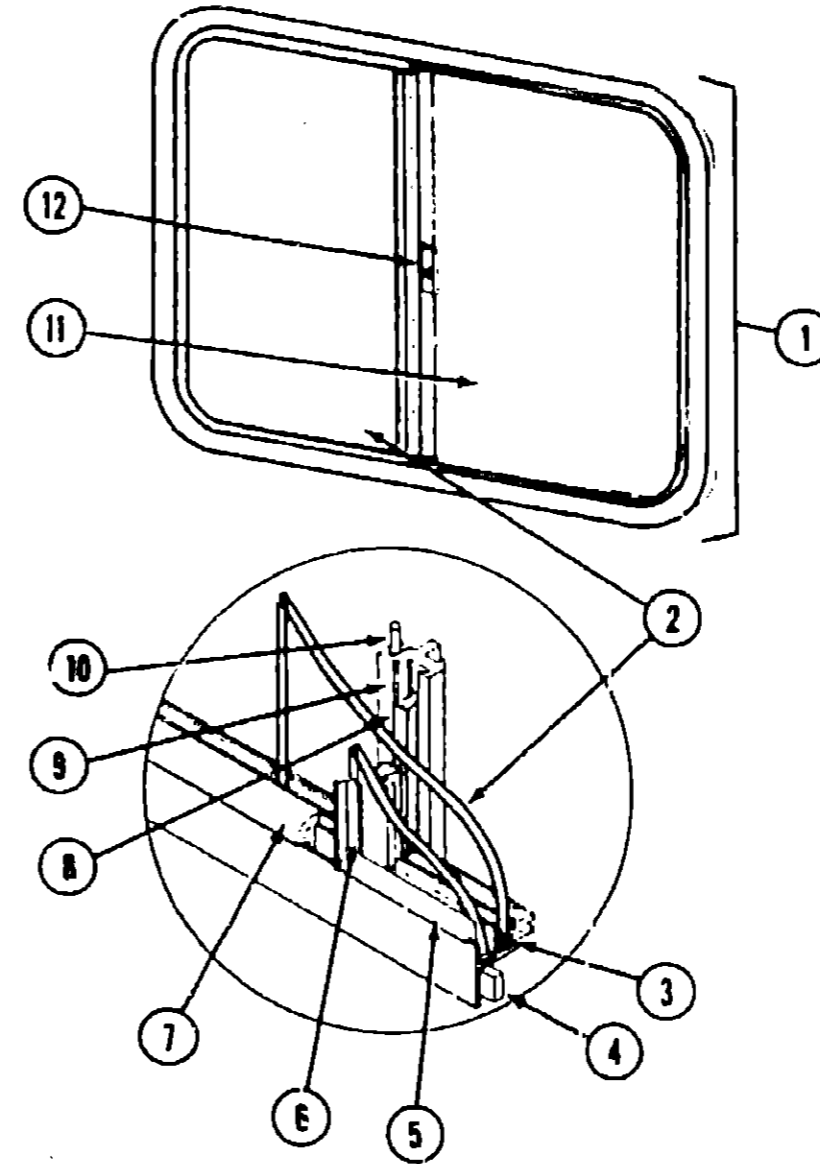
|         |             |
|---------|-------------|
| WT319RK | A-01 - B-16 |
| WF421RB | B-17 - D-16 |
| WJN32RQ | D-17 - G-05 |

1987 WJN32RQ INDEX

|                                    |             |
|------------------------------------|-------------|
| Floor Plan                         | D-17 - D-18 |
| Accessories Group                  | D-19 - D-21 |
| Bath Group                         | D-22 - D-23 |
| Chassis Group                      | D-24 - E-02 |
| Curtain, Cushion & Pad Group       | E-03 - E-12 |
| Dinette Group                      | E-13 - E-14 |
| Driver's Compartment Group         | E-15 - E-17 |
| Electrical Group                   | E-18 - E-20 |
| Exterior Body Group                | E-21 - F-02 |
| Galley Group                       | F-03 - F-05 |
| Heating & Air Conditioning Group   | F-06        |
| Interior Finish Group              | F-07 - F-09 |
| LP Group                           | F-10        |
| Lounge Group                       | F-11 - F-14 |
| Water & Sewage Group               | F-15 - F-16 |
| Window, Vent & Exterior Door Group | F-17 - G-05 |



| Key | Part Number   | U/M | Description                                     |
|-----|---------------|-----|---|
| 1   | 085354-02-W07 | EA  | Window Asm. - Double Tipout (w/o inside frame)  |
| .   | 081822-17-000 | EA  | Inside Frame - Black (not included in assembly) |
| 2   | 084068-04-000 | EA  | Glass - 1/8" x 9.24" x 30.39" - Tipout          |
| .   | 084581-01-W07 | EA  | Screen Asm. - Tipout - Right                    |
| .   | 084581-02-W07 | EA  | Screen Asm. - Tipout - Left                     |
| 3   | 084067-01-000 | FT  | Seal - "e" - Sponge Rubber                      |
| 4   | 084154-01-000 | EA  | Mullion - Vertical - Black                      |
| .   | 084066-01-000 | FT  | Bulb Seal - Double - Sponge Rubber              |
| 5   | 083112-05-000 | EA  | Mullion - Horizontal - Black                    |
| .   | 081357-01-000 | FT  | Foam Seal - Vinyl                               |
| 6   | 081239-11-000 | EA  | Glass - 1/8" x 61.77" x 20.55" - Stationary     |
| .   | 002291-02-000 | SF  | Screen - 16" Window                             |
| .   | 002298-02-000 | FT  | Spline - .130" Dia. - Charcoal (Screen)         |
| .   | 081243-01-000 | EA  | Clip - Screen - Plastic                         |
| .   | 080918-01-000 | EA  | Spring - Torque Tube - Right                    |
| .   | 080918-02-000 | EA  | Spring - Torque Tube - Left                     |
| .   | 035302-01-000 | EA  | Operating Mech - Right                          |
| .   | 035302-02-000 | EA  | Operating Mech - Left                           |
| .   |               |     | Not illustrated                                 |



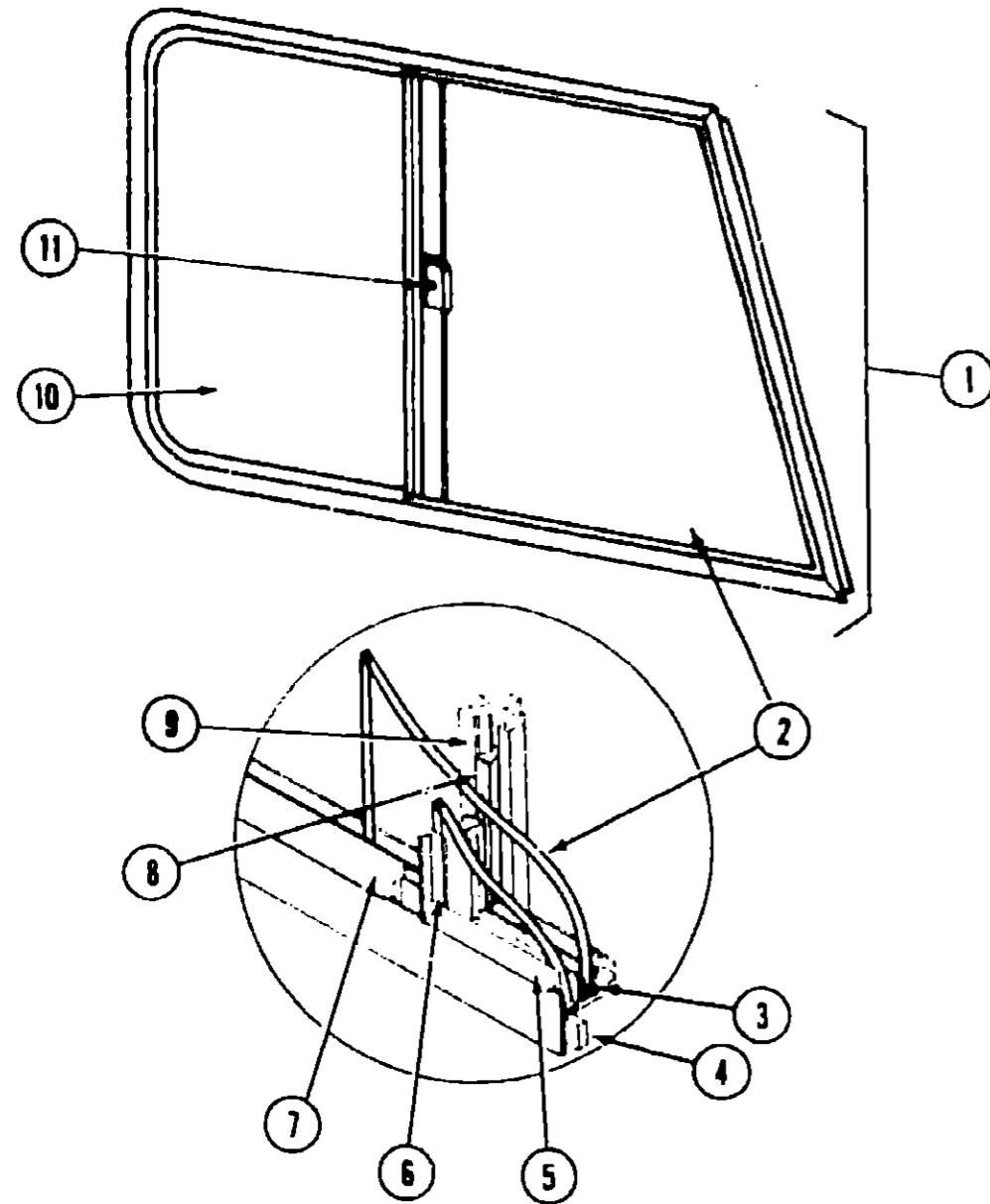
| Key | Part Number   | U/M | Description  |
|-----|---------------|-----|--|
| 1   | 078266-04-T03 | EA  | Window Asm. - Left Single Slider - Black. (w/o inside frame) |
| .   | 083122-05-000 | EA  | Inside Frame - Beige (not include in assembly)               |
| 2   | 081980-02-000 | EA  | Glass - Sliding - 1/8" x 22" x 13.68" - Gray                 |
| 3   | 002324-02-000 | FT  | Channel - Weatherstrip - Glass Run - 1/8" Glass              |
| 4   | 069640-06-000 | FT  | Ribbon Sealer - 5.16" Bead x 15'                             |
| 5   | 002309-02-000 | FT  | Spline - Glass - 1/8" - Black                                |
| 6   | M18025-03-000 | EA  | Seal Holder w/Fin Seal - 1/8" - Black                        |
| 7   | 057374-02-000 | FT  | Extr. Vinyl - Window Seal - Black                            |
| 8   | 073740-01-000 | FT  | Seal - Fin - Pile - .460"                                    |
| 9   | 078562-03-000 | EA  | Inside Mullion - Slider Window - Black                       |
| 10  | 002298-02-000 | FT  | Spline - .130" Dia. - Charcoal (Screen)                      |
| 11  | 081984-01-000 | EA  | Glass - Stationary   |
| 12  | 047369-01-700 | EA  | Latch Kit - Window - Plastic w/Fastener                      |
| .   | 023713-02-000 | EA  | Weephole Cover - Black Plastic                               |
| .   | 002293-02-000 | SF  | Screen - Window - 26" Charcoal                               |
| .   |               |     | Not illustrated  |

1987 WINNEBAGO  
TABLE OF CONTENTS

|         |             |
|---------|-------------|
| WT319RK | A-01 - B-16 |
| WF421RB | B-17 - D-16 |
| WJN32RQ | D-17 - G-05 |

1987 WJN32RQ INDEX

|                                    |             |
|------------------------------------|-------------|
| Floor Plan                         | D-17 - D-18 |
| Accessories Group                  | D-19 - D-21 |
| Bath Group                         | D-22 - D-23 |
| Chassis Group                      | D-24 - E-02 |
| Curtain, Cushion & Pad Group       | E-03 - E-12 |
| Dirette Group                      | E-13 - E-14 |
| Driver's Compartment Group         | E-15 - E-17 |
| Electrical Group                   | E-18 - E-20 |
| Exterior Body Group                | E-21 - F-02 |
| Galley Group                       | F-03 - F-05 |
| Heating & Air Conditioning Group   | F-06        |
| Interior Finish Group              | F-07 - F-09 |
| LP Group                           | F-10        |
| Lounge Group                       | F-11 - F-14 |
| Water & Sewage Group               | F-15 - F-16 |
| Window, Vent & Exterior Door Group | F-17 - G-05 |



1987 WINNEBAGO  
TABLE OF CONTENTS

|         |             |
|---------|-------------|
| WT319RK | A-01 - B-16 |
| WF421RB | B-17 - D-16 |
| WJN32RO | D-17 - G-05 |

1987 WJN32RO INDEX

|                                    |             |
|------------------------------------|-------------|
| Floor Plan                         | D-17 - D-18 |
| Accessories Group                  | D-19 - D-21 |
| Bath Group                         | D-22 - D-23 |
| Chassis Group                      | D-24 - E-02 |
| Curtain, Cushion & Pad Group       | E-03 - E-12 |
| Dinette Group                      | E-13 - E-14 |
| Driver's Compartment Group         | E-15 - E-17 |
| Electrical Group                   | E-18 - E-20 |
| Exterior Body Group                | E-21 - F-02 |
| Galley Group                       | F-03 - F-05 |
| Heating & Air Conditioning Group   | F-06        |
| Interior Finish Group              | F-07 - F-09 |
| LP Group                           | F-10        |
| Lounge Group                       | F-11 - F-14 |
| Water & Sewage Group               | F-15 - F-16 |
| Window, Vent & Exterior Door Group | F-17 - G-05 |

| Key | Part Number   | U/M | Description  |
|-----|---------------|-----|--|
| 1   | 082057-01-U04 | EA  | Window Asm. - Front Slant Slider - Passenger (w/o inside frame)    |
| *   | 079573-01-T03 | EA  | Inside Frame - Slant Slider - Passenger (not included in assembly) |
| 2   | 057656-03-000 | EA  | Glass - .19" x 28.11" x 27" - Stationary (Passenger)               |
| 3   | 042077-01-000 | FT  | Channel - Weatherstrip - 3/16" Glass                               |
| 4   | 069640-01-000 | FT  | Ribbon Sealer - 1/4" Bead x 20'                                    |
| 5   | 050216-02-000 | FT  | Window Seal - .19" - Glass   |
| 6   | 002389-03-203 | EA  | Seal Holder w/Fin Seal - 27.12" - Black                            |
| 7   | 057374-02-000 | FT  | Extr. Rubber - Window Seal - Black                                 |
| 8   | 073740-01-000 | FT  | Seal - Fin - Pile - .460"  |
| 9   | 078562-07-000 | EA  | Mullion - Slider Window - Black                                    |
| *   | 002298-02-000 | FT  | Spline - .130" Dia. - Charcoal (Screen)                            |
| 10  | 081980-06-000 | EA  | Glass - .19" x 28.11" x 14.88" Sliding                             |
| 11  | 047369-01-700 | EA  | Latch Kit - Window - Plastic w/Fastener                            |
| *   | 079574-01-T03 | EA  | Slider Screen Asm. - Passenger                                     |
| *   | 002291-02-000 | SF  | Screen - Window - 16" - Charcoal                                   |
| *   | 016310-03-000 | EA  | Handle - Slider Screen - Black                                     |
| *   |               |     | Not illustrated  |