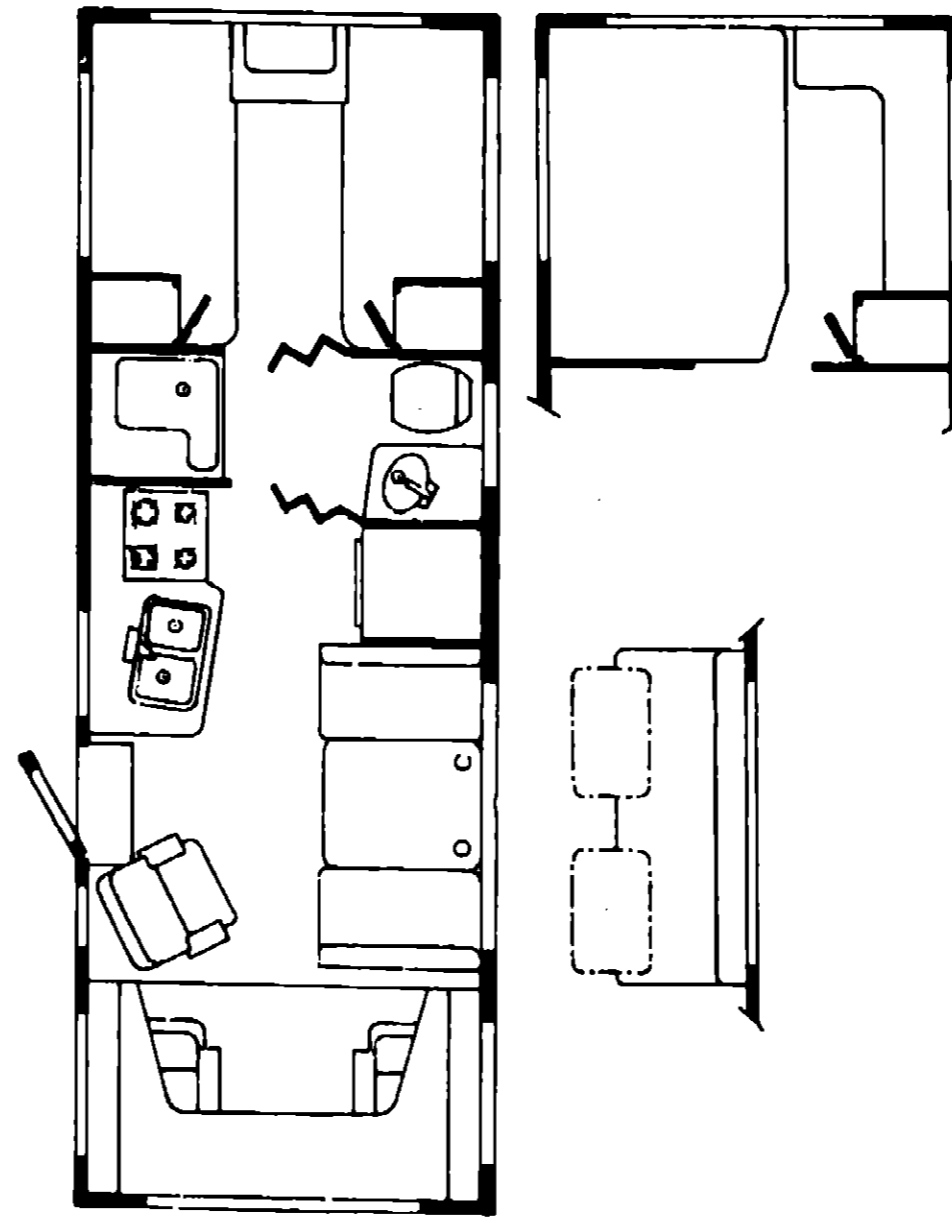


# 1987 WF426RT



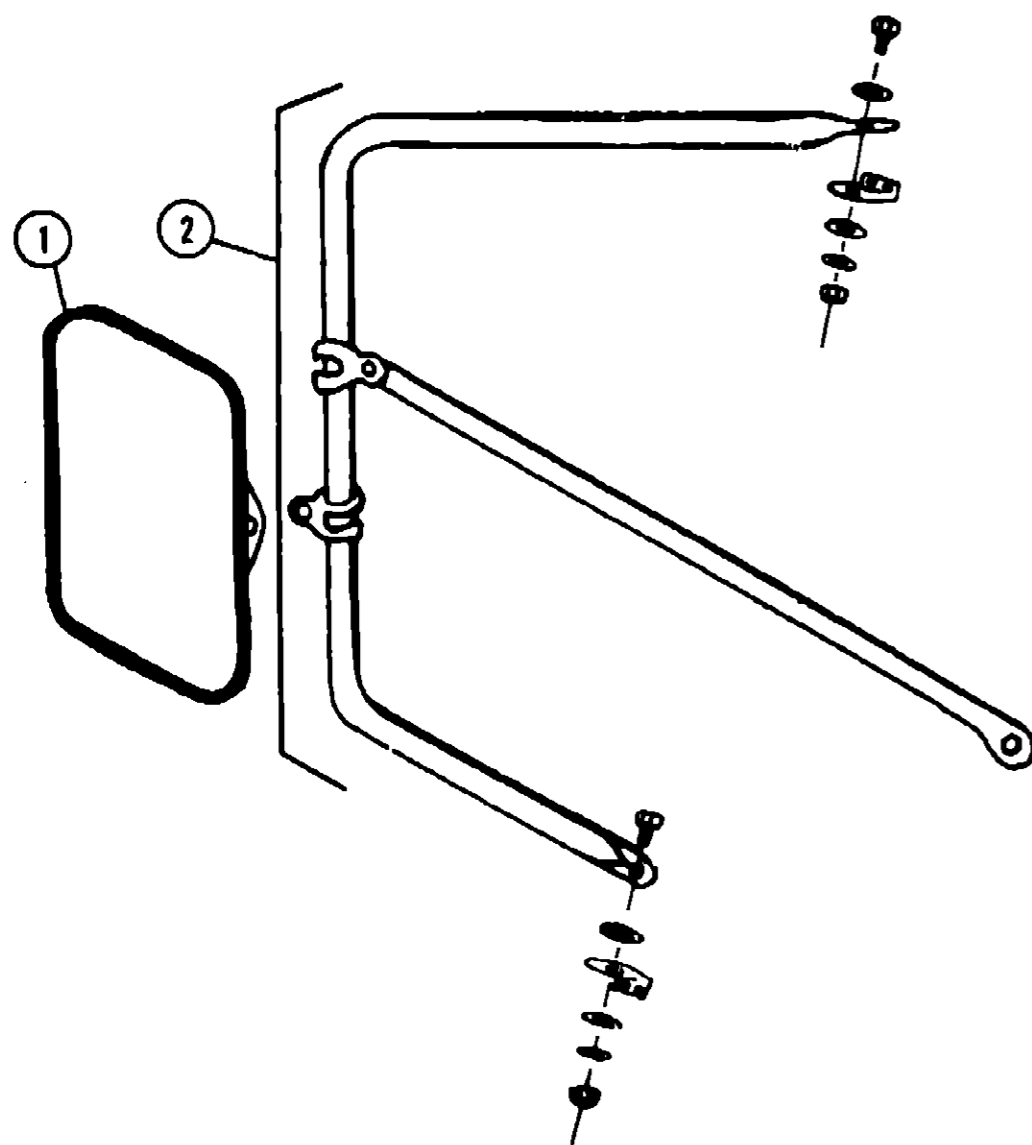
## 1987 WINNEBAGO TABLE OF CONTENTS

WC420EG	A-01 - B-06
WF426RT	B-07 - D-10
WCN26RH	D-11 - F-14
WCN27RT	F-15 - H-20
WCP26ET	H-21 - K-02

## 1987 WF426RT INDEX

Floor Plan	B-07 - B-08
Accessories Group	B-09 - B-11
Bath Group	B-12 - B-13
Chassis Group	B-14 - B-15
Curtain, Cushion & Pad Group	B-16 - B-24
Dinette Group	C-01
Driver's Compartment Group	C-02
Electrical Group	C-03 - C-04
Exterior Body Group	C-05 - C-10
Galley Group	C-11 - C-13
Heating & Air Conditioning Group	C-14
Interior Finish Group	C-15 - C-17
LP Group	C-18
Lounge Group	C-19 - C-20
Water & Sewage Group	C-21
Window, Vent & Exterior Door Group	C-22 - D-10

## ACCESSORIES GROUP



### EXTERIOR MIRRORS

Key	Part Number	U/M	Description
1	049347-01-000	EA	Mirror Head - 7 1/2 x 10 1/2 - Stainless Steel
2	082047-01-000	EA	Arm - West Coast Mirror - Stainless Steel
2	082047-02-000	EA	Arm - West Coast Mirror - Off White
.	008043-01-000	EA	Mirror - Convex - Adhesive Back
.			Not Illustrated

### WHEEL COVER & MOUNTING HARDWARE

Key	Part Number	U/M	Description
	083181-01-000	EA	Wheel Cover - 18" (Set/4)
	083181-01-700	EA	Wheel Cover - 18" (1)
	083181-04-702	EA	Nut - Cover - 18.5"
	083181-04-703	EA	Cap - Center - Chrome
	085741-05-000	EA	Wheel Liner - 18" Dia. - Ford (Set/4)
	085741-05-701	EA	Axle Cover - 18.5" - Front
	085741-05-702	EA	Axle Cover - 18.5" - Rear
	085741-05-703	EA	Liner - Rear Only
	085741-05-704	EA	Liner - Front Only
	085741-05-710	EA	Lug Nut Cover

## ACCESSORIES GROUP (CONTINUED)

### MISCELLANEOUS ACCESSORIES

Key	Part Number	U/M	Description
	054185-28-000	EA	Owners Manual - 1987 - Itasca & Winnebago
	708053-02-000	EA	Antenna - TV Skyliner w/6" Shaft - Braund Delux
**	076319-01-000	EA	Antenna - TV Roof Mount - 44.5" Mast
**	076319-02-000	EA	Antenna - TV Roof Mount - 23.5" Mast
	017516-01-000	EA	Mud Flap w/Holes - 14" x 18" - Black - Front
	084089-01-000	EA	Splash Guard - Black Rubber - Rear
	041944-03-000	EA	Fire Extinguisher - w/Bracket - 5BC
	084472-01-000	EA	Holder - Fire Extinguisher
	081379-01-000	EA	Microwave/Convection Oven - Sharp
	081459-01-000	EA	Bracket Asm. - Microwave - Right
	081459-07-000	EA	Bracket Asm. - Microwave - Left
	082876-01-000	EA	Baffle - Microwave
	081555-01-T03	EA	Trim Asm. - Microwave Oven
	081456-01-000	EA	Angle Asm. - Microwave Oven - Right
	081456-02-000	EA	Angle Asm. - Microwave Oven - Left
	080999-01-T03	EA	Ladder Asm. - Upper
	080997-01-T03	EA	Ladder Asm. - Lower
	081026-01-T03	EA	Rack Asm. - Right
	081026-02-T03	EA	Rack Asm. - Left
	080873-01-000	EA	Latch - Ladder - Gray
	083219-01-000	EA	Floor Mat - Black - Right
	083219-02-000	EA	Floor Mat - Black - Left
	081075-01-000	EA	Mat - Entrance - "Winnebago"
	072852-01-000	EA	Smoke Detector w/9 Volt Battery
	086779-01-000	EA	Clock - 8.25" x 8.25"
	008089-01-000	EA	Key Case - Leather
	089580-01-000	EA	Lug Wrench - 1" x 1.25" x 18.3"
	089580-02-000	EA	Leverage Bar - 22" - Lug Wrench
	008113-01-000	EA	Jack - Hydraulic - 8 Ton - w/Handle
	022756-01-000	EA	Cover - Roof Air Conditioner - Plastic
	079941-01-000	EA	Lamp Asm. - Fog w/Cover - Amber
	079942-05-000	EA	Shock Absorber - Stabilizer - Front
	079942-06-000	EA	Shock Absorber - Stabilizer - Rear
**	075461-01-000	EA	Electric Step Asm. - w/Light
**	088746-01-000	EA	Electric Step Asm. - Black

\*\*The illustrated parts breakdown for this item is provided on the Common Items Fiche.

## 1987 WINNEBAGO TABLE OF CONTENTS

WC420EG	A-01 - B-08
WF426RT	B-07 - D-10
WCN26RH	D-11 - F-14
WCN27RT	F-15 - H-20
WCP26ET	H-21 - K-02

## 1987 WF426RT INDEX

Floor Plan	B-07 - B-08
Accessories Group	B-09 - B-11
Bath Group	B-12 - B-13
Chassis Group	B-14 - B-15
Curtain, Cushion & Pad Group	B-16 - B-24
Dinette Group	C-01
Driver's Compartment Group	C-02
Electrical Group	C-03 - C-04
Exterior Body Group	C-05 - C-10
Galley Group	C-11 - C-13
Heating & Air Conditioning Group	C-14
Interior Finish Group	C-15 - C-17
LP Group	C-18
Lounge Group	C-19 - C-20
Water & Sewage Group	C-21
Window, Vent & Exterior Door Group	C-22 - D-10

# ACCESSORIES GROUP (CONTINUED)

## RADIO & RELATED COMPONENTS

Key	Part Number	U/M	Description
	007004-01-000	EA	Antenna - Radio - Cab Mount
	064792-01-000	EA	Grille - Speaker - 5.25" - w/Mesh - Brown
	067683-01-000	EA	Radio - AM/FM/MPX - w/Cassette - Audiovox - 144D1559
	067684-01-000	EA	Radio - AM/FM/MPX - w/Cassette - Electronic Tune - Audiovox - 144D1561
	074979-01-000	EA	Speaker Cover Protector - Plastic
	073431-01-000	EA	Speaker - 5.25 - 3/Way (Pair)
	064791-01-000	EA	Speaker - Recessed - 5.25"
	079385-02-000	EA	Radio - Mounting Kit - Ford

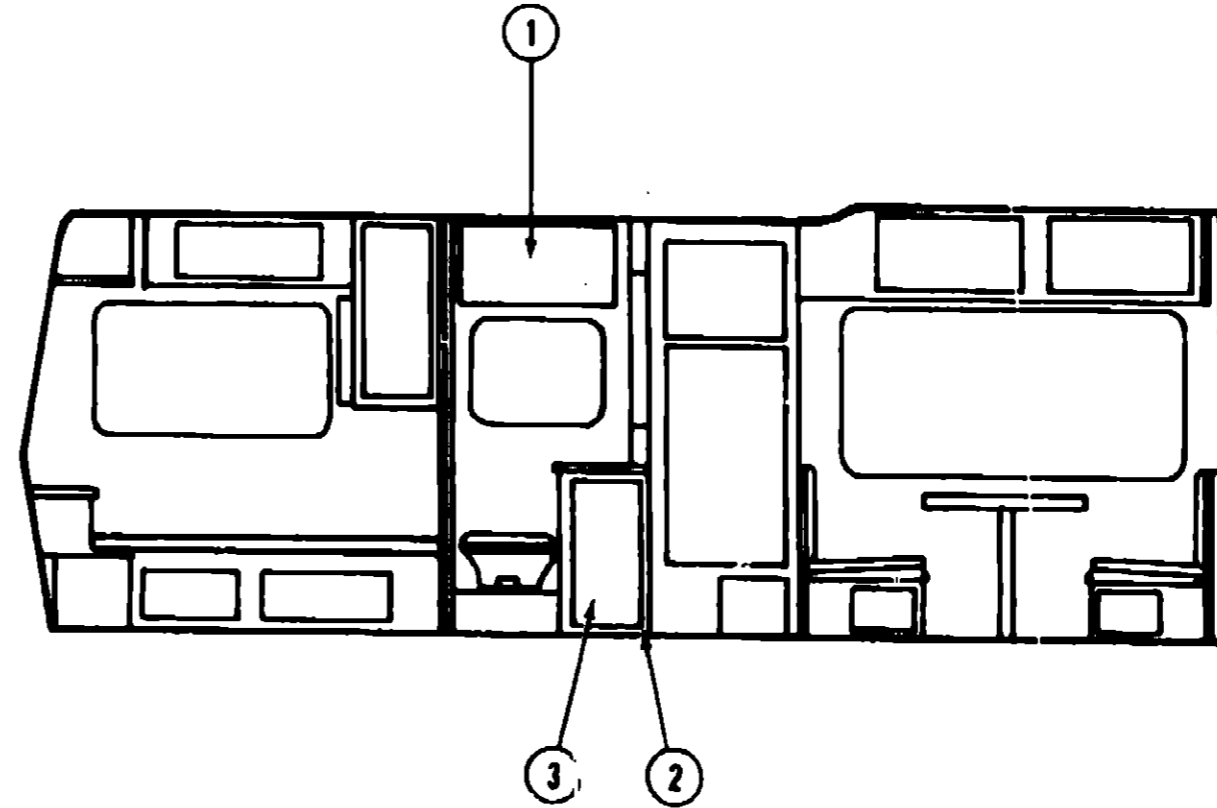
## GENERATORS & COMPONENTS

Key	Part Number	U/M	Description
	052168-01-000	EA	Generator - Onan - 4.25 kw
	079654-04-000	EA	Generator - 4.0 kw - Emerald
	079654-05-000	EA	Pipe & Accessories - 4.0 kw - Emerald
	701629-02-000	EA	Installation Package
	024732-01-016	EA	Tailpipe - 1.5" O.D. x 43.50"
	079656-01-000	EA	Muffler - Generator - 4.0 Emerald - Nelson
	078045-01-000	EA	Plate Support - Generator

## REAR WINDOW WIPER/WASHER OPTION

Key	Part Number	U/M	Description
	049360-18-000	EA	Overhead Console - Lt. Oak
	087249-01-000	EA	Motor Asm. - Wiper
	087251-01-000	EA	Blade - Wiper - 16" - Black
	087266-01-000	EA	Switch - Rear Wiper
	087252-01-000	EA	Arm Asm. - Wiper - Black
	087967-01-000	EA	Cover - Wiper Motor - Lt. Oak

## BATH GROUP



## BATH CABINETRY

Key	Part Number	U/M	Description
1	031535-01-U04	EA	Door Asm. - Medicine Cabinet - Mirror
•	076073-01-000	EA	Cabinet Asm. - Medicine - Almond
•	076387-01-000	EA	Bracket - Medicine Cabinet
2	M83934-01-W04	EA	Cabinet Asm. - Lavatory - w/o Door, Drawer or Hardware
•	M02666-01-W04	EA	Countertop Asm. - Lavatory Cabinet
•	M02666-01-W05	EA	Countertop Asm. - Lavatory Cabinet
•	M02666-01-W06	EA	Countertop Asm. - Lavatory Cabinet
•	077251-01-000	EA	Drawer Asm. - Plastic - Tiltout
3	M81501-61-W04	EA	Door Asm. - Lavatory Cabinet
†3	M88304-97-W04	EA	Door Asm. - Lavatory Cabinet
•	080224-03-000	EA	Door Asm. - w/Latch - Folding
•			Not illustrated
†			Doors used on units produced after 3/30/87.

## 1987 WINNEBAGO TABLE OF CONTENTS

WC420EG	A-01 - B-06
WF426RT	B-07 - D-10
WCN26RH	D-11 - F-14
WCN27RT	F-15 - H-20
WCP26ET	H-21 - K-02

## 1987 WF426RT INDEX

Floor Plan	B-07 - B-08
Accessories Group	B-09 - B-11
Bath Group	B-12 - B-13
Chassis Group	B-14 - B-15
Curtain, Cushion & Pad Group	B-16 - B-24
Dinette Group	C-01
Driver's Compartment Group	C-02
Electrical Group	C-03 - C-04
Exterior Body Group	C-05 - C-10
Galley Group	C-11 - C-13
Heating & Air Conditioning Group	C-14
Interior Finish Group	C-15 - C-17
LP Group	C-18
Lounge Group	C-19 - C-20
Water & Sewage Group	C-21
Window, Vent & Exterior Door Group	C-22 - D-10

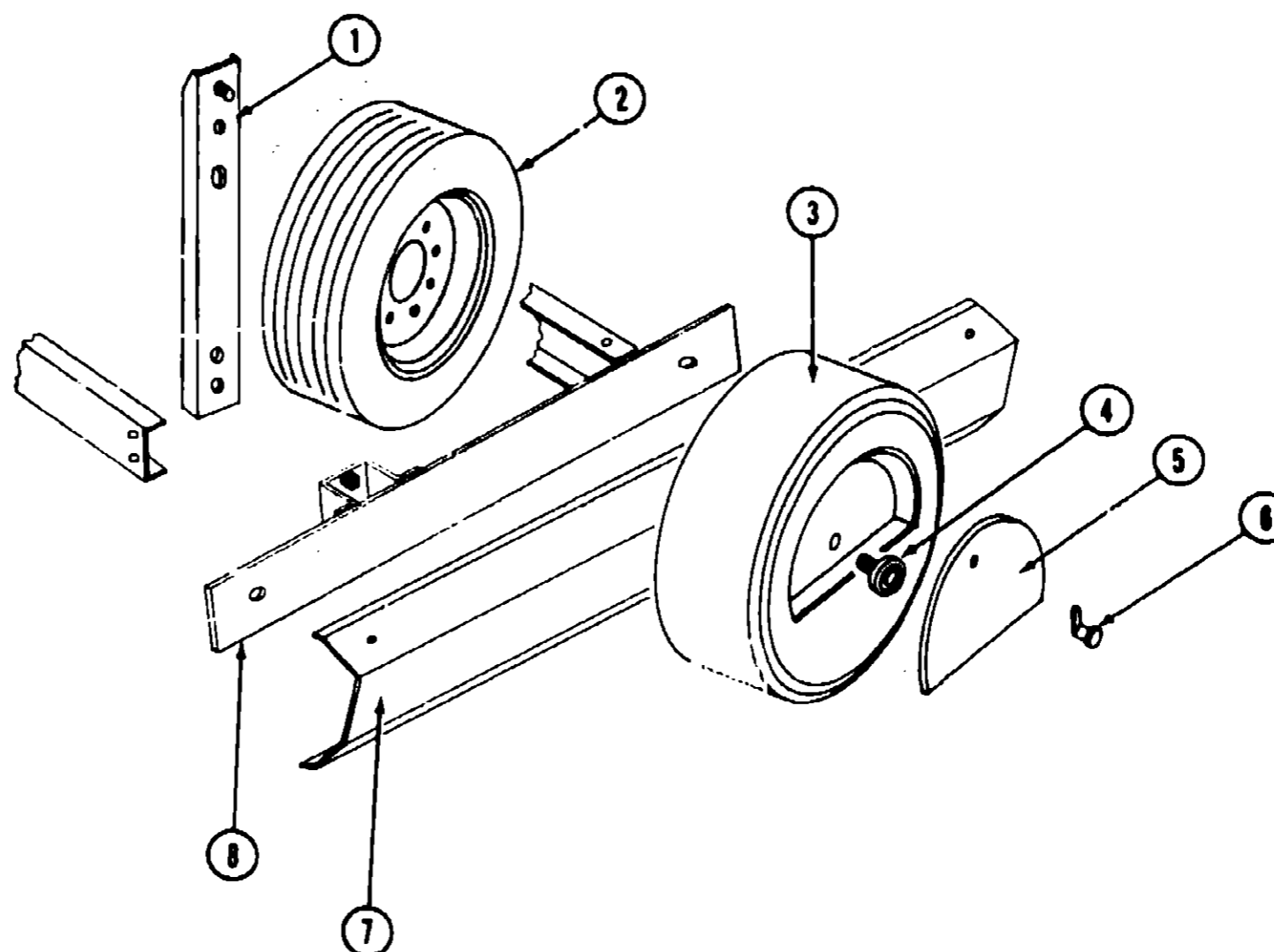
## BATH GROUP (CONTINUED)

### BATH HARDWARE

Key	Part Number	U/M	Description
	M02873-01-W24	EA	Shower Pan Asm. - Off White
	075241-03-000	EA	Faucet - Tub & Shower
	075240-03-000	EA	Faucet - Lavatory
**	011048-02-000	EA	Shower Head - w/60" Hose
	011048-04-000	EA	Vacuum Breaker - 1/8 MPT - Nylon - Shower Head
	075806-01-000	EA	Shower Panel - Faucet Plastic
	089735-01-000	EA	Washer - Tail Piece - 1.5" - Plastic - Bathtub Asm.
	011069-02-000	EA	Tailpiece - 1.5" x 1.25" x 4" - Brass - Bathtub Asm.
	066729-01-000	EA	Strainer - Tub - Shower Drain
	058713-01-000	EA	Sink - Oval - Ivory Plastic
	011083-01-000	EA	Tail Piece w/Stopper - 1.25" x 5" - Plastic - Sink
**	064076-01-000	EA	Toilet - Ivory
	075452-02-000	EA	Tissue Holder
	075453-02-000	EA	Towel Rack Bar - 18" - Brass
	075454-02-000	EA	Towel Ring
	058331-01-000	EA	Mirror - Tempered Glass - 19" x 26"
	058331-05-000	EA	Mirror - Tempered Glass - 12" x 26"
	058331-14-000	EA	Mirror - Tempered Glass - 14" x 12.7"
	009089-01-000	EA	Clip - Mirror
	057871-01-000	EA	Screw Cover - #8 - Antique White
	059777-02-000	EA	Hinge - Antique Light Brass
	080508-01-000	EA	Panel - Skylite - Inner
	080507-01-000	EA	Panel - Skylite - Outer
	050712-04-000	EA	Handle - Door Shower - Off White
	080224-14-000	EA	Track - Folding Door - "S" Curve - Front
	080224-18-000	EA	Track - Folding Door - Rear
	086121-02-000	EA	Shower Curtain Liner
	050712-04-000	EA	Handle - Shower Door - Off White

\*\* The illustrated parts breakdown for this item is provided on the Common Items Fiche.

## CHASSIS GROUP



### SPARE TIRE & REAR BUMPER

Key	Part Number	U/M	Description
1	077395-01-000	EA	Dust Shield - Spare Tire
2	077403-01-000	EA	Support - Rod - Spare Tire
3	077411-01-000	EA	Retaining Rod
4	070917-01-000	EA	Tire - Radial
4	070917-02-000	EA	Tire - Radial - Michelin
•	083617-01-000	EA	Wheel - 8" x 16" - 8 Hole
5	077399-01-000	EA	Spare Tire - Retainer
•	077759-01-000	EA	Support Spacer - Spare Tire
6	084081-01-000	EA	Wing Nut
7	077491-01-000	EA	Tire Cover Seal
8	079185-01-000	EA	Cover Asm. - Tire
•	078584-09-000	EA	Bumper - Rear - Chrome
•	078668-01-000	EA	Support Asm. - Rear Bumper
•	078670-02-000	EA	Bracket Asm. - Rear Bumper
•	079018-01-000	EA	Strap - Tire Carrier
•	077408-01-000	EA	Lock Asm. - Tire Cover
•	078578-05-000	EA	End Cap - Bumper - Right
•	078578-06-000	EA	End Cap - Bumper - Left
•	Not Illustrated		

## 1987 WINNEBAGO TABLE OF CONTENTS

WC420EG  
WF426RT  
WCN26RH  
WCN27RT  
WCP26ET

A-01 - B-06  
B-07 - D-10  
D-11 - F-14  
F-15 - H-20  
H-21 - K-02

## 1987 WF426RT INDEX

Floor Plan	B-07 - B-08
Accessories Group	B-09 - B-11
Bath Group	B-12 - B-13
Chassis Group	B-14 - B-15
Curtain, Cushion & Pad Group	B-16 - B-24
Dinette Group	C-01
Driver's Compartment Group	C-02
Electrical Group	C-03 - C-04
Exterior Body Group	C-05 - C-10
Galley Group	C-11 - C-13
Heating & Air Conditioning Group	C-14
Interior Finish Group	C-15 - C-17
LP Group	C-18
Lounge Group	C-19 - C-20
Water & Sewage Group	C-21
Window, Vent & Exterior Door Group	C-22 - D-10

## CHASSIS GROUP (CONTINUED)

### MISCELLANEOUS

Key	Part Number	U/M	Description
	075723-01-000	EA	Block - Switch - Spacer w/o Holes
	059540-01-000	EA	Bracket - License Plate
	007125-07-000	EA	Clamp Asm. - Muffler - 2.50"
	010497-01-000	EA	Clamp - Closed - 5/8 I.D.
	007161-01-000	EA	Clamp - Hose - Spring Type 112
	062401-01-000	EA	Clamp - Hose - Wormgear - .22" I.D. - 1" I.D.
	062401-02-000	EA	Clamp - Hose - Wormgear - 1.58" I.D. - 2.5" I.D.
	062401-03-000	EA	Clamp - Hose - Wormgear - .25" I.D. - 1" I.D.
	062401-04-000	EA	Clamp - Hose - Wormgear - .89" I.D. - 1.25" I.D.
	062401-05-000	EA	Clamp - Hose - Wormgear - 2" I.D. - 3" I.D.
	062401-06-000	EA	Clamp - Hose - Wormgear - .22" I.D. - .62" I.D.
	023146-01-000	EA	Clamp - Screw Type - 4"
	024480-01-000	EA	Compartment - Power Cord - Black Plastic
	073220-02-000	EA	Gas Cap - Non Locking
	007131-01-000	EA	Hanger - Tail Pipe
	007063-01-000	FT	Hose - Fuel - 1/4 I.D. x 1/2 O.D.
	006113-01-000	EA	Jack - Hydraulic - 6 Ton - w/Handle
	069580-02-000	EA	Leverage Bar - 22" - Lug Wrench
	069580-01-000	EA	Lug Wrench - 1" x 1.25" x 16.3"
	017516-01-000	EA	Mud Flap w/Holes - 14" x 18" - Black
	079942-05-000	EA	Shock Absorber - Stabilizer - Front
	079942-06-000	EA	Shock Absorber - Stabilizer - Rear
	064089-01-000	EA	Splash Guard - Black Rubber
	076241-01-000	EA	Support Asm. - Step
	080449-01-000	EA	Step Asm. - Entry
	077971-01-000	EA	Tray - Aux. Battery
	078137-02-000	EA	Tray - Luggage
	057724-01-000	EA	Wheelwell - Plastic
	008343-01-000	EA	Wire Tie - 6"
	080359-02-000	EA	Step Well Plate - Ford

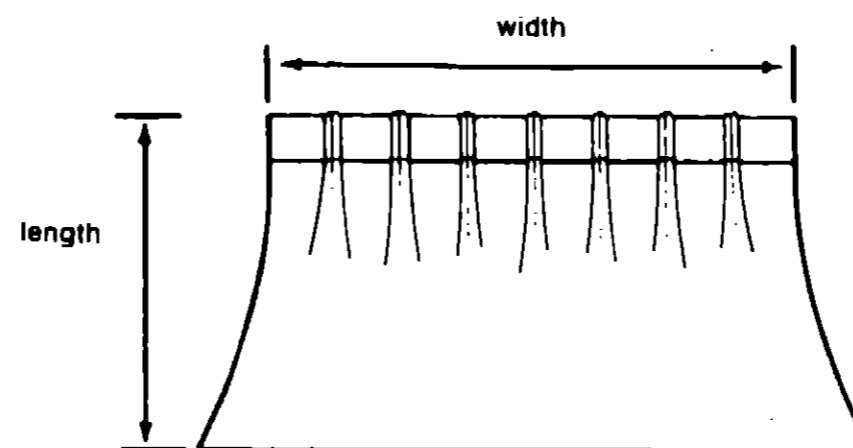
\*\*Remainder of the exhaust components available from your Chassis Service Center.

## CURTAIN, CUSHION & PAD GROUP

### NOTICE

In order to assist our Parts Sales Dept. in providing interior software items, please include the serial number and the color code number from the vehicle certification label when ordering. This label is located on the left sidewall at the end of the dash (A-Body), or on the driver's door latch plate (C-Body).

An example of a color code number is P31, which designates an overall color scheme of a particular unit. The color listed after the item description on the microfiche, indicates the overall unit color. Order the item you desire according to unit color code.



### NOTE:

Use this illustration when determining length and width measurements for curtains. You will note the width measurement is taken on the top of the curtain with the curtain fully extended. The length measurement is taken from top to bottom.

## 1987 WINNEBAGO TABLE OF CONTENTS

WC420EG	A-01 - B-06
WF426RT	B-07 - D-10
WCN26RH	D-11 - F-14
WCN27RT	F-15 - H-20
WCP26ET	H-21 - K-02

### CURTAIN & CUSHION HARDWARE

Key	Part Number	U/M	Description
	056003-02-000	EA	Bracket - Drapery Retainer - Left
	056003-01-000	EA	Bracket - Drapery Retainer - Right
	064434-01-000	EA	Bracket - Roll Shade - 1 3/8"
	079798-03-000	EA	Bracket Asm. - Curtain Rod - Right
	079798-04-000	EA	Bracket Asm. - Curtain Rod - Left
	065283-01-000	EA	Bracket - Hold Back - Blind
	062139-01-000	EA	Bracket - Hold Down - Blinds
	079783-05-000	EA	Curtain Rod - Extrusion - 74.6"
	087253-02-000	EA	Pull - Window Shade - Clear
	048384-02-000	YD	Tape Hook - .75" x 50 YD - Beige
	048385-02-000	YD	Tape Loop - .75" x 50 YD - Beige
	029090-01-000	FT	Tie - Drapery - Clear Vinyl
	056116-01-000	EA	Track - Curtain - Brown Plastic
	053272-01-000	EA	Track - Curtain - 18"
	082677-01-000	EA	Bracket - Shade - Universal

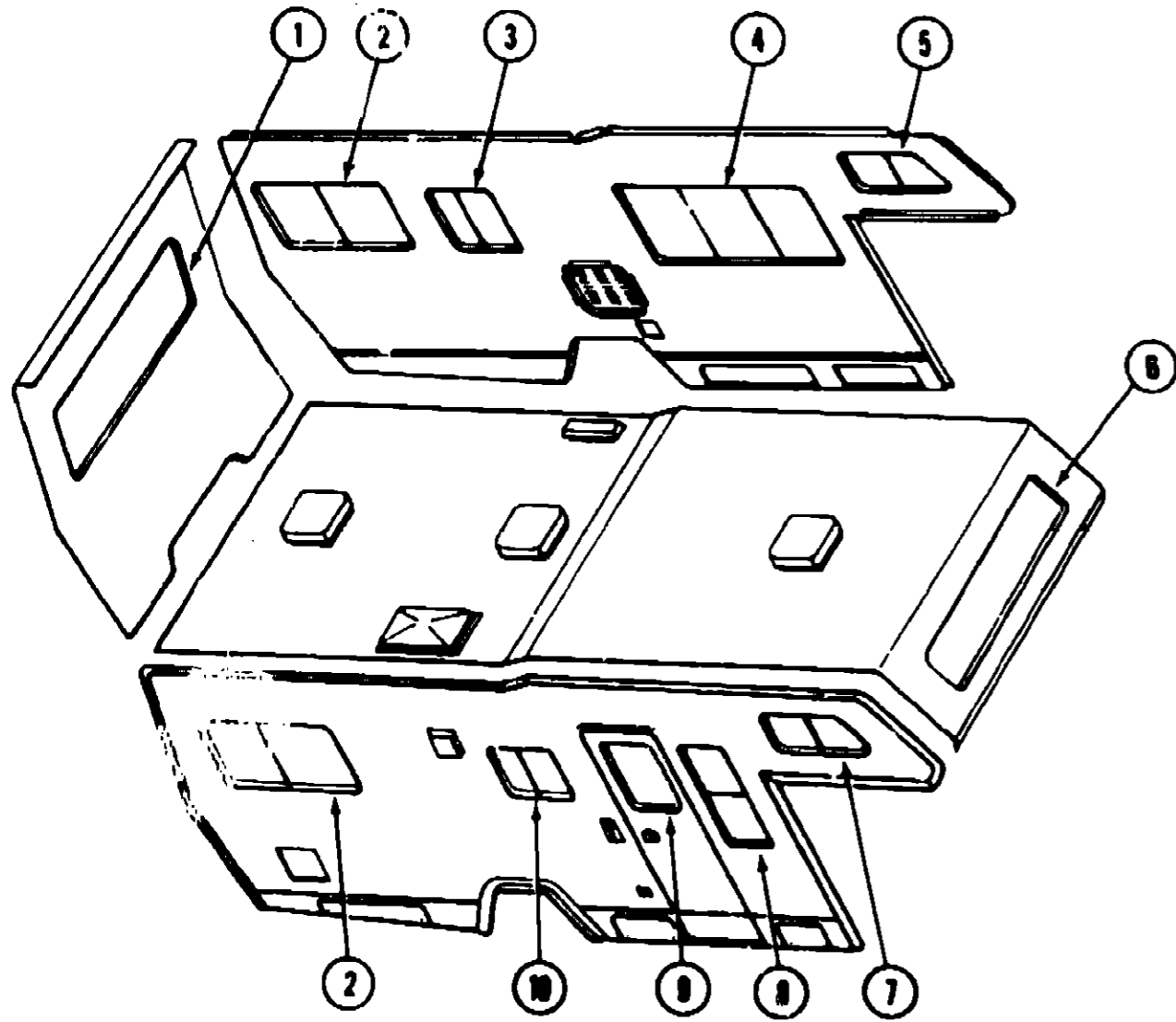
### 1987 WF426RT INDEX

Floor Plan	B-07 - B-08
Accessories Group	B-09 - B-11
Bath Group	B-12 - B-13
Chassis Group	B-14 - B-15
Curtain, Cushion & Pad Group	B-16 - B-24
Dinette Group	C-01
Driver's Compartment Group	C-02
Electrical Group	C-03 - C-04
Exterior Body Group	C-05 - C-10
Galley Group	C-11 - C-13
Heating & Air Conditioning Group	C-14
Interior Finish Group	C-15 - C-17
LP Group	C-18
Lounge Group	C-19 - C-20
Water & Sewage Group	C-21
Window, Vent & Exterior Door Group	C-22 - D-10

**CURTAIN, CUSHION & PAD GROUP (CONTINUED)**

**CURTAIN, CUSHION & PAD GROUP (CONTINUED)**

**CURTAINS, SHADES, VALANCES & TIEBACKS**



**CURTAINS, SHADES, VALANCES & TIEBACKS**

Key	Part Number	U/M	Description
1	085190-07-W07	EA	Curtain Asm. w/Darts - 29.5" x 15" (W04)
1	085190-07-W08	EA	Curtain Asm. w/Darts - 29.5" x 15" (W05)
1	085190-07-W09	EA	Curtain Asm. w/Darts - 29.5" x 15" (W06)
1	086480-01-W07	EA	Valance Asm. - Wrapped w/Insert - 78" (W04)
1	086480-01-W08	EA	Valance Asm. - Wrapped w/Insert - 78" (W05)
1	086480-01-W09	EA	Valance Asm. - Wrapped w/Insert - 78" (W06)
1	085200-01-W07	EA	Shade - Fabric - 72.25" (W04)
1	085200-01-W08	EA	Shade - Fabric - 72.25" (W05)
1	085200-01-W09	EA	Shade - Fabric - 72.25" (W06)
2	085190-07-W07	EA	Curtain Asm. w/Darts - 29.5" x 15" (W04)
2	085190-07-W08	EA	Curtain Asm. w/Darts - 29.5" x 15" (W05)
2	085190-07-W09	EA	Curtain Asm. w/Darts - 29.5" x 15" (W06)
2	086480-05-W07	EA	Valance Asm. - Wrapped w/Insert - 50" (W04)
2	086480-05-W08	EA	Valance Asm. - Wrapped w/Insert - 50" (W05)
2	086480-05-W09	EA	Valance Asm. - Wrapped w/Insert - 50" (W06)
2	085200-06-W07	EA	Shade - Fabric - 47.25" (W04)
2	085200-06-W08	EA	Shade - Fabric - 47.25" (W05)
2	085200-06-W09	EA	Shade - Fabric - 47.25" (W06)

Key	Part Number	U/M	Description
3	073304-43-W04	EA	Curtain Asm. w/Snap Top - 25.5" x 10" (W04)
†3	073304-43-WB7	EA	Curtain Asm. w/Snap Top - 25.5" x 10" (W04)
3	073304-43-W05	EA	Curtain Asm. w/Snap Top - 25.5" x 10" (W05)
3	073304-43-W06	EA	Curtain Asm. w/Snap Top - 25.5" x 10" (W06)
3	085191-10-W07	EA	Valance Asm. w/Insert - 31.5" (W04)
†3	085191-10-WB7	EA	Valance Asm. w/Insert - 31.5" (W04)
3	085191-10-W08	EA	Valance Asm. w/Insert - 31.5" (W05)
3	085191-10-W09	EA	Valance Asm. w/Insert - 31.5" (W06)
3	082119-R4-000	EA	Mini Blind - 28" x 24" Drop (W04)
3	082119-B5-000	EA	Mini Blind - 28" x 24" Drop (W05)
3	082119-B6-000	EA	Mini Blind - 28" x 24" Drop (W06)
4	085190-13-W04	EA	Curtain Asm. w/Snap Top - 36" x 15" (W04)
†4	085190-13-WB7	EA	Curtain Asm. w/Snap Top - 36" x 15" (W04)
4	085190-13-W05	EA	Curtain Asm. w/Snap Top - 36" x 15" (W05)
4	085190-13-W06	EA	Curtain Asm. w/Snap Top - 36" x 15" (W06)
4	085191-01-W04	EA	Valance Asm. w/Insert - 68.50" (W04)
†4	085191-01-WB7	EA	Valance Asm. w/Insert - 68.50" (W04)
4	085191-01-W05	EA	Valance Asm. w/Insert - 68.50" (W05)
4	085191-01-W06	EA	Valance Asm. w/Insert - 68.50" (W06)
4	085304-18-000	EA	Blind - Pleated - 65" x 33" Drop (W04)
4	085304-17-000	EA	Blind - Pleated - 65" x 33" Drop (W05)
4	085304-18-000	EA	Blind - Pleated - 65" x 33" Drop (W06)
..	082118-C0-000	EA	Mini Blinds - 65" x 33" Drop (W04)
..	082118-C7-000	EA	Mini Blinds - 65" x 33" Drop (W05)
..	082118-C8-000	EA	Mini Blinds - 65" x 33" Drop (W06)
5	073323-33-W18	EA	Curtain Asm. w/Rod Top & Bottom - 17.5" x 24" (W04)
†5	073323-33-WB7	EA	Curtain Asm. w/Rod Top & Bottom - 17.5" x 24" (W04)
5	073323-33-W19	EA	Curtain Asm. w/Rod Top & Bottom - 17.5" x 24" (W05)
5	073323-33-W17	EA	Curtain Asm. w/Rod Top & Bottom - 17.5" x 24" (W06)
5	073323-34-W18	EA	Curtain Asm. w/Rod Top & Bottom - 17.5" x 18" Left (W04)
†5	073323-34-WB7	EA	Curtain Asm. w/Rod Top & Bottom - 17.5" x 18" Left (W04)
5	073323-34-W19	EA	Curtain Asm. w/Rod Top & Bottom - 17.5" x 18" Left (W05)
5	073323-34-W17	EA	Curtain Asm. w/Rod Top & Bottom - 17.5" x 18" Left (W06)
6	073323-32-W18	EA	Curtain Asm. w/Rod Top & Bottom - 19.5" x 30" (W04)
†6	073323-32-WB7	EA	Curtain Asm. w/Rod Top & Bottom - 19.5" x 30" (W04)
6	073323-32-W19	EA	Curtain Asm. w/Rod Top & Bottom - 19.5" x 30" (W05)
6	073323-32-W17	EA	Curtain Asm. w/Rod Top & Bottom - 19.5" x 30" (W06)
7	073323-33-W18	EA	Curtain Asm. w/Rod Top & Bottom - 17.5" x 24" (W04)
†7	073323-33-WB7	EA	Curtain Asm. w/Rod Top & Bottom - 17.5" x 24" (W04)
7	073323-33-W19	EA	Curtain Asm. w/Rod Top & Bottom - 17.5" x 24" (W05)
7	073323-33-W17	EA	Curtain Asm. w/Rod Top & Bottom - 17.5" x 24" (W06)
7	073323-35-W18	EA	Curtain Asm. w/Rod Top & Bottom - 17.5" x 18" Right (W04)
†7	073323-35-WB7	EA	Curtain Asm. w/Rod Top & Bottom - 17.5" x 18" Right (W04)
7	073323-35-W19	EA	Curtain Asm. w/Rod Top & Bottom - 17.5" x 18" Right (W05)
7	073323-35-W17	EA	Curtain Asm. w/Rod Top & Bottom - 17.5" x 18" Right (W06)
8	085190-15-W04	EA	Valance Asm. w/Darts - 45" x 10" (W04)
†8	085190-15-WB7	EA	Curtain Asm. w/Darts - 45" x 10" (W04)
8	085190-15-W05	EA	Curtain Asm. w/Darts - 45" x 10" (W05)
8	085190-15-W06	EA	Curtain Asm. w/Darts - 45" x 10" (W06)
8	080824-06-W04	EA	Valance Asm. - Padded (W04)
†8	080824-06-WB7	EA	Valance Asm. - Padded (W04)
8	080824-06-W05	EA	Valance Asm. - Padded (W05)
8	080824-06-W06	EA	Valance Asm. - Padded (W06)
8	085304-03-000	EA	Blind - Pleated - 19" x 42.5" Drop (W04)
8	085304-02-000	EA	Blind - Pleated - 19" x 42.5" Drop (W05)
8	085304-01-000	EA	Blind - Pleated - 19" x 42.5" Drop (W06)
..	082118-A5-000	EA	Mini Blind - 19" x 42.5" Drop (W04)
..	082118-A6-000	EA	Mini Blind - 19" x 42.5" Drop (W05)
..	082118-A7-000	EA	Mini Blind - 19" x 42.5" Drop (W06)
..	Parts used in a Mini Blind Option.		
†	Parts used after 2/1/87.		

**1987 WINNEBAGO  
TABLE OF CONTENTS**

WC420EG	A-01 - B-06
WF426RT	B-07 - D-10
WCN26RH	D-11 - F-14
WCN27RT	F-15 - H-20
WCP26ET	H-21 - K-02

**1987 WF426RT INDEX**

Floor Plan	B-07 - B-08
Accessories Group	B-09 - B-11
Bath Group	B-12 - B-13
Chassis Group	B-14 - B-15
Curtain, Cushion & Pad Group	B-16 - B-24
Dinette Group	C-01
Driver's Compartment Group	C-02
Electrical Group	C-03 - C-04
Exterior Body Group	C-05 - C-10
Galley Group	C-11 - C-13
Heating & Air Conditioning Group	C-14
Interior Finish Group	C-15 - C-17
LP Group	C-18
Lounge Group	C-19 - C-20
Water & Sewage Group	C-21
Window, Vent. & Exterior Door Group	C-22 - D-10

**CURTAIN, CUSHION & PAD GROUP (CONTINUED)**

**CURTAINS, SHADES, VALANCES & TIEBACKS (CONT.)**

Key	Part Number	U/M	Description
9	084755-04-W04	EA	Shade - Linen - 24.25" (W04)
††	084755-04-WA7	EA	Shade - Linen - 24.25" (W04)
9	084755-04-W05	EA	Shade - Linen - 24.25" (W05)
††	084755-04-WA8	EA	Shade - Linen - 24.25" (W05)
9	084755-04-W06	EA	Shade - Linen - 24.25" (W06)
††	084755-04-WA8	EA	Shade - Linen - 24.25" (W06)
10	085191-03-W07	EA	Valance Asm. w/inserts - 29.5" (W04)
†10	085191-03-WB7	EA	Valance Asm. w/inserts - 29.5" (W04)
10	085191-03-W08	EA	Valance Asm. w/inserts - 29.5" (W05)
10	085191-03-W09	EA	Valance Asm. w/inserts - 29.5" (W06)
10	082118-A8-000	EA	Mini Blind - 27" x 22" Drop (W04)
10	082118-A9-000	EA	Mini Blind - 27" x 22" Drop (W05)
10	082118-B0-000	EA	Mini Blind - 27" x 22" Drop (W06)
•	073295-04-W04	EA	Curtain Asm. w/Lining - Front Wraparound - 23" x 64" (2 required) (W04)
†	073295-04-WB7	EA	Curtain Asm. w/Lining - Front Wraparound - 23" x 64" (2 required) (W04)
•	073295-04-W05	EA	Curtain Asm. w/Lining - Front Wraparound - 23" x 64" (2 required) (W05)
•	073295-04-W06	EA	Curtain Asm. w/Lining - Front Wraparound - 23" x 64" (2 required) (W06)
•	077591-03-W04	EA	Curtain w/Velcro Top - Bunk Privacy - 70" x 50" - Passenger (W04)
†	077591-03-WB7	EA	Curtain w/Velcro Top - Bunk Privacy - 70" x 50" - Passenger (W04)
•	077591-03-W05	EA	Curtain w/Velcro Top - Bunk Privacy - 70" x 50" - Passenger (W05)
•	077591-03-W06	EA	Curtain w/Velcro Top - Bunk Privacy - 70" x 50" - Passenger (W06)
•	077591-04-W04	EA	Curtain w/Velcro Top - Bunk Privacy - 70" x 50" - Driver (W04)
†	077591-04-WB7	EA	Curtain w/Velcro Top - Bunk Privacy - 70" x 50" - Driver (W04)
•	077591-04-W05	EA	Curtain w/Velcro Top - Bunk Privacy - 70" x 50" - Driver (W05)
•	077591-04-W06	EA	Curtain w/Velcro Top - Bunk Privacy - 70" x 50" - Driver (W06)
•	084382-04-W04	EA	Shower Curtain w/Ruffle - 66" x 30" (W04)
†	084382-04-WB7	EA	Shower Curtain w/Ruffle - 66" x 30" (W04)
•	084382-04-W05	EA	Shower Curtain w/Ruffle - 66" x 30" (W05)
•	084382-04-W06	EA	Shower Curtain w/Ruffle - 66" x 30" (W06)
•	084481-02-000	EA	Liner - Shower Curtain - 66.5" x 32"
•	073260-23-W04	EA	Tieback Asm. - 3" x 18" - Drapery (W04)
†	073260-23-WB7	EA	Tieback Asm. - 3" x 18" - Drapery (W04)
•	073260-23-W05	EA	Tieback Asm. - 3" x 18" - Drapery (W05)
•	073260-23-W06	EA	Tieback Asm. - 3" x 18" - Drapery (W06)
•	073260-24-W18	EA	Tieback Asm. - 2" x 14" - Drapery (W04)
†	073260-24-WB7	EA	Tieback Asm. - 2" x 14" - Drapery (W04)
•	073260-24-W19	EA	Tieback Asm. - 2" x 14" - Drapery (W05)
•	073260-24-W17	EA	Tieback Asm. - 2" x 14" - Drapery (W06)
•	085283-01-000	EA	Bracket - Hold Back - Clear
•	Not Illustrated		
†	Parts used after 2/1/87.		
††	Parts used after 1/19/87.		

**CURTAIN, CUSHION & PAD GROUP (CONTINUED)**

**FABRICS**

Key	Part Number	U/M	Description
	077498-89-000	YD	Fabric w/Pattern - Upholstery - Main - Jasmine (W24)
	077498-90-000	YD	Fabric w/Pattern - Upholstery - Main - Garnet (W25)
	077498-88-000	YD	Fabric w/Pattern - Upholstery - Main - Jute (W26)
	077498-B2-000	YD	Fabric w/Pattern - Upholstery Accent - Juniper (W24)
	077498-B3-000	YD	Fabric w/Pattern - Upholstery Accent - Brick - (W25)
	077498-B4-000	YD	Fabric w/Pattern - Upholstery Accent - Madder (W26)
	077498-A1-000	YD	Fabric - Upholstery Accent - Plain - Blue (W24)
	077498-A2-000	YD	Fabric - Upholstery Accent - Plain - Garnet (W25)
	077498-A8-000	YD	Fabric - Upholstery Accent - Plain - Wine (W26)
	072333-38-000	YD	Fabric - Drapery - Meiba (W24)
	072333-40-000	YD	Fabric - Drapery - Raisin (W25)
	072333-37-000	YD	Fabric - Drapery - Mauve (W26)
	089729-44-000	YD	Fabric - Bedspread - Covington #2 (W24)
	089729-45-000	YD	Fabric - Bedspread - Covington #18 (W25)
	089729-46-000	YD	Fabric - Bedspread - Covington #3 (W26)
	084415-11-000	YD	Braid Trim - Pull Shades - Blue Jade (W24)
	084415-15-000	YD	Braid Trim - Pull Shades - Rust (W25)
	084415-13-000	YD	Braid Trim - Pull Shades - Mauve (W26)
	052859-05-T03	FT	Trim Asm. - Accent - Buckskin
	079680-01-000	YD	Vinyl - Expanded - 26 oz. - Buckskin
	070578-05-W30	EA	Button Asm. - #30 - Bedspread Fabric (W24)
	070578-05-W31	EA	Button Asm. - #30 - Bedspread Fabric (W25)
	070578-05-W32	EA	Button Asm. - #30 - Bedspread Fabric (W26)
	071127-10-W04	EA	Button Asm. - #30 - Accent Fabric (W04)
	071127-10-W09	EA	Button Asm. - #30 - Accent Fabric (W05)
	071127-10-W08	EA	Button Asm. - #30 - Accent Fabric (W06)
	071127-15-000	EA	Button Asm. - #30
	078155-01-000	EA	Strap Asm. - Cushion
	081280-21-W24	EA	End Cap Asm. - Overhead - Dinette - Vinyl
	081280-19-W24	EA	End Cap Asm. - Overhead - Galley - Vinyl
	081280-16-W24	EA	End Cap Asm. - Overhead - Shirt Closet - Left - Vinyl
	081280-13-W24	EA	End Cap Asm. - Overhead - Shirt Closet - Right - Vinyl
	081280-22-W24	EA	End Cap Asm. - Overhead - Entrance Door - Vinyl
	081519-01-W24	EA	Pad Asm. - Dinette - Front
	081519-01-W25	EA	Pad Asm. - Dinette - Front
	081519-01-W26	EA	Pad Asm. - Dinette - Front
	081519-02-W24	EA	Pad Asm. - Dinette - Rear
	081519-02-W25	EA	Pad Asm. - Dinette - Rear
	081519-02-W26	EA	Pad Asm. - Dinette - Rear
	077483-08-W24	EA	Panel Asm. - Headboard - Twin
	077483-08-W25	EA	Panel Asm. - Headboard - Twin
	077483-08-W26	EA	Panel Asm. - Headboard - Twin
	086109-01-W07	EA	Panel Asm. - Headboard - Double (W01)
	086109-01-W08	EA	Panel Asm. - Headboard - Double (W05)
	086109-01-W09	EA	Panel Asm. - Headboard - Double (W06)
	089885-12-W24	EA	Cover w/Pocket - Motor
	089885-12-W25	EA	Cover w/Pocket - Motor
	089885-12-W26	EA	Cover w/Pocket - Motor

**1987 WINNESAGO  
TABLE OF CONTENTS**

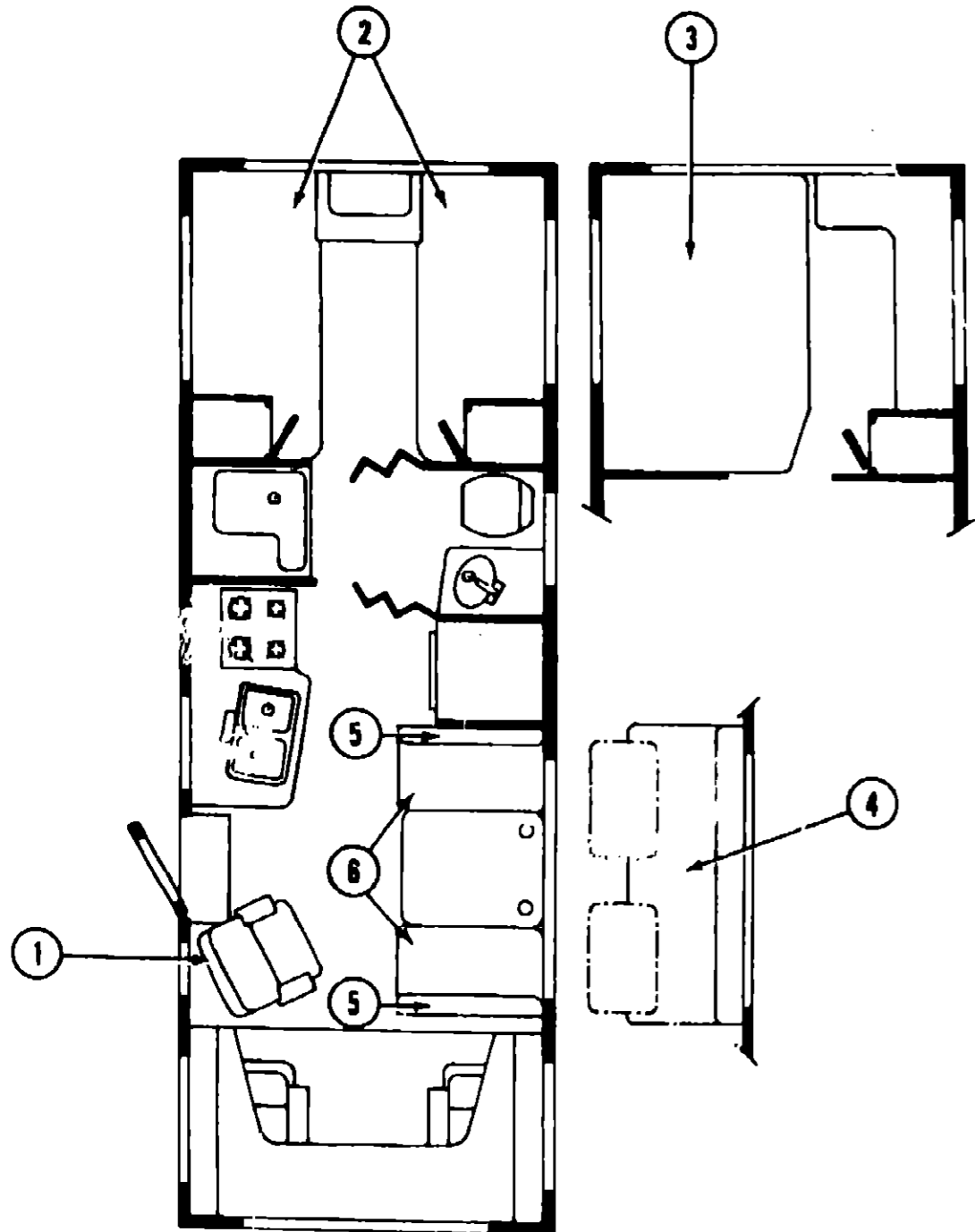
WC420EG	A-01 - B-06
WF426RT	B-07 - D-10
WCN26RH	D-11 - F-14
WCN27RT	F-15 - H-20
WCP26ET	H-21 - K-02

**1987 WF426RT INDEX**

Floor Plan	B-07 - B-08
Accessories Group	B-09 - B-11
Bath Group	B-12 - B-13
Chassis Group	B-14 - B-15
Curtain, Cushion & Pad Group	B-16 - B-24
Dinette Group	C-01
Driver's Compartment Group	C-02
Electrical Group	C-03 - C-04
Exterior Body Group	C-05 - C-10
Galley Group	C-11 - C-13
Heating & Air Conditioning Group	C-14
Interior Finish Group	C-15 - C-17
LP Group	C-18
Lounge Group	C-19 - C-20
Water & Sewage Group	C-21
Window, Vent & Exterior Door Group	C-22 - D-10

**CURTAIN, CUSHION & PAD GROUP (CONTINUED)**

**CURTAIN, CUSHION & PAD GROUP (CONTINUED)**



**CELEBRITY CHAIR**

Key	Part Number	U/M	Description
1	085059-01-W04	EA	Chair Asm. w/Pillow Back - Swivel
1	085059-01-W05	EA	Chair Asm. w/Pillow Back - Swivel
1	085059-01-W06	EA	Chair Asm. w/Pillow Back - Swivel
1	085187-01-W04	EA	Skirt Asm. - Swivel Chair
1	085187-01-W05	EA	Skirt Asm. - Swivel Chair
1	085187-01-W06	EA	Skirt Asm. - Swivel Chair
1	088245-02-000	EA	Plate - Tilter w/Lock - Swivel Chair
1	088245-01-000	EA	Base w/Legs - Swivel Chair
1	088245-05-000	EA	Extension - 7" - Swivel Chair
			Not Illustrated

**TWIN BED MATTRESS**

Key	Part Number	U/M	Description
2	083496-01-000	EA	Mattress - Foam - 33" x 75" - Winnebago
2	077478-04-000	EA	Mattress - Interspring - 33" x 75" - Sealy
	083986-03-W04	EA	Bedsread - Twin Bed
	083986-03-W05	EA	Bedsread - Twin Bed
	083986-03-W06	EA	Bedsread - Twin Bed
	081997-01-W07	EA	Pillow Sham - 30" x 26" (W04)
	081997-01-W08	EA	Pillow Sham - 30" x 26" (W05)
	081997-01-W09	EA	Pillow Sham - 30" x 26" (W06)

**DOUBLE BED MATTRESS**

Key	Part Number	U/M	Description
3	083496-05-000	EA	Mattress - Foam - 43" x 75" - Winnebago
3	079369-02-000	EA	Mattress - Interspring - 54" x 75" - Sealy
	083986-05-W04	EA	Bedsread - Double Bed
	083986-05-W05	EA	Bedsread - Double Bed
	083986-05-W06	EA	Bedsread - Double Bed
	081997-01-W07	EA	Pillow Sham - 30" x 26" (W04)
	081997-01-W08	EA	Pillow Sham - 30" x 26" (W05)
	081997-01-W09	EA	Pillow Sham - 30" x 26" (W06)

**CONTINUED BED OPTION**

Key	Part Number	U/M	Description
4	079448-04-W07	EA	Bed Asm. - 3 Pillow (W04)
4	079448-04-W08	EA	Bed Asm. - 3 Pillow (W05)
4	079448-04-W09	EA	Bed Asm. - 3 Pillow (W06)
	M79448-04-W07	EA	Cover Asm. - 3 Pillow Bed (W04)
	M79448-04-W08	EA	Cover Asm. - 3 Pillow Bed (W05)
	M79448-04-W09	EA	Cover Asm. - 3 Pillow Bed (W06)
	081998-17-W07	EA	Pillow Asm. - 16" x 23" x 5" (W04)
	081998-17-W08	EA	Pillow Asm. - 16" x 23" x 5" (W05)
	081998-17-W09	EA	Pillow Asm. - 16" x 23" x 5" (W06)
	M81998-17-W07	EA	Cover Asm. - Pillow (W04)
	M81998-17-W08	EA	Cover Asm. - Pillow (W05)
	M81998-17-W09	EA	Cover Asm. - Pillow (W06)
	085060-01-W07	EA	Cushion Asm. - Armrest (W04)
	085060-01-W08	EA	Cushion Asm. - Armrest (W05)
	085060-01-W09	EA	Cushion Asm. - Armrest (W06)
	M85060-01-W07	EA	Cover Asm. - Armrest Cushion (W04)
	M85060-01-W08	EA	Cover Asm. - Armrest Cushion (W05)
	M85060-01-W09	EA	Cover Asm. - Armrest Cushion (W06)

**DINETTE CUSHION**

Key	Part Number	U/M	Description
5	081998-77-W04	EA	Cushion Asm. - Dinette Back - 19.25" x 38" x 5"
5	081998-77-W05	EA	Cushion Asm. - Dinette Back - 19.25" x 38" x 5"
5	081998-77-W06	EA	Cushion Asm. - Dinette Back - 19.25" x 38" x 5"
	M81998-77-W04	EA	Cover Asm. - Dinette Back Curtain - 19.25" x 38" x 5"
	M81998-77-W05	EA	Cover Asm. - Dinette Back Curtain - 19.25" x 38" x 5"
	M81998-77-W06	EA	Cover Asm. - Dinette Back Curtain - 19.25" x 38" x 5"
6	081998-78-W04	EA	Cushion Asm. - Dinette Bottom - 17.5" x 38" x 5"
6	081998-78-W05	EA	Cushion Asm. - Dinette Bottom - 17.5" x 38" x 5"
6	081998-78-W06	EA	Cushion Asm. - Dinette Bottom - 17.5" x 38" x 5"
	M81998-78-W04	EA	Cover Asm. - Dinette Bottom Cushion - 17.5" x 38" x 5"
	M81998-78-W05	EA	Cover Asm. - Dinette Bottom Cushion - 17.5" x 38" x 5"
	M81998-78-W06	EA	Cover Asm. - Dinette Bottom Cushion - 17.5" x 38" x 5"

**1987 WINNEBAGO  
TABLE OF CONTENTS**

WC420EG	A-01 - B-06
WF426RT	B-07 - D-10
WCN26RH	D-11 - F-14
WCN27RT	F-15 - H-20
WCP26ET	H-21 - K-02

**1987 WF426RT INDEX**

Floor Plan	B-07 - B-08
Accessories Group	B-09 - B-11
Bath Group	B-12 - B-13
Chassis Group	B-14 - B-15
Curtain, Cushion & Pad Group	B-16 - B-24
Dinette Group	C-01
Driver's Compartment Group	C-02
Electrical Group	C-03 - C-04
Exterior Body Group	C-05 - C-10
Galley Group	C-11 - C-13
Heating & Air Conditioning Group	C-14
Interior Finish Group	C-15 - C-17
LP Group	C-18
Lounge Group	C-19 - C-20
Water & Sewage Group	C-21
Window, Vent & Exterior Door Group	C-22 - D-10



**CURTAIN, CUSHION & PAD GROUP (CONTINUED)**

**BUCKET SEATS**

Key	Part Number	U/M	Description
	084191-02-W04	EA	Seat Asm. - Comet I
	084191-02-W05	EA	Seat Asm. - Comet I
	084191-01-W06	EA	Seat Asm. - Comet I
	M01864-23-W04	EA	Cover Asm. - Seat Cushion
	M01864-23-W05	EA	Cover Asm. - Seat Cushion
	M01864-21-W06	EA	Cover Asm. - Seat Cushion
	M01864-24-W04	EA	Cover Asm. - Back Cushion
	M01864-24-W05	EA	Cover Asm. - Back Cushion
	M01864-22-W06	EA	Cover Asm. - Back Cushion
	078804-09-W04	EA	Seat Asm. - Granduer w/Right Armrest
	078804-09-W05	EA	Seat Asm. - Granduer w/Right Armrest
	078804-07-W06	EA	Seat Asm. - Granduer w/Right Armrest
	M01863-05-W04	EA	Cover Asm. - Seat Cushion
	M01863-05-W05	EA	Cover Asm. - Seat Cushion
	M01863-05-W06	EA	Cover Asm. - Seat Cushion
	M01863-06-W04	EA	Cover Asm. - Back Cushion
	M01863-06-W05	EA	Cover Asm. - Back Cushion
	M01863-06-W06	EA	Cover Asm. - Back Cushion
	080243-07-W04	EA	Armrest Asm. - Right
	080243-07-W05	EA	Armrest Asm. - Right
	080243-07-W06	EA	Armrest Asm. - Right
	M80243-07-W04	EA	Cover Asm. - Armrest - Right
	M80243-07-W05	EA	Cover Asm. - Armrest - Right
	M80243-07-W06	EA	Cover Asm. - Armrest - Right
	078804-10-W04	EA	Seat Asm. - Granduer w/Left Armrest
	078804-10-W05	EA	Seat Asm. - Granduer w/Left Armrest
	078804-10-W06	EA	Seat Asm. - Granduer w/Left Armrest
	M01863-07-W04	EA	Cover Asm. - Seat Cushion
	M01863-07-W05	EA	Cover Asm. - Seat Cushion
	M01863-07-W06	EA	Cover Asm. - Seat Cushion
	M01863-08-W04	EA	Seat Asm. - Back Cushion
	M01863-08-W05	EA	Seat Asm. - Back Cushion
	M01863-08-W06	EA	Seat Asm. - Back Cushion
	080243-08-W04	EA	Armrest Asm. - Left
	080243-08-W05	EA	Armrest Asm. - Left
	080243-08-W06	EA	Armrest Asm. - Left
	M80243-08-W04	EA	Cover Asm. - Armrest - Left
	M80243-08-W05	EA	Cover Asm. - Armrest - Left
	M80243-08-W06	EA	Cover Asm. - Armrest - Left
	080242-04-W04	EA	Headrest Asm.
	080242-04-W05	EA	Headrest Asm.
	080242-04-W06	EA	Headrest Asm.
	M80242-01-W04	EA	Cover Asm. - Headrest
	M80242-01-W05	EA	Cover Asm. - Headrest
	M80242-01-W06	EA	Cover Asm. - Headrest

**CURTAIN, CUSHION & PAD GROUP (CONTINUED)**

**FRONT OVERHEAD BUNK CUSHIONS**

Key	Part Number	U/M	Description
	084753-05-W24	EA	Cushion Asm. - Front Bunk
	084753-05-W25	EA	Cushion Asm. - Front Bunk
	084753-05-W26	EA	Cushion Asm. - Front Bunk
	M84753-05-W24	EA	Cover Asm. - Front Bunk Cushion
	M84753-05-W25	EA	Cover Asm. - Front Bunk Cushion
	M84753-05-W26	EA	Cover Asm. - Front Bunk Cushion
	084753-06-W24	EA	Cushion Asm. - U Shape
	084753-06-W25	EA	Cushion Asm. - U Shape
	084753-06-W26	EA	Cushion Asm. - U Shape
	M84753-06-W24	EA	Cover Asm. - U Shaped Cushion
	M84753-06-W25	EA	Cover Asm. - U Shaped Cushion
	M84753-06-W26	EA	Cover Asm. - U Shaped Cushion



Key	Part Number	U/M	Description
1	029130-01-000	EA	Socket - Snap Fastener
2	029155-02-000	EA	Cap - Snap - 1-8024
3	029156-02-000	EA	Socket - Snap Fastener - 8021
4	029092-01-000	EA	Stud - Nickel Finish
5	029093-01-000	EA	Eyelet - Nickel Finish

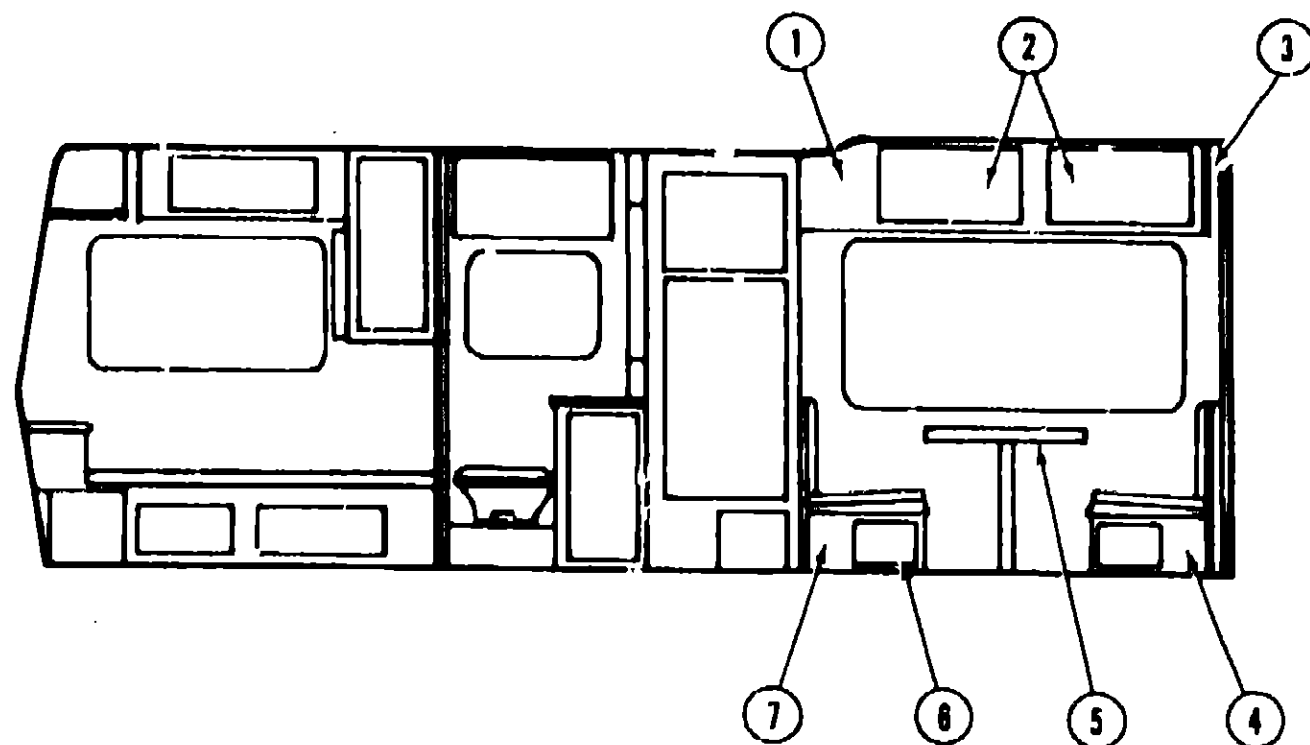
**1987 WINNEBAGO  
TABLE OF CONTENTS**

WC420EG	A-01 - B-06
WF426RT	B-07 - D-10
WCN26RH	D-11 - F-14
WCN27RT	F-15 - H-20
WCP26ET	H-21 - K-02

**1987 WF426RT INDEX**

Floor Plan	B-07 - B-08
Accessories Group	B-09 - B-11
Bath Group	B-12 - B-13
Chassis Group	B-14 - B-15
Curtain, Cushion & Pad Group	B-16 - B-24
Dinette Group	C-01
Driver's Compartment Group	C-02
Electrical Group	C-03 - C-04
Exterior Body Group	C-05 - C-10
Galley Group	C-11 - C-13
Heating & Air Conditioning Group	C-14
Interior Finish Group	C-15 - C-17
LP Group	C-18
Lounge Group	C-19 - C-20
Water & Sewage Group	C-21
Window, Vent & Exterior Door Group	C-22 - D-10

## DINETTE GROUP



Key	Part Number	U/M	Description
1	083929-01-W04	EA	Cabinet Asm. - Dinette Overhead - w/o Doors or Hardware
2	M81523-02-W04	EA	Door Asm. - Dinette Overhead - w/o Hardware
†2	M88304-84-W04	EA	Door Asm. - Dinette Overhead - w/o Hardware
3	081280-03-U01	EA	Pad Asm. - End Cap - Dinette Overhead - Vinyl
4	M02175-02-W04	EA	Cabinet Asm. - Dinette Seat - w/o Door or Hardware
•	M02174-01-W07	EA	Cabinet Asm. - Dinette Back
5	081298-01-U04	EA	Table Asm. - Dinette - w/o Hardware
6	M81501-10-W04	EA	Door Asm. - Dinette Seat - Front & Rear
†6	M88304-21-W10	EA	Door Asm. - Dinette Seat - w/o Door or Hardware
•	M02174-03-W07	EA	Cabinet Asm. - Dinette Back
7	M02175-04-W04	EA	Cabinet Asm. - Dinette Seat - w/o Door or Hardware
•	074493-02-000	EA	Support - Sprung Door Asm. - Overhead Cabinet
•	053200-05-000	EA	Bracket - Upper Wall Mount - 23.5" - Beige
•	053201-06-000	EA	Bracket - Table Mount - 23" - Beige
•	024275-05-000	EA	Rod - Table Lift - 8" x 23.5" - Beige
•	024281-07-000	EA	Bracket - Lower Wall Mount - Table Lift - Tan
•	024276-17-000	EA	Leg Asm. - Table - 26.75" - Brown
•	064050-02-000	EA	Hinge - Table Leg
•	024282-01-000	EA	Brace - Table Leg
•	024283-01-000	EA	Clip - 1" O.D. Tube
•	049493-05-000	EA	Catch - Table Leg - Mounts on Floor - Tan
•	064781-03-000	EA	Cup Holder - 3.47" O.D. x 2.75" I.D. x 1.5" - Brown
•			Not Illustrated

• The illustrated parts breakdown for this item is provided on the Common Items Fiche.  
 † Doors used on units produced after 3/30/87.

### BENCH SEAT CUSHIONS W/TABLE OPTION

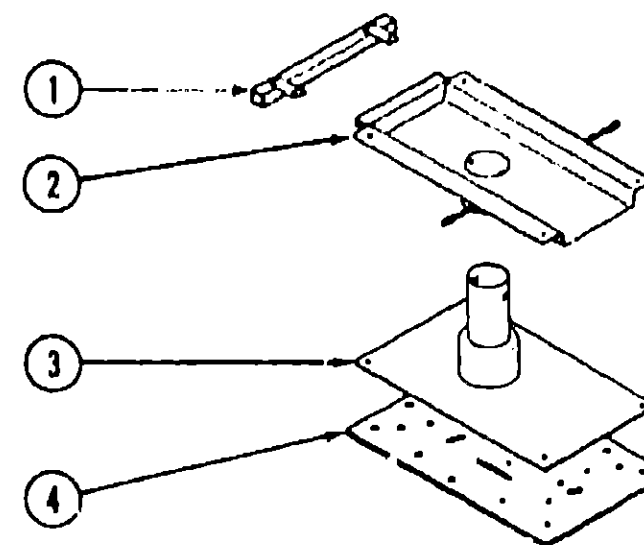
Key	Part Number	U/M	Description
•	NOTE	EA	Bench Seat Cushions
•	081298-01-U01	EA	Table Asm. - Pedestal
•	009040-06-000	EA	Leg - Pedestal Table - 27.50"
•	009040-03-000	EA	Base - Table - Raised
•	041194-01-000	EA	Base - Table - Flush Mount
•	062046-01-000	EA	Clip - Pedestal Table

• See Curtain, Cushion & Pad Group

## DRIVER'S COMPARTMENT GROUP

### MISCELLANEOUS DRIVER'S COMPARTMENT COMPONENTS

Key	Part Number	U/M	Description
	087012-01-W04	EA	Cabinet Asm. - Headboard
	M82066-01-U01	EA	Panel Asm. - Wingwall - Passenger
	M82066-02-U01	EA	Panel Asm. - Wingwall - Driver
	079800-01-000	EA	Trim - Sleeperboard - Extrusion - Off White
	080742-01-000	FT	Trim - Sleeperboard - Vinyl
	M01298-01-000	EA	Console - Overhead - 7.5" x 8.14" - Gray
	086280-01-000	EA	Light - Surface Mount - 12V
	024461-01-000	EA	Switch - Battery
	024462-01-000	EA	Switch - Battery Condition
	024978-01-000	EA	Switch - Battery - Generator w/o Circuit Board
	031035-01-000	EA	Gauge - Generator Hourmeter
	024459-03-000	EA	Gauge - Voltmeter
	024459-02-000	EA	Bracket - Mounting - Voltmeter Gauge



### BUCKET SEAT PEDESTAL & SEAT BELTS

Key	Part Number	U/M	Description
1	069585-29-000	EA	Bar - Seat Belt - 20"
2	069585-27-000	EA	Plate - Top - Pedestal Asm. - Bucket Seat
2	069585-19-000	EA	Plate - Top - Pedestal Asm. - Power Seat
3	069585-03-000	EA	Plate - Sub - Pedestal Asm. - Bucket Seat
3	069585-18-000	EA	Plate - Sub - Pedestal Asm. - Power Seat
4	069585-02-000	EA	Plate - Base - Pedestal Asm. - Bucket Seat
•	081373-02-000	EA	Seat - Power
•	069585-05-000	EA	Hardware Kit - Bolt/Acorn Nut - 4 ea. - Pedestal Asm.
•	056271-02-000	EA	Belt Asm. - Seat - 2" x 72" - Black
•	007021-01-000	EA	Belt Asm. - Seat - 2" x 90" - Black
•	041322-01-000	EA	Washer - Flat 15/32" I.D. x 2 3/8" O.D. - Seat Belt
•	057759-01-000	EA	Bracket - Seat Belt Washer
•	069246-01-000	EA	Adjuster Asm. - Seat - w/Lock
•	069246-02-000	EA	Adjuster Asm. - Seat - w/o Lock
•	080730-01-000	EA	Recliner Drive - Right
•	080730-02-000	EA	Recliner Drive - Left
•	068601-05-700	EA	Hand Wheel Kit - Recliner Drive
•			Not Illustrated

## 1987 WINNEBAGO TABLE OF CONTENTS

WC420EG	A-01 - B-08
WF426RT	B-07 - D-10
WCN26RH	D-11 - F-14
WCN27RT	F-15 - H-20
WCP26ET	H-21 - K-02

## 1987 WF426RT INDEX

Floor Plan	B-07 - B-08
Accessories Group	B-09 - B-11
Bath Group	B-12 - B-13
Chassis Group	C-14 - B-15
Curtain, Cushion & Pad Group	C-16 - B-24
Dinette Group	C-01
Driver's Compartment Group	C-02
Electrical Group	C-03 - C-04
Exterior Body Group	C-05 - C-10
Galley Group	C-11 - C-13
Heating & Air Conditioning Group	C-14
Interior Finish Group	C-15 - C-17
LP Group	C-18
Lounge Group	C-19 - C-20
Water & Sewage Group	C-21
Window, Vent & Exterior Door Group	C-22 - D-10

## ELECTRICAL GROUP

### BULBS

Key	Part Number	U/M	Description
	008220-01-000	EA	Bulb - 12V - 25W
	008103-01-000	EA	Bulb - 53
	008213-01-000	EA	Bulb - 57
	008214-01-000	EA	Bulb - 67
	038196-01-000	EA	Bulb - 194
	008215-01-000	EA	Bulb - 1003
	067479-01-000	EA	Bulb - 1076
	063914-01-000	EA	Bulb - 1139
	008218-01-000	EA	Bulb - 1141
	037935-01-000	EA	Bulb - 1157
	056288-02-000	EA	Bulb - 9431808

Key	Part Number	U/M	Description
	008233-01-000	EA	Fuse - 6 Amp. - 12 Volt
	008234-01-000	EA	Fuse - 10 Amp. - 12 Volt
	046893-01-000	EA	Fuse - 13 Amp. - 12 Volt
	008235-01-000	EA	Fuse - 15 Amp. - 12 Volt
	008236-01-000	EA	Fuse - 20 Amp. - 12 Volt
	008248-01-000	EA	Fuse - 30 Amp. - 110 Volt - AGU
	008252-01-000	EA	Fuse - 50 Amp. - 110 Volt
	056473-02-000	EA	Fuse - 5 Amp. - Slow Blow
	056473-01-000	EA	Fuse - 8 1/4 Amp. - Slow Blow
	062901-02-000	EA	Fuse - 5 Amp. - Automotive
	062901-05-000	EA	Fuse - 15 Amp. - Automotive
	008211-01-000	EA	Circuit Breaker - 6 Amp. - 12 Volt
	033573-02-000	EA	Circuit Breaker - 15 Amp. - 12 Volt - w/Mount
	033573-01-000	EA	Circuit Breaker - 20 Amp. - 12 Volt - w/Mount
	044466-03-000	EA	Circuit Breaker - 25 Amp. - 12 Volt - w/Mount
	008268-01-000	EA	Circuit Breaker - 30 Amp. - 12 Volt - w/Mount
	083209-05-000	EA	Circuit Breaker - 20 Amp. - 120 Volt
	083209-04-000	EA	Circuit Breaker - 30 Amp. - 120 Volt
	083209-02-000	EA	Circuit Breaker - 15/15 Amp. - 120 Volt
	083209-03-000	EA	Circuit Breaker - 15/20 Amp. - 120 Volt
	083209-07-000	EA	Circuit Breaker - 20/20 Amp. - 120 Volt
	083209-06-000	EA	Circuit Breaker - 30/15 Amp. - 120 Volt
	083209-08-000	EA	Circuit Breaker Blank

### INTERIOR LIGHT

Key	Part Number	U/M	Description
	033508-02-000	EA	Light - Dome - Ivory - 1 Bulb - US
	033508-03-000	EA	Light - Dome - Ivory - 1 Bulb - CSA
	033509-02-000	EA	Light - Dome - Ivory - 2 Bulb - US
	033509-03-000	EA	Light - Dome - Ivory - 2 Bulb - CSA
	078424-02-000	EA	Light - Florescent - 12V
	061424-01-000	EA	Light - 12V Receptacle - Aisle - IP
	007309-01-000	EA	Light - Step Well
	086280-01-000	EA	Light - Surface Mount - 12 Volt
	083686-01-000	EA	Lamp - Table - Brass w/Wood
	082686-02-000	EA	Shade - Table Lamp
	082169-01-000	EA	Light - Make-up - 3 Bulb
	077026-01-000	EA	Lens - Courtesy Light - Clear

### MISCELLANEOUS ELECTRICAL COMPONENTS

Key	Part Number	U/M	Description
	008188-01-000	EA	Solenoid - Dual Battery - Relay
	083208-01-000	EA	Control Center - 32 Amp.

## ELECTRICAL GROUP (CONTINUED)

### EXTERIOR LIGHTS

Key	Part Number	U/M	Description
	076459-04-000	EA	Lamp Asm. - Tail - Red
	076459-05-000	EA	Lamp Asm. - Turn - Amber
	076459-06-000	EA	Lamp Asm. - Back Up/Reflex
	081250-02-000	EA	Light Asm. - Cab Marker - Red
	073844-01-000	EA	Lamp Asm. - License
	076795-01-000	EA	Light Asm. - License
	042405-03-000	EA	Base - Rectangular Clearance Light
	042405-01-000	EA	Lens - Clearance Light - Red w/Reflex
	042405-02-000	EA	Lens - Clearance Light - Amber w/Reflex
	048817-01-000	EA	Assist Handle Asm. w/Light
	076941-01-000	EA	Lamp Asm. - w/Cover - Fog - Amber

### WIRE, SWITCHES & RECEPTACLES

Key	Part Number	U/M	Description
	008288-01-000	EA	Box - Electrical - 3" x 3.5" - Plastic
	008289-01-000	EA	Box - Electrical - 4" x 4" - 1/2 & 3/4 Steel - UL
	058049-01-000	EA	Box - Electrical - 2" x 3" x 2.25" - Steel
	041953-01-000	EA	Conduit - Convolute Silt - .5" I.D.
	058028-01-000	EA	Connector - Pigtail - Clear Nylon
	008314-01-000	EA	Connector - Wire Nut - Gray
	008311-01-000	EA	Connector - Wire Nut - Red
	031968-01-000	EA	Contact Plug - Brass - Tin Plated
	031967-01-000	EA	Contact - Receptacle
	008054-01-000	EA	Cord - Power - 10-3 30 Amp. - 25' - UL
	069238-01-000	EA	Cover - Electrical Box - 4" x 4"
	024571-03-000	EA	Cover Plate - Receptacle - Jumbo - Brown Plastic
	008184-01-000	EA	Cover Plate - Switch - Brown
	008294-01-000	EA	Cover - Flat Blank - 4" x 4" - Steel - US
	008294-02-000	EA	Cover - Flat Blank - 4" x 4" - Steel - CSA
	064450-01-000	EA	Housing Asm. - Trailer Plug
	064398-01-000	EA	Housing Asm. - Trailer Receptacle
	054532-01-000	EA	Housing Pin - 6 Position
	075736-02-000	EA	Receptacle/Cover Asm. - Off White (Exterior)
	058708-01-000	EA	Receptacle - Duplex - Brown
	024924-02-000	EA	Receptacle - Power Cord
	058707-01-000	EA	Receptacle - Single - Brown
	075723-01-000	EA	Switch - Block Spacer - w/o Holes
	075723-02-000	EA	Switch - Block Spacer - w/Holes
	056264-01-000	EA	Switch - Leaf Actuator
	079362-01-000	EA	Switch Plate - 3 Gang - 2 Switches
	079363-01-000	EA	Switch Plate - Single - w/Switches
	079364-01-000	EA	Switch - On/Off Rocker - Brown
	008185-01-000	EA	Switch - Push Button - 12 Volt
	047443-02-000	EA	Terminal - .250 Receptacle - 12-10 AWG
	035417-01-000	EA	Terminal - Pin Receptacle - .125 Dia.
	008118-01-000	EA	Terminal Ring - 2 - w/3/8 Stud
	008331-01-000	EA	Terminal Ring - 4 - w/3/8 Stud
	008028-01-000	FT	Wire - 18.5 Bonded - Blue/Red/Yellow/Orange/White
	008024-01-000	FT	Wire - 18.5 Bonded - Orange/White/Yellow/Blue/Brown
	008025-01-000	FT	Wire - 18.5 Bonded - Orange/White/Yellow/Blue/Green
	008026-01-000	FT	Wire w/Ground - Romex - 12/2

## 1987 WINNEBAGO TABLE OF CONTENTS

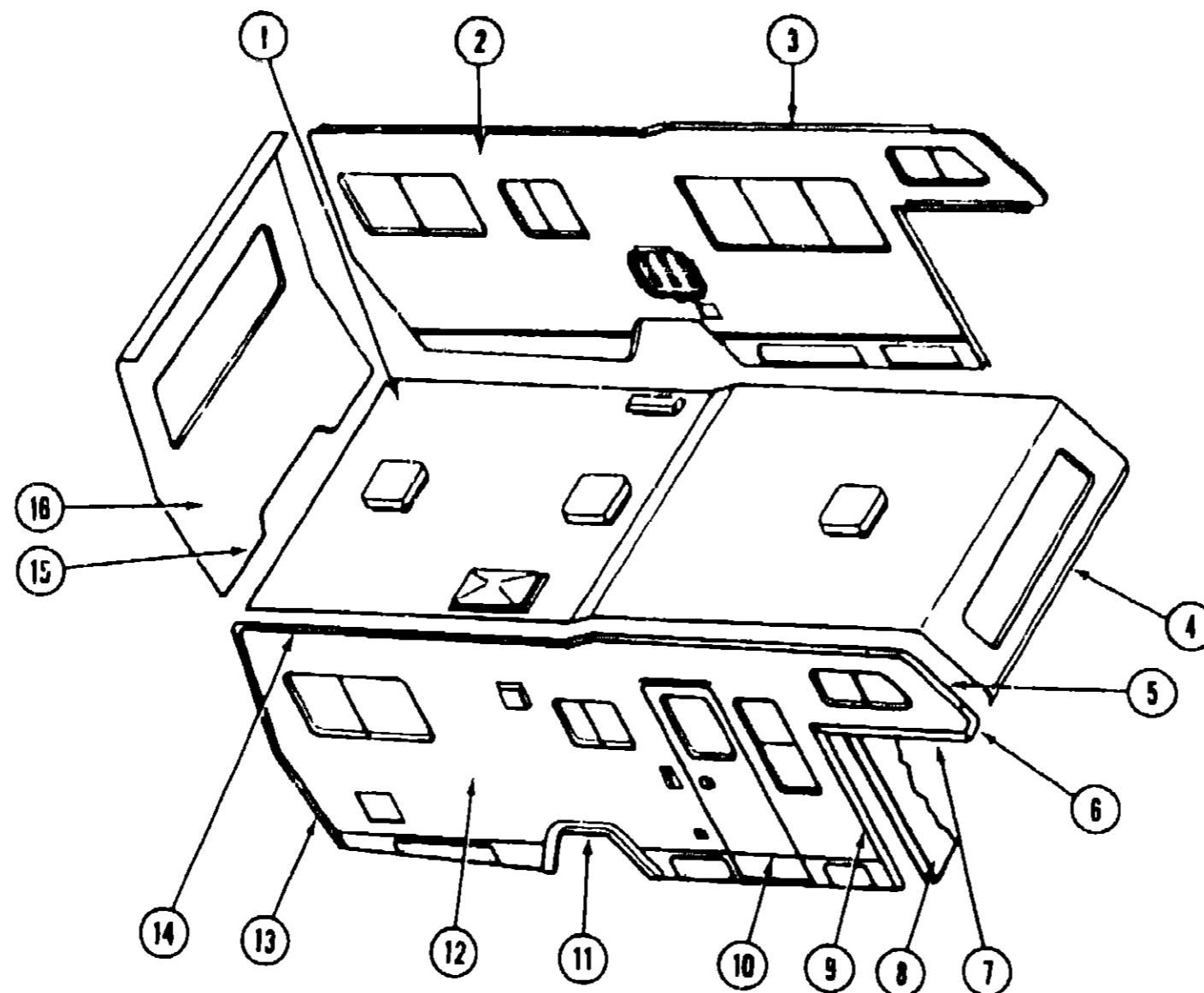
WC420EG	A-01 - B-08
WF426RT	B-07 - D-10
WCN26RH	D-11 - F-14
WCN27RT	F-15 - H-20
WCP26ET	H-21 - K-02

## 1987 WF426RT INDEX

Floor Plan	B-07 - B-08
Accessories Group	B-09 - B-11
Bath Group	B-12 - B-13
Chassis Group	B-14 - B-15
Curtain, Cushion & Pad Group	B-16 - B-24
Dinette Group	C-01
Driver's Compartment Group	C-02
Electrical Group	C-03 - C-04
Exterior Body Group	C-05 - C-10
Galley Group	C-11 - C-13
Heating & Air Conditioning Group	C-14
Interior Finish Group	C-15 - C-17
LP Group	C-18
Lounge Group	C-19 - C-20
Water & Sewage Group	C-21
Window, Vent & Exterior Door Group	C-22 - D-10

# EXTERIOR BODY GROUP

## EXTERIOR BODY PANELS



Key	Part Number	U/M	Description
1	M86674-01-W04	EA	Roof Asm.
•	M76177-01-700	EA	Roof Section - Cab Over To First Seam
2	M86671-01-W04	EA	Sidewall Asm. - Driver
•	M86671-01-W05	EA	Sidewall Asm. - Driver
2	M86671-01-W06	EA	Sidewall Asm. - Driver
3	076802-08-000	EA	Trim - Contour - Upper Front - Driver - Off White
•	076802-07-000	EA	Trim - Contour - Upper Front - Passenger - Off White
4	039644-08-000	EA	Trim - Sleeper Board - Front - Off White
5	085490-01-000	EA	Trim - Contour - Front - Passenger - Off White
•	085490-02-000	EA	Trim - Contour - Front - Driver - Off White
6	086899-01-000	EA	Trim - Front Radius - Passenger - Off White
•	086899-02-000	EA	Trim - Front Radius - Driver - Off White
7	076975-05-000	EA	Trim - Wingwall - Passenger - Off White
•	076975-06-000	EA	Trim - Wingwall - Driver - Off White
8	M81653-03-W04	EA	Wingwall Asm. - Passenger
•	M81653-04-W04	EA	Wingwall Asm. - Driver
9	076975-03-000	EA	Trim - Wingwall Transition - Passenger - Off White
•	076975-04-000	EA	Trim - Wingwall Transition - Driver - Off White
10	002444-01-001	EA	Feature Strip - w/o Insert - Extr. - 14' - Brown
•	009731-01-600	EA	End Cap - Feature Strip

Key	Part Number	U/M	Description
11	075189-01-000	EA	Trim - Wheel Well - Rear Passenger - Off White
•	075189-02-000	EA	Trim - Wheelwell - Rear Driver - Off White
•	080266-06-000	EA	Trim - Wheelwell - Rear Passenger - Extrusion
•	080266-07-000	EA	Trim - Wheelwell - Rear Driver - Extrusion
12	M86673-01-W04	EA	Sidewall Asm. - Passenger
12	M86673-01-W05	EA	Sidewall Asm. - Passenger
12	M86673-01-W06	EA	Sidewall Asm. - Passenger
13	076805-01-000	EA	Trim - Contour - Rear Passenger - Off White
•	076805-02-000	EA	Trim - Contour - Rear Driver - Off White
14	077339-05-000	EA	Trim - Contour - Upper Rear Passenger - Off White
•	077339-06-000	EA	Trim - Contour - Upper Rear Driver - Off White
15	074966-02-000	EA	Trim - Backwall - Lower - Passenger or Driver
16	081651-01-W04	EA	Backwall Asm.
•	002365-01-001	EA	U-Channel - Extrusion - 1" x 18"
•	002776-01-001	EA	U-Channel - Extrusion - 1.75" x 16"
•	077514-04-001	EA	Fiberglass Sheet - 48.08" x 259" - Mesa - Off White
•	077517-04-002	EA	Fiberglass Sheet - 48.08" x 60" - Mesa - Off White
•	001054-01-011	EA	Alum. - No Design - 48" x 96" - Off White
•	000868-01-000	SF	Styrofoam - .75" x 24" x 96"
•	000870-01-000	SF	Styrofoam - 1.5" x 24" x 96"
•	000870-03-000	SF	Styrofoam - 1.34" x 48" x 96"
•			Not illustrated

## 1987 WINNEBAGO TABLE OF CONTENTS

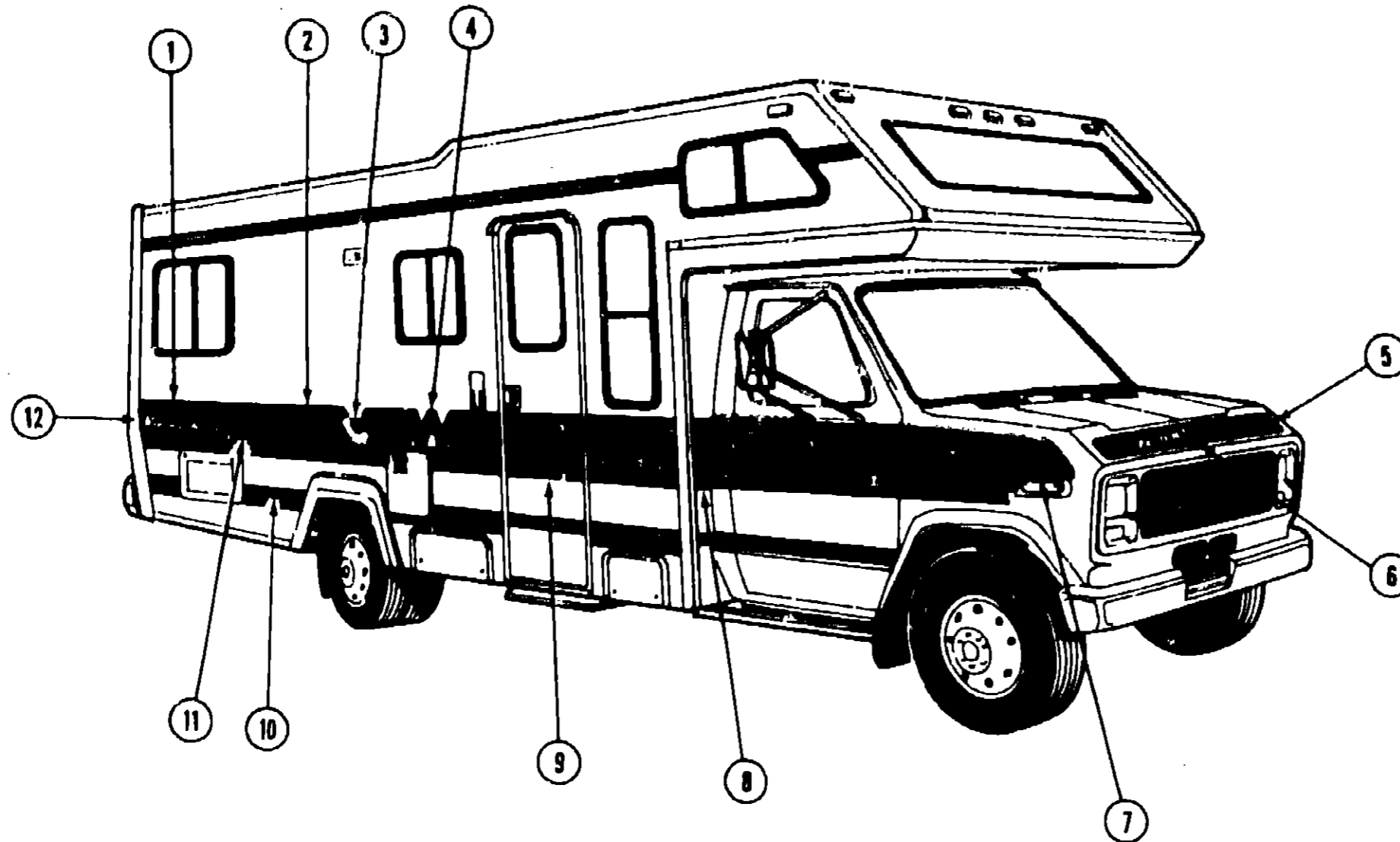
WC420EG	A-01 - B-08
WF426RT	B-07 - D-10
WCN26RH	D-11 - F-14
WCN27RT	F-15 - H-20
WCP26ET	H-21 - K-02

## 1987 WF426RT INDEX

Floor Plan	B-07 - B-08
Accessories Group	B-09 - B-11
Bath Group	B-12 - B-13
Chassis Group	B-14 - B-15
Curtain, Cushion & Pad Group	B-16 - B-24
Dinette Group	C-01
Driver's Compartment Group	C-02
Electrical Group	C-03 - C-04
Exterior Body Group	C-05 - C-10
Galley Group	C-11 - C-13
Heating & Air Conditioning Group	C-14
Interior Finish Group	C-15 - C-17
LP Group	C-18
Lounge Group	C-19 - C-20
Water & Sewage Group	C-21
Window, Vent & Exterior Door Group	C-22 - D-10

## EXTERIOR BODY GROUP (CONTINUED)

### LABELS & DECALS



## 1987 WINNEBAGO TABLE OF CONTENTS

WC420EG  
WF426RT  
WCN26RH  
WCN27RT  
WCP26ET

A-01 - B-06  
B-07 - D-10  
D-11 - F-14  
F-15 - H-20  
H-21 - K-02

## 1987 WF426RT INDEX

Floor Plan	B-07 - B-08
Accessories Group	B-09 - B-11
Bath Group	B-12 - B-13
Chassis Group	B-14 - B-15
Curtain, Cushion & Pad Group	B-16 - B-24
Dinette Group	C-01
Driver's Compartment Group	C-02
Electrical Group	C-03 - C-04
Exterior Body Group	C-05 - C-10
Galley Group	C-11 - C-13
Heating & Air Conditioning Group	C-14
Interior Finish Group	C-15 - C-17
LP Group	C-18
Lounge Group	C-19 - C-20
Water & Sewage Group	C-21
Window, Vent & Exterior Door Group	C-22 - D-10

Key	Part Number	U/M	Description
1	085297-01-000	EA	Decal - Rear - Right - Light Green (W04)
1	085297-03-000	EA	Decal - Rear - Right - Rose (W05)
1	085297-05-000	EA	Decal - Rear - Right - Brown (W06)
*	085297-02-000	EA	Decal - Rear - Left - Light Green (W04)
*	085297-04-000	EA	Decal - Rear - Left - Rose (W05)
*	085297-06-000	EA	Decal - Rear - Left - Brown (W06)
2	078831-21-000	FT	Decal Striping - 1.75" x 150' - Light Green (W04)
2	078831-22-000	FT	Decal Striping - 1.75" x 150' - Rose (W05)
2	078831-23-000	FT	Decal Striping - 1.75" x 150' - Brown (W06)
3	078831-24-000	FT	Decal Striping - 4.85" x 150' - Light Green (W04)
3	078831-25-000	FT	Decal Striping - 4.85" x 150' - Rose (W05)
3	078831-26-000	FT	Decal Striping - 4.85" x 150' - Brown (W06)
4	079351-07-000	EA	Decal - Flying "W" - Light Green (W04)
4	079351-08-000	EA	Decal - Flying "W" - Rose (W05)
4	079351-09-000	EA	Decal - Flying "W" - Brown (W06)
5	081940-04-000	EA	Decal - Hood - Ford - Light Green (W04)
5	081940-05-000	EA	Decal - Hood - Ford - Rose (W05)
5	081940-06-000	EA	Decal - Hood - Ford - Brown (W06)
6	069745-03-000	EA	Decal - "Winnie" - Chrome
*	069745-04-000	EA	Decal - "Bogo" - Chrome
7	085296-01-000	EA	Decal - Cab Side - Right - Ford - Light Green (W04)
7	085296-03-000	EA	Decal - Cab Side - Right - Ford - Rose (W05)
7	085296-05-000	EA	Decal - Cab Side - Right - Ford - Brown (W06)

Key	Part Number	U/M	Description
*	085296-02-000	EA	Decal - Cab Side - Left - Ford - Light Green (W04)
*	085296-04-000	EA	Decal - Cab Side - Left - Ford - Rose (W05)
*	085296-06-000	EA	Decal - Cab Side - Left - Ford - Brown (W06)
8	085329-01-000	EA	Decal - Transition Panel - Right - Light Green (W04)
8	085329-03-000	EA	Decal - Transition Panel - Right - Rose (W05)
*	085329-02-000	EA	Decal - Transition Panel - Right - Brown (W06)
*	085329-05-000	EA	Decal - Transition Panel - Left - Light Green (W04)
*	085329-04-000	EA	Decal - Transition Panel - Left - Rose (W05)
*	085329-06-000	EA	Decal - Transition Panel - Left - Brown (W06)
9	078196-14-000	FT	Film - Multistripe - 4.50" x 150' - Peach (W04, W06)
9	078196-15-000	FT	Film - Multistripe - 4.50" x 150' - Burgundy (W05)
10	085217-D4-000	FT	Film - Multistripe - 2.40" x 150' - Light Green/Peach (W04)
10	085217-D5-000	FT	Film - Multistripe - 2.40" x 150' - Rose/Burgundy (W05)
10	085217-D6-000	FT	Film - Multistripe - 2.40" x 150' - Brown/Peach (W06)
11	085297-07-000	EA	Decal - Rear - Right - Light Green (W04)
11	085297-09-000	EA	Decal - Rear - Right - Rose (W05)
11	085297-11-000	EA	Decal - Rear - Right - Brown (W06)
*	085297-08-000	EA	Decal - Rear - Left - Light Green (W04)
*	085297-10-000	EA	Decal - Rear - Left - Rose (W05)
*	085297-12-000	EA	Decal - Rear - Left - Brown (W06)
12	075478-02-000	EA	Decal - Logo - "Minnie Winnie" - Chrome
*	050313-22-000	EA	Decal - Logo - "Winnebago" 2.80" - Chrome
*			Not illustrated

**EXTERIOR BODY GROUP (CONTINUED)**

**SEALANTS & ADHESIVES**

Key	Part Number	U/M	Description
	004020-01-000	QT	Adhesive - ABS Cement (Plastic Fittings)
	002337-01-000	EA	Adhesive - 1300 Tube - 3M (Windows)
	004005-02-000	GL	Adhesive - Swifts - Glue (Sidewalls)
	053766-07-000	EA	Bedding Compound - Tube - Beige (Exterior)
	053766-08-000	EA	Bedding Compound - Tube - Clear (Window)
	053766-09-000	EA	Bedding Compound - Tube - Gray (Exterior)
	053766-05-000	EA	Bedding Compound - Tube - Gray (Sidewalls to Floor)
	053766-02-000	EA	Bedding Compound - Tube - Off White (Exterior)
	002328-02-000	EA	Block - Rubber Spacer (Windshield)
	004336-01-000	EA	Caulk - Latex - Golden Walnut (Sidewalls)
	077987-01-000	EA	Sealant - Acrylic Latex - Tube - Off White (Interior Sealant)
	034552-04-000	EA	Sealant - Silicone - Beige
	034552-02-000	EA	Sealant - Silicone - Clear
	034552-07-000	EA	Sealant - Silicone - Dark Gray
	034552-06-000	EA	Sealant - Silicone - Off White
	069637-01-000	EA	Sealant - Weatherban 404 - Tube - White (Door Caulk)
	072889-01-000	EA	Sealant - Urethane - Black (Windshield)
	069640-01-000	FT	Sealer Ribbon - .25" Bead x 20'
	069640-02-000	FT	Sealer Ribbon - .5" x .125" x 30'
	069640-03-000	FT	Sealer Ribbon - .75" x .125" x 30'
	069640-04-000	FT	Sealer Ribbon - 2" x .09" x 45' (P Series)
	069640-05-000	FT	Sealer Ribbon - 2.5" x .09" x 50'
	069640-06-000	FT	Sealer Ribbon - 5/16" Bead x 15'
	069640-07-000	FT	Sealer Ribbon - 2" x 3/32" x 30'
	002316-01-000	FT	Sealer Tape - 3/32" x 3/8" - White (Window)
	002707-01-000	FT	Sealer Tape - 5/16" x 3/4"
	002707-02-000	FT	Sealer Tape - 5/16" x 1/2"
	040545-01-000	GL	Sealer - Seam Weld
	053752-04-000	EA	Seam Sealer - Tube - Aluminum (Roof)
	063642-01-000	FT	Tape - Adhesive - .10 mm. x 1.5" Wide
	038886-01-000	EA	Tape - Butyl - .31" x .31" x 148" (Windshield)
	076322-01-000	FT	Tape - Foam - Double Coated - .025 x 1" (Fiberglass Sidewall Seams)
	076322-02-000	FT	Tape - Foam - Double Coated - .045 x 1" (Fiberglass Sidewall Seams)
	009200-01-000	EA	Tape - Furnace - 1.5"
	002825-01-000	FT	Weather Striping (Roof Vent)

**MISCELLANEOUS EXTERNALLY MOUNTED PARTS**

Key	Part Number	U/M	Description
	083558-01-000	EA	Plumbing Seal - Roof Vent - 1.5
	048817-01-000	EA	Assist Handle - w/Light
	048817-01-700	EA	Lens - Assist Handle
	087659-04-000	EA	Fill - City Water - Off White
	081240-03-000	EA	Water Fill - Lockable - White
	078040-01-000	EA	Shroud - Fuel Fill - Upper
	078200-01-000	EA	Gasket - Fuel Fill
	083578-01-000	EA	Boot - Fuel Fill
	079384-05-000	EA	Running Board - Ford - Right
	079384-06-000	EA	Running Board - Ford - Left
	079384-11-000	EA	Hardware Set - Running Board

**EXTERIOR BODY GROUP (CONTINUED)**

**LABELS & EXTERIOR PAINT**

Key	Part Number	U/M	Description
	065748-01-000	EA	Label - Caution - Battery Charging
	066383-01-000	EA	Label - Diesel Fuel
	006195-01-000	EA	Label - Electrical Test
	047731-01-000	EA	Label - Emergency Exit
	006199-01-000	EA	Label - Exit - Escape Window
	057467-04-000	EA	Label - Exterior Loading Limit
	064378-01-000	EA	Label - Flying "W" w/Thermo Panel
	061417-01-000	EA	Label - Fuel
	007207-02-000	EA	Label - Fuel Cap Removal
	006196-01-000	EA	Label - Gas Test
	054531-01-000	EA	Label - LP Gas Only
	073998-01-000	EA	Label - LPG Odor Warning
	040944-01-000	EA	Label - Open - Entrance Door
	006015-01-000	EA	Label - Patent Motor Home
	058259-01-000	EA	Label - Safety Check List
	006064-01-000	EA	Label - Seat - w/o Seat Belts
	006187-01-000	EA	Label - Sewage
	006006-01-000	EA	Label - Thermo Panel - 2 1/4" x 2 1/4"
	075221-01-000	EA	Label - Trailer Hitch Capacity
	088249-01-000	EA	Label - Warning - Electric Step
	075220-01-000	EA	Label - Warning - Exterior Load Limit
	050225-01-000	EA	Label - Warning - Stove Vent - US
	079966-01-000	EA	Label - Warning - Stowed Motion
	006188-01-000	EA	Label - Waste Water
	006197-01-000	EA	Label - Water Test
	072863-01-000	EA	Nameplate - Diesel - 6.2L
	006062-01-000	EA	Tag - Electrical - 110 Volt Connection
	006040-01-000	EA	Tag - Gas - Refueling Warning
	044486-03-000	EA	Paint - Beige Acrylic Enamel - 16 oz. Aerosol (7633A Dupont)
	045681-03-000	EA	Paint - Gloss Black - Acrylic Enamel - 16 oz. Aerosol (99 Dupont)
	058637-05-000	EA	Paint - Gray Acrylic Enamel - 16 oz. Aerosol (71537 Dupont)
	041561-03-000	EA	Paint - Off White Acrylic Enamel - 16 oz. Aerosol (45396A Dupont)
	074559-01-000	EA	Label "LPG" - 3.3" x 1.75" - (Calif. Code)

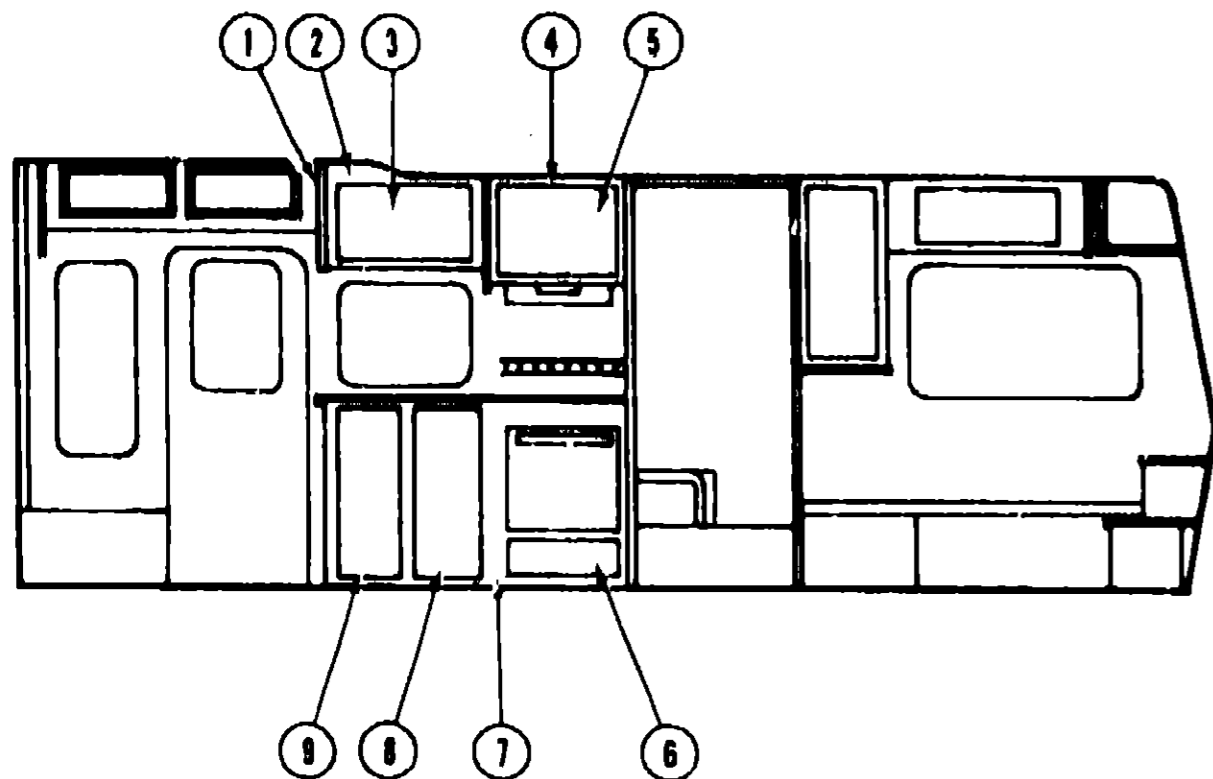
**1987 WINNEBAGO  
TABLE OF CONTENTS**

WC420EG	A-01 - B-08
WF426RT	B-07 - D-10
WCN26RH	D-11 - F-14
WCN27RT	F-15 - H-20
WCP26ET	H-21 - K-02

**1987 WF426RT INDEX**

Floor Plan	B-07 - B-08
Accessories Group	B-09 - B-11
Bath Group	B-12 - B-13
Chassis Group	B-14 - B-15
Curtain, Cushion & Pad Group	B-16 - B-24
Dinette Group	C-01
Driver's Compartment Group	C-02
Electrical Group	C-03 - C-04
Exterior Body Group	C-05 - C-10
Galley Group	C-11 - C-13
Heating & Air Conditioning Group	C-14
Interior Finish Group	C-15 - C-17
LP Group	C-18
Lounge Group	C-19 - C-20
Water & Sewage Group	C-21
Window, Vent & Exterior Door Group	C-22 - D-10

## GALLEY GROUP



GALLEY CABINTRY

Key	Part Number	U/M	Description
1	081280-06-U01	EA	Pad Asm. - End Cap - Galley Overhead - Vinyl
2	083916-01-W04	EA	Cabinet Asm. - Galley Overhead - w/o Doors or Hardware
3	M81523-02-W04	EA	Door Asm. - Galley Overhead - w/o Hardware
†3	M88304-84-W04	EA	Door Asm. - Galley Overhead - w/o Hardware
4	M81581-03-W04	EA	Cabinet Asm. - Galley Overhead - w/o Door or Hardware
*	081280-10-U01	EA	Pad Asm. - End Cap - Microwave Overhead - Vinyl
5	M81523-01-W07	EA	Door Asm. - Galley Overhead - w/o Hardware
†5	M88304-01-W07	EA	Door Asm. - Galley Overhead - w/o Hardware
6	M81507-02-W04	EA	Door Asm. - Galley Cabinet - Furnace - w/o Hardware
†6	M88304-67-W04	EA	Door Asm. - Galley Cabinet - w/o Hardware
7	M83886-01-W04	EA	Cabinet Asm. - Galley - w/o Countertop, Doors, Drawers or Hardware
**	M83886-03-W04	EA	Cabinet Asm. - Galley - w/o Countertop, Doors, Drawers, or Hardware
**	M82184-01-W04	EA	Drawer Asm. - Galley Cabinet - w/o Hardware
*	M02635-01-W04	EA	Countertop Asm. - Galley
8	M81501-03-W04	EA	Door Asm. - Galley Cabinet - w/o Hardware
†8	M88304-14-W10	EA	Door Asm. - Galley Cabinet - w/o Hardware
9	M81501-02-W04	EA	Door Asm. - Galley Cabinet - w/o Hardware
†9	M88304-13-W10	EA	Door Asm. - Galley Cabinet - w/o Hardware
*	077404-01-000	EA	Drawer - Plastic - 20" x 12.7"
*	080612-03-W24	EA	Extension Asm. - Galley Cabinet
*	M88304-A0-W07	EA	Door Asm. - Refrigerator Cabinet
*	080612-03-W04	EA	Extension Asm. - Galley
*			Not illustrated

\*\*Parts used with Microwave Option

†Doors used on units produced after 3/30/87.

## GALLEY GROUP (CONTINUED)

### GALLEY HARDWARE & APPLIANCES

Key	Part Number	U/M	Description
	079352-01-000	EA	Hood - Range - Non-Powered w/Light - Almond
**	079353-01-000	EA	Hood - Range - Powered w/Monitor - Almond - US
	079353-02-000	EA	Hood - Range - Powered w/Monitor - Almond - CBA
	075470-04-000	EA	Duct Extension - Hood Range
	055282-04-000	EA	Range w/Small Oven - 4 Burner - Almond - Magic Chef
	055282-04-700	EA	Panel - Oven Door - Almond
	081374-01-000	EA	Range Top - 4 Burner - Almond
	081374-01-700	EA	Trim - Cab Top - Right
	081374-01-701	EA	Trim - Cab Top - Left
	081374-01-702	EA	Manifold Panel - Black
	081374-01-703	EA	Top Trim - Rear
	081374-01-704	EA	Fabric - Guard
**	084473-02-000	EA	Refrigerator - AC/DC/Gas - Norcold 6' - 778-EG3
	084879-02-000	EA	Refrigerator - AC/DC/Gas - Norcold - 8' - 8683
	084879-01-700	EA	Cooling Unit
	084879-01-701	EA	Gasket - Lower Door
	084879-01-702	EA	Handle - Lower Door
	084879-01-703	EA	Foamed - Cabinet Asm.
	084879-01-704	EA	Liner - Lower Door - Foamed w/Frame
	084879-01-705	EA	Panel Holder - Lower Door
	084880-02-000	EA	Refrigerator - AC/DC/Gas - Norcold - 10' - 8683
	084880-01-700	EA	Cooling Unit
	084880-01-701	EA	Handle - Lower Door
	084880-01-702	EA	Foamed - Cabinet Asm.
	084880-01-703	EA	Liner - Lower Door - Foamed w/Frame
	084880-01-704	EA	Panel Holder - Lower Door
	084880-01-705	EA	Orifice
	084880-01-706	EA	Light Bulb - DC
	084880-01-707	EA	Heater
	084880-01-708	EA	Baffle Asm.
	084880-01-709	EA	Lamp Socket
	084880-01-710	EA	Ignition Electrode
	084880-01-711	EA	Sensor Electrode
	084880-01-712	EA	Control Module
	084880-01-713	EA	Male Connector
	084880-01-714	EA	Burner - No Electrodes
	084880-01-715	EA	Manual Shut Off Valve
	084880-01-716	EA	Burner Tube
	084880-01-717	EA	Control Module
	084880-01-718	EA	Valve - Gas
	084880-01-719	EA	Elbow - Brass
	084880-01-720	EA	Spring - Door Handle
	084880-01-721	EA	Power Supply Cover
	084880-01-722	EA	Cover - Crisper
	084880-01-723	EA	Power Supply Board
	084880-01-724	EA	Bracket - Hinge - Bottom

\*\* The illustrated parts breakdown for this item is provided on the Common Items Fiche.

## 1987 WINNEBAGO TABLE OF CONTENTS

WC420EG	A-01 - B-08
WF426RT	B-07 - D-10
WCN26RH	D-11 - F-14
WCN27RT	F-15 - H-20
WCP26ET	H-21 - K-02

## 1987 WF426RT INDEX

Floor Plan	B-07 - B-08
Accessories Group	B-09 - B-11
Bath Group	B-12 - B-13
Chassis Group	B-14 - B-15
Curtain, Cushion & Pad Group	B-16 - B-24
Dinette Group	C-01
Driver's Compartment Group	C-02
Electrical Group	C-03 - C-04
Exterior Body Group	C-05 - C-10
Galley Group	C-11 - C-13
Heating & Air Conditioning Group	C-14
Interior Finish Group	C-15 - C-17
LP Group	C-18
Lounge Group	C-19 - C-20
Water & Sewage Group	C-21
Window, Vent & Exterior Door Group	C-22 - D-10

# GALLEY GROUP (CONTINUED)

## GALLEY HARDWARE & APPLIANCES (CONT.)

Key	Part Number	U/M	Description
	084880-01-726	EA	Bracket - Hinge - Top
	084880-01-728	EA	Bracket - Center Hinge
	084880-01-727	EA	Gasket - Upper Door
	084880-01-728	EA	Gasket - Lower Door
	084880-01-729	EA	Eyebrow
	084880-01-730	EA	Criaper
	084880-01-731	EA	Pin - Hinge
	084880-01-732	EA	Latch
	084880-01-733	EA	Dairy Keeper
	084880-01-734	EA	Bracket - Hinge Asm. - Right
	084880-01-735	EA	Bracket - Hinge Asm. - Left
	084880-01-736	EA	Light Switch
	084880-01-737	EA	Liner - Foamed - Upper Door - w/Frame
	084880-01-738	EA	Control Bracket Asm.
	084880-01-739	EA	End Cap - Spring Catch
	084880-01-740	EA	End Cap - Stop Catch
	084880-01-741	EA	Switch - Humidity
	084880-01-742	EA	Trim - Lower Seal
	084880-01-743	EA	P/C Board
	084880-01-744	EA	Hinge Pin Shaft - Center Hinge
	084880-01-745	EA	Hinge Bushings
	084880-01-748	EA	Cable
	084880-01-747	EA	Hole Plug
	084880-01-748	EA	Snap In Plug
	084880-01-749	EA	Hinge Bushings
	084880-01-750	EA	Bins - Door Shelf
	084880-01-751	EA	Handle - Upper Door
	084880-01-752	EA	Eyebrow Asm.
	084880-01-753	EA	Thermostat Sensor
	084880-01-754	EA	Shelf - Juice
	054450-01-000	EA	Level - Refrigerator
	081379-01-000	EA	Microwave Oven - Sharp - Convection
	081459-01-000	EA	Bracket Asm. - Microwave - Right
	081459-02-000	EA	Bracket Asm. - Microwave - Left
	081555-01-T03	EA	Trim Ring - Microwave
	081456-01-000	EA	Angle Asm. - Microwave - Right
	081456-02-000	EA	Angle Asm. - Microwave - Left
	082876-01-000	EA	Baffle - Microwave
	088737-01-000	EA	Microwave Oven - Magic Chef - M71-10
	088737-02-000	EA	Frame Kit - Microwave Oven
	075922-04-000	EA	Air Exhaust Duct - Microwave
	068615-01-000	EA	Sink - Stainless Steel - Double w/Bolts
**	011053-01-000	EA	Faucet - Swing Spout - 8" - US
**	011053-02-000	EA	Faucet - Swing Spout - 8" - CSA
**	011053-01-700	EA	Aerator - Swing Spout Faucet
	086437-01-000	EA	Strainer w/Basket - Sink
	081530-01-W07	EA	Sink Cover - Large
	009049-01-000	EA	Support - Drop Leaf Table
	009059-01-000	EA	Hinge - 2" - Gold - Drop Leaf Table
	074490-01-000	EA	Spice Rack - Oak
	074491-01-000	EA	Magazine Rack - Oak
	074981-01-000	EA	Cutting Board - Maple
	058334-01-000	EA	Wastebasket - 9 3/4" x 7" x 10" - White
	058478-01-000	EA	Support - Wastebasket - Metal - Door Mount
	059777-02-000	EA	Hinge - Cabinet Door - Light Brass
	077409-01-000	EA	Slide - Drawer - 20.75" - Plastic
	077404-01-000	EA	Drawer - 20" x 12.70" - Plastic
	066435-01-000	EA	Nut Strainer

\* Parts used on units produced after 5/4/87.

\*\* The illustrated parts breakdown for this item is provided on the Common Items Fiche.

# HEATING & AIR CONDITIONING GROUP

## AUTOMOTIVE HEATER & AIR CONDITIONER

Key	Part Number	U/M	Description
	079373-03-000	EA	A/O - Compressor Mount Package - 480 Gas
	072343-01-000	EA	A/C - Compressor/Clutch - Sankyo 510
	086782-01-000	EA	A/C - Condenser Asm. - "C" - Tube O
	086782-01-700	EA	Coil Condenser
	086781-01-000	EA	A/C - Evaporator Asm. - Cutaway
	079372-02-700	EA	Evaporator Coil
	079372-01-701	EA	Expansion Valve
	079372-01-702	EA	Blower
	079372-01-703	EA	Blower Motor
	079372-01-704	EA	Motor Mount
	079372-01-705	EA	Blower Wheel
	079372-01-706	EA	Hose Assy. #6 - Liquid
	079372-01-707	EA	Hose Assy. #10 - Suction
	072341-01-718	EA	Valve Discharge
	072341-01-704	EA	Valve Section
	079372-01-708	EA	Thermostat
	079372-01-709	EA	Blower Switch
	079372-01-710	EA	Decal - Control Panel
	079372-01-711	EA	Plenum
	079372-01-712	EA	Lower
	079372-01-713	EA	Harness Wiring
	079372-01-714	EA	Switch - Snap Action
	079372-01-715	EA	Power - Jumper
	079372-01-716	EA	Plate - Control
	079372-01-717	EA	Valve - Clamp
	079372-01-718	EA	Lower - Escutcheon
	079372-01-719	EA	Lower - Escutcheon - Assy.
	007108-01-000	FT	Hose - Heater - 5/8" I.D. SAE 20R
	084405-01-000	EA	Rear Heater Asm.
	082401-04-000	EA	Clamp - Worm Drive - .69" - 1.25 I.D.

## FURNACES & ROOF AIR CONDITIONER

Key	Part Number	U/M	Description
	009198-01-000	FT	Duct - Flexible - 4" I.D. x 25'
	058464-01-000	EA	Register - 4" Dia. - Plastic - w/Damper
	058462-02-000	EA	Register - 4" Dia. - Plastic - w/o Damper
	009200-01-000	EA	Tape - Furnace - 1 1/2"
	010326-01-000	EA	Adapter - Flare - w/Cone Gasket
	023146-01-000	EA	Clamp - Screw Type - 4"
**	073743-01-000	EA	Shroud Asm. - Ceiling - Inside - Roof Air Cool Only - 13,500 BTU
**	073744-01-000	EA	Shroud Asm. - Ceiling - Inside - Roof Air Heat & Cool - 13,500 BTU
**	073742-01-000	EA	Air Conditioner - 110 Volt & Roof Mount - 13,500 BTU Rotary
**	078182-03-000	EA	Furnace - 30,000 BTU - w/Electrical Ignition - #90030
**	The illustrated parts breakdown for this item is provided on the Common Items Fiche.		

## 1987 WINNEBAGO TABLE OF CONTENTS

WC420EG	A-01 - B-08
WF426RT	B-07 - D-10
WCN26RH	D-11 - F-14
WCN27RT	F-15 - H-20
WCP26ET	H-21 - K-02

## 1987 WF426RT INDEX

Floor Plan	B-07 - B-08
Accessories Group	B-09 - B-11
Bath Group	B-12 - B-13
Chassis Group	B-14 - B-15
Curtain, Cushion & Pad Group	B-16 - B-24
Dinette Group	C-01
Driver's Compartment Group	C-02
Electrical Group	C-03 - C-04
Exterior Body Group	C-05 - C-10
Galley Group	C-11 - C-13
Heating & Air Conditioning Group	C-14
Interior Finish Group	C-15 - C-17
LP Group	C-18
Lounge Group	C-19 - C-20
Water & Sewage Group	C-21
Window, Vent & Exterior Door Group	C-22 - D-10



**INTERIOR FINISH GROUP**

**INTERIOR MOLDING & TRIM**

Key	Part Number	U/M	Description
	085284-01-000	EA	Batt Strip - Tape Adhesive - Sunset Oak (Cabinets)
	085284-05-000	EA	Batt Strip - Tape Adhesive - Classique Tweed/Sand (Wall)
	089733-82-000	EA	Batt Strip - Pebble Beach - 8' (Ceiling)
	089733-71-000	EA	Batt Strip - Winne - 8' (Galley & Bath)
	082111-01-000	EA	Cover - Roof Break - Champagne
	022992-01-000	FT	Molding - Reverse Cove - White
	022992-08-000	FT	Molding - Reverse Cove - Champagne White
	083620-01-000	FT	T-Molding - 3/4" to Edge Lips
	002774-02-001	EA	Trim - Carpet - 192"
	070504-01-000	EA	U-Channel - .065" - Light Brown
	009778-04-000	EA	U-Channel - 1" - Grady Brown
	041748-01-000	FT	Vinyl - Extr. - Bubble Seal
	009787-06-000	FT	Welling - Belge
	009787-10-000	FT	Welling - Champagne

**PANELING & COUNTERTOP MATERIALS**

Key	Part Number	U/M	Description
	074497-03-000	SF	Paneling - Decor - Sunset Oak - 48" x 84" (28 SF) (Cabinet)
	074497-09-000	SF	Paneling - Decor - Classique Tweed/Sand - 48" x 84" (Wall)
	074498-81-000	SF	Paneling - Decor - Peach - 48" x 84" (28 SF) (Galley & Bath) (W04, W06)
	074498-82-000	SF	Paneling - Decor - Mauve - 48" x 84" (28 SF) (Galley & Bath) (W05)
	074498-89-000	SF	Paneling - Decor - Peach - 48" x 84" (28SF) (Wet Bath) (W04, W06)
	074498-70-000	SF	Paneling - Decor - Mauve - 48" x 84" (28SF) (Wet Bath) (W05)
	074497-07-000	SF	Paneling - Pebble Beach - 48" x 96" (32 SF) (Ceiling)
	074498-21-000	SF	Plastic Laminate - Seafrost (Bath) (W04)
	074498-15-000	SF	Plastic Laminate - Blush (Bath) (W05)
	074498-16-000	SF	Plastic Laminate - Apricot Blush (Bath) (W06)
	074498-13-000	SF	Plastic Laminate - Sand (Galley & Dinette Table)
	074498-05-000	SF	Plastic Laminate - Sunset Oak - 48" x 96" (32SF) (Nightstand)
	074498-05-019	EA	Plastic Laminate - Sunset Oak - 1.19" x 96"
	072325-04-000	FT	Molding - Edge Band - Sunset Oak - 1 15/16" x .030"

**INTERIOR FINISH GROUP (CONTINUED)**

**CURTAIN & CUSHION HARDWARE**

Key	Part Number	U/M	Description
	039175-02-000	EA	Bracket - Curtain Rod - Cafe
	039175-05-000	EA	Bracket - Curtain Rod - Center
	056003-02-000	EA	Bracket - Drapery Retainer - Left
	056003-01-000	EA	Bracket - Drapery Retainer - Right
	084434-01-000	EA	Bracket - Roller Shade - 1 3/8"
	M80906-01-000	EA	Frame Asm. - Seat & Spring
	080730-03-700	EA	Handle Kit - Recliner
	080731-02-000	EA	Hinge - Recliner - Slave
	083170-01-000	EA	Installation Bracket - Blind - Right
	083170-02-000	EA	Installation Bracket - Blind - Left
	039175-01-000	EA	Rod - Cafe Curtain - Extension - 48" x 84"
	048394-02-000	YD	Tape - Hook - .75" x 50 YD - Belge
	048395-02-000	YD	Tape Loop - .75" x 50 YD - Belge
	029090-01-000	FT	Tie - Drapery - Clear Vinyl
	058118-01-000	FT	Track - Curtain - Brown Plastic

**MISCELLANEOUS PARTS**

Key	Part Number	U/M	Description
	053552-02-T03	EA	Handle Asm. - Interior Assist - Medium Almond Vinyl
	041944-03-000	EA	Fire Extinguisher - 5BC
	084472-01-000	EA	Holder - Fire Extinguisher - Plastic
	054185-26-000	EA	Owner's Manual - 1987 Itasca & Winnebago
	086269-01-000	EA	Picture - Decor - Windsor Arts
	081075-01-000	EA	Floor Mat - Entrance - Winnebago - Tan
	007038-01-000	EA	Door Mat - 10 1/2" x 26" - Black
	083219-01-000	EA	Floor Mat - Front - Passenger - Winnebago - Tan
	083219-02-000	EA	Floor Mat - Front - Driver - Winnebago Tan

**1987 WINNEBAGO  
TABLE OF CONTENTS**

WC420EG	A-01 - B-08
WF426RT	B-07 - D-10
WCN26RH	D-11 - F-14
WCN27RT	F-15 - H-20
WCP26ET	H-21 - K-02

**1987 WF426RT INDEX**

Floor Plan	B-07 - B-08
Accessories Group	B-09 - B-11
Bath Group	B-12 - B-13
Chassis Group	B-14 - B-15
Curtain, Cushion & Pad Group	B-16 - B-24
Dinette Group	C-01
Driver's Compartment Group	C-02
Electrical Group	C-03 - C-04
Exterior Body Group	C-05 - C-10
Galley Group	C-11 - C-15
Heating & Air Conditioning Group	C-14
Interior Finish Group	C-15 - C-17
LP Group	C-18
Lounge Group	C-19 - C-20
Water & Sewage Group	C-21
Window, Vent & Exterior Door Group	C-22 - D-10

## INTERIOR FINISH GROUP (CONTINUED)

### CABINETS & TABLE HARDWARE

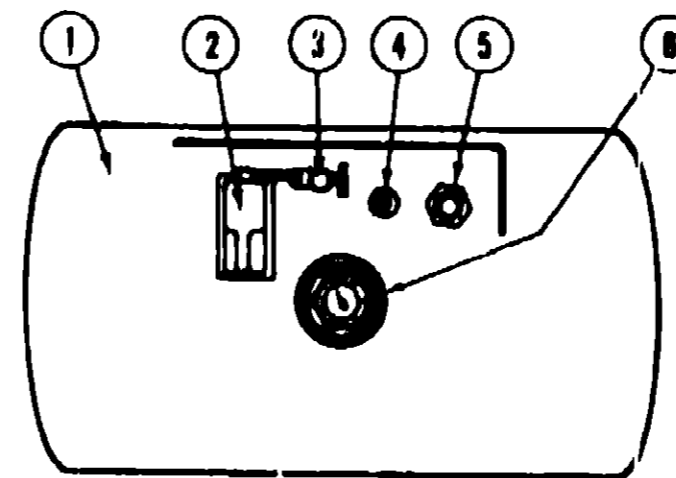
Key	Part Number	U/M	Description
	053200-05-000	EA	Bracket - Upper Wall Mount - 23.5"
	024281-07-000	EA	Bracket - Lower Wall Mount - 22.12"
	024276-14-000	EA	Leg Asm. - Table - 26.5"
	064050-01-000	EA	Hinge - Table Leg
	024282-01-000	EA	Brace - Table Leg
	049493-05-000	EA	Catch - Table Leg - Mounts on Floor
	009112-01-000	EA	Flange - 1" - Chrome - Closet Rod
	077409-01-000	EA	Slide - Drawer - Plastic - 20.75"
	064466-02-000	EA	Slide Asm. - Drawer - Right
	064466-03-000	EA	Slide Asm. - Drawer - Left
	064466-04-000	EA	Slide Asm. - Cabinet - Right
	064466-05-000	EA	Slide Asm. - Cabinet - Left
	009049-01-000	EA	Table Support - Drop Leaf
	009059-01-000	EA	Hinge - 2" - Drop Leaf Table - Gold
	076312-01-000	EA	Mesh - Grille - 13.80" x 8.80" - Gold Aluminum
	009021-01-000	EA	Catch - Nylon - Furnace Door
	009021-02-000	EA	Strike - Nylon Catch - Furnace Door
	074493-02-000	EA	Support - Sprung - Door
	058034-02-000	EA	Latch - Door w/o Lock - Sliding Door
	075680-01-000	EA	Clothes Rod - Adjustable - 27" x 36"
	064487-01-000	EA	Guide - Wall Mount - Door Pocket
	066263-01-000	EA	Pull - Brass - Polished
	075987-02-000	EA	Knob - Bath Door
	059777-02-000	EA	Hinge - Light Brass
	009016-01-000	EA	Catch - Elbow - Spring Loaded
	064451-01-000	EA	Catch - TV Shelf - Brass
	077461-01-000	EA	Cover - Strike

### FABRICS & CARPETS

Key	Part Number	U/M	Description
	077498-91-000	YD	Fabric w/Pattern - Upholstery - Bluejade (W04)
	077498-92-000	YD	Fabric w/Pattern - Upholstery - Mauve Dust (W05)
	077498-93-000	YD	Fabric w/Pattern - Upholstery - Alabaster (W06)
	077498-A6-000	YD	Fabric w/Pattern - Upholstery Accent - Claret (W04)
	077498-A5-000	YD	Fabric w/Pattern - Upholstery Accent - Bluejade (W05)
	077498-A7-000	YD	Fabric w/Pattern - Upholstery Accent - Ash (W06)
	077498-95-000	YD	Fabric - Upholstery Accent - Plain - Teal (W04)
	074498-61-000	YD	Fabric - Upholstery Accent - Plain - Old Rose (W05)
	077498-96-000	YD	Fabric - Upholstery Accent - Plain - Sand (W05)
	072333-39-000	YD	Fabric - Drapery - Mist (W04)
	072333-41-000	YD	Fabric - Drapery - Aquamarine (W04)
	072333-37-000	YD	Fabric - Drapery - Mauve (W05)
	072333-38-000	YD	Fabric - Drapery - Melba (W06)
	072333-34-000	YD	Fabric - Drapery - Bedroom - Green (W04)
	072333-35-000	YD	Fabric - Drapery - Bedroom - Plum (W05)
	072333-36-000	YD	Fabric - Drapery - Bedroom - Cocoa (W06)
	069729-47-000	YD	Fabric - Bedspread - Blue (W04)
	069729-48-000	YD	Fabric - Bedspread - Mauve (W05)
	069729-49-000	YD	Fabric - Bedspread - Mocha (W05)
	038421-04-000	YD	Fabric - Mattress Tickling
	064416-10-000	YD	Fabric - Linen - Pull Shade
	064415-12-000	YD	Trim Braid - Pull Shade - Green (W04)
	064415-13-000	YD	Trim Braid - Pull Shade - Mauve (W05)
	064415-14-000	YD	Trim Braid - Pull Shade - Peach (W06)
	052859-01-T03	FT	Trim Asm. - Accent - Sandrift
	052859-05-T03	FT	Trim Asm. - Accent - Buckskin
	079280-01-000	YD	Vinyl - Expanded - 26 oz. - Buckskin
	079280-02-000	YD	Vinyl - Expanded - 26 oz. - Sandrift
	072860-58-000	YD	Carpet - Champagne (W04)
	072860-56-000	YD	Carpet - Mist (W05)
	072860-57-000	YD	Carpet - French Court (W06)

Parts used on units produced after 2/1/87.

## LP GROUP



Key	Part Number	U/M	Description
	1 061837-01-000	EA	Tank Asm. - LP - 68 Pound - 14" x 32"
	1 080460-01-000	EA	Tank Asm. - LP - Frame Mount - 42 Pound - 13" x 24"
	065741-01-000	EA	Detector - LP Gas Leak - Marshalltown Instruments
	2 076277-01-000	EA	Cover - LP Regulator - Front (Dual)
	076278-01-000	EA	Cover - LP Regulator - Back (Dual)
	076301-01-000	EA	Regulator - Two Stage - US (Dual)
	076301-02-000	EA	Regulator - Two Stage - CSA (Dual)
	3 040421-01-703	EA	Valve - Vapor Relief
	4 040421-01-700	EA	Gauge - Liquid Level - 20% LP
	5 040421-01-701	EA	Valve - Filler - LP
	040421-01-702	EA	Cap - Plastic Fill Valve
	6 040421-01-707	EA	Gauge - Float - w/Visible Dial
	040421-01-706	EA	Dial - Visible Face - Float Gauge (Tank w/o Electric Transmitter)
	040440-01-000	EA	Dial - Transmitter - 0 - 90 Ohm (Float Gauge)
	045703-01-000	EA	Hose Asm. - LP - 3/8" I.D. x 24" - US
	045703-02-000	EA	Hose Asm. - LP - 3/8" I.D. x 24" - CSA
	045703-03-000	EA	Hose Asm. - LP - 3/8" I.D. x 18" - US
	045703-04-000	EA	Hose Asm. - LP - 3/8" I.D. x 14" - CSA
	065959-01-000	EA	Housing - LP Gauge
	065742-01-000	EA	Tee - .38 F x .39 F x .25 FPT
	068046-01-000	EA	Conversion Kit - LP - Onan Generator
			Not illustrated

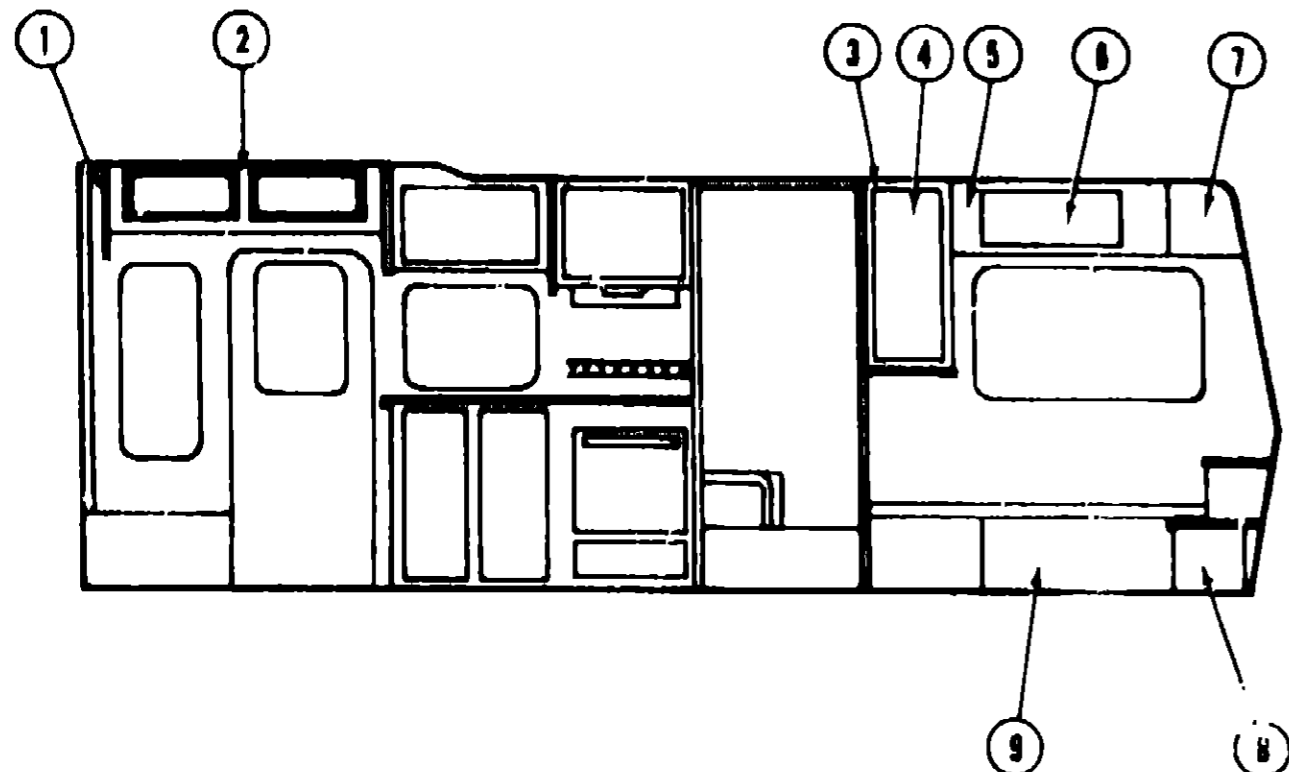
## 1987 WINNEBAGO TABLE OF CONTENTS

WC420EG	A-01 - B-06
WF420RT	B-07 - D-10
WCN26RH	D-11 - F-14
WCN27RT	F-15 - H-20
WCP26ET	H-21 - K-02

## 1987 WF420RT INDEX

Floor Plan	B-07 - B-08
Accessories Group	B-09 - B-11
Bath Group	B-12 - B-13
Chassis Group	B-14 - B-15
Curtain, Cushion & Pad Group	B-18 - B-24
Dinette Group	C-01
Driver's Compartment Group	C-02
Electrical Group	C-03 - C-04
Exterior Body Group	C-05 - C-10
Galley Group	C-11 - C-13
Heating & Air Conditioning Group	C-14
Interior Finish Group	C-15 - C-17
LP Group	C-18
Lounge Group	C-19 - C-20
Water & Sewage Group	C-21
Window, Vent & Exterior Door Group	C-22 - D-10

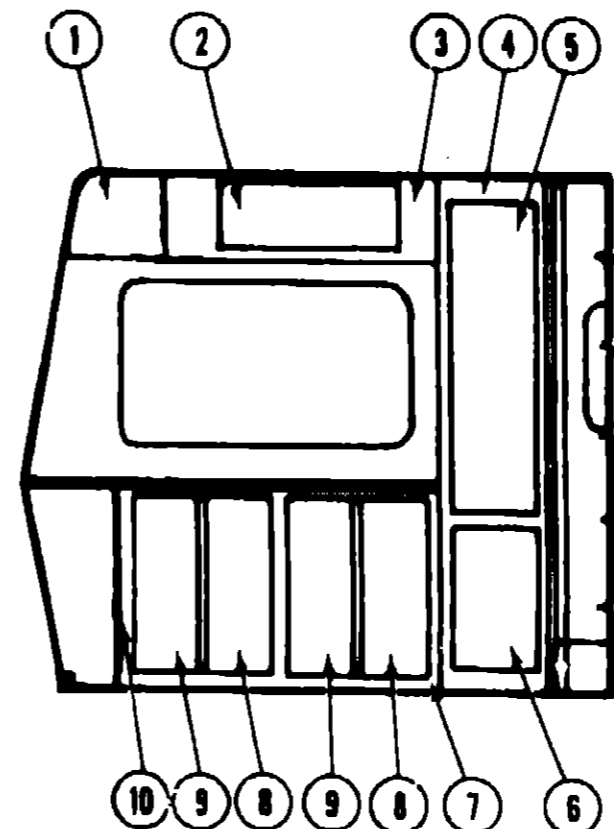
**LOUNGE GROUP**



**LOUNGE CABINETRY W/TWIN BED**

Key	Part Number	U/M	Description
1	081280-17-U01	EA	Pad Asm. - End Cap - Entrance Overhead - Vinyl
2	083933-01-W04	EA	Cabinet Asm. - Entrance
*	077663-04-U01	EA	Cup Holder - Entrance Overhead
3	083948-01-W04	EA	Cabinet Asm. - Right Shirt Closet - w/o Door or Hardware
*	083949-01-W04	EA	Cabinet Asm. - Left Shirt Closet - w/o Door or Hardware
4	M81501-03-W04	EA	Door Asm. - Shirt Closet - w/o Hardware
†4	M88304-82-W04	EA	Door Asm. - Shirt Closet - w/o Hardware
*	081280-13-U01	EA	Pad Asm. - End Cap - Right Shirt Closet - Vinyl
*	081280-16-U01	EA	Pad Asm. - End Cap - Left Shirt Closet - Vinyl
5	083931-01-W04	EA	Cabinet Asm. - Right Rear Overhead - w/o Door or Hardware
*	083930-01-W04	EA	Cabinet Asm. - Left Rear Overhead - w/o Door or Hardware
6	M81503-02-W04	EA	Door Asm. - Rear Overheads - w/o Hardware
†6	M88304-66-W04	EA	Door Asm. - Rear Overheads - w/o Hardware
7	M83932-01-W04	EA	Cabinet Asm. - Rear Overhead - w/o Door or Hardware
8	M83903-01-W04	EA	Cabinet Asm. - Nightstand - w/o Doors, Countertop or Hardware
*	M81501-93-W07	EA	Door Asm. - Nightstand - w/o Hardware
†	M88304-02-W10	EA	Door Asm. - Nightstand - w/o Hardware
*	M02670-01-U01	EA	Countertop Asm. - Nightstand - Top
*	M02671-01-U01	EA	Countertop Asm. - Nightstand - Bottom
9	M83901-01-W04	EA	Cabinet Asm. - Twin Bed - Right
*	M83900-01-W04	EA	Cabinet Asm. - Twin Bed - Left
*	M81501-10-W04	EA	Door Asm. - Twin Bed Cabinet - Rear
†	M88304-21-W10	EA	Door Asm. - Twin Bed Cabinet - Rear
*	M81501-11-W07	EA	Door Asm. - Twin Bed Cabinet - Front
†	M88304-73-W04	EA	Door Asm. - Twin Bed Cabinet - Front
*			Not illustrated
†	Doors used on units produced after 3/30/87.		

**LOUNGE GROUP (CONTINUED)**



**DOUBLE BED OPTION**

Key	Part Number	U/M	Description
1	M83932-01-W04	EA	Cabinet Asm. - Rear Overhead - w/o Door or Hardware
2	M81503-02-W04	EA	Door Asm. - Rear Overheads - w/o Hardware
†2	M88304-66-W04	EA	Door Asm. - Rear Overheads - w/o Hardware
3	M83930-01-W04	EA	Cabinet Asm. - Left Rear Overhead - w/o Doors or Hardware
4	M83977-01-W04	EA	Cabinet Asm. - Wardrobe - w/o Doors or Hardware
5	M81501-95-W04	EA	Door Asm. - Wardrobe Cabinet - w/o Hardware
†5	M88304-09-W04	EA	Door Asm. - Wardrobe Cabinet - w/o Hardware
6	M81501-94-W04	EA	Door Asm. - Wardrobe Cabinet - w/o Hardware
†6	M88304-52-W10	EA	Door Asm. - Wardrobe Cabinet - w/o Hardware
7	M83946-01-W04	EA	Cabinet Asm. - Vanity - w/o Doors or Hardware
*	M02667-01-U01	EA	Countertop Asm. - Vanity
8	M81502-07-W07	EA	Door Asm. - Vanity Cabinet - w/o Hardware
†8	M88304-72-W04	EA	Door Asm. - Vanity Cabinet - w/o Hardware
9	M81502-08-W07	EA	Door Asm. - Vanity Cabinet - w/o Hardware
†9	M88304-71-W04	EA	Door Asm. - Vanity Cabinet - w/o Hardware
10	M81501-97-W07	EA	Door Asm. - Vanity Cabinet - w/o Hardware
†10	M88304-98-W04	EA	Door Asm. - Vanity Cabinet - w/o Hardware
*	M81501-11-W07	EA	Door Asm. - Double Bed Cabinet - w/o Hardware
†	M88304-73-W04	EA	Door Asm. - Double Bed Cabinet - w/o Hardware
*			Not illustrated
†	Doors used on units produced after 3/30/87.		

**1987 WINNEBAGO  
TABLE OF CONTENTS**

WC420EG	A-01 - B-06
WF426RT	B-07 - D-10
WCN26RH	D-11 - F-14
WCN27RT	F-15 - H-20
WCP26ET	H-21 - K-02

**1987 WF426RT INDEX**

Floor Plan	B-07 - B-08
Accessories Group	B-09 - B-11
Bath Group	B-12 - B-13
Chassis Group	B-14 - B-15
Curtain, Cushion & Pad Group	B-16 - B-24
Dinette Group	C-01
Driver's Compartment Group	C-02
Electrical Group	C-03 - C-04
Exterior Body Group	C-05 - C-10
Galley Group	C-11 - C-13
Heating & Air Conditioning Group	C-14
Interior Finish Group	C-15 - C-17
LP Group	C-18
Lounge Group	C-19 - C-20
Water & Sewage Group	C-21
Window, Vent & Exterior Door Group	C-22 - D-10

## WATER & SEWAGE GROUP

### HOLDING TANKS & WATER HEATER

Key	Part Number	U/M	Description
	045195-01-000	EA	Tank - Water - 30 Gallon
	045195-02-000	EA	Tank Asm. - Water - 35 Gallon - w/o Fittings
	083041-01-000	EA	Tank - Holding - 30 Gallon - w/o Fittings - Waste Water
	075298-01-000	EA	Tank - Holding - 37 Gallon - w/o Fittings - Sewage
**	051391-01-000	EA	Water Heater - w/o Motor Aid - Atwood - G6A-3
**	051391-03-000	EA	Water Heater - w/Motor Aid - Atwood - G6A-3E
**	051393-01-000	EA	Water Heater - w/Motor Aid - Direct Ignition - Atwood - GH6-3E

\*\* The illustrated parts breakdown for this item is provided on the Common Items Fiche.

### PLUMBING & REPAIR PARTS

Key	Part Number	U/M	Description
	062422-01-000	EA	Adapter - Hose Offset - Reducer - 3" x 1 1/2"
	052954-01-000	EA	Adapter - Hose Cone - 3/8 or 1/2 - Plastic
	004020-01-000	QT	Adhesive - ABS Cement
**	010121-01-000	EA	Bushing - Plastic - 1 1/2 S x 1 1/4 H
	062415-01-000	EA	Cap - Sewer - 3"
	052959-03-000	EA	Connector - 1/2 F x 3/8 MPT - Plastic
	011091-02-000	EA	Continuous Waste - Double Sink - 11 7/8" - US
	078408-01-000	EA	Coupler Rubber - 3" x 3"
	052960-01-000	EA	Drain Valve - 1/2 F x 1/2 F - Plastic
	010006-01-000	EA	Elbow - Plastic - 1/8 BD x 1 1/2 x 45° H x H
	010008-01-000	EA	Elbow - Plastic - 1/4 BD x 1 1/2 x 90° Left
	010051-01-000	EA	Elbow - ST - Plastic - 1/8 BD x 1 1/2 x 45°
	010219-01-000	EA	Elbow - 1 1/4 Barb x 1 1/4 MPT x 90°
	031111-01-000	EA	Elbow - Plastic - 1/4 BD x 1 1/4 x 90° Left
	034250-01-000	EA	Elbow - Plastic - 1/4 BD x 1 1/2 x 90° x H x H
	035539-01-000	EA	Elbow - Plastic - 3/8 MPT x 3/8 Barb
	052957-01-000	EA	Elbow - Plastic - 1/2 F x 3/8 MPT
	052957-02-000	EA	Elbow - Plastic - 1/2 F x 1/2 MPT (In Tank Filter)
	065120-01-000	EA	Elbow - Plastic - Swivel - .50
	077954-02-000	EA	Filter/Screen (In Water Tank)
	087200-01-000	EA	Filter - Water Purification
	087200-02-000	EA	Cartridge - Water Purification
	010147-01-000	EA	Flange - Closet - 4" F x 3" FPT - US
	079381-01-000	FT	Flexible Tubing - 1 1/4 I.D. x 10'
	061607-01-000	EA	Grommet - Holding Tank Coupler - 1 1/2"
	061607-02-000	EA	Grommet - Holding Tank Coupler - 3"
	052953-01-000	EA	Nut - Faucet - 1/2 Tube x 1/2 FPT
	052952-01-000	EA	Nut - 1/2 F - Plastic
**	011066-03-000	EA	P-Trap - 1 1/4" Plastic - US
	010197-01-000	FT	Pipe - Plastic - 3" x 240" - Black
	045729-01-000	EA	Pump - Water - 2.8 G.P.M. - Direct Drive - Shurflo - US
**	010201-01-000	EA	Sewer Hose - 3" x 8' w/Clamp
	042989-03-000	EA	Splweld Fittings - Plastic - 1/4 NPT
	042989-05-000	EA	Splweld Fittings - Plastic - 1/2 FPT
	011069-02-000	EA	Tailpiece - 1 1/2" x 1 1/4" x 4" - Brass
**	010079-01-000	EA	Tee - Plastic - 1 1/2 H x 1 1/2 H x 1 1/4 H
	052955-01-000	EA	Tee - Plastic - 1/2 F x 1/2 F x 1/2 MPT
	052956-01-000	EA	Tee - Plastic - 1/2 F x 1/2 MPT x 1/2 F
	052958-01-000	EA	Tee - Plastic - 1/2 F x 1/2 F x 1/2 F
	039800-01-000	FT	Tubing - Polybutyl - 1/2 O.D. (Water Line)
	074452-02-000	FT	Tubing - Vinyl - 3/8 I.D.
	062418-01-000	EA	Valve - 1 1/2" - w/Handle
	062418-02-000	EA	Valve - 3" - w/o Handle
	052960-01-000	EA	Valve - Line Drain - 1/2 F x 1/2 F
	010073-01-000	EA	Wye - Plastic - 1 1/2 x 45 H x H

\*\* The illustrated parts breakdown for this item is provided on the Common Items Fiche.

## WINDOW, VENTS & EXTERIOR DOOR GROUP

### ACCESS DOORS

Key	Part Number	U/M	Description
	079455-07-U01	EA	Door Asm. - Storage - 9.5" x 30"
	079455-01-T95	EA	Door Asm. - Storage - 9.5" x 17"
	081787-01-U01	EA	Door Asm. - Storage
	M79321-01-T03	EA	Door Asm. - Generator
	079455-08-U01	EA	Door Asm. - LP - 9.5" x 21.7"
	079149-01-T03	EA	Door Asm. - Luggage - Off White
	078969-02-T95	EA	Door Asm. - Refrigerator Access - w/Twist Lock - Off White
	084104-03-000	EA	Door Asm. - Refrigerator Access - Off White
	052009-01-000	EA	Door Asm. - Water Heater - Off White
	052423-01-000	EA	Door Asm. - Sewage
	078010-03-000	EA	Door - Fuel Fill - Off White
	083742-01-000	EA	Door - Power Cord - Off White
	052424-01-000	EA	Jamb - Power Cord/Fuel Fill Door - Off White
	054543-01-000	EA	Hatch - Power Cord Door
	052181-01-000	EA	Baffle - Generator Door
	M02054-01-T03	EA	Jamb Asm. - Generator Door - Off White
	083615-06-000	EA	Door Stop - Plastic - Off White
	079368-01-000	FT	Seal - Access Door
	041312-01-000	EA	Seal - Bulb - "E" Section
	042442-01-000	EA	Lock Asm. - Twist Type
	047305-01-000	EA	Lock Asm. - Key Type w/Clip - Metal (LP)
	079368-03-000	EA	Lock Asm. - Key Type
	079366-04-000	EA	Lock Asm. - Key Type
	079927-03-000	EA	Lock Asm. - Twist Type
	042441-01-000	EA	Lock Asm. - Key Type
	052950-01-700	EA	Lock Asm. - Twist Type - White

\* Part used after 11/17/86.

### VENTS

Key	Part Number	U/M	Description
	083558-01-000	EA	Roof Vent - Pipe Cover
	084073-03-000	EA	Roof Vent - Refrigerator - Off White
	084073-04-000	EA	Base - Roof Vent - Refrigerator - Black
**	048835-01-000	EA	Vent Asm. - Roof - Non-Powered - w/o Screen - Aluminum
**	048789-01-000	EA	Vent Asm. - Roof - Powered - w/o Screen - Aluminum
	064469-02-000	EA	Vent Asm. - Roof - Powered - w/o Screen - 14" x 14" - CSA
	078785-01-T03	EA	Screen Asm. - Roof Vent - Powered
	078786-01-T03	EA	Screen Asm. - Roof Vent - Non-Powered
	080508-01-000	EA	Panci - Skylight - Inner
	080507-01-000	EA	Panel - Skylight - Outer
	084616-01-000	EA	Shroud - Vent - Range Hood
	084878-01-000	EA	Vent - Hood Range - Sidewall

\*\* The illustrated parts breakdown for this item is provided on the Common Items Fiche.

## 1987 WINNEBAGO TABLE OF CONTENTS

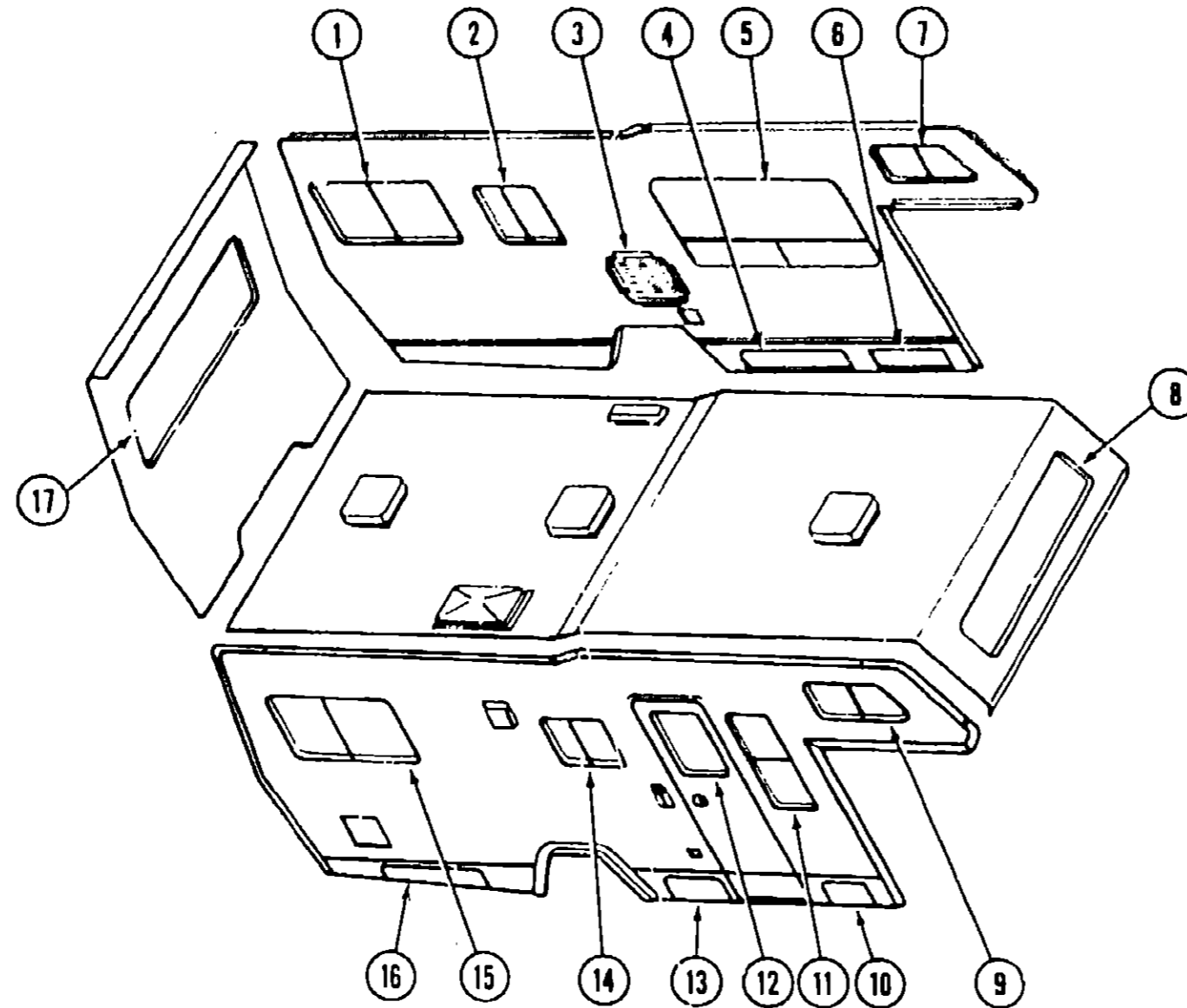
WC420EG	A-01 - B-08
WF426RT	B-07 - D-10
WCN26NH	D-11 - F-14
WCN27RT	F-15 - H-20
WCP26ET	H-21 - K-02

## 1987 WF426RT INDEX

Floor Plan	B-07 - B-08
Accessories Group	B-09 - B-11
Bath Group	B-12 - B-13
Chassis Group	B-14 - B-15
Curtain, Cushion & Pad Group	B-16 - B-24
Dinette Group	C-01
Driver's Compartment Group	C-02
Electrical Group	C-03 - C-04
Exterior Body Group	C-05 - C-10
Galley Group	C-11 - C-13
Heating & Air Conditioning Group	C-14
Interior Finish Group	C-15 - C-17
LP Group	C-18
Lounge Group	C-19 - C-20
Water & Sewage Group	C-21
Window, Vent & Exterior Door Group	C-22 - D-10

# WINDOW, VENT & EXTERIOR DOOR GROUP (CONTINUED)

## WINDOWS & ACCESS DOORS



Key	Part Number	U/M	Description
1	078266-06-T03	EA	Window Asm. - Single Slider - Left
2	078266-03-T03	EA	Window Asm. - Single Slider
3	078969-02-T95	EA	Door Asm. - Refrigerator Access
†3	084104-03-000	EA	Door Asm. - Refrigerator Acces.
4	079455-07-U01	EA	Door Asm. - Storage
5	085354-02-W07	EA	Window Asm. - Double
6	079149-01-T03	EA	Door Asm. - Luggage
6	080284-01-000	EA	Door Asm. - Generator
7	086227-02-000	EA	Window Asm. - Bunk - Slant Slider - Left
8	078533-01-T03	EA	Window Asm. - Front Picture

Key	Part Number	U/M	Description
9	086227-01-000	EA	Window Asm. - Bunk - Slant Slider - Right
10	079455-01-T95	EA	Door Asm. - Storage
11	078453-01-T03	EA	Window Asm. - Vertical Slider
12	079733-04-T03	EA	Window Asm. - Picture
13	079455-08-U01	EA	Door Asm. - LP
14	078266-02-T03	EA	Window Asm. - Single Slider
15	078266-05-T03	EA	Window Asm. - Single Slider - Right
16	081787-01-U01	EA	Door Asm. - Storage
17	078536-01-T03	EA	Window Asm. - Rear Escape
†			Doors used on units produced after 11/17/86.

## 1987 WINNEBAGO TABLE OF CONTENTS

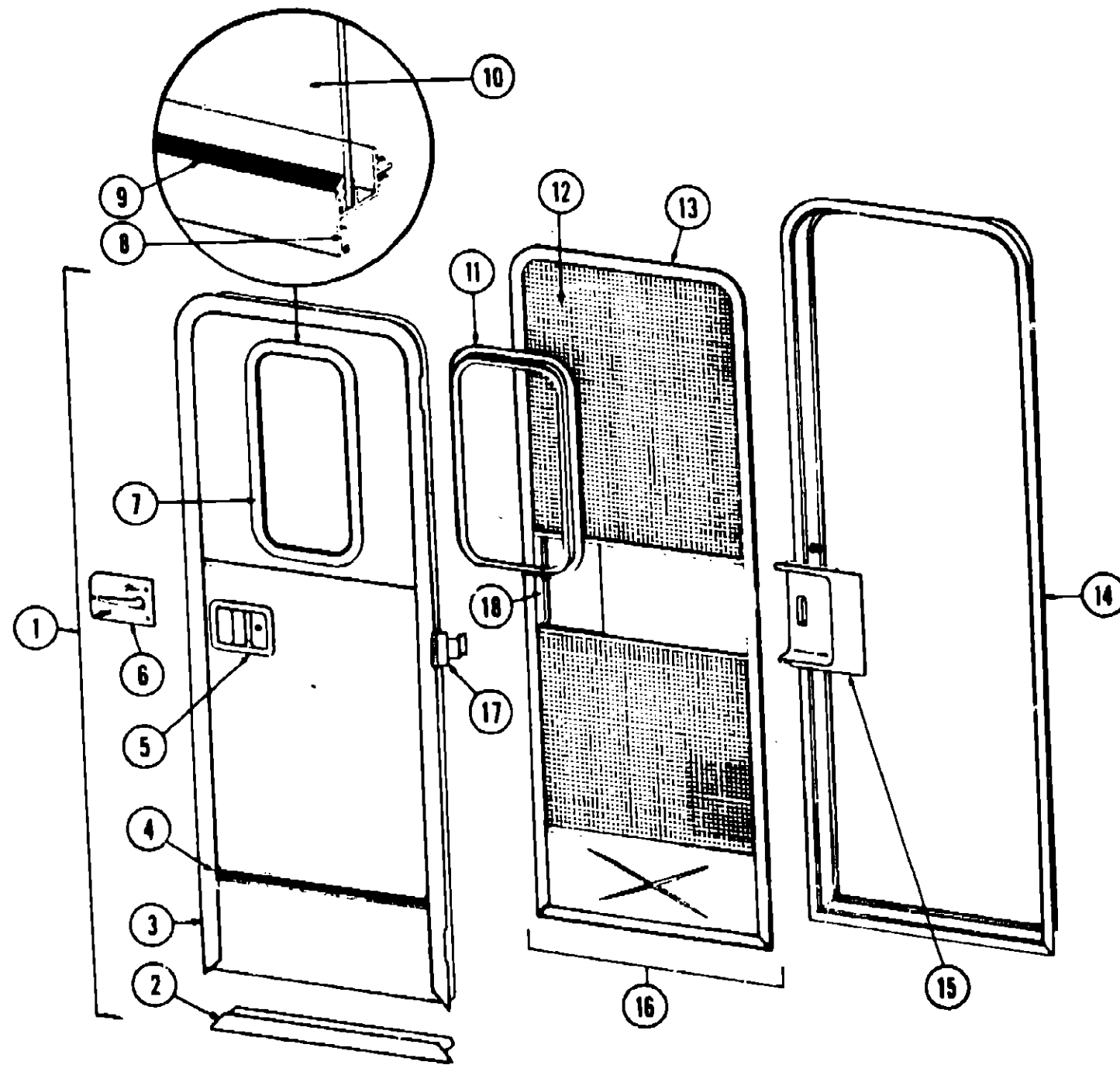
WC420EG	A-01 - B-08
WF426RT	B-07 - D-10
WCN26RH	D-11 - F-14
WCN27RT	F-15 - I-20
WCP26ET	H-21 - K-02

## 1987 WF426RT INDEX

Floor Plan	B-07 - B-08
Accessories Group	B-09 - B-11
Bath Group	B-12 - B-13
Chassis Group	B-14 - B-15
Curtain, Cushion & Pad Group	B-16 - B-24
Dinette Group	C-01
Driver's Compartment Group	C-02
Electrical Group	C-03 - C-04
Exterior Body Group	C-05 - C-10
Galley Group	C-11 - C-13
Heating & Air Conditioning Group	C-14
Interior Finish Group	C-15 - C-17
LP Group	C-18
Lounge Group	C-19 - C-20
Water & Sewage Group	C-21
Window, Vent & Exterior Door Group	C-22 - D-10

# WINDOW, VENT & EXTERIOR DOOR GROUP (CONTINUED)

## ENTRANCE & SCREEN DOOR



Key	Part Number	U/M	Description
1	M01870-02-VW54	EA	Door Asm. - Radius Entry w/Screen Door
2	077998-01-000	EA	Frame - Entry Door (Bottom Portion Only)
3	078000-02-000	EA	Frame - Entry Door (Except Bottom Portion)
4	059576-03-000	EA	Feature Strip w/o Insert - Extr. - 14" - Brown
	001030-02-003	EA	Insert - Feature Strip - 17" - Stucco - Off White
	009731-01-000	EA	End Cap - Feature Strip
5	045107-05-000	EA	Paddle Asm. - Door Lock - Exterior
	045017-05-700	EA	Lock Cylinder w/Keys - Lynor
	039539-01-000	EA	Striker Bolt - Entry Door
	039540-01-000	EA	Latch Claw - Entry Door
	039738-01-000	EA	Dead Bolt - Entry Door
	083205-01-000	EA	Dead Bolt - Press Fit
6	039979-01-000	EA	Plate - Inside Lock - Includes Inside Handle
	052186-01-000	EA	Lock Asm. - Complete - Lynor
7	079733-04-T03	EA	Window Asm. - Picture - 17" x 25" - Black (w/o inside frame)
8	069640-06-000	FT	Ribbon Sealer - 5/16" Bead x 15'
9	002309-02-000	FT	Spline - Glass - 1/8" Black
10	073113-01-000	EA	Glass - Picture Window - 1/8" x 16.25" x 24" - Gray
11	069609-03-000	EA	Inside Frame - Beige (not included in assembly)
12	062293-02-000	SF	Screen - Window - 26" - Charcoal
13	056795-02-000	FT	Seal Tape - 1/8" x 3/8" - Press On
14	078591-03-000	EA	Jamb Asm. - Entrance Door
	051049-01-000	EA	Jamb - Entrance Door - Bottom
15	079086-02-000	EA	Slider - Screen Door - Light Oak Plastic
16	079012-01-U01	EA	Door Asm. - Screen
17	079361-08-000	EA	Hinge - Entrance Door (3 used per door)
18	079081-01-000	EA	Cap - Screen Door - Light Oak Plastic
	009016-01-000	EA	Catch - Elbow - Spring Loaded - Screen Door
	039863-01-000	EA	Catch Asm. - Single Roller w/Strike - Screen Door
	076231-01-000	EA	Spacer - Latch - Screen Door
	077437-02-000	EA	Strike - Roller Catch
	058025-02-000	EA	Clip - Roller Latch Catch
	044582-02-000	EA	Drip Cap - Off White
	079278-01-000	EA	Seal - Mocket - Entrance Door
	073090-01-000	FT	Seal - Entrance Door
	075739-01-000	EA	Stiffener - Entrance Door - Off White
	075673-01-000	FT	Seal - Pile - Adhesive Back
	075671-01-000	FT	Seal - Sponge - Lazy "T" Shaped
	002294-01-000	FT	Spline - Black - .135 x 138 (Screen Door)
	079087-02-000	EA	Strike - Screen Door
	063729-04-000	EA	Rivnut - 10-32 UNF - .010 - .080
	075639-01-000	EA	Garnish - Radius - Entrance Door
			Not illustrated

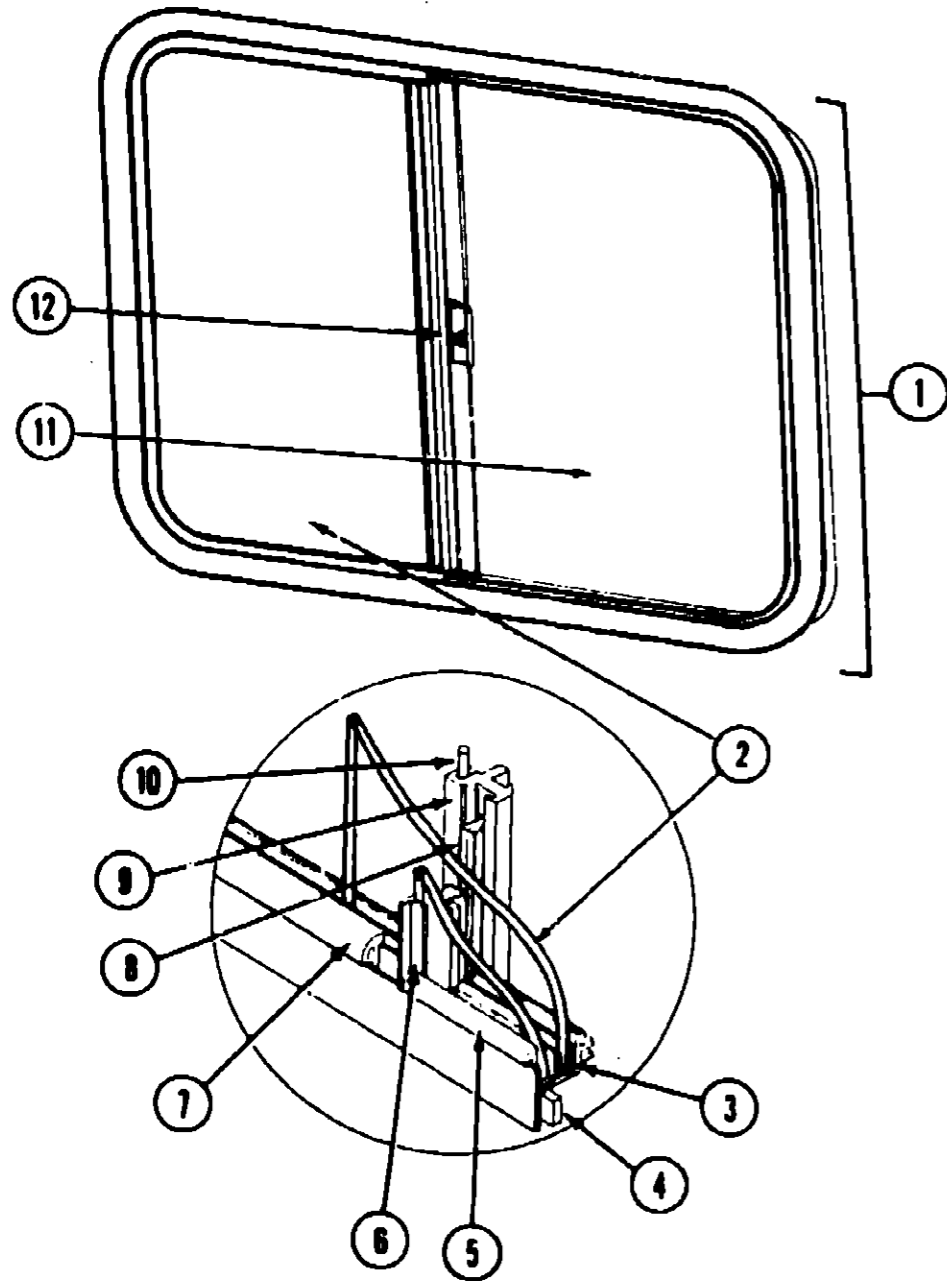
## 1987 WINNEBAGO TABLE OF CONTENTS

WC420EG	A-01 - B-06
WF426RT	B-07 - D-10
WCN26RH	D-11 - F-14
WCN27RT	F-15 - H-20
WCP26ET	H-21 - K-02

## 1987 WF426RT INDEX

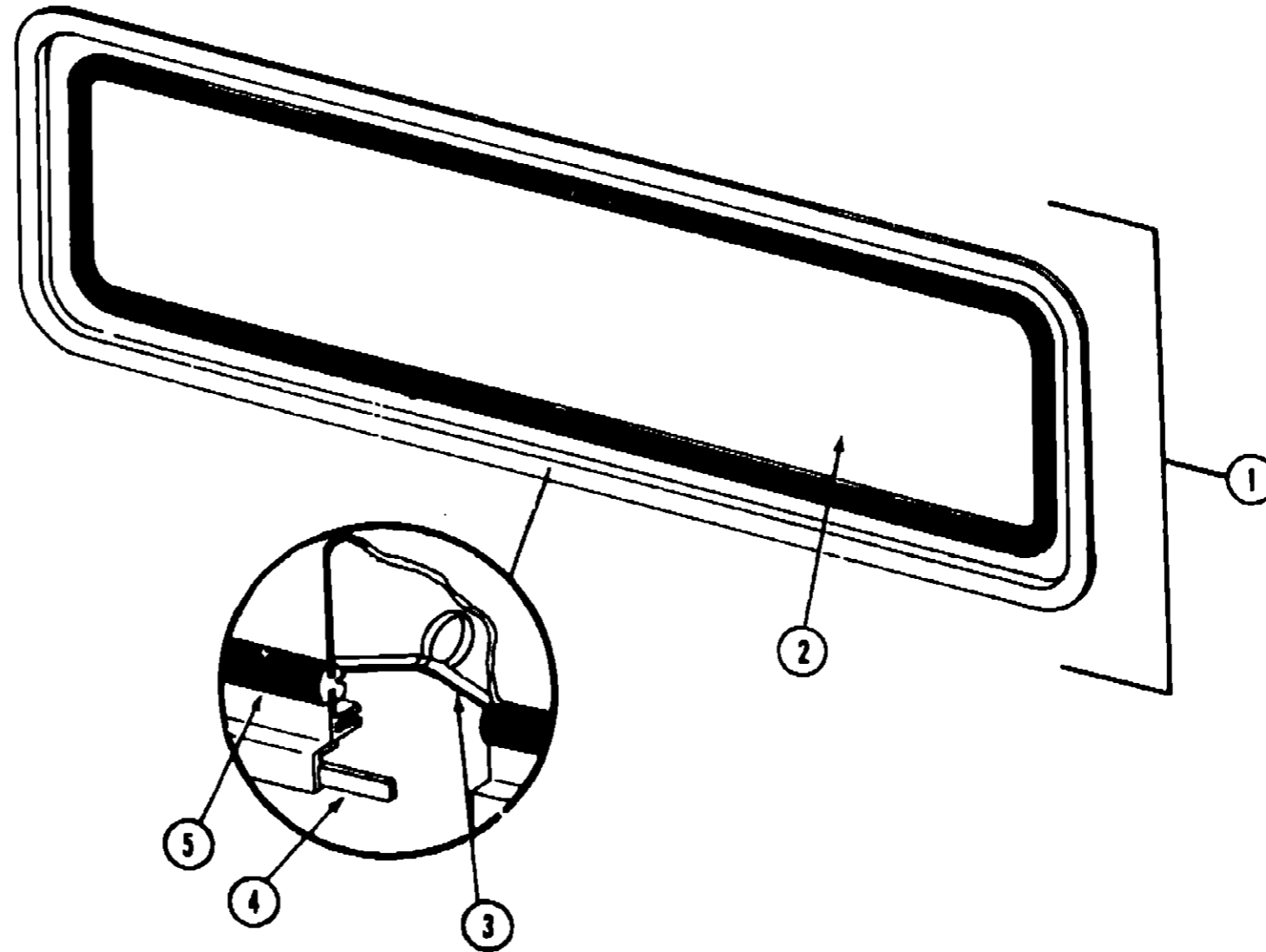
Floor Plan	B-07 - B-08
Accessories Group	B-09 - B-11
Bath Group	B-12 - B-13
Chassis Group	B-14 - B-15
Curtain, Cushion & Pad Group	B-16 - B-24
Dinette Group	C-01
Driver's Compartment Group	C-02
Electrical Group	C-03 - C-04
Exterior Body Group	C-05 - C-10
Galley Group	C-11 - C-13
Heating & Air Conditioning Group	C-14
Interior Finish Group	C-15 - C-17
LP Group	C-18
Lounge Group	C-19 - C-20
Water & Sewage Group	C-21
Window, Vent & Exterior Door Group	C-22 - D-10

**WINDOW, VENT & EXTERIOR DOOR GROUP (CONTINUED)**



Key	Part Number	U/M	Description
1	078266-06-T03	EA	Window Asm. - Single Slider - Left (w/o inside frame)
1	078266-05-T03	EA	Window Asm. - Single Slider - Right (w/o inside frame)
.	083122-08-000	EA	Inside Frame - Brown (not included in assembly)
2	081980-04-000	EA	Glass - Sliding - 1/8" x 24" x 21.03"
3	002324-02-000	FT	Channel - Weatherstrip - Glass Run - 1/8" Glass
4	089840-08-000	FT	Ribbon Sealer - 5/16" Bead x 15'
5	002309-02-000	FT	Spline - Glass - 1/8" Material - Black
6	M69886-03-003	EA	Seal Holder w/Fin Seal - Black
7	057374-02-000	FT	Extr. Rubber - Window Seal - Black
8	073740-01-000	FT	Seal - Fin - Pile - 480"
9	078562-04-000	EA	Mullion - Slider Window - Black
10	002298-02-000	FT	Spline - .130" Dia. Charcoal (Screen)
11	081984-05-000	EA	Glass - Stationary - 1/8" x 24" x 23.49"
12	047389-01-700	EA	Latch Kit - Window - Plastic w/Fastener
.	079204-01-000	EA	Bracket - Mullion - Black
.	002293-02-000	SF	Screen - Window 26" - Charcoal (Screen)
.			Not illustrated

**WINDOW, VENT & EXTERIOR DOOR GROUP (CONTINUED)**



Key	Part Number	U/M	Description
1	078538-01-T03	EA	Window Asm. - Rear Escape - 23" x 68" - Black (w/o inside frame)
.	042027-11-000	EA	Inside Frame (not included in assembly)
2	002178-01-000	EA	Glass - 1/8" x 19.81" x 64.80"
3	002285-01-000	FT	Filler - Weatherstrip - Black
4	089840-05-000	FT	Ribbon Sealer - 5/16" Bead x 15'
5	002282-01-000	FT	Weatherstrip - .125" Window
.	008199-01-000	EA	Label - Exit - Escape Window
.			Not illustrated

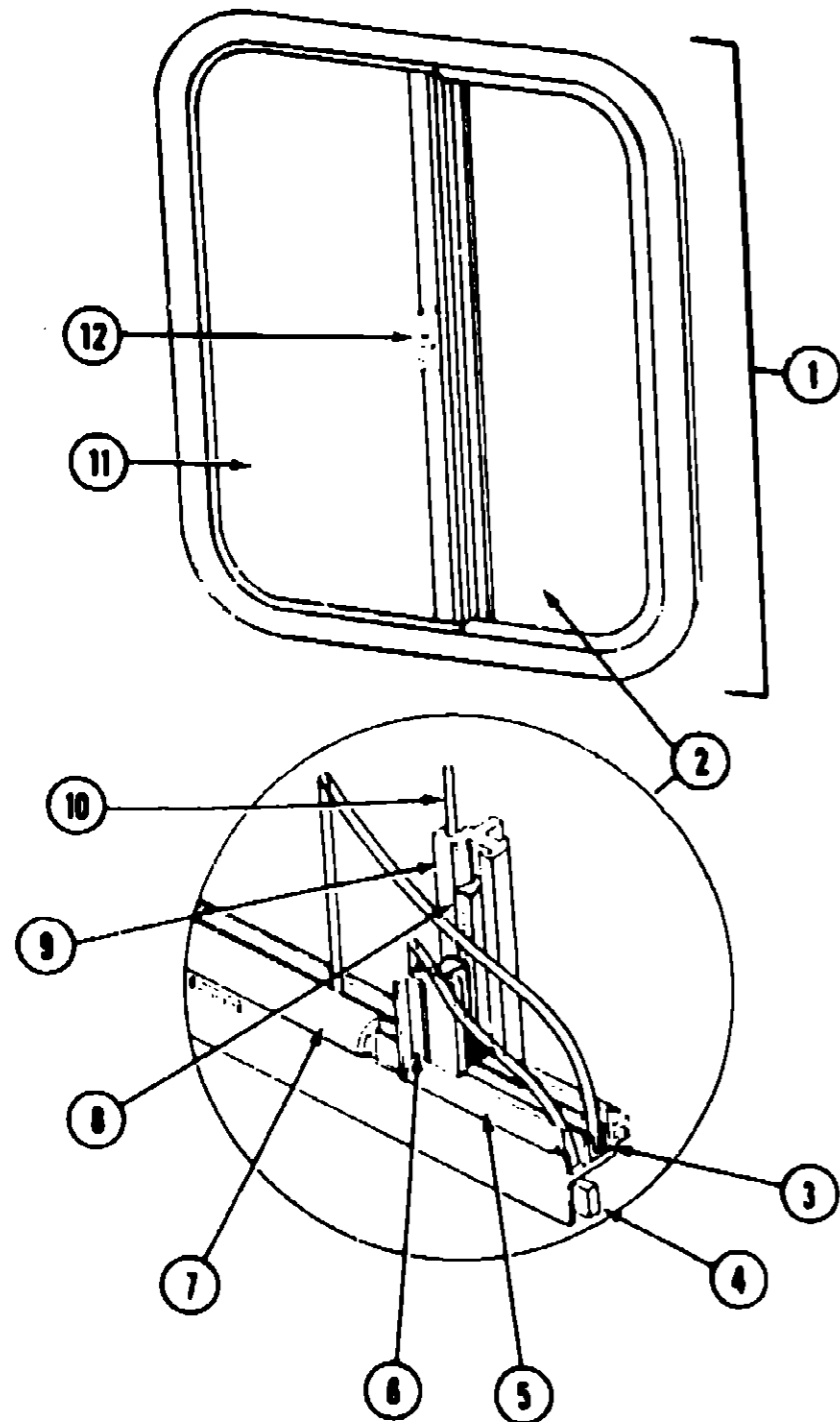
**1987 WINNEBAGO  
TABLE OF CONTENTS**

WC420EG  
WF428RT  
WCN26RH  
WCN27RT  
WCP26ET

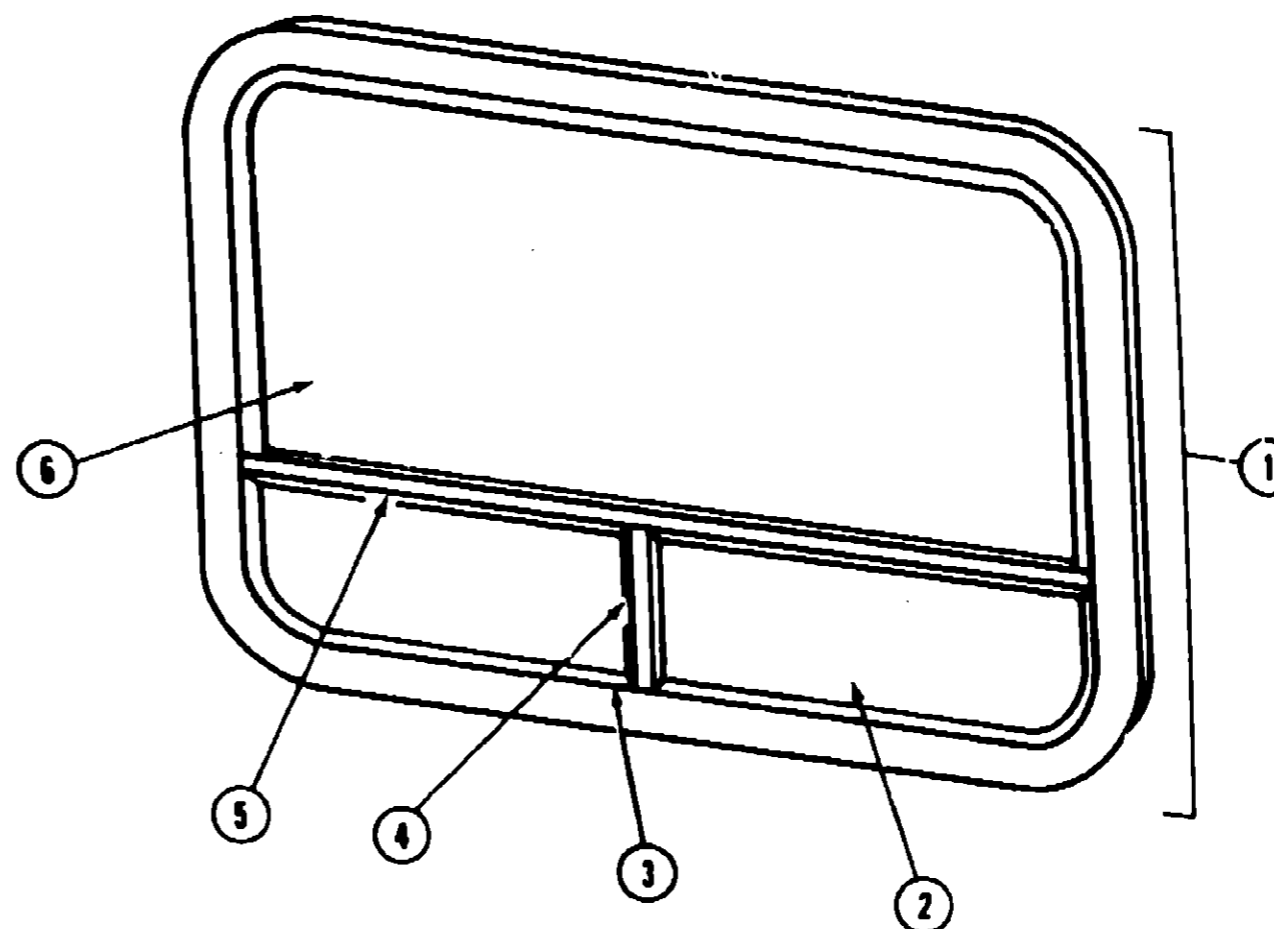
A-01 - B-08  
B-07 - D-10  
D-11 - F-14  
F-15 - H-20  
H-21 - K-02

**1987 WF428RT INDEX**

Floor Plan	B-07 - B-08
Accessories Group	B-09 - B-11
Bath Group	B-12 - B-13
Chassis Group	B-14 - B-15
Curtain, Cushion & Pad Group	B-16 - B-24
Dinette Group	C-01
Driver's Compartment Group	C-02
Electrical Group	C-03 - C-04
Exterior Body Group	C-05 - C-10
Galley Group	C-11 - C-13
Heating & Air Conditioning Group	C-14
Interior Finish Group	C-15 - C-17
LP Group	C-18
Lounge Group	C-19 - C-20
Water & Sewage Group	C-21
Window, Vent & Exterior Door Group	C-22 - D-10



Key	Part Number	U/M	Description
1	078266-03-T03	EA	Window Asm. - Single Slider - Black (w/o Inside frame)
	083122-06-000	EA	Inside Frame - Brown (not included in assembly)
2	081980-05-000	EA	Glass - Slider - 1/8" x 19" x 13.68"
3	002324-02-000	FT	Channel - Weatherstrip - Glass Run - 1/8" Glass
4	089840-06-000	FT	Ribbon Sealer - 5/16" Bead x 15'
5	002309-02-000	FT	Spline - Glass - 1/8" Material - Black
6	M69886-03-011	EA	Seal Holder w/Fin Seal - Black
7	047273-01-000	FT	Extr. Rubber - Window Seal - Black
8	073740-01-000	FT	Seal - Fin - Pile - .460"
9	078582-02-000	EA	Mullion - Slider Window - Black
10	002298-02-000	FT	Spline - .130" Dia. - Charcoal (Screen)
11	081984-03-000	EA	Glass - Stationary - 1/8" x 19" x 12.3"
12	047389-01-700	EA	Latch Kit - Window - Plastic w/Fastener
	002292-02-000	SF	Screen - Window 20" - Charcoal
	079204-01-000	EA	Bracket - Mullion - Black
			Not illustrated



Key	Part Number	U/M	Description
1	085354-02-W07	EA	Window Asm. - Double Tipout (w/o Inside frame)
	081822-06-000	EA	Inside Frame - Black (not included in assembly)
2	084068-04-000	EA	Glass - 1/8" x 9.24" x 30.39" - Tipout
	084581-01-W07	EA	Screen Asm. - Tipout - Right
	084581-02-W07	EA	Screen Asm. - Tipout - Left
3	084067-01-000	FT	Seal - "e" - Sponge Rubber
4	084154-01-000	EA	Mullion - Vertical - Black
	084066-01-000	FT	Bulb Seal - Double - Sponge Rubber
5	083112-05-000	EA	Mullion - Horizontal - Black
	081357-01-000	FT	Foam Seal - Vinyl
6	081239-11-000	EA	Glass - 1/8" x 61.77" x 20.55" - Stationary
	002291-02-000	SF	Screen - 18" Window
	002298-02-000	FT	Spline - .130 Dia. - Charcoal (Screen)
	081243-01-000	EA	Clip - Screen - Plastic
	080918-01-000	EA	Spring - Torque Tube - Right
	080918-02-000	EA	Spring - Torque Tube - Left
	035302-01-000	EA	Operating Mech - Right
	035302-02-000	EA	Operating Mech - Left
			Not illustrated

1987 WINNEBAGO  
TABLE OF CONTENTS

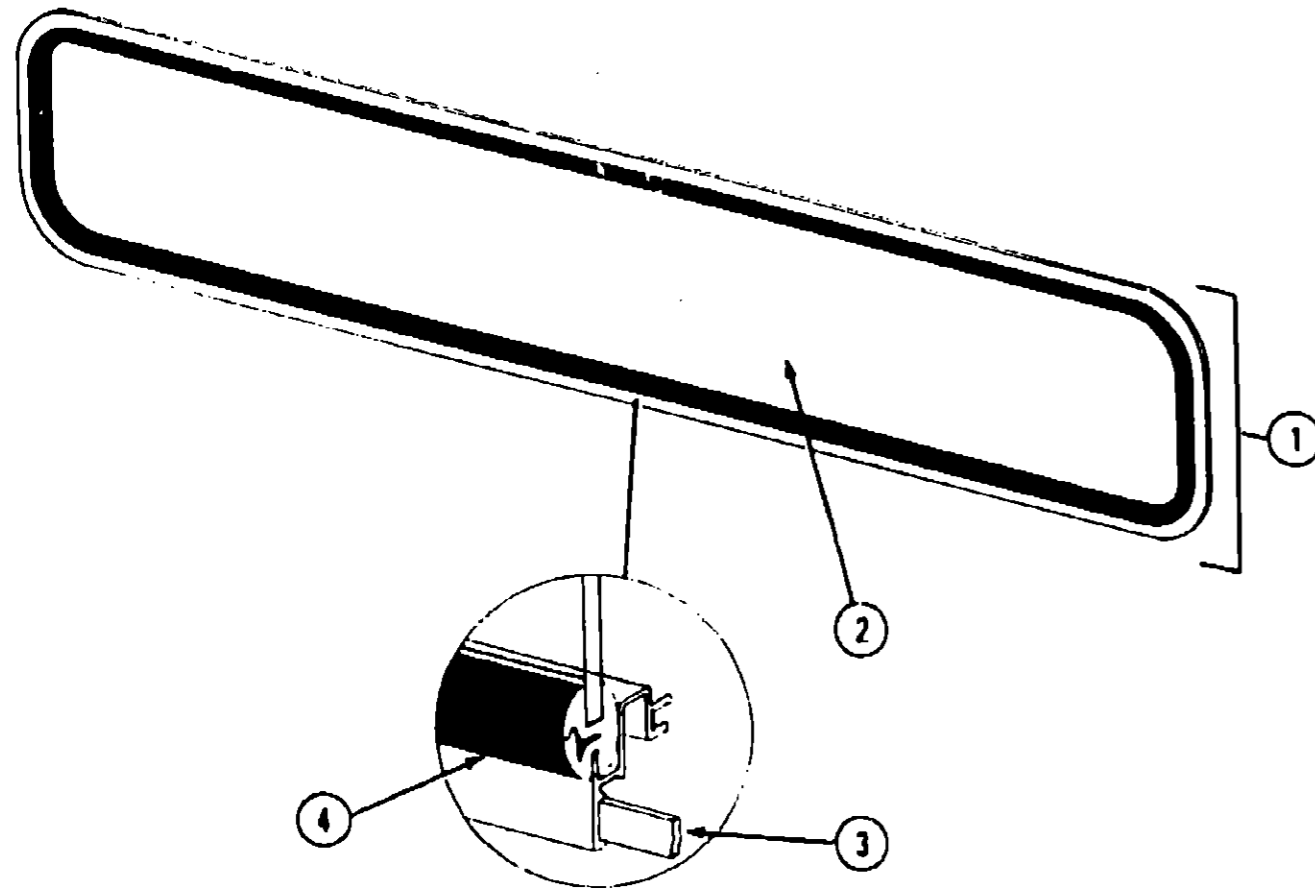
WC420EG	A-01 - B-08
WF428RT	B-07 - D-10
WCN26RH	D-11 - F-14
WCN27RT	F-15 - H-20
WCP28ET	H-21 - K-02

1987 WF428RT INDEX

Floor Plan	B-07 - B-08
Accessories Group	B-09 - B-11
Bath Group	B-12 - B-13
Chassis Group	B-14 - B-15
Curtain, Cushion & Pad Group	B-16 - B-24
Dinette Group	C-01
Driver's Compartment Group	C-02
Electrical Group	C-03 - C-04
Exterior Body Group	C-05 - C-10
Galley Group	C-11 - C-13
Heating & Air Conditioning Group	C-14
Interior Finish Group	C-15 - C-17
LP Group	C-18
Lounge Group	C-19 - C-20
Water & Sewage Group	C-21
Window, Vent & Exterior Door Group	C-22 - D-10

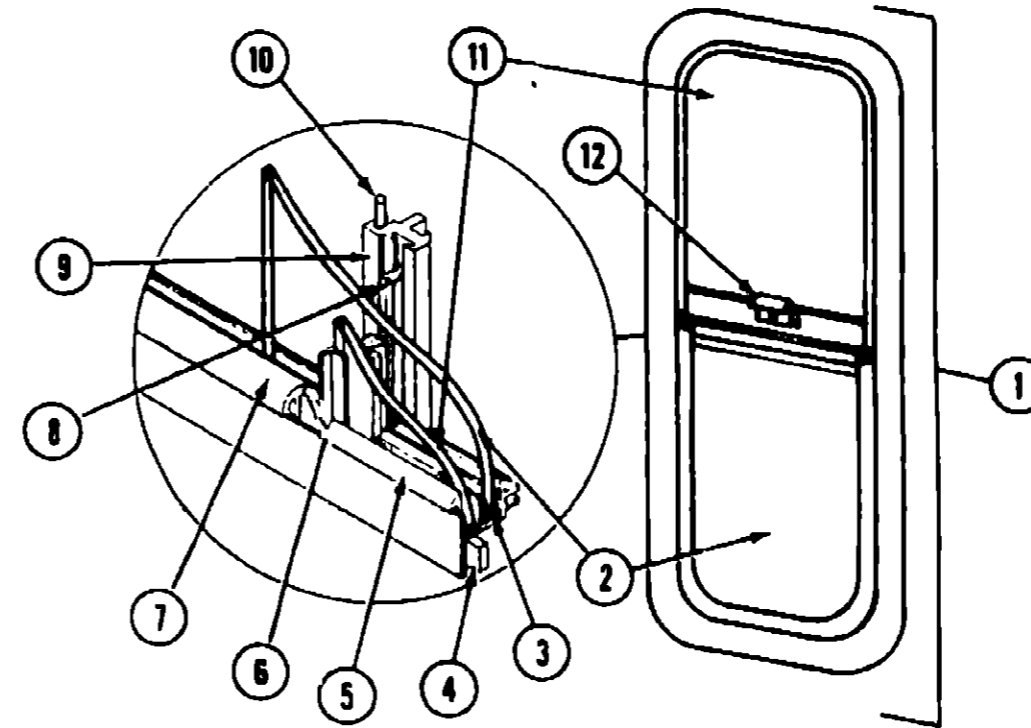


**WINDOW, VENT & EXTERIOR DOOR GROUP (CONTINUED)**



Key	Part Number	U/M	Description
1	078533-01-T03	EA	Window Asm. - Front Picture - 14" x 69" - Black (w/o inside frame)
•	041938-01-000	EA	Inside Frame - Brown (not included in assembly)
2	002200-02-000	EA	Glass - TP - Picture Window
3	069640-06-000	FT	Ribbon Sealer - 5/16" Bead x 15'
4	002281-01-000	FT	Weatherstrip - Self Seal - .06" Panel x 3/16" - Black
•			Not illustrated

**WINDOW, VENT & EXTERIOR DOOR GROUP (CONTINUED)**



Key	Part Number	U/M	Description
1	078453-01-T03	EA	Window Asm. - Vertical Slider - 37" x 15" - Black (w/o inside frame)
•	083122-02-000	EA	Inside Frame - Brown (not included in assembly)
2	081980-03-000	EA	Glass - Slider - 1/8" x 14.4" x 19"
3	002324-02-000	FT	Channel - Weatherstrip - Glass Run - 1/8" Glass
4	069640-06-000	FT	Ribbon Sealer - 5/16" Bead x 15'
5	002309-02-000	FT	Spline - Glass - 1/8" Material - Black
6	M89886-03-007	EA	Seal Holder w/Fin Seal - Black
7	057374-02-000	FT	Extr. Ribbon - Window Seal - Black
8	073740-01-000	FT	Seal - Fin - Pile - .460"
9	078562-01-000	EA	Mullion - Slider Window - Black
10	002298-02-000	FT	Spline - .130" Dia. - Charcoal (Screen)
11	081984-02-000	EA	Glass - Stationary - 1/8" x 14.4" x 19"
12	047369-01-700	EA	Latch Kit - Window - Plastic w/Fastener
•	079204-01-000	EA	Bracket - Mullion - Black
•	002291-02-000	SF	Screen - Window 16" - Charcoal
•			Not illustrated

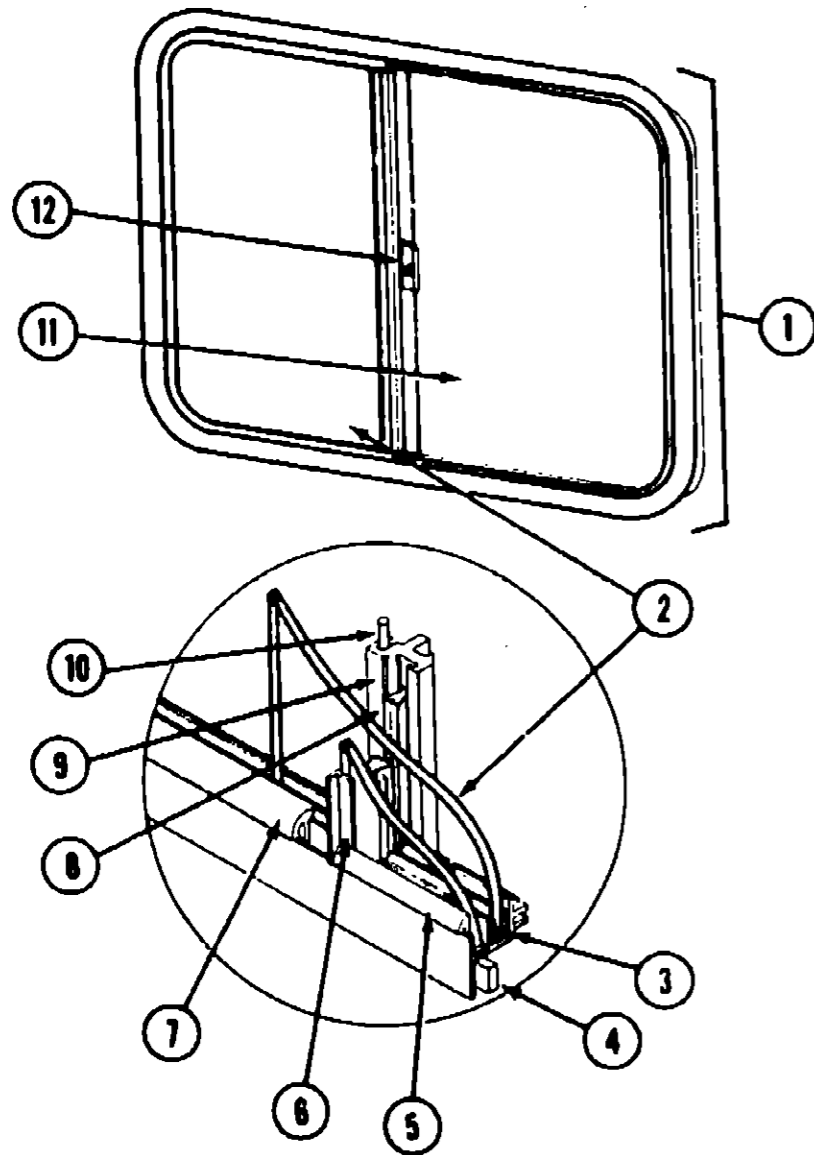
**1987 WINNEBAGO  
TABLE OF CONTENTS**

WC420EG	A-01 - B-08
WF426RT	B-07 - D-10
WCN26RH	D-11 - F-14
WCN27RT	F-15 - H-20
WCP26ET	H-21 - K-02

**1987 WF426RT INDEX**

Floor Plan	B-07 - B-08
Accessories Group	B-09 - B-11
Bath Group	B-12 - B-13
Chassis Group	B-14 - B-15
Curtain, Cushion & Pad Group	B-16 - B-24
Dinette Group	C-01
Driver's Compartment Group	C-02
Electrical Group	C-03 - C-04
Exterior Body Group	C-05 - C-10
Galley Group	C-11 - C-13
Heating & Air Conditioning Group	C-14
Interior Finish Group	C-15 - C-17
LP Group	C-18
Lounge Group	C-19 - C-20
Water & Sewage Group	C-21
Window, Vent & Exterior Door Group	C-22 - D-10

**WINDOW, VENT & EXTERIOR DOOR GROUP (CONTINUED)**



Key	Part Number	U/M	Description
1	076266-02-T03	EA	Window Asm. - Single Slider (w/o inside frame)
	083122-04-000	EA	Inside Frame - Brown (not included in assembly)
2	061980-05-000	EA	Glass - Sliding - 1/8" x 19" x 13.68"
3	002324-02-000	FT	Channel - Weatherstrip - Glass Run - 1/8" Glass
4	069640-06-000	FT	Ribbon Sealer - 5/16" Bead x 15'
5	002309-02-000	FT	Spline - Glass - 1/8" Material - Black
6	M99686-03-011	EA	Seal Holder w/Fin Seal - Black
7	057374-02-000	FT	Extr. Rubber - Window Seal - Black
8	073740-01-000	FT	Seal - Fin - Pile - .480"
9	076562-02-000	EA	Mullion - Slider Window - Black
10	002296-02-000	SF	Spline - .130" Dia. - Charcoal (Screen)
11	061984-03-000	EA	Glass - Stationary - 1/8" x 19" x 12.30"
12	047369-01-700	EA	Latch Kit - Window - Plastic w/Fastener
	079204-01-000	EA	Bracket - Mullion - Black
	002291-02-000	SF	Screen - Window 16" - Charcoal
			Not Illustrated

**1987 WINNEBAGO  
TABLE OF CONTENTS**

WC420EG	A-01 - B-06
WF426RT	B-07 - D-10
WCN26RH	D-11 - F-14
WCN27RT	F-15 - H-20
WCP26ET	H-21 - K-02

**1987 WF426RT INDEX**

Floor Plan	B-07 - B-08
Accessories Group	B-09 - B-11
Bath Group	B-12 - B-13
Chassis Group	B-14 - B-15
Curtain, Cushion & Pad Group	B-16 - B-24
Dinette Group	C-01
Driver's Compartment Group	C-02
Electrical Group	C-03 - C-04
Exterior Body Group	C-05 - C-10
Galley Group	C-11 - C-13
Heating & Air Conditioning Group	C-14
Interior Finish Group	C-15 - C-17
LP Group	C-18
Lounge Group	C-19 - C-20
Water & Sewage Group	C-21
Window, Vent & Exterior Door Group	C-22 - D-10