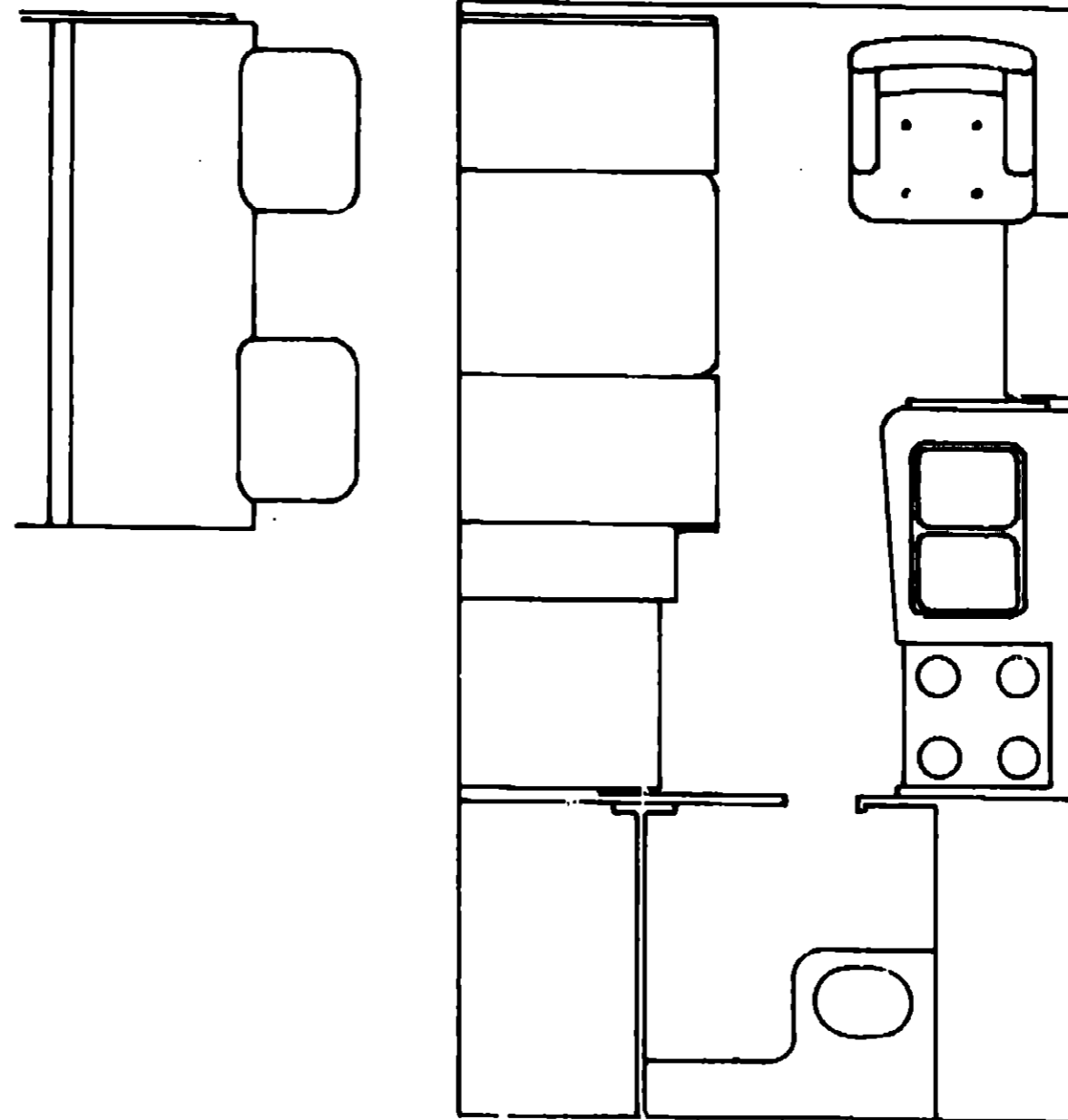


1987 WF421RB



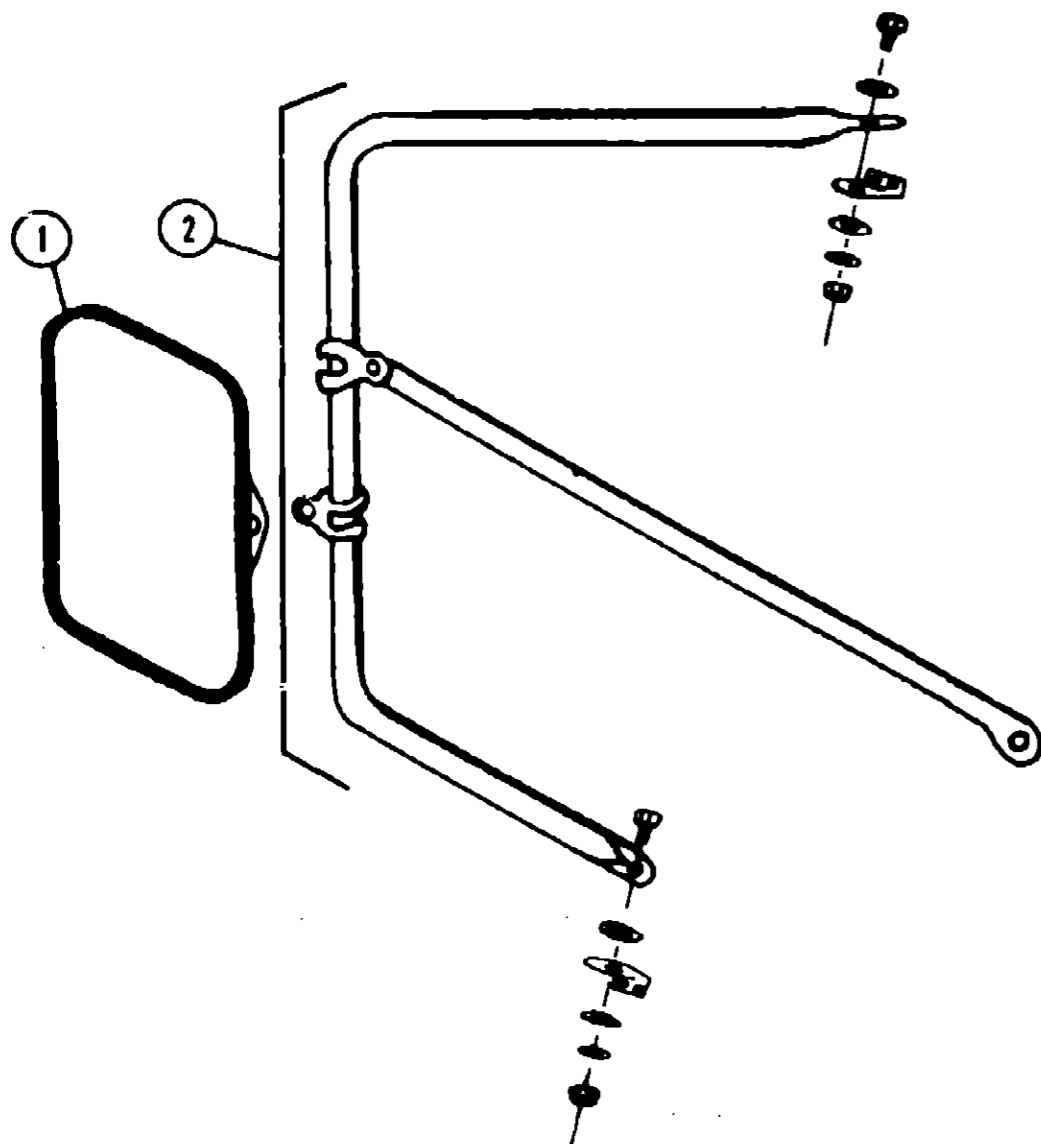
1967 WINNEBAGO TABLE OF CONTENTS

WT319RK	A-01 - B-16
WF421RB	B-17 - D-16
WJN32RQ	D-17 - G-05

1987 WF421RB INDEX

Floor Plan	B-17 - B-18
Accessories Group	B-19 - B-20
Bath Group	B-21
Chassis Group	B-22 - B-23
Curtain, Cushion & Pad Group	B-24 - C-06
Dinette Group	C-07 - C-08
Driver's Compartment Group	C-09 - C-10
Electrical Group	C-11 - C-13
Exterior Body Group	C-14 - C-19
Galley Group	C-20 - C-21
Heating & Air Conditioning Group	C-22
Interior Finish Group	C-23 - D-01
LP Group	D-02
Lounge Group	D-03
Water & Sewage Group	D-04 - D-05
Window, Vent & Exterior Door Group	D-06 - D-16

ACCESSORIES GROUP



EXTERIOR MIRRORS

Key	Part Number	U/M	Description
1	049347-01-000	EA	Mirror Head - 7 1/2 x 10 1/2 - Stainless Steel
1	049347-02-000	EA	Mirror Head - 7 1/2" x 10 1/2" - Off White
2	062047-01-000	EA	Arm - West Coast Mirror - Stainless Steel
2	062047-02-000	EA	Arm - West Coast Mirror - Off White
.	006043-01-000	EA	Mirror - Convex - Adhesive Back
.			Not Illustrated

WHEEL COVER & MOUNTING HARDWARE

Key	Part Number	U/M	Description
	083181-01-000	EA	Wheel Cover - 16" (Set/4)
	083181-01-700	EA	Wheel Cover - 16" (1)
	085741-05-000	EA	Liner - Stainless Steel Wheel - 16.5" (Set/4)
	085741-05-701	EA	Axle Cover - Wheel Liners - 16.5" - Front
	085741-05-702	EA	Axle Cover - Wheel Liners - 16.5" - Rear
	085741-05-703	EA	Wheel Liner - 16.5" - Rear (1)
	085741-05-704	EA	Wheel Liner - 16.5" - Front (1)
	085741-05-710	EA	Lug Nut Cover - Wheel Liner

ACCESSORIES GROUP (CONTINUED)

RADIO & RELATED COMPONENTS

Key	Part Number	U/M	Description
	007004-01-000	EA	Antenna - Radio - Cab Mount
	064792-01-000	EA	Grille - Speaker - 5.25" - w/Mesh - Brown
	087684-01-000	EA	Radio - AM/FM/MPX - w/Cassette - Electronic Tune - Audiovox - 144D1561
	087683-01-000	EA	Radio - AM/FM/MPX - w/Cassette - Manual Tune - Audiovox - 144D1559
	074979-01-000	EA	Speaker Cover Protector - Plastic
	073431-01-000	EA	Speaker - 5.25 - 3/Way (Pair)
	064791-01-000	EA	Speaker - Recessed - 5.25"
	073742-01-000	EA	Speaker - 4" x 6" - Oval

GENERATORS & COMPONENTS

Key	Part Number	U/M	Description
	079654-04-000	EA	Generator - Emerald - 4.0 kw
	701629-02-000	EA	Installation Package - Emerald
	079654-05-000	EA	Pipe & Accessories Kit - Emerald
	078045-01-000	EA	Support Plate - Generator
	079656-01-000	EA	Muffler - Generator - 4.0 Emerald
	007067-01-000	EA	Insulation - Fiberglass - 1"

MISCELLANEOUS ACCESSORIES

Key	Part Number	U/M	Description
	054185-26-000	EA	Owners Manual - 1987 - Itasca & Winnebago
..	076319-01-000	EA	Antenna - TV Roof Mount - 44.5" Mast
	086778-01-000	EA	Receptacle - TV Cable - Outside
	086778-04-000	EA	Gasket - Receptacle - TV Cable - Outside
	083219-01-000	EA	Mat - Front - Brown - Passenger (Ford)
	083219-02-000	EA	Mat - Front - Brown - Driver (Ford)
	007038-01-000	EA	Mat - Entrance Door - Black
	081075-01-000	EA	Mat - Entrance Door - Brown
	079942-05-000	EA	Shock Absorber - Stabilizer - Front
	079942-06-000	EA	Shock Absorber - Stabilizer - Rear
	064089-01-000	EA	Mud Flap - Rubber - Black (Front)
	017516-01-000	EA	Mud Flap w/Holes - 14" x 18" - Black (Back)
	041944-03-000	EA	Fire Extinguisher - w/Bracket - 5BC
	084472-01-000	EA	Holder - Fire Extinguisher - Plastic
	081379-01-000	EA	Microwave/Convection Oven - Sharp
	081459-08-000	EA	Bracket Asm. - Microwave - Right
	081459-02-000	EA	Bracket Asm. - Microwave - Left
	082876-01-000	EA	Baffle - Microwave
	081555-01-T03	EA	Trim Asm. - Microwave Oven
	081456-01-000	EA	Angle Asm. - Microwave Oven - Right
	081456-02-000	EA	Angle Asm. - Microwave Oven - Left
	081016-01-T03	EA	Ladder Asm.
	081026-01-T03	EA	Rack Asm. - Right
	081026-02-T03	EA	Rack Asm. - Left
	072852-01-000	EA	Smoke Detector w/9 Volt Battery
	079664-02-000	EA	Weather Center - 8.5" x 8.5"
	079665-01-000	EA	Clock - 9" x 9"
	086779-01-000	EA	Clock - 8.25" x 8.25"
	006089-01-000	EA	Key Case - Leather
	080208-01-000	EA	Lug Wrench
	080200-02-000	EA	Leverage Bar - Lug Wrench
	006113-01-000	EA	Jack - Hydraulic - 6 Ton - w/Handle

.. The illustrated parts breakdown for this item is provided on the Common Items Fiche.

1987 WINNEBAGO TABLE OF CONTENTS

WT319RK	A-01 - B-16
WF421RB	B-17 - D-16
WJN32RQ	D-17 - G-05

1987 WF421RR INDEX

Floor Plan	B-17 - B-18
Accessories Group	B-19 - B-20
Bath Group	B-21
Chassis Group	B-22 - B-23
Curtain, Cushion & Pad Group	B-24 - C-06
Dinette Group	C-07 - C-08
Driver's Compartment Group	C-09 - C-10
Electrical Group	C-11 - C-13
Exterior Body Group	C-14 - C-19
Galley Group	C-20 - C-21
Heating & Air Conditioning Group	C-22
Interior Finish Group	C-23 - D-01
LP Group	D-02
Lounge Group	D-03
Water & Sewage Group	D-04 - D-05
Window, Vent & Exterior Door Group	D-06 - D-16

BATH GROUP

BATH CABINETRY

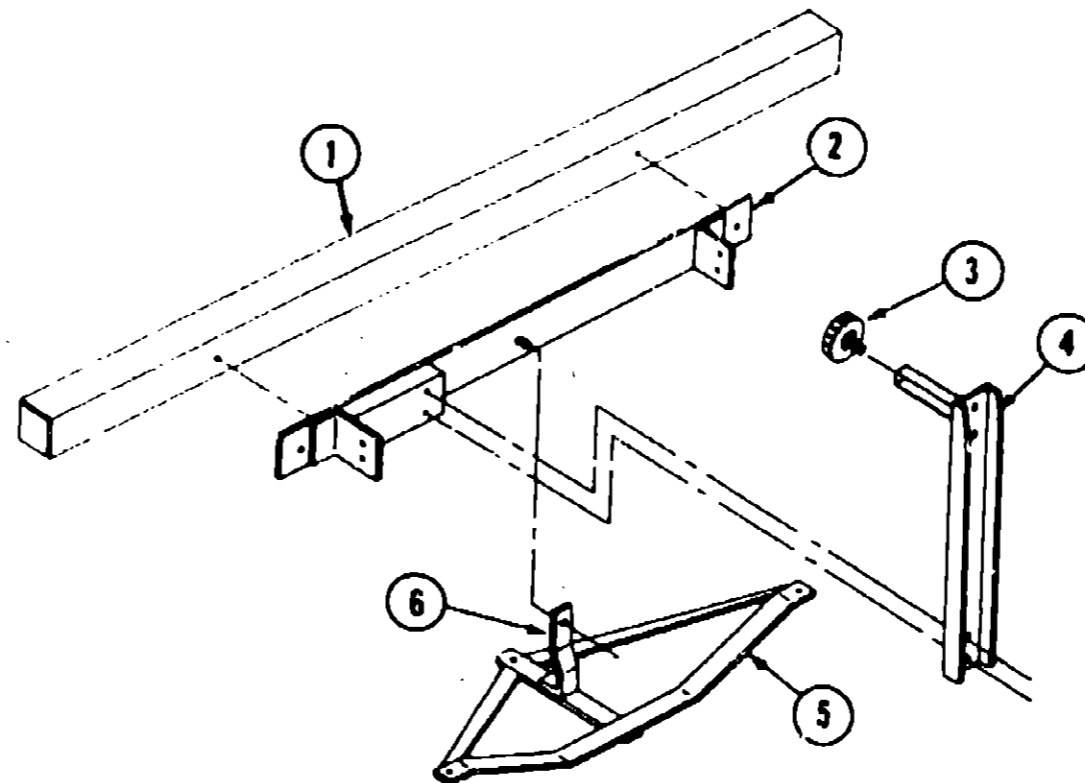
Key	Part Number	U/M	Description
	M82428-03-W04	EA	Cabinetry Asm. - Lavatory - w/o Doors, Countertop, or Hardware
	M02556-01-W04	EA	Countertop Asm. - Lavatory
	081893-02-W04	EA	Face Asm. - Lavatory - w/o Hardware
	077251-01-000	EA	Drawer - Tiltout - Plastic
	M81501-54-W04	EA	Door Asm. - Lavatory Cabinet - 26.7" x 14.3" - w/o Hardware
†	M88301-96-W04	EA	Door Asm. - Lavatory Cabinet - 26.7" x 14.3" - w/o Hardware
	076073-01-000	EA	Cabinet Asm. - Medicine - w/o Doors or Hardware
	091535-01-U04	EA	Door Asm. - Medicine Cabinet - 45.5" x 15.5" - w/o Hardware
†	081503-52-W07	EA	Door Asm. - Medicine Cabinet - 45.5" x 15.5" - w/o Hardware
	080834-01-T03	EA	Door Asm. - Sliding - w/o Hardware
	058034-02-000	EA	Latch Door w/o Lock
	M81501-74-W04	EA	Door Asm. - Wardrobe - w/o Hardware (Rear)
	M81501-73-W04	EA	Door Asm. - Wardrobe - w/o Hardware (Front)
†	M88304-A3-W04	EA	Door Asm. - Wardrobe - w/o Hardware (Rear)
†	M88304-B2-W04	EA	Door Asm. - Wardrobe - w/o Hardware (Front)
†	Used in units produced after 4/7/87.		

BATH HARDWARE

Key	Part Number	U/M	Description
	M01817-01-W04	EA	Bathtub Asm. w/Strainer
	075242-03-000	EA	Faucet - Tub & Shower - Brass
	075240-03-000	EA	Faucet - Lavatory
**	011048-02-000	EA	Shower Head - w/60" Hose
	075606-01-000	EA	Shower Panel - Faucet Plastic
**	066729-01-000	EA	Strainer - Bathtub Asm.
	080257-01-000	EA	Shroud - Bathtub Asm. - Off White
	066435-01-000	EA	Nut Strainer - Plastic - Bathtub Asm.
	066436-01-000	EA	Slip Nut - 1.5" Tail Piece - Bathtub Asm.
	069735-01-000	EA	Washer - Tail Piece - 1.5" - Plastic - Bathtub Asm.
	011069-02-000	EA	Tailpiece - 1.5" x 1.25" x 4" - Brass - Bathtub Asm.
	058713-01-000	EA	Sink - Oval - Ivory Plastic
	011083-01-000	EA	Tail Piece w/Stopper - 1.25" x 5" - Plastic - Sink
**	039341-02-000	EA	Toilet - Ivory
	075452-02-000	EA	Tissue Holder
	075454-02-000	EA	Towel Ring
	058331-05-000	EA	Mirror - Tempered Glass - 12" x 26"
	058331-04-000	EA	Mirror - Tempered Glass - 12" x 42"
	009089-01-000	EA	Clip - Mirror
	057671-01-000	EA	Screw Cover - #8 - Antique White
	085498-01-000	EA	Trim - Shower Door - Bottom - Beige
	085499-01-000	EA	Trim - Shower Door - Sides - Beige
	085500-01-000	EA	Trim - Shower Door - Top - Beige
	086121-02-000	EA	Curtain Asm. - Shower - Liner - 62 x 40
	009136-01-000	EA	Ring - Shower Curtain
	075880-01-000	EA	Rod - Clothes - Adjustable
	009112-01-000	EA	Flange - 1" - Closet Rod
	075453-02-000	EA	Bar - Towel - 18" Brass
	009089-01-000	EA	Clip - Mirror
	042438-01-000	EA	Dowel - Wood - 1.00 Dia. x 4"
	009156-01-000	EA	Hanger - Sliding Door
	064467-01-000	EA	Gulde - Wall Mount - Sliding Door
	075149-04-000	EA	Track - 54.2" - Sliding Door
	075153-01-000	EA	End Cap - Cover - Beige

** The illustrated parts breakdown for this item is provided on the Common Items Fiche.

CHASSIS GROUP



SPARE TIRE, REAR BUMPER & TRAILER HITCH

Key	Part Number	U/M	Description
1	064602-01-000	EA	Bumper Asm. - Square - 92" - Off White
*	039779-01-000	EA	Cap - Rubber - 4" x 4"
2	064601-03-000	EA	Bracket Asm. - Bumper
3	064082-02-000	EA	Nut - Tire Cover Retainer - Delmet
4	079027-01-000	EA	Bracket Asm. - Tire Cover
*	079799-01-000	EA	Cover - Tire - Plastic - Off White
*	M02047-01-T95	EA	Door - Tire Cover - Plastic
*	077408-02-000	EA	Lock Asm. - Key Type
5	064833-03-000	EA	Trailer Hitch Asm.
*	064399-01-000	EA	Housing Asm. - Trailer Pin
6	064824-02-000	EA	Support - Trailer Hitch
*	Not illustrated		

WHEELS & TIRES

Key	Part Number	U/M	Description
	083617-01-000	EA	Wheel - 6.00" x 16" - 8 Hole
	070917-01-000	EA	Tire - LT215/85R16D - Michelin - Radial
	051377-01-000	EA	Valve Stem Asm. - TR500
	077030-01-000	EA	Extension - Valve Stem - 1.25"

1987 WINNEBAGO TABLE OF CONTENTS

WT319RK	A-01 - B-16
WF421RB	B-17 - D-16
WJN32RO	D-17 - G-05

1987 WF421RB INDEX

Floor Plan	B-17 - B-18
Accessories Group	B-19 - B-20
Bath Group	B-21
Chassis Group	B-22 - B-23
Curtain, Cushion & Pad Group	B-24 - C-06
Dinette Group	C-07 - C-08
Driver's Compartment Group	C-09 - C-10
Electrical Group	C-11 - C-13
Exterior Body Group	C-14 - C-19
Galley Group	C-20 - C-21
Heating & Air Conditioning Group	C-22
Interior Finish Group	C-23 - D-01
LP Group	D-02
Lounge Group	D-03
Water & Sewage Group	D-04 - D-05
Window, Vent & Exterior Door Group	D-06 - D-16

CHASSIS GROUP (CONTINUED)

MISCELLANEOUS

Key	Part Number	U/M	Description
	047441-01-000	EA	Battery Terminal - Horizontal Lug
	059540-01-000	EA	Bracket - License Plate
	065451-02-000	EA	Bracket - Battery Tie Down - 10.82"
	065451-03-000	EA	Bracket - Battery Tie Down - 14"
	007125-04-000	EA	Clamp Asm. - Muffler - 1.12"
	010497-01-000	EA	Clamp - Closed - 5/8 I.D.
	007161-01-000	EA	Clamp - Hose - Spring Type 112
	062401-01-000	EA	Clamp - Hose - Wormgear - .22" I.D. - 1" I.D.
	062401-02-000	EA	Clamp - Hose - Wormgear - 1.56" I.D. - 2.5" I.D.
	062401-03-000	EA	Clamp - Hose - Wormgear - .25" I.D. - 1" I.D.
	062401-04-000	EA	Clamp - Hose - Wormgear - .69" I.D. - 1.25" I.D.
	062401-05-000	EA	Clamp - Hose - Wormgear - 2" I.D. - 3" I.D.
	062401-06-000	EA	Clamp - Hose - Wormgear - .22" I.D. - .62" I.D.
	023146-01-000	EA	Clamp - Screw Type - 4"
	088580-01-000	EA	Compartment - Power Cord - Plastic
	007063-01-000	FT	Hose - Fuel - 1/4 I.D. x 1/2 O.D.
	006113-01-000	EA	Jack - Hydraulic - 6 Ton - w/Handle
	017516-01-000	EA	Mud Flap w/Holes - 14" x 18" - Black
	080359-02-000	EA	Step Well Plate - Ford
	080449-01-000	EA	Step Asm. - Entrance w/Swing Arm
	079942-05-000	EA	Shock Absorber - Stabilizer - Front
	079942-06-000	EA	Shock Absorber - Stabilizer - Rear
	064089-01-000	EA	Splash Guard - Black Rubber
	076241-01-000	EA	Support Asm. - Step
	078137-02-000	EA	Tray Asm. - Luggage Compartment
	057724-01-000	EA	Wheelwell - Plastic
	008343-01-000	EA	Wire Tie - 6"

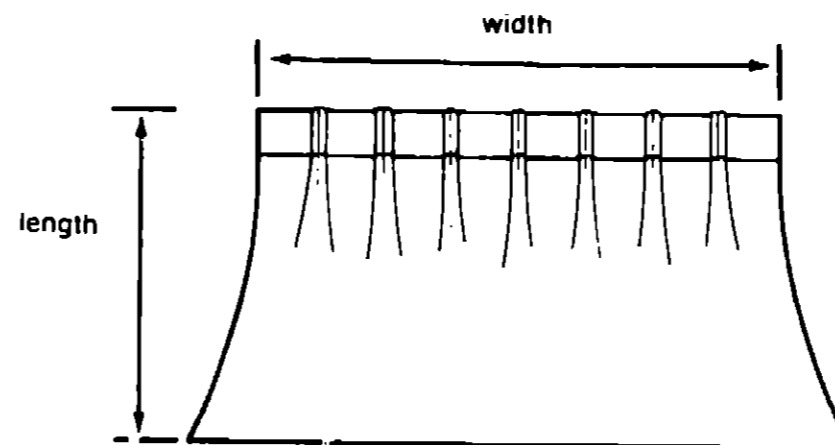
NOTE: Remainder of exhaust components available from Chassis Service Center.

CURTAIN, CUSHION & PAD GROUP

NOTICE

In order to assist our Parts Sales Dept. in providing interior software items, please include the serial number and the color code number from the vehicle certification label when ordering. This label is located on the left sidewall at the end of the dash (A-Body), or on the driver's door latch plate (C-Body).

An example of a color code number is P31, which designates an overall color scheme of a particular unit. The color listed after the item description on the microfiche, indicates the overall unit color. Order the item you desire according to unit color code.



NOTE:

Use this illustration when determining length and width measurements for curtains. You will note the width measurement is taken on the top of the curtain with the curtain fully extended. The length measurement is taken from top to bottom.

1987 WINNEBAGO TABLE OF CONTENTS

WT319RK	A-01 - B-16
WF421RB	B-17 - D-16
WJN32RQ	D-17 - G-05

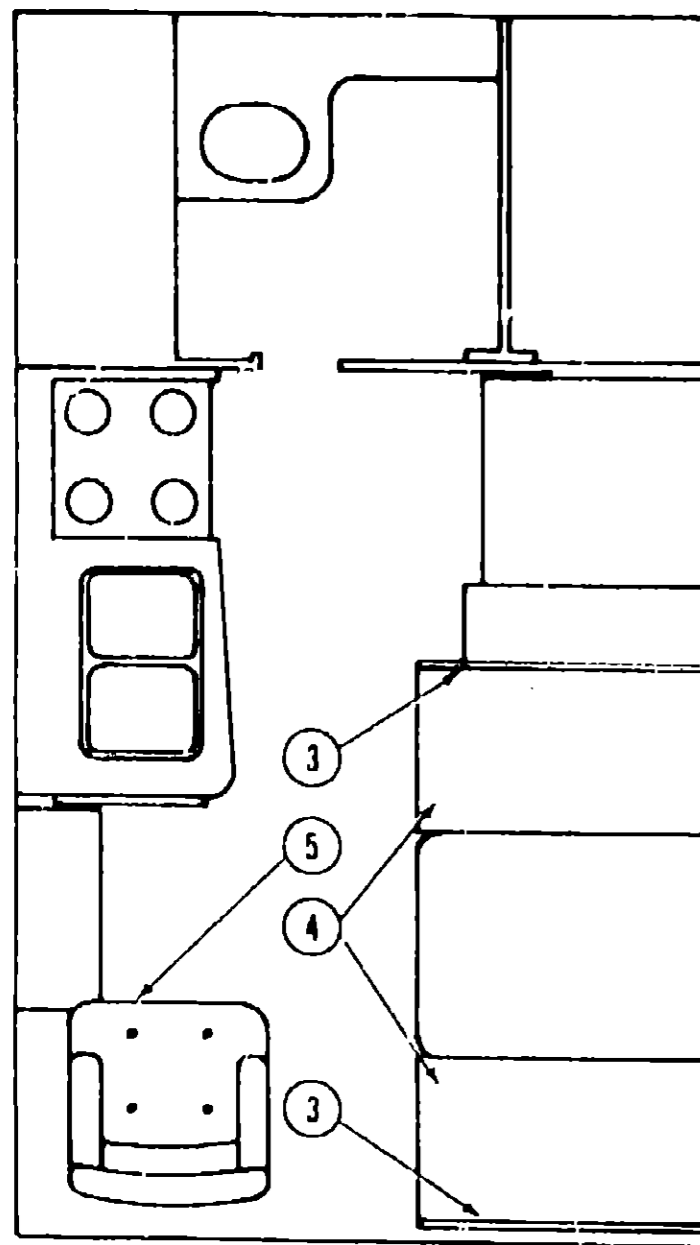
CURTAIN & CUSHION HARDWARE

Key	Part Number	U/M	Description
	039175-02-000	EA	Bracket - Curtain Rod - Cafe
	039175-05-000	EA	Bracket - Curtain Rod - Center
	082228-03-000	EA	Bracket - Curtain Rod - Right
	082228-04-000	EA	Bracket - Curtain Rod - Left
	056003-02-000	EA	Bracket - Drapery Retainer - Left
	056003-01-000	EA	Bracket - Drapery Retainer - Right
	082139-01-000	EA	Bracket - Hold Down - Blind
	084434-01-000	EA	Bracket - Roller Shade - 1 3/8"
	079798-03-000	EA	Bracket Asm. - Curtain Rod - Right
	079798-04-000	EA	Bracket Asm. - Curtain Rod - Left
	072708-04-000	EA	Frame - Fold Down Couch
	M80906-01-000	EA	Frame Asm. - Seat, Back & Spring
	080730-03-700	EA	Handle Kit - Recliner
	080731-02-000	EA	Hinge - Recliner - Slave
	083170-01-000	EA	Installation Bracket - Blind - Right
	083170-02-000	EA	Installation Bracket - Blind - Left
	056784-02-000	EA	Pull - Window Shade - Antique Brass
	083730-02-000	EA	Recliner - Seat Back
	039175-01-000	EA	Rod - Cafe Curtain - Extension 48" x 84"
	048394-01-000	YD	Tape Hook - 1" x 50 yd - Beige
	029096-05-000	YD	Tape Hook - .50" - Velcro - Beige
	048395-01-000	YD	Tape Loop - 1" x 50 YD - Beige
	029090-01-000	FT	Tie - Drapery - Clear Vinyl
	056116-01-000	EA	Track - Curtain - Brown Plastic

1987 WF421RB INDEX

Floor Plan	B-17 - B-18
Accessories Group	B-19 - B-20
Bath Group	B-21
Chassis Group	B-22 - B-23
Curtain, Cushion & Pad Group	B-24 - C-06
Dinette Group	C-07 - C-08
Driver's Compartment Group	C-09 - C-10
Electrical Group	C-11 - C-13
Exterior Body Group	C-14 - C-19
Galley Group	C-20 - C-21
Heating & Air Conditioning Group	C-22
Interior Finish Group	C-23 - D-01
LP Group	D-02
Lounge Group	D-03
Water & Sewage Group	D-04 - D-05
Window, Vent & Exterior Door Group	D-06 - D-16

CURTAIN, CUSHION & PAD GROUP (CONTINUED)



SPRUNG COUCH (OPTION)

Key	Part Number	U/M	Description
1	072431-13-W04	EA	Cushion Asm. - 3 Pillows - Seat
1	072431-14-W05	EA	Cushion Asm. - 3 Pillows - Seat
1	072431-13-W06	EA	Cushion Asm. - 3 Pillows - Seat
	M72431-12-W04	EA	Cover Asm. - 3 Pillow - Seat
	M72431-10-W05	EA	Cover Asm. - 3 Pillow - Seat
	M72431-12-W06	EA	Cover Asm. - 3 Pillow - Seat
2	072432-13-W04	EA	Cushion Asm. - 3 Pillow - Back
2	072432-14-W05	EA	Cushion Asm. - 3 Pillow - Back
2	072432-13-W06	EA	Cushion Asm. - 3 Pillow - Back
	M72432-13-W04	EA	Cover Asm. - 3 Pillow - Back
	M72432-10-W05	EA	Cover Asm. - 3 Pillow - Back
	M72432-13-W06	EA	Cover Asm. - 3 Pillow - Back

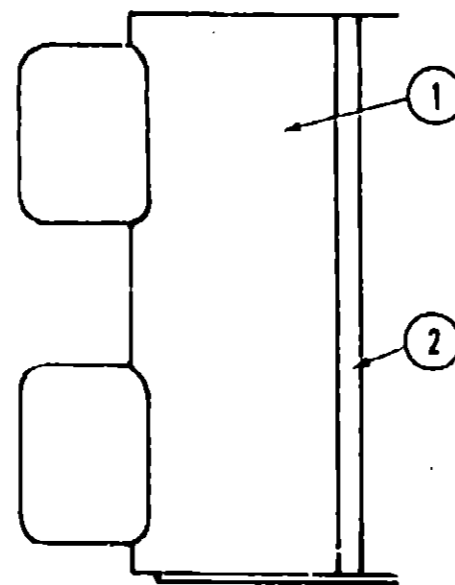
CURTAIN, CUSHION & PAD GROUP (CONTINUED)

DINETTE CUSHION

Key	Part Number	U/M	Description
3	081998-77-W04	EA	Cushion Asm. - Dinette Back - 19.25" x 38" x 5"
3	081998-77-W05	EA	Cushion Asm. - Dinette Back - 19.25" x 38" x 5"
3	081998-77-W06	EA	Cushion Asm. - Dinette Back - 10.25" x 38" x 5"
	M81998-77-W04	EA	Cover Asm. - Dinette Back Curtain - 19.25" x 38" x 5"
	M81998-77-W05	EA	Cover Asm. - Dinette Back Curtain - 19.25" x 38" x 5"
	M81998-77-W06	EA	Cover Asm. - Dinette Back Curtain - 19.25" x 38" x 5"
4	081998-78-W04	EA	Cushion Asm. - Dinette Bottom - 17.5" x 38" x 5"
4	081998-78-W05	EA	Cushion Asm. - Dinette Bottom - 17.5" x 38" x 5"
4	081998-78-W06	EA	Cushion Asm. - Dinette Bottom - 17.5" x 38" x 5"
	M81998-78-W04	EA	Cover Asm. - Dinette Bottom Cushion - 17.5" x 38" x 5"
	M81998-78-W05	EA	Cover Asm. - Dinette Bottom Cushion - 17.5" x 38" x 5"
	M81998-78-W06	EA	Cover Asm. - Dinette Bottom Cushion - 17.5" x 38" x 5"

CELEBRITY SWIVEL CHAIR

Key	Part Number	U/M	Description
5	085059-01-W04	EA	Chair Asm. w/Pillow Back - Swivel
5	085059-01-W05	EA	Chair Asm. w/Pillow Back - Swivel
5	085059-01-W06	EA	Chair Asm. w/Pillow Back - Swivel
	085187-01-W04	EA	Skirt Asm. - Swivel Chair
	085187-01-W05	EA	Skirt Asm. - Swivel Chair
	085187-01-W06	EA	Skirt Asm. - Swivel Chair
	035036-01-000	EA	Plate - Tilt & Swivel - Swivel Chair
	035036-04-000	EA	Base w/Legs - Swivel Chair
	035036-05-000	EA	Extension - 7" - Swivel Chair
†	088245-02-000	EA	Plate - Tilt & Swivel
†	088245-01-000	EA	Base w/Legs - Swivel Chair
†	088245-05-000	EA	Extension - 5" - Swivel Chair
†	Used in units produced after 3/1/87		



FRONT OVERHEAD BUNK CUSHIONS

Key	Part Number	U/M	Description
	084753-05-W04	EA	Cushion Asm. - Front Bunk
	084753-05-W05	EA	Cushion Asm. - Front Bunk
	084753-05-W06	EA	Cushion Asm. - Front Bunk
	M84753-05-W04	EA	Cover Asm. - Front Bunk Cushion
	M84753-05-W05	EA	Cover Asm. - Front Bunk Cushion
	M84753-05-W06	EA	Cover Asm. - Front Bunk Cushion
	084753-06-W04	EA	Cushion Asm. - Front Bunk - U-Shaped
	084753-06-W05	EA	Cushion Asm. - Front Bunk - U-Shaped
	084753-06-W06	EA	Cushion Asm. - Front Bunk - U-Shaped
	M84753-06-W04	EA	Cover Asm. - Front Bunk Cushion - U-Shaped
	M84753-06-W05	EA	Cover Asm. - Front Bunk Cushion - U-Shaped
	M84753-06-W06	EA	Cover Asm. - Front Bunk Cushion - U-Shaped

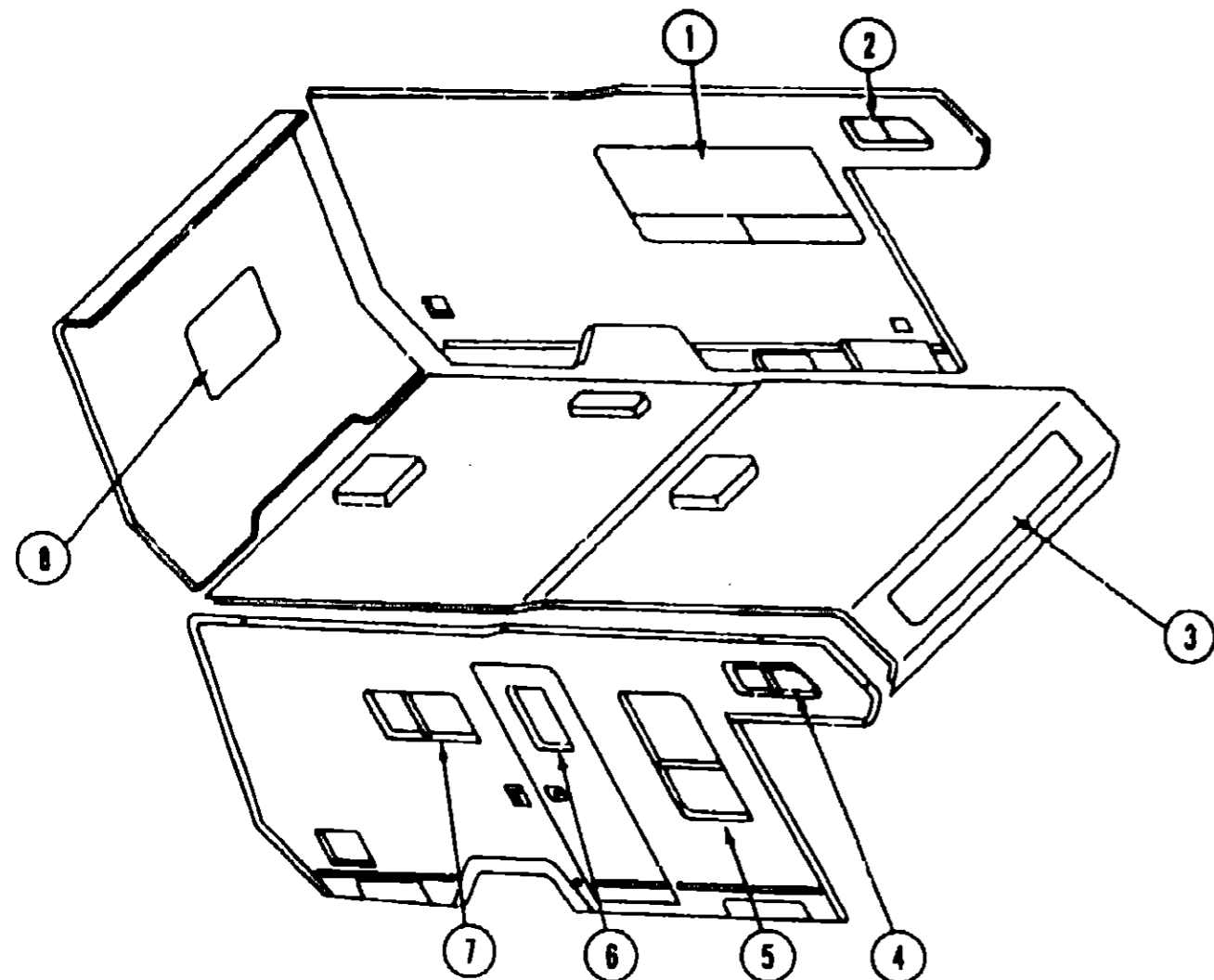
**1987 WINNEBAGO
TABLE OF CONTENTS**

WT319RK	A-01 - B-16
WF421RB	B-17 - D-16
WJN32RO	D-17 - G-05

1987 WF421RB INDEX

Floor Plan	B-17 - B-18
Accessories Group	B-19 - B-20
Bath Group	B-21
Chassis Group	B-22 - B-23
Curtain, Cushion & Pad Group	B-24 - C-06
Dinette Group	C-07 - C-08
Driver's Compartment Group	C-09 - C-10
Electrical Group	C-11 - C-13
Exterior Body Group	C-14 - C-19
Galley Group	C-20 - C-21
Heating & Air Conditioning Group	C-22
Interior Finish Group	C-23 - D-01
LP Group	D-02
Lounge Group	D-03
Water & Sewage Group	D-04 - D-05
Window, Vent & Exterior Door Group	D-06 - D-16

CURTAIN, CUSHION & PAD GROUP (CONTINUED)



CURTAINS, SHADES, VALANCES & TIEBACKS

Key	Part Number	U/M	Description
1	085190-01-W04	EA	Curtain Asm. w/Snap Top - 37" x 15"
†1	085190-01-WB7	EA	Curtain Asm. w/Snap Top - 37" x 15"
1	085190-01-W05	EA	Curtain Asm. w/Snap Top - 37" x 15"
1	085190-01-W06	EA	Curtain Asm. w/Snap Top - 37" x 15"
1	085191-01-W04	EA	Valance Asm. w/Snap Top - 68.5"
†1	085191-01-WB7	EA	Valance Asm. w/Snap Top - 68.5"
1	085191-01-W05	EA	Valance Asm. w/Snap Top - 68.5"
1	085191-01-W06	EA	Valance Asm. w/Snap Top - 68.5"
1	085304-18-000	EA	Blind - Pleated - 65" x 33" Drop (W04)
1	085304-19-000	EA	Blind - Pleated - 65" x 33" Drop (W05)
1	085304-20-000	EA	Blind - Pleated - 65" x 33" Drop (W06)
**	082118-C6-000	EA	Blind - Mini - 65" x 33" Drop (W04)
**	082118-C7-000	EA	Blind - Mini - 65" x 33" Drop (W05)
**	082118-C8-000	EA	Blind - Mini - 65" x 33" Drop (W06)
2	073323-33-W18	EA	Curtain Asm. w/Snap Top & Bottom - 17 1/2" x 18" Center (W04)
†2	073323-33-WB7	EA	Curtain Asm. w/Snap Top & Bottom - 17 1/2" x 18" Center (W04)
2	073323-33-W19	EA	Curtain Asm. w/Snap Top & Bottom - 17 1/2" x 18" Center (W05)
2	073323-33-W17	EA	Curtain Asm. w/Snap Top & Bottom - 17 1/2" x 18" Center (W06)
2	073323-34-W18	EA	Curtain Asm. w/Snap Top & Bottom - 17 1/2" x 18" - Left (W04)
†2	073323-34-WB7	EA	Curtain Asm. w/Snap Top & Bottom - 17 1/2" x 18" - Left (W04)
2	073323-34-W19	EA	Curtain Asm. w/Snap Top & Bottom - 17 1/2" x 18" - Left (W05)
2	073323-34-W17	EA	Curtain Asm. w/Snap Top & Bottom - 17 1/2" x 18" - Left (W06)
3	073323-32-W18	EA	Curtain Asm. w/Snap Top & Bottom - 19 1/2" x 30" (W04)
†3	073323-32-WB7	EA	Curtain Asm. w/Snap Top & Bottom - 19 1/2" x 30" (W04)
3	073323-32-W19	EA	Curtain Asm. w/Snap Top & Bottom - 19 1/2" x 30" (W05)
3	073323-32-W17	EA	Curtain Asm. w/Snap Top & Bottom - 19 1/2" x 30" (W06)

CURTAIN, CUSHION & PAD GROUP (CONTINUED)

CURTAINS, SHADES, VALANCES & TIEBACKS (CONT.)

Key	Part Number	U/M	Description
4	073323-33-W18	EA	Curtain Asm. w/Snap Top & Bottom - 17 1/2" x 18" - Center (W04)
†4	073323-33-WB7	EA	Curtain Asm. w/Snap Top & Bottom - 17 1/2" x 18" - Center (W04)
4	073323-33-W19	EA	Curtain Asm. w/Snap Top & Bottom - 17 1/2" x 18" - Center (W05)
4	073323-33-W17	EA	Curtain Asm. w/Snap Top & Bottom - 17 1/2" x 18" - Center (W06)
4	073323-35-W18	EA	Curtain Asm. w/Snap Top & Bottom - 17 1/2" x 18" - Right (W04)
†4	073323-35-WB7	EA	Curtain Asm. w/Snap Top & Bottom - 17 1/2" x 18" - Right (W04)
4	073323-35-W19	EA	Curtain Asm. w/Snap Top & Bottom - 17 1/2" x 18" - Right (W05)
4	073323-35-W17	EA	Curtain Asm. w/Snap Top & Bottom - 17 1/2" x 18" - Right (W06)
5	085190-05-W04	EA	Curtain Asm. w/Snap Top - 45" x 10"
5	085190-05-W05	EA	Curtain Asm. w/Snap Top - 45" x 10"
5	085190-05-W06	EA	Curtain Asm. w/Snap Top - 45" x 10"
5	080824-06-W04	EA	Valance Asm. - Entrance/Lounge
†5	080824-06-WB7	EA	Valance Asm. - Entrance/Lounge
5	080824-06-W05	EA	Valance Asm. - Entrance/Lounge
5	080824-06-W06	EA	Valance Asm. - Entrance/Lounge
5	085304-03-000	EA	Blinds - Pleated - 19" x 42.5" Drop (W04)
5	085304-04-000	EA	Blinds - Pleated - 19" x 42.5" Drop (W05)
5	085304-05-000	EA	Blinds - Pleated - 19" x 42.5" Drop (W06)
*	082118-A7-000	EA	Blinds - Mini - 19" x 42.5" Drop (W04)
*	082118-A8-000	EA	Blinds - Mini - 19" x 42.5" Drop (W05)
*	082118-A5-000	EA	Blinds - Mini - 19" x 42.5" Drop (W06)
6	084755-04-W04	EA	Shade Asm. - Pull - Linen w/Braid Trim - 24 1/2"
†6	084755-04-WA7	EA	Shade Asm. - Pull - Linen w/Braid Trim - 24 1/2"
6	084755-04-W05	EA	Shade Asm. - Pull - Linen w/Braid Trim - 24 1/2"
†6	084755-04-WA8	EA	Shade Asm. - Pull - Linen w/Braid Trim - 24 1/2"
6	084755-04-W06	EA	Shade Asm. - Pull - Linen w/Braid Trim - 24 1/2"
†6	084755-04-WA6	EA	Shade Asm. - Pull - Linen w/Braid Trim - 24 1/2"
7	085191-09-W04	EA	Valance Asm. w/Insert - 28"
†7	085191-09-WB7	EA	Valance Asm. w/Insert - 28"
7	085191-09-W05	EA	Valance Asm. w/Insert - 28"
7	085191-09-W06	EA	Valance Asm. w/Insert - 28"
7	082118-A8-000	EA	Blind - Mini - 27" x 22" Drop (W04)
7	082118-A9-000	EA	Blind - Mini - 27" x 22" Drop (W05)
7	082118-B0-000	EA	Blind - Mini - 27" x 22" Drop (W06)
8	085191-02-W04	EA	Valance Asm. w/Insert - 27.4"
†8	085191-02-WB7	EA	Valance Asm. w/Insert - 27.4"
8	085191-02-W05	EA	Valance Asm. w/Insert - 27.4"
8	085191-02-W06	EA	Valance Asm. w/Insert - 27.4"
8	082118-B7-000	EA	Blind - Mini - 32" x 26" Drop (W04)
8	082118-B8-000	EA	Blind - Mini - 32" x 26" Drop (W05)
8	082118-B9-000	EA	Blind - Mini - 32" x 26" Drop (W06)
*	073295-04-W04	EA	Curtain w/Snaps - Front Wraparound - 23" x 64" (2 required)
†*	073295-04-WB7	EA	Curtain w/Snaps - Front Wraparound - 23" x 64" (2 required)
*	073295-04-W05	EA	Curtain w/Snaps - Front Wraparound - 23" x 64" (2 required)
*	073295-04-W06	EA	Curtain w/Snaps - Front Wraparound - 23" x 64" (2 required)
*	077591-03-W04	EA	Curtain w/Velcro Top - Bunk Privacy - 70" x 50" - Passenger
†*	077591-03-WB7	EA	Curtain w/Velcro Top - Bunk Privacy - 70" x 50" - Passenger
*	077591-03-W05	EA	Curtain w/Velcro Top - Bunk Privacy - 70" x 50" - Passenger
*	077591-03-W06	EA	Curtain w/Velcro Top - Bunk Privacy - 70" x 50" - Passenger
*	077591-04-W04	EA	Curtain w/Velcro Top - Bunk Privacy - 70" x 50" - Driver
†*	077591-04-WB7	EA	Curtain w/Velcro Top - Bunk Privacy - 70" x 50" - Driver
*	077591-04-W05	EA	Curtain w/Velcro Top - Bunk Privacy - 70" x 50" - Driver
*	077591-04-W06	EA	Curtain w/Velcro Top - Bunk Privacy - 70" x 50" - Driver
*	085283-01-000	EA	Tieback - Plastic
*	057534-01-000	EA	Tieback Asm. - 6" - Clear Plastic
*	057534-04-000	EA	Tieback Asm. - 20" - Clear Plastic
*	086121-02-000	EA	Curtain Asm. - Shower Liner - 63" x 42"
*	Not illustrated		
**	Parts for Mini Blind Option		
††	Used in units produced after 10/20/86.		

**1987 WINNEBAGO
TABLE OF CONTENTS**

WT319AK	A-01 - B-18
WF421RB	B-17 - D-16
WJN32RQ	D-17 - G-05

1987 WF421RB INDEX

Floor Plan	B-17 - B-18
Accessories Group	B-19 - B-20
Bath Group	B-21
Chassis Group	B-22 - B-23
Curtain, Cushion & Pad Group	B-24 - C-06
Dinette Group	C-07 - C-08
Driver's Compartment Group	C-09 - C-10
Electrical Group	C-11 - C-13
Exterior Body Group	C-14 - C-19
Galley Group	C-20 - C-21
Heating & Air Conditioning Group	C-22
Interior Finish Group	C-23 - D-01
LP Group	D-02
Lounge Group	D-03
Water & Sewage Group	D-04 - D-05
Window, Vent & Exterior Door Group	D-06 - D-16

CURTAIN, CUSHION & PAD GROUP (CONTINUED)

FABRICS, TRIMS & PADS

Key	Part Number	U/M	Description
	077498-91-000	YD	Fabric w/Pattern - Upholstery - (W04)
	077498-92-000	YD	Fabric w/Pattern - Upholstery - (W05)
	077498-93-000	YD	Fabric w/Pattern - Upholstery - (W06)
	077498-A6-000	YD	Fabric w/Pattern - Upholstery Accent (W04)
	077498-A5-000	YD	Fabric w/Pattern - Upholstery Accent (W05)
	077498-A7-000	YD	Fabric w/Pattern - Upholstery Accent (W06)
	077498-95-000	YD	Fabric - Upholstery - Accent - Plain (W04)
	077498-61-000	YD	Fabric - Upholstery - Accent - Plain (W05)
	077498-96-000	YD	Fabric - Upholstery - Accent - Plain (W06)
	072333-39-000	YD	Fabric - Drapery (W04)
	072333-47-000	YD	Fabric - Drapery (W04)
	072333-37-000	YD	Fabric - Drapery (W05)
	072333-38-000	YD	Fabric - Drapery (W06)
	072333-34-000	YD	Fabric - Drapery - Bedroom (W04)
	072333-35-000	YD	Fabric - Drapery - Bedroom (W05)
	072333-36-000	YD	Fabric - Drapery - Bedroom (W06)
	069729-47-000	YD	Fabric - Bedspread (W04)
	069729-48-000	YD	Fabric - Bedspread (W05)
	069729-49-000	YD	Fabric - Bedspread (W06)
	038421-04-000	YD	Fabric - Mattress Ticking
	084416-10-000	YD	Fabric - Liner - Pull Shade
	084416-12-000	YD	Trim Braid - Pull Shade (W04)
	084416-13-000	YD	Trim Braid - Pull Shade (W05)
	084416-14-000	YD	Trim Braid - Pull Shade (W06)
	052859-01-T03	FT	Trim Asm. - Accent - Sandrift
	052859-05-T03	FT	Trim Asm. - Accent - Buckskin
	079680-01-000	YD	Vinyl - Expanded - 26 oz. - Buckskin
	079680-02-000	YD	Vinyl - Expanded - 26 oz. - Sandrift
	070578-06-T03	EA	Button Asm. - #30 - Vinyl
	057550-03-T03	EA	Button Asm. - Nail - Vinyl
	071127-10-W04	EA	Button Asm. - #30
	071127-10-W05	EA	Button Asm. - #30
	071127-10-W06	EA	Button Asm. - #30
	070578-04-W04	EA	Button Asm. - #30 - Screw Stud (W04)
	070578-04-W05	EA	Button Asm. - #30 - Screw Stud (W05)
	070578-04-W06	EA	Button Asm. - #30 - Screw Stud (W06)
	078155-01-000	EA	Strap Asm. - Cushion
	079144-02-000	EA	Strap Asm. - Bunk
	081280-03-U01	EA	End Cap Asm. - Overhead - Dinette - Vinyl
	081280-06-U01	EA	End Cap Asm. - Overhead - Galley - Vinyl
	081280-10-U01	EA	End Cap Asm. - Overhead - Microwave Overhead - Vinyl
	081280-08-U01	EA	End Cap Asm. - Overhead - Entrance Door - Vinyl
	081519-01-W04	EA	Pad Asm. - Dinette - Front
	081519-01-W05	EA	Pad Asm. - Dinette - Front
	081519-01-W06	EA	Pad Asm. - Dinette - Front
	081519-02-W04	EA	Pad Asm. - Dinette - Rear
	081519-02-W05	EA	Pad Asm. - Dinette - Rear
	081519-02-W06	EA	Pad Asm. - Dinette - Rear
	069885-12-W04	EA	Cover w/Pocket - Motor
	069885-12-W05	EA	Cover w/Pocket - Motor
	069885-12-W06	EA	Cover w/Pocket - Motor
	M80881-01-W04	EA	Panel Asm. - Couch Front
	M80881-01-W05	EA	Panel Asm. - Couch Front
	M80881-01-W06	EA	Panel Asm. - Couch Front

† Used in units produced after 2/1/67.

CURTAIN, CUSHION & PAD GROUP (CONTINUED)

BUCKET SEATS

Key	Part Number	U/M	Description
	084191-02-W04	EA	Seat Asm. - Fabric
	084191-02-W05	EA	Seat Asm. - Fabric
	084191-01-W06	EA	Seat Asm. - Fabric
	M01864-23-W04	EA	Cover Asm. - Seat Bottom
	M01864-23-W05	EA	Cover Asm. - Seat Bottom
	M01864-21-W06	EA	Cover Asm. - Seat Bottom
	M01864-24-W04	EA	Cover Asm. - Seat Back
	M01864-24-W05	EA	Cover Asm. - Seat Back
	M01864-22-W06	EA	Cover Asm. - Seat Back
	078804-10-W04	EA	Seat Asm. - Granduer w/Left Armrest
	078804-10-W05	EA	Seat Asm. - Granduer w/Left Armrest
	078804-10-W06	EA	Seat Asm. - Granduer w/Left Armrest
	M01863-07-W04	EA	Cover Asm. - Bucket Seat Bottom
	M01863-07-W05	EA	Cover Asm. - Bucket Seat Bottom
	M01863-07-W06	EA	Cover Asm. - Bucket Seat Bottom
	M01863-08-W04	EA	Cover Asm. - Bucket Seat Back
	M01863-08-W05	EA	Cover Asm. - Bucket Seat Back
	M01863-08-W06	EA	Cover Asm. - Bucket Seat Back
	080243-08-W04	EA	Armrest Asm. - Left
	080243-08-W05	EA	Armrest Asm. - Left
	080243-08-W06	EA	Armrest Asm. - Left
	M80243-02-W04	EA	Cover Asm. - Armrest - Left
	M80243-02-W05	EA	Cover Asm. - Armrest - Left
	M80243-02-W06	EA	Cover Asm. - Armrest - Left
	078804-09-W04	EA	Seat Asm. - Granduer w/Right Armrest
	078804-09-W05	EA	Seat Asm. - Granduer w/Right Armrest
	078804-09-W06	EA	Seat Asm. - Granduer w/Right Armrest
	M01863-05-W04	EA	Cover Asm. - Bucket Seat Bottom
	M01863-05-W05	EA	Cover Asm. - Bucket Seat Bottom
	M01863-05-W06	EA	Cover Asm. - Bucket Seat Bottom
	M01863-06-W04	EA	Cover Asm. - Bucket Seat Back
	M01863-06-W05	EA	Cover Asm. - Bucket Seat Back
	M01863-06-W06	EA	Cover Asm. - Bucket Seat Back
	080243-07-W04	EA	Armrest Asm. - Right
	080243-07-W05	EA	Armrest Asm. - Right
	080243-07-W06	EA	Armrest Asm. - Right
	M80243-01-W04	EA	Cover Asm. - Armrest - Right
	M80243-01-W05	EA	Cover Asm. - Armrest - Right
	M80243-01-W06	EA	Cover Asm. - Armrest - Right
	080242-04-W04	EA	Headrest Asm.
	080242-04-W05	EA	Headrest Asm.
	080242-04-W06	EA	Headrest Asm.
	M80242-01-W04	EA	Cover Asm. - Headrest
	M80242-01-W05	EA	Cover Asm. - Headrest
	M80242-01-W06	EA	Cover Asm. - Headrest



①



②



③



④



⑤

Key	Part Number	U/M	Description
1	029130-01-000	EA	Socket - Snap Fastener
2	029155-01-000	EA	Cap - Snap - .156" Dia. x 17" Barrel
3	029156-01-000	EA	Socket - Snap Fastener
4	029092-01-000	EA	Stud - Nickel Finish
5	029093-01-000	EA	Eyelet - Nickel Finish

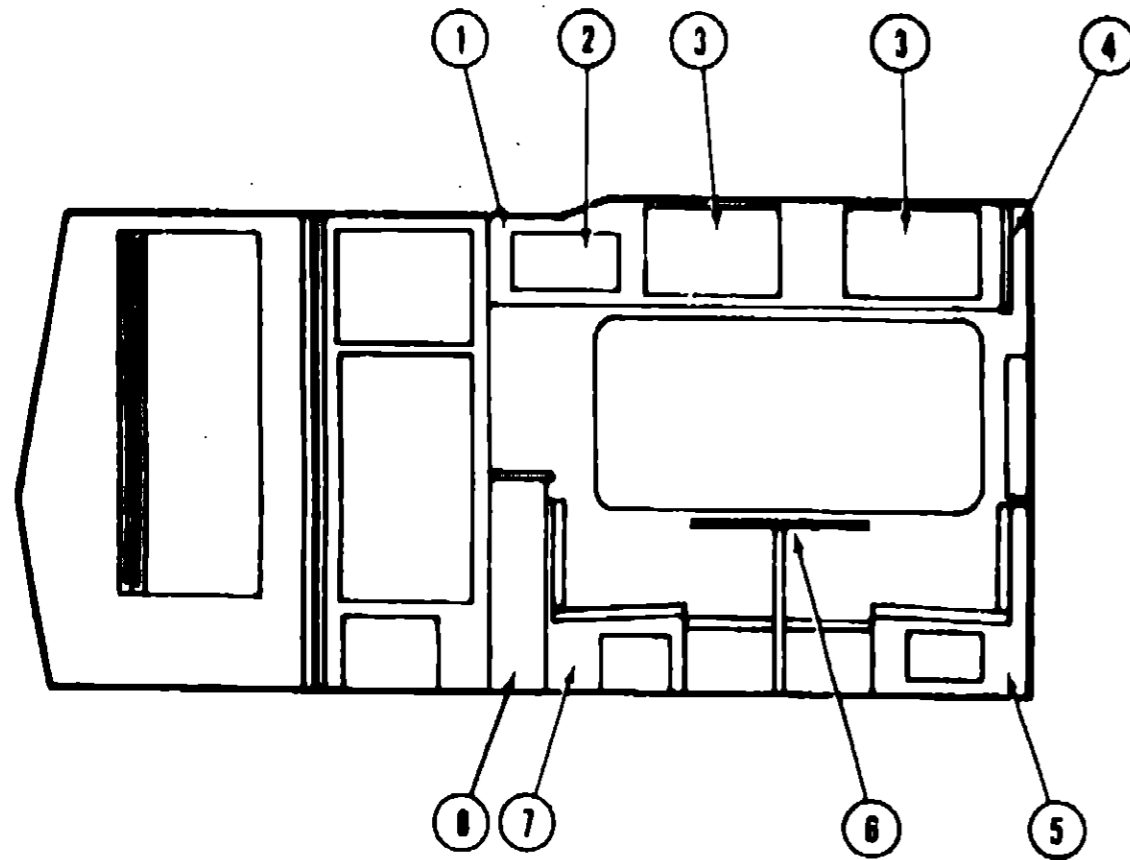
**1987 WINNEBAGO
TABLE OF CONTENTS**

W/319RK	A-01 - B-16
WF421RB	B-17 - D-16
WJN32RQ	D-17 - G-06

1987 WF421RB INDEX

Floor Plan	B-17 - B-18
Accessories Group	B-19 - B-20
Bath Group	B-21
Chassis Group	B-22 - B-23
Curtain, Cushion & Pad Group	B-24 - C-06
Dinette Group	C-07 - C-08
Driver's Compartment Group	C-09 - C-10
Electrical Group	C-11 - C-13
Exterior Body Group	C-14 - C-19
Galley Group	C-20 - C-21
Heating & Air Conditioning Group	C-22
Interior Finish Group	C-23 - D-01
LP Group	D-02
Lounge Group	D-03
Water & Sewage Group	D-04 - D-05
Window, Vent & Exterior Door Group	D-06 - D-16

DINETTE GROUP



Key	Part Number	U/M	Description
1	M83131-01-W04	EA	Cabinet Asm. - Dinette Overhead - w/o Doors or Hardware
2	M81523-09-W04	EA	Door Asm. - Dinette Overhead - 11.25" x 20.55" - w/o Hardware
3	M81523-02-W04	EA	Door Asm. - Dinette Overhead - 15.3" x 27.2" - w/o Hardware
4	081280-03-U01	EA	Pad Asm. - End Cap - Dinette Overhead - Vinyl
5	M02175-02-W04	EA	Cabinet Asm. - Dinette Seat - w/o Door or Hardware
*	M81501-10-W04	EA	Door Asm. - Dinette Seat - 19.1" x 10.1" - w/o Hardware
†	M88304-21-W10	EA	Door Asm. - Dinette Seat - w/o Hardware
*	M02174-01-W04	EA	Cabinet Asm. - Dinette Back
6	M02115-09-U17	EA	Table Asm. - Dinette - w/o Hardware
7	M02550-01-U01	EA	Cabinet Asm. - Dinette Seat - w/o Door or Hardware
*	M02549-01-U01	EA	Cabinet Asm. - Dinette Back
8	079676-01-W04	EA	Cabinet Asm. - Hamper - w/o Countertop
*	M02068-01-W04	EA	Countertop Asm. - Hamper - Flip-Up
*	M02069-01-T03	EA	Countertop Asm. - Hamper
*	053200-05-000	EA	Bracket - Upper Wall Mount - 23.5"
**	053201-06-000	EA	Bracket - Table Mount - 23"
*	024275-05-000	EA	Rod - Table Lift - 8" x 23.5"
*	024281-07-000	EA	Bracket - Lower Wall Mount
*	024276-14-000	EA	Leg Asm. - Table - 26.75"
**	064050-01-000	EA	Hinge - Table Leg
**	024282-01-000	EA	Brace - Table Leg
**	024283-01-000	EA	Clip - 1" O.D. Tube
*	049493-05-000	EA	Catch - Table Leg - Mounts on Floor
*	064781-03-000	EA	Cup Holder - 3.47" O.D. x 2.75" I.D. x 1.5"
*	016604-02-000	EA	Angle Brace - Seat - 2.5" - Brown
*			Not illustrated

** The illustrated parts breakdown for this item is provided on the Common Items Fiche.

† Used in units produced after 4/7/87.

DINETTE GROUP (CONTINUED)

SPRUNG COUCH (OPTION)

Key	Part Number	U/M	Description
	081298-01-U04	EA	Table Asm. - Pedestal
	009040-03-000	EA	Base - Table - Raised
	009040-04-000	EA	Leg - Pedestal Table - 27.5 - Brown
	062046-01-000	EA	Clip - Pedestal - Table Leg
	041184-01-000	EA	Base - Flush Mount - Table
	082936-01-U04	EA	Support - Table
	057472-01-000	EA	Clip - Panel
	077968-01-000	EA	Nylon Retainer
	076840-01-000	EA	Shock Cord Asm.
	072708-04-000	EA	Frame - Fold Down Couch

1987 WINNEBAGO TABLE OF CONTENTS

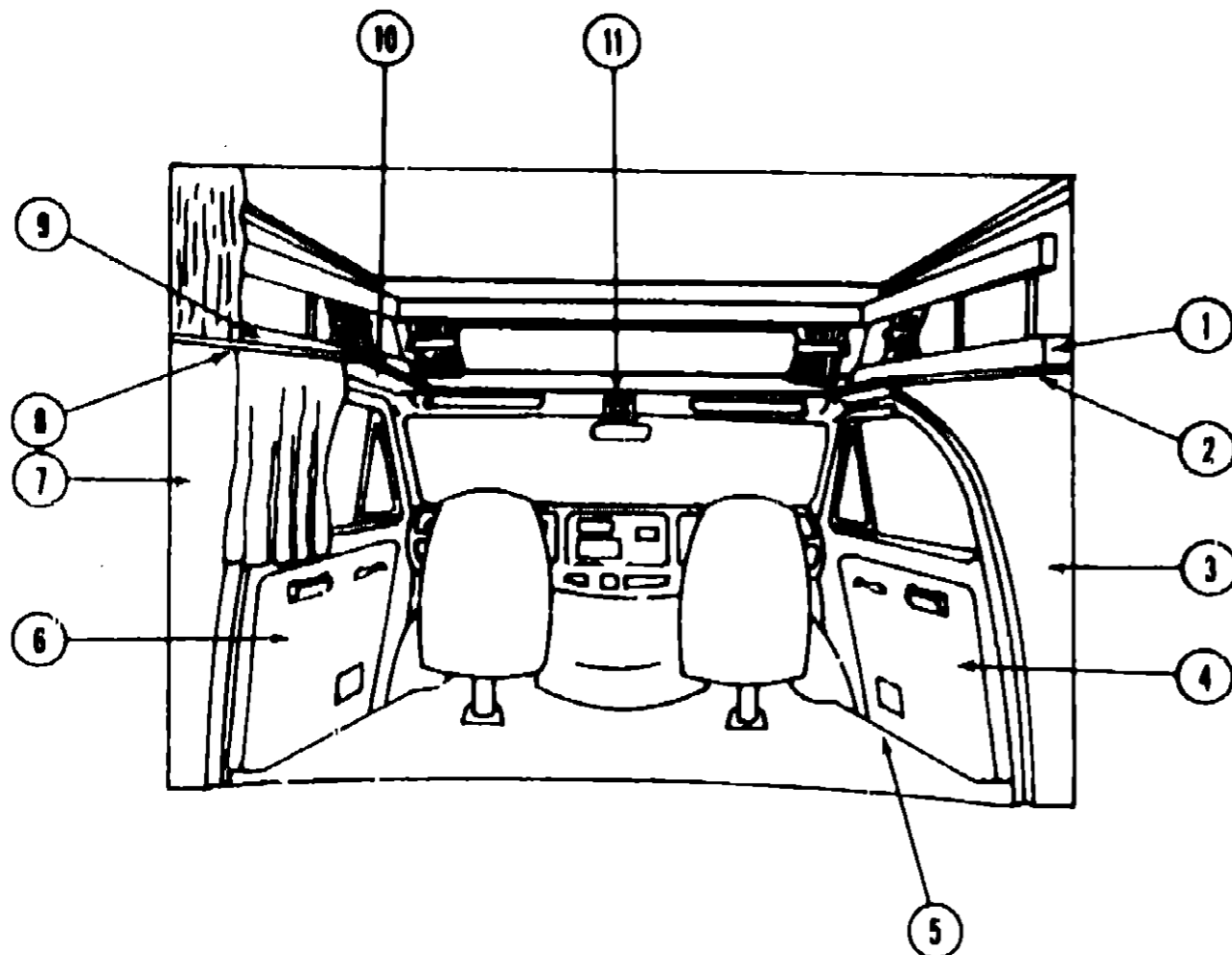
WT319RK	A-01 - B-16
WF421RB	B-17 - D-16
WJN32RQ	D-17 - G-05

1987 WF421RB INDEX

Floor Plan	B-17 - B-18
Accessories Group	B-19 - B-20
Bath Group	B-21
Chassis Group	B-22 - B-23
Curtain, Cushion & Pad Group	B-24 - C-06
Dinette Group	C-07 - C-08
Driver's Compartment Group	C-09 - C-10
Electrical Group	C-11 - C-13
Exterior Body Group	C-14 - C-19
Galley Group	C-20 - C-21
Heating & Air Conditioning Group	C-22
Interior Finish Group	C-23 - D-01
LP Group	D-02
Lounge Group	D-03
Water & Sewage Group	D-04 - D-05
Window, Vent & Exterior Door Group	D-06 - D-16

DRIVER'S COMPARTMENT GROUP

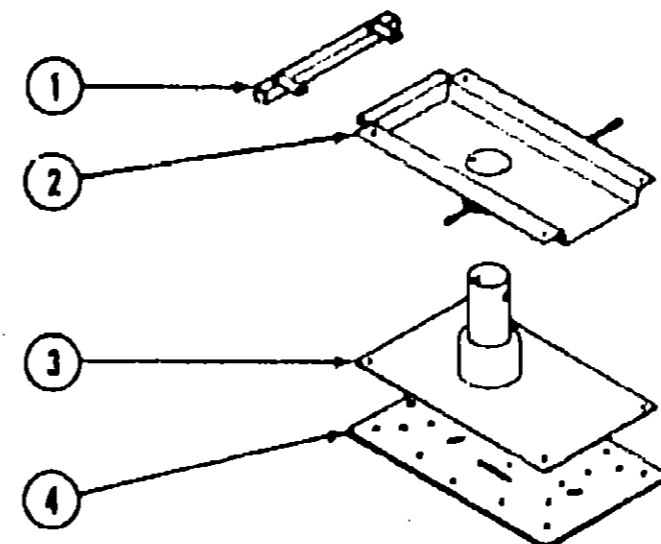
DRIVER'S COMPARTMENT GROUP (CONTINUED)



MISCELLANEOUS DRIVER'S COMPARTMENT COMPONENTS (FORD)

Key	Part Number	U/M	Description
1	087012-01-W04	EA	Cabinet Asm. - Headboard
2	M81652-01-W04	EA	Panel Asm. - Sleeper Board - w/o Vinyl
.	079800-01-000	EA	Trim - Front Sleeper Board
3	M82066-01-U01	EA	Panel Asm. - Wingwall Transition - Inner Passenger
**4	NOTE	EA	Slide Panel - Cab Door - Passenger
5	083219-01-000	EA	Door Step Mat - Passenger - Brown - Ford
.	083219-02-000	EA	Door Step Mat - Driver - Brown - Ford
**6	NOTE	EA	Panel Asm. - Cab Door - Driver - Beige
7	M82066-02-U01	EA	Panel Asm. - Wingwall Transition - Inner Driver
8	082069-01-U01	EA	Accent Trim - Dark Sandrift Vinyl
9	087012-01-W04	EA	Cabinet Asm. - Headboard
10	083431-01-U01	EA	Headliner Asm. - Overhead Bunk
11	M01298-01-000	EA	Console - Overhead - 7.5" x 6.14" - Black
.	024461-01-000	EA	Switch - Battery
.	024462-01-000	EA	Switch - Battery Condition
.	024976-01-000	EA	Switch - Generator w/o Circuit Board
.	031035-02-000	EA	Gauge - Generator Hourmeter
.	024459-04-000	EA	Gauge - Voltmeter
.	024459-02-000	EA	Bracket - Mounting - Voltmeter Gauge
.	Not illustrated		

** This part is supplied by your Ford Dealer



BUCKET SEAT PEDESTAL & SEAT BELTS

Key	Part Number	U/M	Description
1	069585-29-000	EA	Bar - Seat Belt - 20"
2	069585-27-000	EA	Plate - Top - Pedestal Asm. - Bucket Seat
2	069585-20-000	EA	Plate - Top - Pedestal Asm. - Power Seat
3	069585-03-000	EA	Plate - Sub - Pedestal Asm. - Bucket Seat
3	069585-18-000	EA	Plate - Sub - Pedestal Asm. - Power Seat
4	069585-02-000	EA	Plate - Base - Pedestal Asm. - Bucket Seat
.	081373-02-000	EA	Seat - Power
.	056271-02-000	EA	Belt Asm. - Seat - 2" x 72" - Black
.	007021-01-000	EA	Belt Asm. - Seat - 2" x 90" - Black
.	041322-01-000	EA	Washer - Flat 15/32" I.D. x 2 3/8" O.D. - Seat Belt
.	057759-01-000	EA	Bracket - Seat Belt Washer
.	069246-01-000	EA	Adjuster Asm. - Seat - w/Lock
.	069246-02-000	EA	Adjuster Asm. - Seat - w/o Lock
.	080730-02-000	EA	Recliner Drive - Driver
.	080730-01-000	EA	Recliner Drive - Passenger
.	Not illustrated		

**1987 WINNEBAGO
TABLE OF CONTENTS**

WT319RK
WF421RB
WJN32RO

A-01 - B-16
B-17 - D-16
D-17 - G-05

1987 WF421RB INDEX

Floor Plan	B-17 - B-18
Accessories Group	B-19 - B-20
Bath Group	B-21
Chassis Group	B-22 - B-23
Curtain, Cushion & Pad Group	B-24 - C-06
Dinette Group	C-07 - C-08
Driver's Compartment Group	C-09 - C-10
Electrical Group	C-11 - C-13
Exterior Body Group	C-14 - C-19
Galley Group	C-20 - C-21
Heating & Air Conditioning Group	C-22
Interior Finish Group	C-23 - D-01
LP Group	D-02
Lounge Group	D-03
Water & Sewage Group	D-04 - D-05
Window, Vent & Exterior Door Group	D-06 - D-16

ELECTRICAL GROUP

BULBS

Key	Part Number	U/M	Description
	008220-01-000	EA	Bulb - 12V - 25W
	008103-01-000	EA	Bulb - 53
	008213-01-000	EA	Bulb - 57
	008214-01-000	EA	Bulb - 67
	036196-01-000	EA	Bulb - 194
	008215-01-000	EA	Bulb - 1003
	067479-01-000	EA	Bulb - 1078
	063914-01-000	EA	Bulb - 1139
	008218-01-000	EA	Bulb - 1141
	037935-01-000	EA	Bulb - 1157
	056288-02-000	EA	Bulb - 9431808

FUSES & CIRCUIT BREAKERS

Key	Part Number	U/M	Description
	008233-01-000	EA	Fuse - 6 Amp. - 12 Volt
	008234-01-000	EA	Fuse - 10 Amp. - 12 Volt
	008235-01-000	EA	Fuse - 15 Amp. - 12 Volt
	062901-02-000	EA	Fuse - 5 Amp. - Automotive
	062901-05-000	EA	Fuse - 15 Amp. - Automotive
	008211-01-000	EA	Circuit Breaker - 6 Amp. - 12 Volt
	008208-01-000	EA	Circuit Breaker - 40 Amp. - 12 Volt
	033573-02-000	EA	Circuit Breaker - 15 Amp. - 12 Volt - w/Mount
	033573-01-000	EA	Circuit Breaker - 20 Amp. - 12 Volt - w/Mount
	044466-03-000	EA	Circuit Breaker - 25 Amp. - 12 Volt - w/Mount
	008268-01-000	EA	Circuit Breaker - 30 Amp. - 12 Volt - w/Mount
	083209-01-000	EA	Circuit Breaker - 15 Amp. - 120 Volt
	083210-02-000	EA	Circuit Breaker - 15 Amp. - 120 Volt (Ground Fault Interrupter)
	075735-02-000	EA	Circuit Breaker - 15 Amp. - 120 Volt (Ground Fault Interrupter)
	071279-07-000	EA	Circuit Breaker - 20/20 Amp. - 120 Volt
	071279-05-000	EA	Circuit Breaker - 20 Amp. - 120 Volt
	083209-03-000	EA	Circuit Breaker - 15/20 Amp. - 120 Volt
	083209-05-000	EA	Circuit Breaker - 20 Amp. - 120 Volt
	083209-04-000	EA	Circuit Breaker - 30 Amp. - 120 Volt
	082122-01-000	EA	Circuit Breaker - 30 Amp. - 12 Volt
	083209-08-000	EA	Circuit Breaker Blank
	050283-02-000	EA	Circuit Breaker - Buss Bar

ELECTRICAL GROUP (CONTINUED)

WIRE, SWITCHES & RECEPTACLES

Key	Part Number	U/M	Description
	008056-01-000	EA	Adapter - Power Cord
	008288-01-000	EA	Box - Electrical - 3" x 3.5" - Plastic
	008289-01-000	EA	Box - Electrical - 4" x 4" - 1/2 & 3/4 Steel - UL
	058049-01-000	EA	Box - Electrical - 2" x 3" x 2.25" - Steel
	041953-01-000	EA	Conduit - Convolute Silt - .5" I.D.
	008353-01-000	EA	Connector - Clamping - 3/8 Cable - UL & CSA
	058026-01-000	EA	Connector - Pigtail - Clear Nylon
	008311-01-000	EA	Connector - Wire Nut - Red
	031988-01-000	EA	Contact Plug - Brass - Tin Plated
	031987-01-000	EA	Contact - Receptacle
	008054-01-000	EA	Cord - Power - 10-3 30 Amp. - 25' - UL
	008052-01-000	EA	Cord - Power - 10-3 30 Amp. - 25' - CSA
	069238-01-000	EA	Cover - Electrical Box - 4" x 4"
	008164-01-000	EA	Cover Plate - Switch - Brown
	008294-01-000	EA	Cover - Flint Blank - 4" x 4" - Steel - US
	008277-01-000	EA	Fuse Holder - Panel Mount - Black
	064399-01-000	EA	Housing Asm. - Trailer Pin
	064450-01-000	EA	Housing Asm. - Trailer Plug
	064398-01-000	EA	Housing Asm. - Trailer Receptacle
	054532-01-000	EA	Housing Pin - 6 Position
	046885-01-000	EA	Plaque - Mounting Switch
	075736-02-000	EA	Receptacle/Cover Asm. - Off White (Exterior)
	058708-01-000	EA	Receptacle - Duplex - Brown
	058708-02-000	EA	Receptacle - Duplex - Ivory
	053126-02-000	EA	Receptacle - Ground Fault Interrupter - 125 Volt - Ivory
	024924-02-000	EA	Receptacle - Power Cord
	058707-01-000	EA	Receptacle - Single - Brown
	063912-01-000	EA	Relay - Canister SPDT w/Ground
	075723-01-000	EA	Switch - Block Spacer - w/o Holes
	075723-02-000	EA	Switch - Block Spacer - w/Holes
	056284-01-000	EA	Switch - Leaf Actuator
	079362-01-000	EA	Switch Plate - 3 Gang - 2 Switches
	079363-01-000	EA	Switch Plate - Single - w/Switches
	079384-01-000	EA	Switch - On/Off Rocker - Brown
	008195-01-000	EA	Switch - Push Button - 12 Volt
	008163-01-000	EA	Switch - Toggle - Brown
	047443-02-000	EA	Terminal - .250 Receptacle - 12-10 AWG
	008348-01-000	EA	Terminal Ring - 2 - w/3/8 Stud
	008331-01-000	EA	Terminal Ring - 4 - w/3/8 Stud
	008328-01-000	EA	Terminal Ring - 12/10 Wire
	008028-01-000	FT	Wire - 18.5 Bonded - Blue/Red/Yellow/Orange/White
	008024-01-000	FT	Wire - 18.5 Bonded - Orange/White/Yellow/Blue/Brown
	008025-01-000	FT	Wire - 18.5 Bonded - Orange/White/Yellow/Blue/Green
	008026-01-000	FT	Wire w/Ground - Romex - 12/2

1987 WINNEBAGO TABLE OF CONTENTS

WT3197N	A-01 - B-16
WF421RB	B-17 - D-18
WJN32RO	D-17 - G-05

1987 WF421RB INDEX

Floor Plan	B-17 - B-18
Accessories Group	B-19 - B-20
Bath Group	B-21
Chassis Group	B-22 - B-23
Curtain, Cushion & Pad Group	B-24 - C-06
Dinette Group	C-07 - C-08
Driver's Compartment Group	C-09 - C-10
Electrical Group	C-11 - C-13
Exterior Body Group	C-14 - C-19
Galley Group	C-20 - C-21
Heating & Air Conditioning Group	C-22
Interior Finish Group	C-23 - D-01
LP Group	D-02
Lounge Group	D-03
Water & Sewage Group	D-04 - D-05
Window, Vent & Exterior Door Group	D-06 - D-16

ELECTRICAL GROUP (CONTINUED)

EXTERIOR LIGHTS

Key	Part Number	U/M	Description
	058032-01-000	EA	Tail Lamp Asm. - 2 Bulb - Chrome - Driver/Passenger
	059540-01-000	EA	Bracket - License Plate
	062742-04-000	EA	Wedge - Tail Lamp w/License Plate - Left - Off White
	062740-04-000	EA	Wedge - Tail Lamp - Right - Off White
	042405-03-000	EA	Base - Rectangular Clearance Light
	042405-01-000	EA	Lens - Clearance Light - Red w/Reflex
	042405-04-000	EA	Lens - Clearance Light - Red w/o Reflex
	042405-02-000	EA	Lens - Clearance Light - Amber w/Reflex
	042405-05-000	EA	Lens - Clearance Light - Amber w/o Reflex
	048817-01-000	EA	Assist Handle Asm. w/Light
	041332-02-000	EA	Reflector - Self Adhesive

INTERIOR LIGHT

Key	Part Number	U/M	Description
	065202-03-000	EA	Lamp - Decor - Wall - Brass - 2 Bulb
	033508-02-000	EA	Light - Dome - Ivory - 1 Bulb - US
	033508-03-000	EA	Light - Dome - Ivory - 1 Bulb - CSA
	033509-02-000	EA	Light - Dome - Ivory - 2 Bulb - US
	078424-02-000	EA	Light - Florescent - 12V
	086280-01-000	EA	Light - Surface Mount - 12V
	061424-01-000	EA	Light - 12V Receptacle - Aisle - IP
	007309-01-000	EA	Light - Step Well
	072353-07-000	EA	Light - Reading - High Intensity - Jensen - Almond
	068937-04-000	EA	Light - Dome - Surface - No Switch
	086280-01-000	EA	Light - Surface Mount - 12 Volt

MISCELLANEOUS ELECTRICAL COMPONENTS

Key	Part Number	U/M	Description
	008188-01-000	EA	Solenoid - Dual Battery - Relay
	083208-01-000	EA	Converter - 120 Amp. w/Charger
	083208-01-000	EA	Control Center - 32A - 120V/12V
	082686-01-000	EA	Lamp - Table - Brass w/Wood
	082626-02-000	EA	Shade - Table Lamp

EXTERIOR BODY GROUP

LABELS, DECALS & EXTERIOR PAINT

Key	Part Number	U/M	Description
	068383-01-000	EA	Label - Diesel Fuel
	000185-01-000	EA	Label - Electrical Test
	047731-01-000	EA	Label - Emergency Exit
	008199-01-000	EA	Label - Exit - Escape Window
	057467-04-000	EA	Label - Exterior Loading Limit
	064378-01-000	EA	Label - Flying "W" w/Thermo Panel
	091417-01-000	EA	Label - Fuel
	008196-01-000	EA	Label - Gas Test
	054531-01-000	EA	Label - LP Gas Only
	040944-01-000	EA	Label - Operi - Entrance Door
	008015-01-000	EA	Label - Patent Motor Home
	058259-01-000	EA	Label - Safety Check List
	008064-01-000	EA	Label - Seat - w/o Seat Bolts
	008187-01-000	EA	Label - Sewage
	008006-01-000	EA	Label - Thermo Panel - 2 1/4" x 2 1/4"
	075221-01-000	EA	Label - Trailer Hitch Capacity
	075220-01-000	EA	Label - Warning - Exterior Load Limit
	077956-01-000	EA	Label - Warning - Smoke Detector
	050225-01-000	EA	Label - Warning - Stove Vent - US
	008188-01-000	EA	Label - Waste Water
	008187-01-000	EA	Label - Water Test
	072863-01-000	EA	Nameplate - Diesel - 6.2L
	008062-01-000	EA	Tag - Electrical - 110 Volt Connection
	006040-01-000	EA	Tag - Gas - Refueling Warning
	044488-03-000	EA	Paint - Bolge Acrylic Enamel - 16 oz. Aerosol (7633A Dupont)
	045881-03-000	EA	Paint - Gloss Black - Acrylic Enamel - 16 oz. Aerosol (99 Dupont)
	058637-05-000	EA	Paint - Gray Acrylic Enamel - 16 oz. Aerosol (71537 Dupont)
	041561-03-000	EA	Paint - Off White Acrylic Enamel - 16 oz. Aerosol (45396A Dupont)
	074553-01-000	EA	Label - "LPG" 3.3" x 1.75" (Calif. Code)

MISCELLANEOUS EXTERNALLY MOUNTED PARTS

Key	Part Number	U/M	Description
	083558-01-000	EA	Plumbing Seal - Roof Vent - 1.5
	048817-01-000	EA	Assist Handle - w/Light
	048817-01-700	EA	Lens - Assist Handle
	010230-02-000	EA	Fill - City Water - Recessed - Off White
	081240-03-000	EA	Water Fill - Lockable - White
	078200-01-000	EA	Gasket - Fuel Fill
	063303-04-000	EA	Shroud - Fuel Fill - Lower
	079384-05-000	EA	Running Board - Passengers
	079384-06-000	EA	Running Board - Drivers
	079384-11-000	EA	Hardware Set - Running Board
	080359-01-000	EA	Plate - Step Well

1987 WINNEBAGO TABLE OF CONTENTS

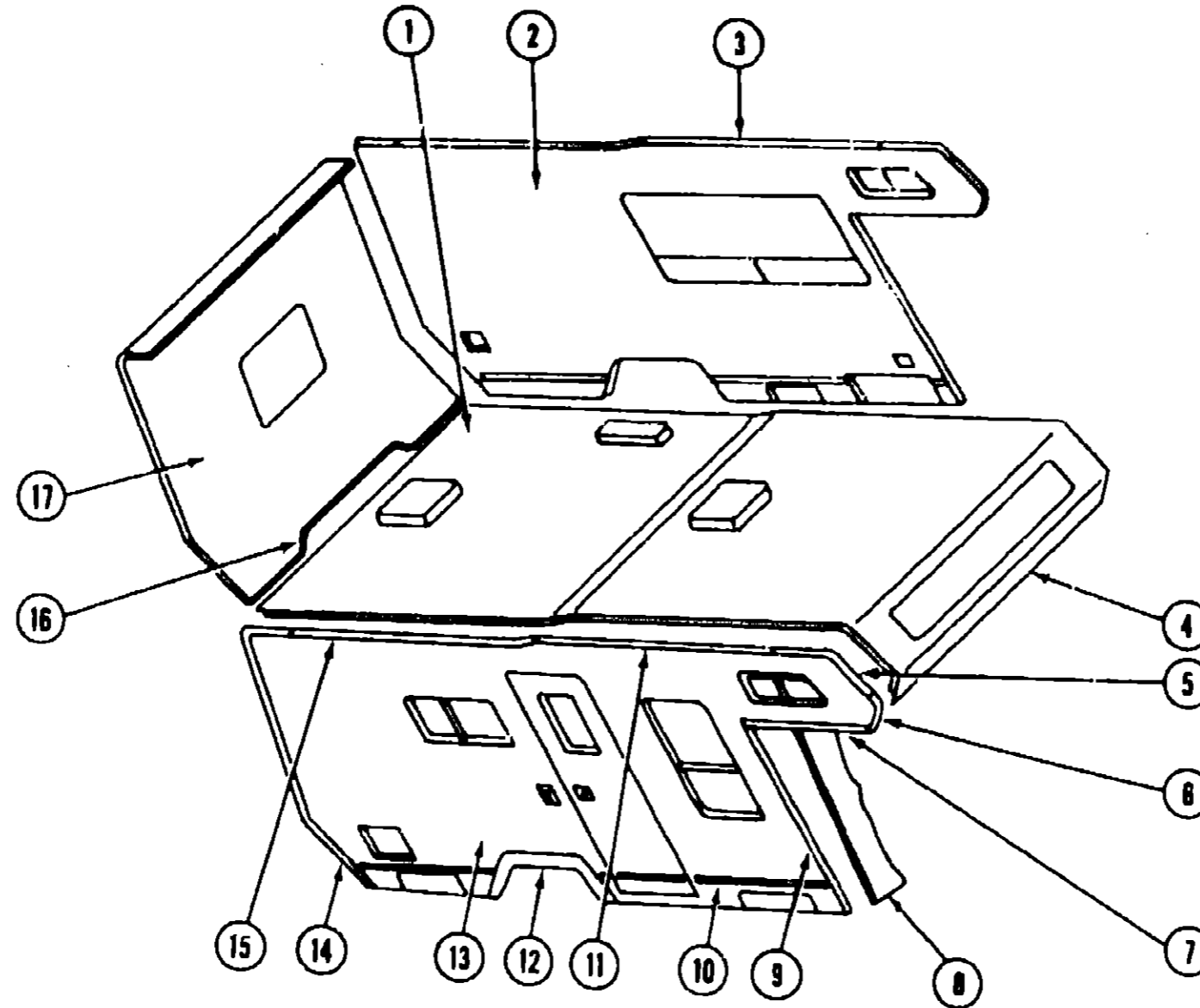
WT319RK	A-01 - B-18
WF421RB	B-17 - D-18
VJN32RQ	D-17 - G-05

1987 WF421RB INDEX

Floor Plan	B-17 - B-18
Accessories Group	B-19 - B-20
Bath Group	B-21
Chassis Group	B-22 - B-23
Curtain, Cushion & Pad Group	B-24 - C-06
Dinette Group	C-07 - C-08
Driver's Compartment Group	C-09 - C-10
Electrical Group	C-11 - C-13
Exterior Body Group	C-14 - C-19
Galley Group	C-20 - C-21
Heating & Air Conditioning Group	C-22
Interior Finish Group	C-23 - D-01
LP Group	D-02
Lounge Group	D-03
Water & Sewage Group	D-04 - D-05
Window, Vent & Exterior Door Group	D-06 - D-16

EXTERIOR BODY GROUP (CONTINUED)

EXTERIOR BODY PANELS



1987 WINNEBAGO TABLE OF CONTENTS

WT319AK
WF421RB
WJN32RQ

A-01 - B-16
B-17 - D-16
D-17 - G-05

1987 WF421RB INDEX

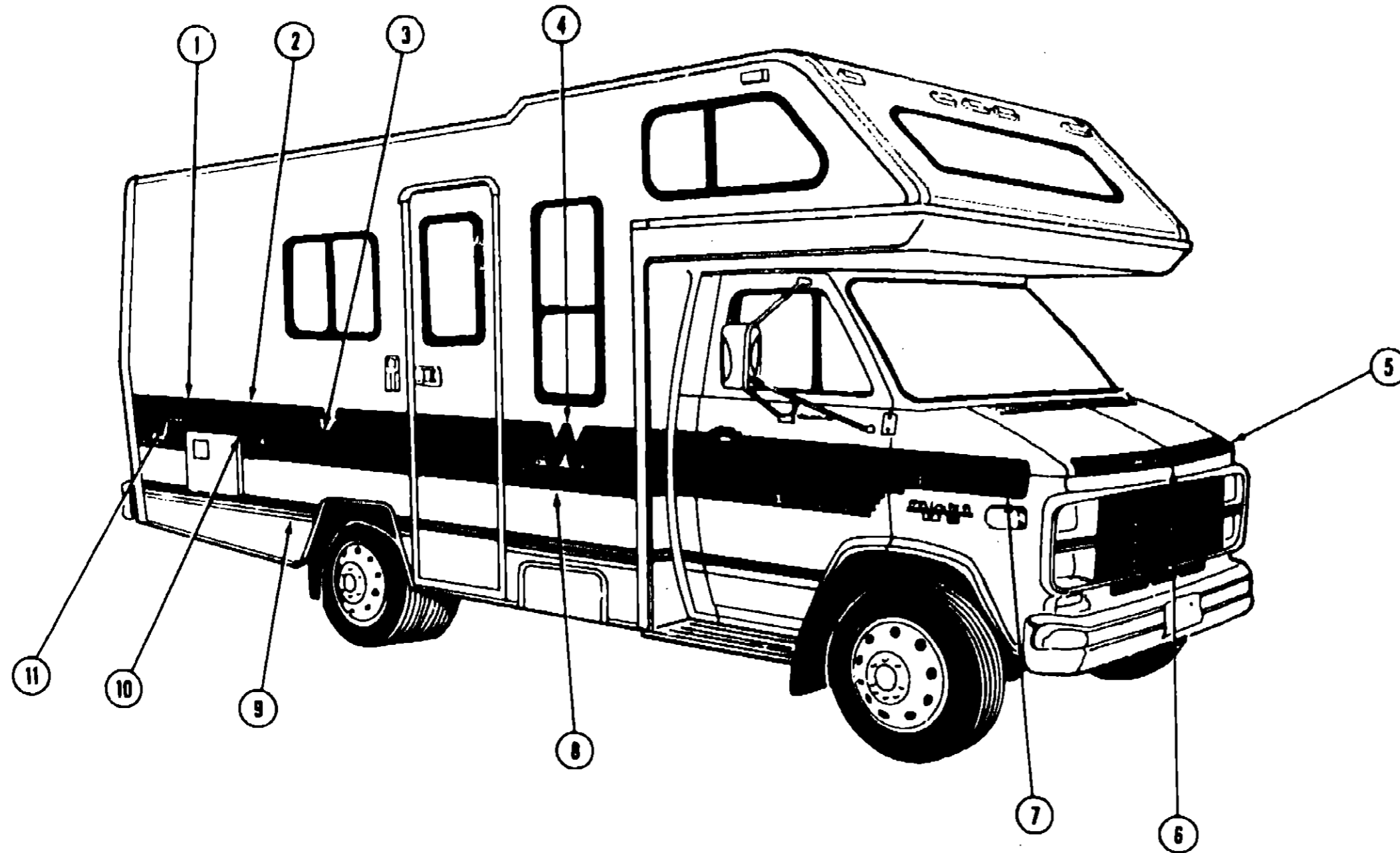
Floor Plan	B-17 - B-18
Accessories Group	B-19 - B-20
Bath Group	B-21
Chassis Group	B-22 - B-23
Curtain, Cushion & Pad Group	B-24 - C-06
Dinette Group	C-07 - C-08
Driver's Compartment Group	C-09 - C-10
Electrical Group	C-11 - C-13
Exterior Body Group	C-14 - C-19
Galley Group	C-20 - C-21
Heating & Air Conditioning Group	C-22
Interior Finish Group	C-23 - D-01
LP Group	D-02
Lounge Group	D-03
Water & Sewage Group	D-04 - D-05
Window, Vent & Exterior Door Group	D-06 - D-16

Key	Part Number	U/M	Description
1	M86325-01-W04	EA	Roof Asm.
•	M76177-01-700	EA	Roof Section - Cab Over To First Seam
2	M86313-01-W04	EA	Sidewall Asm. - Driver
3	076802-08-000	EA	Trim - Contour - Upper Front - Driver - Off White
•	076802-07-000	EA	Trim - Contour - Upper Front - Passenger - Off White
4	039644-08-000	EA	Trim - Sleeper Board - Front - Off White
•	M81652-01-W04	EA	Sleeperboard Asm.
5	085490-01-000	EA	Trim - Contour - Front - Passenger - Off White
•	085490-02-000	EA	Trim - Contour - Front - Driver - Off White
6	085071-01-000	EA	Trim - Front Radius - Plastic - Passenger - Off White
•	006001-02-000	EA	Trim - Front Radius - Plastic - Driver - Off White
7	076975-05-000	EA	Trim - Wingwall - 52.7" - Passenger - Off White
•	076975-06-000	EA	Trim - Wingwall - 52.7" - Driver - Off White
8	M81653-01-U01	EA	Wingwall Asm. - Passenger
•	M81653-02-U01	EA	Wingwall Asm. - Driver
9	076975-03-000	EA	Trim - Wingwall Transition - Passenger - Off White
•	076975-04-000	EA	Trim - Wingwall Transition - Driver - Off White
10	002444-01-001	EA	Feature Strip - w/o Insert - Extr. - 14' - Brown
•	001030-02-003	EA	Insert - Feature Strip - 17' - Stucco - Off White
•	009731-01-000	EA	End Cap - Feature Strip
11	076802-07-000	EA	Trim - Contour - Upper Front - Passenger - Off White
•	076802-08-000	EA	Trim - Contour - Upper Front - Driver - Off White

Key	Part Number	U/M	Description
12	075189-03-000	EA	Trim - Wheel Well - Rear Passenger - Off White
•	075189-04-000	EA	Trim - Wheelwell - Rear Driver - Off White
13	M86312-01-W04	EA	Sidewall Asm. - Passenger
13	M86312-01-W05	EA	Sidewall Asm. - Passenger
13	M86312-01-W06	EA	Sidewall Asm. - Passenger
14	076805-01-000	EA	Trim - Contour - Rear Passenger - Off White
•	076805-02-000	EA	Trim - Contour - Rear Driver - Off White
15	077339-11-000	EA	Trim - Contour - Upper Rear Passenger - Off White
•	077339-12-000	EA	Trim - Contour - Upper Rear Driver - Off White
16	074966-02-000	EA	Trim - Backwall - Lower - Passenger or Driver
17	M82397-01-W04	EA	Backwall Asm.
•	002365-01-001	EA	U-Channel - Extrusion - 1" x 18"
•	002776-01-001	EA	U-Channel - Extrusion - 1.75" x 16"
•	077514-04-001	EA	Fiberglass Sheet - 48.08" x 259" - Mesa - Off White
•	077517-04-002	EA	Fiberglass Sheet - 48.08" x 60" - Mesa - Off White
•	001054-01-011	EA	Alum. - No Design - 48" x 96" - Off White
•	000868-01-000	SF	Styrofoam - .75" x 24" x 96"
•	000870-05-000	SF	Styrofoam - .50" x 24" x 96"
•	000870-03-000	SF	Styrofoam - 1.34" x 48" x 96"
•			Not Illustrated

EXTERIOR BODY GROUP (CONTINUED)

LABELS, DECALS & EXTERIOR PAINT



1987 WINNEBAGO TABLE OF CONTENTS

WT319RK
WF421RB
WJN32RQ

A-01 - B-16
B-17 - D-16
D-17 - G-06

1987 WF421RB INDEX

Floor Plan	B-17 - B-18
Accessories Group	B-19 - B-20
Bath Group	B-21
Chassis Group	B-22 - B-23
Curtain, Cushion & Pad Group	B-24 - C-06
Dinette Group	C-07 - C-08
Driver's Compartment Group	C-09 - C-10
Electrical Group	C-11 - C-13
Exterior Body Group	C-14 - C-19
Galley Group	C-20 - C-21
Heating & Air Conditioning Group	C-22
Interior Finish Group	C-23 - D-01
LP Group	D-02
Lounge Group	D-03
Water & Sewage Group	D-04 - D-05
Window, Vent & Exterior Door Group	D-06 - D-16

Key	Part Number	U/M	Description
1	085297-01-000	EA	Decal - Rear - Right - Light Green (W04)
1	085297-03-000	EA	Decal - Rear - Right - Rose (W05)
1	085297-05-000	EA	Decal - Rear - Right - Brown (W06)
.	085297-02-000	EA	Decal - Rear - Left - Light Green (W04)
.	085297-04-000	EA	Decal - Rear - Left - Rose (W05)
.	085297-06-000	EA	Decal - Rear - Left - Brown (W06)
2	078831-21-000	FT	Decal Striping - 1.75" x 150" - Light Green (W04)
2	078831-22-000	FT	Decal Striping - 1.75" x 150" - Rose (W05)
2	078831-23-000	FT	Decal Striping - 1.75" x 150" - Brown (W06)
3	078831-24-000	FT	Decal Striping - 4.85" x 150" - Light Green (W04)
3	078831-25-000	FT	Decal Striping - 4.85" x 150" - Rose (W05)
3	078831-26-000	FT	Decal Striping - 4.85" x 150" - Brown (W06)
4	079351-07-000	EA	Decal - Flying "W" - Light Green (W04)
4	079351-08-000	EA	Decal - Flying "W" - Rose (W05)
4	079351-09-000	EA	Decal - Flying "W" - Brown (W06)
5	081944-04-000	EA	Decal - Hood - Light Green (W04)
5	081944-05-000	EA	Decal - Hood - Rose (W05)
5	081944-06-000	EA	Decal - Hood - Brown (W06)
6	069745-03-000	EA	Decal - "Winnie" - Chrome
.	069745-04-000	EA	Decal - "Bago" - Chrome

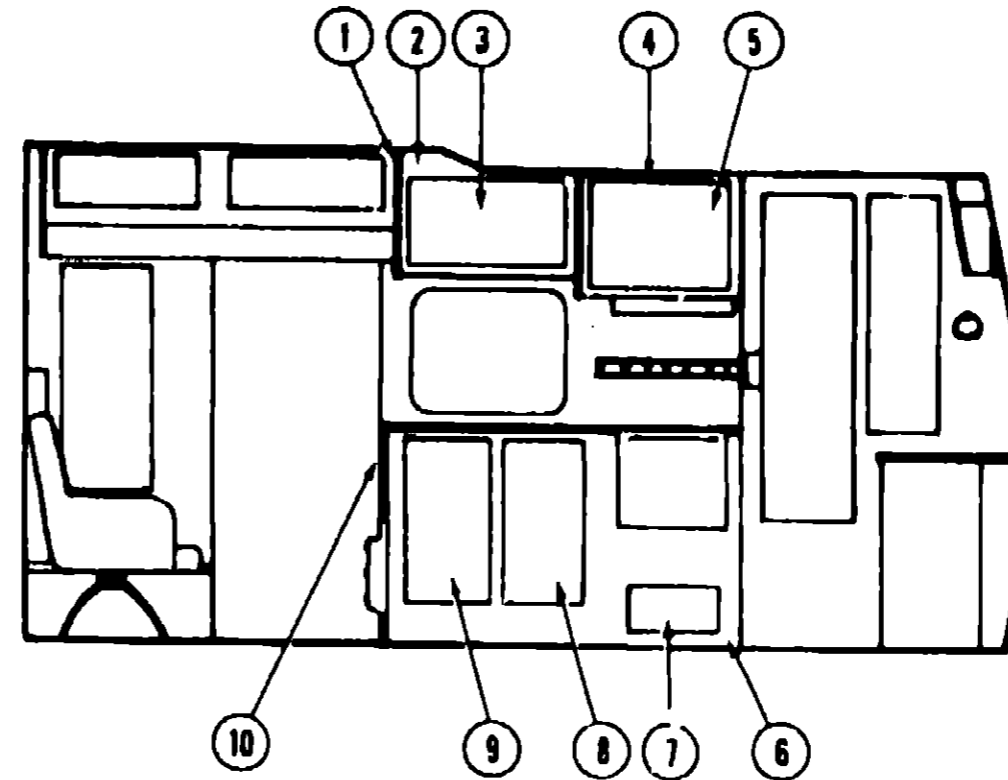
Key	Part Number	U/M	Description
7	085323-11-000	EA	Decal - Cab Side - Right - Light Green (W04)
7	085323-L3-000	EA	Decal - Cab Side - Right - Rose (W05)
7	085323-07-000	EA	Decal - Cab Side - Right - Brown (W06)
.	085323-02-000	EA	Decal - Cab Side - Left - Light Green (W04)
.	085323-04-000	EA	Decal - Cab Side - Left - Rose (W05)
.	085323-06-000	EA	Decal - Cab Side - Left - Brown (W06)
8	078196-14-000	FT	Film - Multistripe - 4.50" x 150" - Peach (W04, W06)
8	078196-15-000	FT	Film - Multistripe - 4.50" x 150" - Burgundy (W05)
9	065217-D4-000	FT	Film - Multistripe - 2.40" x 150" - Light Green/Peach
9	065217-D5-000	FT	Film - Multistripe - 2.40" x 150" - Rose/Burgundy
9	065217-D6-000	FT	Film - Multistripe - 2.40" x 150" - Brown/Peach
10	085297-07-000	EA	Decal - Rear - Right - Light Green (W04)
10	085297-09-000	EA	Decal - Rear - Right - Rose (W05)
10	085297-11-000	EA	Decal - Rear - Right - Brown (W06)
.	085297-08-000	EA	Decal - Rear - Left - Light Green (W04)
.	085297-10-000	EA	Decal - Rear - Left - Rose (W05)
.	085297-12-000	EA	Decal - Rear - Left - Brown (W06)
11	075478-01-000	EA	Decal - Logo - "Minnie Winnie" - Chrome
.	050313-22-000	EA	Decal - Logo - "Winnebago" - 2.80" - Chrome
.			Not illustrated

EXTERIOR BODY GROUP (CONTINUED)

SEALANTS & ADHESIVES

Key	Part Number	U/M	Description
	004020-01-000	QT	Adhesive - ABS Cement (Plastic Fittings)
	002337-01-000	EA	Adhesive - 1300 Tube - 3M (Windows)
	004005-02-000	GL	Adhesive - Swifts - Glue (Sidewalls)
	053766-07-000	EA	Bedding Compound - Tube - Beige (Exterior)
	053766-06-000	EA	Bedding Compound - Tube - Clear (Window)
	053766-08-000	EA	Bedding Compound - Tube - Gray (Exterior)
	053766-05-000	EA	Bedding Compound - Tube - Gray (Sidewalls to Floor)
	053766-02-000	EA	Bedding Compound - Tube - Off White (Exterior)
	002328-02-000	EA	Block - Rubber Spacer (Windshield)
	004336-01-000	EA	Caulk - Latex - Golden Walnut (Sidewalls)
	077967-01-000	EA	Sealant - Acrylic Latex - Tube - Off White (Interior Sealant)
	034552-04-000	EA	Sealant - Silicone - Beige
	034552-02-000	EA	Sealant - Silicone - Clear
	034552-07-000	EA	Sealant - Silicone - Dark Gray
	034552-06-000	EA	Sealant - Silicone - Off White
	069737-01-000	EA	Sealant - Weatherban 404 - Tube - White (Door Caulk)
	072889-01-000	EA	Sealant - Urethane - Black (Windshield)
	069640-01-000	FT	Sealer Ribbon - .25" Bead x 20'
	069640-02-000	FT	Sealer Ribbon - .5" x .125" x 30'
	069640-03-000	FT	Sealer Ribbon - .75" x .125" x 30'
	069640-04-000	FT	Sealer Ribbon - 2" x .09" x 45' (P Series)
	069640-05-000	FT	Sealer Ribbon - 2.5" x .09" x 50'
	069640-06-000	FT	Sealer Ribbon - 5/16" Bead x 15'
	069640-07-000	FT	Sealer Ribbon - 2" x 3/32" x 30'
	002316-01-000	FT	Sealer Tape - 3/32" x 3/8" - White (Window)
	002707-01-000	FT	Sealer Tape - 5/16" x 3/4"
	002707-02-000	FT	Sealer Tape - 5/16" x 1/2"
	040545-01-000	GL	Sealer - Seam Weld
	053752-04-000	EA	Seam Sealer - Tube - Aluminum (Roof)
	063642-01-000	FT	Tape - Adhesive - .10 mm. x 1.5" Wide
	038886-01-000	EA	Tape - Butyl - .31" x .31" x 148" (Windshield)
	076322-01-000	FT	Tape - Foam - Double Coated - .025 x 1" (Fiberglass Sidewall Seams)
	076322-02-000	FT	Tape - Foam - Double Coated - .045 x 1" (Fiberglass Sidewall Seams)
	009200-01-000	EA	Tape - Furnace - 1.5"
	002825-01-000	FT	Weather Striping (Roof Vent)

GALLEY GROUP



GALLEY CABINETRY

Key	Part Number	U/M	Description
1	081280-06-U01	EA	Pad Asm. - End Cap - Galley Overhead - Left - Vinyl
2	083137-01-W04	EA	Cabinet Asm. - Galley Overhead - w/o Doors or Hardware
3	M81523-02-W04	EA	Door Asm. - Galley Overhead - 15.3" x 27.2" - w/o Hardware
†3	M88304-84-W04	EA	Door Asm. - Galley Overhead - w/o Hardware
4	081460-01-W04	EA	Cabinet Asm. - Microwave Cabinet - w/o Door or Hardware
*	081280-10-U01	EA	Pad Asm. - End Cap - Microwave Cabinet - Vinyl
5	M81523-01-W04	EA	Door Asm. - Microwave Overhead - 18.2" x 24" - w/o Hardware
†5	M88304-12-W04	EA	Door Asm. - Microwave Cabinet - w/o Hardware
6	M83136-01-W04	EA	Cabinet Asm. - Galley - w/o Doors or Hardware
**	M83136-03-W04	EA	Cabinet Asm. - Galley - w/o Doors or Hardware
*	M02553-01-W04	EA	Countertop Asm. - Galley
7	M81501-75-W04	EA	Door Asm. - Galley - 17.6" x 22" - w/o Hardware
†7	M88304-05-W10	EA	Door Asm. - Galley - w/o Hardware
**	M82184-01-W04	EA	Drawer Asm. - Galley Cabinet - w/o Hardware
8	M81501-02-W04	EA	Door Asm. - Galley Cabinet - 33.4" x 14.3" - w/o Hardware
†8	M88304-14-W10	EA	Door Asm. - Galley - w/o Hardware
9	M81501-03-W04	EA	Door Asm. - Galley Cabinet - 33.4" x 14.3" - w/o Hardware
19	M88304-13-W10	EA	Door Asm. - Galley - w/o Hardware
10	080812-03-W04	EA	Extension Asm. - Galley Countertop - w/o Hardware
*	077404-01-000	EA	Drawer - Plastic - 20" x 12.7"
*	M81502-06-W04	EA	Door Asm. - Refrigerator Cabinet - Right - w/o Hardware
*	M81502-05-W04	EA	Door Asm. - Refrigerator Cabinet - Left - w/o Hardware
*	M81507-08-U01	EA	Door Asm. - Furnace - Refrigerator Cabinet - w/o Hardware
†*	M88304-A0-W07	EA	Door Asm. - Refrigerator Cabinet - Top - w/o Hardware
†*	M88304-57-W04	EA	Door Asm. - Refrigerator Cabinet - Furnace - w/o Hardware
*			Not illustrated
**			Parts used with Microwave Option
†			Used in units produced after 4/7/87

1987 WINNEBAGO TABLE OF CONTENTS

WT319RK	A-01 - B-16
WF421RB	B-17 - D-16
WJN32RC	D-17 - G-05

1987 WF421RB INDEX

Floor Plan	B-17 - B-18
Accessories Group	B-19 - B-20
Bath Group	B-21
Chassis Group	B-22 - B-23
Curtain, Cushion & Pad Group	B-24 - C-06
Dinette Group	C-07 - C-08
Driver's Compartment Group	C-09 - C-10
Electrical Group	C-11 - C-13
Exterior Body Group	C-14 - C-19
Galley Group	C-20 - C-21
Heating & Air Conditioning Group	C-22
Interior Finish Group	C-23 - D-01
LP Group	D-02
Lounge Group	D-03
Water & Sewage Group	D-04 - D-05
Window, Vent & Exterior Door Group	D-06 - D-16

GALLEY GROUP (CONTINUED)

GALLEY HARDWARE & APPLIANCES

Key	Part Number	U/M	Description
..	079352-01-000	EA	Hood - Range - Non-Powered w/Light - Almond
..	079353-01-000	EA	Hood - Range - Powered w/Monitor - Almond - US
..	079354-03-000	EA	Spacer - Hood Range - 3.85"
..	055282-02-000	EA	Range w/Small Oven - 4 Burner - Almond - Magic Chef
..	055282-02-700	EA	Top - Main - Almond
..	055282-01-700	EA	Frame - Door - Upper
..	055282-01-701	EA	Frame - Door - Lower
..	055282-01-702	EA	Glass - Door Front
..	055282-01-703	EA	Panel Door - Black
..	081374-01-000	EA	Range Top - 4 Burner - Almond
..	081374-01-700	EA	Trim - Cab Top - Right
..	081374-01-701	EA	Trim - Cab Top - Left
..	081374-01-702	EA	Manifold Panel - Black
..	081374-01-703	EA	Trim - Top - Rear
..	081374-01-704	EA	Guard - Fabric
..	064473-02-000	EA	Refrigerator - AC/DC/Gas - Norcold 8' - 776-EG3
..	084879-01-000	EA	Refrigerator - AC/DC/Gas - Norcold 8'
..	084879-01-700	EA	Cooling Unit
..	084879-01-701	EA	Gasket - Lower Door
..	084879-01-702	EA	Handle - Lower Door
..	084879-01-703	EA	Foamed Cabinet Asm.
..	084879-01-704	EA	Foamed Lower Door Liner w/Frame
..	084879-01-705	EA	Panel Holder - Lower Door
..	054450-01-000	EA	Level - Refrigerator
..	081379-01-000	EA	Microwave Oven - Sharp - Convection
..	081459-08-000	EA	Bracket Asm. - Microwave - Right
..	081459-02-000	EA	Bracket Asm. - Microwave - Left
..	081555-01-703	EA	Trim Ring - Microwave
..	081456-01-000	EA	Angle Asm. - Microwave - Right
..	081456-02-000	EA	Angle Asm. - Microwave - Left
..	082876-01-000	EA	Baffle - Microwave
..	068615-01-000	EA	Sink - Stainless Steel - Double w/Bolts
..	011053-01-000	EA	Faucet - Swing Spout - 8" - US
..	011053-02-000	EA	Faucet - Swing Spout - 8" - CSA
..	011053-01-700	EA	Aerator - Swing Spout Faucet
..	066437-01-000	EA	Strainer w/Basket - Sink
..	081530-01-U07	EA	Sink Cover - Large
..	009049-01-000	EA	Support - Drop Leaf Table
..	009059-01-000	EA	Hinge - 2" - Gold - Drop Leaf Table
..	074490-01-000	EA	Spice Rack - Oak
..	074491-01-000	EA	Rack Asm. - Magazine
..	074981-01-000	EA	Cutting Board - Maple
..	058334-01-000	EA	Wastebasket - 9 3/4" x 7" x 10" - White
..	052478-01-000	EA	Bracket - Wastebasket Support
..	059777-02-000	EA	Hinge - Cabinet Door - Light Brass
..	077409-01-000	EA	Slide - Drawer - 20.75" - Plastic
..	077404-01-000	EA	Drawer - 20" x 12.70" - Plastic
..	066435-01-000	EA	Nut Strainer
..	011083-01-000	EA	Plug - 1 1/4" x 5" - w/Stopper
..	066440-01-000	EA	Strainer w/Rubber Washer

.. The illustrated parts breakdown for this item is provided on the Common Items Fiche.

HEATING & AIR CONDITIONING GROUP

AUTOMOTIVE HEATER & AIR CONDITIONER

Key	Part Number	U/M	Description
..	072343-01-000	EA	A/C - Compressor/Clutch - Sankyo 510
..	073716-01-000	EA	A/C - Condensor Asm. - "C" - Tube O
..	073716-01-700	EA	Coil Condenser
..	073716-01-701	EA	Receiver Drier
..	073716-01-702	EA	Hose Assy. #8
..	073716-01-703	EA	Hose Assy. #8
..	074027-01-000	EA	Evaporator Asm. - A/C
..	074027-01-700	EA	Motor
..	074027-01-701	EA	Hose Liquid #8
..	074027-01-702	EA	Hose Suction #10
..	074027-01-703	EA	Louver
..	074027-01-704	EA	Escutcheon
..	074027-01-705	EA	Thermostat
..	074027-01-706	EA	Knob - Temperature
..	074027-01-707	EA	Knob - Air
..	074027-01-708	EA	Solenoid - Vacuum Switch
..	074027-01-709	EA	Center Louver - Escutcheon
..	074027-01-710	EA	Coil - Evaporator
..	074027-01-711	EA	Blower Wheel
..	074027-01-712	EA	Blower Housing

FURNACES & ROOF AIR CONDITIONER

Key	Part Number	U/M	Description
..	075696-01-000	EA	Furnace - 34,000 BTU - w/Direct Ignition - NT-34S
..	075695-01-000	EA	Furnace - 24,000 BTU - w/Direct Ignition - NT-24S
..	009198-01-000	FT	Duct - Flexible - 4" I.D. x 25'
..	056464-01-000	EA	Register - 4" Dia. - Plastic - w/Damper
..	056464-02-000	EA	Register - 4" Dia. - Plastic - w/o Damper
..	009200-01-000	EA	Tape - Furnace - 1 1/2"
..	010326-01-000	EA	Adapter - Flare - w/Cone Gasket
..	023146-01-000	EA	Clamp - Screw Type - 4"
..	073743-01-000	EA	Shroud Asm. - Ceiling - Inside - Roof Air Cool Only - 13,500 BTU
..	073744-01-000	EA	Shroud Asm. - Ceiling - Inside - Roof Air Heat & Cool - 13,500 BTU
..	073742-01-000	EA	Air Conditioner - 110 Volt & Roof Mount - 13,500 BTU Rotary

.. The illustrated parts breakdown for this item is provided on the Common Items Fiche.

1987 WINNEBAGO TABLE OF CONTENTS

WT319RK	A-01 - B-16
WF421RB	B-17 - D-16
WJN32RQ	D-17 - G-05

1987 WF421RB INDEX

Floor Plan	B-17 - B-18
Accessories Group	B-19 - B-20
Bath Group	B-21
Chassis Group	B-22 - B-23
Curtain, Cushion & Pad Group	B-24 - C-06
Dinette Group	C-07 - C-08
Driver's Compartment Group	C-09 - C-10
Electrical Group	C-11 - C-13
Exterior Body Group	C-14 - C-19
Galley Group	C-20 - C-21
Heating & Air Conditioning Group	C-22
Interior Finish Group	C-23 - D-01
LP Group	D-02
Lounge Group	D-03
Water & Sewage Group	D-04 - D-05
Window, Vent & Exterior Door Group	D-06 - D-16

INTERIOR FINISH GROUP

INTERIOR MOLDING & TRIM

Key	Part Number	U/M	Description
	069733-37-000	EA	Batt Strip - Sunset Oak - 8' (Cabinets)
	085284-01-000	EA	Batt Strip - Tape Adhesive - Sunset Oak (Cabinets)
	069733-66-000	EA	Batt Strip - Classique Tweed/Sand - 8' (Wall)
	095284-05-000	EA	Batt Strip - Tape Adhesive - Classique Tweed/Sand (Wall)
	069733-82-000	EA	Batt Strip - Pebble Beach - 8' (Ceiling)
	069733-71-000	EA	Batt Strip - Winne - 8' (Galley & Bath)
	082111-01-000	EA	Cover - Roof Break - Champagne
	079653-01-000	EA	Molding - Batt Strip - Sunset Oak
	042357-01-000	FT	Molding - Radius Corner - 7' - Elm
	022992-01-000	FT	Molding - Reverse Cove - White
	022902-08-000	FT	Molding - Reverse Cove - Champagne White
	022992-08-000	FT	Molding - Reverse Cove - Grady Brown
	083620-01-000	FT	T-Molding - 3/4" to Edge Lips
	002774-02-001	EA	Trim - Carpet - 192"
	077309-02-000	EA	Trim - Step - Box
	070504-01-000	EA	U-Channel - .065" - Light Brown
	070504-03-000	EA	U-Channel - .815" - Grady Brown
	009778-04-000	EA	U-Channel - 1" - Grady Brown
	041746-01-000	FT	Vinyl - Extr. - Bubble Seal
	009767-08-000	FT	Welling - Beige
	009767-10-000	FT	Welling - Champagne
	009767-07-000	FT	Welling - Grady Brown

PANELING & COUNTERTOP MATERIALS

Key	Part Number	U/M	Description
	074497-03-000	SF	Paneling - Decor - Sunset Oak - 48" x 84" (20 SF) (Cabinet)
	074497-09-000	SF	Paneling - Decor - Classique Tweed/Sand - 48" x 84" (Wall)
	074496-61-000	SF	Paneling - Decor - Peach - 48" x 84" (28 SF) (Galley & Bath) (W04, W06)
	074496-62-000	SF	Paneling - Decor - Mauve - 48" x 84" (28 SF) (Galley & Bath) (W05)
	074497-07-000	SF	Paneling - Pebble Beach - 48" x 96" (32 SF) (Ceiling)
	074498-21-000	SF	Plastic Laminate - Seafrost (Bath) (W04)
	074498-15-000	SF	Plastic Laminate - Blush (Bath) (W05)
	074498-16-000	SF	Plastic Laminate - Apricot Blush (Bath) (W06)
	074498-13-000	SF	Plastic Laminate - Sand (Galley & Dinette Table)
	074498-05-000	SF	Plastic Laminate - Sunset Oak - 48" x 96" (32SF) (Nightstand)
	074498-05-019	EA	Plastic Laminate - Sunset Oak - 1.19" x 96"
	076325-04-000	FT	Molding - Edge Band - Sunset Oak - 1 15/16" x .030"

INTERIOR FINISH GROUP (CONTINUED)

CURTAIN & CUSHION HARDWARE

Key	Part Number	U/M	Description
	039175-02-000	EA	Bracket - Curtain Rod - Cafe
	039175-05-000	EA	Bracket - Curtain Rod - Center
	082228-03-000	EA	Bracket - Curtain Rod - Right
	082228-04-000	EA	Bracket - Curtain Rod - Left
	082139-02-000	EA	Bracket - Hold Down - Blinds
	056003-02-000	EA	Bracket - Drapery Retainer - Left
	056003-01-000	EA	Bracket - Drapery Retainer - Right
	084434-01-000	EA	Bracket - Roller Shade - 1 3/8"
	079798-03-000	EA	Bracket Asm. - Curtain Rod - Right
	079798-04-000	EA	Bracket Asm. - Curtain Rod - Left
	056784-02-000	EA	Pull - Window Shade - Antique Brass
	072708-04-000	EA	Frame - Fold Down Couch
	M80908-01-000	EA	Frame Asm. - Seat & Spring
	080730-03-700	EA	Handle Kit - Recliner
	080731-02-000	EA	Hinge - Recliner - Slave
	083170-01-000	EA	Installation Bracket - Blind - Right
	083170-02-000	EA	Installation Bracket - Blind - Left
	083730-02-000	EA	Recliner - Seat Back
	039175-01-000	EA	Rod - Cafe Curtain - Extension - 48" x 64"
	048394-01-000	YD	Tape - Hook - 1" x 25 YD - Beige
	029098-05-000	YD	Tape Hook - .50" - Velcro - Beige
	048395-01-000	YD	Tape Loop - 1" x 25 YD - Beige
	029090-01-000	FT	Tie - Drapery - Clear Vinyl
	056116-01-000	FT	Track - Curtain - Brown Plastic

MISCELLANEOUS PARTS

Key	Part Number	U/M	Description
	053552-02-T03	EA	Handle Asm. - Interior Assist - Medium Almond Vinyl
	041944-03-000	EA	Fire Extinguisher - 5BC
	084472-01-000	EA	Holder - Fire Extinguisher - Plastic
	054185-26-000	EA	Owner's Manual - 1987 Itasca & Winnebago
	086269-01-000	EA	Picture - Decor - Windsor Arts
	081075-01-000	EA	Floor Mat - Entrance - Winnebago - Tan
	007038-01-000	EA	Door Mat - 10 1/2" x 26" - Black
	044860-01-000	EA	Stepwell Mat - Passenger - Black
	044860-02-000	EA	Stepwell Mat - Driver - Black
	083218-01-000	EA	Floor Mat - Front - Passenger - Winnebago - Tan
	083218-02-000	EA	Floor Mat - Front - Driver - Winnebago Tan

**1987 WINNEBAGO
TABLE OF CONTENTS**

WT319RK	A-01 - B-16
WF421RB	B-17 - D-16
WJN32RO	D-17 - G-05

1987 WF421RB INDEX

Floor Plan	B-17 - B-18
Accessories Group	B-19 - B-20
Bath Group	B-21
Chassis Group	B-22 - B-23
Curtain, Cushion & Pad Group	B-24 - C-06
Dinette Group	C-07 - C-08
Driver's Compartment Group	C-09 - C-10
Electrical Group	C-11 - C-13
Exterior Body Group	C-14 - C-19
Galley Group	C-20 - C-21
Heating & Air Conditioning Group	C-22
Interior Finish Group	C-23 - D-01
LP Group	D-02
Lounge Group	D-03
Water & Sewage Group	D-04 - D-05
Window, Vent & Exterior Door Group	D-06 - D-16

INTERIOR FINISH GROUP (CONTINUED)

CABINETS & TABLE HARDWARE

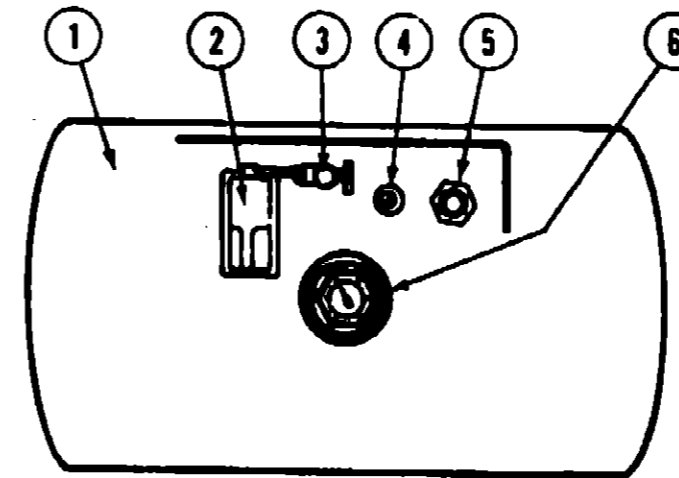
Key	Part Number	U/M	Description
	053200-05-000	EA	Bracket - Upper Wall Mount - 23.5"
	024281-07-000	EA	Bracket - Lower Wall Mount - 22.12"
	024276-14-000	EA	Leg Asm. - Table - 26.5"
**	064050-01-000	EA	Hinge - Table Leg
	024282-01-000	EA	Brace - Table Leg
	049493-05-000	EA	Catch - Table Leg - Mounts on Floor
	009112-01-000	EA	Flange - 1" - Chrome - Closet Rod
	077409-01-000	EA	Slide - Drawer - Plastic - 20.75"
	084466-02-000	EA	Slide Asm. - Drawer - Right
	084466-03-000	EA	Slide Asm. - Drawer - Left
	084466-04-000	EA	Slide Asm. - Cabinet - Right
	084466-05-000	EA	Slide Asm. - Cabinet - Left
	009049-01-000	EA	Table Support - Drop Leaf
	009059-01-000	EA	Hinge - 2" - Drop Leaf Table - Gold
	076312-01-000	EA	Mesh - Grille - 13.80" x 8.80" - Gold Aluminum
	009021-01-000	EA	Catch - Nylon - Furnace Door
	009021-02-000	EA	Strike - Nylon Catch - Furnace Door
	074493-02-000	EA	Support - Sprung - Door
	058034-02-000	EA	Latch - Door w/o Lock - Sliding Door
	075680-01-000	EA	Clothes Rod - Adjustable - 27" x 36"
	064467-01-000	EA	Guide - Wall Mount - Door Pocket
	086263-01-000	EA	Pull - Brass - Polished
	075987-02-000	EA	Knob - Bath Door
	059777-02-000	EA	Hinge - Light Brass
	009016-01-000	EA	Catch - Elbow - Spring Loaded
	077461-01-000	EA	Cover - Strike

** The illustrated parts breakdown for this item is provided on the Common Items Fiche.

FABRICS & CARPETS

Key	Part Number	U/M	Description
	077498-91-000	YD	Fabric w/Pattern - Upholstery - Bluejade (W04)
	077498-92-000	YD	Fabric w/Pattern - Upholstery - Mauve Dust (W05)
	077498-93-000	YD	Fabric w/Pattern - Upholstery - Alabaster (W06)
	077498-A6-000	YD	Fabric w/Pattern - Upholstery Accent - Claret (W04)
	077498-A5-000	YD	Fabric w/Pattern - Upholstery Accent - Bluejade (W05)
	077498-A7-000	YD	Fabric w/Pattern - Upholstery Accent - Ash (W06)
	077498-95-000	YD	Fabric - Upholstery Accent - Plain - Teal (W04)
	074498-61-000	YD	Fabric - Upholstery Accent - Plain - Old Rose (W05)
	077498-96-000	YD	Fabric - Upholstery Accent - Plain - Sand (W06)
	072333-39-000	YD	Fabric - Drapery - Mist (W04)
	072333-37-000	YD	Fabric - Drapery - Mauve (W05)
	072333-38-000	YD	Fabric - Drapery - Melba (W06)
	072333-34-000	YD	Fabric - Drapery - Bedroom - Green (W04)
	072333-35-000	YD	Fabric - Drapery - Bedroom - Plum (W05)
	072333-36-000	YD	Fabric - Drapery - Bedroom - Cocoa (W06)
	069729-47-000	YD	Fabric - Bedspread - Blue (W04)
	069729-48-000	YD	Fabric - Bedspread - Mauve (W05)
	069729-49-000	YD	Fabric - Bedspread - Mocha (W06)
	038421-04-000	YD	Fabric - Mattress Ticking
	084416-10-000	YD	Fabric - Linen - Pull Shade
	084415-12-000	YD	Trim Braid - Pull Shade - Green (W04)
	084415-13-000	YD	Trim Braid - Pull Shade - Mauve (W05)
	084415-14-000	YD	Trim Braid - Pull Shade - Peach (W06)
	052859-01-T03	FT	Trim Asm. - Accent - Sandrift
	052859-05-T03	FT	Trim Asm. - Accent - Buckskin
	079280-01-000	YD	Vinyl - Expanded - 26 oz. - Buckskin
	079280-02-000	YD	Vinyl - Expanded - 26 oz. - Sandrift
	072860-58-000	YD	Carpet - Champagne (W04)
	072860-56-000	YD	Carpet - Mist (W05)
	072860-57-000	YD	Carpet - French Court (W06)

LP GROUP



Key	Part Number	U/M	Description
	080450-01-000	EA	Tank Asm. - LP - Frame Mount - 42 Pound - 13" x 24"
	065741-01-000	EA	Detector - i.P Gas Leak - Marshalltown Instruments
2	076277-01-000	EA	Cover - LP Regulator - Front (Dual)
	076278-01-000	EA	Cover - LP Regulator - Back (Dual)
	076301-01-000	EA	Regulator - Two Stage - US (Dual)
	076301-02-000	EA	Regulator - Two Stage - CSA (Dual)
3	040421-01-703	EA	Valve - Vapor Relief
4	040421-01-700	EA	Gauge - Liquid Level - 20% LP
5	040421-01-701	EA	Valve - Filler - LP
	040421-01-702	EA	Cap - Plastic Fill Valve
6	040421-01-707	EA	Gauge - Float - w/Visible Dial
	040421-01-706	EA	Dial - Visible Face - Float Gauge (Tank w/o Electric Transmitter)
	040440-01-000	EA	Dial - Transmitter - 0 - 90 Ohm (Float Gauge)
	045703-01-000	EA	Hose Asm. - LP - 3/8" I.D. x 24" - US
	045703-02-000	EA	Hose Asm. - LP - 3/8" I.D. x 24" - CSA
	045703-03-000	EA	Hose Asm. - LP - 3/8" I.D. x 18" - US
	045703-04-000	EA	Hose Asm. - LP - 3/8" I.D. x 14" - CSA
	065959-01-000	EA	Housing - LP Gauge
	065742-01-000	EA	Tee - .38 F x .39 F x .25 FPT
			Not Illustrated

1987 WINNEBAGO TABLE OF CONTENTS

WT319RK	A-01 - B-18
WF421RB	B-17 - D-16
WJN32RQ	D-17 - G-05

1987 WF421RB INDEX

Floor Plan	B-17 - B-18
Accessories Group	B-19 - B-20
Bath Group	B-21
Chassis Group	B-22 - B-23
Curtain, Cushion & Pad Group	B-24 - C-06
Dinette Group	C-07 - C-08
Driver's Compartment Group	C-09 - C-10
Electrical Group	C-11 - C-13
Exterior Body Group	C-14 - C-19
Galley Group	C-20 - C-21
Heating & Air Conditioning Group	C-22
Interior Finish Group	C-23 - D-01
LP Group	D-02
Lounge Group	D-03
Water & Sewage Group	D-04 - D-05
Window, Vent & Exterior Door Group	D-06 - D-16

LOUNGE GROUP

CORNER CABINETRY

Key	Part Number	U/M	Description
	M80801-01-W04	EA	Cabinet Asm. - Overhead - Entrance Door
	081280-08-U01	EA	Pad Asm. - End Cap - Entrance Overhead - Vinyl
	077663-03-T03	EA	Glass Holder - Overhead

WATER & SEWAGE GROUP

HOLDING TANKS & WATER HEATER

Key	Part Number	U/M	Description
	077969-03-000	EA	Tank Asm. - Water - 35 Gallon
	077969-01-000	EA	Tank - Water - 35 Gallon - w/o Fitting
	080492-01-000	EA	Tank - Holding - 21 Gallon - w/o Fitting
	054033-01-000	EA	Tank - Holding - 32 Gallon - w/o Fitting
**	051391-01-000	EA	Water Heater - w/o Motor Aid - Atwood - G6A-3
**	051391-03-000	EA	Water Heater - w/Motor Aid - Atwood - G6A-3A
**	051393-01-000	EA	Water Heater - w/Motor Aid - Direct Ignition - G6A-3A
**	The illustrated parts breakdown for this item is provided on the Common Items Fiche.		

1987 WINNEBAGO TABLE OF CONTENTS

WT319RK	A-01 - B-16
WF421RB	B-17 - D-16
WJN32RO	D-17 - G-06

PLUMBING & REPAIR PARTS

Key	Part Number	U/M	Description
	010323-01-000	EA	Adapter - Brass - 3/8 F x 1/2 MPT
	010326-01-000	EA	Adapter - Flare - w/Cone Gasket
	062422-01-000	EA	Adapter - Hose Offset - Reducer - 3" x 1 1/2"
	052954-01-000	EA	Adapter - Nose Cone - 3/8 or 1/2 - Plastic
	010224-01-000	EA	Adapter - Plastic - 3/8 MPT x 3/8 Barb
	044927-01-000	EA	Adapter - Plastic - 1 1/4" MPT x 1 1/4 Barb
	004020-01-000	QT	Adhesive - ABS Cement
**	010121-01-000	EA	Bushing - Plastic - 1 1/2 S x 1 1/4 H
	010122-01-000	EA	Bushing - Plastic - 1 1/2 S x 1 1/4 T
	036522-02-000	EA	Cap - Brass - 1/2 Flare
	052959-03-000	EA	Connector - 1/2 F x 3/8 MPT - Plastic
	011091-02-000	EA	Continuous Waste - Double Sink - 11 7/8" - US
	053874-01-000	EA	Continuous Waste Asm. - Double Sink - CSA
	078406-01-000	EA	Coupler Rubber - 3" x 3"
	052960-01-000	EA	Drain Valve - 1/2 F x 1/2 F - Plastic
	010006-01-000	EA	Elbow - Plastic - 1/8 BD x 1 1/2 x 45° H x H
	010008-01-000	EA	Elbow - Plastic - 1/4 BD x 1 1/2 x 90° Left
	010051-01-000	EA	Elbow - ST - Plastic - 1/8 BD x 1 1/2 x 45°
	058342-01-000	EA	Elbow - ST - Plastic - 1/8 BD x 1 1/4 x 45°
	010009-01-000	EA	Elbow - ST - Plastic - 1/4 BD x 1 1/2 x 90°
	031111-01-000	EA	Elbow - Plastic - 1/4 BD x 1 1/4 x 90° Left
	034250-01-000	EA	Elbow - Plastic - 1/4 BD x 1 1/2 x 90° x H x H
	052957-01-000	EA	Elbow - Plastic - 1/2 F x 3/8 MPT
	052957-02-000	EA	Elbow - Plastic - 1/2 F x 1/2 MPT (In Tank Filter)
	065120-01-000	EA	Elbow - Plastic - Swivel - .50
	070924-01-000	EA	Elbow - Plastic - Swivel - 1/2 MPT x 1/2 FP
	077954-01-000	EA	Filter/Screen (In Water Tank)
	039647-03-000	EA	Filter - Water Pump - 1/2" Flare
	010147-01-000	EA	Flange - Closet - 4" F x 3" FPT - US
	079381-01-000	FT	Flexible Tubing - 1 1/4 I.D. x 10'
	077953-01-000	EA	Grommet - Edge Liner - 1"
	081607-01-000	EA	Grommet - Holding Tank Coupler - 1 1/2"
	081607-02-000	EA	Grommet - Holding Tank Coupler - 3"
	052961-01-000	EA	Header - 1/2 F x 1/2 F x 1/2 F x 1/2 F
**	048524-01-000	EA	Kit - Holding Tank Fittings - Blank Tank
**	048524-01-000	EA	Kit - Water Tank Fittings - Blank Tank
	052953-01-000	EA	Nut - Faucet - 1/2 Tube x 1/2 FPT
	052952-01-000	EA	Nut - 1/2 F - Plastic
**	The illustrated parts breakdown for this item is provided on the Common Items Fiche.		

1987 WF421RB INDEX

Floor Plan	B-17 - B-18
Accessories Group	B-19 - B-20
Bath Group	B-21
Chassis Group	B-22 - B-23
Curtain, Cushion & Pad Group	B-24 - C-06
Dinette Group	C-07 - C-08
Driver's Compartment Group	C-09 - C-10
Electrical Group	C-11 - C-13
Exterior Body Group	C-14 - C-19
Galley Group	C-20 - C-21
Heating & Air Conditioning Group	C-22
Interior Finish Group	C-23 - D-01
LP Group	D-02
Lounge Group	D-03
Water & Sewage Group	D-04 - D-06
Window, Vent & Exterior Door Group	D-06 - D-16

WATER & SEWAGE GROUP (CONTINUED)

PLUMBING & REPAIR PARTS (CONT.)

Key	Part Number	U/M	Description
	010166-01-000	EA	Plug - Plastic - 1 1/4"
	010197-01-000	FT	Pipe - Plastic - 3" x 240" - Black
	045729-01-000	EA	Pump - Water - 2.8 G.P.M. - Direct Drive - Shurflo - US
	042989-02-000	EA	Spinweld Fittings - Plastic - 1/2 FPT (In Tank Fitter)
	042989-03-000	EA	Spinweld Fittings - Plastic - 1/4 NPT
	042989-04-000	EA	Spinweld Fittings - Plastic - 3/8 FPT
	011069-02-000	EA	Tailpiece - 1 1/2" x 1 1/4" x 4" - Brass
	010071-01-000	EA	Tee - Plastic - 1 1/2 x H x H x H
**	010079-01-000	EA	Tee - Plastic - 1 1/2 H x 1 1/2 H x 1 1/4 H
	052955-01-000	EA	Tee - Plastic - 1/2 F x 1/2 F x 1/2 MPT
	052958-01-000	EA	Tee - Plastic - 1/2 F x 1/2 F x 1/2 F
	039800-01-000	FT	Tubing - Polybutyl - 1/2 O.D. (Water Line)
	074462-02-000	FT	Tubing - Vinyl - 3/8 I.D.
	062421-01-000	EA	Valve - 1 1/2" - w/Handle
	078842-01-000	EA	Valve - 3" - w/o Handle
	052960-01-000	EA	Valve - Line Drain - 1/2 F x 1/2 F
	069735-01-000	EA	Washer - Tailpiece - 1.5" Plastic
	010073-01-000	EA	Wye - Plastic - 1 1/2 x 45 H x H

** The illustrated parts breakdown for this item is provided on the Common Items Fiche.

WINDOW, VENT & EXTERIOR DOOR GROUP

ACCESS DOOR HARDWARE

Key	Part Number	U/M	Description
	052424-01-000	EA	Jamb - Power Cord/Fuel Fill Door - Off White
	054543-01-000	EA	Hatch - Power Cord Door
	052191-01-000	EA	Baffle - Generator Door
	054530-01-000	EA	Door Holder
	083615-01-000	EA	Door Stop - Plastic
	041312-01-000	EA	Seal - Bulb - "E" Section
	079368-01-000	FT	Seal - Access Door
	042442-01-000	EA	Lock Asm. - Twist Type
	009003-01-000	EA	Lock Asm. - Twist Type - w/Clip (Battery Door)
	047305-01-000	EA	Lock Asm. - Key Type w/Clip - Metal (LP)
	077408-02-000	EA	Lock Asm. - Key Type
	079366-02-000	EA	Lock Asm. - Key Type
	079927-03-000	EA	Lock Asm. - Twist Type
	052951-01-000	EA	Clip - Twist Lock - Retainer
	052950-01-700	EA	Lock Asm. - Twist Type - White
	079246-01-000	EA	Jamb Asm. - Generator Door

VENTS

Key	Part Number	U/M	Description
	055218-01-000	EA	Cover Asm. - Roof Vent
	084073-04-000	EA	Base - Refrigerator Vent - Off White
	084073-03-000	EA	Roof Vent - Refrigerator - Off White
**	048835-01-000	EA	Vent Asm. - Roof - Non-Powered - w/o Screen - Aluminum
**	048789-01-000	EA	Vent Asm. - Roof - Powered - w/o Screen - Aluminum
	079355-08-000	EA	Vent - Stovehood - Outside - Off White
	078785-01-T03	EA	Screen Asm. - Roof Vent - Powered
	078786-01-T03	EA	Screen Asm. - Roof Vent - Non Powered
	084878-01-000	EA	Vent - Hood Range - Sidewall - Straight
	084816-01-000	EA	Shroud - Hood Range Vent - Off White

** The illustrated parts breakdown for this item is provided on the Common Items Fiche.

1987 WINNEBAGO TABLE OF CONTENTS

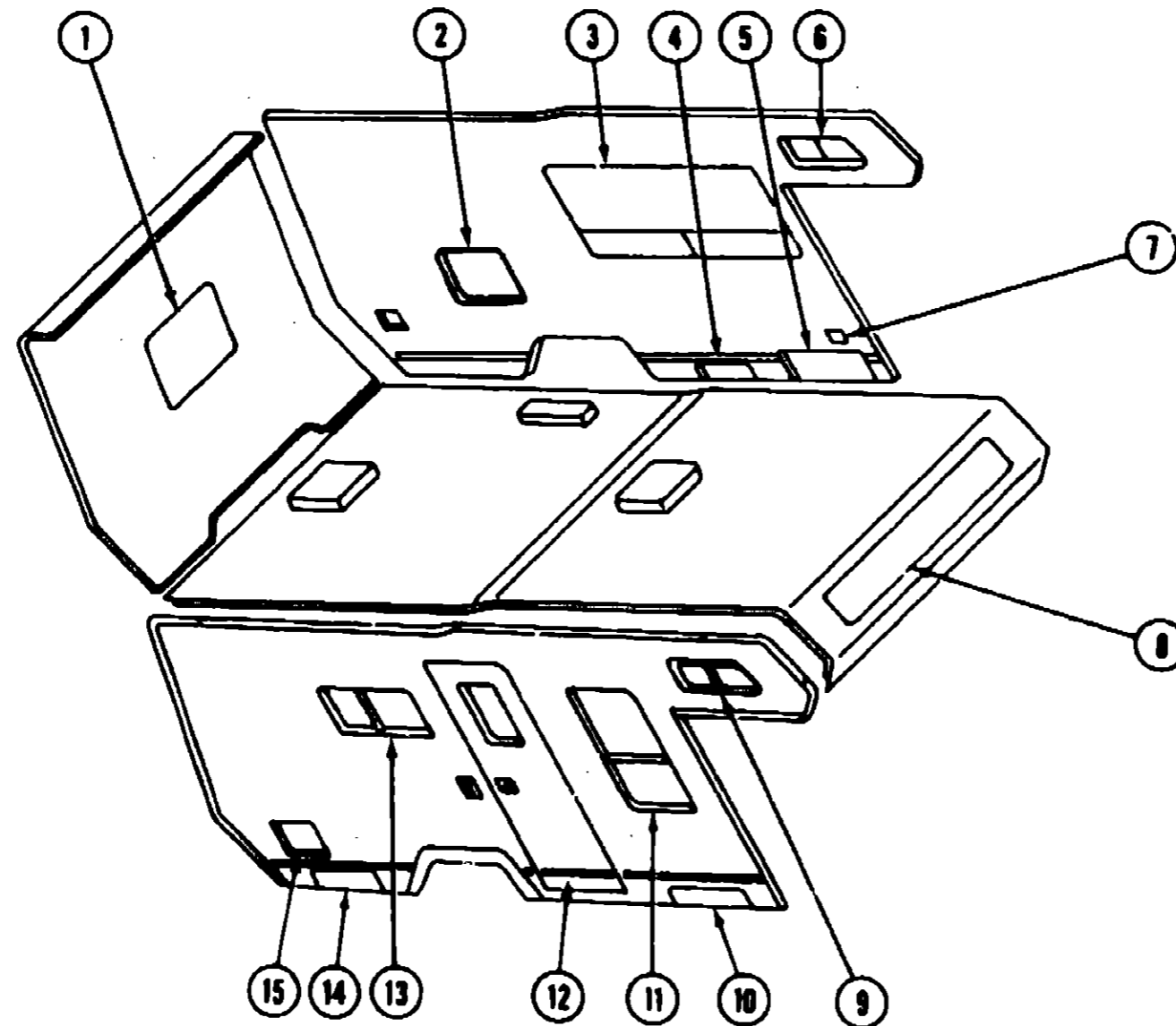
WT319RK	A-01 - B-16
WF421RB	B-17 - D-16
WJN32RQ	D-17 - G-05

1987 WF421RB INDEX

Floor Plan	B-17 - B-18
Accessories Group	B-19 - B-20
Bath Group	B-21
Chassis Group	B-22 - B-23
Curtain, Cushion & Pad Group	B-24 - C-06
Dinette Group	C-07 - C-08
Driver's Compartment Group	C-09 - C-10
Electrical Group	C-11 - C-13
Exterior Body Group	C-14 - C-19
Galley Group	C-20 - C-21
Heating & Air Conditioning Group	C-22
Interior Finish Group	C-23 - D-01
LP Group	D-02
Lounge Group	D-03
Water & Sewage Group	D-04 - D-05
Window, Vent & Exterior Door Group	D-06 - D-16

WINDOW, VENT & EXTERIOR DOOR GROUP (CONTINUED)

WINDOWS & ACCESS DOORS



Key	Part Number	U/M	Description
1	079415-01-T03	EA	Window Asm. - Escape
2	078989-02-T95	EA	Door Asm. - Refrigerator Access
3	085354-02-W07	EA	Window Asm. - Double Tipout
4	079455-06-T95	EA	Door Asm. - Storage
5	M79321-01-T03	EA	Door Asm. - Generator
5	079149-01-T03	EA	Door Asm. - Luggage
6	086227-02-000	EA	Window Asm. - Bunk
7	083742-01-000	EA	Door Asm. - Power Cord
8	078533-01-T03	EA	Window Asm. - Front Bunk
9	086227-01-000	EA	Window Asm. - Bunk
10	079455-03-T95	EA	Door Asm. - LP
11	078453-01-T03	EA	Window Asm. - Vertical Slider
12	M01870-06-U01	EA	Door Asm. - Entry w/Screen Door
	M01870-02-W04	EA	Door Asm. - Entry w/Screen Door - w/o Window
	079733-04-T03	EA	Window Asm. - Picture
13	078266-02-T03	EA	Window Asm. - Slider
14	083264-01-U01	EA	Door Asm. - Storage
15	052009-01-000	EA	Door Asm. - Water Heater
	052423-01-000	EA	Door Asm. - Sewage
	078010-03-000	EA	Door - Fuel Fill - Off White
			Not Illustrated

1987 WINNEBAGO TABLE OF CONTENTS

WT319RK
WF421RB
WJN32RQ

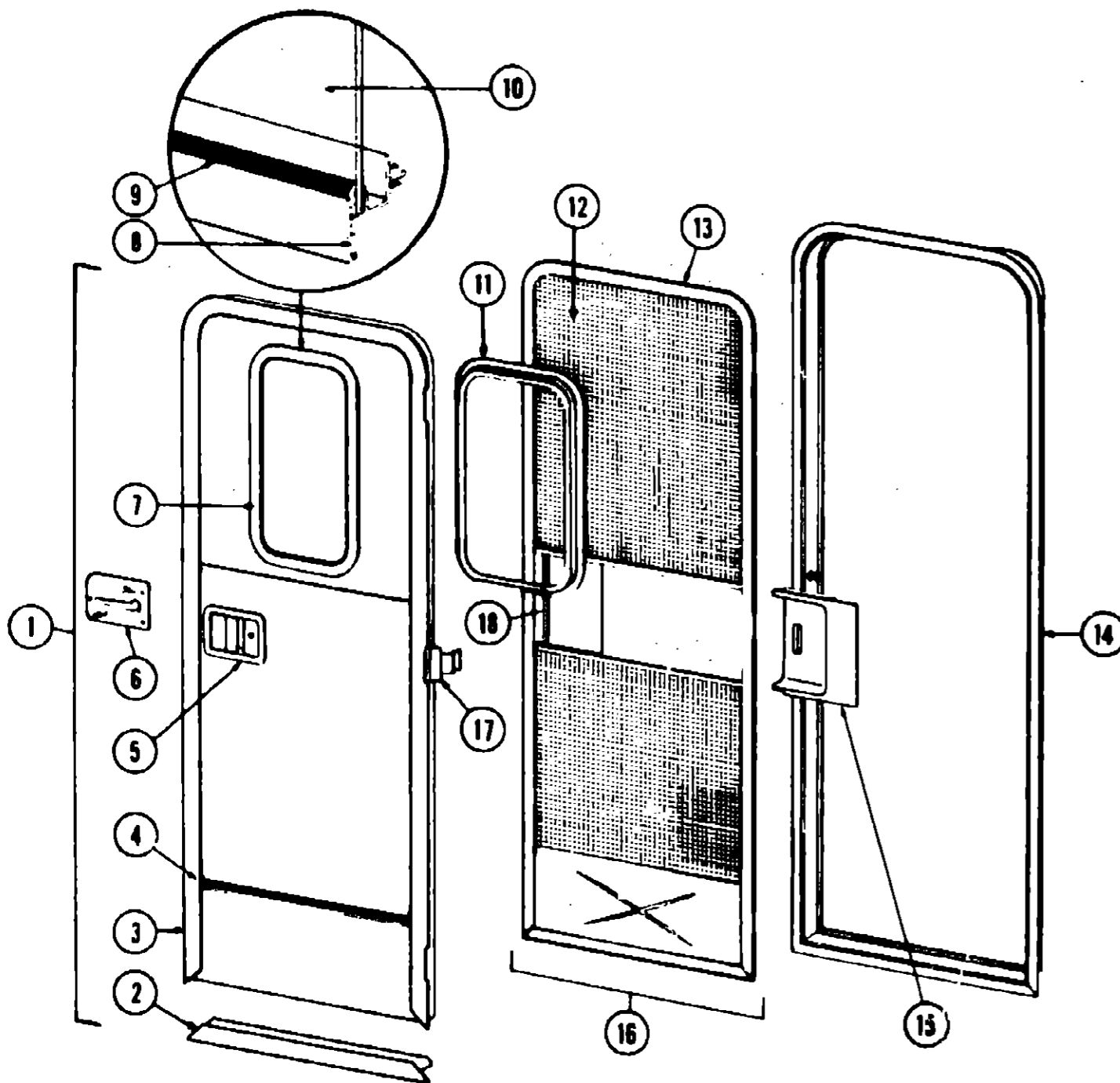
A-01 - B-16
B-17 - D-16
D-17 - G-05

1987 WF421RB INDEX

Floor Plan	B-17 - B-18
Accessories Group	B-19 - B-20
Bath Group	B-21
Chassis Group	B-22 - B-23
Curtain, Cushion & Pad Group	B-24 - C-06
Dinette Group	C-07 - C-08
Driver's Compartment Group	C-09 - C-10
Electrical Group	C-11 - C-13
Exterior Body Group	C-14 - C-19
Galley Group	C-20 - C-21
Heating & Air Conditioning Group	C-22
Interior Finish Group	C-23 - D-01
LP Group	D-02
Lounge Group	D-03
Water & Sewage Group	D-04 - D-05
Window, Vent & Exterior Door Group	D-06 - D-16

WINDOW, VENT & EXTERIOR DOOR GROUP (CONTINUED)

ENTRANCE & SCREEN DOOR



Key	Part Number	U/M	Description
1	M01870-08-U01	EA	Door Asm. - Radius Entry w/Screen Door - w/o Window
1	M01870-02-W04	EA	Door Asm. - Radius Entry w/Screen Door
2	077998-01-000	EA	Frame - Entry Door (Bottom Portion Only)
3	078002-02-000	EA	Frame - Entry Door (Except Bottom Portion)
4	058576-03-000	EA	Feature Strip w/o Insert - Extr. - 14" - Brown
	001030-02-003	EA	Insert - Feature Strip - 17" - Stucco - Off White
	009731-01-000	EA	End Cap - Feature Strip
5	045107-05-000	EA	Paddle Asm. - Door Lock - Exterior
	045017-05-700	EA	Lock Cylinder w/Keys - Lynor
	039539-01-000	EA	Striker Bolt - Entry Door
	039540-01-000	EA	Latch Claw - Entry Door
	039738-01-000	EA	Dead Bolt - Entry Door
	083205-01-000	EA	Dead Bolt - Press Fit
	079173-01-000	EA	Gasket - Deadbolt - Exterior
6	039979-01-000	EA	Plate - Inside Lock - Includes Inside Handle
7	079733-04-T03	EA	Window Asm. - Picture - 17" x 25" - Black (w/o inside frame)
8	069640-06-000	FT	Ribbon Sealer - 5/16" Bead x 15'
9	002309-02-000	FT	Spline - Glass - 1/8" Black
10	002181-08-000	EA	Glass - Picture Window - 1/8" x 16.25" x 24" - Gray
11	068752-01-000	EA	Inside Frame - Beige (not included in assembly)
12	002293-02-000	SF	Screen - Window - 26" - Charcoal
13	056795-01-000	FT	Seal Tape - 1/8" x 3/8" - Press On
14	078591-03-000	EA	Jamb Asm. - Entrance Door
	051049-01-000	EA	Jamb - Entrance Door - Bottom
15	079086-02-000	EA	Slider - Screen Door - Light Oak Plastic
16	079012-01-U01	EA	Door Asm. - Screen
17	079361-05-000	EA	Hinge - Entrance Door (3 used per door)
18	079081-01-000	EA	Cap - Screen Door - Light Oak Plastic
	009016-01-000	EA	Catch - Elbow - Spring Loaded - Screen Door
	076231-01-000	EA	Spacer - Latch - Screen Door
	077437-02-000	EA	Strike - Roller Catch
	058025-02-000	EA	Clip - Roller Latch Catch
	044582-02-000	EA	Drip Cap - Off White
	079278-01-000	EA	Seal - Mocket - Entrance Door
	073090-01-000	FT	Seal - Entrance Door
	075739-01-000	EA	Stiffener - Entrance Door - Off White
	075673-01-000	FT	Seal - Pile - Adhesive Back
	075671-01-000	FT	Seal - Sponge - Lazy "T" Shaped
	002294-01-000	FT	Spline - Black - .135 x 138 (Screen Door)
	079087-02-000	EA	Strike - Screen Door
	083729-04-000	EA	Rivnut - 10-32 UNF - .010 - .080
	075639-01-000	EA	Garnish - Radius - Entrance Door
			Not illustrated

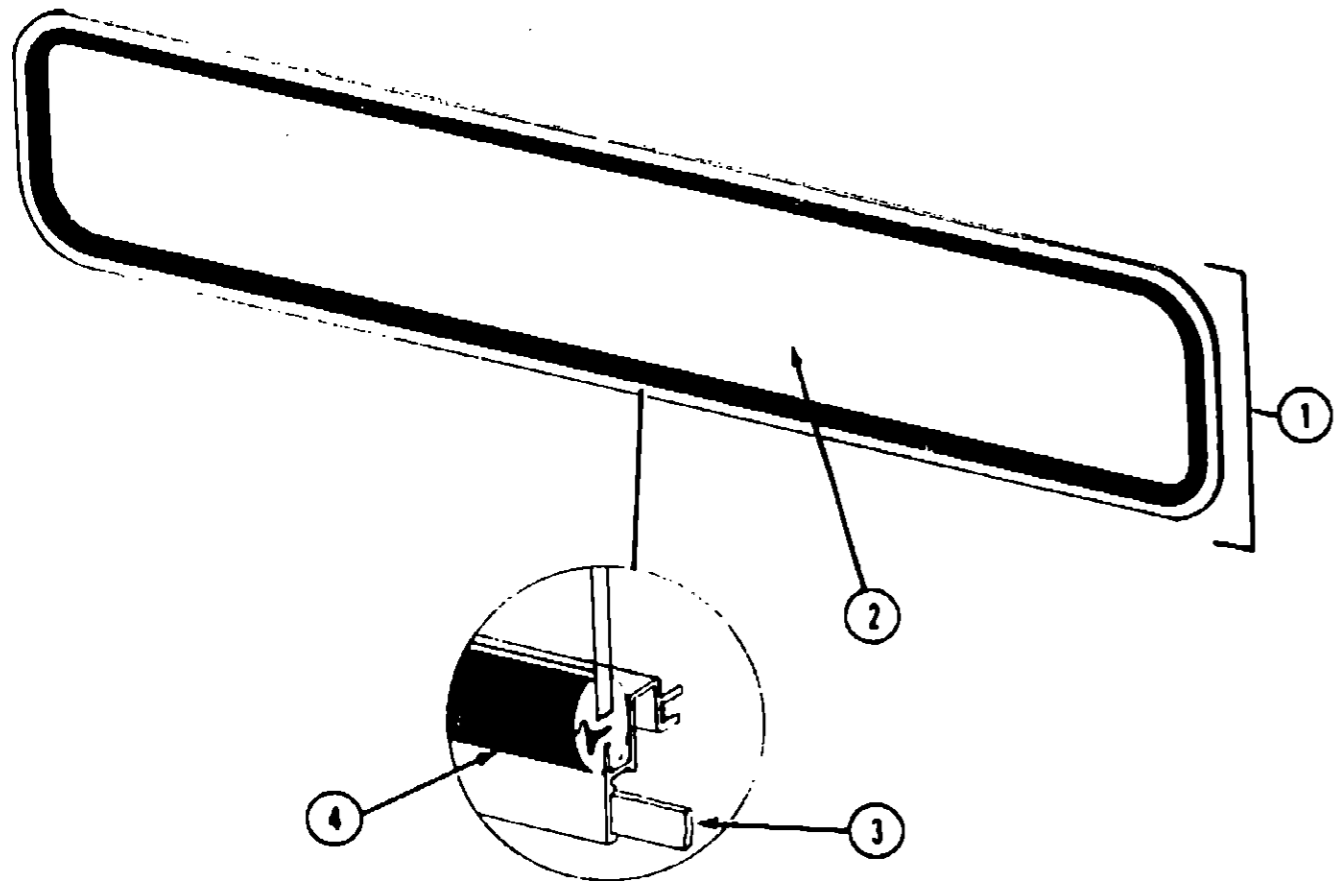
1987 WINNEBAGO TABLE OF CONTENTS

WT319RK	A-01 - B-16
WF421RB	B-17 - D-16
WJN32RQ	D-17 - G-05

1987 WF421RB INDEX

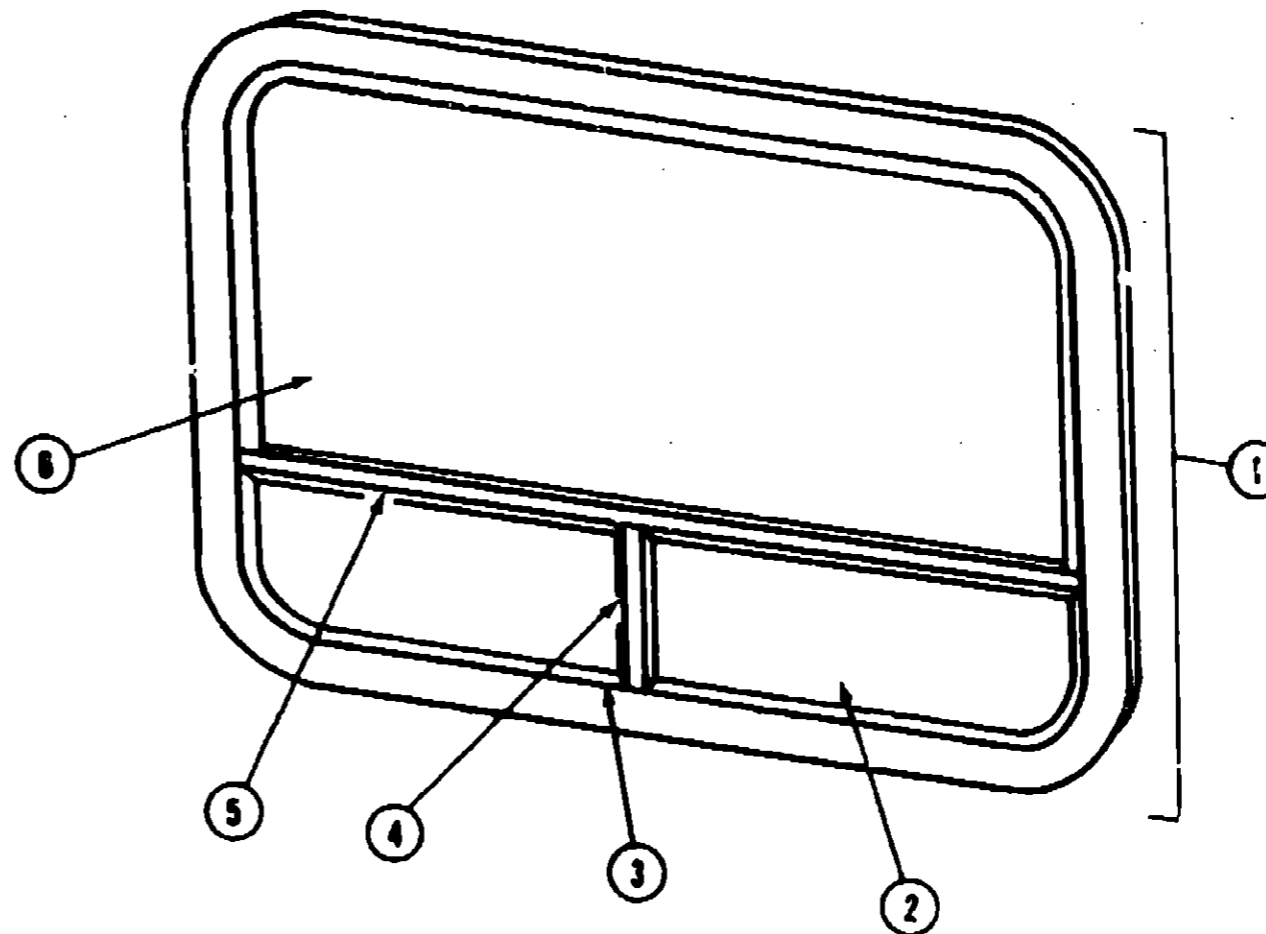
Floor Plan	B-17 - B-18
Accessories Group	B-19 - B-20
Bath Group	B-21
Chassis Group	B-22 - B-23
Curtain, Cushion & Pad Group	B-24 - C-06
Dinette Group	C-07 - C-08
Driver's Compartment Group	C-09 - C-10
Electrical Group	C-11 - C-13
Exterior Body Group	C-14 - C-19
Galley Group	C-20 - C-21
Heating & Air Conditioning Group	C-22
Interior Finish Group	C-23 - D-01
LP Group	D-02
Lounge Group	D-03
Water & Sewage Group	D-04 - D-05
Window, Vent & Exterior Door Group	D-06 - D-16

WINDOW, VENT & EXTERIOR DOOR GROUP (CONTINUED)



Key	Part Number	U/M	Description
1	078533-01-T03	EA	Window Asm. - Front Picture - 14" x 69" - Black (w/o inside frame)
	041938-01-000	EA	Inside Frame - Brown (not included in assembly)
2	002200-02-000	EA	Glass - TP - Picture Window
3	089640-06-000	FT	Ribbon Sealer - 5/16" Bead x 15'
4	002281-01-000	FT	Weatherstrip - Self Seal - .06" Panel x 3/16" - Black
			Not illustrated

WINDOW, VENT & EXTERIOR DOOR GROUP (CONTINUED)



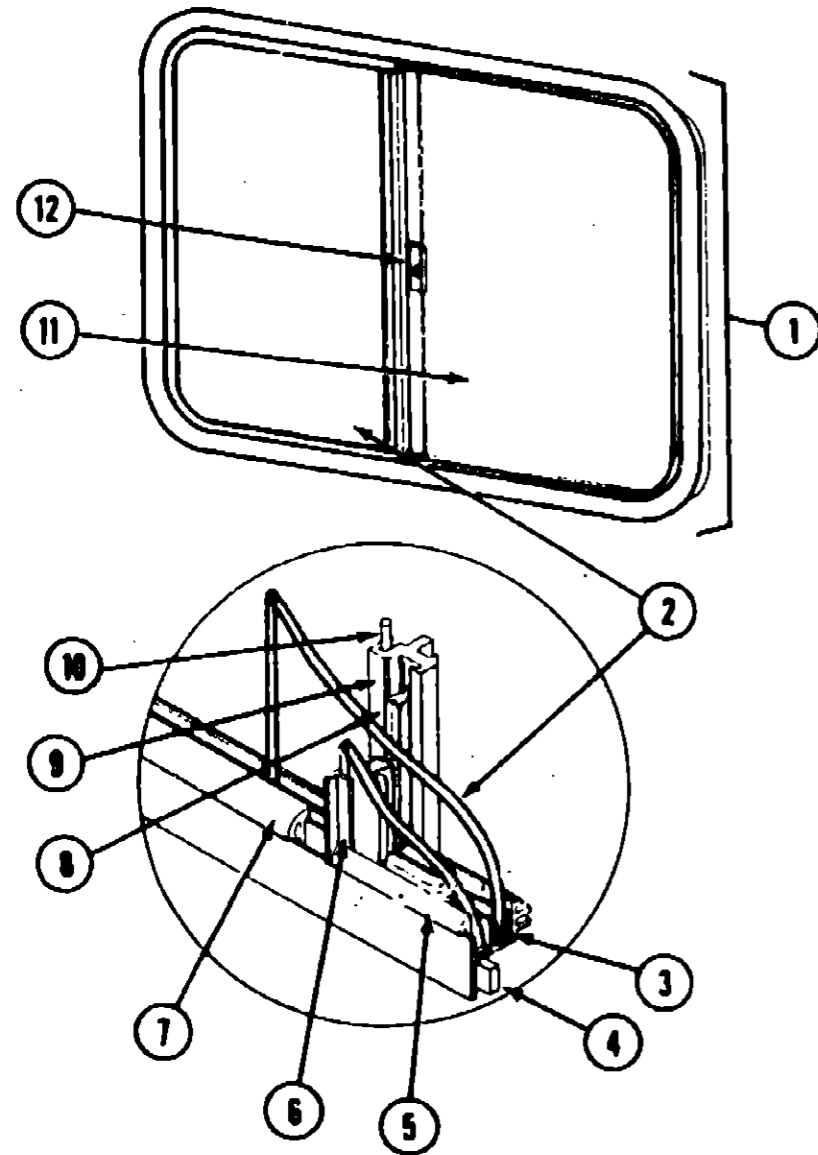
Key	Part Number	U/M	Description
1	085354-02-W07	EA	Window Asm. - Double Tipout (w/o inside frame)
	084153-06-000	EA	Inside Frame - Black (not included in assembly)
2	084068-04-000	EA	Glass - 1/8" x 9.24" x 30.39" - Tipout
	084581-01-W07	EA	Screen Asm. - Tipout - Right
	084581-02-W07	EA	Screen Asm. - Tipout - Left
3	084067-01-000	FT	Seal - "P" - Sponge Rubber
4	084154-01-000	EA	Mullion - Vertical - Black
	084066-01-000	FT	Bulb Seal - Double - Sponge Rubber
5	083112-05-000	EA	Mullion - Horizontal - Black
	081357-01-000	FT	Foam Seal - Vinyl
6	081239-11-000	EA	Glass - 1/8" x 61.7" x 20.5" - Stationary
	002291-02-000	SF	Screen - 16" Window
	002298-02-000	FT	Spline - .130 Dia. - Charcoal (Screen)
	081243-01-000	EA	Clip - Screen - Plastic
	080918-01-000	EA	Spring - Torque Tube - Right
	080918-02-000	EA	Spring - Torque Tube - Left
	035302-01-000	EA	Operating Mech - Right
	035302-02-000	EA	Operating Mech - Left
			Not illustrated

**1987 WINNEBAGO
TABLE OF CONTENTS**

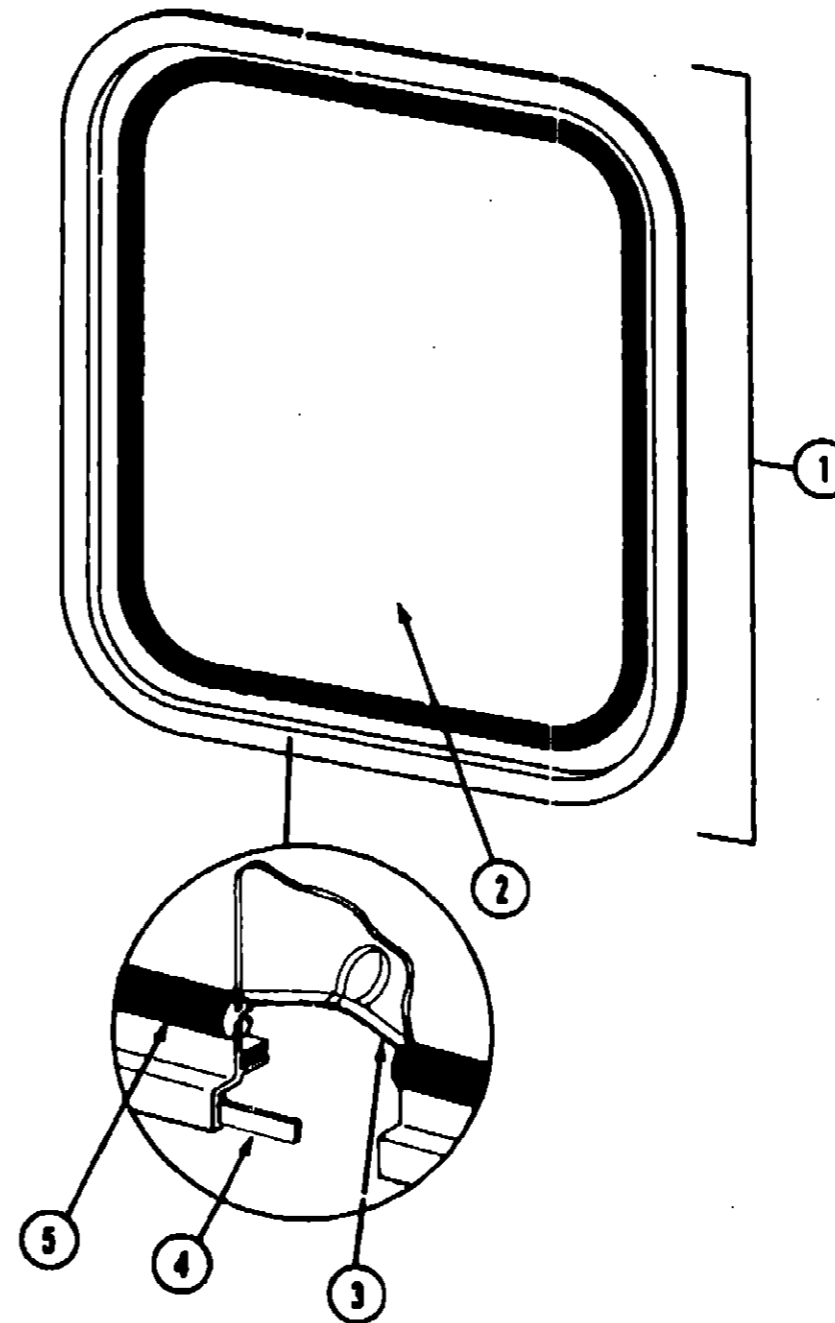
WT319RK	A-01 - B-16
WF421RB	B-17 - D-16
WJN32RQ	D-17 - G-05

1987 WF421RB INDEX

Floor Plan	B-17 - B-18
Accessories Group	B-19 - B-20
Bath Group	B-21
Chassis Group	B-22 - B-23
Curtain, Cushion & Pad Group	B-24 - C-06
Dinette Group	C-07 - C-08
Driver's Compartment Group	C-09 - C-10
Electrical Group	C-11 - C-13
Exterior Body Group	C-14 - C-19
Galley Group	C-20 - C-21
Heating & Air Conditioning Group	C-22
Interior Finish Group	C-23 - D-01
LP Group	D-02
Lounge Group	D-03
Water & Sewage Group	D-04 - D-05
Window, Vent & Exterior Door Group	D-06 - D-16



Key	Part Number	U/M	Description
1	078266-02-T03	EA	Window Asm. - Single Slider (w/o inside frame)
•	083122-04-000	EA	Inside Frame - Brown (not included in assembly)
2	081980-05-000	EA	Glass - Sliding - 1/8" x 19" x 13.68"
3	002324-02-000	FT	Channel - Weatherstrip - Glass Run - 1/8" Glass
4	089840-06-000	FT	Ribbon Sealer - 5/16" Bead x 15'
5	002309-02-000	FT	Spline - Glass - 1/8" Material - Black
6	M89886-03-011	EA	Seal Holder w/Fin Seal - Black
7	057374-02-000	FT	Extr. Rubber - Window Seal - Black
8	073740-01-000	FT	Seal - Fin - Pile - .460"
9	078582-02-000	EA	Mullion - Slider Window - Black
10	002298-02-000	SF	Spline - .130" Dia. - Charcoal (Screen)
11	081984-03-000	EA	Glass - Stationary - 1/8" x 19" x 12.30"
12	047389-01-700	EA	Latch Kit - Window - Plastic w/Fastener
•	079204-01-000	EA	Bracket - Mullion - Black
•	002291-02-000	SF	Screen - Window 18" - Charcoal
•	Not illustrated		



Key	Part Number	U/M	Description
1	079415-01-T03	EA	Window Asm. - Rear Escape - 23" x 29" - Black (w/o inside frame)
•	020749-03-000	EA	Inside Frame - Brown (not included in assembly)
2	002174-02-000	EA	Glass - 1/8" x 19.6" x 25.9"
3	002285-01-000	FT	Filler - Weatherstrip - Black
4	089840-05-000	FT	Ribbon Sealer - 5/16" Bead x 15'
5	002282-01-000	FT	Weatherstrip - 1.25" Window
•	008199-01-000	EA	Label - Exit - Escape Window
•	Not illustrated		

1987 WINNEBAGO
TABLE OF CONTENTS

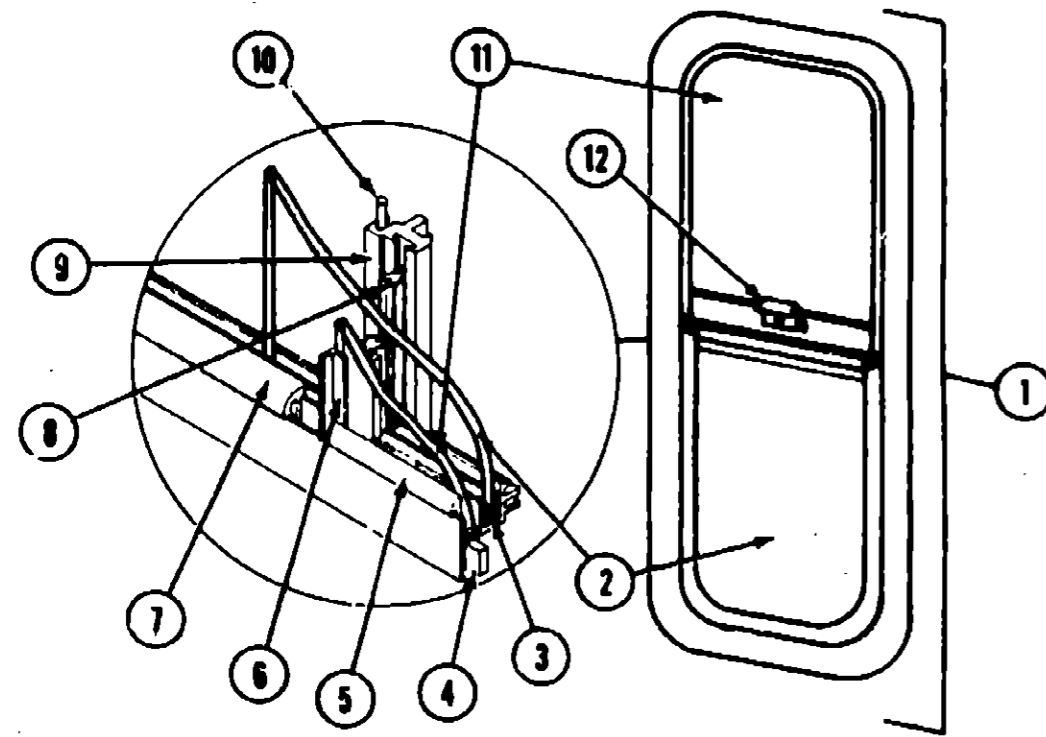
WT319RK
WF421RB
WJN32RQ

A-01 - B-16
B-17 - D-16
D-17 - G-05

1987 WF421RB INDEX

Floor Plan	B-17 - B-18
Accessories Group	B-19 - B-20
Bath Group	B-21
Chassis Group	B-22 - B-23
Curtain, Cushion & Pad Group	B-24 - C-06
Dinette Group	C-07 - C-08
Driver's Compartment Group	C-09 - C-10
Electrical Group	C-11 - C-13
Exterior Body Group	C-14 - C-19
Galley Group	C-20 - C-21
Heating & Air Conditioning Group	C-22
Interior Finish Group	C-23 - D-01
LP Group	D-02
Lounge Group	D-03
Water & Sewage Group	D-04 - D-05
Window, Vent & Exterior Door Group	D-06 - D-16

WINDOW, VENT & EXTERIOR DOOR GROUP (CONTINUED)



Key	Part Number	U/M	Description
1	078453-01-T03	EA	Window Asm. - Vertical Slider - 37" x 15" - Black (w/o Inside frame)
-	083122-02-000	EA	Inside Frame - Brown (not included in assembly)
2	081980-03-000	EA	Glass - Slider - 1/8" x 14.4" x 19"
3	002324-02-000	FT	Channel - Weatherstrip - Glass Run - 1/8" Glass
4	089640-06-000	FT	Ribbon Sealer - 5/16" Bead x 15'
5	002309-02-000	FT	Spline - Glass - 1/8" Material - Black
6	M69886-03-007	EA	Seal Holder w/Fin Seal - Black
7	057374-02-000	FT	Extr. Rubber - Window Seal - Black
8	073740-01-000	FT	Seal - Fin - Pile - .480"
9	078562-01-000	EA	Mullion - Slider Window - Black
10	002298-02-000	FT	Spline - .130" Dia. - Charcoal (Screen)
11	081984-02-000	EA	Glass - Stationary - 1/8" x 14.4" x 19"
12	047369-01-700	EA	Latch Kit - Window - Plastic w/Fastener
-	079204-01-000	EA	Bracket - Mullion - Black
-	002291-02-000	SF	Screen - Window 16" - Charcoal
-	Not illustrated		

**1987 WINNEBAGO
TABLE OF CONTENTS**

WT319RK
WF421RB
WJN32RQ

A-01 - B-16
B-17 - D-16
D-17 - G-05

1987 WF421RB INDEX

Floor Plan	B-17 - B-18
Accessories Group	B-19 - B-20
Bath Group	B-21
Chassis Group	B-22 - B-23
Curtain, Cushion & Pad Group	B-24 - C-06
Dinette Group	C-07 - C-08
Driver's Compartment Group	C-09 - C-10
Electrical Group	C-11 - C-13
Exterior Body Group	C-14 - C-19
Galley Group	C-20 - C-21
Heating & Air Conditioning Group	C-22
Interior Finish Group	C-23 - D-01
LP Group	D-02
Lounge Group	D-03
Water & Sewage Group	D-04 - D-05
Window, Vent & Exterior Door Group	D-06 - D-16