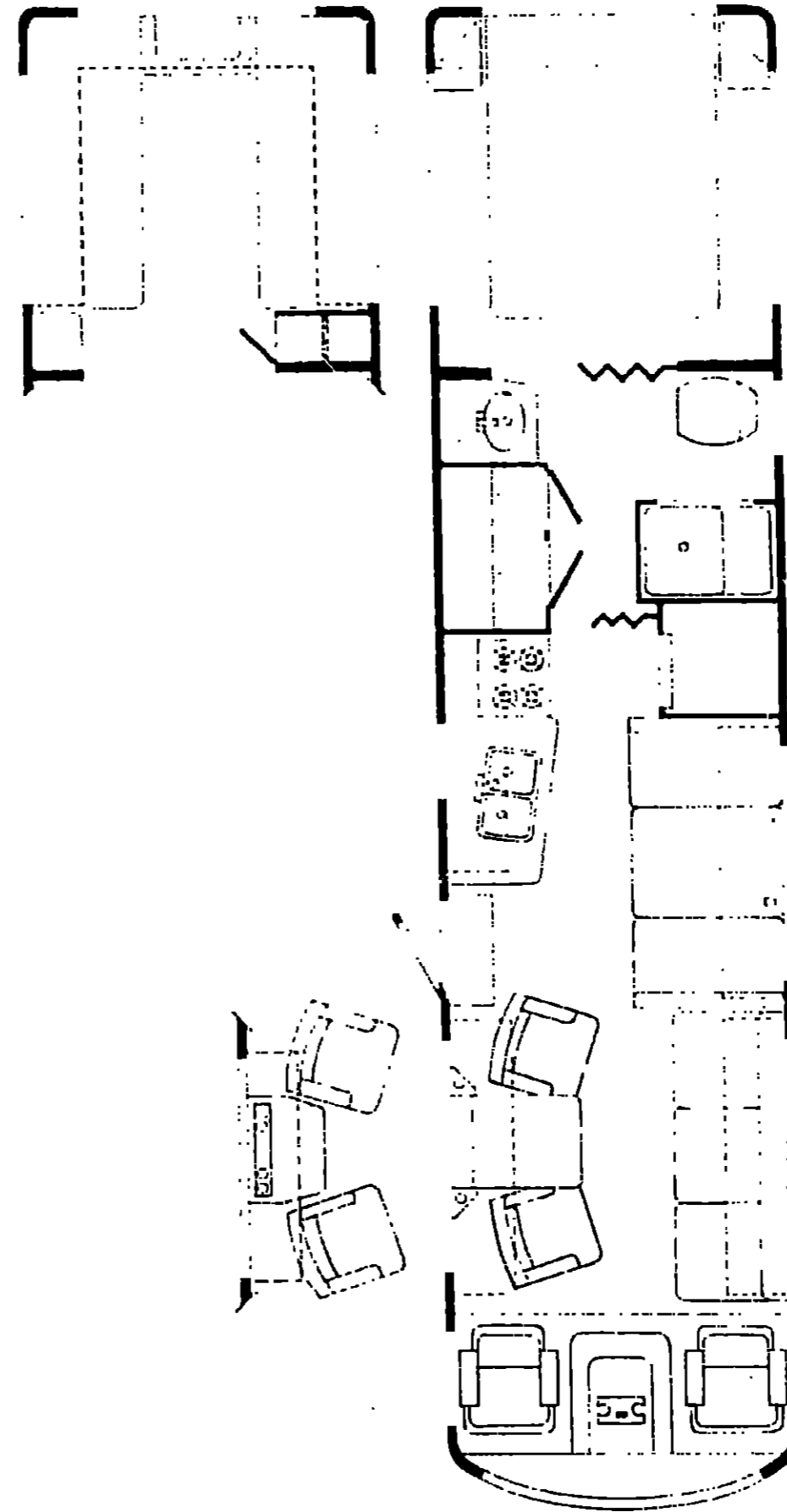


1987 WCP37RQ



1987 WINNEBAGO TABLE OF CONTENTS

WT319RB
WCN22RC
WC421RB
WCP37RQ

A-01 - B-16
B-17 - D-24
E-01 - F-24
G-01 - I-14

ACCESSORIES GROUP

OPTIONAL RACK & LADDER COMPONENTS

Key	Part Number	U/M	Description
	080997-03-T03	EA	Ladder Asm - Lower
	080999-03-T03	EA	Ladder Asm - Upper
	081026-05-T03	EA	Rack Asm - Right
	081026-06-T03	EA	Rack Asm - Left
	081055-01-000	EA	Spring Grip - Internal
	081056-01-000	EA	Pin - Quick Release
	081152-01-000	EA	Bumper Plate - Brite Dip

OPTIONAL MICROWAVE/CONVECTION OVEN & COMPONENTS

Key	Part Number	U/M	Description
	081379-01-000	EA	Microwave-Convection Oven - Sharp
	081459-05-000	EA	Bracket Asm - Microwave - Right
	081459-06-000	EA	Bracket Asm - Microwave - Left
	081456-01-000	EA	Angle Asm. Microwave - Right
	081456-02-000	EA	Angle Asm. Microwave - Left
	081555-01-T03	EA	Trim Asm - Microwave
	082876-01-000	EA	Baffle Asm - Microwave

OPTIONAL SPEED CONTROL & COMPONENTS

Key	Part Number	U/M	Description
	084417-01-000	EA	Speed Control Package - w Column Control
	084417-01-700	EA	Servo Cable
	084417-01-701	EA	Servo - Electric Asm.
	084417-01-702	EA	Servo - Extension Harness
	084417-01-703	EA	Cruise Control - Main Wiring Harness
	084417-01-704	EA	Switch - Brake
	084417-01-705	EA	Transducer
	084417-01-706	EA	Speedometer Adapter
	084417-01-707	EA	Control Asm.
	084417-01-708	EA	Smart Stick - Main Harness
	084417-01-709	EA	Relay - 12 VDC
	084417-01-710	EA	Relay
	084417-01-711	EA	Brake Switch Asm.
	084417-01-712	EA	Tester - Cruise Control
	084417-01-713	EA	Pilot
	084417-01-714	EA	Servo Asm.
	084417-01-715	EA	Tester - Smart Stick
	084417-01-716	EA	Regulator for Cruise Control
	084417-01-717	EA	Smart Stick - Electric Package
	084417-01-718	EA	Control Arm - Smart Stick Only

OPTIONAL FOG LAMP & COMPONENTS

Key	Part Number	U/M	Description
	079941-01-000	EA	Lamp Asm - Fog w/Cover - Amber
	079941-01-700	EA	Lamp Asm - (Set/2)
	079941-01-701	EA	Lens & Cover Only
	079941-01-702	EA	Switch - Fog Lamp
	079941-01-703	EA	Solenoid
	079941-01-704	EA	Shroud - Fan
	079941-01-705	EA	Lens Only
	079941-01-706	EA	Cover Only

ACCESSORIES GROUP (CONTINUED)

OPTIONAL CUSTOM STEERING WHEEL

Key	Part Number	U/M	Description
	080752-05-000	EA	Steering Wheel - Custom
	080752-06-000	EA	Hub Adapter - Steering Wheel
	080752-07-000	EA	Button - Horn - w/Wire
	080752-08-000	EA	Screw - Custom Steering Wheel

OPTIONAL VACUUM CLEANER & COMPONENTS

Key	Part Number	U/M	Description
	055285-01-000	EA	Vacuum Cleaner - Built In - Tevis Campbell
	055285-01-700	EA	Accessories Kit - Standard
	055285-01-701	EA	Filter - 8 per Consumer Package
	055285-01-702	EA	Hose - Vacuum Cleaner - 20'
	055285-01-703	EA	Rug Tool
	055285-01-704	EA	Crevice Tool
	055285-01-705	EA	Upholstery Tool
	055285-01-706	EA	Wands - Set (2 piece)
	055285-01-707	EA	Dust Bubble - Complete

OPTIONAL POWER SEARCHLIGHT & COMPONENTS

Key	Part Number	U/M	Description
	051057-01-000	EA	Searchlight - Power Driven
	051057-01-700	EA	Switch - Panel Asm (Aux)
	051057-01-701	EA	Switch - Panel Asm. (Main)
	051057-01-702	EA	Joy Switch & Housing
	051057-01-703	EA	Toggle Switch - On-Off
	051057-01-704	EA	Micro Switch

WHEEL COVER & MOUNTING HARDWARE

Key	Part Number	U/M	Description
	083181-03-000	EA	Wheel Cover - 19.5" (Set/4)
	083181-05-000	EA	Wheel Cover - 19.5" (Set/2) (Tag Axle)
	083181-03-700	EA	Wheel Cover - 19.5" (1)
	083181-04-000	EA	Retainer Kit - 19.5" Wheel Cover (Set/4)
	083181-04-700	EA	Retainer Kit - 19.5" Front (1)
	083181-04-701	EA	Retainer Kit - 19.5" Rear (1)
	083181-04-702	EA	Nut Cover - 19.6"
	083181-04-703	EA	Cap - Chrome Center
	083181-06-000	EA	Retainer Kit - 19.5" (Set/2) (Tag Axle)

STYLIZED ALUMINUM WHEELS & COMPONENTS

Key	Part Number	U/M	Description
	077042-01-000	EA	Wheel - Polished Aluminum - 19.5" x 6" - Front
	077042-02-000	EA	Wheel - Polished Aluminum - 19.5" x 6" - Rear
	077043-01-000	EA	Lug Nut - 2 Pieces - Cone Seal & Flange
	077044-01-000	EA	Chrome Cover - Lug Nut - w/Skirt
	077045-01-000	EA	Chrome Cover - Front Axle - 2 Piece
	077045-02-000	EA	Chrome Cover - Rear Axle - 2 Piece
	078260-02-000	EA	Pouch - Wrench - 11" x 11"

OPTIONAL CHROME WHEEL LINERS

Key	Part Number	U/M	Description
	085741-01-000	EA	Wheel Liner - Chrome - 19.5" (Set/4)
	085741-04-000	EA	Wheel Liner - Chrome - 19.5" (Set/2) Tag Axle
	077030-02-000	EA	Valve Stem Extension - 1.25"

1987 WINNEBAGO TABLE OF CONTENTS

WT319RB	A-01 - B-16
WCN22RC	B-17 - D-24
WC421RB	E-01 - F-24
WCP37RQ	G-01 - I-14

1987 WCP37RQ INDEX

Floor Plan	G-01 - G-02
Accessories Group	G-03 - G-05
Bath Group	G-07 - G-08
Chassis Group	G-09 - G-12
Curtain, Cushion & Pad Group	G-13 - G-20
Dinette Group	G-21 - G-23
Driver's Compartment Group	G-24 - H-04
Electrical Group	H-05 - H-07
Exterior Body Group	H-08 - H-14
Galley Group	H-15 - H-17
Heating & Air Conditioning Group	H-18
Interior Finish Group	H-19 - H-21
LP Group	H-22
Lounge Group	H-23 - I-01
Water & Sewage Group	I-02
Window, Vent & Exterior Door Group	I-03 - I-14

ACCESSORIES GROUP (CONTINUED)

EXTERIOR MIRRORS

Key	Part Number	U/M	Description
	077051-03-000	EA	Mirror Asm - Exterior - Right
	077051-04-000	EA	Mirror Asm - Exterior - Left
	086236-02-000	EA	Gasket - Exterior Mirror - Left
	086236-01-000	EA	Gasket - Exterior Mirror - Right

GENERATORS & COMPONENTS

Key	Part Number	U/M	Description
	081634-01-000	EA	Generator - Onan - 6.5 - Emerald
	079654-05-000	EA	Pipe & Accessories Kit - Emerald
	031364-01-000	EA	Muffler - Generator - 6.5 Emerald
	083151-01-000	EA	Muffler - Generator - 6.5 Emerald (used w 2 Air Conditioners)
	078045-01-000	EA	Support Plate - Generator
	083152-01-000	EA	Exhaust Pipe - Generator
	007067-01-000	EA	Insulation - Fiberglass - 1"

RADIO & RELATED COMPONENTS

Key	Part Number	U/M	Description
	077069-01-000	EA	Antenna - Radio
	031105-03-000	EA	Antenna - Side Mounter
	077448-01-000	EA	Bracket - Radio - Front
	077069-02-000	EA	Cable - Antenna Extension - 96'
	064792-01-000	EA	Grille - Speaker - 5.25" - w/Mesh - Brown
	031105-01-700	EA	Holder - Radio Antenna - Upper
	075903-01-000	EA	Radio - AM/FM MPX - w/Cassette
	075904-01-000	EA	Radio - AM/FM Stereo Cassette - Electronic Tuning
	084877-01-000	EA	Radio - AM-FM Stereo - Wall Mount
	064791-01-000	EA	Speaker - Recessed - 5.25"
	073741-02-000	EA	Speaker - 4" x 6" - Oval
	073431-01-000	EA	Speaker - 5.25" - 3 Way (Pair)
	074979-01-000	EA	Speaker Cover - Light Oak
	074979-07-000	EA	Speaker Cover - Light Oak
	Parts used in the Rear Stereo Option		

OPTIONAL ELECTRIC STEP & COMPONENTS

Key	Part Number	U/M	Description
	075461-01-000	EA	Step Asm - Electric (Kwikkee)
	075461-01-700	EA	Motor
	041250-01-000	EA	Door Switch
	075461-01-704	EA	Under Step Control Unit
	075461-01-705	EA	4 Way Plug (Dash End)
	075461-01-706	EA	Kili Switch
	075461-01-707	EA	Step Light
	075461-01-708	EA	4-Way Plug (Control Box End)
	075461-01-709	EA	90° Plug
	075461-01-710	EA	Gear
	075461-01-711	EA	Drive Link

ACCESSORIES GROUP (CONTINUED)

MISCELLANEOUS ACCESSORIES

Key	Part Number	U/M	Description
	054185-26-000	EA	Owners Manual - 1987 - Winnebago & Itasca
	076319-01-000	EA	Antenna - TV - 44.5" Mast
	076319-01-700	EA	RVSA Sensor - Antenna
	076319-01-701	EA	Elevating Gear
	076319-01-702	EA	Shaft Elevating Asm
	076319-01-703	EA	Nylon Bearing - 5"
	076319-01-704	EA	Nylon Bearing
	076319-01-705	EA	Nylon Bearing
	076319-01-706	EA	Elevating Crank - w/Set Screw
	076319-03-000	EA	Coaxial Cable - 1000' - 75 OHM
	076319-04-000	EA	Connector & Ferrule
	076319-05-000	EA	Wallplate/Power Supply - Ivory
	076319-06-000	EA	Adaptor - Cable Roof Plate
	076319-07-000	EA	Wallplate/Power Supply - Brown
	076319-08-000	EA	Wallplate/Receptacle - Ivory
	076319-09-000	EA	Wallplate/Receptacle - Brown
	076319-10-000	EA	Ferrule
	076319-11-000	EA	Adapter - Coax w/Splitter
	085732-01-000	EA	Clock - Plum (W13, W16)
	085732-02-000	EA	Clock - Peach (W14)
	085732-03-000	EA	Clock - Grey (W15)
	017516-01-000	EA	Mud Flap - 14" x 18" - Rear - Black
	017516-02-000	EA	Mud Flap - 14" x 12" - Front - Black
	041944-04-000	EA	Fire Extinguisher - 5 BC - w/Bracket
	084472-01-000	EA	Holder - Fire Extinguisher
	072852-01-000	EA	Smoke Detector w/9 Volt Battery
	006069-01-000	EA	Key Case - Leather
	080208-01-000	EA	Lug Wrench
	080208-02-000	EA	Leverage Bar - Lug Wrench
	006113-01-000	EA	Jack - Hydraulic - 6 Ton - w/Handle
	083207-01-000	EA	Television System - Rear View
	084349-01-W13	EA	Shroud Asm - Television
	036420-02-000	EA	Defroster Fan - 6" - 2 Speed Fan
	077988-01-000	EA	Bracket - Defroster Fan - Right
	077988-02-000	EA	Bracket - Defroster Fan - Left
	083207-01-000	EA	Television System - Rear View
	086758-01-000	EA	Television - 13" Digital Color - Remote Control
	086759-01-000	EA	VCR - VHS - Table Model
	086757-01-000	EA	Control Center - Channel Master
	064093-01-000	EA	Luggage Box - 14" x 30" x 60"

OPTIONAL AIR HORNS & COMPONENTS

Key	Part Number	U/M	Description
	077497-01-000	EA	Air Horn Kit - Twin Chromed
	077497-01-700	EA	Solenoid - Air Tank
	077497-01-701	EA	Switch - Compressor
	077497-01-702	EA	Toggle Switch w/Wire
	077497-01-703	EA	Air Tank
	077497-01-704	EA	Compressor w/Switch
	077497-02-000	EA	Hose Kit - Auxiliary Air
	077497-03-000	EA	Parts Kit - Hose - Auxiliary Air
	078239-01-000	EA	Label Plate - Horn

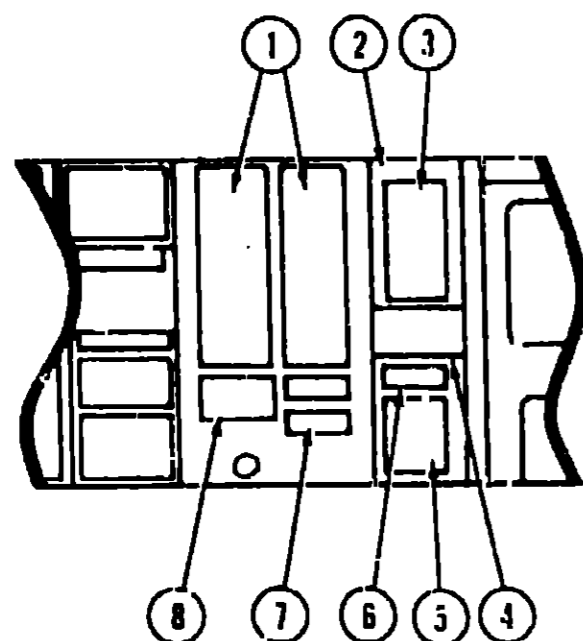
**1987 WINNEBAGO
TABLE OF CONTENTS**

WT319RB	A-01 - B-16
WCN22RC	B-17 - D-24
WC421RB	E-01 - F-24
WCP37RQ	G-01 - I-14

1987 WCP37RQ INDEX

Floor Plan	G-01 - G-02
Accessories Group	G-03 - G-06
Bath Group	G-07 - G-08
Chassis Group	G-09 - G-12
Curtain, Cushion & Pad Group	G-13 - G-20
Dinette Group	G-21 - G-23
Driver's Compartment Group	G-24 - H-04
Electrical Group	H-05 - H-07
Exterior Body Group	H-08 - H-14
Galley Group	H-15 - H-17
Heating & Air Conditioning Group	H-18
Interior Finish Group	H-19 - H-21
LP Group	H-22
Lounge Group	H-23 - I-01
Water & Sewage Group	I-02
Window, Vent & Exterior Door Group	I-03 - I-14

BATH GROUP



BATH & WARDROBE CABINRY

Key	Part Number	U/M	Description
1	M87088-03-W13	EA	Door Asm. - Mirror - 47.9" x 16.8" - w/o Hardware
2	M86023-01-W13	EA	Cabinet Asm. - Medicine - w/o Doors or Hardware
3	M87088-01-W13	EA	Door Asm. - Mirror - Medicine Cabinet - 29.5" x 15.5" - w/o Hardware
4	M03000-01-W13	EA	Countertop Asm. - Lavatory Cabinet (W13, W16)
4	M03000-01-W14	EA	Countertop Asm. - Lavatory Cabinet (W14)
4	M03000-01-W15	EA	Countertop Asm. - Lavatory Cabinet (W15)
5	M81501-40-W13	EA	Door Asm. - Lavatory Cabinet - 18.3" x 16.2" - w/o Hardware
6	077251-01-000	EA	Drawer - Tillout - Plastic - w/o Hardware
7	M78921-06-W13	EA	Drawer Asm. - Wardrobe Cabinet - w/o Hardware
8	M81507-04-W36	EA	Door Asm. - Furnace - w/o Hardware
*	M02972-01-W13	EA	Countertop Asm. - Bath Storage Cabinet (W13, W16)
*	M02972-01-W14	EA	Countertop Asm. - Bath Storage Cabinet (W14)
*	M02972-01-W15	EA	Countertop Asm. - Bath Storage Cabinet (W15)
*	M81501-66-W13	EA	Door Asm. - Bath Storage Cabinet - 17.8" x 10.3" - w/o Hardware
*	062906-01-000	EA	Shower Door - Folding - w/o Hardware
*	080224-18-000	EA	Folding Door - Front - w/o Latch
*	080224-21-000	EA	Folding Door - Rear - w/o Latch
*			Not illustrated

BATH GROUP (CONTINUED)

BATH & WARDROBE HARDWARE

Key	Part Number	U/M	Description
	075240-02-000	EA	Faucet Lavatory - Brass
	075242-03-000	EA	Faucet - Tub & Shower - Brass
	058713-01-000	EA	Sink Oval - Ivory Plastic
	M02630-04-W13	EA	Shower Pan Asm.
	072650-01-000	EA	Panel - Shower
	003059-01-000	EA	Hinge - 2" - Gold
	059777-02-000	EA	Hinge - Cabinet Door - Brass
	086263-01-000	EA	Pull - Polished Brass
	009021-01-000	EA	Catch - Nylon - Grill
	009021-02-000	EA	Strike - Spring Steel
	011048-02-000	EA	Shower Head - w/60" Hose
	066729-01-000	EA	Strainer - Shower Pan & Tub
	066436-01-000	EA	Slip Nut - 1.5" Tail Piece - Bathtub
	066435-01-000	EA	Nut - Strainer - Plastic
	085278-01-000	EA	Tissue Holder
	075680-01-000	EA	Clothes Rod - Adjustable
	075453-02-000	EA	Bar - Towel Rack
	075454-02-000	EA	Towel Ring - Brass
	080224-07-000	EA	Track - Folding Door - "S" Curve - Brown (Front)
	080224-23-000	EA	Track - Folding Door - Straight - 44.5" (Rear)
	080224-01-700	EA	Latch & Catch Asm. - Folding Door
	009112-01-000	EA	Flange - 1" Closet Rod
	058331-05-000	EA	Mirror - Tempered Glass - 12" x 26"
	058331-16-000	EA	Mirror - Tempered Glass - 13.4" x 44.4"
	083204-01-000	EA	Retaining Button - Glass
	085330-01-000	EA	Toilet - Shorty - Bone China
	081614-01-000	EA	Soap Dish - Brass
	075244-02-000	EA	Shower Curtain Liner
	075687-02-000	EA	Lockset - Bronze Tone

1987 WINNEBAGO TABLE OF CONTENTS

WT319RB	A-01 - B-16
WCN22RC	B-17 - D-24
WC421RB	E-01 - F-24
WCP37RQ	G-01 - I-14

1987 WCP37RQ INDEX

Floor Plan	G-01 - G-02
Accessories Group	G-03 - G-06
Bath Group	G-07 - G-08
Chassis Group	G-09 - G-12
Curtain, Cushion & Pad Group	G-13 - G-20
Dinette Group	G-21 - G-23
Driver's Compartment Group	G-24 - H-04
Electrical Group	H-05 - H-07
Exterior Body Group	H-08 - H-14
Galley Group	H-15 - H-17
Heating & Air Conditioning Group	H-18
Interior Finish Group	H-19 - H-21
LP Group	H-22
Lounge Group	H-23 - I-01
Water & Sewage Group	I-02
Window, Vent & Exterior Door Group	I-03 - I-14

CHASSIS GROUP

MISCELLANEOUS

Key	Part Number	U/M	Description
	077995-02-000	EA	Ecflie - Upper - Radiator
	047441-01-000	EA	Battery Terminal - Horizontal Lug
	005450-04-000	EA	Battery Tiedown - Plastic Coated
	077138-01-000	EA	Box - Power Cord
	062401-01-000	EA	Clamp - Hose - Wormgear - .22 ID - 1" ID
	062401-02-000	EA	Clamp - Hose - Wormgear - 1.56 ID - 2.5" ID
	062401-03-000	EA	Clamp - Hose - Wormgear - .25 ID - 1" ID
	062401-04-000	EA	Clamp - Hose - Wormgear - 69 ID - 1.25 ID
	062401-05-000	EA	Clamp - Hose - Wormgear - 2" ID - 3" ID
	062401-06-000	EA	Clamp - Hose - Wormgear - 22" ID - 62" ID
	007125-03-000	EA	Clamp Asm - Muffler - 1.50 DIA
	007125-04-000	EA	Clamp Asm - Muffler - 1.12 DIA
	081938-01-000	EA	Compartment - LP Regulator
	007131-01-000	EA	Hanger - Tailpipe
	007063-01-000	FT	Hose - Gas - 1/4 I D. x 1/2 O D.
	081245-01-000	EA	Hose - Fuel Fill - Formed
	075526-01-000	EA	Radiator Cover - Rear
	081264-01-000	EA	Shield - Heat Deflector
	077848-01-000	EA	Step Asm - Pullout
	047743-01-000	EA	Spacer - Rear Spring/Axle Stop
	005760-01-000	EA	Tank Asm. - Fuel - 90 Gal
	076281-01-000	EA	Tray - Battery
	052431-01-000	EA	Tray - Luggage Compartment
	011069-03-000	EA	Tailpiece - 1 1/2" x 1 3/4" Plastic
	075758-01-000	EA	Wheelwell - Plastic - Rear - Dual
	084488-01-000	EA	Wheelwell - Plastic - Rear - Single (Tag Axle)

TAG AXLE — AIR CONTROLLER

Key	Part Number	U/M	Description
	085752-01-000	EA	Air Suspension - P-30 - Superic'e
	085753-01-000	EA	Brake Controller - Weatheron
	085761-01-000	EA	Compressor - Air Tank - 12 Volt - 1/8 HP
	085159-01-000	EA	Light - Warning - "Low Air"
	085758-01-000	EA	Switch Asm. - "Low Air"
	085757-01-000	EA	Switch - Pressure Control
	071375-02-000	EA	Tank - Air - Tag Axle
	085755-01-000	EA	Valve - Air Solenoid - 1/4 NPT-F
	085756-01-000	EA	Valve - Check - 1/4" NPT - Male
	085773-01-000	EA	Valve - Drain - Air Tank - 1/4 MPT
	085769-01-000	EA	Valve - Relief - 1/4 MPT
	085754-01-000	EA	Valve Asm - Height Control - Right
	085754-02-000	EA	Valve Asm. - Height Control - Left

CHASSIS GROUP (CONTINUED)

REAR BUMPER & HITCH

Key	Part Number	U/M	Description
	076558-01-000	EA	Bracket to Frame - Rear Bumper
	077855-01-000	EA	Bracket to Bumper - Rear
	077617-01-000	EA	Hitch Asm. - w/o Drawbar
	034513-01-000	EA	Spring Pin - Hitch - 3/16" Wire
	077613-01-000	EA	Drawbar Asm.
	034512-01-000	EA	Locking Pin - Drawbar
	M86700-01-W13	EA	Bumper Asm. - Rear - Beige

ALTERNATOR & COMPONENTS

Key	Part Number	U/M	Description
	081057-03-000	EA	Alternator - 105 Amp - Wide Belt
	081057-01-700	EA	Brush Asm
	081057-01-701	EA	Diode Bridge
	081057-01-702	EA	Condensor
	081057-01-703	EA	Inside Bearing Spacer
	081057-01-704	EA	Front Bearing
	081057-01-705	EA	Outside Bearing Spacer
	081057-03-700	EA	Pulley - Wide Belt
	081057-01-707	EA	Diode (-)
	081057-01-708	EA	Diode (-)
	081057-01-709	EA	Stator - 105 Amp
	081057-01-710	EA	Rotor
	081057-01-711	EA	Ground Terminal Kit
	081057-01-712	EA	Battery Terminal Kit
	081057-01-713	EA	Rear Bearing
	081057-01-715	EA	Regulator Only
	081057-01-716	EA	Alternator Only - Wide Belt

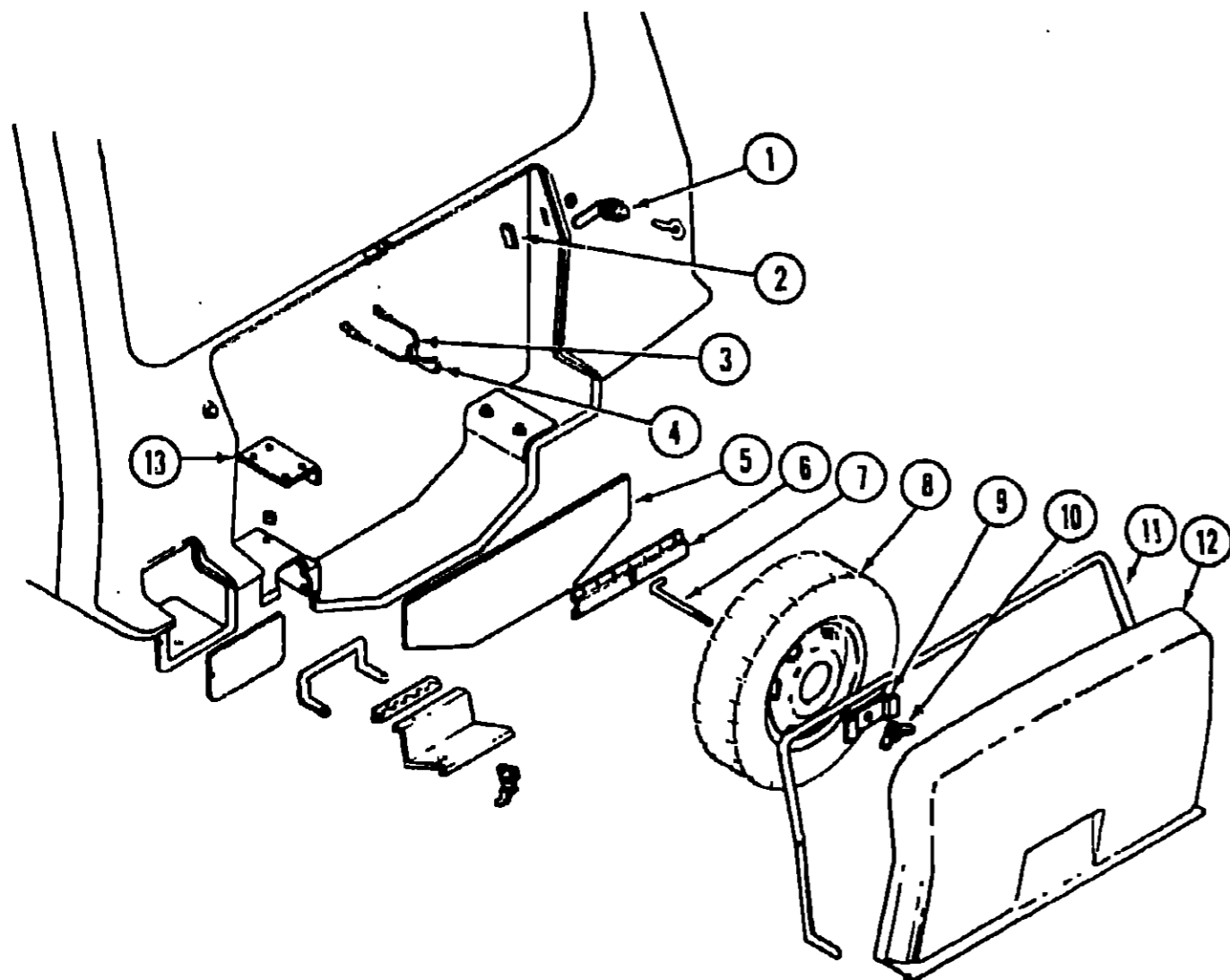
1987 WINNEBAGO TABLE OF CONTENTS

WT319RB	A-01 - B-16
WCN22RC	B-17 - D-24
WC421RB	E-01 - F-24
WCP37RQ	G-01 - I-14

1987 WCP37RQ INDEX

Floor Plan	G-01 - G-02
Accessories Group	G-03 - G-06
Bath Group	G-07 - G-08
Chassis Group	G-09 - G-12
Curtain, Cushion & Pad Group	G-13 - G-20
Dinette Group	G-21 - G-23
Driver's Compartment Group	G-24 - H-04
Electrical Group	H-05 - H-07
Exterior Body Group	H-08 - H-14
Galley Group	H-15 - H-17
Heating & Air Conditioning Group	H-18
Interior Finish Group	H-19 - H-21
LP Group	H-22
Lounge Group	H-23 - I-01
Water & Sewage Group	I-02
Window, Vent & Exterior Door Group	I-03 - I-14

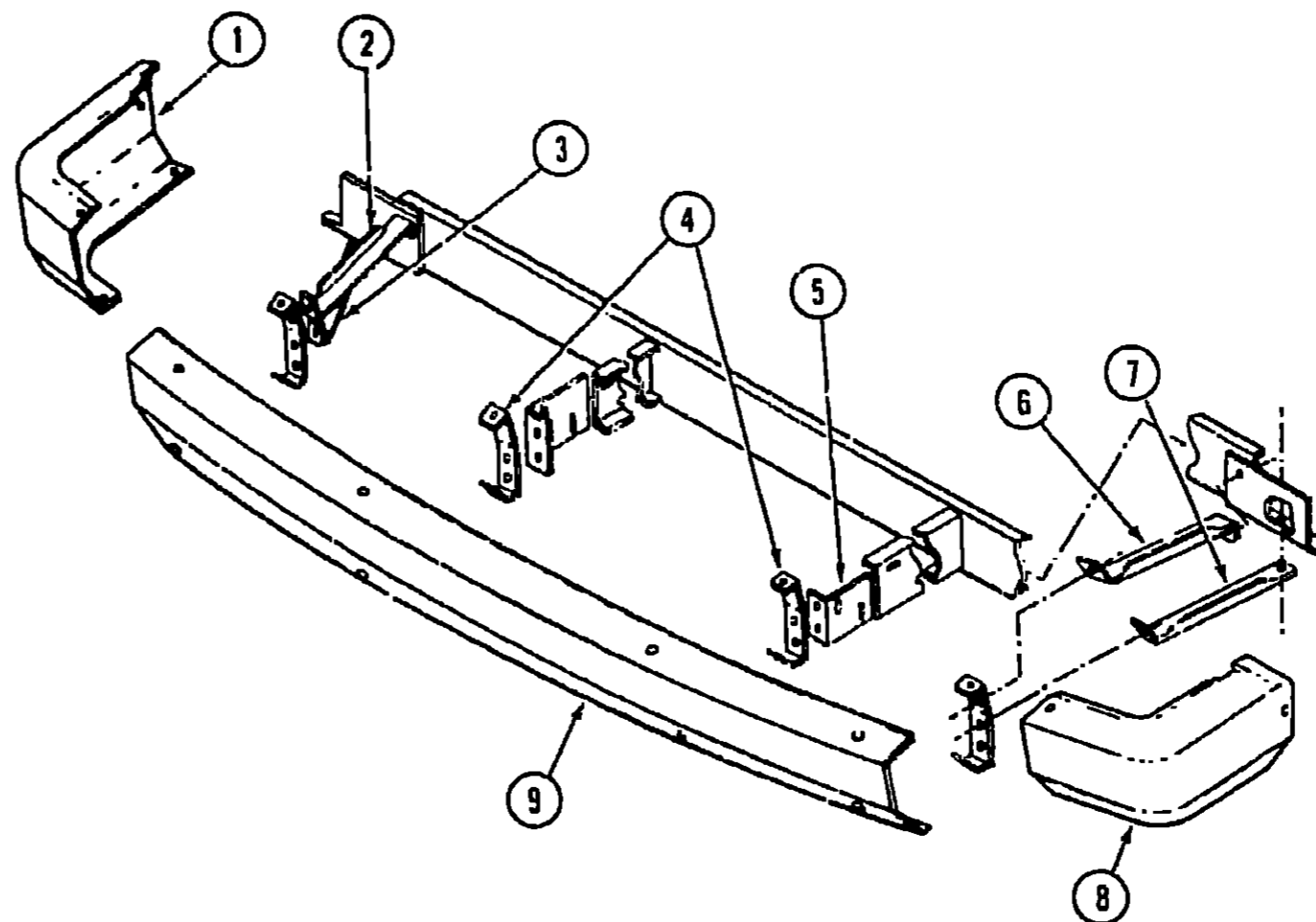
CHASSIS GROUP (CONTINUED)



SPARE TIRE & COMPARTMENT

Key	Part Number	U/M	Description
1	077048-01-000	EA	Lock Asm. - Key Type
2	077941-01-000	EA	Rubber Seal - Flat w/Slit
3	076767-02-000	EA	Cable Asm.
4	072463-01-000	EA	Spring Hook - 1/2"
5	077395-01-000	EA	Shield - Spare Tire
6	077403-01-000	EA	Support Bracket - Spare Tire
7	077411-01-000	EA	Retaining Rod - Spare Tire
8	007321-01-000	EA	Tire - 8" x 19.5" - 8 Ply Poly - Goodyear
8	007321-02-000	EA	Tire - 8" x 19.5" - 8 Ply - Tubeless - Goodrich
8	007324-04-000	EA	Tire - 8" x 19.5" - Radial - Michelin
.	063964-01-000	EA	Rim - Wheel - 19.5" x 6.75"
.	077030-02-000	EA	Extension - Valve Stem - 1.25"
9	077399-01-000	EA	Retainer - Spare Tire
10	064081-01-000	EA	Wing Nut - 3/8" - Spare Tire
11	073090-01-000	FT	Weather Seal
12	M01990-03-W13	EA	Cover - Spare Tire - Beige
.	077392-01-000	EA	Strike - Latch
.	077080-01-000	EA	Angle Support - Pivotal
.	077381-01-000	EA	Plate - Pivotal
.	077385-01-000	EA	Pin Asm. - Pivotal
.	077384-01-000	EA	Plate - Pin
13	077400-01-000	EA	Support - Spare Tire
.	077393-01-000	EA	Support Asm. - Strike
.	077579-01-000	EA	Spacer - Spare Tire Support
.			Not illustrated

CHASSIS GROUP (CONTINUED)



FRONT BUMPER

Key	Part Number	U/M	Description
1	075767-01-000	EA	End Cap - Front Bumper - Passenger
2	077853-01-000	EA	Brace - Upper - Front Bumper - Passenger
3	077854-01-000	EA	Brace - Lower - Front Bumper - Passenger
4	077852-01-000	EA	Bracket - Front Bumper
5	076527-01-000	EA	Bracket to Frame - Front Bumper
6	077853-02-000	EA	Brace - Upper - Front Bumper - Driver
7	077854-02-000	EA	Brace - Lower - Front Bumper - Driver
8	075767-03-000	EA	End Cap - Front Bumper - Driver
9	077850-02-000	EA	Bumper - Front - Beige
9	077850-03-000	EA	Bumper - Front - Brite Dip
.	005200-01-000	EA	Carriage Bolt - Chrome - 7/16" x 14 x 1 1/4"
.			Not illustrated

**1987 WINNEBAGO
TABLE OF CONTENTS**

WTJ19RB
WCN22RC
WC421RB
WCP37RO

A-01 - B-16
B-17 - D-24
E-01 - F-24
G-01 - I-14

1987 WCP37RQ INDEX

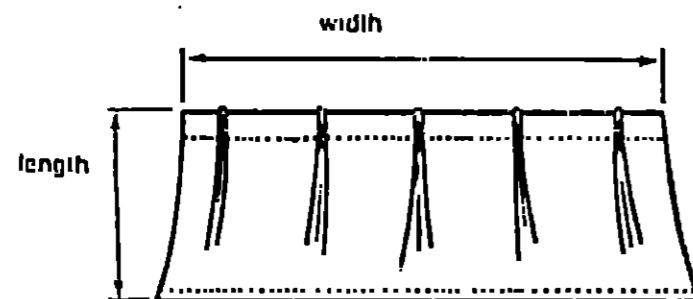
Floor Plan	G-01 - G-02
Accessories Group	G-03 - G-06
Bath Group	G-07 - G-08
Chassis Group	G-09 - G-12
Curtain, Cushion & Pad Group	G-13 - G-20
Dinette Group	G-21 - G-23
Driver's Compartment Group	G-24 - H-04
Electrical Group	H-05 - H-07
Exterior Body Group	H-08 - H-14
Galley Group	H-15 - H-17
Heating & Air Conditioning Group	H-18
Interior Finish Group	H-19 - H-21
LP Group	H-22
Lounge Group	H-23 - I-01
Water & Sewage Group	I-02
Window, Vent & Exterior Door Group	I-03 - I-14

CURTAIN, CUSHION & PAD GROUP

NOTICE

In order to assist our Parts Sales Dept in providing interior software items, please include the serial number and the color code number from the vehicle certification label when ordering. This label is located on the left sidewall at the end of the dash (A-Body), or on the driver's door latch plate (C-Body).

An example of a color code number is P31, which designates an overall color scheme of a particular unit. The color listed after the item description on the microfiche, indicates the overall unit color. Order the item you desire according to unit color code.



NOTE

Use this illustration when determining length and width measurements for curtains. You will note the width measurement is taken on the top of the curtain with the curtain fully extended. The length measurement is taken from top to bottom.

FABRICS

Key	Part Number	U/M	Description
	077498-A0-000	YD	Fabric - Upholstery - Wendover (W13)
	077498-B1-000	YD	Fabric - Upholstery - Sparrow (W14)
	077498-B2-000	YD	Fabric - Upholstery - Heron (W15)
	077498-B3-000	YD	Fabric - Upholstery - Chardonay (W16)
	077498-B4-000	YD	Fabric - Upholstery/Accent - Shell (W13, W15, W16)
	077498-A9-000	YD	Fabric - Upholstery/Accent - Bongo (W14)
	077498-B7-000	YD	Fabric - Upholstery/Plain Accent - Chardonay (W13, W16)
	077498-B6-000	YD	Fabric - Upholstery/Plain Accent - Oyster (W14)
	077498-B5-000	YD	Fabric - Upholstery/Plain Accent - Heron (W15)
	069729-53-000	YD	Fabric - Bedspread - Ash (W13, W16)
	069729-54-000	YD	Fabric - Bedspread - Taupe (W14)
	069729-55-000	YD	Fabric - Bedspread - Slate (W15)
	069729-42-000	YD	Fabric - Drapery - Plum (W13, W16)
	069729-38-000	YD	Fabric - Drapery - Melba (W14)
	069729-43-000	YD	Fabric - Drapery - Biscuit (W15)
	079680-01-000	YD	Vinyl - Expanded - Buckskin
	069649-03-000	YD	Vinyl - Expanded - Taupe
	078394-01-000	FT	Trim - Half Round Vinyl - 7/16"
	038421-01-000	YD	Fabric - Mattress Ticking
	038421-04-000	YD	Fabric - Mattress Ticking - 82"
	081607-02-000	YD	Fabric - Headline - Sandstone

CURTAIN, CUSHION & PAD GROUP (CONTINUED)

BUCKET SEATS

Key	Part Number	U/M	Description
	078804-14-W13	EA	Seat Asm. - Single Bucket - w/Armrests & Headrests (W13, W16)
	078804-14-W14	EA	Seat Asm. - Single Bucket - w/Armrests & Headrests (W14)
	078804-14-W15	EA	Seat Asm. - Single Bucket - w/Armrests & Headrests (W15)
	M01863-02-W13	EA	Cover - Back - Single Bucket (W13, W16)
	M01863-02-W14	EA	Cover - Back - Single Bucket (W14)
	M01863-02-W15	EA	Cover - Back - Single Bucket (W15)
	M01863-01-W13	EA	Cover - Bottom - Single Bucket (W13, W16)
	M01863-01-W14	EA	Cover - Bottom - Single Bucket (W14)
	M01863-01-W15	EA	Cover - Bottom - Single Bucket (W15)
	071126-16-W13	EA	Skirt - Single Bucket (W13, W16)
	071126-16-W14	EA	Skirt - Single Bucket (W14)
	071126-16-W15	EA	Skirt - Single Bucket (W15)
	080243-07-W13	EA	Armrest Asm. - Right (W13, W16)
	080243-07-W14	EA	Armrest Asm. - Right (W14)
	080243-07-W15	EA	Armrest Asm. - Right (W15)
	080243-08-W13	EA	Armrest Asm. - Left (W13, W16)
	080243-08-W14	EA	Armrest Asm. - Left (W14)
	080243-08-W15	EA	Armrest Asm. - Left (W15)
	M80243-01-W13	EA	Cover - Armrest - Right (W13, W16)
	M80243-01-W14	EA	Cover - Armrest - Right (W14)
	M80243-01-W15	EA	Cover - Armrest - Right (W15)
	M80243-02-W13	EA	Cover - Armrest - Left (W13, W16)
	M80243-02-W14	EA	Cover - Armrest - Left (W14)
	M80243-02-W15	EA	Cover - Armrest - Left (W15)
	079281-04-W13	EA	Seat Asm. - Double Bucket w/Armrests & Headrests (W13, W16)
	079281-04-W14	EA	Seat Asm. - Double Bucket w/Armrests & Headrests (W14)
	079281-04-W15	EA	Seat Asm. - Double Bucket w/Armrests & Headrests (W15)
	M01874-04-W13	EA	Cover - Back - Double Bucket (W13, W16)
	M01874-04-W14	EA	Cover - Back - Double Bucket (W14)
	M01874-04-W15	EA	Cover - Back - Double Bucket (W15)
	M01874-03-W13	EA	Cover - Bottom - Double Bucket (W13, W16)
	M01874-03-W14	EA	Cover - Bottom - Double Bucket (W14)
	M01874-03-W15	EA	Cover - Bottom - Double Bucket (W15)
	071690-04-W13	EA	Skirt - Double Bucket (W13, W16)
	071690-04-W14	EA	Skirt - Double Bucket (W14)
	071690-04-W15	EA	Skirt - Double Bucket (W15)
	080243-02-W13	EA	Armrest Asm. - Left - Double Bucket (W13, W16)
	080243-02-W14	EA	Armrest Asm. - Left - Double Bucket (W14)
	080243-02-W15	EA	Armrest Asm. - Left - Double Bucket (W15)
	M80243-02-W16	EA	Cover - Armrest - Left - Double Bucket (W13, W16)
	M80243-02-W14	EA	Cover - Armrest - Left - Double Bucket (W14)
	M80243-02-W15	EA	Cover - Armrest - Left - Double Bucket (W15)
	080242-08-W13	EA	Headrest Asm. (W13, W16)
	080242-08-W14	EA	Headrest Asm. (W14)
	080242-08-W15	EA	Headrest Asm. (W15)
	M80242-08-W13	EA	Headrest Cover (W13, W16)
	M80242-08-W14	EA	Headrest Cover (W14)
	M80242-08-W15	EA	Headrest Cover (W15)

FRONT OVERHEAD BUNK CUSHIONS

Key	Part Number	U/M	Description
	079145-02-000	EA	Cushion Asm. - Front Bunk - 30" x 72" x 4"
	M79145-02-000	EA	Cover Asm. - Front Bunk Cushion

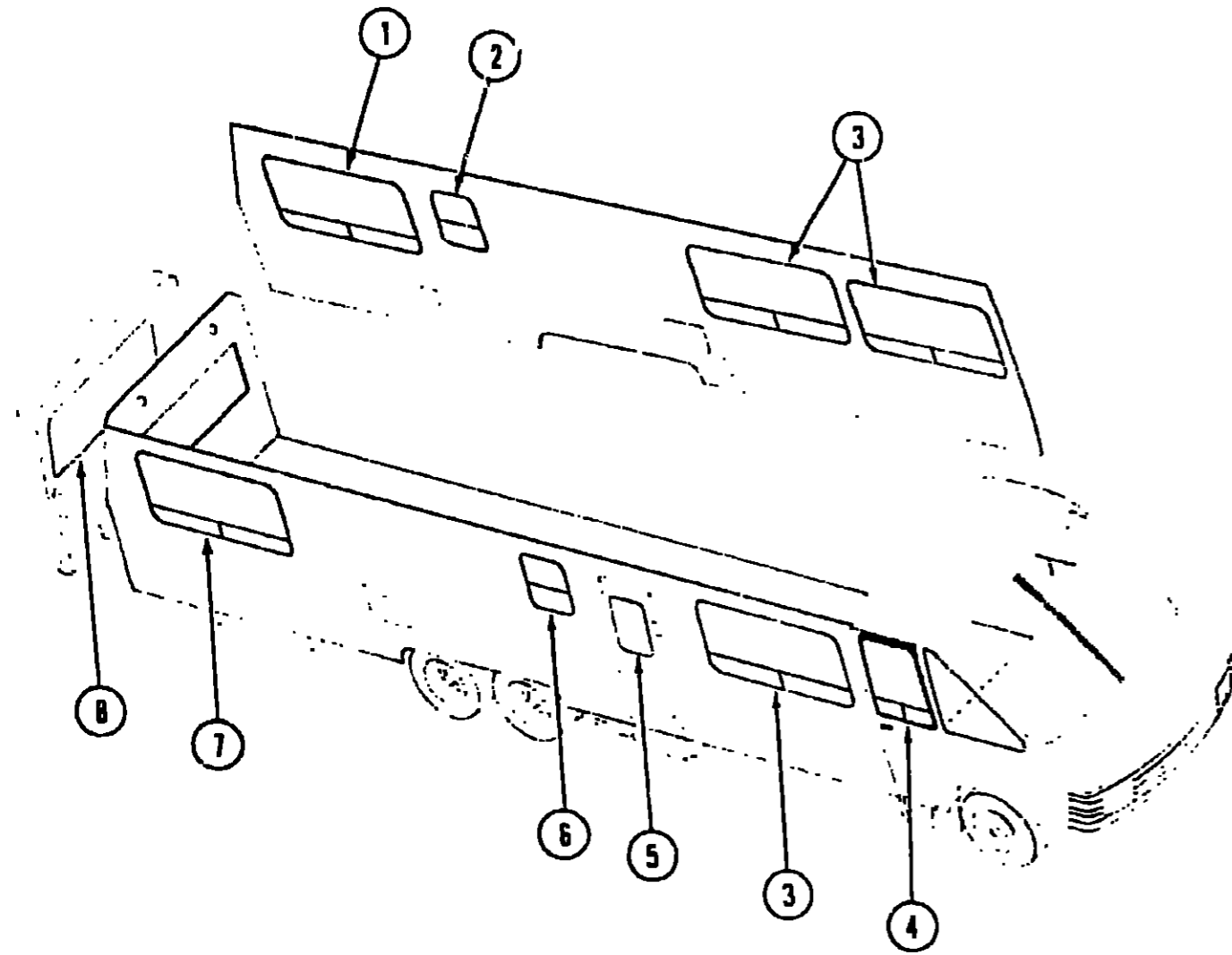
**1987 WINNEBAGO
TABLE OF CONTENTS**

WT319RB	A-01 - B-16
WCN22RC	B-17 - D-24
WC421RB	E-01 - F-24
WCP37RQ	G-01 - I-14

1987 WCP37RQ INDEX

Floor Plan	G-01 - G-02
Accessories Group	G-03 - G-06
Bath Group	G-07 - G-08
Chassis Group	G-09 - G-12
Curtain, Cushion & Pad Group	G-13 - G-20
Dinette Group	G-21 - G-23
Driver's Compartment Group	G-24 - H-04
Electrical Group	H-05 - H-07
Exterior Body Group	H-08 - H-14
Galley Group	H-15 - H-17
Heating & Air Conditioning Group	H-18
Interior Finish Group	H-19 - H-21
LP Group	H-22
Lounge Group	H-23 - I-01
Water & Sewage Group	I-02
Window, Vent & Exterior Door Group	I-03 - I-14

CURTAIN, CUSHION & PAD GROUP (CONTINUED)



CURTAINS, SHADES, VALANCES & TIEBACKS

Key	Part Number	U/M	Description
1	087318-03-W13	EA	Curtain Asm. w/Snap Top - 37 5" x 15" (W13, W16)
1	087318-03-W14	EA	Curtain Asm. w/Snap Top - 37 5" x 15" (W14)
1	087318-03-W15	EA	Curtain Asm. w/Snap Top - 37 5" x 15" (W15)
1	085304-41-000	EA	Blind - Pleated - 64.5" x 36" (W13, W15, W16)
1	085304-44-000	EA	Blind - Pleated - 64 5" x 36" (W14)
1	M77188-26-W13	EA	Valance Asm. - 69.5" - Angled (W13, W16)
1	M77188-26-W14	EA	Valance Asm. - 69.5" - Angled (W14)
1	M77188-26-W15	EA	Valance Asm. - 69.5" - Angled (W15)
†	085304-34-000	EA	Blind - Pleated - 48.5" x 35" (W13, W15, W16)
†	085304-31-000	EA	Blind - Pleated - 48.5" x 35" (W14)
2	082118-A4-000	EA	Blind - 30" x 30" - Pecan
2	073304-38-W13	EA	Curtain Asm. w/Snaps - 31.5" x 9" (W13, W16)
2	073304-38-W14	EA	Curtain Asm. w/Snaps - 31.5" x 9" (W14)
2	073304-38-W15	EA	Curtain Asm. w/Snaps - 31 5" x 9" (W15)
†	Parts for Twin Bed Option		

CURTAIN, CUSHION & PAD GROUP (CONTINUED)

CURTAINS, VALANCES, SHADES & TIEBACKS (CONT.)

Key	Part Number	U/M	Description
3	085304-41-000	EA	Blind - Pleated - 64 5" x 36" (W13, W15, W16)
3	085304-41-000	EA	Blind - Pleated - 64 5" x 36" (W14)
3	087318-04-W13	EA	Curtain Asm. w/Snap Top - 38" x 15" (W13)
3	087318-04-W14	EA	Curtain Asm. w/Snap Top - 38" x 15" (W14)
3	087318-04-W15	EA	Curtain Asm. w/Snap Top - 38" x 15" (W15, W16)
**	082126-18-000	EA	Shade - Woven Wood - 64 5" x 36" (W13, W16)
**	082126-19-000	EA	Shade - Woven Wood - 64 5" x 36" (W14)
**	082126-20-000	EA	Shade - Woven Wood - 64 5" x 36" (W15)
4	073304-40-W13	EA	Curtain Asm. w/Snap Top - 32 5" x 86" Front Wraparound (Right)
4	073304-41-W13	EA	Curtain Asm. w/Snap Top - 32 5" x 86" Front Wraparound (Left)
5	084755-04-W13	EA	Shade Asm. - 24 25" - Linen (W13)
5	084755-04-W05	EA	Shade Asm. - 24 25" - Linen (W14, W15, W16)
6	082118-A4-000	EA	Blind - 30" x 30" - Pecan
7	087318-03-W13	EA	Curtain Asm. w/Snap Top - 37 5" x 15" (W13, W16)
7	087318-03-W14	EA	Curtain Asm. w/Snap Top - 37 5" x 15" (W14)
7	087318-03-W15	EA	Curtain Asm. w/Snap Top - 37 5" x 15" (W15)
7	085304-41-000	EA	Blind - Pleated - 64.5" x 36" (W13, W15, W16)
7	085304-44-000	EA	Blind - Pleated - 64.5" x 36" (W14)
7	M77188-26-W13	EA	Valance Asm. - 69.5" - Angled (W13, W16)
7	M77188-26-W14	EA	Valance Asm. - 69.5" - Angled (W14)
7	M77188-26-W15	EA	Valance Asm. - 69.5" - Angled (W15)
8	087318-02-W13	EA	Curtain Asm. w/Snap Top - 35.5" x 15" (W13, W16)
8	087318-02-W14	EA	Curtain Asm. w/Snap Top - 35.5" x 15" (W14)
8	087318-02-W15	EA	Curtain Asm. w/Snap Top - 35.5" x 15" (W15)
8	085304-34-000	EA	Blind - Pleated - 48.5" x 35" (W13, W15, W16)
8	085304-31-000	EA	Blind - Pleated - 48.5" x 35" (W14)
*	077591-01-W13	EA	Curtain Asm. w/Velcro Top - 52" x 40" - Blackout (Right)
*	077591-02-W13	EA	Curtain Asm. w/Velcro Top - 52" x 42" - Blackout (Left)
*	084382-02-W13	EA	Curtain Asm. - Shower w/Ruffle - 61" x 24" (W13, W16)
*	084382-02-W14	EA	Curtain Asm. - Shower w/Ruffle - 61" x 24" (W14)
*	084382-02-W15	EA	Curtain Asm. - Shower w/Ruffle - 61" x 24" (W15)
*	086121-01-000	EA	Curtain Asm. - Shower Liner - 59" x 33"
*	073260-23-W13	EA	Tie Back Asm. - 3" x 18" - Drapery (W13, W16)
*	073260-23-W06	EA	Tie Back Asm. - 3" x 18" - Drapery (W14)
*	073260-23-W15	EA	Tie Back Asm. - 3" x 18" - Drapery (W15)
*	073260-27-W13	EA	Tie Back Asm. - 3" x 23" - Bedsread (W13, W16)
*	073260-27-W14	EA	Tie Back Asm. - 3" x 23" - Bedsread (W14)
*	073260-27-W15	EA	Tie Back Asm. - 3" x 23" - Bedsread (W15)
*	073260-28-W13	EA	Tie Back Asm. - 3" x 23" - Drapery (W13, W16)
*	073260-28-W14	EA	Tie Back Asm. - 3" x 23" - Drapery (W14)
*	073260-28-W15	EA	Tie Back Asm. - 3" x 23" - Drapery (W15)
*	085283-01-000	EA	Tie Back - Plastic Bracket
*	Not illustrated		
**	Parts for Woven Wood Option		
†	Parts for Twin Bed Option		



Key	Part Number	U/M	Description
1	029130-01-000	EA	Socket - Snap Fastener
2	029155-01-000	EA	Cap - Snap - .156" Dia. x .17" Barrel
3	029156-01-000	EA	Socket - Snap Fastener
4	029092-01-000	EA	Stud - Nickel Finish
5	029093-01-000	EA	Eyelet - Nickel Finish

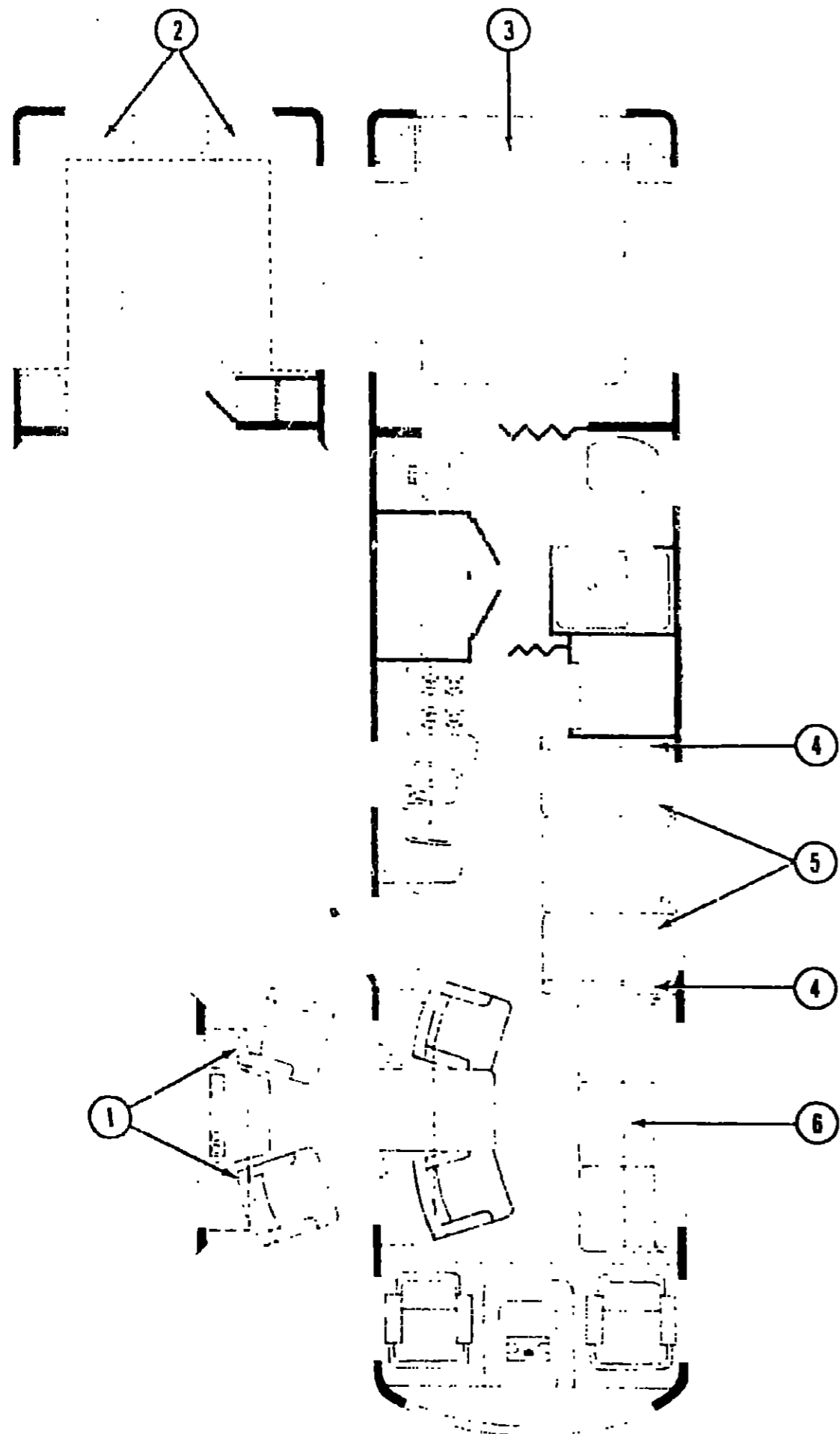
**1987 WINNEBAGO
TABLE OF CONTENTS**

WT319RB	A-01 - B-16
WCN22FC	B-17 - D-24
WC421RB	E-01 - F-24
WCP37RO	G-01 - I-14

1987 WCP37RQ INDEX

Floor Plan	G-01 - G-02
Accessories Group	G-03 - G-06
Bath Group	G-07 - G-08
Chassis Group	G-09 - G-12
Curtain, Cushion & Pad Group	G-13 - G-20
Dinette Group	G-21 - G-23
Driver's Compartment Group	G-24 - H-04
Electrical Group	H-05 - H-07
Exterior Body Group	H-08 - H-14
Galley Group	H-15 - H-17
Heating & Air Conditioning Group	H-18
Interior Finish Group	H-19 - H-21
LP Group	H-22
Lounge Group	H-23 - I-01
Water & Sewage Group	I-02
Window, Vent & Exterior Door Group	I-03 - I-14

CURTAIN, CUSHION & PAD GROUP (CONTINUED)



CURTAIN, CUSHION & PAD GROUP (CONTINUED)

CELEBRITY SWIVEL CHAIRS

Key	Part Number	U/M	Description
1	085364-01-W13	EA	Chair Asm. - Fan Shaped - Swivel (W13, W15, W16)
1	085364-01-W14	EA	Chair Asm. - Fan Shaped - Swivel (W14)
1	035187-01-W13	EA	Skirt Asm. - Swivel Chair (W13, W15, W16)
1	035187-01-W14	EA	Skirt Asm. - Swivel Chair (W14)
1	035036-01-000	EA	Plate - Tilt & Swivel - Swivel Chair
1	035036-05-050	EA	Extension - 7" - Swivel Chair
1	035036-04-000	EA	Base w/ Legs - Swivel Chair
1	086516-01-W13	EA	Chair Asm. - Reclining Back (W13, W15, W16)
1	086516-01-W14	EA	Chair Asm. - Reclining Back (W14)
1	075174-05-W13	EA	Skirt Asm. - Reclining Swivel Chair (W13, W15, W16)
1	075174-05-W14	EA	Skirt Asm. - Reclining Swivel Chair (W14)
	Not illustrated		

TWIN BED OPTION

Key	Part Number	U/M	Description
2	077478-01-000	EA	Mattress - Inner Spring - 33" x 75"
	083986-03-W13	EA	Bedsread Asm. - Fitted - 33" (W13, W16)
	083986-03-W14	EA	Bedsread Asm. - Fitted - 33" (W14)
	093986-03-W15	EA	Bedsread Asm. - Fitted - 33" (W15)
	086110-02-W13	EA	Headboard Asm. - Twin Bed (W13, W16)
	086110-02-W14	EA	Headboard Asm. - Twin Bed (W14)
	086110-02-W15	EA	Headboard Asm. - Twin Bed (W15)
	081997-01-W13	EA	Pillow Sham - 30" x 26" (W13, W16)
	081997-01-W14	EA	Pillow Sham - 30" x 26" (W14)
	081997-01-W15	EA	Pillow Sham - 30" x 26" (W15)

QUEEN BED

Key	Part Number	U/M	Description
3	077478-06-000	EA	Mattress - Inner Spring - 60" x 80"
	075365-01-W13	EA	Bedsread - 60" Throw w/Flip Up Top (W13, W16)
	085365-01-W14	EA	Bedsread - 60" Throw w/Flip Up Top (W14)
	085365-01-W15	EA	Bedsread - 60" Throw w/Flip Up Top (W15)
	086110-01-W13	EA	Headboard Asm. - Queen Bed (W13, W16)
	086110-01-W14	EA	Headboard Asm. - Queen Bed (W14)
	086110-01-W15	EA	Headboard Asm. - Queen Bed (W15)

DINETTE CUSHION

Key	Part Number	U/M	Description
4	081998-73-W13	EA	Cushion Asm. - 19.25" x 38" x 5" - Back
4	081998-56-W14	EA	Cushion Asm. - 19.25" x 38" x 5" - Back
4	081998-56-W15	EA	Cushion Asm. - 19.25" x 38" x 5" - Back
4	081998-56-W16	EA	Cushion Asm. - 19.25" x 38" x 5" - Back
	M81998-73-W13	EA	Cover Asm. - Dinette Back Cushion
	M81998-56-W14	EA	Cover Asm. - Dinette Back Cushion
	M81998-56-W15	EA	Cover Asm. - Dinette Back Cushion
	M81998-56-W16	EA	Cover Asm. - Dinette Back Cushion
5	081998-74-W13	EA	Cushion Asm. - 17.5" x 38" x 5" - Seat
5	081998-57-W14	EA	Cushion Asm. - 17.5" x 38" x 5" - Seat
5	081998-57-W15	EA	Cushion Asm. - 17.5" x 36" x 5" - Seat
5	081998-57-W16	EA	Cushion Asm. - 17.5" x 38" x 5" - Seat
	M81998-74-W13	EA	Cover Asm. - Dinette Seat Cushion
	M81998-57-W14	EA	Cover Asm. - Dinette Seat Cushion
	M81998-57-W15	EA	Cover Asm. - Dinette Seat Cushion
	M81998-57-W16	EA	Cover Asm. - Dinette Seat Cushion

**1987 WINNEBAGO
TABLE OF CONTENTS**

WT319RB	A-01 - B-16
WCN22RC	B-17 - D-24
WC421RB	E-01 - F-24
WCP37RQ	G-01 - I-14

1987 WCP37RQ INDEX

Floor Plan	G-01 - G-02
Accessories Group	G-03 - G-06
Bath Group	G-07 - G-08
Chassis Group	G-09 - G-12
Curtain, Cushion & Pad Group	G-13 - G-20
Dinette Group	G-21 - G-23
Driver's Compartment Group	G-24 - H-04
Electrical Group	H-05 - H-07
Exterior Body Group	H-08 - H-14
Galley Group	H-15 - H-17
Heating & Air Conditioning Group	H-18
Interior Finish Group	H-19 - H-21
LP Group	H-22
Lounge Group	H-23 - I-01
Water & Sewage Group	I-02
Window, Vent & Exterior Door Group	I-03 - I-14

CURTAIN, CUSHION & PAD GROUP (CONTINUED)

VICTORIAN BED

Key	Part Number	U/M	Description
6	085363-02-W13	EA	Bed Asm. - Victorian w/o Back Cushions
6	085363-01-W14	EA	Bed Asm. - Victorian w/o Back Cushions
6	085363-01-W15	EA	Bed Asm. - Victorian w/o Back Cushions
6	085363-01-W16	EA	Bed Asm. - Victorian w/o Back Cushions
	M85363-02-W13	EA	Cover Asm. - Victorian Bed
	M85363-01-W14	EA	Cover Asm. - Victorian Bed
	M85363-01-W15	EA	Cover Asm. - Victorian Bed
	M85363-01-W16	EA	Cover Asm. - Victorian Bed
	085358-02-W13	EA	Cushion Asm. - Removable Armrest
	085358-01-W14	EA	Cushion Asm. - Removable Armrest
	085358-01-W15	EA	Cushion Asm. - Removable Armrest
	085358-01-W16	EA	Cushion Asm. - Removable Armrest
	M85358-02-W13	EA	Cover Asm. - Armrest Cushion
	M85358-01-W14	EA	Cover Asm. - Armrest Cushion
	M85358-01-W15	EA	Cover Asm. - Armrest Cushion
	M85358-01-W16	EA	Cover Asm. - Armrest Cushion
	081998-70-W13	EA	Cushion Asm. - 13 5" x 16" x 24" x 5" - Right Back
	081998-64-W14	EA	Cushion Asm. - 13 5" x 16" x 24" x 5" - Right Back
	081998-64-W15	EA	Cushion Asm. - 13 5" x 16" x 24" x 5" - Right Back
	081998-64-W16	EA	Cushion Asm. - 13.5" x 16" x 24" x 5" - Right Back
	M81998-70-W13	EA	Cover Asm. - Right Back Cushion
	M81998-64-W14	EA	Cover Asm. - Right Back Cushion
	M81998-64-W15	EA	Cover Asm. - Right Back Cushion
	M81998-64-W16	EA	Cover Asm. - Right Back Cushion
	081998-71-W13	EA	Cushion Asm. - 17 5" x 24" x 5" - Center Back
	081998-65-W14	EA	Cushion Asm. - 17.5" x 24" x 5" - Center Back
	081998-65-W15	EA	Cushion Asm. - 17.5" x 24" x 5" - Center Back
	081998-65-W16	EA	Cushion Asm. - 17.5" x 24" x 5" - Center Back
	M81998-71-W13	EA	Cover Asm. - Center Back Cushion
	M81998-65-W14	EA	Cover Asm. - Center Back Cushion
	M81998-65-W15	EA	Cover Asm. - Center Back Cushion
	M81998-65-W16	EA	Cover Asm. - Center Back Cushion
	081998-72-W13	EA	Cushion Asm. - 13 5" x 16" x 24" x 5" - Left Back
	081998-66-W14	EA	Cushion Asm. - 13 5" x 16" x 24" x 5" - Left Back
	081998-66-W15	EA	Cushion Asm. - 13 5" x 16" x 24" x 5" - Left Back
	081998-66-W16	EA	Cushion Asm. - 13 5" x 16" x 24" x 5" - Left Back
	M81998-72-W13	EA	Cover Asm. - Left Back Cushion
	M81998-66-W14	EA	Cover Asm. - Left Back Cushion
	M81998-66-W15	EA	Cover Asm. - Left Back Cushion
	M81998-66-W16	EA	Cover Asm. - Left Back Cushion

CURTAIN HARDWARE

Key	Part Number	U/M	Description
	056116-01-000	EA	Track - Curtain - Brown - Plastic
	077046-01-000	EA	Track - Curtain - Front Wraparound - Passenger
	077046-02-000	EA	Track - Curtain - Front Wraparound - Driver
	056003-01-000	EA	Bracket - Drapery Retainer - Right
	056003-02-000	EA	Bracket - Drapery Retainer - Left
	056784-02-000	EA	Pull - Window Shade - Brass
	039175-02-000	EA	Bracket - Curtain Rod
	048394-01-000	YD	Tape Hook - 1" x 25 YD - Beige (Velcro)
	048395-01-000	YD	Tape Loop - 1" x 25 YD - Beige (Velcro)
	081362-01-000	EA	Bracket - Armrest - Right
	081362-02-000	EA	Bracket - Armrest - Left
	080730-01-000	EA	Recliner - Seat Back - Right
	080730-02-000	EA	Recliner - Seat Back - Left
	080731-01-000	EA	Hinge - Slave - Recliner - Right
	080731-02-000	EA	Hinge - Slave - Recliner - Left
	082139-01-000	EA	Bracket - Hold Down - Blind
	016604-02-000	EA	Brace - Seat - Angle - 2 50" Brown

CURTAIN, CUSHION & PAD GROUP (CONTINUED)

TWIN PADS

Key	Part Number	U/M	Description
	077123-53-000	EA	Insert - Upper Passenger Door - 2 5" x 6 25" (W13, W16)
	077123-55-000	EA	Insert - Upper Passenger Door - 2 5" x 6 25" (W14)
	077123-57-000	EA	Insert - Upper Passenger Door - 2 5" x 6 25" (W15)
	077123-54-000	EA	Insert - Upper Drivers Door - 2 5" x 6 25" (W13, W16)
	077123-56-000	EA	Insert - Upper Drivers Door - 2 5" x 6 25" (W14)
	077123-58-000	EA	Insert - Upper Drivers Door - 2 5" x 6 25" (W15)
	077124-53-000	EA	Insert - Lower Passenger Door - 14 2" x 28 25" (W13, W16)
	077124-55-000	EA	Insert - Lower Passenger Door - 14 2" x 28 25" (W14)
	077124-57-000	EA	Insert - Lower Passenger Door - 14 2" x 28 25" (W15)
	077124-54-000	EA	Insert - Lower Driver Door - 14 2" x 28 25" (W13, W16)
	077124-56-000	EA	Insert - Lower Driver Door - 14 2" x 28 25" (W14)
	077124-58-000	EA	Insert - Lower Driver Door - 14 2" x 28 25" (W15)
	077125-53-000	EA	Insert - Map Pocket - Passenger Door - 5 75" x 7 6" (W13, W16)
	077125-55-000	EA	Insert - Map Pocket - Passenger Door - 5 75" x 7 6" (W14)
	077125-57-000	EA	Insert - Map Pocket - Passenger Door - 5 75" x 7 6" (W15)
	077125-54-000	EA	Insert - Map Pocket - Driver Door - 5 75" x 7 6" (W13, W16)
	077125-56-000	EA	Insert - Map Pocket - Driver Door - 5 75" x 7 6" (W14)
	077125-58-000	EA	Insert - Map Pocket - Driver Door - 5 75" x 7 6" (W15)
	077126-27-000	EA	Insert - Side Upper - Drivers - 2 6" x 3 14" (W13, W16)
	077126-26-000	EA	Insert - Side Upper - Drivers - 2 6" x 3 14" (W14)
	077126-25-000	EA	Insert - Side Upper - Drivers - 2 6" x 3 14" (W15)
	077128-25-000	EA	Insert - Side Upper - Passenger - 2 6" x 17 1" (W13, W16)
	077128-24-000	EA	Insert - Side Upper - Passenger - 2 6" x 17 1" (W14)
	077128-23-000	EA	Insert - Side Upper - Passenger - 2 6" x 17 1" (W15)
	077127-27-000	EA	Insert - Side Lower - Driver - 9 3" x 21 3" (W13, W16)
	077127-26-000	EA	Insert - Side Lower - Driver - 9 3" x 21 3" (W14)
	077127-25-000	EA	Insert - Side Lower - Driver - 9 3" x 21 3" (W15)
	077129-33-000	EA	Insert - Side Lower - Passenger - 9 2" x 28" (W13, W16)
	077129-32-000	EA	Insert - Side Lower - Passenger - 9 2" x 28" (W14)
	077129-31-000	EA	Insert - Side Lower - Passenger - 9 2" x 28" (W15)
	077130-29-000	EA	Insert - Front Center Overhead - 19 5" x 4" (W13, W16)
	077130-26-000	EA	Insert - Front Center Overhead - 19 5" x 4" (W14)
	077130-37-000	EA	Insert - Front Center Overhead - 19 5" x 4" (W15)
	077131-53-000	EA	Insert - Front Overhead (Sunvisor) Passenger - 28" x 23 2" (W13, W16)
	077131-51-000	EA	Insert - Front Overhead (Sunvisor) Passenger - 28" x 23 2" (W14)
	077131-49-000	EA	Insert - Front Overhead (Sunvisor) Passenger - 28" x 23 2" (W15)
	077131-54-000	EA	Insert - Front Overhead (Sunvisor) Driver - 28" x 23 2" (W13, W16)
	077131-52-000	EA	Insert - Front Overhead (Sunvisor) Driver - 28" x 23 2" (W14)
	077131-50-000	EA	Insert - Front Overhead (Sunvisor) Driver - 28" x 23 2" (W15)
	077641-94-000	EA	Insert - TT Chair Lounge - 12" x 16" (W13, W16)
	077641-93-000	EA	Insert - TT Chair Lounge - 12" x 16" (W14)
	077641-88-000	EA	Insert - TT Chair Lounge - 12" x 16" (W15)

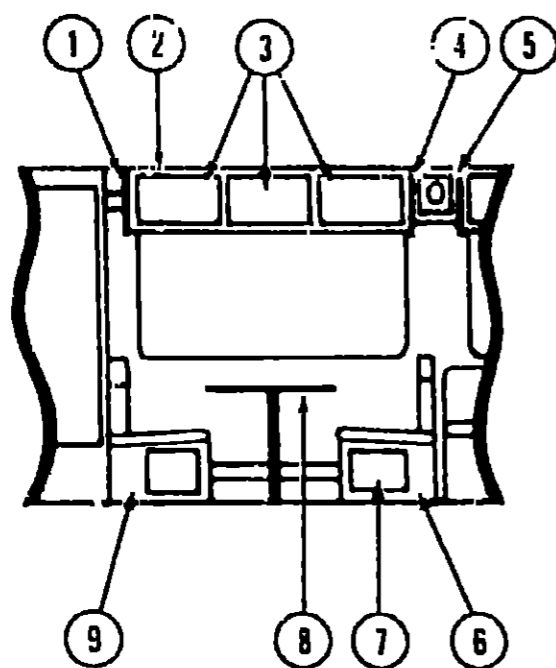
**1987 WINNEBAGO
TABLE OF CONTENTS**

WT319RB	A-01 - B-16
WCN22RC	B-17 - D-24
WC421RB	E-01 - F-24
WCP37RQ	G-01 - I-14

1987 WCP37RQ INDEX

Floor Plan	G-01 - G-02
Accessories Group	G-03 - G-06
Bath Group	G-07 - G-08
Chassis Group	G-09 - G-12
Curtain, Cushion & Pad Group	G-13 - G-20
Dinette Group	G-21 - G-23
Driver's Compartment Group	G-24 - H-04
Electrical Group	H-05 - H-07
Exterior Body Group	H-08 - H-14
Galley Group	H-15 - H-17
Heating & Air Conditioning Group	H-18
Interior Finish Group	H-19 - H-21
LP Group	H-22
Lounge Group	H-23 - I-01
Water & Sewage Group	I-02
Window, Vent & Exterior Door Group	I-03 - I-14

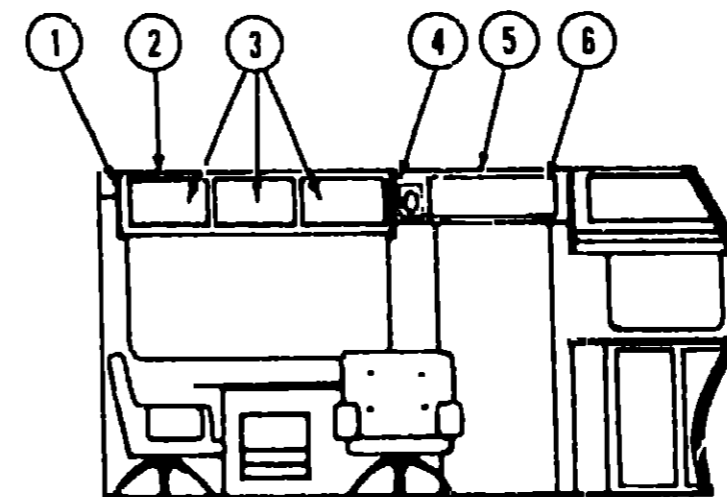
DINETTE GROUP



CONVENTIONAL DINETTE & COMPONENTS

Key	Part Number	U/M	Description
1	085469-02-W13	EA	End Cap Asm - Dinette Overhead - Vinyl
2	085942-05-W13	EA	Cabinet Asm - Dinette Overhead - w/o Doors or Hardware
3	M81503-05-W13	EA	Door Asm. - Dinette Overhead - 12 1" x 20 9" - w/o Hardware
4	085469-01-W13	EA	End Cap Asm - Dinette Overhead - Vinyl
5	086394-01-W13	EA	Cabinet Asm - Speaker - Left
6	M02964-01-W13	EA	Cabinet Asm - Dinette Seat - w/o Doors or Hardware
	M02963-01-W13	EA	Cabinet Asm - Dinette Back
7	M81501-36-W13	EA	Door Asm - Dinette Seat - 16 7" x 10 1" - w/o Hardware
7	M81507-03-W13	EA	Door Asm. - Dinette Seat - w/ Auxiliary Furnace - w/o Hardware
8	086258-02-000	EA	Table Asm. - Dinette - Regal Oak
9	M02964-02-W13	EA	Cabinet Asm - Dinette Seat - w/o Door or Hardware
	M02963-02-W13	EA	Cabinet Asm - Dinette Back
	053200-05-000	EA	Bracket - Upper Wall Mount - 23 5" - Beige
	053201-06-000	EA	Bracket - Table Mount - 23" - Beige
	024275-05-000	EA	Rod - Table Lift - 8" x 23 5" - Beige
	024276-17-000	EA	Leg Asm - Table - Tan
	024281-07-000	EA	Bracket - Lower Wall Mount - 22 12" - Beige
	024282-01-000	EA	Brace - Table Leg
	024283-01-000	EA	Clip - 1" O.D. Tube
	049493-05-000	EA	Catch - Table Leg - Mounts on Floor - Tan
	064050-01-000	EA	Hinge - Table Leg
	064781-03-000	EA	Cup Holder - 3 5" x 1 5"
			Not illustrated

DINETTE GROUP (CONTINUED)



SWIVEL CHAIR W/PULLOUT TABLE

Key	Part Number	U/M	Description
1	085468-02-W13	EA	End Cap Asm - Swivel Chair Overhead - Vinyl
2	085942-03-W13	EA	Cabinet Asm - Swivel Chair Overhead - w/o Doors or Hardware
3	M81503-05-W13	EA	Door Asm. - Swivel Chair Overhead - 12 1" x 20 9" - w/o Hardware
4	085468-01-W13	EA	End Cap Asm - Swivel Chair Overhead - Vinyl
5	M86393-01-W13	EA	Cabinet Asm - Entrance Door - w/o Doors or Hardware
6	M81503-14-W13	EA	Door Asm - Entrance Door Overhead - w/o Hardware
	M02414-01-W13	EA	Countertop Asm - Cup Holder - w/o Hardware
	M02417-01-W13	EA	Cover - Pullout Table
	M02415-01-W13	EA	Table Asm - Pullout - w/o Handle
	M02416-01-W13	EA	Top - TV - Pullout Table
	079606-05-W13	EA	Magazine Rack Asm
	079921-01-000	EA	Nylon Roller w Shaft
	080728-01-000	EA	Handle - Recessed - Brown Plastic
	035036-04-000	EA	Base w Leg - Swivel Chair
	035036-05-000	EA	Extension - 7" - Swivel Chair
	NOTE	EA	Swivel Chairs
			Not illustrated
	**See Curtain, Cushion & Pad Group		

1987 WINNEBAGO TABLE OF CONTENTS

WT319RB
WCN22RC
WC421RB
WCP37RQ

A-01 - B-16
B-17 - D-24
E-01 - F-24
G-01 - I-14

1987 WCP37RQ INDEX

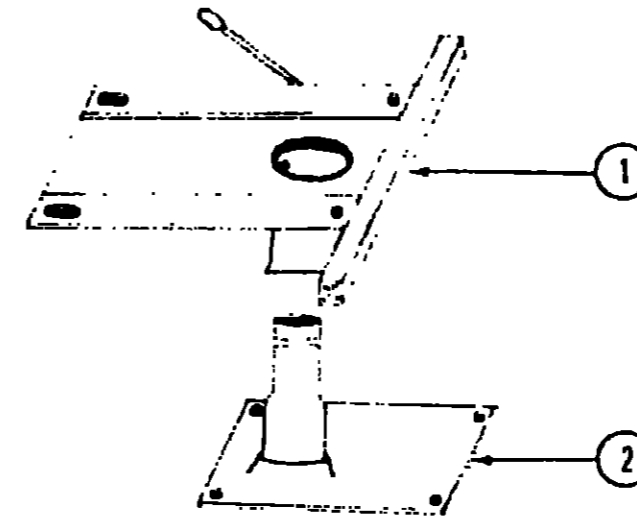
Floor Plan	G-01 - G-02
Accessories Group	G-03 - G-06
Bath Group	G-07 - G-08
Chassis Group	G-09 - G-12
Curtain, Cushion & Pad Group	G-13 - G-20
Dinette Group	G-21 - G-23
Driver's Compartment Group	G-24 - H-04
Electrical Group	H-05 - H-07
Exterior Body Group	H-08 - H-14
Galley Group	H-15 - H-17
Heating & Air Conditioning Group	H-18
Interior Finish Group	H-19 - H-21
LP Group	H-22
Lounge Group	H-23 - I-01
Water & Sewage Group	I-02
Window, Vent & Exterior Door Group	I-03 - I-14

DINETTE GROUP (CONTINUED)

SWIVEL CHAIR & ICE MAKER OPTION

Key	Part Number	U/M	Description
	M82887-01-W13	EA	Cabinet Asm - Ice Maker
	MJ2493-01-W13	EA	Countertop Asm - Ice Maker - Regal Oak
	M02494-01-W13	EA	Slide Out Table
**	NOTE	EA	Swivel Chairs
	076799-01-000	EA	Ice Maker - Black Glass
	076799-01-700	EA	Door Frame
	076799-01-701	EA	Handle
	076799-01-702	EA	Center Door Panel
	076799-01-703	EA	Name Plate
	076799-01-704	EA	Pivot Hinge & Top Screw
	076799-01-705	EA	Pivot Hinge Bottom
	076799-01-706	EA	Galie - "C" Vinyl Coated
	076799-01-707	EA	Waterline Connection
	076799-01-708	EA	Chain & Lock Pin
	076799-01-709	EA	Trim Kit
	076799-01-710	EA	Gear
	076799-01-711	EA	Motor
	076799-01-712	EA	Cam
	076799-01-713	EA	Switch - S.P.D.T.
	076799-01-714	EA	Switch - Limit
	076799-01-715	EA	Switch - S.P.D.T.
	076799-01-716	EA	Valve - Solenoid
	076799-01-717	EA	Fan Motor
	076799-01-718	EA	Fan Blade
	076799-01-719	EA	Control
	076799-01-720	EA	Relay
	076799-01-721	EA	Overload
	076799-01-722	EA	Waterline - Connection
	076799-01-723	EA	Compressor - Tecumseh
	076799-01-724	EA	Overload - Tecumseh
	076799-01-725	EA	Relay - Tecumseh
	076799-01-726	EA	Dryer
	076799-01-727	EA	Compressor
	076799-01-728	EA	Door - Gasket
**	See Curtain, Cushion & Pad Group		

DRIVERS COMPARTMENT GROUP



BUCKET SEAT PEDESTAL & SEAT BELTS

Key	Part Number	U/M	Description
1	069585-27-000	EA	Plate - Top - Pedestal Asm - Single Bucket Seat
1	069585-10-000	EA	Plate - Top - Pedestal Asm - Double Bucket Seat
2	069585-08-000	EA	Plate - Sub - Pedestal Asm - Bucket Seat
2	069585-15-000	EA	Plate - Sub - Vertical - 4.5 Nom - Power Seat
*	069585-29-000	EA	Bar - Seat Belt - 20"
*	007019-01-000	EA	Belt Asm - Seat - 2" x 84" - Black
*	007021-01-000	EA	Belt Asm - Seat - 2" x 90" - Black
*	056271-02-000	EA	Belt Asm - Seat - 2" x 72" - Black
*	057759-01-000	EA	Bracket - Seat Belt Washer
*	069246-01-000	EA	Adjuster Asm - Seat - w. Lock
*	069246-02-000	EA	Adjuster Asm - Seat - w/o Lock
*	081373-01-000	EA	Seat - Power - 6 Way
*	081373-02-700	EA	Switch Asm - Package
*	081373-02-701	EA	Harness Asm - Left
*	081373-02-702	EA	Harness Asm - Right
*	081373-02-703	EA	Horizontal Adjustment Package
*	081373-02-704	EA	Vertical Adjustment Package
*	Not illustrated		

1987 WINNEBAGO TABLE OF CONTENTS

WT319RB	A-01 - B-16
WCN22RC	B-17 - D-24
WC421RB	E-01 - F-24
WCP37RC	G-01 - I-14

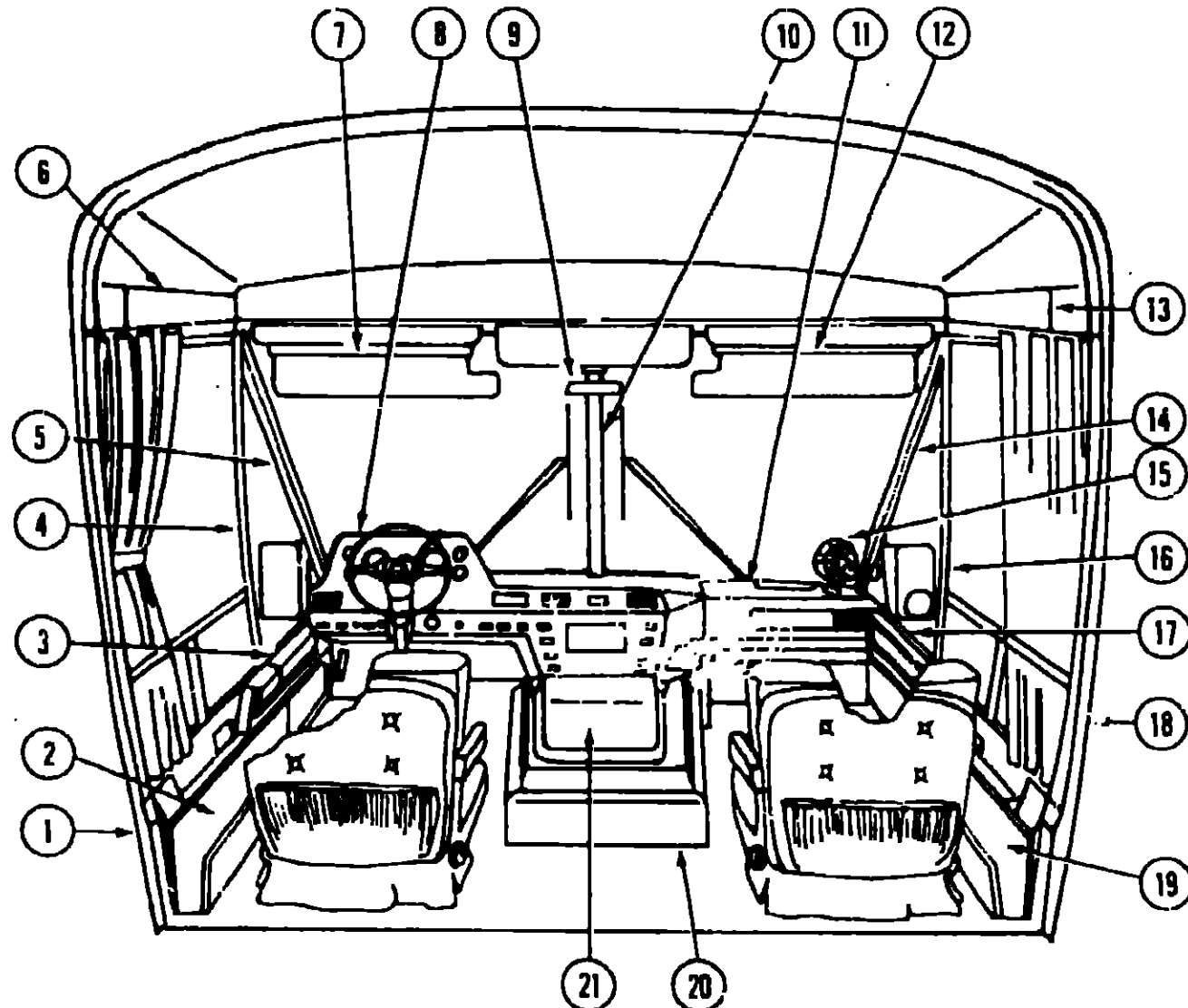
1987 WCP37RQ INDEX

Floor Plan	G-01 - G-02
Accessories Group	G-03 - G-06
Bath Group	G-07 - G-08
Chassis Group	G-09 - G-12
Curtain, Cushion & Pad Group	G-13 - G-20
Dinette Group	G-21 - G-23
Driver's Compartment Group	G-24 - H-04
Electrical Group	H-05 - H-07
Exterior Body Group	H-08 - H-14
Galley Group	H-15 - H-17
Heating & Air Conditioning Group	H-18
Interior Finish Group	H-19 - H-21
LP Group	H-22
Lounge Group	H-23 - I-01
Water & Sewage Group	I-02
Window, Vent & Exterior Door Group	I-03 - I-14

DRIVER'S COMPARTMENT GROUP (CONTINUED)

DRIVER'S COMPARTMENT GROUP (CONTINUED)

MISCELLANEOUS DRIVER'S COMPARTMENT COMPONENTS (CONT.)



MISCELLANEOUS DRIVER'S COMPARTMENT COMPONENTS

Key	Part Number	U/M	Description
9	040714-01-700	EA	Rearview Mirror Kit
.	079926-01-000	EA	Lamp - Flex Arm
.	079926-01-700	EA	Bulb - Flex Arm Lamp
10	077108-05-000	EA	Trim Panel - Roof Front - w/Bunk
10	077108-06-000	EA	Trim Panel - Roof Front - w/o Bunk
10	077108-07-000	EA	Trim Panel - Roof Front - w/Antenna
**10	077108-08-000	EA	Trim Panel - Roof Front - w/T.V. Cabinet
11	077114-03-000	EA	Trim Panel - Center - Pillar
.	076783-01-000	EA	Louver Asm. - A/C Adjustable
12	085252-01-W13	EA	Instrument Panel Asm. - Upper - Right
13	082286-03-W13	EA	Sunvisor Asm. - w/Mirror - Vinyl
.	091917-01-000	EA	Clip - Sunvisor - Black
14	077110-09-000	EA	Trim Cover - w/Bunk - Right
15	077112-05-000	EA	Trim - Windshield - Interior - "A" Post - Right
16	036420-02-700	EA	Defroster Fan
.	077988-01-000	EA	Bracket - Fan - Right
.	077988-02-000	EA	Bracket - Fan - Left
17	077115-03-000	EA	Side Panel Trim - Front
18	077111-05-000	EA	Trim Panel - Passenger Side
19	077117-01-000	EA	Side Panel Trim - Door
20	075939-01-000	EA	Motor Cover
.	039623-01-000	EA	Seal - Engine Cover
21	076729-03-000	EA	Beverage Tray (Plastic)
21	081654-03-000	EA	Beverage Tray (Plastic) w/Double Bucket Seat
.	077431-04-000	EA	Beverage Tray - Regal Oak
.	052367-01-000	EA	Cigarette Lighter
.	076359-01-000	EA	Panel Asm. - Stepwell - Rear - Right
.	076359-02-000	EA	Panel Asm. - Stepwell - Rear - Left
.	076360-01-000	EA	Panel Asm. - Stepwell - Front - Right
.	076360-02-000	EA	Panel Asm. - Stepwell - Front - Left
.	087030-01-W13	EA	Door Asm. - Battery - Right
.	087030-02-W13	EA	Door Asm. - Battery - Left
.	075972-01-000	EA	Mat - Rubber - Lower
.	075969-01-000	EA	Mat - Rubber - Upper - Right
.	075969-02-000	EA	Mat - Rubber - Upper - Left
.	086755-01-000	EA	Latch - 1/4 Turn - Rotary - Plastic
.			Not illustrated
**			Parts used with the Television Option

**1987 WINNEBAGO
TABLE OF CONTENTS**

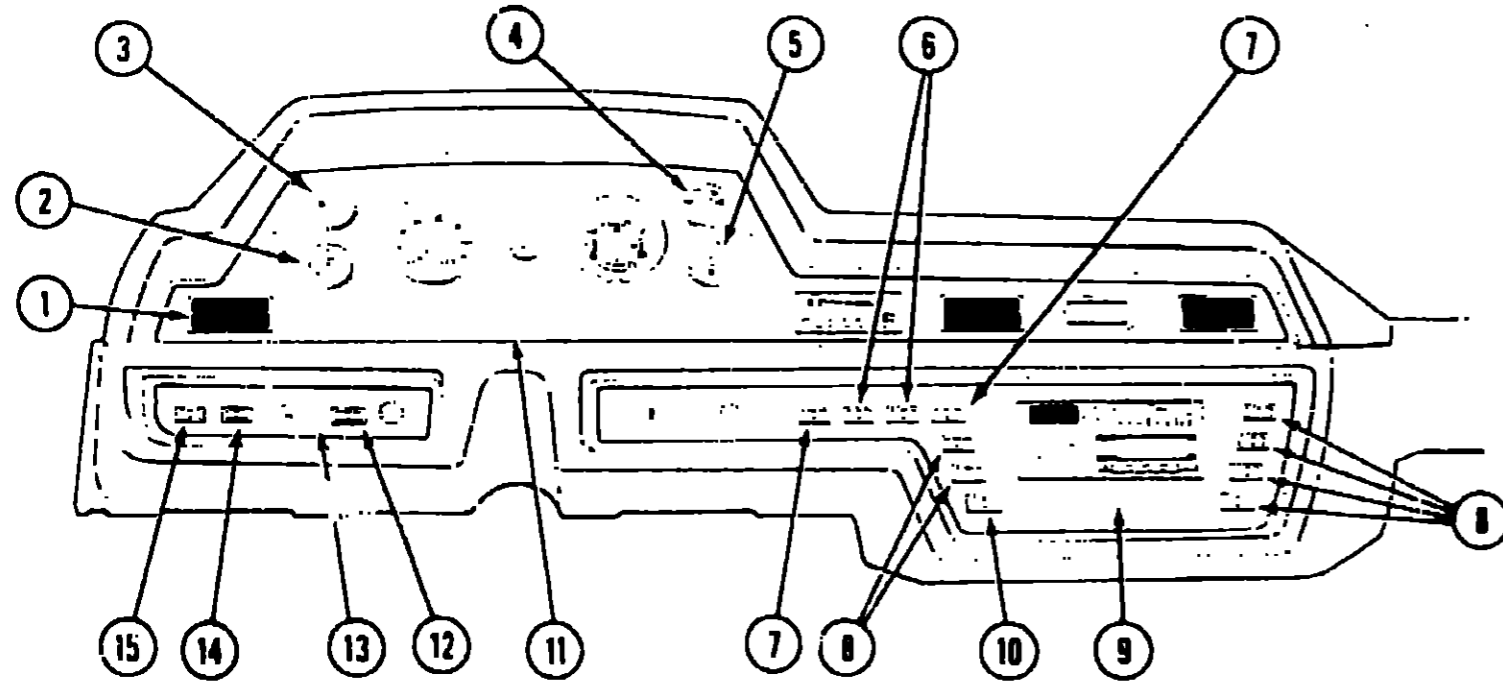
WT319RB	A-01 - B-16
WCN22RC	B-17 - D-24
WC421RB	E-01 - F-24
WCP37RQ	G-01 - I-14

1987 WCP37RQ INDEX

Floor Plan	G-01 - G-02
Accessories Group	G-03 - G-06
Bath Group	G-07 - G-08
Chassis Group	G-09 - G-12
Curtain, Cushion & Pad Group	G-13 - G-20
Dinette Group	G-21 - G-23
Driver's Compartment Group	G-24 - H-04
Electrical Group	H-05 - H-07
Exterior Body Group	H-08 - H-14
Galley Group	H-15 - H-17
Heating & Air Conditioning Group	H-18
Interior Finish Group	H-19 - H-21
LP Group	H-22
Lounge Group	H-23 - I-01
Water & Sewage Group	I-02
Window, Vent & Exterior Door Group	I-03 - I-14

Key	Part Number	U/M	Description
1	077111-06-000	EA	Panel Trim - Driver's Side
2	077117-02-000	EA	Side Panel Trim - Door
3	077116-03-000	EA	Side Panel Trim - Front
4	077113-06-000	EA	Trim Panel - Hinge Pillar
5	077112-06-000	EA	Trim - Windshield - Interior - "A" Post - Left
6	077110-10-000	EA	Trim Cover - w/Bunk - Left
7	082286-01-W13	EA	Sunvisor Asm. - Driver - Vinyl
.	083919-01-W13	EA	Cabinet Asm. - Front Overhead (w/o Front Bunk)
**	086712-01-W13	EA	Cabinet Asm. - Front Overhead - Right - w/o Doors or Hardware
**	086712-02-W13	EA	Cabinet Asm. - Front Overhead - Left - w/o Doors or Hardware
**	086714-01-W13	EA	Cabinet Asm. - Television
**	086713-01-W13	EA	Door Asm. - Front Overhead Cabinet - w/o Hardware
B	085252-01-W13	EA	Instrument Panel Asm. - Upper - Left
.	076808-05-000	EA	Dash Panel - Lower - Left
.	076808-06-000	EA	Dash Panel - Lower - Left (w Electronic Dash)
.			Not illustrated
**			Parts used with the Television Option

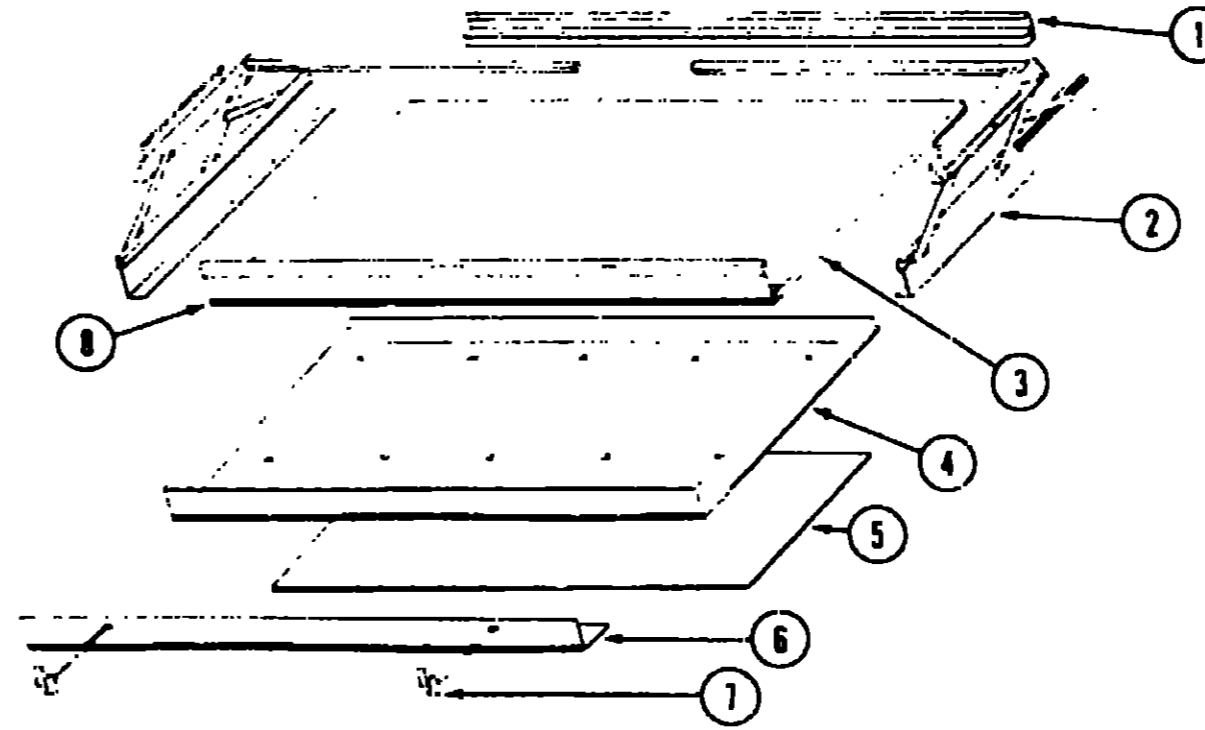
DRIVER'S COMPARTMENT GROUP (CONTINUED)



DASH SWITCHES & GAUGES

Key	Part Number	U/M	Description
1	076783-02-000	EA	Louwer Asm - A/C Adjustable
2	031035-02-000	EA	Gauge - Hourmeter - Generator
3	024460-04-000	EA	Gauge - Vacuum
4	024459-04-000	EA	Gauge - Voltmeter
5	072341-01-710	EA	Control Asm - Heater
6	076759-05-000	EA	Switch - 3 Position
7	076759-04-000	EA	Switch - 3 Position
8	076759-01-000	EA	Switch - 2 Position
9	076217-03-000	EA	Instrument Panel - Lower
10	076800-01-000	EA	Switch w/ Thermometer
11	076216-01-000	EA	Instrument Panel - Upper
12	076759-07-000	EA	Switch - 2 Position
13	076218-02-000	EA	Instrument Panel - Lower Left
14	076759-02-000	EA	Switch - 2 Position
15	076759-03-000	EA	Switch - 3 Position
*	081087-01-000	EA	Socket Asm - Indicator Lamp
**	081369-01-000	EA	Electronic Dash Cluster
**	081369-04-000	EA	Brzel - Electronic Dash
**	081369-07-000	EA	Sender Kit - Speed - Electronic Dash
**	081369-08-000	EA	Wiring Harness - Electronic Dash
*			Not illustrated
* Parts used with the Electronic Dash Option			

DRIVER'S COMPARTMENT GROUP (CONTINUED)



FRONT BUNK & HARDWARE

Key	Part Number	U/M	Description
1	081155-02-000	EA	Bunk Rail - Front - Beige
2	076760-02-000	EA	Bunk Support - Overhead - Complete
*	077110-09-000	EA	Cover - Bunk Support - Right
*	077110-10-000	EA	Cover - Bunk Support - Left
3	081110-01-W13	EA	Bunkboard Asm - w/ Rail
4	077121-03-000	EA	Trim Panel - Front Bunk
5	077133-27-000	EA	Bunk Insert - Lower (W13, W16)
5	077133-26-000	EA	Bunk Insert - Lower (W14)
5	077133-25-000	EA	Bunk Insert - Lower (W15)
6	077132-27-000	EA	Bunk Insert - Rear (W13, W16)
6	077132-26-000	EA	Bunk Insert - Rear (W14)
6	077132-25-000	EA	Bunk Insert - Rear (W15)
*	077513-27-000	EA	Bunk Trim - Upper (Mounts to Trim Board) (W13, W16)
*	077513-26-000	EA	Bunk Trim - Upper (Mounts to Trim Board) (W14)
*	077513-25-000	EA	Bunk Trim - Upper (Mounts to Trim Board) (W15)
*	075943-02-000	EA	Brace - Valance - Beige
*	079144-01-W13	EA	Strap Asm - 3 x 20
7	042541-04-700	EA	Latch Asm - w/ Strike - Brass
8	081154-02-000	EA	Bunk Rail - Rear - Beige
*			Not illustrated

**1987 WINNEBAGO
TABLE OF CONTENTS**

WT319RB
WCN22RC
WC421RB
WCP37RO

A-01 - B-16
B-17 - D-24
E-01 - F-24
G-01 - I-14

1987 WCP37RQ INDEX

Floor Plan	G-01 - G-02
Accessories Group	G-03 - G-06
Bath Group	G-07 - G-08
Chassis Group	G-09 - G-12
Curtain, Cushion & Pad Group	G-13 - G-20
Dinette Group	G-21 - G-23
Driver's Compartment Group	G-24 - H-04
Electrical Group	H-05 - H-07
Exterior Body Group	H-08 - H-14
Galley Group	H-15 - H-17
Heating & Air Conditioning Group	H-18
Interior Finish Group	H-19 - H-21
LP Group	H-22
Lounge Group	H-23 - I-01
Water & Sewage Group	I-02
Window, Vent & Exterior Door Group	I-03 - I-14

ELECTRICAL GROUP

BULBS

Key	Part Number	U/M	Description
	008103-01-000	EA	Bulb - 53
	008213-01-000	EA	Bulb - 57
	008214-01-000	EA	Bulb - 67
	036196-01-000	EA	Bulb - 194
	008215-01-000	EA	Bulb - 1003
	067479-01-000	EA	Bulb - 1076
	063914-01-000	EA	Bulb - 1139
	008218-01-000	EA	Bulb - 1141
	037935-01-000	EA	Bulb - 1157
	037936-01-000	EA	Bulb - 1157A
	056288-02-000	EA	Bulb - 9431808
	081633-01-700	EA	Bulb - Make Up Light

FUSES & CIRCUIT BREAKERS

Key	Part Number	U/M	Description
	008234-01-000	EA	Fuse - 10 Amp. - 12 Volt
	008235-01-000	EA	Fuse - 15 Amp. - 12 Volt
	062901-02-000	EA	Fuse - 5 Amp. - Automotive
	062901-05-000	EA	Fuse - 15 Amp - Automotive
	008211-01-000	EA	Circuit Breaker - 6 Amp - 12 Volt
	008208-01-000	EA	Circuit Breaker - 40 Amp - 12 Volt
	033573-02-000	EA	Circuit Breaker - 15 Amp - 12 Volt - w/Mount
	033573-01-000	EA	Circuit Breaker - 20 Amp - 12 Volt - w/Mount
	044466-03-000	EA	Circuit Breaker - 25 Amp. - 12 Volt - w/Mount
	008268-01-000	EA	Circuit Breaker - 30 Amp - 12 Volt - w/Mount
	083209-01-000	EA	Circuit Breaker - 15 Amp - 120 Volt
	083210-02-000	EA	Circuit Breaker - 15 Amp - 120 Volt (Ground Fault Interrupter)
	085720-01-000	EA	Circuit Breaker - 15 Amp
	085720-02-000	EA	Circuit Breaker - 20 Amp. - 120 Volt
	085720-03-000	EA	Circuit Breaker - 25 Amp
	085720-04-000	EA	Circuit Breaker - 30 Amp - 120 Volt
	085720-05-000	EA	Circuit Breaker - 40 Amp
	083209-03-000	EA	Circuit Breaker - 15/20 Amp - 120 Volt
	083209-05-000	EA	Circuit Breaker - 20 Amp - 120 Volt
	083209-07-000	EA	Circuit Breaker - 20/20 Amp - 120 Volt
	083209-04-000	EA	Circuit Breaker - 30 Amp - 120 Volt
	083209-06-000	EA	Circuit Breaker - 30/15 Amp - 120 Volt
	071279-06-000	EA	Circuit Breaker - 30/15 Amp - 120 Volt
	083209-08-000	EA	Circuit Breaker Blank
	050283-02-000	EA	Circuit Breaker - Buss Bar

MISCELLANEOUS ELECTRICAL COMPONENTS

Key	Part Number	U/M	Description
	008188-01-000	EA	Solenoid - Dual Battery - Relay
	083208-02-000	EA	Control Center - 45 Amp
	063739-01-000	EA	Battery - 12 Volt - 80 Amp - Gould
	083208-03-000	EA	Control Center - 45 Amp - 12 Volt 120 Volt
	036470-02-000	EA	Fan - 6" Defroster - 2 Speed
	052367-01-000	EA	Lighter Asm - Cigarette

ELECTRICAL GROUP (CONTINUED)

INTERIOR LIGHT

Key	Part Number	U/M	Description
	065202-08-000	EA	Lamp - Decor - Wall - Brass
	083686-01-000	EA	Table Lamp - Brass w/Wood
	065201-03-000	EA	Lamp Shade - Fabric - Black - Wall Lamp
	082686-02-000	EA	Lamp Shade - Table
	033508-02-000	EA	Light - Dome - Ivory - 1 Bulb - US
	033508-03-000	EA	Light - Dome - Ivory - 1 Bulb - CSA
	033509-02-000	EA	Light - Dome - Ivory - 2 Bulb - US
	033509-03-000	EA	Light - Dome - Ivory - 2 Bulb - CSA
	078424-02-000	EA	Light - Fluorescent - 12V
	061424-01-000	EA	Light - 12V Receptacle - Aisle - IP
	072353-08-000	EA	Light - Reading - 360° Swivel - Tan
	068937-04-000	EA	Dome Light - Surface - w/o Switch
	077026-01-000	EA	Lens - Courtesy Light - Clear - Door Panels
	079926-01-000	EA	Lamp - Flexible Arm
	076788-01-000	EA	Socket Lamp - Mini Bayonet
	086280-01-000	EA	Light - Surface Mount - 12V

EXTERIOR LIGHTS

Key	Part Number	U/M	Description
	075660-01-000	EA	Lamp Asm. - Side Market - Amber
	073844-01-000	EA	Lamp Asm - License
	087201-01-000	EA	Light - Dump Valve
	081237-01-000	EA	Light Asm. - Cab Marker - Amber
	081237-02-000	EA	Light Asm - Cab Marker - Red
	008089-01-000	EA	Light - Porch - Recessed
	008089-01-700	EA	Lens - Recessed Porch Light
	079941-01-000	EA	Lamp Asm - Fog - w/Amber Cover
	076345-01-000	EA	Lamp Asm - Park/Turn - Amber
	076345-02-000	EA	Socket Asm - Park/Turn Lamp
	075459-04-000	EA	Lamp Asm - Taillight - Red
	075459-05-000	EA	Lamp Asm. - Taillight - Amber
	075459-06-000	EA	Lamp Asm. - Taillight - Back Up w Reflex
	051057-01-000	EA	Searchlight - Power Driver
	070907-01-000	EA	Headlamp Capsule Asm. - Rectangular

WINDSHIELD WIPERS & WASHER

Key	Part Number	U/M	Description
	056000-02-000	EA	Washer Asm - Windshield
	072472-04-000	EA	Arm - Windshield Wiper - 29" - Black
	067191-02-700	EA	Motor Asm - Windshield Wiper
	067192-01-000	EA	Link Asm - Connecting - Left
	067193-01-000	EA	Link Asm. - Connecting - Right
**	049464-03-000	EA	Blade - Windshield Wiper - 20" - Black
**	067190-01-000	EA	Shaft and Pivot Asm
	074007-02-000	EA	Switch - Wiper Delay
	067188-01-000	EA	Crank Stud - Wiper
**	The illustrated parts breakdown for this item is provided on the Common Items Fiche		

**1987 WINNEBAGO
TABLE OF CONTENTS**

WT319RB	A-01 - B-16
WCN22RC	B-17 - D-24
WC421RB	E-01 - F-24
WCP37RQ	G-01 - I-14

1987 WCP37RQ INDEX

Floor Plan	G-01 - G-02
Accessories Group	G-03 - G-06
Bath Group	G-07 - G-08
Chassis Group	G-09 - G-12
Curtain, Cushion & Pad Group	G-13 - G-20
Dinette Group	G-21 - G-23
Driver's Compartment Group	G-24 - H-04
Electrical Group	H-05 - H-07
Exterior Body Group	H-08 - H-14
Galley Group	H-15 - H-17
Heating & Air Conditioning Group	H-18
Interior Finish Group	H-19 - H-21
LP Group	H-22
Lounge Group	H-23 - I-01
Water & Sewage Group	I-02
Window, Vent & Exterior Door Group	I-03 - I-14

ELECTRICAL GROUP (CONTINUED)

WIRE, SWITCHES & RECEPTACLES

Key	Part Number	U/M	Description
	008288-01-000	EA	Box - Electrical - 3" x 3 5" - Plastic
	008289-01-000	EA	Box - Electrical - 4" x 4" - 1/2 & 3/4 Steel - UL
	058049-01-000	EA	Box - Electrical - 2" x 3" x 2.25" - Steel
	041953-01-000	FT	Conduit - Convolute Slit - .5" I D
	008353-01-000	EA	Connector - Clamping - 3/8 Cable - UL & CSA
	058028-01-000	EA	Connector - Pigtail - Clear Nylon
	008311-01-000	EA	Connector - Wire Nut - Red
	031968-01-000	EA	Contact Plug - Brass - Tin Plated
	031967-01-000	EA	Contact - Receptacle
	008054-01-000	EA	Cord - Power - 10-3 30 Amp. - 25' - UL
	008052-01-000	EA	Cord - Power - 10-3 30 Amp. - 25' - CSA
	069238-01-000	EA	Cover - Electrical Box - 4" x 4"
	008294-01-000	EA	Cover - Flat Blank - 4" x 4" - Steel - US
	064399-01-000	EA	Housing Asm. - Trailer Pin
	064450-01-000	EA	Housing Asm. - Trailer Plug
	064398-01-000	EA	Housing Asm. - Trailer Receptacle
	054532-03-000	EA	Housing Pin - 4 Position
	075736-03-000	EA	Receptacle/Cover Asm. - Beige (Exterior)
	058708-01-000	EA	Receptacle - Duplex - Brown
	058708-02-000	EA	Receptacle - Duplex - Ivory
	024924-02-000	EA	Receptacle - Power Cord
	058707-01-000	EA	Receptacle - Single - Brown
	063912-01-000	EA	Relay - Canister SPDT w/Ground
	075723-01-000	EA	Switch - Block Spacer - w/o Holes
	075723-02-000	EA	Switch - Block Spacer - w/Holes
	077942-02-000	EA	Switch - Dummy - Brown
	056264-01-000	EA	Switch - Leaf Actuator
	079362-01-000	EA	Switch Plate - 3 Gang - 2 Switches
	079363-01-000	EA	Switch Plate - Single - w/Switches
	079364-01-000	EA	Switch - On/Off Rocker - Brown
	008195-01-000	EA	Switch - Push Button - 12 Volt
	076759-01-000	EA	Switch - SPST - Lock/Lock
	076759-02-000	EA	Switch - SPST - Mom On/Lock (NO)
	076759-03-000	EA	Switch - SPST - Lock/Lock/Lock
	076759-04-000	EA	Switch - SPDT - Mom/Lock/Mom
	076759-05-000	EA	Switch - SPDT - Lock/Lock/Mom
	076759-06-000	EA	Switch - Dummy
	076759-07-000	EA	Switch - SPST - Mom Off/Lock (NO)
	047443-02-000	EA	Terminal - 250 Receptacle - 12-10 AWG
	008348-01-000	EA	Terminal Ring - 2 - w/3 8 Stud
	008331-01-000	EA	Terminal Ring - 4 - w/3 8 Stud
	008328-01-000	EA	Terminal Ring - 12/10 Wire
	008028-01-000	FT	Wire - 18 5 Bonded - Blue-Red Yellow/Orange-White
	008024-01-000	FT	Wire - 18 5 Bonded - Orange-White Yellow/Blue-Brown
	008025-01-000	FT	Wire - 18 5 Bonded - Orange-White Yellow/Blue-Green
	008026-01-000	FT	Wire w/Ground - Romex - 12 2

EXTERIOR BODY GROUP

ACCESS PANEL HARDWARE

Key	Part Number	U/M	Description
	076739-01-000	EA	Bracket - Grille Hanger - Inner - Right
	076739-02-000	EA	Bracket - Grille Hanger - Inner - Left
	077407-01-000	EA	Bracket - Hood Release Cable
	073336-02-000	EA	Bracket - Mounting - Latch
	073342-01-000	EA	Bracket Asm. - Latch Hood
	077064-01-000	EA	Cable Asm. - Hood Release
	062628-01-000	EA	Clip - Prop Rod
	077252-01-000	EA	Hinge Pin - Stainless Steel
	M02680-U1-U25	EA	Hinge Asm. - Hood - Right
	M02680-U2-U25	EA	Hinge Asm. - Hood - Left
	R77006-59-931	EA	Latch - Hood
	R77006-68-172	EA	Plate - Spacer
	076837-01-000	EA	Prop Rod
	R77007-01-950	EA	Striker - Hood Latch
	076837-01-000	EA	Rod - Prop - Hood

EXTERIOR BODY PANELS (CAB)

Key	Part Number	U/M	Description
	084759-01-W13	EA	Hood Panel
	075962-01-000	EA	Grill Panel - Beige Fiberglass
	076777-01-000	EA	Grille - Plastic - Chrome
	084751-04-W13	EA	Panel Asm. - Fender - Left
	084751-03-W13	EA	Panel Asm. - Fender - Right
	M01615-08-W13	EA	Roof Cap - Front Cap Asm.
	084714-01-000	EA	Fender Panel - Rear - Right
	084714-02-000	EA	Fender Panel - Rear - Left
	076911-01-000	EA	Headlamp Bezel - Chrome - Right
	076911-02-000	EA	Headlamp Bezel - Chrome - Left
	049359-01-000	EA	Spring - Headlamp - Retaining
	073308-01-000	EA	Screw Asm. - Headlamp - Adjusting

SHEET FIBERGLASS, ALUMINUM & STYROFOAM

Key	Part Number	U/M	Description
	076054-31-000	EA	Fiberglass Sheet - 47 6" x 313" - Beige - Smooth
	044487-01-001	EA	Aluminum - Mill Finish - No Design (Roof) - 96" x 350"
	000868-01-000	SF	Styrofoam - 3/4" x 24" x 96"
	000870-01-000	SF	Styrofoam - 1 1/2" x 24" x 96"
	000870-03-000	SF	Styrofoam - 1 3/4" x 48" x 96"
	000870-04-000	SF	Styrofoam - 1 3/4" x 24" x 96"
	001395-01-700	EA	Fiberglass Partical Board Sheet - 70 2" x 320 5" - Beige

MISCELLANEOUS EXTERNALLY MOUNTED PARTS

Key	Part Number	U/M	Description
	083558-01-000	EA	Plumbing Seal - Roof Vent - 1 1/2" - Covered
	010230-03-000	EA	Fill - City Water - Recessed - Beige
	081240-01-000	EA	Water Fill - Lockable - Beige
	077963-01-000	EA	Gasket - Gas Fill Door
	083578-01-000	EA	Boot - Fuel Fill

1987 WINNEBAGO TABLE OF CONTENTS

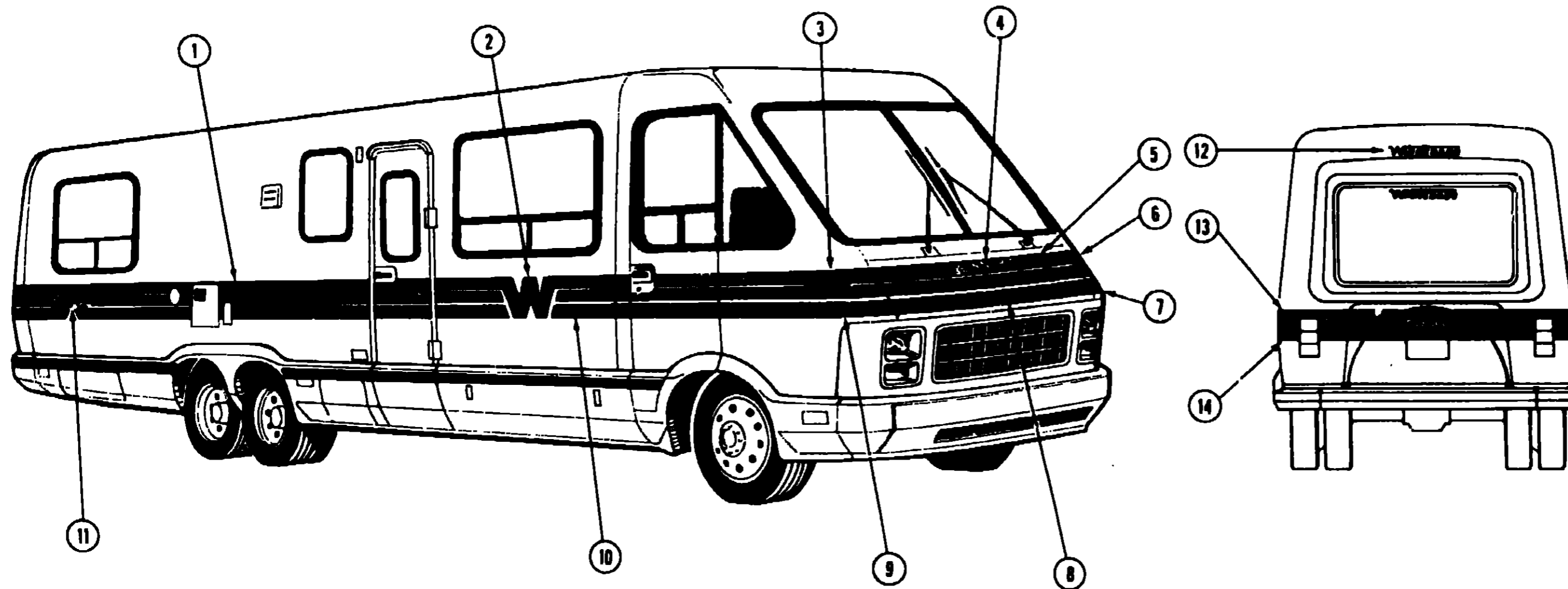
WT319RB	A-01 - B-16
WCN22RC	B-17 - D-24
WC421RB	E-01 - F-24
WCP37RQ	G-01 - I-14

1987 WCP37RQ INDEX

Floor Plan	G-01 - G-02
Accessories Group	G-03 - G-06
Bath Group	G-07 - G-08
Chassis Group	G-09 - G-12
Curtain, Cushion & Pad Group	G-13 - G-20
Dinette Group	G-21 - G-23
Driver's Compartment Group	G-24 - H-04
Electrical Group	H-05 - H-07
Exterior Body Group	H-08 - H-14
Galley Group	H-15 - H-17
Heating & Air Conditioning Group	H-18
Interior Finish Group	H-19 - H-21
LP Group	H-22
Lounge Group	H-23 - I-01
Water & Sewage Group	I-02
Window, Vent & Exterior Door Group	I-03 - I-14

EXTERIOR BODY GROUP (CONTINUED)

LABELS & DECALS



1987 WINNEBAGO TABLE OF CONTENTS

WT319RB
WCN22RC
WC421RB
WCP37RQ

A-01 - B-16
B-17 - D-24
E-01 - F-24
G-01 - I-14

Key	Part Number	U/M	Description
1	078831-34-000	FT	Decal - Striping - 2.75" x 150' - Blue (W13, W16)
1	078831-35-000	FT	Decal - Striping - 2.75" x 150' - Brown (W14)
1	078831-36-000	FT	Decal - Striping - 2.75" x 150' - Gray (W15)
2	079351-10-000	EA	Decal - Flying "W" - Blue (W13, W16)
2	079351-11-000	EA	Decal - Flying "W" - Brown (W14)
2	079351-12-000	EA	Decal - Flying "W" - Gray (W15)
3	085326-01-000	EA	Corner Decal - Hood - Upper - Right - Blue (W13, W16)
3	085326-03-000	EA	Corner Decal - Hood - Upper - Right - Brown (W14)
3	085326-05-000	EA	Corner Decal - Hood - Upper - Right - Gray (W15)
4	069745-03-000	EA	Decal - "WINNIE" - Chrome
4	069745-04-000	EA	Decal - "BAGO" - Chrome
5	085322-01-000	EA	Decal - Hood - Lower - Blue/Burgundy/Rose (W13, W16)
5	085322-02-000	EA	Decal - Hood - Lower - Brown/Peach/Rose (W14)
5	085322-03-000	EA	Decal - Hood - Lower - Gray/Red Brown/Rose (W15)
6	085326-02-000	EA	Corner Decal - Hood - Upper - Left - Blue (W13, W16)
6	085326-04-000	EA	Corner Decal - Hood - Upper - Left - Brown (W14)
6	085326-06-000	EA	Corner Decal - Hood - Upper - Left - Gray (W15)
7	085326-08-000	EA	Corner Decal - Hood - Lower - Left - Blue (W13, W16)
7	085326-10-000	EA	Corner Decal - Hood - Lower - Left - Brown (W14)
7	085326-12-000	EA	Corner Decal - Hood - Lower - Left - Gray (W15)
8	085322-04-000	EA	Decal - Hood - Lower - Burgundy/Rose (W13, W16)
8	085322-05-000	EA	Decal - Hood - Lower - Peach/Rose (W14)
8	085322-06-000	EA	Decal - Hood - Lower - Red Brown/Rose (W15)

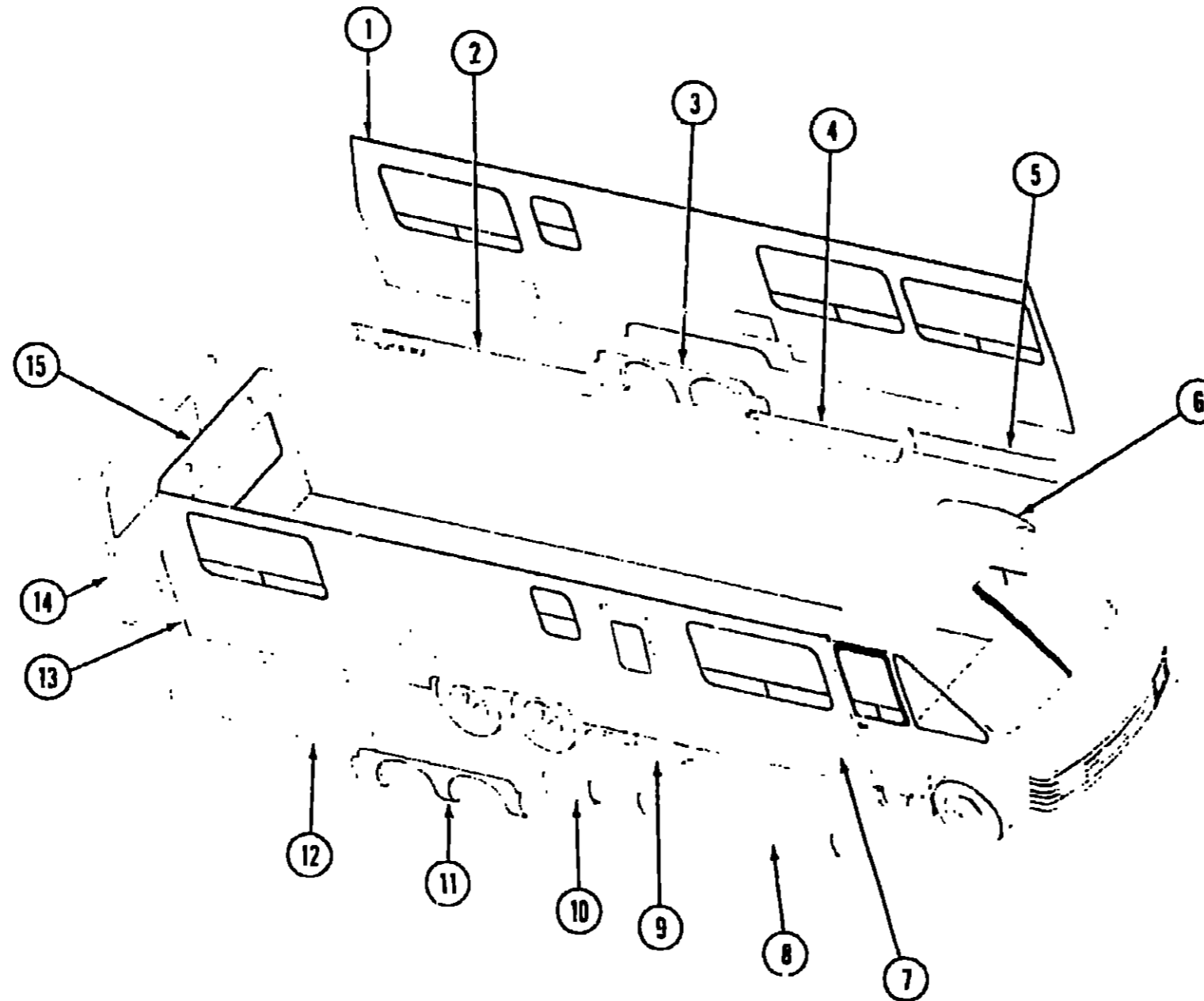
Key	Part Number	U/M	Description
9	085326-07-000	EA	Corner Decal - Hood - Lower - Right - Burgundy/Rose (W13, W16)
9	085326-09-000	EA	Corner Decal - Hood - Lower - Right - Peach/Rose (W14)
9	085326-11-000	EA	Corner Decal - Hood - Lower - Right - Red Brown/Rose (W15)
10	065217-D1-000	FT	Film - Multistripe - Burgundy/Rose (W13, W16)
10	065217-D2-000	FT	Film - Multistripe - Peach/Rose (W14)
10	065217-D3-000	FT	Film - Multistripe - Red Brown/Rose (W15)
11	076754-01-000	EA	Decal - Logo - "Elandan" Chrome
12	050313-22-000	EA	Decal - Logo - "Winnebago" - 2.80"
13	085328-02-000	EA	Decal - Rear Corner - Upper - Left - Blue (W13, W16)
13	085328-01-000	EA	Decal - Rear Corner - Upper - Right - Blue (W13, W16)
13	085328-04-000	EA	Decal - Rear Corner - Upper - Left - Brown (W14)
13	085328-03-000	EA	Decal - Rear Corner - Upper - Right - Brown (W14)
13	085328-06-000	EA	Decal - Rear Corner - Upper - Left - Gray (W15)
13	085328-05-000	EA	Decal - Rear Corner - Upper - Right - Gray (W15)
14	085328-08-000	EA	Decal - Rear Corner - Lower - Left - Blue (W13, W16)
14	085328-07-000	EA	Decal - Rear Corner - Lower - Right - Blue (W13, W16)
14	085328-10-000	EA	Decal - Rear Corner - Lower - Left - Brown (W14)
14	085328-09-000	EA	Decal - Rear Corner - Lower - Right - Brown (W14)
14	085328-12-000	EA	Decal - Rear Corner - Lower - Left - Gray (W15)
14	085328-11-000	EA	Decal - Rear Corner - Lower - Right - Gray (W15)
			Not illustrated

1987 WCP37RQ INDEX

Floor Plan	G-01 - G-02
Accessories Group	G-03 - G-06
Bath Group	G-07 - G-08
Chassis Group	G-09 - G-12
Curtain, Cushion & Pad Group	G-13 - G-20
Dinette Group	G-21 - G-23
Driver's Compartment Group	G-24 - H-04
Electrical Group	H-05 - H-07
Exterior Body Group	H-08 - H-14
Galley Group	H-15 - H-17
Heating & Air Conditioning Group	H-18
Interior Finish Group	H-19 - H-21
LP Group	H-22
Lounge Group	H-23 - I-01
Water & Sewage Group	I-02
Window, Vent & Exterior Door Group	I-03 - I-14

EXTERIOR BODY GROUP (CONTINUED)

EXTERIOR BODY PANELS



Key	Part Number	U/M	Description
1	M84771-01-W13	EA	Sidewall Asm - Left (W13, W16)
1	M84771-01-W14	EA	Sidewall Asm - Left (W14)
1	M84771-01-W15	EA	Sidewall Asm - Left (W15)
2	M02586-29-W13	EA	Valance Panel Asm - Rear - w Generator - Left
2	M02586-30-W13	EA	Valance Panel Asm - Rear - w Generator - Right
3	086653-02-W13	EA	Valance Panel Asm - Wheelwell - Left
*	076515-01-000	EA	Trim - Rear - Wheelwell
4	085037-03-W13	EA	Valance Panel Asm (Luggage Door)
5	085037-02-W13	EA	Valance Panel Asm (Luggage Door)
6	M01615-03-W13	EA	Front Cap Asm
7	M84666-01-W13	EA	Sidewall Asm - Right
7	M84666-01-W14	EA	Sidewall Asm - Right
7	M84666-01-W15	EA	Sidewall Asm - Right
7	M84666-01-W16	EA	Sidewall Asm - Right
8	085037-01-W13	EA	Valance Panel Asm (Luggage Door)
9	085407-01-000	EA	Valance Panel Asm - Entrance Door

Key	Part Number	U/M	Description
10	M02586-27-W13	EA	Valance Panel Asm - Center - Right
11	086653-01-W13	EA	Valance Panel Asm - Wheelwell - Right
12	M02586-28-W13	EA	Valance Panel Asm - Rear - Right
13	086922-01-000	EA	Fiberglass Trim - Rear - Left
*	086922-02-000	EA	Fiberglass Trim - Rear - Right
14	M01616-11-W13	EA	Rear Cap Asm - Beige
14	M01616-13-W13	EA	Rear Cap Asm - w TV Monitor - Beige
*	077395-01-000	EA	Spare Tire Shield
15	085182-01-W13	EA	Panel Asm - Rear Cap - Spare Tire (M01990-03-W13)
*	M85040-01-W13	CA	Roof Asm - Beige
*	073050-02-000	EA	Mounting Clip - Valance Panel
*	087127-01-000	EA	Tube - Floor to Valance Panel
*	069362-04-000	EA	Tube - Floor to Valance Panel - 13 21"
*	069362-06-000	EA	Tube - Floor to Valance Panel - 18"
*			Not illustrated

1987 WINNEBAGO TABLE OF CONTENTS

WT319RB
WCN22RC
WC421RB
WCP37RQ

A-01 - B-16
B-17 - D-24
E-01 - F-24
G-01 - I-14

1987 WCP37RQ INDEX

Floor Plan	G-01 - G-02
Accessories Group	G-03 - G-06
Bath Group	G-07 - G-08
Chassis Group	G-09 - G-12
Curtain, Cushion & Pad Group	G-13 - G-20
Dinette Group	G-21 - G-23
Driver's Compartment Group	G-24 - H-04
Electrical Group	H-05 - H-07
Exterior Body Group	H-08 - H-14
Galley Group	H-15 - H-17
Heating & Air Conditioning Group	H-18
Interior Finish Group	H-19 - H-21
LP Group	H-22
Lounge Group	H-23 - I-01
Water & Sewage Group	I-02
Window, Vent & Exterior Door Group	I-03 - I-14

EXTERIOR BODY GROUP (CONTINUED)

INTERIOR/EXTERIOR SCREWS & FASTENERS

Key	Part Number	U/M	Description
	005200-01-000	EA	Bolt - Round Head - Square Neck w/SST Cap - 7/16" - 14 x 1 1/4"
	058279-01-000	EA	Clip - Mounting - Front Panel
	035628-01-000	EA	Fastener - Blind Well Nut - 1.05" x .38"
	000D15-06-00B	EA	Nut - Hex - 3/8" x 24 - Zinc
	005081-01-000	EA	Nut - Speed - C Type - #8 Screw
	000G54-04-20B	EA	Screw 1/4 - 20 x 1 1/4" PTH - Zinc
	000G54-04-22B	EA	Screw 1/4 - 20 x 1 3/8" PTH - Zinc
	000G53-04-06B	EA	Screw 1/4 - Machine - 20 x 3/8" PTH - Zinc
	000G13-06-12P	EA	Screw #6 - 20 x 3/4" PFH - Dark Brown
	000G13-06-28X	EA	Screw #6 - 20 x 3/4" PFH - Gray
	000G13-06-16R	EA	Screw #6 - 20 x 1" PFH - Beige
	000G11-07-08B	EA	Screw #7 - 19 x 1/2" PPH - Zinc
	000G12-08-12M	EA	Screw #8 - 18 x 3/4" FOH - Gray
	000G11-08-12R	EA	Screw #8 - 18 x 3/4" PPH - Beige
	000G11-08-12X	EA	Screw #8 - 18 x 3/4" PPH - Gray
	000G11-08-12B	EA	Screw #8 - 18 x 3/4" PPH - Zinc
	000G39-08-12R	EA	Screw #8 - 18 x 3/4" SDPH - Beige
	000G66-08-12M	EA	Screw #8 - 18 x 3/4" SDPH - Gray
	000G11-08-16R	EA	Screw #8 - 18 x 1" PFH - Gray
	000G66-08-16R	EA	Screw #8 - 18 x 1" SDPH - Beige
	000G12-08-28R	EA	Screw #8 - 18 x 1 3/4" POH - Beige
	000G36-08-08E	EA	Screw #8 - 32 x 1/2" PFH - Chrome
	000G39-08-08B	EA	Screw #8 - Self Drilling - 18 x 1/2" PPH - Zinc
	000G39-08-12B	EA	Screw #8 - Self Drilling - 18 x 3/4" PPH - Zinc
	000G39-08-12R	EA	Screw #8 - Self Drilling - 18 x 3/4" PPH - Beige
	000G39-08-16R	EA	Screw #8 - Self Drilling - 18 x 1" PPH - Beige
	000G39-08-16T	EA	Screw #8 - Self Drilling - 18 x 1" PPH - Black
	000G39-08-16P	EA	Screw #8 - Self Drilling - 18 x 1" PPH - Dark Brown
	000G39-08-16X	EA	Screw #8 - Self Drilling - 18 x 1" PPH - Gray
	000G39-08-16E	EA	Screw #8 - Self Drilling - 18 x 1" PPH - Chrome
	000G64-08-16M	EA	Screw #8 - Self Drilling - 18 x 1" SDPH - Gray
	000G67-10-08B	EA	Screw #10 - 12 x 1/2" PPH - Zinc
	000G67-10-10R	EA	Screw #10 - 12 x 5/8" PPH - Beige
	000G67-10-16P	EA	Screw #10 - 12 x 1" PPH - Dark Brown
	000G67-10-16B	EA	Screw #10 - 12 x 1" PPH - Zinc
	000G67-10-20B	EA	Screw #10 - 12 x 1 1/4" PPH - Zinc
	000G67-10-24B	EA	Screw #10 - 12 x 1 1/2" PPH - Zinc
	049465-04-000	EA	Screw #10 - 16 x 1" POH - w/Washer - Beige
	049465-05-000	EA	Screw #10 - 16 x 1" POH - w/Washer - Gray
	000G12-10-24E	EA	Screw #10 - 16 x 1 1/2" POH - Chrome
	000G11-10-08D	EA	Screw #10 - 16 x 1/2" PPH - Dark Brown
	000G11-10-12R	EA	Screw #10 - 16 x 3/4" PPH - Beige
	000G11-10-12S	EA	Screw #10 - 16 x 3/4" PPH - Off White
	000G11-10-12B	EA	Screw #10 - 16 x 3/4" PPH - Zinc
	000G11-10-16B	EA	Screw #10 - 16 x 1" PPH - Zinc
	000G11-10-40B	EA	Screw #10 - 16 x 2 1/2" PPH - CAD
	000G19-10-12B	EA	Screw #10 - Machine - 32 TPI x 3/4"
	075908-01-000	EA	Screw #10 - Machine - 32 x .56" PTH - Zinc
	000G19-10-20B	EA	Screw #10 - Machine - 32 x 1 1/4" PPH - Zinc
	000G39-12-12E	EA	Screw #10 - Self Drilling - 14 x 3/4" PPH - Chrome
	000G39-10-10R	EA	Screw #10 - Self Drilling - 16 x .62" PPH - Beige
	000G39-10-12R	EA	Screw #10 - Self Drilling - 16 x 3/4" PPH - Beige
	000G39-10-12P	EA	Screw #10 - Self Drilling - 16 x 3/4" PPH - Dark Brown
	000G56-12-48C	EA	Screw #12 - Wood - 11 x 3" POH - CAD

EXTERIOR BODY GROUP (CONTINUED)

LABELS & EXTERIOR PAINT

Key	Part Number	U/M	Description
	074983-01-000	EA	Label - Air Conditioner Selector
	068383-01-000	EA	Label - Diesel Fuel
	006195-01-000	EA	Label - Electrical Test
	047731-01-000	EA	Label - Emergency Exit
	006199-01-000	EA	Label - Exit - Escape Window
	057467-04-000	EA	Label - Exterior Loading Limit
	064378-01-000	EA	Label - Flying "W" w/Thermo Panel
	061417-01-000	EA	Label - Fuel
	006196-01-000	EA	Label - Gas Test
	054531-01-000	EA	Label - LP Gas Only
	040944-01-000	EA	Label - Open - Entrance Door
	006015-01-000	EA	Label - Patent Motor Home
	056259-01-000	EA	Label - Safety Check List
	006064-01-000	EA	Label - Seat - w/o Seat Belts
	006187-01-000	EA	Label - Sewage
	006008-01-000	EA	Label - Thermo Panel - 2 1/4" x 2 1/4"
	075221-01-000	EA	Label - Trailer Hitch Capacity
	075220-01-000	EA	Label - Warning - Exterior Load Limit
	050225-01-000	EA	Label - Warning - Stove Vent - US
	006188-01-000	EA	Label - Waste Water
	006197-01-000	EA	Label - Water Test
	077927-01-000	EA	Label - Warning - Wheel Nuts
	072863-01-000	EA	Nameplate - Diesel - 6.2L
	006062-01-000	EA	Tag - Electrical - 110 Volt Connection
	006040-01-000	EA	Tag - Gas - Refueling Warning
	044486-03-000	EA	Paint - Beige Acrylic Enamel - 16 oz Aerosol (7033A Dupont)
	045681-03-000	EA	Paint - Gloss Black - Acrylic Enamel - 16 oz Aerosol (79 Dupont)
	058637-05-000	EA	Paint - Grey Acrylic Enamel - 16 oz Aerosol (71537 Dupont)
	041561-03-000	EA	Paint - Off White Acrylic Enamel - 16 oz Aerosol (45396A Dupont)
	074559-01-000	EA	Label "LPG" - 3.3" x 1.75" - (Calif Code)

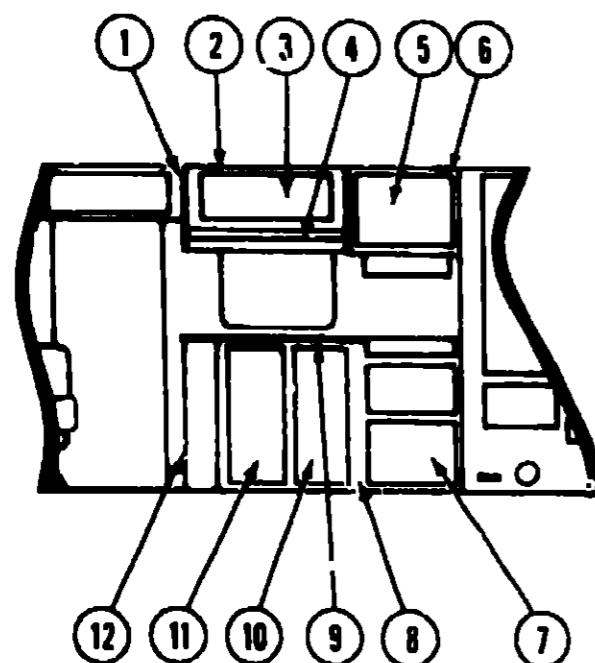
**1987 WINNEBAGO
TABLE OF CONTENTS**

WT319RB	A-01 - B-16
WCN22RC	B-17 - D-24
WC421RB	E-01 - F-24
WCP37RQ	G-01 - I-14

1987 WCP37RQ INDEX

Floor Plan	G-01 - G-02
Accessories Group	G-03 - G-06
Bath Group	G-07 - G-08
Chassis Group	G-09 - G-12
Curtain, Cushion & Pad Group	G-13 - G-20
Dinette Group	G-21 - G-23
Driver's Compartment Group	G-24 - H-04
Electrical Group	H-05 - H-07
Exterior Body Group	H-08 - H-14
Galley Group	H-15 - H-17
Heating & Air Conditioning Group	H-18
Interior Finish Group	H-19 - H-21
LP Group	H-22
Lounge Group	H-23 - I-01
Water & Sewage Group	I-02
Window, Vent & Exterior Door Group	I-03 - I-14

GALLEY GROUP



GALLEY CABINETRY

Key	Part Number	U/M	Description
1	085468-02-W13	EA	End Cap - Galley Overhead - Vinyl
2	085932-01-W13	EA	Cabinet Asm. - Galley Overhead - w/o Doors or Hardware
3	M81503-11-W13	EA	Door Asm. - Galley Overhead - w/o Hardware
4	086094-01-W13	EA	Splice Rack Asm
5	M81523-08-W13	EA	Door Asm. - Overhead - w/o Hardware
6	085943-01-W13	EA	Cabinet Asm. - Overhead - w/o Doors or Hardware
7	M81501-45-W13	EA	Door Asm. - Galley Cabinet - w/o Hardware
8	M84335-01-W13	EA	Cabinet Asm. - Galley - w/o Doors, Drawers, Countertop or Hardware
**	M84335-03-W13	EA	Cabinet Asm. - Galley - w/o Doors, Drawers, Countertop or Hardware
9	M02960-01-W13	EA	Countertop Asm. - Galley Cabinet
10	M81501-34-W13	EA	Door Asm. - Galley Cabinet - 33.4" x 14.3" - w/o Hardware
11	M81501-35-W13	EA	Door Asm. - Galley Cabinet - 33.4" x 14.3" - w/o Hardware
**	M82184-05-W13	EA	Drawer Asm. - Galley Cabinet
12	M82424-08-W13	EA	Door Asm. - Mirror - 25.6" x 15.27" - w/o Hardware
**	Parts used in the Microwave Option		

GALLEY HARDWARE

Key	Part Number	U/M	Description
	081530-01-W13	EA	Sink Cover - Large
	068615-01-000	EA	Sink - Stainless Steel - Double
	066437-01-000	EA	Strainer - w/Basket - Sink
	084072-01-000	EA	Faucet - Swing Spout - 8"
	058334-01-000	EA	Wastebasket - 9.34" x 7" x 10" - White
	077409-01-000	EA	Drawer Slide - Plastic - 20.75"
	077404-01-000	EA	Drawer - Plastic - 20" x 12.7"
	037688-01-000	EA	Drawer Rail - V-Guide
	059777-02-000	EA	Hinge - Antique - Light Brass
	074981-01-000	EA	Cutting Board - Maple
	054450-01-000	EA	Level - Refrigerator
	086263-01-000	EA	Door Pull - Polished Brass
	081376-01-000	EA	Back Plate - Door Pull - Polished Brass
	084466-04-000	EA	Slide Asm. - Cabinet - Galley Drawer - Right
	084466-05-000	EA	Slide Asm. - Cabinet - Galley Drawer - Left

GALLEY GROUP (CONTINUED)

GALLEY APPLIANCES

Key	Part Number	U/M	Description
	084880-01-000	EA	Refrigerator - 3-Way - Large Double Door
	084880-01-700	EA	Cooling Unit
	084880-01-701	EA	Lower Door Handle
	084880-01-702	EA	Cabinet Asm. - Foamed
	084880-01-703	EA	Liner - Lower Door - Foamed w/Frame
	084880-01-704	EA	Panel Holder - Lower Door
	084880-01-705	EA	Orifice
	084880-01-706	EA	DC Light Bulb
	084880-01-707	EA	Heater (3 Way)
	084880-01-708	EA	Baffle Asm.
	084880-01-709	EA	Lamp Socket
	084880-01-710	EA	Ignition Electrode
	084880-01-711	EA	Sensor Electrode
	084880-01-712	EA	Control Module - Fenwal
	084880-01-713	EA	Male Connector - Inlet Fitting
	084880-01-714	EA	Burner
	084880-01-715	EA	Valve - Manual Shut Off
	084880-01-716	EA	Burner Tube
	084880-01-717	EA	Control Module
	084880-01-718	EA	Gas Valve
	084880-01-719	EA	Brass Elbow
	084880-01-720	EA	Spring (For Door Handle)
	084880-01-721	EA	Cover - Power Supply
	084880-01-722	EA	Cover - Crisper
	084880-01-723	EA	Board - Power Supply (3 Way)
	084880-01-724	EA	Hinge Plate - Bottom
	084880-01-725	EA	Hinge Plate - Top
	084880-01-726	EA	Hinge Bracket - Center
	084880-01-727	EA	Upper Door - Gasket
	084880-01-728	EA	Lower Door - Gasket
	084880-01-729	EA	Eyebrow (3 Way)
	084880-01-730	EA	Crisper
	084880-01-731	EA	Hinge Pin
	084880-01-732	EA	Latch
	084880-01-733	EA	Dairy Keeper
	084880-01-734	EA	Bracket - Hinge - Right
	084880-01-735	EA	Bracket - Hinge - Left
	084880-01-736	EA	Light Switch (Brown)
	084880-01-737	EA	Liner - Upper Door - Foamed w Frame
	084880-01-738	EA	Bracket - Control Asm. - (3 Way)
	084880-01-739	EA	End Cap - Spring Catch
	084880-01-740	EA	End Cap - Stop Catch
	084880-01-741	EA	Humidity Switch
	084880-01-742	EA	Trim - Lower Seal
	084880-01-743	EA	P/C Board (3 Way)
	084880-01-744	EA	Shaft - Hinge Pin - Center
	084880-01-745	EA	Bushing - Hinge
	084880-01-746	EA	Cable
	084880-01-747	EA	Hole Plug
	084880-01-748	EA	Snap in Plug
	084880-01-749	EA	Bushing - Hinge
**	079353-03-000	EA	Hood - Range - w Monitor - Almond - US
**	079353-04-000	EA	Hood - Range - w Monitor - Almond CSA

** The illustrated parts break-down for this item is provided on the Common Items Fiche.

1987 WINNEBAGO TABLE OF CONTENTS

WT319RB	A-01 - B-16
WCN22RC	B-17 - D-24
WC421RB	E-01 - F-24
WCP37RO	G-01 - I-14

1987 WCP37RO INDEX

Floor Plan	G-01 - G-02
Accessories Group	G-03 - G-06
Bath Group	G-07 - G-08
Chassis Group	G-09 - G-12
Curtain, Cushion & Pad Group	G-13 - G-20
Dinette Group	G-21 - G-23
Driver's Compartment Group	G-24 - H-04
Electrical Group	H-05 - H-07
Exterior Body Group	H-08 - H-14
Galley Group	H-15 - H-17
Heating & Air Conditioning Group	H-18
Interior Finish Group	H-19 - H-21
LP Group	H-22
Lounge Group	H-23 - I-01
Water & Sewage Group	I-02
Window, Vent & Exterior Door Group	I-03 - I-14

GALLEY GROUP (CONTINUED)

GALLEY APPLIANCES (CONT.)

Key	Part Number	U/M	Description
	064782-02-000	EA	Range - 4 Burner - Almond Top
	064782-02-700	EA	Top - Main - 4 Burner - Almond
	064782-02-701	EA	Deflector Plate - Black
	064782-02-702	EA	Trim - Cab - Right - Black
	064782-02-703	EA	Trim - Cab - Left - Black
	064782-02-704	EA	Trim - Lower Outside Glass - Black
	064782-02-705	EA	Handle - Oven Door - Black
	064782-02-706	EA	Trim - Vertical - Black
	064782-02-707	EA	Panel - Manifold
	064782-02-708	EA	Valve - Mercury
	064782-02-709	EA	Glass - Oven Door
	064782-02-710	EA	Clip - Glass Holder
	064782-02-711	EA	Main Top - 4 Burner - Square - Almond
	064782-02-712	EA	Grate - Top Burner Square
	064782-02-713	EA	Gas Regulator
	064782-02-714	EA	Nipple - 1/8"
	085282-01-000	EA	Burner Cover - Bi-Fold - Stainless Steel
	081374-01-000	EA	Range Top - 4 Burner Almond
	081374-01-700	EA	Trim - Cab Top - Right
	081374-01-701	EA	Trim - Cab Top - Left
	081374-01-702	EA	Panel - Manifold - Warm Black
	081374-01-703	EA	Trim Top Rear
	081374-01-704	EA	Guard - Fabric
	081379-01-000	EA	Microwave Oven - Sharp - Convection
	081456-01-000	EA	Angle Asm. - Microwave - Right
	081456-02-000	EA	Angle Asm. - Microwave - Left
	081459-05-000	EA	Bracket Asm. - Microwave - Right
	081459-06-000	EA	Bracket Asm. - Microwave - Left
	091555-01-T03	EA	Trim Asm. - Microwave
	082876-01-000	EA	Baffle - Microwave
	023111-01-000	EA	Blender - Built In

HEATING & AIR CONDITIONING GROUP

FURNACE & ROOF AIR CONDITIONER

Key	Part Number	U/M	Description
	078182-03-000	EA	Furnace - 30,000 BTU - w/Electric Ignition
	078182-03-700	EA	Ignition Kit - 3 Stage
	078182-03-701	EA	Motor - 30,000 BTU
	078182-03-702	EA	Ignition Module
	078182-06-000	EA	Furnace - 30,000 BTU - w/Electric Ignition
	084401-01-000	EA	Heater Asm. - Rear - Ducted
	084405-01-700	EA	Heater Core
	084405-01-701	EA	Fan
	084405-01-702	EA	Motor - 12 Volt
	009198-01-000	FT	Duct - Flexible - 4" I.D. x 25'
	056424-01-000	EA	Register - 4" Dia - Plastic - w/Damper
	056424-02-000	EA	Register - 4" Dia - Plastic - w/o Damper
	009200-01-000	EA	Tape - Furnace - 1 1/2"
**	081606-03-000	EA	Shroud Asm. - Ceiling - Inside - Roof Air - Cool Only - 13,500 BTU Coleman
**	081606-04-000	EA	Shroud Asm. - Ceiling - Inside - Roof Air - Heat & Cool - 13,500 Coleman
**	081606-01-000	EA	Air Conditioner - 110 Volt - Roof Mount - 13,500 BTU - Rotary
**	The illustrated parts breakdown for this item is provided on the Common Items Fiche		

AUTOMOTIVE HEATER & AIR CONDITIONER

Key	Part Number	U/M	Description
	080426-02-000	EA	Heater/Evaporator Asm. - w/Pressure Sensor Switch
	072342-03-000	EA	Condensor Asm. - w/Fans & High Temp Sensor Switch
	072342-03-700	EA	Condensor Coil
	072342-03-701	EA	Receiver Drier
	072342-03-702	EA	Condensor Fan & Seal Asm.
	072342-03-703	EA	Condensor Fan
	072342-03-704	EA	Bracket - Condensor Mounting
	072342-03-705	EA	Switch - Temperature
	072342-03-706	EA	O'Ring
	072342-03-707	EA	O'Ring
	072342-03-708	EA	O'Ring
	072342-03-709	EA	O'Ring
	072342-03-710	EA	Fan Guard
	072342-03-711	EA	Fitting - Aeroquip - w/Check
	072342-04-000	EA	Condensor Asm. - w/High Temp Sensor Switch
	072343-04-000	EA	Compressor/Clutch - w Rear Mounted Valves
	072344-02-000	EA	Package - Rear Valve Compressor Mount Brackets
	007108-01-000	EA	Hose - Heater - 5/8 I.D. SAE
	031170-01-000	EA	Clamp - Cable - 3/16" DIA

1987 WINNEBAGO TABLE OF CONTENTS

WT319RB	A-01 - B-16
WCN22RC	B-17 - D-24
WC421RB	E-01 - F-24
WCP37RQ	G-01 - I-14

1987 WCP37RQ INDEX

Floor Plan	G-01 - G-02
Accessories Group	G-03 - G-06
Bath Group	G-07 - G-08
Chassis Group	G-09 - G-12
Curtain, Cushion & Pad Group	G-13 - G-20
Dinette Group	G-21 - G-23
Driver's Compartment Group	G-24 - H-04
Electrical Group	H-05 - H-07
Exterior Body Group	H-08 - H-14
Galley Group	H-15 - H-17
Heating & Air Conditioning Group	H-18
Interior Finish Group	H-19 - H-21
LP Group	H-22
Lounge Group	H-23 - I-01
Water & Sewage Group	I-02
Window, Vent & Exterior Door Group	I-03 - I-14

INTERIOR FINISH GROUP

MISCELLANEOUS

Key	Part Number	U/M	Description
	053552-02-W13	EA	Handle Asm - Assist - Vinyl
	041944-04-000	EA	Fire Extinguisher - 5 BC - w/o Bracket
	084472-01-000	EA	Holder - Plastic - Fire Extinguisher
	054185-26-000	EA	Owner's Manual - Winnebago Itasca
	081072-01-000	EA	Floor Mat - Front - Right - Brown - "Winnebago"
	081074-01-000	EA	Floor Mat - Front - Left - Brown - "Winnebago"
	091075-01-000	EA	Floor Mat - Entrance - Brown "Winnebago"
	065201-03-000	EA	Lamp Shade - Fabric - Black - Wall Lamp

PANELING & COUNTERTOP MATERIAL

Key	Part Number	U/M	Description
	074497-10-000	SF	Paneling - Light Oak - 48" x 84" (Wall)
	076773-03-000	SF	Paneling - Light Oak - 48" x 96" - 2 Sided (Cove Trim)
	074497-09-000	SF	Paneling - Decor - Classique Tweed/Sand - 48" x 84" (Wall)
	074496-48-000	SF	Paneling - Decor - Amethyst - 48" x 84" (Galley) (W13, W15, W16)
	074496-49-000	SF	Paneling - Decor - Horizon - 48" x 84" (Galley) (W14)
	074496-59-000	SF	Paneling - Decor - Amethyst - 48" x 84" (Dry Bath) (W13, W16)
	074496-60-000	SF	Paneling - Decor - Horizon - 48" x 84" (Dry Bath) (W14, W15)
	074496-54-000	SF	Paneling - Decor - Amethyst - 48" x 84" (Wet Bath) (W13, W16)
	074496-55-000	SF	Paneling - Decor - Horizon - 48" x 84" (Wet Bath) (W14, W15)
	074498-18-000	SF	Plastic Laminate - 60" x 96" (Galley)
	074498-15-000	SF	Plastic Laminate - Blush - (Bath) (W13, W16)
	074498-16-000	SF	Plastic Laminate - Apricot Blush (Bath) (W14)
	074498-18-000	SF	Plastic Laminate - Sand/Linen (Bath) (W15)
	074458-20-000	EA	Plastic Laminate - Regal Oak
	076325-16-000	FT	Edge Molding - Regal Oak
	076325-08-000	FT	Edge Molding - Fawn (Bath) (W13, W16)
	076325-15-000	FT	Edge Molding - Apricot Blush (Bath) (W14)

INTERIOR MOLDS & TRIMS

Key	Part Number	U/M	Description
	069733-60-000	EA	Batt Strip - Classique Tweed/Sand
	084085-03-000	EA	Batt Strip - Sand/Tweed - Abutment to Curved Sidewall
	069733-67-000	EA	Batt Strip - Burberry Amethyst (Galley) (W13, W15, W16)
	069733-68-000	EA	Batt Strip - Burberry Horizon (Galley) (W14)
	069733-71-000	EA	Batt Strip - Decor - Winne (Dry Bath)
	069733-74-000	EA	Batt Strip - Decor - Winne (Wet Bath)
	069733-70-000	EA	Batt Strip - Regal Oak
	085284-03-000	FT	Batt Strip - Tape Adhesive - Regal Oak
	085284-05-000	FT	Batt Strip - Tape Adhesive - Classique Tweed/Sand
	083620-01-000	FT	T-Molding - 3/4" w/ Edge Lips - Brown
	083620-04-000	FT	T-Molding - 3/4" w/ Edge Lips - Light Oak
	074044-01-000	EA	Trim Oak - 2" x 11/8" - w/ Groove - Light Oak (Ceiling)
	074044-11-000	EA	Trim Oak - 2" x 11/8" - w/ Groove - Light Oak (Ceiling)
	078394-01-000	EA	Brass Insert - Ceiling
	079653-04-000	EA	Molding - Batt Strip - Light Oak
	042357-11-000	FT	Molding - Outside Corner - Light Oak
	009767-06-000	FT	Welting - Beige
	009767-10-000	FT	Welting - Mahogany
	022997-08-000	FT	Molding - Reverse Cove - Champagne White
	070504-06-000	FT	U-Channel - Light Oak
	070504-01-000	FT	U-Channel - 65" - Light Brown
	009778-07-000	FT	U-Channel - 1" - Regal Oak
	072860-60-000	SY	Carpet - Amethyst (W13, W16)
	072860-57-000	SY	Carpet - French Court (W14)
	072860-55-000	SY	Carpet - Gray (W15)

INTERIOR FINISH GROUP (CONTINUED)

CABINETS & TABLE HARDWARE

Key	Part Number	U/M	Description
	053200-05-000	EA	Bracket - Upper Wall Mount - 23 5" - Beige
**	053201-06-000	EA	Bracket - Table Mount - 23" - Beige
	024275-05-000	EA	Rod - Table Lift - 8" x 23 5" - Beige
	024281-07-000	EA	Bracket - Lower Wall Mount - 22 12" - Beige
	024276-17-000	EA	Leg Asm - Table - 29 5" - Brown
	064050-01-000	EA	Hinge - Table Leg
**	024282-01-000	EA	Brace - Table Leg
**	024283-01-000	EA	Clip - 1" O.D. Tube
	049493-05-000	EA	Catch - Table Leg - Mounts on Floor - Brown
	009016-01-000	EA	Catch - Elbow - Spring Loaded Zinc
	009021-01-000	EA	Catch - Nylon - Grille
	009021-02-000	EA	Strike - Spring Steel
	076726-04-000	EA	Cover - Strike - Light Oak
	086263-01-000	EA	Pull - Polished Brass
	076725-01-000	EA	Access Cover - Door Hinge
	084451-01-000	EA	Catch - TV Shelf - Brass
	054435-01-000	EA	Knob - Cabinet - Decorative
	084466-02-000	EA	Slide Asm - Drawer - Right
	084466-03-000	EA	Slide Asm - Drawer - Left
	084466-04-000	EA	Slide Asm - Cabinet - Right
	084466-05-000	EA	Slide Asm - Cabinet - Left
	082128-03-000	EA	Slide Asm - Drawer w/ L" Bracket - 22"
	082128-04-000	EA	Slide Asm - Drawer w/ L" Bracket - 22"
	082128-05-000	EA	Slide Asm - Drawer w/ L" Bracket - 16"
	082128-06-000	EA	Slide Asm - Drawer w/ L" Bracket - 16"
	077409-01-000	EA	Slide - Drawer - Plastic
	059777-02-000	EA	Hinge - Cabinet Door - Brass
	074493-02-000	EA	Overhead Door Support - Spring
	081376-01-000	EA	Back Plate - Door Pull - Polished Brass

** The illustrated parts breakdown for this item is provided on the Common Items Fiche

FABRICS

Key	Part Number	U/M	Description
	077498-A0-000	YD	Fabric - Upholstery - Wendover (W13)
	077498-81-000	YD	Fabric - Upholstery - Sparrow (W14)
	077498-82-000	YD	Fabric - Upholstery - Heron (W15)
	077498-83-000	YD	Fabric - Upholstery - Chardonay (W16)
	077498-84-000	YD	Fabric - Upholstery Accent - Shell (W13, W15, W16)
	077498-A9-000	YD	Fabric - Upholstery Accent - Bongo (W14)
	077498-87-000	YD	Fabric - Upholstery Plain Accent - Chardonay (W13, W16)
	077498-86-000	YD	Fabric - Upholstery Plain Accent - Oyster (W14)
	077498-85-000	YD	Fabric - Upholstery Plain Accent - Heron (W15)
	069729-53-000	YD	Fabric - Bedspread - Ash (W13, W16)
	069729-54-000	YD	Fabric - Bedspread - Taupe (W14)
	069729-55-000	YD	Fabric - Bedspread - Slate (W15)
	069729-42-000	YD	Fabric - Drapery - Plum (W13, W16)
	069729-38-000	YD	Fabric - Drapery - Melba (W14)
	069729-43-000	YD	Fabric - Drapery - Biscuit (W15)
	079680-01-000	YD	Vinyl - Expanded - Buckskin
	069649-03-000	YD	Vinyl - Expanded - Taupe
	078394-01-000	FT	Trim - Half Round Vinyl - 7/16"
	038421-01-000	YD	Fabric - Mattress Ticking
	038421-04-000	YD	Fabric - Mattress Ticking - 82"
	081607-02-000	YD	Fabric - Headline - Sandstone

1987 WINNEBAGO TABLE OF CONTENTS

WT319RB	A-01 - B-16
WCN22RC	B-17 - D-24
WC421RB	E-01 - F-24
WCP37RO	G-01 - I-14

1987 WCP37RO INDEX

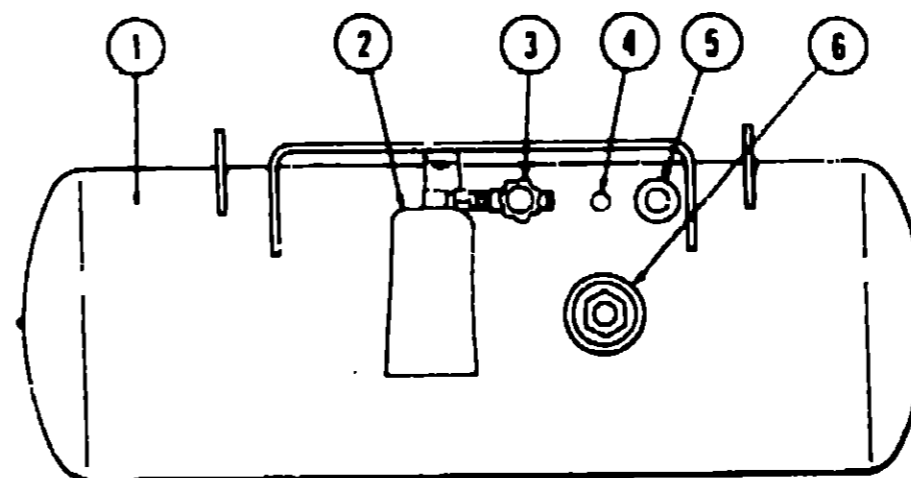
Floor Plan	G-01 - G-02
Accessories Group	G-03 - G-06
Bath Group	G-07 - G-08
Chassis Group	G-09 - G-12
Curtain, Cushion & Pad Group	G-13 - G-20
Dinette Group	G-21 - G-23
Driver's Compartment Group	G-24 - H-04
Electrical Group	H-05 - H-07
Exterior Body Group	H-08 - H-14
Galley Group	H-15 - H-17
Heating & Air Conditioning Group	H-18
Interior Finish Group	H-19 - H-21
LP Group	H-22
Lounge Group	H-23 - I-01
Water & Sewage Group	I-02
Window, Vent & Exterior Door Group	I-03 - I-14

INTERIOR FINISH GROUP (CONTINUED)

CURTAIN HARDWARE

Key	Part Number	U/M	Description
	056116-01-000	EA	Track - Curtain - Brown - Plastic
	077046-01-000	EA	Track - Curtain - Front Wraparound - Passenger
	077406-02-000	EA	Track - Curtain - Front Wraparound - Driver
	056003-01-000	EA	Bracket - Drapery Retainer - Right
	056003-02-000	EA	Bracket - Drapery Retainer - Left
	056784-02-000	EA	Pull - Window Shade - Brass
	039175-02-000	EA	Bracket - Curtain Rod
	048394-01-000	YD	Tape Hook - 1" x 25 yd - Beige (Velcro)
	048395-01-000	YD	Tape Loop - 1" x 25 yd - Beige (Velcro)
	081362-01-000	EA	Bracket - Armrest - Right
	081362-02-000	EA	Bracket - Armrest - Left
	080730-01-000	EA	Recliner - Seat Back - Right
	080730-02-000	EA	Recliner - Seat Back - Left
	080731-01-000	EA	Hinge - Slave - Recliner - Right
	080731-02-000	EA	Hinge - Slave - Recliner - Left
	082139-01-000	EA	Bracket - Hold Down - Blind
	016604-02-000	EA	Brace - Seat - Angle - 2 50" - Brown

LP GROUP



Key	Part Number	U/M	Description
1	074142-01-000	EA	Tank Asm. - LP - Frame Mount - 80 Pound - 13" x 44"
2	081938-01-000	EA	Compartment - LP Regulator
	076301-01-000	EA	Regulator - Two Stage - LP Gas
3	040421-01-703	EA	Valve - Vapor Relief
4	040421-01-700	EA	Gauge - Liquid Level - 20% LP
5	040421-01-701	EA	Valve - Filler - LP
	040421-01-702	EA	Cap - Plastic Fill Valve
6	040421-01-707	EA	Gauge - Float - w/Visible Dial - 80 Pound Tank
	040421-01-706	EA	Dial - Visible Face - Float Gauge (Tan) w/o Electric Transmitter
	040440-01-000	EA	Dial - Transmitter - 0-90 Ohm (Float Gauge)
	045703-01-000	EA	Hose Asm. - LP - 3/8" I.D. x 24" - US
	045703-02-000	EA	Hose Asm. - LP - 3/8" I.D. x 24" - CSA
	045703-03-000	EA	Hose Asm. - LP - 3/8" I.D. x 18" - US
	045703-04-000	EA	Hose Asm. - LP - 3/8" I.D. x 14" - CSA
	065741-01-000	EA	Gauge - Diaphragm Pressure - Test Leak
			Not illustrated

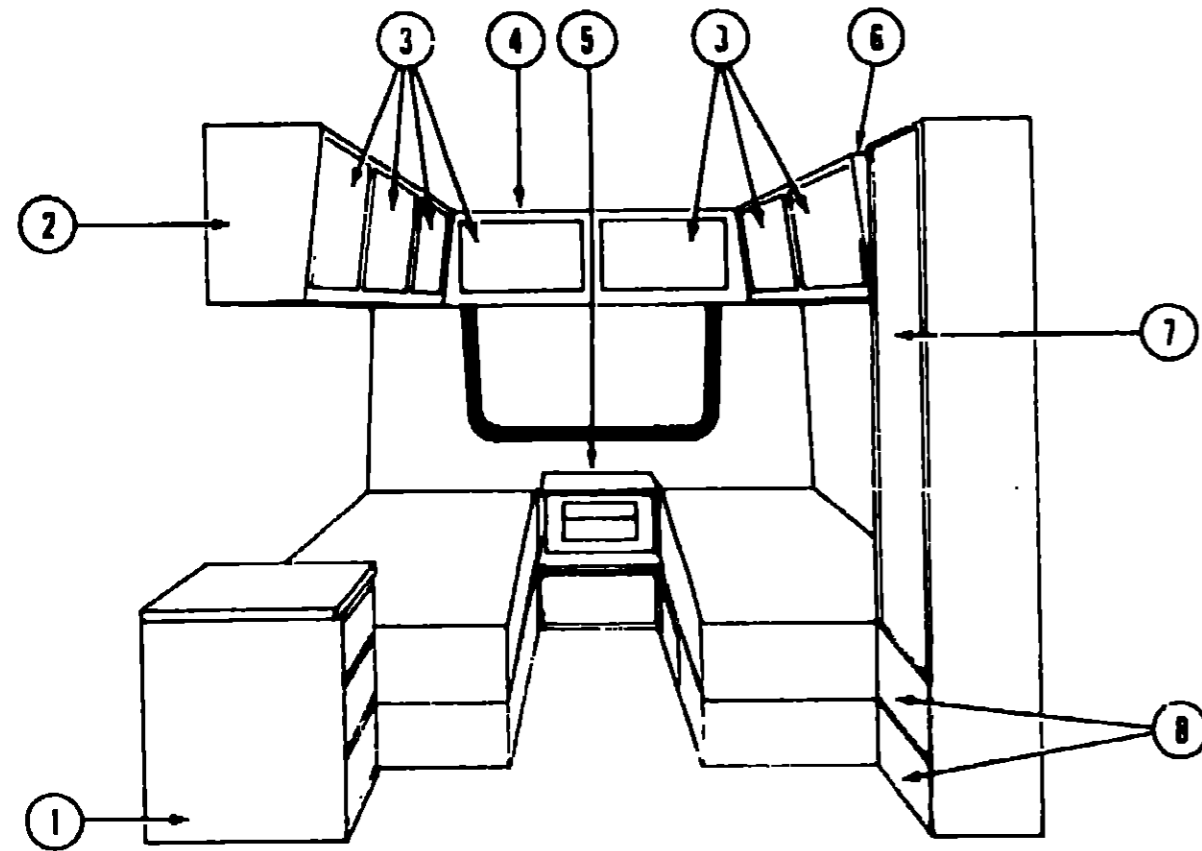
**1987 WINNEBAGO
TABLE OF CONTENTS**

WT319RB	A-01 - B-16
WCN22RC	B-17 - D-24
WC421RB	E-01 - F-24
WCP37RQ	G-01 - I-14

1987 WCP37RQ INDEX

Floor Plan	G-01 - G-02
Accessories Group	G-03 - G-06
Bath Group	G-07 - G-08
Chassis Group	G-09 - G-12
Curtain, Cushion & Pad Group	G-13 - G-20
Dinette Group	G-21 - G-23
Driver's Compartment Group	G-24 - H-04
Electrical Group	H-05 - H-07
Exterior Body Group	H-08 - H-14
Galley Group	H-15 - H-17
Heating & Air Conditioning Group	H-18
Interior Finish Group	H-19 - H-21
LP Group	H-22
Lounge Group	H-23 - I-01
Water & Sewage Group	I-02
Window, Vent & Exterior Door Group	I-03 - I-14

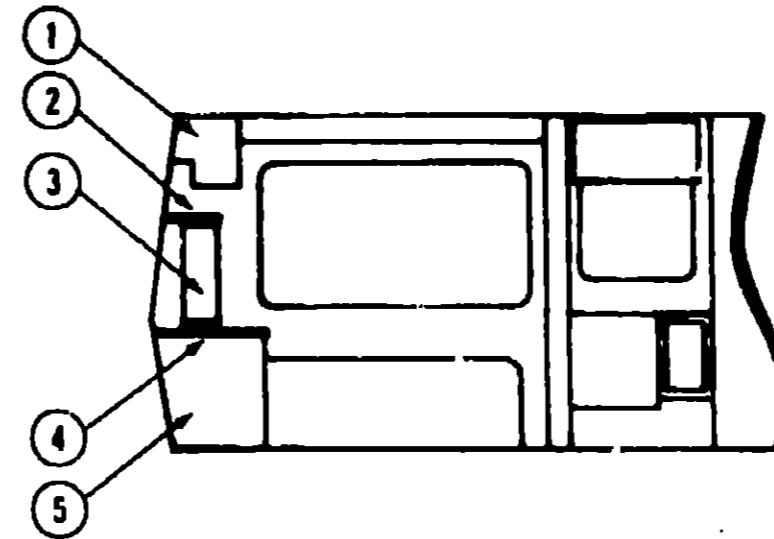
LOUNGE GROUP



TWIN BED OPTION

Key	Part Number	U/M	Description
1	M87831-01-W13	EA	Cabinet Asm - Nightstand - w/o Countertop, Drawer, Door or Hardware
	M03000-14-W13	EA	Countertop Asm - Nightstand Cabinet
	M78921-09-W13	EA	Drawer Asm - Nightstand Cabinet - w/o Hardware
2	076910-01-W13	EA	Cabinet Asm - Sidewall Overhead - w/o Doors or Hardware
3	M81503-05-W13	EA	Door Asm - Overhead - 12" x 20 8" - w/o Hardware
4	087899-01-W13	EA	Cabinet Asm - Rear Overhead - w/o Doors or Hardware
5	M83441-01-W13	EA	Cabinet Asm - Nightstand - w/o Countertop, Door or Hardware
	M02608-01-W13	EA	Countertop Asm - Nightstand Cabinet - Bottom
	M02609-01-W13	EA	Countertop Asm - Nightstand Cabinet - Top
	M81501-88-W13	EA	Door Asm - Nightstand Cabinet - 21 5" x 11 5" - w/o Hardware
6	M87917-01-W13	EA	Cabinet Asm - Sidewall Overhead - w/o Doors or Hardware
	M81503-16-W13	EA	Door Asm - Twin Bed Cabinet - 31 4" x 12" - w/o Hardware
7	M81501-43-W13	EA	Door Asm - Wardrobe Cabinet - 48 5" x 12 4" - w/o Hardware
8	M78921-08-W13	EA	Drawer Asm - Wardrobe Cabinet - w/o Hardware
			Not illustrated

LOUNGE GROUP (CONTINUED)



QUEEN BED OPTION

Key	Part Number	U/M	Description
1	086118-01-W13	EA	Cabinet Asm - Rear Overhead - w/o Doors or Hardware
	M61503-13-W13	EA	Door Asm - Rear Overhead - 12 1" x 29 1" - w/o Hardware
2	M03000-07-W13	EA	Countertop Asm - Nightstand Cabinet - Upper Left - w/o Radio (W13, W15, W16)
2	M03000-07-W14	EA	Countertop Asm - Nightstand Cabinet - Upper Left - w/o Radio (W14)
2	M03000-06-W13	EA	Countertop Asm - Nightstand Cabinet - Upper Left - w/ Radio (W13, W15, W16)
2	M03000-06-W14	EA	Countertop Asm - Nightstand Cabinet - Upper Left - w/ Radio (W14)
	M03000-05-W13	EA	Countertop Asm - Nightstand Cabinet - Upper Right (W13, W15, W16)
	M03000-05-W14	EA	Countertop Asm - Nightstand Cabinet - Upper Right (W14)
3	M82424-04-W13	EA	Door Asm - Nightstand Cabinet - 23 8" x 10 9" - w/o Hardware
4	M03000-04-W13	EA	Countertop Asm - Nightstand Cabinet - Lower Left - w/o Radio (W13, W15, W16)
4	M03000-04-W14	EA	Countertop Asm - Nightstand Cabinet - Lower Left - w/o Radio (W14)
4	M03000-03-W13	EA	Countertop Asm - Nightstand Cabinet - Lower Left - w/ Radio (W13, W15, W16)
4	M03000-03-W14	EA	Countertop Asm - Nightstand Cabinet - Lower Left - w/ Radio (W14)
	M03000-02-W13	EA	Countertop Asm - Nightstand Cabinet - Lower Right (W13, W15, W16)
	M03000-02-W14	EA	Countertop Asm - Nightstand Cabinet - Lower Right (W14)
5	M86108-01-W13	EA	Cabinet Asm - Nightstand - Left - w/o Countertop, Door, Drawer or Hardware
5	M86322-01-W13	EA	Cabinet Asm - Nightstand - Left - Radio Option - w/o Countertop, Door, Drawer or Hardware
	M85153-01-W13	EA	Cabinet Asm - Nightstand - Right - w/o Countertop, Door, Drawer or Hardware
	M78921-04-W13	EA	Drawer Asm - Nightstand Cabinet - w/o Hardware
	084357-01-W30	EA	Stand Asm - TV
	058331-10-000	EA	Mirror - TV Stand - 14" x 17"
	M81501-B2-W13	EA	Door Asm - Bed Cabinet
	M86384-01-W13	EA	Drawer Asm - Bed Cabinet
			Not illustrated

1987 WINNEBAGO TABLE OF CONTENTS

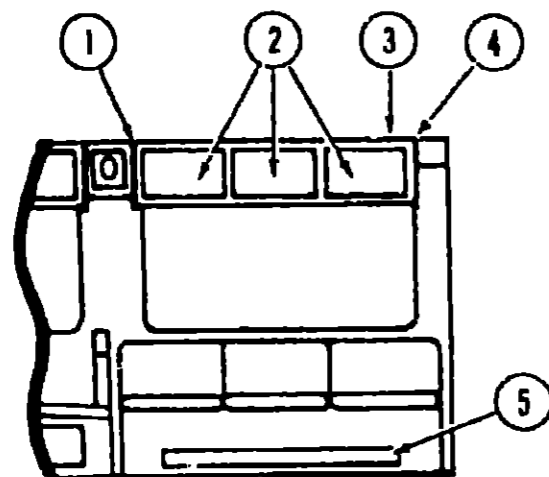
WT319RR
WCN22RC
WC421QB
WCP37RQ

A-01 - B-16
B-17 - D-24
E-01 - F-24
G-01 - I-14

1987 WCP37RQ INDEX

Floor Plan	G-01 - G-02
Accessories Group	G-03 - G-06
Bath Group	G-07 - G-08
Chassis Group	G-09 - G-12
Curtain, Cushion & Pad Group	G-13 - G-20
Dinette Group	G-21 - G-23
Driver's Compartment Group	G-24 - H-04
Electrical Group	H-05 - H-07
Exterior Body Group	H-08 - H-14
Galley Group	H-15 - H-17
Heating & Air Conditioning Group	H-18
Interior Finish Group	H-19 - H-21
LP Group	I-22
Lounge Group	H-23 - I-01
Water & Sewage Group	I-02
Window Vent & Exterior Door Group	I-03 - I-14

LOUNGE GROUP (CONTINUED)



FRONT LOUNGE

Key	Part Number	U/M	Description
1	085468-02-W13	EA	End Cap Asm - Front Lounge - Vinyl
2	M81503-05-W13	EA	Door Asm - Overhead Cabinetry - w/o Hardware
3	085942-01-W13	EA	Cabinet Asm - Front Lounge Overhead - w/o Door or Hardware
4	085468-01-W13	EA	End Cap Asm - Front Lounge Overhead - Vinyl
5	M86704-01-W13	EA	Drawer Asm - Couch
5	M86704-01-W14	EA	Drawer Asm - Couch
5	M86704-01-W15	EA	Drawer Asm - Couch
5	M86704-01-W16	EA	Drawer Asm - Couch
*	NOTE	EA	Bed Asm - Victorian
*	See Curtain, Cushion & Pad Group for this item.		

WATER & SEWAGE GROUP

PLUMBING & REPAIR PARTS

Key	Part Number	U/M	Description
	010326-01-000	EA	Adapter - Flare - w/Cone Gasket
	062422-01-000	EA	Adapter - Hose Offset - Reducer - 3" x 1 1/2"
	052954-01-000	EA	Adapter - Hose Cone - 3/8 or 1/2 - Plastic
	062415-01-000	EA	Cap - Sewer - 3"
	052959-03-000	EA	Connector - 1/2 F x 3/8 MPT - Plastic
	011091-02-000	EA	Continuous Waste - Double Sink - 11 7.8" - US
	078406-01-000	EA	Coupler Rubber - 3" x 3"
	052960-01-000	EA	Drain Valve - 1/2 F x 1/2 F - Plastic
	010000-01-000	EA	Elbow - Plastic - 1/8 BD x 1 1/4 x 45° H x H
	010006-01-000	EA	Elbow - Plastic - 1/8 BD x 1 1/2 x 45° H x H
	010008-01-000	EA	Elbow - Plastic - 1/4 BD x 1 1/2 x 90° Left
	010051-01-000	EA	Elbow - ST - Plastic - 1/8 BD x 1 1/2 x 45°
	052957-01-000	EA	Elbow - Plastic - 1/2 F x 3/8 MPT
	052957-02-000	EA	Elbow - Plastic - 1/2 F x 1/2 MPT (In Tank Filter)
	065120-01-000	EA	Elbow - Plastic - Swivel - .50
	077954-01-000	EA	Filter/Screen (In Water Tank)
	010147-01-000	EA	Flange - Closet - 4" F x 3" FPT - US
	010147-02-000	EA	Flange - Closet - 4" F x 3" FPT - CSA
	079381-01-000	FT	Flexible Tubing - 1 1/4 I.D. x 10'
	051607-01-000	EA	Grommet - Holding Tank Coupler - 1 1/2"
	051607-02-000	EA	Grommet - Holding Tank Coupler - 3"
	052961-01-000	EA	Header - 1/2 F x 1/2 F x 1/2 F x 1/2 F
	062416-01-000	EA	Hose Adapter - 3"
	011066-03-000	EA	P-Trap - 1 1/4" Plastic - US
**	011066-02-000	EA	P-Trap - 1 1/4" Plastic - CSA
	049032-01-000	EA	Patch - Spinweld - Plastic - 3 8"
	010197-01-000	EA	Pipe - Plastic - 3" x 240" - Black
	045729-01-000	EA	Pump - Water - 2.8 G.P.M. - Direct Drive - Shurflo - US
	045729-02-000	EA	Pump - Water - 2.8 G.P.M. - Direct Drive - Shurflo - CSA
**	010201-01-000	EA	Sewer Hose - 3" x 8' w/Clamp
	042959-02-000	EA	Spinweld Fittings - Plastic - 1/2 FPT (In Tank Filter)
	042989-03-000	EA	Spinweld Fittings - Plastic - 1/4 NPT
	042989-04-000	EA	Spinweld Fittings - Plastic - 3/8 FPT
	011069-02-000	EA	Tailpiece - 1 1/2" x 1 1/4" x 4" - Brass
	010071-01-000	EA	Tee - Plastic - 1 1/2 H x H x H
**	010079-01-000	EA	Tee - Plastic - 1 1/2 H x 1 1/2 H x 1 1/4 H
	052955-01-000	EA	Tee - Plastic - 1/2 F x 1/2 F x 1/2 MPT
	052956-01-000	EA	Tee - Plastic - 1/2 F x 1/2 MPT x 1/2 F
	052958-01-000	EA	Tee - Plastic - 1/2 F x 1/2 F x 1/2 F
	039800-01-000	FT	Tubing - Polybutyl - 1.2 O.D. (Water Line)
	079381-01-000	FT	Tubing - Flexible - Smooth - 1.25 I.D.
	074462-02-000	FT	Tubing - Vinyl - 3/8 I.D.
	062421-01-000	EA	Valve - 1 1/2" - w/Handle
	052960-01-000	EA	Valve - Line Drain - 1/2 F x 1/2 F
	010073-01-000	EA	Wye - Plastic - 1 1/2 x 45 H x H
**	The illustrated parts breakdown for this item is provided on the Common Items Fiche		

HOLDING TANKS & WATER HEATERS

Key	Part Number	U/M	Description
	085189-03-000	EA	Tank Asm - Water - 70 Gallon - w Fittings
	085189-01-000	EA	Tank - Water - 70 Gallon - w/o Fittings
	084985-01-000	EA	Tank - Holding - 34 Gallon - w/o Fittings - Main
	084983-01-000	EA	Tank - Holding - 40 Gallon - w/o Fittings - Auxiliary #1
	085183-01-000	EA	Tank - Holding - 26 Gallon - w/o Fittings - Auxiliary #2
**	051391-01-000	EA	Water Heater - w/o Motor Aid - Atwood - G6A-3
**	051391-03-000	EA	Water Heater - w/o Motor Aid - Electric Ignition - Atwood - G6A-3E
**	051393-01-000	EA	Water Heater - Direct Ignition - Atwood - GH6-3E
**	The illustrated parts breakdown for this item is provided on the Common Items Fiche		

**1987 WINNEBAGO
TABLE OF CONTENTS**

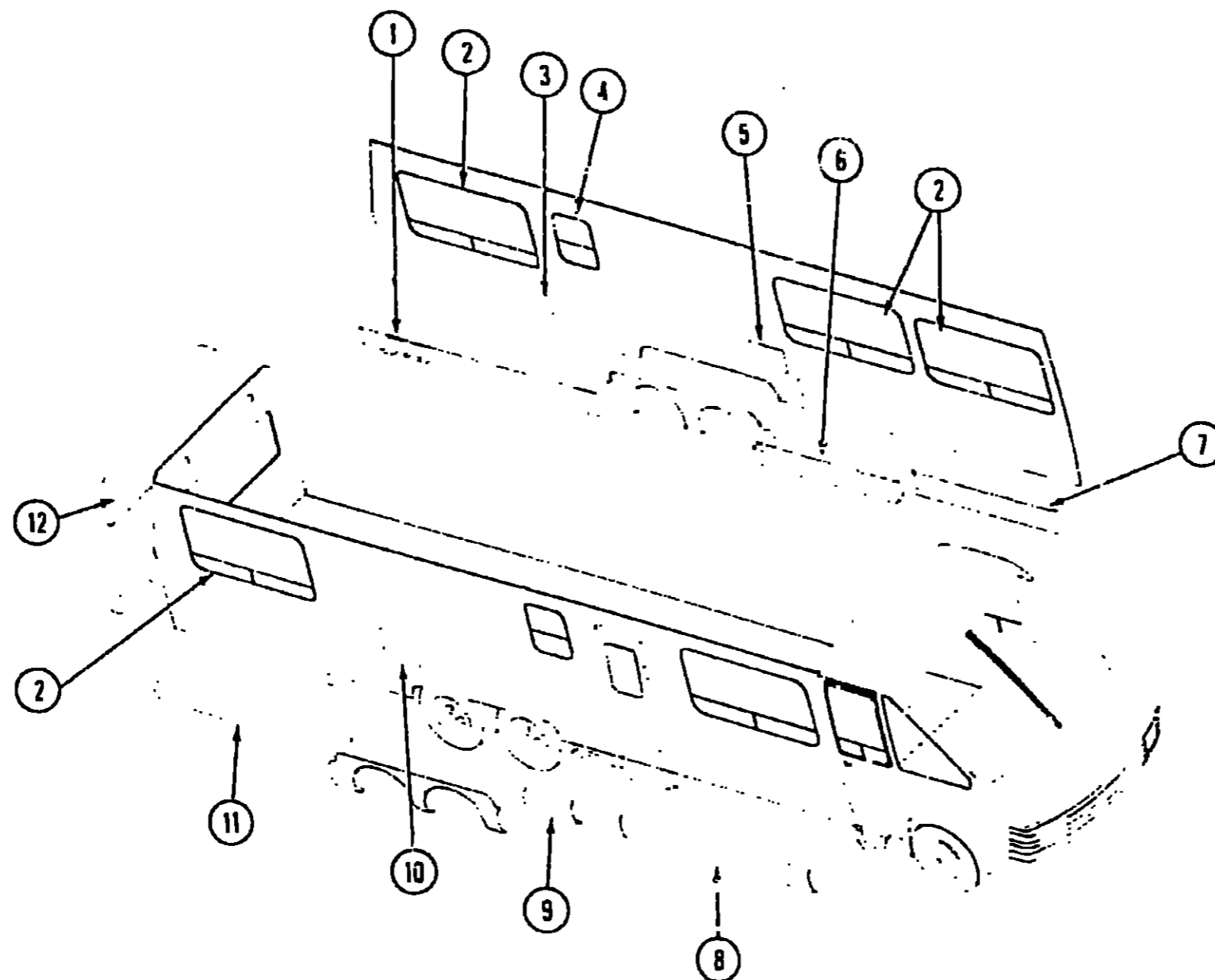
WT319RB	A-01 - B-16
WCN22RC	B-17 - D-24
WC421RB	E-01 - F-24
WCP37RO	G-01 - I-14

1987 WCP37RQ INDEX

Floor Plan	G-01 - G-02
Accessories Group	G-03 - G-06
Bath Group	G-07 - G-08
Chassis Group	G-09 - G-12
Curtain, Cushion & Pad Group	G-13 - G-20
Dinette Group	G-21 - G-23
Driver's Compartment Group	G-24 - H-04
Electrical Group	H-05 - H-07
Exterior Body Group	H-05 - H-14
Galley Group	H-15 - H-17
Heating & Air Conditioning Group	H-18
Interior Finish Group	H-19 - H-21
LP Group	H-22
Lounge Group	H-23 - I-01
Water & Sewage Group	I-02
Window, Vent & Exterior Door Group	I-03 - I-14

WINDOWS, VENTS & EXTERIOR DOORS

WINDOWS & ACCESS DOORS



Key	Part Number	U/M	Description
1	085040-01-W13	EA	Door Asm. - Generator
1	085040-02-W13	EA	Door Asm - Luggage
2	085354-01-W07	EA	Window Asm - Crank Out
3	078010-01-000	EA	Door Asm - Fuel Fill
4	085353-01-W07	EA	Window Asm. - Single
5	084141-01-W13	EA	Door Asm. - Refrigerator
6	085037-03-W13	EA	Panel Asm - Valance (Luggage Door)
7	085037-02-W13	EA	Panel Asm - Valance (Luggage Door)
8	085037-01-W13	EA	Panel Asm - Valance (Luggage Door)
9	085031-01-W13	EA	Door Asm - LP
10	052009-02-000	EA	Door Asm - Water Heater
11	085034-01-W13	EA	Door Asm - Storage
12	076648-03-000	EA	Window Asm - Escape
**	085353-02-W07	EA	Window Asm - Single

** Parts used on the Twin Bed Option

1987 WINNEBAGO TABLE OF CONTENTS

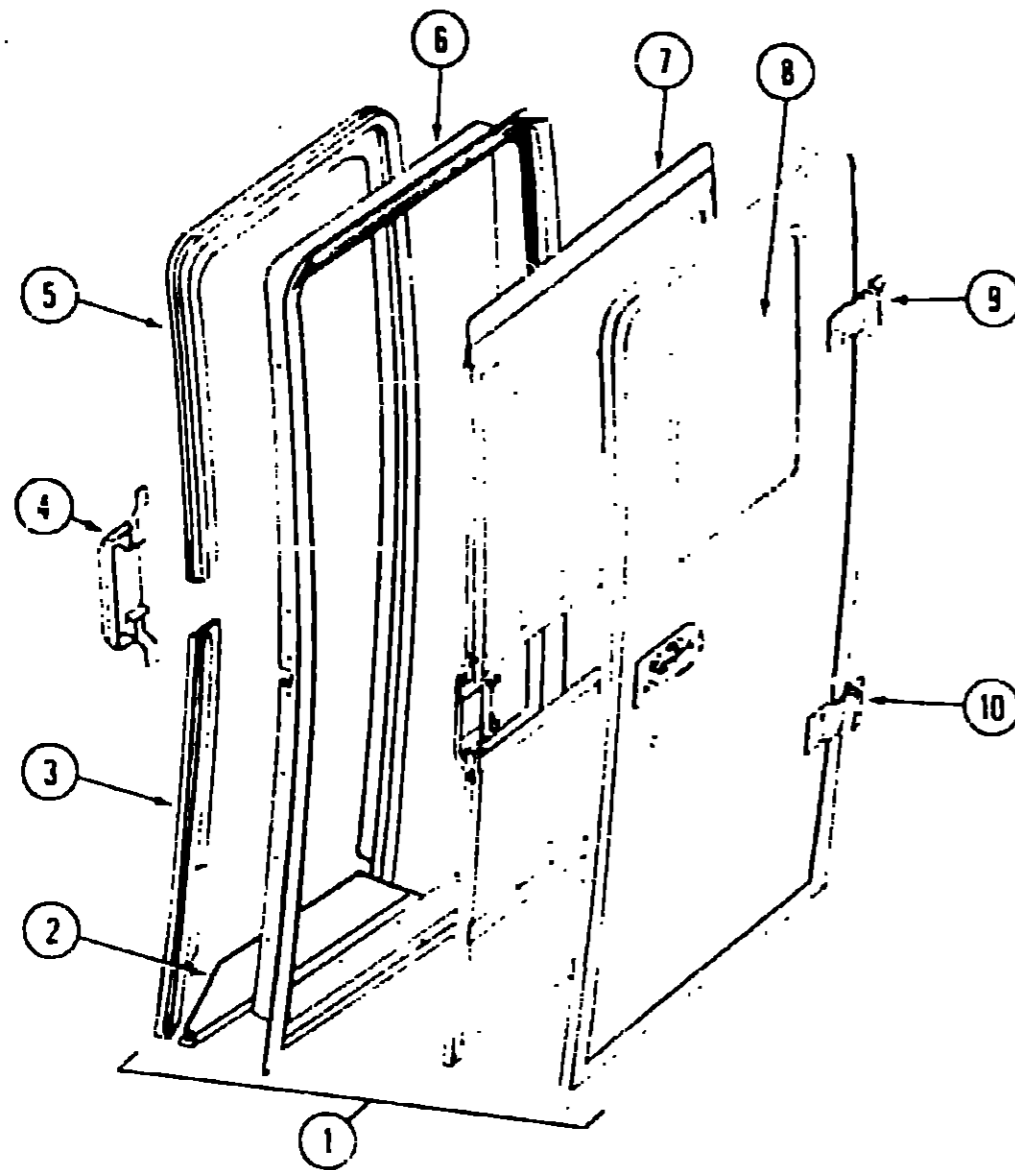
WT319RB
WCN22RC
WC421RB
WCP37RQ

A-01 - B-16
B-17 - D-24
E-01 - F-24
G-01 - I-14

1987 WCP37RQ INDEX

Floor Plan	G-01 - G-02
Accessories Group	G-03 - G-06
Bath Group	G-07 - G-08
Chassis Group	G-09 - G-12
Curtain, Cushion & Pad Group	G-13 - G-20
Dinette Group	G-21 - G-23
Driver's Compartment Group	G-24 - H-04
Electrical Group	H-05 - H-07
Exterior Body Group	H-08 - H-14
Galley Group	H-15 - H-17
Heating & Air Conditioning Group	H-18
Interior Finish Group	H-19 - H-21
LP Group	H-22
Lounge Group	H-23 - I-01
Water & Sewage Group	I-02
Window, Vent & Exterior Door Group	I-03 - I-14

WINDOW, VENT & EXTERIOR DOOR GROUP (CONTINUED)



ENTRANCE DOOR

Key	Part Number	U/M	Description
1	M84385-01-W13	EA	Door Asm - Entrance
2	076929-01-000	EA	Trim - Entrance Door - Lower
3	085015-01-000	EA	Trim - Entrance Door - Upper - Beige
4	076726-04-000	EA	Cover - Strike - Light Oak
5	085016-01-000	EA	Trim - Entrance Door
6	076947-04-000	EA	Jamb Asm - Entrance Door
7	084389-01-W13	EA	Screen Door - Complete
	076727-01-000	EA	Slider - Screen Door - Light Oak Plastic
	002293-02-000	SF	Screen - 26" Charcoal
	063638-02-000	EA	Strike - Screen Door
	076231-01-000	EA	Spacer - Screen Door - Latch
	078156-01-000	EA	Plate - Screen Door
	002294-01-000	FT	Spline - Screen Door - Black
	076738-02-000	EA	Transition Frame - Screen Door - Beige
	077437-01-000	EA	Strike - Roller Catch - Beige
8	079733-04-T03	EA	Window Asm. - Picture (w/o inside frame)
	067609-03-000	EA	Inside Frame - Beige (not included in assembly)
	002181-06-000	EA	Glass - 115" x 16 25" x 24"
	002309-02-000	FT	Spline - Glass - 1/8 Material - Black
	069637-01-000	EA	Sealer - 3M EC5510
9	084097-01-000	EA	Hinge Asm - Upper - Beige
10	084096-01-000	EA	Hinge Asm - Lower - Beige
	009126-02-000	EA	Assist Handle - Black
	073303-01-000	EA	Latch Asm - Inner
	076728-01-000	EA	Panel Trim - Light Oak Plastic
	R77007-05-374	EA	Gasket - Exterior Door Handle
	R77040-01-538	EA	Handle - Exterior Door
	R77006-50-261	EA	Handle - Interior - Right Door
	073104-01-000	EA	Escutcheon - Door Handle
	R77013-48-168	EA	Lock Bolt - Right
	R77007-51-201	EA	Cylinder & Key Set
	083205-01-000	EA	Deadbolt - Press Fit - 5"
	079173-01-000	EA	Gasket - Deadbolt - Exterior
	R77030-67-257	EA	Spline Pin
	080963-01-000	EA	Arm - Lock Control
	073111-01-000	EA	Rod - Latch
	073110-01-000	EA	Rod - Lock
	R77006-64-355	EA	Link - Control
	073303-01-000	EA	Latch Asm - Inner - Right
	073093-01-000	EA	Support Asm - Latch - Beige
	R77007-04-136	EA	Bracket - Lock
	063729-04-000	EA	Rivnut - 10-32 UNF
	076907-07-000	EA	Trim - Door - Upper
	076908-01-000	EA	Trim - Door - Lower
			Not illustrated

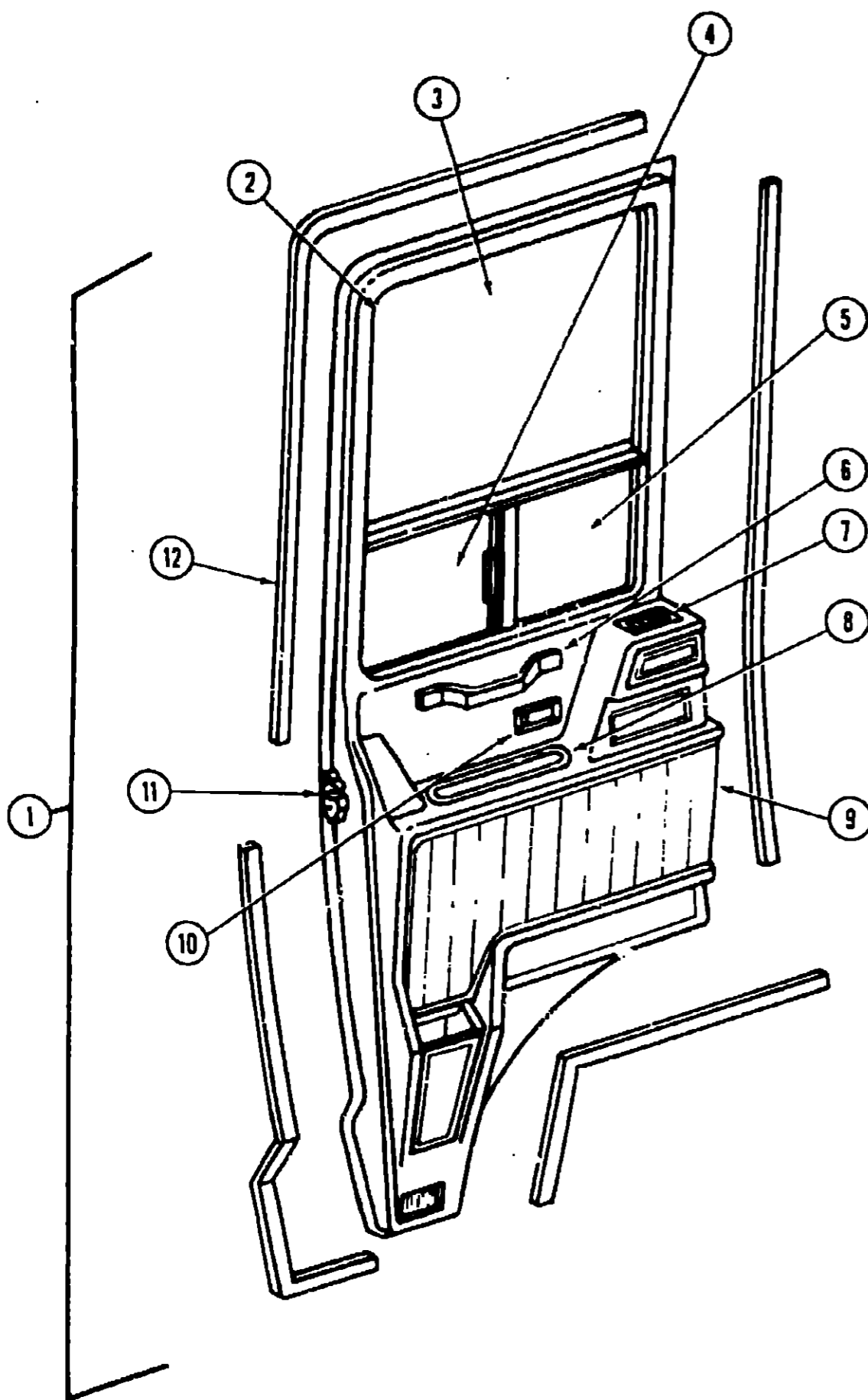
1987 WINNEBAGO TABLE OF CONTENTS

WT319RB	A-01 - B-16
WCN22RC	B-17 - D-24
WC421RB	E-01 - F-24
WCP37RO	G-01 - I-14

1987 WCP37RQ INDEX

Floor Plan	G-01 - G-02
Accessories Group	G-03 - G-06
Bath Group	G-07 - G-08
Chassis Group	G-09 - G-12
Curtain, Cushion & Pad Group	G-13 - G-20
Dinette Group	G-21 - G-23
Driver's Compartment Group	G-24 - H-04
Electrical Group	H-05 - H-07
Exterior Body Group	H-08 - H-14
Galley Group	H-15 - H-17
Heating & Air Conditioning Group	H-18
Interior Finish Group	H-19 - H-21
LP Group	H-22
Lounge Group	H-23 - I-01
Water & Sewage Group	I-02
Window, Vent & Exterior Door Group	I-03 - I-14

WINDOW, VENT & EXTERIOR DOOR GROUP (CONTINUED)



Key	Part Number	U/M	Description
1	M01596-03-W13	EA	Door Asm - Drivers
	M01595-03-W13	EA	Door Asm - Passengers
2	M78469-01-000	EA	Window Asm - Drivers Door - w/Support
	M78469-07-000	EA	Window Asm - Drivers Door - w/Support
	077209-01-000	EA	Inside Frame Asm - Window - Passenger
	077209-02-000	EA	Inside Frame Asm - Window - Driver
3	077036-03-000	EA	Glass - 19" x 28 9" x 22"
4	078379-01-000	EA	Glass - 19" x 15" x 9 3" - w Hole
5	077378-01-000	EA	Glass - 19" x 15" x 9.3"
	077224-03-000	EA	Window Mullion - Horizontal - Passenger
	077224-04-000	EA	Window Mullion - Horizontal - Driver
	077226-01-000	EA	Window Mullion - Vertical - Passenger
	077226-02-000	EA	Window Mullion - Vertical - Driver
	M02389-53-001	EA	Seal Holder - w/ Fin Seal
	042077-01-000	FT	Channel - Weatherstrip - Glass
	041928-02-000	EA	Seal - Window Channel
	050216-02-000	EA	Spline - Vinyl Glass - 19 Black
6	061400-05-000	EA	Assist Strap - 12" - w/Woodgrain
7	076783-01-000	EA	Louver Bezel Asm - Black - 2'
	075671-01-000	FT	Sponge Seal - Lazy T Shape
	076542-01-000	EA	Control Rod - Right Hand Latch
	076543-01-000	EA	Control Rod - Right Hand Lock
	076542-02-000	EA	Control Rod - Left Hand Latch
	076543-02-000	EA	Control Rod - Left Hand Lock
	077167-01-000	EA	Door Prop Rod - Passenger
	077167-02-000	EA	Door Prop Rod - Drivers
8	077118-01-000	EA	Storage Tray - Door Panel - Beige
	077179-01-000	EA	Hose Adapter - 2" - Snap In
	J77000-01-000	EA	Socket Asm - w/8" Pigtail Leads
9	077117-02-000	EA	Door Panel - Front Inner - Driver
	077117-01-000	EA	Door Panel - Front Inner - Passenger
	063886-03-000	EA	Assist Handle - Beige Steel Tube
10	R77006-50-261	EA	Door Handle - Interior - Right
10	R77006-50-326	EA	Door Handle - Interior - Left
	R77040-01-538	EA	Door Handle - Exterior
	R77007-05-374	EA	Gasket - Door Handle - Exterior
11	R77013-48-166	EA	Latch Asm - Right
11	R77013-48-167	EA	Latch Asm - Left
	R77007-62-747	EA	Latch Asm - Inner - Right
	R77007-62-745	EA	Latch Asm - Inner - Left
12	076913-01-000	FT	Seal - Entrance Door (Glue On)
	R77007-04-136	EA	Lock Bracket
	080963-01-000	EA	Arm - Lock Control
	R77030-67-257	EA	Spline Pine
	R77007-73-327	EA	Cylinder & Key
	R77006-64-355	EA	Control Link
	064580-02-000	EA	Check Strap - Front Door - 7"
	064219-01-000	EA	Retainer - Check Strap - Front Door
	R77013-48-165	EA	Striker - Door - Left
	R77013-48-166	EA	Striker - Door - Right
	081632-01-000	FT	Bulb Seal - Cab Door - w Wire Channel
	075245-01-000	EA	Hinge - Cab Door
	081905-01-000	EA	Control Knob (Lock/Unlock) Right
	081905-02-000	EA	Control Knob (Lock/Unlock) Left
			Not illustrated

DRIVERS & PASSENGER CAB DOOR

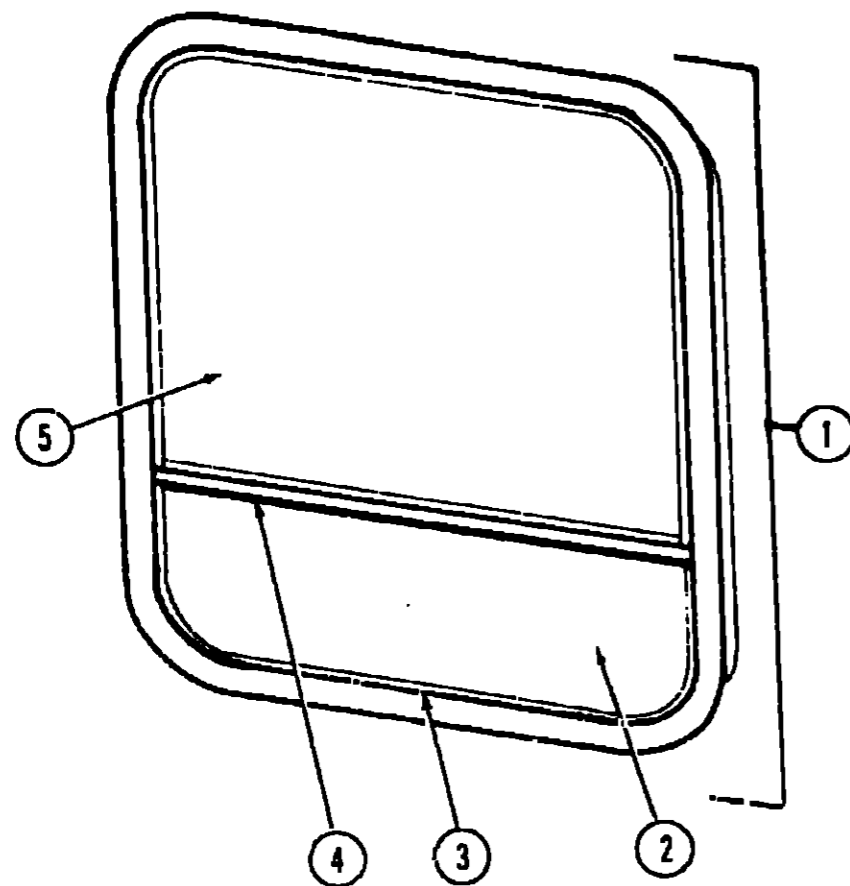
1987 WINNEBAGO TABLE OF CONTENTS

WT319RB	A-01 - B-16
WCN22RC	B-17 - D-24
WC421RB	E-01 - F-24
WCP37RQ	G-01 - I-14

1987 WCP37RQ INDEX

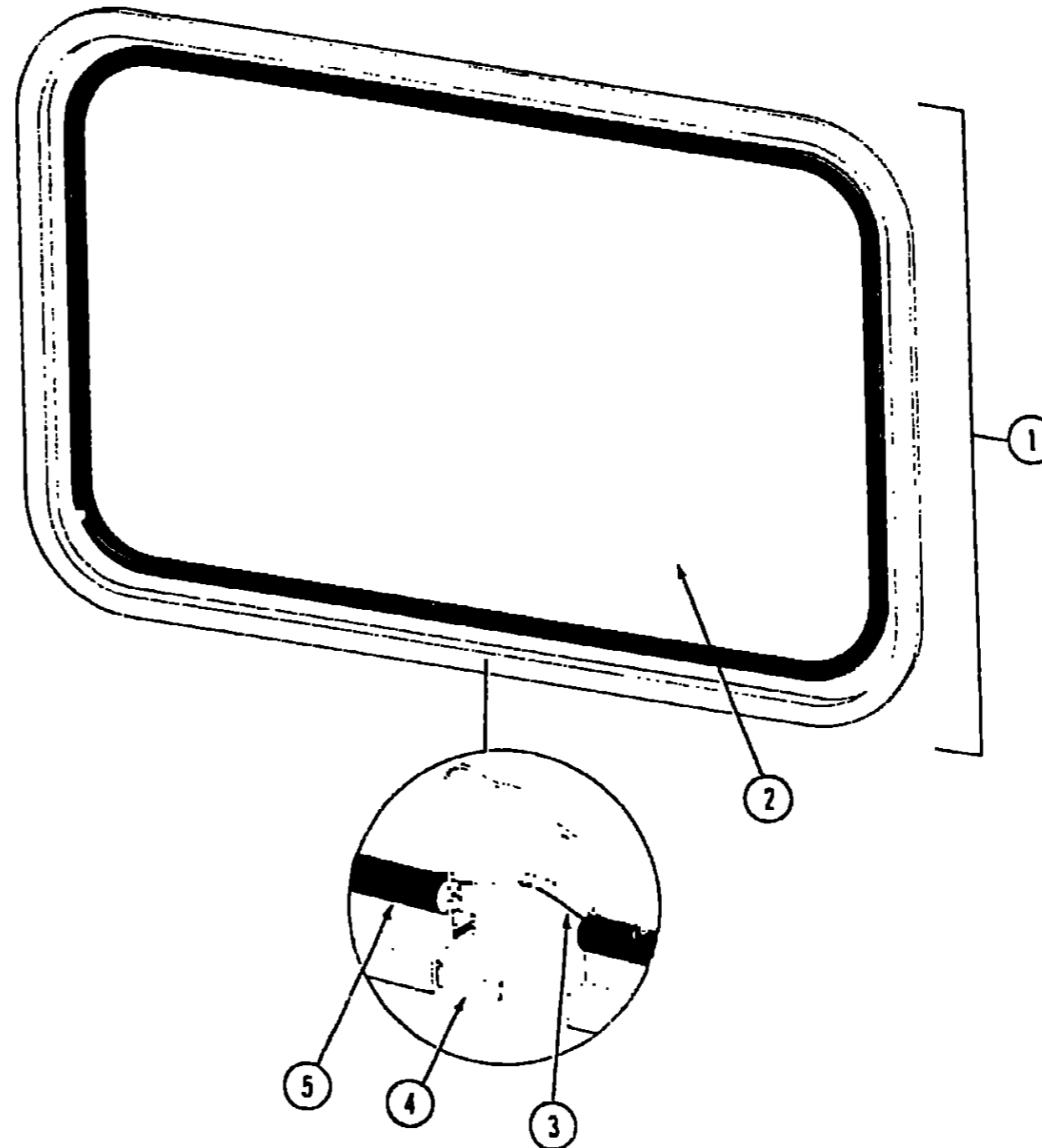
Floor Plan	G-01 - G-02
Accessories Group	G-03 - G-06
Bath Group	G-07 - G-08
Chassis Group	G-09 - G-12
Curtain, Cushion & Pad Group	G-13 - G-20
Dinette Group	G-21 - G-23
Driver's Compartment Group	G-24 - H-04
Electrical Group	H-05 - H-07
Exterior Body Group	H-08 - H-14
Galley Group	H-15 - H-17
Heating & Air Conditioning Group	H-18
Interior Finish Group	H-19 - H-21
LP Group	H-22
Lounge Group	H-23 - I-01
Water & Sewage Group	I-02
Window, Vent & Exterior Door Group	I-03 - I-14

WINDOW, VENT & EXTERIOR DOOR GROUP (CONTINUED)



Key	Part Number	U/M	Description
1	085353-02-W07	EA	Window Asm. - Single (w/o inside frame)
.	081822-02-000	EA	Inside Frame - Black (not included in assembly)
2	084068-05-000	EA	Glass - 1.8" x 9.24" x 41.7" - Tipout
.	084580-02-W07	EA	Screen Asm. - Tipout Window - Single
3	084067-01-000	EA	Seal - "e" - Sponge Rubber
4	083112-02-000	EA	Mullion - Horizontal - Black
5	081239-01-000	EA	Glass - 1.8" x 25.7" x 17" - Stationary
.	035302-02-000	EA	Operators Mech - Slant - Left
.	002291-02-000	SF	Screen - 16" Window - Charcoal
.	002298-02-000	FT	Spline - 130 Dia. - Charcoal
.	068927-03-000	EA	Rubber Seal - .31 x 80
.	081243-01-000	EA	Clip - Screen - Black Plastic
.	081357-01-000	FT	Foam Seal - Vinyl
.			Not illustrated

WINDOW, VENT & EXTERIOR DOOR GROUP (CONTINUED)



Key	Part Number	U/M	Description
1	076648-03-000	EA	Window Asm. - Escape (w/o inside frame)
.	076650-03-000	EA	Inside Frame - Brown (not included in assembly)
2	076337-03-000	EA	Glass - 1/8" x 44.8" x 28.7"
3	002285-01-000	FT	Filler - Weatherstrip - Black
4	069640-04-000	FT	Tape - 2" Bead x 45'
5	002282-01-000	FT	Weatherstrip - Window - .125" Black
.			Not illustrated

**1987 WINNEBAGO
TABLE OF CONTENTS**

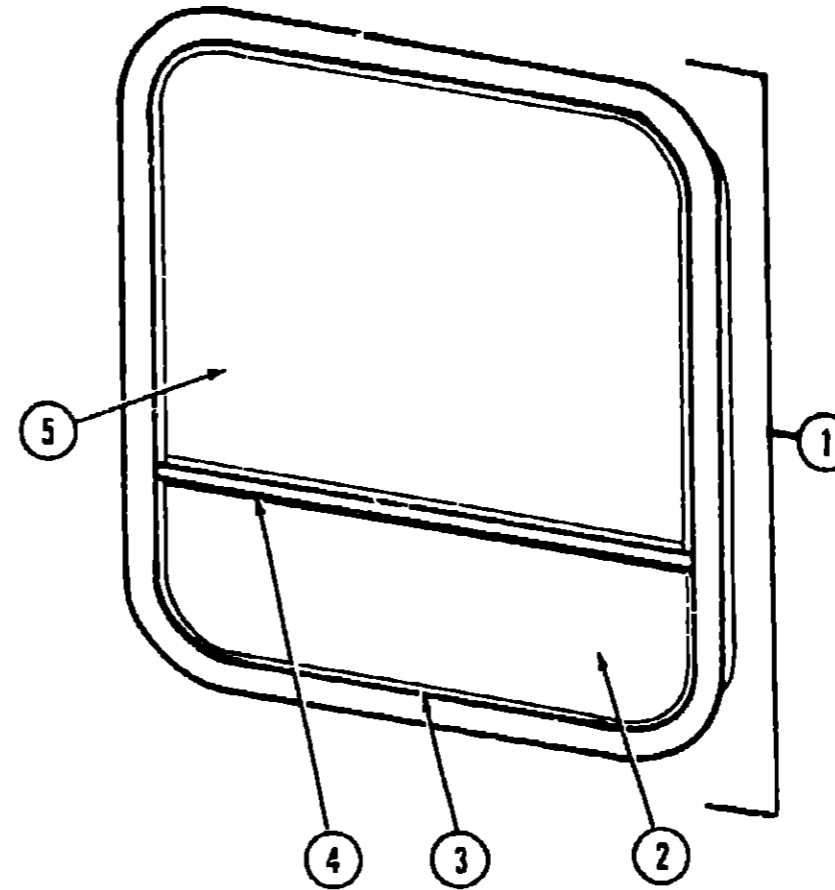
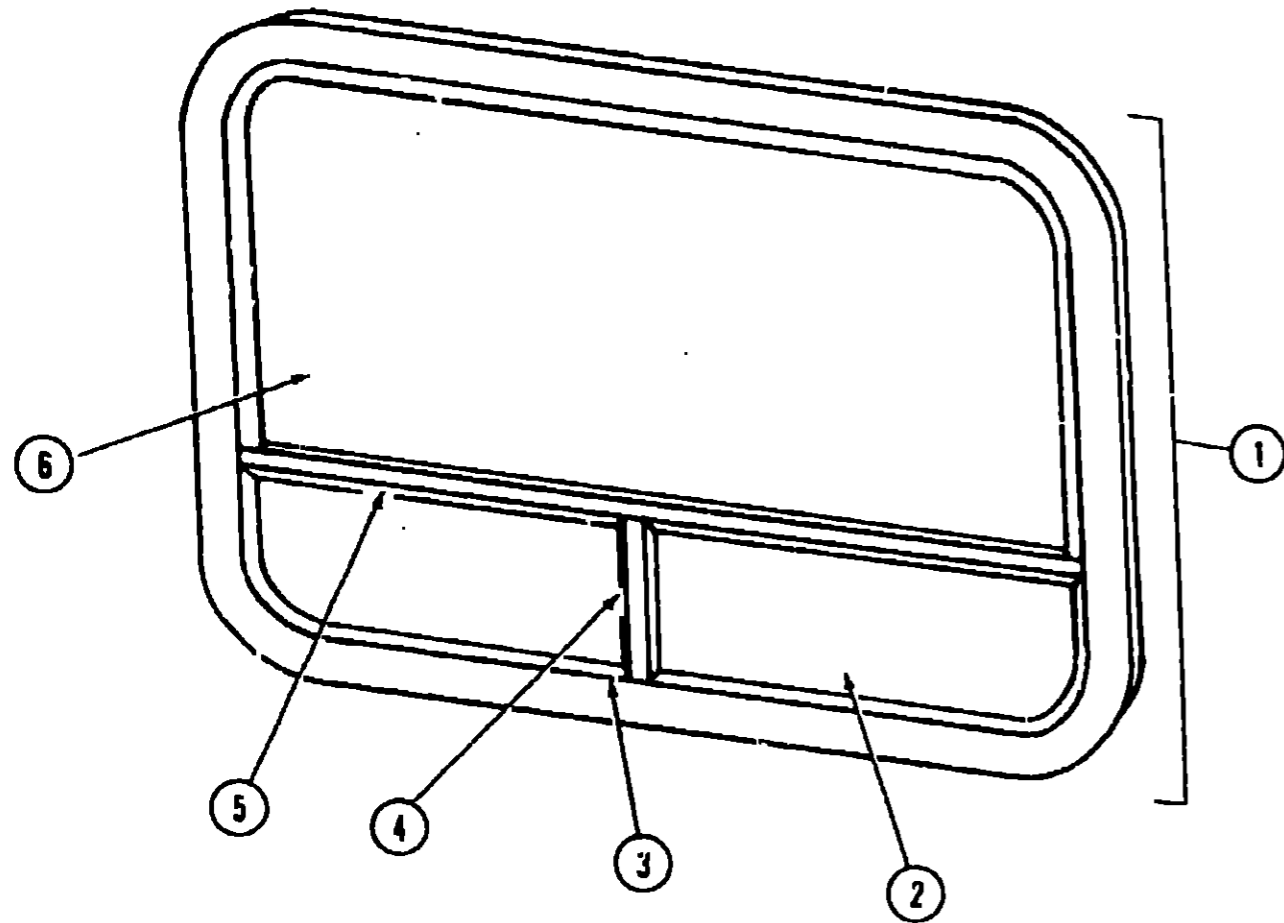
WT319RB	A-01 - B-16
WCN22RC	B-17 - D-24
WC421RB	E-01 - F-24
WCP37RQ	G-01 - I-14

1987 WCP37RQ INDEX

Floor Plan	G-01 - G-02
Accessories Group	G-03 - G-06
Bath Group	G-07 - G-08
Chassis Group	G-09 - G-12
Curtain, Cushion & Pad Group	G-13 - G-20
Dinette Group	G-21 - G-23
Driver's Compartment Group	G-24 - H-04
Electrical Group	H-05 - H-07
Exterior Body Group	H-08 - H-14
Galley Group	H-15 - H-17
Heating & Air Conditioning Group	H-18
Interior Finish Group	H-19 - H-21
LP Group	H-22
Lounge Group	H-23 - I-01
Water & Sewage Group	I-02
Window, Vent & Exterior Door Group	I-03 - I-14

WINDOW, VENT & EXTERIOR DOOR GROUP (CONTINUED)

WINDOW, VENT & EXTERIOR DOOR GROUP (CONTINUED)



Key	Part Number	U/M	Description
1	085354-01-W07	EA	Window Asm - Double Tipout (w/o inside frame)
•	081822-05-000	EA	Inside Frame - Black (not included in assembly)
2	084068-04-000	EA	Glass - 1/8" x 9.24" x 30.39" - Tipout
•	084581-01-W07	EA	Screen Asm - Tipout - Right
•	084581-02-W07	EA	Screen Asm - Tipout - Left
3	084067-01-000	FT	Seal - "e" - Sponge Rubber
4	084154-01-000	EA	Mullion - Vertical - Black
•	084066-01-000	FT	Bulb Seal - Double - Sponge Rubber
5	083112-05-000	EA	Mullion - Horizontal - Black
•	081357-01-000	FT	Foam Seal - Vinyl
6	081239-02-000	EA	Glass - 1/8" x 61.77" x 23" - Stationary
•	002291-02-000	SF	Screen - 16" Window
•	002298-02-000	FT	Spline - .130 Dia - Charcoal (Screen)
•	061243-01-000	EA	Clip - Screen - Plastic
•	080918-01-000	EA	Spring - Torque Tube - Right
•	080918-02-000	EA	Spring - Torque Tube - Left
•	035302-01-000	EA	Operating Mech - Right
•	035302-02-000	EA	Operating Mech - Left
•	Not illustrated		

Key	Part Number	U/M	Description
1	085353-01-W07	EA	Window Asm - Single (w/o inside frame)
•	081822-01-000	EA	Inside Frame - Black (not included in assembly)
2	084068-03-000	EA	Glass - 1/8" x 9.24" x 30.39" - Tipout
•	084580-01-W07	EA	Screen Asm - Tipout Window - Single
3	084473-01-000	EA	Seal - Rubber - Tipout Window
4	083112-01-000	EA	Mullion - Horizontal - Black
5	081239-01-000	EA	Glass - 1/8" x 25.7" x 17" - Stationary
•	035302-02-000	EA	Operators Mech - Slant - Left
•	002291-02-000	SF	Screen - 16" Window - Charcoal
•	002298-02-000	FT	Spline - .130 Dia - Charcoal
•	068927-03-000	EA	Rubber Seal - .31 x .80
•	081243-01-000	EA	Clip - Screen - Black Plastic
•	081357-01-000	FT	Foam Seal - Vinyl
•	Not illustrated		

**1987 WINNEBAGO
TABLE OF CONTENTS**

WT319RB
WCN22RC
WC421RB
WCP37RQ

A-01 - B-16
B-17 - D-24
E-01 - F-24
G-01 - I-14

1987 WCP37RQ INDEX

Floor Plan	G-01 - G-02
Accessories Group	G-03 - G-06
Bath Group	G-07 - G-08
Chassis Group	G-09 - G-12
Curtain, Cushion & Pad Group	G-13 - G-20
Dinette Group	G-21 - G-23
Driver's Compartment Group	G-24 - H-04
Electrical Group	H-05 - H-07
Exterior Body Group	H-08 - H-14
Galley Group	H-15 - H-17
Heating & Air Conditioning Group	H-18
Interior Finish Group	H-19 - I-21
LP Group	H-22
Lounge Group	H-23 - I-01
Water & Sewage Group	I-02
Window, Vent & Exterior Door Group	I-03 - I-14

WINDOW, VENT & EXTERIOR DOOR GROUP (CONTINUED)

WINDSHIELD & VENT WINDOWS

Key	Part Number	U/M	Description
	074887-01-000	EA	Glass - Windshield - Passenger
	074887-02-000	EA	Glass - Windshield - Driver
	076671-01-000	EA	Glass - Front Corner - Driver
	076671-02-000	EA	Glass - Front Corner - Passenger
	083179-01-000	FT	Reveal Molding - Windshield - Passenger or Driver
	083178-01-000	FT	Reveal Molding - Center Windshield or Front Corner Glass
	076844-02-000	EA	T-Cap Reveal Molding - Center Windshield
	076841-02-000	EA	Cap - Reveal Molding - Front Corner Glass - Upper
	076842-02-000	EA	Cap - Reveal Molding - Front Corner Glass - Lower

ACCESS DOORS & HARDWARE

Key	Part Number	U/M	Description
	085040-01-W13	EA	Door Asm. - Generator
	085040-02-W13	EA	Door Asm. - Luggage
	085037-01-W13	EA	Panel Asm. - Valance (Luggage Door)
	085037-02-W13	EA	Panel Asm. - Valance (Luggage Door)
	085037-03-W13	EA	Panel Asm. - Valance (Luggage Door)
	085031-01-W13	EA	Door Asm. - LP
	084141-01-W13	EA	Door Asm. - Refrigerator
	085034-01-W13	EA	Door Asm. - Storage
	052009-02-000	EA	Door Asm. - Water Heater
	078010-01-000	EA	Door Asm. - Fuel Fill
	078200-01-000	EA	Gasket - Fuel Fill
	079368-01-000	FT	Seal - Bulb
	077941-01-000	EA	Seal - Rubber - Flat w/Slit
	086755-01-000	EA	Lock Asm. - Twist Type (Battery)
	042442-01-000	EA	Lock Asm. - Twist Type
	077486-02-000	EA	Lock Asm. - Key Type (Storage)
	042442-02-000	EA	Lock Asm. - Twist Type (Generator)
	052950-01-000	EA	Lock Asm. - Twist Type (Refrigerator)
	052951-01-000	EA	Clip - Twist Lock - Retainer
	085730-01-000	EA	Latch Asm. - Paddle - Plastic w/Key Lock (Panel Asm.)

WINDOW, VENT & EXTERIOR DOOR GROUP (CONTINUED)

VENTS & DOMES

Key	Part Number	U/M	Description
	084073-01-000	EA	Cap - Refrigerator Vent - Beige
	084073-04-000	EA	Roof Base - Refrigerator Vent
	084616-02-000	EA	Shroud - Range Hood Vent - Beige
	084878-05-000	EA	Vent - Range Hood - Sidewall - Curved
	075056-01-000	EA	Vent Asm. - Roof - Non-Powered - w/o Screen
	078786-01-T03	EA	Screen Asm. - Non-Powered Roof Vent
	055218-01-000	EA	Cover Asm. - Roof Vent
	064469-06-000	EA	Vent - Power Roof w/o Light - Off White
	064470-01-000	EA	Vent - Roof - Plastic - Off White
	084079-01-000	EA	Ceiling Vent - Powered - Exhaust
	084079-01-700	EA	Vent - Cover
	084079-01-701	EA	Screen Asm. - White
	084079-01-702	EA	Arm Lift Asm.
	084079-01-703	EA	Crank - Exterior
	084079-01-704	EA	Fan Blade
	084079-01-705	EA	Motor
	084079-01-706	EA	Plug - 12 Volt
	084076-01-707	EA	Switch - Safety
	084076-01-708	EA	Switch - Reverse
	084076-01-709	EA	Switch - On/Off
	084076-01-710	EA	Thermostat
	077902-01-000	EA	Collar - Skylite
	081171-01-000	EA	Trim - Skylite - Mill Finish
	080910-01-000	EA	Outer Panel - Skylite

**1987 WINNEBAGO
TABLE OF CONTENTS**

WT319RB	A-01 - B-16
WCN22RC	B-17 - D-24
WC421RB	E-01 - F-24
WCP37RQ	G-01 - I-14

1987 WCP37RQ INDEX

Floor Plan	G-01 - G-02
Accessories Group	G-03 - G-06
Bath Group	G-07 - G-08
Chassis Group	G-09 - G-12
Curtain, Cushion & Pad Group	G-13 - G-20
Dinette Group	G-21 - G-23
Driver's Compartment Group	G-24 - H-04
Electrical Group	H-05 - H-07
Exterior Body Group	H-08 - H-14
Galley Group	H-15 - H-17
Heating & Air Conditioning Group	H-18
Interior Finish Group	H-19 - H-21
LP Group	H-22
Lounge Group	H-23 - I-01
Water & Sewage Group	I-02
Window, Vent & Exterior Door Group	I-03 - I-14