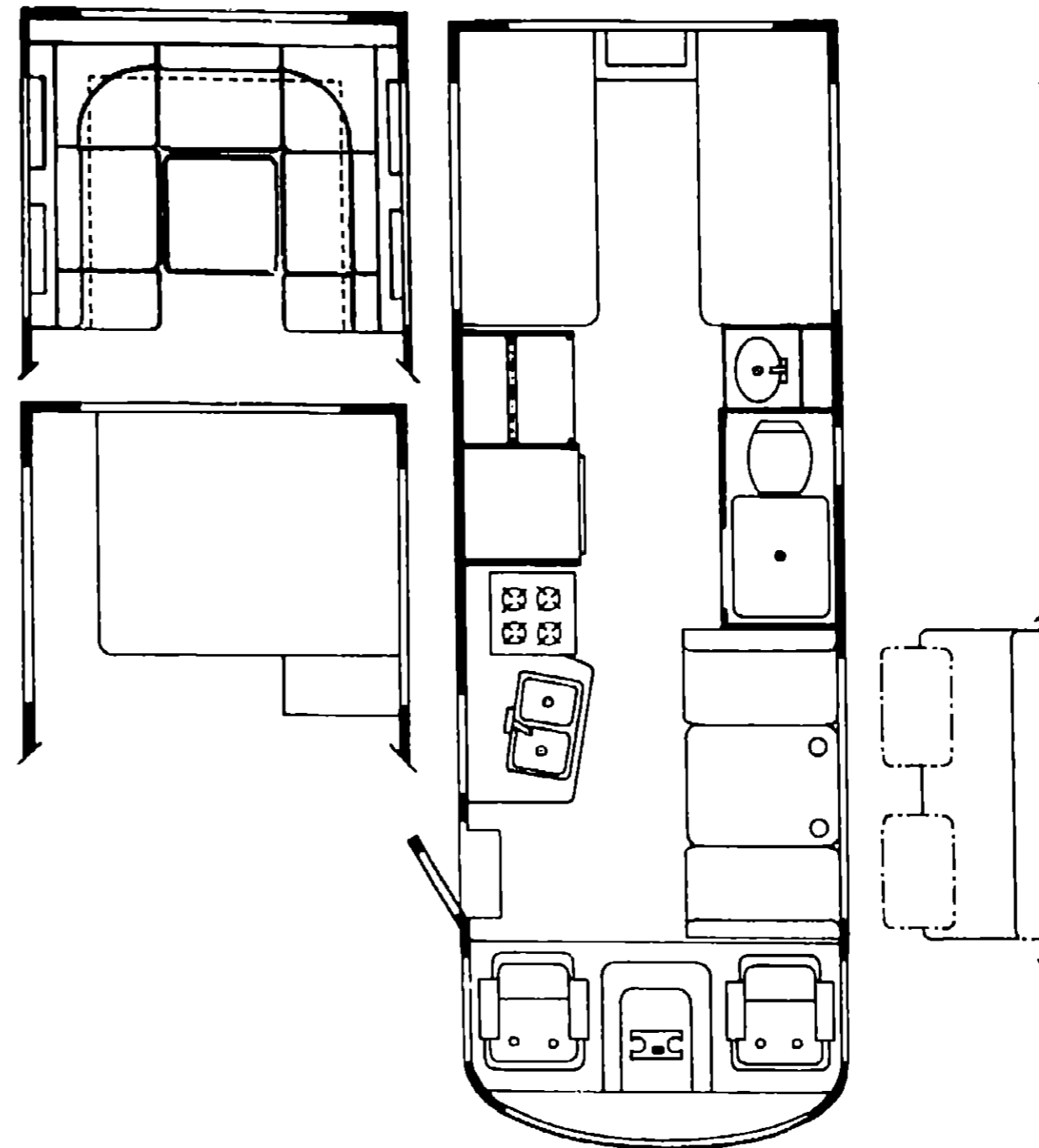


1987 WCP26ET



1987 WINNEBAGO TABLE OF CONTENTS

WC420EG	A-01 - B-08
WF426RT	B-07 - D-10
WCN26RH	D-11 - F-14
WCN27RT	F-15 - H-20
WCP26ET	H-21 - K-02

1987 WCP26ET INDEX

Floor Plan	H-21 - H-22
Accessories Group	H-23 - H-24
Bath Group	I-01
Chassis Group	I-02 - I-04
Curtain, Cushion & Pad Group	I-05 - I-13
Dinette Group	I-14
Driver's Compartment Group	I-15 - I-18
Electrical Group	I-19 - I-22
Exterior Body Group	I-23 - J-04
Galley Group	J-05 - J-06
Heating & Air Conditioning Group	J-07
Interior Finish Group	J-08 - J-10
LP Group	J-11
Lounge Group	J-12
Water & Sewage Group	J-13
Window, Vent & Exterior Door Group	J-14 - K-02

ACCESSORIES GROUP

EXTERIOR MIRRORS

Key	Part Number	U/M	Description
	077051-03-000	EA	Mirror Asm. - Exterior - Passenger Side
	077051-04-000	EA	Mirror Asm. - Exterior - Drivers Side
	086236-01-000	EA	Gasket - Exterior Mirror Mounting - Passenger Side
	086236-02-000	EA	Gasket - Exterior Mirror Mounting - Drivers Side
	077051-04-700	EA	Mirror - Glass - 7.8" x 12.12"
	077051-04-701	EA	Glass - Convex - w/Bezel
	049347-01-000	EA	Mirror Head - 7.5" x 10.5" - SST
	049348-03-000	EA	Arm Asm. - Low Mount - Mirror - Black

RADIO & RELATED COMPONENTS

Key	Part Number	U/M	Description
	077069-01-000	EA	Antenna - Radio
	031105-01-700	EA	Holder - Antenna - Radio - Upper
	064791-01-000	EA	Speaker - Recessed - 5.25"
	064792-01-000	EA	Grille - Speaker - 5.25" - w/Mesh - Brown
	073741-01-000	EA	Speaker - 4" x 6" - Oval
	073431-01-000	EA	Speaker - 5.25" - 3 Way (Pair)
	074979-01-000	EA	Speaker Cover Protector - Plastic
	075903-01-000	EA	Radio - AM/FM MPX - w/Cassette
	075904-01-000	EA	Radio - AM/FM Stereo Cassette - Electric Tuning
†	067683-01-000	EA	Radio - AM/FM/Stereo w/Cassette
†	067684-01-000	EA	Radio - AM/FM/Stereo w/Cassette - Electronic Tuning

† Used in units produced after 1/25/87.

OPTIONAL ELECTRIC STEP & COMPONENTS

Key	Part Number	U/M	Description
**	075461-01-000	EA	Step Asm. - Electric (Kwikkee)
	075461-01-700	EA	Motor
	041250-01-000	EA	Door Switch
	075461-01-704	EA	Under Step Control Unit
	075461-01-705	EA	4-Way Plug (Dash End)
	075461-01-706	EA	Kill Switch
	075461-01-707	EA	Step Light
	075461-01-708	EA	4-Way Plug (Control Box End)
	075461-01-709	EA	90° Plug
	075461-01-710	EA	Gear
	075461-01-711	EA	Drive Link
†	068746-01-000	EA	Step Asm. - Electric (Kwikkee)

† Used in units produced after 4/13/87.

** The illustrated parts breakdown for this item is provided on the Common Items Fiche.

OPTIONAL WHEEL LINERS & COMPONENTS (CHROME)

Key	Part Number	U/M	Description
	085741-03-000	EA	Liners - 16" Wheel (Set/4)
	085741-03-703	EA	Liner - Rear - 16" Wheel (1)
	085741-03-704	EA	Liner - Front - 16" Wheel (1)
†	086271-04-000	EA	Liners - 16" Wheel (Set/4)
†	086271-04-700	EA	Liner - Front - 16" Wheel (1)
†	086271-04-701	EA	Liner - Rear - 16" Wheel (1)
†	086271-04-702	EA	Cover - Front Axle - 16" Wheel (1)
†	086271-04-703	EA	Cover - Rear Axle - 16" Wheel (1)
†	086271-04-704	EA	Cover - Lug Nut

† Used in units produced after 2/22/87.

ACCESSORIES GROUP (CONTINUED)

OPTIONAL FOG LAMP & COMPONENTS

Key	Part Number	U/M	Description
	079941-01-000	EA	Lamp Asm. - Fog w/Cover - Amber
	079941-01-700	EA	Lamp Asm. - Fog - Set of 2
	079941-01-701	EA	Lens and Cover Only
	079941-01-702	EA	Switch - Fog Lights
	079941-01-703	EA	Solenoid
	079941-01-704	EA	Switch Plate - For Switch

OPTIONAL STEERING WHEEL

Key	Part Number	U/M	Description
	080752-05-000	EA	Steering Wheel - Custom
	080752-06-000	EA	Hub Adapter - Steering Wheel
	080752-07-000	EA	Button - Horn - w/Wire
	080752-08-000	EA	Screw - Custom Steering Wheel

GENERATORS & COMPONENTS

Key	Part Number	U/M	Description
	079654-03-000	EA	Generator - Onan/Emerald - 4.0 kw
	701629-02-000	EA	Onan Installation Package
	084455-01-016	EA	Tailpipe - 1.5" O.D. x 43.5"
	083151-01-000	EA	Muffler - Generator
	068046-01-000	EA	Conversion Kit - LP - Onan Generator

OPTIONAL MICROWAVE/CONVECTION OVEN & COMPONENTS

Key	Part Number	U/M	Description
	081379-01-000	EA	Microwave/Convection Oven - Sharp
	081459-05-000	EA	Bracket Asm. - Microwave - Right
	081459-06-000	EA	Bracket Asm. - Microwave - Left
	081456-01-000	EA	Angle Asm. - Microwave - Right
	081456-02-000	EA	Angle Asm. - Microwave - Left
	081555-01-T03	EA	Trim Asm. - Microwave
	082876-01-000	EA	Baffle Asm. - Microwave

MISCELLANEOUS ACCESSORIES

Key	Part Number	U/M	Description
	054185-26-000	EA	Owners Manual - 1987 - Winnebago & Itasca
**	076319-01-000	EA	Antenna - TV - 44.5" Mast
	017516-01-000	EA	Mud Flap - 14" x 18" - Rear - Black
	017516-02-000	EA	Mud Flap - 14" x 12" - Front - Black
	041944-03-000	EA	Fire Extinguisher w/Mounting Bracket
	041944-04-000	EA	Fire Extinguisher - 5 BC
	072852-01-000	EA	Smoke Detector w/9 Volt Battery
	006069-01-000	EA	Key Case - Leather
	080208-01-000	EA	Lug Wrench
	080208-02-000	EA	Leverage Bar - Lug Wrench
	005113-01-000	EA	Jack - Hydraulic - 6 Ton - w/Handle
	007038-01-000	EA	Door Mat - 10.5" x 26" - Black
	081072-01-000	EA	Door Mat - Front - Right - "Winnebago"
	081074-01-000	EA	Door Mat - Front - Left - "Winnebago"
	081075-01-000	EA	Door Mat - Entrance - "Winnebago"
	079942-01-000	EA	Shock Absorber - Stabilizer - Front
	079942-02-000	EA	Shock Absorber - Stabilizer - Rear
	084086-01-000	EA	Air Spring Bellows - Rear Axle (Pair)
	036120-02-000	EA	Defroster Fan - 6" - 2 Speed Fan
	077988-01-000	EA	Bracket - Defroster Fan - Right
	077988-02-000	EA	Bracket - Defroster Fan - Left
**	075461-01-000	EA	Step Asm. - Electric (Kwikkee)
	083181-01-000	EA	Wheel Covers - 16" (Set/4)
**	083181-01-700	EA	Wheel Cover - 16" (1)

** The illustrated parts breakdown for this item is provided on the Common Items Fiche.

1987 WINNEBAGO TABLE OF CONTENTS

WC120EG	A-01 - B-08
WF426RT	B-07 - D-10
WCN26RH	D-11 - F-14
WCN27RT	F-15 - H-20
WCP26ET	H-21 - K-02

1987 WCP26ET INDEX

Floor Plan	H-21 - H-22
Accessories Group	H-23 - H-24
Bath Group	I-01
Chassis Group	I-02 - I-04
Curtain, Cushion & Pad Group	I-05 - I-13
Dinette Group	I-14
Driver's Compartment Group	I-15 - I-18
Electrical Group	I-19 - I-22
Exterior Body Group	I-23 - J-04
Galley Group	J-05 - J-06
Heating & Air Conditioning Group	J-07
Interior Finish Group	J-08 - J-10
LP Group	J-11
Lounge Group	J-12
Water & Sewage Group	J-13
Window, Vent & Exterior Door Group	J-14 - K-02

BATH GROUP

BATH & WARDROBE CABINETRY

Key	Part Number	U/M	Description
	M83964-01-W10	EA	Cabinet Asm. - Lavatory w/o Countertop, Doors or Hardware
	M02672-01-W10	EA	Countertop Asm. - Lavatory
	M02672-01-W11	EA	Countertop Asm. - Lavatory
	M02672-01-W12	EA	Countertop Asm. - Lavatory
	M82424-01-W10	EA	Door Asm. - Lavatory Cabinet - w/o Hardware (Upper)
†	M88304-27-W10	EA	Door Asm. - Lavatory Cabinet - w/o Hardware (Upper)
	M81501-A7-W10	EA	Door Asm. - Lavatory Cabinet (Lower)
†	M88304-52-W10	EA	Door Asm. - Lavatory Cabinet (Lower)
	M81501-A4-W10	EA	Door Asm. - Wardrobe Cabinet - Upper - w/o Hardware
†	M88304-54-W10	EA	Door Asm. - Wardrobe Cabinet - Upper - w/o Hardware
	M81501-A5-W10	EA	Door Asm. - Wardrobe Cabinet - Lower - w/o Hardware
†	M88304-55-W10	EA	Door Asm. - Wardrobe Cabinet - Lower - w/o Hardware
†	Used in units produced after 3/15/87.		

BATH & WARDROBE HARDWARE

Key	Part Number	U/M	Description
	075240-03-000	EA	Faucet - Lavatory
	075241-03-000	EA	Faucet - Shower
	075606-01-000	EA	Panel - Shower Faucet
	058713-01-000	EA	Sink Oval - Ivory Plastic
	M02630-04-W13	EA	Shower Pan Asm. - w/Strainer
	009059-01-000	EA	Hinge - 2" Gold
	059777-02-000	EA	Hinge - Brass
	075687-02-000	EA	Knob Asm. - Bath Door
	039873-01-700	EA	Nylon Catch & Spring Steel Strike
	011069-03-000	EA	Tail Piece 1.5" x 1.75" - Plastic
	011048-02-000	EA	Shower Head - w/60" Hose
	066729-01-000	EA	Strainer - Shower Pan & Tub
	066436-01-000	EA	Slip Nut - 1.5" Tail Piece - Bathtub
	066435-01-000	EA	Nut - Strainer - Plastic
	075452-02-000	EA	Holder - Tissue
	075453-02-000	EA	Bar - Towel Rack
	075454-02-000	EA	Towel Ring - Brass
	057671-01-000	EA	Screw Cover (No. 8)
	058331-01-000	EA	Mirror - Tempered Glass - 19" x 26"
	058331-05-000	EA	Mirror - Tempered Glass - 12" x 26"
	058331-04-000	EA	Mirror - Tempered Glass - 12" x 42"
	058331-21-000	EA	Mirror - Tempered Glass - 17.1" x 32.9"
	083204-02-000	EA	Mirror Button - Retainer
	067487-01-000	EA	Toilet - Thetford - Aqua IV - Ivory - Low
	081614-01-000	EA	Soap Dish
	077551-04-000	EA	Track - Divider Curtain - Front & Rear - 36"
	077404-01-000	EA	Drawer - Wardrobe - 20" x 12.7" - Plastic
	077409-01-000	EA	Slide - Drawer - 20.75" - Plastic
	084257-01-U25	EA	Shelf Asm. - Bath

** The illustrated parts breakdown for this item is provided on the Common Illustration Fiche.

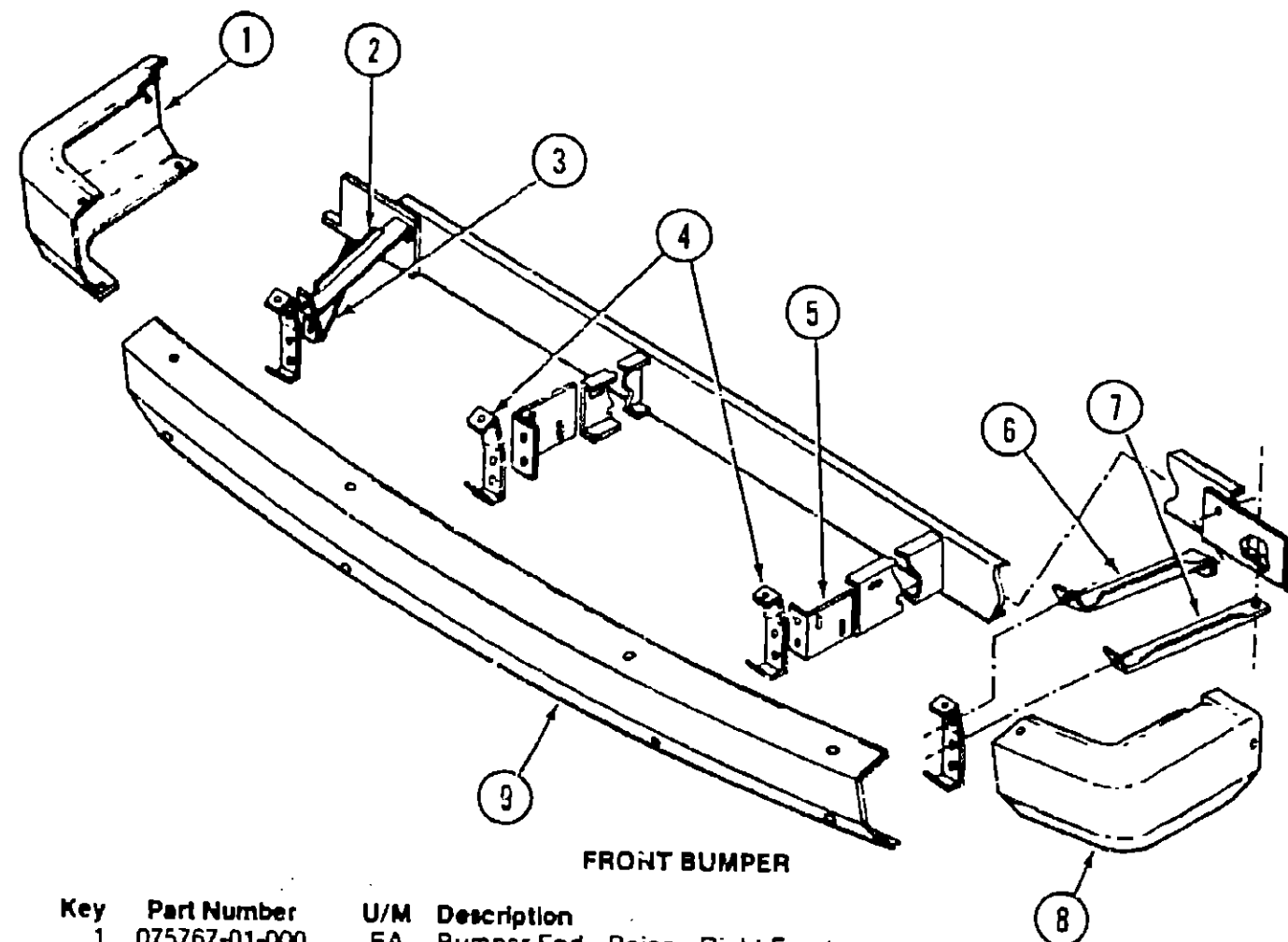
CHASSIS GROUP

MISCELLANEOUS

Key	Part Number	U/M	Description
	084086-01-000	EA	Air Spring Bellows - Rear Axle
	077995-02-000	EA	Baffle - Radiator - Upper
	084419-01-000	EA	Filler Neck - Fuel - Lower
	078010-01-000	EA	Door Asm. & Upper Shroud - Fuel Fill
	083578-01-000	EA	Boot - Fuel Fill
	078032-01-000	EA	Shroud - Fuel Fill - Inside
	084177-01-000	EA	Wheel Well - Plastic - Rear - Left/Right
	065450-04-000	EA	Battery Tie Down - Plastic Coated
	077848-01-000	EA	Step Asm. - Entry
	008348-01-000	EA	Battery Terminal
	077479-02-000	EA	Battery Terminal Boot
	020167-03-000	EA	Dirt Guard - Wheel Well
	050273-02-000	EA	Tire - 7.50 x 16 - XCA Radial - Tubeless - Michelin
	040546-01-000	EA	Tire - 7.50 x 16 - 8 Ply - Tubed
	007131-01-000	EA	Tailpipe Hanger
	007125-07-000	EA	Clamp Asm. - Muffler - 2.5"
	Remainder of exhaust components available from chassis service center		

1987 WINNEBAGO TABLE OF CONTENTS

WC420EG	A-01 - B-06
WF426RT	B-07 - D-10
WCN26RH	D-11 - F-14
WCN27RT	F-15 - H-20
WCP26ET	H-21 - K-02



FRONT BUMPER

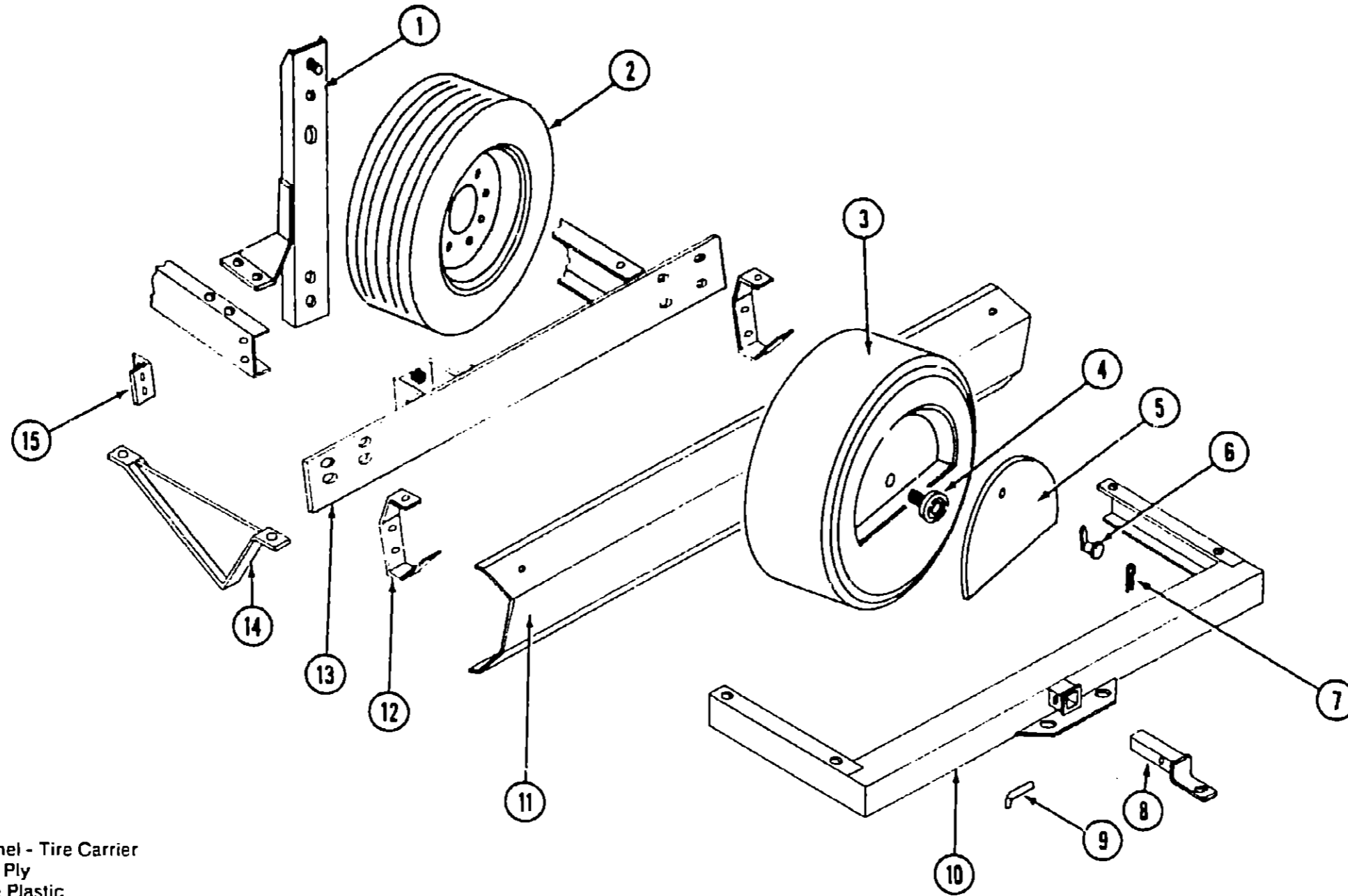
Key	Part Number	U/M	Description
1	075767-01-000	EA	Bumper End - Beige - Right Front
2	077853-01-000	EA	Brace - Upper Right - Front Bumper
3	077854-01-000	EA	Brace - Lower Right - Front Bumper
4	077852-01-000	EA	Bracket - Bumper - Front
5	076527-01-000	EA	Bracket to Frame - Front Bumper
6	077853-02-000	EA	Brace - Upper Left - Front Bumper
7	077854-02-000	EA	Brace - Lower Left - Front Bumper
8	075767-03-000	EA	Bumper End - Beige - Left Front
9	077850-02-000	EA	Bumper - Front - Beige
	077850-01-000	EA	Bumper - Front - Chrome
*	005200-01-000	EA	Carriage Bolt - Chrome - 7/16" x 14 x 1 1/4"
*	Not illustrated		

1987 WCP26ET INDEX

Floor Plan	H-21 - H-22
Accessories Group	H-23 - H-24
Bath Group	I-01
Chassis Group	I-02 - I-04
Curtain, Cushion & Pad Group	I-05 - I-13
Dinette Group	J-14
Driver's Compartment Group	I-15 - I-18
Electrical Group	I-19 - I-22
Exterior Body Group	I-23 - J-04
Galley Group	J-05 - J-06
Heating & Air Conditioning Group	J-07
Interior Finish Group	J-08 - J-10
LP Group	J-11
Lounge Group	J-12
Water & Sewage Group	J-13
Window, Vent & Exterior Door Group	J-14 - K-02

CHASSIS GROUP (CONTINUED)

SPARE TIRE, REAR BUMPER & HITCH



Key	Part Number	U/M	Description
1	080378-02-000	EA	Bracket - U-Channel - Tire Carrier
2	040546-01-000	EA	Tire - 7.50 x 16 - 8 Ply
3	079762-01-000	EA	Tire Cover - Beige Plastic
4	064082-02-000	EA	Nut - Tire Cover Retainer - Delmet
5	M02047-01-T03	EA	Door - Tire Cover - Beige Plastic
6	077408-01-000	EA	Lock Asm. - Key Type
7	J34513-01-000	EA	Pin - Hitch - 3/16" Wire
8	077613-01-000	EA	Drawbar - Ball Mount
9	034512-01-000	EA	Locking Pin - Drawbar
10	077617-01-700	EA	Hitch Asm. - w/o Drawbar
11	078584-01-000	EA	Bumper - Rear - Primed
.	084614-01-000	EA	Bumper End - Right
.	084614-02-000	EA	Bumper End - Left
12	078670-02-000	EA	Bracket to Bumper - Rear
13	079129-02-000	EA	Bracket to Frame - Rear Bumper
14	083376-01-000	EA	Skid Plate Asm.
15	078668-01-000	EA	Support Angle - Rear Bumper Support to Frame
.	005200-01-000	EA	Bumper Bolt - 7/16" - 14 x 1 1/4
.			Not illustrated

1987 WINNEBAGO TABLE OF CONTENTS

WC420EG	A-01 - B-08
WF426RT	B-07 - D-10
WCN26RH	D-11 - F-14
WCN27RT	F-15 - H-20
WCP26ET	H-21 - K-02

1987 WCP26ET INDEX

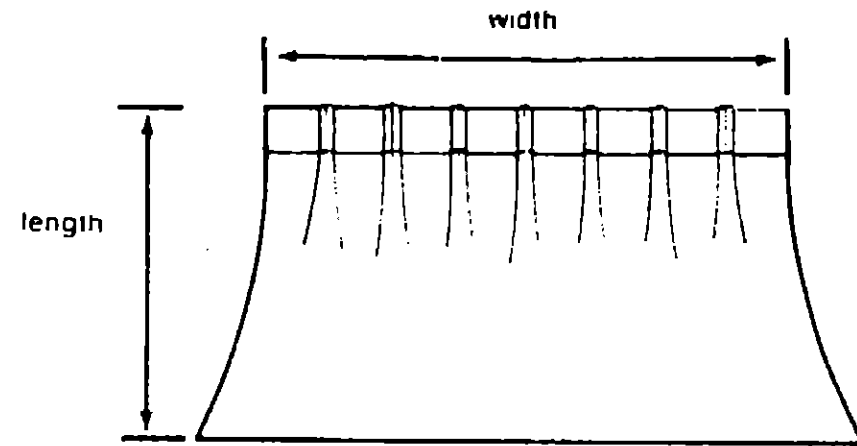
Floor Plan	H-21 - H-22
Accessories Group	H-23 - H-24
Bath Group	I-01
Chassis Group	I-02 - I-04
Curtain, Cushion & Pad Group	I-05 - I-13
Dinette Group	I-14
Driver's Compartment Group	I-15 - I-18
Electrical Group	I-19 - I-22
Exterior Body Group	I-23 - J-04
Galley Group	J-05 - J-06
Heating & Air Conditioning Group	J-07
Interior Finish Group	J-08 - J-10
LP Group	J-11
Lounge Group	J-12
Water & Sewage Group	J-13
Window, Vent & Exterior Door Group	J-14 - K-02

CURTAIN CUSHION & PAD GROUP

NOTICE

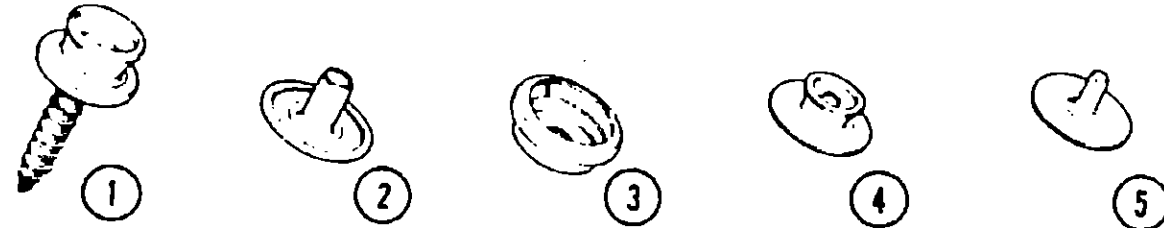
In order to assist our Parts Sales Dept. in providing interior software items, please include the serial number and the color code number from the vehicle certification label when ordering. This label is located on the left sidewall at the end of the dash (A-Body), or on the driver's door latch plate (C-Body).

An example of a color code number is P31, which designates an overall color scheme of a particular unit. The color listed after the item description on the microfiche, indicates the overall unit color. Order the item you desire according to unit color code.



NOTE:

Use this illustration when determining length and width measurements for curtains. You will note the width measurement is taken on the top of the curtain with the curtain fully extended. The length measurement is taken from top to bottom.



Key	Part Number	U/M	Description
1	029130-01-000	EA	Socket - Snap Fastener
2	029155-01-000	EA	Cap - Snap - .156" Dia. x .17" Barrel
3	029156-01-000	EA	Socket - Snap Fastener
4	029092-01-000	EA	Stud - Nickel Finish
5	029093-01-000	EA	Eyelet - Nickel Finish

CURTAIN, CUSHION & PAD GROUP (CONTINUED)

CURTAIN HARDWARE

Key	Part Number	U/M	Description
	056116-01-000	EA	Track - Curtain - Brown - Plastic
	077046-01-000	EA	Track - Curtain - Front Wraparound - Passenger
	077046-02-000	EA	Track - Curtain - Front Wraparound - Drivers
	062677-01-000	EA	Bracket - Shade
	056003-01-000	EA	Bracket - Drapery Retainer - Right
	056003-02-000	EA	Bracket - Drapery Retainer - Left
	056003-03-000	EA	Bracket - Drapery Retainer - Universal
	067253-01-000	EA	Pull - Window Shade - Clear
	056115-02-000	YD	Tape - Clear Plastic - w/Guides
	048394-02-000	YD	Tape Hook - .75" x 50 YD - Beige (Velcro)
	048395-02-000	YD	Tape Loop - .75" x 50 YD - Beige (Velcro)
	065283-01-000	EA	Drapery Holdbacks - Plastic
	052327-06-202	EA	Track - Curtain - Ceiling - 89" - Off White

FABRICS, TRIMS & PADS

Key	Part Number	U/M	Description
	077498-91-000	YD	Fabric - Main w/Pattern - Jade/Taupe (W07)
	074498-92-000	YD	Fabric - Main w/Pattern - Rose (W08)
	077498-93-000	YD	Fabric - Main w/Pattern - Taupe (W09)
	074498-95-000	YD	Fabric - Plain Accent - Jade/Taupe (W07)
	074498-61-000	YD	Fabric - Plain Accent - Rose (W08)
	074498-96-000	YD	Fabric - Plain Accent - Taupe (W09)
	069729-47-000	YD	Fabric - Bedspread/Drapery - Jade/Taupe (W07)
	069729-48-000	YD	Fabric - Bedspread/Drapery - Rose (W08)
	069729-49-000	YD	Fabric - Bedspread/Drapery - Taupe (W09)
	072333-34-000	YD	Fabric - Bedroom Accent/Tieback - Jade/Taupe (W07)
	072333-35-000	YD	Fabric - Bedroom Accent/Tieback - Rose (W08)
	072333-36-000	YD	Fabric - Bedroom Accent/Tieback - Taupe (W09)
†	072333-47-000	YD	Fabric - Drapery - Jade/Taupe (W10)
	072333-39-000	YD	Fabric - Drapery - Jade/Taupe (W10)
	072333-37-000	YD	Fabric - Drapery - Rose (W11)
	072333-38-000	YD	Fabric - Drapery - Taupe (W12)
	087272-01-000	YD	Fabric - Drapery Lining - Ivory - 48"
	072333-44-000	YD	Fabric - Drapery - Natural (Pull Shades)
	079680-01-000	YD	Vinyl - Expanded - 26 oz. - Buckskin
	079680-02-000	YD	Vinyl - Expanded - 26 oz. - Sandrift
	038421-02-000	YD	Fabric - Mattress Ticking - Beige/Brown
	038421-04-000	YD	Fabric - Mattress Ticking - Cashew
	071127-10-W04	EA	Button Asm. - Round Hook - #30 - Jade/Taupe (W07)
	071127-10-W05	EA	Button Asm. - Round Hook - #30 - Rose (W08)
	071127-10-W06	EA	Button Asm. - Round Hook - #30 - Taupe (W09)
	078155-01-000	EA	Strap Asm. - Cushion
	079144-02-W10	EA	Strap Asm. - Bunk
	081519-01-W04	EA	Pad Asm. - Dinette - Front - Jade/Taupe (W07)
	081519-01-W05	EA	Pad Asm. - Dinette - Front - Rose (W08)
	081519-01-W06	EA	Pad Asm. - Dinette - Front - Taupe (W09)
	081519-02-W04	EA	Pad Asm. - Dinette - Rear - Jade/Taupe (W07)
	081519-02-W05	EA	Pad Asm. - Dinette - Rear - Rose (W08)
	081519-02-W06	EA	Pad Asm. - Dinette - Rear - Taupe (W09)

† Used in units produced after 2/1/87.

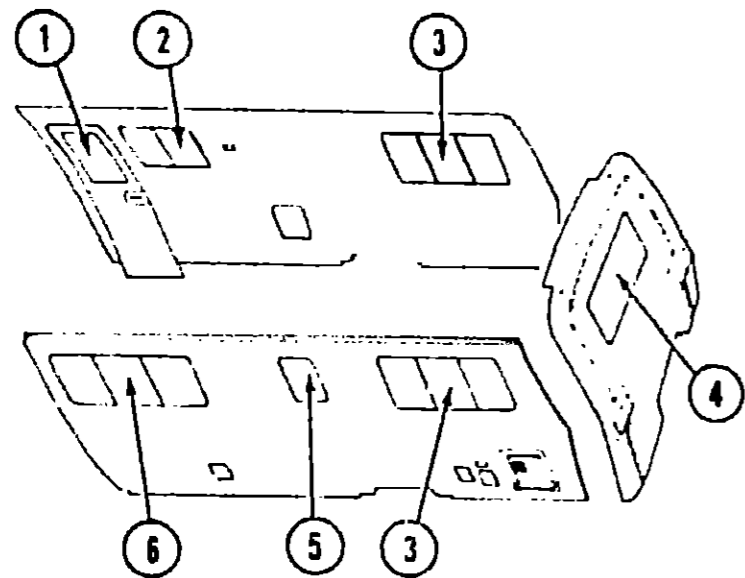
1987 WINNEBAGO TABLE OF CONTENTS

WC420EG	A-01 - B-08
WF426RT	B-07 - D-10
WCN26RH	D-11 - F-14
WCN27RT	F-15 - H-20
WCP26ET	H-21 - K-02

1987 WCP26ET INDEX

Floor Plan	H-21 - H-22
Accessories Group	H-23 - H-24
Bath Group	I-01
Chassis Group	I-02 - I-04
Curtain, Cushion & Pad Group	I-05 - I-13
Dinette Group	I-14
Driver's Compartment Group	I-15 - I-18
Electrical Group	I-19 - I-22
Exterior Body Group	J-23 - J-04
Galley Group	J-05 - J-06
Heating & Air Conditioning Group	J-07
Interior Finish Group	J-08 - J-10
LP Group	J-11
Lounge Group	J-12
Water & Sewage Group	J-13
Window, Vent & Exterior Door Group	J-14 - K-02

CURTAIN, CUSHION & PAD GROUP (CONTINUED)



CURTAINS, VALANCES, SHADES & TIEBACKS

Key	Part Number	U/M	Description
1	M77188-33-W10	EA	Valance Asm. - Entrance Door (W10)
†1	M77188-33-WB7	EA	Valance Asm. - Entrance Door (W10)
1	M77188-33-W11	EA	Valance Asm. - Entrance Door (W11)
1	M77188-33-W12	EA	Valance Asm. - Entrance Door (W12)
1	084755-04-W04	EA	Shade Asm. - Fabric - 24.25" - Linen (W10)
††1	084755-04-WA7	EA	Shade Asm. - Fabric - 24.25" - Linen (W10)
1	084755-04-W01	EA	Shade Asm. - Fabric - 24.25" - Linen (W11)
††1	084755-04-WA8	EA	Shade Asm. - Fabric - 24.25" - Linen (W11)
1	084755-04-W06	EA	Shade Asm. - Fabric - 24.25" - Linen (W12)
††1	084755-04-WA6	EA	Shade Asm. - Fabric - 24.25" - Linen (W12)
2	M77188-34-W10	EA	Valance Asm. - Galley
†2	M77188-34-WB7	EA	Valance Asm. - Galley (W10)
2	M77188-34-W11	EA	Valance Asm. - Galley
2	M77188-34-W12	EA	Valance Asm. - Galley
2	084755-01-W10	EA	Shade Asm. - Fabric - 28.25" - Linen (W10)
††2	084755-02-WA7	EA	Shade Asm. - Fabric - 28.25" - Linen (W10)
2	084755-01-W26	EA	Shade Asm. - Fabric - 28.25" - Linen (W11)
††2	084755-01-WA8	EA	Shade Asm. - Fabric - 28.25" - Linen (W11)
2	084755-01-W17	EA	Shade Asm. - Fabric - 28.25" - Linen (W12)
††2	084755-01-WA6	EA	Shade Asm. - Fabric - 28.25" - Linen (W12)
3	M77188-31-WB7	EA	Valance Asm. - 64" - Use w/Horseshoe Lounge (W10)
3	M77188-22-W10	EA	Valance Asm. - 64"
3	M77188-31-W11	EA	Valance Asm. - 64"
3	M77188-31-W12	EA	Valance Asm. - 64"
3	085190-06-W07	EA	Curtain - w/Darts & Snap Top - 29.5" x 15" - Used w/Horseshoe Lounge (W10)
†3	085190-06-WB7	EA	Curtain - w/Darts & Snap Top - 29.5" x 15" - Used w/Horseshoe Lounge (W10)
3	085190-14-W10	EA	Curtain - w/Darts & Snap Top - 29.5" x 15"
3	085190-06-W08	EA	Curtain - w/Darts & Snap Top - 29.5" x 15" (W11)
3	085190-06-W09	EA	Curtain - w/Darts & Snap Top - 29.5" x 15" (W12)
*3	085190-06-WB6	EA	Curtain - w/Darts & Snap Top - 29.5" x 15" (W12)
3	084755-05-W10	EA	Shade Asm. - Fabric - 60.25" - Linen
††3	084755-05-WA7	EA	Shade Asm. - Fabric - 60.25" - Linen (W10)
3	084755-05-W32	EA	Shade Asm. - Fabric - 60.25" - Linen (W11)
††3	084755-05-WA8	EA	Shade Asm. - Fabric - 60.25" - Linen (W11)
3	084755-05-W12	EA	Shade Asm. - Fabric - 60.25" - Linen (W12)
††3	084755-05-WA6	EA	Shade Asm. - Fabric - 60.25" - Linen (W12)

CURTAIN, CUSHION & PAD GROUP (CONTINUED)
CURTAINS, VALANCES SHADES & TIEBACKS (CONT.)

Key	Part Number	U/M	Description
4	M77188-30-WB7	EA	Valance Asm. - 57" - Used w/Horseshoe Lounge (W10)
4	M77188-30-W10	EA	Valance Asm. - 57"
4	M77188-30-W11	EA	Valance Asm. - 57"
4	M77188-30-W12	EA	Valance Asm. - 57"
4	085190-06-W07	EA	Curtain - w/Darts & Snap Top - 29.5" x 15" - Used w/Horseshoe Lounge (W10)
†4	085190-06-WB7	EA	Curtain - w/Darts & Snap Top - 29.5" x 15" - Used w/Horseshoe Lounge (W10)
4	085190-14-W10	EA	Curtain - w/Darts & Snap Top - 29.5" x 15"
4	085190-06-W08	EA	Curtain - w/Darts & Snap Top - 29.5" x 15" (W11)
4	085190-06-W09	EA	Curtain - w/Darts & Snap Top - 29.5" x 15" (W12)
*4	085190-06-WB6	EA	Curtain - w/Darts & Snap Top - 29.5" x 15" (W12)
4	084755-15-W10	EA	Shade Asm. - Fabric - 53.25" - Linen
††4	084755-15-WA7	EA	Shade Asm. - Fabric - 53.25" - Linen (W10)
4	084755-15-W11	EA	Shade Asm. - Fabric - 53.25" - Linen
††4	084755-15-WA8	EA	Shade Asm. - Fabric - 53.25" - Linen (W11)
4	084755-15-W12	EA	Shade Asm. - Fabric - 53.25" - Linen
††4	084755-15-WA6	EA	Shade Asm. - Fabric - 53.25" - Linen (W12)
5	M84261-03-W10	EA	Valance Asm. - Bath (W10, W11, W12)
5	084755-14-W10	EA	Shade Asm. - Fabric - 21.25" - Linen
††5	084755-14-WA7	EA	Shade Asm. - Fabric - 21.25" - Linen (W10)
5	084755-14-W11	EA	Shade Asm. - Fabric - 21.25" - Linen
††5	084755-14-WA8	EA	Shade Asm. - Fabric - 21.25" - Linen (W11)
5	084755-14-W12	EA	Shade Asm. - Fabric - 21.25" - Linen
††5	084755-14-WA6	EA	Shade Asm. - Fabric - 21.25" - Linen (W12)
6	M77188-32-W10	EA	Valance Asm. - Lounge
†6	M77188-32-WB7	EA	Valance Asm. - Lounge (W10)
6	M77188-32-W11	EA	Valance Asm. - Lounge
6	M77188-32-W12	EA	Valance Asm. - Lounge
6	085190-12-W10	EA	Curtain - w/Darts & Snap Top - 38" x 15"
†6	085190-12-WB7	EA	Curtain - w/Darts & Snap Top - 38" x 15" (W10)
6	085190-12-W37	EA	Curtain - w/Darts & Snap Top - 38" x 15" (W11)
6	085190-12-W36	EA	Curtain - w/Darts & Snap Top - 38" x 15" (W12)
*6	085190-12-WB6	EA	Curtain - w/Darts & Snap Top - 38" x 15" (W12)
*	084481-05-000	EA	Curtain Asm. - Shower - Vinyl
*	073304-40-W07	EA	Curtain Asm. - Passenger Wraparound - 32.5" x 86" - Snap Top (W10)
†*	073304-40-WB7	EA	Curtain Asm. - Passenger Wraparound - 32.5" x 86" - Snap Top (W10)
*	073304-40-W08	EA	Curtain Asm. - Passenger Wraparound - 32.5" x 86" - Snap Top (W11)
*	073304-40-W30	EA	Curtain Asm. - Passenger Wraparound - 32.5" x 86" - Snap Top (W12)
**	073304-40-WB6	EA	Curtain Asm. - Passenger Wraparound - 32.5" x 86" - Snap Top (W12)
*	073304-41-W07	EA	Curtain Asm. - Drivers Wraparound - 32.5" x 86" - Snap Top (W10)
†*	073304-41-WB7	EA	Curtain Asm. - Drivers Wraparound - 32.5" x 86" - Snap Top (W10)
*	073304-41-W08	EA	Curtain Asm. - Drivers Wraparound - 32.5" x 86" - Snap Top (W11)
*	073304-41-W30	EA	Curtain Asm. - Drivers Wraparound - 32.5" x 86" - Snap Top (W12)
**	073304-41-WB6	EA	Curtain Asm. - Drivers Wraparound - 32.5" x 86" - Snap Top (W12)
*	077591-01-W10	EA	Curtain Asm. - Right Blackout - 52" x 40" - Velcro Top
†*	077591-01-WB7	EA	Curtain Asm. - Right Blackout - 52" x 40" - Velcro Top (W10)
*	077591-01-W37	EA	Curtain Asm. - Right Blackout - 52" x 40" - Velcro Top (W11)
*	077591-01-W14	EA	Curtain Asm. - Right Blackout - 52" x 40" - Velcro Top (W12)
**	077591-01-WB6	EA	Curtain Asm. - Right Blackout - 52" x 40" - Velcro Top (W12)
*	077591-02-W10	EA	Curtain Asm. - Left Blackout - 52" x 40" - Velcro Top
†*	077591-02-WB7	EA	Curtain Asm. - Left Blackout - 52" x 40" - Velcro Top (W10)
*	077591-02-W37	EA	Curtain Asm. - Left Blackout - 52" x 40" - Velcro Top (W11)
*	077591-02-W14	EA	Curtain Asm. - Left Blackout - 52" x 40" - Velcro Top (W12)
**	077591-02-WB6	EA	Curtain Asm. - Left Blackout - 52" x 40" - Velcro Top (W12)
*	073304-29-W10	EA	Curtain Asm. - Room Divider - 64" x 40" - Snap Top
†*	073304-29-WB7	EA	Curtain Asm. - Room Divider - 64" x 40" - Snap Top (W10)
*	073304-29-W11	EA	Curtain Asm. - Room Divider - 64" x 40" - Snap Top
*	073304-29-W12	EA	Curtain Asm. - Room Divider - 64" x 40" - Snap Top
**	073304-29-WB6	EA	Curtain Asm. - Room Divider - 64" x 40" - Snap Top (W12)
*	Not illustrated		
**	Used in units produced after 10/10/86.		
††	Used in units produced after 10/20/86.		
†	Used in units produced after 2/1/87.		

1987 WINNEBAGO
TABLE OF CONTENTS

WC420EG	A-01 - B-08
WF426RT	B-07 - D-10
WCN26RH	D-11 - F-14
WCN27RT	F-15 - H-20
WCP26ET	H-21 - K-02

1987 WCP26ET INDEX

Floor Plan	H-21 - H-22
Accessories Group	H-23 - H-24
Bath Group	I-01
Chassis Group	I-02 - I-04
Curtain, Cushion & Pad Group	I-05 - I-13
Dinette Group	I-14
Driver's Compartment Group	I-15 - I-18
Electrical Group	I-19 - I-22
Exterior Body Group	I-23 - J-04
Galley Group	J-05 - J-06
Heating & Air Conditioning Group	J-07
Interior Finish Group	J-08 - J-10
LP Group	J-11
Lounge Group	J-12
Water & Sewage Group	J-13
Window, Vent & Exterior Door Group	J-14 - K-02

CURTAIN, CUSHION & PAD GROUP (CONTINUED)
CURTAINS, VALANCES SHADES & TIEBACKS (CONT.)

Key	Part Number	U/M	Description
*	073260-28-W04	EA	Tie Back Asm. - 3" x 18" (W10)
†	073260-28-WB7	EA	Tie Back Asm. - 3" x 18" (W10)
*	073260-23-W05	EA	Tie Back Asm. - 3" x 18" (W11)
*	073260-23-W06	EA	Tie Back Asm. - 3" x 18" (W12)
**	073260-23-WB6	EA	Tie Back Asm. - 3" x 18" (W12)
*	073260-28-W10	EA	Tie Back Asm. - 3" x 23"
†	073260-28-WB7	EA	Tie Back Asm. - 3" x 23" (W10)
*	073260-28-W37	EA	Tie Back Asm. - 3" x 23" (W11)
*	073260-28-W14	EA	Tie Back Asm. - 3" x 23" (W12)
**	073260-28-WB6	EA	Tie Back Asm. - 3" x 23" (W12)
*	057534-03-000	EA	Tie Back Asm. - 7.5" - Clear Plastic
*	Not Illustrated		
**	Used in units produced after 10/10/86.		
††	Used in units produced after 10/20/86.		
†	Used in units produced after 2/1/87.		

FRONT TRIM PADS

Key	Part Number	U/M	Description
	077123-46-000	EA	Insert - Upper Drivers Door - 2.5" x 6.25" (W10)
	077123-28-000	EA	Insert - Upper Drivers Door - 2.5" x 6.25" (W11)
	077123-43-000	EA	Insert - Upper Drivers Door - 2.5" x 6.25" (W12)
	077124-46-000	EA	Insert - Lower Driver Door - 14.2" x 28.25" (W10)
	077124-28-000	EA	Insert - Lower Driver Door - 14.2" x 28.25" (W11)
	077124-48-000	EA	Insert - Lower Driver Door - 14.2" x 28.25" (W12)
	077125-46-000	EA	Insert - Map Pocket - Driver Door - 5.75" x 7.6" (W10)
	077125-28-000	EA	Insert - Map Pocket - Driver Door - 5.75" x 7.6" (W11)
	077125-48-000	EA	Insert - Map Pocket - Driver Door - 5.75" x 7.6" (W12)
	077126-23-000	EA	Insert - Side Upper - Drivers - 2.6" x 3.14" (W10)
	077126-14-000	EA	Insert - Side Upper - Drivers - 2.6" x 3.14" (W11)
	077126-24-000	EA	Insert - Side Upper - Drivers - 2.6" x 3.14" (W12)
	077128-28-000	EA	Insert - Side Upper - Passenger - 2.6" x 17.1" (W10)
	077128-14-000	EA	Insert - Side Upper - Passenger - 2.6" x 17.1" (W11)
	077128-29-000	EA	Insert - Side Upper - Passenger - 2.6" x 17.1" (W12)
	077127-23-000	EA	Insert - Side Lower - Driver - 9.3" x 21.3" (W10)
	077127-14-000	EA	Insert - Side Lower - Driver - 9.3" x 21.3" (W11)
	077127-24-000	EA	Insert - Side Lower - Driver - 9.3" x 21.3" (W12)
	077130-23-000	EA	Insert - Front Center Overhead - 19.5" x 4" (W10)
	077130-14-000	EA	Insert - Front Center Overhead - 19.5" x 4" (W11)
	077130-24-000	EA	Insert - Front Center Overhead - 19.5" x 4" (W12)
	077131-45-000	EA	Insert - Front Overhead (Sunvisor) Passenger - 28" x 23.2" (W10)
	077131-27-000	EA	Insert - Front Overhead (Sunvisor) Passenger - 28" x 23.2" (W11)
	077131-47-000	EA	Insert - Front Overhead (Sunvisor) Passenger - 28" x 23.2" (W12)
	077131-46-000	EA	Insert - Front Overhead (Sunvisor) Driver - 28" x 23.2" (W10)
	077131-28-000	EA	Insert - Front Overhead (Sunvisor) Driver - 28" x 23.2" (W11)
	077131-48-000	EA	Insert - Front Overhead (Sunvisor) Driver - 28" x 23.2" (W12)

FRONT BUNK

Key	Part Number	U/M	Description
	079145-02-000	EA	Cushion Asm. - Front Bunk - 4" x 34" x 78"
	M79145-02-000	EA	Cover Asm. - Front Bunk Cushion - 4" x 34" x 78"
	079144-02-T03	EA	Bunk Strap - Vinyl

CURTAIN, CUSHION & PAD GROUP (CONTINUED)

BUCKET SEATS

Key	Part Number	U/M	Description
	084191-02-W04	EA	Seat Asm. - Comet I - Jade/Taupe (W07)
	084191-02-W05	EA	Seat Asm. - Comet I - Rose (W08)
	084191-02-W06	EA	Seat Asm. - Comet I - Taupe (W09)
	M01864-23-W04	EA	Cover Asm. - Seat Bottom - Jade/Taupe (W07)
	M01864-23-W05	EA	Cover Asm. - Seat Bottom - Rose (W08)
	M01864-21-W06	EA	Cover Asm. - Seat Bottom - Taupe (W09)
	M01864-24-W04	EA	Cover Asm. - Seat Back - Jade/Taupe (W07)
	M01864-24-W05	EA	Cover Asm. - Seat Back - Rose (W08)
	M01864-22-W06	EA	Cover Asm. - Seat Back - Taupe (W09)
	078804-07-W07	EA	Seat Asm. - Granduer - Jade/Taupe
	078804-07-W08	EA	Seat Asm. - Granduer - Rose
	078804-07-W09	EA	Seat Asm. - Granduer - Taupe
	M01863-01-W07	EA	Cover Asm. - Bucket Seat Bottom - Jade/Taupe
	M01863-01-W08	EA	Cover Asm. - Bucket Seat Bottom - Rose
	M01863-01-W09	EA	Cover Asm. - Bucket Seat Bottom - Taupe
	M01863-02-W07	EA	Cover Asm. - Bucket Seat Back - Jade/Taupe
	M01863-02-W08	EA	Cover Asm. - Bucket Seat Back - Rose
	M01863-02-W09	EA	Cover Asm. - Bucket Seat Back - Taupe
	080243-07-W04	EA	Armrest Asm. - Right - Jade/Taupe (W07)
	080243-07-W05	EA	Armrest Asm. - Right - Rose (W08)
	080243-07-W06	EA	Armrest Asm. - Right - Taupe (W09)
	080243-08-W04	EA	Armrest Asm. - Left - Jade/Taupe (W07)
	080243-08-W05	EA	Armrest Asm. - Left - Rose (W08)
	080243-08-W06	EA	Armrest Asm. - Left - Taupe (W09)
	M80243-01-W04	EA	Cover Asm. - Armrest - Right - Jade/Taupe (W07)
	M80243-01-W05	EA	Cover Asm. - Armrest - Right - Rose (W08)
	M80243-01-W06	EA	Cover Asm. - Armrest - Right - Taupe (W09)
	M80243-02-W04	EA	Cover Asm. - Armrest - Left - Jade/Taupe (W07)
	M80243-02-W05	EA	Cover Asm. - Armrest - Left - Rose (W08)
	M80243-02-W06	EA	Cover Asm. - Armrest - Left - Taupe (W09)
	080242-04-W04	EA	Headrest Asm. - Jade/Taupe (W07)
	080242-04-W05	EA	Headrest Asm. - Rose (W08)
	080242-04-W06	EA	Headrest Asm. - Taupe (W09)
	M80242-01-W04	EA	Cover Asm. - Headrest - Jade/Taupe (W07)
	M80242-01-W05	EA	Cover Asm. - Headrest - Rose (W08)
	M80242-01-W06	EA	Cover Asm. - Headrest - Taupe (W09)
	071126-16-W07	EA	Skirt Asm. - Single Bucket - Jade/Taupe
	071126-16-W08	EA	Skirt Asm. - Single Bucket - Rose
	071126-16-W09	EA	Skirt Asm. - Single Bucket - Taupe
	079281-02-W07	EA	Seat Asm. - Double Bucket - Jade/Taupe
	079281-02-W08	EA	Seat Asm. - Double Bucket - Rose
	079281-02-W09	EA	Seat Asm. - Double Bucket - Taupe
	M01874-03-W07	EA	Cover Asm. - Bucket Seat Bottom - Double Bucket - Jade/Taupe
	M01874-03-W08	EA	Cover Asm. - Bucket Seat Bottom - Double Bucket - Rose
	M01874-03-W09	EA	Cover Asm. - Bucket Seat Bottom - Double Bucket - Taupe
	M01874-04-W07	EA	Cover Asm. - Bucket Seat Back - Double Bucket - Jade/Taupe
	M01874-04-W08	EA	Cover Asm. - Bucket Seat Back - Double Bucket - Rose
	M01874-04-W09	EA	Cover Asm. - Bucket Seat Back - Double Bucket - Taupe
	080243-02-W07	EA	Armrest Asm. - Left - Double Bucket - Jade/Taupe
	080243-02-W08	EA	Armrest Asm. - Left - Double Bucket - Rose
	080243-02-W09	EA	Armrest Asm. - Left - Double Bucket - Taupe
	080242-01-W07	EA	Headrest Asm. - Double Bucket - Jade/Taupe
	080242-01-W08	EA	Headrest Asm. - Double Bucket - Rose
	080242-01-W09	EA	Headrest Asm. - Double Bucket - Taupe
	071126-04-W07	EA	Skirt Asm. - Double Bucket - Jade/Taupe
	071126-04-W08	EA	Skirt Asm. - Double Bucket - Rose
	071126-04-W09	EA	Skirt Asm. - Double Bucket - Taupe

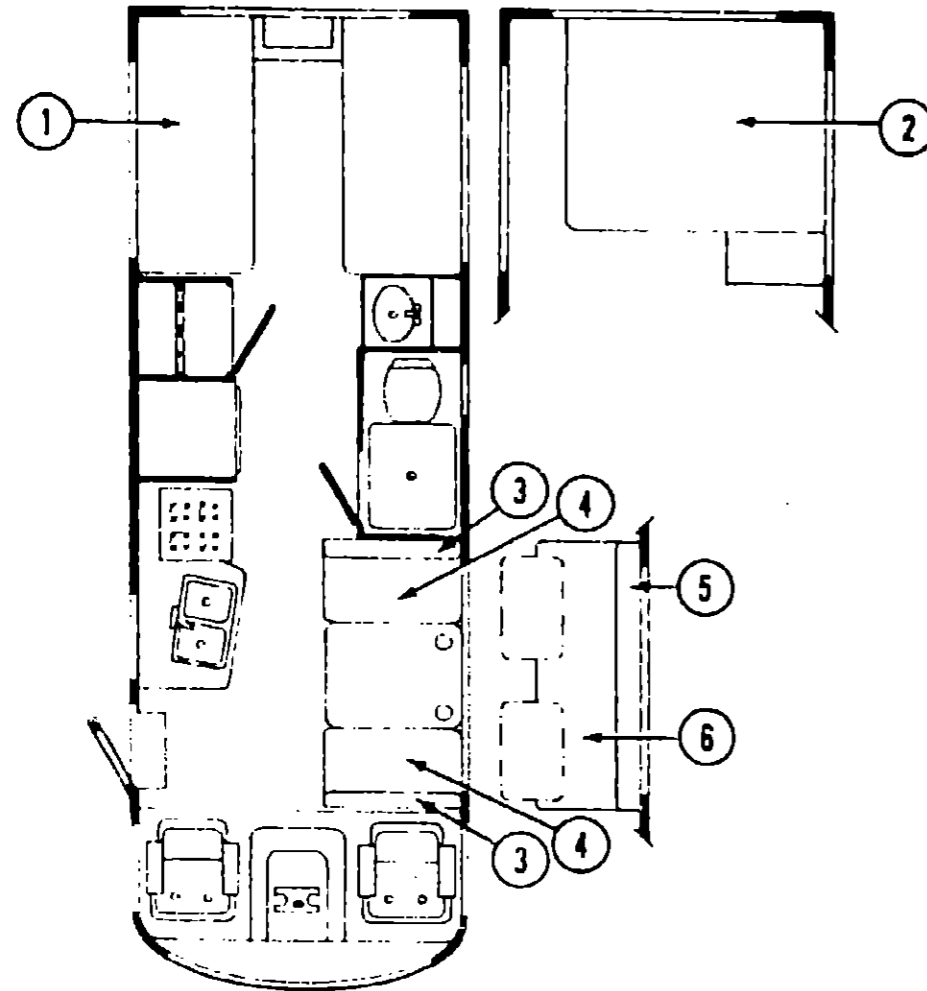
**1987 WINNEBAGO
TABLE OF CONTENTS**

WC420EG	A-01 - B-06
WF426RT	B-07 - D-10
WCN26RH	D-11 - F-14
WCN27RT	F-15 - H-20
WCP26ET	H-21 - K-02

1987 WCP26ET INDEX

Floor Plan	H-21 - H-22
Accessories Group	H-23 - H-24
Bath Group	I-01
Chassis Group	I-02 - I-04
Curtain, Cushion & Pad Group	I-05 - I-13
Dinette Group	I-14
Driver's Compartment Group	I-15 - I-18
Electrical Group	I-19 - I-22
Exterior Body Group	I-23 - J-04
Galley Group	J-05 - J-06
Heating & Air Conditioning Group	J-07
Interior Finish Group	J-08 - J-10
LP Group	J-11
Lounge Group	J-12
Water & Sewage Group	J-13
Window, Vent & Exterior Door Group	J-14 - K-02

CURTAIN, CUSHION & PAD GROUP (CONTINUED)



SINGLE & QUEEN BED

Key	Part Number	U/M	Description
1	083486-01-000	EA	Mattress - Foam - 33" x 75" - 7"
1	077478-04-000	EA	Mattress - Inner Spring - 33" x 75" x 7.5" - Sealy
2	083496-04-000	EA	Mattress - Foam - 60" x 75" - 7"
2	077478-05-000	EA	Mattress - Inner Spring - 60" x 75" - 7.5" - Sealy
	083986-03-W04	EA	Bedspread - Twin Fitted - 33" (U10)
	083986-03-W05	EA	Bedspread - Twin Fitted - 33" (U11)
	083986-03-W06	EA	Bedspread - Twin Fitted - 33" (U12)
	083966-04-W10	EA	Bedspread - Queen Fitted - 60"
	083986-04-W11	EA	Bedspread - Queen Fitted - 60"
	083986-04-W12	EA	Bedspread - Queen Fitted - 60"
	081997-01-W07	EA	Pillow Sham - Quilted - 30" x 26" (W10)
	081997-01-W08	EA	Pillow Sham - Quilted - 30" x 26" (W11)
	081997-01-W09	EA	Pillow Sham - Quilted - 30" x 26" (W12)
	086109-02-W07	EA	Headboard Asm. - Twin (W10)
	086109-02-W08	EA	Headboard Asm. - Twin (W11)
	086109-02-W30	EA	Headboard Asm. - Twin (W12)
	086109-01-W07	EA	Headboard Asm. - Queen (W10)
	086109-01-W08	EA	Headboard Asm. - Queen (W11)
	086109-01-W09	EA	Headboard Asm. - Queen (W12)

CURTAIN, CUSHION & PAD GROUP (CONTINUED)

DINETTE CUSHIONS

Key	Part Number	U/M	Description
3	081998-77-W04	EA	Cushion - Dinette Back - 19.25" x 38" x 5" - Angled (W10)
3	081998-77-W05	EA	Cushion - Dinette Back - 19.25" x 38" x 5" - Angled (W11)
3	081998-77-W06	EA	Cushion - Dinette Back - 19.25" x 38" x 5" - Angled (W12)
	M81998-77-W04	EA	Cover - Dinette Back - 19.25" x 38" x 5" - Angled (W10)
	M81998-77-W05	EA	Cover - Dinette Back - 19.25" x 38" x 5" - Angled (W11)
	M81998-77-W06	EA	Cover - Dinette Back - 19.25" x 38" x 5" - Angled (W12)
4	081998-78-W04	EA	Cushion - Dinette Bottom - 17.5" x 38" x 5" (W10)
4	081998-78-W05	EA	Cushion - Dinette Bottom - 17.5" x 38" x 5" (W11)
4	081998-78-W06	EA	Cushion - Dinette Bottom - 17.5" x 38" x 5" (W12)
	M81998-78-W04	EA	Cover - Dinette Bottom Cushion - 17.5" x 38" x 5" (W10)
	M81998-78-W05	EA	Cover - Dinette Bottom Cushion - 17.5" x 38" x 5" (W11)
	M81998-78-W06	EA	Cover - Dinette Bottom Cushion - 17.5" x 38" x 5" (W12)

3 PILLOW COUCH

Key	Part Number	U/M	Description
5	073630-11-W07	EA	Cushion Asm. - 3 Pillow Back (W10)
5	073630-11-W08	EA	Cushion Asm. - 3 Pillow Back (W11)
5	073630-11-W09	EA	Cushion Asm. - 3 Pillow Back (W12)
	M73630-11-W07	EA	Cover - 3 Pillow Back (W10)
	M73630-11-W08	EA	Cover - 3 Pillow Back (W11)
	M73630-11-W09	EA	Cover - 3 Pillow Back (W12)
6	073631-12-W07	EA	Cushion Asm. - 3 Pillow Bottom (W10)
6	073631-12-W08	EA	Cushion Asm. - 3 Pillow Bottom (W11)
6	073631-12-W09	EA	Cushion Asm. - 3 Pillow Bottom (W12)
	M73631-12-W07	EA	Cover - 3 Pillow Bottom (W10)
	M73631-12-W08	EA	Cover - 3 Pillow Bottom (W11)
	M73631-12-W09	EA	Cover - 3 Pillow Bottom (W12)

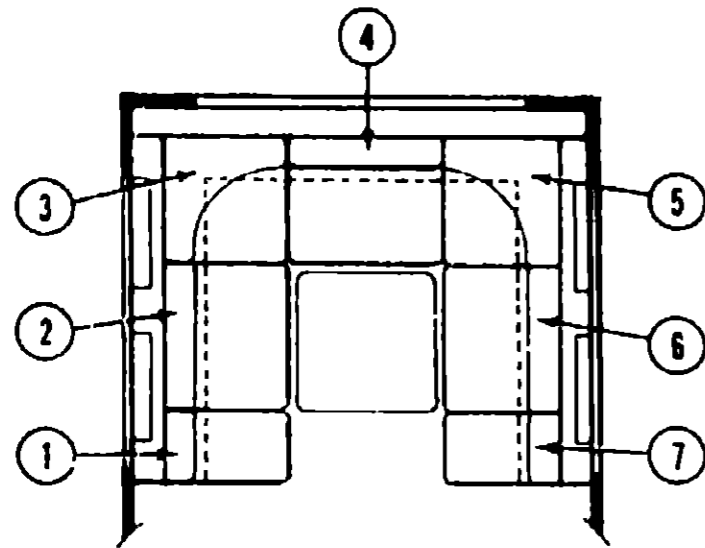
**1987 WINNEBAGO
TABLE OF CONTENTS**

WC420EG	A-01 - B-06
WF426RT	B-07 - D-10
WCN26RH	D-11 - F-14
WCN27RT	F-15 - H-20
WCP26ET	H-21 - K-02

1987 WCP26ET INDEX

Floor Plan	H-21 - H-22
Accessories Group	H-23 - H-24
Bath Group	I-01
Chassis Group	I-02 - I-04
Curtain, Cushion & Pad Group	I-05 - I-13
Dinette Group	I-14
Driver's Compartment Group	I-15 - I-18
Electrical Group	I-19 - I-22
Exterior Body Group	I-23 - J-04
Galley Group	J-05 - J-06
Heating & Air Conditioning Group	J-07
Interior Finish Group	J-08 - J-10
LP Group	J-11
Lounge Group	J-12
Water & Sewage Group	J-13
Window, Vent & Exterior Door Group	J-14 - K-02

CURTAIN, CUSHION & PAD GROUP (CONTINUED)



HORSESHOE LOUNGE CUSHIONS

Key	Part Number	U/M	Description
1	077813-16-W07	EA	Cushion Asm. - Back - 4" x 6" x 12" x 16 3/4"
1	077813-16-W08	EA	Cushion Asm. - Back - 4" x 6" x 12" x 16 3/4"
1	077813-16-W09	EA	Cushion Asm. - Back - 4" x 6" x 12" x 16 3/4"
*	081998-03-W07	EA	Cushion Asm. - Seat - 26 3/8" x 16 3/4" x 5"
*	081998-03-W08	EA	Cushion Asm. - Seat - 26 3/8" x 16 3/4" x 5"
*	081998-03-W09	EA	Cushion Asm. - Seat - 26 3/8" x 16 3/4" x 5"
2	077813-13-W07	EA	Cushion Asm. - Back - 4" x 6" x 12" x 33 1/2"
2	077813-13-W08	EA	Cushion Asm. - Back - 4" x 6" x 12" x 33 1/2"
2	077813-13-W09	EA	Cushion Asm. - Back - 4" x 6" x 12" x 33 1/2"
*	081998-05-W07	EA	Cushion Asm. - Seat - 26 3/8" x 33 1/2" x 5"
*	081998-05-W08	EA	Cushion Asm. - Seat - 26 3/8" x 33 1/2" x 5"
*	081998-05-W09	EA	Cushion Asm. - Seat - 26 3/8" x 33 1/2" x 5"
3	077814-08-W07	EA	Cushion Asm. - Back - 4" x 6" x 12" x 26 3/8"
3	077814-08-W08	EA	Cushion Asm. - Back - 4" x 6" x 12" x 26 3/8"
3	077814-08-W09	EA	Cushion Asm. - Back - 4" x 6" x 12" x 26 3/8"
*	081998-26-W07	EA	Cushion Asm. - Seat - 26 3/8" x 26 3/8" x 5"
*	081998-26-W08	EA	Cushion Asm. - Seat - 26 3/8" x 26 3/8" x 5"
*	081998-26-W09	EA	Cushion Asm. - Seat - 26 3/8" x 26 3/8" x 5"
4	077813-15-W07	EA	Cushion Asm. - Back - 4" x 6" x 12" x 26 3/4"
4	077813-15-W08	EA	Cushion Asm. - Back - 4" x 6" x 12" x 26 3/4"
4	077813-15-W09	EA	Cushion Asm. - Back - 4" x 6" x 12" x 26 3/4"
*	081998-25-W07	EA	Cushion Asm. - Seat - 26 3/8" x 26 3/8" x 5"
*	081998-25-W08	EA	Cushion Asm. - Seat - 26 3/8" x 26 3/8" x 5"
*	081998-25-W09	EA	Cushion Asm. - Seat - 26 3/8" x 26 3/8" x 5"
5	077814-09-W07	EA	Cushion Asm. - Back - 4" x 6" x 12" x 26 3/8"
5	077814-09-W11	EA	Cushion Asm. - Back - 4" x 6" x 12" x 26 3/8"
5	077814-09-W09	EA	Cushion Asm. - Back - 4" x 6" x 12" x 26 3/8"
*	081998-27-W07	EA	Cushion Asm. - Seat - 26 3/8" x 26 3/8" x 5"
*	081998-27-W08	EA	Cushion Asm. - Seat - 26 3/8" x 26 3/8" x 5"
*	081998-27-W09	EA	Cushion Asm. - Seat - 26 3/8" x 26 3/8" x 5"
6	077813-14-W07	EA	Cushion Asm. - Back - 4" x 6" x 12" x 33 1/2"
6	077813-14-W08	EA	Cushion Asm. - Back - 4" x 6" x 12" x 33 1/2"
6	077813-14-W09	EA	Cushion Asm. - Back - 4" x 6" x 12" x 33 1/2"
*	081998-06-W07	EA	Cushion Asm. - Seat - 26 3/8" x 33 1/2" x 5"
*	081998-06-W08	EA	Cushion Asm. - Seat - 26 3/8" x 33 1/2" x 5"
*	081998-06-W09	EA	Cushion Asm. - Seat - 26 3/8" x 33 1/2" x 5"
7	077813-17-W07	EA	Cushion Asm. - Back - 4" x 6" x 12" x 16 3/4"
7	077813-17-W08	EA	Cushion Asm. - Back - 4" x 6" x 12" x 16 3/4"
7	077813-17-W09	EA	Cushion Asm. - Back - 4" x 6" x 12" x 16 3/4"
*	081998-04-W07	EA	Cushion Asm. - Seat - 26 3/8" x 16 3/4" x 5"
*	081998-04-W08	EA	Cushion Asm. - Seat - 26 3/8" x 16 3/4" x 5"
*	081998-04-W09	EA	Cushion Asm. - Seat - 26 3/8" x 16 3/4" x 5"
*	Not Keyed Out		

DINETTE GROUP

DINETTE & COMPONENTS

Key	Part Number	U/M	Description
	M81501-A6-W10	EA	Door Asm. - Dinette Seat Cabinet - Front - w/o Hardware
1	M88304-21-W10	EA	Door Asm. - Dinette Seat Cabinet - Front - w/o Hardware
	M02654-01-W10	EA	Cabinet Asm. - Dinette Seat - Right - w/o Door or Hardware
	M02654-02-W10	EA	Cabinet Asm. - Dinette Seat - Left - w/o Door or Hardware
	M02648-02-W10	EA	Cabinet Asm. - Dinette Seat Back - Left
	M02648-01-W10	EA	Cabinet Asm. - Dinette Seat Back - Right
	M81299-01-W10	EA	Table Asm. - Dinette - w/o Hardware
	M81299-01-W11	EA	Table Asm. - Dinette - w/o Hardware
	M81299-01-W12	EA	Table Asm. - Dinette - w/o Hardware
	053200-08-000	EA	Bracket - Upper Wall Mount - 23.5" - Tan
	053201-06-000	EA	Bracket - Table Mount - 23"
	024275-09-000	EA	Rod - Table Lift - 8" x 23.5" - Tan
	024276-17-000	EA	Leg Asm. - Table - 29.5" - Tan
	024281-10-000	EA	Bracket - Lower Wall Mount - 22.12" - Tan
	024282-01-000	EA	Brace - Table Leg
	024283-01-000	EA	Clip - 1" O.D. Tube
	049493-05-000	EA	Catch - Table Leg - Mount on Floor
	064050-02-000	EA	Hinge - Table Leg
	064781-02-000	EA	Cup Holder - 3.5" x 1.5"
†	Used in units produced after 3/15/87.		

COUCH EXCHANGE DINETTE

Key	Part Number	U/M	Description
	081298-01-U04	EA	Table Asm. - Pedestal
	009040-06-000	EA	Leg - Pedestal - Tan
	081800-02-W10	EA	Panel Asm. - Couch End - Right
	081827-01-W10	EA	Panel Asm. - Couch End - Left
	M02423-06-W10	EA	Panel Asm. - Couch Front
	M02423-06-W11	EA	Panel Asm. - Couch Front
	M02423-06-W12	EA	Panel Asm. - Couch Front
	081922-01-000	EA	Frame Asm. - Couch - Right
	081922-02-000	EA	Frame Asm. - Couch - Left
	081922-03-000	EA	Bars - Spacer - Couch - 74.75"
	081922-04-000	EA	Hardware Kit - Couch
	041194-01-000	EA	Base - Flush Mount - Pedestal Table

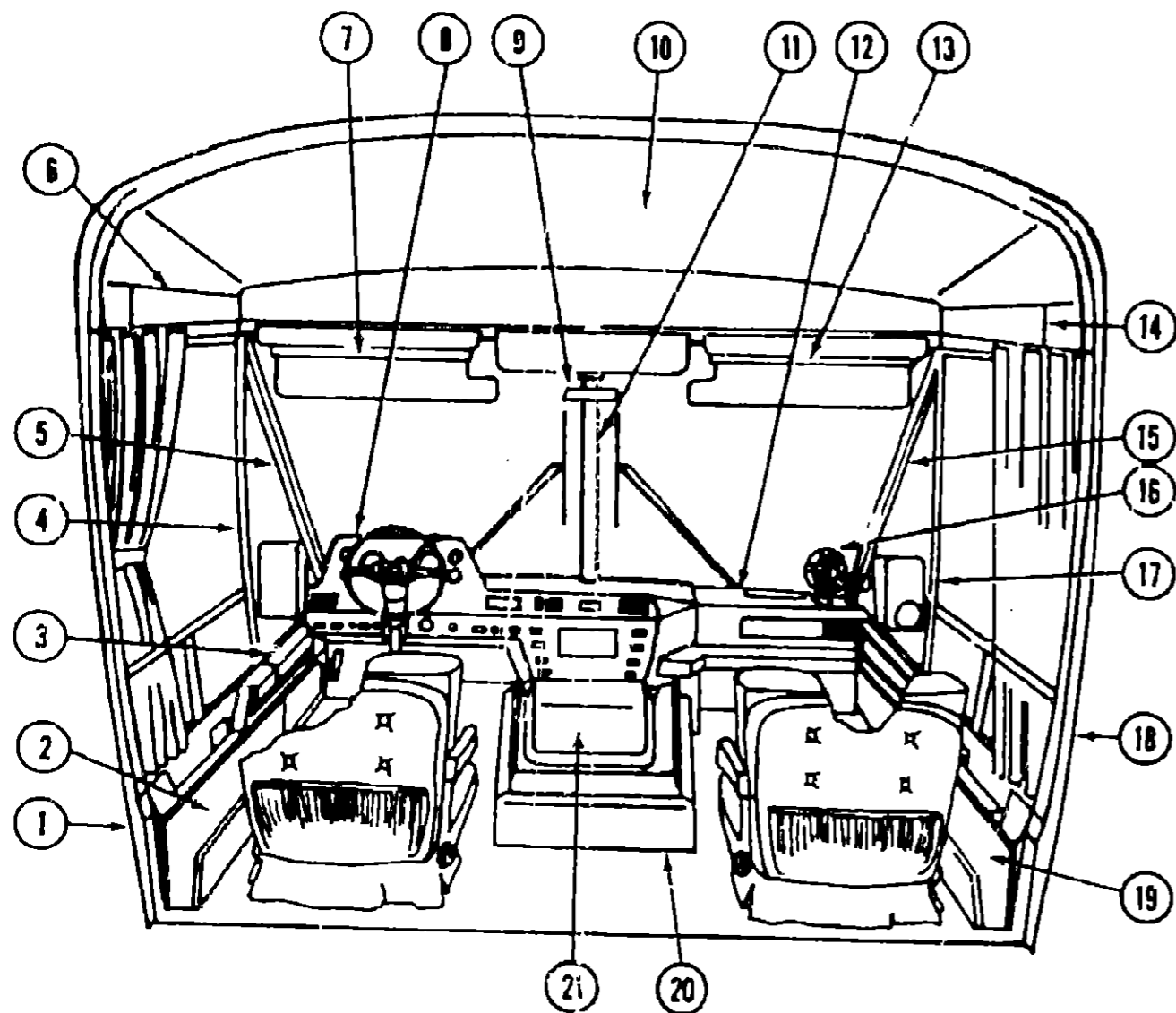
**1987 WINNEBAGO
TABLE OF CONTENTS**

WC420EG	A-01 - B-06
WF426RT	B-07 - D-10
WCN26RH	D-11 - F-14
WCN27RT	F-15 - H-20
WCP26ET	H-21 - K-02

1987 WCP26ET INDEX

Floor Plan	H-21 - H-22
Accessories Group	H-23 - H-24
Bath Group	I-01
Chassis Group	I-02 - I-04
Curtain, Cushion & Pad Group	I-05 - I-13
Dinette Group	I-14
Driver's Compartment Group	I-15 - I-18
Electrical Group	I-19 - I-22
Exterior Body Group	I-23 - J-04
Galley Group	J-05 - J-06
Heating & Air Conditioning Group	J-07
Interior Finish Group	J-08 - J-10
L.P. Group	J-11
Lounge Group	J-12
Water & Sewage Group	J-13
Window, Vent & Exterior Door Group	J-14 - K-02

DRIVERS COMPARTMENT GROUP



MISCELLANEOUS DRIVER'S COMPARTMENT COMPONENTS

Key	Part Number	U/M	Description
1	084612-04-000	EA	Panel Trim - Driver's Side
2	077117-06-000	EA	Side Panel Trim - Door
3	084511-06-000	EA	Side Panel Trim - No Door
3	077116-03-000	EA	Side Panel Trim - Front
4	077113-05-000	EA	Trim Panel - Hinge Pillar
5	077112-06-000	EA	Trim - Windshield - Interior - "A" Post - Left
6	077110-10-000	EA	Trim Cover - w/Bunk - Left
7	082286-01-W13	EA	Sunvisor Asm. - Driver - Vinyl
•	083919-01-W10	EA	Cabinet Asm. - Front Overhead (w/o Front Bunk)
8	085253-01-W13	EA	Instrument Panel Asm. - Upper - Left
•	076808-05-000	EA	Dash Panel - Lower - Left
•			Not illustrated

DRIVER'S COMPARTMENT GROUP (CONTINUED)

MISCELLANEOUS DRIVER'S COMPARTMENT COMPONENTS (CONT.)

Key	Part Number	U/M	Description
9	040714-01-700	EA	Rearview Mirror Kit
•	079926-01-000	EA	Lamp - Flex Arm
•	079926-01-700	EA	Bulb - Flex Arm Lamp
10	077108-11-000	EA	Trim Panel - Roof Front - w/Bunk w/Antenna
10	077108-08-000	EA	Trim Panel - Roof Front - w/o Bunk
10	077108-07-000	EA	Trim Panel - Roof Front - w/Antenna
11	077114-03-000	EA	Trim Panel - Center - Pillar
•	076783-01-000	EA	Louver Asm. - A/C Adjustable
12	085252-01-W13	EA	Instrument Panel Asm. - Upper - Right
13	082286-03-W13	EA	Sunvisor Asm. - w/Mirror - Vinyl
•	081917-01-000	EA	Clip - Sunvisor - Black
14	077110-09-000	EA	Trim Cover - w/Bunk - Right
15	077112-05-000	EA	Trim - Windshield - Interior - "A" Post - Right
16	036420-02-700	EA	Defroster Fan
•	077988-01-000	EA	Bracket - Fan - Right
•	077988-02-000	EA	Bracket - Fan - Left
17	077113-05-000	EA	Trim Panel - Hinge Pillar - Beige
18	084612-03-000	EA	Trim Panel - Passenger Side
19	084611-05-000	EA	Side Panel Trim - No Door
20	075939-01-000	EA	Motor Cover
•	039623-01-000	EA	Seal - Engine Cover
21	076729-03-000	EA	Beverage Tray (Plastic)
21	081654-03-000	EA	Beverage Tray (Plastic) w/Double Bucket Seat
•	077431-04-000	EA	Beverage Tray - Regal Oak
•	052367-01-000	EA	Cigarette Lighter
•	076359-02-000	EA	Panel Asm. - Stepwell - Rear - Left
•	076360-02-000	EA	Panel Asm. - Stepwell - Front - Left
•	087030-02-W38	EA	Door Asm. - Battery (W10)
•	087030-02-W37	EA	Door Asm. - Battery (W11)
•	087030-02-W14	EA	Door Asm. - Battery (W12)
•	054168-03-000	EA	Cover - Battery - Plastic - Light Fawn
•	075972-01-000	EA	Mat - Rubber - Lower
•	075969-02-000	EA	Mat - Rubber - Upper - Left
•	086755-01-000	EA	Latch - 1/4 Turn - Rotary - Plastic
•			Not illustrated

FRONT BUNK & HARDWARE

Key	Part Number	U/M	Description
	076760-02-000	EA	Bunk Support - Overhead - Complete
	077110-09-000	EA	Cover - Bunk Support - Right
	077110-10-000	EA	Cover - Bunk Support - Left
	081717-02-W10	EA	Bunkboard Asm.
	077121-03-000	EA	Trim Panel - Front Bunk
	075943-02-000	EA	Brace - Valance - Beige
	079144-02-W10	EA	Strap Asm. - 3 x 20
	042541-04-700	EA	Latch Asm. - w/Strike - Brass

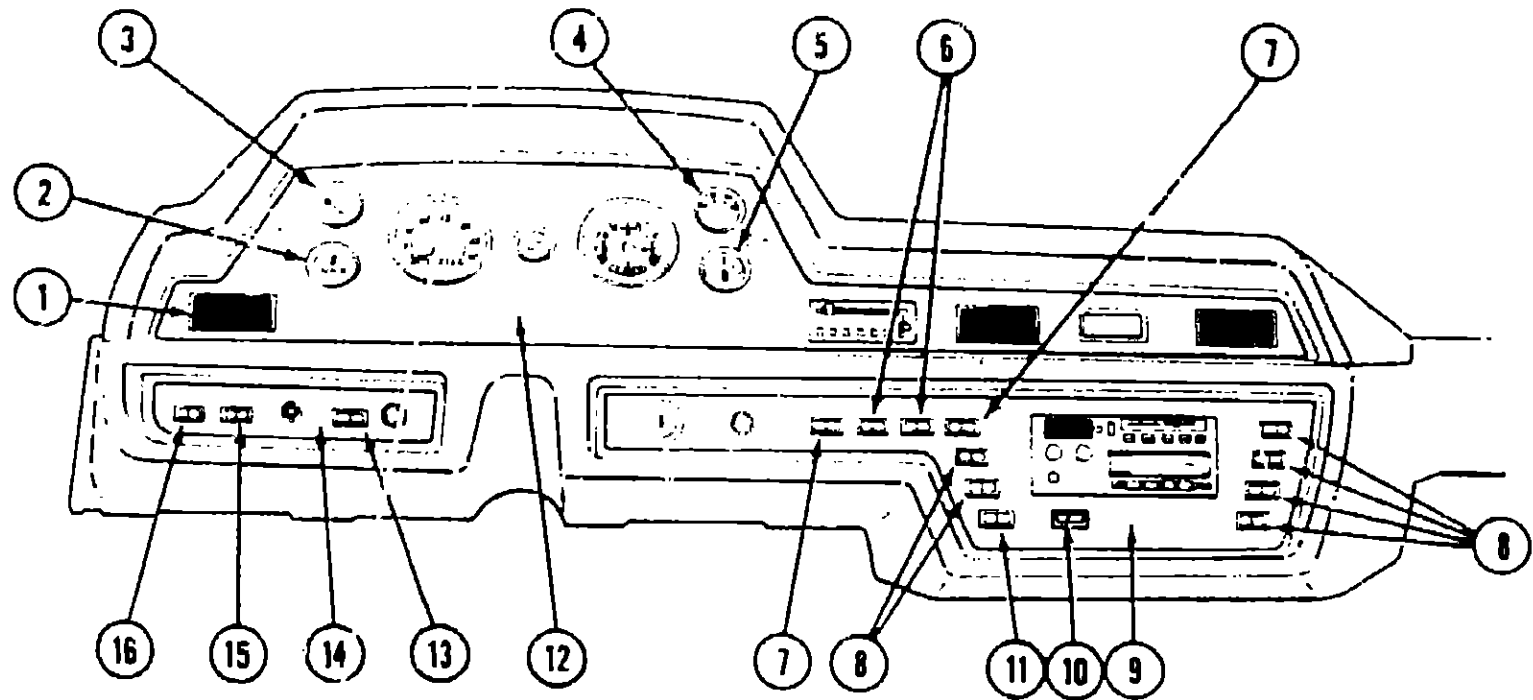
1987 WINNEBAGO TABLE OF CONTENTS

WC120EG	A-01 - E-08
WF426RT	B-07 - D-10
WCN26RH	D-11 - F-14
WCN27RT	F-15 - H-20
WCP26ET	H-21 - K-02

1987 WCP26ET INDEX

Floor Plan	H-21 - H-22
Accessories Group	H-23 - H-24
Bath Group	I-01
Chassis Group	I-02 - I-04
Curtain, Cushion & Pad Group	I-05 - I-13
Dinette Group	I-14
Driver's Compartment Group	I-15 - I-18
Electrical Group	I-19 - I-22
Exterior Body Group	I-23 - J-04
Galley Group	J-05 - J-06
Heating & Air Conditioning Group	J-07
Interior Finish Group	J-08 - J-10
LP Group	J-11
Lounge Group	J-12
Water & Sewage Group	J-13
Window, Vent & Exterior Door Group	J-14 - K-02

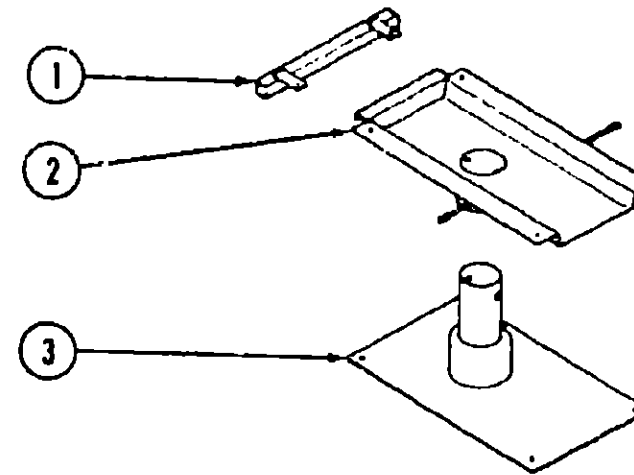
DRIVER'S COMPARTMENT GROUP (CONTINUED)



DASH SWITCHES & GAUGES

Key	Part Number	U/M	Description
1	076783-02-000	EA	Louver Asm. - A/C Adjustable
2	031035-02-000	EA	Gauge - Hourmeter - Generator
3	024460-04-000	EA	Gauge - Vacuum
4	024459-04-000	EA	Gauge - Voltmeter
5	052367-01-000	EA	Lighter Asm. - Cigarette
6	076759-05-000	EA	Switch - 3 Position
7	076759-04-000	EA	Switch - 3 Position
8	076759-01-000	EA	Switch - 2 Position
9	076217-09-000	EA	Instrument Panel - Lower
10	084404-01-000	EA	Switch - Aux. Heater Fan
11	086272-01-000	EA	Switch - Rocker - Aux. Battery
12	076216-01-000	EA	Instrument Panel - Upper
13	076759-07-000	EA	Switch - 2 Position
14	076218-02-000	EA	Instrument Panel - Lower Left
15	076759-02-000	EA	Switch - 2 Position
16	076759-03-000	EA	Switch - 3 Position
.	081087-01-000	EA	Socket Asm. - Indicator Lamp
.			Not illustrated

DRIVER'S COMPARTMENT GROUP (CONTINUED)



BUCKET SEAT PEDESTAL & SEAT BELTS

Key	Part Number	U/M	Description
1	069585-29-000	EA	Bar - Seat Belt - 20"
2	069585-27-000	EA	Plate - Top - Pedestal Asm. - Single Bucket Seat
3	069585-08-000	EA	Plate - Sub - Pedestal Asm. - Bucket Seat
.	007019-01-000	EA	Belt Asm. - Seat - 2" x 84" - Black
.	007021-01-000	EA	Belt Asm. - Seat - 2" x 90" - Black
.	056271-02-000	EA	Belt Asm. - Seat - 2" x 72" - Black
.	057759-01-000	EA	Bracket - Seat Belt Washer
.	069246-01-000	EA	Adjuster Asm. - Seat - w/Lock
.	069246-02-000	EA	Adjuster Asm. - Seat - w/o Lock
.			Not illustrated

**1987 WINNEBAGO
TABLE OF CONTENTS**

WC420EG	A-01 - B-08
WF426RT	B-07 - D-10
WCN26RH	D-11 - F-14
WCN27RT	F-15 - H-20
WCP26ET	H-21 - K-02

1987 WCP26ET INDEX

Floor Plan	H-21 - H-22
Accessories Group	H-23 - H-24
Bath Group	I-01
Chassis Group	I-02 - I-04
Curtain, Cushion & Pad Group	I-05 - I-13
Dinette Group	I-14
Driver's Compartment Group	I-15 - I-18
Electrical Group	I-19 - I-22
Exterior Body Group	I-23 - J-04
Galley Group	J-05 - J-06
Heating & Air Conditioning Group	J-07
Interior Finish Group	J-08 - J-10
LP Group	J-11
Lounge Group	J-12
Water & Sewage Group	J-13
Window, Vent & Exterior Door Group	J-14 - K-02

ELECTRICAL GROUP

BULBS

Key	Part Number	U/M	Description
	037936-01-000	EA	Bulb - 1157A
	037935-01-000	EA	Bulb - 1157
	063914-01-000	EA	Bulb - 1139
	008103-01-000	EA	Bulb - 53
	008213-01-000	EA	Bulb - 57
	008214-01-000	EA	Bulb - 67
	008215-01-000	EA	Bulb - 1003
	008216-01-000	EA	Bulb - 1034
	008217-01-000	EA	Bulb - 1073
	008218-01-000	EA	Bulb - 1141
	008220-01-000	EA	Bulb - 12V - 25W
	036196-01-000	EA	Bulb - 194
	067479-01-000	EA	Bulb - 1076 - 12V - 1.80 Amp.

FUSES AND CIRCUIT BREAKERS

Key	Part Number	U/M	Description
	063912-01-000	EA	Relay Canister - w/Ground (Bosch)
	056473-02-000	EA	Fuse - Slow Blow - 5 Amp. - 32 Volt Capacity
	056473-01-000	EA	Fuse - Slow Blow - 6 1/4 Amp.
	008233-01-000	EA	Fuse - 12 Volt - 6 Amp.
	008234-01-000	EA	Fuse - 12 Volt - 10 Amp.
	046893-01-000	EA	Fuse - 12 Volt - 13 Amp.
	008235-01-000	EA	Fuse - 12 Volt - 15 Amp.
	008236-01-000	EA	Fuse - 12 Volt - 20 Amp.
	008248-01-000	EA	Fuse - 110 Volt - 30 Amp. - AGU
	008252-01-000	EA	Fuse - 110 Volt - 50 Amp.
	062901-02-000	EA	Fuse - Automotive - 5 Amp.
	062901-05-000	EA	Fuse - Automotive - 15 Amp.
	044466-03-000	EA	Circuit Breaker - 12 Volt - 25 Amp. - DC
	008208-01-000	EA	Circuit Breaker - 12 Volt - 40 Amp.
	008211-01-000	EA	Circuit Breaker - 12 Volt - 6 Amp.
	008268-01-000	EA	Circuit Breaker - 12 Volt - 30 Amp. w/Mount
	033573-02-000	EA	Circuit Breaker - 12 Volt - 15 Amp. w/Mount
	033573-01-000	EA	Circuit Breaker - 12 Volt - 20 Amp. w/Mount
	040051-01-000	EA	Circuit Breaker - 110 Volt - 20 Amp. TQL
	071279-01-000	EA	Circuit Breaker - 120 Volt - 15 Amp.
	008273-03-000	EA	Circuit Breaker - 15/20 Amp. TQL
	008299-01-000	EA	Circuit Breaker - 115 Amp. TQL
	008297-01-000	EA	Circuit Breaker - 120 Amp. TQL
	008293-01-000	EA	Circuit Breaker - 130 Amp. TQL
	071279-02-000	EA	Circuit Breaker - 15/15 Amp. - 120 Volt
	071279-03-000	EA	Circuit Breaker - 15/20 Amp. - 120 Volt
	071279-04-000	EA	Circuit Breaker - 30 Amp. - 120 Volt
	075735-02-000	EA	Circuit Breaker - GF 115 Amp. - 120 Volt
	071279-05-000	EA	Circuit Breaker - 20 Amp. - 120 Volt
	071279-06-000	EA	Circuit Breaker - 30/15 Amp. - 120 Volt
	071279-07-000	EA	Circuit Breaker - 20/20 Amp. - 120 Volt
	071280-01-000	EA	Circuit Breaker Blank
	077817-01-000	EA	Box - Circuit Breaker - 20 Amp.
	050283-01-000	EA	Bar - Buss - 3 Position
	050283-02-000	EA	Buss Bar Circuit Breaker
	083209-01-000	EA	Circuit Breaker - 15 Amp. - 120 Volt
	083209-02-000	EA	Circuit Breaker - 15/15 Amp. - 120 Volt
	083209-03-000	EA	Circuit Breaker - 15/20 Amp. - 120 Volt
	083209-04-000	EA	Circuit Breaker - 30 Amp. - 120 Volt
	083209-05-000	EA	Circuit Breaker - 20 Amp. - 120 Volt
	083209-06-000	EA	Circuit Breaker - 30/15 Amp. - 120 Volt
	083209-07-000	EA	Circuit Breaker - 20/20 Amp. - 120 Volt
	083209-08-000	EA	Circuit Breaker - Blank
	083210-01-000	EA	Circuit Breaker - GFI - 20 Amp - 120 Volt
	083210-02-000	EA	Circuit Breaker - GFI - 15 Amp - 120 Volt

ELECTRICAL GROUP (CONTINUED)

MISCELLANEOUS ELECTRICAL COMPONENTS

Key	Part Number	U/M	Description
	063739-01-000	EA	Battery - 12 Volt - 80 Amp. Gould
	008188-01-000	EA	Solenoid - Dual Battery - Relay
	024459-04-000	EA	Gauge - Voltmeter - w/o Bracket
	031035-02-000	EA	Gauge - Hourmeter - Generator
	024460-04-000	EA	Gauge - Vacuum - w/o Bracket
	008343-01-000	EA	Wire Tie - Plastic - 6"
	052367-01-000	EA	Lighter Asm. - Cigarette
	036420-02-000	EA	Fan - 6" Defroster - 2 Speed
	083208-01-000	EA	Control Center - 32 Amp. - 120 Volt/12 Volt

WINDSHIELD WIPER & WASHER

Key	Part Number	U/M	Description
**	056000-02-000	EA	Washer Asm. - Windshield - w/o Nozzles
**	072472-04-000	EA	Arm - Windshield Wiper - 29" - Black
**	049464-03-000	EA	Blade - Windshield Wiper - 20" Black
	067188-01-000	EA	Crank Stud - Wiper
	067190-01-000	EA	Shaft & Pivot Asm. - Wiper
	067192-01-000	EA	Connecting Link Asm. - Drivers Side
	067193-01-000	EA	Connecting Link Asm. - Passenger Side
	067191-02-700	EA	Wiper Motor Asm.
	074007-02-000	EA	Switch - Wiper Delay
**	The illustrated parts breakdown for this item is provided on the Common Items Fiche.		

WIRE, SWITCHES & RECEPTACLES (CONT)

Key	Part Number	U/M	Description
	062037-01-000	EA	Housing - Auto Fuse - Natural
	062037-02-000	EA	Housing - Auto Fuse - Green
	062037-03-000	EA	Housing - Auto Fuse - Black
	062037-04-000	EA	Housing - Auto Fuse - Blue
	062037-05-000	EA	Housing - Auto Fuse - Gray
	062037-06-000	EA	Housing - Auto Fuse - Brown
	062037-07-000	EA	Housing - Auto Fuse - Red
	076759-01-000	EA	Switch - SPST - Lock/Lock
	076759-02-000	EA	Switch - SPST - Mom On/Lock (NO)
	076759-03-000	EA	Switch - SPST - Lock/Lock/Lock
	076759-04-000	EA	Switch - SPDT - Mom/Lock/Mom
	076759-05-000	EA	Switch - SPDT - Lock/Lock/Mom
	076759-06-000	EA	Switch - Dummy
	076759-07-000	EA	Switch - SPST - Mom Off/Lock (NC)

1987 WINNEBAGO TABLE OF CONTENTS

WC420EG	A-01 - B-06
WF426RT	B-07 - D-10
WCN26RH	D-11 - F-14
WCN27RT	F-15 - H-20
WCP26ET	H-21 - K-02

1987 WCP26ET INDEX

Floor Plan	H-21 - H-22
Accessories Group	H-23 - H-24
Bath Group	I-01
Chassis Group	I-02 - I-04
Curtain, Cushion & Pad Group	I-05 - I-13
Dinette Group	I-14
Driver's Compartment Group	I-15 - I-18
Electrical Group	I-19 - I-22
Exterior Body Group	I-23 - J-04
Galley Group	J-05 - J-06
Heating & Air Conditioning Group	J-07
Interior Finish Group	J-08 - J-10
LP Group	J-11
Lounge Group	J-12
Water & Sewage Group	J-13
Window, Vent & Exterior Door Group	J-14 - K-02

ELECTRICAL GROUP (CONTINUED)

WIRES, SWITCHES & RECEPTACLES

Key	Part Number	U/M	Description
	008024-01-000	FT	Wire - 18.5 Bonded - Orange/White/Yellow/Blue/Brown
	008025-01-000	FT	Wire - 18.5 Bonded - Orange/White/Yellow/Blue/Green
	008028-01-000	FT	Wire - 18.5 Bonded - Blue/Red/Yellow/Orange/White
	008026-01-000	FT	Wire - 122 - Romex w/Ground
	041953-01-000	FT	Conduit - Convolute Slit - .5" I.D.
	008277-01-000	EA	Holder - Fuse - Black - Panel Mount
	008054-01-000	EA	Cord - Power - 10-3 30 Amp. - 25' - UL
	008052-01-000	EA	Cord - Power - 10-3 30 Amp. - 25' - CSA
	024571-03-000	EA	Cover Plate - Receptacle - Jumbo Plastic - Brown
	024571-04-000	EA	Cover Plate - Receptacle - Jumbo Plastic - Ivory
	008160-01-000	EA	Cover Plate - Receptacle - Plastic - Ivory
	008164-01-000	EA	Cover Plate - Switch - Brown
	076319-09-000	EA	TV Wall Plate/Receptacle - Brown (Winegard Antenna)
	076319-07-000	EA	TV Wall Plate - Power Supply - Brown (Winegard Antenna)
	074151-01-000	EA	Switch Plate - On/Off - Jensen
	058028-01-000	EA	Connector - Pigtail - Clear - Nylon
	008162-02-000	EA	Switch - Double Toggle - Ivory
	008162-01-000	EA	Switch - Double Toggle - Brown
	008163-01-000	EA	Switch - Toggle Brown
	056264-01-000	EA	Switch - Leaf Actuator
	074007-02-000	EA	Switch - Intermittent - Windshield Wiper
	063912-01-000	EA	Relay - Canister Spot w/Ground
	069238-01-000	EA	Cover - Electrical - 4 x 4 Box
	008058-01-000	EA	Adaptor - Power Cord
	024924-02-000	EA	Receptacle - Power Cord
	058707-01-000	EA	Receptacle - Single - Brown
	058708-01-000	EA	Receptacle - Duplex - Brown
	058708-02-000	EA	Receptacle - Duplex - Ivory
	075736-03-000	EA	Receptacle Cover - Exterior - Beige
	008294-01-000	EA	Cover - Steel - Flat Blank - 4" x 4"
	008288-01-000	EA	Box - Electrical - Plastic - 3" x 3.5"
	008289-01-000	EA	Box - Electrical - Steel - 4 x 4 - 1/2 & 3/4 UL
	058049-01-000	EA	Box - Electrical - 2" 3" x 2.25" - Steel
	064398-01-000	EA	Housing Asm. - Trailer Receptacle
	064399-01-000	EA	Housing Asm. - Trailer Pin
	064450-01-000	EA	Housing Asm. - Trailer Plug
	035417-01-000	EA	Terminal - Pin Receptacle - .125 Dia.
	054532-01-000	EA	Housing Pin - 6 Position
	054532-02-000	EA	Housing Pin - 4 Position
	054532-04-000	EA	Housing Pin - 12 Position
	054532-05-000	EA	Housing Socket - 12 Position
	031968-01-000	EA	Contact - Plug - Brass - Tin Plated
	073937-01-000	EA	Switch - Roof Air - A/C Selector - 3 Deck Rotary
	074151-01-000	EA	Switch - Rocker

ELECTRICAL GROUP (CONTINUED)

EXTERIOR LIGHTS

Key	Part Number	U/M	Description
	058032-01-000	EA	Lamp Asm. - Taillight - Two Bulbs
	007309-01-000	EA	Lamp Asm. - License Plate
	083120-02-000	EA	Bracket - License
	008089-01-000	EA	Light - Porch - Recessed
	079941-01-000	EA	Fog Lamps - w/Cover
	051057-01-000	EA	Searchlight - Power Driven
	075660-01-000	EA	Lamp Asm. - Side Marker - Amber
	075660-02-000	EA	Lamp Asm. - Side Marker - Red
	081237-01-000	EA	Light Asm. - Cab Marker - Amber
	081237-02-000	EA	Light Asm. - Cab Marker - Red

INTERIOR LIGHTS

Key	Part Number	U/M	Description
	033508-02-000	EA	Light - Dome - Ivory - 1 Bulb - US
	033508-03-000	EA	Light - Dome - Ivory - 1 Bulb - CSA
	033509-02-000	EA	Light - Dome - Ivory - 2 Bulb - US
	033509-03-000	EA	Light - Dome - Ivory - 2 Bulb - CSA
	061424-01-000	EA	Light - 12 V Receptacle - Aisle - IP
	077026-01-000	EA	Lens - Courtesy Light - Clear - Front Door Panels
	078424-02-000	EA	Light - Fluorescent 12V - 18"
	079926-01-000	EA	Lamp - Flexible Arm
	082686-01-000	EA	Table Lamp - Bright Brass & Wood
	082686-02-000	EA	Lamp Shade - Table Lamp

**1987 WINNEBAGO
TABLE OF CONTENTS**

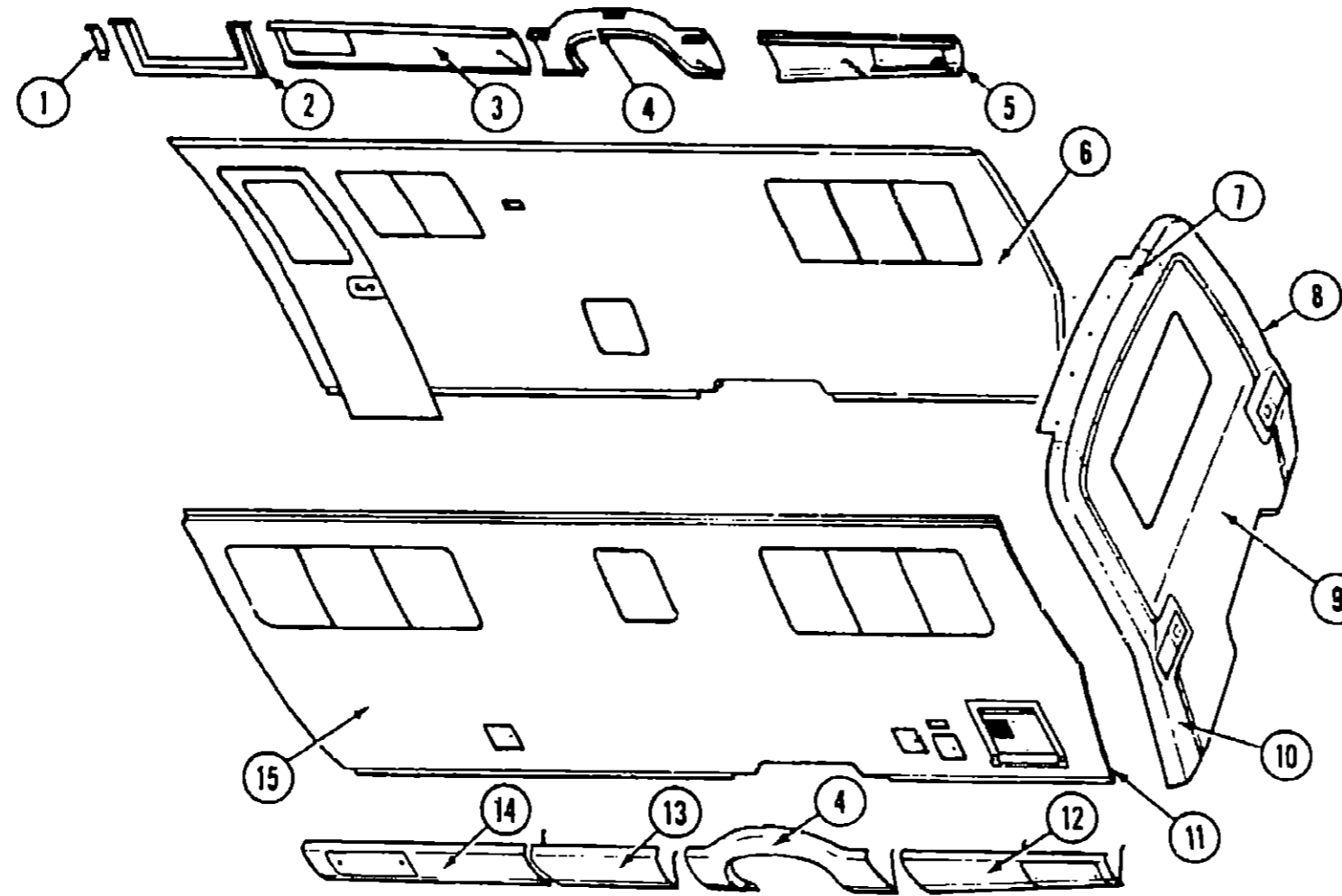
WC420EG	A-01 - B-08
WF426RT	B-07 - D-10
WCN26RH	D-11 - F-14
WCN27RT	F-15 - H-20
WCP26ET	H-21 - K-02

1987 WCP26ET INDEX

Floor Plan	H-21 - H-22
Accessories Group	H-23 - H-24
Bath Group	I-01
Chassis Group	I-02 - I-04
Curtain, Cushion & Pad Group	I-05 - I-13
Dinette Group	I-14
Driver's Compartment Group	I-15 - I-18
Electrical Group	I-19 - I-22
Exterior Body Group	I-23 - J-04
Galley Group	J-05 - J-06
Heating & Air Conditioning Group	J-07
Interior Finish Group	J-08 - J-10
LP Group	J-11
Lounge Group	J-12
Water & Sewage Group	J-13
Window, Vent & Exterior Door Group	J-14 - K-02

EXTERIOR BODY GROUP

EXTERIOR BODY PANELS



1987 WINNEBAGO TABLE OF CONTENTS

WC420EG
WF426RT
WCN26RH
WCN27RT
WCP26ET

A-01 - B-00
B-07 - D-10
D-11 - F-14
F-15 - H-20
H-21 - K-02

Key	Part Number	U/M	Description
1	M02586-25-U25	EA	Valance Panel - Right Front
2	M02586-03-U07	EA	Valance Panel - Entrance Door
3	M02586-20-U25	EA	Valance Panel - Right Center
4	082925-01-U07	EA	Wheelwell Trim - Rear - Beige
5	M02586-21-U25	EA	Valance Panel - Right Rear
6	M83896-01-W10	EA	Sidewall Asm. - Right (U12)
6	M83896-01-W11	EA	Sidewall Asm. - Right
7	M02679-03-U25	EA	Trim Asm. - Top Rear - Beige Plastic
•	077412-01-000	EA	Trim Cap - Right Rear Top - Beige Plastic
•	077412-02-000	EA	Trim Cap - Left Rear Top - Beige Plastic
8	M02679-01-U25	EA	Trim Asm. - Right Rear - Beige Plastic
9	083951-01-W10	EA	Backwall Asm.
10	M02679-02-U25	EA	Trim Asm. - Left Rear - Beige Plastic
11	073502-08-000	EA	Trim - Plastic Rear Cap - Left - Beige
•	073502-07-000	EA	Trim - Plastic Rear Cap - Right - Beige
•	Not illustrated		

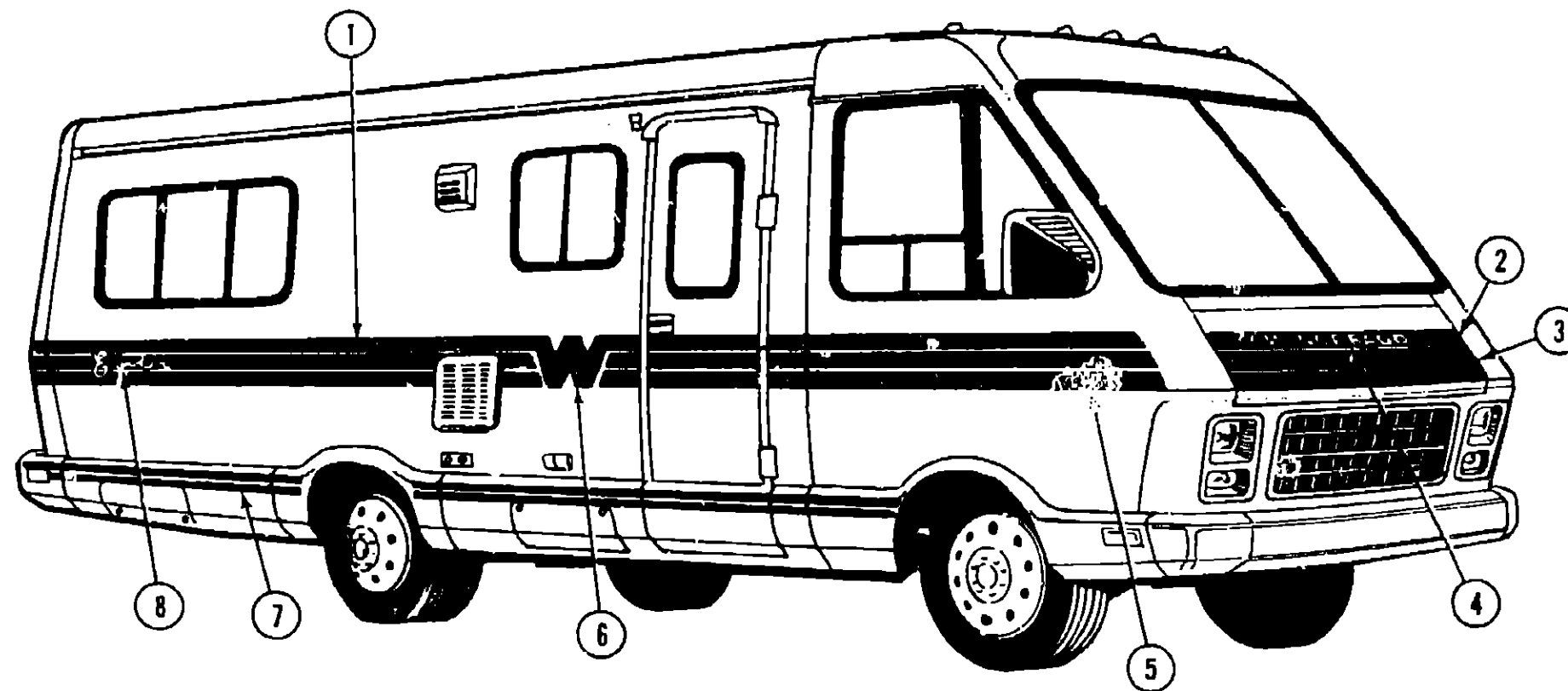
Key	Part Number	U/M	Description
12	M02586-26-U25	EA	Valance Panel - Left Rear - w/o Generator
12	M02586-24-U25	EA	Valance Panel - Left Rear - w/Generator
13	M02586-23-U25	EA	Valance Panel - Left Center
14	M02586-22-U25	EA	Valance Panel - Left Front
15	M87672-01-W10	EA	Sidewall Asm. - Left (W12)
15	M87672-01-W11	EA	Sidewall Asm. - Left
•	M87642-01-W10	EA	Roof Asm.
•	073505-06-000	EA	Roof Trim - 180" - Beige
•	076515-02-000	EA	Inside Trim - Wheelwell - Rear - Left/Right - Steel
•	M01615-07-U17	EA	Roof Cap - Front Roof Cab - Beige
•	Not illustrated		

1987 WCP26ET INDEX

Floor Plan	H-21 - H-22
Accessories Group	H-23 - H-24
Bath Group	I-01
Chassis Group	I-02 - I-04
Curtain, Cushion & Pad Group	I-05 - I-13
Dinette Group	I-14
Driver's Compartment Group	I-15 - I-18
Electrical Group	I-19 - I-22
Exterior Body Group	I-23 - J-04
Galley Group	J-05 - J-06
Heating & Air Conditioning Group	J-07
Interior Finish Group	J-08 - J-10
LP Group	J-11
Lounge Group	J-12
Water & Sewage Group	J-13
Window, Vent & Exterior Door Group	J-14 - K-02

EXTERIOR BODY GROUP (CONTINUED)

DECALS & FILM STRIPE



1987 WINNEBAGO TABLE OF CONTENTS

WC420EG
WF426RT
WCN26RH
WCN27RT
WCF26ET

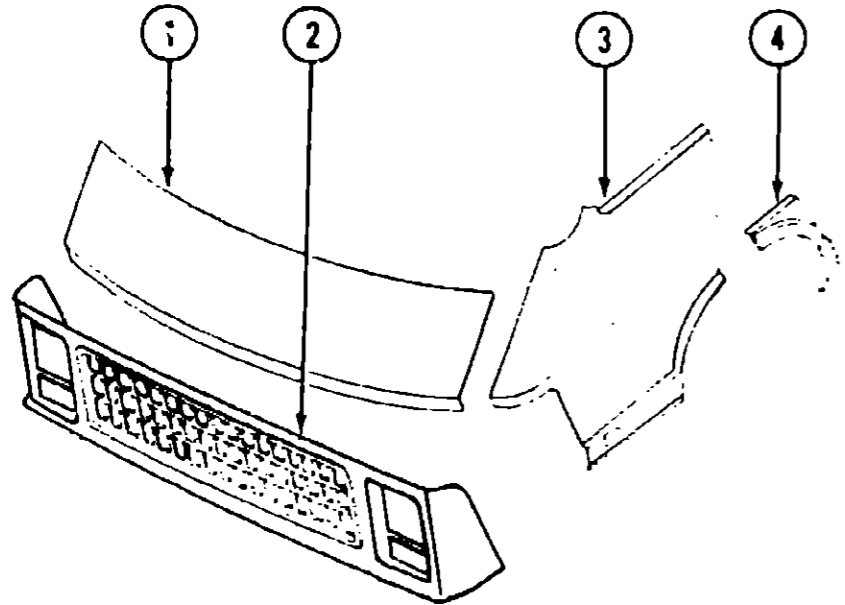
A-01 - B-06
B-07 - D-10
D-11 - F-14
F-15 - H-20
H-21 - K-02

Key	Part Number	U/M	Description
1	078831-37-000	FT	Film Stripe - 2.75" - Dark Green (W10)
1	078831-38-000	FT	Film Stripe - 2.75" - Red Brown (W11)
1	078831-39-000	FT	Film Stripe - 2.75" - Brown (W12)
2	085322-10-000	EA	Decal - Hood - Top Stripe - Light Green/Peach (W10)
2	085322-11-000	EA	Decal - Hood - Top Stripe - Burgundy/Rose (W11)
2	085322-12-000	EA	Decal - Hood - Top Stripe - Rust/Peach (W12)
3	085322-07-000	EA	Decal - Hood - Bottom Stripe - Dark Green (W10)
3	085322-08-000	EA	Decal - Hood - Bottom Stripe - Red Brown (W11)
3	085322-09-000	EA	Decal - Hood - Bottom Stripe - Brown (W12)
4	069745-03-000	EA	Decal "Winnie"
4	069745-04-000	EA	Decal "Bago"
5	065217-D7-000	FT	Film Stripe - 6" - Light Green/Peach (W10)
5	065217-D8-000	FT	Film Stripe - 6" - Red Brown/Burgundy (W11)
5	065217-D9-000	FT	Film Stripe - 6" - Rust/Peach (W12)
6	079351-13-000	EA	Decal - "W" - Dark Green (W10)
6	079351-14-000	EA	Decal - "W" - Red Brown (W11)
6	079351-15-000	EA	Decal - "W" - Brown (W12)
7	065217-E0-000	FT	Film Stripe - 1.62" - Light Green/Dark Green (W10)
7	065217-G5-000	FT	Film Stripe - 1.62" - Red Brown/Burgundy (W11)
7	065217-G6-000	FT	Film Stripe - 1.62" - Brown/Rust (W12)
8	076754-01-000	EA	Decal - "Elandan" - Chrome
	050313-22-000	EA	Decal - "Winnebago" - 2.8" Chrome
			Not illustrated

1987 WCP26ET INDEX

Floor Plan	H-21 - H-22
Accessories Group	H-23 - H-24
Bath Group	I-01
Chassis Group	I-02 - I-04
Curtain, Cushion & Pad Group	I-05 - I-13
Dinette Group	I-14
Driver's Compartment Group	I-15 - I-18
Electrical Group	I-19 - I-22
Exterior Body Group	I-23 - J-04
Galley Group	J-05 - J-06
Heating & Air Conditioning Group	J-07
Interior Finish Group	J-08 - J-10
LP Group	J-11
Lounge Group	J-12
Water & Sewage Group	J-13
Window, Vent & Exterior Door Group	J-14 - K-02

EXTERIOR BODY GROUP (CONTINUED)



EXTERIOR BODY PANELS (CAB)

Key	Part Number	U/M	Description
1	084759-01-W13	EA	Hood Panel
2	076777-02-000	EA	Grill Panel - Gray
2	076777-01-000	EA	Grill - Panel - Chrome
•	075762-01-000	EA	Panel - Grille - Fiberglass - Gray
3	084240-02-U25	EA	Fender Panel - Front Left
3	084751-02-W13	EA	Fender Panel - Front Left - Used w/Door Option
•	084240-01-U25	EA	Fender Panel - Front Right
4	084166-03-000	EA	Fender Panel - Rear Left - Used w/Door Option
•	058786-02-000	EA	Hood Bolt - Adjusting
•	R77006-38-499	EA	Spring - Hood Latch Cable
•	M02680-01-U25	EA	Hinge Asm. - Hood - Right
•	M02680-02-U25	EA	Hinge Asm. - Hood - Left
•	077252-01-000	EA	Hinge Pin - Stainless Steel
•	077407-01-000	EA	Bracket - Hood Release Cable
•	070907-01-000	EA	Headlamp Capsule Asm. - High/Low Beam - Left or Right
•	076911-05-000	EA	Headlamp Bezel - Chrome - Right Hand
•	076911-06-000	EA	Headlamp Bezel - Chrome - Left Hand
•	076911-03-000	EA	Headlamp Bezel - Unfinished - Right Hand
•	076911-04-000	EA	Headlamp Bezel - Unfinished - Left Hand
•	075767-01-000	EA	Bumper End - Plastic - Passenger Side - Beige
•	075767-03-000	EA	Bumper End - Plastic - Drivers Side - Beige
•	076345-01-000	EA	Lamp Asm. - Park/Turn - Amber - Left or Right
•	M01615-07-U07	EA	Roof Cap - Front Cab
•	Not illustrated		

EXTERIOR BODY GROUP (CONTINUED)

SEALANTS & ADHESIVES

Key	Part Number	U/M	Description
	004020-01-000	QT	Adhesive - ABS Cement (Plastic Fittings)
	002337-01-000	EA	Adhesive - 1300 Tube - 3M (Windows)
	004005-02-000	GL	Adhesive - Swifts - Glue (Sidewalls)
	053766-07-000	EA	Bedding Compound - Tube - Beige (Exterior)
	053766-06-000	EA	Bedding Compound - Tube - Clear (Window)
	053766-08-000	EA	Bedding Compound - Tube - Gray (Exterior)
	053766-05-000	EA	Bedding Compound - Tube - Gray (Sidewalls to Floor)
	053766-02-000	EA	Bedding Compound - Tube - Off White (Exterior)
	002328-02-000	EA	Block - Rubber Spacer (Windshield)
	004336-01-000	EA	Caulk - Latex - Golden Walnut (Sidewalls)
	077967-01-000	EA	Sealant - Acrylic Latex - Tube - Off White (Interior Sealant)
	034552-04-000	EA	Sealant - Silicone - Beige
	034552-02-000	EA	Sealant - Silicone - Clear
	034552-07-000	EA	Sealant - Silicone - Dark Gray
	034552-06-000	EA	Sealant - Silicone - Off White
	069637-01-000	EA	Sealant - Weatherban 404 - Tube - White (Door Caulk)
	072889-01-000	EA	Sealant - Urethane - Black (Windshield)
	069640-01-000	FT	Sealer Ribbon - .25" Bead x 20'
	069640-02-000	FT	Sealer Ribbon - .5" x .125" x 30'
	069640-03-000	FT	Sealer Ribbon - .75" x .125" x 30'
	069640-04-000	FT	Sealer Ribbon - 2" x .09" x 45' (P Series)
	069640-05-000	FT	Sealer Ribbon - 2.5" x .09" x 50'
	069640-06-000	FT	Sealer Ribbon - 5/16" Bead x 15'
	069640-07-000	FT	Sealer Ribbon - 2" x 3/32" x 30'
	002316-01-000	FT	Sealer Tape - 3/32" x 3/8" - White (Window)
	002707-01-000	FT	Sealer Tape - 5/16" x 3/4"
	002707-02-000	FT	Sealer Tape - 5/16" x 1/2"
	040545-01-000	GL	Sealer - Seam Weld
	053752-04-000	EA	Seam Sealer - Tube - Aluminum (Roof)
	063642-01-000	FT	Tape - Adhesive - .10 mm. x 1.5" Wide
	038886-01-000	EA	Tape - Butyl - .31" x .31" x 148" (Windshield)
	076322-01-000	FT	Tape - Foam - Double Coated - .025 x 1" (Fiberglass Sidewall Seams)
	076322-02-000	FT	Tape - Foam - Double Coated - .045 x 1" (Fiberglass Sidewall Seams)
	009200-01-000	EA	Tape - Furnace - 1.5"
	002825-01-000	FT	Weather Striping (Roof Vent)

SHEET FIBERGLASS, ALUMINUM & STYROFOAM

Key	Part Number	U/M	Description
	000868-01-000	SF	Styrofoam - 3/4" x 24" x 96"
	000870-01-000	SF	Styrofoam - 1 1/2" x 24" x 96"
	000870-02-000	SF	Styrofoam - 1 1/2" x 48" x 96"
	000870-04-000	SF	Styrofoam - 1.34" x 24" x 96"
	000870-03-000	SF	Styrofoam - 1.34" x 48" x 96"
	000870-05-000	SF	Styrofoam - .5" x 24" x 96"
	044487-01-001	EA	Alum. - Mill Finish - No Deslgn - 96" x 360"
	001054-01-041	EA	Alum. - Off White - Sheet - 48" x 360"
	076054-31-001	EA	Fiberglass Sheet - 47.6" x 31.3" - Beige - Smooth

MISCELLANEOUS EXTERNALLY MOUNTED PARTS

Key	Part Number	U/M	Description
	003558-01-000	EA	Plumbing Seal - Roof Vent - 1 1/2" - Covered
	010230-03-000	EA	Fill - City Water - Recessed - Beige
	081240-01-000	EA	Water Fill - Lockable - Beige

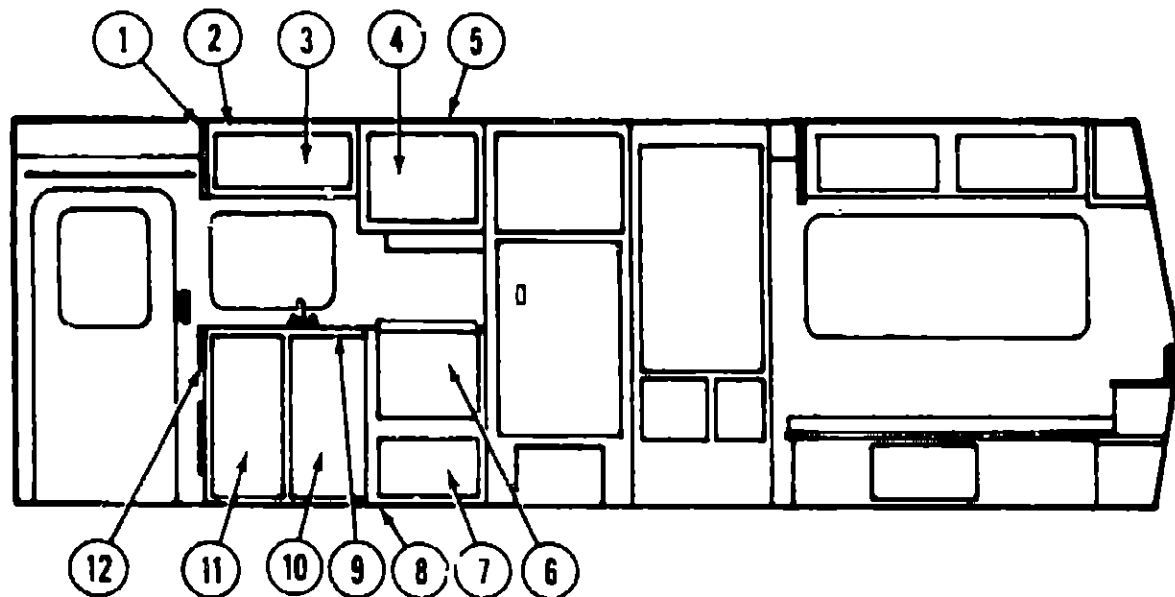
**1987 WINNEBAGO
TABLE OF CONTENTS**

WC420EG	A-01 - B-08
WF426RT	B-07 - D-10
WCN26RH	D-11 - F-14
WCN27RT	F-15 - H-20
WCP26ET	H-21 - K-02

1987 WCP26ET INDEX

Floor Plan	H-21 - H-22
Accessories Group	H-23 - H-24
Bath Group	I-01
Chassis Group	I-02 - I-04
Curtain, Cushion & Pad Group	I-05 - I-13
Dinette Group	I-14
Driver's Compartment Group	I-15 - I-18
Electrical Group	I-19 - I-22
Exterior Body Group	I-23 - J-04
Galley Group	J-05 - J-06
Heating & Air Conditioning Group	J-07
Interior Finish Group	J-C8 - J-10
LP Group	J-11
Lounge Group	J-12
Water & Sewage Group	J-13
Window, Vent & Exterior Door Group	J-14 - K-02

GALLEY GROUP



GALLEY CABINETRY

Key	Part Number	U/M	Description
1	083993-01-W10	EA	End Cap - Galley Overhead
2	083968-01-W10	EA	Cabinet Asm. - Galley Overhead - w/o Doors or Hardware
†2	M83968-01-W10	EA	Cabinet Asm. - Galley Overhead - w/o Doors or Hardware
3	M81503-10-W10	EA	Door Asm. - Galley Overhead - w/o Hardware
†3	M88304-53-W10	EA	Door Asm. - Galley Overhead - w/o Hardware
4	M81523-10-W10	EA	Door Asm. - Range Overhead - w/o Hardware - Rear
†4	M88304-12-W10	EA	Door Asm. - Range Overhead - w/o Hardware - Rear
5	083959-01-W10	EA	Cabinet Asm. - Range Overhead - w/o Doors or Hardware
†5	M83969-01-W10	EA	Cabinet Asm. - Range Overhead - w/o Doors or Hardware
6	M81501-A3-W10	EA	Door Asm. - Used w/Microwave
†6	M88304-59-W10	EA	Door Asm. - Used w/Microwave
7	M81501-A2-W10	EA	Door Asm. - Galley Cabinet - w/o Hardware - Lower
†7	M88304-05-W10	EA	Door Asm. - Galley Cabinet - w/o Hardware - Lower
8	M87336-02-W10	EA	Cabinet Asm. - Galley - w/o Doors, Drawers, Countertop or Hardware
9	M03018-01-W10	EA	Countertop Asm. - Galley Cabinet
10	M81501-99-W10	EA	Door Asm. - Galley Cabinet - w/o Hardware - Rear
†10	M88304-14-W10	EA	Door Asm. - Galley Cabinet - w/o Hardware - Rear
11	M81501-AG-W10	EA	Door Asm. - Galley Cabinet - w/o Hardware - Front
†11	M88304-13-W10	EA	Door Asm. - Galley Cabinet - w/o Hardware - Front
12	080812-03-W04	EA	Galley Counter Extension

† Used in units produced after 3/16/87.

GALLEY GROUP (CONTINUED)

GALLEY HARDWARE

Key	Part Number	U/M	Description
	081530-01-W07	EA	Sink Cover - Large - Beige Crescent
	068615-01-000	EA	Sink - Stainless Steel - Double w/Bolts
**	011053-01-000	EA	Faucet - Swing Spout - 8" - US
**	011053-02-000	EA	Faucet - Swing Spout - 8" - CSA
	066437-01-000	EA	Strainer w/Basket - Sink
**	011053-01-700	EA	Aerator - Swing Spout Faucet
	058334-01-000	EA	Wastebasket - 9 3/4" x 7" x 10" - White Rubbermaid
	058478-01-000	EA	Support - Wastebasket
	077409-01-000	EA	Drawer Slide - Plastic - 20.75"
	077404-01-000	EA	Drawer - Plastic - 20" x 12.7"
	039873-01-700	EA	Door Catch & Strike - Nylon & Spring Steel
**	059777-02-000	EA	Hinge - Cabinet Door - Brass
	074981-01-000	EA	Cutting Board - Maple
	054450-01-000	EA	Level - Refrigerator
	086263-01-000	EA	Door Pull - Polished Brass
	074493-02-000	EA	Door Support - Sprung

** The illustrated parts breakdown for this item is provided on the Common Items Fiche.

GALLEY APPLIANCES

Key	Part Number	U/M	Description
**	064473-02-000	EA	Refrigerator - 3-Way - 6' Norcold
	084879-01-000	EA	Refrigerator - 3-Way - 8' Norcold
	084879-01-700	EA	Cooling Unit
	084879-01-701	EA	Gasket - Lower Door
	084879-01-702	EA	Handle - Lower Door
	084879-01-703	EA	Cabinet Asrn. - Foamed
	084879-01-704	EA	Liner - Lower Door - Foamed w/Frame
	084879-01-705	EA	Panel Holder - Lower Door
	081374-01-000	EA	Range Top - 4-Burner
	081374-01-700	EA	Trim - Top Right
	081374-01-701	EA	Trim - Top Left
	081374-01-702	EA	Panel - Manifold - Warm Black
	081374-01-703	EA	Trim - Top Rear
	081374-01-704	EA	Guard - Fabric
**	079352-01-000	EA	Hood - Stove - w/Light - Non Powered

** The illustrated parts breakdown for this item is provided on the Common Items Fiche.

1987 WINNEBAGO TABLE OF CONTENTS

WC420EG	A-01 - B-06
WF426RT	B-07 - D-10
WCN26RH	D-11 - F-14
WCN27RT	F-15 - H-20
WCP26ET	H-21 - K-02

1987 WCP26ET INDEX

Floor Plan	H-21 - H-22
Accessories Group	H-23 - H-24
Bath Group	I-01
Chassis Group	I-02 - I-04
Curtain, Cushion & Pad Group	I-05 - I-13
Dinette Group	I-14
Driver's Compartment Group	I-15 - I-18
Electrical Group	I-19 - I-22
Exterior Body Group	I-23 - J-04
Galley Group	J-05 - J-06
Heating & Air Conditioning Group	J-07
Interior Finish Group	J-08 - J-10
LP Group	J-11
Lounge Group	J-12
Water & Sewage Group	J-13
Window, Vent & Exterior Door Group	J-14 - K-02

HEATING & AIR CONDITIONING GROUP

AUTOMOTIVE HEATER & AIR CONDITIONER

Key	Part Number	U/M	Description
	080426-02-000	EA	Heater/Evaporator Asm. - w/Pressure Sensor Switch - A.R.A.
	072342-01-000	EA	Condenser Asm. - A.R.A.
	072342-03-000	EA	Condenser Asm. - w/Fans & High Temp Sensor Switch - A.R.A.
	072342-04-000	EA	Condenser Asm. - w/High Temp Sensor Switch - A.R.A.
	072342-03-700	EA	Coil - Condenser
	072342-03-701	EA	Receiver - Drier
	072342-03-702	EA	Condenser Fan & Seal Asm.
	072342-03-703	EA	Condenser Fan
	072342-03-704	EA	Bracket - Condenser Mounting
	072342-03-705	EA	Switch - Temperature
	072343-01-000	EA	Compressor/Clutch - A.R.A.
	072343-04-000	EA	Compressor/Clutch - w/Rear Mounted Valves - A.R.A.
	072344-01-000	EA	Package - Compressor Mount
	072344-02-000	EA	Package - Rear Valve Compressor - Mount Brackets
	049401-01-000	EA	Heater Asm. - Rear - Auxiliary
	049401-01-700	EA	Valve - Water Control (Aux. Heater)
	049401-01-701	EA	Control Cable (Aux. Heater)
	049401-01-702	EA	Motor Asm. (Aux. Heater)
	049401-01-703	EA	Heater Core (Aux. Heater)
	049401-01-704	EA	Switch (Aux. Heater)
	049401-01-705	EA	Valve - 3 Port - 2 Way
	049401-01-706	EA	Knob - Heater
	049401-01-708	EA	Wire Asm.
	049401-01-709	EA	Wire Asm.
	049401-01-710	EA	Wire Asm.
	049401-01-711	EA	Knob - Switch
	058906-01-000	EA	Control Panel - Brown (Aux. Rear Heater)

FURNACES & ROOF AIR CONDITIONER

Key	Part Number	U/M	Description
**	078182-01-000	EA	Furnace - 20,000 BTU - w/Electric UL
**	078182-03-000	EA	Furnace - 30,000 BTU - w/Electric, UL
	078182-04-000	EA	Furnace - 20,000 BTU - w/Electric, CGA
	078182-06-000	EA	Furnace - 30,000 BTU - w/Electric, CGA
	009198-01-000	FT	Duct - Flexible - 4" I.D. x 25'
	056464-01-000	EA	Register - 4" Dia. - Plastic - w/Damper
	056464-02-000	EA	Register - 4" Dia. - Plastic - w/o Damper
	009200-01-000	EA	Tape - Furnace - 1 1/2"
	023146-01-000	EA	Clamp Screw Type - 4"
**	073743-01-000	EA	Shroud Asm. - Ceiling - Inside - Roof Air Cool Only - 13,500 BTU - Coleman
**	073742-01-000	EA	Air Conditioner - 110 Volt - Roof Mount - 13,500 BTU Rotary
**	The illustrated parts breakdown for this item is provided on the Common Items Fiche.		

INTERIOR FINISH GROUP

CURTAIN & CUSHION HARDWARE

Key	Part Number	U/M	Description
	081381-01-000	EA	Swivel Snap - Curtain Track
	029130-01-000	EA	Snap Socket - Curtain Bottom
	056003-01-000	EA	Bracket - Drapery - Retainer - Right
	056003-02-000	EA	Bracket - Drapery - Retainer - Left
	082139-03-000	EA	Bracket - Hold Down - Blind
	079619-01-000	EA	Bracket - Tie Back
	084434-01-000	EA	Bracket - Shade
	048394-02-000	YD	Tape Hook - .75" x 50 yd - Beige
	048395-02-000	YD	Tape Loop - .75" x 50 YD - Beige
	029090-01-000	FT	Tie - Drapery - Clear Vinyl
	056116-01-000	EA	Track - Curtain - Brown Plastic - Top
	079946-01-000	EA	Track - Curtain - Wraparound - Right
	079946-02-000	EA	Track - Curtain - Wraparound - Left
	085283-01-000	EA	Bracket - Curtain Hold Back - Clear Plastic
	087253-01-000	EA	Shade Pull - Clear Plastic

PANELING & LAMINATE

Key	Part Number	U/M	Description
	074497-09-000	SF	Paneling - Sand - 48" x 84" (28 SF) (Wall)
	074496-69-000	SF	Paneling - Decor - Pom/Peach - 48" x 84" (28SF) (Wet Bath) (W10, W12)
	074496-70-000	SF	Paneling - Decor - Pom/Mauve - 48" x 84" (28SF) (Wet Bath) (W11)
	074496-61-000	SF	Paneling - Decor - Pom/Peach - 48" x 84" (28SF) (Galley/Bath) (W10, W12)
	074496-62-000	SF	Paneling - Decor - Pom/Mauve - 48" x 84" (28SF) (Galley/Bath) (W11)
	074497-03-000	SF	Paneling - Sunset Oak - 48" x 84" (28SF) (Cabinets)
	074498-13-000	SF	Plastic Laminate - Sand Quadrus (Galley/Dinette)
	074498-21-000	SF	Plastic Laminate - Sea Frost (Bath) (W10)
	074498-15-000	SF	Plastic Laminate - Blush (Bath) (W11)
	074498-16-000	SF	Plastic Laminate - T/Apricot (Bath) (W12)
	074498-05-000	SF	Plastic Laminate - Sunset Oak (Nightstand & Table Tops)
	076325-04-000	FT	Plastic Laminate - Edge Band - Sunset Oak - 1 5/16" x 600"

MISCELLANEOUS PARTS

Key	Part Number	U/M	Description
	053552-02-W04	EA	Handle Asm. - Interior Assist - Medium Almond Vinyl
	041944-04-000	EA	Fire Extinguisher - Dry 5BC
	084472-01-000	EA	Holder - Recessed Fire Extinguisher
	054185-26-000	EA	Owner's Manual - 1987 Itasca & Winnebago
	007038-01-000	EA	Door Mat - 10 1/2" x 26" - Black Rubber
	086296-01-000	EA	Picture - Decor
	065201-02-000	EA	Lamp Shade - Fabric - Parchment
	082686-02-000	EA	Shade - Table Lamp

INTERIOR MOLDING & TRIM

Key	Part Number	U/M	Description
	081521-01-001	EA	Molding w/Holes - Corner - 16"
	042357-09-000	FT	Molding - Radius Corner - 7" Elm
	022992-08-000	FT	Molding - Reverse Cove - White
	069733-37-000	EA	Batt Strip - Sunset Oak - 8'
	085284-01-000	FT	Batt Strip - Adhesive Tape - Woodgrain
	069733-62-000	EA	Batt Strip - Pebble Beach - 8'
	085284-05-000	FT	Batt Strip - Adhesive Tape - Classique Tweed
	069733-71-000	EA	Batt Strip - Winnie - 8' (Galley & Bath)
	069733-74-000	EA	Batt Strip - Winnie - 8' (Wet Bath)
	070504-01-000	FT	U-Channel - .065" - Light Brown
	009778-04-000	FT	U-Channel - 1" - Grady Brown
	083620-01-000	FT	T-Molding - .75" - w/Edge Lips - Grady Brown
	076325-04-000	FT	T-Molding - 1 5/16" - Sunset Oak
	077840-01-T03	EA	Molding - Wall Cap - 96" - Vinyl Covered - Sunset Oak
	077953-01-000	EA	Grommet - 1" Hole Liner
	009767-10-000	FT	Wetling - Mahogany

1987 WINNEBAGO TABLE OF CONTENTS

WC420EG	A-01 - B-08
WF426RT	B-07 - D-10
WCN26RH	D-11 - F-14
WCN27RT	F-15 - H-20
WCP26ET	H-21 - K-02

1987 WCP26ET INDEX

Floor Plan	H-21 - H-22
Accessories Group	H-23 - H-24
Bath Group	I-01
Chassis Group	I-02 - I-04
Curtain, Cushion & Pad Group	I-05 - I-13
Dinette Group	I-14
Driver's Compartment Group	I-15 - I-18
Electrical Group	I-19 - I-22
Exterior Body Group	I-23 - J-04
Galley Group	J-05 - J-06
Heating & Air Conditioning Group	J-07
Interior Finish Group	J-08 - J-10
LP Group	J-11
Lounge Group	J-12
Water & Sewage Group	J-13
Window, Vent & Exterior Door Group	J-14 - K-02

INTERIOR FINISH GROUP (CONTINUED)

CABINETS & TABLE HARDWARE

Key	Part Number	U/M	Description
	053200-05-000	EA	Bracket - Upper Wall Mount - 23.5" - Beige
**	053201-06-000	EA	Bracket - Table Mount - 23" - Beige
	024275-05-000	EA	Rod - Table Lift - 8" x 23.5" - Beige
	024281-07-000	EA	Bracket - Lower Wall Mount - 22.12" - Beige
	024276-17-000	EA	Leg Asm. - Table - 26.5" - Tan
	064050-02-000	EA	Hinge - Table Leg - Tan
**	024282-01-000	EA	Brace - Table Leg
**	024283-01-000	EA	Clip - 1" O.D. Tube
	049493-05-000	EA	Catch - Table Leg - Mounts on Floor - Tan
	009112-01-000	EA	Flange - 1" - Chrome - Closet Rod
	077409-01-000	EA	Slide - Drawer - Plastic - 20.75"
	009049-01-000	EA	Table Support - Drop Leaf
	009059-01-000	EA	Hinge - 2" - Drop Leaf Table - Gold
	086263-01-000	EA	Pull - Polished Brass Centers
	009016-01-000	EA	Elbow - Catch - Spring Loaded
	057671-01-000	EA	Screw Cover - #8 - Off White
	072369-20-000	EA	Mesh - Grille - 22" x 12" - Duraton Bronze
	009021-01-000	EA	Catch - Nylon
	009021-02-000	EA	Strike - Nylon Catch
**	059777-02-000	EA	Hinge - Cabinet Door - Antique Light Brass
	074493-02-000	EA	Support - Sprung - Door
	066433-01-000	EA	Hook - Cup - Bright
	075680-01-000	EA	Clothes Rod - Adjustable - 27" x 36"
	041194-01-000	EA	Base - Table - Flush Mounts in Floor
	009040-03-000	EA	Base - Table - Mounts on Table
	080728-01-000	EA	Handle - Pullout Table
	086263-01-000	EA	Pull - Polished Brass
	084466-02-000	EA	Slide Asm. - Drawer - Right
	084466-03-000	EA	Slide Asm. - Drawer - Left
	084466-04-000	EA	Slide Asm. - Cabinet - Right
	084466-05-000	EA	Slide Asm. - Cabinet - Left
	084451-01-000	EA	Catch - TV Shelf - Brass

** The illustrated parts breakdown for this item is provided on the Common Items Fiche.

INTERIOR FINISH GROUP (CONTINUED)

FABRICS

Key	Part Number	U/M	Description
	077498-91-000	YD	Fabric - Main w/Pattern - Jade/Taupe (W07)
	077498-92-000	YD	Fabric - Main w/Pattern - Rose (W08)
	077498-93-000	YD	Fabric - Main w/Pattern - Taupe (W09)
	074498-95-000	YD	Fabric - Plain Accent - Jade/Taupe (W07)
	074498-61-000	YD	Fabric - Plain Accent - Rose (W08)
	074498-96-000	YD	Fabric - Plain Accent - Taupe (W09)
	069729-47-000	YD	Fabric - Bedspread/Draperies - Jade/Taupe (W07)
	069729-48-000	YD	Fabric - Bedspread/Draperies - Rose (W08)
	069729-49-000	YD	Fabric - Bedspread/Draperies - Taupe (W09)
	072333-34-000	YD	Fabric - Bedroom Accent/Tieback - Jade/Taupe (W07)
	072333-35-000	YD	Fabric - Bedroom Accent/Tieback - Rose (W08)
	072333-36-000	YD	Fabric - Bedroom Accent/Tieback - Taupe (W09)
†	072333-47-000	YD	Fabric - Drapery - Jade/Taupe (W10)
	072333-39-000	YD	Fabric - Drapery - Jade/Taupe (W10)
	072333-37-000	YD	Fabric - Drapery - Rose (W11)
	072333-38-000	YD	Fabric - Drapery - Taupe (W09)
	087272-01-000	YD	Fabric - Drapery Lining - Ivory - 48"
	072333-44-000	YD	Fabric - Drapery - Natural (Pull Shades)
	079680-01-000	YD	Vinyl - Expanded - 26 oz. - Buckskin
	079680-02-000	YD	Vinyl - Expanded - 26 oz. - Sandrift
	038421-02-000	YD	Fabric - Mattress Ticking - Beige/Brown
	038421-04-000	YD	Fabric - Mattress Ticking - Cashew
	029012-01-000	BF	Foam - Rolled - 3/8"
	072860-58-000	YD	Carpet - Jade/Taupe
	072860-56-000	YD	Carpet - Rose
	072860-57-000	YD	Carpet - Taupe

† Used in units produced after 2/1/87.

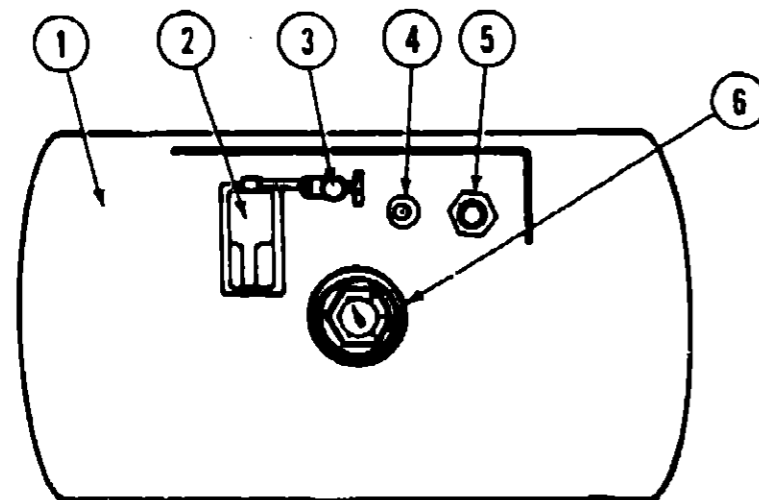
**1987 WINNEBAGO
TABLE OF CONTENTS**

WC420EG	A-01 - B-08
WF426RT	B-07 - D-10
WCN26RH	D-11 - F-14
WCN27RT	F-15 - H-20
WCP26ET	H-21 - K-02

1987 WCP26ET INDEX

Floor Plan	H-21 - H-22
Accessories Group	H-23 - H-24
Bath Group	I-01
Chassis Group	I-02 - I-04
Curtain, Cushion & Pad Group	I-05 - I-13
Dinette Group	I-14
Driver's Compartment Group	I-15 - I-18
Electrical Group	I-19 - I-22
Exterior Body Group	I-23 - J-04
Galley Group	J-05 - J-06
Heating & Air Conditioning Group	J-07
Interior Finish Group	J-08 - J-10
LP Group	J-11
Lounge Group	J-12
Water & Sewage Group	J-13
Window, Vent & Exterior Door Group	J-14 - K-02

LP GROUP



Key	Part Number	U/M	Description
1	080450-01-000	EA	Tank Asm. - LP — Frame Mount - 42 Pound - 13" x 24"
•	080450-01-700	EA	Fill Valve - LP
2	081938-01-000	EA	Compartment - LP Regulator
•	076301-01-000	EA	Regulator - Two Stage - LP Gas
3	040421-01-703	EA	Valve - Vapor Relief
4	040421-01-700	EA	Gauge - Liquid Level - 20% LP
5	040421-01-701	EA	Valve - Filler - LP
•	040421-01-702	EA	Cap - Plastic Fill Valve
6	040421-01-707	EA	Gauge - Float - w/Visible Dial - 80 Pound Tank
•	040421-01-706	EA	Dial - Visible Face - Float Gauge (Tank w/o Electric Transmitter)
•	040440-01-000	EA	Dial - Transmitter - 0-90 Ohm (Float Gauge)
•	045703-01-000	EA	Hose Asm. - LP - 3/8" I.D. x 24" - US
•	045703-02-000	EA	Hose Asm. - LP - 3/8" I.D. x 24" - CSA
•	045703-03-000	EA	Hose Asm. - LP - 3/8" I.D. x 18" - US
•	045703-04-000	EA	Hose Asm. - LP - 3/8" I.D. x 14" - CSA
•	065741-01-000	EA	Gauge - Diaphragm Pressure - Test Leak
•			Not Illustrated

LOUNGE GROUP

QUEEN BED W/NIGHT STAND

Key	Part Number	U/M	Description
	083959-01-W10	EA	Cabinet Asm. - Rear Overhead - w/o Doors or Hardware
	M81503-09-W10	EA	Door Asm. - Rear Overhead - w/o Hardware
	087636-01-W10	EA	Cabinet Asm. - Nightstand - w/o Countertop, Doors or Hardware
	M03000-12-W10	EA	Countertop Asm. - Nightstand
	M81501-A7-W10	EA	Door Asm. - Nightstand - w/o Hardware
	077404-01-000	EA	Drawer - Plastic - 20" x 12.7"
	077409-01-000	EA	Slide - Drawer - Plastic - 20.75"
	M87303-01-W10	EA	Cabinet Asm. - Queen Bed Base
	M81501-A1-W10	EA	Door Asm. - Queen Bed - w/o Hardware
†	M88304-58-W10	EA	Door Asm. - Queen Bed - w/o Hardware

† Used in units produced after 3/16/87.

TWIN BED & OVERHEAD CABINERY

Key	Part Number	U/M	Description
	083960-01-W10	EA	Cabinet Asm. - Rear Overhead - Passenger Side - w/o Doors or Hardware
	083960-02-W10	EA	Cabinet Asm. - Rear Overhead - Drivers Side - w/o Doors or Hardware
	083959-01-W10	EA	Cabinet Asm. - Rear Overhead - Backwall - w/o Door or Hardware
	M81503-09-W10	EA	Door Asm. - Rear Overhead Cabinet - w/o Hardware
†	M88304-50-W10	EA	Door Asm. - Rear Overhead Cabinet - w/o Hardware
	M83441-01-W10	EA	Cabinet Asm. - Nightstand - w/o Door or Hardware
	M02609-01-W10	EA	Countertop Asm. - Nightstand - Top
	M02608-01-W10	EA	Countertop Asm. - Nightstand - Base
	M81501-A3-W10	EA	Door Asm. - Nightstand - w/o Hardware
†	M88304-59-W10	EA	Door Asm. - Nightstand - w/o Hardware
	081710-01-000	EA	Slide - Drawer - Plastic
	077404-01-000	EA	Drawer - Plastic - 20" x 12.7"
	M83961-01-W10	EA	Cabinet Asm. - Twin Bed - Right
	M85388-01-W10	EA	Cabinet Asm. - Twin Bed - Left
	084357-01-W07	EA	TV Shelf Asm.
	086109-02-W07	EA	Headboard Asm. - 33" - Gathered (W10)
	086109-02-W08	EA	Headboard Asm. - 33" - Gathered (W11)
	086109-02-W30	EA	Headboard Asm. - 33" - Gathered (W12)

† Used in units produced after 3/16/87.

1987 WINNEBAGO TABLE OF CONTENTS

WC420EG	A-01 - B-06
WF426RT	B-07 - D-10
WCN26RH	D-11 - F-14
WCN27RT	F-15 - H-20
WCP26ET	H-21 - K-02

1987 WCP26ET INDEX

Floor Plan	H-21 - H-22
Accessories Group	H-23 - H-24
Bath Group	I-01
Chassis Group	I-02 - I-04
Curtain, Cushion & Pad Group	I-05 - I-13
Dinette Group	I-14
Driver's Compartment Group	I-15 - I-18
Electrical Group	I-19 - I-22
Exterior Body Group	I-23 - J-04
Galley Group	J-05 - J-08
Heating & Air Conditioning Group	J-07
Interior Finish Group	J-08 - J-10
LP Group	J-11
Lounge Group	J-12
Water & Sewage Group	J-13
Window, Vent & Exterior Door Group	J-14 - K-02

WATER & SEWAGE GROUP

PLUMBING AND REPAIR PARTS

Key	Part Number	U/M	Description
	045729-01-000	EA	Pump - Water - 2.8 G.P.M. - Direct Drive - Shurflo - US
	045729-02-000	EA	Pump - Water - 2.8 G.P.M. - Direct Drive - Shurflo - CSA
	039647-02-000	EA	Filter - Water Pump - 1/2" MPT
	039647-03-000	EA	Filter - Water Pump - 1/2" Flare
	052959-03-000	EA	Connector - 1/2 F x 3/8 MPT - Plastic
	U52960-01-000	EA	Drain Valve - 1/2 F x 1/2 F - Plastic
**	046524-02-000	EA	Kit - Water Tank Fittings - Blank Tank
**	010079-01-000	EA	Tee - Plastic - 1 1/2 H x 1 1/2 H x 1 1/4 H
**	010121-01-000	EA	Bushing - Plastic - 1 1/2 S x 1 1/4 H
**	010133-01-000	EA	Trap Adapter - Plastic - 1 1/2 H x MPT
	052954-01-000	EA	Adapter - Nose Cone - 5/8 or 1/2 - Plastic
**	010201-01-000	EA	Sewer Hose - 3" x 8' w/Clamp
**	050780-01-000	EA	Coupler Rubber - 3" x 3"
	062415-01-000	EA	Cap - Sewer - 3"
	062416-01-000	EA	Hose Adapter - 3"
	062417-01-000	EA	Adapter - Termination - 3"
	062418-01-000	EA	Valve - 3" - w/Handle
	062421-01-000	EA	Valve - 1 1/2" - w/Handle
**	011066-01-000	EA	P-Trap - 1 1/4" - Plastic
	010071-01-000	EA	Tee - Plastic - 1 1/2" x H x H x H
	010072-01-000	EA	Tee - Plastic - 1 1/2" H x 1 1/4 H x 1 1/2 H
	052956-01-000	EA	Tee - Plastic - 1/2 F x 1/2 MPT x 1/2 F
	052958-01-000	EA	Tee - Plastic - 1/2 F x 1/2 F x 1/2 F
**	053335-01-000	EA	P-Trap - Plastic - 1 1/4 H x H - w/Union
**	011091-01-000	EA	Waste - Continuous - Double Sink - 11 7/8"
	061607-01-000	EA	Grommet - Holding Tank Coupler - 1 1/2"
	061607-02-000	EA	Grommet - Holding Tank Coupler - 3"
	010000-01-000	EA	Elbow - Plastic - 1/8 BD x 1 1/4" x 45° H x H
	010006-01-000	EA	Elbow - Plastic - 1/8 BD x 1 1/2 x 45° H x H
	010051-01-000	EA	Elbow - ST - Plastic - 1/8 BD x 1 1/2 x 45°
	010219-01-000	EA	Elbow - 1 1/4 Barb x 1 1/4 MPT x 90°
	034250-01-000	EA	Elbow - Plastic - 1/4 BD x 1 1/2 x 90° H x H
	052957-01-000	EA	Elbow - Plastic - 1/2 F x 3/8 MPT
	052957-02-000	EA	Elbow - Plastic - 1/2 F x 1/2 MPT
	065120-01-000	EA	Elbow - Plastic - Swivel - .50"
	070924-01-000	EA	Elbow - Plastic - Swivel - 1/2 MPT x 1/2 FP
	010123-01-000	EA	Bushing - Plastic - 2S x 1 1/2 H
	033302-02-000	EA	Adapter Asm. - SWVC Strain - 1 1/2"
	072346-01-000	EA	Valve Asm. - 3" Ell - w/2" Socket
	039800-01-000	FT	Tubing - Polybutyl - 1/2 O.D. (Water Line)
	044928-01-000	FT	Flexible Tubing - 1 1/4 I.D.
	004020-01-000	QT	Adhesive - ABS Cement
	077954-01-000	EA	Filter/Screen - Plastic Water Tank
	042989-02-000	EA	Plastic Fitting - Spinweld (Filter/Screen)
	062422-01-000	EA	Adapter - Hose Offset - Reducer - 3" x 1 1/2"
	052962-01-000	EA	Valve - Stool - 90° x 1/2 F x 3/8 MPT
	010147-01-000	EA	Flange - Closet - 4" F x 3" FP
	010224-01-000	EA	Adapter - Plastic - 3/8 MPT x 3/8 Barb
**	007108-01-000	EA	Hose - Heater - 5/8"

** The illustrated parts breakdown for this item is provided on the Common Items Fiche.

HOLDING TANKS & WATER HEATERS

Key	Part Number	U/M	Description
	078252-01-000	EA	Tank - Water - 40 Gallon - w/o Fittings
	083039-01-000	EA	Tank - Waste Water - 18 Gallon - w/o Fittings
	083041-01-000	EA	Tank - Sewage - 30 Gallon - w/o Fittings
	M02458-31-000	EA	Tank - Sewage - 25 Gallon - w/o Fittings
**	051393-01-000	EA	Water Heater - w/Motor Aid - GH6-3E
**	051391-03-000	EA	Water Heater - w/Electronic Ignition

** The illustrated parts breakdown for this item is provided on the Common Items Fiche.

WINDOW, VENT & EXTERIOR DOOR GROUP

ACCESS DOORS

Key	Part Number	U/M	Description
	084353-02-U25	EA	Door Asm. - Luggage - Beige
	083095-03-U25	EA	Door Asm. - Storage - Insulated - Beige
	084354-01-U25	EA	Door Asm. - LP
	083095-01-U07	EA	Door Asm. - Storage - Insulated - Beige
	084141-04-W13	EA	Door Asm. - Refrigerator Access - Beige
†	064104-01-000	EA	Door Asm. - Refrigerator Access - Beige - Half Door
	076232-01-000	EA	Door Asm. - Spare Tire Compartment - Beige
	084353-01-U25	EA	Door Asm. - Generator - Beige
	052009-02-000	EA	Door Asm. - Water Heater - Beige
	084701-01-000	EA	Water Heater Shroud - Beige
	052123-02-000	EA	Door - Hose Compartment - Beige
	052424-02-000	EA	Jamb - Power Cord/Fuel Fill Door - Beige
	063742-02-000	EA	Door - Power Cord - Beige
	054543-02-000	EA	Hatch - Power Cord Door - Beige
	083615-01-000	EA	Door Holder - Beige Plastic
	041312-01-000	FT	Door Seal e-Section - Rubber
	078010-01-000	EA	Door - Fuel Fill - Beige
	079368-01-000	FT	Seal - Bulb
	009003-01-000	EA	Lock Asm. - Twist Type - w/Clip (Generator)
	042442-02-000	EA	Lock Asm. - Twist Type - 90° Rotation - 1.95" Latch - 1.27" Depth
	047305-01-700	EA	Lock Asm. - Key Type - 90° Rotation - 1.0" Latch - 1.12" Depth
	047400-01-000	EA	Lock Asm. - Key Type - 90° Rotation - 2.5" Latch - 1" Depth
	047486-01-000	EA	Lock Asm. - Key Type - 90° Rotation - .55" Latch - 1.66" Depth
	047486-02-000	EA	Lock Asm. - Key Type - 90° Rotation - .56" Latch - 1.18" Depth

† Used in units produced after 11/10/86.

VENTS & DOMES

Key	Part Number	U/M	Description
	084073-01-000	EA	Cover - Refrigerator Vent
	084073-04-000	EA	Roof Base - Refrigerator Vent
	084616-02-000	EA	Vent - Stovehood - Outside - Beige
	080910-01-000	EA	Skyllight - Fixed Dome (Bath)
	077902-01-000	EA	Collar - Skylight
	081171-01-000	EA	Trim - Skylight - Outer
	075056-01-000	EA	Vent Asm. - Roof - Non-Powered - w/o Screen
	078786-01-T03	EA	Screen Asm. - Roof - Non-Powered
	079537-01-000	EA	Vent - Powered
	078785-01-T03	EA	Screen Asm. - Roof - Powered
	009439-01-000	EA	Crank - Roof Vent
	009439-03-000	EA	Extension - 9" - Roof Vent
	009439-05-000	EA	Knob - Roof Vent - Black
	009439-06-000	EA	Extension - 9" Black - Roof Vent
	083558-01-000	EA	Collar - Vent Pipe - Covered - 1.5"

WINDSHIELD & VENT WINDOWS

Key	Part Number	U/M	Description
	074887-01-000	EA	Glass - Windshield - Passenger
	074887-02-000	EA	Glass - Windshield - Drivers
	076671-01-000	EA	Glass - Front Corner - Drivers
	076671-02-000	EA	Glass - Front Corner - Passenger
	083179-01-000	FT	Reveal Molding - Windshield - Passenger - Driver
	083178-01-000	FT	Reveal Molding - Windshield (Center) - Front Corner Glass
	076844-02-000	EA	T-Cap Reveal Molding - Windshield Center
	076841-02-000	EA	Cap - Reveal Molding - Front Corner Glass - Upper
	076842-02-000	EA	Cap - Reveal Molding - Front Corner Glass - Lower

1987 WINNEBAGO TABLE OF CONTENTS

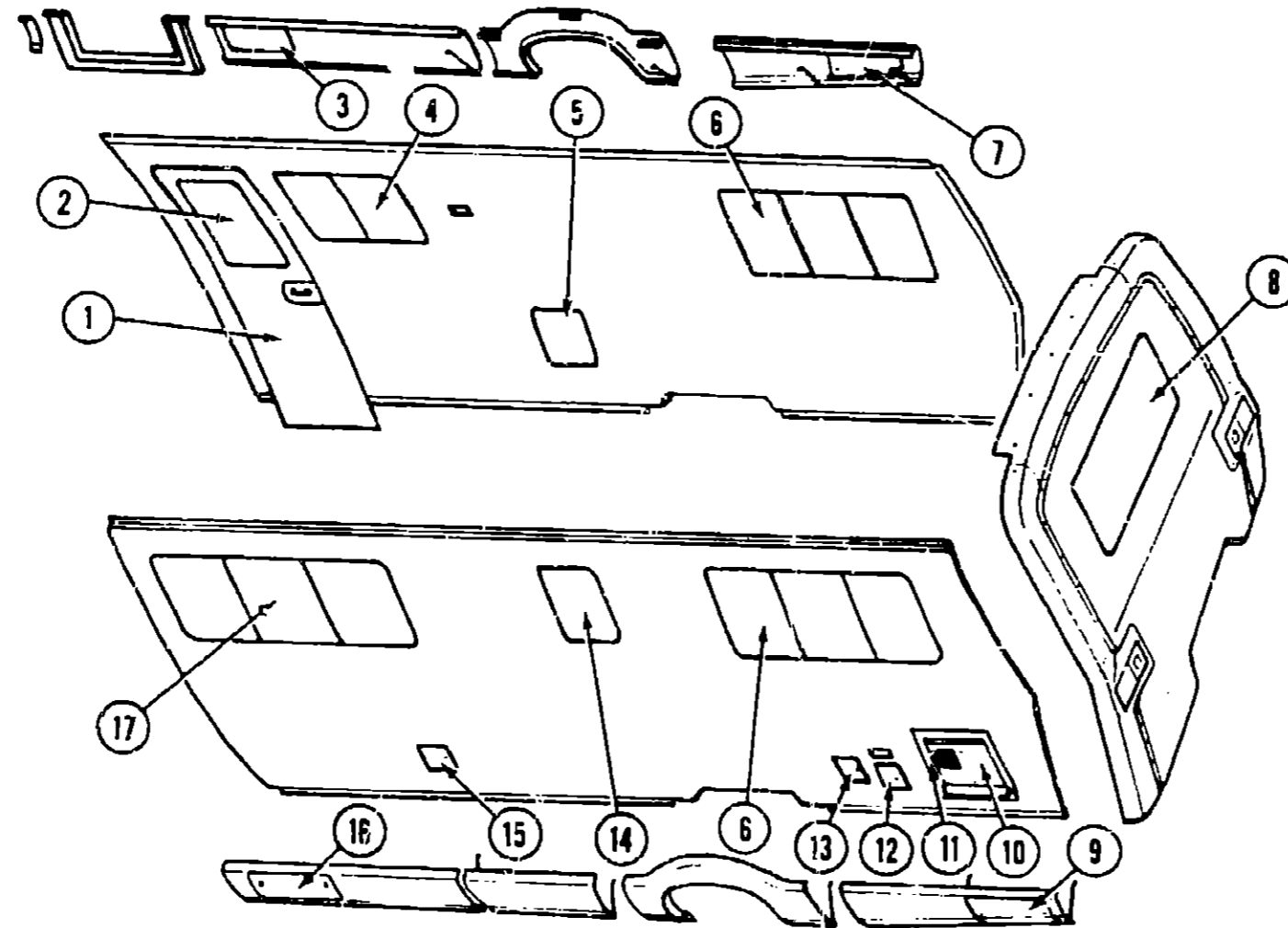
WC420EG	A-01 - B-06
WF426RT	B-07 - D-10
WCN26RH	D-11 - F-14
WCN27RT	F-15 - H-20
WCP26ET	H-21 - K-02

1987 WCP26ET INDEX

Floor Plan	H-21 - H-22
Accessories Group	H-23 - H-24
Bath Group	I-01
Chassis Group	I-02 - I-04
Curtain, Cushion & Pad Group	I-05 - I-13
Dinette Group	I-14
Driver's Compartment Group	I-15 - I-18
Electrical Group	I-19 - I-22
Exterior Body Group	I-23 - J-04
Galley Group	J-05 - J-06
Heating & Air Conditioning Group	J-07
Interior Finish Group	J-08 - J-10
LP Group	J-11
Lounge Group	J-12
Water & Sewage Group	J-13
Window, Vent & Exterior Door Group	J-14 - K-02

WINDOW, VENT & EXTERIOR DOOR GROUP (CONTINUED)

WINDOWS & ACCESS DOORS



Key	Part Number	U/M	Description
1	M03019-01-W10	EA	Door Asm. - Radius Entry w/o Screen Door - Fiberglass - Beige
1	M84385-01-W13	EA	Door Asm. - Radius Entry w/Screen Door - Fiberglass - Beige
2	078733-02-T03	EA	Window Asm. - Picture (w/o inside frame)
3	083095-03-U25	EA	Door Asm. - Storage - w/Twist & Key Locks - Beige - 33.9"
4	078266-02-T03	EA	Window Asm. - Single Slider
5	084141-04-W13	EA	Door Asm. - Refrigerator Access - Beige
6	078271-01-T03	EA	Window Asm. - Center Slider
7	084354-01-U25	EA	Door Asm. - LP Access - Beige
8	078528-01-T03	EA	Window Asm. - Rear Escape
9	084353-01-U25	EA	Door Asm. - Generator w/Louvers
9	084353-02-U25	EA	Door Asm. - Storage
10	052009-02-000	EA	Door Asm. - Water Heater - Beige
11	084701-01-000	EA	Shroud - Water Heater - Beige
12	052423-02-000	EA	Door Asm. - Sewer Hose - Beige
13	078010-01-000	EA	Door Asm. - Fuel Fill - Beige
14	078453-02-U25	EA	Window Asm. - Vertical Slider
15	063742-02-000	EA	Door Asm. - Power Cord - Beige
16	083095-01-U07	EA	Door Asm. - Storage - w/Twist & Key Locks - Beige
17	078269-01-T03	EA	Window Asm. - Double Slider

1987 WINNEBAGO TABLE OF CONTENTS

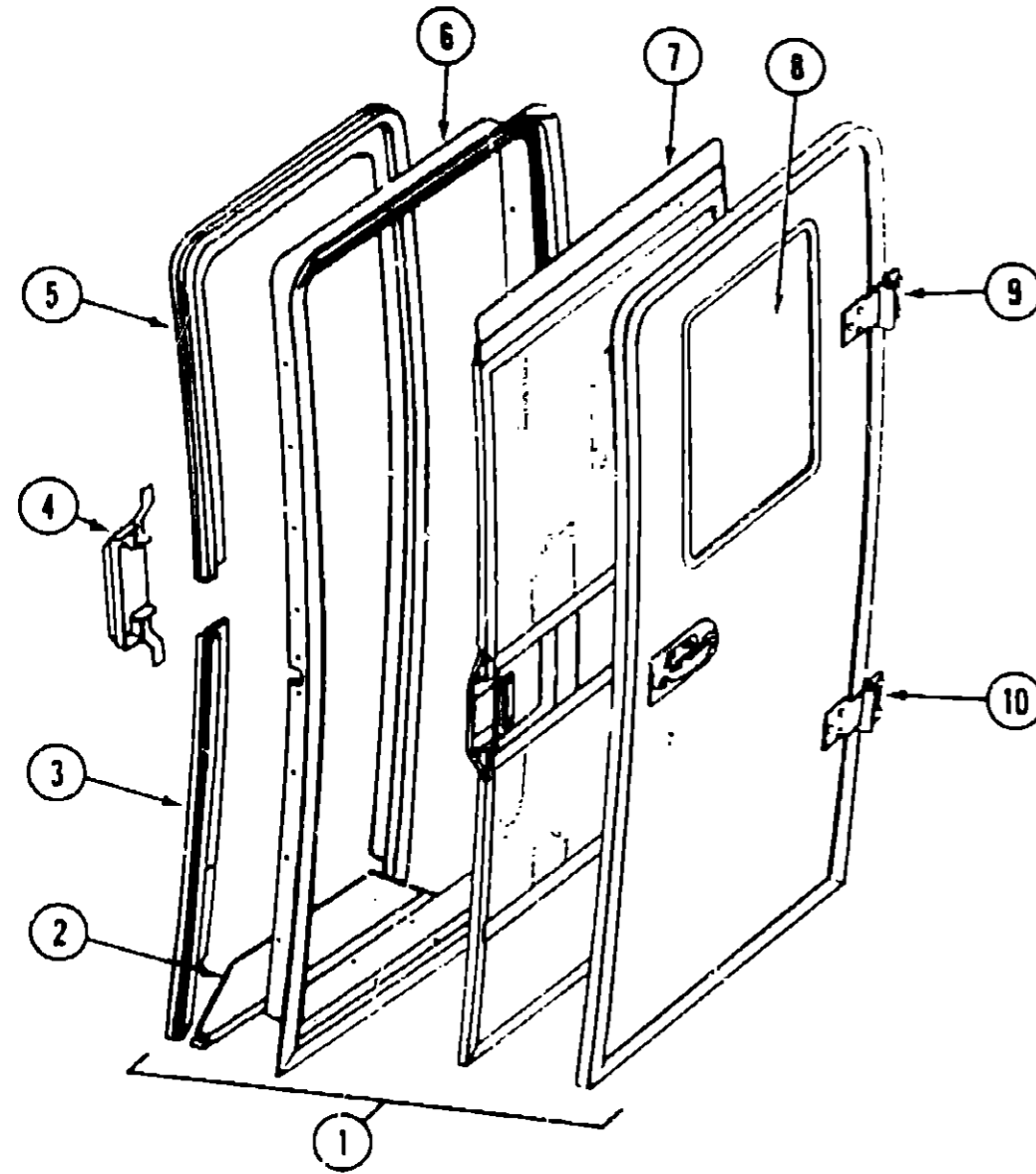
WC420EG	A-01 - B-06
WF426RT	B-07 - D-10
WCN26RH	D-11 - F-14
WCN27RT	F-15 - H-20
WCP26ET	H-21 - K-02

1987 WCP26ET INDEX

Floor Plan	H-21 - H-22
Accessories Group	H-23 - H-24
Bath Group	I-01
Chassis Group	I-02 - I-04
Curtain, Cushion & Pad Group	I-05 - I-13
Dinette Group	I-14
Driver's Compartment Group	I-15 - I-18
Electrical Group	I-19 - I-22
Exterior Body Group	I-23 - J-04
Galley Group	J-05 - J-06
Heating & Air Conditioning Group	J-07
Interior Finish Group	J-08 - J-10
LP Group	J-11
Lounge Group	J-12
Water & Sewage Group	J-13
Window, Vent & Exterior Door Group	J-14 - K-02

WINDOW, VENT & EXTERIOR DOOR GROUP (CONTINUED)

ENTRANCE DOOR



Key	Part Number	U/M	Description
1	M84385-01-W13	EA	Door Asm. - Entrance
2	076929-01-000	EA	Trim - Entrance Door - Lower
3	065015-01-000	EA	Trim - Entrance Door - Upper - Beige
4	076726-04-000	EA	Cover - Strike - Light Oak
5	085016-01-000	EA	Trim - Entrance Door
6	076947-04-000	EA	Jamb Asm. - Entrance Door
7	084389-01-W13	EA	Screen Door - Complete
	076727-01-000	EA	Slider - Screen Door - Light Oak Plastic
	002293-02-000	SF	Screen - 26" Charcoal
	063638-02-000	EA	Strike - Screen Door
	076231-01-000	EA	Spacer - Screen Door - Latch
	078156-01-000	EA	Plate - Screen Door
	002294-01-000	FT	Spline - Screen Door - Black
	076738-02-000	EA	Transition Frame - Screen Door - Beige
	077437-01-000	EA	Strike - Roller Catch - Beige
8	079733-04-T03	EA	Window Asm. - Picture (w/o inside frame)
	067609-03-000	EA	Inside Frame - Beige (not included in assembly)
	002181-06-000	EA	Glass - .115" x 16.25" x 24"
	002309-02-000	FT	Spline - Glass - 1/8 Material - Black
	769637-01-000	EA	Sealer - 3M EC5510
9	084097-01-000	EA	Hinge Asm. - Upper - Beige
10	084096-01-000	EA	Hinge Asm. - Lower - Beige
	009126-02-000	EA	Assist Handle - Black
	073303-01-000	EA	Latch Asm. - Inner
	076728-01-000	EA	Panel Trim - Light Oak Plastic
	R77007-05-374	EA	Gasket - Exterior Door Handle
	R77040-01-538	EA	Handle - Exterior Door
	R77006-50-261	EA	Handle - Interior - Right Door
	073104-01-000	EA	Escutcheon - Door Handle
	R77013-48-168	EA	Lock Bolt - Right
	R77007-51-201	EA	Cylinder & Key Set
	083205-01-000	EA	Deadbolt - Press Fit - 5"
	079173-01-000	EA	Gasket - Deadbolt - Exterior
	R77030-67-257	EA	Spline Pin
	080963-01-000	EA	Arm - Lock Control
	073111-01-000	EA	Rod - Latch
	073110-01-000	EA	Rod - Lock
	R77006-64-355	EA	Link - Control
	073303-01-000	EA	Latch Asm. - Inner - Right
	073093-01-000	EA	Support Asm. - Latch - Beige
	R77007-04-136	EA	Bracket - Lock
	063729-04-000	EA	Rivnut - 10-32 UNF
	076907-07-000	EA	Trim - Door - Upper
	076908-01-000	EA	Trim - Door - Lower
			Not illustrated

1987 WINNEBAGO TABLE OF CONTENTS

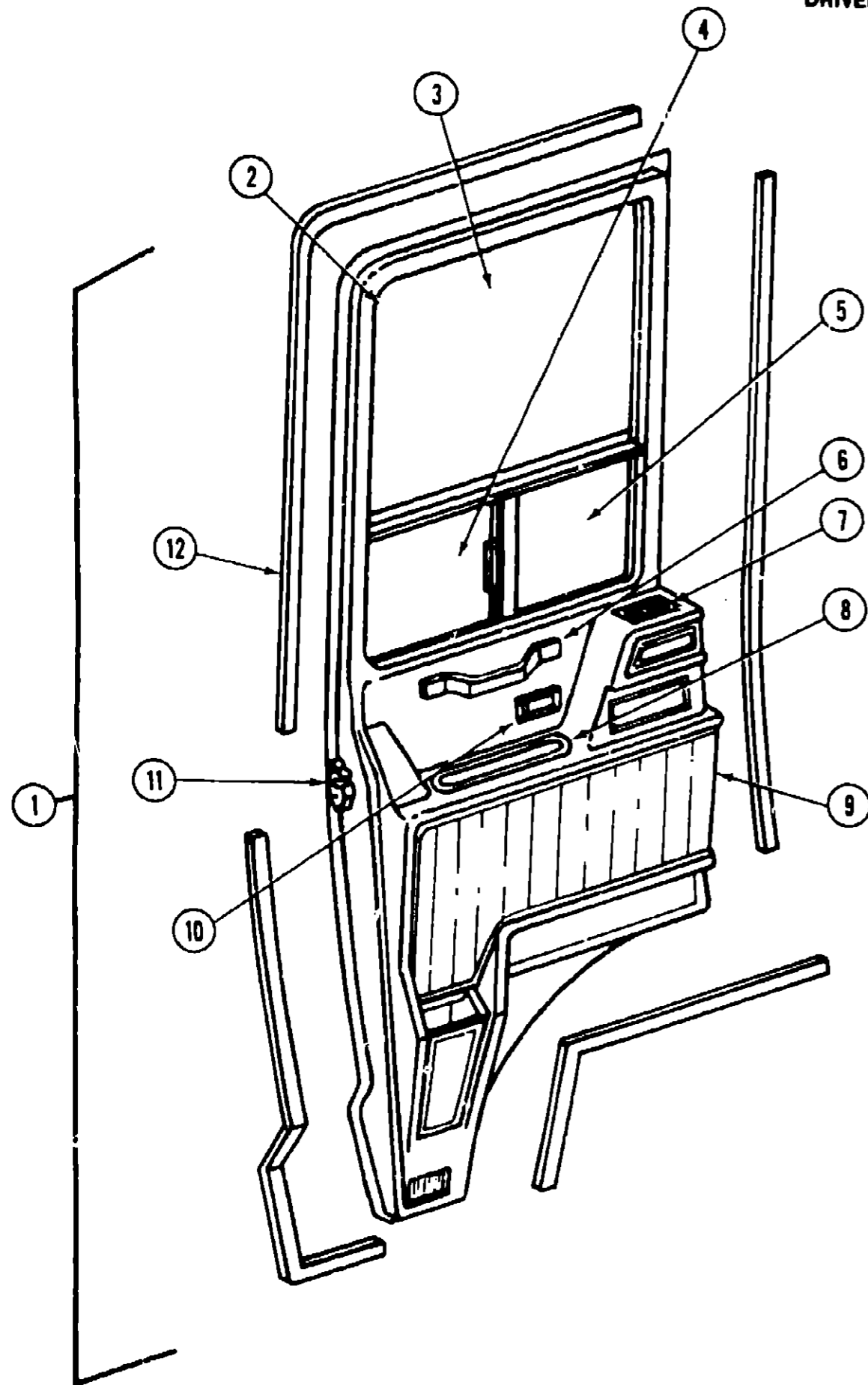
WC420EG	A-01 - B-06
WF426RT	B-07 - D-10
WCN20RH	D-11 - F-14
WCN27RT	F-15 - H-20
WCP26ET	H-21 - K-02

1987 WCP26ET INDEX

Floor Plan	H-21 - H-22
Accessories Group	H-23 - H-24
Bath Group	I-01
Chassis Group	I-02 - I-04
Curtain, Cushion & Pad Group	I-05 - I-13
Dinette Group	I-14
Driver's Compartment Group	I-15 - I-18
Electrical Group	I-19 - I-22
Exterior Body Group	I-23 - J-04
Galley Group	J-05 - J-06
Heating & Air Conditioning Group	J-07
Interior Finish Group	J-08 - J-10
LP Group	J-11
Lounge Group	J-12
Water & Sewage Group	J-13
Window, Vent & Exterior Door Group	J-14 - K-02

WINDOW, VENT & EXTERIOR DOOR GROUP (CONTINUED)

DRIVER & PASSENGER CAB DOORS



Key	Part Number	U/M	Description
1	M01596-03-W10	EA	Door Complete - Drivers
1	M01596-03-W11	EA	Door Complete - Drivers
1	M01596-03-W12	EA	Door Complete - Drivers
2	M78469-01-000	EA	Window Asm. - Passenger - w/Support
	M78469-02-000	EA	Window Asm. - Drivers - w/Support
	077209-02-000	EA	Inside Frame Asm. - Window - Driver Door - Used w/Door
	084712-01-000	EA	Inside Frame Asm. - Window - Passenger Side - Used w/o Door
	084712-02-000	EA	Inside Frame Asm. - Window - Drivers Side - Used w/o Door
3	077036-01-000	EA	Glass - .19" x 28.9" x 22"
4	078379-01-000	EA	Glass - .19" x 15" x 9.3" - w/Hole
5	077378-01-000	EA	Glass - .19" x 15" x 9.3"
	077224-03-000	EA	Window Mullion - Horizontal - Passenger
	077224-04-000	EA	Window Mullion - Horizontal - Driver
	077226-01-000	EA	Window Mullion - Vertical - Passenger
	077226-02-000	EA	Window Mullion - Vertical - Driver
	M02389-53-001	EA	Seal Holder - w/Fin Seal
	042077-01-000	FT	Channel - Weatherstrip - Glass
	041928-02-000	EA	Seal - Window Channel
	050216-02-000	EA	Spline - Vinyl Glass - .19 Black
6	061400-05-000	EA	Assist Strap - 12" - w/Woodgrain
7	076783-01-000	EA	Louver/Bezel Asm. - Black - 2"
	075671-01-000	FT	Sponge Seal - Lazy T Shape
	076542-01-000	EA	Control Rod - Right Hand Latch
	076543-01-000	EA	Control Rod - Right Hand Lock
	076542-02-000	EA	Control Rod - Left Hand Latch
	076543-02-000	EA	Control Rod - Left Hand Lock
	077167-01-000	EA	Door Prop Rod - Passenger
	077167-02-000	EA	Door Prop Rod - Drivers
8	077118-01-000	EA	Storage Tray - Door Panel - Beige
	077179-01-000	EA	Hose Adapter - 2" - Snap In
	077000-01-000	EA	Socket Asm. - w/8" Pigtail Leads
9	077117-02-000	EA	Door Panel - Front Inner - Driver
	077117-01-000	EA	Door Panel - Front Inner - Passenger
	063886-03-000	EA	Assist Handle - Beige Steel Tube
10	R77006-50-261	EA	Door Handle - Interior - Right
10	R77006-50-326	EA	Door Handle - Interior - Left
	R77040-01-538	EA	Door Handle - Exterior
	R77007-05-374	EA	Gasket - Door Handle - Exterior
11	R77013-48-168	EA	Latch Asm. - Right
11	R77013-48-167	EA	Latch Asm. - Left
	R77007-62-747	EA	Latch Asm. - Inner - Right
	R77007-62-746	EA	Latch Asm. - Inner - Left
12	076813-01-000	FT	Seal - Entrance Door (Glue On)
	R77007-04-136	EA	Lock Bracket
	080963-01-000	EA	Arm - Lock Control
	R77030-67-257	EA	Spline Pine
	R77007-73-327	EA	Cylinder & Key
	R77008-64-355	EA	Control Link
	064580-02-000	EA	Check Strap - Front Door - 7"
	064219-01-000	EA	Retainer - Check Strap - Front Door
	R77013-48-165	EA	Striker - Door - Left
	R77013-48-166	EA	Striker - Door - Right
	081632-01-000	FT	Bulb Seal - Cab Door - w/Wire Channel
	075245-01-000	EA	Hinge - Cab Door
	081905-01-000	EA	Control Knob (Lock/Unlock) Right
	081905-02-000	EA	Control Knob (Lock/Unlock) Left
			Not Illustrated

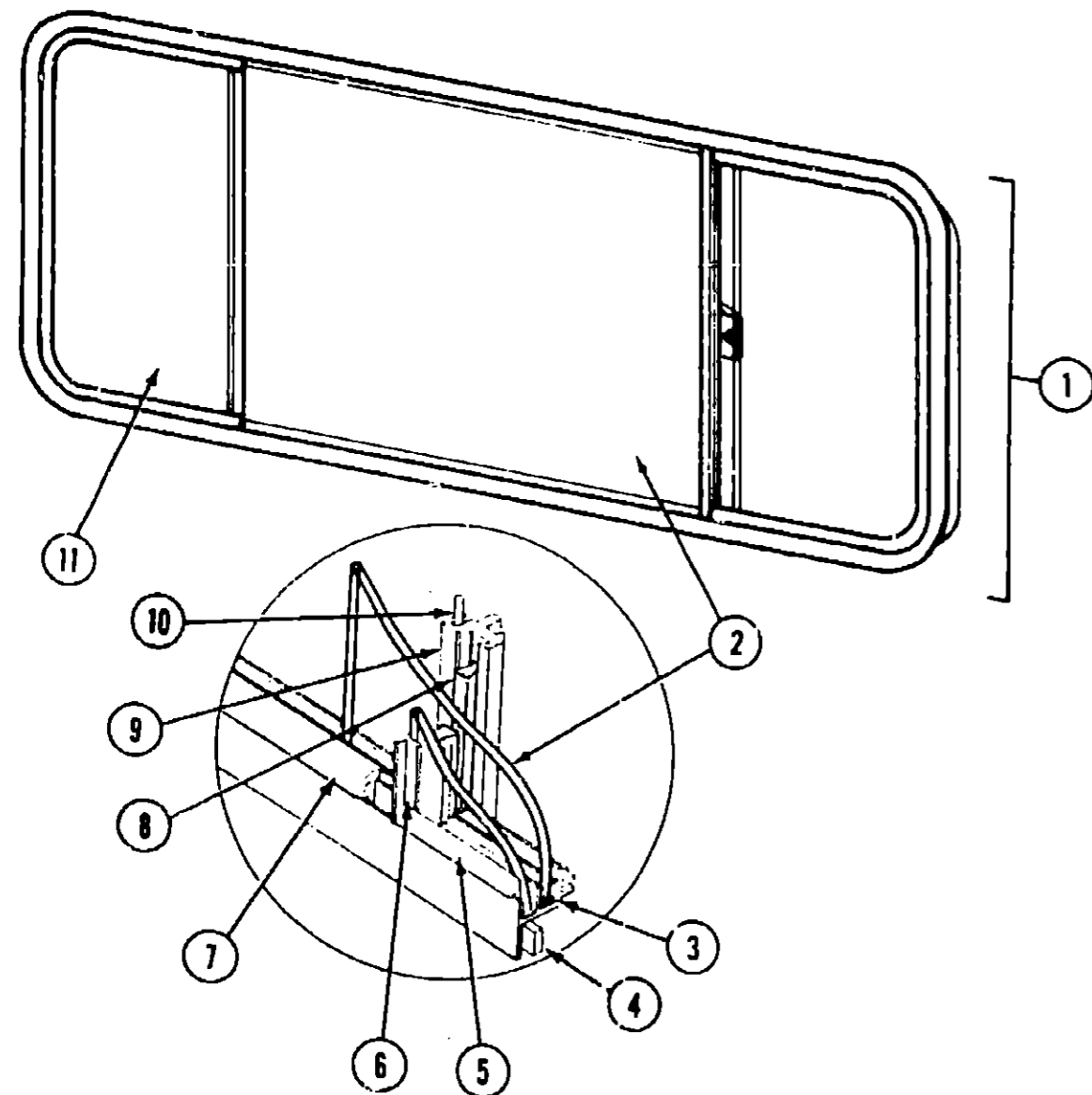
1987 WINNEBAGO TABLE OF CONTENTS

WC420EG	A-01 - B-06
WF426RT	B-07 - D-10
WCN26RH	D-11 - F-14
WCN27RT	F-15 - H-20
WCP26ET	H-21 - K-02

1987 WCP26ET INDEX

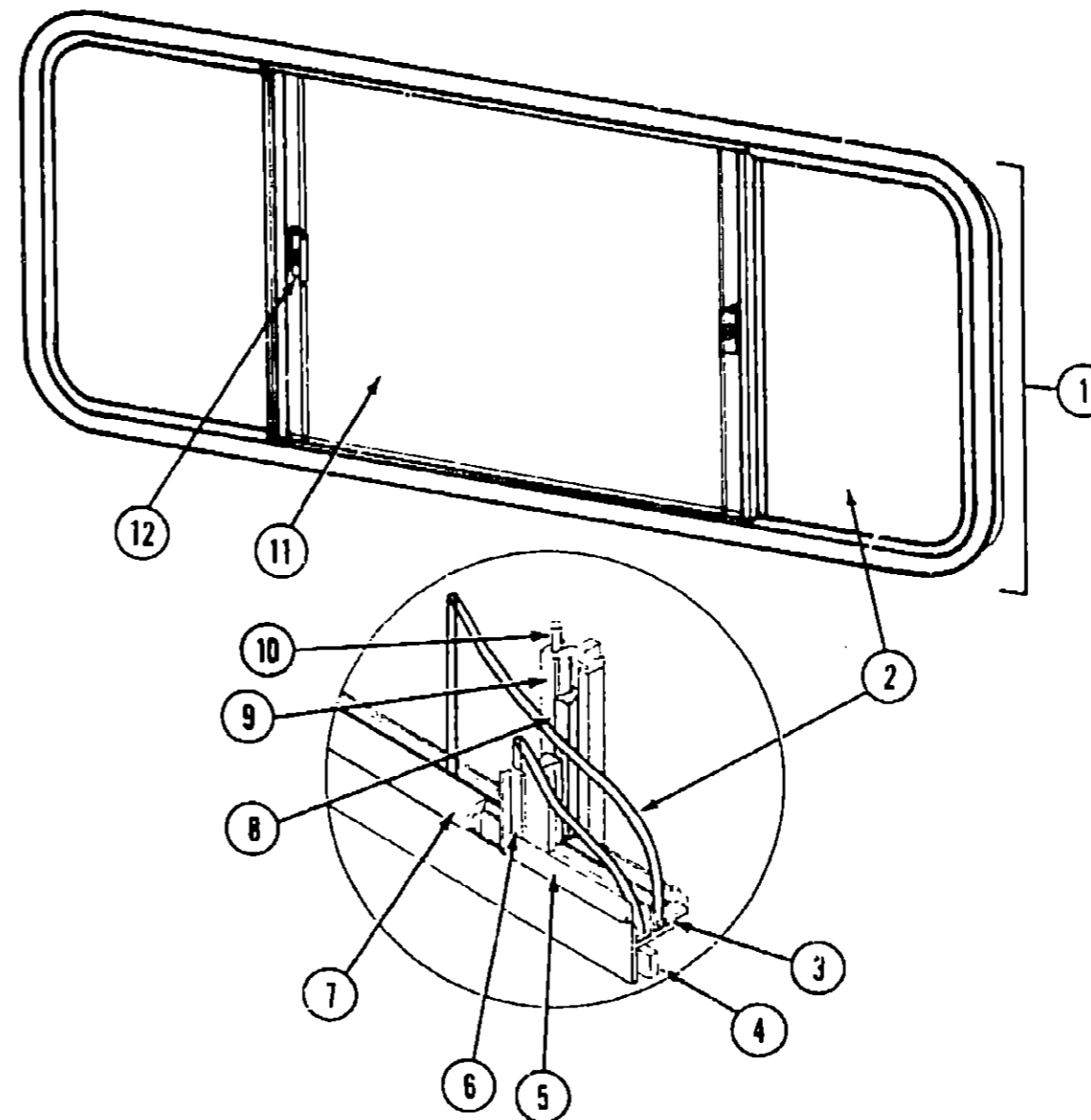
Floor Plan	H-21 - H-22
Accessories Group	H-23 - H-24
Bath Group	I-01
Chassis Group	I-02 - I-04
Curtain, Cushion & Pad Group	I-05 - I-13
Dinette Group	I-14
Driver's Compartment Group	I-15 - I-18
Electrical Group	I-19 - I-22
Exterior Body Group	I-23 - J-04
Galley Group	J-05 - J-06
Heating & Air Conditioning Group	J-07
Interior Finish Group	J-08 - J-10
LP Group	J-11
Lounge Group	J-12
Water & Sewage Group	J-13
Window, Vent & Exterior Door Group	J-14 - K-02

WINDOW, VENT & EXTERIOR DOOR GROUP (CONTINUED)



Key	Part Number	U/M	Description
1	078271-01-T03	EA	Window Asm. - Center Slider (w/o inside frame)
.	083122-22-000	EA	Inside Frame - Center Slider - Tan (not included in assembly)
2	066727-02-000	EA	Glass - Sliding - 1/8" x 25.5" - 24"
3	002324-02-000	FT	Channel - Weatherstrip - Glass Run - 1/8" Glass
4	069640-06-000	FT	Ribbon Sealer - 5/16" Bead x 15'
5	002309-02-000	FT	Spline - Glass - 1/8" Material - Black
6	M69886-03-003	EA	Seal Holder w/Fin Seal - Black
7	057374-02-000	FT	Extr. Rubber - Window Seal - Black
8	073740-01-000	FT	Seal - Fin Pile - .460"
9	078562-02-000	EA	Mullion - Slider Window - Black
10	002298-02-000	FT	Spline - .130" Dia. - Charcoal (Screen)
11	081984-07-000	EA	Glass - Stationary - 1/8" x 24" - 16.5"
.	079204-01-000	EA	Bracket - Mullion - Black
.	047369-01-700	EA	Latch Kit - Window - Plastic w/Fastener
.	002293-02-000	SF	Screen - Window - 26" - Charcoal
.			Not illustrated

WINDOW, VENT & EXTERIOR DOOR GROUP (CONTINUED)



Key	Part Number	U/M	Description
1	078269-01-T03	EA	Window Asm. - Double Slider - 25" x 65" - Black (w/o inside frame)
.	083122-21-000	EA	Inside Frame - Tan (not included in assembly)
2	081980-04-000	EA	Glass - Sliding - 1/8" x 24" x 21.3"
3	002324-02-000	FT	Channel - Weatherstrip - Glass Run - 1/8" Glass
4	069640-06-000	FT	Ribbon Sealer - 5/16" x 15'
5	002309-02-000	FT	Spline - Glass - 1/8" - Black
6	M69886-03-003	EA	Seal Holder w/Fin Seal - 23.19" - Black
7	057374-02-000	FT	Extr. Vinyl - Window Seal - Black
8	073740-01-000	FT	Seal - Fin - Pile - .460"
9	078562-04-000	EA	Mullion - Slider Window - Black
10	002298-02-000	FT	Spline - .130" Dia. - Charcoal (Screen)
11	002188-05-000	EA	Glass - Stationary - 1/8" x 24" x 25.5"
12	047369-01-700	EA	Latch Kit - Window - Plastic w/Fastener
.	079204-01-000	EA	Bracket - Mullion - Black
.	002293-02-000	SF	Screen - Window - 26" - Charcoal
.			Not illustrated

**1987 WINNEBAGO
TABLE OF CONTENTS**

WC420EG	A-01 - B-08
WF426RT	B-07 - D-10
WCN26RH	D-11 - F-14
WCN27RT	F-15 - H-20
WCP26ET	H-21 - K-02

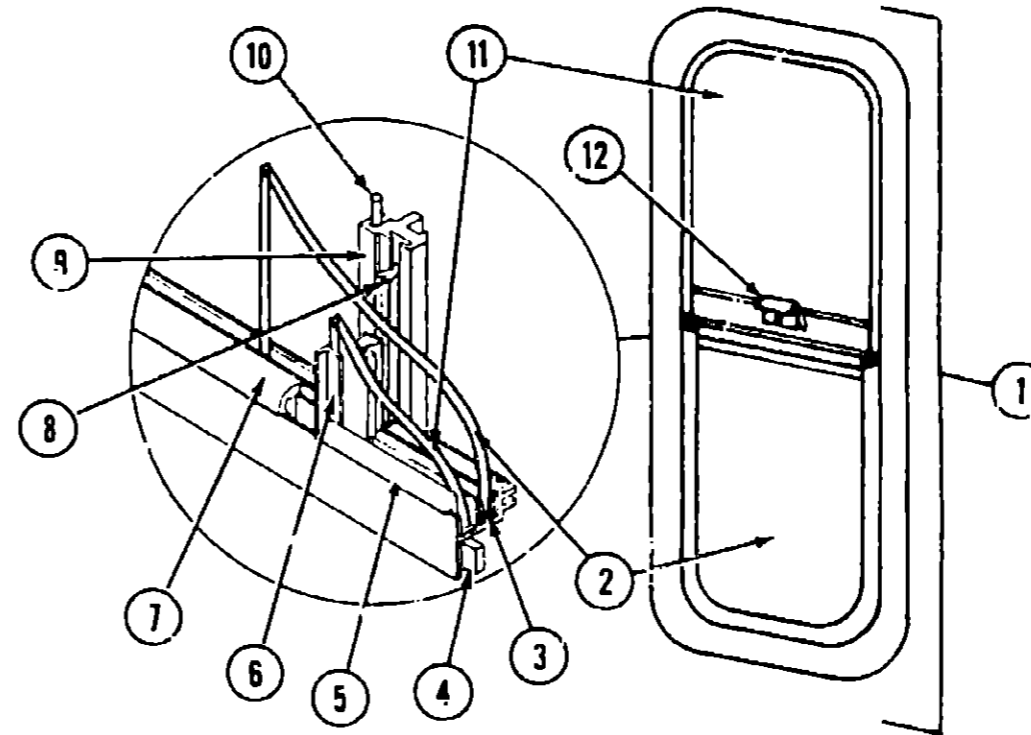
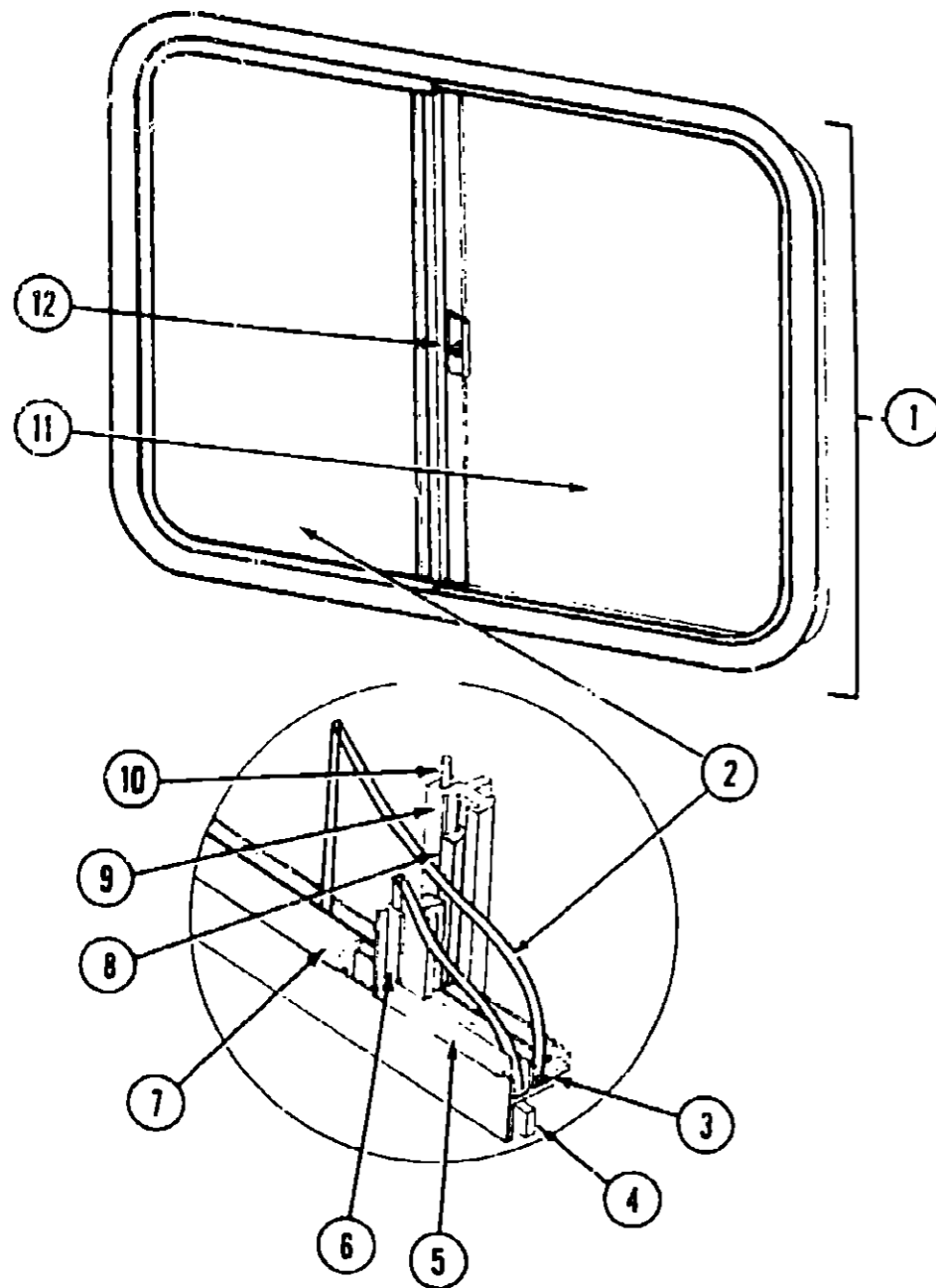
1987 WCP26ET INDEX

Floor Plan	H-21 - H-22
Accessories Group	H-23 - H-24
Bath Group	I-01
Chassis Group	I-02 - I-04
Curtain, Cushion & Pad Group	I-05 - I-13
Dinette Group	I-14
Driver's Compartment Group	I-15 - I-18
Electrical Group	I-19 - I-22
Exterior Body Group	I-23 - J-04
Galley Group	J-05 - J-06
Heating & Air Conditioning Group	J-07
Interior Finish Group	J-08 - J-10
LP Group	J-11
Lounge Group	J-12
Water & Sewage Group	J-13
Window, Vent & Exterior Door Group	J-14 - K-02

1987 WINNEBAGO
TABLE OF CONTENTS

VC420EG
WF426RT
WCN26RH
WCN27RT
WCP26ET

A-01 - B-06
B-07 - D-10
D-11 - F-14
F-15 - H-20
H-21 - K-02



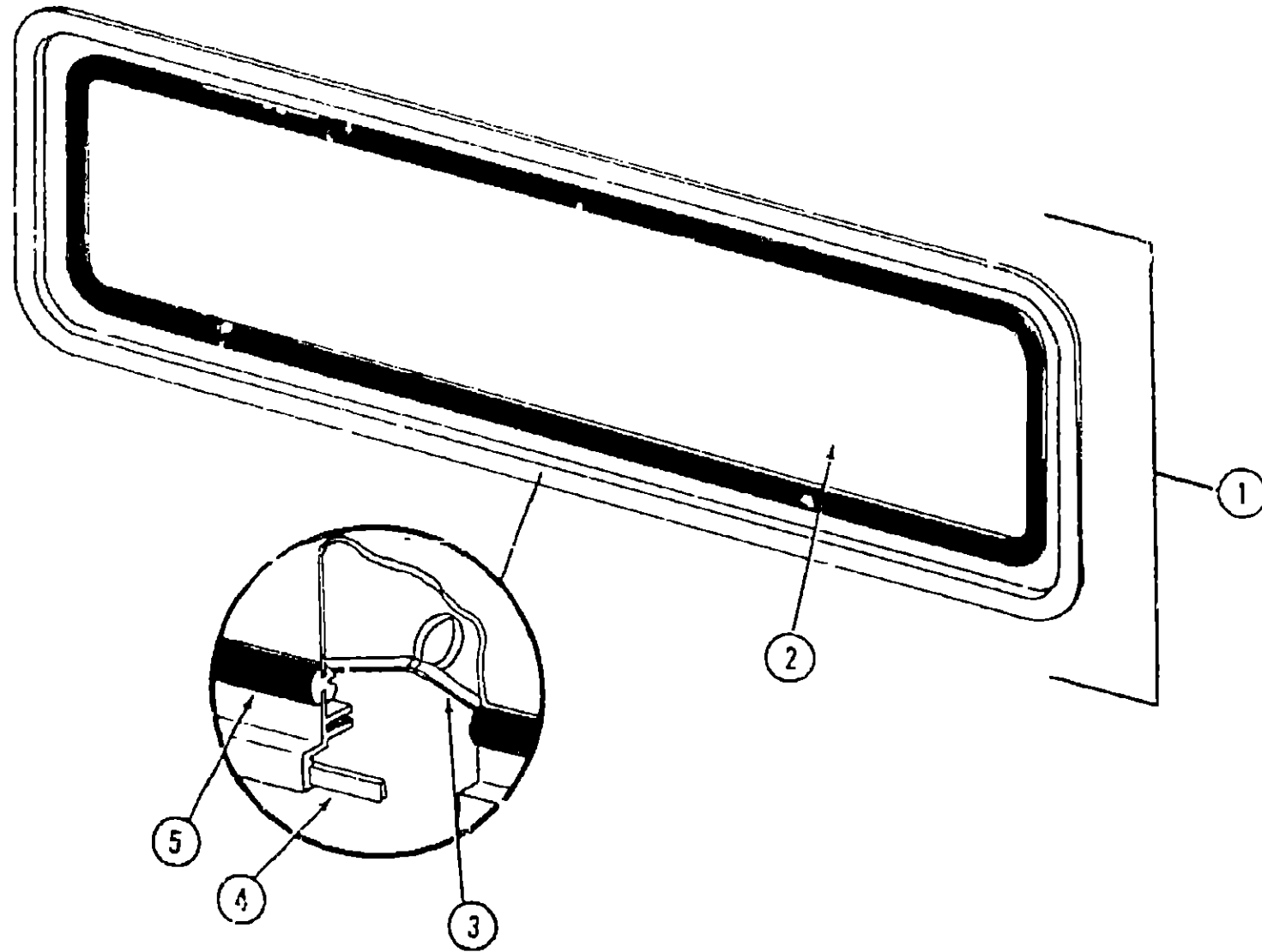
Key	Part Number	U/M	Description
1	078266-02-T03	EA	Window Asm. - Single Slider (w/o inside frame)
•	083122-03-000	EA	Inside Frame - Beige (not included in assembly)
2	091980-05-000	EA	Glass - Sliding - 1/8" x 19" x 13.68"
3	002324-02-000	FT	Channel - Weatherstrip - Glass Run - 1/8" Glass
4	069640-06-000	FT	Ribbon Sealer - 5/16" Bead x 15'
5	002309-02-000	FT	Spline - Glass - 1/8" Material - Black
6	M69886-03-011	EA	Seal Holder w/Fin Seal - Black
7	057374-02-000	FT	Extr. Rubber - Window Seal - Black
8	073740-01-000	FT	Seal - Fin - Pile - .460"
9	084170-02-000	EA	Mullion - Slider Window - Black
10	002298-02-000	SF	Spline - .130" Dia. - Charcoal (Screen)
11	081984-03-000	EA	Glass - Stationary - 1/8" x 19" x 12.30"
12	047369-01-700	EA	Latch Kit - Window - Plastic w/Fastener
•	079204-01-000	EA	Bracket - Mullion - Black
•	002292-02-000	SF	Screen - Window 20" - Charcoal
•			Not illustrated

Key	Part Number	U/M	Description
1	078453-02-U25	EA	Window Asm. - Vertical Slider - 37" x 15" - Black (w/o inside frame)
•	083122-13-000	EA	Inside Frame - Beige (not included in assembly)
2	081981-01-000	EA	Glass - Slider
3	002324-02-000	FT	Channel - Weatherstrip - Glass Run - 1/8" Glass
4	069640-06-000	FT	Ribbon Sealer - 5/16" Bead x 15'
5	002309-02-000	FT	Spline - Glass - 1/8" Material - Black
6	M18025-04-000	EA	Seal Holder w/Fin Seal - Black
7	057374-02-000	FT	Extr. Rubber - Window Seal - Black
8	073740-01-000	FT	Seal - Fin - Pile - .460"
9	084170-06-000	EA	Mullion - Slider Window - Black
10	002298-02-000	FT	Spline - .130" Dia. - Charcoal (Screen)
11	081984-04-000	EA	Glass - Stationary - 1/8" x 17.4" x 11.5"
12	047369-01-700	EA	Latch Kit - Window - Plastic w/Fastener
•	079204-01-000	EA	Bracket - Mullion - Black
•	002292-02-000	SF	Screen - Window 20" - Charcoal
•			Not illustrated

1987 WCP26ET INDEX

Floor Plan	H-21 - H-22
Accessories Group	H-23 - H-24
Bath Group	I-01
Chassis Group	I-02 - I-04
Curtain, Cushion & Pad Group	I-05 - I-13
Dinette Group	I-14
Driver's Compartment Group	I-15 - I-18
Electrical Group	I-19 - I-22
Exterior Body Group	I-23 - J-04
Galley Group	J-05 - J-06
Heating & Air Conditioning Group	J-07
Interior Finish Group	J-08 - J-10
LP Group	J-11
Lounge Group	J-12
Water & Sewage Group	J-13
Window, Vent & Exterior Door Group	J-14 - K-02

WINDOW, VENT & EXTERIOR DOOR GROUP (CONTINUED)



Key	Part Number	U/M	Description
1	078528-01-T03	EA	Window Asm. - Escape - 23" x 68" - Black (w/o inside frame)
-	074816-05-000	EA	Inside Frame - Escape Window - 1a: (not included in assembly)
2	002174-02-000	EA	Glass - 1/8" x 19.6" x 44.8"
3	002285-01-000	FT	Filler - Weatherstrip - Black
4	069540-01-000	FT	Tape - 1/4" Bead x 20'
5	002282-01-000	FT	Weatherstrip - Window - .125" Black
-	006199-01-000	EA	Label - Exit - Escape Window
-	No: Illustrated		

**1907 WINNEBAGO
TABLE OF CONTENTS**

WC420EG	A-01 - B-06
WF426RT	B-07 - D-10
WCN26RH	D-11 - F-14
WCN27RT	F-15 - H-20
WCP26ET	H-21 - K-02

1987 WCP26ET INDEX

Floor Plan	H-21 - H-22
Accessories Group	H-23 - H-24
Bath Group	I-01
Chassis Group	I-02 - I-04
Curtain, Cushion & Pad Group	I-05 - I-13
Dinette Group	I-14
Driver's Compartment Group	I-15 - I-18
Electrical Group	I-19 - I-22
Exterior Body Group	I-23 - J-04
Galley Group	J-05 - J-06
Heating & Air Conditioning Group	J-07
Interior Finish Group	J-08 - J-10
LP Group	J-11
Lounge Group	J-12
Water & Sewage Group	J-13
Window, Vent & Exterior Door Group	J-14 - K-02