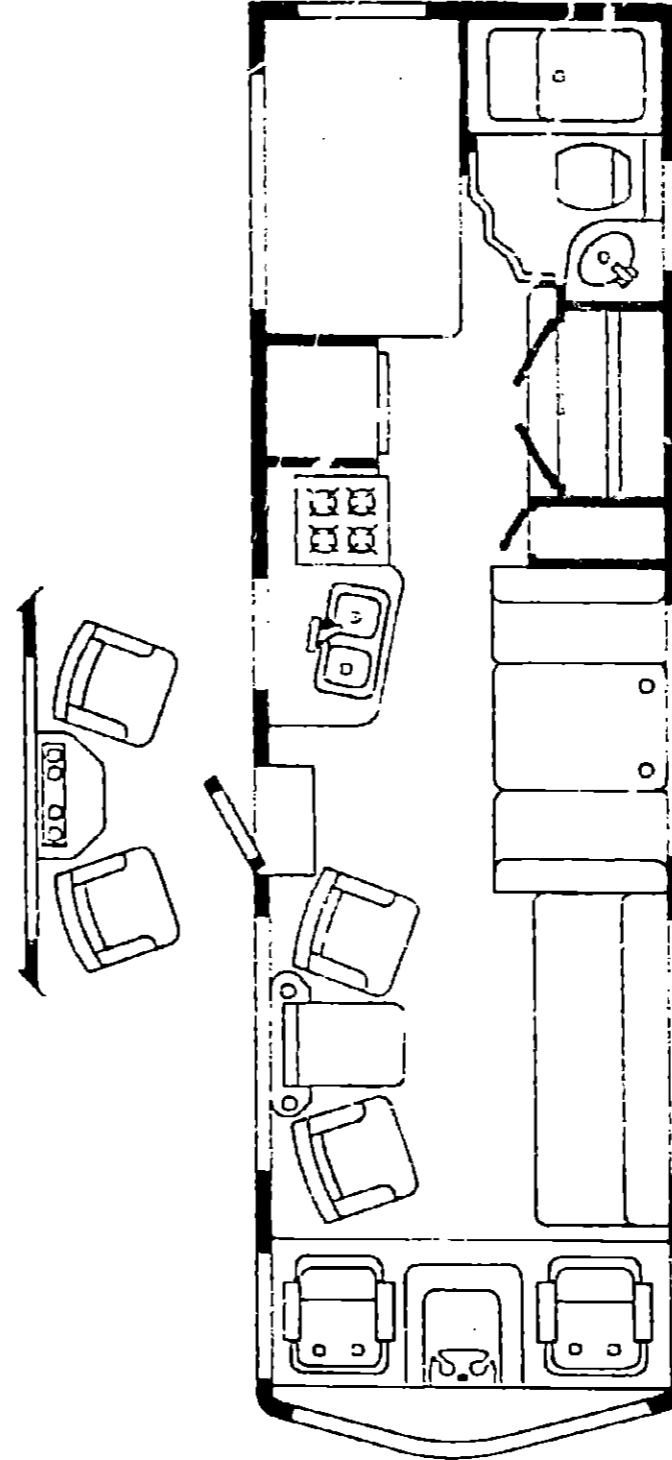


1987 WCN30RC



1987 WINNEBAGO TABLE OF CONTENTS

WC420RG	A-01 - B-22
WC/WF424RB	B-23 - D-22
WCN27RU	D-23 - G-04
WCN30RC	G-05 - I-12
WCP34RU	I-13 - K-23

1987 WCN30RC INDEX

Floor Plan	G-05 - G-05
Accessories Group	G-07 - G-09
Bath Group	G-10 - G-11
Chassis Group	G-12 - G-16
Curtain, Cushion & Pad Group	G-17 - G-23
Dinette Group	G-24
Driver's Compartment Group	H-01 - H-03
Electrical Group	H-04 - H-06
Exterior Body Group	H-07 - H-12
Galley Group	H-13 - H-15
Heating & Air Conditioning Group	H-16
Interior Finish Group	H-17 - H-19
LP Group	H-20
Lounge Group	H-21 - H-22
Water & Sewage Group	H-23
Window, Vent & Exterior Door Group	H-24 - I-12

ACCESSORIES GROUP

RADIO & RELATED COMPONENTS

Key	Part Number	U/M	Description
**	031105-02-000	EA	Antenna - Radio - Side Mount
	031105-01-700	EA	Antenna - Holder - Radio - Upper
	064792-01-000	EA	Grille - Speaker - w/Mesh - Brown
	074014-01-000	EA	Grille - Speaker - Round
	087634-01-000	EA	Radio - AM, FM, Stereo w. Cassette - Electronic Tune
	075904-01-000	EA	Radio - AM/FM/MPX w. Cassette - Electronic Tune
	074979-01-000	EA	Speaker Cover Protector - Plastic
	073431-01-000	EA	Speaker - 5.25 - 3-Way (Pair)
	064791-01-000	EA	Speaker - Recessed - 5.25"

MISCELLANEOUS ACCESSORIES

Key	Part Number	U/M	Description
	054125-26-000	EA	Owners Manual - 1987 Itasca & Winnebago
**	076319-01-000	EA	Antenna - TV Roof Mount - 44 5" Mast
	017516-01-000	EA	Mud Flaps w/Holes - 14" x 18" - Black
	041944-04-000	EA	Fire Extinguisher - 5 B.C.
	084472-01-000	EA	Holder - Recessed - Fire Extinguisher
	072852-01-000	EA	Smoke Detector w/9 Volt Battery
	086779-01-000	EA	Clock - 8.25" x 8.25"
	005059-01-000	EA	Key Case - Leather
	037038-01-000	EA	Door Mat - 10.5" x 26" - Black Rubber
	031075-01-000	EA	Floor Mat - Entrance - Winnebago
	031201-01-000	EA	Floor Mat - Left Front - Winnebago
	031202-01-000	EA	Floor Mat - Right Front - Winnebago
	080208-01-000	EA	Lug Wrench
	080208-02-000	EA	Leverage Bar - Lug Wrench (Chevy)
	080208-03-000	EA	Leverage Bar - Lug Wrench (John Deere)
	006113-01-000	EA	Jack - Hydraulic - 6 Ton - w/Horn
	063703-01-000	EA	Cover - Air Conditioner - Vinyl
	079942-01-000	EA	Shock Absorber - Stabilizer - Front
	079942-02-000	EA	Shock Absorber - Stabilizer - Rear
	079942-07-000	EA	Bracket - Mounting - Stabilizer
	077497-01-000	EA	Horn Kit - Twin Air - Chrome
	077497-01-700	EA	Solenoid - Air Tank
	077497-01-701	EA	Compressor Switch - Air Horn
	077497-01-702	EA	Toggle Switch - Air Horn
	077497-01-703	EA	Air Tank - Air Horn
	077497-01-704	EA	Compressor w/Switch Air Horn
	063912-01-000	EA	Relay Canister - w/Ground - Air Horn
**	075461-01-000	EA	Electric Step Asm. - w/Light
*	088746-01-000	EA	Electric Step Asm. - Black
	023111-01-000	EA	Blender - Built In
	079941-01-000	EA	Lamp Asm. - Fog w/Cover - Amber
	079941-01-700	EA	Lamp Asm. - Fog - Set/2
	079941-01-701	EA	Lens & Cover Only
	079941-01-702	EA	Switch - Fog Lights
	079941-01-703	EA	Solenoid
	079941-01-704	EA	Switch Plate

** The illustrated parts breakdown for this item is provided on the Common Items Fiche.
* Part used as of 3/30/87.

ACCESSORIES GROUP (CONTINUED)

CUSTOM STEERING WHEEL

Key	Part Number	U/M	Description
	080752-05-000	EA	Wheel - Steering - Custom
	080752-06-000	EA	Hub - Adapter - Steering Wheel
	080752-07-000	EA	Button - Horn w/Wire
	080752-08-000	EA	Screw - Custom Steering Wheel

WHEELS, MOUNTING HARDWARE & LINERS

Key	Part Number	U/M	Description
	033181-03-000	EA	Wheel Cover - 19.5" - Set/4
	053181-03-700	EA	Wheel Cover - 19.5" (1)
	033181-04-000	EA	Retainer Kit - 19.5" - Wheel Cover (Chevy)
	033181-04-700	EA	Retainer for 19.5" - Wheel Cover - Front (1)
	033181-04-701	EA	Retainer for 19.5" - Wheel Cover - Rear (1)
	033181-04-702	EA	Nut Cover for 19.5" & 16.5"
	033181-04-703	EA	Cap - Center - Chrome
	055741-01-000	EA	Liner - Wheel - 19.5" - Set/4 (Used before 2/16/87)
	056271-02-000	EA	Liner - Wheel - 19.5" - Set/4 (Used after 2/16/87)

SPEED CONTROL & COMPONENTS

Key	Part Number	U/M	Description
	084417-01-000	EA	Speed Control - w/Column Control
	084417-01-700	EA	Cable - Servo
	084417-01-701	EA	Servo - Electric Asm.
	084417-01-702	EA	Servo Extension Harness
	084417-01-703	EA	Cruise Control - Main Harness
	084417-01-704	EA	Switch - Brake
	084417-01-705	EA	Transducer
	084417-01-706	EA	Adapter - Speedometer
	084417-01-707	EA	Control Arm
	084417-01-708	EA	Smart Stick - Main Harness
	084417-01-709	EA	Relay - 12V D.C.
	084417-01-710	EA	Relay
	084417-01-711	EA	Brake Switch Asm.
	084417-01-712	EA	Tester - Cruise Control
	034417-01-713	EA	Pilot
	084417-01-714	EA	Servo Asm.
	084417-01-715	EA	Tester - Smart Stick
	084417-01-716	EA	Regulator - Cruise Control
	084417-01-717	EA	Electronic Pkg. - Smart Stick
	084417-01-718	EA	Control Arm - Smart Stick Only
	084417-01-719	EA	Rivet - Nylon Snap
	084417-01-720	EA	Mounting Brack - GM Switch
	084417-01-721	EA	Shroud - Steering Column - Top

1987 WINNEBAGO TABLE OF CONTENTS

WC420RG	A-01 - B-22
WC4WF424RB	B-23 - D-22
WCN27RU	D-23 - G-04
WCN30RC	G-05 - I-12
WCP34RU	I-13 - K-23

1987 WCN30RC INDEX

Floor Plan	G-05 - G-06
Accessories Group	G-07 - G-09
Bath Group	G-10 - G-11
Chassis Group	G-12 - G-16
Curtain, Cushion & Pad Group	G-17 - G-23
Dinette Group	G-24
Driver's Compartment Group	H-01 - H-03
Electrical Group	H-04 - H-06
Exterior Body Group	H-07 - H-12
Galley Group	H-13 - H-15
Heating & Air Conditioning Group	H-16
Interior Finish Group	H-17 - H-19
LP Group	H-20
Lounge Group	H-21 - H-22
Water & Sewage Group	H-23
Window, Vent & Exterior Door Group	H-24 - I-12

ACCESSORIES GROUP (CONTINUED)

OPTIONAL LUGGAGE BOX, RACK & LADDER

Key	Part Number	U/M	Description
	064093-01-000	EA	Box - Luggage - 14" x 30" x 60"
	080997-02-T03	EA	Ladder Asm. - Lower
	080999-02-T03	EA	Ladder Asm. - Upper
	081026-01-T03	EA	Rack Asm. - Right
	081026-02-T03	EA	Rack Asm. - Left
	081115-01-000	EA	Cap - Top - Rack & Ladder - 1"
	081116-01-000	EA	Slide - Top - Rack & Ladder - 1"
	081114-01-000	EA	End Cap - Ladder Step
	080873-01-000	EA	Latch - Ladder - Lower - Gray

OPTIONAL MICROWAVE & COMPONENTS

Key	Part Number	U/M	Description
	081379-01-000	EA	Microwave/Convection Oven - Sharp
	081459-03-000	EA	Bracket Asm. - Microwave - Right
	081459-04-000	EA	Bracket Asm. - Microwave - Left
	081456-01-000	EA	Angle Asm. - Microwave - Right
	081456-02-000	EA	Angle Asm. - Microwave - Left
	081555-01-T03	EA	Trim Asm. - Microwave
	082876-01-000	EA	Backplate Asm. - Microwave

GENERATORS & COMPONENTS

Key	Part Number	U/M	Description
	081634-01-000	EA	Generator - Onan - 6.5 kw - Emerald
	079654-03-000	EA	Generator - Onan - 4.0 kw - Emerald
	052168-01-000	EA	Generator - Onan - 4.25 kw
	069229-01-000	EA	Generator - Kohler - 4.5 kw - CSA
	051911-01-000	EA	Generator - Kohler - 7.0 kw - CSA
	079654-05-000	EA	Pipe & Accessories Kit - Emerald
	078045-01-000	EA	Support Plate - Generator
	086246-01-000	EA	Tray - Generator - Mounting - Emerald 4 & 6.5
	081364-01-000	EA	Muffler - 6.5 kw - Generator - Emerald
	067753-01-000	EA	Muffler - Spark Arrestor
	007067-01-000	SF	Insulation - Fiberglass - 1"

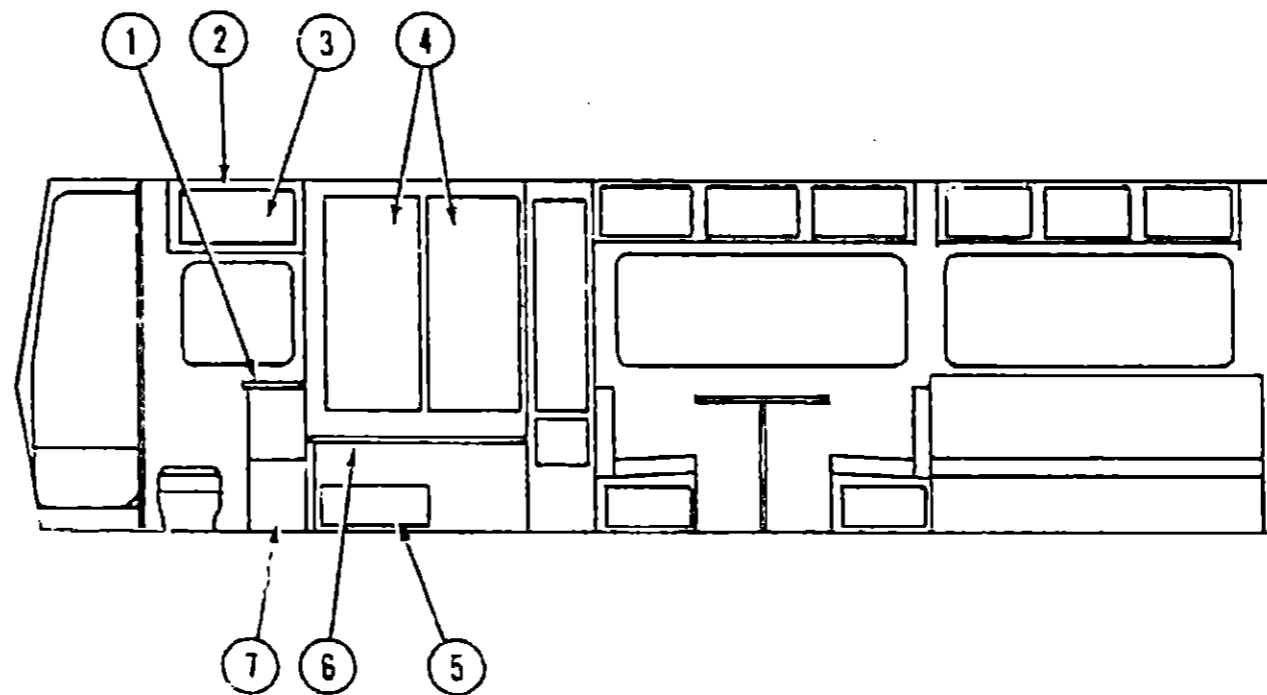
OPTIONAL VACUUM CLEANER & COMPONENTS

Key	Part Number	U/M	Description
	055285-01-000	EA	Vacuum Cleaner - Built In
	055285-01-700	EA	Accessories Kit - Standard
	055285-01-701	EA	Filter - 8 per Package
	055285-01-702	EA	Hose - 20' - Vacuum Cleaner
	055285-01-703	EA	Rug Tool
	055285-01-704	EA	Crevice Tool
	055285-01-705	EA	Upholstery Tool
	055285-01-706	EA	Wands - Set (2)
	055285-01-707	EA	Dust Bubble - Complete

EXTERIOR MIRROR & COMPONENTS

Key	Part Number	U/M	Description
	086260-01-000	EA	Mirror Asm. - Exterior - w/Convex - Passenger
	086260-02-000	EA	Mirror Asm. - Exterior - w/Convex - Driver
	086259-01-000	EA	Mirror Asm. - Exterior - Remote Control - Passenger
	086259-02-000	EA	Mirror Asm. - Exterior - Remote Control - Driver
	086260-03-000	EA	Accessories Kit - Exterior Mirror

BATH GROUP



WARDROBE & BATH CABINETS

Key	Part Number	U/M	Description
	M02406-01-W07	EA	Countertop Asm. - Lavatory Cabinet
	M02406-01-W08	EA	Countertop Asm. - Lavatory Cabinet
	M02406-01-W09	EA	Countertop Asm. - Lavatory Cabinet
	076073-01-000	EA	Cabinet Asm. - Medicine - w/o Doors or Hardware
	076073-01-700	EA	Travel Lock - Medicine Cabinet
	076357-01-000	EA	Bracket - Medicine Cabinet
	081535-01-U04	EA	Door Asm. - Medicine Cabinet w/Mirror - w/o Hardware
	M81501-16-W07	EA	Door Asm. - Wardrobe - 50.1" x 20.6" - w/o Hardware
	081508-01-U04	EA	Drawer Asm. - 19" x 20.8" - Wardrobe Cabinet - w/o Hardware
	M91745-01-W07	EA	Cabinet Asm. - Pantry - w/o Door or Hardware
	M81501-47-W07	EA	Door Asm. - Pantry Cabinet - w/o Hardware
	M81501-11-W07	EA	Door Asm. - Wardrobe - 25.1" x 10" - w/o Hardware
	M02543-01-U04	EA	Countertop Asm. - Wardrobe
	M81548-03-W07	EA	Cabinet Asm. - Lavatory - w/o Countertop, Doors or Hardware
	M81501-17-W07	EA	Door Asm. - Lavatory Cabinet - w/o Hardware
	080224-01-000	EA	Door Asm. - Folding - 46" x 75"
	080224-01-700	EA	Latch & Catch Asm.
	075603-01-000	EA	Threshold - Bath Door
	Not illustrated		

1987 WINNEBAGO TABLE OF CONTENTS

WC420RG	A-01 - B-22
WC/WF424RB	B-23 - D-22
WCN27RU	D-23 - G-04
WCN30RC	G-05 - I-12
WCP34RU	I-13 - K-23

1987 WCN30RC INDEX

Floor Plan	G-05 - G-06
Accessories Group	G-07 - G-09
Bath Group	G-10 - G-11
Chassis Group	G-12 - G-16
Curtain, Cushion & Pad Group	G-17 - G-23
Dinette Group	G-24
Driver's Compartment Group	H-01 - H-03
Electrical Group	H-04 - H-06
Exterior Body Group	H-07 - H-12
Galley Group	H-13 - H-15
Heating & Air Conditioning Group	H-16
Interior Finish Group	H-17 - H-19
LP Group	H-20
Lounge Group	H-21 - H-22
Water & Sewage Group	H-23
Window, Vent & Exterior Door Group	H-24 - I-12

BATH GROUP (CONTINUED)

BATH & WARDROBE HARDWARE

Key	Part Number	U/M	Description
	M01817-01-T03	EA	Bathtub Asm. w/Strainer
	075242-03-000	EA	Faucet - Tub & Shower - Brass
	075240-03-000	EA	Faucet - Lavatory - Brass
**	011048-02-000	EA	Shower Head - w/60" Hose
	011048-04-000	EA	Vacuum Breaker - 1/8 MPT - Nylon - Shower Head
	075606-01-000	EA	Shower Panel - Faucet - Plastic
**	066729-01-000	EA	Strainer - Bathtub Asm.
	066436-01-000	EA	Slip Nut - 1.5" Tail Piece - Bathtub Asm.
	069735-01-000	EA	Washer - Tail Piece - 1.5" Plastic - Bathtub Asm.
	011069-02-000	EA	Tailpiece - 1.5" x 1.25" x 4" - Brass - Bathtub Asm.
	080257-02-000	EA	Shroud - Bathtub Asm.
	058713-01-000	EA	Sink - Oval - Ivory - Plastic
	039341-02-000	EA	Toilet - Thetford - Aqua Magic - Ivory
	009134-01-000	EA	Tissue Holder
	075454-02-000	EA	Towel Ring - Brass w/Mounting Hardware
	079235-01-000	EA	Header - Shower Door Track - Beige
	079234-01-000	EA	Jamb - Shower Door - Rear - Beige
	079234-02-000	EA	Jamb - Shower Door - Front - Beige
	058331-01-000	EA	Mirror - Tempered Glass - 19" x 26"
	058331-05-000	EA	Mirror - Tempered Glass - 12" x 26"
	058331-04-000	EA	Mirror - Tempered Glass - 12" x 42"
	057671-01-000	EA	Screw Cover - #8 - Antique White
	009089-01-000	EA	Clip - Mirror
	059777-02-000	EA	Hinge - Antique Brass
	066433-01-000	EA	Hook - Cup - Bright
	009112-01-000	EA	Flange - 1" - Clothes Rod
	071632-01-000	EA	Bag - Hamper - 43" w/Elastic Top
	076367-01-000	EA	Bracket - Medicine Cabinet
	080224-04-000	EA	Track - Folding Door - ST - 90°
	M82406-01-U04	EA	Pantry Asm. - Pullout
	061604-01-000	EA	Slide Asm. - Pantry
	076097-01-000	EA	Bracket - Catch - Pantry
	075451-01-000	EA	Storage Rack - Canned Goods
	075451-02-000	EA	Storage Rack - Clip - White
**	The illustrated parts breakdown for this item is provided on the Common Items Fiche.		

CHASSIS GROUP

MISCELLANEOUS CHASSIS

Key	Part Number	U/M	Description
	084086-01-000	EA	Air Spring Bellows - Rear Axle
	075723-01-000	EA	Block - Switch - Spacer w/o Holes
	064093-01-000	EA	Box - Luggage
	051697-01-000	EA	Bracket - Battery Tie Down - 6.9"
	007125-04-000	EA	Clamp Asm. - Muffler - 1.12"
	010497-01-000	EA	Clamp - Close - 5/8 I.D.
	007161-01-000	EA	Clamp - Hose - Spring Type 112
	062401-01-000	EA	Clamp - Hose - Wormgear - .22" I.D. x 1" I.D.
	062401-02-000	EA	Clamp - Hose - Wormgear - 1.56" I.D. - 2.5" I.D.
	062401-03-000	EA	Clamp - Hose - Wormgear - .25" I.D. - 1" I.D.
	062401-04-000	EA	Clamp - Hose - Wormgear - .69" I.D. - 1.25" I.D.
	062401-05-000	EA	Clamp - Hose - Wormgear - 2" I.D. - 3" I.D.
	062401-06-000	EA	Clamp - Hose - Wormgear - .22" I.D. - .62" I.D.
	023146-01-000	EA	Clamp - Screw Type - 4"
	024490-01-000	EA	Compartment - Power Cord - Black Plastic
	071656-01-000	EA	Cover - Radiator - Rear
	080722-01-000	EA	Cover - Radiator - Rear Back (Fan Shroud)
	020167-03-000	EA	Dirt Guard - Rear Wheel
	007131-01-000	EA	Hanger - Tail Pipe
	024138-01-000	FT	Hose - Fuel - 5/16" I.D. SAE 30RI
	006113-01-000	EA	Jack - Hydraulic - 6" Ton - w/Handle
	080208-02-000	EA	Leverage Bar - 22" - Lug Wrench
	080208-01-000	EA	Lug Wrench
	017516-01-000	EA	Mud Flap w/Holes - 14" x 18" - Black
	064963-01-000	EA	Rim - Wheel - 19.5" x 6.75" - 8 Hole
	057038-10-000	EA	Sending Unit Fuel - 90 OHM - Aux.
	075146-01-000	EA	Shield - Heat Muffler
	079942-01-000	EA	Shock Absorber - Stabilizer - Front
	079942-02-000	EA	Shock Absorber - Stabilizer - Rear
	079942-07-000	EA	Bracket - Mounting Stabilizer
	063977-07-000	EA	Step Asm. - Driver Door
	077848-01-000	EA	Step Asm. - Entry
	061411-03-000	EA	Tailpipe Extension - 2.25" x 10.5"
	007324-04-000	EA	Tire - 8.00" x 19.5 - Michelin
	048594-01-000	EA	Tray - Battery
	052431-01-000	EA	Tray - Luggage
	051377-01-000	EA	Valve Stem Asm. - TR500
	055374-01-000	EA	Wheelwell - Plastic
	008343-01-000	EA	Wire Tie - 6"
	072447-01-000	EA	Shroud - Main Fuel Fill - Inside

NOTE: Remainder of exhaust components available from chassis service centers.

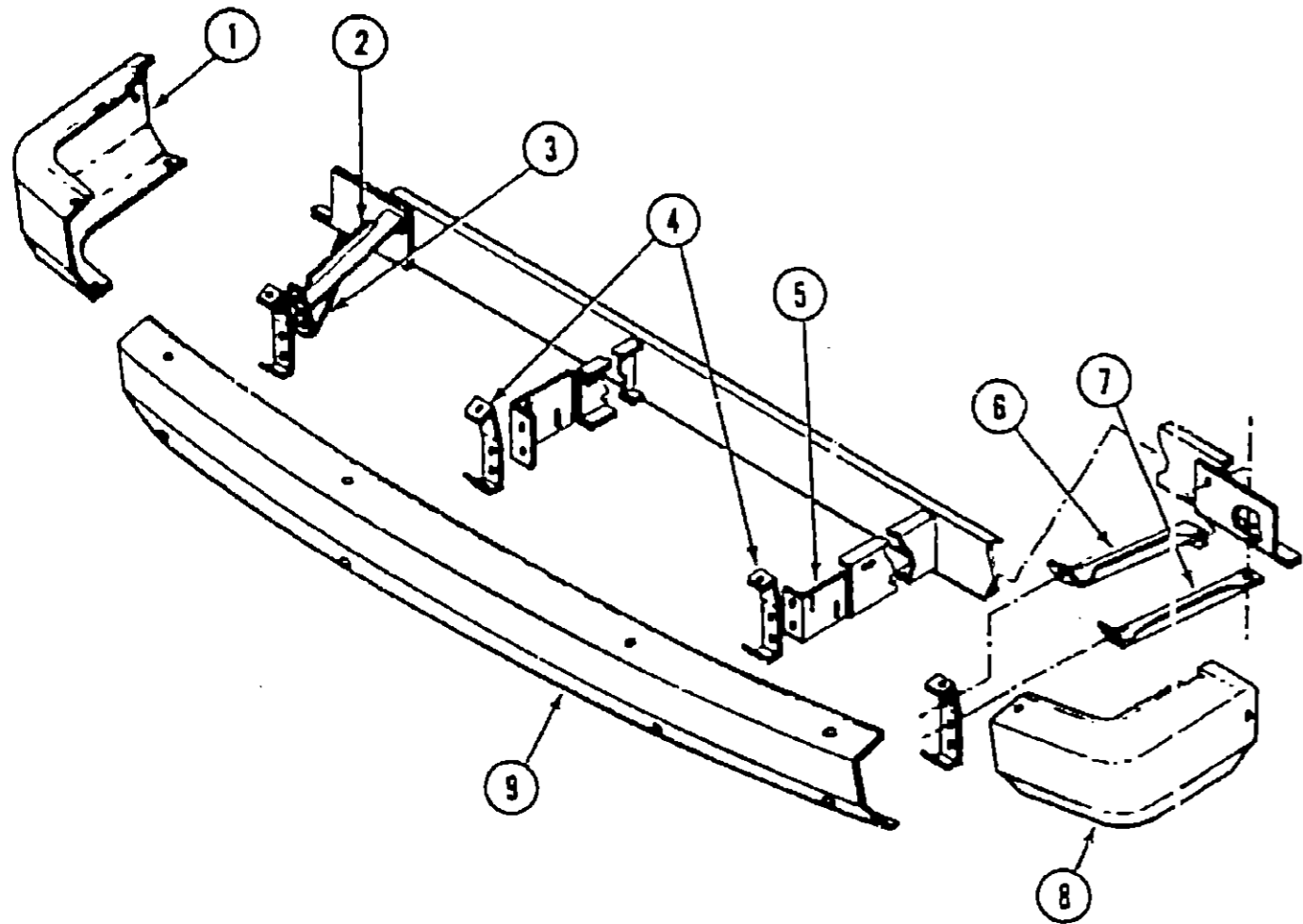
1987 WINNEBAGO TABLE OF CONTENTS

WC420RG	A-01 - B-22
WC/WF424RB	B-23 - D-22
WCN27RU	D-23 - G-04
WCN30RC	G-05 - I-12
WCP34RU	I-13 - K-23

1987 WCN30RC INDEX

Floor Plan	G-05 - G-06
Accessories Group	G-07 - G-08
Bath Group	G-09 - G-11
Chassis Group	G-12 - G-16
Curtain, Cushion & Pad Group	G-17 - G-23
Dinette Group	G-24
Driver's Compartment Group	H-01 - H-03
Electrical Group	H-04 - H-06
Exterior Body Group	H-07 - H-12
Galley Group	H-13 - H-15
Heating & Air Conditioning Group	H-16
Interior Finish Group	H-17 - H-19
LP Group	H-20
Lounge Group	H-21 - H-22
Water & Sewage Group	H-23
Window, Vent & Exterior Door Group	H-24 - I-12

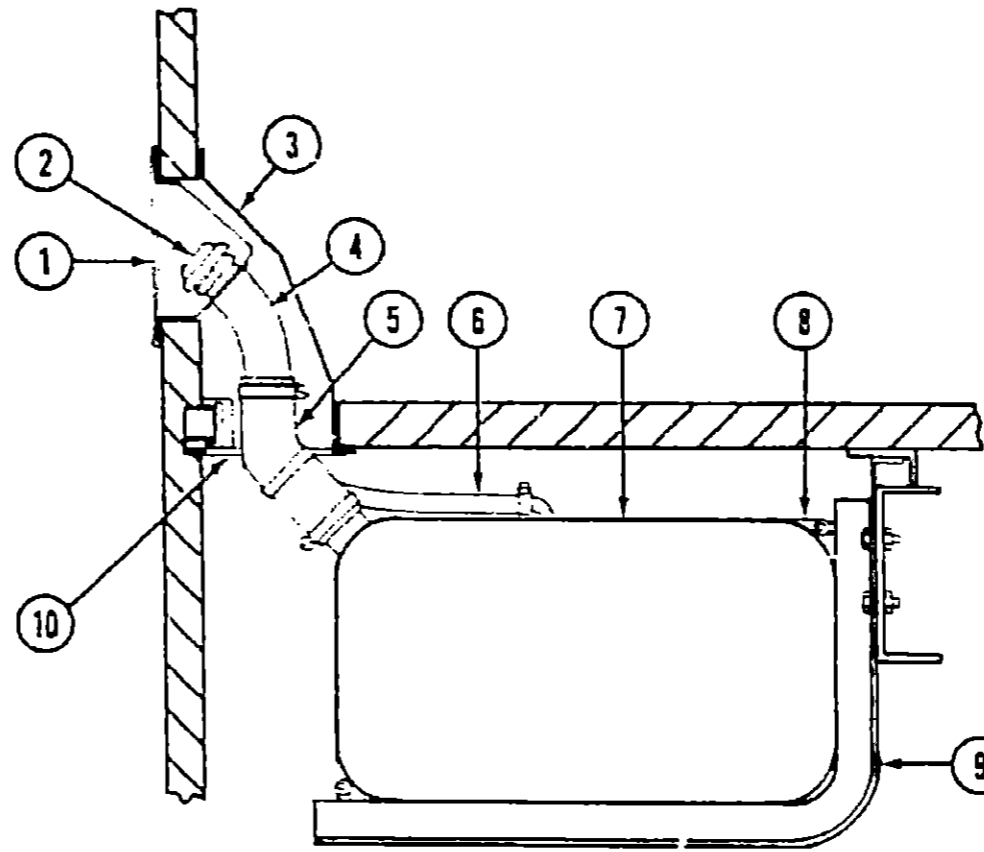
CHASSIS GROUP (CONTINUED)



FRONT BUMPER

Key	Part Number	U/M	Description
1	086415-01-000	EA	Bumper End - Beige - Right Front
2	078002-01-000	EA	Brace - Upper Right - Front Bumper
3	078003-01-000	EA	Brace - Lower Right - Front Bumper
4	077852-01-000	EA	Bracket to Bumper - Front
5	075527-01-000	EA	Bracket to Frame - Front Bumper
6	078002-02-000	EA	Brace - Upper Left - Front Bumper
7	078003-02-000	EA	Brace - Lower Left - Front Bumper
8	086415-03-000	EA	Bumper End - Beige - Left Front
9	077850-01-000	EA	Bumper - Front - Primed
9	077850-07-000	EA	Bumper - Front - Chrome
.	005200-01-000	EA	Carriage Bolt - Chrome - 7/16" x 14 x 1 1/4"
.			Not illustrated

CHASSIS GROUP (CONTINUED)



AUXILIARY FUEL FILL

Key	Part Number	U/M	Description
1	076010-C4-000	EA	Door Asm. & Upper Shroud - Fuel Fill - Beige
.	073209-01-000	EA	Gasket - Fuel Fill Door
2	073220-02-000	EA	Cap - Fuel Fill
3	075830-01-000	EA	Shroud - Fuel Fill - Inside
4	075914-02-000	EA	Neck Asm. - Upper Fuel Fill
5	075684-02-000	EA	Hose - Fuel - Formed 45° 2" I.D.
6	066732-01-000	FT	Hose - Fuel - .62" I.D. - Vent
7	075686-01-000	EA	Tank - Fuel - 30 Gallon
8	075232-02-000	EA	Strap Asm. - Fuel Tank - T-Bolt Ends
9	075685-01-000	EA	Bracket - Fuel Tank Mounting
10	063303-05-000	EA	Shroud - Fuel Fill - Lower
.			Not illustrated

**1987 WINNEBAGO
TABLE OF CONTENTS**

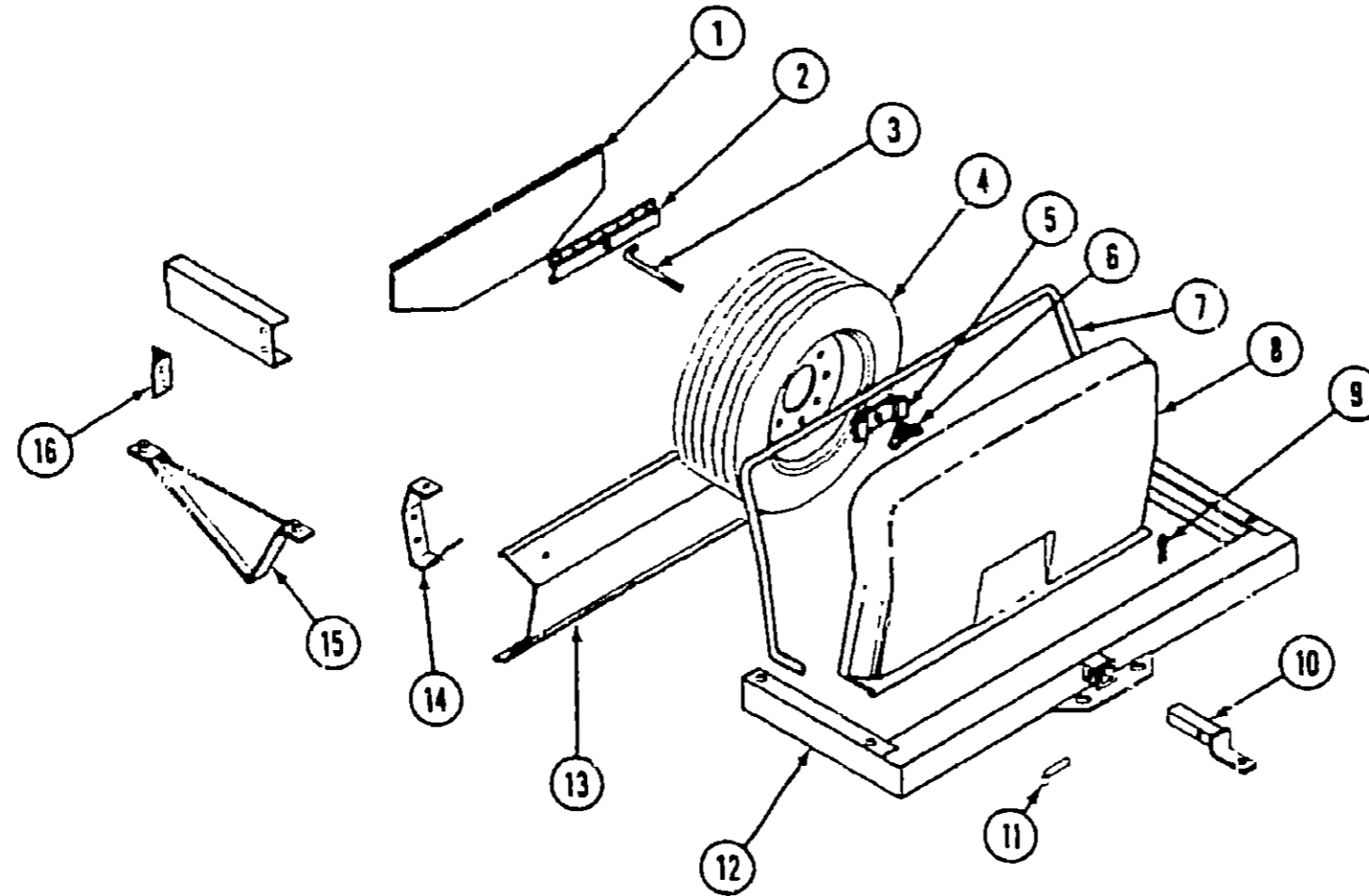
WC420RG	A-01 - B-22
WC/WF424RB	B-23 - D-22
WCN27RU	D-23 - G-04
WCN30RC	G-05 - I-12
WCF34RU	I-13 - K-23

1987 WCN30RC INDEX

Floor Plan	G-05 - G-06
Accessories Group	G-07 - G-09
Bath Group	G-10 - G-11
Chassis Group	G-12 - G-16
Curtain, Cushion & Pad Group	G-17 - G-23
Dinette Group	G-24
Driver's Compartment Group	H-01 - H-03
Electrical Group	H-04 - H-06
Exterior Body Group	H-07 - H-12
Galley Group	H-13 - H-15
Heating & Air Conditioning Group	H-16
Interior Finish Group	H-17 - H-19
LP Group	H-20
Lounge Group	H-21 - H-22
Water & Sewage Group	H-23
Window, Vent & Exterior Door Group	H-24 - I-12

CHASSIS GROUP (CONTINUED)

SPARE TIRE, HITCH & REAR BUMPER



Key	Part Number	U/M	Description
1	079395-01-000	EA	Dust Shield - Spare Tire
2	077403-01-000	EA	Rod Support - Spare Tire
3	077411-01-000	EA	Retaining Rod
4	007324-04-000	EA	Tire - 8.00" x 19.5" - Michelin
5	077399-01-000	EA	Spare Tire Retainer
6	064061-01-000	EA	Wing Nut
7	073090-01-000	EA	Tire Cover Seal
8	079165-01-W07	EA	Tire Cover Asm.
•	077408-01-000	EA	Lock Asm. - Tire Cover
•	077759-01-000	EA	Support Spacer - Spare Tire
•	077400-01-000	EA	Support - Spare Tire
9	034513-01-000	EA	Pin - Hitch - 3/16" Wire
10	077613-01-000	EA	Drawbar - Ball Mount
11	034512-01-000	EA	Locking Pin - Drawbar
12	077617-01-700	EA	Hitch Asm. - w/o Drawbar
13	078584-01-000	EA	Bumper - Rear - Primed
13	078584-08-000	EA	Bumper - Rear - Chromed
•	NOTE	EA	Bumper Ends (See Exterior Body Group)
14	078670-02-000	EA	Bracket to Bumper - Rear
15	083376-01-000	EA	Skid Plate Asm.
16	078668-01-000	EA	Support Angle - Rear Bumper Support to Frame
•	005200-01-000	EA	Bumper Bolt - 7/16" - 14 x 1 1/4
•			Not illustrated

1987 WINNEBAGO TABLE OF CONTENTS

WC420RG	A-01 - B-22
WC/WF424RB	B-23 - D-22
WCN27RU	D-23 - G-04
WCN30RC	G-05 - I-12
WCP34RU	I-13 - K-23

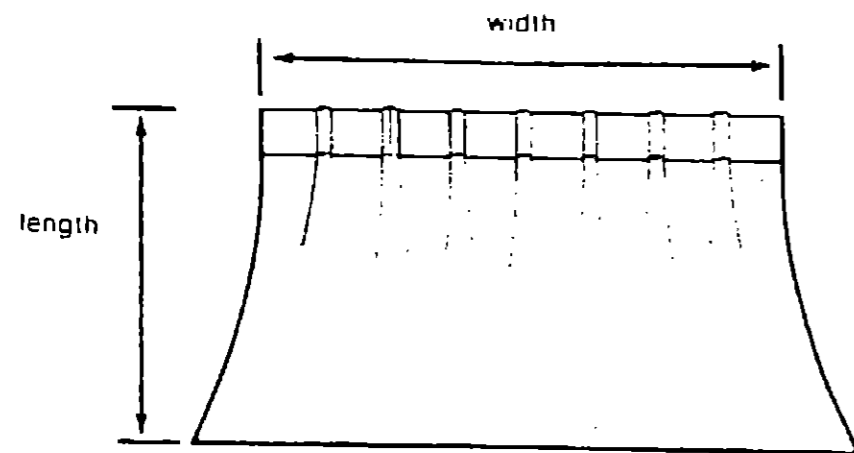
1987 WCN30RC INDEX

Floor Plan	G-05 - G-06
Accessories Group	G-07 - G-09
Bath Group	G-10 - G-11
Chassis Group	G-12 - G-16
Curtain, Cushion & Pad Group	G-17 - G-23
Dinette Group	G-24
Driver's Compartment Group	H-01 - H-03
Electrical Group	H-04 - H-06
Exterior Body Group	H-07 - H-12
Galley Group	H-13 - H-15
Heating & Air Conditioning Group	H-16
Interior Finish Group	H-17 - H-19
LP Group	H-20
Lounge Group	H-21 - H-22
Water & Sewage Group	H-23
Window, Vent & Exterior Door Group	H-24 - I-12

**CURTAIN, CUSHION & PAD GROUP
NOTICE**

In order to assist our Parts Sale Dept. in providing interior software items, please include the serial number and the color code number from the vehicle certification label when ordering. This label is located on the left sidewall at the end of the dash (A-Body), or on the driver's door latch plate (C-Body).

An example of a color code number is F31, which designates an overall color scheme of a particular unit. The color listed after the item description on the microfiche, indicates the overall unit color. Order the item you desire according to unit color code.

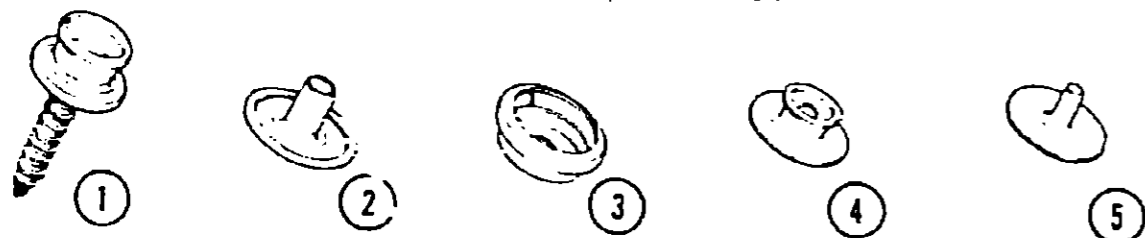


NOTE:

Use this illustration when determining length and width measurements for curtains. You will note the width measurement is taken on the top of the curtain with the curtain fully extended. The length measurement is taken from top to bottom.

CURTAIN & CUSHION HARDWARE

Key	Part Number	U/M	Description
	082139-01-000	EA	Bracket - Hold Down - Blinds
	085283-01-000	EA	Bracket - Hold Back - Clear
	084434-01-000	EA	Bracket - Roller Shade - 1 3/8"
	056003-01-000	EA	Bracket - Drapery Retainer
	056003-02-000	EA	Bracket - Drapery Retainer
	083170-03-000	EA	Bracket - Installation - Right
	083170-04-000	EA	Bracket - Installation - Left
	079519-01-000	EA	Bracket - Tie Back
	080211-03-000	EA	Clip - Decor Pad
	087253-01-000	EA	Plug - Shade - Plastic
	048394-02-000	YD	Tape Hook - .75" x 50 yds. - Beige
	048395-02-000	YD	Tape Loop - .75" x 50 yds. - Beige
	029090-01-000	FT	Tie Back - Drapery - Clear
	056116-01-000	EA	Track - Curtain - Brown Plastic
	079946-01-000	EA	Track - Curtain - Wraparound - Right
	079946-02-000	EA	Track - Curtain - Wraparound - Left



Key	Part Number	U/M	Description
1	029130-01-000	EA	Socket - Snap Fastener
2	029155-01-000	EA	Cap - Snap - .156" Dia. x 17" Barrel
3	029156-01-000	EA	Socket - Snap Fastener
4	029092-01-000	EA	Stud - Nickel Finish
5	092093-01-000	EA	Eyelet - Nickel Finish

CURTAIN, CUSHION & PAD GROUP (CONTINUED)

FABRICS, TRIMS & PADS

Key	Part Number	U/M	Description
	077498-91-000	YD	Fabric - Main w/Pattern - Jade/Taupe (W07)
	074498-92-000	YD	Fabric - Main w/Pattern - Rose (W08)
	077498-93-000	YD	Fabric - Main w/Pattern - Taupe (W09)
	074498-94-000	YD	Fabric - Patterned Accent - Jade/Taupe (W07)
	074498-95-000	YD	Fabric - Patterned Accent - Rose (W08)
	074498-96-000	YD	Fabric - Patterned Accent - Taupe (W09)
	069729-47-000	YD	Fabric - Plain Accent - Jade/Taupe (W07)
	069729-48-000	YD	Fabric - Plain Accent - Rose (W08)
	069729-49-000	YD	Fabric - Plain Accent - Taupe (W09)
	072333-34-000	YD	Fabric - Bedspread/Draperies - Jade/Taupe (W07)
	072333-35-000	YD	Fabric - Bedspread/Draperies - Rose (W08)
	072333-36-000	YD	Fabric - Bedspread/Draperies - Taupe (W09)
	072333-37-000	YD	Fabric - Bedroom Accent/Tieback - Jade/Taupe (W07)
	072333-38-000	YD	Fabric - Bedroom Accent/Tieback - Rose (W08)
	072333-39-000	YD	Fabric - Bedroom Accent/Tieback - Taupe (W09)
	072333-40-000	YD	Fabric - Drapery - Jade/Taupe (W07)
	072333-41-000	YD	Fabric - Drapery - Aqua Marine (W07)
	072333-42-000	YD	Fabric - Drapery - Rose (W08)
	072333-43-000	YD	Fabric - Drapery - Taupe (W09)
	081607-02-000	YD	Fabric - Headliner - Sandstone
	087272-01-000	YD	Fabric - Drapery Lining - Ivory - 48"
	072333-44-000	YD	Fabric - Drapery - Natural (Pull Shades)
	079680-01-000	YD	Vinyl - Expanded - 26 oz. - Buckskin
	079680-02-000	YD	Vinyl - Expanded - 26 oz. - Sandrift
	038421-02-000	YD	Fabric - Mattress Ticking - Beige/Brown
	038421-04-000	YD	Fabric - Mattress Ticking - Cashew
	057550-05-T03	EA	Button Asm. - Nail #36 - 3/8" Shank - Vinyl
	070578-06-T03	EA	Button Asm. - Screw Stud - #30 - Vinyl
	057093-01-T03	EA	Button Asm. - Nail #30 - Vinyl
	071127-12-W07	EA	Button Asm. - Round Hook - #30 - Jade/Taupe
	071127-12-W08	EA	Button Asm. - Round Hook - #30 - Rose
	071127-12-W09	EA	Button Asm. - Round Hook - #30 - Taupe
	071127-10-W04	EA	Button Asm. - Round Hook - #30 - Jade/Taupe (W07)
	071127-10-W05	EA	Button Asm. - Round Hook - #30 - Rose (W08)
	071127-10-W06	EA	Button Asm. - Round Hook - #30 - Taupe (W09)
	078155-01-000	EA	Strap Asm. - Cushion
	079144-02-T03	EA	Strap Asm. - Bunk
	081519-01-W04	EA	Pad Asm. - Dinette - Front - Jade/Taupe (W07)
	081519-01-W05	EA	Pad Asm. - Dinette - Front - Rose (W08)
	081519-01-W06	EA	Pad Asm. - Dinette - Front - Taupe (W09)
	081519-02-W04	EA	Pad Asm. - Dinette - Rear - Jade/Taupe (W07)
	081519-02-W05	EA	Pad Asm. - Dinette - Rear - Rose (W08)
	081519-02-W06	EA	Pad Asm. - Dinette - Rear - Taupe (W09)
	059414-06-000	EA	Pad Asm. - Trim - Sidewall - Right - Vinyl
	059457-04-T03	EA	Pad Asm. - Map Pocket - Right Vinyl
	077641-90-000	EA	Wall Pad - Swivel Chairs - 16" x 12" - Jade/Taupe (W07)
	077641-61-000	EA	Wall Pad - Swivel Chairs - 16" x 12" - Rose (W08)
	077641-91-000	EA	Wall Pad - Swivel Chairs - 16" x 12" - Taupe (W09)

* Fabric used on unit produced after: 2/1/87.

FRONT BUNK

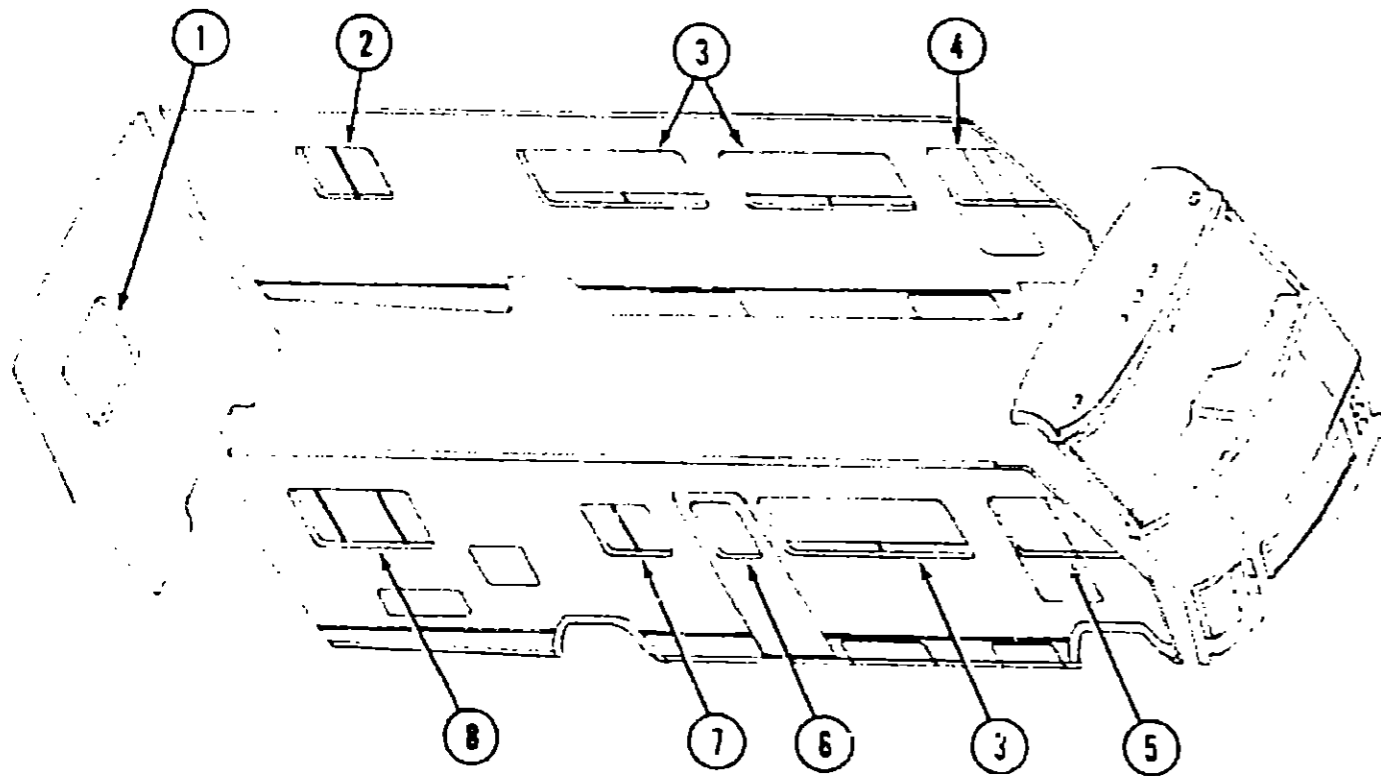
Key	Part Number	U/M	Description
	079145-04-000	EA	Cushion Asm. - Front Bunk - 4" x 34" x 78"
	M79145-04-000	EA	Cover Asm. - Front Bunk Cushion - 4" x 34" - 78"
	079144-02-T03	EA	Bunk Strap - Vinyl

**1987 WINNEBAGO
TABLE OF CONTENTS**

WC420RG	A-01 - B-22
WCWF424RB	B-23 - D-22
WCN27RU	D-23 - G-04
WCN30RC	G-05 - I-12
WCP34RU	I-13 - K-23

1987 WCN30RC INDEX

Floor Plan	G-05 - G-06
Accessories Group	G-07 - G-09
Bath Group	G-10 - G-11
Chassis Group	G-12 - G-16
Curtain, Cushion & Pad Group	G-17 - G-23
Dinette Group	G-24
Driver's Compartment Group	H-01 - H-03
Electrical Group	H-04 - H-06
Exterior Body Group	H-07 - H-12
Galley Group	H-13 - H-15
Heating & Air Conditioning Group	H-16
Interior Finish Group	H-17 - H-19
LP Group	H-20
Lounge Group	H-21 - H-22
Water & Sewage Group	H-23
Window, Vent & Exterior Door Group	H-24 - I-12



CURTAINS, SHADES, VALANCES & TIEBACKS

Key	Part Number	U/M	Description
1	085200-09-W07	EA	Shade Asm. - Fabric - 33.25"
1	085200-09-W08	EA	Shade Asm. - Fabric - 33.25"
1	085200-09-W09	EA	Shade Asm. - Fabric - 33.25"
1	086480-06-W07	EA	Valance Asm. - Padded w/Insert - 37"
1	086480-06-W08	EA	Valance Asm. - Padded w/Insert - 37"
1	086480-06-W09	EA	Valance Asm. - Padded w/Insert - 37"
1	085190-07-W07	EA	Curtain Asm. w/Snap Top - 29.5" x 15"
1	085190-07-W08	EA	Curtain Asm. w/Snap Top - 29.5" x 15"
1	085190-07-W09	EA	Curtain Asm. w/Snap Top - 29.5" x 15"
2	085191-02-W07	EA	Valance Asm. w/Insert - 35.5" (W07)
**2	085191-02-WB7	EA	Valance Asm. w/Insert - 35.5" (W07)
2	085191-02-W08	EA	Valance Asm. w/Insert - 35.5" (W08)
2	085191-02-W09	EA	Valance Asm. w/Insert - 35.5" (W09)
2	073304-39-W07	EA	Curtain Asm. w/Snap Top - 27.5" x 10" (W07)
**2	073304-39-WB7	EA	Curtain Asm. w/Snap Top - 27.5" x 10" (W07)
2	073304-39-W08	EA	Curtain Asm. w/Snap Top - 27.5" x 10" (W08)
2	073304-39-W09	EA	Curtain Asm. w/Snap Top - 27.5" x 10" (W09)
2	082118-B7-000	EA	Blinds - Mini - 32" x 26" Drop (W07)
2	082118-B9-007	EA	Blinds - Mini - 32" x 26" Drop (W08)
2	082118-B9-000	EA	Blinds - Mini - 32" x 26" Drop (W09)
3	085191-01-W07	EA	Valance Asm. w/Insert - 54.5" (W07)
**3	085191-01-WB7	EA	Valance Asm. w/Insert - 54.5" (W07)
3	085191-01-W08	EA	Valance Asm. w/Insert - 54.5" (W08)
3	085191-01-W09	EA	Valance Asm. w/Insert - 54.5" (W09)
3	085190-01-W04	EA	Curtain Asm. w/Snap Top - 37" x 15" (W07)
**3	085190-01-WB7	EA	Curtain Asm. w/Snap Top - 37" x 15" (W07)
3	085190-01-W05	EA	Curtain Asm. w/Snap Top - 37" x 15" (W08)
3	085190-01-W06	EA	Curtain Asm. w/Snap Top - 37" x 15" (W09)
3	085304-18-000	EA	Blinds - Pleated - 65" x 33" Drop (W07)
3	085304-17-000	EA	Blinds - Pleated - 65" x 33" Drop (W08)
3	085304-16-000	EA	Blinds - Pleated - 65" x 33" Drop (W09)
†	082118-C6-000	EA	Blinds - Mini - 65" x 33" Drop (W07)
†	082118-C7-000	EA	Blinds - Mini - 65" x 33" Drop (W08)
†	082118-C8-000	EA	Blinds - Mini - 65" x 33" Drop (W09)

CURTAIN, SHADES, VALANCES & TIEBACKS (CONT.)

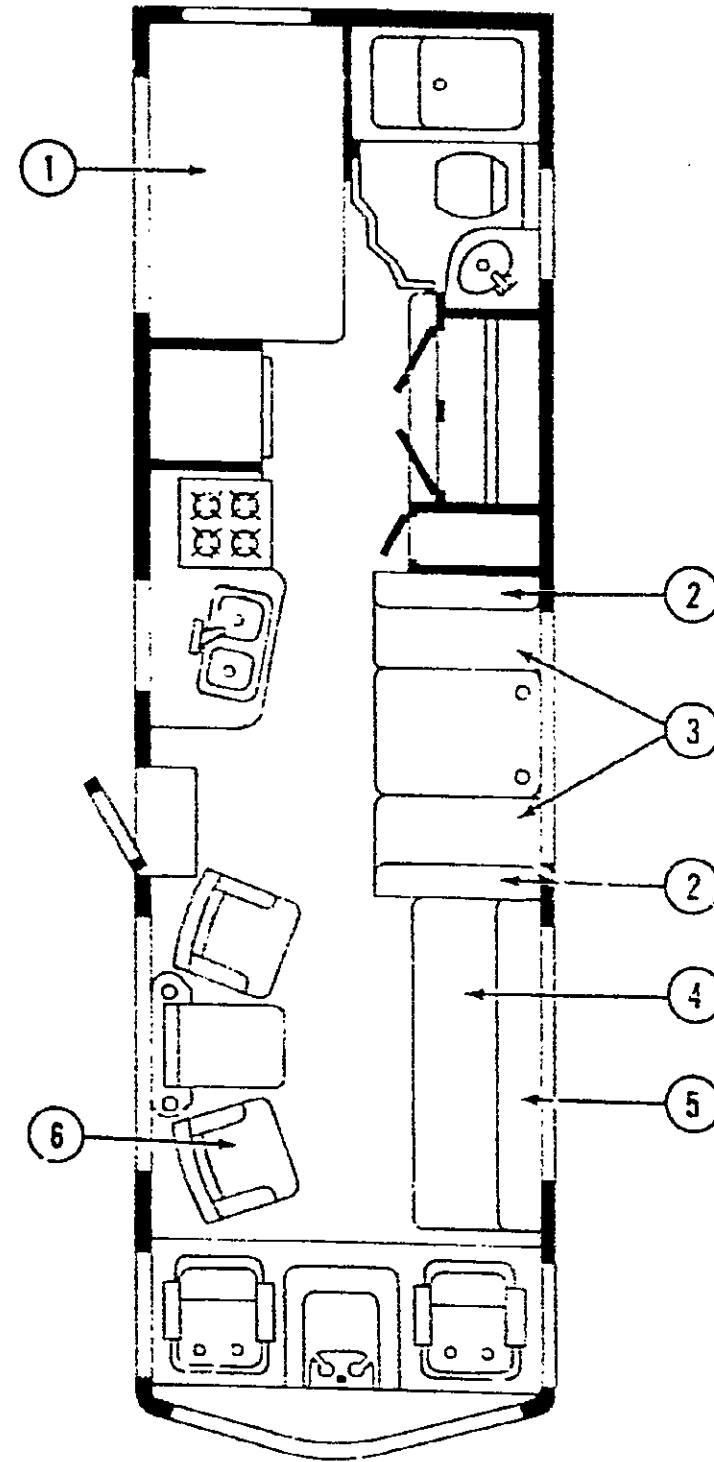
Key	Part Number	U/M	Description
4	073304-41-W07	EA	Curtain Asm. - Front Wraparound w/Lining (W07)
**4	073304-41-WB7	EA	Curtain Asm. - Front Wraparound w/Lining (W07)
4	073304-41-W08	EA	Curtain Asm. - Front Wraparound w/Lining (W08)
4	073304-41-W09	EA	Curtain Asm. - Front Wraparound w/Lining (W09)
4	077591-05-W07	EA	Curtain Asm. w/Velcro Top - Bunk Privacy - Driver (W07)
**4	077591-06-WB7	EA	Curtain Asm. w/Velcro Top - Bunk Privacy - Driver (W07)
4	077591-05-W32	EA	Curtain Asm. w/Velcro Top - Bunk Privacy - Driver (W08)
4	077591-05-W30	EA	Curtain Asm. w/Velcro Top - Bunk Privacy - Driver (W09)
5	073304-40-W07	EA	Curtain Asm. - Front Wraparound w/Lining (W07)
**5	073304-40-WB7	EA	Curtain Asm. - Front Wraparound w/Lining (W07)
5	073304-40-W08	EA	Curtain Asm. - Front Wraparound w/Lining (W08)
5	073304-40-W30	EA	Curtain Asm. - Front Wraparound w/Lining (W09)
5	077591-05-W07	EA	Curtain Asm. w/Velcro Top - Bunk Privacy - Passenger (W07)
**5	077591-05-WB7	EA	Curtain Asm. w/Velcro Top - Bunk Privacy - Passenger (W07)
5	077591-05-W32	EA	Curtain Asm. w/Velcro Top - Bunk Privacy - Passenger (W08)
5	077591-05-W30	EA	Curtain Asm. w/Velcro Top - Bunk Privacy - Passenger (W09)
6	084755-04-W04	EA	Shade Asm. w/Braid Trim - 24.25" (W07)
**6	084755-04-WB7	EA	Shade Asm. w/Braid Trim - 24.25" (W07)
6	084755-04-WA8	EA	Shade Asm. w/Braid Trim - 24.25" (W08)
6	084755-04-WA6	EA	Shade Asm. w/Braid Trim - 24.25" (W09)
6	085191-04-W04	EA	Valance Asm. w/Insert - 27.4" (W07)
**6	085191-04-WB7	EA	Valance Asm. w/Insert - 27.4" (W07)
6	085191-04-W05	EA	Valance Asm. w/Insert - 27.4" (W08)
6	085191-04-W06	EA	Valance Asm. w/Insert - 27.4" (W09)
7	085191-03-W07	EA	Valance Asm. w/Insert - 29.5" (W07)
**7	085191-03-WB7	EA	Valance Asm. w/Insert - 29.5" (W07)
7	085191-03-W08	EA	Valance Asm. w/Insert - 29.5" (W08)
7	085191-03-W09	EA	Valance Asm. w/Insert - 29.5" (W09)
7	082118-A8-000	EA	Blinds - Mini - 27" x 22" (W07)
7	082118-A9-000	EA	Blinds - Mini - 27" x 22" (W08)
7	082118-B0-000	EA	Blinds - Mini - 27" x 22" (W09)
8	085200-02-W07	EA	Shade Asm. - Fabric - 60.25" (W07)
8	085200-02-W08	EA	Shade Asm. - Fabric - 60.25" (W08)
8	085200-02-W09	EA	Shade Asm. - Fabric - 60.25" (W09)
8	086480-02-W07	EA	Valance Asm. w/Insert - 64" (W07)
8	086480-02-W08	EA	Valance Asm. w/Insert - 64" (W08)
8	086480-02-W09	EA	Valance Asm. w/Insert - 64" (W09)
8	085190-07-W07	EA	Curtain Asm. w/Snap Top - 29.5" x 15"
8	085190-07-W08	EA	Curtain Asm. w/Snap Top - 29.5" x 15"
8	085190-07-W09	EA	Curtain Asm. w/Snap Top - 29.5" x 15"
*	073260-23-W04	EA	Tieback Asm. - 3" x 18" - Drapery (W07)
**	073260-23-WB7	EA	Tieback Asm. - 3" x 18" - Drapery (W07)
*	073260-23-W05	EA	Tieback Asm. - 3" x 15" - Drapery (W08)
*	073260-23-W06	EA	Tieback Asm. - 3" x 15" - Drapery (W09)
*	057534-01-000	EA	Tieback - Clear Plastic - 6"
*	057534-04-000	EA	Tieback - Clear Plastic - 20"
*	085283-01-000	EA	Tieback - Plastic - Bracket
*			Not illustrated
**			Part used on W07 units produced after 2/87
†			Part used on the Mini Blind Option.

1987 WINNEBAGO
TABLE OF CONTENTS

WC420RG	A-01 - B-22
WC/WF424RB	B-23 - D-22
WCN27RU	D-23 - G-04
WCN30RC	G-05 - I-12
WCP34RU	I-13 - K-23

1987 WCN30RC INDEX

Floor Plan	G-05 - G-06
Accessories Group	G-07 - G-09
Bath Group	G-10 - G-11
Chassis Group	G-12 - G-16
Curtain, Cushion & Pad Group	G-17 - G-23
Dinette Group	G-24
Driver's Compartment Group	H-01 - H-03
Electrical Group	H-04 - H-06
Exterior Body Group	H-07 - H-12
Galley Group	H-13 - H-15
Heating & Air Conditioning Group	H-16
Interior Finish Group	H-17 - H-19
LP Group	H-20
Lounge Group	H-21 - H-22
Water & Sewage Group	H-23
Window, Vent & Exterior Door Group	H-24 - I-12



DOUBLE BED

Key	Part Number	U/M	Description
1	077478-03-000	EA	Mattress - Innerspring - 54" x 75" x 7.5" - Sealy
1	083496-02-000	EA	Mattress - Foam - 48" x 75" x 7"
	083986-01-W07	EA	Bedsread Asm. - Fitted - 48" - Jade/Taupe
	083986-01-W08	EA	Bedsread Asm. - Fitted - 48" - Rose
	083986-01-W09	EA	Bedsread Asm. - Fitted - 48" - Taupe
	081997-01-W07	EA	Pillow Sham - Quilted - 30" x 26"
	081997-01-W08	EA	Pillow Sham - Quilted - 30" x 26"
	081997-01-W09	EA	Pillow Sham - Quilted - 30" x 26"
	086109-03-W07	EA	Headboard Asm. w/Gathers
	086109-03-W08	EA	Headboard Asm. w/Gathers
	086109-03-W09	EA	Headboard Asm. w/Gathers

DINETTE CUSHIONS

Key	Part Number	U/M	Description
2	081993-77-W04	EA	Cushion Asm. - Dinette Back - 19.25" x 38" x 5" - Jade/Taupe (W07)
2	081993-77-W05	EA	Cushion Asm. - Dinette Back - 19.25" x 38" x 5" - Rose (W08)
2	081998-77-W06	EA	Cushion Asm. - Dinette Back - 19.25" x 38" x 5" - Taupe (W09)
	M81998-77-W04	EA	Cover Asm. - Dinette Back Cushion - 19.25" x 38" x 5" - Jade/Taupe (W07)
	M81998-77-W05	EA	Cover Asm. - Dinette Back Cushion - 19.25" x 38" x 5" - Rose (W08)
	M81998-77-W05	EA	Cover Asm. - Dinette Back Cushion - 19.25" x 38" x 5" - Taupe (W09)
3	081998-78-W04	EA	Cushion Asm. - Dinette Seat - 17.5" x 38" x 5" - Jade/Taupe (W07)
3	081998-78-W05	EA	Cushion Asm. - Dinette Seat - 17.5" x 38" x 5" - Rose (W08)
3	081998-78-W05	EA	Cushion Asm. - Dinette Seat - 17.5" x 38" x 5" - Taupe (W09)
	M81998-78-W04	EA	Cover Asm. - Dinette Seat Cushion - 17.5" x 38" x 5" - Jade/Taupe (W07)
	M81998-78-W05	EA	Cover Asm. - Dinette Seat Cushion - 17.5" x 38" x 5" - Rose (W08)
	M81998-78-W05	EA	Cover Asm. - Dinette Seat Cushion - 17.5" x 38" x 5" - Taupe (W09)

CONTINENTAL BED

Key	Part Number	U/M	Description
4	081993-17-W07	EA	Pillow Asm. - 16" x 23" x 5" - Jade/Taupe
4	081993-17-W08	EA	Pillow Asm. - 16" x 23" x 5" - Rose
4	081998-17-W09	EA	Pillow Asm. - 16" x 23" x 5" - Taupe
	M81993-17-W07	EA	Cover Asm. - Pillow - 16" x 23" x 5" - Jade/Taupe
	M81993-17-W08	EA	Cover Asm. - Pillow - 16" x 23" x 5" - Rose
	M81993-17-W09	EA	Cover Asm. - Pillow - 16" x 23" x 5" - Taupe
5	079448-04-W07	EA	Bed Asm. - #30 - Jade/Taupe
5	079448-04-W08	EA	Bed Asm. - #30 - Rose
5	079448-04-W09	EA	Bed Asm. - #30 - Taupe
	M79448-04-W07	EA	Cover Asm. - Seat - Jade/Taupe
	M79448-04-W08	EA	Cover Asm. - Seat - Rose
	M79448-04-W09	EA	Cover Asm. - Seat - Taupe
	085060-01-W07	EA	Cushion Asm. - Pillow Armrest
	085060-01-W08	EA	Cushion Asm. - Pillow Armrest
	085060-01-W09	EA	Cushion Asm. - Pillow Armrest
	M85060-01-W07	EA	Cover Asm. - Armrest Cushion
	M85060-01-W08	EA	Cover Asm. - Armrest Cushion
	M85060-01-W09	EA	Cover Asm. - Armrest Cushion

CELEBRITY CHAIR

Key	Part Number	U/M	Description
6	085059-01-W04	EA	Chair Asm. - Celebrity - Jade/Taupe (W07)
6	085059-01-W05	EA	Chair Asm. - Celebrity - Rose (W08)
6	085059-01-W05	EA	Chair Asm. - Celebrity - Taupe (W09)
	085187-01-W04	EA	Skirt Asm. - Celebrity - Jade/Taupe (W07)
	085187-01-W08	EA	Skirt Asm. - Celebrity - Rose (W08)
	085187-01-W09	EA	Skirt Asm. - Celebrity - Taupe (W09)
	035036-01-000	EA	Plate - Tilt & Swivel Chair
	035036-04-000	EA	Base w/Legs - Swivel Chair
	088245-05-000	EA	Extension - 5" - Swivel Chair
*6	086516-01-W07	EA	Chair Asm. - EZ Back Recliner - Jade/Taupe
*6	086516-01-W08	EA	Chair Asm. - EZ Back Recliner - Rose
*6	086516-01-W09	EA	Chair Asm. - EZ Back Recliner - Taupe
	075174-05-W07	EA	Skirt Asm. - Recliner Chair - Jade/Taupe
	075174-05-W08	EA	Skirt Asm. - Recliner Chair - Rose
	075174-05-W09	EA	Skirt Asm. - Recliner Chair - Taupe
	059246-03-000	EA	Adjuster Asm. - TT Chair - w/Lock
	069246-04-000	EA	Adjuster Asm. - TT Chair - w/o Lock
	083245-04-000	EA	Extension - 4" - Recliner Chair

Parts used on the Reclining Swivel Chair

1987 WINNEBAGO
TABLE OF CONTENTS

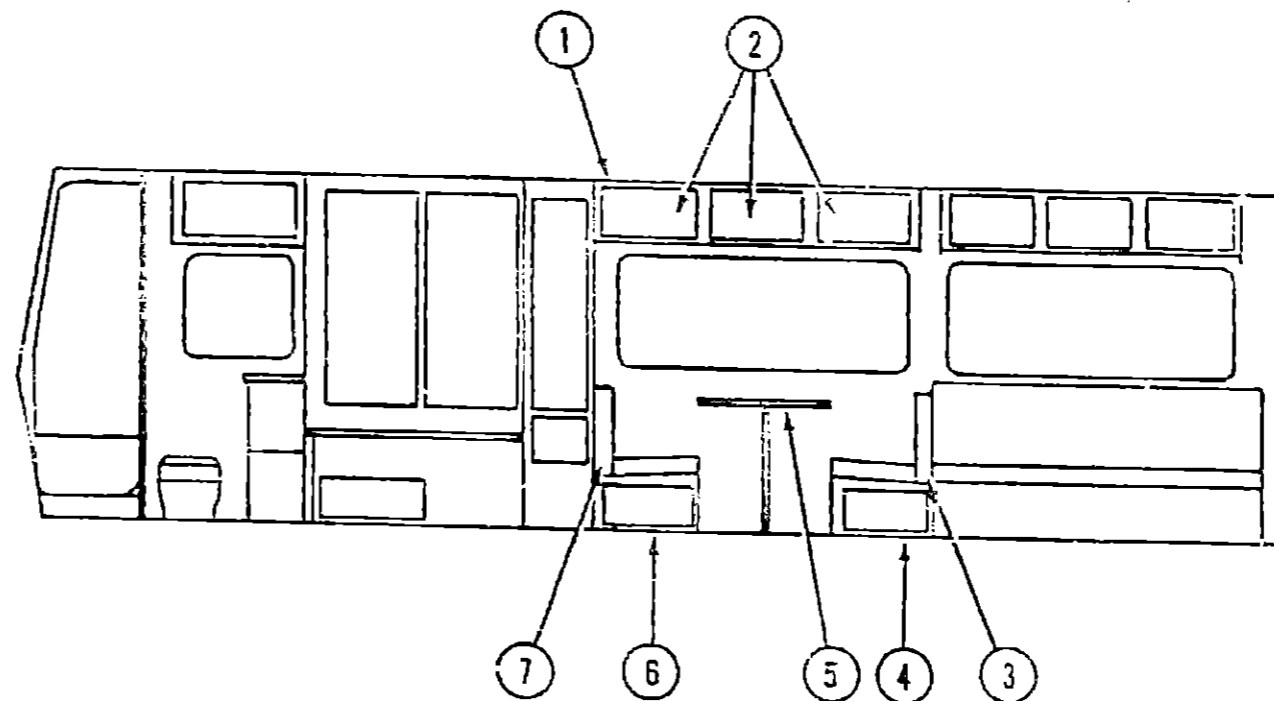
WC420RG	A-01 - B-22
WC/WF424RB	B-23 - D-22
WCN27RU	D-23 - G-04
WCN30RC	G-05 - I-12
WCP34RU	I-13 - K-25

1987 WCN30RC INDEX

Floor Plan	G-05 - G-06
Accessories Group	G-07 - G-09
Bath Group	G-10 - G-11
Chassis Group	G-12 - G-16
Curtain, Cushion & Pad Group	G-17 - G-23
Dinette Group	G-24
Driver's Compartment Group	H-01 - H-03
Electrical Group	H-04 - H-06
Exterior Body Group	H-07 - H-12
Galley Group	H-13 - H-15
Heating & Air Conditioning Group	H-16
Interior Finish Group	H-17 - H-19
LP Group	H-20
Lounge Group	H-21 - H-22
Water & Sewage Group	H-23
Window, Vent & Exterior Door Group	H-24 - I-12

BUCKET SEATS

Key	Part Number	U/M	Description
	084191-02-W04	EA	Seat Asm. - Comet I - Jade/Taupe (W07)
	084191-02-W05	EA	Seat Asm. - Comet I - Rose (W05)
	084191-01-W06	EA	Seat Asm. - Comet I - Taupe (W09)
	M01864-23-W04	EA	Cover Asm. - Seat Bottom - Jade/Taupe (W07)
	M01864-23-W05	EA	Cover Asm. - Seat Bottom - Rose (W05)
	M01864-21-W06	EA	Cover Asm. - Seat Bottom - Taupe (W09)
	M01864-24-W04	EA	Cover Asm. - Seat Back - Jade/Taupe (W07)
	M01864-24-W05	EA	Cover Asm. - Seat Back - Rose (W05)
	M01864-22-W06	EA	Cover Asm. - Seat Back - Taupe (W09)
	078804-07-W07	EA	Seat Asm. - Granduer - Jade/Taupe
	078804-07-W08	EA	Seat Asm. - Granduer - Rose
	078804-07-W09	EA	Seat Asm. - Granduer - Taupe
	M01863-01-W07	EA	Cover Asm. - Bucket Seat Bottom - Jade/Taupe
	M01863-01-W08	EA	Cover Asm. - Bucket Seat Bottom - Rose
	M01863-01-W09	EA	Cover Asm. - Bucket Seat Bottom - Taupe
	M01863-02-W07	EA	Cover Asm. - Bucket Seat Back - Jade/Taupe
	M01863-02-W08	EA	Cover Asm. - Bucket Seat Back - Rose
	M01863-02-W09	EA	Cover Asm. - Bucket Seat Back - Taupe
	080243-07-W04	EA	Armrest Asm. - Right - Jade/Taupe (W07)
	080243-07-W05	EA	Armrest Asm. - Right - Rose (W05)
	080243-07-W06	EA	Armrest Asm. - Right - Taupe (W09)
	080243-03-W04	EA	Armrest Asm. - Left - Jade/Taupe (W07)
	080243-03-W05	EA	Armrest Asm. - Left - Rose (W05)
	080243-03-W06	EA	Armrest Asm. - Left - Taupe (W09)
	M80243-01-W04	EA	Cover Asm. - Armrest - Right - Jade/Taupe (W07)
	M80243-01-W05	EA	Cover Asm. - Armrest - Right - Rose (W05)
	M80243-01-W06	EA	Cover Asm. - Armrest - Right - Taupe (W09)
	M80243-02-W04	EA	Cover Asm. - Armrest - Left - Jade/Taupe (W07)
	M80243-02-W05	EA	Cover Asm. - Armrest - Left - Rose (W05)
	M80243-02-W06	EA	Cover Asm. - Armrest - Left - Taupe (W09)
	080242-04-W04	EA	Headrest Asm. - Jade/Taupe (W07)
	080242-04-W05	EA	Headrest Asm. - Rose (W05)
	080242-04-W06	EA	Headrest Asm. - Taupe (W09)
	M80242-01-W04	EA	Cover Asm. - Headrest - Jade/Taupe (W07)
	M80242-01-W05	EA	Cover Asm. - Headrest - Rose (W05)
	M80242-01-W06	EA	Cover Asm. - Headrest - Taupe (W09)
	071126-16-W07	EA	Skirt Asm. - Single Bucket - Jade/Taupe
	071126-16-W08	EA	Skirt Asm. - Single Bucket - Rose
	071126-16-W09	EA	Skirt Asm. - Single Bucket - Taupe
	079281-02-W07	EA	Seat Asm. - Double Bucket - Jade/Taupe
	079281-02-W08	EA	Seat Asm. - Double Bucket - Rose
	079281-02-W09	EA	Seat Asm. - Double Bucket - Taupe
	M01874-03-W07	EA	Cover Asm. - Bucket Seat Bottom - Double Bucket - Jade/Taupe
	M01874-03-W08	EA	Cover Asm. - Bucket Seat Bottom - Double Bucket - Rose
	M01874-03-W09	EA	Cover Asm. - Bucket Seat Bottom - Double Bucket - Taupe
	M01874-04-W07	EA	Cover Asm. - Bucket Seat Back - Double Bucket - Jade/Taupe
	M01874-04-W08	EA	Cover Asm. - Bucket Seat Back - Double Bucket - Rose
	M01874-04-W09	EA	Cover Asm. - Bucket Seat Back - Double Bucket - Taupe
	080243-02-W07	EA	Armrest Asm. - Left - Double Bucket - Jade/Taupe
	080243-02-W08	EA	Armrest Asm. - Left - Double Bucket - Rose
	080243-02-W09	EA	Armrest Asm. - Left - Double Bucket - Taupe
	080242-01-W07	EA	Headrest Asm. - Double Bucket - Jade/Taupe
	080242-01-W08	EA	Headrest Asm. - Double Bucket - Rose
	080242-01-W09	EA	Headrest Asm. - Double Bucket - Taupe
	071690-04-W07	EA	Skirt Asm. - Double Bucket - Jade/Taupe
	071690-04-W08	EA	Skirt Asm. - Double Bucket - Rose
	071690-04-W09	EA	Skirt Asm. - Double Bucket - Taupe



1987 WINNEBAGO
TABLE OF CONTENTS

WC420RG	A-01 - B-22
WC4WF424RB	B-23 - D-22
WCN27RL	D-23 - G-04
WCN30RC	G-05 - I-12
WCP34RU	I-13 - K-23

CONVENTIONAL DINETTE & OVERHEAD CABINETRY

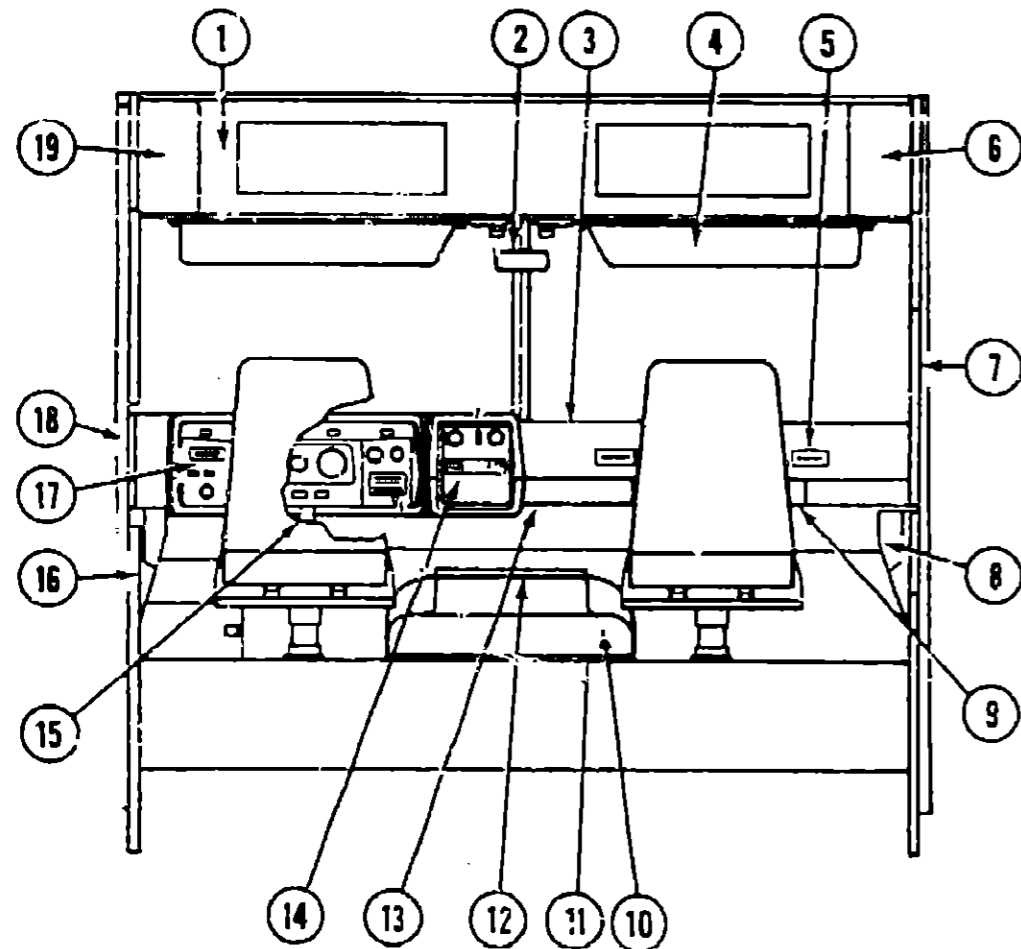
Key	Part Number	U/M	Description
1	081302-04-W07	EA	Cabinet Asm. - Dinette Overhead - w/o Doors or Hardware
*	081325-01-T03	EA	Pad Asm. - End Cap - Dinette Overhead - Vinyl
2	M31503-01-W07	EA	Door Asm. - Dinette Overhead - 14.1" x 18.5" - w/o Hardware
3	M02174-01-W07	EA	Cabinet Asm. - Dinette Back - Right
4	M02175-02-W04	EA	Cabinet Asm. - Dinette Seat - Right - w/o Doors or Hardware
*	M31501-10-W04	EA	Door Asm. - Dinette Seat - Right or Left - 19.1" x 10.1" - w/o Hardware
5	M02115-09-U17	EA	Table Asm. - Dinette - w/o Hardware
6	M02175-04-W04	EA	Cabinet Asm. - Dinette Seat - Left - w/o Doors or Hardware
7	M02174-04-W07	EA	Cabinet Asm. - Dinette Back - Left
*	053200-05-000	EA	Bracket - Upper Wall Mount - 23.5" - Beige
**	053201-05-000	EA	Bracket - Table Mount - 23"
*	024275-05-000	EA	Rod - Table Lift - 6" x 23.5" - Beige
*	024281-07-000	EA	Bracket - Lower Wall Mount - 22.12" - Beige
*	024276-17-000	EA	Leg Asm. - Table - 29.5" - Brown
**	064050-02-000	EA	Hinge - Table Leg
**	024282-01-000	EA	Brace - Table Leg
**	024283-01-000	EA	Clip - 1" O.D. Tube
*	049493-05-000	EA	Catch - Table Leg - Mounts on Floor
*	064781-01-000	EA	Cup Holder - 3.47" O.D. x 2.75" I.D. x 1.5"
*	Not illustrated		

The illustrated parts breakdown for this item is provided on the Common Items Fiche.

1987 WCN30RC INDEX

Floor Plan	G-05 - G-06
Accessories Group	G-07 - G-09
Bath Group	G-10 - G-11
Chassis Group	G-12 - G-16
Curtain, Cushion & Pad Group	G-17 - G-23
Dinette Group	G-24
Driver's Compartment Group	H-01 - H-03
Electrical Group	H-04 - H-06
Exterior Body Group	H-07 - H-12
Galley Group	H-13 - H-15
Heating & Air Conditioning Group	H-16
Interior Finish Group	H-17 - H-19
LP Group	H-20
Lounge Group	H-21 - H-22
Water & Sewage Group	H-23
Window, Vent & Exterior Door Group	H-24 - I-12

DRIVER'S COMPARTMENT GROUP



MISCELLANEOUS DRIVER'S COMPARTMENT COMPONENTS

Key	Part Number	U/M	Description
1	086413-01-000	EA	Header - Front - Light Oak
*	083917-01-W07	EA	Cabinet Asm. - Front Overhead - w/o Bunk
2	040714-01-700	EA	Mirror - Inside Rear View - w/Button Support
**3	M01113-17-W07	EA	Dash Asm. - Complete - w/Gauges & Switches (Chevy)
*	079089-01-000	EA	Dash Pad - Passenger - Brown
*	079088-01-000	EA	Dash Pad - Drivers - Brown
*	024990-01-000	EA	Outlet - Defroster w/Swivel - 2" - Tan
*	086491-01-000	EA	Gasket - Defroster Outlet
4	082286-03-U04	EA	Sunvisor Asm. - Right
*	082286-01-U04	EA	Sunvisor Asm. - Left
*	085709-01-000	EA	Clip Asm. - Sunvisor - Black
5	039044-01-000	EA	Louver Asm. - Air Conditioning Adjustable
6	080855-07-000	EA	Side Trim - Right Front - Upper (w/o Bunk)
*	083918-01-W07	EA	Cabinet Asm. - Front Overhead - Right - w/o Bunk
*	080856-03-000	EA	Side Trim - Right Front - Lower (w/o Bunk)
7	059414-05-000	EA	Pad - Sidewall Trim - Passenger - Vinyl
8	072811-01-000	EA	Side Panel - Passenger - Plastic
*	059467-04-T03	EA	Pad - Map Pocket - Passenger - Vinyl
9	022219-01-000	EA	Glove Compartment Door
*	023892-01-U00	EA	Glove Compartment Box - Black Fiberboard
*	009118-01-000	EA	Glove Compartment Twist Lock
*	024598-01-000	EA	Glove Compartment Hinge
*	034309-01-000	EA	Glove Compartment Chain - Door
10	075939-01-000	EA	Motor Cover - Fiberglass
*	075564-01-000	EA	Mounting Bracket - Motor Cover - Right
*	075564-02-000	EA	Mounting Bracket - Motor Cover - Left
11	039623-01-000	FT	Seal - Engine Cover - Neoprene
*			Not illustrated

** NOTE: To be special ordered only.

DRIVER'S COMPARTMENT GROUP (CONTINUED)

MISCELLANEOUS DRIVER'S COMPARTMENT COMPONENTS (CONT.)

Key	Part Number	U/M	Description
12	080216-01-000	EA	Beverage Tray
13	023634-01-000	EA	Panel - Knee Kick - Bottom of Dash
14	076006-12-000	EA	Bezel - Entertainment Center - w/Radio & Generator Switch
14	076006-11-000	EA	Bezel - Entertainment Center - w/Radio
15	078245-01-000	EA	Steering Column Boot - Vinyl
16	082471-02-000	EA	Panel - Drivers Door - Inner - Plastic
*	046886-03-000	EA	Ash Tray - Chrome
17	086296-01-000	EA	Bezel - Control Panel
17	086296-03-000	EA	Bezel - Control Panel - (Aux. Fuel)
*	086408-01-000	EA	Trim - Instrument Panel - Front - Passenger
*	086409-01-000	EA	Trim - Instrument Panel - Front - Driver
*	052367-01-000	EA	Cigarette Lighter Asm. - 12 Volt
*	007041-01-000	EA	Bezel - Cigarette Lighter
*	061424-01-000	EA	Lamp Asm. - Map/Gauge
*	061400-06-000	EA	Assist Strap - 12" - Medium Almond
18	059414-05-000	EA	Pad - Sidewall Trim - Driver - Vinyl
19	080855-08-000	EA	Side Trim - Left Front - Upper (w/o Bunk)
*	080856-04-000	EA	Side Trim - Left Front - Lower (w/o Bunk)
*	083918-02-W07	EA	Cabinet Asm. - Front Overhead - Left - w/o Bunk
*	054250-01-000	EA	Support - Dimmer Switch - w/o Holes
*	077114-04-000	EA	Windshield Trim - Center
*	085483-01-000	EA	Windshield Trim - Interior - Post - Passenger
*	085483-02-000	EA	Windshield Trim - Interior - Post - Driver
*			Not illustrated

DASH SWITCHES & GAUGES

Key	Part Number	U/M	Description
	024461-01-000	EA	Switch - Battery
	024462-01-000	EA	Switch - Battery Condition
	065963-03-000	EA	Switch - Fuel
	024467-01-000	EA	Switch - Wiper
	024976-01-000	EA	Switch - Generator w/o Circuit Board
	074007-01-000	EA	Switch - Intermittent - Windshield Wiper
	024459-04-000	EA	Gauge - Voltmeter
	024460-04-000	EA	Gauge - Vacuum
	024460-02-000	EA	Mounting Bracket - Vacuum Gauge
	031035-02-000	EA	Gauge - Generator Hourmeter

FRONT BUNK & PULL DOWN STORAGE

Key	Part Number	U/M	Description
	076760-03-000	EA	Overhead Bunk Hardware
	081717-01-W07	EA	Bed Asm. - Front Bunk
	079144-02-T03	EA	Bunk Strap
	042541-04-000	EA	Latch Asm. - w/o Strike - Brass
	042541-05-000	EA	Latch Strike - Brass
	080855-09-000	EA	Side Trim - Right Front - Upper
	080856-05-000	EA	Side Trim - Right Front - Lower
	080855-10-000	EA	Side Trim - Left Front - Upper
	080856-06-000	EA	Side Trim - Left Front - Lower

ELECTRONIC INSTRUMENT PANEL (OPTION)

Key	Part Number	U/M	Description
	NOTE	EA	Electronic Instrument Panel
	086296-04-000	EA	Bezel - Electronic - Instrument Panel
	086296-06-000	EA	Bezel - Electronic - Instrument Panel (Aux. Fuel)
	082124-01-000	EA	Bezel - Smoked Insert - Electronic Instrument Panel
	076006-06-000	EA	Bezel - Entertainment Center - w/Radio - Black
	076006-07-000	EA	Bezel - Entertainment Center - w/Radio & Generator Switch - Black

NOTE: This item available from your Chrysler Service Center.

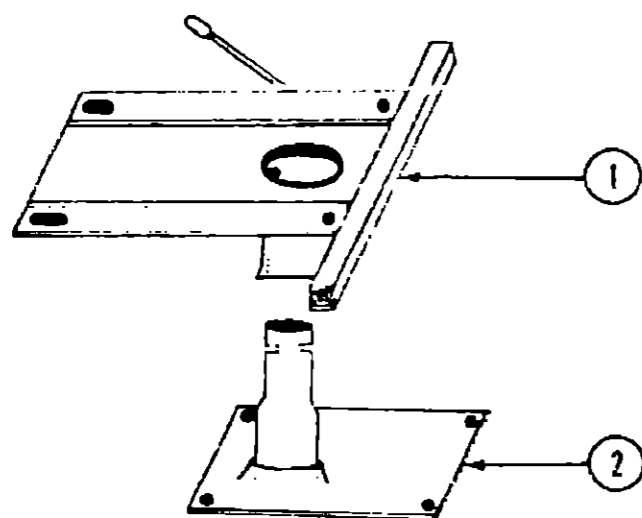
1987 WINNEBAGO TABLE OF CONTENTS

WC420RG	A-01 - B-22
WC4VF424RB	B-23 - D-22
WCN27RU	D-23 - G-04
WCN30RC	G-05 - I-12
WCP34RU	I-13 - K-23

1987 WCN30RC INDEX

Floor Plan	G-05 - G-06
Accessories Group	G-07 - G-09
Bath Group	G-10 - G-11
Chassis Group	G-12 - G-16
Curtain, Cushion & Pad Group	G-17 - G-23
Dinette Group	G-24
Driver's Compartment Group	H-01 - H-03
Electrical Group	H-04 - H-06
Exterior Body Group	H-07 - H-12
Galley Group	H-13 - H-15
Heating & Air Conditioning Group	H-16
Interior Finish Group	H-17 - H-19
LP Group	H-20
Lounge Group	H-21 - H-22
Water & Sewage Group	H-23
Window, Vent & Exterior Door Group	H-24 - I-12

DRIVER'S COMPARTMENT GROUP (CONTINUED)



BUCKET SEAT PEDESTAL & SEAT BELTS

Key	Part Number	U/M	Description
1	069585-27-000	EA	Plate - Top - Pedestal Asm. - Single Bucket Seat
1	069585-20-000	EA	Plate - Top - Pedestal Asm. - Powered Seat
1	069585-10-000	EA	Plate - Top - Pedestal Asm. - Double Bucket Seat
2	069535-08-000	EA	Plate - Sub - Pedestal Asm. - Bucket Seat
2	069585-15-000	EA	Plate - Sub - Vertical - 4.5" NOM (Power Seat)
•	069585-05-000	EA	Hardware Kit - Bolt/Acorn Nut - 4 ea. - Pedestal Asm.
•	069585-29-000	EA	Bar - Seat Belt - 20"
•	007019-01-000	EA	Belt Asm. - Seat - 2" x 84" - Black
•	007021-01-000	EA	Belt Asm. - Seat - 2" x 90" - Black
•	056271-01-000	EA	Belt Asm. - Seat - 2" x 72" - Black
•	057759-01-000	EA	Bracket - Seat Belt Washer
•	069240-01-000	EA	Adjuster Asm. - Seat - w/Lock
•	069246-02-000	EA	Adjuster Asm. - Seat - w/o Lock
•	081373-02-000	EA	Power Seat Adjustment Asm. - w/Frame
•	081373-02-700	EA	Switch Asm. Package
•	081737-02-701	EA	Harness Asm. - Left
•	081737-02-702	EA	Harness Asm. - Right
•	081757-02-703	EA	Horizontal Adjustment Package
•	081737-02-704	EA	Vertical Adjustment Package
•	Not illustrated		

ELECTRICAL GROUP

WIRE, SWITCHES & RECEPTACLES

Key	Part Number	U/M	Description
	000200-01-000	EA	Box - Electrical - 5" x 3.5" - Plastic
	008289-01-000	EA	Box - Electrical - 4" x 4" - 1/2 & 3/4 Steel - UL
	008289-02-000	EA	Box - Electrical - 4" x 4" - 1/2 & 3/4 Steel - CSA
	058049-01-000	EA	Box - Electrical - 2" x 3" x 2.25" - Steel
	041953-01-000	EA	Conduit - Convolute Split - 5" I.D.
	008353-01-000	EA	Connector - Clamping - 3/8 Cable - UL & CSA
	058028-01-000	EA	Connector - Pigtail - Clear Nylon
	008314-01-000	EA	Connector - Wire Nut - Gray
	008311-01-000	EA	Connector - Wire Nut - Red
	031968-01-000	EA	Contact Plug - Brass - Tin Plated
	031967-01-000	EA	Contact - Receptacle
	008054-01-000	EA	Cord - Power - 10-3 30 Amp. - 25' - UL
	008052-01-000	EA	Cord - Power - 10-3 30 Amp. - 25' - CSA
	069238-01-000	EA	Cover - Electrical Box - 4" x 4"
	084077-01-000	EA	Cover - Receptacle - Ground Fault Interrupter - Ivory
	024571-03-000	EA	Cover Plate - Receptacle - Jumbo - Brown Plastic
	008234-01-000	EA	Cover - Flat Blank - 4" x 4" - Steel - US
	008294-02-000	EA	Cover - Flat Blank - 4" x 4" - Steel - CSA
	064399-01-000	EA	Housing Asm. - Trailer Pin
	064450-01-000	EA	Housing Asm. - Trailer Plug
	064398-01-000	EA	Housing Asm. - Trailer Receptacle
	054532-01-000	EA	Housing Pin - 6 Position
	075736-03-000	EA	Receptacle/Cover Asm. - Beige (Exterior)
	058708-01-000	EA	Receptacle - Duplex - Brown
	058708-02-000	EA	Receptacle - Duplex - Ivory
	024924-02-000	EA	Receptacle - Power Cord
	058707-01-000	EA	Receptacle - Single - Brown
	063912-01-000	EA	Relay - Canister SPDT w/Ground
	008188-01-000	EA	Relay - Solenoid - 3 Terminal
	086273-01-000	EA	Relay - Battery Disconnect
	075723-01-000	EA	Switch - Block Spacer - w/o Holes
	075723-02-000	EA	Switch - Block Spacer - w/Holes
	077942-01-000	EA	Switch - Dummy - Black
	056264-01-000	EA	Switch - Leaf Actuator
	081066-01-000	EA	Switch - 2 Gang - 2 Switch
	079362-01-000	EA	Switch Plate - 3 Gang - 2 Switches
	079363-01-000	EA	Switch Plate - Single - w/Switches
	079364-01-000	EA	Switch - On/Off Rocker - Brown
	008195-01-000	EA	Switch - Push Button - 12 Volt
	047443-02-000	EA	Terminal - .250 Receptacle - 12-10 AWG
	008348-01-000	EA	Terminal Ring - 2 - w/3/8 Stud
	008331-01-000	EA	Terminal Ring - 4 - w/3/8 Stud
	008328-01-000	EA	Terminal Ring - 12/10 Wire
	008028-01-000	FT	Wire - 18.5 Bonded - Blue/Red/Yellow/Orange/White
	008024-01-000	FT	Wire - 18.5 Bonded - Orange/White/Yellow/Blue/Brown
	008025-01-000	FT	Wire - 18.5 Bonded - Orange/White/Yellow/Blue/Green
	008026-01-000	FT	Wire w/Ground - Romex - 12/2

**1987 WINNEBAGO
TABLE OF CONTENTS**

WC420RG	A-01 - B-22
WC/MF424RB	B-23 - D-22
WCN27RU	D-23 - G-04
WCN30RC	G-05 - I-12
WCP34RU	I-13 - K-23

1987 WCN30RC INDEX

Floor Plan	G-05 - G-06
Accessories Group	G-07 - G-09
Bath Group	G-10 - G-11
Chassis Group	G-12 - G-16
Curtain, Cushion & Pad Group	G-17 - G-23
Dinette Group	G-24
Driver's Compartment Group	H-01 - H-03
Electrical Group	H-04 - H-06
Exterior Body Group	H-07 - H-12
Galley Group	H-13 - H-15
Heating & Air Conditioning Group	H-16
Interior Finish Group	H-17 - H-19
LP Group	H-20
Lounge Group	H-21 - H-22
Water & Sewage Group	H-23
Window, Vent & Exterior Door Group	H-24 - I-12

ELECTRICAL GROUP (CONTINUED)

BULBS

Key	Part Number	U/M	Description
	008103-01-000	EA	Bulb - 53
	036196-01-000	EA	Bulb - 194
	067479-01-000	EA	Bulb - 1076
	081632-01-700	EA	Bulb - Make-up Light

FUSES & CIRCUIT BREAKERS

Key	Part Number	U/M	Description
	008233-01-000	EA	Fuse - 6 Amp. - 12 Volt
	008234-01-000	EA	Fuse - 10 Amp. - 12 Volt
	062901-02-000	EA	Fuse - 5 Amp. - Automotive
	062901-05-000	EA	Fuse - 15 Amp. - Automotive
	008211-01-000	EA	Circuit Breaker - 6 Amp. - 12 Volt
	008208-01-000	EA	Circuit Breaker - 40 Amp. - 12 Volt
	033573-02-000	EA	Circuit Breaker - 15 Amp. - 12 Volt - w/Mount
	033573-01-000	EA	Circuit Breaker - 20 Amp. - 12 Volt - w/Mount
	044466-03-000	EA	Circuit Breaker - 25 Amp. - 12 Volt - w/Mount
	008268-01-000	EA	Circuit Breaker - 30 Amp. - 12 Volt - w/Mount
	071280-01-000	EA	Circuit Breaker Blank
	050283-02-000	EA	Circuit Breaker - Buss Bar
	071279-01-000	EA	Circuit Breaker - 20/20 - 120 Volt
	083209-01-000	EA	Circuit Breaker - 15 Amp. - 120 Volt
	085720-01-000	EA	Circuit Breaker - 15 Amp
	083209-02-000	EA	Circuit Breaker - 15/15 Amp. - 120 Volt
	083209-03-000	EA	Circuit Breaker - 15/20 Amp. - 120 Volt
	082678-02-000	EA	Circuit Breaker - 20 Amp. - 12 Volt
	085720-02-000	EA	Circuit Breaker - 20 Amp.
	083209-05-000	EA	Circuit Breaker - 20 Amp. - 120 Volt.
	085720-03-000	EA	Circuit Breaker - 25 Amp.
	085720-04-000	EA	Circuit Breaker - 30 Amp.
	083209-04-000	EA	Circuit Breaker - 30 Amp - 120 Volt
	083209-06-000	EA	Circuit Breaker - 30/15 Amp - 120 Volt
	082678-01-000	EA	Circuit Breaker - 40 Amp. - 12 Volt
	085720-05-000	EA	Circuit Breaker - 40 Amp.
	083210-01-000	EA	Circuit Breaker - GFI - 20 Amp. - 120 Volt
	083210-02-000	EA	Circuit Breaker - GFI - 15 Amp - 120 Volt

INTERIOR LIGHT

Key	Part Number	U/M	Description
	065202-03-000	EA	Lamp - Decor - Wall - Bright Brass - 2 Bulb
	065202-06-000	EA	Lamp - Decor - Wall - Bright Brass
	033508-02-000	EA	Light - Dome - Ivory - 1 Bulb - US
	033508-03-000	EA	Light - Dome - Ivory - 1 Bulb - CSA
	033509-02-000	EA	Light - Dome - Ivory - 2 Bulb - US
	033509-03-000	EA	Light - Dome - Ivory - 2 Bulb - CSA
	078424-02-000	EA	Light - Fluorescent - 12V - 18" - Almond
	061424-01-000	EA	Light - 12V Receptacle - Aisle - IP
	086280-01-000	EA	Light - Surface Mount - 12 Volt
	007309-01-000	EA	Light - Step Well
	068937-04-000	EA	Dome Light - Surface - w/o Switch
	072353-08-000	EA	Light - Reading - 360° Swivel - Brass
	065201-02-000	EA	Shade - Parchment - 2 Bulbs - Lamp
	065201-03-000	EA	Shade - Black Fabric - Lamp
	067789-02-000	EA	Socket Asm. - Lamp

ELECTRICAL GROUP (CONTINUED)

EXTERIOR LIGHTS

Key	Part Number	U/M	Description
	075459-04-000	EA	Light Asm. - Taillight - Red (Black)
	075459-05-000	EA	Light Asm. - Turn - Amber (Black)
	075459-06-000	EA	Light Asm. - Backup/Reflex (Black)
	042405-01-000	EA	Lens - Rectangular - Red w/Reflex
	042405-02-000	EA	Lens - Rectangular - Amber w/Reflex
	042405-03-000	EA	Base - Rectangular Side Marker Light
	008089-01-000	EA	Light - Porch - Recessed
	008089-02-000	EA	Light - Porch - Recessed - CSA
	049185-01-000	EA	Headlight Capsule Asm. - High/Low Beam - Driver
	049186-01-000	EA	Headlight Capsule Asm. - High/Low Beam - Passenger
	049187-01-000	EA	Headlight Capsule Asm. - High Beam - Driver
	049188-01-000	EA	Headlight Capsule Asm. - High Beam - Passenger
	081250-02-000	EA	Light Asm. - Clearance - Red
	081250-01-000	EA	Light Asm. - Clearance - Amber
	076795-01-000	EA	Light Asm. - License
	084901-01-000	EA	Lamp Asm. - Park/Turn
	073844-01-000	EA	Lamp Asm. - License

WINDSHIELD WIPERS & WASHER

Key	Part Number	U/M	Description
**	056000-02-000	EA	Washer Asm. - Windshield
**	057653-01-000	EA	Arm - Windshield Wiper - 18" - Black
**	049464-03-000	EA	Blade - Windshield Wiper - 20" - Black
**	072472-02-000	EA	Adapter Arm - Wiper Pantograph
**	072472-04-000	EA	Wiper - Pantograph - 29"
** The illustrated parts breakdown for this item is provided on the Common Items Fiche			

MISCELLANEOUS ELECTRICAL COMPONENTS

Key	Part Number	U/M	Description
	008188-01-000	EA	Solenoid - Dual Battery - Relay
	065201-02-000	EA	Lamp Shade - Fabric - Parchment
	065201-03-000	EA	Lamp Shade - Fabric - Black
	083208-02-000	EA	Control Center - 45 Amp - 120 Amp 112 Volt - CSA
	083208-03-000	EA	Control Center - 45 Amp. - 120 Amp./12 Volt

**1987 WINNEBAGO
TABLE OF CONTENTS**

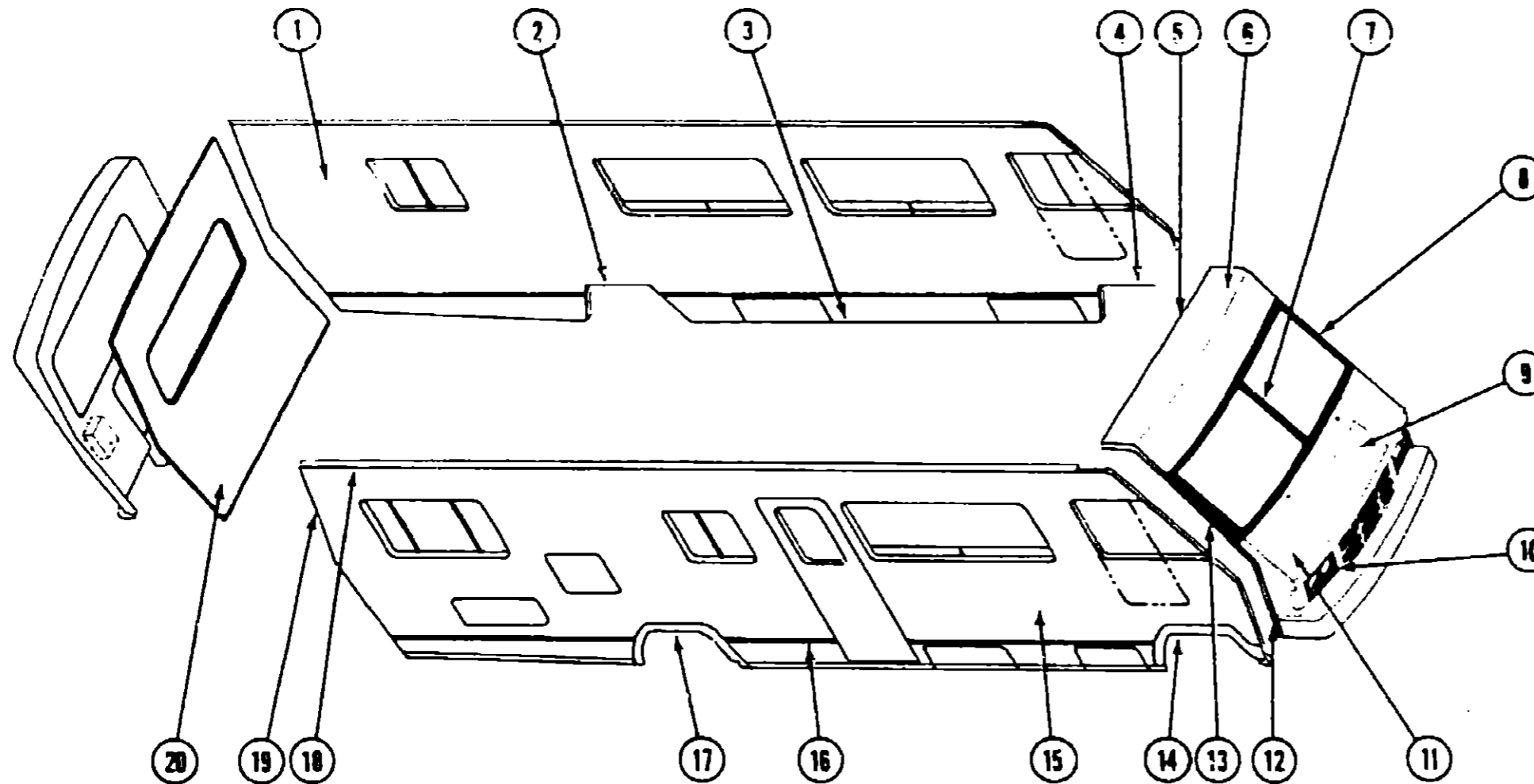
WC420RG	A-01 - B-22
WC/WF424RB	B-23 - D-22
WCN27RU	D-23 - G-04
WCN30RC	G-05 - I-12
WCP34RU	I-13 - K-23

1987 WCN30RC INDEX

Floor Plan	G-05 - G-06
Accessories Group	G-07 - G-09
Bath Group	G-10 - G-11
Chassis Group	G-12 - G-16
Curtain, Cushion & Pad Group	G-17 - G-23
Dinette Group	G-24
Driver's Compartment Group	H-01 - H-03
Electrical Group	H-04 - H-06
Exterior Body Group	H-07 - H-12
Galley Group	H-13 - H-15
Heating & Air Conditioning Group	H-16
Interior Finish Group	H-17 - H-19
LP Group	H-20
Lounge Group	H-21 - H-22
Water & Sewage Group	H-23
Window, Vent & Exterior Door Group	H-24 - I-12

EXTERIOR BODY GROUP

EXTERIOR BODY PANELS



1987 WINNEBAGO TABLE OF CONTENTS

WC420RG	A-01 - B-22
WC/WF424RB	B-23 - D-22
WCN27RU	D-23 - G-04
WCN30RC	G-05 - I-12
WCP34RU	I-13 - K-23

Key	Part Number	U/M	Description
1	M85423-01-W07	EA	Sidewall Asm. - Driver
1	M85423-01-W08	EA	Sidewall Asm. - Driver
1	M85423-01-W09	EA	Sidewall Asm. - Driver
2	058487-07-000	EA	Trim - Wheel Well - Rear - U Channel - Driver or Passenger
3	072639-01-001	EA	Extr. - Rocker Panel - 216"
4	073647-02-000	EA	Trim - Wheel Well - Front - U Channel - Driver or Passenger
5	078580-01-000	EA	Trim - Roof/Front Cap
6	M02959-01-W07	EA	Cap - Over Windshield - Gray
7	083178-01-000	EA	Trim - Molding - Windshield - Center
8	087601-02-000	EA	Trim - Contour - Windshield - Driver
•	084903-01-000	EA	Trim - Molding - Windshield - Upper
•	084897-02-000	EA	Cap - Reveal Molding
•	086425-02-000	EA	Headlamp Bezel - Driver
9	M86045-01-W07	EA	Access Panel - w/Hardware
10	086425-01-100	EA	Headlamp Bezel - Passenger
•	049359-01-000	EA	Spring - Headlamp Retainer
•	062207-01-000	EA	Headlamp Guard
11	M01115-12-W07	EA	Panel Asm. - Front Shroud (includes access panel)
12	086414-01-000	EA	Trim - Fiberglass Panel - Passenger - Beige
12	086414-03-000	EA	Trim - Fiberglass Panel - Driver - Beige
13	087601-01-000	EA	Trim - Contour - Windshield - Passenger
14	078556-07-000	EA	Trim - Wheelwell - Front - Passenger - Beige
•	078556-08-000	EA	Trim - Wheelwell - Front - Driver - Beige

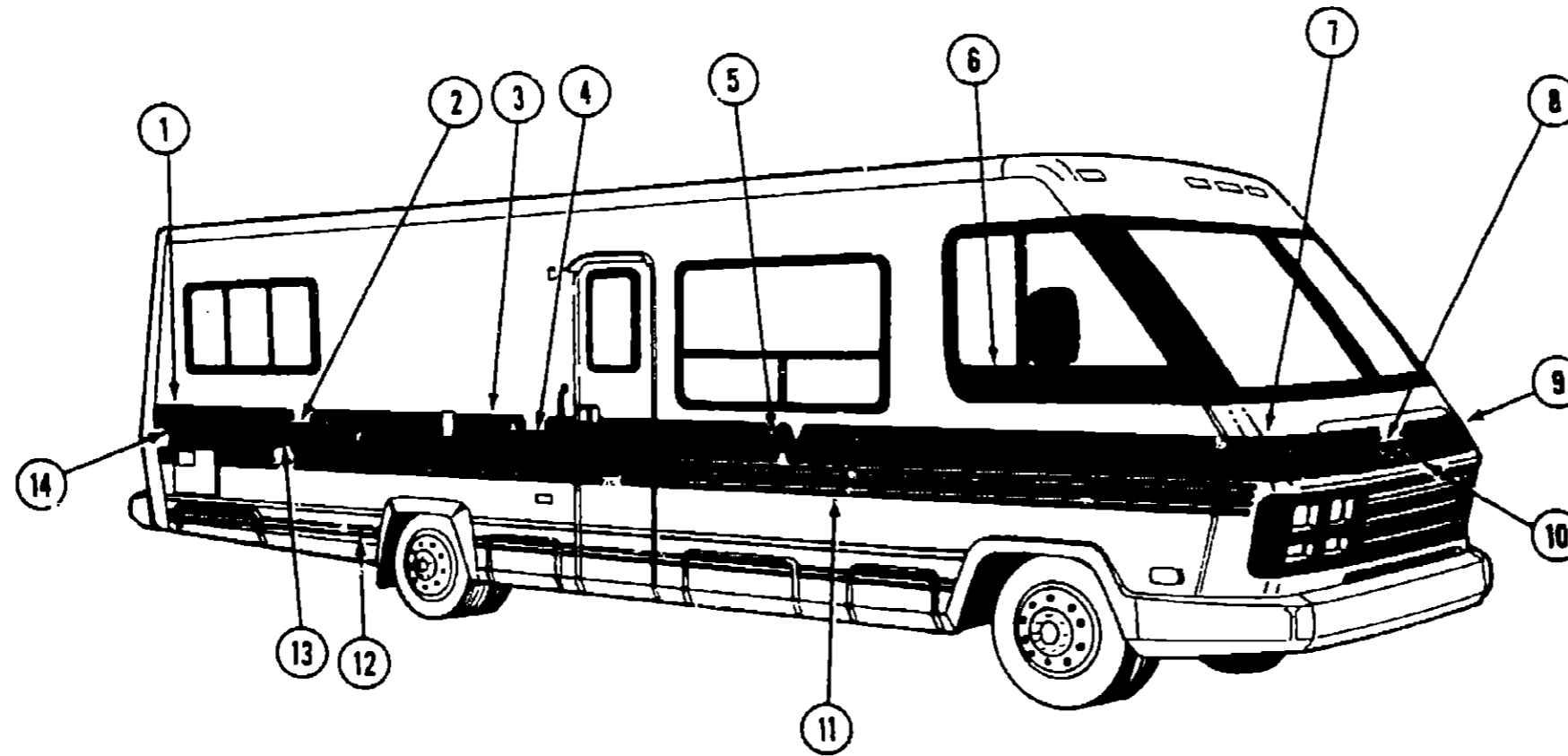
Key	Part Number	U/M	Description
15	M85422-01-W07	EA	Sidewall Asm. - Passenger
15	M85422-01-1Y08	EA	Sidewall Asm. - Passenger
15	M85422-01-W09	EA	Sidewall Asm. - Passenger
16	059576-08-000	EA	Feature Strip - Extr. Beige - 14' - w/o Insert
•	009731-01-000	EA	End Cap - Feature Strip Insert
•	001030-12-100	EA	Insert - Feature Strip - Beige - 17'
17	075070-01-000	EA	Trim - Wheelwell - Rear - Passenger - Beige
•	075070-03-000	EA	Trim - Wheelwell - Rear - Driver - Beige
18	078600-05-000	EA	Trim - Sidewall - Upper - Driver or Passenger - Beige
19	073502-23-000	EA	Trim - Passenger - Rear - Beige
•	073502-24-000	EA	Trim - Driver Rear - Beige
•	066149-01-W07	EA	Roof Asm.
20	M01898-01-W07	EA	Backwall Cap Asm. - Beige
20	082224-01-W07	EA	Backwall Asm.
•	086415-01-000	EA	Bumper End Cap - Front Passenger Hand - Beige
•	086415-03-000	EA	Bumper End Cap - Front Driver Hand - Beige
•	078578-01-000	EA	Bumper End Cap - Rear Passenger - Beige
•	078578-02-000	EA	Bumper End Cap - Rear Driver - Beige
•	077517-10-001	EA	Fiberglass Sidewall Skin - 46.12" x 378" - Mesa
•	077517-10-002	EA	Fiberglass Sidewall Skin - 46.12" x 68" - Mesa
•	001018-01-024	EA	Alum. - Beige - No Design - 48" x 96"
•	044487-01-001	EA	Alum. - Mill Finish - No Design (Roof) - 96" x 360"
•	000868-01-000	SF	Styrofoam - .75" x 24" x 96"
•	000870-01-000	SF	Styrofoam - 1.50" x 24" x 96"
•	000870-03-000	SF	Styrofoam - 1.34" x 48" x 96"
•			Not illustrated

1987 WCN30RC INDEX

Floor Plan	G-05 - G-06
Accessories Group	G-07 - G-09
Bath Group	G-10 - G-11
Chassis Group	G-12 - G-16
Curtain, Cushion & Pad Group	G-17 - G-23
Dinette Group	G-24
Driver's Compartment Group	H-01 - H-03
Electrical Group	H-04 - H-06
Exterior Body Group	H-07 - H-12
Galley Group	H-13 - H-15
Heating & Air Conditioning Group	H-16
Interior Finish Group	H-17 - H-19
LP Group	H-20
Lounge Group	H-21 - H-22
Water & Sewage Group	H-23
Window, Vent & Exterior Door Group	H-24 - I-12

EXTERIOR BODY GROUP (CONTINUED)

LABELS & DECALS



1987 WINNEBAGO TABLE OF CONTENTS

WC420RG
WC/WF424RB
WCN27RU
WCN30RC
WCP34RU

A-01 - B-22
B-23 - D-22
D-23 - G-04
G-05 - I-12
I-13 - K-23

Key	Part Number	U/M	Description
1	085297-01-000	EA	Decal - Rear Part 1 - Right - Light Green (W07)
1	085297-03-000	EA	Decal - Rear Part 1 - Right - Rose (W08)
1	085297-05-000	EA	Decal - Rear Part 1 - Right - Brown (W09)
1	085297-02-000	EA	Decal - Rear Part 1 - Left - Light Green (W07)
1	085297-04-000	EA	Decal - Rear Part 1 - Left - Rose (W08)
1	085297-06-000	EA	Decal - Rear Part 1 - Left - Brown (W09)
2	085297-07-000	EA	Decal - Rear Part 2 - Right - Light Green (W07)
2	085297-09-000	EA	Decal - Rear Part 2 - Right - Rose (W08)
2	085297-11-000	EA	Decal - Rear Part 2 - Right - Brown (W09)
1	085297-08-000	EA	Decal - Rear Part 2 - Left - Light Green (W07)
1	085297-10-000	EA	Decal - Rear Part 2 - Left - Rose (W08)
1	085297-12-000	EA	Decal - Rear Part 2 - Left - Brown (W09)
3	078831-21-000	FT	Decal - Stripe - 1.75" - Light Green (W07)
3	078831-22-000	FT	Decal - Stripe - 1.75" - Rose (W08)
3	078831-23-000	FT	Decal - Stripe - 1.75" - Brown (W09)
4	078831-24-000	FT	Decal - Stripe - 4.85" - Light Green (W07)
4	078831-25-000	FT	Decal - Stripe - 4.85" - Rose (W08)
4	078831-26-000	FT	Decal - Stripe - 4.85" - Brown (W09)
5	079351-07-000	EA	Decal - Flying W - Light Green (W07)
5	079351-08-000	EA	Decal - Flying W - Rose (W08)
5	079351-09-000	EA	Decal - Flying W - Brown (W09)

Key	Part Number	U/M	Description
6	041273-89-000	FT	Decal - Stripe - 4" - Black
7	085299-01-000	EA	Decal - Corner - Right - Light Green (W07)
7	085299-03-000	EA	Decal - Corner - Right - Rose (W08)
7	085299-05-000	EA	Decal - Corner - Right - Brown (W09)
8	069745-03-000	EA	Decal - "Winnie"
1	069745-04-000	EA	Decal - "Bago"
9	085299-02-000	EA	Decal - Corner - Left - Light Green (W07)
9	085299-04-000	EA	Decal - Corner - Left - Rose (W08)
9	085299-06-000	EA	Decal - Corner - Left - Brown (W09)
10	085298-01-000	EA	Decal - Hood - Light Green (W07)
10	085298-02-000	EA	Decal - Hood - Rose (W08)
10	085298-03-000	EA	Decal - Hood - Brown (W09)
11	078196-14-000	FT	Film - Multi Stripe - 4.5" - Peach (W07, W09)
11	078196-15-000	FT	Film - Multi Stripe - 4.5" - Burgundy (W08)
12	065217-D4-000	EA	Film - Multi Stripe - 2.4" - Light Green/Peach (W07)
12	065217-D5-000	EA	Film - Multi Stripe - 2.4" - Rose/Burgundy (W08)
12	065217-D6-000	EA	Film - Multi Stripe - 2.4" - Brown/Peach (W09)
13	073724-08-000	EA	Decal Logo - "30"
14	058719-03-000	EA	Decal Logo - "Crewtainer"
1	050313-21-000	EA	Decal - Logo - "Winnebago" 2.8" - Chrome
1			Not illustrated

1987 WCN30RC INDEX

Floor Plan	G-05 - G-06
Accessories Group	G-07 - G-09
Bath Group	G-10 - G-11
Chassis Group	G-12 - G-16
Curtain, Cushion & Pad Group	G-17 - G-23
Dinette Group	G-24
Driver's Compartment Group	H-01 - H-03
Electrical Group	H-04 - H-06
Exterior Body Group	H-07 - H-12
Galley Group	H-13 - H-15
Heating & Air Conditioning Group	H-16
Interior Finish Group	H-17 - H-19
LP Group	H-20
Lounge Group	H-21 - H-22
Water & Sewage Group	H-23
Window, Vent & Exterior Door Group	H-24 - I-12

EXTERIOR BODY GROUP (CONTINUED)

LABELS & EXTERIOR PAINT

Key	Part Number	U/M	Description
	068383-01-000	EA	Label - Diesel Fuel
	006195-01-000	EA	Label - Electrical Test
	047731-01-000	EA	Label - Emergency Exit
	006199-01-000	EA	Label - Exit - Escape Window
	057467-04-000	EA	Label - Exterior Loading Limit
	064378-01-000	EA	Label - Flying "W" w/Thermo Panel
	087207-02-000	EA	Label - Fuel Cap Removal
	061417-01-000	EA	Label - Fuel
	006196-01-000	EA	Label - Gas Test
	054531-01-000	EA	Label - LP Gas Only
	040944-01-000	EA	Label - Open - Entrance Door
	006015-01-000	EA	Label - Patent Motor Home
	056259-01-000	EA	Label - Safety Check List
	006064-01-000	EA	Label - Seat - w/o Seat Belts
	006187-01-000	EA	Label - Sewage
	006006-01-000	EA	Label - Thermo Panel - 2 1/4" x 2 1/4"
	075221-01-000	EA	Label - Trailer Hitch Capacity
	088249-01-000	EA	Label - Warning - Electrical Step
	075220-01-000	EA	Label - Warning - Exterior Load Limit
	050225-01-000	EA	Label - Warning - Stove Vent - US
	006188-01-000	EA	Label - Waste Water
	006197-01-000	EA	Label - Water Test
	072063-01-000	EA	Nameplate - Diesel - 6.2L
	006062-01-000	EA	Tag - Electrical - 110 Volt Connection
	006040-01-000	EA	Tag - Gas - Refueling Warning
	044486-03-000	EA	Paint - Beige Acrylic Enamel - 16 oz. Aerosol (7633A Dupont)
	045681-03-000	EA	Paint - Gloss Black - Acrylic Enamel - 16 oz. Aerosol (99 Dupont)
	058637-05-000	EA	Paint - Gray Acrylic Enamel - 16 oz. Aerosol (61537 Dupont)
	041561-03-000	EA	Paint - Off White Acrylic Enamel - 16 oz. Aerosol (45396A Dupont)
	074559-01-000	EA	Label "LPG" - 3.3" x 1.75" - (Calif. Code)

ACCESS PANEL HARDWARE

Key	Part Number	U/M	Description
	076837-01-000	EA	Rod - Hood Prop
	062628-01-000	EA	Clip - Prop Rod
	085934-01-000	EA	Hinge - Access Panel - Passenger
	085934-02-000	EA	Hinge - Access Panel - Drivers
	085360-02-000	EA	Bracket - Hinge Asm. - Hood - Drivers
	085360-01-000	EA	Bracket - Hinge Asm. - Hood - Passenger
	077064-01-000	EA	Cable Asm. - Hood Release (Access Panel)
	074178-01-000	EA	Bracket - Cable Release - Inside
	R77007-01-950	EA	Striker - Hood Latch
	079286-01-000	EA	Latch - Hood
	R77006-38-499	EA	Spring
	R77006-19-765	EA	Cable Sheath
	073341-01-000	EA	Bracket - Hood Latch
	058786-02-000	EA	Bolt - Hood Adjusting - 5/16" x 18 x 1 1/4"

MISCELLANEOUS EXTERNALLY MOUNTED PARTS

Key	Part Number	U/M	Description
	083558-01-000	EA	Plumbing Seal - Roof Vent - 1.5"
	009126-01-000	EA	Assist Handle - Chrome
	087659-02-000	EA	Fill - City Water - Recessed - Beige
	081240-01-000	EA	Fill Water - Lockable - Beige
	083578-01-000	EA	Boot - Fuel Fill
	078200-01-000	EA	Gasket - Fuel Fill
	075830-01-000	EA	Shroud - Fuel Neck
	081432-01-000	EA	Shroud - Fuel Fill

EXTERIOR BODY GROUP (CONTINUED)

SEALANTS & ADHESIVES

Key	Part Number	U/M	Description
	004020-01-000	QT	Adhesive - ABS Cement (Plastic Fittings)
	002337-01-000	EA	Adhesive - 1300 Tube - 3M (Windows)
	004005-02-000	GL	Adhesive - Swifts - Glue (Sidewalls)
	053766-07-000	EA	Bedding Compound - Tube - Beige (Exterior)
	053766-06-000	EA	Bedding Compound - Tube - Clear (Window)
	053766-08-000	EA	Bedding Compound - Tube - Gray (Exterior)
	053766-05-000	EA	Bedding Compound - Tube - Gray (Sidewalls to Floor)
	053766-02-000	EA	Bedding Compound - Tube - Off White (Exterior)
	002328-02-000	EA	Block - Rubber Spacer (Windshield)
	004336-01-000	EA	Caulk - Latex - Golden Walnut (Sidewalls)
	077967-01-000	EA	Sealant - Acrylic Latex - Tube - Off White (Interior Sealant)
	034552-04-000	EA	Sealant - Silicone - Beige
	034552-02-000	EA	Sealant - Silicone - Clear
	034552-07-000	EA	Sealant - Silicone - Dark Gray
	034552-06-000	EA	Sealant - Silicone - Off White
	069637-01-000	EA	Sealant - Weatherban 404 - Tube - White (Door Caulk)
	072889-01-000	EA	Sealant - Urethane - Black (Windshield)
	069640-01-000	FT	Sealer Ribbon - .25" Bead x 20'
	069640-02-000	FT	Sealer Ribbon - .5" x .125" x 30'
	069640-03-000	FT	Sealer Ribbon - .75" x .125" x 30'
	069640-04-000	FT	Sealer Ribbon - 2" x .09" x 45' (P Series)
	069640-05-000	FT	Sealer Ribbon - 2.5" x .09" x 50'
	069640-06-000	FT	Sealer Ribbon - 5/16" Bead x 15'
	069640-07-000	FT	Sealer Ribbon - 2" x 3/32" x 30'
	002316-01-000	FT	Sealer Tape - 3/32" x 3/8" - White (Window)
	002707-01-000	FT	Sealer Tape - 5/16" x 3/4"
	002707-02-000	FT	Sealer Tape - 5/16" x 1/2"
	040545-01-000	GL	Sealer - Seam Weld
	053752-04-000	EA	Seam Sealer - Tube - Aluminum (Roof)
	063642-01-000	FT	Tape - Adhesive - .10 mm. x 1.5" Wide
	038886-01-000	EA	Tape - Butyl - .31" x .31" x 148" (Windshield)
	076322-01-000	FT	Tape - Foam - Double Coated - .025 x 1" (Fiberglass Sidewall Seams)
	076322-02-000	FT	Tape - Foam - Double Coated - .045 x 1" (Fiberglass Sidewall Seams)
	009200-01-000	EA	Tape - Furnace - 1.5"
	002825-01-000	FT	Weather Striping (Roof Vent)

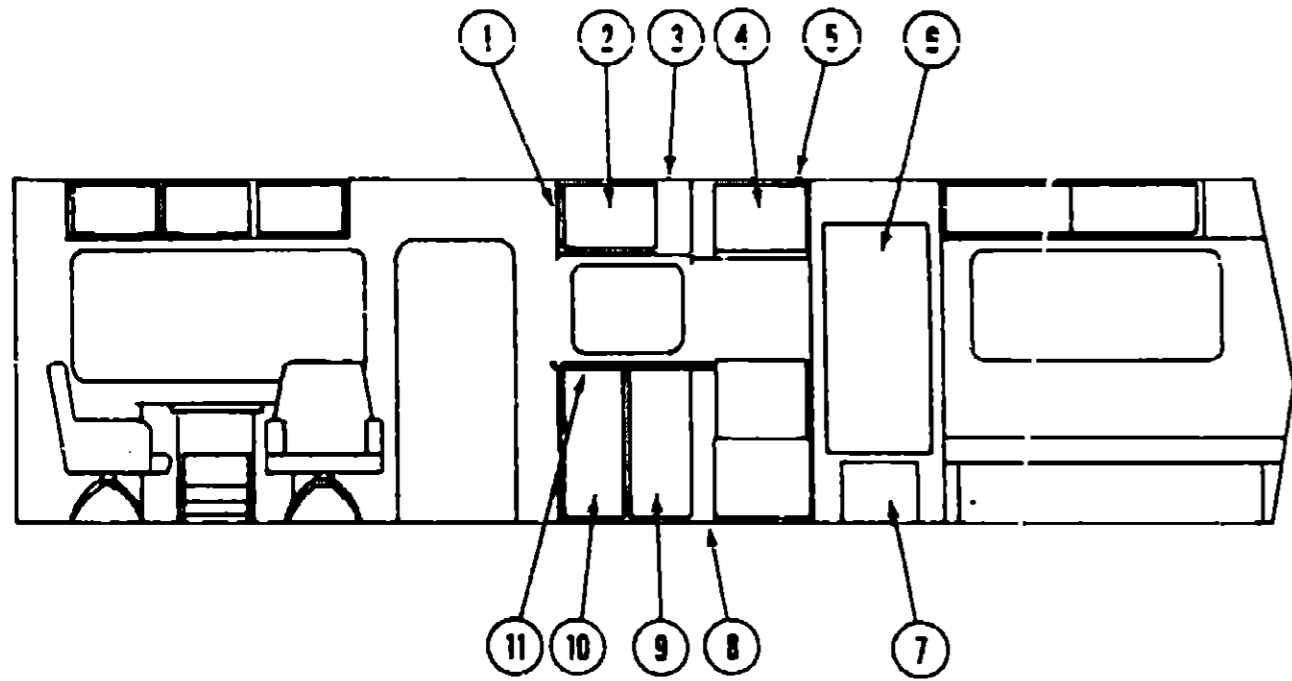
**1987 WINNEBAGO
TABLE OF CONTENTS**

WC420RG	A-01 - B-22
WC/WF424RB	B-23 - D-22
WCN27RU	D-23 - G-04
WCN30RC	G-05 - I-12
WCP34RU	I-13 - K-23

1987 WCN30RC INDEX

Floor Plan	G-05 - G-06
Accessories Group	G-07 - G-09
Bath Group	G-10 - G-11
Chassis Group	G-12 - G-16
Curtain, Cushion & Pad Group	G-17 - G-23
Dinette Group	G-24
Driver's Compartment Group	H-01 - H-03
Electrical Group	H-04 - H-06
Exterior Body Group	H-07 - H-12
Galley Group	H-13 - H-15
Heating & Air Conditioning Group	H-16
Interior Finish Group	H-17 - H-19
LP Group	H-20
Lounge Group	H-21 - H-22
Water & Sewage Group	H-23
Window, Vent & Exterior Door Group	H-24 - I-12

GALLEY GROUP



GALLEY CABINETRY

Key	Part Number	U/M	Description
1	081320-04-U04	EA	Pad Asm. - End Cap - Galley Overhead - Vinyl
2	M81523-04-W07	EA	Door Asm. - Galley Overhead - 15.7" x 26.4" - w/o Hardware
3	081656-01-W07	EA	Cabinet Asm. - Galley Overhead - w/o Doors or Hardware
4	M81503-01-W07	EA	Door Asm. - Galley Overhead - 12.8" x 21.9" - w/o Hardware
5	081460-01-W04	EA	Cabinet Asm. - Microwave Overhead - w/o Doors or Hardware
6	M81507-06-W07	EA	Door Asm. - Furnace - 14.1" x 18.5" - w/o Hardware
7	M81501-53-W07	EA	Door Asm. - Galley Cabinet - 7.7" x 22" - w/o Hardware
8	M82890-01-W07	EA	Cabinet Asm. - Galley - w/o Doors, Drawers, Countertop or Hardware
*	M82890-02-W07	EA	Cabinet Asm. - Galley - w/o Doors, Drawers, Countertop or Hardware
9	M81501-03-W04	EA	Door Asm. - Galley Cabinet - 33.4" x 14.3" - w/o Hardware
10	M81501-02-W04	EA	Door Asm. - Galley Cabinet - 33.4" x 14.3" - w/o Hardware
11	M02541-01-W07	EA	Countertop Asm. - Galley Cabinet
*	M82184-03-W07	EA	Drawer Asm. - w/o Hardware
*	080812-02-W07	EA	Extension Asm. - Galley
*			Not illustrated

GALLEY GROUP (CONTINUED)

GALLEY HARDWARE & APPLIANCES

Key	Part Number	U/M	Description
**	079353-03-000	EA	Hood - Range - Powered w/Monitor - Almond - US
	079353-01-000	EA	Hood - Range - w/Monitor - Almond
	064782-02-000	EA	Range w/Small Oven - 4 Burner - Almond - Magic Chef
	064782-02-700	EA	Top - Main - 4 Burner - Almond
	064782-02-701	EA	Deflector Plate - Black
	064782-02-702	EA	Trim - Cabinet - Right - Black
	064782-02-703	EA	Trim - Cabinet - Left - Black
	064782-02-704	EA	Trim - Lower Outside Glass - Black
	067782-02-705	EA	Handle - Oven Door - Black
	064782-02-706	EA	Vertical Trim - Black
	064782-02-707	EA	Panel - Manifold
	064782-02-708	EA	Valve - Mercury
	081374-01-000	EA	Range Top - 4 Burner - Almond
	081374-01-700	EA	Trim - Cabinet - Top Right
	081374-01-701	EA	Trim - Cabinet - Top Left
	081374-01-702	EA	Panel - Manifold Warm - Black
	081374-01-703	EA	Trim - Top - Rear
	081374-01-704	EA	Guard - Fabric
	054450-01-000	EA	Level - Refrigerator
	081379-01-000	EA	Microwave Convection Oven - Sharp
	081459-03-000	EA	Bracket Asm. - Microwave - Right
	081459-04-000	EA	Bracket Asm. - Microwave - Left
	081456-01-000	EA	Angle Asm. - Microwave Right
	081456-02-000	EA	Angle Asm. - Microwave Left
	081555-01-T03	EA	Trim Ring - Microwave
	082876-01-000	EA	Air Exhaust Duct - Microwave
	023111-01-000	EA	Blender - Built In
	068615-01-000	EA	Sink - Stainless Steel - Double w/Bolts
**	011053-01-000	EA	Faucet - Swing Spout - 8" - US
**	011053-02-000	EA	Faucet - Swing Spout - 8" - CSA
**	011053-01-700	EA	Aerator - Swing Spout Faucet
	066437-01-000	EA	Strainer w/Basket - Sink
	081530-01-W07	EA	Sink Cover - Large
	009049-01-000	EA	Support - Drop Leaf Table
	009059-01-000	EA	Hinge - 2" - Gold - Drop Leaf Table
	074490-01-000	EA	Spice Rack - Oak
	074981-01-000	EA	Cutting Board - Maple
	079606-03-U04	EA	Magazine Rack Asm.
	058334-01-000	EA	Wastebasket - 9 3/4" x 7" x 10" - White
	058478-01-000	EA	Support - Wastebasket - Metal - Galley
	059777-02-000	EA	Hinge - Cabinet Door - Antique Brass
	009021-01-000	EA	Catch - Nylon - Cabinet Door
	009021-02-000	EA	Strike - Spring Steel - Cabinet Door
	077409-01-000	EA	Slider - Drawer - 20.75" - Plastic
	077404-01-000	EA	Drawer - 20" x 12.70" - Plastic
	011083-01-000	EA	Plug - 1 1/4" x 5" - w/Stopper

** The illustrated parts breakdown for this item is provided on the Common Items Fiche.

1987 WINNEBAGO TABLE OF CONTENTS

WC420RG	A-01 - B-22
WC/WF424RB	B-23 - D-22
WCN27RU	D-23 - G-04
WCN30RC	G-05 - I-12
WCP34RU	I-13 - K-23

1987 WCN30RC INDEX

Floor Plan	G-05 - G-06
Accessories Group	G-07 - G-09
Bath Group	G-10 - G-11
Chassis Group	G-12 - G-16
Curtain, Cushion & Pad Group	G-17 - G-23
Dinette Group	G-24
Driver's Compartment Group	H-01 - H-03
Electrical Group	H-04 - H-06
Exterior Body Group	H-07 - H-12
Galley Group	H-13 - H-15
Heating & Air Conditioning Group	H-16
Interior Finish Group	H-17 - H-19
LP Group	H-20
Lounge Group	H-21 - H-22
Water & Sewage Group	H-23
Window, Vent & Exterior Door Group	H-24 - I-12

GALLEY GROUP (CONTINUED)

GALLEY HARDWARE & APPLIANCES (CONT.)

Key	Part Number	U/M	Description
	064879-01-000	EA	Refrigerator - 3 Way - Small Double Door
	064879-01-700	EA	Cooling Unit - #8663
	064879-01-701	EA	Gasket - Lower Door
	064879-01-702	EA	Handle - Lower Door
	064879-01-703	EA	Cabinet Asm. - Foamed
	064879-01-704	EA	Line: w/Frame - Foamed - Lower Door
	064879-01-705	EA	Panel Holder - Lower Door
	064880-01-000	EA	Refrigerator - 3 Way - Large Double Door
	064880-01-700	EA	Cooling Unit - #8683
	064880-01-701	EA	Handle - Lower Door
	064880-01-702	EA	Cabinet Asm. - Foamed
	064880-01-703	EA	Liner w/Frame - Foamed - Lower Door
	064880-01-704	EA	Panel Holder - Lower Door
	064880-01-705	EA	Orifice
	064880-01-706	EA	Bulb - Light - D.C.
	064880-01-707	EA	Heater - 3 Way
	064880-01-708	EA	Baffle Asm.
	064880-01-709	EA	Socket - Lamp
	064880-01-710	EA	Electrode - Ignition
	064880-01-711	EA	Electrode - Sensor
	064880-01-712	EA	Control Module
	064880-01-713	EA	Male Connector
	064880-01-714	EA	Burner (No Electrodes)
	064880-01-715	EA	Shut Off Valve - Manual
	064880-01-716	EA	Burner Tube
	064880-01-717	EA	Control Module (Channel)
	064880-01-718	EA	Valve - Gas
	064880-01-719	EA	Elbow - Brass
	064880-01-720	EA	Spring - Door Handle
	064880-01-721	EA	Cover - Power Supply
	064880-01-722	EA	Cover - Crisper
	064880-01-723	EA	Board - Power Supply - 3 Way
	064880-01-724	EA	Plate - Hinge - Bottom
	064880-01-725	EA	Plate - Hinge - Top
	064880-01-726	EA	Bracket - Hinge - Center
	064880-01-727	EA	Gasket - Upper Door
	064880-01-728	EA	Gasket - Lower Door
	064880-01-729	EA	Eyebrow - 3 Way
	064880-01-730	EA	Crisper
	064880-01-731	EA	Pin - Hinge
	064880-01-732	EA	Latch
	064880-01-733	EA	Dairy Keeper
	064880-01-734	EA	Bracket Asm. - Hinge - Right
	064880-01-735	EA	Bracket Asm. - Hinge - Left
	064880-01-736	EA	Light Switch - Brown
	064880-01-737	EA	Liner w/Frame - Foamed - Upper Door
	064880-01-738	EA	Control Bracket Asm. - 3 Way
	064880-01-739	EA	End Cap - Spring Catch
	064880-01-740	EA	End Cap - Stop Catch
	064880-01-741	EA	Switch - Humidity
	064880-01-742	EA	Trim - Lower Seal
	064880-01-743	EA	P/C Board - 3 Way
	064880-01-744	EA	Hinge Pin Shaft - Center
	064880-01-745	EA	Hinge Bushing
	064880-01-746	EA	Cable
	064880-01-747	EA	Hole Plug
	064880-01-748	EA	Snap In Plug
	064880-01-749	EA	Hinge - Bushing
	064880-01-750	EA	Door - Shelf Bins

HEATING & AIR CONDITIONING GROUP

FURNACE & ROOF AIR CONDITIONER

Key	Part Number	U/M	Description
**	075696-01-000	EA	Furnace - 34,000 BTU - w/Direct Ignition
	075695-01-712	EA	Tube - Vent Cap Asm. - 2 7/8"
	057695-01-713	EA	Intake Tube - 7.25"
	069636-02-000	EA	Connector - 4" Duct
	009196-01-000	EA	Duct - Flexible - 4" I.D. x 25'
	056464-01-000	EA	Register - 4" Dia. - Plastic - w/Damper
	056464-02-000	EA	Register - 4" Dia. - Plastic - w/o Damper
	009200-01-000	EA	Tape - Furnace - 1 1/2"
	023146-01-000	EA	Clamp - Screw Type - 4"
**	073743-01-000	EA	Shroud Asm. - Ceiling - Inside - Roof Air 13,500 BTU - Cool Only
**	073744-01-000	EA	Shroud Asm. - Ceiling - Inside - Roof Air 13,500 BTU - Heat & Cool
**	073742-01-000	EA	Air Conditioner - 110 Volt - Roof Mount - 13,500 BTU Rotary
**	The illustrated parts breakdown for this item is provided on the Common Items Fiche.		

AUTOMOTIVE HEATER & AIR CONDITIONER

Key	Part Number	U/M	Description
	072341-04-000	EA	Heater/Evaporator Asm.
	072341-04-700	EA	Vacuum Motor - Front
	072341-04-701	EA	Vacuum Motor - Rear
	072341-04-702	EA	Relay
	072341-04-703	EA	Evaporator Coil
	072341-04-704	EA	Liquid Hose - #6
	072341-04-705	EA	Suction Hose - #10
	072341-04-706	EA	Blower Motor
	072341-04-707	EA	Blower Wheel
	072341-07-000	EA	Heater/Evaporator - Loss Duct Control
	072341-07-700	EA	Jumper Harness Resistor
	072341-07-701	EA	Thermostat
	072341-08-000	EA	Duct & Control Kit - Used w/Pressure Sensor System
	072341-08-700	EA	Reservoir Vacuum
	072342-03-000	EA	Condensor Asm. - w/Fans & High Temp Sensor/Switch
	072342-04-000	EA	Condensor Asm. - w/High Temp Sensor/Switch - w/o Fans
	073242-02-700	EA	Receiver Drier - Condenser Asm.
	072343-06-000	EA	Compressor/Clutch - w/Rear Mounted Valves
	072344-02-000	EA	Package - Compressor Mount
	039044-01-000	EA	Louver Asm. - A/C Adjustable
	007076-01-700	FT	Hose - Flexible PVC - 2" I.D.
	007281-01-700	FT	Hose - Flexible PVC - 2 1/2" I.D.
	007108-01-000	FT	Hose - Heater - 5/8" I.D. SAE 20R3
	062401-04-000	EA	Clamp - Worm Drive - .69" - 1.25" I.D.
	010227-01-000	EA	Tee - Plastic - Barb 5/8" or 3/4" Hose
	072341-03-000	EA	Core - Evaporator

AUXILIARY HEATER ASSEMBLY

Key	Part Number	U/M	Description
	084405-01-000	EA	Heater Asm. - Rear - Auxiliary
	084405-01-700	EA	Heater Core
	084405-01-701	EA	Fan
	084405-01-702	EA	Motor Asm.
	072359-20-000	EA	Mesh - Grille - 22" x 12" - Duraton Bronze
	084410-01-000	EA	Decal - Rear Auto Heater

1987 WINNEBAGO TABLE OF CONTENTS

WC420RG	A-01 - B-22
WC/WF424RB	B-23 - D-22
WCN27RU	D-23 - G-04
WCN30RC	G-05 - I-12
WCP34RU	I-13 - K-23

1987 WCN30RC INDEX

Floor Plan	G-05 - G-06
Accessories Group	G-07 - G-09
Bath Group	G-10 - G-11
Chassis Group	G-12 - G-16
Curtain, Cushion & Pad Group	G-17 - G-23
Denette Group	G-24
Driver's Compartment Group	H-01 - H-03
Electrical Group	H-04 - H-06
Exterior Body Group	H-07 - H-12
Galley Group	H-13 - H-15
Heating & Air Conditioning Group	H-16
Interior Finish Group	H-17 - H-19
LP Group	H-20
Lounge Group	H-21 - H-22
Water & Sewage Group	H-23
Window, Vent & Exterior Door Group	H-24 - I-12

INTERIOR FINISH GROUP

FABRICS & CARPET

Key	Part Number	U/M	Description
	081607-02-000	YD	Fabric - Headliner - Sandstone
	077498-91-000	YD	Fabric - Main - Jade/Taupe (W07)
	077498-92-000	YD	Fabric - Main - Rose (W08)
	077498-93-000	YD	Fabric - Main - Taupe (W09)
	077498-A6-000	YD	Fabric - Stripped Accent - Jade/Taupe (W07)
	077498-A5-000	YD	Fabric - Stripped Accent - Rose (W08)
	077498-A7-000	YD	Fabric - Stripped Accent - Taupe (W09)
	077498-95-000	YD	Fabric - Plain Accent - Jade/Taupe (W07)
	077498-96-000	YD	Fabric - Plain Accent - Rose (W08)
	077498-96-000	YD	Fabric - Plain Accent - Taupe (W09)
	069729-47-000	YD	Fabric - Bedspread Drapery - Jade/Taupe (W07)
	069729-48-000	YD	Fabric - Bedspread Drapery - Rose (W08)
	069729-49-000	YD	Fabric - Bedspread Drapery - Taupe (W09)
	072333-34-000	YD	Fabric - Drapery - Shades & Tie Back - Jade/Taupe (W07)
	072333-35-000	YD	Fabric - Drapery - Shades & Tie Back - Rose (W08)
	072333-36-000	YD	Fabric - Drapery - Shades & Tie Back - Taupe (W09)
	072333-39-000	YD	Fabric - Wraparound & Blackout - Jade/Taupe (W07)
	072333-37-000	YD	Fabric - Wraparound & Blackout - Rose (W08)
	072333-38-000	YD	Fabric - Wraparound & Blackout - Taupe (W09)
	052855-01-W07	FT	Trim Asm. - Accent - Sandrift
	079680-01-000	YD	Vinyl - Expanded - 26 oz. - Buckskin
	079680-02-000	YD	Vinyl - Expanded - 26 oz. - Sandrift
	038421-01-000	YD	Fabric - Mattress Ticking
	029012-01-000	BF	Foam - Rolled - 3/8"
	072860-58-000	YD	Carpet - Jade/Taupe (W07)
	072860-56-000	YD	Carpet - Rose (W08)
	072860-57-000	YD	Carpet - Taupe (W09)

MISCELLANEOUS PARTS

Key	Part Number	U/M	Description
	053552-02-W04	EA	Handle Asm. - Interior Assist - Medium Almond Vinyl
	041944-04-000	EA	Fire Extinguisher - Dry 5BC
	084472-01-000	EA	Holder - Recessed Fire Extinguisher
	054185-26-000	EA	Owner's Manual - 1987 Itasca & Winnebago
	007038-01-000	EA	Door Mat - 10 1/2" x 26" - Black Rubber
	086269-01-000	EA	Picture - Decor
	065201-02-000	EA	Lamp Shade - Fabric - Parchment
	065201-03-000	EA	Lamp Shade - Fabric - Black

INTERIOR FINISH GROUP (CONTINUED)

INTERIOR MOLDING & TRIM

Key	Part Number	U/M	Description
	024700-21-000	EA	Cover - Sidewall Roll Bar - Beige
	081521-01-001	EA	Molding w/Holes - Corner - 16"
	042357-09-000	FT	Molding - Radius Corner - 7' Elm
	022992-08-000	FT	Molding - Reverse Cove - White
	086229-02-000	EA	Beil Strip - 1" - Tan Plastic
	085284-01-000	FT	Batt Strip - Adhesive Tape - Woodgrain
	085284-05-000	FT	Batt Strip - Adhesive Tape - Classique Tweed
	069733-71-000	EA	Batt Strip - Winnie - 8' (Galley & Bath)
	070504-01-000	FT	U-Channel - .065" - Light Brown
	009778-04-000	FT	U-Channel - 1" - Grady Brown
	083620-01-000	FT	T-Molding - .75" - w/Edge Lips - Grady Brown
	076325-04-000	FT	T-Molding - 1 5/16" - Sunset Oak
	077840-01-T03	EA	Molding - Wall Cap - 96" - Vinyl Covered - Sunset Oak
	077953-01-000	EA	Grommet - 1" Hole Liner
	009767-06-000	FT	Welting - Beige
	042356-01-000	EA	Plug - 3/8" - Mahogany

CABINETRY & TABLE HARDWARE

Key	Part Number	U/M	Description
	053200-05-000	EA	Bracket - Upper Wall Mount - 23.5" - Beige
**	053201-06-000	EA	Bracket - Table Mount - 23" - Beige
	024275-05-000	EA	Rod - Table Lift - 8" x 23.5" - Beige
	024281-07-000	EA	Bracket - Lower Wall Mount - 22.12" - Beige
	024276-17-000	EA	Leg Asm. - Table - 26.5" - Tan
**	064050-02-000	EA	Hinge - Table Leg - Tan
**	024282-01-000	EA	Brace - Table Leg
	024283-01-000	EA	Clip - 1" O.D. Tube
	049493-05-CJ0	EA	Catch - Table Leg - Mounts on Floor - Tan
	009112-01-000	EA	Flange - 1" - Chrome - Closet Rod
	077409-01-000	EA	Slide - Drawer - Plastic - 20.75"
	009049-01-000	EA	Table Support - Drop Leaf
	009059-01-000	EA	Hinge - 2" - Drop Leaf Table - Gold
	086263-01-000	EA	Pull - Polished Brass Centers
	009016-01-000	EA	Elbow - Catch - Spring Loaded
	057671-01-000	EA	Screw Cover - #8 - Off White
	072369-20-000	EA	Mesh - Grille - 22" x 12" - Duraton Bronze
	009021-01-000	EA	Catch - Nylon
	009021-02-000	EA	Strike - Nylon Catch
**	059777-02-000	EA	Hinge - Cabinet Door - Antique Light Brass
	074493-02-000	EA	Support - Sprung - Door
	066433-01-000	EA	Hook - Cup - Bright
	061604-01-000	EA	Slide Bolt - Antique Brass
	064781-01-000	EA	Cup Holder - 3.47" O.D. x 2.75" I.D. x 1.5"
	075680-01-000	EA	Clothes Rod - Adjustable - 27" x 36"
	041194-01-000	EA	Base - Table - Flush Mounts in Floor
	009040-03-000	EA	Base - Table - Mounts on Table
	080728-01-000	EA	Handle - Pullout Table
	086263-01-000	EA	Pull - Polished Brass
	084466-02-000	EA	Slide Asm. - Drawer - Right
	084466-03-000	EA	Slide Asm. - Drawer - Left
	084466-04-000	EA	Slide Asm. - Cabinet - Right
	084466-05-000	EA	Slide Asm. - Cabinet - Left
**	084451-01-000	EA	Catch - TV Shelf - Brass

** The illustrated parts breakdown for this item is provided on the Common Items Fiche.

**1987 WINNEBAGO
TABLE OF CONTENTS**

WC420RG	A-01 - B-22
WC/WF424RB	B-23 - D-22
WCN27RU	D-23 - G-04
WCN30RC	G-05 - I-12
WCP34RU	I-13 - K-23

1987 WCN30RC INDEX

Floor Plan	G-05 - G-06
Accessories Group	G-07 - G-09
Bath Group	G-10 - G-11
Chassis Group	G-12 - G-16
Curtain, Cushion & Pad Group	G-17 - G-23
Dinette Group	G-24
Driver's Compartment Group	H-01 - H-03
Electrical Group	H-04 - H-06
Exterior Body Group	H-07 - H-12
Galley Group	H-13 - H-15
Heating & Air Conditioning Group	H-16
Interior Finish Group	H-17 - H-19
LP Group	H-20
Lounge Group	H-21 - H-22
Water & Sewage Group	H-23
Window, Vent & Exterior Door Group	H-24 - I-12

INTERIOR FINISH GROUP (CONTINUED)

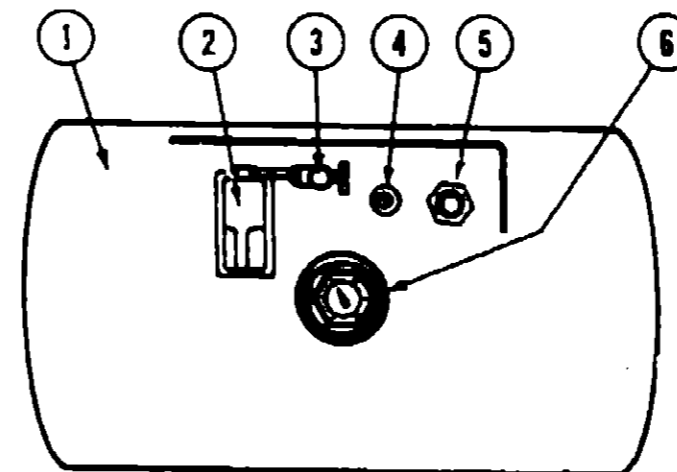
CURTAIN & CUSHION HARDWARE

Key	Part Number	U/M	Description
	081381-01-000	EA	Swivel Snap - Curtain Track
	029130-01-000	EA	Snap Socket - Curtain Bottom
	082139-02-000	EA	Bracket - Blind - Hold Down
	083170-03-000	EA	Bracket - Blind - Top Right
	083170-04-000	EA	Bracket - Blind - Top Left
	056003-01-000	EA	Bracket - Drapery - Retainer - Right
	056003-02-000	EA	Bracket - Drapery - Retainer - Left
	082139-03-000	EA	Bracket - Hold Down - Blind
	079619-01-000	EA	Bracket - Tie Back
	084434-01-000	EA	Bracket - Shade
	086263-01-000	EA	Pull - Window Shade - Polished Brass
	048394-02-000	YD	Tape Hook - .75" x 50 yd - Beige
	048395-02-000	YD	Tape Loop - .75" x 50 YD - Beige
	029090-01-000	FT	Tie - Drapery - Clear Vinyl
	056116-01-000	EA	Track - Curtain - Brown Plastic - Top
	079946-01-000	EA	Track - Curtain - Wraparound - Right
	079946-02-000	EA	Track - Curtain - Wraparound - Left
	085283-01-000	EA	Bracket - Curtain Hold Back - Clear Plastic
	087253-01-000	EA	Shade Pull - Clear Plastic

PANELING & LAMINATE

Key	Part Number	U/M	Description
	074497-09-000	SF	Paneling - Sand - 48" x 84" (28 SF) (Wall)
	074496-61-000	SF	Paneling - Decor - Pom/Peach - 48" x 84" (28SF) (Galley/Bath) (W07, W09)
	074496-62-000	SF	Paneling - Decor - Pom/Mauve - 48" x 84" (28SF) (Galley/Bath) (W08)
	074497-03-000	SF	Paneling - Sunset Oak - 48" x 84" (28SF) (Cabinets)
	074498-13-000	SF	Plastic Laminate - Sand Quadrus (Galley/Dinette)
	074498-21-000	SF	Plastic Laminate - Sea Frost (Bath) (W07)
	074498-15-000	SF	Plastic Laminate - Blush (Bath) (W08)
	074498-16-000	SF	Plastic Laminate - T/Apricot (Bath) (W09)
	074498-05-000	SF	Plastic Laminate - Sunset Oak (Nightstand & Table Tops)
	076325-04-000	FT	Plastic Laminate - Edge Band - Sunset Oak - 1 5/16" x 600"

LP GROUP



Key	Part Number	U/M	Description
1	074142-01-000	EA	Tank Asm. - LP - Frame Mount - 80 Pound - 13" x 44"
.	065741-01-000	EA	Detector - LP Gas Leak - Marshalltown Instruments
2	081938-01-000	EA	Compartment - LP Regulator
.	076301-01-000	EA	Regulator - Two Stage - US (Dual)
.	076301-02-000	EA	Regulator - Two Stage - CSA (Dual)
3	040421-01-703	EA	Valve - Vapor Relief
4	040421-01-700	EA	Gauge - Liquid Level - 20% LP
5	040421-01-701	EA	Valve - Filler - LP
.	040421-01-702	EA	Cap - Plastic Fill Valve
6	040421-01-707	EA	Gauge - Float - w/Visible Dial
.	040421-01-706	EA	Dial - Visible Face - Float Gauge (Tank w/o Electric Transmitter)
.	040440-01-000	EA	Dial - Transmitter - 0 - 90 Ohm (Float Gauge)
.	045703-01-000	EA	Hose Asm. - LP - 3/8" I.D. x 24" - US
.	045703-02-000	EA	Hose Asm. - LP - 3/8" I.D. x 24" - CSA
.	045703-03-000	EA	Hose Asm. - LP - 3/8" I.D. x 18" - US
.	045703-04-000	EA	Hose Asm. - LP - 3/8" I.D. x 14" - CSA
.	065742-01-000	EA	Tee - .38 F x .39 F x .25 FPT
.			Not illustrated

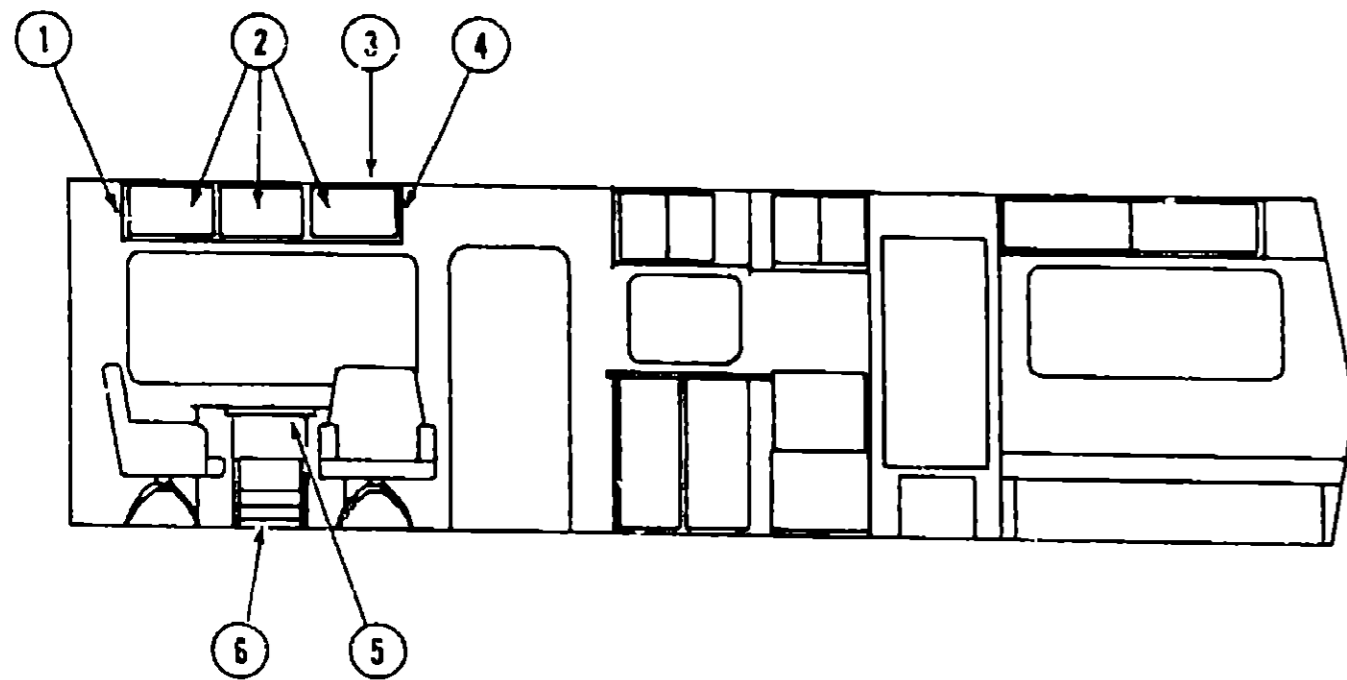
1987 WINNEBAGO TABLE OF CONTENTS

WC420RG	A-01 - B-22
WC/WF424RB	B-23 - D-22
WCN27RU	D-23 - G-04
WCN30RC	G-05 - I-12
WCP34RU	I-13 - K-23

1987 WCN30RC INDEX

Floor Plan	G-05 - G-06
Accessories Group	G-07 - G-09
Bath Group	G-10 - G-11
Chassis Group	G-12 - G-16
Curtain, Cushion & Pad Group	G-17 - G-23
Dinette Group	G-24
Driver's Compartment Group	H-01 - H-03
Electrical Group	H-04 - H-06
Exterior Body Group	H-07 - H-12
Galley Group	H-13 - H-15
Heating & Air Conditioning Group	H-16
Interior Finish Group	H-17 - H-19
LP Group	H-20
Lounge Group	H-21 - H-22
Water & Sewage Group	H-23
Window, Vent & Exterior Door Group	H-24 - I-12

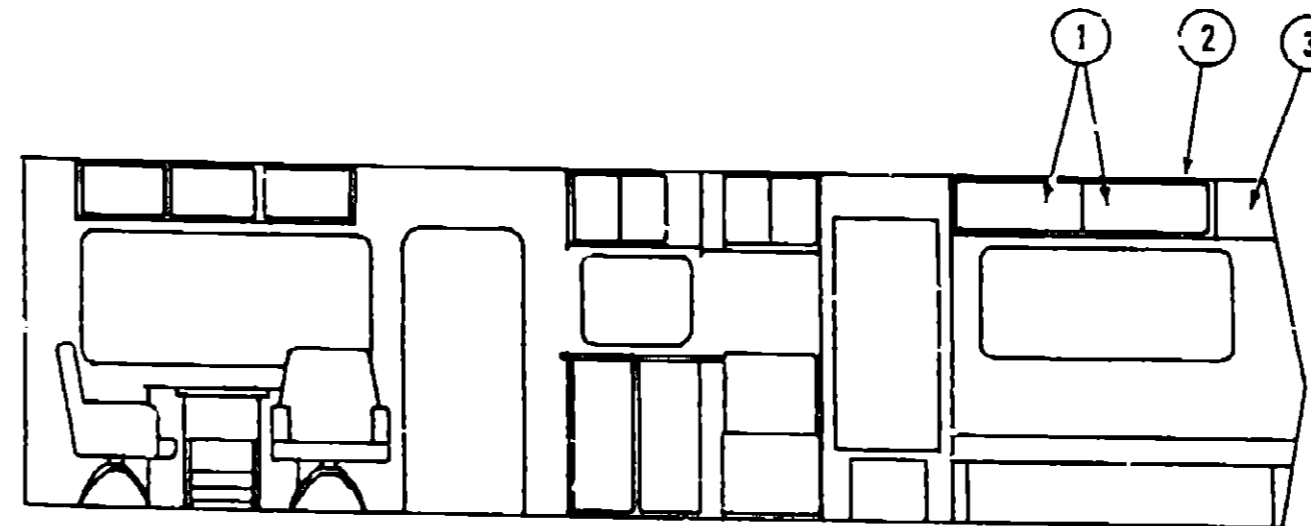
LOUNGE GROUP



FRONT LOUNGE & OVERHEAD CABINERY

Key	Part Number	U/M	Description
1	081325-02-T03	EA	Pad Asm. - End Cap - Front Overhead - Left - Vinyl
2	M81503-01-W07	EA	Door Asm. - Overhead Cabinetry - 12.8" x 21.9" - w/o Hardware
3	081550-03-W07	EA	Cabinet Asm. - Front Overhead - Passenger - w/o Doors or Hardware
•	081302-09-W07	EA	Cabinet Asm. - Front Overhead - Driver - w/o Doors or Hardware
4	081325-01-T03	EA	Pad Asm. - End Cap - Front Overhead - Right - Vinyl
5	M81727-03-W07	EA	Pullout Table - w/o Countertop or Hardware
•	M02414-01-U04	EA	Countertop Asm. - Cupholder
•	M02416-01-U04	EA	Countertop Asm. - TV Top
•	M02415-01-U04	EA	Countertop Asm. - Table - Pullout
•	M02417-01-U04	EA	Countertop Asm. - Table - Pullout
6	074491-02-T03	EA	Rack - Magazine
•	079789-01-000	EA	Support - Pullout Table - Beige
•	080728-01-000	EA	Handle - Recessed - Brown Plastic
•			Not illustrated

LOUNGE GROUP (CONTINUED)



REAR LOUNGE OVERHEAD CABINERY

Key	Part Number	U/M	Description
1	M81503-01-T03	EA	Door Asm. - Overhead - 12.8" x 21.9" w/o Hardware
2	081536-03-W07	EA	Cabinet Asm. - Lounge Overhead - w/o Doors or Hardware
3	081540-01-W07	EA	Cabinet Asm. - Rear Overhead - w/o Doors or Hardware
•	M81501-15-W07	EA	Door Asm. - Double Bed - 17.6" x 10.9" - w/o Hardware
•	084357-01-W07	EA	TV Stand Asm.
•	084451-01-000	EA	Catch - TV Shelf - Brass
•			Not illustrated

SWIVEL CHAIRS W/ICE MAKER (OPTION)

Key	Part Number	U/M	Description
	M81729-01-W07	EA	Cabinet Asm. - Ice Maker - w/o Countertop or Hardware
	M02438-01-U04	EA	Countertop Asm. - Ice Maker - w/o Hardware
	M02439-01-U04	EA	Countertop Asm. - Pullout Table - w/o Hardware
	074489-01-000	EA	Holder - Beverage Tray
**	076799-01-000	EA	Ice Maker - Black Glass
	077841-01-000	EA	Tiedown Bracket - Ice Maker - Right
	077841-02-000	EA	Tiedown Bracket - Ice Maker - Left
**			The illustrated parts breakdown for this item is provided on the Common Items Fiche.

**1987 WINNEBAGO
TABLE OF CONTENTS**

WC420RG
WC/WF424RB
WCN27RU
WCN30RC
WCP34RU

A-01 - B-22
B-23 - D-22
D-23 - G-04
G-05 - I-12
I-13 - K-23

1987 WCN30RC INDEX

Floor Plan	G-05 - G-06
Accessories Group	G-07 - G-09
Bath Group	G-10 - G-11
Chassis Group	G-12 - G-16
Curtain, Cushion & Pad Group	G-17 - G-23
Dinette Group	G-24
Driver's Compartment Group	H-01 - H-03
Electrical Group	H-04 - H-06
Exterior Body Group	H-07 - H-12
Galley Group	H-13 - H-15
Heating & Air Conditioning Group	H-16
Interior Finish Group	H-17 - H-19
LP Group	H-20
Lounge Group	H-21 - H-22
Water & Sewage Group	H-23
Window, Vent & Exterior Door Group	H-24 - I-12

WATER & SEWAGE GROUP

PLUMBING & REPAIR PARTS

Key	Part Number	U/M	Description
	033302-02-000	EA	Adapter Asm. - SWVC Strain - 1 1/2"
	010326-01-000	EA	Adapter - Flare - w/Cone Gasket
	062422-01-000	EA	Adapter - Hose Offset - Reducer - 3" x 1 1/2"
	052954-01-000	EA	Adapter - Hose Cone - 3/8 or 1/2 - Plastic
..	004020-01-000	QT	Adhesive - ABS Cement
	010121-01-000	EA	Bushing - Plastic - 1 1/2 S x 1 1/4 H
	036522-02-000	EA	Cap - Brass - 1/2 Flare
	075730-01-000	EA	Cap - Sewer - 3"
	087200-02-000	EA	Cartridge - Water Purification
	052959-03-000	EA	Connector - 1/2 F x 3/8 MPT - Plastic
	011091-02-000	EA	Continuous Waste - Double Sink - 11 7/8" - US
	078406-01-000	EA	Coupler Rubber - 3" x 3"
	010000-01-000	EA	Elbow - Plastic - 1/8 BD x 1 1/4 x 45° H x H
	010006-01-000	EA	Elbow - Plastic - 1/8 BD x 1 1/2 x 45° H x H
	010008-01-000	EA	Elbow - Plastic - 1/4 BD x 1 1/2 x 90° Left
	010051-01-000	EA	Elbow - ST - Plastic - 1/8 BD x 1 1/2 x 45°
	052957-01-000	EA	Elbow - Plastic - 1/2 F x 3/8 MPT
	052957-02-000	EA	Elbow - Plastic - 1/2 F x 1/2 MPT (In Tank Filter)
	065120-01-000	EA	Elbow - Plastic - Swivel - .50
	070924-01-000	EA	Elbow - Plastic - Swivel - 1/2 MPT x 1/2 FP
	077954-02-000	EA	Filter/Screen (In Water Tank)
	087200-01-000	EA	Filter - Water Purification
	010147-01-000	EA	Flange - Closet - 4" F x 3" FPT - US
	010147-02-000	EA	Flange - Closet - 4" F x 3" FPT - CSA
	061607-01-000	EA	Grommet - Holding Tank Coupler - 1 1/2"
	061607-02-000	EA	Grommet - Holding Tank Coupler - 3"
	010201-01-000	EA	Hose - Sewer - 3 ID x 8 FT
	052953-01-000	EA	Nut - Faucet - 1/2 Tube x 1/2 FPT
..	052952-01-000	EA	Nut - 1/2 F - Plastic
..	011066-03-000	EA	P-Trap - 1 1/4" Plastic - US
..	011066-02-000	EA	P-Trap - 1 1/4" Plastic - CSA
	053335-01-000	EA	P-Trap - Plastic - 1 1/4 H x H - w/Union - CSA
	010197-01-000	EA	Pipe - Plastic - 3" x 240" - Black
	075666-01-000	EA	Pipe - PVC - DWV - 4" I.D. x 10'
	045729-01-000	EA	Pump - Water - 2.8 G.P.M. - Direct Drive - Shurflo - US
..	045729-02-000	EA	Pump - Water - 2.8 G.P.M. - Direct Drive - Shurflo - CSA
..	010201-01-000	EA	Sewer Hose - 3" x 8' w/Clamp
	042989-05-000	EA	Spinweld Fittings - Plastic - 1/2 FPT (In Tank Filter)
	042989-03-000	EA	Spinweld Fittings - Plastic - 1/4 NPT
	042989-04-000	EA	Spinweld Fittings - Plastic - 3/8 FPT
	011069-02-000	EA	Tailpiece - 1 1/2" x 1 1/4" x 4" - Brass
..	010071-01-000	EA	Tee - Plastic - 1 1/2 x H x H x H
..	010079-01-000	EA	Tee - Plastic - 1 1/2 H x 1 1/2 H x 1 1/4 H
	052955-01-000	EA	Tee - Plastic - 1/2 F x 1/2 F x 1/2 MPT
	052958-01-000	EA	Tee - Plastic - 1/2 F x 1/2 F x 1/2 F
	039800-01-000	FT	Tubing - Polybutyl - 1/2 O.D. (Water Line)
	079381-01-000	FT	Tubing - Flexible - Smooth - 1.25 I.D.
	074462-02-000	FT	Tubing - Vinyl - 3/8 I.D.
	062421-01-000	EA	Valve - 1 1/2" - w/Handle
	052960-01-000	EA	Valve - Line Drain - 1/2 F x 1/2 F
..	077054-01-000	EA	Valve - Plastic - 1 2 M x 1/2 M - 1/4 Comp.

The illustrated parts breakdown for this is provided on the Common Items Fiche.

HOLDING TANKS & WATER HEATERS

Key	Part Number	U/M	Description
	075550-02-000	EA	Tank Asm. - Water - 58 Gallon - w/Fittings
	075550-01-000	EA	Tank - Water - 58 Gallon - w/o Fittings
	075551-01-000	EA	Tank - Holding - 58 Gallon - w/o Fittings - Waste Water
..	074175-01-000	EA	Tank - Holding - 44 Gallon - w/o Fittings - Sewage
..	051391-01-000	EA	Water Heater - w/o Motor Aid - Atwood - G6A-3
..	051391-03-000	EA	Water Heater - w/Motor Aid - Atwood - G6A-3E
..	051393-01-000	EA	Water Heater - w/Motor Aid - Direct Ignition - Atwood - GHS-3E

The illustrated parts breakdown for this item is provided on the Common Items Fiche.

WINDOW, VENT & EXTERIOR DOOR GROUP

DRIVER DOOR W/ROLL-UP WINDOW

Key	Part Number	U/M	Description
	M82202-01-U04	EA	Door Asm. - w/Roll-Up Window - Passenger
	M82202-02-U04	FA	Door Asm. - w/Roll-Up Window - Driver
	064184-02-000	EA	Drip Cap - Cab Door - Passenger
	064184-01-000	EA	Drip Cap - Cab Door - Driver
	M02684-01-000	EA	Jamb Asm. - Cab Door - Passenger
	M02684-02-000	EA	Jamb Asm. - Cab Door - Driver
	063993-06-000	EA	Hinge Asm. - Passenger
	063993-09-000	EA	Hinge Asm. - Driver
	082150-01-000	FT	Seal - Sponge (Jamb)
	082150-02-000	FT	Seal - Sponge (Door)
	063731-01-000	EA	Cap - Push On - Zinc
	061400-06-000	EA	Assist Strap - Sandstone
	064219-01-000	EA	Retainer Strap - Driver Door
	063729-01-000	EA	Rivnut - 1/4 x 20 unc. - Q30 - .125
	081903-01-000	EA	Shaft - Mounting Knob
	081905-01-000	EA	Knob - Control - Slide Bolt - Passenger
	081905-02-000	EA	Knob - Control - Slide Bolt - Driver
	081906-01-000	EA	Slide Bolt - Driver Door
	081907-01-000	EA	Regulator Asm. - Window - Passenger
	081907-02-000	EA	Regulator Asm. - Window - Driver
	081910-01-000	FT	Channel - Window - Sliding
	081912-01-000	EA	Weatherstrip - Rigid
	063886-08-000	EA	Assist Handle - Door
	075722-01-000	EA	Block - Switch - Spacer
	073118-01-000	EA	Retainer - Attachment Plate
	073119-01-000	EA	Attachment Plate - Striker
	J79561-01-000	EA	Shim - Strike - Cab Door
	R77007-56-701	EA	Plate - Door Lock - Passenger
	R77007-56-702	EA	Plate - Door Lock - Driver
	R77040-01-533	EA	Door Handle
	R77007-05-374	EA	Plate - Door Handle Spacer
	R77006-50-326	EA	Door - Handle Inner - Driver
	R77006-50-261	EA	Door - Handle Inner - Passenger
	R77006-13-460	EA	Cap - Inner - Window Crank
	072035-01-000	EA	Crank - Hand - Glass Lift
	072036-01-000	EA	Cap - Crank - Hand
	073110-02-000	EA	Rod - Lock - Passenger
	073110-03-000	EA	Rod - Lock - Driver
	R77005-64-355	EA	Link - Door Handle - Control
	R77030-58-048	EA	Washer
	R77030-33-009	EA	Nut - w/Washer
	R77007-62-746	EA	Lock - Left Tumbler Assembly
	R77007-62-747	EA	Lock - Right Tumbler Assembly
	081488-01-000	EA	Glass - Door - Roll-Up
	083223-02-000	EA	Lock Asm. - Key Type (Set of 2)
	076542-03-000	EA	Rod Control - Latch - Passenger
	076542-04-000	EA	Rod Control - Latch - Driver

1987 WINNEBAGO TABLE OF CONTENTS

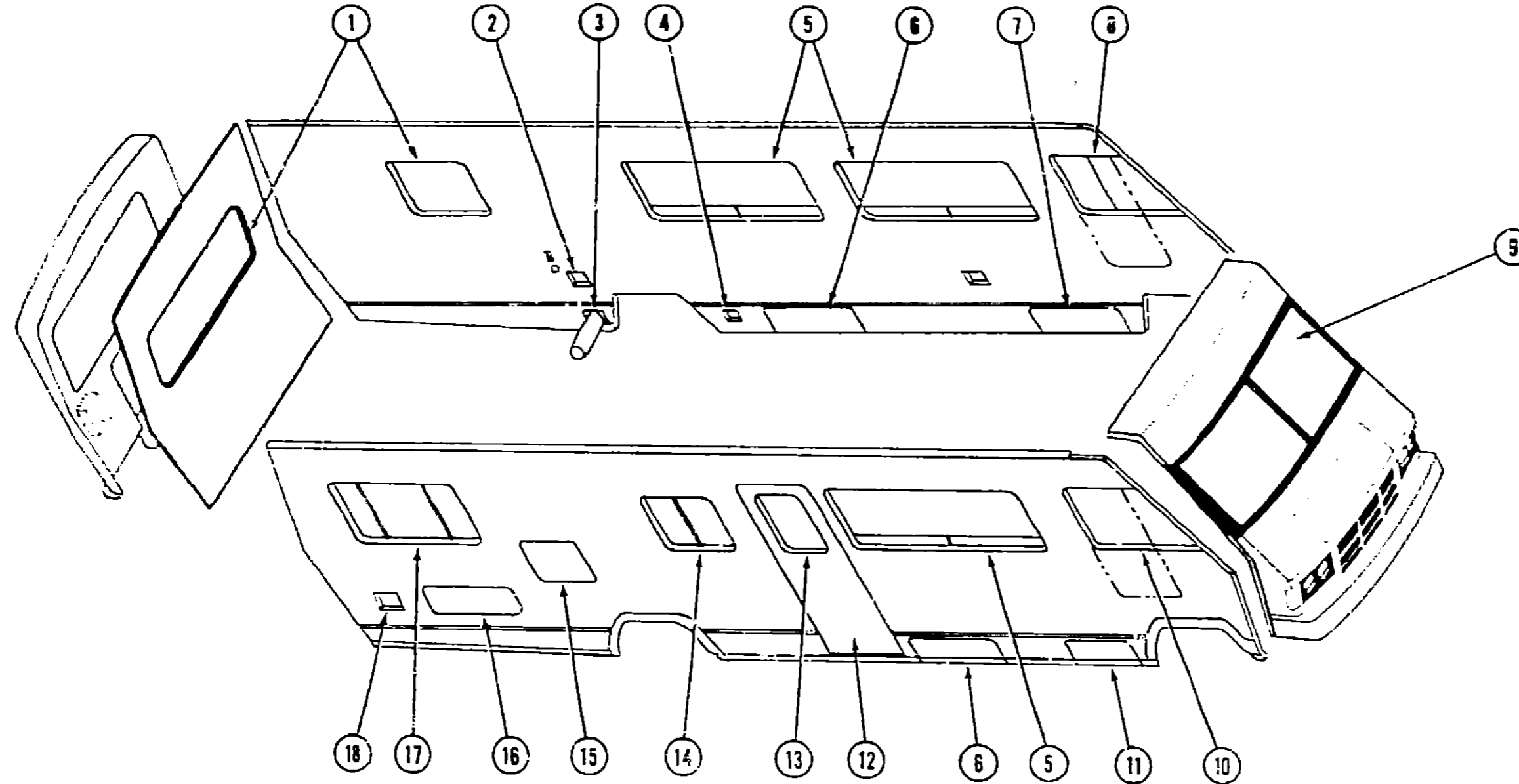
WC420RG	A-01 - B-22
WC/WF424RB	B-23 - D-22
WCN27RU	D-23 - G-04
WCN30RC	G-05 - I-12
WCP34RU	I-13 - K-23

1987 WCN30RC INDEX

Floor Plan	G-05 - G-06
Accessories Group	G-07 - G-09
Bath Group	G-10 - G-11
Chassis Group	G-12 - G-16
Curtain, Cushion & Pad Group	G-17 - G-23
Dinette Group	G-24
Driver's Compartment Group	H-01 - H-03
Electrical Group	H-04 - H-06
Exterior Body Group	H-07 - H-12
Galley Group	H-13 - H-15
Heating & Air Conditioning Group	H-16
Interior Finish Group	H-17 - H-19
LP Group	H-20
Lounge Group	H-21 - H-22
Water & Sewage Group	H-23
Window, Vent & Exterior Door Group	H-24 - I-12

WINDOW, VENT & EXTERIOR DOOR GROUP (CONTINUED)

WINDOWS & ACCESS DOORS



Key	Part Number	U/M	Description
1	079415-01-T03	EA	Window Asm. - Escape
2	078010-04-000	EA	Door Asm. - Fuel Fill
3	052423-02-000	EA	Door Asm. - Sewer Hose
4	063742-02-000	EA	Door - Power Cord
5	055354-02-W07	EA	Window Asm. - Double Tipout
6	079435-02-T03	EA	Door Asm. - Luggage - 34.5"
**6	086531-01-W07	EA	Door Asm. - Luggage - 34.5"
7	079436-L3-T03	EA	Door Asm. - Luggage - 25.3"
**7	066517-01-W07	EA	Door Asm. - Luggage - 25.3"
8	034464-02-000	EA	Glass - Windshield - Driver
9	084464-01-000	EA	Glass - Windshield - Passenger
10	034978-01-W30	EA	Window Asm. - Slant Slider

Key	Part Number	U/M	Description
11	079436-01-T03	EA	Door Asm. - Battery - 25.3"
**11	065517-03-W07	EA	Door Asm. - Battery - 25.3"
12	M01870-12-W07	EA	Door Asm. - Entrance
13	079733-04-T03	EA	Window Asm. - Picture
14	078266-02-T03	EA	Window Asm. - Single Slider
15	078369-03-T03	EA	Door Asm. - Refrigerator Access
15	084104-01-000	EA	Door Asm. - Refrigerator Access (Used after 11/17/87)
15	079578-02-T03	EA	Door Asm. - Luggage - 35.7"
16	M01883-01-T03	EA	Door Asm. - Generator - w/o Battle
17	078271-01-T03	EA	Window Asm. - Center Slider
18	052009-02-000	EA	Door Asm. - Water Heater

** These part numbers are for units produced after 11/3/87.

1987 WINNEBAGO TABLE OF CONTENTS

WC420RG
WC/WF424RB
WCN27RU
WCN30RC
WCP34RU

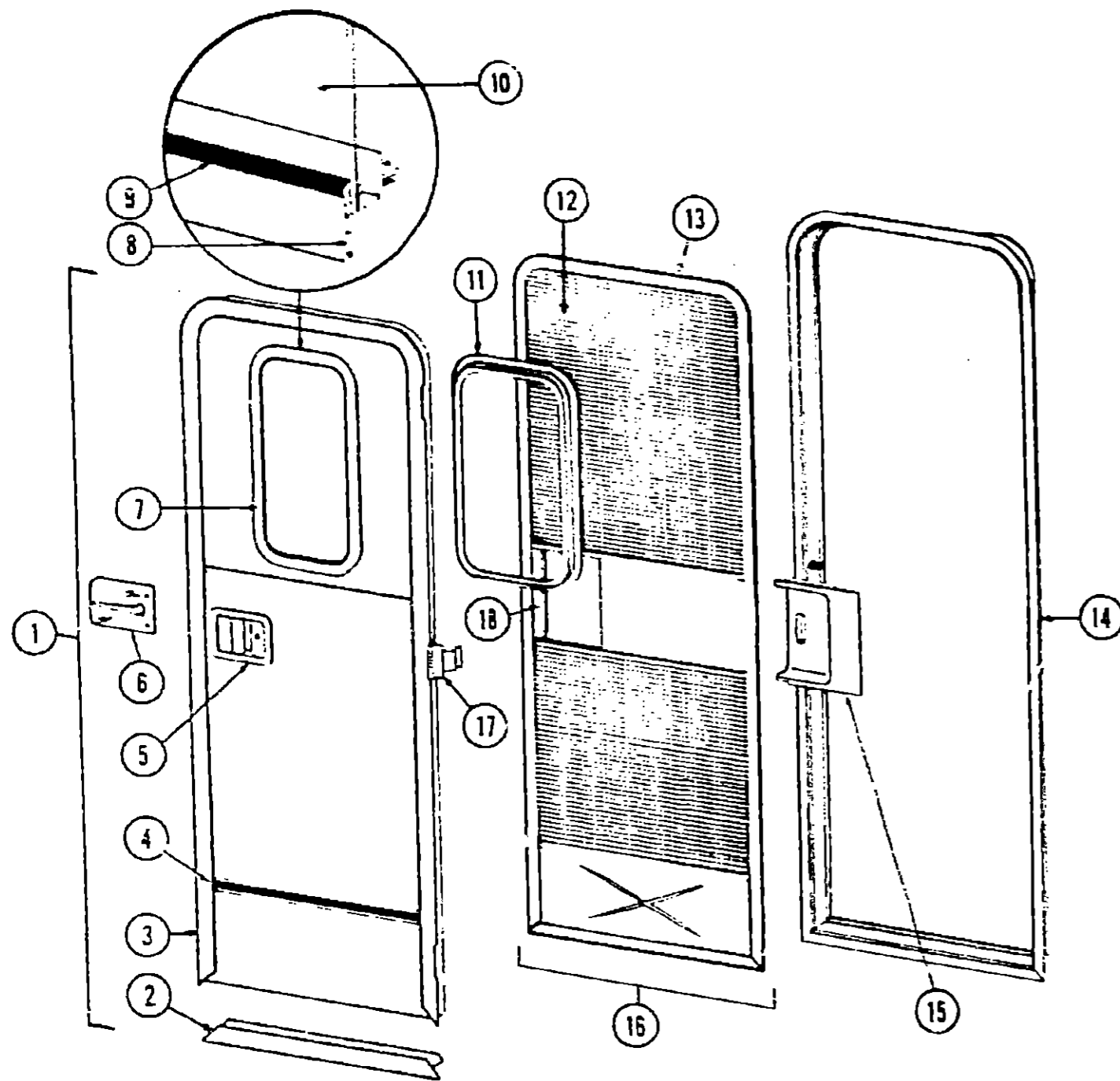
A-01 - B-22
B-23 - D-22
D-23 - G-04
G-05 - I-12
I-13 - K-23

1987 WCN30RC INDEX

Floor Plan	G-05 - G-06
Accessories Group	G-07 - G-09
Bath Group	G-10 - G-11
Chassis Group	G-12 - G-16
Curtain, Cushion & Pad Group	G-17 - G-23
Dinette Group	G-24
Driver's Compartment Group	H-01 - H-03
Electrical Group	H-04 - H-06
Exterior Body Group	H-07 - H-12
Galley Group	H-13 - H-15
Heating & Air Conditioning Group	H-16
Interior Finish Group	H-17 - H-19
I.P Group	H-20
Lounge Group	H-21 - H-22
Water & Sewage Group	H-23
Window, Vent & Exterior Door Group	H-24 - I-12

WINDOW, VENT & EXTERIOR DOOR GROUP (CONTINUED)

ENTRANCE & SCREEN DOOR



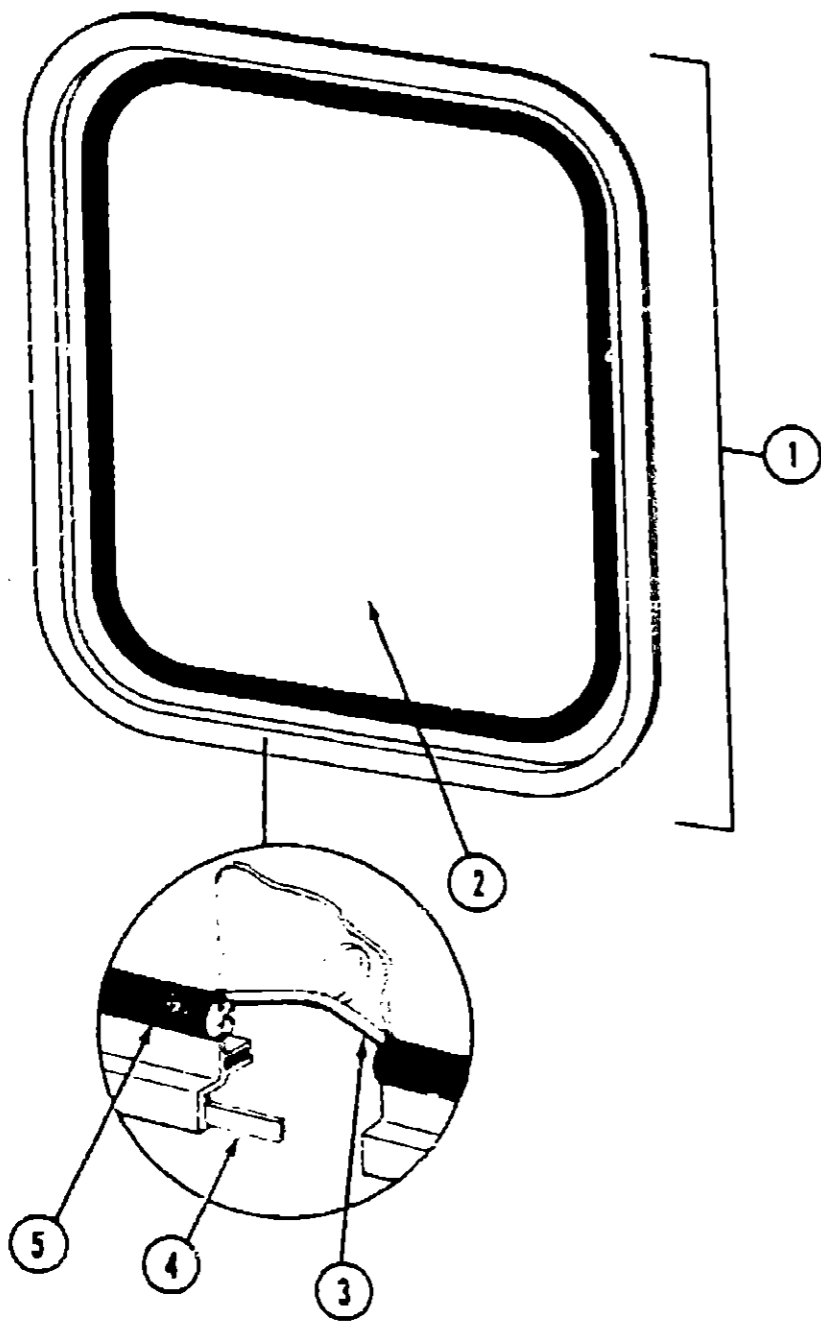
Key	Part Number	U/M	Description
1	M01870-12-W07	EA	Door Asm. - Radius Entry w/Screen Door
2	077998-02-000	EA	Frame - Entry Door (Bottom Portion Only)
3	076863-02-000	EA	Frame - Entry Door (Except Bottom Portion)
4	059576-08-000	EA	Feature Strip w/o Insert - Extr. - 14"
5	001030-12-100	EA	Insert - Feature Strip - 17" - Stucco - Beige
6	009731-01-000	EA	End Cap - Feature Strip
7	045017-05-000	EA	Paddle Asm. - Door Lock - Exterior
8	045017-05-700	EA	Lock Cylinder w/Keys - Lynor
9	039539-01-000	EA	Striker Bolt - Entry Doors
10	039540-01-000	EA	Latch Claw - Entry Door
11	039738-01-000	EA	Dead Bolt - Entry Door
12	039979-01-000	EA	Plate - Inside Lock - Includes Inside Handle
13	079733-04-T03	EA	Window Asm. - Picture - 17" x 25" - Black (w/o inside frame)
14	069640-06-000	FT	Ribbon Sealer - 5/16" Bead x 15'
15	002309-02-000	FT	Spline - Glass - 1/8" Black
16	002181-06-000	EA	Glass - Picture Window - 1/8" x 16.25" x 24" - Gray
17	067609-03-000	EA	Inside Frame - Beige (not included in assembly)
18	002293-02-000	SF	Screen - Window - 26" - Charcoal
19	056795-01-000	FT	Seal Tape - 1/8" x 3/8" - Press On
20	078591-01-000	EA	Jamb Asm. - Entrance Door
21	051049-01-000	EA	Jamb - Entrance Door - Bottom
22	079086-01-000	EA	Slider - Screen Door - Light Oak Plastic
23	079012-01-T03	EA	Door Asm. - Screen
24	079361-06-000	EA	Hinge - Entrance Door (3 used per door)
25	079087-01-000	EA	Cap - Screen Door - Light Oak Plastic
26	003018-01-000	EA	Catch Asm. - Single Roller w/Strike - Screen Door
27	076231-01-000	EA	Spacer - Latch - Screen Door
28	077437-01-000	EA	Strike - Roller Catch
29	044582-01-000	EA	Drip Cap - Beige
30	079278-01-000	EA	Seal - Mocket - Entrance Door
31	073090-01-000	FT	Seal - Entrance Door
32	075739-02-000	EA	Stiffener - Entrance Door - Beige
33	075673-01-000	FT	Seal - Pile - Adhesive Back
34	075671-01-000	FT	Seal - Sponge - Lazy "T" Shaped
35	002294-01-000	FT	Spline - Black - .135 x .138 (Screen Door)
36	063638-02-000	EA	Strike - Screen Door
37	063729-04-000	EA	Rivnut - 10-32 UNF - 010 - 080
38	075639-01-000	EA	Garnish - Radius - Entrance Door
39	083205-01-000	EA	Deadbolt Lock - Press Fit - 5"
40			Not illustrated

1987 WINNEBAGO TABLE OF CONTENTS

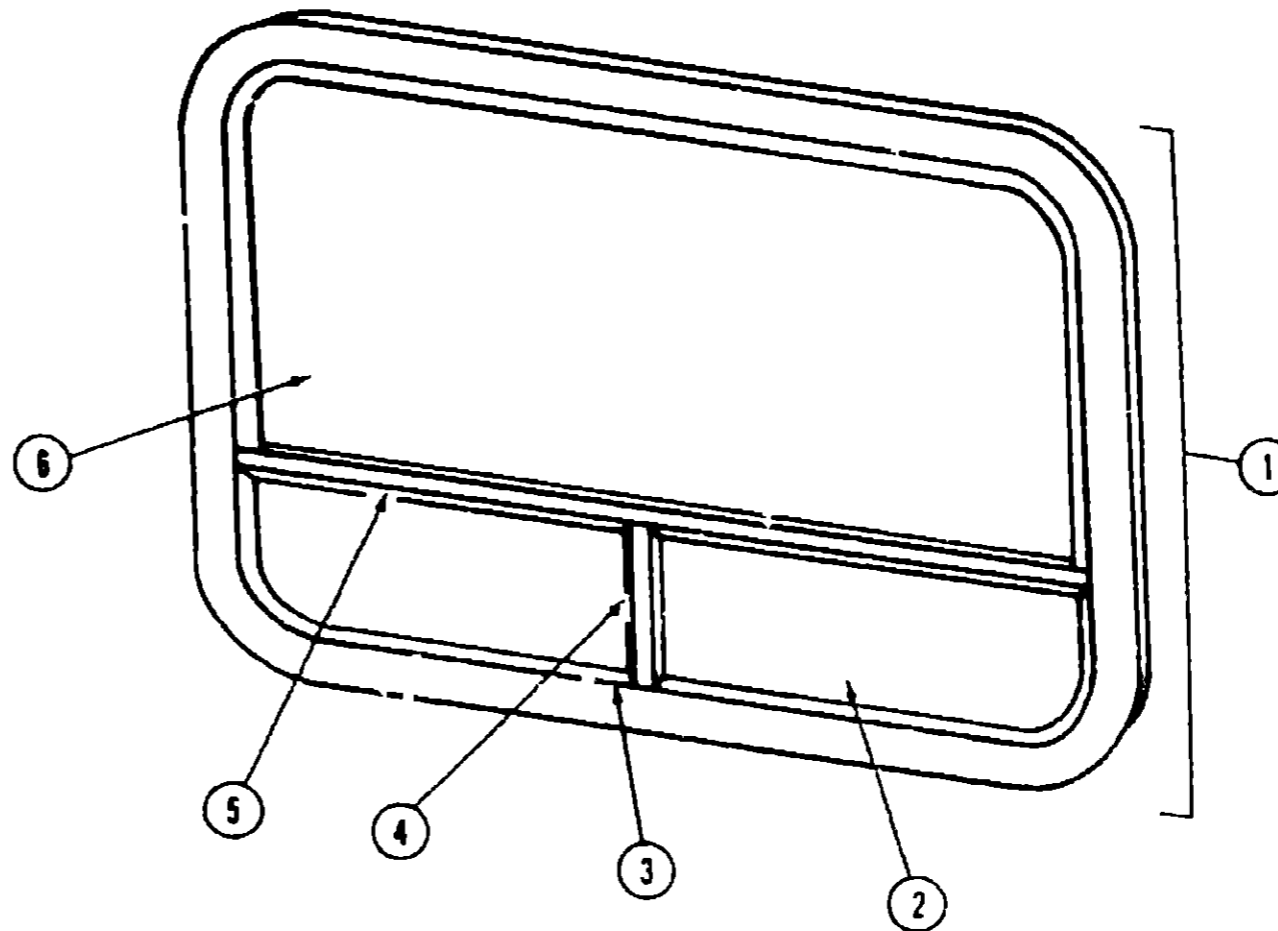
WC420RG	A-01 - B-22
WC.WF424RB	B-23 - D-22
WCN27RU	D-23 - G-04
WCN30RC	G-05 - I-12
WCP34RU	I-13 - K-23

1987 WCN30RC INDEX

Floor Plan	G-05 - G-06
Accessories Group	G-07 - G-09
Bath Group	G-10 - G-11
Chassis Group	G-12 - G-16
Curtain, Cushion & Pad Group	G-17 - G-23
Dinette Group	G-24
Driver's Compartment Group	H-01 - H-03
Electrical Group	H-04 - H-06
Exterior Body Group	H-07 - H-12
Galley Group	H-13 - H-15
Heating & Air Conditioning Group	H-16
Interior Finish Group	H-17 - H-19
LP Group	H-20
Lounge Group	H-21 - H-22
Water & Sewage Group	H-23
Window, Vent & Exterior Door Group	H-24 - I-12



Key	Part Number	U/M	Description
1	079415-01-T03	EA	Window Asm. - Escape (w/o inside frame)
**	020749-05-000	EA	Inside Frame - Escape Window - Beige (not included in assembly)
*	079771-05-000	EA	Inside Frame - Escape Window - Beige (not included in assembly)
2	002174-01-000	EA	Glass - 1/8" x 19.61" x 25.92"
3	002285-01-000	FT	Filler - Weatherstrip - Black
4	069640-01-000	FT	Tape - 2" Bead x 45'
5	002282-01-000	FT	Weatherstrip - Window - .125" Black
*	006199-01-000	EA	Label - Exit - Escape Window
*			Not illustrated
**			Used on Rear Backwall



Key	Part Number	U/M	Description
1	065354-02-W07	EA	Window Asm - Double Tipout (w/o inside frame)
*	081822-06-000	EA	Inside Frame - Black (not included in assembly)
2	084068-04-000	EA	Glass - 1.8" x 9.24" x 30.39" - Tipout
*	084581-01-W07	EA	Screen Asm - Tipout - Right
*	084581-02-W07	EA	Screen Asm - Tipout - Left
3	084067-01-000	FT	Seal - "e" - Sponge Rubber
4	084154-01-000	EA	Mullion - Vertical - Black
*	064066-01-000	FT	Bulb Seal - Double - Sponge Rubber
5	083112-05-000	EA	Mullion - Horizontal - Black
*	081357-01-000	FT	Foam Seal - Vinyl
6	081239-11-000	EA	Glass - 1.8" x 61.77" x 20.55" - Stationary
*	002291-02-000	SF	Screen - 16" Window
*	002298-02-000	FT	Spline - .130 Dia - Charcoal (Screen)
*	081243-01-000	EA	Clip - Screen - Plastic
*	080918-01-000	EA	Spring - Torque Tube - Right
*	080918-02-000	EA	Spring - Torque Tube - Left
*	035302-01-000	EA	Operating Mech - Right
*	035302-02-000	EA	Operating Mech - Left
*			Not illustrated

1987 WINNEBAGO
TABLE OF CONTENTS

WC420RG	A-01 - B-22
WC.WF424RB	B-23 - D-22
WCN27RU	D-23 - G-04
WCN30RC	G-05 - I-12
WCP34RU	I-13 - K-23

1987 WCN30RC INDEX

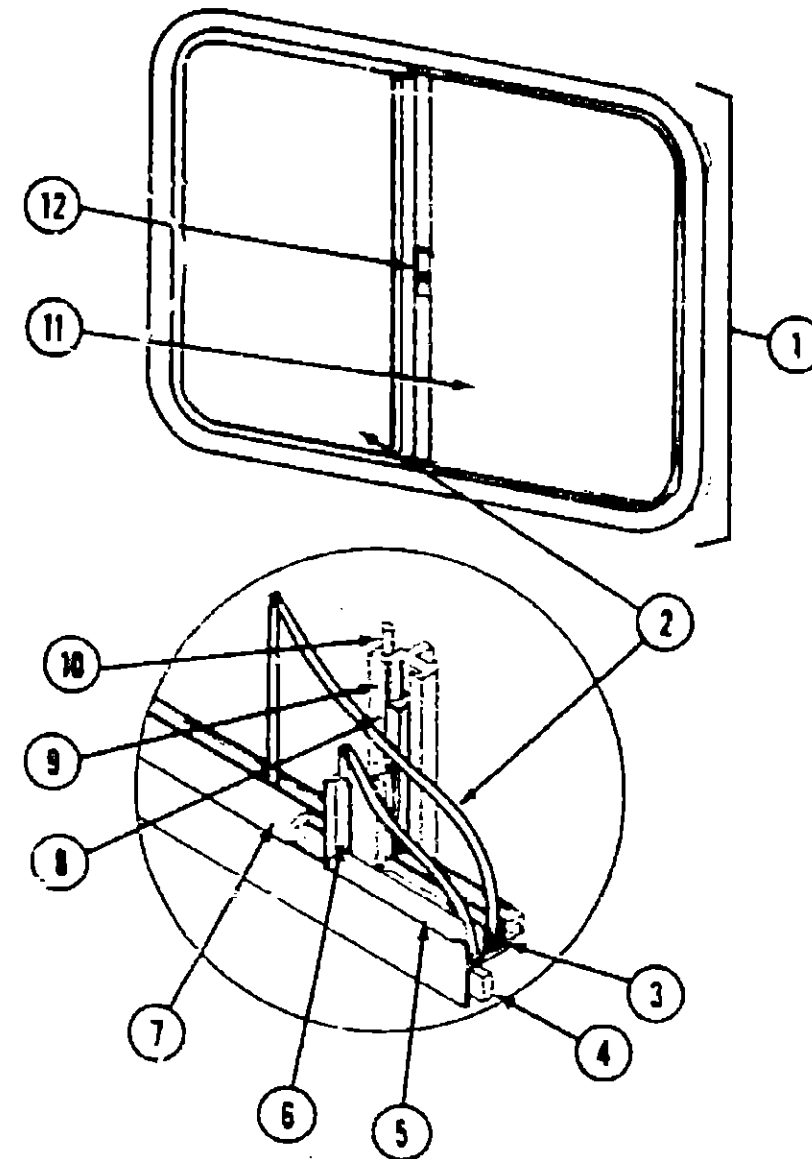
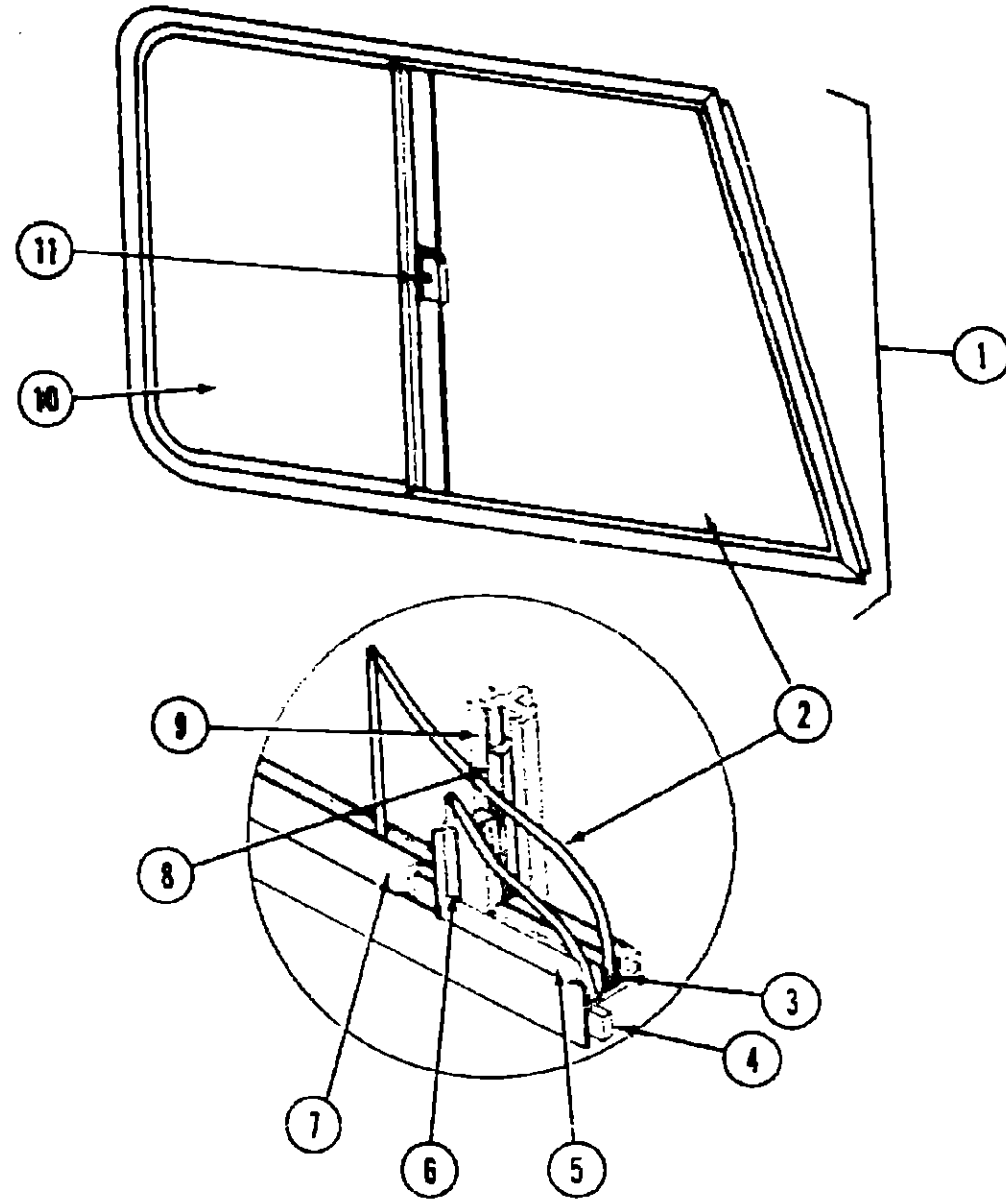
Floor Plan	G-05 - G-06
Accessories Group	G-07 - G-09
Bath Group	G-10 - G-11
Chassis Group	G-12 - G-16
Curtain, Cushion & Pad Group	G-17 - G-23
Dinette Group	G-24
Driver's Compartment Group	H-01 - H-03
Electrical Group	H-04 - H-06
Exterior Body Group	H-07 - H-12
Galley Group	H-13 - H-15
Heating & Air Conditioning Group	H-16
Interior Finish Group	H-17 - H-19
LP Group	H-20
Lounge Group	H-21 - H-22
Water & Sewage Group	H-23
Window, Vent & Exterior Door Group	H-24 - I-12

WINDOW, VENT & EXTERIOR DOOR GROUP (CONTINUED)

WINDOW, VENT & EXTERIOR DOOR GROUP (CONTINUED)

**1987 WINNEBAGO
TABLE OF CONTENTS**

WC420RG	A-01 - B-22
WC/WF424RB	B-23 - D-22
WCN27RU	D-23 - G-04
WCN30RC	G-05 - I-12
WCP34RU	I-13 - K-23

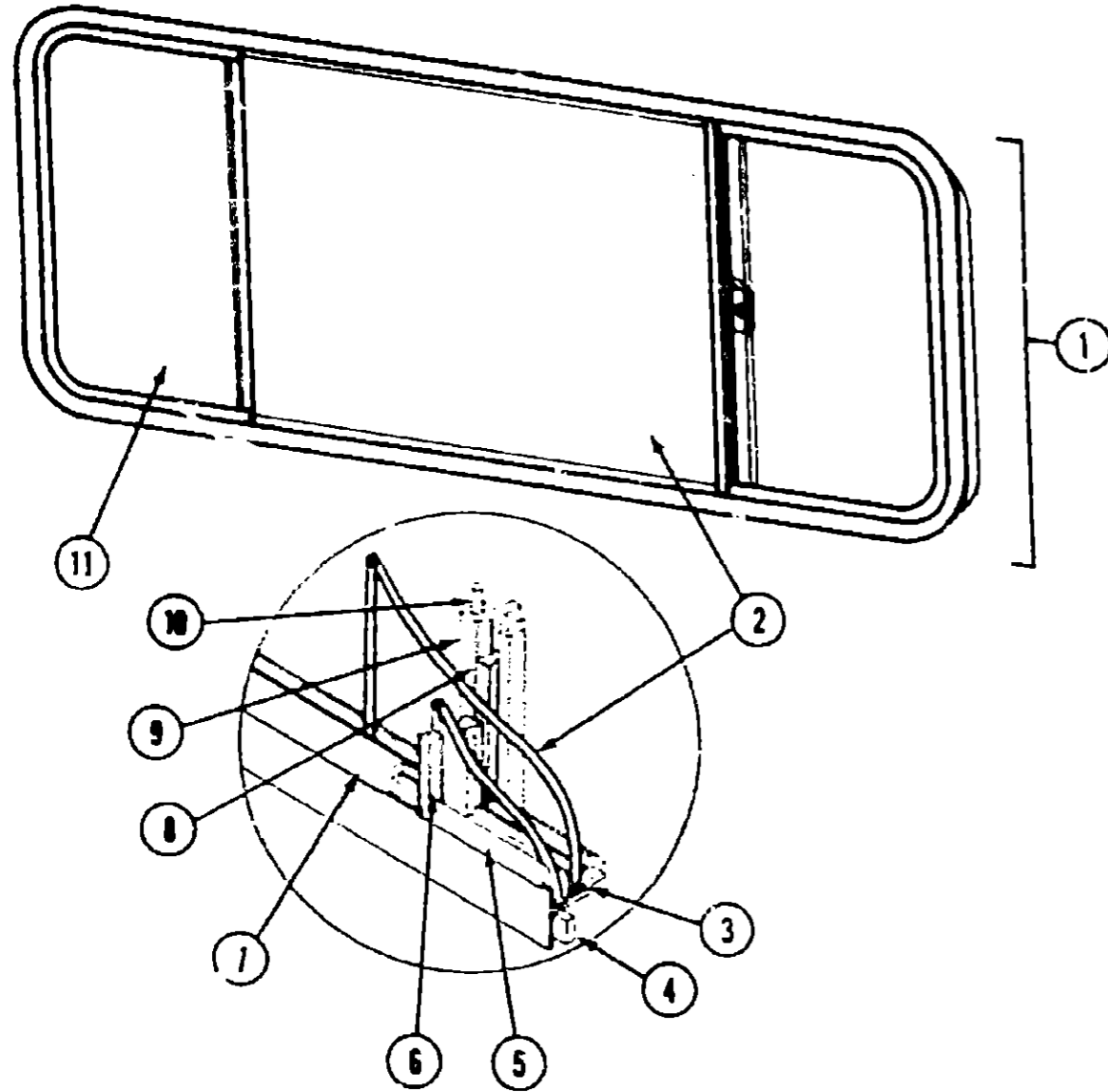


Key	Part Number	U/M	Description
1	064978-01-W30	EA	Window Asm. - Front Slant Slider - Passenger (w/o inside frame)
*	084982-01-W30	EA	Inside Frame - Slant Slider - Passenger (not included in assembly)
2	057656-07-000	EA	Glass - .19" x 28.11" x 39.6" - Stationary (Passenger)
2	057656-08-000	EA	Glass - .19" x 28.11" x 39.6" - Stationary (Driver)
3	042077-21-000	FT	Channel - Weatherstrip - 3" x 16" Glass
4	069640-01-000	FT	Ribbon Sealer - 1/4" Bead x 20"
5	050216-02-000	FT	Window Seal - .19" - Glass
6	002389-03-203	EA	Seal Holder w/Fin Seal - 27.12" - Black
7	057374-02-000	FT	Extr. Rubber - Window Seal - Black
8	073740-01-000	FT	Seal - Fin - Pile - .460"
9	064170-07-000	EA	Mullion - Slider Window - Black
10	002298-02-000	FT	Spline - .130" Dia - Charcoal (Screen)
11	081980-06-000	EA	Glass - 19" x 28.11" x 14.86" - Sliding
*	064982-02-W30	EA	Slider Screen Asm. - Passenger
*	084982-01-W30	EA	Slider Screen Asm. - Driver
*	002292-02-000	SF	Screen - Window - 20" - Charcoal
*	016310-03-000	EA	Handle - Slider Screen - Black
*	047369-01-700	EA	Latch Kit - Window - Plastic w/Fastener
*			Not illustrated

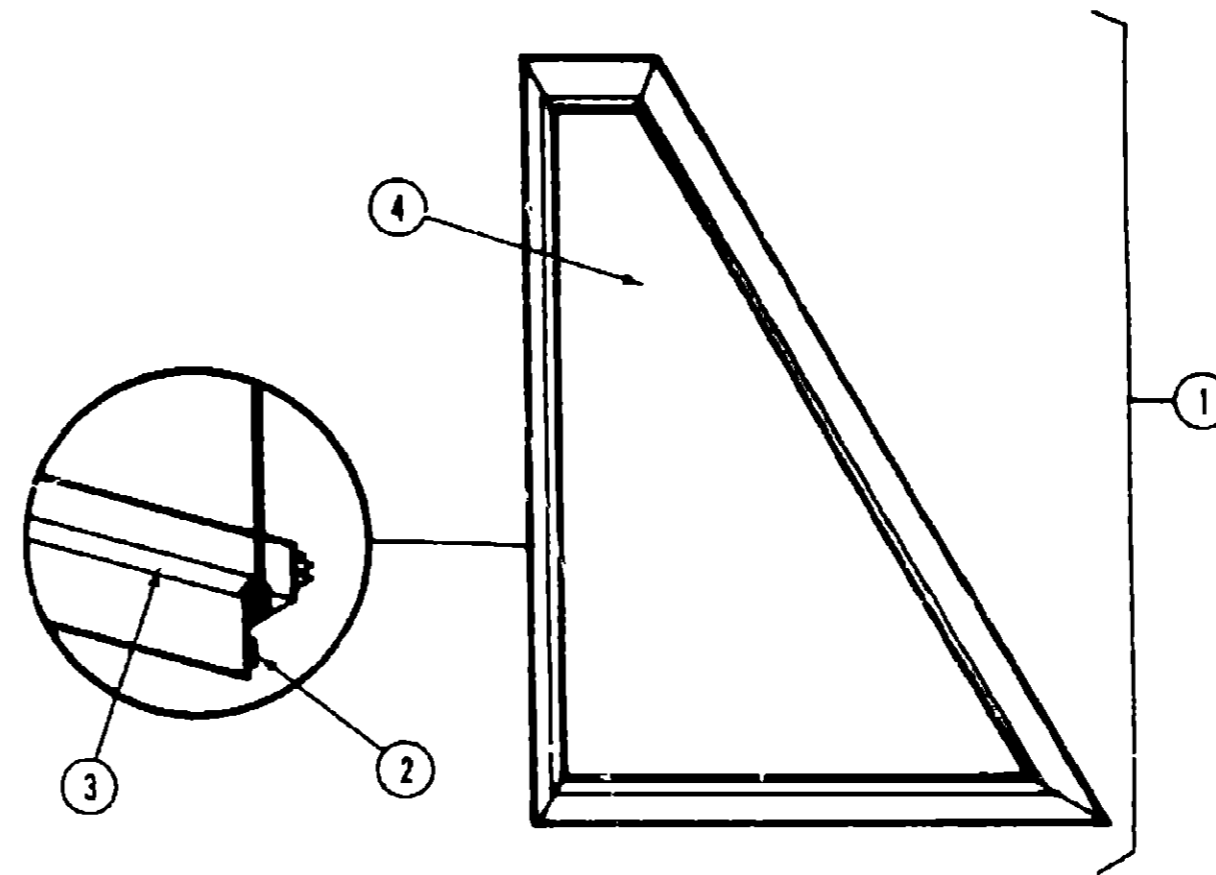
Key	Part Number	U/M	Description
1	078266-02-T03	EA	Window Asm. - Left Single Slider - 20" x 25" - Black (w/o inside frame)
*	063122-04-000	EA	Inside Frame - Beige (not include in assembly)
2	081980-05-000	EA	Glass - Sliding - 1/8" x 19" x 13.68" - Gray
3	002324-02-000	FT	Channel - Weatherstrip - Glass Run - 1/8" Glass
4	069640-06-000	FT	Ribbon Sealer - 5.16" Bead x 15"
5	002309-02-000	FT	Spline - Glass - 1/8" - Black
6	M69886-03-011	EA	Seal Holder w/Fin Seal - 1/8" - Black
7	057374-02-000	FT	Extr. Vinyl - Window Seal - Black
8	073740-01-000	FT	Seal - Fin - Pile - .460"
9	078562-02-000	EA	Inside Mullion - Slider Window - Black
10	002298-02-000	FT	Spline - .130" Dia - Charcoal (Screen)
11	081984-03-000	EA	Glass - Stationary - 1/8" x 19" x 12.30"
12	047369-01-700	EA	Latch Kit - Window - Plastic w/Fastener
*	079204-01-000	EA	Bracket - Mullion - Black
*	002293-02-000	SF	Screen - Window - 26" Charcoal
*			Not illustrated

1987 WCN30RC INDEX

Floor Plan	G-05 - G-06
Accessories Group	G-07 - G-09
Bath Group	G-10 - G-11
Chassis Group	G-12 - G-16
Curtain, Cushion & Pad Group	G-17 - G-23
Dinette Group	G-24
Driver's Compartment Group	H-01 - H-03
Electrical Group	H-04 - H-06
Exterior Body Group	H-07 - H-12
Galley Group	H-13 - H-15
Heating & Air Conditioning Group	H-16
Interior Finish Group	H-17 - H-19
LP Group	H-20
Lounge Group	H-21 - H-22
Water & Sewage Group	H-23
Window, Vent & Exterior Door Group	H-24 - I-12



Key	Part Number	U/M	Description
1	078271-01-T03	EA	Window Asn. - Center Slider (w/o inside frame)
•	093122-11-000	EA	Inside Frame - Center Slider - Beige (not included in assembly)
2	06727-02-000	EA	Glass - Sliding - 1/8" x 25.5" x 24"
3	00724-02-000	FT	Channel - Weatherstrip - Glass Run - 1/8" Glass
4	069640-06-000	FT	Ribbon Sealer - 5/16" Bead x 15'
5	002309-02-000	FT	Spline - Glass - 1/8" Material - Black
6	M69686-03-003	EA	Seal Holder w/Fin Seal - Black
7	057374-02-000	FT	Extr. Rubber - Window Seal - Black
8	073740-01-000	FT	Seal - Fin Pile - 460"
9	078562-02-000	EA	Mullion - Slider Window - Black
10	002298-02-000	FT	Spline - 130" Dia. - Charcoal (Screen)
11	081984-07-000	EA	Glass - Stationary - 1/8" x 24" x 16.5"
•	079204-01-000	EA	Bracket - Mullion - Black
•	047369-01-700	EA	Latch Kit - Window - Plastic w/Fastener
•	002293-02-000	SF	Screen - Window - 26" - Charcoal
•			Not illustrated



Key	Part Number	U/M	Description
1	085025-01-000	EA	Window Asm. - Front Slant - Passenger (w/o inside frame)
1	085025-02-000	EA	Window Asm. - Front Slant - Drivers (w/o inside frame)
•	085018-01-000	EA	Inside Frame - Front Slant - Passenger - Beige (not included in assembly)
•	085018-02-000	EA	Inside Frame - Front Slant - Drivers - Beige (not included in assembly)
2	069640-01-000	FT	Tape - 1/4" Bead x 20'
3	050216-02-000	FT	Spline - Glass - 1/8" - Black
4	057656-09-000	EA	Glass - 19" x 28.11" x 26.13" - Right
4	057656-10-000	EA	Glass - 19" x 28.11" x 26.13" - Left
•			Not illustrated

1987 WINNEBAGO
TABLE OF CONTENTS

WC420RG	A-01 - B-22
WC:WF424RB	B-23 - D-22
WCN27RU	D-23 - G-04
WCN30RC	G-05 - I-12
WCP34RU	I-13 - K-23

1987 WCN30RC INDEX

Floor Plan	G-05 - G-06
Accessories Group	G-07 - G-09
Bath Group	G-10 - G-11
Chassis Group	G-12 - G-16
Curtain, Cushion & Pad Group	G-17 - G-23
Dinette Group	G-24
Driver's Compartment Group	H-01 - H-03
Electrical Group	H-04 - H-06
Exterior Body Group	H-07 - H-12
Galley Group	H-13 - H-15
Heating & Air Conditioning Group	H-16
Interior Finish Group	H-17 - H-19
LP Group	H-20
Lounge Group	H-21 - H-22
Water & Sewage Group	H-23
Window, Vent & Exterior Door Group	H-24 - I-12

WINDOW, VENT & EXTERIOR DOOR GROUP (CONTINUED)

VENTS

Key	Part Number	U/M	Description
	084073-04-000	EA	Base - Refrigerator Vent
	084073-01-000	EA	Cover - Refrigerator Vent
	084103-01-000	EA	Jamb - Refrigerator Vent
	055218-01-000	EA	Cover Asm. - Roof Vent
	064878-01-000	EA	Vent - Stovehood - Outside
	075056-01-000	EA	Vent Asm. - Roof - Non-Powered - w/o Screen
**	079537-01-000	EA	Vent Asm. - Roof - Powered - w/o Screen
	083558-01-000	EA	Roof Vent - Pipe Cover
	080910-01-000	EA	Skylight - Outside Panel
	079902-01-000	EA	Skylight - Inside Panel
	081171-01-000	EA	Trim - Skylight
	084616-02-000	EA	Shroud - Vent - Hood Range - Beige
	078785-01-T03	EA	Screen Asm. - Roof Vent
	078786-01-T03	EA	Screen Asm. - Roof Vent - Non Powered
**	The illustrated parts breakdown for this item is provided on the Common Items Fiche.		

ACCESS DOOR HARDWARE

Key	Part Number	U/M	Description
	052181-03-000	EA	Baffle - Generator Door
	052424-02-000	EA	Jamb - Power Cord/Fuel Fill - Beige
	054543-02-000	EA	Hatch - Power Cord
	083615-01-000	EA	Door Stop - Beige Plastic
	042442-01-000	EA	Lock Asm. - Twist Type - 90° Rotation - 1.5" Latch - .6" Depth
	009003-01-000	EA	Lock Asm. - Twist Type - w. Clip (Generator)
	079366-03-000	EA	Lock Asm. - Key Type
	077408-01-000	EA	Lock Asm. - Key Type
	079927-03-000	EA	Lock Asm. - Twist Type - 1.3" Latch - 2.1" Depth
	042441-01-000	EA	Lock Asm. - Key Type - 90° Rotation - 1.25" Latch - .62" Depth
	085730-01-000	EA	Latch Asm. - Paddle - Plastic - w/Key Lock
	085730-04-000	EA	Latch Asm. - Paddle - Plastic - w/o Key Lock
	079368-01-000	EA	Seal - Access Doors

1987 WINNEBAGO TABLE OF CONTENTS

WC420RG	A-01 - B-22
WC/WF424RB	B-23 - D-22
WCN27RU	D-23 - G-04
WCN30RC	G-05 - I-12
WCP34RU	I-13 - K-23

1987 WCN30RC INDEX

Floor Plan	G-05 - G-06
Accessories Group	G-07 - G-09
Bath Group	G-10 - G-11
Chassis Group	G-12 - G-16
Curtain, Cushion & Pad Group	G-17 - G-23
Dinette Group	G-24
Driver's Compartment Group	H-01 - H-03
Electrical Group	H-04 - H-06
Exterior Body Group	H-07 - H-12
Galley Group	H-13 - H-15
Heating & Air Conditioning Group	H-15
Interior Finish Group	H-17 - H-19
LP Group	H-20
Lounge Group	H-21 - H-22
Water & Sewage Group	H-23
Window, Vent & Exterior Door Group	H-24 - I-12