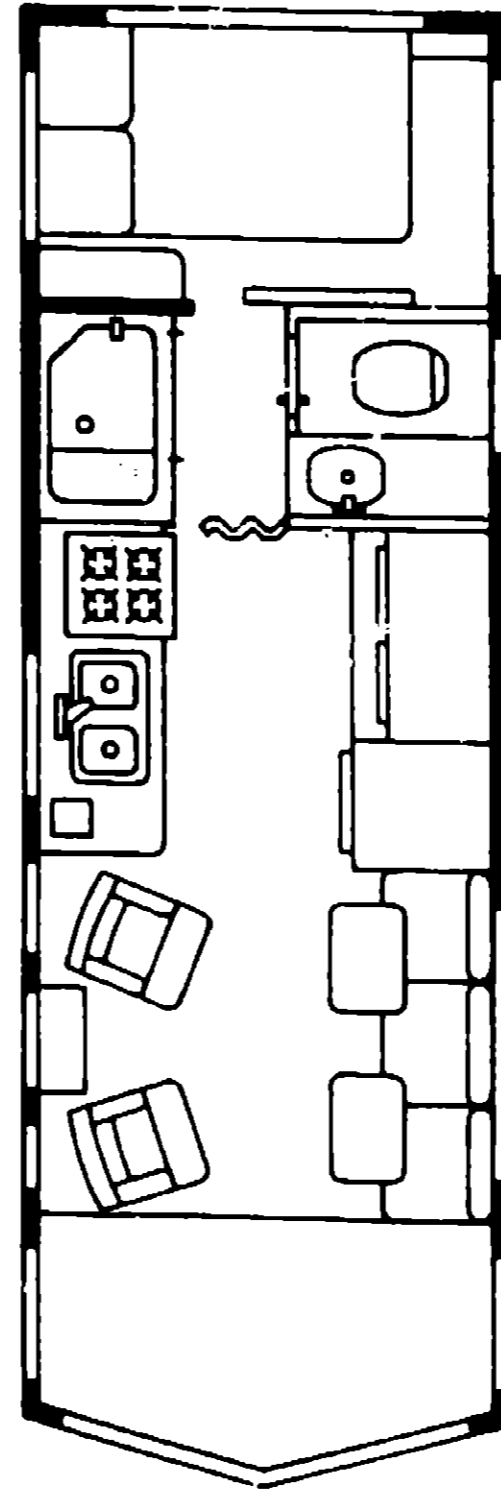


1987 WCN27RU



1987 WINNEBAGO TABLE OF CONTENTS

WC420RG	A-01 - B-22
WC/WF424RB	B-23 - D-22
WCN27RU	D-23 - G-04
WCN30RC	G-05 - I-12
WCP34RU	I-13 - K-23

1987 WCN27RU INDEX

Floor Plan	D-23 - D-24
Accessories Group	E-01 - E-03
Bath Group	E-04
Chassis Group	E-05 - E-07
Curtain, Cushion & Pad Group	E-08 - E-14
Dinette Group	E-15
Driver's Compartment Group	E-16 - E-18
Electrical Group	E-19 - E-21
Exterior Body Group	E-22 - F-03
Galley Group	F-04 - F-06
Heating & Air Conditioning Group	F-07
Interior Finish Group	F-08 - F-10
LP Group	F-11
Lounge Group	F-12
Water & Sewage Group	F-13 - F-14
Window, Vent & Exterior Door Group	F-15 - G-04

ACCESSORIES GROUP

RADIO & RELATED COMPONENTS

Key	Part Number	U/M	Description
**	031105-02-000	EA	Antenna - Radio - Side Mount - w/12" Ground
	031105-01-700	EA	Antenna - Holder - Radio - Upper
	064792-01-000	EA	Grille - Speaker - w/Mesh - Brown
	074014-01-000	EA	Grille - Speaker - Round
	084877-01-000	EA	Radio - AM/FM Stereo - Wall Mount
	087684-01-000	EA	Radio - AM/FM/MPX w/Cassette - Electronic Tune
	074979-01-000	EA	Speaker Cover Protector - Plastic
	073431-01-000	EA	Speaker - 5.25 - 3/Way (Pair)
	064791-01-000	EA	Speaker - Recessed - 5.25"

MISCELLANEOUS ACCESSORIES

Key	Part Number	U/M	Description
	054185-26-000	EA	Owners Manual - 1987 Itasca & Winnebago
**	076319-01-000	EA	Antenna - TV Roof Mount - 44.5" Mast
	017516-01-000	EA	Mud Flaps w/Holes - 14" x 18" - Black
	041944-04-000	EA	Fire Extinguisher - 5 B.C.
	084472-01-000	EA	Holder - Recessed - Fire Extinguisher
	072852-01-000	EA	Smoke Detector w/9 Volt Battery
	006089-01-000	EA	Key Case - Leather
	007038-01-000	EA	Door Mat - 10.5" x 26" - Black Rubber
	081075-01-000	EA	Floor Mat - Entrance - Winnebago
	081201-01-000	EA	Floor Mat - Left Front - Winnebago
	081202-01-000	EA	Floor Mat - Right Front - Winnebago
	080208-01-000	EA	Lug Wrench
	080208-02-000	EA	Leverage Bar - Lug Wrench (Chevy)
	006113-01-000	EA	Jack - Hydraulic - 6 Ton - w/Handle
	063708-01-000	EA	Cover - Air Conditioner - Vinyl
	079942-01-000	EA	Shock Absorber - Stabilizer - Front
	079942-02-000	EA	Shock Absorber - Stabilizer - Rear
	079942-07-000	EA	Bracket - Mounting - Stabilizer
	077497-01-000	EA	Horn Kit - Air - Twin Chrome
	077497-01-700	EA	Solenoid - Air Horns - Air Tank
	077497-01-701	EA	Compressor Switch - Air Horn
	077497-01-702	EA	Toggle Switch - Air Horn
	077497-01-703	EA	Air Tank - Air Horn
	077497-01-704	EA	Compressor w/Switch Air Horn
	063912-01-000	EA	Relay Canister - w/Ground - Air Horn
**	075461-01-000	EA	Electric Step Asm. - w/Light
†	088746-01-000	EA	Electric Step Asm. - Black
	023111-01-000	EA	Blender - Built In
	079941-01-000	EA	Lamp Asm. - Fog w/Cover - Amber
	079941-01-700	EA	Lamp Asm. - Fog - Set/2
	079941-01-701	EA	Lens & Cover Only
	079941-01-702	EA	Switch - Fog Lights
	079941-01-703	EA	Solenoid
	079941-01-704	EA	Switch Plate

** The illustrated parts breakdown for this item is provided on the Common Items Fiche.
† Used in units produced after 3/30/87

OPTIONAL MICROWAVE & COMPONENTS

Key	Part Number	U/M	Description
	081379-01-000	EA	Microwave/Convection Oven - Sharp
	081459-03-000	EA	Bracket Asm. - Microwave - Right
	081459-04-000	EA	Bracket Asm. - Microwave - Left
	081456-01-000	EA	Angle Asm. - Microwave - Right
	081456-02-000	EA	Angle Asm. - Microwave - Left
	081555-01-T03	EA	Trim Asm. - Microwave
	082876-01-000	EA	Baffle Asm. - Microwave

ACCESSORIES GROUP (CONTINUED)

GENERATORS & COMPONENTS

Key	Part Number	U/M	Description
	079654-03-000	EA	Generator - Onan - 4.0 kw - Emerald Series B
	701629-02-000	EA	Installation Package
	083151-01-000	EA	Muffler - Generator
	077067-01-000	EA	Insulation - Fiberglass - 1"
	083152-01-000	EA	Exhaust Pipe - Emerald
	007131-01-000	EA	Hanger - Tail Pipe

OPTIONAL VACUUM CLEANER & COMPONENTS

Key	Part Number	U/M	Description
	055285-01-000	EA	Vacuum Cleaner - Built In
	055285-01-700	EA	Accessories Kit - Standard
	055285-01-701	EA	Filter - 8 per Package
	055285-01-702	EA	Hose - 20' - Vacuum Cleaner
	055285-01-703	EA	Hug Tool
	055285-01-704	EA	Crevice Tool
	055285-01-705	EA	Upholstery Tool
	055285-01-706	EA	Wands - Set (2)
	055285-01-707	EA	Dust Bubble - Complete

EXTERIOR MIRROR & COMPONENTS

Key	Part Number	U/M	Description
	086260-01-000	EA	Mirror Asm. - Exterior - w/Convex - Passenger
	086260-02-000	EA	Mirror Asm. - Exterior - w/Convex - Driver
	086259-01-000	EA	Mirror Asm. - Exterior - Remote Control Passenger
	086259-02-000	EA	Mirror Asm. - Exterior - Remote Control Driver
	086259-03-000	EA	Switch Asm. - Remote Mirror
	086260-03-000	EA	Accessories Kit - Exterior Mirror

CUSTOM STEERING WHEEL

Key	Part Number	U/M	Description
	080752-05-000	EA	Wheel - Steering - Custom
	080752-06-000	EA	Hub - Adapter - Steering Wheel
	080752-07-000	EA	Button - Horn w/Wire
	080752-08-000	EA	Screw - Custom Steering Wheel

WHEEL COVERS, MOUNTING HARDWARE & LINERS

Key	Part Number	U/M	Description
	083181-01-000	EA	Wheel Cover - 16.0" - Set/4
	083181-01-700	EA	Wheel Cover - 16.0" (1)
	086271-04-000	EA	Liner - Wheel - 16.0" - Set/4

1987 WINNEBAGO TABLE OF CONTENTS

WC420RG	A-01 - B-22
WC/WF424R/3	B-23 - D-22
WCN27RU	D-23 - G-04
WCN30RC	G-05 - I-12
WCP34RU	I-13 - K-23

1987 WCN27RU INDEX

Floor Plan	D-23 - D-24
Accessories Group	E-01 - E-03
Earth Group	E-04
Chassis Group	E-05 - E-07
Curtain, Cushion & Pad Group	E-08 - E-14
Dinette Group	E-15
Driver's Compartment Group	E-16 - E-18
Electrical Group	E-19 - E-21
Exterior Body Group	E-22 - F-03
Galley Group	F-04 - F-06
Heating & Air Conditioning Group	F-07
Interior Finish Group	F-08 - F-10
LP Group	F-11
Lounge Group	F-12
Water & Sewage Group	F-13 - F-14
Window, Vent & Exterior Door Group	F-15 - G-04

ACCESSORIES GROUP (CONTINUED)

SPEED CONTROL & COMPONENTS

Key	Part Number	U/M	Description
	084417-01-000	EA	Speed Control - w/Column Control
	084417-01-700	EA	Cable - Servo
	084417-01-701	EA	Servo - Electric Asm.
	084417-01-702	EA	Servo Extension Harness
	084417-01-703	EA	Cruise Control - Main Harness
	084417-01-704	EA	Switch - Brake
	084417-01-705	EA	Transducer
	084417-01-706	EA	Adapter - Speedometer
	084417-01-707	EA	Control Arm
	084417-01-708	EA	Smart Stick - Main Harness
	084417-01-709	EA	Relay - 12V D.C.
	084417-01-710	EA	Relay
	084417-01-711	EA	Brake Switch Asm.
	084417-01-712	EA	Tester - Cruise Control
	084417-01-713	EA	Pilot
	084417-01-714	EA	Servo Asm.
	084417-01-715	EA	Tester - Smart Stick
	084417-01-716	EA	Regulator - Cruise Control
	084417-01-717	EA	Electronic Pkg. - Smart Stick
	084417-01-718	EA	Control Arm - Smart Stick Only
	084417-01-719	EA	Rivet - Nylon Snap
	084417-01-720	EA	Mounting Bracket - GM Switch
	084417-01-721	EA	Shroud - Steering Column - Top

BATH GROUP

BATH HARDWARE

Key	Part Number	U/M	Description
	M01817-01-T03	EA	Bathtub Asm. w/Strainer
	075242-03-000	EA	Faucet - Tub & Shower - Brass
	075240-03-000	EA	Faucet - Lavatory - Brass
**	011048-02-000	EA	Shower Head - w/60" Hose
	011048-04-000	EA	Vacuum Breaker - 1/8 MPT - Nylon - Shower Head
	075606-01-000	EA	Shower Panel - Faucet - Plastic
**	066729-01-000	EA	Strainer - Bathtub Asm.
	066435-01-000	EA	Plug Strainer - Plastic - Bathtub Asm.
	066436-01-000	EA	Slip Nut - 1.5" Tail Piece - Bathtub Asm.
	069735-01-000	EA	Washer - Tail Piece - 1.5" - Plastic - Bathtub Asm.
	011069-02-000	EA	Tailpiece - 1.5" x 1.25" x 4" - Brass - Bathtub Asm.
	080256-03-000	EA	Shroud - Bathtub Asm. - Off White
	058713-01-000	EA	Sink - Oval - Ivory Plastic
**	039341-02-000	EA	Toilet - Thetford - Aqua Magic - Ivory - B420SH
	075452-02-000	EA	Tissue Holder - Brass
	075453-02-000	EA	Towel Bar - 18" - Brass
	075454-02-000	EA	Towel Ring - Brass w/Mounting Hardware
	079235-01-000	EA	Header - Track - Shower Door - Beige
	079234-01-070	EA	Jamb - Shower Door - Rear - Beige
	079234-02-000	EA	Jamb - Shower Door - Front - Beige
	058331-01-000	EA	Mirror - Tempered Glass - 19" x 26"
	058331-05-000	EA	Mirror - Tempered Glass - 12" x 26"
	058331-04-000	EA	Mirror - Tempered Glass - 12" x 42"
	009089-01-000	EA	Clip - Mirror
	057671-01-000	EA	Screw Cover - 1/8" - Antique White
	059777-01-000	EA	Hinge - Antique Brass
	064467-01-000	EA	Guide - Wall Mount - Sliding Door
	080224-01-700	EA	Latch & Catch Asm. - Folding Door
	080224-16-000	EA	Track - Folding Door - Rear
	080224-06-000	EA	Track - Folding Door - "S" Curve - Front
	066433-01-000	EA	Hook - Cup - Bright
	042438-01-000	EA	Rod - Clothes
	009112-01-000	EA	Flange - 1" - Clothes Rod
	071632-01-000	EA	Sag - Hamper - 49" - w/Elastic
	076387-01-000	EA	Bracket - Medicine Cabinet

** The illustrated parts breakdown for this item is provided on the Common Items Fiche.

BATH & WARDROBE CABINETRY

Key	Part Number	U/M	Description
	M81304-01-W07	EA	Cabinet Asm. - Lavatory - w/o Countertop, Doors, or Drawer
	M02162-01-W07	EA	Countertop Asm. - Lavatory Cabinet
	M02162-01-W08	EA	Countertop Asm. - Lavatory Cabinet
	M02162-01-W09	EA	Countertop Asm. - Lavatory Cabinet
	M81501-98-W07	EA	Door Asm. - Lavatory - Hamper - w/o Hardware
	M81501-13-W07	EA	Door Asm. - Lavatory - w/o Hardware
	081893-02-W04	EA	Face - Lavatory Drawer
	077251-01-000	EA	Drawer - Lavatory - Plastic
	081535-03-U01	EA	Door Asm. - Fixed Wall Mirror
	076073-01-000	EA	Cabinet Asm. - Medicine - Almond
	081535-01-U04	EA	Door Asm. - Medicine Cabinet - w/o Hardware
	M02153-01-W07	EA	Countertop Asm. - Pipe Cover
	M02153-01-W08	EA	Countertop Asm. - Pipe Cover
	M02153-01-W09	EA	Countertop Asm. - Pipe Cover
	080224-02-000	EA	Door Asm. - Folding - w/o Hardware - Front
	080224-03-000	EA	Door Asm. - Folding - w/o Hardware - Rear
	079657-01-000	EA	Door Asm. - Folding - Shower - Plastic
	M81501-16-W07	EA	Door Asm. - Wardrobe Cabinet - w/o Hardware
	M81507-04-W07	EA	Door Asm. - Furnace - Wardrobe Cabinet - w/o Hardware
	081508-03-U04	EA	Drawer Asm. - Wardrobe Cabinet - w/o Hardware
	M02176-01-W07	EA	Countertop Asm. - Wardrobe Cabinet

1987 WINNEBAGO TABLE OF CONTENTS

WC420RG	A-01 - B-22
WC/WF424RB	B-23 - D-22
WCN27RU	D-23 - G-04
WCN30RC	G-05 - I-12
WCP34RU	I-13 - K-23

1987 WCN27RU INDEX

Floor Plan	D-23 - D-24
Accessories Group	E-01 - E-03
Bath Group	E-04
Chassis Group	E-05 - E-07
Curtain, Cushion & Pad Group	E-08 - E-14
Dinette Group	E-15
Driver's Compartment Group	E-16 - E-18
Electrical Group	E-19 - E-21
Exterior Body Group	E-22 - F-03
Galley Group	F-04 - F-06
Heating & Air Conditioning Group	F-07
Interior Finish Group	F-08 - F-10
LP Group	F-11
Lounge Group	F-12
Water & Sewage Group	F-13 - F-14
Window, Vent & Exterior Door Group	F-15 - G-04

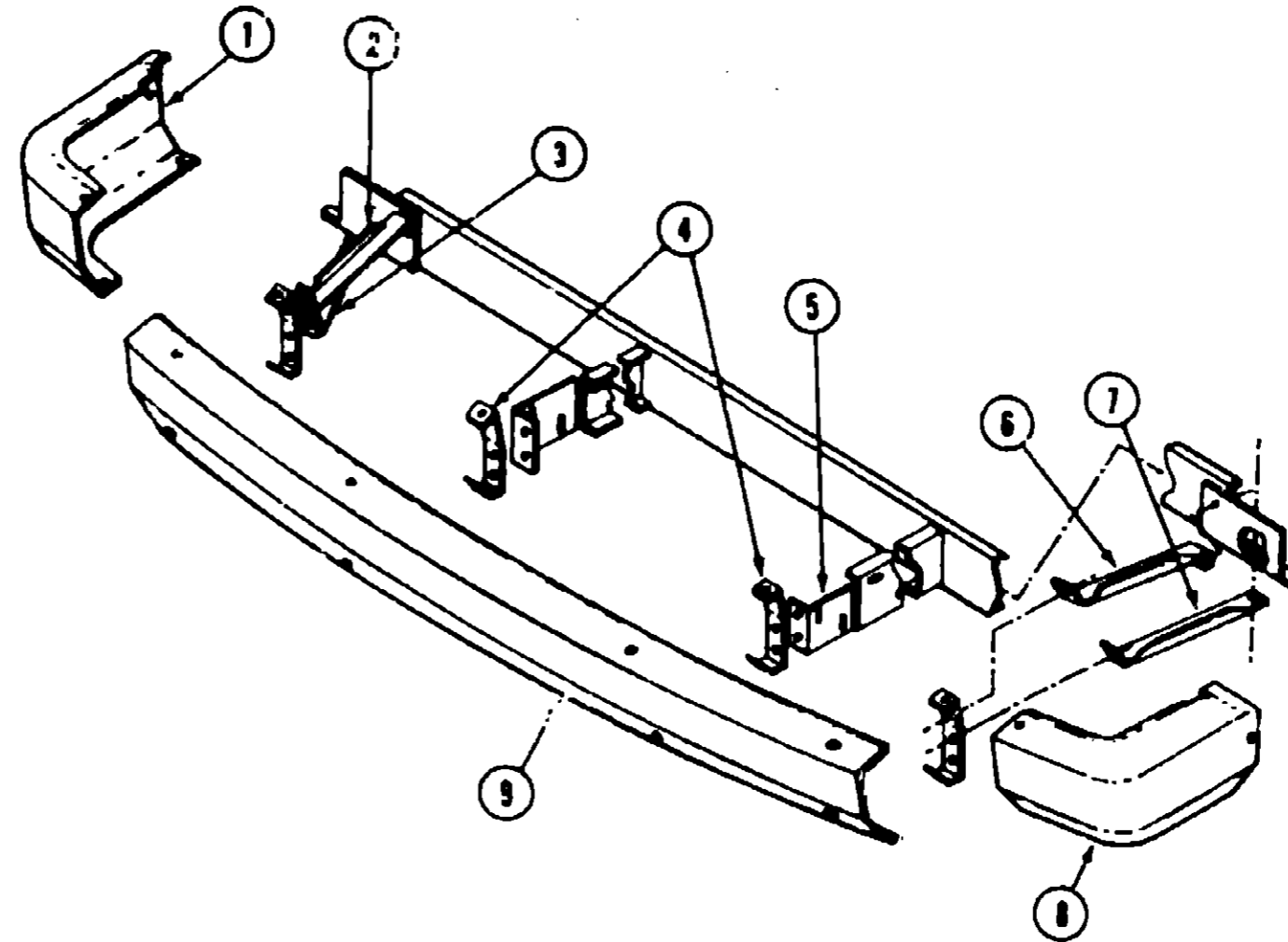
CHASSIS GROUP

MISCELLANEOUS CHASSIS

Key	Part Number	U/M	Description
	062401-04-000	EA	Clamp - Hose - Wormgear - .69" I.D. - 1.25" I.D.
	062401-05-000	EA	Clamp - Hose - Wormgear - 2" I.D. - 3" I.D.
	062401-06-000	EA	Clamp - Hose - Wormgear - .22" I.D. - .62" I.D.
	023146-01-000	EA	Clamp - Screw Type - 4"
	024460-01-000	EA	Compartment - Power Cord - Black Plastic
	071856-01-000	EA	Cover - Radiator - Rear
	080722-01-000	EA	Cover - Radiator - Rear Back (Fan Shroud)
	020197-03-000	EA	Dirt Guard - Rear Wheel
	024138-01-000	FT	Hose - Fuel - 5/16" I.D. SAE 30RI
	066732-01-000	FT	Hose - Fuel Fill - .62 I.D.
	007111-02-000	EA	Hose - Fuel Fill - 2.00 I.D.
	007111-01-000	EA	Hose - Fuel Fill - 2.25 I.D.
	017516-01-000	EA	Mud Flap w/Holes - 14" x 18" - Black
	064862-02-000	EA	Rim - Wheel - 16.0" x 6"
	066273-01-000	EA	Relay - Battery Disconnect
	075146-01-000	EA	Shield - Heat Muffler
	053322-04-000	EA	Heat Shield - Exhaust
	079942-01-000	EA	Shock Absorber - Stabilizer - Front
	079942-02-000	EA	Shock Absorber - Stabilizer - Rear
	063977-08-000	EA	Step Asm. - Driver Door
	063977-10-000	EA	Step Asm. - Passenger Door
	077848-01-000	EA	Step Asm. - Entry
	076241-01-000	EA	Support Asm. - Electric Step
**	061411-03-000	EA	Tailpipe Extension - 2.25" x 10.5'
**	081918-01-000	EA	Tailpipe Extension - 2.25" x 11.44'
	050273-02-000	EA	Tire - 7.5" x 16" - XCA - Tubeless - Michelin
	040546-01-000	EA	Tire - 7.5" x 16" - 16 Ply - Tube - Polyester
	051377-01-000	EA	Valve Stem Asm. - TR500
	055080-01-000	EA	Wheelwell - Plastic
	008343-01-000	EA	Wire Tie - 6"
	047441-01-000	EA	Battery Terminal - Horizontal Lug
	075723-01-000	EA	Block - Switch - Spacer w/o Holes
	051697-01-000	EA	Bracket - Battery Tie Down - 6.9"
**	007125-06-000	EA	Clamp Asm. - Muffler - 2.50"
	010497-01-000	EA	Clamp - Close - 5/8 I.D.
	007161-01-000	EA	Clamp - Hose - Spring Type 112
	062401-01-000	EA	Clamp - Hose - Wormgear - .22" I.D. x 1" I.D.
	062401-02-000	EA	Clamp - Hose - Wormgear - 1.56" I.D. - 2.5" I.D.
	062401-03-000	EA	Clamp - Hose - Wormgear - .25" I.D. - 1" I.D.
	078010-04-000	EA	Door Asm. & Upper Shroud - Fuel Fill - Beige
	072447-01-000	EA	Shroud - Fuel Fill - Inside
	063578-01-000	EA	Boot - Fuel Fill
	077963-01-000	EA	Gasket - Door - Gas Fill
	078200-01-000	EA	Gasket - Fuel Fill
	087149-01-000	EA	Extension - Dipstick

** Remainder of exhaust Components available from chassis service center.

CHASSIS GROUP (CONTINUED)



FRONT BUMPER

Key	Part Number	U/M	Description
1	086415-01-000	EA	Bumper End - Beige - Right Front
2	078102-01-000	EA	Brace - Upper Right - Front Bumper
3	078093-01-000	EA	Brace - Lower Right - Front Bumper
4	077812-01-000	EA	Bracket to Bumper - Front
5	076527-01-000	EA	Bracket to Frame - Front Bumper
6	078001-02-000	EA	Brace - Upper Left - Front Bumper
7	078002-02-000	EA	Brace - Lower Left - Front Bumper
8	086415-03-000	EA	Bumper End - Beige - Left Front
9	077850-01-000	EA	Bumper - Front - Primed
9	077850-07-000	EA	Bumper - Front - Chrome
*	005200-01-000	EA	Carriage Bolt - Chrome - 7/16" x 14 x 1 1/4"
*	000D39-07-008	EA	Nut - Hex - 7/16" - 14
*			Not illustrated

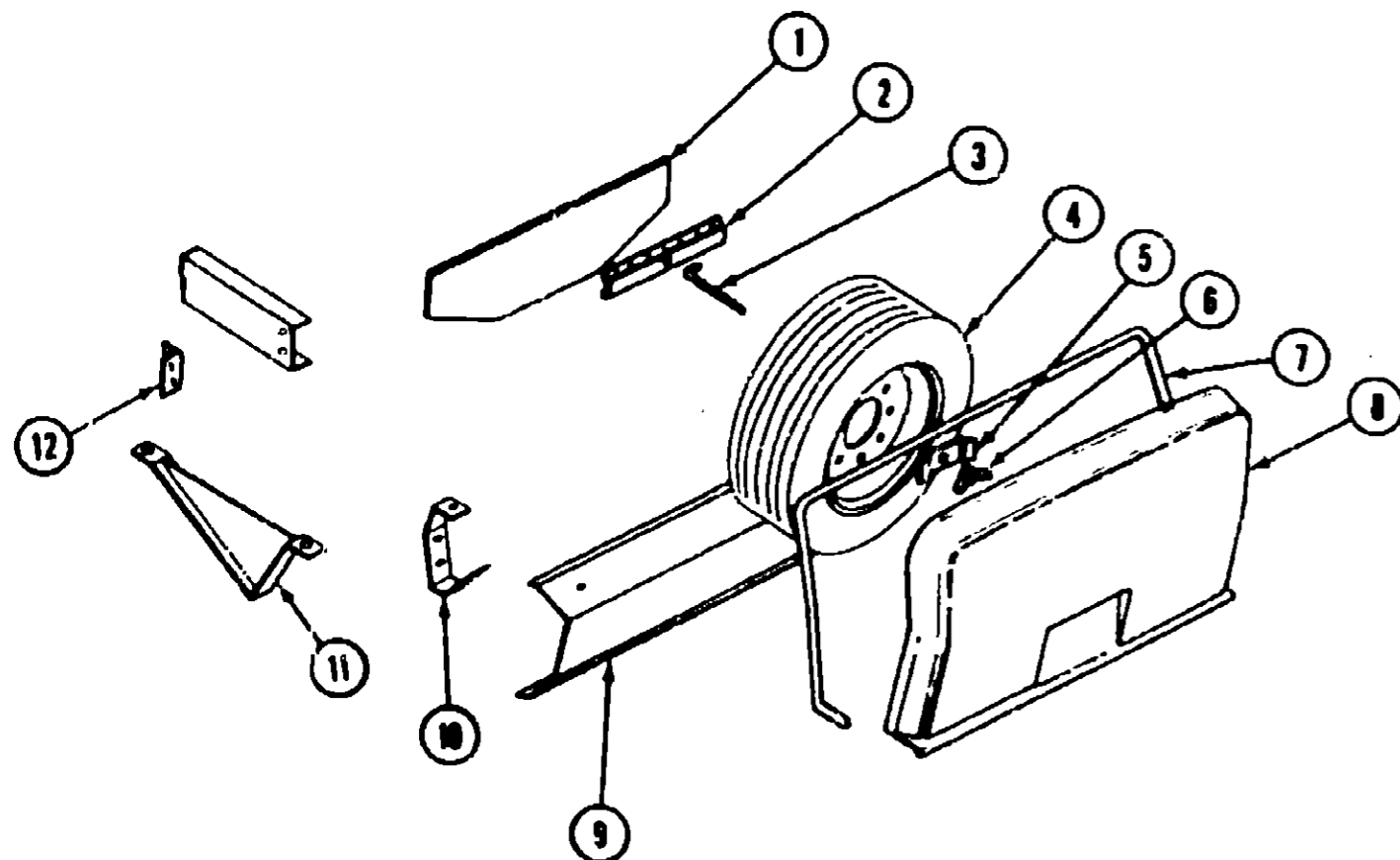
1987 WINNEBAGO TABLE OF CONTENTS

WC420RG	A-01 - B-22
WC/WF424RB	B-23 - D-22
WCN27RU	D-23 - G-04
WCN30RC	G-05 - I-12
WCP34RU	I-13 - K-23

1987 WCN27RU INDEX

Floor Plan	D-23 - D-24
Accessories Group	E-01 - E-03
Bath Group	E-04
Chassis Group	E-05 - E-07
Curtain, Cushion & Pad Group	E-08 - E-14
Dinette Group	E-15
Driver's Compartment Group	E-16 - E-18
Electrical Group	E-19 - E-21
Exterior Body Group	E-22 - F-03
Galley Group	F-04 - F-06
Heating & Air Conditioning Group	F-07
Interior Finish Group	F-08 - F-10
LP Group	F-11
Lounge Group	F-12
Water & Sewage Group	F-13 - F-14
Window, Vent & Exterior Door Group	F-15 - G-04

CHASSIS GROUP (CONTINUED)



SPARE TIRE, HITCH & REAR BUMPER

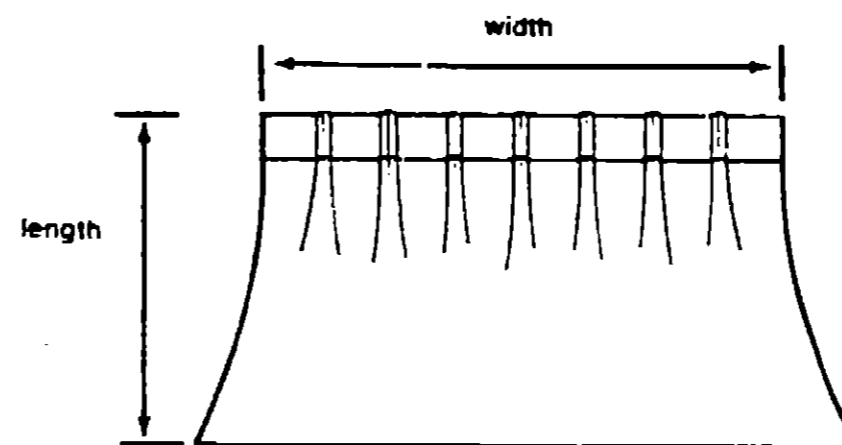
Key	Part Number	U/M	Description
1	077395-01-000	EA	Dust Shield - Spare Tire
2	077403-01-000	EA	Rod Support - Spare Tire
3	077411-01-000	EA	Retaining Rod
4	055273-02-000	EA	Tire - 7.5" x 16" - XCA - Tubeless Michelin
5	077399-01-000	EA	Spare Tire Retainer
6	064081-01-000	EA	Wing Nut
7	073090-01-000	EA	Tire Cover Seal
8	079165-01-W07	EA	Tire Cover Asm.
	077408-01-000	EA	Lock Asm. - Tire Cover
	077759-01-000	EA	Support Spacer - Spare Tire
	077400-01-000	EA	Support - Spare Tire
9	078584-01-000	EA	Bumper - Rear - Primed
9	078584-08-000	EA	Bumper - Rear - Chromed
	NOTE	EA	Bumper Ends (See Exterior Body Group)
10	078670-02-000	EA	Bracket to Bumper - Rear
11	083376-01-000	EA	Skid Plate Asm.
12	078668-01-000	EA	Support Angle - Rear Bumper Support to Frame
	005200-01-000	EA	Bumper Bolt - 7/16" - 14 x 1 1/4
	000039-07-008	EA	Nut - Hex - 7/16" - 14
			Not illustrated

CURTAIN, CUSHION & PAD GROUP

NOTICE

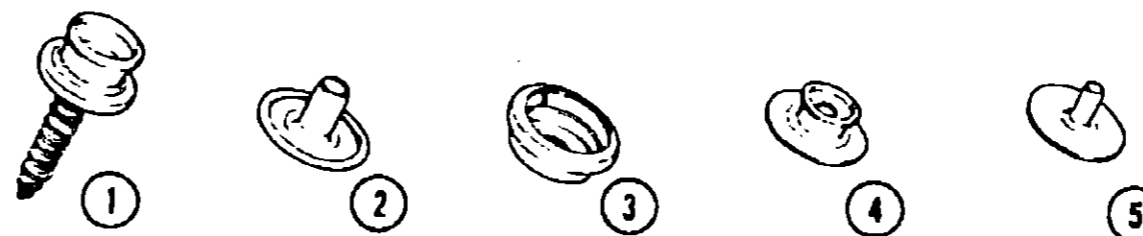
In order to assist our Parts Sales Dept. in providing interior software items, please include the serial number and the color code number from the vehicle certification label when ordering. This label is located on the left sidewall at the end of the dash (A-Body), or on the driver's door latch plate (C-Body).

An example of a color code number is P31, which designates an overall color scheme of a particular unit. The color listed after the item description on the microfiche, indicates the overall unit color. Order the item you desire according to unit color code.



NOTE:

Use this illustration when determining length and width measurements for curtains. You will note the width measurement is taken on the top of the curtain with the curtain fully extended. The length measurement is taken from top to bottom.



Key	Part Number	U/M	Description
1	029130-01-000	EA	Socket - Snap Fastener
2	029155-01-000	EA	Cap - Snap - .156" Dia. x 17" Barrel
3	029156-01-000	EA	Socket - Snap Fastener
4	029092-01-000	EA	Stud - Nickel Finish
5	092093-01-000	EA	Eyelet - Nickel Finish

CURTAIN & CUSHION HARDWARE

Key	Part Number	U/M	Description
	082139-03-000	EA	Bracket - Hold Down - Blinds
	082139-02-000	EA	Bracket - Hold Down - Blinds
	085283-01-000	EA	Bracket - Hold Back - Clear Plastic
	084434-01-000	EA	Bracket - Roller Shade - 1 3/8"
	056003-01-000	EA	Bracket - Drapery Retainer
	056003-02-000	EA	Bracket - Drapery Retainer
	083170-03-000	EA	Bracket - Installation - Right
	083170-04-000	EA	Bracket - Installation - Left
	079619-01-000	EA	Bracket - Tie Back
	080211-03-000	EA	Clip - Decor Pad
	048394-02-000	YD	Tape Hook - .75" x 50 yds. - Beige
	048395-02-000	YD	Tape Loop - .75" x 50 yds. - Beige
	029090-01-000	BT	Tie Back - Drapery - Clear
	056116-01-000	EA	Track - Curtain - Brown Plastic
	079946-01-000	EA	Track - Curtain - Wraparound - Right
	079946-02-000	EA	Track - Curtain - Wraparound - Left

1987 WINNEBAGO TABLE OF CONTENTS

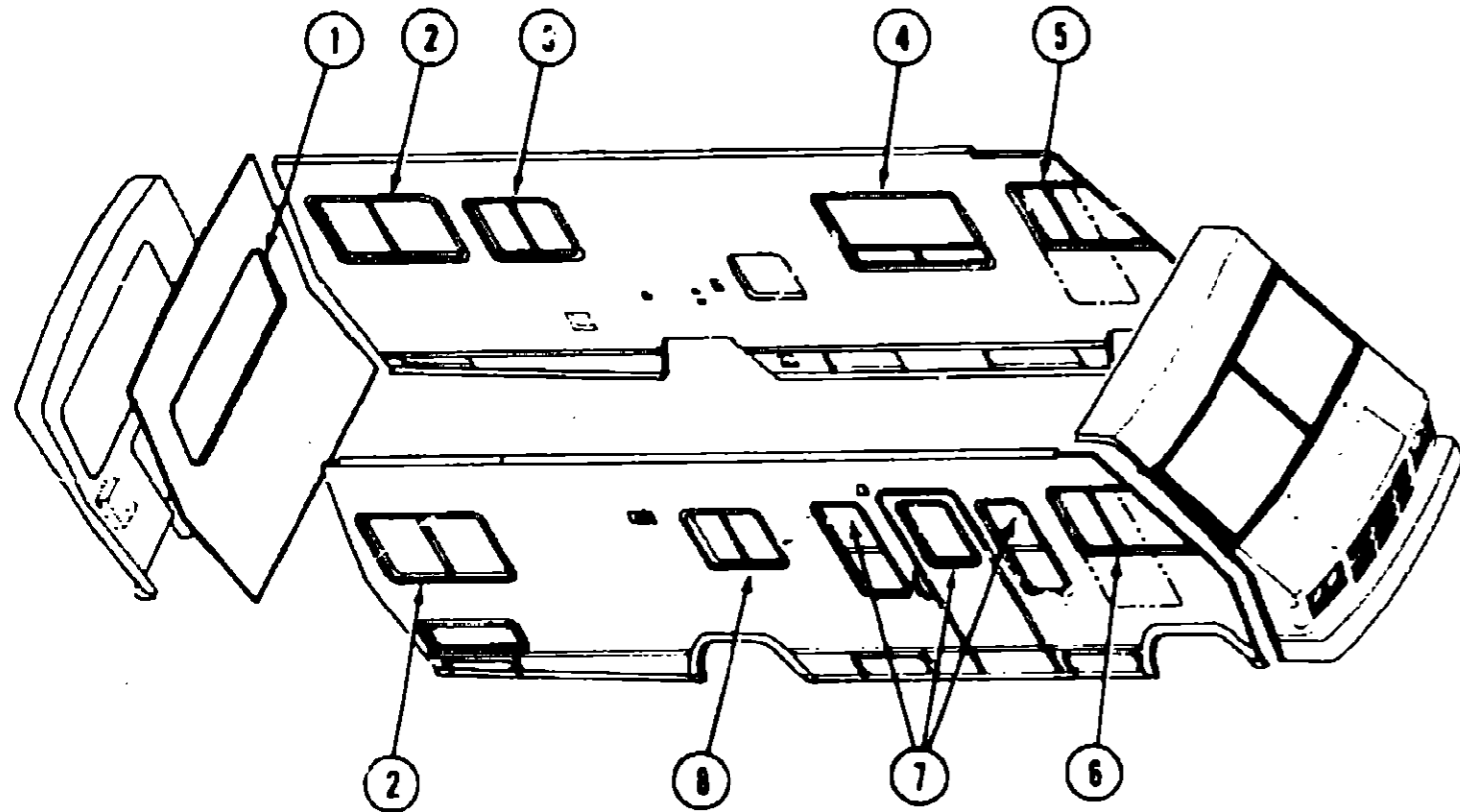
WC420RG
WC/WF424RB
WCN27RU
WCN30RC
WCP34RU

A-01 - B-22
B-23 - D-22
D-23 - G-04
G-05 - I-12
I-13 - K-23

1987 WCN27RU INDEX

Floor Plan	D-23 - D-24
Accessories Group	E-01 - E-03
Bath Group	E-04
Chassis Group	E-05 - E-07
Curtain, Cushion & Pad Group	E-08 - E-14
Dinette Group	E-15
Driver's Compartment Group	E-16 - E-18
Electrical Group	E-19 - E-21
Exterior Body Group	E-22 - F-03
Galley Group	F-04 - F-06
Heating & Air Conditioning Group	F-07
Interior Finish Group	F-08 - F-10
LP Group	F-11
Lounge Group	F-12
Water & Sewage Group	F-13 - F-14
Window, Vent & Exterior Door Group	F-15 - G-04

CURTAIN, CUSHION & PAD GROUP (CONTINUED)



CURTAINS, SHADES, VALANCES & TIEBACKS

Key	Part Number	U/M	Description
1	086480-01-W07	EA	Valance Asm. - Wrapped w/Insert - 76"
1	086480-01-V08	EA	Valance Asm. - Wrapped w/Insert - 76"
1	086480-01-W09	EA	Valance Asm. - Wrapped w/Insert - 76"
1	085190-07-W07	EA	Curtain Asm. - w/Darts & Snap Top - 29.5" x 15"
1	085190-07-W08	EA	Curtain Asm. - w/Darts & Snap Top - 29.5" x 15"
1	085190-07-W09	EA	Curtain Asm. - w/Darts & Snap Top - 29.5" x 15"
1	085200-01-W07	EA	Shade Asm. - Fabric - 72.25"
1	085200-01-W08	EA	Shade Asm. - Fabric - 72.25"
1	085200-01-W09	EA	Shade Asm. - Fabric - 72.25"
2	086480-05-W07	EA	Valance Asm. - Wrapped w/Insert - 50"
2	086480-05-W08	EA	Valance Asm. - Wrapped w/Insert - 50"
2	086480-05-W09	EA	Valance Asm. - Wrapped w/Insert - 50"
2	085190-07-W07	EA	Curtain Asm. - w/Darts & Snap Top - 29.5" x 15"
2	085190-07-W08	EA	Curtain Asm. - w/Darts & Snap Top - 29.5" x 15"
2	085190-07-W09	EA	Curtain Asm. - w/Darts & Snap Top - 29.5" x 15"
2	085200-06-W07	EA	Shade Asm. - Fabric - 47.25"
2	085200-06-W08	EA	Shade Asm. - Fabric - 47.25"
2	085200-06-W09	EA	Shade Asm. - Fabric - 47.25"
†3	085191-02-WB7	EA	Valance Asm. - w/Insert - 35.5" (W07)
3	085191-02-W07	EA	Valance Asm. - w/Insert - 35.5"
3	085191-02-W08	EA	Valance Asm. - w/Insert - 35.5"
3	085191-02-W09	EA	Valance Asm. - w/Insert - 35.5"
†3	073304-39-WB7	EA	Curtain Asm. - w/Snap Top - 27.5" x 10" (W07)
3	073304-39-W07	EA	Curtain Asm. - w/Snap Top - 27.5" x 10"
3	073304-39-W08	EA	Curtain Asm. - w/Snap Top - 27.5" x 10"
3	073304-39-W09	EA	Curtain Asm. - w/Snap Top - 27.5" x 10"
3	082118-B7-000	EA	Blind - Mini - 32" x 26" (W07)
3	082118-B8-000	EA	Blind - Mini - 32" x 26" (W08)
3	082118-B9-000	EA	Blind - Mini - 32" x 26" (W09)
†4	085191-01-WB7	EA	Valance Asm. - w/Insert - 68.5" (W07)
4	085191-01-W04	EA	Valance Asm. - w/Insert - 68.5" (W07)
4	085191-01-W05	EA	Valance Asm. - w/Insert - 68.5" (W08)
4	085191-01-W06	EA	Valance Asm. - w/Insert - 68.5" (W09)

CURTAIN, CUSHION & PAD GROUP (CONTINUED)

CURTAINS, SHADES, VALANCES & TIEBACKS (CONT.)

Key	Part Number	U/M	Description
†4	085190-01-WB7	EA	Curtain Asm. - w/Darts & Snap Top - 37" x 15" (W07)
4	085190-01-W04	EA	Curtain Asm. - w/Darts & Snap Top - 37" x 15" (W07)
4	085190-01-W05	EA	Curtain Asm. - w/Darts & Snap Top - 37" x 15" (W08)
4	085190-01-W06	EA	Curtain Asm. - w/Darts & Snap Top - 37" x 15" (W09)
4	085304-18-000	EA	Blinds - Pleated - 65" x 33" Drop (W07)
4	085304-17-000	EA	Blinds - Pleated - 65" x 33" Drop (W08)
4	085304-16-000	EA	Blinds - Pleated - 65" x 33" Drop (W09)
4	082118-C6-000	EA	Blinds - Mini - 65" x 33" Drop (W07)
4	082118-C7-000	EA	Blinds - Mini - 65" x 33" Drop (W08)
4	082118-C8-000	EA	Blinds - Mini - 65" x 33" Drop (W09)
†5	073304-41-WB7	EA	Curtain Asm. - Front Wraparound w/Lining (W07)
5	073304-41-W07	EA	Curtain Asm. - Front Wraparound w/Lining (W07)
5	073304-41-W08	EA	Curtain Asm. - Front Wraparound w/Lining (W08)
5	073304-41-W30	EA	Curtain Asm. - Front Wraparound w/Lining (W09)
†5	077591-06-WB7	EA	Curtain w/Velcro Top - Bunk Privacy - Driver (W07)
5	077591-06-W07	EA	Curtain w/Velcro Top - Bunk Privacy - Driver (W07)
†5	077591-06-W32	EA	Curtain w/Velcro Top - Bunk Privacy - Driver (W08)
†5	077591-06-W30	EA	Curtain w/Velcro Top - Bunk Privacy - Driver (W09)
†6	073304-40-WB7	EA	Curtain Asm. - Front Wraparound w/Lining (W07)
6	073304-40-V07	EA	Curtain Asm. - Front Wraparound w/Lining (W07)
6	073304-40-W08	EA	Curtain Asm. - Front Wraparound w/Lining (W08)
6	073304-40-V30	EA	Curtain Asm. - Front Wraparound w/Lining (W09)
†6	077591-05-WB7	EA	Curtain w/Velcro Top - Bunk Privacy - Passenger (W07)
6	077591-05-W07	EA	Curtain w/Velcro Top - Bunk Privacy - Passenger (W07)
6	077591-05-W32	EA	Curtain w/Velcro Top - Bunk Privacy - Passenger (W08)
†6	077591-05-W30	EA	Curtain w/Velcro Top - Bunk Privacy - Passenger (W09)
†7	080824-07-WB7	EA	Valance Asm. - w/Insert - 73" (W07)
7	080824-07-W07	EA	Valance Asm. - w/Insert - 73"
7	080824-07-W08	EA	Valance Asm. - w/Insert - 73"
7	080824-07-W09	EA	Valance Asm. - w/Insert - 73"
†7	085190-15-WB7	EA	Curtain Asm. - w/Darts - 45" x 10" (W07)
7	085190-15-W04	EA	Curtain Asm. - w/Darts - 45" x 10" (W07)
7	085190-15-W05	EA	Curtain Asm. - w/Darts - 45" x 10" (W08)
7	085190-15-W06	EA	Curtain Asm. - w/Darts - 45" x 10" (W09)
††7	084755-04-WA7	EA	Shade Asm. - w/Braid - Fabric - 24.25" (W07)
7	084755-04-W04	EA	Shade Asm. - w/Braid - Fabric - 24.25" (W07)
††7	084755-04-WA8	EA	Shade Asm. - w/Braid - Fabric - 24.25" (W08)
7	084755-04-W05	EA	Shade Asm. - w/Braid - Fabric - 24.25" (W08)
††7	084755-04-WA6	EA	Shade Asm. - w/Braid - Fabric - 24.25" (W09)
7	084755-04-W05	EA	Shade Asm. - w/Braid - Fabric - 24.25" (W09)
7	085304-03-000	EA	Blinds - Pleated - 19" x 42" Drop (W07)
7	085304-02-000	EA	Blinds - Pleated - 19" x 42" Drop (W08)
7	085304-01-000	EA	Blinds - Pleated - 19" x 42" Drop (W09)
7	082118-A5-000	EA	Blinds - Mini - 19" x 42.5" Drop (W07)
7	082118-A6-000	EA	Blinds - Mini - 19" x 42.5" Drop (W08)
7	082118-A7-000	EA	Blinds - Mini - 19" x 42.5" Drop (W09)
†8	085191-03-WB7	EA	Valance Asm. - w/Insert - 29.5" (W07)
8	085191-03-W07	EA	Valance Asm. - w/Insert - 29.5"
8	085191-03-W08	EA	Valance Asm. - w/Insert - 29.5"
8	085191-03-W09	EA	Valance Asm. - w/Insert - 29.5"
8	082118-A8-000	EA	Blinds - Mini - 27" x 22" Drop (W07)
8	082118-A9-000	EA	Blinds - Mini - 27" x 22" Drop (W08)
8	082118-B0-000	EA	Blinds - Mini - 27" x 22" Drop (W09)
†	073260-23-WB7	EA	Tie Back Asm. - 3" x 18" - Drapery (W07)
*	073260-23-W04	EA	Tie Back Asm. - 3" x 18" - Drapery (W07)
*	073260-23-W05	EA	Tie Back Asm. - 3" x 18" - Drapery (W07)
*	073260-23-W06	EA	Tie Back Asm. - 3" x 18" - Drapery (W09)
*	057534-01-000	EA	Tie Back Asm. - 6" - Clear Plastic
*	057534-04-000	EA	Tie Back Asm. - 20" - Clear Plastic
*			Not illustrated

† This part used in units produced after 2/1/87.
 †† This part used in units produced after 10/20/86.

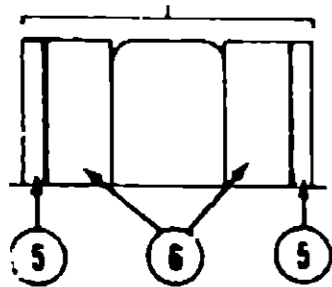
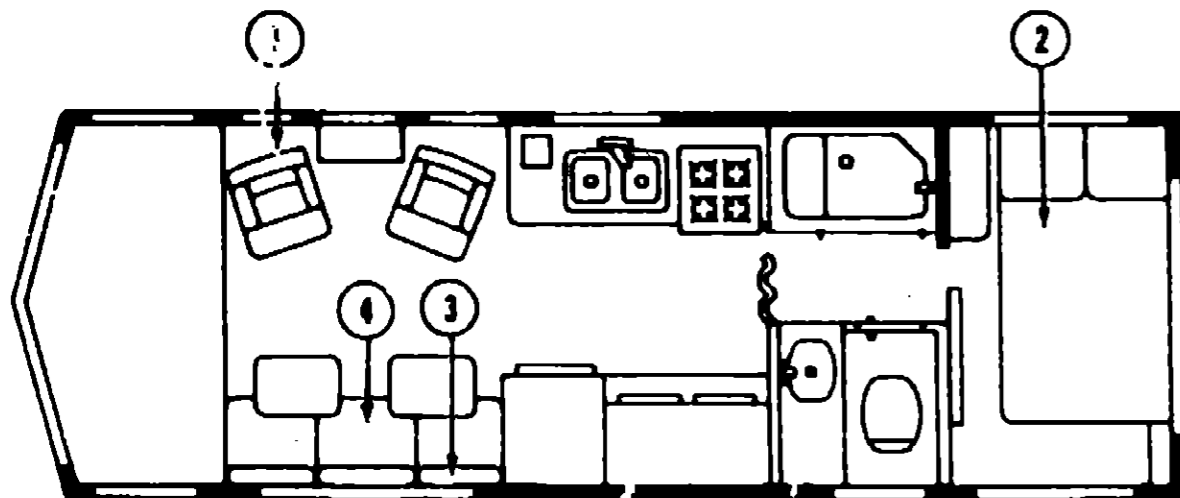
**1987 WINNEBAGO
TABLE OF CONTENTS**

WC420RG	A-01 - B-22
WC/WF424RB	B-23 - D-22
WCN27RU	D-23 - G-04
WCN30RC	G-05 - I-12
WCP34RU	I-13 - K-23

1987 WCN27RU INDEX

Floor Plan	D-23 - D-24
Accessories Group	E-01 - E-03
Bath Group	E-04
Chassis Group	E-05 - E-07
Curtain, Cushion & Pad Group	E-08 - E-14
Dinette Group	E-15
Driver's Compartment Group	E-16 - E-18
Electrical Group	E-19 - E-21
Exterior Body Group	E-22 - F-03
Galley Group	F-04 - F-06
Heating & Air Conditioning Group	F-07
Interior Finish Group	F-08 - F-10
LP Group	F-11
Lounge Group	F-12
Water & Sewage Group	F-13 - F-14
Window, Vent & Exterior Door Group	F-15 - G-04

CURTAIN, CUSHION & PAD GROUP (CONTINUED)



CELEBRITY CHAIR

Key	Part Number	U/M	Description
1	085059-01-W04	EA	Chair Asm. - Celebrity - Jade/Taupe (W07)
1	085059-01-W05	EA	Chair Asm. - Celebrity - Rose (W08)
1	085059-01-W06	EA	Chair Asm. - Celebrity - Taupe (W09)
	085187-01-W04	EA	Skirt Asm. - Celebrity - Jade/Taupe (W07)
	085187-01-W08	EA	Skirt Asm. - Celebrity - Rose (W08)
	085187-01-W09	EA	Skirt Asm. - Celebrity - Taupe (W09)
	035036-01-000	EA	Plate - Tilt & Swivel Chair
	035036-04-000	EA	Base w/Legs - Swivel Chair
	035036-06-000	EA	Extension - 5" - Swivel Chair
*1	086516-01-W07	EA	Chair Asm. - EZ Back Recliner - Jade/Taupe
*1	086516-01-W08	EA	Chair Asm. - EZ Back Recliner - Rose
*1	086516-01-W09	EA	Chair Asm. - EZ Back Recliner - Taupe
	075174-05-W07	EA	Skirt Asm. - Recliner Chair - Jade/Taupe
	075174-05-W08	EA	Skirt Asm. - Recliner Chair - Rose
	075174-05-W09	EA	Skirt Asm. - Recliner Chair - Taupe
	069246-03-000	EA	Adjuster Asm. - TT Chair - w/Lock
	069246-04-000	EA	Adjuster Asm. - TT Chair - w/o Lock
	035036-07-000	EA	Extension - 4" - Recliner Chair
	Parts used on the Reclining Swivel Chair		

DOUBLE BED

Key	Part Number	U/M	Description
2	077478-02-000	EA	Mattress - Innerspring - 48" x 75" x 7.5" - Sealy
2	083496-02-000	EA	Mattress - Foam - 48" x 75" x 7"
	083986-01-W07	EA	Bedsprad Asm. - Fitted - 48" - Jade/Taupe (W07)
	083986-01-W08	EA	Bedsprad Asm. - Fitted - 48" - Rose (W08)
	083986-01-W09	EA	Bedsprad Asm. - Fitted - 48" - Taupe (W09)
	081997-01-W07	EA	Pillow Sham - Quilted - 30" x 26"
	081997-01-W08	EA	Pillow Sham - Quilted - 30" x 26"
	081997-01-W09	EA	Pillow Sham - Quilted - 30" x 26"
	086109-03-W07	EA	Headboard Asm. w/Gathers
	086109-03-W08	EA	Headboard Asm. w/Gathers
	086109-03-W09	EA	Headboard Asm. w/Gathers

CURTAIN, CUSHION & PAD GROUP (CONTINUED)

CONTINENTAL BED

Key	Part Number	U/M	Description
3	081998-17-W07	EA	Pillow Asm. - 16" x 23" x 5" - Jade/Taupe
3	081998-17-W08	EA	Pillow Asm. - 16" x 23" x 5" - Rose
3	081998-17-W09	EA	Pillow Asm. - 16" x 23" x 5" - Taupe
	M01998-17-W07	EA	Cover Asm. - Pillow - 16" x 23" x 5" - Jade/Taupe
	M81998-17-W08	EA	Cover Asm. - Pillow - 16" x 23" x 5" - Rose
	M81998-17-W09	EA	Cover Asm. - Pillow - 16" x 23" x 5" - Taupe
4	079448-04-W07	EA	Bed Asm. - #30 - Jade/Taupe
4	079448-04-W08	EA	Bed Asm. - #30 - Rose
4	079448-04-W09	EA	Bed Asm. - #30 - Taupe
	M79448-04-W07	EA	Cover Asm. - Seat - Jade/Taupe
	M79448-04-W08	EA	Cover Asm. - Seat - Rose
	M79448-04-W09	EA	Cover Asm. - Seat - Taupe
	085060-01-W07	EA	Cushion Asm. - Pillow Armrest
	085060-01-W08	EA	Cushion Asm. - Pillow Armrest
	085060-01-W09	EA	Cushion Asm. - Pillow Armrest
	M85060-01-W07	EA	Cover Asm. - Armrest Cushion
	M85060-01-W08	EA	Cover Asm. - Armrest Cushion
	M85060-01-W09	EA	Cover Asm. - Armrest Cushion

DINETTE CUSHIONS

Key	Part Number	U/M	Description
5	081998-77-W04	EA	Cushion Asm. - Dinette Back - 19.25" x 38" x 5" - Jade/Taupe (W07)
5	081998-77-W05	EA	Cushion Asm. - Dinette Back - 19.25" x 38" x 5" - Rose (W08)
5	081998-77-W06	EA	Cushion Asm. - Dinette Back - 19.25" x 38" x 5" - Taupe (W09)
	M31998-77-W04	EA	Cover Asm. - Dinette Back Cushion - 19.25" x 38" x 5" - Jade/Taupe (W07)
	M81998-77-W05	EA	Cover Asm. - Dinette Back Cushion - 19.25" x 38" x 5" - Rose (W08)
	M81998-77-W06	EA	Cover Asm. - Dinette Back Cushion - 19.25" x 38" x 5" - Taupe (W09)
6	081998-78-W04	EA	Cushion Asm. - Dinette Seat - 17.5" x 38" x 5" - Jade/Taupe (W07)
6	081998-78-W05	EA	Cushion Asm. - Dinette Seat - 17.5" x 38" x 5" - Rose (W08)
6	081998-78-W06	EA	Cushion Asm. - Dinette Seat - 17.5" x 38" x 5" - Taupe (W09)
	M81998-78-W04	EA	Cover Asm. - Dinette Seat Cushion - 17.5" x 38" x 5" - Jade/Taupe (W07)
	M81998-78-W05	EA	Cover Asm. - Dinette Seat Cushion - 17.5" x 38" x 5" - Rose (W08)
	M81998-78-W06	EA	Cover Asm. - Dinette Seat Cushion - 17.5" x 38" x 5" - Taupe (W09)

FRONT BUNK

Key	Part Number	U/M	Description
	079145-04-00	EA	Cushion Asm. - Front Bunk - 4" x 34" - 78"
	M79145-04-000	EA	Cover Asm. - Front Bunk Cushion - 4" x 34" x 78"
	079144-02-T03	EA	Bunk Strap - Vinyl

1987 WINNEBAGO TABLE OF CONTENTS

WC420RG	A-01 - B-22
WC/WF424RB	B-23 - D-22
WCN27RU	D-23 - G-04
WCN30RC	G-05 - I-12
WCP34RU	I-13 - K-23

1987 WCN27RU INDEX

Floor Plan	D-23 - D-24
Accessories Group	E-01 - E-03
Bath Group	E-04
Chassis Group	E-05 - E-07
Curtain, Cushion & Pad Group	E-08 - E-14
Dinette Group	E-15
Driver's Compartment Group	E-16 - E-18
Electrical Group	E-19 - E-21
Exterior Body Group	E-22 - F-03
Galley Group	F-04 - F-06
Heating & Air Conditioning Group	F-07
Interior Finish Group	F-08 - F-10
LP Group	F-11
Lounge Group	F-12
Water & Sewerage Group	F-13 - F-14
Window, Vent & Exterior Door Group	F-15 - G-04

CURTAIN, CUSHION & PAD GROUP (CONTINUED)

BUCKET SEATS

Key	Part Number	U/M	Description
	084191-02-W04	EA	Seat Asm. - Comet I - Jade/Taupe (W07)
	084191-02-W05	EA	Seat Asm. - Comet I - Rose (W08)
	084191-02-W08	EA	Seat Asm. - Comet I - Taupe (W09)
	M01864-23-W04	EA	Cover Asm. - Seat Bottom - Jade/Taupe (W07)
	M01864-23-W05	EA	Cover Asm. - Seat Bottom - Rose (W08)
	M01864-21-W08	EA	Cover Asm. - Seat Bottom - Taupe (W09)
	MU1864-24-W04	EA	Cover Asm. - Seat Back - Jade/Taupe (W07)
	M01864-24-W05	EA	Cover Asm. - Seat Back - Rose (W08)
	M01864-22-W08	EA	Cover Asm. - Seat Back - Taupe (W09)
	078804-07-W07	EA	Seat Asm. - Granduer - Jade/Taupe
	078804-07-W08	EA	Seat Asm. - Granduer - Rose
	078804-07-W09	EA	Seat Asm. - Granduer - Taupe
	M01863-01-W07	EA	Cover Asm. - Bucket Seat Bottom - Jade/Taupe
	M01863-01-W08	EA	Cover Asm. - Bucket Seat Bottom - Rose
	M01863-01-W09	EA	Cover Asm. - Bucket Seat Bottom - Taupe
	M01863-02-W07	EA	Cover Asm. - Bucket Seat Back - Jade/Taupe
	M01863-02-W08	EA	Cover Asm. - Bucket Seat Back - Rose
	M01863-02-W09	EA	Cover Asm. - Bucket Seat Back - Taupe
	080243-07-W04	EA	Armrest Asm. - Right - Jade/Taupe (W07)
	080243-07-W05	EA	Armrest Asm. - Right - Rose (W08)
	080243-07-W06	EA	Armrest Asm. - Right - Taupe (W09)
	080243-08-W04	EA	Armrest Asm. - Left - Jade/Taupe (W07)
	080243-08-W05	EA	Armrest Asm. - Left - Rose (W08)
	080243-08-W06	EA	Armrest Asm. - Left - Taupe (W09)
	M80243-01-W04	EA	Cover Asm. - Armrest - Right - Jade/Taupe (W07)
	M80243-01-W05	EA	Cover Asm. - Armrest - Right - Rose (W08)
	M80243-01-W06	EA	Cover Asm. - Armrest - Right - Taupe (W09)
	M80243-02-W04	EA	Cover Asm. - Armrest - Left - Jade/Taupe (W07)
	M80243-02-W05	EA	Cover Asm. - Armrest - Left - Rose (W08)
	M80243-02-W06	EA	Cover Asm. - Armrest - Left - Taupe (W09)
	080242-04-W04	EA	Headrest Asm. - Jade/Taupe (W07)
	080242-04-W05	EA	Headrest Asm. - Rose (W08)
	080242-04-W06	EA	Headrest Asm. - Taupe (W09)
	M80242-01-W04	EA	Cover Asm. - Headrest - Jade/Taupe (W07)
	M80242-01-W05	EA	Cover Asm. - Headrest - Rose (W08)
	M80242-01-W06	EA	Cover Asm. - Headrest - Taupe (W09)
	071126-16-W07	EA	Skirt Asm. - Single Bucket - Jade/Taupe
	071126-16-W08	EA	Skirt Asm. - Single Bucket - Rose
	071126-16-W09	EA	Skirt Asm. - Single Bucket - Taupe
	079281-02-W07	EA	Seat Asm. - Double Bucket - Jade/Taupe
	079281-02-W08	EA	Seat Asm. - Double Bucket - Rose
	079281-02-W09	EA	Seat Asm. - Double Bucket - Taupe
	M01874-03-W07	EA	Cover Asm. - Bucket Seat Bottom - Double Bucket - Jade/Taupe
	M01874-03-W08	EA	Cover Asm. - Bucket Seat Bottom - Double Bucket - Rose
	M01874-03-W09	EA	Cover Asm. - Bucket Seat Bottom - Double Bucket - Taupe
	M01874-04-W07	EA	Cover Asm. - Bucket Seat Back - Double Bucket - Jade/Taupe
	M01874-04-W08	EA	Cover Asm. - Bucket Seat Back - Double Bucket - Rose
	M01874-04-W09	EA	Cover Asm. - Bucket Seat Back - Double Bucket - Taupe
	080243-02-W07	EA	Armrest Asm. - Left - Double Bucket - Jade/Taupe
	080243-02-W08	EA	Armrest Asm. - Left - Double Bucket - Rose
	080243-02-W09	EA	Armrest Asm. - Left - Double Bucket - Taupe
	080242-01-W07	EA	Headrest Asm. - Double Bucket - Jade/Taupe
	080242-01-W08	EA	Headrest Asm. - Double Bucket - Rose
	080242-01-W09	EA	Headrest Asm. - Double Bucket - Taupe
	071126-04-W07	EA	Skirt Asm. - Double Bucket - Jade/Taupe
	071126-04-W08	EA	Skirt Asm. - Double Bucket - Rose
	071126-04-W09	EA	Skirt Asm. - Double Bucket - Taupe

CURTAIN, CUSHION & PAD GROUP (CONTINUED)

FABRICS, TRIMS & PADS

Key	Part Number	U/M	Description
	077498-91-000	YD	Fabric - Main w/Pattern - Jade/Taupe (W07)
	074498-92-000	YD	Fabric - Main w/Pattern - Rose (W08)
	077498-93-000	YD	Fabric - Main w/Pattern - Taupe (W09)
	074498-A6-000	YD	Fabric - Patterned Accent - Jade/Taupe (W07)
	074498-A5-000	YD	Fabric - Patterned Accent - Rose (W08)
	074498-A7-000	YD	Fabric - Patterned Accent - Taupe (W09)
	074498-95-000	YD	Fabric - Plain Accent - Jade/Taupe (W07)
	074498-91-000	YD	Fabric - Plain Accent - Rose (W08)
	074498-96-000	YD	Fabric - Plain Accent - Taupe (W09)
	069729-47-000	YD	Fabric - Bedspread/Draper - Jade/Taupe (W07)
	069729-48-000	YD	Fabric - Bedspread/Draper - Rose (W08)
	069729-49-000	YD	Fabric - Bedspread/Draper - Taupe (W09)
	072333-34-000	YD	Fabric - Bedroom Accent/Tieback - Jade/Taupe (W07)
	072333-35-000	YD	Fabric - Bedroom Accent/Tieback - Rose (W08)
	072333-36-000	YD	Fabric - Bedroom Accent/Tieback - Taupe (W09)
†	077333-47-000	YD	Fabric - Drapery - Jade/Taupe (W07)
	072333-39-000	YD	Fabric - Drapery - Jade/Taupe (W07)
	072333-37-000	YD	Fabric - Drapery - Rose (W08)
	072333-38-000	YD	Fabric - Drapery - Taupe (W09)
	081607-02-000	YD	Fabric - Headliner - Sandstone
	087272-01-000	YD	Fabric - Drapery Lining - Ivory - 48"
	072333-44-000	YD	Fabric - Drapery - Natural (Pull Shades)
	079680-01-000	YD	Vinyl - Expanded - 26 oz. - Buckskin
	079680-02-000	YD	Vinyl - Expanded - 26 oz. - Sandrift
	038421-02-000	YD	Fabric - Mattress Ticking - Beige/Brown
	038421-04-000	YD	Fabric - Mattress Ticking - Cashew
	057550-05-T03	EA	Button Asm. - Nail #36 - 3/8" Shank - Vinyl
	070578-06-T03	EA	Button Asm. - Screw Stud - #30 - Vinyl
	057093-01-T03	EA	Button Asm. - Nail #30 - Vinyl
	071127-12-W07	EA	Button Asm. - Round Hook - #30 - Jade/Taupe
	071127-12-W08	EA	Button Asm. - Round Hook - #30 - Rose
	071127-12-W09	EA	Button Asm. - Round Hook - #30 - Taupe
	071127-10-W04	EA	Button Asm. - Round Hook - #30 - Jade/Taupe (W07)
	071127-10-W05	EA	Button Asm. - Round Hook - #30 - Rose (W08)
	071127-10-W06	EA	Button Asm. - Round Hook - #30 - Taupe (W09)
	078155-01-000	EA	Strap Asm. - Cushion
	079144-02-T03	EA	Strap Asm. - Bunk
	081519-01-W04	EA	Pad Asm. - Dinette - Front - Jade/Taupe (W07)
	081519-01-W05	EA	Pad Asm. - Dinette - Front - Rose (W08)
	081519-01-W06	EA	Pad Asm. - Dinette - Front - Taupe (W09)
	081519-02-W04	EA	Pad Asm. - Dinette - Rear - Jade/Taupe (W07)
	081519-02-W05	EA	Pad Asm. - Dinette - Rear - Rose (W08)
	081519-02-W06	EA	Pad Asm. - Dinette - Rear - Taupe (W09)
	059414-06-000	EA	Pad Asm. - Trim - Sidewall - Right - Vinyl
	059467-04-T03	EA	Pad Asm. - Map Pocket - Right Vinyl

† Used in units produced after 2/1/87.

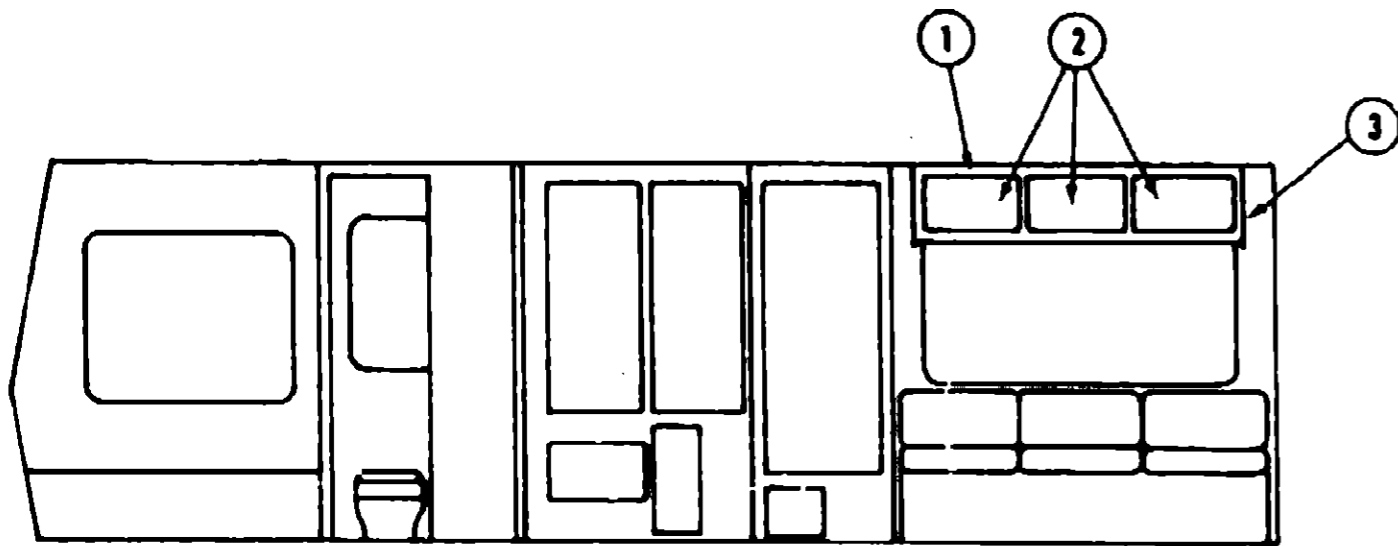
**1987 WINNEBAGO
TABLE OF CONTENTS**

WC420RG	A-01 - B-22
WC/WF424RB	B-23 - D-22
WCN27RU	D-23 - G-04
WCN30RC	G-05 - I-12
WCP34RU	I-13 - K-?3

1987 WCN27RU INDEX

Floor Plan	D-23 - D-24
Accessories Group	E-01 - E-03
Bath Group	E-04
Chassis Group	E-05 - E-07
Curtain, Cushion & Pad Group	E-08 - E-14
Dinette Group	E-15
Driver's Compartment Group	E-16 - E-18
Electrical Group	E-19 - E-21
Exterior Body Group	E-22 - F-03
Galley Group	F-04 - F-06
Heating & Air Conditioning Group	F-07
Interior Finish Group	F-08 - F-10
LP Group	F-11
Lounge Group	F-12
Water & Sewage Group	F-13 - F-14
Window, Vent & Exterior Door Group	F-15 - G-04

DINETTE GROUP



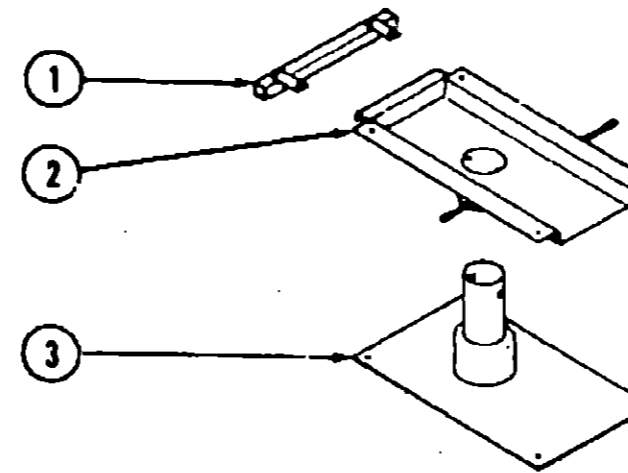
MAGIC BED & OVERHEAD CABINTRY

Key	Part Number	U/M	Description
	081302-16-W07	EA	Cabinet Asm. - Overhead - w/o Door or Hardware
	M81503-01-W07	EA	Door Asm. - Overhead - w/o Hardware
	081325-01-T03	EA	Pad Asm. - End Cap - Overhead - Right - Beige Vinyl
	081298-01-U04	EA	Table Asm. w/o Hardware
	009040-01-000	EA	Leg - Pedestal Table - 25.5" x 2.25" O.D. - Chrome
	009040-06-000	EA	Pedestal Table - 2.25" O.D. x 27.5" - Tall
	009040-03-000	EA	Base - Table Leg - Mounts on Table
	041194-01-000	EA	Base - Table Leg - Mounts in Floor
	062046-01-000	EA	Clip - Pedestal Leg
			Not illustrated

DINETTE (OPTION)

Key	Part Number	U/M	Description
	M81501-10-W04	EA	Door Asm. - Dinette Seat Cabinet - Right - 10.1" x 19.1" - w/o Hardware
	M02175-02-W04	EA	Cabinet Asm. - Dinette Seat - Front - w/o Door or Hardware
	M02175-04-W04	EA	Cabinet Asm. - Dinette Seat - Rear - w/o Door or Hardware
	M02174-04-W07	EA	Cabinet Asm. - Dinette Seat Back - Rear
	M02174-01-W07	EA	Cabinet Asm. - Dinette Seat Back - Front
	M02115-03-U17	EA	Table Asm. - Dinette - w/o Hardware
	053200-05-000	EA	Bracket - Upper Wall Mount - 23.5" - Beige
	053201-03-000	EA	Bracket - Table Mount - 23"
	024275-05-000	EA	Rod - Table Lift - 8" x 23.5" - Beige
	024276-14-000	EA	Leg Asm. - Table - 29.5" - Brown
	024281-07-000	EA	Bracket - Lower Wall Mount - 22.12" - Beige
	024282-01-000	EA	Brace - Table Leg
	024283-01-000	EA	Clip - 1" O.D. Tube
	049493-03-000	EA	Catch - Table Leg - Mounts on Floor - Beige
	064050-01-000	EA	Hinge - Table Leg
	064781-02-000	EA	Cup Holder - Beige

DRIVER'S COMPARTMENT



BUCKET SEAT PEDESTAL & SEAT BELTS

Key	Part Number	U/M	Description
	069585-29-000	EA	Bar - Seat Belt - 20"
	069585-27-000	EA	Plate - Top - Pedestal Asm. - Single Bucket Seat
	069585-20-000	EA	Plate - Top - Pedestal Asm. - Powered Seat
	069585-10-000	EA	Plate - Top - Pedestal Asm. - Double Bucket Seat
	069585-08-000	EA	Plate - Sub - Pedestal Asm. - Bucket Seat
	069585-05-000	EA	Hardware Kit - Bolt/Acorn Nut - 4 ea. - Pedestal Asm.
	007019-01-000	EA	Bolt Asm. - Seat - 2" x 84" - Black
	007021-01-000	EA	Belt Asm. - Seat - 2" x 90" - Black
	056271-02-000	EA	Belt Asm. - Seat - 2" x 72" - Black
	069246-01-000	EA	Adjuster Asm. - Seat - w/Lock
	069246-02-000	EA	Adjuster Asm. - Seat - w/o Lock
	081373-02-000	EA	Power Seat Adjustment Asm. - w/Frame
	081373-02-700	EA	Switch Asm. Package
	081373-02-701	EA	Harness Asm. - Left
	081373-02-702	EA	Harness Asm. - Right
	081373-02-703	EA	Horizontal Adjustment Package
	081373-02-704	EA	Vertical Adjustment Package
			Not illustrated

DASH SWITCHES & GAUGES

Key	Part Number	U/M	Description
	024461-01-000	EA	Switch - Battery
	024462-01-000	EA	Switch - Battery Condition
	065963-04-000	EA	Switch - Battery - Dual Boost
	065963-02-000	EA	Switch - Fuel - 5 Posi
	065963-03-000	EA	Switch - Fuel - 6 Posi
	024573-01-000	EA	Switch - Generator w/o Circuit Board
	024453-04-000	EA	Gauge - Voltmeter
	024460-04-000	EA	Gauge - Vacuum
	031035-02-000	EA	Gauge - Generator Hourmeter

FRONT BUNK & PULL DOWN STORAGE

Key	Part Number	U/M	Description
	076760-03-000	EA	Overhead Bunk Hardware
	081717-01-W07	EA	Bed Asm. - Front Bunk
	079144-02-T03	EA	Bunk Strap
	042541-04-000	EA	Latch Asm. - w/o Strike - Brass
	042541-05-000	EA	Latch Strike - Brass
	080855-09-000	EA	Side Trim - Right Front - Upper
	080856-05-000	EA	Side Trim - Right Front - Lower
	080855-10-000	EA	Side Trim - Left Front - Upper
	080856-06-000	EA	Side Trim - Left Front - Lower

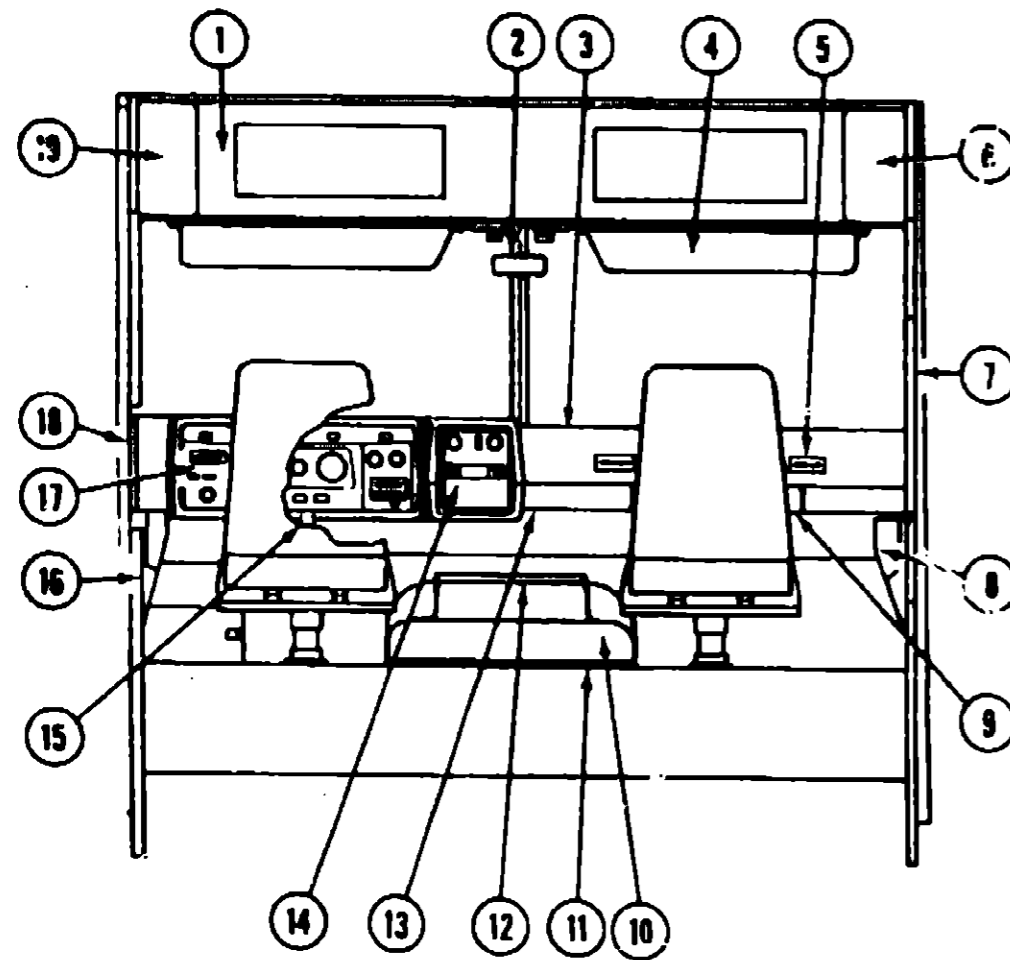
1987 WINNEBAGO TABLE OF CONTENTS

WC420RG	A-01 - B-22
WC/WF424RB	B-23 - D-22
WCN27RU	D-23 - G-04
WCN30RC	G-05 - I-12
WCP34RU	I-13 - K-23

1987 WCN27RU INDEX

Floor Plan	D-23 - D-24
Accessories Group	E-01 - E-03
Bath Group	E-04
Chassis Group	E-05 - E-07
Curtain, Cushion & Pad Group	E-08 - E-14
Dinette Group	E-15
Driver's Compartment Group	E-16 - E-18
Electrical Group	E-19 - E-21
Exterior Body Group	E-22 - F-03
Galley Group	F-04 - F-06
Heating & Air Conditioning Group	F-07
Interior Finish Group	F-08 - F-10
LP Group	F-11
Lounge Group	F-12
Water & Sewage Group	F-13 - F-14
Window, Vent & Exterior Door Group	F-15 - G-04

DRIVER'S COMPARTMENT GROUP (CONTINUED)



MISCELLANEOUS DRIVER'S COMPARTMENT COMPONENTS

Key	Part Number	U/M	Description
1	086413-01-000	EA	Header - Front - Light Oak
.	083917-01-W07	EA	Cabinet Asm. - Front Overhead - w/o Bunk
2	040714-01-700	EA	Mirror - Inside Rear View - w/Button Support
**3	M01113-17-W07	EA	Dash Asm. - Complete - w/Gauges & Switches
.	079089-01-000	EA	Dash Pad - Passenger - Brown
.	079088-01-000	EA	Dash Pad - Drivers - Brown
.	024990-01-000	EA	Outlet - Defroster w/Swivel - 2"
.	086491-01-000	EA	Gasket - Defroster Outlet
4	082286-01-U04	EA	Sunvisor Asm. - Left
.	082286-03-U04	EA	Sunvisor Asm. - Right
.	085709-01-000	EA	Clip Asm. - Sunvisor - Black
5	039044-01-000	EA	Louver Asm. - Air Conditioning Adjustable
6	080855-07-000	EA	Side Trim - Right Front - Upper (w/o Bunk)
.	080856-03-000	EA	Side Trim - Right Front - Lower (w/o Bunk)
.	083918-01-W07	EA	Cabinet Asm. - Front Overhead - Right - w/c Bunk
7	059414-06-000	EA	Pad - Sidewall Trim - Passenger - Vinyl
8	072811-01-000	EA	Side Panel - Passenger - Plastic
.	059467-04-T03	EA	Pad - Map Pocket - Passenger - Vinyl
9	022219-01-000	EA	Glove Compartment Door
.	023892-01-000	EA	Glove Compartment Box - Black Fiberboard
.	009118-01-000	EA	Glove Compartment Twist Lock
.	024598-01-000	EA	Glove Compartment Hinge
.	034309-01-000	EA	Glove Compartment Chain - Door
10	075939-01-000	EA	Motor Cover - Fiberglass
.	075564-01-000	EA	Mounting Bracket - Motor Cover
11	039623-01-000	FT	Seal - Engine Cover - Neoprene
.			Not illustrated

NOTE: To be special ordered only.

DRIVER'S COMPARTMENT GROUP (CONTINUED)

MISCELLANEOUS DRIVER'S COMPARTMENT COMPONENTS (CONT.)

Key	Part Number	U/M	Description
12	080216-01-000	EA	Beverage Tray
13	023834-01-000	EA	Panel - Knee Kick - Bottom of Dash
14	076006-12-000	EA	Bezel - Entertainment Center - w/Radio & Generator Switch Cutout
.	076006-11-000	EA	Bezel - Entertainment Center - w/Radio Cutout
†14	076006-18-000	EA	Bezel - Entertainment Center - w/Radio & Generator Switch Cutout - Flat Black
†14	076006-17-000	EA	Bezel - Entertainment Center - w/Radio Cutout - Flat Black
15	078245-01-000	EA	Steering Column Boot - Vinyl
16	082471-02-000	EA	Panel - Drivers Door - Inner - Plastic
.	046886-03-000	EA	Ash Tray - Chrome
†17	086296-08-000	EA	Bezel - Control Panel - Black
17	086296-01-000	EA	Bezel - Control Panel
.	086408-01-000	EA	Trim - Instrument Panel - Front - Passenger
.	086409-01-000	EA	Trim - Instrument Panel - Front - Driver
.	052367-01-000	EA	Cigarette Lighter Asm. - 12 Volt
.	007041-01-000	EA	Bezel - Cigarette Lighter
.	061424-01-000	EA	Lamp Asm. - Map/Gauge
.	061400-06-000	EA	Assist Strap - 12" - Medium Almond
18	059414-05-000	EA	Pad - Sidewall Trim - Driver - Vinyl
19	080855-08-000	EA	Side Trim - Left Front - Upper (w/o Bunk)
.	080856-04-000	EA	Side Trim - Left Front - Lower (w/o Bunk)
.	083918-02-W07	EA	Cabinet Asm. - Front Overhead - Left - w/o Bunk
.	054250-01-000	EA	Support - Dimmer Switch - w/o Holes
.	077114-04-000	EA	Windshield Trim - Center
.	085483-02-000	EA	Windshield Trim - Interior - Post - Passenger
.	085483-01-000	EA	Windshield Trim - Interior - Post - Driver
.			Not illustrated
†			Used in units produced after 2/15/87

ELECTRONIC INSTRUMENT PANEL (OPTION)

Key	Part Number	U/M	Description
	NOTE	EA	Electronic Instrument Panel
	086296-04-000	EA	Bezel - Electronic - Instrument Panel
	082124-01-000	EA	Bezel - Smoked Insert - Electronic Instrument Panel
	076006-06-000	EA	Bezel - Entertainment Center - w/Radio - Black
			NOTE: This item available from your Chrysler Service Center.

**1987 WINNEBAGO
TABLE OF CONTENTS**

WC420RG	A-01 - B-22
WC/WF424RB	B-23 - D-22
WCN27RU	D-23 - G-04
WCN30RC	G-05 - I-12
WCP34RU	I-13 - K-23

1987 WCN27RU INDEX

Floor Plan	D-23 - D-24
Accessories Group	E-01 - E-03
Bath Group	E-04
Chassis Group	E-05 - E-07
Curtain, Cushion & Pad Group	E-08 - E-14
Dinette Group	E-15
Driver's Compartment Group	E-16 - E-18
Electrical Group	E-19 - E-21
Exterior Body Group	E-22 - F-03
Galley Group	F-04 - F-06
Heating & Air Conditioning Group	F-07
Interior Finish Group	F-08 - F-10
LP Group	F-11
Lounge Group	F-12
Water & Sewage Group	F-13 - F-14
Window, Vent & Exterior Door Group	F-15 - G-04

ELECTRICAL GROUP

BULBS

Key	Part Number	U/M	Description
	008220-01-000	EA	Bulb - 12V - 25W
	008103-01-000	EA	Bulb - 53
	008213-01-000	EA	Bulb - 57
	008214-01-000	EA	Bulb - 67
	036196-01-000	EA	Bulb - 194
	008215-01-000	EA	Bulb - 1003
	067479-01-000	EA	Bulb - 1076
	063914-01-000	EA	Bulb - 1139
	008218-01-000	EA	Bulb - 1141
	037935-01-000	EA	Bulb - 1157
	056288-02-000	EA	Bulb - 9431808 - Dome Light

FUSES & CIRCUIT BREAKERS

Key	Part Number	U/M	Description
	008208-01-000	EA	Circuit Breaker - 40 Amp. - 12 Volt
	033573-02-000	EA	Circuit Breaker - 15 Amp. - 12 Volt - w/Mount
	033573-01-000	EA	Circuit Breaker - 20 Amp. - 12 Volt - w/Mount
	008268-01-000	EA	Circuit Breaker - 30 Amp. - 12 Volt - w/Mount
	071279-05-000	EA	Circuit Breaker - 20 Amp. - 120 Volt
	071279-03-000	EA	Circuit Breaker - 15/20 Amp. - 120 Volt
	071279-01-000	EA	Circuit Breaker - 15/30 Amp. - 120 Volt
	071280-01-000	EA	Circuit Breaker Blank
	050283-02-000	EA	Circuit Breaker - Buss Bar
	071279-07-000	EA	Circuit Breaker - 20/20 - 120 Volt
	083209-01-000	EA	Circuit Breaker - 15 Amp - 120 Volt
	083209-03-000	EA	Circuit Breaker - 15/20 Amp. - 120 Volt
	083209-04-000	EA	Circuit Breaker - 30 Amp - 120 Volt
	083209-05-000	EA	Circuit Breaker - 20 Amp - 120 Volt
	083209-06-000	EA	Circuit Breaker - 30/15 Amp - 120 Volt
	083209-08-000	EA	Circuit Breaker - Blank
	085719-01-000	EA	Buss Bar - 4 Position
	085719-02-000	EA	Buss Bar - 3 Position
	085720-01-000	EA	Circuit Breaker - 15 Amp.
	085720-02-000	EA	Circuit Breaker - 20 Amp.
	085720-03-000	EA	Circuit Breaker - 25 Amp.
	085720-04-000	EA	Circuit Breaker - 30 Amp.
	085720-05-000	EA	Circuit Breaker - 40 Amp.

MISCELLANEOUS ELECTRICAL COMPONENTS

Key	Part Number	U/M	Description
	047338-03-000	EA	Isolator - Dual Battery - 70 Amp.
	008188-01-000	EA	Solenoid - Dual Battery - Relay
	083208-01-000	EA	Control Center - 32 Amp.
	063912-01-000	EA	Relay Canister - SPDT w/Ground
	086273-01-000	EA	Relay - Battery Disconnect

REAR WINDOW WIPER

Key	Part Number	U/M	Description
	087249-01-000	EA	Motor Asm. - Wiper - 68° Wipe
	087251-01-000	EA	Blade - Wiper - 16" - Black
	087252-01-000	EA	Arm Asm. - Wiper - 20" - Black
	087967-01-000	EA	Cover - Wiper Motor - Rear

ELECTRICAL GROUP (CONTINUED)

WIRE, SWITCHES & RECEPTACLES

Key	Part Number	U/M	Description
	008058-01-000	EA	Adapter - Power Cord
	008288-01-000	EA	Box - Electrical - 3" x 3.5" - Plastic
	008289-01-000	EA	Box - Electrical - 4" x 4" - 1/2 & 3/4 Steel - UL
	008289-02-000	EA	Box - Electrical - 4" x 4" - 1/2 & 3/4 Steel - CSA
	058049-01-000	EA	Box - Electrical - 2" x 3" x 2.25" - Steel
	041953-01-000	EA	Conduit - Convolute Slit - .5" I.D.
	008353-01-000	EA	Connector - Clamping - 3/8 Cable - UL & CSA
	058028-01-000	EA	Connector - Pigtail - Clear Nylon
	008314-01-000	EA	Connector - Wire Nut - Gray
	008311-01-000	EA	Connector - Wire Nut - Red
	031968-01-000	EA	Contact Plug - Brass - Tin Plated
	031967-01-000	EA	Contact - Receptacle
	008054-01-000	EA	Cord - Power - 10-3 30 Amp. - 25' - UL
	008052-01-000	EA	Cord - Power - 10-3 30 Amp. - 25' - CSA
	069238-01-000	EA	Cover - Electrical Box - 4" x 4"
	058048-01-000	EA	Cover - Electrical Box - 4.5" x 2.75" - Rain Tight (Exterior)
	024571-03-000	EA	Cover Plate - Receptacle - Jumbo - Brown Plastic
	024571-04-000	EA	Cover Plate - Receptacle - Jumbo - Ivory Plastic
	008164-01-000	EA	Cover Plate - Switch - Brown
	008294-01-000	EA	Cover - Flat Blank - 4" x 4" - Steel - US
	009294-02-000	EA	Cover - Flat Blank - 4" x 4" - Steel - CSA
	008277-01-000	EA	Fuse Holder - Panel Mount - Black
	064399-01-000	EA	Housing Asm. - Trailer Pin
	064450-01-000	EA	Housing Asm. - Trailer Plug
	064398-01-000	EA	Housing Asm. - Trailer Receptacle
	054532-01-000	EA	Housing Pin - 6 Position
	054532-02-000	EA	Housing Pin - 4 Position
	054532-03-000	EA	Housing Socket - 4 Position
	075736-03-000	EA	Receptacle/Cover Asm. - Gray (Exterior)
	058708-01-000	EA	Receptacle - Duplex - Brown
	008157-01-000	EA	Receptacle - Duplex - Brown (Exterior Backwall)
	058708-02-000	EA	Receptacle - Duplex - Ivory
	053126-01-000	EA	Receptacle - Ground Fault Interrupter - 125 Volt - Ivory
	024924-02-000	EA	Receptacle - Power Cord
	058707-01-000	EA	Receptacle - Single - Brown
	063912-01-000	EA	Relay - Canister SPDT w/Ground
	075723-01-000	EA	Switch - Block Spacer - w/o Holes
	075723-02-000	EA	Switch - Block Spacer - w/Holes
	008162-01-000	EA	Switch - Double Toggle - Brown
	077942-02-000	EA	Switch - Dummy - Brown
	056264-01-000	EA	Switch - Leaf Actuator
	081066-01-000	EA	Switch - 2 Gang - 2 Switch
	079362-01-000	EA	Switch Plate - 3 Gang - 2 Switches
	079363-01-000	EA	Switch Plate - Single - w/Switches
	079364-01-000	EA	Switch - On/Off Rocker - Brown
	008195-01-000	EA	Switch - Push Button - 12 Volt
	008163-01-000	EA	Switch - Toggle - Brown
	077942-01-000	EA	Switch - Dummy - Black
	084404-01-000	EA	Switch - Off, Low, Med, High - Black (Motor Aid)
	006050-01-000	EA	TV Jack - Ivory
	047443-02-000	EA	Terminal - .250 Receptacle - 12-10 AWG
	035417-01-000	EA	Terminal - Pin Receptacle - .125 Dia.
	008348-01-000	EA	Terminal Ring - 2 - w/3/8 Stud
	008331-01-000	EA	Terminal Ring - 4 - w/3/8 Stud
	008328-01-000	EA	Terminal Ring - 12/10 Wire
	047441-01-000	EA	Terminal - Battery - Horizontal Lug
	054865-01-000	EA	Wire Asm. - Generator Switch
	008028-01-000	FT	Wire - 18.5 Bonded - Blue/Red/Yellow/Orange/White
	008024-01-000	FT	Wire - 18.5 Bonded - Orange/White/Yellow/Blue/Brown
	008025-01-000	FT	Wire - 18.5 Bonded - Orange/White/Yellow/Blue/Green
	008026-01-000	FT	Wire w/Ground - Romex - 12/2
	008030-01-000	EA	Wire - 18.4 Bonded

**1987 WINNEBAGO
TABLE OF CONTENTS**

WC420RG	A-01 - B-22
WC/WF424RB	B-23 - D-22
WCN27RU	D-23 - G-04
WCN30RC	G-05 - I-12
WCP34RU	I-13 - K-23

1987 WCN27RU INDEX

Floor Plan	D-23 - D-24
Accessories Group	E-01 - E-03
Bath Group	E-04
Chassis Group	E-05 - E-07
Curtain, Cushion & Pad Group	E-08 - E-14
Dinette Group	E-15
Driver's Compartment Group	E-16 - E-18
Electrical Group	E-19 - E-21
Exterior Body Group	E-22 - F-03
Galley Group	F-04 - F-06
Heating & Air Conditioning Group	F-07
Interior Finish Group	F-08 - F-10
LP Group	F-11
Lounge Group	F-12
Water & Sewage Group	F-13 - F-14
Window, Vent & Exterior Door Group	F-15 - G-04

ELECTRICAL GROUP (CONTINUED)

INTERIOR LIGHT

Key	Part Number	U/M	Description
	033508-02-000	EA	Light - Dome - Ivory - 1 Bulb - US
	033508-03-000	EA	Light - Dome - Ivory - 1 Bulb - CSA
	033509-02-000	EA	Light - Dome - Ivory - 2 Bulb - US
	033509-03-000	EA	Light - Dome - Ivory - 2 Bulb - CSA
	078424-02-000	EA	Light - Fluorescent - 12V - 18" - Almond
	061424-01-000	EA	Light - 12V Receptacle - Aisle - IP
	007308-01-000	EA	Light - Step Well
	072353-07-000	EA	Light - Reading - Double - 360° Swivel - Tan
	072353-08-000	EA	Light - Reading - Double - 360° Swivel - Brass
	072353-03-000	EA	Light - Reading - Single - 360° Swivel - Almond
	068837-04-000	EA	Dome Light - Surface - w/o Switch
	066280-01-000	EA	Dome Light - Surface Mount - 12V
	065202-03-000	EA	Lamp - Decor - Wall - Bright Brass - 2 Bulb
	065201-02-000	EA	Shade - Parchment - 2 Bulb Lamps
	062686-01-000	EA	Lamp - Table - Brass w/Wood
	062686-02-000	EA	Shade - Table Lamp
	081633-01-000	EA	Light - Make Up

EXTERIOR LIGHTS

Key	Part Number	U/M	Description
	073844-01-000	EA	Light - License Plate - GM 912116
	076795-01-000	EA	Light - License Plate - GM 912368
	075459-04-000	EA	Tail Lamp Asm. Red
	075459-05-000	EA	Tail Lamp Asm. - Turn Signal - Amber
	075459-06-000	EA	Tail Lamp Asm. - Backup/Reflex
	042405-01-000	EA	Lens - Rectangular - Red w/Reflex
	042405-02-000	EA	Lens - Rectangular - Amber w/Reflex
	042405-03-000	EA	Base - Rectangular Side Marker Light
	008089-01-000	EA	Light - Porch - Recessed
	084901-01-000	EA	Lamp Asm. - Park/Turn - GM 916558
	049185-01-000	EA	Headlight Capsule Asm. - High/Low Beam - Driver
	049186-01-000	EA	Headlight Capsule Asm. - High/Low Beam - Passenger
	049187-01-000	EA	Headlight Capsule Asm. - High Beam - Driver
	049188-01-000	EA	Headlight Capsule Asm. - High Beam - Passenger
	081250-02-000	EA	Light Asm. - Clearance - Red
	081250-01-000	EA	Light Asm. - Clearance - Amber
	008089-01-700	EA	Lens - Porch Light - Recessed

WINDSHIELD WIPERS & WASHER

Key	Part Number	U/M	Description
	056000-02-000	EA	Washer Asm. - Windshield
	072472-04-000	EA	Arm - Windshield Wiper - 29" - Black
	072472-02-000	EA	Adapter Kit - Wiper Arm Pantograph Pivot
	049464-03-000	EA	Blade - Windshield Wiper - 20" - Black

EXTERIOR BODY GROUP

SEALANTS & ADHESIVES

Key	Part Number	U/M	Description
	004020-01-000	QT	Adhesive - ABS Cement (Plastic Fittings)
	002337-01-000	EA	Adhesive - 1300 Tube - 3M (Windows)
	004005-02-000	GL	Adhesive - Swifts - Glue (Sidewalls)
	053766-07-000	EA	Bedding Compound - Tube - Beige (Exterior)
	053766-06-000	EA	Bedding Compound - Tube - Clear (Window)
	053766-08-000	EA	Bedding Compound - Tube - Gray (Exterior)
	053766-05-000	EA	Bedding Compound - Tube - Gray (Sidewalls to Floor)
	053766-02-000	EA	Bedding Compound - Tube - Off White (Exterior)
	002328-02-000	EA	Block - Rubber Spacer (Windshield)
	004336-01-000	EA	Caulk - Latex - Golden Walnut (Sidewalls)
	077967-01-000	EA	Sealant - Acrylic Latex - Tube - Off White (Interior Sealant)
	034552-04-000	EA	Sealant - Silicone - Beige
	034552-02-000	EA	Sealant - Silicone - Clear
	034552-07-000	EA	Sealant - Silicone - Dark Gray
	034552-06-000	EA	Sealant - Silicone - Off White
	069637-01-000	EA	Sealant - Weatherban 404 - Tube - White (Door Caulk)
	072883-01-000	EA	Sealant - Urethane - Black (Windshield)
	069640-01-000	FT	Sealer Ribbon - .25" Bead x 20'
	069640-02-000	FT	Sealer Ribbon - .5" x .125" x 30'
	069640-03-000	FT	Sealer Ribbon - .75" x .125" x 30'
	069640-04-000	FT	Sealer Ribbon - 2" x .09" x 45' (P Series)
	069640-05-000	FT	Sealer Ribbon - 2.5" x .09" x 50'
	069640-06-000	FT	Sealer Ribbon - 5/16" Bead x 15'
	069640-07-000	FT	Sealer Ribbon - 2" x 3/32" x 30'
	002316-01-000	FT	Sealer Tape - 3/32" x 3/8" - White (Window)
	002707-01-000	FT	Sealer Tape - 5/16" x 3/4"
	002707-02-000	FT	Sealer Tape - 5/16" x 1/2"
	040545-01-000	GL	Sealer - Seam Weld
	053752-04-000	EA	Seam Sealer - Tube - Aluminum (Roof)
	063642-01-000	FT	Tape - Adhesive - .10 mm. x 1.5" Wide
	038886-01-000	EA	Tape - Butyl - .31" x .31" x 148" (Windshield)
	076322-01-000	FT	Tape - Foam - Double Coated - .025 x 1" (Fiberglass Sidewall Seams)
	076322-02-000	FT	Tape - Foam - Double Coated - .045 x 1" (Fiberglass Sidewall Seams)
	009210-01-000	EA	Tape - Furnace - 1.5"
	002825-01-000	FT	Weather Striping (Roof Vent)

SHEET FIBERGLASS, ALUMINUM & STYROFOAM

Key	Part Number	U/M	Description
	077517-10-001	EA	Fiberglass - Sheet - 46.12" x 378" - Mesa
	077517-10-002	EA	Fiberglass - Sheet - 46.12" x 68" - Mesa
	001018-01-024	EA	Alum. - Beige - No Design - 48" x 96"
	044487-01-001	EA	Alum. - Mill Finish - No Design (Roof) - 96" x 360"
	000868-01-000	SF	Styrofoam - .75" x 24" x 96"
	000870-01-000	SF	Styrofoam - 1.50" x 24" x 96"
	000876-03-000	SF	Styrofoam - 1.34" x 48" x 96"

MISCELLANEOUS EXTERNALLY MOUNTED PARTS

Key	Part Number	U/M	Description
	083558-01-000	EA	Plumbing Seal - Roof Vent - 1.5" - Covered
	009126-01-000	EA	Assist Handle - Chrome
	010230-03-000	EA	Fill - City Water - Recessed - Beige
	081240-01-000	EA	Water Fill - Lockable - Beige
	087659-02-000	EA	Fill - City Water - Beige - Brass Fittings

**1987 WINNEBAGO
TABLE OF CONTENTS**

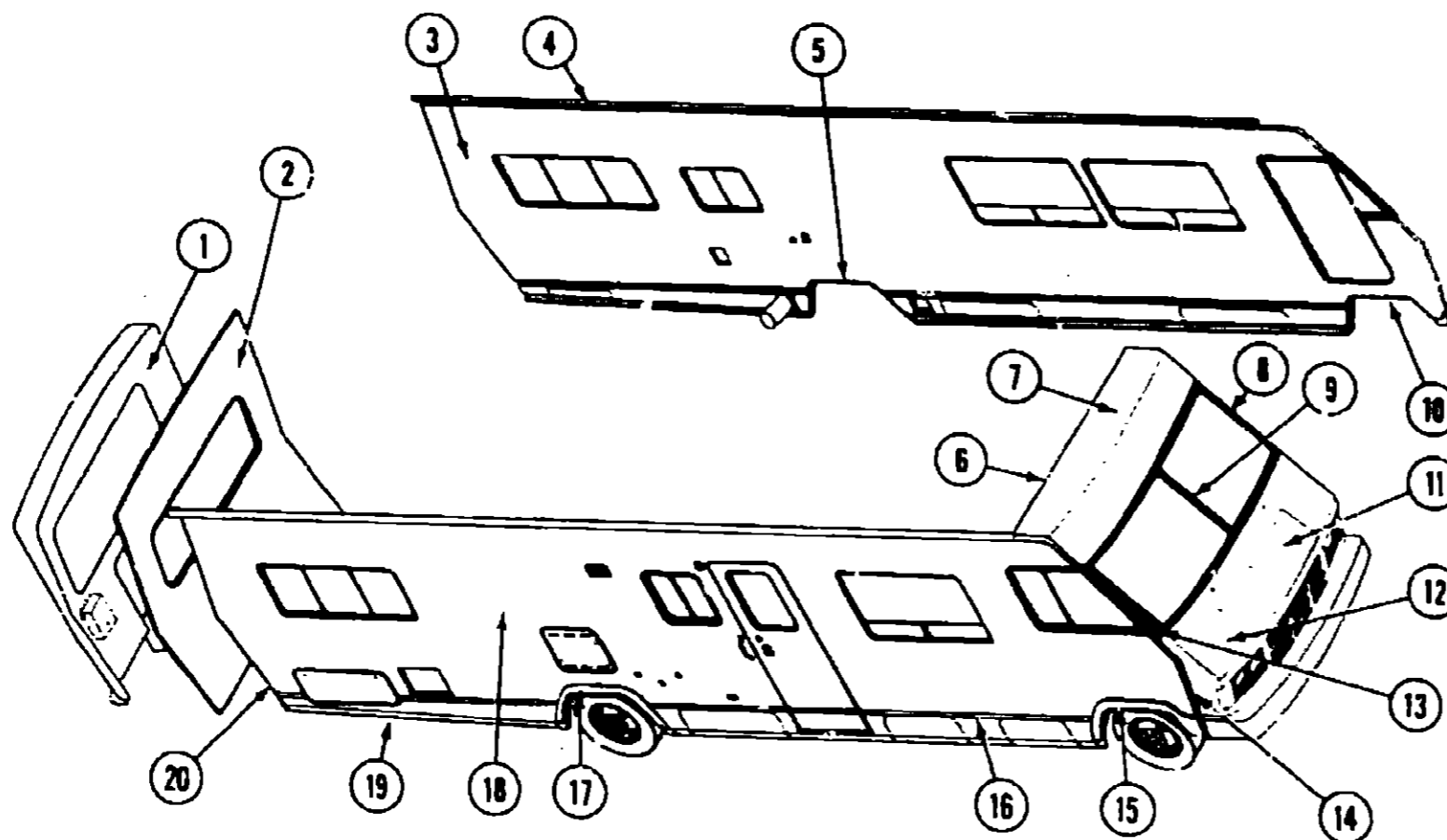
WC420RG	A-01 - B-22
WC/WF424RB	B-23 - D-22
WCN27RU	D-23 - G-04
WCN30RC	G-05 - I-12
WCP34RU	I-13 - K-23

1987 WCN27RU INDEX

Floor Plan	D-23 - D-24
Accessories Group	E-01 - E-03
Bath Group	E-04
Chassis Group	E-05 - E-07
Curtain, Cushion & Pad Group	E-08 - E-14
Dinette Group	E-15
Driver's Compartment Group	E-16 - E-18
Electrical Group	E-19 - E-21
Exterior Body Group	E-22 - F-03
Galley Group	F-04 - F-06
Heating & Air Conditioning Group	F-07
Interior Finish Group	F-08 - F-10
LP Group	F-11
Lounge Group	F-12
Water & Sewage Group	F-13 - F-14
Window, Vent & Exterior Door Group	F-15 - G-04

EXTERIOR BODY GROUP (CONTINUED):

EXTERIOR BODY PANELS



1987 WINNEBAGO TABLE OF CONTENTS

WC420RG	A-01 - B-22
WC/WF424RB	B-23 - D-22
WCN27RU	D-23 - G-04
WCN30RC	G-05 - I-12
WCP34RU	I-13 - K-23

Key	Part Number	U/M	Description
1	M01B98-01-W07	EA	Rear Cap Asm. - Backwall
2	082085-01-W07	EA	Backwall Asm.
3	M85421-01-W07	EA	Sidewall Asm. - Driver (W09)
3	M85421-01-W08	EA	Sidewall Asm. - Driver
4	078600-06-000	EA	Trim - Sidewall - Upper - Driver or Passenger - Beige
5	058487-07-000	EA	Trim - Wheel Well - Rear - U Channel - Driver or Passenger
6	078580-01-000	EA	Trim - Roof/Front Cap
7	M02959-01-W07	EA	Cap - Over Windshield - Beige
8	087601-02-000	EA	Trim - Contour - Windshield - Driver
8	084903-01-000	EA	Trim - Molding - Windshield - Upper & Lower
9	083178-02-000	FT	Trim - Molding - Windshield - Center
10	073647-02-000	EA	Trim - Wheel Well - Front - U Channel - Driver or Passenger
11	086045-01-W07	EA	Access Panel - w/Hardware
11	086425-02-000	EA	Headlamp Bezel - Driver
11	086425-01-000	EA	Headlamp Bezel - Passenger
11	073308-01-000	EA	Screw Asm. - Headlamp - Adjusting
11	049359-01-000	EA	Spring - Headlamp Retainer
11	062207-01-000	EA	Headlamp Guard
12	M01115-12-W07	EA	Panel Asm. - Front Shroud (includes access panel)
13	087601-01-000	EA	Trim - Contour - Windshield - Passenger
13	084897-01-000	EA	Cap - Reveal Molding - Windshield
14	086414-01-000	EA	Trim - Fiberglass Panel - Passenger - Beige
14	086414-03-000	EA	Trim - Fiberglass Panel - Driver - Beige
15	078556-07-000	EA	Trim - Wheel Well - Front - Plastic - Passenger
15	078556-08-000	EA	Trim - Wheel Well - Front - Plastic - Driver

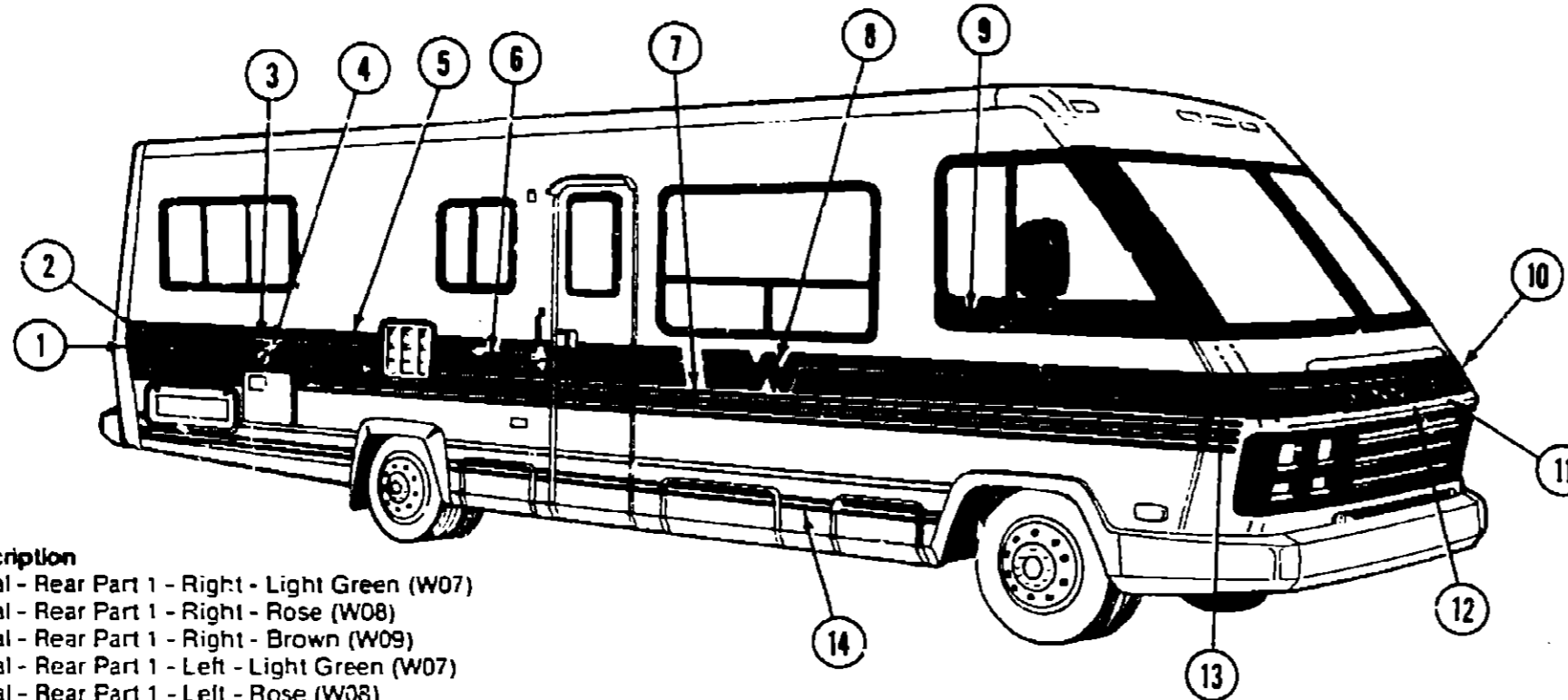
Key	Part Number	U/M	Description
16	059576-08-000	EA	Feature Strip - Extr. Beige - 14' - w/o Insert
16	009731-01-000	EA	End Cap - Feature Strip Insert
16	001030-12-002	EA	Insert - Feature Strip - Beige - 17'
17	075070-01-000	EA	Trim - Wheel Well - Rear - Plastic - Passenger
17	075070-03-000	EA	Trim - Wheel Well - Rear - Plastic - Driver
18	M85420-01-W07	EA	Sidewall Asm. - Passenger (W09)
18	M85420-01-W08	EA	Sidewall Asm. - Passenger
19	072639-01-001	EA	Extr. - Rocker Panel - 216" (Rear)
20	073502-23-000	EA	Trim - Passenger Rear - Beige
20	073502-24-000	EA	Trim - Driver Rear - Beige
20	050406-06-000	EA	Trim - Backwall - Lower - Driver or Passenger
20	086147-01-W07	EA	Roof Asm.
20	086415-01-000	EA	Bumper End Cap - Front Passenger - Beige
20	086415-03-000	EA	Bumper End Cap - Front Driver - Beige
20	078578-01-000	EA	Bumper End Cap - Rear Passenger - Beige
20	078578-02-000	EA	Bumper End Cap - Rear Driver - Beige
20	.	.	Not illustrated

1987 WCN27RU INDEX

Floor Plan	D-23 - D-24
Accessories Group	E-01 - E-03
Bath Group	E-04
Chassis Group	E-05 - E-07
Curtain, Cushion & Pad Group	E-08 - E-14
Dinette Group	E-15
Driver's Compartment Group	E-16 - E-18
Electrical Group	E-19 - E-21
Exterior Body Group	E-22 - F-03
Galley Group	F-04 - F-06
Heating & Air Conditioning Group	F-07
Interior Finish Group	F-08 - F-10
LP Group	F-11
Lounge Group	F-12
Water & Sewage Group	F-13 - F-14
Window, Vent & Exterior Door Group	F-15 - G-04

EXTERIOR BODY GROUP (CONTINUED)

DECALS & FILM STRIPE



Key	Part Number	U/M	Description
1	065297-01-000	EA	Decal - Rear Part 1 - Right - Light Green (W07)
1	085297-03-000	EA	Decal - Rear Part 1 - Right - Rose (W08)
1	085297-05-000	EA	Decal - Rear Part 1 - Right - Brown (W09)
*	085297-02-000	EA	Decal - Rear Part 1 - Left - Light Green (W07)
*	085297-04-000	EA	Decal - Rear Part 1 - Left - Rose (W08)
*	085297-06-000	EA	Decal - Rear Part 1 - Left - Brown (W09)
2	058719-03-000	EA	Decal Logo - "Chieftain"
3	085297-07-000	EA	Decal - Rear Part 2 - Right - Light Green (W07)
3	085297-09-000	EA	Decal - Rear Part 2 - Right - Rose (W08)
3	085297-11-000	EA	Decal - Rear Part 2 - Right - Brown (W09)
*	085297-08-000	EA	Decal - Rear Part 2 - Left - Light Green (W07)
*	085297-10-000	EA	Decal - Rear Part 2 - Left - Rose (W08)
*	085297-12-000	EA	Decal - Rear Part 2 - Left - Brown (W09)
4	073724-07-000	EA	Decal Logo - "27"
5	078831-21-000	FT	Decal - Stripe - 1.75" - Light Green (W07)
5	078831-22-000	FT	Decal - Stripe - 1.75" - Rose (W08)
5	078831-23-000	FT	Decal - Stripe - 1.75" - Brown (W09)
6	078831-24-000	FT	Decal - Stripe - 4.85" - Light Green (W07)
6	078831-25-000	FT	Decal - Stripe - 4.85" - Rose (W08)
6	078831-26-000	FT	Decal - Stripe - 4.85" - Brown (W09)
7	078196-14-000	FT	Film - Multi Stripe - 4.5" - Peach (W07, W09)
7	078196-15-000	FT	Film - Multi Stripe - 4.5" - Burgundy (W08)
8	079351-07-000	EA	Decal - Flying W - Light Green (W07)
8	079351-08-000	EA	Decal - Flying W - Rose (W08)
8	079351-09-000	EA	Decal - Flying W - Brown (W09)
9	041273-89-000	FT	Decal - Stripe - 4" - Black
10	085290-02-000	EA	Decal - Corner - Left - Light Green (W07)
10	085290-04-000	EA	Decal - Corner - Left - Rose (W08)
10	085290-06-000	EA	Decal - Corner - Left - Brown (W09)
11	085298-01-000	EA	Decal - Hood - Light Green (W07)
11	085298-02-000	EA	Decal - Hood - Rose (W08)
11	085298-03-000	EA	Decal - Hood - Brown (W09)
12	069745-03-000	EA	Decal - "Winne"
12	069745-04-000	EA	Decal - "Bago"
13	085299-01-000	EA	Decal - Corner - Right - Light Green (W07)
13	085299-03-000	EA	Decal - Corner - Right - Rose (W08)
13	085299-05-000	EA	Decal - Corner - Right - Brown (W09)
14	065217-D4-000	EA	Film - Multi Stripe - 2.4" - Light Green/Peach (W07)
14	065217-D5-000	EA	Film - Multi Stripe - 2.4" - Rose/Burgundy (W08)
14	065217-D6-000	EA	Film - Multi Stripe - 2.4" - Brown/Peach (W09)
*	050313-21-000	EA	Decal - Logo "Winnebago" - 2.8" - Chrome
*			Not illustrated

1987 WINNEBAGO TABLE OF CONTENTS

WC420RG	A-01 - B-22
WC/WF424RB	B-23 - D-22
WCN27RU	D-23 - G-04
WCN30RC	G-05 - I-12
WCP34RU	I-13 - K-23

1987 WCN27RU INDEX

Floor Plan	D-23 - D-24
Accessories Group	E-01 - E-03
Bath Group	E-04
Chassis Group	E-05 - E-07
Curtain, Cushion & Pad Group	E-08 - E-14
Dinette Group	E-15
Driver's Compartment Group	E-16 - E-18
Electrical Group	E-19 - E-21
Exterior Body Group	E-22 - F-03
Galley Group	F-04 - F-06
Heating & Air Conditioning Group	F-07
Interior Finish Group	F-08 - F-10
LP Group	F-11
Lounge Group	F-12
Water & Sewage Group	F-13 - F-14
Window, Vent & Exterior Door Group	F-15 - G-04

EXTERIOR BODY GROUP (CONTINUED)

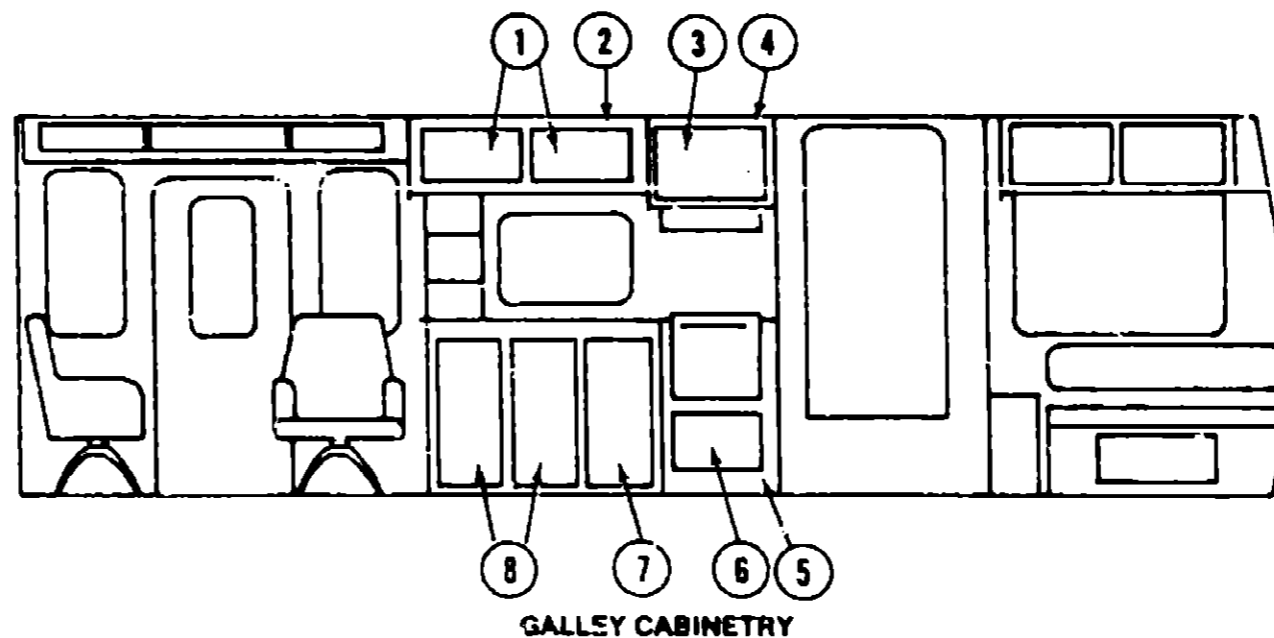
LABELS & EXTERIOR PAINT

Key	Part Number	U/M	Description
	065748-01-000	EA	Label - Caution - Battery Charging
	068383-01-000	EA	Label - Diesel Fuel
	006195-01-000	EA	Label - Electrical Test
	047731-01-000	EA	Label - Emergency Exit
	006199-01-000	EA	Label - Exit - Escape Window
	057467-04-000	EA	Label - Exterior Loading Limit
	064378-01-000	EA	Label - Flying "W" w/Thermo Panel
	061417-01-000	EA	Label - Fuel
	087207-02-000	EA	Label - Fuel Cap Removal
	006196-01-000	EA	Label - Gas Test
	054531-01-000	EA	Label - LP Gas Only
	073998-01-000	EA	Label - LPG Odor Warning
	040944-01-000	EA	Label - Opn - Entrance Door
	006015-01-000	EA	Label - Patent Motor Home
	056259-01-000	EA	Label - Safety Check List
	006064-01-000	EA	Label - Seat - w/o Seat Belts
	006187-01-000	EA	Label - Sewage
	006006-01-000	EA	Label - Thermo Panel - 2 1/4" x 2 1/4"
	075221-01-000	EA	Label - Trailer Hitch Capacity
	088249-01-000	EA	Label - Warning - Electric Step
	075220-01-000	EA	Label - Warning - Exterior Load Limit
	050225-01-000	EA	Label - Warning - Stove Vent - US
	079966-01-000	EA	Label - Warning - Stowed Motion
	006188-01-000	EA	Label - Waste Water
	006197-01-000	EA	Label - Water Test
	072863-01-000	EA	Nameplate - Diesel - 6.2L
	006062-01-000	EA	Tag - Electrical - 110 Volt Connection
	006040-01-000	EA	Tag - Gas - Refueling Warning
	044486-03-000	EA	Paint - Beige Acrylic Enamel - 16 oz. Aerosol (7633A Dupont)
	045621-03-000	EA	Paint - Gloss Black - Acrylic Enamel - 16 oz. Aerosol (99 Dupont)
	058637-05-000	EA	Paint - Gray Acrylic Enamel - 16 oz. Aerosol (71537 Dupont)
	041561-03-000	EA	Paint - Off White Acrylic Enamel - 16 oz. Aerosol (45396A Dupont)
	074559-01-000	EA	Label "LPG" - 3.3" x 1.75" - (Calif. Code)

ACCESS PANEL HARDWARE

Key	Part Number	U/M	Description
	076837-01-000	EA	Rod - Hood Prop.
	062628-01-000	EA	Clip - Prop Rod
	085934-01-000	EA	Hinge - Access Panel - Passenger
	085934-02-000	EA	Hinge - Access Panel - Drivers
	085360-02-000	EA	Bracket - Hinge Asm. - Hood - Drivers
	085360-01-000	EA	Bracket - Hinge Asm. - Hood - Passenger
	077064-01-000	EA	Cable Asm. - Hood Release (Access Panel)
	074178-01-000	EA	Bracket - Cable Release - Inside
	R77007-01-950	EA	Striker - Hood Latch
	079286-01-000	EA	Latch - Hood
	R77006-38-499	EA	Spring
	R77006-19-765	EA	Cable Sheath
	073341-01-000	EA	Bracket - Hood Latch
	058766-02-000	EA	Bolt - Hood Adjusting - 5/16" x 18 x 1 1/4"

GALLEY GROUP



GALLEY CABINETRY

Key	Part Number	U/M	Description
1	M81523-07-W07	EA	Door Asm. - Galley Overhead - w/o Hardware
2	081777-03-W07	EA	Cabinet Asm. - Galley Overhead - w/o Doors or Hardware
3	M81523-01-W07	EA	Door Asm. - Galley Overhead - w/o Hardware
4	081460-09-W07	EA	Cabinet Asm. - Galley Overhead - w/o Doors or Hardware
5	M81701-01-W07	EA	Cabinet Asm. - Galley - w/o Doors, Drawers or Countertop
**	M81701-03-W07	EA	Cabinet Asm. - Galley - w/o Doors, Drawers or Countertop
*	M02431-01-W07	EA	Countertop Asm. - Galley Cabinet
**	M82184-03-W07	EA	Drawer Asm. - Galley Cabinet - w/o Hardware
6	M81501-29-W07	EA	Door Asm. - Galley Cabinet - w/o Hardware
7	M81501-02-W04	EA	Door Asm. - Galley Cabinet - w/o Hardware
8	M81501-03-W04	EA	Door Asm. - Galley Cabinet - w/o Hardware
*	M81502-05-W04	EA	Door Asm. - Refrigerator Cabinet - Right - w/o Hardware
*	M81502-06-W04	EA	Door Asm. - Refrigerator Cabinet - Left - w/o Hardware
*	045586-02-000	EA	Wood Spindle - 1.75" x 24"
**			Not illustrated
**			Used with microwave option

GALLEY HARDWARE & APPLIANCES

Key	Part Number	U/M	Description
**	079353-01-000	EA	Hood - Range - Powered w/Monitor - Almond - US
	079353-02-000	EA	Hood - Range - Powered w/Monitor - Almond - CSA
	084878-01-000	EA	Duct Extension - Hood Range
	081374-01-000	EA	Range Top - 4 Burner - Almond - Magic Chef
	064782-02-000	EA	Range w/Small Oven - 4 Burner - Almond - Magic Chef
	081374-01-000	EA	Range Top - 4 Burner - Almond
	081374-01-700	EA	Trim - Cabinet - Top Right
	081374-01-701	EA	Trim - Cabinet - Top Left
	081374-01-702	EA	Panel - Manifold Warm - Black
	081374-01-703	EA	Trim - Top - Rear
	081374-01-704	EA	Guard - Fabric
	064782-02-700	EA	Top - Main - 4 Burner - Almond
	064782-02-701	EA	Deflector Plate - Black
	064782-02-702	EA	Trim - Cabinet - Right - Black
	064782-02-703	EA	Trim - Cabinet - Left - Black
	064782-02-704	EA	Trim - Lower Outside Glass - Black
	067782-02-705	EA	Handle - Oven Door - Black
	064782-02-706	EA	Vertical Trim - Black
	064782-02-707	EA	Panel - Manifold
	064782-02-708	EA	Valve - Mercury
	084879-01-000	EA	Refrigerator - 3-Way, Small Double Door
	034879-01-700	EA	Cooling Unit - Model 8663

** The illustrated parts breakdown for this item is provided on the Common Items Fiche.

1987 WINNEBAGO TABLE OF CONTENTS

WC420RG	A-01 - B-22
WC/WF424RB	B-23 - D-22
WCN27RU	D-23 - G-04
WCN30RC	G-05 - I-12
WCP34RU	I-13 - K-23

1987 WCN27RU INDEX

Floor Plan	D-23 - D-24
Accessories Group	E-01 - E-03
Bath Group	E-04
Chassis Group	E-05 - E-07
Curtain, Cushion & Pad Group	E-08 - E-14
Dinette Group	E-15
Driver's Compartment Group	E-16 - E-18
Electrical Group	E-19 - E-21
Exterior Body Group	E-22 - F-03
Galley Group	F-04 - F-06
Heating & Air Conditioning Group	F-07
Interior Finish Group	F-08 - F-10
LP Group	F-11
Lounge Group	F-12
Water & Sewage Group	F-13 - F-14
Window, Vent & Exterior Door Group	F-15 - G-04

GALLEY GROUP (CONTINUED)

GALLEY HARDWARE & APPLIANCES (CONT.)

Key	Part Number	U/M	Description
	084879-01-701	EA	Lower Door Gasket
	084879-01-702	EA	Lower Door Handle
	084879-01-703	EA	Foamed Cabinet Asm.
	084879-01-704	EA	Foamed Lower Door Liner w/Frame
	084879-01-705	EA	Panel Holder - Lower Door
	084879-02-000	EA	Refrigerator - 3-Way, Small Double Door
	084880-01-000	EA	Refrigerator - 3-Way, Large Double Door - Right Door
	084880-01-000	EA	Refrigerator - 2-Way, Large Double Door - Left Door
	084880-01-700	EA	Cooling Unit F/Model 5683
	084880-01-701	EA	Lower Door Handle
	084880-01-702	EA	Foamed Cabinet Asm.
	084880-01-703	EA	Foamed Lower Door Liner w/Frame
	084880-01-704	EA	Panel Holder (Lower Door)
	084880-01-705	EA	Orifice
	084880-01-706	EA	DC Light Bulb
	084880-01-707	EA	Heater (3 Way)
	084880-01-708	EA	Baffle Asm.
	084880-01-709	EA	Lamp Socket
	084880-01-710	EA	Ignition Electrode
	084880-01-711	EA	Sensor Electrode
	084880-01-712	EA	Control Module (Fenwal)
	084880-01-713	EA	Male Connector - Inlet Fitting
	084880-01-714	EA	Burner (No Electrodes)
	084880-01-715	EA	Manual Shut Off Valve
	084880-01-716	EA	Burner Tube (Asco)
	084880-01-717	EA	Control Module (Channel)
	084880-01-718	EA	Gas Valve (Asco)
	084880-01-719	EA	Brass Elbow (Asco)
	084880-01-720	EA	Spring (For Door Handle)
	084880-01-721	EA	Power Supply Cover
	084880-01-722	EA	Crisper Cover
	084880-01-723	EA	Power Supply Board (3 Way)
	084880-01-724	EA	Hinge Plate (BTM of DR Asm.)
	084880-01-725	EA	Hinge Plate (Top of DR Asm.)
	084880-01-726	EA	Hinge Bracket (Ctr Hinge)
	084880-01-727	EA	Upper Door Gasket
	084880-01-728	EA	Lower Door Gasket
	084880-01-729	EA	Eyebrow (3 Way)
	084880-01-730	EA	Crisper
	084880-01-731	EA	Hinge Pin
	084880-01-732	EA	Latch
	084880-01-733	EA	Dairy Keeper Asm.
	084880-01-734	EA	Hinge Bracket Asm. - Right
	084880-01-735	EA	Hinge Bracket Asm. - Left
	084880-01-736	EA	Light Switch (Brown)
	084880-01-737	EA	Foamed UPR Dr Liner w/Frame
	084880-01-738	EA	Control Brkt Asm. (3-Way)
	084880-01-739	EA	End Cap (Spring Catch)
	084880-01-740	EA	End Cap (Stop Catch)
	084880-01-741	EA	Humidity Switch
	084880-01-742	EA	Lower Seal Trim
	084880-01-743	EA	P/C Board (3-Way)
	084880-01-744	EA	Hinge Pin Shaft (Ctr Hinge)
	084880-01-745	EA	Hinge Bushing
	084880-01-746	EA	Cable
	084880-01-747	EA	Hole Plug
	084880-01-748	EA	Snap In Plug
	084880-01-749	EA	Hinge Bushing
	084880-01-750	EA	Door Shelf Bins

** The illustrated parts breakdown for this item is provided on the Common Items Fiche

GALLEY GROUP (CONTINUED)

GALLEY HARDWARE & APPLIANCES (CONT.)

Key	Part Number	U/M	Description
	054450-01-000	EA	Level - Refrigerator
	081379-01-000	EA	Microwave Convection Oven - Sharp
	081459-03-000	EA	Bracket Asm. - Microwave - Right
	081459-04-000	EA	Bracket Asm. - Microwave - Left
	081456-01-000	EA	Angle Asm. - Microwave Right
	081456-02-000	EA	Angle Asm. - Microwave Left
	081555-01-T03	EA	Trim Ring - Microwave
	082876-01-000	EA	Air Exhaust Duct - Microwave
	068615-01-000	EA	Sink - Stainless Steel - Double w/Bolts
**	011053-01-000	EA	Faucet - Swing Spout - 8" - US
**	011053-02-000	EA	Faucet - Swing Spout - 8" - CSA
**	011053-01-700	EA	Aerator - Swing Spout Faucet
	066437-01-000	EA	Strainer w/Basket - Sink
	081530-01-U07	EA	Sink Cover - Large
	009049-01-000	EA	Support - Drop Leaf Table
	009059-01-000	EA	Hinge - 2" - Gold - Drop Leaf Table
	074490-02-T03	EA	Spice Rack - Oak
	074981-01-000	EA	Cutting Board - Maple
	058334-01-000	EA	Wastebasket - 9 3/4" x 7" x 10" - White
	059877-01-000	EA	Support - Wastebasket - Metal
	059777-02-000	EA	Hinge - Cabinet Door - Brass
	009021-01-000	EA	Catch - Nylon - Cabinet Door
	009021-02-000	EA	Strike - Spring Steel - Cabinet Door
	077409-01-000	EA	Slider - Drawer - 20.75" - Plastic
	077404-01-000	EA	Drawer - 20" x 12.70" - Plastic
	066435-01-000	EA	Nut Strainer
	011083-01-000	EA	Plug - 1 1/4" x 5" - w/Stopper

** The illustrated parts breakdown for this item is provided on the Common Items Fiche.

1987 WINNEBAGO TABLE OF CONTENTS

WC420RG	A-01 - B-22
WC/WF424RB	B-23 - D-22
WCN27RU	D-23 - G-04
WCN30RC	G-05 - I-12
WCP34RU	I-13 - K-23

1987 WCN27RU INDEX

Floor Plan	D-23 - D-24
Accessories Group	E-01 - E-03
Bath Group	E-04
Chassis Group	E-05 - E-07
Curtain, Cushion & Pad Group	E-08 - E-14
Dinette Group	E-15
Driver's Compartment Group	E-16 - E-18
Electrical Group	E-19 - E-21
Exterior Body Group	E-22 - F-03
Galley Group	F-04 - F-06
Heating & Air Conditioning Group	F-07
Interior Finish Group	F-08 - F-10
LP Group	F-11
Lounge Group	F-12
Water & Sewage Group	F-13 - F-14
Window, Vent & Exterior Door Group	F-15 - G-04

HEATING & AIR CONDITIONING GROUP

FURNACE & ROOF AIR CONDITIONER

Key	Part Number	U/M	Description
**	075696-01-000	EA	Furnace - 34,000 BTU - w/Direct Ignition - NT-34S
**	075695-01-000	EA	Furnace - 24,000 BTU - w/Direct Ignition - NT-24S
	069636-02-000	EA	Connector - 4" Duct
	009198-01-000	EA	Duct - Flexible - 4" I.D. x 25'
	056464-01-000	EA	Register - 4" Dia. - Plastic - w/Damper
	056464-02-000	EA	Register - 4" Dia. - Plastic - w/o Damper
	009200-01-000	EA	Tape - Furnace - 1 1/2"
	02314E-01-000	EA	Clamp - Screw Type - 4"
**	073743-01-000	EA	Shroud Asm. - Ceiling - Inside - Roof Air 13,500 BTU - Cool Only
**	073744-01-000	EA	Shroud Asm. - Ceiling - Inside - Roof Air 13,500 BTU - Heat & Cool
**	073742-01-000	EA	Air Conditioner - 110 Volt - Roof Mount - 13,500 BTU Rotary
** The illustrated parts breakdown for this item is provided on the Common Items Fiche.			

AUTOMOTIVE HEATER & AIR CONDITIONER

Key	Part Number	U/M	Description
	072341-04-000	EA	Heater/Evaporator Asm.
	072341-01-700	EA	Wheel - w/Retainer & Index Clip
	072341-01-701	EA	Core - Heater
	072341-01-702	EA	Coil - Evaporator
	072341-01-703	EA	Valve - Expansion
	072341-01-704	EA	Valve - Suction
	072341-01-705	EA	Switch - Pressure - Low Cut Out
	072341-01-706	EA	Resistor
	072341-01-707	EA	Thermostat
	072341-01-708	EA	Motor - Vacuum
	R77005-81-12C	EA	Relay - Glow Plug
	072341-01-710	EA	Control Asm. - Heater A/C
	072341-01-711	EA	Cable - Bowden - 72"
	072341-01-712	EA	Switch - Vacuum
	072341-01-713	EA	Switch - Jumper Control
	072341-01-714	EA	Valve - Heater - Water Flow Control
	072341-01-715	EA	Escape & Louver Adapter Asm.
	072341-01-716	EA	Discharge Valve - 1/2"
	072341-08-000	EA	Duct & Control Kit
	072342-03-000	EA	Condensor Asm. - w/Fans
	073242-02-700	EA	Receiver Drier - Condenser Asm
	072343-01-000	EA	Compressor/Clutch
	072344-01-000	EA	Package - Compressor Mount
	074026-01-000	EA	Package - Compressor Mount - 6.2 L Diesel
	039044-01-000	EA	Louver Asm. - A/C Adjustable
	007076-01-700	FT	Hose - Flexible PVC - 2" I.D.
	007281-01-700	FT	Hose - Flexible PVC - 2 1/2" I.D.
	007108-01-000	FT	Hose - Heater - 5/8" I.D. SAE 20R3
	062401-04-000	EA	Clamp - Worm Drive - .69" - 1.25" I.D.
	010227-01-000	EA	TEE - Plastic - Barb 5/8" or 3/4" Hose

AUXILIARY HEATER ASSEMBLY

Key	Part Number	U/M	Description
	084405-01-200	EA	Heater Asm. - Rear - Auxiliary
	084405-01-700	EA	Heater Core
	084405-01-701	EA	Fan
	084405-01-702	EA	Motor - 12 V
	056464-02-000	EA	Register - 4" - Plastic - w/o Damper

INTERIOR FINISH GROUP

CURTAIN & CUSHION HARDWARE

Key	Part Number	U/M	Description
	081381-01-000	EA	Swivel Snap - Curtain Track
	029130-01-000	EA	Snap Socket - Curtain Bottom
	082139-02-000	EA	Bracket - Blind - Hold Down
	083170-03-000	EA	Bracket - Blind - Top Right
	083170-04-000	EA	Bracket - Blind - Top Left
	056003-01-000	EA	Bracket - Drapery - Retainer - Right
	056003-02-000	EA	Bracket - Drapery - Retainer - Left
	082139-03-000	EA	Bracket - Hold Down - Blind
	079619-01-000	EA	Bracket - Tie Back
	084434-01-000	EA	Bracket - Shade
	086263-01-000	EA	Pull - Window Shade - Polished Brass
	048394-02-000	YD	Tape Hook - .75" x 50 yd - Beige
	048395-02-000	YD	Tape Loop - .75" x 50 YD - Beige
	029090-01-000	FT	Tie - Drapery - Clear Vinyl
	056116-01-000	EA	Track - Curtain - Brown Plastic - Top
	079946-01-000	EA	Track - Curtain - Wraparound - Right
	079946-02-000	EA	Track - Curtain - Wraparound - Left
	085283-01-000	EA	Bracket - Curtain Hold Back - Clear Plastic
	087253-01-000	EA	Shade Pull - Clear Plastic

PANELING & LAMINATE

Key	Part Number	U/M	Description
	074497-09-000	SF	Paneling - Sand - 48" x 84" (28 SF) (Wall)
	074496-69-000	SF	Paneling - Decor - Pom/Peach - 48" x 84" (28SF) (Wet Bath) (W07, W09)
	074496-70-000	SF	Paneling - Decor - Pom/Mauve - 48" x 84" (28SF) (Wet Bath) (W08)
	074496-61-000	SF	Paneling - Decor - Pom/Peach - 48" x 84" (28SF) (Galley/Bath) (W07, W09)
	074496-62-000	SF	Paneling - Decor - Pom/Mauve - 48" x 84" (28SF) (Galley/Bath) (W08)
	074497-03-000	SF	Paneling - Sunset Oak - 48" x 84" (28SF) (Cabinets)
	074498-13-000	SF	Plastic Laminate - Sand Quadrus (Galley/Dinette)
	074498-21-000	SF	Plastic Laminate - Sea Frost (Bath) (W07)
	074498-15-000	SF	Plastic Laminate - Blush (Bath) (W08)
	074498-16-000	SF	Plastic Laminate - T/Apricot (Bath) (W09)
	074498-05-000	SF	Plastic Laminate - Sunset Oak (Nightstand & Table Tops)
	076325-04-000	FT	Plastic Laminate - Edge Band - Sunset Oak - 1 5/16" x 600'

INTERIOR MOLDING & TRIM

Key	Part Number	U/M	Description
	024700-21-000	EA	Cover - Sidewall Roll Bar - Beige
	081521-01-001	EA	Molding w/Holes - Corner - 16"
	042357-09-000	FT	Molding - Radius Corner - 7' Elm
	022992-08-000	FT	Molding - Reverse Cove - White
	086229-01-000	EA	Retainer - .75" - Batt Strip - Brown Plastic
	086229-02-000	EA	Batt Strip - 1" - Tan Plastic
	085284-01-000	FT	Batt Strip - Adhesive Tape - Woodgrain
	069733-66-000	EA	Batt Strip - Classique Tweed - 8' (Wall)
	085284-05-000	FT	Batt Strip - Adhesive Tape - Classique Tweed
	069733-71-000	EA	Batt Strip - Winnie - 8' (Galley & Bath)
	069733-74-000	EA	Batt Strip - Winnie - 8' (Wet Bath)
	070504-01-000	FT	U-Channel - .065" - Light Brown
	009778-04-000	FT	U-Channel - 1" - Grady Brown
	083620-01-000	FT	T-Molding - .75" - w/Edge Lips - Grady Brown
	076325-04-000	FT	T-Molding - 1 5/16" - Sunset Oak
	077840-01-000	EA	Molding - Wall Cap - 96" - Vinyl Covered - Sunset Oak
	077953-01-000	EA	Grommet - 1" Hole Liner
	009767-05-000	FT	Wetling - Beige
	042357-01-000	EA	Plug - 3/8" - Mahogany

1987 WINNEBAGO TABLE OF CONTENTS

WC420RG	A-01 - B-22
WC4WF424RB	B-23 - D-22
WCN27RU	D-23 - G-04
WCN30RC	G-05 - I-12
WCP34RU	I-13 - K-23

1987 WCN27RU INDEX

Floor Plan	D-23 - D-24
Accessories Group	E-01 - E-03
Bath Group	E-04
Chassis Group	E-05 - E-07
Curtain, Cushion & Pad Group	E-08 - E-14
Dinette Group	E-15
Driver's Compartment Group	E-16 - E-18
Electrical Group	E-19 - E-21
Exterior Body Group	E-22 - F-03
Galley Group	F-04 - F-06
Heating & Air Conditioning Group	F-07
Interior Finish Group	F-08 - F-10
LP Group	F-11
Lounge Group	F-12
Water & Sewage Group	F-13 - F-14
Window, Vent & Exterior Door Group	F-15 - G-04

INTERIOR FINISH GROUP (CONTINUED)

FABRICS & CARPET

Key	Part Number	U/M	Description
	091607-02-000	YD	Fabric - Headliner - Sandstone
	077498-91-000	YD	Fabric - Main - Jade/Taupe (W07)
	077498-92-000	YD	Fabric - Main - Rose (W08)
	077498-93-000	YD	Fabric - Main - Taupe (W09)
	077498-A6-000	YD	Fabric - Stripped Accent - Jade/Taupe (W07)
	077498-A5-000	YD	Fabric - Stripped Accent - Rose (W08)
	077498-A7-000	YD	Fabric - Stripped Accent - Taupe (W09)
	077498-95-000	YD	Fabric - Plain Accent - Jade/Taupe (W07)
	077498-61-000	YD	Fabric - Plain Accent - Rose (W08)
	077498-96-000	YD	Fabric - Plain Accent - Taupe (W09)
	069729-47-000	YD	Fabric - Bedspread Drapery - Jade/Taupe (W07)
	069729-48-000	YD	Fabric - Bedspread Drapery - Rose (W08)
	069729-49-000	YD	Fabric - Bedspread Drapery - Taupe (W09)
	072333-34-000	YD	Fabric - Drapery - Shades & Tie Back - Jade/Taupe (W07)
	072333-35-000	YD	Fabric - Drapery - Shades & Tie Back - Rose (W08)
	072333-36-000	YD	Fabric - Drapery - Shades & Tie Back - Taupe (W09)
†	077333-47-000	YD	Fabric - Drapery - Jade/Taupe (W07)
	072333-39-000	YD	Fabric - Wraparound & Blackout - Jade/Taupe (W07)
	072333-37-000	YD	Fabric - Wraparound & Blackout - Rose (W08)
	072333-38-000	YD	Fabric - Wraparound & Blackout - Taupe (W09)
	052859-01-W07	FT	Trim Asm. - Accent - Sandrift
	079680-01-000	YD	Vinyl - Expanded - 26 oz. - Buckskin
	079680-02-000	YD	Vinyl - Expanded - 26 oz. - Sandrift
	038421-01-000	YD	Fabric - Mattress Ticking
	029012-01-000	BF	Foam - Rolled - 3/8"
	072860-58-000	YD	Carpet - Jade/Taupe (W07)
	072860-56-000	YD	Carpet - Rose (W08)
	072860-57-000	YD	Carpet - Taupe (W09)

† Used in units produced after 2/1/87.

MISCELLANEOUS PARTS

Key	Part Number	U/M	Description
	053552-02-W04	EA	Handle Asm. - Interior Assist - Medium Almond Vinyl
	041944-04-000	EA	Fire Extinguisher - Dry 5BC
	054472-01-000	EA	Holder - Recessed Fire Extinguisher
	054185-26-000	EA	Owner's Manual - 1987 Itasca & Winnebago
	007038-01-000	EA	Door Mat - 10 1/2" x 26" - Black Rubber
	086296-01-000	EA	Picture - Decor
	065201-02-000	EA	Lamp Shade - Fabric - Parchment
	082686-02-000	EA	Shade - Table Lamp

INTERIOR FINISH GROUP (CONTINUED)

CABINETRY & TABLE HARDWARE

Key	Part Number	U/M	Description
	053200-05-000	EA	Bracket - Upper Wall Mount - 23.5" - Beige
**	053201-06-000	EA	Bracket - Table Mount - 23" - Beige
	024275-05-000	EA	Rod - Table Lift - 8" x 23.5" - Beige
	024281-07-000	EA	Bracket - Lower Wall Mount - 22.12" - Beige
	024276-17-000	EA	Leg Asm. - Table - 26.5" - Tan
	064050-02-000	EA	Hinge - Table Leg - Tan
**	024282-01-000	EA	Brace - Table Leg
**	024283-01-000	EA	Clip - 1" O.D. Tube
	049493-05-000	EA	Catch - Table Leg - Mounts on Floor - Tan
	009112-01-000	EA	Flange - 1" - Chrome - Closet Rod
	077409-01-000	EA	Slide - Drawer - Plastic - 20.75"
	009049-01-000	EA	Table Support - Drop Leaf
	009059-01-000	EA	Hinge - 2" - Drop Leaf Table - Gold
	086263-01-000	EA	Pull - Polished Brass Centers
	009016-01-000	EA	Elbow - Catch - Spring Loaded
	057671-01-000	EA	Screw Cover - #8 - Off White
	072369-20-000	EA	Flush - Grille - 22" x 12" - Duraton Bronze
	009021-01-000	EA	Catch - Nylon
	009021-02-000	EA	Strike - Nylon Catch
**	059777-02-000	EA	Hinge - Cabinet Door - Antique Light Brass
	074493-02-000	EA	Support - Sprung - Door
	066433-01-000	EA	Hook - Cup - Bright
	075680-01-000	EA	Clothes Rod - Adjustable - 27" x 36"
	041194-01-000	EA	Base - Table - Flush Mounts in Floor
	009040-03-000	EA	Base - Table - Mounts on Table
	080728-01-000	EA	Handle - Pullout Table
	086263-01-000	EA	Pull - Polished Brass
	084466-02-000	EA	Slide Asm. - Drawer - Right
	054466-03-000	EA	Slide Asm. - Drawer - Left
	084466-04-000	EA	Slide Asm. - Cabinet - Right
	084466-05-000	EA	Slide Asm. - Cabinet - Left
	084451-01-000	EA	Catch - TV Shelf - Brass

** The illustrated parts breakdown for this item is provided on the Common Items Fiche.

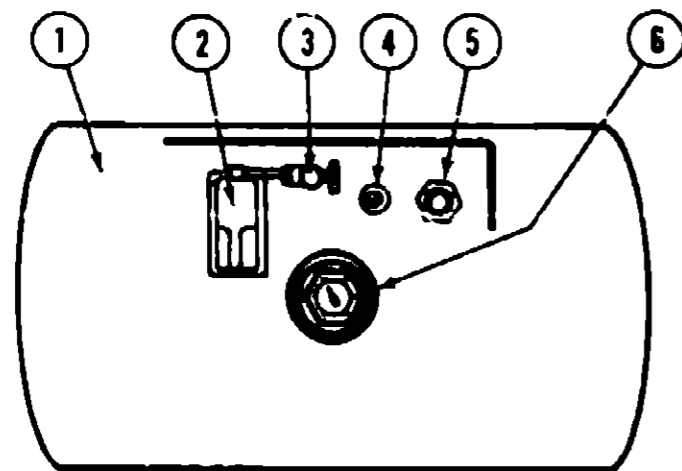
**1987 WINNEBAGO
TABLE OF CONTENTS**

WC420RG	A-01 - B-22
WC/WF424RB	B-23 - D-22
WCN27RU	D-23 - G-04
WCN30RC	G-05 - I-12
WCP34RU	I-13 - K-23

1987 WCN27RU INDEX

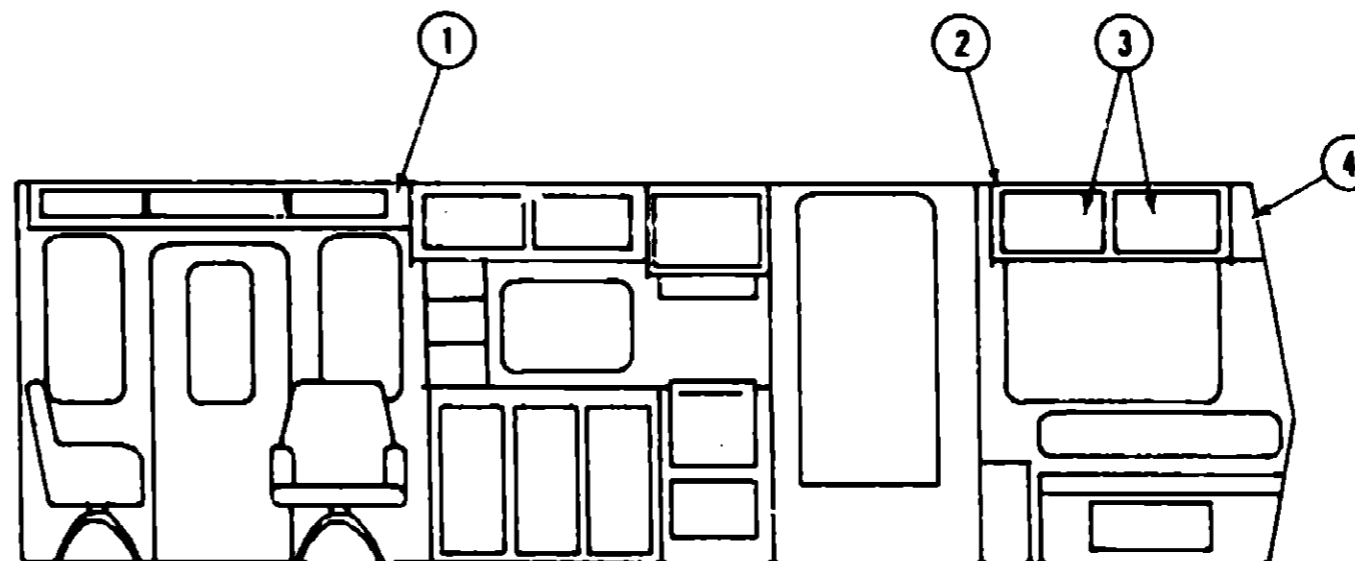
Floor Plan	D-23 - D-24
Accessories Group	E-01 - E-03
Bath Group	E-04
Chassis Group	E-05 - E-07
Curtain, Cushion & Pad Group	E-08 - E-14
Dinette Group	E-15
Driver's Compartment Group	E-16 - E-18
Electrical Group	E-19 - E-21
Exterior Body Group	E-22 - F-03
Galley Group	F-04 - F-06
Heating & Air Conditioning Group	F-07
Interior Finish Group	F-08 - F-10
LP Group	F-11
Lounge Group	F-12
Water & Sewage Group	F-13 - F-14
Window, Vent & Exterior Door Group	F-15 - G-04

LP GROUP



Key	Part Number	U/M	Description
1	074142-01-000	EA	Tank Asm. - LP - Frame Mount - 80 Pound - 13" x 44"
*	065741-01-000	EA	Detector - LP Gas Leak - Marshalltown Instruments
2	081938-01-000	EA	Compartment - I.P Regulator
*	076301-01-000	EA	Regulator - Two Stage - US (Dual)
*	076301-02-000	EA	Regulator - Two Stage - CSA (Dual)
3	040421-01-703	EA	Valve - Vapor Relief
4	040421-01-700	EA	Gauge - Liquid Level - 20% LP
5	040421-01-701	EA	Valve - Filler - LP
*	040421-01-702	EA	Cap - Plastic Fill Valve
6	040421-01-707	EA	Gauge - Float - w/Visible Dial
*	040421-01-706	EA	Dial - Visible Face - Float Gauge (Tank w/o Electric Transmitter)
*	040440-01-000	EA	Dial - Transmitter - 0 - 90 Ohm (Float Gauge)
*	045703-01-000	EA	Hose Asm. - LP - 3/8" I.D. x 24" - US
*	045703-02-000	EA	Hose Asm. - LP - 3/8" I.D. x 24" - CSA
*	045703-03-000	EA	Hose Asm. - LP - 3/8" I.D. x 18" - US
*	045703-04-000	EA	Hose Asm. - LP - 3/8" I.D. x 14" - CSA
*	065742-01-000	EA	Tee - .38 F x .39 F x .25 FPT
*	Not illustrated		

LOUNGE GROUP



LOUNGE OVERHEAD CABINETRY

Key	Part Number	U/M	Description
1	082059-01-W07	EA	Cabinet Asm. - Overhead
2	081313-03-W07	EA	Cabinet Asn. - Rear Overhead - Right Sidewall - w/o Doors or Hardware
3	M81503-04-W07	EA	Door Asm. - Rear Overhead Cabinets - w/o Hardware
4	081308-16-W07	EA	Cabinet Asm - Rear Overhead - Backwall - w/o Doors or Hardware
*	081307-03-W07	EA	Cabinet Asm. - Rear Overhead - Left Sidewall - w/o Doors or Hardware
*	Not illustrated		

SWIVEL CHAIR HARDWARE

Key	Part Number	U/M	Description
	035036-01-000	EA	Plate - Tilt & Swivel - Swivel Chair
	035036-06-000	EA	Extension - 5" - Swivel Chair
	035036-04-000	EA	Base w/Legs - Swivel Chair
†	088245-05-000	EA	Extension - 5" - Swivel Chair
†	Used in units produced after 2/28/87.		

DOUBLE BED W/NIGHT STAND

Key	Part Number	U/M	Description
	081312-01-V07	EA	Cabinet Asm. - Nightstand - w/o Countertop
	M02151-01-U04	EA	Countertop Asm. - Nightstand Cabinet
	M81501-11-W07	EA	Door Asm. - Double Bed Base - w/o Hardware

1987 WINNEBAGO TABLE OF CONTENTS

WC420RG	A-01 - B-27
WC/WF424RB	B-23 - D-22
WCN27RU	D-23 - G-04
WCN30RC	G-05 - I-12
WCP34RU	I-13 - K-23

1987 WCN27RU INDEX

Floor Plan	D-23 - D-24
Accessories Group	E-01 - E-03
Bath Group	E-04
Chassis Group	E-05 - E-07
Curtain, Cushion & Pad Group	E-08 - E-14
Dinette Group	E-15
Driver's Compartment Group	E-16 - E-18
Electrical Group	E-19 - E-21
Exterior Body Group	E-22 - F-03
Galley Group	F-04 - F-06
Heating & Air Conditioning Group	F-07
Interior Finish Group	F-08 - F-10
LP Group	F-11
Lounge Group	F-12
Water & Sewage Group	F-13 - F-14
Window, Vent & Exterior Door Group	F-15 - G-04

WATER & SEWAGE GROUP

PLUMBING & REPAIR PARTS

Key	Part Number	U/M	Description
	033302-02-000	EA	Adapter Asm. - SWVC Strain - 1 1/2"
	010326-01-000	EA	Adapter - Flare - w/Cone Gasket
	062422-01-000	EA	Adapter - Hose Offset - Reducer - 3" x 1 1/2"
	052954-01-000	EA	Adapter - Hose Cone - 3/8 or 1/2 - Plastic
	010224-01-000	EA	Adapter - Plastic - 3/8 MPT x 3/8 Barb
	044927-01-000	EA	Adapter - Plastic - 1 1/4" MPT x 1 1/4 Barb
	031602-02-000	EA	Adapter - Plastic - 1 1/2 H x FPT
	011048-04-000	EA	Breaker - Vacuum - 1/8 MPT - Nylon
**	010121-01-000	EA	Bushing - Plastic - 1 1/2 S x 1 1/4 H
	010122-01-000	EA	Bushing - Plastic - 1 1/2 S x 1 1/4 T
	010123-01-000	EA	Bushing - Plastic - 2S x 1 1/2 H
	036522-02-000	EA	Cap - Brass - 1/2 Flare
	075730-01-000	EA	Cap - Sewer - 3"
	052959-02-000	EA	Connector - 1/2 F x 1/2 MPT - Plastic
	052959-03-000	EA	Connector - 1/2 F x 3/8 MPT - Plastic
	011091-02-000	EA	Continuous Waste - Double Sink - 11 7/8" - US
	053874-01-000	EA	Continuous Waste Asm. - Double Sink - CSA
	078406-01-000	EA	Coupler Rubber - 3" x 3"
	052960-01-000	EA	Drain Valve - 1/2 F x 1/2 F - Plastic
	010000-01-000	EA	Elbow - Plastic - 1/8 BD x 1 1/4 x 45° H x H
	010005-01-000	EA	Elbow - Plastic - 1/16 BD x 1 1/2
	010006-01-000	EA	Elbow - Plastic - 1/8 BD x 1 1/2 x 45° H x H
	010008-01-000	EA	Elbow - Plastic - 1/4 BD x 1 1/2 x 90° Left
	010051-01-000	EA	Elbow - ST - Plastic - 1/8 BD x 1 1/2 x 45°
	010219-01-000	EA	Elbow - 1 1/4 Barb x 1 1/4 MPT x 90°
	031111-01-000	EA	Elbow - Plastic - 1/4 BD x 1 1/4 x 90° Left
	034250-01-000	EA	Elbow - Plastic - 1/4 BD x 1 1/2 x 90° x H x H
	035539-01-000	EA	Elbow - Plastic - 3/8 MPT x 3/8 Barb
	052957-01-000	EA	Elbow - Plastic - 1/2 F x 3/8 MPT
	052957-02-000	EA	Elbow - Plastic - 1/2 F x 1/2 MPT (In Tank Filter)
	065120-01-000	EA	Elbow - Plastic - Swivel - .50
	070924-01-000	EA	Elbow - Plastic - Swivel - 1/2 MPT x 1/2 FP
	077954-02-000	EA	Filter/Screen (In Water Tank)
	010147-01-000	EA	Flange - Closet - 4" F x 3" FPT - US
	010147-02-000	EA	Flange - Closet - 4" F x 3" FPT - CSA
	079381-01-000	FT	Flexible Tubing - 1 1/4 I.D. x 10'
	061607-01-000	EA	Grommet - Holding Tank Coupler - 1 1/2"
	061607-02-000	EA	Grommet - Holding Tank Coupler - 3"
	052961-01-000	EA	Header - 1/2 F x 1/2 F x 1/2 F x 1/2 F
	052953-01-000	EA	Nut - Faucet - 1/2 Tube x 1/2 FPT
	052952-01-000	EA	Nut - 1/2 F - Plastic
**	011066-03-000	EA	P-Trap - 1 1/4" Plastic - US
**	011066-02-000	EA	P-Trap - 1 1/4" Plastic - CSA
	053335-01-000	EA	P-Trap - Plastic - 1 1/4 H x H - w/Union - CSA
	010197-01-000	EA	Pipe - Plastic - 3" x 240" - Black
	045729-01-000	EA	Pump - Water - 2.8 G.P.M. - Direct Drive - Shurflo - US
	045729-02-000	EA	Pump - Water - 2.8 G.P.M. - Direct Drive - Shurflo - CSA
**	010201-01-000	EA	Sewer Hose - 3" x 8" w/Clamp
	042989-02-000	EA	Spinweld Fittings - Plastic - 1/2 FPT (In Tank Fitter)
	042989-03-000	EA	Spinweld Fittings - Plastic - 1/4 NPT
	042989-04-000	EA	Spinweld Fittings - Plastic - 3/8 FPT
	011069-02-000	EA	Tailpiece - 1 1/2" x 1 1/4" x 4" - Brass

** The illustrated parts breakdown for this item is provided on the Common Items Fiche.

WATER & SEWAGE GROUP (CONTINUED)

PLUMBING & REPAIR PARTS (CONT.)

Key	Part Number	U/M	Description
	010071-01-000	EA	Tee - Plastic - 1 1/2 x H x H x H
	010072-01-000	EA	Tee - Plastic - 1 1/2 H x 1 1/4 H x 1 1/2 H
**	010079-01-000	EA	Tee - Plastic 1 1/2 H x 1 1/2 H x 1 1/4 H
	052955-01-000	EA	Tee - Plastic - 1/2 F x 1/2 F x 1/2 MPT
	052956-01-000	EA	Tee - Plastic - 1/2 F x 1/2 MPT x 1/2 F
	052958-01-000	EA	Tee - Plastic - 1/2 F x 1/2 F x 1/2 F
	033900-01-000	FT	Tubing - Polybutyl - 1/2 O.D. (Water Line)
	079381-01-000	FT	Tubing - Flexible - Smooth - 1.25 I.D.
	074407-02-000	FT	Tubing - Vinyl - 3/8 I.D.
	072346-01-000	EA	Valve Asm. - 3" Ell - w/2" Socket
	062421-01-000	EA	Valve - 1 1/2" - w/Handle
	052960-01-000	EA	Valve - Line Drain - 1/2 F x 1/2 F
	010073-01-000	EA	Wye - Plastic - 1 1/2 x 45 H x H
	087200-01-000	EA	Filter - Water Purification
	087200-02-000	EA	Cartridge - Water Filter

** The illustrated parts breakdown for this is provided on the Common Items Fiche.

HOLDING TANKS & WATER HEATERS

Key	Part Number	U/M	Description
	075186-01-000	EA	Tank Asm. - Water - 45 Gallon - w/o Fittings
	061805-04-000	EA	Tank Asm. - Holding - 40 gallon - w/Fittings - Waste Water
	061805-01-000	EA	Tank - Holding - 40 Gallon - w/o Fittings - Waste Water
	074175-03-000	EA	Tank Asm. - Holding - 44 Gallon - w/Fittings - Sewage
	074175-01-000	EA	Tank Asm. - Holding - 44 Gallon - w/o Fittings - Sewage
**	051391-01-000	EA	Water Heater - w/o Motor Aid - Atwood - G6A-3
**	051391-03-000	EA	Water Heater - w/Motor Aid - Atwood - G6A-3E
**	051393-01-000	EA	Water Heater - w/Motor Aid - Direct Ignition - Atwood - GH6-3E

** The illustrated parts breakdown for this item is provided on the Common Items Fiche.

1987 WINNEBAGO TABLE OF CONTENTS

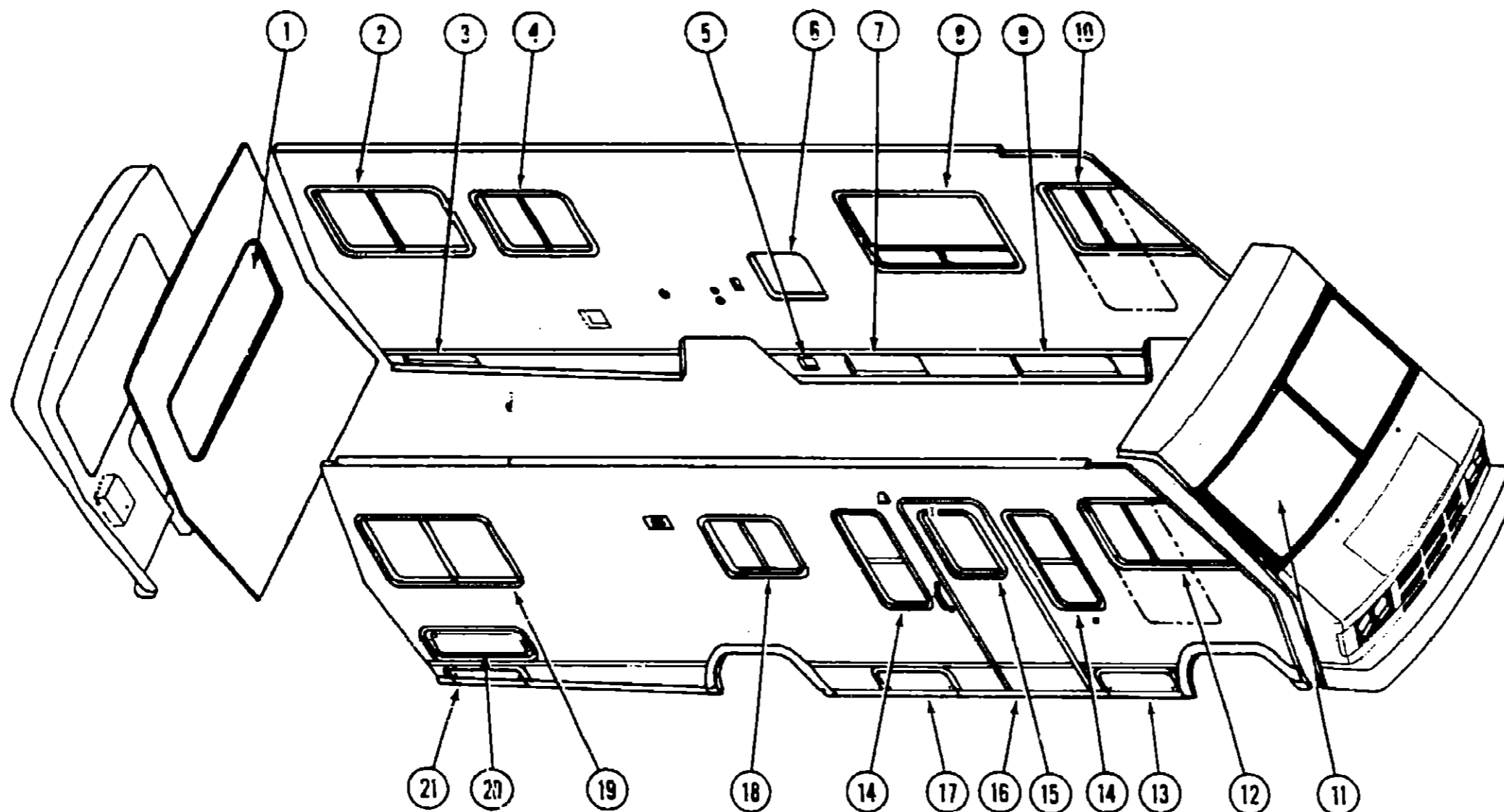
WC420RG	A-01 - B-22
WC/WF424RB	B-23 - D-22
WCN27RU	D-23 - G-04
WCN30RC	G-05 - I-12
WCP34RU	I-13 - K-23

1987 WCN27RU INDEX

Floor Plan	D-23 - D-24
Accessories Group	E-01 - E-03
Bath Group	E-04
Chassis Group	E-05 - E-07
Curtain, Cushion & Pad Group	E-08 - E-14
Dinette Group	E-15
Driver's Compartment Group	E-16 - E-18
Electrical Group	E-19 - E-21
Exterior Body Group	E-22 - F-03
Galley Group	F-04 - F-06
Heating & Air Conditioning Group	F-07
Interior Finish Group	F-08 - F-10
LP Group	F-11
Lounge Group	F-12
Water & Sewage Group	F-13 - F-14
Window, Vent & Exterior Door Group	F-15 - G-04

WINDOWS, VENTS & EXTERIOR DOOR GROUP

WINDOWS & ACCESS DOORS



1987 WINNEBAGO TABLE OF CONTENTS

WC420RG
WC/WF424RB
WCN27RU
WCN30RC
WCP34RU

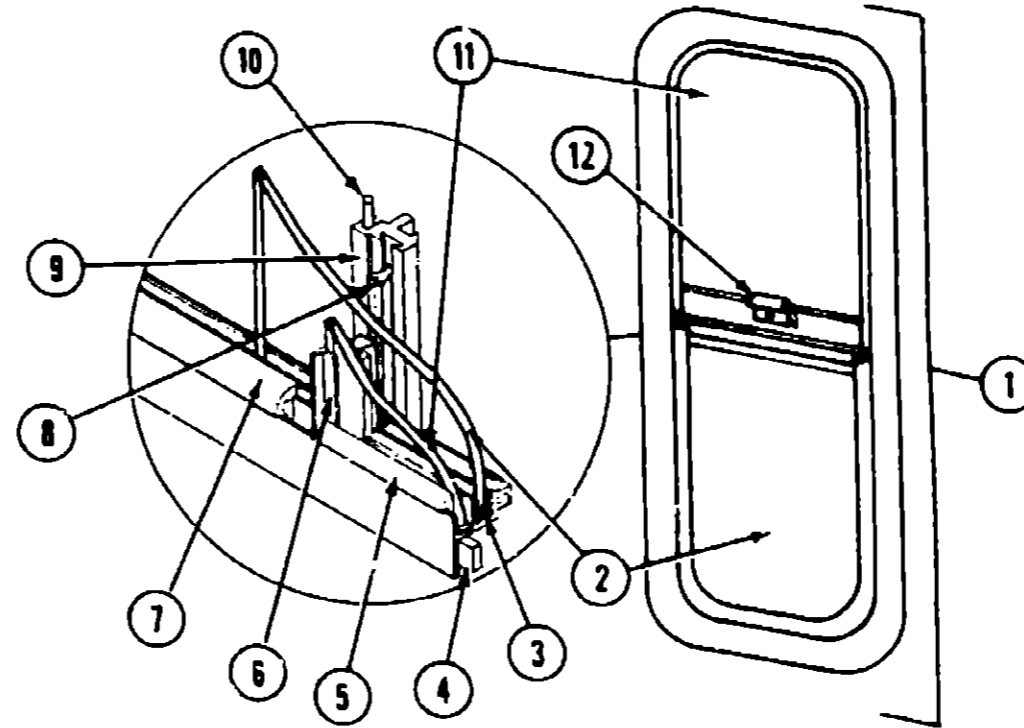
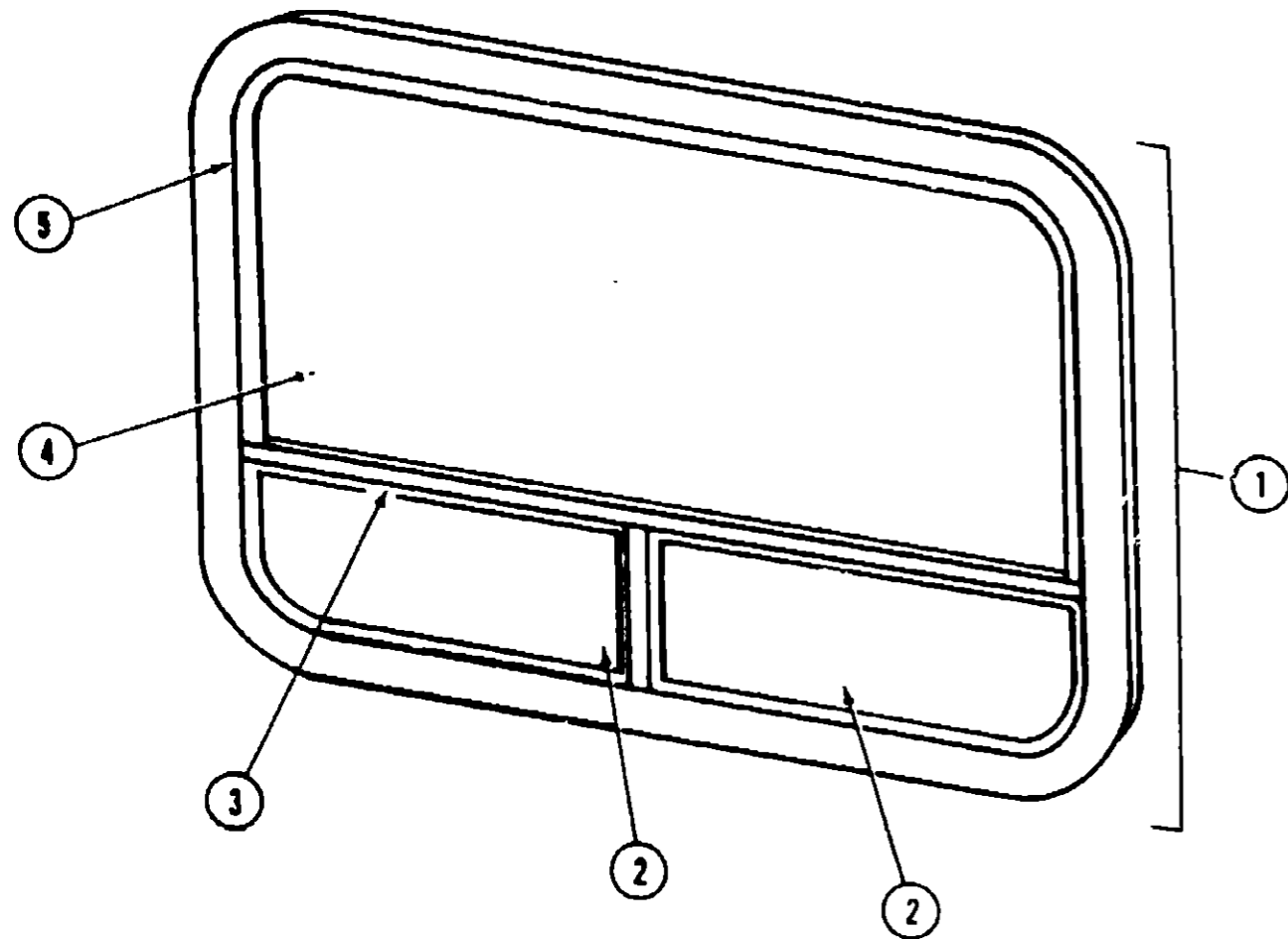
A-01 - B-22
B-23 - D-22
D-23 - E-04
G-05 - I-12
I-13 - K-23

1987 WCN27RU INDEX

Floor Plan	D-23 - D-24
Accessories Group	E-01 - E-03
Bath Group	E-04
Chassis Group	E-05 - E-07
Curtain, Cushion & Pad Group	E-08 - E-14
Dinette Group	E-15
Driver's Compartment Group	E-16 - E-18
Electrical Group	E-19 - E-21
Exterior Body Group	E-22 - F-03
Galley Group	F-04 - F-06
Heating & Air Conditioning Group	F-07
Interior Finish Group	F-08 - F-10
LP Group	F-11
Lounge Group	F-12
Water & Sewage Group	F-13 - F-14
Window, Vent & Exterior Door Group	F-15 - G-04

Key	Part Number	U/M	Description
1	078536-01-T03	EA	Window Asm. - Escape
2	078266-06-T03	EA	Window Asm. - Single Slider
3	081349-04-U04	EA	Door Asm. - Lower - Rear Left
†3	086552-04-W07	EA	Door Asm. - Lower Rear Left
4	078266-04-T03	EA	Window Asm. - Single Slider
5	078967-02-T03	EA	Door Asm. - Power Cord
6	078969-04-T03	EA	Door Asm. - Refrigerator - Left
*6	084104-01-000	EA	Door Asm. - Refrigerator - Half Door - Left
7	079149-02-T03	EA	Door Asm. - Luggage - Center Left
†7	086554-01-T03	EA	Door Asm. - Luggage - Center Left
7	M79321-02-T03	EA	Door Asm. - Generator - Center Left
†7	M86576-01-T03	EA	Door Asm. - Generator - Center Left
8	085354-02-W07	EA	Window Asm. - Double Tipout
9	079435-02-T03	EA	Door Asm. - Luggage - 34.5" - Front Left
†9	086531-01-W07	EA	Door Asm. - Luggage - 34.5" - Front Left
10	085025-02-000	EA	Window Asm. - Front Slant
11	084464-01-000	EA	Glass - Windshield - Passengers
11	084464-02-000	EA	Glass - Windshield - Drivers

Key	Part Number	U/M	Description
12	084978-01-W30	EA	Window Asm. - Slant Slider - Passenger
13	079436-01-T03	EA	Door Asm. - Lower - Front Right
†13	086517-03-W07	EA	Door Asm. - Lower - Front Right
14	078453-01-T03	EA	Window Asm. - Vertical Slider
15	079733-04-T03	EA	Window Asm. - Entrance Door
16	M01870-12-W07	EA	Door Asm. - Entrance
17	079436-03-T03	EA	Door Asm. - Lower - Center Right
†17	086517-01-W07	EA	Door Asm. - Lower - Center Right
18	078266-02-T03	EA	Window Asm. - Single Slider - Right
19	078266-05-T03	EA	Window Asm. - Single Slider - Right
20	079578-01-T03	EA	Door Asm. - Storage - Upper Right Rear
21	081349-03-U04	EA	Door Asm. - Storage - Lower Right Rear
†21	086552-03-W07	EA	Door Asm. - Storage - Lower Right Rear
*			Used in units produced after 11/16/86.
†			Used in units produced after 11/3/86.



1987 WINNEBAGO
TABLE OF CONTENTS

WC420RG
WC/WF42:RB
WCN27RU
WCN30RC
WCP34RU

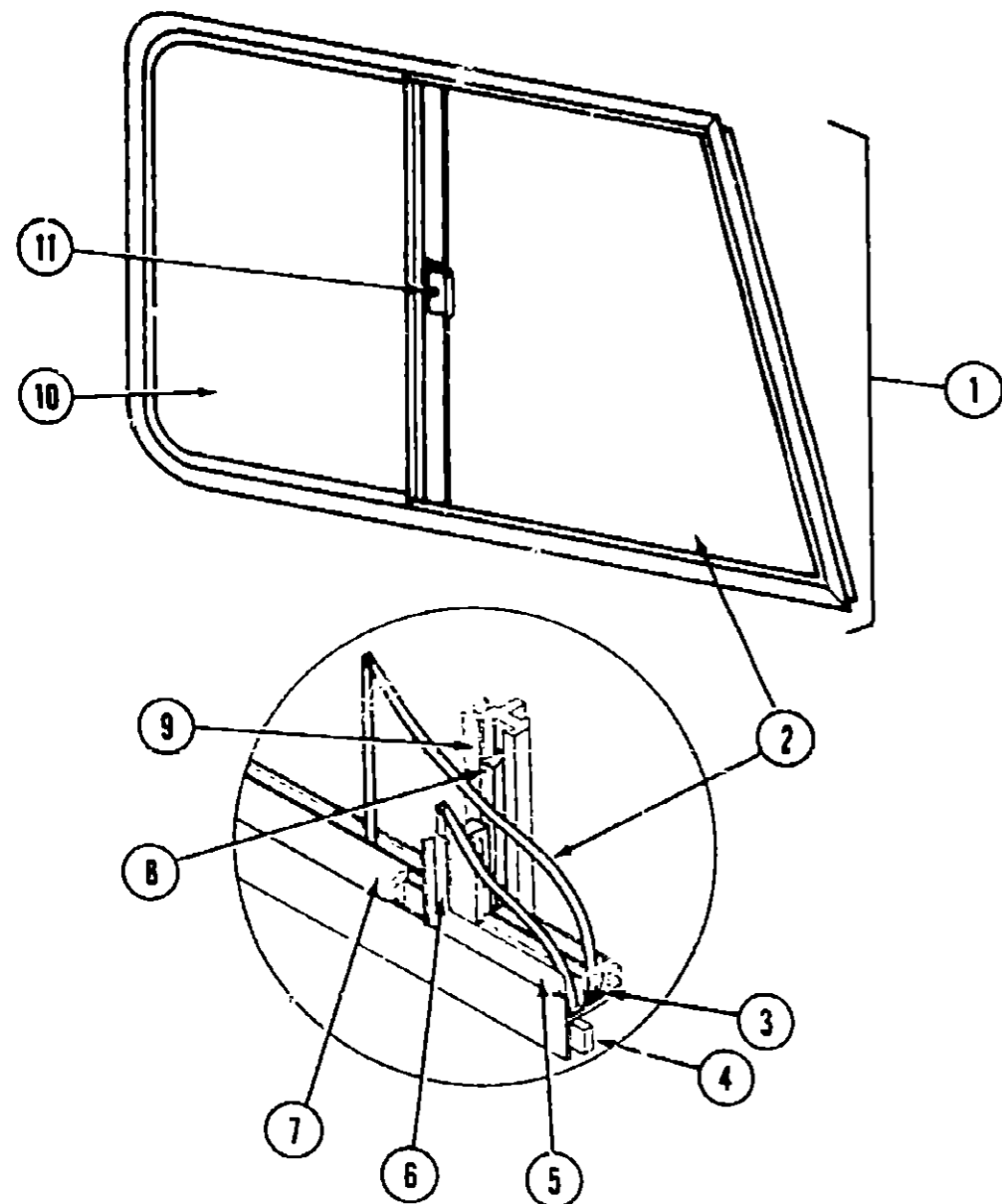
A-01 - B-22
B-23 - D-22
D-23 - G-04
G-05 - I-12
I-13 - K-23

Key	Part Number	U/M	Description
1	085354-02-W07	EA	Window Asm. - 62" x 31" - Double Tipout
.	084153-06-000	EA	Inside Frame - Black (not included in assembly)
2	084068-04-000	EA	Glass - Tipout - 1/8" x 9 21" x 30.09" - Left or Right
3	083112-05-000	EA	Mullion - Black
.	084581-02-W07	EA	Screen Asm. - Tipout - Right Hand
.	084581-01-W07	EA	Screen Asm. - Tipout - Left Hand
.	081243-01-000	EA	Screen Clip - Plastic - Black
.	035302-01-000	EA	Operating Mech - Right Hand
.	035302-02-000	EA	Operating Mech - Left Hand
4	081239-11-000	EA	Glass - Stationary - 1/8" x 61 3/4" x 20 1/2"
5	083180-01-000	EA	Window Seal
.	081357-01-000	FT	Window Seal - Top of Tipout
.	084066-01-000	FT	Window Seal - Vertical Mullion
.	084067-01-000	FT	Window Seal - Bottom of Tipout
.	002291-02-000	SF	Screen - Charcoal - 16" Wide
.	002298-02-000	FT	Spline - Charcoal
.	084155-04-000	EA	Hinge - Tipout Window - Black
.			Not illustrated

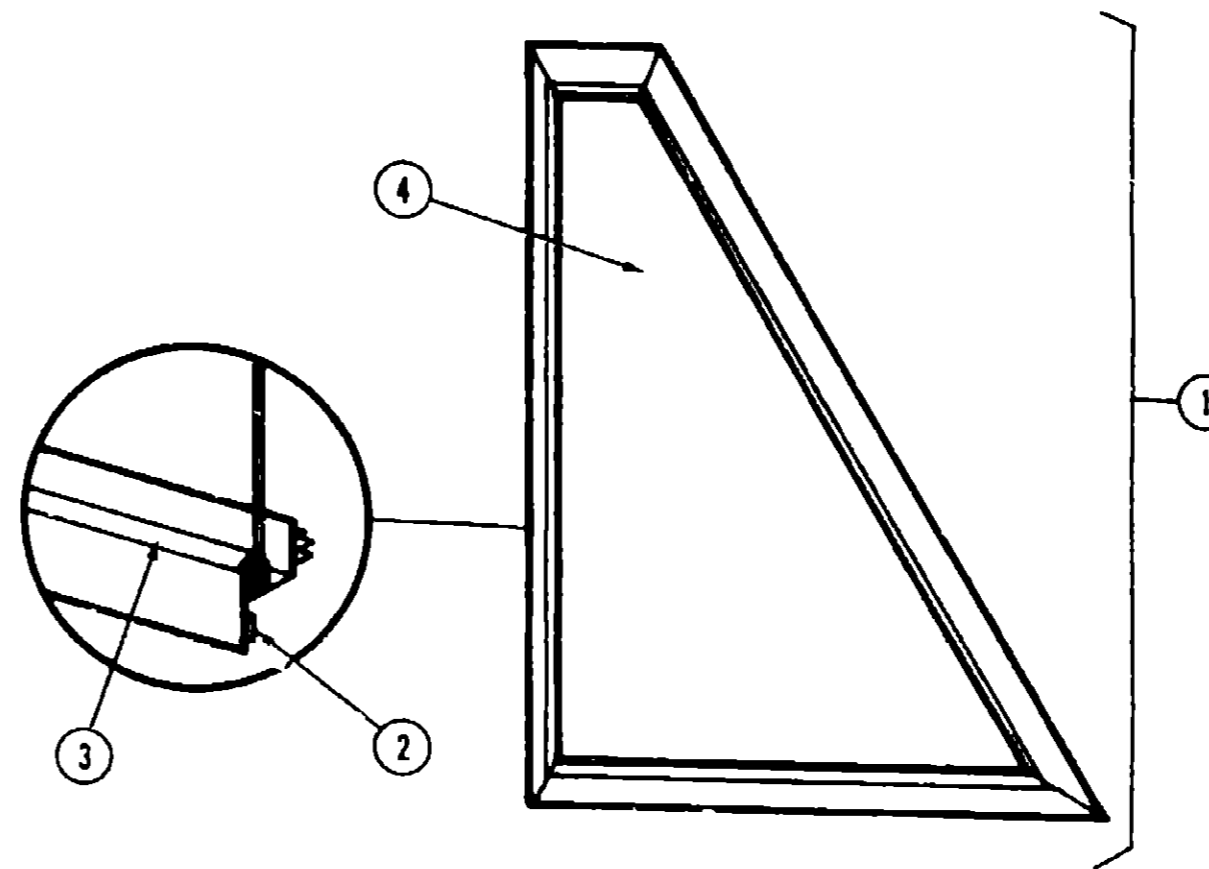
Key	Part Number	U/M	Description
1	078453-01-T03	EA	Window Asm. - Vertical Slider - 37" x 15" - Black (w/o inside frame)
.	083122-02-000	EA	Inside Frame - Brown (not included in assembly)
2	081980-03-000	EA	Glass - Slider - 1/8" x 14.4" x 19"
3	002324-02-000	FT	Channel - Weatherstrip - Glass Run - 1/8" Glass
4	069640-06-000	FT	Ribbon Sealer - 5/16" Bead x 15'
5	002309-02-000	FT	Spline - Glass - 1/8" Material - Black
6	M69886-03-007	EA	Seal Holder w/Fin Seal - Black
7	057374-02-000	FT	Extr. Rubber - Window Seal - Black
8	073740-01-000	FT	Seal - Fin - Pile - .460"
9	078562-01-000	EA	Mullion - Slider Window - Black
10	002298-02-000	FT	Spline - .130" Dia. - Charcoal (Screen)
11	081984-02-000	EA	Glass - Stationary - 1/8" x 14.4" x 19"
12	047369-01-700	EA	Latch Kit - Window - Plastic w/Fastener
.	079204-01-000	EA	Bracket - Mullion - Black
.	002291-02-000	SF	Screen - Window 16" - Charcoal
.			Not illustrated

1987 WCN27RU INDEX

Floor Plan	D-23 - D-24
Accessories Group	E-01 - E-03
Bath Group	E-04
Chassis Group	E-05 - E-07
Curtain, Cushion & Pad Group	E-08 - E-14
Dinette Group	E-15
Driver's Compartment Group	E-16 - E-18
Electrical Group	E-19 - E-21
Exterior Body Group	E-22 - F-03
Galley Group	F-04 - F-06
Heating & Air Conditioning Group	F-07
Interior Finish Group	F-08 - F-10
LP Group	F-11
Lounge Group	F-12
Water & Sewage Group	F-13 - F-14
Window, Vent & Exterior Door Group	F-15 - G-04



Key	Part Number	U/M	Description
1	084978-01-W30	EA	Window Asm. - Front Slant Slider - Passenger (w/o inside frame)
1	084978-02-W30	EA	Window Asm. - Front Slant Slider - Driver (w/o inside frame)
*	084982-01-W30	EA	Inside Frame - Slant Slider - Passenger (not included in assembly)
*	084982-02-W30	EA	Inside Frame - Slant Slider - Driver (not included in assembly)
2	057656-07-000	EA	Glass - .19" x 28.11" x 39.8" - Stationary (Passenger)
2	057656-08-000	EA	Glass - .19" x 28.11" x 39.8" - Stationary (Driver)
3	042077-01-000	FT	Channel - Weatherstrip - 3/16" Glass
4	069640-01-000	FT	Ribbon Sealer - 1/4" Bead x 20'
5	050216-02-000	FT	Window Seal - .19" - Glass
6	002389-03-203	EA	Seal Holder w/Fin Seal - 27.12" - Black
7	057374-02-000	FT	Extr. Rubber - Window Seal - Black
8	073740-01-000	FT	Seal - Fin - Pile - .460"
9	084170-07-000	EA	Mullion - Slider Window - Black
10	002298-02-000	FT	Spline - .130" Dia. - Charcoal (Screen)
11	081980-06-000	EA	Glass - .19" x 28.11" x 14.88" - Sliding
*	084982-02-W30	EA	Slider Screen Asm. - Passenger
*	084982-01-W30	EA	Slider Screen Asm. - Driver
*	002292-02-000	SF	Screen - Window - 20" - Charcoal
*	016310-03-000	EA	Handle - Slider Screen - Black
*	047369-01-700	EA	Latch Kit - Window - Plastic w/Fastener
*	Not illustrated		



Key	Part Number	U/M	Description
1	085025-01-000	EA	Window Asm. - Front Slant - Passenger (w/o inside frame)
1	085025-02-000	EA	Window Asm. - Front Slant - Drivers (w/o inside frame)
*	085018-01-000	EA	Inside Frame - Front Slant - Passenger - Beige (not included in assembly)
*	085018-02-000	EA	Inside Frame - Front Slant - Drivers - Beige (not included in assembly)
2	069640-01-000	FT	Tape - 1/4" Bead x 20'
3	050216-02-000	FT	Spline - Glass - 1/8" - Black
4	057656-09-000	EA	Glass - .19" x 28.11" x 26.13" - Right
*	057656-10-000	EA	Glass - .19" x 28.11" x 26.13" - Left
*	Not illustrated		

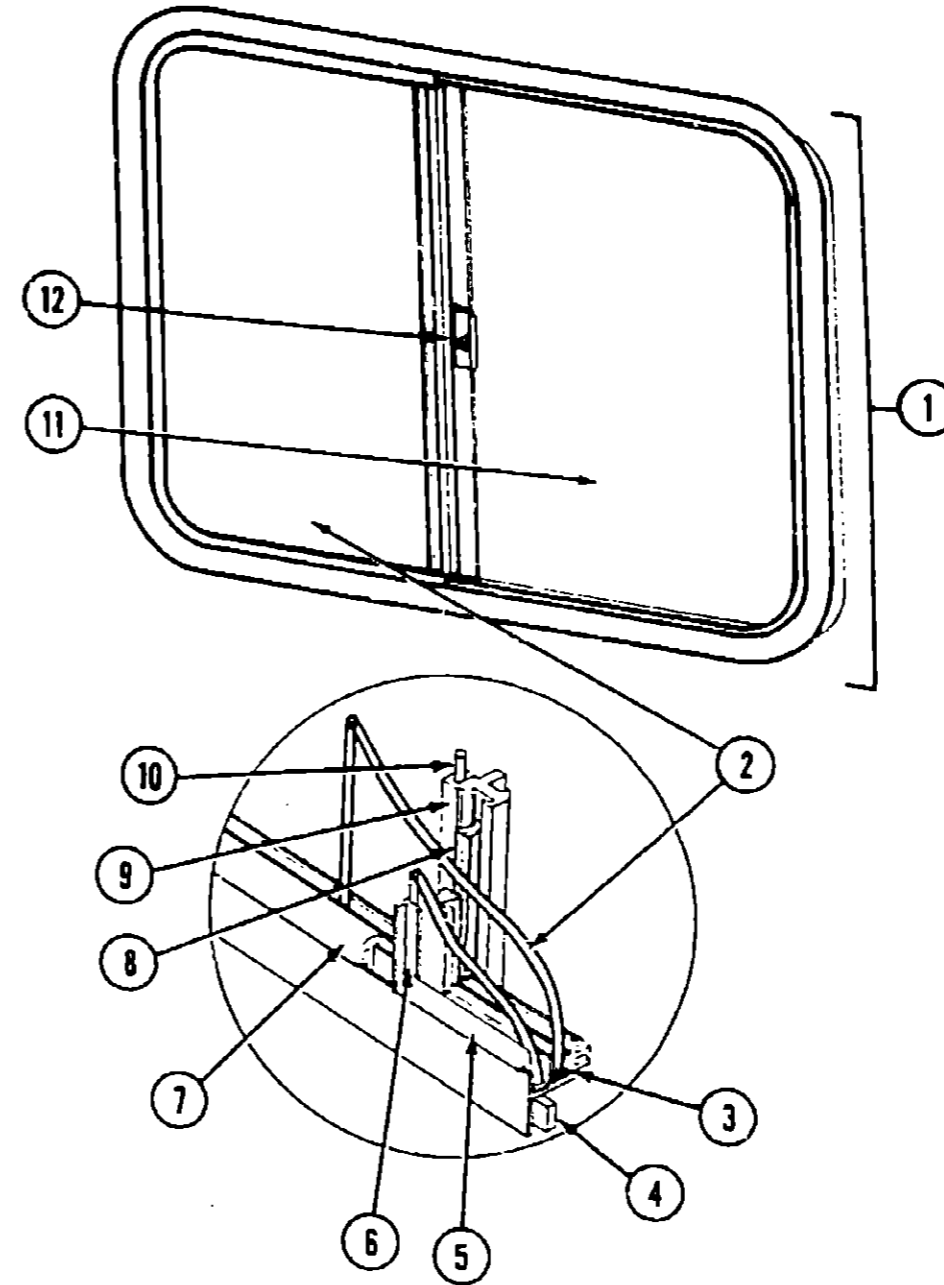
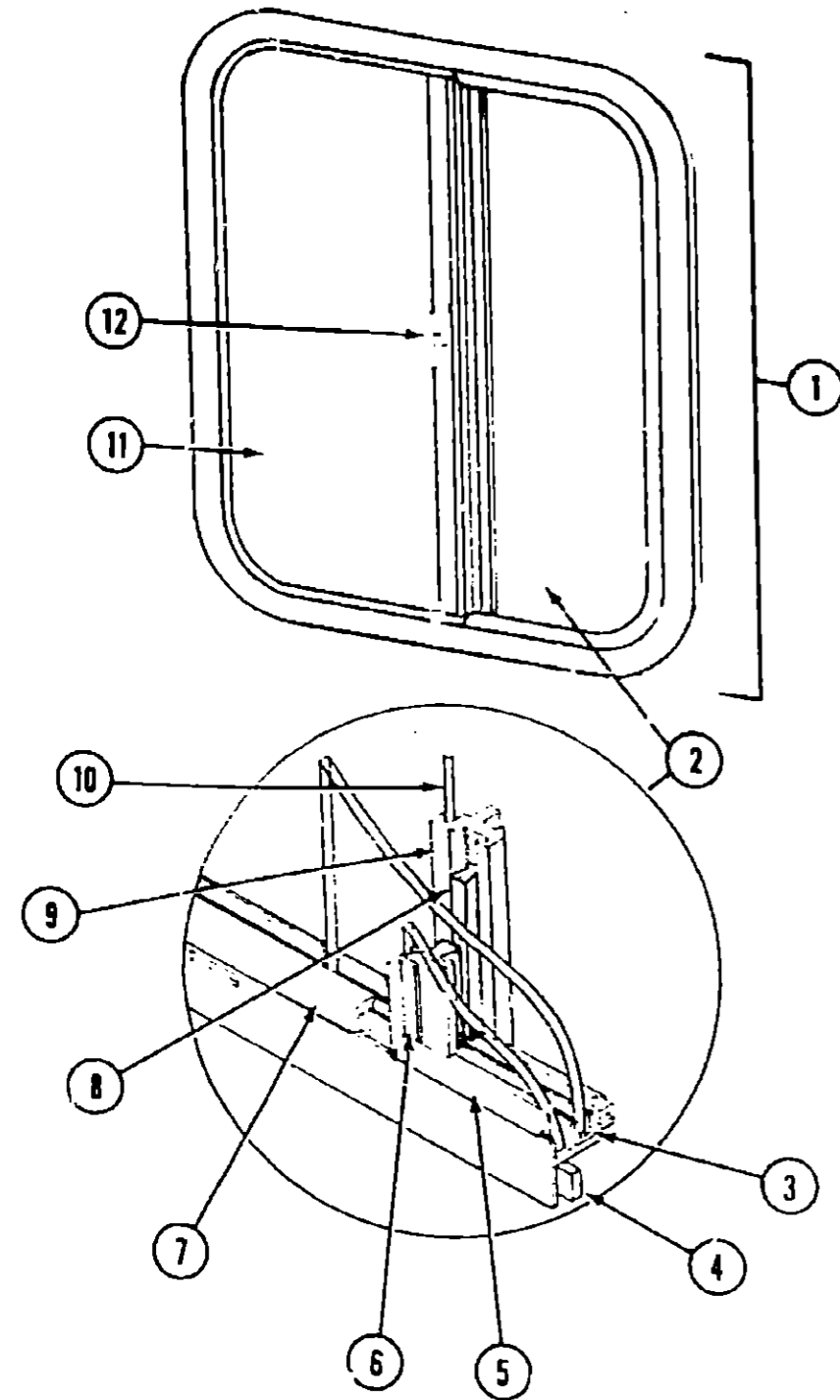
1987 WINNEBAGO
TABLE OF CONTENTS

WC20RG
WC/WF424RB
WCN27RU
WCN30RC
WCP34RU

A-01 - B-27
B-23 - D-22
D-23 - G-04
G-05 - I-12
I-13 - K-23

1987 WCN27RU INDEX

Floor Plan	D-23 - D-24
Accessories Group	F-01 - E-03
Bath Group	E-04
Chassis Group	E-05 - E-07
Curtain, Cushion & Pad Group	E-08 - E-14
Dinette Group	E-15
Driver's Compartment Group	E-16 - E-18
Electrical Group	E-19 - E-21
Exterior Body Group	E-22 - F-03
Galley Group	F-04 - F-06
Heating & Air Conditioning Group	F-07
Interior Finish Group	F-08 - F-10
LP Group	F-11
Lounge Group	F-12
Water & Sewage Group	F-13 - F-14
Window, Vent & Exterior Door Group	F-15 - G-04



1987 WINNEBAGO
TABLE OF CONTENTS

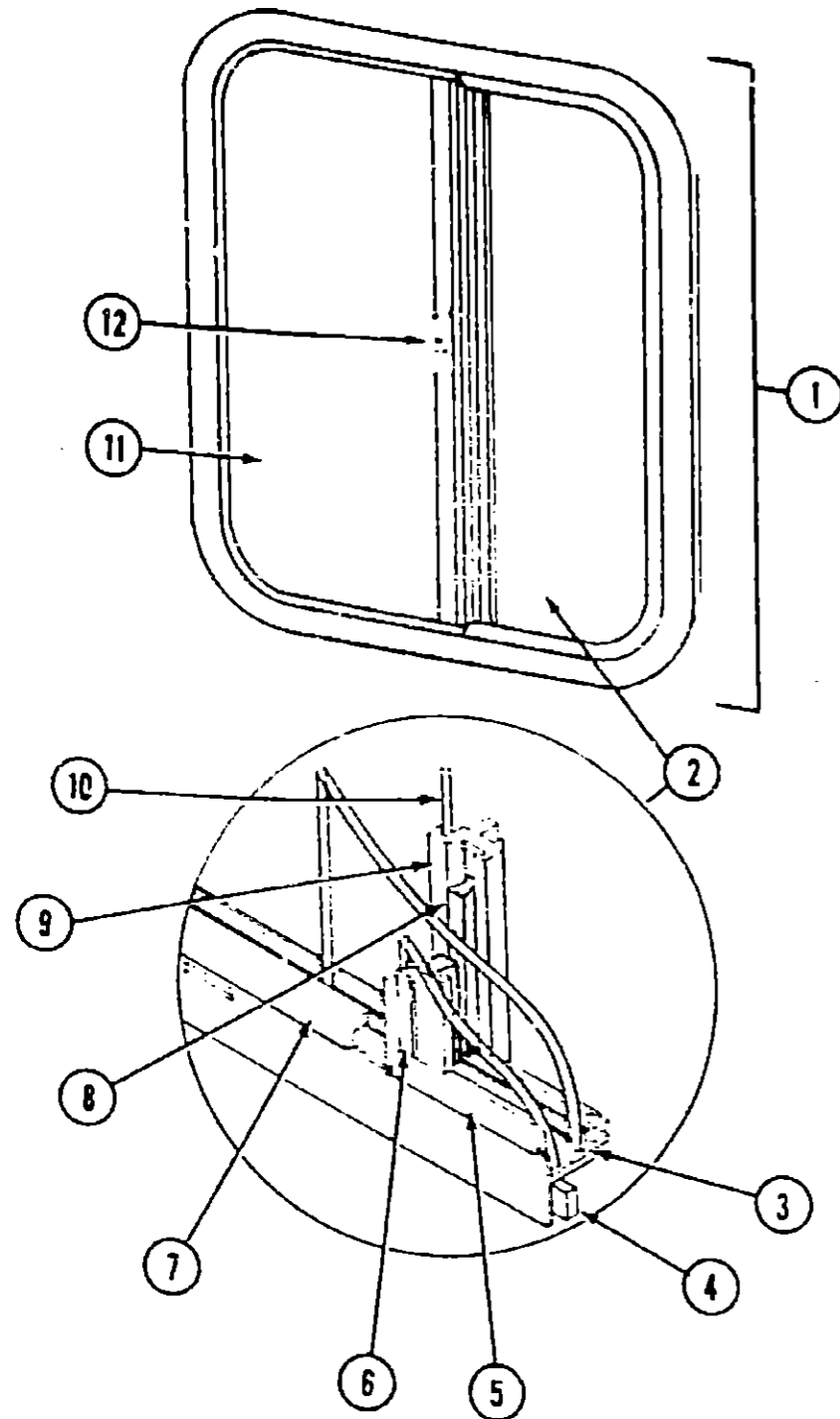
WC420RG	A-01 - B-22
WC/WF424RB	B-23 - D-22
WCN27RU	D-23 - G-04
WCN30RC	G-05 - I-12
WCP34RU	I-13 - K-23

Key	Part Number	U/M	Description
1	078266-02-T03	EA	Window Asm. - Right Single Slider - 20" x 25" - Black (w/o inside frame)
.	083122-03-000	EA	Inside Frame - Beige (not included in assembly)
2	081980-05-000	EA	Glass - Sliding - 1/8" x 19" x 12.3"
3	002324-02-000	FT	Channel - Weatherstrip - Glass Run - 1/8" Glass
4	069640-06-000	FT	Ribbon Sealer - 5/16" Bead x 15'
5	002309-02-000	FT	Spline - Glass - 1/8" - Black
6	M69886-03-011	EA	Seal Holder w/Fin Seal - 18.19" - Black
7	057374-02-000	FT	Extr. Vinyl - Window Seal - Black
8	073740-01-000	FT	Seal - Fin - .460 Pile
9	078562-02-000	EA	Inside Mullion - Slider Window - Black
10	002298-02-000	FT	Spline - .130" Dia. - Charcoal (Screen)
11	081984-03-000	EA	Glass - Stationary 1/8" x 19" x 12.3"
12	047369-01-700	EA	Latch Kit - Window - Plastic w/Fastener
.	002293-02-000	SF	Screen - Window - 26" - Charcoal
.			Not illustrated

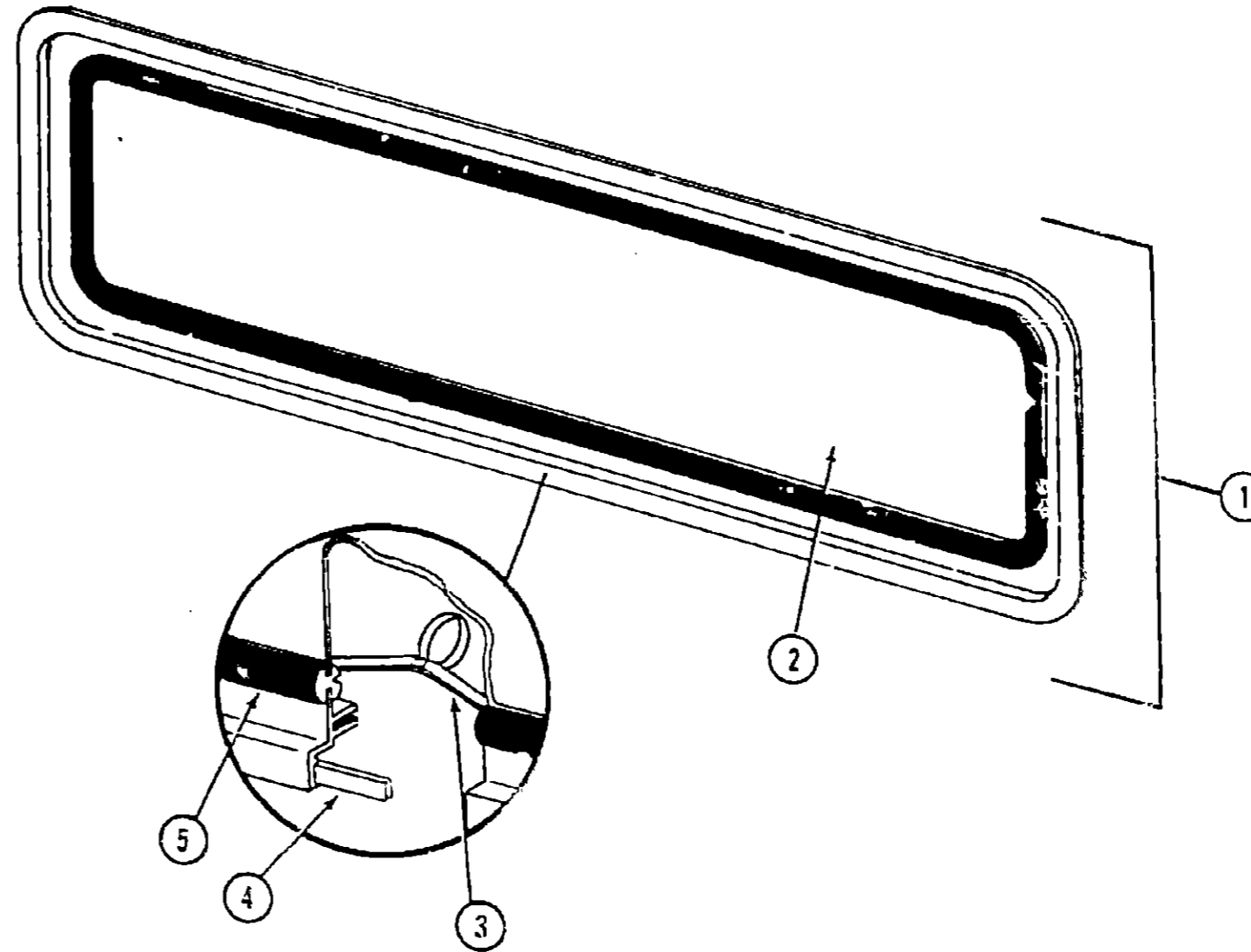
Key	Part Number	U/M	Description
1	078266-05-T03	EA	Window Asm. - Right Single Slider - Black (w/o inside frame)
1	078266-06-T03	EA	Window Asm. - Left Single Slider - Black (w/o inside frame)
.	083122-07-000	EA	Inside Frame - Beige (not included in assembly)
2	081980-04-000	EA	Glass - Sliding - 1/8" x 24" x 21.03"
3	002324-02-000	FT	Channel - Weatherstrip - Glass Run - 1/8" Glass
4	059640-06-000	FT	Ribbon Sealer - 5/16" Bead x 15'
5	002309-02-000	FT	Spline - Glass - 1/8" Material - Black
6	M69886-03-003	EA	Seal Holder w/Fin Seal - Black
7	057374-02-000	FT	Extr. Rubber - Window Seal - Black
8	073740-01-000	FT	Seal - Fin - Pile - .460"
9	078562-04-000	EA	Mullion - Slider Window - Black
10	002298-02-000	FT	Spline - .130" Dia. Charcoal (Screen)
11	081984-02-000	EA	Glass - Stationary - 1/8" x 14.4" x 19"
12	047369-01-700	EA	Latch Kit - Window - Plastic w/Fastener
.	079204-01-000	EA	Bracket - Mullion - Black
.	002293-02-000	SF	Screen - Window 26" - Charcoal (Screen)
.			Not illustrated

1987 WCN27RU INDEX

Floor Plan	D-23 - D-24
Accessories Group	E-01 - E-03
Bath Group	E-04
Chassis Group	E-05 - E-07
Curtain, Cushion & Pad Group	E-08 - E-14
Dinette Group	E-15
Driver's Compartment Group	E-16 - E-18
Electrical Group	E-19 - E-21
Exterior Body Group	E-22 - F-03
Galley Group	F-04 - F-06
Heating & Air Conditioning Group	F-07
Interior Finish Group	F-08 - F-10
LP Group	F-11
Lounge Group	F-12
Water & Sewage Group	F-13 - F-14
Window, Vent & Exterior Door Group	F-15 - G-04



Key	Part Number	U/M	Description
1	078265-04-T03	EA	Window Asm. - Single Slider - Black (w/o inside frame)
.	083122-06-000	EA	Inside Frame - Brown (not included in assembly)
2	081980-02-000	EA	Glass - Slider - 1/8" x 22" x 13.68"
3	002324-02-000	FT	Channel - Weatherstrip - Glass Run - 1/8" Glass
4	059540-06-000	FT	Ribbon Sealer - 5/16" Bead x 15'
5	002309-02-000	FT	Spline - Glass - 1/8" Material - Black
6	M18025-03-000	EA	Seal Holder w/Fin Seal - Black
7	047273-01-000	FT	Extr. Rubber - Window Seal - Black
8	073740-01-000	FT	Seal - Fin - Pile - 460"
9	078562-03-000	EA	Mullion - Slider Window - Black
10	002293-02-000	FT	Spline - .130" Dia. - Charcoal (Screen)
11	081984-01-000	EA	Glass - Stationary - 1/8" x 22" x 16.53"
12	047359-01-700	EA	Latch Kit - Window - Plastic w/Fastener
.	002293-02-000	SF	Screen - Window 26" - Charcoal
.	079204-01-000	EA	Bracket - Mullion - Black
.			Not illustrated



Key	Part Number	U/M	Description
1	073536-01-T03	EA	Window Asm. - Escape - 23" x 68" - Black (w/o inside frame)
.	042027-05-000	EA	Inside Frame - Escape Window - Beige (not included in assembly)
2	002178-01-000	EA	Glass - 1/8" x 19.61" x 64.80"
3	002285-01-000	FT	Filler - Weatherstrip - Black
4	059540-01-000	FT	Tape - 1/4" Bead x 20'
5	002282-01-000	FT	Weatherstrip - Window - .125" Black
.	005199-01-000	EA	Label - Exit - Escape Window
.			Not illustrated

1987 WINNEBAGO
TABLE OF CONTENTS

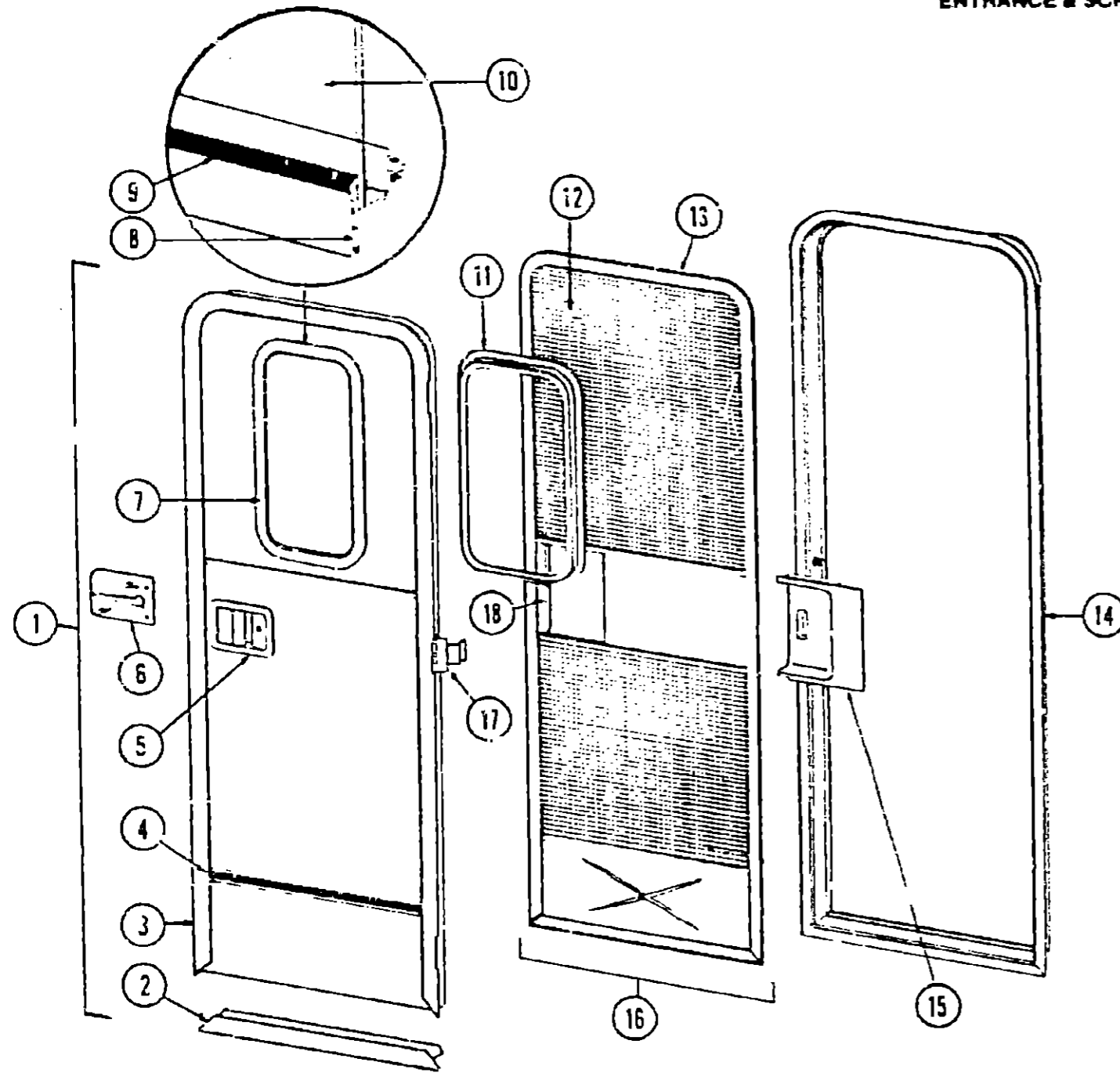
WC420RG	A-01 - B-22
WC/WF424RB	B-23 - D-22
WCN27RU	D-23 - G-04
WCN30FC	G-05 - I-12
WCP34RU	I-13 - K-23

1987 WCN27RU INDEX

Floor Plan	D-23 - D-24
Accessories Group	E-01 - E-03
Bath Group	E-04
Chassis Group	E-05 - E-07
Curtain, Cushion & Pad Group	E-08 - E-14
Dinette Group	E-15
Driver's Compartment Group	E-16 - E-18
Electrical Group	E-19 - E-21
Exterior Body Group	E-22 - F-03
Galley Group	F-04 - F-06
Heating & Air Conditioning Group	F-07
Interior Finish Group	F-08 - F-10
LP Group	F-11
Lounge Group	F-12
Water & Sewage Group	F-13 - F-14
Window, Vent & Exterior Door Group	F-15 - G-04

WINDOW, VENT & EXTERIOR DOOR GROUP (CONTINUED)

ENTRANCE & SCREEN DOOR



Key	Part Number	U/M	Description
1	M01870-12-W07	EA	Door Asm. - Radius Entry w/Screen Door
2	077998-02-000	EA	Frame - Entry Door (Bottom Portion Only)
3	076863-02-000	EA	Frame - Entry Door (Except Bottom Portion)
4	059576-08-000	EA	Feature Strip w/o Insert - Extr. - 14"
	001030-12-100	EA	Insert - Feature Strip - 17" - Stucco - Beige
	009731-01-000	EA	End Cap - Feature Strip
5	045017-05-000	EA	Paddle Asm. - Door Lock - Exterior
	045017-05-700	EA	Lock Cyl. Jar w/Keys - Lynor
	039539-01-000	EA	Striker Bolt - Entry Doors
	039540-01-000	EA	Latch Claw - Entry Door
	039738-01-000	EA	Dead Bolt - Entry Door
6	039979-01-000	EA	Plate - Inside Lock - Includes Inside Handle
7	079733-04-T03	EA	Window Asm. - Picture - 17" x 25" - Black (w/o inside frame)
8	059540-06-000	FT	Ribbon Sealer - 5/16" Bead x 15'
9	002309-02-000	FT	Spline - Glass - 1/8" Black
10	002181-06-000	EA	Glass - Picture Window - 1/8" x 16.25" x 24" - Gray
11	057609-03-000	EA	Inside Frame - Beige (not included in assembly)
12	002293-02-000	SF	Screen - Window - 26" - Charcoal
13	056795-01-000	FT	Seal Tape - 1/8" x 3/8" - Press On
14	076591-01-000	EA	Jamb Asm. - Entrance Door
	051049-01-000	EA	Jamb - Entrance Door - Bottom
15	079035-01-000	EA	Slider - Screen Door - Light Oak Plastic
16	079012-01-T03	EA	Door Asm. - Screen
17	070361-06-000	EA	Hinge - Entrance Door (3 used per door)
18	079087-01-000	EA	Cap - Screen Door - Light Oak Plastic
	009018-01-000	EA	Catch Asm. - Single Roller w/Strike - Screen Door
	076231-01-000	EA	Spacer - Latch - Screen Door
	077437-01-000	EA	Strike - Roller Catch
	044582-01-000	EA	Drip Cap - Beige
	079278-01-000	EA	Seal - Mocket - Entrance Door
	073097-01-000	FT	Seal - Entrance Door
	075739-02-000	EA	Stiffener - Entrance Door - Beige
	075673-01-000	FT	Seal - Pile - Adhesive Back
	075671-01-000	FT	Seal - Sponge - Lazy "T" Shaped
	002294-01-000	FT	Spline - Black - .135 x .138 (Screen Door)
	053538-02-000	EA	Strike - Screen Door
	063729-04-000	EA	Rivnut - 10-32 UNF - 010 - .030
	075639-01-000	EA	Garnish - Radius - Entrance Door
	083205-01-000	EA	Deadbolt Lock - Press Fit - 5"
			Not illustrated

1987 WINNEBAGO TABLE OF CONTENTS

WC420RG	A-01 - B-22
WC/WF424RB	B-23 - D-22
WCN27RU	D-23 - G-04
WCN30RC	G-05 - I-12
WCP34RU	I-13 - K-23

1987 WCN27RU INDEX

Floor Plan	D-23 - D-24
Accessories Group	E-01 - E-03
Bath Group	E-04
Chassis Group	E-05 - E-07
Curtain, Cushion & Pad Group	E-08 - E-14
Dinette Group	E-15
Driver's Compartment Group	E-16 - E-18
Electrical Group	E-19 - E-21
Exterior Body Group	E-22 - F-03
Galley Group	F-04 - F-06
Heating & Air Conditioning Group	F-07
Interior Finish Group	F-08 - F-10
LP Group	F-11
Lounge Group	F-12
Water & Sewage Group	F-13 - F-14
Window, Vent & Exterior Door Group	F-15 - G-04

WINDOW, VENT & EXTERIOR DOOR GROUP (CONTINUED)

DRIVER DOOR W/ROLL-UP WINDOW

Key	Part Number	U/M	Description
	M82202-01-U04	EA	Door Asm. - w/Roll-Up Window - Passenger
	M82202-02-U04	EA	Door Asm. - w/Roll-Up Window - Driver
	064184-02-000	EA	Drip Cap - Cab Door - Passenger
	064184-01-000	EA	Drip Cap - Cab Door - Driver
	M02684-01-000	EA	Jamb Asm. - Cab Door - Passenger
	M02684-02-000	EA	Jamb Asm. - Cab Door - Driver
	063993-01-000	EA	Hinge Asm. - Passenger
	063993-05-000	EA	Hinge Asm. - Driver
	082150-01-000	FT	Seal - Sponge (Jamb)
	082150-02-000	FT	Seal - Sponge (Door)
	063731-01-000	EA	Cap - Push On - Zinc
	061400-06-000	EA	Assist Strap - Sandstone
	064219-01-000	EA	Retainer Strap - Driver Door
	066109-02-000	EA	Strap - Driver Door
	063733-01-000	EA	Bushing - Flange - Nyliner
	063729-01-000	EA	Rivnut - 1/4 x 20 unc. - .030 - .125
	081903-01-000	EA	Shaft - Mounting Knob
	081905-01-000	EA	Knob - Control - Slide Bolt - Passenger
	081905-02-000	EA	Knob - Control - Slide Bolt - Driver
	081906-01-000	EA	Slide Bolt - Driver Door
	081907-01-000	EA	Regulator Asm. - Window - Passenger
	081907-02-000	EA	Regulator Asm. - Window - Driver
	081910-01-000	FT	Channel - Window - Sliding
	081912-01-000	EA	Weatherstrip - Rigid
	063886-06-000	EA	Ass't Handle - Door
	075722-01-000	EA	Block - Switch - Spacer
	079215-01-000	EA	Frame Asm. - Front Slant Slider
	079421-01-T03	EA	Window Asm. - Front Slant Slider - Passenger
	079421-02-T03	EA	Window Asm. - Front Slant Slider - Driver
	073118-01-000	EA	Retainer - Attachment Plate
	073119-01-000	EA	Attachment Plate - Striker
	079561-01-000	EA	Shim - Strike - Cab Door
	050216-02-000	FT	Spline - Vinyl - Glass - .19
	057656-06-000	EA	Glas - .19" x 28.11" x 13.98"
	R77007-56-701	EA	Plate - Passenger Door Lock
	R77007-56-702	EA	Plate - Driver Door Lock
	R77040-01-538	EA	Door Handle
	R77007-05-374	EA	Plate - Door Handle Spacer
	R77006-50-326	EA	Door - Handle Inner - Driver
	R77006-50-261	EA	Door - Handle Inner - Passenger
	R77006-13-460	EA	Cap - Inner - Window Crank
	072035-01-000	EA	Crank - Hand - Glass Lift
	072036-02-000	EA	Cap - Crank - Hand
	073110-02-000	EA	Rod - Lock - Passenger
	073110-03-000	EA	Rod - Lock - Driver
	R77006-64-355	EA	Link - Door Handle - Control
	R77030-58-048	EA	Washer
	R77030-33-009	EA	Nut - w/Washer
	R77007-62-746	EA	Lock - Left Tumbler Assembly
	R77007-62-747	EA	Lock - Right Tumbler Assembly
	081468-01-000	EA	Glass - Door - Roll-Up
	083223-02-000	EA	Lock Asm. - Key Type (Set of 2)
	076542-03-000	EA	Rod Control - Latch - Passenger
	076542-04-000	EA	Rod Control - Latch - Driver

WINDOW, VENT & EXTERIOR DOOR GROUP (CONTINUED)

ACCESS DOORS

Key	Part Number	U/M	Description
	081349-04-U04	EA	Door Asm. - Lower Rear Left
†	086552-04-W07	EA	Door Asm. - Lower Rear Left
	078969-04-T03	EA	Door Asm. - Refrigerator - Left
*	038410-01-000	EA	Door Asm. - Refrigerator - Half Door
	079149-02-T03	EA	Door Asm. - Luggage - Center Left
†	086554-01-W07	EA	Door Asm. - Luggage - Center Left
	M79321-02-T03	EA	Door Asm. - Generator - Center Left
†	M55576-01-W07	EA	Door Asm. - Generator - Center Left
	079435-02-T03	EA	Door Asm. - Luggage - 34.5" - Front Left
†	086531-01-W07	EA	Door Asm. - Luggage - Front Left
	079435-01-T03	EA	Door Asm. - Lower Front Right
†	086517-03-W07	EA	Door Asm. - Lower Front Right
	079435-03-T03	EA	Door Asm. - Lower Center Right
†	086517-01-W07	EA	Door Asm. - Lower Center Right
	079578-01-T03	EA	Door Asm. - Storage - Upper Right Rear
	081349-03-U04	EA	Door Asm. - Storage - Lower Right Rear
†	086552-03-W07	EA	Door Asm. - Storage - Lower Right Rear
	078010-04-000	EA	Door Asm. - Fuel Fill
	063742-02-000	EA	Door Asm. - Power Cord
	052424-02-000	EA	Jamb - Power Cord/Fuel Door - Beige
	054543-02-000	EA	Hatch - Power Cord
	077963-01-000	EA	Gasket - Fuel Fill Door - 10.1" x 8.03"
	078200-01-000	EA	Gasket - Fuel Fill - 3.54"
	052009-02-000	EA	Door Asm. - Water Heater
	052423-02-000	EA	Door Asm. - Sewer Hose Compartment
	052424-02-000	EA	Jamb - Sewer Hose - Compartment
	042442-01-000	EA	Lock Asm. - Twist Type - 90° Rotation - 1.5" Latch - .61" Depth
	009003-01-000	EA	Lock Asm. - Twist Type - w/Clip (Battery Door)
	077408-01-000	EA	Lock Asm. - Key Type - 90° Rotation - 2.5" Latch - 1" Depth
	079356-03-000	EA	Lock Asm. - Key Type - 90° Rotation - 1.3" Latch - 2.10" Depth
	073366-04-000	EA	Lock Asm. - Key Type - 90° Rotation - 1.3" Latch - 1.90" Depth
	085730-01-000	EA	Latch Asm. - Plastic - Beige
	085730-04-000	EA	Latch Asm. - Plastic - Beige (used on Right Rear Center Door)
	082684-01-000	EA	Key Set - Access Door (3)
*			Used in units produced after 11/16/87.
†			Used in units produced after 11/3/85.

VENTS

Key	Part Number	U/M	Description
	084073-04-000	EA	Base - Refrigerator Vent
	084073-01-000	EA	Cover - Refrigerator Vent - Beige
	055218-01-000	EA	Cover Asm. - Roof Vent
	084616-02-000	EA	Vent - Stovehood - Outside - Beige
	075056-01-000	EA	Vent Asm. - Roof - Non-Powered - w/o Screen
	078786-01-T03	EA	Screen Asm. - Roof Vent
**	079537-01-000	EA	Vent Asm. - Roof - Powered - w/o Screen
	080508-01-000	EA	Panel - Inner Skylight
	080507-01-000	EA	Panel - Outer Skylight
	080258-01-000	EA	Trim - Skylight Outer
**			The illustrated parts breakdown for this item is provided on the Common Items Fiche.

WINDSHIELD

Key	Part Number	U/M	Description
	084464-01-000	EA	Glass - Windshield - Passenger
	084464-02-000	EA	Glass - Windshield - Driver
	083178-02-000	EA	Revel Molding - Centered Barb
	084903-01-000	FT	Revel Molding - Offset Barb
	084897-02-000	EA	Revel Molding - T-Cap
	087601-01-000	EA	Trim Molding - Windshield Post - Right
	087601-02-000	EA	Trim Molding - Windshield Post - Left

**1987 WINNEBAGO
TABLE OF CONTENTS**

WC420RG	A-01 - B-22
WC/WF424RB	B-23 - D-22
WCN27RU	D-23 - G-04
WCN30RC	G-05 - I-12
WCP34RU	I-13 - K-23

1987 WCN27RU INDEX

Floor Plan	D-23 - D-24
Accessories Group	E-01 - E-03
Bath Group	E-04
Chassis Group	E-05 - E-07
Curtain, Cushion & Pad Group	E-08 - E-14
Dinette Group	E-15
Driver's Compartment Group	E-16 - E-18
Electrical Group	E-19 - E-21
Exterior Body Group	E-22 - F-03
Galley Group	F-04 - F-06
Heating & Air Conditioning Group	F-07
Interior Finish Group	F-08 - F-10
LP Group	F-11
Lounge Group	F-12
Water & Sewage Group	F-13 - F-14
Window, Vent & Exterior Door Group	F-15 - G-04