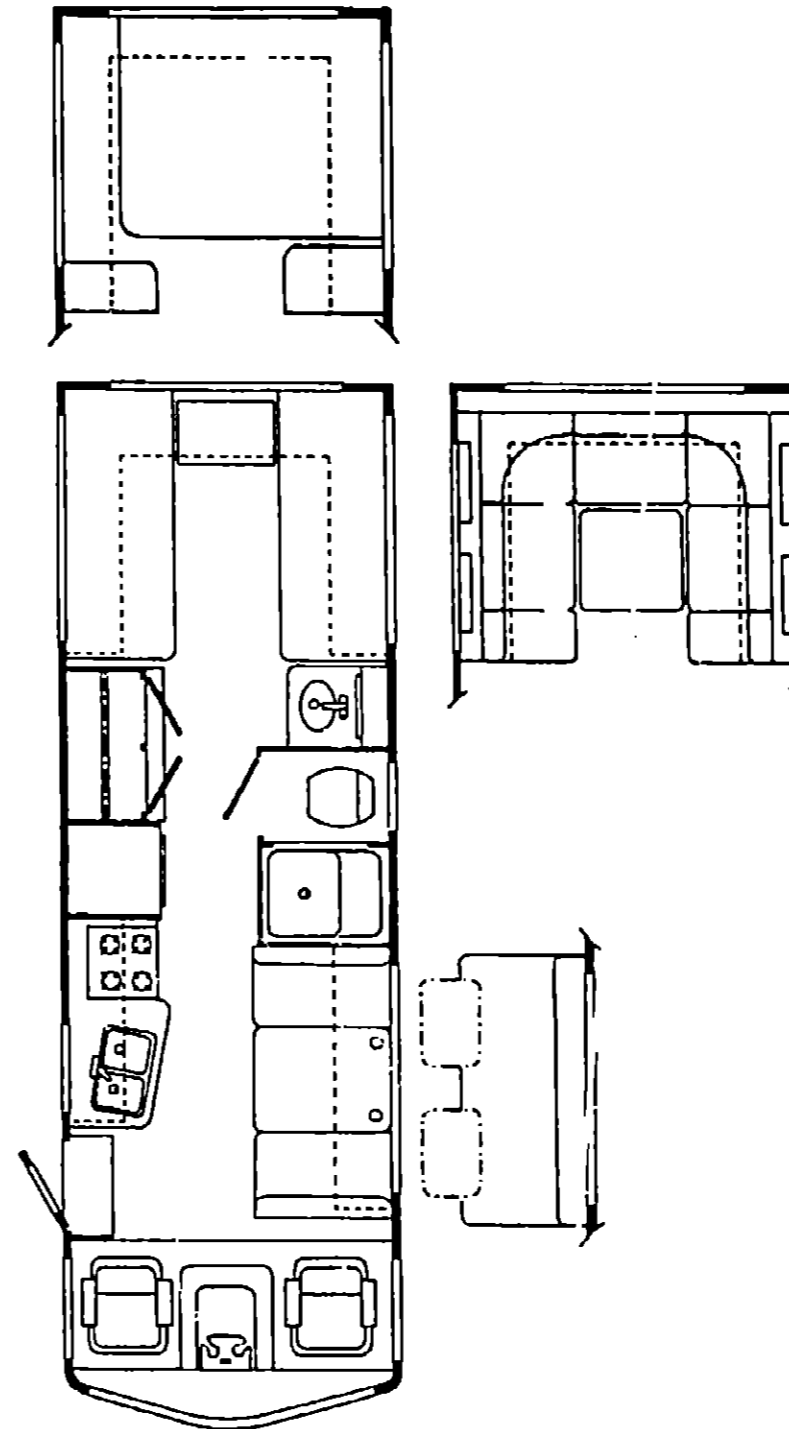


1987 WCN27RT



1987 WINNEBAGO TABLE OF CONTENTS

WC420EG	A-01 - B-06
WF426RT	B-07 - D-10
WCN26RH	D-11 - F-14
WCN27RT	F-15 - H-20
WCP26ET	H-21 - K-02

1987 WCN27RT INDEX

Floor Plan	F-15 - F-16
Accessories Group	F-17 - F-19
Bath Group	F-20
Chassis Group	F-21 - F-23
Curtain, Cushion & Pad Group	F-24 - G-08
Dinette Group	G-09
Driver's Compartment Group	G-10 - G-12
Electrical Group	G-13 - G-15
Exterior Body Group	G-16 - G-21
Galley Group	G-22 - G-23
Heating & Air Conditioning Group	G-24
Interior Finish Group	H-01 - H-03
LP Group	H-04
Lounge Group	H-05
Water & Sewage Group	H-06 - H-07
Window, Vent & Exterior Door Group	H-08 - H-20

ACCESSORIES GROUP

RADIO & RELATED COMPONENTS

Key	Part Number	U/M	Description
**	031105-02-000	EA	Antenna - Radio - Side Mount - w/12" Ground
	031105-01-700	EA	Antenna - Holder - Radio - Upper
	064792-01-000	EA	Grille - Speaker - w/Mesh - Brown
	074014-01-000	EA	Grille - Speaker - Round
	075903-01-000	EA	Radio - AM/FM/MPX w/Cassette
	075904-01-000	EA	Radio - AM/FM/MPX w/Cassette - Electronic Tune
	087684-01-000	EA	Radio - AM/FM/Stereo - Cassette - Electronic
	074979-01-000	EA	Speaker Cover Protector - Plastic
	073431-01-000	EA	Speaker - 5.25 - 3/Way (Pair)
	064791-01-000	EA	Speaker - Recessed - 5.25"

MISCELLANEOUS ACCESSORIES

Key	Part Number	U/M	Description
	054185-26-000	EA	Owners Manual - 1987 Itasca & Winnebago
**	076319-01-000	EA	Antenna - TV Roof Mount - 44.5" Mast
	017516-01-000	EA	Mud Flaps w/Holes - 14" x 18" - Black
	041944-03-000	EA	Fire Extinguisher - 5 B.C.
	072852-01-000	EA	Smoke Detector w/9 Volt Battery
	005069-01-000	EA	Key Case - Leather
	007038-01-000	EA	Door Mat - 10.5" x 26" - Black Rubber
	061075-01-000	EA	Floor Mat - Entrance - Winnebago
	081201-01-000	EA	Floor Mat - Left Front - Winnebago
	081202-01-000	EA	Floor Mat - Right Front - Winnebago
	080208-01-000	EA	Lug Wrench
	080208-02-000	EA	Leverage Bar - Lug Wrench (Chevy)
	006113-01-000	EA	Jack - Hydraulic - 6 Ton - w/Handle
	063708-01-000	EA	Cover - Air Conditioner - Vinyl
	079942-01-000	EA	Shock Absorber - Stabilizer - Front
	079942-02-000	EA	Shock Absorber - Stabilizer - Rear
	079942-07-000	EA	Bracket - Mounting - Stabilizer
	077497-01-000	EA	Solenoid - Air Horns - Air Tank
	077497-01-700	EA	Compressor Switch - Air Horn
	077497-01-702	EA	Toggle Switch - Air Horn
	077497-01-703	EA	Air Tank - Air Horn
	077497-01-704	EA	Compressor w/Switch Air Horn
**	063912-01-000	EA	Relay Canister - w/Ground - Air Horn
	075461-01-000	EA	Electric Step Asm. - w/Light
†	088746-01-000	EA	Electric Step - Black
	023111-01-000	EA	Blender - Built In
	023111-03-000	EA	Blender - Power V Built In
	079941-01-000	EA	Lamp Asm. - Fog w/Cover - Amber
	079941-01-700	EA	Lamp Asm. - Fog - Set/2
	079941-01-701	EA	Lens & Cover Only
	079941-01-702	EA	Switch - Fog Lights
	079941-01-703	EA	Solenoid
	079941-01-704	EA	Switch Plate

† Used in units produced after 3/30/87

** The illustrated parts breakdown for this item is provided on the Common Items Fiche.

ACCESSORIES GROUP (CONTINUED)

OPTIONAL LUGGAGE BOX, RACK & LADDER

Key	Part Number	U/M	Description
	064093-01-000	EA	Box - Luggage - 14" x 30" x 60"
	080997-02-T03	EA	Ladder Asm. - Lower
	080999-02-T03	EA	Ladder Asm. - Upper
	081026-01-T03	EA	Rack Asm. - Right
	081026-02-T03	EA	Reck Asm. - Left
	081115-01-000	EA	Cap - Top - Rack & Ladder - 1"
	081116-01-000	EA	Slide - Top - Rack & Ladder - 1"
	081114-01-000	EA	End Cap - Ladder Step
	080873-01-000	EA	Latch - Ladder - Lower - Gray

OPTIONAL MICROWAVE & COMPONENTS

Key	Part Number	U/M	Description
	081379-01-000	EA	Microwave/Convection Oven - Sharp
†	088737-01-000	EA	Microwave/Convection Oven - Magic Chef
	081459-03-000	EA	Bracket Asm. - Microwave - Right
	081459-04-000	EA	Bracket Asm. - Microwave - Left
	081456-01-000	EA	Angle Asm. - Microwave - Right
	081456-02-000	EA	Angle Asm. - Microwave - Left
	081555-01-T03	EA	Trim Asm. - Microwave
	082876-01-000	EA	Baffle Asm. - Microwave
†	088737-02-000	EA	Frame Kit - Microwave Oven - Magic Chef
†	Parts used after 5/4/87		

GENERATORS & COMPONENTS

Key	Part Number	U/M	Description
	079554-03-000	EA	Generator - Onan - 4.0 kw - Emerald Series B
	052158-01-000	EA	Generator - Onan - 4.25 kw
	701629-02-000	EA	Installation Package
	081364-01-000	EA	Muffler - Generator - w/Spark Arrestor - Nelson
	007067-01-000	EA	Insulation - Fiberglass - 1"
	079554-05-000	EA	Exhaust Pipe - Emerald

OPTIONAL VACUUM CLEANER & COMPONENTS

Key	Part Number	U/M	Description
	055285-01-000	EA	Vacuum Cleaner - Built In
	055285-01-700	EA	Accessories Kit - Standard
	055285-01-701	EA	Filter - 8 per Package
	055285-01-702	EA	Hose - 20' - Vacuum Cleaner
	055285-01-703	EA	Rug Tool
	055285-01-704	EA	Crevice Tool
	055285-01-705	EA	Upholstery Tool
	055285-01-706	EA	Wands - Set (2)
	055285-01-707	EA	Dust Bubble - Complete

EXTERIOR MIRROR & COMPONENTS

Key	Part Number	U/M	Description
	086260-01-000	EA	Mirror Asm. - Exterior - w/Convex - Passenger
	086260-02-000	EA	Mirror Asm. - Exterior - w/Convex - Driver
	086259-01-000	EA	Mirror Asm. - Exterior - Remote Control Passenger
	086259-02-000	EA	Mirror Asm. - Exterior - Remote Control Driver
	086259-03-000	EA	Switch Asm. - Remote Mirror
	087695-01-000	EA	Switch Asm. - Mirror Heater
	086260-03-000	EA	Accessories Kit - Exterior Mirror

1987 WINNEBAGO TABLE OF CONTENTS

WC420EG	A-01 - B-08
WF426RT	B-07 - D-10
WCN26RH	D-11 - F-14
WCN27RT	F-15 - H-20
WCP26ET	H-21 - K-02

1987 W/CN27RT INDEX

Floor Plan	F-15 - F-16
Accessories Group	F-17 - F-19
Bath Group	F-20
Chassis Group	F-21 - F-23
Curtain, Cushion & Pad Group	F-24 - G-08
Dinette Group	G-09
Driver's Compartment Group	G-10 - G-12
Electrical Group	G-13 - G-15
Exterior Body Group	G-16 - G-21
Galley Group	G-22 - G-23
Heating & Air Conditioning Group	G-24
Interior Finish Group	H-01 - H-03
LP Group	H-04
Lounge Group	H-05
Water & Sewage Group	H-06 - H-07
Window, Vent & Exterior Door Group	H-08 - H-20

ACCESSORIES GROUP (CONTINUED)

CUSTOM STEERING WHEEL

Key	Part Number	U/M	Description
	080752-05-000	EA	Wheel - Steering - Custom
	080752-06-000	EA	Hub - Adapter - Steering Wheel
	080752-07-000	EA	Button - Horn w/Wire
	080752-08-000	EA	Screw - Custom Steering Wheel

WHEELS, MOUNTING HARDWARE & LINERS

Key	Part Number	U/M	Description
	083181-01-000	EA	Wheel Covers - 16.0" - Set/4
	083181-01-700	EA	Wheel Covers - 16.0" (1)
	086271-04-000	EA	Liner - Wheel - 16.0" - Set/4
	086271-04-700	EA	Wheel Liner - 16.0" Front (1)
	086271-04-701	EA	Wheel Liner - 16.0" Rear (1)
	086271-04-702	EA	Axle Cover - Front - 16" (1)
	086271-04-703	EA	Axle Cover - Rear - 16" (1)
	086271-04-704	EA	Cover - Lug Nut

SPEED CONTROL & COMPONENTS

Key	Part Number	U/M	Description
	084417-01-000	EA	Speed Control - w/Column Control
	084417-01-700	EA	Cable - Servo
	084417-01-701	EA	Servo - Electric Asm.
	084417-01-702	EA	Servo Extension Harness
	084417-01-703	EA	Cruise Control - Main Harness
	084417-01-704	EA	Switch - Brake
	084417-01-705	EA	Transducer
	084417-01-706	EA	Adapter - Speedometer
	084417-01-707	EA	Control Arm
	084417-01-708	EA	Smart Stick - Main Harness
	084417-01-709	EA	Relay - 12V D.C.
	084417-01-710	EA	Relay
	084417-01-711	EA	Brake Switch Asm.
	084417-01-712	EA	Tester - Cruise Control
	084417-01-713	EA	Pilot
	084417-01-714	EA	Servo Asm.
	084417-01-715	EA	Tester - Smart Stick
	084417-01-716	EA	Regulator - Cruise Control
	084417-01-717	EA	Electronic Pkg. - Smart Stick
	084417-01-718	EA	Control Arm - Smart Stick Only
	084417-01-719	EA	Rivet - Nylon Snap
	084417-01-720	EA	Mounting Brack - GM Switch
	084417-01-721	EA	Shroud - Steering Column - Top

OPTIONAL REARVIEW TELEVISION & COMPONENTS

Key	Part Number	U/M	Description
	083207-01-000	EA	Television Systems
	084713-01-000	EA	Shroud - Camera - Belge
	084349-01-000	EA	Shroud Asm. - Camera
	084409-01-000	EA	Seal - Camera Shroud
	084264-01-000	EA	Bracket - Camera Mounting

BATH GROUP

BATH CABINETS

Key	Part Number	U/M	Description
	M83359-01-W07	EA	Cabinet Asm. - Lavatory - w/o Countertop, Doors, or Drawers
	M02162-01-W07	EA	Countertop Asm. - Lavatory Cabinet
	M02162-01-W08	EA	Countertop Asm. - Lavatory Cabinet
	M02162-01-W09	EA	Countertop Asm. - Lavatory Cabinet
	M81501-98-W07	EA	Door Asm. - Hamper - w/o Hardware
	M81501-13-W07	EA	Door Asm. - Lavatory Cabinet
	081893-02-W04	EA	Tilt Out - Drawer Face - Lavatory
	076073-01-000	EA	Cabinet Asm. - Medicine - 15.4" x 29.4" - Almond
	081535-01-U04	EA	Door Asm. - Medicine Cabinet - w/Mirror
	058331-05-000	EA	Mirror - 12" x 26" - Medicine Cabinet Door
	M82757-01-U04	EA	Door Asm. - Wardrobe Cabinet - Lower - w/o Hardware
	M81501-31-U01	EA	Door Asm. - Wardrobe Cabinet - Upper - w/o Hardware
	M02480-01-U04	EA	Countertop Asm. - Wardrobe - Sunset Oak
	M02153-01-W07	EA	Countertop Asm. - Pipe Cover (W07)
	M02153-01-W08	EA	Countertop Asm. - Pipe Cover (W08)
	M02153-01-W09	EA	Countertop Asm. - Pipe Cover (W09)
	080224-02-000	EA	Folding Door - Front - 35" x 75"
	080224-05-000	EA	Track - Front Folding Door - 29.5"
	080224-03-000	EA	Folding Door - Rear - 35" x 75" - Used with Twin Bed & Queen
	080224-07-000	EA	Track - Rear Folding Door - S Curve - Used with Twin Bed & Queen
	080224-01-700	EA	Latch & Catch Asm. - Folding Door
	079657-01-000	EA	Door Asm. - Folding Shower - Plastic
	080224-01-000	EA	Folding Door - Rear - 46" x 75" - Used with Double Bed
	080224-19-000	EA	Track - Rear Folding Door - S Curve - Used with Double Bed

BATH HARDWARE

Key	Part Number	U/M	Description
	M02630-04-W13	EA	Shower Pan Asm.
	075242-03-000	EA	Faucet - Tub & Shower - Brass
	075240-03-000	EA	Faucet - Lavatory - Brass
**	011048-02-000	EA	Shower Head - w/60" Hose
	011048-04-000	EA	Vacuum Breaker - 1/8 MPT - Nylon - Shower Head
**	075606-01-000	EA	Shower Panel - Faucet - Plastic
	066729-01-000	EA	Strainer - Bathtub Asm.
	066435-01-000	EA	Nut Strainer - Plastic - Bathtub Asm.
	066436-01-000	EA	Slip Nut - 1.5" Tail Piece - Bathtub Asm.
	069735-01-000	EA	Washer - Tail Piece - 1.5" - Plastic - Bathtub Asm.
	011069-02-000	EA	Tailpiece - 1.5" x 1.25" x 4" - Brass - Bathtub Asm.
	080256-01-000	EA	Shroud - Bathtub Asm. - Off White
	058713-01-000	EA	Sink - Oval - Ivory Plastic
	064076-01-000	EA	Toilet - Ivory
	075452-02-000	EA	Tissue Holder - Brass
	075453-02-000	EA	Towel Bar - 18" - Brass
	075454-02-000	EA	Towel Ring - Brass
	058331-01-000	EA	Mirror - Tempered Glass - 19" x 26"
	058331-05-000	EA	Mirror - Tempered Glass - 12" x 26"
	058331-04-000	EA	Mirror - Tempered Glass - 12" x 42"
	057671-01-000	EA	Screw Cover - #8 - Antique White
	059777-02-000	EA	Hinge - Antique Light Brass
	075680-01-000	EA	Rod - Clothes - Adjustable
	009112-01-000	EA	Flange - 1" - Clothes Rod
	071632-01-000	EA	Bag - Hamper - 49" - w/Elastic
	075687-02-000	EA	Lockset - Bath Door - Bronzestone
	077251-01-000	EA	Drawer - Tiltout - Plastic

** The illustrated parts breakdown for this item is provided on the Common Items Fiche.

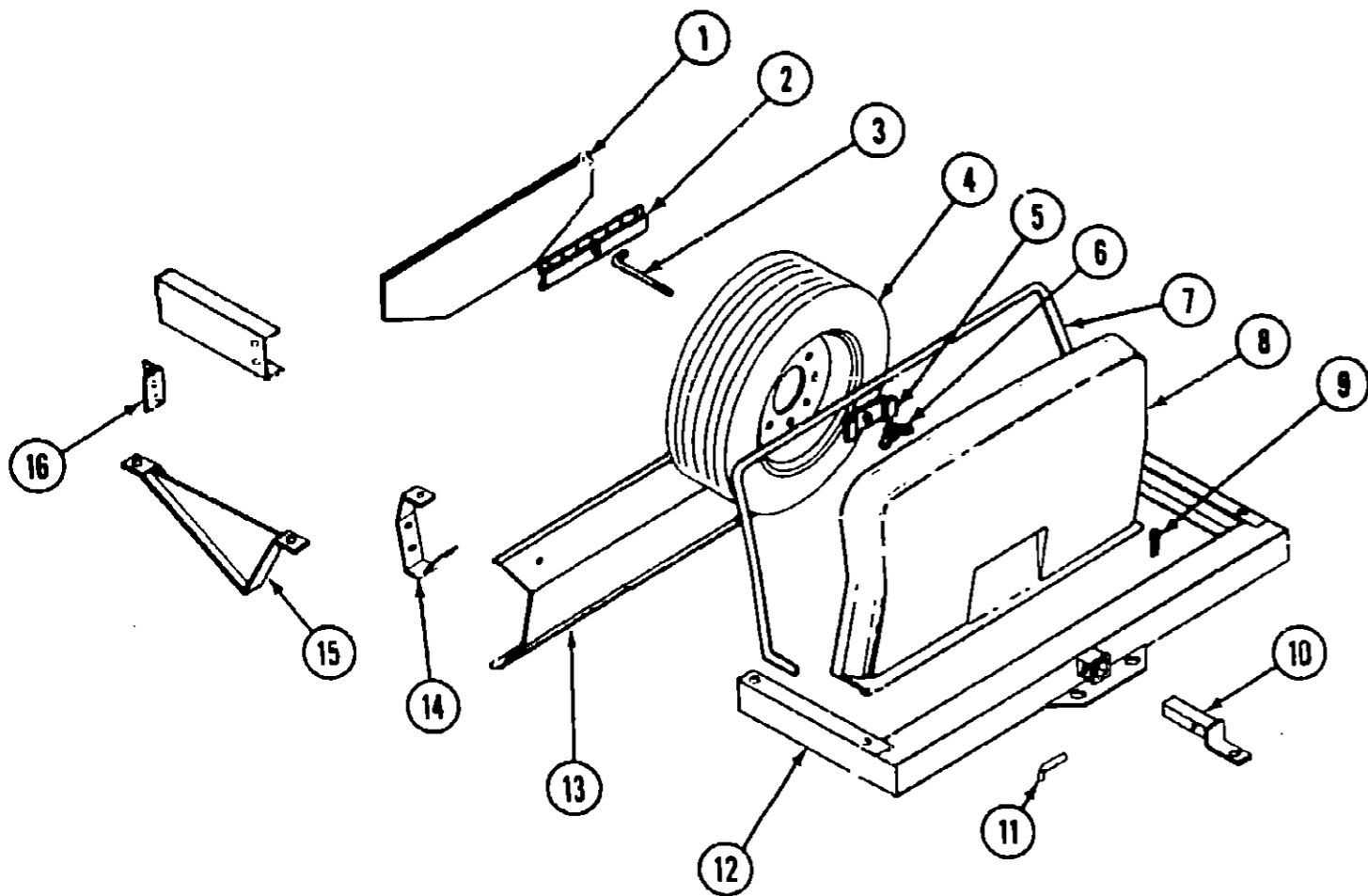
1987 WINNEBAGO TABLE OF CONTENTS

WC420EG	A-01 - B-06
WF426RT	B-07 - D-10
WCN26RH	D-11 - F-14
WCN27RT	F-15 - H-20
WCP26ET	H-21 - K-02

1987 WCN27RT INDEX

Floor Plan	F-15 - F-16
Accessories Group	F-17 - F-19
Bath Group	F-20
Chassis Group	F-21 - F-23
Curtain, Cushion & Pad Group	F-24 - G-08
Dinette Group	G-09
Driver's Compartment Group	G-10 - G-12
Electrical Group	G-13 - G-15
Exterior Body Group	G-16 - G-21
Galley Group	G-22 - G-23
Heating & Air Conditioning Group	G-24
Interior Finish Group	H-01 - H-03
LP Group	H-04
Lounge Group	H-05
Water & Sewage Group	H-06 - H-07
Window, Vent & Exterior Door Group	H-08 - H-20

CHASSIS GROUP



SPARE TIRE, HITCH & REAR BUMPER

Key	Part Number	U/M	Description
1	077395-01-000	EA	Dust Shield - Spare Tire
2	077403-01-000	EA	Rod Support - Spare Tire
3	077411-01-000	EA	Retaining Rod
4	050273-02-000	EA	Tire - 7.5" x 16" - XCA - Tubeless Michelin
5	077399-01-000	EA	Spare Tire Retainer
6	064081-01-000	EA	Wing Nut
7	073090-01-000	EA	Tire Cover Seal
8	079165-01-W07	EA	Tire Cover Asm.
•	077408-01-000	EA	Lock Asm. - Tire Cover
•	077759-01-000	EA	Support Spacer - Spare Tire
•	077400-01-000	EA	Support - Spare Tire
9	034513-01-000	EA	Pin - Hitch - 3/16" Wire
10	077613-01-000	EA	Drawbar - Ball Mount
11	034512-01-000	EA	Locking Pin - Drawbar
12	077617-01-700	EA	Hitch Asm. - w/o Drawbar
13	078584-01-000	EA	Bumper - Rear - Primed
•	078584-08-000	EA	Bumper - Rear - Chromed
•	NOTE	EA	Bumper Ends (See Exterior Body Group)
14	078670-02-000	EA	Bracket to Bumper - Rear
15	083376-01-000	EA	Skid Plate Asm.
16	078668-01-000	EA	Support Angle - Rear Bumper Support to Frame
•	005200-01-000	EA	Bumper Bolt - 7/16" - 14 x 1 1/4
•	000039-07-00B	EA	Nut - Hex - 7/16" - 14
•	Not illustrated		

CHASSIS GROUP (CONTINUED)

MISCELLANEOUS CHASSIS

Key	Part Number	U/M	Description
	084086-01-000	EA	Airspring - Bellows - Rear Axle
	047441-01-000	EA	Battery Terminal - Horizontal Lug
	075723-01-000	EA	Block - Switch - Spacer w/o Holes
••	051697-01-000	EA	Bracket - Battery Tie Down - 6.9"
••	007125-06-000	EA	Clamp Asm. - Muffler - 1.12"
••	007125-03-000	EA	Clamp Asm. - Muffler - 1.50"
	010497-01-000	EA	Clamp - Close - 5/8 I.D.
	007161-01-000	EA	Clamp - Hose - Spring Type 112
	062401-01-000	EA	Clamp - Hose - Wormgear - .22" I.D. x 1" I.D.
	062401-02-000	EA	Clamp - Hose - Wormgear - 1.56" I.D. - 2.5" I.D.
	062401-03-000	EA	Clamp - Hose - Wormgear - .25" I.D. - 1" I.D.
	062401-04-000	EA	Clamp - Hose - Wormgear - .69" I.D. - 1.25" I.D.
	062401-05-000	EA	Clamp - Hose - Wormgear - 2" I.D. - 3" I.D.
	062401-06-000	EA	Clamp - Hose - Wormgear - .22" I.D. - .62" I.D.
	023146-01-000	EA	Clamp - Screw Type - 4"
	024490-01-000	EA	Compartment - Power Cord - Black Plastic
	071656-01-000	EA	Cover - Radiator - Rear
	080722-01-000	EA	Cover - Radiator - Rear Back (Fan Shroud)
	020167-03-000	EA	Dirt Guard - Rear Wheel
	024138-01-000	FT	Hose - Fuel - 5/16" I.D. SAE 30RI
	066732-01-000	FT	Hose - Fuel Fill - .62 I.D.
	007111-02-000	EA	Hose - Fuel Fill - 2.00 I.D.
	007111-01-000	EA	Hose - Fuel Fill - 2.25 I.D.
	017516-01-000	EA	Mud Flap w/Holes - 14" x 18" - Black
	054962-02-000	EA	Rim - Wheel - 16.0" x 6"
	036273-01-000	EA	Relay - Battery Disconnect
	075146-01-000	EA	Shield - Heat Muffler
	079942-01-000	EA	Shock Absorber - Stabilizer - Front
	079942-02-000	EA	Shock Absorber - Stabilizer - Rear
	079942-07-000	EA	Bracket - Mounting Stabilizer
	063977-08-000	EA	Step Asm. - Driver Door
	053977-10-000	EA	Step Asm. - Passenger Door
	077848-01-000	EA	Step Asm. - Entry
	076241-02-000	EA	Support Asm. - Electric Step
••	061411-03-000	EA	Tailpipe Extension - 2.25" x 10.5'
••	081918-01-000	EA	Tailpipe Extension - 2.25" x 11.44'
	050273-02-000	EA	Tire - 7.5" x 16" - XCA - Tubeless - Michelin
	040546-01-000	EA	Tire - 7.5" x 16" - 16 Ply Tube - Polyester
	040546-03-000	EA	Tire - 7.5" x 16" - 8 Ply - BSW - Tube
	051377-01-000	EA	Valve Stem Asm. - (TR50)
	055090-01-000	EA	Wheelwell - Plastic
	008343-01-000	EA	Wire Tie - 6"
	078010-04-000	EA	Door Asm. & Upper Shroud - Fuel Fill - Beige
	072447-01-000	EA	Shroud - Fuel Fill - Inside
	083578-01-000	EA	Boot - Fuel Fill
	078200-01-000	EA	Gasket - Fuel Fill
••	Remainder of exhaust Components available from chassis service center.		

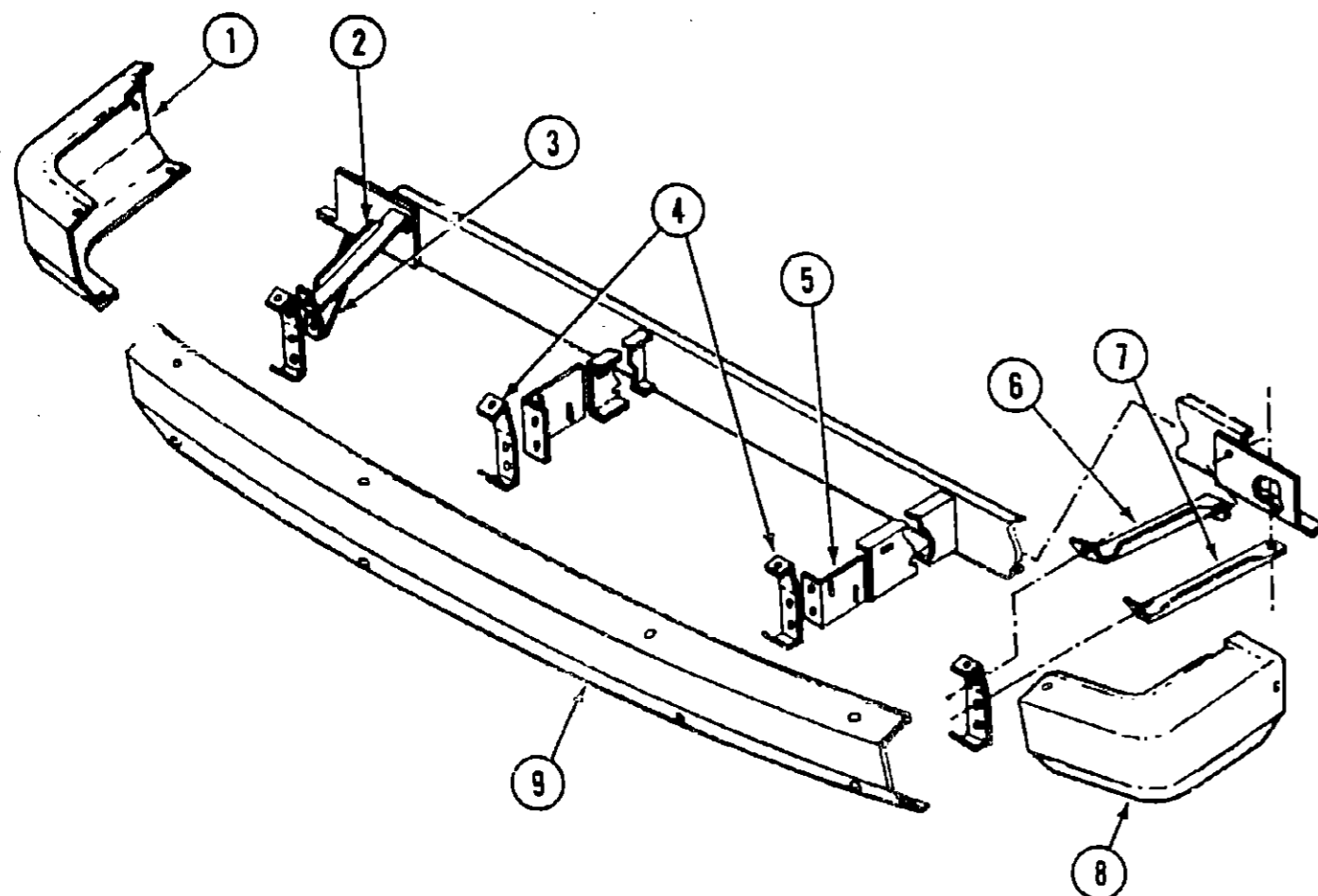
1987 WINNEBAGO TABLE OF CONTENTS

WC420EG	A-01 - B-06
WF426RT	B-07 - D-10
WCN26RH	D-11 - F-14
WCN27RT	F-15 - H-20
WCP26ET	H-21 - K-02

1987 WCN27RT INDEX

Floor Plan	F-15 - F-16
Accessories Group	F-17 - F-19
Bath Group	F-20
Chassis Group	F-21 - F-23
Curtain, Cushion & Pad Group	F-24 - G-08
Dinette Group	G-09
Driver's Compartment Group	G-10 - G-12
Electrical Group	G-13 - G-15
Exterior Body Group	G-16 - G-21
Galley Group	G-22 - G-23
Heating & Air Conditioning Group	G-24
Interior Finish Group	H-01 - H-03
LP Group	H-04
Lounge Group	H-05
Water & Sewage Group	H-06 - H-07
Window, Vent & Exterior Door Group	H-08 - H-20

CHASSIS GROUP (CONTINUED)



FRONT BUMPER

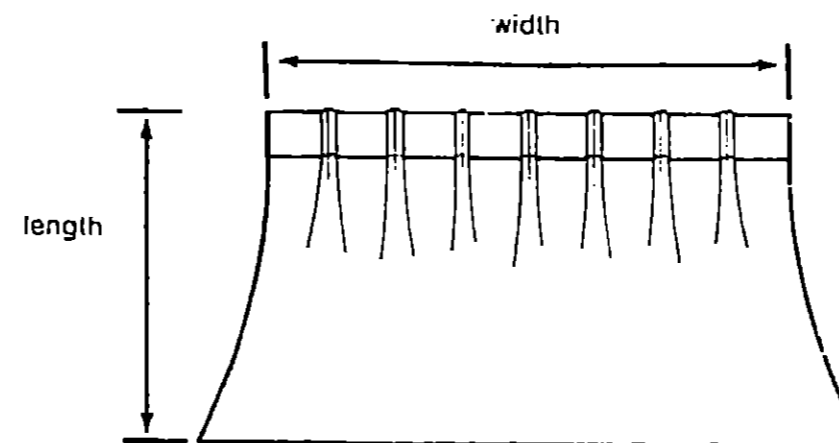
Key	Part Number	U/M	Description
1	086415-01-000	EA	Bumper End - Beige - Right Front
2	078002-01-000	EA	Brace - Upper Right - Front Bumper
3	078003-01-000	EA	Brace - Lower Right - Front Bumper
4	077852-01-000	EA	Bracket to Bumper - Front
5	076527-01-000	EA	Bracket to Frame - Front Bumper
6	078002-02-000	EA	Brace - Upper Left - Front Bumper
7	078003-02-000	EA	Brace - Lower Left - Front Bumper
8	086415-03-000	EA	Bumper End - Beige - Left Front
9	077850-01-000	EA	Bumper - Front - Primed
9	077850-07-000	EA	Bumper - Front - Chrome
.	005200-01-000	EA	Carriage Bolt - Chrome - 7/16" x 14 x 1 1/4"
.	000D39-07-00B	EA	Nut - Hex - 7/16" - 14
.			Not illustrated

CURTAIN, CUSHION & PAD GROUP

NOTICE

In order to assist our Parts Sales Dept. in providing interior software items, please include the serial number and the color code number from the vehicle certification label when ordering. This label is located on the left sidewall at the end of the dash (A-Body), or on the driver's door latch plate (C-Body).

An example of a color code number is P31, which designates an overall color scheme of a particular unit. The color listed after the item description on the microfiche, indicates the overall unit color. Order the item you desire according to unit color code.



NOTE:

Use this illustration when determining length and width measurements for curtains. You will note the width measurement is taken on the top of the curtain with the curtain fully extended. The length measurement is taken from top to bottom.

CURTAIN & CUSHION HARDWARE

Key	Part Number	U/M	Description
	085283-01-000	EA	Bracket - Curtain Hold Back - Clear Plastic
	083170-03-000	EA	Bracket - Installation - Right
	083170-04-000	EA	Bracket - Installation - Left
	056003-01-000	EA	Bracket - Drapery Retainer - Right
	056003-02-000	EA	Bracket - Drapery Retainer - Left
	082139-03-000	EA	Bracket - Hold Down - Blind
	079619-01-000	EA	Bracket - Tie Down
	084434-01-000	EA	Bracket - Shade
	076827-01-000	EA	Bracket - Wovenwood Curtain - Right
	076827-02-000	EA	Bracket - Wovenwood Curtain - Left
	086263-01-000	EA	Pull - Window Shade - Polished Brass
	087253-01-000	EA	Shade Pull - Clear Plastic
	048394-02-000	YD	Tape Hook - .75" x 50 YD - Beige
	048395-02-000	YD	Tape Loop - .75" x 50 YD - Beige
	029090-01-000	FT	Tie - Drapery - Clear Vinyl
	079946-01-000	EA	Track - Curtain Wraparound
	079946-02-000	EA	Track - Curtain Wraparound

1987 WINNEBAGO TABLE OF CONTENTS

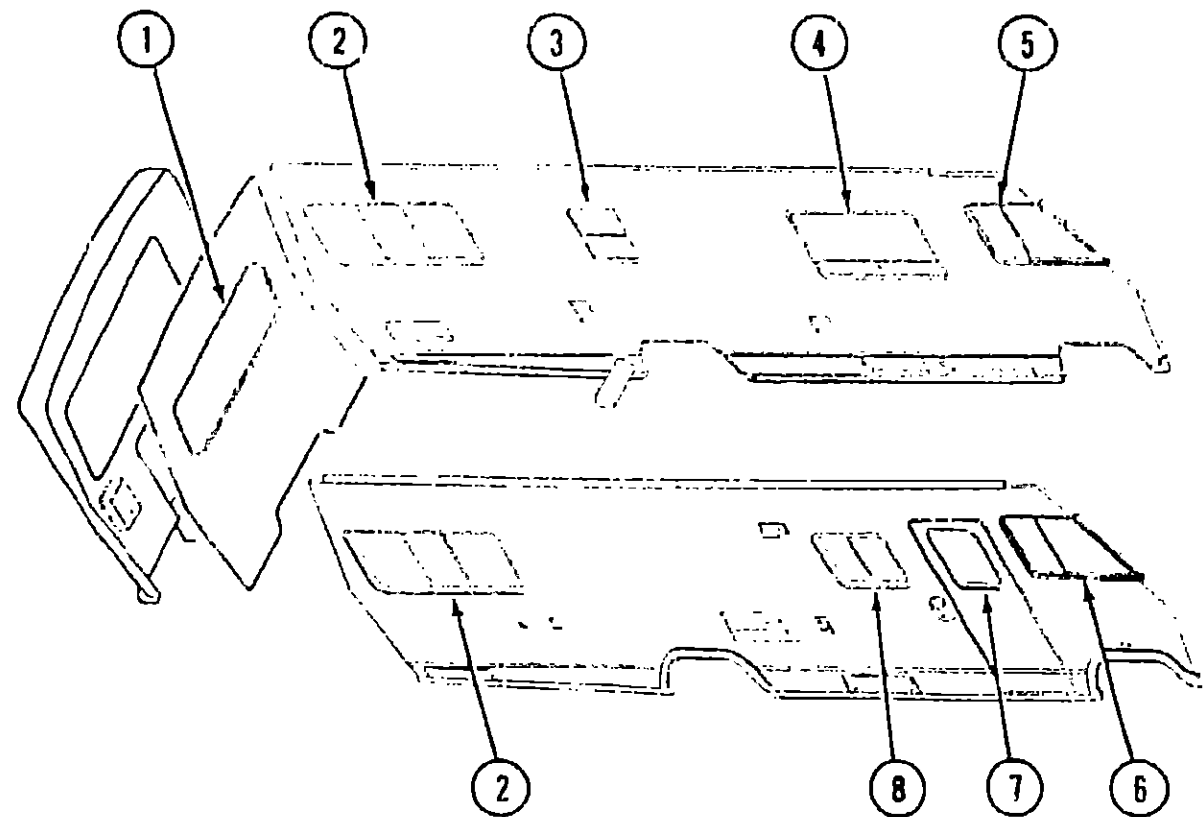
WC420EG
WF426RT
WCN26RH
WCN27RT
WCF26ET

A-01 - B-06
B-07 - D-10
D-11 - F-14
F-15 - H-20
H-21 - K-02

1987 WCN27RT INDEX

Floor Plan	F-15 - F-16
Accessories Group	F-17 - F-19
Bath Group	F-20
Chassis Group	F-21 - F-23
Curtain, Cushion & Pad Group	F-24 - G-08
Dinette Group	G-09
Driver's Compartment Group	G-10 - G-12
Electrical Group	G-13 - G-15
Exterior Body Group	G-16 - G-21
Galley Group	G-22 - G-23
Heating & Air Conditioning Group	G-24
Interior Finish Group	H-01 - H-03
LP Group	H-04
Lounge Group	H-05
Water & Sewage Group	H-06 - H-07
Window, Vent & Exterior Door Group	H-08 - H-20

CURTAIN, CUSHION & PAD GROUP (CONTINUED)



CURTAINS, SHADES, VALANCES & TIEBACKS

Key	Part Number	U/M	Description
1	085190-07-W07	EA	Curtain Asm. w/Darts - 29.5" x 15"
1	085190-07-W08	EA	Curtain Asm. w/Darts - 29.5" x 15"
1	085190-07-W09	EA	Curtain Asm. w/Darts - 29.5" x 15"
1	086480-01-W07	EA	Valance Asm. w/Wrapped Insert
1	086480-01-W08	EA	Valance Asm. w/Wrapped Insert
1	086480-01-W09	EA	Valance Asm. w/Wrapped Insert
1	085200-01-W07	EA	Shade Asm. - Fabric - 72.25"
1	085200-01-W08	EA	Shade Asm. - Fabric - 72.25"
1	085200-01-W09	EA	Shade Asm. - Fabric - 72.25"
††	085190-06-W07	EA	Curtain Asm. w/Darts - 29.5" x 15"
††	085190-06-W08	EA	Curtain Asm. w/Darts - 29.5" x 15"
††	085190-06-W09	EA	Curtain Asm. w/Darts - 29.5" x 15"
††	085191-05-W04	EA	Valance Asm. w/Insert - 74" (W07)
††	085191-05-W05	EA	Valance Asm. w/Insert - 74" (W08)
††	085191-05-W06	EA	Valance Asm. w/Insert - 74" (W09)
††	085304-23-000	EA	Blind - Pleated - 71" x 28" Drop - (W07)
††	085304-22-000	EA	Blind - Pleated - 71" x 28" Drop - (W08)
††	085304-21-000	EA	Blind - Pleated - 71" x 28" Drop - (W09)
**	082118-C9-000	EA	Mini Blind - 71" x 28" Drop (W07)
**	082118-D0-000	EA	Mini Blind - 71" x 28" Drop (W08)
**	082118-D1-000	EA	Mini Blind - 71" x 28" Drop (W09)
2	085190-07-W07	EA	Curtain Asm. w/Darts - 29.5" x 15" (W07)
2	085190-07-W08	EA	Curtain Asm. w/Darts - 29.5" x 15" (W08)
2	085190-07-W09	EA	Curtain Asm. w/Darts - 29.5" x 15" (W09)
2	086480-02-W07	EA	Valance Asm. w/Wrapped Insert
2	086480-02-W08	EA	Valance Asm. w/Wrapped Insert
2	086480-02-W09	EA	Valance Asm. w/Wrapped Insert
2	085200-02-W07	EA	Shade Asm. - Fabric - 60.25"
2	085200-02-W08	EA	Shade Asm. - Fabric - 60.25"
2	085200-02-W09	EA	Shade Asm. - Fabric - 60.25"
††	085190-06-W07	EA	Curtain Asm. w/Darts - 29.5" x 15"
††	085190-06-W08	EA	Curtain Asm. w/Darts - 29.5" x 15"
††	085190-06-W09	EA	Curtain Asm. w/Darts - 29.5" x 15"
††	Horseshoe Lounge Option		
**	Mini Blind Option		

CURTAIN, CUSHION & PAD GROUP (CONTINUED)

CURTAINS, SHADES, VALANCES & TIEBACKS (Cont.)

Key	Part Number	U/M	Description
††	085191-09-W07	EA	Valance Asm. w/Insert - 64"
††	085191-08-W08	EA	Valance Asm. w/Insert - 64"
††	085191-08-W09	EA	Valance Asm. w/Insert - 64"
††	085304-13-000	EA	Blinds - Pleated - 59" x 28" Drop (W07)
††	085304-12-000	EA	Blinds - Pleated - 59" x 28" Drop (W08)
††	085304-11-000	EA	Blinds - Pleated - 59" x 28" Drop (W09)
**	082118-C3-000	EA	Mini Blind - 59" x 28" Drop (W07)
**	082118-C4-000	EA	Mini Blind - 59" x 28" Drop (W08)
**	082118-C5-000	EA	Mini Blind - 59" x 28" Drop (W09)
3	082118-E1-000	EA	Blind - 21" x 27" Drop (W07)
3	082118-E2-000	EA	Blind - 21" x 27" Drop (W08)
3	082118-E3-000	EA	Blind - 21" x 27" Drop (W09)
4	085190-01-W04	EA	Curtain Asm. w/Darts - 37" x 15" (W07)
†4	085190-01-WB7	EA	Curtain Asm. w/Darts - 37" x 15" (W07)
4	085190-01-W05	EA	Curtain Asm. w/Darts - 37" x 15" (W08)
4	085190-01-W06	EA	Curtain Asm. w/Darts - 37" x 15" (W09)
4	085191-01-W04	EA	Valance Asm. w/Insert - 68.50" (W07)
†4	085191-01-WB7	EA	Valance Asm. w/Insert - 68.50" (W07)
4	085191-01-W05	EA	Valance Asm. w/Insert - 68.50" (W08)
4	085191-01-W06	EA	Valance Asm. w/Insert - 68.50" (W09)
4	085304-18-000	EA	Blinds - Pleated - 65" x 33" Drop (W07)
4	085304-17-000	EA	Blinds - Pleated - 65" x 33" Drop (W08)
4	085304-16-000	EA	Blinds - Pleated - 65" x 33" Drop (W09)
**	082118-C6-000	EA	Mini Blinds - 65" x 33" Drop (W07)
**	082118-C7-000	EA	Mini Blinds - 65" x 33" Drop (W08)
**	082118-C8-000	EA	Mini Blinds - 65" x 33" Drop (W09)
5	073304-41-W07	EA	Curtain Asm. - Front Wraparound - Left (W07)
†5	073304-41-WB7	EA	Curtain Asm. - Front Wraparound - Left (W07)
5	073304-41-W08	EA	Curtain Asm. - Front Wraparound - Left (W08)
5	073304-41-W30	EA	Curtain Asm. - Front Wraparound - Left (W09)
5	077591-06-W07	EA	Curtain Asm. w/Velcro Top - Bunk Privacy - 60" x 50" - Left (W07)
†5	077591-06-WB7	EA	Curtain Asm. w/Velcro Top - Bunk Privacy - 60" x 50" - Left (W07)
5	077591-06-W32	EA	Curtain Asm. w/Velcro Top - Bunk Privacy - 60" x 50" - Left (W08)
5	077591-06-W30	EA	Curtain Asm. w/Velcro Top - Bunk Privacy - 60" x 50" - Left (W09)
6	073304-40-W07	EA	Curtain Asm. - Front Wraparound - Right (W07)
†6	073304-40-WB7	EA	Curtain Asm. - Front Wraparound - Right (W07)
6	073304-40-W08	EA	Curtain Asm. - Front Wraparound - Right (W08)
6	073304-40-W30	EA	Curtain Asm. - Front Wraparound - Right (W09)
6	077591-05-W07	EA	Curtain Asm. w/Velcro Top - Bunk Privacy - 60" x 50" - Right (W07)
†6	077591-05-WB7	EA	Curtain Asm. w/Velcro Top - Bunk Privacy - 60" x 50" - Right (W07)
6	077591-05-W32	EA	Curtain Asm. w/Velcro Top - Bunk Privacy - 60" x 50" - Right (W08)
6	077591-05-W30	EA	Curtain Asm. w/Velcro Top - Bunk Privacy - 60" x 50" - Right (W09)
7	085191-04-W04	EA	Valance Asm. w/Insert - 27.4" (W07)
†7	085191-04-WB4	EA	Valance Asm. w/Insert - 27.4" (W07)
7	085191-04-W05	EA	Valance Asm. w/Insert - 27.4" (W08)
7	085191-04-W06	EA	Valance Asm. w/Insert - 27.4" (W09)
7	084755-04-W04	EA	Shade Asm. - Linen - 24.25" (W07)
*†7	084755-04-WA7	EA	Shade Asm. - Linen - 24.25" (W07)
7	084755-04-W01	EA	Shade Asm. - Linen - 24.25" (W08)
*†7	084755-04-WA8	EA	Shade Asm. - Linen - 24.25" (W08)
7	084755-04-W06	EA	Shade Asm. - Linen - 24.25" (W09)
*†7	084755-04-WA6	EA	Shade Asm. - Linen - 24.25" (W09)
8	085191-03-W07	EA	Valance Asm. w/Insert - 29.5" (W07)
†8	085191-03-WB7	EA	Valance Asm. w/Insert - 29.5" (W07)
8	085191-03-W08	EA	Valance Asm. w/Insert - 29.5" (W08)
8	085191-03-W09	EA	Valance Asm. w/Insert - 29.5" (W09)
8	082118-A8-000	EA	Blind - 27" x 22" Drop (W07)
8	082118-A9-000	EA	Blind - 27" x 22" Drop (W08)
8	082118-B0-000	EA	Blind - 27" x 22" Drop (W09)
.	Not illustrated		
†	Parts used on units produced after 2/1/87		
*†	Parts used on units produced after 10/21/87		
††	Horseshoe Lounge Option		
**	Mini Blind Option		

**1987 WINNEBAGO
TABLE OF CONTENTS**

WC420EC	A-01 - B-06
WF426RT	B-07 - D-10
WCN26RH	D-11 - F-14
WCN27RT	F-15 - H-20
WCP26ET	H-21 - K-02

1987 WCN27RT INDEX

Floor Plan	F-15 - F-16
Accessories Group	F-17 - F-19
Bath Group	F-20
Chassis Group	F-21 - F-23
Curtain, Cushion & Pad Group	F-24 - G-08
Dinette Group	G-09
Driver's Compartment Group	G-10 - G-12
Electrical Group	G-13 - G-15
Exterior Body Group	G-16 - G-21
Galley Group	G-22 - G-23
Heating & Air Conditioning Group	G-24
Interior Finish Group	H-01 - H-03
LP Group	H-04
Lounge Group	H-05
Water & Sewage Group	H-06 - H-07
Window, Vent & Exterior Door Group	H-08 - H-20

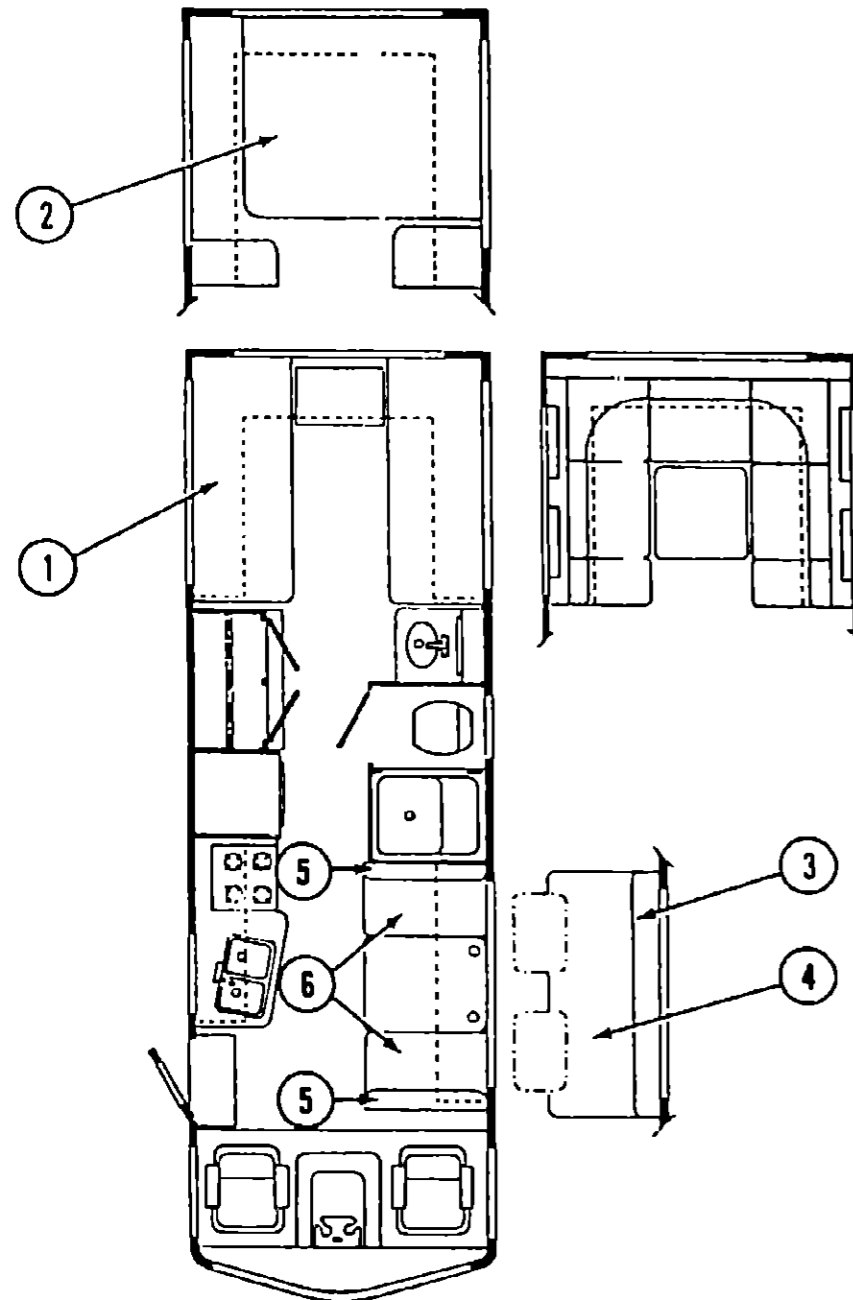
CURTAIN, CUSHION & PAD GROUP (CONTINUED)

CURTAINS, SHADES, VALANCES & TIEBACKS (Cont.)

Key	Part Number	U/M	Description
*	073304-29-W10	EA	Curtain Asm. w/Snap Top - Room Divider - 64" x 40" - Front (W07)
†	073304-29-WB7	EA	Curtain Asm. w/Snap Top - Room Divider - 64" x 40" - Front (W07)
*	073304-29-W11	EA	Curtain Asm. w/Snap Top - Room Divider - 64" x 40" - Front (W08)
*	073304-29-W12	EA	Curtain Asm. w/Snap Top - Room Divider - 64" x 40" - Front (W09)
*	073304-35-W07	EA	Curtain Asm. w/Snap Top - Room Divider - 64" x 50" - Rear (W07)
*	073304-35-WB7	EA	Curtain Asm. w/Snap Top - Room Divider - 64" x 50" - Rear (W07)
*	073304-35-W08	EA	Curtain Asm. w/Snap Top - Room Divider - 64" x 50" - Rear (W08)
*	073304-35-W09	EA	Curtain Asm. w/Snap Top - Room Divider - 64" x 50" - Rear (W09)
*	073260-23-W04	EA	Tieback Asm. - 3" x 18" - Drapery (W07)
*	073260-23-WB7	EA	Tieback Asm. - 3" x 18" - Drapery (W07)
*	073260-23-W05	EA	Tieback Asm. - 3" x 18" - Drapery (W08)
*	073260-23-W06	EA	Tieback Asm. - 3" x 18" - Drapery (W09)

* Not illustrated

† Parts used on units produced after 2/1/87



CURTAIN, CUSHION & PAD GROUP (CONTINUED)

TWIN BED

Key	Part Number	U/M	Description
1	083496-01-000	EA	Mattress - Foam - 33" x 75" x 7"
1	077478-04-000	EA	Mattress - Innerspring - 33" x 75" x 7.5" - Sealy
	083986-03-W04	EA	Bedsread Asm. - Fitted - 33"
	083986-03-W05	EA	Bedsread Asm. - Fitted - 33"
	083986-03-W06	EA	Bedsread Asm. - Fitted - 33"
	081997-01-W07	EA	Pillow Asm. - Quilted - 30" x 26"
	081997-01-W08	EA	Pillow Asm. - Quilted - 30" x 26"
	081997-01-W09	EA	Pillow Asm. - Quilted - 30" x 26"
	086109-02-W07	EA	Headboard Asm. w/Gathers - 33"
	086109-02-W08	EA	Headboard Asm. w/Gathers - 33"
	086109-02-W09	EA	Headboard Asm. w/Gathers - 33"

QUEEN BED OPTION

Key	Part Number	U/M	Description
2	083496-04-000	EA	Mattress - Foam - 60" x 75" x 7"
2	077478-05-000	EA	Mattress - Innerspring - 60" x 75"
	083986-04-W10	EA	Bedsread Asm. - Fitted - 60" (W07)
	083986-04-W11	EA	Bedsread Asm. - Fitted - 60" (W08)
	083986-04-W12	EA	Bedsread Asm. - Fitted - 60" (W09)
	081997-01-W07	EA	Pillow Asm. - Quilted - 30" x 26"
	081997-01-W08	EA	Pillow Asm. - Quilted - 30" x 26"
	081997-01-W09	EA	Pillow Asm. - Quilted - 30" x 26"
	086109-01-W07	EA	Headboard Asm. w/Gathers - Queen
	086109-01-W08	EA	Headboard Asm. w/Gathers - Queen
	086109-01-W09	EA	Headboard Asm. w/Gathers - Queen

PRESTO BED

Key	Part Number	U/M	Description
3	073630-11-W07	EA	Bed Asm. - 3 Pillow Back (W07)
3	073630-11-W08	EA	Bed Asm. - 3 Pillow Back (W08)
3	073630-11-W09	EA	Bed Asm. - 3 Pillow Back (W09)
	M73630-11-W07	EA	Cover Asm. - 3 Pillow Back (W07)
	M73630-11-W08	EA	Cover Asm. - 3 Pillow Back (W08)
	M73630-11-W09	EA	Cover Asm. - 3 Pillow Back (W09)
4	073631-12-W07	EA	Bed Asm. - 3 Pillow Seat (W07)
4	073631-12-W08	EA	Bed Asm. - 3 Pillow Seat (W08)
4	073631-12-W09	EA	Bed Asm. - 3 Pillow Seat (W09)
	M73631-12-W07	EA	Cover Asm. - 3 Pillow Seat (W07)
	M73631-12-W08	EA	Cover Asm. - 3 Pillow Seat (W08)
	M73631-12-W09	EA	Cover Asm. - 3 Pillow Seat (W09)

DINETTE CUSHIONS

Key	Part Number	U/M	Description
5	081998-77-W04	EA	Cushion Asm. - Dinette Back - 19.25" x 38" x 5"
5	081998-77-W05	EA	Cushion Asm. - Dinette Back - 19.25" x 38" x 5"
5	081998-77-W06	EA	Cushion Asm. - Dinette Back - 19.25" x 38" x 5"
	M81998-77-W04	EA	Cover Asm. - Dinette Back Cushion - 19.25" x 38" x 5"
	M81998-77-W05	EA	Cover Asm. - Dinette Back Cushion - 19.25" x 38" x 5"
	M81998-77-W06	EA	Cover Asm. - Dinette Back Cushion - 19.25" x 38" x 5"
6	081998-78-W04	EA	Cushion Asm. - Dinette Seat - 17.5" x 38" x 5"
6	081998-78-W05	EA	Cushion Asm. - Dinette Seat - 17.5" x 38" x 5"
6	081998-78-W06	EA	Cushion Asm. - Dinette Seat - 17.5" x 38" x 5"
	M81998-78-W04	EA	Cover Asm. - Dinette Seat Cushion - 17.5" x 38" x 5"
	M81998-78-W05	EA	Cover Asm. - Dinette Seat Cushion - 17.5" x 38" x 5"
	M81998-78-W06	EA	Cover Asm. - Dinette Seat Cushion - 17.5" x 38" x 5"

1987 WINNEBAGO TABLE OF CONTENTS

WC420EG	A-01 - B-06
WF426RT	B-07 - D-10
WCN26RH	D-11 - F-14
WCN27RT	F-15 - H-20
WCP26ET	H-21 - K-02

1987 WCN27RT INDEX

Floor Plan	F-15 - F-16
Accessories Group	F-17 - F-19
Bath Group	F-20
Chassis Group	F-21 - F-23
Curtain, Cushion & Pad Group	F-24 - G-08
Dinette Group	G-09
Driver's Compartment Group	G-10 - G-12
Electrical Group	G-13 - G-15
Exterior Body Group	G-16 - G-21
Galley Group	G-22 - G-23
Heating & Air Conditioning Group	G-24
Interior Finish Group	H-01 - H-03
LP Group	H-04
Lounge Group	H-05
Water & Sewage Group	H-06 - H-07
Window, Vent & Exterior Door Group	H-08 - H-20

CURTAIN, CUSHION & PAD GROUP (CONTINUED)

BUCKET SEATS

Key	Part Number	U/M	Description
	084191-02-W04	EA	Seat Asm. - Comet I - Jade/Taupe (W07)
	084191-02-W05	EA	Seat Asm. - Comet I - Rose (W08)
	084191-02-W06	EA	Seat Asm. - Comet I - Taupe (W09)
	M01864-23-W04	EA	Cover Asm. - Seat Bottom - Jade/Taupe (W07)
	M01864-23-W05	EA	Cover Asm. - Seat Bottom - Rose (W08)
	M01864-21-W06	EA	Cover Asm. - Seat Bottom - Taupe (W09)
	M01864-24-W04	EA	Cover Asm. - Seat Back - Jade/Taupe (W07)
	M01864-24-W05	EA	Cover Asm. - Seat Back - Rose (W08)
	M01864-22-W06	EA	Cover Asm. - Seat Back - Taupe (W09)
	078804-07-W07	EA	Seat Asm. - Granduer - Jade/Taupe
	078804-07-W08	EA	Seat Asm. - Granduer - Rose
	078804-07-W09	EA	Seat Asm. - Granduer - Taupe
	M01863-01-W07	EA	Cover Asm. - Bucket Seat Bottom - Jade/Taupe
	M01863-01-W08	EA	Cover Asm. - Bucket Seat Bottom - Rose
	M01863-01-W09	EA	Cover Asm. - Bucket Seat Bottom - Taupe
	M01863-02-W07	EA	Cover Asm. - Bucket Seat Back - Jade/Taupe
	M01863-02-W08	EA	Cover Asm. - Bucket Seat Back - Rose
	M01863-02-W09	EA	Cover Asm. - Bucket Seat Back - Taupe
	080243-07-W04	EA	Armrest Asm. - Right - Jade/Taupe (W07)
	080243-07-W05	EA	Armrest Asm. - Right - Rose (W08)
	080243-07-W06	EA	Armrest Asm. - Right - Taupe (W09)
	080243-08-W04	EA	Armrest Asm. - Left - Jade/Taupe (W07)
	080243-08-W05	EA	Armrest Asm. - Left - Rose (W08)
	080243-08-W06	EA	Armrest Asm. - Left - Taupe (W09)
	M08243-01-W04	EA	Cover Asm. - Armrest - Right - Jade/Taupe (W07)
	M08243-01-W05	EA	Cover Asm. - Armrest - Right - Rose (W08)
	M08243-01-W06	EA	Cover Asm. - Armrest - Right - Taupe (W09)
	M08243-02-W04	EA	Cover Asm. - Armrest - Left - Jade/Taupe (W07)
	M08243-02-W05	EA	Cover Asm. - Armrest - Left - Rose (W08)
	M08243-02-W06	EA	Cover Asm. - Armrest - Left - Taupe (W09)
	080242-04-W04	EA	Headrest Asm. - Jade/Taupe (W07)
	080242-04-W05	EA	Headrest Asm. - Rose (W08)
	080242-04-W06	EA	Headrest Asm. - Taupe (W09)
	M80242-01-W04	EA	Cover Asm. - Headrest - Jade/Taupe (W07)
	M80242-01-W05	EA	Cover Asm. - Headrest - Rose (W08)
	M80242-01-W06	EA	Cover Asm. - Headrest - Taupe (W09)
	071126-16-W07	EA	Skirt Asm. - Single Bucket - Jade/Taupe
	071126-16-W08	EA	Skirt Asm. - Single Bucket - Rose
	071126-16-W09	EA	Skirt Asm. - Single Bucket - Taupe
	079281-02-W07	EA	Seat Asm. - Double Bucket - Jade/Taupe
	079281-02-W08	EA	Seat Asm. - Double Bucket - Rose
	079281-02-W09	EA	Seat Asm. - Double Bucket - Taupe
	M01874-03-W07	EA	Cover Asm. - Bucket Seat Bottom - Double Bucket - Jade/Taupe
	M01874-03-W08	EA	Cover Asm. - Bucket Seat Bottom - Double Bucket - Rose
	M01874-03-W09	EA	Cover Asm. - Bucket Seat Bottom - Double Bucket - Taupe
	M01874-04-W07	EA	Cover Asm. - Bucket Seat Back - Double Bucket - Jade/Taupe
	M01874-04-W08	EA	Cover Asm. - Bucket Seat Back - Double Bucket - Rose
	M01874-04-W09	EA	Cover Asm. - Bucket Seat Back - Double Bucket - Taupe
	080243-02-W07	EA	Armrest Asm. - Left - Double Bucket - Jade/Taupe
	080243-02-W08	EA	Armrest Asm. - Left - Double Bucket - Rose
	080243-02-W09	EA	Armrest Asm. - Left - Double Bucket - Taupe
	080242-01-W07	EA	Headrest Asm. - Double Bucket - Jade/Taupe
	080242-01-W08	EA	Headrest Asm. - Double Bucket - Rose
	080242-01-W09	EA	Headrest Asm. - Double Bucket - Taupe
	071690-04-W07	EA	Skirt Asm. - Double Bucket - Jade/Taupe
	071690-04-W08	EA	Skirt Asm. - Double Bucket - Rose
	071690-04-W09	EA	Skirt Asm. - Double Bucket - Taupe

CURTAIN, CUSHION & PAD GROUP (CONTINUED)

FABRICS, TRIM & PADS

Key	Part Number	U/M	Description
	077498-91-000	YD	Fabric - Main w/Pattern - Jade/Taupe (W07)
	077498-92-000	YD	Fabric - Main w/Pattern - Rose (W08)
	077498-93-000	YD	Fabric - Main w/Pattern - Taupe (W09)
	074498-A6-000	YD	Fabric - Patterned Accent - Jade/Taupe (W07)
	074498-A5-000	YD	Fabric - Patterned Accent - Rose (W08)
	074498-A7-000	YD	Fabric - Patterned Accent - Taupe (W09)
	074498-95-000	YD	Fabric - Plain Accent - Jade/Taupe (W07)
	074498-61-000	YD	Fabric - Plain Accent - Rose (W08)
	074498-96-000	YD	Fabric - Plain Accent - Taupe (W09)
	069729-47-000	YD	Fabric - Bedspread/Drapery - Jade/Taupe (W07)
	069729-48-000	YD	Fabric - Bedspread/Drapery - Rose (W08)
	069729-49-000	YD	Fabric - Bedspread/Drapery - Taupe (W09)
	072333-34-000	YD	Fabric - Bedroom Accent/Tieback - Jade/Taupe (W07)
	072333-35-000	YD	Fabric - Bedroom Accent/Tieback - Rose (W08)
	072333-36-000	YD	Fabric - Bedroom Accent/Tieback - Taupe (W09)
	072333-39-000	YD	Fabric - Drapery - Jade/Taupe (W07)
	072333-47-000	YD	Fabric - Drapery - Jade/Taupe (W07)
	082333-37-000	YD	Fabric - Drapery - Rose (W08)
	072333-38-000	YD	Fabric - Drapery - Taupe (W09)
	081607-02-000	YD	Fabric - Headliner - Sandstone
	087272-01-000	YD	Fabric - Drapery Lining - Ivory - 48"
	072333-44-000	YD	Fabric - Drapery - Natural (Pull Shades)
	079680-01-000	YD	Vinyl - Expanded - 26 oz. - Buckskin
	079680-02-000	YD	Vinyl - Expanded - 26 oz. - Sandrift
	039421-02-000	YD	Fabric - Mattress Ticking - Beige/Brown
	038421-04-000	YD	Fabric - Mattress Ticking - Cashew
	057550-05-T03	EA	Button Asm. - Nail #36 - 3/8" Shank - Vinyl
	070578-06-T03	EA	Button Asm. - Screw Stud - #30 - Vinyl
	057093-01-T03	EA	Button Asm. - Nail #30 - Vinyl
	071127-12-W07	EA	Button Asm. - Round Hook - #30 - Jade/Taupe
	071127-12-W08	EA	Button Asm. - Round Hook - #30 - Rose
	071127-12-W09	EA	Button Asm. - Round Hook - #30 - Taupe
	071127-10-W04	EA	Button Asm. - Round Hook - #30 - Jade/Taupe (W07)
	071127-10-W05	EA	Button Asm. - Round Hook - #30 - Rose (W08)
	071127-10-W06	EA	Button Asm. - Round Hook - #30 - Taupe (W09)
	078155-01-000	EA	Strap Asm. - Cushion
	079144-02-T03	EA	Strap Asm. - Bunk
	081519-01-W04	EA	Pad Asm. - Dinette - Front - Jade/Taupe (W07)
	081519-01-W05	EA	Pad Asm. - Dinette - Front - Rose (W08)
	081519-01-W06	EA	Pad Asm. - Dinette - Front - Taupe (W09)
	081519-02-W04	EA	Pad Asm. - Dinette - Rear - Jade/Taupe (W07)
	081519-02-W05	EA	Pad Asm. - Dinette - Rear - Rose (W08)
	081519-02-W06	EA	Pad Asm. - Dinette - Rear - Taupe (W09)
	059414-06-000	EA	Pad Asm. - Trim - Sidewall - Right - Vinyl
	059467-04-T03	EA	Pad Asm. - Map Pocket - Right Vinyl
	077641-90-000	EA	Wall Pad - Swivel Chairs - 16" x 12" - Jade/Taupe (W07)
	077641-61-000	EA	Wall Pad - Swivel Chairs - 16" x 12" - Rose (W08)
	077641-91-000	EA	Wall Pad - Swivel Chairs - 16" x 12" - Taupe (W09)

Parts used on units after 2/1/87.

**1987 WINNEBAGO
TABLE OF CONTENTS**

WC420EG	A-01 - B-06
WF426RT	B-07 - D-10
WCN26RH	D-11 - F-14
WCN27RT	F-15 - H-20
WCP26ET	H-21 - K-02

1987 WCN27RT INDEX

Floor Plan	F-15 - F-16
Accessories Group	F-17 - F-19
Bath Group	F-20
Chassis Group	F-21 - F-23
Curtain, Cushion & Pad Group	F-24 - G-08
Dinette Group	G-09
Driver's Compartment Group	G-10 - G-12
Electrical Group	G-13 - G-15
Exterior Body Group	G-15 - G-21
Galley Group	G-22 - G-23
Heating & Air Conditioning Group	G-24
Interior Finish Group	H-01 - H-03
LP Group	H-04
Lounge Group	H-05
Water & Sewage Group	H-06 - H-07
Window, Vent & Exterior Door Group	H-08 - H-20

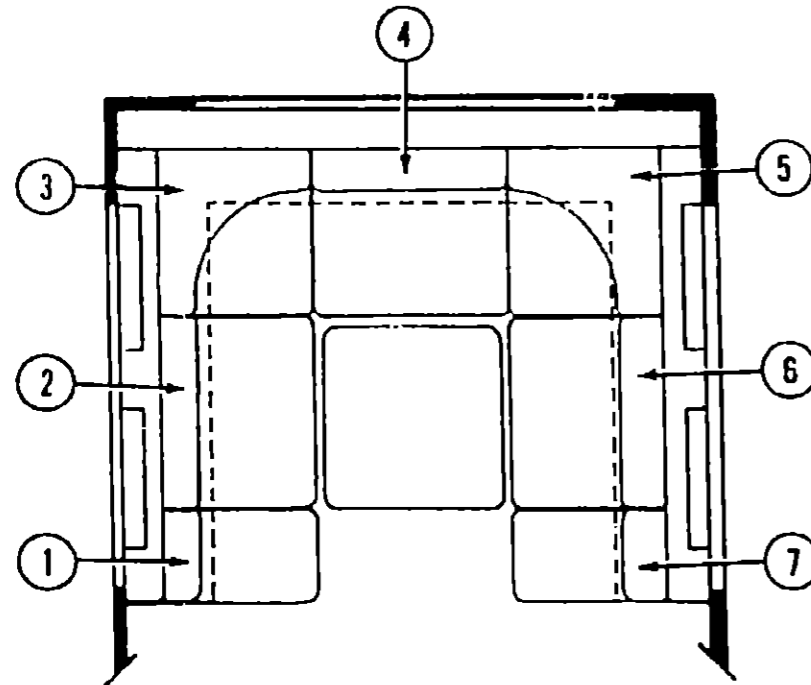
CURTAIN, CUSHION & PAD GROUP (CONTINUED)

FRONT BUNK

Key	Part Number	U/M	Description
	079145-04-000	EA	Cushion Asm. - Front Bunk - 4" x 34" x 78"
	M79145-04-000	EA	Cover Asm. - Front Bunk Cushion - 4" x 34" x 78"
	079144-02-T03	EA	Bunk Strap - Vinyl



Key	Part Number	U/M	Description
1	029130-01-000	EA	Socket - Snap Fastener
2	029155-01-000	EA	Cap - Snap - .156" Dia. x 17" Barrel
3	023156-01-000	EA	Socket - Snap Fastener
4	029092-01-000	EA	Stud - Nickel Finish
5	029093-01-000	EA	Eyelet - Nickel Finish



CURTAIN, CUSHION & PAD GROUP (CONTINUED)

HORSESHOE LOUNGE CUSHIONS

Key	Part Number	U/M	Description
1	077813-16-W07	EA	Cushion Asm. - Back - 4" x 6" x 12" x 16 3/4"
1	077813-16-W08	EA	Cushion Asm. - Back - 4" x 6" x 12" x 16 3/4"
1	077813-16-W09	EA	Cushion Asm. - Back - 4" x 6" x 12" x 16 3/4"
*	081998-03-W07	EA	Cushion Asm. - Seat - 26 3/8" x 16 3/4" x 5"
*	081998-03-W08	EA	Cushion Asm. - Seat - 26 3/8" x 16 3/4" x 5"
*	081998-03-W09	EA	Cushion Asm. - Seat - 26 3/8" x 16 3/4" x 5"
2	077813-13-W07	EA	Cushion Asm. - Back - 4" x 6" x 12" x 33 1/2"
2	077813-13-W08	EA	Cushion Asm. - Back - 4" x 6" x 12" x 33 1/2"
2	077813-13-W09	EA	Cushion Asm. - Back - 4" x 6" x 12" x 33 1/2"
*	081998-05-W07	EA	Cushion Asm. - Seat - 26 3/8" x 33 1/2" x 5"
*	081998-05-W08	EA	Cushion Asm. - Seat - 26 3/8" x 33 1/2" x 5"
*	081998-05-W09	EA	Cushion Asm. - Seat - 26 3/8" x 33 1/2" x 5"
3	077814-08-W07	EA	Cushion Asm. - Back - 4" x 6" x 12" x 26 3/8"
3	077814-08-W08	EA	Cushion Asm. - Back - 4" x 6" x 12" x 26 3/8"
3	077814-08-W09	EA	Cushion Asm. - Back - 4" x 6" x 12" x 26 3/8"
*	081998-26-W07	EA	Cushion Asm. - Seat - 26 3/8" x 26 3/8" x 5"
*	081998-26-W08	EA	Cushion Asm. - Seat - 26 3/8" x 26 3/8" x 5"
*	081998-26-W09	EA	Cushion Asm. - Seat - 26 3/8" x 26 3/8" x 5"
4	077813-15-W07	EA	Cushion Asm. - Back - 4" x 6" x 12" x 26 3/4"
4	077813-15-W08	EA	Cushion Asm. - Back - 4" x 6" x 12" x 26 3/4"
4	077813-15-W09	EA	Cushion Asm. - Back - 4" x 6" x 12" x 26 3/4"
*	081998-25-W07	EA	Cushion Asm. - Seat - 26 3/8" x 26 3/8" x 5"
*	081998-25-W08	EA	Cushion Asm. - Seat - 26 3/8" x 26 3/8" x 5"
*	081998-25-W09	EA	Cushion Asm. - Seat - 26 3/8" x 26 3/8" x 5"
5	077814-09-W07	EA	Cushion Asm. - Back - 4" x 6" x 12" x 26 3/8"
5	077814-09-W08	EA	Cushion Asm. - Back - 4" x 6" x 12" x 26 3/8"
5	077814-09-W09	EA	Cushion Asm. - Back - 4" x 6" x 12" x 26 3/8"
*	081998-27-W07	EA	Cushion Asm. - Seat - 26 3/8" x 26 3/8" x 5"
*	081998-27-W08	EA	Cushion Asm. - Seat - 26 3/8" x 26 3/8" x 5"
*	081998-27-W09	EA	Cushion Asm. - Seat - 26 3/8" x 26 3/8" x 5"
6	077813-14-W07	EA	Cushion Asm. - Back - 4" x 6" x 12" x 33 1/2"
6	077813-14-W08	EA	Cushion Asm. - Back - 4" x 6" x 12" x 33 1/2"
6	077813-14-W09	EA	Cushion Asm. - Back - 4" x 6" x 12" x 33 1/2"
*	081998-06-W07	EA	Cushion Asm. - Seat - 26 3/8" x 33 1/2" x 5"
*	081998-06-W08	EA	Cushion Asm. - Seat - 26 3/8" x 33 1/2" x 5"
*	081998-06-W09	EA	Cushion Asm. - Seat - 26 3/8" x 33 1/2" x 5"
7	077813-17-W07	EA	Cushion Asm. - Back - 4" x 6" x 12" x 16 3/4"
7	077813-17-W08	EA	Cushion Asm. - Back - 4" x 6" x 12" x 16 3/4"
7	077813-17-W09	EA	Cushion Asm. - Back - 4" x 6" x 12" x 16 3/4"
*	081998-04-W07	EA	Cushion Asm. - Seat - 26 3/8" x 16 3/4" x 5"
*	081998-04-W08	EA	Cushion Asm. - Seat - 26 3/8" x 16 3/4" x 5"
*	081998-04-W09	EA	Cushion Asm. - Seat - 26 3/8" x 16 3/4" x 5"
*			Not Keyed Out

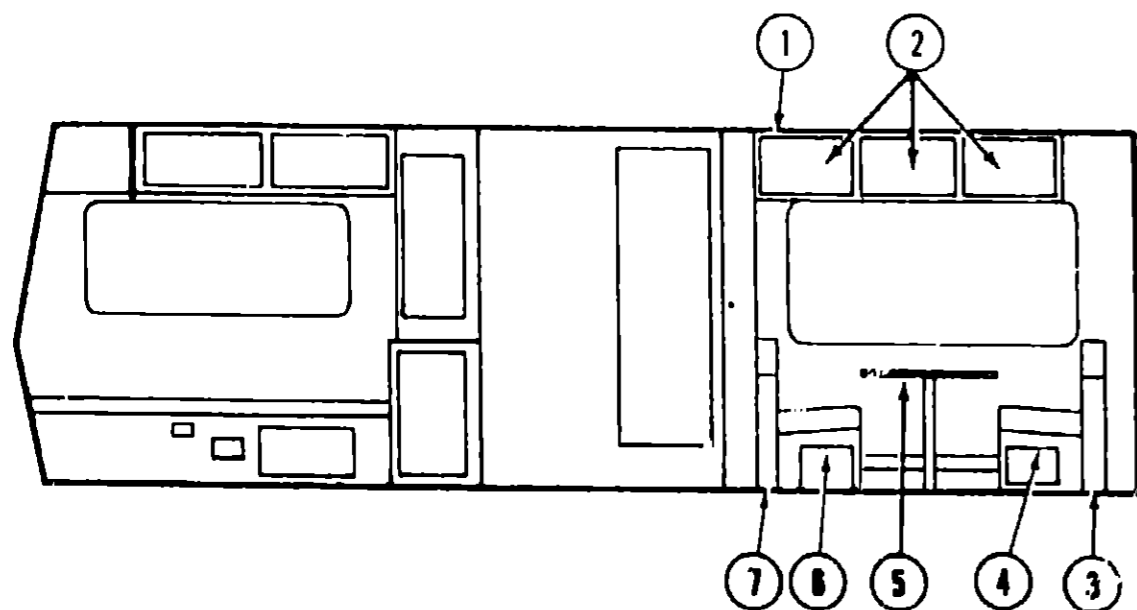
**1987 WINNEBAGO
TABLE OF CONTENTS**

WC420EG	A-01 - B-08
WF426RT	B-07 - D-10
WCN26RH	D-11 - F-14
WCN27RT	F-15 - H-20
WCP26ET	H-21 - K-02

1987 WCN27RT INDEX

Floor Plan	F-15 - F-16
Accessories Group	F-17 - F-19
Bath Group	F-20
Chassis Group	F-21 - F-23
Curtain, Cushion & Pad Group	F-24 - G-08
Dinette Group	G-09
Driver's Compartment Group	G-10 - G-12
Electrical Group	G-13 - G-15
Exterior Body Group	G-16 - G-21
Galley Group	G-22 - G-23
Heating & Air Conditioning Group	G-24
Interior Finish Group	H-01 - H-03
LP Group	H-04
Lounge Group	H-05
Water & Sewage Group	H-06 - H-07
Window, Vent & Exterior Door Group	H-08 - H-20

DINETTE GROUP



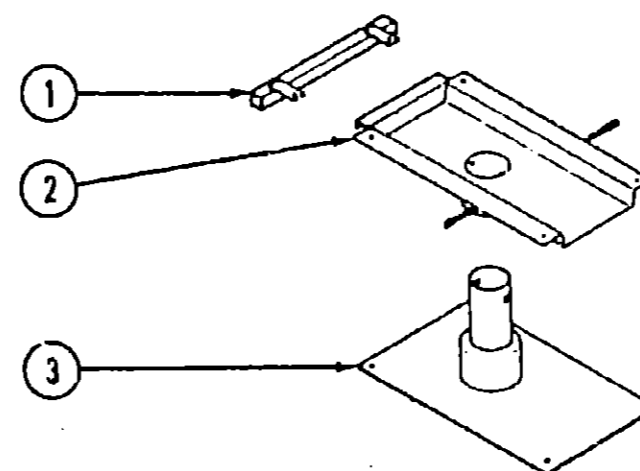
CONVENTIONAL DINETTE & OVERHEAD CABINETRY

Key	Part Number	U/M	Description
1	M81503-01-W07	EA	Door Asm. - Dinette Overhead w/o Hardware
2	081550-06-W07	EA	Cabinet Asm. - Dinette Overhead - w/o Doors or Hardware
*	081325-01-T03	EA	End Cap Asm. - Padded
3	M02174-01-W07	EA	Cabinet Asm. - Dinette Back - Front
4	M02175-01-W07	EA	Cabinet Asm. - Dinette Seat - w/o Doors or Hardware
5	M02115-09-U17	EA	Table Asm. - Dinette - w/o Hardware
6	M02625-01-W07	EA	Cabinet Asm. - Dinette Seat - Rear - w/o Doors or Hardware
7	M02626-01-W07	EA	Cabinet Asm. - Dinette Back - Rear
*	074493-02-000	EA	Support - Sprung Door Asm. - Overhead Cabinet
*	053200-05-000	EA	Bracket - Upper Wall Mount - 23.5" - Beige
**	053201-03-000	EA	Bracket - Table Mount - 23" - Beige
*	024275-05-000	EA	Rod - Table Lift - 8" x 23.5" - Beige
*	024281-07-000	EA	Bracket - Lower Wall Mount - 22.12" - Beige
**	024276-17-000	EA	Leg Asm. - Table - 26.75" - Tan
**	064050-02-000	EA	Hinge - Table Leg - Tan
**	024282-01-000	EA	Brace - Table Leg
**	024283-01-000	EA	Clip - 1" O.D. Tube
*	049493-05-000	EA	Catch - Table Leg - Mounts on Floor - Tan
*	064781-01-000	EA	Cup Holder - 3.47" O.D. x 2.75" I.D. x 1.5"
*	Not illustrated		
**	The illustrated parts breakdown for this item is provided on the Common Items Fiche.		

SPRUNG COUCH (OPTION)

Key	Part Number	U/M	Description
**	NOTE	EA	Sprung Couch
	081298-02-T03	EA	Table Asm. - w/o Hardware
	009040-06-000	EA	Leg - Pedestal Table - 2.25" O.D.
	009040-03-000	EA	Base - Table Leg - Mounts on Table
	041194-01-000	EA	Base - Table Leg - Mounts on Floor
	062046-01-000	EA	Clip - Pedestal Leg
	081922-01-000	EA	Frame Asm. - 3 Pillow Couch - Right
	081922-02-000	EA	Frame Asm. - 3 Pillow Couch - Left
	081922-03-000	EA	Spacer Bars - H - 74.75" - 3 Pillow Couch
	081922-04-000	EA	Hardware Kit - 3 Pillow Couch
**	See Curtain, Cushion & Pad Group		

DRIVER'S COMPARTMENT GROUP



BUCKET SEAT PEDESTAL & SEAT BELTS

Key	Part Number	U/M	Description
1	069585-29-000	EA	Bar - Seat Belt - 20"
2	069585-27-000	EA	Plate - Top - Pedestal Asm. - Single Bucket Seat
2	069585-20-000	EA	Plate - Top - Pedestal Asm. - Powered Seat
2	069585-10-000	EA	Plate - Top - Pedestal Asm. - Double Bucket Seat
3	069585-08-000	EA	Plate - Sub - Pedestal Asm. - Bucket Seat
*	069585-05-000	EA	Hardware Kit - Bolt/Acorn Nut - 4 ea. - Pedestal Asm.
*	007019-01-000	EA	Belt Asm. - Seat - 2" x 84" - Black
*	007021-01-000	EA	Belt Asm. - Seat - 2" x 90" - Black
*	056271-01-000	EA	Belt Asm. - Seat - 2" x 72" - Black
*	069246-01-000	EA	Adjuster Asm. - Seat - w/Lock
*	069246-02-000	EA	Adjuster Asm. - Seat - w/o Lock
*	081373-02-000	EA	Power Seat Adjustment Asm. - w/Frame
*	081373-02-700	EA	Switch Asm. Package
*	081737-02-701	EA	Harness Asm. - Left
*	081737-02-702	EA	Harness Asm. - Right
*	081737-02-703	EA	Horizontal Adjustment Package
*	081737-02-704	EA	Vertical Adjustment Package
*	Not illustrated		

FRONT BUNK & PULL DOWN STORAGE

Key	Part Number	U/M	Description
	076760-03-000	EA	Overhead Bunk Hardware
	081717-01-W07	EA	Bed Asm. - Front Bunk
	079144-02-T03	EA	Bunk Strap
	042541-04-000	EA	Latch Asm. - w/o Strike - Brass
	042541-05-000	EA	Latch Strike - Brass
	080855-09-000	EA	Side Trim - Right Front - Upper
	080856-05-000	EA	Side Trim - Right Front - Lower
	080855-10-000	EA	Side Trim - Left Front - Upper
	080856-06-000	EA	Side Trim - Left Front - Lower

ELECTRONIC INSTRUMENT PANEL (OPTION)

Key	Part Number	U/M	Description
**	NOTE	EA	Electronic Instrument Panel
	086296-04-000	EA	Bezel - Electronic - Instrument Panel
	082124-01-000	EA	Bezel - Smoked Insert - Electronic Instrument Panel
	076006-06-000	EA	Bezel - Entertainment Center - w/Radio - Black
	081919-01-000	EA	Cluster - Electronic Instrument Panel
	081919-02-000	EA	Sensor - Speed - Electronic Instrument Panel
	082784-01-000	EA	Shroud - Cluster - Electronic Instrument Panel
**	NOTE: This item available from your Chrysler Service Center		

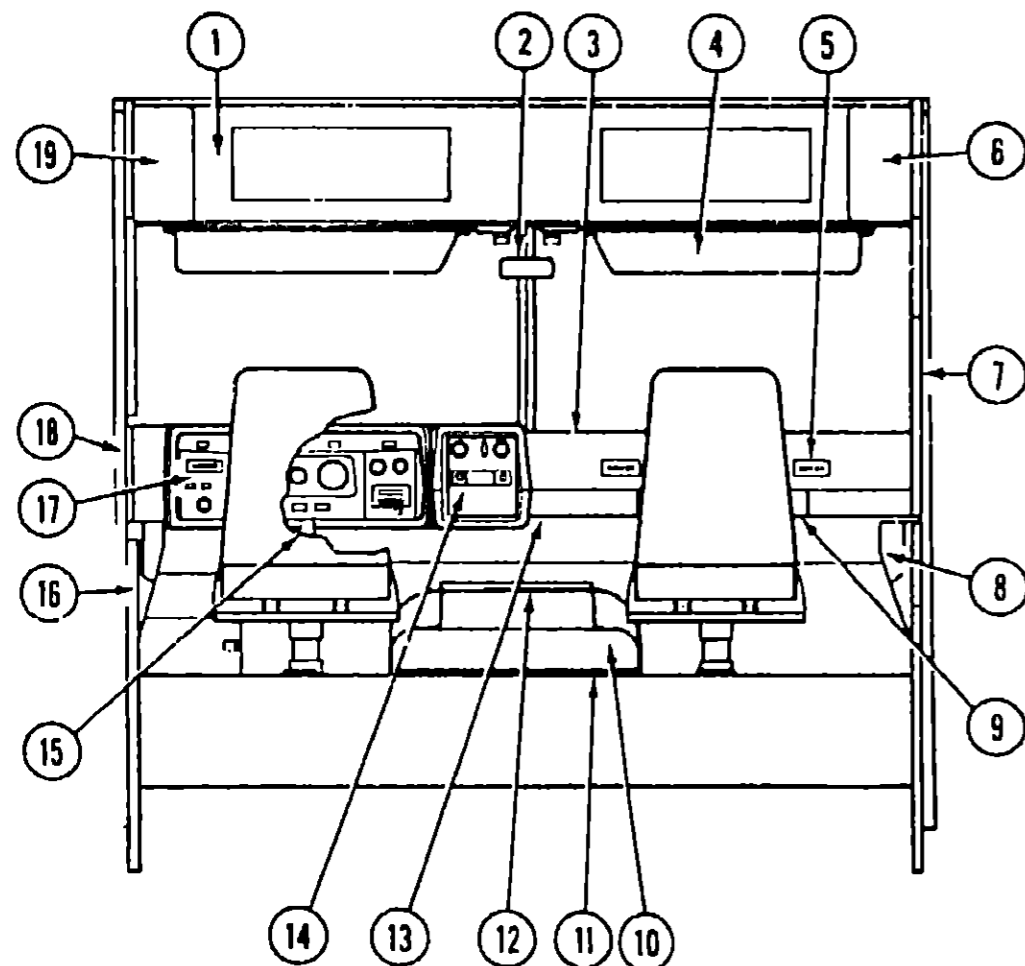
1987 WINNEBAGO TABLE OF CONTENTS

WC420EG	A-01 - B-06
WF426RT	B-07 - D-10
WCN26RH	D-11 - F-14
WCN27RT	F-15 - H-20
WCP26ET	H-21 - K-02

1987 WCN27RT INDEX

Floor Plan	F-15 - F-16
Accessories Group	F-17 - F-19
Bath Group	F-20
Chassis Group	F-21 - F-23
Curtain, Cushion & Pad Group	F-24 - G-08
Dinette Group	G-09
Driver's Compartment Group	G-10 - G-12
Electrical Group	G-13 - G-15
Exterior Body Group	G-16 - G-21
Galley Group	G-22 - G-23
Heating & Air Conditioning Group	G-24
Interior Finish Group	H-01 - H-03
LP Group	H-04
Lounge Group	H-05
Water & Sewage Group	H-06 - H-07
Window, Vent & Exterior Door Group	H-08 - H-20

DRIVER'S COMPARTMENT GROUP (CONTINUED)



MISCELLANEOUS DRIVER'S COMPARTMENT COMPONENTS

Key	Part Number	U/M	Description
1	086413-01-000	EA	Header - Front - Light Oak
*	083917-01-W07	EA	Cabinet Asm. - Front Overhead - w/o Bunk
2	040714-01-700	EA	Mirror - Inside Rear View - w/Button Support
**3	M01113-17-W07	EA	Dash Asm. - Complete - w/Gauges & Switches
*	079089-01-000	EA	Dash Pad - Passenger - Brown
*	079088-01-000	EA	Dash Pad - Drivers - Brown
*	024990-01-000	EA	Outlet - Defroster w/Swivel - 2" - Tan
*	086491-01-000	EA	Gasket - Defroster Outlet
4	082286-01-U04	EA	Sunvisor Asm. - Right
*	082286-03-U04	EA	Sunvisor Asm. - Left
*	085709-01-000	EA	Clip Asm. - Sunvisor - Black
5	039044-01-000	EA	Louver Asm. - Air Conditioning Adjustable
6	080855-07-000	EA	Side Trim - Right Front - Upper (w/o Bunk)
*	083918-01-W07	EA	Cabinet Asm. - Front Overhead - Right - w/o Bunk
*	080856-03-000	EA	Side Trim - Right Front - Lower (w/o Bunk)
7	059414-06-000	EA	Pad - Sidewall Trim - Passenger - Vinyl
8	072811-01-000	EA	Side Panel - Passenger - Plastic
*	059467-04-T03	EA	Pad - Map Pocket - Passenger - Vinyl
9	022219-01-000	EA	Glove Compartment Door
*	023892-01-000	EA	Glove Compartment Box - Black Fiberboard
*	009118-01-000	EA	Glove Compartment Twist Lock
*	024598-01-000	EA	Glove Compartment Hinge
*	034309-01-000	EA	Glove Compartment Chain - Door
10	075939-01-000	EA	Motor Cover - Fiberglass
*	075564-01-000	EA	Mounting Bracket - Motor Cover
*	075564-02-000	EA	Mounting Bracket - Motor Cover
11	039623-01-000	FT	Seal - Engine Cover - Neoprene
*			Not illustrated
**	NOTE: To be special ordered only.		

DRIVER'S COMPARTMENT GROUP (CONTINUED)

MISCELLANEOUS DRIVER'S COMPARTMENT COMPONENTS (CONT.)

Key	Part Number	U/M	Description
12	080216-01-000	EA	Beverage Tray
13	023834-01-000	EA	Panel - Knee Kick - Bottom of Dash
14	076006-12-000	EA	Bezel - Entertainment Center - w/Radio & Generator Switch
14	076006-11-000	EA	Bezel - Entertainment Center - w/Radio
15	078245-01-000	EA	Steering Column Boot - Vinyl
16	082471-02-000	EA	Panel - Drivers Door - Inner - Panel
*	046886-03-000	EA	Ash Tray - Chrome
17	086296-01-000	EA	Bezel - Control Panel
17	086296-03-000	EA	Bezel - Control Panel (Aux. Fuel)
*	086408-01-000	EA	Trim - Instrument Panel - Front - Passenger
*	086409-01-000	EA	Trim - Instrument Panel - Front - Driver
*	052367-01-000	EA	Cigarette Lighter Asm. - 12 Volt
*	007041-01-000	EA	Bezel - Cigarette Lighter
*	081424-01-000	EA	Lamp Asm. - Map/Gauge
*	061400-06-000	EA	Assist Strap - 12" - Medium Almond
18	059414-05-000	EA	Pad - Sidewall Trim - Driver - Vinyl
19	080855-08-000	EA	Side Trim - Left Front - Upper (w/o Bunk)
*	080856-04-000	EA	Side Trim - Left Front - Lower (w/o Bunk)
*	083918-02-W07	EA	Cabinet Asm. - Front Overhead - Left - w/o Bunk
*	054250-01-000	EA	Support - Dimmer Switch - w/o Holes
*	077114-01-000	EA	Windshield Trim - Center
*	085483-01-000	EA	Windshield Trim - Interior - Post - Passenger
*	085483-02-000	EA	Windshield Trim - Interior - Post - Driver
*			Not illustrated

DASH SWITCHES & GAUGES

Key	Part Number	U/M	Description
	024461-01-000	EA	Switch - Battery
	024462-01-000	EA	Switch - Battery Condition
	065963-04-000	EA	Switch - Battery - Dual Boost
	024976-01-000	EA	Switch - Generator w/o Circuit Board
	024459-04-000	EA	Gauge - Voltmeter
	024460-04-000	EA	Gauge - Vacuum
	031035-02-000	EA	Gauge - Generator Hourmeter

1987 WINNEBAGO TABLE OF CONTENTS

WC420EG	A-01 - B-08
WF426RT	B-07 - D-10
WCN26RH	D-11 - F-14
WCN27RT	F-15 - H-20
WCP26ET	H-21 - K-02

1987 WCN27RT INDEX

Floor Plan	F-15 - F-16
Accessories Group	F-17 - F-19
Bath Group	F-20
Chassis Group	F-21 - F-23
Curtain, Cushion & Pad Group	F-24 - G-08
Dinette Group	G-09
Driver's Compartment Group	G-10 - G-12
Electrical Group	G-13 - G-15
Exterior Body Group	G-16 - G-21
Galley Group	G-22 - G-23
Heating & Air Conditioning Group	G-24
Interior Finish Group	H-01 - H-03
LP Group	H-04
Lounge Group	H-05
Water & Sewage Group	H-06 - H-07
Window, Vent & Exterior Door Group	H-08 - H-20

ELECTRICAL GROUP

BULBS

Key	Part Number	U/M	Description
	008220-01-000	EA	Bulb - 12V - 25W
	008103-01-000	EA	Bulb - 53
	008213-01-000	EA	Bulb - 57
	006214-01-000	EA	Bulb - 67
	036196-01-000	EA	Bulb - 194
	008215-01-000	EA	Bulb - 1003
	087479-01-000	EA	Bulb - 1076
	063914-01-000	EA	Bulb - 1139
	008218-01-000	EA	Bulb - 1141
	037935-01-000	EA	Bulb - 1157
	056288-02-000	EA	Bulb - 9431808 - Dome Light

FUSES & CIRCUIT BREAKERS

Key	Part Number	U/M	Description
	062901-02-000	EA	Fuse - 5 Amp. - Automotive
	062901-05-000	EA	Fuse - 15 Amp. - Automotive
	063209-01-000	EA	Circuit Breaker - 15 Amp - 120 Volt
	083210-02-000	EA	Circuit Breaker - 15 Amp. GFI - 120 Volt
	083209-03-000	EA	Circuit Breaker - 15/20 Amp. - 120 Volt
	083209-04-000	EA	Circuit Breaker - 30 Amp - 120 Volt
	083209-05-000	EA	Circuit Breaker - 20 Amp - 120 Volt
	033209-06-000	EA	Circuit Breaker - 30/15 Amp - 120 Volt
	082678-01-000	EA	Circuit Breaker - 40 Amp. - 12 Volt
	082678-02-000	EA	Circuit Breaker - 20 Amp. - 12 Volt
	083209-07-000	EA	Circuit Breaker - 20/20 Amp. - 120 Volt
	085719-01-000	EA	Buss Bar - 4 Position
	085720-01-000	EA	Circuit Breaker - 15 Amp.
	085720-02-000	EA	Circuit Breaker - 20 Amp.
	085720-03-000	EA	Circuit Breaker - 25 Amp.
	085720-04-000	EA	Circuit Breaker - 30 Amp.
	085720-05-000	EA	Circuit Breaker - 40 Amp.

ELECTRICAL GROUP (CONTINUED)

WIRE, SWITCHES & RECEPTACLES

Key	Part Number	U/M	Description
	008288-01-000	EA	Box - Electrical - 3" x 3.5" - Plastic
	008289-01-000	EA	Box - Electrical - 4" x 4" - 1/2 & 3/4 Steel - UL
	008289-02-000	EA	Box - Electrical - 4" x 4" - 1/2 & 3/4 Steel - CSA
	058049-01-000	EA	Box - Electrical - 2" x 3" x 2.25" - Steel
	041953-01-000	EA	Conduit - Convolute Silt - .5" I.D.
	008353-01-000	EA	Connector - Clamping - 3/8 Cable - UL & CSA
	058028-01-000	EA	Connector - Pigtail - Clear Nylon
	008314-01-000	EA	Connector - Wire Nut - Gray
	008311-01-000	EA	Connector - Wire Nut - Red
	031968-01-000	EA	Contact Plug - Brass - Tin Plated
	031967-01-000	EA	Contact - Receptacle
	008054-01-000	EA	Cord - Power - 10-3 30 Amp. - 25' - UL
	008052-01-000	EA	Cord - Power - 10-3 30 Amp. - 25' - CSA
	069238-01-000	EA	Cover - Electrical Box - 4" x 4"
	008294-01-000	EA	Cover - Flat Blank - 4" x 4" - Steel - US
	008294-02-000	EA	Cover - Flat Blank - 4" x 4" - Steel - CSA
	064399-01-000	EA	Housing Asm. - Trailer Pin
	064450-01-000	EA	Housing Asm. - Trailer Plug
	064398-01-000	EA	Housing Asm. - Trailer Receptacle
	054532-01-000	EA	Housing Pin - 6 Position
	054532-02-000	EA	Housing Pin - 4 Position
	054532-03-000	EA	Housing Socket - 4 Position
	075726-03-000	EA	Receptacle/Cover Asm. - Gray (Exterior)
	058708-01-000	EA	Receptacle - Duplex - Brown
	058708-02-000	EA	Receptacle - Duplex - Ivory
	024924-02-000	EA	Receptacle - Power Cord
	058707-01-000	EA	Receptacle - Single - Brown
	063912-01-000	EA	Relay - Canister SPDT w/Ground
	075723-01-000	EA	Switch - Block Spacer - w/o Holes
	075723-02-000	EA	Switch - Block Spacer - w/Holes
	008162-01-000	EA	Switch - Double Toggle - Brown
	077942-02-000	EA	Switch - Dummy - Brown
	056264-01-000	EA	Switch - Leaf Actuator
	079362-01-000	EA	Switch Plate - 3 Gang - 2 Switches
	079363-01-000	EA	Switch Plate - Single - w/Switches
	079364-01-000	EA	Switch - On/Off Rocker - Brown
	008195-01-000	EA	Switch - Push Button - 12 Volt
	008163-01-000	EA	Switch - Toggle - Brown
	077942-01-000	EA	Switch - Dummy - Black
	084404-01-000	EA	Switch - Off, Low, Med, High - Black (Motor Aid)
	047443-02-000	EA	Terminal - .250 Receptacle - 12-10 AWG
	008348-01-000	EA	Terminal Ring - 2 - w/3/8 Stud
	008331-01-000	EA	Terminal Ring - 4 - w/3/8 Stud
	008328-01-000	EA	Terminal Ring - 12/10 Wire
	054865-01-000	EA	Wire Asm. - Generator Switch
	008024-01-000	FT	Wire - 18.5 Bonded - Orange/White/Yellow/Blue/Brown
	008025-01-000	FT	Wire - 18.5 Bonded - Orange/White/Yellow/Blue/Green
	008026-01-000	FT	Wire w/Ground - Romex - 12/2
	008030-01-000	EA	Wire - 18.4 Bonded

1987 WINNEBAGO TABLE OF CONTENTS

WC420EG	A-01 - B-06
WF426RT	B-07 - D-10
WCN26RH	D-11 - F-14
WCN27RT	F-15 - H-20
WCP26ET	H-21 - K-02

1987 WCN27RT INDEX

Floor Plan	F-15 - F-16
Accessories Group	F-17 - F-19
Bath Group	F-20
Chassis Group	F-21 - F-23
Curtain, Cushion & Pad Group	F-24 - G-06
Dinette Group	G-09
Driver's Compartment Group	G-10 - G-12
Electrical Group	G-13 - G-15
Exterior Body Group	G-16 - G-21
Galley Group	G-22 - G-23
Heating & Air Conditioning Group	G-24
Interior Finish Group	H-01 - H-03
LP Group	H-04
Lounge Group	H-05
Water & Sewage Group	H-06 - H-07
Window, Vent & Exterior Door Group	H-08 - H-20

ELECTRICAL GROUP (CONTINUED)

INTERIOR LIGHT

Key	Part Number	U/M	Description
	033508-02-000	EA	Light - Dome - Ivory - 1 Bulb - US
	033508-03-000	EA	Light - Dome - Ivory - 1 Bulb - CSA
	033509-02-000	EA	Light - Dome - Ivory - 2 Bulb - US
	033509-03-000	EA	Light - Dome - Ivory - 2 Bulb - CSA
	078424-02-000	EA	Light - Fluorescent - 12V - 18" - Almond
	061424-01-000	EA	Light - 12V Receptacle - Aisle - IP
	086280-01-000	EA	Dome Light - Surface Mount - 12V
	065202-06-000	EA	Lamp - Decor - Wall - Bright Brass - 2 Bulb
	065201-02-000	EA	Shade - Parchment - 2 Bulb Lamps
	082686-01-000	EA	Lamp - Table - Brass w/Wood
	082686-02-000	EA	Shade - Table Lamp
	082169-01-000	EA	Light - Make-Up - 3 Bulb

EXTERIOR LIGHTS

Key	Part Number	U/M	Description
	073844-01-000	EA	Light - License Plate - GM 912116
	076795-01-000	EA	Light - License Plate - GM 912368
	075459-04-000	EA	Tail Lamp Asm. Red
	075459-05-000	EA	Tail Lamp Asm. - Turn Signal - Amber
	075459-06-000	EA	Tail Lamp Asm. - Backup/Reflex
	042405-02-000	EA	Lens - Rectangular - Amber w/Reflex
	042405-03-000	EA	Base - Rectangular Side Marker Light
	048817-01-000	EA	Light - Porch - Assist Handle w/Light
	048817-01-700	EA	Lens - Lighted Assist Handle
	084901-01-000	EA	Lamp Asm. - Park/Turn - GM 916558
	049185-01-000	EA	Headlight Capsule Asm. - High/Low Beam - Driver
	049186-01-000	EA	Headlight Capsule Asm. - High/Low Beam - Passenger
	049187-01-000	EA	Headlight Capsule Asm. - High Beam - Driver
	049188-01-000	EA	Headlight Capsule Asm. - High Beam - Passenger
	081250-02-000	EA	Light Asm. - Clearance - Red
	081250-01-000	EA	Light Asm. - Clearance - Amber

WINDSHIELD WIPERS & WASHER

Key	Part Number	U/M	Description
	056000-02-000	EA	Washer Asm. - Windshield
	072472-04-000	EA	Arm - Windshield Wiper - 29" - Black
	072472-02-000	EA	Adapter Kit - Wiper Arm Pantograph Pivot
	049464-03-000	EA	Blade - Windshield Wiper - 20" - Black

MISCELLANEOUS ELECTRICAL COMPONENTS

Key	Part Number	U/M	Description
	008188-01-000	EA	Solenoid - Dual Battery - Relay
	065201-02-000	EA	Lamp Shade - Fabric - Parchment
	083208-02-000	EA	Control Center - .5 Amp.
	063912-01-000	EA	Relay Canister - SPDT w/Ground
	086273-01-000	EA	Relay - Battery Disconnect

REAR WINDOW WIPER

Key	Part Number	U/M	Description
	087249-01-000	EA	Motor Asm. - Wiper - 68° Wipe
	087251-01-000	EA	Blade - Wiper - 16" - Black
	087252-01-000	EA	Arm Asm. - Wiper - 20" - Black
	087967-01-000	EA	Cover - Wiper Motor - Rear

EXTERIOR BODY GROUP

LABELS & EXTERIOR PAINT

Key	Part Number	U/M	Description
	068383-01-000	EA	Label - Diesel Fuel
	006195-01-000	EA	Label - Electrical Test
	047731-01-000	EA	Label - Emergency Exit
	006199-01-000	EA	Label - Exit - Escapo Window
	057467-04-000	EA	Label - Exterior Loading Limit
	064378-01-000	EA	Label - Flying "W" w/Thermo Panel
	001417-01-000	EA	Label - Fuel
	006196-01-000	EA	Label - Gas Test
	054531-01-000	EA	Label - LP Gas Only
	040944-01-000	EA	Label - Open - Entrance Door
	006015-01-000	EA	Label - Patent Motor Home
	056259-01-000	EA	Label - Safety Check List
	006064-01-000	EA	Label - Seat - w/o Seat Belts
	006187-01-000	EA	Label - Sewage
	006006-01-000	EA	Label - Thermo Panel - 2 1/4" x 2 1/4"
	075221-01-000	EA	Label - Trailer Hitch Capacity
	075220-01-000	EA	Label - Warning - Exterior Load Limit
	050225-01-000	EA	Label - Warning - Stove Vent - US
	006188-01-000	EA	Label - Waste Water
	006197-01-000	EA	Label - Water Test
	072863-01-000	EA	Nameplate - Diesel - 8.2L
	006062-01-000	EA	Tag - Electrical - 110 Volt Connection
	006040-01-000	EA	Tag - Gas - Refueling Warning
	044486-02-000	EA	Paint - Beige Acrylic Enamel - 16 oz. Aerosol (7633A Dupont)
	045681-02-000	EA	Paint - Gloss Black - Acrylic Enamel - 16 oz. Aerosol (99 Dupont)
	058637-05-000	EA	Paint - Gray Acrylic Enamel - 16 oz. Aerosol (71537 Dupont)
	041561-03-000	EA	Paint - Off White Acrylic Enamel - 16 oz. Aerosol (45396A Dupont)
	074559-01-000	EA	Label "LPG" - 3.3" x 1.75" (Calif. Code)

ACCESS PANEL HARDWARE

Key	Part Number	U/M	Description
	076837-01-000	EA	Rod - Hood Prop
	062628-01-000	EA	Clip - Prop Rod
	058833-01-000	EA	Bracket - Prop Rod
	085934-01-000	EA	Hinge - Access Panel - Passenger
	085934-02-000	EA	Hinge - Access Panel - Drivers
	058960-01-000	EA	Bracket - Hinge Asm. - Hood - Drivers
	058960-02-000	EA	Bracket - Hinge Asm. - Hood - Passenger
	R77006-68-721	EA	Cable - Release (Access Panel)
	074178-01-000	EA	Bracket - Cable Release - Inside
	R77007-01-950	EA	Striker - Hook Latch
	R77006-59-931	EA	Latch - Hood
	R77006-38-499	EA	Spring
	R77006-19-765	EA	Cable Sheath
	073333-01-000	EA	Bracket - Latch Support
	073337-01-000	EA	Brace Latch - Hood
	073341-01-000	EA	Bracket - Hood Latch
	058786-02-000	EA	Bolt - Hood Adjusting - 5/16" x 18 x 1 1/4"

SHEET FIBERGLASS, ALUMINUM & STYROFOAM

Key	Part Number	U/M	Description
	077517-10-001	EA	Fiberglass - Sheet - 46.12" x 378" - Mesa
	077517-10-002	EA	Fiberglass - Sheet - 46.12" x 68" - Mesa
	001018-01-024	EA	Alum. - Beige - No Design - 49" x 96"
	044487-01-001	EA	Alum. - Mill Finish - No Design (Roof) - 96" x 360"
	000868-01-000	SF	Styrofoam - .75" x 24" x 96"
	000870-01-000	SF	Styrofoam - 1.50" x 24" x 96"
	000876-03-000	SF	Styrofoam - .34" x 48" x 96"

**1987 WINNEBAGO
TABLE OF CONTENTS**

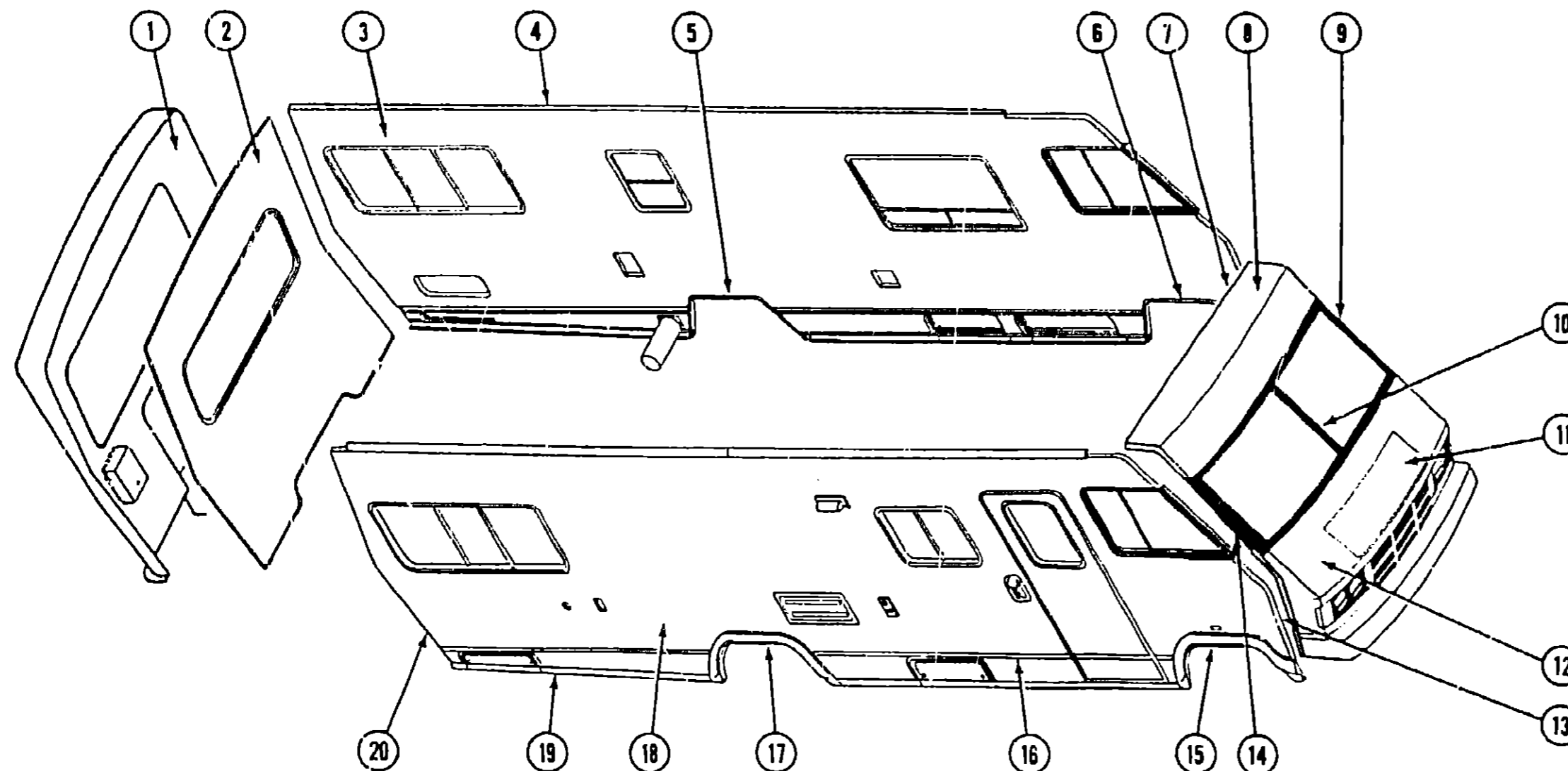
WC420EG	A-01 - B-06
WF420RT	B-07 - D-10
WCN26RH	D-11 - F-14
WCN27RT	F-15 - H-20
WCP28ET	H-21 - K-02

1987 WCN27RT INDEX

Floor Plan	F-15 - F-16
Accessories Group	F-17 - F-19
Bath Group	F-20
Chassis Group	F-21 - F-23
Curtain, Cushion & Pad Group	F-24 - G-08
Dinette Group	G-09
Driver's Compartment Group	G-10 - G-12
Electrical Group	G-13 - G-15
Exterior Body Group	G-16 - G-21
Galley Group	G-22 - G-23
Heating & Air Conditioning Group	G-24
Interior Finish Group	H-01 - H-03
LP Group	H-04
Lounge Group	H-05
Water & Sewage Group	H-06 - H-07
Window, Vent & Exterior Door Group	H-08 - H-20

EXTERIOR BODY GROUP (CONTINUED)

EXTERIOR BODY PANELS



1987 WINNEBAGO TABLE OF CONTENTS

WC420EG
WF426RT
WCN26RH
WCN27RT
WCP26ET

A-01 - B-06
B-07 - D-10
D-11 - F-14
F-15 - H-20
H-21 - K-02

1987 WCN27RT INDEX

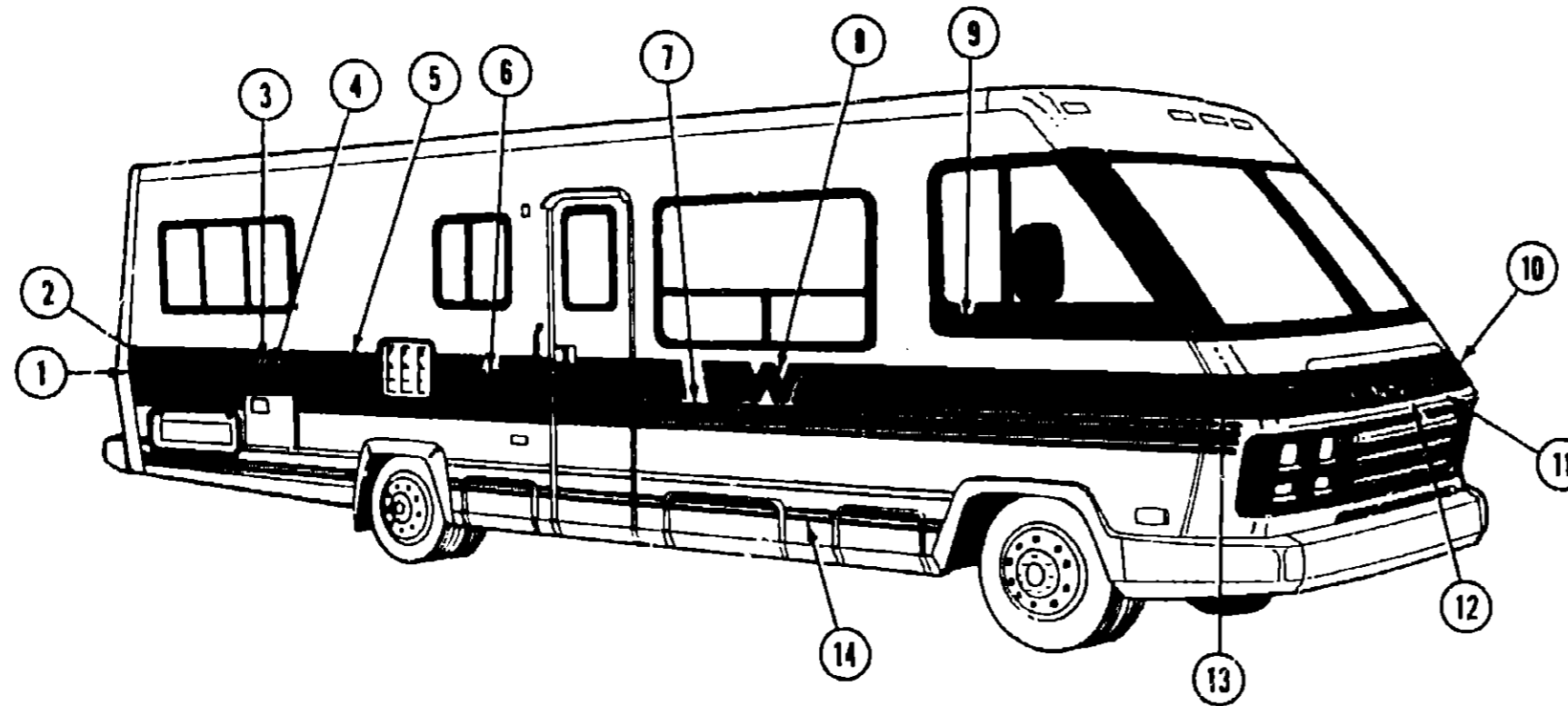
Floor Plan	F-15 - F-16
Accessories Group	F-17 - F-19
Bath Group	F-20
Chassis Group	F-21 - F-23
Curtain, Cushion & Pad Group	F-24 - G-08
Dinette Group	G-09
Driver's Compartment Group	G-10 - G-12
Electrical Group	G-13 - G-15
Exterior Body Group	G-16 - G-21
Galley Group	G-22 - G-23
Heating & Air Conditioning Group	G-24
Interior Finish Group	H-01 - H-03
LP Group	H-04
Lounge Group	H-05
Water & Sewage Group	H-06 - H-07
Window, Vent & Exterior Door Group	H-08 - H-20

Key	Part Number	U/M	Description
1	M01898-05-W07	EA	Rear Cap Asm. - Backwall
2	082085-01-W07	EA	Backwall Asm.
3	M85419-01-W07	EA	Sidewall Asm. - Driver
3	M85419-01-W08	EA	Sidewall Asm. - Driver
3	M85419-01-W09	EA	Sidewall Asm. - Driver
4	078600-15-000	EA	Trim - Sidewall - Upper - Driver or Passenger - Beige
5	058487-07-000	EA	Trim - Wheel Well - Rear - U Channel - Driver or Passenger
6	073647-02-000	EA	Trim - Wheel Well - Front - U Channel - Driver or Passenger
7	078580-01-000	EA	Trim - Roof/Front Cap
8	M02959-01-W07	EA	Cap - Over Windshield - Beige
9	087601-02-000	EA	Trim - Contour - Windshield - Driver
.	084903-01-000	EA	Trim - Molding - Windshield - Upper & Lower
10	083178-01-000	FT	Trim - Molding - Windshield - Center
.	086045-01-W07	EA	Access Panel - w/Hardware
.	086425-02-000	EA	Headlamp Bezel - Driver
.	086425-01-000	EA	Headlamp Bezel - Passenger
.	073308-01-000	EA	Screw Asm. - Headlamp - Adjusting
.	049359-01-000	EA	Spring - Headlamp Retainer
.	062207-01-000	EA	Headlamp Guard
12	M01115-12-W07	EA	Panel Asm. - Front Shroud (includes access panel)
13	086414-01-000	EA	Trim - Fiberglass Panel - Passenger - Beige
.	086414-03-000	EA	Trim - Fiberglass Panel - Driver - Beige

Key	Part Number	U/M	Description
14	087601-01-000	EA	Trim - Contour - Windshield - Passenger
.	084897-01-000	EA	Cap - Reveal Molding - Windshield
15	078556-07-000	EA	Trim - Wheel Well - Front - Plastic - Passenger
.	078556-08-000	EA	Trim - Wheel Well - Front - Plastic - Driver
16	059576-08-000	EA	Feature Strip - Extr. Beige - 14' - w/o Insert
.	009731-01-000	EA	End Cap - Feature Strip Insert
.	001030-12-002	EA	Insert - Feature Strip - Beige - 17'
17	075070-01-000	EA	Trim - Wheel Well - Rear - Plastic - Passenger
.	075070-03-000	EA	Trim - Wheel Well - Rear - Plastic - Driver
18	M85418-01-W07	EA	Sidewall Asm. - Passenger
18	M85413-01-W08	EA	Sidewall Asm. - Passenger
18	M85418-01-W09	EA	Sidewall Asm. - Passenger
19	072639-01-001	EA	Extr. - Rocker Panel - 216" (Rear)
20	073502-23-000	EA	Trim - Passenger Rear - Beige
.	073502-24-000	EA	Trim - Driver Rear - Beige
.	086148-01-W07	EA	Roof Asm.
.	086415-01-000	EA	Bumper End Cap - Front Passenger - Beige
.	086415-03-000	EA	Bumper End Cap - Front Driver - Beige
.	078578-01-000	EA	Bumper End Cap - Rear Passenger - Beige
.	078578-02-000	EA	Bumper End Cap - Rear Driver - Beige
.	Not illustrated		

EXTERIOR BODY GROUP (CONTINUED)

DECALS & FILM STRIPE



Key	Part Number	U/M	Description
1	085297-01-000	EA	Decal - Rear Part 1 - Right - Light Green (W07)
1	085297-03-000	EA	Decal - Rear Part 1 - Right - Rose (W08)
1	085297-05-000	EA	Decal - Rear Part 1 - Right - Brown (W09)
•	085297-02-000	EA	Decal - Rear Part 1 - Left - Light Green (W07)
•	085297-04-000	EA	Decal - Rear Part 1 - Left - Rose (W08)
•	085297-06-000	EA	Decal - Rear Part 1 - Left - Brown (W09)
2	058719-03-000	EA	Decal Logo - "Onleftain"
3	085297-07-000	EA	Decal - Rear Part 2 - Right - Light Green (W07)
3	085297-09-000	EA	Decal - Rear Part 2 - Right - Rose (W08)
3	085297-11-000	EA	Decal - Rear Part 2 - Right - Brown (W09)
•	085297-08-000	EA	Decal - Rear Part 2 - Left - Light Green (W07)
•	085297-10-000	EA	Decal - Rear Part 2 - Left - Rose (W08)
•	085297-12-000	EA	Decal - Rear Part 2 - Left - Brown (W09)
4	073724-07-000	EA	Decal Logo - "27"
5	078831-21-000	FT	Decal - Stripe - 1.75" - Light Green (W07)
5	078831-22-000	FT	Decal - Stripe - 1.75" - Rose (W08)
5	078831-23-000	FT	Decal - Stripe - 1.75" - Brown (W09)
6	078831-24-000	FT	Decal - Stripe - 4.85" - Light Green (W07)
6	078831-25-000	FT	Decal - Stripe - 4.85" - Rose (W08)
6	078831-26-000	FT	Decal - Stripe - 4.85" - Brown (W09)

Key	Part Number	U/M	Description
7	078196-14-000	FT	Film - Multi Stripe - 4.5" - Peach (W07, W09)
7	078196-15-000	FT	Film - Multi Stripe - 4.5" - Burgundy (W08)
8	079351-07-000	EA	Decal - Flying W - Light Green (W07)
8	079351-08-000	EA	Decal - Flying W - Rose (W08)
8	079351-09-000	EA	Decal - Flying W - Brown (W09)
9	065217-52-000	FT	Decal - Stripe - 4" - Black
10	085299-02-000	EA	Decal - Corner - Left - Light Green (W07)
10	085299-04-000	EA	Decal - Corner - Left - Rose (W08)
10	085299-06-000	EA	Decal - Corner - Left - Brown (W09)
11	085298-01-000	EA	Decal - Hood - Light Green (W07)
11	085298-02-000	EA	Decal - Hood - Rose (W08)
11	085298-03-000	EA	Decal - Hood - Brown (W09)
12	069745-03-000	EA	Decal - "Winne"
12	069745-04-000	EA	Decal - "Bago"
13	085299-01-000	EA	Decal - Corner - Right - Light Green (W07)
13	085299-03-000	EA	Decal - Corner - Right - Rose (W08)
13	085299-05-000	EA	Decal - Corner - Right - Brown (W09)
14	065217-D4-000	EA	Film - Multi Stripe - 2.4" - Light Green/Peach (W07)
14	065217-D5-000	EA	Film - Multi Stripe - 2.4" - Rose/Burgundy (W08)
14	065217-D6-000	EA	Film - Multi Stripe - 2.4" - Brown/Peach (W09)
•	050313-22-000	EA	Decal - Logo "Winnebago" - 2.8" - Chrome
•			Not illustrated

1987 WINNEBAGO TABLE OF CONTENTS

WC420EG
WF426RT
WCN26RH
WCN27RT
WCP28ET

A-01 - B-03
B-07 - D-10
D-11 - F-14
F-15 - H-20
H-21 - K-02

1987 WCN27RT INDEX

Floor Plan	F-15 - F-15
Accessories Group	F-17 - F-19
Bath Group	F-20
Chassis Group	F-21 - F-23
Curtain, Cushion & Pad Group	F-24 - G-08
Dinette Group	G-09
Driver's Compartment Group	G-10 - G-12
Electrical Group	G-13 - G-15
Exterior Body Group	G-16 - G-21
Galley Group	G-22 - G-23
Heating & Air Conditioning Group	G-24
Interior Finish Group	H-01 - H-03
LP Group	H-04
Lounge Group	H-05
Water & Sewage Group	H-06 - H-07
Window, Vent & Exterior Door Group	H-08 - H-20

EXTERIOR BODY GROUP (CONTINUED)

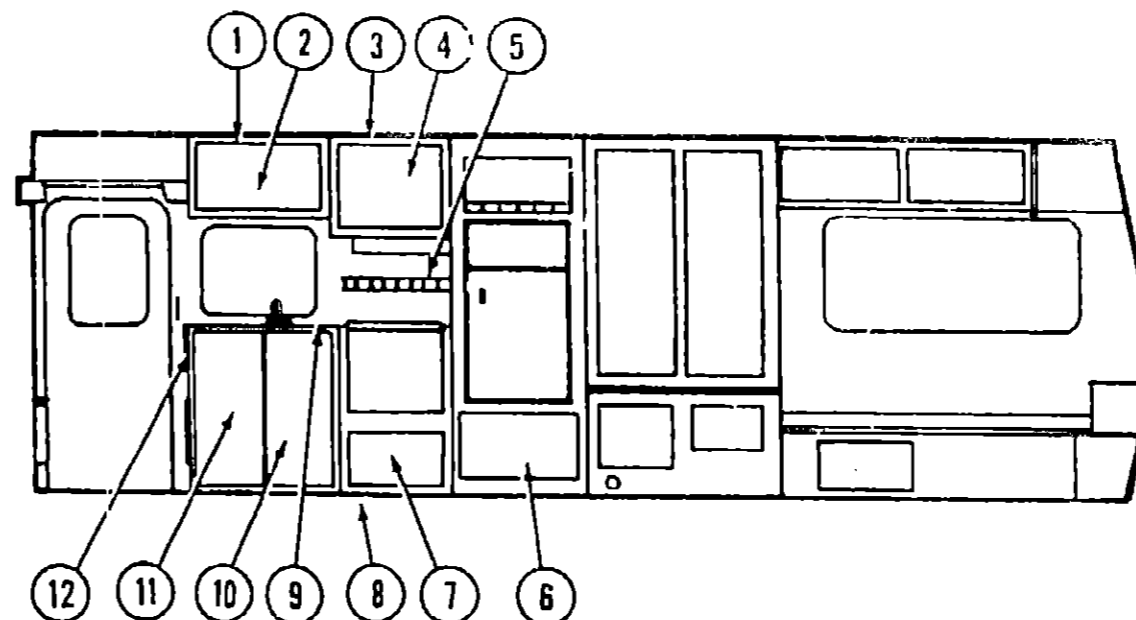
SEALANTS & ADHESIVES

Key	Part Number	U/M	Description
	004020-01-000	QT	Adhesive - ABS Cement (Plastic Fittings)
	002337-01-000	EA	Adhesive - 1300 Tube - 3M (Windows)
	004005-02-000	GL	Adhesive - Swifts - Glue (Sidewalls)
	053768-07-000	EA	Bedding Compound - Tube - Beige (Exterior)
	053766-06-000	EA	Bedding Compound - Tube - Clear (Window)
	053766-08-000	EA	Bedding Compound - Tube - Gray (Exterior)
	053766-05-000	EA	Bedding Compound - Tube - Gray (Sidewalls to Floor)
	053766-02-000	EA	Bedding Compound - Tube - Off White (Exterior)
	002328-02-000	EA	Block - Rubber Spacer (Windshield)
	004336-01-000	EA	Caulk - Latex - Golden Walnut (Sidewalls)
	077967-01-000	EA	Sealant - Acrylic Latex - Tube - Off White (Interior Sealant)
	034552-04-000	EA	Sealant - Silicone - Beige
	034552-02-000	EA	Sealant - Silicone - Clear
	034552-07-000	EA	Sealant - Silicone - Dark Gray
	034552-06-000	EA	Sealant - Silicone - Off White
	069637-01-000	EA	Sealant - Weatherban 404 - Tube - White (Door Caulk)
	072889-01-000	EA	Sealant - Urethane - Black (Windshield)
	069640-01-000	FT	Sealer Ribbon - .25" Bead x 20'
	069640-02-000	FT	Sealer Ribbon - .5" x .125" x 30'
	069640-03-000	FT	Sealer Ribbon - .75" x .125" x 30'
	069640-04-000	FT	Sealer Ribbon - 2" x .09" x 45' (P Series)
	069640-05-000	FT	Sealer Ribbon - 2.5" x .09" x 50'
	069640-06-000	FT	Sealer Ribbon - 5/16" Bead x 15'
	069640-07-000	FT	Sealer Ribbon - 2" x 3/32" x 30'
	002316-01-000	FT	Sealer Tape - 3/32" x 3/8" - White (Window)
	002707-01-000	FT	Sealer Tape - 5/16" x 3/4"
	002707-02-000	FT	Sealer Tape - 5/16" x 1/2"
	040545-01-000	GL	Sealer - Seam Weld
	053752-04-000	EA	Seam Sealer - Tube - Aluminum (Roof)
	063642-01-000	FT	Tape - Adhesive - .10 mm. x 1.5" Wide
	038886-01-000	EA	Tape - Butyl - .31" x .31" x 148" (Windshield)
	076322-01-000	FT	Tape - Foam - Double Coated - .025 x 1" (Fiberglass Sidewall Seams)
	076322-02-000	FT	Tape - Foam - Double Coated - .045 x 1" (Fiberglass Sidewall Seams)
	009200-01-000	EA	Tape - Furnace - 1.5"
	002825-01-000	FT	Weather Striping (Roof Vent)

MISCELLANEOUS EXTERNALLY MOUNTED PARTS

Key	Part Number	U/M	Description
	083558-01-000	EA	Plumbing Seal - Roof Vent - 1.5" - Covered
	087659-02-000	EA	Fill - City Water - Recessed - Beige
	081240-01-000	EA	Water Fill - Lockable - Beige
	087659-02-000	EA	Fill - City Water - Beige - Brass Fittings

GALLEY GROUP



Key	Part Number	U/M	Description
1	081656-09-W07	EA	Cabinet Asm. - Galley Overhead - w/o Door or Hardware
*	081320-04-U04	EA	Pad Asm. - End Cap - Galley Overhead - Vinyl
2	M81523-04-W07	EA	Door Asm. - Galley Overhead - w/o Hardware
3	M88307-06-W07	EA	Cabinet Asm. - Galley Overhead - w/o Door or Hardware
4	M88304-01-W07	EA	Door Asm. - Galley Overhead - w/o Hardware
5	074490-02-T03	EA	Spice Rack - Oak
6	M81501-92-W07	EA	Door Asm. - Refrigerator Cabinet - w/o Hardware
7	M81507-02-W07	EA	Door Asm. - Furnace - w/o Hardware
*	072366-21-000	EA	Mesh Insert - Furnace Door - Bronze Tone
8	M82564-01-W07	EA	Cabinet Asm. - Galley - w/o Doors, Drawers, Countertop or Hardware
**	M82564-03-W07	EA	Cabinet Asm. - Galley - w/o Doors, Drawers, Countertop or Hardware
**	M82184-03-W07	EA	Drawer Asm. - Galley Cabinet - w/o Hardware
9	M02465-01-W07	EA	Countertop Asm. - Galley Cabinet
10	M81501-03-W04	EA	Door Asm. - Galley Cabinet - w/o Hardware
11	M81501-02-W04	EA	Door Asm. - Galley Cabinet - w/o Hardware
12	080812-02-W07	EA	Extension Asm. - Galley Cabinet
*	074491-01-000	EA	Magazine Rack - Oak
*			Not illustrated
**			Used with Microwave Option

1987 WINNEBAGO TABLE OF CONTENTS

WC420EG	A-01 - B-06
WF426RT	B-07 - D-10
WCN26RH	D-11 - F-14
WCN27RT	F-15 - H-20
WCP26ET	H-21 - K-02

1987 WCN27RT INDEX

Floor Plan	F-15 - F-16
Accessories Group	F-17 - F-19
Bath Group	F-20
Chassis Group	F-21 - F-23
Curtain, Cushion & Pad Group	F-24 - G-08
Dinette Group	G-09
Driver's Compartment Group	G-10 - G-12
Electrical Group	G-13 - G-15
Exterior Body Group	G-16 - G-21
Galley Group	G-22 - G-23
Heating & Air Conditioning Group	G-24
Interior Finish Group	H-01 - H-03
LP Group	H-04
Lounge Group	H-05
Water & Sewage Group	H-06 - H-07
Window, Vent & Exterior Door Group	H-08 - H-20

GALLEY GROUP (CONTINUED)

GALLEY HARDWARE & APPLIANCES

Key	Part Number	U/M	Description
**	079353-03-000	EA	Hood - Range - Powered w/Monitor - Almond - US
**	079353-04-000	EA	Hood - Range - Powered w/Monitor - Almond - CSA
**	084878-01-000	EA	Duct Extension - Hood Range
**	081374-01-000	EA	Range Top - 4 Burner - Almond - Magic Chef
**	081374-01-000	EA	Range Top - 4 Burner - Almond
**	081374-01-700	EA	Trim - Cabinet - Top Right
**	081374-01-701	EA	Trim - Cabinet - Top Left
**	081374-01-702	EA	Panel - Manifold Warm - Black
**	081374-01-703	EA	Trim - Top - Rear
**	081374-01-704	EA	Guard - Fabric
**	064782-02-000	EA	Range w/Small Oven - 4 Burner - Almond - Magic Chef
**	064782-02-700	EA	Top - Main - 4 Burner - Almond
**	064782-02-701	EA	Deflector Plate - Black
**	064782-02-702	EA	Trim - Cabinet - Right - Black
**	064782-02-703	EA	Trim - Cabinet - Left - Black
**	064782-02-704	EA	Trim - Lower Outside Glass - Black
**	067782-02-705	EA	Handle - Oven Door - Black
**	064782-02-706	EA	Vertical Trim - Black
**	064782-02-707	EA	Panel - Manifold
**	064782-02-708	EA	Valve - Mercury
**	084879-01-000	EA	Refrigerator - 3-Way, Small Double Door
**	084879-01-700	EA	Cooling Unit - F/Model 8663
**	084879-01-701	EA	Lower Door Gasket
**	004879-01-702	EA	Lower Door Handle
**	084879-01-703	EA	Foamed Cabinet Asm.
**	084879-01-704	EA	Foamed Lower Door Liner w/Frame
**	084879-01-705	EA	Panel Holder - Lower Door
**	084879-02-000	EA	Refrigerator - 3-Way, Small Double Door
**	054450-01-000	EA	Level - Refrigerator
**	081379-01-000	EA	Microwave Convection Oven - Sharp
**	081459-03-000	EA	Bracket Asm. - Microwave - Right
**	081459-04-000	EA	Bracket Asm. - Microwave - Left
**	081456-01-000	EA	Angle Asm. - Microwave Right
**	081456-02-000	EA	Angle Asm. - Microwave Left
**	081555-01-T03	EA	Trim Ring - Microwave
**	082876-01-000	EA	Air Exhaust Duct - Microwave
**	068615-01-000	EA	Sink - Stainless Steel - Double w/Bolts
**	011053-01-000	EA	Faucet - Swing Spout - 8" - US
**	011053-02-000	EA	Faucet - Swing Spout - 8" - CSA
**	011053-01-700	EA	Aerator - Swing Spout Faucet
**	066437-01-000	EA	Strainer w/Basket - Sink
**	053552-02-W04	EA	Sink Cover - Large
**	009049-01-000	EA	Support - Drop Leaf Table
**	009059-01-000	EA	Hinge - 2" - Gold - Drop Leaf Table
**	074490-01-000	EA	Spice Rack - Oak
**	074981-01-000	EA	Cutting Board - Maple
**	058334-01-000	EA	Wastebasket - 9 3/4" x 7" x 10" - White
**	059777-02-000	EA	Hinge - Cabinet Door - Brass
**	009021-01-000	EA	Catch - Nylon - Cabinet Door
**	009021-02-000	EA	Strike - Spring Steel - Cabinet Door
**	077409-01-000	EA	Slider - Drawer - 20.75" - Plastic
**	077404-01-000	EA	Drawer - 20" x 12.70" - Plastic
**	066435-01-000	EA	Nut Strainer

** The illustrated parts breakdown for this item is provided on the Common Items Fiche.

HEATING & AIR CONDITIONING GROUP

FURNACE & ROOF AIR CONDITIONER

Key	Part Number	U/M	Description
**	075696-01-000	EA	Furnace - 34,000 BTU - w/Direct Ignition - NT-34S
**	075695-01-000	EA	Furnace - 24,000 BTU - w/Direct Ignition - NT-24S
**	069636-02-000	EA	Connector - 4" Duct
**	009198-01-000	EA	Duct - Flexible - 4" I.D. x 25'
**	056464-01-000	EA	Register - 4" Dia. - Plastic - w/Damper
**	056464-02-000	EA	Register - 4" Dia. - Plastic - w/o Damper
**	009200-01-000	EA	Tap - Furnace - 1 1/2"
**	023146-01-000	EA	Clamp - Screw Type - 4"
**	073743-01-000	EA	Shroud Asm. - Ceiling - Inside - Roof Air 13,500 BTU - Cool Only
**	073744-01-000	EA	Shroud Asm. - Ceiling - Inside - Roof Air 13,500 BTU - Heat & Cool
**	073742-01-000	EA	Air Conditioner - 110 Volt - Roof Mount - 13,500 BTU Rotary

** The illustrated parts breakdown for this item is provided on the Common Items Fiche.

AUTOMOTIVE HEATER & AIR CONDITIONER

Key	Part Number	U/M	Description
**	072341-04-000	EA	Heater/Evaporator Asm.
**	072341-01-700	EA	Wheel - w/Retainer & Index Clip
**	072341-01-701	EA	Core - Heater
**	072341-01-702	EA	Coil - Evaporator
**	072341-01-703	EA	Valve - Expansion
**	072341-01-704	EA	Valve - Suction
**	072341-01-705	EA	Switch - Pressure - Low Cut Out
**	072341-01-706	EA	Resistor
**	072341-01-707	EA	Thermostat
**	072341-01-708	EA	Motor - Vacuum
**	R77005-81-129	EA	Relay - Glow Plug
**	072341-01-710	EA	Control Asm. - Heater A/C
**	072341-01-711	EA	Cable - Bowden - 72"
**	072341-01-712	EA	Switch - Vacuum
**	072341-01-713	EA	Switch - Jumper Control
**	072341-01-714	EA	Valve - Heater - Water Flow Control
**	072341-01-715	EA	Escape & Louver Adapter Asm.
**	072341-01-716	EA	Discharge Valve - 1/2"
**	072341-08-000	EA	Duct & Control Kit
**	072342-03-000	EA	Condensor Asm. - w/Fans
**	073242-02-700	EA	Receiver Drier - Condenser Asm.
**	072342-04-000	EA	Condensor Asm. w/o Fan
**	072343-06-000	EA	Compressor/Clutch
**	072344-02-000	EA	Package - Compressor Mount
**	074C26-01-000	EA	Package - Compressor Mount - 6.2 L Diesel
**	039044-01-000	EA	Louver Asm. - A/C Adjustable
**	007076-01-700	FT	Hose - Flexible PVC - 2" I.D.
**	007281-01-700	FT	Hose - Flexible PVC - 2 1/2" I.D.
**	007108-01-000	FT	Hose - Heater - 5/8" I.D. SAE 20R3
**	062401-04-000	EA	Clamp - Worm Drive - .69" - 1.25" I.D.
**	010227-01-000	EA	Tee - Plastic - Barb 5/8" or 3/4" Hose

AUXILIARY HEATER ASSEMBLY

Key	Part Number	U/M	Description
**	084405-01-000	EA	Heater Asm. - Rear - Auxiliary
**	084405-01-700	EA	Heater Core
**	084405-01-701	EA	Fan
**	084405-01-702	EA	Motor - 12 V
**	056464-02-000	EA	Register - 4" - Plastic - w/o Damper

1987 WINNEBAGO TABLE OF CONTENTS

WC420EG	A-01 - D-06
WF426RT	B-07 - D-10
WCN26RH	D-11 - F-14
WCN27RT	F-15 - H-20
WCP26ET	H-21 - K-02

1987 WCN27RT INDEX

Floor Plan	F-15 - F-16
Accessories Group	F-17 - F-19
Bath Group	F-20
Chassis Group	F-21 - F-23
Curtain, Cushion & Pad Group	F-24 - G-08
Dinette Group	G-09
Driver's Compartment Group	G-10 - G-12
Electrical Group	G-13 - G-15
Exterior Bcdy Group	G-16 - G-21
Galley Group	G-22 - G-23
Heating & Air Conditioning Group	G-24
Interior Finish Group	H-01 - H-03
LP Group	H-04
Lounge Group	H-05
Water & Sewage Group	H-06 - H-07
Window, Vent & Exterior Door Group	H-08 - H-20

INTERIOR FINISH GROUP

CURTAIN & CUSHION HARDWARE

Key	Part Number	U/M	Description
	081381-01-000	EA	Swivel Snap - Curtain Track
	029130-01-000	EA	Snap Socket - Curtain Bottom
	083170-03-000	EA	Bracket - Installation - Right
	083170-04-000	EA	Bracket - Installation - Left
	056003-01-000	EA	Bracket - Drapery Retainer - Right
	056003-02-000	EA	Bracket - Drapery Retainer - Left
	082139-03-000	EA	Bracket - Hold Down - Blind
	079619-01-000	EA	Bracket - Tie Back
	084434-01-000	EA	Bracket - Shade
	076827-01-000	EA	Bracket - Woven Wood Curtain - Right
	076827-02-000	EA	Bracket - Woven Wood Curtain - Left
	086263-01-000	EA	Pull - Window Shade - Polished Brass
	048394-02-000	YD	Tape Hook - .75" x 50 yd - Beige
	048395-02-000	YD	Tape Loop - .75" x 50 YD - Beige
	029090-01-000	FT	Tie - Drapery - Clear Vinyl
	079946-01-000	EA	Track - Curtain - Wraparound - Right
	079946-02-000	EA	Track - Curtain - Wraparound - Left
	085283-01-000	EA	Bracket - Curtain Hold Back - Clear Plastic
	087253-01-000	EA	Shade Pull - Clear Plastic

PANELING & LAMINATE

Key	Part Number	U/M	Description
	074497-07-000	SF	Paneling - Sand - 48" x 84" (28 SF) (Wall)
	074497-07-000	SF	Paneling - Pebble Beach (Ceiling)
	074496-69-000	SF	Paneling - Decor - Pom/Peach - 48" x 84" (28SF) (Wet Bath) (W07, W09)
	074496-70-000	SF	Paneling - Decor - Pom/Mauve - 48" x 84" (28SF) (Wet Bath) (W08)
	074496-61-000	SF	Paneling - Decor - Pom/Peach - 48" x 84" (28SF) (Galley/Bath) (W07, W09)
	074496-62-000	SF	Paneling - Decor - Pom/Mauve - 48" x 84" (28SF) (Galley/Bath) (W08)
	074497-03-000	SF	Paneling - Sunset Oak - 48" x 84" (28SF) (Cabinets)
	074498-13-000	SF	Plastic Laminate - Sand Quadrus (Galley/Dinette)
	074498-21-000	SF	Plastic Laminate - Sea Frost (Bath) (W07)
	074498-15-000	SF	Plastic Laminate - Blush (Bath) (W08)
	074498-16-000	SF	Plastic Laminate - T/Apricot (Bath) (W09)
	074498-05-000	SF	Plastic Laminate - Sunset Oak (Nightstand & Table Tops)
	076325-04-000	FT	Plastic Laminate - Edge Band - Sunset Oak - 1 5/16" x 600'

INTERIOR FINISH GROUP (CONTINUED)

FABRICS & CARPET

Key	Part Number	U/M	Description
	081607-02-000	YD	Fabric - Headliner - Sandstone
	077498-91-000	YD	Fabric - Main - Jade/Taupe (W07)
	077498-92-000	YD	Fabric - Main - Rose (W08)
	077498-93-000	YD	Fabric - Main - Taupe (W09)
	077498-A6-000	YD	Fabric - Stripped Accent - Jade/Taupe (W07)
	077498-A5-000	YD	Fabric - Stripped Accent - Rose (W08)
	077498-A7-000	YD	Fabric - Stripped Accent - Taupe (W09)
	077498-95-000	YD	Fabric - Plain Accent - Jade/Taupe (W07)
	077498-61-000	YD	Fabric - Plain Accent - Rose (W08)
	077498-96-000	YD	Fabric - Plain Accent - Taupe (W09)
	069729-47-000	YD	Fabric - Bedspread Drapery - Jade/Taupe (W07)
	069729-48-000	YD	Fabric - Bedspread Drapery - Rose (W08)
	069729-49-000	YD	Fabric - Bedspread Drapery - Taupe (W09)
	072333-34-000	YD	Fabric - Drapery - Shades & Tie Back - Jade/Taupe (W07)
	072333-35-000	YD	Fabric - Drapery - Shades & Tie Back - Rose (W08)
	072333-36-000	YD	Fabric - Drapery - Shades & Tie Back - Taupe (W09)
	072333-39-000	YD	Fabric - Wraparound & Blackout - Jade/Taupe (W07)
	072333-47-000	YD	Fabric - Drapery - Jade/Taupe (W07)
	072333-37-000	YD	Fabric - Wraparound & Blackout - Rose (W08)
	072333-38-000	YD	Fabric - Wraparound & Blackout - Taupe (W09)
	052859-01-W07	FT	Trim Asm. - Accent - Sandrift
	079680-01-000	YD	Vinyl - Expanded - 26 oz. - Buckskin
	079680-02-000	YD	Vinyl - Expanded - 26 oz. - Sandrift
	038421-01-000	YD	Fabric - Mattress Ticking
	029012-01-000	BF	Foam - Rolled - 3/8"
	072860-58-000	YD	Carpet - Jade/Taupe (W07)
	072860-56-000	YD	Carpet - Rose (W08)
	072860-57-000	YD	Carpet - Taupe (W09)

Parts used on units after 2/1/87.

INTERIOR MOLDING & TRIM

Key	Part Number	U/M	Description
	024700-21-000	EA	Cover - Sidewall Roll Bar - Beige
	081521-01-001	EA	Molding w/Holes - Corner - 16"
	042357-09-000	FT	Molding - Radius Corner - 7' Elm
	022992-08-000	FT	Molding - Reverse Cove - White
	086229-01-000	EA	Retainer - .75" - Batt Strip - Brown Plastic
	086229-02-000	EA	Batt Strip - 1" - Tan Plastic
	085284-01-000	FT	Batt Strip - Adhesive Tape - Woodgrain
	069733-66-000	EA	Batt Strip - Classique Tweed - 8' (Wall)
	085284-05-000	FT	Batt Strip - Adhesive Tape - Classique Tweed
	069733-71-000	EA	Batt Strip - Winnie - 8' (Galley & Bath)
	069733-74-000	EA	Batt Strip - Winnie - 8' (Wet Bath)
	070504-01-000	FT	U-Channel - .065" - Light Brown
	009778-04-000	FT	U-Channel - 1" - Grady Brown
	083620-01-000	FT	T-Molding - .75" - w/Edge Lips - Grady Brown
	076325-04-000	FT	T-Molding - 1 5/16" - Sunset Oak
	077840-01-T03	EA	Molding - Wall Cap - 96" - Vinyl Covered - Sunset Oak
	077953-01-000	EA	Grommet - 1" Hole Liner
	009767-06-000	FT	Welling - Beige
	042356-01-000	EA	Plug - 3/8" - Mahogany

1987 WINNEBAGO TABLE OF CONTENTS

WC420EG	A-01 - B-08
WF426RT	B-07 - D-10
WCN26RH	D-11 - F-14
WCN27RT	F-15 - H-20
WCP26ET	H-21 - K-02

1987 WCN27RT INDEX

Floor Plan	F-15 - F-16
Accessories Group	F-17 - F-19
Bath Group	F-20
Chassis Group	F-21 - F-23
Curtain, Cushion & Pad Group	F-24 - G-08
Dinette Group	G-09
Driver's Compartment Group	G-10 - G-12
Electrical Group	G-13 - G-15
Exterior Body Group	G-16 - G-21
Galley Group	G-22 - G-23
Heating & Air Conditioning Group	G-24
Interior Finish Group	H-01 - H-03
LP Group	H-04
Lounge Group	H-05
Water & Sewage Group	H-06 - H-07
Window, Vent & Exterior Door Group	H-08 - H-20

INTERIOR FINISH GROUP (CONTINUED)

CABINETS & TABLE HARDWARE

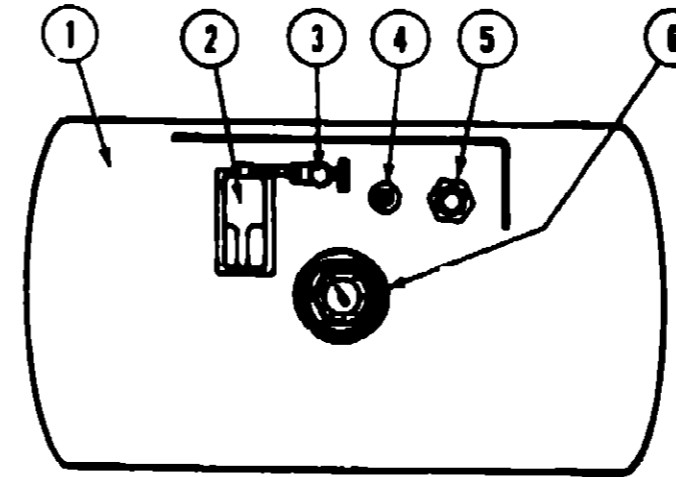
Key	Part Number	U/M	Description
	053200-05-000	EA	Bracket - Upper Wall Mount - 23.5" - Beige
**	053201-06-000	EA	Bracket - Table Mount - 23" - Beige
	024275-05-000	EA	Rod - Table Lift - 8" x 23.5" - Beige
	024281-07-000	EA	Bracket - Lower Wall Mount - 22.12" - Beige
	024276-17-000	EA	Leg Asm. - Table - 26.5" - Tan
	064050-02-000	EA	Hinge - Table Leg - Tan
**	024282-01-000	EA	Brace - Table Leg
**	024283-01-000	EA	Clip - 1" O.D. Tube
	049493-05-000	EA	Catch - Table Leg - Mounts on Floor - Tan
	009112-01-000	EA	Flange - 1" - Chrome - Closet Rod
	077409-01-000	EA	Slide - Drawer - Plastic - 20.75"
	009049-01-000	EA	Table Support - Drop Leaf
	009059-01-000	EA	Hinge - 2" - Drop Leaf Table - Gold
	066263-01-000	EA	Pull - Polished Brass Centers
	009016-01-000	EA	Elbow - Catch - Spring Loaded
	057671-01-000	EA	Screw Cover - #8 - Off White
	072389-21-000	EA	Mesh - Grille - 18.4" x 12.5" - Duraton Bronze
	009021-01-000	EA	Catch - Nylon
	009021-02-000	EA	Strike - Nylon Catch
**	059777-02-000	EA	Hinge - Cabinet Door - Antique Light Brass
	074433-02-000	EA	Support - Sprung - Door
	075680-01-000	EA	Clothes Rod - Adjustable - 27" x 36"
	041194-01-000	EA	Base - Table - Flush Mounts in Floor
	009040-03-000	EA	Base - Table - Mounts on Table
	086263-01-000	EA	Pull - Polished Brass
	084466-02-000	EA	Slide Asm. - Drawer - Right
	084466-03-000	EA	Slide Asm. - Drawer - Left
	084466-04-000	EA	Slide Asm. - Cabinet - Right
	084466-05-000	EA	Slide Asm. - Cabinet - Left
	084451-01-000	EA	Catch - TV Shelf - Brass
	083125-01-000	EA	Brace - Couch - Brown
	083125-02-000	EA	Brace - Couch - Brown
	082525-01-000	EA	Brace - Couch - Floor

** The illustrated parts breakdown for this item is provided on the Common Items Fiche.

MISCELLANEOUS PARTS

Key	Part Number	U/M	Description
	053552-02-W04	EA	Handle Asm. - Interior Assiat - Medium Almond Vinyl
	041944-04-000	EA	Fire Extinguisher - Dry 5BC
	084472-01-000	EA	Holder - Recessed Fire Extinguisher
	054185-26-000	EA	Owner's Manual - 1987 Itasca & Winnebago
	007038-01-000	EA	Door Mat - 10 1/2" x 26" - Black Rubber
	086296-01-000	EA	Picture - Decor
	085201-02-000	EA	Lamp Shade - Fabric - Parchment
	082686-02-000	EA	Shade - Table Lamp

LP GROUP



Key	Part Number	U/M	Description
1	074142-01-000	EA	Tank Asm. - LP - Frame Mount - 60 Pound - 13" x 44"
1	080450-01-000	EA	Tank Asm. - LP - 42 Pound - 13" x 24"
*	065741-01-000	EA	Detector - LP Gas Leak - Marshalltown Instruments
2	081938-01-000	EA	Compartment - LP Regulator
*	076301-01-000	EA	Regulator - Two Stage - US (Dual)
*	076301-02-000	EA	Regulator - Two Stage - CSA (Dual)
3	040421-01-703	EA	Valve - Vapor Relief
4	040421-01-700	EA	Gauge - Liquid Level - 20% LP
5	040421-01-701	EA	Valve - Filler - LP
*	040421-01-702	EA	Cap - Plastic Fill Valve
6	040421-01-707	EA	Gauge - Float - w/Visible Dial
*	040421-01-706	EA	Dial - Visible Face - Float Gauge (Tank w/o Electric Transmitter)
*	040440-01-000	EA	Dial - Transmitter - 0 - 90 Ohm (Float Gauge)
*	045703-01-000	EA	Hose Asm. - LP - 3/8" I.D. x 24" - US
*	045703-02-000	EA	Hose Asm. - LP - 3/8" I.D. x 24" - CSA
*	045703-03-000	EA	Hose Asm. - LP - 3/8" I.D. x 18" - US
*	045703-04-000	EA	Hose Asm. - LP - 3/8" I.D. x 14" - CSA
*	065742-01-000	EA	Tee - .38 F x .39 F x .25 FPT
*			Not illustrated

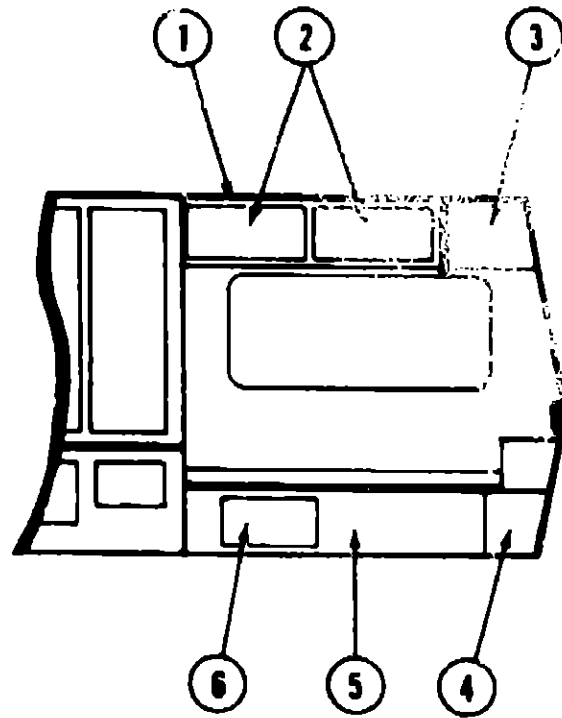
1987 WINNEBAGO TABLE OF CONTENTS

WC420EG	A-01 - B-08
WF426RT	B-07 - D-10
WCN26RH	D-11 - F-14
WCN27RT	F-15 - H-20
WCP26ET	H-21 - K-02

1987 WCN27RT INDEX

Floor Plan	F-15 - F-16
Accessories Group	F-17 - F-19
Bath Group	F-20
Chassis Group	F-21 - F-23
Curtain, Cushion & Pad Group	F-24 - G-08
Dinette Group	G-09
Driver's Compartment Group	G-10 - G-12
Electrical Group	G-13 - G-15
Exterior Body Group	G-16 - G-21
Galley Group	G-22 - G-23
Heating & Air Conditioning Group	G-24
Interior Finish Group	H-01 - H-03
LP Group	H-04
Lounge Group	H-05
Water & Sewage Group	H-06 - H-07
Window, Vent & Exterior Door Group	H-08 - H-20

LOUNGE GROUP



TWIN BED CABINETRY

Key	Part Number	U/M	Description
1	081730-05-W07	EA	Cabinet Asm. - Overhead - Right - w/o Doors or Hardware
•	081730-06-W07	EA	Cabinet Asm. - Overhead - Left - w/o Doors or Hardware
2	M81503-08-W07	EA	Door Asm. - Overhead - w/o Hardware
3	081308-07-W07	EA	Cabinet Asm. - Overhead - Rear - w/o Doors or Hardware
•	M81503-04-W07	EA	Door Asm. - Rear Overhead Cabinet - w/o Hardware
4	M33441-01-W07	EA	Cabinet Asm. - Nightstand - w/o Doors or Hardware
•	M02809-01-W07	EA	Countertop Asm. - Nightstand - Upper
•	M02808-01-W07	EA	Countertop Asm. - Nightstand - Lower
•	M81501-93-W07	EA	Door Asm. - Nightstand
5	M83424-01-W07	EA	Cabinet Asm. - Twin Bed - Right - w/o Doors or Hardware
•	M87456-01-W07	EA	Cabinet Asm. - Twin Bed - Left - w/o Doors or Hardware
6	M81501-30-W07	EA	Door Asm. - Twin Bed
•	086109-02-W07	EA	Headboard Asm. - Twin Bed
•	086109-02-W08	EA	Headboard Asm. - Twin Bed
•	086109-02-W09	EA	Headboard Asm. - Twin Bed
•			Not illustrated

QUEEN BED W/NIGHTSTAND

Key	Part Number	U/M	Description
	M87455-01-W09	EA	Cabinet Asm. - T.V. Stand
	M86713-06-W30	EA	Door Asm. - T.V. Stand
	M03000-09-W09	EA	Countertop Asm. - T.V. Stand
	081723-01-W07	EA	Cabinet Asm. - Nightstand
	M02477-01-U04	EA	Countertop Asm. - Nightstand
	084357-02-W04	EA	T.V. Stand Asm. - Foldout
	M81501-30-W07	EA	Door Asm. - Queen Bed

HORSESHOE LOUNGE

Key	Part Number	U/M	Description
	M02959-01-V07	EA	Top Asm. - Lounge Hamper - Side
	M02969-01-W08	EA	Top Asm. - Lounge Hamper - Side
	M02958-01-W09	EA	Top Asm. - Lounge Hamper - Side
	M02970-01-W07	EA	Top Asm. - Lounge Back
	M02970-01-W08	EA	Top Asm. - Lounge Back
	M02970-01-W09	EA	Top Asm. - Lounge Back
	M81501-10-W04	EA	Door Asm. - Horseshoe Lounge - Base
	M81298-07-U04	EA	Table Asm. - Pedestal - w/o Hardware

WATER & SEWAGE GROUP

HOLDING TANKS & WATER HEATERS

Key	Part Number	U/M	Description
	078252-02-000	EA	Tank Asm. - Water - 40 Gallon - w/ Fittings
	078252-01-000	EA	Tank - Water - 40 Gallon - w/o Fittings
	083039-01-000	EA	Tank - Holding - 18 Gallon - w/o Fittings - Waste Water
	083041-01-000	EA	Tank - Holding - 30 Gallon - w/o Fittings - Sewage
**	051391-01-000	EA	Water Heater - w/o Motor Aid - Atwood - G6A-3
**	051391-03-000	EA	Water Heater - w/Motor Aid - Atwood - G6A-3E
**	051393-01-000	EA	Water Heater - w/Motor Aid - Direct Ignition - Atwood - GH6-3E
**			The illustrated parts breakdown for this item is provided on the Common Items Fiche.

PLUMBING & REPAIR PARTS

Key	Part Number	U/M	Description
	033302-02-000	EA	Adapter Asm. - SWVC Strain - 1 1/2"
	010326-01-000	EA	Adapter - Flare - w/Cone Gasket
	082422-01-000	EA	Adapter - Hose Offset - Reducer - 3" x 1 1/2"
	052954-01-000	EA	Adapter - Hose Cone - 3/8 or 1/2 - Plastic
	010224-01-000	EA	Adapter - Plastic - 3/8 MPT x 3/8 Barb
	044827-01-000	EA	Adapter - Plastic - 1 1/4" MPT x 1 1/4 Barb
	004020-01-000	QT	Adhesive - ABS Cement
**	010121-01-000	EA	Bushing - Plastic - 1 1/2 S x 1 1/4 H
	010123-01-000	EA	Bushing - Plastic - 2S x 1 1/2 H
	036522-02-000	EA	Cap - Brass - 1/2 Flare
	053874-01-000	EA	Continuous Waste Asm. - Double Sink
	078406-01-000	EA	Coupler Rubber - 3" x 3"
	052980-01-000	EA	Drain Valve - 1/2 F x 1/2 F - Plastic
	010008-01-000	EA	Elbow - Plastic - 1/8 BD x 1 1/2 x 45° H x H
	010008-01-000	EA	Elbow - Plastic - 1/4 BD x 1 1/2 x 90° Left
	010051-01-000	EA	Elbow - ST - Plastic - 1/8 BD x 1 1/2 x 45°
	034250-01-000	EA	Elbow - Plastic - 1/4 BD x 1 1/2 x 90° x H x H
	035539-01-000	EA	Elbow - Plastic - 3/8 MPT x 3/8 Barb
	052957-01-000	EA	Elbow - Plastic - 1/2 F x 3/8 MPT
	052957-02-000	EA	Elbow - Plastic - 1/2 F x 1/2 MPT (In Tank Filter)
	085120-01-000	EA	Elbow - Plastic - Swivel - .50
	077954-01-000	EA	Filter/Screen (In Water Tank)
	079381-01-000	FT	Flexible Tubing - 1 1/4 I.D. x 10'
	081607-01-000	EA	Grommet - Holding Tank Coupler - 1 1/2"
	081607-02-000	EA	Grommet - Holding Tank Coupler - 3"
	052953-01-000	EA	Nut - Faucet - 1/2 Tube x 1/2 FPT
	052952-01-000	EA	Nut - 1/2 F - Plastic
**	011068-03-000	EA	P-Trap - 1 1/4" Plastic - US
	053335-01-000	EA	P-Trap - Plastic - 1 1/4 H x H - w/Union - CSA
	010197-01-000	EA	Pipe - Plastic - 3" x 240" - Black
	045729-01-000	EA	Pump - Water - 2.8 G.P.M. - Direct Drive - Shurflo - US
	045729-02-000	EA	Pump - Water - 2.8 G.P.M. - Direct Drive - Shurflo - CSA
**	010201-01-000	EA	Sewer Hose - 3" x 8' w/Clamp
	042989-03-000	EA	Spinweld Fittings - Plastic - 1/4 NPT
	042989-04-000	EA	Spinweld Fittings - Plastic - 3/8 FPT
	011069-02-000	EA	Tailpiece - 1 1/2" x 1 1/4" x 4" - Brass
**			The illustrated parts breakdown for this item is provided on the Common Items Fiche.

1987 WINNEBAGO TABLE OF CONTENTS

WC420EG	A-01 - B-08
WF428RT	B-07 - D-10
WCN28RH	D-11 - F-14
WCN27RT	F-15 - H-20
WCP26ET	H-21 - K-02

1987 WCN27RT INDEX

Floor Plan	F-15 - F-16
Accessories Group	F-17 - F-19
Bath Group	F-20
Chassis Group	F-21 - F-23
Curtain, Cushion & Pad Group	F-24 - G-08
Dinette Group	G-09
Driver's Compartment Group	G-10 - G-12
Electrical Group	G-13 - G-15
Exterior Body Group	G-16 - G-21
Galley Group	G-22 - G-23
Heating & Air Conditioning Group	G-24
Interior Finish Group	H-01 - H-03
LP Group	H-04
Lounge Group	H-05
Water & Sewage Group	H-06 - H-07
Window, Vent & Exterior Door Group	H-08 - H-20

WATER & SEWAGE GROUP (CONTINUED)

PLUMBING & REPAIR PARTS (CONT.)

Key	Part Number	U/M	Description
	010071-01-000	EA	Tee - Plastic - 1 1/2 x H x H x H
**	010079-01-000	EA	Tee - Plastic 1 1/2 H x 1 1/2 H x 1 1/4 H
	052955-01-000	EA	Tee - Plastic - 1/2 F x 1/2 F x 1/2 MPT
	052956-01-000	EA	Tee - Plastic - 1/2 F x 1/2 MPT x 1/2 F
	052958-01-000	EA	Tee - Plastic - 1/2 F x 1/2 F x 1/2 F
	039800-01-000	FT	Tubing - Polybutyl - 1/2 O.D. (Water Line)
	079381-01-000	FT	Tubing - Flexible - Smooth - 1.25 I.D.
	074462-02-000	FT	Tubing - Vinyl - 3/8 I.D.
	062421-01-000	EA	Valve - 1 1/2" - w/Handle
	052960-01-000	EA	Valve - Line Drain - 1/2 F x 1/2 F
	087200-01-000	EA	Filter - Water Purification
	087200-02-000	EA	Cartridge - Water Purification

** The illustrated parts breakdown for this is provided on the Common Items Fiche.

WINDOW, VENT & EXTERIOR DOOR GROUP

ACCESS DOOR HARDWARE

Key	Part Number	U/M	Description
	052424-02-000	EA	Jamb - Power Cord/Fuel Fill Door
	054543-02-000	EA	Hatch Power Cord
	078200-01-000	EA	Gasket - Fuel Fill - 3.54"
	009003-01-000	EA	Lock Asm. - Twist Type - w/Clip (Refrigerator)
	042442-01-000	EA	Lock Asm. - Twist Type (Power Cord)
	079927-03-000	EA	Lock Asm. - Twist Type (Right Front Storage)
	085730-01-000	EA	Latch Asm. - Paddle - Plastic (Left Front Storage)
	085730-04-000	EA	Latch Asm. - Paddle - Plastic (Right Front Storage)
	079366-03-000	EA	Lock Asm. - Key Type - w/o Keys (New Luggage)
	079366-04-000	EA	Lock Asm. - Key Type - w/o Keys (New Generator)
	047305-01-000	EA	Lock Asm. - Key Type - w/Clip (Old Luggage)
	079368-01-000	FT	Seal - Access Doors
	083615-04-000	EA	Door Stop - Plastic

VENTS

Key	Part Number	U/M	Description
	084073-04-000	EA	Base - Refrigerator Vent
	084073-01-000	EA	Cover - Refrigerator Vent - Beige
	084616-02-000	EA	Vent - Stovehood - Outside - Beige
	075056-01-000	EA	Vent Asm. - Roof - Non-Powered - w/o Screen
	064469-02-000	EA	Vent Asm. - Roof - Power - w/o Screen
	078786-01-T03	EA	Screen Asm. - Roof Vent - Non Powered
	078785-01-T03	EA	Screen Asm. - Roof Vent - Powered
**	079537-01-000	EA	Vent Asm. - Roof - Powered - w/o Screen
	083558-01-000	EA	Vent - Roof - Vent Pipe - Covered
	084878-01-000	EA	Vent - Range Hood - S/W
	080508-01-000	EA	Panel - Inner Skylight
	080507-01-000	EA	Panel - Outer Skylight
	080258-01-000	EA	Trim - Skylight Outer

** The illustrated parts breakdown for this item is provided on the Common Items Fiche.

WINDSHIELD

Key	Part Number	U/M	Description
	084464-01-000	EA	Glass - Windshield - Passenger
	084464-02-000	EA	Glass - Windshield - Driver
	083178-02-000	EA	Revel Molding - Centered Barb
	084903-01-000	FT	Revel Molding - Offset Barb
	084897-02-000	EA	Revel Molding - T-Cap
	087601-01-000	EA	Trim Molding - Windshield Post - Right
	087601-02-000	EA	Trim Molding - Windshield Post - Left

**1987 WINNEBAGO
TABLE OF CONTENTS**

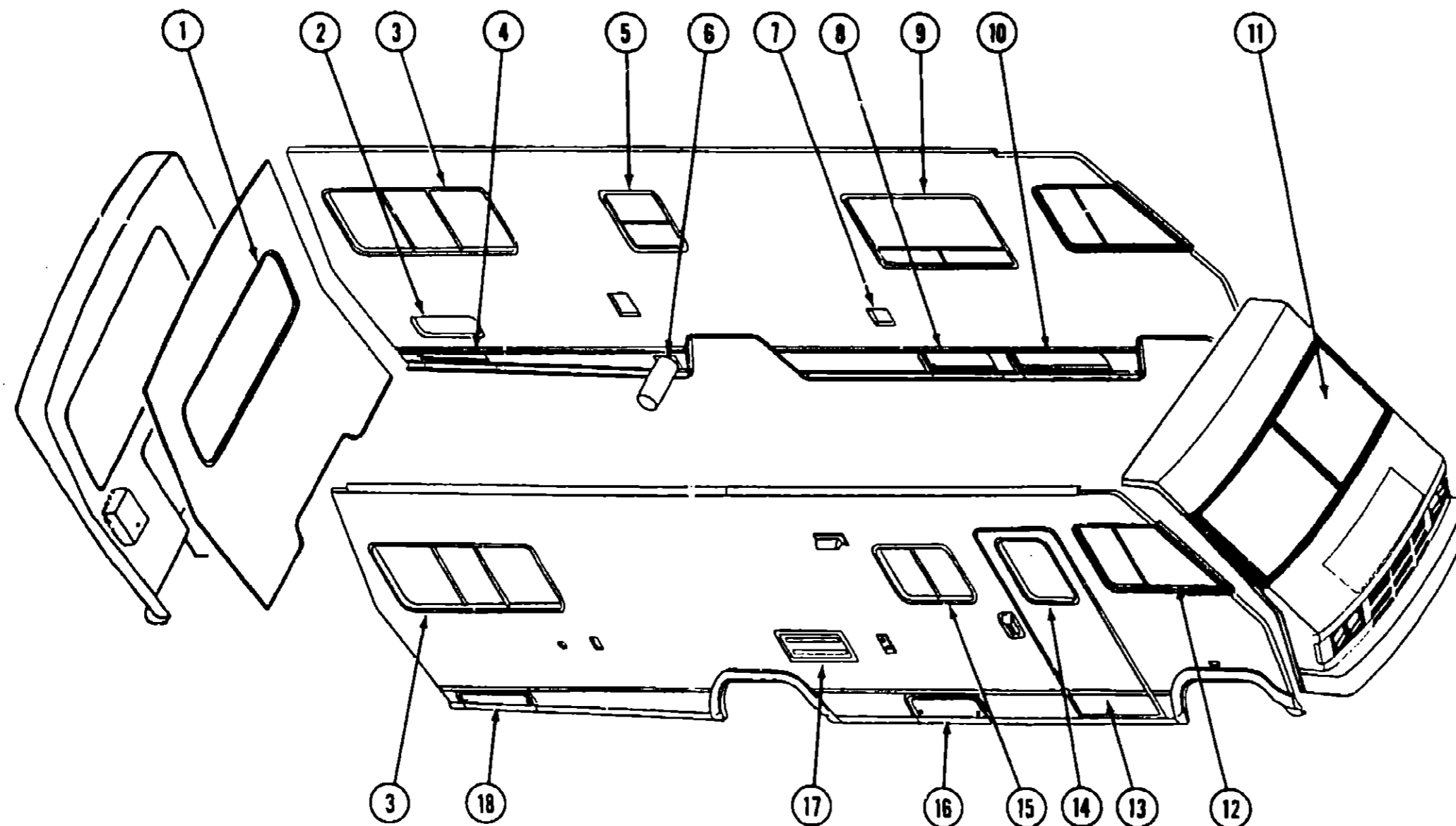
WC420EG	A-01 - B-06
WF426RT	B-07 - D-10
WCN26RH	D-11 - F-14
WCN27RT	F-15 - H-20
WCP26ET	H-21 - K-02

1987 WCN27RT INDEX

Floor Plan	F-15 - F-16
Accessories Group	F-17 - F-19
Bath Group	F-20
Chassis Group	F-21 - F-23
Curtain, Cushion & Pad Group	F-24 - G-08
Dinette Group	G-09
Driver's Compartment Group	G-10 - G-12
Electrical Group	G-13 - G-15
Exterior Body Group	G-16 - G-21
Galley Group	G-22 - G-23
Heating & Air Conditioning Group	G-24
Interior Finish Group	H-01 - H-03
LP Group	H-04
Lounge Group	H-05
Water & Sewage Group	H-06 - H-07
Window, Vent & Exterior Door Group	H-08 - H-20

WINDOW, VENT & EXTERIOR DOOR GROUP (CONTINUED)

WINDOWS & ACCESS DOORS



1987 WINNEBAGO TABLE OF CONTENTS

WC420EG
WF426RT
WC-126RH
WCN27RT
WCP26ET

A-01 - B-08
B-07 - D-10
D-11 - F-14
F-15 - H-20
H-21 - K-02

1987 WCN27RT INDEX

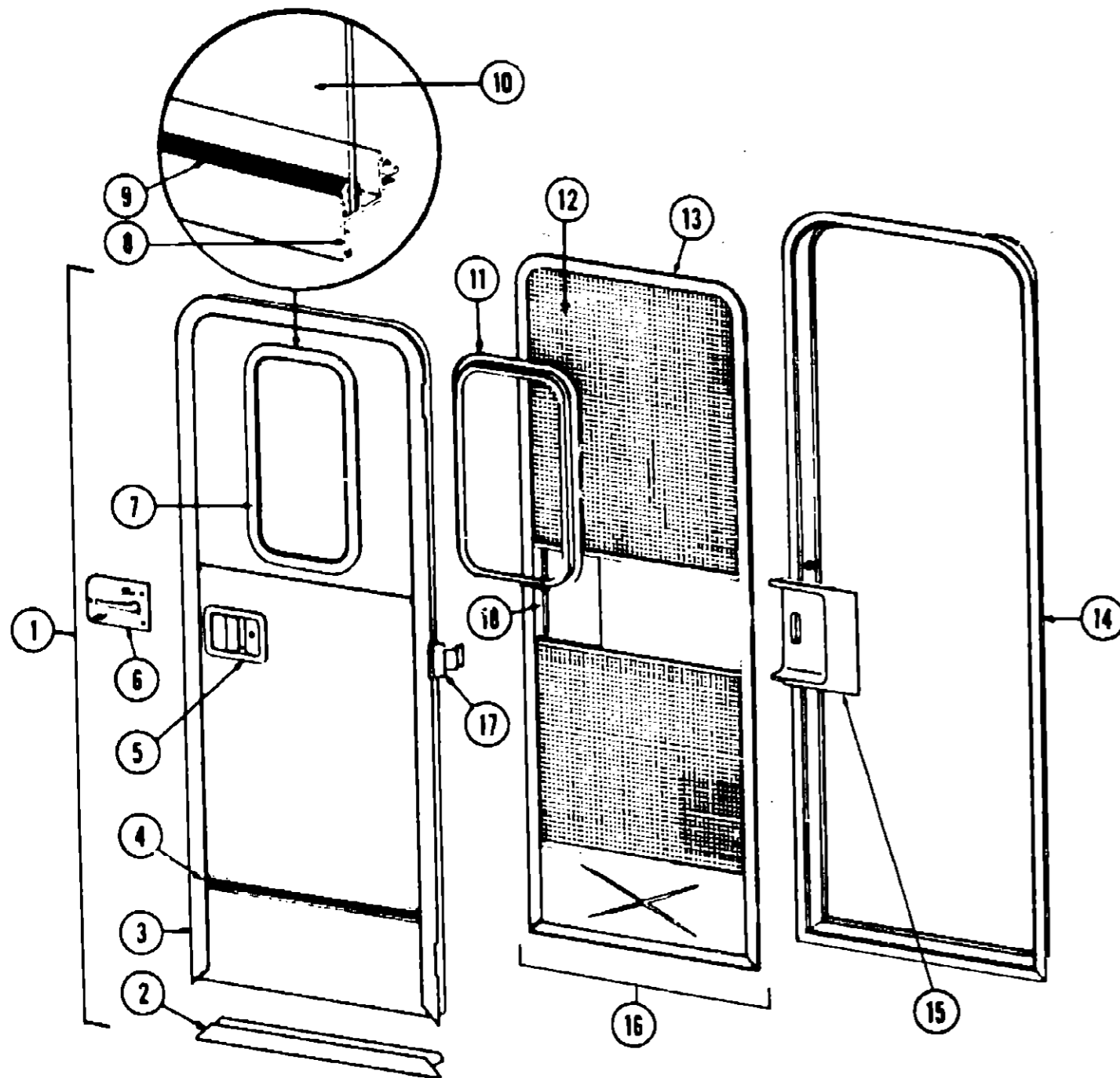
Floor Plan	F-15 - F-16
Accessories Group	F-17 - F-19
Bath Group	F-20
Chassis Group	F-21 - F-23
Curtain, Cushion & Pad Group	F-24 - G-08
Dinette Group	G-09
Driver's Compartment Group	G-10 - G-12
Electrical Group	G-13 - G-15
Exterior Body Group	G-16 - G-21
Galley Group	G-22 - G-23
Heating & Air Conditioning Group	G-24
Interior Finish Group	H-01 - H-03
LP Group	H-04
Lounge Group	H-05
Water & Sewage Group	H-06 - H-07
Window, Vent & Exterior Door Group	H-08 - H-20

Key	Part Number	U/M	Description
1	078536-01-T03	EA	Window Asm. - Escape
2	052009-02-000	EA	Door Asm. - Water Heater
3	078271-01-T03	EA	Window Asm. - Center Slider
4	079149-02-W07	EA	Door Asm. - Luggage
†4	087437-02-W07	EA	Door Asm. - Luggage
4	081349-06-U04	EA	Door Asm. - Generator
†4	087437-01-W07	EA	Door Asm. - Generator
5	078453-02-U25	EA	Window Asm. - Vertical Slider
6	052423-02-000	EA	Door Asm. - Sewer Hose Compartment
7	083742-02-000	EA	Door Asm. - Power Cord
8	079435-06-U04	EA	Door Asm. - Storage - 20"
†8	086517-02-W07	EA	Door Asm. - Storage - 20"
9	085354-02-W07	EA	Window Asm. - Tipout
10	079435-02-T03	EA	Door Asm. - Storage
†10	086531-01-W07	EA	Door Asm. - Storage

Key	Part Number	U/M	Description
11	084464-01-000	EA	Glass - Windshield - Driver
*	084464-02-000	EA	Glass - Windshield - Passenger
12	084978-01-W30	EA	Window Asm. - Front Slant Slider
13	M01870-12-W07	EA	Door Asm. - Entrance
14	079733-04-T03	EA	Window Asm. - Entrance Door
15	078266-02-T03	EA	Window Asm. - Single Slider
16	079436-03-T03	EA	Door Asm. - Storage - 25.3"
†16	086517-01-W07	EA	Door Asm. - Storage - 25.3"
17	078969-03-T03	EA	Door Asm. - Refrigerator
**17	084104-01-000	EA	Door Asm. - Refrigerator
18	081349-05-U04	EA	Door Asm. - Storage
†18	086552-05-W07	EA	Door Asm. - Storage
*	078010-04-000	EA	Door Asm. - Fuel Fill
			Not Keyed
†			Doors used after 11/3/86
**			Doors used after 11/17/86

WINDOW, VENT & EXTERIOR DOOR GROUP (CONTINUED)

ENTRANCE & SCREEN DOORS



Key	Part Number	U/M	Description
1	M01870-12-W07	EA	Door Asm. - Radius Entry w/Screen Door
2	077998-02-000	EA	Frame - Entry Door (Bottom Portion Only)
3	078863-02-000	EA	Frame - Entry Door (Except Bottom Portion)
4	059576-08-000	EA	Feature Strip w/o Insert - Extr. - 14"
•	001030-12-100	EA	Insert - Feature Strip - 17' - Stucco - Beige
•	009731-01-000	EA	End Cap - Feature Strip
5	045017-05-000	EA	Paddle Asm. - Door Lock - Exterior
•	045017-05-700	EA	Lock Cylinder w/Keys - Lynor
•	039539-01-000	EA	Striker Bolt - Entry Doors
•	039540-01-000	EA	Latch Claw - Entry Door
•	039738-01-000	EA	Dead Bolt - Entry Door
6	039979-01-000	EA	Plate - Inside Lock - Includes Inside Handle
7	079733-04-T03	EA	Window Asm. - Picture - 17" x 25" - Black (w/o inside frame)
8	069640-06-000	FT	Ribbon Sealer - 5/16" Bead x 15'
9	002309-02-000	FT	Spline - Glass - 1/8" Black
10	002181-06-000	EA	Glass - Picture Window - 1/8" x 16.25" x 24" - Gray
11	067609-03-000	EA	Inside Frame - Beige (not included in assembly)
12	002293-02-000	SF	Screen - Window - 26" - Charcoal
13	056795-01-000	FT	Seal Tape - 1/8" x 3/8" - Press On
14	078591-01-000	EA	Jamb Asm. - Entrance Door
•	051049-01-000	EA	Jamb - Entrance Door - Bottom
15	079086-01-000	EA	Slider - Screen Door - Light Oak Plastic
16	079012-01-T03	EA	Door Asm. - Screen
17	079361-06-000	EA	Hinge - Entrance Door (3 used per door)
18	079087-01-000	EA	Cap - Screen Door - Light Oak Plastic
•	009018-01-000	EA	Catch Asm. - Single Roller w/Strike - Screen Door
•	076231-01-000	EA	Spacer - Latch - Screen Door
•	077437-01-000	EA	Strike - Roller Catch
•	044582-01-000	EA	Drip Cap - Beige
•	079278-01-000	EA	Seal - Mocket - Entrance Door
•	073090-01-000	FT	Seal - Entrance Door
•	075739-02-000	EA	Stiffener - Entrance Door - Beige
•	075673-01-000	FT	Seal - Pile - Adhesive Back
•	075671-01-000	FT	Seal - Sponge - Lazy "T" Shaped
•	002294-01-000	FT	Spline - Black - .135 x .138 (Screen Door)
•	063638-02-000	EA	Strike - Screen Door
•	083729-04-000	EA	Rivnut - 10-32 UNF - .010-.080
•	075639-01-000	EA	Garnish - Radius - Entrance Door
•	083205-01-000	EA	Deadbolt Lock - Press Fit - 5"
•			Not illustrated

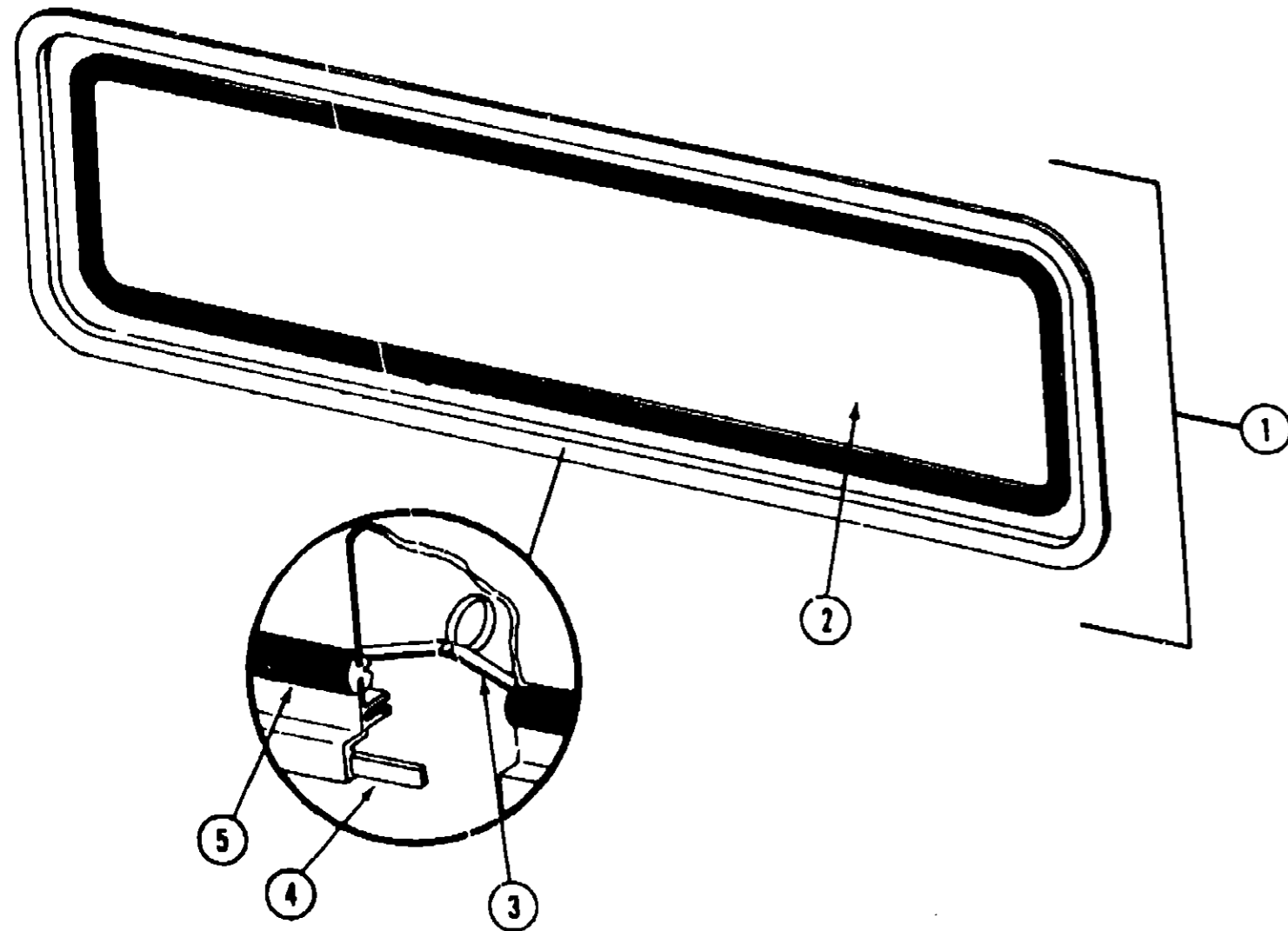
1987 WINNEBAGO TABLE OF CONTENTS

WC420EG	A-01 - B-06
WF426RT	B-07 - D-10
WCN26RH	D-11 - F-14
WCN27RT	F-15 - H-20
WCP26ET	H-21 - K-02

1987 WCN27RT INDEX

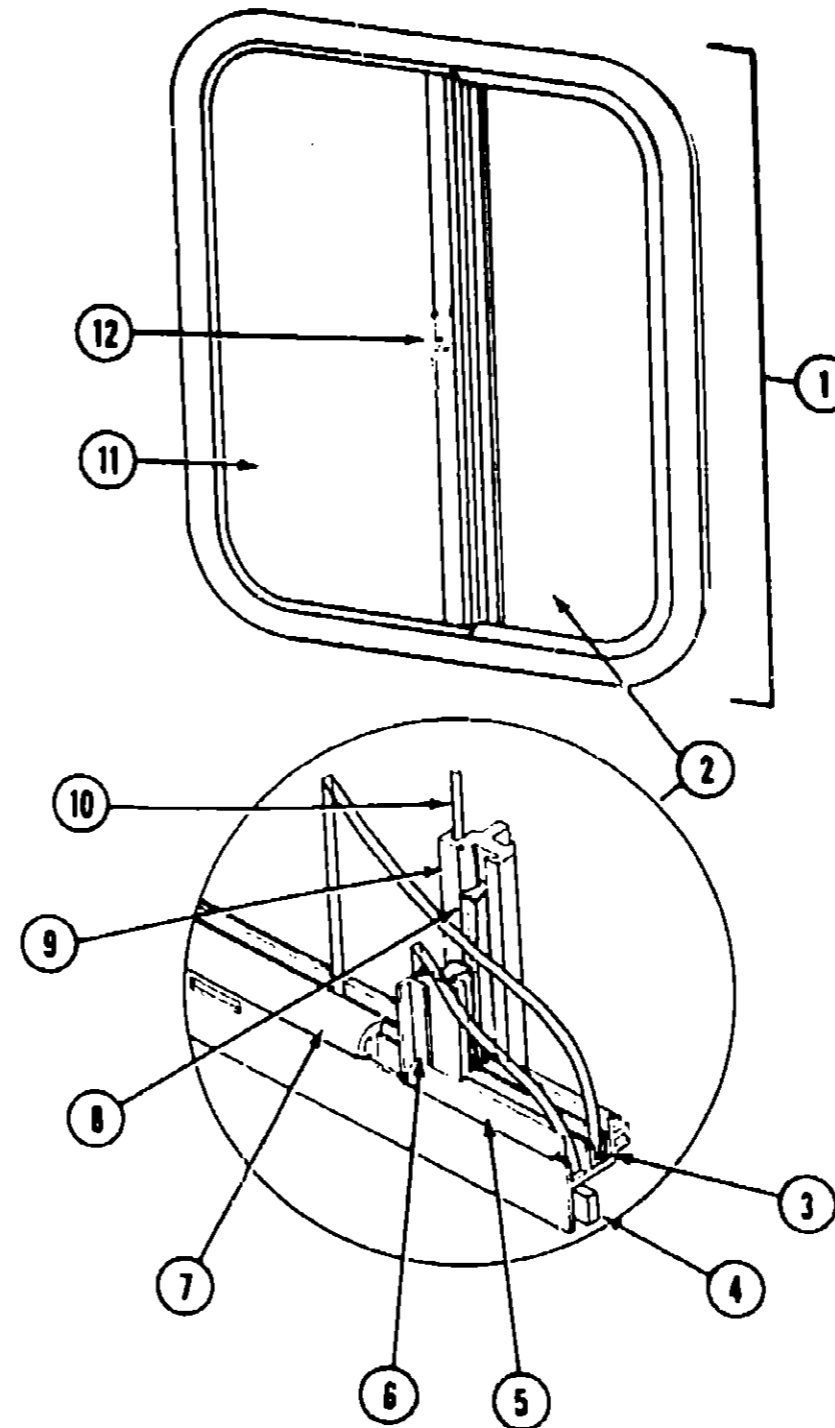
Floor Plan	F-15 - F-16
Accessories Group	F-17 - F-19
Bath Group	F-20
Chassis Group	F-21 - F-23
Curtain, Cushion & Pad Group	F-24 - G-06
Dinette Group	G-09
Driver's Compartment Group	G-10 - G-12
Electrical Group	G-13 - G-15
Exterior Body Group	G-16 - G-21
Galley Group	G-22 - G-23
Heating & Air Conditioning Group	G-24
Interior Finish Group	H-01 - H-03
LP Group	H-04
Lounge Group	H-05
Water & Sewage Group	H-06 - H-07
Window, Vent & Exterior Door Group	H-08 - H-20

WINDOW, VENT & EXTERIOR DOOR GROUP (CONTINUED)



Key	Part Number	U/M	Description
1	078536-01-T03	EA	Window Asm. - Escape - 23" x 68" - Black (w/o Inside frame)
	042027-05-000	EA	Inside Frame - Escape Window - Beige (not included in assembly)
2	002178-01-000	EA	Glass - 1/8" x 19.61" x 64.80"
3	002285-01-000	FT	Filler - Weatherstrip - Black
4	089640-01-000	FT	Tape - 1/4" Bead x 20'
5	002282-01-000	FT	Weatherstrip - Window - .125" Black
	006199-01-000	EA	Label - Exit - Escape Window
			Not Illustrated

WINDOW, VENT & EXTERIOR DOOR GROUP (CONTINUED)



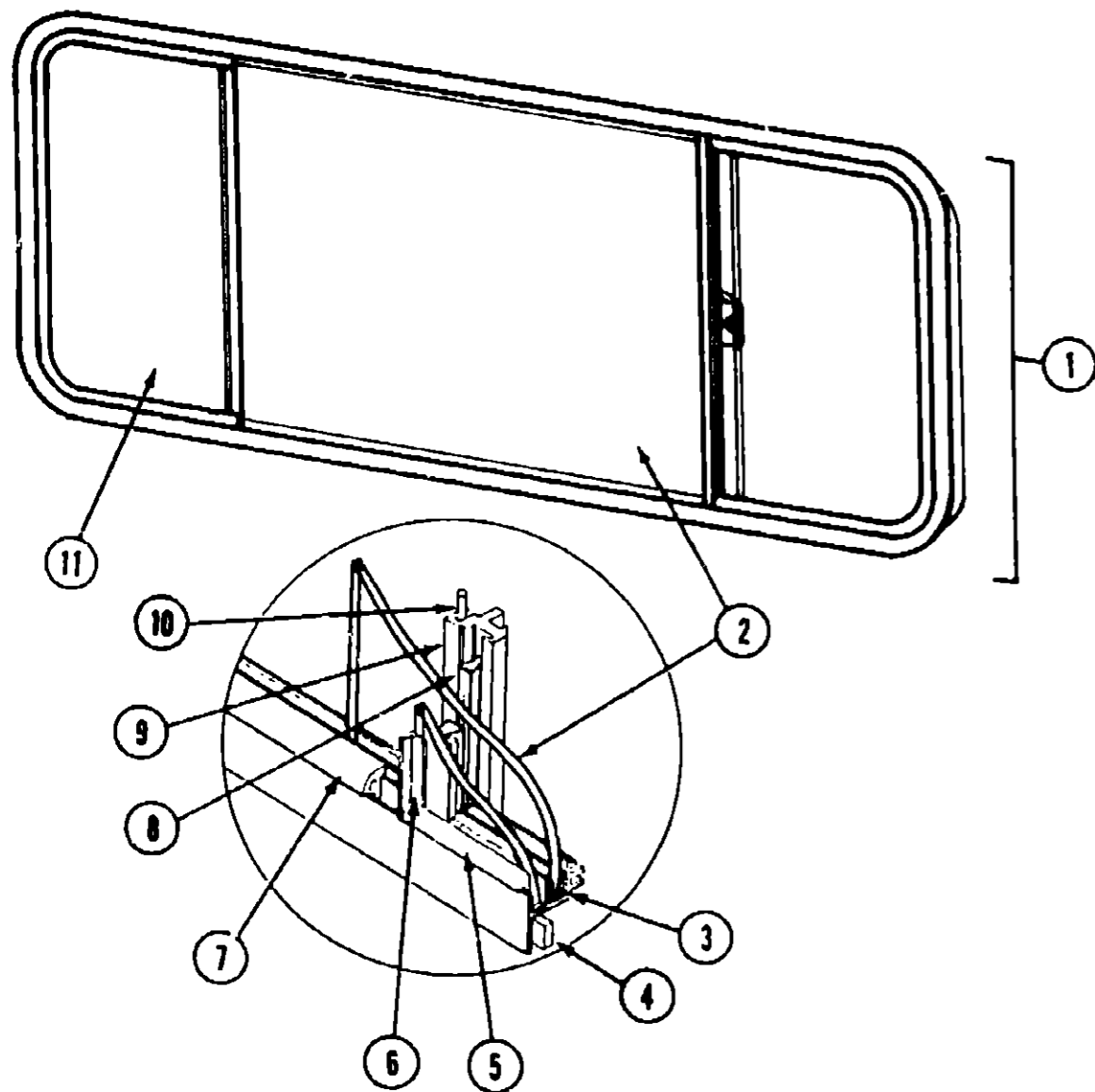
Key	Part Number	U/M	Description
1	078266-02-T03	EA	Window Asm. - Right Single Slider - 20" x 25" - Black (w/o Inside frame)
	083122-03-000	EA	Inside Frame - Beige (not included in assembly)
2	081980-05-000	EA	Glass - Sliding - 1/8" x 19" x 12.3"
3	002324-02-000	FT	Channel - Weatherstrip - Glass Run - 1/8" Glass
4	089640-06-000	FT	Ribbon Sealer - 5/16" Bead x 15'
5	002309-02-000	FT	Spline - Glass - 1/8" - Black
6	M69886-03-011	EA	Seal Holder w/Fin Seal - 18.19" - Black
7	057374-02-000	FT	Extr. Vinyl - Window Seal - Black
8	073740-01-000	FT	Seal - Fin - .460 Pile
9	078562-02-000	EA	Inside Mullion - Slider Window - Black
10	002298-02-000	FT	Spline - .130" Dia. - Charcoal (Screen)
11	081984-03-000	EA	Glass - Stationary - 1/8" x 19" x 12.3"
12	047369-01-700	EA	Latch Kit - Window - Plastic w/Fastener
	002293-02-000	SF	Screen - Window - 26" - Charcoal
			Not Illustrated

1987 WINNEBAGO
TABLE OF CONTENTS

WC420EG	A-01 - B-06
WF426RT	B-07 - D-10
WCN26RH	D-11 - F-14
WCN27RT	F-15 - H-20
WCP26ET	H-21 - K-02

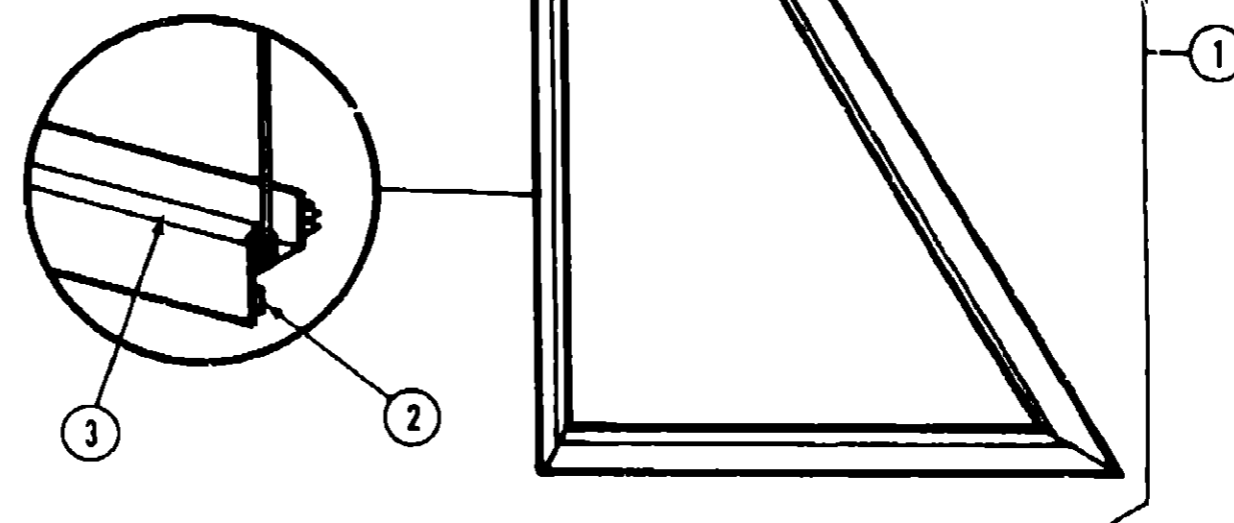
1987 WCN27RT INDEX

Floor Plan	F-15 - F-16
Accessories Group	F-17 - F-19
Bath Group	F-20
Chassis Group	F-21 - F-23
Curtain, Cushion & Pad Group	F-24 - G-08
Dinette Group	G-09
Driver's Compartment Group	G-10 - G-12
Electrical Group	G-13 - G-15
Exterior Body Group	G-16 - G-21
Galley Group	G-22 - G-23
Heating & Air Conditioning Group	G-24
Interior Finish Group	H-01 - H-03
LP Group	H-04
Lounge Group	H-05
Water & Sewage Group	H-06 - H-07
Window, Vent & Exterior Door Group	H-08 - H-20



Key	Part Number	U/M	Description
1	078271-01-T03	EA	Window Asm. - Center Slider - 25" x 56" - Black (w/o inside frame)
•	083122-11-000	EA	Inside Frame - Beige (not included in assembly)
2	066727-02-000	EA	Glass - Sliding - 1/8" x 25.5" x 24"
3	002324-02-000	FT	Channel - Weatherstrip - Glass
4	069640-06-000	FT	Tape - 1/4" Bead x 15'
5	002309-02-000	FT	Spline - Glass - 1/8" Material - Black
6	M69888-03-003	EA	Seal Holder w/Fin Seal - Fin Pile - 23.19"
7	057374-02-000	FT	Extr Vinyl - Window Seal - Black
8	073740-01-000	FT	Fin Seal - .460 Pile
9	084170-04-000	EA	Mullion - Slider Window - Black
10	002298-02-000	FT	Spline - .130" Dia. - Charcoal (Screen)
11	081984-07-000	EA	Glass - Stationary - 1/8" x 24" x 16.53"
•	002293-02-000	SF	Screen - Window - 26" - Charcoal
•	047369-01-700	EA	Latch Kit - Window - 26" - Charcoal
•			Not Illustrated

Key	Part Number	U/M	Description
1	085025-01-000	EA	Window Asm. - Front Slant - Passenger (w/o inside frame)
1	085025-02-000	EA	Window Asm. - Front Slant - Drivers (w/o inside frame)
•	085018-01-000	EA	Inside Frame - Front Slant - Passenger - Beige (not included in assembly)
•	085018-02-000	EA	Inside Frame - Front Slant - Drivers - Beige (not included in assembly)
2	069640-01-000	FT	Tape - 1/4" Bead x 20'
3	050216-02-000	FT	Spline - Glass - 1/8" - Black
4	057656-09-000	EA	Glass - .19" x 28.11" x 26.13" - Right
4	057656-10-000	EA	Glass - .19" x 28.11" x 26.13" - Left
•			Not Illustrated



1987 WINNEBAGO
TABLE OF CONTENTS

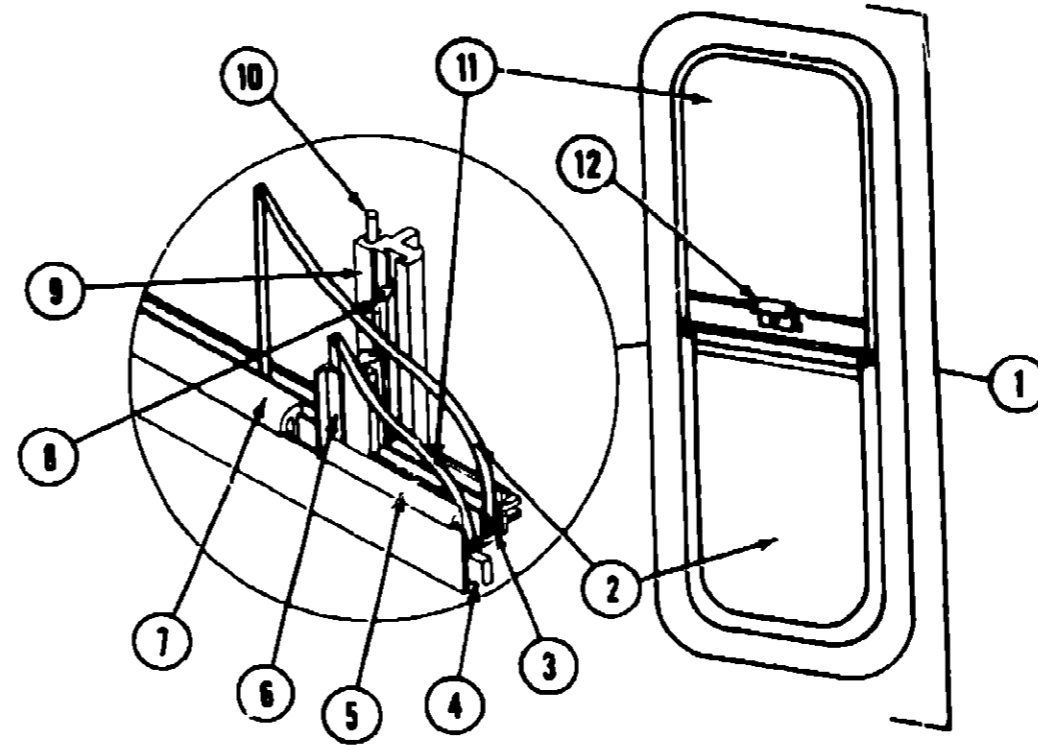
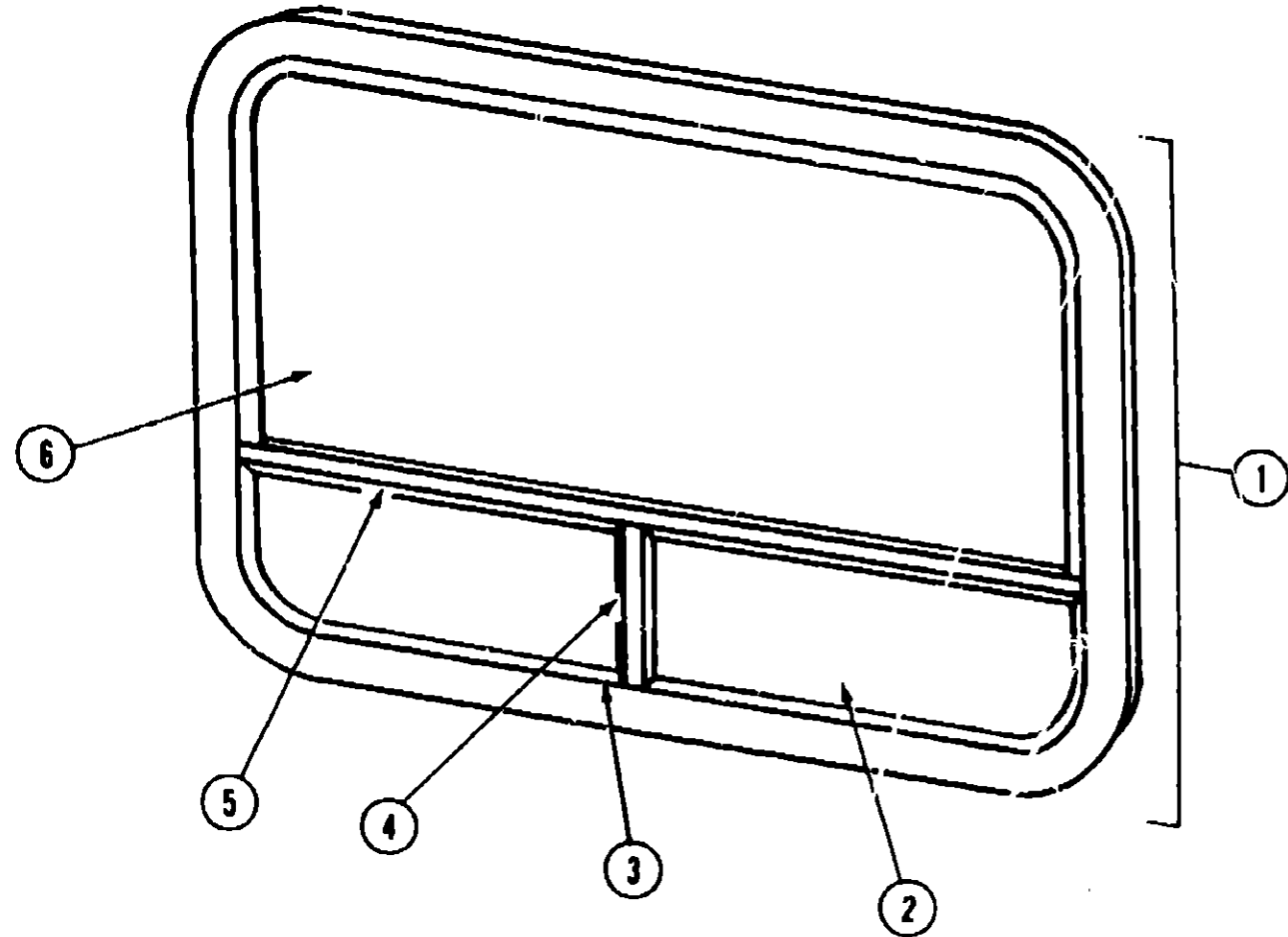
WC420EG	A-01 - B-06
WF426RT	B-07 - D-10
WCN26RH	D-11 - F-14
WCN27RT	F-15 - H-20
WCP26ET	H-21 - K-02

1987 WCN27RT INDEX

Floor Plan	F-15 - F-16
Accessories Group	F-17 - F-19
Bath Group	F-20
Chassis Group	F-21 - F-23
Curtain, Cushion & Pad Group	F-24 - G-06
Dinette Group	G-06
Driver's Compartment Group	G-10 - G-12
Electrical Group	G-13 - G-15
Exterior Body Group	G-16 - G-21
Galley Group	G-22 - G-23
Heating & Air Conditioning Group	G-24
Interior Finish Group	H-01 - H-03
LP Group	H-04
Lounge Group	H-05
Water & Sewage Group	H-06 - H-07
Window, Vent & Exterior Door Group	H-08 - H-20

WINDOW, VENT & EXTERIOR DOOR GROUP (CONTINUED)

WINDOW, VENT & EXTERIOR DOOR GROUP (CONTINUED)



1987 WINNEBAGO
TABLE OF CONTENTS

WC420EG
WF426RT
WCN26RH
WCN27RT
WCP26ET

A-01 - B-06
B-07 - D-10
D-11 - F-14
F-15 - H-20
H-21 - K-02

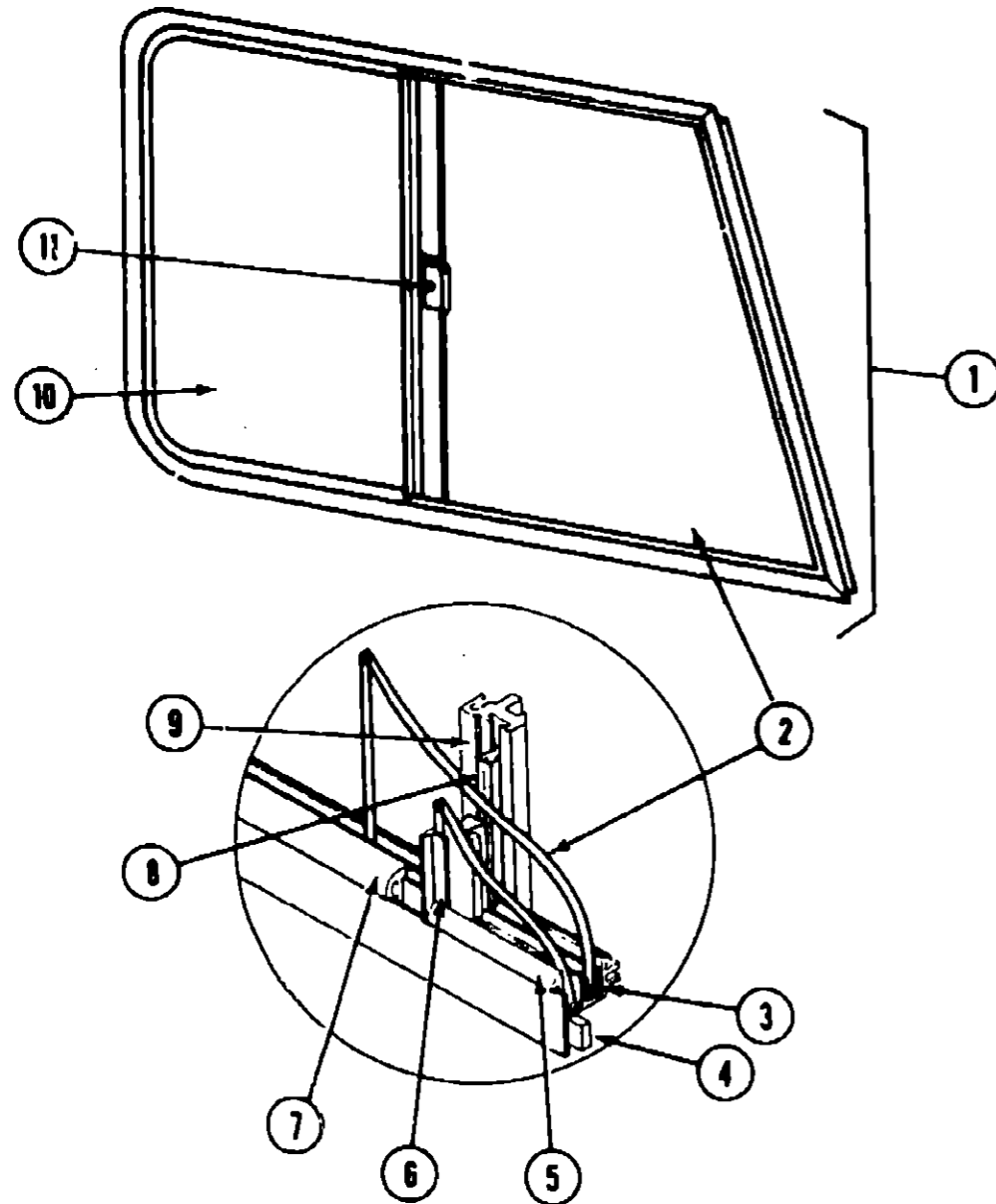
Key	Part Number	U/M	Description
1	085354-02-W07	EA	Window Asm. - Double Tipout (w/o inside frame)
•	081822-06-000	EA	Inside Frame - Black (not included in assembly)
2	084068-04-000	EA	Glass - 1/8" x 9.24" x 30.39" - Tipout
•	084581-01-W07	EA	Screen Asm. - Tipout - Right
•	084581-02-W07	EA	Screen Asm. - Tipout - Left
3	084067-01-000	FT	Seal - "a" - Sponge Rubber
4	084154-01-000	EA	Mullion - Vertical - Black
•	084068-01-000	FT	Bulb Seal - Double - Sponge Rubber
5	083112-05-000	EA	Mullion - Horizontal - Black
•	081357-01-000	FT	Foam Seal - Vinyl
6	081239-11-000	EA	Glass - 1/8" x 61.77" x 20.55" - Stationary
•	002291-02-000	SF	Screen - 16" Window
•	002298-02-000	FT	Spline - .130 Dia. - Charcoal (Screen)
•	081243-01-000	EA	Clip - Screen - Plastic
•	080918-01-000	EA	Spring - Torque Tube - Right
•	080918-02-000	EA	Spring - Torque Tube - Left
•	035302-01-000	EA	Operating Mech - Right
•	035302-02-000	EA	Operating Mech - Left
•			Not illustrated

Key	Part Number	U/M	Description
1	078453-02-U25	EA	Window Asm. - Vertical Slider - 37" x 15" - Black (w/o inside frame)
•	083122-13-000	EA	Inside Frame - Beige (not included in assembly)
2	081981-01-000	EA	Glass - Slider
3	002324-02-000	FT	Channel - Weatherstrip - Glass Run - 1/8" Glass
4	069640-06-000	FT	Ribbon Sealer - 5/16" Bead x 15'
5	002309-02-000	FT	Spline - Glass - 1/8" Material - Black
6	1A18025-04-000	EA	Seal Holder w/Fin Seal - Black
7	057374-02-000	FT	Extr. Rubber - Window Seal - Black
8	073740-01-000	FT	Seal - Fin - Pile - .460"
9	084170-06-000	EA	Mullion - Slider Window - Black
10	002298-02-000	FT	Spline - .130" Dia. - Charcoal (Screen)
11	081984-04-000	EA	Glass - Stationary - 1/8" x 17.4" x 11.5"
12	047369-01-700	EA	Latch Kit - Window - Plastic w/Fastener
•	079204-01-000	EA	Bracket - Mullion - Black
•	002292-02-000	SF	Screen - Window - 20" - Charcoal
•			Not illustrated

1987 WCN27RT INDEX

Floor Plan	F-15 - F-16
Accessories Group	F-17 - F-19
Bath Group	F-20
Chassis Group	F-21 - F-23
Curtain, Cushion & Pad Group	F-24 - G-08
Dinette Group	G-09
Driver's Compartment Group	G-10 - G-12
Electrical Group	G-13 - G-15
Exterior Body Group	G-16 - G-21
Galley Group	G-22 - G-23
Heating & Air Conditioning Group	G-24
Interior Finish Group	H-01 - H-03
LP Group	H-04
Lounge Group	H-05
Water & Sewage Group	H-06 - H-07
Window, Vent & Exterior Door Group	H-08 - H-20

WINDOW, VENT & EXTERIOR DOOR GROUP (CONTINUED)



Key	Part Number	U/M	Description
1	084978-01-W30	EA	Window Asm. - Front Slant Slider - (w/o inside frame)
*	084982-01-W30	EA	Inside Frame - Slant Slider - (not included in assembly)
2	057656-07-000	EA	Glass - .19" x 28.11" x 39.8" - Stationary
3	042077-01-000	FT	Channel - Weatherstrip - 3/16" Glass
4	069640-01-000	FT	Ribbon Sealer - 1/4" Bead x 20"
5	050216-02-000	FT	Window Seal - .19" - Glass
6	002389-03-203	EA	Seal Holder w/Fin Seal - 27.12" - Black
7	057374-02-000	FT	Extr. Rubber - Window Seal - Black
8	073740-01-000	FT	Seal - Fin - Pile - .460"
9	084170-07-000	EA	Mullion - Slider Window - Black
10	002298-02-000	FT	Spline - .130" Dia. - Charcoal (Screen)
11	081980-06-000	EA	Glass - 19" x 28.11" x 14.88" - Sliding
*	084982-02-W30	EA	Slider Screen Asm.
*	002292-02-000	SF	Screen - Window - 20" - Charcoal
*	016310-03-000	EA	Handle - Slider Screen - Black
*	047369-01-700	EA	Latch Kit - Window - Plastic w/Fastener
*			Not illustrated

WINDOW, VENT & EXTERIOR DOOR GROUP (CONTINUED)

DRIVER DOOR W/ROLL-UP WINDOW

Key	Part Number	U/M	Description
	M82202-01-U04	EA	Door Asm. - w/Roll-Up Window - Passenger
	M82202-02-U04	EA	Door Asm. - w/Roll-Up Window - Driver
	064184-02-000	EA	Drip Cap - Cab Door - Passenger
	064184-01-000	EA	Drip Cap - Cab Door - Driver
	M02684-01-000	EA	Jamb Asm. - Cab Door - Passenger
	M02684-02-000	EA	Jamb Asm. - Cab Door - Driver
	063993-01-000	EA	Hinge Asm. - Passenger
	063993-06-000	EA	Hinge Asm. - Driver
	032150-01-000	FT	Seal - Sponge (Jamb)
	082150-02-000	FT	Seal - Sponge (Door)
	063731-01-000	EA	Cap - Push On - Zinc
	061400-06-000	EA	Assist Strap - Sandstone
	064219-01-000	EA	Retainer Strap - Driver Door
	066109-02-000	EA	Strap - Driver Door
	063733-01-000	EA	Bushing - Flange - Nylon
	063729-01-000	EA	Rivnut - 1/4 x 20 unc. - .030 - .125
	081903-01-000	EA	Shaft - Mounting Knob
	081905-01-000	EA	Knob - Control - Slide Bolt - Passenger
	081905-02-000	EA	Knob - Control - Slide Bolt - Driver
	081906-01-000	EA	Slide Bolt - Driver Door
	081907-01-000	EA	Regulator Asm. - Window - Passenger
	081907-02-000	EA	Regulator Asm. - Window - Driver
	081910-01-000	FT	Channel - Window - Sliding
	081912-01-000	EA	Weatherstrip - Rigid
	063886-06-000	EA	Assist Handle - Door
	075722-01-000	EA	Block - Switch - Spacer
	079215-01-000	EA	Frame Asm. - Front Slant Slider
	079421-01-T03	EA	Window Asm. - Front Slant Slider - Passenger
	079421-02-T03	EA	Window Asm. - Front Slant Slider - Driver
	073118-01-000	EA	Retainer - Attachment Plate
	073119-01-000	EA	Attachment Plate - Striker
	079561-01-000	EA	Shim - Strike - Cab Door
	050216-02-000	FT	Spline - Vinyl - Glass - .19
	057656-06-000	EA	Glass - .19" x 28.11" x 13.98"
	R77007-56-701	EA	Plate - Passenger Door Lock
	R77007-56-702	EA	Plate - Driver Door Lock
	R77040-01-538	EA	Door Handle
	R77007-05-374	EA	Plate - Door Handle Spacer
	R77006-50-326	EA	Door - Handle Inner - Driver
	R77006-50-261	EA	Door - Handle Inner - Passenger
	R77006-13-460	EA	Cap - Inner - Window Crank
	072035-01-000	EA	Crank - Hand - Glass Lift
	072036-02-000	EA	Cap - Crank - Hand
	073110-02-000	EA	Rod - Lock - Passenger
	073110-03-000	EA	Rod - Lock - Driver
	R77006-64-355	EA	Link - Door Handle - Control
	R77030-58-048	EA	Washer
	R77030-33-009	EA	Nut - w/Washer
	R77007-62-746	EA	Lock - Left Tumbler Assembly
	R77007-62-747	EA	Lock - Right Tumbler Assembly
	081488-01-000	EA	Glass - Door - Roll-Up
	083223-02-000	EA	Lock Asm. - Key Type (Set of 2)
	076542-03-000	EA	Rod Control - Latch - Passenger
	076542-04-000	EA	Rod Control - Latch - Driver

**1987 WINNEBAGO
TABLE OF CONTENTS**

WC420EG	A-01 - B-08
WF426RT	B-07 - D-10
WCN26RH	D-11 - F-14
WCN27RT	F-15 - H-20
WCP26ET	H-21 - K-02

1987 WCN27RT INDEX

Floor Plan	F-15 - F-18
Accessories Group	F-17 - F-19
Bath Group	F-20
Chassis Group	F-21 - F-23
Curtain, Cushion & Pad Group	F-24 - G-08
Dinette Group	G-09
Driver's Compartment Group	G-10 - G-12
Electrical Group	G-13 - G-15
Exterior Body Group	G-16 - G-21
Galley Group	G-22 - G-23
Heating & Air Conditioning Group	G-24
Interior Finish Group	H-01 - H-03
LP Group	H-04
Lounge Group	H-05
Water & Sewage Group	H-06 - H-07
Window, Vent & Exterior Door Group	H-08 - H-20