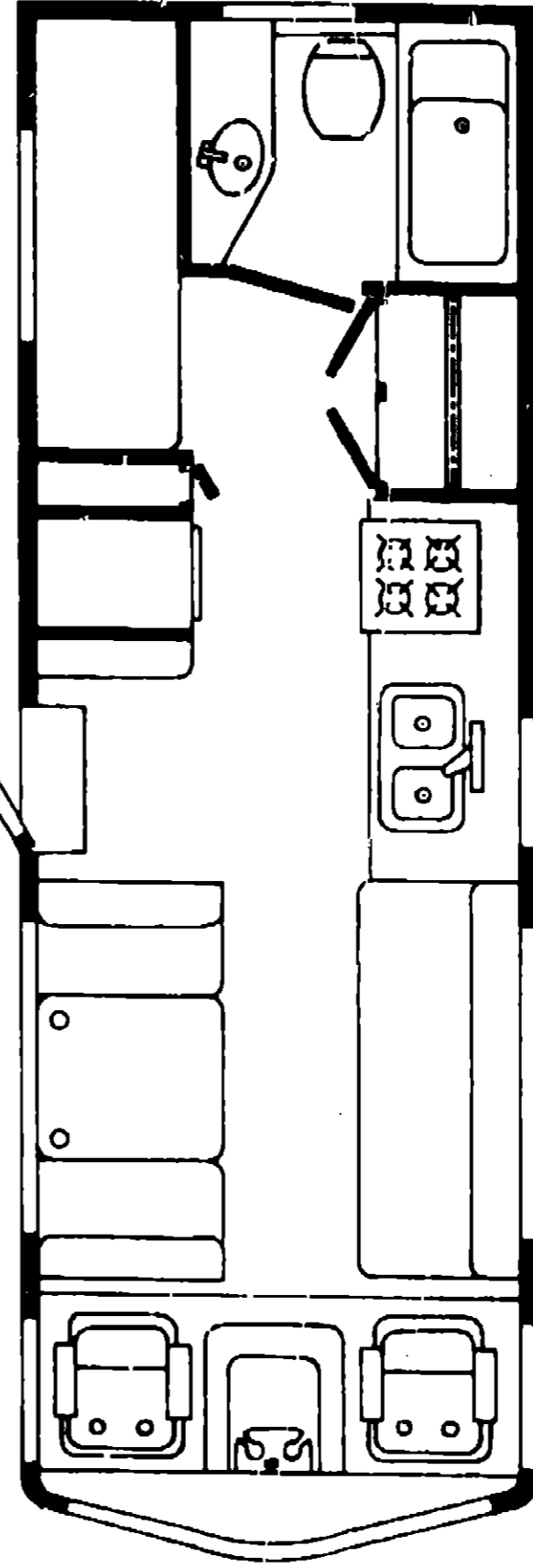
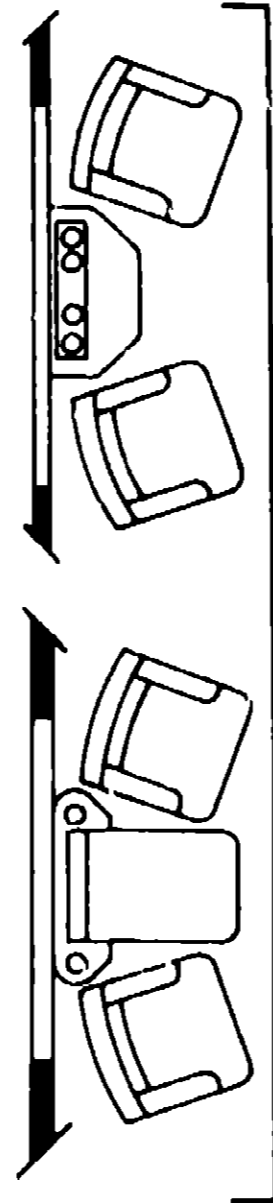


1987 WCN26RH



1987 WINNEBAGO TABLE OF CONTENTS

WC420EG	A-01 - B-06
WF426RT	B-07 - D-10
WCN26RH	D-11 - F-14
WCN27RT	F-15 - H-20
WCP26ET	H-21 - K-02

1987 WCN26RH INDEX

Floor Plan	D-11 - D-12
Accessories Group	D-13 - D-15
Bath Group	D-16
Chassis Group	D-17 - D-19
Curtain, Cushion & Pad Group	D-20 - E-02
Dinette Group	E-03 - E-04
Driver's Compartment Group	E-05 - E-07
Electrical Group	E-08 - E-09
Exterior Body Group	E-10 - E-14
Galley Group	E-15 - E-17
Heating & Air Conditioning Group	E-18
Interior Finish Group	E-19 - E-21
LP Group	E-22
Lounge Group	E-23 - E-24
Water & Sewage Group	F-01 - F-02
Window, Vent & Exterior Door Group	F-03 - F-14

ACCESSORIES GROUP

RADIO & RELATED COMPONENTS

Key	Part Number	U/M	Description
	031105-02-000	EA	Antenna - Radio - Side Mount - w/12" Ground
	031105-01-700	EA	Antenna - Holder - Radio - Upper
	064792-01-000	EA	Grille - Speaker - w/Mesh - Brown
	074014-01-000	EA	Grille - Speaker - Round
	075903-01-000	EA	Radio - AM/FM/MPX w/Cassette
	075904-01-000	EA	Radio - AM/FM/MPX w/Cassette - Electronic Tune
	074979-01-000	EA	Speaker Cover Protector - Plastic
	073431-01-000	EA	Speaker - 5.25 - 3/Way (Pair)
	064791-01-000	EA	Speaker - Recessed - 5.25"
	067684-01-000	EA	Radio - AM/FM Stereo w/Cassette, Electronic Tune

MISCELLANEOUS ACCESSORIES

Key	Part Number	U/M	Description
	054185-26-000	EA	Owners Manual - 1987 Itasca & Winnebago
**	076319-01-000	EA	Antenna - TV Roof Mount - 44.5" Mast
	017516-01-000	EA	Mud Flaps w/Holes - 14" x 18" - Black
	041944-04-000	EA	Fire Extinguisher - 5 B.C.
	064472-01-000	EA	Holder - Recessed - Fire Extinguisher
	072852-01-000	EA	Smoke Detector w/9 Volt Battery
	006069-01-000	EA	Key Case - Leather
	007038-01-000	EA	Door Mat - 10.5" x 26" - Black Rubber
	061075-01-000	EA	Floor Mat - Entrance - Winnebago
	061201-01-000	EA	Floor Mat - Left Front - Winnebago
	061202-01-000	EA	Floor Mat - Right Front - Winnebago
	060208-01-000	EA	Lug Wrench
	060208-02-000	EA	Leverage Bar - Lug Wrench (Chevy)
	006113-01-000	EA	Jack - Hydraulic - 6 Ton - w/Handle
	063708-01-000	EA	Cover - Air Conditioner - Vinyl
	079942-01-000	EA	Shock Absorber - Stabilizer - Front
	079942-02-000	EA	Shock Absorber - Stabilizer - Rear
	079942-07-000	EA	Bracket - Mounting - Stabilizer
	077497-01-000	EA	Horn Kit - Air - Twin Chromed
	077497-01-700	EA	Solenoid - Air Horns - Air Tank
	077497-01-701	EA	Compressor Switch - Air Horn
	077497-01-702	EA	Toggle Switch - Air Horn
	077497-01-703	EA	Air Tank - Air Horn
	077497-01-704	EA	Compressor w/Switch Air Horn
	077497-01-705	EA	Repair Kit - For Hadley 120 Compressor
	077497-02-000	EA	Hose Kit - Aux. Air
	077497-03-000	EA	Parts Kit - Hose - Aux. Air
	063912-01-000	EA	Relay Canister - w/Ground - Air Horn
**	075461-01-000	EA	Electric Step Asm. - w/Light
	079941-01-000	EA	Lamp Asm. - Fog w/Cover - Amber
	079941-01-700	EA	Lamp Asm. - Fog - Set/2
	079941-01-701	EA	Lens & Cover Only
	079941-01-702	EA	Switch - Fog Lights
	079941-01-703	EA	Solenoid
	079941-01-704	EA	Switch Plate
	079941-01-705	EA	Lens Only
	079941-01-706	EA	Cover Only

** The illustrated parts breakdown for this item is provided on the Common Items Fiche.

ACCESSORIES GROUP (CONTINUED)

OPTIONAL LUGGAGE BOX, RACK & LADDER

Key	Part Number	U/M	Description
	064083-01-000	EA	Box - Luggage - 14" x 30" x 60"
	060997-02-T03	EA	Ladder Asm. - Lower
	060999-02-T03	EA	Ladder Asm. - Upper
	061026-01-T03	EA	Rack Asm. - Right
	061026-02-T03	EA	Rack Asm. - Left
	061115-01-000	EA	Cap - Top - Rack & Ladder - 1"
	061116-01-000	EA	Slide - Top - Rack & Ladder - 1"
	061114-01-000	EA	End Cap - Ladder Step
	060673-01-000	EA	Latch - Ladder - Lower - Gray

OPTIONAL MICROWAVE & COMPONENTS

Key	Part Number	U/M	Description
	061379-01-000	EA	Microwave/Convection Oven - Sharp
	061459-03-000	EA	Bracket Asm. - Microwave - Right
	061459-04-000	EA	Bracket Asm. - Microwave - Left
	061456-01-000	EA	Angle Asm. - Microwave - Right
	061456-02-000	EA	Angle Asm. - Microwave - Left
	061555-01-T03	EA	Trim Asm. - Microwave
	062676-01-000	EA	Baffle Asm. - Microwave

GENERATORS & COMPONENTS

Key	Part Number	U/M	Description
	079654-03-000	EA	Generator - Onan - 4.0 kw - Emerald Series B
	054429-01-000	EA	Generator - Onan - 4.0 kw
	052168-01-000	EA	Generator - Onan - 4.25 kw
	069229-01-000	EA	Generator - Kohler - 4.5 kw
	701829-02-000	EA	Installation Package
	061364-01-000	EA	Muffler - Generator
	007067-01-000	EA	Insulation - Fiberglass - 1"
	079654-05-000	EA	Exhaust Pipe - Emerald

EXTERIOR MIRROR & COMPONENTS

Key	Part Number	U/M	Description
	066260-01-000	EA	Mirror Asm. - Exterior - w/Convex - Passenger
	066260-02-000	EA	Mirror Asm. - Exterior - w/Convex - Driver
	066259-01-000	EA	Mirror Asm. - Exterior - Remote Control Passenger
	066259-02-000	EA	Mirror Asm. - Exterior - Remote Control Driver
	066259-03-000	EA	Switch Asm. - Remote Mirror
	066260-63-000	EA	Accessories Kit - Exterior Mirror

CUSTOM STEERING WHEEL

Key	Part Number	U/M	Description
	060752-05-000	EA	Wheel - Steering - Custom
	060752-06-000	EA	Hub - Adapter - Steering Wheel
	060752-07-000	EA	Button - Horn w/Vire
	060752-08-000	EA	Screw - Custom Steering Wheel

WHEELS, MOUNTING HARDWARE & LINERS

Key	Part Number	U/M	Description
	063181-01-000	EA	Wheel Cover - 16" (Set/4)
	063181-01-700	EA	Wheel Cover - 16" (1)
	064962-02-000	EA	Rim - 16" x 6"
	065741-03-000	EA	Liner - Wheel - 16" (Set/4)
	065741-03-704	EA	Liner - Wheel - 16" (1) Front
	065741-03-703	EA	Liner - Wheel - 16" (1) Rear
	066271-04-000	EA	Liner - Wheel - 16" (Set/4)

† Used In Units Produced After 2/22/87

1987 WINNEBAGO TABLE OF CONTENTS

WC420EG	A-01 - B-06
WF426RT	B-07 - D-10
WCN26RH	D-11 - F-14
WCN27RT	F-15 - H-20
WCP26ET	H-21 - K-02

1987 WCN26RH INDEX

Floor Plan	D-11 - D-12
Accessories Group	D-13 - D-15
Bath Group	D-16
Chassis Group	D-17 - D-19
Curtain, Cushion & Pad Group	D-20 - E-02
Dinette Group	E-03 - E-04
Driver's Compartment Group	E-05 - E-07
Electrical Group	E-08 - E-09
Exterior Body Group	E-10 - E-14
Galley Group	E-15 - E-17
Heating & Air Conditioning Group	E-18
Interior Finish Group	E-19 - E-21
LP Group	E-22
Lounge Group	E-23 - E-24
Water & Sewage Group	F-01 - F-02
Window, Vent & Exterior Door Group	F-03 - F-14

ACCESSORIES GROUP (CONTINUED)

SPEED CONTROL & COMPONENTS

Key	Part Number	U/M	Description
	084417-01-000	EA	Speed Control - w/Column Control
	084417-01-700	EA	Cable - Servo
	084417-01-701	EA	Servo - Electric Asm.
	084417-01-702	EA	Servo Extension Harness
	084417-01-703	EA	Cruise Control - Main Harness
	084417-01-704	EA	Switch - Brake
	084417-01-705	EA	Transducer
	084417-01-706	EA	Adapter - Speedometer
	084417-01-707	EA	Control Arm
	084417-01-708	EA	Smart Stick - Main Harness
	084417-01-709	EA	Relay - 12V D.C.
	084417-01-710	EA	Relay
	084417-01-711	EA	Brake Switch Asm.
	084417-01-712	EA	Tester - Cruise Control
	084417-01-713	EA	Pilot
	084417-01-714	EA	Servo Asm.
	084417-01-715	EA	Tester - Smart Stick
	084417-01-716	EA	Regulator - Cruise Control
	084417-01-717	EA	Electronic Pkg. - Smart Stick
	084417-01-718	EA	Control Arm - Smart Stick Only
	084417-01-719	EA	Rivet - Nylon Snap
	084417-01-720	EA	Mounting Brack - GM Switch
	084417-01-721	EA	Shroud - Steering Column - Top

BATH GROUP

BATH & WARDROBE HARDWARE

Key	Part Number	U/M	Description
	M01817-01-T03	EA	Bathtub Asm. w/Strainer
	075242-03-000	EA	Faucet - Tub & Shower - Brass
	075240-03-000	EA	Faucet - Lavatory - Brass
**	011048-02-000	EA	Shower Head - w/80" Hose
	011048-04-000	EA	Vacuum Breaker - 1/8 MPT - Nylon - Shower Head
**	075808-01-000	EA	Shower Panel - Faucet - Plastic
	088729-01-000	EA	Strainer - Bathtub Asm.
	088435-01-000	EA	Nut Strainer - Plastic - Bathtub Asm.
	088438-01-000	EA	Slip Nut - 1.5" Tall Piece - Bathtub Asm.
	089735-01-000	EA	Washer - Tall Piece - 1.5" - Plastic - Bathtub Asm.
	011089-02-000	EA	Tailpiece - 1.5" x 1.25" x 4" - Brass - Bathtub Asm.
	080257-02-000	EA	Shroud - Bathtub Asm. - Off White
	058713-01-000	EA	Sink - Oval - Ivory Plastic
**	038341-02-000	EA	Toilet - Thetford - Aqua Magic - Ivory - 8420SH
	009134-01-000	EA	Tissue Holder
	075454-02-000	EA	Towel Ring - Brass w/Mounting Hardware
	081287-02-U04	EA	Rack Asm. - Towel
	085500-01-000	EA	Trim - Shower Door - Top - Beige
	085499-01-000	EA	Trim - Shower Door - Sides - Beige
	085499-01-000	EA	Trim - Shower Door - Bottom - Beige
	058331-01-000	EA	Mirror - Tempered Glass - 19" x 28"
	058331-05-000	EA	Mirror - Tempered Glass - 12" x 28"
	058331-04-000	EA	Mirror - Tempered Glass - 12" x 42"
	009089-01-000	EA	Clip - Mirror
	057671-01-000	EA	Screw Cover - #8 - Antique White
	059777-02-000	EA	Hinge - Antique Light Brass
	080224-04-000	EA	Track - Folding Door - 90°
	075680-01-000	EA	Rod - Clothes - Adjustable
	009112-01-000	EA	Flange - 1" - Clothes Rod
	071832-01-000	EA	Bag - Hamper - 49" - Elastic

** The illustrated parts breakdown for this item is provided on the Common Items Fiche.

BATH & WARDROBE CABINETRY

Key	Part Number	U/M	Description
	M82435-01-W07	EA	Cabinet Asm. - Lavatory - w/o Countertop, Door, Drawer or Hardware
	M02588-01-W07	EA	Countertop Asm. - Lavatory Cabinet
	M02588-01-W08	EA	Countertop Asm. - Lavatory Cabinet
	M02588-01-W09	EA	Countertop Asm. - Lavatory Cabinet
	M81501-54-W04	EA	Door Asm. - Lavatory Cabinet - w/o Hardware
	M82184-03-W07	EA	Drawer Asm. - Lavatory Cabinet - w/o Hardware
	078073-01-000	EA	Cabinet Asm. - Medicine - w/o Door or Hardware
	078073-01-700	EA	Latch - Medicine Cabinet
	081535-01-U04	EA	Mirror Asm. - Medicine Cabinet
	M81501-83-W07	EA	Door Asm. - Wardrobe Cabinet - w/o Hardware
	M81501-84-W07	EA	Door Asm. - Wardrobe Cabinet - w/o Hardware
	077404-01-000	EA	Drawer Asm. - Plastic - Wardrobe Cabinet
	M82429-02-U04	EA	Door Asm. - Bathroom - w/o Latch
	081535-03-U01	EA	Mirror - Wall w/Frame

1987 WINNEBAGO TABLE OF CONTENTS

WC4207G	A-01 - B-08
WF428AT	B-07 - D-10
WCN26RH	D-11 - F-14
WCN27RT	F-15 - H-20
WCF28ET	H-21 - K-02

1987 WCN26RH INDEX

Floor Plan	D-11 - D-12
Accessories Group	D-13 - D-15
Bath Group	D-16
Chassis Group	D-17 - D-19
Curtain, Cushion & Pad Group	D-20 - E-02
Dinette Group	E-03 - E-04
Driver's Compartment Group	E-05 - E-07
Electrical Group	E-08 - E-09
Exterior Body Group	E-10 - E-14
Galley Group	E-15 - E-17
Heating & Air Conditioning Group	E-18
Interior Finish Group	E-19 - E-21
Lf' Group	E-22
Lounge Group	E-23 - E-24
Water & Sewage Group	F-01 - F-02
Window, Vent & Exterior Door Group	F-03 - F-14

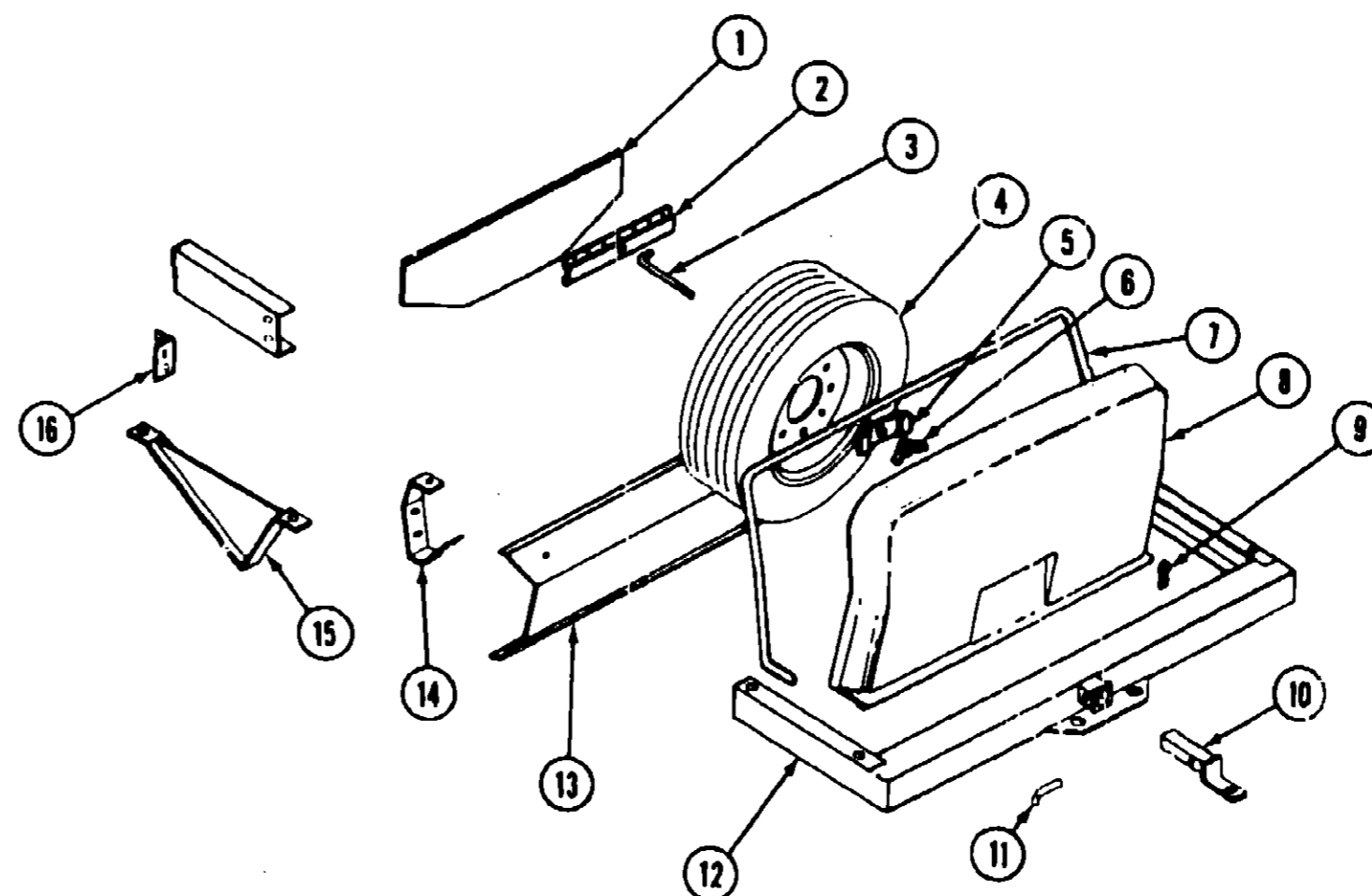
CHASSIS GROUP

MISCELLANEOUS CHASSIS

Key	Part Number	U/M	Description
	062401-04-000	EA	Clamp - Hose - Wormgear - .69" I.D. - 1.25" I.D.
	062401-05-000	EA	Clamp - Hose - Wormgear - 2" I.D. - 3" I.D.
	062401-06-000	EA	Clamp - Hose - Wormgear - .22" I.D. - .62" I.D.
	023146-01-000	EA	Clamp - Screw Type - 4"
	024490-01-000	EA	Compartment - Power Cord - Black Plastic
	071656-01-000	EA	Cover - Radiator - Rear
	060722-01-000	EA	Cover - Radiator - Rear Back (Fan Shroud)
	020167-03-000	EA	Dirt Guard - Rear Wheel
	024138-01-000	FT	Hose - Fuel - 5/16" I.D. SAF. 30RI
	066732-01-000	FT	Hose - Fuel Fill - .62 I.D.
	007111-02-000	EA	Hose - Fuel Fill - 2.00 I.D.
	007111-01-000	EA	Hose - Fuel Fill - 2.25 I.D.
	017516-01-000	EA	Mud Flap w/Holes - 14" x 18" - Black
	064963-01-000	EA	Rim - Wheel - 19.5" x 6.75"
	066273-01-000	EA	Relay - Battery Disconnect
	075146-01-000	EA	Shield - Heat Muffler
	053322-04-000	EA	Heat Shield - Exhaust
	079942-01-000	EA	Shock Absorber - Stabilizer - Front
	079942-02-000	EA	Shock Absorber - Stabilizer - Rear
	079942-07-000	EA	Bracket - Mounting Stabilizer
	063977-06-000	EA	Step Asm. - Driver Door
	063977-10-000	EA	Step Asm. - Passenger Door
	077848-01-000	EA	Step Asm. - Entry
	078241-01-000	EA	Support Asm. - Electric Step
**	061411-03-000	EA	Tailpipe Extension - 2.25" x 10.5'
**	061918-01-000	EA	Tailpipe Extension - 2.25" x 11.44'
	050273-02-000	EA	Tire - 7.5" x 16" - Tubeless - Michelin
	040546-03-000	EA	Tire - 7.5" x 16" - 8 Ply - Tube - Polyester
	052431-02-000	EA	Tray - Luggage
	052431-01-000	EA	Tray - Luggage
	051377-01-000	EA	Valve Stem Asm. - TR500
	055060-01-000	EA	Wheelwell - Plastic
	006343-01-000	EA	Wire Tie - 6"
	075723-01-000	EA	Block - Switch - Spacer w/o Holes
	051697-01-000	EA	Bracket - Battery Tie Down - 6.9"
**	007125-07-000	EA	Clamp Asm. - Muffler - 1.62"
**	007125-01-000	EA	Clamp Asm. - Muffler - 2.50"
	010497-01-000	EA	Clamp - Close - 5/8 I.D.
	007161-01-000	EA	Clamp - Hose - Spring Type 112
	062401-01-000	EA	Clamp - Hose - Wormgear - .22" I.D. x 1" I.D.
	062401-02-000	EA	Clamp - Hose - Wormgear - 1.58" I.D. - 2.5" I.D.
	062401-03-000	EA	Clamp - Hose - Wormgear - .25" I.D. - 1" I.D.
	078010-06-000	EA	Door Asm. & Upper Shroud - Fuel Fill - Beige
	063576-01-000	EA	Boot - Fuel Fill
	077963-01-000	EA	Gasket - Door - Gas Fill
	078200-01-000	EA	Gasket - Fuel Fill

** Remainder of exhaust Components available from chassis service center.

CHASSIS GROUP (CONTINUED)



SPARE TIRE, HITCH & REAR BUMPER

Key	Part Number	U/M	Description
1	077395-01-000	EA	Dust Shield - Spare Tire
2	077403-01-000	EA	Rod Support - Spare Tire
3	077411-01-000	EA	Retaining Rod
4	007324-04-000	EA	Tire - 8.00 x 19.5 - XZA - Tubeless Michelin
5	077399-01-000	EA	Spare Tire Retainer
6	064081-01-000	EA	Wing Nut
7	073090-01-000	EA	Tire Cover Sml
8	079166-01-W07	EA	Tire Cover Asm.
*	077408-01-000	EA	Lock Asm. - Tire Cover
*	077759-01-000	EA	Support Spacer - Spare Tire
*	077400-01-000	EA	Support - Spare Tire
9	034513-01-000	EA	Pin - Hitch - 3/16" Wire
10	077813-01-000	EA	Drawbar - Ball Mount
11	034512-01-000	EA	Locking Pin - Drawbar
12	077817-01-700	EA	Hitch Asm. - w/o Drawbar
13	078584-01-000	EA	Bumper - Rear - Primed
*	078584-06-000	EA	Bumper - Rear - Chromed
*		EA	Bumper Ends (See Exterior Body Group)
14	078670-02-000	EA	Bracket to Bumper - Rear
15	063376-01-000	EA	Skid Plate Asm.
16	078668-01-000	EA	Support Angle - Rear Bumper Support to Frame
*	005200-01-000	EA	Bumper Bolt - 7/16" - 14 x 1 1/4
*	000039-07-008	EA	Nut - Hex - 7/16" - 14
*			Not Illustrated

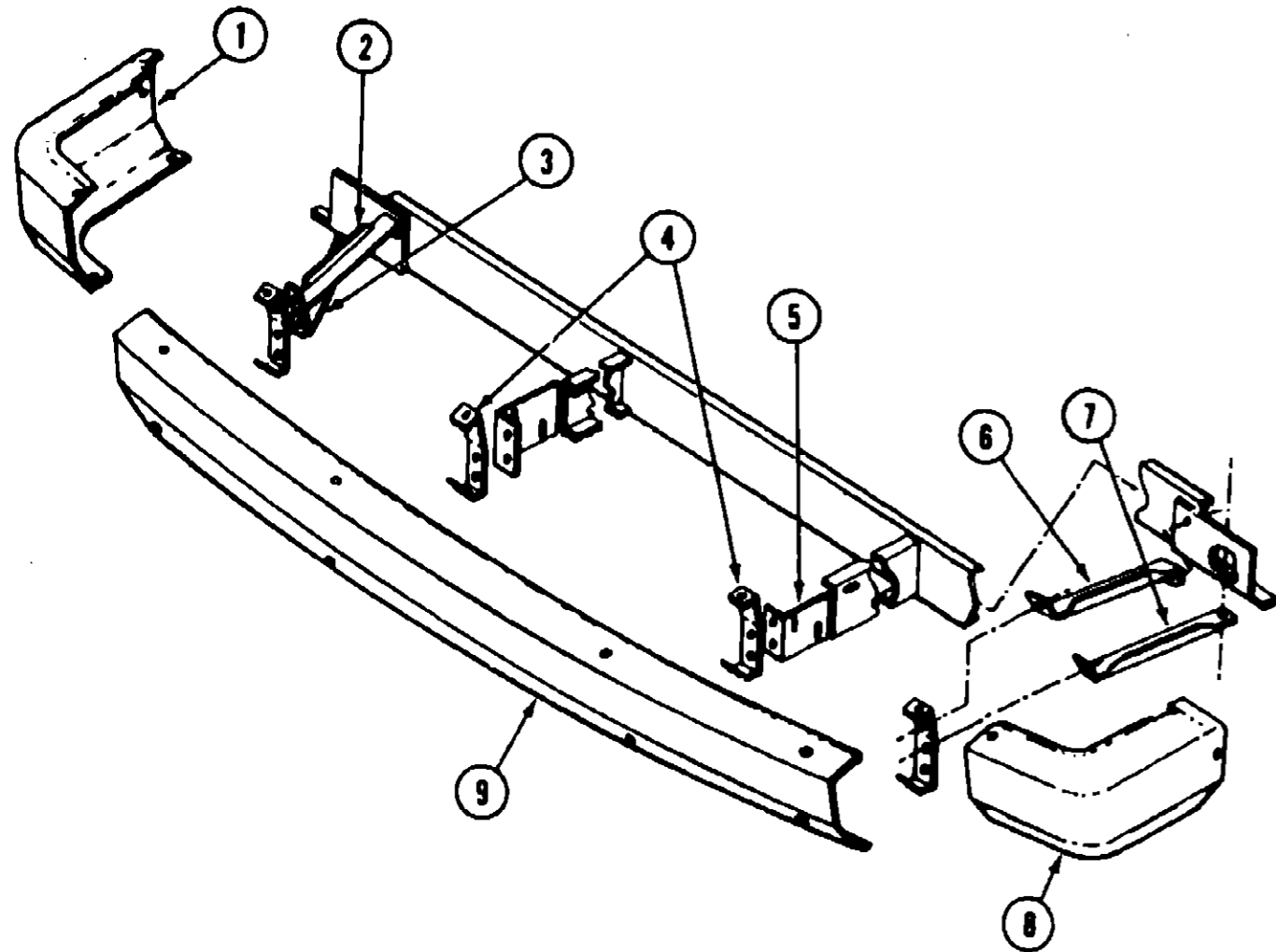
1967 WINNEBAGO TABLE OF CONTENTS

WC420EG	A-01 - B-06
WF426RT	B-07 - D-10
WCN26RH	D-11 - F-14
WCN27RT	F-15 - H-20
WCP26ET	H-21 - K-02

1967 WCN26RH INDEX

Floor Plan	D-11 - D-12
Accessories Group	D-13 - D-15
Bath Group	D-16
Chassis Group	D-17 - D-19
Curtain, Cushion & Pad Group	D-20 - E-02
Dinette Group	E-03 - E-04
Driver's Compartment Group	E-05 - E-07
Electrical Group	E-08 - E-09
Exterior Body Group	E-10 - E-14
Galley Group	E-15 - E-17
Heating & Air Conditioning Group	E-18
Interior Finish Group	E-19 - E-21
LP Group	E-22
Lounge Group	E-23 - E-24
Water & Sewage Group	F-01 - F-02
Window, Vent & Exterior Door Group	F-03 - F-14

CHASSIS GROUP (CONTINUED)



FRONT BUMPER

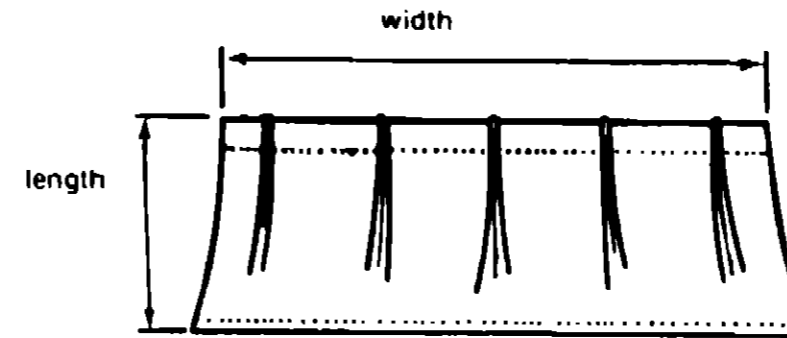
Key	Part Number	U/M	Description
1	066415-01-000	EA	Bumper End - Beige - Right Front
2	078002-01-000	EA	Brace - Upper Right - Front Bumper
3	078003-01-000	EA	Brace - Lower Right - Front Bumper
4	077852-01-000	EA	Bracket to Bumper - Front
5	078527-01-000	EA	Bracket to Frame - Front Bumper
6	078002-02-000	EA	Brace - Upper Left - Front Bumper
7	078003-02-000	EA	Brace - Lower Left - Front Bumper
8	066415-03-000	EA	Bumper End - Beige - Left Front
9	077850-01-000	EA	Bumper - Front - Primed
	077850-07-000	EA	Bumper - Front - Chrome
	005200-01-000	EA	Carriage Bolt - Chrome - 7/16" x 14 x 1 1/4"
	000039-07-00B	EA	Nut - Hex - 7/16" - 14
			Not Illustrated

CURTAIN, CUSHION & PAD GROUP

NOTICE

In order to assist our Parts Sales Dept. in providing interior software items, please include the serial number and the color code number from the vehicle certification label when ordering. This label is located on the left sidewall at the end of the dash (A-Body), or on the driver's door latch plate (C-Body).

An example of a color code number is P31, which designates an overall color scheme of a particular unit. The color listed after the item description on the microfiche, indicates the overall unit color. Order the item you desire according to unit color code.



NOTE:

Use this illustration when determining length and width measurements for curtains. You will note the width measurement is taken on the top of the curtain with the curtain fully extended. The length measurement is taken from top to bottom.



Key	Part Number	U/M	Description
1	029130-01-000	EA	Socket - Snap Fastener
2	029155-01-000	EA	Cap - Snap - .156" Dia. x 17" Barrel
3	029156-01-000	EA	Socket - Snap Fastener
4	029092-01-000	EA	Stud - Nickel Finish
5	029093-01-000	EA	Eyelet - Nickel Finish

CURTAIN & CUSHION HARDWARE

Key	Part Number	U/M	Description
	082139-01-000	EA	Bracket - Hold Down - Blinds
	085283-01-000	EA	Bracket - Hold Back - Clear
	084434-01-000	EA	Bracket - Roller Shade - 1 3/8"
	058003-01-000	EA	Bracket - Drapery Retainer
	058003-02-000	EA	Bracket - Drapery Retainer
	083170-03-000	EA	Bracket - Installation - Right
	083170-04-000	EA	Bracket - Installation - Left
	079819-01-000	EA	Bracket - Tie Back
	080211-03-000	EA	Clip - Decor Pad
	087253-01-000	EA	Pull - Shade - Plastic
	048394-02-000	YD	Tape Hook - .75" x 50 yds. - Beige
	048395-02-000	YD	Tape Loop - .75" x 50 yds. - Beige
	029090-01-000	FT	Tie Back - Drapery - Clear
	056118-01-000	EA	Track - Curtain - Brown Plastic
	079946-01-000	EA	Track - Curtain - Wraparound - Right
	079946-02-000	EA	Track - Curtain - Wraparound - Left

1987 WINNEBAGO TABLE OF CONTENTS

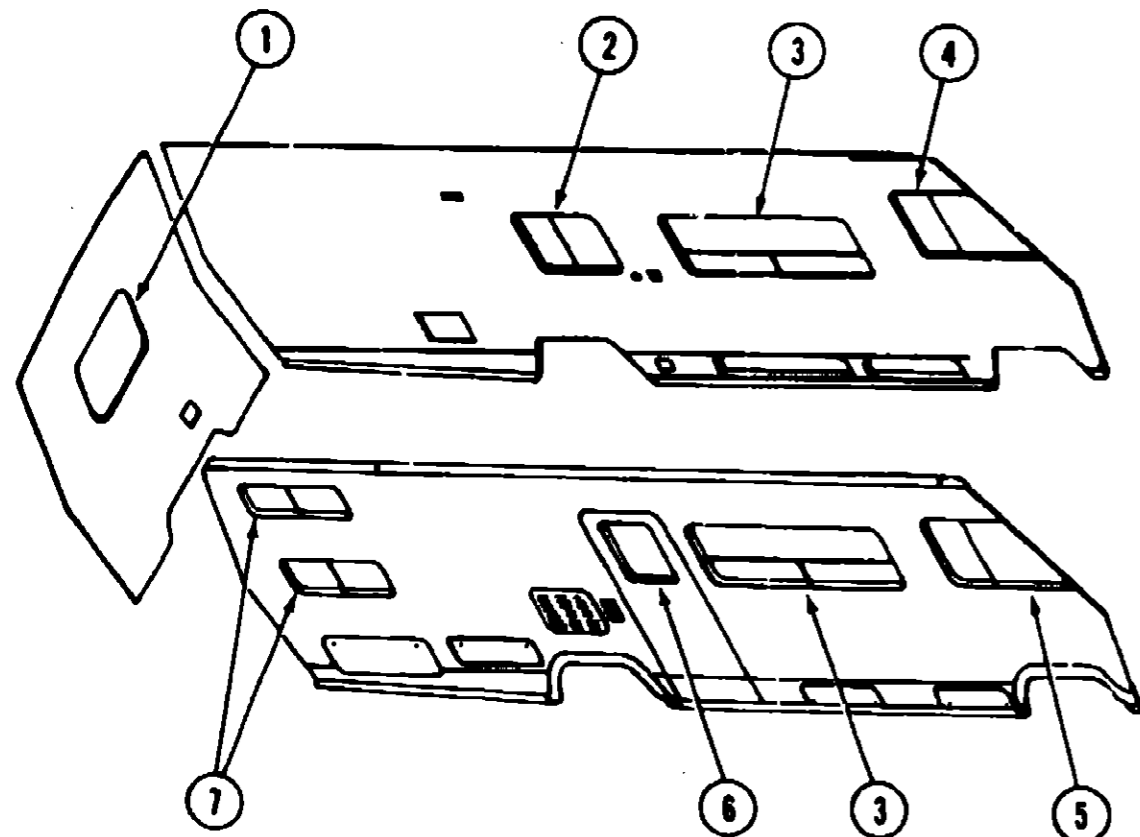
WC420EG
WF426RT
WCN26RH
WCN27RT
WCP26ET

A-01 - B-06
B-07 - D-10
D-11 - F-14
F-15 - H-20
H-21 - K-02

1987 WCN26RH INDEX

Floor Plan	D-11 - D-12
Accessories Group	D-13 - D-15
Bath Group	D-16
Chassis Group	D-17 - D-19
Curtain, Cushion & Pad Group	D-20 - E-02
Dinette Group	E-03 - E-04
Driver's Compartment Group	E-05 - E-07
Electrical Group	E-08 - E-09
Exterior Body Group	F-10 - F-14
Galley Group	E-15 - E-17
Heating & Air Conditioning Group	E-18
Interior Finish Group	E-19 - E-21
LP Group	E-22
Lounge Group	E-23 - E-24
Water & Sewage Group	F-01 - F-02
Window, Vent & Exterior Door Group	F-03 - F-14

CURTAIN, CUSHION & PAD GROUP (CONTINUED)



CURTAINS, SHADES, VALANCES & TIEBACK

Key	Part Number	U/M	Description
1	085191-10-W07	EA	Valance Asm. - w/Insert - 31.5"
†1	085191-10-WB7	EA	Valance Asm. - w/Insert - 31.5" (W07)
1	085191-10-W08	EA	Valance Asm. - w/Insert - 31.5"
1	085191-10-W09	EA	Valance Asm. - w/Insert - 31.5"
1	082118-B4-000	EA	Blind - 28" x 24" Drop - Beige (W07)
1	082118-B5-000	EA	Blind - 28" x 24" Drop - Mauve (W08)
1	082118-B6-000	EA	Blind - 28" x 24" Drop (W09)
1	073304-39-W04	EA	Curtain Asm. - w/Snap Top - 27.5" x 10" (W07)
†1	073304-39-WB7	EA	Curtain Asm. - w/Snap Top - 27.5" x 10" (W07)
1	073304-39-W05	EA	Curtain Asm. - w/Snap Top - 27.5" x 10" (W08)
1	073304-39-W09	EA	Curtain Asm. - w/Snap Top - 27.5" x 10" (W09)
2	085191-03-W07	EA	Valance Asm. - w/Insert - 29.5"
†2	085191-03-WB7	EA	Valance Asm. - w/Insert - 29.5" (W07)
2	085191-03-W08	EA	Valance Asm. - w/Insert - 29.5"
2	085191-03-W09	EA	Valance Asm. - w/Insert - 29.5"
2	082118-A8-000	EA	Blind - 27" x 22" Drop (W07)
2	082118-A9-000	EA	Blind - 27" x 22" Drop (W08)
2	082118-B0-000	EA	Blind - 27" x 22" Drop (W09)
3	085191-01-W04	EA	Valance Asm. - w/Insert - 68.5" (W07)
†3	085191-01-WB7	EA	Valance Asm. - w/Insert - 68.5" (W07)
3	085191-01-W05	EA	Valance Asm. - w/Insert - 68.5" (W08)
3	085191-01-W08	EA	Valance Asm. - w/Insert - 68.5" (W09)
3	085190-01-W04	EA	Curtain Asm. - Snap & Dart Top - 37" x 15" (W07)
†3	085190-01-WB7	EA	Curtain Asm. - Snap & Dart Top - 37" x 15" (W07)
3	085190-01-W05	EA	Curtain Asm. - Snap & Dart Top - 37" x 15" (W08)
3	085190-01-W08	EA	Curtain Asm. - Snap & Dart Top - 37" x 15" (W09)
3	085304-18-000	EA	Blind - Pleated - 65" x 33" Drop (W07)
3	085304-17-000	EA	Blind - Pleated - 65" x 33" Drop (W08)
3	085304-16-000	EA	Blind - Pleated - 65" x 33" Drop (W09)
3	082118-C6-000	EA	Blind - Mini - 65" x 33" Drop (W07)
3	082118-C7-000	EA	Blind - Mini - 65" x 33" Drop (W08)
3	082118-C8-000	EA	Blind - Mini - 65" x 33" Drop (W09)

CURTAIN, CUSHION & PAD GROUP (CONTINUED)

CURTAINS, SHADES, VALANCES & TIEBACK (CONT.)

Key	Part Number	U/M	Description
†4	073304-41-WB7	EA	Curtain Asm. - Front Wraparound w/Lining (W07)
4	073304-41-W07	EA	Curtain Asm. - Front Wraparound w/Lining (W07)
4	073304-41-W08	EA	Curtain Asm. - Front Wraparound w/Lining (W08)
4	073304-41-W30	EA	Curtain Asm. - Front Wraparound w/Lining (W09)
†4	077591-06-WB7	EA	Curtain w/Velcro Top - Bunk Privacy - Driver (W07)
4	077591-06-W07	EA	Curtain w/Velcro Top - Bunk Privacy - Driver (W07)
†4	077591-06-W32	EA	Curtain w/Velcro Top - Bunk Privacy - Driver (W08)
†4	077591-06-W30	EA	Curtain w/Velcro Top - Bunk Privacy - Driver (W09)
†5	073304-40-WB7	EA	Curtain Asm. - Front Wraparound w/Lining (W07)
5	073304-40-W07	EA	Curtain Asm. - Front Wraparound w/Lining (W07)
5	073304-40-W08	EA	Curtain Asm. - Front Wraparound w/Lining (W08)
5	073304-40-W30	EA	Curtain Asm. - Front Wraparound w/Lining (W09)
†5	077591-05-WB7	EA	Curtain w/Velcro Top - Bunk Privacy - Passenger (W07)
5	077591-05-W07	EA	Curtain w/Velcro Top - Bunk Privacy - Passenger (W07)
5	077591-05-W32	EA	Curtain w/Velcro Top - Bunk Privacy - Passenger (W08)
5	077591-05-W30	EA	Curtain w/Velcro Top - Bunk Privacy - Passenger (W09)
6	085191-04-W04	EA	Valance Asm. - w/Insert - 27.4" (W07)
†6	085191-04-WB7	EA	Valance Asm. - w/Insert - 27.4" (W07)
6	085191-04-W05	EA	Valance Asm. - w/Insert - 27.4" (W08)
6	085191-04-W06	EA	Valance Asm. - w/Insert - 27.4" (W09)
6	084755-04-W04	EA	Shade - Linen - 24.25" - w/Braid (W07)
†6	084755-04-WA7	EA	Shade - Linen - 24.25" - w/Braid (W07)
6	084755-04-W01	EA	Shade - Linen - 24.25" - w/Braid (W08)
†6	084755-04-WA8	EA	Shade - Linen - 24.25" - w/Braid (W08)
6	084755-04-W06	EA	Shade - Linen - 24.25" - w/Braid (W09)
†6	084755-04-WA6	EA	Shade - Linen - 24.25" - w/Braid (W09)
7	086480-03-W07	EA	Valance Asm. - Wrapped w/Insert - 45.5"
?	086480-03-W08	EA	Valance Asm. - Wrapped w/Insert - 45.5"
7	086480-03-W09	EA	Valance Asm. - Wrapped w/Insert - 45.5"
7	085200-11-W04	EA	Shade Asm. - Fabric - w/Trim - 40.25" (W07)
7	085200-11-W05	EA	Shade Asm. - Fabric - w/Trim - 40.25" (W08)
7	085200-11-W09	EA	Shade Asm. - Fabric - w/Trim - 40.25"
.	088121-02-000	EA	Curtain Asm. - Shower Liner
.	084382-03-W04	EA	Curtain Asm. - Shower - w/Ruffle - 66" x 30" (W07)
†.	084382-03-WB7	EA	Curtain Asm. - Shower - w/Ruffle - 66" x 30" (W07)
.	084382-03-W05	EA	Curtain Asm. - Shower - w/Ruffle - 66" x 30" (W08)
.	084382-03-W24	EA	Curtain Asm. - Shower - w/Ruffle - 66" x 30" (W09)
.	077591-05-W07	EA	Curtain Asm. - w/Velcro Top - 60" x 50" - Right
†.	077591-05-WB7	EA	Curtain Asm. - w/Velcro Top - 60" x 50" - Right (W07)
.	077591-05-W32	EA	Curtain Asm. - w/Velcro Top - 60" x 50" - Right (W08)
.	077591-05-W30	EA	Curtain Asm. - w/Velcro Top - 60" x 50" - Right (W09)
.	077591-06-W07	EA	Curtain Asm. - w/Velcro Top - 60" x 50" - Left
†.	077591-06-WB7	EA	Curtain Asm. - w/Velcro Top - 60" x 50" - Left (W07)
.	077591-06-W32	EA	Curtain Asm. - w/Velcro Top - 60" x 50" - Left (W08)
.	077591-06-W30	EA	Curtain Asm. - w/Velcro Top - 60" x 50" - Left (W09)
.	073304-26-W04	EA	Curtain Asm. - Room Divider - 54" x 40" (W07)
†.	073304-26-WB7	EA	Curtain Asm. - Room Divider - 54" x 40" (W07)
.	073304-26-W05	EA	Curtain Asm. - Room Divider - 54" x 40" (W08)
.	073304-26-W24	EA	Curtain Asm. - Room Divider - 54" x 40" (W09)
.	073260-23-W04	EA	Tie Back Asm. - Drapery - 3" x 18" (W07)
†.	073260-23-WB7	EA	Tie Back Asm. - Drapery - 3" x 18" (W07)
.	073260-23-W05	EA	Tie Back Asm. - Drapery - 3" x 18" (W08)
.	073260-23-W08	EA	Tie Back Asm. - Drapery - 3" x 18" (W09)
.	057534-04-000	EA	Tie Back Asm. - Clear - 20"
.	Not Illustrated		

† Used in units produced after 2/1/87.

‡ Used in units produced after 10/20/86.

**1987 WINNEBAGO
TABLE OF CONTENTS**

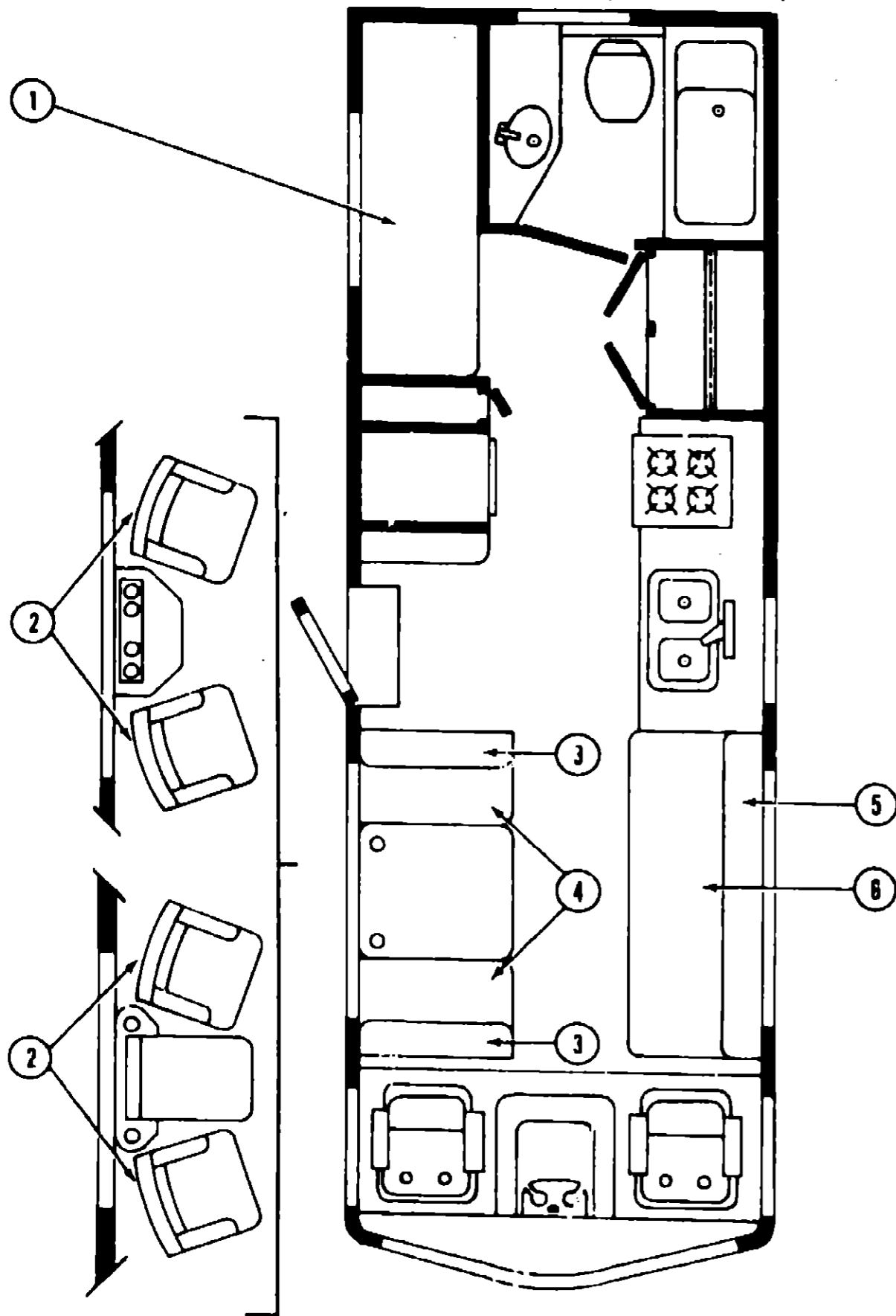
WC420EG	A-01 - B-06
WF426RT	B-07 - D-10
WCN26RH	D-11 - F-14
WCN27RT	F-15 - H-20
WCP26ET	H-21 - K-02

1987 WCN26RH INDEX

Floor Plan	D-11 - D-12
Accessories Group	D-13 - D-15
Bath Group	D-16
Chassis Group	D-17 - D-19
Curtain, Cushion & Pad Group	D-20 - E-02
Dinette Group	E-03 - E-04
Driver's Compartment Group	E-05 - E-07
Electrical Group	E-08 - E-09
Exterior Body Group	E-10 - E-14
Galley Group	E-15 - E-17
Heating & Air Conditioning Group	E-18
Interior Finish Group	E-19 - E-21
LP Group	E-22
Lounge Group	E-23 - E-24
Water & Sewage Group	F-01 - F-02
Window, Vent & Exterior Door Group	F-03 - F-14

CURTAIN, CUSHION & PAD GROUP (CONTINUED)

CURTAIN, CUSHION & PAD GROUP (CONTINUED)



Key	Part Number	U/M	Description
	079145-04-000	EA	Cushion Asm. - Front Bunk - 34" x 78" x 4"
	M79145-04-000	EA	Cover Asm. - Front Bunk Cushion - 34" x 78" x 4"
	079144-02-T03	EA	Bunk Strap - Vinyl

Key	Part Number	U/M	Description
1	073519-03-W04	EA	Cushion Asm. - Rear Bunk - 29" x 75.5" x 4.5" (W07)
1	073519-03-W05	EA	Cushion Asm. - Rear Bunk - 29" x 75.5" x 4.5" (W08)
1	073519-03-W09	EA	Cushion Asm. - Rear Bunk - 29" x 75.5" x 4.5" (W09)
	M73519-03-W04	EA	Cover Asm. - Rear Bunk Cushion - 29" x 75.5" x 4.5"
	M73519-03-W05	EA	Cover Asm. - Rear Bunk Cushion - 29" x 75.5" x 4.5"
	M73519-03-W09	EA	Cover Asm. - Rear Bunk Cushion - 29" x 75.5" x 4.5"

Key	Part Number	U/M	Description
2	085059-01-W04	EA	Chair Asm. w/Pillow Back - Swivel
2	085059-01-W05	EA	Chair Asm. w/Pillow Back - Swivel
2	085059-01-W06	EA	Chair Asm. w/Pillow Back - Swivel
	085187-01-W04	EA	Skirt Asm. - Swivel Chair (W07)
	085187-01-W08	EA	Skirt Asm. - Swivel Chair (W08)
	085187-01-W09	EA	Skirt Asm. - Swivel Chair (W09)
	035036-01-000	EA	Plate - Tilt & Swivel - High Base
	035036-06-000	EA	Extension - 5" - Swivel Chair
	035036-04-000	EA	Base w/Legs - Swivel Chair
†	088245-05-000	EA	Extension - 5" - Swivel Tilt Chair
†	088245-02-000	EA	Plate - Tilter w/Lock - Swivel Tilt Chair
†	088245-01-000	EA	Base - w/Legs - Swivel Tilt Chair
†	Used in units produced after 2/28/87.		

Key	Part Number	U/M	Description
3	081998-77-W04	EA	Cushion Asm. - Dinette Back - 19.2" x 38" x 5" - Beige (W07)
3	081998-77-W05	EA	Cushion Asm. - Dinette Back - 19.2" x 38" x 5" - Rose (W08)
3	081998-77-W06	EA	Cushion Asm. - Dinette Back - 19.2" x 38" x 5" - Spruce (W09)
	M81998-77-W04	EA	Cover Asm. - Dinette Back Cushion - Beige (W07)
	M81998-77-W05	EA	Cover Asm. - Dinette Back Cushion - Rose (W08)
	M81998-77-W06	EA	Cover Asm. - Dinette Back Cushion - Spruce (W09)
4	081998-78-W04	EA	Cushion Asm. - Dinette Seat - 17.5" x 38" x 5" - Beige (W07)
4	081998-78-W05	EA	Cushion Asm. - Dinette Seat - 17.5" x 38" x 5" - Rose (W08)
4	081998-78-W06	EA	Cushion Asm. - Dinette Seat - 17.5" x 38" x 5" - Spruce (W09)
	M81998-78-W04	EA	Cover Asm. - Dinette Seat Cushion - Beige (W07)
	M81998-78-W05	EA	Cover Asm. - Dinette Seat Cushion - Rose (W08)
	M81998-78-W06	EA	Cover Asm. - Dinette Seat Cushion - Spruce (W09)

Key	Part Number	U/M	Description
5	073630-11-W07	EA	Cushion Asm. - 3 Pillow Back - 15" x 76" x 5"
5	073630-11-W08	EA	Cushion Asm. - 3 Pillow Back - 15" x 76" x 5"
5	073630-11-W09	EA	Cushion Asm. - 3 Pillow Back - 15" x 76" x 5"
	M73630-11-W07	EA	Cover Asm. - 3 Pillow Back - 15" x 76" x 5"
	M73630-11-W08	EA	Cover Asm. - 3 Pillow Back - 15" x 76" x 5"
	M73630-11-W09	EA	Cover Asm. - 3 Pillow Back - 15" x 76" x 5"
6	073631-12-W07	EA	Cushion Asm. - 3 Pillow Seat - 23.5" x 76" x 5"
6	073631-12-W08	EA	Cushion Asm. - 3 Pillow Seat - 23.5" x 76" x 5"
6	073631-12-W09	EA	Cushion Asm. - 3 Pillow Seat - 23.5" x 76" x 5"
	M73631-12-W07	EA	Cover Asm. - 3 Pillow Seat - 23.5" x 76" x 5"
	M73631-12-W08	EA	Cover Asm. - 3 Pillow Seat - 23.5" x 76" x 5"
	M73631-12-W09	EA	Cover Asm. - 3 Pillow Seat - 23.5" x 76" x 5"
	M02423-03-W07	EA	Front Panel - Couch
	M02423-03-V/08	EA	Front Panel - Couch
	M02423-03-W09	EA	Front Panel - Couch

**1987 WINNEBAGO
TABLE OF CONTENTS**

WC420EG	A-01 - B-06
WF426RT	B-07 - D-10
WCN26RH	D-11 - F-14
WCN27RT	F-15 - H-20
WCP26FT	H-21 - K-02

1987 WCN26RH INDEX

Floor Plan	D-11 - D-12
Accessories Group	D-13 - D-15
Bath Group	D-16
Chassis Group	D-17 - D-19
Curtain, Cushion & Pad Group	D-20 - E-02
Dinette Group	E-03 - E-04
Driver's Compartment Group	E-05 - E-07
Electrical Group	E-08 - E-09
Exterior Body Group	E-10 - E-14
Galley Group	E-15 - E-17
Heating & Air Conditioning Group	E-18
Interior Finish Group	E-19 - E-21
LP Group	E-22
Lounge Group	E-23 - F-24
Water & Sewage Group	F-01 - F-02
Window, Vent & Exterior Door Group	F-03 - F-14

CURTAIN, CUSHION & PAD GROUP (CONTINUED)

BUCKET SEATS

Key	Part Number	U/M	Description
	084191-02-W04	EA	Seat Asm. - Comet I - Jade/Taupe (W07)
	084191-02-W05	EA	Seat Asm. - Comet I - Rose (W08)
	084191-01-W08	EA	Seat Asm. - Comet I - Taupe (W09)
	M01864-23-W04	EA	Cover Asm. - Seat Bottom - Jade/Taupe (W07)
	M01864-23-W05	EA	Cover Asm. - Seat Bottom - Rose (W08)
	M01864-21-W08	EA	Cover Asm. - Seat Bottom - Taupe (W09)
	M01864-24-W04	EA	Cover Asm. - Seat Back - Jade/Taupe (W07)
	M01864-24-W05	EA	Cover Asm. - Seat Back - Rose (W08)
	M01864-22-W08	EA	Cover Asm. - Seat Back - Taupe (W09)
	078804-07-W07	EA	Seat Asm. - Granduer - Jade/Taupe
	078804-07-W08	EA	Seat Asm. - Granduer - Rose
	078804-07-W09	EA	Seat Asm. - Granduer - Taupe
	M01863-01-W07	EA	Cover Asm. - Bucket Seat Bottom - Jade/Taupe
	M01863-01-W08	EA	Cover Asm. - Bucket Seat Bottom - Rose
	M01863-01-W09	EA	Cover Asm. - Bucket Seat Bottom - Taupe
	M01863-02-W07	EA	Cover Asm. - Bucket Seat Back - Jade/Taupe
	M01863-02-W08	EA	Cover Asm. - Bucket Seat Back - Rose
	M01863-02-W09	EA	Cover Asm. - Bucket Seat Back - Taupe
	080243-07-W04	EA	Armrest Asm. - Right - Jade/Taupe (W07)
	080243-07-W05	EA	Armrest Asm. - Right - Rose (W08)
	080243-07-W08	EA	Armrest Asm. - Right - Taupe (W09)
	080243-08-W04	EA	Armrest Asm. - Left - Jade/Taupe (W07)
	080243-08-W05	EA	Armrest Asm. - Left - Rose (W08)
	080243-08-W08	EA	Armrest Asm. - Left - Taupe (W09)
	M80243-01-W04	EA	Cover Asm. - Armrest - Right - Jade/Taupe (W07)
	M80243-01-W05	EA	Cover Asm. - Armrest - Right - Rose (W08)
	M80243-01-W08	EA	Cover Asm. - Armrest - Right - Taupe (W09)
	M80243-02-W04	EA	Cover Asm. - Armrest - Left - Jade/Taupe (W07)
	M80243-02-W05	EA	Cover Asm. - Armrest - Left - Rose (W08)
	M80243-02-W08	EA	Cover Asm. - Armrest - Left - Taupe (W09)
	080242-04-W04	EA	Headrest Asm. - Jade/Taupe (W07)
	080242-04-W05	EA	Headrest Asm. - Rose (W08)
	080242-04-W08	EA	Headrest Asm. - Taupe (W09)
	M80242-01-W04	EA	Cover Asm. - Headrest - Jade/Taupe (W07)
	M80242-01-W05	EA	Cover Asm. - Headrest - Rose (W08)
	M80242-01-W08	EA	Cover Asm. - Headrest - Taupe (W09)
	071126-16-W07	EA	Skirt Asm. - Single Bucket - Jade/Taupe
	071126-16-W08	EA	Skirt Asm. - Single Bucket - Rose
	071126-16-W09	EA	Skirt Asm. - Single Bucket - Taupe
	079281-02-W07	EA	Seat Asm. - Double Bucket - Jade/Taupe
	079281-02-W08	EA	Seat Asm. - Double Bucket - Rose
	079281-02-W09	EA	Seat Asm. - Double Bucket - Taupe
	M01874-03-W07	EA	Cover Asm. - Bucket Seat Bottom - Double Bucket - Jade/Taupe
	M01874-03-W08	EA	Cover Asm. - Bucket Seat Bottom - Double Bucket - Rose
	M01874-03-W09	EA	Cover Asm. - Bucket Seat Bottom - Double Bucket - Taupe
	M01874-04-W07	EA	Cover Asm. - Bucket Seat Back - Double Bucket - Jade/Taupe
	M01874-04-W08	EA	Cover Asm. - Bucket Seat Back - Double Bucket - Rose
	M01874-04-W09	EA	Cover Asm. - Bucket Seat Back - Double Bucket - Taupe
	080243-02-W07	EA	Armrest Asm. - Left - Double Bucket - Jade/Taupe
	080243-02-W08	EA	Armrest Asm. - Left - Double Bucket - Rose
	080243-02-W09	EA	Armrest Asm. - Left - Double Bucket - Taupe
	080242-01-W07	EA	Headrest Asm. - Double Bucket - Jade/Taupe
	080242-01-W08	EA	Headrest Asm. - Double Bucket - Rose
	080242-01-W09	EA	Headrest Asm. - Double Bucket - Taupe
	071690-04-W07	EA	Skirt Asm. - Double Bucket - Jade/Taupe
	071690-04-W08	EA	Skirt Asm. - Double Bucket - Rose
	071690-04-W09	EA	Skirt Asm. - Double Bucket - Taupe

CURTAIN, CUSHION & PAD GROUP (CONTINUED)

FABRICS, TRIMS & PADS

Key	Part Number	U/M	Description
	077498-91-000	YD	Fabric - Main w/Pattern - Jade/Taupe (W07)
	077498-92-000	YD	Fabric - Main w/Pattern - Rose (W08)
	077498-93-000	YD	Fabric - Main w/Pattern - Taupe (W09)
	074498-A8-000	YD	Fabric - Patterned Accent - Jade/Taupe (W07)
	074498-A5-000	YD	Fabric - Patterned Accent - Rose (W08)
	074498-A7-000	YD	Fabric - Patterned Accent - Taupe (W09)
	074498-95-000	YD	Fabric - Plain Accent - Jade/Taupe (W07)
	074498-81-000	YD	Fabric - Plain Accent - Rose (W08)
	074498-98-000	YD	Fabric - Plain Accent - Taupe (W09)
	089729-47-000	YD	Fabric - Bedspread/Draperies - Jade/Taupe (W07)
	089729-48-000	YD	Fabric - Bedspread/Draperies - Rose (W08)
	089729-49-000	YD	Fabric - Bedspread/Draperies - Taupe (W09)
	072333-34-000	YD	Fabric - Bedroom Accent/Tieback - Jade/Taupe (W07)
	072333-35-000	YD	Fabric - Bedroom Accent/Tieback - Rose (W08)
	072333-36-000	YD	Fabric - Bedroom Accent/Tieback - Taupe (W09)
	072333-39-000	YD	Fabric - Drapery - Jade/Taupe (W07)
	072333-47-000	YD	Fabric - Drapery - Aqua Marine (W07)
	072333-37-000	YD	Fabric - Drapery - Rose (W08)
	072333-38-000	YD	Fabric - Drapery - Taupe (W09)
	081807-02-000	YD	Fabric - Headliner - Sandstone
	087272-01-000	YD	Fabric - Drapery Lining - Ivory - 48"
	072333-44-000	YD	Fabric - Drapery - Natural (Pull Shades)
	079880-01-000	YD	Vinyl - Expanded - 26 oz. - Buckskin
	079880-02-000	YD	Vinyl - Expanded - 26 oz. - Sandrift
	038421-02-000	YD	Fabric - Mattress Ticking - Beige/Brown
	038421-04-000	YD	Fabric - Mattress Ticking - Cashew
	057550-05-T03	EA	Button Asm. - Nail #36 - 3/8" Shank - Vinyl
	070578-06-T03	EA	Button Asm. - Screw Stud - #30 - Vinyl
	057093-01-T03	EA	Button Asm. - Nail #30 - Vinyl
	071127-12-W07	EA	Button Asm. - Round Hook - #30 - Jade/Taupe
	071127-12-W08	EA	Button Asm. - Round Hook - #30 - Rose
	071127-12-W09	EA	Button Asm. - Round Hook - #30 - Taupe
	071127-10-W04	EA	Button Asm. - Round Hook - #30 - Jade/Taupe (W07)
	071127-10-W05	EA	Button Asm. - Round Hook - #30 - Rose (W08)
	071127-10-W06	EA	Button Asm. - Round Hook - #30 - Taupe (W09)
	078155-01-000	EA	Strap Asm. - Cushion
	079144-02-T03	EA	Strap Asm. - Bunk
	081519-01-W04	EA	Pad Asm. - Dinette - Front - Jade/Taupe (W07)
	081519-01-W05	EA	Pad Asm. - Dinette - Front - Rose (W08)
	081519-01-W06	EA	Pad Asm. - Dinette - Front - Taupe (W09)
	081519-02-W04	EA	Pad Asm. - Dinette - Rear - Jade/Taupe (W07)
	081519-02-W05	EA	Pad Asm. - Dinette - Rear - Rose (W08)
	081519-02-W06	EA	Pad Asm. - Dinette - Rear - Taupe (W09)
	059414-06-000	EA	Pad Asm. - Trim - Sidewall - Right - Vinyl
	059467-04-T03	EA	Pad Asm. - Map Pocket - Right Vinyl
	077641-90-000	EA	Wall Pad - Swivel Chairs - 16" x 12" - Jade/Taupe (W07)
	077641-61-000	EA	Wall Pad - Swivel Chairs - 16" x 12" - Rose (W08)
	077641-91-000	EA	Wall Pad - Swivel Chairs - 16" x 12" - Taupe (W09)

Fabric used in unit produced after 2/1/87.

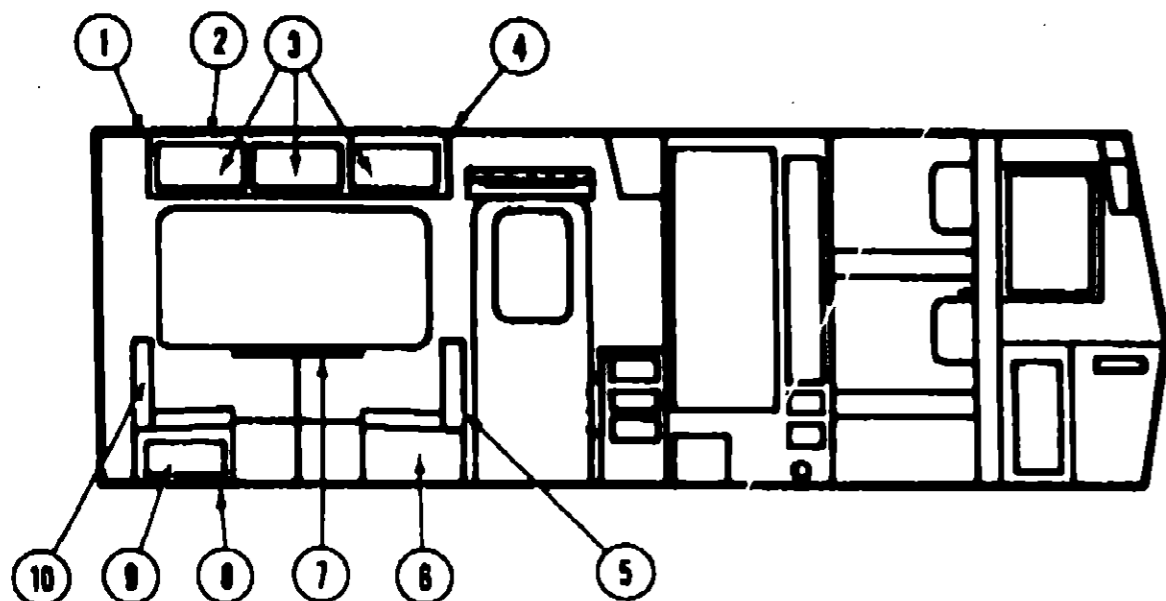
**1987 WINNEBAGO
TABLE OF CONTENTS**

WC420EG	A-01 - B-08
WF426RT	B-07 - D-10
WCN26RH	D-11 - F-14
WCN27RT	F-15 - H-20
WCP26ET	H-21 - K-02

1987 WCN26RH INDEX

Floor Plan	D-11 - D-12
Accessories Group	D-13 - D-15
Bath Group	D-16
Chassis Group	D-17 - D-19
Curtain, Cushion & Pad Group	D-20 - E-02
Dinette Group	E-03 - E-04
Driver's Compartment Group	E-05 - E-07
Electrical Group	E-08 - E-09
Exterior Body Group	E-10 - E-14
Galley Group	E-15 - E-17
Heating & Air Conditioning Group	E-18
Interior Finish Group	E-19 - E-21
LP Group	E-22
Lounge Group	E-23 - E-24
Water & Sewage Group	F-01 - F-02
Window, Vent & Exterior Door Group	F-03 - F-14

DINETTE GROUP



CONVENTIONAL DINETTE & OVERHEAD CABINETRY

Key	Part Number	U/M	Description
1	081325-02-T03	EA	Pad Asm. - End Cap - Dinette Overhead - Left - Vinyl
2	081302-13-W07	EA	Cabinet Asm. - Dinette Overhead - w/o Doors or Hardware
3	M81503-01-W07	EA	Door Asm. - Dinette Overhead - w/o Hardware
4	081325-01-T03	EA	Pad Asm. - End Cap - Dinette Overhead - Right - Vinyl
5	M02174-03-W07	EA	Cabinet Asm. - Dinette Back - Left
6	M02175-04-W04	EA	Cabinet Asm. - Dinette Seat - Left - w/o Door or Hardware
7	M81504-11-W07	EA	Door Asm. - Rear Dinette Cabinet - w/o Hardware
8	M02115-09-U17	EA	Table Asm. - Dinette - w/o Hardware
9	M02175-01-W07	EA	Cabinet Asm. - Dinette Seat - Right - w/o Door or Hardware
10	M81504-10-W07	EA	Door Asm. - Front Dinette Seat - w/o Hardware
10	M02174-02-W07	EA	Cabinet Asm. - Dinette Back - Right
•	053200-05-000	EA	Bracket - Upper Wall Mount - 23.5" - Beige
••	053201-06-000	EA	Bracket - Table Mount - 23" - Beige
•	024275-05-000	EA	Rod - Table Lift - 8" x 23.5" - Beige
•	024281-07-000	EA	Bracket - Lower Wall Mount - 22.12" - Beige
••	024276-17-000	EA	Leg Asm. - Table - 29.5" - Tan
••	084050-02-000	EA	Hinge - Table Leg
••	024282-01-000	EA	Brace - Table Leg
••	024283-01-000	EA	Clip - 1" O.D. Tube
•	049493-05-000	EA	Catch - Table Leg - Mounts on Floor - Tan
•	084781-02-000	EA	Cup Holder - 3.47" O.D. x 2.75" I.D. x 1.5"
•			Not Illustrated
••			The illustrated parts breakdown for this item is provided on the Common Items Fiche.

SWIVEL CHAIRS & ICE MAKER OPTION

Key	Part Number	U/M	Description
	M81720-01-W07	EA	Cabinet Asm. - Ice Maker - w/o Countertop
	M02438-01-U04	EA	Countertop Asm. - Ice Maker
	M02439-01-U04	EA	Countertop Asm. - Ice Maker - Pullout
••	074489-01-000	EA	Beverage Tray
••	076799-01-000	EA	Ice Maker
	077841-01-000	EA	Bracket Tiedown - Ice Maker - Right
••	077841-02-000	EA	Bracket Tiedown - Ice Maker - Left
••			The illustrated parts breakdown for this item is provided on the Common Items Fiche.

DINETTE GROUP (CONTINUED)

SWIVEL CHAIR HARDWARE & PULLOUT TABLE

Key	Part Number	U/M	Description
	M81727-03-W07	EA	Cabinet Asm. - Pullout Table
	M02415-01-U04	EA	Table Asm. - Pullout
	M02416-01-U04	EA	Countertop Asm. - TV Shelf - Pullout Table
	M02414-01-U04	EA	Top - Cupholder - Pullout Table
	M02417-01-U04	EA	Top - Hinged Lid - Pullout Table
	080728-01-000	EA	Handle - Pullout Table
	079921-01-000	EA	Roller - Nylon w/Shaft
	035036-01-000	EA	Plate - Tilt & Swivel - Swivel Chair
	036036-06-000	EA	Extension - 5" - Swivel Chair
	035036-04-000	EA	Base w/Legs - Swivel Chair
†	088245-06-000	EA	Extension - 5" - Swivel Tilt Chair
†	088245-02-000	EA	Plate - Tilter w/Lock - Swivel Tilt Chair
†	088245-01-000	EA	Base w/Legs - Swivel Tilt Chair
†			Used in units produced after 2/28/87.

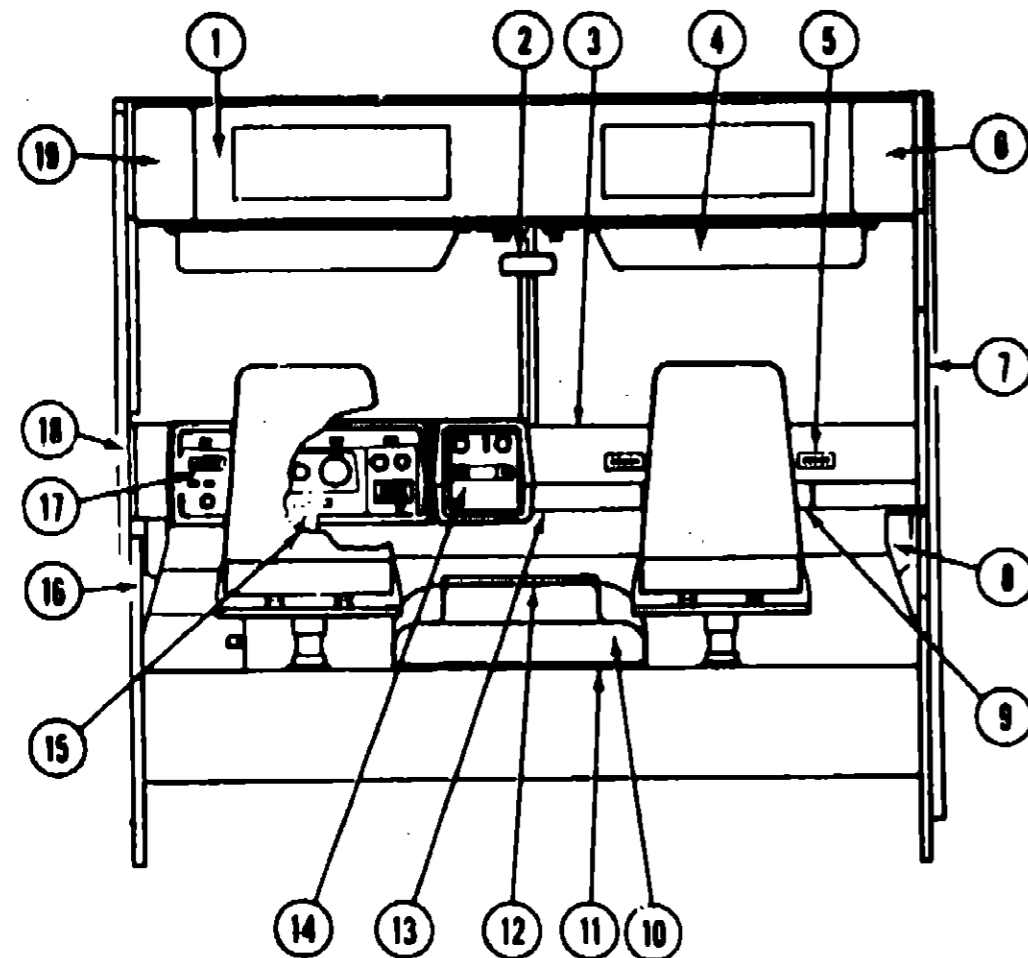
1987 WINNEBAGO TABLE OF CONTENTS

WC420EG	A-01 - B-08
WF428RT	B-07 - D-10
WCN26RH	D-11 - F-14
WCN27RT	F-15 - H-20
WCP28ET	H-21 - K-02

1987 WCN26RH INDEX

Floor Plan	D-11 - D-12
Accessories Group	D-13 - D-15
Bath Group	D-16
Chassis Group	D-17 - D-19
Curtain, Cushion & Pad Group	D-20 - E-02
Dinette Group	E-03 - E-04
Driver's Compartment Group	E-05 - E-07
Electrical Group	E-08 - E-09
Exterior Body Group	E-10 - E-14
Galley Group	E-15 - E-17
Heating & Air Conditioning Group	E-18
Interior Finish Group	E-19 - E-21
LP Group	E-22
Lounge Group	E-23 - E-24
Water & Sewage Group	F-01 - F-02
Window, Vent & Exterior Door Group	F-03 - F-14

DRIVER'S COMPARTMENT



MISCELLANEOUS DRIVER'S COMPARTMENT COMPONENTS

Key	Part Number	U/M	Description
1	086413-01-000	EA	Header - Front - Light Oak
•	083917-01-W07	EA	Cabinet Asm. - Front Overhead - w/o Bunk
2	040714-01-700	EA	Mirror - Inside Rear View - w/Button Support
**3	M01113-17-W07	EA	Dash Asm. - Complete - w/Gauges & Switches
•	079089-01-000	EA	Dash Pad - Passenger - Brown
•	079088-01-000	EA	Dash Pad - Drivers - Brown
•	024990-01-000	EA	Outlet - Defroster w/Swivel - 2"
•	086491-01-000	EA	Gasket - Defroster Outlet
4	082286-01-U04	EA	Sunvisor Asm. - Right
•	082286-03-U04	EA	Sunvisor Asm. - Left
•	085709-01-000	EA	Clip Asm. - Sunvisor - Black
5	039044-01-000	EA	Louver Asm. - Air Conditioning Adjustable
6	080855-07-000	EA	Side Trim - Right Front - Upper (w/o Bunk)
•	083918-01-W07	EA	Cabinet Asm. - Front Overhead - Right - w/o Bunk
•	080856-03-000	EA	Side Trim - Right Front - Lower (w/o Bunk)
7	059414-06-000	EA	Pad - Sidewall Trim - Passenger - Vinyl
8	072811-01-000	EA	Side Panel - Passenger - Plastic
•	059467-04-T03	EA	Pad - Map Pocket - Passenger - Vinyl
9	022219-01-000	EA	Glove Compartment Door
•	023892-01-000	EA	Glove Compartment Box - Black Fiberboard
•	009118-01-000	EA	Glove Compartment Twist Lock
•	024586-01-000	EA	Glove Compartment Hinge
•	034309-01-000	EA	Glove Compartment Chain - Door
10	075939-01-000	EA	Motor Cover - Fiberglass
•	075564-01-000	EA	Mounting Bracket - Motor Cover
11	039623-01-000	FT	Seal - Engine Cover - Neoprene
•			Not illustrated

DRIVER'S COMPARTMENT GROUP (CONTINUED)

MISCELLANEOUS DRIVER'S COMPARTMENT COMPONENTS (CONT.)

Key	Part Number	U/M	Description
12	080216-01-000	EA	Beverage Tray
13	023834-01-000	EA	Panel - Knee Kick - Bottom of Dash
14	076006-03-000	EA	Bezel - Entertainment Center - w/Radio & Generator Switch
14	076006-02-000	EA	Bezel - Entertainment Center - w/Radio
15	078246-01-000	EA	Steering Column Boot - Vinyl
16	082471-02-000	EA	Panel - Drivers Door - Inner - Plastic
•	046886-03-000	EA	Ash Tray - Chrome
17	086296-01-000	EA	Bezel - Control Panel
17	086296-03-000	EA	Bezel - Control Panel - (Aux. Fuel)
•	078581-01-000	EA	Trim - Instrument Panel - Front - Passenger
•	078582-01-000	EA	Trim - Instrument Panel - Front - Driver
•	052367-01-000	EA	Cigarette Lighter Asm. - 12 Volt
•	007041-01-000	EA	Bezel - Cigarette Lighter
•	081424-01-000	EA	Lamp Asm. - Map/Gauge
•	081400-06-000	EA	Assist Strap - 12" - Medium Almond
18	059414-06-000	EA	Pad - Sidewall Trim - Driver - Vinyl
19	080855-08-000	EA	Side Trim - Left Front - Upper (w/o Bunk)
•	080856-04-000	EA	Side Trim - Left Front - Lower (w/o Bunk)
•	083918-02-W07	EA	Cabinet Asm. - Front Overhead - Left - w/o Bunk
•	054250-01-000	EA	Support - Dimmer Switch - w/o Holes
•	077114-04-000	EA	Windshield Trim - Center
•	085483-02-000	EA	Windshield Trim - Interior - Post - Passenger
•	085483-01-000	EA	Windshield Trim - Interior - Post - Driver
•			Not Illustrated

FRONT BUNK & PULL DOWN STORAGE

Key	Part Number	U/M	Description
	076760-03-000	EA	Overhead Bunk Hardware
	081717-01-W07	EA	Bed Asm. - Front Bunk
	079144-02-T03	EA	Bunk Strap
	042541-04-000	EA	Latch Asm. - w/o Strike - Brass
	042541-05-000	EA	Latch Strike - Brass
	080855-09-000	EA	Side Trim - Right Front - Upper
	080856-05-000	EA	Side Trim - Right Front - Lower
	080855-10-000	EA	Side Trim - Left Front - Upper
	080856-06-000	EA	Side Trim - Left Front - Lower

DASH SWITCHES & GAUGES

Key	Part Number	U/M	Description
	024461-01-000	EA	Switch - Battery
	024462-01-000	EA	Switch - Battery Condition
	065963-04-000	EA	Switch - Battery - Dual Boost
	024976-01-000	EA	Switch - Generator w/o Circuit Board
	024459-04-000	EA	Gauge - Voltmeter
	024460-04-000	EA	Gauge - Vacuum
	031035-02-000	EA	Gauge - Generator Hourmeter

1987 WINNEBAGO TABLE OF CONTENTS

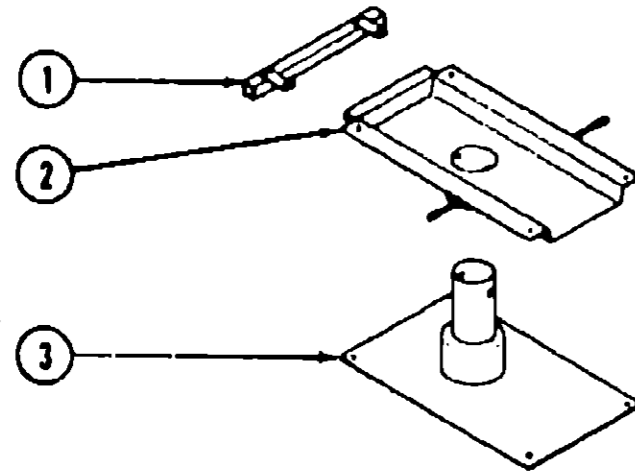
WC420EG	A-01 - B-06
WF426RT	B-07 - D-10
WCN26RH	D-11 - F-14
WCN27RT	F-15 - H-20
WCP26ET	H-21 - K-02

1987 WCN26RH INDEX

Floor Plan	D-11 - D-12
Accessories Group	D-13 - D-15
Bath Group	D-16
Chassis Group	D-17 - D-19
Curtain, Cushion & Pad Group	D-20 - E-02
Dinette Group	E-03 - E-04
Driver's Compartment Group	E-05 - E-07
Electrical Group	E-08 - E-09
Exterior Body Group	E-10 - E-14
Galley Group	E-15 - E-17
Heating & Air Conditioning Group	E-18
Interior Finish Group	E-19 - E-21
LP Group	E-22
Lounge Group	E-23 - E-24
Water & Sewage Group	F-01 - F-02
Window, Vent & Exterior Door Group	F-03 - F-14

NOTE: To be special ordered only.

DRIVER'S COMPARTMENT GROUP (CONTINUED)



BUCKET SEAT PEDESTAL & SEAT BELTS

Key	Part Number	U/M	Description
1	069585-29-000	EA	Bar - Seat Belt - 20"
2	069585-27-000	EA	Plate - Top - Pedestal Asm. - Single Bucket Seat
2	069585-20-000	EA	Plate - Top - Pedestal Asm. - Powered Seat
2	069585-10-000	EA	Plate - Top - Pedestal Asm. - Double Bucket Seat
3	069585-08-000	EA	Plate - Sub - Pedestal Asm. - Bucket Seat
.	069585-05-000	EA	Hardware Kit - Bolt/Acorn Nut - 4 ea. - Pedestal Asm.
.	007019-01-000	EA	Belt Asm. - Seat - 2" x 84" - Black
.	007021-01-000	EA	Belt Asm. - Seat - 2" x 90" - Black
.	056271-02-000	EA	Belt Asm. - Seat - 2" x 72" - Black
.	069246-01-000	EA	Adjuster Asm. - Seat - w/Lock
.	069246-02-000	EA	Adjuster Asm. - Seat - w/o Lock
.	081373-02-000	EA	Power Seat Adjustment Asm. - w/Frame
.	081373-02-700	EA	Switch Asm. Package
.	081373-02-701	EA	Harness Asm. - Left
.	081373-02-702	EA	Harness Asm. - Right
.	081373-02-703	EA	Horizontal Adjustment Package
.	081373-02-704	EA	Vertical Adjustment Package
.			Not illustrated

ELECTRICAL GROUP

BULBS

Key	Part Number	U/M	Description
	008220-01-000	EA	Bulb - 12V - 25W
	008103-01-000	EA	Bulb - 53
	008213-01-000	EA	Bulb - 57
	008214-01-000	EA	Bulb - 67
	036196-01-000	EA	Bulb - 194
	008215-01-000	EA	Bulb - 1003
	067479-01-000	EA	Bulb - 1076
	063914-01-000	EA	Bulb - 1139
	008218-01-000	EA	Bulb - 1141
	037935-01-000	EA	Bulb - 1157
	056288-02-000	EA	Bulb - 9431808 - Dome Light

FUSES & CIRCUIT BREAKERS

Key	Part Number	U/M	Description
	008208-01-000	EA	Circuit Breaker - 40 Amp. - 12 Volt
	033573-02-000	EA	Circuit Breaker - 15 Amp. - 12 Volt - w/Mount
	033573-01-000	EA	Circuit Breaker - 20 Amp. - 12 Volt - w/Mount
	008268-01-000	EA	Circuit Breaker - 30 Amp. - 12 Volt - w/Mount
	071279-05-000	EA	Circuit Breaker - 20 Amp. - 120 Volt
	071279-03-000	EA	Circuit Breaker - 15/20 Amp. - 120 Volt
	071279-01-000	EA	Circuit Breaker - 15/30 Amp. - 120 Volt
	071280-01-000	EA	Circuit Breaker Blank
	050283-02-000	EA	Circuit Breaker - Buss Bar
	071279-07-000	EA	Circuit Breaker - 20/20 - 120 Volt
	083209-01-000	EA	Circuit Breaker - 15 Amp - 120 Volt
	083209-03-000	EA	Circuit Breaker - 15/20 Amp. - 120 Volt
	083209-04-000	EA	Circuit Breaker - 30 Amp - 120 Volt
	083209-05-000	EA	Circuit Breaker - 20 Amp - 120 Volt
	083209-06-000	EA	Circuit Breaker - 30/15 Amp - 120 Volt
	083209-08-000	EA	Circuit Breaker - Blank
	085719-01-000	EA	Buss Bar - 4 Position
	085719-02-000	EA	Buss Bar - 3 Position
	085720-01-000	EA	Circuit Breaker - 15 Amp.
	085720-02-000	EA	Circuit Breaker - 20 Amp.
	085720-03-000	EA	Circuit Breaker - 25 Amp.
	085720-04-000	EA	Circuit Breaker - 30 Amp.
	085720-05-000	EA	Circuit Breaker - 40 Amp.

MISCELLANEOUS ELECTRICAL COMPONENTS

Key	Part Number	U/M	Description
	047338-03-000	EA	Isolator - Dual Battery - 70 Amp.
	008188-01-000	EA	Solenoid - Dual Battery - Relay
	065201-02-000	EA	Lamp Shade - Fabric - Parchment
	083208-01-000	EA	Control Center - 32 Amp.
	063912-01-000	EA	Relay Canister - SPDT w/Ground
	086273-01-000	EA	Relay - Battery Disconnect

ELECTRONIC INSTRUMENT PANEL (OPTION)

Key	Part Number	U/M	Description
	NOTE	EA	Electronic Instrument Panel
	086296-04-000	EA	Bezel - Electronic - Instrument Panel
	086296-06-000	EA	Bezel - Electronic - Instrument Panel (Aux. Fuel)
	082124-01-000	EA	Bezel - Smoked Insert - Electronic Instrument Panel
	076006-06-000	EA	Bezel - Entertainment Center w/Radio - Black
	076006-07-000	EA	Bezel - Entertainment Center w/Radio & Generator Switch - Black

NOTE: This item available from your Chrysler Service.

**1987 WINNEBAGO
TABLE OF CONTENTS**

WC420EG	A-01 - B-08
WF426RT	B-07 - D-10
WCN26RH	D-11 - F-14
WCN27RT	F-16 - H-20
WCP26ET	H-21 - K-02

1987 WCN26RH INDEX

Floor Plan	D-11 - D-12
Accessories Group	D-13 - D-15
Bath Group	D-16
Chassis Group	D-17 - D-19
Curtain, Cushion & Pad Group	D-20 - E-02
Dinette Group	E-03 - E-04
Driver's Compartment Group	E-05 - E-07
Electrical Group	E-08 - E-09
Exterior Body Group	E-10 - E-14
Galley Group	E-15 - E-17
Heating & Air Conditioning Group	E-18
Interior Finish Group	E-19 - E-21
LP Group	E-22
Lounge Group	E-23 - E-24
Water & Sewage Group	F-01 - F-02
Window, Vent & Exterior Door Group	F-03 - F-14

ELECTRICAL GROUP (CONTINUED)

INTERIOR LIGHT

Key	Part Number	U/M	Description
	033508-02-000	EA	Light - Dome - Ivory - 1 Bulb - US
	033508-03-000	EA	Light - Dome - Ivory - 1 Bulb - CSA
	033509-02-000	EA	Light - Dome - Ivory - 2 Bulb - US
	033509-03-000	EA	Light - Dome - Ivory - 2 Bulb - CSA
	078424-02-000	EA	Light - Fluorescent - 12V - 18" - Almond
	081424-01-000	EA	Light - 12V Receptacle - Aisle - IP
	007309-01-000	EA	Light - Step Well
	072353-08-000	EA	Light - Reading - Double - 360° Swivel - Brass
	088937-04-000	EA	Dome Light - Surface - w/o Switch
	088280-01-000	EA	Dome Light - Surface Mount - 12V

EXTERIOR LIGHTS

Key	Part Number	U/M	Description
	073844-01-000	EA	Light - License Plate - GM 912118
	076795-01-000	EA	Light - License Plate - GM 912368
	075459-04-000	EA	Tail Lamp Asm. Red
	075459-05-000	EA	Tail Lamp Asm. - Turn Signal - Amber
	075459-06-000	EA	Tail Lamp Asm. - Backup/Reflex
	042405-01-000	EA	Lens - Rectangular - Red w/Reflex
	042405-02-000	EA	Lens - Rectangular - Amber w/Reflex
	042405-03-000	EA	Base - Rectangular Side Marker Light
	048817-01-000	EA	Light - Porch - Assist Handle w/Light
	084901-01-000	EA	Lamp Asm. - Park/Turn - GM 918558
	049185-01-000	EA	Headlight Capsule Asm. - High/Low Beam - Driver
	049186-01-000	EA	Headlight Capsule Asm. - High/Low Beam - Passenger
	049187-01-000	EA	Headlight Capsule Asm. - High Beam - Driver
	049188-01-000	EA	Headlight Capsule Asm. - High Beam - Passenger
	081250-02-000	EA	Light Asm. - Clearance - Red
	081250-01-000	EA	Light Asm. - Clearance - Amber
	048817-01-700	EA	Lens - Lighted Assist Handle

WINDSHIELD WIPERS & WASHER

Key	Part Number	U/M	Description
	056000-02-000	EA	Washer Asm. - Windshield
	072472-04-000	EA	Arm - Windshield Wiper - 29" - Black
	072472-02-000	EA	Adapter Kit - Wiper Arm Pantograph Pivot
	049464-03-000	EA	Blade - Windshield Wiper - 20" - Black

EXTERIOR BODY GROUP

SEALANTS & ADHESIVES

Key	Part Number	U/M	Description
	004020-01-000	QT	Adhesive - ABS Cement (Plastic Fittings)
	002337-01-000	EA	Adhesive - 1300 Tube - 3M (Windows)
	004005-02-000	GL	Adhesive - Swifts - Glue (Sidewalls)
	053766-07-000	EA	Bedding Compound - Tube - Beige (Exterior)
	053766-08-000	EA	Bedding Compound - Tube - Clear (Window)
	053766-09-000	EA	Bedding Compound - Tube - Gray (Exterior)
	053766-05-000	EA	Bedding Compound - Tube - Gray (Sidewalls to Floor)
	053766-02-000	EA	Bedding Compound - Tube - Off White (Exterior)
	002328-02-000	EA	Block - Rubber Spacer (Windshield)
	004336-01-000	EA	Caulk - Latex - Golden Walnut (Sidewalls)
	077967-01-000	EA	Sealant - Acrylic Latex - Tube - Off White (Interior Sealant)
	034552-04-000	EA	Sealant - Silicone - Beige
	034552-02-000	EA	Sealant - Silicone - Clear
	034552-07-000	EA	Sealant - Silicone - Dark Gray
	034552-08-000	EA	Sealant - Silicone - Off White
	089637-01-000	EA	Sealant - Weatherban 404 - Tube - White (Door Caulk)
	072889-01-000	EA	Sealant - Urethane - Black (Windshield)
	089640-01-000	FT	Sealer Ribbon - .25" Bead x 20'
	089640-02-000	FT	Sealer Ribbon - .5" x .125" x 30'
	089640-03-000	FT	Sealer Ribbon - .75" x .125" x 30'
	089640-04-000	FT	Sealer Ribbon - 2" x .09" x 45' (P Seals)
	089640-05-000	FT	Sealer Ribbon - 2.5" x .09" x 50'
	089640-06-000	FT	Sealer Ribbon - 5/16" Bead x 15'
	089640-07-000	FT	Sealer Ribbon - 2" x 3/32" x 30'
	002318-01-000	FT	Sealer Tape - 3/32" x 3/8" - White (Window)
	002707-01-000	FT	Sealer Tape - 5/16" x 3/4"
	002707-02-000	FT	Sealer Tape - 5/16" x 1/2"
	040545-01-000	GL	Sealer - Seam Weld
	053752-04-000	EA	Seam Sealer - Tube - Aluminum (Roof)
	063842-01-000	FT	Tape - Adhesive - .10 mm. x 1.5" Wide
	038888-01-000	EA	Tape - Butyl - .31" x .31" x 148" (Windshield)
	076322-01-000	FT	Tape - Foam - Double Coated - .025 x 1" (Fiberglass Sidewall Seams)
	076322-02-000	FT	Tape - Foam - Double Coated - .045 x 1" (Fiberglass Sidewall Seams)
	009200-01-000	EA	Tape - Furnace - 1.5"
	002825-01-000	FT	Weather Striping (Roof Vent)

MISCELLANEOUS EXTERNALLY MOUNTED PARTS

Key	Part Number	U/M	Description
	083558-01-000	EA	Plumbing Seal - Roof Vent - 1.5" - Covered
	009126-01-000	EA	Assist Handle - Chrome
	010230-03-000	EA	Fill - City Water - Recessed - Beige
	081240-01-000	EA	Water Fill - Lockable - Beige
	087659-02-000	EA	Fill - City Water - Beige - Brass Fittings

SHEET FIBERGLASS, ALUMINUM & STYROFOAM

Key	Part Number	U/M	Description
	077517-10-001	EA	Fiberglass - Sheet - 46.12" x 378" - Mesa
	077517-10-002	EA	Fiberglass - Sheet - 46.12" x 68" - Mesa
	001018-01-024	EA	Alum. - Beige - No Design - 48" x 96"
	044487-01-001	EA	Alum. - Mill Finish - No Design (Roof) - 96" x 360"
	000868-01-000	SF	Styrofoam - .75" x 24" x 96"
	000870-01-000	SF	Styrofoam - 1.50" x 24" x 96"
	000876-03-000	SF	Styrofoam - 1.34" x 48" x 96"

1987 WINNEBAGO TABLE OF CONTENTS

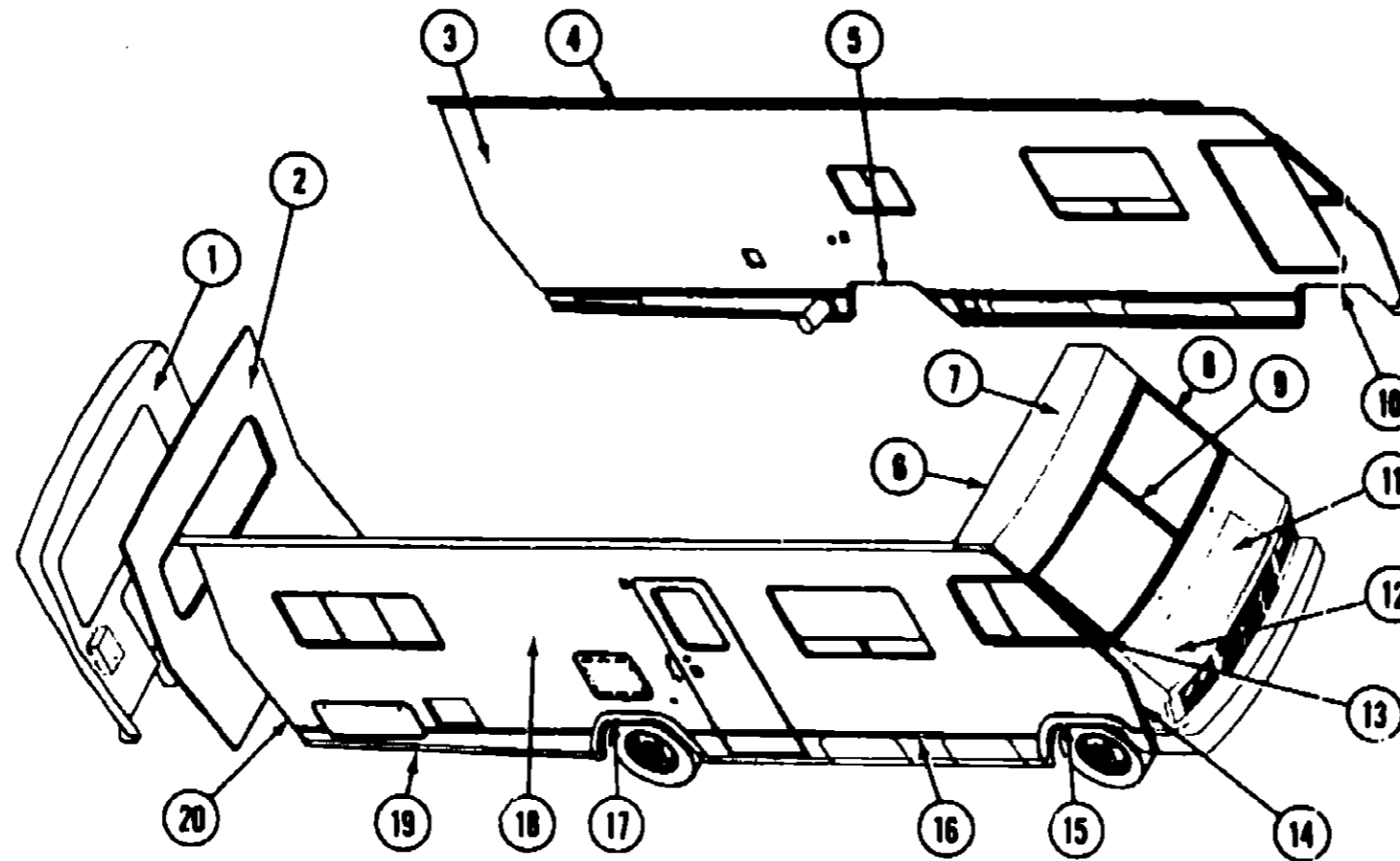
WC420EG	A-01 - B-08
WF426RT	B-07 - D-10
WCN26RH	D-11 - F-14
WCN27RT	F-15 - H-20
WCP26ET	H-21 - K-02

1987 WCN26RH INDEX

Floor Plan	D-11 - D-12
Accessories Group	D-13 - D-15
Bath Group	D-16
Chassis Group	D-17 - D-19
Curtain, Cushion & Pad Group	D-20 - E-02
Dinette Group	E-03 - E-04
Driver's Compartment Group	E-05 - E-07
Electrical Group	E-08 - E-09
Exterior Body Group	E-10 - E-14
Galley Group	E-15 - E-17
Heating & Air Conditioning Group	E-18
Interior Finish Group	E-19 - E-21
LP Group	E-22
Lounge Group	E-23 - E-24
Water & Sewage Group	F-01 - F-02
Window, Vent & Exterior Door Group	F-03 - F-14

EXTERIOR BODY GROUP (CONTINUED)

EXTERIOR BODY PANELS



1987 WINNEBAGO TABLE OF CONTENTS

WC42DE13
WF420RT
WCN2671H
WCN271RT
WCP26ET

A-01 - B-08
B-07 - D-10
D-11 - F-14
F-15 - H-20
H-21 - K-02

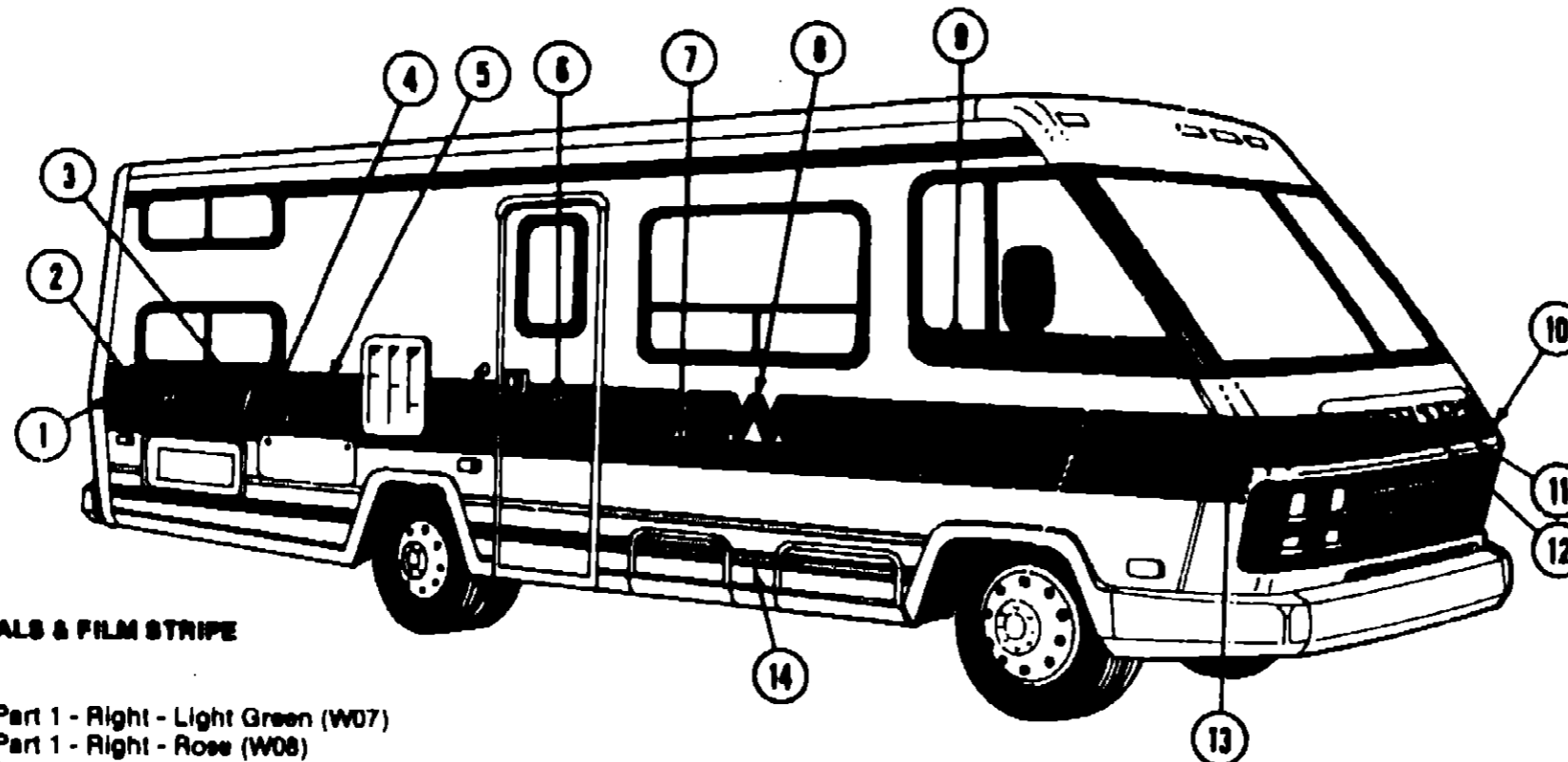
Key	Part Number	U/M	Description
1	M01898-02-W07	EA	Rear Cap Asm. - Backwall
2	078912-01-W07	EA	Backwall Asm. (W07, W09)
2	078912-01-W08	EA	Backwall Asm.
3	M85417-01-W07	EA	Sidewall Asm. - Driver (W09)
3	M85417-01-W08	EA	Sidewall Asm. - Driver
4	078600-06-000	EA	Trim - Sidewall - Upper - Driver or Passenger - Beige
5	058487-07-000	EA	Trim - Wheel Well - Rear - U Channel - Driver or Passenger
6	078580-01-000	EA	Trim - Roof/Front Cap
7	M02959-01-W07	EA	Cap - Over Windshield - Beige
8	087601-02-000	EA	Trim - Contour - Windshield - Driver
•	064903-01-000	EA	Trim - Molding - Windshield - Upper & Lower
9	063178-02-000	FT	Trim - Molding - Windshield - Center
10	073647-02-000	EA	Trim - Wheel Well - Front - U Channel - Driver or Passenger
11	066045-01-W07	EA	Access Panel - w/Hardware
•	066425-02-000	EA	Headlamp Bezel - Driver
•	066425-01-000	EA	Headlamp Bezel - Passenger
•	073308-01-000	EA	Screw Asm. - Headlamp - Adjusting
•	049359-01-000	EA	Spring - Headlamp Retainer
•	082207-01-000	EA	Headlamp Guard
12	M01115-12-W07	EA	Panel Asm. - Front Shroud (includes access panel)
13	087601-01-000	EA	Trim - Contour - Windshield - Passenger
•	064897-01-000	EA	Cap - Reveal Molding - Windshield
14	066414-01-000	EA	Trim - Fiberglass Panel - Passenger - Beige
•	066414-03-000	EA	Trim - Fiberglass Panel - Driver - Beige
15	078558-07-000	EA	Trim - Wheel Well - Front - Plastic - Passenger
•	078558-08-000	EA	Trim - Wheel Well - Front - Plastic - Driver

Key	Part Number	U/M	Description
18	058576-06-000	EA	Feature Strip - Extr. Beige - 14' - w/o Insert
•	009731-01-000	EA	End Cap - Feature Strip Insert
•	001030-12-002	EA	Insert - Feature Strip - Beige - 17'
17	075070-01-000	EA	Trim - Wheel Well - Rear - Plastic - Passenger
•	075070-03-000	EA	Trim - Wheel Well - Rear - Plastic - Driver
18	M85418-01-W07	EA	Sidewall Asm. - Passenger (W09)
18	M85418-01-W08	EA	Sidewall Asm. - Passenger
19	072639-01-001	EA	Extr. - Rocker Panel - 218" (Rear)
20	073502-23-000	EA	Trim - Passenger Rear - Beige
•	073502-24-000	EA	Trim - Driver Rear - Beige
•	050406-06-000	EA	Trim - Backwall - Lower - Driver or Passenger
•	086148-01-W07	EA	Roof Asm.
•	066415-01-000	EA	Bumper End Cap - Front Passenger - Beige
•	066415-03-000	EA	Bumper End Cap - Front Driver - Beige
•	078578-01-000	EA	Bumper End Cap - Rear Passenger - Beige
•	078578-02-000	EA	Bumper End Cap - Rear Driver - Beige
•			Not Illustrated

1987 WCN26RH INDEX

Floor Plan	D-11 - D-12
Accessories Group	D-13 - D-15
Bath Group	D-16
Chassis Group	D-17 - D-19
Curtain, Cushion & Pad Group	D-20 - E-02
Dinette Group	E-03 - E-04
Driver's Compartment Group	E-05 - E-07
Electrical Group	E-08 - E-09
Exterior Body Group	E-10 - E-14
Galley Group	E-15 - E-17
Heating & Air Conditioning Group	E-18
Interior Finish Group	E-19 - E-21
LP Group	E-22
Lounge Group	E-23 - E-24
Water & Sewage Group	F-01 - F-02
Window, Vent & Exterior Door Group	F-03 - F-14

EXTERIOR BODY GROUP (CONTINUED)



DECALS & FILM STRIPE

Key	Part Number	U/M	Description
1	085297-01-000	EA	Decal - Rear Part 1 - Right - Light Green (W07)
1	085297-03-000	EA	Decal - Rear Part 1 - Right - Rose (W08)
1	085297-05-000	EA	Decal - Rear Part 1 - Right - Brown (W09)
*	085297-02-000	EA	Decal - Rear Part 1 - Left - Light Green (W07)
*	085297-04-000	EA	Decal - Rear Part 1 - Left - Rose (W08)
*	085297-06-000	EA	Decal - Rear Part 1 - Left - Brown (W09)
2	058719-03-000	EA	Decal Logo - "Chieftain"
3	085297-07-000	EA	Decal - Rear Part 2 - Right - Light Green (W07)
3	085297-09-000	EA	Decal - Rear Part 2 - Right - Rose (W08)
3	085297-11-000	EA	Decal - Rear Part 2 - Right - Brown (W09)
*	085297-08-000	EA	Decal - Rear Part 2 - Left - Light Green (W07)
*	085297-10-000	EA	Decal - Rear Part 2 - Left - Rose (W08)
*	085297-12-000	EA	Decal - Rear Part 2 - Left - Brown (W09)
4	073724-06-000	EA	Decal Logo - "28"
5	078831-21-000	FT	Decal - Stripe - 1.75" - Light Green (W07)
5	078831-22-000	FT	Decal - Stripe - 1.75" - Rose (W08)
5	078831-23-000	FT	Decal - Stripe - 1.75" - Brown (W09)
6	078831-24-000	FT	Decal - Stripe - 4.85" - Light Green (W07)
6	078831-25-000	FT	Decal - Stripe - 4.85" - Rose (W08)
6	078831-26-000	FT	Decal - Stripe - 4.85" - Brown (W09)
7	078198-14-000	FT	Film - Multi Stripe - 4.5" - Peach (W07, W09)
7	078198-15-000	FT	Film - Multi Stripe - 4.5" - Burgundy (W08)
8	079351-07-000	EA	Decal - Flying W - Light Green (W07)
8	079351-08-000	EA	Decal - Flying W - Rose (W08)
8	079351-09-000	EA	Decal - Flying W - Brown (W09)
9	041273-89-000	FT	Decal - Stripe - 4" - Black
10	085290-02-000	EA	Decal - Corner - Left - Light Green (W07)
10	085290-04-000	EA	Decal - Corner - Left - Rose (W08)
10	085290-06-000	EA	Decal - Corner - Left - Brown (W09)
11	085298-01-000	EA	Decal - Hood - Light Green (W07)
11	085298-02-000	EA	Decal - Hood - Rose (W08)
11	085298-03-000	EA	Decal - Hood - Brown (W09)
12	069745-03-000	EA	Decal - "Winne"
12	069745-04-000	EA	Decal - "Bago"
13	085299-01-000	EA	Decal - Corner - Right - Light Green (W07)
13	085299-03-000	EA	Decal - Corner - Right - Rose (W08)
13	085299-05-000	EA	Decal - Corner - Right - Brown (W09)
14	085217-D4-000	EA	Film - Multi Stripe - 2.4" - Light Green/Peach (W07)
14	085217-D5-000	EA	Film - Multi Stripe - 2.4" - Rose/Burgundy (W08)
14	085217-D6-000	EA	Film - Multi Stripe - 2.4" - Brown/Peach (W09)
*	050313-21-000	EA	Decal - Logo "Winnebago" - 2.8" - Chrome
*			Not illustrated

**1987 WINNEBAGO
TABLE OF CONTENTS**

WC420EG	A-01 - B-06
WF426RT	B-07 - D-10
WCN26RH	D-11 - F-14
WCN27RT	F-15 - H-20
WCP26ET	H-21 - K-02

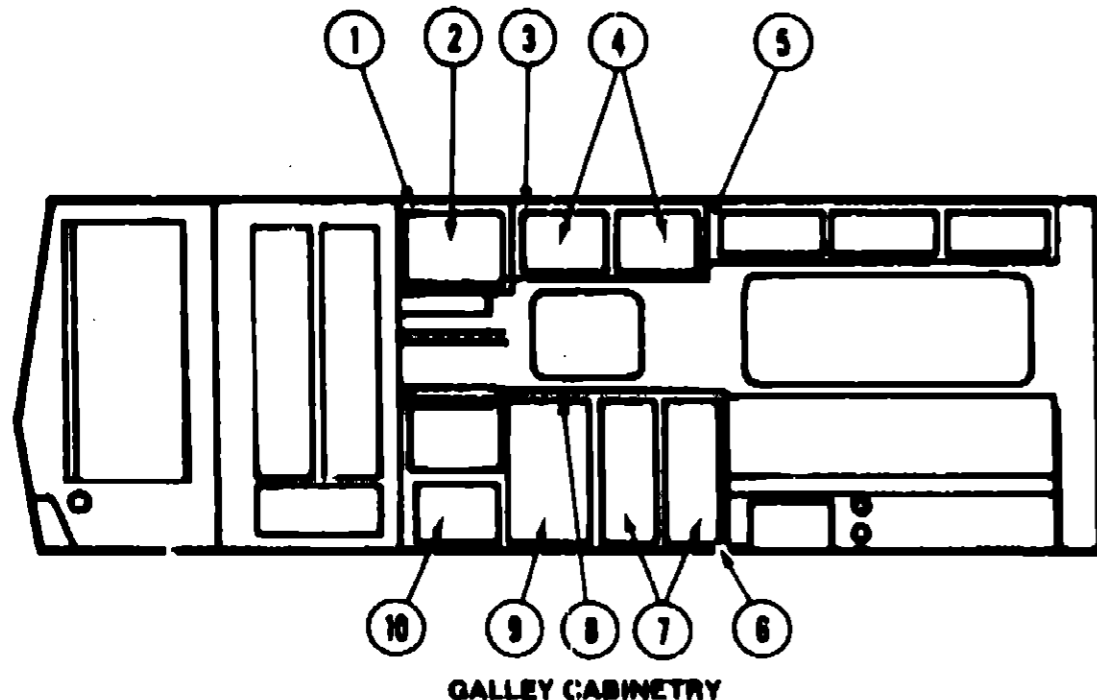
LABELS & EXTERIOR PAINT

Key	Part Number	U/M	Description
	068383-01-000	EA	Label - Diesel Fuel
	006195-01-000	EA	Label - Electrical Test
	047731-01-000	EA	Label - Emergency Exit
	006199-01-000	EA	Label - Exit - Escape Window
	057467-04-000	EA	Label - Exterior Loading Limit
	064378-01-000	EA	Label - Flying "W" w/Thermo Panel
	061417-01-000	EA	Label - Fuel
	006196-01-000	EA	Label - Gas Test
	054531-01-000	EA	Label - LP Gas Only
	040944-01-000	EA	Label - Open - Entrance Door
	006015-01-000	EA	Label - Patent Motor Home
	056258-01-000	EA	Label - Safety Check List
	006064-01-000	EA	Label - Seat - w/o Seat Belts
	006187-01-000	EA	Label - Sewage
	006006-01-000	EA	Label - Thermo Panel - 2 1/4" x 2 1/4"
	075221-01-000	EA	Label - Trailer Hitch Capacity
	075220-01-000	EA	Label - Warning - Exterior Load Limit
	050225-01-000	EA	Label - Warning - Stove Vent - US
	006188-01-000	EA	Label - Waste Water
	006197-01-000	EA	Label - Water Test
	07286-01-000	EA	Nameplate - Diesel - 6.2L
	006062-01-000	EA	Tag - Electrical - 110 Volt Connection
	006040-01-000	EA	Tag - Gas - Refueling Warning
	044486-03-000	EA	Paint - Beige Acrylic Enamel - 16 oz. Aerosol (7633A Dupont)
	045681-03-000	EA	Paint - Gloss Black - Acrylic Enamel - 16 oz. Aerosol (99 Dupont)
	058637-05-000	EA	Paint - Gray Acrylic Enamel - 16 oz. Aerosol (71537 Dupont)
	041581-03-000	EA	Paint - Off White Acrylic Enamel - 16 oz. Aerosol (45398A Dupont)
	074559-01-000	EA	Label "LPG" - 3.3" x 1.75" (Calif. Code)

1987 WCN26RH INDEX

Floor Plan	D-11 - D-12
Accessories Group	D-13 - D-15
Bath Group	D-16
Chassis Group	D-17 - D-19
Curtain, Cushion & Pad Group	D-20 - E-02
Dinette Group	E-03 - E-04
Driver's Compartment Group	E-05 - E-07
Electrical Group	E-08 - E-09
Exterior Body Group	E-10 - E-14
Galley Group	E-15 - E-17
Heating & Air Conditioning Group	E-18
Interior Finish Group	E-19 - E-21
LP Group	E-22
Lounge Group	E-23 - E-24
Water & Sewage Group	F-01 - F-02
Window, Vent & Exterior Door Group	F-03 - F-14

GALLEY GROUP



GALLEY CABINETRY

Key	Part Number	U/M	Description
1	081480-07-W07	EA	Cabinet Asm. - Microwave - w/o Doors or Hardware
2	M81523-01-W07	EA	Door Asm. - Microwave Cabinet - w/o Hardware
3	082423-01-W07	EA	Cabinet Asm. - Galley Overhead - w/o Doors or Hardware
4	M81523-07-W07	EA	Door Asm. - Galley Cabinet
5	081320-03-T03	EA	Pad Asm. - End Cap - Galley Overhead - Vinyl
6	M82439-01-W07	EA	Cabinet Asm. - Galley - w/o Doors or Hardware
**	M82439-03-W07	EA	Cabinet Asm. - Galley - w/o Doors, Drawer or Hardware
7	M81501-02-W04	EA	Door Asm. - Galley Cabinet - w/o Hardware
8	M02575-01-W07	EA	Countertop Asm. - Galley
9	M81501-03-W04	EA	Door Asm. - Galley Cabinet - w/o Hardware
10	M81501-B7-W07	EA	Door Asm. - w/o Hardware
**	M82184-03-W07	EA	Drawer Asm. - w/o Hardware
*	M81502-05-W04	EA	Door Asm. - Refrigerator - Right
*	M81502-06-W04	EA	Door Asm. - Refrigerator - Left
			Not Illustrated
**			Parts for Microwave Option (not illustrated)

GALLEY GROUP (CONTINUED)

GALLEY HARDWARE & APPLIANCES

Key	Part Number	U/M	Description
**	079353-01-000	EA	Hood - Range - Powered w/Monitor - Almond - US
	079353-02-000	EA	Hood - Range - Powered w/Monitor - Almond - CSA
	075470-04-000	EA	Duct Extension - Hood Range
	079354-03-000	EA	Spacer - Hood Range
	064782-02-000	EA	Range w/Small Oven - 4 Burner - Almond - Magic Chef
	064782-02-700	EA	Top - Main - 4 Burner - Almond
	064782-02-701	EA	Deflector Plate - Black
	064782-02-702	EA	Trim - Cabinet - Right - Black
	064782-02-703	EA	Trim - Cabinet - Left - Black
	064782-02-704	EA	Trim - Lower Outside Glass - Black
	067782-02-706	EA	Handle - Over Door - Black
	064782-02-708	EA	Vertical Trim - Black
	064782-02-707	EA	Panel - Manifold
	064782-02-708	EA	Valve - Mercury
	064782-02-709	EA	Glass - Oven Door
	064782-02-710	EA	Clip - Glass Holder
	081374-01-000	EA	Range Top - 4 Burner - Almond
	081374-01-700	EA	Trim - Cab Top - Right
	081374-01-701	EA	Trim - Cab Top - Left
	081374-01-702	EA	Panel - Manifold - Warm Black
	081374-01-703	EA	Trim - Top Rear
	081374-01-704	EA	Guard - Fabric
	084879-01-000	EA	Refrigerator - AC/DC/Gas - Norcold 8' - 838-EG3
	084880-01-000	EA	Refrigerator - 3 Way - 10' Norcold
	084879-01-700	EA	Cooling Unit F/Model 8663
	084879-01-701	EA	Lower Door Gasket
	084879-01-702	EA	Lower Door Handle
	084879-01-703	EA	Foamed Cabinet Asm.
	084879-01-704	EA	Foamed Lower Door Liner w/Frame
	084879-01-705	EA	Panel Holder - Lower Door
	084880-01-700	EA	Cooling Unit F/Model 8663
	084880-01-701	EA	Lower Door Handle
	084880-01-702	EA	Foamed Cabinet Asm.
	084880-01-703	EA	Foamed Lower Door Liner w/Frame
	084880-01-704	EA	Panel Holder - Lower Door
	084880-01-705	EA	Orifice
	084880-01-706	EA	DC Light Bulb
	084880-01-707	EA	Heater - 3-Way
	084880-01-708	EA	Baffle Asm.
	084880-01-709	EA	Lamp Socket
	084880-01-710	EA	Ignition Electrode
	084880-01-711	EA	Sensor Electrode
	084880-01-712	EA	Control Module - Fenwal
	084880-01-713	EA	Make Connector - Inlet Fitting
	084880-01-714	EA	Burner - No Electrodes
	084880-01-715	EA	Valve - Shut Off - Manual
	084880-01-716	EA	Burner Tube - Asco
	084880-01-717	EA	Control Module - Channel
	084880-01-718	EA	Gas Valve - Asco
	084880-01-719	EA	Brass Elbow - Asco
	084880-01-720	EA	Spring - For Door Handle
	084880-01-721	EA	Power Supply Cover
	084880-01-722	EA	Crisper Cover
	084880-01-723	EA	Power Supply Board - 3-Way
	084880-01-724	EA	Hinge Plate - Bottom of Door Asm.
	084880-01-725	EA	Hinge Plate - Top of Door Asm.
	084880-01-726	EA	Hinge Bracket - Center Hinge
	084880-01-727	EA	Upper Door Gasket
	084880-01-728	EA	Lower Door Gasket
	084880-01-729	EA	Eyebrow - 3-Way
	084880-01-730	EA	Crisper

** The illustrated parts breakdown for this item is provided on the Common Items Fiche.

**1987 WINNEBAGO
TABLE OF CONTENTS**

WC420E(1)	A-01 - B-08
WF420RT	B-07 - D-10
WCN26RH	D-11 - F-14
WCN27RT	F-15 - H-20
WCP26ET	H-21 - K-02

1987 WCN26RH INDEX

Floor Plan	D-11 - D-12
Accessories Group	D-13 - D-15
Bath Group	D-16
Chassis Group	D-17 - D-19
Curtain, Cushion & Pad Group	D-20 - E-02
Dinette Group	E-03 - E-04
Driver's Compartment Group	E-05 - E-07
Electrical Group	E-08 - E-09
Exterior Body Group	E-10 - E-14
Galley Group	E-15 - E-17
Heating & Air Conditioning Group	E-18
Interior Finish Group	E-19 - E-21
LP Group	E-22
Lounge Group	E-23 - E-24
Water & Sewage Group	F-01 - F-02
Window, Vent & Exterior Door Group	F-03 - F-14

GALLEY GROUP (CONTINUED)

GALLEY HARDWARE & APPLIANCES (CONT.)

Key	Part Number	U/M	Description
	084880-01-731	EA	Hinge Pin
	084880-01-732	EA	Latch
	084880-01-733	EA	Dairy Keeper
	084880-01-734	EA	Hinge Bracket Asm. - Right
	084880-01-735	EA	Hinge Bracket Asm. - Left
	084880-01-736	EA	Light Switch - Brown
	084880-01-737	EA	Foamed Upper Door Liner w/Frame
	084880-01-738	EA	Control Bracket Asm. - 3-Way
	084880-01-739	EA	End Cap - Spring Catch
	084880-01-740	EA	End Cap - Stop Catch
	084880-01-741	EA	Humidity Switch
	084880-01-742	EA	Lower Seal Trim
	084880-01-743	EA	P/C Board - 3-Way
	084880-01-744	EA	Hinge Pin Shaft - Center Hinge
	084880-01-745	EA	Hinge Bushing
	084880-01-746	EA	Cable
	084880-01-747	EA	Hole Plug
	084880-01-748	EA	Snap In Plug
	084880-01-749	EA	Hinge Bushing
	084880-01-750	EA	Door Shelf Bins
	084880-01-751	EA	Upper Door Handle
	084880-01-752	EA	Eyebrow Asm.
	084880-01-753	EA	Thermostat Sensor
	084880-01-754	EA	Shelf - Juice
	054450-01-000	EA	Level - Refrigerator
	065225-01-000	EA	Tiedown Plate - Refrigerator
	081379-01-000	EA	Microwave Oven - Convection Oven - Sharp
	081459-03-000	EA	Bracket Asm. - Microwave - Right
	081459-04-000	EA	Bracket Asm. - Microwave - Left
	081456-01-000	EA	Angle Asm. - Microwave - Right
	081456-02-000	EA	Angle Asm. - Microwave - Left
	081555-01-T03	EA	Trim Ring - Microwave
	062676-01-000	EA	Baffle - Microwave
	066615-01-000	EA	Sink - Stainless Steel - Double w/Bolts
..	011053-01-000	EA	Faucet - Swing Spout - 8" - US
..	011053-01-700	EA	Aerator - Swing Spout Faucet
	069437-01-000	EA	Strainer w/Basket - Sink
	081530-01-W07	EA	Sink Cover - Large
	009059-01-000	EA	Hinge - 2" - Gold - Drop Leaf Table
	074490-01-000	EA	Spice Rack - Oak
	074491-01-000	EA	Magazine Rack - Oak
	074981-01-000	EA	Cutting Board - Maple
	058334-01-000	EA	Wastebasket - 9 3/4" x 7" x 10" - White
	059877-01-000	EA	Support - Wastebasket - Metal - Galley Mount
	083385-01-U16	EA	Cover - Wastebasket
	047744-01-000	EA	Kit - Drawer Guide - Plastic
	077409-01-000	EA	Slider - Drawer - 20.75" - Plastic
	077404-01-000	EA	Drawer - 20" x 12.70" - Plastic
	011083-01-000	EA	Plug - 1 1/4" x 5" - w/Stopper
	M81520-01-U04	EA	Pantry Asm. - Pullout
	062129-01-000	EA	Slide Asm. - Pantry - w/Bracket
	062129-02-000	EA	Slide Asm. - Pantry - w/Bracket - Opp.
	076097-01-000	EA	Bracket - Catch - Pantry
	076098-01-000	EA	Slide Bracket - Pantry
	075451-01-000	EA	Storage Rack - Canned Goods
	075451-02-000	EA	Storage Rack Clip - White

.. The illustrated parts breakdown for this item is provided on the Common Items Fiche.

HEATING & AIR CONDITIONING GROUP

FURNACE & ROOF AIR CONDITIONER

Key	Part Number	U/M	Description
..	078182-01-000	EA	Furnace - 20,000 BTU - w/Electric Ignition
..	078182-03-000	EA	Furnace - 30,000 BTU - w/Electric Ignition
	066636-02-000	EA	Connector - 4" Duct
	009198-01-000	EA	Duct - Flexible - 4" I.D. x 25'
	056464-01-000	EA	Register - 4" Dia. - Plastic - w/Damper
	056464-02-000	EA	Register - 4" Dia. - Plastic - w/o Damper
	009200-01-000	EA	Tape - Furnace - 1 1/2"
	023146-01-000	EA	Clamp - Screw Type - 4"
	073743-01-000	EA	Shroud Asm. - Ceiling - Inside - Roof Air 13,500 BTU - Cool Only
	073744-01-000	EA	Shroud Asm. - Ceiling - Inside - Roof Air 13,500 BTU - Heat & Cool
..	073742-01-000	EA	Air Conditioner - 110 Volt - Roof Mount - 13,500 BTU Rotary
..	The illustrated parts breakdown for this item is provided on the Common Items Fiche.		

AUTOMOTIVE HEATER & AIR CONDITIONER

Key	Part Number	U/M	Description
	072341-07-000	EA	Heater/Evaporator Asm.
	072341-01-700	EA	Wheel - w/Retainer & Index Clip
	072341-01-701	EA	Core - Heater
	072341-01-702	EA	Coil - Evaporator
	072341-01-703	EA	Valve - Expansion
	072341-01-704	EA	Valve - Suction
	072341-01-705	EA	Switch - Pressure - Low Cut Out
	072341-01-706	EA	Resistor
	072341-01-707	EA	Thermostat
	072341-01-708	EA	Motor - Vacuum
	R77005-81-129	EA	Relay - Glow Plug
	072341-01-710	EA	Control Asm. - Heater A/C
	072341-01-711	EA	Cable - Bowden - 72"
	072341-01-712	EA	Switch - Vacuum
	072341-01-713	EA	Switch - Jumper Control
	072341-01-714	EA	Valve - Heater - Water Flow Control
	072341-01-715	EA	Escape & Louver Adapter Asm.
	072341-01-716	EA	Discharge Valve - 1/2"
	072341-06-000	EA	Duct & Control Kit
	072342-03-000	EA	Condenser Asm. - w/Fans
	073242-02-700	EA	Receiver Drier - Condenser Asm.
	072343-01-000	EA	Compressor/Clutch
	072344-01-000	EA	Package - Compressor Mount
	074026-01-000	EA	Package - Compressor Mount - 6.2 L Diesel
	039044-01-000	EA	Louver Asm. - A/C Adjustable
	007076-01-700	FT	Hose - Flexible PVC - 2" I.D.
	007281-01-700	FT	Hose - Flexible PVC - 2 1/2" I.D.
	007106-01-000	FT	Hose - Heater - 5/8" I.D. SAE 20R3
	062401-04-000	EA	Clamp - Worm Drive - .69" - 1.25" I.D.
	010227-01-000	EA	Tee - Plastic - Barb 5/8" or 3/4" Hose

1987 WINNEBAGO TABLE OF CONTENTS

WC420EG	A-01 - B-06
WF426RT	B-07 - D-10
WCN26RH	D-11 - F-14
WCN27RT	F-15 - H-20
WCP26ET	H-21 - K-02

1987 WCN26RH INDEX

Floor Plan	D-11 - D-12
Accessories Group	D-13 - D-15
Bath Group	D-16
Chassis Group	D-17 - D-19
Curtain, Cushion & Pad Group	D-20 - E-02
Dinette Group	E-03 - E-04
Driver's Compartment Group	E-05 - E-07
Electrical Group	E-08 - E-09
Exterior Body Group	E-10 - E-14
Galley Group	E-15 - E-17
Heating & Air Conditioning Group	E-18
Interior Finish Group	E-19 - E-21
LP Group	E-22
Lounge Group	E-23 - E-24
Water & Sewage Group	F-01 - F-02
Window, Vent & Exterior Door Group	F-03 - F-14

INTERIOR FINISH GROUP

CURTAIN & CUSHION HARDWARE

Key	Part Number	U/M	Description
	081381-01-000	EA	Swivel Snap - Curtain Track
	029130-01-000	EA	Snap Socket - Curtain Bottom
	062139-02-000	EA	Bracket - Blind - Hold Down
	063170-03-000	EA	Bracket - Blind - Top Right
	063170-04-000	EA	Bracket - Blind - Top Left
	056003-01-000	EA	Bracket - Drapery - Retainer - Right
	056003-02-000	EA	Bracket - Drapery - Retainer - Left
	062139-03-000	EA	Bracket - Hold Down - Blind
	079619-01-000	EA	Bracket - Tie Back
	064434-01-000	EA	Bracket - Shade
	065263-01-000	EA	Pull - Window Shade - Polished Brass
	04A394-02-000	YD	Tape Hook - .75" x 50 yd - Beige
	048395-02-000	YD	Tape Loop - .75" x 50 YD - Beige
	029090-01-000	FT	Tie - Drapery - Clear Vinyl
	056116-01-000	EA	Track - Curtain - Brown Plastic - Top
	079946-01-000	EA	Track - Curtain - Wraparound - Right
	079946-02-000	EA	Track - Curtain - Wraparound - Left
	065283-01-000	EA	Bracket - Curtain Hold Back - Clear Plastic
	067253-01-000	EA	Shade Pull - Clear Plastic

PANELING & LAMINATE

Key	Part Number	U/M	Description
	074497-09-000	SF	Paneling - Sand - 48" x 84" (28 SF) (Wall)
	074496-69-000	SF	Paneling - Decor - Pom/Peach - 48" x 84" (28SF) (Wet Bath) (W07, W09)
	074496-70-000	SF	Paneling - Decor - Pom/Mauve - 48" x 84" (28SF) (Wet Bath) (W08)
	074496-81-000	SF	Paneling - Decor - Pom/Peach - 48" x 84" (28SF) (Galley/Bath) (W07, W09)
	074496-82-000	SF	Paneling - Decor - Pom/Mauve - 48" x 84" (28SF) (Galley/Bath) (W08)
	074497-03-000	SF	Paneling - Sunset Oak - 48" x 84" (28SF) (Cabinets)
	074498-13-000	SF	Plastic Laminate - Sand Quadrus (Galley/Dinette)
	074498-21-000	SF	Plastic Laminate - Sea Frost (Bath) (W07)
	074498-15-000	SF	Plastic Laminate - Blush (Bath) (W08)
	074498-16-000	SF	Plastic Laminate - T/Apricot (Bath) (W09)
	074498-05-000	SF	Plastic Laminate - Sunset Oak (Nightstand & Table Tops)
	076325-04-000	FT	Plastic Laminate - Edge Band - Sunset Oak - 1 5/16" x 600'

INTERIOR MOLDING & TRIM

Key	Part Number	U/M	Description
	024700-21-000	EA	Cover - Sidewall Roll Bar - Beige
	081521-01-001	EA	Molding w/Holes - Corner - 16"
	042357-09-000	FT	Molding - Radius Corner - 7' Elm
	022992-08-000	FT	Molding - Reverse Cove - White
	066229-01-000	EA	Retainer - .75" - Batt Strip - Brown Plastic
	066229-02-000	EA	Batt Strip - 1" - Tan Plastic
	065284-01-000	FT	Batt Strip - Adhesive Tape - Woodgrain
	069733-86-000	EA	Batt Strip - Classique Tweed - 8' (Wall)
	065284-05-000	FT	Batt Strip - Adhesive Tape - Classique Tweed
	069733-71-000	EA	Batt Strip - Winnie - 8' (Galley & Bath)
	069733-74-000	EA	Batt Strip - Winnie - 8' (Wet Bath)
	070504-01-000	FT	U-Channel - .065" - Light Brown
	009778-04-000	FT	U-Channel - 1" - Grady Brown
	083620-01-000	FT	T-Molding - .75" - w/Edge Lips - Grady Brown
	076325-04-000	FT	T-Molding - 1 5/16" - Sunset Oak
	077840-01-T03	EA	Molding - Wall Cap - 96" - Vinyl Covered - Sunset Oak
	077953-01-000	EA	Grommet - 1" Hole Liner
	009787-06-000	FT	Wetting - Beige
	042356-01-000	EA	Plug - 3/8" - Mahogany

INTERIOR FINISH GROUP (CONTINUED)

CABINETRY & TABLE HARDWARE

Key	Part Number	U/M	Description
	063200-05-000	EA	Bracket - Upper Wall Mount - 23.5" - Beige
**	053201-06-000	EA	Bracket - Table Mount - 23" - Beige
	024275-05-000	EA	Rod - Table Lift - 8" x 23.5" - Beige
	024281-07-000	EA	Bracket - Lower Wall Mount - 22.12" - Beige
	024276-17-000	EA	Leg Asm. - Table - 26.5" - Tan
**	064050-02-000	EA	Hinge - Table Leg - Tan
**	024282-01-000	EA	Brace - Table Leg
**	024283-01-000	EA	Clip - 1" O.D. Tube
	049493-05-000	EA	Catch - Table Leg - Mounts on Floor - Tan
	009112-01-000	EA	Flange - 1" - Chrome - Closet Rod
	077409-01-000	EA	Slide - Drawer - Plastic - 20.75"
	009049-01-000	EA	Table Support - Drop Leaf
	009059-01-000	EA	Hinge - 2" - Drop Leaf Table - Gold
	006263-01-000	EA	Pull - Polished Brass Centers
	009016-01-000	EA	Elbow - Catch - Spring Loaded
	057871-01-000	EA	Screw Cover - #8 - Off White
	072369-20-000	EA	Mesh - Grille - 22" x 12" - Duraton Bronze
	009221-01-000	EA	Catch - Nylon
**	009021-02-000	EA	Strike - Nylon Catch
**	059777-02-000	EA	Hinge - Cabinet Door - Antique Light Brass
	074493-02-000	EA	Support - Sprung - Door
	066433-01-000	EA	Hook - Cup - Bright
	075680-01-000	EA	Clothes Rod - Adjustable - 27" x 36"
	041194-01-000	EA	Base - Table - Flush Mounts In Floor
	009040-03-000	EA	Base - Table - Mounts on Table
	080728-01-000	EA	Handle - Pullout Table
	066263-01-000	EA	Pull - Polished Brass
	064466-02-000	EA	Slide Asm. - Drawer - Right
	064466-03-000	EA	Slide Asm. - Drawer - Left
	064466-04-000	EA	Slide Asm. - Cabinet - Right
	064466-05-000	EA	Slide Asm. - Cabinet - Left
**	084451-01-000	EA	Catch - TV Shelf - Brass
**	The illustrated parts breakdown for this item is provided on the Common Items Fiche.		

MISCELLANEOUS PARTS

Key	Part Number	U/M	Description
	053552-02-W04	EA	Handle Asm. - Interior Assist - Medium Almond Vinyl
	041944-04-000	EA	Fire Extinguisher - Dry 5BC
	064472-01-000	EA	Holder - Recessed Fire Extinguisher
	054185-26-000	EA	Owner's Manual - 1987 Itasca & Winnebago
	007038-01-000	EA	Door Mat - 10 1/2" x 26" - Black Rubber
	066296-01-000	EA	Picture - Decor

1987 WINNEBAGO TABLE OF CONTENTS

WC420EG	A-01 - B-06
WF426RT	B-07 - D-10
WCN26RH	D-11 - F-14
WCN27RT	F-15 - H-20
WCP26ET	H-21 - K-02

1987 WCN26RH INDEX

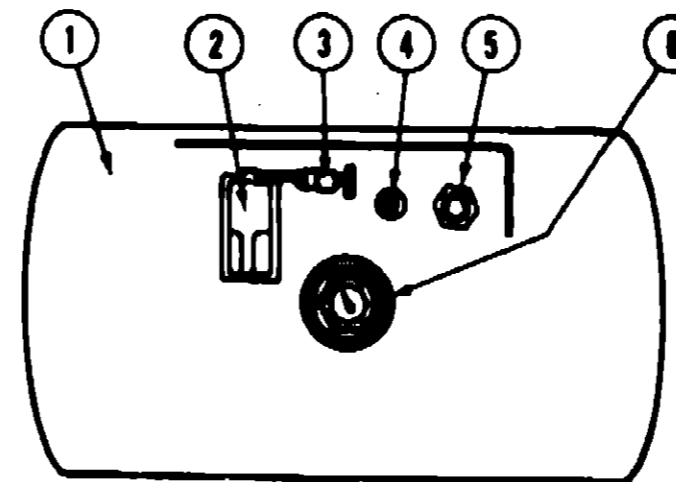
Floor Plan	D-11 - D-12
Accessories Group	D-13 - D-15
Bath Group	D-16
Chassis Group	D-17 - D-19
Curtain, Cushion & Pad Group	D-20 - E-02
Dinette Group	E-03 - E-04
Driver's Compartment Group	E-05 - E-07
Electrical Group	E-08 - E-09
Exterior Body Group	E-10 - E-14
Galley Group	E-15 - E-17
Heating & Air Conditioning Group	E-18
Interior Finish Group	E-19 - E-21
LP Group	E-22
Lounge Group	E-23 - E-24
Water & Sewage Group	F-01 - F-02
Window, Vent & Exterior Door Group	F-03 - F-14

INTERIOR FINISH GROUP (CONTINUED)

FABRICS & CARPET

Key	Part Number	U/M	Description
	061807-02-000	YD	Fabric - Headliner - Sandstone
	077498-81-000	YD	Fabric - Main - Jade/Taupe (W07)
	077498-82-000	YD	Fabric - Main - Rose (W08)
	077498-83-000	YD	Fabric - Main - Taupe (W09)
	077498-A6-000	YD	Fabric - Stripped Accent - Jade/Taupe (W07)
	077498-A5-000	YD	Fabric - Stripped Accent - Rose (W08)
	077498-A7-000	YD	Fabric - Stripped Accent - Taupe (W09)
	077498-95-000	YD	Fabric - Plain Accent - Jade/Taupe (W07)
	077498-81-000	YD	Fabric - Plain Accent - Rose (W08)
	077498-98-000	YD	Fabric - Plain Accent - Taupe (W09)
	069729-47-000	YD	Fabric - Bedspread Drapery - Jade/Taupe (W07)
	069729-48-000	YD	Fabric - Bedspread Drapery - Rose (W08)
	069729-49-000	YD	Fabric - Bedspread Drapery - Taupe (W09)
	072333-34-000	YD	Fabric - Drapery - Shades & Tie Back - Jade/Taupe (W07)
	072333-35-000	YD	Fabric - Drapery - Shades & Tie Back - Rose (W08)
	072333-36-000	YD	Fabric - Drapery - Shades & Tie Back - Taupe (W09)
	072333-39-000	YD	Fabric - Wraparound & Blackout - Jade/Taupe (W07)
	072333-37-000	YD	Fabric - Wraparound & Blackout - Rose (W08)
	072333-38-000	YD	Fabric - Wraparound & Blackout - Taupe (W09)
	052859-01-W07	FT	Trim Asm. - Accent - Sandrift
	079880-01-000	YD	Vinyl - Expanded - 28 oz. - Buckskin
	079880-02-000	YD	Vinyl - Expanded - 28 oz. - Sandrift
	038421-01-000	YD	Fabric - Mattress Ticking
	029012-01-000	BF	Foam - Rolled - 3/8"
	072880-58-000	YD	Carpet - Jade/Taupe (W07)
	072880-56-000	YD	Carpet - Rose (W08)
	072880-57-000	YD	Carpet - Taupe (W09)

LP GROUP



Key	Part Number	U/M	Description
1	080450-01-000	EA	Tank Asm. - LP - Frame Mount - 42 Pound - 13" x 24"
1	074142-01-000	EA	Tank Asm. - LP - Frame Mount - 80 Pound - 13" x 44"
*	065741-01-000	EA	Detector - LP Gas Leak - Marshalltown Instruments
2	081938-01-000	EA	Compartment - LP Regulator
*	078301-01-000	EA	Regulator - Two Stage - US (Dual)
*	076301-02-000	EA	Regulator - Two Stage - CSA (Dual)
3	040421-01-703	EA	Valve - Vapor Relief
4	040421-01-700	EA	Gauge - Liquid Level - 20% LP
5	040421-01-701	EA	Valve - Filler - LP
*	040421-01-702	EA	Cap - Plastic Fill Valve
6	040421-01-707	EA	Gauge - Float - w/Visible Dial
*	040421-01-706	EA	Dial - Visible Face - Float Gauge (Tank w/o Electric Transmitter)
*	040440-01-000	EA	Dial - Transmitter - 0 - 99 Ohm (Float Gauge)
*	045703-01-000	EA	Hose Asm. - LP - 3/8" I.D. x 24" - US
*	045703-02-000	EA	Hose Asm. - LP - 3/8" I.D. x 24" - CSA
*	045703-03-000	EA	Hose Asm. - LP - 3/8" I.D. x 18" - US
*	045703-04-000	EA	Hose Asm. - LP - 3/8" I.D. x 14" - CSA
*	065742-01-000	EA	Tee - .38 F x .39 F x .25 FPT
*			Not illustrated

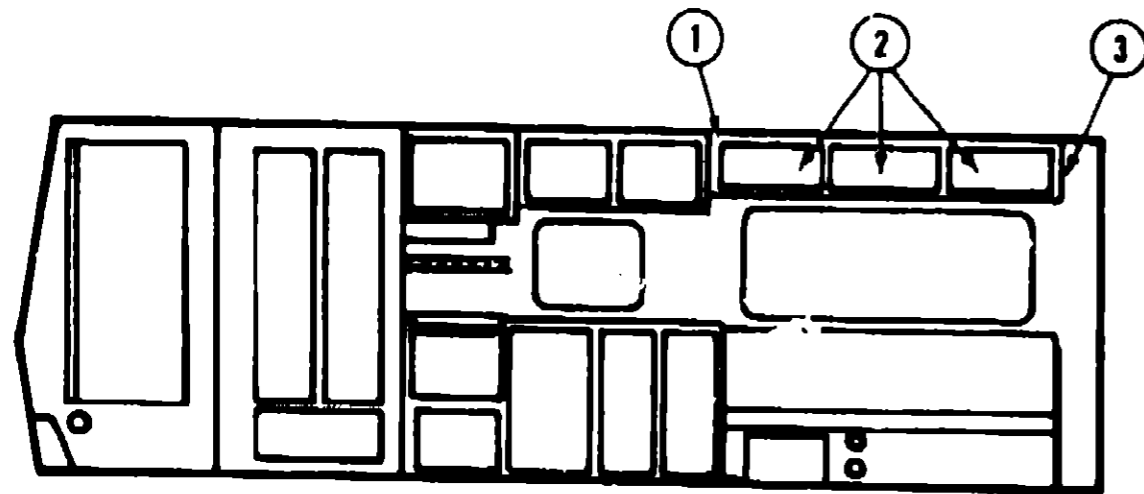
**1987 WINNEBAGO
TABLE OF CONTENTS**

WC420EG	A-01 - B-08
WF426RT	B-07 - D-10
WCN26RH	D-11 - F-14
WCN27RT	F-15 - H-20
WCP26ET	H-21 - K-02

1987 WCN26RH INDEX

Floor Plan	D-11 - D-12
Accessories Group	D-13 - D-15
Bath Group	D-16
Chassis Group	D-17 - D-19
Curtain, Cushion & Pad Group	D-20 - E-02
Dinette Group	E-03 - E-04
Driver's Compartment Group	E-05 - E-07
Electrical Group	E-08 - E-09
Exterior Body Group	E-10 - E-14
Galley Group	E-15 - E-17
Heating & Air Conditioning Group	E-18
Interior Finish Group	E-19 - E-21
LP Group	E-22
Lounge Group	E-23 - E-24
Water & Sewage Group	F-01 - F-02
Window, Vent & Exterior Door Group	F-03 - F-14

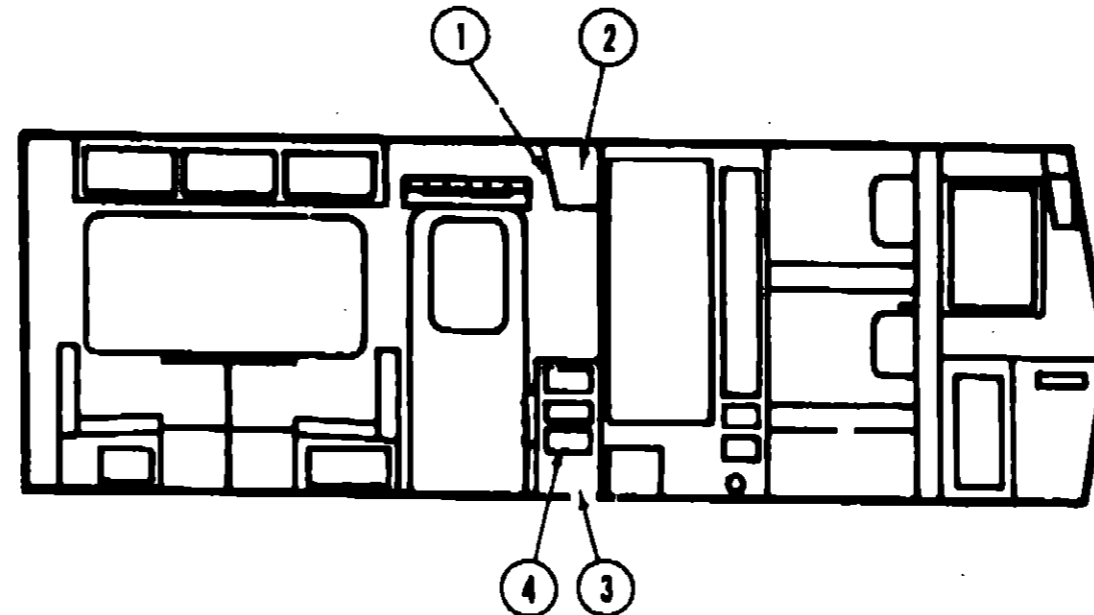
LOUNGE GROUP



FRONT LOUNGE & OVERHEAD CABINERY

Key	Part Number	U/M	Description
1	081302-01-W07	EA	Cabinet Asm. - Lounge Overhead - w/o Doors or Hardware
2	M81503-01-W07	EA	Door Asm. - Lounge Overhead - w/o Hardware
3	081325-01-T03	EA	Pad Asm. - End Cap - Vinyl
•	081298-01-U04	EA	Table Asm. - Pedestal - w/o Hardware
•	009040-06-000	EA	Leg - Pedestal Table - 27.5" x 2.25" O.D.
•	009040-03-000	EA	Base - Table - Mounts on Table
•	041194-01-000	EA	Base - Table - Mounts in Floor
•	062046-01-000	EA	Clip - Pedestal Leg
•			Not illustrated

LOUNGE GROUP (CONTINUED)



NIGHTSTAND & OVERHEAD CABINERY

Key	Part Number	U/M	Description
1	M81503-07-W07	EA	Door Asm. - Nightstand Overhead - w/o Hardware
•	082431-01-W07	EA	Cabinet Asm. - Nightstand Overhead - w/o Doors or Hardware
2	081280-05-U04	EA	Pad Asm. - End Cap - Vinyl
3	M82430-01-W07	EA	Cabinet Asm. - Nightstand - w/o Drawers, Countertop or Hardware
•	M02560-01-U04	EA	Countertop Asm. - Nightstand
4	M78921-05-U04	EA	Drawer Asm. - Nightstand Cabinet
•	074491-02-000	EA	Magazine Rack - Oak
•			Not illustrated

1987 WINNEBAGO TABLE OF CONTENTS

WC420EG	A-01 - B-06
WF426RT	B-07 - D-10
WCN26RH	D-11 - F-14
WCN27RT	F-15 - H-20
WCP26ET	H-21 - K-02

1987 WCN26RH INDEX

Floor Plan	D-11 - D-12
Accessories Group	D-13 - D-15
Bath Group	D-16
Chassis Group	D-17 - D-19
Curtain, Cushion & Pad Group	D-20 - E-02
Dinette Group	E-03 - E-04
Driver's Compartment Group	E-05 - E-07
Electrical Group	E-08 - E-09
Exterior Body Group	E-10 - E-14
Galley Group	E-15 - E-17
Heating & Air Conditioning Group	E-18
Interior Finish Group	E-19 - E-21
LP Group	E-22
Lounge Group	E-23 - E-24
Water & Sewage Group	F-01 - F-02
Window, Vent & Exterior Door Group	F-03 - F-14

WATER & SEWAGE GROUP

PLUMBING & REPAIR PARTS

Key	Part Number	U/M	Description
	033302-02-000	EA	Adapter Asm. - SWVC Strain - 1 1/2"
	010326-01-000	EA	Adapter - Flare - w/Cone Gasket
	062422-01-000	EA	Adapter - Hose Offset - Reducer - 3" x 1 1/2"
	052954-01-000	EA	Adapter - Hose Cone - 3/8 or 1/2 - Plastic
	010224-01-000	EA	Adapter - Plastic - 3/8 MPT x 3/8 Barb
	044927-01-000	EA	Adapter - Plastic - 1 1/4" MPT x 1 1/4 Barb
	031602-02-000	EA	Adapter - Plastic - 1 1/2 H x FPT
	011046-04-000	EA	Breaker - Vacuum - 1/8 MPT - Nylon
**	010121-01-000	EA	Bushing - Plastic - 1 1/2 S x 1 1/4 H
	010122-01-000	EA	Bushing - Plastic - 1 1/2 S x 1 1/4 T
	010123-01-000	EA	Bushing - Plastic - 2S x 1 1/2 H
	036522-02-000	EA	Cap - Brass - 1/2 Flare
	075730-01-000	EA	Cap - Sewer - 3"
	052959-02-000	EA	Connector - 1/2 F x 1/2 MPT - Plastic
	052959-03-000	EA	Connector - 1/2 F x 3/8 MPT - Plastic
	011091-02-000	EA	Continuous Waste - Double Sink - 11 7/8" - US
	053874-01-000	EA	Continuous Waste Asm. - Double Sink - CSA
	078406-01-000	EA	Coupler Rubber - 3" x 3"
	052960-01-000	EA	Drain Valve - 1/2 F x 1/2 F - Plastic
	010000-01-000	EA	Elbow - Plastic - 1/8 BD x 1 1/4 x 45° H x H
	010005-01-000	EA	Elbow - Plastic - 1/16 BD x 1 1/2
	010006-01-000	EA	Elbow - Plastic - 1/8 BD x 1 1/2 x 45° H x H
	010008-01-000	EA	Elbow - Plastic - 1/4 BD x 1 1/2 x 90° Left
	010051-01-000	EA	Elbow - ST - Plastic - 1/8 BD x 1 1/2 x 45°
	010219-01-000	EA	Elbow - 1 1/4 Barb x 1 1/4 MPT x 90°
	031111-01-000	EA	Elbow - Plastic - 1/4 BD x 1 1/4 x 90° Left
	034250-01-000	EA	Elbow - Plastic - 1/4 BD x 1 1/2 x 90° x H x H
	035539-01-000	EA	Elbow - Plastic - 3/8 MPT x 3/8 Barb
	052957-01-000	EA	Elbow - Plastic - 1/2 F x 3/8 MPT
	052957-02-000	EA	Elbow - Plastic - 1/2 F x 1/2 MPT (In Tank Filter)
	065120-01-000	EA	Elbow - Plastic - Swivel - .50
	070924-01-000	EA	Elbow - Plastic - Swivel - 1/2 MPT x 1/2 FP
	075726-01-000	EA	Extension Outlet - Sewer Hose
	077954-01-000	EA	Filter/Screen (In Water Tank)
	010147-01-000	EA	Flange - Closet - 4" F x 3" FPT - US
	010147-02-000	EA	Flange - Closet - 4" F x 3" FPT - CSA
	079381-01-000	FT	Flexible Tubing - 1 1/4 I.D. x 10'
	061607-01-000	EA	Grommet - Holding Tank Coupler - 1 1/2"
	061607-02-000	EA	Grommet - Holding Tank Coupler - 3"
	052961-01-000	EA	Header - 1/2 F x 1/2 F x 1/2 F x 1/2 F
	052953-01-000	EA	Nut - Faucet - 1/2 Tube x 1/2 FPT
	052952-01-000	EA	Nut - 1/2 F - Plastic
**	011066-03-000	EA	P-Trap - 1 1/4" Plastic - US
**	011066-02-000	EA	P-Trap - 1 1/4" Plastic - CSA
	053335-01-000	EA	P-Trap - Plastic - 1 1/4 H x H - w/Union - CSA
	010197-01-000	EA	Pipe - Plastic - 3" x 240" - Black
	045729-01-000	EA	Pump - Water - 2.8 G.P.M. - Direct Drive - Shurflo - US
	045729-02-000	EA	Pump - Water - 2.8 G.P.M. - Direct Drive - Shurflo - CSA
**	010201-01-000	EA	Sewer Hose - 3" x 8' w/Clamp
	042989-02-000	EA	Spinweld Fittings - Plastic - 1/2 FPT (In Tank Fitter)
	042989-03-000	EA	Spinweld Fittings - Plastic - 1/4 NPT
	042989-04-000	EA	Spinweld Fittings - Plastic - 3/8 FPT
	011069-02-000	EA	Tailpiece - 1 1/2" x 1 1/4" x 4" - Brass
**	011069-03-000	EA	Tailpiece - 1 1/2" x 1 3/4" - Plastic

WATER & SEWAGE GROUP (CONTINUED)

PLUMBING & REPAIR PARTS (CONT.)

Key	Part Number	U/M	Description
	010071-01-000	EA	Toe - Plastic - 1 1/2 x H x H x H
	010072-01-000	EA	Tee - Plastic - 1 1/2 H x 1 1/4 H x 1 1/2 H
**	010079-01-000	EA	Tee - Plastic 1 1/2 H x 1 1/2 H x 1 1/4 H
	052955-01-000	EA	Tee - Plastic - 1/2 F x 1/2 F x 1/2 MPT
	052956-01-000	EA	Tee - Plastic - 1/2 F x 1/2 MPT x 1/2 F
	052958-01-000	EA	Tee - Plastic - 1/2 F x 1/2 F x 1/2 F
	039800-01-000	FT	Tubing - Polybutyl - 1/2 O.D. (Water Line)
	079381-01-000	FT	Tubing - Flexible - Smooth - 1.25 I.D.
	074462-02-000	FT	Tubing - Vinyl - 3/8 I.D.
	072346-01-000	EA	Valve Asm. - 3" Ell - w/2" Socket
	062421-01-000	EA	Valve - 1 1/2" - w/Handle
	052960-01-000	EA	Valve - Line Drain - 1/2 F x 1/2 F
	010073-01-000	EA	Wye - Plastic - 1 1/2 x 45 H x H

** The illustrated parts breakdown for this is provided on the Common Items Fiche.

HOLDING TANKS & WATER HEATERS

Key	Part Number	U/M	Description
	078252-01-000	EA	Tank Asm. - Water - 44 Gallon - w/o Fittings
	M01275-77-000	EA	Tank - Holding - 33 Gallon - w/o Fittings - Waste Water
	075298-01-000	EA	Tank Asm. - Holding - 37 Gallon - w/o Fittings - Sewage
**	051391-01-000	EA	Water Heater - w/o Motor Aid - Atwood - G6A-3
**	051391-03-000	EA	Water Heater - w/Motor Aid - Atwood - G6A-3E
**	051393-01-000	EA	Water Heater - w/Motor Aid - Direct Ignition - Atwood - GH6-3E

** The illustrated parts breakdown for this item is provided on the Common Items Fiche.

1987 WINNEBAGO TABLE OF CONTENTS

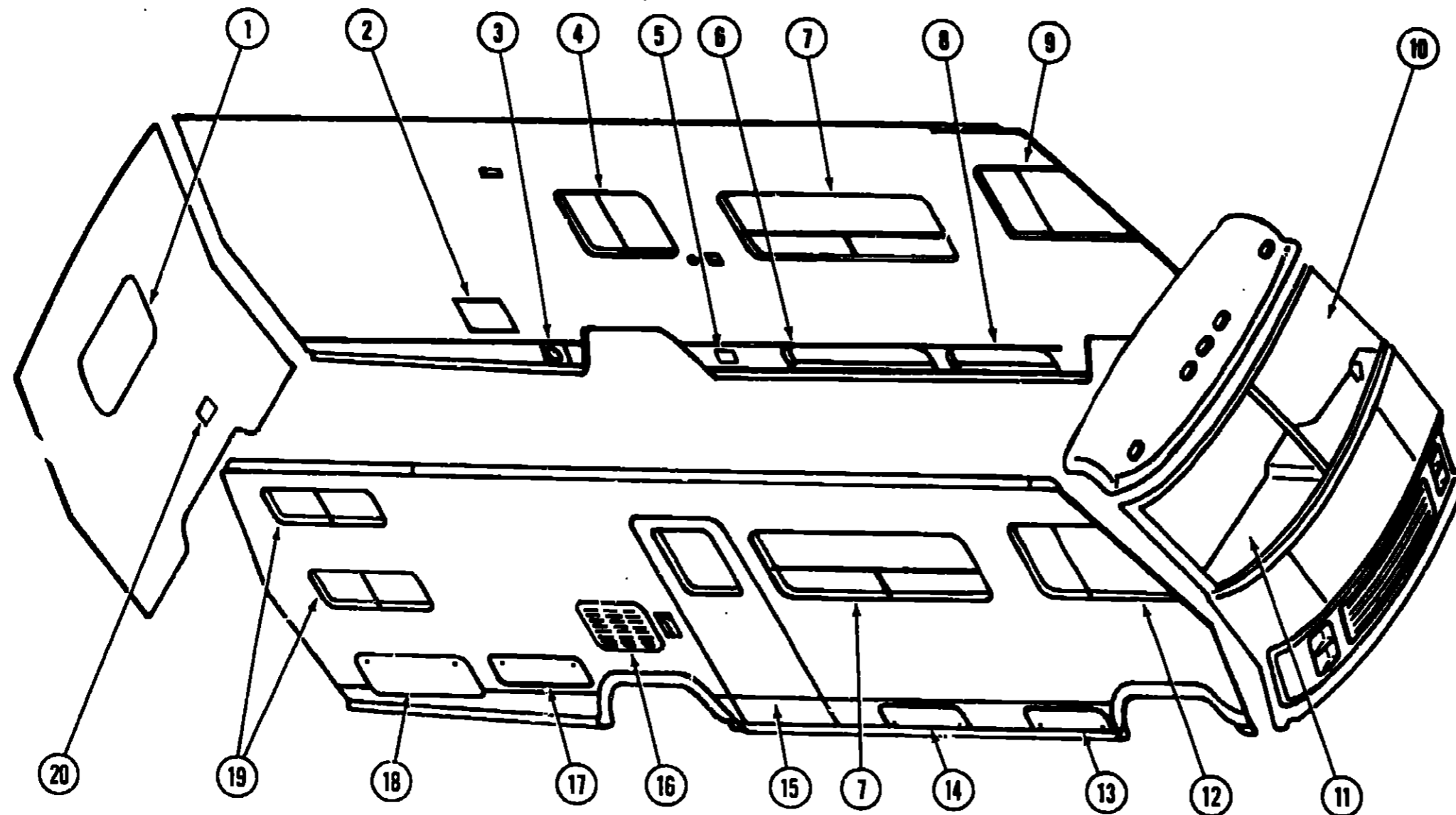
WC420EG	A-01 - B-06
WF42ERT	B-07 - D-10
WCN26RH	D-11 - F-14
WCN27RT	F-15 - H-20
WCP26ET	H-21 - K-02

1987 WCN26RH INDEX

Floor Plan	D-11 - D-12
Accessories Group	D-13 - D-15
Bath Group	D-16
Chassis Group	D-17 - D-19
Curtain, Cushion & Pad Group	D-20 - E-02
Dinette Group	E-03 - E-04
Driver's Compartment Group	E-05 - E-07
Electrical Group	E-08 - E-09
Exterior Body Group	E-10 - E-14
Galley Group	E-15 - E-17
Heating & Air Conditioning Group	E-18
Interior Finish Group	E-19 - E-21
LP Group	E-22
Lounge Group	E-23 - E-24
Water & Sewage Group	F-01 - F-02
Window, Vent & Exterior Door Group	F-03 - F-14

WINDOW, VENTS & EXTERIOR DOOR GROUP

WINDOWS & ACCESS DOORS



Key	Part Number	U/M	Description
1	079415-01-T03	EA	Window Asm. - Escape
2	052009-02-000	EA	Door Asm. - Water Heater
3	052423-02-000	EA	Door Asm. - Sewer Hose
4	078266-03-T03	EA	Window Asm. - Single Slider
5	063742-02-000	EA	Door Asm. - Power Cord
6	079435-03-T03	EA	Door Asm. - Luggage
†6	086531-03-W07	EA	Door Asm. - Luggage
7	085354-02-W07	EA	Window Asm. - Double Tipout
8	079436-02-T03	EA	Door Asm. - Storage
†8	086517-04-W07	EA	Door Asm. - Storage
9	085025-02-000	EA	Window Asm. - Slant
10	084464-02-000	EA	Glass - Windshield - Left

Key	Part Number	U/M	Description
11	084464-01-000	EA	Glass - Windshield - Right
12	084978-01-W30	EA	Window Asm. - Slant Slider
13	079436-01-T03	EA	Door Asm. - Access (Battery)
†13	086517-01-W07	EA	Door Asm. - Access (Battery)
14	079436-03-T03	EA	Door Asm. - Access
†14	086517-03-W07	EA	Door Asm. - Access
15	M01870-12-W07	EA	Door Asm. - Entrance
16	078969-03-T03	EA	Door Asm. - Refrigerator Access
*16	064104-01-000	EA	Door Asm. - Refrigerator Access - Half Door
17	079578-01-T03	EA	Door Asm. - Storage
18	079578-02-T03	EA	Door Asm. - Luggage
18	M01883-01-T03	EA	Door Asm. - Generator
19	078266-01-T03	EA	Window Asm. - Single Slider
20	078010-06-000	EA	Door Asm. - Fuel Fill

† Used in units produced after 11/3/86.
* Used in units produced after 11/17/86.

1987 WINNEBAGO TABLE OF CONTENTS

WC420EG
WF426RT
WCN26RH
WCN27RT
WCP26ET

A-01 - B-06
B-07 - D-10
D-11 - F-14
F-15 - H-20
H-21 - K-02

1987 WCN26RH INDEX

Floor Plan	D-11 - D-12
Accessories Group	D-13 - D-15
Bath Group	D-16
Chassis Group	D-17 - D-19
Curtain, Cushion & Pad Group	D-20 - E-02
Dinette Group	E-03 - E-04
Driver's Compartment Group	E-05 - E-07
Electrical Group	E-08 - E-09
Exterior Body Group	E-10 - E-14
Galley Group	E-15 - E-17
Heating & Air Conditioning Group	E-18
Interior Finish Group	E-19 - E-21
LP Group	E-22
Lounge Group	E-23 - E-24
Water & Sewage Group	F-01 - F-02
Window, Vent & Exterior Door Group	F-03 - F-14

WINDOW, VENT & EXTERIOR DOOR GROUP (CONTINUED)

WINDSHIELD

Key	Part Number	U/M	Description
	084484-01-000	EA	Glass - Windshield - Passenger
	084484-02-000	EA	Glass - Windshield - Driver
	083178-02-000	EA	Revel Molding - Centered Barb
	084903-01-000	FT	Revel Molding - Offset Barb
	084997-02-000	EA	Revel Molding - T-Cap
	087601-01-000	EA	Trim Molding - Windshield Post - Right
	087601-02-000	EA	Trim Molding - Windshield Post - Left

VENTS

Key	Part Number	U/M	Description
	084073-04-000	EA	Base - Refrigerator Vent
	084073-01-000	EA	Cover - Refrigerator Vent - Beige
	084616-02-000	EA	Vent - Stovehood - Outside - Beige
	075056-01-000	EA	Vent Asm. - Roof - Non-Powered - w/o Screen
	078786-01-T03	EA	Screen Asm. - Roof Vent
**	079537-01-000	EA	Vent Asm. - Roof - Powered - w/o Screen
	080910-01-000	EA	Panel - Outer Skylight
	081171-01-000	EA	Trim - Skylight Outer
	077902-01-000	EA	Collor - Skylight
	083558-01-000	EA	Vent Pipe Collor - Covered

** The illustrated parts breakdown for this item is provided on the Common Items Fiche.

ACCESS DOOR

Key	Part Number	U/M	Description
	052009-02-000	EA	Door Asm. - Water Heater
	052423-02-000	EA	Door Asm. - Sewer Hose
	078960-02-T03	EA	Door Asm. - Power Cord w/Hatch
	063742-02-000	EA	Door Asm. - Power Cord
	054543-02-000	EA	Hatch - Power Cord
	079435-03-T03	EA	Door Asm. - Luggage (Driver Side Center)
†	086531-03-W07	EA	Door Asm. - Luggage (Driver Side Center)
	079436-02-T03	EA	Door Asm. - Storage (Driver Side Front)
†	086517-04-W07	EA	Door Asm. - Storage (Driver Side Front)
	079436-01-T03	EA	Door Asm. - Access (Battery) (Passenger Side Front)
†	086517-01-W07	EA	Door Asm. - Access (Battery) (Passenger Side Front)
	079436-03-T03	EA	Door Asm. - Access (Passenger Side Center)
†	086517-03-W07	EA	Door Asm. - Access (Passenger Side Center)
	078969-03-T03	EA	Door Asm. - Refrigerator Access
*	084104-01-000	EA	Door Asm. - Refrigerator Access (Half Door)
	079578-01-T03	EA	Door Asm. - Storage (Passenger Side Rear)
	079578-02-T03	EA	Door Asm. - Luggage
	M01883-01-T03	EA	Door Asm. - Generator
	052181-03-000	EA	Baffle - Generator Door
	078010-06-000	EA	Door Asm. - Fuel Fill
	078200-01-000	EA	Gasket - Fuel Fill - 3.54"
	042442-01-000	EA	Lock Asm. - Twist Type - 90° Rotation - 1.5" Latch - .6" Depth
	009003-01-000	EA	Lock Asm. - Twist Type - w/Clip (Battery Door)
	077408-01-000	EA	Lock Asm. - Key Type - 90° Rotation - 2.5" Latch - 1" Depth
	079366-03-000	EA	Lock Asm. - Key Type - 90° Rotation - 1.3" Latch - 2.10" Depth
	079366-04-000	EA	Lock Asm. - Key Type - 90° Rotation - 1.3" Latch - 1.90" Depth
	085730-01-000	EA	Latch Asm. - Plastic - Beige
	085730-04-000	EA	Latch Asm. - Plastic - Beige (used on Right Rear Center Door)
	082684-01-000	EA	Key Set - Access Door (3)

† Used in units produced after 11/3/86.
* Used in units produced after 11/17/86.

WINDOW, VENT & EXTERIOR DOOR GROUP (CONTINUED)

DRIVER DOOR W/ROLL-UP WINDOW

Key	Part Number	U/M	Description
	M82202-01-U04	EA	Door Asm. - w/Roll-Up Window - Passenger
	M82202-02-U04	EA	Door Asm. - w/Roll-Up Window - Driver
	064184-02-000	EA	Drip Cap - Cab Door - Passenger
	064184-01-000	EA	Drip Cap - Cab Door - Driver
	M02684-01-000	EA	Jamb Asm. - Cab Door - Passenger
	M02684-02-000	EA	Jamb Asm. - Cab Door - Driver
	063993-01-000	EA	Hinge Asm. - Passenger
	063993-06-000	EA	Hinge Asm. - Driver
	082150-01-000	FT	Seal - Sponge (Jamb)
	082150-02-000	FT	Seal - Sponge (Door)
	063731-01-000	EA	Cap - Push On - Zinc
	061400-06-000	EA	Assist Strap - Sandstone
	064219-01-000	EA	Retainer Strap - Driver Door
	066109-02-000	EA	Strap - Driver Door
	063733-01-000	EA	Bushing - Flange - Nylon
	063729-01-000	EA	Rivnut - 1/4 x 20 unc. - .030 - .125
	081903-01-000	EA	Shaft - Mounting Knob
	081905-01-000	EA	Knob - Control - Slide Bolt - Passenger
	081905-02-000	EA	Knob - Control - Slide Bolt - Driver
	081906-01-000	EA	Slide Bolt - Driver Door
	081907-01-000	EA	Regulator Asm. - Window - Passenger
	081907-02-000	EA	Regulator Asm. - Window - Driver
	081910-01-000	FT	Channel - Window - Sliding
	081912-01-000	EA	Weatherstrip - Rigid
	063886-06-000	EA	Assist Handle - Door
	075722-01-000	EA	Block - Switch - Spacer
	079215-01-000	EA	Frame Asm. - Front Slant Slider
	079421-01-T03	EA	Window Asm. - Front Slant Slider - Passenger
	079421-02-T03	EA	Window Asm. - Front Slant Slider - Driver
	073118-01-000	EA	Retainer - Attachment Plate
	073119-01-000	EA	Attachment Plate - Striker
	079561-01-000	EA	Shim - Strike - Cab Door
	050216-02-000	FT	Spline - Vinyl - Glass - .19
	057656-06-000	EA	Glass - .19" x 28.1" x 13.98"
	R77007-56-701	EA	Plate - Passenger Door Lock
	R77007-56-702	EA	Plate - Driver Door Lock
	R77040-01-538	EA	Door Handle
	R77007-05-374	EA	Plate - Door Handle Spacer
	R77006-50-326	EA	Door - Handle Inner - Driver
	R77006-50-261	EA	Door - Handle Inner - Passenger
	R77006-13-460	EA	Cap - Inner - Window Crank
	072035-01-000	EA	Crank - Hand - Glass Lift
	072036-02-000	EA	Cap - Crank - Hand
	073110-02-000	EA	Rod - Lock - Passenger
	073110-03-000	EA	Rod - Lock - Driver
	R77006-64-355	EA	Link - Door Handle - Control
	R77030-58-048	EA	Washer
	R77030-33-009	EA	Nut - w/Washer
	R77007-62-746	EA	Lock - Left Tumbler Assembly
	R77007-62-747	EA	Lock - Right Tumbler Assembly
	081488-01-000	EA	Glass - Door - Roll-Up
	083223-02-000	EA	Lock Asm. - Key Type (Set of 2)
	076542-03-000	EA	Rod Control - Latch - Passenger
	076542-04-000	EA	Rod Control - Latch - Driver

1987 WINNEBAGO TABLE OF CONTENTS

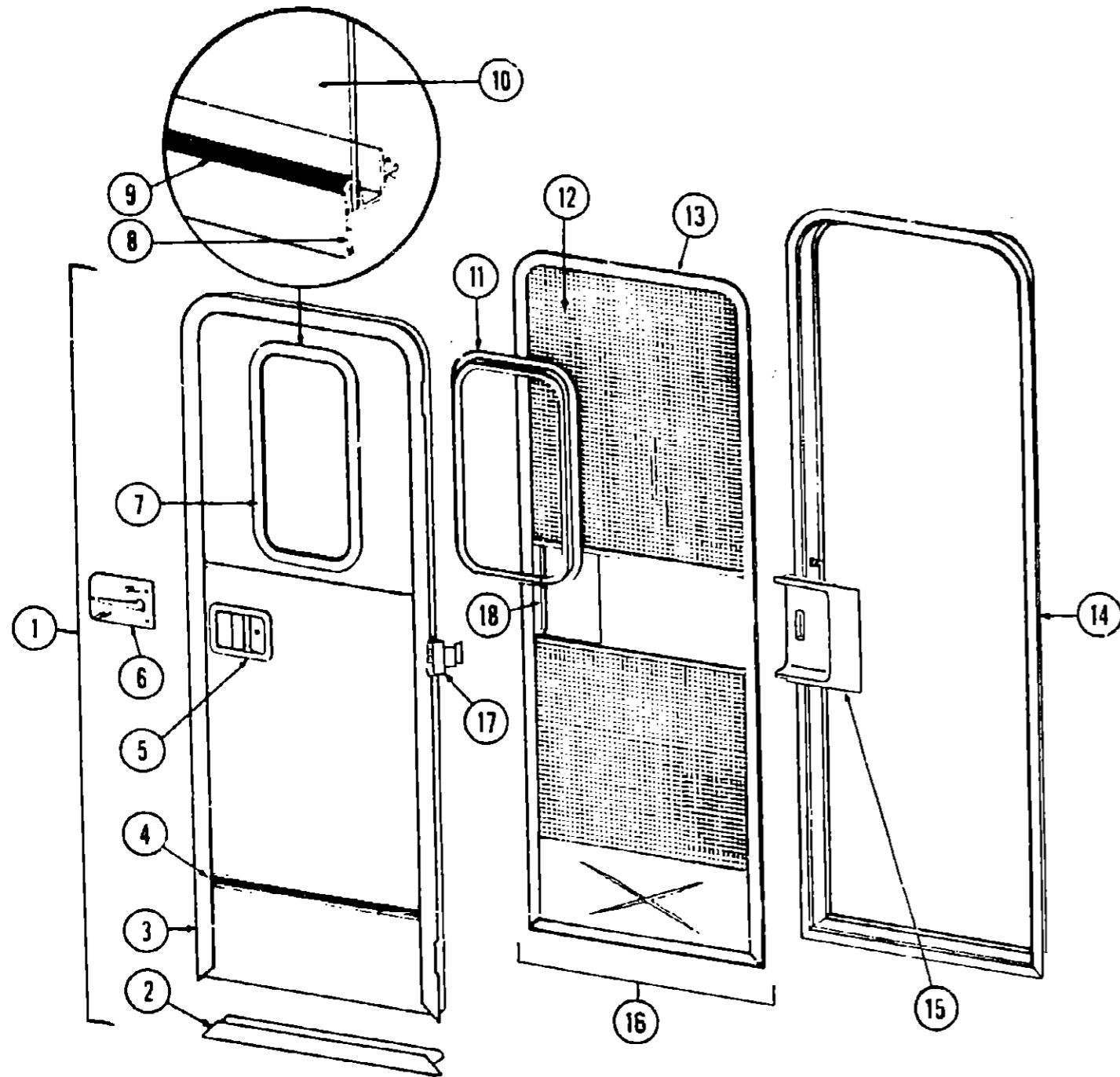
WC420EG	A-01 - B-08
WF426RT	B-07 - D-10
WCN26RH	D-11 - F-14
WCN27RT	F-15 - H-20
WCP26ET	H-21 - K-02

1987 WCN26RH INDEX

Floor Plan	D-11 - D-12
Accessories Group	D-13 - D-15
Bath Group	D-16
Chassis Group	D-17 - D-19
Curtain, Cushion & Pad Group	D-20 - E-02
Dinette Group	E-03 - E-04
Driver's Compartment Group	E-05 - E-07
Electrical Group	E-08 - E-09
Exterior Body Group	E-10 - E-14
Galley Group	E-15 - E-17
Heating & Air Conditioning Group	E-18
Interior Finish Group	E-19 - E-21
LP Group	E-22
Lounge Group	E-23 - E-24
Water & Sewage Group	F-01 - F-02
Window, Vent & Exterior Door Group	F-03 - F-14

WINDOW, VENT & EXTERIOR DOOR GROUP (CONTINUED)

ENTRANCE & SCREEN DOOR



Key	Part Number	U/M	Description
1	M01870-12-W07	EA	Door Asm. - Radius Entry w/Screen Door
2	077998-02-000	EA	Frame - Entry Door (Bottom Portion Only)
3	076863-02-000	EA	Frame - Entry Door (Except Bottom Portion)
4	059576-08-000	EA	Feature Strip w/o Insert - Extr. - 14"
	001030-12-100	EA	Insert - Feature Strip - 17" - Stucco - Beige
	009731-01-000	EA	End Cap - Feature Strip
5	045017-05-000	EA	Paddle Asm. - Door Lock - Exterior
	045017-C5-700	EA	Lock Cylinder w/Keys - Lynor
	039539-01-000	EA	Striker Bolt - Entry Doors
	039540-01-000	EA	Latch Claw - Entry Door
	039738-01-000	EA	Dead Bolt - Entry Door
6	039979-01-000	EA	Plate - Inside Lock - Includes Inside Handle
7	079733-04-T03	EA	Window Asm. - Picture - 17" x 25" - Black (w/o inside frame)
8	069640-06-000	FT	Ribbon Sealer - 5/16" Bead x 15'
9	002309-02-000	FT	Spline - Glass - 1/8" Black
10	002181-06-000	EA	Glass - Picture Window - 1/8" x 16.25" x 24" - Gray
11	067609-03-000	EA	Inside Frame - Beige (not included in assembly)
12	002293-02-000	SF	Screen - Window - 26" - Charcoal
13	056795-01-000	FT	Seal Tape - 1/8" x 3/8" - Press On
14	078591-01-000	EA	Jamb Asm. - Entrance Door
	051049-01-000	EA	Jamb - Entrance Door - Bottom
15	079086-01-000	EA	Slider - Screen Door - Light Oak Plastic
16	079012-01-T03	EA	Door Asm. - Screen
17	079361-06-000	EA	Hinge - Entrance Door (3 used per door)
18	079087-01-000	EA	Cap - Screen Door - Light Oak Plastic
	009018-01-000	EA	Catch Asm. - Single Roller w/Strike - Screen Door
	076231-01-000	EA	Spacer - Latch - Screen Door
	077437-01-000	EA	Strike - Roller Catch
	044582-01-000	EA	Drip Cap - Beige
	079278-01-000	EA	Seal - Mocket - Entrance Door
	073090-01-000	FT	Seal - Entrance Door
	075739-02-000	EA	Stiffener - Entrance Door - Beige
	075673-01-000	FT	Seal - Pile - Adhesive Back
	075671-01-000	FT	Seal - Sponge - Lazy "T" Shaped
	002294-01-000	FT	Spline - Black - .135 x .138 (Screen Door)
	063636-02-000	EA	Strike - Screen Door
	063729-04-000	EA	Rivnut - 10-32 UNF - .010 - .080
	075639-01-000	EA	Garnish - Radius - Entrance Door
	083205-01-000	EA	Deadbolt Lock - Press Fit - 5"
			Not illustrated

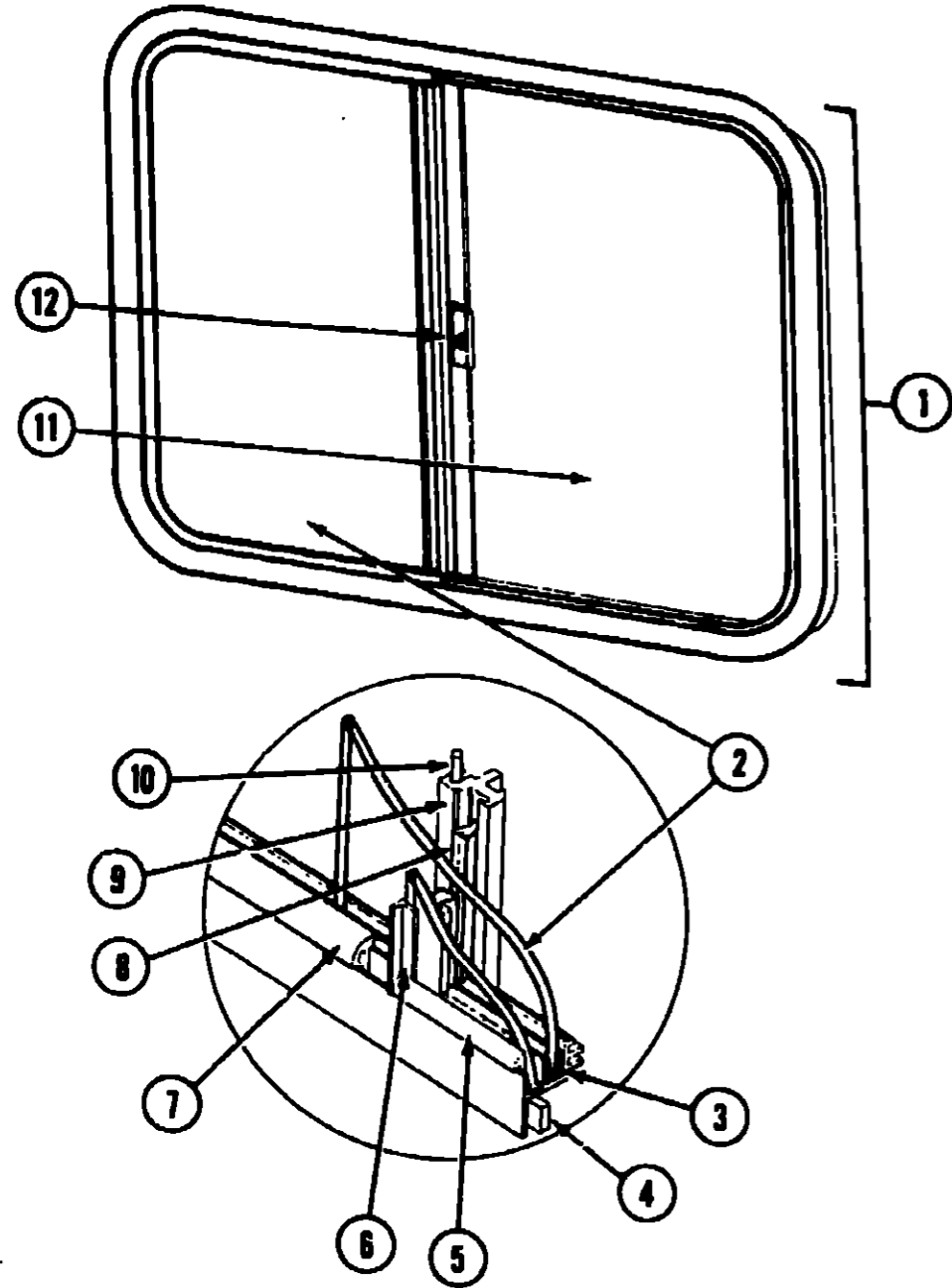
1987 WINNEBAGO TABLE OF CONTENTS

WC420EG	A-01 - B-06
WF426RT	B-07 - D-10
WCN26RH	D-11 - F-14
WCN27RT	F-15 - H-20
WCP26ET	H-21 - K-02

1987 WCN26RH INDEX

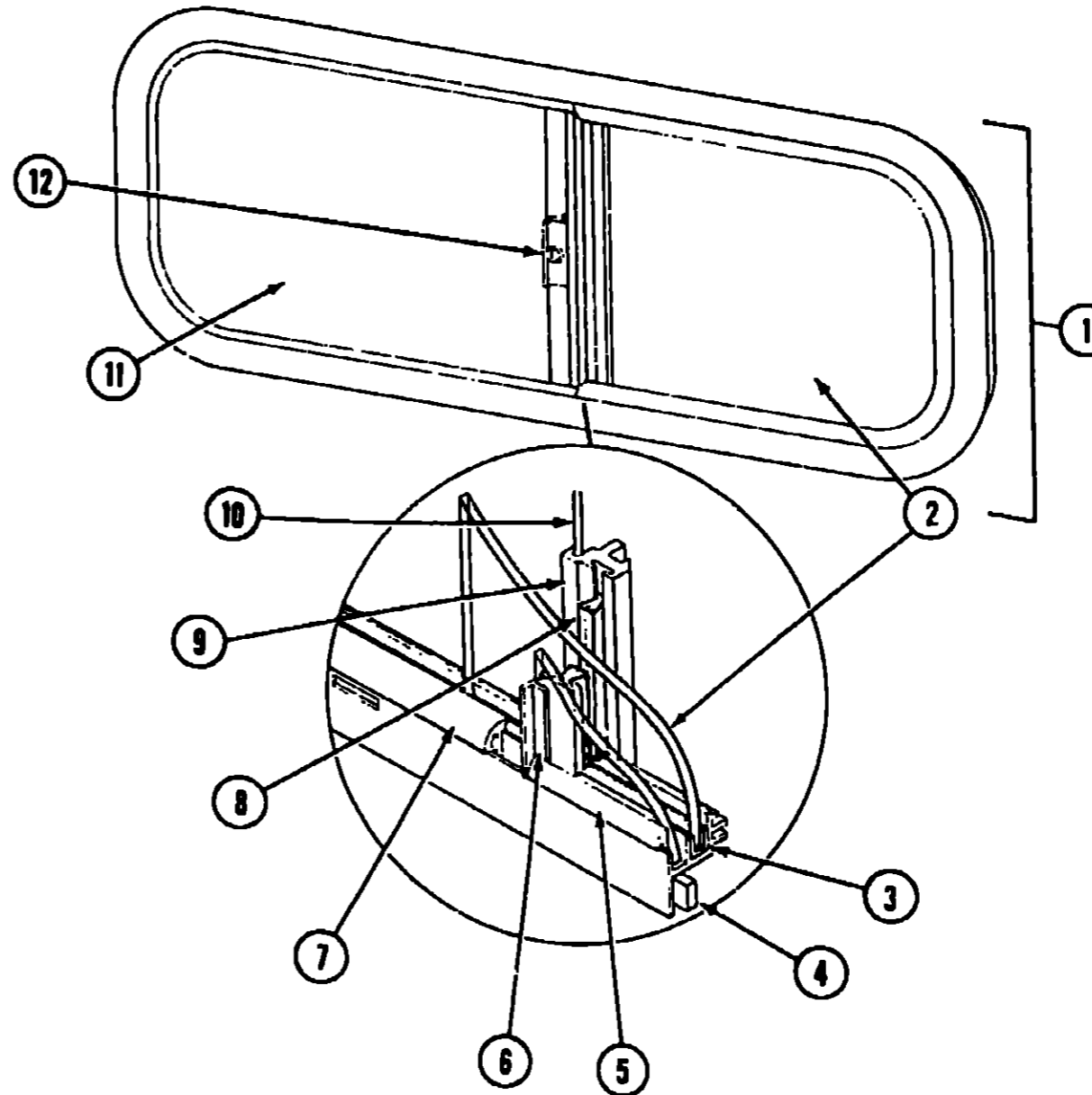
Floor Plan	D-11 - D-12
Accessories Group	D-13 - D-15
Bath Group	D-16
Chassis Group	D-17 - D-19
Curtain, Cushion & Pad Group	D-20 - E-02
Dinette Group	E-03 - E-04
Driver's Compartment Group	E-05 - E-07
Electrical Group	E-08 - E-09
Exterior Body Group	E-10 - E-14
Galley Group	E-15 - E-17
Heating & Air Conditioning Group	E-18
Interior Finish Group	E-19 - E-21
LP Group	E-22
Lounge Group	E-23 - E-24
Water & Sewage Group	F-01 - F-02
Window, Vent & Exterior Door Group	F-03 - F-14

WINDOW, VENT & EXTERIOR DOOR GROUP (CONTINUED)



Key	Part Number	U/M	Description
1	078266-03-T03	EA	Window Asm. - Single Slider (w/o inside frame)
	083122-04-000	EA	Inside Frame - Brown (not included in assembly)
2	081980-05-000	EA	Glass - Sliding - 1/8" x 19" x 13.68"
3	002324-02-000	FT	Channel - Weatherstrip - Glass Run - 1/8" Glass
4	069840-06-000	FT	Ribbon Sealer - 5/16" Bead x 15'
5	002309-02-000	FT	Spline - Glass - 1/8" Material - Black
6	M69888-03-011	EA	Seal Holder w/Fin Seal - Black
7	057374-02-000	FT	Extr. Rubber - Window Seal - Black
8	073740-01-000	FT	Seal - Fin - Pile - .460"
9	078562-02-000	EA	Mullion - Slider Window - Black
10	002298-02-000	SF	Spline - .130" Dia. - Charcoal (Screen)
11	081984-03-000	EA	Glass - Stationary - 1/8" x 19" x 12.30"
12	047369-01-700	EA	Latch Kit - Window - Plastic w/Fastener
	079204-01-000	EA	Bracket - Mullion - Black
	002291-02-000	SF	Screen - Window 15" - Charcoal
			Not illustrated

WINDOW, VENT & EXTERIOR DOOR GROUP (CONTINUED)



Key	Part Number	U/M	Description
1	078266-01-T03	EA	Window Asm. - Single Slider (w/o inside frame)
	083122-01-000	EA	Inside Frame - Beige (not included in assembly)
2	081980-03-000	EA	Glass - Sliding - 1/8"
3	002324-02-000	FT	Channel - Weatherstrip - Glass Run - 1/8" Glass
4	069840-06-000	FT	Ribbon Sealer - 5/16" Bead x 15'
5	002309-02-000	FT	Spline - Glass - 1/8" Material - Black
6	M69888-03-007	EA	Seal Holder w/Fin Seal - Black
7	057374-02-000	FT	Extr. Rubber - Window Seal - Black
8	073740-01-000	FT	Seal - Fin - Pile - .460"
9	078562-01-000	EA	Mullion - Slider Window - Black
10	002298-02-000	SF	Spline - .130" Dia. - Charcoal (Screen)
11	081984-02-000	EA	Glass - Stationary - 1/8" x 14.40" x 19"
12	047369-01-700	EA	Latch Kit - Window - Plastic w/Fastener
	079204-01-000	EA	Bracket - Mullion - Black
	002291-02-000	SF	Screen - Window 16" - Charcoal
			Not illustrated

**1967 WINNEBAGO
TABLE OF CONTENTS**

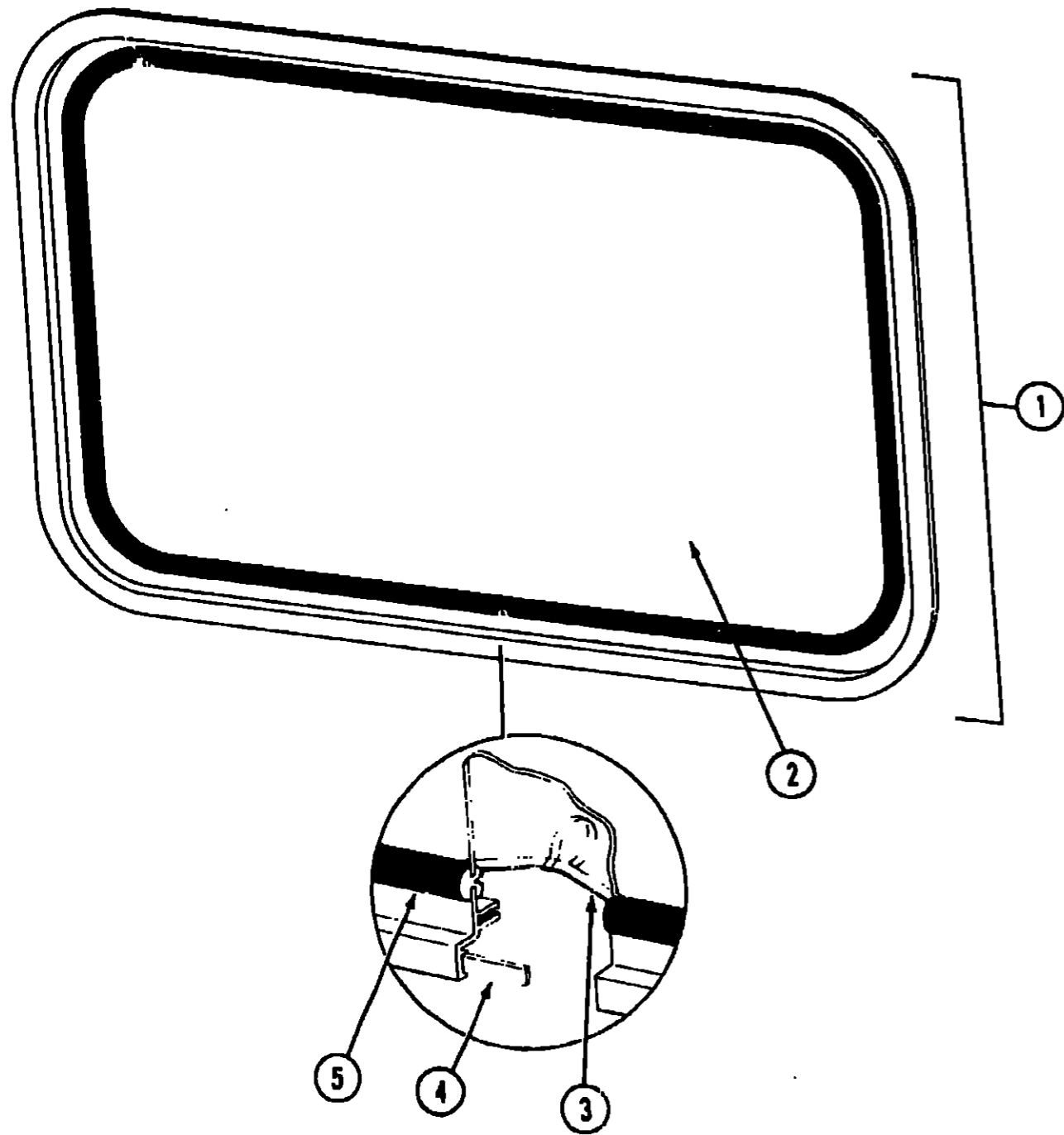
WC420EG
WF426RT
WCN26RH
WCN27RT
WCP26ET

A-01 - B-06
B-07 - D-10
D-11 - F-14
F-15 - H-20
H-21 - K-02

1967 WCN26RH INDEX

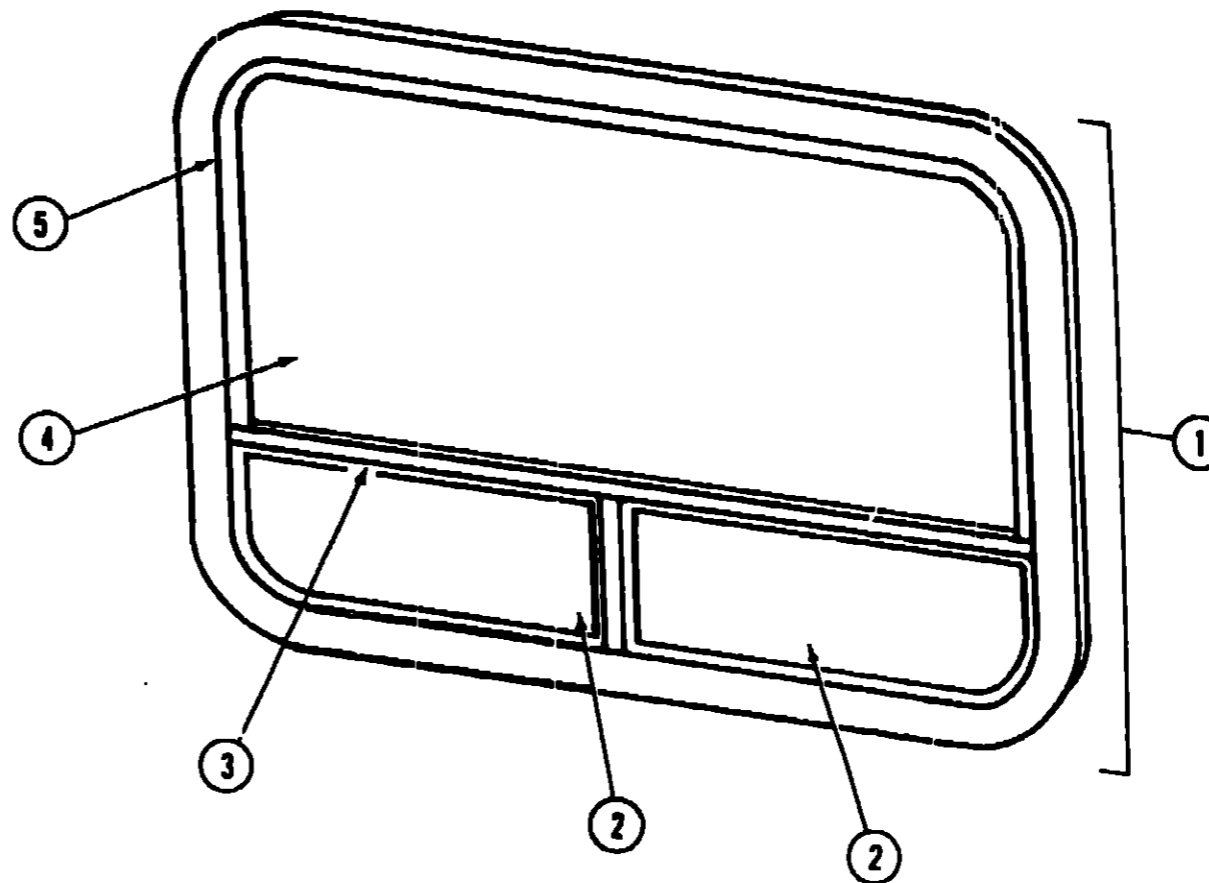
Floor Plan	D-11 - D-12
Accessories Group	D-13 - D-15
Bath Group	D-16
Chassis Group	D-17 - D-19
Curtain, Cushion & Pad Group	D-20 - E-02
Dinette Group	E-03 - E-04
Driver's Compartment Group	E-05 - E-07
Electrical Group	E-08 - E-09
Exterior Body Group	E-10 - E-14
Galley Group	E-15 - E-17
Heating & Air Conditioning Group	E-18
Interior Finish Group	E-19 - E-21
LP Group	E-22
Lounge Group	E-23 - E-24
Water & Sewage Group	F-01 - F-02
Window, Vent & Exterior Door Group	F-03 - F-14

WINDOW, VENT & EXTERIOR DOOR GROUP (CONTINUED)



Key	Part Number	U/M	Description
1	079415-01-T03	EA	Window Asm. - Escape (w/o inside frame)
•	020749-05-000	EA	Inside Frame - Escape Window - Belge (not included in assembly)
2	002174-01-000	EA	Glass - 1/8" x 19.61" x 25.92"
3	002285-01-000	FT	Filler - Weatherstrip - Black
4	069640-01-000	FT	Tape - 2" Bead x 45'
5	002282-01-000	FT	Weatherstrip - Window - .125" Black
•	006199-01-000	EA	Label - Exit - Escape Window

WINDOW, VENT & EXTERIOR DOOR GROUP (CONTINUED)



Key	Part Number	U/M	Description
1	085354-02-W07	EA	Window Asm. - 62" x 31" - Double Tipout
•	084153-06-000	EA	Inside Frame - Black (not included in assembly)
2	084068-04-000	EA	Glass - Tipout - 1/8" x 9.21" x 30.09" - Left or Right
3	083112-05-000	EA	Mullion - Black
•	084581-02-W07	EA	Screen Asm. - Tipout - Right Hand
•	084581-01-W07	EA	Screen Asm. - Tipout - Left Hand
•	081243-01-000	EA	Screen Clip - Plastic - Black
•	035302-01-000	EA	Operating Mech - Right Hand
•	035302-02-000	EA	Operating Mech - Left Hand
4	081239-11-000	EA	Glass - Stationary - 1/8" x 61 3/4" x 20 1/2"
5	083180-01-000	EA	Window Seal
•	081357-01-000	FT	Window Seal - Top of Tipout
•	084066-01-000	FT	Window Seal - Vertical Mullion
•	084067-01-000	FT	Window Seal - Bottom of Tipout
•	002291-02-000	SF	Screen - Charcoal - 16" Wide
•	002298-02-000	FT	Splino - Charcoal
•	084155-04-000	EA	Hinge - Tipout Window - Black
•	Not illustrated		

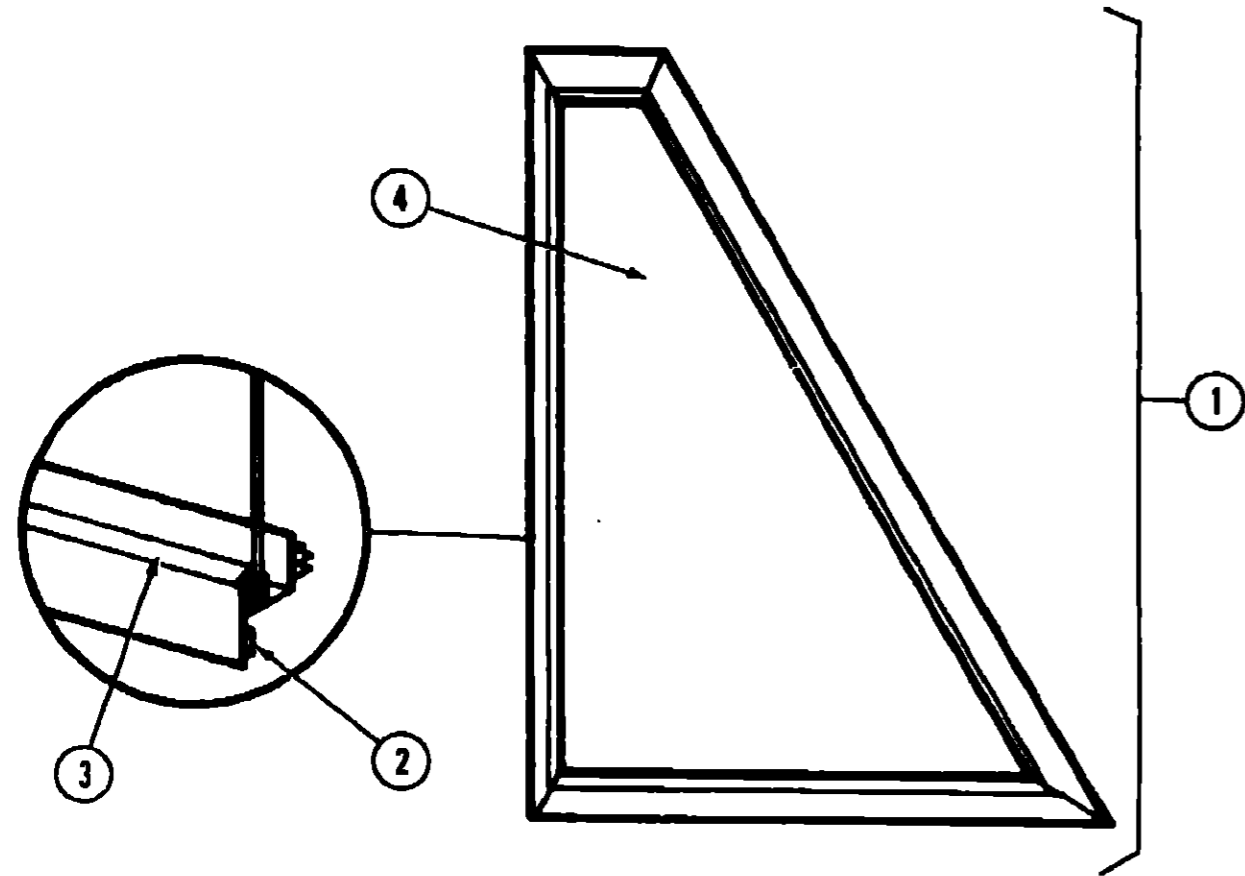
**1987 WINNEBAGO
TABLE OF CONTENTS**

WC420EG	A-01 - B-08
WF426RT	B-07 - D-10
WCN26RH	D-11 - F-14
WCN27RT	F-15 - H-20
WCP26ET	H-21 - K-02

1987 WCN26RH INDEX

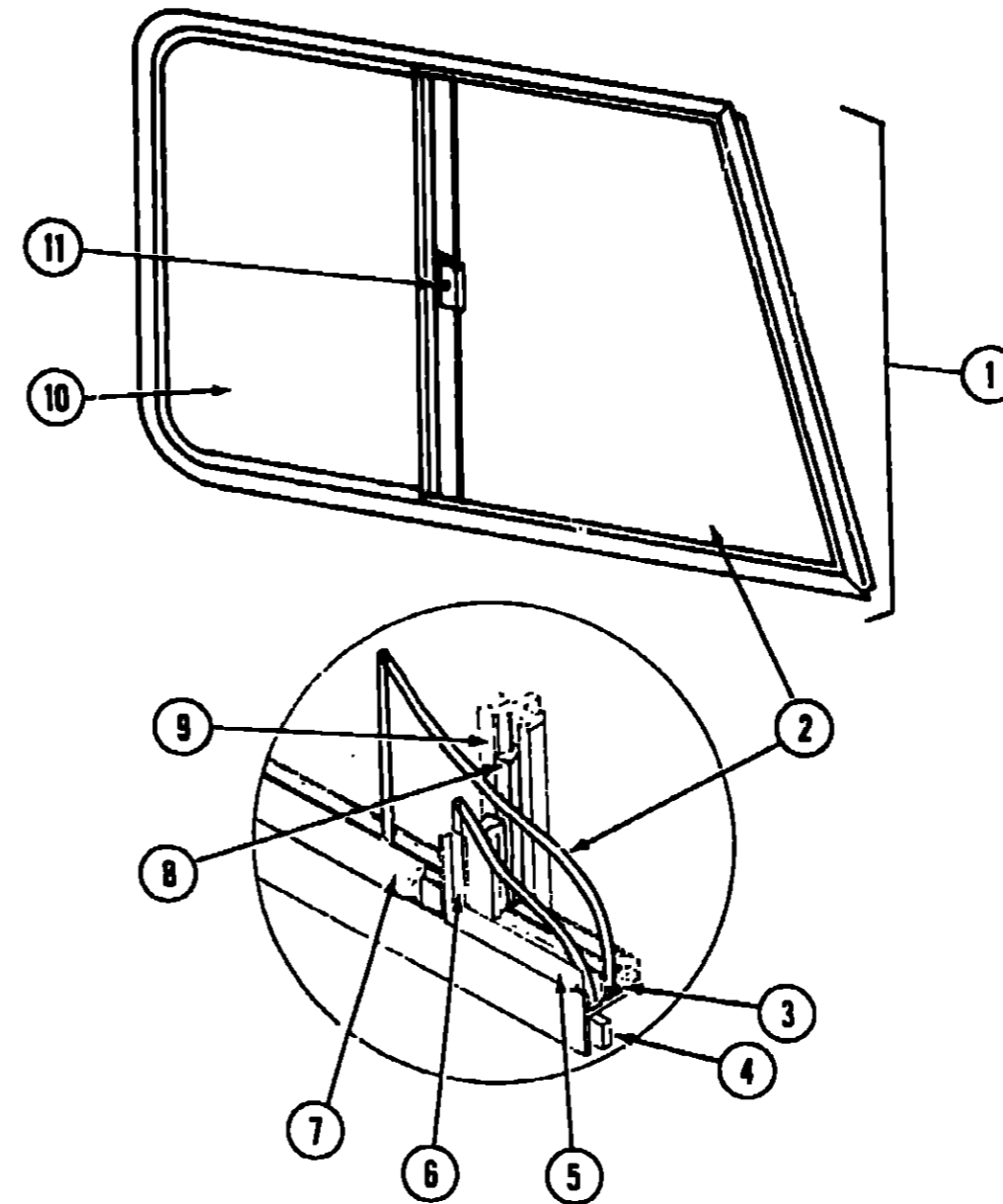
Floor Plan	D-11 - D-12
Accessories Group	D-13 - D-15
Bath Group	D-16
Chassis Group	D-17 - D-19
Curtain, Cushion & Pad Group	D-20 - E-02
Dinette Group	E-03 - E-04
Driver's Compartment Group	E-05 - E-07
Electrical Group	E-08 - E-09
Exterior Body Group	E-10 - E-14
Galley Group	E-15 - E-17
Heating & Air Conditioning Group	E-18
Interior Finish Group	E-19 - E-21
LP Group	E-22
Lounge Group	E-23 - E-24
Water & Sewage Group	F-01 - F-02
Window, Vent & Exterior Door Group	F-03 - F-14

WINDOW, VENT & EXTERIOR DOOR GROUP (CONTINUED)



Key	Part Number	U/M	Description
1	085025-01-000	EA	Window Asm. - Front Slant - Passenger (w/o inside frame)
1	085025-02-000	EA	Window Asm. - Front Slant - Drivers (w/o inside frame)
•	085018-01-000	EA	Inside Frame - Front Slant - Passenger - Beige (not included in assembly)
•	085018-02-000	EA	Inside Frame - Front Slant - Drivers - Beige (not included in assembly)
2	069640-01-000	FT	Tape - 1/4" Bead x 20'
3	050216-02-000	FT	Spline - Glass - 1/8" - Black
4	057656-09-000	EA	Glass - .19" x 28.11" x 26.13" - Right
4	057656-10-000	EA	Glass - .19" x 28.11" x 26.13" - Left
•	Not illustrated		

WINDOW, VENT & EXTERIOR DOOR GROUP (CONTINUED)



Key	Part Number	U/M	Description
1	084978-01-W30	EA	Window Asm. - Front Slant Slider - Passenger (w/o inside frame)
1	084978-02-W30	EA	Window Asm. - Front Slant Slider - Driver (w/o inside frame)
•	084982-01-W30	EA	Inside Frame - Slant Slider - Passenger (not included in assembly)
•	084982-02-W30	EA	Inside Frame - Slant Slider - Driver (not included in assembly)
2	057656-07-000	EA	Glass - .19" x 28.11" x 39.8" - Stationary (Passenger)
2	057656-08-000	EA	Glass - .19" x 28.11" x 39.8" - Stationary (Driver)
3	042077-01-000	FT	Channel - Weatherstrip - 3/16" Glass
4	069640-01-000	FT	Ribbon Sealer - 1/4" Bead x 20'
5	050216-02-000	FT	Window Seal - .19" - Glass
6	002389-03-203	EA	Seal Holder w/Fin Seal - 27.12" - Black
7	057374-02-000	FT	Extr. Rubber - Window Seal - Black
8	073740-01-000	FT	Seal - Fin - .460"
9	084170-07-000	EA	Mullion - Slider Window - Black
10	002298-02-000	FT	Spline - .130" Dia. - Charcoal (Screen)
11	081980-06-000	EA	Glass - 19" x 28.11" x 14.88" - Sliding
•	084982-02-W30	EA	Slider Screen Asm. - Passenger
•	084982-01-W30	EA	Slider Screen Asm. - Driver
•	002292-02-000	SF	Screen - Window - 20" - Charcoal
•	016310-03-000	EA	Handle - Slider Screen - Black
•	047369-01-700	EA	Latch Kit - Window - Plastic w/Fastener
•	Not illustrated		

**1987 WINNEBAGO
TABLE OF CONTENTS**

WC420EG	A-01 - B-08
WF426RT	B-07 - D-10
WCN26RH	D-11 - F-14
WCN27RT	F-15 - H-20
WCP26ET	H-21 - K-02

1987 WCN26RH INDEX

Floor Plan	D-11 - D-12
Accessories Group	D-13 - D-15
Bath Group	D-16
Chassis Group	D-17 - D-19
Curtain, Cushion & Pad Group	D-20 - E-02
Dinette Group	E-03 - E-04
Driver's Compartment Group	E-05 - E-07
Electrical Group	E-08 - E-09
Exterior Body Group	E-10 - E-14
Galley Group	E-15 - E-17
Heating & Air Conditioning Group	E-18
Interior Finish Group	E-19 - E-21
LP Group	E-22
Lounge Group	E-23 - E-24
Water & Sewage Group	F-01 - F-02
Window, Vent & Exterior Door Group	F-03 - F-14