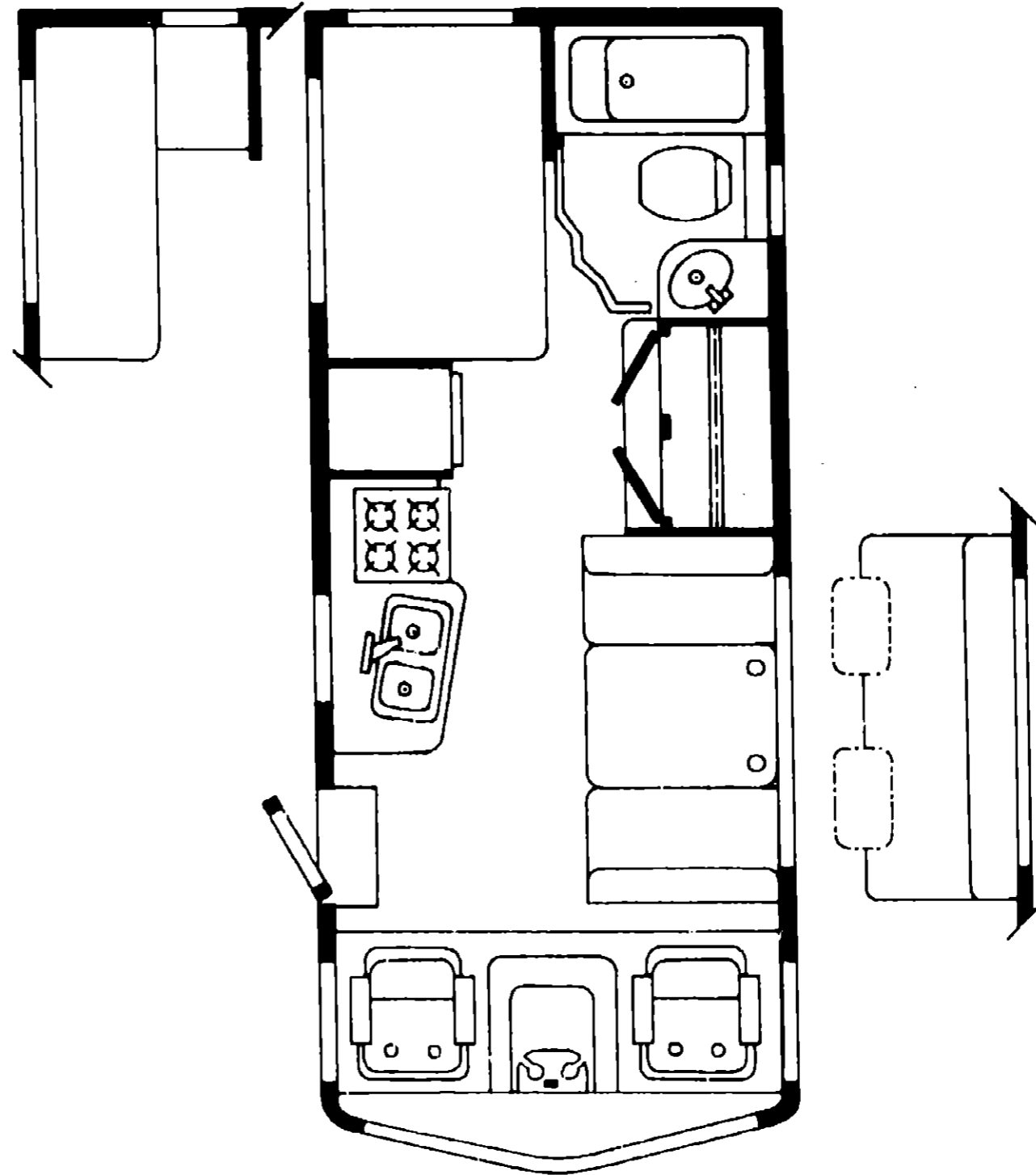


1987 WCN22RC



1987 WINNEBAGO TABLE OF CONTENTS

WT319RB	A-01 - B-16
WCN22RC	B-17 - D-24
WC421RB	E-01 - F-24
WCP37RQ	G-01 - I-14

1987 WCN22RC INDEX

Floor Plan	B-17 - B-18
Accessories Group	B-19 - B-21
Bath Group	B-22 - B-23
Chassis Group	B-24 - C-02
Curtain, Cushion & Pad Group	C-03 - C-09
Dinette Group	C-10
Driver's Compartment Group	C-11 - C-13
Electrical Group	C-14 - C-16
Exterior Body Group	C-17 - C-23
Galley Group	C-24 - D-01
Heating & Air Conditioning Group	D-02
Interior Finish Group	D-03 - D-05
LP Group	D-06
Lounge Group	D-07
Water & Sewage Group	D-08 - D-09
Window, Vent & Exterior Door Group	D-10 - D-24

ACCESSORIES GROUP

RADIO & RELATED COMPONENTS

Key	Part Number	U/M	Description
	031105-01-000	EA	Antenna - Radio - Side Mount
	031105-01-700	EA	Antenna Holder - Radio - Upper
	075903-01-000	EA	Radio - AM/FM/MPX w/Cassette
	075904-01-000	EA	Radio - AM/FM/MPX w/Cassette - Electronic Tuning
	074979-01-000	EA	Speaker Cover Protector - Plastic
	073741-02-000	EA	Speaker - 4" x 6" - Oval
	073431-01-000	EA	Speaker - 5.25" 3/Way (Pair)
	064791-01-000	EA	Speaker - Recessed - 5.25"
	064792-01-000	EA	Grille - Speaker - 5.25" - w/Mesh - Brown - Square
	074014-01-000	EA	Grille - Speaker - 5.25" - Round

ELECTRIC STEP ASSEMBLY

Key	Part Number	U/M	Description
	075461-01-000	EA	Electric Step Asm. w/Light
	075461-01-700	EA	Motor
	041250-01-000	EA	Door Switch
	075461-01-704	EA	Under Step Control Unit
	075461-01-705	EA	4-Way Plug (Dash End)
	075461-01-706	EA	Kill Switch
	075461-01-707	EA	Step Light
	075461-01-708	EA	4-Way Plug (Control Box End)
	075461-01-709	EA	90 Degree Plug
	075461-01-710	EA	Gear
	075461-01-711	EA	Drive Link
	075241-01-000	EA	Support Asm. - Step
	075723-02-000	EA	Block - Support Spacer w/Holes

GENERATORS & COMPONENTS

Key	Part Number	U/M	Description
	054429-01-000	EA	Generator - Onan - 4.0 kw
	052168-01-000	EA	Generator - Onan - 4.25 kw
	068046-01-000	EA	LP Conversion Kit - Onan Generator
	072332-01-000	EA	Generator - Kohler - 4.5 kw LP
	069229-01-000	EA	Generator - Kohler - 4.5 kw
	701629-02-000	EA	Installation Package
	024732-01-016	EA	Tallpipe - 1.5" O.D x 43.50"
	087753-01-000	EA	Muffler - Generator - w/Spark Arrestor - Nelson
	007067-01-000	EA	Insulation - Fiberglass - 1"

CHROME WHEEL LINERS & COVERS

Key	Part Number	U/M	Description
	085741-03-000	EA	Liners - 16" Wheel - Chrome (Set/4)
	083181-01-000	EA	Wheel Cover - Clip On - 16" - Delmet (4)
	083181-01-700	EA	Wheel Cover - Clip On - 16" - Delmet (1)

EXTERIOR MIRRORS

Key	Part Number	U/M	Description
	086260-01-000	EA	Mirror Asm. - w/Convex - Black - Right Hand
	086260-02-000	EA	Mirror Asm. - w/Convex - Black - Left Hand
	086259-01-000	EA	Mirror Asm. - w/Convex - Black - Heated/Remote - Right Hand
	086259-02-000	EA	Mirror Asm. - w/Convex - Black - Heated/Remote - Left Hand

ACCESSORIES GROUP (CONTINUED)

MISCELLANEOUS ACCESSORIES

Key	Part Number	U/M	Description
	054185-26-000	EA	Owners Manual - 1937 - Itasca & Winnebago
	076319-01-000	EA	Antenna - TV Roof Mount - 44.5" Mast
	076319-03-000	FT	Cable - Coaxial 1000' 75 OHM
	076319-04-000	EA	Connector & Ferrule
	076319-05-000	EA	Wallplate - Power Supply - Ivory
	076319-06-000	EA	Adapter - Cable Roof Plate
	076319-07-000	EA	Wallplate - Power Supply - Brown
	076319-08-000	EA	Wallplate - Receptacle - Ivory
	076319-09-000	EA	Wallplate - Receptacle - Brown
	086778-02-000	EA	Receptacle - Outside - TV Cable - Beige
	086778-04-000	EA	Gasket - Outside TV Receptacle
	017516-01-000	EA	Mud Flap w/Holes - 14" x 18" - Black
	041944-03-000	EA	Fire Extinguisher - 5BC
	084472-01-000	EA	Holder - Recessed - Fire Extinguisher
	080999-02-T03	EA	Ladder Asm. - Upper
	080997-02-T03	EA	Ladder Asm. - Lower
	081026-01-T03	EA	Rack Asm. - Right
	081026-02-T03	EA	Rack Asm. - Left
	080866-01-000	EA	Stand Off - Rack & Ladder Asm.
	081056-01-000	EA	Quick Pin Release
	064093-01-000	EA	Luggage Carrier Assembly
	039881-01-000	EA	Catch & Strike - Luggage Carrier
	072852-01-000	EA	Smoke Detector w/9 Volt Battery
	079665-01-000	EA	Clock - 9" x 9" - Round Face
	006069-01-000	EA	Key Case - Leather
	007038-01-000	EA	Door Mat - 10.5" x 26" - Black Rubber
	081075-01-000	EA	Door Mat - Entrance - Winnebago
	081201-01-000	EA	Door Mat - Left Front - Winnebago
	081202-01-000	EA	Door Mat - Right Front - Winnebago
	080208-01-000	EA	Lug Wrench
	080208-02-000	EA	Leverage Bar - Lug Wrench
	006113-01-000	EA	Jack - Hydraulic - 6 Ton - w/Handle
	063708-01-000	EA	Cover - Roof Air Conditioner - White Vinyl
	079942-01-000	EA	Shock Absorber - Stabilizer - Front
	084086-01-000	EA	Air Spring Bellows - Rear
			Used with Air Spring Bellows Option

OPTIONAL MICROWAVE/CONVECTION OVEN & COMPONENTS

Key	Part Number	U/M	Description
	081379-01-000	EA	Microwave/Convection Oven - Sharp
	091459-03-000	EA	Bracket Asm. - Microwave - Right
	081459-04-000	EA	Bracket Asm. - Microwave - Left
	081456-01-000	EA	Angle Asm. - Microwave - Right
	081456-02-000	EA	Angle Asm. - Microwave - Left
	081555-01-T03	EA	Trim Asm. - Microwave
	082876-01-000	EA	Baffle Asm. - Microwave

OPTIONAL STEERING WHEEL

Key	Part Number	U/M	Description
	080752-05-000	EA	Steering Wheel - Custom
	080752-06-000	EA	Hub Adapter - Steering Wheel
	080752-07-000	EA	Button - Horn - w/Wire
	080752-08-000	EA	Screw - Custom Steering Wheel

1987 WINNEBAGO TABLE OF CONTENTS

WT319RB	A-01 - B-16
WCN22RC	B-17 - D-24
WC421RB	E-01 - F-24
WCP37RO	G-01 - I-14

1987 WCN22RC INDEX

Floor Plan	B-17 - B-18
Accessories Group	B-19 - B-21
Bath Group	B-22 - B-23
Chassis Group	B-24 - C-02
Curtain, Cushion & Pad Group	C-03 - C-09
Dinette Group	C-10
Driver's Compartment Group	C-11 - C-13
Electrical Group	C-14 - C-16
Exterior Body Group	C-17 - C-23
Galley Group	C-24 - D-01
Heating & Air Conditioning Group	D-02
Interior Finish Group	D-03 - D-05
LP Group	D-06
Lounge Group	D-07
Water & Sewage Group	D-08 - D-09
Window, Vent & Exterior Door Group	D-10 - D-24

ACCESSORIES GROUP (CONTINUED)

OPTIONAL SPEED CONTROL & COMPONENTS

Key	Part Number	U/M	Description
	083557-01-000	EA	Speed Control Package - Electric - Diesel - Dana
	083557-01-700	EA	Servo w/Cable Asm.
	083557-01-701	EA	Switch - Stop Lamp - Cruise Release
	083557-01-702	EA	Wire Harness Ext.
	083212-02-000	EA	Control Switch
	083212-01-000	EA	Speed Control Package - Electric Gas - Dana
	083212-01-700	EA	Regulator Asm. - Electric
	083212-01-701	EA	Carburator Lever
	083212-01-702	EA	Harness Asm. (Main Wiring)
	083212-01-703	EA	Servo Asm. - Mount Ready
	083212-01-704	EA	Switch - Stop Lamp - Cruise Release
	083212-01-705	EA	Valve Asm. - Switch - Speed Control
	083212-02-000	EA	Control Switch & Lever Asm
	083212-06-000	EA	Speed Control Package - Electronical - Smart Stick - Gas - Dana

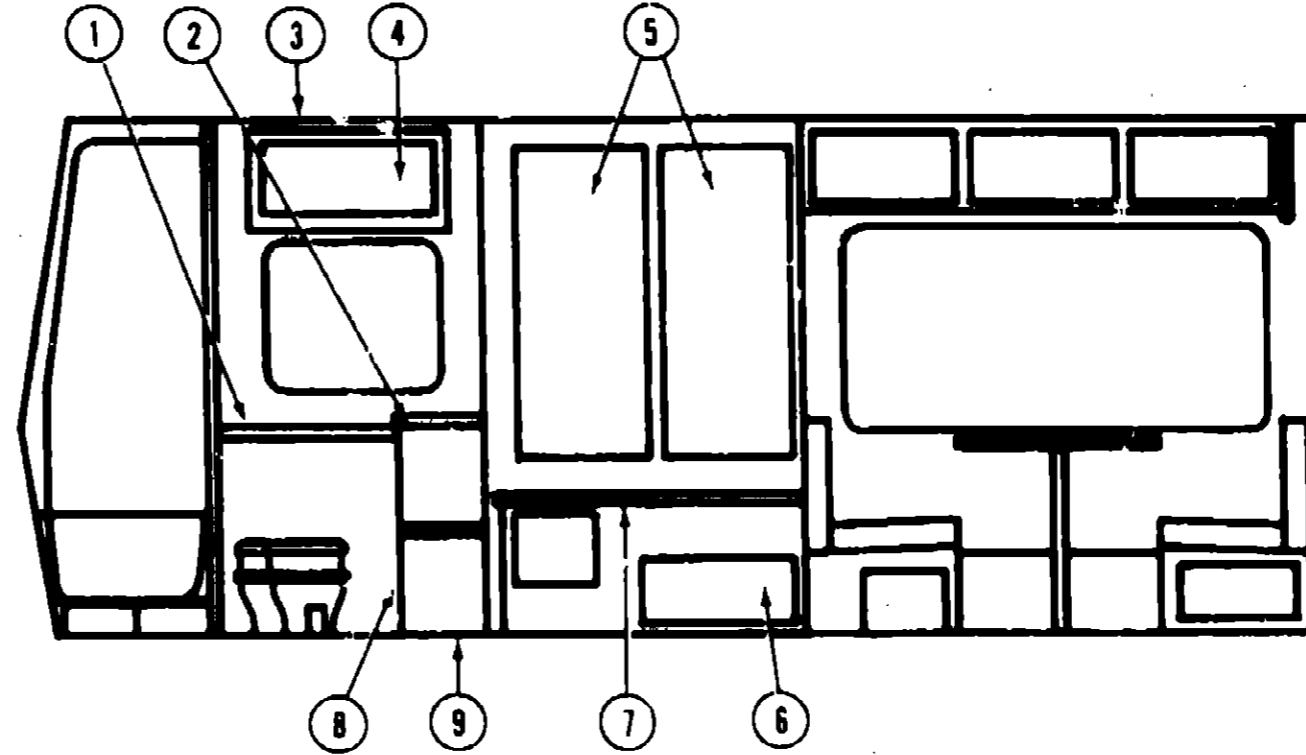
OPTIONAL FOG LAMP & COMPONENTS

Key	Part Number	U/M	Description
	079941-01-000	EA	Lamp Asm. - Fog w/Cover - Amber
	079941-01-700	EA	Lamp Asm. - Fog - Set of 2
	079941-01-701	EA	Lens and Cover only
	079941-01-702	EA	Switch - Fog Lights
	079941-01-703	EA	Solenoid
	079941-01-704	EA	Switch Plate - For Switch
	079941-01-705	EA	Lens (Only)
	079941-01-706	EA	Cover (Only)

OPTIONAL AIR HORN & COMPONENTS

Key	Part Number	U/M	Description
	077497-01-000	EA	Air Horn Kit - Twin Chromed
	077497-01-700	EA	Solenoid - Air Horns Air Tank
	077497-01-701	EA	Compressor Switch - Air Horn
	077497-01-702	EA	Toggle Switch - Air Horn
	077497-01-703	EA	Air Tank - Air Horn
	077497-01-704	EA	Compressor w/Switch - Air Horn
	063912-01-000	EA	Relay Canister - w/Ground - Air Horn
	077497-02-000	EA	Hose Kit - Aux. Air
	077497-03-000	EA	Parts Kit - Hose - Aux. Air

BATH GROUP



BATH CABINETRY

Key	Part Number	U/M	Description
	M02198-01-W07	EA	Countertop Asm. - Pipe Cover - Jade-Taupe
	M02198-01-W08	EA	Countertop Asm. - Pipe Cover - Rose
	M02198-01-W09	EA	Countertop Asm. - Pipe Cover - Taupe
	M02406-01-W07	EA	Countertop Asm. - Lavatory Cabinet - Jade-Taupe
	M02406-01-W08	EA	Countertop Asm. - Lavatory Cabinet - Rose
	M02406-01-W09	EA	Countertop Asm. - Lavatory Cabinet - Taupe
	076073-01-700	EA	Latch - Medicine Cabinet
	076073-01-000	EA	Cabinet Asm. - Medicine - w/o Doors or Hardware
	081535-01-U04	EA	Door Asm. - Medicine Cabinet - w/Mirror - w/o Hardware
	M81501-16-W07	EA	Door Asm. - Wardrobe Cabinet - w/o Hardware
	M81501-11-W07	EA	Door Asm. - Wardrobe Cabinet - w/o Hardware
	M02426-01-U04	EA	Countertop Asm. - Wardrobe (used w/Conventional Dinette)
	M02427-01-U04	EA	Countertop Asm. - Wardrobe (used w/Couch)
	M81501-17-W07	EA	Door Asm. - Lavatory Cabinet
	M81548-01-W04	EA	Cabinet Asm. - Lavatory - w/o Countertop, Door or Drawers
	080224-01-000	EA	Door Asm. - Folding - w/o Hardware
	081508-01-U04	EA	Drawer Asm. - Wardrobe - 19 1" x 20 8"
			Not illustrated

1987 WINNEBAGO TABLE OF CONTENTS

WT319RB	A-01 - B-16
WCN22RC	B-17 - D-24
WC421RB	E-01 - F-24
WCP37RO	G-01 - I-14

1987 WCN22RC INDEX

Floor Plan	B-17 - B-18
Accessories Group	B-19 - B-21
Bath Group	B-22 - B-23
Chassis Group	B-24 - C-02
Curtain, Cushion & Pad Group	C-03 - C-09
Dinette Group	C-10
Driver's Compartment Group	C-11 - C-13
Electrical Group	C-14 - C-16
Exterior Body Group	C-17 - C-23
Galley Group	C-24 - D-01
Heating & Air Conditioning Group	D-02
Interior Finish Group	D-03 - D-05
LP Group	D-06
Lounge Group	D-07
Water & Sewage Group	D-08 - D-09
Window, Vent & Exterior Door Group	D-10 - D-24

BATH GROUP (CONTINUED)

BATH HARDWARE

Key	Part Number	U/M	Description
	M01817-01-W04	EA	Bathtub Asm. w/Strainer
	075242-03-000	EA	Faucet - Tub & Shower - Antique Brass
	075240-03-000	EA	Faucet - Lavatory - Antique Brass
**	01148-02-000	EA	Shower Head - w/60" Hose
	011048-04-000	EA	Vacuum Breaker - 1/8 MPT - Nylon - Shower Head
	075606-01-000	EA	Shower Panel - Faucet - Plastic
**	066729-01-000	EA	Strainer - Bathtub Asm.
	066435-01-000	EA	Nut Strainer - Plastic - Bathtub Asm.
	066436-01-000	EA	Slip Nut - 1.5" Tail Piece - Bathtub Asm.
	069735-01-000	EA	Washer - Tail Piece - 1.5" - Plastic - Bathtub Asm.
	011069-02-000	EA	Tailpiece - 1.5" x 1.25" x 4" - Brass - Bathtub Asm.
	080257-01-000	EA	Shroud - Bathtub Asm.
	058713-01-000	EA	Sink - Oval - Ivory Plastic
	039341-02-000	EA	Toilet - Thetford - Aqua Magic - Ivory - B420SH
	009134-01-000	EA	Tissue Holder
	075454-02-000	EA	Towel Ring - Brass
	085500-01-000	EA	Track - Shower Curtain - Beige
	085499-01-000	EA	Trim - Shower Door - Side - Beige
	085498-01-000	EA	Trim - Shower Door - Bottom - Beige
	058331-05-000	EA	Mirror - Tempered Glass - 12" x 26"
	058331-04-000	EA	Mirror - Tempered Glass - 12" x 42"
	009089-01-000	EA	Clip - Mirror
	057671-01-000	EA	Screw Cover - #8 - Antique White
	059777-02-000	EA	Hinge - Antique Brass
	075680-01-000	EA	Rod - Clothes - Adjustable
	009112-01-000	EA	Flange - 1" - Clothes Rod
	080224-04-000	EA	Track - Folding Door - 90°
	080224-01-700	EA	Latch & Catch Asm
	M81520-01-U04	EA	Pantry Asm. - w/o Racks
	074316-01-000	EA	Slide Asm. - Full Extension - Pantry (Pair)
	082129-01-000	EA	Slide Asm. - Pantry - Top
	082129-02-000	EA	Slide Asm. - Pantry - Bottom
	075451-01-000	EA	Storage Rack - Canned Goods
	075451-02-000	EA	Clip - Storage Rack - White
	061604-01-000	EA	Slide Bolt - Storage Rack - Antique Brass
	076097-01-000	EA	Bracket - Catch - Pantry
	076098-01-000	EA	Bracket - Slide - Pantry
	081508-01-U04	EA	Drawer Asm. - Wardrobe - 19 1/2" x 20.8"
	080910-01-000	EA	Panel - Outer Skylight
	077902-01-000	EA	Panel - Inner Skylight
	081171-01-000	EA	Trim - Skylight - Outer

** The illustrated parts breakdown for this item is provided on the Common Items Fiche.

CHASSIS GROUP

MISCELLANEOUS CHASSIS

Key	Part Number	U/M	Description
	062401-04-000	EA	Clamp - Hose - Wormgear - .69" I.D. - 1.25" I.D.
	062401-05-000	EA	Clamp - Hose - Wormgear - 2" I.D. - 3" I.D.
	062401-06-000	EA	Clamp - Hose - Wormgear - .22" I.D. - .62" I.D.
	023146-01-000	EA	Clamp - Screw Type - 4"
	024490-01-000	EA	Compartment - Power Cord - Black Plastic
	071656-01-000	EA	Cover - Radiator - Rear
	080722-01-000	EA	Cover - Radiator - Rear Back (Fan Shroud)
	020167-03-000	EA	Dirt Guard - Rear Wheel
	024138-01-000	FT	Hose - Fuel - 5/16" I.D. SAE 30RI
	066732-01-000	FT	Hose - Fuel Fill - .62 I.D.
	007111-02-000	EA	Hose - Fuel Fill - 2.00 I.D.
	007111-01-000	EA	Hose - Fuel Fill - 2.25 I.D.
	017516-01-000	EA	Mud Flap w/Holes - 14" x 18" - Black
	064962-02-000	EA	Rim - Wheel - 16" x 6"
	086273-01-000	EA	Relay - Battery Disconnect
	075146-01-000	EA	Shield - Heat Muffler
	053322-08-000	EA	Heat Shield - Exhaust
	079942-01-000	EA	Shock Absorber - Stabilizer - Front
	079942-02-000	EA	Shock Absorber - Stabilizer - Rear
	063977-08-000	EA	Step Asm. - Driver Door
	063977-10-000	EA	Step Asm. - Passenger Door
	077848-01-000	EA	Step Asm. - Entry
	076241-01-000	EA	Support Asm. - Electric Step
**	061411-03-000	EA	Tailpipe Extension - 2.25" x 10.5'
**	081918-01-000	EA	Tailpipe Extension - 2.25" x 11.44'
	050273-02-000	EA	Tire - 7.5" x 16" - XCA - Tubeless
	040548-03-000	EA	Tire - 7.5" x 16" - RPLY - Tube - Polyester
	052431-02-000	EA	Tray - Luggage
	052431-01-000	EA	Tray - Luggage
	051377-01-000	EA	Valve Stem Asm. - TR500
	055080-01-000	EA	Wheelwell - Plastic
	008343-01-000	EA	Wire Tie - 6"
	047441-01-000	EA	Battery Terminal - Horizontal Lug
	075723-01-000	EA	Block - Switch - Spacer w/o Holes
	065450-04-000	EA	Bracket - Battery Tie Down - 6"
**	007125-07-000	EA	Clamp Asm. - Muffler - 1.62"
**	007125-01-000	EA	Clamp Asm. - Muffler - 2.50"
	010497-01-000	EA	Clamp - Close - 5/8 I.D.
	007161-01-000	EA	Clamp - Hose - Spring Type 112
	062401-01-000	EA	Clamp - Hose - Wormgear - .22" I.D. x 1" I.D.
	062401-02-000	EA	Clamp - Hose - Wormgear - 1.56" I.D. - 2.5" I.D.
	062401-03-000	EA	Clamp - Hose - Wormgear - .25" I.D. - 1" I.D.
	078010-04-000	EA	Door Asm. & Upper Shroud - Fuel Fill - Beige
	073220-02-000	EA	Cap - Fuel Fill
	072447-01-000	EA	Shroud - Fuel Fill - Inside
	083570-01-000	EA	Boot - Fuel Fill
	077963-01-000	EA	Gasket - Door - Gas Fill
	078200-01-000	EA	Gasket - Fuel Fill

** Remainder of exhaust components available from chassis service center

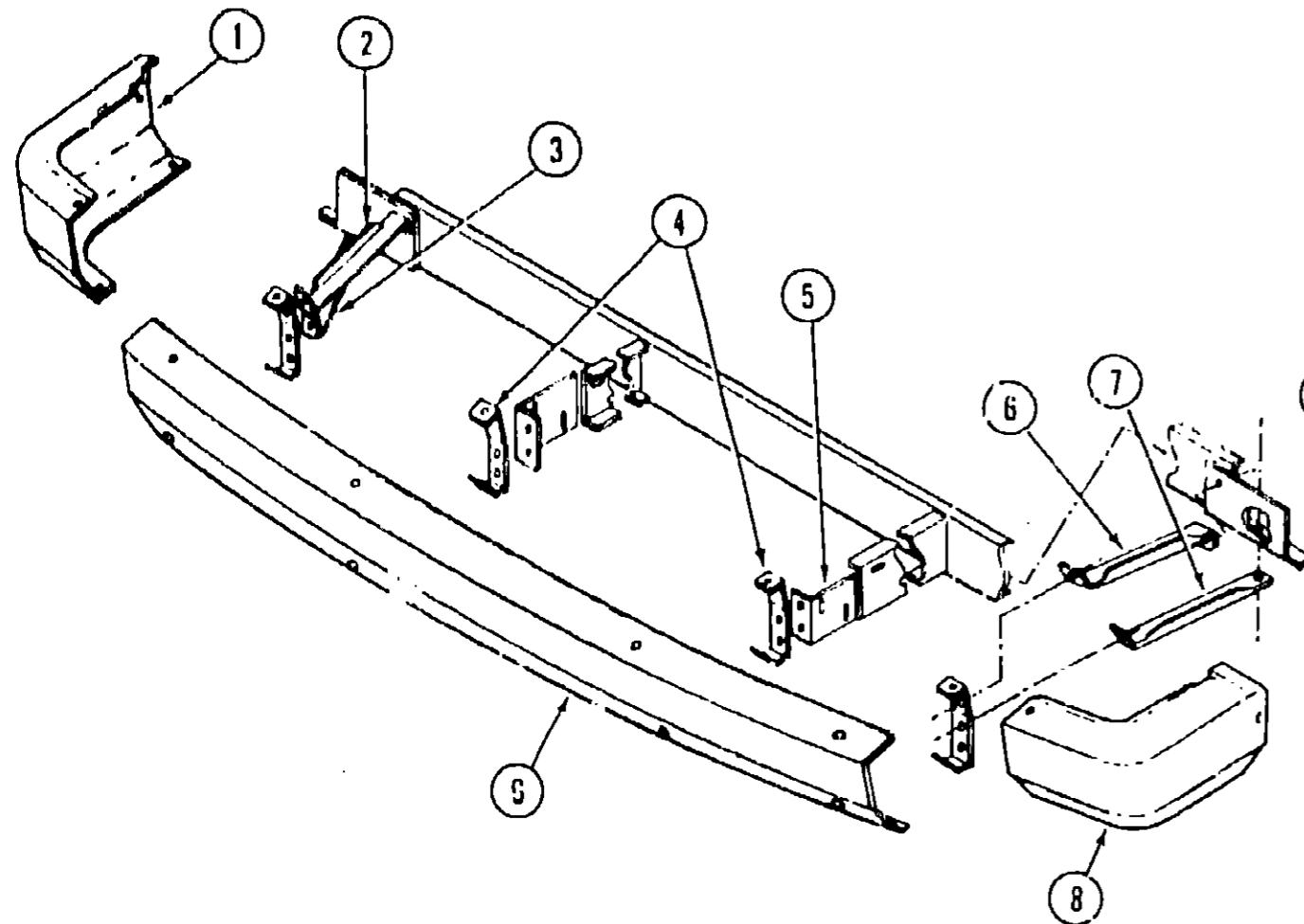
1987 WINNEBAGO TABLE OF CONTENTS

WT319RB	A-01 - B-16
WCN22RC	B-17 - D-24
WC421RB	E-01 - F-24
WCP37RQ	G-01 - I-14

1987 WCN22RC INDEX

Floor Plan	B-17 - B-18
Accessories Group	B-19 - B-21
Bath Group	B-22 - B-23
Chassis Group	B-24 - C-02
Curtain, Cushion & Pad Group	C-03 - C-09
DINETTE Group	C-10
Driver's Compartment Group	C-11 - C-13
Electrical Group	C-14 - C-16
Exterior Body Group	C-17 - C-23
Galley Group	C-24 - D-01
Heating & Air Conditioning Group	D-02
Interior Finish Group	D-03 - D-05
LP Group	D-06
Lounge Group	D-07
Water & Sewage Group	D-08 - D-09
Window, Vent & Exterior Door Group	D-10 - D-24

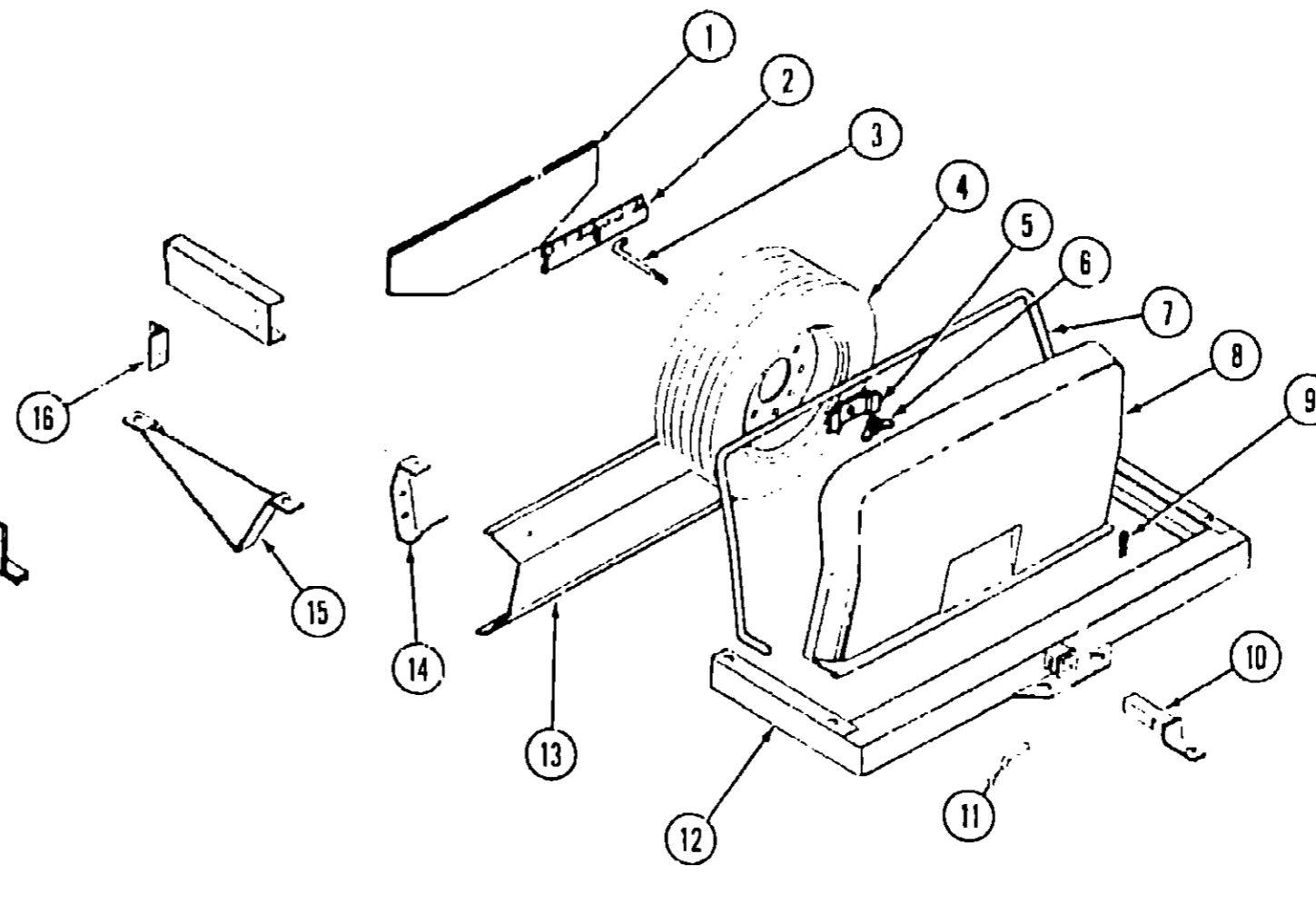
CHASSIS GROUP (CONTINUED)



FRONT BUMPER

Key	Part Number	U/M	Description
1	086542-01-W07	EA	Bumper End - Beige - Right Front
2	078002-01-000	EA	Brace - Upper Right - Front Bumper
3	078003-01-000	EA	Brace - Lower Right - Front Bumper
4	077852-01-000	EA	Bracket to Bumper - Front
5	076527-01-000	EA	Bracket to Frame - Front Bumper
6	078002-02-000	EA	Brace - Upper Left - Front Bumper
7	078003-02-000	EA	Brace - Lower Left - Front Bumper
8	086542-02-W07	EA	Bumper End - Beige - Left Front
9	077850-04-000	EA	Bumper - Front - Primed
9	077850-09-000	EA	Bumper - Front - Chrome
.	005200-01-000	EA	Carriage Bolt - Chrome - 7/16" x 14 x 1 1/4"
.	000D39-07-00B	EA	Nut - Hex - 7/16" - 14
.			Not illustrated

CHASSIS GROUP (CONTINUED)



SPARE TIRE, HITCH & REAR BUMPER

Key	Part Number	U/M	Description
1	079395-01-000	EA	Dust Shield - Spare Tire
2	077403-01-000	EA	Rod Support - Spare Tire
3	077411-01-000	EA	Retaining Rod
4	050273-02-000	EA	Tire - 7.50 x 16 - XCA T8 - Tubeless
5	077399-01-000	EA	Spare Tire Retainer
6	064081-01-000	EA	Wing Nut
7	073090-01-000	EA	Tire Cover Seat
8	079165-01-W07	EA	Tire Cover Asm.
.	077408-01-000	EA	Lock Asm. - Tire Cover
.	077759-01-000	EA	Support Spacer - Spare Tire
.	077400-01-000	EA	Support - Spare Tire
9	034513-01-000	EA	Pin - Hitch - 3/16" Wire
10	077613-01-000	EA	Drawbar - Ball Mount
11	034512-01-000	EA	Locking Pin - Drawbar
12	077617-01-700	EA	Hitch Asm. - w/o Drawbar
13	078584-01-000	EA	Bumper - Rear - Primed
13	078584-08-000	EA	Bumper - Rear - Chromed
.		EA	Bumper Ends (See Exterior Body Group)
14	078670-02-000	EA	Bracket to Bumper - Rear
15	083376-01-000	EA	Skid Plate Asm.
16	078668-01-000	EA	Support Angle - Rear Bumper Support to Frame
.	005200-01-000	EA	Bumper Bolt - 7/16" - 14 x 1 1/4"
.	000D39-07-00B	EA	Nut - Hex - 7/16" - 14
.			Not illustrated

**1987 WINNEBAGO
TABLE OF CONTENTS**

WT319RB
WGN22RC
WC421RB
WCP37RO

A-01 - B-16
B-17 - D-24
E-01 - F-24
G-01 - I-14

1987 WGN22RC INDEX

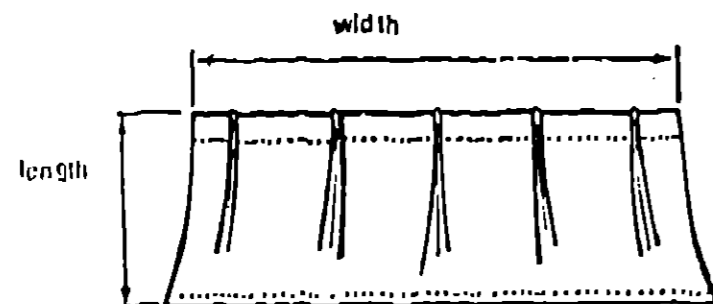
Floor Plan	B-17 - B-18
Accessories Group	B-19 - B-21
Bath Group	B-22 - B-23
Chassis Group	B-24 - C-02
Curtain, Cushion & Pad Group	C-03 - C-09
Dinette Group	C-10
Driver's Compartment Group	C-11 - C-13
Electrical Group	C-14 - C-16
Exterior Body Group	C-17 - C-23
Galley Group	C-24 - D-01
Heating & Air Conditioning Group	D-02
Interior Finish Group	D-03 - D-05
LP Group	D-06
Lounge Group	D-07
Water & Sewage Group	D-08 - D-09
Window, Vent & Exterior Door Group	D-10 - D-24

CURTAIN, CUSHION & PAD GROUP

NOTICE

In order to assist our Parts Sales Dept. in providing interior software items, please include the serial number and the color code number from the vehicle certification label when ordering. This label is located on the left sidewall at the end of the dash (A-Body), or on the driver's door latch plate (C-Body).

An example of a color code number is P31, which designates an overall color scheme of a particular unit. The color listed after the item description on the microfiche, indicates the overall unit color. Order the item you desire according to unit color code.



NOTE: Use this illustration when determining length and width measurements for curtains. You will note the width measurement is taken on the top of the curtain with the curtain fully extended. The length measurement is taken from top to bottom.



Key	Part Number	U/M	Description
1	029130-01-000	EA	Socket - Snap Fastener
2	029155-01-000	EA	Cap - Snap - 156" Dia x 17" Barrel
3	029156-01-000	EA	Socket - Snap Fastener
4	029092-01-000	EA	Stud - Nickel Finish
5	092093-01-000	EA	Eyelet - Nickel Finish

CURTAIN & CUSHION HARDWARE

Key	Part Number	U/M	Description
	009107-01-000	EA	Guide - Curtain - Bottom
	081381-01-000	EA	Swivel Snap - Curtain Track
	029130-01-000	EA	Snap Socket - Curtain Bottom
	082139-02-000	EA	Bracket - Blind - Hold Down
	083170-03-000	EA	Bracket - Blind - Top Right
	083170-04-000	EA	Bracket - Blinds - Top Left
	029130-01-000	EA	Snap Socket - Tie Back
	079619-01-000	EA	Bracket - Tie Back
	084434-01-000	EA	Bracket - Shade
	056784-02-000	EA	Pull - Window Shade - Antique Brass
	056115-01-000	YD	Tape - Clear Plastic - w/Guides
	048394-01-000	YD	Tape Hood - 1" x 50 YD - Beige
	048395-01-000	YD	Tape Loop - 1" x 50 YD - Beige
	029090-01-000	FT	Tie - Drapery - Clear Vinyl
	078551-06-000	EA	Track - Room Divider - 67.32" - Beige
	055116-01-000	EA	Track - Curtain - Brown Plastic - Top
	079946-01-000	EA	Track - Curtain - Wraparound - Right
	079946-02-000	EA	Track - Curtain - Wraparound - Left
	085283-01-000	EA	Bracket - Curtain Hold Back - Clear Plastic
	087253-01-000	EA	Shade Pull - Clear Plastic

CURTAIN, CUSHION & PAD GROUP (CONTINUED)

FABRICS & TRIMS

Key	Part Number	U/M	Description
	081607-02-000	YU	Fabric - Headliner - Sandstone
	077498-01-000	YD	Fabric - Main - Jade/Taupe (W07)
	077498-92-000	YD	Fabric - Main - Rose (W08)
	077498-93-000	YD	Fabric - Main - Taupe (W09)
	077498-A8-000	YD	Fabric - Stripped Accent - Jade/Taupe (W07)
	077498-A5-000	YD	Fabric - Stripped Accent - Rose (W08)
	077498-A7-000	YD	Fabric - Stripped Accent - Taupe (W09)
	077498-95-000	YD	Fabric - Plain Accent - Jade/Taupe (W07)
	077498-61-000	YD	Fabric - Plain Accent - Rose (W08)
	077498-90-000	YD	Fabric - Plain Accent - Taupe (W09)
	069729-47-000	YD	Fabric - Bedroom Drapery - Jade/Taupe (W07)
	069729-48-000	YD	Fabric - Bedroom Drapery - Rose (W08)
	069729-49-000	YD	Fabric - Bedroom Drapery - Taupe (W09)
	072333-39-000	YD	Fabric - Wraparound & Blackout - Jade/Taupe (W07)
	072333-37-000	YD	Fabric - Wraparound & Blackout - Rose (W08)
	072333-38-000	YD	Fabric - Wraparound & Blackout - Taupe (W09)
	072333-34-000	YD	Fabric - Drapery - Shades & Tie Back - Jade/Taupe (W07)
	072333-35-000	YD	Fabric - Drapery - Shades & Tie Back - Rose (W08)
	072333-36-000	YD	Fabric - Drapery - Shades & Tie Back - Taupe (W09)
	038421-02-000	YD	Fabric - Mattress Ticking - Beige/Brown
	038421-04-000	YD	Fabric - Mattress Ticking - Cashew
	052859-01-W07	FT	Trim Asm - Accent - Sandrift
	052859-06-T03	FT	Trim Asm - Accent - Sandrift
	079680-01-000	YD	Vinyl - Expanded - 26 oz. - Buckskin
	079680-02-000	YD	Vinyl - Expanded - 26 oz. - Sandrift
	038421-01-000	YD	Fabric - Mattress Ticking
	029012-01-000	BF	Foam - Rolled - 3/8"
	057550-03-T03	EA	Button Asm. - Nail - #36 - 7/8" Shank - Vinyl
	070578-07-W07	EA	Button Asm. - Screw Stud - #30 - Jade/Taupe
	070578-07-W08	EA	Button Asm. - Screw Stud - #30 - Rose
	070578-07-W09	EA	Button Asm. - Screw Stud - #30 - Taupe
	070578-06-T03	EA	Button Asm. - Screw Stud - #30 - Buckskin
	071127-10-W04	EA	Button Asm. - Round - #65 - Jade/Taupe (W07)
	071127-10-W09	EA	Button Asm. - Round - #65 - Rose (W08)
	071127-10-W06	EA	Button Asm. - Round - #65 - Taupe (W09)
	071127-09-000	EA	Button Asm. - #36 - Mattress Ticking
	069748-05-000	EA	Hook Back - #65 - Nylon Square
	057093-01-T03	EA	Button Asm. - Nail Back - #60 - Vinyl - Buckskin
	078155-01-000	EA	Strap Asm. - Cushion
	079144-02-T03	EA	Strap Asm. - Bunk
	081519-01-W04	EA	Pad Asm. - Dinette - Front - Jade/Taupe (W07)
	081519-01-W09	EA	Pad Asm. - Dinette - Front - Rose (W08)
	081519-01-W06	EA	Pad Asm. - Dinette - Front - Taupe (W09)
	081519-02-W03	EA	Pad Asm. - Dinette - Rear - Jade/Taupe (W07)
	081519-02-W09	EA	Pad Asm. - Dinette - Rear - Rose (W08)
	081519-02-W06	EA	Pad Asm. - Dinette - Rear - Taupe (W09)

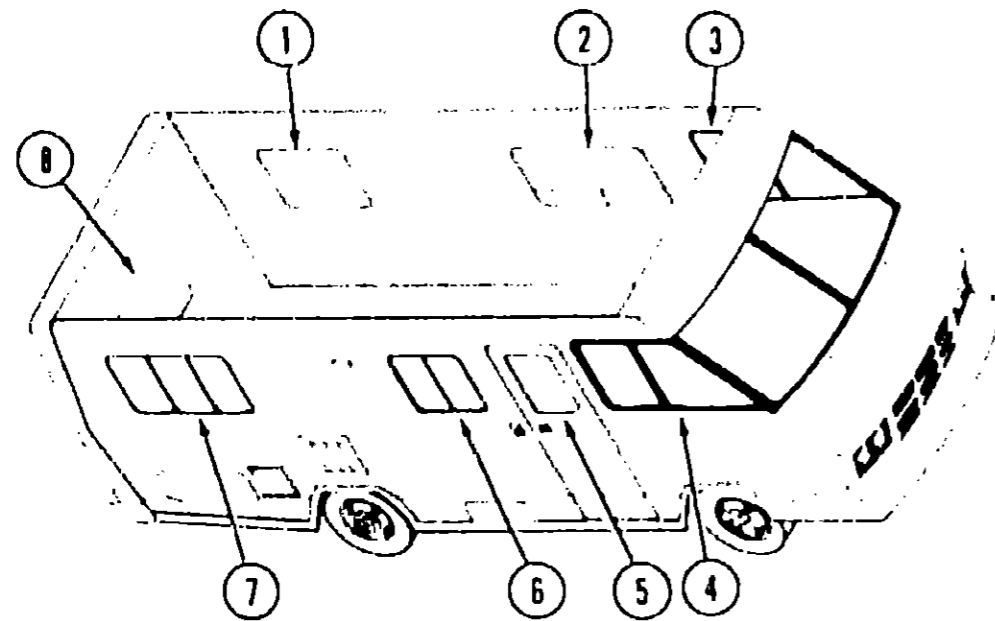
**1987 WINNEBAGO
TABLE OF CONTENTS**

WT319RB	A-01 - B-16
WCN22RC	B-17 - D-24
WC421RB	E-01 - F-24
WCP37RC	G-01 - I-14

1987 WCN22RC INDEX

Floor Plan	B-17 - B-18
Accessories Group	B-19 - B-21
Bath Group	B-22 - B-23
Chassis Group	B-24 - C-02
Curtain, Cushion & Pad Group	C-03 - C-09
Dinette Group	C-10
Driver's Compartment Group	C-11 - C-13
Electrical Group	C-14 - C-16
Exterior Body Group	C-17 - C-23
Galley Group	C-24 - D-01
Heating & Air Conditioning Group	D-02
Interior Finish Group	D-03 - D-05
LP Group	D-06
Lounge Group	D-07
Water & Sewage Group	D-08 - D-09
Window, Vent & Exterior Door Group	D-10 - D-24

CURTAIN, CUSHION & PAD GROUP (CONTINUED)



CURTAIN, SHADES, VALANCES & TIEBACKS

Key	Part Number	U/M	Description
1	085191-10-W07	EA	Valance Asm - w/Insert - 31 5" - Jade/Taupe
1	085191-10-W08	EA	Valance Asm - w/Insert - 31 5" - Rose
1	085191-10-W09	EA	Valance Asm - w/Insert - 31 5" - Taupe
1	073304-39-W07	EA	Curtain w/Snap Top - 27 5" x 10" - Jade/Taupe
1	073304-39-W08	EA	Curtain w/Snap Top - 27 5" x 10" - Rose
1	073304-39-W09	EA	Curtain w/Snap Top - 27 5" x 10" - Taupe
1	082118-B4-000	EA	Blinds - 28" x 24" Drop - Jade/Taupe (W07)
1	082118-B5-000	EA	Blinds - 28" x 24" Drop - Rose (W08)
1	082118-B6-000	EA	Blinds - 28" x 24" Drop - Taupe (W09)
2	085191-01-W04	EA	Valance Asm - w/Insert - 68 5" - Jade/Taupe (W07)
2	085191-01-W05	EA	Valance Asm - w/Insert - 68 5" - Rose (W08)
2	085191-01-W06	EA	Valance Asm - w/Insert - 68 5" - Taupe (W09)
2	085190-01-W04	EA	Curtain w/Dart & Snap Top - 37" x 15" - Jade/Taupe (W07)
2	085190-01-W05	EA	Curtain w/Dart & Snap Top - 37" x 15" - Rose (W08)
2	085190-01-W06	EA	Curtain w/Dart & Snap Top - 37" x 15" - Taupe (W09)
2	085304-18-000	EA	Blinds - Pleated - 65" x 33" Drop - Jade/Taupe (W07)
2	085304-17-000	EA	Blinds - Pleated - 65" x 33" Drop - Rose (W08)
2	085304-16-000	EA	Blinds - Pleated - 65" x 33" Drop - Taupe (W09)
2	082118-C6-000	EA	Blinds - 65" x 33" Drop - Jade/Taupe (W07)
2	082118-C7-000	EA	Blinds - 65" x 33" Drop - Rose (W08)
2	082118-C8-000	EA	Blinds - 65" x 33" Drop - Taupe (W09)
3	073304-41-W07	EA	Curtain Asm - w/Snap Top - Front Wraparound - 32 5" x 86" - Jade/Taupe - Left
3	073304-41-W08	EA	Curtain Asm - w/Snap Top - Front Wraparound - 32 5" x 86" - Rose - Left
3	073304-41-W09	EA	Curtain Asm - w/Snap Top - Front Wraparound - 32 5" x 86" - Taupe - Left
4	073304-40-W07	EA	Curtain Asm - w/Snap Top - Front Wraparound - 32 5" x 86" - Jade/Taupe - Right
4	073304-40-W08	EA	Curtain Asm - w/Snap Top - Front Wraparound - 32 5" x 86" - Rose - Right
4	073304-40-W09	EA	Curtain Asm - w/Snap Top - Front Wraparound - 32 5" x 86" - Taupe - Right
5	085191-04-W04	EA	Valance Asm - Entrance Door - Jade/Taupe (W07)
5	085191-04-W05	EA	Valance Asm - Entrance Door - Rose (W08)
5	085191-04-W06	EA	Valance Asm - Entrance Door - Taupe (W09)
5	084755-04-W04	EA	Shade - 24 25" - Jade/Taupe (W07)
5	084755-04-W05	EA	Shade - 24 25" - Rose (W08)
5	084755-04-W06	EA	Shade - 24 25" - Taupe (W09)
6	085191-03-W07	EA	Valance Asm - w/Insert - 29 5" - Jade/Taupe
6	085191-03-W08	EA	Valance Asm - w/Insert - 29 5" - Rose
6	085191-03-W09	EA	Valance Asm - w/Insert - 29 5" - Taupe

CURTAIN, CUSHION & PAD GROUP (CONTINUED)

CURTAINS, SHADES, VALANCES & TIEBACKS (CONT.)

Key	Part Number	U/M	Description
6	082118-A8-000	EA	Blinds - 27" x 22" Drop - Jade/Taupe (W07)
6	082118-A9-000	EA	Blinds - 27" x 22" Drop - Rose (W08)
6	082118-B0-000	EA	Blinds - 27" x 22" Drop - Taupe (W09)
7	086480-02-W07	EA	Valance Asm - w/Insert - 64" - Jade/Taupe
7	086480-02-W08	EA	Valance Asm - w/Insert - 64" - Rose
7	086480-02-W09	EA	Valance Asm - w/Insert - 64" - Taupe
7	085190-07-W07	EA	Curtain w/Dart & Snap Top - 29 5" x 15" - Jade/Taupe
7	085190-07-W08	EA	Curtain w/Dart & Snap Top - 29 5" x 15" - Rose
7	085190-07-W09	EA	Curtain w/Dart & Snap Top - 29 5" x 15" - Taupe
7	085200-02-W07	EA	Shade - 60 25" - Jade/Taupe
7	085200-02-W08	EA	Shade - 60 25" - Rose
7	085200-02-W09	EA	Shade - 60 25" - Taupe
**	086480-03-W07	EA	Valance Asm - w/Insert - 45 5" - Jade/Taupe
**	086480-03-W08	EA	Valance Asm - w/Insert - 45 5" - Rose
**	086480-03-W09	EA	Valance Asm - w/Insert - 45 5" - Taupe
**	085190-08-W04	EA	Curtain w/Dart & Snap Top - 22" x 10" - Jade/Taupe (W07)
**	085190-08-W05	EA	Curtain w/Dart & Snap Top - 22" x 10" - Rose (W08)
**	085190-08-W06	EA	Curtain w/Dart & Snap Top - 22" x 10" - Taupe (W09)
**	085200-11-W04	EA	Shade - 40 25" - Jade/Taupe (W07)
**	085200-11-W05	EA	Shade - 40 25" - Rose (W08)
**	085200-11-W09	EA	Shade - 40 25" - Taupe
8	086480-06-W07	EA	Valance Asm - w/Insert - 37" - Jade/Taupe
8	086480-06-W08	EA	Valance Asm - w/Insert - 37" - Rose
8	086480-06-W09	EA	Valance Asm - w/Insert - 37" - Taupe
8	085190-07-W07	EA	Curtain w/Dart & Snap Top - 29 5" x 15" - Jade/Taupe
8	085190-07-W08	EA	Curtain w/Dart & Snap Top - 29 5" x 15" - Rose
8	085190-07-W09	EA	Curtain w/Dart & Snap Top - 29 5" x 15" - Taupe
8	085200-09-W07	EA	Shade - 33 25" - Jade/Taupe
8	085200-09-W08	EA	Shade - 33 25" - Rose
8	085200-09-W09	EA	Shade - 33 25" - Taupe
**	086480-07-W04	EA	Valance Asm - w/Insert - 17" - Jade/Taupe (W07)
**	086480-07-W05	EA	Valance Asm - w/Insert - 17" - Rose (W08)
**	086480-07-W09	EA	Valance Asm - w/Insert - 17" - Taupe
**	073304-44-W04	EA	Curtain w/Snap Top - 26" x 10" - Jade/Taupe (W07)
**	073304-44-W05	EA	Curtain w/Snap Top - 26" x 10" - Rose (W08)
**	073304-44-W06	EA	Curtain w/Snap Top - 26" x 10" - Taupe (W09)
**	085200-10-W04	EA	Shade - 14 25" - Jade/Taupe (W07)
**	085200-10-W05	EA	Shade - 14 25" - Rose (W08)
**	085200-10-W09	EA	Shade - 14 25" - Taupe
*	084382-03-W04	EA	Curtain w/Ruffle - Shower - 66" x 30" - Jade/Taupe (W07)
*	084382-03-W05	EA	Curtain w/Ruffle - Shower - 66" x 30" - Rose (W08)
*	084382-03-W24	EA	Curtain w/Ruffle - Shower - 66" x 30" - Taupe (W09)
*	086121-02-000	EA	Curtain - Shower Liner - 62" x 40" (W07, W08, W09)
*	077591-05-W07	EA	Curtain w/Velcro Top - Bunk Privacy - 60" x 50" - Right - Jade/Taupe (W07)
*	077591-05-W32	EA	Curtain w/Velcro Top - Bunk Privacy - 60" x 50" - Right - Rose (W08)
*	077591-05-W30	EA	Curtain w/Velcro Top - Bunk Privacy - 60" x 50" - Right - Taupe (W09)
*	077591-06-W07	EA	Curtain w/Velcro Top - Bunk Privacy - 60" x 50" - Left - Jade/Taupe (W07)
*	077591-06-W32	EA	Curtain w/Velcro Top - Bunk Privacy - 60" x 50" - Left - Rose (W08)
*	077591-06-W30	EA	Curtain w/Velcro Top - Bunk Privacy - 60" x 50" - Left - Taupe (W09)
*	073304-04-W04	EA	Curtain w/Snap Top - Privacy - 64" x 53" - Jade/Taupe (W07)
*	073304-04-W05	EA	Curtain w/Snap Top - Privacy - 64" x 53" - Rose (W08)
*	073304-04-W06	EA	Curtain w/Snap Top - Privacy - 64" x 53" - Taupe (W09)
*	073304-26-W04	EA	Curtain w/Snap Top - Privacy - 54" x 40" - Jade/Taupe (W07)
*	073304-26-W05	EA	Curtain w/Snap Top - Privacy - 54" x 40" - Rose (W08)
*	073304-26-W24	EA	Curtain w/Snap Top - Privacy - 54" x 40" - Taupe (W09)
*	073260-23-W04	EA	Tie Back Asm - 3" x 18" - Wraparound & Privacy - Jade/Taupe (W07)
*	073260-23-W05	EA	Tie Back Asm - 3" x 18" - Wraparound & Privacy - Rose (W08)
*	073260-23-W06	EA	Tie Back Asm - 3" x 18" - Wraparound & Privacy - Taupe (W09)
*	057534-01-000	EA	Tie Back Asm - 6" - Clear Plastic
*	057534-03-000	EA	Tie Back Asm - 7.5" - Clear Plastic
*	057534-04-000	EA	Tie Back Asm - 20" - Clear Plastic
*			Not illustrated
**			Parts for Bunkhouse Option (Not illustrated)

**1987 WINNEBAGO
TABLE OF CONTENTS**

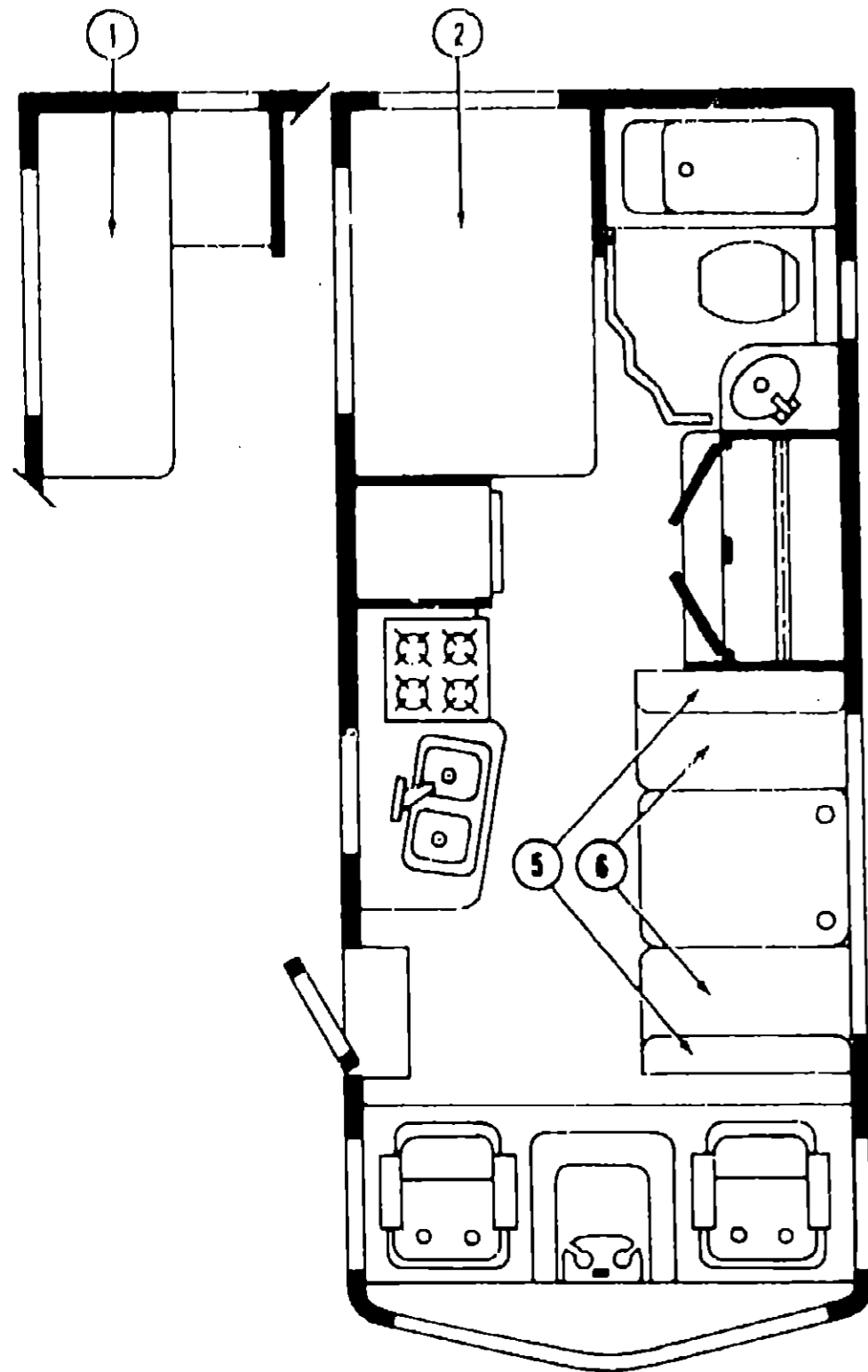
WT319RB	A-01 - B-16
WCN22RC	B-17 - D-24
WC421RB	E-01 - F-24
WCP37RO	G-01 - I-14

1987 WCN22RC INDEX

Floor Plan	B-17 - B-18
Accessories Group	B-19 - B-21
Bath Group	B-22 - B-23
Chassis Group	B-24 - C-02
Curtain, Cushion & Pad Group	C-03 - C-09
Dinette Group	C-10
Driver's Compartment Group	C-11 - C-13
Electrical Group	C-14 - C-16
Exterior Body Group	C-17 - C-23
Galley Group	C-24 - D-01
Heating & Air Conditioning Group	D-02
Interior Finish Group	D-03 - D-05
LP Group	D-06
Lounge Group	D-07
Water & Sewage Group	D-08 - D-09
Window, Vent & Exterior Door Group	D-10 - D-24

CURTAIN, CUSHION & PAD GROUP (CONTINUED)

CURTAIN, CUSHION & PAD GROUP (CONTINUED)



REAR BUNK CUSHIONS

Key	Part Number	U/M	Description
1	073519-03-W04	EA	Cushion - Rear Bunk - 29" x 75.5" x 4.5" - Jade/Taupe (W07)
1	073519-03-W05	EA	Cushion - Rear Bunk - 29" x 75.5" x 4.5" - Rose (W08)
1	073519-03-W09	EA	Cushion - Rear Bunk - 29" x 75.5" x 4.5" - Taupe
	M73519-03-W04	EA	Cover - Rear Bunk Cushion - 29" x 75.5" x 4.5" - Jade/Taupe (W07)
	M73519-03-W05	EA	Cover - Rear Bunk Cushion - 29" x 75.5" x 4.5" - Rose (W08)
	M73519-03-W09	EA	Cover - Rear Bunk Cushion - 29" x 75.5" x 4.5" - Taupe

DOUBLE BED MATTRESS

Key	Part Number	U/M	Description
2	0813490-02-000	EA	Mattress - Foam - 48" x 75" x 7"
2	077478-02-000	EA	Mattress - Inner Spring - Sealy - 48" x 75" x 7.75"
	083986-01-W07	EA	Bedspread - 48" x 76" - Jade/Taupe
	083986-01-W08	EA	Bedspread - 48" x 76" - Rose
	083986-01-W09	EA	Bedspread - 48" x 76" - Taupe
	081997-01-W07	EA	Pillow Sham - 30" x 26" - Jade/Taupe
	081997-01-W08	EA	Pillow Sham - 30" x 26" - Rose
	081997-01-W09	EA	Pillow Sham - 30" x 26" - Taupe

3 PILLOW COUCH

Key	Part Number	U/M	Description
3	081998-17-W07	EA	Pillow Asm - 16" x 23" x 5" - Jade/Taupe
3	081998-17-W08	EA	Pillow Asm - 16" x 23" x 5" - Rose
3	081998-17-W09	EA	Pillow Asm - 16" x 23" x 5" - Taupe
	M81998-17-W07	EA	Cover Asm - Pillow - 16" x 23" x 5" - Jade/Taupe
	M81998-17-W08	EA	Cover Asm - Pillow - 16" x 23" x 5" - Rose
	M81998-17-W09	EA	Cover Asm - Pillow - 16" x 23" x 5" - Taupe
4	079448-04-W07	EA	Bed Asm - Jade/Taupe
4	079448-04-W08	EA	Bed Asm - Rose
4	079448-04-W09	EA	Bed Asm - Taupe
	M79448-04-W07	EA	Cover Asm - Seat - Jade/Taupe
	M79448-04-W08	EA	Cover Asm - Seat - Rose
	M79448-04-W09	EA	Cover Asm - Seat - Taupe
	085060-01-W07	EA	Cushion Asm - Arm Pillow - Jade/Taupe
	085060-01-W08	EA	Cushion Asm - Arm Pillow - Rose
	085060-01-W09	EA	Cushion Asm - Arm Pillow - Taupe
	M85060-01-W07	EA	Cover Asm - Arm Pillow - Jade/Taupe
	M85060-01-W08	EA	Cover Asm - Arm Pillow - Rose
	M85060-01-W09	EA	Cover Asm - Arm Pillow - Taupe

DINETTE CUSHION

Key	Part Number	U/M	Description
5	081998-56-W04	EA	Cushion Asm - Dinette Back - 19.25" x 38" x 5" - Jade/Taupe (W07)
5	081998-56-W05	EA	Cushion Asm - Dinette Back - 19.25" x 38" x 5" - Rose (W08)
5	081998-56-W06	EA	Cushion Asm - Dinette Back - 19.25" x 38" x 5" - Taupe (W09)
	M81998-56-W04	EA	Cover Asm - Dinette Back Cushion - 19.25" x 38" x 5" - Jade/Taupe (W07)
	M81998-56-W05	EA	Cover Asm - Dinette Back Cushion - 19.25" x 38" x 5" - Rose (W08)
	M81998-56-W06	EA	Cover Asm - Dinette Back Cushion - 19.25" x 38" x 5" - Taupe (W09)
6	081998-57-W04	EA	Cushion Asm - Dinette Bottom - 17.5" x 38" x 5" - Jade/Taupe (W07)
6	081998-57-W05	EA	Cushion Asm - Dinette Bottom - 17.5" x 38" x 5" - Rose (W08)
6	081998-57-W06	EA	Cushion Asm - Dinette Bottom - 17.5" x 38" x 5" - Taupe (W09)
	M81998-57-W04	EA	Cover Asm - Dinette Bottom Cushion - 17.5" x 38" x 5" - Jade/Taupe (W07)
	M81998-57-W05	EA	Cover Asm - Dinette Bottom Cushion - 17.5" x 38" x 5" - Rose (W08)
	M81998-57-W06	EA	Cover Asm - Dinette Bottom Cushion - 17.5" x 38" x 5" - Taupe (W09)

FRONT BUNK

Key	Part Number	U/M	Description
	079145-04-000	EA	Cushion Asm - Front Bunk - 4" x 34" x 78"
	M79145-04-000	EA	Cover Asm - Front Bunk Cushion - 4" x 34" x 78"
	079144-02-T03	EA	Bunk Strap - Vinyl

**1987 WINNEBAGO
TABLE OF CONTENTS**

WT319RB	A-01 - B-16
WCN22RC	B-17 - D-24
WC421RB	E-01 - F-24
WCP37RQ	G-01 - I-14

1987 WCN22RC INDEX

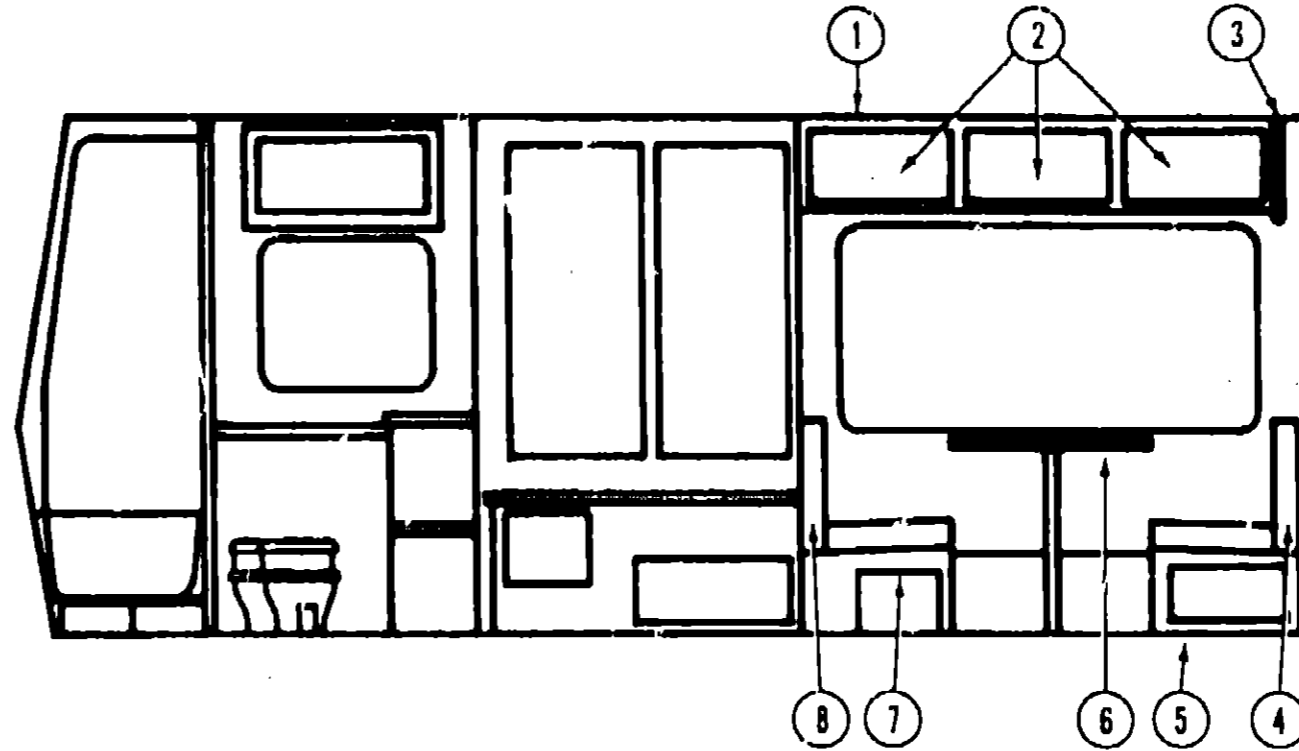
Floor Plan	B-17 - B-18
Accessories Group	B-19 - B-21
Bath Group	B-22 - B-23
Chassis Group	B-24 - C-02
Curtain, Cushion & Pad Group	C-03 - C-09
Dinette Group	C-10
Driver's Compartment Group	C-11 - C-13
Electrical Group	C-14 - C-16
Exterior Body Group	C-17 - C-23
Galley Group	C-24 - D-01
Heating & Air Conditioning Group	D-02
Interior Finish Group	D-03 - D-05
LP Group	D-06
Lounge Group	D-07
Water & Sewage Group	D-08 - D-09
Window, Vent & Exterior Door Group	D-10 - D-24

CURTAIN, CUSHION & PAD GROUP (CONTINUED)

BUCKET SEATS

Key	Part Number	U/M	Description
	084191-02-W04	EA	Seat Asm. - Comet I - Jade/Taupe (W07)
	084191-02-W05	EA	Seat Asm. - Comet I - Rose (W08)
	084191-01-W06	EA	Seat Asm. - Comet I - Taupe (W09)
	M01864-23-W04	EA	Cover Asm. - Seat Bottom - Jade/Taupe (W07)
	M01864-23-W05	EA	Cover Asm. - Seat Bottom - Rose (W08)
	M01864-21-W06	EA	Cover Asm. - Seat Bottom - Taupe (W09)
	M01864-24-W04	EA	Cover Asm. - Seat Back - Jade/Taupe (W07)
	M01864-24-W05	EA	Cover Asm. - Seat Back - Rose (W08)
	M01864-22-W06	EA	Cover Asm. - Seat Back - Taupe (W09)
	078804-07-W07	EA	Seat Asm. - Granduer - Jade/Taupe
	078804-07-W08	EA	Seat Asm. - Granduer - Rose
	078804-07-W09	EA	Seat Asm. - Granduer - Taupe
	M01863-01-W07	EA	Cover Asm. - Bucket Seat Bottom - Jade/Taupe
	M01863-01-W08	EA	Cover Asm. - Bucket Seat Bottom - Rose
	M01863-01-W09	EA	Cover Asm. - Bucket Seat Bottom - Taupe
	M01863-02-W07	EA	Cover Asm. - Bucket Seat Back - Jade/Taupe
	M01863-02-W08	EA	Cover Asm. - Bucket Seat Back - Rose
	M01863-02-W09	EA	Cover Asm. - Bucket Seat Back - Taupe
	079281-02-W07	EA	Seat Asm. - Double Bucket - Jade/Taupe
	079281-02-W08	EA	Seat Asm. - Double Bucket - Rose
	079281-02-W09	EA	Seat Asm. - Double Bucket - Taupe
	M01874-03-W07	EA	Cover Asm. - Bucket Seat Bottom - Double Bucket - Jade/Taupe
	M01874-03-W08	EA	Cover Asm. - Bucket Seat Bottom - Double Bucket - Rose
	M01874-03-W09	EA	Cover Asm. - Bucket Seat Bottom - Double Bucket - Taupe
	M01874-04-W07	EA	Cover Asm. - Bucket Seat Back - Double Bucket - Jade/Taupe
	M01874-04-W08	EA	Cover Asm. - Bucket Seat Back - Double Bucket - Rose
	M01874-04-W09	EA	Cover Asm. - Bucket Seat Back - Double Bucket - Taupe
	080243-02-W07	EA	Armrest Asm. - Left - Double Bucket - Jade/Taupe
	080243-02-W08	EA	Armrest Asm. - Left - Double Bucket - Rose
	080243-02-W09	EA	Armrest Asm. - Left - Double Bucket - Taupe
	080242-01-W07	EA	Headrest Asm. - Double Bucket - Jade/Taupe
	080242-01-W08	EA	Headrest Asm. - Double Bucket - Rose
	080242-01-W09	EA	Headrest Asm. - Double Bucket - Taupe
	080243-07-W04	EA	Armrest Asm. - Right - Jade/Taupe (W07)
	080243-07-W05	EA	Armrest Asm. - Right - Rose (W08)
	080243-07-W06	EA	Armrest Asm. - Right - Taupe (W09)
	080243-08-W04	EA	Armrest Asm. - Left - Jade/Taupe (W07)
	080243-08-W05	EA	Armrest Asm. - Left - Rose (W08)
	080243-08-W06	EA	Armrest Asm. - Left - Taupe (W09)
	M80243-01-W04	EA	Cover Asm. - Armrest - Right - Jade/Taupe (W07)
	M80243-01-W05	EA	Cover Asm. - Armrest - Right - Rose (W08)
	M80243-01-W06	EA	Cover Asm. - Armrest - Right - Taupe (W09)
	M80243-02-W04	EA	Cover Asm. - Armrest - Left - Jade/Taupe (W07)
	M80243-02-W05	EA	Cover Asm. - Armrest - Left - Rose (W08)
	M80243-02-W06	EA	Cover Asm. - Armrest - Left - Taupe (W09)
	080242-04-W04	EA	Headrest Asm. - Jade/Taupe (W07)
	080242-04-W05	EA	Headrest Asm. - Rose (W08)
	080242-04-W06	EA	Headrest Asm. - Taupe (W09)
	M80242-01-W04	EA	Cover Asm. - Headrest - Jade/Taupe (W07)
	M80242-01-W05	EA	Cover Asm. - Headrest - Rose (W08)
	M80242-01-W06	EA	Cover Asm. - Headrest - Taupe (W09)
	071126-16-W07	EA	Skirt Asm. - Single Bucket - Jade/Taupe
	071126-16-W08	EA	Skirt Asm. - Single Bucket - Rose
	071126-16-W09	EA	Skirt Asm. - Single Bucket - Taupe
	071126-04-W07	EA	Skirt Asm. - Double Bucket - Jade/Taupe
	071126-04-W37	EA	Skirt Asm. - Double Bucket - Rose (W08)
	071126-04-W09	EA	Skirt Asm. - Double Bucket - Taupe

DINETTE GROUP



**1987 WINNEBAGO
TABLE OF CONTENTS**

WT319RB	A-01 - B-18
WCN22RC	B-17 - D-24
WC421HB	E-01 - F-24
WCP37RO	G-01 - I-14

CONVENTIONAL DINETTE & OVERHEAD CABINERY

Key	Part Number	U/M	Description
1	081302-05-W07	EA	Cabinet Asm. - Dinette Overhead - w/o Doors or Hardware
2	M81503-01-W07	EA	Door Asm. - Dinette Overhead - w/o Hardware
3	081325-01-T03	EA	Pad Asm. - End Cap - Dinette Overhead - Front - Vinyl
4	M02174-01-W07	EA	Cabinet Asm. - Dinette Back - Right
5	M02175-02-W04	EA	Cabinet Asm. - Dinette Seat - Right - w/o Hardware
*	M81501-10-W04	EA	Door Asm. - Dinette Seat - w/o Hardware
6	M81299-01-W04	EA	Table Asm. - Dinette - w/o Hardware
7	M02175-04-W04	EA	Cabinet Asm. - Dinette Seat - Left - w/o Door or Hardware
*	053200-05-000	EA	Bracket - Upper Wall Mount - 23.5"
**	053201-06-000	EA	Bracket - Table Mount - 23" - Beige
*	024275-05-000	EA	Rod - Table Lift - 8" x 23.5" - Beige
*	024281-07-000	EA	Bracket - Lower Wall Mount - 22.12"
*	024276-17-000	EA	Leg Asm. - Table - 29.5" - Tan
**	064050-02-000	EA	Hinge - Table Leg - Tan
**	024282-01-000	EA	Brace - Table Leg
**	024283-01-000	EA	Clip - 1" O.D. Tube
*	049493-05-000	EA	Catch - Table Leg - Mounts on Floor - Tan
*	064781-02-000	EA	Cup Holder - 3.47" O.D. x 2.75" I.D. x 1.5"
*			Not illustrated
**			The illustrated parts breakdown for this item is provided on the Common Items Fiche.

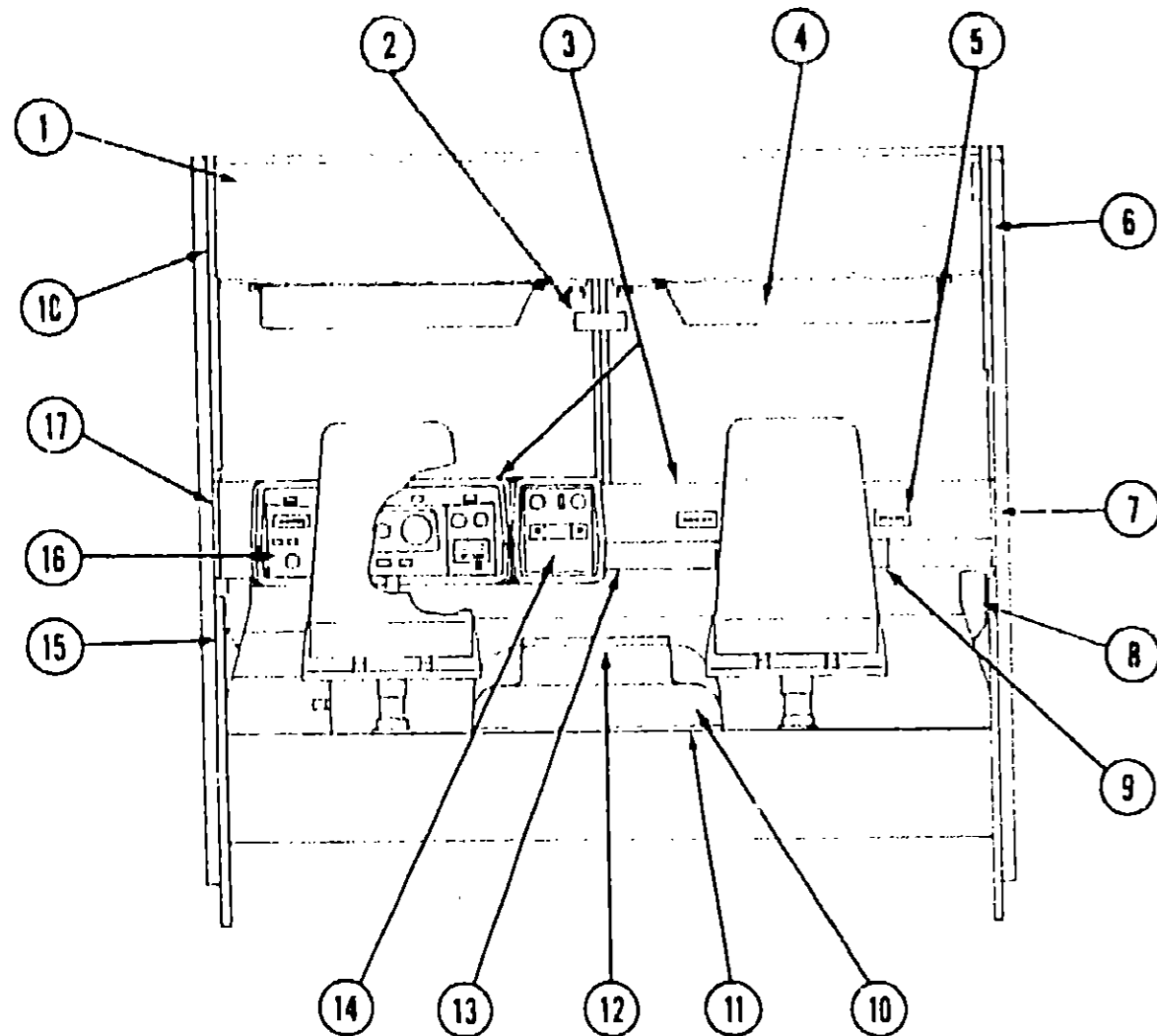
MAGIC BED W/TABLE (OPTION)

Key	Part Number	U/M	Description
	081298-02-T03	EA	Table Asm. - Pedestal - w/o Hardware - Harbor Oak
	009040-06-000	EA	Leg - Pedestal Table - 27.5" x 2.25" O.D. - Tan
	009040-03-000	EA	Base - Table - Mounts on Floor
	041194-01-000	EA	Base - Table - Mounts in Floor
	062046-01-000	EA	Clip - Pedestal Leg

1987 WCN22RC INDEX

Floor Plan	B-17 - B-18
Accessories Group	B-19 - B-21
Bath Group	B-22 - B-23
Chassis Group	B-24 - C-02
Curtain, Cushion & Pad Group	C-03 - C-09
Dinette Group	C-10
Driver's Compartment Group	C-11 - C-13
Electrical Group	C-14 - C-16
Exterior Body Group	C-17 - C-23
Galley Group	C-24 - D-01
Heating & Air Conditioning Group	D-02
Interior Finish Group	D-03 - D-05
LP Group	D-06
Lounge Group	D-07
Water & Sewage Group	D-08 - D-09
Window, Vent & Exterior Door Group	D-10 - D-24

DRIVER'S COMPARTMENT



MISCELLANEOUS DRIVER'S COMPARTMENT COMPONENTS

Key	Part Number	U/M	Description
1	086413-01-000	EA	Headliner - Light Oak
•	083917-01-W07	EA	Cabinet Asm. - Front Overhead - w/o Bunk
2	040714-01-700	EA	Mirror - Inside Rear View - w/Bulbon Support
**3	M01113-12-T03	EA	Dash Asm. - Complete - w/Gauges & Switches
**3	M01113-13-T03	EA	Dash Asm. - Complete - w/Gauges & Switches (Diesel)
•	079089-01-000	EA	Dash Pad - Passenger - Brown
•	079088-01-000	EA	Dash Pad - Drivers - Brown
•	024990-02-000	EA	Outlet - Defroster w/Swivel - 2" - Dark Brown
4	082286-03-U04	EA	Sunvisor Asm. - Right - w/Mirror
•	082286-01-U04	EA	Sunvisor Asm. - Left
•	083153-01-000	EA	Mirror - Sunvisor
•	085709-01-000	EA	Clip - Sunvisor - Black
5	039044-01-000	EA	Louver Asm. - Air Conditioning Adjustable
6	080855-07-000	EA	Side Trim - Right Front - Upper (w/o Bunk)
•	083918-01-W07	EA	Cabinet Asm. - Front Overhead - Right - w/o Bunk
•	080856-03-000	EA	Side Trim - Right Front - Lower (w/o Bunk)
7	059414-06-000	EA	Pad - Sidewall Trim - Passenger - Vinyl
8	072811-01-000	EA	Side Panel - Passenger - Plastic
•	059467-04-T03	EA	Pad - Map Pocket - Passenger - Vinyl
9	022219-01-000	EA	Glove Compartment Door
•	023892-01-000	EA	Glove Compartment Box - Black Fiberboard
•	009118-01-000	EA	Glove Compartment Twist Lock
•	024598-01-000	EA	Glove Compartment Hinge
•	034309-01-000	EA	Glove Compartment Chain - Door
•	Not illustrated		

** NOTE: To be special ordered only.

DRIVER'S COMPARTMENT GROUP (CONTINUED)

MISCELLANEOUS DRIVER'S COMPARTMENT COMPONENTS (CONT.)

Key	Part Number	U/M	Description
10	075939-01-000	EA	Motor Cover - Fiberglass
•	075564-01-000	EA	Mounting Bracket - Motor Cover
11	039623-01-000	FT	Seal - Engine Cover - Neoprene
12	080216-01-000	EA	Beverage Tray
13	023834-01-000	EA	Panel - Knee Kick - Bottom of Dash
14	076006-03-000	EA	Bezel - Entertainment Center - w/Radio & Generator Switch
14	076006-02-000	EA	Bezel - Entertainment Center - w/Radio
15	05917-05-000	EA	Side Panel - Drivers - Plastic
15	08247-02-000	EA	Panel - Drivers Door - Inner - Plastic
•	059467-03-T03	EA	Pad - Map Pocket - Driver's - Vinyl
•	046886-03-000	EA	Ash Tray - Chrome
16	071668-01-000	EA	Bezel - Control Panel
•	086408-01-000	EA	Trim - Instrument Panel - Front - Passenger
•	086409-01-000	EA	Trim - Instrument Panel - Front - Driver
•	052367-01-000	EA	Cigarette Lighter Asm. - 12 Volt
•	007041-01-000	EA	Bezel - Cigarette Lighter
•	061424-01-000	EA	Lamp Asm. - Map/Gauge
•	061400-06-000	EA	Assist Strap - 12" - Medium Almond
17	059414-05-000	EA	Pad - Sidewall Trim - Driver - Vinyl
18	080855-08-000	EA	Side Trim - Left Front - Upper (w/o Bunk)
•	080856-04-000	EA	Side Trim - Left Front - Lower (w/o Bunk)
•	083918-02-W07	EA	Cabinet Asm. - Front Overhead - Left - w/o Bunk
•	054250-01-000	EA	Support - Dimmer Switch - w/o Holes
•	085483-01-000	EA	Windshield Trim - Interior - Upper - Passenger
•	085483-02-000	EA	Windshield Trim - Interior - Upper - Driver
•	077114-04-000	EA	Windshield Trim - Center
•	078245-01-000	EA	Steering Column Boot - Vinyl
•	086491-01-000	EA	Gasket - Defroster Outlet
•	Not illustrated		

DASH SWITCHES & GAUGES

Key	Part Number	U/M	Description
	024461-01-000	EA	Switch - Battery
	024462-01-000	EA	Switch - Battery Condition
	024464-02-000	EA	Switch - Battery - Dual Boost
	024464-01-000	EA	Switch - Washer
	024467-01-000	EA	Switch - Wiper
	024976-01-000	EA	Switch - Generator w/o Circuit Board
	074007-02-000	EA	Switch - Intermittent - Windshield Wiper
	024459-04-000	EA	Gauge - Voltmeter
	024460-04-000	EA	Gauge - Vacuum
	031035-01-000	EA	Gauge - Generator Hourmeter

ELECTRONIC INSTRUMENT PANEL (OPTION)

Key	Part Number	U/M	Description
	NOTE	EA	Electronic Instrument Panel
	086296-04-000	EA	Bezel - Electronic - Instrument Panel
	082124-01-000	EA	Bezel - Smoked Insert - Electronic Instrument Panel
	076006-06-000	EA	Bezel - Entertainment Center - w/Radio - Black
	076006-07-000	EA	Bezel - Entertainment Center - w/Radio & Generator Switch - Black

NOTE: This item available from your Chrysler Service Center.

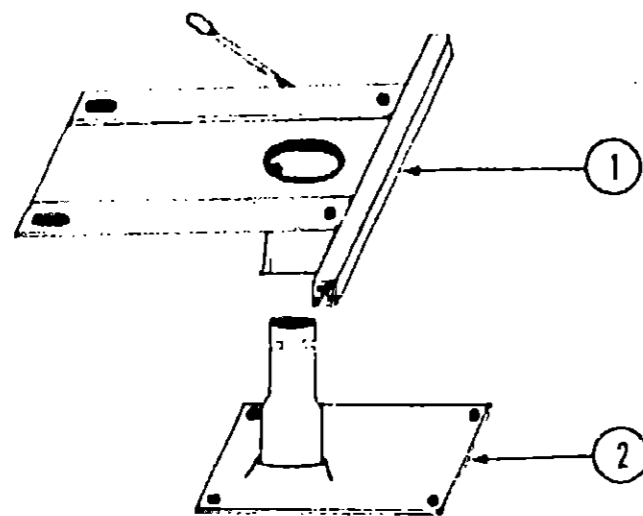
1987 WINNEBAGO TABLE OF CONTENTS

WT319RB	A-01 - B-16
WCN22RC	D-17 - D-24
WC421RB	E-01 - F-24
WCP37RO	G-01 - I-14

1987 WCN22RC INDEX

Floor Plan	B-17 - B-18
Accessories Group	B-19 - B-21
Bath Group	B-22 - B-23
Chassis Group	B-24 - C-02
Curtain, Cushion & Pad Group	C-03 - C-09
Dinette Group	C-10
Driver's Compartment Group	C-11 - C-13
Electrical Group	C-14 - C-16
Exterior Body Group	C-17 - C-23
Galley Group	C-24 - D-01
Heating & Air Conditioning Group	D-02
Interior Finish Group	D-03 - D-05
LP Group	D-06
Lounge Group	D-07
Water & Sewage Group	D-08 - D-09
Window, Vent & Exterior Door Group	D-10 - D-24

DRIVER'S COMPARTMENT GROUP (CONTINUED)



BUCKET SEAT PEDESTAL & SEAT BELTS

Key	Part Number	U/M	Description
1	069515-04-000	EA	Plate - Top - Pedestal Asm. - Single Bucket Seat
1	069515-20-000	EA	Plate - Top - Pedestal Asm. - Powered Seat
1	069585-10-000	EA	Plate - Top - Pedestal Asm. - Double Bucket Seat
2	069585-08-000	EA	Plate - Sub - Pedestal Asm. - Bucket Seat
.	069535-05-000	EA	Hardware Kit - Bolt/Acorn Nut - 4 ea. - Pedestal Asm.
.	007019-01-000	EA	Belt Asm. - Seat - 2" x 84" - Black
.	007021-01-000	EA	Belt Asm. - Seat - 2" x 90" - Black
.	056271-01-000	EA	Belt Asm. - Seat - 2" x 72" - Black
.	069246-01-000	EA	Adjuster Asm. - Seat - w/Lock
.	069246-02-000	EA	Adjuster Asm. - Seat - w/o Lock
.	081373-02-000	EA	Power Seat Adjustment Asm. - w/Frame
.	081373-02-700	EA	Switch Asm. Package
.	081737-02-701	EA	Harness Asm. - Left
.	081737-02-702	EA	Harness Asm. - Right
.	081737-02-703	EA	Horizontal Adjustment Package
.	081737-02-704	EA	Vertical Adjustment Package
.			Not illustrated

FRONT BUNK & PULL DOWN STORAGE

Key	Part Number	U/M	Description
	076760-03-000	EA	Overhead Bunk Hardware
	081717-01-W07	EA	Bed Asm. - Front Bunk
	079144-02-T03	EA	Bunk Strap
	042541-04-000	EA	Latch Asm. - w/o Strike - Brass
	042541-05-000	EA	Latch Strike - Brass
	080855-09-000	EA	Side Trim - Right Front - Upper
	080856-05-000	EA	Side Trim - Right Front - Lower
	080855-08-000	EA	Side Trim - Left Front - Upper
	080856-06-000	EA	Side Trim - Left Front - Lower

ELECTRICAL GROUP

BULBS

Key	Part Number	U/M	Description
	008220-01-000	EA	Bulb - 12V - 25W
	008103-01-000	EA	Bulb - 53
	008213-01-000	EA	Bulb - 57
	008214-01-000	EA	Bulb - 67
	036198-01-000	EA	Bulb - 194
	008215-01-000	EA	Bulb - 1003
	067479-01-000	EA	Bulb - 1076
	063914-01-000	EA	Bulb - 1139
	008218-01-000	EA	Bulb - 1141
	037935-01-000	EA	Bulb - 1157
	056288-02-000	EA	Bulb - 9431808 - Dome Light

FUSES & CIRCUIT BREAKERS

Key	Part Number	U/M	Description
	008208-01-000	EA	Circuit Breaker - 40 Amp. - 12 Volt
	033573-02-000	EA	Circuit Breaker - 15 Amp. - 12 Volt - w/Mount
	033573-01-000	EA	Circuit Breaker - 20 Amp. - 12 Volt - w/Mount
	008268-01-000	EA	Circuit Breaker - 30 Amp. - 12 Volt - w/Mount
	071279-05-000	EA	Circuit Breaker - 20 Amp. - 120 Volt
	071279-03-000	EA	Circuit Breaker - 15/20 Amp. - 120 Volt
	071279-01-000	EA	Circuit Breaker - 15/30 Amp. - 120 Volt
	071280-01-000	EA	Circuit Breaker Blank
	050283-02-000	EA	Circuit Breaker - Buss Bar
	071279-07-000	EA	Circuit Breaker - 20/20 - 120 Volt
	083209-01-000	EA	Circuit Breaker - 15 Amp - 120 Volt
	083209-03-000	EA	Circuit Breaker - 15/20 Amp. - 120 Volt
	083209-04-000	EA	Circuit Breaker - 30 Amp - 120 Volt
	083209-05-000	EA	Circuit Breaker - 20 Amp - 120 Volt
	083209-06-000	EA	Circuit Breaker - 30/15 Amp - 120 Volt
	083209-08-000	EA	Circuit Breaker - Blank
	085719-01-000	EA	Buss Bar - 4 Position
	085719-02-000	EA	Buss Bar - 3 Position
	085720-01-000	EA	Circuit Breaker - 15 Amp.
	085720-02-000	EA	Circuit Breaker - 20 Amp.
	085720-03-000	EA	Circuit Breaker - 25 Amp.
	085720-04-000	EA	Circuit Breaker - 30 Amp.
	085720-05-000	EA	Circuit Breaker - 40 Amp.

MISCELLANEOUS ELECTRICAL COMPONENTS

Key	Part Number	U/M	Description
	047338-03-000	EA	Isolator - Dual Battery - 70 Amp.
	008188-01-000	EA	Solenoid - Dual Battery - Relay
	065201-02-000	EA	Lamp Shade - Fabric - Parchment
	083208-01-000	EA	Control Center - 32 Amp.
	063912-01-000	EA	Relay Canister - SPDT w/Ground
	086273-01-000	EA	Relay - Battery Disconnect

**1987 WINNEBAGO
TABLE OF CONTENTS**

WT319RB	A-01 - B-16
WCN22RC	B-17 - D-24
WC421RB	E-01 - F-24
WCP37RO	G-01 - I-14

1987 WCN22RC INDEX

Floor Plan	B-17 - B-18
Accessories Group	B-19 - B-21
Bath Group	B-22 - B-23
Chassis Group	B-24 - C-02
Curtain, Cushion & Pad Group	C-03 - C-09
Dinette Group	C-10
Driver's Compartment Group	C-11 - C-13
Electrical Group	C-14 - C-16
Exterior Body Group	C-17 - C-23
Galley Group	C-24 - D-01
Heating & Air Conditioning Group	D-02
Interior Finish Group	D-03 - D-05
LP Group	D-06
Lounge Group	D-07
Water & Sewage Group	D-08 - D-09
Window, Vent & Exterior Door Group	D-10 - D-24

ELECTRICAL GROUP (CONTINUED)

WIRE, SWITCHES & RECEPTABLES

Key	Part Number	U/M	Description
	008058-01-000	EA	Adapter - Power Cord
	008288-01-000	EA	Box - Electrical - 3" x 3.5" - Plastic
	008289-01-000	EA	Box - Electrical - 4" x 4" - 1/2 & 3/4 Steel - UL
	008289-02-000	EA	Box - Electrical - 4" x 4" - 1/2 & 3/4 Steel - CSA
	058049-01-000	EA	Box - Electrical - 2" x 3" x 2.25" - Steel
	011953-01-000	EA	Conduit - Convolute Slit - .6" I.D.
	008353-01-000	EA	Connector - Clamping - 3/8 Cable - UL & CSA
	058028-01-000	EA	Connector - Pigtail - Clear Nylon
	008314-01-000	EA	Connector - Wire Nut - Gray
	008311-01-000	EA	Connector - Wire Nut - Red
	031968-01-000	EA	Contact Plug - Brass - Tin Plated
	031967-01-000	EA	Contact - Receptacle
	008054-01-000	EA	Cord - Power - 10-3 30 Amp. - 25' - UL
	008054-02-000	EA	Cord - Power - 10-3 30 Amp. - 25' - CSA
	069238-01-000	EA	Cover - Electrical Box - 4" x 4"
	058048-01-000	EA	Cover - Electrical Box - 4.5" x 2.75" - Rain Tight (Exterior)
	024571-03-000	EA	Cover Plate - Receptacle - Jumbo - Brown Plastic
	024571-04-000	EA	Cover Plate - Receptacle - Jumbo - Ivory Plastic
	008164-01-000	EA	Cover Plate - Switch - Brown
	008294-01-000	EA	Cover - Flat Blank - 4" x 4" - Steel - US
	008294-02-000	EA	Cover - Flat Blank - 4" x 4" - Steel - CSA
	008277-01-000	EA	Fuse Holder - Panel Mount - Black
	064399-01-000	EA	Housing Asm. - Trailer Pin
	064450-01-000	EA	Housing Asm. - Trailer Plug
	064398-01-000	EA	Housing Asm. - Trailer Receptacle
	054532-01-000	EA	Housing Pin - 6 Position
	054532-02-000	EA	Housing Pin - 4 Position
	054532-03-000	EA	Housing Socket - 4 Position
	075736-03-000	EA	Receptacle/Cover Asm. - Gray (Exterior)
	058708-01-000	EA	Receptacle - Duplex - Brown
	008157-01-000	EA	Receptacle - Duplex - Brown (Exterior Backwall)
	058708-02-000	EA	Receptacle - Duplex - Ivory
	053126-01-000	EA	Receptacle - Ground Fault Interrupter - 125 Volt - Ivory
	024924-02-000	EA	Receptacle - Power Cord
	058707-01-000	EA	Receptacle - Single - Brown
	063912-01-000	EA	Relay - Canister SPDT w/Ground
	075723-01-000	EA	Switch - Block Spacer - w/o Holes
	075723-02-000	EA	Switch - Block Spacer - w/Holes
	008162-01-000	EA	Switch - Double Toggle - Brown
	077942-02-000	EA	Switch - Dummy - Brown
	056264-01-000	EA	Switch - Leaf Actuator
	081066-01-000	EA	Switch - 2 Gang - 2 Switch
	079362-01-000	EA	Switch Plate - 3 Gang - 2 Switches
	079363-01-000	EA	Switch Plate - Single - w/Switches
	079364-01-000	EA	Switch - On/Off Rocker - Brown
	008195-01-000	EA	Switch - Push Button - 12 Volt
	008163-01-000	EA	Switch - Toggle - Brown
	077942-01-000	EA	Switch - Dummy - Black
	084404-01-000	EA	Switch - Off, Low, Med, High - Black (Motor Aid)
	006050-01-000	EA	TV Jack - Ivory
	047443-02-000	EA	Terminal - .250 Receptacle - 12-10 AWG
	035417-01-000	EA	Terminal - Pin Receptacle - .125 Dia.
	006348-01-000	EA	Terminal Ring - 2 - w/3/8 Stud
	008331-01-000	EA	Terminal Ring - 4 - w/3/8 Stud
	008328-01-000	EA	Terminal Ring - 12/10 Wire
	047441-01-000	EA	Terminal - Battery - Horizontal Lug
	054865-01-000	EA	Wire Asm. - Generator Switch
	008028-01-000	FT	Wire - 18.5 Bonded - Blue/Red/Yellow/Orange/White
	008024-01-000	FT	Wire - 18.5 Bonded - Orange/White/Yellow/Blue/Brown
	008025-01-000	FT	Wire - 18.5 Bonded - Orange/White/Yellow/Blue/Green
	008026-01-000	FT	Wire w/Ground - Romex - 12/2
	008030-01-000	EA	Wire - 18.4 Bonded

ELECTRICAL GROUP (CONTINUED)

INTERIOR LIGHT

Key	Part Number	U/M	Description
	033508-02-000	EA	Light - Dome - Ivory - 1 Bulb - US
	033508-03-000	EA	Light - Dome - Ivory - 1 Bulb - CSA
	033509-02-000	EA	Light - Dome - Ivory - 2 Bulb - US
	033509-03-000	EA	Light - Dome - Ivory - 2 Bulb - CSA
	078424-02-000	EA	Light - Fluorescent - 12V - 18" - Almond
	061424-01-000	EA	Light - 12V Receptacle - Alate - IP
	007309-01-000	EA	Light - Step Well
	072353-07-000	EA	Light - Reading - Double - 360° Swivel - Tan
	072353-03-000	EA	Light - Reading - Single - 360° Swivel - Almond
	068937-04-000	EA	Dome Light - Surface - w/o Switch
	086280-01-000	EA	Dome Light - Surface Mount - 12V
	065202-03-000	EA	Lamp - Decor - Wall - Bright Brass - 2 Bulb
	065201-02-000	EA	Shade - Parchment - 2 Bulb Lamps

EXTERIOR LIGHTS

Key	Part Number	U/M	Description
	073844-01-000	EA	Light - License Plate - GM 912116
	076795-01-000	EA	Light - License Plate - GM 912368
	075459-04-000	EA	Tail Lamp Asm. Red
	075459-05-000	EA	Tail Lamp Asm. - Turn Signal - Amber
	075459-06-000	EA	Tail Lamp Asm. - Backup/Reflex
	042405-01-000	EA	Lens - Rectangular - Red w/Reflex
	042405-02-000	EA	Lens - Rectangular - Amber w/Reflex
	042405-03-000	EA	Base - Rectangular Side Marker Light
	048817-01-000	EA	Light - Porch - Assist Handle w/Light
	084901-01-000	EA	Lamp Asm. - Park/Turn - GM 916558
	049185-01-000	EA	Headlight Capsule Asm. - High/Low Beam - Driver
	049186-01-000	EA	Headlight Capsule Asm. - High/Low Beam - Passenger
	049187-01-000	EA	Headlight Capsule Asm. - High Beam - Driver
	049188-01-000	EA	Headlight Capsule Asm. - High Beam - Passenger
	081250-02-000	EA	Light Asm. - Clearance - Red
	081250-01-000	EA	Light Asm. - Clearance - Amber
	048817-01-700	EA	Lens - Lighted Assist Handle

WINDSHIELD WIPERS & WASHER

Key	Part Number	U/M	Description
	056000-02-000	EA	Washer Asm. - Windshield
	072472-04-000	EA	Arm - Windshield Wiper - 29" - Black
	067188-01-000	EA	Crank Stud - Wiper
	072472-02-000	EA	Adapter Kit - Wiper Arm Pantograph Pivot
	067191-02-000	EA	Motor Asm. - Windshield Wiper - 2 Speed
	067192-01-000	EA	Link Asm. - Connecting - Left
	067193-01-000	EA	Link Asm. - Connecting - Right
..	049464-03-000	EA	Blade - Windshield Wiper - 20" - Black
..	067190-01-000	EA	Shaft and Pivot Asm. - Right
..	067190-02-000	EA	Shaft and Pivot Asm. - Left
	074007-02-000	EA	Switch - Wiper Delay
	057474-02-000	EA	Wiper Asm.
..	The illustrated parts breakdown for this item is provided on the Common Items Fiche.		

**1987 WINNEBAGO
TABLE OF CONTENTS**

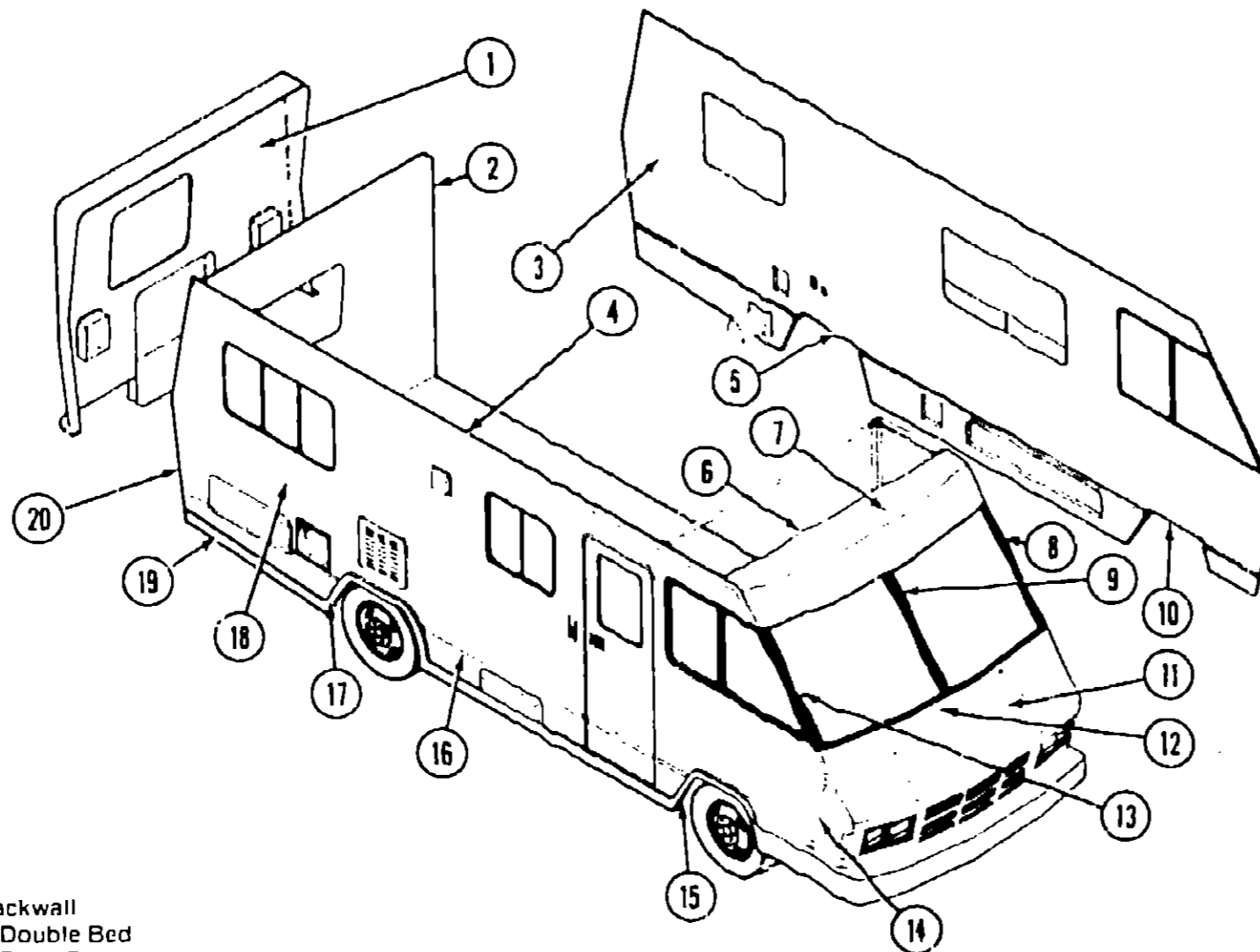
WT319RD	A-01 - B-16
WCN22RC	P-17 - D-24
WC421RB	E-01 - F-24
WCP37RO	G-01 - I-14

1987 WCN22RC INDEX

Floor Plan	B-17 - B-18
Accessories Group	B-19 - B-21
Bath Group	B-22 - B-23
Chassis Group	B-24 - C-02
Curtain, Cushion & Pad Group	C-03 - C-09
Dinette Group	C-10
Driver's Compartment Group	C-11 - C-13
Electrical Group	C-14 - C-16
Exterior Body Group	C-17 - C-23
Galley Group	C-24 - D-01
Heating & Air Conditioning Group	D-02
Interior Finish Group	D-03 - D-05
LP Group	D-06
Lounge Group	D-07
Water & Sewage Group	D-08 - D-09
Window, Vent & Exterior Door Group	D-10 - D-24

EXTERIOR BODY GROUP

EXTERIOR BODY PANELS



Key	Part Number	U/M	Description
1	M01898-01-W07	EA	Rear Cap Asm. - Backwall
2	082225-01-W07	EA	Backwall Asm. - w/Double Bed
	082225-02-W07	EA	Backwall Asm. - w/Bunk Bed
3	M03003-01-W07	EA	Sidewall Asm. - Driver
3	M03003-01-W08	EA	Sidewall Asm. - Driver
3	M03003-01-W09	EA	Sidewall Asm. - Driver
4	078600-06-000	EA	Trim - Sidewall - Upper - Driver or Passenger - Beige
5	058487-07-000	EA	Trim - Wheel Well - Rear - U Channel - Driver or Passenger
6	078580-01-000	EA	Trim - Roof/Front Cap
7	M02959-01-W07	EA	Cap - Over Windshield - Beige
8	087601-02-000	EA	Trim - Contour - Windshield - Driver
	084903-01-000	EA	Trim - Molding - Windshield - Upper & Lower
9	083178-02-000	FT	Trim - Molding - Windshield - Center
10	073647-02-000	EA	Trim - Wheel Well - Front - U Channel - Driver or Passenger
11	086045-01-W07	EA	Access Panel - w/Hardware
	086425-02-000	EA	Headlamp Bezel - Driver
	086425-01-000	EA	Headlamp Bezel - Passenger
	073308-01-000	EA	Screw Asm. - Headlamp - Adjusting
	049359-01-000	EA	Spring - Headlamp Retainer
	062207-01-000	EA	Headlamp Guard
12	M01115-12-W07	EA	Panel Asm. - Front Shroud (includes access panel)
13	087601-01-000	EA	Trim - Contour - Windshield - Passenger
	084897-01-000	EA	Cap - Reveal Molding - Windshield
14	086414-01-000	EA	Trim - Fiberglass Panel - Passenger - Beige
	086414-03-000	EA	Trim - Fiberglass Panel - Driver - Beige
15	078556-07-000	EA	Trim - Wheel Well - Front - Plastic - Passenger
	078556-08-000	EA	Trim - Wheel Well - Front - Plastic - Driver

Key	Part Number	U/M	Description
16	059576-08-000	FA	Feature Strip - Extr. Beige - 14' - w/o Insert
	009731-01-000	EA	End Cap - Feature Strip Insert
	001030-12-002	EA	Insert - Feature Strip - Beige - 17'
17	075070-01-000	EA	Trim - Wheel Well - Rear - Plastic - Passenger
	075070-03-000	EA	Trim - Wheel Well - Rear - Plastic - Driver
18	M03002-01-W07	EA	Sidewall Asm. - Passenger (W09)
18	M03002-01-W08	EA	Sidewall Asm. - Passenger
19	072639-01-000	EA	Extr. - Rocker Panel - 216"
19	079407-01-001	EA	Extr. - Rocker Panel - 192" (Front)
20	073502-23-000	EA	Trim - Passenger Rear - Beige
	073502-24-000	EA	Trim - Driver Rear - Beige
	050406-06-000	EA	Trim - Backwall - Lower - Driver or Passenger
	086145-01-W07	EA	Roof Asm.
	086542-01-W07	EA	Bumper End Cap - Front Passenger - Beige
	086542-02-W07	EA	Bumper End Cap - Front Driver - Beige
	078578-01-000	EA	Bumper End Cap - Rear Passenger - Beige
	078578-02-000	EA	Bumper End Cap - Rear Driver - Beige
			Not illustrated

1987 WINNEBAGO TABLE OF CONTENTS

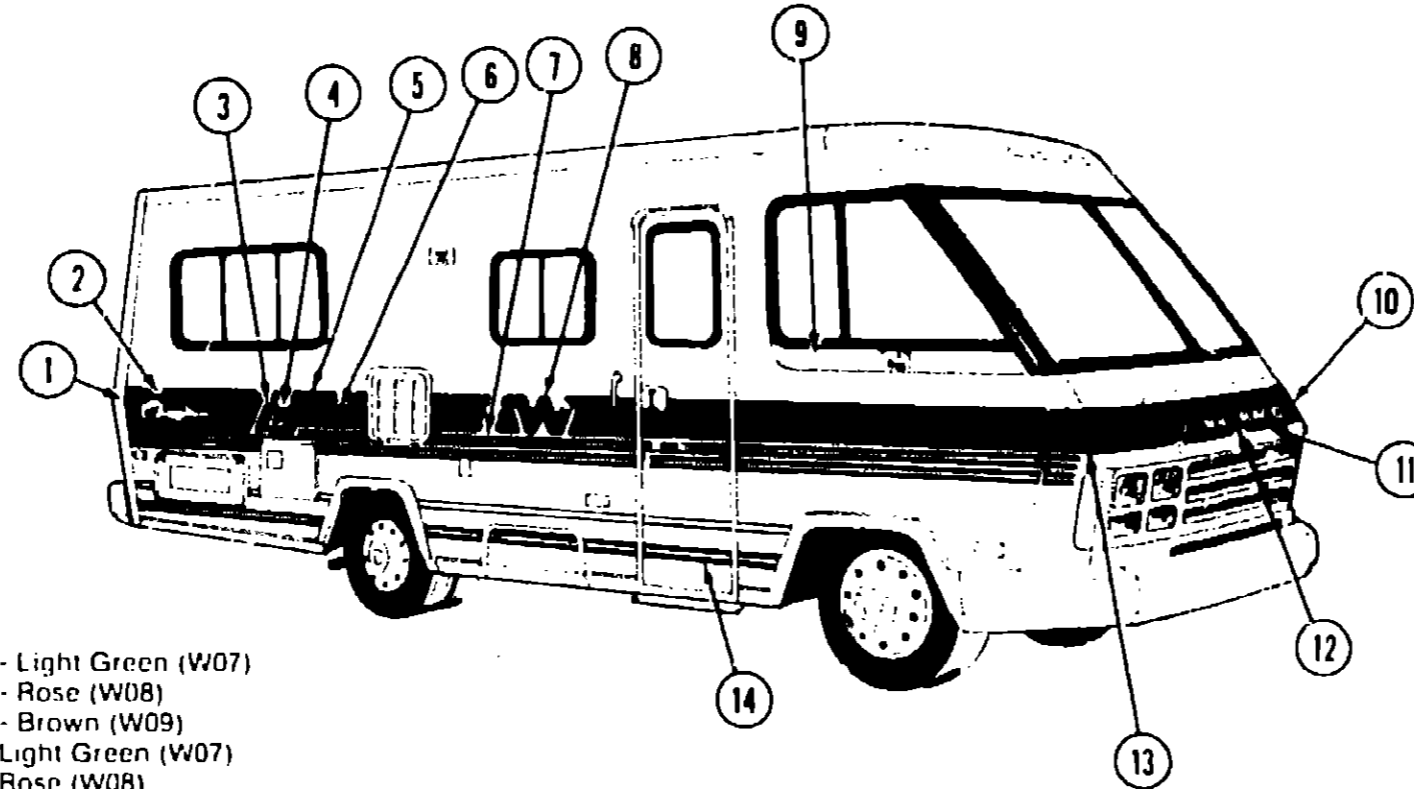
WT319RB	A-01 - B-16
WCN22RC	B-17 - D-24
WC421RB	E-01 - F-24
WCP37RO	G-01 - I-14

1987 WCN22RC INDEX

Floor Plan	B-17 - B-18
Accessories Group	B-19 - B-21
Bath Group	B-22 - B-23
Chassis Group	B-24 - C-02
Curtain, Cushion & Pad Group	C-03 - C-09
Dinette Group	C-10
Driver's Compartment Group	C-11 - C-13
Electrical Group	C-14 - C-16
Exterior Body Group	C-17 - C-23
Galley Group	C-24 - D-01
Heating & Air Conditioning Group	D-02
Interior Finish Group	D-03 - D-05
LP Group	D-06
Lounge Group	D-07
Water & Sewage Group	D-08 - D-09
Window, Vent. & Exterior Door Group	D-10 - D-24

EXTERIOR BODY GROUP (CONTINUED)

DECALS & FILM STRIPE



Key	Part Number	U/M	Description
1	085297-01-000	EA	Decal - Rear Part 1 - Right - Light Green (W07)
1	085297-03-000	EA	Decal - Rear Part 1 - Right - Rose (W08)
1	085297-05-000	EA	Decal - Rear Part 1 - Right - Brown (W09)
1	085297-02-000	EA	Decal - Rear Part 1 - Left - Light Green (W07)
1	085297-04-000	EA	Decal - Rear Part 1 - Left - Rose (W08)
1	085297-06-000	EA	Decal - Rear Part 1 - Left - Brown (W09)
2	058719-03-000	EA	Decal Logo - "Chieftain"
3	085297-07-000	EA	Decal - Rear Part 2 - Right - Light Green (W07)
3	085297-09-000	EA	Decal - Rear Part 2 - Right - Rose (W08)
3	085297-11-000	EA	Decal - Rear Part 2 - Right - Brown (W09)
3	085297-08-000	EA	Decal - Rear Part 2 - Left - Light Green (W07)
3	085297-10-000	EA	Decal - Rear Part 2 - Left - Rose (W08)
3	085297-12-000	EA	Decal - Rear Part 2 - Left - Brown (W09)
4	073724-04-000	EA	Decal Logo - "22"
5	078831-21-000	FT	Decal - Stripe - 1.75" - Light Green (W07)
5	078831-22-000	FT	Decal - Stripe - 1.75" - Rose (W08)
5	078831-23-000	FT	Decal - Stripe - 1.75" - Brown (W09)
6	078831-24-000	FT	Decal - Stripe - 4.85" - Light Green (W07)
6	078831-25-000	FT	Decal - Stripe - 4.85" - Rose (W08)
6	078831-26-000	FT	Decal - Stripe - 4.85" - Brown (W09)
7	078196-14-000	FT	Film - Multi Stripe - 4.5" - Peach (W07, W09)
7	078196-15-000	FT	Film - Multi Stripe - 4.5" - Burgundy (W08)
8	079351-07-000	EA	Decal - Flying W - Light Green (W07)
8	079351-08-000	EA	Decal - Flying W - Rose (W08)
8	079351-09-000	EA	Decal - Flying W - Brown (W09)
9	041273-89-000	FT	Decal - Stripe - 4" - Black
10	085290-02-000	EA	Decal - Corner - Left - Light Green (W07)
10	085290-04-000	EA	Decal - Corner - Left - Rose (W08)
10	085290-06-000	EA	Decal - Corner - Left - Brown (W09)
11	085298-01-000	EA	Decal - Hood - Light Green (W07)
11	085298-02-000	EA	Decal - Hood - Rose (W08)
11	085298-03-000	EA	Decal - Hood - Brown (W09)
12	069745-03-000	EA	Decal - "Winne"
12	069745-04-000	EA	Decal - "Bago"
13	085299-01-000	EA	Decal - Corner - Right - Light Green (W07)
13	085299-03-000	EA	Decal - Corner - Right - Rose (W08)
13	085299-05-000	EA	Decal - Corner - Right - Brown (W09)
14	065217-D4-000	EA	Film - Multi Stripe - 2.4" - Light Green/Peach (W07)
14	065217-D5-000	EA	Film - Multi Stripe - 2.4" - Rose/Burgundy (W08)
14	065217-D6-000	EA	Film - Multi Stripe - 2.4" - Brown/Peach (W09)
14	050313-21-000	EA	Decal - Logo "Winnebago" - 2.8" - Chrome
			Not illustrated

1987 WINNEBAGO TABLE OF CONTENTS

WT319RB
WGN22RC
WC421RB
WCP37RO

A-01 - B-16
B-17 - D-24
E-01 - F-24
G-01 - I-14

1987 WGN22RC INDEX

Floor Plan	B-17 - B-18
Accessories Group	B-19 - B-21
Bath Group	B-22 - B-23
Chassis Group	B-24 - C-02
Curtain, Cushion & Pad Group	C-03 - C-09
Dinette Group	C-10
Driver's Compartment Group	C-11 - C-13
Electrical Group	C-14 - C-16
Exterior Body Group	C-17 - C-23
Galley Group	C-24 - D-01
Heating & Air Conditioning Group	D-02
Interior Finish Group	D-03 - D-05
LP Group	D-06
Lounge Group	D-07
Water & Sewage Group	D-08 - D-09
Window, Vent & Exterior Door Group	D-10 - D-24

EXTERIOR BODY GROUP (CONTINUED)

LABELS & EXTERIOR PAINT

Key	Part Number	U/M	Description
	068383-01-000	EA	Label - Diesel Fuel
	006195-01-000	EA	Label - Electrical Test
	047731-01-000	EA	Label - Emergency Exit
	006199-01-000	EA	Label - Exit - Escape Window
	057467-04-000	EA	Label - Exterior Loading Limit
	064378-01-000	EA	Label - Flying "W" w/Thermo Panel
	061417-01-000	EA	Label - Fuel
	006196-01-000	EA	Label - Gas Test
	054531-01-000	EA	Label - LP Gas Only
	040944-01-000	EA	Label - Open - Entrance Door
	006015-01-000	EA	Label - Patent Motor Home
	056259-01-000	EA	Label - Safety Check List
	006064-01-000	EA	Label - Seat - w/o Seat Belts
	006187-01-000	EA	Label - Sewage
	006006-01-000	EA	Label - Thermo Panel - 2 1/4" x 2 1/4"
	075221-01-000	EA	Label - Trailer Hitch Capacity
	075220-01-000	EA	Label - Warning - Exterior Load Limit
	050225-01-000	EA	Label - Warning - Stove Vent - US
	006188-01-000	EA	Label - Waste Water
	006197-01-000	EA	Label - Water Test
	072863-01-000	EA	Nameplate - Diesel - 6 2L
	006062-01-000	EA	Tag - Electrical - 110 Volt Connection
	006040-01-000	EA	Tag - Gas - Refueling Warning
	044486-03-000	EA	Paint - Beige Acrylic Enamel - 16 oz. Aerosol (7633A Dupont)
	045681-03-000	EA	Paint - Gloss Black - Acrylic Enamel - 16 oz. Aerosol (99 Dupont)
	058637-05-000	EA	Paint - Gray Acrylic Enamel - 16 oz. Aerosol (71537 Dupont)
	041561-03-000	EA	Paint - Off White Acrylic Enamel - 16 oz. Aerosol (45396A Dupont)
	074559-01-000	EA	Label "LPG" - 3 3/4" x 1.75" (Calif. Code)

ACCESS PANEL HARDWARE

Key	Part Number	U/M	Description
	076837-01-000	EA	Rod - Hood Prop
	062628-01-000	EA	Clip - Prop Rod
	058833-01-000	EA	Bracket - Prop Rod
	085934-01-000	EA	Hinge - Access Panel - Passenger
	085934-02-000	EA	Hinge - Access Panel - Drivers
	058960-01-000	EA	Bracket - Hinge Asm. - Hood - Drivers
	058960-02-000	EA	Bracket - Hinge Asm. - Hood - Passenger
	R77006-68-721	EA	Cable - Release (Access Panel)
	074178-01-000	EA	Bracket - Cable Release - Inside
	R77007-01-950	EA	Striker - Hook Latch
	R77006-59-931	EA	Latch - Hood
	R77006-38-499	EA	Spring
	R77006-19-765	EA	Cable Sheath
	073333-01-000	EA	Bracket - Latch Support
	073337-01-000	EA	Brace Latch - Hood
	073341-01-000	EA	Bracket - Hood Latch
	058786-02-000	EA	Bolt - Hood Adjusting - 5/16" x 18 x 1 1/4"

SHEET FIBERGLASS, ALUMINUM & STYROFOAM

Key	Part Number	U/M	Description
	077517-10-001	EA	Fiberglass - Sheet - 46.12" x 378" - Mesa
	077517-10-002	EA	Fiberglass - Sheet - 46.12" x 68" - Mesa
	001018-01-024	EA	Alum. - Beige - No Design - 48" x 96"
	044487-01-001	EA	Alum. - Mill Finish - No Design (Roof) - 96" x 360"
	000868-01-000	SF	Styrofoam - 75" x 24" x 96"
	000870-01-000	SF	Styrofoam - 1 50" x 24" x 96"
	000976-03-000	SF	Styrofoam - 1.34" x 48" x 96"

EXTERIOR BODY GROUP (CONTINUED)

SEALANTS & ADHESIVES

Key	Part Number	U/M	Description
	004020-01-000	QT	Adhesive - ABS Cement (Plastic Fillings)
	002337-01-000	EA	Adhesive - 1300 Tube - 3M (Windows)
	004005-02-000	GL	Adhesive - Swifts - Glue (Sidewalls)
	053766-07-000	EA	Bedding Compound - Tube - Beige (Exterior)
	053766-06-000	EA	Bedding Compound - Tube - Clear (Window)
	053766-08-000	EA	Bedding Compound - Tube - Gray (Exterior)
	053766-05-000	EA	Bedding Compound - Tube - Gray (Sidewalls to Floor)
	053766-02-000	EA	Bedding Compound - Tube - Off White (Exterior)
	002328-02-000	EA	Block - Rubber Spacer (Windshield)
	004336-01-000	EA	Caulk - Latex - Golden Walnut (Sidewalls)
	072891-02-000	QT	Primer - Glass - Black
	072891-01-000	QT	Primer - Glass - Clear
	035024-01-000	EA	Primer - Glass - Clear - Windshield
	072890-01-000	QT	Primer - Metal - Black
	035023-01-000	GL	Primer - Metal - Windshield
	077967-01-000	EA	Sealant - Acrylic Latex - Tube - Off White (Interior Sealant)
	034552-04-000	EA	Sealant - Silicone - Beige
	034552-02-000	EA	Sealant - Silicone - Clear
	034552-07-000	EA	Sealant - Silicone - Dark Gray
	034552-06-000	EA	Sealant - Silicone - Off White
	069637-01-000	EA	Sealant - Weatherban 404 - Tube - White (Door Caulk)
	072889-01-000	EA	Sealant - Urethane - Black (Windshield)
	069640-01-000	FT	Sealer Ribbon - .25" Bead x 20'
	069640-02-000	FT	Sealer Ribbon - .5" x .125" x 30'
	069640-03-000	FT	Sealer Ribbon - .75" x .125" x 30'
	069640-04-000	FT	Sealer Ribbon - 2" x .09" x 45' (P Series)
	069640-05-000	FT	Sealer Ribbon - 2 5/8" x .09" x 50'
	069640-06-000	FT	Sealer Ribbon - 5/16" Bead x 15'
	069640-07-000	FT	Sealer Ribbon - 2" x 3/32" x 30'
	002316-01-000	FT	Sealer Tape - 3/32" x 3/8" - White (Window)
	002707-01-000	FT	Sealer Tape - 5/16" x 3/4"
	002707-02-000	FT	Sealer Tape - 5/16" x 1/2"
	040545-01-000	GL	Sealer - Seam Weld
	053752-04-000	EA	Seam Sealer - Tube - Aluminum (Roof)
	063642-01-000	FT	Tape - Adhesive - .10 mm. x 1.5" Wide
	038886-01-000	EA	Tape - Butyl - 31" x 31" x 148" (Windshield)
	076322-01-000	FT	Tape - Foam - Double Coated - .025 x 1" (Fiberglass Sidewall Seams)
	076322-02-000	FT	Tape - Foam - Double Coated - .045 x 1" (Fiberglass Sidewall Seams)
	009200-01-000	EA	Tape - Furnace - 1 5"
	002825-01-000	FT	Weather Striping (Roof Vent)

MISCELLANEOUS EXTERNALLY MOUNTED PARTS

Key	Part Number	U/M	Description
	083558-01-000	EA	Plumbing Seal - Roof Vent - 1.5" - Covered
	048817-01-000	EA	Assist Handle - w/Light
	048817-01-700	EA	Lens - Assist Handle
	010230-03-000	EA	Fill - City Water - Recessed - Beige
	081240-01-000	EA	Water Fill - Lockable - Beige

**1987 WINNEBAGO
TABLE OF CONTENTS**

WT319RB	A-01 - B-16
WCN22RC	B-17 - D-24
WC421RB	E-01 - F-24
WCP37RO	G-01 - I-14

1987 WCN22RC INDEX

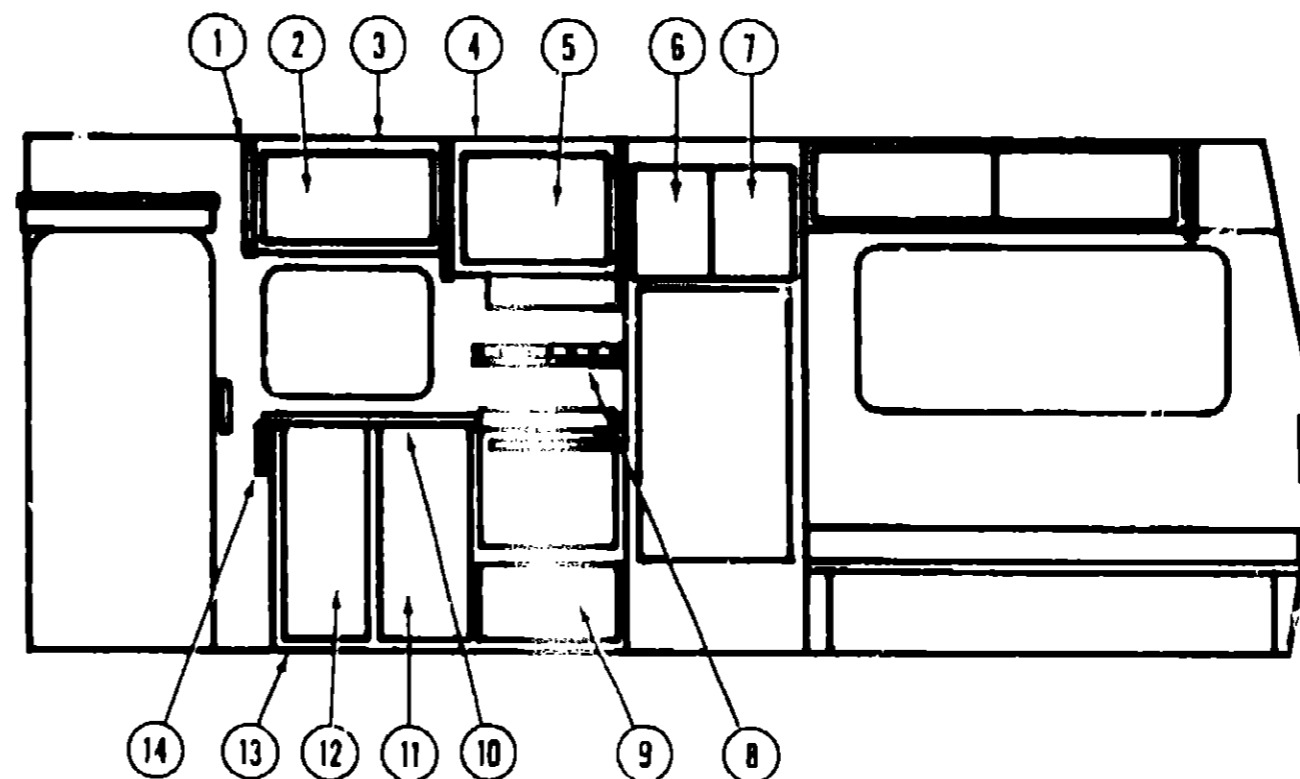
Floor Plan	B-17 - B-18
Accessories Group	B-19 - B-21
Bath Group	B-22 - B-23
Chassis Group	B-24 - C-02
Curtain, Cushion & Pad Group	C-03 - C-09
Dineite Group	C-10
Driver's Compartment Group	C-11 - C-13
Electrical Group	C-14 - C-16
Exterior Body Group	C-17 - C-23
Galley Group	C-24 - D-01
Heating & Air Conditioning Group	D-02
Interior Finish Group	D-03 - D-05
I.P. Group	D-06
Lounge Group	D-07
Water & Sewage Group	D-08 - D-09
Window, Vent & Exterior Door Group	D-10 - D-24

EXTERIOR BODY GROUP (CONTINUED)

INTERIOR/EXTERIOR SCREWS & FASTENERS

Key	Part Number	U/M	Description
	005200-01-000	EA	Bolt - Round Head - Square Neck w/SST Cap - 7/16" - 14 x 1 1/4"
	058279-01-000	EA	Clip - Mounting - Front Panel
	035628-01-000	EA	Fastener - Blind Well Nut - 1.05" x .38"
	000D15-06-00B	EA	Nut - Hex - 3/8" x 24 - Zinc
	005081-01-000	EA	Nut - Speed - C Type - #8 Screw
	000G54-04-20B	EA	Screw 1/4 - 20 x 1 1/4" PTH - Zinc
	000G54-04-22B	EA	Screw 1/4 - 20 x 1 3/8" PTH - Zinc
	000G53-04-06B	EA	Screw 1/4 - Machine - 20 x 3/8" PTH - Zinc
	000G13-06-12P	EA	Screw #6 - 20 x 3/4" PFH - Dark Brown
	000G13-05-28X	EA	Screw #6 - 20 x 3/4" PFH - Gray
	000G13-06-16R	EA	Screw #6 - 20 x 1" PFH - Beige
	000G11-07-08B	EA	Screw #7 - 19 x 1/2" PPH - Zinc
	000G12-08-12M	EA	Screw #8 - 18 x 3/4" POH - Gray
	000G11-08-12R	EA	Screw #8 - 18 x 3/4" PPH - Beige
	000G11-08-12X	EA	Screw #8 - 18 x 3/4" PPH - Gray
	000G11-08-12B	EA	Screw #8 - 18 x 3/4" PPH - Zinc
	000G39-08-12R	EA	Screw #8 - 18 x 3/4" SDPH - Beige
	000G66-08-12M	EA	Screw #8 - 18 x 3/4" SDPH - Gray
	000G11-08-16R	EA	Screw #8 - 18 x 1" PFH - Gray
	000G66-08-16R	EA	Screw #8 - 18 x 1" SDPH - Beige
	000G12-08-28R	EA	Screw #8 - 18 x 1 3/4" POH - Beige
	000G36-08-08E	EA	Screw #8 - 32 x 1/2" PFH - Chrome
	000G39-08-08B	EA	Screw #8 - Self Drilling - 18 x 1/2" PPH - Zinc
	000G39-08-12B	EA	Screw #8 - Self Drilling - 18 x 3/4" PPH - Zinc
	000G39-08-12R	EA	Screw #8 - Self Drilling - 18 x 3/4" PPH - Beige
	000G39-08-16R	EA	Screw #8 - Self Drilling - 18 x 1" PPH - Beige
	000G39-08-16T	EA	Screw #8 - Self Drilling - 18 x 1" PPH - Black
	000G39-08-16P	EA	Screw #8 - Self Drilling - 18 x 1" PPH - Dark Brown
	000G39-08-16X	EA	Screw #8 - Self Drilling - 18 x 1" PPH - Gray
	000G39-08-16E	EA	Screw #8 - Self Drilling - 18 x 1" PPH - Chrome
	000G64-08-16M	EA	Screw #8 - Self Drilling - 18 x 1" SDPH - Gray
	000G67-10-08B	EA	Screw #10 - 12 x 1/2" PPH - Zinc
	000G67-10-10R	EA	Screw #10 - 12 x 5/8" PPH - Beige
	000G67-10-16P	EA	Screw #10 - 12 x 1" PPH - Dark Brown
	000G67-10-16B	EA	Screw #10 - 12 x 1" PPH - Zinc
	000G67-10-20B	EA	Screw #10 - 12 x 1 1/4" PPH - Zinc
	000G67-10-24B	EA	Screw #10 - 12 x 1 1/2" PPH - Zinc
	049465-04-000	EA	Screw #10 - 16 x 1" POH - w/Washer - Beige
	049465-05-000	EA	Screw #10 - 16 x 1" POH - w/Washer - Gray
	000G12-10-24E	EA	Screw #10 - 16 x 1 1/2" POH - Chrome
	000G11-10-08D	EA	Screw #10 - 16 x 1/2" PPH - Dark Brown
	000G11-10-12R	EA	Screw #10 - 16 x 3/4" PPH - Beige
	000G11-10-12S	EA	Screw #10 - 16 x 3/4" PPH - Off White
	000G11-10-12B	EA	Screw #10 - 16 x 3/4" PPH - Zinc
	000G11-10-16B	EA	Screw #10 - 16 x 1" PPH - Zinc
	000G11-10-40B	EA	Screw #10 - 16 x 2 1/2" PPH - CAD
	000G19-10-12B	EA	Screw #10 - Machine - 32 TPI x 3/4"
	075908-01-000	EA	Screw #10 - Machine - 32 x .56" PTH - Zinc
	000G19-10-20B	EA	Screw #10 - Machine - 32 x 1 1/4" PPH - Zinc
	000G39-12-12E	EA	Screw #10 - Self Drilling - 14 x 3/4" PPH - Chrome
	000G39-10-10R	EA	Screw #10 - Self Drilling - 16 x .62" PPH - Beige
	000G39-10-12R	EA	Screw #10 - Self Drilling - 16 x 3/4" PPH - Beige
	000G39-10-12P	EA	Screw #10 - Self Drilling - 16 x 3/4" PPH - Dark Brown
	000G56-12-48C	EA	Screw #12 - Wood - 11 x 3" POH - CAD

GALLEY GROUP



GALLEY CABINETRY

Key	Part Number	U/M	Description
1	081320-04-U04	EA	Pad Asm - End Cap - Galley Overhead - Almond Vinyl
2	M81523-04-W07	EA	Door Asm - Galley Overhead - w/o Hardware
3	081656-01-W07	EA	Cabinet Asm - Galley Overhead - w/o Doors or Hardware
4	081460-05-W07	EA	Cabinet Asm - Galley Overhead - w/o Doors or Hardware
5	M81523-01-W07	EA	Door Asm - Galley Overhead - 18.2" x 23.9" - w/o Hardware
6	M81502-06-W04	EA	Door Asm - Refrigerator Cabinet - 19.6" x 11.8" - w/o Hardware - Front
7	M81502-05-W04	EA	Door Asm - Refrigerator Cabinet - 19.6" x 11.8" - w/o Hardware - Rear
8	074490-02-T03	EA	Spice Rack - Oak
9	M81507-02-W07	EA	Door Asm - Furnace - Galley Cabinet 15.9" x 21.8" - w/Gold Mesh
	072369-20-000	EA	Mesh - Furnace Grille - 22" x 12"
10	M02465-01-W07	EA	Countertop Asm - Galley
11	M81501-03-W04	EA	Door Asm - Galley Cabinet - w/o Hardware - Right
12	M81501-02-W04	EA	Door Asm - Galley Cabinet - w/o Hardware - Left
	M82184-03-W07	EA	Drawer Asm - Galley Cabinet (used with microwave option)
	M82564-03-W07	EA	Cabinet Asm - Galley - w/o Countertop, Doors, Drawers or Hardware (used with microwave option)
13	M82564-01-W07	EA	Cabinet Asm - Galley - w/o Countertop, Doors, Drawers or Hardware
14	080812-02-W07	EA	Extension Asm - Galley - Almond Loom
	077404-01-000	EA	Drawer - Plastic - 20" x 12.7"
			Not illustrated

1987 WINNEBAGO TABLE OF CONTENTS

WT319RB	A-01 - B-16
WCN22RC	B-17 - D-24
WC421RB	E-01 - F-24
WCP37RO	G-01 - I-14

1987 WCN22RC INDEX

Floor Plan	B-17 - B-18
Accessories Group	B-19 - B-21
Bath Group	B-22 - B-23
Chassis Group	B-24 - C-02
Curtain, Cushion & Pad Group	C-03 - C-09
Dinette Group	C-10
Driver's Compartment Group	C-11 - C-13
Electrical Group	C-14 - C-16
Exterior Body Group	C-17 - C-23
Galley Group	C-24 - D-01
Heating & Air Conditioning Group	D-02
Interior Finish Group	D-03 - D-05
LP Group	D-06
Lounge Group	D-07
Water & Sewage Group	D-08 - D-09
Window, Vent & Exterior Door Group	D-10 - D-24

GALLEY GROUP (CONTINUED)

GALLEY HARDWARE & APPLIANCES

Key	Part Number	U/M	Description
**	079353-01-000	EA	Hood - Range - Powered w/Monitor - Almond - US
**	024878-01-000	EA	Vent - Range Hood
**	021374-01-000	EA	Range Top - 4 Burner - Almond
**	081374-01-700	EA	Trim - Cabinet Top - Right
**	081374-01-701	EA	Trim - Cabinet Top - Left
**	081374-01-702	EA	Panel - Manifold Warm - Black
**	081374-01-703	EA	Trim Top - Rear
**	081374-01-704	EA	Guard - Fabric
**	064782-02-000	EA	Range w/Small Oven - 4 Burner - Almond - Magic Chef
**	064772-02-700	EA	Top - Main - 4 Burner - Almond
**	064782-02-701	EA	Deflector Plate - Black
**	064782-01-702	EA	Trim - Cabinet - Right - Black
**	064782-02-703	EA	Trim - Cabinet - Left - Black
**	064782-02-704	EA	Trim - Lower Outside Glass - Black
**	067782-02-705	EA	Handle - Oven Door - Black
**	064782-02-706	EA	Vertical Trim - Black
**	064782-02-707	EA	Panel - Manifold
**	064782-02-708	EA	Valve - Mercury
**	084879-01-000	EA	Refrigerator - 3 Way - 8' - Double Door - Norcold
**	084880-01-000	EA	Refrigerator - 3 Way - 10' - Double Door - Norcold
**	054450-01-000	EA	Level - Refrigerator
**	081379-01-000	EA	Microwave/Convection Oven - Sharp
**	081459-03-000	EA	Bracket Asm. - Microwave - Right
**	081459-04-000	EA	Bracket Asm. - Microwave - Left
**	081456-01-000	EA	Angle Asm. - Microwave - Right
**	081456-02-000	EA	Angle Asm. - Microwave - Left
**	081555-01-T03	EA	Trim Asm. - Microwave
**	082876-01-000	EA	Baffle Asm. - Microwave
**	068615-01-000	EA	Sink - Stainless Steel - Double w/Bolts
**	011053-01-000	EA	Faucet - Swing Spout - 8" - US
**	011053-02-000	EA	Faucet - Swing Spout - 8" - CSA
**	011053-01-700	EA	Aerator - Swing Spout Faucet
**	066437-01-000	EA	Strainer w/Basket - Sink
**	081530-01-W07	EA	Sink Cover - Large
**	009049-01-000	EA	Support - Drop Leaf Table
**	009059-01-000	EA	Hinge - 2" - Gold - Drop Leaf Table
**	074490-02-T03	EA	Spice Rack - Oak
**	079606-04-U04	EA	Magazine Rack - Oak
**	074981-01-000	EA	Cutting Board - Maple
**	058334-01-000	EA	Wastebasket - 9 3/4" x 7" x 10" - White
**	058478-01-000	EA	Support - Wastebasket - Metal - Door Mount
**	059777-02-000	EA	Hinge - Cabinet Door - Antique Light Brass
**	086263-01-000	EA	Door Pull - Polished Brass
**	009021-01-000	EA	Catch - Nylon
**	009021-02-000	EA	Strike - Spring Steel
**	047744-01-000	EA	Kit - Drawer Guide - Plastic
**	077409-01-000	EA	Slider - Drawer - 20 7/8" - Plastic
**	077404-01-000	EA	Drawer - 20" x 12.70" - Plastic
**	066435-01-000	EA	Nut Strainer
**	011083-01-000	EA	Plug - 1 1/4" x 5" - w/Stopper

** The illustrated parts breakdown for this item is provided on the Common Items Fiche.

HEATING & AIR CONDITIONING GROUP

AUXILIARY HEATER ASSEMBLY

Key	Part Number	U/M	Description
**	084405-01-000	EA	Heater Asm. - Rear - Auxiliary
**	084405-01-700	EA	Heater Core
**	084405-01-701	EA	Fan
**	084405-01-702	EA	Motor - 12 V
**	056404-02-000	EA	Register - 4" - Plastic - w/o Damper

AUTOMOTIVE HEATER & AIR CONDITIONER

Key	Part Number	U/M	Description
**	J72341-04-000	EA	Heater/Evaporator Asm.
**	072341-01-700	EA	Wheel - w/Retainer & Index Clip
**	072341-01-701	EA	Core - Heater
**	072341-01-702	EA	Coil - Evaporator
**	072341-01-703	EA	Valve - Expansion
**	072341-01-704	EA	Valve - Suction
**	072341-01-705	EA	Switch - Pressure - Low Cut Out
**	072341-01-706	EA	Resistor
**	072341-01-707	EA	Thermostat
**	072341-01-708	EA	Motor - Vacuum
**	R77005-81-129	EA	Relay - Glow Plug
**	072341-01-710	EA	Control Asm. - Heater A/C
**	072341-01-711	EA	Cable - Bowden - 72"
**	072341-01-712	EA	Switch - Vacuum
**	072341-01-713	EA	Switch - Jumper Control
**	072341-01-714	EA	Valve - Heater - Water Flow Control
**	072341-01-715	EA	Escape & Louver Adapter Asm.
**	072341-01-716	EA	Discharge Valve - 1/2"
**	072341-08-000	EA	Duct & Control Kit
**	072342-03-000	EA	Condensor Asm. - w/Fans
**	072342-02-700	EA	Receiver Drier - Condenser Asm.
**	072343-01-000	EA	Compressor/Clutch
**	072344-01-000	EA	Package - Compressor Mount
**	074026-01-000	EA	Package - Compressor Mount - 6.2 L Diesel
**	039044-01-000	EA	Louver Asm. - A/C Adjustable
**	007076-01-700	FT	Hose - Flexible PVC - 2" I.D.
**	007281-01-700	FT	Hose - Flexible PVC - 2 1/2" I.D.
**	007108-01-000	FT	Hose - Heater - 5/8" I.D. SAE 20R3
**	062401-04-000	EA	Clamp - Worm Drive - 69" - 1.25" I.D.
**	010227-01-000	EA	Tee - Plastic - Barb 5/8" or 3/4" Hose

FURNACE & ROOF AIR CONDITIONER

Key	Part Number	U/M	Description
**	075696-01-000	EA	Furnace - 34,000 BTU - w/Direct Ignition - NT-34S
**	075695-01-000	EA	Furnace - 24,000 BTU - w/Direct Ignition - NT-24S
**	069636-01-000	EA	Connector - 4" Duct
**	009198-01-000	EA	Duct - Flexible - 4" I.D. x 25'
**	056464-01-000	EA	Register - 4" Dia - Plastic - w/Damper
**	058464-02-000	EA	Register - 4" Dia - Plastic - w/o Damper
**	009200-01-000	EA	Tape - Furnace - 1 1/2"
**	023146-01-000	EA	Clamp - Screw Type - 4"
**	073743-01-000	EA	Shroud Asm. - Ceiling - Inside - Roof Air 13,500 BTU - Cool Only
**	073744-01-000	EA	Shroud Asm. - Ceiling - Inside - Roof Air 13,500 BTU - Heat & Cool
**	073742-01-000	EA	Air Conditioner - 110 Volt - Roof Mount - 13,500 BTU Rotary

** The illustrated parts breakdown for this item is provided on the Common Items Fiche.

1987 WINNEBAGO TABLE OF CONTENTS

WT319RB	A-01 - B-16
WCN22RC	B-17 - D-24
WC421RB	E-01 - F-24
WCP37RQ	G-01 - I-14

1987 WCN22RC INDEX

Floor Plan	B-17 - B-18
Accessories Group	B-19 - B-21
Bath Group	B-22 - B-23
Chassis Group	B-24 - C-02
Curtain, Cushion & Pad Group	C-03 - C-09
Dinette Group	C-10
Driver's Compartment Group	C-11 - C-13
Electrical Group	C-14 - C-16
Exterior Body Group	C-17 - C-23
Galley Group	C-24 - D-01
Heating & Air Conditioning Group	D-02
Interior Finish Group	D-03 - D-05
LP Group	D-06
Lounge Group	D-07
Water & Sewage Group	D-08 - D-09
Window, Vent & Exterior Door Group	D-10 - D-24

INTERIOR FINISH GROUP

CURTAIN & CUSHION HARDWARE

Key	Part Number	U/M	Description
	009107-01-000	EA	Guide - Curtain - Bottom
	081381-01-000	EA	Swivel Snap - Curtain Track
	023130-01-000	EA	Snap Socket - Curtain Bottom
	082139-02-000	EA	Bracket - Blind - Hold Down
	083170-03-000	EA	Bracket - Blind - Top Right
	083170-04-000	EA	Bracket - Blind - Top Left
	029130-01-000	EA	Snap Socket - Tie Back
	079619-01-000	EA	Bracket - Tie Back
	084434-01-000	EA	Bracket - Shade
	056784-02-000	EA	Pull - Window Shade - Antique Brass
	056115-01-000	YD	Tape - Clear Plastic - w/Guides
	048394-01-000	YD	Tape Hook - 1" x 50 yd - Beige
	048395-01-000	YD	Tape Loop - 1" x 50 YD - Beige
	029090-01-000	FT	Tie - Drapery - Clear Vinyl
	078551-06-000	EA	Track - Room Divider - 67.32" - Beige
	056116-01-000	EA	Track - Curtain - Brown Plastic - Top
	079946-01-000	EA	Track - Curtain - Wraparound - Right
	079946-02-000	EA	Track - Curtain - Wraparound - Left
	085283-01-000	EA	Bracket - Curtain Hold Back - Clear Plastic
	087253-01-000	EA	Shade Pull - Clear Plastic

FABRICS & CARPET

Key	Part Number	U/M	Description
	081607-02-000	YD	Fabric - Headliner - Sandstone
	077498-91-000	YD	Fabric - Main - Jade/Taupe (W07)
	077498-92-000	YD	Fabric - Main - Rose (W08)
	077498-93-000	YD	Fabric - Main - Taupe (W09)
	077498-A6-000	YD	Fabric - Stripped Accent - Jade/Taupe (W07)
	077498-A5-000	YD	Fabric - Stripped Accent - Rose (W08)
	077498-A7-000	YD	Fabric - Stripped Accent - Taupe (W09)
	077498-95-000	YD	Fabric - Plain Accent - Jade/Taupe (W07)
	077498-96-000	YD	Fabric - Plain Accent - Rose (W08)
	077498-98-000	YD	Fabric - Plain Accent - Taupe (W09)
	069729-47-000	YD	Fabric - Bedroom Drapery - Jade/Taupe (W07)
	069729-48-000	YD	Fabric - Bedroom Drapery - Rose (W08)
	069729-49-000	YD	Fabric - Bedroom Drapery - Taupe (W09)
	072333-39-000	YD	Fabric - Wraparound & Blackout - Jade/Taupe (W07)
	072333-37-000	YD	Fabric - Wraparound & Blackout - Rose (W08)
	072333-38-000	YD	Fabric - Wraparound & Blackout - Taupe (W09)
	072333-34-000	YD	Fabric - Drapery - Shades & Tie Back - Jade/Taupe (W07)
	072333-35-000	YD	Fabric - Drapery - Shades & Tie Back - Rose (W08)
	072333-36-000	YD	Fabric - Drapery - Shades & Tie Back - Taupe (W09)
	038421-04-000	YD	Fabric/Mattress Ticking - Cashew
	052859-01-W07	FT	Trim Asm - Accent - Sandrift
	052859-06-T03	FT	Trim Asm - Accent - Sandrift
	079680-01-000	YD	Vinyl - Expanded - 26 oz - Buckskin
	079680-02-000	YD	Vinyl - Expanded - 26 oz - Sandrift
	038421-01-000	YD	Fabric - Mattress Ticking
	029012-01-000	BF	Foam - Rolled - 3/8"
	072860-58-000	YD	Carpet - Jade/Taupe (W07)
	072860-56-000	YD	Carpet - Rose (W08)
	072860-57-000	YD	Carpet - Taupe (W09)
	075233-01-000	YD	Carpet Pad - 3/8" Foam

INTERIOR FINISH GROUP (CONTINUED)

PANELING & LAMINATE

Key	Part Number	U/M	Description
	074497-09-000	SF	Paneling - Sand - 48" x 84" (28 SF) (Wall)
	074496-69-000	SF	Paneling - Decor - Pom/Peach - 48" x 84" (28SF) (Bath) (W07, W09)
	074496-70-000	SF	Paneling - Decor - Pom/Mauve - 48" x 84" (28SF) (Bath) (W08)
	074496-61-000	SF	Paneling - Decor - Pom/Peach - 48" x 84" (28SF) (Galley) (W07, W09)
	074496-62-000	SF	Paneling - Decor - Pom/Mauve - 48" x 84" (28SF) (Galley) (W08)
	074497-03-000	SF	Paneling - Sunset Oak - 48" x 84" (28SF) (Cabinets)
	074498-13-000	SF	Plastic Laminate - Sand Quadrus (Galley, Dinette)
	074498-21-000	SF	Plastic Laminate - Sea Frost (Bath) (W07)
	074498-15-000	SF	Plastic Laminate - Blush (Bath) (W08)
	074498-16-000	SF	Plastic Laminate - T/Apricot (Bath) (W09)
	074498-05-000	SF	Plastic Laminate - Sunset Oak (Nightstand & Table Tops)
	076325-04-000	FT	Plastic Laminate - Edge Band - Sunset Oak - 1 5/16" x 600'

INTERIOR MOLDING & TRIM

Key	Part Number	U/M	Description
	024700-21-000	EA	Cover - Sidewall Roll Bar - Beige
	081521-01-001	EA	Molding w/Holes - Corner - 16"
	042357-09-000	FT	Molding - Radius Corner - 7' Elm
	022992-08-000	FT	Molding - Reverse Cove - White
	022992-09-000	FT	Molding - Reverse Cove - Grady Brown
	086229-01-000	EA	Retainer - .75" - Batt Strip - Brown Plastic
	086229-02-000	EA	Batt Strip - 1" - Tan Plastic
	085284-01-000	FT	Batt Strip - Adhesive Tape - Woodgrain
	085284-05-000	FT	Batt Strip - Adhesive Tape - Classique Tweed
	069733-71-000	EA	Batt Strip - Winnie - 8' (Galley & Bath)
	070504-01-000	FT	U-Channel - .065" - Light Brown
	070504-02-000	FT	U-Channel - .815" - Light Brown
	070504-03-000	FT	U-Channel - .815" - Grady Brown
	009778-04-000	FT	U-Channel - 1" - Grady Brown
	083620-01-000	FT	T-Molding - .75" - w/Edge Lips - Grady Brown
	076325-04-000	FT	T-Molding - 1 5/16" - Sunset Oak
	077840-01-T03	EA	Molding - Wall Cap - 96" - Vinyl Covered - Sunset Oak
	077953-01-000	EA	Grommet - 1" Hole Liner
	073321-01-000	EA	Trim - Carpet - Wall - 9'3" - Beige
	052859-06-T03	FT	Accent Trim - Dark Sandrift
	009767-06-000	FT	Welting - Beige
	009767-10-000	FT	Welting - Mahogany (Darker)
	042356-01-000	EA	Plug - 3/8" - Mahogany

MISCELLANEOUS PARTS

Key	Part Number	U/M	Description
	053552-02-W04	EA	Handle Asm - Interior Assist - Medium Almond Vinyl
	041944-04-000	EA	Fire Extinguisher - Dry 5BC
	084472-01-000	EA	Holder - Recessed Fire Extinguisher
	054185-26-000	EA	Owner's Manual - 1987 Itasca & Winnebago
	007038-01-000	EA	Door Mat - 10 1/2" x 26" - Black Rubber
	086296-01-000	EA	Picture - Decor
	065201-02-000	EA	Lamp Shade - Fabric - Parchment

1987 WINNEBAGO TABLE OF CONTENTS

WT319RB	A-01 - B-16
WCN22RC	B-17 - D-24
WC421RB	E-01 - F-24
WCP37RO	G-01 - I-14

1987 WCN22RC INDEX

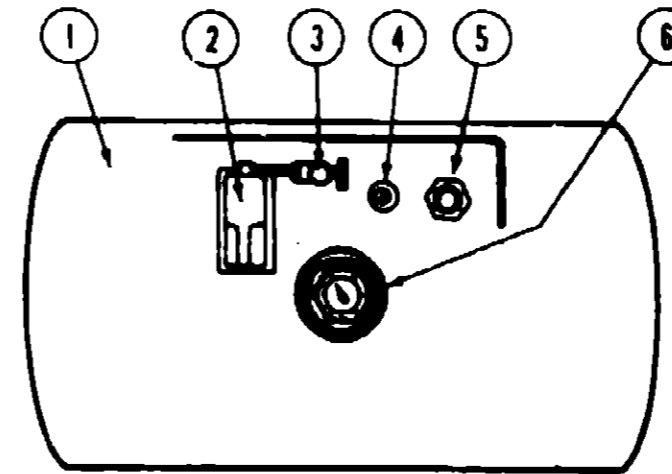
Floor Plan	B-17 - B-18
Accessories Group	B-19 - B-21
Bath Group	B-22 - B-23
Chassis Group	B-24 - C-02
Curtain, Cushion & Pad Group	C-03 - C-09
Dinette Group	C-10
Driver's Compartment Group	C-11 - C-13
Electrical Group	C-14 - C-16
Exterior Body Group	C-17 - C-23
Galley Group	C-24 - D-01
Heating & Air Conditioning Group	D-02
Interior Finish Group	D-03 - D-05
LP Group	D-06
Lounge Group	D-07
Water & Sewage Group	D-08 - D-09
Window, Vent & Exterior Door Group	D-10 - D-24

INTERIOR FINISH GROUP (CONTINUED)

CABINETS & TABLE HARDWARE

Key	Part Number	U/M	Description
	053200-05-000	EA	Bracket - Upper Wall Mount - 23.5" - Beige
**	053201-06-000	EA	Bracket - Table Mount - 23" - Beige
	024275-05-000	EA	Rod - Table Lift - 8" x 23.5" - Beige
	024281-07-000	EA	Bracket - Lower Wall Mount - 22.12" - Beige
	024276-17-000	EA	Leg Asm. - Table - 26.5" - Tan
	064050-02-000	EA	Hinge - Table Leg - Tan
**	024282-01-000	EA	Brace - Table Leg
**	024283-01-000	EA	Clip - 1" O.D. Tube
	049493-05-000	EA	Catch - Table Leg - Mounts on Floor - Tan
**	057898-01-000	EA	Latch - Hidden - Cabinet Door w/Strike
	009112-01-000	EA	Flange - 1" - Chrome - Closet Rod
	077409-01-000	EA	Slide - Drawer - Plastic - 20.75"
	009049-01-000	EA	Table Support - Drop Leaf
	059777-01-000	EA	Hinge - Antique Brass
	009059-01-000	EA	Hinge - 2" - Drop Leaf Table - Gold
	009059-02-000	EA	Hinge - 2" - Brass
**	047744-01-000	EA	Kit - Drawer Glide
	064467-01-000	EA	Guide - Wall Mount - Door Pocket
	086263-01-000	EA	Pull - Polished Brass Centers
	076767-03-000	EA	Cable Asm. - SS1 (TV Table)
	009016-01-000	EA	Elbow - Catch - Spring Loaded
	061604-01-000	EA	Bolt - Slide - Antique Brass
	057671-01-000	EA	Screw Cover - #8 - Off White
	072369-20-000	EA	Mesh - Grille - 22" x 12" - Duraton Bronze
	009150-01-000	EA	Warp Guard - 64"
	009021-01-000	EA	Catch - Nylon
	009021-02-000	EA	Strike - Nylon Catch
**	059777-02-000	EA	Hinge - Cabinet Door - Antique Light Brass
	074493-02-000	EA	Support - Sprung - Door
	066433-01-000	EA	Hook - Cup - Bright
	075680-01-000	EA	Clothes Rod - Adjustable - 27" x 36"
	073306-01-000	EA	Slide Drawer - 18" - Left
	073306-02-000	EA	Slide Drawer - 18" - Right
	073306-03-000	EA	Slide Cabinet - 18" - Left
	073306-04-000	EA	Slide Cabinet - 18" - Right
**	The illustrated parts breakdown for this item is provided on the Common Items Fiche		

LP GROUP



Key	Part Number	U/M	Description
1	074142-01-000	EA	Tank Asm. - LP - Frame Mount - 80 Pound - 13" x 41"
1	080450-01-000	EA	Tank Asm. - LP - Frame Mount - 42 Pound - 13" x 24"
*	065741-01-000	EA	Detector - LP Gas Leak - Marshalltown Instruments
2	081938-01-000	EA	Cover - LP Regulator
*	076301-01-000	EA	Regulator - Two Stage - US (Dual)
*	076301-02-000	EA	Regulator - Two Stage - CSA (Dual)
3	040421-01-703	EA	Valve - Vapor Relief
4	040421-01-700	EA	Gauge - Liquid Level - 20% LP
5	040421-01-701	EA	Valve - Filler - LP
*	040421-01-702	EA	Cap - Plastic Fill Valve
6	040421-01-707	EA	Gauge - Float - w/Visible Dial
*	040421-01-706	EA	Dial - Visible Face - Float Gauge (Tank w/o Electric Transmitter)
*	040440-01-000	EA	Dial - Transmitter - 0 - 90 Ohm (Float Gauge)
*	045703-01-000	EA	Hose Asm. - LP - 3/8" I.D. x 24" - US
*	045703-02-000	EA	Hose Asm. - LP - 3/8" I.D. x 24" - CSA
*	045703-03-000	EA	Hose Asm. - LP - 3/8" I.D. x 18" - US
*	045703-04-000	EA	Hose Asm. - LP - 3/8" I.D. x 14" - CSA
*	065742-01-000	EA	Tee - 3/8 F x 3/8 F x 25 FPT
*	Not illustrated		

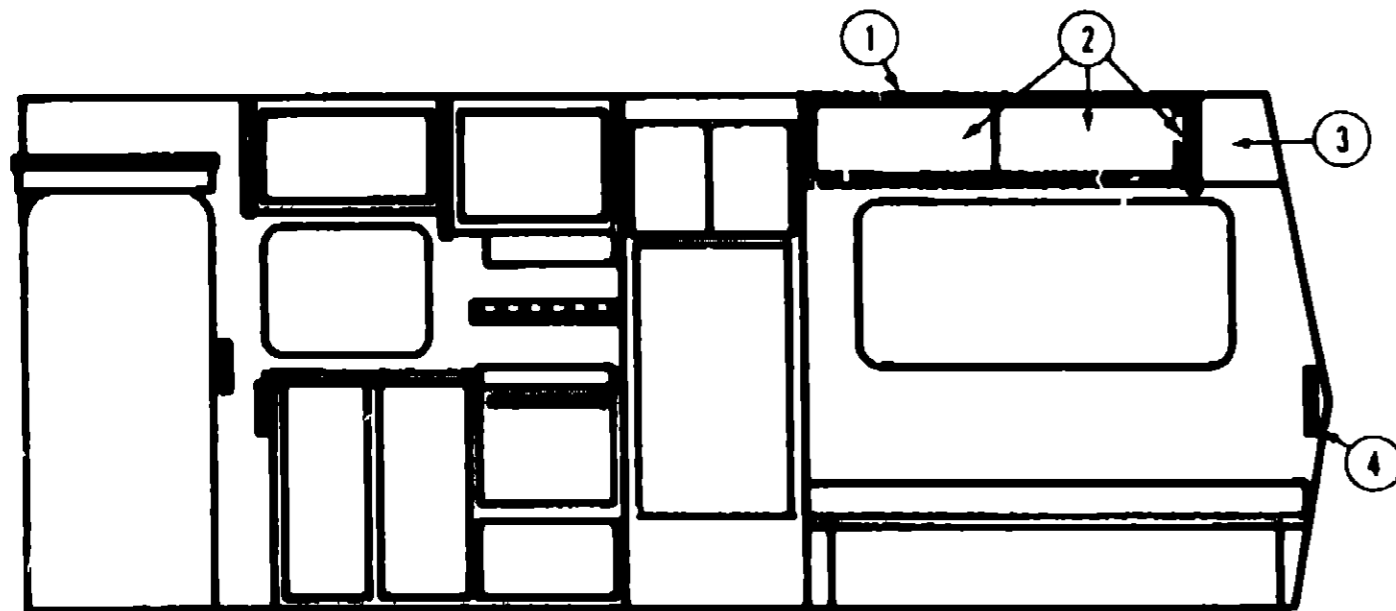
1987 WINNEBAGO TABLE OF CONTENTS

WT319RB	A-01 - B-16
WCN22RC	B-17 - D-24
WC421RB	E-01 - F-24
WCP37RO	G-01 - I-14

1987 WCN22RC INDEX

Floor Plan	D-17 - B-18
Accessories Group	B-19 - B-21
Bath Group	B-22 - B-23
Chassis Group	B-24 - C-02
Curtain, Cushion & Pad Group	C-03 - C-09
Dinette Group	C-10
Driver's Compartment Group	C-11 - C-13
Electrical Group	C-14 - C-16
Exterior Body Group	C-17 - C-23
Galley Group	C-24 - D-01
Heating & Air Conditioning Group	D-02
Interior Finish Group	D-03 - D-05
LP Group	D-06
Lounge Group	D-07
Water & Sewage Group	D-08 - D-09
Window, Vent & Exterior Door Group	D-10 - D-24

LOUNGE GROUP



DOUBLE BED & SIDE BUNKS

Key	Part Number	U/M	Description
1	081536-01-W07	EA	Cabinet Asm. - Lounge Overhead - w/o Doors or Hardware
2	M81503-01-W07	EA	Door Asm. - Overhead Cabinet - w/o Hardware
3	081540-01-W07	EA	Cabinet Asm. - Rear Lounge Overhead - w/o Doors or Hardware
4	M81503-01-W07	EA	Door Asm. - Rear Lounge Overhead - w/o Hardware
4	086109-03-W07	EA	Headboard Asm. - Double Bed
4	086109-03-W08	EA	Headboard Asm. - Double Bed
4	086109-03-W09	EA	Headboard Asm. - Double Bed
4	M81501-15-W07	EA	Door Asm. - Double Bed
4	M81537-01-W04	EA	Cabinet Asm. - Nightstand - w/o Countertop or Drawers
4	M02472-01-V04	EA	Countertop Asm. - Nightstand Cabinet
4	M78921-03-U04	EA	Drawer - Nightstand Cabinet - w/o Hardware
4	Not illustrated		

WATER & SEWAGE GROUP

PLUMBING & REPAIR PARTS

Key	Part Number	U/M	Description
	033302-02-000	EA	Adapter Asm. - SWVC Strain - 1 1/2"
	010326-01-000	EA	Adapter - Flare - w/Cone Gasket
	062422-01-000	EA	Adapter - Hose Offset - Reducer - 3" x 1 1/2"
	052954-01-000	EA	Adapter - Hose Cone - 3/8 or 1/2 - Plastic
	010224-01-000	EA	Adapter - Plastic - 3/8 MPT x 3/8 Barb
	044927-01-000	EA	Adapter - Plastic - 1 1/4" MPT x 1 1/4 Barb
	031802-02-000	EA	Adapter - Plastic - 1 1/2 H x FPT
	062417-01-000	EA	Adapter - Termination - 3"
	004020-01-000	QT	Adhesive - ABS Cement
	011048-04-000	EA	Breaker - Vacuum - 1/8 MPT - Nylon
	010121-01-000	EA	Bushing - Plastic - 1 1/2 S x 1 1/4 H
	010122-01-000	EA	Bushing - Plastic - 1 1/2 S x 1 1/4 T
	010123-01-000	EA	Bushing - Plastic - 2S x 1 1/2 H
	036522-02-000	EA	Cap - Brass - 1/2 Flare
	062415-01-000	EA	Cap - Sewer - 3"
	052959-02-000	EA	Connector - 1/2 F x 1/2 MPT - Plastic
	052359-03-000	EA	Connector - 1/2 F x 3/8 MPT - Plastic
	011091-02-000	EA	Continuous Waste - Double Sink - 11 7/8" - US
	053874-01-000	EA	Continuous Waste Asm. - Double Sink - CSA
	078406-01-000	EA	Coupler Rubber - 3" x 3"
	052960-01-000	EA	Drain Valve - 1/2 F x 1/2 F - Plastic
	010000-01-000	EA	Elbow - Plastic - 1/8 BD x 1 1/4 x 45° H x H
	010005-01-000	EA	Elbow - Plastic - 1/16 BD x 1 1/2
	010006-01-000	EA	Elbow - Plastic - 1/8 BD x 1 1/2 x 45° H x H
	010008-01-000	EA	Elbow - Plastic - 1/4 BD x 1 1/2 x 90° Left
	010051-01-000	EA	Elbow - ST - Plastic - 1/8 BD x 1 1/2 x 45°
	010219-01-000	EA	Elbow - 1 1/4 Barb x 1 1/4 MPT x 90°
	031111-01-000	EA	Elbow - Plastic - 1/4 BD x 1 1/4 x 90° Left
	034250-01-000	EA	Elbow - Plastic - 1/4 BD x 1 1/2 x 90° x H x H
	035539-01-000	EA	Elbow - Plastic - 3/8 MPT x 3/8 Barb
	052957-01-000	EA	Elbow - Plastic - 1/2 F x 3/8 MPT
	052957-02-000	EA	Elbow - Plastic - 1/2 F x 1/2 MPT (In Tank Filter)
	059538-01-000	EA	Elbow - 1 1/4 - Slip Joint Ends
	065120-01-000	EA	Elbow - Plastic - Swivel - 50
	070924-01-000	EA	Elbow - Plastic - Swivel - 1/2 MPT x 1/2 FP
	077954-01-000	EA	Filter/Screen (In Water Tank)
	039647-02-000	EA	Filter - Water Pump - 1/2" MPT
	039647-03-000	EA	Filter - Water Pump - 1/2" Flare
	010147-01-000	EA	Flange - Closet - 4" F x 3" FPT - US
	010147-02-000	EA	Flange - Closet - 4" F x 3" FPT - CSA
	079381-01-000	FT	Flexible Tubing - 1 1/4 I.D. x 10'
	061607-01-000	EA	Grommet - Holding Tank Coupler - 1 1/2"
	061607-02-000	EA	Grommet - Holding Tank Coupler - 3"
	062419-02-000	EA	Handle - Extension - w/6" Adapter
	052961-01-000	EA	Header - 1/2 F x 1/2 F x 1/2 F x 1/2 F
**	046524-01-000	EA	Kit - Holding Tank Fittings - Blank Tank
**	046524-02-000	EA	Kit - Water Tank Fittings - Blank Tank
	052953-01-000	EA	Nut - Faucet - 1/2 Tube x 1/2 FPT
	052952-01-000	EA	Nut - 1/2 F - Plastic
**	011066-03-000	EA	P-Trap - 1 1/4" Plastic - US
**	011066-02-000	EA	P-Trap - 1 1/4" Plastic - CSA
	053335-01-000	EA	P-Trap - Plastic - 1 1/4 H x H - w/Union - CSA
	010197-01-000	EA	Pipe - Plastic - 3" x 240" - Black
	045729-01-000	EA	Pump - Water - 2.8 G.P.M. - Direct Drive - Shurflo - US
	045729-02-000	EA	Pump - Water - 2.8 G.P.M. - Direct Drive - Shurflo - CSA
**	010201-01-000	EA	Sewer Hose - 3" x 8' w/Clamp
	042989-02-000	EA	Spinweld Fittings - Plastic - 1/2 FPT (In Tank Filter)
	042989-03-000	EA	Spinweld Fittings - Plastic - 1/4 NPT
	042989-04-000	EA	Spinweld Fittings - Plastic - 3/8 FPT
	011069-02-000	EA	Tailpiece - 1 1/2" x 1 1/4" x 4" - Brass
**	The illustrated parts breakdown for this item is provided on the Common Items Fiche.		

1987 WINNEBAGO TABLE OF CONTENTS

WT319RB	A-01 - B-16
WCN22RC	B-17 - D-24
WC421RB	E-01 - F-24
WCP37RC	G-01 - I-14

1987 WCN22RC INDEX

Floor Plan	B-17 - B-18
Accessories Group	B-19 - B-21
Bath Group	B-22 - B-23
Chassis Group	B-24 - C-02
Curtain, Cushion & Pad Group	C-03 - C-09
Dinette Group	C-10
Driver's Compartment Group	C-11 - C-13
Electrical Group	C-14 - C-16
Exterior Body Group	C-17 - C-23
Galley Group	C-24 - D-01
Heating & Air Conditioning Group	D-02
Interior Finish Group	D-03 - D-05
LP Group	D-06
Lounge Group	D-07
Water & Sewage Group	D-08 - D-09
Window, Vent & Exterior Door Group	D-10 - D-24

WATER & SEWAGE GROUP (CONTINUED)

PLUMBING & REPAIR PARTS (CONT.)

Key	Part Number	U/M	Description
	010071-01-000	EA	Tee - Plastic - 1 1/2 x H x H x H
	010072-01-000	EA	Tee - Plastic - 1 1/2 H x 1 1/4 H x 1 1/2 H
**	010079-01-000	EA	Tee - Plastic 1 1/2 H x 1 1/2 H x 1 1/4 H
	046172-01-000	EA	Tee - Plastic - 3/8 B x 3/8 B x 3/8 MPT
	052955-01-000	EA	Tee - Plastic - 1/2 F x 1/2 F x 1/2 MPT
	052956-01-000	EA	Tee - Plastic - 1/2 F x 1/2 MPT x 1/2 F
	052958-01-000	EA	Tee - Plastic - 1/2 F x 1/2 F x 1/2 F
**	010133-01-000	EA	Trap Adapter - Plastic - 1 1/2 H x MPT
	038800-01-000	FT	Tubing - Polybutyl - 1/2 O.D. (Water Line)
	079381-01-000	FT	Tubing - Flexible - Smooth - 1.25 I.D.
	074462-02-000	FT	Tubing - Vinyl - 3/8 I.D.
	072346-01-000	EA	Valve Asm. - 3" Ell - w/2" Socket
	062421-01-000	EA	Valve - 1 1/2" - w/Handle
	062418-02-000	EA	Valve - 3" - w/o Handle
	052960-01-000	EA	Valve - Line Drain - 1/2 F x 1/2 F
	052962-01-000	EA	Valve - Stool - 90° - 1/2 F x 3/8 MPT
	010073-01-000	EA	Wye - Plastic - 1 1/2 x 45 H x H
	087200-01-000	EA	Filter - Water Purification
**	The illustrated parts breakdown for this item is provided on the Common Items Fiche		

HOLDING TANKS & WATER HEATERS

Key	Part Number	U/M	Description
	072444-02-000	EA	Tank Asm - Water - 47 Gallon - w/Fittings
	072444-01-000	EA	Tank - Water - 47 Gallon - w/o Fittings
	064592-01-000	EA	Tank - Waste Water - 25 Gallon - w/o Fittings
**	072388-01-000	EA	Tank - Sewage - 32 Gallon - w/o Fittings
**	051391-01-000	EA	Water Heater - w/o Motor Aid - G6A3
**	051391-03-000	EA	Water Heater - w/Electronic Ignition - G6A-3E
**	051393-01-000	EA	Water Heater - w/Motor Aid - GH6-3E
**	The illustrated parts breakdown for this item is provided on the Common Items Fiche		

WINDOW, VENT & EXTERIOR DOOR GROUP

ACCESS DOORS

Key	Part Number	U/M	Description
	079435-03-T03	EA	Door Asm. - Storage - Beige
	079578-02-T03	EA	Door Asm. - Luggage - Beige
	079436-03-T02	EA	Door Asm. - Storage - Beige
	M01883-01-T03	EA	Door Asm. - Generator w/o Baffle
	084104-01-000	EA	Door Asm. - Refrigerator Access - w/Twist Lock - Beige
	052009-02-000	EA	Door Asm. - Water Heater - Beige
	052423-02-000	EA	Door - Sewage Hose - Beige
	075726-01-000	EA	Outlet Extension - Sewage
	075730-01-000	EA	End Cap - Sewage Hose
	078010-04-000	EA	Cap - Fuel Fill - Beige
	063742-02-000	EA	Door - Power Cord - Beige
	052423-02-000	EA	Jamb - Power Cord/Fuel Fill Door - Beige
	054543-02-000	EA	Hatch - Power Cord Door
	052181-03-000	EA	Baffle - Generator Door
	083615-01-000	EA	Door Holder - Beige Plastic
	079368-01-000	EA	Seal - Bulb
	042442-01-000	EA	Lock Asm. - Twist Type - 90° Rotation - 1.5" Latch - .6" Depth
	038003-01-000	EA	Lock Asm. - Twist Type - w/Clip (Battery Door)
	077408-01-000	EA	Lock Asm. - Key Type - 90° Rotation - 2.5" Latch - 1" Depth
	079366-01-000	EA	Lock Asm. - Key Type - 90° Rotation - 1.3" Latch - 2.1" Depth
	079927-01-000	EA	Lock Asm. - Twist Type - 1.3" Latch - 2.1" Depth
	052951-01-000	EA	Clip - Twist Lock - Retainer
	042441-01-000	EA	Lock Asm. - Key Type - 90° Rotation - 1.25" Latch - .62 Depth
	052950-01-700	EA	Lock Asm. - Twist Type - White - 90° Rotation - 1.5" Latch - .94" Depth

WINDSHIELD

Key	Part Number	U/M	Description
	084464-01-000	EA	Glass - Windshield - Passenger
	084464-02-000	EA	Glass - Windshield - Driver
	083178-02-000	EA	Revel Molding - Centered Barb
	084903-01-000	FT	Revel Molding - Offset Barb
	084897-02-000	EA	Revel Molding - T-Cap
	087601-01-000	EA	Trim Molding - Windshield Post - Right
	087601-02-000	EA	Trim Molding - Windshield Post - Left

VENTS

Key	Part Number	U/M	Description
	084073-04-000	EA	Base - Refrigerator Vent
	084073-01-000	EA	Cover - Refrigerator Vent - Beige
	055218-01-000	EA	Cover Asm - Roof Vent
	084616-02-000	EA	Vent - Stovehood - Outside - Beige
	075056-01-000	EA	Vent Asm. - Roof - Non-Powered - w/o Screen
	079537-01-000	EA	Vent Asm. - Roof - Powered - w/o Screen
	077902-01-000	EA	Panel - Inner Skylight
	080910-01-000	EA	Panel - Outer Skylight
	081171-01-000	EA	Trim - Skylight Outer

**1987 WINNEBAGO
TABLE OF CONTENTS**

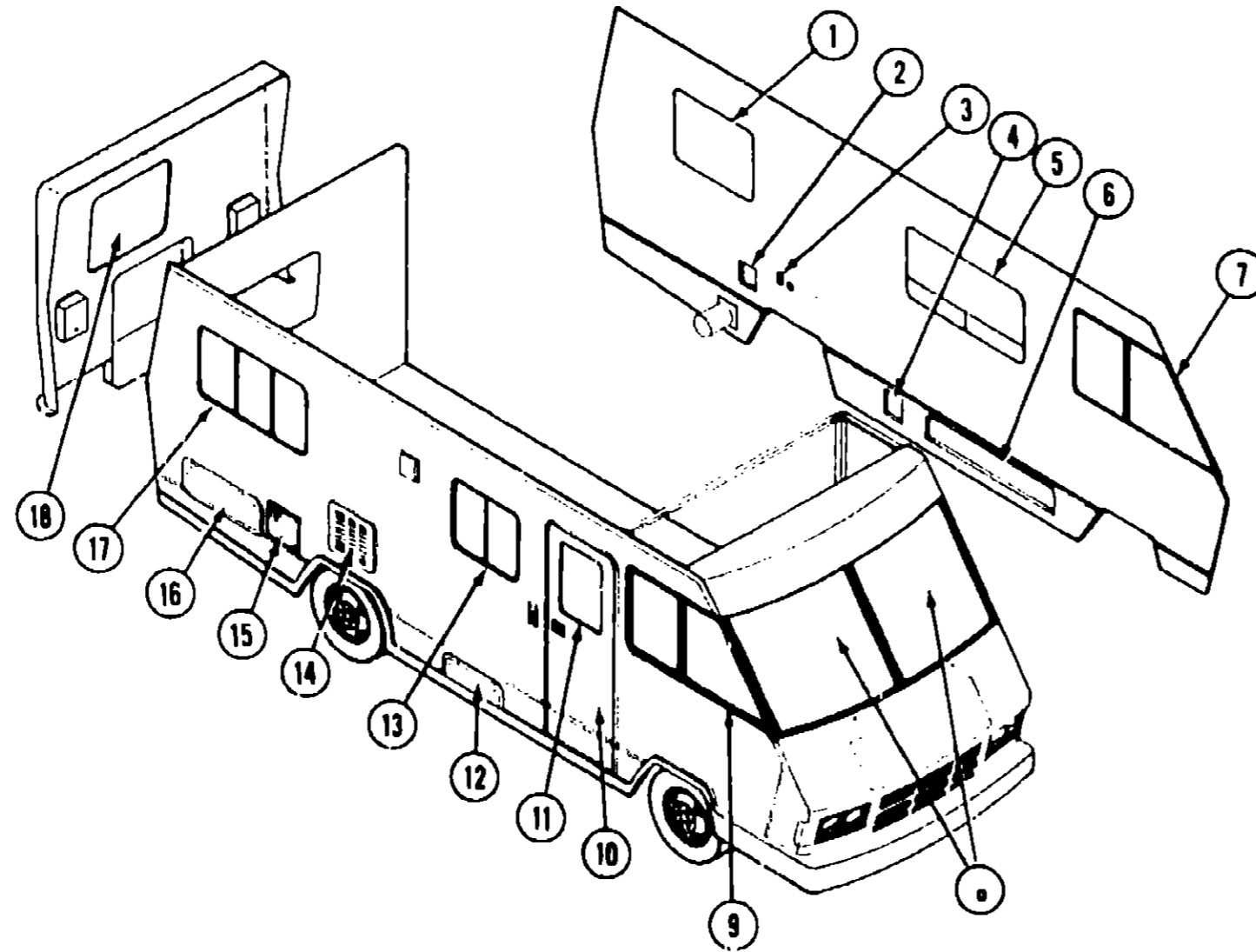
WT319RB	A-01 - B-16
WCN22RC	B-17 - D-24
WC421RB	E-01 - F-24
WCP37RQ	G-01 - I-14

1987 WCN22RC INDEX

Floor Plan	B-17 - B-18
Accessories Group	B-19 - B-21
Bath Group	B-22 - B-23
Chassis Group	B-24 - C-02
Curtain, Cushion & Pad Group	C-03 - C-09
Dinette Group	C-10
Driver's Compartment Group	C-11 - C-13
Electrical Group	C-14 - C-16
Exterior Body Group	C-17 - C-23
Galley Group	C-24 - D-01
Heating & Air Conditioning Group	D-02
Interior Finish Group	D-03 - D-05
LP Group	D-06
Lounge Group	D-07
Water & Sewage Group	D-08 - D-09
Window, Vent & Exterior Door Group	D-10 - D-24

WINDOW, VENT & EXTERIOR DOOR GROUP (CONTINUED)

WINDOWS & ACCESS DOORS



1987 WINNEBAGO TABLE OF CONTENTS

WT319FB
WCN22RC
WC421RB
WCP37RO

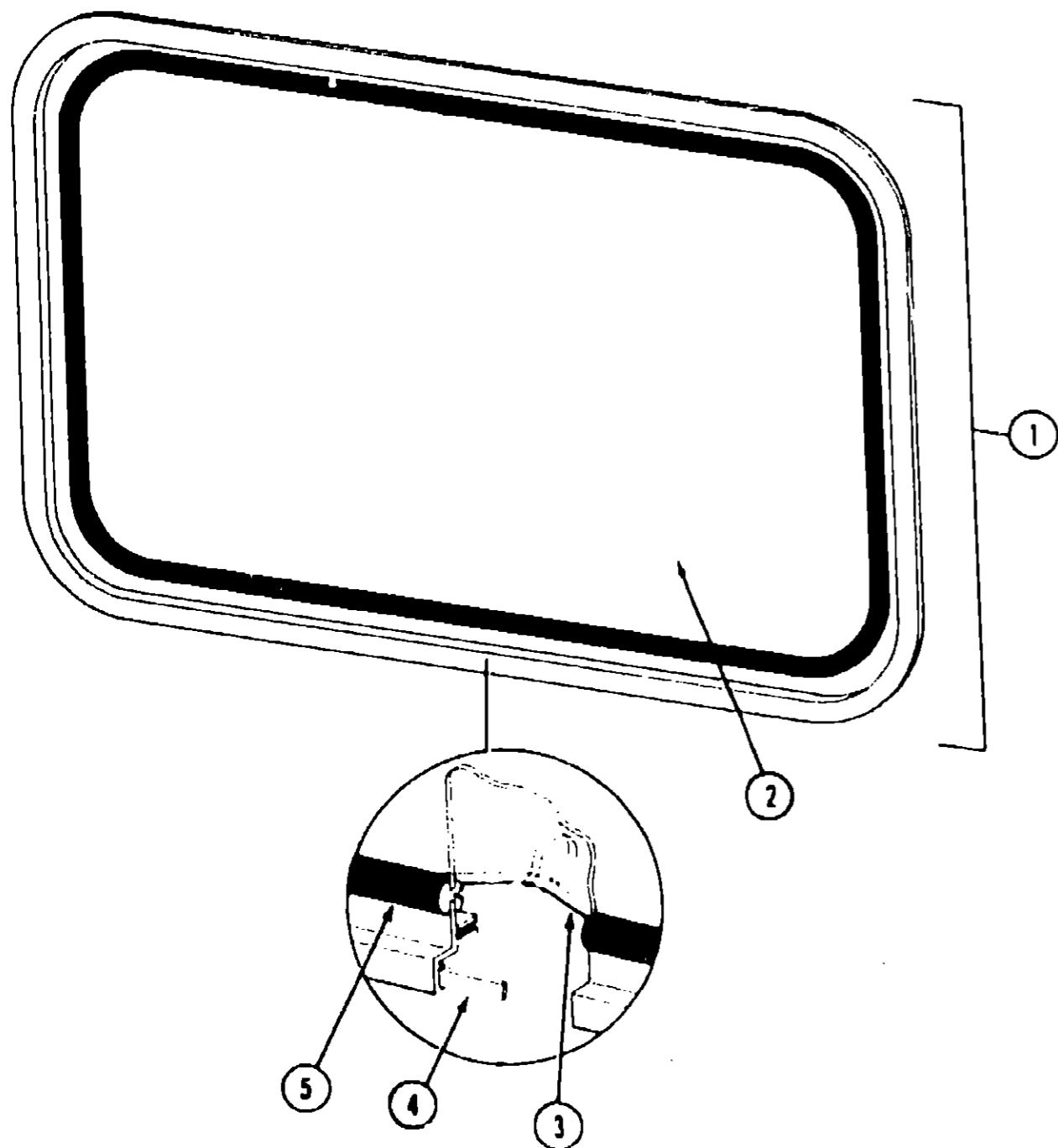
A-01 - B-16
B-17 - D-24
E-01 - F-24
G-01 - I-14

1987 WCN22RC INDEX

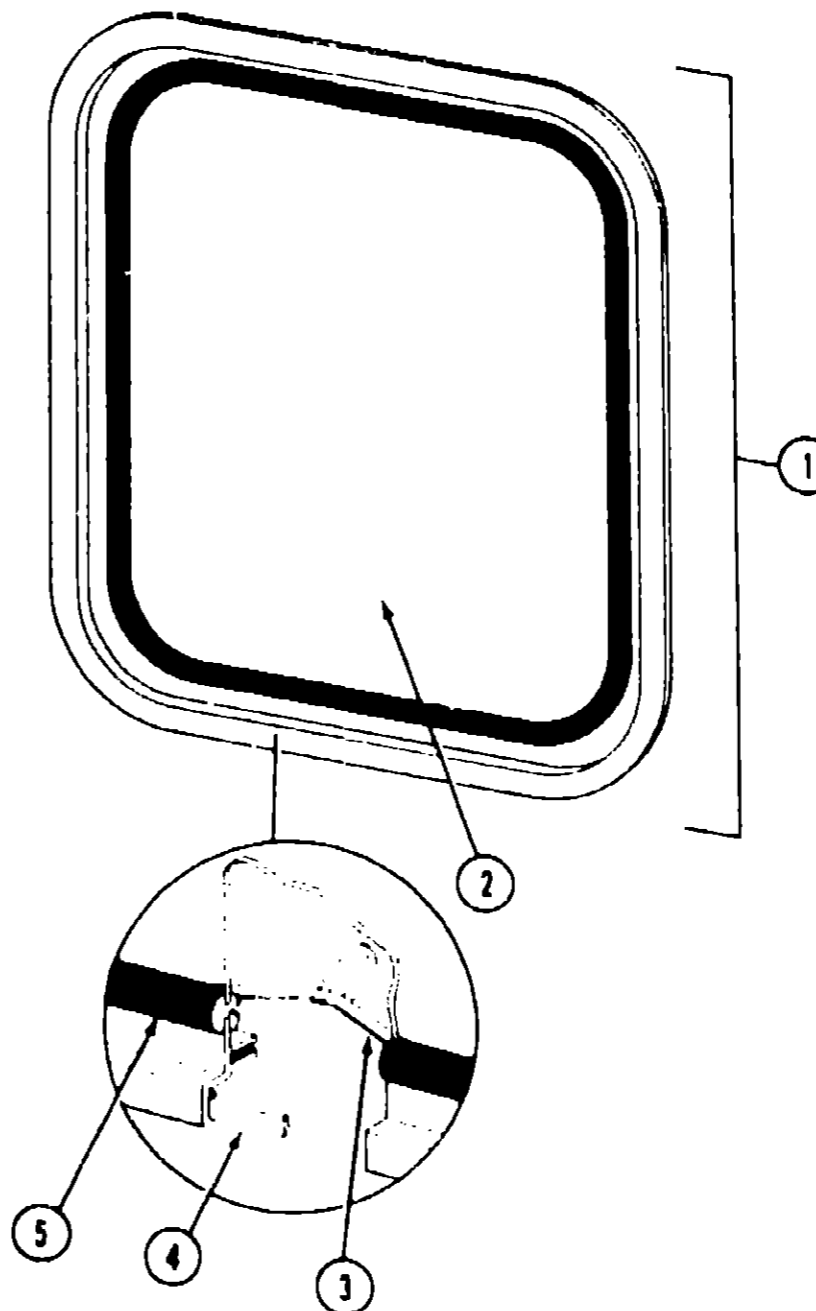
Floor Plan	B-17 - B-18
Accessories Group	B-19 - B-21
Bath Group	B-22 - B-23
Chassis Group	B-24 - C-02
Curtain, Cushion & Pad Group	C-03 - C-09
Dinette Group	C-10
Driver's Compartment Group	C-11 - C-13
Electrical Group	C-14 - C-16
Exterior Body Group	C-17 - C-23
Galley Group	C-24 - D-01
Heating & Air Conditioning Group	D-02
Interior Finish Group	D-03 - D-05
LP Group	D-06
Lounge Group	D-07
Water & Sewage Group	D-08 - D-09
Window, Vent & Exterior Door Group	D-10 - D-24

Key	Part Number	U/M	Description
1	079729-02-T03	EA	Window Asm. - Escape
2	078010-04-000	EA	Door Asm. - Fuel Fill (See Access Doors)
3	081240-01-000	EA	Waterfill - Lockable
4	078960-02-T03	EA	Door Asm. - Power Cord (See Access Doors)
5	085354-02-W07	EA	Window Asm. - Double Tip Out
6	079435-03-T03	EA	Door Asm. - Storage
7	084978-02-W30	EA	Window Asm. - Left Front Slant Slider
8	084464-01-000	EA	Glass - Windshield - Passenger
8	084464-02-000	EA	Glass - Windshield - Driver
9	084978-01-W30	EA	Window Asm. - Right Front Slant Slider
10	M01970-12-W07	EA	Door Asm. - Entrance
11	079733-04-T03	EA	Window Asm. - Picture
12	079436-03-T03	EA	Door Asm. - Access

Key	Part Number	U/M	Description
13	078266-02-T03	EA	Window Asm. - Single Slider
14	084104-01-000	EA	Door Asm. - Refrigerator Access - Half Door - 8.7" x 19.7"
14	078969-03-T03	EA	Door Asm. - Refrigerator Access
15	052009-02-000	EA	Door Asm. - Water Heater
16	079578-02-T03	EA	Door Asm. - Luggage
16	M01883-01-T03	EA	Door Asm. - Generator
17	078271-01-T03	EA	Window Asm. - Single Slider
**	078266-01-T03	EA	Window Asm. - Single Slider
18	079415-01-T03	EA	Window Asm. - Rear Escape
**	079733-01-T03	EA	Window Asm. - Picture
*	085025-01-000	EA	Window Asm. - Passenger's Slant
*	085025-02-000	EA	Window Asm. - Driver's Slant
*			Not illustrated
**			Parts for bunkhouse option (not illustrated)



Key	Part Number	U/M	Description
1	079415-01-T03	EA	Window Asm. - Escape - 23" x 29" - Black (w/o inside frame)
•	020749-05-000	EA	Inside Frame - Window - Beige (not included in assembly)
2	002174-01-000	EA	Glass - 1/8 x 19.61" x 25.92"
3	002285-01-000	FT	Filler - Weatherstrip - Black
4	089840-06-000	FT	Ribbon Sealer - 5/16" Bead x 15'
5	002282-01-000	FT	Weatherstrip - Window - .125" Black
•	023713-02-000	EA	Weep hole Cover - Black Plastic
•	006199-01-000	EA	Label - Exit - Escape Window
•			Not illustrated



Key	Part Number	U/M	Description
1	079729-02-T03	EA	Window Asm. - Escape - 22" x 24" - Black (w/o inside frame)
•	079771-01-000	EA	Inside Frame - Window - Beige (not included in assembly)
2	041392-03-000	EA	Glass - 1/8" x 21.85" x 19.61"
3	002285-01-000	FT	Filler - Weatherstrip - Black
4	089840-06-000	FT	Ribbon Sealer - 5/16" Bead x 15'
5	002282-01-000	FT	Weatherstrip - Window - .125" - Black
•	023713-02-000	EA	Weep hole Cover - Black Plastic
•	006199-01-000	EA	Label - Exit - Escape Window
•			Not illustrated

1987 WINNEBAGO
TABLE OF CONTENTS

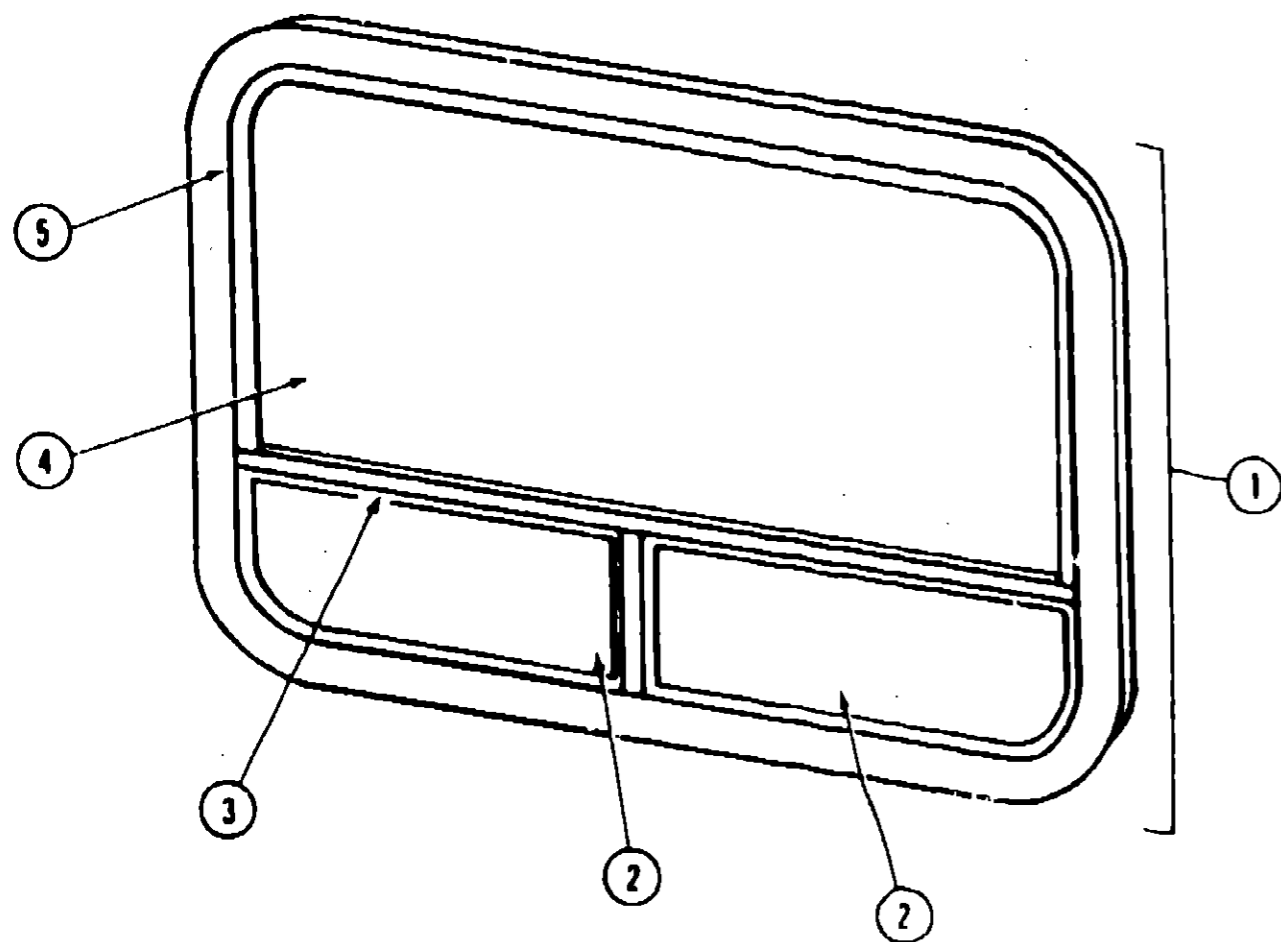
WT319RB	A-01 - B-16
WCN22RC	B-17 - D-24
WC421RB	E-01 - F-24
WCP37RQ	G-01 - I-14

1987 WCN22RC INDEX

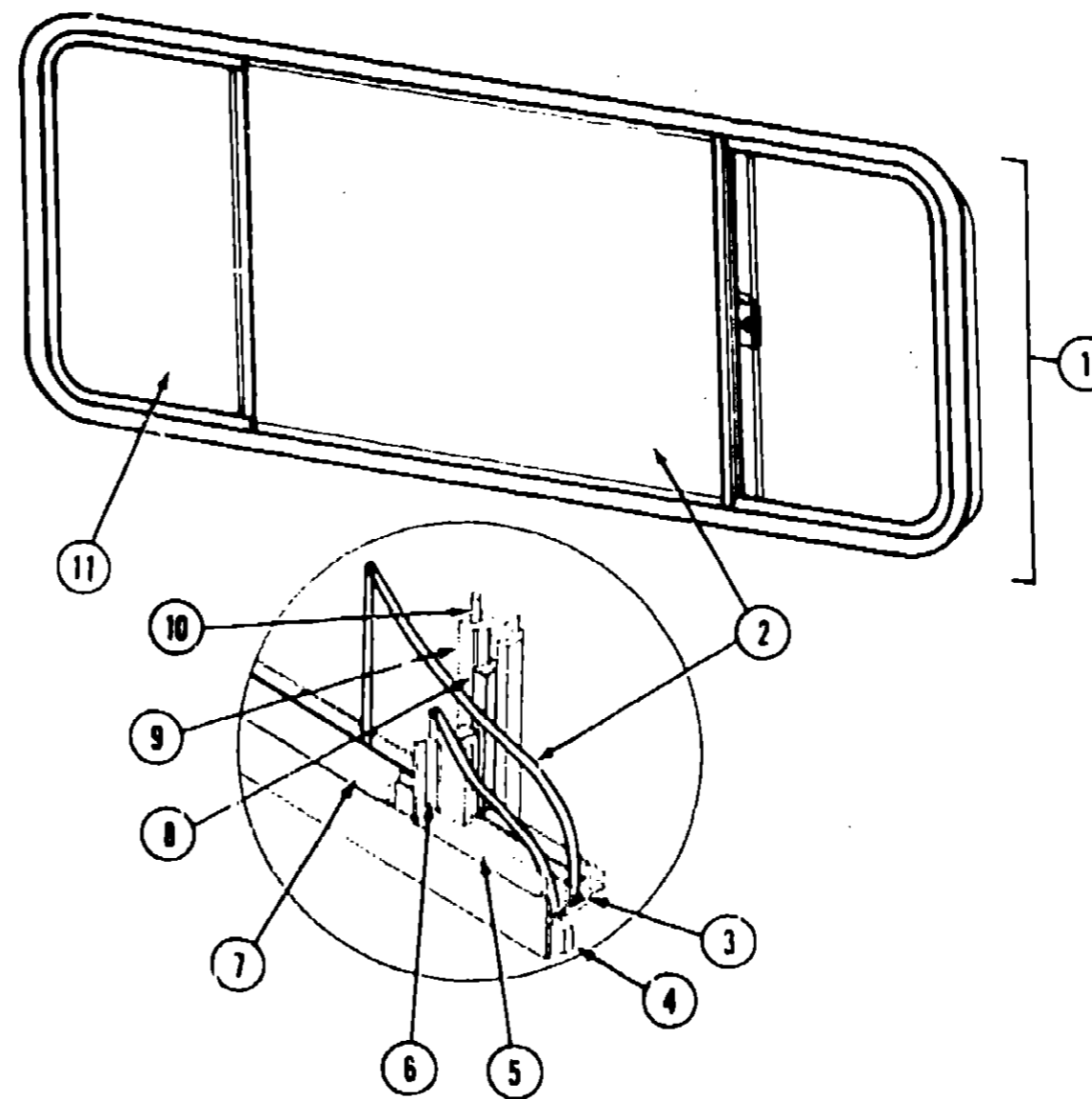
Floor Plan	B-17 - B-18
Accessories Group	B-19 - B-21
Bath Group	B-22 - B-23
Chassis Group	B-24 - C-02
Curtain, Cushion & Pad Group	C-03 - C-09
Dinette Group	C-10
Driver's Compartment Group	C-11 - C-13
Electrical Group	C-14 - C-16
Exterior Body Group	C-17 - C-23
Galley Group	C-24 - D-01
Heating & Air Conditioning Group	D-02
Interior Finish Group	D-03 - D-05
LP Group	D-06
Lounge Group	D-07
Water & Sewage Group	D-08 - D-09
Window, Vent & Exterior Door Group	D-10 - D-24

WINDOW, VENT & EXTERIOR DOOR GROUP (CONTINUED)

WINDOW, VENT & EXTERIOR DOOR GROUP (CONTINUED)



Key	Part Number	U/M	Description
1	085354-02-W07	EA	Window Asm. - 62" x 31" - Double Tipout
	084153-06-000	EA	Inside Frame - Black (not included in assembly)
2	084068-04-000	EA	Glass - Tipout - 1/8" x 9.21" x 30.09" - Left or Right
3	083112-05-000	EA	Mullion - Black
	084581-02-W07	EA	Screen Asm. - Tipout - Right Hand
	084581-01-W07	EA	Screen Asm. - Tipout - Left Hand
	081243-01-000	EA	Screen Clip - Plastic - Black
	035302-01-000	EA	Operating Mech - Right Hand
	035302-02-000	EA	Operating Mech - Left Hand
4	081238-11-000	EA	Glass - Stationary - 1/8" x 6 13/4" x 20 1/2"
5	083180-01-000	EA	Window Seal
	081357-01-000	FT	Window Seal - Top Tipout
	084066-01-000	FT	Window Seal - Vertical Mullion
	084067-01-000	FT	Window Seal - Bottom Tipout
	002291-02-000	SF	Screen - Charcoal - 16" Wide
	002298-02-000	FT	Spline - Charcoal
	084155-04-000	EA	Hinge - Tipout Window - Black
			Not illustrated



Key	Part Number	U/M	Description
1	078271-01-T03	EA	Window Asm. - Center Slider (w/o inside frame)
	083122-11-000	EA	Inside Frame - Center Slider - Beige (not included in assembly)
2	066727-02-000	EA	Glass - Sliding - 1/8" x 25.5" x 24"
3	002324-02-000	FT	Channel - Weatherstrip - Glass Run - 1/8" Glass
4	069640-06-000	FT	Ribbon Sealer - 5/16" Bead x 15'
5	0023-9-02-000	FT	Spline - Glass - 1/8" Material - Black
6	M69886-03-003	EA	Seal Holder w/Fin Seal - Black
7	057374-02-000	FT	Extr. Rubber - Window Seal - Black
8	073740-01-000	FT	Seal - Fin Pile - .460"
9	078562-02-000	EA	Mullion - Slider Window - Black
10	002298-02-000	FT	Spline - .130" Dia. - Charcoal (Screen)
11	081984-07-000	EA	Glass - Stationary - 1/8" x 24" x 16.5"
	079204-01-000	EA	Bracket - Mullion - Black
	047369-01-700	EA	Latch Kit - Window - Plastic w/Fastener
	002293-02-000	SF	Screen - Window - 26" - Charcoal
			Not illustrated

**1987 WINNEBAGO
TABLE OF CONTENTS**

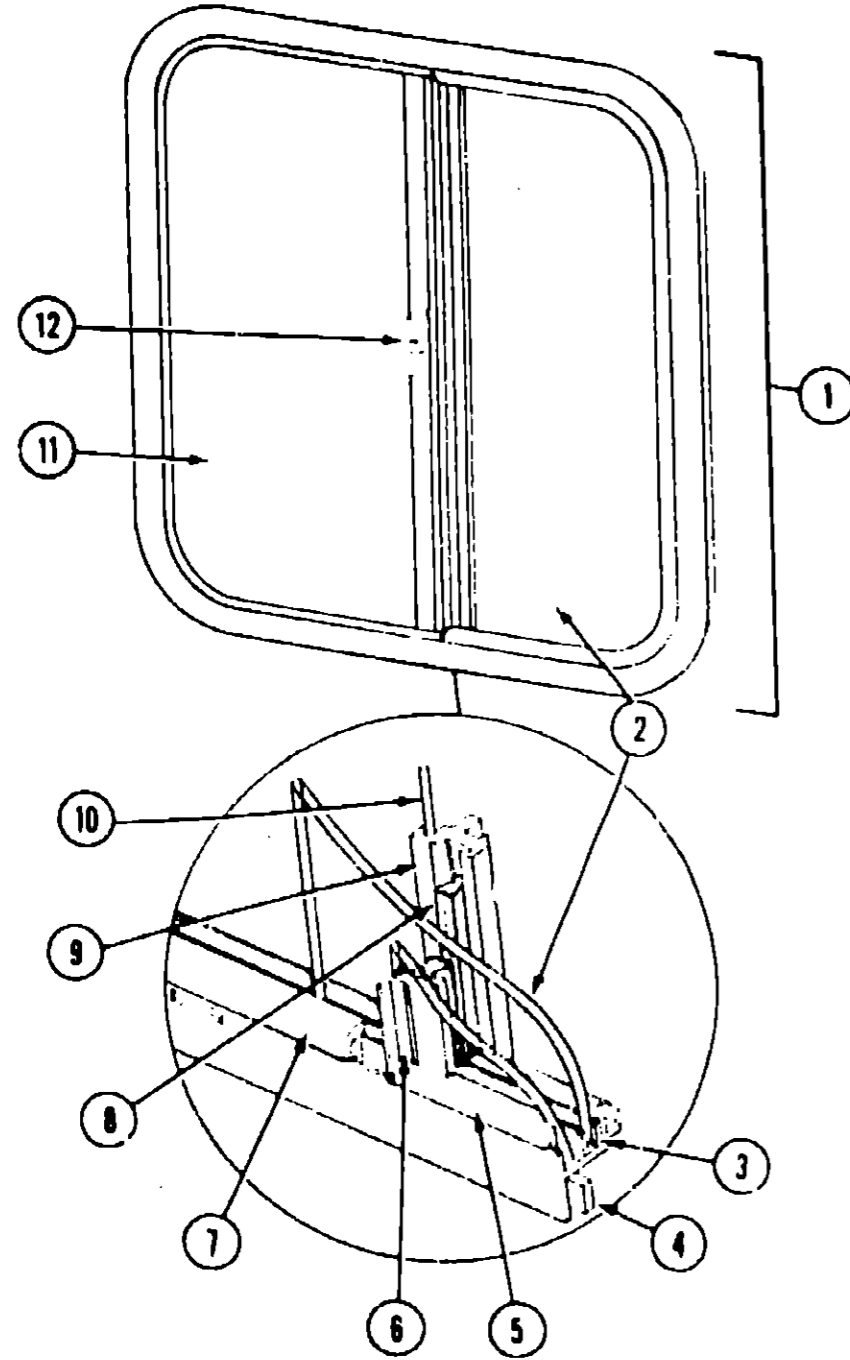
WT319RB
WCN22RC
WC421RB
WCP37RO

A-01 - B-16
B-17 - D-24
E-01 - F-24
G-01 - I-14

1987 WCN22RC INDEX

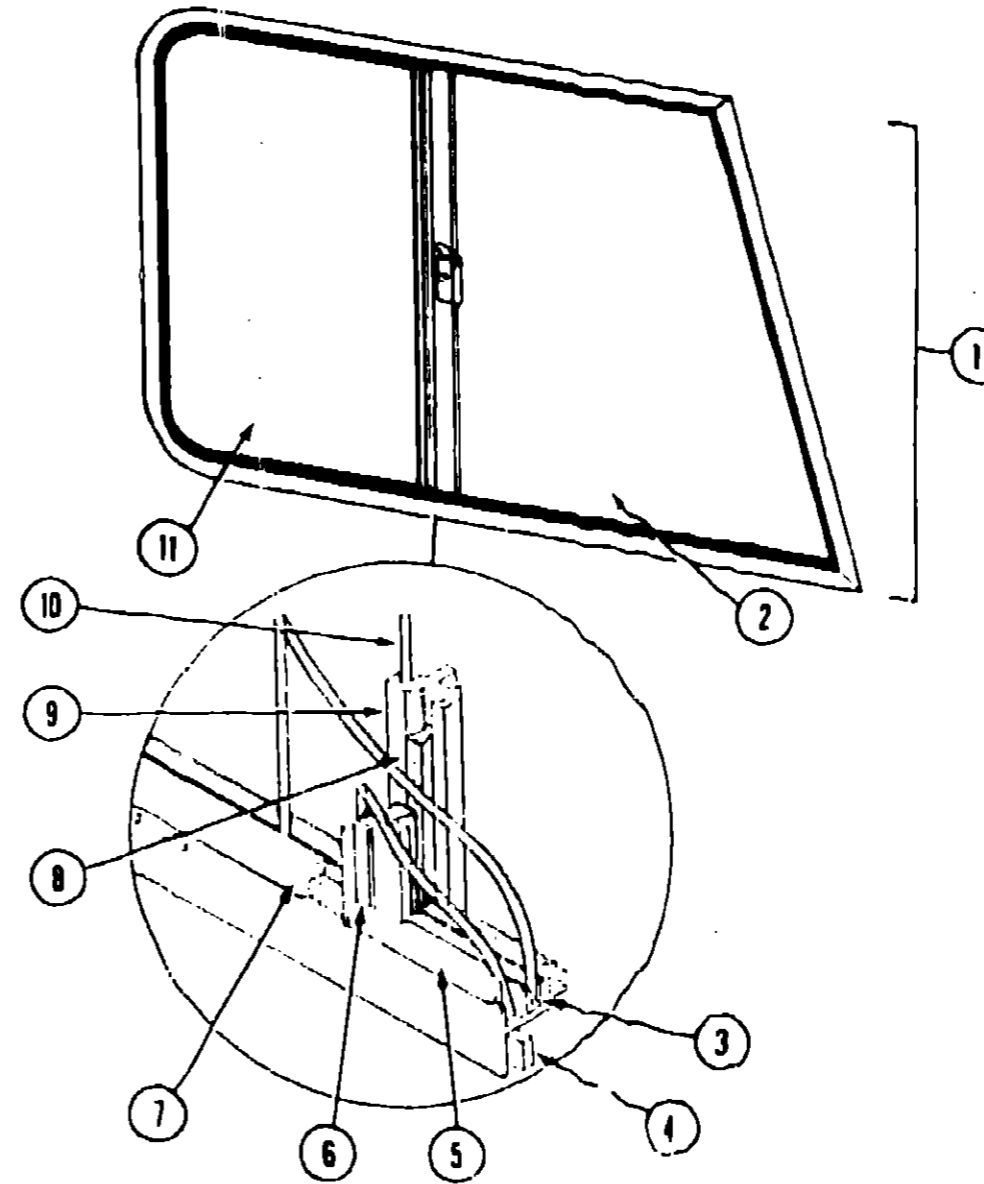
Floor Plan	B-17 - B-18
Accessories Group	B-19 - B-21
Bath Group	B-22 - B-23
Chassis Group	B-24 - C-02
Curtain, Cushion & Pad Group	C-03 - C-09
Dinette Group	C-10
Driver's Compartment Group	C-11 - C-13
Electrical Group	C-14 - C-16
Exterior Body Group	C-17 - C-23
Galley Group	C-24 - D-01
Heating & Air Conditioning Group	D-02
Interior Finish Group	D-03 - D-05
LP Group	D-06
Lounge Group	D-07
Water & Sewage Group	D-08 - D-09
Window, Vent & Exterior Door Group	D-10 - D-24

WINDOW, VENT & EXTERIOR DOOR GROUP (CONTINUED)



Key	Part Number	U/M	Description
1	078266-02-T03	EA	Window Asm. - Right Single Slider - 20" x 25" - Black (w/o inside frame)
1	083122-03-000	EA	Inside Frame - Beige (not included in assembly)
2	081980-05-000	EA	Glass - Sliding - 1/8" x 19" x 12 3/4"
3	002324-02-000	FT	Channel - Weatherstrip - Glass Run - 1/8" Glass
4	069640-06-000	FT	Ribbon Sealer - 5/16" Bead x 15'
5	002309-02-000	FT	Spline - Glass - 1/8" - Black
6	M69886-03-011	EA	Seal Holder w/Fin Seal - 18.19" - Black
7	057374-02-000	FT	Extr. Vinyl - Window Seal - Black
8	073740-01-000	FT	Seal - Fin - .460 Pile
9	078562-02-000	EA	Inside Mullion - Slider Window - Black
10	002298-02-000	FT	Spline - .130" Dia - Charcoal (Screen)
11	081984-03-000	EA	Glass - Stationary 1/8" x 19" x 12 3/4"
12	047369-01-700	EA	Latch Kit - Window - Plastic w/Fastener
•	002293-02-000	SF	Screen - Window - 26" - Charcoal
•	Not illustrated		

WINDOW, VENT & EXTERIOR DOOR GROUP (CONTINUED)



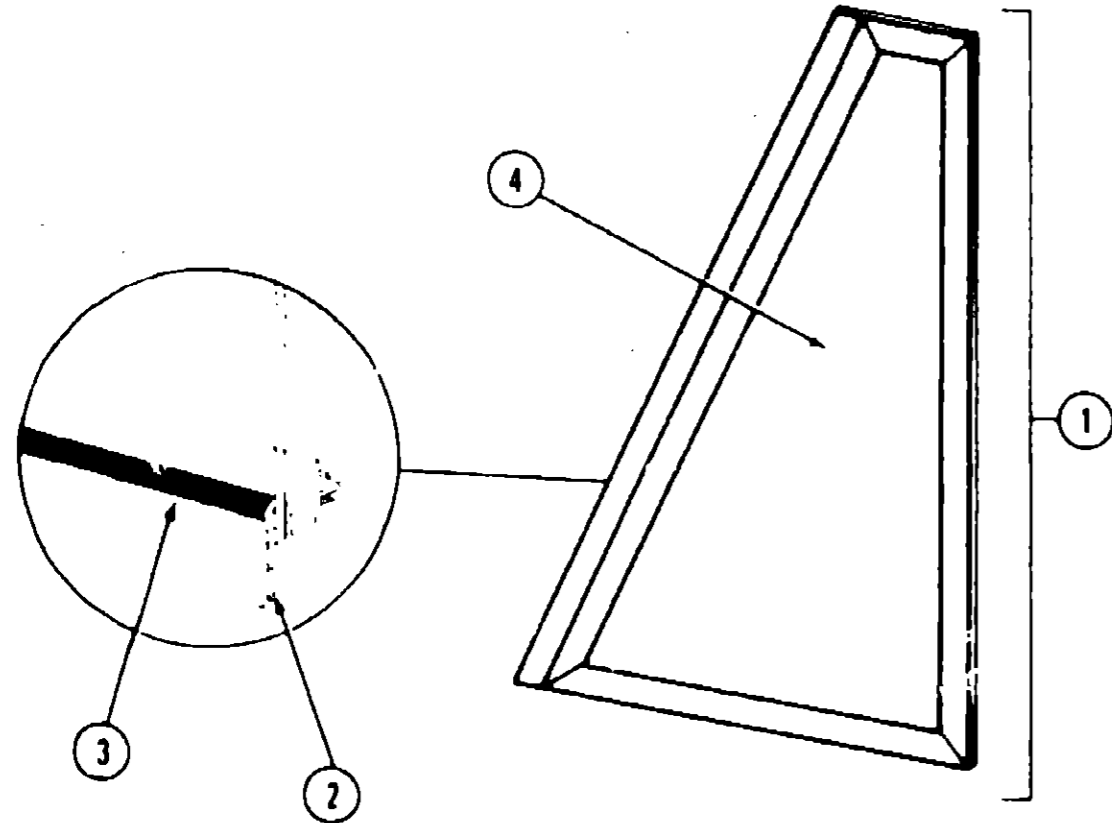
Key	Part Number	U/M	Description
1	084978-01-W30	EA	Window Asm. - Front Slant Slider - Passenger (w/o inside frame)
1	084978-02-W30	EA	Window Asm. - Front Slant Slider - Driver (w/o inside frame)
•	084982-01-W30	EA	Inside Frame - Slant Slider - Passenger (not included in assembly)
•	084982-02-W30	EA	Inside Frame - Slant Slider - Driver (not included in assembly)
2	057656-07-000	EA	Glass - 19" x 28.11" x 39.8" - Stationary (Passenger)
2	057656-08-000	EA	Glass - 19" x 28.11" x 39.8" - Stationary (Driver)
3	042077-01-000	FT	Channel - Weatherstrip - 3/16" Glass
4	069640-01-000	FT	Ribbon Sealer - 1/4" Bead x 20'
5	050216-02-000	FT	Window Seal - .19" - Glass
6	002389-03-203	EA	Seal Holder w/Fin Seal - 27.12" - Black
7	057374-02-000	FT	Extr. Rubber - Window Seal - Black
8	073740-01-000	FT	Seal - Fin - Pile - .460"
9	084170-07-000	EA	Mullion - Slider Window - Black
10	002298-02-000	FT	Spline - .130" Dia - Charcoal (Screen)
•	081980-06-000	EA	Glass - 19" x 28.11" x 14.88" - Sliding
•	084982-02-W30	EA	Slider Screen Asm. - Passenger
•	084982-01-W30	EA	Slider Screen Asm. - Driver
•	002292-02-000	SF	Screen - Window - 20" - Charcoal
•	016310-03-000	EA	Handle - Slider Screen - Black
•	047369-01-700	EA	Latch Kit - Window - Plastic w/Fastener
•	Not illustrated		

**1987 WINNEBAGO
TABLE OF CONTENTS**

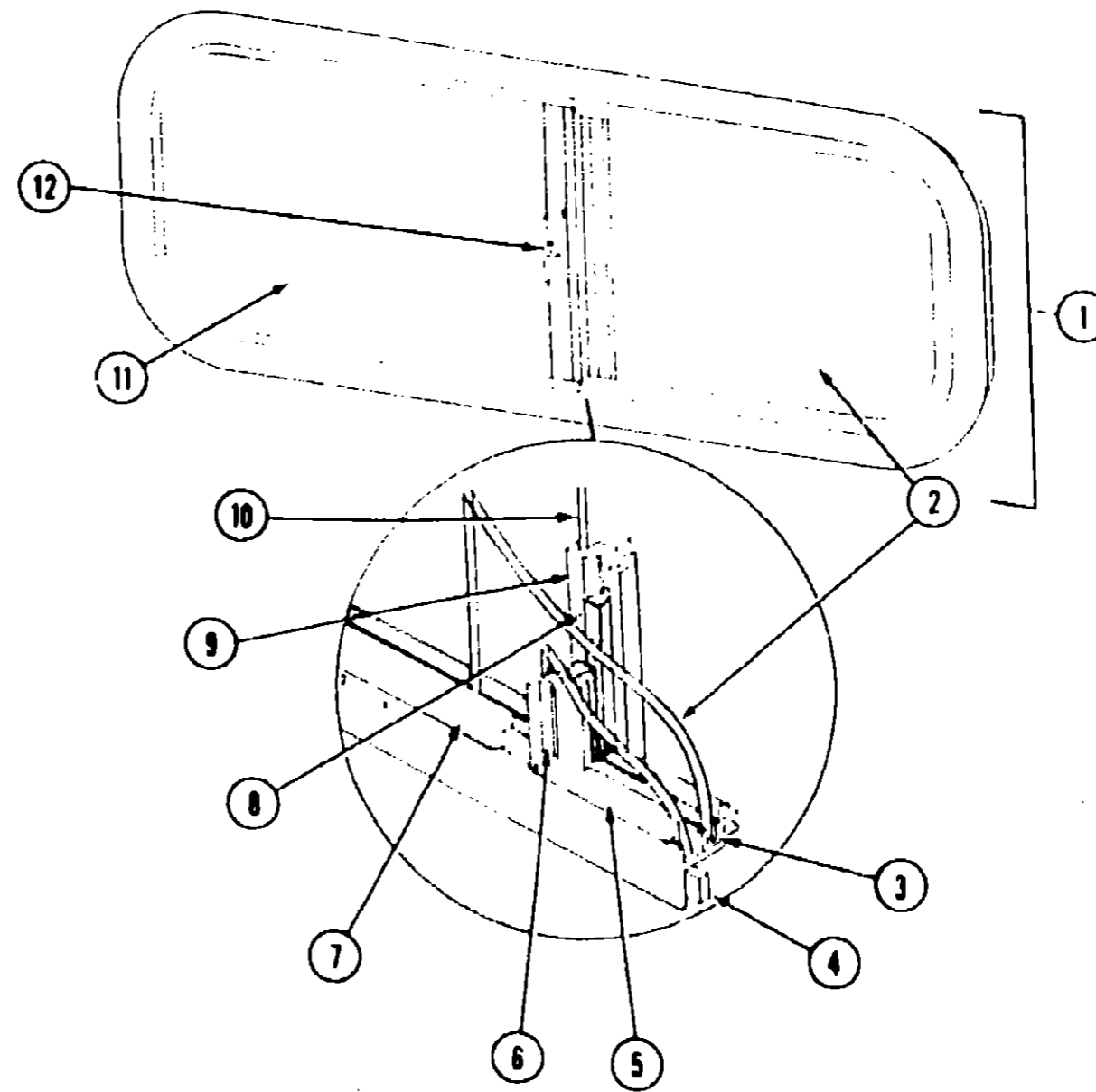
WT319RB	A-01 - B-16
WCN22RC	B-17 - D-24
WC421RB	E-01 - F-24
WCP37RQ	G-01 - I-14

1987 WCN22RC INDEX

Floor Plan	B-17 - B-18
Accessories Group	B-19 - B-21
Bath Group	B-22 - B-23
Chassis Group	B-24 - C-02
Curtain, Cushion & Pad Group	C-03 - C-09
Dinette Group	C-10
Driver's Compartment Group	C-11 - C-13
Electrical Group	C-14 - C-16
Exterior Body Group	C-17 - C-23
Galley Group	C-24 - D-01
Heating & Air Conditioning Group	D-02
Interior Finish Group	D-03 - D-05
LP Group	D-06
Lounge Group	D-07
Water & Sewage Group	D-08 - D-09
Window, Vent & Exterior Door Group	D-10 - D-24



Key	Part Number	U/M	Description
1	085025-01-000	EA	Window Asm. - Front Slant - Passenger (w/o inside frame)
1	085025-02-000	EA	Window Asm. - Front Slant - Drivers (w/o inside frame)
*	085018-01-000	EA	Inside Frame - Front Slant - Passenger - Beige (not included in assembly)
*	085018-02-000	EA	Inside Frame - Front Slant - Drivers - Beige (not included in assembly)
2	069640-01-000	FT	Tape - 1/4" Bead x 20'
3	050216-02-000	FT	Spline - Glass - 1/8" - Black
4	057656-09-000	EA	Glass - .19" x 28.11" x 26.13" - Right
4	057656-10-000	EA	Glass - .19" x 28.11" x 26.13" - Left
*			Not illustrated



Key	Part Number	U/M	Description
1	078266-01-T03	EA	Window Asm. - Slant Slider (w/o inside frame)
*	083122-01-000	EA	Inside Frame - Beige (not included in assembly)
2	081980-03-000	EA	Glass - Sliding - 1/8" x 14.4" x 19"
3	002324-02-000	FT	Channel - Weatherstrip - Glass Run - 1/8" Glass
4	069640-06-000	FT	Ribbon Sealer - 5/16" Bead x 15'
5	002309-02-000	FT	Spline - Glass - 1/8" Material - Black
6	M69886-03-007	FA	Seal Holder w/Fin Seal - Black
7	057374-02-000	FT	Extr. Rubber - Window Seal - Black
8	073740-01-000	FT	Seal - Fin - Pile - 460"
9	078562-01-000	EA	Mullion - Slider Window - Black
10	002298-02-000	SF	Spline - 130" Dia - Charcoal (Screen)
11	081974-02-000	EA	Glass - Stationary - 1/8" x 14.40" x 19"
12	047369-01-700	EA	Latch Kit - Window - Plastic w/Fastener
*	079204-01-000	EA	Bracket - Mullion - Black
*	002291-02-000	SF	Screen - Window 16" - Charcoal
*			Not illustrated

1987 WINNEBAGO
TABLE OF CONTENTS

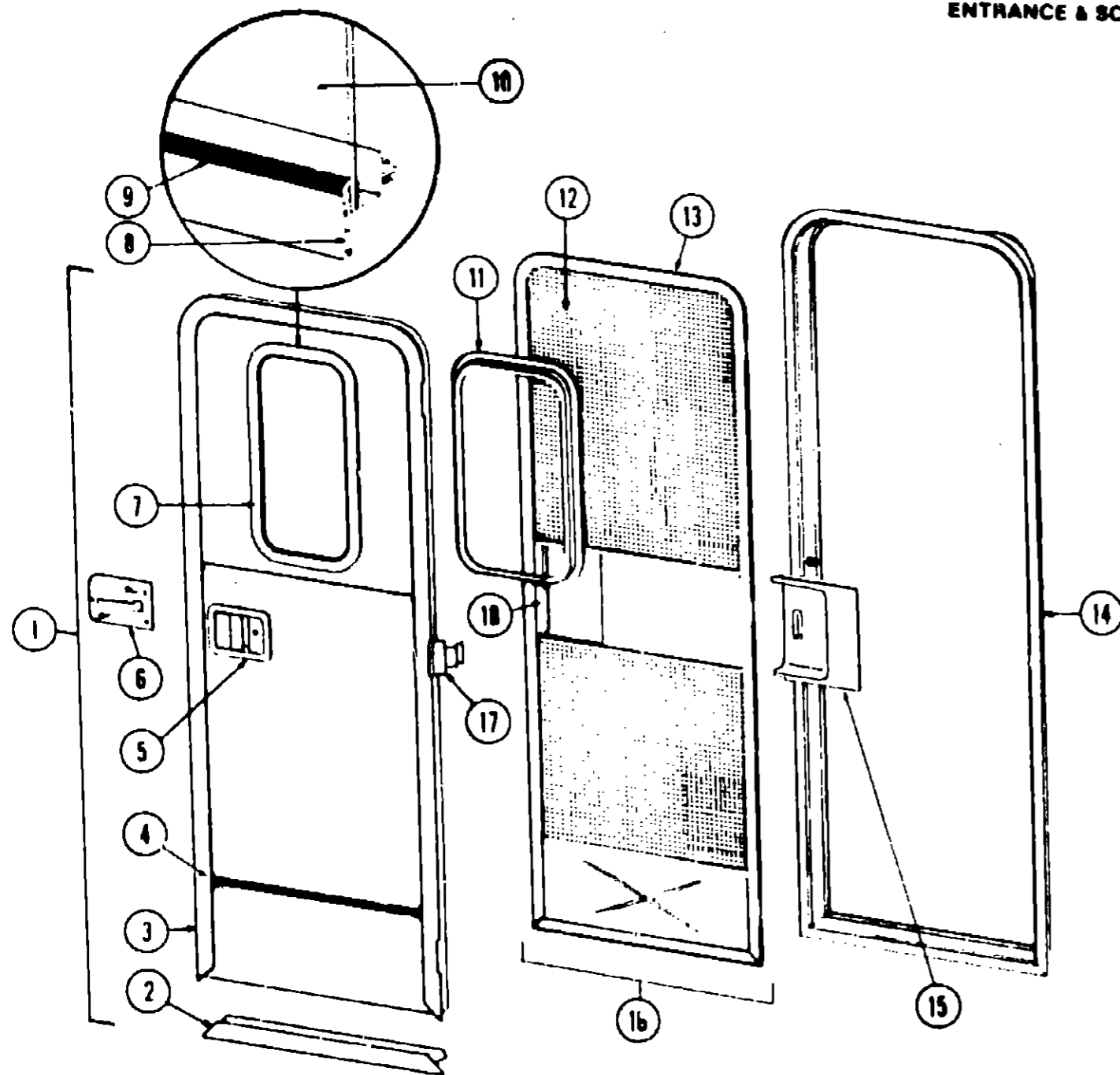
WT319RB	A-01 - B-16
WCN22RC	B-17 - D-24
WC421RB	E-01 - F-24
WCP37RO	G-01 - I-14

1987 WCN22RC INDEX

Floor Plan	B-17 - B-18
Accessories Group	B-19 - B-21
Bath Group	B-22 - B-23
Chassis Group	B-24 - C-02
Curtain, Cushion & Pad Group	C-03 - C-09
Dinette Group	C-10
Driver's Compartment Group	C-11 - C-13
Electrical Group	C-14 - C-16
Exterior Body Group	C-17 - C-23
Galley Group	C-24 - D-01
Heating & Air Conditioning Group	D-02
Interior Finish Group	D-03 - D-05
LP Group	D-06
Lounge Group	D-07
Water & Sewage Group	D-08 - D-09
Window, Vent & Exterior Door Group	D-10 - D-24

WINDOW, VENT & EXTERIOR DOOR GROUP (CONTINUED)

ENTRANCE & SCREEN DOOR



Key	Part Number	U/M	Description
1	M01870-12-W07	EA	Door Asm. - Radius Entry w/Screen Door
2	077998-02-000	EA	Frame - Entry Door (Bottom Portion Only)
3	076863-02-000	EA	Frame - Entry Door (Except Bottom Portion)
4	059576-08-000	EA	Feature Strip w/o Insert - Extr. - 14"
	001030-12-100	EA	Insert - Feature Strip - 17" - Stucco - Beige
	009731-01-000	EA	End Cap - Feature Strip
5	045017-05-000	EA	Paddle Asm. - Door Lock - Exterior
	045017-05-700	EA	Lock Cylinder w/Keys - Lynor
	039539-01-000	EA	Striker Bolt - Entry Doors
	039540-01-000	EA	Latch Claw - Entry Door
	039738-01-000	EA	Dead Bolt - Entry Door
6	039979-01-000	EA	Plate - Inside Lock - Includes Inside Handle
7	079733-04-T03	EA	Window Asm. - Picture - 17" x 25" - Black (w/o inside frame)
8	069640-06-000	FT	Ribbon Sealer - 5/16" Bead x 15'
9	002309-02-000	FT	Spline - Glass - 1/8" Black
10	002181-06-000	EA	Glass - Picture Window - 1/8" x 16 25" x 24" - Gray
11	067609-03-000	EA	Inside Frame - Beige (not included in assembly)
12	002293-02-000	SF	Screen - Window - 26" - Charcoal
13	056795-01-000	FT	Seal Tape - 1/8" x 3/8" - Press On
14	078591-01-000	EA	Jamb Asm. - Entrance Door
	051049-01-000	EA	Jamb - Entrance Door - Bottom
15	079006-01-000	EA	Slider - Screen Door - Light Oak Plastic
16	079012-01-T03	EA	Door Asm. - Screen
17	079361-06-000	EA	Hinge - Entrance Door (3 used per door)
18	079087-01-000	EA	Cap - Screen Door - Light Oak Plastic
	009018-01-000	EA	Catch Asm. - Single Roller w/Strike - Screen Door
	076231-01-000	EA	Spacer - Latch - Screen Door
	077437-01-000	EA	Strike - Roller Catch
	044582-01-000	EA	Drip Cap - Beige
	079278-01-000	EA	Seal - Mocket - Entrance Door
	073090-01-000	FT	Seal - Entrance Door
	075739-02-000	EA	Stiffener - Entrance Door - Beige
	075673-01-000	FT	Seal - Pile - Adhesive Back
	075671-01-000	FT	Seal - Sponge - Lazy "T" Shaped
	002294-01-000	FT	Spline - Black - 135 x .138 (Screen Door)
	053638-02-000	EA	Strike - Screen Door
	063729-04-000	EA	Rivnut - 10-32 UNF - 010 - 080
	075639-01-000	EA	Garnish - Radius - Entrance Door
	083205-01-000	EA	Deadbolt Lock - Press Fit - 5"
			Not illustrated

1987 WINNEBAGO TABLE OF CONTENTS

WT319RB	A-01 - B-16
WCN22RC	B-17 - D-24
WC421RB	E-01 - F-24
WCP37RQ	G-01 - I-14

1987 WCN22RC INDEX

Floor Plan	B-17 - B-18
Accessories Group	B-19 - B-21
Bath Group	B-22 - B-23
Chassis Group	B-24 - C-02
Curtain, Cushion & Pad Group	C-03 - C-09
Dinette Group	C-10
Driver's Compartment Group	C-11 - C-13
Electrical Group	C-14 - C-16
Exterior Body Group	C-17 - C-23
Galley Group	C-24 - D-01
Heating & Air Conditioning Group	D-02
Interior Finish Group	D-03 - D-05
I.P Group	D-06
Lounge Group	D-07
Water & Sewage Group	D-08 - D-09
Window, Vent & Exterior Door Group	D-10 - D-24

WINDOW, VENT & EXTERIOR DOOR GROUP (CONTINUED)

DRIVER DOOR W/ROLL-UP WINDOW

Key	Part Number	U/M	Description
	M82202-01-U04	EA	Door Asm. - w/Roll-Up Window - Passenger
	M82202-02-U04	EA	Door Asm. - w/Roll-Up Window - Driver
	064184-02-000	EA	Drip Cap - Cab Door - Passenger
	064184-01-000	EA	Drip Cap - Cab Door - Driver
	M02684-01-000	EA	Jamb Asm. - Cab Door - Passenger
	M02684-02-000	EA	Jamb Asm. - Cab Door - Driver
	063993-01-000	EA	Hinge Asm. - Passenger
	063993-06-000	EA	Hinge Asm. - Driver
	082150-01-000	FT	Seal - Sponge (Jamb)
	082150-02-000	FT	Seal - Sponge (Door)
	063731-01-000	EA	Cap - Push On - Zinc
	061400-06-000	EA	Assist Strap - Sandstone
	064219-01-000	EA	Retainer Strap - Driver Door
	066109-02-000	EA	Strap - Driver Door
	063733-01-000	EA	Bushing - Flange - Nyliner
	063729-01-000	EA	Rivnut - 1/4 x 20 unc. - .030 - .125
	081903-01-000	EA	Shaft - Mounting Knob
	081905-01-000	EA	Knob - Control - Slide Bolt - Passenger
	081905-02-000	EA	Knob - Control - Slide Bolt - Driver
	081906-01-000	EA	Slide Bolt - Driver Door
	081907-01-000	EA	Regulator Asm. - Window - Passenger
	081907-02-000	EA	Regulator Asm. - Window - Driver
	081910-01-000	FT	Channel - Window - Sliding
	081912-C1-000	EA	Weatherstrip - Rigid
	063886-06-000	EA	Assist Handle - Door
	075722-01-000	EA	Block - Switch - Spacer
	079215-01-000	EA	Frame Asm. - Front Slant Slider
	079421-01-T03	EA	Window Asm. - Front Slant Slider - Passenger
	079421-02-T03	EA	Window Asm. - Front Slant Slider - Driver
	073118-01-000	EA	Retainer - Attachment Plate
	073119-01-000	EA	Attachment Plate - Striker
	079561-01-000	EA	Shim - Strike - Cab Door
	050216-02-000	FT	Splice - Vinyl - Glass - .19
	057656-06-000	EA	Glas - .19" x 28.11" x 13.98"
	R77007-56-701	EA	Plate - Passenger Door Lock
	R77007-56-702	EA	Plate - Driver Door Lock
	R77040-01-536	EA	Door Handle
	R77007-05-374	EA	Plate - Door Handle Spacer
	R77006-50-326	EA	Door - Handle Inner - Driver
	R77006-50-261	EA	Door - Handle Inner - Passenger
	R77006-13-460	EA	Cap - Inner - Window Crank
	072035-01-000	EA	Crank - Hand - Glass Lift
	072036-02-000	EA	Cap - Crank - Hand
	073110-02-000	EA	Rod - Lock - Passenger
	073110-03-000	EA	Rod - Lock - Driver
	R77006-64-355	EA	Link - Door Handle - Control
	R77030-58-048	EA	Washer
	R77030-33-009	EA	Nut - w/Washer
	R77007-62-746	EA	Lock - Left Tumbler Assembly
	R77007-62-746	EA	Lock - Right Tumbler Assembly
	081488-01-000	EA	Glass - Door - Roll-Up
	083223-02-000	EA	Lock Asm. - Key Type (Set of 2)
	076542-03-000	EA	Rod Control - Latch - Passenger
	076542-04-000	EA	Rod Control - Latch - Driver

1987 WINNEBAGO TABLE OF CONTENTS

WT319RB	A-01 - B-16
WCN22RC	B-17 - D-24
WC421RB	E-01 - F-24
WCP37RO	G-01 - I-14

1987 WCN22RC INDEX

Floor Plan	B-17 - B-18
Accessories Group	B-19 - B-21
Bath Group	B-22 - B-23
Chassis Group	B-24 - C-02
Curtain, Cushion & Pad Group	C-03 - C-09
Dinette Group	C-10
Driver's Compartment Group	C-11 - C-13
Electrical Group	C-14 - C-16
Exterior Body Group	C-17 - C-23
Galley Group	C-24 - D-01
Heating & Air Conditioning Group	D-02
Interior Finish Group	D-03 - D-05
LP Group	D-06
Lounge Group	D-07
Water & Sewage Group	D-08 - D-09
Window, Vent & Exterior Door Group	D-10 - D-24