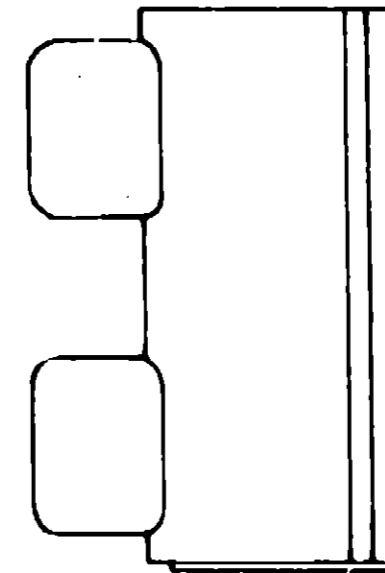
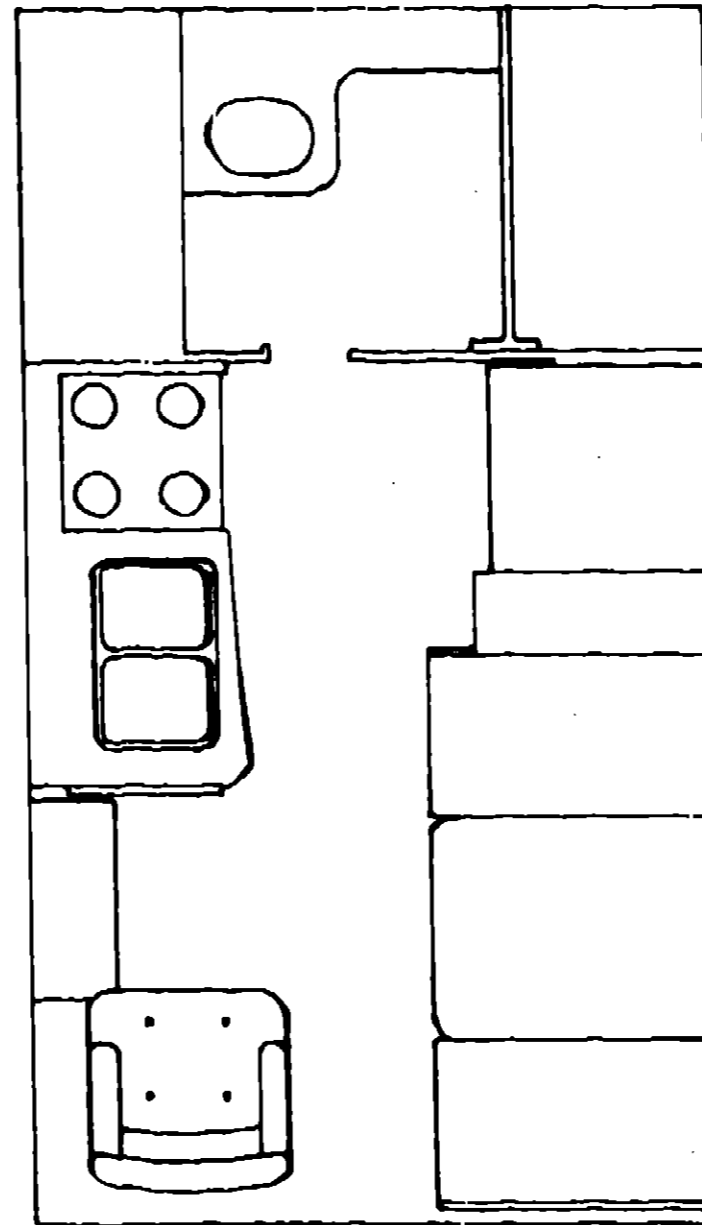


1987 WC421RB



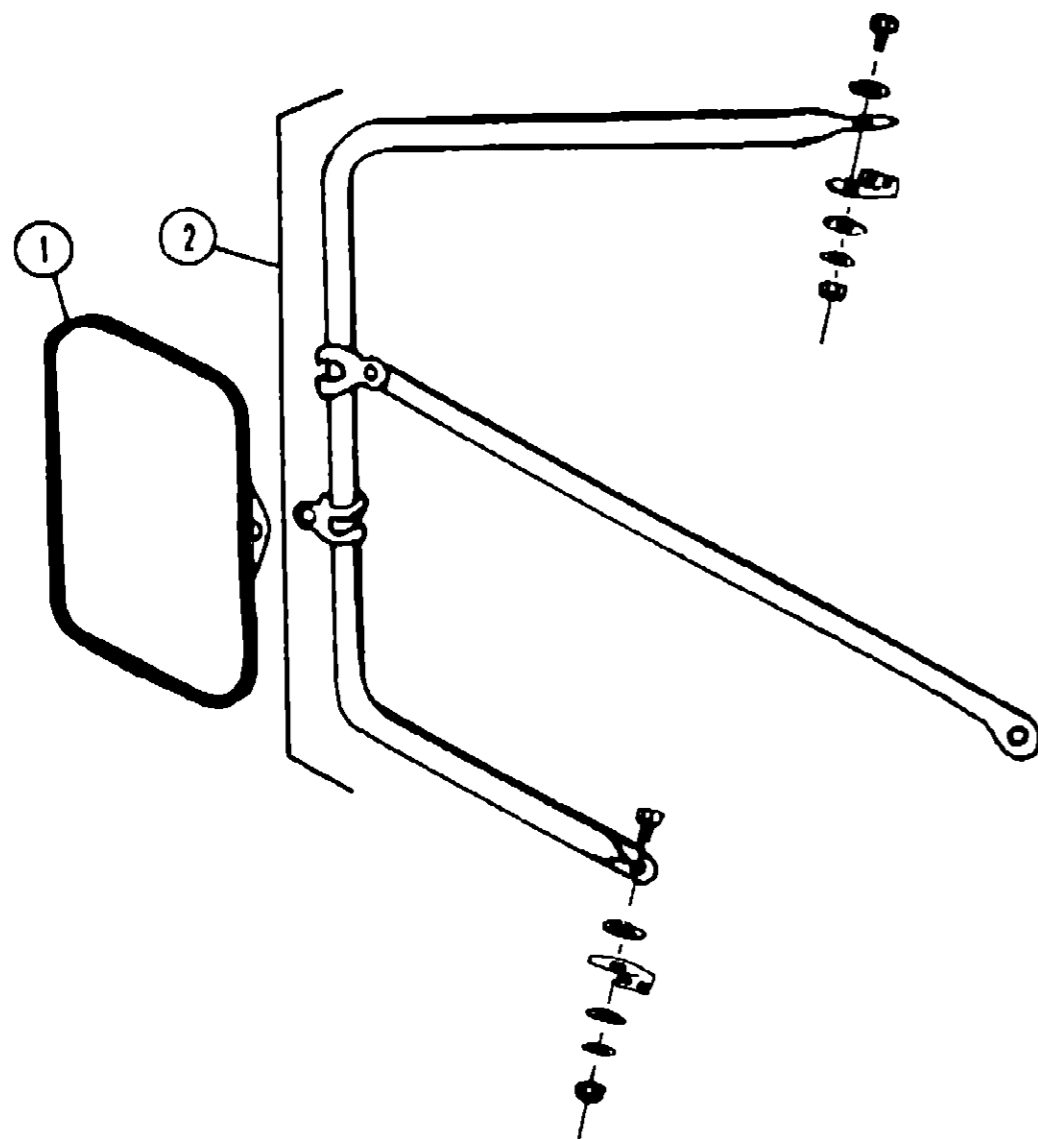
1987 WINNEBAGO TABLE OF CONTENTS

| | |
|---------|-------------|
| WT319RB | A-01 - B-16 |
| WCN22RC | B-17 - D-24 |
| WC421RB | E-01 - F-24 |
| WCP37RQ | G-01 - I-14 |

1987 WC421RB INDEX

| | |
|------------------------------------|-------------|
| Floor Plan | E-01 - E-02 |
| Accessories Group | E-03 - E-04 |
| Bath Group | E-05 |
| Chassis Group | E-06 - E-07 |
| Curtain, Cushion & Pad Group | E-08 - E-14 |
| Dinette Group | E-15 - E-16 |
| Driver's Compartment Group | E-17 - E-18 |
| Electrical Group | E-19 - E-21 |
| Exterior Body Group | E-22 - F-04 |
| Galley Group | F-05 - F-06 |
| Heating & Air Conditioning Group | F-07 |
| Interior Finish Group | F-08 - F-10 |
| LP Group | F-11 |
| Lounge Group | F-12 |
| Water & Sewage Group | F-13 - F-14 |
| Window, Vent & Exterior Door Group | F-15 - F-24 |

ACCESSORIES GROUP



EXTERIOR MIRRORS

| Key | Part Number | U/M | Description |
|-----|-----------------|-----|--|
| 1 | 049347-01-000 | EA | Mirror Head - 7 1/2" x 10 1/2" - Stainless Steel |
| 1 | 049347-02-000 | EA | Mirror Head - 7 1/2" x 10 1/2" - Off White |
| 2 | 062047-01-000 | EA | Arm - West Coast Mirror - Stainless Steel |
| 2 | 062047-02-000 | EA | Arm - West Coast Mirror - Off White |
| * | 006043-01-000 | EA | Mirror - Convex - Adhesive Back |
| * | Not illustrated | | |

WHEEL COVER & MOUNTING HARDWARE

| Key | Part Number | U/M | Description |
|-----|---------------|-----|---|
| | 064082-02-000 | EA | Retaining Nut - Delmet - Wheel Cover |
| | 073426-01-700 | EA | Wheel Cover - Bolt On - 16" or 16.5" - Delmet (1) |
| | 083181-02-000 | EA | Wheel Cover - 16.5" (Set/4) |
| | 083181-02-700 | EA | Wheel Cover - 16.5" (1) |
| | 085741-02-000 | EA | Liner - Stainless Steel Wheel - 16.5" (Set/4) |

ACCESSORIES GROUP (CONTINUED)

RADIO & RELATED COMPONENTS

| Key | Part Number | U/M | Description |
|-----|---------------|-----|---|
| | 007004-01-000 | EA | Antenna - Radio - Cab Mount |
| | 064792-01-000 | EA | Grille - Speaker - 5 25" - w/Mesh - Brown |
| | 073430-02-000 | EA | Radio - AM/FM/MPX - w/Cassette - Electronic Tune - Audiovox - HCC1150 |
| | 074979-01-000 | EA | Speaker Cover Protector - Plastic |
| | 073431-01-000 | EA | Speaker - 5 25" - 3-Way (Pair) |
| | 064791-01-000 | EA | Speaker - Recessed - 5 25" |
| | 073742-02-000 | EA | Speaker - 4" x 6" - Oval |

GENERATORS & COMPONENTS

| Key | Part Number | U/M | Description |
|-----|---------------|-----|-----------------------------------|
| | 079654-04-000 | EA | Generator - Emerald - 4.0 kw |
| | 701629-02-000 | EA | Installation Package - Emerald |
| | 079654-05-000 | EA | Pipe & Accessories Kit - Emerald |
| | 078045-01-000 | EA | Support Plate - Generator |
| | 079656-01-000 | EA | Muffler - Generator - 4.0 Emerald |
| | 007067-01-000 | EA | Insulation - Fiberglass - 1" |

MISCELLANEOUS ACCESSORIES

| Key | Part Number | U/M | Description |
|-----|---------------|-----|---|
| | 054185-26-000 | EA | Owners Manual - 1987 - Itasca & Winnebago |
| | 706053-02-000 | EA | Antenna - TV Skyliner w/6" Shaft - Braund Delux |
| | 076319-01-000 | EA | Antenna - TV Roof Mount - 44 5" Mast |
| | 076319-01-700 | EA | RVSA Sensor Antenna |
| | 076319-01-701 | EA | Elevating Gear |
| | 076319-01-702 | EA | Shaft Elevating Asm. |
| | 076319-01-703 | EA | Nylon Bearing - #5 |
| | 076319-01-704 | EA | Nylon Bearing |
| | 076319-01-705 | EA | Nylon Bearing |
| | 076319-01-706 | EA | Crank - Elevating - w/Set Screw |
| | 076319-02-000 | EA | Antenna - TV Roof Mount - 23.5" Mast |
| | 076319-03-000 | EA | Cable - Coaxial 1000' - 75 OHM |
| | 076319-04-000 | EA | Connector & Ferrule |
| | 076319-05-000 | EA | Wallplate - Power Supply - Ivory |
| | 076319-06-000 | EA | Adaptor - Cable Roof Plate |
| | 076319-07-000 | EA | Wallplate - Power Supply - Brown |
| | 076319-08-000 | EA | Wallplate - Receptacle - Ivory |
| | 076319-09-000 | EA | Wallplate - Receptacle - Brown |
| | 076319-11-000 | EA | Adaptor - Coax w/Splitter |
| | 064089-01-000 | EA | Mud Flap - Rubber - Black (Front) |
| | 017516-01-000 | EA | Mud Flap w/Holes - 14" x 18" - Black (Back) |
| | 041944-03-000 | EA | Fire Extinguisher - w/Bracket - 5BC |
| | 084472-01-000 | EA | Holder - Fire Extinguisher - Plastic |
| | 081379-01-000 | EA | Microwave/Convection Oven - Sharp |
| | 081459-08-000 | EA | Bracket Asm. - Microwave - Right |
| | 081459-02-000 | EA | Bracket Asm. - Microwave - Left |
| | 082876-01-000 | EA | Baffle - Microwave |
| | 081555-01-T03 | EA | Trim Asm. - Microwave Oven |
| | 081456-01-000 | EA | Angle Asm. - Microwave Oven - Right |
| | 081456-02-000 | EA | Angle Asm. - Microwave Oven - Left |
| | 081016-01-T03 | EA | Ladder Asm. |
| | 081026-01-T03 | EA | Rack Asm. - Right |
| | 081026-02-T03 | EA | Rack Asm. - Left |
| | 072852-01-000 | EA | Smoke Detector w/9 Volt Battery |
| | 079664-02-000 | EA | Weather Center - 8.5" x 8.5" |
| | 079665-01-000 | EA | Clock - 9" x 9" |
| | 006069-01-000 | EA | Key Case - Leather |
| | 080208-01-000 | EA | Lug Wrench |
| | 080208-02-000 | EA | Leverage Bar - Lug Wrench |
| | 006113-01-000 | EA | Jack - Hydraulic - 6 Ton - w/Handle |
| ** | 069629-01-000 | EA | Speed Control Package - Electric - Chevy |

** The illustrated parts breakdown for this item is provided on the Common Items Fiche

1987 WINNEBAGO TABLE OF CONTENTS

| | |
|---------|-------------|
| WT319RB | A-01 - B-16 |
| WCN22RC | B-17 - D-24 |
| WC421RB | E-01 - F-24 |
| WCP37RO | G-01 - I-14 |

1987 WC421RB INDEX

| | |
|------------------------------------|-------------|
| Floor Plan | E-01 - E-02 |
| Accessories Group | E-03 - E-04 |
| Bath Group | E-05 |
| Chassis Group | E-06 - E-07 |
| Curtain, Cushion & Pad Group | E-08 - E-14 |
| Dinette Group | E-15 - E-16 |
| Driver's Compartment Group | E-17 - E-18 |
| Electrical Group | E-19 - E-21 |
| Exterior Body Group | E-22 - F-04 |
| Galley Group | F-05 - F-06 |
| Heating & Air Conditioning Group | F-07 |
| Interior Finish Group | F-08 - F-10 |
| LP Group | F-11 |
| Lounge Group | F-12 |
| Water & Sewage Group | F-13 - F-14 |
| Window, Vent & Exterior Door Group | F-15 - F-24 |

BATH GROUP

BATH CABINETS

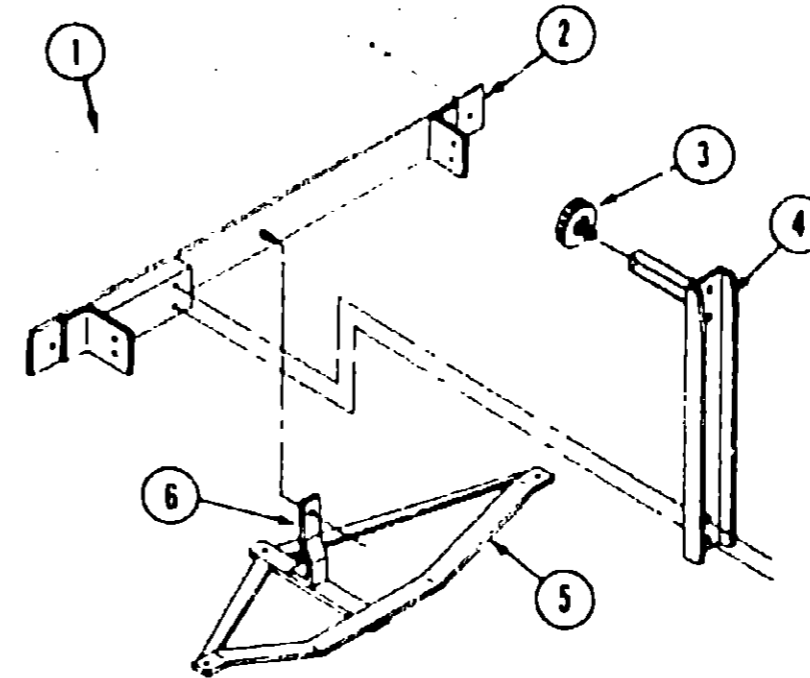
| Key | Part Number | U/M | Description |
|-----|---------------|-----|---|
| | M82428-03-W04 | EA | Cabinetry Asm - Lavatory - w/o Doors, Countertop, or Hardware |
| | M02556-01-W04 | EA | Countertop Asm. - Lavatory |
| | 081893-02-W04 | EA | Face Asm. - Lavatory - w/o Hardware |
| | 077251-01-000 | EA | Drawer - Tiltout - Plastic |
| | M61501-54-W04 | EA | Door Asm - Lavatory Cabinet - 26 7" x 14 3" - w/o Hardware |
| | 076073-01-000 | EA | Cabinet Asm - Medicine - w/o Doors or Hardware |
| | 081535-01-L04 | EA | Door Asm - Medicine Cabinet - 45 5" x 15 5" - w/o Hardware |
| | 080834-01-T03 | EA | Door Asm. - Sliding - w/o Hardware |
| | 058034-02-000 | EA | Latch Door w/o Lock |
| | M81507-74-W04 | EA | Door Asm - Wardrobe - 39 5" x 12 8" - w/o Hardware |
| | M81507-73-W04 | EA | Door Asm - Wardrobe - 53.9" x 16.1" - w/o Hardware |

BATH HARDWARE

| Key | Part Number | U/M | Description |
|-----|---------------|-----|--|
| | M01817-01-W04 | EA | Bathtub Asm w/Strainer |
| | 075242-03-000 | EA | Faucet - Tub & Shower - Brass |
| | 075240-03-000 | EA | Faucet - Lavatory |
| ** | 011048-02-000 | EA | Shower Head - w/60" Hose |
| | 075606-01-000 | EA | Shower Panel - Faucet Plastic |
| ** | 066729-01-000 | EA | Strainer - Bathtub Asm |
| | 080257-01-000 | EA | Shroud - Bathtub Asm - Off White |
| | 066435-01-000 | EA | Nut Strainer - Plastic - Bathtub Asm. |
| | 066436-01-000 | EA | Slip Nut - 1.5" Tail Piece - Bathtub Asm |
| | 069735-01-000 | EA | Washer - Tail Piece - 1.5" - Plastic - Bathtub Asm |
| | 011069-02-000 | EA | Tailpiece - 1.5" x 1.25" x 4" - Brass - Bathtub Asm. |
| | 058713-01-000 | EA | Sink - Oval - Ivory Plastic |
| | 011083-01-000 | EA | Tail Piece w/Stopper - 1.25" x 5" - Plastic - Sink |
| ** | 039341-02-000 | EA | Toilet - Ivory |
| | 075452-02-000 | EA | Tissue Holder |
| | 075454-02-000 | EA | Towel Ring |
| | 058331-05-000 | EA | Mirror - Tempered Glass - 12" x 26" |
| | 058331-04-000 | EA | Mirror - Tempered Glass - 12" x 42" |
| | 009089-01-000 | EA | Clip - Mirror |
| | 057671-01-000 | EA | Screw Cover - #8 - Antique White |
| | 085498-01-000 | EA | Trim - Shower Door - Bottom - Beige |
| | 085499-01-000 | EA | Trim - Shower Door - Sides - Beige |
| | 085500-01-000 | EA | Trim - Shower Door - Top - Beige |
| | 086121-02-000 | EA | Curtain Asm. - Shower - Liner - 62 x 40 |
| | 009136-01-000 | EA | Ring - Shower Curtain |
| | 075680-01-000 | EA | Rod - Clothes - Adjustable |
| | 009112-01-000 | EA | Flange - 1" - Closet Rod |
| | 075453-02-000 | EA | Bar - Towel - 18" Brass |
| | 009089-01-000 | EA | Clip - Mirror |
| | 042438-01-000 | EA | Dowel - Wood - 1.00 Dia. x 4" |
| | 009156-01-000 | EA | Hanger - Sliding Door |
| | 064467-01-000 | EA | Guide - Wall Mount - Sliding Door |
| | 075149-04-000 | EA | Track - 54 2" - Sliding Door |
| | 075153-01-000 | EA | End Cap - Cover - Beige |

** The illustrated parts breakdown for this item is provided on the Common Items Fiche.

CHASSIS GROUP



SPARE TIRE, REAR BUMPER & TRAILER HITCH

| Key | Part Number | U/M | Description |
|-----|-----------------|-----|--|
| 1 | 064602-01-000 | EA | Bumper Asm. - Square - 92" - Off White |
| * | 022150-01-000 | EA | Bracket - Bumper - Rear |
| * | 039779-01-000 | EA | Cap - Rubber - 4" x 4" |
| 2 | 064601-01-000 | EA | Bracket Asm - Bumper |
| 3 | 064082-02-000 | EA | Nut - Tire Cover Retainer - Delmet |
| 4 | 079027-01-000 | EA | Bracket Asm - Tire Cover |
| * | 079799-01-000 | EA | Cover - Tire - Plastic - Off White |
| * | M02047-01-T95 | EA | Door - Tire Cover - Plastic |
| * | 077408-02-000 | EA | Lock Asm - Key Type |
| 5 | 064833-02-000 | EA | Trailer Hitch Asm. |
| * | 064399-01-000 | EA | Housing Asm. - Trailer Pin |
| 6 | 064824-02-000 | EA | Support - Trailer Hitch |
| * | Not illustrated | | |

WHEELS & TIRES

| Key | Part Number | U/M | Description |
|-----|---------------|-----|--|
| | 062400-02-000 | EA | Wheel - 6.00" x 16 5" - 8 Hole |
| | 037291-01-000 | EA | Tire - 8" x 16.5" - 8 Ply Polyester |
| | 057665-01-000 | EA | Tire - 8.75" x 16 5" - Radial - White Sidewall |
| | 051377-01-000 | EA | Valve Stem Asm. - TR500 |
| | 077030-01-000 | EA | Extension - Valve Stem - 1 25" |

1987 WINNEBAGO TABLE OF CONTENTS

| | |
|---------|-------------|
| WT319RB | A-01 - B-16 |
| WCN22RC | B-17 - D-24 |
| WC421RB | E-01 - F-24 |
| WCP37RO | G-01 - I-14 |

1987 WC421RB INDEX

| | |
|------------------------------------|-------------|
| Floor Plan | E-01 - E-02 |
| Accessories Group | E-03 - E-04 |
| Bath Group | E-05 |
| Chassis Group | E-06 - E-07 |
| Curtain, Cushion & Pad Group | E-08 - E-14 |
| Dinette Group | E-15 - E-16 |
| Driver's Compartment Group | E-17 - E-18 |
| Electrical Group | E-19 - E-21 |
| Exterior Body Group | E-22 - F-04 |
| Galley Group | F-05 - F-06 |
| Heating & Air Conditioning Group | F-07 |
| Interior Finish Group | F-08 - F-10 |
| LP Group | F-11 |
| Lounge Group | F-12 |
| Water & Sewage Group | F-13 - F-14 |
| Window, Vent & Exterior Door Group | F-15 - F-24 |

CHASSIS GROUP (CONTINUED)

MISCELLANEOUS

| Key | Part Number | U/M | Description |
|-----|---------------|-----|---|
| | 047441-01-000 | EA | Battery Terminal - Horizontal Lug |
| | 059540-01-000 | EA | Bracket - License Plate |
| | 065451-02-000 | EA | Bracket - Battery Tie Down - 10.82" |
| | 065451-03-000 | EA | Bracket - Battery Tie Down - 14" |
| | 007125-04-000 | EA | Clamp Asm. - Muffler - 1 1/2" |
| | 010497-01-000 | EA | Clamp - Closed - 5/8 I.D. |
| | 007161-01-000 | EA | Clamp - Hose - Spring Type 112 |
| | 062401-01-000 | EA | Clamp - Hose - Wormgear - .22" I.D. - 1" I.D. |
| | 062401-02-000 | EA | Clamp - Hose - Wormgear - 1.56" I.D. - 2 5/8" I.D. |
| | 062401-03-000 | EA | Clamp - Hose - Wormgear - .25" I.D. - 1" I.D. |
| | 062401-04-000 | EA | Clamp - Hose - Wormgear - .69" I.D. - 1 25/32" I.D. |
| | 062401-05-000 | EA | Clamp - Hose - Wormgear - 2" I.D. - 3" I.D. |
| | 062401-06-000 | EA | Clamp - Hose - Wormgear - 22" I.D. - 62" I.D. |
| | 023146-01-000 | EA | Clamp - Screw Type - 4" |
| | 024490-01-000 | EA | Compartment - Power Cord - Plastic |
| | 007063-01-000 | FT | Hose - Fuel - 1/4 I.D. x 1/2 O.D. |
| | 006113-01-000 | EA | Jack - Hydraulic - 6 Ton - w/Handle |
| | 080208-02-000 | EA | Leverage Bar - Lug Wrench |
| | 080208-01-000 | EA | Lug Wrench |
| | 017516-01-000 | EA | Mud Flap w/Holes - 14" x 18" - Black |
| | 080359-01-000 | EA | Plate - Step Well |
| | 077848-01-000 | EA | Step Asm. - Pullout |
| | 080449-01-000 | FA | Step Asm. - Entrance w/Swing Arm |
| | 081667-01-000 | EA | Shield Asm. - Heat |
| | 079942-03-000 | EA | Shock Absorber - Stabilizer - Front (Ford) |
| | 079942-04-000 | EA | Shock Absorber - Stabilizer - Rear |
| | 064089-01-000 | EA | Splash Guard - Black Rubber |
| | 076241-01-000 | EA | Support Asm. - Step |
| | 078137-02-000 | EA | Tray Asm. - Luggage Compartment |
| | 057724-01-000 | EA | Wheelwell - Plastic |
| | 008343-01-000 | EA | Wire Tie - 6" |

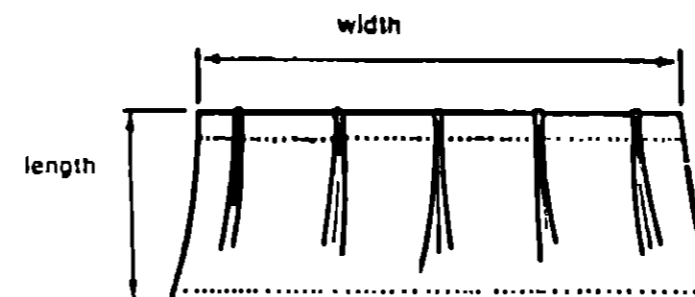
NOTE: Remainder of exhaust components available from Chassis Service Center.

CURTAIN, CUSHION & PAD GROUP

NOTICE

In order to assist our Parts Sales Dept. in providing interior software items, please include the serial number and the color code number from the vehicle certification label when ordering. This label is located on the left sidewall at the end of the dash (A-Body), or on the driver's door latch plate (C-Body).

An example of a color code number is P31, which designates an overall color scheme of a particular unit. The color listed after the item description on the microfiche, indicates the overall unit color. Order the item you desire according to unit color code



NOTE:

Use this illustration when determining length and width measurements for curtains. You will note the width measurement is taken on the top of the curtain with the curtain fully extended. The length measurement is taken from top to bottom.

CURTAIN & CUSHION HARDWARE

| Key | Part Number | U/M | Description |
|-----|---------------|-----|--|
| | 039175-02-000 | EA | Bracket - Curtain Rod - Cafe |
| | 039175-05-000 | EA | Bracket - Curtain Rod - Center |
| | 082228-03-000 | EA | Bracket - Curtain Rod - Right |
| | 082228-04-000 | EA | Bracket - Curtain Rod - Left |
| | 056003-02-000 | EA | Bracket - Drapery Retainer - Left |
| | 056003-01-000 | EA | Bracket - Drapery Retainer - Right |
| | 082139-02-000 | EA | Bracket - Hold Down - Blind |
| | 084434-01-000 | EA | Bracket - Roller Shade - 1 3/8" |
| | 079798-03-000 | EA | Bracket Asm. - Curtain Rod - Right |
| | 079798-04-000 | EA | Bracket Asm. - Curtain Rod - Left |
| | 072708-04-000 | EA | Frame - Fold Down Couch |
| | M80906-01-000 | EA | Frame Asm. - Seat, Back & Spring |
| | 080730-03-700 | EA | Handle Kit - Recliner |
| | 080731-02-000 | EA | Hinge - Recliner - Slave |
| | 083170-01-000 | EA | Installation Bracket - Blind - Right |
| | 083170-02-000 | EA | Installation Bracket - Blind - Left |
| | 056784-02-000 | EA | Pull - Window Shade - Antique Brass |
| | 083730-02-000 | EA | Recliner - Seat Back |
| | 039175-01-000 | EA | Rod - Cafe Curtain - Extension 48" x 84" |
| | 048394-01-000 | YD | Tape Hook - 1" x 50 yd - Beige |
| | 029096-05-000 | YD | Tape Hook - .50" - Velcro - Beige |
| | 048395-01-000 | YD | Tape Loop - 1" x 50 YD - Beige |
| | 029090-01-000 | FT | Tie - Drapery - Clear Vinyl |
| | 056116-01-000 | EA | Track - Curtain - Brown Plastic |

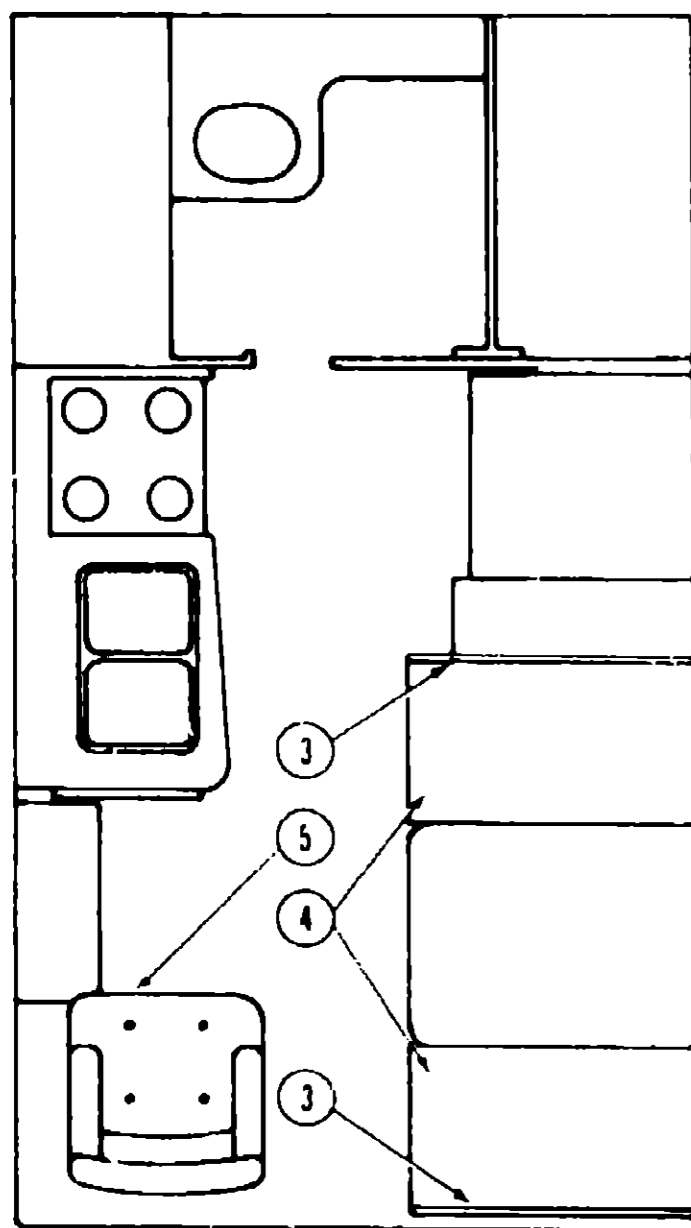
1987 WINNEBAGO TABLE OF CONTENTS

| | |
|---------|-------------|
| WT319RB | A-01 - B-16 |
| WCN22RC | B-17 - D-24 |
| WC421RB | E-01 - F-24 |
| WCP37RO | G-01 - I-14 |

1987 WC421RB INDEX

| | |
|------------------------------------|-------------|
| Floor Plan | E-01 - E-02 |
| Accessories Group | E-03 - E-04 |
| Bath Group | E-05 |
| Chassis Group | E-06 - E-07 |
| Curtain, Cushion & Pad Group | E-08 - E-14 |
| Dinette Group | E-15 - E-16 |
| Driver's Compartment Group | E-17 - E-18 |
| Electrical Group | E-19 - E-21 |
| Exterior Bndy Group | E-22 - F-04 |
| Galley Group | F-05 - F-06 |
| Heating & Air Conditioning Group | F-07 |
| Interior Finish Group | F-08 - F-10 |
| LP Group | F-11 |
| Lounge Group | F-12 |
| Water & Sewage Group | F-13 - F-14 |
| Window, Vent & Exterior Door Group | F-15 - F-24 |

CURTAIN, CUSHION & PAD GROUP (CONTINUED)



SPRUNG COUCH (OPTION)

| Key | Part Number | U/M | Description |
|-----|---------------|-----|---------------------------------|
| 1 | 072431-13-W04 | EA | Cushion Asm. - 3 Pillows - Seat |
| 1 | 072431-14-W05 | EA | Cushion Asm. - 3 Pillows - Seat |
| 1 | 072431-13-W06 | EA | Cushion Asm. - 3 Pillows - Seat |
| | M72431-12-W04 | EA | Cover Asm. - 3 Pillow - Seat |
| | M72431-10-W05 | EA | Cover Asm. - 3 Pillow - Seat |
| | M72431-12-W06 | EA | Cover Asm. - 3 Pillow - Seat |
| 2 | 072432-13-W04 | EA | Cushion Asm. - 3 Pillow - Back |
| 2 | 072432-14-W05 | EA | Cushion Asm. - 3 Pillow - Back |
| 2 | 072432-13-W06 | EA | Cushion Asm. - 3 Pillow - Back |
| | M72432-13-W04 | EA | Cover Asm. - 3 Pillow - Back |
| | M72432-10-W05 | EA | Cover Asm. - 3 Pillow - Back |
| | M72432-13-W06 | EA | Cover Asm. - 3 Pillow - Back |

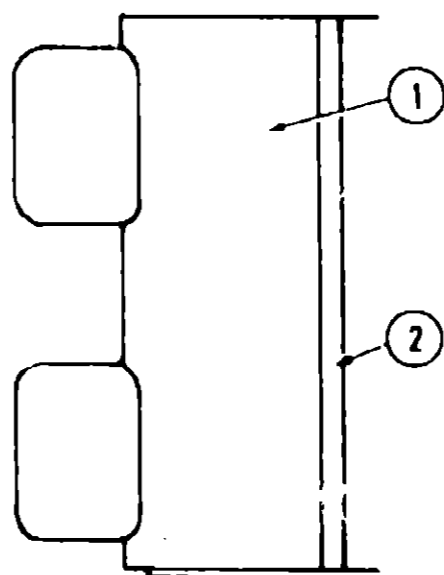
CURTAIN, CUSHION & PAD GROUP (CONTINUED)

DINETTE CUSHION

| Key | Part Number | U/M | Description |
|-----|---------------|-----|--|
| 3 | 081998-56-W04 | EA | Cushion Asm. - Dinette Back - 19.25" x 38" x 5" |
| 3 | 081998-56-W05 | EA | Cushion Asm. - Dinette Back - 19.25" x 38" x 5" |
| 3 | 081998-56-W06 | EA | Cushion Asm. - Dinette Back - 19.25" x 38" x 5" |
| | M81998-56-W04 | EA | Cover Asm. - Dinette Back Curtain - 19.25" x 38" x 5" |
| | M81998-56-W05 | EA | Cover Asm. - Dinette Back Curtain - 19.25" x 38" x 5" |
| | M81998-56-W06 | EA | Cover Asm. - Dinette Back Curtain - 19.25" x 38" x 5" |
| 4 | 081998-57-W04 | EA | Cushion Asm. - Dinette Bottom - 17.5" x 38" x 5" |
| 4 | 081998-57-W05 | EA | Cushion Asm. - Dinette Bottom - 17.5" x 38" x 5" |
| 4 | 081998-57-W06 | EA | Cushion Asm. - Dinette Bottom - 17.5" x 38" x 5" |
| | M81998-57-W04 | EA | Cover Asm. - Dinette Bottom Cushion - 17.5" x 38" x 5" |
| | M81998-57-W05 | EA | Cover Asm. - Dinette Bottom Cushion - 17.5" x 38" x 5" |
| | M81998-57-W06 | EA | Cover Asm. - Dinette Bottom Cushion - 17.5" x 38" x 5" |

CELEBRITY SWIVEL CHAIR

| Key | Part Number | U/M | Description |
|-----|---------------|-----|--------------------------------------|
| 5 | 085059-01-W04 | EA | Chair Asm. w/Pillow Back - Swivel |
| 5 | 085059-01-W05 | EA | Chair Asm. w/Pillow Back - Swivel |
| 5 | 095059-01-W06 | EA | Chair Asm. w/Pillow Back - Swivel |
| | 085187-01-W04 | EA | Skirt Asm. - Swivel Chair |
| | 085187-01-W05 | EA | Skirt Asm. - Swivel Chair |
| | 085187-01-W06 | EA | Skirt Asm. - Swivel Chair |
| | 035036-01-000 | EA | Plate - Tilt & Swivel - Swivel Chair |
| | 035036-04-000 | EA | Base w/Legs - Swivel Chair |
| | 035036-05-000 | EA | Extension - 7" - Swivel Chair |



FRONT OVERHEAD BUNK CUSHIONS

| Key | Part Number | U/M | Description |
|-----|---------------|-----|--|
| | 084753-05-W04 | EA | Cushion Asm. - Front Bunk |
| | 084753-05-W05 | EA | Cushion Asm. - Front Bunk |
| | 084753-05-W06 | EA | Cushion Asm. - Front Bunk |
| | M84753-05-W04 | EA | Cover Asm. - Front Bunk Cushion |
| | M84753-05-W05 | EA | Cover Asm. - Front Bunk Cushion |
| | M84753-05-W06 | EA | Cover Asm. - Front Bunk Cushion |
| | 084753-06-W04 | EA | Cushion Asm. - Front Bunk - U-Shaped |
| | 084753-06-W05 | EA | Cushion Asm. - Front Bunk - U-Shaped |
| | 084753-06-W06 | EA | Cushion Asm. - Front Bunk - U-Shaped |
| | M84753-06-W04 | EA | Cover Asm. - Front Bunk Cushion - U-Shaped |
| | M84753-06-W05 | EA | Cover Asm. - Front Bunk Cushion - U-Shaped |
| | M84753-06-W06 | EA | Cover Asm. - Front Bunk Cushion - U-Shaped |

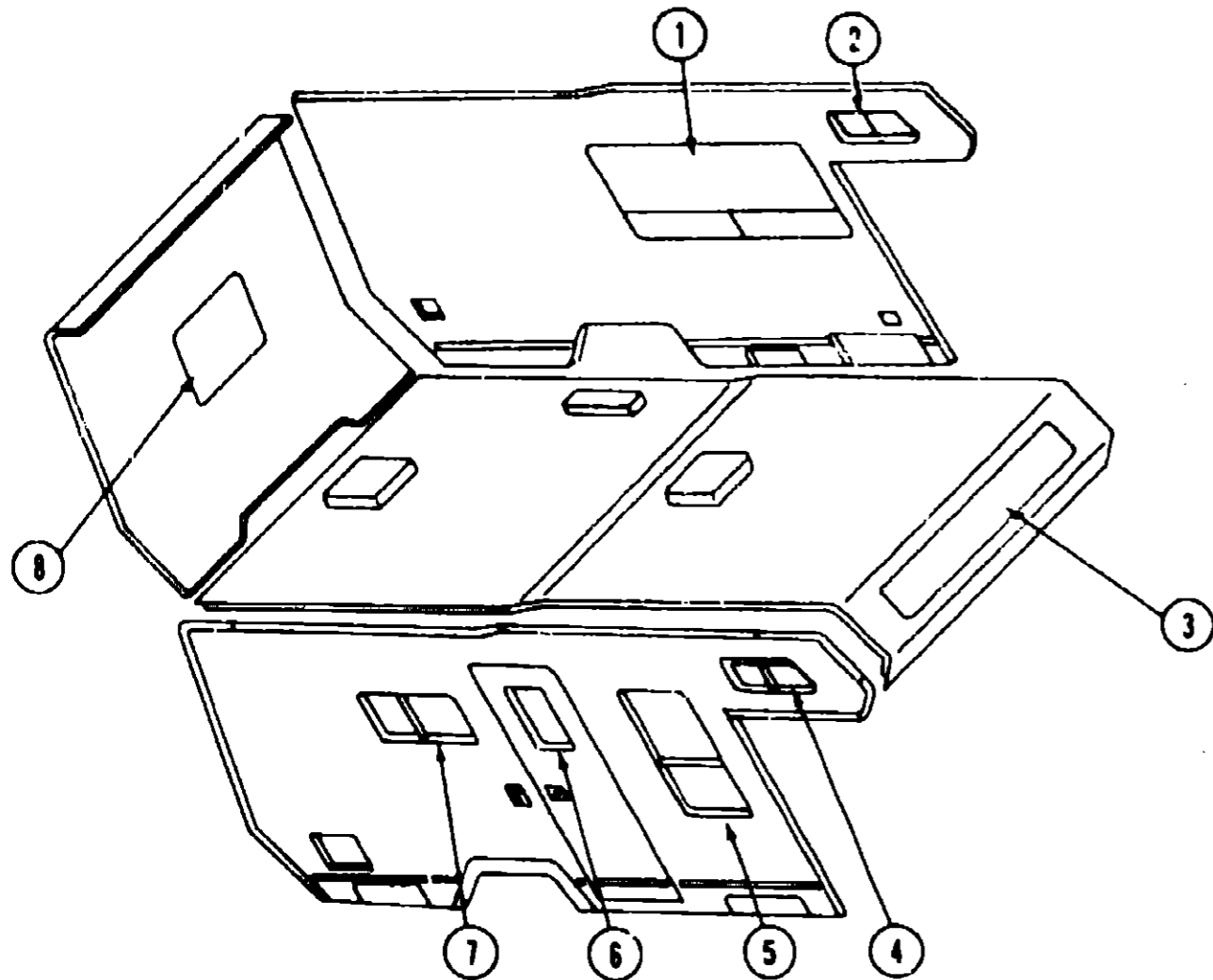
**1987 WINNEBAGO
TABLE OF CONTENTS**

| | |
|---------|-------------|
| WT319RB | A-01 - B-16 |
| WCN22RC | B-17 - D-24 |
| WC421RB | E-01 - F-24 |
| WCP37RQ | G-01 - I-14 |

1987 WC421RB INDEX

| | |
|------------------------------------|-------------|
| Floor Plan | E-01 - E-02 |
| Accessories Group | E-03 - E-04 |
| Bath Group | E-05 |
| Chassis Group | E-06 - E-07 |
| Curtain, Cushion & Pad Group | E-08 - E-14 |
| Dinette Group | E-15 - E-16 |
| Driver's Compartment Group | E-17 - E-18 |
| Electrical Group | E-19 - E-21 |
| Exterior Body Group | E-22 - F-04 |
| Galley Group | F-05 - F-06 |
| Heating & Air Conditioning Group | F-07 |
| Interior Finish Group | F-08 - F-10 |
| LP Group | F-11 |
| Lounge Group | F-12 |
| Water & Sewage Group | F-13 - F-14 |
| Window, Vent & Exterior Door Group | F-15 - F-24 |

CURTAIN, CUSHION & PAD GROUP (CONTINUED)



CURTAINS, SHADES, VALANCES & TIEBACKS

| Key | Part Number | U/M | Description |
|-----|-----------------------------|-----|---|
| 1 | 085190-01-W04 | EA | Curtain Asm. w/Snap Top - 37" x 15" |
| 1 | 085190-01-W05 | EA | Curtain Asm. w/Snap Top - 37" x 15" |
| 1 | 085190-01-W06 | EA | Curtain Asm. w/Snap Top - 37" x 15" |
| 1 | 085191-01-W04 | EA | Valance Asm. w/Snap Top - 68.5" |
| 1 | 085191-01-W05 | EA | Valance Asm. w/Snap Top - 68.5" |
| 1 | 085191-01-W06 | EA | Valance Asm. w/Snap Top - 68.5" |
| 1 | 085304-18-000 | EA | Blind - Pleated - 65" x 33" Drop (W04) |
| 1 | 085304-19-000 | EA | Blind - Pleated - 65" x 33" Drop (W05) |
| 1 | 085304-20-000 | EA | Blind - Pleated - 65" x 33" Drop (W06) |
| ** | 082118-C6-000 | EA | Blind - Mini - 65" x 33" Drop (W04) |
| ** | 082118-C7-000 | EA | Blind - Mini - 65" x 33" Drop (W05) |
| ** | 082118-C8-000 | EA | Blind - Mini - 65" x 33" Drop (W06) |
| 2 | 073323-33-W17 | EA | Curtain Asm. w/Snap Top & Bottom - 17 1/2" x 18" Center (W04) |
| 2 | 073323-33-W18 | EA | Curtain Asm. w/Snap Top & Bottom - 17 1/2" x 18" Center (W05) |
| 2 | 073323-33-W19 | EA | Curtain Asm. w/Snap Top & Bottom - 17 1/2" x 18" Center (W06) |
| 2 | 073323-34-W17 | EA | Curtain Asm. w/Snap Top & Bottom - 17 1/2" x 18" - Left (W04) |
| 2 | 073323-34-W18 | EA | Curtain Asm. w/Snap Top & Bottom - 17 1/2" x 18" - Left (W05) |
| 2 | 073323-34-W19 | EA | Curtain Asm. w/Snap Top & Bottom - 17 1/2" x 18" - Left (W06) |
| 3 | 073323-32-W17 | EA | Curtain Asm. w/Snap Top & Bottom - 19 1/2" x 30" (W04) |
| 3 | 073323-32-W18 | EA | Curtain Asm. w/Snap Top & Bottom - 19 1/2" x 30" (W05) |
| 3 | 073323-32-W19 | EA | Curtain Asm. w/Snap Top & Bottom - 19 1/2" x 30" (W06) |
| 4 | 073323-33-W17 | EA | Curtain Asm. w/Snap Top & Bottom - 17 1/2" x 18" - Center (W04) |
| 4 | 073323-33-W18 | EA | Curtain Asm. w/Snap Top & Bottom - 17 1/2" x 18" - Center (W05) |
| 4 | 073323-33-W19 | EA | Curtain Asm. w/Snap Top & Bottom - 17 1/2" x 18" - Center (W06) |
| 4 | 073323-35-W17 | EA | Curtain Asm. w/Snap Top & Bottom - 17 1/2" x 18" - Right (W04) |
| 4 | 073323-35-W18 | EA | Curtain Asm. w/Snap Top & Bottom - 17 1/2" x 18" - Right (W05) |
| 4 | 073323-35-W19 | EA | Curtain Asm. w/Snap Top & Bottom - 17 1/2" x 18" - Right (W06) |
| ** | Parts for Mini Blind Option | | |

CURTAIN, CUSHION & PAD GROUP (CONTINUED)

CURTAINS, SHADES, VALANCES & TIEBACKS (CONT.)

| Key | Part Number | U/M | Description |
|-----|-----------------------------|-----|---|
| 5 | 085190-05-W04 | EA | Curtain Asm. w/Snap Top - 45" x 10" |
| 5 | 085190-05-W05 | EA | Curtain Asm. w/Snap Top - 45" x 10" |
| 5 | 085190-05-W06 | EA | Curtain Asm. w/Snap Top - 45" x 10" |
| 5 | 080824-08-W04 | EA | Valance Asm. - Entrance/Lounge |
| 5 | 080824-08-W05 | EA | Valance Asm. - Entrance/Lounge |
| 5 | 080824-08-W06 | EA | Valance Asm. - Entrance/Lounge |
| 5 | 085304-03-000 | EA | Blinds - Pleated - 19" x 42.5" Drop (W04) |
| 5 | 085304-04-000 | EA | Blinds - Pleated - 19" x 42.5" Drop (W05) |
| 5 | 085304-05-000 | EA | Blinds - Pleated - 19" x 42.5" Drop (W06) |
| * | 082118-A7-000 | EA | Blinds - Mini - 19" x 42.5" Drop (W04) |
| * | 082118-A6-000 | EA | Blinds - Mini - 19" x 42.5" Drop (W05) |
| * | 082118-A5-000 | EA | Blinds - Mini - 19" x 42.5" Drop (W06) |
| 6 | 084755-04-W04 | EA | Shade Asm. - Pull - Linen w/Braid Trim - 24 1/2" |
| 6 | 084755-04-W05 | EA | Shade Asm. - Pull - Linen w/Braid Trim - 24 1/2" |
| 6 | 084755-04-W06 | EA | Shade Asm. - Pull - Linen w/Braid Trim - 24 1/2" |
| 7 | 085191-09-W04 | EA | Valance Asm. w/Insert - 28" |
| 7 | 085191-09-W05 | EA | Valance Asm. w/Insert - 28" |
| 7 | 085191-09-W06 | EA | Valance Asm. w/Insert - 28" |
| 7 | 082118-A8-000 | EA | Blind - Mini - 27" x 22" Drop (W04) |
| 7 | 082118-A9-000 | EA | Blind - Mini - 27" x 22" Drop (W05) |
| 7 | 082118-B0-000 | EA | Blind - Mini - 27" x 22" Drop (W06) |
| 8 | 085191-04-W04 | EA | Valance Asm. w/Insert - 27.4" |
| 8 | 085191-04-W05 | EA | Valance Asm. w/Insert - 27.4" |
| 8 | 085191-04-W06 | EA | Valance Asm. w/Insert - 27.4" |
| 8 | 082118-B7-000 | EA | Blind - Mini - 32" x 26" Drop (W04) |
| 8 | 082118-B8-000 | EA | Blind - Mini - 32" x 26" Drop (W05) |
| 8 | 082118-B9-000 | EA | Blind - Mini - 32" x 26" Drop (W06) |
| * | 073295-04-W04 | EA | Curtain w/Snaps - Front Wraparound - 23" x 64" (2 required) |
| * | 077591-03-W04 | EA | Curtain w/Velcro Top - Bunk Privacy - 70" x 50" - Passenger |
| * | 077591-04-W04 | EA | Curtain w/Velcro Top - Bunk Privacy - 70" x 50" - Driver |
| * | 085283-01-000 | EA | Tieback - Plastic |
| * | 057534-01-000 | EA | Tieback Asm. - 6" - Clear Plastic |
| * | 057534-04-000 | EA | Tieback Asm. - 20" - Clear Plastic |
| * | Not illustrated | | |
| ** | Parts for Mini Blind Option | | |



| Key | Part Number | U/M | Description |
|-----|---------------|-----|--------------------------------------|
| 1 | 029130-01-000 | EA | Socket - Snap Fastener |
| 2 | 029155-01-000 | EA | Cap - Snap - .156" Dia. x 17" Barrel |
| 3 | 029156-01-000 | EA | Socket - Snap Fastener |
| 4 | 029092-01-000 | EA | Stud - Nickel Finish |
| 5 | 029093-01-000 | EA | Eyelet - Nickel Finish |

**1987 WINNEBAGO
TABLE OF CONTENTS**

| | |
|---------|-------------|
| WT319RB | A-01 - B-16 |
| WCN22RC | B-17 - D-24 |
| WC421RB | E-01 - F-24 |
| WCP37RQ | G-01 - I-14 |

1987 WC421RB INDEX

| | |
|------------------------------------|-------------|
| Floor Plan | E-01 - E-02 |
| Accessories Group | E-03 - E-04 |
| Bath Group | E-05 |
| Chassis Group | E-06 - E-07 |
| Curtain, Cushion & Pad Group | E-08 - E-14 |
| Dinette Group | E-15 - E-16 |
| Driver's Compartment Group | E-17 - E-18 |
| Electrical Group | E-19 - E-21 |
| Exterior Body Group | E-22 - F-04 |
| Galley Group | F-05 - F-06 |
| Heating & Air Conditioning Group | F-07 |
| Interior Finish Group | F-08 - F-10 |
| LP Group | F-11 |
| Lounge Group | F-12 |
| Water & Sewage Group | F-13 - F-14 |
| Window, Vent & Exterior Door Group | F-15 - F-24 |

CURTAIN, CUSHION & PAD GROUP (CONTINUED)

FABRICS, TRIMS & PADS

| Key | Part Number | U/M | Description |
|-----|---------------|-----|--|
| | 077498-91-000 | YD | Fabric w/Pattern - Upholstery - (W04) |
| | 077498-92-000 | YD | Fabric w/Pattern - Upholstery - (W05) |
| | 077498-93-000 | YD | Fabric w/Pattern - Upholstery - (W06) |
| | 077498-A8-000 | YD | Fabric w/Pattern - Upholstery Accent (W04) |
| | 077498-A5-000 | YD | Fabric w/Pattern - Upholstery Accent (W05) |
| | 077498-A7-000 | YD | Fabric w/Pattern - Upholstery Accent (W06) |
| | 077498-95-000 | YD | Fabric - Upholstery - Accent - Plain (W04) |
| | 077498-61-000 | YD | Fabric - Upholstery - Accent - Plain (W05) |
| | 077498-96-000 | YD | Fabric - Upholstery - Accent - Plain (W06) |
| | 072333-39-000 | YD | Fabric - Drapery (W04) |
| | 072333-37-000 | YD | Fabric - Drapery (W05) |
| | 072333-38-000 | YD | Fabric - Drapery (W06) |
| | 072333-34-000 | YD | Fabric - Drapery - Bedroom (W04) |
| | 072333-35-000 | YD | Fabric - Drapery - Bedroom (W05) |
| | 072333-36-000 | YD | Fabric - Drapery - Bedroom (W06) |
| | 069729-47-000 | YD | Fabric - Bedspread (W04) |
| | 069729-48-000 | YD | Fabric - Bedspread (W05) |
| | 069729-49-000 | YD | Fabric - Bedspread (W06) |
| | 038421-04-000 | YD | Fabric - Mattress Ticking |
| | 084416-10-000 | YD | Fabric - Liner - Pull Shade |
| | 084415-12-000 | YD | Trim Braid - Pull Shade (W04) |
| | 084415-13-000 | YD | Trim Braid - Pull Shade (W05) |
| | 084415-14-000 | YD | Trim Braid - Pull Shade (W06) |
| | 052859-01-T03 | FT | Trim Asm. - Accent - Sandrift |
| | 052859-05-T03 | FT | Trim Asm. - Accent - Buckskin |
| | 079680-01-000 | YD | Vinyl - Expanded - 26 oz. - Buckskin |
| | 079680-02-000 | YD | Vinyl - Expanded - 26 oz. - Sandrift |
| | 070578-06-T03 | EA | Button Asm. - #30 - Vinyl |
| | 057550-03-T03 | EA | Button Asm. - Nail - Vinyl |
| | 071127-10-W04 | EA | Button Asm. - #30 |
| | 071127-10-W05 | EA | Button Asm. - #30 |
| | 071127-10-W06 | EA | Button Asm. - #30 |
| | 070578-04-W04 | EA | Button Asm. - #30 - Screw Stud (W04) |
| | 070578-04-W05 | EA | Button Asm. - #30 - Screw Stud (W05) |
| | 070578-04-W06 | EA | Button Asm. - #30 - Screw Stud (W06) |
| | 078155-01-000 | EA | Strap Asm. - Cushion |
| | 079144-02-000 | EA | Strap Asm. - Bunk |
| | 081280-03-U01 | EA | End Cap Asm. - Overhead - Dinette - Vinyl |
| | 081280-06-U01 | EA | End Cap Asm. - Overhead - Galley - Vinyl |
| | 081280-10-U01 | EA | End Cap Asm. - Overhead - Microwave Overhead - Vinyl |
| | 081280-08-U01 | EA | End Cap Asm. - Overhead - Entrance Door - Vinyl |
| | 081519-01-W04 | EA | Pad Asm. - Dinette - Front |
| | 081519-01-W05 | EA | Pad Asm. - Dinette - Front |
| | 081519-01-W06 | EA | Pad Asm. - Dinette - Front |
| | 081519-02-W04 | EA | Pad Asm. - Dinette - Rear |
| | 081519-02-W05 | EA | Pad Asm. - Dinette - Rear |
| | 081519-02-W06 | EA | Pad Asm. - Dinette - Rear |
| | 074891-01-W04 | EA | Cover w/Pocket - Motor |
| | 074891-01-W05 | EA | Cover w/Pocket - Motor |
| | 074891-01-W06 | EA | Cover w/Pocket - Motor |
| | 059491-01-W04 | EA | Pad Asm. - Door - Passenger - Upper |
| | 059491-01-W05 | EA | Pad Asm. - Door - Passenger - Upper |
| | 059491-01-W06 | EA | Pad Asm. - Door - Passenger - Upper |
| | 059492-01-W04 | EA | Pad Asm. - Door - Driver - Upper |
| | 059492-01-W05 | EA | Pad Asm. - Door - Driver - Upper |
| | 059492-01-W06 | EA | Pad Asm. - Door - Driver - Upper |
| | 082552-03-W04 | EA | Pad Asm. - Door - Driver - Lower |
| | 082552-03-W05 | EA | Pad Asm. - Door - Driver - Lower |
| | 082552-03-W06 | EA | Pad Asm. - Door - Driver - Lower |
| | 082552-02-W04 | EA | Pad Asm. - Door - Passenger - Lower |
| | 082552-02-W05 | EA | Pad Asm. - Door - Passenger - Lower |
| | 082552-02-W06 | EA | Pad Asm. - Door - Passenger - Lower |
| | M80881-01-W04 | EA | Panel Asm. - Couch Front |
| | M80881-01-W05 | EA | Panel Asm. - Couch Front |
| | M80881-01-W06 | EA | Panel Asm. - Couch Front |

CURTAIN, CUSHION & PAD GROUP (CONTINUED)

BUCKET SEATS

| Key | Part Number | U/M | Description |
|-----|---------------|-----|--------------------------------------|
| | 084191-02-W04 | EA | Seat Asm. - Fabric |
| | 084191-02-W05 | EA | Seat Asm. - Fabric |
| | 084191-01-W06 | EA | Seat Asm. - Fabric |
| | M01864-23-W04 | EA | Cover Asm. - Seat Bottom |
| | M01864-23-W05 | EA | Cover Asm. - Seat Bottom |
| | M01864-21-W06 | EA | Cover Asm. - Seat Bottom |
| | M01864-24-W04 | EA | Cover Asm. - Seat Back |
| | M01864-24-W05 | EA | Cover Asm. - Seat Back |
| | M01864-22-W06 | EA | Cover Asm. - Seat Back |
| | 078804-10-W04 | EA | Seat Asm. - Granduer w/Left Armrest |
| | 078804-10-W05 | EA | Seat Asm. - Granduer w/Left Armrest |
| | 078804-10-W06 | EA | Seat Asm. - Granduer w/Left Armrest |
| | M01863-07-W04 | EA | Cover Asm. - Bucket Seat Bottom |
| | M01863-07-W05 | EA | Cover Asm. - Bucket Seat Bottom |
| | M01863-07-W06 | EA | Cover Asm. - Bucket Seat Bottom |
| | M01863-08-W04 | EA | Cover Asm. - Bucket Seat Back |
| | M01863-08-W05 | EA | Cover Asm. - Bucket Seat Back |
| | M01863-08-W06 | EA | Cover Asm. - Bucket Seat Back |
| | 080243-08-W04 | EA | Armrest Asm. - Left |
| | 080243-08-W05 | EA | Armrest Asm. - Left |
| | 080243-08-W06 | EA | Armrest Asm. - Left |
| | M80243-02-W04 | EA | Cover Asm. - Armrest - Left |
| | M80243-02-W05 | EA | Cover Asm. - Armrest - Left |
| | M80243-02-W06 | EA | Cover Asm. - Armrest - Left |
| | 078804-09-W04 | EA | Seat Asm. - Granduer w/Right Armrest |
| | 078804-09-W05 | EA | Seat Asm. - Granduer w/Right Armrest |
| | 078804-09-W06 | EA | Seat Asm. - Granduer w/Right Armrest |
| | M01863-05-W04 | EA | Cover Asm. - Bucket Seat Bottom |
| | M01863-05-W05 | EA | Cover Asm. - Bucket Seat Bottom |
| | M01863-05-W06 | EA | Cover Asm. - Bucket Seat Bottom |
| | M01863-06-W04 | EA | Cover Asm. - Bucket Seat Back |
| | M01863-06-W05 | EA | Cover Asm. - Bucket Seat Back |
| | M01863-06-W06 | EA | Cover Asm. - Bucket Seat Back |
| | 080243-07-W04 | EA | Armrest Asm. - Right |
| | 080243-07-W05 | EA | Armrest Asm. - Right |
| | 080243-07-W06 | EA | Armrest Asm. - Right |
| | M80243-01-W04 | EA | Cover Asm. - Armrest - Right |
| | M80243-01-W05 | EA | Cover Asm. - Armrest - Right |
| | M80243-01-W06 | EA | Cover Asm. - Armrest - Right |
| | 080242-04-W04 | EA | Headrest Asm. |
| | 080242-04-W05 | EA | Headrest Asm. |
| | 080242-04-W06 | EA | Headrest Asm. |
| | M80242-01-W04 | EA | Cover Asm. - Headrest |
| | M80242-01-W05 | EA | Cover Asm. - Headrest |
| | M80242-01-W06 | EA | Cover Asm. - Headrest |

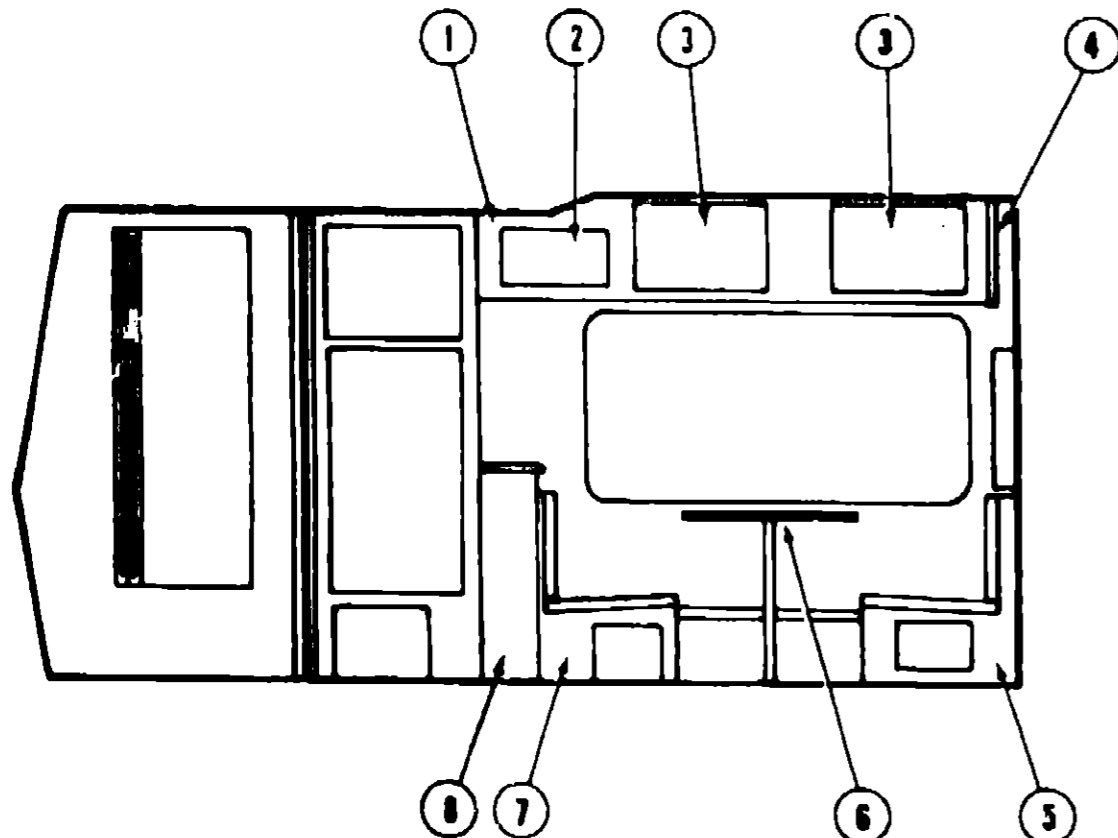
**1987 WINNEBAGO
TABLE OF CONTENTS**

| | |
|---------|-------------|
| WT319RB | A-01 - B-18 |
| WCN22RC | B-17 - D-24 |
| WC421RB | E-01 - F-24 |
| WCP37RQ | G-01 - I-14 |

1987 WC421RB INDEX

| | |
|------------------------------------|-------------|
| Floor Plan | E-01 - E-02 |
| Accessories Group | E-03 - E-04 |
| Bath Group | E-05 |
| Chassis Group | E-06 - E-07 |
| Curtain, Cushion & Pad Group | E-08 - E-14 |
| Dinette Group | E-15 - E-16 |
| Driver's Compartment Group | E-17 - E-18 |
| Electrical Group | E-19 - E-21 |
| Exterior Body Group | E-22 - F-04 |
| Galley Group | F-05 - F-06 |
| Heating & Air Conditioning Group | F-07 |
| Interior Finish Group | F-08 - F-10 |
| LP Group | F-11 |
| Lounge Group | F-12 |
| Water & Sewage Group | F-13 - F-14 |
| Window, Vent & Exterior Door Group | F-15 - F-24 |

DINETTE GROUP



| Key | Part Number | U/M | Description |
|-----|---------------|-----|---|
| 1 | M83131-01-W04 | EA | Cabinet Asm. - Dinette Overhead - w/o Doors or Hardware |
| 2 | M81523-02-W04 | EA | Door Asm. - Dinette Overhead - 11.25" x 20.55" - w/o Hardware |
| 3 | M81523-09-W04 | EA | Door Asm. - Dinette Overhead - 15.3" x 27.2" - w/o Hardware |
| 4 | 081280-03-U01 | EA | Pad Asm. - End Cap - Dinette Overhead - Vinyl |
| 5 | M02175-02-W04 | EA | Cabinet Asm. - Dinette Seat - w/o Door or Hardware |
| * | M81501-10-W04 | EA | Door Asm. - Dinette Seat - 19.1" x 10.1" - w/o Hardware |
| * | M02174-01-W04 | EA | Cabinet Asm. - Dinette Back |
| 6 | M02115-09-U17 | EA | Table Asm. - Dinette - w/o Hardware |
| 7 | M02550-01-U01 | EA | Cabinet Asm. - Dinette Seat - w/o Door or Hardware |
| * | M02549-01-U01 | EA | Cabinet Asm. - Dinette Back |
| 8 | 079676-01-W04 | EA | Cabinet Asm. - Hamper - w/o Countertop |
| * | M02068-01-W04 | EA | Countertop Asm. - Hamper - Flip-Up |
| * | M02069-01-T03 | EA | Countertop Asm. - Hamper |
| * | 053200-05-000 | EA | Bracket - Upper Wall Mount - 23.5" |
| ** | 053201-06-000 | EA | Bracket - Table Mount - 23" |
| * | 024275-05-000 | EA | Rod - Table Lift - 8" x 23.5" |
| * | 024281-07-000 | EA | Bracket - Lower Wall Mount |
| * | 024276-14-000 | EA | Leg Asm. - Table - 26.75" |
| ** | 064050-01-000 | EA | Hinge - Table Leg |
| ** | 024282-01-000 | EA | Brace - Table Leg |
| ** | 024283-01-000 | EA | Clip - 1" O.D. Tube |
| * | 049493-05-000 | EA | Catch - Table Leg - Mounts on Floor |
| * | 064781-03-000 | EA | Cup Holder - 3.47" O.D. x 2.75" I.D. x 1.5" |
| * | 016604-02-000 | EA | Angle Brace - Seat - 2.5" - Brown |
| * | | | Not illustrated |

** The illustrated parts breakdown for this item is provided on the Common Items Fiche.

DINETTE GROUP (CONTINUED)

SPRUNG COUCH (OPTION)

| Key | Part Number | U/M | Description |
|-----|---------------|-----|-------------------------------------|
| | 081298-01-U04 | EA | Table Asm. - Pedestal |
| | 009040-03-000 | EA | Base - Table - Raised |
| | 009040-04-000 | EA | Leg - Pedestal Table - 27.5 - Brown |
| | 062046-01-000 | EA | Clip - Pedestal - Table Leg |
| | 041194-01-000 | EA | Base - Flush Mount - Table |
| | 082936-01-U04 | EA | Support - Table |
| | 057472-01-000 | EA | Clip - Panel |
| | 077968-01-000 | EA | Nylon Retainer |
| | 076840-01-000 | EA | Shock Cord Asm. |
| | 072708-04-000 | EA | Frame - Fold Down Couch |

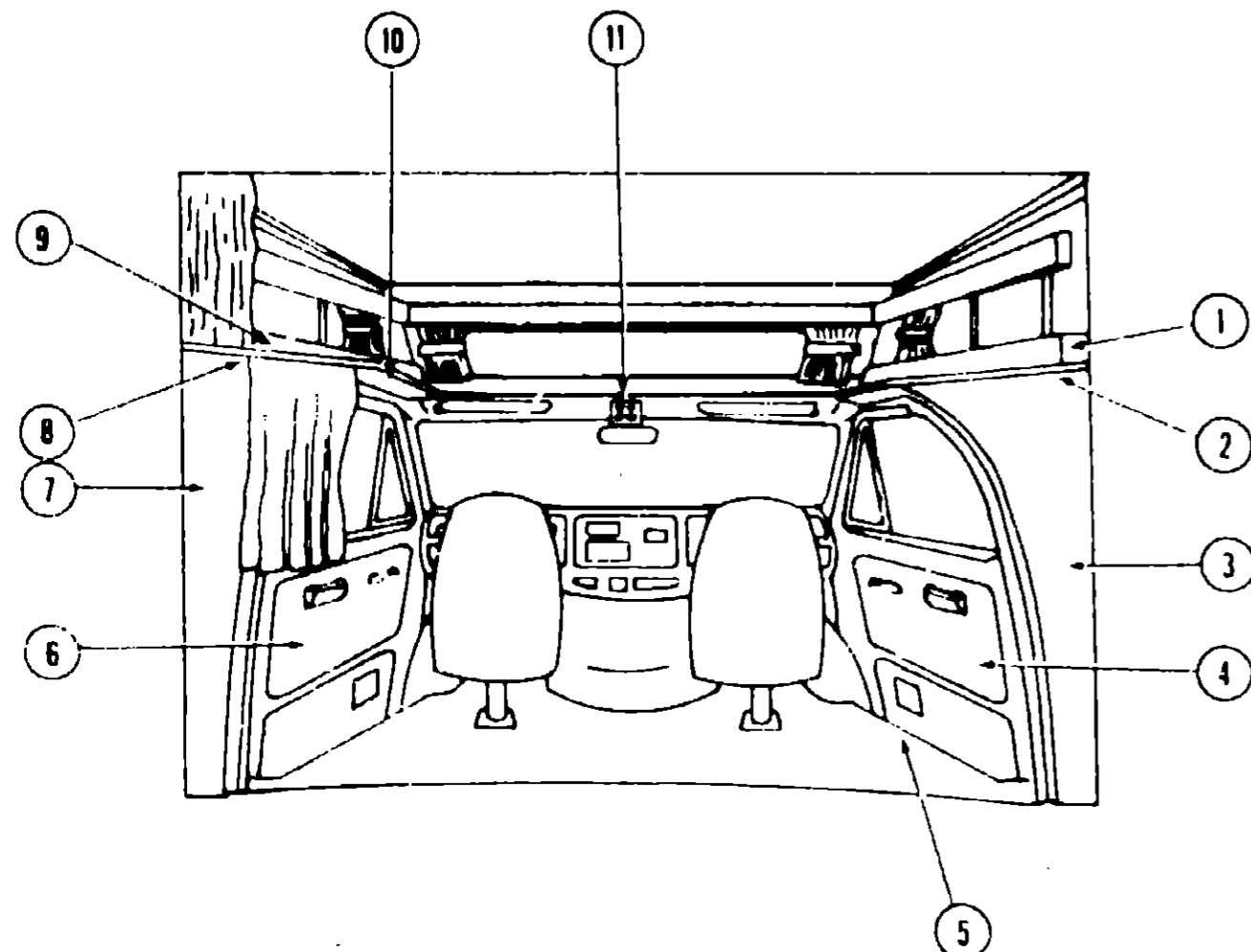
1987 WINNEBAGO TABLE OF CONTENTS

| | |
|---------|-------------|
| WT319RB | A-01 - B-16 |
| WCN22RC | B-17 - D-24 |
| WC421RB | E-01 - F-24 |
| WCP37RO | G-01 - I-14 |

1987 WC421RB INDEX

| | |
|------------------------------------|-------------|
| Floor Plan | E-01 - E-02 |
| Accessories Group | E-03 - E-04 |
| Bath Group | E-05 |
| Chassis Group | E-06 - E-07 |
| Curtain, Cushion & Pad Group | E-08 - E-14 |
| Dinette Group | E-15 - E-16 |
| Driver's Compartment Group | E-17 - E-18 |
| Electrical Group | E-19 - E-21 |
| Exterior Body Group | E-22 - F-04 |
| Galley Group | F-05 - F-06 |
| Heating & Air Conditioning Group | F-07 |
| Interior Finish Group | F-08 - F-10 |
| LP Group | F-11 |
| Lounge Group | F-12 |
| Water & Sewage Group | F-13 - F-14 |
| Window, Vent & Exterior Door Group | F-15 - F-24 |

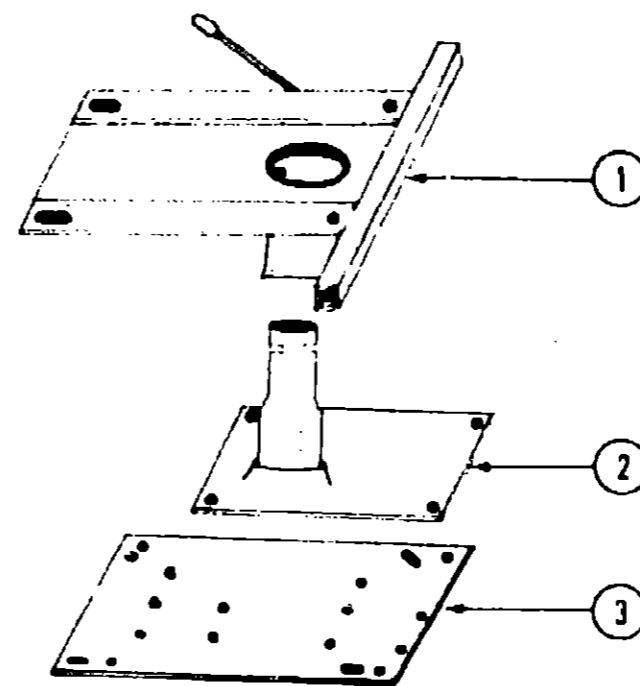
DRIVER'S COMPARTMENT GROUP



MICELLANEOUS DRIVER'S COMPARTMENT COMPONENTS (CHEVY)

| Key | Part Number | U/M | Description |
|-----|---------------|-----|---|
| 1 | 052068-01-W04 | EA | Cabinet Asm. - Headboard - Passenger |
| 2 | M81652-01-W04 | EA | Panel Asm. - Sleeper Board - w/o Vinyl |
| | 079800-01-U01 | EA | Trim - Front - Sleeper Board |
| | 080742-01-000 | FT | Trim - Vinyl - Sleeper Board |
| 3 | M82554-04-W04 | EA | Panel Asm. - Wingwall Transition - Inner Passenger |
| 4 | 059491-01-W04 | EA | Side Panel - Cab Door - Passenger |
| 4 | 059491-01-W05 | EA | Side Panel - Cab Door - Passenger |
| 4 | 059491-01-W06 | EA | Side Panel - Cab Door - Passenger |
| 5 | 074891-01-W04 | EA | Motor Cover - Padded |
| 5 | 074891-01-W05 | EA | Motor Cover - Padded |
| 5 | 074891-01-W06 | EA | Motor Cover - Padded |
| 6 | 059492-01-W04 | EA | Side Panel - Cab Door - Passenger |
| 6 | 059492-01-W05 | EA | Side Panel - Cab Door - Passenger |
| 6 | 059492-01-W06 | EA | Side Panel - Cab Door - Passenger |
| 7 | M82554-05-W04 | EA | Panel Asm. - Wingwall Transition - Inner - Driver |
| 8 | 082069-01-U01 | EA | Accent Trim - Dark Sandrift Vinyl |
| 9 | 082068-02-W04 | EA | Cabinet Asm. - Headboard - Driver |
| 10 | 084591-01-U01 | EA | Headliner Asm. - Overhead Bunk - Vinyl |
| 11 | M01298-03-000 | EA | Console - Overhead - 7.5" x 6.14" - Beige |
| | 064781-01-000 | EA | Cupholder - 3.47" O.D. x 2.75" I.D. x 1.5" - Chrome |
| | 080280-01-000 | EA | Light - Surface - Mount - 12V |
| | 024461-01-000 | EA | Switch - Battery |
| | 024462-01-000 | EA | Switch - Battery Condition |
| | 024976-01-000 | EA | Switch - Generator w/o Circuit Board |
| | 031035-02-000 | EA | Gauge - Generator Hourmeter |
| | 024459-04-000 | EA | Gauge - Voltmeter |
| | 024459-02-000 | EA | Bracket - Mounting - Voltmeter Gauge |
| | | | Not illustrated |

DRIVER'S COMPARTMENT GROUP (CONTINUED)



BUCKET SEAT PEDESTAL & SEAT BELTS

| Key | Part Number | U/M | Description |
|-----|---------------|-----|--|
| 1 | 069585-27-000 | EA | Plate - Top - Pedestal Asm. - Bucket Seat |
| 1 | 069585-20-000 | EA | Plate - Top - Pedestal Asm. - Power Seat |
| 2 | 069585-03-000 | EA | Plate - Sub - Pedestal Asm. - Bucket Seat |
| 2 | 069585-18-000 | EA | Plate - Sub - Pedestal Asm. - Power Seat |
| 3 | 069585-02-000 | EA | Plate - Base - Pedestal Asm. - Bucket Seat |
| | 081373-01-000 | EA | Seat - Power |
| | 069585-05-000 | EA | Hardware Kit - Acorn Nut Bolt (4 ea.) |
| | 056271-02-000 | EA | Belt Asm. - Seat - 2" x 72" - Black |
| | 007021-01-000 | EA | Belt Asm. - Seat - 2" x 90" - Black |
| | 057759-01-000 | EA | Bracket - Seat Belt Washer |
| | 069246-01-000 | EA | Adjuster Asm. - Seat - w/Lock |
| | 069246-02-000 | EA | Adjuster Asm. - Seat - w/o Lock |
| | 080730-02-000 | EA | Recliner Drive - Driver |
| | 080730-01-000 | EA | Recliner Drive - Passenger |
| | 069585-29-000 | EA | Bar - Seat Belt - 20" |
| | | | Not illustrated |

1987 WINNEBAGO TABLE OF CONTENTS

WT319RB
WCN22RC
WC421RB
WCP37RO

A-01 - B-16
B-17 - D-24
E-01 - F-24
G-01 - I-14

1987 WC421RB INDEX

| | |
|------------------------------------|-------------|
| Floor Plan | E-01 - E-02 |
| Accessories Group | E-03 - E-04 |
| Bath Group | E-05 |
| Chassis Group | E-06 - E-07 |
| Curtain, Cushion & Pad Group | E-08 - E-14 |
| Dinette Group | E-15 - E-16 |
| Driver's Compartment Group | E-17 - E-18 |
| Electrical Group | E-19 - E-21 |
| Exterior Body Group | E-22 - F-04 |
| Galley Group | F-05 - F-06 |
| Heating & Air Conditioning Group | F-07 |
| Interior Finish Group | F-08 - F-10 |
| LP Group | F-11 |
| Lounge Group | F-12 |
| Water & Sewage Group | F-13 - F-14 |
| Window, Vent & Exterior Door Group | F-15 - F-24 |

ELECTRICAL GROUP

BULBS

| Key | Part Number | U/M | Description |
|-----|---------------|-----|------------------|
| | 008220-01-000 | EA | Bulb - 12V - 25W |
| | 008103-01-000 | EA | Bulb - 53 |
| | 008213-01-000 | EA | Bulb - 57 |
| | 008214-01-000 | EA | Bulb - 67 |
| | 036196-01-000 | EA | Bulb - 194 |
| | 008215-01-000 | EA | Bulb - 1003 |
| | 067479-01-000 | EA | Bulb - 1076 |
| | 063914-01-000 | EA | Bulb - 1139 |
| | 008218-01-000 | EA | Bulb - 1141 |
| | 037935-01-000 | EA | Bulb - 1157 |
| | 056288-02-000 | EA | Bulb - 9431808 |

FUSES & CIRCUIT BREAKERS

| Key | Part Number | U/M | Description |
|-----|---------------|-----|---|
| | 008233-01-000 | EA | Fuse - 6 Amp. - 12 Volt |
| | 008234-01-000 | EA | Fuse - 10 Amp. - 12 Volt |
| | 008235-01-000 | EA | Fuse - 15 Amp. - 12 Volt |
| | 062901-02-000 | EA | Fuse - 5 Amp. - Automotive |
| | 062901-05-000 | EA | Fuse - 15 Amp. - Automotive |
| | 008211-01-000 | EA | Circuit Breaker - 6 Amp. - 12 Volt |
| | 008208-01-000 | EA | Circuit Breaker - 40 Amp. - 12 Volt |
| | 033573-02-000 | EA | Circuit Breaker - 15 Amp. - 12 Volt - w/Mount |
| | 033573-01-000 | EA | Circuit Breaker - 20 Amp. - 12 Volt - w/Mount |
| | 044466-03-000 | EA | Circuit Breaker - 25 Amp. - 12 Volt - w/Mount |
| | 008268-01-000 | EA | Circuit Breaker - 30 Amp. - 12 Volt - w/Mount |
| | 083209-01-000 | EA | Circuit Breaker - 15 Amp. - 120 Volt |
| | 083210-02-000 | EA | Circuit Breaker - 15 Amp. - 120 Volt (Ground Fault Interrupter) |
| | 075735-02-000 | EA | Circuit Breaker - 15 Amp. - 120 Volt (Ground Fault Interrupter) |
| | 071279-07-000 | EA | Circuit Breaker - 20/20 Amp. - 120 Volt |
| | 071279-05-000 | EA | Circuit Breaker - 20 Amp. - 120 Volt |
| | 083209-03-000 | EA | Circuit Breaker - 15/20 Amp. - 120 Volt |
| | 083209-05-000 | EA | Circuit Breaker - 20 Amp. - 120 Volt |
| | 083209-04-000 | EA | Circuit Breaker - 30 Amp. - 120 Volt |
| | 082122-01-000 | EA | Circuit Breaker - 30 Amp. - 12 Volt |
| | 083209-08-000 | EA | Circuit Breaker Blank |
| | 050283-02-000 | EA | Circuit Breaker - Buss Bar |

ELECTRICAL GROUP (CONTINUED)

WIRE, SWITCHES & RECEPTACLES

| Key | Part Number | U/M | Description |
|-----|---------------|-----|--|
| | 008058-01-000 | EA | Adapter - Power Cord |
| | 008288-01-000 | EA | Box - Electrical - 3" x 3 1/2" - Plastic |
| | 008289-01-000 | EA | Box - Electrical - 4" x 4" - 1/2 & 3/4 Steel - UL |
| | 058049-01-000 | EA | Box - Electrical - 2" x 3" x 2 25" - Steel |
| | 041953-01-000 | EA | Conduit - Convoluted Slit - 5" I D |
| | 008353-01-000 | EA | Connector - Clamping - 3/8 Cable - UL & CSA |
| | 058028-01-000 | EA | Connector - Pigtail - Clear Nylon |
| | 008311-01-000 | EA | Connector - Wire Nut - Red |
| | 031968-01-000 | EA | Contact Plug - Brass - Tin Plated |
| | 031967-01-000 | EA | Contact - Receptacle |
| | 008054-01-000 | EA | Cord - Power - 10-3 30 Amp. - 25' - UL |
| | 008052-01-000 | EA | Cord - Power - 10-3 30 Amp. - 25' - CSA |
| | 069238-01-000 | EA | Cover - Electrical Box - 4" x 4" |
| | 008164-01-000 | EA | Cover Plate - Switch - Brown |
| | 008294-01-000 | EA | Cover - Flat Blank - 4" x 4" - Steel - US |
| | 008277-01-000 | EA | Fuse Holder - Panel Mount - Black |
| | 064399-01-000 | EA | Housing Asm. - Trailer Pin |
| | 064450-01-000 | EA | Housing Asm. - Trailer Plug |
| | 064398-01-000 | EA | Housing Asm. - Trailer Receptacle |
| | 054532-01-000 | EA | Housing Pin - 6 Position |
| | 046885-01-000 | EA | Plaque - Mounting Switch |
| | 075736-02-000 | EA | Receptacle/Cover Asm. - Off White (Exterior) |
| | 058708-01-000 | EA | Receptacle - Duplex - Brown |
| | 058708-02-000 | EA | Receptacle - Duplex - Ivory |
| | 053126-02-000 | EA | Receptacle - Ground Fault Interrupter - 125 Volt - Ivory |
| | 024924-02-000 | EA | Receptacle - Power Cord |
| | 058707-01-000 | EA | Receptacle - Single - Brown |
| | 063912-01-000 | EA | Relay - Canister SPDT w Ground |
| | 075723-01-000 | EA | Switch - Block Spacer - w/o Holes |
| | 075723-02-000 | EA | Switch - Block Spacer - w Holes |
| | 056264-01-000 | EA | Switch - Leaf Actuator |
| | 079362-01-000 | EA | Switch Plate - 3 Gang - 2 Switches |
| | 079363-01-000 | EA | Switch Plate - Single - w Switches |
| | 079364-01-000 | EA | Switch - On/Off Rocker - Brown |
| | 00195-01-000 | EA | Switch - Push Button - 12 Volt |
| | 00163-01-000 | EA | Switch - Toggle - Brown |
| | 00143-02-000 | EA | Terminal - 250 Receptacle - 12-10 AWG |
| | 008348-01-000 | EA | Terminal Ring - 2 - w/3 8 Stud |
| | 008331-01-000 | EA | Terminal Ring - 4 - w/3 8 Stud |
| | 008328-01-000 | EA | Terminal Ring - 12 10 Wire |
| | 008028-01-000 | FT | Wire - 18 5 Bonded - Blue/Red/Yellow/Orange/White |
| | 008024-01-000 | FT | Wire - 18 5 Bonded - Orange/White/Yellow/Blue/Brown |
| | 008025-01-000 | FT | Wire - 18 5 Bonded - Orange/White/Yellow/Blue/Green |
| | 008026-01-000 | FT | Wire w. Ground - Romex - 12 2 |

1987 WINNEBAGO TABLE OF CONTENTS

| | |
|---------|-------------|
| WT319RB | A-01 - B-16 |
| WCN22RC | B-17 - D-24 |
| WC421RB | E-01 - F-24 |
| WCP37RO | G-01 - I-14 |

1987 WC421RB INDEX

| | |
|------------------------------------|-------------|
| Floor Plan | E-01 - E-02 |
| Accessories Group | E-03 - E-04 |
| Bath Group | E-05 |
| Chassis Group | E-06 - E-07 |
| Curtain, Cushion & Pad Group | E-08 - E-14 |
| Dinette Group | E-15 - E-16 |
| Driver's Compartment Group | E-17 - E-18 |
| Electrical Group | E-19 - E-21 |
| Exterior Body Group | E-22 - F-04 |
| Galley Group | F-05 - F-06 |
| Heating & Air Conditioning Group | F-07 |
| Interior Finish Group | F-08 - F-10 |
| LP Group | F-11 |
| Lounge Group | F-12 |
| Water & Sewage Group | F-13 - F-14 |
| Window, Vent & Exterior Door Group | F-15 - F-24 |

ELECTRICAL GROUP (CONTINUED)

EXTERIOR LIGHTS

| Key | Part Number | U/M | Description |
|-----|---------------|-----|--|
| | 058032-01-000 | EA | Tail Lamp Asm. - 2 Bulb - Chrome - Driver Passenger |
| | 059540-01-000 | EA | Bracket - License Plate |
| | 062742-04-000 | EA | Wedge - Tail Lamp w/License Plate - Left - Off White |
| | 062740-04-000 | EA | Wedge - Tail Lamp - Right - Off White |
| | 042405-03-000 | EA | Base - Rectangular Clearance Light |
| | 042405-01-000 | EA | Lens - Clearance Light - Red w Reflex |
| | 042405-04-000 | EA | Lens - Clearance Light - Red w/o Reflex |
| | 042405-02-000 | EA | Lens - Clearance Light - Amber w Reflex |
| | 042405-05-000 | EA | Lens - Clearance Light - Amber w/o Reflex |
| | 048817-01-000 | EA | Assist Handle Asm. w/Light |
| | 041332-02-000 | EA | Reflector - Self Adhesive |

INTERIOR LIGHT

| Key | Part Number | U/M | Description |
|-----|---------------|-----|--|
| | 065202-03-000 | EA | Lamp - Decor - Wall - Brass - 2 Bulb |
| | 033508-02-000 | EA | Light - Dome - Ivory - 1 Bulb - US |
| | 033508-03-000 | EA | Light - Dome - Ivory - 1 Bulb - CSA |
| | 033509-02-000 | EA | Light - Dome - Ivory - 2 Bulb - US |
| | 078424-02-000 | EA | Light - Florescent - 12V |
| | 086280-01-000 | EA | Light - Surface Mount - 12V |
| | 061424-01-000 | EA | Light - 12V Receptacle - Aisle - IP |
| | 007309-01-000 | EA | Light - Step Well |
| | 072353-08-000 | EA | Light - Reading - High Intensity - Jensen - Almond |
| | 068937-04-000 | EA | Light - Dome - Surface - No Switch |
| | 086280-01-000 | EA | Light - Surface Mount - 12 Volt |

MISCELLANEOUS ELECTRICAL COMPONENTS

| Key | Part Number | U/M | Description |
|-----|---------------|-----|---------------------------------|
| | 008188-01-000 | EA | Solenoid - Dual Battery - Relay |
| | 083208-01-000 | EA | Convertor - 120 Amp. w/Charger |
| | 083208-01-000 | EA | Control Center - 32A - 120V/12V |
| | 082586-01-000 | EA | Lamp - Table - Brass w/Wood |
| | 082686-02-000 | EA | Shade - Table Lamp |

EXTERIOR BODY GROUP

MISCELLANEOUS EXTERNALLY MOUNTED PARTS

| Key | Part Number | U/M | Description |
|-----|---------------|-----|--|
| | 083558-01-000 | EA | Plumbing Seal - Roof Vent - 1.5 |
| | 048817-01-000 | EA | Assist Handle - w/Light |
| | 048817-01-700 | EA | Lens - Assist Handle |
| | 010230-02-000 | EA | Fill - City Water - Recessed - Off White |
| | 081240-03-000 | EA | Water Fill - Lockable - White |
| | 078200-01-000 | EA | Gasket - Fuel Fill |
| | 063303-04-000 | EA | Shroud - Fuel Fill - Lower |
| | 079384-01-000 | EA | Running Board Set - w/Wheel Fiares |
| | 079384-01-700 | EA | Hardware Set - Running Board |
| | 079384-01-701 | EA | Riser - Molding |
| | 079384-01-702 | EA | Wheel - Trim - Chrome |
| | 080359-01-000 | EA | Plate - Step Well |

LABELS, DECALS & EXTERIOR PAINT

| Key | Part Number | U/M | Description |
|-----|---------------|-----|--|
| | 068383-01-000 | EA | Label - Diesel Fuel |
| | 006195-01-000 | EA | Label - Electrical Test |
| | 047731-01-000 | EA | Label - Emergency Exit |
| | 006193-01-000 | EA | Label - Exit - Escape Window |
| | 057467-04-000 | EA | Label - Exterior Loading Limit |
| | 064378-01-000 | EA | Label - Flying "W" w/Thermo Panel |
| | 061417-01-000 | EA | Label - Fuel |
| | 006196-01-000 | EA | Label - Gas Test |
| | 054531-01-000 | EA | Label - LP Gas Only |
| | 040944-01-000 | EA | Label - Open - Entrance Door |
| | 006015-01-000 | EA | Label - Patent Motor Home |
| | 056259-01-000 | EA | Label - Safety Check List |
| | 006064-01-000 | EA | Label - Seat - w/o Seat Belts |
| | 006187-01-000 | EA | Label - Sewage |
| | 006006-01-000 | EA | Label - Thermo Panel - 2 1/4" x 2 1/4" |
| | 075221-01-000 | EA | Label - Trailer Hitch Capacity |
| | 075220-01-000 | EA | Label - Warning - Exterior Load Limit |
| | 077956-01-000 | EA | Label - Warning - Smoke Detector |
| | 050225-01-000 | EA | Label - Warning - Stove Vent - US |
| | 006188-01-000 | EA | Label - Waste Water |
| | 006197-01-000 | EA | Label - Water Test |
| | 072863-01-000 | EA | Nameplate - Diesel - 6 2L |
| | 006062-01-000 | EA | Tag - Electrical - 110 Volt Connection |
| | 006040-01-000 | EA | Tag - Gas - Refueling Warning |
| | 044486-03-000 | EA | Paint - Beige Acrylic Enamel - 16 oz Aerosol (7633A Dupont) |
| | 045681-03-000 | EA | Paint - Gloss Black - Acrylic Enamel - 16 oz Aerosol (99 Dupont) |
| | 058637-05-000 | EA | Paint - Gray Acrylic Enamel - 16 oz Aerosol (71537 Dupont) |
| | 041561-03-000 | EA | Paint - Off White Acrylic Enamel - 16 oz Aerosol (45396A Dupont) |
| | 074559-01-000 | EA | Label - "LPG" 3 3/4" x 1 7/8" (Calif Code) |

1987 WINNEBAGO TABLE OF CONTENTS

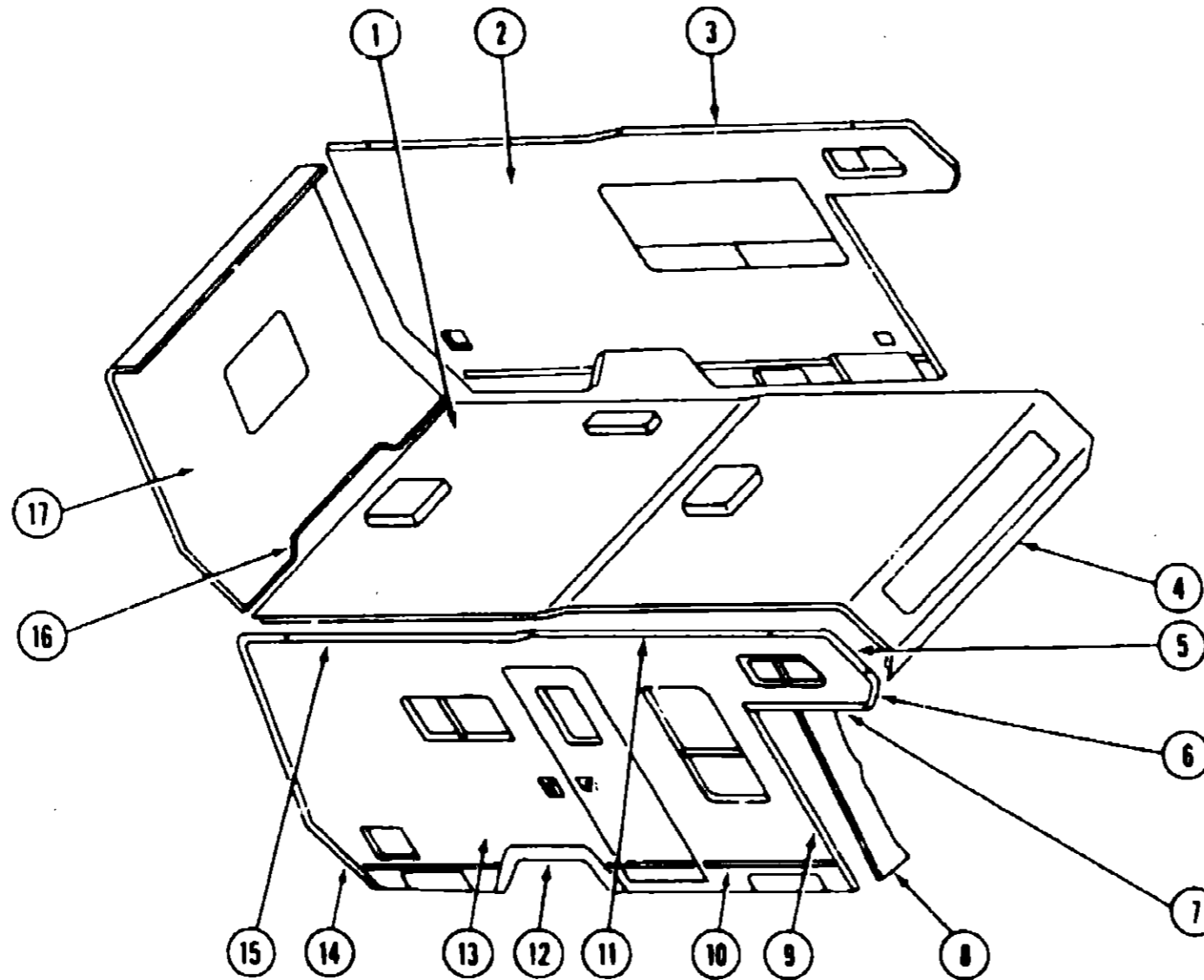
| | |
|---------|-------------|
| WT319RB | A-01 - B-16 |
| WCN22RC | B-17 - D-24 |
| WC421RB | E-01 - F-24 |
| WCP37RO | G-01 - I-14 |

1987 WC421RB INDEX

| | |
|------------------------------------|-------------|
| Floor Plan | E-01 - E-02 |
| Accessories Group | E-03 - E-04 |
| Bath Group | E-05 |
| Chassis Group | E-06 - E-07 |
| Curtain, Cushion & Pad Group | E-08 - E-14 |
| Dinette Group | E-15 - E-16 |
| Driver's Compartment Group | E-17 - E-18 |
| Electrical Group | E-19 - E-21 |
| Exterior Body Group | E-22 - F-04 |
| Galley Group | F-05 - F-06 |
| Heating & Air Conditioning Group | F-07 |
| Interior Finish Group | F-08 - F-10 |
| LP Group | F-11 |
| Lounge Group | F-12 |
| Water & Sewage Group | F-13 - F-14 |
| Window, Vent & Exterior Door Group | F-15 - F-24 |

EXTERIOR BODY GROUP (CONTINUED)

EXTERIOR BODY PANELS



| Key | Part Number | U/M | Description |
|-----|---------------|-----|---|
| 1 | M86325-01-W04 | EA | Roof Asm. |
| • | M76177-01-700 | EA | Roof Section - Cab Over To First Seam |
| 2 | M86313-01-W04 | EA | Sidewall Asm. - Driver |
| 3 | 076802-08-000 | EA | Trim - Contour - Upper Front - Driver - Off White |
| • | 076802-07-000 | EA | Trim - Contour - Upper Front - Passenger - Off White |
| 4 | 039644-08-000 | EA | Trim - Sleeper Board - Front - Off White |
| • | M81652-01-W04 | EA | Sleeperboard Asm. |
| 5 | 085490-01-000 | EA | Trim - Contour - Front - Passenger - Off White |
| • | 065490-02-000 | EA | Trim - Contour - Front - Driver - Off White |
| 6 | 086889-01-000 | EA | Trim - Front Radius - Plastic - Passenger - Off White |
| • | 086889-02-000 | EA | Trim - Front Radius - Plastic - Driver - Off White |
| 7 | 076975-05-000 | EA | Trim - Wingwall - 52.7" - Passenger - Off White |
| • | 076975-06-000 | EA | Trim - Wingwall - 52.7" - Driver - Off White |
| 8 | M82343-01-U01 | EA | Wingwall Asm. - Passenger |
| • | M82343-02-U01 | EA | Wingwall Asm. - Driver |
| 9 | 076975-03-000 | EA | Trim - Wingwall Transition - Passenger - Off White |
| • | 076975-04-000 | EA | Trim - Wingwall Transition - Driver - Off White |
| 10 | 002444-01-001 | EA | Feature Strip - w/o Insert - Extr. - 14" - Brown |
| • | 001030-02-003 | EA | Insert - Feature Strip - 17" - Stucco - Off White |
| • | 009731-01-000 | EA | End Cap - Feature Strip |
| 11 | 076802-07-000 | EA | Trim - Contour - Upper Front - Passenger - Off White |
| • | 076802-08-000 | EA | Trim - Contour - Upper Front - Driver - Off White |

| Key | Part Number | U/M | Description |
|-----|---------------|-----|---|
| 12 | 075189-03-000 | EA | Trim - Wheel Well - Rear Passenger - Off White |
| • | 075189-04-000 | EA | Trim - Wheelwell - Rear Driver - Off White |
| 13 | M86312-01-W04 | EA | Sidewall Asm. - Passenger |
| • | M86312-01-W05 | EA | Sidewall Asm. - Passenger |
| • | M86312-01-W06 | EA | Sidewall Asm. - Passenger |
| 14 | 076805-01-000 | EA | Trim - Contour - Rear Passenger - Off White |
| • | 076805-02-000 | EA | Trim - Contour - Rear Driver - Off White |
| 15 | 077339-11-000 | EA | Trim - Contour - Upper Rear Passenger - Off White |
| • | 077339-12-000 | EA | Trim - Contour - Upper Rear Driver - Off White |
| 16 | 074966-02-000 | EA | Trim - Backwall - Lower - Passenger or Driver |
| 17 | M82397-01-W04 | EA | Backwall Asm. |
| • | 002365-01-001 | EA | U-Channel - Extrusion - 1" x 18" |
| • | 002776-01-001 | EA | U-Channel - Extrusion - 1.75" x 16" |
| • | 077514-04-001 | EA | Fiberglass Sheet - 48 08" x 259" - Mesa - Off White |
| • | 077517-04-002 | EA | Fiberglass Sheet - 48 08" x 60" - Mesa - Off White |
| • | 001054-01-011 | EA | Alum. - No Design - 48" x 96" - Jlf White |
| • | 000868-01-000 | SF | Styrofoam - 75" x 24" x 96" |
| • | 000870-05-000 | SF | Styrofoam - 50" x 24" x 96" |
| • | 000870-03-000 | SF | Styrofoam - 1 34" x 42" x 96" |
| • | | | Not illustrated |

1987 WINNEBAGO TABLE OF CONTENTS

WT319RB
WCN22RC
WC421RB
WCP37RO

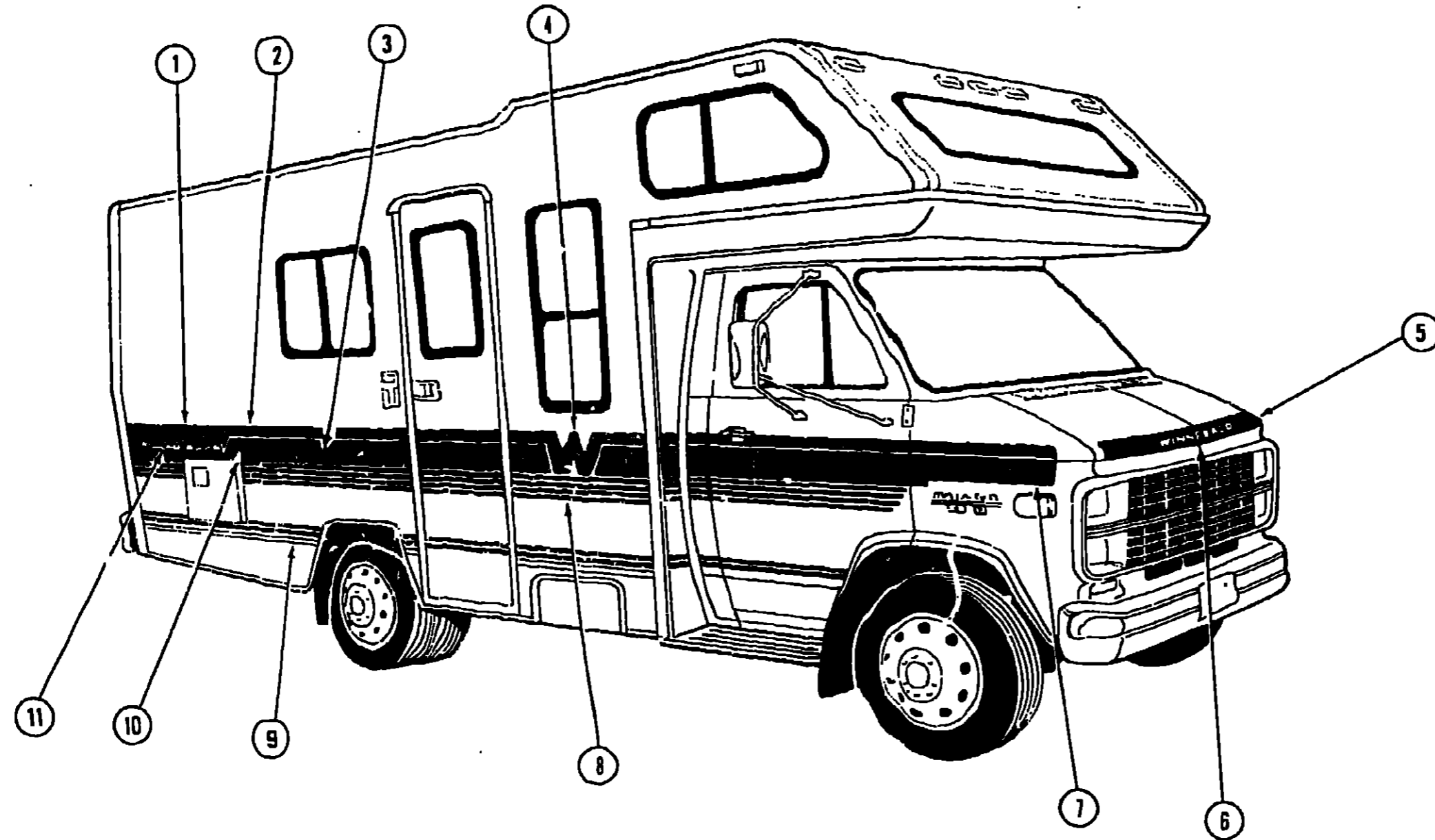
A-01 - B-16
B-17 - D-24
E-01 - F-24
G-01 - I-14

1987 WC421RB INDEX

| | |
|------------------------------------|-------------|
| Floor Plan | E-01 - E-02 |
| Accessories Group | E-03 - E-04 |
| Bath Group | E-05 |
| Chassis Group | E-06 - E-07 |
| Curtain, Cushion & Pad Group | E-08 - E-14 |
| Dinette Group | E-15 - E-16 |
| Driver's Compartment Group | E-17 - E-18 |
| Electrical Group | E-19 - E-21 |
| Exterior Body Group | E-22 - F-04 |
| Galley Group | F-05 - F-06 |
| Heating & Air Conditioning Group | F-07 |
| Interior Finish Group | F-08 - F-10 |
| LP Group | F-11 |
| Lounge Group | F-12 |
| Water & Sewage Group | F-13 - F-14 |
| Window, Vent & Exterior Door Group | F-15 - F-24 |

EXTERIOR BODY GROUP (CONTINUED)

LABELS, DECALS & EXTERIOR PAINT



1987 WINNEBAGO TABLE OF CONTENTS

WT319RB
WCN22RC
WC421RB
WCP37RU

A-01 - B-16
B-17 - D-24
E-01 - F-24
G-01 - I-14

1987 WC421RB INDEX

| | |
|------------------------------------|-------------|
| Floor Plan | E-01 - E-02 |
| Accessories Group | E-03 - E-04 |
| Bath Group | E-05 |
| Chassis Group | E-06 - E-07 |
| Curtain, Cushion & Pad Group | E-08 - E-14 |
| Dinette Group | E-15 - E-16 |
| Driver's Compartment Group | E-17 - E-18 |
| Electrical Group | E-19 - E-21 |
| Exterior Body Group | E-22 - F-04 |
| Galley Group | F-05 - F-06 |
| Heating & Air Conditioning Group | F-07 |
| Interior Finish Group | F-08 - F-10 |
| LP Group | F-11 |
| Lounge Group | F-12 |
| Water & Sewage Group | F-13 - F-14 |
| Window, Vent & Exterior Door Group | F-15 - F-24 |

| Key | Part Number | U/M | Description |
|-----|---------------|-----|---|
| 1 | 085297-01-000 | EA | Decal - Rear - Right - Light Green (W04) |
| 1 | 085297-03-000 | EA | Decal - Rear - Right - Rose (W05) |
| 1 | 085297-05-000 | EA | Decal - Rear - Right - Brown (W06) |
| 1 | 085297-02-000 | EA | Decal - Rear - Left - Light Green (W04) |
| 1 | 085297-04-000 | EA | Decal - Rear - Left - Rose (W05) |
| 1 | 085297-06-000 | EA | Decal - Rear - Left - Brown (W06) |
| 2 | 078831-21-000 | FT | Decal Striping - 1.75" x 150' - Light Green (W04) |
| 2 | 078831-22-000 | FT | Decal Striping - 1.75" x 150' - Rose (W05) |
| 2 | 078831-23-000 | FT | Decal Striping - 1.75" x 150' - Brown (W06) |
| 3 | 078831-24-000 | FT | Decal Striping - 4.85" x 150' - Light Green (W04) |
| 3 | 078831-25-000 | FT | Decal Striping - 4.85" x 150' - Rose (W05) |
| 3 | 078831-26-000 | FT | Decal Striping - 4.85" x 150' - Brown (W06) |
| 4 | 079351-07-000 | EA | Decal - Flying "W" - Light Green (W04) |
| 4 | 079351-08-000 | EA | Decal - Flying "W" - Rose (W05) |
| 4 | 079351-09-000 | EA | Decal - Flying "W" - Brown (W06) |
| 5 | 081944-04-000 | EA | Decal - Hood - Light Green (W04) |
| 5 | 081944-05-000 | EA | Decal - Hood - Rose (W05) |
| 5 | 081944-06-000 | EA | Decal - Hood - Brown (W06) |
| 6 | 069745-03-000 | EA | Decal - "Winnie" - Chrome |
| 6 | 069745-04-000 | EA | Decal - "Bago" - Chrome |

| Key | Part Number | U/M | Description |
|-----|-----------------|-----|---|
| 7 | 085323-01-000 | EA | Decal - Cab Side - Right - Light Green (W04) |
| 7 | 085323-03-000 | EA | Decal - Cab Side - Right - Rose (W05) |
| 7 | 085323-05-000 | EA | Decal - Cab Side - Right - Brown (W06) |
| 7 | 085323-02-000 | EA | Decal - Cab Side - Left - Light Green (W04) |
| 7 | 085323-04-000 | EA | Decal - Cab Side - Left - Rose (W05) |
| 7 | 085323-06-000 | EA | Decal - Cab Side - Left - Brown (W06) |
| 8 | 078196-14-000 | FT | Film - Multistripe - 4.50" x 150' - Peach (W04, W06) |
| 8 | 078196-15-000 | FT | Film - Multistripe - 4.50" x 150' - Burgundy (W05) |
| 9 | 065217-D4-000 | FT | Film - Multistripe - 2.40" x 150' - Light Green/Peach (W04) |
| 9 | 065217-D5-000 | FT | Film - Multistripe - 2.40" x 150' - Rose/Burgundy (W05) |
| 9 | 065217-D6-000 | FT | Film - Multistripe - 2.40" x 150' - Brown/Peach (W06) |
| 10 | 085297-07-000 | EA | Decal - Rear - Right - Light Green (W04) |
| 10 | 085297-09-000 | EA | Decal - Rear - Right - Rose (W05) |
| 10 | 085297-11-000 | EA | Decal - Rear - Right - Brown (W06) |
| 10 | 085297-08-000 | EA | Decal - Rear - Left - Light Green (W04) |
| 10 | 085297-10-000 | EA | Decal - Rear - Left - Rose (W05) |
| 10 | 085297-12-000 | EA | Decal - Rear - Left - Brown (W06) |
| 11 | 075478-01-000 | EA | Decal - Logo - "Minnie Winnie" - Chrome |
| 11 | 050313-22-000 | EA | Decal - Logo - "Winnebago" - 2.80" - Chrome |
| 11 | Not illustrated | | |

EXTERIOR BODY GROUP (CONTINUED)

INTERIOR/EXTERIOR SCREWS & FASTENERS

| Key | Part Number | U/M | Description |
|-----|---------------|-----|--|
| | 005200-01-000 | EA | Bolt - Round Head - Square Neck w/ SST Cap - 7/16" - 14 x 1 1/4" |
| | 058279-01-000 | EA | Clip - Mounting - Front Panel |
| | 035628-01-000 | EA | Fastener - Blind Well Nut - 1 05" x 38" |
| | 000D15-06-00B | EA | Nut - Hex - 3/8" x 24 - Zinc |
| | 005081-01-000 | EA | Nut - Speed - C Type - #8 Screw |
| | 000G54-04-20B | EA | Screw 1/4 - 20 x 1 1/4" PTH - Zinc |
| | 000G54-04-22B | EA | Screw 1/4 - 20 x 1 3/8" PTH - Zinc |
| | 000G53-04-06B | EA | Screw 1/4 - Machine - 20 x 3/8" PTH - Zinc |
| | 000G13-06-12P | EA | Screw #6 - 20 x 3/4" PFH - Dark Brown |
| | 000G13-06-28X | EA | Screw #6 - 20 x 3/4" PFH - Gray |
| | 000G13-06-16R | EA | Screw #6 - 20 x 1" PFH - Beige |
| | 000G11-07-08B | EA | Screw #7 - 19 x 1/2" PPH - Zinc |
| | 000G12-08-12M | EA | Screw #8 - 18 x 3/4" POH - Gray |
| | 000G11-08-12R | EA | Screw #8 - 18 x 3/4" PPH - Beige |
| | 000G11-08-12X | EA | Screw #8 - 18 x 3/4" PPH - Gray |
| | 000G11-08-12B | EA | Screw #8 - 18 x 3/4" PPH - Zinc |
| | 000G39-08-12R | EA | Screw #8 - 18 x 3/4" SDPH - Beige |
| | 000G66-08-12M | EA | Screw #8 - 18 x 3/4" SDPH - Gray |
| | 000G11-08-16R | EA | Screw #8 - 18 x 1" PFH - Gray |
| | 000G66-08-16R | EA | Screw #8 - 18 x 1" SDPH - Beige |
| | 000G12-08-28R | EA | Screw #8 - 18 x 1 3/4" POH - Beige |
| | 000G36-08-08E | EA | Screw #8 - 32 x 1/2" PFH - Chrome |
| | 000G39-08-08B | EA | Screw #8 - Self Drilling - 18 x 1/2" PPH - Zinc |
| | 000G39-08-12B | EA | Screw #8 - Self Drilling - 18 x 3/4" PPH - Zinc |
| | 000G39-08-12R | EA | Screw #8 - Self Drilling - 18 x 3/4" PPH - Beige |
| | 000G39-08-16R | EA | Screw #8 - Self Drilling - 18 x 1" PPH - Beige |
| | 000G39-08-16T | EA | Screw #8 - Self Drilling - 18 x 1" PPH - Black |
| | 000G39-08-16P | EA | Screw #8 - Self Drilling - 18 x 1" PPH - Dark Brown |
| | 000G39-08-16X | EA | Screw #8 - Self Drilling - 18 x 1" PPH - Gray |
| | 000G39-08-16E | EA | Screw #8 - Self Drilling - 18 x 1" PPH - Chrome |
| | 000G64-08-16M | EA | Screw #8 - Self Drilling - 16 x 1" SDPH - Gray |
| | 000G67-10-08B | EA | Screw #10 - 12 x 1/2" PPH - Zinc |
| | 000G67-10-10R | EA | Screw #10 - 12 x 5/8" PPH - Beige |
| | 000G67-10-16P | EA | Screw #10 - 12 x 1" PPH - Dark Brown |
| | 000G67-10-16B | EA | Screw #10 - 12 x 1" PPH - Zinc |
| | 000G67-10-20B | EA | Screw #10 - 12 x 1 1/4" PPH - Zinc |
| | 000G67-10-24B | EA | Screw #10 - 12 x 1 1/2" PPH - Zinc |
| | 049465-04-000 | EA | Screw #10 - 16 x 1" POH - w/Washer - Beige |
| | 049465-05-000 | EA | Screw #10 - 16 x 1" POH - w/Washer - Gray |
| | 000G12-10-24E | EA | Screw #10 - 16 x 1 1/2" POH - Chrome |
| | 000G11-10-08D | EA | Screw #10 - 16 x 1/2" PPH - Dark Brown |
| | 000G11-10-12R | EA | Screw #10 - 16 x 3/4" PPH - Beige |
| | 000G11-10-12S | EA | Screw #10 - 16 x 3/4" PPH - Off White |
| | 000G11-10-12B | EA | Screw #10 - 16 x 3/4" PPH - Zinc |
| | 000G11-10-16B | EA | Screw #10 - 16 x 1" PPH - Zinc |
| | 000G11-10-10B | EA | Screw #10 - 16 x 2 1/2" PPH - CAD |
| | 000G19-10-12B | EA | Screw #10 - Machine - 32 TPI x 3/4" |
| | 075908-01-000 | EA | Screw #10 - Machine - 32 x 56" PTH - Zinc |
| | 000G19-10-20B | EA | Screw #10 - Machine - 32 x 1 1/4" PPH - Zinc |
| | 000G39-12-12E | EA | Screw #10 - Self Drilling - 14 x 3/4" PPH - Chrome |
| | 000G39-10-10R | EA | Screw #10 - Self Drilling - 16 x 62" PPH - Beige |
| | 000G39-10-12R | EA | Screw #10 - Self Drilling - 16 x 3/4" PPH - Beige |
| | 000G39-10-12P | EA | Screw #10 - Self Drilling - 16 x 3/4" PPH - Dark Brown |
| | 000G56-10-48C | EA | Screw #12 - Wood - 11 x 3" POH - CAD |

EXTERIOR BODY GROUP (CONTINUED)

SEALANTS & ADHESIVES

| Key | Part Number | U/M | Description |
|-----|---------------|-----|--|
| | 004020-01-000 | QT | Adhesive - ABS Cement (Plastic Fittings) |
| | 002337-01-000 | EA | Adhesive - 1300 Tube - 3M (Windows) |
| | 004005-02-000 | GL | Adhesive - Swifts - Glue (Sidewalls) |
| | 053766-07-000 | EA | Bedding Compound - Tube - Beige (Exterior) |
| | 053766-06-000 | EA | Bedding Compound - Tube - Clear (Window) |
| | 053766-08-000 | EA | Bedding Compound - Tube - Gray (Exterior) |
| | 053766-05-000 | EA | Bedding Compound - Tube - Gray (Sidewalls to Floor) |
| | 053763-02-000 | EA | Bedding Compound - Tube - Off White (Exterior) |
| | 002328-02-000 | EA | Block - Rubber Spacer (Windshield) |
| | 004336-01-000 | EA | Cauk - Latex - Golden Walnut (Sidewalls) |
| | 072891-02-000 | QT | Primer - Glass - Black |
| | 072891-01-000 | QT | Primer - Glass - Clear |
| | 035024-01-000 | EA | Primer - Glass - Clear - Windshield |
| | 072890-01-000 | QT | Primer - Metal - Black |
| | 035023-01-000 | GL | Primer - Metal - Windshield |
| | 077967-01-000 | EA | Sealant - Acrylic Latex - Tube - Off White (Interior Sealant) |
| | 034552-04-000 | EA | Sealant - Silicone - Beige |
| | 034552-02-000 | EA | Sealant - Silicone - Clear |
| | 034552-07-000 | EA | Sealant - Silicone - Dark Gray |
| | 034552-06-000 | EA | Sealant - Silicone - Off White |
| | 069637-01-000 | EA | Sealant - Weatherban 404 - Tube - White (Door Caulk) |
| | 072889-01-000 | EA | Sealant - Urethane - Black (Windshield) |
| | 069640-01-000 | FT | Sealer Ribbon - .25" Bead x 20' |
| | 069640-02-000 | FT | Sealer Ribbon - 5" x 125" x 30' |
| | 069640-03-000 | FT | Sealer Ribbon - 75" x 125" x 30' |
| | 069640-04-000 | FT | Sealer Ribbon - 2" x 09" x 45' (P Series) |
| | 069640-05-000 | FT | Sealer Ribbon - 2 5" x 09" x 50' |
| | 069640-06-000 | FT | Sealer Ribbon - 5'16" Bead x 15' |
| | 069640-07-000 | FT | Sealer Ribbon - 2" x 3'32" x 30' |
| | 002316-01-000 | FT | Sealer Tape - 3'32" x 3.8" - White (Window) |
| | 002707-01-000 | FT | Sealer Tape - 5'16" x 3.4" |
| | 002707-02-000 | FT | Sealer Tape - 5'16" x 1.2" |
| | 040545-01-000 | GL | Sealer - Seam Weld |
| | 053752-04-000 | EA | Seam Sealer - Tube - Aluminum (Roof) |
| | 053642-01-000 | FT | Tape - Adhesive - 10 mm, x 1.5" Wide |
| | 036886-01-000 | EA | Tape - Butyl - 31" x 31" x 148" (Windshield) |
| | 076322-01-000 | FT | Tape - Foam - Double Coated - 025 x 1" (Fiberglass Sidewall Seams) |
| | 076322-02-000 | FT | Tape - Foam - Double Coated - 045 x 1" (Fiberglass Sidewall Seams) |
| | 009200-01-000 | EA | Tape - Furnace - 1.5" |
| | 002825-01-000 | FT | Weather Striping (Roof Vent) |

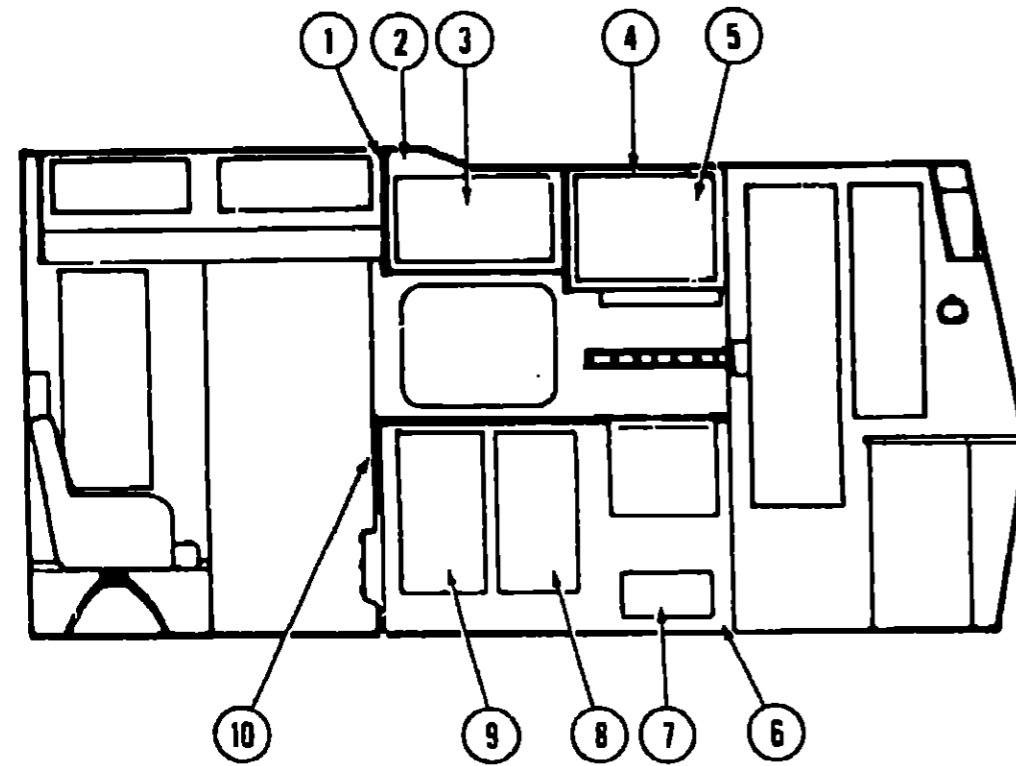
**1987 WINNEBAGO
TABLE OF CONTENTS**

| | |
|---------|-------------|
| WT319RB | A-01 - B-16 |
| WCN22RC | B-17 - D-24 |
| WC421RB | E-01 - F-24 |
| WCP37RO | G-01 - I-14 |

1987 WC421RB INDEX

| | |
|------------------------------------|-------------|
| Floor Plan | E-01 - E-02 |
| Accessories Group | E-03 - E-04 |
| Bath Group | E-05 |
| Chassis Group | E-06 - E-07 |
| Curtain, Cushion & Pad Group | E-08 - E-14 |
| Dinette Group | E-15 - E-16 |
| Driver's Compartment Group | E-17 - E-18 |
| Electrical Group | E-19 - E-21 |
| Exterior Body Group | E-22 - F-04 |
| Galley Group | F-05 - F-06 |
| Heating & Air Conditioning Group | F-07 |
| Interior Finish Group | F-08 - F-10 |
| LP Group | F-11 |
| Lounge Group | F-12 |
| Water & Sewage Group | F-13 - F-14 |
| Window, Vent & Exterior Door Group | F-15 - F-24 |

GALLEY GROUP



GALLEY CABINETRY

| Key | Part Number | U/M | Description |
|-----|----------------------------------|-----|--|
| 1 | 081280-06-U01 | EA | Pad Asm - End Cap - Galley Overhead - Left - Vinyl |
| 2 | 083137-01-W04 | EA | Cabinet Asm - Galley Overhead - w/o Doors or Hardware |
| 3 | M81523-02-W04 | EA | Door Asm - Galley Overhead - 15 3" x 27 2" - w/o Hardware |
| 4 | 081460-02-W04 | EA | Cabinet Asm - Microwave Cabinet - w/o Door or Hardware |
| 5 | 081280-10-U01 | EA | Pad Asm - End Cap - Microwave Cabinet - Vinyl |
| 5 | M81523-01-W04 | EA | Door Asm - Microwave Overhead - 18 2" x 24" - w/o Hardware |
| 6 | M83136-01-W04 | EA | Cabinet Asm - Galley - w/o Doors or Hardware |
| ** | M83136-03-W04 | EA | Cabinet Asm - Galley - w/o Doors or Hardware |
| 7 | M02553-01-W04 | EA | Countertop Asm - Galley |
| 7 | M81501-75-W04 | EA | Door Asm - Galley - 17 6" x 22" - w/o Hardware |
| ** | M82184-01-W04 | EA | Drawer Asm - Galley Cabinet - w/o Hardware |
| 8 | M81501-02-W04 | EA | Door Asm - Galley Cabinet - 33 4" x 14 3" - w/o Hardware |
| 9 | M81501-03-W04 | EA | Door Asm - Galley Cabinet - 33 4" x 14 3" - w/o Hardware |
| 10 | 080812-03-W04 | EA | Extension Asm - Galley Countertop - w/o Hardware |
| 10 | 077404-01-000 | EA | Drawer - Plastic - 20" x 12 7" |
| 10 | M81502-06-W04 | EA | Door Asm - Refrigerator Cabinet - Right - w/o Hardware |
| 10 | M81502-05-W04 | EA | Door Asm - Refrigerator Cabinet - Left - w/o Hardware |
| 10 | M81507-08-U01 | EA | Door Asm - Furnace - Refrigerator Cabinet - w/o Hardware |
| 10 | Not illustrated | | |
| ** | Parts used with Microwave Option | | |

GALLEY GROUP (CONTINUED)

GALLEY HARDWARE & APPLIANCES

| Key | Part Number | U/M | Description |
|-----|---------------|-----|---|
| ** | 079352-01-000 | EA | Hood - Range - Non-Powered w/Light - Almond |
| ** | 079353-01-000 | EA | Hood - Range - Powered w/Monitor - Almond - US |
| ** | 079354-03-000 | EA | Spacer - Hood Range - 3.85" |
| ** | 055282-02-000 | EA | Range w/Small Oven - 4 Burner - Almond - Magic Chef |
| ** | 055282-02-700 | EA | Top - Main - Almond |
| ** | 055282-01-700 | EA | Frame - Door - Upper |
| ** | 055282-01-701 | EA | Frame - Door - Lower |
| ** | 055282-01-702 | EA | Glass - Door Front |
| ** | 055282-01-703 | EA | Panel Door - Black |
| ** | 081374-01-000 | EA | Range Top - 4 Burner - Almond |
| ** | 081374-01-700 | EA | Trim - Cab Top - Right |
| ** | 081374-01-701 | EA | Trim - Cab Top - Left |
| ** | 081374-01-702 | EA | Manifold Panel - Black |
| ** | 081374-01-703 | EA | Trim - Top - Rear |
| ** | 081374-01-704 | EA | Guard - Fabric |
| ** | 064473-02-000 | EA | Refrigerator - AC/DC/Gas - Norcold 6' - 776-EG3 |
| ** | 084879-01-000 | EA | Refrigerator - AC/DC/Gas - Norcold 8' |
| ** | 084879-01-700 | EA | Cooling Unit |
| ** | 084879-01-701 | EA | Gasket - Lower Door |
| ** | 084879-01-702 | EA | Handle - Lower Door |
| ** | 084879-01-703 | EA | Foamed Cabinet Asm. |
| ** | 084879-01-704 | EA | Foamed Lower Door Liner w/Frame |
| ** | 084879-01-705 | EA | Panel Holder - Lower Door |
| ** | 054450-01-000 | EA | Level - Refrigerator |
| ** | 081379-01-000 | EA | Microwave Oven - Sharp - Convection |
| ** | 081459-08-000 | EA | Bracket Asm - Microwave - Right |
| ** | 081459-02-000 | EA | Bracket Asm - Microwave - Left |
| ** | 081555-01-703 | EA | Trim Ring - Microwave |
| ** | 081456-01-000 | EA | Angle Asm - Microwave - Right |
| ** | 081456-02-000 | EA | Angle Asm - Microwave - Left |
| ** | 082876-01-000 | EA | Baffle - Microwave |
| ** | 068615-01-000 | EA | Sink - Stainless Steel - Double w/Bolts |
| ** | 011053-01-000 | EA | Faucet - Swing Spout - 8" - US |
| ** | 011053-02-000 | EA | Faucet - Swing Spout - 8" - CSA |
| ** | 011053-01-700 | EA | Aerator - Swing Spout Faucet |
| ** | 066437-01-000 | EA | Strainer w/Basket - Sink |
| ** | 081530-01-U07 | EA | Sink Cover - Large |
| ** | 009049-01-000 | EA | Support - Drop Leaf Table |
| ** | 009059-01-000 | EA | Hinge - 2" - Gold - Drop Leaf Table |
| ** | 074490-01-000 | EA | Spice Rack - Oak |
| ** | 074491-01-000 | EA | Rack Asm - Magazine |
| ** | 074981-01-000 | EA | Cutting Board - Maple |
| ** | 058334-01-000 | EA | Wastebasket - 9 3/4" x 7" x 10" - White |
| ** | 058478-01-000 | EA | Bracket - Wastebasket Support |
| ** | 059777-02-000 | EA | Hinge - Cabinet Door - Light Brass |
| ** | 077409-01-000 | EA | Slide - Drawer - 20 75" - Plastic |
| ** | 077404-01-000 | EA | Drawer - 20" x 12 70" - Plastic |
| ** | 066435-01-000 | EA | Nut Strainer |
| ** | 011083-01-000 | EA | Plug - 1 1/4" x 5" - w/Stopper |
| ** | 066440-01-000 | EA | Strainer w/Rubber Washer |

** The illustrated parts breakdown for this item is provided on the Common Items Fiche

1987 WINNEBAGO TABLE OF CONTENTS

| | |
|---------|-------------|
| WT319RB | A-01 - B-16 |
| WCN22RC | B-17 - D-24 |
| WC421RB | E-01 - F-24 |
| WCP37RQ | G-01 - I-14 |

1987 WC421RB INDEX

| | |
|------------------------------------|--------------|
| Floor Plan | E-01 - E-02 |
| Accessories Group | E-03 - E-C-1 |
| Bath Group | E-C-5 |
| Chassis Group | E-06 - E-07 |
| Curtain, Cushion & Pad Group | E-08 - E-14 |
| Dinette Group | E-15 - E-16 |
| Driver's Compartment Group | E-17 - E-18 |
| Electrical Group | E-19 - E-21 |
| Exterior Body Group | E-22 - F-04 |
| Galley Group | F-05 - F-06 |
| Heating & Air Conditioning Group | F-07 |
| Interior Finish Group | F-08 - F-10 |
| LP Group | F-11 |
| Lounge Group | F-12 |
| Water & Sewage Group | F-13 - F-14 |
| Window, Vent & Exterior Door Group | F-15 - F-24 |

HEATING & AIR CONDITIONING GROUP

AUTOMOTIVE HEATER & AIR CONDITIONER

| Key | Part Number | U/M | Description |
|-----|---------------|-----|--------------------------------------|
| | 072343-01-000 | EA | A/C - Compressor/Clutch - Sankyo 510 |
| | 073716-01-000 | EA | A/C - Condensor Asm. - "C" - Tube O |
| | 073716-01-700 | EA | Coil Condenser |
| | 073716-01-701 | EA | Receiver Drier |
| | 073716-01-702 | EA | Hose Assy. #6 |
| | 073716-01-703 | EA | Hose Assy. #8 |
| | 074027-01-700 | EA | Evaporator Asm. - A/C |
| | 074027-01-700 | EA | Motor |
| | 074027-01-701 | EA | Hose Liquid #6 |
| | 074027-01-702 | EA | Hose Suction #10 |
| | 074027-01-703 | EA | Louver |
| | 074027-01-704 | EA | Escutcheon |
| | 074027-01-705 | EA | Thermostat |
| | 074027-01-706 | EA | Knob - Temperature |
| | 074027-01-707 | EA | Knob - Air |
| | 074027-01-708 | EA | Solenoid - Vacuum Switch |
| | 074027-01-709 | EA | Center Louver - Escutcheon |
| | 074027-01-710 | EA | Coil - Evaporator |
| | 074027-01-711 | EA | Blower Wheel |
| | 074027-01-712 | EA | Blower Housing |

FURNACES & ROOF AIR CONDITIONER

| Key | Part Number | U/M | Description |
|-----|---|-----|--|
| ** | 075696-01-000 | EA | Furnace - 34,000 BTU - w/Direct Ignition - NT-34S |
| ** | 075695-01-000 | EA | Furnace - 24,000 BTU - w/Direct Ignition - NT-24S |
| | 009198-01-000 | FT | Duct - Flexible - 4" I.D. x 25' |
| | 056464-01-000 | EA | Register - 4" Dia. - Plastic - w/Damper |
| | 056464-02-000 | EA | Register - 4" Dia. - Plastic - w/o Damper |
| | 009200-01-000 | EA | Tape - Furnace - 1 1/2" |
| | 010326-01-000 | EA | Adaptor - Flare - w/Cone Gasket |
| | 023146-01-000 | EA | Clamp - Screw Type - 4" |
| ** | 073743-01-000 | EA | Shroud Asm. - Ceiling - Inside - Roof Air Cool Only - 13,500 BTU |
| ** | 073744-01-000 | EA | Shroud Asm. - Ceiling - Inside - Roof Air Heat & Cool - 13,500 BTU |
| ** | 073742-01-000 | EA | Air Conditioner - 110 Volt & Roof Mount - 13,500 BTU Rotary |
| ** | The illustrated parts breakdown for this item is provided on the Common Items Fiche | | |

INTERIOR FINISH GROUP

INTERIOR MOLDING & TRIM

| Key | Part Number | U/M | Description |
|-----|---------------|-----|--|
| | 069733-37-000 | EA | Batt Strip - Sunset Oak - 8' (Cabinets) |
| | 085284-01-000 | EA | Batt Strip - Tape Adhesive - Sunset Oak (Cabinets) |
| | 069733-66-000 | EA | Batt Strip - Classique Tweed/Sand - 8' (Wall) |
| | 085284-05-000 | EA | Batt Strip - Tape Adhesive - Classique Tweed/Sand (Wall) |
| | 069733-62-000 | EA | Batt Strip - Pebble Beach - 8' (Ceiling) |
| | 069733-71-000 | EA | Batt Strip - Winne - 8' (Galley & Bath) |
| | 082111-01-000 | EA | Cover - Roof Break - Champagne |
| | 079653-01-000 | EA | Molding - Batt Strip - Sunset Oak |
| | 042357-01-000 | FT | Molding - Radius Corner - 7' - Elm |
| | 022992-01-000 | FT | Molding - Reverse Cove - White |
| | 022992-08-000 | FT | Molding - Reverse Cove - Champagne White |
| | 022992-09-000 | FT | Molding - Reverse Cove - Grady Brown |
| | 083620-01-000 | FT | T-Molding - 3/4" to Edge Lips |
| | 002774-02-001 | EA | Trim - Carpet - 192" |
| | 077309-02-000 | EA | Trim - Step - Box |
| | 070504-01-000 | EA | U-Channel - 065" - Light Brown |
| | 070504-03-000 | EA | U-Channel - 315" - Grady Brown |
| | 009778-04-000 | EA | U-Channel - 1" - Grady Brown |
| | 041746-01-000 | FT | Vinyl - Extr. - Bubble Seal |
| | 009767-06-000 | FT | Welting - Beige |
| | 009767-10-000 | FT | Welting - Champagne |
| | 009767-07-000 | FT | Welting - Grady Brown |

PANELING & COUNTERTOP MATERIALS

| Key | Part Number | U/M | Description |
|-----|---------------|-----|---|
| | 074497-03-000 | SF | Paneling - Decor - Sunset Oak - 48" x 84" (28 SF) (Cabinet) |
| | 074497-09-000 | SF | Paneling - Decor - Classique Tweed/Sand - 48" x 84" (Wall) |
| | 074496-61-000 | SF | Paneling - Decor - Peach - 48" x 84" (28 SF) (Galley & Bath) (W04, W06) |
| | 074496-62-000 | SF | Paneling - Decor - Mauve - 48" x 84" (28 SF) (Galley & Bath) (W05) |
| | 074497-07-000 | SF | Paneling - Pebble Beach - 48" x 96" (32 SF) (Ceiling) |
| | 074498-21-000 | SF | Plastic Laminate - Seafrost (Bath) (W04) |
| | 074498-15-000 | SF | Plastic Laminate - Blush (Bath) (W05) |
| | 074498-16-000 | SF | Plastic Laminate - Apricot Blush (Bath) (W06) |
| | 074498-13-000 | SF | Plastic Laminate - Sand (Galley & Dinette Table) |
| | 074498-05-000 | SF | Plastic Laminate - Sunset Oak - 48" x 96" (32SF) (Nightstand) |
| | 074498-05-019 | EA | Plastic Laminate - Sunset Oak - 1.19" x 96" |
| | 076325-04-000 | FT | Molding - Edge Band - Sunset Oak - 1 15/16" x .030" |

1987 WINNEBAGO TABLE OF CONTENTS

| | |
|---------|-------------|
| WT319RB | A-01 - B-16 |
| WCN22RC | B-17 - D-24 |
| WC421RB | E-01 - F-24 |
| WCP37RO | G-01 - I-14 |

1987 WC421RB INDEX

| | |
|------------------------------------|-------------|
| Floor Plan | E-01 - E-02 |
| Accessories Group | E-03 - E-04 |
| Bath Group | E-05 |
| Chassis Group | E-06 - E-07 |
| Curtain, Cushion & Pad Group | E-08 - E-14 |
| Dinette Group | E-15 - E-16 |
| Driver's Compartment Group | E-17 - E-18 |
| Electrical Group | E-19 - E-21 |
| Exterior Body Group | E-22 - F-04 |
| Galley Group | F-05 - F-06 |
| Heating & Air Conditioning Group | F-07 |
| Interior Finish Group | F-08 - F-10 |
| LP Group | F-11 |
| Lounge Group | F-12 |
| Water & Sewage Group | F-13 - F-14 |
| Window, Vent & Exterior Door Group | F-15 - F-24 |

INTERIOR FINISH GROUP (CONTINUED)

CABINETS & TABLE HARDWARE

| Key | Part Number | U/M | Description |
|-----|---------------|-----|--|
| | 053200-05-000 | EA | Bracket - Upper Wall Mount - 23.5" |
| | 024281-07-000 | EA | Bracket - Lower Wall Mount - 22.12" |
| | 024276-14-000 | EA | Leg Asm. - Table - 26.5" |
| | 064050-01-000 | EA | Hinge - Table Leg |
| | 024292-01-000 | EA | Brace - Table Leg |
| | 049493-05-000 | EA | Catch - Table Leg - Mounts on Floor |
| | 009112-01-000 | EA | Flange - 1" - Chrome - Closet Rod |
| | 077409-01-000 | EA | Slide - Drawer - Plastic - 20.75" |
| | 084466-02-000 | EA | Slide Asm. - Drawer - Right |
| | 084466-03-000 | EA | Slide Asm. - Drawer - Left |
| | 084466-04-000 | EA | Slide Asm. - Cabinet - Right |
| | 084466-05-000 | EA | Slide Asm. - Cabinet - Left |
| | 009049-01-000 | EA | Table Support - Drop Leaf |
| | 009059-01-000 | EA | Hinge - 2" - Drop Leaf Table - Gold |
| | 076312-01-000 | EA | Mesh - Grille - 13 80" x 8 80" - Gold Aluminum |
| | 009021-01-000 | EA | Catch - Nylon - Furnace Door |
| | 009021-02-000 | EA | Strike - Nylon Catch - Furnace Door |
| | 074493-02-000 | EA | Support - Sprung - Door |
| | 058034-02-000 | EA | Latch - Door w/o Lock - Sliding Door |
| | 075680-01-000 | EA | Clothes Rod - Adjustable - 27" x 36" |
| | 064467-01-000 | EA | Guide - Wall Mount - Door Pocket |
| | 086263-01-000 | EA | Pull - Brass - Polished |
| | 075987-02-000 | EA | Knob - Bath Door |
| | 059777-02-000 | EA | Hinge - Light Brass |
| | 009016-01-000 | EA | Catch - Elbow - Spring Loaded |
| | 077461-01-000 | EA | Cover - Strike |

** The illustrated parts breakdown for this item is provided on the Common Items Fiche

FABRICS & CARPETS

| Key | Part Number | U/M | Description |
|-----|---------------|-----|---|
| | 077498-91-000 | YD | Fabric w/Pattern - Upholstery - Bluejade (W04) |
| | 077498-92-000 | YD | Fabric w/Pattern - Upholstery - Mauve Dust (W05) |
| | 077498-93-000 | YD | Fabric w/Pattern - Upholstery - Alabaster (W06) |
| | 077498-A6-000 | YD | Fabric w/Pattern - Upholstery Accent - Claret (W04) |
| | 077498-A5-000 | YD | Fabric w/Pattern - Upholstery Accent - Bluejade (W05) |
| | 077498-A7-000 | YD | Fabric w/Pattern - Upholstery Accent - Ash (W06) |
| | 077498-95-000 | YD | Fabric - Upholstery Accent - Plain - Teal (W04) |
| | 074498-61-000 | YD | Fabric - Upholstery Accent - Plain - Old Rose (W05) |
| | 077498-96-000 | YD | Fabric - Upholstery Accent - Plain - Sand (W06) |
| | 072333-39-000 | YD | Fabric - Drapery - Mist (W04) |
| | 072333-37-000 | YD | Fabric - Drapery - Mauve (W05) |
| | 072333-38-000 | YD | Fabric - Drapery - Melba (W06) |
| | 072333-34-000 | YD | Fabric - Drapery - Bedroom - Green (W04) |
| | 072333-35-000 | YD | Fabric - Drapery - Bedroom - Plum (W05) |
| | 072333-36-000 | YD | Fabric - Drapery - Bedroom - Cocoa (W06) |
| | 069729-47-000 | YD | Fabric - Bedspread - Blue (W04) |
| | 069729-48-000 | YD | Fabric - Bedspread - Mauve (W05) |
| | 069729-49-000 | YD | Fabric - Bedspread - Mocha (W06) |
| | 038421-04-000 | YD | Fabric - Mattress Ticking |
| | 084416-10-000 | YD | Fabric - Linen - Pull Shade |
| | 084415-12-000 | YD | Trim Braid - Pull Shade - Green (W04) |
| | 084415-13-000 | YD | Trim Braid - Pull Shade - Mauve (W05) |
| | 084415-14-000 | YD | Trim Braid - Pull Shade - Peach (W06) |
| | 052859-01-T03 | FT | Trim Asm - Accent - Sandrift |
| | 052859-05-T03 | FT | Trim Asm - Accent - Buckskin |
| | 079280-01-000 | YD | Vinyl - Expanded - 26 oz - Buckskin |
| | 079280-02-000 | YD | Vinyl - Expanded - 26 oz - Sandrift |
| | 072860-58-000 | YD | Carpet - Champagne (W04) |
| | 072860-56-000 | YD | Carpet - Mist (W05) |
| | 072860-57-000 | YD | Carpet - French Court (W06) |

INTERIOR FINISH GROUP (CONTINUED)

CURTAIN & CUSHION HARDWARE

| Key | Part Number | U/M | Description |
|-----|---------------|-----|--|
| | 039175-02-000 | EA | Bracket - Curtain Rod - Cafe |
| | 039175-05-000 | EA | Bracket - Curtain Rod - Center |
| | 082228-03-000 | EA | Bracket - Curtain Rod - Right |
| | 082228-04-000 | EA | Bracket - Curtain Rod - Left |
| | 082139-02-000 | EA | Bracket - Hold Down - Blinds |
| | 056003-02-000 | EA | Bracket - Drapery Retainer - Left |
| | 056003-01-000 | EA | Bracket - Drapery Retainer - Right |
| | 084434-01-000 | EA | Bracket - Roller Shade - 1 3/8" |
| | 079798-03-000 | EA | Bracket Asm. - Curtain Rod - Right |
| | 079798-04-000 | EA | Bracket Asm. - Curtain Rod - Left |
| | 056784-02-000 | EA | Pull - Window Shade - Antique Brass |
| | 077708-04-000 | EA | Frame - Fold Down Couch |
| | M80906-01-000 | EA | Frame Asm. - Seat & Spring |
| | 080730-03-700 | EA | Handle Kit - Recliner |
| | 080731-02-000 | EA | Hinge - Recliner - Slave |
| | 083170-01-000 | EA | Installation Bracket - Blind - Right |
| | 083170-02-000 | EA | Installation Bracket - Blind - Left |
| | 083730-02-000 | EA | Recliner - Seat Back |
| | 039175-01-000 | EA | Rod - Cafe Curtain - Extension - 48" x 84" |
| | 048394-01-000 | YD | Tape - Hook - 1" x 25 YD - Beige |
| | 029096-05-000 | YD | Tape Hook - .50" - Velcro - Beige |
| | 048395-01-000 | YD | Tape Loop - 1" x 25 YD - Beige |
| | 029090-01-000 | FT | Tie - Drapery - Clear Vinyl |
| | 056116-01-000 | FT | Track - Curtain - Brown Plastic |

MISCELLANEOUS PARTS

| Key | Part Number | U/M | Description |
|-----|---------------|-----|---|
| | 053552-02-T03 | EA | Handle Asm. - Interior Assist - Medium Almond Vinyl |
| | 041944-03-000 | EA | Fire Extinguisher - 5BC |
| | 084472-01-000 | EA | Holder - Fire Extinguisher - Plastic |
| | 054185-26-000 | EA | Owner's Manual - 1987 Itasca & Winnebago |
| | 086269-01-000 | EA | Picture - Decor - Windsor Arts |
| | 081075-01-000 | EA | Floor Mat - Entrance - Winnebago - Tan |
| | 007038-01-000 | EA | Door Mat - 10 1/2" x 26" - Black |
| | 044860-01-000 | EA | Stepwell Mat - Passenger - Black |
| | 044860-02-000 | EA | Stepwell Mat - Driver - Black |
| | 083218-01-000 | EA | Floor Mat - Front - Passenger - Winnebago - Tan |
| | 093218-02-000 | EA | Floor Mat - Front - Driver - Winnebago Tan |

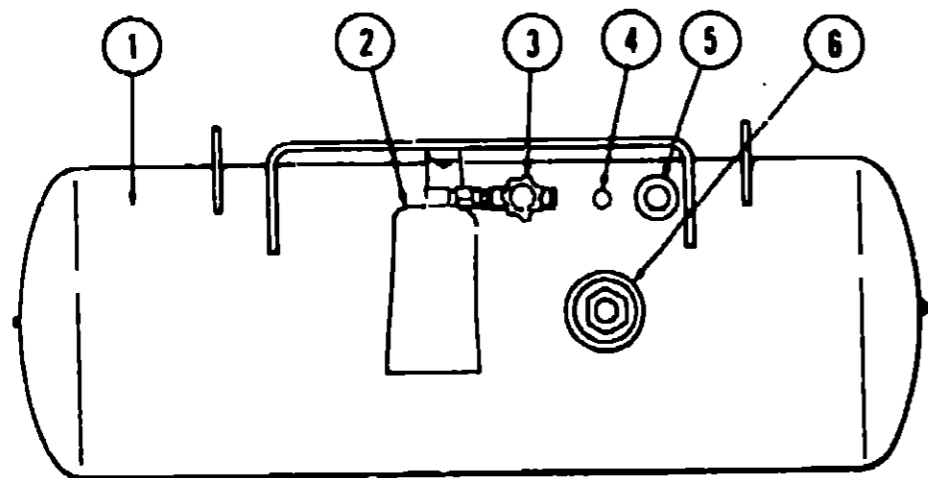
**1987 WINNEBAGO
TABLE OF CONTENTS**

| | |
|---------|-------------|
| WT319RH | A-01 - B-16 |
| WCN22RC | B-17 - D-24 |
| WC421RB | E-01 - F-24 |
| WCP37RQ | G-01 - I-14 |

1987 WC421RB INDEX

| | |
|------------------------------------|-------------|
| Floor Plan | E-01 - E-02 |
| Accessories Group | E-03 - E-04 |
| Bath Group | E-05 |
| Chassis Group | E-06 - E-07 |
| Curtain, Cushion & Pad Group | E-08 - E-14 |
| Dinette Group | E-15 - E-16 |
| Driver's Compartment Group | E-17 - E-18 |
| Electrical Group | E-19 - E-21 |
| Exterior Body Group | E-22 - F-04 |
| Galley Group | F-05 - F-06 |
| Heating & Air Conditioning Group | F-07 |
| Interior Finish Group | F-08 - F-10 |
| LP Group | F-11 |
| Lounge Group | F-12 |
| Water & Sewage Group | F-13 - F-14 |
| Window, Vent & Exterior Door Group | F-15 - F-24 |

LP GROUP



| Key | Part Number | U/M | Description |
|-----|---------------|-----|---|
| 1 | 080450-01-000 | EA | Tank Asm. - LP - Frame Mount - 42 Pound - 13" x 24" |
| . | 065741-01-000 | EA | Detector - LP Gas Leak - Marshalltown Instruments |
| 2 | 076277-01-000 | EA | Cover - LP Regulator - Front (Dual) |
| . | 076278-01-000 | EA | Cover - LP Regulator - Back (Dual) |
| . | 076301-01-000 | EA | Regulator - Two Stage - US (Dual) |
| . | 076301-02-000 | EA | Regulator - Two Stage - CSA (Dual) |
| 3 | 040421-01-703 | EA | Valve - Vapor Relief |
| 4 | 040421-01-700 | EA | Gauge - Liquid Level - 20% LP |
| 5 | 040421-01-701 | EA | Valve - Filler - LP |
| . | 040421-01-702 | EA | Cap - Plastic Fill Valve |
| 6 | 040421-01-707 | EA | Gauge - Float - w/Visible Dial |
| . | 040421-01-706 | EA | Dial - Visible Face - Float Gauge (Tank w/o Electric Transmitter) |
| . | 040440-01-000 | EA | Dial - Transmitter - 0 - 90 Ohm (Float Gauge) |
| . | 045703-01-000 | EA | Hose Asm. - LP - 3/8" I.D. x 24" - US |
| . | 045703-02-000 | EA | Hose Asm. - LP - 3/8" I.D. x 24" - CSA |
| . | 045703-03-000 | EA | Hose Asm. - LP - 3/8" I.D. x 18" - US |
| . | 045703-04-000 | EA | Hose Asm. - LP - 3/8" I.D. x 14" - CSA |
| . | 065959-01-000 | EA | Housing - LP Gauge |
| . | 065742-01-000 | EA | Tee - .38 F x .39 F x .25 FPT |
| . | | | Not illustrated |

LOUNGE GROUP

CORNER CABINETS

| Key | Part Number | U/M | Description |
|-----|---------------|-----|--|
| | M80801-01-W04 | EA | Cabinet Asm. - Overhead - Entrance Door |
| | 081280-08-U01 | EA | Pad Asm. - End Cap - Entrance Overhead - Vinyl |
| | 077663-03-T03 | EA | Glass Holder - Overhead |

1987 WINNEBAGO TABLE OF CONTENTS

| | |
|---------|-------------|
| WT319RB | A-01 - B-16 |
| WCN22RC | B-17 - D-24 |
| WC421RB | E-01 - F-24 |
| WCP37RQ | G-01 - I-14 |

1987 WC421RB INDEX

| | |
|------------------------------------|-------------|
| Floor Plan | E-01 - E-02 |
| Accessories Group | E-03 - E-04 |
| Bath Group | E-05 |
| Chassis Group | E-06 - E-07 |
| Curtain, Cushion & Pad Group | E-08 - E-14 |
| Dinette Group | E-15 - E-16 |
| Driver's Compartment Group | E-17 - E-18 |
| Electrical Group | E-19 - E-21 |
| Exterior Body Group | E-22 - F-04 |
| Galley Group | F-05 - F-06 |
| Heating & Air Conditioning Group | F-07 |
| Interior Finish Group | F-08 - F-10 |
| LP Group | F-11 |
| Lounge Group | F-12 |
| Water & Sewage Group | F-13 - F-14 |
| Window, Vent & Exterior Door Group | F-15 - F-24 |

WATER & SEWAGE GROUP

HOLDING TANKS & WATER HEATER

| Key | Part Number | U/M | Description |
|-----|--|-----|---|
| | 077989-03-000 | EA | Tank Asm. - Water - 35 Gallon |
| | 077989-01-000 | EA | Tank - Water - 35 Gallon - w/o Fitting |
| | 080492-01-000 | EA | Tank - Holding - 21 Gallon - w/o Fitting |
| | 054033-01-000 | EA | Tank - Holding - 32 Gallon - w/o Fitting |
| ** | 051391-01-000 | EA | Water Heater - w/o Motor Aid - Atwood - G6A-3 |
| ** | 051391-03-000 | EA | Water Heater - w/Motor Aid - Atwood - G6A-3A |
| ** | 051393-01-000 | EA | Water Heater - w/Motor Aid - Direct Ignition - G6A-3A |
| ** | The illustrated parts breakdown for this item is provided on the Common Items Fiche. | | |

PLUMBING & REPAIR PARTS

| Key | Part Number | U/M | Description |
|-----|--|-----|--|
| | 010323-01-000 | EA | Adapter - Brass - 3/8 F x 1/2 MPT |
| | 010326-01-000 | EA | Adapter - Flare - w/Cone Gasket |
| | 062422-01-000 | EA | Adapter - Hose Offset - Reducer - 3" x 1 1/2" |
| | 052954-01-000 | EA | Adapter - Nose Cone - 3/8 or 1/2 - Plastic |
| | 010224-01-000 | EA | Adapter - Plastic - 3/8 MPT x 3/8 Barb |
| | 044927-01-000 | EA | Adapter - Plastic - 1 1/4" MPT x 1 1/4 Barb |
| | 004020-01-000 | QT | Adhesive - ABS Cement |
| ** | 010121-01-000 | EA | Bushing - Plastic - 1 1/2 S x 1 1/4 H |
| | 010122-01-000 | EA | Bushing - Plastic - 1 1/2 S x 1 1/4 T |
| | 036522-02-000 | EA | Cap - Brass - 1/2 Flare |
| | 052959-03-000 | EA | Connector - 1/2 F x 3/8 MPT - Plastic |
| | 011091-02-000 | EA | Continuous Waste - Double Sink - 11 7/8" - US |
| | 053874-01-000 | EA | Continuous Waste Asm. - Double Sink - CSA |
| | 078406-01-000 | EA | Coupler Rubber - 3" x 3" |
| | 052960-01-000 | EA | Drain Valve - 1/2 F x 1/2 F - Plastic |
| | 010006-01-000 | EA | Elbow - Plastic - 1/8 BD x 1 1/2 x 45° H x H |
| | 010008-01-000 | EA | Elbow - Plastic - 1/4 BD x 1 1/2 x 90° Left |
| | 010051-01-000 | EA | Elbow - ST - Plastic - 1/8 BD x 1 1/2 x 45° |
| | 058342-01-000 | EA | Elbow - ST - Plastic - 1/8 BD x 1 1/4 x 45° |
| | 010009-01-000 | EA | Elbow - ST - Plastic - 1/4 BD x 1 1/2 x 90° |
| | 031111-01-000 | EA | Elbow - Plastic - 1/4 BD x 1 1/4 x 90° Left |
| | 034250-01-000 | EA | Elbow - Plastic - 1/4 BD x 1 1/2 x 90° x H x H |
| | 052957-01-000 | EA | Elbow - Plastic - 1/2 F x 3/8 MPT |
| | 052957-02-000 | EA | Elbow - Plastic - 1/2 F x 1/2 MPT (In Tank Filter) |
| | 065120-01-000 | EA | Elbow - Plastic - Swivel - 50 |
| | 070924-01-000 | EA | Elbow - Plastic - Swivel - 1/2 MPT x 1/2 FP |
| | 077954-01-000 | EA | Filter Screen (In Water Tank) |
| | 039647-03-000 | EA | Filter - Water Pump - 1/2" Flare |
| | 010147-01-000 | EA | Flange - Closet - 4" F x 3" FPT - US |
| | 079381-01-000 | FT | Flexible Tubing - 1 1/4 I.D. x 10' |
| | 077953-01-000 | EA | Grommet - Edge Liner - 1" |
| | 061607-01-000 | EA | Grommet - Holding Tank Coupler - 1 1/2" |
| | 061607-02-000 | EA | Grommet - Holding Tank Coupler - 3" |
| | 052961-01-000 | EA | Header - 1/2 F x 1/2 F x 1/2 F x 1/2 F |
| ** | 046524-01-000 | EA | Kit - Holding Tank Fittings - Blank Tank |
| ** | 046524-01-000 | EA | Kit - Water Tank Fittings - Blank Tank |
| | 052953-01-000 | EA | Nut - Faucet - 1/2 Tube x 1/2 FPT |
| | 052952-01-000 | EA | Nut - 1/2 F - Plastic |
| ** | The illustrated parts breakdown for this item is provided on the Common Items Fiche. | | |

WATER & SEWAGE GROUP (CONTINUED)

PLUMBING & REPAIR PARTS (CONT.)

| Key | Part Number | U/M | Description |
|-----|--|-----|---|
| | 010166-01-000 | EA | Plug - Plastic - 1 1/4" |
| | 010197-01-000 | FT | Pipe - Plastic - 3" x 240" - Black |
| | 045729-01-000 | EA | Pump - Water - 2.8 G.P.M. - Direct Drive - Shurflo - US |
| | 042989-02-000 | EA | Spinweld Fittings - Plastic - 1/2 FPT (In Tank Filter) |
| | 042989-03-000 | EA | Spinweld Fittings - Plastic - 1/4 NPT |
| | 042989-04-000 | EA | Spinweld Fittings - Plastic - 3/8 FPT |
| | 011069-02-000 | EA | Tailpiece - 1 1/2" x 1 1/4" x 4" - Brass |
| | 010071-01-000 | EA | Tee - Plastic - 1 1/2 x H x H x H |
| ** | 010079-01-000 | EA | Tee - Plastic - 1 1/2 H x 1 1/2 H x 1 1/4 H |
| | 052955-01-000 | EA | Tee - Plastic - 1/2 F x 1/2 F x 1/2 MPT |
| | 052958-01-000 | EA | Tee - Plastic - 1/2 F x 1/2 F x 1/2 F |
| | 039800-01-000 | FT | Tubing - Polybutyl - 1/2 O.D. (Water Line) |
| | 074462-02-000 | FT | Tubing - Vinyl - 3/8 I.D. |
| | 062421-01-000 | EA | Valve - 1 1/2" - w/Handle |
| | 078842-01-000 | EA | Valve - 3" - w/o Handle |
| | 052960-01-000 | EA | Valve - Line Drain - 1/2 F x 1/2 F |
| | 069735-01-000 | EA | Washer - Tailpiece - 1 5" Plastic |
| | 010073-01-000 | EA | Wye - Plastic - 1 1/2 x 45 H x H |
| ** | The illustrated parts breakdown for this item is provided on the Common Items Fiche. | | |

1987 WINNEBAGO TABLE OF CONTENTS

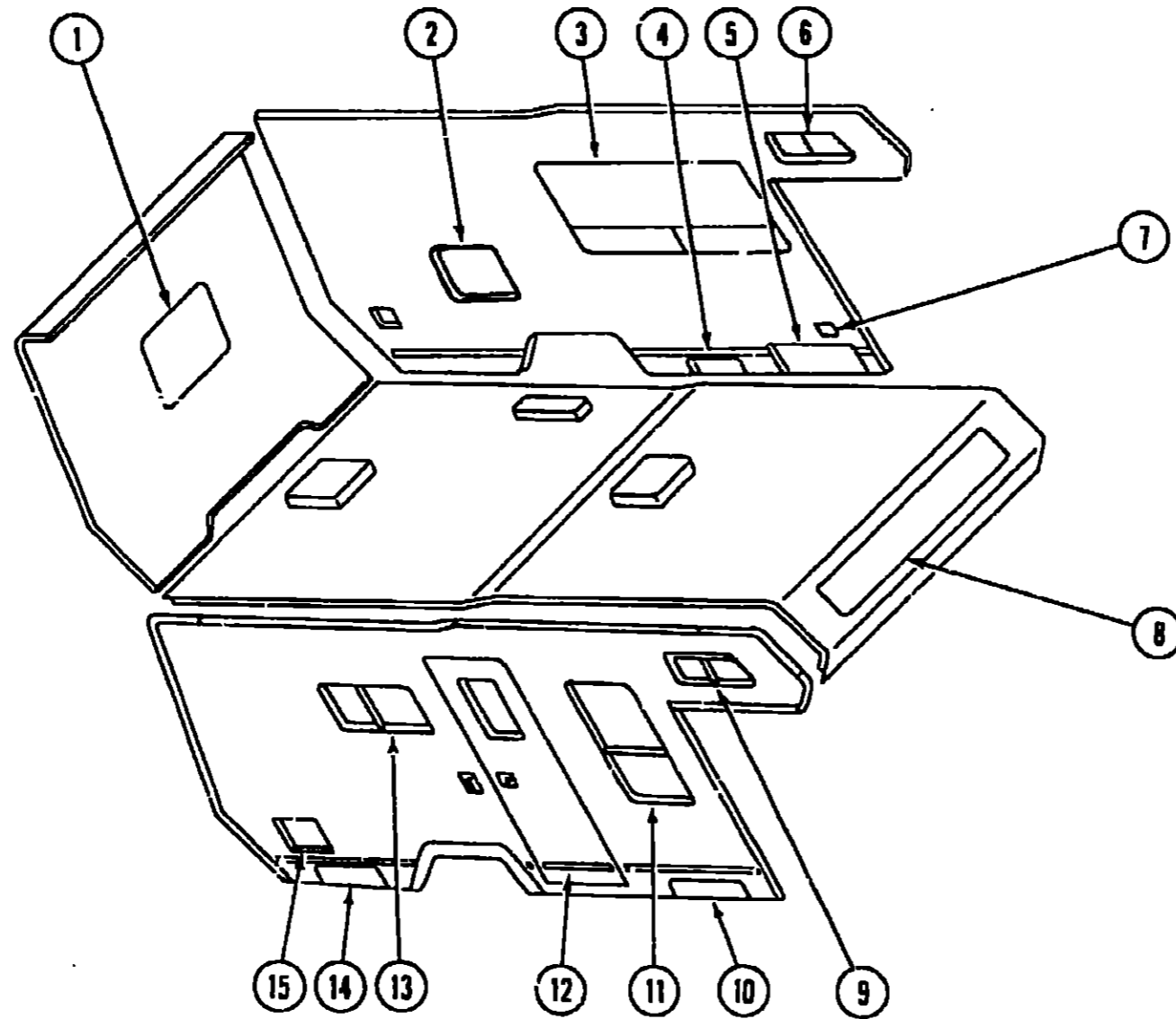
| | |
|---------|-------------|
| WT319RB | A-01 - B-16 |
| WCN22RC | B-17 - D-24 |
| WC421RB | E-01 - F-24 |
| WCP37RQ | G-01 - I-14 |

1987 WC421RB INDEX

| | |
|------------------------------------|-------------|
| Floor Plan | E-01 - E-02 |
| Accessories Group | E-03 - E-04 |
| Bath Group | E-05 |
| Chassis Group | E-06 - E-07 |
| Curtain, Cushion & Pad Group | E-08 - E-14 |
| Dinette Group | E-15 - E-16 |
| Driver's Compartment Group | E-17 - E-18 |
| Electrical Group | E-19 - E-21 |
| Exterior Body Group | E-22 - F-04 |
| Galley Group | F-05 - F-06 |
| Heating & Air Conditioning Group | F-07 |
| Interior Finish Group | F-08 - F-10 |
| LP Group | F-11 |
| Lounge Group | F-12 |
| Water & Sewage Group | F-13 - F-14 |
| Window, Vent & Exterior Door Group | F-15 - F-24 |

WINDOW, VENT & EXTERIOR DOOR GROUP

WINDOWS & ACCESS DOORS



| Key | Part Number | U/M | Description |
|-----|---------------|-----|---|
| 1 | 079415-01-T03 | EA | Window Asm. - Escape |
| 2 | 078969-02-T95 | EA | Door Asm. - Refrigerator Access |
| 3 | 085354-02-W01 | EA | Window Asm. - Double Tipout |
| 4 | 079455-06-T95 | EA | Door Asm. - Storage |
| 5 | M79321-01-T03 | EA | Door Asm. - Generator |
| 5 | 079149-01-T03 | EA | Door Asm - Luggage |
| 6 | 086227-02-T03 | EA | Window Asm - Bunk |
| 7 | 063742-01-000 | EA | Door Asm. - Power Cord |
| 8 | 078533-01-T03 | EA | Window Asm - Front Bunk |
| 9 | 086227-01-000 | EA | Window Asm. - Bunk |
| 10 | 079455-03-U01 | EA | Door Asm - LP |
| 11 | 078453-01-T03 | EA | Window Asm - Vertical Slider |
| 12 | M01870-02-U01 | EA | Door Asm - Entry w/Screen Door |
| | M01870-04-T03 | EA | Door Asm - Entry w/Screen Door - w/o Window |
| | 079733-04-T03 | EA | Window Asm - Picture |
| 13 | 078266-02-T03 | EA | Window Asm. - Slider |
| 14 | 003264-01-U01 | EA | Door Asm - Storage |
| 15 | 052009-01-000 | EA | Door Asm - Water Heater |
| | 052423-01-000 | EA | Door Asm - Sewage |
| | 078010-03-000 | EA | Door - Fuel Fill - Off White |
| | | | Not illustrated |

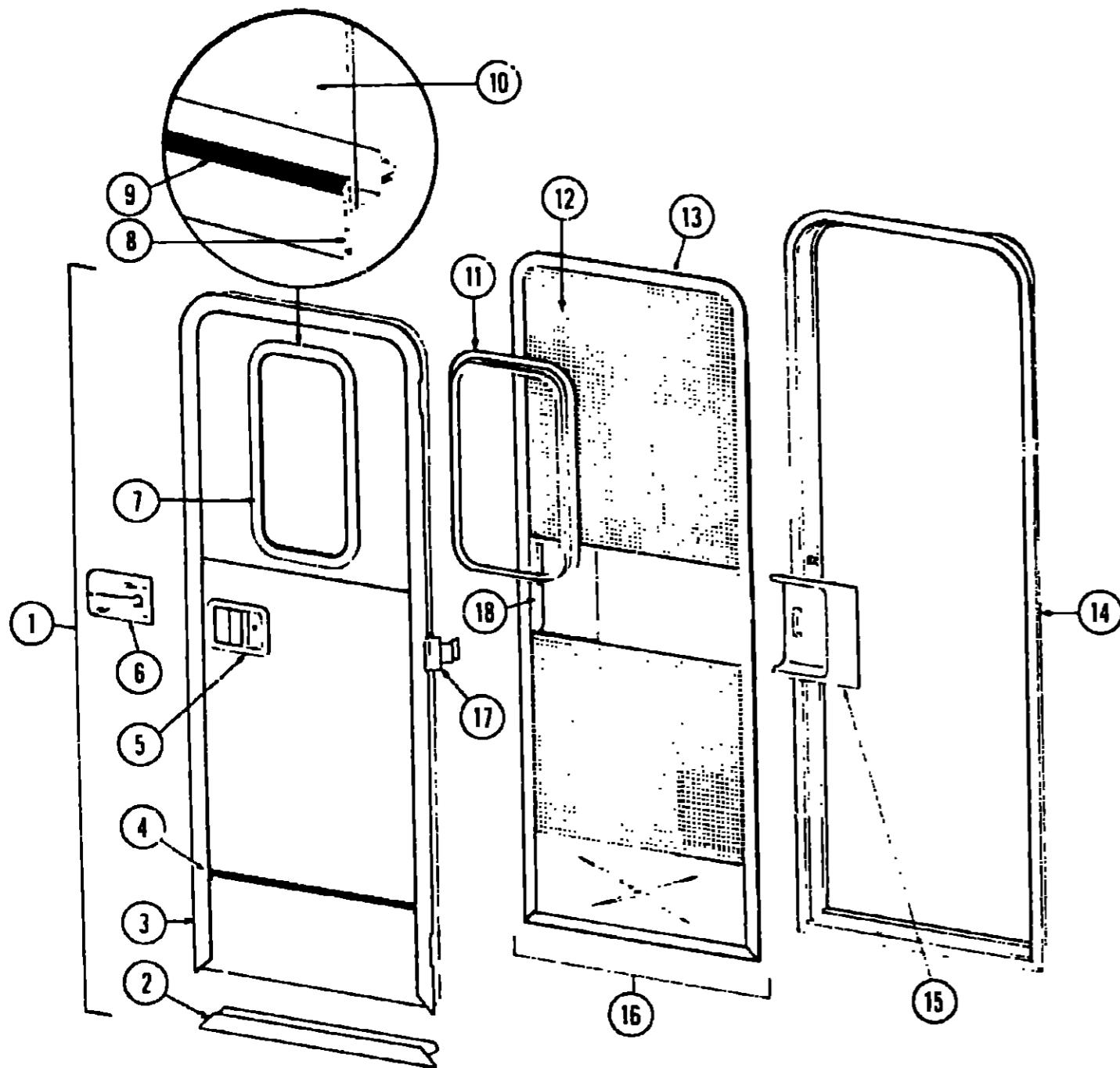
1987 WINNEBAGO TABLE OF CONTENTS

| | |
|---------|-------------|
| WT319RB | A-01 - B-16 |
| WCN22RC | B-17 - D-24 |
| WC421RB | E-01 - F-24 |
| WCP37RO | G-01 - I-14 |

1987 WC421RB INDEX

| | |
|------------------------------------|-------------|
| Floor Plan | E-01 - E-02 |
| Accessories Group | E-03 - E-04 |
| Bath Group | E-05 |
| Chassis Group | E-06 - E-07 |
| Curtain, Cushion & Pad Group | E-08 - E-14 |
| Dinette Group | E-15 - E-16 |
| Driver's Compartment Group | E-17 - E-18 |
| Electrical Group | E-19 - E-21 |
| Exterior Body Group | E-22 - F-04 |
| Galley Group | F-05 - F-06 |
| Heating & Air Conditioning Group | F-07 |
| Interior Finish Group | F-08 - F-10 |
| LP Group | F-11 |
| Lounge Group | F-12 |
| Water & Sewage Group | F-13 - F-14 |
| Window, Vent & Exterior Door Group | F-15 - F-24 |

WINDOW, VENT & EXTERIOR DOOR GROUP (CONTINUED)



ENTRANCE & SCREEN DOOR

| Key | Part Number | U/M | Description |
|-----|---------------|-----|--|
| 1 | M01870-06-U01 | EA | Door Asm. - Radius Entry w/Screen Door - w/o Window |
| 1 | M01870-02-W04 | EA | Door Asm. - Radius Entry w/Screen Door |
| 2 | 077998-01-000 | EA | Frame - Entry Door (Bottom Portion Only) |
| 3 | 078002-02-000 | EA | Frame - Entry Door (Except Bottom Portion) |
| 4 | 059576-03-000 | EA | Feature Strip w/o Insert - Extr. - 14" - Brown |
| | 001030-02-003 | EA | Insert - Feature Strip - 17" - Stucco - Off White |
| | 009731-01-000 | EA | End Cap - Feature Strip |
| 5 | 045107-05-000 | EA | Paddle Asm. - Door Lock - Exterior |
| | 045017-05-700 | EA | Lock Cylinder w/Keys - Lynor |
| | 039539-01-000 | EA | Striker Bolt - Entry Door |
| | 039540-01-000 | EA | Latch Claw - Entry Door |
| | 039738-01-000 | EA | Dead Bolt - Entry Door |
| | 083205-01-000 | EA | Dead Bolt - Press Fit |
| | 079173-01-000 | EA | Gasket - Deadbolt - Exterior |
| 6 | 039979-01-000 | EA | Plate - Inside Lock - Includes Inside Handle |
| 7 | 079733-04-T03 | EA | Window Asm. - Picture - 17" x 25" - Black (w/o inside frame) |
| 8 | 069640-06-000 | FT | Ribbon Sealer - 5/16" Bead x 15' |
| 9 | 002309-02-000 | FT | Spline - Glass - 1/8" Black |
| 10 | 002181-06-000 | EA | Glass - Picture Window - 1/8" x 16 25" x 24" - Gray |
| 11 | 068752-01-000 | EA | Inside Frame - Beige (not included in assembly) |
| 12 | 002293-02-000 | SF | Screen - Window - 26" - Charcoal |
| 13 | 056795-01-000 | FT | Seal Tape - 1/8" x 3/8" - Press On |
| 14 | 078591-03-000 | EA | Jamb Asm. - Entrance Door |
| | 051049-01-000 | EA | Jamb - Entrance Door - Bottom |
| 15 | 079086-02-000 | EA | Slider - Screen Door - Light Oak Plastic |
| 16 | 079012-01-U01 | EA | Door Asm. - Screen |
| 17 | 079361-05-000 | EA | Hinge - Entrance Door (3 used per door) |
| 18 | 079081-01-000 | EA | Cap - Screen Door - Light Oak Plastic |
| | 009016-01-000 | EA | Catch - Elbow - Spring Loaded - Screen Door |
| | 076231-01-000 | EA | Spacer - Latch - Screen Door |
| | 077437-02-000 | EA | Strike - Roller Catch |
| | 058025-02-000 | EA | Clip - Roller Latch Catch |
| | 044582-02-000 | EA | Drip Cap - Off White |
| | 079278-01-000 | EA | Seal - Mocket - Entrance Door |
| | 073090-01-000 | FT | Seal - Entrance Door |
| | 075739-01-000 | EA | Stiffener - Entrance Door - Off White |
| | 075673-01-000 | FT | Seal - Pile - Adhesive Back |
| | 075671-01-000 | FT | Seal - Sponge - Lazy "T" Shaped |
| | 002294-01-000 | FT | Spline - Black - 135 x 138 (Screen Door) |
| | 079087-02-000 | EA | Strike - Screen Door |
| | 063729-04-000 | EA | Rivnut - 10-32 UNF - .010 - .080 |
| | 075639-01-000 | EA | Garnish - Radius - Entrance Door |
| | | | Not illustrated |

1987 WINNEBAGO TABLE OF CONTENTS

| | |
|---------|-------------|
| WT319RB | A-01 - B-16 |
| WCN22RC | B-17 - D-24 |
| WC421RB | E-01 - F-24 |
| WCP37RO | G-01 - I-14 |

1987 WC421RB INDEX

| | |
|------------------------------------|-------------|
| Floor Plan | E-01 - E-02 |
| Accessories Group | E-03 - E-04 |
| Bath Group | E-05 |
| Chassis Group | E-06 - E-07 |
| Curtain, Cushion & Pad Group | E-08 - E-14 |
| Dinette Group | E-15 - E-16 |
| Driver's Compartment Group | E-17 - E-18 |
| Electrical Group | E-19 - E-21 |
| Exterior Body Group | E-22 - F-04 |
| Galley Group | F-05 - F-06 |
| Heating & Air Conditioning Group | F-07 |
| Interior Finish Group | F-08 - F-10 |
| LP Group | F-11 |
| Lounge Group | F-12 |
| Water & Sewage Group | F-13 - F-14 |
| Window, Vent & Exterior Door Group | F-15 - F-24 |

WINDOW, VENT & EXTERIOR DOOR GROUP (CONTINUED)

ACCESS DOOR HARDWARE

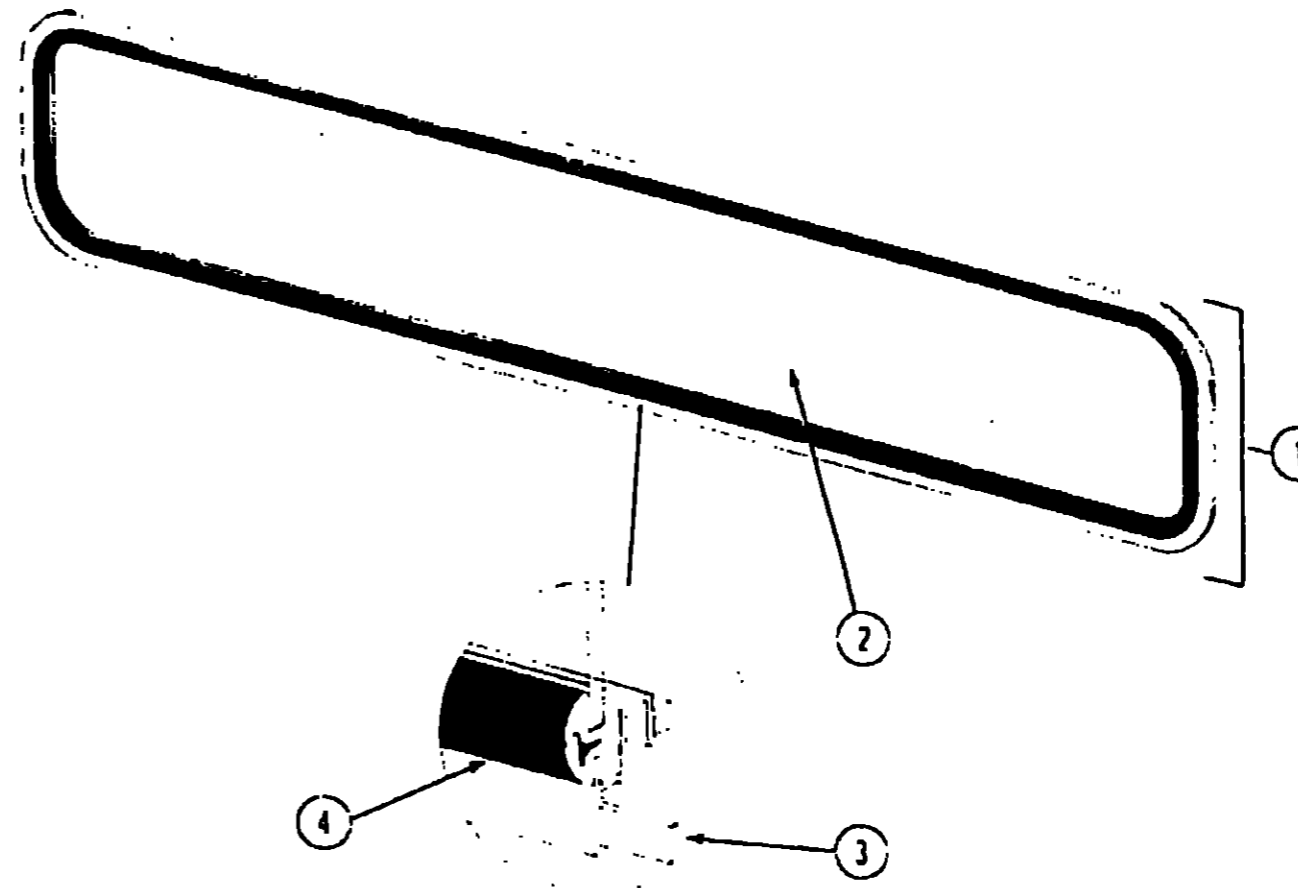
| Key | Part Number | U/M | Description |
|-----|---------------|-----|--|
| | 052424-01-000 | EA | Jamb - Power Cord/Fuel Fill Door - Off White |
| | 054543-01-000 | EA | Hatch - Power Cord Door |
| | 052181-01-000 | EA | Baffle - Generator Door |
| | 054530-01-000 | EA | Door Holder |
| | 083615-01-000 | EA | Door Stop - Plastic |
| | 041312-01-000 | EA | Seal - Bulb - "E" Section |
| | 079368-01-000 | FT | Seal - Access Door |
| | 042442-01-000 | EA | Lock Asm. - Twist Type |
| | 009003-01-000 | EA | Lock Asm. - Twist Type - w/Clip (Battery Door) |
| | 047305-01-000 | EA | Lock Asm. - Key Type w/Clip - Metal (LP) |
| | 077408-02-000 | EA | Lock Asm. - Key Type |
| | 079366-02-000 | EA | Lock Asm. - Key Type |
| | 079927-03-000 | EA | Lock Asm. - Twist Type |
| | 052951-01-000 | EA | Clip - Twist Lock - Retainer |
| | 052950-01-700 | EA | Lock Asm. - Twist Type - White |
| | 079246-01-000 | EA | Jamb Asm. - Generator Door |

VENTS

| Key | Part Number | U/M | Description |
|-----|---------------|-----|--|
| | 055218-01-000 | EA | Cover Asm. - Roof Vent |
| | 084073-04-000 | EA | Base - Refrigerator Vent - Off White |
| | 084073-03-000 | EA | Roof Vent - Refrigerator - Off White |
| ** | 048835-01-000 | EA | Vent Asm. - Roof - Non-Powered - w/o Screen - Aluminum |
| ** | 048789-01-000 | EA | Vent Asm. - Roof - Powered - w/o Screen - Aluminum |
| | 079355-08-000 | EA | Vent - Stovehood - Outside - Off White |
| | 078785-01-T03 | EA | Screen Asm. - Roof Vent - Powered |
| | 078785-01-T03 | EA | Screen Asm. - Roof Vent - Non Powered |
| | 084878-01-000 | EA | Vent - Hood Range - Sidewall - Straight |
| | 084616-01-000 | EA | Shroud - Hood Range Vent - Off White |

** The illustrated parts breakdown for this item is provided on the Common Items Fiche

WINDOW, VENT & EXTERIOR DOOR GROUP (CONTINUED)



| Key | Part Number | U/M | Description |
|-----|---------------|-----|--|
| 1 | 078533-01-T03 | EA | Window Asm. - Front Picture - 14" x 69" - Black (w/o inside frame) |
| * | 041938-01-000 | EA | Inside Frame - Brown (not included in assembly) |
| 2 | 002200-02-000 | EA | Glass - TP - Picture Window |
| 3 | 069540-06-000 | FT | Ribbon Sealer - 5 16" Bead x 15' |
| 4 | 002281-01-000 | FT | Weatherstrip - Self Seal - 06" Panel x 3 16" - Black |
| * | | | Not illustrated |

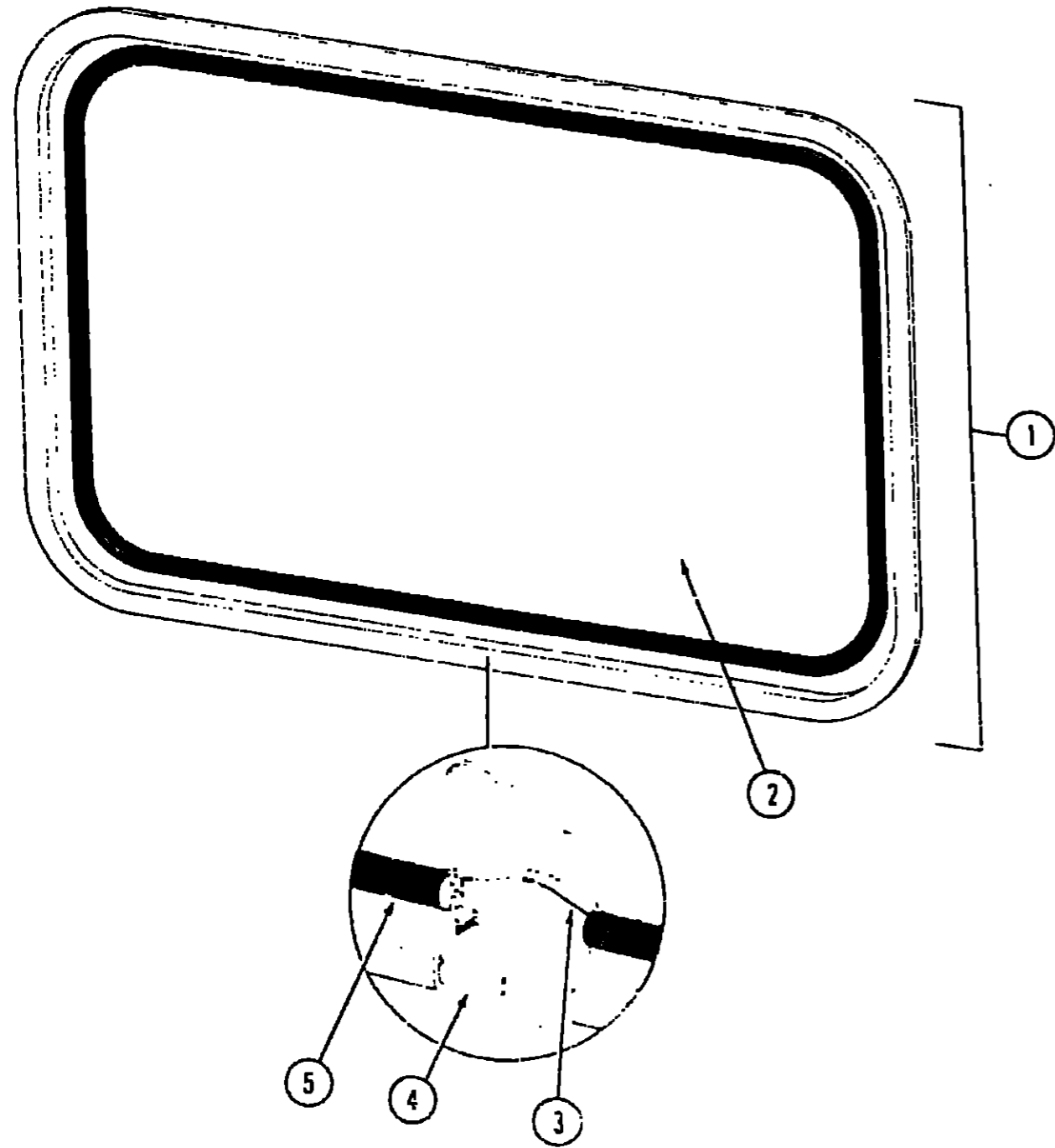
**1987 WINNEBAGO
TABLE OF CONTENTS**

| | |
|---------|-------------|
| WT319RB | A-01 - B-16 |
| WCN22RC | B-17 - D-24 |
| WC421RB | E-01 - F-24 |
| WCP37RQ | G-01 - I-14 |

1987 WC421RB INDEX

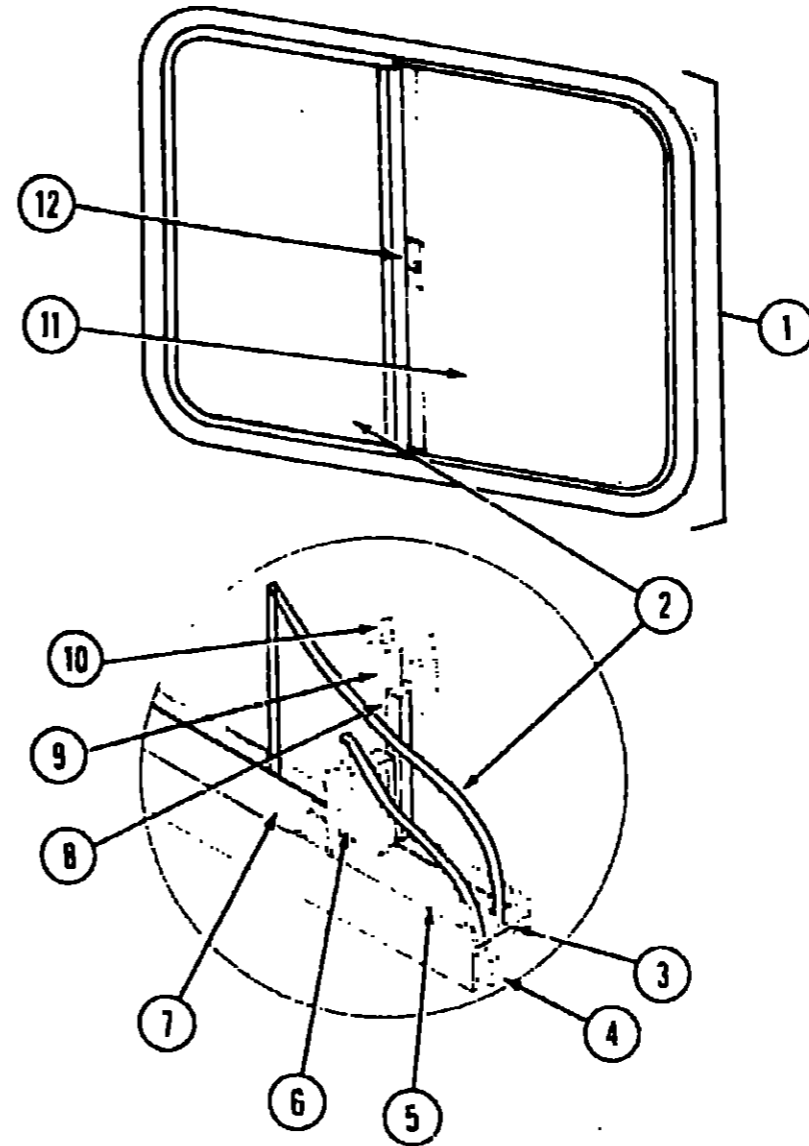
| | |
|------------------------------------|-------------|
| Floor Plan | E-01 - E-02 |
| Accessories Group | E-03 - E-04 |
| Bath Group | E-05 |
| Chassis Group | E-06 - E-07 |
| Curtain, Cushion & Pad Group | E-08 - E-14 |
| Dinette Group | E-15 - E-16 |
| Driver's Compartment Group | E-17 - E-18 |
| Electrical Group | E-19 - E-21 |
| Exterior Body Group | E-22 - F-04 |
| Galley Group | F-05 - F-06 |
| Heating & Air Conditioning Group | F-07 |
| Interior Finish Group | F-08 - F-10 |
| LP Group | F-11 |
| Lounge Group | F-12 |
| Water & Sewage Group | F-13 - F-14 |
| Window, Vent & Exterior Door Group | F-15 - F-24 |

WINDOW, VENT & EXTERIOR DOOR GROUP (CONTINUED)



| Key | Part Number | U/M | Description |
|-----|---------------|-----|---|
| 1 | 079415-01-T03 | EA | Window Asm - Rear Escape - 23" x 29" - Black (w/o inside frame) |
| • | 020749-03-000 | EA | Inside Frame - Brown (not included in assembly) |
| 2 | 002174-02-000 | EA | Glass - 1 8" x 19 6" x 25 9" |
| 3 | 002285-01-000 | FT | Filler - Weatherstrip - Black |
| 4 | 059640-05-000 | FT | Ribbon Sealer - 5 15" Bead x 15' |
| 5 | 002282-01-000 | FT | Weatherstrip - 1 25' Window |
| • | 006199-01-000 | EA | Label - Exit - Escape Window |
| • | | | Not illustrated |

WINDOW, VENT & EXTERIOR DOOR GROUP (CONTINUED)



| Key | Part Number | U/M | Description |
|-----|---------------|-----|---|
| 1 | 078266-02-T03 | EA | Window Asm - Single Slider (w/o inside frame) |
| • | 083122-01-000 | EA | Inside Frame - Brown (not included in assembly) |
| 2 | 081980-05-000 | EA | Glass - Sliding - 1 8" x 19" x 13 68" |
| 3 | 002324-02-000 | FT | Channel - Weatherstrip - Glass Run - 1.8" Glass |
| 4 | 069640-06-000 | FT | Ribbon Sealer - 5 16" Bead x 15' |
| 5 | 002309-02-000 | FT | Spline - Glass - 1 8" Material - Black |
| 6 | M69886-03-011 | EA | Seal Holder w/Fin Seal - Black |
| 7 | 057374-02-000 | FT | Extr Rubber - Window Seal - Black |
| 8 | 073740-01-000 | FT | Seal - Fin - Pile - 460" |
| 9 | 078562-02-000 | EA | Mullion - Slider Window - Black |
| 10 | 002298-02-000 | SF | Spline - 130" Dia - Charcoal (Screen) |
| 11 | 081984-03-000 | EA | Glass - Stationary - 1 8" x 19" x 12 30" |
| 12 | 047369-01-700 | EA | Latch Kit - Window - Plastic w/Fastener |
| • | 079204-01-000 | EA | Bracket - Mullion - Black |
| • | 002291-02-000 | SF | Screen - Window 16" - Charcoal |
| • | | | Not illustrated |

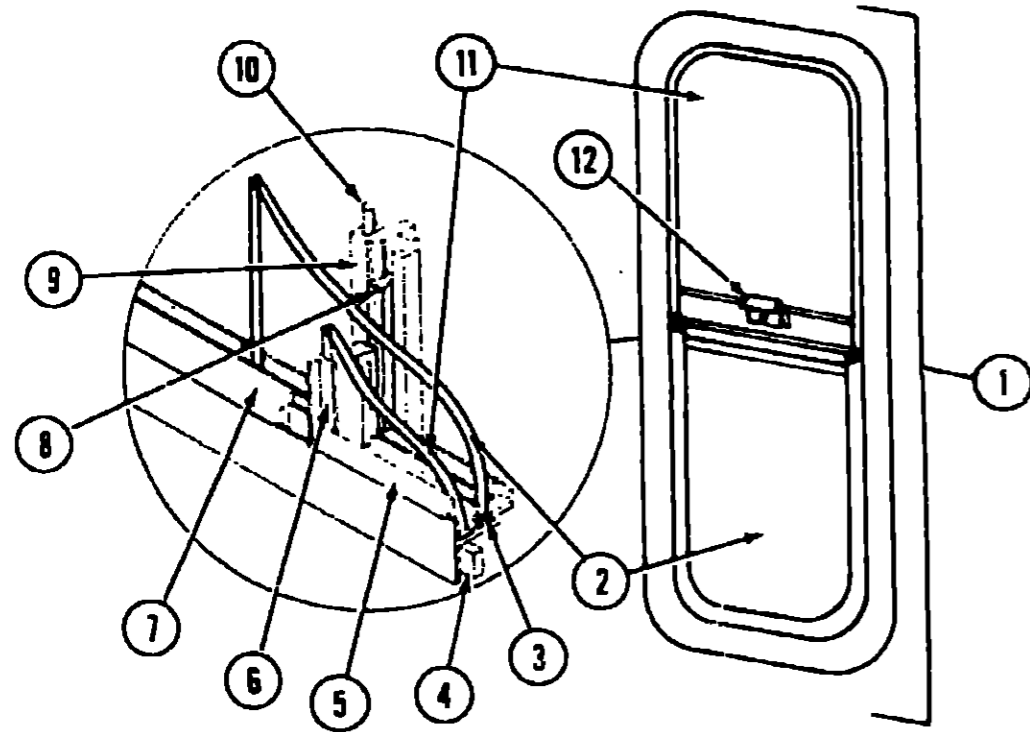
**1987 WINNEBAGO
TABLE OF CONTENTS**

| | |
|---------|-------------|
| WT319RB | A-01 - B-16 |
| WCN22RC | B-17 - D-24 |
| WC421RB | E-01 - F-24 |
| WCP37RO | G-01 - I-14 |

1987 WC421RB INDEX

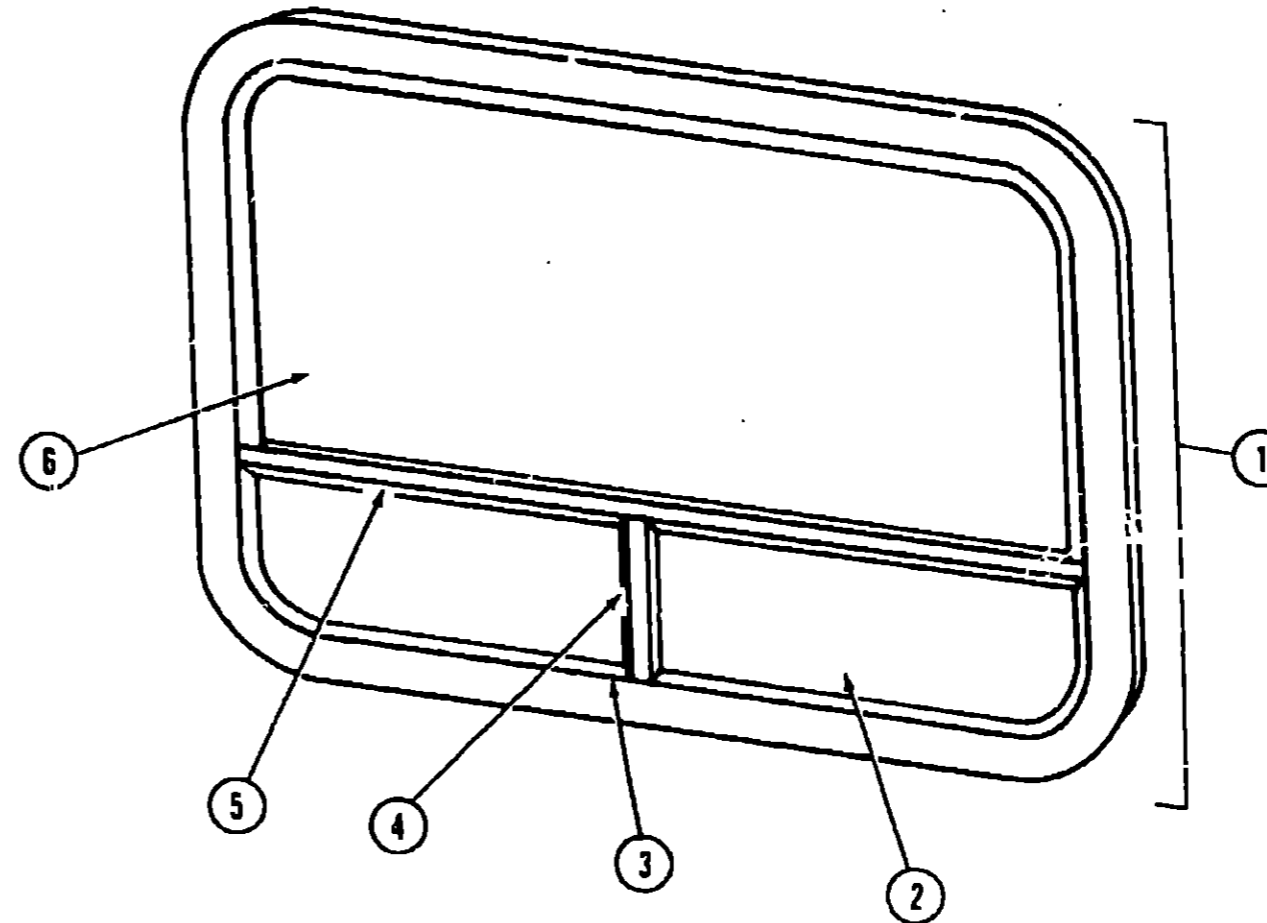
| | |
|------------------------------------|-------------|
| Floor Plan | E-01 - E-02 |
| Accessories Group | E-03 - E-04 |
| Bath Group | E-05 |
| Chassis Group | E-06 - E-07 |
| Curtain, Cushion & Pad Group | E-08 - E-14 |
| Dinette Group | E-15 - E-16 |
| Driver's Compartment Group | E-17 - E-18 |
| Electrical Group | E-19 - E-21 |
| Exterior Body Group | E-22 - F-04 |
| Galley Group | F-05 - F-06 |
| Heating & Air Conditioning Group | F-07 |
| Interior Finish Group | F-08 - F-10 |
| LP Group | F-11 |
| Lounge Group | F-12 |
| Water & Sewage Group | F-13 - F-14 |
| Window, Vent & Exterior Door Group | F-15 - F-24 |

WINDOW, VENT & EXTERIOR DOOR GROUP (CONTINUED)



| Key | Part Number | U/M | Description |
|-----|---------------|-----|---|
| 1 | 078453-01-T03 | EA | Window Asm - Vertical Slider - 37" x 15" - Black (w/o inside frame) |
| | 083122-02-000 | EA | Inside Frame - Brown (not included in assembly) |
| 2 | 081980-03-000 | EA | Glass - Slider - 1/8" x 14.4" x 19" |
| 3 | 002324-02-000 | FT | Channel - Weatherstrip - Glass Run - 1/8" Glass |
| 4 | 069640-06-000 | FT | Ribbon Sealer - 5/16" Bead x 15' |
| 5 | 002309-02-000 | FT | Spline - Glass - 1/8" Material - Black |
| 6 | M69886-03-007 | EA | Seal Holder w/Fin Seal - Black |
| 7 | 057374-02-000 | FT | Extr Rubber - Window Seal - Black |
| 8 | 073740-01-000 | FT | Seal - Fin - Pile - 460" |
| 9 | 078562-01-000 | EA | Mullion - Slider Window - Black |
| 10 | 002298-02-000 | FT | Spline - 130" Dia - Charcoal (Screen) |
| 11 | 081984-02-000 | EA | Glass - Stationary - 1/8" x 14.4" x 19" |
| 12 | 047369-01-700 | EA | Latch Kit - Window - Plastic w/Fastener |
| | 079204-01-000 | EA | Bracket - Mullion - Black |
| | 002291-02-000 | SF | Screen - Window 16" - Charcoal |
| | | | Not illustrated |

WINDOW, VENT & EXTERIOR DOOR GROUP (CONTINUED)



| Key | Part Number | U/M | Description |
|-----|---------------|-----|---|
| 1 | 085354-02-W07 | EA | Window Asm - Double Tipout (w/o inside frame) |
| | 084153-06-000 | EA | Inside Frame - Black (not included in assembly) |
| 2 | 084068-04-000 | EA | Glass - 1/8" x 9.24" x 30.39" - Tipout |
| | 084581-01-W07 | EA | Screen Asm - Tipout - Right |
| | 084581-02-W07 | EA | Screen Asm - Tipout - Left |
| 3 | 084067-01-000 | FT | Seal - "e" - Sponge Rubber |
| 4 | 084154-01-000 | EA | Mullion - Vertical - Black |
| | 084066-01-000 | FT | Bulb Seal - Double - Sponge Rubber |
| 5 | 083112-05-000 | EA | Mullion - Horizontal - Black |
| | 081357-01-000 | FT | Foam Seal - Vinyl |
| 6 | 081239-11-000 | EA | Glass - 1/8" x 61.7" x 20.5" - Stationary |
| | 002291-02-000 | SF | Screen - 16" Window |
| | 002298-02-000 | FT | Spline - 130 Dia - Charcoal (Screen) |
| | 081243-01-000 | EA | Clip - Screen - Plastic |
| | 080918-01-000 | EA | Spring - Torque Tube - Right |
| | 080918-02-000 | EA | Spring - Torque Tube - Left |
| | 035302-01-000 | EA | Operating Mech - Right |
| | 035302-02-000 | EA | Operating Mech - Left |
| | | | Not illustrated |

**1987 WINNEBAGO
TABLE OF CONTENTS**

WT319RB
WCN22RC
WC421RB
WCP37RQ

A-01 - B-16
B-17 - D-24
E-01 - F-24
G-01 - I-14

1987 WC421RB INDEX

| | |
|------------------------------------|-------------|
| Floor Plan | E-01 - E-02 |
| Accessories Group | E-03 - E-04 |
| Bath Group | E-05 |
| Chassis Group | E-06 - E-07 |
| Curtain, Cushion & Pad Group | E-08 - E-14 |
| Dinette Group | E-15 - E-16 |
| Driver's Compartment Group | E-17 - E-18 |
| Electrical Group | E-19 - E-21 |
| Exterior Body Group | E-22 - F-04 |
| Galley Group | F-05 - F-06 |
| Heating & Air Conditioning Group | F-07 |
| Interior Finish Group | F-08 - F-10 |
| LP Group | F-11 |
| Lounge Group | F-12 |
| Water & Sewage Group | F-13 - F-14 |
| Window, Vent & Exterior Door Group | F-15 - F-24 |