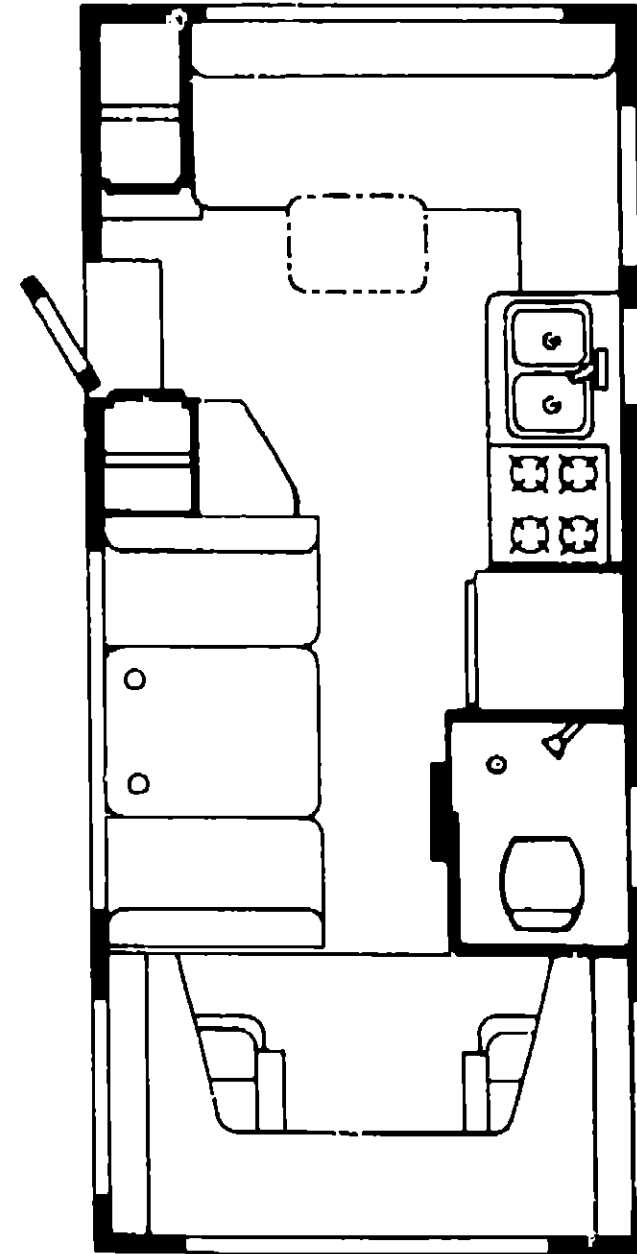


1987 WC420RG



1987 WINNEBAGO TABLE OF CONTENTS

WC420RG	A-01 - B-22
WC/WF424RB	B-23 - D-22
WCN27RU	D-23 - G-04
WCN30RC	G-05 - I-12
WCP34RU	I-13 - K-23

1987 WC420RG INDEX

Floor Plan	A-01 - A-02
Accessories Group	A-03 - A-04
Bath Group	A-05
Chassis Group	A-06 - A-07
Curtain, Cushion & Pad Group	A-08 - A-14
Dinette Group	A-15
Driver's Compartment Group	A-16 - A-18
Electrical Group	A-19 - A-20
Exterior Body Group	A-21 - B-02
Galley Group	B-03 - B-04
Heating & Air Conditioning Group	B-05
Interior Finish Group	B-06 - B-08
LP Group	B-09
Lounge Group	B-10
Water & Sewage Group	B-11
Window, Vent & Exterior Door Group	B-12 - B-22

ACCESSORIES GROUP

ACCESSORIES GROUP (CONTINUED)

RADIO & RELATED COMPONENTS

Key	Part Number	U/M	Description
	007004-01-000	EA	Antenna - Radio - Cab Mount
	073741-04-000	EA	Grille - Speaker - 4" x 6" - Oval
	064792-01-000	EA	Grille - Speaker - 5.25" - w/Mesh - Brown
	087683-01-000	EA	Radio - AM/FM - Stereo w/Cassette
	087683-02-000	EA	Radio - AM/FM - Stereo w/Cassette - Electronic
	064791-01-000	EA	Speaker - Recessed - 5.25"
	073431-01-000	EA	Speaker - 5.25" - 3/Way (Pair)
	073741-03-000	EA	Speaker - 4" x 6" - Oval
	074979-01-000	EA	Speaker Cover Protector - Plastic

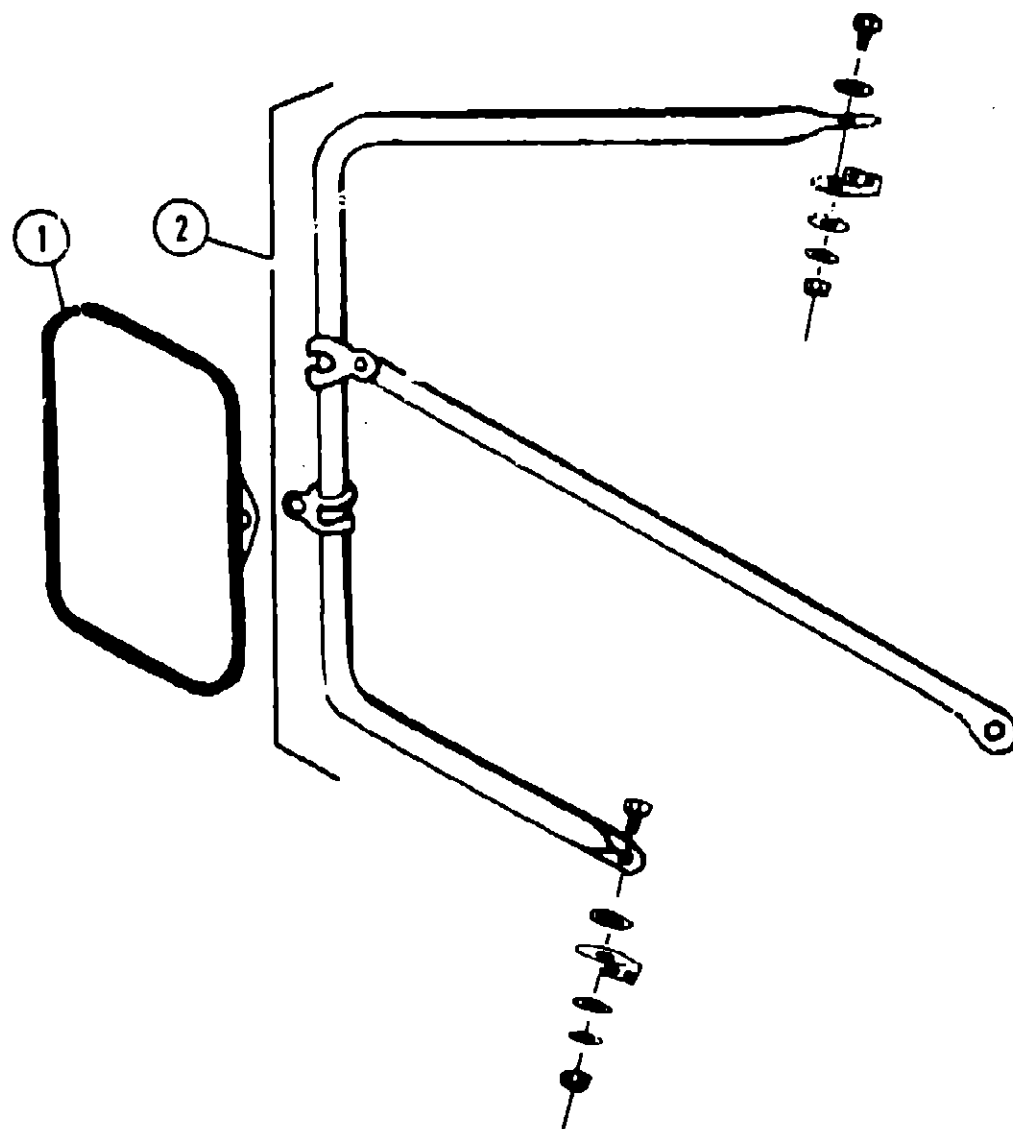
MISCELLANEOUS ACCESSORIES

Key	Part Number	U/M	Description
	054185-26-000	EA	Owner's Manual - 1987 - Itasca & Winnebago
	706053-02-000	EA	Antenna - TV Skyliner w/6" Shaft - Braund Delux
**	076319-01-000	EA	Antenna - TV - Roof Mount - 44.5"
	017516-01-000	EA	Mud Flap w/Holes - 14" x 18" - Black (Rear)
	064089-01-000	EA	Mud Flap - Black (Front)
	041944-04-000	EA	Fire Extinguisher - 5 BC
	084472-01-000	EA	Holder - Recessed - Fire Extinguisher
	081379-01-000	EA	Microwave Oven - Sharp
	082876-C1-000	EA	Baffle Microwave
	081456-01-000	EA	Angle Asm. - Microwave - Right
	081456-02-000	EA	Angle Asm. - Microwave - Left
	081459-08-000	EA	Bracket Asm. - Microwave - Right
	081459-02-000	EA	Bracket Asm. - Microwave - Left
	081555-01-T03	EA	Trim - Microwave Oven
	081016-01-T03	EA	Ladder Asm.
	067130-01-000	EA	Ladder Step
	081026-01-000	EA	Rack Asm. - Left
	081026-02-T03	EA	Rack Asm. - Right
	076980-02-000	EA	End Cap - Ladder Step
	081114-01-000	EA	Cap - Insert - Rack Rail
	067125-01-000	EA	Standoff - Rack & Ladder
	067165-01-000	EA	Mounting Bracket - Rack & Ladder
**	069629-01-000	EA	Speed Control Package - Electric - Dana
	072852-01-000	EA	Smoke Detector w/9 Volt Battery
	079664-C2-000	EA	Weather Center - 8.5" x 8.5"
	079665-01-000	EA	Clock - 9" x 9"
	006069-01-000	EA	Key Case - Leather
	007038-01-000	EA	Door Mat - 10.5" x 26" - Black Rubber
	081075-01-000	EA	Floor Mat - Entrance - Winnebago
	083218-01-000	EA	Floor Mat - Front - Right - Winnebago
	083218-02-000	EA	Floor Mat - Front - Left - Winnebago
	080208-01-000	EA	Lug Wrench - 1" x 1.25" x 16.3"
	080208-02-000	EA	Leverage Bar - 22" - Lug Wrench
	006113-01-000	EA	Jack - Hydraulic - 6 Ton - w/Handle
	079799-01-000	EA	Tire Cover Asm.
	M02047-01-T95	EA	Panel Asm. - Door - Tire Cover
	033181-02-000	EA	Wheel Cover - 16.5" - Deimet (Set/4)
	063181-02-700	EA	Wheel Cover - 16.5" - Deimet (1)
	085741-02-000	EA	Liner - Wheel - 16.5" Dia. - Set/4
	085741-02-701	EA	Axle Cover - 16" or 16.5" - Front
	085741-02-702	EA	Axle Cover - 16" or 16.5" - Rear
	085741-02-703	EA	Liner Cover - Rear Only
	085741-02-704	EA	Liner Cover - Front Only
	085741-02-705	EA	Lug Nut Cover - New Style

** The illustrated parts breakdown for this item is provided on the Common Items Fiche.

1987 WINNEBAGO TABLE OF CONTENTS

WC420RG	A-01 - B-22
WC/WF424RB	B-23 - D-22
WCN27RU	D-23 - G-04
WCN30RD	G-05 - I-12
WCP34RU	I-13 - K-23



EXTERIOR MIRRORS

Key	Part Number	U/M	Description
1	049347-01-000	EA	Mirror Head - 7.5" x 10.5" - Stainless Steel
2	062047-01-000	EA	Arm - West Coast Mirror - Stainless Steel
2	062047-02-000	EA	Arm - West Coast Mirror - Oil White
*	006043-01-000	EA	Mirror - Convex - Adhesive Back
*			Not illustrated

GENERATORS & COMPONENTS

Key	Part Number	U/M	Description
	080475-01-000	EA	Panel Asm. - Control - 2 kw Kohler
	090662-01-000	EA	Exhaust Pipe - 2.5 kw Kohler
	080749-01-000	EA	Muller Kit - 2.5 kw Kohler
	083561-01-000	EA	Generator - 2.5 kw - Kohler
	052168-01-000	EA	Generator - Onan - 4.25 kw

1987 WC420RG INDEX

Floor Plan	A-01 - A-02
Accessories Group	A-03 - A-04
Bath Group	A-05
Chassis Group	A-06 - A-07
Curtain, Cushion & Pad Group	A-08 - A-14
Dinette Group	A-15
Driver's Compartment Group	A-16 - A-18
Electrical Group	A-19 - A-20
Exterior Body Group	A-21 - B-02
Galley Group	B-03 - B-04
Heating & Air Conditioning Group	B-05
Interior Finish Group	B-06 - B-08
LP Group	B-09
Lounge Group	B-10
Water & Sewage Group	B-11
Window, Vent & Exterior Door Group	B-12 - B-22

BATH GROUP

BATH CABINETRY

Key	Part Number	U/M	Description
	063669-01-U01	EA	Door Asm. - Bathroom - w/o Hardware
	060744-01-000	EA	Medicine Cabinet w/Oak Frame
	M02633-01-W04	EA	Cabinet Asm. - Fold-up Sink - Complete
	063642-01-W04	EA	Cabinet Asm. - Sink - Foldup
	063656-01-W04	EA	Cabinet Asm. - Lavatory
	M02596-01-U01	EA	Countertop Asm. - Flip-up Sink - Top
	M02597-01-U01	EA	Countertop Asm. - Flip-up Sink - Bottom
	062163-01-000	EA	Light Asm. - Make-up 3 Bulb

BATH HARDWARE

Key	Part Number	U/M	Description
	075240-03-000	EA	Faucet - Lavatory - US - Brass
	075241-03-000	EA	Faucet - Shower - US - Brass
	075452-02-000	EA	Holder - Tissue - Brass
	059777-02-000	EA	Hinge - Brass
	066435-01-000	EA	Nut - Strainer - Plastic
	057671-01-000	EA	Screw Cover (No. 8)
	011048-02-000	EA	Shower Head w/60" Hose
	M02916-01-000	EA	Shower Pan
	084481-03-000	EA	Curtain Asm. - Shower - 73" x 64"
	083511-01-000	EA	Catch Basin - Lavatory Sink
	066436-01-000	EA	Slip Nut - 1.5" Tailpiece - Bathtub
	066440-01-000	EA	Strainer - Shower Pan - w/Rubber Washer
	011063-01-000	EA	Tail Piece - 1.25" x 5" - Plastic - w/Stopper
**	064076-01-000	EA	Toilet - Thetford - Aqua Magic - Ivory - Model 50
	083801-01-000	EA	Track Asm. - Shower Curtain
	052586-01-000	EA	Ventilator - Skylight - Round
	064467-01-000	EA	Door Guide - Wall Mount
	075454-02-000	EA	Towel Ring - Brass
	050712-04-000	EA	Handle - Shower Door
	069735-01-000	EA	Washer - Tailpiece - 1.5" Plastic
	009156-01-000	EA	Hanger - Sliding Door
	074470-01-000	EA	Pull - Release Pin Hinge - Right
	074470-02-000	EA	Pull - Release Pin Hinge - Left

** The illustrated parts breakdown for this item is provided on the Common Items Fiche.

CHASSIS GROUP

Key	Part Number	U/M	Description
	057822-01-000	EA	Battery Tray Asm.
	047441-01-000	EA	Battery Terminal - Horizontal Lug
	065451-02-000	EA	Bracket - Battery Tie Down - 10.8"
	065451-03-000	EA	Bracket - Battery Tie Down - 14"
	022150-01-000	EA	Bracket - Bumpair - Rear
	010497-01-000	EA	Clamp - Closure - 5/8" I.D.
	010499-01-000	EA	Clamp - Closure - 3/8" I.D.
	007161-01-000	EA	Clamp - Hose - Spring Type 112
	062401-01-000	EA	Clamp - Hose - Wormgear .22" I.D. - 1" I.D.
	062401-03-000	EA	Clamp - Hose - Wormgear - .25" I.D. - 1" I.D.
	062401-04-000	EA	Clamp - Hose - Wormgear - .69" I.D. - 1.25" I.D.
	062401-09-000	EA	Clamp - Hose - Wormgear - 2.8" x 3.75"
	023146-01-000	EA	Clamp - Screw Type 4
	081938-01-000	EA	Compartment - LP Regulator
	007131-01-000	EA	Hanger - Trill Pipe
	058488-01-000	EA	Heat Shield - Muffler
	024138-01-000	EA	Hose - Fuel - 5/16" I.D. SAE 30RI
	006113-01-000	EA	Jack - Hydraulic - 6 Ton - w/Handle
	080208-02-000	EA	Leverage Bar - Lug Wrench
	080208-01-000	EA	Lug Wrench - 1.06" x 1"
	017516-01-000	EA	Mud Flap w/Holes - 14" x 18" - Black
	064069-01-000	EA	Splash Guard - Black Rubber
	062400-02-000	EA	Rim - Wheel - 10.5 x 6.00 - 8 Hole
	079942-03-000	EA	Shock - Absorber Stabilizer - Front
	079942-04-000	EA	Shock - Absorber Stabilizer - Rear
	077848-01-000	EA	Step Asm. - Pullout
	080359-01-000	EA	Step Well Plate
	037291-03-000	EA	Tire - 6.00 x 16.5 - 8 Ply Poly
	057665-02-000	EA	Tire - 8.00 x 16.5 - White Sidewall - Radial
	051377-01-000	EA	Valve Stem Asm. - TR500
	077030-02-000	EA	Extension - Valve Stem
	057724-01-000	EA	Wheel Well - Plastic
	008343-01-000	EA	Wire Tie - 6"
	063303-04-000	EA	Shroud - Fuel Fill - Lower
	078040-01-000	EA	Shroud - Fuel Fill - Upper
	079384-03-000	EA	Running Board - Right
	079384-04-000	EA	Running Board - Left
	079384-01-700	EA	Hardware - Running Board
	079384-01-701	EA	Tread Molding
	079384-01-702	EA	Wheel Trim - Chrome
	079384-07-000	EA	Mounting Bracket - Running Board
	079384-08-000	EA	Hanger Strap - Running Board

NOTE: Remainder of exhaust components available from Chassis Service Center.

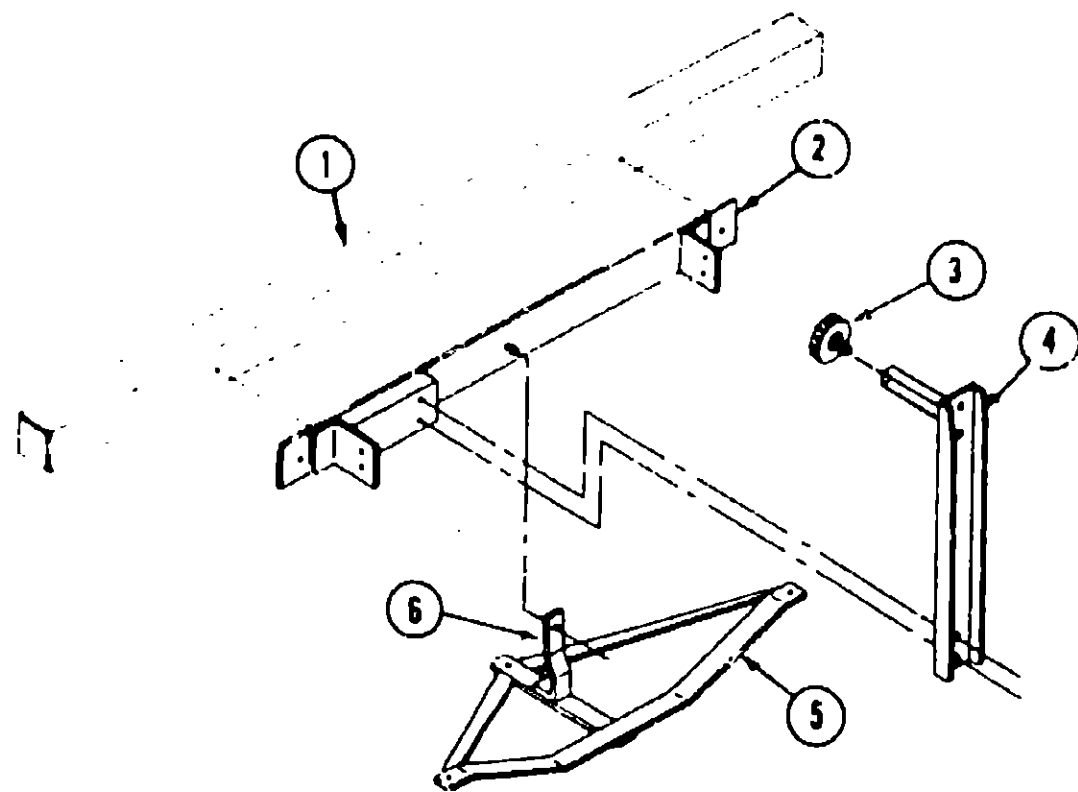
1987 WINNEBAGO TABLE OF CONTENTS

WC420RG	A-01 - B-22
WC/WF424RB	B-23 - D-22
WCN27RU	D-23 - G-04
WCN30RC	G-05 - I-12
WCP34RU	I-13 - K-23

1987 WC420RG INDEX

Floor Plan	A-01 - A-02
Accessories Group	A-03 - A-04
Bath Group	A-05
Chassis Group	A-06 - A-07
Curtain, Cushion & Pad Group	A-08 - A-14
Dinette Group	A-15
Driver's Compartment Group	A-16 - A-18
Electrical Group	A-19 - A-20
Exterior Body Group	A-21 - B-02
Galley Group	B-03 - B-04
Heating & Air Conditioning Group	B-05
Interior Finish Group	B-06 - B-08
LP Group	B-09
Lounge Group	B-10
Water & Sewage Group	B-11
Window, Vent & Exterior Door Group	B-12 - B-22

CHASSIS GROUP (CONTINUED)



REAR BUMPER & TRAILER HITCH

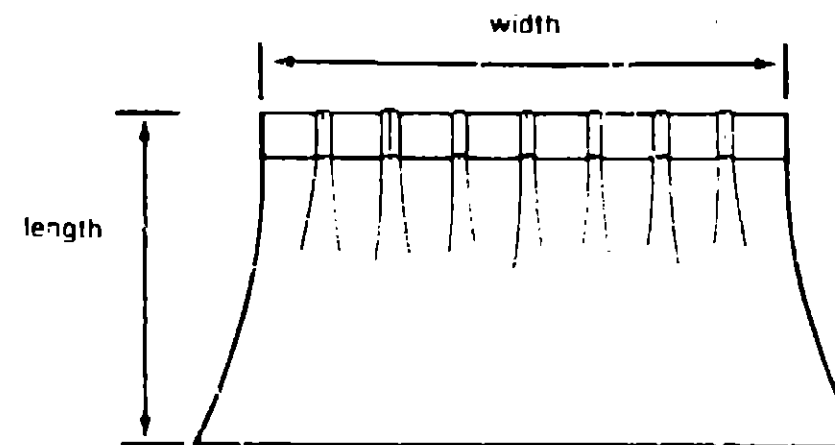
Key	Part Number	U/M	Description
1	064602-01-000	EA	Bumper Asm. - Square - 92" - Off White
•	039779-01-000	EA	Cap - Rubber - 4" x 4" - Square Bumper
2	064601-01-000	EA	Bracket - Bump: Mount
3	064082-02-000	EA	Retaining Nut - Tire Cover
4	079027-01-000	EA	Bracket Asm. - Spare Tire Cover
•	079799-01-000	EA	Tire Cover Asm. - Off White
•	077408-02-000	EA	Lock Asm. - Key Type
5	064833-02-000	EA	Trailer Hitch Asm.
6	064824-02-000	EA	Support - Trailer Hitch
•	041332-02-000	EA	Reflector - 6.5" x .75" - Bumper Cover
•	041332-03-000	EA	Bumper Cover - Aluminum Fits 4" Square Bumper
•	M02047-01-T95	EA	Door Asm. - Tire Cover
•			Not illustrated

CURTAIN, CUSHION & PAD GROUP

NOTICE

In order to assist our Parts Sales Dept. in providing interior software items, please include the serial number and the color code number from the vehicle certification label when ordering. This label is located on the left sidewall at the end of the dash (A-Body), or on the driver's door latch plate (C-Body).

An example of a color code number is P31, which designates an overall color scheme of a particular unit. The color listed after the item description on the microfiche, indicates the overall unit color. Order the item you desire according to unit color code.



NOTE:

Use this illustration when determining length and width measurements for curtains. You will note the width measurement is taken on the top of the curtain with the curtain fully extended. The length measurement is taken from top to bottom.

1987 WINNEBAGO TABLE OF CONTENTS

WC420RG	A-01 - B-22
WC/WF424REI	B-23 - D-22
WCN27RU	D-23 - G-04
WCN30RC	G-05 - I-12
WCP34RU	I-13 - K-23

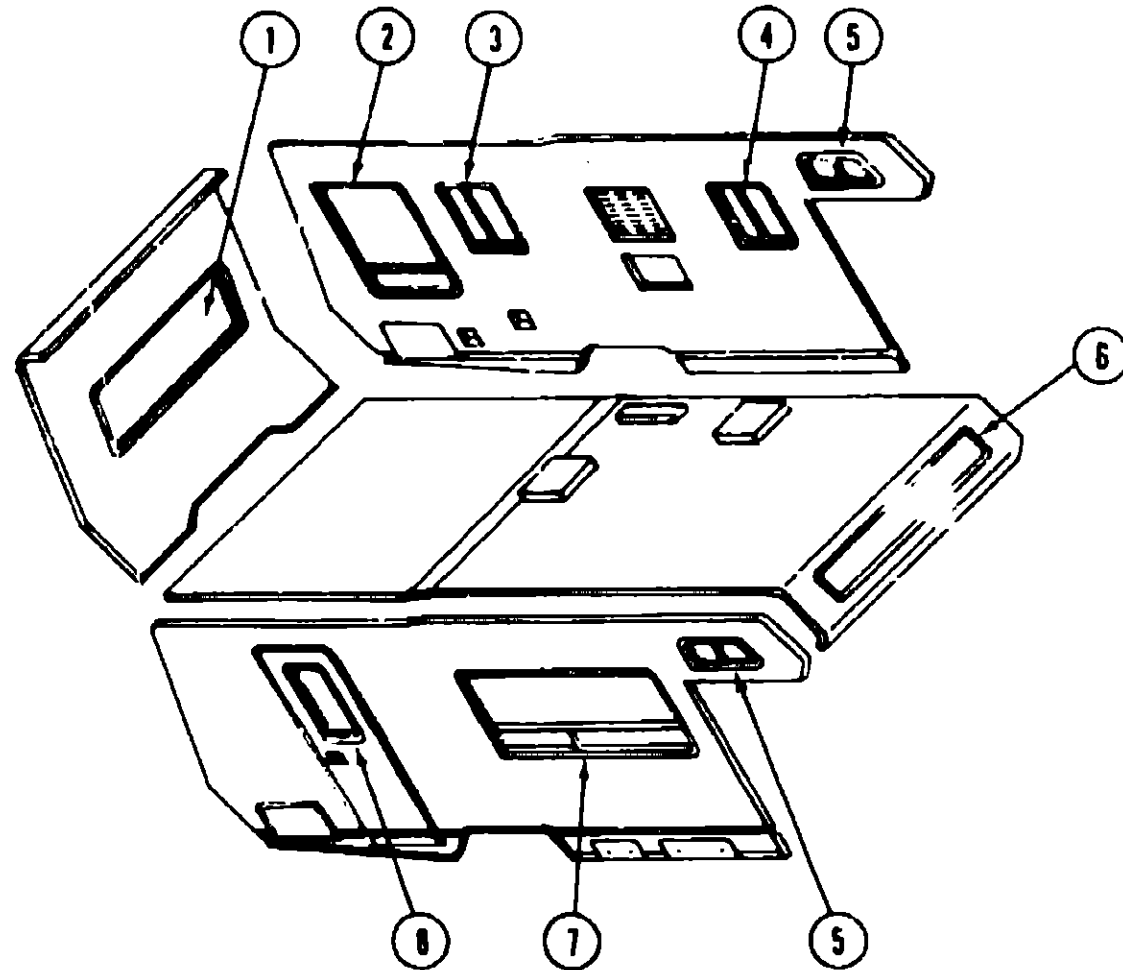
CURTAIN & CUSHION HARDWARE

Key	Part Number	U/M	Description
	053163-01-000	EA	Bracket - Couch Slide
	054398-01-000	EA	Bracket - Couch - Brown
	039175-02-000	EA	Bracket - Curtain Rod - Cafe
	039175-05-000	EA	Bracket - Curtain Rod - Center
	056003-02-000	EA	Bracket - Drapery Retainer - Left
	056003-01-000	EA	Bracket - Drapery Retainer - Right
	064434-01-000	EA	Bracket - Roller Shade - 1 3/8"
	M80906-01-000	EA	Frame Asm. - Seat, Back & Spring
	080730-03-700	EA	Handle Kit - Recliner
	080731-02-000	EA	Hinge - Recliner - Slave
	083170-01-000	EA	Installation Bracket - Blind - Right
	083170-02-000	EA	Installation Bracket - Blind - Left
	039175-01-000	EA	Rod - Cafe Curtain - Extension 48" x 84"
	048394-02-000	YD	Tape Hook - .75" x 50 yd - Beige
	048395-02-000	YD	Tape Loop - .75" x 50 YD - Beige
	029090-01-000	FT	Tie - Drapery - Clear Vinyl
	056116-01-000	EA	Track - Curtain - Brown Plastic

1987 WC420RG INDEX

Floor Plan	A-01 - A-02
Accessories Group	A-03 - A-04
Bath Group	A-05
Chassis Group	A-06 - A-07
Curtain, Cushion & Pad Group	A-08 - A-14
Dinette Group	A-15
Driver's Compartment Group	A-16 - A-18
Electrical Group	A-19 - A-20
Exterior Body Group	A-21 - B-02
Galley Group	B-03 - B-04
Heating & Air Conditioning Group	B-05
Interior Finish Group	B-06 - B-08
LP Group	B-09
Lounge Group	B-10
Water & Sewage Group	B-11
Window, Vent & Exterior Door Group	B-12 - B-22

CURTAIN, CUSHION & PAD GROUP (CONTINUED)



CURTAINS, SHADES, VALANCES & TIEBACKS

Key	Part Number	U/M	Description
1	085190-02-W04	EA	Curtain Asm. w/Snap Top - 31" x 15" (W04)
**1	085190-02-WB7	EA	Curtain Asm. w/Snap Top - 31" x 15" (W04)
1	085190-02-W05	EA	Curtain Asm. w/Snap Top - 31" x 15" (W05)
1	085190-02-W06	EA	Curtain Asm. w/Snap Top - 31" x 15" (W06)
1	085191-05-W01	EA	Valance Asm. w/Insert - 74" (W04)
**1	085191-05-WB7	EA	Valance Asm. w/Insert - 74" (W04)
1	085191-05-W05	EA	Valance Asm. w/Insert - 74" (W05)
1	085191-05-W06	EA	Valance Asm. w/Insert - 74" (W06)
1	085304-23-000	EA	Blind - Pleated - 71" x 28" Drop (W04)
1	085304-22-000	EA	Blind - Pleated - 71" x 28" Drop (W05)
1	085304-21-000	EA	Blind - Pleated - 71" x 28" Drop (W06)
†	082118-C9-000	EA	Blind - Mini - 71" x 28" Drop (W04)
†	082118-D0-000	EA	Blind - Mini - 71" x 28" Drop (W05)
†	082118-D1-000	EA	Blind - Mini - 71" x 28" Drop (W06)
2	085190-03-W04	EA	Curtain Asm. w/Snap Top - 41" x 10" (W04)
**2	085190-03-WB7	EA	Curtain Asm. w/Snap Top - 41" x 10" (W04)
2	085190-03-W05	EA	Curtain Asm. w/Snap Top - 41" x 10" (W05)
2	085190-03-W06	EA	Curtain Asm. w/Snap Top - 41" x 10" (W06)
2	085191-06-W04	EA	Valance Asm. w/Insert - 59.4" (W04)
**2	085191-06-WB7	EA	Valance Asm. w/Insert - 59.4" (W04)
2	085191-06-W05	EA	Valance Asm. w/Insert - 59.4" (W05)
2	085191-06-W06	EA	Valance Asm. w/Insert - 59.4" (W06)
2	085304-08-000	EA	Blind - Pleated - 30" x 38" Drop (W04)
2	085304-07-000	EA	Blind - Pleated - 30" x 38" Drop (W05)
2	085304-06-000	EA	Blind - Pleated - 30" x 38" Drop (W06)
†	082118-C0-000	EA	Blind - Mini - 30" x 38" Drop (W04)
†	082118-C1-000	EA	Blind - Mini - 30" x 38" Drop (W05)
†	082118-C2-000	EA	Blind - Mini - 30" x 38" Drop (W06)
3	082118-B1-000	EA	Blind - Mini - 27" x 30" Drop (W04)
3	082118-B2-000	EA	Blind - Mini - 27" x 30" Drop (W05)
3	082118-B3-000	EA	Blind - Mini - 27" x 30" Drop (W06)

CURTAIN, CUSHION & PAD GROUP (CONTINUED)

CURTAINS, SHADES, VALANCES & TIEBACKS (CONT.)

Key	Part Number	U/M	Description
4	M84261-02-U04	EA	Valance Asm. - Bath
4	082118-B7-000	EA	Blind - Mini - 32" x 26" Drop (W04)
4	082118-B8-000	EA	Blind - Mini - 32" x 26" Drop (W05)
4	082118-B9-000	EA	Blind - Mini - 32" x 26" Drop (W06)
5	073323-33-W18	EA	Curtain Asm. w/Rod Top & Bottom - 17.5" x 24" (W04)
**5	073323-33-WB7	EA	Curtain Asm. w/Rod Top & Bottom - 17.5" x 24" (W04)
5	073323-33-W19	EA	Curtain Asm. w/Rod Top & Bottom - 17.5" x 24" (W05)
5	073323-33-W17	EA	Curtain Asm. w/Rod Top & Bottom - 17.5" x 24" (W06)
5	073323-34-W18	EA	Curtain Asm. w/Rod Top & Bottom - 17.5" x 24" - Left (W04)
**5	073323-34-WB7	EA	Curtain Asm. w/Rod Top & Bottom - 17.5" x 24" - Left (W04)
5	073323-34-W19	EA	Curtain Asm. w/Rod Top & Bottom - 17.5" x 24" - Left (W05)
5	073323-34-W17	EA	Curtain Asm. w/Rod Top & Bottom - 17.5" x 24" - Left (W06)
5	073323-35-W18	EA	Curtain Asm. w/Rod Top & Bottom - 17.5" x 24" - Right (W04)
**5	073323-35-WB7	EA	Curtain Asm. w/Rod Top & Bottom - 17.5" x 24" - Right (W04)
5	073323-35-W19	EA	Curtain Asm. w/Rod Top & Bottom - 17.5" x 24" - Right (W05)
5	073323-35-W17	EA	Curtain Asm. w/Rod Top & Bottom - 17.5" x 24" - Right (W06)
6	073323-32-W18	EA	Curtain Asm. w/Rod Top & Bottom - 19.5" x 30" (W04)
**6	073323-32-WB7	EA	Curtain Asm. w/Rod Top & Bottom - 19.5" x 30" (W04)
6	073323-32-W19	EA	Curtain Asm. w/Rod Top & Bottom - 19.5" x 30" (W05)
6	073323-32-W17	EA	Curtain Asm. w/Rod Top & Bottom - 19.5" x 30" (W06)
7	085190-13-W04	EA	Curtain Asm. w/Snap Top - 36" x 15" (W04)
**7	085190-13-WB7	EA	Curtain Asm. w/Snap Top - 36" x 15" (W04)
7	085190-13-W05	EA	Curtain Asm. w/Snap Top - 36" x 15" (W05)
7	085190-13-W06	EA	Curtain Asm. w/Snap Top - 36" x 15" (W06)
7	085191-01-W04	EA	Valance Asm. w/Insert - 68.50" (W04)
**7	085191-01-WB7	EA	Valance Asm. w/Insert - 68.50" (W04)
7	085191-01-W05	EA	Valance Asm. w/Insert - 68.50" (W05)
7	085191-01-W06	EA	Valance Asm. w/Insert - 68.50" (W06)
7	085304-18-000	EA	Blinds - Pleated - 65" x 33" Drop (W04)
7	085304-17-000	EA	Blinds - Pleated - 65" x 33" Drop (W05)
7	085304-16-000	EA	Blinds - Pleated - 65" x 33" Drop (W06)
**	082118-C6-000	EA	Blinds - Mini - 65" x 33" Drop (W04)
**	082118-C7-000	EA	Blinds - Mini - 65" x 33" Drop (W05)
**	082118-C8-000	EA	Blinds - Mini - 65" x 33" Drop (W06)
8	073304-42-W04	EA	Curtain Asm. w/Snap Top - 34" x 37" (W04)
**8	073304-42-WB7	EA	Curtain Asm. w/Snap Top - 34" x 37" (W04)
8	073304-42-W05	EA	Curtain Asm. w/Snap Top - 34" x 37" (W05)
8	073304-42-W06	EA	Curtain Asm. w/Snap Top - 34" x 37" (W06)
*	073295-04-W04	EA	Curtain Asm. w/Lining - Front Wraparound - 23" x 64" (2 required) (W04)
**	073295-04-WB7	EA	Curtain Asm. w/Lining - Front Wraparound - 23" x 64" (2 required) (W04)
*	073295-04-W05	EA	Curtain Asm. w/Lining - Front Wraparound - 23" x 64" (2 required) (W05)
*	073295-04-W06	EA	Curtain Asm. w/Lining - Front Wraparound - 23" x 64" (2 required) (W06)
*	077591-03-W04	EA	Curtain Asm. w/Velcro Top - Bunk Privacy - 70" x 50" - Passenger (W04)
**	077591-03-WB7	EA	Curtain Asm. w/Velcro Top - Bunk Privacy - 70" x 50" - Passenger (W04)
*	077591-03-W05	EA	Curtain Asm. w/Velcro Top - Bunk Privacy - 70" x 50" - Passenger (W05)
*	077591-03-W06	EA	Curtain Asm. w/Velcro Top - Bunk Privacy - 70" x 50" - Passenger (W06)
*	077591-04-W04	EA	Curtain Asm. w/Velcro Top - Bunk Privacy - 70" x 50" - Driver (W04)
**	077591-04-WB7	EA	Curtain Asm. w/Velcro Top - Bunk Privacy - 70" x 50" - Driver (W04)
*	077591-04-W05	EA	Curtain Asm. w/Velcro Top - Bunk Privacy - 70" x 50" - Driver (W05)
*	077591-04-W06	EA	Curtain Asm. w/Velcro Top - Bunk Privacy - 70" x 50" - Driver (W06)
*	073260-23-W04	EA	Tieback Asm. - 3" x 18" (W04)
**	073260-23-WB7	EA	Tieback Asm. - 3" x 18" (W04)
*	073260-23-W05	EA	Tieback Asm. - 3" x 18" (W05)
*	073260-23-W06	EA	Tieback Asm. - 3" x 18" (W06)
*	073260-24-W18	EA	Tieback Asm. - 2" x 14" (W04)
**	073260-24-WB7	EA	Tieback Asm. - 2" x 14" (W04)
*	073260-24-W19	EA	Tieback Asm. - 2" x 14" (W05)
*	073260-24-W17	EA	Tieback Asm. - 2" x 14" (W06)
*	085283-01-000	EA	Tieback Asm. - Plastic
*	057534-01-000	EA	Tieback Asm. - 6" - Clear Plastic
*	057534-04-000	EA	Tieback Asm. - 20" - Clear Plastic
*	Not illustrated		
**	Parts used on units provided after 2/1/87.		
†	Parts used in the Mini Blind Option.		

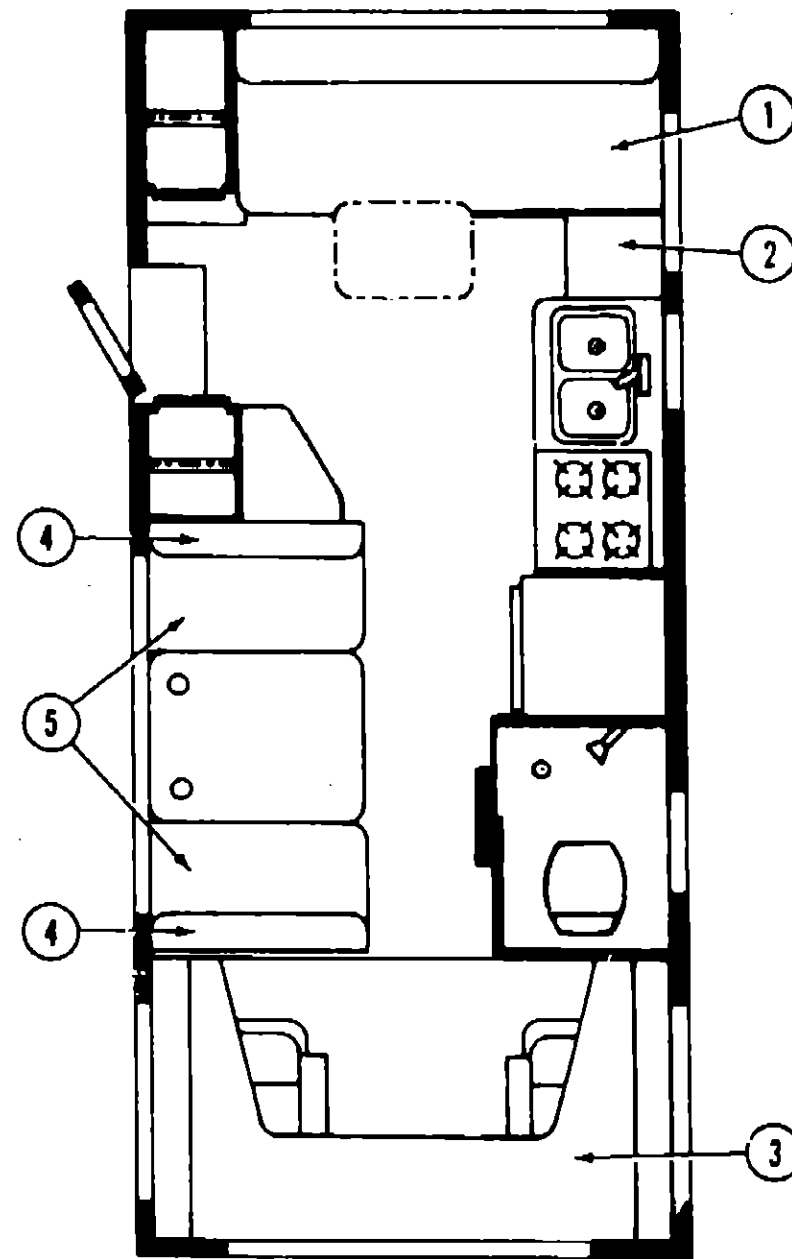
**1987 WINNEBAGO
TABLE OF CONTENTS**

WC420RG	A-01 - B-22
WC/WF424RB	B-23 - D-22
WCN27RU	D-23 - G-04
WCN30RC	G-05 - I-12
WCP34RU	I-13 - K-23

1987 WC420RG INDEX

Floor Plan	A-01 - A-02
Accessories Group	A-03 - A-04
Bath Group	A-05
Chassis Group	A-06 - A-07
Curtain, Cushion & Pad Group	A-08 - A-14
Dinette Group	A-15
Driver's Compartment Group	A-16 - A-18
Electrical Group	A-19 - A-20
Exterior Body Group	A-21 - B-02
Galley Group	B-03 - B-04
Heating, & Air Conditioning Group	B-05
Interior Finish Group	B-06 - B-08
LP Group	B-09
Lounge Group	B-10
Water & Sewage Group	B-11
Window, Vent & Exterior Door Group	B-12 - B-22

CURTAIN, CUSHION & PAD GROUP (CONTINUED)



REAR LOUNGE CUSHION

Key	Part Number	U/M	Description
1	073900-13-W04	EA	Cushion Asm. - Lounge Back & Bottom - 76"
1	073900-13-W05	EA	Cushion Asm. - Lounge Back & Bottom - 76"
1	073900-13-W06	EA	Cushion Asm. - Lounge Back & Bottom - 76"
	M73900-13-W04	EA	Cover Asm. - Lounge Back & Bottom - 76"
	M73900-13-W05	EA	Cover Asm. - Lounge Back & Bottom - 76"
	M73900-13-W06	EA	Cover Asm. - Lounge Back & Bottom - 76"
*1	073900-15-W04	EA	Cushion Asm. - Lounge Back & Bottom - 79"
*1	073900-15-W05	EA	Cushion Asm. - Lounge Back & Bottom - 79"
*1	073900-15-W06	EA	Cushion Asm. - Lounge Back & Bottom - 79"
	M73900-15-W04	EA	Cover Asm. - Lounge Back & Bottom - 79"
	M73900-15-W05	EA	Cover Asm. - Lounge Back & Bottom - 79"
	M73900-15-W06	EA	Cover Asm. - Lounge Back & Bottom - 79"
2	081998-38-W04	EA	Cushion Asm. - Lounge Bottom - 22.5" x 15" x 5"
2	081998-38-W05	EA	Cushion Asm. - Lounge Bottom - 22.5" x 15" x 5"
2	081998-38-W06	EA	Cushion Asm. - Lounge Bottom - 22.5" x 15" x 5"
	M81998-38-W04	EA	Cover Asm. - Lounge Bottom Cushion - 22.5" x 15" x 5"
	M81998-38-W05	EA	Cover Asm. - Lounge Bottom Cushion - 22.5" x 15" x 5"
	M81998-38-W06	EA	Cover Asm. - Lounge Bottom Cushion - 22.5" x 15" x 5"

Parts used on units produced after 9/1/86.

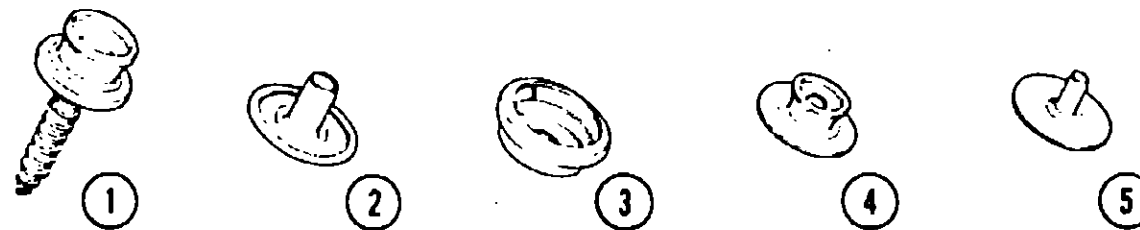
CURTAIN, CUSHION & PAD GROUP (CONTINUED)

FRONT OVERHEAD BUNK CUSHIONS

Key	Part Number	U/M	Description
3	084753-05-W04	EA	Cushion Asm. - Front Bunk
3	084753-05-W05	EA	Cushion Asm. - Front Bunk
3	084753-05-W06	EA	Cushion Asm. - Front Bunk
	M84753-05-W04	EA	Cover Asm. - Front Bunk Cushion
	M84753-05-W05	EA	Cover Asm. - Front Bunk Cushion
	M84753-05-W06	EA	Cover Asm. - Front Bunk Cushion
	084753-06-W04	EA	Cushion Asm. - Front Bunk - U-Shaped
	084753-06-W05	EA	Cushion Asm. - Front Bunk - U-Shaped
	084753-06-W06	EA	Cushion Asm. - Front Bunk - U-Shaped
	M84753-06-W04	EA	Cover Asm. - Front Bunk Cushion - U-Shaped
	M84753-06-W05	EA	Cover Asm. - Front Bunk Cushion - U-Shaped
	M84753-06-W06	EA	Cover Asm. - Front Bunk Cushion - U-Shaped

DINETTE CUSHION

Key	Part Number	U/M	Description
4	081998-77-W04	EA	Cushion Asm. - Dinette Back - 19.25" x 38" x 5"
4	081998-77-W05	EA	Cushion Asm. - Dinette Back - 19.25" x 38" x 5"
4	081998-77-W06	EA	Cushion Asm. - Dinette Back - 19.25" x 38" x 5"
	M81998-77-W04	EA	Cover Asm. - Dinette Back Curtain - 19.25" x 38" x 5"
	M81998-77-W05	EA	Cover Asm. - Dinette Back Curtain - 19.25" x 38" x 5"
	M81998-77-W06	EA	Cover Asm. - Dinette Back Curtain - 19.25" x 38" x 5"
5	081998-78-W04	EA	Cushion Asm. - Dinette Bottom - 17.5" x 38" x 5"
5	081998-78-W05	EA	Cushion Asm. - Dinette Bottom - 17.5" x 38" x 5"
5	081998-78-W06	EA	Cushion Asm. - Dinette Bottom - 17.5" x 38" x 5"
	M81998-78-W04	EA	Cover Asm. - Dinette Bottom Cushion - 17.5" x 38" x 5"
	M81998-78-W05	EA	Cover Asm. - Dinette Bottom Cushion - 17.5" x 38" x 5"
	M81998-78-W06	EA	Cover Asm. - Dinette Bottom Cushion - 17.5" x 38" x 5"



Key	Part Number	U/M	Description
1	029130-01-000	EA	Socket - Snap Fastener
2	029155-02-000	EA	Cap - Snap - .156" Dia. x 17" Barrel
3	029156-02-000	EA	Socket - Snap Fastener
4	029092-01-000	EA	Stud - Nickel Finish
5	029093-01-000	EA	Eyelet - Nickel Finish

**1987 WINNEBAGO
TABLE OF CONTENTS**

WC420RG	A-01 - B-22
WC/WF424RB	B-21 - D-22
WCN27RU	D-21 - I-04
WCN30RC	I-05 - I-12
WCP34RU	I-13 - K-23

1987 WC420RG INDEX

Floor Plan	A-01 - A-02
Accessories Group	A-03 - A-04
Bath Group	A-05
Chassis Group	A-06 - A-07
Curtain, Cushion & Pad Group	A-08 - A-14
Dinette Group	A-15
Driver's Compartment Group	A-16 - A-18
Electrical Group	A-19 - A-20
Exterior Body Group	A-21 - B-02
Galley Group	B-03 - B-04
Heating & Air Conditioning Group	B-05
Interior Finish Group	B-06 - B-08
LP Group	B-09
Lounge Group	B-10
Water & Sewage Group	B-11
Window, Vent & Exterior Door Group	B-12 - B-22

CURTAIN, CUSHION & PAD GROUP (CONTINUED)

FABRICS, TRIMS & PADS

Key	Part Number	U/M	Description
	077498-91-000	YD	Fabric w/Pattern - Upholstery - (W04)
	077498-92-000	YD	Fabric w/Pattern - Upholstery - (W05)
	077498-93-000	YD	Fabric w/Pattern - Upholstery - (W06)
	077498-A6-000	YD	Fabric w/Pattern - Upholstery Accent (W04)
	077498-A5-000	YD	Fabric w/Pattern - Upholstery Accent (W05)
	077498-A7-000	YD	Fabric w/Pattern - Upholstery Accent (W06)
	077498-95-000	YD	Fabric - Upholstery - Accent - Plain (W04)
	077498-61-000	YD	Fabric - Upholstery - Accent - Plain (W05)
	077498-96-000	YD	Fabric - Upholstery - Accent - Plain (W06)
	072333-39-000	YD	Fabric - Drapery - Mist (W04)
	072333-47-000	YD	Fabric - Drapery - Aquamarine (W04)
	072333-37-000	YD	Fabric - Drapery - Mauve (W05)
	072333-38-000	YD	Fabric - Drapery - Melba (W06)
	038421-04-000	YD	Fabric - Mattress Tickling
	052859-01-T03	FT	Trim Asm. - Accent - Sandrift
	052859-05-T03	FT	Trim Asm. - Accent - Buckskin
	079680-01-000	YD	Vinyl - Expanded - 26 oz. - Buckskin
	079680-02-000	YD	Vinyl - Expanded - 26 oz. - Sandrift
	070578-06-T03	EA	Button Asm. - #30 - Vinyl
	071127-10-W04	EA	Button Asm. - #30
	071127-10-W05	EA	Button Asm. - #30
	071127-10-W06	EA	Button Asm. - #30
	070578-04-W04	EA	Button Asm. - #30 - Screw Stud (W04)
	070578-04-W05	EA	Button Asm. - #30 - Screw Stud (W05)
	070578-04-W06	EA	Button Asm. - #30 - Screw Stud (W06)
	078155-01-000	EA	Strap Asm. - Cushion
	081280-04-U01	EA	End Cap Asm. - Overhead - Dinette - Vinyl
	081519-01-W04	EA	Pad Asm. - Dinette - Front
	081519-01-W05	EA	Pad Asm. - Dinette - Front
	081519-01-W06	EA	Pad Asm. - Dinette - Front
	081519-02-W04	EA	Pad Asm. - Dinette - Rear
	081519-02-W05	EA	Pad Asm. - Dinette - Rear
	081519-02-W06	EA	Pad Asm. - Dinette - Rear
	074891-01-W04	EA	Cover w/Pocket - Motor
	074891-01-W05	EA	Cover w/Pocket - Motor
	074891-01-W06	EA	Cover w/Pocket - Motor
	059491-01-W04	EA	Pad Asm. - Door - Passenger
	059491-01-W05	EA	Pad Asm. - Door - Passenger
	059491-01-W06	EA	Pad Asm. - Door - Passenger
	059492-01-W04	EA	Pad Asm. - Door - Driver
	059492-01-W05	EA	Pad Asm. - Door - Driver
	059492-01-W06	EA	Pad Asm. - Door - Driver

Parts used on unit produced after 2/1/87.

CURTAIN, CUSHION & PAD GROUP (CONTINUED)

BUCKET SEATS

Key	Part Number	U/M	Description
	084191-02-W04	EA	Seat Asm. - Fabric
	084191-02-W05	EA	Seat Asm. - Fabric
	084191-01-W06	EA	Seat Asm. - Fabric
	M01864-23-W04	EA	Cover Asm. - Seat Bottom
	M01864-23-W05	EA	Cover Asm. - Seat Bottom
	M01864-21-W06	EA	Cover Asm. - Seat Bottom
	M01864-24-W04	EA	Cover Asm. - Seat Back
	M01864-24-W05	EA	Cover Asm. - Seat Back
	M01864-22-W06	EA	Cover Asm. - Seat Back
	078804-10-W04	EA	Seat Asm. - Granduer w/Left Armrest
	078804-10-W05	EA	Seat Asm. - Granduer w/Left Armrest
	078804-10-W06	EA	Seat Asm. - Granduer w/Left Armrest
	M01863-07-W04	EA	Cover Asm. - Bucket Seat Bottom
	M01863-07-W05	EA	Cover Asm. - Bucket Seat Bottom
	M01863-07-W06	EA	Cover Asm. - Bucket Seat Bottom
	M01863-08-W04	EA	Cover Asm. - Bucket Seat Back
	M01863-08-W05	EA	Cover Asm. - Bucket Seat Back
	M01863-08-W06	EA	Cover Asm. - Bucket Seat Back
	080243-08-W04	EA	Armrest Asm. - Left
	080243-08-W05	EA	Armrest Asm. - Left
	080243-08-W06	EA	Armrest Asm. - Left
	M80243-02-W04	EA	Cover Asm. - Armrest - Left
	M80243-02-W05	EA	Cover Asm. - Armrest - Left
	M80243-02-W06	EA	Cover Asm. - Armrest - Left
	078804-09-W04	EA	Seat Asm. - Granduer w/Right Armrest
	078804-09-W05	EA	Seat Asm. - Granduer w/Right Armrest
	078804-09-W06	EA	Seat Asm. - Granduer w/Right Armrest
	M01863-05-W04	EA	Cover Asm. - Bucket Seat Bottom
	M01863-05-W05	EA	Cover Asm. - Bucket Seat Bottom
	M01863-05-W06	EA	Cover Asm. - Bucket Seat Bottom
	M01863-06-W04	EA	Cover Asm. - Bucket Seat Back
	M01863-06-W05	EA	Cover Asm. - Bucket Seat Back
	M01863-06-W06	EA	Cover Asm. - Bucket Seat Back
	080243-07-W04	EA	Armrest Asm. - Right
	080243-07-W05	EA	Armrest Asm. - Right
	080243-07-W06	EA	Armrest Asm. - Right
	M80243-01-W04	EA	Cover Asm. - Armrest - Right
	M80243-01-W05	EA	Cover Asm. - Armrest - Right
	M80243-01-W06	EA	Cover Asm. - Armrest - Right
	080242-04-W04	EA	Headrest Asm.
	080242-04-W05	EA	Headrest Asm.
	080242-04-W06	EA	Headrest Asm.
	M80242-01-W04	EA	Cover Asm. - Headrest
	M80242-01-W05	EA	Cover Asm. - Headrest
	M80242-01-W06	EA	Cover Asm. - Headrest

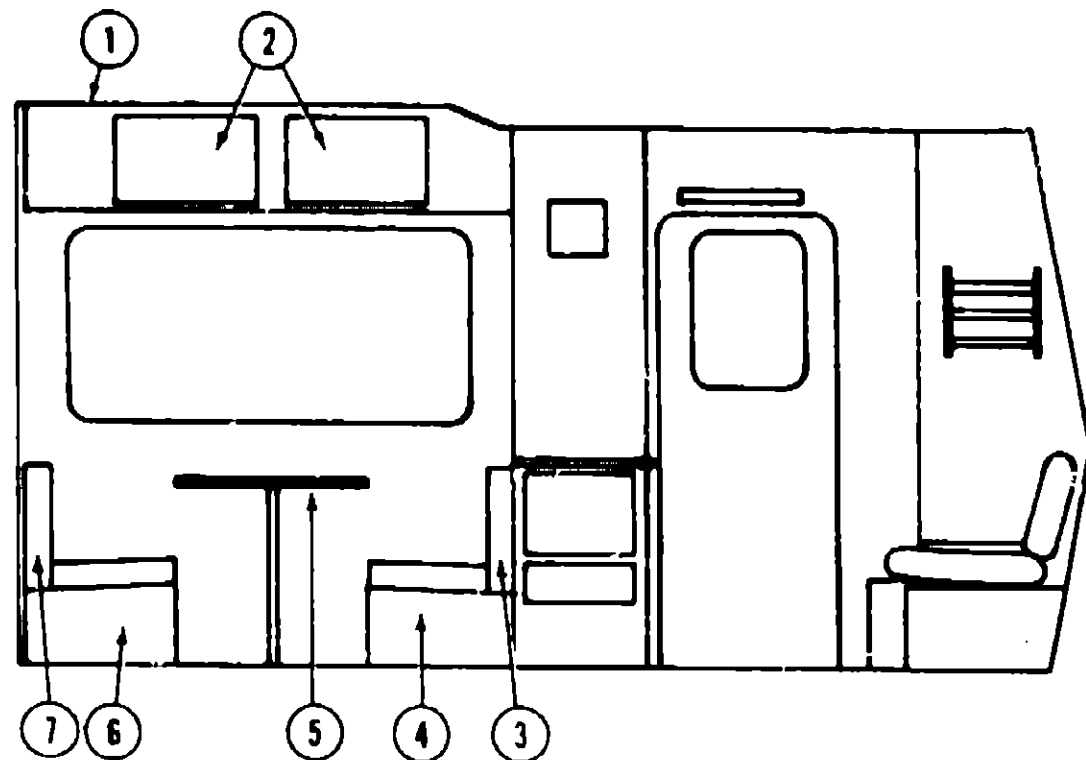
**1987 WINNEBAGO
TABLE OF CONTENTS**

WC420RG	A-01 - B-22
WC/WF424RB	B-23 - D-22
WCN27RU	D-23 - G-04
WCN30RC	G-05 - I-12
WCP34RU	I-13 - K-23

1987 WC420RG INDEX

Floor Plan	A-01 - A-02
Accessories Group	A-03 - A-04
Bath Group	A-05
Chassis Group	A-06 - A-07
Curtain, Cushion & Pad Group	A-08 - A-14
Dinette Group	A-15
Driver's Compartment Group	A-16 - A-18
Electrical Group	A-19 - A-20
Exterior Body Group	A-21 - B-02
Galley Group	B-03 - B-04
Heating & Air Conditioning Group	B-05
Interior Finish Group	B-06 - B-08
LP Group	B-09
Lounge Group	B-10
Water & Sewage Group	B-11
Window, Vent & Exterior Door Group	B-12 - B-22

DINETTE GROUP

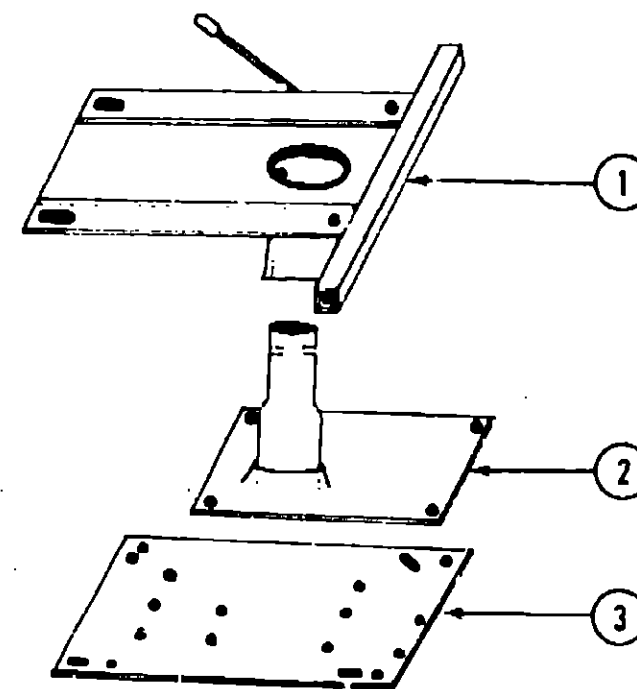


CONVENTIONAL DINETTE & OVERHEAD CABINETRY

Key	Part Number	U/M	Description
1	08C638-02-W04	EA	Cabinet Asm. - Dinette Overhead - w/o Doors or Hardware
*	081280-04-U01	EA	Pad Asm. - End Cap - Dinette Overhead Cabinet - Left - Vinyl
2	M81523-03-W04	EA	Door Asm. - Dinette Overhead Cabinet - w/o Hardware
3	M02589-01-W04	EA	Cabinet Asm. - Dinette Back - Right
4	M02590-01-W04	EA	Cabinet Asm. - Dinette Seat - Right
5	M02115-09-U17	EA	Table Asm. - Dinette - w/o Hardware
6	M02175-04-W04	EA	Cabinet Asm. - Dinette Seat - Left - w/o Door or Hardware
*	M81501-10-W04	EA	Door Asm. - Dinette Seat - w/o Hardware
7	M02174-03-W04	EA	Cabinet Asm. - Dinette Back - Left
*	053200-05-000	EA	Bracket - Upper Wall Mount - 23.5"
**	053201-06-000	EA	Bracket - Table Mount - 23"
*	024275-05-000	EA	Rod - Table Lift - 8" x 23.5"
*	024281-07-000	EA	Bracket - Lower Wall Mount - 22.12"
*	024276-17-000	EA	Leg Asm. - Table - 26.5"
**	064050-02-000	EA	Hinge - Table Leg
**	024282-01-000	EA	Brace - Table Leg
**	024293-01-000	EA	Clip - 1" - 1.25" O.D. Tube
*	049493-02-000	EA	Catch - Table Leg - Mounts on Floor
*	064781-05-000	EA	Cup Holder - 3.47" O.D. x 2.75" I.D. x 1.5"
*			Not illustrated

** The illustrated parts breakdown for this item is provided on the Common Items Fiche.

DRIVER'S COMPARTMENT GROUP



BUCKET SEAT PEDESTAL & SEAT BELTS

Key	Part Number	U/M	Description
1	069585-27-000	EA	Plate - Top - Pedestal Asm. - Bucket Seat
2	039585-03-000	EA	Plate - Sub - Pedestal Asm. - Bucket Seat
2	069585-18-000	EA	Plate - Sub - Pedestal Asm. - Electric Bucket Seat
3	069585-02-000	EA	Plate - Base - Pedestal Asm. - Bucket Seat
*	069585-05-000	EA	Hardware Kit - Bolt/Acorn Nut - 4 ea. - Pedestal Asm.
*	079467-04-000	EA	Loose Parts Kit - Bucket Seat
*	056271-02-000	EA	Belt Asm. - Seat - 2" x 72" - Black
*	007021-01-000	EA	Belt Asm. - Seat - 2" x 90" - Black
*	041322-01-000	EA	Washer - Flat 15/32" I.D. x 2 3/8" O.D. - Seat Belt
*	057759-01-000	EA	Bracket - Seat Belt Washer
*	069246-01-000	EA	Adjuster Asm. - Seat - w/Lock
*	069246-02-000	EA	Adjuster Asm. - Seat - w/o Lock
*	080730-02-000	EA	Recliner - Seat Back - Left - Drive
*	080731-02-000	EA	Recliner - Seat Back - Left - Hinge
*	069575-29-000	EA	Bar - Seat Belt - 20"
*			Not illustrated

1987 WINNEBAGO TABLE OF CONTENTS

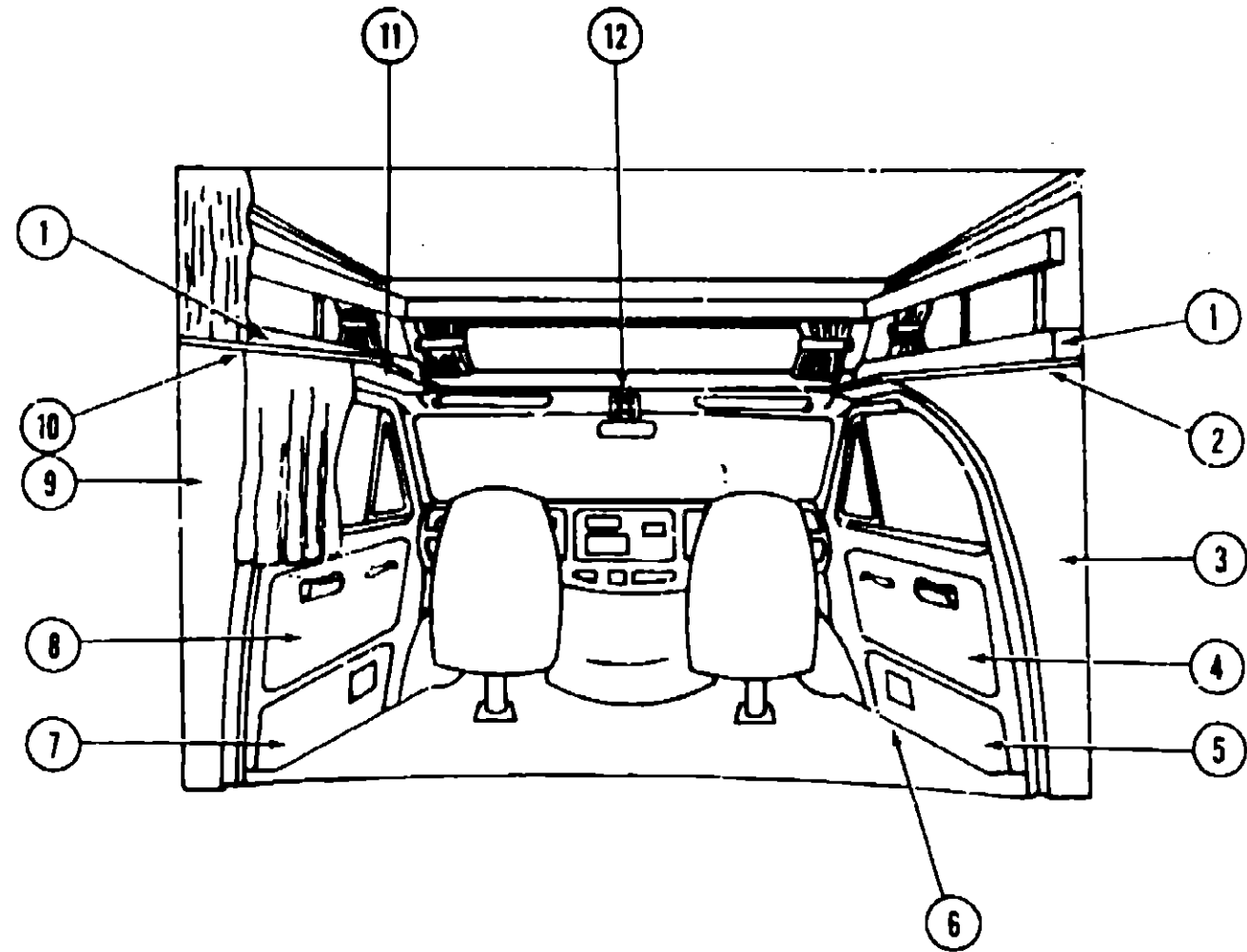
WC420RG
WC/WF424RB
WCN27RU
WCN30RC
WCP34RU

A-01 - B-22
B-23 - D-22
D-23 - G-04
G-05 - I-12
I-13 - K-23

1987 WC420RG INDEX

Floor Plan	A-01 - A-02
Accessories Group	A-03 - A-04
Bath Group	A-05
Chassis Group	A-06 - A-07
Curtain, Cushion & Pad Group	A-08 - A-14
Dinette Group	A-15
Driver's Compartment Group	A-16 - A-18
Electrical Group	A-19 - A-20
Exterior Body Group	A-21 - B-02
Galley Group	B-03 - B-04
Heating & Air Conditioning Group	B-05
Interior Finish Group	B-06 - B-08
LP Group	B-09
Lounge Group	B-10
Water & Sewage Group	B-11
Window, Vent & Exterior Door Group	B-12 - B-22

DRIVER'S COMPARTMENT GROUP (CONTINUED)



MISCELLANEOUS DRIVER'S COMPARTMENT COMPONENTS

Key	Part Number	U/M	Description
1	087012-01-W04	EA	Head Board Asm. - Passenger
2	M81652-01-W04	EA	Panel Asm. - Sleeper Board - w/o Vinyl
	080742-01-000	FT	Trim - Front - Sleeper Board - Vinyl
	079800-01-000	EA	Trim - Sleeper Board - Off White
3	M82554-04-W04	EA	Panel Asm. - Wingwall Transition - Inner Passenger
4	059491-01-W04	EA	Side Panel - Cab Door - Passenger
4	059491-01-W05	EA	Side Panel - Cab Door - Passenger
4	059491-01-W06	EA	Side Panel - Cab Door - Passenger
5	082552-02-W04	EA	Panel Asm. - Cab Door - Passenger
5	082552-02-W05	EA	Panel Asm. - Cab Door - Passenger
5	082552-02-W06	EA	Panel Asm. - Cab Door - Passenger
6	080359-01-000	EA	Door Step Mat - Black Rubber
	083218-01-000	EA	Floor Mat - Front - "Winnebago" - Right
	083218-02-000	EA	Floor Mat - Front - "Winnebago" - Left
7	082552-03-W04	EA	Panel Asm. - Cab Door - Driver
7	082552-03-W05	EA	Panel Asm. - Cab Door - Driver
7	082552-03-W06	EA	Panel Asm. - Cab Door - Driver
8	059492-01-W04	EA	Side Panel - Cab Door - Driver
8	059492-01-W05	EA	Side Panel - Cab Door - Driver
8	059492-01-W06	EA	Side Panel - Cab Door - Driver
9	M82554-05-W04	EA	Panel Asm. - Wingwall Transition - Inner Driver
			Not illustrated

DRIVER'S COMPARTMENT GROUP (CONTINUED)

MISCELLANEOUS DRIVER'S COMPARTMENT COMPONENTS (CONT.)

Key	Part Number	U/M	Description
10	052859-01-T03	FT	Accent Trim - Dark Sandrift Vinyl
11	084591-01-L01	EA	Headliner Asm. - Overhead Bunk - Vinyl
12	M01298-03-000	EA	Console - Overhead - 7.5" x 6.14" - Beige
	024461-01-000	EA	Switch - Battery
	024462-01-000	EA	Switch - Battery Condition
	024976-01-000	EA	Switch - Generator w/o Circuit Board
	031035-02-000	EA	Gauge - Generator Hourmeter
	024459-04-000	EA	Gauge - Voltmeter
			Not illustrated

1987 WINNEBAGO TABLE OF CONTENTS

WC420RG	A-01 - B-22
WC/WF424RB	B-23 - D-22
WCN27RU	D-23 - G-04
WCN30RC	G-05 - I-12
WCP34RU	I-13 - K-23

1987 WC420RG INDEX

Floor Plan	A-01 - A-02
Accessories Group	A-03 - A-04
Bath Group	A-05
Chassis Group	A-06 - A-07
Curtain, Cushion & Pad Group	A-08 - A-14
Dinette Group	A-15
Driver's Compartment Group	A-16 - A-18
Electrical Group	A-19 - A-20
Exterior Body Group	A-21 - B-02
Galley Group	B-03 - B-04
Heating & Air Conditioning Group	B-05
Interior Finish Group	B-06 - B-08
LP Group	B-09
Lounge Group	B-10
Water & Sewage Group	B-11
Window, Vent & Exterior Door Group	B-12 - B-22

ELECTRICAL GROUP

BULBS

Key	Part Number	U/M	Description
	008220-01-000	EA	Bulb - 12V - 25W
	008103-01-000	EA	Bulb - 53
	008213-01-000	EA	Bulb - 57
	008214-01-000	EA	Bulb - 67
	038196-01-000	EA	Bulb - 194
	075470-01-707	EA	Bulb - 912
	008215-01-000	EA	Bulb - 1003
	067479-01-000	EA	Bulb - 1076
	083914-01-000	EA	Bulb - 1139
	008218-01-000	EA	Bulb - 1141
	037935-01-000	EA	Bulb - 1157
	058288-02-000	EA	Bulb - 9431808

FUSES & CIRCUIT BREAKER

Key	Part Number	U/M	Description
	008233-01-000	EA	Fuse - 6 Amp. - 12 Volt
	008234-01-000	EA	Fuse - 10 Amp. - 12 Volt
	008235-01-000	EA	Fuse - 15 Amp. - 12 Volt
	008236-01-000	EA	Fuse - 20 Amp. - 12 Volt
	062901-02-000	EA	Fuse - 5 Amp. - Automotive
	062901-05-000	EA	Fuse - 15 Amp. - Automotive
	008211-01-000	EA	Circuit Breaker - 6 Amp. - 12 Volt
	033573-01-000	EA	Circuit Breaker - 20 Amp - 12 Volt - w/Mount
	008268-01-000	EA	Circuit Breaker - 30 Amp. - 12 Volt - w/Mount
	083209-04-000	EA	Circuit Breaker - 30 Amp. - 120 Volt
	083209-05-000	EA	Circuit Breaker - 20 Amp. - 120 Volt
	083209-06-000	EA	Circuit Breaker - 30/15 - 120 Volt
	083210-02-000	EA	Circuit Breaker - GFI, 15 Amp, 120 Volt

INTERIOR LIGHTS

Key	Part Number	U/M	Description
	033508-02-000	EA	Light - Dome - Ivory - 1 Bulb - US
	033509-02-000	EA	Light - Dome - Ivory - 2 Bulb - US
	061424-01-000	EA	Light - 12 V Receptacle - Aisle - IP
	007309-01-000	EA	Light - Step Well
	086280-01-000	EA	Light - Surface Mount - 12 V
	082169-01-000	EA	Light - Make-Up - 3 Bulb

EXTERIOR LIGHTS

Key	Part Number	U/M	Description
	058032-01-000	EA	Tail Lamp Asm. - 2 Bulb - Chrome - Driver/Passenger
	059540-01-000	EA	Bracket - License Plate
	062712-04-000	EA	Wedge - Tail Lamp w/License Plate - Left - Off White
	062740-04-000	EA	Wedge - Tail Lamp - Right - Off White
	042405-03-000	EA	Base - Rectangular Clearance Light
	042405-01-000	EA	Lens - Clearance Light - Red w/Reflex
	042405-02-000	EA	Lens - Clearance Light - Amber w/Reflex
	048817-01-000	EA	Assist Handle Asm. w/Light

ELECTRICAL GROUP (CONTINUED)

WIRE, SWITCHES & RECEPTACLES

Key	Part Number	U/M	Description
	008289-01-000	EA	Box - Electrical - 4" x 4" - 1/2 & 3/4 - Steel - UL
	058049-01-000	EA	Box - Electrical - 2" x 3" x 2.25" - Steel
	041953-01-000	EA	Conduit - Convolute Split - .5" I.D.
	058028-01-000	EA	Connector - Pigtail - Clear Nylon
	008314-01-000	EA	Connector - Wire Nut - Gray
	008311-01-000	EA	Connector - Wire Nut - Red
	031868-01-000	EA	Contact Plug - Brass - Tin Plated
	083208-01-000	EA	Control Center - 32 Amp. - 120 Volt/12 Volt
	008054-01-000	EA	Cord - Power - 10-3 30 Amp. - 25' - UL
	008052-01-000	EA	Cord - Power - 10-3 30 Amp. - 25' - CSA
	089238-01-000	EA	Cover - Electrical Box - 4' x 4"
	008294-01-000	EA	Cover - Flat Blank - 4" x 4" - Steel - US
	008277-01-000	EA	Fuse Holder - Panel Mount - Black
	064399-01-000	EA	Housing Asm. - Trailer Pin
	064398-01-000	EA	Housing Asm. - Trailer Receptacle
	058708-01-000	EA	Receptacle - Duplex - Brown
	024924-02-000	EA	Receptacle - Power Cord
	058707-01-000	EA	Receptacle - Single - Brown
	008188-01-000	EA	Relay Solenoid - 3 Terminal
	056264-01-000	EA	Switch - Leaf Actuator
	008195-01-000	EA	Switch - Push Button - 12 Volt
	079362-01-000	EA	Switch Plate - 3 Gang - 2 Switch
	079363-01-000	EA	Switch Plate - Single w/Switch
	079364-01-000	EA	Switch - On/Off - Rocker - Brown
	047443-02-000	EA	Terminal - .250 Receptacle - 12-10 AWG
	008349-01-000	EA	Terminal Ring - 2 - w/3/8 Stud
	008331-01-000	EA	Terminal Ring - 4 - w/3/8 Stud
	008328-01-000	EA	Terminal Ring - 12/10 Wire
	008028-01-000	FT	Wire - 18.5 Bonded - Blue/Red/Yellow/Orange/White
	008024-01-000	FT	Wire - 18.5 Bonded - Orange/White/Yellow/Blue/Brown
	008025-01-000	FT	Wire - 18.5 Bonded - Orange/White/Yellow/Blue/Green
	008026-01-000	FT	Wire w/Ground - Romex - 12/2

**1987 WINNEBAGO
TABLE OF CONTENTS**

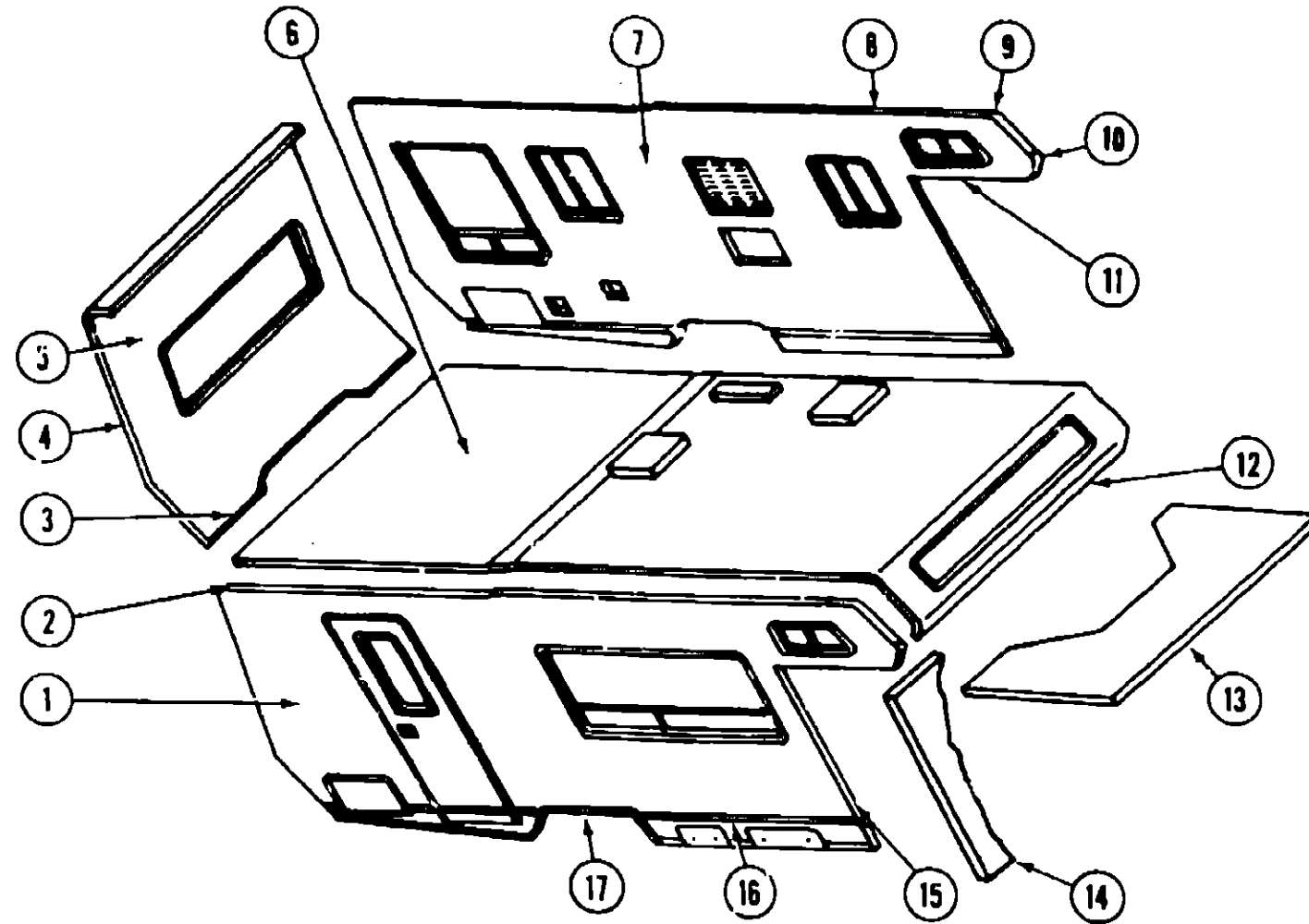
WC420RG	A-01 - B-22
WC/WF424RB	B-23 - D-22
WCN27RU	D-23 - G-04
WCN30RC	G-05 - I-12
WCP34RU	I-13 - K-23

1987 WC420RG INDEX

Floor Plan	A-01 - A-02
Accessories Group	A-03 - A-04
Bath Group	A-05
Chassis Group	A-06 - A-07
Curtain, Cushion & Pad Group	A-08 - A-14
Dinette Group	A-15
Driver's Compartment Group	A-16 - A-18
Electrical Group	A-19 - A-20
Exterior Body Group	A-21 - B-02
Galley Group	B-03 - B-04
Heating & Air Conditioning Group	B-05
Interior Finish Group	B-06 - B-08
LP Group	B-09
Lounge Group	B-10
Water & Sewage Group	B-11
Window, Vent & Exterior Door Group	B-12 - B-22

EXTERIOR BODY GROUP

EXTERIOR BODY PANELS



Key	Part Number	U/M	Description
1	M85926-01-W04	EA	Sidewall Asm. - Passenger
2	077339-11-000	EA	Contour Trim - Upper Rear Passenger - Off White
	077339-12-000	EA	Contour Trim - Upper Rear Driver - Off White
3	074966-02-000	EA	Backwall Trim - Lower - Driver or Passenger
4	076805-01-000	EA	Contour Trim - Backwall - Passenger - Off White
	076805-02-000	EA	Contour Trim - Backwall - Driver - Off White
5	M83695-01-W04	EA	Backwall Asm.
6	M85931-01-W04	EA	Roof Asm.
	M79589-01-700	EA	Roof Section - Cab Over to First Seam
7	M85926-01-W04	EA	Sidewall Asm. - Driver (W04, W06)
7	M85926-01-W05	EA	Sidewall Asm. - Driver
8	076802-08-000	EA	Contour Trim - Upper Front Driver - Off White
	076802-07-000	EA	Contour Trim - Upper Front Passenger - Off White
9	085490-02-000	EA	Contour Trim - Sleeper - Driver - Off White
	085490-01-000	EA	Contour Trim - Sleeper - Passenger - Off White
10	086889-02-000	EA	Trim - Front Radius - Plastic - Driver - Off White
	086889-01-000	EA	Trim - Front Radius - Plastic - Passenger - Off White
11	076975-06-000	EA	Trim - Wingwall - 52.7" - Driver - Off White
	076975-05-000	EA	Trim - Wingwall - 52.7" - Passenger - Off White
			Not illustrated

Key	Part Number	U/M	Description
12	039644-08-000	EA	Trim - Sleeper Board - Front
13	M81652-01-W04	EA	Sleeper Board Asm.
14	M82343-01-U01	EA	Wingwall Asm. - Passenger
	M82343-02-U01	EA	Wingwall Asm. - Driver - Gas
15	076975-03-000	EA	Trim - Wingwall Transition - Passenger - Off White
	076975-04-000	EA	Trim - Wingwall Transition - Driver - Off White
16	059576-05-000	EA	Feature Strip - Extr. Aluminum - 14.8' - Autumn White
	001030-02-100	EA	Insert - Feature Strip - 17' - Stucco - Off White
	009731-01-000	EA	End Cap - Feature Strip
	041746-01-000	FT	Extr. Vinyl - Bubble Seal - Wingwall
17	080266-02-000	EA	Rear Trim - Wheel Well - Driver or Passenger
	077517-04-001	EA	Fiberglass Sheets - 48.08" x 259" - Mesa - Off White
	077517-04-002	EA	Fiberglass Sheets - 48.08" x 60" - Mesa - Off White
	001054-01-011	EA	Aluminum - No Design - 48" x 96" - Off White
	000868-01-000	SF	Styrofoam - .75" x 24" x 96"
	000870-01-000	SF	Styrofoam - 1.5" x 24" x 96"
	000870-03-000	SF	Styrofoam - 1.34" x 48" x 96"
			Not illustrated

1987 WINNEBAGO TABLE OF CONTENTS

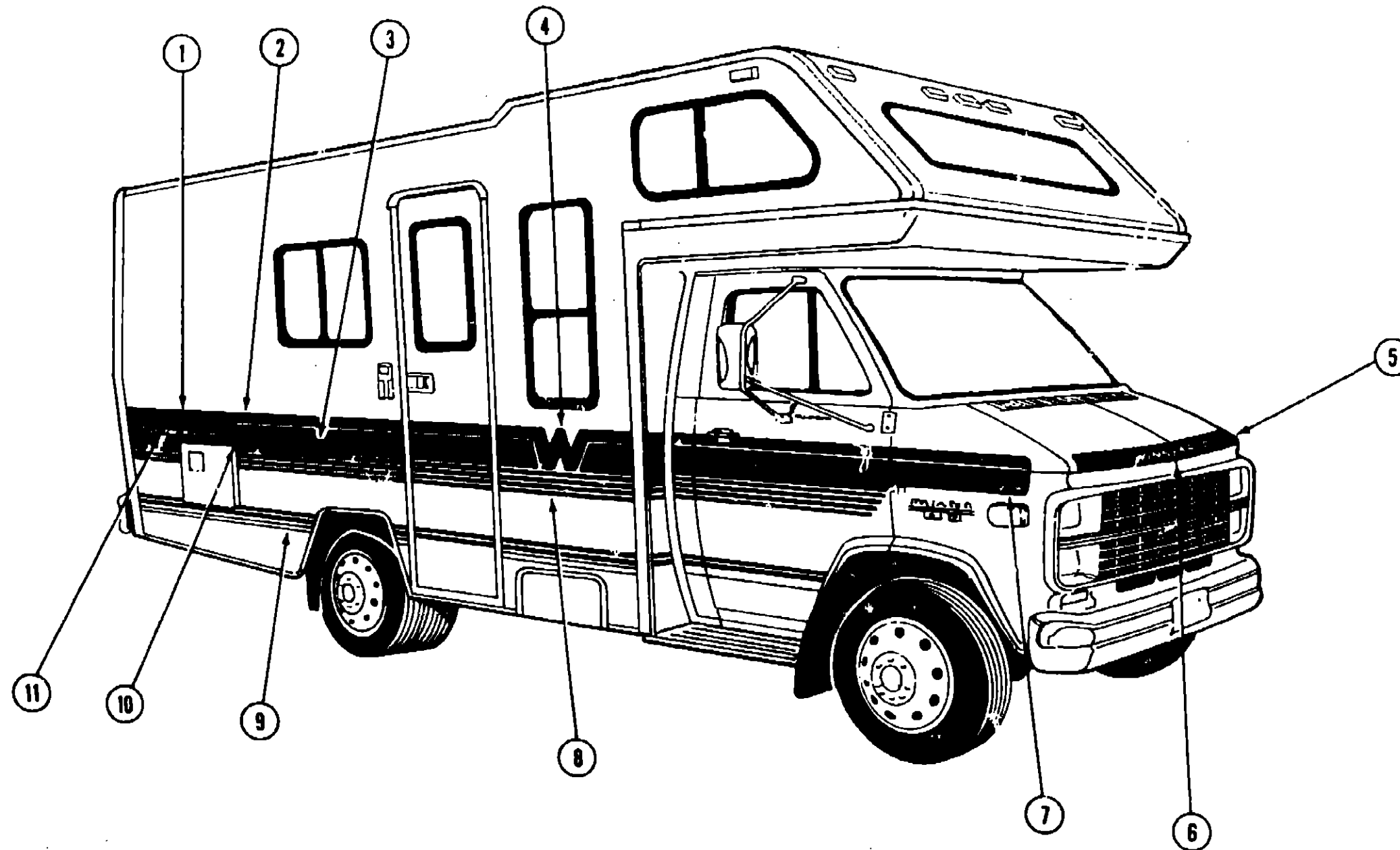
WC420RG	A-01 - B-22
WC/WF424RB	B-23 - D-22
WCN27RU	D-23 - G-04
WCN30RC	G-05 - I-12
WCP34RU	I-13 - K-23

1987 WC420RG INDEX

Floor Plan	A-01 - A-02
Accessories Group	A-03 - A-04
Bath Group	A-05
Chassis Group	A-06 - A-07
Curtain, Cushion & Pad Group	A-08 - A-14
Dinette Group	A-15
Driver's Compartment Group	A-16 - A-18
Electrical Group	A-19 - A-20
Exterior Body Group	A-21 - B-02
Galley Group	B-03 - B-04
Heating & Air Conditioning Group	B-05
Interior Finish Group	B-06 - B-08
LP Group	B-09
Lounge Group	B-10
Water & Sewage Group	B-11
Window, Vent & Exterior Door Group	B-12 - B-22

EXTERIOR BODY GROUP (CONTINUED)

LABELS & DECALS



1987 WINNEBAGO TABLE OF CONTENTS

WC420RG
WC/WF424RB
WCN27RU
WCN30RC
WCP34RU

A-01 - B-22
B-23 - D-22
E-23 - G-04
G-05 - I-12
I-13 - K-23

1987 WC420RG INDEX

Floor Plan	A-01 - A-02
Accessories Group	A-03 - A-04
Bath Group	A-05
Chassis Group	A-06 - A-07
Curtain, Cushion & Pad Group	A-08 - A-14
Dinette Group	A-15
Driver's Compartment Group	A-16 - A-18
Electrical Group	A-19 - A-20
Exterior Body Group	A-21 - B-02
Galley Group	B-03 - B-04
Heating & Air Conditioning Group	B-05
Interior Finish Group	B-06 - B-08
LP Group	B-09
Lounge Group	B-10
Water & Sewage Group	B-11
Window, Vent & Exterior Door Group	B-12 - B-22

Key	Part Number	U/M	Description
1	085297-01-000	EA	Decal - Rear - Right - Light Green (W04)
1	085297-03-000	EA	Decal - Rear - Right - Rose (W05)
1	085297-05-000	EA	Decal - Rear - Right - Brown (W06)
·	085297-02-000	EA	Decal - Rear - Left - Light Green (W04)
·	085297-04-000	EA	Decal - Rear - Left - Rose (W05)
·	085297-06-000	EA	Decal - Rear - Left - Brown (W06)
2	078831-21-000	FT	Decal Striping - 1.75" x 150' - Light Green (W04)
2	078831-22-000	FT	Decal Striping - 1.75" x 150' - Rose (W05)
2	078831-23-000	FT	Decal Striping - 1.75" x 150' - Brown (W06)
3	078831-24-000	FT	Decal Striping - 4.85" x 150' - Light Green (W04)
3	078831-25-000	FT	Decal Striping - 4.85" x 150' - Rose (W05)
3	078831-26-000	FT	Decal Striping - 4.85" x 150' - Brown (W06)
4	079351-07-000	EA	Decal - Flying "W" - Light Green (W04)
4	079351-08-000	EA	Decal - Flying "W" - Rose (W05)
4	079351-09-000	EA	Decal - Flying "W" - Brown (W06)
5	081944-04-000	EA	Decal - Hood - Light Green (W04)
5	081944-05-000	EA	Decal - Hood - Rose (W05)
5	081944-06-000	EA	Decal - Hood - Brown (W06)
6	069745-03-000	EA	Decal - "Winnie" - Chrome
·	069745-04-000	EA	Decal - "Bago" - Chrome

Key	Part Number	U/M	Description
7	085323-01-000	EA	Decal - Cab Side - Right - Light Green (W04)
7	085323-03-000	EA	Decal - Cab Side - Right - Rose (W05)
7	085323-05-000	EA	Decal - Cab Side - Right - Brown (W06)
·	085323-02-000	EA	Decal - Cab Side - Left - Light Green (W04)
·	085323-04-000	EA	Decal - Cab Side - Left - Rose (W05)
·	085323-06-000	EA	Decal - Cab Side - Left - Brown (W06)
8	078196-14-000	FT	Film - Multistripe - 4.50" x 150' - Peach (W04, W06)
8	078196-15-000	FT	Film - Multistripe - 4.50" x 150' - Burgundy (W05)
9	065217-D4-000	FT	Film - Multistripe - 2.40" x 150' - Light Green/Peach (W04)
9	065217-D5-000	FT	Film - Multistripe - 2.40" x 150' - Rose/Burgundy (W05)
9	065217-D6-000	FT	Film - Multistripe - 2.40" x 150' - Brown/Peach (W06)
10	085297-07-000	EA	Decal - Rear - Right - Light Green (W04)
10	085297-09-000	EA	Decal - Rear - Right - Rose (W05)
10	085297-11-000	EA	Decal - Rear - Right - Brown (W06)
·	085297-08-000	EA	Decal - Rear - Left - Light Green (W04)
·	085297-10-000	EA	Decal - Rear - Left - Rose (W05)
·	085297-12-000	EA	Decal - Rear - Left - Brown (W06)
11	075478-01-000	EA	Decal - Logo - "Minnie Winnie" - Chrome
·	050313-22-000	EA	Decal - Logo - "Winnebago" - 2.60" - Chrome
·			Not illustrated

EXTERIOR BODY GROUP (CONTINUED)

MISCELLANEOUS EXTERNALLY MOUNTED PARTS

Key	Part Number	U/M	Description
	063558-01-000	EA	Plumbing Seal - Roof Vent - 1.5" - w/Cap
	048817-01-000	EA	Assist Handle - w/Light
	048817-01-700	EA	Lens - Assist Handle
	067659-04-000	EA	Fill - City Water - Recessed - Off White
	081240-03-000	EA	Water Fill - Lockable - Off White
	063303-04-000	EA	Shroud - Fuel Fill - Lower
	078640-01-000	EA	Shroud - Fuel Fill - Upper
	079384-03-000	EA	Running Board - Right
	079384-04-000	EA	Running Board - Left
	083578-01-000	EA	Boot - Fuel Fill

NOTE: See the Common Items Fiche for Screws & Fasteners

SEALANTS & ADHESIVES

Key	Part Number	U/M	Description
	004020-01-000	QT	Adhesive - ABS Cement (Plastic Fittings)
	002337-01-000	EA	Adhesive - 1300 Tube - 3M (Windows)
	004005-02-000	GL	Adhesive - Swifts - Glue (Sidewalls)
	053766-07-000	EA	Bedding Compound - Tube - Beige (Exterior)
	053766-06-000	EA	Bedding Compound - Tube - Clear (Window)
	053766-08-000	EA	Bedding Compound - Tube - Gray (Exterior)
	053766-05-000	EA	Bedding Compound - Tube - Gray (Sidewalls to Floor)
	053766-02-000	EA	Bedding Compound - Tube - Off White (Exterior)
	002328-02-000	EA	Block - Rubber Spacer (Windshield)
	004336-01-000	EA	Caulk - Latex - Golden Walnut (Sidewalls)
	077967-01-000	EA	Sealant - Acrylic Latex - Tube - Off White (Interior Sealant)
	034552-04-000	EA	Sealant - Silicone - Beige
	034552-02-000	EA	Sealant - Silicone - Clear
	034552-07-000	EA	Sealant - Silicone - Dark Gray
	034552-06-000	EA	Sealant - Silicone - Off White
	069637-01-000	EA	Sealant - Weatherban 404 - Tube - White (Door Caulk)
	072889-01-000	EA	Sealant - Urethane - Black (Windshield)
	069640-01-000	FT	Sealer Ribbon - .25" Bead x 20'
	069640-02-000	FT	Sealer Ribbon - .5" x .125" x 30'
	069640-03-000	FT	Sealer Ribbon - .75" x .125" x 30'
	069640-04-000	FT	Sealer Ribbon - 2" x .09" x 45' (P Series)
	069640-05-000	FT	Sealer Ribbon - 2.5" x .09" x 50'
	069640-06-000	FT	Sealer Ribbon - 5/16" Bead x 15'
	069640-07-000	FT	Sealer Ribbon - 2" x 3/32" x 30'
	002316-01-000	FT	Sealer Tape - 3/32" x 3/8" - White (Window)
	002707-01-000	FT	Sealer Tape - 5/16" x 3/4"
	002707-02-000	FT	Sealer Tape - 5/16" x 1/2"
	040545-01-000	GL	Sealer - Seam Weld
	053752-04-000	EA	Seam Sealer - Tube - Aluminum (Roof)
	063642-01-000	FT	Tape - Adhesive - .10 mm. x 1.5" Wide
	038886-01-000	EA	Tape - Butyl - .31" x .31" x 148" (Windshield)
	076322-01-000	FT	Tape - Foam - Double Coated - .025 x 1" (Fiberglass Sidewall Seams)
	076322-02-000	FT	Tape - Foam - Double Coated - .045 x 1" (Fiberglass Sidewall Seams)
	009200-01-000	EA	Tape - Furriace - 1.5"
	002825-01-000	FT	Weather Striping (Roof Vent)

EXTERIOR BODY GROUP (CONTINUED)

LABELS & EXTERIOR PAINT

Key	Part Number	U/M	Description
	065748-01-000	EA	Label - Caution - Battery Charging
	068383-01-000	EA	Label - Diesel Fuel
	006195-01-000	EA	Label - Electrical Test
	047731-01-000	EA	Label - Emergency Exit
	006199-01-000	EA	Label - Exit - Escape Window
	057467-04-000	EA	Label - Exterior Loading Limit
	064378-01-000	EA	Label - Flying "W" w/Thermo Panel
	061417-01-000	EA	Label - Fuel
	087207-02-000	EA	Label - Fuel Cap Removal
	005196-01-000	EA	Label - Gas Test
	054531-01-000	EA	Label - LP Gas Only
	073998-01-000	EA	Label - LPG Odor Warning
	040944-01-000	EA	Label - Open - Entrance Door
	006015-01-000	EA	Label - Patent Motor Home
	056259-01-000	EA	Label - Safety Check List
	006064-01-000	EA	Label - Seat - w/o Seat Belts
	006187-01-000	EA	Label - Sewage
	006006-01-000	EA	Label - Thermo Panel - 2 1/4" x 2 1/4"
	075221-01-000	EA	Label - Trailer Hitch Capacity
	088249-01-000	EA	Label - Warning - Electric Step
	075220-01-000	EA	Label - Warning - Exterior Load Limit
	050225-01-000	EA	Label - Warning - Stove Vent - US
	079966-01-000	EA	Label - Warning - Stowed Motion
	006188-01-000	EA	Label - Waste Water
	006197-01-000	EA	Label - Water Test
	072863-01-000	EA	Nameplate - Diesel - 6.2L
	006062-01-000	EA	Tag - Electrical - 110 Volt Connection
	006040-01-000	EA	Tag - Gas - Refueling Warning
	044486-03-000	EA	Paint - Beige Acrylic Enamel - 16 oz. Aerosol (7633A Dupont)
	045681-03-000	EA	Paint - Gloss Black - Acrylic Enamel - 16 oz. Aerosol (99 Dupont)
	058637-05-000	EA	Paint - Gray Acrylic Enamel - 16 oz. Aerosol (71537 Dupont)
	041561-03-000	EA	Paint - Off White Acrylic Enamel - 16 oz. Aerosol (5396A Dupont)
	074559-01-000	EA	Label "LPG" - 3.3" x 1.75" - (Calif. Code)

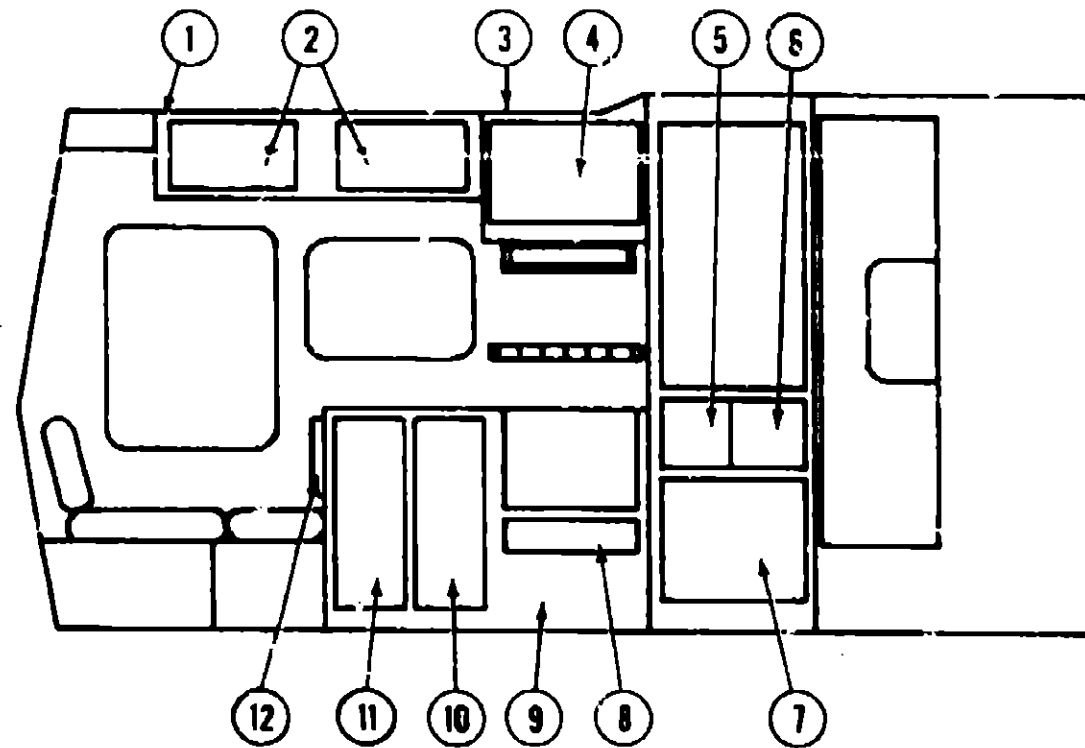
**1987 WINNEBAGO
TABLE OF CONTENTS**

WC420RG	A-01 - B-27
WC/WF424RB	B-23 - D-22
WCN27RU	D-23 - G-04
WCN30RC	G-05 - I-12
WCP34RU	I-13 - K-23

1987 WC420RG INDEX

Floor Plan	A-01 - A-02
Accessories Group	A-03 - A-04
Bath Group	A-05
Chassis Group	A-06 - A-07
Curtain, Cushion & Pad Group	A-08 - A-14
Dinette Group	A-15
Driver's Compartment Group	A-16 - A-18
Electrical Group	A-19 - A-20
Exterior Body Group	A-21 - B-02
Galley Group	B-03 - B-04
Heating & Air Conditioning Group	B-05
Interior Finish Group	B-06 - B-08
LP Group	B-09
Lounge Group	B-10
Water & Sewage Group	B-11
Window, Vent & Exterior Door Group	B-12 - B-22

GALLEY GROUP



GALLEY CABINETRY

Key	Part Number	U/M	Description
1	083540-01-W04	EA	Cabinet Asm. - Galley Overhead - w/o Doors or Hardware
2	M81503-03-W04	EA	Door Asm. - Galley Overhead Cabinet - w/o Hardware
3	M83645-01-W04	EA	Cabinet Asm. - Microwave - w/o Doors or Hardware
4	M81523-01-W04	EA	Door Asm. - Microwave Cabinet - Left - w/o Hardware
5	M81502-17-W04	EA	Door Asm. - Refrigerator Cabinet - w/o Hardware
6	M81502-18-W04	EA	Door Asm. - Refrigerator Cabinet - w/o Hardware
7	M82757-03-U01	EA	Access Panel - Refrigerator Cabinet - w/o Hardware
8	M81501-75-W04	EA	Door Asm. - Galley Cabinet
9	M83663-01-W04	EA	Cabinet Asm. - Galley - w/o Countertop, Doors, Drawers or Hardware
**	M83663-03-W04	EA	Cabinet Asm. - Galley - w/o Countertop, Doors, Drawers or Hardware
**	082184-01-W04	EA	Drawer Asm. - Galley Cabinet - w/o Hardware
*	M02607-01-W04	EA	Countertop Asm. - Galley Cabinet
10	M81501-87-W04	EA	Door Asm. - Galley Cabinet - w/o Hardware
11	M81501-03-W04	EA	Door Asm. - Galley Cabinet - w/o Hardware
12	080812-03-W04	EA	Extension Asm. - Galley Countertop - w/o Hardware
*	077404-01-000	EA	Drawer Asm. - Galley Cabinet - 20" x 12.7"
*	077409-01-000	EA	Drawer Slide - 20.75" Plastic
*	081710-01-000	EA	Drawer Slide - Plastic
*			Not illustrated
**			Parts used with microwave option.

GALLEY GROUP (CONTINUED)

GALLEY APPLIANCES & HARDWARE

Key	Part Number	U/M	Description
	079352-01-000	EA	Hood - Range - Non-Powered w/Light - Almond
**	079353-01-000	EA	Hood - Range - Powered - Almond - US
	079354-03-000	EA	Spacer - Range Hood - 3.85"
	081379-01-000	EA	Microwave/Convection Oven - Sharp
	055282-02-000	EA	Range - 4 Burner - Small Oven - Magic Chef - Almond
	055282-02-700	EA	Top - Main - Almond
	081374-01-000	EA	Range Top - 4 Burner - Almond
	081374-01-700	EA	Trim Cab - Top - Right
	081374-01-701	EA	Trim Cab - Top - Left
	081374-01-702	EA	Panel - Manifold - Black
	081374-01-703	EA	Trim - Top - Rear
	081374-01-704	EA	Guard Fabric
	081587-03-000	EA	Bracket - Range Top Tie Down - Right
	081587-04-000	EA	Bracket - Range Top Tie Down - Left
**	064473-02-000	EA	Refrigerator - AC/DC/Gas - Norcold 6' - 766-EG3
	054450-01-000	EA	Level Refrigerator
	081459-08-000	EA	Bracket Asm. - Microwave - Right
	081459-02-000	EA	Bracket Asm. - Microwave - Left
	081456-01-000	EA	Angle Asm. - Microwave - Right
	081456-02-000	EA	Angle Asm. - Microwave - Left
	081555-01-T03	EA	Trim - Microwave
	081530-01-U07	EA	Sink Cover - Large
**	068615-01-000	EA	Sink - Stainless Steel - Double w/Bolts
**	011053-01-000	EA	Faucet - Swing Spout - 8" - US
**	011053-01-700	EA	Aerator - Swing Spout Faucet
	066437-01-000	EA	Strainer w/Basket - Sink
	058334-01-000	EA	Wastebasket - 9.75" x 7" x 10" - White Rubbermaid
	074490-01-000	EA	Spice Rack - Oak
	074491-01-000	EA	Magazine Rack - Oak
	074981-01-000	EA	Cutting Board - Maple
	009049-01-000	EA	Table - Support - Drop Leaf
	009059-01-000	EA	Hinge - 2" - Gold
	059777-02-000	EA	Hinge - Cabinet Door - Brass
**	074493-02-000	EA	Prop - Overhead Door
**	056213-01-000	EA	Pull - Polished Brass
**			The illustrated parts breakdown for this item is provided on the Common Items Fiche.

1987 WINNEBAGO TABLE OF CONTENTS

WC420RG	A-01 - D-22
WC/WF424RB	B-23 - D-22
WCN27RU	D-23 - G-04
WCN30RC	G-05 - I-12
WCP34RU	I-13 - K-23

1987 WC420RG INDEX

Floor Plan	A-01 - A-02
Accessories Group	A-03 - A-04
Bath Group	A-05
Chassis Group	A-06 - A-07
Curtain, Cushion & Pad Group	A-08 - A-14
Dinette Group	A-15
Driver's Compartment Group	A-16 - A-18
Electrical Group	A-19 - A-20
Exterior Body Group	A-21 - B-02
Galley Group	B-03 - B-04
Heating & Air Conditioning Group	B-05
Interior Finish Group	B-06 - B-08
LP Group	B-09
Lounge Group	B-10
Water & Sewage Group	B-11
Window, Vent & Exterior Door Group	B-12 - B-22

HEATING & AIR CONDITIONING GROUP

FURNACES & ROOF AIR CONDITIONER

Key	Part Number	U/M	Description
**	075695-01-000	EA	Furnace - 24,000 BTU - w/Direct Ignition - NT-24S
	009198-01-000	FT	Duct - Flexible - 4" I.D. x 25'
	056464-01-000	EA	Register - 4" Dia. - Plastic w/Damper
	056464-02-000	EA	Register - 4" Dia. - Plastic w/o Damper
	009200-01-000	EA	Tape - Furnace - 1 1/2"
	023146-01-000	EA	Clamp - Screw Type - 4"
**	073743-01-000	EA	Shroud Asm. - Ceiling - Inside - Roof Air - 13,500 BTU - Cool Only
**	073744-01-000	EA	Shroud Asm. - Ceiling - Inside - Roof Air - 13,500 BTU - Heat & Cool
**	073742-01-000	EA	Air Conditioner - 110 Volt - Roof Mount - 13,500 BTU Rotary

** The illustrated parts breakdown for this item is provided on the Common Items Fiche.

AUTOMOTIVE HEATER & AIR CONDITIONER

Key	Part Number	U/M	Description
	073716-01-000	EA	A/C - Condensor Asm. - "C" - Tube O
	074027-01-000	EA	A/C - Evaporator Asm. - Cutaway
	074027-01-700	EA	Motor
	074027-01-701	EA	Hose - Liquid - #6
	074027-01-702	EA	Hose - Suction - #10
	074027-01-703	EA	Louver
	074027-01-704	EA	Escutcheon
	074027-01-705	EA	Thermostat
	074027-01-706	EA	Knob - Temperature
	074027-01-707	EA	Knob - Air
	074027-01-709	EA	Solenoid - Vacuum Switch
	074027-01-709	EA	Center - Lower Escutcheon
	074027-01-710	EA	Coil - Evaporator
	074027-01-711	EA	Blower - Wheel
	074027-01-712	EA	Blower - Housing
	007108-01-000	FT	Hose - Heater - 5/8" I.D. SAE20R3
	062401-04-000	EA	Clamp - Worm Drive - .69" - 1.25" I.D.

INTERIOR FINISH GROUP

INTERIOR MOLDING & TRIM

Key	Part Number	U/M	Description
	069733-37-000	EA	Batt Strip - Sunset Oak - 8' (Cabinets)
	065284-01-000	EA	Batt Strip - Tape Adhesive - Sunset Oak (Cabinets)
	069733-66-000	EA	Batt Strip - Classique Tweed/Sand - 8' (Wall)
	065284-05-000	EA	Batt Strip - Tape Adhesive - Classique Tweed/Sand (Wall)
	069733-62-000	EA	Batt Strip - Pebble Beach - 8' (Ceiling)
	069733-71-000	EA	Batt Strip - Winne - 8' (Galley & Bath)
	082111-01-000	EA	Cover - Roof Break - Champagne
	079653-01-000	EA	Molding - Batt Strip - Sunset Oak
	042357-01-000	FT	Molding - Radius Corner - 7" - Elm
	022992-01-000	FT	Molding - Reverse Cove - White
	022992-08-000	FT	Molding - Reverse Cove - Champagne White
	022992-09-000	FT	Molding - Reverse Cove - Grady Brown
	063620-01-000	FT	T-Molding - 3/4" to Edge Lips
	002774-02-001	EA	Trim - Carpet - 192"
	077309-02-000	EA	Trim - Step - Box
	070504-01-000	EA	U-Channel - .065" - Light Brown
	070504-03-000	EA	U-Channel - .815" - Grady Brown
	009778-04-000	EA	U-Channel - 1" - Grady Brown
	041746-01-000	FT	Vinyl - Extr. - Bubble Seal
	009767-06-000	FT	Wetling - Beige
	009767-10-000	FT	Wetling - Champagne
	009767-07-000	FT	Wetling - Grady Brown

PANELING & COUNTERTOP MATERIALS

Key	Part Number	U/M	Description
	074457-03-000	SF	Paneling - Decor - Sunset Oak - 48" x 84" (28 SF) (Cabinet)
	074437-09-000	SF	Paneling - Decor - Classique Tweed/Sand - 48" x 84" (Wall)
	074496-61-000	SF	Paneling - Decor - Peach - 48" x 84" (28 SF) (Galley & Bath) (W04, W06)
	074496-62-000	SF	Paneling - Decor - Mauve - 48" x 84" (28 SF) (Galley & Bath) (W05)
	074496-69-000	SF	Paneling - Decor - Peach - 48" x 84" (28SF) (Wet Bath) (W04, W06)
	074496-70-000	SF	Paneling - Decor - Mauve - 48" x 84" (28SF) (Wet Bath) (W05)
	074497-07-000	SF	Paneling - Pebble Beach - 48" x 96" (32 SF) (Ceiling)
	074498-21-000	SF	Plastic Laminate - Seafrost (Bath) (W04)
	074498-15-000	SF	Plastic Laminate - Blush (Bath) (W05)
	074498-16-000	SF	Plastic Laminate - Apricot Blush (Bath) (W06)
	074498-13-000	SF	Plastic Laminate - Sand (Galley & Dinette Table)
	074498-05-000	SF	Plastic Laminate - Sunset Oak - 48" x 96" (32SF) (Nightstand)
	074498-05-019	EA	Plastic Laminate - Sunset Oak - 1.19" x 96"
	076325-04-000	FT	Molding - Edge Band - Sunset Oak - 1 15/16" x .030"

1987 WINNEBAGO TABLE OF CONTENTS

WC420RG	A-01 - B-22
WC/WF424RB	B-23 - D-22
WCN27RU	D-23 - G-04
WCN30RC	G-05 - I-12
WCP34RU	I-13 - K-23

1987 WC420RG INDEX

Floor Plan	A-01 - A-02
Accessories Group	A-03 - A-04
Bath Group	A-05
Chassis Group	A-06 - A-07
Curtain, Cushion & Pad Group	A-08 - A-14
Dinette Group	A-15
Driver's Compartment Group	A-16 - A-18
Electrical Group	A-19 - A-20
Exterior Body Group	A-21 - C-02
Galley Group	B-03 - B-04
Heating & Air Conditioning Group	B-05
Interior Finish Group	B-06 - B-08
LP Group	B-09
Lounge Group	B-10
Water & Sewage Group	B-11
Window, Vent & Exterior Door Group	B-12 - B-22

INTERIOR FINISH GROUP (CONTINUED)

CABINETRY & TABLE HARDWARE

Key	Part Number	U/M	Description
	053200-05-000	EA	Bracket - Upper Wall Mount - 23.5"
	024281-07-000	EA	Bracket - Lower Wall Mount - 22.12"
	024276-14-000	EA	Leg Asm. - Table - 26.5"
**	064050-01-000	EA	Hinge - Table Leg
	024282-01-000	EA	Brace - Table Leg
	049493-05-000	EA	Catch - Table Leg - Mounts on Floor
	009112-01-000	EA	Flange - 1" - Chrome - Closet Rod
	077409-01-000	EA	Slide - Drawer - Plastic - 20.75"
	084466-02-000	EA	Slide Asm. - Drawer - Right
	084466-03-000	EA	Slide Asm. - Drawer - Left
	084466-04-000	EA	Slide Asm. - Cabinet - Right
	084466-05-000	EA	Slide Asm. - Cabinet - Left
	009049-01-000	EA	Table Support - Drop Leaf
	009059-01-000	EA	Hinge - 2" - Drop Leaf Table - Gold
	076312-01-000	EA	Mesh - Grille - 13.80" x 8.80" - Gold Aluminum
	009021-01-000	EA	Catch - Nylon - Furnace Door
	009021-02-000	EA	Strike - Nylon Catch - Furnace Door
	074493-02-000	EA	Support - Sprung - Door
	058034-02-000	EA	Latch - Door w/o Lock - Sliding Door
	075680-01-000	EA	Clothes Rod - Adjustable - 27" x 36"
	064467-01-000	EA	Guide - Wall Mount - Door Pocket
	086263-01-000	EA	Pull - Brass - Polished
	075987-02-000	EA	Knob - Bath Door
	059777-02-000	EA	Hinge - Light Brass
	009016-01-000	EA	Catch - Elbow - Spring Loaded
	077461-01-000	EA	Cover - Strike

** The illustrated parts breakdown for this item is provided on the Common Items Fiche.

MISCELLANEOUS PARTS

Key	Part Number	U/M	Description
	053552-02-T03	EA	Handle Asm. - Interior Assist - Medium Almond Vinyl
	041944-03-000	EA	Fire Extinguisher - 5BC
	084472-01-000	EA	Holder - Fire Extinguisher - Plastic
	054185-26-000	EA	Owner's Manual - 1987 Mercury & Winnebago
	086269-01-000	EA	Picture - Decor - Windsor Arts
	061075-01-000	EA	Floor Mat - Entrance - Winnebago - Tan
	007038-01-000	EA	Door Mat - 10 1/2" x 26" - Black
	083218-01-000	EA	Floor Mat - Front - Passenger - Winnebago - Tan
	083218-02-000	EA	Floor Mat - Front - Driver - Winnebago Tan

INTERIOR FINISH GROUP (CONTINUED)

FABRICS & CARPETS

Key	Part Number	U/M	Description
	077498-91-000	YD	Fabric w/Pattern - Upholstery - Bluejade (W04)
	077498-92-000	YD	Fabric w/Pattern - Upholstery - Mauve Dust (W05)
	077498-93-000	YD	Fabric w/Pattern - Upholstery - Alabaster (W06)
	077498-A6-000	YD	Fabric w/Pattern - Upholstery Accent - Claret (W04)
	077498-A5-000	YD	Fabric w/Pattern - Upholstery Accent - Bluejade (W05)
	077498-A7-000	YD	Fabric w/Pattern - Upholstery Accent - Ash (W06)
	077498-95-000	YD	Fabric - Upholstery Accent - Plain - Teal (W04)
	074498-61-000	YD	Fabric - Upholstery Accent - Plain - Old Rose (W05)
	077498-96-000	YD	Fabric - Upholstery Accent - Plain - Sand (W06)
	072333-39-000	YD	Fabric - Drapery - Mist (W04)
	072333-47-000	YD	Fabric - Drapery - Aquamarine (W04)
	072333-37-000	YD	Fabric - Drapery - Mauve (W05)
	072333-38-000	YD	Fabric - Drapery - Melba (W06)
	072333-34-000	YD	Fabric - Drapery - Bedroom - Green (W04)
	072333-35-000	YD	Fabric - Drapery - Bedroom - Plum (W05)
	072333-36-000	YD	Fabric - Drapery - Bedroom - Cocoa (W06)
	069729-47-000	YD	Fabric - Bedspread - Blue (W04)
	069729-48-000	YD	Fabric - Bedspread - Mauve (W05)
	069729-49-000	YD	Fabric - Bedspread - Mocha (W06)
	038421-04-000	YD	Fabric - Mattress Ticking
	084416-10-000	YD	Fabric - Linen - Pull Shade
	084415-12-000	YD	Trim Braid - Pull Shade - Green (W04)
	084415-13-000	YD	Trim Braid - Pull Shade - Mauve (W05)
	084415-14-000	YD	Trim Braid - Pull Shade - Peach (W06)
	052859-01-T03	FT	Trim Asm. - Accent - Sandrift
	052859-05-T03	FT	Trim Asm. - Accent - Buckskin
	079280-01-000	YD	Vinyl - Expanded - 26 oz. - Buckskin
	079280-02-000	YD	Vinyl - Expanded - 26 oz. - Sandrift
	072860-58-000	YD	Carpet - Champagne (W04)
	072860-56-000	YD	Carpet - Mist (W05)
	072860-57-000	YD	Carpet - French Court (W06)

Parts used on units produced after 2/1/87.

CURTAIN & CUSHION HARDWARE

Key	Part Number	U/M	Description
	039175-02-000	EA	Bracket - Curtain Rod - Cafe
	039175-05-000	EA	Bracket - Curtain Rod - Center
	056003-02-000	EA	Bracket - Drapery Retainer - Left
	056003-01-000	EA	Bracket - Drapery Retainer - Right
	084434-01-000	EA	Bracket - Roller Shade - 1 3/8"
	M80906-01-000	EA	Frame Asm. - Seat & Spring
	080730-03-700	EA	Handle Kit - Recliner
	080731-02-000	EA	Hinge - Recliner - Slave
	083170-01-000	EA	Installation Bracket - Blind - Right
	083170-02-000	EA	Installation Bracket - Blind - Left
	039175-01-000	EA	Hcd - Cafe Curtain - Extension - 48" x 84"
	048394-02-000	YD	Tape - Hook - .75" x 50 YD - Beige
	048395-02-000	YD	Tape Loop - .75" x 50 YD - Beige
	029090-01-000	FT	Tie - Drapery - Clear Vinyl
	056116-01-000	FT	Track - Curtain - Brown Plastic

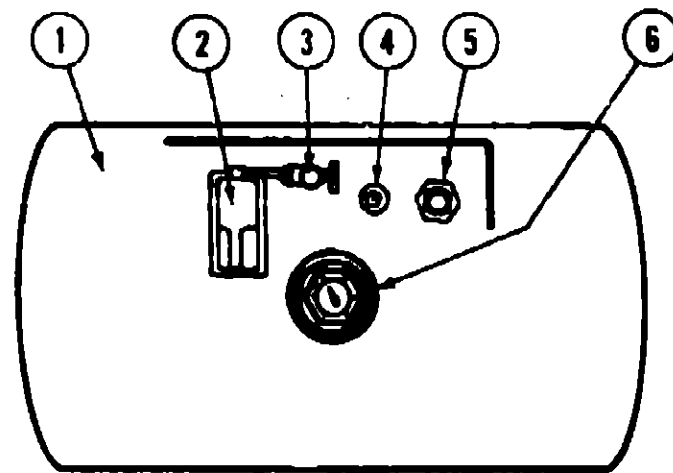
**1987 WINNEBAGO
TABLE OF CONTENTS**

WC420RG	A-01 - B-22
WC/WF424RB	B-23 - D-22
WCN27RU	D-23 - G-04
WCN30RC	G-05 - I-12
WCP34RU	I-13 - K-23

1987 WC420RG INDEX

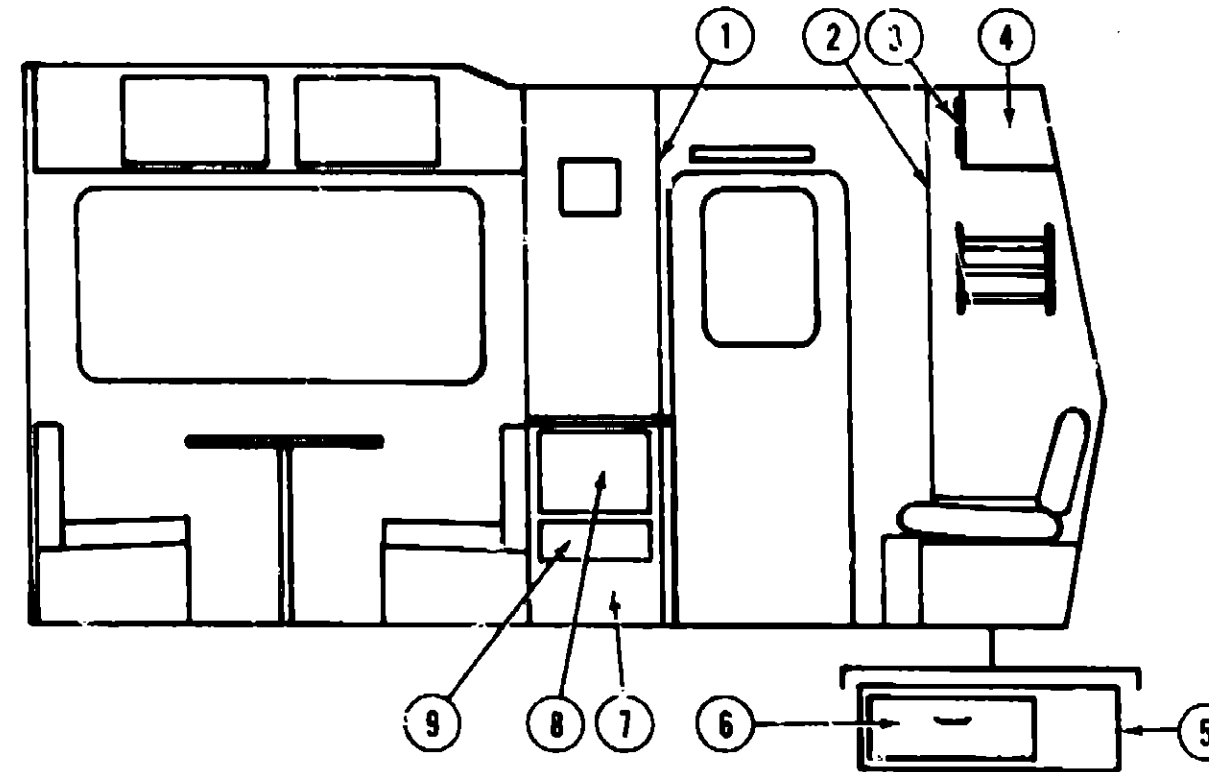
Floor Plan	A-01 - A-02
Accessories Group	A-03 - A-04
Bath Group	A-05
Chassis Group	A-06 - A-07
Curtain, Cushion & Pad Group	A-08 - A-14
Dinette Group	A-15
Driver's Compartment Group	A-16 - A-18
Electrical Group	A-19 - A-20
Exterior Body Group	A-21 - B-02
Galley Group	B-03 - E-04
Heating & Air Conditioning Group	B-05
Interior Finish Group	B-06 - B-08
LP Group	B-09
Lounge Group	B-10
Water & Sewage Group	B-11
Window, Vent & Exterior Door Group	B-12 - B-22

LP GROUP



Key	Part Number	U/M	Description
1	080450-01-000	EA	Tank Asm. - LP Frame Mount - 42 Pound - 13" x 24"
•	065741-01-000	EA	Detector - LP Gas Leak - Marshalltown Instruments
2	076277-01-000	EA	Cover - Regulator - Two Stage - Front
•	076278-01-000	EA	Cover - Regulator - Two Stage - Back
•	076301-01-000	EA	Regulator - Two Stage - LPG US
•	076301-02-000	EA	Regulator - Two Stage - LPG CSA
3	040421-01-703	EA	Valve - Vapor Relief
4	040421-01-700	EA	Gauge - Liquid Level - 20% LP
5	040421-01-701	EA	Valve - Filler - LP
•	040421-01-702	EA	Cap - Plastic Fill Valve
6	040421-01-707	EA	Gauge - Float - w/Visible Dial
•	040421-01-706	EA	Dial - Visible Face - Float Gauge (Tank w/o Electric Transmitter)
•	040440-01-000	EA	Dial - Transmitter - 0 - 90 Ohm (Float Gauge)
•	045703-01-000	EA	Hose Asm. - LP - 3/8" I.D. x 24" - US
•	045703-02-000	EA	Hose Asm. - LP - 3/8" I.D. x 24" - CSA
•	045703-03-000	EA	Hose Asm. - LP - 3/8" I.D. x 18" - US
•	045703-04-000	EA	Hose Asm. - LP - 3/8" I.D. x 14" - CSA
•	065742-01-000	EA	Tee - 3/8 F x 3/8 F x 1/4 FPT
•	068046-01-000	EA	Conversion Kit - LP - Onan Generator
•	Not illustrated		

LOUNGE GROUP



LOUNGE OVERHEAD & WARDROBE CABINERY

Key	Part Number	U/M	Description
1	M81501-86-W04	EA	Door Asm. - Wardrobe Cabinet - w/o Hardware
2	M81501-85-W04	EA	Door Asm. - Wardrobe Cabinet - w/o Hardware
3	M81503-02-W04	EA	Door Asm. - Rear Overhead Cabinet - w/o Hardware
4	083545-02-W04	EA	Cabinet Asm. - Rear Overhead - w/o Doors or Hardware
5	M83652-01-W04	EA	Cabinet Asm. - Couch - w/o Drawers, Doors or Hardware
6	M81501-86-W04	EA	Door Asm. - w/o Hardware
•	081298-01-U04	EA	Table Asm. - Pedestal
7	M83481-03-W04	EA	Cabinet Asm. - Furnace - w/o Countertop Door or Hardware
•	M02591-01-U01	EA	Countertop Asm. - Furnace Cabinet - Sunset Oak
8	M81507-04-W04	EA	Door Asm. - Furnace w/Mesh Inert - 15.1" x 22.6" - w/o Hardware
9	081894-02-W04	EA	Drawer Asm. - w/o Hardware
•	074491-02-T03	EA	Magazine Rack - Oak
•	Not illustrated		

LOUNGE HARDWARE

Key	Part Number	U/M	Description
	009040-06-000	EA	Leg - Pedestal Table - 2.25" O.D. x 27.5" - Chrome
	009040-03-000	EA	Base - Table Leg - Mounts on Table
	041194-01-000	EA	Base - Table Leg - Mounts in Floor
	056875-02-C00	EA	Leg Asm. - Couch
	076840-01-000	EA	Shock Cord
	022517-01-000	EA	End Cap - 1" x 1" - Brown
	053163-01-000	EA	Bracket Couch Slide
	053347-01-000	EA	Wire - Pin - Spring - 3/32"
	053348-01-000	EA	Steel Pin - 1/4" x 4" x 3/32" Hole
	054398-01-C00	EA	Bracket - Center Support - Lester Lounge - Brown
	009112-01-000	EA	Flange - 1" Closet Rod - Chrome
	062046-01-000	EA	Clip - Pedestal Leg
	009049-01-000	EA	Table Support - Drop Leaf
	009059-01-000	EA	Hinge - 2" - Gold
	009021-01-000	EA	Catch - Nylon - Furnace Door
	009021-02-000	EA	Strike - Nylon Catch - Furnace Door

1987 WINNEBAGO TABLE OF CONTENTS

WC420RG	A-01 - B-22
WC/WF424RB	B-23 - D-22
WCN27RU	D-23 - G-04
WCN30RC	G-05 - I-12
WCP34RU	I-13 - K-23

1987 WC420RG INDEX

Floor Plan	A-01 - A-02
Accessories Group	A-03 - A-04
Bath Group	A-05
Chassis Group	A-06 - A-07
Curtain, Cushion & Pad Group	A-08 - A-14
Dinette Group	A-15
Driver's Compartment Group	A-16 - A-18
Electrical Group	A-19 - A-20
Exterior Body Group	A-21 - B-02
Galley Group	B-03 - B-04
Heating & Air Conditioning Group	B-05
Interior Finish Group	B-06 - B-08
LP Group	B-09
Lounge Group	B-10
Water & Sewage Group	B-11
Window, Vent & Exterior Door Group	B-12 - B-22

WATER & SEWAGE GROUP

PLUMBING & REPAIR PARTS

Key	Part Number	U/M	Description
	062416-01-000	EA	Adapter - Hose - 3"
	062422-01-000	EA	Adapter - Hose Offset - Reducer - 3" x 1 1/2"
	052954-01-000	EA	Adapter - Hose Cone - 3/8 or 1/2 - Plastic
	004020-01-000	QT	Adhesive - ABS Cement
	010122-01-000	EA	Bushing - Plastic - 1 1/2 S x 1 1/4 T
	011091-02-000	EA	Continuous Waste - Double Sink - 11 7/8" - US
	078406-01-000	EA	Coupler Rubber - 3" x 3"
	052960-01-000	EA	Drain Valve - 1/2 F x 1/2 F - Plastic
	010006-01-000	EA	Elbow - Plastic - 1/8 BD x 1 1/2 x 45° H x H
	010008-01-000	EA	Elbow - Plastic - 1/4 BD x 1 1/2 x 90° Left
	010051-01-000	EA	Elbow - ST - Plastic - 1/8 BD x 1 1/2 x 45°
	031111-01-000	EA	Elbow - Plastic - 1/4 BD x 1 1/4 x 90° Left
	052957-02-000	EA	Elbow - Plastic - 1/2 F x 1/2 MPT (In Tank Filter)
	065120-01-000	EA	Elbow - Plastic - Swivel - .50
	070824-01-000	EA	Elbow - Plastic - Swivel - 1/2 MPT x 1/2 FP
	079381-01-000	FT	Flexible Tubing - 1 1/4 I.D. x 10'
	061607-01-000	EA	Grommet - Holding Tank Coupler - 1 1/2"
	061607-02-000	EA	Grommet - Holding Tank Coupler - 3"
	052952-01-000	EA	Nut - 1/2 F - Plastic
**	011066-03-000	EA	P-Trap - 1 1/4" Plastic - US
	010197-01-000	FT	Pipe - Plastic - 3" x 240" - Black
	045729-01-000	EA	Pump - Water - 2.8 G.P.M. - Direct Drive - Shurflo - US
**	010201-01-000	EA	Sewer Hose - 3" x 8' w/Clamp
	042989-03-000	EA	Spinweld Fittings - Plastic - 1/4 NPT
	042989-04-000	EA	Spinweld Fittings - Plastic - 3/8 FPT
	049032-01-000	EA	Spinweld Patch - Plastic 3/8"
	011069-03-000	EA	Tailpiece - 1 1/2" x 1 3/4" x 4" - Plastic
	010071-01-000	EA	Tee - Plastic - 1 1/2 x H x H x H
**	010079-01-000	EA	Tee - Plastic - 1 1/2 H x 1 1/2 H x 1 1/4 H
	052955-01-000	EA	Tee - Plastic - 1/2 F x 1/2 F x 1/2 MPT
	052958-01-000	EA	Tee - Plastic - 1/2 F x 1/2 F x 1/2 F
	039800-01-000	FT	Tubing - Polybutyl - 1/2 O.D. (Water Line)
	079381-01-000	FT	Tubing - Flexible - Smooth - 1.25 I.D.
	074462-02-000	FT	Tubing - Vinyl - 3/8 I.D.
	070816-01-000	EA	Valve - Dual - 3" & 1.5" Dump
	052960-01-000	EA	Valve - Line Drain - 1/2 F x 1/2 F

** The illustrated parts breakdown for this item is provided on the Common Items Fiche.

HOLDING TANKS & WATER HEATERS

Key	Part Number	U/M	Description
	057063-02-000	EA	Tank Asm. - Water - 28 Gallon - w. Fittings
	057063-01-000	EA	Tank - Water - 28 Gallon - w/o Fittings
	063268-01-000	EA	Tank - Holding - 25 Gallon - w/o Fittings - Main
	063269-01-000	EA	Tank - Holding - 25 Gallon - w/o Fittings - Aux.
**	051391-01-000	EA	Water Heater - w/o Motor Aid - G6A3
**	051391-03-000	EA	Water Heater - w/Electronic Ignition - G6A-3E

** The illustrated parts breakdown for this item is provided on the Common Items Fiche.

WINDOW, VENT & EXTERIOR DOOR GROUP

ACCESS DOORS

Key	Part Number	U/M	Description
	079455-03-T95	EA	Door Asm. - Battery
	079544-06-T95	EA	Door Asm. - Storage
	083840-01-W04	EA	Door Asm. - Generator - w/o Baffle
	083839-01-W04	EA	Door Asm. - Luggage
	079123-01-T03	EA	Door Asm. - Luggage
	084104-03-000	EA	Door Asm. - Refrigerator Access
	052009-01-000	EA	Door Asm. - Water Heater Access
	078010-03-000	EA	Door - Fuel Fill - Off White
	063742-01-000	EA	Door - Power Cord - Off White
	052424-01-000	EA	Jamb - Power Cord/Fuel Fill Door
	052543-01-000	EA	Hatch - Power Cord Door
	054530-01-000	EA	Door Holder
	083615-01-000	EA	Door Holder - Beige Plastic
	042441-01-000	EA	Lock Asm. - Key Type - Gas Fill
	078927-01-000	EA	Lock Asm. - Twist Type
	047305-01-000	EA	Lock Asm. - Key Type w/Clip
	052950-01-700	EA	Lock Asm. Kit - Twist Type w/Clip - White Plastic
	052951-01-000	EA	Clip - Twist - Lock Retainer
	077408-02-000	EA	Lock Asm - Key Type
	079368-01-000	FT	Seal - Access Door
	083615-01-000	EA	Door Stop - Plastic

VENTS

Key	Part Number	U/M	Description
	065103-02-000	EA	Cover - Refrigerator Vent - 9.88" x 20.5" - Plastic
	065103-01-000	EA	Frame Asm. - Refrigerator Vent - 8.17" x 22.94" - Plastic
	055218-01-000	EA	Cover Asm. - Roof Vent
	084878-01-000	EA	Vent - Stovehood - Outside - Off White
	052586-01-000	EA	Ventilator - Round Skylight - Non-Powered
**	048835-01-000	EA	Vent Asm. - Roof - Non-Powered - w/o Screen - Alum.
	048789-01-000	EA	Vent Asm. - Roof - Powered
	078785-01-T03	EA	Screen Asm. - Roof Vent
	078786-01-T03	EA	Screen Asm. - Roof Vent - Non-Powered
	083553-01-000	EA	Roof Vent - Pipe Cover
	084616-01-000	EA	Shroud Vent - Range Hood

** The illustrated parts breakdown for this item is provided on the Common Items Fiche.

1987 WINNEBAGO TABLE OF CONTENTS

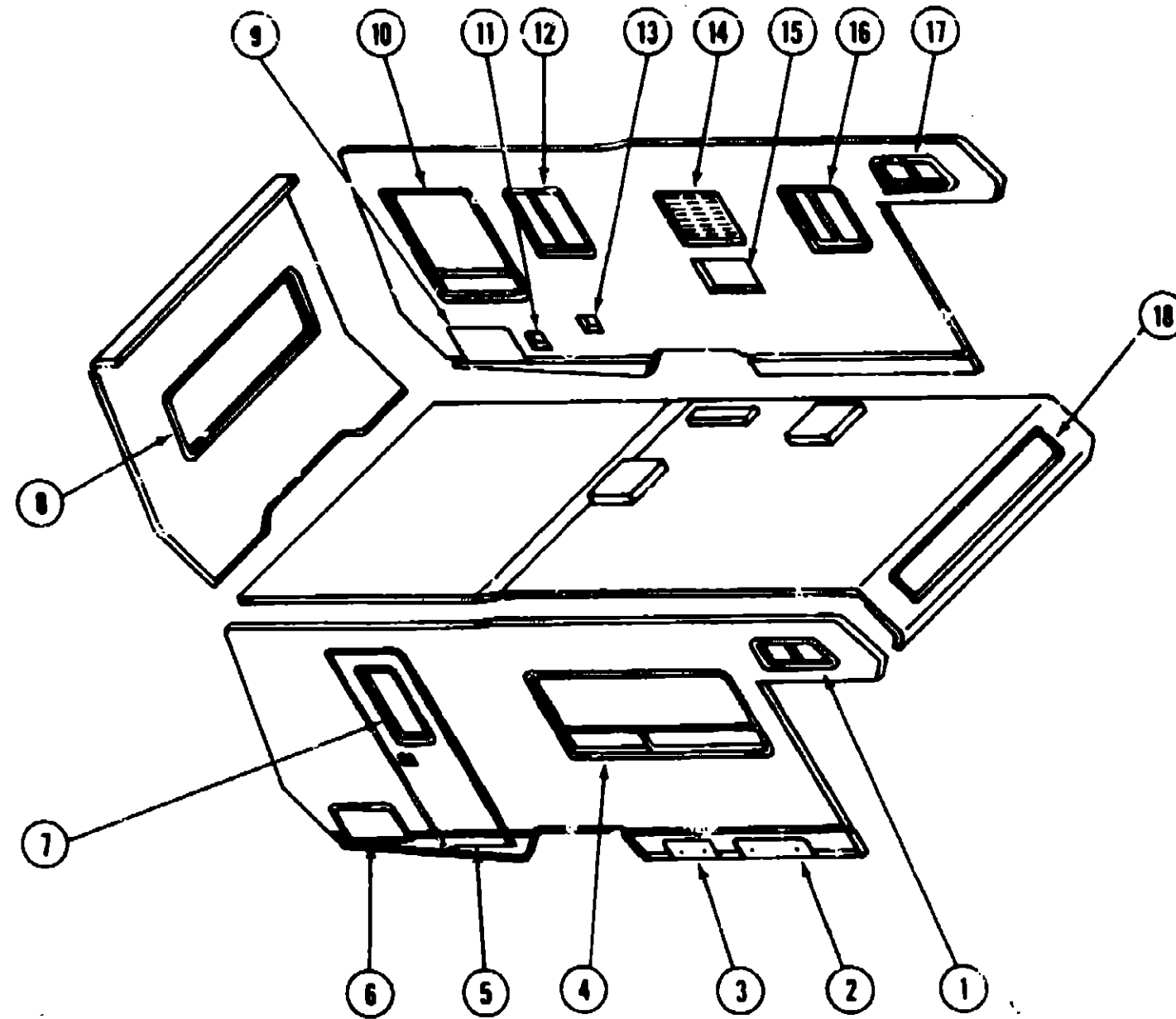
WC420RG	A-01 - B-22
WC/WF424RB	B-23 - D-22
WCN27RU	D-23 - G-04
WCN30RC	G-05 - I-12
WCP34RU	I-13 - K-23

1987 WC420RG INDEX

Floor Plan	A-01 - A-02
Accessories Group	A-03 - A-04
Bath Group	A-05
Chassis Group	A-06 - A-07
Curtain, Cushion & Pad Group	A-08 - A-14
Dirette Group	A-15
Driver's Compartment Group	A-16 - A-18
Electrical Group	A-19 - A-20
Exterior Body Group	A-21 - B-02
Galley Group	B-03 - B-04
Heating & Air Conditioning Group	B-05
Interior Finish Group	B-06 - B-08
LP Group	B-09
Lounge Group	B-10
Water & Sewage Group	B-11
Window, Vent & Exterior Door Group	B-12 - B-22

WINDOW, VENT & EXTERIOR DOOR GROUP (CONTINUED)

WINDOWS & ACCESS DOORS



Key	Part Number	U/M	Description
1	086227-01-000	EA	Window Asm. - Bunk Slant Slider
2	079455-03-T95	EA	Door Asm. - Battery
3	079455-06-T95	EA	Door Asm. - Storage
4	085354-02-W07	EA	Window Asm. - Double Tipout
5	M01870-03-W04	EA	Door Asm. - Radius Entry w/Screen Door
6	079123-01-T03	EA	Door Asm. - Luggage
7	079733-04-T03	EA	Window Asm. - Picture
8	078536-01-T03	EA	Window Asm. - Escape

Key	Part Number	U/M	Description
9	083840-01-W04	EA	Door Asm. - Generator
9	083839-01-W04	EA	Door Asm. - Luggage
10	085353-06-W07	EA	Window Asm. - Lower Slider
11	063742-01-000	EA	Door Asm. - Power Cord
12	078266-03-T03	EA	Window Asm. - Single Slider
13	078010-03-000	EA	Door Asm. - Fuel Fill
14	084174-03-000	EA	Door Asm. - Refrigerator Access
15	052009-01-000	EA	Door Asm. - Water Heater Access
16	078266-04-T03	EA	Window Asm. - Single Slider
17	086227-02-000	EA	Window Asm. - Bunk Slant Slider
18	078533-01-T03	EA	Window Asm. - Front Picture

1987 WINNEBAGO TABLE OF CONTENTS

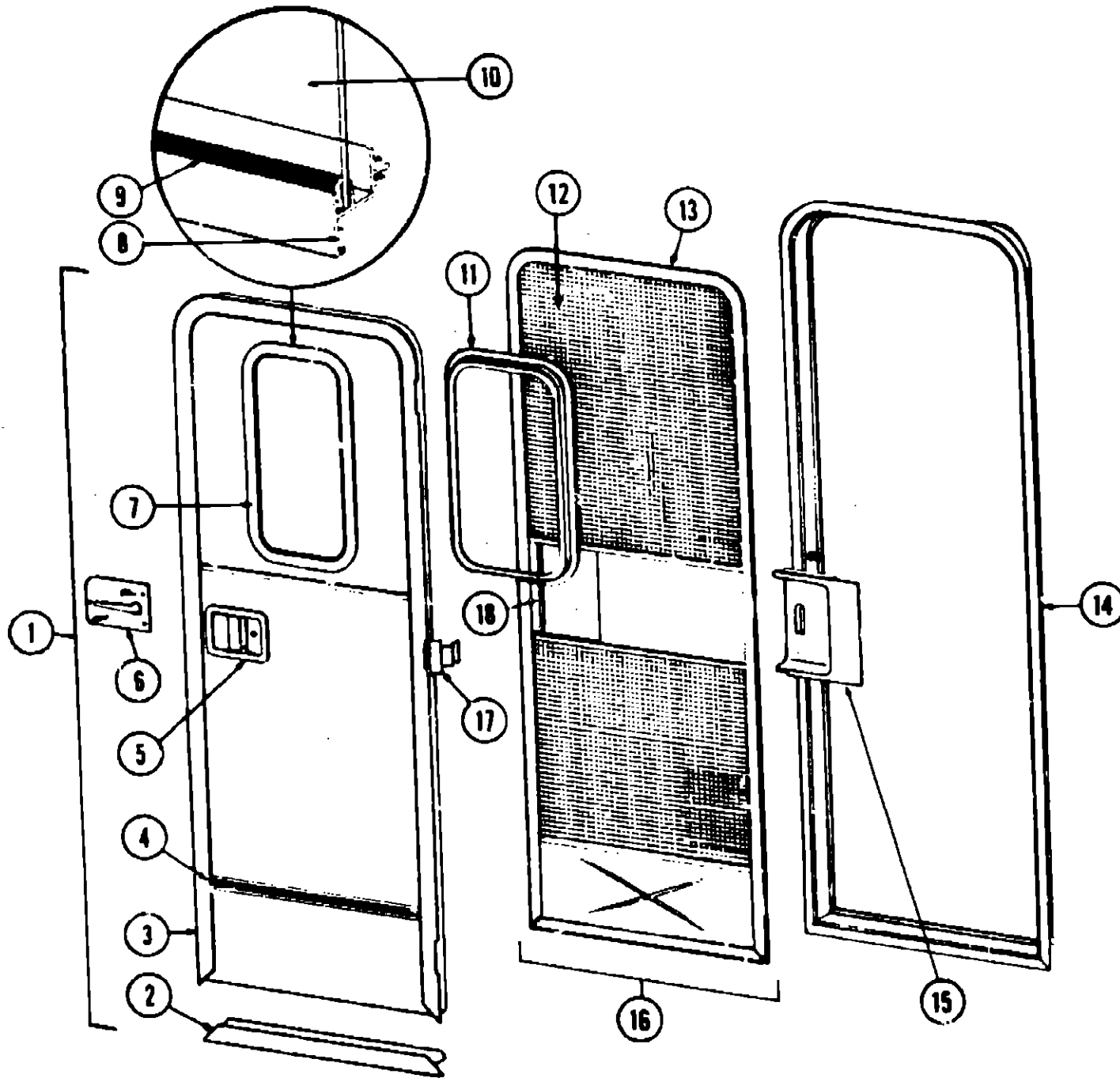
WC420RG	A-01 - B-22
WC/WF424RB	B-23 - D-22
WCN27RU	D-23 - G-04
WCN30RC	G-05 - I-12
WCP34RU	I-13 - K-23

1987 WC420RG INDEX

Floor Plan	A-01 - A-02
Accessories Group	A-03 - A-04
Bath Group	A-05
Chassis Group	A-06 - A-07
Curtain, Cushion & Pad Group	A-08 - A-14
Dinette Group	A-15
Driver's Compartment Group	A-16 - A-18
Electrical Group	A-19 - A-20
Exterior Body Group	A-21 - B-02
Galley Group	B-03 - B-04
Heating & Air Conditioning Group	B-05
Interior Finish Group	B-06 - B-08
LP Group	B-09
Lounge Group	B-10
Water & Sewage Group	B-11
Window, Vent & Exterior Door Group	B-12 - B-22

WINDOW, VENT & EXTERIOR DOOR GROUP (CONTINUED)

ENTRANCE & SCREEN DOOR



Key	Part Number	U/M	Description
1	M01870-05-U01	EA	Door Asm. - Radius Entry w/Screen Door - w/o Window
1	M01870-03-W04	EA	Door Asm. - Radius Entry w/Screen Door
2	077998-01-000	EA	Frame - Entry Door (Bottom Portion Only)
3	078000-02-000	EA	Frame - Entry Door (Except Bottom Portion)
4	059576-05-000	EA	Feature Strip w/o Insert - Extr. - 14" - Brown
	001030-02-100	EA	Insert - Feature Strip - 17" - Stucco - Off White
	009731-01-000	EA	End Cap - Feature Strip
5	045017-05-000	EA	Paddle Asm. - Door Lock - Exterior
	045017-05-700	EA	Lock Cylinder w/Keys - Lynor
	039539-01-000	EA	Striker Bolt - Entry Door
	039540-01-000	EA	Latch Claw - Entry Door
	039738-01-000	EA	Dead Bolt - Entry Door
6	039979-01-000	EA	Plate - Inside Lock - Includes Inside Handle
	052186-01-000	EA	Lock Asm. - Complete - Lynor
7	079733-04-T03	EA	Window Asm. - Picture - 17" x 25" - Black (w/o inside frame)
8	069840-06-000	FT	Ribbon Sealer - 5/16" Bead x 15'
9	002309-02-000	FT	Spline - Glass - 1/8" Black
10	002181-06-000	EA	Glass - Picture Window - 1/8" x 16.25" x 24" - Gray
11	067609-23-000	EA	Inside Frame - Beige (not included in assembly)
12	002293-02-000	SF	Screen - Window - 26" - Charcoal
13	056795-02-000	FT	Seal Tape - 1/8" x 3/8" - Press On
14	078591-03-000	EA	Jamb Asm. - Entrance Door
	051049-01-000	EA	Jamb - Entrance Door - Bottom
15	079086-02-000	EA	Slider - Screen Door - Off White Plastic
16	079012-01-U01	EA	Door Asm. - Screen
17	079361-02-000	EA	Hinge - Entrance Door (3 used per door)
18	078589-02-000	EA	Cap - Screen Door - Off White Plastic
	009016-01-000	EA	Catch - Elbow - Spring Loaded - Screen Door
	039863-01-000	EA	Catch Asm. - Single Roller w/Strike - Screen Door
	076231-01-000	FA	Spacer - Latch - Screen Door
	077437-02-000	EA	Strike - Roller Catch
	058025-02-000	EA	Clip - Roller Latch Catch
	044582-02-000	EA	Drip Cap - Off White
	079278-01-000	EA	Seal - Mocket - Entrance Door
	073090-01-000	FT	Seal - Entrance Door
	075739-01-000	EA	Stiffener - Entrance Door - Off White
	075673-01-000	FT	Seal - Pile - Adhesive Back
	075671-01-000	FT	Seal - Sponge - Lazy "T" Shaped
	002294-01-000	FT	Spline - Black - .135 x .138 (Screen Door)
	079087-02-000	EA	Strike - Screen Door
	063729-04-000	EA	Rivnut - 10-32 UNF - .010 - .080
	075639-06-000	EA	Jarnish - Radius - Entrance Door
	078448-01-000	EA	Deadbolt - Press Fit - 5"
	077461-01-000	EA	Cover - Striker
	079173-01-000	EA	Gasket - Deadbolt
	083205-01-000	EA	Dead Bolt - Press Fit - Harloc
			Not illustrated

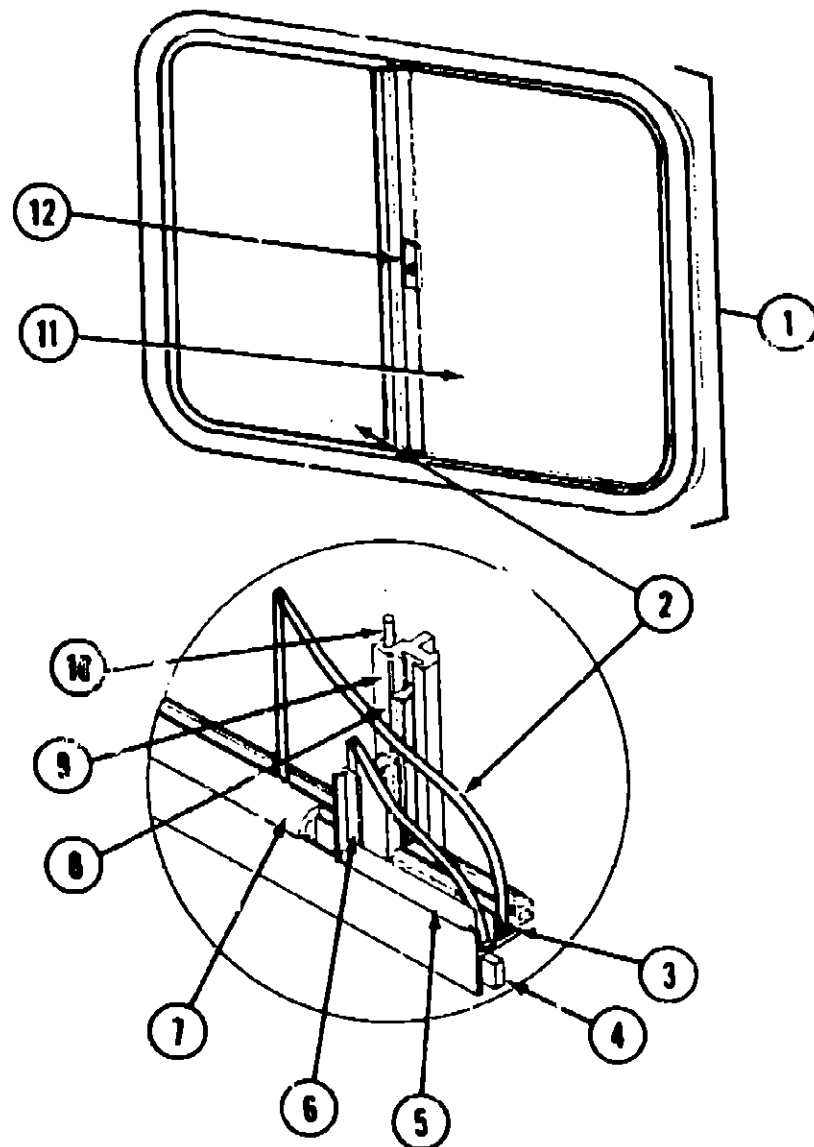
1987 WINNEBAGO TABLE OF CONTENTS

WC420RG	A-01 - B-22
WC/WF424RB	B-23 - D-22
WCN27RU	D-23 - G-04
WCN30RC	G-05 - I-12
WCP34RU	I-13 - K-23

1987 WC420RG INDEX

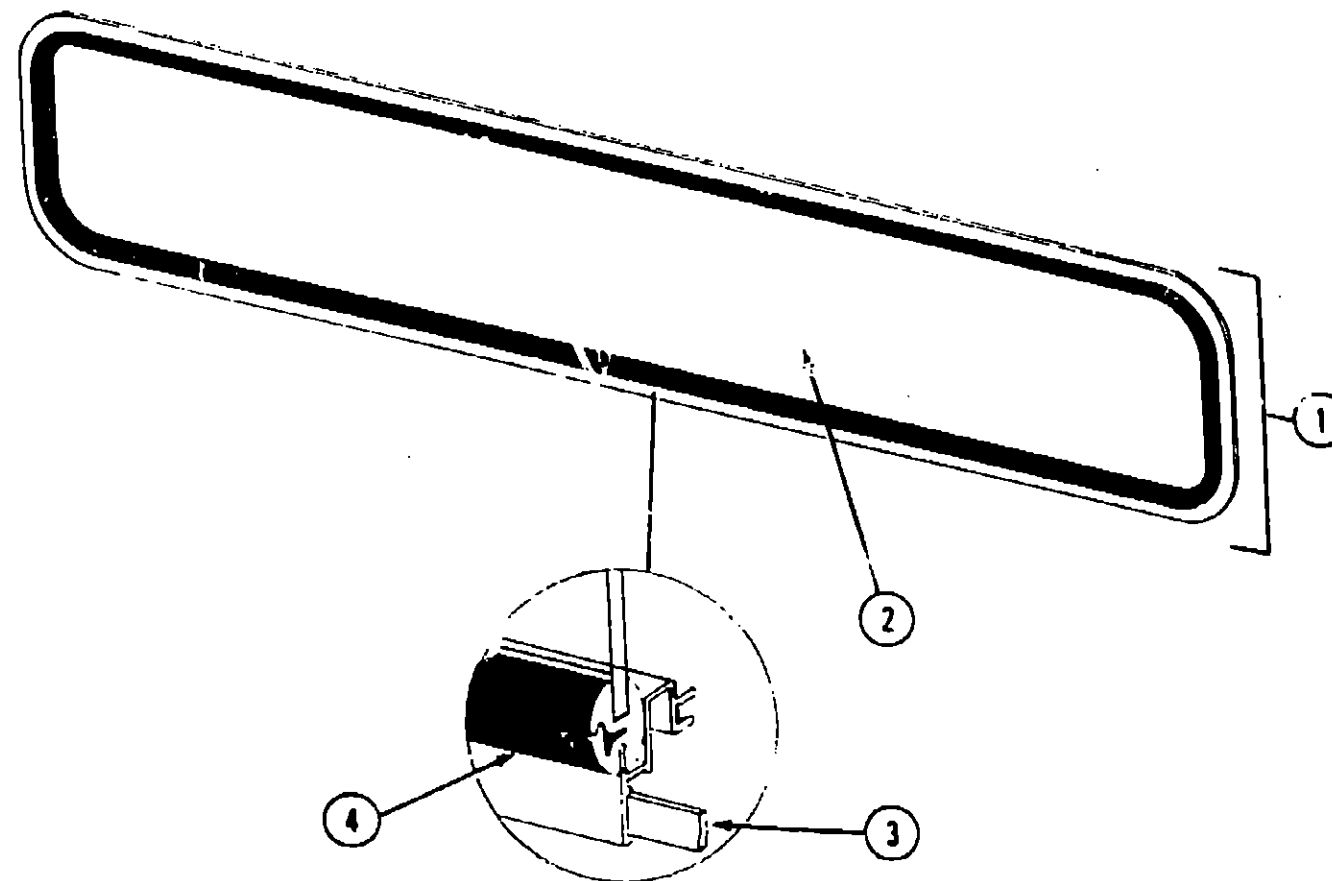
Floor Plan	A-01 - A-02
Accessories Group	A-03 - A-04
Bath Group	A-05
Chassis Group	A-06 - A-07
Curtain, Cushion & Pad Group	A-08 - A-14
Dinette Group	A-15
Driver's Compartment Group	A-16 - A-18
Electrical Group	A-19 - A-20
Exterior Body Group	A-21 - B-02
Galley Group	B-03 - B-04
Heating & Air Conditioning Group	B-05
Interior Finish Group	B-06 - B-08
LP Group	B-09
Lounge Group	B-10
Water & Sewage Group	B-11
Window, Vent & Exterior Door Group	B-12 - J-22

WINDOW, VENT & EXTERIOR DOOR GROUP (CONTINUED)



Key	Part Number	U/M	Description
1	078266-04-T03	EA	Window Asm. - Black (w/o inside frame)
	083122-06-000	EA	Inside Frame - Brown (not included in assembly)
2	C81980-02-000	EA	Glass - Sliding - 1/8" x 22" x 13.68"
3	002324-02-000	FT	Channel - Weatherstrip - Glass
4	069640-06-000	FT	Ribbon Sealer - 5/16" Bead x 15'
5	002309-02-000	FT	Spline - Glass - 1/8" Material - Black
6	M18025-03-000	EA	Seal - Holder w/Fin Seal - Black
7	057374-02-000	FT	Extr. Vinyl - Window Seal - Black
8	073740-01-000	FT	Seal - Fin - Pile - .460"
9	078562-03-000	EA	Mullion - Slider Window - Black
	002293-02-000	SF	Screen - Window - 26" - Charcoal
10	002298-02-000	FT	Spline - .130" Dia. - Charcoal (Screen)
11	081584-01-000	EA	Glass - Stationary - 1/8" x 22" x 16.53"
12	047369-01-700	EA	Latch Kit - Window - Plastic w/Fastener
			Not illustrated

WINDOW, VENT & EXTERIOR DOOR GROUP (CONTINUED)



Key	Part Number	U/M	Description
1	078533-01-T03	EA	Window Asm. - Front Picture - 14" x 65" - Black (w/o inside frame)
	041938-03-000	EA	Inside Frame - Beige (not included in assembly)
2	002200-02-000	EA	Glass - TP - Picture Window
3	069640-06-000	FT	Ribbon Sealer - 5/16" Bead x 15'
4	002281-01-000	FT	Weatherstrip - Self Seal - .06" Panel x 3/16" - Black
			Not illustrated

**1987 WINNEBAGO
TABLE OF CONTENTS**

WC420RG	A-01 - B-22
WC/WF424RB	B-23 - D-22
WCN27RU	D-22 - G-04
WCN30RC	G-05 - I-12
WCP34RU	I-13 - K-23

1987 WC420RG INDEX

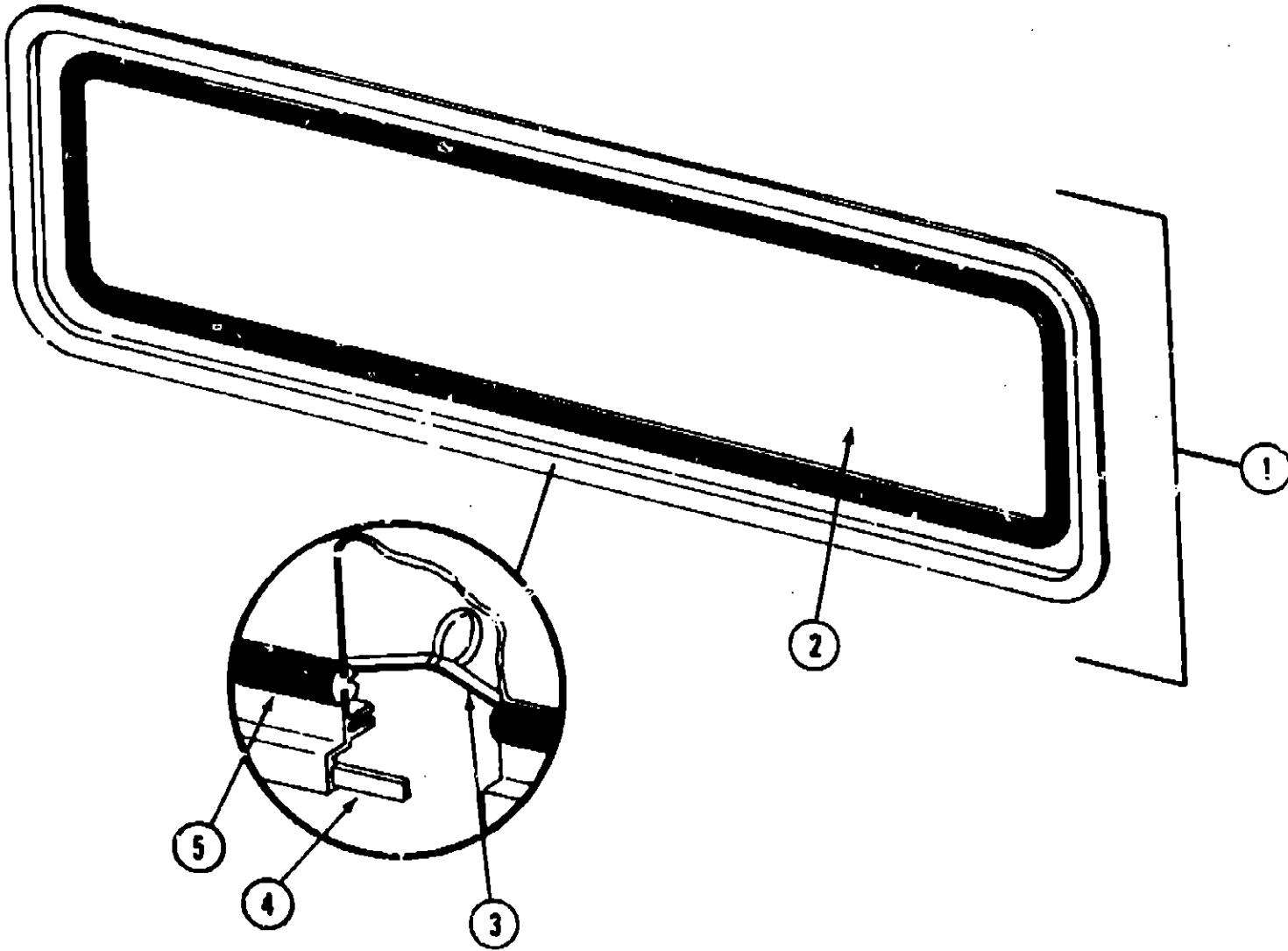
Floor Plan	A-01 - A-02
Accessories Group	A-03 - A-04
Bath Group	A-05
Chassis Group	A-06 - A-07
Curtain, Cushion & Pad Group	A-08 - A-14
Dinette Group	A-15
Driver's Compartment Group	A-16 - A-18
Electrical Group	A-19 - A-20
Exterior Body Group	A-21 - B-02
Galley Group	B-03 - B-04
Heating & Air Conditioning Group	B-05
Interior Finish Group	B-06 - B-08
LP Group	B-09
Lounge Group	B-10
Water & Sewage Group	B-11
Window, Vent & Exterior Door Group	B-12 - B-22

1987 WINNEBAGO
TABLE OF CONTENTS

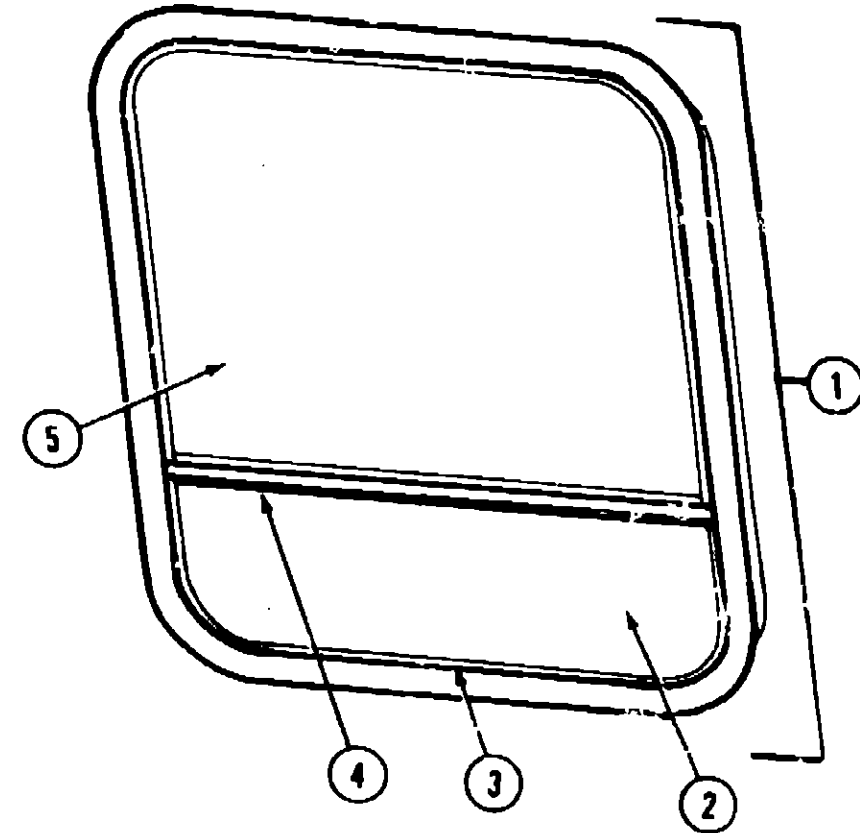
WC420RG	A-01 - B-22
WC/WF424RB	B-23 - D-22
WCN27RU	D-23 - G-04
WCN30RC	G-05 - I-12
WCF34RU	I-13 - K-23

1987 WC420RG INDEX

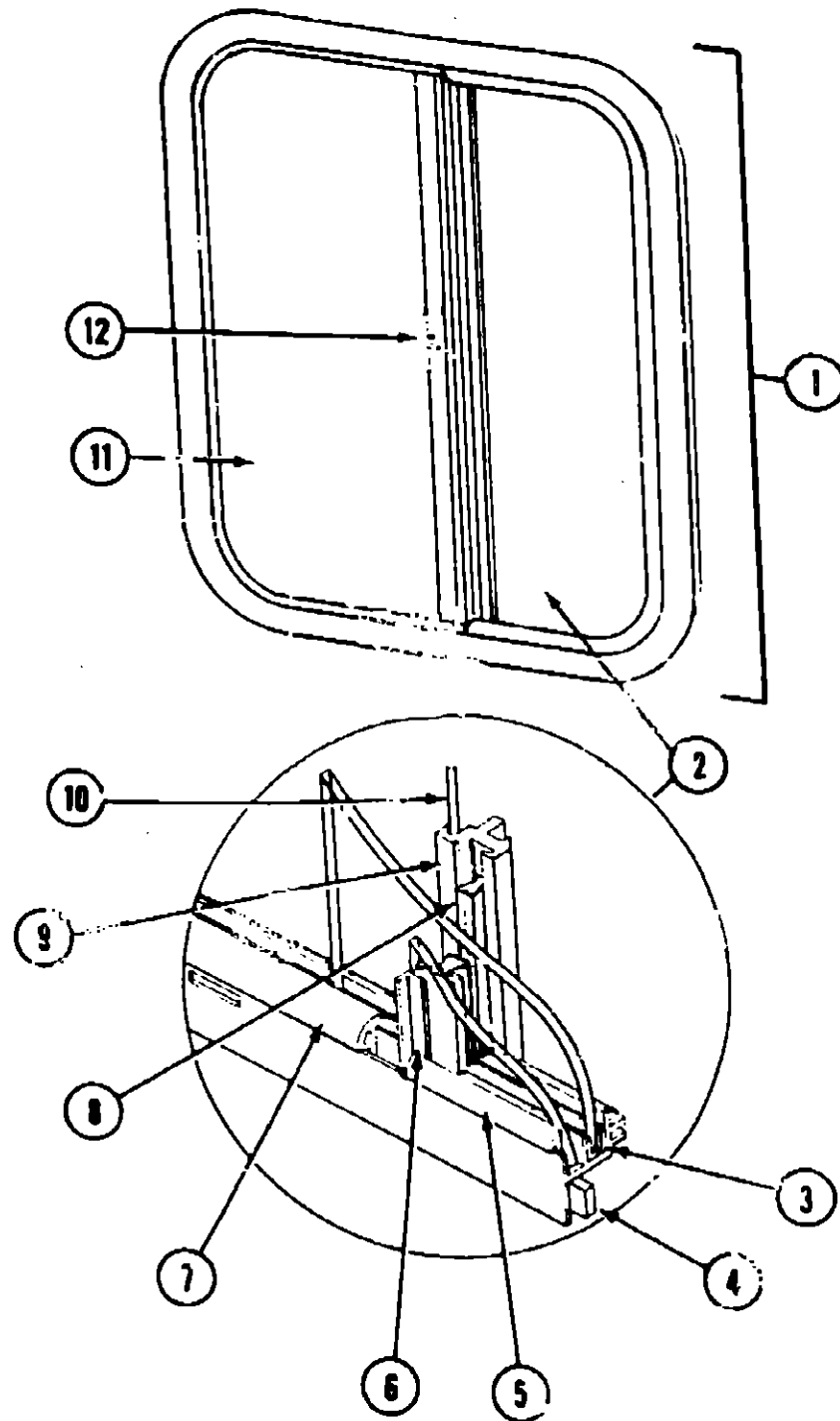
Floor Plan	A-01 - A-02
Accessories Group	A-03 - A-04
Bath Group	A-05
Chassis Group	A-06 - A-07
Curtain, Cushion & Pad Group	A-08 - A-14
Dinette Group	A-15
Driver's Compartment Group	A-16 - A-18
Electrical Group	A-19 - A-20
Exterior Body Group	A-21 - B-02
Galley Group	B-03 - B-04
Heating & Air Conditioning Group	B-05
Interior Finish Group	B-06 - B-08
LP Group	B-09
Lounge Group	B-10
Water & Sewage Group	B-11
Window, Vent & Exterior Door Group	B-12 - B-22



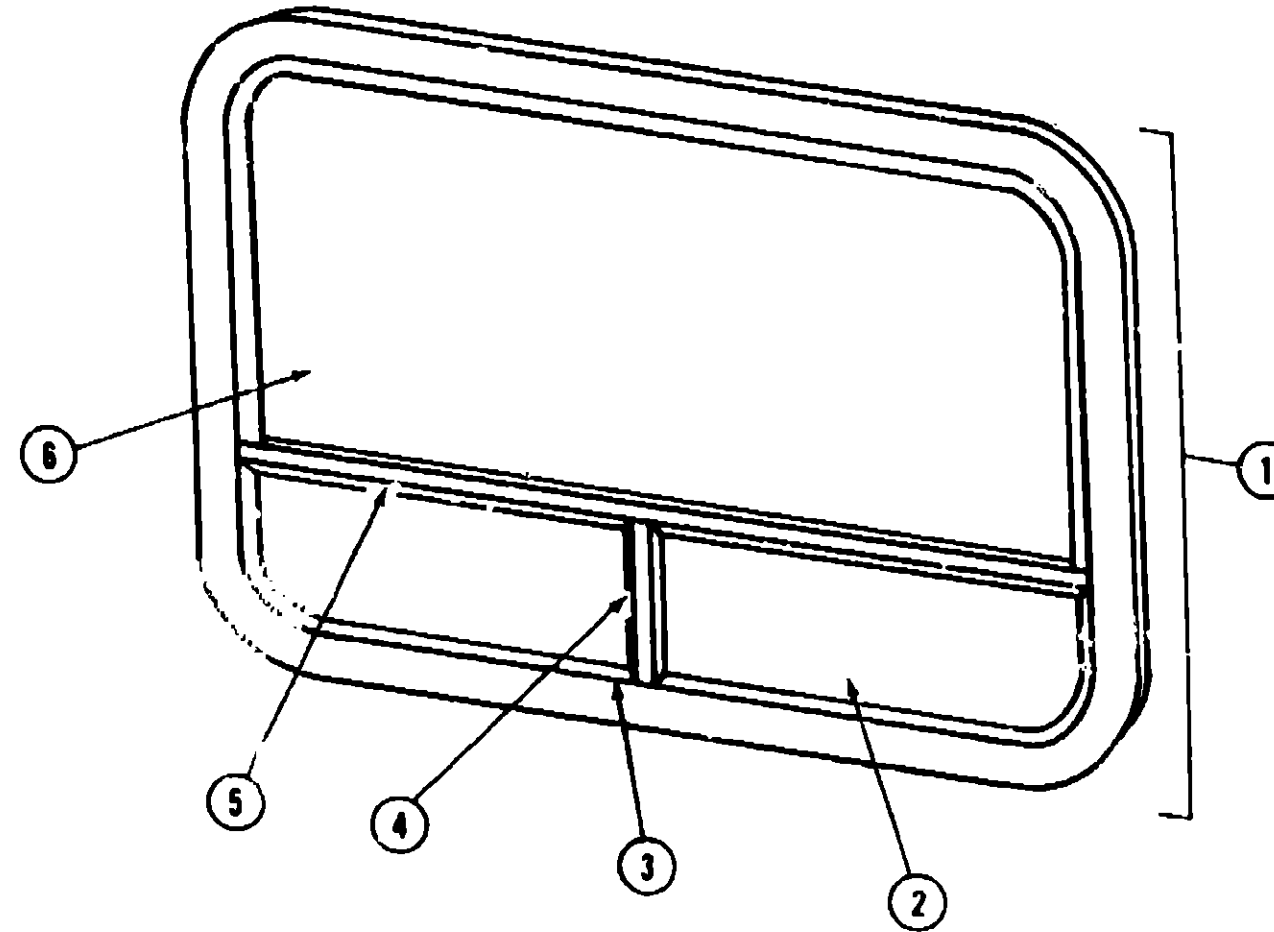
Key	Part Number	U/M	Description
1	078536-01-T03	EA	Window Asm. - Rear Escape - 23" x 68" - Black (w/o inside frame)
•	042027-05-000	EA	Inside Frame (not included in assembly)
2	002178-01-000	EA	Glass - 1/8" x 19.61" x 64.80"
3	002285-01-000	FT	Filler - Weatherstrip - Black
4	080640-06-000	FT	Ribbon Sealer - 5/16" Bead x 15'
5	002282-01-000	FT	Weatherstrip - .125" Window
•	006199-01-000	EA	Label - Exit - Escape Window
•			Not illustrated



Key	Part Number	U/M	Description
1	085353-06-W07	EA	Window Asm. - Single (w/o inside frame)
•	081822-07-000	EA	Inside Frame - Black (not included in assembly)
2	084068-03-000	EA	Glass - 1/8" x 9.24" x 30.39" - Tipout
•	084580-06-W07	EA	Screen Asm. - Tipout Window - Single
3	084473-02-000	EA	Seal - Rubber - Tipout Window
4	083112-01-000	EA	Mullion - Horizontal - Black
5	081239-12-000	EA	Glass - 1/8" x 25.7" x 25.1" - Stationary
•	035302-02-000	EA	Operators Mech - Slant - Left
•	002291-02-000	SF	Screen - 16" Window - Charcoal
•	002298-02-000	FT	Spline - .130 Dia. - Charcoal
•	068927-03-000	EA	Rubber Seal - .31 x .80
•	081243-01-000	EA	Clip - Screen - Black Plastic
•	081357-01-000	FT	Foam Seal - Vinyl
•			Not illustrated



Key	Part Number	U/M	Description
1	078266-03-T03	EA	Window Asm. - Black (w/o inside frame)
•	083122-04-000	EA	Inside Frame - Brown (not included in assembly)
2	081980-05-000	EA	Glass - Sliding - 1/8" x 19" x 13.68"
3	002324-02-000	FT	Channel - Weatherstrip - Glass
4	069840-06-000	FT	Ribbon Sealer - 5/16" Bead x 15'
5	002309-02-000	FT	Spline - Glass - 1/8" Material - Black
6	M69885-03-011	EA	Seal - Holder w/Fin Seal - Black
7	057374-02-000	FT	Extr. Vinyl - Window Seal - Black
8	073740-01-000	FT	Seal - Fin - Pile - .460"
9	078562-02-000	EA	Mullion - Slider Window - Black
•	002292-02-000	SF	Screen - Window - 20" - Charcoal
10	002298-02-000	FT	Spline - .130" Dia. - Charcoal (Screen)
11	081984-03-000	EA	Glass - Stationary - 1/8" x 19" x 12.3"
12	047369-01-700	EA	Latch Kit - Window - Plastic w/Fastener
•			Not illustrated



Key	Part Number	U/M	Description
1	085354-02-W07	EA	Window Asm. - Double Tipout (w/o inside frame)
•	084153-06-000	EA	Inside Frame - Black (not included in assembly)
2	084068-04-000	EA	Glass - 1/8" x 9.24" x 30.39" - Tipout
•	084581-01-W07	EA	Screen Asm. - Tipout - Right
•	084581-02-W07	EA	Screen Asm. - Tipout - Left
3	084067-01-000	FT	Seal - "e" - Sponge Rubber
4	084154-01-000	EA	Mullion - Vertical - Black
•	084066-01-000	FT	Bulb Seal - Double - Sponge Rubber
5	083112-05-000	EA	Mullion - Horizontal - Black
•	051357-01-000	FT	Foam Seal - Vinyl
6	081239-11-000	EA	Glass - 1/8" x 61.77" x 20.5" - Stationary
•	002291-02-000	SF	Screen - 16" Window
•	002298-02-000	FT	Spline - .130 Dia. - Charcoal (Screen)
•	081243-01-000	EA	Clip - Screen - Plastic
•	080918-01-000	EA	Spring - Torque Tube - Right
•	080918-02-000	EA	Spring - Torque Tube - Left
•	035302-01-000	EA	Operating Mech - Right
•	035302-02-000	EA	Operating Mech - Left
•			Not illustrated

1987 WINNEBAGO
TABLE OF CONTENTS

WC420RG	A-01 - B-22
WC/WF424RB	B-23 - D-22
WCN27RU	D-23 - G-04
WCN30RC	G-05 - I-12
WCP34RU	I-13 - K-23

1987 WC420RG INDEX

Floor Plan	A-01 - A-02
Accessories Group	A-03 - A-04
Bath Group	A-05
Chassis Group	A-06 - A-07
Curtain, Cushion & Pad Group	A-08 - A-14
Dinette Group	A-15
Driver's Compartment Group	A-16 - A-18
Electrical Group	A-19 - A-20
Exterior Body Group	A-21 - B-02
Galley Group	B-03 - B-04
Heating & Air Conditioning Group	B-05
Interior Finish Group	B-06 - B-08
LP Group	B-09
Lounge Group	B-10
Water & Sewage Group	B-11
Window, Vent & Exterior Door Group	B-12 - B-22