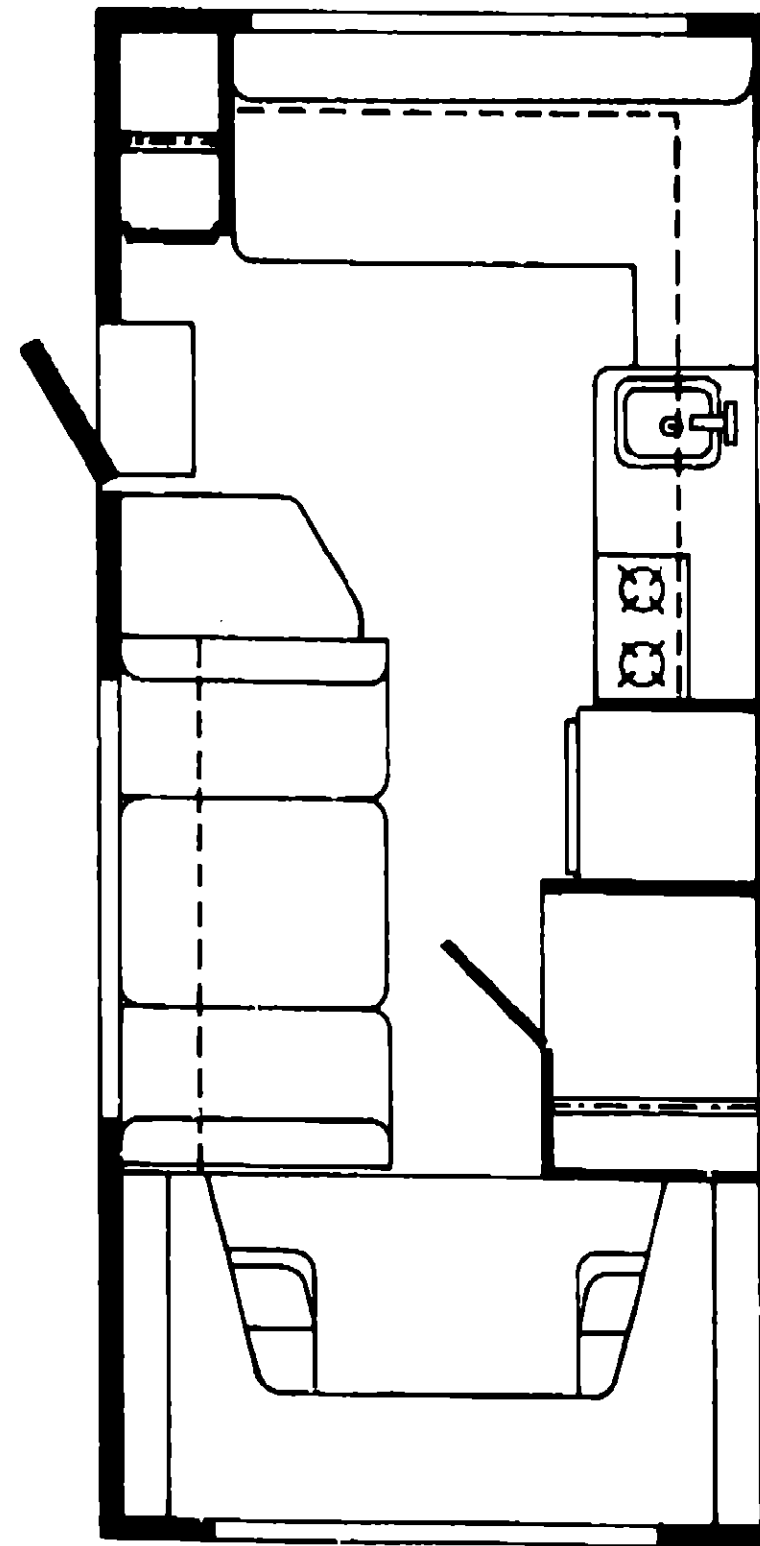


# 1987 WC420EG



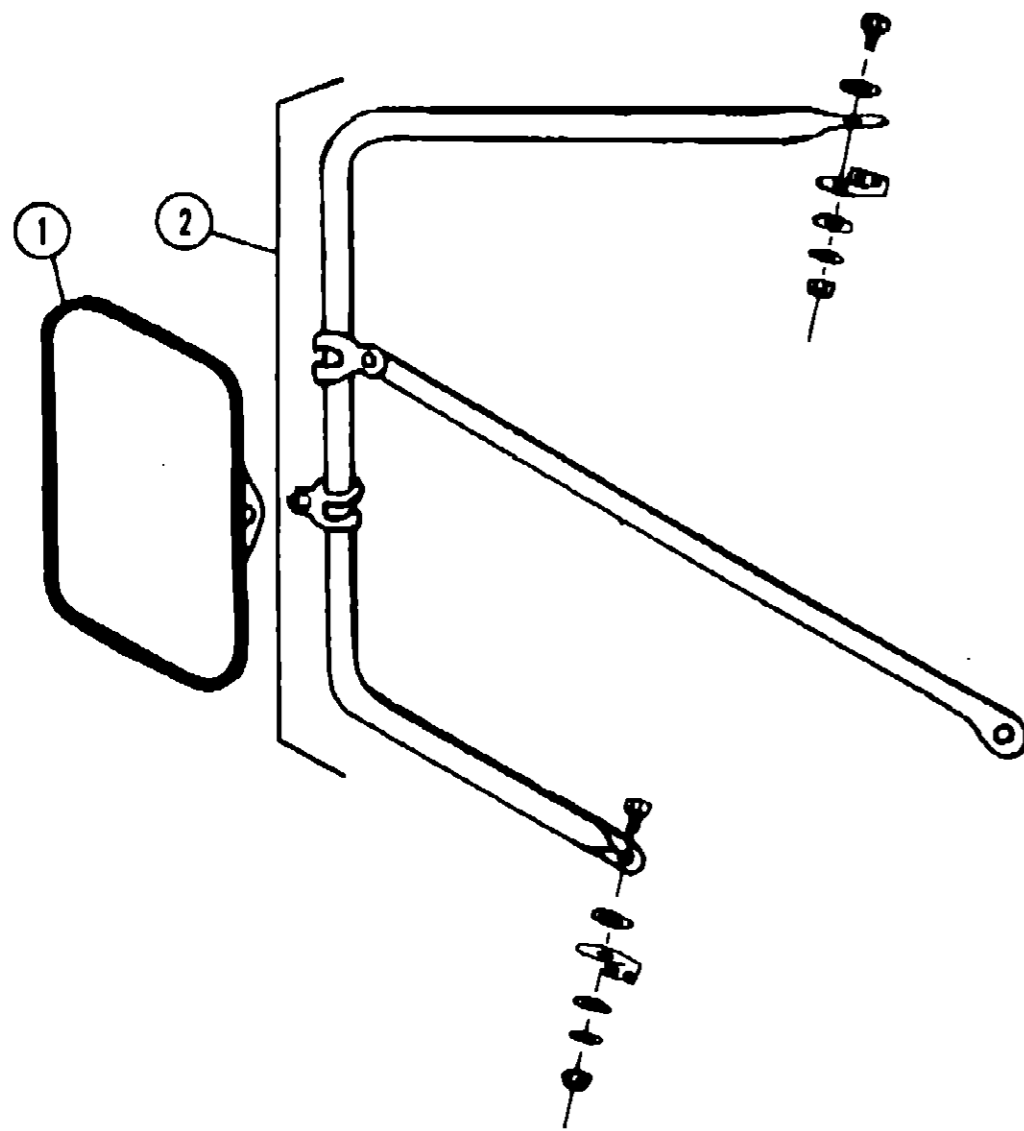
## 1987 WINNEBAGO TABLE OF CONTENTS

WC420EG	A-01 - B-06
WF426RT	B-07 - D-10
WCN26RH	D-11 - F-14
WCN27RT	F-15 - H-20
WCP26ET	H-21 - K-02

## 1987 WC420EG INDEX

Floor Plan	A-01 - A-02
Accessories Group	A-03
Bath Group	A-04
Chassis Group	A-05
Curtain, Cushion & Pad Group	A-06 - A-09
Dinette Group	A-10
Driver's Compartment Group	A-11
Electrical Group	A-12
Exterior Body Group	A-13 - A-17
Galley Group	A-18
Heating & Air Conditioning Group	A-19
Interior Finish Group	A-20
LP Group	A-21
Lounge Group	A-22
Water & Sewage Group	A-23
Window, Vent & Exterior Door Group	A-24 - B-06

## ACCESSORIES GROUP



EXTERIOR MIRRORS

Key	Part Number	U/M	Description
1	049347-02-000	EA	Mirror Head - 7.5" x 10.5" - Off White
2	062047-02-000	EA	Arm - West Coast Mirrors - Off White
.	006043-01-000	EA	Mirror - Convex - Adhesive Back
.	Not illustrated		

## MISCELLANEOUS ACCESSORIES

Key	Part Number	U/M	Description
	054185-26-000	EA	Owner's Manual - 1987 - Itasca & Winnebago
	041944-03-000	EA	Fire Extinguisher - 5BC
	087709-01-000	EA	Clock - Wall - Quartz
	006069-01-000	EA	Key Case - Leather
	088725-01-000	EA	Lug Wrench - 4 Way
	080708-02-000	EA	Leverage Br. - 22" - Lug Wrench
	006113-01-000	EA	Jack - Hydraulic - 6 Ton - w/Handle
	007004-01-000	EA	Antenna - Radio - Cab Mount
	087683-01-000	EA	Radio - AM/FM - Stereo w/Cassette
	074979-09-000	EA	Speaker Cover Protector - Lt. Oak

## BATH GROUP

### BATH CABINETS & HARDWARE

Key	Part Number	U/M	Description
	M87868-01-W10	EA	Door Asm. - Bathroom - w/o Hardware
	075687-02-000	EA	Lockset - Bronzestone
	M87925-01-WB7	EA	Cabinet Asm. - Bath Countertop
	M03037-01-WB7	EA	Countertop Asm. - Bath
	011056-01-000	EA	Faucet - Lavatory
	075452-02-000	EA	Holder - Tissue - Brass
	058331-14-000	EA	Mirror - Safety Glass - 14" x 12.70"
	009089-01-000	EA	Clip - Mirror
	075680-01-000	EA	Clothes Rnd - Adjustable - 27" - 36"
	087692-01-000	EA	Lavatory - Plastic - 10 x 13 Beige
	063740-01-000	EA	Toilet - Aqua Marine - IV High
	009112-01-000	EA	Flange - Chrome Rod
	042438-01-000	EA	Dowel - Wood - 1" Dia. x 4'

## 1987 WINNEBAGO TABLE OF CONTENTS

WC420EG	A-01 - B-06
WF426RT	B-07 - D-10
WCN26RH	D-11 - F-14
WCN27RT	F-15 - H-20
WCP26ET	H-21 - K-02

## 1987 WC420EG INDEX

Floor Plan	A-01 - A-02
Accessories Group	A-03
Bath Group	A-04
Chassis Group	A-05
Curtain, Cushion & Pad Group	A-06 - A-09
Dinette Group	A-10
Driver's Compartment Group	A-11
Electrical Group	A-12
Exterior Body Group	A-13 - A-17
Galley Group	A-18
Heating & Air Conditioning Group	A-19
Interior Finish Group	A-20
LP Group	A-21
Lounge Group	A-22
Water & Sewage Group	A-23
Window, Vent & Exterior Door Group	A-24 - B-06

## CHASSIS GROUP

### MISCELLANEOUS

Key	Part Number	U/M	Description
	047441-01-000	EA	Battery Terminal - Horizontal Lug
	064601-01-000	EA	Bracket - Bumper Mount
	022150-01-000	EA	Bracket - Bumper - Rear
	064602-01-000	EA	Bumper Asm. - Square 92" - Off White
	039779-01-000	EA	Cap - Rubber - 4" x 4" - Square Bumper
	010497-01-000	EA	Clamp - Closed - 5/8" I.D.
	010499-01-000	EA	Clamp - Closed - 3/8" I.D.
	007161-01-000	EA	Clamp - Hose - Spring Type 112
	062401-03-000	EA	Clamp - Hose - Wormgear - .25" I.D. - 1" I.D.
	062401-09-000	EA	Clamp - Hose - Wormgear - 2.6" x 3.75"
	023146-01-000	EA	Clamp - Screw Type 4
	064686-01-000	EA	Compartment - Battery
	081936-01-000	EA	Compartment - LP Regulator
	006113-01-000	EA	Jack - Hydraulic - 6 Ton w/Handle
	068725-01-000	EA	Lug Wrench - 4 Way
	000208-02-000	EA	Leverage Bar - Lug Wrench
	064089-01-000	EA	Splash Guard - Black Rubber
	062400-01-000	EA	Rim - Wheel - 10.5" x 6" - 8 Hole
	077848-01-000	EA	Step Asm. - Pullout
	057724-01-000	EA	Wheelwell - Plastic
	008343-01-000	EA	Wire Tie - 6"
	078040-01-000	EA	Shroud - Fuel Fill - Lower

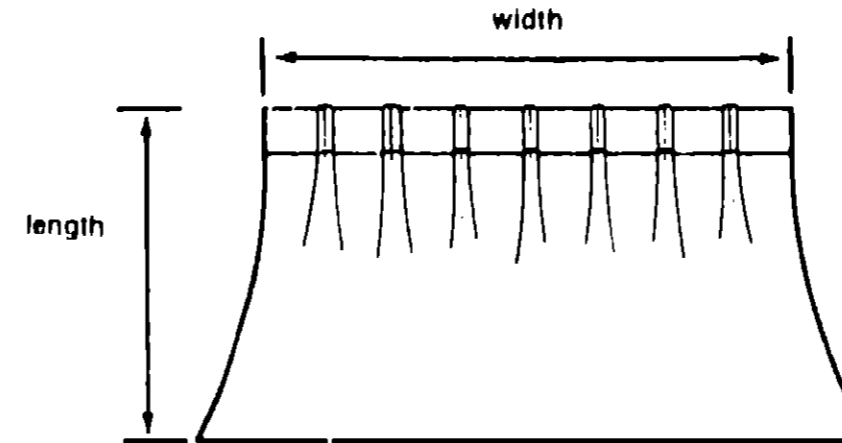
NOTE: Reminder of exhaust components available from Chassis Service Center.

## CURTAIN, CUSHION & PAD GROUP

### NOTICE

In order to assist our Parts Sales Dept. in providing interior software items, please include the serial number and the color code number from the vehicle certification label when ordering. This label is located on the left sidewall at the end of the dash (A-Body), or on the driver's door latch plate (C-Body).

An example of a color code number is P31, which designates an overall color scheme of a particular unit. The color listed after the item description on the microfiche, indicates the overall unit color. Order the item you desire according to unit color code.



### NOTE:

Use this illustration when determining length and width measurements for curtains. You will note the width measurement is taken on the top of the curtain with the curtain fully extended. The length measurement is taken from top to bottom.

## 1987 WINNEBAGO TABLE OF CONTENTS

WC420EG	A-01 - B-06
WF426RT	B-07 - D-10
WCN26RH	D-11 - F-14
WCN27RT	F-15 - H-20
WCP26ET	H-21 - K-02

### CURTAIN & CUSHION HARDWARE

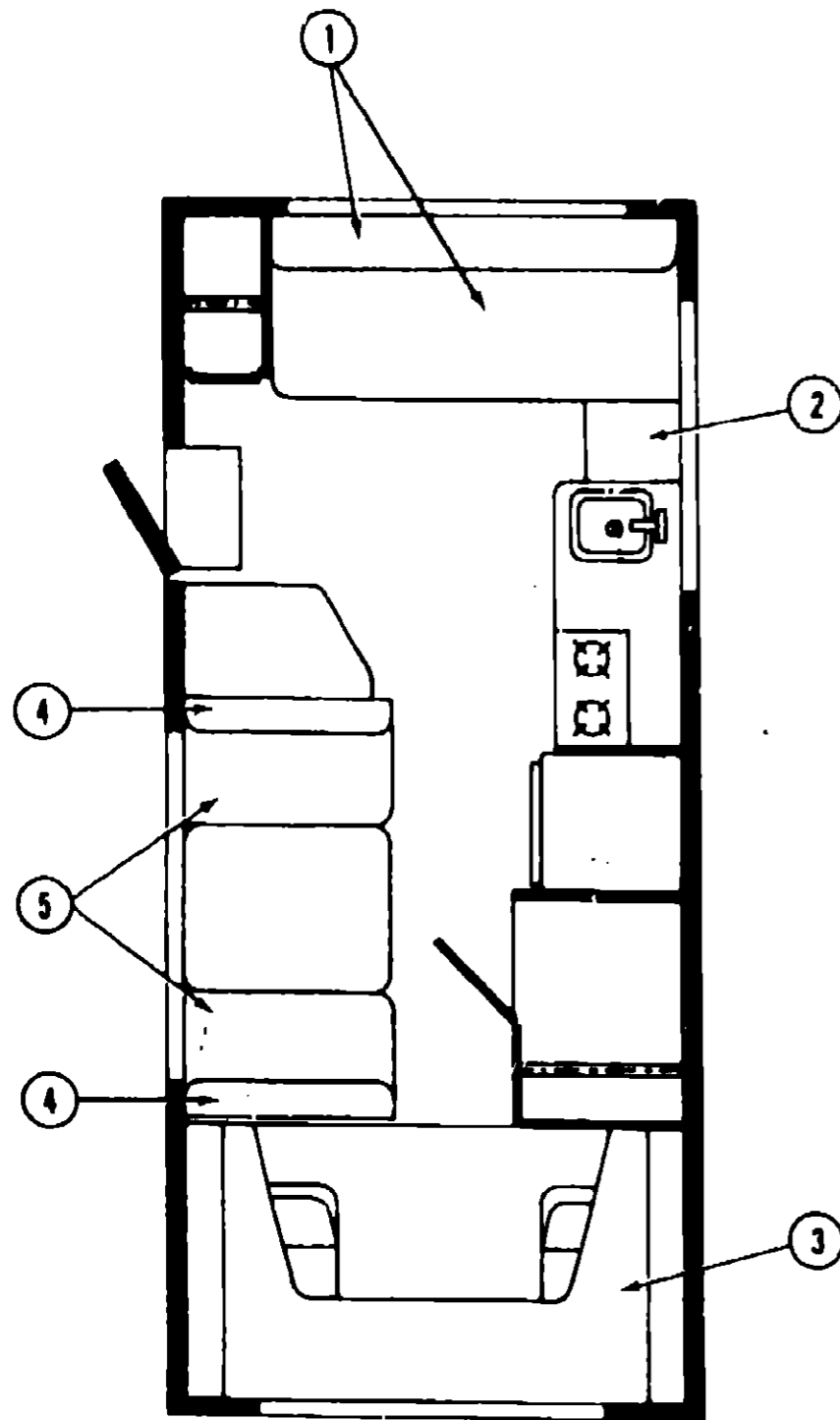
Key	Part Number	U/M	Description
	053163-01-000	EA	Bracket - Couch Slide
	054398-01-000	EA	Bracket - Couch - Brown
	039175-02-000	EA	Bracket - Curtain Rod - Cafe
	039175-05-000	EA	Bracket - Curtain Rod - Center
	042439-01-000	EA	Bracket - Curtain Rod - Single
	039175-01-000	EA	Rod - Cafe Curtain - Extension - 48" - 84"
	049897-02-000	EA	Rod - Curtain - Flat - Extension 48" - 84"
	048394-02-000	YD	Tape Hook - .75" x 50 YD - Beige
	048395-02-000	YD	Tape Loop - .75" x 50 YD - Beige

### FABRICS & TRIMS

Key	Part Number	U/M	Description
	077484-01-000	YD	Vinyl - Smoke
	067263-01-000	EA	Fabric - Upholstery - Delray Pewter
†	077498-C9-000	EA	Fabric - Upholstery - Hinson #783
	072333-29-000	EA	Fabric - Drapery - Grey
	087272-01-000	YD	Fabric - Drapery - Lining - 48" - Ivory
	071127-13-W87	EA	Button Asm. - #30 - Vinyl
	071127-11-W87	EA	Button Asm. - #30 - Delray Pewter
†	071127-11-WC9	EA	Button Asm. - #30 - Hinson
	053552-02-W87	EA	Handle - Assist
†	These parts are used on units produced after 2/1/87		

### 1987 WC420EG INDEX

Floor Plan	A-01 - A-02
Accessories Group	A-03
Bath Group	A-04
Chassis Group	A-05
Curtain, Cushion & Pad Group	A-06 - A-09
Dinette Group	A-10
Driver's Compartment Group	A-11
Electrical Group	A-12
Exterior Body Group	A-13 - A-17
Galley Group	A-18
Heating & Air Conditioning Group	A-19
Interior Finish Group	A-20
LP Group	A-21
Lounge Group	A-22
Water & Sewage Group	A-23
Window, Vent & Exterior Door Group	A-24 - B-06



REAR LOUNGE CUSHIONS

Key	Part Number	U/M	Description
1	073900-16-W87	EA	Cushion Asm. - Lounge Back & Bottom - 76"
**1	073900-16-WC9	EA	Cushion Asm. - Lounge Back & Bottom - 76"
	M73900-16-W87	EA	Cover Asm. - Lounge Back & Bottom - 76"
**	M73900-16-WC9	EA	Cover Asm. - Lounge Back & Bottom - 76"
2	081998-81-W87	EA	Cushion Asm. - Lounge Bottom - 22.5" x 16" x 6"
**2	081998-81-WC9	EA	Cushion Asm. - Lounge Bottom - 22.5" x 16" x 6"
	M81998-81-W87	EA	Cover Asm. - Lounge Bottom Cushion
**	M81998-81-WC9	EA	Cover Asm. - Lounge Bottom Cushion
** Parts used on units produced after 2/1/87.			

FRONT OVERHEAD BUNK CUSHIONS

Key	Part Number	U/M	Description
3	084753-07-W87	EA	Cushion Asm. - Front Bunk
**3	084753-07-WC9	EA	Cushion Asm. - Front Bunk
	M84753-07-W87	EA	Cover Asm. - Front Bunk
**	M84753-07-WC9	EA	Cover Asm. - Front Bunk
	084753-08-W87	EA	Cushion Asm. - Front Bunk - U-Shaped
**	084753-08-WC9	EA	Cushion Asm. - Front Bunk - U-Shaped
	M84753-08-W87	EA	Cover Asm. - Front Bunk Cushion - U-Shaped
**	M84753-08-WC9	EA	Cover Asm. - Front Bunk Cushion - U-Shaped
** Parts used on units produced after 2/1/87			

DINETTE CUSHION

Key	Part Number	U/M	Description
4	081998-79-W87	EA	Cushion Asm. - Dinette Back - 19.25" x 38" x 5"
**4	081998-79-WC9	EA	Cushion Asm. - Dinette Back - 19.25" x 38" x 5"
	M81998-79-W87	EA	Cover Asm. - Dinette Back Cushion - 19.25" x 38" x 5"
**	M81998-79-WC9	EA	Cover Asm. - Dinette Back Cushion - 19.25" x 38" x 5"
5	081998-80-W87	EA	Cushion Asm. - Dinette Bottom - 17.5" x 38" x 5"
**5	081998-80-WC9	EA	Cushion Asm. - Dinette Bottom - 17.5" x 38" x 5"
	M81998-80-W87	EA	Cover Asm. - Dinette Bottom Cushion - 17.5" x 38" x 5"
**	M81998-80-WC9	EA	Cover Asm. - Dinette Bottom Cushion - 17.5" x 38" x 5"
** Parts used on units produced after 2/1/87			



Key	Part Number	U/M	Description
1	029130-01-000	EA	Socket - Snap Fastener
2	029155-02-000	EA	Cap - Snap - .156" Dia. x 17" Barrel
3	029156-02-000	EA	Socket - Snap Fastener
4	029092-01-000	EA	Stud - Nickel Finish
5	029093-01-000	EA	Eyelet - Nickel Finish

BUCKET SEATS

Key	Part Number	U/M	Description
	084191-03-W87	EA	Seat Asm. - Non Pillow
**	084191-03-WC9	EA	Seat Asm. - Non Pillow
	M01864-29-W87	EA	Cover Asm. - Seat Bottom
**	M01864-29-WC9	EA	Cover Asm. - Seat Bottom
	M01864-30-W87	EA	Cover Asm. - Seat Back
**	M01864-30-WC9	EA	Cover Asm. - Seat Back
** Parts used on units produced after 2/1/87			

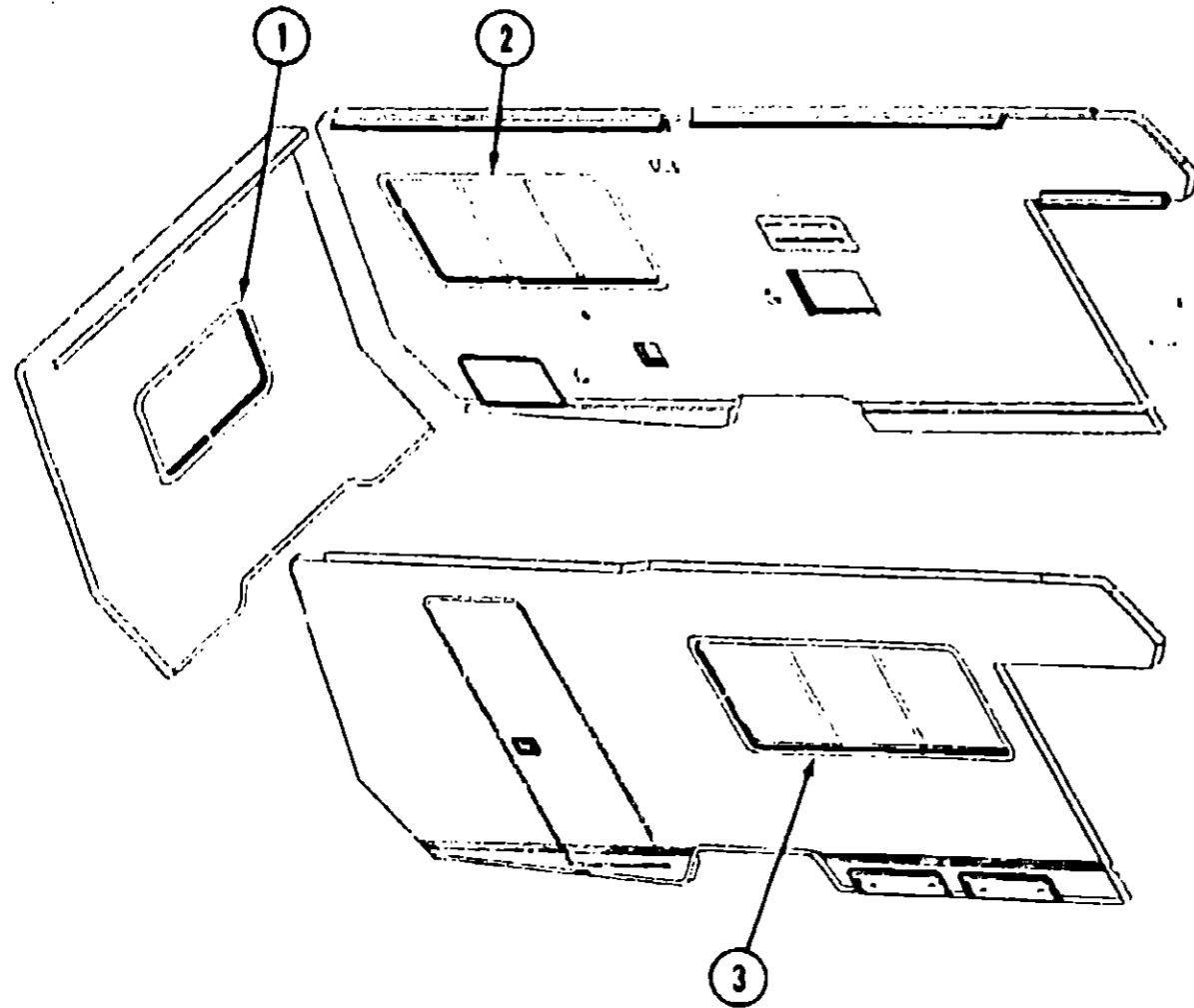
1987 WINNEBAGO  
TABLE OF CONTENTS

WC420EG	A-01 - B-08
WF426RT	B-07 - D-10
WCN26RH	D-11 - F-14
WCN27RT	F-15 - H-20
WCP26ET	H-21 - K-02

1987 WC420EG INDEX

Floor Plan	A-01 - A-02
Accessories Group	A-03
Bath Group	A-04
Chassis Group	A-05
Curtain, Cushion & Pad Group	A-06 - A-09
Dinette Group	A-10
Driver's Compartment Group	A-11
Electrical Group	A-12
Exterior Body Group	A-13 - A-17
Galley Group	A-18
Heating & Air Conditioning Group	A-19
Interior Finish Group	A-20
LP Group	A-21
Lounge Group	A-22
Water & Sewage Group	A-23
Window, Vent & Exterior Door Group	A-24 - B-08

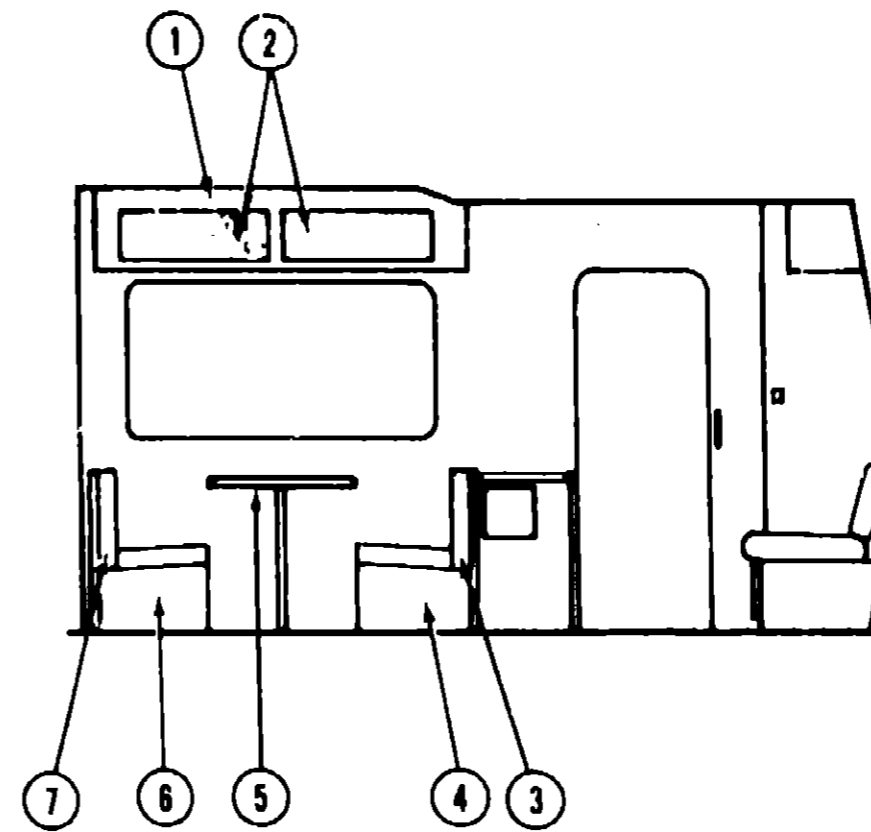
**CURTAIN, CUSHION & PAD GROUP (CONTINUED)**



**CURTAINS, VALANCES & TIEBACKS**

Key	Part Number	U/M	Description
1	066226-21-W87	EA	Curtain Asm. w/Lining - 25" x 40"
1	066226-38-W87	EA	Valance Asm. - 7" x 57"
**1	066226-38-WC9	EA	Valance Asm. - 7" x 57"
2	066226-22-W87	EA	Curtain Asm. w/Lining - 27.5" x 40"
2	066226-37-W87	EA	Valance Asm. - 7" x 67"
**2	066226-37-WC9	EA	Valance Asm. - 7" x 67"
3	066226-22-W87	EA	Curtain Asm. w/Lining - 27.5" x 40"
3	066226-23-W87	EA	Valance Asm. - 7" x 77"
**3	066226-23-WC9	EA	Valance Asm. - 7" x 77"
.	073323-36-W87	EA	Curtain Asm. w/Rod Top & Bottom - 19.5" x 30"
.	073260-13-W87	EA	Tieback Asm. - 3" x 18"
**	073260-13-WC9	EA	Tieback Asm. - 3" x 18"
.	073260-01-W87	EA	Tieback Asm. - 2" x 14"
**	073260-01-WC9	EA	Tieback Asm. - 2" x 14"
.			Not illustrated
**	Parts used on units produced after 2/1/87.		

**DINETTE GROUP**



**DINETTE & OVERHEAD CABINETRY**

Key	Part Number	U/M	Description
1	087261-01-W87	EA	Cabinet Asm. - Dinette Overhead - w/o Doors or Hardware
2	M87906-01-W87	EA	Door Asm. - Dinette Overhead Cabinet - w/o Hardware
3	M03027-01-W87	EA	Cabinet Asm. - Dinette Back - Rear
4	M03026-01-W87	EA	Cabinet Asm. - Dinette Seat - Rear
5	M02115-09-U10	EA	Table Asm. - Dinette - w/o Hardware
6	M03026-02-W87	EA	Cabinet Asm. - Dinette Seat - Front
7	M03027-02-W87	EA	Cabinet Asm. - Dinette Back - Front
.	053200-05-000	EA	Bracket - Upper Wall Mount - 23.5"
**	053201-06-000	EA	Bracket - Table Mount - 23"
.	024275-05-000	EA	Rod - Table Lift - 8" x 23.5"
.	024281-07-000	EA	Bracket - Lower Wall Mount - 22.12"
.	024276-17-000	EA	Leg Asm. - Table - 26.5"
**	024282-01-000	EA	Brace - Table Leg
**	024283-01-000	EA	Clip - 1" - 1.25" O.D. Tube
.	049493-05-000	EA	Catch - Table Leg - Mounts on Floor
.	064781-05-000	EA	Cup Holder - 3.47" O.D. x 2.75" I.D. x 1.5"
.			Not illustrated
**	The illustrated parts breakdown for this item is provided on the Common Items Fiche.		

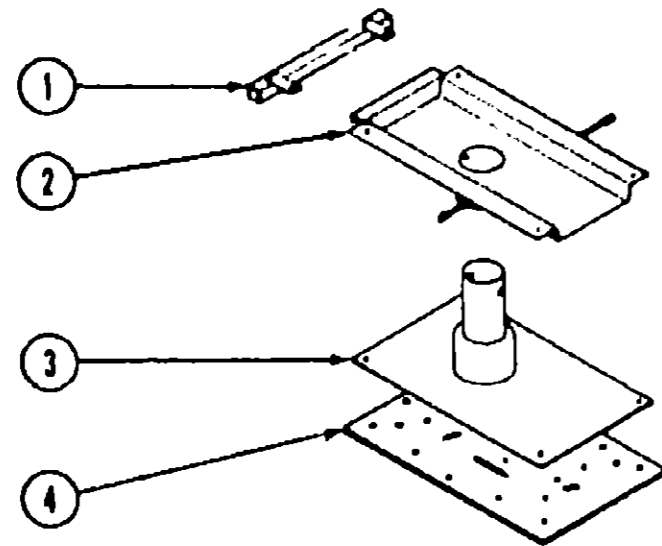
**1987 WINNEBAGO  
TABLE OF CONTENTS**

WC420EG	A-01 - B-06
WF420RT	B-07 - D-10
WCN20RH	D-11 - F-14
WCN27RT	F-15 - H-20
WCP26ET	H-21 - K-02

**1987 WC420EG INDEX**

Floor Plan	A-01 - A-02
Accessories Group	A-03
Bath Group	A-04
Chassis Group	A-05
Curtain, Cushion & Pad Group	A-06 - A-09
Dinette Group	A-10
Driver's Compartment Group	A-11
Electrical Group	A-12
Exterior Body Group	A-13 - A-17
Galley Group	A-18
Heating & Air Conditioning Group	A-19
Interior Finish Group	A-20
LP Group	A-21
Lounge Group	A-22
Water & Sewage Group	A-23
Window, Vent & Exterior Door Group	A-24 - B-06

## DRIVERS COMPARTMENT GROUP



### BUCKET SEAT PEDESTAL & SEAT BELT

Key	Part Number	U/M	Description
1	069575-29-000	EA	Bar - Seat Belt - 20"
2	069585-27-000	EA	Plate - Top - Pedestal Asm. - Bucket Seat
3	069585-03-000	EA	Plate - Sub - Pedestal Asm. - Bucket Seat
4	069585-02-000	EA	Plate - Base - Pedestal Asm. - Bucket Seat
.	007021-01-000	EA	Belt Asm. - Seat - 2" x 90" - Black
.	041322-01-000	EA	Washer - Flat - 15/32" I.D. x 2 3/8" O.D. - Seat Belt
.	057759-01-000	EA	Bracket - Seat Belt Washer
.	069246-01-000	EA	Adjuster Asm. - Seat - w/Lock
.	069246-02-000	EA	Adjuster Asm. - Seat - w/o Lock
.			Not illustrated

### MISCELLANEOUS DRIVERS COMPARTMENT COMPONENTS

Key	Part Number	U/M	Description
	087012-01-W87	EA	Headboard Asm.
	080742-01-000	FT	Trim - Front - Sleeperboard - Vinyl
	079800-01-000	EA	Trim - Sleeperboard - Off White
	M87929-01-W87	EA	Panel Asm. - Wingwall Transition - Inner - Passenger
	M87929-02-W87	EA	Panel Asm. - Wingwall Transition - Inner - Driver
	087931-01-000	EA	Headliner - Overhead Bunk

## ELECTRICAL GROUP

### BULBS

Key	Part Number	U/M	Description
	008220-01-000	EA	Bulb - 12V - 25W
	008103-01-000	EA	Bulb - 53
	008213-01-000	EA	Bulb - 57
	008214-01-000	EA	Bulb - 67
	036196-01-000	EA	Bulb - 184
	067479-01-000	EA	Bulb - 1078
	063914-01-000	EA	Bulb - 1139
	008218-01-000	EA	Bulb - 1141
	037935-01-000	EA	Bulb - 1157

### FUSES & CIRCUIT BREAKERS

Key	Part Number	U/M	Description
	082901-05-000	EA	Fuse - 15 Amp. - Automotive
	008211-01-000	EA	Circuit Breaker - 8 Amp. - 12 Volt
	033573-02-000	EA	Circuit Breaker - 15 Amp. - 12 Volt - w/Mount
	087679-01-000	EA	Circuit Breaker - 15 Amp.
	083209-05-000	EA	Circuit Breaker - 20 Amp. - 120 Volt
	083209-04-000	EA	Circuit Breaker - 30 Amp. - 120 Volt
	008208-01-000	EA	Circuit Breaker - 40 Amp. - 12 Volt
	083209-08-000	EA	Circuit Breaker - Blank

### EXTERIOR LIGHTS

Key	Part Number	U/M	Description
	058032-01-000	EA	Tail Lamp Asm. - 2 Bulb - Chrome - Driver/Passenger
	059540-01-000	EA	Bracket - License Plate
	062742-04-000	EA	Wedge - Tail Lamp w/License Plate - Left - Off White
	062740-04-000	EA	Wedge - Tail Lamp - Right - Off White
	042405-03-000	EA	Base - Rectangular Clearance Light
	042405-01-000	EA	Lens - Clearance Light - Red w/Reflex
	042405-02-000	EA	Lens - Clearance Light - Amber w/Reflex

### INTERIOR LIGHTS

Key	Part Number	U/M	Description
	087687-01-000	EA	Light - Florescent - w/Switch
	033508-02-000	EA	Light - Dome - Ivory - 1 Bulb

### WIRE, SWITCHES & RECEPTACLES

Key	Part Number	U/M	Description
	058049-01-000	EA	Box - Electrical - 2" x 3" x 2.25" - Steel
	041953-01-000	EA	Conduit - Convolute Slit - .5" I.D.
	058028-01-000	EA	Connector - Pigtail - Clear Nylon
	008314-01-000	EA	Connector - Wire Nut - Gray
	084454-01-000	EA	Control Center - 25 Amp. - 120 Volt/12 Volt
	087660-01-000	EA	Power Cord - 15 Amp - 3 Wire
	008054-01-000	EA	Power Cord - 10-3 - 30 Amp - 25' - UL
	062037-01-000	EA	Housing - Auto Fuse - Natural
	064398-01-000	EA	Housing Asm. - Trailer Receptacle
	058708-01-000	EA	Receptacle - Duplex - Brown
	058707-01-000	EA	Receptacle - Single - Brown
	008188-01-000	EA	Relay Solenoid - 3 Terminal
	008331-01-000	EA	Terminal Ring - 4 - w/3/8 Stud
	008026-01-000	FT	Wire w/Ground - Romex - 12/2

## 1987 WINNEBAGO TABLE OF CONTENTS

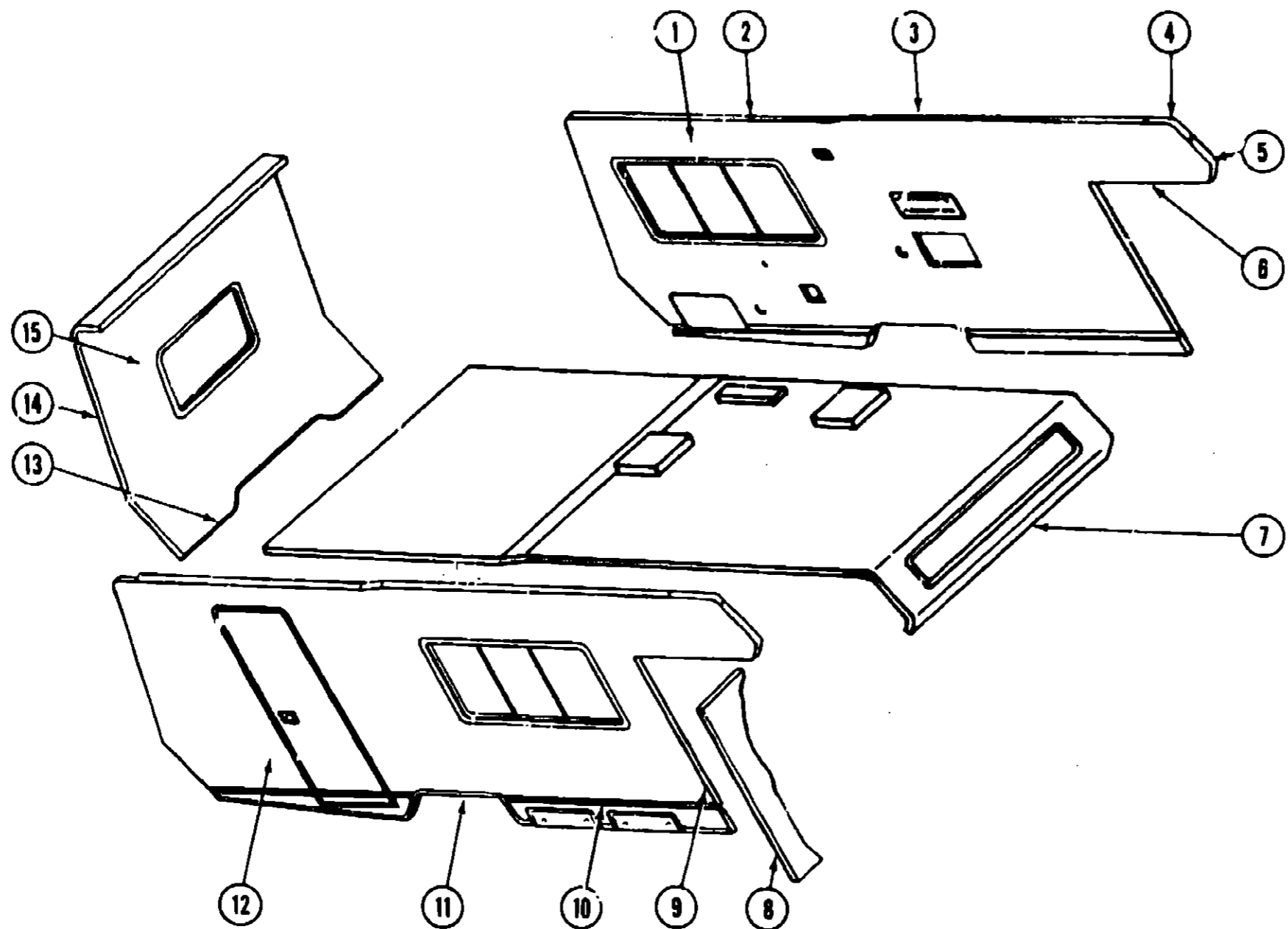
WC420EG	A-01 - B-06
WF426RT	B-07 - D-10
WCN26RH	D-11 - F-14
WCN27RT	F-15 - H-20
WCP26ET	H-21 - K-02

## 1987 WC420EG INDEX

Floor Plan	A-01 - A-02
Accessories Group	A-03
Bath Group	A-04
Chassis Group	A-05
Curtain, Cushion & Pad Group	A-06 - A-09
Dinette Group	A-10
Driver's Compartment Group	A-11
Electrical Group	A-12
Exterior Body Group	A-13 - A-17
Galley Group	A-18
Heating & Air Conditioning Group	A-19
Interior Finish Group	A-20
LP Group	A-21
Lounge Group	A-22
Water & Sewage Group	A-23
Window, Vent & Exterior Door Group	A-24 - B-06

### EXTERIOR BODY GROUP

#### EXTERIOR BODY PANELS



### 1987 WINNEBAGO TABLE OF CONTENTS

WC420EG  
WF426RT  
WCN26RH  
WCN27RT  
WCP26ET

A-01 - B-08  
B-C7 - D-10  
D-11 - F-14  
F-15 - H-20  
H-21 - K-02

### 1987 WC420EG INDEX

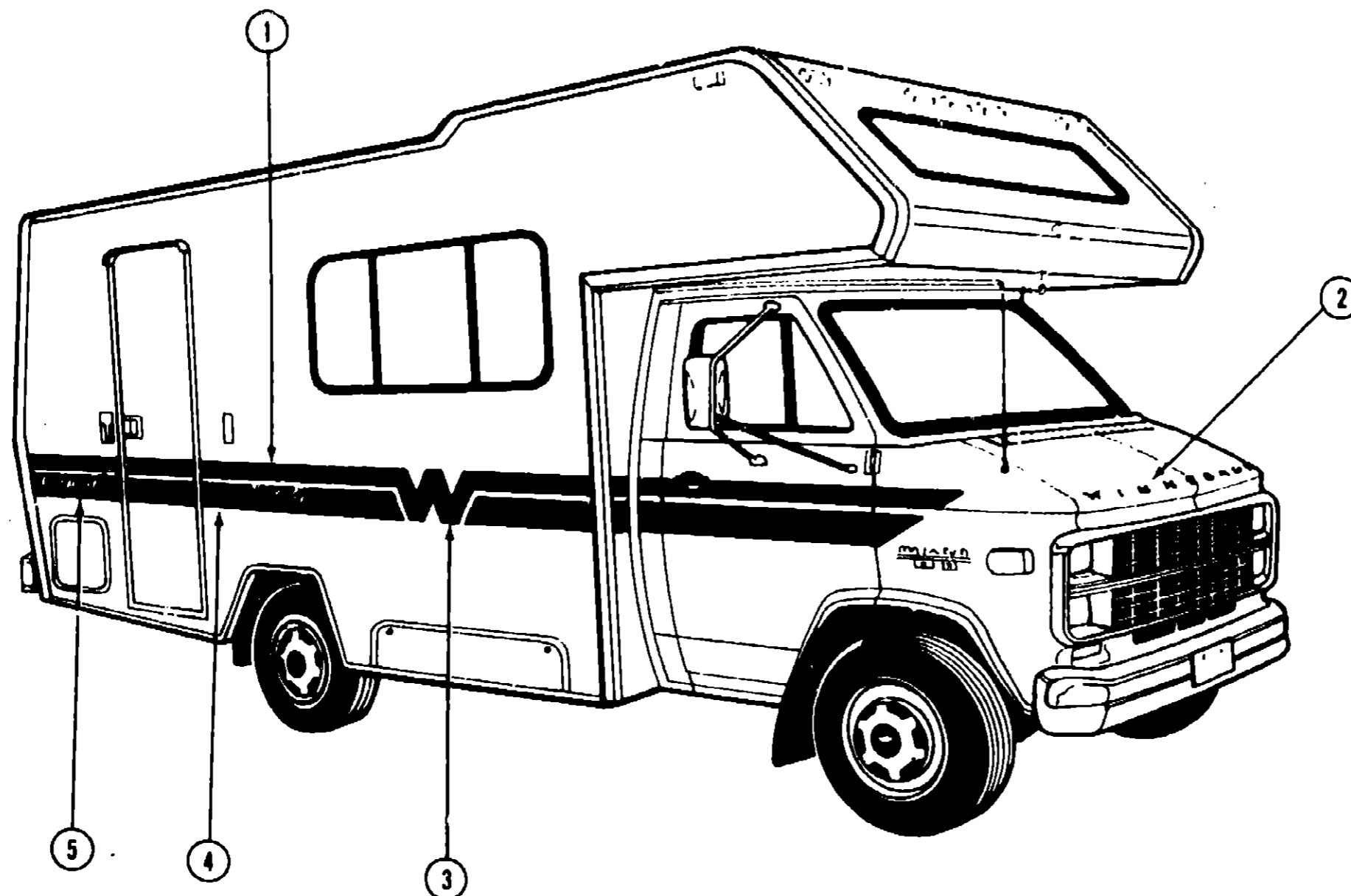
Floor Plan	A-01 - A-02
Accessories Group	A-03
Bath Group	A-04
Chassis Group	A-05
Curtain, Cushion & Pad Group	A-06 - A-09
Dinette Group	A-10
Driver's Compartment Group	A-11
Electrical Group	A-12
Exterior Body Group	A-13 - A-17
Galley Group	A-18
Heating & Air Conditioning Group	A-19
Interior Finish Group	A-20
LP Group	A-21
Lounge Group	A-22
Water & Sewage Group	A-23
Window, Vent & Exterior Door Group	A-24 - B-06

Key	Part Number	U/M	Description
1	M87827-01-W87	EA	Sidewall Asm. - Driver
2	077339-12-000	EA	Contour Trim - Upper Rear Driver - Off White
	077339-11-000	EA	Contour Trim - Upper Rear Passenger - Off White
3	076802-08-000	EA	Contour Trim - Upper Front Driver - Off White
	076802-07-000	EA	Contour Trim - Upper Front Passenger - Off White
4	085490-02-000	EA	Contour Trim - Sleeper - Driver - Off White
	085490-01-000	EA	Contour Trim - Sleeper - Passenger - Off White
5	086889-02-000	EA	Trim - Front Radius - Plastic - Driver - Off White
	086889-01-000	EA	Trim - Front Radius - Plastic - Passenger - Off White
6	076975-06-000	EA	Trim - Wingwall - 52.7" - Driver - Off White
	076975-05-000	EA	Trim - Wingwall - 52.7" - Passenger - Off White
7	039644-08-000	EA	Trim - Sleeperboard - Front
	M81652-01-U01	EA	Sleeper Board Asm.
8	M82343-01-U01	EA	Wingwall Asm. - Passenger
	M82343-02-U01	EA	Wingwall Asm. - Driver
9	076975-03-000	EA	Trim - Wingwall Transition - Passenger - Off White
	076975-04-000	EA	Trim - Wingwall Transition - Driver - Off White
10	059576-05-000	EA	Feature Strip - Extr. Aluminum - 14.8' - Autumn White

Key	Part Number	U/M	Description
	001030-02-100	EA	Insert - Feature Strip - 17' Stucco - Off White
	009731-01-000	EA	End Cap - Feature Strip
	041746-01-000	FT	Extr. Vinyl - Bubble Seal - Wingwall
11	080266-02-000	EA	Rear Trim - Wheelwell - Driver or Passenger
12	M87826-01-W87	EA	Sidewall Asm. - Passenger
13	074966-02-000	EA	Backwall Trim - Lower - Driver or Passenger
14	076805-01-000	EA	Contour Trim - Backwall - Passenger - Off White
	076805-02-000	EA	Contour Trim - Backwall - Driver - Off White
15	M87828-01-W87	EA	Backwall Asm.
	M87829-01-W87	EA	Roof Asm.
	M79589-01-700	EA	Roof Section - Cab Over to First Seam
	077517-04-001	EA	Fiberglass Sheets - 48.08" x 251" - Mesa - Off White
	077517-04-002	EA	Fiberglass Sheets - 48.08" x 60" - Mesa - Off White
	001054-01-011	EA	Aluminum - No Design - 48" x 96" - Off White
	000868-01-000	SF	Styrofoam - .75" x 24" x 96"
	000870-01-000	SF	Styrofoam - 1.5" x 24" x 96"
	000870-03-000	SF	Styrofoam - 1.34" x 48" x 96"
			Not illustrated

## EXTERIOR BODY GROUP (CONTINUED)

### LABELS, DECALS & EXTERIOR PAINT



Key	Part Number	U/M	Description
1	078831-42-000	FT	Decal - Striping - 1.75" x 150' - Gray
2	069745-03-000	EA	Decal - "Winne" - Chrome
	069745-04-000	EA	Decal - "Bago" - Chrome
3	079351-16-000	EA	Decal - Flying "W" - Gray
4	078831-43-000	FT	Decal - Striping - 4.85" x 150' - Gray
5	087700-01-000	EA	Decal - Logo - "Campsite"
	050313-22-000	EA	Decal - Logo - "Winnebago" - 2.80" - Chrome
	006195-01-000	EA	Label - Electrical Test
	047731-01-000	EA	Label - Emergency Exit
	006199-01-000	EA	Label - Exit - Escape Window
	061417-01-000	EA	Label - Fuel
	087207-02-000	EA	Label - Fuel Cap Removal

Key	Part Number	U/M	Description
	006062-01-000	EA	Tag - Electrical - 110 Volt Connection
	008040-01-000	EA	Tag - Gas - Refuelling Warning
	006196-01-000	EA	Label - Gas Test
	054531-01-000	EA	Label - LP Gas Only
	074559-01-000	EA	Label "LPG" - 3.3" x 1.75" (Calif. Code)
	056259-01-000	EA	Label - Safety Check List
	006064-01-000	EA	Label - Seat - w/o Seat Belts
	050225-01-000	EA	Label - Warning - Stove Vent - US
	006197-01-000	EA	Label - Water Test
	041561-03-000	EA	Paint - Off White Acrylic Enamel - 16 oz. Aerosol (45396A Dupont)
			Not illustrated

## 1987 WINNEBAGO TABLE OF CONTENTS

WC420EG	A-01 - B-08
WF426RT	B-07 - D-10
WCN20RH	D-11 - F-14
WCN27RT	F-15 - H-20
WCP26ET	H-21 - K-02

## 1987 WC420EG INDEX

Floor Plan	A-01 - A-02
Accessories Group	A-03
Bath Group	A-04
Chassis Group	A-05
Curtain, Cushion & Pad Group	A-06 - A-09
Dinette Group	A-10
Driver's Compartment Group	A-11
Electrical Group	A-12
Exterior Body Group	A-13 - A-17
Galley Group	A-18
Heating & Air Conditioning Group	A-19
Interior Finish Group	A-20
LP Group	A-21
Lounge Group	A-22
Water & Sewage Group	A-23
Window, Vent & Exterior Door Group	A-24 - B-06



## EXTERIOR BODY GROUP (CONTINUED)

### SEALANTS & ADHESIVES

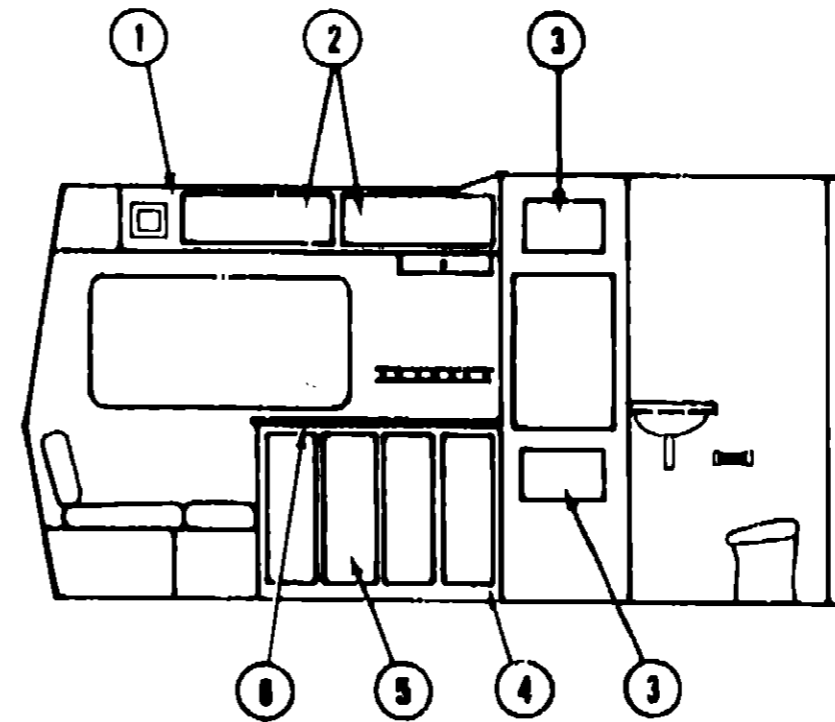
Key	Part Number	U/M	Description
	004020-01-000	QT	Adhesive - ABS Cement (Plastic Fittings)
	002337-01-000	EA	Adhesive - 1300 Tube - 3M (Windows)
	004005-02-000	GL	Adhesive - Swifts - Glue (Sidewalls)
	053766-07-000	EA	Bedding Compound - Tube - Beige (Exterior)
	053766-08-000	EA	Bedding Compound - Tube - Clear (Window)
	053766-06-000	EA	Bedding Compound - Tube - Gray (Exterior)
	053766-05-000	EA	Bedding Compound - Tube - Gray (Sidewalls to Floor)
	053766-02-000	EA	Bedding Compound - Tube - Off White (Exterior)
	002328-02-000	EA	Block - Rubber Spacer (Windshield)
	004336-01-000	EA	Caulk - Latex - Golden Walnut (Sidewalls)
	077967-01-000	EA	Sealant - Acrylic Latex - Tube - Off White (Interior Sealant)
	034552-04-000	EA	Sealant - Silicone - Beige
	034552-02-000	EA	Sealant - Silicone - Clear
	034552-07-000	EA	Sealant - Silicone - Dark Gray
	034552-06-000	EA	Sealant - Silicone - Off White
	069637-01-000	EA	Sealant - Weatherban 404 - Tube - White (Door Caulk)
	072889-01-000	EA	Sealant - Urethane - Black (Windshield)
	069640-01-000	FT	Sealer Ribbon - .25" Bead x 20'
	069640-02-000	FT	Sealer Ribbon - .5" x .125" x 30'
	069640-03-000	FT	Sealer Ribbon - .75" x .125" x 30'
	069640-04-000	FT	Sealer Ribbon - 2" x .09" x 45' (P Series)
	069640-05-000	FT	Sealer Ribbon - 2.5" x .09" x 50'
	069640-06-000	FT	Sealer Ribbon - 5/16" Bead x 15'
	069640-07-000	FT	Sealer Ribbon - 2" x 3/32" x 30'
	002316-01-000	FT	Sealer Tape - 3/32" x 3/8" - White (Window)
	002707-01-000	FT	Sealer Tape - 5/16" x 3/4"
	002707-02-000	FT	Sealer Tape - 5/16" x 1/2"
	040545-01-000	GL	Sealer - Seam Weld
	053752-04-000	EA	Seam Sealer - Tube - Aluminum (Roof)
	063642-01-000	FT	Tape - Adhesive - .10 mm. x 1.5" Wide
	038886-01-000	EA	Tape - Butyl - .31" x .31" x 148" (Windshield)
	076322-01-000	FT	Tape - Foam - Double Coated - .025 x 1" (Fiberglass Sidewall Seams)
	076322-02-000	FT	Tape - Foam - Double Coated - .045 x 1" (Fiberglass Sidewall Seams)
	009200-01-000	EA	Tape - Furnace - 1.5"
	002825-01-000	FT	Weather Striping (Roof Vent)

### MISCELLANEOUS EXTERNALLY MOUNTED PARTS

Key	Part Number	U/M	Description
	083558-01-000	EA	Plumbing Seal - Roof Vent - 1.5" - w/Cap
	087659-04-000	EA	Fill - City Water - Recessed - Off White
	081240-03-000	EA	Water Fill - Lockable - Off White
	078040-01-000	EA	Shroud - Fuel Fill - Upper
	083578-01-000	EA	Boot - Fuel Fill

NOTE: See the Common Items Fiche for Screws & Fasteners.

## GALLEY GROUP



GALLEY CABINETRY

Key	Part Number	U/M	Description
1	087860-01-W87	EA	Cabinet Asm. - Galley Overhead - w/o Doors or Hardware
2	M87906-01-W87	EA	Door Asm. - Galley Overhead Cabinet - w/o Hardware
3	M87906-03-W87	EA	Door Asm. - Icebox/Refrigerator Cabinet - w/o Hardware
4	M87859-01-W87	EA	Cabinet Asm. - Galley - w/o Countertop, Doors or Hardware
**	M87859-02-W87	EA	Cabinet Asm. - Galley - w/o Countertop, Doors or Hardware
5	M87906-01-W87	EA	Door Asm. - Galley Cabinet - w/o Hardware
6	M03029-01-W87	EA	Countertop Asm. - Galley Cabinet
**	M03029-02-W87	EA	Countertop Asm. - Galley Cabinet
**	Parts used with the Interior Upgrade Package		

### GALLEY APPLIANCES & HARDWARE

Key	Part Number	U/M	Description
	079352-01-000	EA	Range Hood - Non-Powered w/Light - Almond
	079354-03-000	EA	Spacer - Range Hood - 3.85"
**	064473-01-000	EA	Refrigerator - AC/DC/Gas - Norcold 6' - 766 - EG2
	054450-01-000	EA	Level Refrigerator
	011029-01-000	EA	Sink - Stainless Steel - Single w/Bolts
	087264-01-000	EA	Faucet - Pump - Center Swing
**	011053-01-000	EA	Faucet - Swing Spout - 8" - US
**	011053-01-700	EA	Aerator - Swing Spout Faucet
	052953-01-000	EA	Nut - Faucet - 1/2 Tube x 1/2 FPT
	066437-01-000	EA	Strainer w/Basket - Sink
	074470-01-000	EA	Spice Rack - Oak
	059777-02-000	EA	Hinge - Cabinet Door - Brass
	087265-01-000	EA	Ice Box - Deluxe - 75 - w/o Panel
	086270-01-000	EA	Range - 2 Burner - w/o Oven - Stainless Steel
	086270-01-701	EA	Grate Clip
	086270-01-702	EA	Grate
	086270-01-703	EA	Main Top
	086270-01-704	EA	Stud - Top Hold - Down
	086270-01-705	EA	Washer - Nylon
	086270-01-706	EA	Knob - Burner
	086270-01-707	EA	Valve Panel Asm.
	086270-01-708	EA	Burner - Left
	086270-01-709	EA	Burner - Right
	086270-01-710	EA	Burner Valve - Complete
	086270-01-711	EA	Gas Regulator

## 1987 WINNEBAGO TABLE OF CONTENTS

WC420EG	A-01 - B-08
WF426RT	B-07 - D-10
WCN267IH	D-11 - F-14
WCN27RT	F-15 - H-20
WCP26ET	H-21 - K-02

## 1987 WC420EG INDEX

Floor Plan	A-01 - A-02
Accessories Group	A-03
Bath Group	A-04
Chassis Group	A-05
Curtain, Cushion & Pad Group	A-06 - A-09
Dinette Group	A-10
Driver's Compartment Group	A-11
Electrical Group	A-12
Exterior Body Group	A-13 - A-17
Galley Group	A-18
Heating & Air Conditioning Group	A-19
Interior Finish Group	A-20
LP Group	A-21
Lounge Group	A-22
Water & Sewage Group	A-23
Window, Vent & Exterior Door Group	A-24 - B-06

# HEATING & AIR CONDITIONING GROUP

## FURNACES & ROOF AIR CONDITIONER

Key	Part Number	U/M	Description
	075097-01-000	EA	Furnace - 20,000 BTU - Forced Air - NT-203E
	075097-01-700	EA	Thermostat
	075097-01-701	EA	Vent Cap & Exhaust Asm.
	075097-01-702	EA	Manifold Asm.
	075097-01-703	EA	Burner Asm.
	075097-01-704	EA	Cabinet Front
	075097-01-705	EA	Intake Tube - Standard 5" Long
	075097-01-706	EA	Connector - Fenwall
	075097-01-707	EA	Cabinet Asm.
	075097-02-000	EA	Intake Tube - Furnace - 7.25"
	009200-01-000	EA	Tape - Furnace - 1 1/2"
	023146-01-000	EA	Clamp - Screw Type - 4"

## AUTOMOTIVE HEATER & AIR CONDITIONER

Key	Part Number	U/M	Description
	073716-01-000	EA	A/C - Condenser Asm. - "C" - Tube O
	074027-01-000	EA	A/C - Evaporator Asm. - Cutaway
	074027-01-700	EA	Motor
	074027-01-701	EA	Hose - Liquid - #6
	074027-01-702	EA	Hose - Suction - #10
	074027-01-703	EA	Louver
	074027-01-704	EA	Escutcheon
	074027-01-705	EA	Thermostat
	074027-01-706	EA	Knob - Temperature
	074027-01-707	EA	Knob - Air
	074027-01-708	EA	Solenoid - Vacuum Switch
	074027-01-709	EA	Control - Lower Escutcheon
	074027-01-710	EA	Coil - Evaporator
	074027-01-711	EA	Blower - Wheel
	074027-01-712	EA	Blower - Housing
	074027-01-713	EA	Plate - Air
	074027-01-714	EA	Plate - Temperature
	074027-02-700	EA	Evaporator - Coil
	062401-04-000	EA	Clamp - Worm Drive - .69" - 1.25" I.D.
	072343-01-000	EA	Compressor Clutch - Top Dis. - Sankyo 709
	081051-01-000	EA	A/C - Compressor - Mtg. Pkg. - 350
	081051-02-000	EA	A/C - Compressor Mount & Drive

# INTERIOR FINISH GROUP

## FABRICS & CARPET

Key	Part Number	U/M	Description
	077484-01-000	YD	Vinyl - Smoke
	087263-01-000	YD	Fabric - Upholstery - Delray Pawter
†	077498-C9-000	YD	Fabric - Upholstery - Hinson #783
	072333-29-000	YD	Fabric - Drapery - Gray
	087272-01-000	YD	Fabric - Drapery - Lining - 48" - Ivory
	072860-67-000	YD	Carpet - Voyager
†	This fabrics is used after 2/1/87		

## CURTAIN & CUSHION HARDWARE

Key	Part Number	U/M	Description
	053163-01-000	EA	Bracket - Couch Slide
	054398-01-000	EA	Bracket - Couch - Brown
	039176-02-000	EA	Bracket - Curtain Rod - Cafe
	039175-05-000	EA	Bracket - Curtain Rod - Center
	042439-01-000	EA	Bracket - Curtain Rod - Single
	039175-01-000	EA	Rod - Cafe Curtain - Extension - 48" x 84"
	049897-02-000	EA	Rod - Curtain - Flat - Extension - 48" x 86"
	048394-02-000	YD	Tape Hook - .75" x 50 YD - Beige
	048395-02-000	YD	Tape Loop - .75" x 50 YD - Beige

## PANELING & COUNTERTOP MATERIAL

Key	Part Number	U/M	Description
	074497-03-000	SF	Paneling - Decor - Sunset Oak - 48" x 84" (28 SF) (Cabinets)
	074497-07-000	SF	Paneling - Pebble Beach - 48" x 96" (32 SF) (Ceiling)
	074498-16-000	SF	Plastic Laminate - N Sea
	074498-05-019	EA	Molding - Edge Band - Sunset Oak - 1.19" x 96"
	076325-04-000	FT	Molding - Edge Band - Sunset Oak - 1 15/16 x .030"

## INTERIOR MOLDING & TRIM

Key	Part Number	U/M	Description
	069733-37-000	EA	Batt Strip - Sunset Oak - 8'
	085284-01-000	EA	Batt Strip - Tape Adhesive - Sunset Oak
	082111-01-000	EA	Cover - Roof Break - Champagne
	022992-01-000	FT	Molding - Reverse Cove - White
	009809-15-000	FT	Molding - Plastic - Outside Corner - 1" - Oak
	009812-15-000	FT	Molding - Plastic - Outside Corner - 1/2"
	083620-01-000	FT	T-Molding - 3/4" to Edge Lips - Brown
	070504-01-000	EA	U-Channel - .065" - Light Brown
	070504-03-000	EA	U-Channel - .815 - Grady Brown
	041746-01-000	FT	Vinyl - Extr. - Bubble Seal
	009767-06-000	FT	Welting - Beige

## CABINETS & TABLE HARDWARE

Key	Part Number	U/M	Description
	053200-05-000	EA	Bracket - Upper Wall Mount - 23.5"
	024281-07-000	EA	Bracket - Lower Wall Mount - 22.12"
	024276-17-000	EA	Leg Asm. - Table - 26.5"
**	024282-01-000	EA	Brace - Table Leg
	049493-05-000	EA	Catch - Table Leg - Mount on Floor
	009112-01-000	EA	Flange - 1" - Chrome - Closet Rod
	053201-06-000	EA	Bracket - Table Mount - 23"
	024275-05-000	EA	Rod - Table Lift - 8" x 23.5"
	024283-01-000	EA	Clip - 1" - 1.25" O.D. Tube
	009021-01-000	EA	Catch - Nylon - Furnace Door
	009021-02-000	EA	Strike - Nylon Catch - Furnace Door
	075680-01-000	EA	Clothes Rod - Adjustable - 27" x 36"
	059777-02-000	EA	Hinge - Light Brass
	064791-05-000	EA	Cup Holder - 3.47" O.D. x 2.75" I.D. x 1.5"

\*\* The illustrated parts breakdown for this item is provided on the Common Items Fiche.

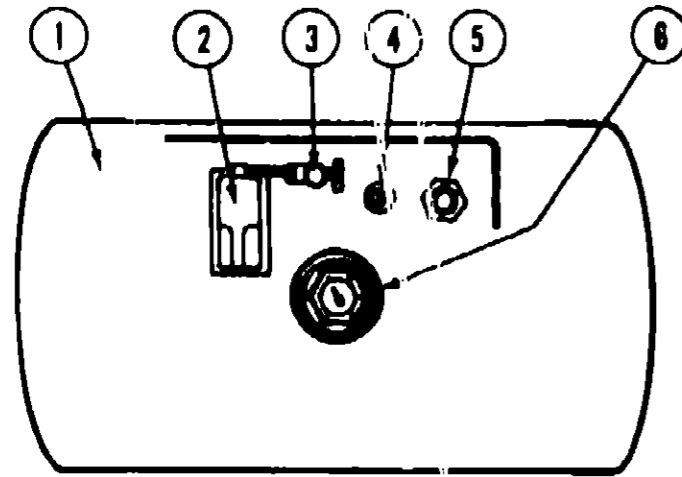
# 1987 WINNEBAGO TABLE OF CONTENTS

WC420EG	A-01 - B-06
WF420RT	B-07 - D-10
WCN26RH	D-11 - F-14
WCN27RT	F-15 - H-20
WCP26ET	H-21 - K-02

# 1987 WC420EG INDEX

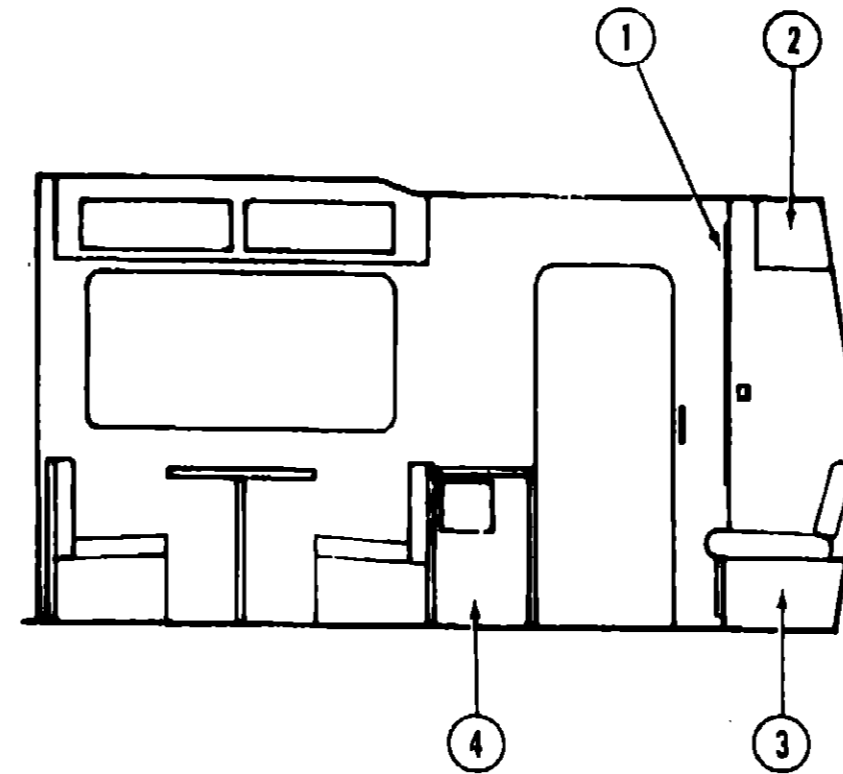
Floor Plan	A-01 - A-02
Accessories Group	A-03
Bath Group	A-04
Chassis Group	A-05
Curtain, Cushion & Pad Group	A-06 - A-08
Dinet's Group	A-10
Driver's Compartment Group	A-11
Electrical Group	A-12
Exterior Body Group	A-13 - A-17
Galley Group	A-18
Heating & Air Conditioning Group	A-19
Interior Finish Group	A-20
LP Group	A-21
Lounge Group	A-22
Water & Sewage Group	A-23
Window, Vent & Exterior Door Group	A-24 - B-06

## LP GROUP



Key	Part Number	U/M	Description
1	074140-01-000	EA	Tank Asm. - LP Frame Mount - 28 Pound - 10" x 23"
•	085741-01-000	EA	Detector - LP Gas Leak
2	081938-01-000	EA	Cover - LP Regulator
•	076301-01-000	EA	Regulator - Two Stage - I.PG US
3	040421-01-703	EA	Valve - Vapor Relief
4	040421-01-700	EA	Gauge - Liquid Valve - 20% LP
5	040421-01-701	EA	Valve - Filler - LP
•	040421-01-702	EA	Cap - Plastic Fill Valve
6	040421-01-707	EA	Gauge - Float - w/Visible Dial
•	040421-01-706	EA	Dial - Visible Face - Float Gauge (Tank w/o Electric Transmitter)
•	045703-01-000	EA	Hose - LP - 3/8" I.D. x 24" - US
•	045703-02-000	EA	Hose - LP - 3/8" I.D. x 24" - CSA
•	045703-03-000	EA	Hose - LP - 3/8" I.D. x 18" - US
•	045703-04-000	EA	Hose - LP - 3/8" I.D. x 18" - CSA
•	065742-01-000	EA	Tee - .38 F x 39 F x .25 FPT
•			Not illustrated

## LOUNGE GROUP



### LOUNGE OVERHEAD & WARDROBE CABINETRY

Key	Part Number	U/M	Description
1	M87906-02-W87	EA	Door Asm. - Wardrobe Cabinetry - w/o Hardware
2	087862-01-W87	EA	Cabinet Asm. - Rear Overhead - w/o Doors or Hardware
•	M87906-01-W87	EA	Door Asm. - Rear Overhead - w/o Hardware
3	M87854-01-W87	EA	Cabinet Asm. - Couch - w/o Door or Hardware
•	M87906-04-W87	EA	Door Asm. - Couch Cabinet - w/o Hardware
4	087855-01-W87	EA	Cabinet Asm. - Nightstand - w/o Doors or Hardware
•	M03030-01-W87	EA	Countertop Asm. - Nightstand Cabinet
•	M87906-03-W87	EA	Door Asm. - Nightstand Cabinet - w/o Hardware
•			Not illustrated

### LOUNGE HARDWARE

Key	Part Number	U/M	Description
	083125-01-000	EA	Brace - Couch - Brown
	056875-02-000	EA	Leg Asm. - Couch
	022517-01-000	EA	End Cap - 1" x 1" - Brown
	053163-01-000	EA	Bracket - Couch - Sliding
	053347-01-000	EA	Wire - Pin - Spring - 3/32"
	053348-01-000	EA	Steel Pin - 1/4" x 4" x 3/32" Hole
	054398-01-000	EA	Bracket - Center Support - Couch - Brown
	009112-01-000	EA	Flange - 1" Closet Rod - Chrome
	009021-01-000	EA	Catch - Nylon - Furnace Door
	009021-02-000	EA	Strike - Steel - Furnace Door

## 1987 WINNEBAGO TABLE OF CONTENTS

WC420EG	A-01 - B-06
WF126RT	B-07 - D-10
WCN26RH	D-11 - F-14
WCN27RT	F-15 - H-20
WCP26ET	H-21 - K-02

## 1987 WC420EG INDEX

Floor Plan	A-01 - A-02
Accessories Group	A-03
Bath Group	A-04
Chassis Group	A-05
Curtain, Cushion & Pad Group	A-06 - A-09
Dinette Group	A-10
Driver's Compartment Group	A-11
Electrical Group	A-12
Exterior Body Group	A-13 - A-17
Galley Group	A-18
Heating & Air Conditioning Group	A-19
Interior Finish Group	A-20
LP Group	A-21
Lounge Group	A-22
Water & Sewage Group	A-23
Window, Vent & Exterior Door Group	A-24 - B-06

## WATER & SEWAGE GROUP

### PLUMBING & REPAIR PARTS

Key	Part Number	U/M	Description
	010326-01-000	EA	Adapter - Flare - w/Cone Gasket
	062416-01-000	EA	Adapter - Hose - 3"
	052954-01-000	EA	Adapter - Hose Cone - 3/8 or 1/2 - Plastic
	004020-01-000	QT	Adhesive - ABS Cement
	062415-01-000	EA	Cap - Sewer - 3"
	052960-01-000	EA	Drain Valve - 1/2 F x 1/2 F - Plastic
	010008-01-000	EA	Elbow - Plastic - 1/8 BD x 1 1/2 x 45° H x H
	010008-01-000	EA	Elbow - Plastic - 1/4 BD x 1 1/2 x 90° Left
	010051-01-000	EA	Elbow - ST - Plastic - 1/8 BD x 1 1/2 x 45°
	041956-01-000	EA	Elbow - ST - Plastic - 1/4 BD x 3 x 90°
	031111-01-000	EA	Elbow - Plastic - 1/4 BD x 1 1/4 x 90° Left
	052957-02-000	EA	Elbow - Plastic - 1/2 F x 1/2 MPT (In Tank Filter)
	065120-01-000	EA	Elbow - Plastic - Swivel - .50
	070924-01-000	EA	Elbow - Plastic - Swivel - 1/2 MPT x 1/2 FP
	087264-01-000	EA	Faucet - Pump - Center Swing
	077954-02-000	EA	Filter/Screen - Water - In Tank
	061607-01-000	EA	Grommet - Holding Tank Coupler - 1 1/2"
	061607-02-000	EA	Grommet - Holding Tank Coupler - 3"
	052952-01-000	EA	Nut - 1/2 F - Plastic
	052953-01-000	EA	Nut - Faucet - 1/2 Tube x 1/2 FPT
	053770-01-000	EA	P-Trap - Plastic - Special
	010197-01-000	FT	Pipe - Plastic - 3" x 240" - Black
	045729-01-000	EA	Pump - Water - 2.8 G.P.M. - Direct Drive - Shurflo - US
**	010201-01-000	EA	Sewer Hose - 3" x 8' w/Clamp
	042989-03-000	EA	Spinweld Fittings - Plastic - 1/4 NPT
	042989-04-000	EA	Spinweld Fittings - Plastic - 3/8 FPT
	049032-01-000	EA	Spinweld Patch - Plastic 3/8"
**	010071-01-000	EA	Tee - Plastic - 1 1/2 x H x H x H
**	010079-01-000	EA	Tee - Plastic - 1 1/2 H x 1 1/2 H x 1 1/4 H
	052955-01-000	EA	Tee - Plastic - 1/2 F x 1/2 F x 1/2 MPT
	052958-01-000	EA	Tee - Plastic - 1/2 F x 1/2 F x 1/2 F
	053771-01-000	FT	Tubing - Vinyl Drain - 3/4 I.D.
	074462-01-000	FT	Tubing - Vinyl - 3/8 I.D.
	062418-01-000	EA	Valve - 3" w/Handle
**	052960-01-000	EA	Valve - Line Drain - 1/2 F x 1/2 F

\*\* The illustrated parts breakdown for this item is provided on the Common Items Fiche.

### HOLDING TANKS & WATER HEATER

Key	Part Number	U/M	Description
	057063-02-000	EA	Tank Asm. - Water - 28 Gallon - w/Fittings
	057063-01-000	EA	Tank - Water - 28 Gallon - w/o Fittings
	083041-01-000	EA	Tank - Holding - 30 Gallon - w/o Fittings
**	051321-02-000	EA	Water Heater - w/o Motor Aid - 4 Gallon

\*\* The illustrated parts breakdown for this item is provided on the Common Items Fiche.

## WINDOW, VENTS & EXTERIOR DOOR GROUP

### ACCESS DOORS & HARDWARE

Key	Part Number	U/M	Description
	079455-08-T95	EA	Door Asm. - Battery
	079455-03-T95	EA	Door Asm. - LP
	083839-01-W87	EA	Door Asm. - Luggage
	084104-03-000	EA	Door Asm. - Refrigerator Access
	084103-03-000	EA	Jamb - Vent Door - Refrigerator
	052009-01-000	EA	Door Asm. - Water Heater Access
	078010-03-000	EA	Door - Fuel Fill - Off White
	063742-01-000	EA	Door - Power Cord - Off White
	052424-01-000	EA	Jamb - Power Cord/Fuel Fill Door
	054543-01-000	EA	Hatch - Power Cord Door
	083615-06-000	EA	Door Stop - Plastic - Off White
	009101-02-000	EA	Door Holder
	079927-03-000	EA	Lock Asm. - Twist Type
	047305-01-000	EA	Lock Asm. - Key Type w/Clip
	079368-04-000	EA	Lock Asm. - Key Type
	079368-01-000	FT	Seal - Access Door

### VENTS

Key	Part Number	U/M	Description
	065103-02-000	EA	Cover - Refrigerator Vent - 9.88" x 20.5" - Plastic
	065103-01-000	EA	Frame Asm. - Refrigerator Vent - 8.17" x 22.94" - Plastic
**	084878-01-000	EA	Vent - Stovehood - Outside - Off White
**	048835-01-000	EA	Vent Asm. - Roof - Non Powered - w/o Screen - Alum.
	078786-01-T03	EA	Screen Asm. - Roof Vent - Non-Powered
	083558-01-000	EA	Roof Vent - Pipe Cover
**	084616-01-000	EA	Shroud Vent - Range Hood - Off White

\*\* The illustrated parts breakdown for this item is provided on the Common Items Fiche.

### ENTRANCE DOOR

Key	Part Number	U/M	Description
	M01870-13-W87	EA	Door Asm. - Radius Entry - w/o Screen Door or Window
	078000-02-000	EA	Frame - Entry Door
	045017-05-000	EA	Paddle Asm. - Door Lock - Exterior
	045017-05-700	EA	Lock Cylinder w/Keys - Lynor
	039539-01-000	EA	Striker Bolt - Entry Door
	039540-01-000	EA	Latch Claw - Entry Door
	039738-01-000	EA	Dead Bolt - Entry Door
	039979-01-000	EA	Plate - Inside Lock - Includes Inside Handle
	069640-06-000	FT	Ribbon Sealer - 5/16" Bead x 15'
	078591-03-000	EA	Jamb Asm. - Entrance Door
	051049-01-000	EA	Jamb - Entrance Door - Bottom
	079361-05-000	EA	Hinge - Entrance Door
	058025-02-000	EA	Clip - Roller Latch Catch
	044582-02-000	EA	Drip Cap - Off White
	075739-01-000	EA	Stiffener - Entrance Door - Off White
	075673-01-000	FT	Seal - Pile - Adhesive Back
	075671-01-000	FT	Seal - Sponge - Lazy "T" Shaped
	063729-04-000	EA	Rivnut - 10-32 UNF - .010 - .080
	079173-01-000	EA	Gasket - Dead Bolt
	083205-01-000	EA	Dead Bolt - Press Fit - Harloc

## 1987 WINNEBAGO TABLE OF CONTENTS

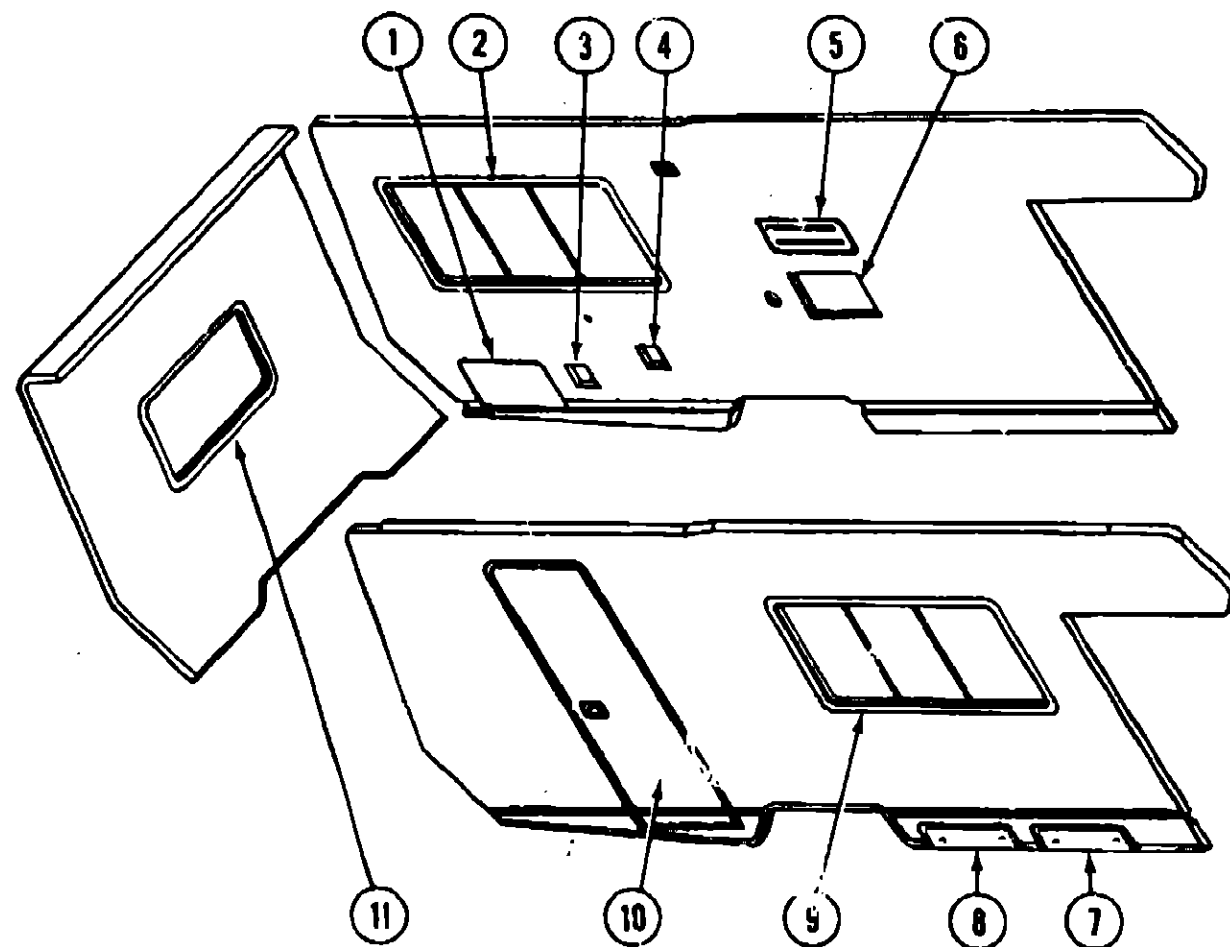
WC420EG	A-01 - B-08
WF426RT	B-07 - D-10
WCN26RH	D-11 - F-14
WCN27RT	F-15 - H-20
WCP26ET	H-21 - K-02

## 1987 WC420EG INDEX

Floor Plan	A-01 - A-02
Accessories Group	A-03
Bath Group	A-04
Chassis Group	A-05
Curtain, Cushion & Pad Group	A-06 - A-09
Dinette Group	A-10
Driver's Compartment Group	A-11
Electrical Group	A-12
Exterior Body Group	A-13 - A-17
Galley Group	A-18
Heating & Air Conditioning Group	A-19
Interior Finish Group	A-20
LP Group	A-21
Lounge Group	A-22
Water & Sewage Group	A-23
Window, Vent & Exterior Door Group	A-24 - B-06

## WINDOW, VENT & EXTERIOR DOOR GROUP (CONTINUED)

### WINDOWS & ACCESS DOORS



Key	Part Number	U/M	Description
1	083839-01-W87	EA	Door Asm. - Luggage
2	078271-01-T03	EA	Window Asm. - Center Slider
3	083742-01-000	EA	Door - Power Cord
4	078010-03-000	EA	Door - Fuel Fill
5	084104-03-000	EA	Door Asm. - Refrigerator Access
6	052009-01-000	EA	Door Asm. - Water Heater
7	079455-03-T95	EA	Door Asm. - LP
8	079455-06-T95	EA	Door Asm. - Battery
9	078269-01-T03	EA	Window Asm. - Double Slider
10	M01870-13-W87	EA	Entrance Door - w/o Screen or Window
11	078528-01-T03	EA	Window Asm. - Escape
	078532-01-T03	EA	Window Asm. - Front Picture
			Not Illustrated

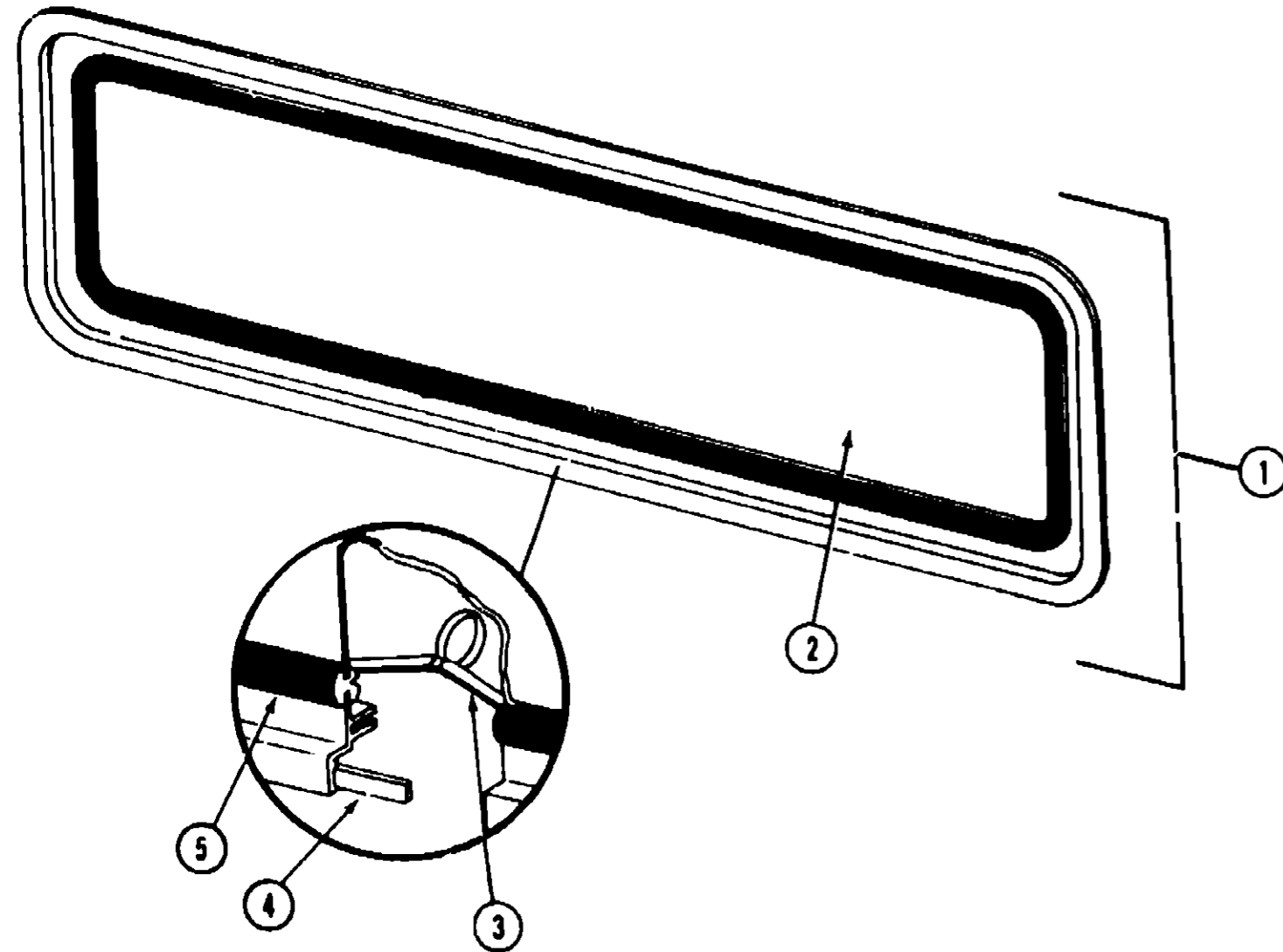
## 1987 WINNEBAGO TABLE OF CONTENTS

WC420EG	A-01 - B-08
WF426RT	B-07 - D-10
WCN26RH	D-11 - F-14
WCN27RT	F-15 - H-20
WCP26ET	H-21 - K-02

## 1987 WC420EG INDEX

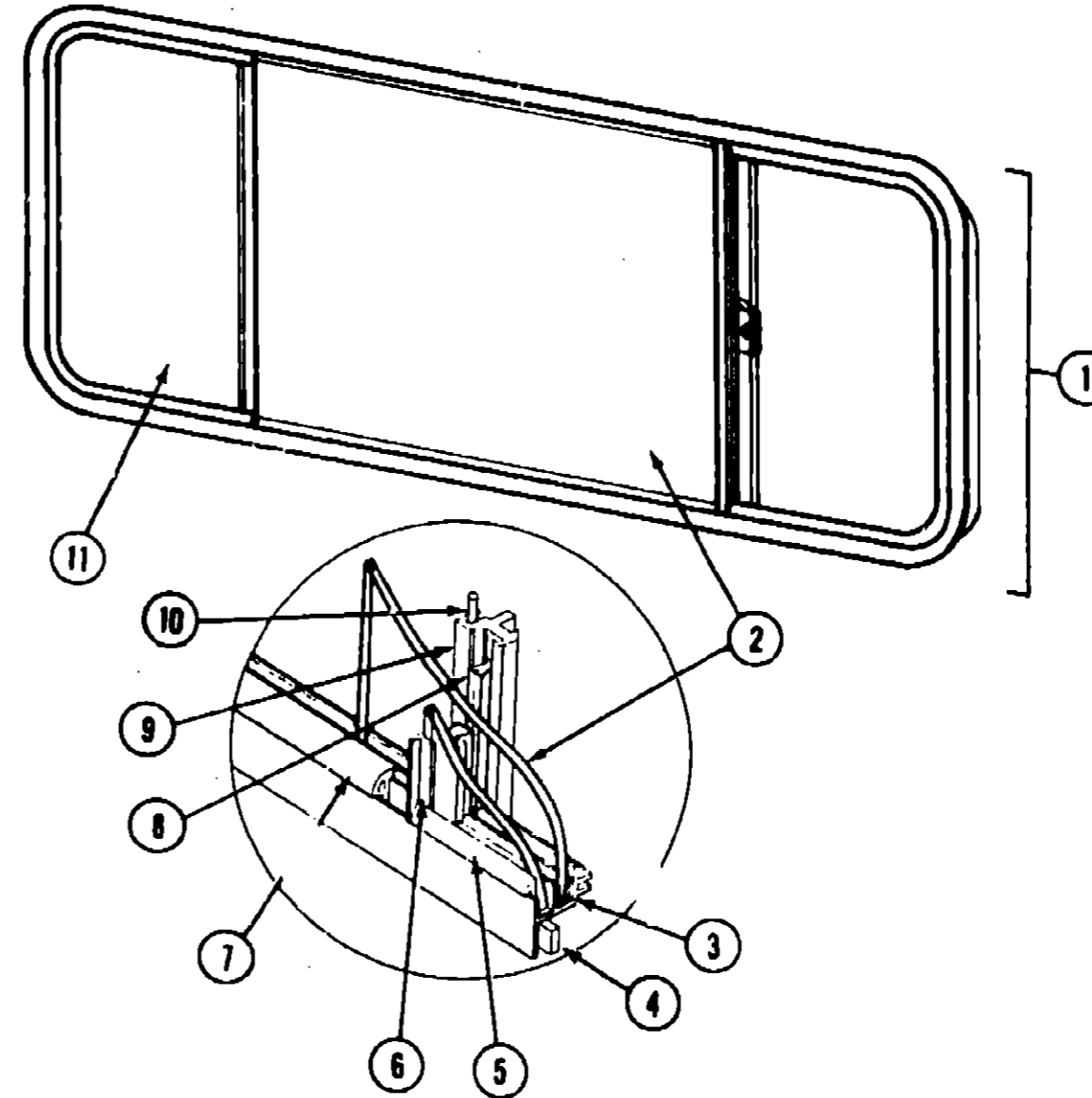
Floor Plan	A-01 - A-02
Accessories Group	A-03
Bath Group	A-04
Chassis Group	A-05
Curtain, Cushion & Pad Group	A-08 - A-09
Dinette Group	A-10
Driver's Compartment Group	A-11
Electrical Group	A-12
Exterior Body Group	A-13 - A-17
Galley Group	A-18
Heating & Air Conditioning Group	A-19
Interior Finish Group	A-20
LP Group	A-21
Lounge Group	A-22
Water & Sewage Group	A-23
Window, Vent & Exterior Door Group	A-24 - B-08

**WINDOW, VENT & EXTERIOR DOOR GROUP (CONTINUED)**



Key	Part Number	U/M	Description
1	078528-01-T03	EA	Window Asm. - Escape (w/o inside frames)
•	074816-01-000	EA	Inside Frame - Black (not included in assembly)
2	002174-02-000	EA	Glass - 1/8" x 44.82" x 19.61"
3	002285-01-000	FT	Filler - Weatherstrip - Black
4	069640-07-000	FT	Sealer Ribbon - 2" x 30'
5	002282-01-000	FT	Weatherstrip - Window - .125" Black
•	002199-01-000	EA	Label - Exit - Escape Window
•			Not illustrated

**WINDOW, VENT & EXTERIOR DOOR GROUP (CONTINUED)**



Key	Part Number	U/M	Description
1	078271-01-T03	EA	Window Asm. - Center Slider - 25" x 66" - Black (w/o inside frame)
•	063122-11-000	EA	Inside Frame - Raige (not included in assembly)
2	066727-02-000	EA	Glass - Sliding - 1/8" x 25.5" x 24"
3	002324-02-000	FT	Channel - Weatherstrip - Glass
4	069640-06-000	FT	Tape - 1/4" Bead x 15'
5	002309-02-000	FT	Spline - Glass - 1/8" Material - Black
6	M89688-03-003	EA	Seal Holder w/Fin Seal - Fin Pile - 23.18"
7	057374-02-000	FT	Extr. Vinyl - Window Seal - Black
8	073740-01-000	FT	Fin Seal - .480 Pile
9	064170-04-000	EA	Mullion - Slider Window - Black
10	002298-02-000	FT	Spline - .130" Dia. - Charcoal (Screen)
11	081984-07-000	EA	Glass - Stationary - 1/8" x 24" x 16.53"
•	002293-02-000	SF	Screen - Window - 28" - Charcoal
•	047369-01-700	EA	Latch Kit - Window - 28" - Charcoal
•			Not illustrated

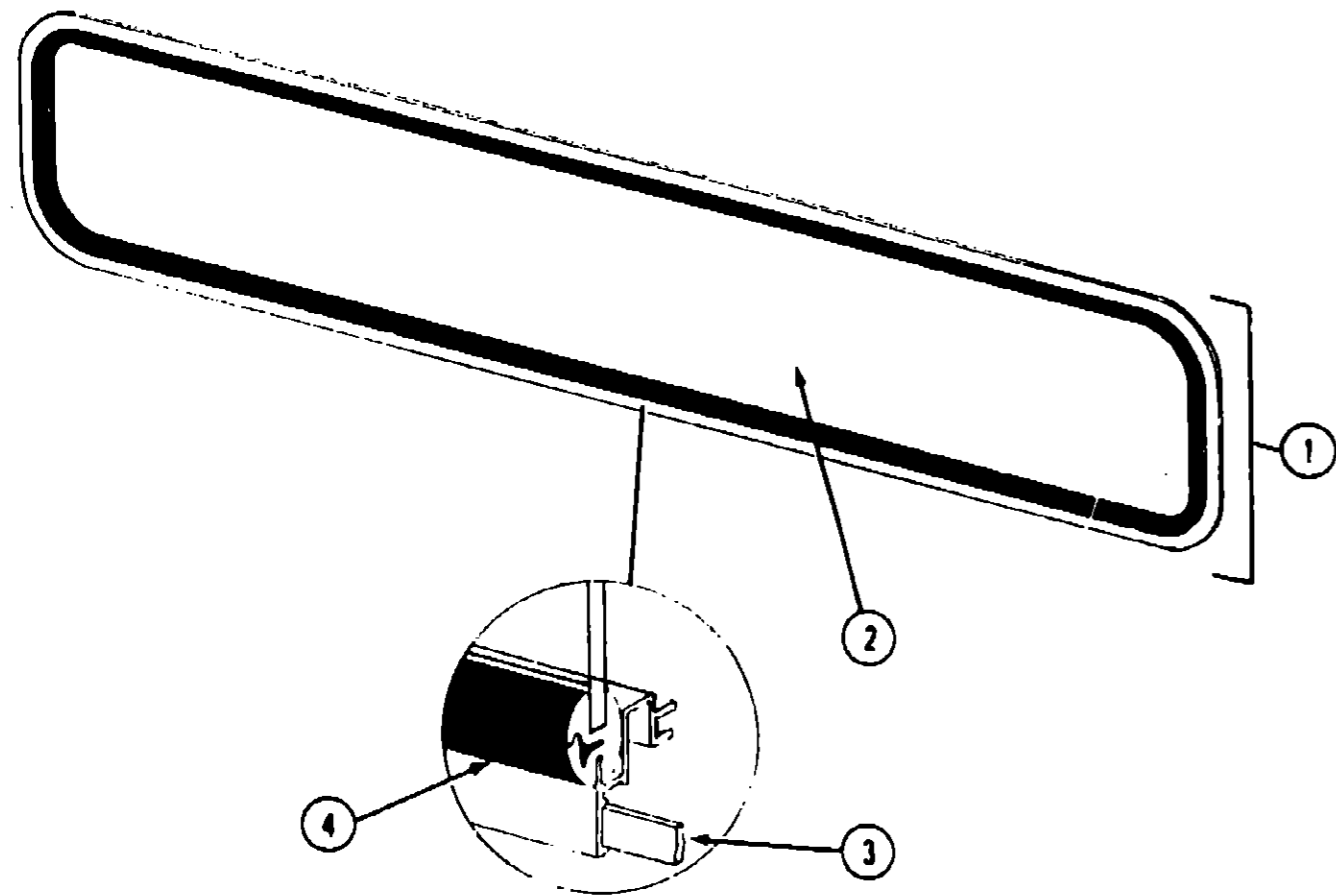
**1987 WINNEBAGO  
TABLE OF CONTENTS**

WC420EG	A-01 - B-06
WF426RT	B-07 - D-10
WCN26RH	D-11 - F-14
WCN27RT	F-15 - H-20
WCP26ET	H-21 - K-02

**1987 WC420EG INDEX**

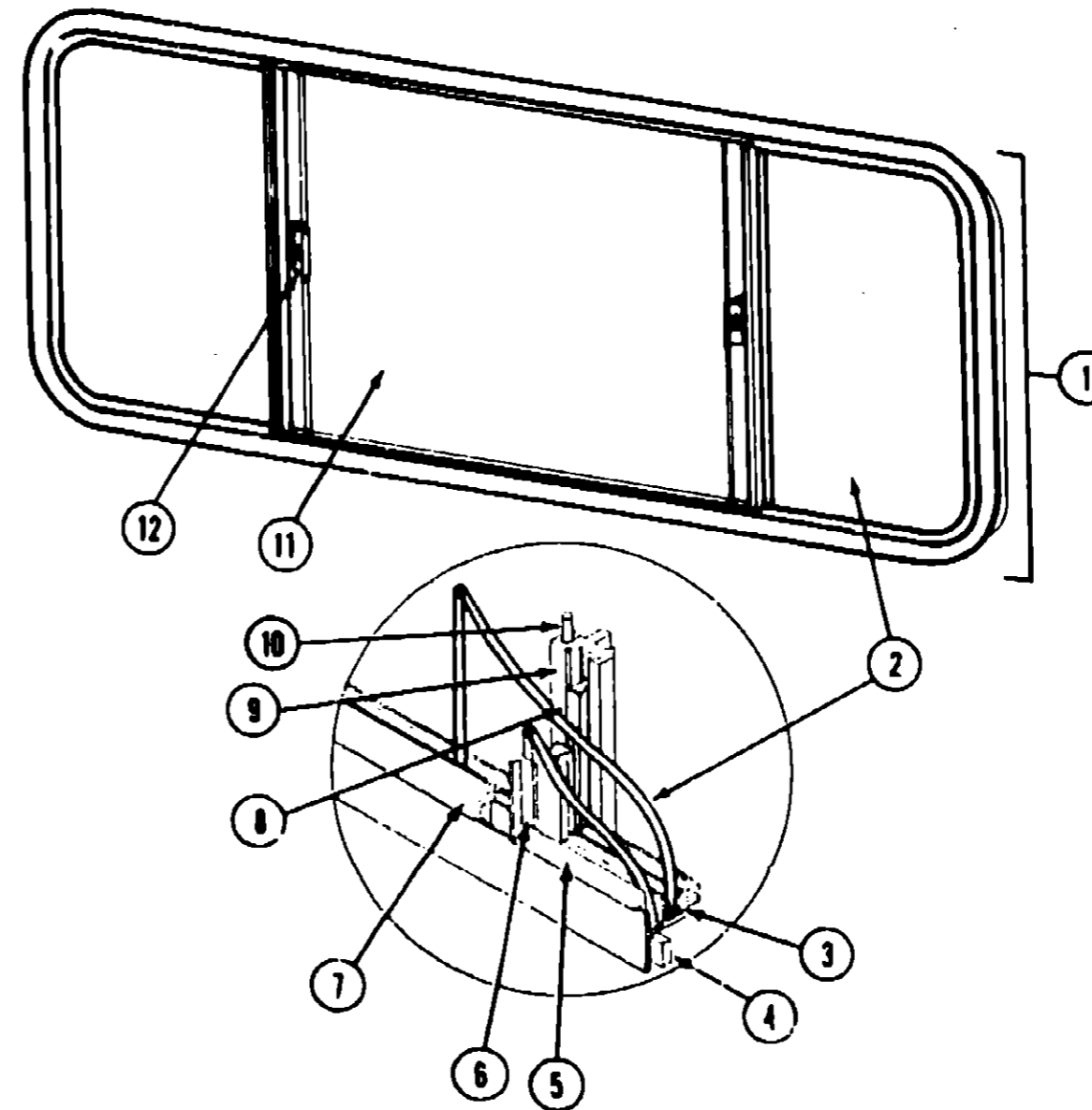
Floor Plan	A-01 - A-02
Accessories Group	A-03
Bath Group	A-04
Chassis Group	A-05
Curtain, Cushion & Pad Group	A-06 - A-09
Dinette Group	A-10
Driver's Compartment Group	A-11
Electrical Group	A-12
Exterior Body Group	A-13 - A-17
Galley Group	A-18
Heating & Air Conditioning Group	A-19
Interior Finish Group	A-20
LP Group	A-21
Lounge Group	A-22
Water & Sewage Group	A-23
Window, Vent & Exterior Door Group	A-24 - B-06

**WINDOW, VENT & EXTERIOR DOOR GROUP (CONTINUED)**



Key	Part Number	U/M	Description
1	078533-01-T03	EA	Window Asm. - Front Picture - 14" x 69" - Black (w/o inside frame)
2	041938-04-000	EA	Inside Frame - Black (not included in assembly)
3	002200-02-000	EA	Glass - TP - Picture Window
4	069640-06-000	FT	Ribbon Sealer - 5/16" Bead x 15'
5	002281-01-000	FT	Weatherstrip - Self Seal - .06" Panel x 3/16" - Black
6	Not Illustrated		

**WINDOW, VENT & EXTERIOR DOOR GROUP (CONTINUED)**



Key	Part Number	U/M	Description
1	078269-01-T03	EA	Window Asm. - Double Slider - 25" x 65" - Black (w/o inside frame)
2	083122-09-000	EA	Inside Frame - Beige (not included in assembly)
3	081960-04-000	EA	Glass - Sliding - 1/8" x 24" x 21.3"
4	002324-02-000	FT	Channel - Weatherstrip - Glass Run - 1/8" Glass
5	069640-06-000	FT	Ribbon Sealer - 5/16" Bead x 15'
6	002309-02-000	FT	Spline - Glass - 1/8" - Black
7	M69666-03-003	EA	Seal Holder w/Fin Seal - 23.19" - Black
8	057374-02-000	FT	Extr. Vinyl - Window Seal - Black
9	073740-01-000	FT	Seal - Fin - Pile - .480"
10	078582-04-000	EA	Mullion - Slider Window - Black
11	002298-02-000	FT	Spline - .130" Dia. - Charcoal (Screen)
12	002188-05-000	EA	Glass - Stationary - 1/8" x 24" x 25.5"
13	047369-01-700	EA	Latch Kit - Window - Plastic w/Fastener
14	079204-01-000	EA	Bracket - Mullion - Black
15	002293-02-000	SF	Screen - Window - 26" - Charcoal
16	Not Illustrated		

**1987 WINNEBAGO  
TABLE OF CONTENTS**

WC420EG	A-01 - B-06
WF420AT	B-07 - D-10
WCN26RH	D-11 - F-14
WCN27RT	F-15 - H-20
WCP26ET	H-21 - K-02

**1987 WC420EG INDEX**

Floor Plan	A-01 - A-02
Accessories Group	A-03
Bath Group	A-04
Chassis Group	A-05
Curtain, Cushion & Pad Group	A-06 - A-09
Dinette Group	A-10
Driver's Compartment Group	A-11
Electrical Group	A-12
Exterior Body Group	A-13 - A-17
Galley Group	A-18
Heating & Air Conditioning Group	A-19
Interior Finish Group	A-20
LP Group	A-21
Lounge Group	A-22
Water & Sewage Group	A-23
Window, Vent & Exterior Door Group	A-24 - B-06