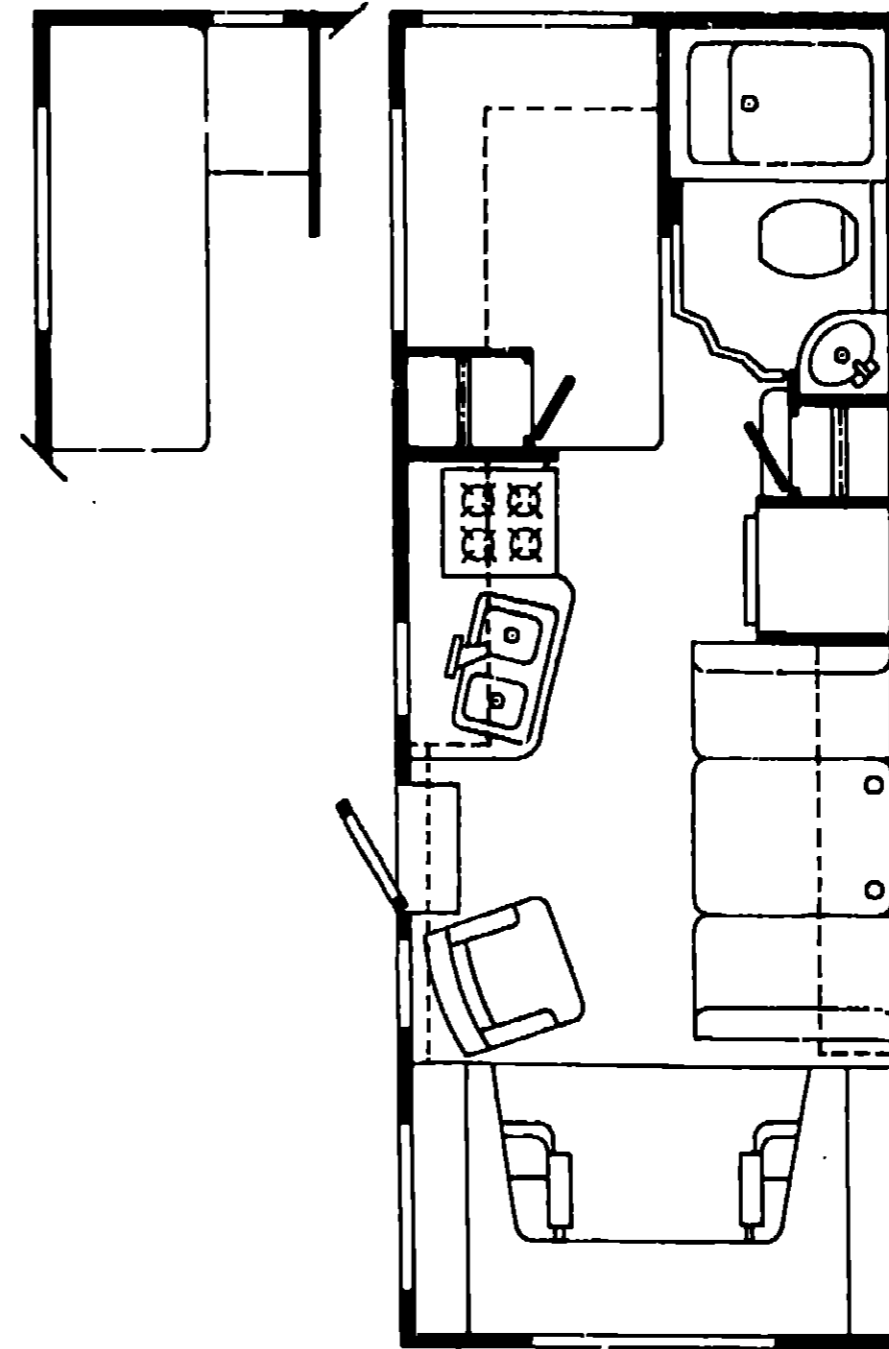


# 1987 WC/WF424RC



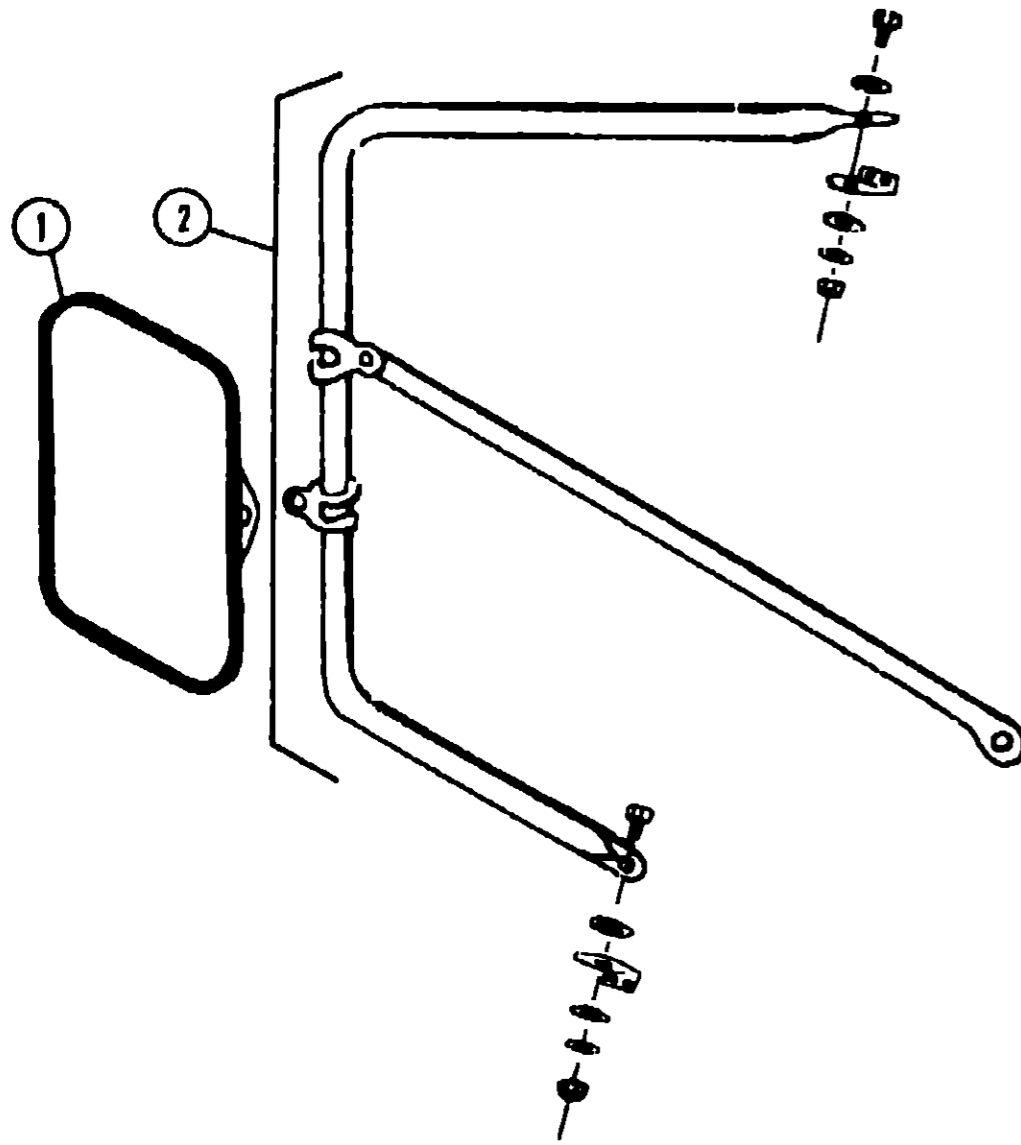
## 1987 WINNEBAGO TABLE OF CONTENTS

WC/WF424RC	A-01 - G-04
WC/JN31RT	C-05 - E-20
WCN33RU	E-21 - H-10
WCP31RT	H-11 - J-21

## 1987 WC/WF424RC INDEX

Floor Plan	A-01 - A-02
Accessories Group	A-03 - A-05
Bath Group	A-06 - A-07
Chassis Group	A-08 - A-09
Curtain, Cushion & Pad Group	A-10 - A-17
Dinette Group	A-18
Driver's Compartment Group	A-19 - A-21
Electrical Group	A-22 - A-23
Exterior Body Group	A-24 - B-05
Galley Group	B-06 - B-07
Heating & Air Conditioning Group	B-08
Interior Finish Group	B-09 - B-11
LP Group	B-12
Lounge Group	B-13
Water & Sewage Group	B-14 - B-15
Window, Vent & Exterior Door Group	B-16 - C-04

## ACCESSORIES GROUP



EXTERIOR MIRRORS

Key	Part Number	U/M	Description
1	049347-01-000	EA	Mirror Head - 7 1/2 x 10 1/2 - Stainless Steel
2	062047-01-000	EA	Arm - West Coast Mirror - Stainless Steel
2	062047-02-000	EA	Arm - West Coast Mirror - Off White
.	006043-01-000	EA	Mirror - Convex - Adhesive Back
.			Not illustrated

### WHEEL COVER & MOUNTING HARDWARE

Key	Part Number	U/M	Description
	083181-01-000	EA	Wheel Cover - 16" (Set/4) (Ford)
	083181-01-700	EA	Wheel Cover - 16" (1) (Ford)
	083181-02-000	EA	Wheel Cover - 16.5 (Set/4) (Chevy)
	083181-02-700	EA	Wheel Cover - 16" (1) (Chevy)

## ACCESSORIES GROUP (CONTINUED)

### MISCELLANEOUS ACCESSORIES

Key	Part Number	U/M	Description
	054185-26-000	EA	Owners Manual - 1987 - Itasca & Winnebago
**	076319-01-000	EA	Antenna - TV Roof Mount - 44.5" Mast
	064089-01-000	EA	Mud Flap - Rubber - Black (Front)
	017516-01-000	EA	Mud Flap w./Holes - 14" x 18" - Black (Back)
	041944-04-000	EA	Fire Extinguisher
	084472-01-000	EA	Holder - Necessary - Fire Extinguisher
	081379-01-000	EA	Microwave/Convection Oven - Sharp
	081459-01-000	EA	Bracket Asm. - Microwave - Right
	081459-07-000	EA	Bracket Asm. - Microwave - Left
	082876-01-000	EA	Baffle - Microwave
	081555-01-T03	EA	Trim Asm. - Microwave Oven
	081456-01-000	EA	Angle Asm. - Microwave Oven - Right
	081456-02-000	EA	Angle Asm. - Microwave Oven - Left
	080997-01-T03	EA	Ladder Asm. - Lower
	080999-01-T03	EA	Ladder Asm. - Upper
	081026-01-T03	EA	Rack Asm. - Right
	081026-02-T03	EA	Rack Asm. - Left
	087130-01-000	EA	Ladder Step
	076980-02-000	EA	End Cap - Ladder Step
	080866-01-000	EA	Stand Off - Rack & Ladder Asm.
	067165-01-000	EA	Bracket - Mounting - Rack & Ladder
	083219-01-000	EA	Mat - Front - Brown - Passenger (Ford)
	083219-02-000	EA	Mat - Front - Brown - Driver (Ford)
	083218-01-000	EA	Mat - Front - Brown - Passenger (Chevy)
	083218-02-000	EA	Mat - Front - Brown - Driver (Chevy)
	007038-01-000	EA	Mat - Entrance Door - Black
	081075-01-000	EA	Mat - Entrance Door - Brown
	044860-01-000	EA	Mat - Stepwell - Drivers - Black (Chevy)
	044860-02-000	EA	Mat - Stepwell - Passenger - Black (Chevy)
	072852-01-000	EA	Smoke Detector w/9 Volt Battery
	086779-01-000	EA	Clock - 8.25" x 8.25"
	079685-01-000	EA	Clock - 9" x 9"
	008089-01-000	EA	Key Case - Leather
	080208-01-000	EA	Lug Wrench
	080208-02-000	EA	Leverage Bar - Lug Wrench
	006113-01-000	EA	Jack - Hydraulic - 6 Ton - w/Handle
	079799-01-000	EA	Tire Cover Asm. - Off White - Plastic
	M02047-01-T95	EA	Panel Asm. - Tire Cover Door
**	075461-01-000	EA	Electric Stop Asm. w/Light
**	The illustrated parts breakdown for this item is provided on the Common Items Fiche.		

### CHROME WHEEL LINERS

Key	Part Number	U/M	Description
	085741-02-000	EA	Wheel Liners (Set of 4) 16.5" - Chevy
	085741-02-701	EA	Axle Cover - 16.5" Front - Chevy
	085741-02-702	EA	Axle Cover - 16.5" Rear - Chevy
	085741-02-710	EA	Lug Nut Cover - Chevy
	085741-05-000	EA	Wheel Liners (Set of 4) 16.4" - Ford
	085741-05-701	EA	Axle Cover - 16.5" - Front - Ford
	085741-05-702	EA	Axle Cover - 16.5" - Rear - Ford
	085741-05-710	EA	Lug Nut Cover - Ford

## 1987 WINNEBAGO TABLE OF CONTENTS

WC/WF424RC	A-01 - C-04
WC/JN31RT	C-05 - E-20
WCN33RU	E-21 - H-10
WCP31RT	H-11 - J-21

## 1987 WC/WF424RC INDEX

Floor Plan	A-01 - A-02
Accessories Group	A-03 - A-05
Bath Group	A-06 - A-07
Chassis Group	A-08 - A-09
Curtain, Cushion & Pad Group	A-10 - A-17
Dinette Group	A-18
Driver's Compartment Group	A-19 - A-21
Electrical Group	A-22 - A-23
Exterior Body Group	A-24 - B-05
Galley Group	B-06 - B-07
Heating & Air Conditioning Group	B-08
Interior Finish Group	B-09 - B-11
LP Group	B-12
Lounge Group	B-13
Water & Sewage Group	B-14 - B-15
Window, Vent & Exterior Door Group	B-16 - C-04

## ACCESSORIES GROUP (CONTINUED)

### RADIO & RELATED COMPONENTS

Key	Part Number	U/M	Description
	087684-01-000	EA	Radio - AM/FM Stereo - w/Cassette - Electronic
	087683-01-000	EA	Radio - AM/FM - w/Cassette - Audiovox - AVX3000
	007004-01-000	EA	Antenna - Radio - Cab Mount
	084792-01-000	EA	Grille - Speaker - 5.25" - w/Mesh - Brown
	074482-02-000	EA	Radio - AM/FM/MPX - w/Cassette - Audiovox - HCC565
	073430-02-000	EA	Radio - AM/FM/MPX - w/Cassette - Electronic Tune - Audiovox - HCC1150
	074979-01-000	EA	Speaker Cover Protector - Plastic (Chevy)
	084792-01-000	EA	Speaker - Grill - Brown
	073431-01-000	EA	Speaker - 5.25 - 3/Way (Pair)
	084791-01-000	EA	Speaker - Recessed - 5.25"
	073741-01-000	EA	Speaker - 4" x 8" - Oval (Chevy)
	079385-02-000	EA	Radio Mounting Kit (Ford)

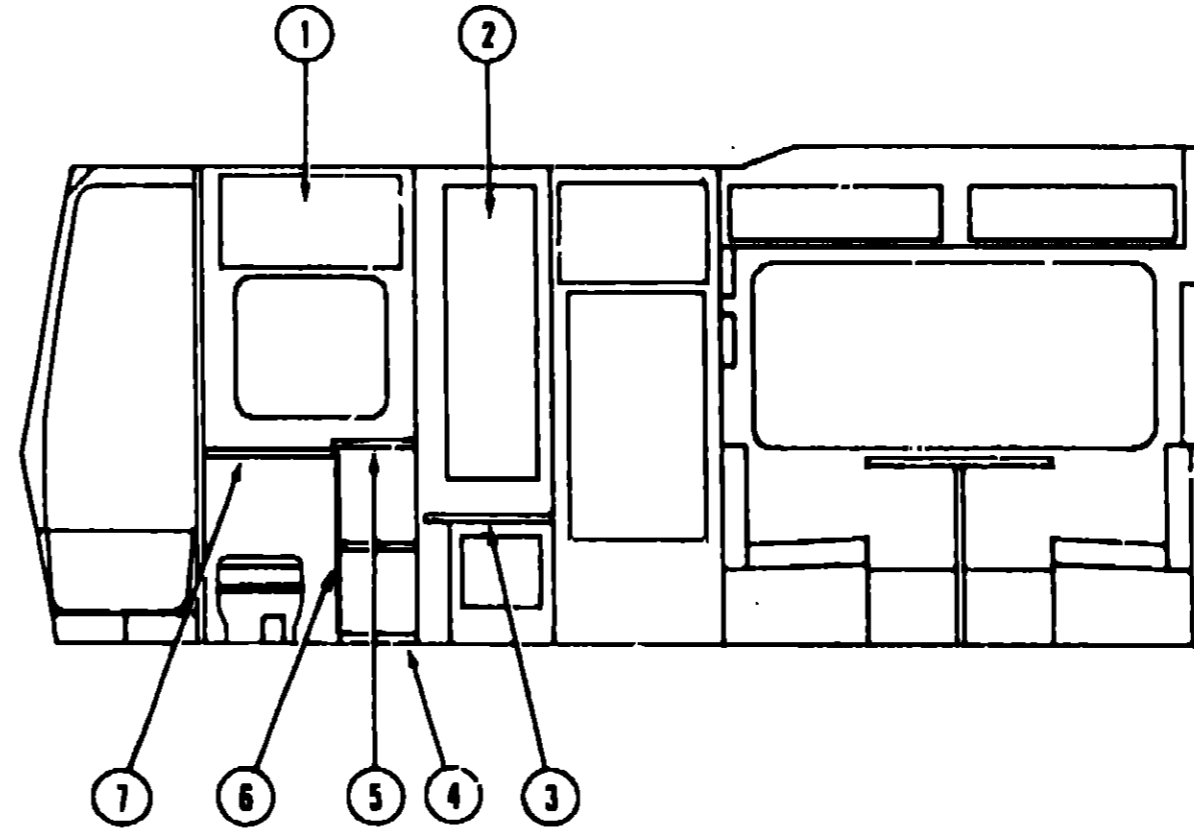
### GENERATORS & COMPONENTS

Key	Part Number	U/M	Description
	054429-01-000	EA	Generator - Onan - 4.0 kw
	079654-03-000	EA	Generator - Emerald - 4.0 kw
	052168-01-000	EA	Generator - Onan - 4.25 kw
	089229-01-000	EA	Generator - Kohler - 4.5 kw
	701629-02-000	EA	Installation Package
	024732-01-016	EA	Tallpipe - 1.5" O.D. x 43.50"
	067753-01-000	EA	Muffler - Generator - w/Spark Arrestor - Nelson
	081364-01-000	EA	Muffler - Generator - Emerald
	007087-01-000	EA	Insulation - Fiberglass - 1"

### OPTIONAL FOG LAMP & COMPONENTS

Key	Part Number	U/M	Description
	079941-01-000	EA	Lamp Asm. - Fog w/Cover - Amber
	079941-01-700	EA	Lamp Asm. - Fog - Set of 2
	079941-01-701	EA	Lens and Cover Only
	079941-01-702	EA	Switch - Fog Lights
	079941-01-703	EA	Solenoid
	079941-01-704	EA	Switch Plate - For Switch
	079941-01-705	EA	Lens Only
	079941-01-706	EA	Cover Only

## BATH GROUP



## 1987 WINNEBAGO TABLE OF CONTENTS

WC/WF424RC	A-01 - C-04
WC/JN31RT	C-05 - E-20
WCN33RU	E-21 - H-10
WCP31RT	H-11 - J-21

## BATH CABINETRY

Key	Part Number	U/M	Description
1	081535-01-U04	EA	Door Asm. w/Mirror - Medicine Cabinet - 29.4" x 15.5" - w/o Hardware
•	076073-01-000	EA	Cabinet Asm. - Medicine - Almond
•	076387-01-000	EA	Bracket - Medicine Cabinet
2	M81501-48-W04	EA	Door Asm. w/Mirror - Wardrobe - 46.1" x 16.1" - w/o Hardware
3	M02447-01-W04	EA	Countertop Asm. - Wardrobe
4	M81548-01-W04	EA	Cabinet Asm. - Lavatory - w/o Countertop or Door
5	M02406-01-W07	EA	Countertop Asm. - Lavatory Cabinet
6	M81501-A8-W04	EA	Door Asm. - Lavatory - 23.8" x 13.4" - w/o Hardware
7	M02473-01-W04	EA	Countertop Asm. - Pipe Cover
•	080224-01-000	EA	Door Asm. - Folding - 46" x 75"
•	080224-01-700	EA	Latch & Catch Asm. - Folding Door
•	Not illustrated		

## 1987 WC/WF424RC INDEX

Floor Plan	A-01 - A-02
Accessories Group	A-03 - A-05
Bath Group	A-06 - A-07
Chassis Group	A-08 - A-09
Curtain, Cushion & Pad Group	A-10 - A-17
Dinette Group	A-18
Driver's Compartment Group	A-19 - A-21
Electrical Group	A-22 - A-23
Exterior Body Group	A-24 - B-05
Galley Group	B-06 - B-07
Heating & Air Conditioning Group	B-08
Interior Finish Group	B-09 - B-11
LP Group	B-12
Lounge Group	B-13
Water & Sewage Group	B-14 - B-15
Window, Vent & Exterior Door Group	B-16 - C-04

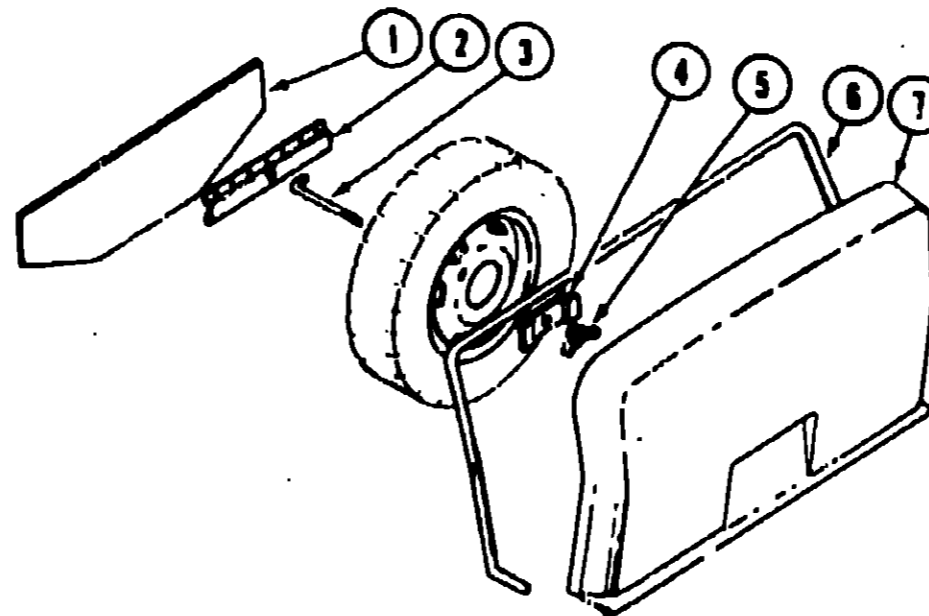
## BATH GROUP (CONTINUED)

### BATH HARDWARE

Key	Part Number	U/M	Description
	M01817-01-T03	EA	Bathtub Asm w/Strainer
	075242-03-000	EA	Faucet - Tub & Shower
	075240-03-000	EA	Faucet - Lavatory
**	011048-02-000	EA	Shower Head - w/80" Hose
	075806-01-000	EA	Shower Panel - Faucet Plastic
**	065729-01-000	EA	Strainer - Bathtub Asm.
	066435-01-000	EA	Nut Strainer - Plastic - Bathtub Asm
	066436-01-000	EA	Slip Nut - 1.5" Tail Piece - Bathtub Asm.
	069735-01-000	EA	Washer - Tail Piece - 1.5" - Plastic - Bathtub Asm.
	011089-03-000	EA	Tail Piece - 1.5" x 1.75" - Plastic - Bathtub Asm.
	060257-01-000	EA	Shroud - Bathtub Asm. - Off White
	058713-01-000	EA	Sink - Oval - Ivory Plastic
	011083-01-000	EA	Tail Piece w/Stopper - 1.25" x 5" - Plastic - Sink
	039341-02-000	EA	Toilet - Thetford - Aqua Magic - Ivory - 8420SH
	009134-01-000	EA	Tissue Holder
	075454-02-000	EA	Towel Ring
	058331-05-000	EA	Mirror - Tempered Glass - 12" x 26"
	058331-04-000	EA	Mirror - Tempered Glass - 12" x 42"
	009089-01-000	EA	Clip - Mirror
	057671-01-000	EA	Screw Cover - #8 - Antique White
	066433-01-000	EA	Cup Hook - Bright
	050712-04-000	EA	Handle - Door Shower - Off White
	060224-04-000	EA	Track - Folding Door - "S" Curve
	009112-01-000	EA	Flange - 1" - Closet Rod

\*\* The illustrated parts breakdown for this item is provided on the Common Items Fiche.

## CHASSIS GROUP



### TRAILER HITCH & SPARE TIRE

Key	Part Number	U/M	Description
1	077395-01-000	EA	Dust Shield - Spare Tire
2	077403-01-000	EA	Rod Support - Spare Tire
3	077411-01-000	EA	Retaining Rod
4	077941-01-000	EA	Tire Cover Seal
5	077399-01-000	EA	Spare Tire Retainer
6	064081-01-000	EA	Wing Nut
7	079165-01-U10	EA	Tire Cover Asm.
.	077408-01-000	EA	Lock Asm. - Tire Cover
.	077759-01-000	EA	Support Spacer - Spare Tire
.	034512-01-000	EA	Pin - Locking Drawbar
.	034513-01-000	EA	Pin - Hitch - 3/16" Wire
.	077613-01-000	EA	Drawbar Asm.
.	077617-02-700	EA	Hitch Asm. - w/Drawbar
.	015365-01-000	EA	Pin - Tire Carrier
.	078584-09-000	EA	Bumper - Rear - Chrome
.	078668-01-000	EA	Support Angle - Bumper Rear
.	078670-02-000	EA	Bracket Asm. - Bumper Rear
.	079018-01-000	EA	Strap - Tire Carrier
.	078578-05-000	EA	Bumper - End Cap - Rear - RH
.	078578-06-000	EA	Bumper - End Cap - Rear - LH
.			Not illustrated

## 1987 WINNEBAGO TABLE OF CONTENTS

WC/WF424RC	A-01 - C-04
WC/JN31RT	C-05 - E-20
WCN33RU	E-21 - H-10
WCP31RT	H-11 - J-21

## 1987 WC/WF424RC INDEX

Floor Plan	A-01 - A-02
Accessories Group	A-03 - A-05
Bath Group	A-06 - A-07
Chassis Group	A-08 - A-09
Curtain, Cushion & Pad Group	A-10 - A-17
Dinette Group	A-18
Driver's Compartment Group	A-19 - A-21
Electrical Group	A-22 - A-23
Exterior Body Group	A-24 - B-05
Galley Group	B-06 - B-07
Heating & Air Conditioning Group	B-08
Interior Finish Group	B-09 - B-11
LP Group	B-12
Lounge Group	B-13
Water & Sewage Group	B-14 - B-15
Window, Vent & Exterior Door Group	B-16 - C-04

## CHASSIS GROUP (CONTINUED)

Key	Part Number	U/M	Description
	047441-01-000	EA	Battery Terminal - Horizontal Lug
	075723-01-000	EA	Block - Switch - Spacer w/o Holes
	059540-01-000	EA	Bracket - License Plate
	051697-01-000	EA	Bracket - Battery Tie Down - 6 9"
	007125-01-000	EA	Clamp Asm. - Muffler - 2.50"
	010497-01-000	EA	Clamp - Closed - 5/8 I.D.
	007161-01-000	EA	Clamp - Hose - Spring Type 112
	062401-01-000	EA	Clamp - Hose - Wormgear - .22" I.D. - 1" I.D.
	062401-02-000	EA	Clamp - Hose - Wormgear - 1.56" I.D. - 2.5" I.D.
	062401-04-000	EA	Clamp - Hose - Wormgear - .69" I.D. - 1.25" I.D.
	062401-06-000	EA	Clamp - Hose - Wormgear - .22" I.D. - .62" I.D.
	023146-01-000	EA	Clamp - Screw Type - 4"
	081938-01-000	EA	Compartment - LP - Regulator
	007131-01-000	EA	Hanger - Tail Pipe
	024138-01-000	FT	Hose - Fuel - 5/16" I.D. SAE 30R1
	066732-01-000	FT	Hose - Fuel Fill - .62 I.D.
	007111-02-000	EA	Hose - Fuel Fill - 2.00 I.D.
	006113-01-000	EA	Jack - Hydraulic - 6 Ton - w/Handle
	080208-02-000	EA	Leverage Bar - Lug Wrench
	080208-01-000	EA	Lug Wrench
	017516-01-000	EA	Mud Flap w/Holes - 14" x 18" - Black
	079942-05-000	EA	Shock Absorber - Stabilizer - Front (Ford)
	079942-06-000	EA	Shock Absorber - Stabilizer - Rear (Ford)
	079942-03-000	EA	Shock Absorber - Stabilizer - Front (Chevy)
	079942-04-000	EA	Shock Absorber - Stabilizer - Rear (Chevy)
	064089-01-000	EA	Splash Guard - Black Rubber
	077848-01-000	EA	Step Asm. - Entry
	052431-01-000	EA	Tray - Luggage
	057724-01-000	EA	Wheelwell - Plastic
	008343-01-000	EA	Wire Tie - 6"

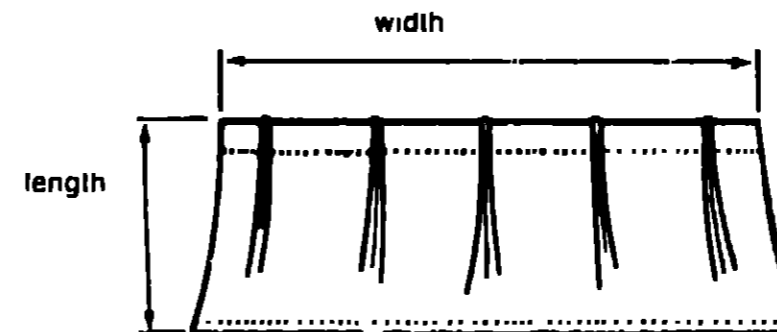
NOTE: Remainder of exhaust components available from Chassis Service Center.

## CURTAIN, CUSHION & PAD GROUP

### NOTICE

In order to assist our Parts Sales Dept. in providing interior software items, please include the serial number and the color code number from the vehicle certification label when ordering. This label is located on the left sidewall at the end of the dash (A-Body), or on the driver's door latch plate (C-Body).

An example of a color code number is P31, which designates an overall color scheme of a particular unit. The color listed after the item description on the microfiche, indicates the overall unit color. Order the item you desire according to unit color code.



### NOTE:

Use this illustration when determining length and width measurements for curtains. You will note the width measurement is taken on the top of the curtain with the curtain fully extended. The length measurement is taken from top to bottom.

### CURTAIN & CUSHION HARDWARE

Key	Part Number	U/M	Description
	039175-02-000	EA	Bracket - Curtain Rod - Cafe
	039175-05-000	EA	Bracket - Curtain Rod - Center
	082228-03-000	EA	Bracket - Curtain Rod - Right
	082228-04-000	EA	Bracket - Curtain Rod - Left
	056003-02-000	EA	Bracket - Drapery Retainer - Left
	056003-01-000	EA	Bracket - Drapery Retainer - Right
	082139-02-000	EA	Bracket - Hold Down - Blind
	084434-01-000	EA	Bracket - Roller Shade - 1 3/8"
	079798-03-000	EA	Bracket Asm. - Curtain Rod - Right
	079798-04-000	EA	Bracket Asm. - Curtain Rod - Left
	080730-03-700	EA	Handle Kit - Recliner
	080731-02-000	EA	Hinge - Recliner - Slave
	083170-01-000	EA	Installation Bracket - Blind - Right - Clear
	083170-02-000	EA	Installation Bracket - Blind - Left - Clear
	083170-03-000	EA	Installation Bracket - Blind - Right
	083170-04-000	EA	Installation Bracket - Blind - Left
	082139-01-000	EA	Bracket - Hold Down - Blinds - Right
	082139-03-000	EA	Bracket - Hold Down - Blinds - Left
	056784-02-000	EA	Pull - Window Shade - Antique Brass
	083730-02-000	EA	Recliner - Seat Back
	039175-01-000	EA	Rod - Cafe Curtain - Extension 48" x 84"
	048394-01-000	YD	Tape Hook - 1" x 50 yd - Beige
	029096-05-000	YD	Tape Hook - .50" - Velcro - Beige
	048395-01-000	YD	Tape Loop - 1" x 50 YD - Beige
	029090-01-000	FT	Tie - Drapery - Clear Vinyl
	056116-01-000	EA	Track - Curtain - Brown Plastic

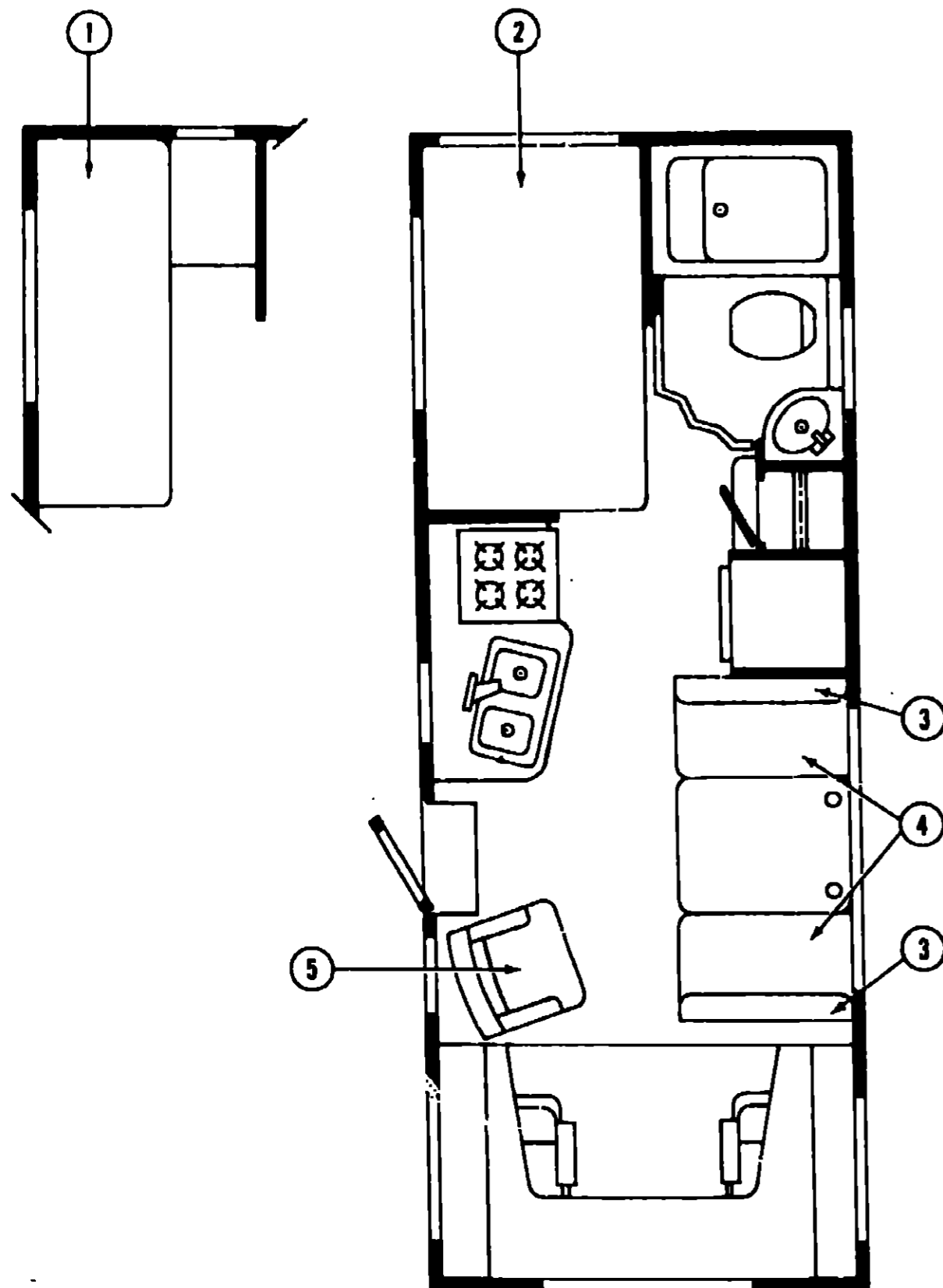
## 1987 WINNEBAGO TABLE OF CONTENTS

WC/WF424RC	A-01 - C-04
WC/JN31RT	C-05 - E-20
WCN33RU	E-21 - H-10
WCP31RT	H-11 - J-21

## 1987 WC/WF424RC INDEX

Floor Plan	A-01 - A-02
Accessories Group	A-03 - A-05
Bath Group	A-06 - A-07
Chassis Group	A-08 - A-09
Curtain, Cushion & Pad Group	A-10 - A-17
Dinette Group	A-18
Driver's Compartment Group	A-19 - A-21
Electrical Group	A-22 - A-23
Exterior Body Group	A-24 - B-05
Galley Group	B-06 - B-07
Heating & Air Conditioning Group	B-08
Interior Finish Group	B-09 - B-11
LP Group	B-12
Lounge Group	B-13
Water & Sewage Group	B-14 - B-15
Window, Vent & Exterior Door Group	B-16 - C-04

**CURTAIN, CUSHION & PAD GROUP (CONTINUED)**



**CURTAIN, CUSHION & PAD GROUP (CONTINUED)**

**REAR BUNK CUSHIONS**

Key	Part Number	U/M	Description
1	073519-03-W04	EA	Mattress Cushion Asm. - Rear Bunk - 29" x 75.5" x 4.5" - Jade/Taupe
1	073519-03-W05	EA	Mattress Cushion Asm. - Rear Bunk - 29" x 75.5" x 4.5" - Rose
1	073519-03-W09	EA	Mattress Cushion Asm. - Rear Bunk - 29" x 75.5" x 4.5" - Taupe (W06)
	M73519-03-W04	EA	Cover - Rear Bunk Cushion - 29" x 75.5" x 4.5" - Jade/Taupe
	M73519-03-W05	EA	Cover - Rear Bunk Cushion - 29" x 75.5" x 4.5" - Rose
	M73519-03-W09	EA	Cover - Rear Bunk Cushion - 29" x 75.5" x 4.5" - Taupe (W06)

**DOUBLE BED MATTRESS**

Key	Part Number	U/M	Description
2	083498-02-000	EA	Mattress - Foam - 48" x 75" x 7"
2	077478-02-000	EA	Mattress - Innerspring - 48" x 75" x 7.75"
	081969-01-W07	EA	Bedspread - Double Bed - Jade/Taupe (W04)
	081969-01-W08	EA	Bedspread - Double Bed - Rose (W05)
	081969-01-W09	EA	Bedspread - Double Bed - Taupe (W06)
	081997-01-W07	EA	Pillow Sham - 30" x 26" - Jade/Taupe (W04)
	081997-01-W08	EA	Pillow Sham - 30" x 26" - Rose (W05)
	081997-01-W09	EA	Pillow Sham - 30" x 26" - Taupe (W06)

**DINETTE CUSHION**

Key	Part Number	U/M	Description
3	081998-77-W04	EA	Cushion Asm. - Dinette Back - 19.25" x 38" x 5"
3	081998-77-W05	EA	Cushion Asm. - Dinette Back - 19.25" x 38" x 5"
3	081998-77-W06	EA	Cushion Asm. - Dinette Back - 19.25" x 38" x 5"
	M81998-77-W04	EA	Cover Asm. - Dinette Back Curtain - 19.25" x 38" x 5"
	M81998-77-W05	EA	Cover Asm. - Dinette Back Curtain - 19.25" x 38" x 5"
	M81998-77-W06	EA	Cover Asm. - Dinette Back Curtain - 19.25" x 38" x 5"
4	081998-78-W04	EA	Cushion Asm. - Dinette Bottom - 17.5" x 38" x 5"
4	081998-78-W05	EA	Cushion Asm. - Dinette Bottom - 17.5" x 38" x 5"
4	081998-78-W06	EA	Cushion Asm. - Dinette Bottom - 17.5" x 38" x 5"
	M81998-78-W04	EA	Cover Asm. - Dinette Bottom Cushion - 17.5" x 38" x 5"
	M81998-78-W05	EA	Cover Asm. - Dinette Bottom Cushion - 17.5" x 38" x 5"
	M81998-78-W06	EA	Cover Asm. - Dinette Bottom Cushion - 17.5" x 38" x 5"

**CELEBRITY SWIVEL CHAIR**

Key	Part Number	U/M	Description
5	085059-01-W04	EA	Chair Asm. w/Pillow Back - Swivel
5	085059-01-W05	EA	Chair Asm. w/Pillow Back - Swivel
5	085059-01-W06	EA	Chair Asm. w/Pillow Back - Swivel
	085187-01-W04	EA	Skirt Asm. - Swivel Chair
	085187-01-W05	EA	Skirt Asm. - Swivel Chair
	085187-01-W06	EA	Skirt Asm. - Swivel Chair
	035036-01-000	EA	Plate - Tilt & Swivel - Swivel Chair
	035036-04-000	EA	Base w/Legs - Swivel Chair
	035036-05-000	EA	Extension - 7" - Swivel Chair

**FRONT OVERHEAD BUNK CUSHIONS**

Key	Part Number	U/M	Description
	084753-05-W04	EA	Cushion Asm. - Front Bunk
	084753-05-W05	EA	Cushion Asm. - Front Bunk
	084753-05-W06	EA	Cushion Asm. - Front Bunk
	M84753-05-W04	EA	Cover Asm. - Front Bunk Cushion
	M84753-05-W05	EA	Cover Asm. - Front Bunk Cushion
	M84753-05-W06	EA	Cover Asm. - Front Bunk Cushion
	084753-06-W04	EA	Cushion Asm. - Front Bunk - U-Shaped
	084753-06-W05	EA	Cushion Asm. - Front Bunk - U-Shaped
	084753-06-W06	EA	Cushion Asm. - Front Bunk - U-Shaped
	M84753-06-W04	EA	Cover Asm. - Front Bunk Cushion - U-Shaped
	M84753-06-W05	EA	Cover Asm. - Front Bunk Cushion - U-Shaped
	M84753-06-W06	EA	Cover Asm. - Front Bunk Cushion - U-Shaped

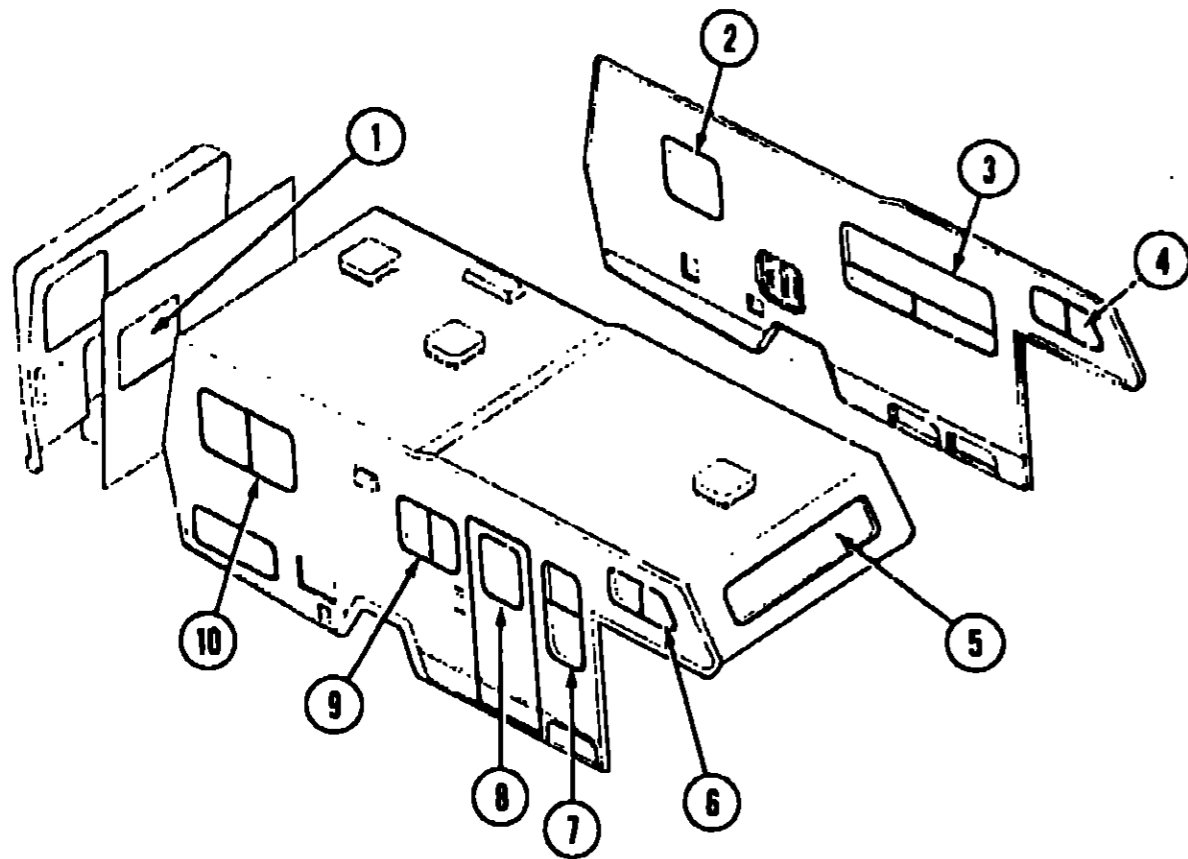
**1987 WINNEBAGO  
TABLE OF CONTENTS**

WC/WF424RC	A-01 - C-04
WC/JN31RT	C-05 - E-20
WCN33RU	E-21 - H-10
WCP31RT	H-11 - J-21

**1987 WC/WF424RC INDEX**

Floor Plan	A-01 - A-02
Accessories Group	A-03 - A-05
Bath Group	A-06 - A-07
Chassis Group	A-08 - A-09
Curtain, Cushion & Pad Group	A-10 - A-17
Dinette Group	A-18
Driver's Compartment Group	A-19 - A-21
Electrical Group	A-22 - A-23
Exterior Body Group	A-24 - B-05
Galley Group	B-06 - B-07
Heating & Air Conditioning Group	B-08
Interior Finish Group	B-09 - B-11
LP Group	B-12
Lounge Group	B-13
Water & Sewage Group	B-14 - B-15
Window, Vent & Exterior Door Group	B-16 - C-04

**CURTAIN, CUSHION & PAD GROUP (CONTINUED)**



**CURTAIN, SHADES, VALANCES & TIEBACKS**

Key	Part Number	U/M	Description
1	085190-07-W07	EA	Curtain Asm. - w/Darts & Snap Top - 29.5" x 15" (W04)
1	085190-07-W08	EA	Curtain Asm. - w/Darts & Snap Top - 29.5" x 15" (W05)
1	085190-07-W09	EA	Curtain Asm. - w/Darts & Snap Top - 29.5" x 15" (W06)
1	085200-09-W07	EA	Shade - Fabric - 33.25" (W04)
1	085200-09-W08	EA	Shade - Fabric - 33.25" (W05)
1	085200-09-W09	EA	Shade - Fabric - 33.25" (W06)
1	086480-06-W07	EA	Valance Asm. - Wrapped - 37" (W04)
1	086480-06-W08	EA	Valance Asm. - Wrapped - 37" (W05)
1	086480-06-W09	EA	Valance Asm. - Wrapped - 37" (W06)
**	073304-44-W04	EA	Curtain Asm. - w/Snaps Top - 26" x 10"
**	073304-44-W05	EA	Curtain Asm. - w/Snaps Top - 26" x 10"
**	073304-44-W06	EA	Curtain Asm. - w/Snaps Top - 26" x 10"
**	085200-10-W04	EA	Shade - Fabric - 14.25"
**	085200-10-W05	EA	Shade - Fabric - 14.25"
**	085200-10-W09	EA	Shade - Fabric - 14.25" (W06)
**	086480-07-W04	EA	Valance Asm. - Wrapped - 17"
**	086480-07-W05	EA	Valance Asm. - Wrapped - 17"
**	086480-07-W09	EA	Valance Asm. - Wrapped - 17" (W06)
2	073304-39-W07	EA	Curtain Asm. - w/Snaps Top - 27.5" x 10" (W04)
2	073304-39-W08	EA	Curtain Asm. - w/Snaps Top - 27.5" x 10" (W05)
2	073304-39-W09	EA	Curtain Asm. - w/Snaps Top - 27.5" x 10" (W06)
2	085191-10-W04	EA	Valance Asm. - w/Insert - 31.5"
2	085191-10-W05	EA	Valance Asm. - w/Insert - 31.5"
2	085191-10-W06	EA	Valance Asm. - w/Insert - 31.5"
2	082118-B5-000	EA	Blinds - 28" x 24" Drop (W04, W05)
2	082118-B6-000	EA	Blinds - 28" x 24" Drop (W06)

**CURTAIN, CUSHION & PAD GROUP (CONTINUED)**

**CURTAINS, SHADES, VALANCES & TIEBACKS (CONT.)**

Key	Part Number	U/M	Description
3	085100-13-W04	EA	Curtain Asm. - w/Darts & Snaps Top - 36" x 15"
3	085190-13-W05	EA	Curtain Asm. - w/Darts & Snaps Top - 36" x 15"
3	085190-13-W06	EA	Curtain Asm. - w/Darts & Snaps Top - 36" x 15"
3	085191-01-W04	EA	Valance Asm. - w/Insert - 68.5"
3	085191-01-W05	EA	Valance Asm. - w/Insert - 68.5"
3	085191-01-W06	EA	Valance Asm. - w/Insert - 68.5"
3	085304-18-L00	EA	Blinds - Pleated - 65" x 33" Drop (W04)
3	085304-17-000	EA	Blinds - Pleated - 65" x 33" Drop (W05)
3	085304-16-070	EA	Blinds - Pleated - 65" x 33" Drop (W06)
3	082118-C6-070	EA	Blinds - 65" x 33" Drop (W04) (Mini Blinds)
3	082118-C7-010	EA	Blinds - 65" x 33" Drop (W05) (Mini Blinds)
3	082118-C8-010	EA	Blinds - 65" x 33" Drop (W06) (Mini Blinds)
4	073323-33-W18	EA	Curtain Asm. - Rod Top & Bottom - 17.5" x 24" (W04)
4	073323-33-W19	EA	Curtain Asm. - Rod Top & Bottom - 17.5" x 24" (W05)
4	073323-33-W17	EA	Curtain Asm. - Rod Top & Bottom - 17.5" x 24" (W06)
4	073323-34-W11I	EA	Curtain Asm. - Left Front - Rod Top & Bottom - 17.5" x 24" (W04)
4	073323-34-W11I	EA	Curtain Asm. - Left Front - Rod Top & Bottom - 17.5" x 24" (W05)
4	073323-34-W17	EA	Curtain Asm. - Left Front - Rod Top & Bottom - 17.5" x 24" (W06)
5	073323-32-W18	EA	Curtain Asm. - Rod Top & Bottom - 19.5" x 30" (W04)
5	073323-32-W19	EA	Curtain Asm. - Rod Top & Bottom - 19.5" x 30" (W05)
5	073323-32-W17	EA	Curtain Asm. - Rod Top & Bottom - 19.5" x 30" (W06)
6	073323-33-W18	EA	Curtain Asm. - Rod Top & Bottom - 17.5" x 24" (W04)
6	073323-33-W19	EA	Curtain Asm. - Rod Top & Bottom - 17.5" x 24" (W05)
6	073323-33-W17	EA	Curtain Asm. - Rod Top & Bottom - 17.5" x 24" (W06)
6	073323-35-W18	EA	Curtain Asm. - Right Front - Rod Top & Bottom - 17.5" x 24" (W04)
6	073323-35-W19	EA	Curtain Asm. - Right Front - Rod Top & Bottom - 17.5" x 24" (W05)
6	073323-35-W17	EA	Curtain Asm. - Right Front - Rod Top & Bottom - 17.5" x 24" (W06)
7	085190-05-W04	EA	Curtain Asm. - w/Darts & Snaps Top - 45" x 10"
7	085190-05-W05	EA	Curtain Asm. - w/Darts & Snaps Top - 45" x 10"
7	085190-05-W06	EA	Curtain Asm. - w/Darts & Snaps Top - 45" x 10"
7	080824-06-W04	EA	Valance Asm. - Entrance Door
7	080824-06-W05	EA	Valance Asm. - Entrance Door
7	080824-06-W06	EA	Valance Asm. - Entrance Door
7	085304-03-000	EA	Blinds - Pleated - 19" x 42.5" Drop (W04)
7	085304-02-000	EA	Blinds - Pleated - 19" x 42.5" Drop (W05)
7	085304-01-000	EA	Blinds - Pleated - 19" x 42.5" Drop (W06)
7	082118-A5-000	EA	Blinds - 19" x 42.5" Drop (W04) (Mini Blinds)
7	082118-A6-000	EA	Blinds - 19" x 42.5" Drop (W05) (Mini Blinds)
7	082118-A7-000	EA	Blinds - 19" x 42.5" Drop (W06) (Mini Blinds)
8	084755-04-W04	EA	Shade Asm. - 24.25" - Fabric - Off White
8	084755-04-W05	EA	Shade Asm. - 24.25" - Fabric - Off White
8	084755-04-W06	EA	Shade Asm. - 24.25" - Fabric - Off White
8	084755-04-WA7	EA	Shade Asm. - 24.25" - Fabric - Parchment (W04)
8	084755-04-WA8	EA	Shade Asm. - 24.25" - Fabric - Parchment (W05)
8	084755-04-WA6	EA	Shade Asm. - 24.25" - Fabric - Parchment (W06)
9	085191-03-W04	EA	Valance Asm. - w/Insert - 29.5"
9	085191-03-W05	EA	Valance Asm. - w/Insert - 29.5"
9	085191-03-W06	EA	Valance Asm. - w/Insert - 29.5"
9	082118-A8-000	EA	Blinds - 27" x 22" Drop (W04)
9	082118-A9-000	EA	Blinds - 27" x 22" Drop (W05)
9	082118-B0-000	EA	Blinds - 27" x 22" Drop (W06)
10	085190-07-W07	EA	Curtain Asm. - w/Darts & Snaps Top - 29.5" x 15" (W04)
10	085190-07-W08	EA	Curtain Asm. - w/Darts & Snaps Top - 29.5" x 15" (W05)
10	085190-07-W09	EA	Curtain Asm. - w/Darts & Snaps Top - 29.5" x 15" (W06)
10	086480-05-W07	EA	Valance Asm. - w/Insert - 50" (W04)
10	086480-05-W08	EA	Valance Asm. - w/Insert - 50" (W05)
10	086480-05-W09	EA	Valance Asm. - w/Insert - 50" (W06)
10	085200-06-W07	EA	Shade Asm. - Fabric - 47.25" (W04)
10	085200-06-W08	EA	Shade Asm. - Fabric - 47.25" (W05)
10	085200-06-W09	EA	Shade Asm. - Fabric - 47.25" (W06)
**	Parts for Bunkhouse Option (Not illustrated)		

**1987 WINNEBAGO  
TABLE OF CONTENTS**

WC/WF424 RC	A-01 - C-04
WC/JN31RT	C-05 - E-20
WCN33RU	E-21 - H-10
WCP31RT	H-11 - J-21

**1987 WC/WF424RC INDEX**

Floor Plan	A-01 - A-02
Accessories Group	A-03 - A-05
Bath Group	A-06 - A-07
Chassis Group	A-08 - A-09
Curtain, Cushion & Pad Group	A-10 - A-17
Dinette Group	A-18
Driver's Compartment Group	A-19 - A-21
Electrical Group	A-22 - A-23
Exterior Body Group	A-24 - B-05
Galley Group	B-06 - B-07
Heating & Air Conditioning Group	B-08
Interior Finish Group	B-09 - B-11
LP Group	B-12
Lounge Group	B-13
Water & Sewage Group	B-14 - B-15
Window, Vent & Exterior Door Group	B-16 - C-04

**CURTAIN, CUSHION & PAD GROUP (CONTINUED)**

CURTAINS, SHADES, VALANCES & TIEBACKS (CONT.)			
Key	Part Number	U/M	Description
**	085190-08-W04	EA	Curtain Asm. - Dart & Snap Top - 22" x 10"
**	085190-08-W05	EA	Curtain Asm. - Dart & Snap Top - 22" x 10"
**	085190-08-W09	EA	Curtain Asm. - Dart & Snap Top - 22" x 10"
**	086487-03-W07	EA	Valance Asm. - w/Insert - 45.5" (W04)
**	086487-03-W08	EA	Valance Asm. - w/Insert - 45.5" (W05)
**	086487-03-W09	EA	Valance Asm. - w/Insert - 45.5" (W06)
**	085200-11-W04	EA	Shade Asm. - Fabric - 40.25"
**	085200-11-W05	EA	Shade Asm. - Fabric - 40.25"
**	085200-11-W09	EA	Shade Asm. - Fabric - 40.25"
*	084382-03-W04	EA	Curtain Asm. - Ruffled Shower - 66" x 30"
*	084382-03-W05	EA	Curtain Asm. - Ruffled Shower - 66" x 30"
*	084382-03-W24	EA	Curtain Asm. - Ruffled Shower - 66" x 30" (W06)
*	086121-02-000	EA	Curtain Asm. - Shower Liner - 83" x 42"
*	077551-03-W04	EA	Curtain Asm. - Right Blackout - Velcro Top - 70" x 50"
*	077591-03-W05	EA	Curtain Asm. - Right Blackout - Velcro Top - 70" x 50"
*	077591-03-W08	EA	Curtain Asm. - Right Blackout - Velcro Top - 70" x 50"
*	077591-04-W04	EA	Curtain Asm. - Left Blackout - Velcro Top - 70" x 50"
*	077591-04-W05	EA	Curtain Asm. - Left Blackout - Velcro Top - 70" x 50"
*	077591-04-W06	EA	Curtain Asm. - Left Blackout - Velcro Top - 70" x 50"
*	073304-26-W04	EA	Curtain Asm. - Room Divider - 54" x 40"
*	073304-26-W05	EA	Curtain Asm. - Room Divider - 54" x 40"
*	073304-26-W24	EA	Curtain Asm. - Room Divider - 54" x 40" (W06)
*	073295-04-W04	EA	Curtain Asm. - Wraparound - 23" x 64"
*	073295-04-W05	EA	Curtain Asm. - Wraparound - 23" x 64"
*	073295-04-W06	EA	Curtain Asm. - Wraparound - 23" x 64"
*	073260-23-W04	EA	Tie Back Asm. - 3" x 18" - Drapery
*	073260-23-W05	EA	Tie Back Asm. - 3" x 18" - Drapery
*	073260-23-W06	EA	Tie Back Asm. - 3" x 18" - Drapery
*	073260-24-W18	EA	Tie Back Asm. - 2" x 14" - Drapery (W04)
*	073260-24-W19	EA	Tie Back Asm. - 2" x 14" - Drapery (W05)
*	073260-24-W17	EA	Tie Back Asm. - 2" x 14" - Drapery (W06)
*	085283-01-000	EA	Hold Back - Clear Plastic Bracket
*	057534-01-000	EA	Tie Back Asm. - 6" - Clear Plastic
**	Not illustrated		
**	Parts used on the bunk house option (not illustrated)		

**CURTAIN, CUSHION & PAD GROUP (CONTINUED)**

FABRICS, TRIMS & PADS			
Key	Part Number	U/M	Description
	077498-91-000	YD	Fabric w/Pattern - Upholstery - (W04)
	077498-92-000	YD	Fabric w/Pattern - Upholstery - (W05)
	077498-93-000	YD	Fabric w/Pattern - Upholstery - (W06)
	077498-A6-000	YD	Fabric w/Pattern - Upholstery Accent (W04)
	077498-A5-000	YD	Fabric w/Pattern - Upholstery Accent (W05)
	077498-A7-000	YD	Fabric w/Pattern - Upholstery Accent (W06)
	077498-95-000	YD	Fabric - Upholstery - Accent - Plain (W04)
	077498-81-LJ0	YD	Fabric - Upholstery - Accent - Plain (W05)
	077498-98-000	YD	Fabric - Upholstery - Accent - Plain (W06)
	072333-39-000	YD	Fabric - Drapery (W04)
	072333-37-000	YD	Fabric - Drapery (W05)
	072333-38-000	YD	Fabric - Drapery (W06)
	072333-34-000	YD	Fabric - Drapery - Bedroom (W04)
	072333-35-000	YD	Fabric - Drapery - Bedroom (W05)
	072333-36-000	YD	Fabric - Drapery - Bedroom (W06)
	089729-47-000	YD	Fabric - Bedspread (W04)
	089729-48-000	YD	Fabric - Bedspread (W05)
	089729-49-000	YD	Fabric - Bedspread (W06)
	038421-04-100	YD	Fabric - Mattress Ticking
	084416-10-000	YD	Fabric - Liner - Pull Shade
	084415-12-000	YD	Trim Braid - Pull Shade (W04)
	084415-13-000	YD	Trim Braid - Pull Shade (W05)
	084415-14-000	YD	Trim Braid - Pull Shade (W06)
	052859-01-T03	FT	Trim Asm. - Accent - Sandrift
	052859-05-T03	FT	Trim Asm. - Accent - Buckskin
	079680-11-000	YD	Vinyl - Expanded - 26 oz. - Buckskin
	079680-12-000	YD	Vinyl - Expanded - 26 oz. - Sandrift
	070578-06-T03	EA	Button Asm. - #30 - Vinyl
	057550-03-T03	EA	Button Asm. - Nail - Vinyl
	071127-10-W04	EA	Button Asm. - #30
	071127-10-W05	EA	Button Asm. - #30
	071127-10-W06	EA	Button Asm. - #30
	070578-04-W04	EA	Button Asm. - #30 - Screw Stud (W04)
	070578-04-W05	EA	Button Asm. - #30 - Screw Stud (W05)
	070578-04-W06	EA	Button Asm. - #30 - Screw Stud (W06)
	078155-01-000	EA	Strap Asm. - Cushion
	079144-02-000	EA	Strap Asm. - Bunk
	081280-03-U01	EA	End Cap Asm. - Overhead - Dinette - Vinyl
	081280-06-U01	EA	End Cap Asm. - Overhead - Galley - Vinyl
	081280-10-U01	EA	End Cap Asm. - Overhead - Microwave Overhead - Vinyl
	081280-08-U01	EA	End Cap Asm. - Overhead - Entrance Door - Vinyl
	081519-01-W04	EA	Pad Asm. - Dinette - Front
	081519-01-W05	EA	Pad Asm. - Dinette - Front
	081519-01-W06	EA	Pad Asm. - Dinette - Front
	081519-02-W04	EA	Pad Asm. - Dinette - Rear
	081519-02-W05	EA	Pad Asm. - Dinette - Rear
	081519-02-W06	EA	Pad Asm. - Dinette - Rear
	074891-01-W04	EA	Cover w/Pocket - Motor - Chevy
	074891-01-W05	EA	Cover w/Pocket - Motor - Chevy
	074891-01-W06	EA	Cover w/Pocket - Motor - Chevy
	069885-12-W04	EA	Cover w/Pocket - Motor - Ford
	069885-12-W05	EA	Cover w/Pocket - Motor - Ford
	069885-12-W06	EA	Cover w/Pocket - Motor - Ford
	059491-01-W04	EA	Pad Asm. - Door - Passenger - Upper - Chevy
	059491-01-W05	EA	Pad Asm. - Door - Passenger - Upper - Chevy
	059491-01-W06	EA	Pad Asm. - Door - Passenger - Upper - Chevy
	059492-01-W04	EA	Pad Asm. - Door - Driver - Upper - Chevy
	059492-01-W05	EA	Pad Asm. - Door - Driver - Upper - Chevy
	059492-01-W06	EA	Pad Asm. - Door - Driver - Upper - Chevy
	082552-03-W04	EA	Pad Asm. - Door - Driver - Lower - Chevy
	082552-03-W05	EA	Pad Asm. - Door - Driver - Lower - Chevy
	082552-03-W06	EA	Pad Asm. - Door - Driver - Lower - Chevy
	082552-02-W04	EA	Pad Asm. - Door - Passenger - Lower - Chevy
	082552-02-W05	EA	Pad Asm. - Door - Passenger - Lower - Chevy
	082552-02-W06	EA	Pad Asm. - Door - Passenger - Lower - Chevy

**1987 WINNEBAGO  
TABLE OF CONTENTS**

WC/WF424RC	A-01 - C-04
WC/JN31RT	C-05 - E-20
WCN33RU	E-21 - H-10
WCP31RT	H-11 - J-21

**1987 WC/WF424RC INDEX**

Floor Plan	A-01 - A-02
Accessories Group	A-03 - A-05
Bath Group	A-06 - A-07
Chassis Group	A-08 - A-09
Curtain, Cushion & Pad Group	A-10 - A-17
Dinette Group	A-18
Driver's Compartment Group	A-19 - A-21
Electrical Group	A-22 - A-23
Exterior Body Group	A-24 - B-05
Galley Group	B-06 - B-07
Heating & Air Conditioning Group	B-08
Interior Finish Group	B-09 - B-11
LP Group	B-12
Lounge Group	B-13
Water & Sewage Group	B-14 - B-15
Window, Vent & Exterior Door Group	B-16 - C-04

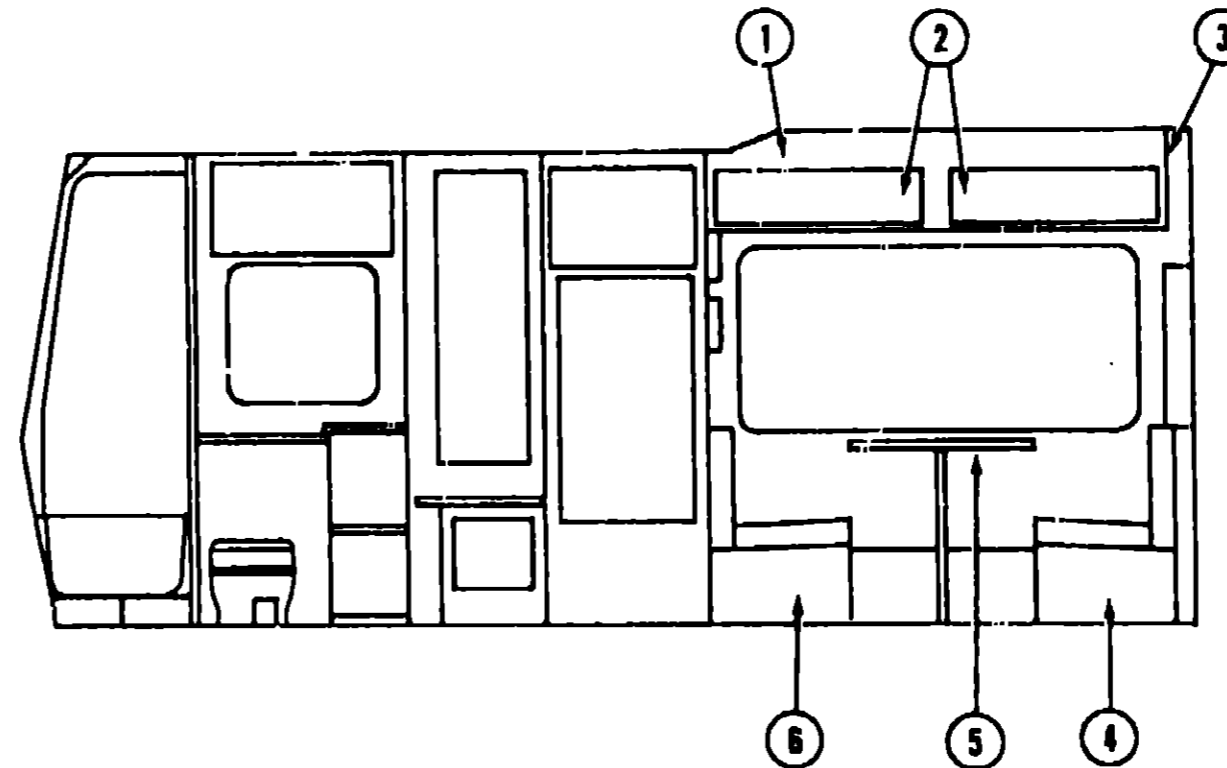


**CURTAIN, CUSHION & PAD GROUP (CONTINUED)**

**BUCKET SEATS**

Key	Part Number	U/M	Description
	084191-02-W04	EA	Seat Asm. - Fabric
	084191-02-W05	EA	Seat Asm. - Fabric
	084191-01-W06	EA	Seat Asm. - Fabric
	M01864-23-W04	EA	Cover Asm. - Seat Bottom
	M01864-23-W05	EA	Cover Asm. - Seat Bottom
	M01864-21-W00	EA	Cover Asm. - Seat Bottom
	M01864-24-W04	EA	Cover Asm. - Seat Back
	M01864-24-W05	EA	Cover Asm. - Seat Back
	M01864-22-W06	EA	Cover Asm. - Seat Back
	078804-10-W04	EA	Seat Asm. - Granduer w/Left Armrest
	078804-10-W05	EA	Seat Asm. - Granduer w/Left Armrest
	078804-10-W08	EA	Seat Asm. - Granduer w/Left Armrest
	M01863-07-W04	EA	Cover Asm. - Bucket Seat Bottom
	M01863-07-W05	EA	Cover Asm. - Bucket Seat Bottom
	M01863-07-W08	EA	Cover Asm. - Bucket Seat Bottom
	M01863-08-W04	EA	Cover Asm. - Bucket Seat Back
	M01863-08-W05	EA	Cover Asm. - Bucket Seat Back
	M01863-08-W08	EA	Cover Asm. - Bucket Seat Back
	080243-08-W04	EA	Armrest Asm. - Left
	080243-08-W05	EA	Armrest Asm. - Left
	080243-08-W08	EA	Armrest Asm. - Left
	M80243-02-W04	EA	Cover Asm. - Armrest - Left
	M80243-02-W05	EA	Cover Asm. - Armrest - Left
	M80243-02-W08	EA	Cover Asm. - Armrest - Left
	078804-09-W04	EA	Seat Asm. - Granduer w/Right Armrest
	078804-09-W05	EA	Seat Asm. - Granduer w/Right Armrest
	078804-09-W06	EA	Seat Asm. - Granduer w/Right Armrest
	M01863-05-W04	EA	Cover Asm. - Bucket Seat Bottom
	M01863-05-W05	EA	Cover Asm. - Bucket Seat Bottom
	M01863-05-W06	EA	Cover Asm. - Bucket Seat Bottom
	M01863-06-W04	EA	Cover Asm. - Bucket Seat Back
	M01863-06-W05	EA	Cover Asm. - Bucket Seat Back
	M01863-06-W06	EA	Cover Asm. - Bucket Seat Back
	080243-07-W04	EA	Armrest Asm. - Right
	080243-07-W05	EA	Armrest Asm. - Right
	080243-07-W06	EA	Armrest Asm. - Right
	M80243-01-W04	EA	Cover Asm. - Armrest - Right
	M80243-01-W05	EA	Cover Asm. - Armrest - Right
	M80243-01-W06	EA	Cover Asm. - Armrest - Right
	080242-04-W04	EA	Headrest Asm.
	080242-04-W05	EA	Headrest Asm.
	080242-04-W06	EA	Headrest Asm.
	M80242-01-W04	EA	Cover Asm. - Headrest
	M80242-01-W05	EA	Cover Asm. - Headrest
	M80242-01-W06	EA	Cover Asm. - Headrest

**DINETTE GROUP**



**1987 WINNEBAGO  
TABLE OF CONTENTS**

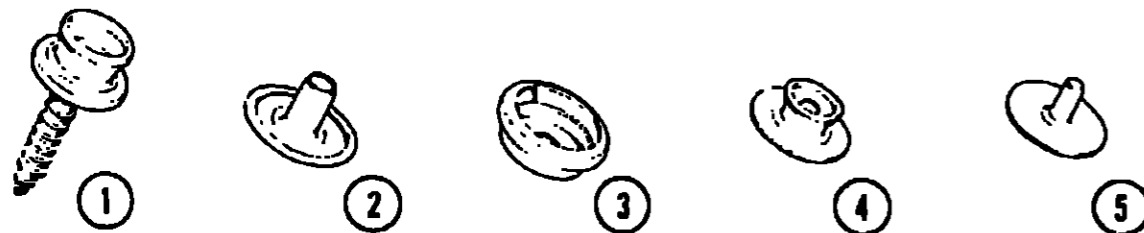
WC/WF424RC  
WC/JN31RT  
WCN33RU  
WCP31RT

A-01 - C-04  
C-05 - E-20  
E-21 - H-10  
H-11 - J-21

Key	Part Number	U/M	Description
1	M81739-01-V04	EA	Cabinet Asm. - Dinette Overhead - w/o Doors or Hardware
2	M81523-02-W04	EA	Door Asm. - Dinette Overhead - w/o Hardware
3	081280-03-U01	EA	Pad Asm. - End Cap - Dinette Overhead - Vinyl
4	M02487-01-U01	EA	Cabinet Asm. - Dinette Seat - w/o Door or Hardware
	M02488-01-W04	EA	Cabinet Asm. - Dinette Back
5	M02115-09-U17	EA	Table Asm. - Dinette - w/o Hardware
6	M02489-01-U01	EA	Cabinet Asm. - Dinette Seat - w/o Door or Hardware
	M02488-01-W04	EA	Cabinet Asm. - Dinette Back
	053200-05-000	EA	Bracket - Upper Wall Mount - 23.5"
**	053201-06-000	EA	Bracket - Table Mount - 23"
	024275-05-000	EA	Rod - Table Lift - 8" x 23.5" - Beige
	024281-07-000	EA	Bracket - Lower Wall Mount - 22.12" - Beige
	024276-17-000	EA	Leg Asm. - Table - Tan
**	064050-02-000	EA	Hinge - Table Leg
**	024282-01-000	EA	Brace - Table Leg
**	024283-01-000	EA	Clip - 1" O.D. Tube
	046493-05-000	EA	Catch - Table Leg - Mounts on Floor - Tan
	064781-03-000	EA	Cup Holder - 3.47" O.D. x 2.75" I.D. x 1.5" - Tan
			Not illustrated
**	The illustrated parts breakdown for this item is provided on the Common Items Fiche.		

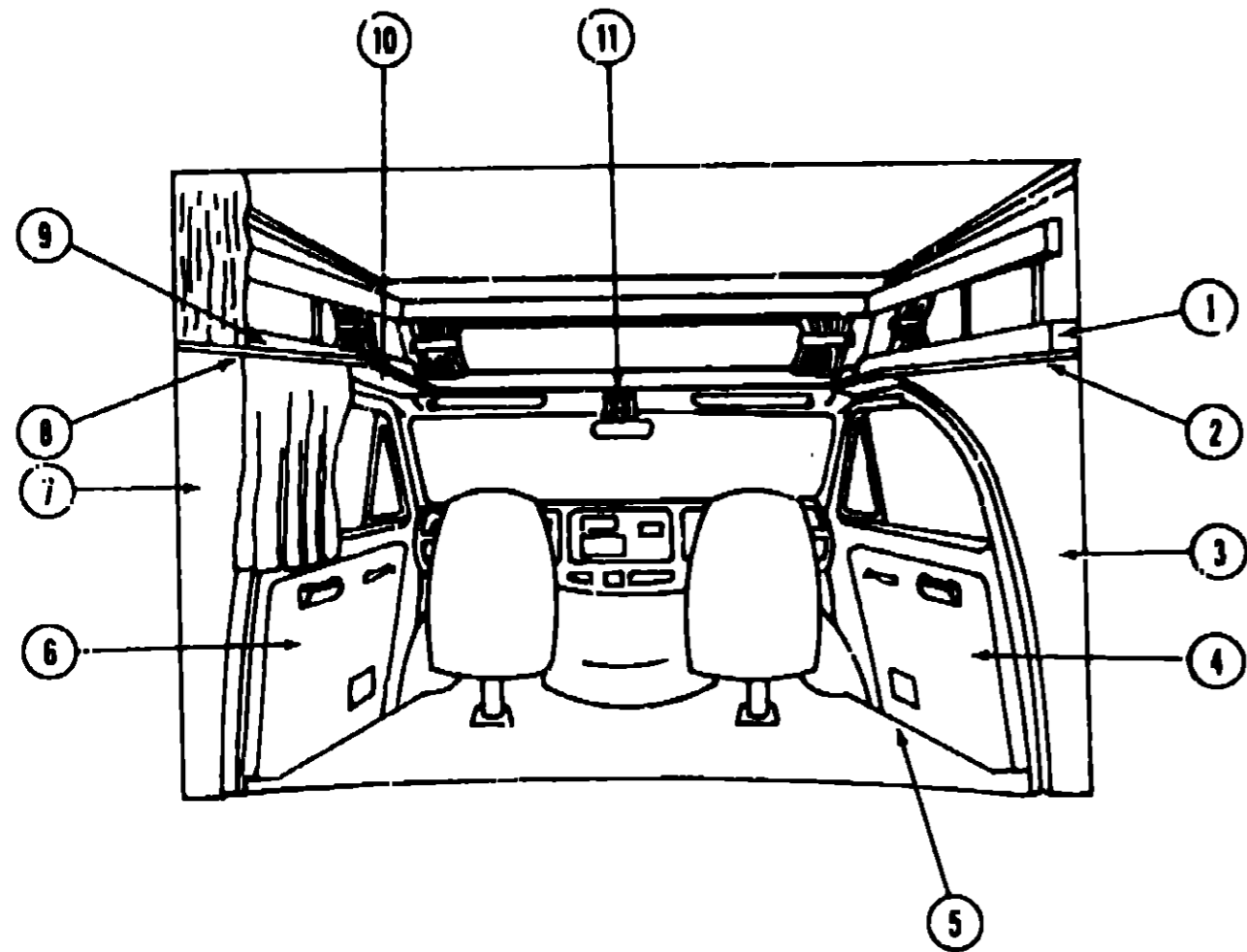
**1987 WC/WF424RC INDEX**

Floor Plan	A-01 - A-02
Accessories Group	A-03 - A-05
Bath Group	A-06 - A-07
Chassis Group	A-08 - A-09
Curtain, Cushion & Pad Group	A-10 - A-17
Dinette Group	A-18
Driver's Compartment Group	A-19 - A-21
Electrical Group	A-22 - A-23
Exterior Body Group	A-24 - B-05
Galley Group	B-06 - B-07
Heating & Air Conditioning Group	B-08
Interior Finish Group	B-09 - B-11
LP Group	B-12
Lounge Group	B-13
Water & Sewage Group	B-14 - B-15
Window, Vent & Exterior Door Group	B-16 - C-04



Key	Part Number	U/M	Description
1	029130-01-000	EA	Socket - Snap Fastener
2	029155-01-000	EA	Cap - Snap - .156" Dia. x 17" Barrel
3	029156-01-000	EA	Socket - Snap Fastener
4	029092-01-000	EA	Stud - Nickel Finish
5	029093-01-000	EA	Eyelet - Nickel Finish

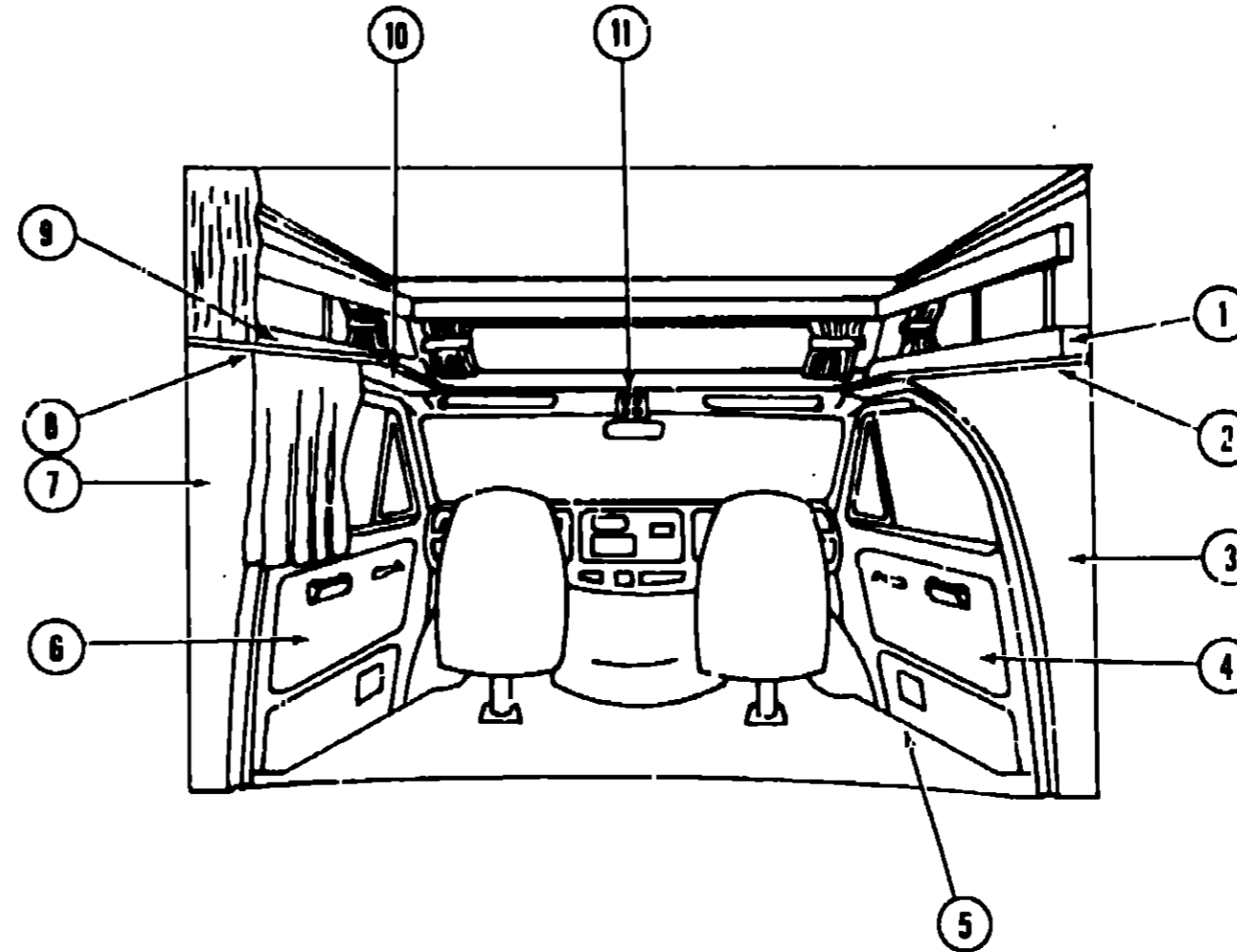
### DRIVER'S COMPARTMENT GROUP



MISCELLANEOUS DRIVER'S COMPARTMENT COMPONENTS (FORD)

Key	Part Number	U/M	Description
1	087012-01-W04	EA	Cabinet Asm. - Headboard
2	079528-02-W04	EA	Panel Asm. - Sleeper Board - w/o Vinyl
	079800-01-000	EA	Trim - Front Sleeper Board
3	M82066-01-U01	EA	Panel Asm. - Wingwall Transition - Inner Passenger
**4	NOTE	EA	Side Panel - Cab Door - Passenger
5	083219-01-000	EA	Door Step Mat - Passenger - Brown - Ford
	083219-02-000	EA	Door Step Mat - Driver - Brown - Ford
**6	NOTE	EA	Panel Asm. - Cab Door - Driver - Beige
7	M82066-02-U01	EA	Panel Asm. - Wingwall Transition - Inner Driver
8	082069-01-U01	EA	Accent Trim - Dark Sandrift Vinyl
9	087012-01-W04	EA	Cabinet Asm. - Headboard
10	083431-01-U01	EA	Headliner Asm. - Overhead Bunk
11	M01298-01-000	EA	Console - Overhead - 7.5" x 6.14" - Black
	024461-01-000	EA	Switch - Battery
	024462-01-000	EA	Switch - Battery Condition
	024976-01-000	EA	Switch - Generator w/o Circuit Board
	031035-02-000	EA	Gauge - Generator Hourmeter
	024459-04-000	EA	Gauge - Voltmeter
	024459-02-000	EA	Bracket - Mounting - Voltmeter Gauge
			Not illustrated
**	This part is supplied by your Ford Dealer		

### DRIVER'S COMPARTMENT GROUP (CONTINUED)



MISCELLANEOUS DRIVER'S COMPARTMENT COMPONENTS (CHEVY)

Key	Part Number	U/M	Description
1	087012-01-W04	EA	Cabinet Asm. - Headboard
2	079528-01-W04	EA	Panel Asm. - Sleeper Board - w/o Vinyl
	079800-01-000	EA	Trim - Front - Sleeper Board
3	M82554-04-W04	EA	Panel Asm. - Wingwall Transition - Inner Passenger
4	059491-01-W04	EA	Side Panel - Cab Door - Passenger
4	059491-01-W05	EA	Side Panel - Cab Door - Passenger
4	059491-01-W06	EA	Side Panel - Cab Door - Passenger
5	080359-01-000	EA	Door Step Mat - Passenger & Driver
6	059492-01-W04	EA	Side Panel - Cab Door - Driver
6	059492-01-W05	EA	Side Panel - Cab Door - Driver
6	059492-01-W06	EA	Side Panel - Cab Door - Driver
7	M82554-05-W04	EA	Panel Asm. - Wingwall Transition - Inner - Driver
8	082069-01-U01	EA	Accent Trim - Dark Sandrift Vinyl
9	087012-01-W04	EA	Cabinet Asm. - Headboard
10	084591-01-U01	EA	Headliner Asm. - Overhead Bunk - Vinyl
11	M01298-03-000	EA	Console - Overhead - 7.5" x 6.14" - Beige
	024461-01-000	EA	Switch - Battery
	024462-01-000	EA	Switch - Battery Condition
	024976-01-000	EA	Switch - Generator w/o Circuit Board
	031035-02-000	EA	Gauge - Generator Hourmeter
	024459-04-000	EA	Gauge - Voltmeter
	024459-02-000	EA	Bracket - Mounting - Voltmeter Gauge
			Not illustrated

### 1987 WINNEBAGO TABLE OF CONTENTS

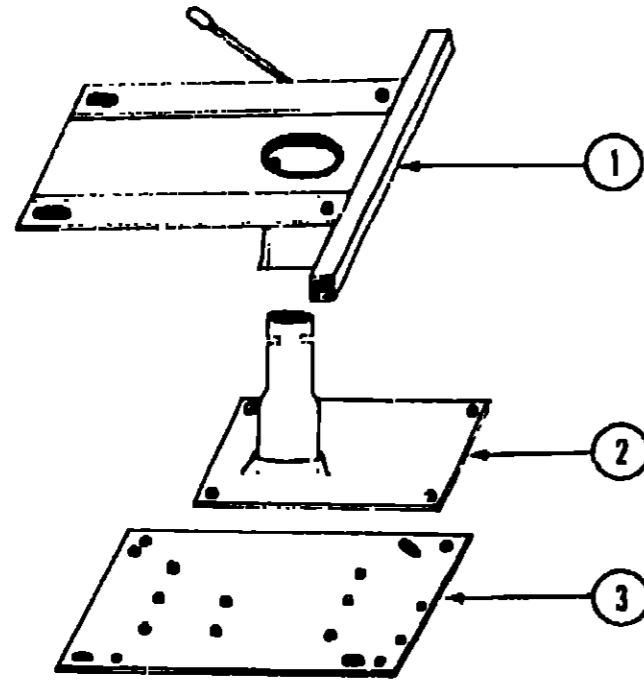
WC/WF424RC  
WC/JW31RT  
WCN33RU  
WCP31RT

A-01 - C-04  
C-05 - E-20  
E-21 - H-10  
H-11 - J-21

### 1987 WC/WF424RC INDEX

Floor Plan	A-01 - A-02
Accessories Group	A-03 - A-05
Bath Group	A-06 - A-07
Chassis Group	A-08 - A-09
Curtain, Cushion & Pad Group	A-10 - A-17
Dinette Group	A-18
Driver's Compartment Group	A-19 - A-21
Electrical Group	A-22 - A-23
Exterior Body Group	A-24 - B-05
Galley Group	B-06 - B-07
Heating & Air Conditioning Group	B-08
Interior Finish Group	B-09 - B-11
LP Group	B-12
Lounge Group	B-13
Water & Sewage Group	B-14 - B-15
Window, Vent & Exterior Door Group	B-16 - C-04

**DRIVER'S COMPARTMENT GROUP (CONTINUED)**



**BUCKET SEAT PEDESTAL & SEAT BELTS**

Key	Part Number	U/M	Description
1	069585-27-000	EA	Plate - Top - Pedestal Asm. - Bucket Seat
1	069585-20-000	EA	Plate - Top - Pedestal Asm. - Power Seat
2	069585-03-000	EA	Plate - Sub - Pedestal Asm. - Bucket Seat
2	069585-18-000	EA	Plate - Sub - Pedestal Asm. - Power Seat
3	069585-02-000	EA	Plate - Base - Pedestal Asm. - Bucket Seat
.	081373-02-000	EA	Seat - Power
.	056271-02-000	EA	Belt Asm. - Seat - 2" x 72" - Black
.	007021-01-000	EA	Belt Asm. - Seat - 2" x 90" - Black
.	041322-01-000	EA	Washer - Flat 15/32" I.D. x 2 3/8" O.D. - Seat Belt
.	057759-01-000	EA	Bracket - Seat Belt Washer
.	069246-01-000	EA	Adjuster Asm. - Seat - w/Lock
.	069246-02-000	EA	Adjuster Asm. - Seat - w/o Lock
.	080730-02-000	EA	Recliner Drive - Driver
.	080730-01-000	EA	Recliner Drive - Passenger
.			Not illustrated

**ELECTRICAL GROUP**

**BULBS**

Key	Part Number	U/M	Description
	009220-01-000	EA	Bulb - 12V - 25W
	008103-01-000	EA	Bulb - 53
	008213-01-000	EA	Bulb - 57
	008214-01-000	EA	Bulb - 67
	036196-01-000	EA	Bulb - 194
	008215-01-000	EA	Bulb - 1003
	087479-01-000	EA	Bulb - 1076
	083914-01-000	EA	Bulb - 1139
	008218-01-000	EA	Bulb - 1141
	037935-01-000	EA	Bulb - 1157
	056288-02-000	EA	Bulb - 9431808 - Dome Light

**FUSES & CIRCUIT BREAKERS**

Key	Part Number	U/M	Description
	008211-01-000	EA	Circuit Breaker - 6 Amp. - 12 Volt
	033573-02-000	EA	Circuit Breaker - 15 Amp. - 12 Volt - w/Mount
	033573-01-000	EA	Circuit Breaker - 20 Amp. - 12 Volt - w/Mount
	044466-02-000	EA	Circuit Breaker - 25 Amp. - 12 Volt - w/Mount
	008268-01-000	EA	Circuit Breaker - 30 Amp. - 12 Volt - w/Mount
	083209-01-000	EA	Circuit Breaker - 15 Amp. - 120 Volt
	083207-05-000	EA	Circuit Breaker - 20 Amp. - 120 Volt
	083209-04-000	EA	Circuit Breaker - 30 Amp. - 120 Volt
	071780-01-000	EA	Circuit Breaker Blank
	050283-02-000	EA	Circuit Breaker - Buss Bar
	083209-08-000	EA	Circuit Breaker - Blank

**INTERIOR LIGHT**

Key	Part Number	U/M	Description
	033508-02-000	EA	Light - Dome - Ivory - 1 Bulb - US
	033509-02-000	EA	Light - Dome - Ivory - 2 Bulb - US
	078424-02-000	EA	Light - Fluorescent - 12V - 18" - Almond
	061424-01-000	EA	Light - 12V Receptacle - Aisle - IP
	007309-01-000	EA	Light - Step Well
	077026-01-000	EA	Lens - Courtesy Light - Clear

**EXTERIOR LIGHTS**

Key	Part Number	U/M	Description
	058032-01-000	EA	Tail Lamp Asm. - 2 Bulb - Chrome - Driver/Passenger
	073844-01-000	EA	Lamp Asm. - License
	076795-01-000	EA	Light Asm. - License - GM912368
	059540-01-000	EA	Bracket - License Plate
	062405-03-000	EA	Base - Rectangular Clearance Light
	042405-01-000	EA	Lens - Clearance Light - Red w/Reflex
	075459-04-000	EA	Tail Lamp Asm. - Red (Black)
	075459-05-000	EA	Tail Lamp Asm. - Amber (Black)
	075459-06-000	EA	Tail Lamp Asm. - Backup/Reflex (Black)
	042405-02-000	EA	Lens - Clearance Light - Amber w/Reflex
	048817-01-000	EA	Assist Handle Asm. w/Light
	079941-01-000	EA	Lamp Asm. - w/Cover - Fog - Amber
	086280-01-000	EA	Light - Dome - Surface - No Switch
	081250-02-000	EA	Light Asm. - Cab Marker - Red

**MISCELLANEOUS ELECTRICAL COMPONENTS**

Key	Part Number	U/M	Description
	047338-03-000	EA	Isolator - Dual Battery - 70 Amp.
	009188-01-000	EA	Solenoid - Dual Battery - Relay
	083208-01-000	EA	Control Center - 120 Amp. w/Charger

**1987 WINNEBAGO  
TABLE OF CONTENTS**

WC/WF424RC	A-01 - C-04
WC/JN31RT	C-05 - E-20
WCN33RU	E-21 - H-10
WCP31RT	H-11 - J-21

**1987 WC/WF424RC INDEX**

Floor Plan	A-01 - A-02
Accessories Group	A-03 - A-05
Bath Group	A-06 - A-07
Chassis Group	A-08 - A-09
Curtain, Cushion & Pad Group	A-10 - A-17
Dinette Group	A-18
Driver's Compartment Group	A-19 - A-21
Electrical Group	A-22 - A-23
Exterior Body Group	A-24 - B-05
Galley Group	B-06 - B-07
Heating & Air Conditioning Group	B-08
Interior Finish Group	B-09 - B-11
LP Group	B-12
Lounge Group	B-13
Water & Sewage Group	B-14 - B-15
Window, Vent & Exterior Door Group	B-16 - C-04

## ELECTRICAL GROUP (CONTINUED)

### WIRE, SWITCHES & RECEPTACLES

Key	Part Number	U/M	Description
	008058-01-000	EA	Adapter - Power Cord
	008288-01-000	EA	Box - Electrical - 3" x 3.5" - Plastic
	008289-01-000	EA	Box - Electrical - 4" x 4" - 1/2 & 3/4 Steel - UL
	058049-01-000	EA	Box - Electrical - 2" x 3" x 2.25" - Steel
	041953-01-000	EA	Conduit - Convoluted Silt - .5" I.D.
	058028-01-000	EA	Connector - Pigtail - Clear Nylon
	008314-01-000	EA	Connector - Wire Nut - Gray
	008311-01-000	EA	Connector - Wire Nut - Red
	031968-01-000	EA	Contact Plug - Brass - Tin Plated
	031967-01-000	EA	Contact - Receptacle
	008054-01-000	EA	Cord - Power - 10-3 30 Amp. - 25' - UL
	069238-01-000	EA	Cover - Electrical Box - 4" x 4"
	084077-02-000	EA	Cover Plate - Receptacle - Ground Fault Interrupter - Brown
	008154-01-000	EA	Cover Plate - Switch - Brown
	008294-01-000	EA	Cover - Flat Blank - 4" x 4" - Steel - US
	008277-01-000	EA	Fuse Holder - Panel Mount - Black
	064399-01-000	EA	Housing Asm. - Trailer Pin
	064450-01-000	EA	Housing Asm. - Trailer Plug
	064398-01-000	EA	Housing Asm. - Trailer Receptacle
	054532-01-000	EA	Housing Pin - 6 Position
	054532-02-000	EA	Housing Pin - 4 Position
	046885-01-000	EA	Plaque - Mounting Switch
	075736-01-000	EA	Receptacle/Cover Asm. - Gray (Exterior)
	058708-01-000	EA	Receptacle - Duplex - Brown
	084076-02-000	EA	Receptacle - Ground Fault Interrupter - 125 Volt - Brown
	024924-02-000	EA	Receptacle - Power Cord
	058707-01-000	EA	Receptacle - Single - Brown
	075723-01-000	EA	Switch - Block Spacer - w/o Holes
	075723-02-000	EA	Switch - Block Spacer - w/Holes
	077942-01-000	EA	Switch - Dummy - Black
	077942-02-000	EA	Switch - Dummy - Brown
	056264-01-000	EA	Switch - Leaf Actuator
	081066-01-000	EA	Switch - 2 Gang - 2 Switch
	079362-01-000	EA	Switch Plate - 3 Gang - 2 Switches
	079363-01-000	EA	Switch Plate - Single - w/Switches
	079364-01-000	EA	Switch - On/Off Rocker - Brown
	008195-01-000	EA	Switch - Push Button - 12 Volt
	047443-02-000	EA	Terminal - .250 Receptacle - 12-10 AWG
	008348-01-000	EA	Terminal Ring - 2 - w/3/8 Stud
	008331-01-000	EA	Terminal Ring - 4 - w/3/8 Stud
	008328-01-000	EA	Terminal Ring - 12/10 Wire
	054865-01-000	EA	Wire Asm. - Generator Switch
	008028-01-000	FT	Wire - 18.5 Bonded - Blue/Red/Yellow/Orange/White
	008024-01-000	FT	Wire - 18.5 Bonded - Orange/White/Yellow/Blue/Brown
	008025-01-000	FT	Wire - 18.5 Bonded - Orange/White/Yellow/Blue/Green
	008026-01-000	FT	Wire w/Ground - Romex - 12/2

## EXTERIOR BODY GROUP

### MISCELLANEOUS EXTERNALLY MOUNTED PARTS

Key	Part Number	U/M	Description
	083558-01-000	EA	Plumbing Seal - Roof Vent - 1.5
	048817-01-000	EA	Assist Handle - w/Light
	048817-01-700	EA	Lens - Assist Handle
	010230-02-000	EA	Fill - City Water - Recessed - Off White
	087659-04-000	EA	Fill - City Water - Off White
	081240-03-000	EA	Fill - City Water - Lockable - Off White
	072447-02-000	EA	Shroud - Fuel Fill
	079384-01-700	EA	Hardware Set - Running Board (Chevy)
	079384-01-701	EA	Tread - Running Boards (Set of 4) (Chevy)
	079384-01-702	EA	Trim - Wheel Lip - Chrome (Chevy)
	079384-03-000	EA	Running Board - Right (Chevy)
	079384-04-000	EA	Running Board - Left (Chevy)
	079384-07-000	EA	Bracket - Running Board Mounting (Chevy)
	079384-02-700	EA	Hardware Set - Running Board (Ford)
	079384-02-701	EA	Tread - Running Board (Ford)
	079384-02-702	EA	Trim - Wheel Lip - Chrome (Ford)
	079384-02-703	EA	Trim - Wheel Lip - Chrome - 9" (Ford)
	079384-05-000	EA	Running Board - Right (Ford)
	079384-06-000	EA	Running Board - Left (Ford)
	079384-09-000	EA	Bracket - Rear - Z (Ford)
	079384-10-000	EA	Bracket - Front - Z (Ford)
	080359-01-000	EA	Plate - Stepwell (Chevy)
	080359-02-000	EA	Plate - Stepwell (Ford)

### LABELS & EXTERIOR PAINT

Key	Part Number	U/M	Description
	068383-01-000	EA	Label - Diesel Fuel
	006195-01-000	EA	Label - Electrical Test
	047731-01-000	EA	Label - Emergency Exit
	006199-01-000	EA	Label - Exit - Escape Window
	057467-04-000	EA	Label - Exterior Loading Limit
	064378-01-000	EA	Label - Flying "W" w/Thermo Panel
	077956-01-000	EA	Label - Warning Smoke Detector
	061417-01-000	EA	Label - Fuel
	006196-01-000	EA	Label - Gas Test
	054531-01-000	EA	Label - LP Gas Only
	040944-01-000	EA	Label - Open - Entrance Door
	006015-01-000	EA	Label - Patent Motor Home
	058259-01-000	EA	Label - Safety Check List
	006064-01-000	EA	Label - Seat - w/o Seat Belts
	006187-01-000	EA	Label - Sewage
	006006-01-000	EA	Label - Thermo Panel - 2 1/4" x 2 1/4"
	075221-01-000	EA	Label - Trailer Hitch Capacity
	075220-01-000	EA	Label - Warning - Exterior Load Limit
	050225-01-000	EA	Label - Warning - Stove Vent - US
	006188-01-000	EA	Label - Waste Water
	006197-01-000	EA	Label - Water Test
	072863-01-000	EA	Nameplate - Diesel - 6.2L
	006062-01-000	EA	Tag - Electrical - 110 Volt Connection
	006040-01-000	EA	Tag - Gas - Refueling Warning
	044486-03-000	EA	Paint - Beige Acrylic Enamel - 16 oz. Aerosol (7633A Dupont)
	045681-03-000	EA	Paint - Gloss Black - Acrylic Enamel - 16 oz. Aerosol (99 Dupont)
	058637-05-000	EA	Paint - Gray Acrylic Enamel - 16 oz. Aerosol (71537 Dupont)
	041561-03-000	EA	Paint - Off White Acrylic Enamel - 16 oz. Aerosol (45396A Dupont)
	074559-01-000	EA	Label "LPG" - 3.3" x 1.75" - (Calif. Code)

## 1987 WINNEBAGO TABLE OF CONTENTS

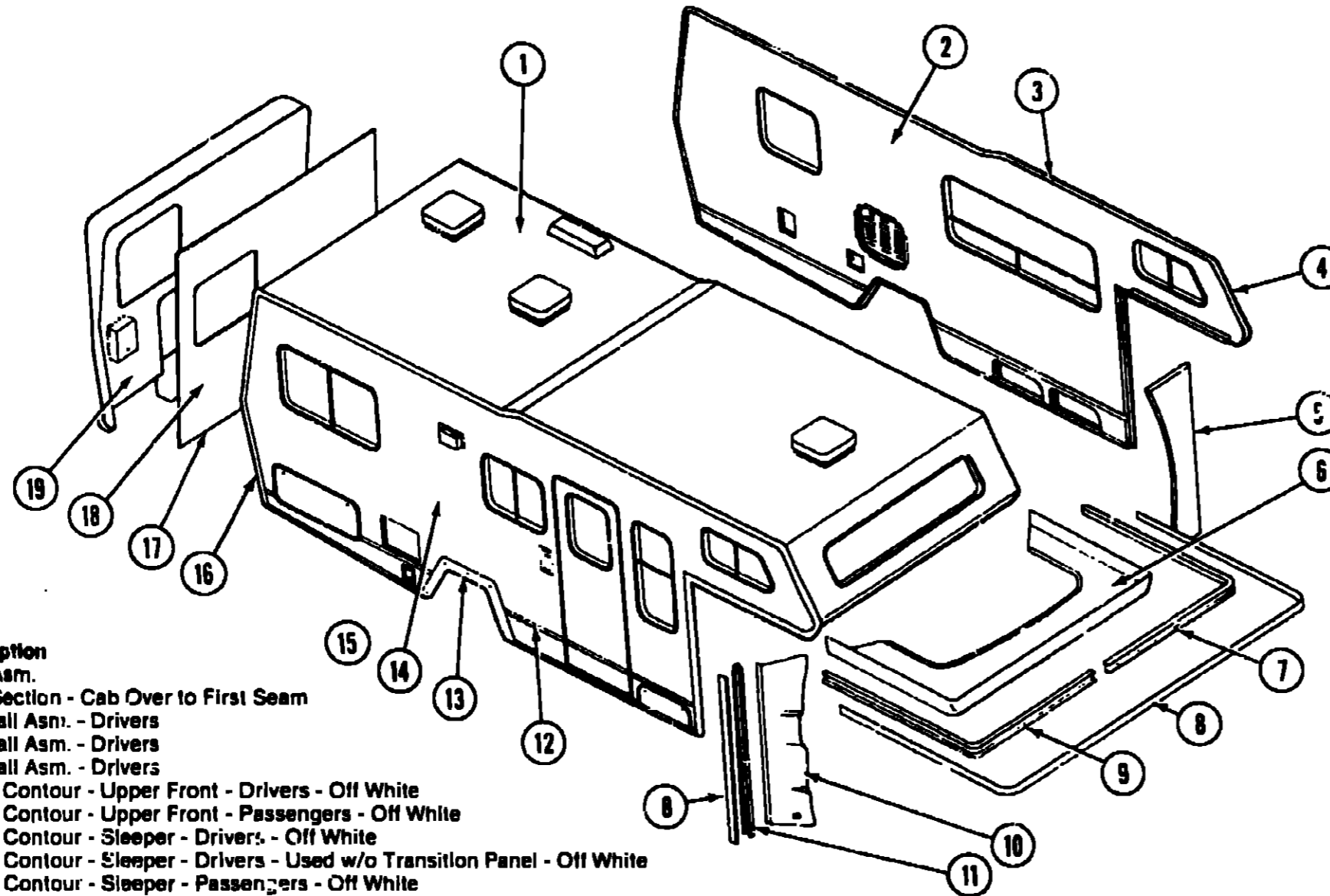
WC/WF424RC	A-01 - C-04
WC/JN31RT	C-05 - E-20
WCN33RU	E-21 - H-10
WCP31RT	H-11 - J-21

## 1987 WC/WF424RC INDEX

Floor Plan	A-01 - A-02
Accessories Group	A-03 - A-05
Bath Group	A-06 - A-07
Chassis Group	A-08 - A-09
Curtain, Cushion & Pad Group	A-10 - A-17
Dinette Group	A-18
Driver's Compartment Group	A-19 - A-21
Electrical Group	A-22 - A-23
Exterior Body Group	A-24 - B-05
Galley Group	B-06 - B-07
Heating & Air Conditioning Group	B-08
Interior Finish Group	B-09 - B-11
LP Group	B-12
Lounge Group	B-13
Water & Sewage Group	B-14 - B-15
Window, Vent & Exterior Door Group	B-16 - C-04

## EXTERIOR BODY GROUP (CONTINUED)

### EXTERIOR BODY PANELS



Key	Part Number	U/M	Description
1	M86746-01-W04	EA	Roof Asm.
*	M76177-01-700	EA	Roof Section - Cab Over to First Seam
2	M86750-01-W04	EA	Sidewall Asm. - Drivers
2	M86750-01-W05	EA	Sidewall Asm. - Drivers
2	M86750-01-W06	EA	Sidewall Asm. - Drivers
3	076802-08-000	EA	Trim - Contour - Upper Front - Drivers - Off White
*	076802-07-000	EA	Trim - Contour - Upper Front - Passengers - Off White
4	086889-04-000	EA	Trim - Contour - Sleeper - Drivers - Off White
4	076828-02-000	EA	Trim - Contour - Sleeper - Drivers - Used w/o Transition Panel - Off White
*	086889-03-000	EA	Trim - Contour - Sleeper - Passengers - Off White
5	MR1653-04-W04	EA	Wingwall Asm. - Drivers (Ford)
5	M82343-04-W04	EA	Wingwall Asm. - Drivers (Chevy)
*	MB1653-03-W04	EA	Wingwall Asm. - Passengers (Ford)
*	M82343-03-W04	EA	Wingwall Asm. - Passengers (Chevy)
6	080858-01-000	EA	Sleeper Board Transition Cap - Fiberglass (Ford)
6	080861-01-000	EA	Sleeper Board Transition Cap - Fiberglass (Chevy)
7	085491-02-000	EA	Trim - Transition Cap - Front Left - Off White - Aluminum
8	086279-02-000	FT	Molding - Transition Trim - Off White
9	085491-01-000	EA	Trim - Transition Cap - Front Right - Off White - Aluminum
*	039644-08-000	EA	Trim - Sleeper Board - Front - Used w/o Transition Panel - Off White
10	080683-02-W04	EA	Panel Asm. - Right Wingwall Transition (Ford)
*	080683-01-W04	EA	Panel Asm. - Left Wingwall Transition (Ford)
10	080684-02-W04	EA	Panel Asm. - Right Wingwall Transition (Chevy)
*	080684-01-W04	EA	Panel Asm. - Left Wingwall Transition (Chevy)
11	085492-01-000	EA	Trim - Transition Panel - Off White - Aluminum
*	087275-01-000	EA	Cap - Transition Trim - Off White - Notched Left
*	087275-02-000	EA	Cap - Transition Trim - Off White - Notched Right
*	087276-01-000	EA	Filler - Transition Panel - Right - Off White - ABS Plastic
*	087276-02-000	EA	Filler - Transition Panel - Left - Off White - ABS Plastic
12	059576-05-000	EA	Feature Strip - w/o Insert - 14.8' - Off White
*	001030-02-003	EA	Insert - Feature Strip - 17' - Stucco - Off White
13	075189-01-000	EA	Trim - Wheel Well - Right Rear - Off White
*	075189-02-000	EA	Trim - Wheel Well - Left Rear - Off White
**14	M86748-01-W04	EA	Sidewall Asm. - Passenger
**14	M86748-01-W05	EA	Sidewall Asm. - Passenger
**14	M86748-01-W06	EA	Sidewall Asm. - Passenger

Key	Part Number	U/M	Description
15	077339-09-000	EA	Trim - Contour - Upper Right Rear - Off White
*	077339-10-000	EA	Trim - Contour - Upper Left Rear - Off White
16	073502-15-000	EA	Trim - Fiberglass Cap - Right Rear - Off White
*	073502-16-000	EA	Trim - Fiberglass Cap - Left Rear - Off White
17	074966-02-000	EA	Trim - Backwall - Lower - Off White
**18	M86748-01-W04	EA	Backwall Asm.
**19	M01898-03-U10	EA	Rear Cap Asm. - Fiberglass - Off White - w/o Hardware
*	002365-01-001	EA	U-Channel - Extrusion - 1" x 18'
*	002776-01-001	EA	U-Channel - Extrusion - 1.75" x 16'
*	077517-19-700	EA	Fiberglass Sheet - 48.08" x 293" - Mesa - Off White
*	077517-04-002	EA	Fiberglass Sheet - 48.08" x 60" - Mesa - Off White
*	001054-01-011	EA	Alum. - No Design - 48" x 96" - Off White
*	000868-01-000	SF	Styrofoam - .75" x 24" x 96"
*	000870-01-000	SF	Styrofoam - 1.5" x 24" x 96"
*	000870-03-000	SF	Styrofoam - 1.34" x 48" x 96"
*	Not illustrated		
**	When ordering designate double bed or bunkbed.		

## 1987 WINNEBAGO TABLE OF CONTENTS

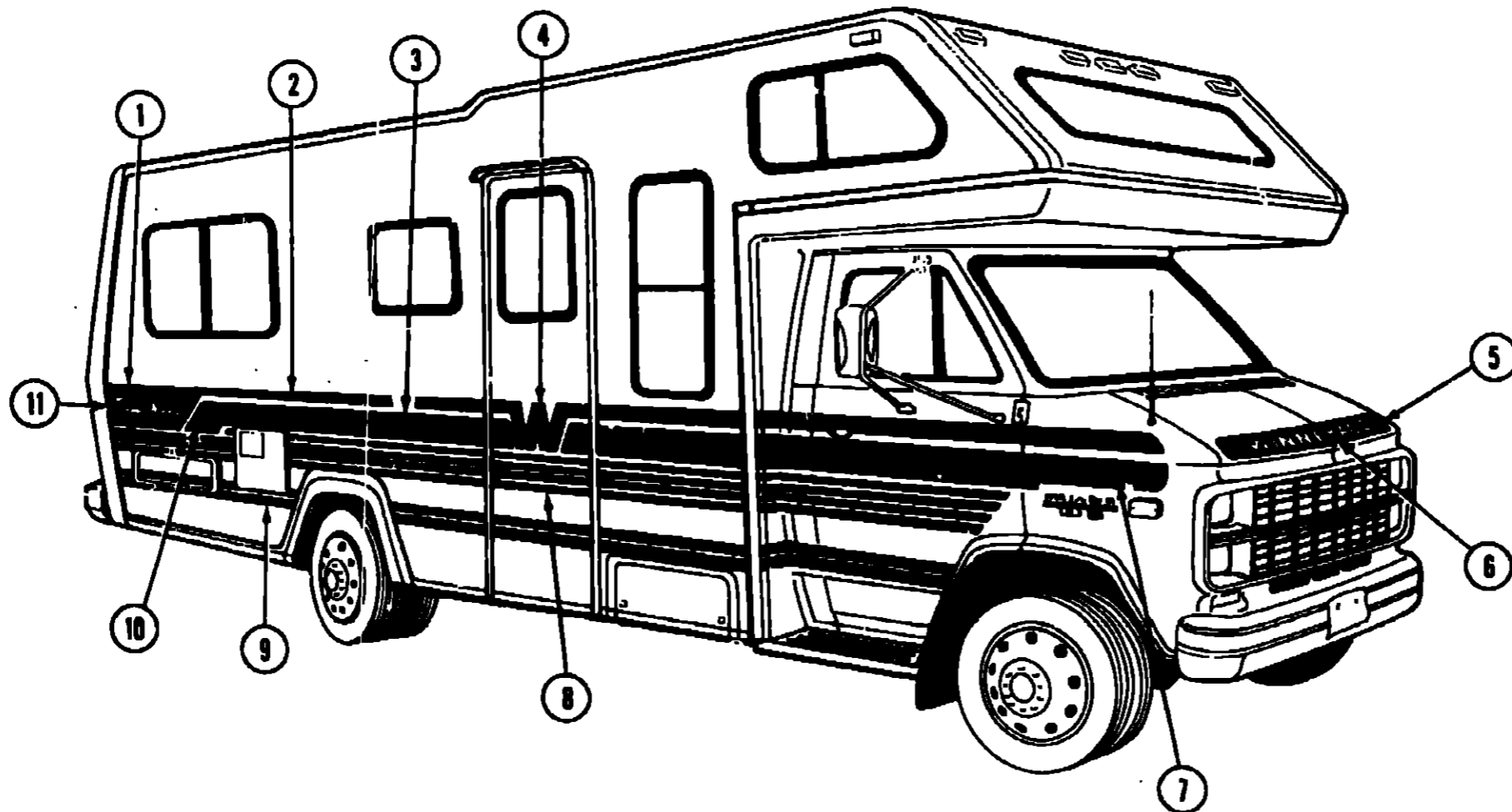
WC/WF424RC  
WC/JN31RT  
WCN33RU  
WCP31RT

A-01 - C-04  
C-05 - E-20  
E-21 - H-10  
H-11 - J-21

### 1987 WC/WF424RC INDEX

Floor Plan	A-01 - A-02
Accessories Group	A-03 - A-05
Bath Group	A-03 - A-07
Chassis Group	A-08 - A-09
Curtain, Cushion & Pad Group	A-10 - A-17
Dinette Group	A-18
Driver's Compartment Group	A-19 - A-21
Electrical Group	A-22 - A-23
Exterior Body Group	A-24 - B-05
Galley Group	B-06 - B-07
Heating & Air Conditioning Group	B-08
Interior Finish Group	B-09 - B-11
LP Group	B-12
Lounge Group	B-13
Water & Sewage Group	B-14 - B-15
Window, Vent & Exterior Door Group	B-16 - C-04

**EXTERIOR BODY GROUP (CONTINUED)**  
**DECALS & STRIPPING**



**1987 WINNEBAGO**  
**TABLE OF CONTENTS**

WC/WF424RC  
WC/JN31RT  
WCN33RU  
WCP31RT

A-01 - C-04  
C-05 - E-20  
E-21 - H-10  
H-11 - J-21

Key	Part Number	U/M	Description
1	085297-01-000	EA	Decal - Rear - Right - Light Green (W04)
1	085297-03-000	EA	Decal - Rear - Right - Rose (W05)
1	085297-05-000	EA	Decal - Rear - Right - Brown (W06)
•	085297-02-000	EA	Decal - Rear - Left - Light Green (W04)
•	085297-04-000	EA	Decal - Rear - Left - Rose (W05)
•	085297-06-000	EA	Decal - Rear - Left - Brown (W06)
2	078831-21-000	FT	Decal Striping - 1.75" x 150' - Light Green (W04)
2	078831-22-000	FT	Decal Striping - 1.75" x 150' - Rose (W05)
2	078831-23-000	FT	Decal Striping - 1.75" x 150' - Brown (W06)
3	078831-24-000	FT	Decal Striping - 4.85" x 150' - Light Green (W04)
3	078831-25-000	FT	Decal Striping - 4.85" x 150' - Rose (W05)
3	078831-26-000	FT	Decal Striping - 4.85" x 150' - Brown (W06)
4	079351-07-000	EA	Decal - Flying "W" - Light Green (W04)
4	079351-08-000	EA	Decal - Flying "W" - Rose (W05)
4	079351-09-000	EA	Decal - Flying "W" - Brown (W06)
5	081944-04-000	EA	Decal - Hood - Light Green (W04)
5	081944-05-000	EA	Decal - Hood - Rose (W05)
5	081944-06-000	EA	Decal - Hood - Brown (W06)
6	069745-03-000	EA	Decal - "Winnie" - Chrome
•	069745-04-000	EA	Decal - "Bago" - Chrome

Key	Part Number	U/M	Description
7	085323-01-000	EA	Decal - Cab Side - Right - Light Green (W04)
7	085323-03-000	EA	Decal - Cab Side - Right - Rose (W05)
7	085323-05-000	EA	Decal - Cab Side - Right - Brown (W06)
•	085323-02-000	EA	Decal - Cab Side - Left - Light Green (W04)
•	085323-04-000	EA	Decal - Cab Side - Left - Rose (W05)
•	085323-06-000	EA	Decal - Cab Side - Left - Brown (W06)
8	078196-14-000	FT	Film - Multistripe - 4.50" x 150' - Peach (W04, W06)
8	078196-15-000	FT	Film - Multistripe - 4.50" x 150' - Burgundy (W05)
9	065217-D4-000	FT	Film - Multistripe - 2.40" x 150' - Light Green/Peach (W04)
9	065217-D5-000	FT	Film - Multistripe - 2.40" x 150' - Rose/Burgundy (W05)
9	065217-D6-000	FT	Film - Multistripe - 2.40" x 150' - Brown/Peach (W06)
10	085297-07-000	EA	Decal - Rear - Right - Light Green (W04)
10	085297-09-000	EA	Decal - Rear - Right - Rose (W05)
10	085297-11-000	EA	Decal - Rear - Right - Brown (W06)
•	085297-08-000	EA	Decal - Rear - Left - Light Green (W04)
•	085297-10-000	EA	Decal - Rear - Left - Rose (W05)
•	085297-12-000	EA	Decal - Rear - Left - Brown (W06)
11	075478-01-000	EA	Decal - Logo - "Minnie Winnie" - Chrome
•	050313-22-000	EA	Decal - Logo - "V/Innebago" 2.80" - Chrome
•			Not illustrated

**1987 WC/WF424RC INDEX**

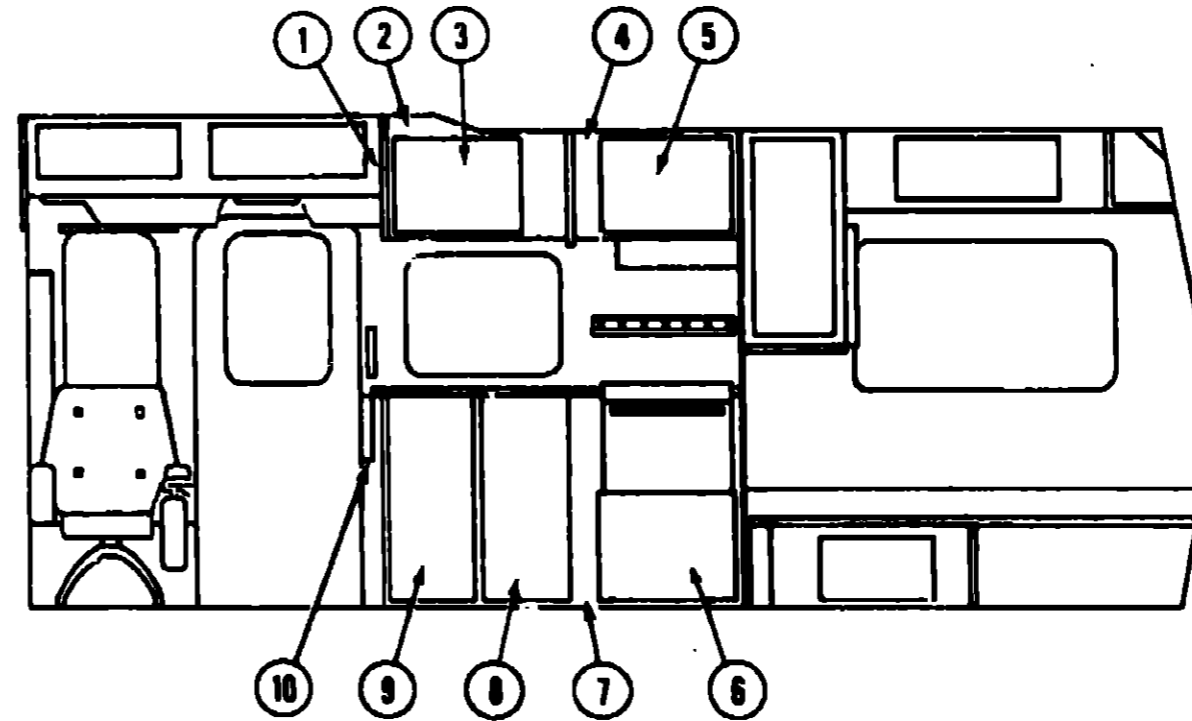
Floor Plan	A-01 - A-02
Accessories Group	A-03 - A-05
Bath Group	A-06 - A-07
Chassis Group	A-08 - A-09
Curtain, Cushion & Pad Group	A-10 - A-17
Dinette Group	A-18
Driver's Compartment Group	A-19 - A-21
Electrical Group	A-22 - A-23
Exterior Body Group	A-24 - B-05
Galley Group	B-06 - B-07
Heating & Air Conditioning Group	B-08
Interior Finish Group	B-09 - B-11
LP Group	B-12
Lounge Group	B-13
Water & Sewage Group	B-14 - B-15
Window, Vent & Exterior Door Group	B-16 - C-04

## EXTERIOR BODY GROUP (CONTINUED)

### SEALANTS & ADHESIVES

Key	Part Number	U/M	Description
	004020-01-000	QT	Adhesive - ABS Cement (Plastic Fittings)
	002337-01-000	EA	Adhesive - 1300 Tube - 3M (Windows)
	004005-02-000	GL	Adhesive - Swifts - Glue (Sidewalls)
	053766-07-000	EA	Bedding Compound - Tube - Beige (Exterior)
	053766-08-000	EA	Bedding Compound - Tube - Clear (Window)
	053766-08-000	EA	Bedding Compound - Tube - Gray (Exterior)
	053766-05-000	EA	Bedding Compound - Tube - Gray (Sidewalls to Floor)
	053766-02-000	EA	Bedding Compound - Tube - Off White (Exterior)
	002328-02-000	EA	Block - Rubber Spacer (Windshield)
	004336-01-000	EA	Caulk - Latex - Golden Walnut (Sidewalls)
	072891-02-000	QT	Primer - Glass - Black
	072891-01-000	QT	Primer - Glass - Clear
	035024-01-000	EA	Primer - Glass - Clear - Windshield
	072890-01-000	QT	Primer - Metal - Black
	035023-01-000	GL	Primer - Metal - Windshield
	077967-01-000	EA	Sealant - Acrylic Latex - Tube - Off White (Interior Sealant)
	034552-04-000	EA	Sealant - Silicone - Beige
	034552-02-000	EA	Sealant - Silicone - Clear
	034552-07-000	EA	Sealant - Silicone - Dark Gray
	034552-06-000	EA	Sealant - Silicone - Off White
	069637-01-000	EA	Sealant - Weatherban 404 - Tube - White (Door Caulk)
	072889-01-000	EA	Sealant - Urethane - Black (Windshield)
	069640-01-000	FT	Sealer Ribbon - .25" Bead x 20'
	069640-02-000	FT	Sealer Ribbon - .5" x .125" x 30'
	069640-03-000	FT	Sealer Ribbon - .75" x .125" x 30'
	069640-04-000	FT	Sealer Ribbon - 2" x .09" x 45' (P Series)
	069640-05-000	FT	Sealer Ribbon - 2.5" x .09" x 50'
	069640-06-000	FT	Sealer Ribbon - 5/16" Bead x 15'
	069640-07-000	FT	Sealer Ribbon - 2" x 3/32" x 30'
	002316-01-000	FT	Sealer Tape - 3/32" x 3/8" - White (Window)
	002707-01-000	FT	Sealer Tape - 5/16" x 3/4"
	002707-02-000	FT	Sealer Tape - 5/16" x 1/2"
	040545-01-000	GL	Sealer - Seam Weld
	053752-04-000	EA	Seam Sealer - Tube - Aluminum (Roof)
	063642-01-000	FT	Tape - Adhesive - .10 mm. x 1.5" Wide
	038886-01-000	EA	Tape - Butyl - .31" x .31" x 148" (Windshield)
	076322-01-000	FT	Tape - Foam - Double Coated - .025 x 1" (Fiberglass Sidewall Seams)
	076322-02-000	FT	Tape - Foam - Double Coated - .045 x 1" (Fiberglass Sidewall Seams)
	009200-01-000	EA	Tape - Furnace - 1.5"
	002825-01-000	FT	Weather Striping (Roof Vent)

## GALLEY GROUP



### GALLEY CABINETRY

Key	Part Number	U/M	Description
1	081280-06-U01	EA	Pad Asm. - End Cap - Galley Overhead - Vinyl
2	082340-01-W04	EA	Cabinet Asm. - Galley Overhead - w/o Doors or Hardware
3	M81523-02-W04	EA	Door Asm. - Galley Overhead - w/o Hardware
4	081460-01-W04	EA	Cabinet Asm. - Galley Overhead - w/o Door or Hardware
5	M81523-01-W07	EA	Door Asm. - Galley Overhead - w/o Hardware
6	M81533-03-W04	EA	Door Asm. - Galley Cabinet - Furnace - w/o Hardware
7	M82339-01-W04	EA	Cabinet Asm. - Galley - w/o Countertop, Doors, Drawers or Hardware
**	M82339-03-W04	EA	Cabinet Asm. - Galley - w/o Countertop, Doors, Drawers, or Hardware
**	M82184-01-W04	EA	Drawer Asm. - Galley Cabinet - w/o Hardware
.	M02503-01-W04	EA	Countertop Asm. - Galley
8	M81501-03-W04	EA	Door Asm. - Galley Cabinet - 33.4" x 14.3" w/o Hardware
9	M81501-02-W04	EA	Door Asm. - Galley Cabinet - 33.4" x 14.3" - w/o Hardware
10	080812-03-W04	EA	Extension Asm. - Galley
.	077404-01-000	EA	Drawer - Plastic - 20" x 12.7"
.	M81502-04-W04	EA	Door Asm. - Refrigerator Cabinet - 18.6" x 11.8" - Left - w/o Hardware
.	M81502-03-W04	EA	Door Asm. - Refrigerator Cabinet - 18.6" x 11.8" - Right - w/o Hardware
.			Not illustrated

\*\*Parts used with Microwave Option

### GALLEY HARDWARE & APPLIANCES

Key	Part Number	U/M	Description
	079352-01-000	EA	Hood - Range - Non-Powered w/Light - Almond
**	079353-01-000	EA	Hood - Range - Powered w/Monitor - Almond - US
	084878-01-000	EA	Duct - Hood Range
	055282-02-000	EA	Range w/Small Oven - 4 Burner - Almond - Magic Chef
	055282-02-700	EA	Frame - Door - Upper
	055282-02-701	EA	Frame - Door - Lower
	055282-02-702	EA	Glass - Door Front
	055282-02-703	EA	Panel Door - Black
	081374-01-000	EA	Range Top - 4 Burner - Almond

## 1987 WINNEBAGO TABLE OF CONTENTS

WC/WF424RC	A-01 - C-04
WC/JN31RT	C-05 - E-20
WCN33RU	E-21 - H-10
WCP31RT	H-11 - J-21

## 1987 WC/WF424RC INDEX

Floor Plan	A-01 - A-02
Accessories Group	A-03 - A-05
Bath Group	A-06 - A-07
Chassis Group	A-08 - A-09
Curtain, Cushion & Pad Group	A-10 - A-17
Dinette Group	A-18
Driver's Compartment Group	A-19 - A-21
Electrical Group	A-22 - A-23
Exterior Body Group	A-24 - B-05
Galley Group	B-06 - B-07
Heating & Air Conditioning Group	B-08
Interior Finish Group	B-09 - B-11
LP Group	B-12
Lounge Group	B-13
Water & Sewage Group	B-14 - B-15
Window, Vent & Exterior Door Group	B-16 - C-04

## GALLEY GROUP (CONTINUED)

### GALLEY HARDWARE & APPLIANCES (CONT.)

Key	Part Number	U/M	Description
**	064473-02-000	EA	Refrigerator - AC/DC/Gas - Norcold 6' - 776-EG3
	084879-02-000	EA	Refrigerator - AC/DC/Gas - Norcold 8' 8663
	084880-02-000	EA	Refrigerator - 3 Way - Norcold 10' - 8683
	054450-01-000	EA	Level - Refrigerator
	081379-01-000	EA	Microwave Oven - Sharp - Convection
	081459-01-000	EA	Bracket Asm. - Microwave - Right
	081459-07-000	EA	Bracket Asm. - Microwave - Left
	081555-01-T03	EA	Trim Ring - Microwave
	081456-01-000	EA	Angle Asm. - Microwave - Right
	081456-02-000	EA	Angle Asm. - Microwave - Left
	082876-01-000	EA	Baffle - Microwave
	068615-01-000	EA	Sink - Stainless Steel - Double w/Bolts
**	011053-01-000	EA	Faucet - Swing Spout - 8" - US
**	011053-02-000	EA	Faucet - Swing Spout - 8" - CSA
**	011053-01-700	EA	Aerator - Swing Spout Faucet
	086437-01-000	EA	Strainer w/Basket - Sink
	081530-01-W07	EA	Sink Cover - Large
	009049-01-000	EA	Support - Drop Leaf Table
	009059-01-000	EA	Hinge - 2" - Gold - Drop Leaf Table
	074490-02-T03	EA	Spice Rack - Oak
	074981-01-000	EA	Cutting Board - Maple
	058334-01-000	EA	Wastebasket - 9 3/4" x 7" x 10" - White
	058478-01-000	EA	Support - Wastebasket - Metal - Door Mount
	059777-02-000	EA	Hinge - Cabinet Door - Antique Light Brass
	047744-01-000	EA	Kit - Drawer Guide - Plastic
	077409-01-000	EA	Slide - Drawer - 20.75" - Plastic
	077404-01-000	EA	Drawer - 20" x 12.70" - Plastic
	066435-01-000	EA	Nut Strainer
	011063-01-000	EA	Plug - 1 1/4" x 5" - w/Stopper
	039873-01-700	EA	Door Catch & Strike - Nylon & Spring Steel
	009021-01-000	EA	Catch - Nylon
	009021-02-000	EA	Strike - Spring Steel
	086263-01-000	EA	Pull - Polished Brass & Oak Inlay

\*\* The illustrated parts breakdown for this item is provided on the Common Items Fiche.

## HEATING & AIR CONDITIONING GROUP

### AUTOMOTIVE HEATER & AIR CONDITIONER

Key	Part Number	U/M	Description
	079373-01-000	EA	A/C - Compressor Mount Package - 350 C.I.D.
	072343-01-000	EA	A/C - Compressor/Clutch - Sankyo 510
	073716-01-000	EA	A/C - Condenser Asm. - "C" - Tube O
	073716-01-700	EA	Coil Condenser
	073716-01-701	EA	Receiver Drier
	073716-01-702	EA	Hose Assy. #6
	073716-01-703	EA	Hose Assy. #8
	078372-01-000	EA	A/C - Evaporator Asm. - Cutaway
	078372-01-700	EA	Evaporator Coil
	078372-01-701	EA	Expansion Valve
	078372-01-702	EA	Blower
	078372-01-703	EA	Blower Motor
	078372-01-704	EA	Motor Mount
	078372-01-705	EA	Blower Wheel
	078372-01-706	EA	Hose Assy. #6 - Liquid
	078372-01-707	EA	Hose Assy. #10 - Suction
	072341-01-716	EA	Valve Discharge
	072341-01-704	EA	Valve - Suction Service - 5/8"
	078372-01-708	EA	Thermostat
	078372-01-709	EA	Blower Switch
	078372-01-710	EA	Decal - Control Panel
	078372-01-711	EA	Plenum
	078372-01-712	EA	Lower
	078372-01-713	EA	Harness Wiring
	078372-01-714	EA	Switch - Snap Action
	078372-01-715	EA	Power - Jumper
	078372-01-716	EA	Plate - Control
	078372-01-717	EA	Valve - Clamp
	078372-01-718	EA	Lower - Escutcheon
	078372-01-719	EA	Lower - Escutcheon - Assy.
	007108-01-000	FT	Hose - Heater - 5/8" I.D. SAE 20R
	084405-01-000	EA	Rear Heater Asm.
	062401-04-000	EA	Clamp - Worm Drive - .69" - 1.25 I.D.
	084404-01-000	EA	Switch - Fan - Rear Heater

### FURNACES & ROOF AIR CONDITIONER

Key	Part Number	U/M	Description
**	075698-01-000	EA	Furn - 34,000 BTU - w/Direct Ignition - NT-34S
**	075695-01-000	EA	Furnace - 24,000 BTU - w/Direct Ignition - NT-24S
	009198-01-000	FT	Duct - Flexible - 4" I.D. x 25'
	056464-01-000	EA	Register - 4" Dia. - Plastic - w/Damper
	056482-02-000	EA	Register - 4" Dia. - Plastic - w/o Damper
	009200-01-000	EA	Tape - Furnace - 1 1/2"
	010326-01-000	EA	Adaptor - Flare - w/Cone Gasket
	023146-01-000	EA	Clamp - Screw Type - 4"
**	073743-01-000	EA	Shroud Asm. - Ceiling - Inside - Roof Air Cool Only - 13,500 BTU
**	073744-01-000	EA	Shroud Asm. - Ceiling - Inside - Roof Air Heat & Cool - 13,500 BTU
**	073742-01-000	EA	Air Conditioner - 110 Volt & Roof Mount - 13,500 BTU Rotary

\*\* The illustrated parts breakdown for this item is provided on the Common Items Fiche.

## 1987 WINNEBAGO TABLE OF CONTENTS

WC/WF424RC	A-01 - C-04
WC/JN31RT	C-05 - E-20
WCN33RU	E-21 - H-10
WCP31RT	H-11 - J-21

## 1987 WC/WF424RC INDEX

Floor Plan	A-01 - A-02
Accessories Group	A-03 - A-05
Bath Group	A-06 - A-07
Chassis Group	A-08 - A-09
Curtain, Cushion & Pad Group	A-10 - A-17
Dinette Group	A-18
Driver's Compartment Group	A-19 - A-21
Electrical Group	A-22 - A-23
Exterior Body Group	A-24 - B-05
Galley Group	B-06 - B-07
Heating & Air Conditioning Group	B-08
Interior Finish Group	B-09 - B-11
LP Group	B-12
Lounge Group	B-13
Water & Sewage Group	B-14 - B-15
Window, Vent & Exterior Door Group	B-16 - C-04



## INTERIOR FINISH GROUP

### INTERIOR MOLDING & TRIM

Key	Part Number	U/M	Description
	069733-37-000	EA	Batt Strip - Sunset Oak - 8' (Cabinets)
	085284-01-000	EA	Batt Strip - Tape Adhesive - Sunset Oak (Cabinets)
	069733-66-000	EA	Batt Strip - Classique Tweed/Sand - 8' (Wall)
	085284-05-000	EA	Batt Strip - Tape Adhesive - Classique Tweed/Sand (Wall)
	069733-62-000	EA	Batt Strip - Pebble Beach - 8' (Ceiling)
	069733-71-000	EA	Batt Strip - Winne - 8' (Galley & Bath)
	082111-01-000	EA	Cover - Roof Break - Champagne
	079653-01-000	EA	Molding - Batt Strip - Sunset Oak
	042357-01-000	FT	Molding - Radius Corner - 7' - Elm
	022992-01-000	FT	Molding - Reverse Cove - White
	022992-08-000	FT	Molding - Reverse Cove - Champagne White
	022992-09-000	FT	Molding - Reverse Cove - Grady Brown
	083620-01-000	FT	T-Molding - 3/4" to Edge Lips
	002774-02-001	EA	Trim - Carpet - 192"
	077309-02-000	EA	Trim - Step - Box
	070504-01-000	EA	U-Channel - .065" - Light Brown
	070504-03-000	EA	U-Channel - .815" - Grady Brown
	009778-04-000	EA	U-Channel - 1" - Grady Brown
	041746-01-000	FT	Vinyl - Extr. - Bubble Seal
	009767-06-000	FT	Welting - Beige
	009767-10-000	FT	Welting - Champagne
	009767-07-000	FT	Welting - Grady Brown

### PANELING & COUNTERTOP MATERIALS

Key	Part Number	U/M	Description
	074497-03-000	SF	Paneling - Decor - Sunset Oak - 48" x 84" (28 SF) (Cabinet)
	074497-09-000	SF	Paneling - Decor - Classique Tweed/Sand - 48" x 84" (Wall)
	074496-61-000	SF	Paneling - Decor - Peach - 48" x 84" (28 SF) (Galley & Bath) (W04, W06)
	074496-62-000	SF	Paneling - Decor - Mauve - 48" x 84" (28 SF) (Galley & Bath) (W05)
	074497-07-000	SF	Paneling - Pebble Beach - 48" x 96" (32 SF) (Ceiling)
	074498-21-000	SF	Plastic Laminate - Seafrost (Bath) (W04)
	074498-15-000	SF	Plastic Laminate - Blush (Bath) (W05)
	074498-16-000	SF	Plastic Laminate - Apricot Blush (Bath) (W06)
	074498-13-000	SF	Plastic Laminate - Sand (Galley & Dinette Table)
	074498-05-000	SF	Plastic Laminate - Sunset Oak - 42" x 96" (32SF) (Nightstand)
	074498-05-019	EA	Plastic Laminate - Sunset Oak - 1.19" x 96"
	076325-04-000	FT	Molding - Edge Band - Sunset Oak - 1 15/16" x .030"

### MISCELLANEOUS PARTS

Key	Part Number	U/M	Description
	053552-02-T03	EA	Handle Asm. - Interior Asslt - Medium Almond Vinyl
	041944-03-000	EA	Fire Extinguisher - 5BC
	084472-01-000	EA	Holder - Fire Extinguisher - Plastic
	054185-26-000	EA	Owner's Manual - 1987 Itasca & Winnebago
	085269-01-000	EA	Picture - Decor - Windsor Arts
	081075-01-000	EA	Floor Mat - Entrance - Winnebago - Tan
	007038-01-000	EA	Door Mat - 10 1/2" x 28" - Black
	044850-01-000	EA	Stepwell Mat - Passenger - Black
	044860-02-000	EA	Stepwell Mat - Driver - Black
	083218-01-000	EA	Floor Mat - Front - Passenger - Winnebago - Tan
	083218-02-000	EA	Floor Mat - Front - Driver - Winnebago Tan

## INTERIOR FINISH GROUP (CONTINUED)

### FABRICS & CARPETS

Key	Part Number	U/M	Description
	077498-91-000	YD	Fabric w/Pattern - Upholstery - Bluejade (W04)
	077498-92-000	YD	Fabric w/Pattern - Upholstery - Mauve Dust (W05)
	077498-93-000	YD	Fabric w/Pattern - Upholstery - Alabaster (W06)
	077498-A6-000	YD	Fabric w/Pattern - Upholstery Accent - Claret (W04)
	077498-A5-000	YD	Fabric w/Pattern - Upholstery Accent - Bluejade (W05)
	077498-A7-000	YD	Fabric w/Pattern - Upholstery Accent - Ash (W06)
	077498-95-000	YD	Fabric - Upholstery Accent - Plain - Teal (W04)
	074498-61-000	YD	Fabric - Upholstery Accent - Plain - Old Rose (W05)
	077498-96-000	YD	Fabric - Upholstery Accent - Plain - Sand (W06)
	072333-39-000	YD	Fabric - Drapery - Mist (W04)
	072333-37-000	YD	Fabric - Drapery - Mauve (W05)
	072333-38-000	YD	Fabric - Drapery - Melba (W06)
	072333-34-000	YD	Fabric - Drapery - Bedroom - Green (W04)
	072333-35-000	YD	Fabric - Drapery - Bedroom - Plum (W05)
	072333-36-000	YD	Fabric - Drapery - Bedroom - Cocoa (W06)
	069729-47-000	YD	Fabric - Bedspread - Blue (W04)
	069729-48-000	YD	Fabric - Bedspread - Mauve (W05)
	069729-49-000	YD	Fabric - Bedspread - Mocha (W06)
	038421-04-000	YD	Fabric - Mattress Ticking
	084416-10-000	YD	Fabric - Linen - Pull Shade
	084415-12-000	YD	Trim Braid - Pull Shade - Green (W04)
	084415-13-000	YD	Trim Braid - Pull Shade - Mauve (W05)
	084415-14-000	YD	Trim Braid - Pull Shade - Peach (W06)
	052859-01-T03	FT	Trim Asm. - Accent - Sandrift
	052859-05-T03	FT	Trim Asm. - Accent - Buckskin
	079280-01-000	YD	Vinyl - Expanded - 26 oz. - Buckskin
	079280-02-000	YD	Vinyl - Expanded - 26 oz. - Sandrift
	072860-58-000	YD	Carpet - Champagne (W04)
	072860-56-000	YD	Carpet - Mist (W05)
	072860-57-000	YD	Carpet - French Court (W06)

### CURTAIN & CUSHION HARDWARE

Key	Part Number	U/M	Description
	039175-02-000	EA	Bracket - Curtain Rod - Cafe
	039175-05-000	EA	Bracket - Curtain Rod - Center
	082228-03-000	EA	Bracket - Curtain Rod - Right
	082228-04-000	EA	Bracket - Curtain Rod - Left
	082139-02-000	EA	Bracket - Hold Down - Blinds
	056003-02-000	EA	Bracket - Drapery Retainer - Left
	056003-01-000	EA	Bracket - Drapery Retainer - Right
	084434-01-000	EA	Bracket - Roller Shade - 1 3/8"
	079798-03-000	EA	Bracket Asm. - Curtain Rod - Right
	079798-04-000	EA	Bracket Asm. - Curtain Rod - Left
	056784-02-000	EA	Pull - Window Shade - Antique Brass
	072708-04-000	EA	Frame - Fold Down Couch
	M80906-01-000	EA	Frame Asm. - Seat & Spring
	080730-03-700	EA	Handle Kit - Recliner
	080731-02-000	EA	Hinge - Recliner - Slave
	083170-01-000	EA	Installation Bracket - Blind - Right
	083170-02-000	EA	Installation Bracket - Blind - Left
	083730-02-000	EA	Recliner - Seat Back
	039175-01-000	EA	Rod - Cafe Curtain - Extension - 48" x 84"
	048394-01-000	YD	Tape - Hook - 1" x 25 YD - Beige
	029096-05-000	YD	Tape Hook - .50" - Velcro - Beige
	048395-01-000	YD	Tape Loop - 1" x 25 YD - Beige
	029090-01-000	FT	Tie - Drapery - Clear Vinyl
	056116-01-000	FT	Track - Curtain - Brown Plastic

## 1987 WINNEBAGO TABLE OF CONTENTS

WC/WF424RC	A-01 - C-04
WC/JN31RT	C-05 - E-20
WCN33RU	E-21 - H-10
WCP31RT	H-11 - J-21

## 1987 WC/WF424RC INDEX

Floor Plan	A-01 - A-02
Accessories Group	A-03 - A-05
Bath Group	A-06 - A-07
Chassis Group	A-08 - A-09
Curtain, Cushion & Pad Group	A-10 - A-17
Dinette Group	A-18
Driver's Compartment Group	A-19 - A-21
Electrical Group	A-22 - A-23
Exterior Body Group	A-24 - B-05
Galley Group	B-06 - B-07
Heating & Air Conditioning Group	B-08
Interior Finish Group	B-09 - B-11
LF Group	B-12
Lounge Group	B-13
Water & Sewage Group	B-14 - B-15
Window, Vent & Exterior Door Group	B-16 - C-04

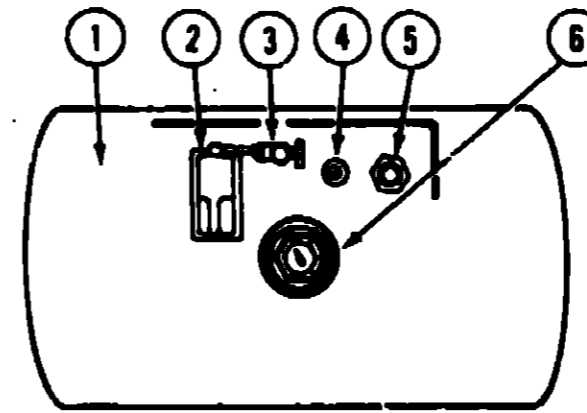
## INTERIOR FINISH GROUP (CONTINUED)

### CABINETS & TABLE HARDWARE

Key	Part Number	U/M	Description
	053200-05-000	EA	Bracket - Upper Wall Mount - 23.5"
	024281-07-000	EA	Bracket - Lower Wall Mount - 22.12"
	024276-14-000	EA	Leg Asm. - Table - 26.5"
	064050-01-000	EA	Hinge - Table Leg
**	024282-01-000	EA	Brace - Table Leg
	049493-05-000	EA	Catch - Table Leg - Mounts on Floor
	009112-01-000	EA	Flange - 1" - Chrome - Closet Rod
	077409-01-000	EA	Slide - Drawer - Plastic - 20.75"
	084486-02-000	EA	Slide Asm. - Drawer - Right
	084486-03-000	EA	Slide Asm. - Drawer - Left
	084486-04-000	EA	Slide Asm. - Cabinet - Right
	084486-05-000	EA	Slide Asm. - Cabinet - Left
	009049-01-000	EA	Table Support - Drop Leaf
	009059-01-000	EA	Hinge - 2" - Drop Leaf Table - Gold
	076312-01-000	EA	Mesh - Grille - 13.80" x 8.80" - Gold Aluminum
	009021-01-000	EA	Catch - Nylon - Furnace Door
	009021-02-000	EA	Strike - Nylon Catch - Furnace Door
	074493-02-000	EA	Support - Sprung - Door
	058034-02-000	EA	Latch - Door w/o Lock - Sliding Door
	075680-01-000	EA	Clothes Rod - Adjustable - 27" x 36"
	064467-01-000	EA	Gulde - Wall Mount - Door Pocket
	086263-01-000	EA	Pull - Brass - Polished
	075987-02-000	EA	Knob - Bath Door
	059777-02-000	EA	Hinge - Light Brass
	009016-01-000	EA	Catch - Elbow - Spring Loaded
	077461-01-000	EA	Cover - Strike

\*\* The illustrated parts breakdown for this item is provided on the Common Items Fiche.

## LP GROUP



Key	Part Number	U/M	Description
1	074142-01-000	EA	Tank Asm. - LP - Frame Mount - 80 Pound - 13" x 44"
1	080450-01-000	EA	Tank Asm. - LP - Frame Mount - 42 Pound - 13" x 24"
*	065741-01-000	EA	Detector - LP Gas Leak - Marshalltown Instruments
2	081938-01-000	EA	Compartment - LP Regulator
*	078301-01-000	EA	Regulator - Two Stage - US (Dual)
*	078301-02-000	EA	Regulator - Two Stage - CSA (Dual)
3	040421-01-703	EA	Valve - Vapor Relief
4	040421-01-700	EA	Gauge - Liquid Level - 20% LP
5	040421-01-701	EA	Valve - Filler - LP
*	040421-01-702	EA	Cap - Plastic Fill Valve
6	040421-01-707	EA	Gauge - Float - w/Visible Dial
*	040421-01-706	EA	Dial - Visible Face - Float Gauge (Tank w/o Electric Transmitter)
*	040440-01-000	EA	Dial - Transmitter - 0 - 90 Ohm (Float Gauge)
*	045703-01-000	EA	Hose Asm. - LP - 3/8" I.D. x 24" - US
*	045703-02-000	EA	Hose Asm. - LP - 3/8" I.D. x 24" - CSA
*	045703-03-000	EA	Hose Asm. - LP - 3/8" I.D. x 18" - US
*	045703-04-000	EA	Hose Asm. - LP - 3/8" I.D. x 14" - CSA
*	065959-01-000	EA	Housing - LP Gauge
*	065742-01-000	EA	Tee - .38 F x .39 F x .25 FPT
*	068046-01-000	EA	Conversion Kit - LP - Onan Generator
*			Not illustrated

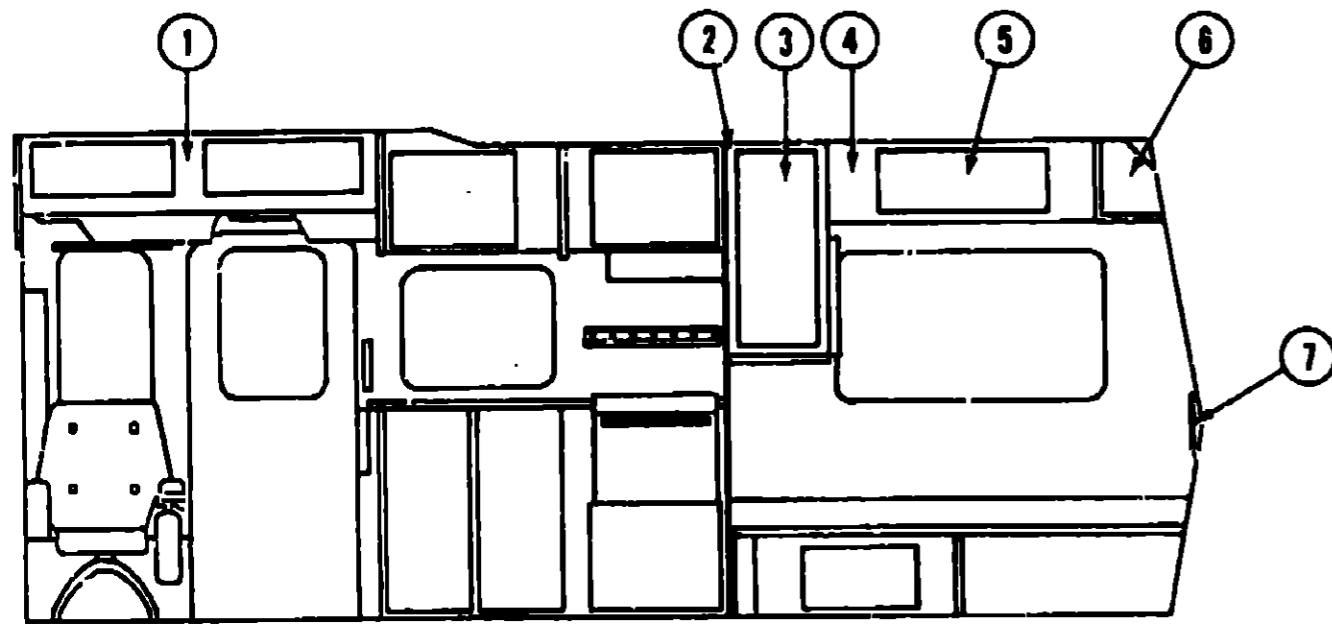
## 1987 WINNEBAGO TABLE OF CONTENTS

WC/WF424RC	A-01 - C-04
WC/JN31RT	C-05 - E-20
WCN33RU	E-21 - H-10
WCP31RT	H-11 - J-21

## 1987 WC/WF424RC INDEX

Floor Plan	A-01 - A-02
Accessories Group	A-03 - A-05
Bath Group	A-06 - A-07
Chassis Group	A-08 - A-09
Curtain, Cushion & Pad Group	A-10 - A-17
Dinette Group	A-18
Driver's Compartment Group	A-19 - A-21
Electrical Group	A-22 - A-23
Exterior Body Group	A-24 - B-05
Galley Group	B-06 - B-07
Heating & Air Conditioning Group	B-08
Interior Finish Group	B-09 - B-11
LP Group	B-12
Lounge Group	B-13
Water & Sewage Group	B-14 - B-15
Window, Vent & Exterior Door Group	B-16 - C-04

### LOUNGE GROUP



### LOUNGE CABINETRY

Key	Part Number	U/M	Description
1	082341-01-W04	EA	Cabinet Asm. - Overhead - Entrance
•	077863-04-U01	EA	Glass Holder - Overhead Cabinet
2	M81735-01-W04	EA	Cabinet Asm. - Overhead Shirt Closet - w/o Door or Hardware
3	M81503-03-W04	EA	Door Asm. - Overhead Cabinet - 14.3" x 33.4" - w/o Hardware
•	081280-13-U01	EA	Pad Asm. - End Cap - Shirt Closet - Vinyl
4	081734-01-W04	EA	Cabinet Asm. - Overhead Rear - w/o Doors or Hardware
5	M81503-02-W07	EA	Door Asm. - Overhead Cabinet - 11.4" x 28.1" - w/o Hardware
6	081731-01-W04	EA	Cabinet Asm. - Overhead Rear - w/o Doors or Hardware
7	086109-03-W07	EA	Head Asm. - Double Bed
7	086109-03-W08	EA	Head Asm. - Double Bed
7	086109-03-W09	EA	Head Asm. - Double Bed
•	M81501-15-W07	EA	Door Asm. - Double Bed - 17.6" x 10.9" - w/o Hardware
•	M81537-01-W04	EA	Cabinet Asm. - Nightstand - w/o Countertop
**	M02472-01-W04	EA	Countertop Asm. - Nightstand
**	M81537-01-W04	EA	Cabinet Asm. - Nightstand
**	M78921-03-U04	EA	Drawer Asm. - Nightstand Cabinet - 13.5" x 19.6" - w/o Hardware
•			Not illustrated
**			Parts for bunkhouse option (not illustrated)

### WATER & SEWAGE GROUP HOLDING TANKS & WATER HEATER

Key	Part Number	U/M	Description
	074510-03-000	EA	Tank Asm. - Water - 16 Gallon
	074510-01-000	EA	Tank - Water - 16 Gallon - w/o Fitting
	053520-05-000	EA	Tank Asm. - Water - 20 Gallon
	053520-01-000	EA	Tank - Water - 20 Gallon - w/o Fitting
	074870-01-000	EA	Tank - Holding - 30 Gallon - w/o Fitting
	074861-01-000	EA	Tank - Holding - 35 Gallon - w/o Fitting
**	051391-01-000	EA	Water Heater - w/o Motor Aid - Atwood - G6A-3
**	051391-03-000	EA	Water Heater - w/Motor Aid - Atwood - G6A-3A
**	051393-01-000	EA	Water Heater - w/Motor Aid - G6A-3A
**			The illustrated parts breakdown for this item is provided on the Common Items Fiche.

### PLUMBING & REPAIR PARTS

Key	Part Number	U/M	Description
	033302-02-000	EA	Adapter Asm. - SWVC Strain - 1"
	010326-01-000	EA	Adapter - Flare - w/Chris Gasket
	062422-01-000	EA	Adapter - Hose Offset - Reduce - 3" x 1 1/2"
	052954-01-000	EA	Adapter - Hose Cone - 3/8 or 1/2 - Plastic
	010224-01-000	EA	Adapter - Plastic - 3/8 MPT x 3/8 Barb
	044927-01-000	EA	Adapter - Plastic - 1 1/4" MPT x 1 1/4 Barb
	031602-02-000	EA	Adapter - Plastic - 1 1/2 H x FPT
	062417-01-000	EA	Adapter - Termination - 3"
	004020-01-000	QT	Adhesive - ABS Cement
**	011048-04-000	EA	Breaker - Vacuum - 1/8 MPT - Nylon
**	010121-01-000	EA	Bushing - Plastic - 1 1/2 S x 1 1/4 H
	010122-01-000	EA	Bushing - Plastic - 1 1/2 S x 1 1/4 T
	010123-01-000	EA	Bushing - Plastic - 2S x 1 1/2 H
	036522-02-000	EA	Cap - Brass - 1/2 Flare
	062415-01-000	EA	Cap - Sewer - 3"
	052959-02-000	EA	Connector - 1/2 F x 1/2 MPT - Plastic
	052959-03-000	EA	Connector - 1/2 F x 3/8 MPT - Plastic
	011091-02-000	EA	Continuous Waste - Double Sink - 11 7/8" - US
	053874-01-000	EA	Continuous Waste Asm. - Double Sink - CSA
	078408-01-000	EA	Coupler Rubber - 3" x 3"
	052980-01-000	EA	Drain Valve - 1/2 F x 1/2 F - Plastic
	010000-01-000	EA	Elbow - Plastic - 1/8 BD x 1 1/4 x 45° H x H
	010005-01-000	EA	Elbow - Plastic - 1/16 BD x 1 1/2
	010006-01-000	EA	Elbow - Plastic - 1/8 BD x 1 1/2 x 45° H x H
	010008-01-000	EA	Elbow - Plastic - 1/4 BD x 1 1/2 x 90° Left
	010051-01-000	EA	Elbow - ST - Plastic - 1/8 BD x 1 1/2 x 45°
	010219-01-000	EA	Elbow - 1 1/4 Barb x 1 1/4 MPT x 90°
	031111-01-000	EA	Elbow - Plastic - 1/4 BD x 1 1/4 x 90° Left
	034250-01-000	EA	Elbow - Plastic - 1/4 BD x 1 1/2 x 90° x H x H
	035539-01-000	EA	Elbow - Plastic - 3/8 MPT x 3/8 Barb
	052957-01-000	EA	Elbow - Plastic - 1/2 F x 3/8 MPT
	052957-02-000	EA	Elbow - Plastic - 1/2 F x 1/2 MPT (In Tank Filter)
	059536-01-000	EA	Elbow - 1 1/4 - Slip Joint Ends
	065120-01-000	EA	Elbow - Plastic - Swivel - .50
	070924-01-000	EA	Elbow - Plastic - Swivel - 1/2 MPT x 1/2 FP
	077954-01-000	EA	Filter/Screen (In Water Tank)
	039647-02-000	EA	Filter - Water Pump - 1/2" MPT
	039647-03-000	EA	Filter - Water Pump - 1/2" Flare
	010147-01-000	EA	Flange - Closet - 4" F x 3" FPT - US
	010147-02-000	EA	Flange - Closet - 4" F x 3" FPT - CSA
	079381-01-000	FT	Flexible Tubing - 1 1/4 I.D. x 10'
	061607-01-000	EA	Grommet - Holding Tank Coupler - 1 1/2"
	061607-02-000	EA	Grommet - Holding Tank Coupler - 3"
	062419-02-000	EA	Handle - Extension - w/6" Adapter
	052961-01-000	EA	Header - 1/2 F x 1/2 F x 1/2 F x 1/2 F
**	046524-01-000	EA	Kit - Holding Tank Fittings - Blank Tank
**	046524-01-000	EA	Kit - Water Tank Fittings - Blank Tank
	052953-01-000	EA	Nut - Facet - 1/2 Tube x 1/2 FPT
	052952-01-000	EA	Nut - 1/2 F - Plastic

\*\* The illustrated parts breakdown for this item is provided on the Common Items Fiche.

### 1987 WINNEBAGO TABLE OF CONTENTS

WC/WF424RC	A-01 - C-04
WC/JN31RT	C-05 - E-20
WCN33RU	E-21 - H-10
WCP31RT	H-11 - J-21

### 1987 WC/WF424RC INDEX

Floor Plan	A-01 - A-02
Accessories Group	A-03 - A-05
Bath Group	A-06 - A-07
Chassis Group	A-08 - A-09
Curtain, Cushion & Pad Group	A-10 - A-17
Dinette Group	A-18
Driver's Compartment Group	A-19 - A-21
Electrical Group	A-22 - A-23
Exterior Body Group	A-24 - B-05
Galley Group	B-06 - B-07
Heating & Air Conditioning Group	B-08
Interior Finish Group	B-09 - B-11
LP Group	B-12
Lounge Group	B-13
Water & Sewage Group	B-14 - B-15
Window, Vent & Exterior Door Group	B-16 - C-04

## WATER & SEWAGE GROUP (CONTINUED)

### PLUMBING & REPAIR PARTS (CONT.)

Key	Part Number	U/M	Description
**	011066-03-000	EA	P-Trap - 1 1/4" Plastic - US
**	011066-02-000	EA	P-Trap - 1 1/4" Plastic - CSA
	053335-01-000	EA	P-Trap - Plastic - 1 1/4 H x H - w/Union - CSA
	010197-01-000	FT	Pipe - Plastic - 3" x 240" - Black
	045729-01-000	EA	Pump - Water - 2.8 G.P.M. - Direct Drive - Shurflo - US
**	010201-01-000	EA	Sewer Hose - 3" x 8' w/Clamp
	042989-02-000	EA	Spinweld Fittings - Plastic - 1/2 FPT (In Tank Fitter)
	042989-03-000	EA	Spinweld Fittings - Plastic - 1/4 NPT
	042989-04-000	EA	Spinweld Fittings - Plastic - 3/8 FPT
	011069-02-000	EA	Tailpiece - 1 1/2" x 1 1/4" x 4" - Brass
	010071-01-000	EA	Tee - Plastic - 1 1/2 x H x H x H
	010072-01-000	EA	Tee - Plastic - 1 1/2 H x 1 1/4 H x 1 1/2 H
**	010079-01-000	EA	Tee - Plastic - 1 1/2 H x 1 1/2 H x 1 1/4 H
	046172-01-000	EA	Tee - Plastic - 3/8 B x 3/8 B x 3/8 MPT
	052955-01-000	EA	Tee - Plastic - 1/2 F x 1/2 F x 1/2 MPT
	052956-01-000	EA	Tee - Plastic - 1/2 F x 1/2 MPT x 1/2 F
	052958-01-000	EA	Tee - Plastic - 1/2 F x 1/2 F x 1/2 F
**	010133-01-000	EA	Trap Adapter - Plastic - 1 1/2 H x MPT
	039800-01-000	FT	Tubing - Polybutyl - 1/2 O.D. (Water Line)
	074346-02-000	FT	Tubing - Vinyl - 1/2 O.D. (Water Line)
	072346-01-000	EA	Valve Asm. - 3" Ell - w/2" Socket
	062418-02-000	EA	Valve - 1 1/2" - w/Handle
	062418-02-000	EA	Valve - 3" - w/o Handle
	052960-01-000	EA	Valve - Line Drain - 1/2 F x 1/2 F
	052962-01-000	EA	Valve - Stool - 90° - 1/2 F x 3/8 MPT
	010073-01-000	EA	Wye - Plastic - 1 1/2 x 45 H x H
	087200-01-000	EA	Filter - Water Purification
	087200-02-000	EA	Cartridge - Water Purification

\*\* The illustrated parts breakdown for this item is provided on the Common Items Fiche.

## WINDOW, VENT & EXTERIOR DOOR GROUP

### ACCESS DOORS

Key	Part Number	U/M	Description
	079455-04-T95	EA	Door Asm. - Battery - 9" x 21.7"
	079455-02-U01	EA	Door Asm. - Storage - 9.5" x 21.7"
	M01883-01-T95	EA	Door Asm. - Generator
	079455-03-U01	EA	Door Asm. - LP - 9.5" x 21.7"
	M02047-01-T95	EA	Door Panel Asm. - Tire Cover
	079578-02-T95	EA	Door Asm. - Luggage - Off White
	078969-02-T03	EA	Door Asm. - Refrigerator Access - w/Twist Lock - Off White
	052009-01-000	EA	Door Asm. - Water Heater - Off White
	052423-01-000	EA	Door Asm. - Sewage
	078010-03-000	EA	Door - Fuel Fill - Off White
	063742-01-000	EA	Door - Power Cord - Off White
	052424-01-000	EA	Jamb - Power Cord/Fuel Fill Door - Off White
	054543-01-000	EA	Hatch - Power Cord Door
	052181-01-000	EA	Baffle - Generator Door
	054530-01-000	EA	Door Holder
	041312-01-000	EA	Seal - Bulb - "E" Section
	042442-01-000	EA	Lock Asm. - Twist Type
	009003-01-000	EA	Lock Asm. - Twist Type - w/Clip (Battery Door)
	047305-01-000	EA	Lock Asm. - Key Type w/Clip - Metal (LP)
	077408-01-000	EA	Lock Asm. - Key Type
	079366-01-000	EA	Lock Asm. - Key Type
	079927-01-000	EA	Lock Asm. - Twist Type
	052951-01-000	EA	Clip - Twist Lock - Retainer
	042441-01-000	EA	Lock Asm. - Key Type
	052950-01-700	EA	Lock Asm. - Twist Type - White

### VENTS

Key	Part Number	U/M	Description
	055218-01-000	EA	Cover Asm. - Roof Vent
	084073-04-000	EA	Base - Refrigerator Vent - Off White
	084073-03-000	EA	Roof Vent - Refrigerator - Off White
**	048835-01-000	EA	Vent Asm. - Roof - Non-Powered - w/o Screen - Aluminum
**	048789-01-000	EA	Vent Asm. - Roof - Powered - w/o Screen - Aluminum
	079355-08-000	EA	Vent - Stovehood - Outside - Off White
	078785-01-T03	EA	Screen Asm. - Roof Vent - Powered
	078786-01-T03	EA	Screen Asm. - Roof Vent - Non Powered
	084878-01-000	EA	Vent - Hood Range - Sidewall - Straight
	084616-01-000	EA	Shroud - Hood Range Vent - Off White

\*\* The illustrated parts breakdown for this item is provided on the Common Items Fiche.

## 1987 WINNEBAGO TABLE OF CONTENTS

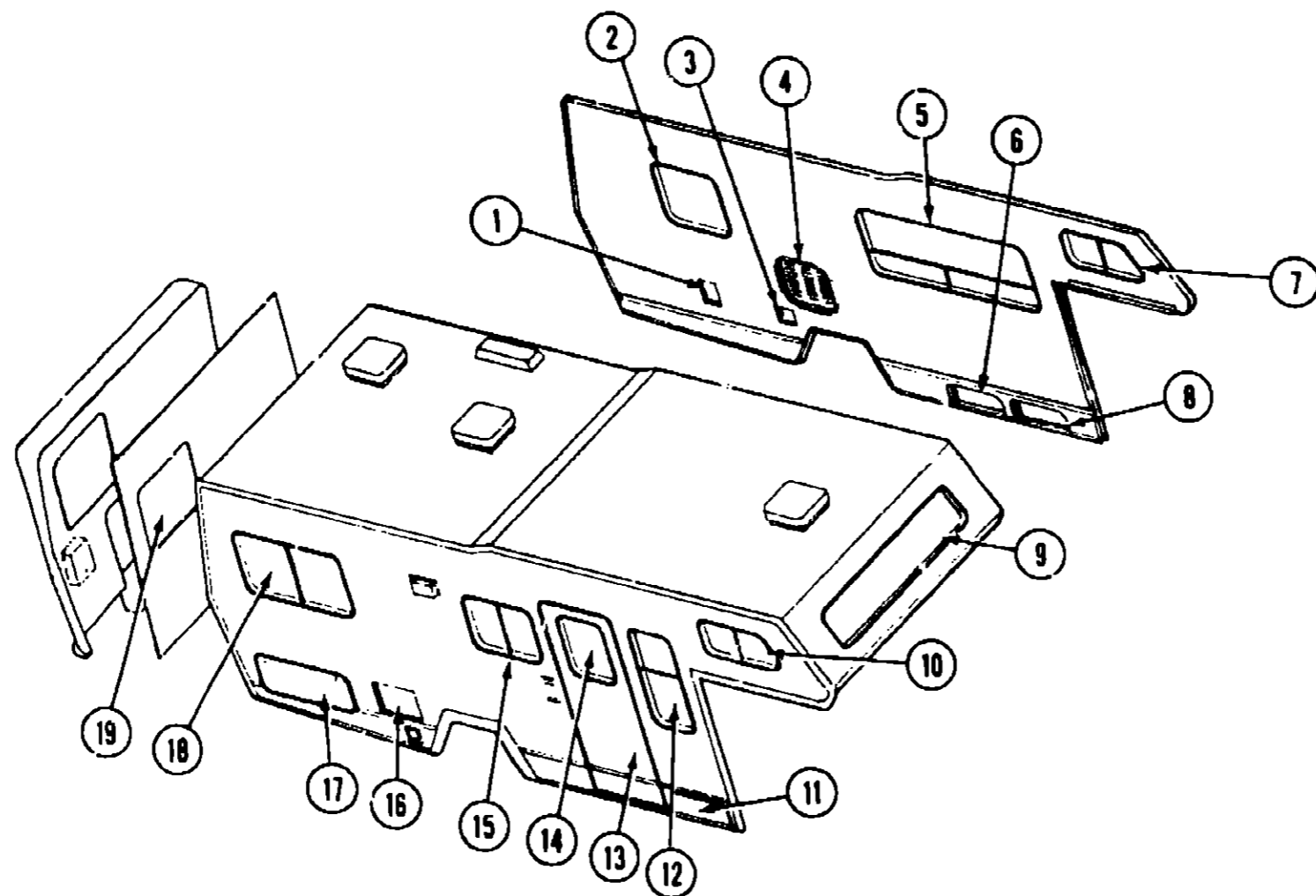
WC/WF424RC	A-01 - C-04
WC/JN31RT	C-05 - E-20
WCN33RU	E-21 - H-10
WCP31RT	H-11 - J-21

## 1987 WC/WF424RC INDEX

Floor Plan	A-01 - A-02
Accessories Group	A-03 - A-05
Bath Group	A-06 - A-07
Chassis Group	A-08 - A-09
Curtain, Cushion & Pad Group	A-10 - A-17
Dinette Group	A-18
Driver's Compartment Group	A-19 - A-21
Electrical Group	A-22 - A-23
Exterior Body Group	A-24 - B-05
Galley Group	B-06 - B-07
Heating & Air Conditioning Group	B-08
Interior Finish Group	B-09 - B-11
LP Group	B-12
Lounge Group	B-13
Water & Sewage Group	B-14 - B-15
Window, Vent & Exterior Door Group	B-16 - C-04

## WINDOW, VENT & EXTERIOR DOOR GROUP (CONTINUED)

### WINDOWS & ACCESS DOORS



Key	Part Number	U/M	Description
1	078010-03-000	EA	Door Asm. - Fuel Fill
2	079729-02-T03	EA	Window Asm. - Escape
3	063742-01-000	EA	Door - Power Cord
4	078969-02-T95	EA	Door Asm. - Refrigerator Access
4	084104-03-000	EA	Door Asm. - Refrigerator Access (Smaller)
5	085354-02-W07	EA	Window Asm. - Double Tipout
6	079455-02-T95	EA	Door Asm. - Storage
7	086227-02-000	EA	Window Asm. - Bunk - Slant Slider - Left
*	086228-02-000	EA	Inside Frame (not included in assembly)
8	079455-03-T95	EA	Door Asm. - LP
9	078533-01-T03	EA	Window Asm. - Front Picture
10	086227-01-000	EA	Window Asm. - Bunk - Slant Slider - Right
*	086228-01-000	EA	Inside Frame (not included in assembly)
11	079455-04-T95	EA	Door Asm. - Battery
12	078453-01-T03	EA	Window Asm. - Vertical Slider

Key	Part Number	U/M	Description
13	079733-04-T03	EA	Window Asm. - Picture
14	M01870-02-W04	EA	Door Asm. - Entrance
15	078266-02-T03	EA	Window Asm. - Single Slider
16	052009-01-000	EA	Door Asm. - Water Heater
17	079578-02-T95	EA	Door Asm. - Luggage
17	M01885-01-T95	EA	Door Asm. - Generator
18	078266-05-T03	EA	Window Asm. - Single Slider
*	078266-01-T03	EA	Window Asm. - Single Slider
19	079415-01-T03	EA	Window Asm. - Escape
*	079733-01-T03	EA	Window Asm. - Picture
*	Parts for bunkhouse option (not illustrated)		

## 1987 WINNEBAGO TABLE OF CONTENTS

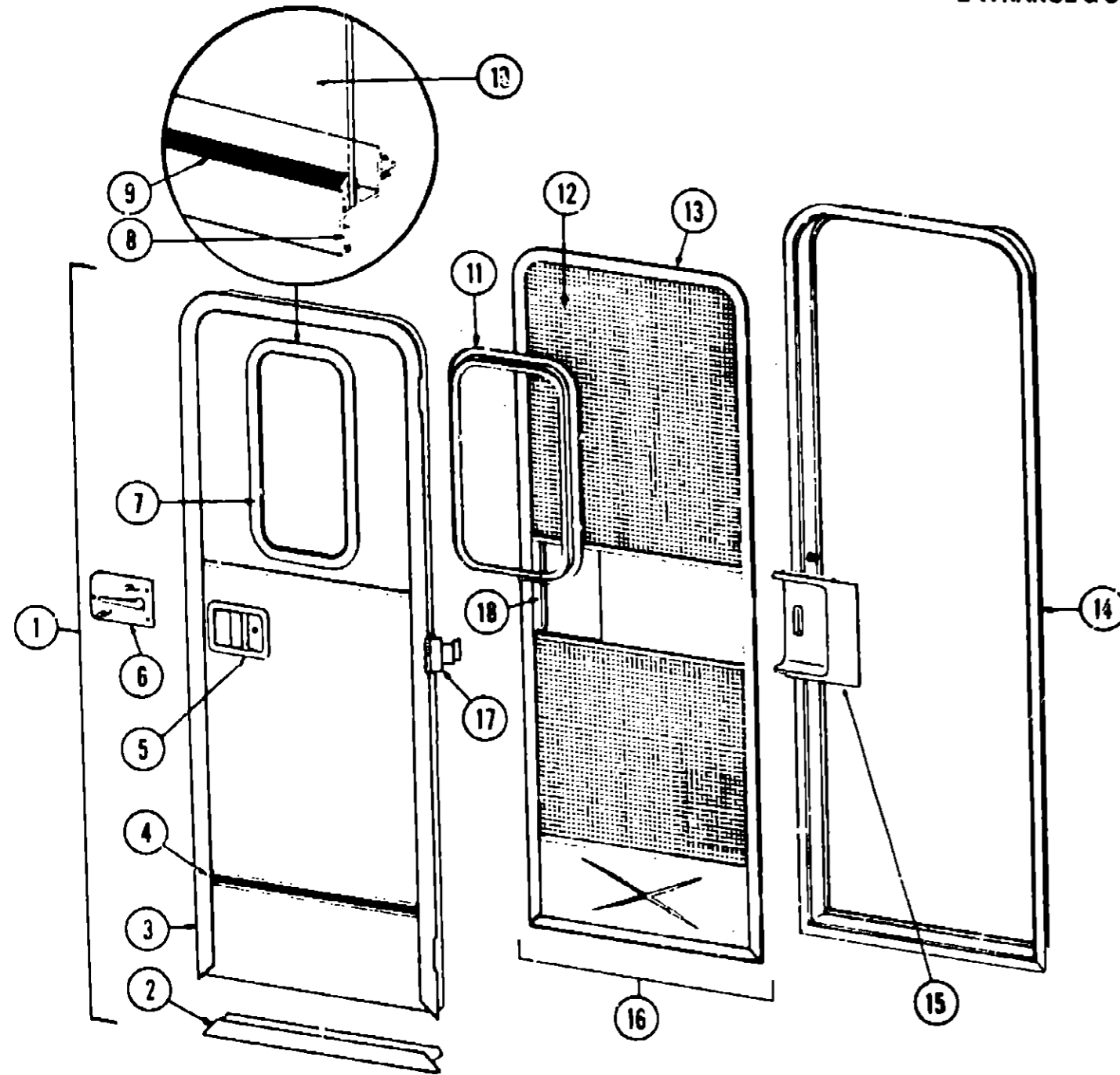
WC/WF424RC	A-01 - C-04
WC/JN31RT	C-05 - E-20
WCN33RU	E-21 - H-10
WCP31RT	H-11 - J-21

### 1987 WC/WF424RC INDEX

Floor Plan	A-01 - A-02
Accessories Group	A-03 - A-05
Bath Group	A-06 - A-07
Chassis Group	A-08 - A-09
Curtain, Cushion & Pad Group	A-10 - A-17
Dinette Group	A-18
Driver's Compartment Group	A-19 - A-21
Electrical Group	A-22 - A-23
Exterior Body Group	A-24 - B-05
Galley Group	B-06 - B-07
Heating & Air Conditioning Group	B-08
Interior Finish Group	B-09 - B-11
LP Group	B-12
Lounge Group	B-13
Water & Sewage Group	B-14 - B-15
Window, Vent & Exterior Door Group	B-16 - C-04

## WINDOW, VENT & EXTERIOR DOOR GROUP (CONTINUED)

### ENTRANCE & SCREEN DOOR



Key	Part Number	U/M	Description
1	M01870-02-V04	EA	Door Asm. - Radius Entry w/Screen Door
2	077998-01-000	EA	Frame - Entry Door (Bottom Portion Only)
3	078002-02-000	EA	Frame - Entry Door (Except Bottom Portion)
4	059578-03-000	EA	Feature Strip w/o insert - Extr. - 14" - Brown
	001030-02-003	EA	Insert - Feature Strip - 17" - Stucco - Off White
	009731-01-000	EA	End Cap - Feature Strip
5	045107-05-000	EA	Paddle Asm. - Door Lock - Exterior
	045017-05-700	EA	Lock Cylinder w/Keys - Lynor
	039539-01-000	EA	Striker Bolt - Entry Door
	039540-01-000	EA	Latch Claw - Entry Door
	039738-01-000	EA	Dead Bolt - Entry Door
	063205-01-000	EA	Dead Bolt - Press Fit
	079173-01-000	EA	Gasket - Deadbolt - Exterior
6	039979-01-000	EA	Plate - Inside Lock - Includes Inside Handle
7	079733-04-T03	EA	Window Asm. - Picture - 17" x 25" - Black (w/o inside frame)
8	069640-06-000	FT	Ribbon Sealer - 5/16" Bead x 15'
9	002309-02-000	FT	Spilne - Glass - 1/8" Black
10	002181-06-000	EA	Glass - Picture Window - 1/8" x 16.25" x 24" - Gray
11	068752-01-000	EA	Inside Frame - Beige (not included in assembly)
12	002233-02-000	SF	Screen - Window - 26" - Charcoal
13	054735-01-000	FT	Seal Tape - 1/8" x 3/8" - Press On
14	078591-03-000	EA	Jamb Asm. - Entrance Door
	051049-01-000	EA	Jamb - Entrance Door - Bottom
15	079086-02-000	EA	Slider - Screen Door - Light Oak Plastic
16	079012-01-U01	EA	Door Asm. - Screen
17	079361-05-000	EA	Hinge - Entrance Door (3 used per door)
18	079081-01-000	EA	Cap - Screen Door - Light Oak Plastic
	009016-01-000	EA	Catch - Elbow - Spring Loaded - Screen Door
	076231-01-000	EA	Spacer - Latch - Screen Door
	077437-02-000	EA	Strike - Roller Catch
	058025-02-000	EA	Clip - Roller Latch Catch
	044582-02-000	EA	Drip Cap - Off White
	079278-01-000	EA	Seal - Mocket - Entrance Door
	073090-01-000	FT	Seal - Entrance Door
	075739-01-000	EA	Stiffener - Entrance Door - Off White
	075673-01-000	FT	Seal - Pile - Adhesive Back
	075671-01-000	FT	Seal - Sponge - Lazy "T" Shaped
	002294-01-000	FT	Spilne - Black - .135 x 138 (Screen Door)
	079087-02-000	EA	Strike - Screen Door
	063729-04-000	EA	Rivnut - 10-32 UNF - .010 - .080
	075633-01-000	EA	Garnish - Radius - Entrance Door
			Not Illustrated

## 1987 WINNEBAGO TABLE OF CONTENTS

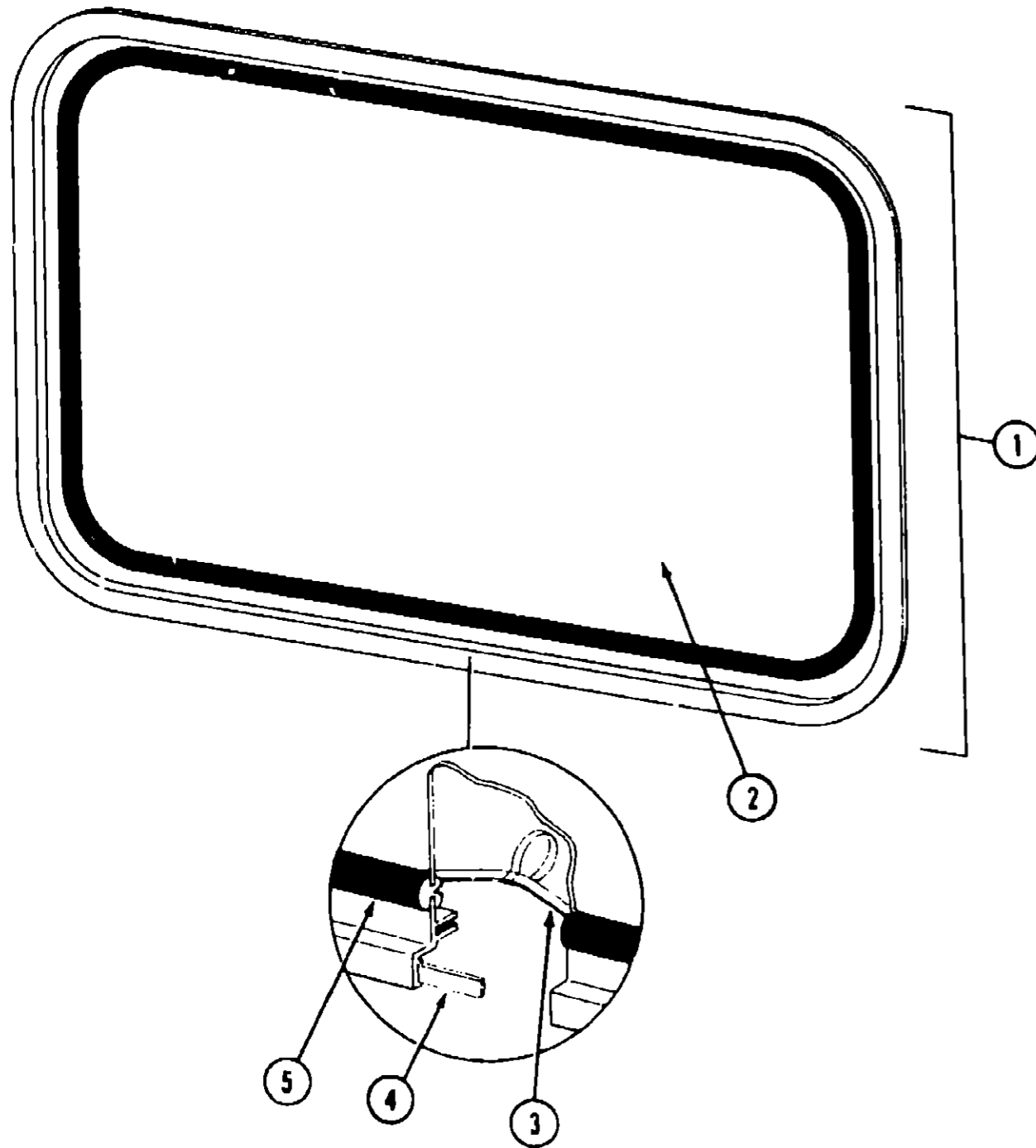
WC/WF424RC	A-01 - C-04
WC/JN31RT	C-05 - E-20
WCN33RU	E-21 - H-10
WCP31RT	H-11 - J-21

## 1987 WC/WF424RC INDEX

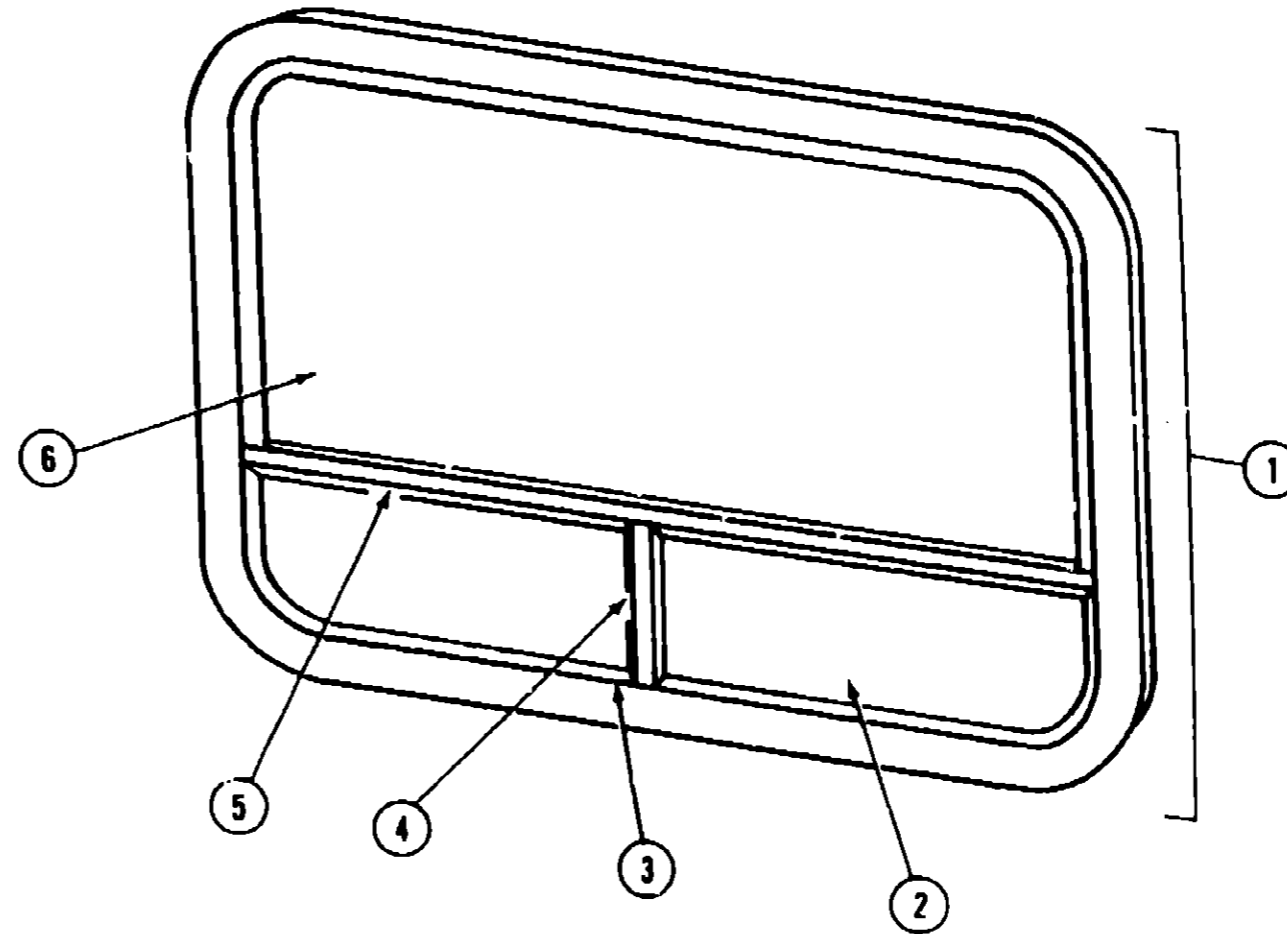
Floor Plan	A-01 - A-02
Accessories Group	A-03 - A-05
Bath Group	A-06 - A-07
Chassis Group	A-08 - A-09
Curtain, Cushion & Pad Group	A-10 - A-17
Dinette Group	A-18
Driver's Compartment Group	A-19 - A-21
Electrical Group	A-22 - A-23
Exterior Body Group	A-24 - B-05
Galley Group	B-06 - B-07
Heating & Air Conditioning Group	B-08
Interior Finish Group	B-09 - B-11
LP Group	B-12
Lounge Group	B-13
Water & Sewage Group	B-14 - B-15
Window, Vent & Exterior Door Group	B-16 - C-04

**WINDOW, VENT & EXTERIOR DOOR GROUP (CONTINUED)**

**WINDOW, VENT & EXTERIOR DOOR GROUP (CONTINUED)**



Key	Part Number	U/M	Description
1	079729-02-T03	EA	Window Asm. - Rear Escape - 22.5" x 24.5" - Black (w/o inside frame)
•	079771-01-000	EA	Inside Frame (not included in assembly)
2	041392-03-000	EA	Glass - 1/8" x 21.6" x 19.6"
3	002285-01-000	FT	Filler - Weatherstrip - Black
4	069640-05-000	FT	Ribbon Sealer - 5/16" Bead x 15'
5	002282-01-000	FT	Weatherstrip - .125" Window
•	006199-01-000	EA	Label - Exit - Escape Window
•			Not illustrated



Key	Part Number	U/M	Description
1	085354-02-W07	EA	Window Asm. - Double Tipout (w/o inside frame)
•	084153-06-000	EA	Inside Frame - Black (not included in assembly)
2	084068-04-000	EA	Glass - 1/8" x 9.24" x 30.39" - Tipout
•	084581-01-W07	EA	Screen Asm. - Tipout - Right
•	084581-02-W07	EA	Screen Arm. - Tipout - Left
3	084067-01-000	FT	Seal - "P" - Sponge Rubber
4	084154-01-000	EA	Mullion - Vertical - Black
•	084066-01-000	FT	Bulb Seal - Double - Sponge Rubber
5	083112-05-000	EA	Mullion - Horizontal - Black
•	081357-01-000	FT	Foam Seal - Vinyl
6	081239-11-000	EA	Glass - 1/8" x 61.7" x 20.5" - Stationary
•	002291-02-000	SF	Screen - 16" Window
•	002298-02-000	FT	Spilne - .130 Dia. - Charcoal (Screen)
•	081243-01-000	EA	Clip - Screen - Plastic
•	080918-01-000	EA	Spring - Torque Tube - Right
•	080918-02-000	EA	Spring - Torque Tube - Left
•	035302-01-000	EA	Operating Mech - Right
•	035302-02-000	EA	Operating Mech - Left
•			Not illustrated

**1987 WINNEBAGO  
TABLE OF CONTENTS**

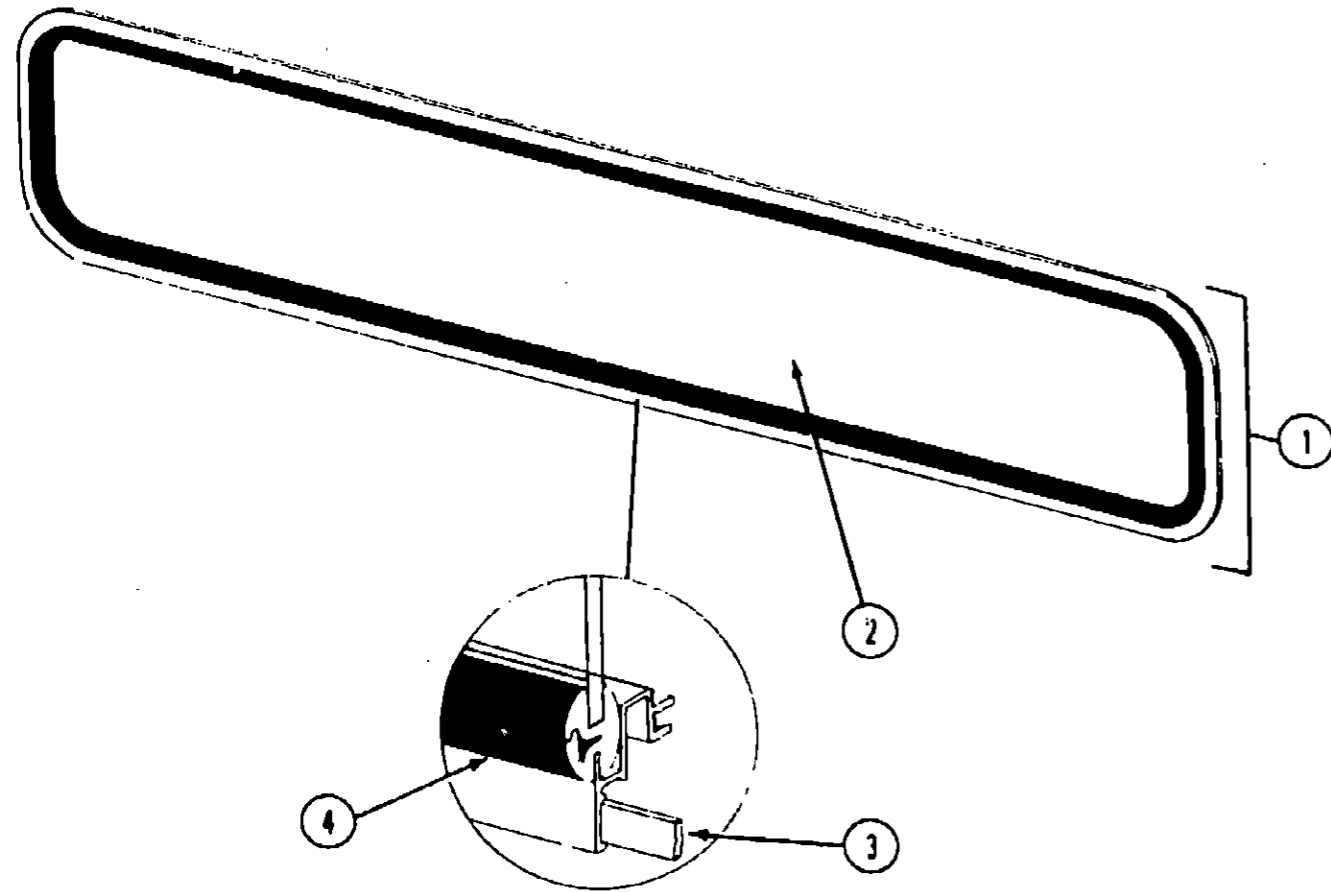
WC/WF424RC  
WC/JN31RT  
WCN33RU  
WCP31RT

A-01 - C-04  
C-05 - E-20  
E-21 - H-10  
H-11 - J-21

**1987 WC/WF424RC INDEX**

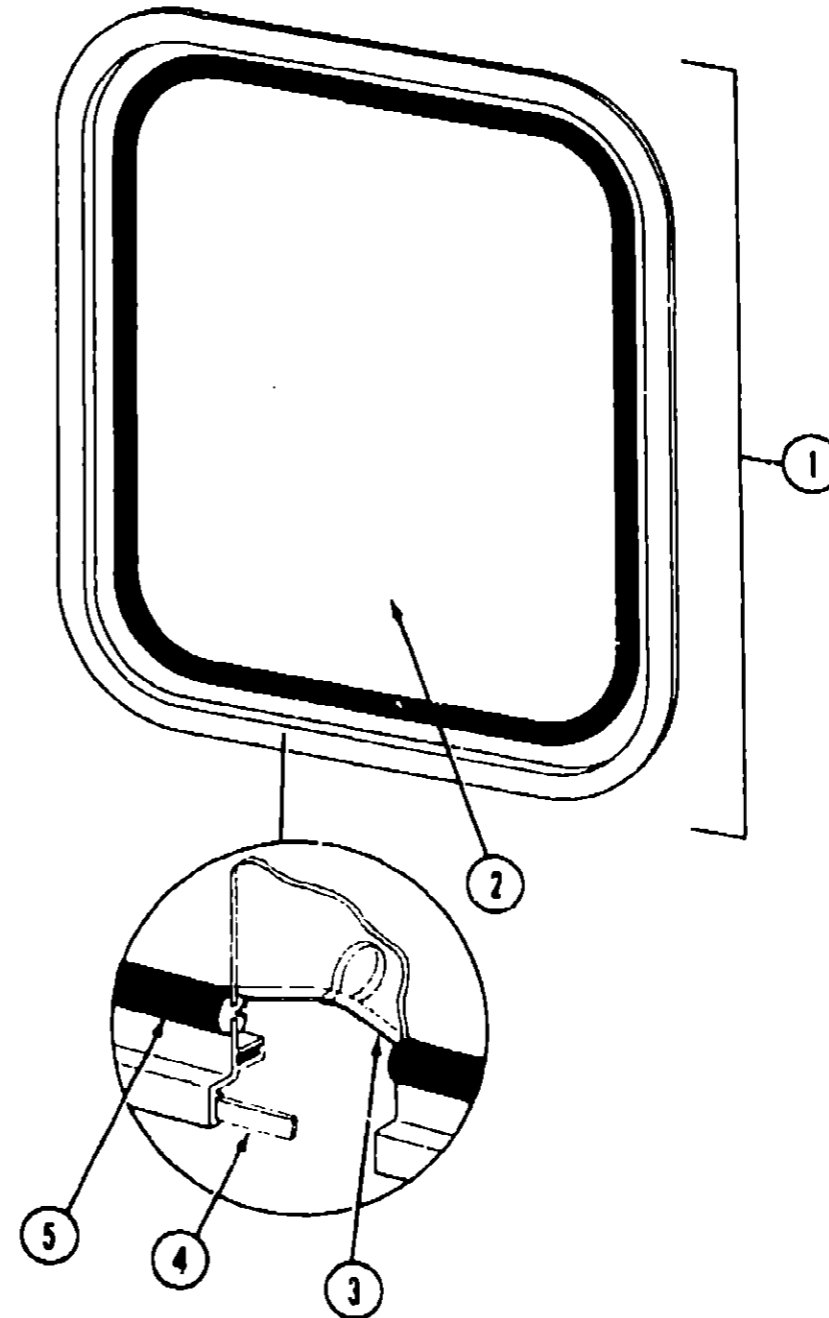
Floor Plan	A-01 - A-02
Accessories Group	A-03 - A-05
Bath Group	A-06 - A-07
Chassis Group	A-08 - A-09
Curtain, Cushion & Pad Group	A-10 - A-17
Dinette Group	A-18
Driver's Compartment Group	A-19 - A-21
Electrical Group	A-22 - A-23
Exterior Body Group	A-24 - B-05
Galley Group	B-06 - B-07
Heating & Air Conditioning Group	B-08
Interior Finish Group	B-09 - B-11
LP Group	B-12
Lounge Group	B-13
Water & Sewage Group	B-14 - B-15
Window, Vent & Exterior Door Group	B-16 - C-04

**WINDOW, VENT & EXTERIOR DOOR GROUP (CONTINUED)**



Key	Part Number	U/M	Description
1	078533-01-T03	EA	Window Asm. - Front Picture - 14" x 69" - Black (w/o inside frame)
•	041938-04-000	EA	Inside Frame - Black (not included in assembly)
2	002200-02-000	EA	Glass - TP - Picture Window
3	069640-06-000	FT	Ribbon Sealer - 5/16" Bead x 15'
4	002281-01-000	FT	Weatherstrip - Self Seal - .06" Panel x 3/16" - Black
•	Not illustrated		

**WINDOW, VENT & EXTERIOR DOOR GROUP (CONTINUED)**



Key	Part Number	U/M	Description
1	079415-01-T03	EA	Window Asm. - Rear Escape - 23" x 29" - Black (w/o inside frame)
•	020749-05-000	EA	Inside Frame - Beige (not included in assembly)
2	002174-02-000	EA	Glass - 1/8" x 19.6" x 25.9"
3	002285-01-000	FT	Filler - Weatherstrip - Black
4	069640-05-000	FT	Ribbon Sealer - 5/16" Bead x 15'
5	002282-01-000	FT	Weatherstrip - 1.25" Window
•	006199-01-000	EA	Label - Exit - Escape Window
•	Not illustrated		

**1987 WINNEBAGO  
TABLE OF CONTENTS**

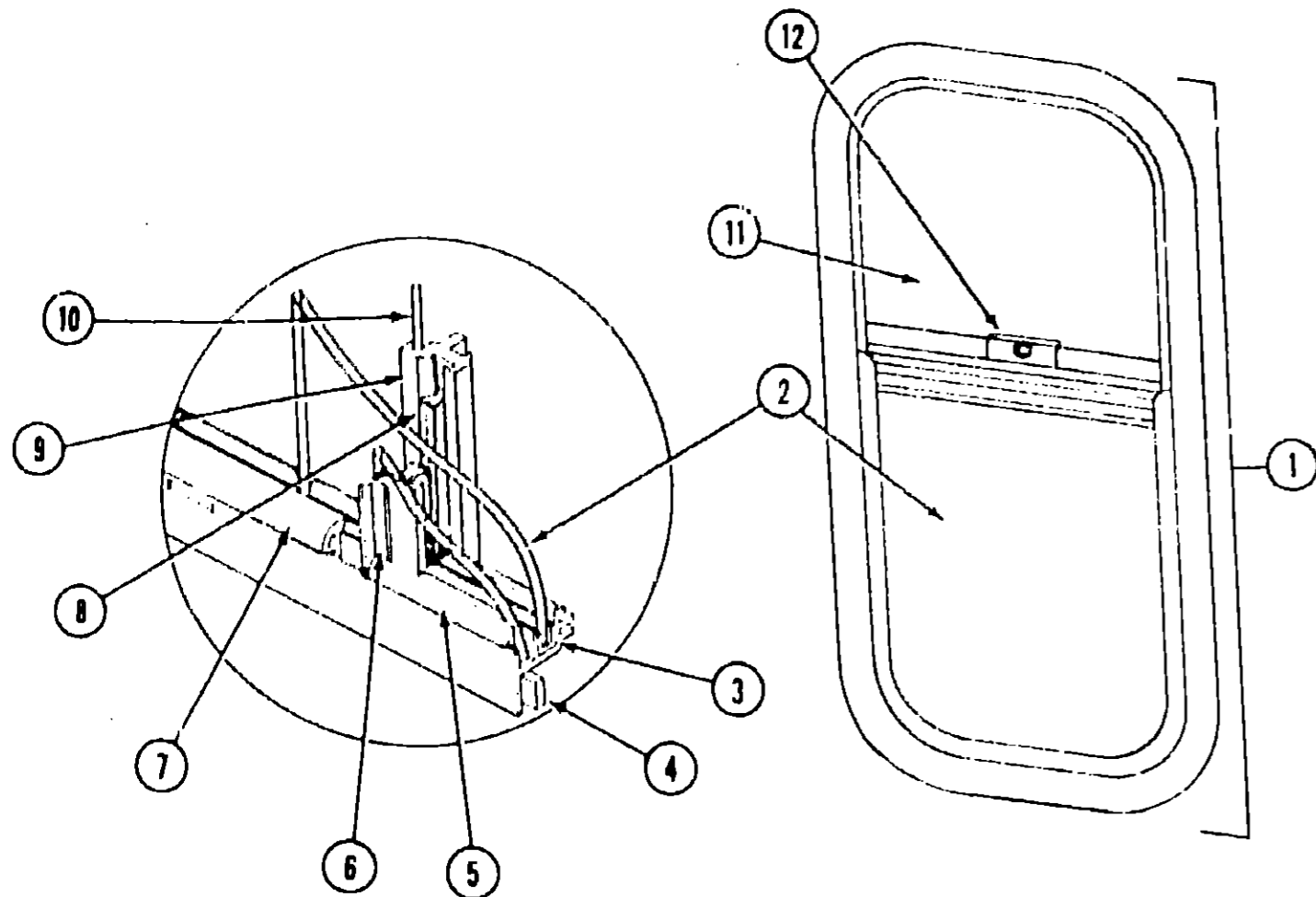
WC/WF424RC	A-01 - C-04
WC/JN31RT	C-05 - E-20
WCN33RU	E-21 - H-10
WCP31RT	H-11 - J-21

**1987 WC/WF424RC INDEX**

Floor Plan	A-01 - A-02
Accessories Group	A-03 - A-05
Bath Group	A-06 - A-07
Chassis Group	A-08 - A-09
Curtain, Cushion & Pad Group	A-10 - A-17
Dinette Group	A-18
Driver's Compartment Group	A-19 - A-21
Electrical Group	A-22 - A-23
Exterior Body Group	A-24 - B-05
Galley Group	B-06 - B-07
Heating & Air Conditioning Group	B-08
Interior Finish Group	B-09 - B-11
LP Group	B-12
Lounge Group	B-13
Water & Sewage Group	B-14 - B-15
Window, Vent & Exterior Door Group	B-16 - C-04

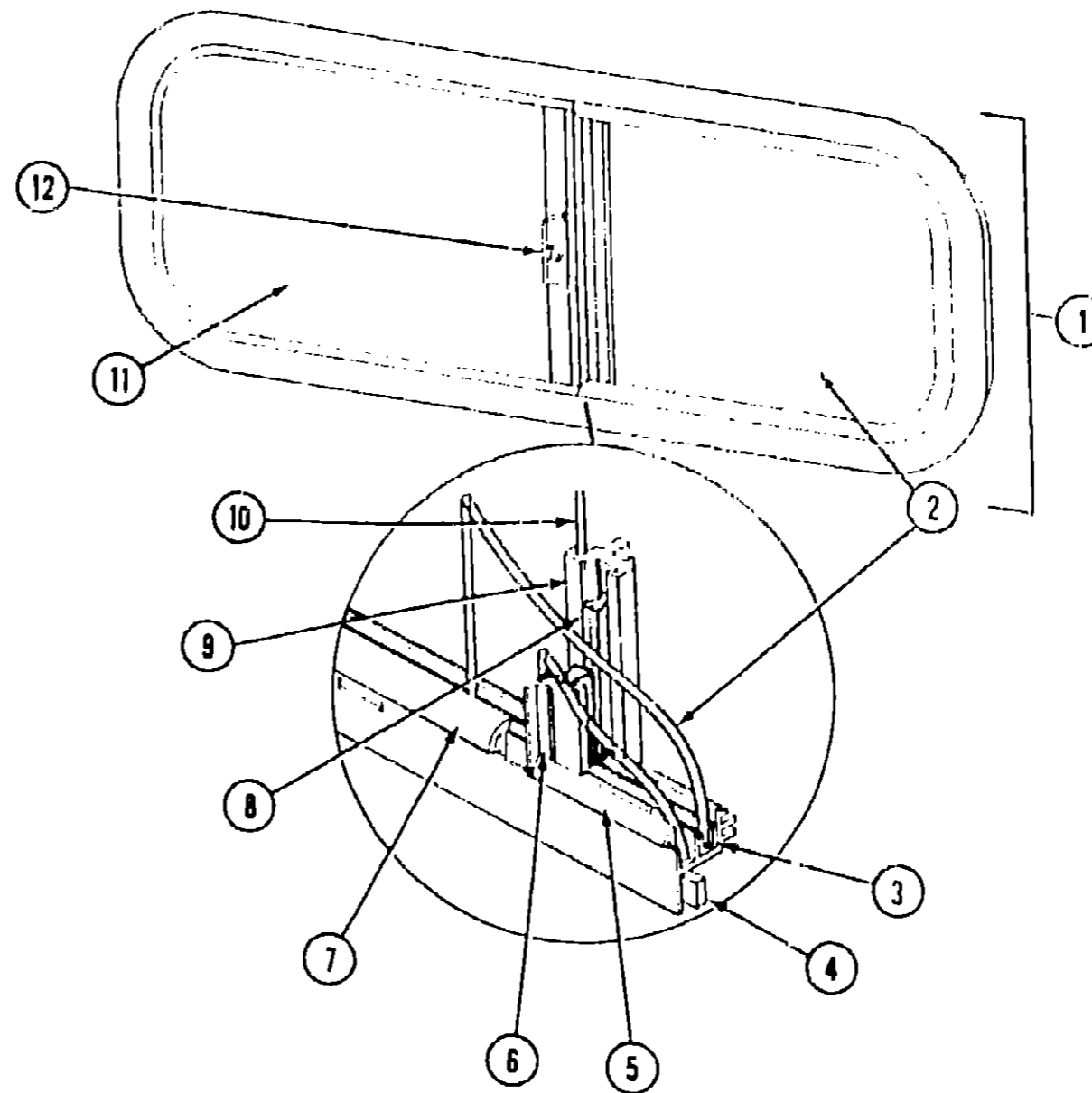


**WINDOW, VENT & EXTERIOR DOOR GROUP (CONTINUED)**



Key	Part Number	U/M	Description
1	078453-01-T03	EA	Window Asm. - Vertical Slider - 37" x 15" - Black (w/o inside frame)
*	083122-01-000	EA	Inside Frame - Beige (not included in assembly)
2	081980-03-000	EA	Glass - Slider - 1/8" x 14.4" x 19"
3	002324-02-000	FT	Channel - Weatherstrip - Glass Run - 1/8" Glass
4	069640-06-000	FT	Ribbon Sealer - 5/16" Bead x 15'
5	002309-02-000	FT	Spline - Glass - 1/8" Material - Black
6	M69886-03-007	EA	Seal Holder w/Fin Seal - Black
7	057374-02-000	FT	Extr. Ribbon - Window Seal - Black
8	073740-01-000	FT	Seal - Fin - Pile - .460"
9	078562-01-000	EA	Mullion - Slider Window - Black
10	002298-02-000	FT	Spline - .130" Dia. - Charcoal (Screen)
11	081984-02-000	EA	Glass - Stationary - 1/8" x 14.4" x 19"
12	047369-01-700	EA	Latch Kit - Window - Plastic w/Fastener
*	079204-01-000	EA	Bracket - Mullion - Black
*	002291-02-000	SF	Screen - Window 16" - Charcoal
*			Not illustrated

**WINDOW, VENT & EXTERIOR DOOR GROUP (CONTINUED)**



Key	Part Number	U/M	Description
1	078266-01-T03	EA	Window Asm. - Single Slider - Black (w/o inside frame)
*	083122-01-000	EA	Inside Frame - Beige (not included in assembly)
2	081980-03-000	EA	Glass - Slider - 1/8" x 22" x 13.68"
3	002324-02-000	FT	Channel - Weatherstrip - Glass Run - 1/8" Glass
4	069640-06-000	FT	Ribbon Sealer - 5/16" Bead x 15'
5	002309-02-000	FT	Spline - Glass - 1/8" Material - Black
6	M69886-03-007	EA	Seal Holder w/Fin Seal - Black
7	057374-02-000	FT	Extr. Rubber - Window Seal - Black
8	073740-01-000	FT	Seal - Fin - Pile - .460"
9	078562-01-000	EA	Mullion - Slider Window - Black
10	002298-02-000	FT	Spline - .130" Dia. - Charcoal (Screen)
11	081984-02-000	EA	Glass - Stationary - 1/8" x 22" x 16.53"
12	047369-01-700	EA	Latch Kit - Window - Plastic w/Fastener
*	002291-02-000	SF	Screen - Window 16" - Charcoal
*	079204-01-000	EA	Bracket - Mullion - Black
*			Not illustrated

**1987 WINNEBAGO  
TABLE OF CONTENTS**

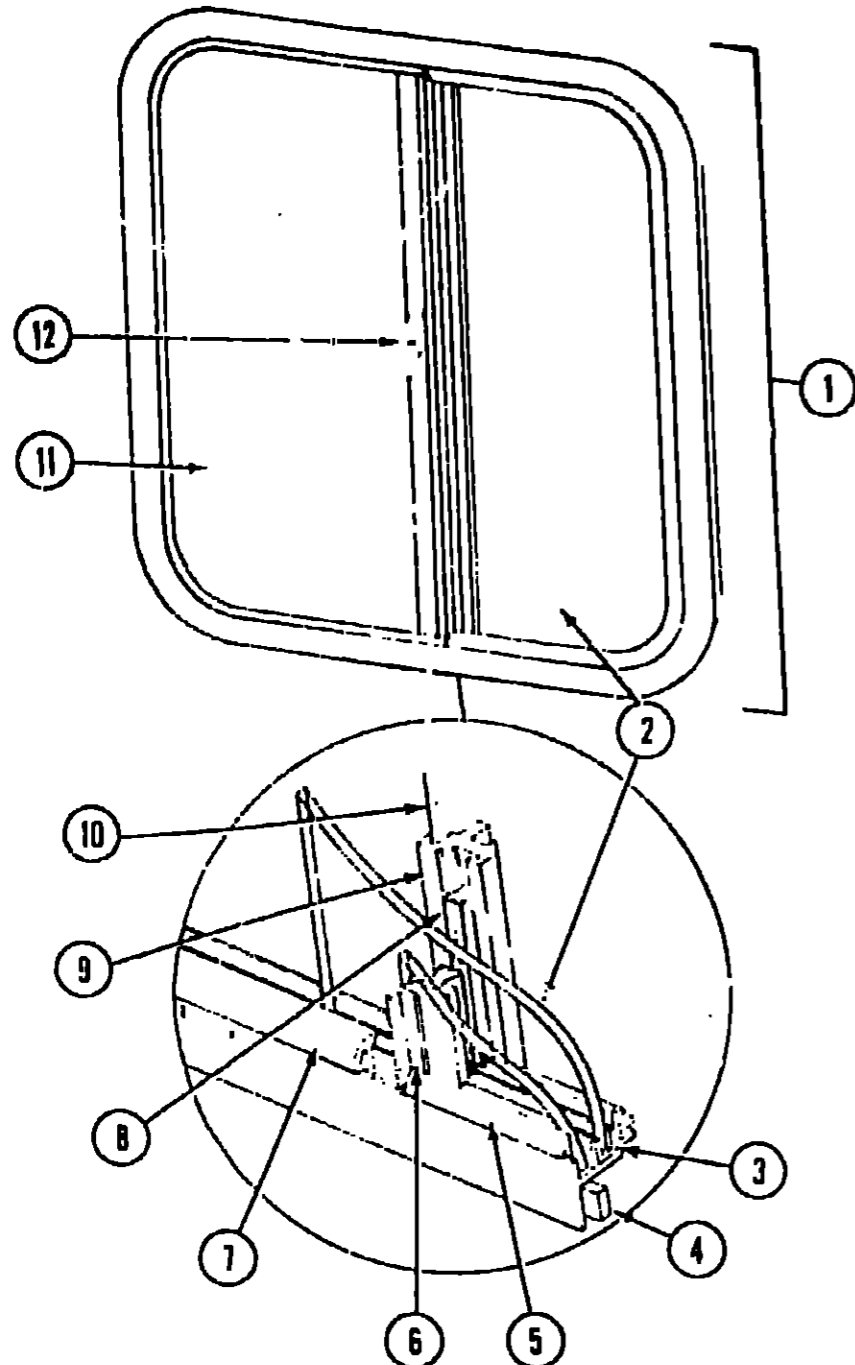
WC/WF424RC  
WC/JH31RT  
WCN33RU  
WCP31RT

A-01 - C-04  
C-05 - E-20  
E-21 - H-10  
H-11 - J-21

**1987 WC/WF424RC INDEX**

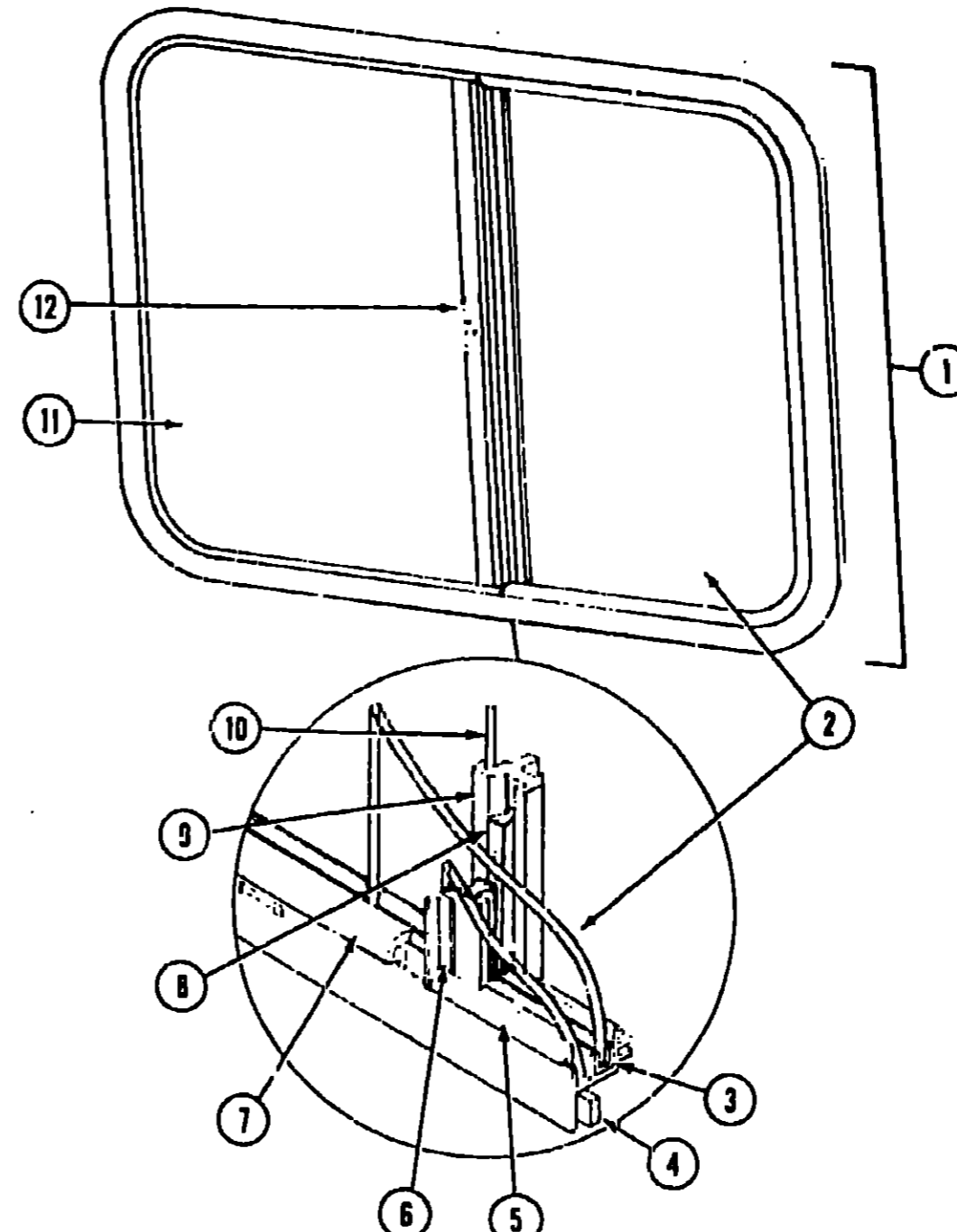
Floor Plan	A-01 - A-02
Accessories Group	A-03 - A-05
Bath. Group	A-06 - A-07
Chassis Group	A-08 - A-09
Curtain, Cushion & Pad Group	A-10 - A-17
Dinette Group	A-18
Driver's Compartment Group	A-19 - A-21
Electrical Group	A-22 - A-23
Exterior Body Group	A-24 - B-05
Galley Group	B-06 - B-07
Heating & Air Conditioning Group	B-08
Interior Finish Group	B-09 - B-11
LP Group	B-12
Lounge Group	B-13
Water & Sewage Group	B-14 - B-15
Window, Vent & Exterior Door Group	B-16 - C-04

**WINDOW, VENT & EXTERIOR DOOR GROUP (CONTINUED)**



Key	Part Number	U/M	Description
1	078266-02-T03	EA	Window Asm. - Single Slider (w/o inside frame)
*	083122-03-000	EA	Inside Frame - Beige (not included in assembly)
2	081980-05-000	EA	Glass - Sliding - 1/8" x 19" x 13.68"
3	002324-02-000	FT	Channel - Weatherstrip - Glass Run - 1/8" Glass
4	069640-06-000	FT	Ribbon Sealer - 5/16" Bead x 15'
5	002309-02-000	FT	Spline - Glass - 1/8" Material - Black
6	M69886-03-011	EA	Seal Holder w/Fin Seal - Black
7	057374-02-000	FT	Extr. Rubber - Window Seal - Black
8	073740-01-000	FT	Seal - Fin - Pile - .460"
9	078562-02-000	EA	Mullion - Slider Window - Black
10	002298-02-000	SF	Spline - .130" Dia. - Charcoal (Screen)
11	081984-03-000	EA	Glass - Stationary - 1/8" x 19" x 12.30"
12	047369-01-700	EA	Latch Kit - Window - Plastic w/Fastener
*	079204-01-000	EA	Bracket - Mullion - Black
*	002291-02-000	SF	Screen - Window 16" - Charcoal
*			Not illustrated

**WINDOW, VENT & EXTERIOR DOOR GROUP (CONTINUED)**



Key	Part Number	U/M	Description
1	078266-05-T03	EA	Window Asm. - Single Slider - Black (w/o inside frame)
*	083122-07-000	EA	Inside Frame - Beige (not included in assembly)
2	081980-04-000	EA	Glass - Sliding - 1/8" x 24" x 21.03"
3	002324-02-000	FT	Channel - Weatherstrip - Glass Run - 1/8" Glass
4	069640-06-000	FT	Ribbon Sealer - 5/16" Bead x 15'
5	002309-02-000	FT	Spline - Glass - 1/8" Material - Black
6	M69886-03-003	EA	Seal Holder w/Fin Seal - Black
7	057374-02-000	FT	Extr. Rubber - Window Seal - Black
8	073740-01-000	FT	Seal - Fin - Pile - .460"
9	078562-04-000	EA	Mullion - Slider Window - Black
10	002298-02-000	FT	Spline - .130" Dia. Charcoal (Screen)
11	081984-02-000	EA	Glass - Stationary - 1/8" x 14.4" x 19"
12	047369-01-700	EA	Latch Kit - Window - Plastic w/Fastener
*	079204-01-000	EA	Bracket - Mullion - Black
*	002293-02-000	SF	Screen - Window 26" - Charcoal (Screen)
*			Not illustrated

**1987 WINNEBAGO  
TABLE OF CONTENTS**

WC/WF424RC  
WC/JN31RT  
WCN33RU  
WCP31RT

A-01 - C-04  
C-05 - E-20  
E-21 - H-10  
H-11 - J-21

**1987 WC/WF424RC INDEX**

Floor Plan	A-01 - A-02
Accessories Group	A-03 - A-05
Bath Group	A-06 - A-07
Chassis Group	A-08 - A-09
Curtain, Cushion & Pad Group	A-10 - A-17
Dinette Group	A-18
Driver's Compartment Group	A-19 - A-21
Electrical Group	A-22 - A-23
Exterior Body Group	A-24 - B-05
Galley Group	B-06 - B-07
Heating & Air Conditioning Group	B-08
Interior Finish Group	B-09 - B-11
LP Group	B-12
Lounge Group	B-13
Water & Sewage Group	B-14 - B-15
Window, Vent & Exterior Door Group	B-16 - C-04