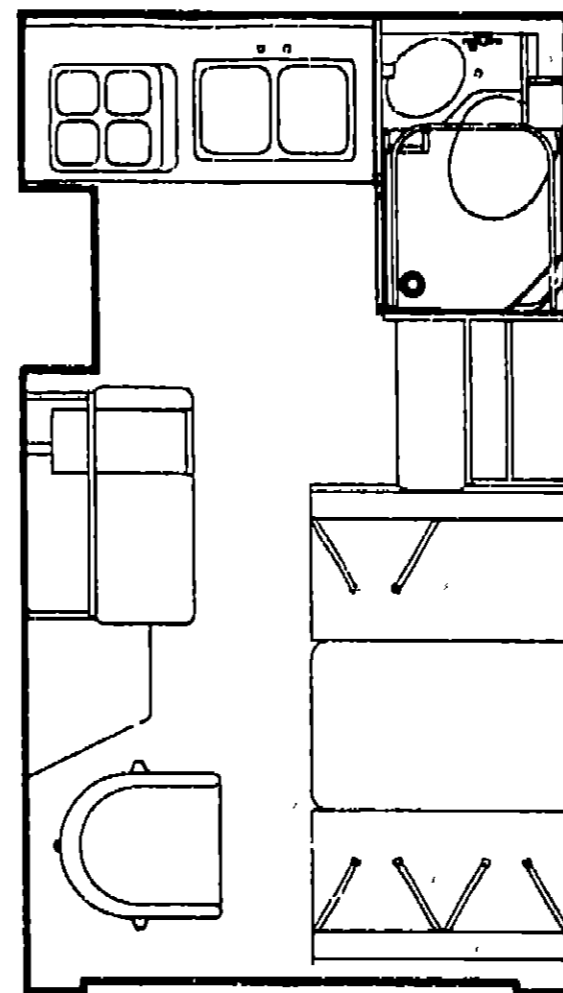


1987 IT319RK



1987 ITASCA TABLE OF CONTENTS

IT319RK
IC/IF421RB

A-01 - B-16
B-17 - D-15

1987 IT319RK INDEX

Floor Plan	A-01 - A-02
Accessories Group	A-03
Bath Group	A-04
Chassis Group	A-05
Curtain, Cushion & Pad Group	A-06 - A-09
Dinette Group	A-10
Driver's Compartment Group	A-11
Electrical Group	A-12 - A-14
Exterior Body Group	A-15 - A-20
Galley Group	A-21 - A-22
Heating & Air Conditioning Group	A-23
Interior Finish Group	A-24 - B-01
LP Group	B-02
Lounge Group	B-03
Water & Sewage Group	B-04 - B-05
Window, Vent & Exterior Door Group	B-06 - B-16

ACCESSORIES GROUP

MISCELLANEOUS ACCESSORIES

Key	Part Number	U/M	Description
	054185-26-000	EA	Owners Manual - 1987 - Itasca & Winnebago
	084438-03-000	EA	Speed Control Package - Electric Dana
	084438-03-701	EA	Regulator Asm.
	084438-03-702	EA	Neutral Safety Pigtail
	084438-03-703	EA	Wire Asm. - Neutral Safety Switch
	041944-04-000	EA	Fire Extinguisher - Dry - 5 BC
	084472-01-000	EA	Recessed Holder - Fire Extinguisher
	073414-01-000	EA	Wheel Cover - 14" (Mag Type) (Set of 4)
	073414-01-700	EA	Wheel Cover - 14" (Mag Type) (1)
	072852-01-000	EA	Smoke Detector w/9 Volt Battery
	006069-01-000	EA	Key Case - Leather
	084445-01-000	EA	Mirror Asm. - Exterior - Right Hand
	084445-02-000	EA	Mirror Asm. - Exterior - Left Hand
	086780-01-000	EA	Mud Flaps - Toyota (Set of 2) - Rubber - Black

BATH GROUP

Key	Part Number	U/M	Description
	M88648-01-W17	EA	Cabinet Asm. - Lavatory - w/o Countertop, Doors or Drawer
	M03105-01-W17	EA	Countertop Asm. - Lavatory Cabinet
	M88301-22-W17	EA	Door Asm. - Lavatory - w/o Hardware
	M88304-42-W17	EA	Door Asm. - Medicine Cabinet - w/Mirror - w/o Hardware
	M82420-03-W17	EA	Door Asm. - Bath - w/o Latch

BATH HARDWARE

Key	Part Number	U/M	Description
	M02630-06-W17	EA	Shower Pan
	011056-01-000	EA	Faucet - Lavatory
	011059-03-000	EA	Faucet - Shower
	009112-01-000	EA	Flange - 1" Closet Rod
	011048-02-000	EA	Shower Head - w/60" Hose
	088401-01-000	EA	Shower Panel - Faucet Plastic
	066729-01-000	EA	Strainer - Shower
	066435-01-000	EA	Nut Strainer - Plastic
	066436-01-000	EA	Slip Nut - 1 5" Tall Piece
	069735-01-000	EA	Washer - Tall Piece - 1 5" - Plastic
	011069-03-000	EA	Tallpiece - 1.5" x 1 25" x 4" - Brass
	087692-01-000	EA	Sink - Oval - Beige Plastic
	011083-01-000	EA	Tall Piece w/Stopper - 1.25" x 5" - Plastic - Sink
	063740-01-000	EA	Toilet - Thetford - Aqua Magic IV - Ivory
	009134-01-000	EA	Tissue Holder
	009133-01-000	EA	Towel Bar - 12" Plastic
	058331-19-000	EA	Mirror - Tempered Glass - 10 86" x 14 4"
	057671-01-000	EA	Screw Cover - #8 - Antique White
	U58335-02-000	EA	Latch - Bathroom Door
	085279-02-000	EA	Holder - Toothbrush/Tumbler

1987 ITASCA TABLE OF CONTENTS

IT319RK
IC/IF421RB

A-01 - B-16
B-17 - D-15

1987 IT319RK INDEX

Floor Plan	A-01 - A-02
Accessories Group	A-03
Bath Group	A-04
Chassis Group	A-05
Curtain, Cushion & Pad Group	A-07 - A-09
Dinette Group	A-10
Driver's Compartment Group	A-11
Electrical Group	A-12 - A-14
Exterior Body Group	A-15 - A-20
Galley Group	A-21 - A-22
Heating & Air Conditioning Group	A-23
Interior Finish Group	A-24 - B-01
LP Group	B-02
Lounge Group	B-03
Water & Sewage Group	B-04 - B-05
Window, Vent & Exterior Door Group	B-06 - B-16

CHASSIS GROUP

Key	Part Number	U/M	Description
	084696-01-000	EA	Tailpipe Extension - 2"
	007181-01-000	EA	Clamp - Hose - Spring Type 112
	062401-01-000	EA	Clamp - Hose - Wormgear - .22" I.D. - 1" I.D.
	062401-02-000	EA	Clamp - Hose - Wormgear - 1.56" I.D. - 2.5" I.D.
	062401-03-000	EA	Clamp - Hose - Wormgear - .25" I.D. - 1" I.D.
	062401-04-000	EA	Clamp - Hose - Wormgear - .69" I.D. - 1.25" I.D.
	062401-05-000	EA	Clamp - Hose - Wormgear - 2" I.D. - 3" I.D.
	062401-06-000	EA	Clamp - Hose - Wormgear - .22" I.D. - .62" I.D.
	084622-01-000	EA	Bumper Asm - Rear - Black
	084773-01-000	EA	Bracket - Spare Tire Mounting
	089423-01-000	EA	Filler Neck - Main Fuel Tank
	078200-01-000	EA	Gasket - Shroud to Filler Neck
	077963-01-000	EA	Gasket - Fuel Door to Sidewall

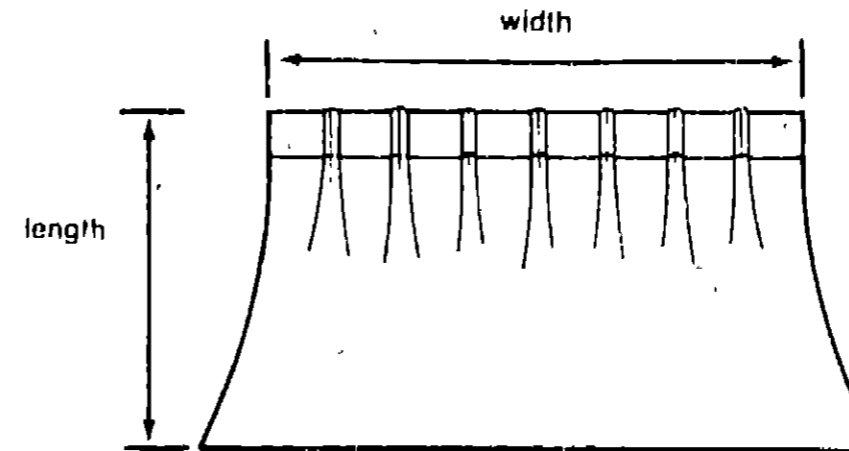
NOTE: Remainder of exhaust components available from chassis service center.

CURTAIN, CUSHION & PAD GROUP

NOTICE

In order to assist our Parts Sales Dept. in providing interior software items, please include the serial number and the color code number from the vehicle certification label when ordering. This label is located on the left sidewall at the end of the dash (A-Body), or on the driver's door latch plate (C-Body).

An example of a color code number is P31, which designates an overall color scheme of a particular unit. The color listed after the item description on the microfiche, indicates the overall unit color. Order the item you desire according to unit color code.

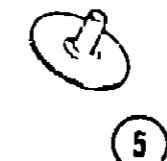


NOTE

Use this illustration when determining length and width measurements for curtains. You will note the width measurement is taken on the top of the curtain with the curtain fully extended. The length measurement is taken from top to bottom.

CURTAIN & CUSHION HARDWARE

Key	Part Number	U/M	Description
	039175-02-000	EA	Bracket - Curtain Rod
	039175-05-000	EA	Bracket - Curtain Rod - Center
	009224-01-000	EA	Curtain Rod - Extension - 28" x 48" - Bath
	042439-01-000	EA	Bracket - Curtain Rod - Single
	039175-03-000	EA	Curtain Rod - Extension - 28" x 48"
	039175-01-000	EA	Curtain Rod - Extension - 48" x 84"
	087253-01-000	EA	Pull - Window Shade - Clear Plastic
	078155-01-000	EA	Strap Asm. - Cushion Snap
	039701-01-000	EA	Carrier - Curtain L Rod
	069702-01-000	EA	End Stop - Curtain L Rod
	056003-01-000	EA	Bracket - Drapery Retainer - Right
	056003-02-000	EA	Bracket - Drapery Retainer - Left



Key	Part Number	U/M	Description
1	029130-01-000	EA	Socket - Snap Fastener
2	029155-01-000	EA	Cap - Snap - .156" Dia x 17" Barrel
3	029156-01-000	EA	Socket - Snap Fastener
4	029092-01-000	EA	Stud - Nickel Finish
5	029093-01-000	EA	Eyelet - Nickel Finish

1987 ITASCA TABLE OF CONTENTS

IT319RK
IC/IF421RB

A-01 - B-16
B-17 - D-15

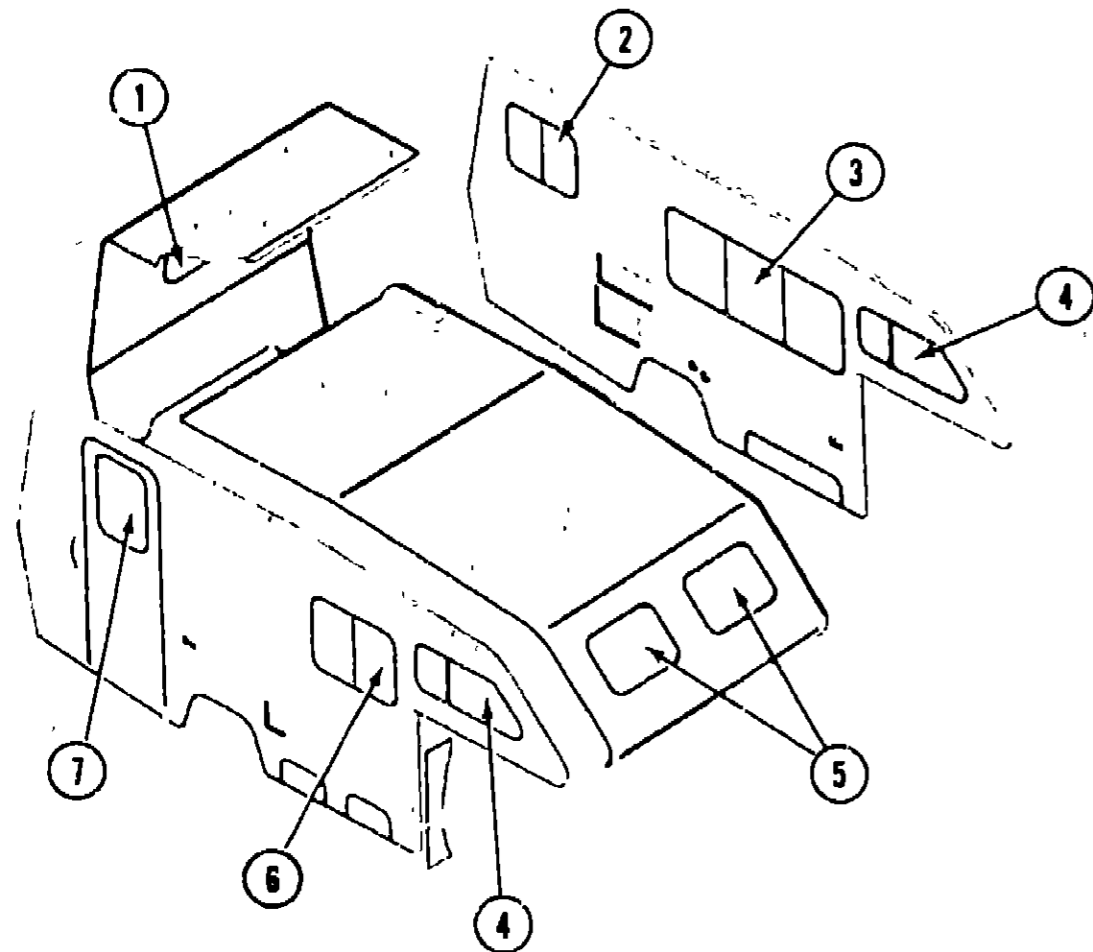
1987 IT319RK INDEX

Floor Plan	A-01 - A-02
Accessories Group	A-03
Bath Group	A-04
Chassis Group	A-05
Curtain, Cushion & Pad Group	A-06 - A-09
Dinette Group	A-10
Driver's Compartment Group	A-11
Electrical Group	A-12 - A-14
Exterior Body Group	A-15 - A-20
Galley Group	A-21 - A-22
Heating & Air Conditioning Group	A-23
Interior Finish Group	A-24 - B-01
LP Group	B-02
Lounge Group	B-03
Water & Sewage Group	B-04 - B-05
Window, Vent & Exterior Door Group	B-06 - B-16

CURTAIN, CUSHION & PAD GROUP (CONTINUED)

FABRICS, TRIMS & PADS

Key	Part Number	U/M	Description
	072333-37-000	YD	Fabric - Drapery - Rose (W19)
	072333-38-000	YD	Fabric - Drapery - Sand (W20)
	077498-B6-000	YD	Fabric w/Pattern - Upholstery - Rose (W19)
	077498-B5-000	YD	Fabric w/Pattern - Upholstery - Sand (W20)
	077498-60-000	YD	Fabric - Upholstery Accent - Rose (W19)
	077498-61-000	YD	Fabric - Upholstery Accent - Sand (W20)
	052859-07-W19	FT	Accent Trim (Dinette Seat Back) - Rose
	052859-07-W20	FT	Accent Trim (Dinette Seat Back) - Sand
	079680-01-000	YD	Expanded Vinyl - 26 oz. - Buckskin
	071127-10-U09	EA	Bulion Asm. - #30 Round - Rose (W19)
	071127-10-W07	EA	Bulion Asm. - #30 Round - Sand (W20)
	078155-01-000	EA	Strap Asm. - Cushion
	079349-01-U09	YD	Welt Asm. - Accent - Rose (W19)
	079349-01-U07	YD	Welt Asm. - Accent - Sand (W20)
	086120-01-W19	EA	Pad Asm. - Map Pocket - 12" x 16" - Rose
	086120-01-W17	EA	Pad Asm. - Map Pocket - 12" x 16" - Sand (W20)



CURTAIN, CUSHION & PAD GROUP (CONTINUED)

CURTAIN, VALANCES, SHADES & TIEBACKS

Key	Part Number	U/M	Description
1	066226-45-W19	EA	Curtain Asm. - 25" x 10" - Rose
1	066226-45-W17	EA	Curtain Asm. - 25" x 10" - Sand (W20)
1	066226-44-W19	EA	Curtain Valance Asm. - 5" x 60" - Rose
1	066226-44-W17	EA	Curtain Valance Asm. - 5" x 60" - Sand (W20)
1	084755-25-W19	EA	Shade Asm. - 27.25" - Rose (W19)
1	084755-25-W20	EA	Shade Asm. - 27.25" - Sand (W20)
2	069777-03-000	EA	Valance Asm. - Plastic (W19, W20)
2	084755-01-WA8	EA	Shade Asm. - 28.25" - Rose (W19)
2	084755-01-WA6	EA	Shade Asm. - 28.25" - Sand (W20)
3	066226-25-W19	EA	Curtain Asm. - 30" x 22" - Rose
3	066226-25-W17	EA	Curtain Asm. - 30" x 22" - Sand (W20)
3	066226-43-W19	EA	Curtain Valance Asm. - 5" x 90" - Rose
3	066226-43-W17	EA	Curtain Valance Asm. - 5" x 90" - Sand (W20)
3	084755-02-WA8	EA	Shade Asm. - 67.25" - Rose (W19)
3	084755-02-WA6	EA	Shade Asm. - 67.25" - Sand (W20)
4	073323-33-W19	EA	Curtain Asm. - 17.5" x 18" - Rose
4	073323-33-W17	EA	Curtain Asm. - 17.5" x 18" - Sand (W20)
4	073323-34-W19	EA	Curtain Asm. - 17.5" x 18" - Left Front - Rose
4	073323-34-W17	EA	Curtain Asm. - 17.5" x 18" - Left Front - Sand (W20)
4	073323-35-W19	EA	Curtain Asm. - 17.5" x 18" - Right Front - Rose
4	073323-35-W17	EA	Curtain Asm. - 17.5" x 18" - Right Front - Sand (W20)
5	073323-37-W19	EA	Curtain Asm. - 21" x 30" - Rose
5	073323-37-W17	EA	Curtain Asm. - 21" x 30" - Sand (W20)
6	066226-44-W19	EA	Curtain Valance Asm. - 5" x 60" - Rose
6	066226-44-W17	EA	Curtain Valance Asm. - 5" x 60" - Sand (W20)
6	066226-41-W19	EA	Curtain Asm. - 27" x 20" - Rose
6	066226-41-W17	EA	Curtain Asm. - 27" x 20" - Sand (W20)
6	084755-06-WA8	EA	Shade Asm. - 33.25" - Rose (W19)
6	084755-06-WA6	EA	Shade Asm. - 33.25" - Sand (W20)
7	073304-46-W19	EA	Curtain Asm. - 34" x 33" - Rose
7	073304-46-W17	EA	Curtain Asm. - 34" x 33" - Sand (W20)
	076892-03-W19	EA	Curtain Asm. - Blackout - 35" x 55" - Rose
	076892-03-W17	EA	Curtain Asm. - Blackout - 35" x 55" - Sand (W20)
	084481-04-000	EA	Curtain Asm. - Shower - 65" x 60"
	073260-24-W19	EA	Tieback Asm. - 2" x 14" - Rose
	073260-24-W17	EA	Tieback Asm. - 2" x 14" - Sand (W20)
	073260-26-W19	EA	Tieback Asm. - 3" x 16" - Rose
	073260-26-W17	EA	Tieback Asm. - 3" x 16" - Sand (W20)
			Not illustrated

**1987 ITASCA
TABLE OF CONTENTS**

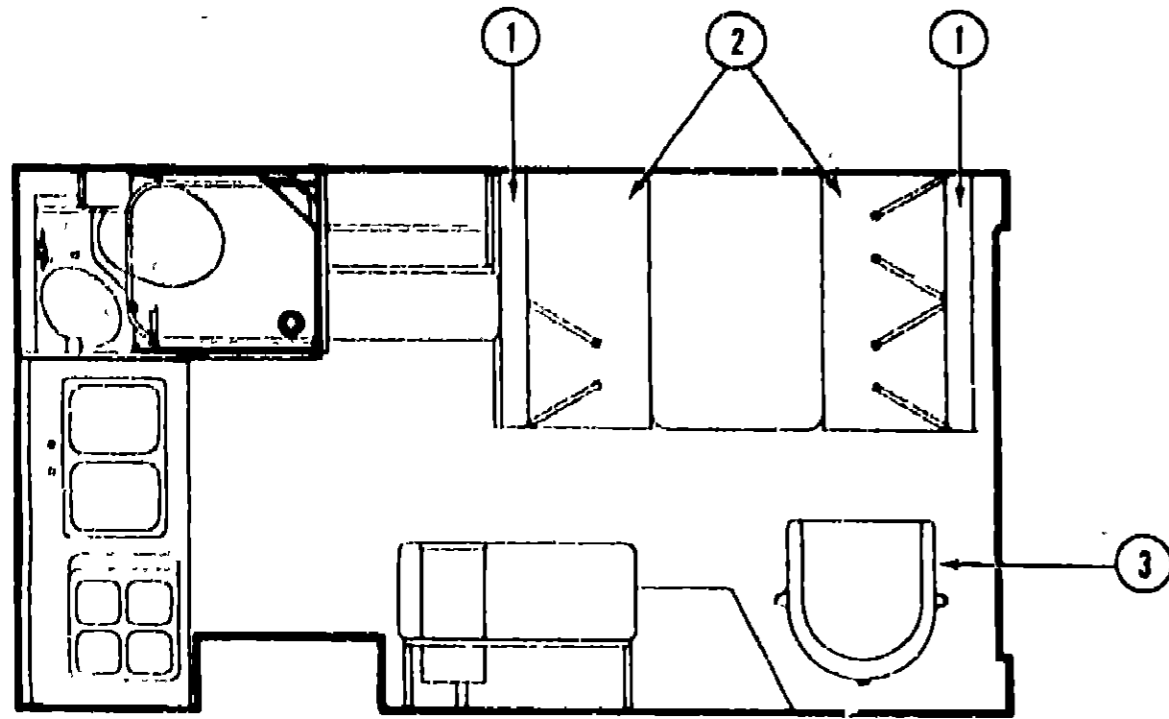
IT319RK
IC/IF421RB

A-01 - B-16
B-17 - D-15

1987 IT319RK INDEX

Floor Plan	A-01 - A-02
Accessories Group	A-03
Bath Group	A-04
Chassis Group	A-05
Curtain, Cushion & Pad Group	A-06 - A-09
Dinette Group	A-10
Driver's Compartment Group	A-11
Electrical Group	A-12 - A-14
Exterior Body Group	A-15 - A-20
Galley Group	A-21 - A-22
Heating & Air Conditioning Group	A-23
Interior Finish Group	A-24 - B-01
LP Group	B-02
Lounge Group	B-03
Water & Sewage Group	B-04 - B-05
Window, Vent & Exterior Door Group	B-06 - B-16

CURTAIN, CUSHION & PAD GROUP (CONTINUED)



DINETTE CUSHION

Key	Part Number	U/M	Description
1	081998-84-W19	EA	Cushion Asm - Dinette Back - 17.25" x 38" x 5" - Rose
1	081998-84-W20	EA	Cushion Asm - Dinette Back - 17.25" x 38" x 5" - Sand
	M81998-84-W19	EA	Cover Asm - Dinette Back Cushion - 17.25" x 38" x 5" - Rose
	M81998-84-W20	EA	Cover Asm - Dinette Back Cushion - 17.25" x 38" x 5" - Sand
2	081998-85-W19	EA	Cushion Asm - Dinette Bottom - 17.5" x 38" x 5" - Rose
2	081998-85-W20	EA	Cushion Asm - Dinette Bottom - 17.5" x 38" x 5" - Sand
	M81998-85-W19	EA	Cover Asm - Dinette Bottom Cushion - 17.5" x 38" x 5" - Rose
	M81998-85-W20	EA	Cover Asm - Dinette Bottom Cushion - 17.5" x 38" x 5" - Sand

SWIVEL CHAIR

Key	Part Number	U/M	Description
3	084754-04-W19	EA	Chair Asm w/Pillow Back - Swivel - Rose
3	084754-04-W20	EA	Chair Asm w/Pillow Back - Swivel - Sand
	088245-02-000	EA	Plate - Tilt & Swivel - Swivel Chair
	088245-01-000	EA	Base w/Legs - Swivel Chair
	088245-05-000	EA	Extension - 7" - Swivel Chair

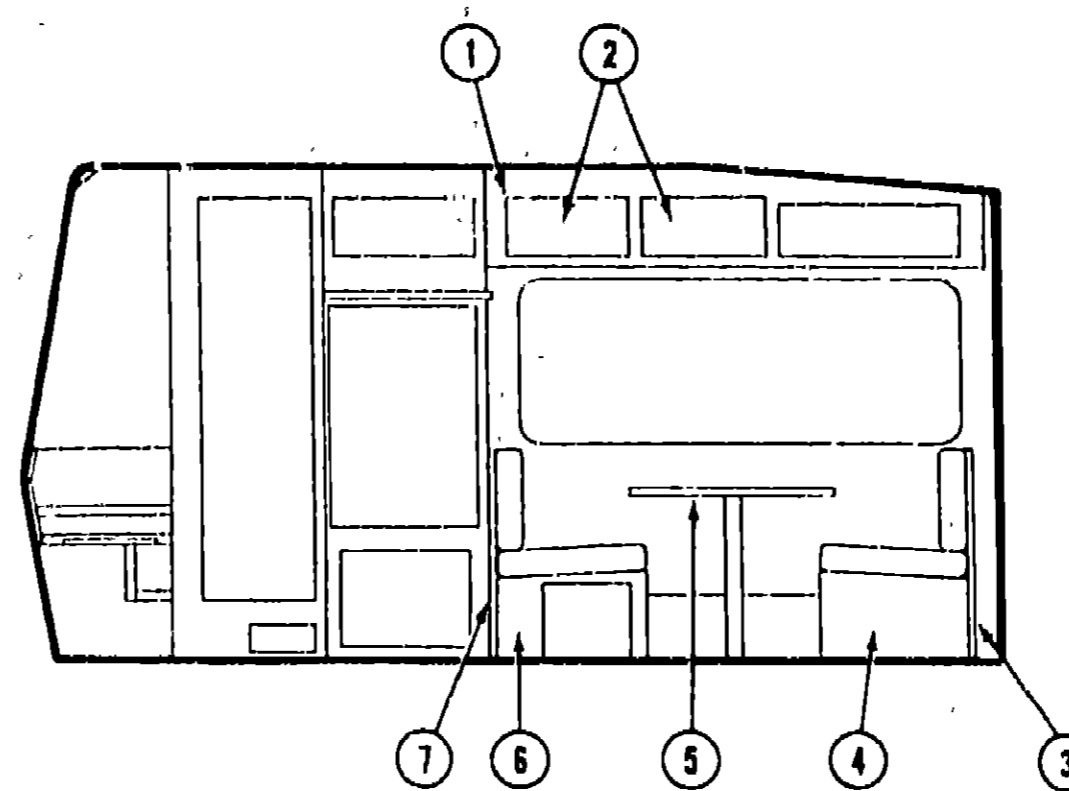
BUCKET SEAT COVERS

Key	Part Number	U/M	Description
	086740-01-W19	EA	Seat Cover Asm - Bucket - Rose
	086740-01-W20	EA	Seat Cover Asm - Bucket - Sand

FRONT OVERHEAD BUNK CUSHIONS

Key	Part Number	U/M	Description
	084753-03-W19	EA	Cushion Asm - Front Bunk - 52" x 81" x 4" - Rose
	084753-03-W20	EA	Cushion Asm - Front Bunk - 52" x 81" x 4" - Sand
	M84753-03-W19	EA	Cover Asm - Front Bunk - 52" x 81" x 4" - Rose
	M84753-03-W20	EA	Cover Asm - Front Bunk - 52" x 81" x 4" - Sand
	084753-04-W19	EA	Cushion Asm - Front Bunk - 24" x 41" x 4" - U Shaped - Rose
	084753-04-W20	EA	Cushion Asm - Front Bunk - 24" x 41" x 4" - U Shaped - Sand
	M84753-04-W19	EA	Cover Asm - Front Bunk - 24" x 41" x 4" - U Shaped - Rose
	M84753-04-W20	EA	Cover Asm - Front Bunk - 24" x 41" x 4" - U Shaped - Sand

DINETTE GROUP



CONVENTIONAL DINETTE & OVERHEAD CABINETRY

Key	Part Number	U/M	Description
1	M818569-01-W17	EA	Cabinet Asm - Dinette Overhead - w/o Doors or Hardware
2	M88301-31-W17	EA	Door Asm - Dinette Overhead - w/o Hardware
3	M02913-03-W19	EA	Cabinet Asm - Dinette Back - w/o Trim
4	M02914-01-W17	EA	Cabinet Asm - Dinette Seat
5	M81299-07-W17	EA	Table Asm - Dinette - w/o Hardware
6	M02914-03-W17	EA	Cabinet Asm - Dinette Seat
7	M02913-04-W19	EA	Cabinet Asm - Dinette Back - w/o Trim
	081518-01-W24	EA	Dinette Seat Board
	074493-02-000	EA	Support - Sprung Door Asm - Overhead Cabinet
	053200-09-000	EA	Bracket - Upper Wall Mount - 18.5" - Beige
	053201-08-000	EA	Bracket - Table Mount - 18" - Beige
	024275-10-000	EA	Rod - Table Lift - Tan
	024281-08-000	EA	Bracket - Lower Wall Mount - 13.5" - Beige
	024276-17-000	EA	Leg Asm - Table - 26.75" - Tan
	064050-02-000	EA	Hinge - Table Leg - Tan
	024282-01-000	EA	Brace - Table Leg
	024283-01-000	EA	Clip - 1" O.D. Tube
	049493-05-000	EA	Catch - Table Leg - Mounts on Floor - Tan
	064781-02-000	EA	Cup Holder - 3.47" O.D x 2.75" I.D x 1.5" - Beige
			Not illustrated

**1987 ITASCA
TABLE OF CONTENTS**

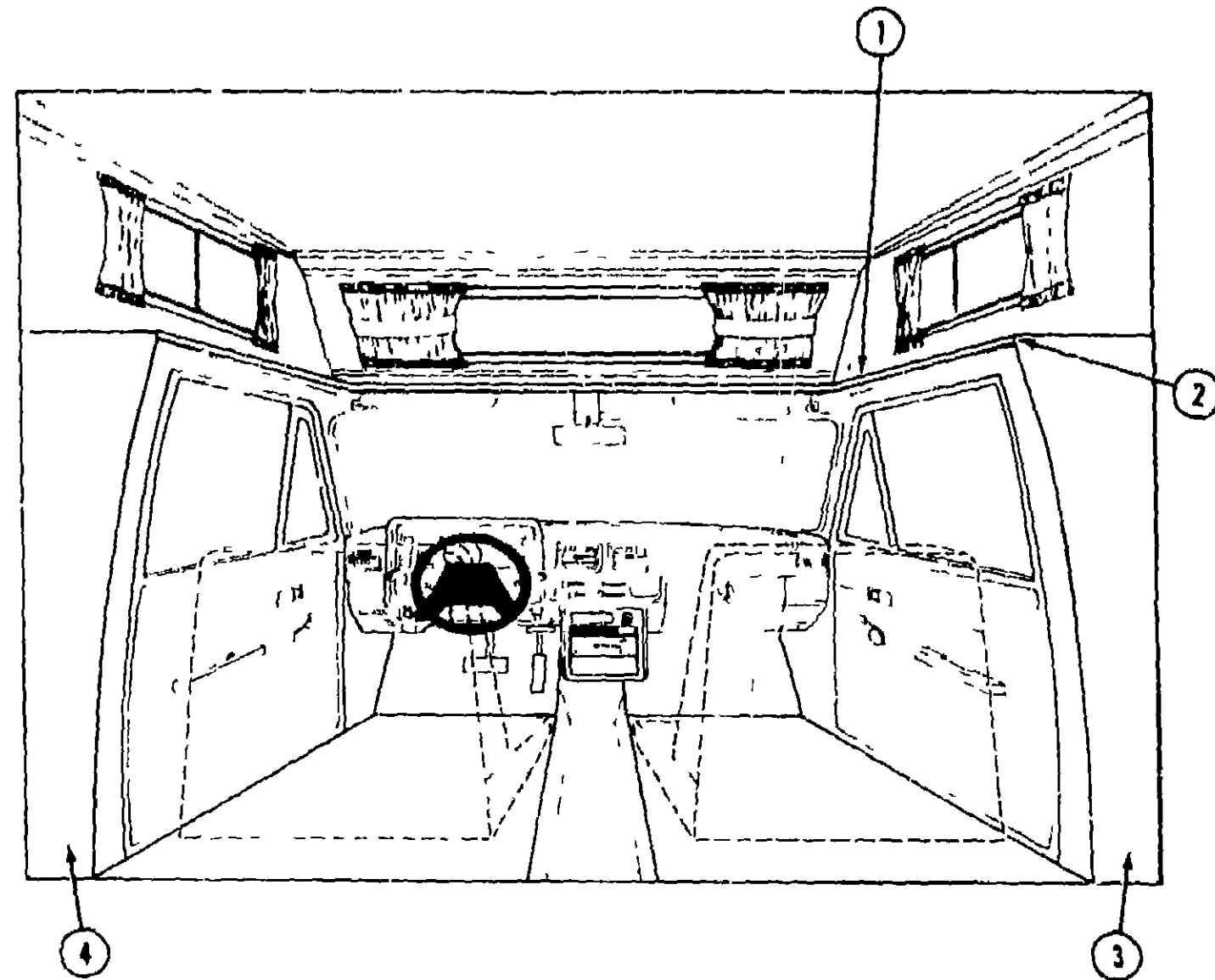
IT319RK
IC/IF421RB

A-01 - B-16
B-17 - D-15

1987 IT319RK INDEX

Floor Plan	A-01 - A-02
Accessories Group	A-03
Bath Group	A-04
Chassis Group	A-05
Curtain, Cushion & Pad Group	A-06 - A-09
Dinette Group	A-10
Driver's Compartment Group	A-11
Electrical Group	A-12 - A-14
Exterior Body Group	A-15 - A-20
Galley Group	A-21 - A-22
Heating & Air Conditioning Group	A-23
Interior Finish Group	A-24 - B-01
LP Group	B-02
Lounge Group	B-03
Water & Sewage Group	B-04 - B-05
Window, Vent & Exterior Door Group	B-06 - B-16

DRIVER'S COMPARTMENT GROUP



MISCELLANEOUS DRIVER'S COMPARTMENT COMPONENTS

Key	Part Number	U/M	Description
1	M84656 01-W17	EA	Panel Asm - Sleeper Board w/o Vinyl
2	079800 02-000	EA	Trim Front - Sleeper Board
3	M84568-03 W19	EA	Panel Asm - Wingwall Transition - Inner - Passenger
3	M84568 03 W17	EA	Panel Asm - Wingwall Transition - Inner - Passenger (W20)
4	M84568 02-W19	EA	Panel Asm - Wingwall Transition - Inner - Drivers
4	M84568 02 W17	EA	Panel Asm - Wingwall Transition - Inner - Driver (W20)
	080742 01 000	FT	Insert - Trim - Sleeper Board - Vinyl
	Not illustrated		

ELECTRICAL GROUP

WIRE, SWITCHES & RECEPTACLES

Key	Part Number	U/M	Description
	008058 01 000	EA	Adapter Power Cord
	008288 01 000	EA	Box - Electrical 3' x 3 5" - Plastic
	008289 01 000	EA	Box - Electrical - 4" x 4" 1/2 & 3/4 Steel - UL
	008289 02 000	EA	Box - Electrical 4' x 4' - 1/2 & 3/4 Steel - CSA
	058049 01 000	EA	Box - Electrical 2 x 3' x 2 25' - Steel
	008353 01 000	EA	Connector - Clamping - 3/8 Cable - UL & CSA
	058028 01 000	EA	Connector - Pigtail Clear Nylon
	008314-01 000	EA	Connector - Wire Nut Gray
	008311-01 000	EA	Connector - Wire Nut Red
	031968 01 000	EA	Contact Plug - Brass - Tin Plated
	031967-01-000	EA	Contact - Receptacle
	008054 01 000	EA	Cord - Power - 10 3 30 Amp - 25' - UI
	069238 02 000	FA	Cover Electrical Box 4' x 4"
	058048 01 000	EA	Cover - Electrical Box 4 5 x 2 75' Rain Tight (Exterior)
	024571 03 000	EA	Cover Plate - Receptacle Jumbo Brown Plastic
	024571 04 000	EA	Cover Plate - Receptacle Jumbo - Ivory Plastic
	008164 01 000	EA	Cover Plate - Switch - Brown
	084077 02 000	EA	Cover Receptacle - Ground Fault Interrupter - Brown
	008294 01 000	EA	Cover - Flat Blank - 4' x 4' Steel - US
	008250 01-000	EA	Fuse Holder In Line 10 Amp
	008250 02 000	EA	Fuse Holder In Line 15 Amp
	008277 01 000	EF	Fuse Holder Panel Mount Black
	054532 01 000	EA	Housing Pin - 6 Position
	046885-01 000	EA	Plaque - Mounting Switch
	084077 02 000	EA	Receptacle Cover GF1 - Brown
	058708 01-000	EA	Receptacle - Duplex - Brown
	008157 01-000	EA	Receptacle Duplex - Brown (Exterior Backwall)
	058708 01-000	EA	Receptacle - Duplex Brown
	084076 02-000	EA	Receptacle - Ground Fault Interrupter - 125 Volt - Ivory
	024924 02 000	EA	Receptacle Power Cord
	058707-01 000	EA	Receptacle - Single - Brown
	063912 01-000	EA	Relay - Canister SPDT w/Ground
	008188 01 000	EA	Solenoid Relay - 3 Terminal
	075723-01-000	EA	Switch - Block Spacer - w/o Holes
	075723 02 000	EA	Switch - Block Spacer - w/Holes
	008162-01-000	EA	Switch - Double Toggle - Brown
	077942-02 000	EA	Switch - Dummy - Brown
	056264 01-000	EA	Switch - Leaf Actuator
	081066-01-000	EA	Switch Plate 2 Gang - 2 Switches
	079363 01-000	EA	Switch Plate - Single - w/Switches
	079364-01 000	EA	Switch - On/Off Rocker Brown
	008195-01-000	EA	Switch - Push Button 12 Volt
	008163 01-000	EA	Switch - Toggle - Brown
	047443 02 000	CA	Terminal - 250 Receptacle 12 - 10 AWG
	035417-01-000	EA	Terminal - Pin Receptacle - 125 Dia
	008348-01-000	EA	Terminal Ring - 2 w/3/8 Stud
	008331-01-000	EA	Terminal Ring 4 - w/3/8 Stud
	008328 01-000	EA	Terminal Ring - 12/10 Wire
	008028 01-000	FT	Wire - 18 5 Bonded - Blue/Red/Yellow/Orange/White
	008024 01-000	FT	Wire - 18 5 Bonded - Orange/White/Yellow/Blue/Brown
	008025-01-000	FT	Wire - 18 5 Bonded - Orange/White/Yellow/Blue/Green
	008026-01-000	FT	Wire w/Ground - Romex - 12/2

1987 ITASCA TABLE OF CONTENTS

IT319RK
IC/IF421RB

A-01 - B 16
B-17 - D-15

1987 IT319RK INDEX

Floor Plan	A-01 - A-02
Accessories Group	A-03
Bath Group	A-04
Chassis Group	A-05
Curtain, Cushion & Pad Group	A-06 - A-09
Dinette Group	A 10
Driver's Compartment Group	A-11
Electrical Group	A-12 A-14
Exterior Body Group	A-15 - A-20
Galley Group	A-21 - A-22
Heating & Air Conditioning Group	A-23
Interior Finish Group	A-24 - B-01
LP Group	B-02
Lounge Group	B-03
Water & Sewage Group	B-04 B-05
Window Vent & Exterior Door Group	B 06 B-16

ELECTRICAL GROUP (CONTINUED)

EXTERIOR LIGHTS

Key	Part Number	U/M	Description
	081638 02 000	EA	Tail Lamp Asm 2 Bulb - Chrome Driver/Passenger
	081638 03 000	EA	Bezel - Tail Lamp - Driver/Passenger
	066432-01 000	EA	Light Bracket - License Plate
	042405 03-000	EA	Base - Rectangular Clearance Light
	042405 01 000	EA	Lens - Clearance Light - Red w/Reflex
	042405 02 000	EA	Lens - Clearance Light - Amber w/Reflex
	008089 01 000	EA	Porch Light - Recessed
	008089 01-700	EA	Lens - Porch Light

INTERIOR LIGHT

Key	Part Number	U/M	Description
	033508 02 000	EA	Light Dome Ivory 1 Bulb - US
	061424 01-000	EA	Light - 12V Receptacle - Aisle IP

FUSES & CIRCUIT BREAKERS

Key	Part Number	U/M	Description
	008233 01 000	EA	Fuse - 6 Amp - 12 Volt
	008234 01 000	EA	Fuse - 10 Amp 12 Volt
	046893 01 000	EA	Fuse - 13 Amp - 12 Volt
	008235 01 000	EA	Fuse - 15 Amp 12 Volt
	008236 01 000	EA	Fuse - 20 Amp 12 Volt
	008248-01-000	EA	Fuse - 30 Amp - 110 Volt - AGU
	008252-01 000	EA	Fuse - 50 Amp - 110 Volt
	056473 02-000	EA	Fuse 5 Amp - Slow Blow
	056473 01-000	EA	Fuse - 6 1/4 Amp - Slow Blow
	062901 02-000	EA	Fuse - 5 Amp - Automotive
	062901-05-000	FA	Fuse - 15 Amp Automotive
	008211-01-000	EA	Circuit Breaker - 6 Amp 12 Volt
	008208 01-000	EA	Circuit Breaker - 40 Amp - 12 Volt
	033573 02 000	EA	Circuit Breaker - 15 Amp - 12 Volt - w/Mount
	033573 01-000	EA	Circuit Breaker - 20 Amp - 12 Volt - w/Mount
	044466 05 000	EA	Circuit Breaker 25 Amp - 12 Volt - w/Mount
	008268-01-000	EA	Circuit Breaker 30 Amp - 12 Volt - w/Mount
	040051-01-000	EA	Circuit Breaker - 20 Amp - 110 Volt - TQL
	008297 01-000	EA	Circuit Breaker - 120 Amp TQL
	008293 01 000	EA	Circuit Breaker - 130 Amp - TQL
	083209 01-000	EA	Circuit Breaker 15 Amp - 120 Volt
	063209 05-000	EA	Circuit Breaker 20 Amp - 120 Volt
	071279 04-000	EA	Circuit Breaker - 30 Amp - 120 Volt
	071279-02 000	EA	Circuit Breaker - 15/15 Amp - 120 Volt
	071279-03-000	EA	Circuit Breaker - 15/20 Amp - 120 Volt
	071279-01-000	EA	Circuit Breaker - 15/30 Amp - 120 Volt
	071279 06-000	EA	Circuit Breaker - 30/15 Amp - 120 Volt
	071280-01-000	EA	Circuit Breaker Blank
	050783-02 000	EA	Circuit Breaker - Buss Bar

ELECTRICAL GROUP (CONTINUED)

BULBS

Key	Part Number	U/M	Description
	008220 01 000	EA	Bulb - 12V - 25W
	008103 01 000	EA	Bulb 53
	008213-01 000	EA	Bulb 57
	008214 01 000	EA	Bulb 67
	036196 01 000	EA	Bulb 194
	009215 01 000	EA	Bulb - 1003
	067479 01 000	EA	Bulb - 1076
	063914 01-000	EA	Bulb 1139
	008218 01 000	EA	Bulb - 1141
	037935 01 000	EA	Bulb 1157
	037936-01 000	EA	Bulb - 1157A
	056288 02 000	EA	Bulb 9431808

MISCELLANEOUS ELECTRICAL COMPONENTS

Key	Part Number	U/M	Description
	008188 01-000	EA	Solenoid Dual Battery - Relay
	084454 01 000	EA	Control Center 25 Amp - 120 Volt/12 Volt

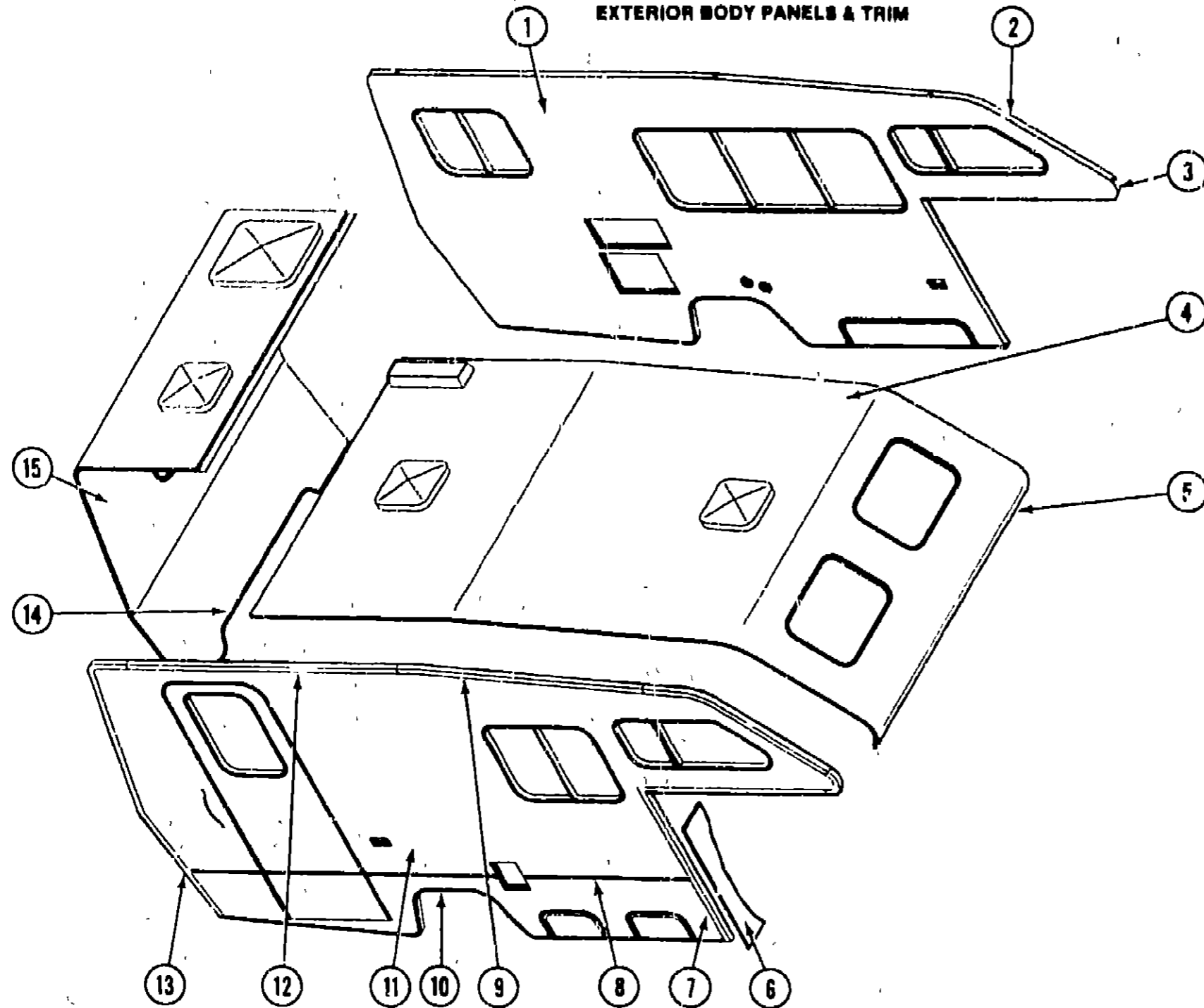
1987 ITASCA TABLE OF CONTENTS

IT319RK	A-01 B-10
IC/IF421RB	B-17 - D-15

1987 IT319RK INDEX

Floor Plan	A-01 - A-02
Accessories Group	A-03
Bath Group	A-04
Chassis Group	A-05
Curtain Cushion & Pad Group	A-06 - A-09
Dinette Group	A-10
Driver's Compartment Group	A-11
Electrical Group	A-12 - A-14
Exterior Body Group	A-15 - A-20
Galley Group	A-21 - A-22
Heating & Air Conditioning Group	A-23
Interior Finish Group	A-24 - B-01
LP Group	B-02
Lounge Group	B-03
Water & Sewage Group	B-04 - B-05
Window Vent & Exterior Door Group	B-06 - B-16

EXTERIOR BODY GROUP
EXTERIOR BODY PANELS & TRIM



Key	Part Number	U/M	Description
1	M88391-01-W19	EA	Sidewall Asm. - Driver
2	085490-04-000	EA	Trim - Contour - Upper Front - Driver - Off White
	085490-03-000	EA	Trim - Contour - Upper Front - Passenger - Off White
3	086889-02-000	EA	Trim - Contour - Front - Driver - Off White
	086889-01-000	EA	Trim - Contour - Front - Passenger - Off White
4	M88394-01-W17	EA	Roof Asm.
5	039644-07-000	EA	Trim - Sleeper Board - Front - Off White
6	M84655-01-W17	EA	Wingwall Asm. - Passenger
	M84655-02-W17	EA	Wingwall Asm. - Driver
7	076975-07-000	EA	Trim - Wingwall Transition - Passenger - Off White
	076975-08-000	EA	Trim - Wingwall Transition - Driver - Off White
8	059576-05-000	EA	Feature Strip - w/o Insert - Extr - 14' - Off White
	001030-02-100	EA	Insert - Feature Strip - 17' - Off White
	009731-01-000	EA	End Cap - Feature Strip
9	076975-09-000	EA	Trim - Contour - Upper - Right or Left
10	084440-06-000	EA	Trim - Wheel Well - Rear Passenger - Off White
	084440-07-000	EA	Trim - Wheel Well - Rear Driver - Off White

Key	Part Number	U/M	Description
11	M88392-01-W19	EA	Sidewall Asm. - Passenger
12	087965-01-000	EA	Trim - Contour - Upper - Passenger Rear
	087965-02-000	EA	Trim - Contour - Upper - Driver Rear
13	076805-05-000	EA	Trim - Contour - Rear Passenger - Off White
	076805-06-000	EA	Trim - Contour - Rear Driver - Off White
14	085004-01-000	EA	Trim - Backwall - Lower - Passenger or Driver
15	M88442-01-W19	EA	Backwall Asm.
	002365-01-001	EA	U-Channel - Extrusion - 1" x 18"
	009717-01-002	EA	Drip Rail - 19'
	039155-28-006	EA	Alum. - Mesa II - .024" x 48" x 360" - Off White
	039155-28-003	EA	Alum. - Mesa II - .024" x 36" x 360" - Off White
	039155-28-007	EA	Alum. - Mesa II - .024" x 12" x 360" - Off White
	001054-01-011	EA	Alum. - No Design - 48" x 96" - Off White
	000868-01-000	SF	Styrofoam - .75" x 24" x 96"
	000870-01-000	SF	Styrofoam - 1.5" x 24" x 96"
	000870-03-000	SF	Styrofoam - 1.34" x 48" x 96"
			Not illustrated

1987 ITASCA
TABLE OF CONTENTS

IT319RK
IC/IF421RB

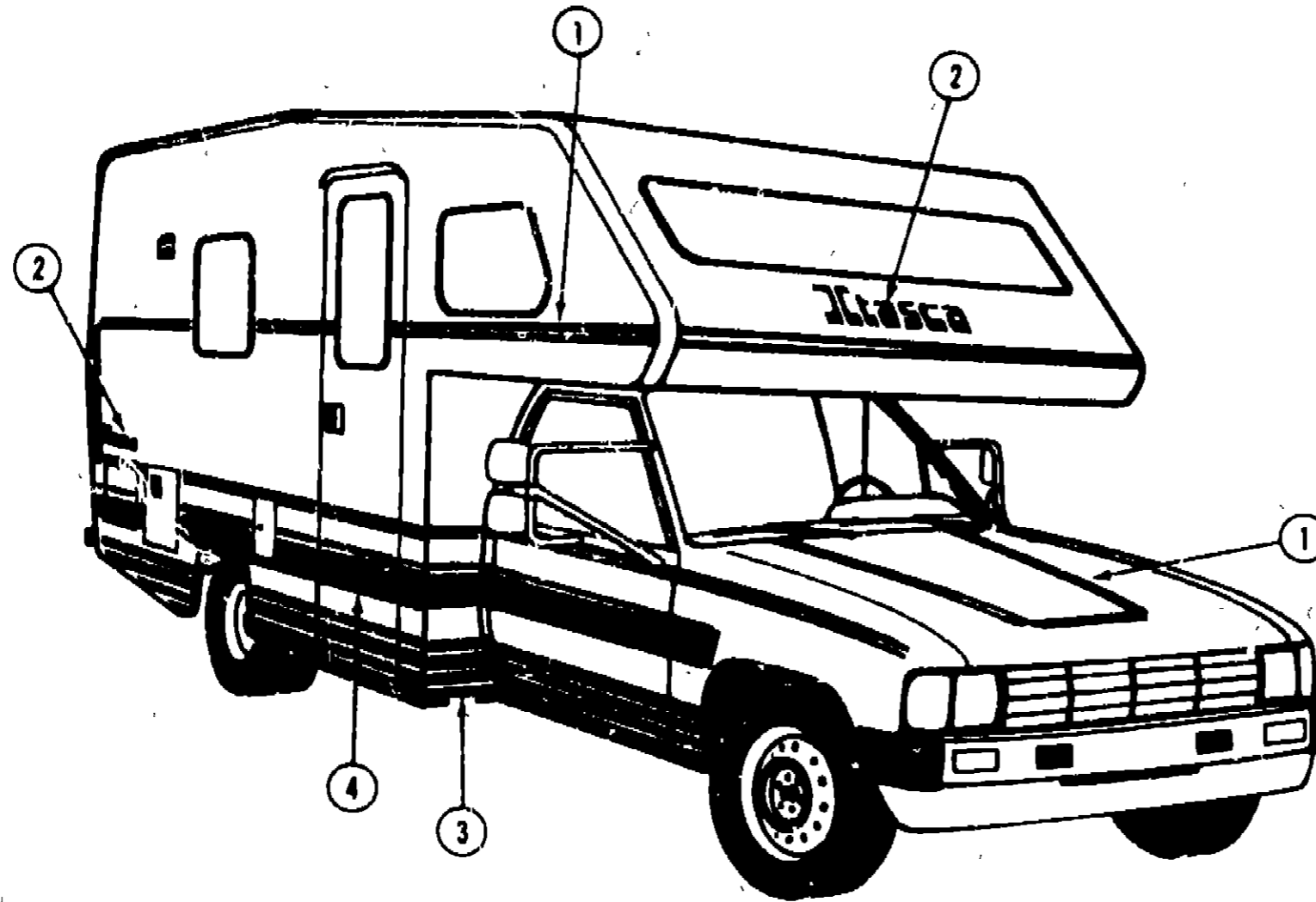
A-01 - B-16
B-17 - D-15

1987 IT319RK INDEX

Floor Plan	A-01 - A-02
Accessories Group	A-03
Bath Group	A-04
Chassis Group	A-05
Curtain, Cushion & Pad Group	A-06 - A-09
Dinette Group	A-10
Driver's Compartment Group	A-11
Electrical Group	A-12 - A-14
Exterior Body Group	A-15 - A-20
Galley Group	A-21 - A-22
Heating & Air Conditioning Group	A-23
Interior Finish Group	A-24 - B-01
LP Group	B-02
Lounge Group	B-03
Water & Sewage Group	B-04 - B-05
Window, Vent & Exterior Door Group	B-06 - B-16

EXTERIOR BODY GROUP (CONTINUED)

DECALS & FILM STRIPE



Key	Part Number	U/M	Description
1	065217-G0-000	FT	Film - Multi-Stripe - Gray/Burgundy (W19)
1	065217-G1-000	FT	Film - Multi-Stripe - Beige/Rust (W20)
2	078191-01-000	EA	Decal - Logo - "Itasca"
3	078196-17-000	FT	Film - Multi-Stripe - Gray Metallic (W19)
3	078196-27-000	FT	Film - Multi-Stripe - Beige Metallic (W20)
4	065217-F8-000	FT	Film - Multi-Stripe - Burgundy (W19)
4	065217-F9-000	FT	Film - Multi-Stripe - Rust (W20)

**1987 ITASCA
TABLE OF CONTENTS**

IT319RK
IC/IF421RB

A-01 - B-16
B-17 - D-15

1987 IT319RK INDEX

Floor Plan	A-01 - A-02
Accessories Group	A-03
Bath Group	A-04
Chassis Group	A-05
Curtain, Cushion & Pad Group	A-06 - A-09
Dinette Group	A-10
Driver's Compartment Group	A-11
Electrical Group	A-12 - A-14
Exterior Body Group	A-15 - A-20
Galley Group	A-21 - A-22
Heating & Air Conditioning Group	A-23
Interior Finish Group	A-24 - B-01
LP Group	B-02
Lounge Group	B-03
Water & Sewage Group	B-04 - B-05
Window, Vent & Exterior Door Group	B-06 - B-16

EXTERIOR BODY GROUP (CONTINUED)

LABELS & EXTERIOR PAINT

Key	Part Number	U/M	Description
	006199 01 000	EA	Label - Exit Escape Window
	047731 01 000	EA	Label - Emergency Exit
	057407 04 000	EA	Label - Exterior Loading Limit
	079966 01 000	EA	Label - Warning Slowed Motion
	004378 01 000	EA	Label - Flying W w/ Thermo Panel
	061417 01 000	EA	Label Fuel
	065748 01 000	EA	Label Caution Battery Charging
	006196 01 000	EA	Label - Gas Test
	054531 01 000	EA	Label LP Gas Only
	040944 01 000	EA	Label - Open Entrance Door
	006015 01 000	EA	Label - Patent Motor Home
	058259 01 000	EA	Label - Safety Check List
	006064 01 000	EA	Label - Seat - w/o Seat Bolts
	006187 01 000	EA	Label - Sewage
	006006 01-000	EA	Label Thermo Panel 2 1/4 x 2 1/4
	075220 01 000	EA	Label Warning - Exterior Load Limit
	050225 01 000	EA	Label - Warning - Stove Vent US
	006188 01-000	EA	Label Waste Water
	006197 01 000	EA	Label - Water Test
	006062 01 000	EA	Tag Electrical 110 Volt Connection
	006040 01 000	EA	Tag - Gas - Refueling Warning
	044486 02 000	EA	Paint - Beige Acrylic Enamel - 16 oz Aerosol (7633A Dupont)
	045681 03 000	EA	Paint - Gloss Black Acrylic Enamel 16 oz Aerosol (99 Dupont)
	058637-05-000	EA	Paint - Gray Acrylic Enamel - 16 oz Aerosol (71537 Dupont)
	041561 03 000	EA	Paint - Off White Acrylic Enamel 16 oz Aerosol (45196 Dupont)
	074559 01 000	EA	Label LPG 3 x 175 - Calif Code

MISCELLANEOUS EXTERNALLY MOUNTED PARTS

Key	Part Number	U/M	Description
	083558-01 000	EA	Plumbing Seal - Roof Vent - 1 5 - Covered
	009126 01 000	EA	Assist Handle - Chromed
	081240 03-000	EA	Fill - City Water - Lockable - Off White
	078200 01 000	EA	Gasket - Fuel Fill
	083615 06 000	EA	Door Stop - Plastic - Off White
	084104-03 000	EA	Jamb Refrigerator Door
	081838-03 000	EA	Bezel Tail Light Mount Angled

EXTERIOR BODY GROUP (CONTINUED)

SEALANTS & ADHESIVES

Key	Part Number	U/M	Description
	004020 01 000	QT	Adhesive ABS Cement (Plastic Fillings)
	002337 01-000	EA	Adhesive - 1300 Tube - 3M (Windows)
	004005 02-000	GL	Adhesive - Swifts Gluc (Sidewalls)
	053768 07 000	EA	Bedding Compound - Tube - Beige (Exterior)
	053768 06-000	EA	Bedding Compound - Tube - Clear (Window)
	053768 08 000	EA	Bedding Compound - Tube - Gray (Exterior)
	053768 05 000	EA	Bedding Compound - Tube - Gray (Sidewalls to Floor)
	053768 02 000	EA	Bedding Compound - Tube - Off White (Exterior)
	002328 02 000	EA	Block - Hubbar Spacer (Windshield)
	004338 01 000	EA	Caulk - Latex - Golden Walnut (Sidewalls)
	077967 01 000	EA	Sealant - Acrylic Latex - Tube - Off White (Interior Sealant)
	034552 04 000	FA	Sealant - Silicone - Beige
	034552 02-000	EA	Sealant - Silicone - Clear
	034552 07 000	EA	Sealant - Silicone - Dark Gray
	034552 06 000	EA	Sealant - Silicone - Off White
	069637-01 000	EA	Sealant - Weatherban 404 - Tube - White (Door Caulk)
	072889 01-000	EA	Sealant - Urethane - Black (Windshield)
	069640 01-000	FT	Sealer Ribbon - 25' Bead x 20
	069640 02-000	FT	Sealer Ribbon - 5' x 125' x 30
	069640 03 000	FT	Sealer Ribbon - 75' x 125' x 30
	069640 04 000	FT	Sealer Ribbon - 2' x 09' x 45 (P Series)
	069640 05-000	FT	Sealer Ribbon - 2 5' x 09' x 50
	069640 06-000	FT	Sealer Ribbon - 5/16' Bead x 15
	069640 07 000	FT	Sealer Ribbon - 2' x 3/32' x 30
	002316 01 000	FT	Sealer Tape - 3/32' x 3/8' White (Window)
	002707 01-000	FT	Sealer Tape - 5/16' x 3/4
	002707-02-000	FT	Sealer Tape - 5/16' x 1/2
	040545-01-000	GL	Sealer Seam Weld
	053752 04-000	EA	Seam Sealer - Tube - Aluminum (Roof)
	063642 01-000	FT	Tape - Adhesive - 10 mm x 1 5' Wide
	038886 01 000	EA	Tape - Butyl - 31' x 31' x 148' (Windshield)
	076322 01-000	FT	Tape - Foam - Double Coated - 025 x 1 (Fiberglass Sidewall Seams)
	076322 02 000	FT	Tape - Foam - Double Coated - 045 x 1 (Fiberglass Sidewall Seams)
	009200 01-000	EA	Tape - Furnace - 1 5
	002825-01-000	FT	Weather Striping (Roof Vent)

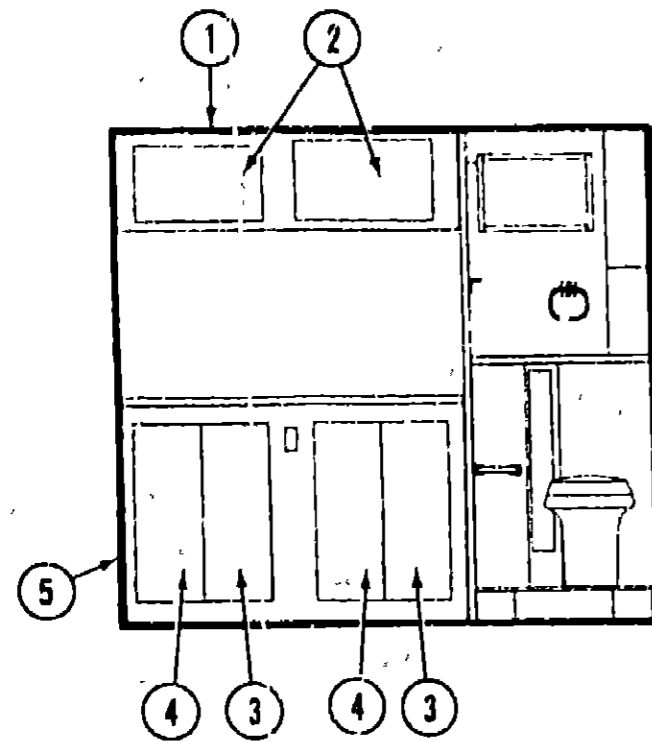
**1987 ITASCA
TABLE OF CONTENTS**

IT319RK	A-01 - B-16
IC/IF471RB	B-17 - D-16

1987 IT319RK INDEX

Floor Plan	A-01 - A-02
Accessories Group	A-03
Bath Group	A-04
Chassis Group	A-05
Curtain Cushion & Pad Group	A-06 - A-09
Dinette Group	A-10
Driver's Compartment Group	A-11
Electrical Group	A-12 - A-14
Exterior Body Group	A-15 - A-20
Galley Group	A-21 - A-22
Heating & Air Conditioning Group	A-23
Interior Finish Group	A-24 - B-01
LP Group	B-02
Lounge Group	B-03
Water & Sewage Group	B-04 - B-05
Window Vent & Exterior Door Group	B-06 - B-16

GALLEY GROUP



GALLEY CABINETRY

Key	Part Number	U/M	Description
1	M88560-01-W17	EA	Cabinet Asm. Galley Overhead - w/o Doors or Hardware
2	M88301-26-W17	EA	Door Asm. - Galley Overhead - w/o Hardware
3	M88301-24-W17	EA	Door Asm. - Galley - Right - w/o Hardware
4	M88301-25-W17	EA	Door Asm. - Galley - Left - w/o Hardware
5	M88553-01-W17	EA	Cabinet Asm. - Galley - w/o Countertop, Doors, Drawers or Hardware
	M03104-01-W17	EA	Countertop Asm. - Galley
	077404-01-000	EA	Drawer - Plastic - 20" x 12 7"
	077409-01-000	EA	Slide - Drawer - Plastic
			Not illustrated

GALLEY GROUP (CONTINUED)

GALLEY HARDWARE & APPLIANCES

Key	Part Number	U/M	Description
	054450-01-000	EA	Level - Refrigerator
	068815-01-000	EA	Sink - Stainless Steel - Double w/Bolts
**	011053-01-000	EA	Faucet - Swing Spout - 8" - US
**	011053-01-700	EA	Aerator - Swing Spout Faucet
	060432-01-000	EA	Stainer w/Basket - Sink
	088263-01-000	EA	Pull - Cabinet - Polished
	074493-02-000	EA	Door Support - Sprung
	059777-02-000	EA	Hinge - Cabinet Door - Antique Light Brass
	039873-01-700	EA	Door Catch & Strike - Nylon & Spring Steel
	047744-01-000	EA	Kit - Drawer Guide - Plastic
	077409-01-000	EA	Slide - Drawer - 20 75" - Plastic
	077404-01-000	EA	Drawer - 20" x 12.70" - Plastic
	066435-01-000	EA	Nut, Stainer
	011083-01-000	EA	Plug - 1 1/4" x 5" - w/Stopper
	088777-01-000	EA	Panel - Monitor - Jensen
	084426-01-000	EA	Range Top - 4 Burner
	084616-01-000	EA	Vent Shroud - Range Hood
	064473-01-000	EA	Refrigerator - 2 Way - 6' EG2
	064473-01-700	EA	Flame Viewer
	064473-01-701	EA	System - Cooling
	064473-01-702	EA	Orifice
	064473-01-703	EA	Heater
	064473-01-704	EA	Control Panel
	064473-01-705	EA	Control Panel Insert
	064473-01-706	EA	Fins
	064473-01-707	EA	Fin Cover
	064473-01-708	EA	Top Breaker Strip - Coffee
	064473-01-709	EA	Evaporator - Door - Coffee
	064473-01-710	EA	Bottom Trim - Coffee
	064473-01-711	EA	RH Breaker Strip - Coffee
	064473-01-712	EA	LH Breaker Strip - Coffee
	064473-01-713	EA	Short Shelf
	064473-01-714	EA	Crisper Cover
	064473-01-715	EA	Long Shelf
	064473-01-716	EA	Crisper - Coffee
	064473-01-717	EA	Hinge Pins
	064473-01-718	EA	Decorative Strip
	064473-01-719	EA	Liner Foamed Asm
	064473-01-720	EA	Diary Keeper
	064473-01-721	EA	Door Gasket
	064473-01-722	EA	Connector Rod
	064473-01-723	EA	Door Rail
	064473-01-724	EA	Door Trim Asm
	064473-01-725	EA	Door Asm
	064473-01-726	EA	Door Frame
	064473-01-727	EA	Crisper F/2 Dr Model
	065741-01-000	EA	Gauge - LP - Refrigerator

** The illustrated parts breakdown for this item is provided on the Common Items Fiche

**1987 ITASCA
TABLE OF CONTENTS**

IT319RK	A-01 - B-16
IC/IF421RB	B-17 - D-15

1987 IT319RK INDEX

Floor Plan	A-01 - A-02
Accessories Group	A-03
Bath Group	A-04
Chassis Group	A-05
Curtain, Cushion & Pad Group	A-06 - A-09
Dinette Group	A-10
Driver's Compartment Group	A-11
Electrical Group	A-12 - A-14
Exterior Body Group	A-15 - A-20
Galley Group	A-21 - A-22
Heating & Air Conditioning Group	A-23
Interior Finish Group	A-24 - B-01
LP Group	B-02
Lounge Group	B-03
Water & Sewage Group	B-04 - B-05
Window, Vent & Exterior Door Group	B-06 - B-16

HEATING & AIR CONDITIONING GROUP

FURNACES & ROOF AIR CONDITIONER

Key	Part Number	U/M	Description
	084444 01 000	FA	Furnace 12,000 BTU
	069634 01 723	EA	Thermostat - Wall Mount
	079198 01 000	FT	Duct Flexible 4" ID x 25
	009200 01 000	EA	Tap Furnace - 1 1/2'
	076304 01 000	EA	Shroud Asm - Ceiling - Inside Roof Air Cool Only
	076303 01 000	EA	Air Conditioner 110 Volt & Roof Mount - 7,100 BTU Rotary

INTERIOR FINISH GROUP

INTERIOR MOLDING & TRIM

Key	Part Number	U/M	Description
	081521-01-001	EA	Molding Retainer - Corner - 18'
	009812-17-000	FT	Molding - Plastic - Outside Corner 1'
	083620 04 000	FT	Molding - T Outside Corner Light Oak
	042357-11-000	FT	Molding Radius Corner - 7' Light Oak
	022892 01-000	FT	Molding - Reverse Cove - White
	022892-08-000	FT	Molding - Reverse Cove - Champagne White
	069733-74 000	FA	Batt Strip Pom Pom/Peach - 8' (Wet Bath)
	069733 68 000	EA	Batt Strip - Tweed/Sand - 8 (Wall)
	069733 62 000	EA	Batt Strip - Pebble Beach 8 (Ceiling)
	069733 67-000	EA	Batt Strip Amethyst - 8' (Galley) (W19)
	069733 68 000	EA	Batt Strip - Horizon - 8' (Galley) (W20)
	070504-01-000	FT	U Channel - 065" Light Brown
	070504 06 000	FT	U Channel 815" Light Oak
	009778 07 000	FT	U Channel - 1 - Light Oak
	009767 06 000	FT	Welling - Beige
	009767-10 000	FT	Welling - Mahogany
	041746 01-000	FT	Vinyl - Extr Bubble Seal
	021241-01-000	FT	Vinyl - Extr White (Wingwall)
	080742-01 000	FT	Vinyl Trim - Sleeper Board

PANELING & COUNTERTOP MATERIAL

Key	Part Number	U/M	Description
	074497-10 000	SF	Paneling Regal Oak - 48' x 84 (28 SF) (Cabinets)
	074496-54 000	SF	Paneling Decor - Amethyst - 48' x 84 (28SF) (Bath) (W19)
	074496-55 000	SF	Paneling - Decor - Horizon - 48' x 84 (28SF) (Bath) (W20)
	074496 48 000	SF	Paneling Decor - Amethyst - 48' x 84' (28SF) (Galley) (W19)
	074496 49-000	SF	Paneling Decor - Horizon - 48' x 84 (28SF) (Galley) (W20)
	074497-07-000	SF	Paneling Pebble Beach - 48' x 96 (32 SF) (Ceiling)
	074497 09 000	SF	Paneling - Tweed/Sand - 48' x 84 (28 SF) (Wall)
	074498 16 000	SF	Plastic Laminate - Apricot Blush - 48' x 96 (32 SF) (Bath) (W20)
	074498 15 000	SF	Plastic Laminate - T - Blush - 48' x 96 (32 SF) (Bath) (W19)
	074498 13 000	SF	Plastic Laminate - Sand Quadrus - 48' x 96 (32 SF) (Galley)
	074498 13 019	EA	Plastic Laminate - Sand Quadrus - 1 19' x 96
	076325-16 000	FT	Molding Edge Band - Regal Oak 1 5/16 x 038 x 6 00

MISCELLANEOUS PARTS

Key	Part Number	U/M	Description
	053552-02-W24	EA	Handle Asm - Interior Assist - Medium Almond Vinyl
	041944-04 000	EA	Fire Extinguisher - Dry - 5 BC
	084472 01-000	EA	Holder - Fire Extinguisher - Recessed
	054185 26 000	EA	Owner's Manual - 1987 Itasca & Winnebago
	057671 01 000	EA	Cover - #8 Screw - Antique White
	086120 01-W19	EA	Map Pockets - 12 x 16 - Rose
	086120 01-W17	EA	Map Pockets - 12 x 16 Sand (W20)

1987 ITASCA TABLE OF CONTENTS

IT319RK	A 01 - B 16
IC/IF421RB	B 17 - D-15

1987 IT319RK INDEX

Floor Plan	A-01 - A-02
Accessories Group	A-03
Bath Group	A-04
Chassis Group	A-05
Curtain Cushion & Pad Group	A 06 - A 09
Drainage Group	A-10
Driver's Compartment Group	A-11
Electrical Group	A-12 - A-14
Exterior Body Group	A 15 - A-20
Galley Group	A 21 - A-22
Heating & Air Conditioning Group	A-23
Interior Finish Group	A-24 - B 01
LP Group	B 02
Lounge Group	B 03
Water & Sewage Group	B 04 - B-05
Window Vent & Exterior Door Group	B 06 - B-16

INTERIOR FINISH GROUP (CONTINUED)

CABINETRY & TABLE HARDWARE

Key	Part Number	U/M	Description
	053200-05-000	EA	Bracket - Upper Wall Mount - 23 5 - Beige
	053201-06-000	EA	Bracket - Table Mount - 23' - Tan
	024275-05-000	EA	Rod - Table Lift - 8' x 23 5 - Beige
	024281 07-000	FA	Bracket - Lower Wall Mount - 22 12 Beige
	024276-17-000	EA	Lcg Asm Table - 26 5 - Tan
	064050-02-000	EA	Hinge - Table Leg - Tan
	024282-01-000	EA	Brace - Table Leg
	024283-01-000	EA	Clip - 1 O D Tube
	049493-05-000	EA	Catch - Table Leg - Mounts on Floor - Tan
	059783-01-000	FT	Clothes Rod Slotted - 7
	077409-01-000	EA	Slide - Drawer - Plastic - 20 75
	059777-02-000	EA	Hinge - Antique Light Brass
	047744-01-000	EA	Kit Drawer Glide
	057671-01-000	EA	Screw Cover - #8 Off White
	009021-01-000	EA	Catch - Nylon
	009021-02-000	EA	Strike - Nylon Catch
	039873-01-700	EA	Door Catch & Strike - Nylon & Spring Steel
	074493-02-000	EA	Support - Sprung - Door
	C36433 01-000	EA	Hook Cup - Bright
	084435-01-000	EA	Cabinet Knob - Decorative

The illustrated parts breakdown for this item is provided on the Common Items Fiche

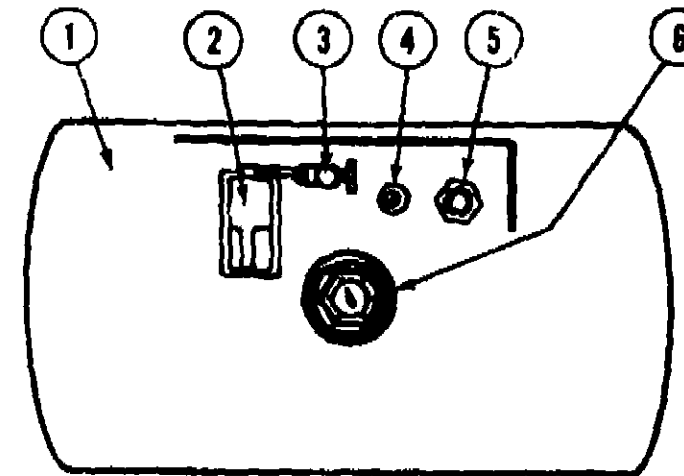
CURTAIN & CUSHION HARDWARE

Key	Part Number	U/M	Description
	039175 02 000	EA	Bracket Curtain Rod
	039175-05 000	CA	Bracket - Curtain Rod Center
	039175-03-000	EA	Curtain Rod - Extension - 28' x 48
	009224 01-000	EA	Curtain Rod Extension - 28' x 48 - Bath
	042439 01 000	EA	Bracket - Curtain Rod - Single
	009701-01 000	EA	Carrier - Curtain L Rod
	009702 01 000	EA	End Stop - Curtain L Rod
	039175 01 000	EA	Curtain Rod - Extension 48' x 84'
	087253 01 000	EA	Pull - Window Shade Clear Plastic
	078155 01 000	EA	Strap Asm Cushion Snap

FABRICS & CARPET

Key	Part Number	U/M	Description
	072333 37 000	YD	Fabric - Drapery - Rose (W19)
	072333 38 000	YD	Fabric - Drapery Sand (W20)
	077498 B6 000	YD	Fabric w/Pattern - Upholstery - Rose (W19)
	077498 B5 000	YD	Fabric w/Pattern - Upholstery - Sand (W20)
	077498 B1 000	YD	Fabric - Upholstery Accent - Rose (W19)
	077498 B0 000	YD	Fabric - Upholstery Accent - Sand (W20)
	052859 07 U19	FT	Accent Trim (Dinette Seat Back) - Rose
	052859 07-W20	FT	Accent Trim (Dinette Seat Back) - Sand
	079680 01 000	YD	Expanded Vinyl - 28 oz Buckskin
	072860 56 000	YD	Carpet - Rosemist (W19)
	072860 57 000	YD	Carpet - French Court (W20)

LP GROUP



Key	Part Number	U/M	Description
1	074140-01-000	EA	Tank Asm - LP Frame Mount - 28 Pound - 10' x 23'
	065741-01-000	EA	Detector - LP Gas Leak - Marshalltown Instruments
2	081938-01 000	EA	Cover - LP Regulator
	076301-01-000	EA	Regulator - Two Stage - US (Dual)
3	040421 01-703	EA	Valve - Vapor Relief
4	040421-01-700	EA	Gauge - Liquid Level - 20% LP
5	040421-01-701	EA	Valve - Filler LP
	040421 01-702	EA	Cap Plastic Fill Valve
6	040421-01 707	EA	Gauge - Float - w/Visible Dial
	040421-01-706	EA	Dial - Visible Face Float Gauge (Tank w/o Electric Transmitter)
	040440 01-000	EA	Dial - Transmitter - 0 90 Ohm (Float Gauge)
	045703 01-000	EA	Hose Asm - LP 3/8 I D x 24'
	065742-01-000	EA	Tee - 38 F x 39 F x 25 FPT
			Not illustrated

**1987 ITASCA
TABLE OF CONTENTS**

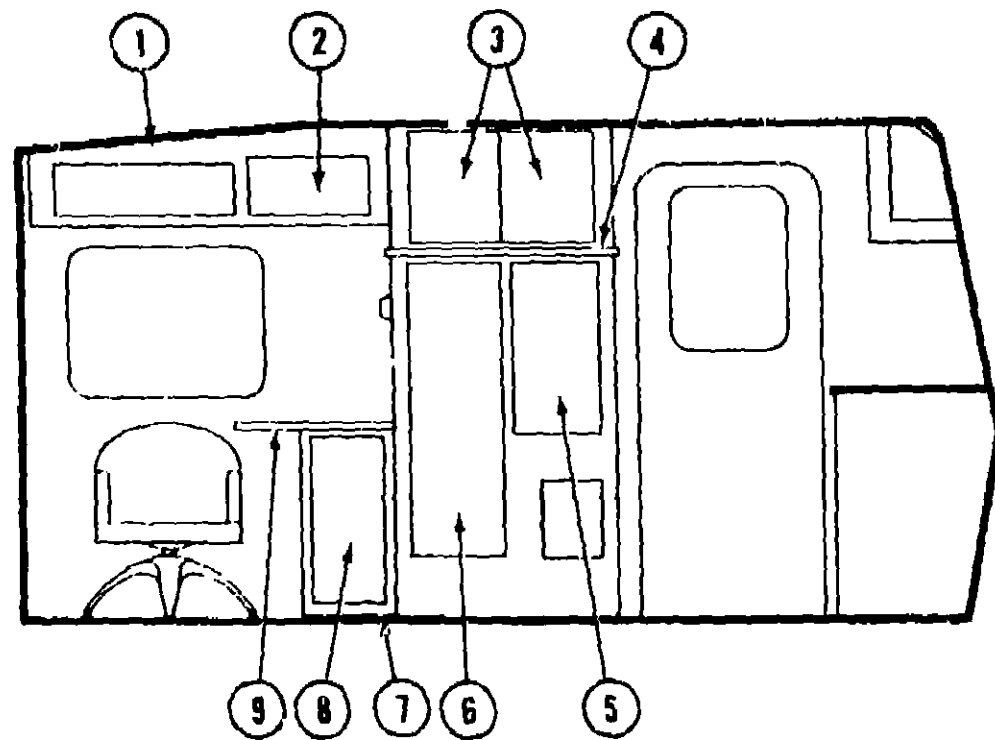
IT319RK
IC/IF421RB

A-01 B-16
B-17 - D-15

1987 IT319RK INDEX

Floor Plan	A-01 - A 02
Accessories Group	A-03
Bath Group	A-04
Chassis Group	A-05
Curtain, Cushion & Pad Group	A-06 A-09
Dinette Group	A-10
Driver's Compartment Group	A 11
Electrical Group	A-12 A-14
Exterior Body Group	A-15 - A-20
Galley Group	A 21 A 22
Heating & Air Conditioning Group	A-23
Interior Finish Group	A-24 - B 01
LP Group	B 02
Lounge Group	B 03
Water & Sewage Group	B 04 - B 05
Window Vent & Exterior Door Group	B 06 B 16

LOUNGE GROUP



NIGHTSTAND & WARDROBE

Key	Part Number	U/M	Description
1	M88570 01 W17	EA	Cabinet Asm - Swivel Chair Overhead - w/o Door or Hardware
2	M88301-31-W17	EA	Door Asm - Swivel Chair Overhead - w/o Hardware
3	M88301-27-W19	EA	Door Asm - Wardrobe - Upper - w/o Hardware
4	088542 11 W17	EA	Countertop Asm - Wardrobe
5	M88301-29-W17	EA	Door Asm - Wardrobe - Lower Right - w/o Hardware
6	M88301-11-W17	EA	Door Asm - Wardrobe - Lower Left - w/o Hardware
7	088647-01 W17	EA	Cabinet Asm - Nightstand - w/o Countertop or Door
8	M88301 06 W89	EA	Door Asm - Nightstand - w/o Hardware
9	M03109-01-W17	EA	Countertop Asm - Nightstand

SWIVEL CHAIR OPTION

Key	Part Number	U/M	Description
	084754 04 W17	EA	Chair Asm - Swivel - Clay
	084754-04 W18	EA	Chair Asm - Swivel - Jade
	088245 02 000	EA	Plate - Tilt & Swivel Chair
	088245 01 000	EA	Base w/Legs - Swivel Chair
	088245 05 000	EA	Extension 7 - Swivel Chair

WATER & SEWAGE GROUP

PLUMBING & REPAIR PARTS

Key	Part Number	U/M	Description
	033302-02-000	EA	Adapter Asm - SWVC Strain - 1 1/2
	010326-01-000	EA	Adapter - Flare - w/Cone Gasket
	062422-01-000	EA	Adapter - Hose Offset - Reducer - 3' x 1 1/2'
	052954-01-000	EA	Adapter - Hose Cone 3/8 x 1/2 - Plastic
	010224-01-000	EA	Adapter - Plastic - 3/8 MPT x 3/8 Barb
	044927-01-000	EA	Adapter - Plastic - 1 1/4 MPT x 1 1/4 Barb
	031602-02-000	EA	Adapter - Plastic - 1 1/2 H x FPT
	062416-01-000	EA	Adapter Termination - 3
	004020-01-000	QT	Adhesive - ABS Cement
	011048-04-000	EA	Breaker - Vacuum - 1/8 MPT - Nylon
	010121-01-000	EA	Bushing - Plastic - 1 1/2 S x 1 1/4 P
	010122-01-000	EA	Bushing - Plastic - 1 1/2 S x 1 1/4 T
	010123-01-000	EA	Bushing - Plastic 2 S x 1 1/2 H
	036522-02-000	EA	Cap - Brass - 1/2 Flare
	075730-01-000	EA	Cap - Sewer - 3
	052959-02-000	EA	Connector - 1/2 F x 1/2 MPT - Plastic
	052959-03-000	EA	Connector - 1/2 F x 3/8 MPT - Plastic
	011091 02-000	EA	Continuous Waste - Double Sink - 11 7/8 - US
	078406-01-000	EA	Coupler Rubber - 3 x 3'
	052960-01-000	EA	Drain Valve - 1/2 F x 1/2 F - Plastic
	010000-01-000	EA	Elbow - Plastic - 1/8 BD x 1 1/4 x 45° H x H
	010005-01-000	EA	Elbow - Plastic - 1/16 BD x 1 1/2
	010006-01-000	EA	Elbow - Plastic - 1/8 BD x 1 1/2 x 45° H x H
	010008 01 000	EA	Elbow - Plastic - 1/4 BD x 1 1/2 x 90° Left
	010051-01 000	EA	Elbow - ST - Plastic - 1/8 BD x 1 1/2 x 45°
	010219-01-000	EA	Elbow - 1 1/4 Barb x 1 1/4 MPT x 90°
	031111-01-000	EA	Elbow - Plastic - 1/4 BD x 1 1/4 x 90° Left
	034250-01 000	EA	Elbow - Plastic - 1/4 BD x 1 1/2 x 90° x H x H
	035539-01-000	EA	Elbow - Plastic - 3/8 MPT x 3/8 Barb
	052957-01-000	EA	Elbow - Plastic - 1/2 F x 3/8 MPT
	052957-02-000	EA	Elbow - Plastic - 1/2 F x 1/2 MPT (In Tank Filter)
	059536 01-000	EA	Elbow - 1 1/4 - Slip Joint Ends
	065120-01-000	EA	Elbow - Plastic - Swivel 50
	070924 01-000	EA	Elbow - Plastic Swivel - 1/2 MPT x 1/2 FP
	077954-02 000	EA	Filter/Screen (In Water Tank)
	039647-02-000	FA	Filter - Water Pump - 1/2' MPT
	039647-03 000	EA	Filter - Water Pump - 1/2' Flare
	063641-01 000	EA	Flange - Closet - 4' F x 4' FPT - US
	079381 01 000	FT	Flexible Tubing - 1 1/4 I D x 10
	061607-01-000	EA	Grommet - Holding Tank Coupler - 1 1/2
	061607 02 000	EA	Grommet - Holding Tank Coupler - 3
	052961 01-000	EA	Header - 1/2 F x 1/2 F x 1/2 F x 1/2 F
	046524 01 000	EA	Kit - Holding Tank Fittings - Blank Tank
	046524-02 000	EA	Kit - Water Tank Fittings - Blank Tank
	052953 01 000	EA	Nut - Faucet - 1/2 Tube x 1/2 FPT
	052952 01 000	EA	Nut - 1/2 F - Plastic
	011086 03-000	EA	P Trap - 1 1/4" Plastic - US
	010197 01-000	FT	Pipe - Plastic - 3" x 240" - Black
	045729-01 000	EA	Pump - Water - 2.8 G P M Direct Drive - Shurflo - LS
	010201 01 000	CA	Sewer Hose - 3" x 8" w/Clamp
	047989 02-000	EA	Spinweld Fittings - Plastic - 1/2 FPT (In Tank Filter)
	042988-03 000	EA	Spinweld Fittings - Plastic - 1/4 NPT
	042989 04 000	EA	Spinweld Fittings - Plastic 3/8 FPT

The illustrated parts breakdown for this item is provided on the Common Items Fiche

**1987 ITASCA
TABLE OF CONTENTS**

IT319RK	A-01 - B-16
IC/IF421RB	B-17 - D-15

1987 IT319RK INDEX

Floor Plan	A-01 - A-02
Accessories Group	A-03
Bath Group	A-04
Chassis Group	A-05
Curtain, Cushion & Pao Group	A-06 - A-09
Dinette Group	A-10
Driver's Compartment Group	A-11
Electrical Group	A-12 - A-14
Exterior Body Group	A-15 - A-20
Galley Group	A-21 - A-22
Heating & Air Conditioning Group	A-23
Interior Finish Group	A-24 - B-01
LP Group	B-02
Lounge Group	B-03
Water & Sewage Group	B-04 - B-05
Window, Vent & Exterior Door Group	B-06 - B-16

WATER & SEWAGE GROUP (CONTINUED)

PLUMBING & REPAIR PARTS (CONT)

Key	Part Number	U/M	Description
	011069-02-000	EA	Tailpiece 1 1/2 x 1 1/4' x 4' - Brass
	010071-01-000	EA	Tee - Plastic - 1 1/2 x H x H x H
	010072-01-000	EA	Tee - Plastic - 1 1/2 H x 1 1/4 H x 1 1/2 H
	010079-01-000	EA	Tee - Plastic - 1 1/2 H x 1 1/2 H x 1 1/4 H
	046172-01-000	EA	Tee Plastic - 3/8 B x 3/8 B x 3/8 MPT
	052955-01-000	EA	Tee - Plastic - 1/2 F x 1/2 F x 1/2 MPT
	052956-01-000	EA	Tee - Plastic - 1/2 F x 1/2 MPT x 1/2 F
	052958-01-000	EA	Tee Plastic 1/2 F x 1/2 F x 1/2 F
	01033-01-000	EA	Trap Adapter - Plastic - 1 1/2 H x MPT
	039800-01-000	FT	Tubing - Polybutyl - 1/2 O D (Water Line)
	079381-01-000	FT	Tubing Flexible - Smooth - 1 25 I D
	074462-02-000	FT	Tubing Vinyl - 3/8 I D
	062421-01-000	EA	Valve - 1 1/2 - w/Handle
	062418-02-000	EA	Valve - 3' w/o Handle
	052960-01-000	EA	Valve - Line Drain - 1/2 F x 1/2 F
	052962-01-000	EA	Valve - Stool - 90° - 1/2 F x 3/8 MPT
	010073-01-000	EA	Wye - Plastic - 1 1/2 x 45 H x H
	078842-01-000	EA	Valve - 3 x 1 1/2 Tee - w/Handle
	079962-01-000	EA	Vent Mechanical Trap Arm

HOLDING TANKS & WATER HEATER

Key	Part Number	U/M	Description
	M02458 76 000	EA	Tank Asm - Water - w/Fittings
	074300-01-000	EA	Tank - Holding - 15 Gallon - w/o Fittings - Waste Water
	084679-01-000	EA	Tank - Holding 11.5 Gallon - w/o Fittings - Sewage
	051391-02 000	EA	Water Heater w/o Motor Aid - Atwood - G4 SM

WINDOW, VENT & EXTERIOR DOOR GROUP

ACCESS DOORS & HARDWARE

Key	Part Number	U/M	Description
	084574-01 U28	EA	Door Asm, Storage (Passenger Side Front)
	084574-03 W17	EA	Door Asm - Storage (Passenger Side Rear)
	084574-04-W17	EA	Door Asm (Drivers Side)
	084104-03-000	EA	Door Asm - Refrigerator Access Off White
	052009-01-000	EA	Door Asm - Water Heater - Off White
	052423-01 000	EA	Door - Sewage Hose - Off White
	085969-01-000	EA	Outlet Extension - Sewage
	075730 01-000	EA	End Cap - Sewage Hose
	078010 03-000	EA	Door Asm Fuel Fill - Off White
	052424-01-000	EA	Jamb - Power Cord Door Off White
	009426-02-000	EA	Hatch - Power Cord Door
	083615-03-000	EA	Door Holder
	041312-01-000	EA	Seal - Bulb - e' Section
	042442 01-000	EA	Lock Asm - Twist Type
	047305-01-000	EA	Lock Asm - Key Type w/Clip - Metal
	079366-02-000	EA	Lock Asm Key Type (Storage)
	052951-01-000	EA	Clip - Twist Lock - Retainer
	042441-01-000	EA	Lock Asm - Key Type (Fuel Fill)
	052950 01-700	EA	Lock Asm - Twist Type - White

VENTS

Key	Part Number	U/M	Description
	048835-01 000	EA	Vent Asm Roof - Non Powered - w/o Screen - Aluminum
	078786-01-T03	EA	Screen Asm - Roof Vent - Non Powered
	048789-01-000	EA	Vent Asm Roof - Powered - w/o Screen - Aluminum
	078785-01-T03	EA	Screen Asm Roof Vent Powered
	065103-01-000	EA	Roof Base - Refrigerator
	065103 02 000	EA	Roof Cap Refrigerator
	084079 01 000	EA	Vent Asm - Roof Powered 12' Fan (Fantastic)

The illustrated parts breakdown for this item is provided on the Common Items Fiche

**1987 ITASCA
TABLE OF CONTENTS**

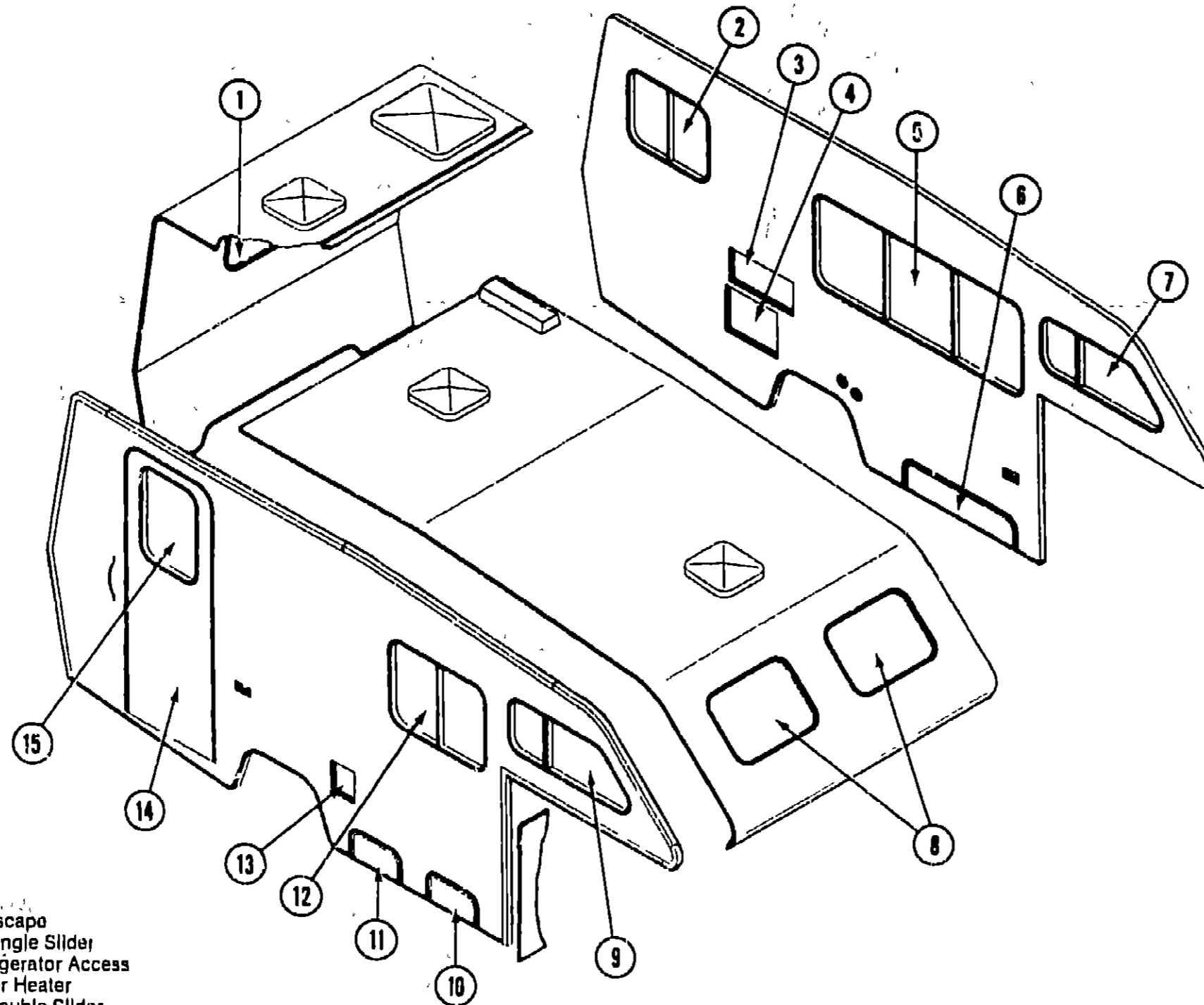
IT319RK	A-01 - B-16
IC/IF421RB	B-17 - D-15

1987 IT319RK INDEX

Floor Plan	A-01 - A-02
Accessories Group	A-03
Bath Group	A-04
Chassis Group	A-05
Curtain, Cushion & Pad Group	A-06 A-09
Dinette Group	A 10
Driver's Compartment Group	A-11
Electrical Group	A 12 A-14
Exterior Body Group	A-15 A 20
Galley Group	A 21 - A 22
Heating & Air Conditioning Group	A 23
Interior Finish Group	A 24 B 01
LP Group	B 02
Lounge Group	B 03
Water & Sewage Group	B 04 B 05
Window Vent & Exterior Door Group	B 06 B 16

WINDOW, VENT & EXTERIOR DOOR GROUP (CONTINUED)

WINDOWS & ACCESS DOORS



Key	Part Number	U/M	Description
1	079729-02-T03	EA	Window Asm - Escape
2	078266-03-T03	EA	Window Asm - Single Slider
3	084104-03-000	EA	Door Asm - Refrigerator Access
4	052009-01-000	EA	Door Asm - Water Heater
5	078269-01-T03	EA	Window Asm - Double Slider
6	084574-04-W17	EA	Door Asm - Storage - Left
7	086227-02-000	EA	Window Asm - Bunk Slant Slider - Left
	085228-02-000	EA	Inside Frame - Bunk Left (not included in assembly)
8	078533-03-W17	EA	Window Asm - Front Picture - 14" x 24"
9	086227-01-000	EA	Window Asm - Bunk Slant Slider - Right
	086228-01-000	EA	Inside Frame - Bunk Right (not included in assembly)
10	084574-01-U28	EA	Door Asm - Storage - Right Front
11	084574-03-W17	EA	Door Asm - Storage - Right Rear
12	078266-08-W17	EA	Window Asm - Single Slider
13	078010-03-000	EA	Door Asm - Fuel Fill - Off White
14	M01870-10-W17	EA	Door Asm - Entrance - w/Screen Door & Window
15	079733-04-T03	EA	Window Asm - Picture - 17" x 25"
	Not Illustrated		

1987 ITASCA TABLE OF CONTENTS

IT319RK
IC/IF421RB

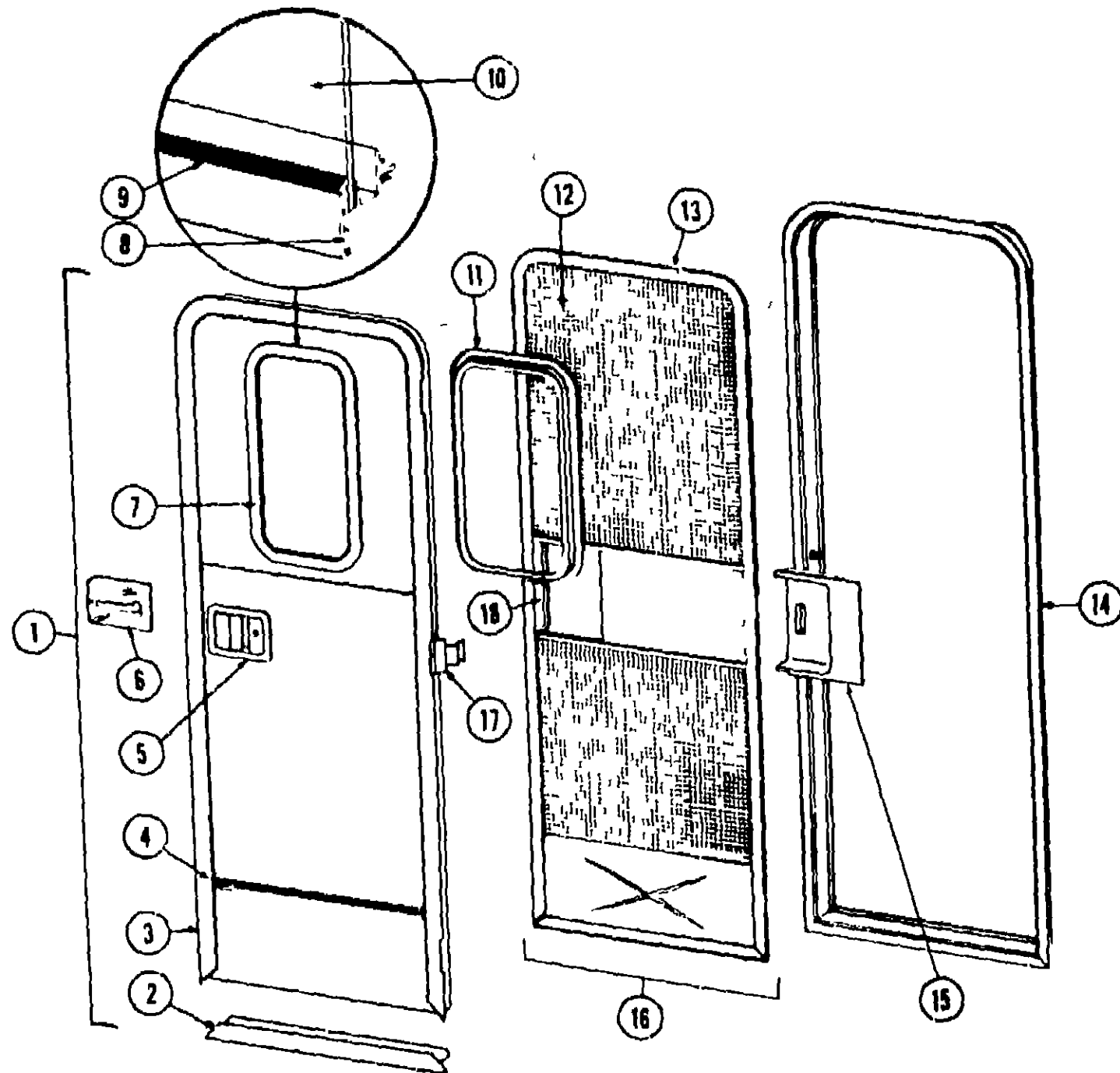
A-01 - B-16
B-17 - D-15

1987 IT319RK INDEX

Floor Plan	A-01 - A-02
Accessories Group	A-03
Bath Group	A-04
Chassis Group	A-05
Curtain, Cushion & Pad Group	A-06 - A-09
Dinette Group	A-10
Driver's Compartment Group	A-11
Electrical Group	A-12 - A-14
Exterior Body Group	A-15 - A-20
Galley Group	A-21 - A-22
Heating & Air Conditioning Group	A-23
Interior Finish Group	A-24 - B-01
LP Group	B-02
Lounge Group	B-03
Water & Sewage Group	B-04 - B-05
Window, Vent & Exterior Door Group	B-06 - B-16

WINDOW, VENT & EXTERIOR DOOR GROUP (CONTINUED)

ENTRANCE & SCREEN DOOR



Key	Part Number	U/M	Description
1	M01870 10 W17	EA	Door Asm - Radius Entry - w/Window - w/Screen Door
2	077998-01-000	EA	Frame - Entry Door (Bottom Portion Only)
3	078000-02-000	EA	Frame - Entry Door (Except Bottom Portion)
4	059576-05-000	EA	Feature Strip w/o Insert - Extr - 14 - Off White
	001030-02 100	EA	Insert - Feature Strip - 17 - Off White
	009731-01-000	EA	End Cap - Feature Strip
5	045017-05-000	EA	Paddle Asm - Door Lock - Exterior
	045017-05 700	EA	Lock Cylinder w/Keys - Lynor
	039539-01-000	EA	Striker Bolt - Entry Door
	039540-01-000	EA	Latch Claw - Entry Door
	039738-01-000	EA	Dead Bolt - Entry Door
6	039979-01-000	EA	Plate - Inside Lock - Includes Inside Handle
	052188-01-000	EA	Lock Asm - Complete - Lynor
7	079733-04 T03	EA	Window Asm - Picture - Black (w/o inside frame)
8	069640-06-000	FT	Ribbon Sealer - 5/16 Bead x 15'
9	002309-02-000	FT	Spine - Glass - 1/8" Black
10	002181-06-000	EA	Glass - Picture Window - 1/8" x 16 25 x 24 - Gray
11	067809-03-000	EA	Inside Frame - Beige (not included in assembly)
12	002293-02-000	SF	Screen - Window - 28" - Charcoal
13	056795-01 000	FT	Seal Tape - 1/8 x 3/8" Press On
14	078591 03-000	EA	Jamb Asm - Entrance Door
	051049-01-000	EA	Jamb - Entrance Door - Bottom
15	079036 02 000	EA	Slider - Screen Door - Plastic
16	079012-01 U01	EA	Door Asm - Screen
17	079361-05-000	EA	Hinge - Entrance Door (3 used per door)
18	015581-02-000	EA	Cap Screen Door Plastic
	009016-01 000	EA	Catch - Elbow - Spring Loaded - Screen Door
	039863-01-000	EA	Catch Asm. - Single Roller w/Strike Screen Door
	076231-01-000	EA	Spacer Latch - Screen Door
	077437 02-000	EA	Strike - Roller Catch
	058025-02-000	CA	Clip Roller Latch Catch
	044582 02-000	EA	Drip Cap - Off White
	079278 01-000	EA	Seal - Mocket - Entrance Door
	073090 01-000	FT	Seal Entrance Door
	075739 01-000	EA	Stiffener - Entrance Door - Off White
	075673-01-000	FT	Seal Pile Adhesive Back
	075671-01-000	FT	Seal Sponge - Lazy T Shaped
	002294-01-000	FT	Spine Black - 135' x 138' (Screen Door)
	063638 02 000	EA	Strike Screen Door
	063729-04 000	EA	Rivnut - 10 32 UNF - 010 080
	075639-01 000	EA	Garnish - Radius - Entrance Door
			Not illustrated

1987 ITASCA TABLE OF CONTENTS

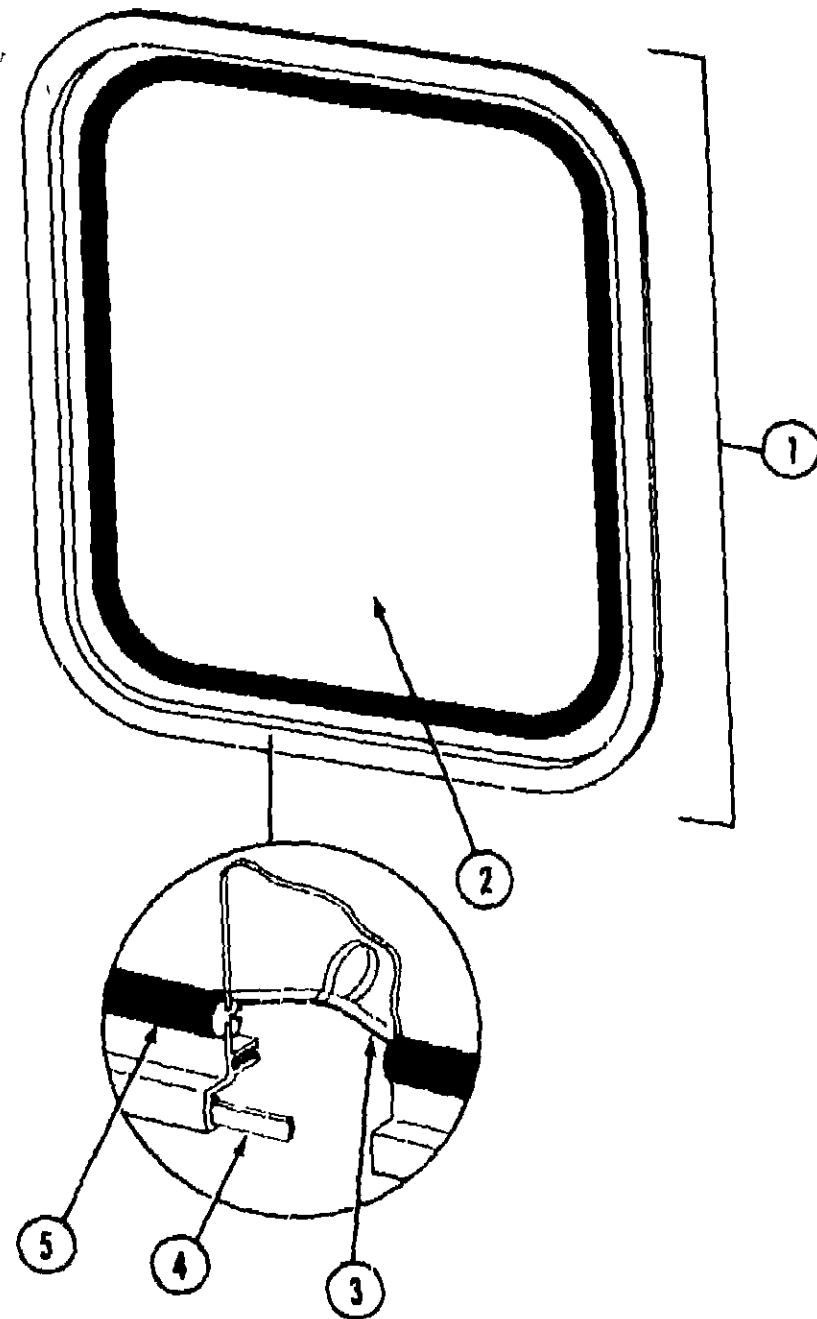
IT319RK
IC/IF421RB

A-01 - B-16
B-17 - D-15

1987 IT319RK INDEX

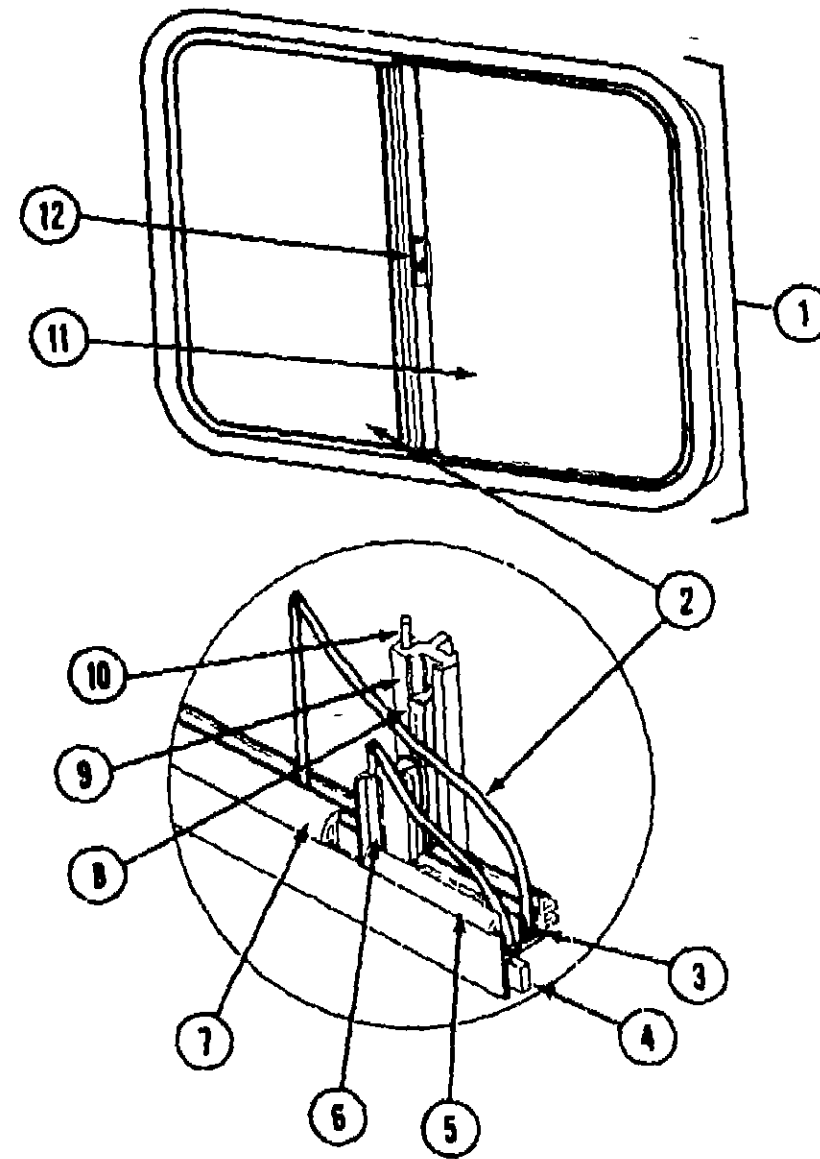
Floor Plan	A-01	A-02
Accessories Group		A-03
Bath Group		A-04
Chassis Group		A-05
Curtain, Cushion & Pad Group	A-06	A-09
Dinette Group		A-10
Driver's Compartment Group		A-11
Electrical Group	A-12	A-14
Exterior Body Group	A 15	A-20
Galley Group	A 21	A 22
Heating & Air Conditioning Group		A 23
Interior Finish Group	A-24	B-01
LP Group		B-02
Lounge Group		B-03
Water & Sewage Group	B 04	B-05
Window Vent & Exterior Door Group	B 06	B 16

WINDOW, VENT & EXTERIOR DOOR GROUP (CONTINUED)



Key	Part Number	U/M	Description
1	078729-02-T03 020749-07-000	EA	Window Asm - Rear Escape 22.5' x 24.5' Black (w/o Inside frame)
2	041382-03 000	EA	Inside Frame (not included in assembly)
3	002285 01 000	EA	Glass - 1/8" x 21.6" x 19.6"
4	069640-05 000	FT	Filler - Weatherstrip - Black
5	002282 01 000 006189 01 000	FT	Ribbon Sealer 1/16" Bead x 15'
		EA	Weatherstrip - 1/25" Window
		EA	Label - Exit - Escape Window
			Not illustrated

WINDOW, VENT & EXTERIOR DOOR GROUP (CONTINUED)



Key	Part Number	U/M	Description
1	078266 03 T03 083122-03-000	EA	Window Asm - Single Slider (w/o Inside frame)
2	081980 05-000	EA	Inside Frame - Beige (not included in assembly)
3	002324-02 000	EA	Glass Sliding - 1/8" x 19" x 13.68"
4	069640 06 000	FT	Channel - Weatherstrip - Glass Run - 1/8" Glass
5	002309 02-000	FT	Ribbon Sealer - 5/16" Bead x 15'
6	M69886-03-011	FT	Spine - Glass 1/8" Material - Black
7	057374-02 000	EA	Seal Holder w/Fin Seal Black
8	073740 01 000	FT	Extr Rubber - Window Seal - Black
9	084170 02-000	FT	Seal - Fin - Pile - .460"
10	002798 02 000	EA	Mullion Slider Window - Black
11	081984-03 000	SF	Spline - 130" Dia - Charcoal (Screen)
12	047369-01-700 079204 01 000 002292 02 000	EA	Glass - Stationary - 1/8" x 19" x 12.30"
		EA	Latch Kit - Window - Plastic w/Fastener
		EA	Bracket Mullion Black
		SF	Screen - Window 20" Charcoal
			Not illustrated

**1987 ITASCA
TABLE OF CONTENTS**

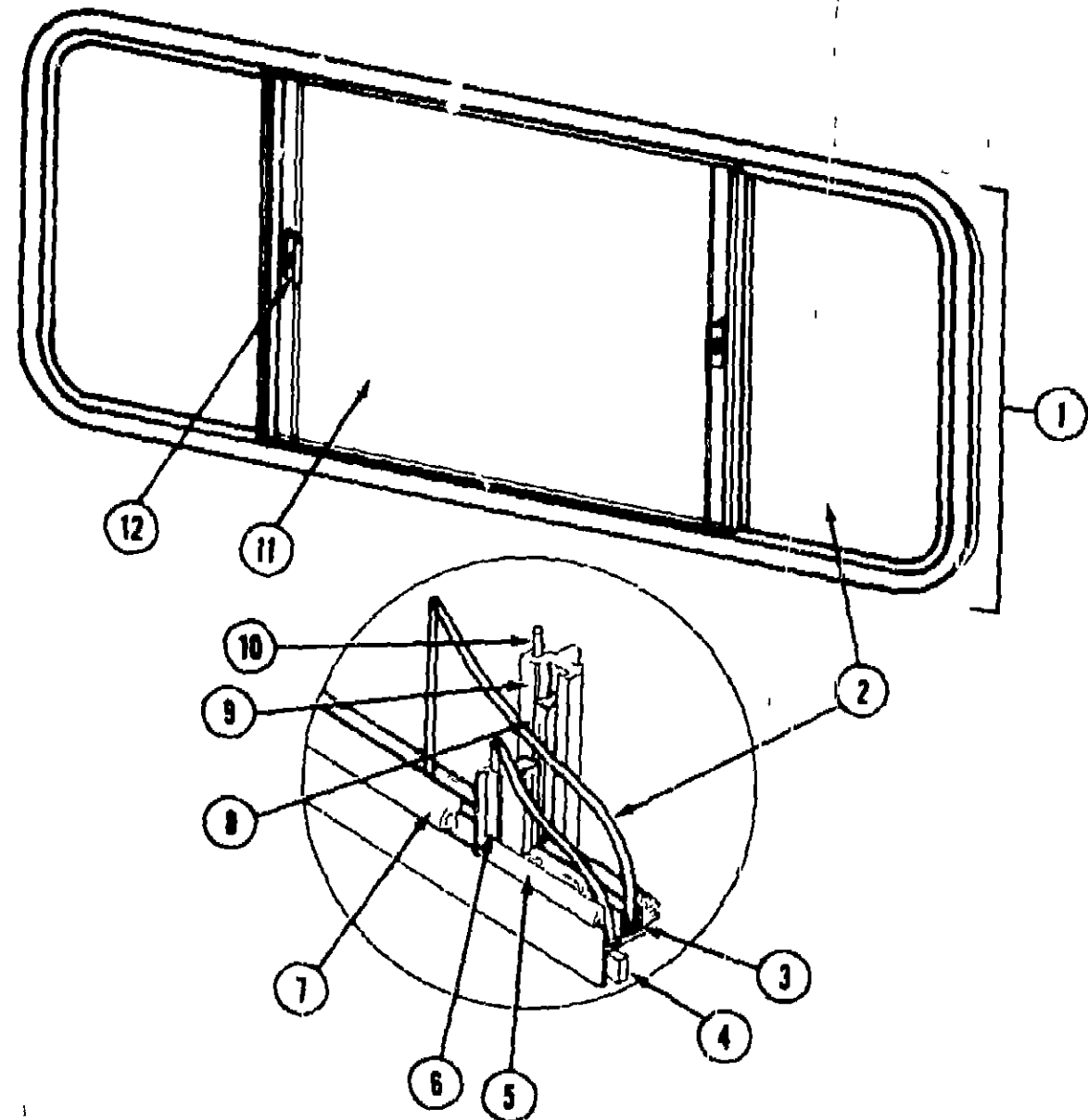
IT319RK
IC/IF421RB

A-01 - B 16
B-17 - D-15

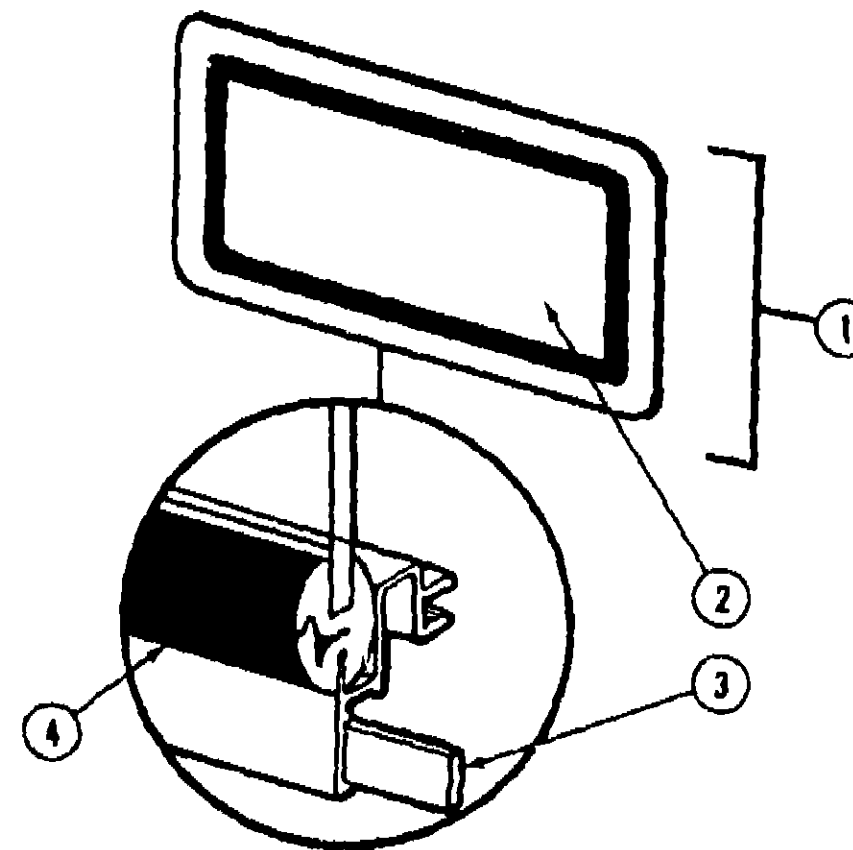
1987 IT319RK INDEX

Floor Plan	A-01	A-02
Accessories Group		A-03
Bath Group		A-04
Chassis Group		A-05
Curtain, Cushion & Pad Group	A-06 - A-09	
Dinette Group		A 10
Drivers Compartment Group		A-11
Electrical Group	A 12 - A 14	
Exterior Body Group	A 15 - A-20	
Galley Group	A-21 - A-22	
Heating & Air Conditioning Group		A-23
Interior Finish Group	A-24 - B 01	
LP Group		B 02
Lounge Group		B 03
Water & Sewage Group	B 04 - B 05	
Window, Vent & Exterior Door Group	B 06 - B 16	

WINDOW, VENT & EXTERIOR DOOR GROUP (CONTINUED)



WINDOW, VENT & EXTERIOR DOOR GROUP (CONTINUED)



Key	Part Number	U/M	Description
1	078533-03-W17	EA	Window Asm - Front Picture - 14 x 69 - Black (w/o inside frame)
	041938 05 000	EA	Inside Frame - Black (not included in assembly)
2	002200 04-000	EA	Glass TP Picture Window
3	069640 06 000	FT	Ribbon Sealer - 5/16 Bead x 15'
4	002281 01 000	FT	Weatherstrip - Self Seal - 06 Panel x 3/16 - Black
	Not illustrated		

Key	Part Number	U/M	Description
1	078269 01-T03	FA	Window Asm Double Slider 25 x 65 Black (w/o inside frame)
	083122-09 000	EA	Inside Frame - Beige (not included in assembly)
2	081980 04-000	EA	Glass - Sliding - 1/8' x 24' x 21 3
3	002324-02 000	FT	Channel - Weatherstrip Glass Run - 1/8' Glass
4	069640-06 000	FT	Ribbon Sealer - 5/16 x 15
5	002309 02 000	FT	Spline - Glass 1/8 Black
6	M69886 03 003	EA	Seal Holder w/Fin Seal - 23 19 Black
7	057374 02 000	FT	Extr Vinyl - Window Seal Black
8	073740 01 000	FT	Seal Fin - Pile - 460'
9	084170-04 000	EA	Mullion Slider Window - Black
10	002298 02 000	FT	Spline - 130 Dia - Charcoal (Screen)
11	002188-05 000	EA	Glass Stationary - 1/8' x 24" x 25 5
12	047369 01 700	EA	Latch Kit - Window - Plastic w/Fastener
	079704 01 000	EA	Bracket - Mullion Black
	002293 02 000	SF	Screen Window 26 - Charcoal
	Not illustrated		

**1987 ITASCA
TABLE OF CONTENTS**

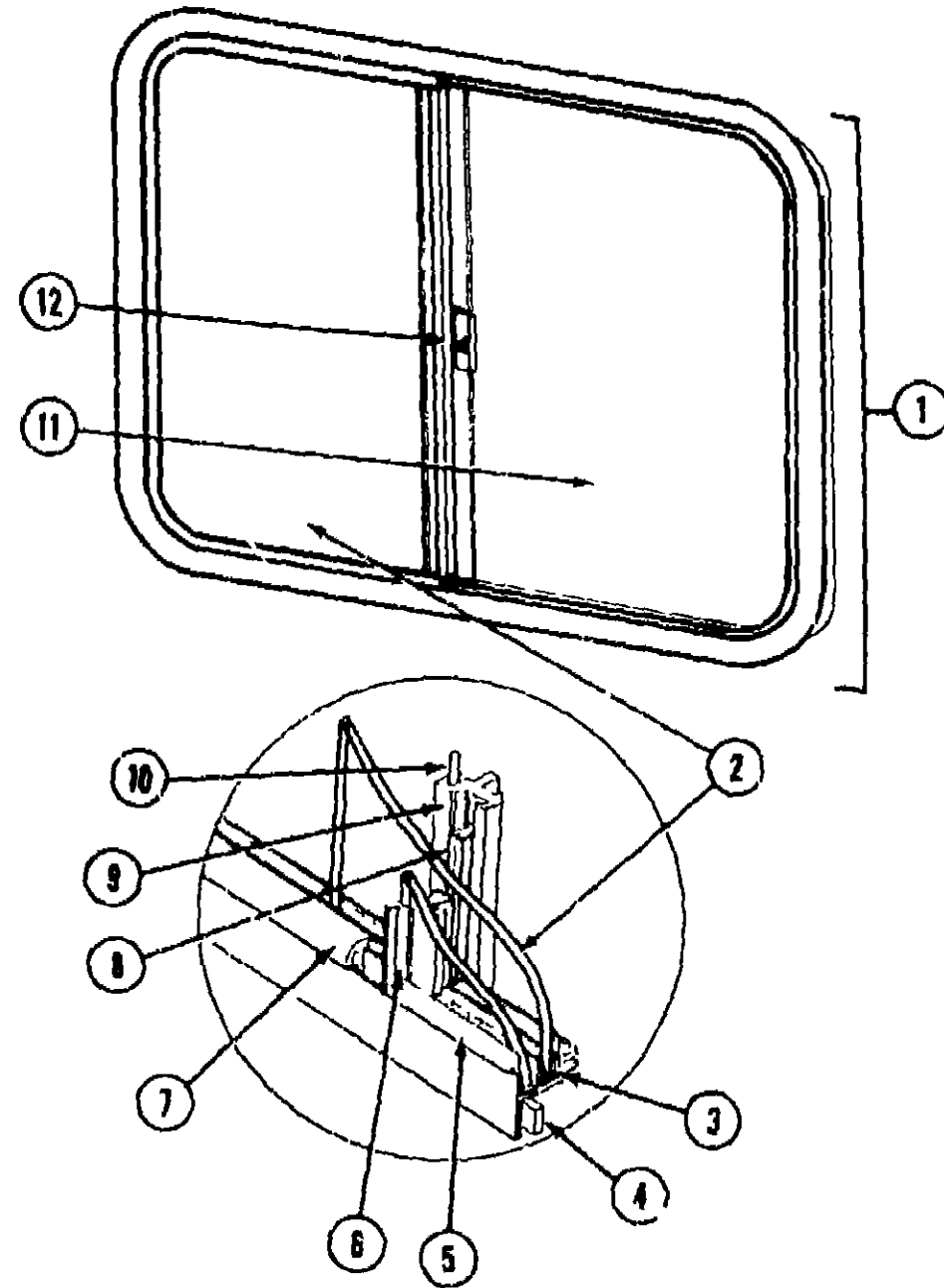
IT319RK
IC/IF421RB

A-01 - B-16
B-17 - D-15

1987 IT319RK INDEX

Floor Plan	A-01 - A-02
Accessories Group	A-03
Bath Group	A-04
Chassis Group	A-05
Curtain, Cushion & Pad Group	A-06 A-09
Dinette Group	A-10
Driver's Compartment Group	A-11
Electrical Group	A-12 - A-14
Exterior Body Group	A-15 - A-20
Galley Group	A-21 A-22
Heating & Air Conditioning Group	A-27
Interior Finish Group	A-24 B-01
LP Group	B-02
Lounge Group	B-03
Water & Sewage Group	B-04 - B-05
Window Vent & Exterior Door Group	B-06 - B-16

WINDOW, VENT & EXTERIOR DOOR GROUP (CONTINUED)



Key	Part Number	U/M	Description
1	078266 08 W17	EA	Window Asm Single Slider (w/o inside frame)
	080122 05 000	EA	Inside Frame Beige (not included in assembly)
2	081980-02 000	EA	Glass - Sliding 1/8' x 22' x 13 68
3	002724-02 000	FT	Channel - Weatherstrip - Glass Run 1/8 Glass
4	069640 06 000	FT	Ribbon Sealer 5/16' Bead x 15
5	002309 02 000	FT	Spline - Glass 1/8 Material Black
6	M18025-03 000	EA	Seal Holder w/Fin Seal - Black
7	057374-02 000	FT	Extr Rubber Window Seal - Black
8	073740 01 000	FT	Seal Fin - Pile - 460
9	084170 03 000	EA	Mullion - Slider Window - Black
10	002298 02 000	SF	Spline - 130' Dia - Charcoal (Screen)
11	081984 01 000	EA	Glass - Stationary - 1/8' x 22' x 16 53'
12	047369 01-700	EA	Lath Kit - Window Plastic w/Fastener
	079204 01 000	EA	Bracket Mullion Black
	002283 02 000	SF	Screen Window 26 Charcoal

Not illustrated

**1987 ITASCA
TABLE OF CONTENTS**

IT319RK
IC/IF421RB

A-01 - B-16
B-17 D-15

1987 IT319RK INDEX

Floor Plan	A-01 - A-02
Accessories Group	A-03
Bath Group	A-04
Chassis Group	A-05
Curtain, Cushion & Pad Group	A-06 - A-09
Dinette Group	A-10
Driver's Compartment Group	A-11
Electrical Group	A-12 - A-14
Exterior Body Group	A-15 - A-20
Galley Group	A-21 - A-22
Heating & Air Conditioning Group	A-23
Interior Finish Group	A-24 - B-01
LP Group	B-02
Lounge Group	B-03
Water & Sewage Group	B-04 - B-05
Window, Vent & Exterior Door Group	B-06 - B-16