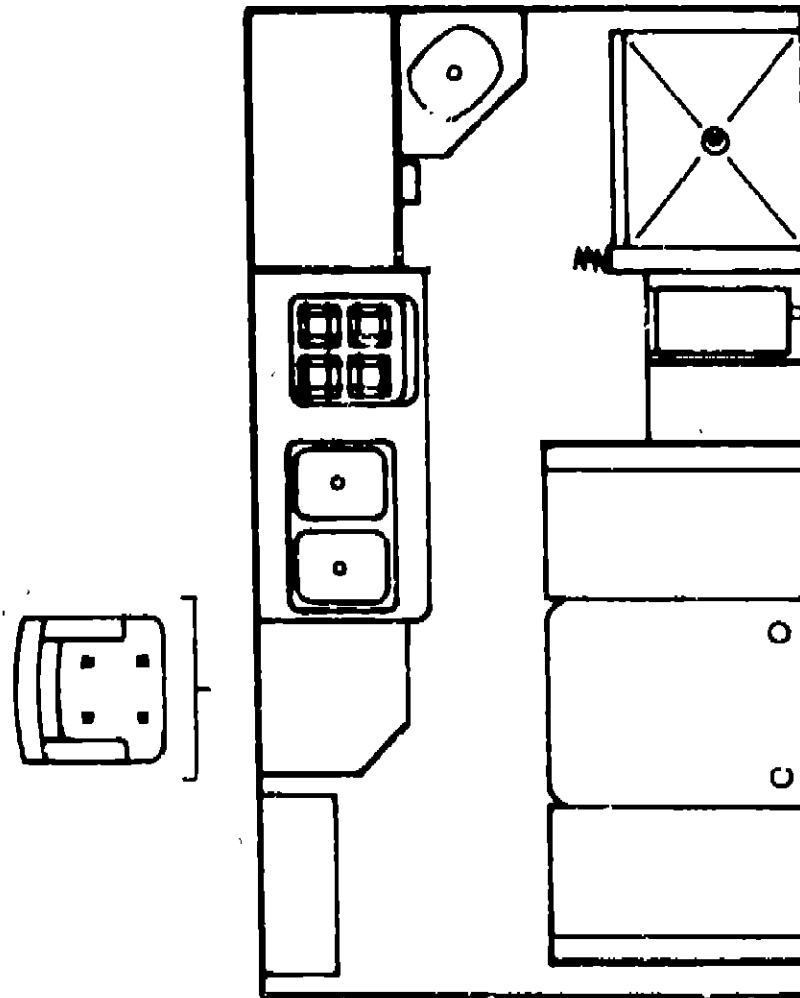


1987 IT319RB



1987 ITASCA TABLE OF CONTENTS

INTRODUCTION	A-01
ABBREVIATIONS	A-01
ALPHABETICAL INDEX	A-02 - A-04
IT319RB	A-05 - B-18
IF426RT	B-19 - D-18
ICN22RC	D-19 - G-04
ICP37RO	G-05 - I-18

1987 IT319RB INDEX

Floor Plan	A-05 - A-06
Accessories Group	A-07
Bath Group	A-08
Chassis Group	A-09
Curtain, Cushion & Pad Group	A-10 - A-14
Dinette Group	A-15
Driver's Compartment Group	A-16
Electrical Group	A-17 - A-18
Exterior Body Group	A-19 - A-24
Galley Group	B-01 - B-02
Heating & Air Conditioning Group	B-03
Interior Finish Group	B-04 - B-05
LP Group	B-06
Lounge Group	B-07
Water & Sewage Group	B-08 - B-09
Window, Vent & Exterior Door Group	B-10 - B-18

ACCESSORIES GROUP

MISCELLANEOUS ACCESSORIES

Key	Part Number	U/M	Description
	054185 28-000	EA	Owners Manual - 1987 Itasca & Winnebago
	084438-01 000	EA	Speed Control Package Electric Dana
	041944 04 000	EA	Fire Extinguisher - Dry 5 BC
	084472 01 000	EA	Recessed Holder Fire Extinguisher
	073414 01 000	EA	Wheel Cover - 14" (Mag Type) (Set of 4)
	073414 01 700	EA	Wheel Cover - 14" (Mag Type) (1)
	072852 01 000	EA	Smoke Detector w/9 Volt Battery
	000069-01 000	FA	Key Case - Leather
	084445 01 000	EA	Mirror Asm - Exterior Right Hand
	084445 02 000	EA	Mirror Asm - Exterior Left Hand
	086780 01 000	EA	Mud Flaps - Toyota (Set of 2) Rubber Black

The illustrated parts breakdown for this item is provided on the Common Items Fiche

BATH GROUP

Key	Part Number	U/M	Description
	M84673 01 W19	EA	Cabinet Asm Lavatory - w/o Countertop, Doors or Drawer
	M02912 01-W19	EA	Countertop Asm - Lavatory Cabinet Blush
	M02912 01 W17	EA	Countertop Asm - Lavatory Cabinet Apricot Blush (W20)
	M84665 21 W17	EA	Door Asm Lavatory - w/o Hardware
	084991 01 W17	EA	Cabinet Asm - Medicine - w/o Door
	M84674 01 W17	EA	Door Asm - Medicine Cabinet w/Mirror w/o Hardware
	M84665 13 W17	EA	Door Asm Wardrobe Cabinet w/o Hardware
	042488 04 000	FA	Door Asm - Folding Walnut

BATH HARDWARE

Key	Part Number	U/M	Description
	M02630 03 U28	EA	Shower Pan
	011056 02 000	EA	Faucet Lavatory
	011059 01 000	EA	Faucet - Shower
	009112 01-000	EA	Flange - 1 Closet Rod
	011048 02 000	EA	Shower Head - w/60 Hose
	075606 01 000	EA	Shower Panel - Faucet Plastic
	066729-01 000	EA	Strainer - Shower
	063435 01 000	EA	Nut Strainer Plastic
	066436 01-000	EA	Slip Nut - 1 5" Tail Piece
	069735-01 000	EA	Washer - Tail Piece - 1 5" Plastic
	011069-03-000	EA	Tailpiece - 1 5" x 1 25" x 4" Plastic
	058713 01 000	EA	Sink Oval - Ivory Plastic
	011083 01 000	EA	Tail Piece w/Stopper - 1 25" x 5" Plastic - Sink
	063740 01 000	EA	Toilet Thetford - Aqua Magic IV - Ivory
	009134 01 000	EA	Tissue Holder
	009133 01 000	EA	Towel Bar - 12" Plastic
	059783-01 000	EA	Clothes Rod - Slotted Aluminum - 7'
	058331-05 000	EA	Mirror - Tempered Glass 12" x 26"
	057671 01 000	EA	Screw Cover - #8 - Antique White
	059723 01 000	EA	Clothes Rod Slotted - 7'

1987 ITASCA TABLE OF CONTENTS

INTRODUCTION	A 01
ABBREVIATIONS	A 01
ALPHABETICAL INDEX	A 02 A 04
IT319RB	A 05 B 18
IF426RT	B 19 D 18
ICN22RC	D 19 - G 04
ICP37RQ	G 05 - I 18

1987 IT319RB INDEX

Floor Plan	A-05 A-06
Accessories Group	A 07
Bath Group	A-08
Chassis Group	A-09
Curtain Cushion & Pad Group	A 10 - A-14
Dinette Group	A 15
Driver's Compartment Group	A 16
Electrical Group	A-17 - A 18
Exterior Body Group	A 19 - A 24
Galley Group	B-01 B 02
Heating & Air Conditioning Group	B 03
Interior Finish Group	B 04 - B 05
LP Group	B-06
Lounge Group	B 07
Water & Sewage Group	B 08 - B 09
Window Vent & Exterior Door Group	B 10 - B-18

CHASSIS GROUP

Key	Part Number	U/M	Description
	084896-01 000	EA	Tailpipe Extension 2"
	007125-06-000	EA	Clamp Asm. Muffler 2 25
	010497-01 000	EA	Clamp - Closed - 5/8 ID
	007181 01 000	EA	Clamp - Hose Spring Type 112
	062401 01 000	EA	Clamp - Hose Wormgear 22' ID - 1" ID
	062401 07 000	EA	Clamp Hose Wormgear 1 56" ID 2 5" ID
	062401-03 000	EA	Clamp Hose Wormgear 25" ID - 1" ID
	062401 04 000	EA	Clamp - Hose Wormgear 89' ID - 1 25' ID
	062401 05 000	EA	Clamp - Hose - Wormgear 2 ID 3' ID
	062401-06 000	EA	Clamp - Hose Wormgear 22' ID - 62 ID
	084822-01-000	EA	Bumper Asm Rear Black
	084488-01-000	EA	Filler Neck Main Fuel Tank
	072447-03 000	EA	Shroud - Fuel Fill - Inside Plastic
	078200-01-000	EA	Gasket Shroud to Filler Neck
	077963-01 000	EA	Gasket Fuel Door to Sidewall

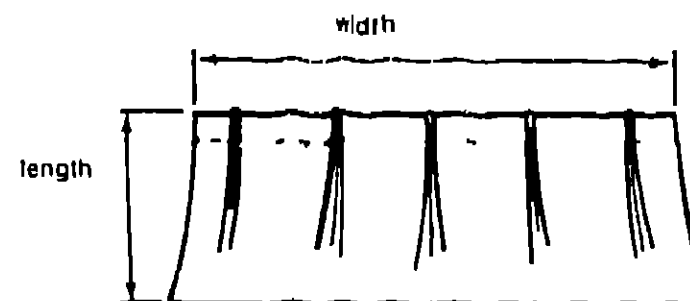
NOTE Remainder of exhaust components available from chassis service center

CURTAIN, CUSHION & PAD GROUP

NOTICE

In order to assist our Parts Sales Dept in providing interior software items, please include the serial number and the color code number from the vehicle certification label when ordering. This label is located on the left sidewall at the end of the dash (A Body) or on the driver's door latch plate (C Body).

An example of a color code number is P31, which designates an overall color scheme of a particular unit. The color listed after the item description on the microfiche indicates the overall unit color. Order the item you desire according to unit color code.



NOTE

Use this illustration when determining length and width measurements for curtains. You will note the width measurement is taken on the top of the curtain with the curtain fully extended. The length measurement is taken from top to bottom.



Key	Part Number	U/M	Description
1	029130-01 000	EA	Socket Strap Fastener
2	029155 01 000	EA	Cap - Snap 1 56 Dia x 17 Barrel
3	029156-01 000	EA	Socket - Strap Fastener
4	029092 01 000	EA	Stud Nickel Finish
5	029093 01 000	EA	Eyelet Nickel Finish

CURTAIN & CUSHION HARDWARE

Key	Part Number	U/M	Description
	039175 02-000	EA	Bracket Curtain Rod
	039175 05-000	EA	Bracket Curtain Rod Center
	009224-01 000	EA	Curtain Rod Extension - 28 x 48 - Bath
	042439-01 000	EA	Bracket Curtain Rod Single
	039175-03 000	EA	Curtain Rod Extension - 28 x 48
	039175-01-000	EA	Curtain Rod Extension - 48 x 84
	087253-01-000	EA	Pull - Window Shade Clear Plastic
	078155-01 000	EA	Strap Asm Cushion Snap
	009701 01 000	EA	Carrier Curtain L Rod
	009702-01-000	EA	End Stop - Curtain L Rod
	056003 01 000	EA	Bracket Drapery Retainer - Right
	056003 02 000	EA	Bracket Drapery Retainer - Left

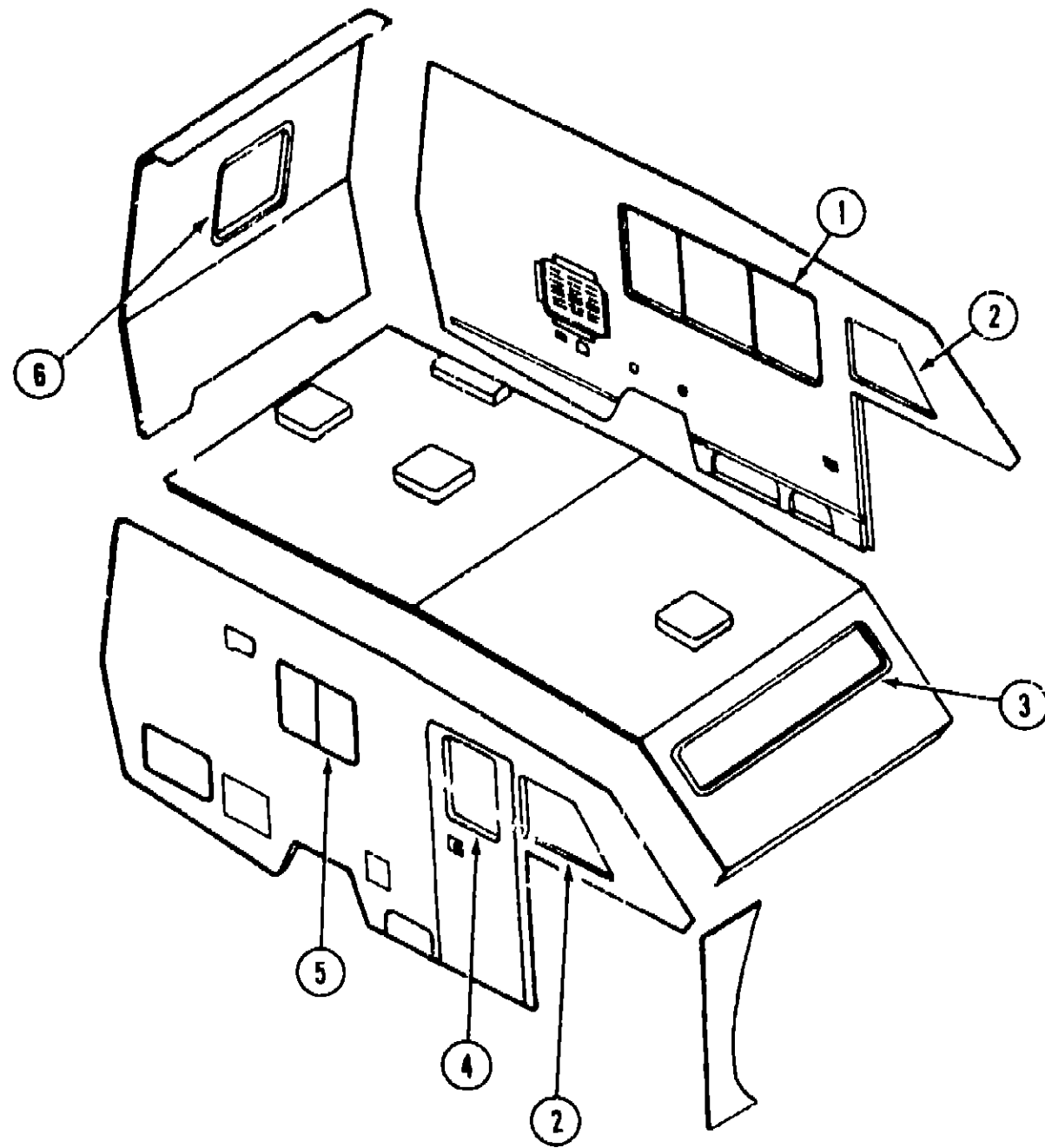
1987 ITASCA TABLE OF CONTENTS

INTRODUCTION	A-01
ABBREVIATIONS	A 01
ALPHABETICAL INDEX	A 02 - A 04
IT319RB	A 05 B-18
IF426RT	B-19 D-18
ICN22RC	D 19 G-04
ICP37RQ	G 05 I 18

1987 IT319RB INDEX

Floor Plan	A-05	A-06
Accessories Group		A-07
Bath Group		A-08
Chassis Group		A-09
Curtain, Cushion & Pad Group	A-10	A 14
Dinette Group		A 15
Driver's Compartment Group		A 16
Electrical Group	A-17	A-18
Exterior Body Group	A-19	A 24
Galley Group	B-01	B-02
Heating & Air Conditioning Group		B-03
Interior Finish Group	B-04	B-05
LP Group		B-06
Lounge Group		B-07
Water & Sewage Group	B-08	B-09
Window Vent & Exterior Door Group	B 10	B 18

CURTAIN, CUSHION & PAD GROUP (CONTINUED)



Key	Part Number	U/M	Description
1	066226 11 W19	EA	Curtain Asm 30' x 22' - Rose
1	066226 11 W17	EA	Curtain Asm 30' x 22' - Sand (W20)
1	066226 13 W19	EA	Curtain Valance Asm - 4" x 75' - Rose
1	066226 13 W17	EA	Curtain Valance Asm - 4" x 75' - Sand (W20)
1	084755 02 W28	EA	Pull Shade Asm 67 25 - Rose
1	084755 02 W17	EA	Pull Shade Asm 67 25 - Sand (W20)
2	073323 33 W19	EA	Curtain Asm - 17 5' x 18" Rose
2	073323 33 W17	EA	Curtain Asm - 17 5' x 18" Sand (W20)
2	073323 34 W19	EA	Curtain Asm - 17 5' x 18" Left Front Rose
2	073323 34 W17	EA	Curtain Asm - 17 5' x 18" Left Front Sand (W20)
2	073323 35 W19	EA	Curtain Asm - 17 5' x 18" Right Front Rose
2	073323 35 W17	EA	Curtain Asm - 17 5' x 18" Right Front Sand (W20)
3	073323 32 W19	EA	Curtain Asm 19 5 x 30' Rose
3	073323 32 W17	EA	Curtain Asm 19 5 x 30' Sand (W20)
4	073304 36 W19	EA	Curtain Asm 34 x 37' - Rose
4	073304 36 W17	EA	Curtain Asm 34 x 37' - Sand (W20)
5	066226 10-W19	EA	Curtain Asm 22 5' x 10' Rose
5	066226 10 W17	EA	Curtain Asm 22 5' x 10' Sand (W20)
5	066226 12 W19	EA	Curtain Valance Asm 4 x 40' Rose
5	066226-12 W17	EA	Curtain Valance Asm 4' x 40' Sand (W20)
5	084755 01 W26	EA	Pull Shade Asm 28 5' x 30' Rose
5	084755 01-W17	EA	Pull Shade Asm 28 5' x 30' Sand (W20)
6	084755 01 W26	EA	Pull Shade Asm 28 5' x 30' - Rose
6	084755 01-W17	EA	Pull Shade Asm - 28 5' x 30' Sand (W20)
	076892 03 W19	EA	Curtain Asm Blackout - 35 x 55 - Rose
	076892 03 W17	EA	Curtain Asm Blackout - 35 x 55 - Sand (W20)
	084481 04-000	EA	Curtain Asm - Shower - 65' x 60
	073260-04-W19	EA	Tieback Asm - 3 x 14 - Accent Rose
	073260-04 W20	EA	Tieback Asm - 3 x 14 - Accent Sand
	073260 10 L'24	EA	Tieback Asm - 3 x 16 - Rose (W19)
	073260 10 L'22	EA	Tieback Asm - 3 x 16 - Sand (W20)
	073260 24 W19	EA	Tieback Asm - 2 x 14 - Drapery - Rose
	073260-24 W17	EA	Tieback Asm - 2 x 14 - Drapery - Sand (W20)
			Not Illustrated

CURTAIN, VALANCES, SHADES & TIEBACKS

FRONT OVERHEAD BUNK CUSHIONS

Key	Part Number	U/M	Description
	084753 03 W19	EA	Cushion Asm Front Bunk - 52 x 81 x 4 Rose
	084753 03 W20	EA	Cushion Asm Front Bunk - 52 x 81 x 4 Sand
	M84753 03 W19	EA	Cover Asm - Front Bunk 52 x 81 x 4 - Rose
	M84753 03 W20	EA	Cover Asm - Front Bunk 52 x 81 x 4 - Sand
	084753 04 W19	EA	Cushion Asm Front Bunk - 24 x 41 x 4 U Shaped - Rose
	084753-04 W20	EA	Cushion Asm Front Bunk 24' x 41 x 4 - U Shaped - Sand
	M84753 04-W19	EA	Cover Asm - Front Bunk 24' x 41 x 4 - U Shaped - Rose
	M84753-04 W20	EA	Cover Asm - Front Bunk 24 x 41 x 4 - U Shaped Sand

**1987 ITASCA
TABLE OF CONTENTS**

INTRODUCTION	A-01
ABBREVIATIONS	A-01
ALPHABETICAL INDEX	A 02 - A-04
IT319RB	A-05 - B-18
IF126RT	B 19 - D-18
ICN22RC	D 19 - G-04
ICP37RC	G 05 I-18

1987 IT319RB INDEX

Floor Plan	A-05	A-06
Accessories Group		A 07
Bath Group		A 08
Chassis Group		A-09
Curtain Cushion & Pad Group	A 10	A 14
Dinette Group		A 15
Drivers Compartment Group		A 16
Electrical Group	A 17	A 18
Exterior Body Group	A 19	A 24
Galley Group	B-01	B 02
Heating & Air Conditioning Group		B 03
Interior Finish Group	B-04	B 05
LP Group		B 06
Lounge Group		B 07
Water & Sewage Group	B 08 - B-09	
Window Vent & Exterior Door Group	B 10 - B-18	

CURTAIN, CUSHION & PAD GROUP (CONTINUED)

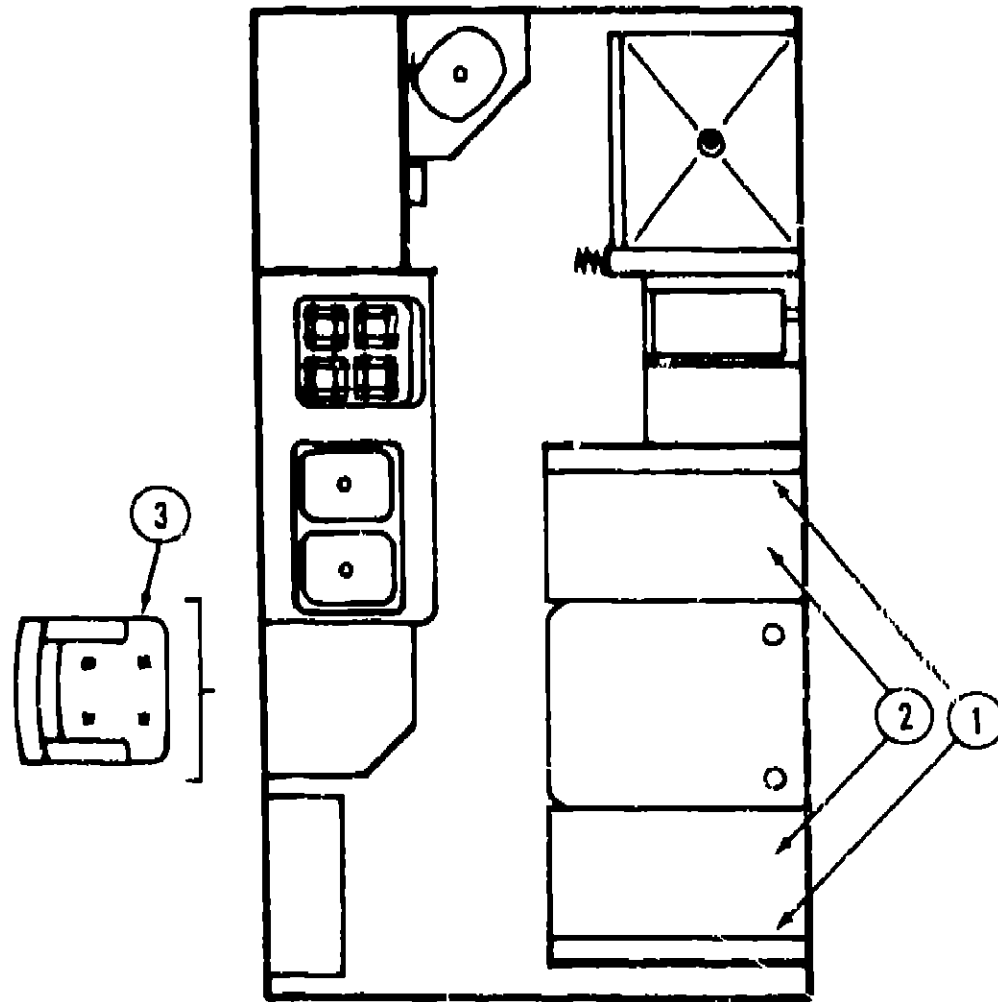
CURTAIN, CUSHION & PAD GROUP (CONTINUED)

FABRICS, TRIMS & PADS

Key	Part Number	U/M	Description
	072333 37 000	YD	Fabric - Drapery - Rose (W19)
	072333 38 000	YD	Fabric - Drapery - Sand (W20)
	077498 B6 000	YD	Fabric w/Pattern Upholstery Rose (W19)
	077498 B5 000	YD	Fabric w/Pattern Upholstery Sand (W20)
	077498 B1-000	YD	Fabric - Upholstery Accent Rose (W19)
	077498 B0 000	YD	Fabric - Upholstery Accent Sand (W20)
	052859 07-W19	FT	Accent Trim (Dinette Seat Back) - Rose
	052859 07 W20	FT	Accent Trim (Dinette Seat Back) Sand
	079680 01-000	YD	Expanded Vinyl - 26 oz Buckskin
	071127-10 U09	EA	Button Asm - #30 Round - Rose (W19)
	071127 10 U07	EA	Button Asm - #30 Round - Sand (W20)
	078155 01 000	EA	Strap Asm Cushion
	079349 01-U09	YD	Welt Asm - Accent - Rose (W19)
	079349-01-U07	YD	Welt Asm - Accent Sand (W20)
	086120-01 W19	EA	Pad Asm Map Pocket 12' x 16' - Rose
	086120 01 W17	EA	Pad Asm - Map Pocket 12' x 16' - Sand (W20)

**1987 ITASCA
TABLE OF CONTENTS**

INTRODUCTION	A 01
ABBREVIATIONS	A 01
ALPHABETICAL INDEX	A 02 - A 04
IT319RB	A 05 - B 18
IF426RT	B 19 - D 10
ICN22RC	D 14 - G 04
ICP37RQ	G-05 - I 18



DINETTE CUSHION

Key	Part Number	U/M	Description
1	081998-52 W19	EA	Cushion Asm - Dinette Back - 19 25 x 38 x 5 - Rose
1	081998-52-W20	EA	Cushion Asm - Dinette Back - 19 25 x 38 x 5 - Sand
	M81998-52-W19	EA	Cover Asm - Dinette Back Cushion 19 25 x 38 x 5 - Rose
	M81998-52-W20	EA	Cover Asm - Dinette Back Cushion 19 25 x 38 x 5 - Sand
2	081998-53-W19	EA	Cushion Asm - Dinette Bottom - 17 5 x 38 x 5 - Rose
2	081998-53-W20	EA	Cushion Asm - Dinette Bottom - 17 5 x 38 x 5 - Sand
	M81998 53-W19	EA	Cover Asm - Dinette Bottom Cushion - 17 5 x 38 x 5 - Rose
	M81998-53-W20	EA	Cover Asm - Dinette Bottom Cushion 17 5 x 38 x 5 - Sand

SWIVEL CHAIR

Key	Part Number	U/M	Description
3	084754-04-W19	EA	Chair Asm w/Pillow Back - Swivel - Rose
3	084754-04-W20	EA	Chair Asm w/Pillow Back Swivel - Sand
	035036-01-000	EA	Plate - Tilt & Swivel Swivel Chair
	035036-04-000	EA	Base w/Legs Swivel Chair
	935936-05 000	EA	Extension - 7 - Swivel Chair

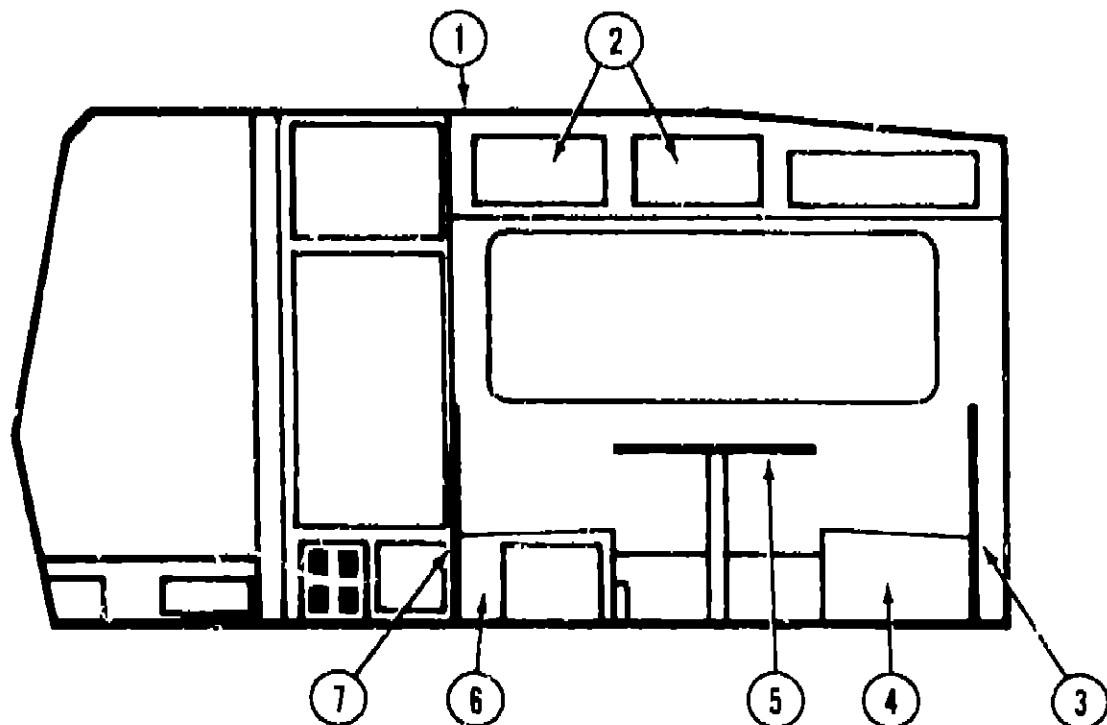
BUCKET SEAT COVERS

Key	Part Number	U/M	Description
	086740-01-W19	EA	Seat Cover Asm - Bucket - Rose
	086740-01-W20	EA	Seat Cover Asm - Bucket - Sand

1987 IT319RB INDEX

Floor Plan	A-05 - A-06
Accessories Group	A-07
Bath Group	A-08
Chassis Group	A-09
Curtain Cushion & Pad Group	A-10 - A-14
Dinette Group	A-15
Driver's Compartment Group	A-16
Electrical Group	A-17 - A-18
Exterior Body Group	A-19 - A-24
Galley Group	B-01 - B-02
Heating & Air Conditioning Group	B-03
Interior Finish Group	B 04 - B-05
LP Group	B-06
Lounge Group	B-07
Water & Sewage Group	B-08 - B 09
Window Vent & Exterior Door Group	B-10 - B-18

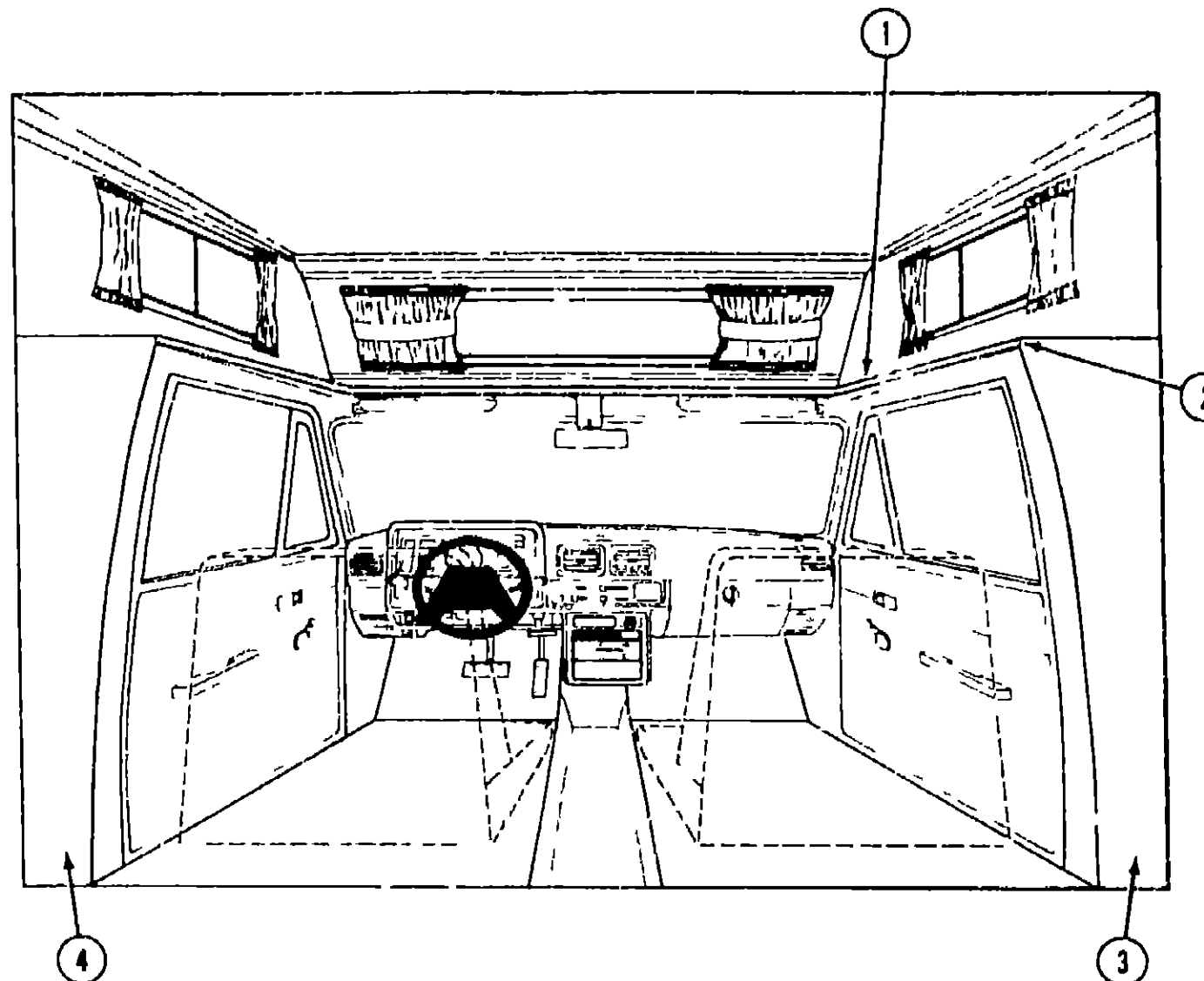
DINETTE GROUP



CONVENTIONAL DINETTE & OVERHEAD CABINTRY

Key	Part Number	U/M	Description
1	084662-03 W17	EA	Cabinet Asm - Dinette Overhead - w/o Doors or Hardware
2	M84665-42-W17	EA	Door Asm Dinette Overhead - w/o Hardware
3	M02913-01 W19	EA	Cabinet Asm Dinette Back w/o Trim
4	M02914-01-W17	EA	Cabinet Asm Dinette Seat
5	M81299-01-W24	EA	Table Asm - Dinette - w/o Hardware
6	M02914-02 W17	EA	Cabinet Asm, - Dinette Seat
7	M02913-02-W19	EA	Cabinet Asm Dinette Back w/o Trim
	031518-01-W24	EA	Dinette Seat Board
	074493-02-000	EA	Support - Sprung Door Asm Overhead Cabinet
	053200-05-000	EA	Bracket - Upper Wall Mount - 23 5 - Beige
	053201-06-000	EA	Bracket - Table Mount 23 - Tan
	024275 05 000	EA	Rod - Table Lift - 8 x 23 5 - Beige
	024281-07-000	EA	Bracket - Lower Wall Mount - 22 12 - Beige
	024276-17-000	EA	Leg Asm Table - 26 75 - Tan
	064050-02-000	EA	Hinge - Table Leg - Tan
	024282-01-000	EA	Brace - Table Leg
	024283 01 000	EA	Clip - 1 O D Tube
	049493-05-000	EA	Catchr - Table Leg - Mounts on Floor - Tan
	064781-02-000	EA	Cup Holder - 3 47 O D x 2 75 I D x 1 5 - Beige
	Not illustrated		

DRIVER'S COMPARTMENT GROUP



MISCELLANEOUS DRIVER'S COMPARTMENT COMPONENTS

Key	Part Number	U/M	Description
1	M84656 01-W17	EA	Panel Asm - Upper Board w/o Vinyl
2	079800 02 000	EA	Trim - Fr - Upper Board
3	M84568 01-W19	EA	Panel Asm - Wingwall Transition - Inner - Passenger
3	M84568 01 W17	EA	Panel Asm - Wingwall Transition - Inner - Passenger
4	M84568 02-W19	EA	Panel Asm - Wingwall Transition - Inner - Driver
4	M84568 02 W17	EA	Panel Asm - Wingwall Transition - Inner - Driver

1987 ITASCA TABLE OF CONTENTS

INTRODUCTION	A 01
ABBREVIATIONS	A-01
ALPHABETICAL INDEX	A-02 A 04
IT319RB	A-05 - B 18
IF426RT	B-19 - D-18
ICN22RC	D-19 - G 04
ICP37RO	G 05 I 18

1987 IT319RB INDEX

Floor Plan	A-05 - A-06
Accessories Group	A-07
Bath Group	A-08
Chassis Group	A-09
Curtain Cushion & Pad Group	A 10 - A-14
Dinette Group	A 15
Driver's Compartment Group	A-16
Electrical Group	A 17 - A 18
Exterior Body Group	A-19 - A-24
Galley Group	B-01 - B-02
Heating & Air Conditioning Group	B-03
Interior Finish Group	B-04 - B-05
LP Group	B-06
Lounge Group	B 07
Water & Sewage Group	B-08 - B-09
Window Vent & Exterior Door Group	B 10 - B-18

ELECTRICAL GROUP

WIRE, SWITCHES & RECEPTACLES

Key	Part Number	U/M	Description
	008058 01-000	EA	Adapter - Power Cord
	008288-01-000	EA	Box - Electrical - 3' x 3 5 Plastic
	006289-01-000	EA	Box - Electrical 4' x 4' - 1/2 & 3/4 Steel UL
	008289-02 000	EA	Box - Electrical 4 x 4' - 1/2 & 3/4 Steel - CSA
	058049 01 000	EA	Box - Electrical 2 x 3 x 2 25 Steel
	008353 01 000	EA	Connector - Clamping - 3/8 Cable - UL & CSA
	058028 01-000	EA	Connector Pigtail - Clear Nylon
	008314-01-000	EA	Connector - Wire Nut - Gray
	008311-01 000	EA	Connector Wire Nut - Red
	031968-01-000	EA	Contact Plug - Brass - Tin Plated
	031967-01-000	EA	Contact Receptacle
	008054-01-000	EA	Cord Power - 10 3 30 Amp 25 UL
	069238 02 000	EA	Cover - Electrical Box 4 x 4'
	058048-01-000	EA	Cover - Electrical Box - 4 5 x 2 75 - Rain Tight (Exterior)
	024571-03-000	EA	Cover Plate - Receptacle Jumbo - Brown Plastic
	024571 04-000	EA	Cover Plate - Receptacle - Jumbo - Ivory Plastic
	006164-01 000	EA	Cover Plate - Switch - Brown
	084077-02-000	EA	Cover - Receptacle - Ground Fault Interrupter - Brown
	008294-01-000	EA	Cover - Flat Blank - 4 x 4 - Steel - US
	008250-01 000	EA	Fuse Holder - In Line - 10 Amp
	008250-02-000	EA	Fuse Holder In Line - 15 Amp
	008277-01-000	EA	Fuse Holder - Panel Mount Black
	054532-01 000	EA	Housing Pin - 6 Position
	046885-01-000	EA	Plaque - Mounting Switch
	084077-02 000	EA	Receptacle Cover - GF1 - Brown
	058708-01-000	EA	Receptacle - Duplex Brown
	008157 01 000	EA	Receptacle - Duplex Brown (Exterior Backwall)
	058708-01 000	EA	Receptacle - Duplex - Brown
	084076-02-000	EA	Receptacle - Ground Fault Interrupter - 125 Volt - Ivory
	024924-02-000	EA	Receptacle Power Cord
	058707-01-000	EA	Receptacle - Single - Brown
	063912-01-000	EA	Relay - Canister SPDT w/Ground
	008188-01-000	EA	Solenoid Relay 3 Terminal
	075723 01 000	EA	Switch - Block Spacer w/o Holes
	073723-02-000	EA	Switch - Black Spacer - w/Holes
	008162-01 000	EA	Switch - Double Toggle Brown
	077942-02 000	EA	Switch - Dummy Brown
	056264-01-000	EA	Switch - Leaf Actuator
	081066-01-000	EA	Switch Plate 2 Gang - 2 Switches
	079363-01-000	EA	Switch Plate - Single - w/Switches
	079364 01-000	EA	Switch On/Off Rocker - Brown
	008195-01-000	EA	Switch - Push Button 12 Volt
	008163-01-000	EA	Switch - Toggle - Brown
	047443-02-000	EA	Terminal - 250 Receptacle - 12 - 10 AWG
	035417-01-000	EA	Terminal - Pin Receptacle - 125 Dia
	008348 01-000	EA	Terminal Ring - 2 - w/3/8 Stud
	008331-01-000	EA	Terminal Ring 4 - w/3/8 Stud
	008328 01-000	EA	Terminal Ring - 12/10 Wire
	009028-01-000	FT	Wire - 18 5 Bonded - Blue/Red/Yellow/Orange/White
	008024-01-000	FT	Wire - 18 5 Bonded - Orange/White/Yellow/Blue/Brown
	008025-01-000	FT	Wire - 18 5 Bonded Orange/White/Yellow/Blue/Green
	008026-01-000	FT	Wire w/Ground - Romex 12/2

INTERIOR LIGHT

Key	Part Number	U/M	Description
	033508-02-000	EA	Light - Dome - Ivory - 1 Bulb US
	061424-01-000	EA	Light - 12V Receptacle Aisle - IP
	065202-03-000	EA	Decor Wall Lamp - Bright Brass
	065201-02-000	EA	Lamp Shade Parchment Fabric

ELECTRICAL GROUP (CONTINUED)

EXTERIOR LIGHTS

Key	Part Number	U/M	Description
	081638-02 000	EA	Tail Lamp Asm - 2 Bulb Chrome - Driver/Passenger
	081638 03 000	EA	Bezel Tail Lamp - Driver/Passenger
	068432 01 000	EA	Light Bracket License Plate
	042405 03 000	EA	Base Rectangular Clearance Light
	042405 01 000	EA	Lens Clearance Light Red w/Reflex
	042405 02 000	EA	Lens - Clearance Light - Amber w/Reflex
	008089 02 000	EA	Porch Light Recessed
	008089 01-700	EA	Lens - Porch Light

FUSES & CIRCUIT BREAKERS

Key	Part Number	U/M	Description
	008233 01-000	EA	Fuse 6 Amp - 12 Volt
	008234 01 000	EA	Fuse 10 Amp - 12 Volt
	046093 01-000	EA	Fuse 10 Amp - 12 Volt
	008235 01 000	EA	Fuse 15 Amp - 12 Volt
	008236-01-000	EA	Fuse - 20 Amp 12 Volt
	008248 01-000	EA	Fuse - 30 Amp - 110 Volt - AGU
	008252-01-000	EA	Fuse 50 Amp - 110 Volt
	056473-02 000	EA	Fuse 5 Amp - Slow Blow
	056473-01 000	EA	Fuse - 6 1/4 Amp - Slow Blow
	062901 02 000	EA	Fuse - 5 Amp Automotive
	062901-05 000	EA	Fuse 15 Amp - Automotive
	008211 01-000	EA	Circuit Breaker - 6 Amp - 12 Volt
	008208 01 000	EA	Circuit Breaker - 40 Amp 12 Volt
	033573 02 000	EA	Circuit Breaker - 15 Amp 12 Volt - w/Mount
	033573-01-000	EA	Circuit Breaker - 20 Amp - 12 Volt w/Mount
	044466-03-000	EA	Circuit Breaker - 25 Amp - 12 Volt w/Mount
	008268-01 000	EA	Circuit Breaker - 30 Amp - 12 Volt w/Mount
	040051-01-000	EA	Circuit Breaker - 20 Amp 110 Volt - TQL
	008297 01-000	EA	Circuit Breaker - 120 Amp - TQL
	008293-01 000	EA	Circuit Breaker - 130 Amp - TQL
	083209-01-000	EA	Circuit Breaker - 15 Amp - 120 Volt
	083209 05-000	EA	Circuit Breaker - 20 Amp 120 Volt
	071279-04-000	EA	Circuit Breaker - 30 Amp - 120 Volt
	071279-02-000	EA	Circuit Breaker - 15/15 Amp - 120 Volt
	071279 03 000	EA	Circuit Breaker - 15/20 Amp 120 Volt
	071279 01-000	EA	Circuit Breaker - 15/30 Amp 120 Volt
	071279 06-000	EA	Circuit Breaker - 30/15 Amp 120 Volt
	071280 01-000	EA	Circuit Breaker Blank
	050283-02-000	EA	Circuit Breaker - Buss Bar

BULBS

Key	Part Number	U/M	Description
	008220-01-000	EA	Bulb 12V 25W
	008103 01 000	EA	Bulb 53
	008213 01-000	EA	Bulb 57
	008214 01-000	EA	Bulb - 67
	036196-01-000	EA	Bulb - 194
	008215 01-000	EA	Bulb 1003
	067479-01-000	EA	Bulb - 1076
	063914-01 000	EA	Bulb - 1139
	008218 01 000	EA	Bulb 1141
	037935-01-000	EA	Bulb 1157
	037936-01-000	EA	Bulb 1157A
	056288 02 000	EA	Bulb - 9431808

MISCELLANEOUS ELECTRICAL COMPONENTS

Key	Part Number	U/M	Description
	008188 01-000	EA	Solenoid - Dual Battery - Relay
	064454 01 000	EA	Control Center - 25 Amp 120 Volt/12 Volt

1987 ITASCA TABLE OF CONTENTS

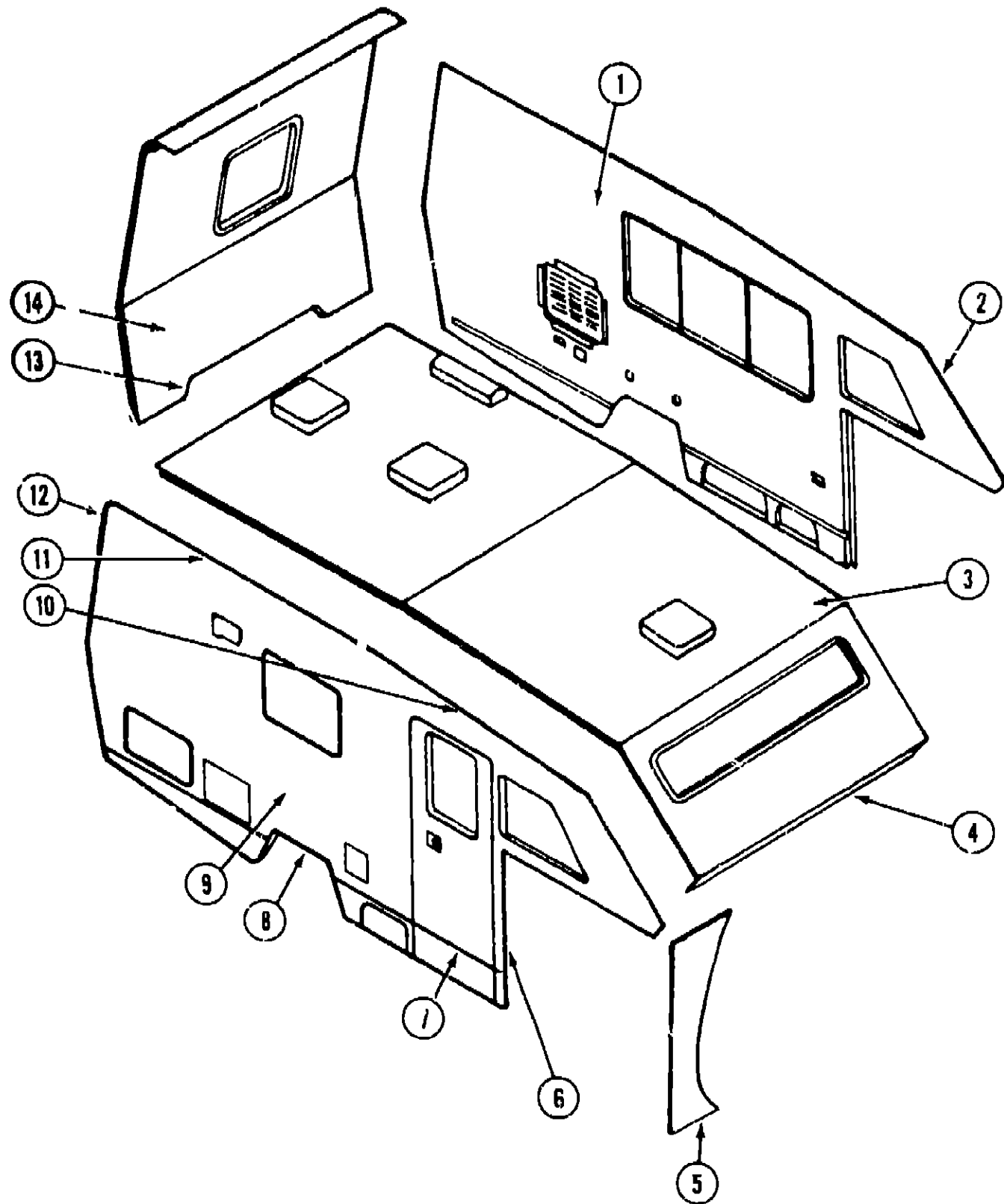
INTRODUCTION	A 01
ABBREVIATIONS	A-01
ALPHABETICAL INDEX	A 02 A 04
IT319RB	A-05 B 18
IF426RT	B 19 - D 18
ICN22RC	D 19 - G 04
ICP37RC	Q 05 - I 18

1987 IT319RB INDEX

Floor Plan	A-05 - A-06
Accessories Group	A-07
Bath Group	A-08
Chassis Group	A-09
Curtain Cushion & Pad Group	A 10 A-14
Dinette Group	A 15
Driver's Compartment Group	A 16
Electrical Group	A 17 - A 18
Exterior Body Group	A 19 - A 24
Galley Group	B-01 - B-02
Heating & Air Conditioning Group	B-03
Interior Finish Group	B-04 - B-05
LP Group	B-06
Lounge Group	B-07
Water & Sewage Group	B-08 - B-09
Window Vent & Exterior Door Group	B 10 - B-18

EXTERIOR BODY GROUP

EXTERIOR BODY PANELS & TRIM



Key	Part Number	U/M	Description
1	M86560-01 W19	EA	Sidewall Asm - Driver
1	M86560 01 W20	EA	Sidewall Asm - Driver
2	085490 04 000	EA	Trim - Contour - Upper Front - Driver - Off White
	085490 03 000	EA	Trim - Contour - Upper Front - Passenger - Off White
3	M86566-01-W17	EA	Roof Asm
4	039644 07 000	EA	Trim - Sleeper Board - Front - Off White
5	M84655 01-W17	EA	Wingwall Asm - Passenger
	M84655 02 W17	EA	Wingwall Asm - Driver
6	076975 07-000	EA	Trim - Wingwall Transition - Passenger - Off White
	076975 08 000	EA	Trim - Wingwall Transition - Driver - Off White
7	059576 05 000	EA	Feature Strip w/o Insert - Extr - 14 - Off White
	001030-02 100	EA	Insert - Feature Strip - 17' - Off White
	009731 01 000	EA	End Cap - Feature Strip
8	084440 04 000	EA	Trim - Wheel Well - Rear Passenger - Off White
	084440 03 000	EA	Trim - Wheel Well - Rear Driver - Off White
9	M86561 01 W19	EA	Sidewall Asm - Passenger
9	M86561 01 W20	EA	Sidewall Asm - Passenger
10	076975 09 000	EA	Trim - Contour - Upper - Right or Left
11	076975 10 000	EA	Trim - Contour - Upper - Left Rear
	076975-11 000	EA	Trim - Contour - Upper - Right Rear
12	076805 05 000	EA	Trim - Contour - Rear Passenger - Off White
	076805-06 000	EA	Trim - Contour - Rear Driver - Off White
13	085004 01 000	EA	Trim - Backwall - Lower - Passenger or Driver
14	M84648 01 W19	EA	Backwall Asm
14	M84648 01 W20	EA	Backwall Asm
	002365 01 001	EA	U Channel - Extrusion - 1 x 18
	002776 01 001	EA	U Channel - Extrusion - 1.75 x 16
	009717 01 002	EA	Drip Rail - 19
	039155 28 006	EA	Alum - Mesa II - 024' x 48' x 360' - Off White
	039155 28 003	EA	Alum - Mesa II - 024' x 36' x 360' - Off White
	039155 28 007	EA	Alum - Mesa II - 024' x 12' x 360' - Off White
	001054 01 011	EA	Alum - No Design - 48' x 96' - Off White
	000868-01 000	SF	Styrofoam - 75' x 24' x 96'
	000870 01 000	SF	Styrofoam - 1.5' x 24' x 96'
	000870 03 000	SF	Styrofoam - 1.34' x 48' x 96'
	Not illustrated		

1987 ITASCA TABLE OF CONTENTS

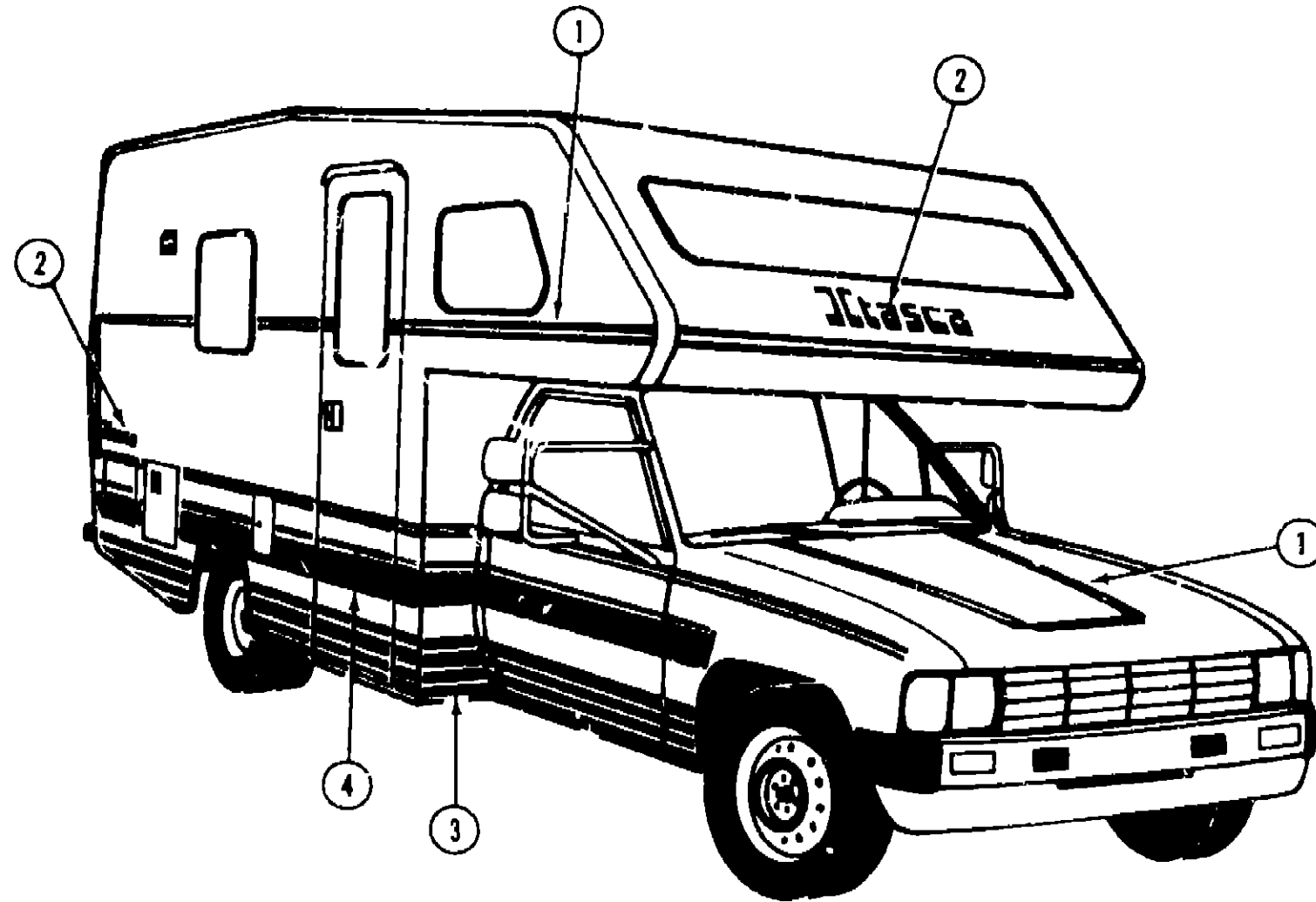
INTRODUCTION	A 01
ABBREVIATIONS	A 01
ALPHABETICAL INDEX	A 02 - A 04
IT319RB	A 05 - B 18
IF426RT	B 19 - D-18
ICN22RC	D 19 - G-04
ICP37RQ	G 05 - I 18

1987 IT319RB INDEX

Floor Plan	A-05 - A 06
Accessories Group	A-07
Bath Group	A 08
Chassis Group	A 09
Curtain Cushion & Pad Group	A-10 - A-14
Dinette Group	A-15
Driver's Compartment Group	A-16
Electrical Group	A-17 - A-18
Exterior Body Group	A-19 - A 24
Galley Group	B 01 - B 02
Heating & Air Conditioning Group	B 03
Interior Finish Group	B-04 - B 05
LP Group	B 06
Lounge Group	B 07
Water & Sewage Group	B-08 - B 09
Window Vent & Exterior Door Group	B- 0 - B 18

EXTERIOR BODY GROUP (CONTINUED)

DECALS & FILM STRIPE



Key	Part Number	U/M	Description
1	065217 G0 000	FT	Film - Multi Stripe - Gray/Burgundy (W19)
1	065217 G1-000	FT	Film - Multi Stripe - Beige/Rust (W20)
2	078191 01 000	EA	Decal - Logo - Itasca
3	078196 17-000	FT	Film - Multi Stripe - Gray Metallic (W19)
3	078196 27 000	FT	Film - Multi-Stripe - Beige Metallic (W20)
4	065217 F8 000	FT	Film - Multi Stripe - Burgundy (W19)
4	065217-F9 000	FT	Film - Multi Stripe - Rust (W20)

1987 ITASCA TABLE OF CONTENTS

INTRODUCTION	A 01
ABBREVIATIONS	A 01
ALPHABETICAL INDEX	A 02 A 04
IT319RB	A 05 - B 18
IF426RT	B 19 D-18
ICN22RC	D 19 G 04
ICP37RO	G 05 - I 18

1987 IT319RB INDEX

Floor Plan	A-05 - A-06
Accessories Group	A 07
Bath Group	A-08
Chassis Group	A-09
Curtain Finish & Pad Group	A-10 A-14
Dinette Group	A 15
Driver's Compartment Group	A-16
Electrical Group	A-17 - A-18
Exterior Body Group	A 19 - A-24
Galley Group	B-01 - B 02
Heating & Air Conditioning Group	B 03
Interior Finish Group	B 04 B 05
LP Group	B-06
Lounge Group	B 07
Water & Sewage Group	B 08 - B-09
Window Vent & Exterior Door Group	B 10 - B-18

EXTERIOR BODY GROUP (CONTINUED)

LABELS & EXTERIOR PAINT

Key	Part Number	U/M	Description
	006199 01 000	EA	Label Exit Escape Window
	047731 01-000	EA	Label - Emergency Exit
	057487 04 000	EA	Label - Exterior Loading Limit
	079968 01 000	EA	Label Warning - Stowed Motion
	064378 01-000	CA	Label Flying 'W' w/Thermo Panel
	061417 01-000	EA	Label Fuel
	065748 01 000	EA	Label Caution - Battery Charging
	006196 01-000	EA	Label Gas Test
	054531 01-000	EA	Label LP Gas Only
	040944 01 000	EA	Label Open - Entrance Door
	006015 01 000	EA	Label Patent Motor Home
	056259 01 000	EA	Label Safety Check List
	006064 01-000	EA	Label - Seat - w/o Seat Belts
	006187-01 000	EA	Label Sewage
	006006 01 000	EA	Label Thermo Panel - 2 1/4' x 2 1/4'
	075220 01-000	EA	Label Warning - Exterior Load Limit
	050225 01-000	EA	Label Warning - Stove Vent - US
	006188 01-000	EA	Label Waste Water
	006197 01 000	EA	Label Water Test
	006062 01 000	EA	Tag - Electrical 110 Volt Connection
	006040 01 000	CA	Tag - Gas Refueling Warning
	044486 03 000	EA	Paint - Beige Acrylic Enamel - 16 oz Aerosol (7633A Dupont)
	045681 03 000	EA	Paint - Gloss Black - Acrylic Enamel - 16 oz Aerosol (99 Dupont)
	058637-05 000	EA	Paint - Gray Acrylic Enamel - 16 oz Aerosol (71537 Dupont)
	04156 03 000	EA	Paint - Off White Acrylic Enamel - 16 oz Aerosol (45396A Dupont)
	074559 01 000	EA	Label LPG - 33 x 175 Calif Code

MISCELLANEOUS EXTERNALLY MOUNTED PARTS

Key	Part Number	U/M	Description
	083558 01 000	EA	Plumbing Seal - Roof Vent - 1 5" - w/Cap
	010230 02 000	EA	Fill City Water - Recessed - Off White
	081240-03 000	EA	Water Fill - Lockable - Off White
	072447 01 000	EA	Shroud - Fuel Fill
	078040 01 000	EA	Shroud - Fuel Fill Upper
	054530 01-000	EA	Door Stop
	038327-01 000	CA	Tape Antislip - 2 x 60

Note For screws and fasteners see Common Items Fiche

EXTERIOR BODY GROUP (CONTINUED)

SEALANTS & ADHESIVES

Key	Part Number	U/M	Description
	004020 01 000	QT	Adhesive ABS Cement (Plastic Fitting)
	002337 01 000	EA	Adhesive 1300 Tube 3M (Windows)
	004005 02 000	GL	Adhesive - Swifts Glue (Sidewalls)
	053766 07-000	EA	Bedding Compound Tube Beige (Exterior)
	053766 06 000	EA	Bedding Compound - Tube - Clear (Window)
	053766 08 000	EA	Bedding Compound - Tube - Gray (Exterior)
	053766 05 000	EA	Bedding Compound - Tube - Gray (Sidewalls to Floor)
	053766 02 000	EA	Bedding Compound - Tube - Off White (Exterior)
	002328 02 000	EA	Block - Rubber Spacer (Windshield)
	004336 01 000	EA	Caulk Latex Golden Walnut (Side walls)
	072891-02-000	QT	Primer - Glass - Black
	072891 01 000	QT	Primer - Glass - Clear
	035024 01 000	EA	Primer - Glass - Clear - Windshield
	072890 01 000	QT	Primer Metal - Black
	035023 01-000	GL	Primer Metal - Windshield
	077967-01-000	EA	Sealant Acrylic Latex Tube Off White (Interior Sealant)
	034552 04 000	EA	Sealant - Silicone Beige
	034552 02 000	EA	Sealant - Silicone - Clear
	034552 07-000	EA	Sealant - Silicone - Dark Gray
	034552 06 000	EA	Sealant - Silicone - Off White
	069637-01-000	EA	Sealant - Weatherban 404 - Tube - White (Door Caulk)
	072889 01-000	EA	Sealant - Urethane - Black (Windshield)
	069640 01-000	FT	Sealer Ribbon - 25 Bead x 20
	069640 02 000	FT	Sealer Ribbon - 5 x 125 x 30
	069640 03 000	FT	Sealer Ribbon - 75' x 125 x 30
	069640 04 000	FT	Sealer Ribbon - 2 x 09 x 45' (P Series)
	069640 05 000	FT	Sealer Ribbon - 2 5' x 09 x 50
	069640-06-000	FT	Sealer Ribbon - 5/16' Bead x 15
	069640 07-000	FT	Sealer Ribbon - 2 x 3/32 x 30
	002316-01-000	FT	Sealer Tape - 3/32 x 3/8 - White (Window)
	002707-01-000	FT	Sealer Tape - 5/16 x 3/4
	002707-02 000	FT	Sealer Tape - 5/16' x 1/2
	040545-01-000	GL	Sealer Seam Weld
	053752 04 000	EA	Seam Sealer - Tube - Aluminum (Roof)
	063642 01-000	FT	Tape - Adhesive - 10 mm x 15 Wide
	038886 01-000	EA	Tape - Butyl - 31 x 21 x 148 (Windshield)
	076322-01 000	FT	Tape - Foam - Double Coated 025 x 1 (Fiberglass Sidewall Seams)
	076322-02-000	FT	Tape - Foam - Double Coated 045 x 1 (Fiberglass Sidewall Seams)
	009200-01-000	EA	Tape - Furnace - 1 5"
	002825 01-000	FT	Weather Striping (Roof Vent)

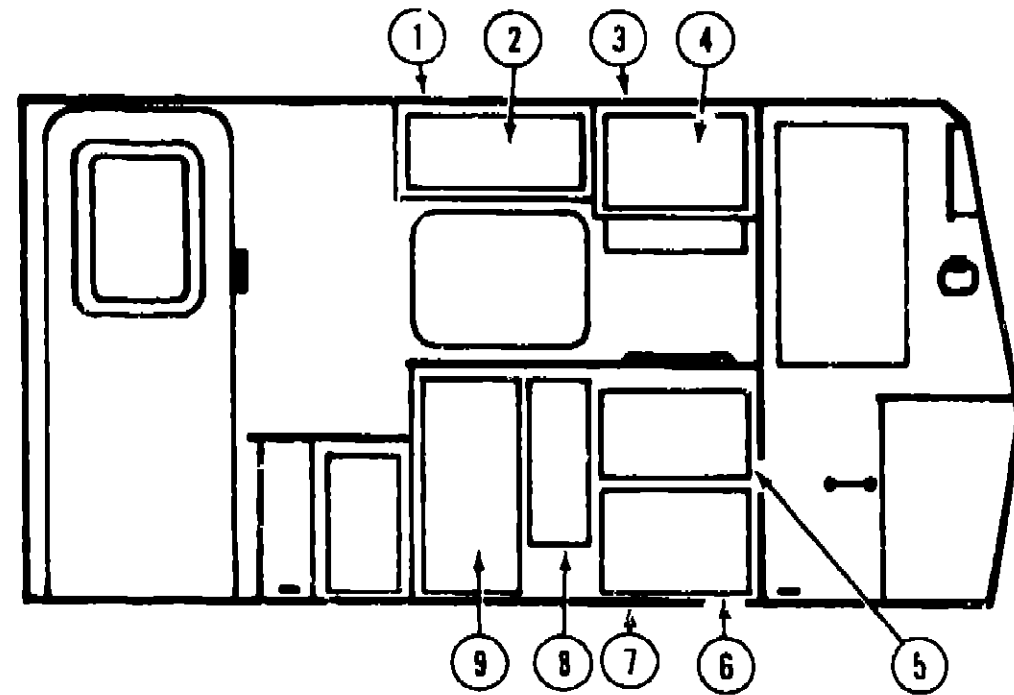
**1987 ITASCA
TABLE OF CONTENTS**

INTRODUCTION	A 01
ABBREVIATIONS	A 01
ALPHABETICAL INDEX	A 02 A 04
IT319RB	A 05 - R 18
IF426RT	B 19 D 18
ICN22RC	D 19 G 04
ICP37RQ	G-05 - I 18

1987 IT319RB INDEX

Floor Plan	A 05 - A-06
Accessories Group	A 07
Bath Group	A 08
Chassis Group	A 09
Curtain Cushion & Pad Group	A 10 - A-14
Dinette Group	A-15
Driver's Compartment Group	A-16
Electrical Group	A-17 - A-18
Exterior Body Group	A-19 - A-24
Galley Group	B 01 - B 02
Heating & Air Conditioning Group	B 03
Interior Finish Group	B 04 - B 05
LP Group	B 06
Lounge Group	B-07
Water & Sewage Group	B 08 - B-09
Window Vent & Exterior Door Group	B-10 - B-16

GALLEY GROUP



GALLEY CABINETRY

Key	Part Number	U/M	Description
1	084664-03 W17	EA	Cabinet Asm Galley Overhead - w/o Doors or Hardware
2	M84665 41 W17	EA	Door Asm - Galley Overhead w/o Hardware
3	084748-02-W19	EA	Cabinet Asm - Galley Overhead - w/o Doors or Hardware
4	M84665 04 W19	EA	Door Asm - Galley Overhead - w/o Hardware
5	M84665 43 W17	EA	Door Asm - Galley - w/o Hardware
6	M84665 43 W17	EA	Door Asm - Galley Cabinet w/o Hardware
7	M84663 05-W17	EA	Cabinet Asm - Galley - w/o Countertop Doors Drawers or Hardware
	M02919 01 W17	EA	Countertop Asm Galley
	077404 01-000	EA	Drawer - Plastic - 20 x 12 7"
8	M84665 07-W17	EA	Door Asm - Galley w/o Hardware
9	M84665 05 W17	EA	Door Asm - Galley - w/o Hardware
	M84665 43 W17	EA	Door Asm - Refrigerator Cabinet - Upper - w/o Hardware
	M84665-17 W17	EA	Door Asm - Refrigerator Cabinet - Lower - w/o Hardware
			Not illustrated

GALLEY GROUP (CONTINUED)

GALLEY HARDWARE & APPLIANCES

Key	Part Number	U/M	Description
	054450 01 000	EA	Level - Refrigerator
	068615-01 000	EA	Sink Stainless Steel - Double w/Bolts
	011053-01 000	EA	Faucet - Swing Spout - 8' - US
	011053-01-700	EA	Aerator - Swing Spout Faucet
	066432-01 000	EA	Stainer w/Basket - Sink
	084435 01 000	EA	Decorative Pull Knob - Cabinet
	074493 02-000	EA	Door Support - Sprung
	059777-02 000	EA	Hinge - Cabinet Door - Antique Light Brass
	039873-01-700	EA	Door Catch & Strike Nylon & Spring Steel
	047744 01-000	EA	Kit - Drawer Guide - Plastic
	077409-01 000	EA	Slide - Drawer - 20 75 - Plastic
	077404-01 000	EA	Drawer - 20' x 12 70 - Plastic
	066435-01 000	EA	Nut Stainer
	011083 01 000	EA	Plug - 1 1/4 x 5 w/Stopper
	079352-01 000	EA	Hood - Stove - Non-Power w/Light
	079353-01 000	EA	Hood Stove - Powered w/Monitor Panel
	084426-01 000	EA	Range Top 4 Burner
	084616-01 000	EA	Vent Shroud - Range Hood
	084473 01 000	EA	Refrigerator - 2 Way 6 LG2
	084473 01 700	EA	Flame Viewer
	084473 01 701	EA	System - Cooling
	084473 01 702	EA	Orifice
	064473 01 703	EA	Heater
	064473 01 704	EA	Control Panel
	064473 01 705	EA	Control Panel Insert
	064473 01-706	EA	Fins
	064473 01 707	EA	Fin Cover
	064473 01-708	EA	Top Breaker Strip - Coffee
	064473 01 709	EA	Evaporator - Door - Coffee
	064473 01 710	EA	Bottom Trim - Coffee
	064473 01 711	EA	RH Breaker Strip - Coffee
	064473 01-712	EA	LH Breaker Strip - Coffee
	064473 01-713	EA	Short Shelf
	064473 01-714	EA	Crisper Cover
	064473 01-715	EA	Long Shelf
	064473 01 716	EA	Crisper - Coffee
	064473 01 717	EA	Hinge Pins
	064473 01 718	EA	Decorative Strip
	064473 01-719	EA	Liner Foamed Asm
	064473 01 720	EA	Diary Keeper
	064473 01-721	EA	Door Gasket
	064473 01 722	EA	Connector Rod
	064473 01-723	EA	Door Rail
	064473 01 724	EA	Door Trim Asm
	064473 01-725	EA	Door Asm
	064473 01 726	EA	Door Frame
	064473 01 727	EA	Crisper F/2 Dr Model

The illustrated parts breakdown for this item is provided on the Common Items Fiche

1987 ITASCA TABLE OF CONTENTS

INTRODUCTION	A-01
ABBREVIATIONS	A-01
ALPHABETICAL INDEX	A-02 - A-04
IT319RB	A-05 - B-18
IF426RT	B-19 D 18
ICN22RC	D-19 - G 04
ICP37RQ	G-05 - I 18

1987 IT319RB INDEX

Floor Plan	A-05 - A 06
Accessories Group	A-07
Bath Group	A-08
Chassis Group	A 09
Curtain Cushion & Pad Group	A-10 - A-14
Dinette Group	A-15
Driver's Compartment Group	A 16
Electrical Group	A-17 - A-18
Exterior Body Group	A-19 - A-24
Galley Group	B 01 B 02
Heating & Air Conditioning Group	B 03
Interior Finish Group	B-04 - B-05
I P Group	B 06
Lounge Group	B-07
Water & Sewage Group	B 08 - B 09
Window Vent & Exterior Door Group	B 10 - B-18

HEATING & AIR CONDITIONING GROUP

FURNACES & ROOF AIR CONDITIONER

Key	Part Number	U/M	Description
	084444-01-000	EA	Furnace - 12 000 BTU
	069634-01-723	EA	Thermostat - Wall Mount
	076304-01-000	EA	Shroud Asm - Ceiling Inside, - Roof Air Cool Only
	076303-01-000	EA	Air Conditioner 110 Volt & Roof Mount - 7 100 BTU Rotary

The illustrated parts breakdown for this item is provided on the Common Items Fiche

INTERIOR FINISH GROUP

INTERIOR MOLDING & TRIM

Key	Part Number	U/M	Description
	081521 01-001	EA	Molding Retainer - Corner - 16'
	009812-17 000	FT	Molding - Plastic - Outside Corner - 1
	083620-04-000	FT	Molding - T - Outside Corner - Light Oak
	042357-11-000	FT	Molding - Radius Corner 7 - Light Oak
	022992-01-000	FT	Molding - Reverse Cove - White
	022992-08-000	FT	Molding - Reverse Cove - Champagne White
	069733-74-000	EA	Batt Strip Pom Pom/Peach - 8 (Wet Bath)
	069733 66-000	EA	Batt Strip Tweed/Sand - 8 (Wall)
	069733 62-000	EA	Batt Strip - Pebble Beach 8' (Ceiling)
	069733-67-000	EA	Batt Strip - Amethyst - 8 (Galley) (W19)
	069733-68-000	EA	Batt Strip - Horizon - 8 (Galley) (W20)
	070504-01-000	FT	U Channel - 065 - Light Brown
	070504-06-000	FT	U Channel - 815 - Light Oak
	009778-07 000	FT	U Channel - 1 - Light Oak
	009767-06-000	FT	Welling - Beige
	009767-10 000	FT	Welling - Mahogany
	041746-01 000	FT	Vinyl - Extr - Bubble Seal
	021241-01 000	FT	Vinyl - Extr - White (Wingwall)
	080742 01 000	FT	Vinyl Trim - Sleeper Board

PANELING & COUNTERTOP MATERIAL

Key	Part Number	U/M	Description
	074497-10 000	SF	Paneling - Regal Oak 48 x 84 (28 SF) (Cabinets)
	074496 54 000	SF	Paneling Decor - Amethyst - 48 x 84' (28SF) (Bath) (W19)
	074496 55 000	SF	Paneling Decor - Horizon 48 x 84 (28SF) (Bath) (W20)
	074496 48 000	SF	Paneling Decor - Amethyst - 48' x 84' (28SF) (Galley) (W19)
	074496 49 000	SF	Paneling - Decor - Horizon 48 x 84" (28SF) (Galley) (W20)
	074497 07 000	SF	Paneling - Pebble Beach 48 x 96 (32 SF) (Ceiling)
	074497 09 000	SF	Paneling Tweed/Sand - 48' x 84' (28 SF) (Wall)
	074498 16 000	SF	Plastic Laminate - Apricot Blush - 48 x 96' (32 SF) (Bath) (W20)
	074498 15 000	SF	Plastic Laminate - T - Blush - 48 x 96 (32 SF) (Bath) (W19)
	074498 13 000	SF	Plastic Laminate - Sand Quadrus 48 x 96 (32 SF) (Galley)
	074498 13 019	EA	Plastic Laminate - Sand Quadrus - 1 19' x 96
	076325 16 000	FT	Molding - Edge Band Regal Oak - 1 5/16 x 038 x 6 00

CABINETS & TABLE HARDWARE

Key	Part Number	U/M	Description
	053200 05 000	EA	Bracket - Upper Wall Mount - 23 5 - Beige
	053201 06 000	EA	Bracket - Table Mount - 23' - Tan
	024275-05 000	EA	Rod - Table Lift - 8' x 23 5' Beige
	024281 07 000	EA	Bracket Lower Wall Mount - 22 12 Beige
	024278 17-000	EA	Leg Asm - Table - 26 5 - Tan
	064050 02 000	EA	Hinge - Table Leg - Tan
	024282 01-000	EA	Brace - Table Leg
	024283 01 000	EA	Clip - 1" O D Tube
	049493 05 000	EA	Catch - Table Leg Mounts on Floor - Tan
	059783 01 000	FT	Clothes Rod - Slotted - 7
	077409 01 000	EA	Slide - Drawer Plastic 20 75
	059777-02 000	EA	Hinge - Antique Light Brass
	047744 01-000	EA	Kit - Drawer Glide
	057671-01 000	EA	Screw Cover - #8 Off White
	009021 01 000	EA	Catch - Nylon
	009021 02 000	EA	Strike - Nylon Catch
	039873 01-700	EA	Door Catch & Strike Nylon & Spring Steel
	074493 02 000	EA	Support - Sprung - Door
	068433 01-000	EA	Hook Cup - Bright
	084435 01 000	EA	Cabinet Knob Decorative

The illustrated parts breakdown for this item is provided on the Common Items Fiche

1987 ITASCA TABLE OF CONTENTS

INTRODUCTION	A 01
ABBREVIATIONS	A 01
ALPHABETICAL INDEX	A-02 A 04
IT319RB	A-05 - B 18
IF426RT	B-19 D 18
ICN22RC	D 19 G-04
ICP37RQ	G-05 - I 18

1987 IT319RB INDEX

Floor Plan	A 05	A 06
Accessories Group		A 07
Bath Group		A 08
Chassis Group		A 09
Curtain, Cushion & Pad Group	A 10 -	A-14
Dinette Group		A-15
Driver's Compartment Group		A 16
Electrical Group	A 17 -	A-18
Exterior Body Group	A 19	A 24
Galley Group	B 01	B-02
Heating & Air Conditioning Group		B 03
Interior Finish Group	B 04 -	B 05
LP Group		B 06
Lounge Group		B 07
Water & Sewage Group	B 08 -	B 09
Window Vent & Exterior Door Group	B 10	B-18

INTERIOR FINISH GROUP (CONTINUED)

CURTAIN & CUSHION HARDWARE

Key	Part Number	U/M	Description
	039175-02-000	EA	Bracket - Curtain Rod
	039175-05-000	EA	Bracket - Curtain Rod Center
	039175-03-000	EA	Curtain Rod - Extension - 28 x 48
	009224-01-000	EA	Curtain Rod - Extension - 28 x 48 - Bath
	042439-01-000	EA	Bracket - Curtain Rod - Single
	009701-01-000	EA	Carrier - Curtain L Rod
	009702-01 000	EA	End Stop - Curtain L Rod
	039175-01-000	EA	Curtain Rod - Extension 48 x 84
	087253-01-000	EA	Pull - Window Shade - Clear Plastic
	078155-01-000	EA	Strap Asm - Cushion Snap

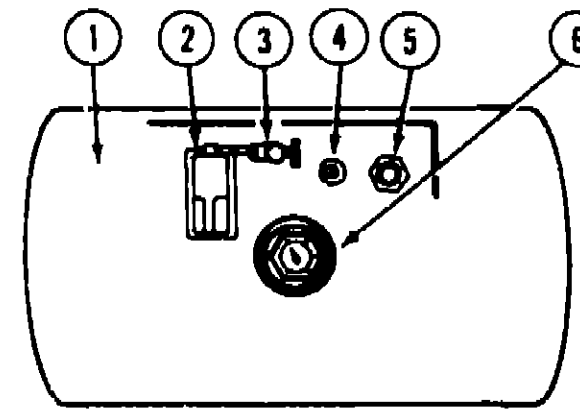
MISCELLANEOUS PARTS

Key	Part Number	U/M	Description
	053552-02 W24	EA	Handle Asm - Interior Assist - Medium Almond Vinyl
	041944-04-000	EA	Fire Extinguisher Dry 5 BC
	084472-01-000	EA	Holder - Fire Extinguisher - Recessed
	054185 26-000	EA	Owner s Manual - 1987 Itasca & Winnebago
	057671 01-000	EA	Cover - #8 Screw - Antique White
	086120-01-W19	EA	Map Pockets 12 x 16 Rose
	086120-01 W17	EA	Map Pockets - 12' x 16 - Sand (W20)

FABRICS & CARPET

Key	Part Number	U/M	Description
	072333-37-000	YD	Fabric Drapery Rose (W19)
	072333-38-000	YD	Fabric - Drapery Sand (W20)
	077498 B6-000	YD	Fabric w/Pattern - Upholstery - Rose (W19)
	077498 B5-000	YD	Fabric w/Pattern - Upholstery - Sand (W20)
	077498-61-000	YD	Fabric Upholstery Accent - Rose (W19)
	077498-60-000	YD	Fabric - Upholstery Accent Sand (W20)
	052859-07-U19	FT	Accent Trim (Dinette Seat Back) - Rose
	052859-07-W20	FT	Accent Trim (Dinette Seat Back) - Sand
	079680-01 000	YD	Expanded Vinyl 26 oz Buckskin
	072860-56-000	YD	Carpet - Rosemist (W19)
	072860 57 000	YD	Carpet French Court (W20)

LP GROUP



Key	Part Number	U/M	Description
1	074140 01 000	EA	Tank Asm - LP Frame Mount - 28 Pound - 10 x 23
	065741-01 000	EA	Detector - LP Gas Leak Marshalltown Instruments
2	081938 01-000	EA	Cover - LP Regulator
	076301-01-000	EA	Regulator - Two Stage - US (Dual)
3	040421 01 703	EA	Valve - Vapor Relief
4	040421-01 700	EA	Gauge Liquid Level - 20% LP
5	040421-01 701	EA	Valve Filler LP
	040421 01 702	EA	Cap - Plastic Fill Valve
6	040421 01 707	EA	Gauge - Float - w/Visible Dial
	040421 01 706	EA	Dial Visible Face Float Gauge (Tank w/o Electric Transmitter)
	040440 01 000	EA	Dial - Transmitter 0 - 90 Ohm (Float Gauge)
	045703 01 000	EA	Hose Asm - LP - 3/8 I D x 24
	065742 01 000	EA	Tee 3/8 F x 3/8 F x 25 FPT
			Not illustrated

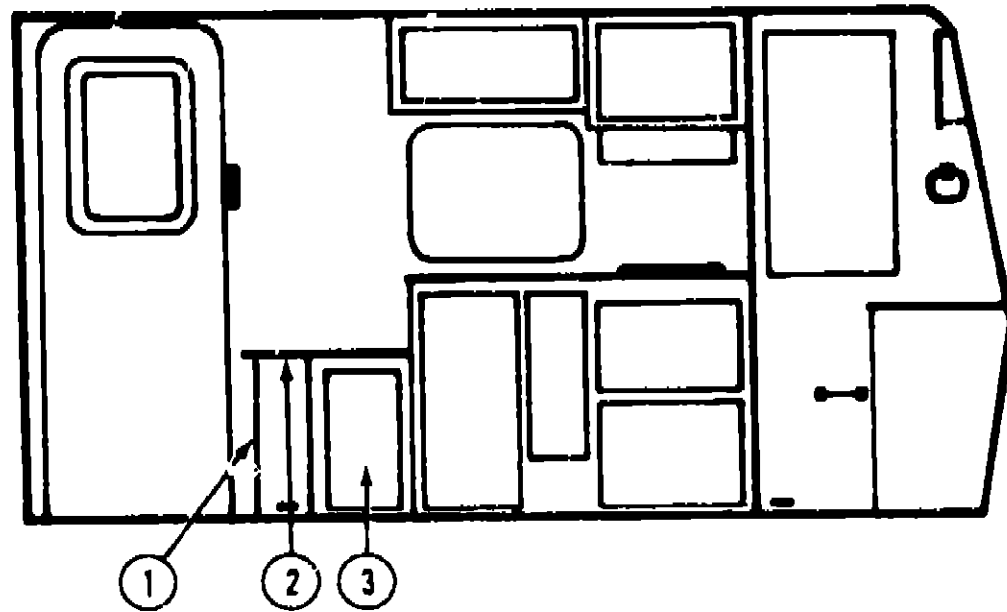
1987 ITASCA TABLE OF CONTENTS

INTRODUCTION	A-01
ABBREVIATIONS	A-01
ALPHABETICAL INDEX	A-02 - A-04
IT319RB	A 05 - B 18
IF426RT	B 19 - D 18
ICN22RC	D 19 - G 04
ICP37RQ	G-05 - I 18

1987 IT319RB INDEX

Floor Plan	A 05 - A 06
Accessories Group	A 07
Bath Group	A-08
Chassis Group	A 09
Curtain Cushion & Pad Group	A 10 A-14
Dinette Group	A 15
Driver s Compartment Group	A-16
Electrical Group	A-17 - A 18
Exterior Body Group	A 19 - A-24
Galley Group	B 01 - B 02
Heating & Air Conditioning Group	B 03
Interior Finish Group	B 04 B 05
LP Group	B 06
Lounge Group	B 07
Water & Sewage Group	B 08 B 09
Window, Vent & Exterior Door Group	B 10 - B 16

LOUNGE GROUP



STORAGE CABINET

Key	Part Number	U/M	Description
1	M84583-01 W17	EA	Cabinet Asm
2	M02924-01 W17	EA	Countertop Asm
3	M84665-21 W17	EA	Door Asm - 22 x 12 w/o Hardware

SWIVEL CHAIR OPTION

Key	Part Number	U/M	Description
	084754-04-W19	EA	Chair Asm - Swivel - Clay
	084754-04-W20	EA	Chair Asm - Swivel - Jade
	035036-01-000	EA	Plate - Tilt & Swivel Chair
	035036-04-000	EA	Base w/Legs - Swivel Chair
	035036-05-000	EA	Extention 7 - Swivel Chair

WATER & SEWAGE GROUP

PLUMBING & REPAIR PARTS

Key	Part Number	U/M	Description
	033302-02-000	EA	Adapter Asm - SWVC Strain - 1 1/2
	010326-01-000	EA	Adapter - Flare - w/Cone Gasket
	062422-01-000	EA	Adapter - Hose Offset - Reducer - 3 x 1 1/2
	052954-01-000	EA	Adapter - Hose Cone - 3/8 x 1/2 - Plastic
	010224-01-000	EA	Adapter - Plastic - 3/8 MPT x 3/8 Barb
	044927-01-000	EA	Adapter - Plastic - 1 1/4 MPT x 1 1/4 Barb
	031602-02-000	EA	Adapter - Plastic - 1 1/2 H x FPT
	062418-01-000	EA	Adapter - Termination - 3
	004020-01-000	QT	Adhesive - ABS Cement
	011048-04-000	EA	Breaker - Vacuum - 1/8 MPT - Nylon
	010121-01-000	EA	Bushing - Plastic - 1 1/2 S x 1 1/4 H
	010122-01-000	EA	Bushing - Plastic - 1 1/2 S x 1 1/4 T
	010123-01-000	EA	Bushing - Plastic 2 S x 1 1/2 H
	036522-02-000	EA	Cap - Brass - 1/2 Flare
	075730-01-000	EA	Cap - Sewer 3'
	052959-02-000	EA	Connector 1/2 F x 1/2 MPT - Plastic
	052959-03-000	EA	Connector - 1/2 F x 3/8 MPT - Plastic
	011091-02-000	EA	Continuous Waste Double Sink - 11 7/8 - US
	078406-01-000	EA	Coupler Rubber 3' x 3
	052960-01-000	EA	Drain Valve 1/2 F x 1/2 F - Plastic
	010000-01-000	EA	Elbow - Plastic - 1/8 BD x 1 1/4 x 45° H x H
	010005-01-000	EA	Elbow - Plastic - 1/16 BD x 1 1/2
	010006-01-000	EA	Elbow - Plastic - 1/8 BD x 1 1/2 x 45° H x H
	010008-01-000	EA	Elbow - Plastic - 1/4 BD x 1 1/2 x 90° Left
	010051-01-000	EA	Elbow - ST - Plastic - 1/8 BD x 1 1/2 x 45°
	010219-01-000	EA	Elbow 1 1/4 Barb x 1 1/4 MPT x 90°
	031111-01-000	EA	Elbow - Plastic - 1/4 BD x 1 1/4 x 90° Left
	034250-01-000	EA	Elbow - Plastic 1/4 BD x 1 1/2 x 90° x H x H
	035539-01-000	EA	Elbow - Plastic - 3/8 MPT x 3/8 Barb
	052957-01-000	EA	Elbow - Plastic - 1/2 F x 3/8 MPT
	052957-02-000	EA	Elbow - Plastic 1/2 F x 1/2 MPT (In Tank Filter)
	059536-01-000	EA	Elbow - 1 1/4 - Slip Joint Ends
	065120-01-000	EA	Elbow - Plastic Swivel 50
	070924-01-000	EA	Elbow - Plastic Swivel - 1/2 MPT x 1/2 FP
	077954-01-000	CA	Filter/Screen (In Water Tank)
	039647-02-000	EA	Filter - Water Pump - 1/2' MPT
	039647-03-000	EA	Filter - Water Pump - 1/2' Flare
	063641-01-000	EA	Flange Closet - 4' F x 4' FPT - US
	079381-01-000	FT	Flexible Tubing - 1 1/4 I.D. x 10'
	061607-01-000	EA	Grommet - Holding Tank Coupler 1 1/2
	081607-02-000	EA	Grommet - Holding Tank Coupler - 3
	052961-01-000	EA	Header 1/2 F x 1/2 F x 1/2 F x 1/2 F
	046524-01-000	EA	Kit Holding Tank Fittings - Blank Tank
	046524-02-000	EA	Kit Water Tank Fittings - Blank Tank
	052953-01-000	EA	Nut - Faucet - 1/2 Tube x 1/2 FPT
	052952-01-000	EA	Nut - 1/2 F - Plastic
	011066-03-000	EA	P-Trap - 1 1/4' Plastic - US
	010197-01-000	FT	Pipe - Plastic - 3' x 240" Black
	045729-01-000	EA	Pump Water - 2 8 G P M - Direct Drive Shurflo - US
	010201-01-000	EA	Sewer Hose - 3" x 8' w/Clamp
	042989-02-000	EA	Spinweld Fittings - Plastic - 1/2 FPT (In Tank Filter)
	042989-03-000	EA	Spinweld Fittings - Plastic - 1/4 NPT
	042989-04-000	EA	Spinweld Fittings - Plastic 3/8 FPT

The illustrated parts breakdown for this item is provided on the Common Items Fiche

1987 ITASCA TABLE OF CONTENTS

INTRODUCTION	A-01
ABBREVIATIONS	A-01
ALPHABETICAL INDEX	A-02 - A-04
IT319RB	A-05 B 18
IF426RT	B 19 - D 13
ICN22RC	D-19 - G-04
ICP37RQ	G-05 - I-18

1987 IT319RB INDEX

Floor Plan	A-05 - A-06
Accessories Group	A 07
Bath Group	A-08
Chassis Group	A 09
Curtain Cushion & Pad Group	A 10 A-14
Dinette Group	A 15
Driver's Compartment Group	A-16
Electrical Group	A 17 - A-18
Exterior Body Group	A 19 - A-24
Galley Group	B 01 - B 02
Heating & Air Conditioning Group	B-03
Interior Finish Group	B 04 - B 05
LP Group	B 06
Lounge Group	B 07
Water & Sewage Group	B 08 - B 09
Window Vent & Exterior Door Group	B 10 B 18

WATER & SEWAGE GROUP (CONTINUED)

PLUMBING & REPAIR PARTS (CONT)

Key	Part Number	U/M	Description
	011069-02-000	EA	Tailpiece - 1 1/2' x 1 1/4" x 4" Brass
	010071-01-000	EA	Tee - Plastic - 1 1/2" H x H x H
	010072-01-000	EA	Tee - Plastic - 1 1/2" H x 1 1/4" H x 1 1/2" H
	010079-01-000	EA	Tee - Plastic - 1 1/2" H x 1 1/2" H x 1 1/4" H
	046172-01-000	EA	Tee - Plastic - 3/8" B x 3/8" B x 3/8" MPT
	052955-01-000	EA	Tee - Plastic - 1/2" F x 1/2" F x 1/2" MPT
	052956-01-000	EA	Tee - Plastic - 1/2" F x 1/2" MPT x 1/2" F
	052958-01-000	EA	Tee - Plastic - 1/2" F x 1/2" F x 1/2" F
	01033-01-000	EA	Trap Adapter - Plastic - 1 1/2" H x MPT
	039600-01-000	FT	Tubing - Polybutyl - 1/2" O D (Water Line)
	079381-01-000	FT	Tubing - Flexible - Smooth - 1 25 I D
	074462-02-000	FT	Tubing - Vinyl 3/8 I D
	062421-01-000	EA	Valve 1 1/2" - w/Handle
	062418-02-000	EA	Valve 3" - w/o Handle
	052060-01-000	EA	Valve - Line Drain - 1/2" F x 1/2" F
	052962-01-000	EA	Valve Stool - 90° - 1/2" F x 3/8" MPT
	010073-01-000	EA	Wye - Plastic - 1 1/2" x 45" H x H
	078842-01-000	EA	Valve - 3" x 1 1/2" Tee - w/Handle
	079968-01-000	EA	Vent - Mechanical Trap Arm

HOLDING TANKS & WATER HEATER

Key	Part Number	U/M	Description
	M02458-41-000	EA	Tank Asm, Water - 14 Gallon - w/Fittings
	074300-01 000	EA	Tank Holding - 13 Gallon w/o Fittings - Waste Water
	M02458 39-000	EA	Tank - Holding - 14 Gallon - w/o Fittings - Sewage
	051391-02 000	FA	Water Heater - w/o Motor Aid - Atwood - G4 SM

WINDOW, VENTS & EXTERIOR DOOR GROUP

ACCESS DOORS & HARDWARE

Key	Part Number	U/M	Description
	079578-04-U28	EA	Door Asm Storage (Passenger Side)
	084574-01-U28	EA	Door Asm (Drivers Side)
	084574-02-U28	EA	Door Asm (LP)
	078969-02-T95	EA	Door Asm Refrigerator Access - w/Twist Lock - Off White
	052009-01-000	EA	Door Asm Water Heater - Off White
	052423-01-000	EA	Door - Sewage Hose - Off White
	075728-01-000	EA	Outlet Extension Sewage
	075730-01-000	EA	End Cap - Sewage Hose
	078010-03-000	EA	Door Asm Fuel Fill Off White
	084574-03-U28	EA	Door - Battery - Off White
	052424-01 000	EA	Jamb - Power Cord Door - Off White
	009426-02-000	EA	Hatch Power Cord Door
	054530-01-000	EA	Door Holder
	041312-01-000	EA	Seal - Bulb - e Section
	042442-01-000	EA	Lock Asm Twist Type
	047305-01-000	EA	Lock Asm Key Type w/Clip Metal (LP)
	079368-02 000	EA	Lock Asm Key Type (Storage)
	052951-01-000	EA	Clip - Twist Lock - Retainer
	042441-01-000	EA	Lock Asm Key Type (Fuel Fill)
	052950-01-700	EA	Lock Asm Twist Type White (Refrigerator)

VENTS

Key	Part Number	U/M	Description
	048835-01 000	EA	Vent Asm Roof - Non Powered w/o Screen - Aluminum
	078786-01-T03	EA	Screen Asm - Roof Vent - Non Powered
	048789 01 000	EA	Vent Asm Roof - Powered - w/o Screen Aluminum
	078785-01-T03	EA	Screen Asm Roof Vent - Powered
	065103 01 000	EA	Roof Base Refrigerator
	065103 02 000	EA	Roof Cap Refrigerator
	084616 01 000	EA	Vent - Cover - Range Hood Off White
	084079 01 000	EA	Vent Asm Roof - Powered - 12" Fan (fantastic)

The illustrated parts breakdown for this item is provided on the Common Items Fiche

**1987 ITASCA
TABLE OF CONTENTS**

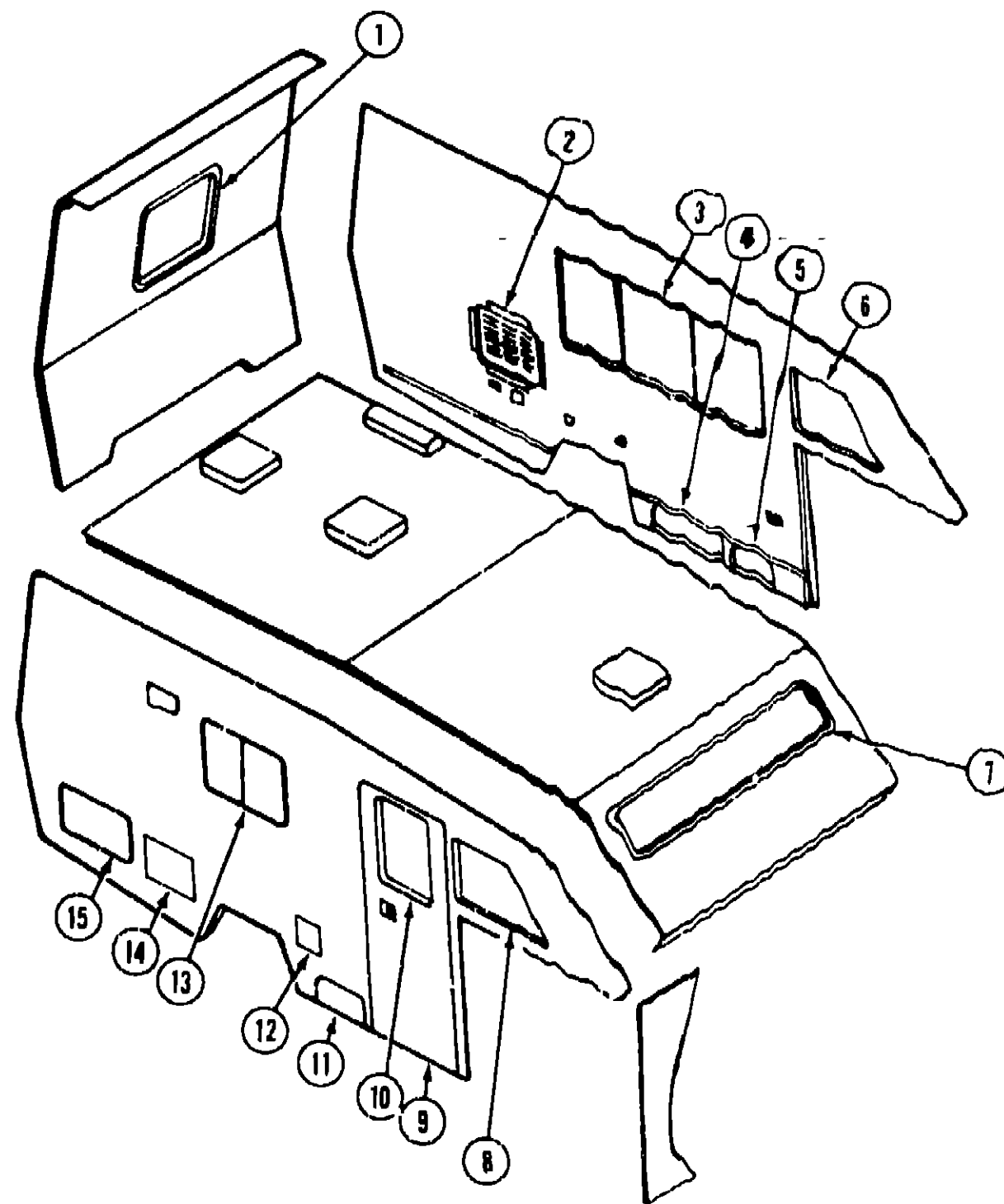
INTRODUCTION	A-01
ABBREVIATIONS	A-01
ALPHABETICAL INDEX	A-02 - A-04
IT319RB	A 05 - B-18
IF426RT	B-19 - D-18
ICN22RC	D-19 - G 04
ICP37RQ	G-05 I-18

1987 IT319RB INDEX

Floor Plan	A-05 - A-06
Accessories Group	A-07
Bath Group	A 08
Chassis Group	A-09
Curtain Cushion & Pad Group	A-10 - A-14
Dinette Group	A-15
Drivers Compartment Group	A-16
Electrical Group	A-17 - A-18
Exterior Body Group	A-19 - A-24
Galley Group	B-01 - B 02
Heating & Air Conditioning Group	B-03
Interior Finish Group	B-04 B 05
LP Group	B 06
Lounge Group	B-07
Water & Sewage Group	B 08 - B 09
Window Vent & Exterior Door Group	B 10 B 18

WINDOW, VENT & EXTERIOR DOOR GROUP (CONTINUED)

WINDOWS & ACCESS DOORS



Key	Part Number	U/M	Description
1	079729 02 T03	EA	Window Asm, - Escape
2	078969-02 T05	EA	Door Asm Refrigerator Access
3	078269 01-T03	EA	Window Asm - Double Slider
4	084574 02 U28	CA	Door Asm LP
5	084574 01 U28	EA	Door Asm Storage
	009426-02 000	CA	Power Cord Hatch
6	086227-02 000	EA	Window Asm - Bunk Slant Slider - Left
	086228 02 000	EA	Inside Frame - Bunk Left (not included in assembly)
7	078533 01 T03	EA	Window Asm - Front Bunk
8	086227 01 000	EA	Window Asm - Bunk Slant Slider
	086228 01 000	EA	Inside Frame - Bunk Right (not included in assembly)
9	M01870-08 W17	EA	Door Asm - Radius Entry w/o Screen Door - w/Window
9	M01870-10 W17	EA	Door Asm Radius Entry w/Screen Door - w/Window
10	078733 04 T03	EA	Window Asm - Picture
11	084574 03 U28	EA	Door Asm Battery
12	078010 03 000	EA	Door Asm Fuel Fill
13	078266 02-T03	EA	Window Asm Slider
14	052009 01 000	EA	Door Asm - Water Heater
15	079578-04 U28	EA	Door Asm - Storage

* Not Illustrated

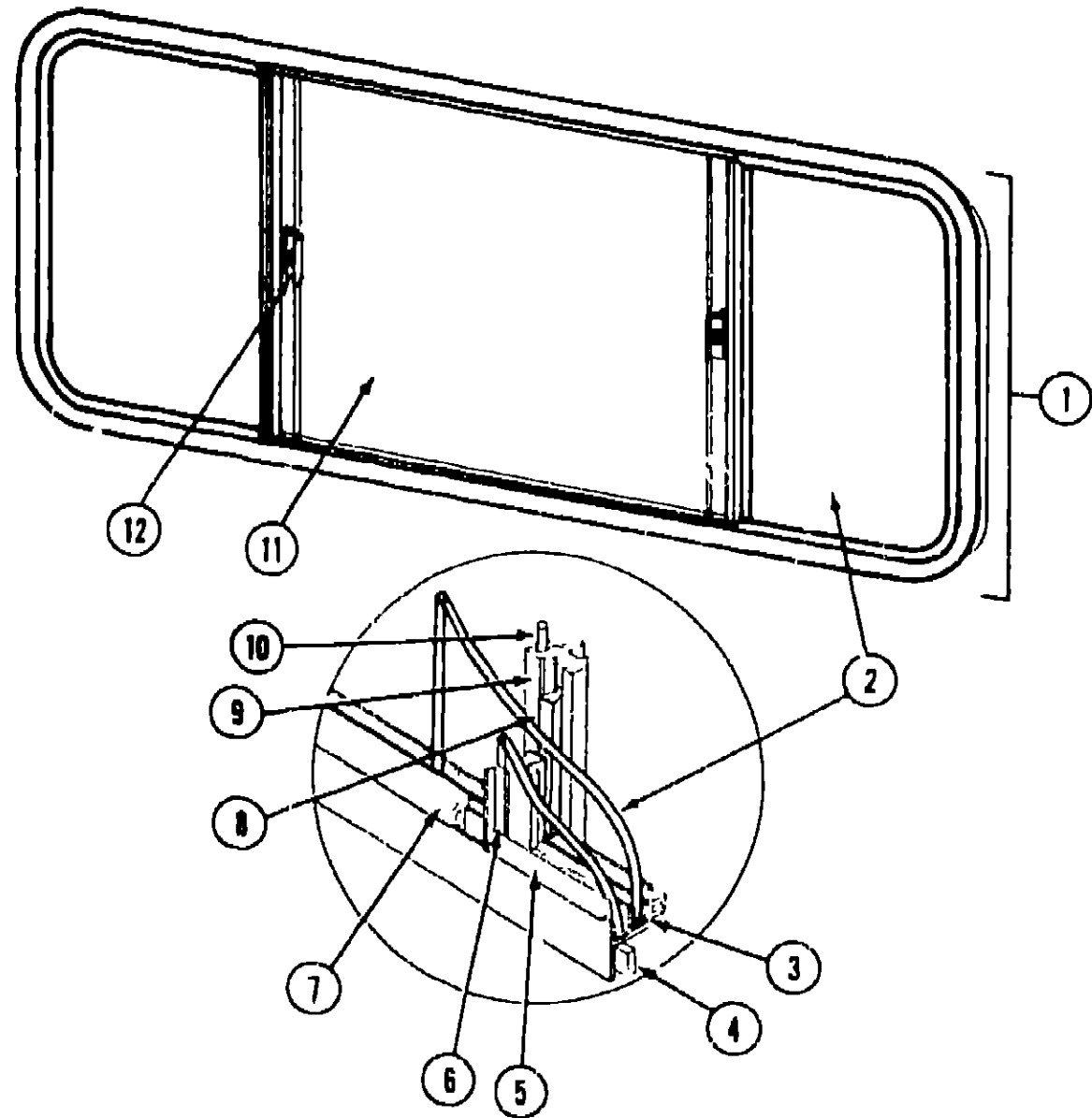
1987 ITASCA TABLE OF CONTENTS

INTRODUCTION	A-01
ABBREVIATIONS	A-01
ALPHABETICAL INDEX	A-02 - A-04
IT319RB	A-05 - B 18
IF426AT	B 19 - D 18
ICN22AC	D 19 - G-04
ICP37RQ	G-05 I-18

1987 IT319RB INDEX

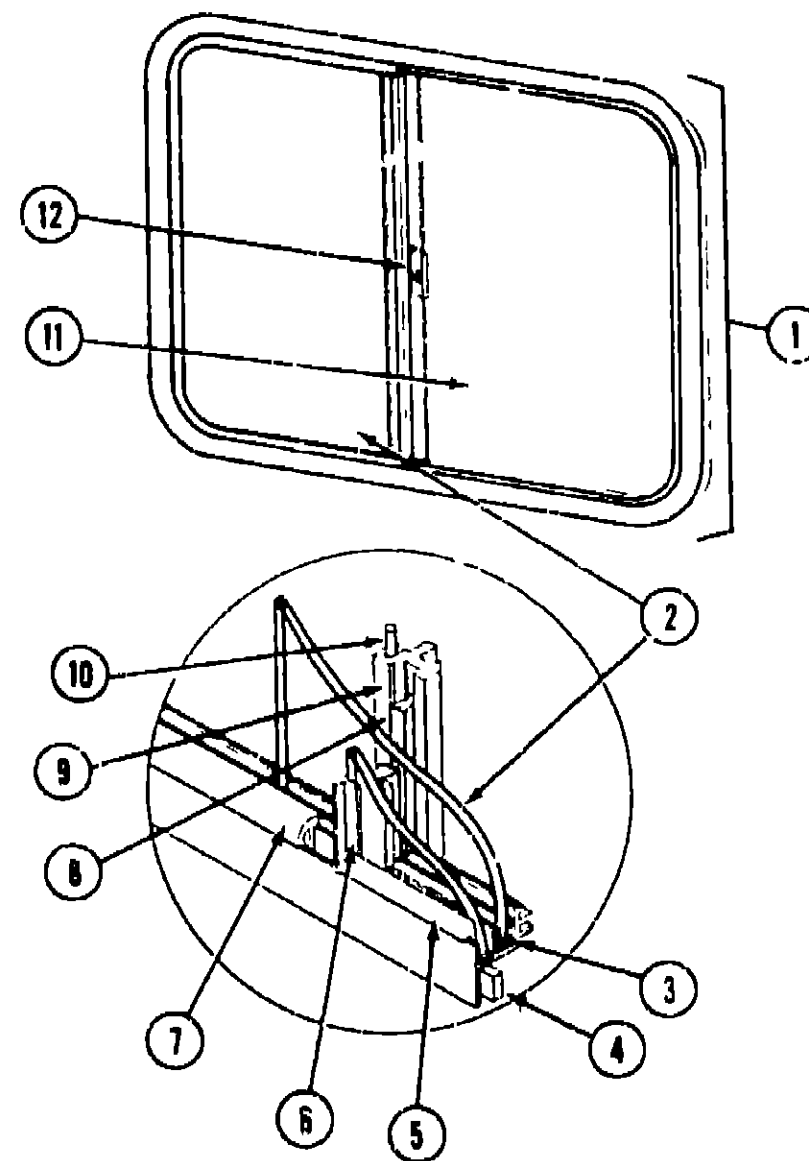
Floor Plan	A-05	A 06
Accessories Group		A-07
Bath Group		A 08
Chassis Group		A 09
Curtain, Cushion & Pad Group	A-10	A 14
Dinette Group		A 15
Driver's Compartment Group		A 16
Electrical Group	A-17	A 18
Exterior Body Group	A-19	A 24
Galley Group	B-01	B 02
Heating & Air Conditioning Group		B 03
Interior Finish Group	B-04	B 05
LPG Group		B 06
Lounge Group		B 07
Water & Sewage Group	B-08	B 09
Window, Vent & Exterior Door Group	B-10	B 18

WINDOW, VENT & EXTERIOR DOOR GROUP (CONTINUED)



Key	Part Number	U/M	Description
1	078269 01-T03	EA	Window Asm Double Slider - 25" x 65' Black (w/o inside frame)
	083122-09-000	EA	Inside Frame Beige (not included in assembly)
2	081980-04-000	EA	Glass - Sliding - 1/8" x 24" x 21 3
3	002324-02-000	FT	Channel - Weatherstrip Glass Run - 1/8" Glass
4	069640-06 000	FT	Ribbon Sealer - 5/16" x 15'
5	002309 02 000	FT	Spline - Glass - 1/8" - Black
6	M69886-03 003	EA	Seal Holder w/Fin Seal - 23 19 - Black
7	057374 02 000	FT	Extr Vinyl Window Seal Black
8	073740-01 000	FT	Seal - Fin Pile - 460'
9	084170 01 000	EA	Mullion Slider Window Black
10	002298 02-000	FT	Spline 130 Dia - Charcoal (Screen)
11	002188 05 000	EA	Glass Stationary 1/8" x 24 x 25 5
12	047369 01 700	EA	Latch Kit Window Plastic w/Fastener
	079204 01-000	EA	Bracket Mullion - Black
	002293 02 000	SF	Screen Window - 26' Charcoal
			Not illustrated

WINDOW, VENT & EXTERIOR DOOR GROUP (CONTINUED)



Key	Part Number	U/M	Description
1	078266-02 T03	EA	Window Asm - Single Slider (w/o inside frame)
	083122 03 000	EA	Inside Frame Beige (not included in assembly)
2	081980 05 000	EA	Glass - Sliding - 1/8" x 19' x 13 88
3	002324 02 000	FT	Channel - Weatherstrip - Glass Run - 1/8" Glass
4	069640 06 000	FT	Ribbon Sealer - 5/16" Bead x 15'
5	002309 02 000	FT	Spline - Glass - 1/8" Material Black
6	M69886 03 011	EA	Seal Holder w/Fin Seal Black
7	057374 02 000	FT	Extr Rubber Window Seal Black
8	073740 01 000	FT	Seal - Fin - Pile 460"
9	084170 02 000	EA	Mullion Slider Window - Black
10	002298 02 000	SF	Spline - 130 Dia - Charcoal (Screen)
11	081984 03 000	EA	Glass Stationary - 1/8" x 19 x 12 30
12	047369 01-700	EA	Latch Kit - Window Plastic w/Fastener
	079204 01 000	EA	Bracket - Mullion Black
	002291-02 000	SF	Screen - Window 16' Charcoal
			Not illustrated

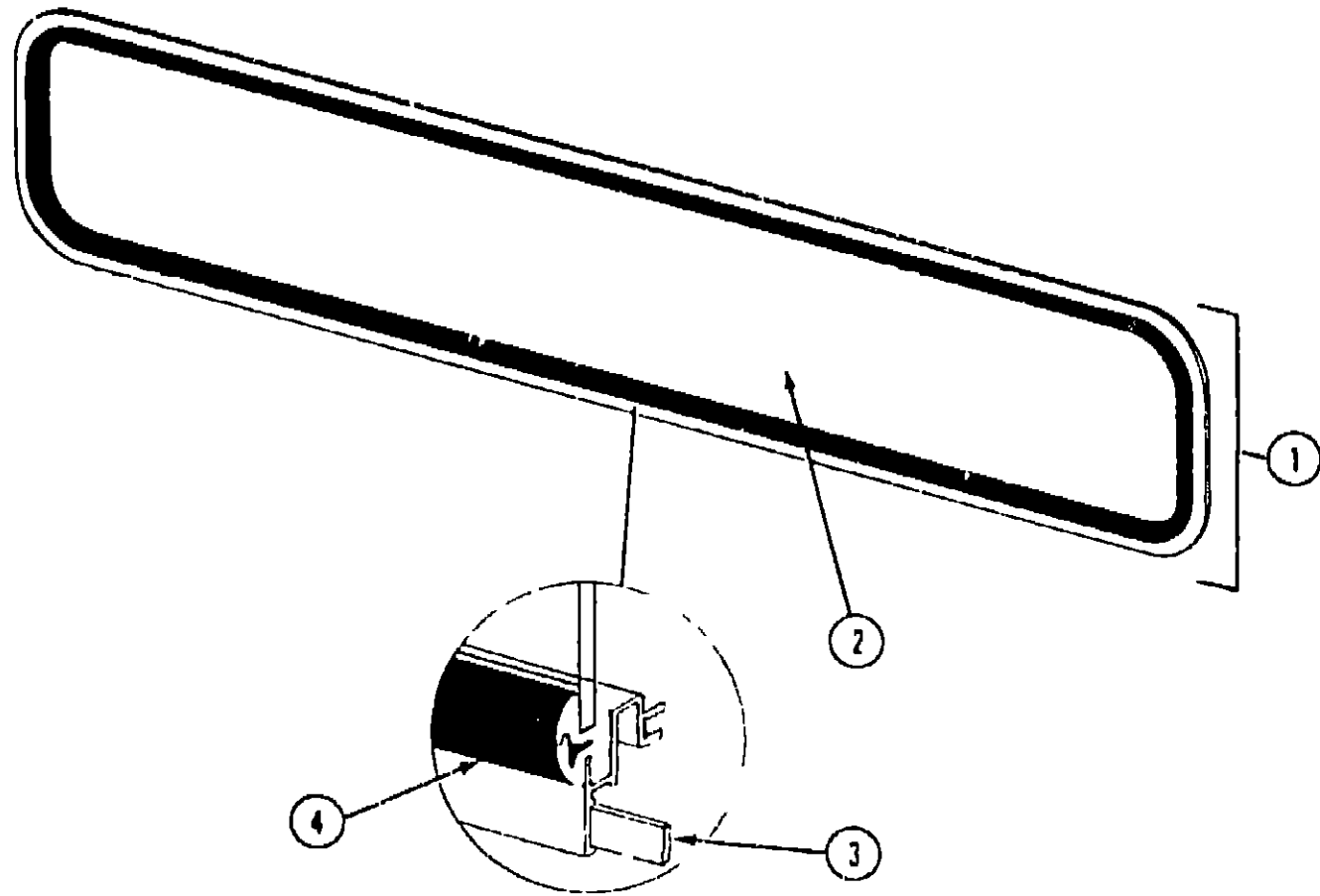
**1987 ITASCA
TABLE OF CONTENTS**

INTRODUCTION	A 01
ABBREVIATIONS	A-01
ALPHABETICAL INDEX	A 02 - F-04
IT319RB	A-05 - B 18
IF426RT	B 19 - D-18
ICN22RC	D 19 - G-04
ICP37RQ	G-05 - I-18

1987 IT319RB INDEX

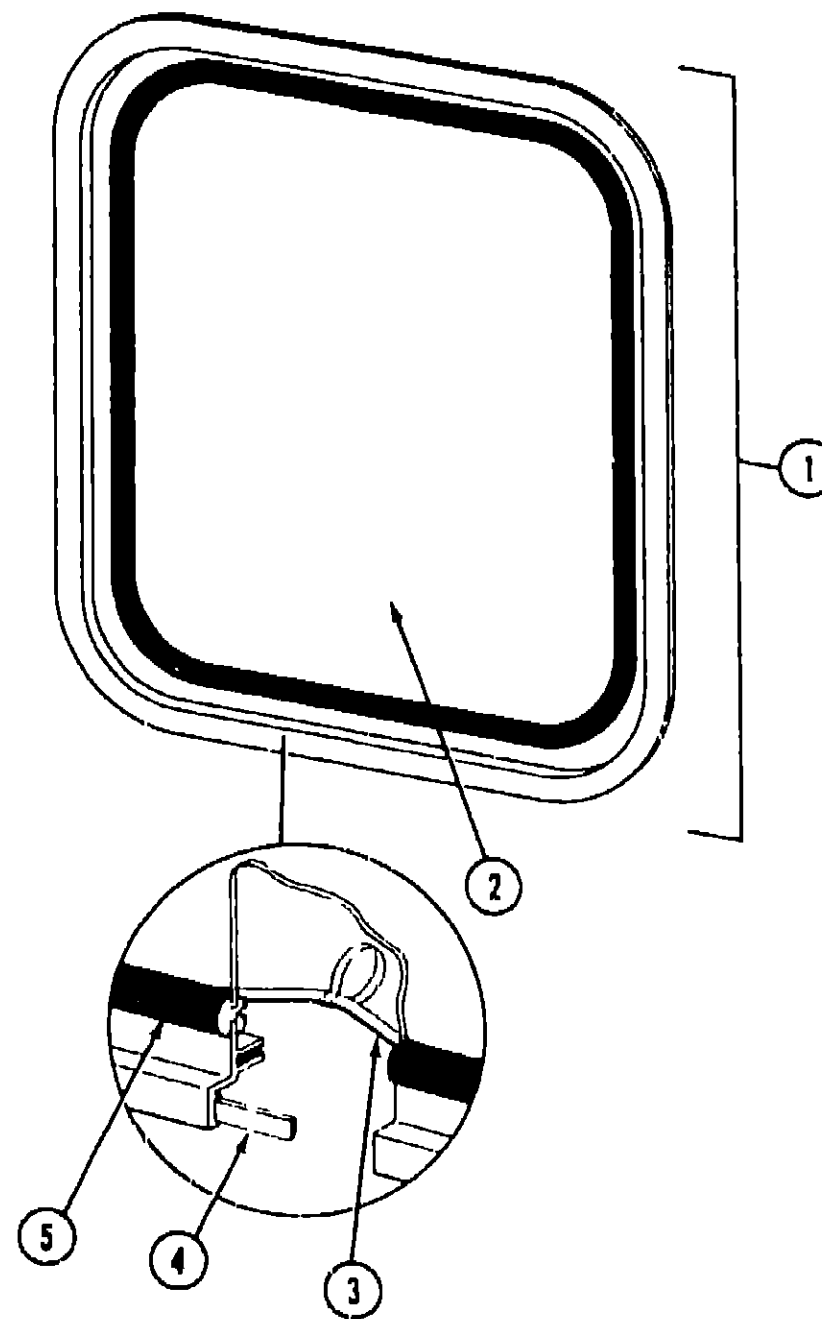
Floor Plan	A 05 - A-06
Accessories Group	A-07
Bath Group	A-08
Chassis Group	A-09
Curtain Cushion & Pad Group	A-10 - A-14
Dinette Group	A-15
Driver's Compartment Group	A 16
Electrical Group	A 17 - A-18
Exterior Body Group	A-19 A 24
Galley Group	B 01 - B 02
Heating & Air Conditioning Group	B-03
Interior Finish Group	B 04 - B 05
L ² Group	B 06
Lounge Group	B 07
Water & Sewage Group	B 08 - B 09
Window, Vent & Exterior Door Group	B-10 - B 18

WINDOW, VENT & EXTERIOR DOOR GROUP (CONTINUED)



Key	Part Number	U/M	Description
1	078533-01-T03 041938-03-000	EA	Window Asm - Front Picture - 14' x 69' Black (w/o inside frame)
2	002200-02-000	EA	Inside Frame - Beige (not included in assembly)
3	069640-06 000	FT	Ribbon Sealer 5/16" Bead x 15
4	002281 01 000	FT	Weatherstrip Self Seal 06' Panel x 3/16 - Black
			Not illustrated

WINDOW, VENT & EXTERIOR DOOR GROUP (CONTINUED)



Key	Part Number	U/M	Description
1	079728 02-T03 020749 07-000	EA	Window Asm - Rear Escape 22 5' x 24 5' - Black (w/o inside frame)
2	041392 03 000	EA	Inside Frame (not included in assembly)
3	002285 01 000	EA	Glass 1/8" x 21 6' x 19 6'
4	069640 05 000	FT	Filler Weatherstrip - Black
5	002282-01 000 006199-01 000	FT	Ribbon Sealer - 5/16" Bead x 15'
		FT	Weatherstrip - 125' Window
		EA	Label - Exit - Escape Window
			Not illustrated

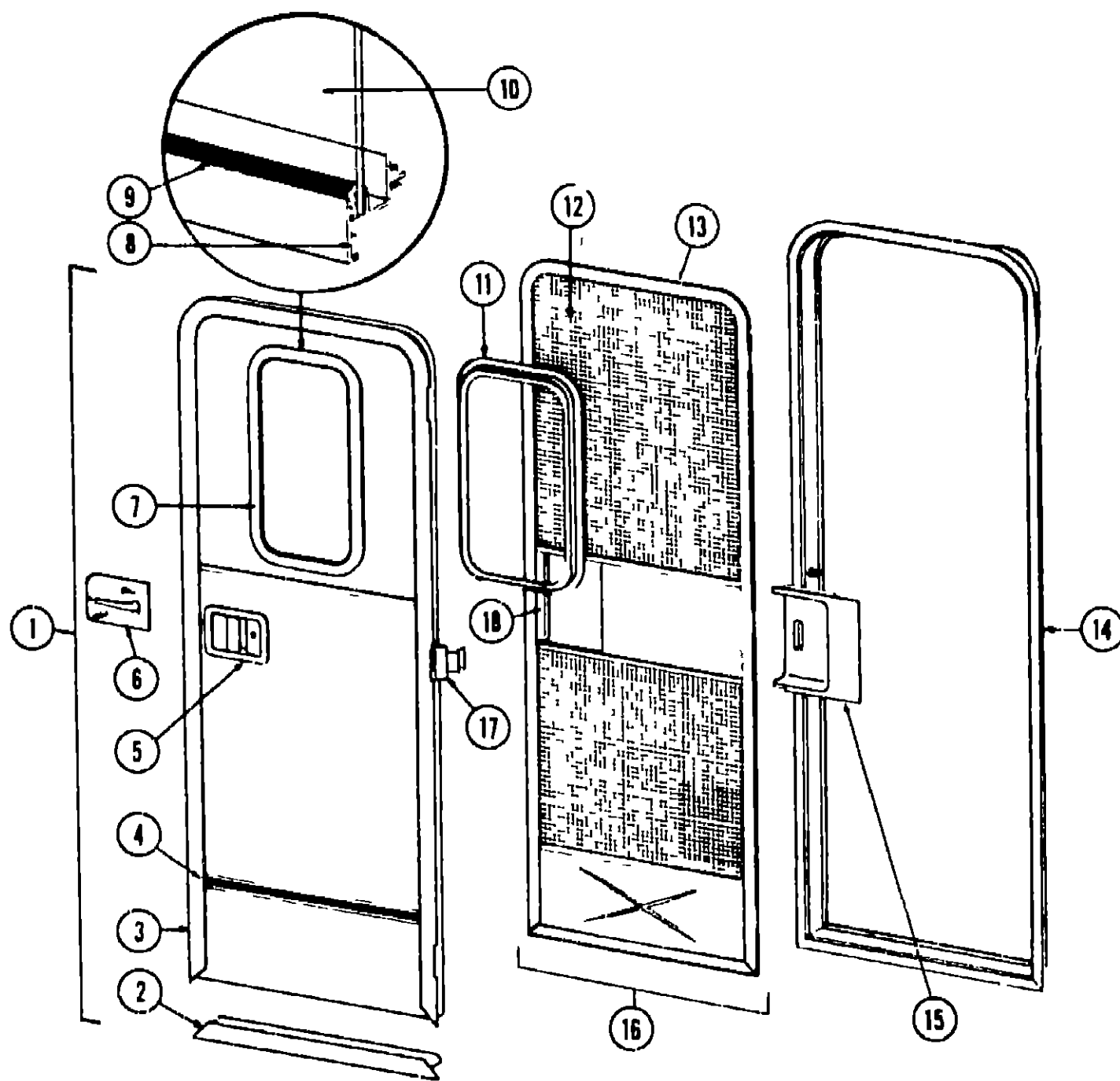
**1987 ITASCA
TABLE OF CONTENTS**

INTRODUCTION	A-01
ABBREVIATIONS	A-01
ALPHABETICAL INDEX	A-02 - A-04
IT319RB	A-05 - B 18
IF426RT	B-19 - D-18
ICN22RC	D 19 - G 04
ICP37RQ	G-05 - I-18

1987 IT319RB INDEX

Floor Plan	A 05	A-05
Accessories Group		A-07
Bath Group		A-08
Chassis Group		A-09
Curtain, Cushion & Pad Group	A-10 -	A-14
Dinette Group		A-15
Driver's Compartment Group		A 16
Electrical Group	A 17 -	A 18
Exterior Body Group	A 19 -	A 24
Galley Group	B 01 -	B-02
Heating & Air Conditioning Group		B 03
Interior Finish Group	B 04 -	B-05
LP Group		B 06
Lounge Group		B 07
Water & Sewage Group	B 08 -	B 09
Window Vent & Exterior Door Group	B-10 -	B 18

WINDOW, VENT & EXTERIOR D/OOR GROUP (CONTINUED)
ENTRANCE & SCREEN DOOR



Key	Part Number	U/M	Description
1	M01870-08-W17	EA	Door Asm - Radius Entry - w/Window w/o Screen Door
1	M01870-10-W17	EA	Door Asm - Radius Entry - w/Window - w/Screen Door
2	077998-01-000	EA	Frame - Entry Door (Bottom Portion Only)
3	078000-02-000	EA	Frame - Entry Door (Except Bottom Portion)
4	059576-05-000	EA	Feature Strip w/o Insert - Extr - 14 - Off White
	001030-02-100	EA	Insert - Feature Strip - 17 - Off White
	009731-01-000	EA	End Cap - Feature Strip
5	045017-05-000	EA	Paddle Asm - Door Lock - Exterior
	045017-05-700	EA	Lock Cylinder w/Keys - Lynor
	039539-01-000	EA	Striker Bolt - Entry Door
	039540-01-000	EA	Latch Claw - Entry Door
	039738-01-000	EA	Dead Bolt - Entry Door
6	039979-01-000	EA	Plate - Inside Lock - Includes Inside Handle
	052186-01-000	EA	Lock Asm - Complete - Lynor
7	079733-04-T03	EA	Window Asm, - Picture - Black (w/o inside frame)
8	069640-06-000	FT	Ribbon Sealer - 5/16 Bead x 15
9	002309-02-000	FT	Spline - Glass - 1/8" Black
10	002181-08-000	EA	Glass - Picture Window - 1/8" x 16 25 x 24 - Gray
11	067609-03-000	EA	Inside Frame - Belge (not included in assembly)
12	002293-02-000	SF	Screen - Window - 26" - Charcoal
13	056795-01-000	FT	Seal Tape - 1/8" x 3/8" - Press On
14	078591-03-000	EA	Jamb Asm - Entrance Door
	051049-01-000	EA	Jamb - Entrance Door - Bottom
15	079086-02-000	EA	Slider - Screen Door - Plastic
16	079012-01-U01	EA	Door Asm - Screen
17	079361-05-000	EA	Hinge - Entrance Door (3 used per door)
18	015581-02-000	EA	Cap - Screen Door - Plastic
	009016-01-000	EA	Catch - Elbow - Spring Loaded - Screen Door
	039863-01-000	EA	Catch Asm - Single Roller w/Strike - Screen Door
	078231-01-000	EA	Spacer - Latch - Screen Door
	077437-02-000	EA	Strike - Roller Catch
	058025-02-000	EA	Clip - Roller Latch Catch
	044582-02-000	EA	Drip Cap - Off White
	079278-01-000	EA	Seal - Mocket - Entrance Door
	073090-01-000	FT	Seal - Entrance Door
	075739-01-000	EA	Stiffener - Entrance Door - Off White
	075673-01-000	FT	Seal Pile - Adhesive Back
	075671-01-000	FT	Seal Sponge - Lazy T Shaped
	002294-01-000	FT	Spline - Black - 135 x 138 (Screen Door)
	083638-02-000	EA	Strike - Screen Door
	063729-04-000	EA	Rivnut - 10 32 UNF - 010 - 080
	075839-01-000	EA	Garnish - Radius - Entrance Door
			Not Illustrated

1987 ITASCA
TABLE OF CONTENTS

INTRODUCTION	A-01
ABBREVIATIONS	A-01
ALPHABETICAL INDEX	A-02 - A-04
IT319RB	A-05 - B-18
IF426RT	B-19 - D-18
ICN22RC	D-19 - G-04
ICP37RQ	G-05 - I-18

1987 IT319RB INDEX

Floor Plan	A-05 - A-06
Accessories Group	A-07
Bath Group	A-08
Chassis Group	A-09
Curtain, Cushion & Pad Group	A-10 - A-14
Djnette Group	A-15
Driver - Compartment Group	A-16
Electrical Group	A-17 - A-18
Exterior Body Group	A-19 - A-24
Galley Group	B-01 - B-02
Heating & Air Conditioning Group	B-03
Interior Finish Group	B-04 - B-05
LP Group	B-06
Lounge Group	B-07
Water & Sewage Group	B-08 - B-09
Window, Vent & Exterior Door Group	B-10 - B-18