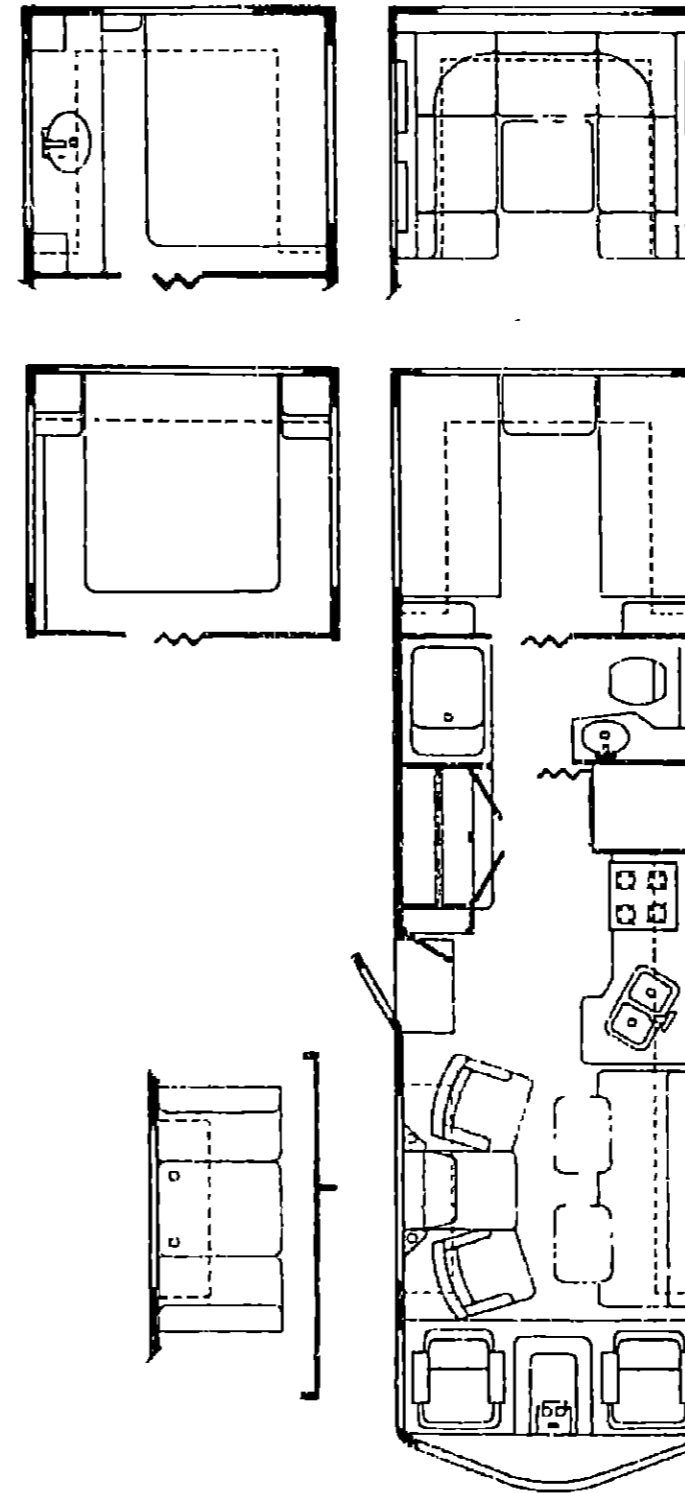


# 1987 IJN32RQ



## 1987 ITASCA TABLE OF CONTENTS

IC420EG	A-01 - B-06
ICN22EC	B-07 - D-08
ICN27RT	D-09 - F-14
IJN32RQ	F-15 - I-02
ICP26ET	I-03 - K-10

## 1987 IJN32RQ INDEX

Floor Plan	F-15 - F-16
Accessories Group	F-17 - F-19
Bath Group	F-20 - F-21
Chassis Group	F-22 - F-24
Curtain, Cushion & Pad Group	G-01 - G-10
Dinette Group	G-11 - G-12
Driver's Compartment Group	G-13 - G-15
Electrical Group	G-16 - G-18
Exterior Body Group	G-19 - G-23
Galley Group	G-24 - H-02
Heating & Air Conditioning Group	H-03
Interior Finish Group	H-04 - H-06
LP Group	H-07
Lounge Group	H-08 - H-11
Water & Sewage Group	H-12 - H-13
Window, Vent & Exterior Door Group	H-14 - I-02

## ACCESSORIES GROUP

### RADIO & RELATED COMPONENTS

Key	Part Number	U/M	Description
	031105-02-000	EA	Antenna - Radio - Side Mount
	031105-01-700	EA	Antenna - Holder - Radio - Upper
	064792-01-000	EA	Grille - Speaker - w/Mesh - Brown
	073741-04-700	EA	Grille - Speaker - Oval - 4 x 6
	074014-01-000	EA	Grille - Speaker - Round
	067683-01-000	EA	Radio - AM/FM/MPX w/Cassette
	067684-01-000	EA	Radio - AM/FM/MPX w/Cassette - Electronic Tune
	074979-01-000	EA	Speaker Cover Protector - Plastic
	073431-01-000	EA	Speaker - 5 25 - 3/Way (Pair)
	064791-01-000	EA	Speaker - Recessed 5 25
	073741-03-000	EA	Speaker 4 x 6 Oval

### MISCELLANEOUS ACCESSORIES

Key	Part Number	U/M	Description
	054185-26-000	EA	Owners Manual 1987 Itasca & Winnebago
	076319-01-000	EA	Antenna - TV Roof Mount 44 5 Mast
	017516-01-000	EA	Mud Flaps w/Holes - 14 x 18 - Black
	041944-03-000	EA	Fire Extinguisher - 5 B C
	072852-01-000	EA	Smoke Detector w/9 Volt Battery
	006069-01-000	EA	Key Case - Leather
	040069-01-000	EA	Door Mat - 10 5 x 26 - Black Rubber
	081075-02-000	EA	Floor Mat - Entrance - Itasca
	081201-02-000	EA	Floor Mat - Left Front - Itasca
	081207-02-000	EA	Floor Mat - Right Front - Itasca
	080708-01-000	EA	Lug Wrench
	080208-03-000	EA	Leverage Bar - Lug Wrench
	006113-01-000	EA	Jack - Hydraulic 6 Ton - w/Handle
	063708-01-000	EA	Cover - Air Conditioner - Vinyl
	087680-01-000	EA	Electric Step Asm - Trip'e
	023111-01-000	EA	Blender - Built In
	079941-01-000	EA	Lamp Asm - Fog w/Cover - Amber
	079941-01-700	EA	Lamp Asm - Fog - Set/2
	079941-01-701	EA	Lens & Cover Only
	079941-01-702	EA	Switch - Fog Lights
	079941-01-703	EA	Solenoid
	079941-01-704	EA	Switch Plate

The illustrated parts breakdown for this item is provided on the Common Items Fiche

### OPTIONAL LUGGAGE BOX, RACK & LADDER

Key	Part Number	U/M	Description
	064093-01-000	EA	Box - Luggage - 14 x 30 x 60
	081028-01-703	EA	Rack Asm - Right
	081028-02-703	EA	Rack Asm - Left
	081015-05-W81	EA	Rail Asm - Ladder
	081015-06-W81	EA	Rail Asm - Ladder
	081115-01-000	EA	Cap - Top - Rack & Ladder - 1
	081116-01-000	EA	Slide - Top - Rack & Ladder - 1
	081114-01-000	EA	End Cap - Ladder Step
	081016-03-W81	EA	Ladder Asm

## ACCESSORIES GROUP (CONTINUED)

### OPTIONAL MICROWAVE & COMPONENTS

Key	Part Number	U/M	Description
	081379-01-000	EA	Microwave/Convection Oven - Sharp
†	088737-01-000	EA	Microwave Oven - Convection - Magic Chef
	081459-03-000	EA	Bracket Asm - Microwave - Right
	081459-04-000	EA	Bracket Asm - Microwave - Left
	081456-01-000	EA	Angle Asm - Microwave - Right
	081456-02-000	EA	Angle Asm - Microwave - Left
	081555-01-703	EA	Trim Asm - Microwave
	082876-01-000	EA	Baffle Asm - Microwave
†	088737-02-000	EA	Frame Kit - Microwave Oven
†	Parts used after 5/12/87		

### GENERATORS & COMPONENTS

Key	Part Number	U/M	Description
	081634-01-000	EA	Generator - Onan - 6 5 kw - Emerald
	079654-03-000	EA	Generator - Onan - 4 0 kw - Emerald
	052163-01-000	EA	Generator - Onan - 4 25 kw
	079654-05-000	EA	Pipe & Accessories Kit - Emerald
	078045-01-000	EA	Support Plate - Generator
	081364-01-000	EA	Muffler - 6 5 kw - Generator - Emerald
	007067-01-000	SF	Insulation - Fiberglass - 1
	083151-01-000	EA	Muffler - Generator - 1 62 O D
	083152-01-000	EA	Pipe Exhaust Generator

### OPTIONAL VACUUM CLEANER & COMPONENTS

Key	Part Number	U/M	Description
	055285-01-000	EA	Vacuum Cleaner - Built In
	055285-01-700	EA	Accessories Kit - Standard
	055285-01-701	EA	Filler - 8 per Package
	055285-01-702	EA	Hose - 20 - Vacuum Cleaner
	055285-01-703	EA	Rug Tool
	055285-01-704	EA	Crevice Tool
	055285-01-705	EA	Upholstery Tool
	055285-01-706	EA	Wands - Set (2)
	055285-01-707	EA	Dust Bubble - Complete

### EXTERIOR MIRROR & COMPONENTS

Key	Part Number	U/M	Description
	086260-01-000	EA	Mirror Asm - Exterior - w/Convex - Passenger
	086260-02-000	EA	Mirror Asm - Exterior - w/Convex - Driver
	086259-01-000	EA	Mirror Asm - Exterior - Remote Control Passenger
	086259-02-000	EA	Mirror Asm - Exterior - Remote Control Driver
	086260-63-000	EA	Accessories Kit - Exterior Mirror

## 1987 ITASCA TABLE OF CONTENTS

IC420EG	A-01 - B-06
ICN22EC	B-07 - D-08
ICN27RT	D-09 - F-14
IJN32RQ	F-15 - I-02
ICP26ET	I-03 - K-10

## 1987 IJN32RQ INDEX

Floor Plan	F-15 - F-16
Accessories Group	F-17 - F-19
Bath Group	F-20 - F-21
Chassis Group	F-22 - F-24
Curtain, Cushion & Pad Group	G-01 - G-10
Dinette Group	G-11 - G-12
Driver's Compartment Group	G-13 - G-15
Electrical Group	G-16 - G-18
Exterior Body Group	G-19 - G-23
Galley Group	G-24 - H-02
Heating & Air Conditioning Group	H-03
Interior Finish Group	H-04 - H-06
LP Group	H-07
Lounge Group	H-08 - H-11
Water & Sewage Group	H-12 - H-13
Window Vent & Exterior Door Group	H-14 - I-02

## ACCESSORIES GROUP (CONTINUED)

### WHEELS, MOUNTING HARDWARE & LINERS

Key	Part Number	U/M	Description
	083181-03-000	EA	Wheel Cover - 19.5" - Set/4
	083181-03-700	EA	Wheel Cover - 19.5" (1)
	064082-02-000	EA	Nut - Retaining Wheel Cover
	083181-07-000	EA	Retainer Kit - 19.5" - Wheel Cover
	086271-01-000	EA	Liner - Wheel - 19.5" - Set/4

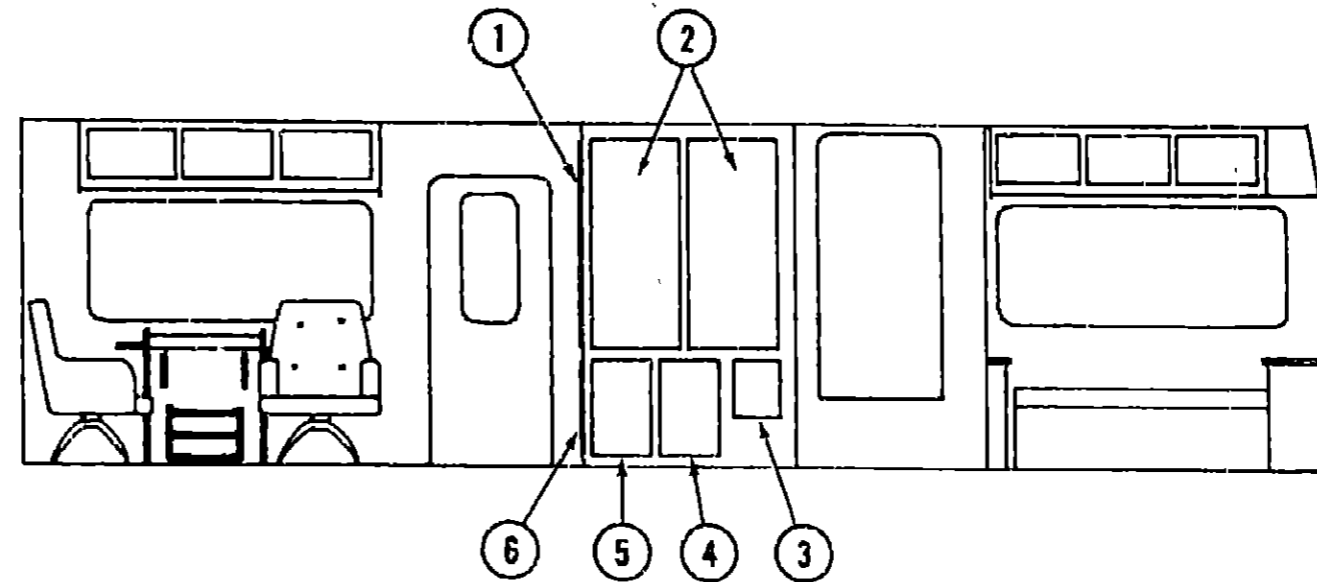
### OPTIONAL AIR HORNS & COMPONENTS

Key	Part Number	U/M	Description
	077497-01-000	EA	Air Horn Kit - Twin Chromed
	077497-01-700	EA	Solenoid - Air Tank
	077497-01-701	EA	Switch - Compressor
	077497-01-702	EA	Toggle Switch w/Wire
	077497-01-703	EA	Air Tank
	077497-01-704	EA	Compressor w/Switch
	077497-02-000	EA	Hose Kit - Auxiliary Air
	077497-03-000	EA	Parts Kit - Hose - Auxiliary Air
	078239-01-000	EA	Label Plate - Horn

### REAR WINDOW WIPER/WASHER OPTION

Key	Part Number	U/M	Description
	087249-01-000	EA	Motor Asm - Wiper - 68°
	087251-01-000	EA	Blade - 16" Wiper - Black
	087252-01-000	EA	Arm Asm. - 20" Wiper - Black
	087967-01-000	EA	Cover - Wiper Motor

## BATH GROUP



### WARDROBE CABINETY

Key	Part Number	U/M	Description
1	M82424-03-W30	EA	Door Asm. - Wardrobe Cabinet - Upper - w/o Hardware
**1	M82425-02-W30	EA	Door Asm. - Wardrobe Cabinet - Upper - w/o Hardware
•	083224-02-000	EA	Glass - Wardrobe Door
•	081471-12-W30	EA	Glass Holder - Wardrobe Cabinet - 4 Holes
2	M81501-16-W30	EA	Door Asm. - Wardrobe Cabinet - Upper - w/o Hardware
**2	M84953-12-W30	EA	Door Asm. - Wardrobe Cabinet - Upper - w/o Hardware
3	M81501-20-W30	EA	Door Asm. - Wardrobe Cabinet - Lower - w/o Hardware
**3	M84953-15-W30	EA	Door Asm. - Wardrobe Cabinet - Lower - w/o Hardware
4	M81501-18-W30	EA	Door Asm. - Wardrobe Cabinet - Lower - w/o Hardware
**4	M84953-13-W30	EA	Door Asm. - Wardrobe Cabinet - Lower - w/o Hardware
5	M81501-19-W30	EA	Door Asm. - Wardrobe Cabinet - Lower - w/o Hardware
**5	M84953-14-W30	EA	Door Asm. - Wardrobe Cabinet - Lower - w/o Hardware
6	M81501-22-W30	EA	Door Asm. - Wardrobe Cabinet - Lower - w/o Hardware
**6	M84953-16-W30	EA	Door Asm. - Wardrobe Cabinet - Lower - w/o Hardware
•	081471-11-W30	EA	Glass Holder - Wardrobe Cabinet - 5 Holes
•	M02124-01-W30	EA	Countertop Asm. - Wardrobe Cabinet
•	077404-01-000	EA	Drawer - 20" x 12 7" - Plastic
•	077409-01-000	EA	Slide - Plastic Drawer
•	081646-01-000	EA	Storage Rack - White Wire
•	075451-02-000	EA	Clip - Storage Rack
•	Not Illustrated		
**	Door used on units produced before 12/1/86		

## 1987 ITASCA TABLE OF CONTENTS

IC420EG	A-01 - B-06
ICN22EC	B-07 - D-08
ICN27RT	D-09 - F-14
IJN32RQ	F-15 - I-02
ICP26ET	I-03 - K-10

## 1987 IJN32RQ INDEX

Floor Plan	F-15 - F-16
Accessories Group	F-17 - F-19
Bath Group	F-20 - F-21
Chassis Group	F-22 - F-24
Curtain, Cushion & Pad Group	G-01 - G-10
Dinette Group	G-11 - G-12
Driver's Compartment Group	G-13 - G-15
Electrical Group	G-16 - G-18
Exterior Body Group	G-19 - G-23
Galley Group	G-24 - H-02
Heating & Air Conditioning Group	H-03
Interior Finish Group	H-04 - H-06
LP Group	H-07
Lounge Group	H-08 - H-11
Water & Sewage Group	H-12 - H-13
Window, Vent & Exterior Door Group	H-14 - I-02

## BATH GROUP (CONTINUED)

### BATH CABINETRY

Key	Part Number	U/M	Description
	M82195-01-W84	EA	Cabinet Asm - Lavatory - w/o Countertop, Doors or Drawers
	M02194-01-W30	EA	Countertop Asm - Lavatory Cabinet (W84)
	M02194-01-W31	EA	Countertop Asm - Lavatory Cabinet (W85)
	M02194-01-W32	EA	Countertop Asm - Lavatory Cabinet (W86)
	M81501-98-W30	EA	Door Asm - Lavatory - Hamper - w/o Hardware
**	M84953-53-W30	EA	Door Asm - Lavatory - Hamper - w/o Hardware
	M81501-42-W30	EA	Door Asm - Lavatory - w/o Hardware
**	M84953-21-W30	EA	Door Asm - Lavatory - w/o Hardware
	077251-01-000	EA	Tipout Drawer - Plastic
	076073-01-000	EA	Cabinet Asm - Medicine - 15.4" x 29 4"
	081535-01-W30	EA	Door Asm - Medicine Cabinet - 29 4" x 15 5" - w/o Hardware
	081535-03-W30	EA	Door Asm - Mirror - 29 4" x 22 5" - w/o Hardware
	M02195-01-W30	EA	Countertop Asm - Pipe Cover (W84)
	M02195-01-W31	EA	Countertop Asm - Pipe Cover (W85)
	M02195-01-W32	EA	Countertop Asm - Pipe Cover (W86)
	080224-02-000	EA	Door Asm - Folding - Front - w/o Hardware
	080224-03-000	EA	Door Asm - Folding - Rear - w/o Hardware

\*\* Doors used on units produced before 12/1/86

### BATH & WARDROBE HARDWARE

Key	Part Number	U/M	Description
	M01817-01-T03	EA	Bathtub Asm w/Strainer
	075242-03-000	EA	Faucet - Tub & Shower - Brass
	075240-03-000	EA	Faucet - Lavatory - Brass
**	011048-02-000	EA	Shower Head - w/60" Hose
	011048-04-000	EA	Vacuum Breaker - 1/8 MPT - Nylon - Shower Head
	075606-01-000	EA	Shower Panel - Faucet - Plastic
**	066729-01-000	EA	Strainer - Bathtub Asm.
	066436-01-000	EA	Slip Nut - 1.5" Tail Piece - Bathtub Asm
	069735-01-000	EA	Washer - Tail Piece - 1 5" Plastic - Bathtub Asm.
	011069-02-000	EA	Tailpiece - 1.5" x 1 25" x 4" - Brass - Bathtub Asm
	080256-01-000	EA	Shroud - Bathtub Asm
	058713-01-000	EA	Sink - Oval - Ivory - Plastic
	067487-01-000	EA	Toilet - Thetford - Aqua Magic - Ivory
	075452-02-000	EA	Tissue Holder - Brass
	075453-02-000	EA	Towel Bar - 18" - Brass
	075454-02-000	EA	Towel Ring - Brass w/Mounting Hardware
	084382-03-W24	EA	Shower Curtain w/Ruffle - 66" x 30"
	086121-02-000	EA	Shower Curtain - Liner
	058331-01-000	EA	Mirror - Tempered Glass - 19" x 26"
	058331-05-000	EA	Mirror - Tempered Glass - 12" x 26"
	058331-04-000	EA	Mirror - Tempered Glass - 12" x 42"
	057671-01-000	EA	Screw Cover - #8 - Antique White
	009089-01-000	EA	Clip - Mirror
	059777-02-000	EA	Hinge - Antique Brass
	066433-01-000	EA	Hook - Cup - Bright
	009112-01-000	EA	Flange - 1" - Clothes Rod
	071632-01-000	EA	Bag - Hamper - 49" w/Elastic Top
	076387-01-000	EA	Bracket - Medicine Cabinet
	080224-05-000	EA	Track - Folding Door - ST - 29 5"
	080224-07-000	EA	Track - Folding Door - "S" - Curve

\*\* The illustrated parts breakdown for this item is provided on the Common Items Fiche

## CHASSIS GROUP

### MISCELLANEOUS CHASSIS

Key	Part Number	U/M	Description
	047441-01-000	EA	Battery Terminal - Horizontal Lug
	075723-01-000	EA	Block - Switch - Spacer w/o Holes
	064093-01-000	EA	Box - Luggage
	051697-01-000	EA	Bracket - Battery Tie Down - 6 9"
	007125-04-000	EA	Clamp Asm - Muffler - 1.12"
	010497-01-000	EA	Clamp - Close - 5/8 I.D.
	007181-01-000	EA	Clamp - Hose - Spring Type 112
	062401-01-000	EA	Clamp - Hose - Wormgear - 22" I.D. x 1" I.D.
	062401-02-000	EA	Clamp - Hose - Wormgear - 1 56" I.D. - 2.5" I.D.
	062401-03-000	EA	Clamp - Hose - Wormgear - 25" I.D. - 1" I.D.
	062401-04-000	EA	Clamp - Hose - Wormgear - 69" I.D. - 1 25" I.D.
	062401-05-000	EA	Clamp - Hose - Wormgear - 2" I.D. - 3" I.D.
	062401-06-000	EA	Clamp - Hose - Wormgear - 22" I.D. - 62" I.D.
	023146-01-000	EA	Clamp - Screw Type - 4"
	024490-01-000	EA	Compartment - Power Cord - Black Plastic
	071656-01-000	EA	Cover - Radiator - Rear
	080722-01-000	EA	Cover - Radiator - Rear Back (Fan Shroud)
	020167-03-000	EA	Dirt Guard - Rear Wheel
	007131-01-000	EA	Hanger - Tail Pipe
	024138-01-000	FT	Hose - Fuel - 5/16" I.D. SAE 30RI
	056732-01-000	FT	Hose - Fuel Fill - 62 I.D.
	007111-02-000	EA	Hose - Fuel Fill - 2 00 I.D.
	007111-01-000	EA	Hose - Fuel Fill - 2 25 I.D.
	006113-01-000	EA	Jack - Hydraulic - 6 Ton - w/Handle
	080208-01-000	EA	Lug Wrench
	080208-03-000	EA	Leverage Bar - 1 5" x 8"
	017516-01-000	EA	Mud Flap w/Holes - 14" x 18" - Black
	086281-01-000	EA	Rim - Wheel - 19 5" x 8 75"
	075146-01-000	EA	Shield - Heat Muffler
	063977-07-000	EA	Step Asm - Driver Door
	007324-04-000	EA	Tire - 8 00" x 19 5 - Michelin
	048594-01-000	EA	Tray - Battery
	051377-01-000	EA	Valve Stem Asm - TR500
	087883-01-000	EA	Wheelwell - Plastic
	006343-01-000	EA	Wire Tie - 6"

NOTE: Remainder of exhaust components available from chassis service centers

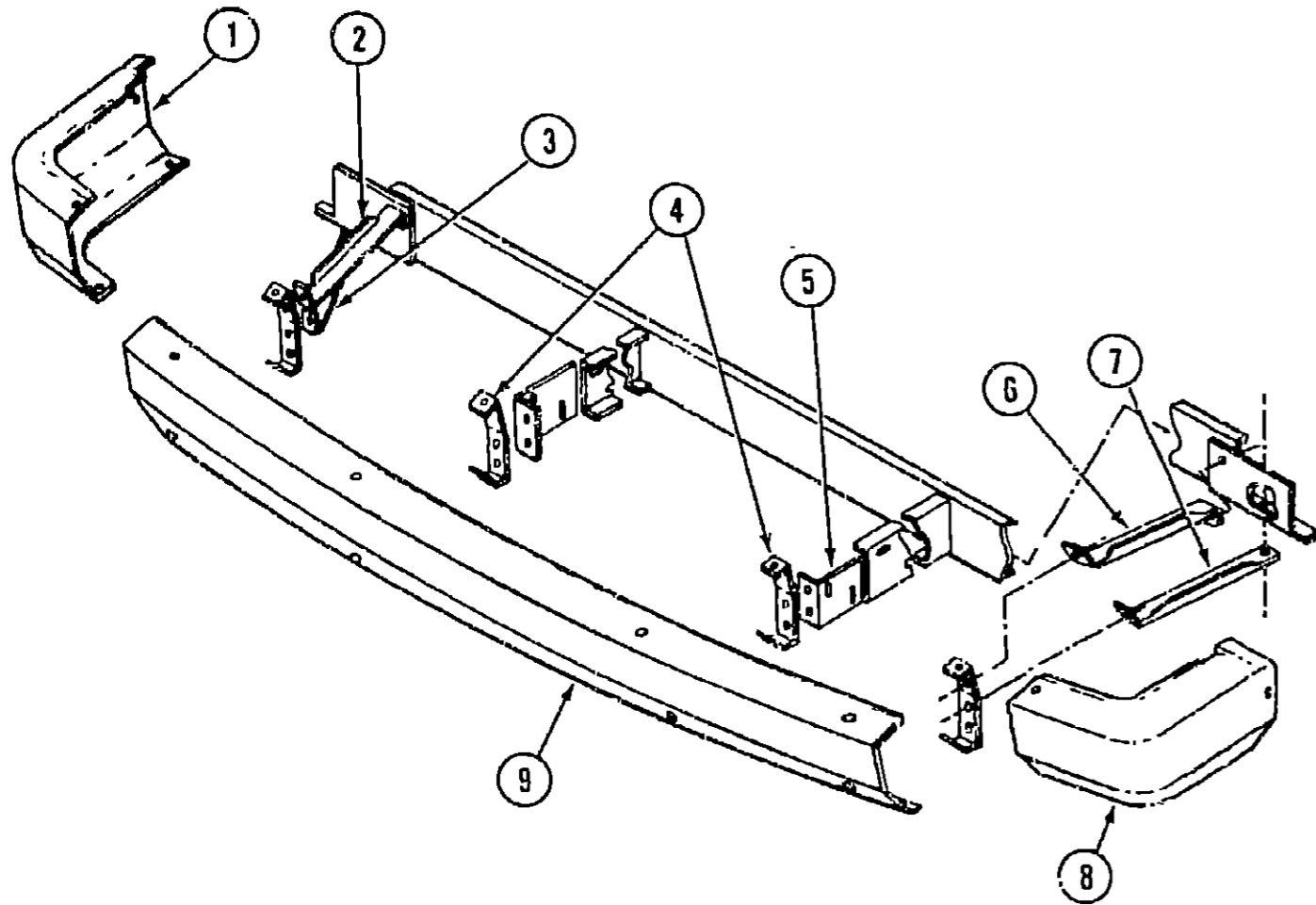
## 1987 ITASCA TABLE OF CONTENTS

IC420EG	A-01 - B-06
ICN22EC	B-07 - D-08
ICN27RT	D-09 - F-14
IJN32RO	F-15 - I-02
ICP26ET	I-03 - K-10

## 1987 IJN32RO INDEX

Floor Plan	F-15 - F-16
Accessories Group	F-17 - F-19
Bath Group	F-20 - F-21
Chassis Group	F-22 - F-24
Curtain, Cushion & Pad Group	G-01 - G-10
Dinette Group	G-11 - G-12
Driver's Compartment Group	G-13 - G-15
Electrical Group	G-16 - G-18
Exterior Body Group	G-19 - G-23
Galley Group	G-24 - H-02
Heating & Air Conditioning Group	H-03
Interior Finish Group	H-04 - H-06
LP Group	H-07
Lounge Group	H-08 - H-11
Water & Sewage Group	H-12 - H-13
Window, Vent & Exterior Door Group	H-14 - I-02

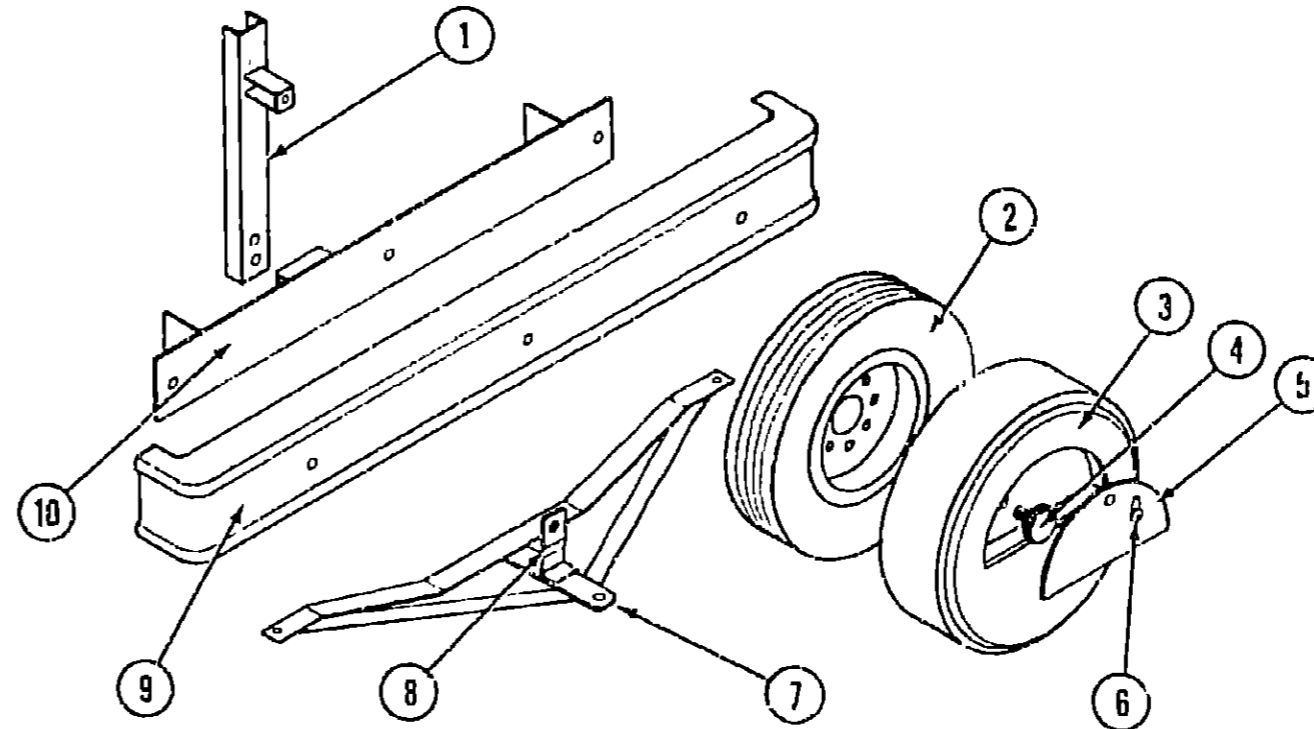
**CHASSIS GROUP (CONTINUED)**



**FRONT BUMPER**

Key	Part Number	U/M	Description
1	086415-02-000	EA	Bumper End - Right Front
2	078002-01-000	EA	Brace - Upper Right - Front Bumper
3	078003-01-000	EA	Brace - Lower Right - Front Bumper
4	077852-01-000	EA	Bracket to Bumper - Front
5	076527-01-000	EA	Bracket to Frame - Front Bumper
6	078002-02-000	EA	Brace - Upper Left - Front Bumper
7	078003-02-000	EA	Brace - Lower Left - Front Bumper
8	086415-04-000	EA	Bumper End - Left Front
9	077850-08-000	EA	Bumper - Front - Gray
9	077850-07-000	EA	Bumper - Front - Chrome
.	005200-01-000	EA	Carriage Bolt - Chrome - 7/16" x 14 x 1 1/4"
.			Not illustrated

**CHASSIS GROUP (CONTINUED)**



**SPARE TIRE, HITCH & REAR BUMPER**

Key	Part Number	U/M	Description
1	080378-03-000	EA	Bracket - Tire Carrier
2	007324-04-000	EA	Tire - 8 00" x 19 5" - Michelin
3	079762-04-000	EA	Tire Cover - Gray Plastic
4	064082-02-000	EA	Bolt - Plastic Retainer - Wheel Cover
5	M02047-01-T18	EA	Door - Tire Cover - Gray Plastic
6	077408-02-000	EA	Lock Asm. - Key Type
7	064833-01-000	EA	Hitch Asm. - Trailer
8	064824-02-000	EA	Support - Trailer Hitch
9	048474-01-000	EA	Bumper - Rear - Chrome
9	020858-04-000	EA	Bumper - Rear - Gray
.	076527-01-000	EA	Support - Bumper
.	022150-01-000	EA	Bracket - Rear Bumper
10	064601-04-000	EA	Bracket Asm - Bumper
.	083376-01-000	EA	Skid - Plate Asm
.	078668-01-000	EA	Skid Plate Asm
.			Not illustrated

**1987 ITASCA  
TABLE OF CONTENTS**

IC420EG	A-01 - B-06
ICN22EC	B-07 - D-08
ICN27RT	D-09 - F-14
IJN32RQ	F-15 - I-02
ICP26ET	I-03 - K-10

**1987 IJN32RQ INDEX**

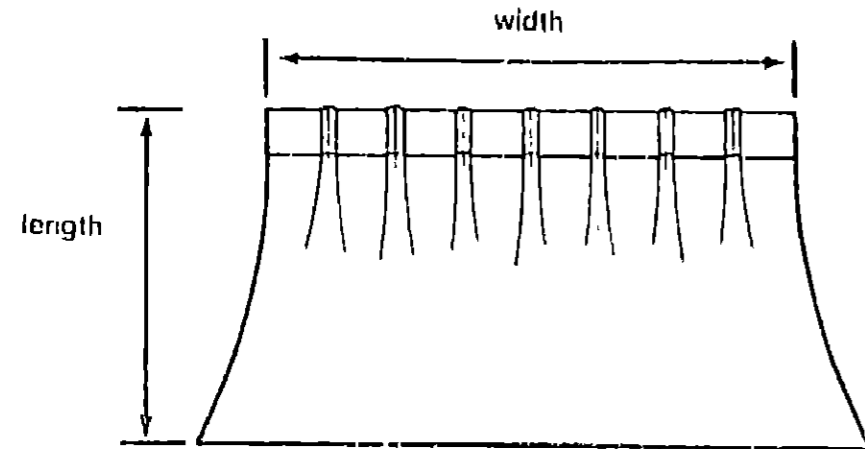
Floor Plan	F-15 - F-16
Accessories Group	F-17 - F-19
Bath Group	F-20 - F-21
Chassis Group	F-22 - F-24
Curtain, Cushion & Pad Group	G-01 - G-10
Dinette Group	G-11 - G-12
Driver's Compartment Group	G-13 - G-15
Electrical Group	G-16 - G-18
Exterior Body Group	G-19 - G-23
Galley Group	G-24 - H-02
Heating & Air Conditioning Group	H-03
Interior Finish Group	H-04 - H-06
LP Group	H-07
Lounge Group	H-08 - H-11
Water & Sewage Group	H-12 - H-13
Window, Vent & Exterior Door Group	H-14 - I-02

## CURTAIN, CUSHION & PAD GROUP

### NOTICE

In order to assist our Parts Sales Dept. in providing interior software items, please include the serial number and the color code number from the vehicle certification label when ordering. This label is located on the left sidewall at the end of the dash (A-Body), or on the driver's door latch plate (C-Body).

An example of a color code number is P31, which designates an overall color scheme of a particular unit. The color listed after the item description on the microfiche, indicates the overall unit color. Order the item you desire according to unit color code.

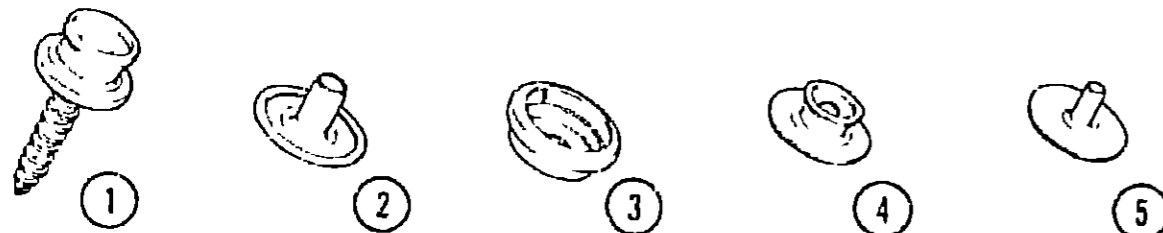


#### NOTE:

Use this illustration when determining length and width measurements for curtains. You will note the width measurement is taken on the top of the curtain with the curtain fully extended. The length measurement is taken from top to bottom.

### CURTAIN & CUSHION HARDWARE

Key	Part Number	U/M	Description
	085283-01-000	EA	Bracket - Hold Back - Clear
	084434-01-000	EA	Bracket - Roller Shade - 1 3/8"
	056003-01-000	EA	Bracket - Drapery Retainer
	056003-02-000	EA	Bracket - Drapery Retainer
	048394-02-000	YD	Tape Hook - 75" x 50 yds. - Beige
	048395-02-000	YD	Tape Loop - 75" x 50 yds. - Beige
	079946-01-000	EA	Track - Curtain - Wraparound - Right
	079946-02-000	EA	Track - Curtain - Wraparound - Left
	079798-03-000	EA	Bracket Asm. - Rod Curtain - Right
	079798-04-000	EA	Bracket Asm. - Rod Curtain - Left



Key	Part Number	U/M	Description
1	029130-01-000	EA	Socket - Snap Fastener
2	029155-01-000	EA	Cap - Snap - 156" Dia. x 17" Barrel
3	029156-01-000	EA	Socket - Snap Fastener
4	029092-01-000	EA	Stud - Nickel Finish
5	092093-01-000	EA	Eyelet - Nickel Finish

## CURTAIN, CUSHION & PAD GROUP (CONTINUED)

### FABRICS, TRIMS & PADS

Key	Part Number	U/M	Description
	077498-89-000	YD	Fabric - Main w/Pattern - Jade/Peach (W84)
	077498-90-000	YD	Fabric - Main w/Pattern - Mahogany (W85)
	077498-88-000	YD	Fabric - Main w/Pattern - Rose (W86)
	077498-B2-000	YD	Fabric - Patterned Accent - Jade/Peach (W84)
	077498-B3-000	YD	Fabric - Patterned Accent - Mahogany (W85)
	077498-B4-000	YD	Fabric - Patterned Accent - Rose (W86)
	077498-A1-000	YD	Fabric - Plain Accent - Jade/Peach (W84)
	077498-A2-000	YD	Fabric - Plain Accent - Mahogany (W85)
	077498-A8-000	YD	Fabric - Plain Accent - Rose (W86)
	072333-38-000	YD	Fabric - Drapery/Accent - Jade/Peach (W84)
	072333-40-000	YD	Fabric - Drapery/Accent - Mahogany (W85)
	072333-37-000	YD	Fabric - Drapery Accent - Rose (W86)
	069729-44-000	YD	Fabric - Bedspread/Draperies - Jade/Peach (W84)
	069729-45-000	YD	Fabric - Bedspread/Draperies - Mahogany (W85)
	069729-46-000	YD	Fabric - Bedspread/Draperies - Rose (W86)
	087272-01-000	YD	Fabric - Drapery Lining - Ivory - 48"
	072333-44-000	YD	Fabric - Drapery Lining - Natural (Pull Shades)
	072333-30-000	YD	Fabric - Drapery Lining - Linen (Pull Shades)
	079680-01-000	YD	Vinyl - Expanded - 26 oz. Buckskin
	079680-02-000	YD	Vinyl - Expanded - 28 oz. Sandrift
	038421-02-000	YD	Fabric - Mattress Ticking - Beige/Brown
	038421-04-000	YD	Fabric - Mattress Ticking - Cashew
	057550-05-T03	EA	Button Asm. - Nail #36 - 3/8" Shank - Vinyl
	070578-06-T03	EA	Button Asm. - Screw Stud - #30 - Vinyl
	057093-01-T03	EA	Button Asm. - Nail #30 - Vinyl
	071127-12-W30	EA	Button Asm. - Round Hook - #30 - Jade/Peach (W84)
	071127-12-W31	EA	Button Asm. - Round Hook - #30 - Mahogany (W85)
	071127-12-W32	EA	Button Asm. - Round Hook - #30 - Rose (W86)
	071127-10-W24	EA	Button Asm. - Round Hook - #30 - Jade/Peach (W84)
	071127-10-W25	EA	Button Asm. - Round Hook - #30 - Mahogany (W85)
	071127-10-W26	EA	Button Asm. - Round Hook - #30 - Rose (W86)
	078155-01-000	EA	Strap Asm. - Cushion
	079144-02-T03	EA	Strap Asm. - Bunk
	081519-01-W24	EA	Pad Asm. - Dinette - Front - Jade/Peach (W84)
	081519-01-W25	EA	Pad Asm. - Dinette - Front - Mahogany (W85)
	081519-01-W26	EA	Pad Asm. - Dinette - Front - Rose (W86)
	081519-02-W24	EA	Pad Asm. - Dinette - Rear - Jade/Peach (W84)
	081519-02-W25	EA	Pad Asm. - Dinette - Rear - Mahogany (W85)
	081519-02-W26	EA	Pad Asm. - Dinette - Rear - Rose (W86)
	059414-06-000	EA	Pad Asm. - Trim - Sidewall - Right - Vinyl
	059467-04-T03	EA	Pad Asm. - Map Pocket - Right Vinyl
	077641-95-000	EA	Wall Pad - Swivel Chairs - 16" x 12" - Jade/Peach (W84)
	077641-96-000	EA	Wall Pad - Swivel Chairs - 16" x 12" - Mahogany (W85)
	077641-97-000	EA	Wall Pad - Swivel Chairs - 16" x 12" - Rose (W86)

Parts used on units produced before 10/19/86

### 1987 ITASCA TABLE OF CONTENTS

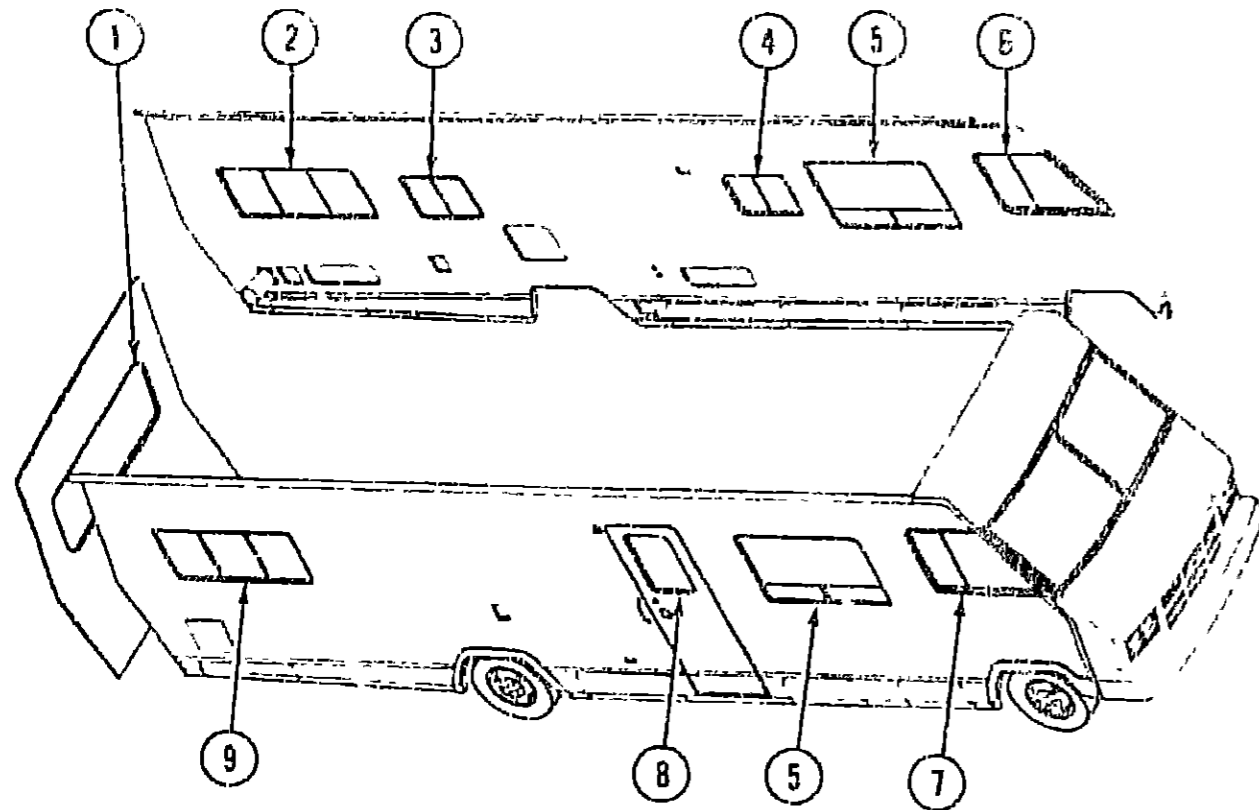
IC420EG	A-01 - B-06
ICN22EC	B-07 - D-08
ICN27RT	D-09 - F-14
IJN32RQ	F-15 - I-02
ICP26ET	I-03 - K-10

### 1987 IJN32RQ INDEX

Floor Plan	F-15 - F-16
Accessories Group	F-17 - F-19
Bath Group	F-20 - F-21
Chassis Group	F-22 - F-24
Curtain, Cushion & Pad Group	G-01 - G-10
Dinette Group	G-11 - G-12
Driver's Compartment Group	G-13 - G-15
Electrical Group	G-16 - G-18
Exterior Body Group	G-19 - G-23
Galley Group	G-24 - H-02
Heating & Air Conditioning Group	H-03
Interior Finish Group	H-04 - H-06
LP Group	H-07
Lounge Group	H-08 - H-11
Water & Sewage Group	H-12 - H-13
Window, Vent & Exterior Door Group	H-14 - I-02

**CURTAIN, CUSHION & PAD GROUP (CONTINUED)**

**CURTAIN, CUSHION & PAD GROUP (CONTINUED)**



**CURTAINS, SHADES, VALANCES & TIEBACKS**

Key	Part Number	U/M	Description
1	084755-15-W12	EA	Shade Asm - Pull - 53 25" (W84)
1	084755-15-W31	EA	Shade Asm - Pull - 53 25" (W85)
1	084755-15-W11	EA	Shade Asm - Pull - 53 25" (W86)
**1	084755-15-WA6	EA	Shade Asm - Pull - 53 25" (W84)
**1	084755-15-WA5	EA	Shade Asm - Pull - 53 25" (W85)
**1	084755-15-WA8	EA	Shade Asm - Pull - 53 25" (W86)
1	079558-20-W30	EA	Valance Asm. - Gathered - 5" x 140" (W84)
1	079558-20-W31	EA	Valance Asm. - Gathered - 5" x 140" (W85)
1	079558-20-W32	EA	Valance Asm. - Gathered - 5" x 140" (W86)
1	079559-11-W30	EA	Curtain Asm. w/Gathers - 32" x 41" (W84)
1	079559-11-W31	EA	Curtain Asm. w/Gathers - 32" x 41" (W85)
1	079559-11-W32	EA	Curtain Asm. w/Gathers - 32" x 41" (W86)
†	079558-13-W30	EA	Valance Asm. - Gathered - 5" x 140" (W84)
†	079558-13-W31	EA	Valance Asm. - Gathered - 5" x 140" (W85)
†	079558-13-W32	EA	Valance Asm. - Gathered - 5" x 140" (W86)
†	079559-10-W30	EA	Curtain Asm. w/Gathers - 32" x 41" (W84)
†	079559-10-W31	EA	Curtain Asm. w/Gathers - 32" x 41" (W85)
†	079559-10-W32	EA	Curtain Asm. w/Gathers - 32" x 41" (W86)
†	085304-54-000	EA	Blinds - Pleated - 52" x 29" Drop (W84)
†	085304-64-000	EA	Blinds - Pleated - 52" x 29" Drop (W85)
†	085304-66-000	EA	Blinds - Pleated - 52" x 29" Drop (W86)
2	084755-16-W30	EA	Shade Asm - Pull - 69 25" (W84)
2	084755-16-W31	EA	Shade Asm. - Pull - 69 25" (W85)
2	084755-16-W32	EA	Shade Asm. - Pull - 69 25" (W86)
**2	084755-16-WA4	EA	Shade Asm. - Pull - 69 25" (W84)
**2	084755-16-WA5	EA	Shade Asm. - Pull - 69.25" (W85)
**2	084755-16-WA8	EA	Shade Asm. - Pull - 69 25" (W86)
2	079558-21-W30	EA	Valance Asm - Gathered - 5" x 120" (W84)
2	079558-21-W31	EA	Valance Asm - Gathered - 5" x 120" (W85)
2	079558-21-W32	EA	Valance Asm - Gathered - 5" x 120" (W86)
2	079559-11-W30	EA	Curtain Asm. w/Gathers - 32" x 41" (W84)
2	079559-11-W31	EA	Curtain Asm. w/Gathers - 32" x 41" (W85)
2	079559-11-W32	EA	Curtain Asm. w/Gathers - 32" x 41" (W86)

**CURTAINS, SHADES, VALANCES & TIEBACKS (CONT.)**

Key	Part Number	U/M	Description
†	079558-18-W30	EA	Valance Asm. - Gathered - 5" x 120" (W84)
†	079558-18-W31	EA	Valance Asm. - Gathered - 5" x 120" (W85)
†	079558-18-W32	EA	Valance Asm. - Gathered - 5" x 120" (W86)
†	079559-10-W30	EA	Curtain Asm. w/Gathers - 32" x 41" (W84)
†	079559-10-W31	EA	Curtain Asm. w/Gathers - 32" x 41" (W85)
†	079559-10-W32	EA	Curtain Asm. w/Gathers - 32" x 41" (W86)
†	085304-16-000	EA	Blinds - Pleated - 65" x 33" Drop (W84)
†	085304-20-000	EA	Blinds - Pleated - 65" x 33" Drop (W85)
†	085304-17-000	EA	Blinds - Pleated - 65" x 33" Drop (W86)
3	084755-06-W24	EA	Shade Asm. - Pull - 33 25" (W84)
3	084755-06-W25	EA	Shade Asm. - Pull - 33 25" (W85)
3	084755-06-W26	EA	Shade Asm. - Pull - 33 25" (W86)
**3	084755-06-WA4	EA	Shade Asm. - Pull - 33 25" (W84)
**3	084755-06-WA5	EA	Shade Asm. - Pull - 33 25" (W85)
**3	084755-06-WA8	EA	Shade Asm. - Pull - 33 25" (W86)
3	079558-15-W30	EA	Valance Asm. - Gathered - 5" x 10" (W84)
3	079558-15-W31	EA	Valance Asm. - Gathered - 5" x 10" (W85)
3	079558-15-W32	EA	Valance Asm. - Gathered - 5" x 10" (W86)
3	079559-07-W24	EA	Curtain Asm. w/Gathers - 27.5" x 20" (W84)
3	079559-07-W25	EA	Curtain Asm. w/Gathers - 27.5" x 20" (W85)
3	079559-07-W26	EA	Curtain Asm. w/Gathers - 27.5" x 20" (W86)
4	084755-01-W24	EA	Shade Asm. - Pull - 28 25" (W84)
4	084755-01-W25	EA	Shade Asm. - Pull - 28 25" (W85)
4	084755-01-W26	EA	Shade Asm. - Pull - 28.25" (W86)
**4	084755-01-WA4	EA	Shade Asm. - Pull - 28 25" (W84)
**4	084755-01-WA5	EA	Shade Asm. - Pull - 28 25" (W85)
**4	084755-01-WA8	EA	Shade Asm. - Pull - 28.25" (W86)
4	079558-14-W30	EA	Valance Asm. - Gathered - 5" x 75" (W84)
4	079558-14-W31	EA	Valance Asm. - Gathered - 5" x 75" (W85)
4	079558-14-W32	EA	Valance Asm. - Gathered - 5" x 75" (W86)
5	084755-02-W24	EA	Shade Asm. - Pull - 67 25" (W84)
5	084755-02-W25	EA	Shade Asm. - Pull - 67 25" (W85)
5	084755-02-W26	EA	Shade Asm. - Pull - 67 25" (W86)
**5	084755-02-WA4	EA	Shade Asm. - Pull - 67 25" (W84)
**5	084755-02-WA5	EA	Shade Asm. - Pull - 67 25" (W85)
**5	084755-02-WA8	EA	Shade Asm. - Pull - 67.25" (W86)
5	079558-13-W30	EA	Valance Asm. - Gathered - 5" x 140" (W84)
5	079558-13-W31	EA	Valance Asm. - Gathered - 5" x 140" (W85)
5	079558-13-W32	EA	Valance Asm. - Gathered - 5" x 140" (W86)
5	079559-06-W30	EA	Curtain Asm. w/Gathers - 36" x 44" (W84)
5	079559-06-W31	EA	Curtain Asm. w/Gathers - 36" x 44" (W85)
5	079559-06-W32	EA	Curtain Asm. w/Gathers - 36" x 44" (W86)
†	085304-16-000	EA	Blinds - Pleated - 65" x 33" Drop (W84)
†	085304-20-000	EA	Blinds - Pleated - 65" x 33" Drop (W85)
†	085304-17-000	EA	Blinds - Pleated - 65" x 33" Drop (W86)
6	073304-41-W09	EA	Curtain Asm. - Front Wraparound w/Lining (W84)
6	073304-41-W31	EA	Curtain Asm. - Front Wraparound w/Lining (W85)
6	073304-41-W08	EA	Curtain Asm. - Front Wraparound w/Lining (W86)
6	077591-06-W30	EA	Curtain Asm. w/Velcro Top - Bunk Privacy - Driver (W84)
6	077591-06-W31	EA	Curtain Asm. w/Velcro Top - Bunk Privacy - Driver (W85)
6	077591-06-W32	EA	Curtain Asm. w/Velcro Top - Bunk Privacy - Driver (W86)
7	073304-40-W09	EA	Curtain Asm. - Front Wraparound w/Lining (W84)
7	073304-40-W31	EA	Curtain Asm. - Front Wraparound w/Lining (W85)
7	073304-40-W08	EA	Curtain Asm. - Front Wraparound w/Lining (W86)
7	077591-05-W30	EA	Curtain Asm. w/Velcro Top - Bunk Privacy - Passenger (W84)
7	077591-05-W31	EA	Curtain Asm. w/Velcro Top - Bunk Privacy - Passenger (W85)
7	077591-05-W32	EA	Curtain Asm. w/Velcro Top - Bunk Privacy - Passenger (W86)
**			Shades used in units produced after 10-19-86
†			Parts used in the Horseshoe Lounge Option
†			Parts used in the Pleated Blind Option

**1987 ITASCA  
TABLE OF CONTENTS**

IC420EC	A-01 - B-06
ICN22EC	D-07 - D-08
ICN27R1	D-09 - F-14
IJN32RQ	F-15 - I-02
ICP26ET	I-03 - K-10

**1987 IJN32RQ INDEX**

Floor Plan	F-15 - F-16
Accessories Group	F-17 - F-19
Bath Group	F-20 - F-21
Chassis Group	F-22 - F-24
Curtain, Cushion & Pad Group	G-01 - G-10
Dinette Group	G-11 - G-12
Driver's Compartment Group	G-13 - G-15
Electrical Group	G-16 - G-18
Exterior Body Group	G-19 - G-23
Galley Group	G-24 - H-02
Heating & Air Conditioning Group	H-03
Interior Finish Group	H-04 - H-06
LP Group	H-07
Lounge Group	H-08 - H-11
Water & Sewage Group	H-12 - H-13
Window, Vent & Exterior Door Group	H-14 - I-02

**CURTAIN, CUSHION & PAD GROUP (CONTINUED)**

**CURTAINS, SHADES, VALANCES & TIEBACKS (CONT.)**

Key	Part Number	U/M	Description
0	084755-04-W30	EA	Shade Asm - Pull - 24 25" (W84)
0	084755-04-W31	EA	Shade Asm - Pull - 24 25" (W85)
0	084755-04-W32	EA	Shade Asm - Pull - 24 25" (W86)
**0	084755-04-WA4	EA	Shade Asm - Pull - 24 25" (W84)
**0	084755-04-WA5	EA	Shade Asm - Pull - 24 25" (W85)
**0	084755-04-WA8	EA	Shade Asm - Pull - 24 25" (W86)
0	079558-14-W30	EA	Valance Asm - Gathered - 5" x 75" (W84)
0	079558-14-W31	EA	Valance Asm - Gathered - 5" x 75" (W85)
0	079558-14-W32	EA	Valance Asm - Gathered - 5" x 75" (W86)
9	084755-16-W30	EA	Shade Asm - Pull - 69 25" (W84)
0	084755-16-W31	EA	Shade Asm - Pull - 69 25" (W85)
9	074755-16-W32	EA	Shade Asm - Pull - 69 25" (W86)
**9	084755-16-WA4	EA	Shade Asm - Pull - 69 25" (W84)
**9	084755-16-WA5	EA	Shade Asm - Pull - 69 25" (W85)
**9	084755-16-WA6	EA	Shade Asm - Pull - 69 25" (W86)
9	079558-21-W30	EA	Valance Asm - Gathered - 5" x 120" (W84)
9	079558-21-W31	EA	Valance Asm - Gathered - 5" x 120" (W85)
9	079558-21-W32	EA	Valance Asm - Gathered - 5" x 120" (W86)
9	079559-11-W30	EA	Curtain Asm w/Gathers - 32" x 41" (W84)
9	079559-11-W31	EA	Curtain Asm w/Gathers - 32" x 41" (W85)
9	079559-11-W32	EA	Curtain Asm w/Gathers - 32" x 41" (W86)
†	079558-18-W30	EA	Valance Asm - Gathered - 5" x 40" (W84)
†	079558-18-W31	EA	Valance Asm - Gathered - 5" x 40" (W85)
†	079558-18-W32	EA	Valance Asm - Gathered - 5" x 40" (W86)
†	079559-10-W30	EA	Curtain Asm w/Gathers - 27 25" (W84)
†	079559-10-W31	EA	Curtain Asm w/Gathers - 27 25" (W85)
†	079559-10-W32	EA	Curtain Asm w/Gathers - 27 25" (W86)
*†	085304-16-000	EA	Blinds - Pleated - 65" x 33" Drop (W84)
*†	085304-20-000	EA	Blinds - Pleated - 65" x 33" Drop (W85)
*†	085304-17-000	EA	Blinds - Pleated - 65" x 33" Drop (W86)
††	084755-13-W24	EA	Shade Asm - Pull - 47 25" (W84)
††	084755-13-W25	EA	Shade Asm - Pull - 47 25" (W85)
††	084755-13-W26	EA	Shade Asm - Pull - 47 25" (W86)
**††	084755-13-WA4	EA	Shade Asm - Pull - 47 25" (W84)
**††	084755-13-WA5	EA	Shade Asm - Pull - 47 25" (W85)
**††	084755-13-WA8	EA	Shade Asm - Pull - 47 25" (W86)
††	079558-22-W24	EA	Valance Asm - Gathered - 5" x 95" (W84)
††	079558-22-W25	EA	Valance Asm - Gathered - 5" x 95" (W85)
††	079558-22-W26	EA	Valance Asm - Gathered - 5" x 95" (W86)
*	073260-23-W06	EA	Tieback Asm - 3" x 18" - Drapery (W84)
*	073260-23-W25	EA	Tieback Asm - 3" x 18" - Drapery (W85)
*	073260-23-W05	EA	Tieback Asm - 3" x 18" - Drapery (W86)
*	057534-01-000	EA	Tieback - Clear - 6"
*			Not illustrated
**			Shades used in units produced after 10-19-86
†			Parts used in the Horseshoe Lounge Option
*†			Parts used in the Pleated Blind Option
††			Parts used in the Double Bed Option

**FRONT BUNK**

Key	Part Number	U/M	Description
	079145-04-000	EA	Cushion Asm - Front Bunk - 4" x 34" x 78"
	M79145-04-000	EA	Cover Asm - Front Bunk Cushion - 4" x 34" x 78"
	079144-02-T03	EA	Bunk Strap - Vinyl

**CURTAIN, CUSHION & PAD GROUP (CONTINUED)**

**BUCKET SEATS**

Key	Part Number	U/M	Description
	084191-02-W24	EA	Seat Asm - Comet I (W84)
	084191-02-W25	EA	Seat Asm - Comet I (W85)
	084191-01-W26	EA	Seat Asm - Comet I (W86)
	M01864-23-W24	EA	Cover Asm - Seat Bottom (W84)
	M01864-23-W25	EA	Cover Asm - Seat Bottom (W85)
	M01864-21-W26	EA	Cover Asm - Seat Bottom (W86)
	M01864-24-W24	EA	Cover Asm - Seat Back (W84)
	M01864-24-W25	EA	Cover Asm - Seat Back (W85)
	M01864-22-W26	EA	Cover Asm - Seat Back (W86)
	083909-15-W84	EA	Seat Asm - Straton (W24)
	083909-15-W85	EA	Seat Asm - Straton (W85)
	083909-16-W86	EA	Seat Asm - Straton (W86)
	M01864-35-W84	EA	Cover Asm - Straton Seat Bottom (W84)
	M01864-35-W85	EA	Cover Asm - Straton Seat Bottom (W85)
	M01864-33-W26	EA	Cover Asm - Straton Seat Bottom (W86)
	M01864-38-W84	EA	Cover Asm - Straton Seat Back (W84)
	M01864-38-W85	EA	Cover Asm - Straton Seat Back (W85)
	M01864-34-W26	EA	Cover Asm - Straton Seat Back (W86)
	080243-23-W24	EA	Armrest Asm - Right (W84)
	080243-23-W25	EA	Armrest Asm - Right (W85)
	080243-25-W26	EA	Armrest Asm - Right (W86)
	080243-24-W24	EA	Armrest Asm - Left (W84)
	080243-24-W25	EA	Armrest Asm - Left (W85)
	080243-26-W26	EA	Armrest Asm - Left (W86)
	M80243-23-W24	EA	Cover Asm - Armrest - Right (W84)
	M80243-23-W25	EA	Cover Asm - Armrest - Right (W85)
	M80243-25-W26	EA	Cover Asm - Armrest - Right (W86)
	M80243-24-W24	EA	Cover Asm - Armrest - Left (W84)
	M80243-24-W25	EA	Cover Asm - Armrest - Left (W85)
	M80243-26-W26	EA	Cover Asm - Armrest - Left (W86)
	085268-01-W24	EA	Headrest Asm (W84)
	085268-01-W25	EA	Headrest Asm (W85)
	085268-02-W26	EA	Headrest Asm (W86)
	M85268-01-W24	EA	Cover Asm - Headrest (W84)
	M85268-01-W25	EA	Cover Asm - Headrest (W85)
	M85268-02-W26	EA	Cover Asm - Headrest (W86)
	071126-16-W30	EA	Skirt Asm - Single Bucket (W84)
	071126-16-W31	EA	Skirt Asm - Single Bucket (W85)
	071126-13-W86	EA	Skirt Asm - Single Bucket (W86)
	085269-01-W30	EA	Seat Asm - Double Bucket (W84)
	085269-01-W31	EA	Seat Asm - Double Bucket (W85)
	085269-02-W26	EA	Seat Asm - Double Bucket (W86)
	M01874-05-W30	EA	Cover Asm - Straton Seat Bottom - Double Bucket (W84)
	M01874-05-W31	EA	Cover Asm - Straton Seat Bottom - Double Bucket (W85)
	M01874-07-W26	EA	Cover Asm - Straton Seat Bottom - Double Bucket (W86)
	M01874-06-W30	EA	Cover Asm - Straton Seat Back - Double Bucket (W84)
	M01874-06-W31	EA	Cover Asm - Straton Seat Back - Double Bucket (W85)
	M01874-08-W26	EA	Cover Asm - Straton Seat Back - Double Bucket (W86)
	071690-04-W30	EA	Skirt Asm - Double Bucket (W84)
	071690-04-W31	EA	Skirt Asm - Double Bucket (W85)
	071690-05-W86	EA	Skirt Asm - Double Bucket (W86)

**1987 ITASCA  
TABLE OF CONTENTS**

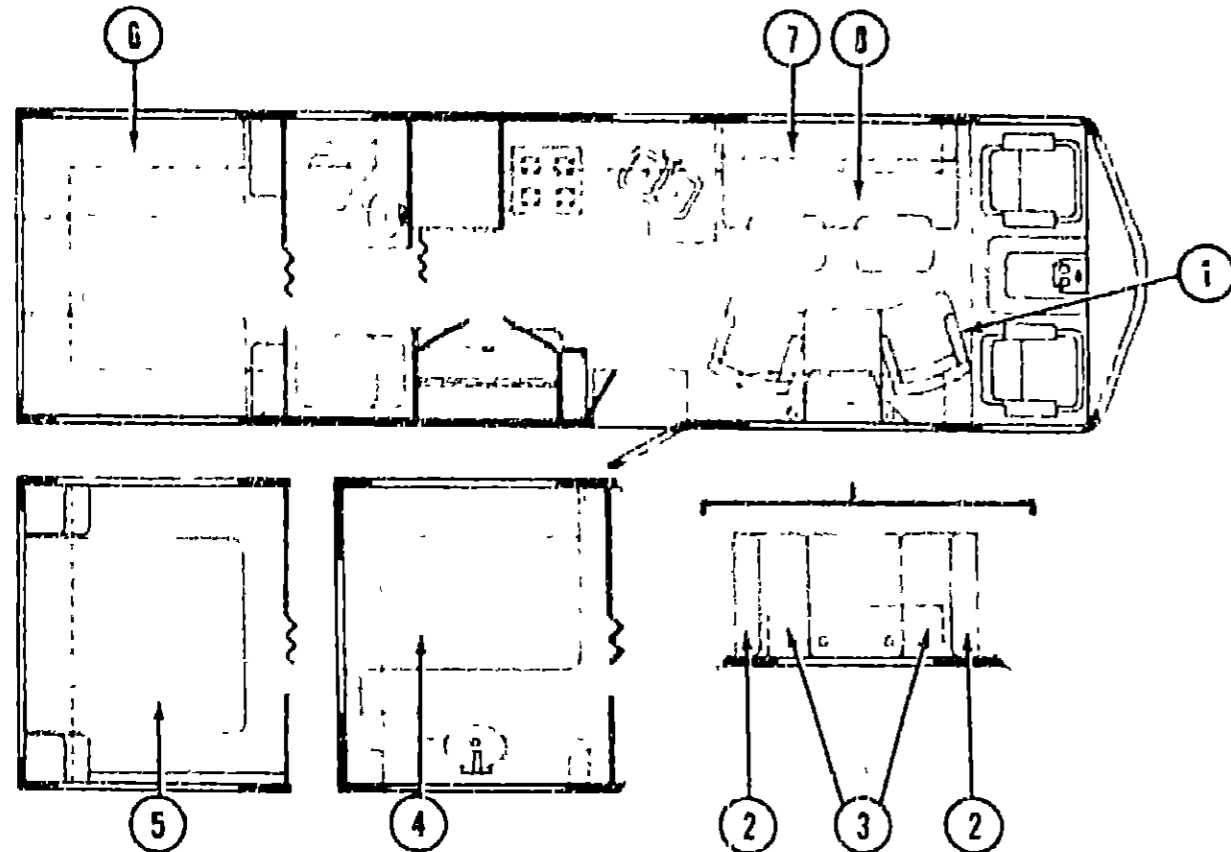
IC420EG	A-01 - D-06
ICN22EC	B-07 - D-08
ICN27RT	D-09 - F-14
IJN32RQ	F-15 - I-02
ICP26ET	I-03 - K-10

**1987 IJN32RQ INDEX**

Floor Plan	F-15 - F-16
Accessories Group	F-17 - F-19
Body Group	F-20 - F-21
Chassis Group	F-22 - F-24
Curtain, Cushion & Pad Group	G-01 - G-10
Dinette Group	G-11 - G-12
Driver's Compartment Group	G-13 - G-15
Electrical Group	G-16 - G-18
Exterior Body Group	G-19 - G-23
Galley Group	G-24 - H-02
Heating & Air Conditioning Group	H-03
Interior Finish Group	H-04 - H-06
LP Group	H-07
Lounge Group	H-08 - H-11
Water & Sewage Group	H-12 - H-13
Window, Vent & Exterior Door Group	H-14 - I-02



**CURTAIN, CUSHION & PAD GROUP (CONTINUED)**



**CELEBRITY CHAIR**

Key	Part Number	U/M	Description
1	085059-01-W30	EA	Chair Asm - Celebrity (W84)
1	085059-01-W31	EA	Chair Asm. - Celebrity (W85)
1	085059-01-W32	EA	Chair Asm. - Celebrity (W86)
	085187-01-W30	EA	Skirt Asm. - Celebrity (W84)
	085187-01-W31	EA	Skirt Asm. - Celebrity (W85)
	085187-01-W32	EA	Skirt Asm - Celebrity (W86)
	035036-01-000	EA	Plate - Tilt & Swivel Chair
	088245-01-000	EA	Base w/Legs - Swivel Chair
	035036-06-000	EA	Extension - 5" - Swivel Chair
*1	086516-01-W30	EA	Chair Asm - EZ Back Recliner (W84)
*1	086516-01-W31	EA	Chair Asm - EZ Back Recliner (W85)
*1	086516-01-W32	EA	Chair Asm. - EZ Back Recliner (W86)
	075174-05-W30	EA	Skirt Asm - Recliner Chair (W84)
	075174-05-W31	EA	Skirt Asm. - Recliner Chair (W85)
	075174-05-W32	EA	Skirt Asm. - Recliner Chair (W86)
	069246-03-000	EA	Adjuster Asm - TT Chair - w/Lock
	069246-04-000	EA	Adjuster Asm - TT Chair - w/o Lock
	035036-07-000	EA	Extension - 4" - Recliner Chair

Parts used on the Reclining Swivel Chair

**DINETTE CUSHIONS**

Key	Part Number	U/M	Description
2	081998-77-W24	EA	Cushion Asm. - Dinette Back - 19.25" x 38" x 5" (W84)
2	081998-77-W25	EA	Cushion Asm. - Dinette Back - 19.25" x 38" x 5" (W85)
2	081998-77-W26	EA	Cushion Asm. - Dinette Back - 19.25" x 38" x 5" (W86)
	M81998-77-W24	EA	Cover Asm - Dinette Back Cushion - 19.25" x 38" x 5" (W84)
	M81998-77-W25	EA	Cover Asm - Dinette Back Cushion - 19.25" x 38" x 5" (W85)
	M81998-77-W26	EA	Cover Asm - Dinette Back Cushion - 19.25" x 38" x 5" (W86)
3	081998-78-W24	EA	Cushion Asm - Dinette Seat - 17.5" x 38" x 5" (W84)
3	081998-78-W25	EA	Cushion Asm - Dinette Seat - 17.5" x 38" x 5" (W85)
3	081998-78-W26	EA	Cushion Asm - Dinette Seat - 17.5" x 38" x 5" (W86)
	M81998-78-W24	EA	Cover Asm - Dinette Seat Cushion - 17.5" x 38" x 5" (W84)
	M81998-78-W25	EA	Cover Asm. - Dinette Seat Cushion - 17.5" x 38" x 5" (W85)
	M81998-78-W26	EA	Cover Asm - Dinette Seat Cushion - 17.5" x 38" x 5" (W86)

**CURTAIN, CUSHION & PAD GROUP (CONTINUED)**

**DOUBLE BED**

Key	Part Number	U/M	Description
4	077478-03-000	EA	Mattress - Innerspring - 54" x 75" x 7.5" - Sealy
4	083498-03-000	EA	Mattress - Foam - 54" x 75" x 7"
	081969-05-W30	EA	Bedsread Asm. - Fitted - 54" (W84)
	081969-05-W31	EA	Bedsread Asm - Fitted - 54" (W85)
	081969-05-W32	EA	Bedsread Asm. - Fitted - 54" (W86)
	081997-01-W30	EA	Pillow Sham - Quilted - 30" x 26" (W84)
	081997-01-W31	EA	Pillow Sham - Quilted - 30" x 26" (W85)
	081997-01-W32	EA	Pillow Sham - Quilted - 30" x 26" (W86)
	077463-09-W30	EA	Headboard Asm. - Double (W84)
	077463-09-W31	EA	Headboard Asm - Double (W85)
	077463-09-W32	EA	Headboard Asm - Double (W86)

**QUEEN BED**

Key	Part Number	U/M	Description
5	077478-05-000	EA	Mattress - Innerspring - 60" x 75" x 7.5" - Sealy
5	082498-04-000	EA	Mattress - Foam - 60" x 75" x 7"
	081969-15-W30	EA	Bedsread Asm. - 60" x 76" w/Flip-up Top (W84)
	081969-15-W31	EA	Bedsread Asm. - 60" x 76" w/Flip-up Top (W85)
	081969-15-W32	EA	Bedsread Asm. - 60" x 76" w/Flip-up Top (W86)
	081997-01-W30	EA	Pillow Sham - Quilted - 30" x 26" (W84)
	081997-01-W31	EA	Pillow Sham - Quilted - 30" x 26" (W85)
	081997-01-W32	EA	Pillow Sham - Quilted - 30" x 26" (W86)
	077463-10-W30	EA	Headboard Asm - Queen (W84)
	077463-10-W31	EA	Headboard Asm - Queen (W85)
	077463-10-W32	EA	Headboard Asm. - Queen (W86)

**TWIN BED**

Key	Part Number	U/M	Description
6	077478-04-000	EA	Mattress - Innerspring - 33" x 75" x 7.5" - Sealy
6	083496-01-000	EA	Mattress - Foam - 33" x 75" x 7"
	081969-04-W30	EA	Bedsread Asm - w/10" Ruffle - 33" (W84)
	081969-04-W31	EA	Bedsread Asm. - w/10" Ruffle - 33" (W85)
	081969-04-W32	EA	Bedsread Asm. - w/10" Ruffle - 33" (W86)
	081997-01-W30	EA	Pillow Asm - Quilted - 30" x 26" (W84)
	081997-01-W31	EA	Pillow Asm. - Quilted - 30" x 26" (W85)
	081997-01-W32	EA	Pillow Asm - Quilted - 30" x 26" (W86)
	077463-08-W30	EA	Headboard Asm - Twin (W84)
	077463-08-W31	EA	Headboard Asm. - Twin (W85)
	077463-08-W32	EA	Headboard Asm - Twin (W86)

**CONTINENTAL BED**

Key	Part Number	U/M	Description
7	081998-67-W30	EA	Pillow Asm - 16" x 23" x 5" (W84)
7	081998-67-W31	EA	Pillow Asm - 16" x 23" x 5" (W85)
7	081998-67-W32	EA	Pillow Asm - 16" x 23" x 5" (W86)
	M81998-67-W30	EA	Cover Asm. - Pillow - 16" x 23" x 5" (W84)
	M81998-67-W31	EA	Cover Asm - Pillow - 16" x 23" x 5" (W85)
	M81998-67-W32	EA	Cover Asm. - Pillow - 16" x 23" x 5" (W86)
8	085058-01-W30	EA	Bed Asm - Continental Bed (W84)
8	085058-01-W31	EA	Bed Asm. - Continental Bed (W85)
8	085058-01-W32	EA	Bed Asm. - Continental Bed (W86)
	M85058-01-W30	EA	Cover Asm. - Continental Bed (W84)
	M85058-01-W31	EA	Cover Asm. - Continental Bed (W85)
	M85058-01-W32	EA	Cover Asm - Continental Bed (W86)

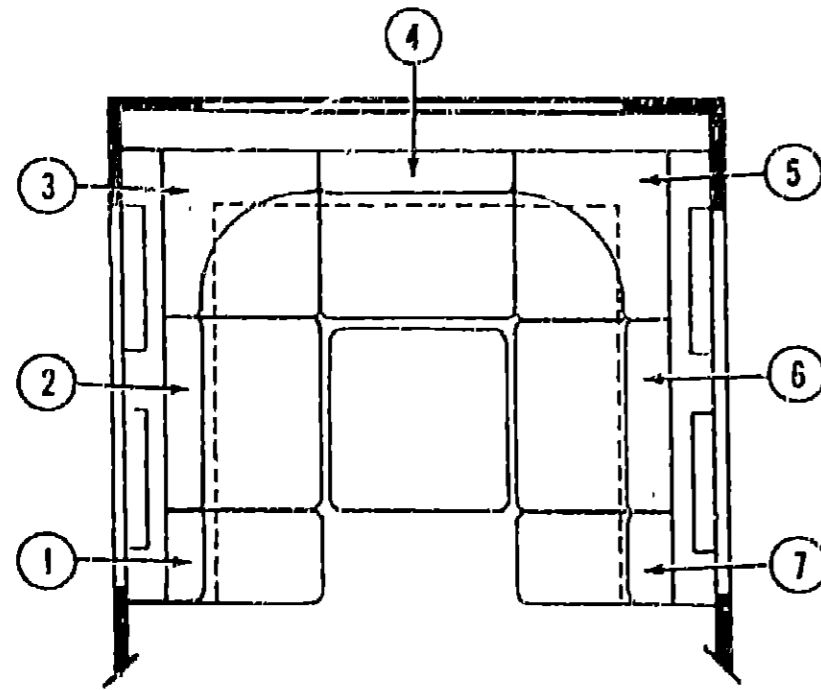
**1987 ITASCA  
TABLE OF CONTENTS**

IC420EG	A-01 - B-08
ICN22EC	B-07 - D-09
ICN27RT	D-09 - F-14
IJN32RQ	F-15 - I-02
ICP26ET	I-03 - K-10

**1987 IJN32RQ INDEX**

Floor Plan	F-15 - F-16
Accessories Group	F-17 - F-19
Bath Group	F-20 - F-21
Chassis Group	F-22 - F-24
Curtain, Cushion & Pad Group	G-01 - G-10
Dinette Group	G-11 - G-12
Driver's Compartment Group	G-13 - G-15
Electrical Group	G-16 - G-18
Exterior Body Group	G-19 - G-23
Galley Group	G-24 - H-02
Heating & Air Conditioning Group	H-03
Interior Finish Group	H-04 - H-06
LP Group	H-07
Lounge Group	H-08 - H-11
Water & Sewage Group	H-12 - H-13
Window, Vent & Exterior Door Group	H-14 - I-02

**CURTAIN, CUSHION & PAD GROUP (CONTINUED)**



**HORSESHOE LOUNGE CUSHIONS**

Key	Part Number	U/M	Description
1	077813-16-W30	EA	Cushion Asm. - Back - 4" x 6" x 12" x 16 3/4" (W84)
1	077813-16-W31	EA	Cushion Asm. - Back - 4" x 6" x 12" x 16 3/4" (W85)
1	077813-16-W32	EA	Cushion Asm. - Back - 4" x 6" x 12" x 16 3/4" (W86)
*	M77813-16-W30	EA	Cover Asm. - Back Cushion (W84)
*	M77813-16-W31	EA	Cover Asm. - Back Cushion (W85)
*	M77813-16-W32	EA	Cover Asm. - Back Cushion (W86)
*	081998-03-W30	EA	Cushion Asm. - Seat - 26 3/8" x 16 3/4" x 5" (W84)
*	081998-03-W31	EA	Cushion Asm. - Seat - 26 3/8" x 16 3/4" x 5" (W85)
*	081998-03-W32	EA	Cushion Asm. - Seat - 26 3/8" x 16 3/4" x 5" (W86)
*	M81998-03-W30	EA	Cover Asm. - Seat Cushion (W84)
*	M81998-03-W31	EA	Cover Asm. - Seat Cushion (W85)
*	M81998-03-W32	EA	Cover Asm. - Seat Cushion (W86)
2	077813-13-W30	EA	Cushion Asm. - Back - 4" x 6" x 12" x 33 1/2" (W84)
2	077813-13-W31	EA	Cushion Asm. - Back - 4" x 6" x 12" x 33 1/2" (W85)
2	077813-13-W32	EA	Cushion Asm. - Back - 4" x 6" x 12" x 33 1/2" (W86)
*	M77813-13-W30	EA	Cover Asm. - Back Cushion (W84)
*	M77813-13-W31	EA	Cover Asm. - Back Cushion (W85)
*	M77813-13-W32	EA	Cover Asm. - Back Cushion (W86)
*	081998-05-W30	EA	Cushion Asm. - Seat - 26 3/8" x 33 1/2" x 5" (W84)
*	081998-05-W31	EA	Cushion Asm. - Seat - 26 3/8" x 33 1/2" x 5" (W85)
*	081998-05-W32	EA	Cushion Asm. - Seat - 26 3/8" x 33 1/2" x 5" (W86)
*	M81998-05-W30	EA	Cover Asm. - Seat Cushion (W84)
*	M81998-05-W31	EA	Cover Asm. - Seat Cushion (W85)
*	M81998-05-W32	EA	Cover Asm. - Seat Cushion (W86)
3	077814-08-W30	EA	Cushion Asm. - Back - 4" x 6" x 12" x 26 3/8" (W84)
3	077814-08-W31	EA	Cushion Asm. - Back - 4" x 6" x 12" x 26 3/8" (W85)
3	077814-08-W32	EA	Cushion Asm. - Back - 4" x 6" x 12" x 26 3/8" (W86)
*	M77814-08-W30	EA	Cover Asm. - Back Cushion (W84)
*	M77814-08-W31	EA	Cover Asm. - Back Cushion (W85)
*	M77814-08-W32	EA	Cover Asm. - Back Cushion (W86)
*	081998-26-W30	EA	Cushion Asm. - Seat - 26 3/8" x 26 3/8" x 5" (W84)
*	081998-26-W31	EA	Cushion Asm. - Seat - 26 3/8" x 26 3/8" x 5" (W85)
*	081998-26-W32	EA	Cushion Asm. - Seat - 26 3/8" x 26 3/8" x 5" (W86)
*	M81998-26-W30	EA	Cover Asm. - Seat Cushion (W84)
*	M81998-26-W31	EA	Cover Asm. - Seat Cushion (W85)
*	M81998-26-W32	EA	Cover Asm. - Seat Cushion (W86)

**CURTAIN, CUSHION & PAD GROUP (CONTINUED)**

**HORSESHOE LOUNGE CUSHIONS (CONT.)**

Key	Part Number	U/M	Description
4	077813-15-W30	EA	Cushion Asm. - Back - 4" x 6" x 12" x 26 3/4" (W84)
4	077813-15-W31	EA	Cushion Asm. - Back - 4" x 6" x 12" x 26 3/4" (W85)
4	077813-15-W32	EA	Cushion Asm. - Back - 4" x 6" x 12" x 26 3/4" (W86)
*	M77813-15-W30	EA	Cover Asm. - Back Cushion (W84)
*	M77813-15-W31	EA	Cover Asm. - Back Cushion (W85)
*	M77813-15-W32	EA	Cover Asm. - Back Cushion (W86)
*	081998-25-W30	EA	Cushion Asm. - Seat - 26 3/8" x 26 3/8" x 5" (W84)
*	081998-25-W31	EA	Cushion Asm. - Seat - 26 3/8" x 26 3/8" x 5" (W85)
*	081998-25-W32	EA	Cushion Asm. - Seat - 26 3/8" x 26 3/8" x 5" (W86)
*	M81998-25-W30	EA	Cover Asm. - Seat Cushion (W84)
*	M81998-25-W31	EA	Cover Asm. - Seat Cushion (W85)
*	M81998-25-W32	EA	Cover Asm. - Seat Cushion (W86)
5	077814-09-W30	EA	Cushion Asm. - Back - 4" x 6" x 12" x 26 3/8" (W84)
5	077814-09-W31	EA	Cushion Asm. - Back - 4" x 6" x 12" x 26 3/8" (W85)
5	077814-09-W32	EA	Cushion Asm. - Back - 4" x 6" x 12" x 26 3/8" (W86)
*	M77814-09-W30	EA	Cover Asm. - Back Cushion (W84)
*	M77814-09-W31	EA	Cover Asm. - Back Cushion (W85)
*	M77814-09-W32	EA	Cover Asm. - Back Cushion (W86)
*	081998-27-W30	EA	Cushion Asm. - Seat - 26 3/8" x 26 3/8" x 5" (W84)
*	081998-27-W31	EA	Cushion Asm. - Seat - 26 3/8" x 26 3/8" x 5" (W85)
*	081998-27-W32	EA	Cushion Asm. - Seat - 26 3/8" x 26 3/8" x 5" (W86)
*	M81998-27-W30	EA	Cover Asm. - Seat Cushion (W84)
*	M81998-27-W31	EA	Cover Asm. - Seat Cushion (W85)
*	M81998-27-W32	EA	Cover Asm. - Seat Cushion (W86)
6	077813-14-W30	EA	Cushion Asm. - Back - 4" x 6" x 12" x 33 1/2" (W84)
6	077813-14-W31	EA	Cushion Asm. - Back - 4" x 6" x 12" x 33 1/2" (W85)
6	077813-14-W32	EA	Cushion Asm. - Back - 4" x 6" x 12" x 33 1/2" (W86)
*	M77813-14-W30	EA	Cover Asm. - Back Cushion (W84)
*	M77813-14-W31	EA	Cover Asm. - Back Cushion (W85)
*	M77813-14-W32	EA	Cover Asm. - Back Cushion (W86)
*	081998-06-W30	EA	Cushion Asm. - Seat - 26 3/8" x 33 1/2" x 5" (W84)
*	081998-06-W31	EA	Cushion Asm. - Seat - 26 3/8" x 33 1/2" x 5" (W85)
*	081998-06-W32	EA	Cushion Asm. - Seat - 26 3/8" x 33 1/2" x 5" (W86)
*	M81998-06-W30	EA	Cover Asm. - Seat Cushion (W84)
*	M81998-06-W31	EA	Cover Asm. - Seat Cushion (W85)
*	M81998-06-W32	EA	Cover Asm. - Seat Cushion (W86)
7	077813-17-W30	EA	Cushion Asm. - Back - 4" x 6" x 12" x 16 3/4" (W84)
7	077813-17-W31	EA	Cushion Asm. - Back - 4" x 6" x 12" x 16 3/4" (W85)
7	077813-17-W32	EA	Cushion Asm. - Back - 4" x 6" x 12" x 16 3/4" (W86)
*	M77813-17-W30	EA	Cover Asm. - Back Cushion (W84)
*	M77813-17-W31	EA	Cover Asm. - Back Cushion (W85)
*	M77813-17-W32	EA	Cover Asm. - Back Cushion (W86)
*	081998-04-W30	EA	Cushion Asm. - Seat - 26 3/8" x 16 3/4" x 5" (W84)
*	081998-04-W31	EA	Cushion Asm. - Seat - 26 3/8" x 16 3/4" x 5" (W85)
*	081998-04-W32	EA	Cushion Asm. - Seat - 26 3/8" x 16 3/4" x 5" (W86)
*	M81998-04-W30	EA	Cover Asm. - Seat Cushion (W84)
*	M81998-04-W31	EA	Cover Asm. - Seat Cushion (W85)
*	M81998-04-W32	EA	Cover Asm. - Seat Cushion (W86)
*	Not Keyed Out		

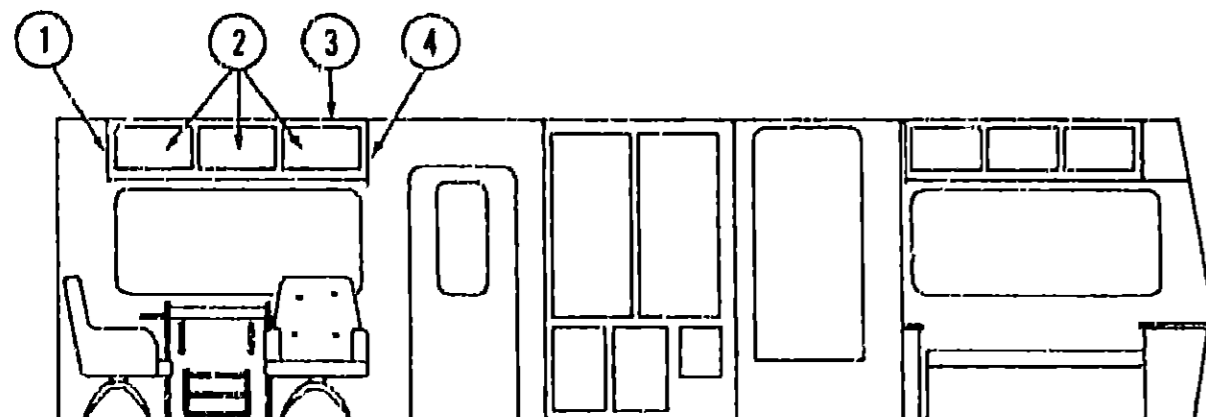
**1987 ITASCA  
TABLE OF CONTENTS**

IC420EG	A-01 - B-06
ICN22EC	B-07 - D-08
ICN27RT	D-09 - F-14
IJN32RO	F-15 - I-02
ICP26ET	I-03 - K-10

**1987 IJN32RQ INDEX**

Floor Plan	F-15 - F-16
Accessories Group	F-17 - F-19
Bath Group	F-20 - F-21
Chassis Group	F-22 - F-24
Curtain, Cushion & Pad Group	G-01 - G-10
Dinette Group	G-11 - G-12
Driver's Compartment Group	G-13 - G-15
Electrical Group	G-16 - G-18
Exterior Body Group	G-19 - G-23
Galley Group	G-24 - H-02
Heating & Air Conditioning Group	H-03
Interior Finish Group	H-04 - H-06
LP Group	H-07
Lounge Group	H-08 - H-11
Water & Sewage Group	H-12 - H-13
Window, Vent & Exterior Door Group	H-14 - I-02

## DINETTE GROUP



### SWIVEL CHAIR DINETTE & OVERHEAD CABINETS

Key	Part Number	U/M	Description
1	081325-04-W30	EA	Pad Asm. - End Cap - Front Overhead - Left
2	M81503-01-W30	EA	Door Asm. - Overhead Cabinet - w/o Hardware
**	M84955-01-W30	EA	Door Asm. - Overhead Cabinet - w/o Hardware
3	081550-19-W30	EA	Cabinet Asm. - Front Overhead - Passenger - w/o Doors or Hardware
*	081550-18-W30	EA	Cabinet Asm. - Front Overhead - Driver - w/o Doors or Hardware
4	081325-03-W30	EA	Pad Asm. - End Cap - Front Overhead - Right
*	M81727-03-W30	EA	Cabinet Asm. - Pullout Table
*	M02415-01-W30	EA	Table Asm. - Pullout
*	M02416-01-W30	EA	Countertop Asm. - Pullout Table
*	M02414-01-W30	EA	Top - Cupholder - Pullout Table
*	M02417-01-W30	EA	Hinged Top - Pullout Table - w/o Hardware
*	079606-03-W30	EA	Magazine Rack
*	080728-01-000	EA	Handle - Pullout Table
*	035036-04-000	EA	Base w/Leg - Swivel Chair
†	088245-01-000	EA	Chair Base w/Leg
†	088245-02-000	EA	Plate - Tilter w/Lock
†	088245-04-000	EA	Extension - 4"
†	038245-05-000	EA	Extension - 5"
*	079789-01-000	EA	Support - Table - Pullout - Belge
*	081298-01-W24	EA	Table Asm. - Pedestal
*	082936-01-U04	EA	Support Table
*	009040-03-000	EA	Base - Table - Mount on Table
*	009040-06-000	EA	Leg - Pedestal Table
*	062046-01-000	EA	Clip - Pedestal Leg
*	041194-01-000	EA	Base - Table - Flush Mount in Floor
*			Not illustrated
†			Parts used after 3/1/87

## DINETTE GROUP (CONTINUED)

### DINETTE CABINETS & HARDWARE (OPTION)

Key	Part Number	U/M	Description
	M02174-02-W84	EA	Cabinet Asm. - Dinette Back - Right
	M02174-03-W84	EA	Cabinet Asm. - Dinette Back - Left
	M02175-01-W30	EA	Cabinet Asm. - Dinette Seat - Right w/o Door
	M02175-04-W24	EA	Cabinet Asm. - Dinette Seat - Left - w/o Door
	M02115-09-U17	EA	Table - Dinette - w/o Hardware
	M81501-10-W30	EA	Door Asm. - Left - Dinette Seat - w/o Hardware
**	M84953-06-W24	EA	Door Asm. - Left - Dinette Seat - w/o Hardware
	M81501-11-W07	EA	Door Asm. - Right - Dinette Seat - w/o Hardware
**	M84953-07-W24	EA	Door Asm. - Right - Dinette Seat - w/o Hardware
	053201-06-000	EA	Hangar - Table - 23" - Belge
	074493-02-000	EA	Support - Sprung Door Asm. - Overhead Cabinet
	053200-05-000	EA	Bracket - Upper Wall Mount - 23.5" - Belge
	053201-06-000	EA	Bracket - Table Mount - 23"
	024275-05-000	EA	Rod - Table Lift - 8" x 23.5" - Belge
	024281-07-000	EA	Bracket - Lower Wall Mount - 22.12" - Belge
	024276-17-000	EA	Leg Asm. - Table - 26.75" - Tan
	064050-02-000	EA	Hinge - Table Leg
**	024282-01-000	EA	Brace - Table Leg
	049493-05-000	EA	Catch - Table Leg - Mounts on Floor - Tan
	064781-01-000	EA	Cup Holder - 3.47" O.D. x 2.75" I.D. x 1.5"
**			The illustrated parts breakdown for this item is provided on the Common Items Fiche

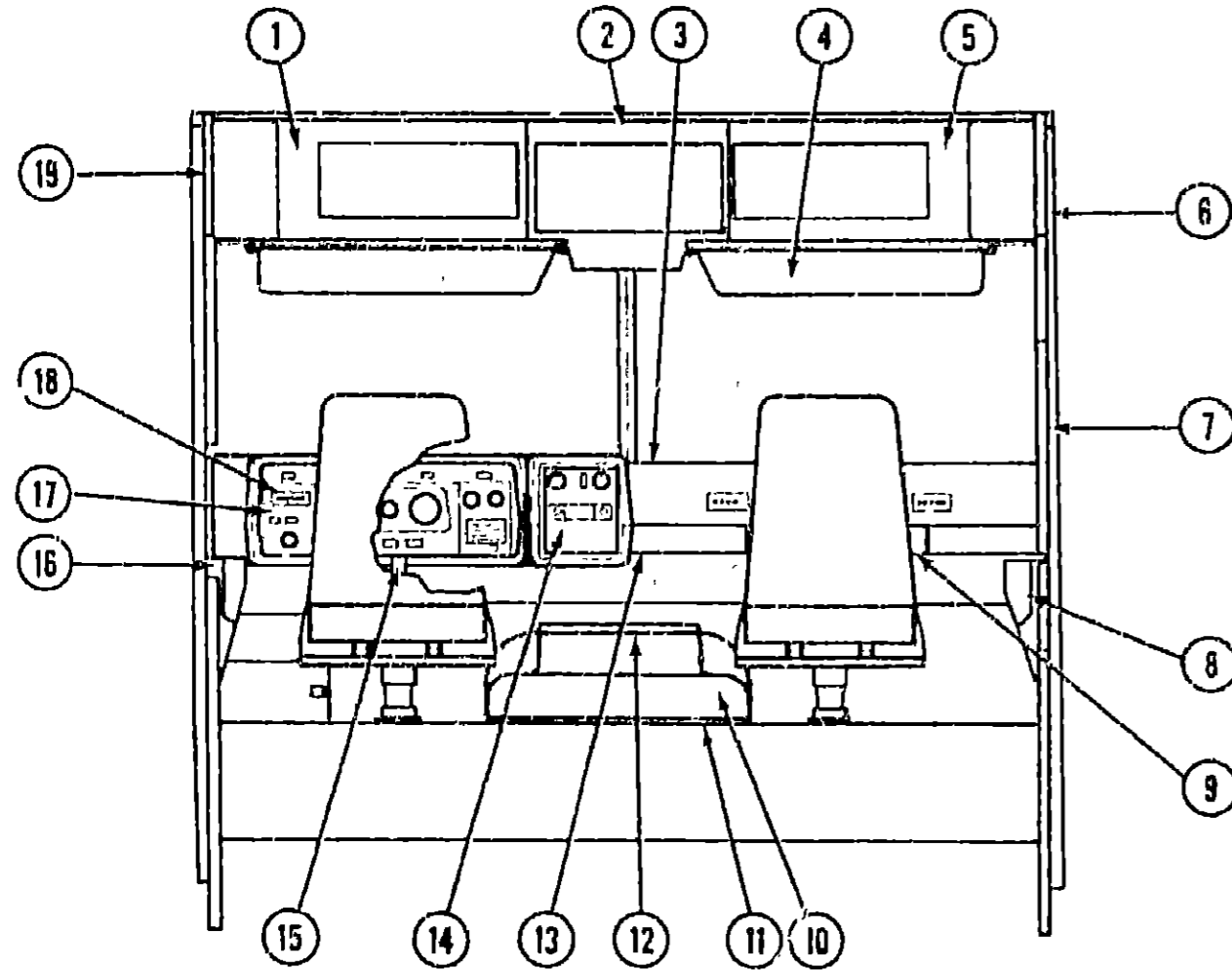
## 1987 ITASCA TABLE OF CONTENTS

IC420EG	A-01 - B-08
ICN22EC	B-07 - D-08
ICN27RT	D-09 - F-14
IJN32RQ	F-15 - I-02
ICP26ET	I-03 - K-10

## 1987 IJN32RQ INDEX

Floor Plan	F-15 - F-16
Accessories Group	F-17 - F-19
Bath Group	F-20 - F-21
Chassis Group	F-22 - F-24
Curtain, Cushion & Pad Group	G-01 - G-10
Dinette Group	G-11 - G-12
Driver's Compartment Group	G-13 - G-15
Electrical Group	G-16 - G-18
Exterior Body Group	G-19 - G-23
Galley Group	G-24 - H-02
Heating & Air Conditioning Group	H-03
Interior Finish Group	H-04 - H-06
LP Group	H-07
Lounge Group	H-08 - H-11
Water & Sewage Group	H-12 - H-13
Window, Vent & Exterior Door Group	H-14 - I-02

**DRIVER'S COMPARTMENT GROUP**



**MISCELLANEOUS DRIVER'S COMPARTMENT COMPONENTS**

Key	Part Number	U/M	Description
1	087919-02-W30	EA	Cabinet Asm. - Front Overhead - Left - w/o Door or Hardware
.	M81503-06-W30	EA	Door Asm. - Overhead Cabinets - w/o Hardware
.	086413-02-000	EA	Headliner - Front - Light Oak - w/o Bunk
2	087920-01-W30	EA	Cabinet Asm. - TV - w/o Door or Hardware
.	M81503-04-W30	EA	Door Asm. - TV Cabinet - w/o Hardware
.	040714-01-700	EA	Mirror - Inside - Rear View
3	M01113-24-W84	EA	Dash Asm. - Complete
.	079089-01-000	EA	Dash Pad - Passenger - Brown
.	079088-01-000	EA	Dash Pad - Driver - Brown
.	024990-01-000	EA	Outlet - Defroster w/Swivel - 2" - Tan
.	086491-01-000	EA	Gasket - Defroster Outlet
4	082286-01-W07	EA	Sunvisor Asm. - Right
.	082286-03-W07	EA	Sunvisor Asm. - Left
.	085709-01-000	EA	Clip Asm. - Sunvisor - Black
5	087919-01-W30	EA	Cabinet Asm. - Front Overhead - Right - w/o Door or Hardware
6	088133-01-W84	EA	Pad Asm. - Sidewall - Vinyl - w/o Bunk
.	080856-03-000	EA	Side Trim - Plastic - w/o Bunk
7	059414-06-000	EA	Pad - Sidewall Trim - Passenger - Vinyl
8	072811-01-000	EA	Side Panel - Passenger - Plastic
.	059467-04-T03	EA	Pad - Map Pocket - Passenger - Vinyl
9	022219-01-000	EA	Glove Compartment Door
.	023892-01-000	EA	Glove Compartment Box - Black Fiberboard
.	009118-01-000	EA	Glove Compartment Twist Lock
.	024598-01-000	EA	Glove Compartment Hinge
.	034309-01-000	EA	Glove Compartment Chain - Door
10	075939-01-000	EA	Motor Cover - Fiberglass
.	075564-01-000	EA	Mounting Bracket - Motor Cover
.	075564-02-000	EA	Mounting Bracket - Motor Cover
11	039623-01-000	FT	Seal - Engine Cover - Neoprene
.			Not illustrated

**DRIVER'S COMPARTMENT GROUP (CONTINUED)**

**MISCELLANEOUS DRIVER'S COMPARTMENT COMPONENTS (CONT.)**

Key	Part Number	U/M	Description
12	086157-01-W30	EA	Beverage Tray Asm. - Wooden Insert
.	086410-02-000	EA	Beverage Tray Asm. - Plastic Base
13	023834-01-000	EA	Panel - Knee Kick - Bottom of Dash
14	070003-13-000	EA	Bezel - Entertainment Center - w/o Generator
15	085495-01-000	EA	Cover - Steering Column
.	070245-01-000	EA	Steering Column Boot - Vinyl
16	082471-02-000	EA	Panel - Drivers Door - Inner - Plastic
.	046886-03-000	EA	Ash Tray - Chrome
17	086296-07-000	EA	Bezel - Control Panel
.	089294-01-000	EA	Cigarette Lighter Asm. - 12 Volt
.	081424-01-000	EA	Lamp Asm. - Map/Gauge
.	061400-06-000	EA	Assist Strap - 12" - Medium Almond
18	039044-01-000	EA	Louver Asm. - Air Conditioning Adjustable
19	088133-02-W84	EA	Pad Asm. - Sidewall - Vinyl - w/o Bunk
.	080856-04-000	EA	Side Trim - Left Front - Lower (w/o Bunk)
.	077114-04-000	EA	Windshield Trim - Center
.	077387-04-000	EA	Windshield Trim - Lower - Interior - Passenger
.	077367-02-000	EA	Windshield Trim - Lower - Interior - Driver
.	078579-01-000	EA	Windshield Trim - Upper - Interior - Passenger
.	078579-02-000	EA	Windshield Trim - Upper - Interior - Driver
.	085483-01-000	EA	Windshield Trim - Post - Driver
.	085483-02-000	EA	Windshield Trim - Post - Passenger
.			Not illustrated

**DASH SWITCHES & GAUGES**

Key	Part Number	U/M	Description
	065963-04-000	EA	Switch - Aux. Battery
	024461-01-000	EA	Switch - Battery
	024462-01-000	EA	Switch - Battery Condition
	024464-01-000	EA	Switch - Washer
	024467-01-000	EA	Switch - Wiper
	024976-01-000	EA	Switch - Generator w/o Circuit Board
	074007-01-000	EA	Switch - Intermittent - Windshield Wiper
	087695-01-000	EA	Switch - Mirror Heater
	024459-04-000	EA	Gauge - Voltmeter
	024460-04-000	EA	Gauge - Vacuum
	024460-02-000	EA	Mounting Bracket - Vacuum Gauge
	031035-02-000	EA	Gauge - Generator Hourmeter

**1987 ITASCA  
TABLE OF CONTENTS**

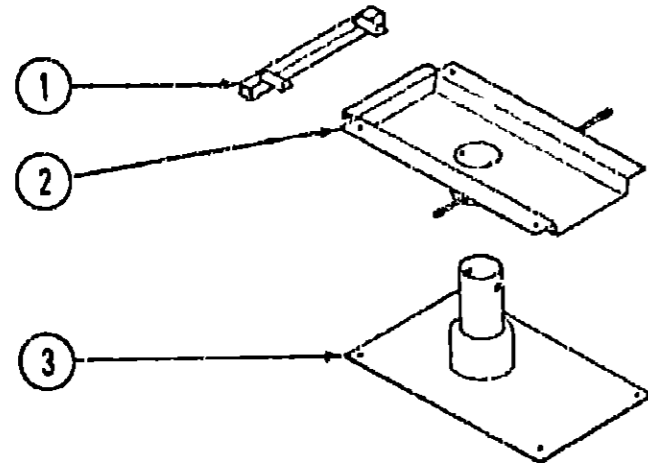
IC420EG	A-01 - B-08
ICN22EC	B-07 - D-08
ICN27RT	D-09 - F-14
IJN32RQ	F-15 - I-02
ICP26ET	I-03 - K-10

**1987 IJN32RQ INDEX**

Floor Plan	F-15 - F-16
Accessories Group	F-17 - F-19
Bath Group	F-20 - F-21
Chassis Group	F-22 - F-24
Curtain, Cushion & Pad Group	G-01 - G-10
Dinette Group	G-11 - G-12
Driver's Compartment Group	G-13 - G-15
Electrical Group	G-16 - G-18
Exterior Body Group	G-19 - G-23
Galley Group	G-24 - H-02
Heating & Air Conditioning Group	H-03
Interior Finish Group	H-04 - H-06
LP Group	H-07
Lounge Group	H-08 - H-11
Water & Sewage Group	H-12 - H-13
Window, Vent & Exterior Door Group	H-14 - I-02

NOTE: To be special ordered only

**DRIVER'S COMPARTMENT GROUP (CONTINUED)**



**BUCKET SEAT PEDESTAL & SEAT BELTS**

Key	Part Number	U/M	Description
1	069585-29-000	EA	Bar - Seat Belt - 20"
2	069585-27-000	EA	Plate - Top - Pedestal Asm. - Single Bucket Seat
2	069585-20-000	EA	Plate - Top - Pedestal Asm. - Powered Seat
2	069585-10-000	EA	Plate - Top - Pedestal Asm. - Double Bucket Seat
3	069585-08-000	EA	Plate - Sub - Pedestal Asm. - Bucket Seat
.	069585-05-000	EA	Hardware Kit - Bolt/Acorn Nut - 4 ea. - Pedestal Asm
.	007019-01-000	EA	Belt Asm. - Seat - 2" x 84" - Black
.	007021-01-000	EA	Belt Asm. - Seat - 2" x 90" - Black
.	056271-01-000	EA	Belt Asm. - Seat - 2" x 72" - Black
.	057759-L1-000	EA	Bracket - Seat Belt Washer
.	069246-01-000	EA	Adjuster Asm. - Seat - w/Lock
.	069246-02-000	EA	Adjuster Asm. - Seat - w/o Lock
.	081373-02-000	EA	Power Seat Adjustment Asm. - w/Frame
.	081373-02-700	EA	Switch Asm. Package
.	081737-02-701	EA	Harness Asm. - Left
.	081737-02-702	EA	Harness Asm. - Right
.	081737-02-703	EA	Horizontal Adjustment Package
.	081737-02-704	EA	Vertical Adjustment Package
.			Not illustrated

**FRONT BUNK & PULL DOWN STORAGE**

Key	Part Number	U/M	Description
	076760-03-000	EA	Overhead Bunk Hardware
	086413-03-000	EA	Headliner - Front - Lt. Oak - w/Bunk
	081717-01-W07	EA	Bed Asm. - Front Bunk
	079144-02-T03	EA	Bunk Strap
	042541-04-000	EA	Latch Asm. - w/o Strike - Brass
	042541-05-000	EA	Latch Strike - Brass
	080856-05-000	EA	Side Trim - Right Front - Lower
	080856-06-000	EA	Side Trim - Left Front - Lower
	088184-01-W84	EA	Pad Asm. - Sidewall - Vinyl - w/Bunk - Passenger
	088184-02-W84	EA	Pad Asm. - Sidewall - Vinyl - w/Bunk - Driver
	088185-02-W84	EA	Cabinet Asm. - Front - w/o Door or Hardware
	M84955-02-W24	EA	Door Asm. - Front Overhead - w/o Hardware

**ELECTRICAL GROUP**

**BULBS**

Key	Part Number	U/M	Description
	008103-01-000	EA	Bulb - 53
	036796-01-000	EA	Bulb - 194
	067479-01-000	EA	Bulb - 1078
	081633-01-700	EA	Bulb - Make-up Light

**FUSES & CIRCUIT BREAKERS**

Key	Part Number	U/M	Description
	008233-01-000	EA	Fuse - 5 Amp. - 12 Volt
	008234-01-000	EA	Fuse - 10 Amp - 12 Volt
	062901-02-000	EA	Fuse - 5 Amp. - Automotive
	062901-05-000	EA	Fuse - 15 Amp - Automotive
	008211-01-000	EA	Circuit Breaker - 6 Amp - 12 Volt
	008208-01-000	EA	Circuit Breaker - 40 Amp. - 12 Volt
	033573-02-000	EA	Circuit Breaker - 15 Amp. - 12 Volt - w/Mount
	033573-01-000	EA	Circuit Breaker - 20 Amp. - 12 Volt - w/Mount
	044466-03-000	EA	Circuit Breaker - 25 Amp - 12 Volt - w/Mount
	008268-01-000	EA	Circuit Breaker - 30 Amp. - 12 Volt - w/Mount
	071280-01-000	EA	Circuit Breaker Blank
	083209-08-000	EA	Circuit Breaker - Blank
	050283-02-000	EA	Circuit Breaker - Buss Bar
	071279-07-000	EA	Circuit Breaker - 20/20 - 120 Volt
	083209-01-000	EA	Circuit Breaker - 15 Amp. - 120 Volt
	085720-01-000	EA	Circuit Breaker - 15 Amp.
	083209-02-000	EA	Circuit Breaker - 15/15 Amp. - 120 Volt
	083209-03-000	EA	Circuit Breaker - 15/20 Amp - 120 Volt
	082678-02-000	EA	Circuit Breaker - 20 Amp. - 12 Volt
	085720-02-000	EA	Circuit Breaker - 20 Amp.
	083209-05-000	EA	Circuit Breaker - 20 Amp. - 120 Volt.
	085720-03-000	EA	Circuit Breaker - 25 Amp.
	085720-04-000	EA	Circuit Breaker - 30 Amp
	083209-04-000	EA	Circuit Breaker - 30 Amp - 120 Volt
	083209-06-000	EA	Circuit Breaker - 30/15 Amp - 120 Volt
	082678-01-000	EA	Circuit Breaker - 40 Amp - 12 Volt
	085720-05-000	EA	Circuit Breaker - 40 Amp.
	083210-01-000	EA	Circuit Breaker - GFI - 20 Amp. - 120 Volt
	083210-02-000	EA	Circuit Breaker - GFI - 15 Amp - 120 Volt

**1987 ITASCA  
TABLE OF CONTENTS**

IC420EQ	A-01 - B-06
ICN22EC	B-07 - D-09
ICN27RT	D-09 - F-14
IJN32RQ	F-15 - I-02
ICP26ET	I-03 - K-10

**1987 IJN32RQ INDEX**

Floor Plan	F-15 - F-16
Accessories Group	F-17 - F-19
Bath Group	F-20 - F-21
Chassis Group	F-22 - F-24
Curtain, Cushion & Pad Group	G-01 - G-10
Dinette Group	G-11 - G-12
Driver's Compartment Group	G-13 - G-15
Electrical Group	G-16 - G-18
Exterior Body Group	G-19 - G-23
Galley Group	G-24 - H-02
Heating & Air Conditioning Group	H-03
Interior Finish Group	H-04 - H-06
LP Group	H-07
Lounge Group	H-08 - H-11
Water & Sewage Group	H-12 - H-13
Window, Vent & Exterior Door Group	H-14 - I-02

**ELECTRICAL GROUP (CONTINUED)**

**WIRE, SWITCHES & RECEPTACLES**

Key	Part Number	U/M	Description
	008208-01-000	EA	Box - Electrical - 3" x 3.5" - Plastic
	008289-01-000	EA	Box - Electrical - 4" x 4" - 1/2 & 3/4 Steel - UL
	008289-02-000	EA	Box - Electrical - 4" x 4" - 1/2 & 3/4 Steel - CSA
	058049-01-000	EA	Box - Electrical - 2" x 3" x 2 25" - Steel
	041953-01-000	EA	Conduit - Convoluted Slit - .5" I.D.
	008353-01-000	EA	Connector - Clamping - 3/8 Cable - UL & CSA
	056028-01-000	EA	Connector - Pigtail - Clear Nylon
	008314-01-000	EA	Connector - Wire Nut - Gray
	008311-01-000	EA	Connector - Wire Nut - Red
	031868-01-000	EA	Contact Plug - Brass - Tin Plated
	031907-01-000	EA	Contact - Receptacle
	008054-01-000	EA	Cord - Power - 10-3 30 Amp - 25' - UL
	008052-01-000	EA	Cord - Power - 10-3 30 Amp. - 25' - CSA
	069238-01-000	EA	Cover - Electrical Box - 4" x 4"
	084077-01-000	EA	Cover - Receptacle - Ground Fault Interruptor - Ivory
	024571-03-000	EA	Cover Plate - Receptacle - Jumbo - Brown Plastic
	008164-01-000	EA	Cover Plate - Switch - Brown
	008294-01-000	EA	Cover - Flat Blank - 4" x 4" - Steel - US
	008294-02-000	EA	Cover - Flat Blank - 4" x 4" - Steel - CSA
	008250-01-000	EA	Fuse Holder - In Line - 10 Amp.
	008250-02-000	EA	Fuse Holder - In Line - 15 Amp.
	008277-01-000	EA	Fuse Holder - Panel Mount - Black
	064399-01-000	EA	Housing Asm - Trailer Pin
	064450-01-000	EA	Housing Asm. - Trailer Plug
	064398-01-000	EA	Housing Asm. - Trailer Receptacle
	054532-01-000	EA	Housing Pin - 6 Position
	046885-01-000	EA	Plaque - Mounting Switch
	086778-03-000	EA	Receptacle/Cover Asm - Beige (Exterior)
	058708-01-000	EA	Receptacle - Duplex - Brown
	058708-02-000	EA	Receptacle - Duplex - Ivory
	024924-02-000	EA	Receptacle - Power Cord
	058707-01-000	EA	Receptacle - Single - Brown
	063912-01-000	EA	Relay - Canister SPDT w/Ground
	008188-01-000	EA	Relay - Solenoid - 3 Terminal
	096273-01-000	EA	Relay - Battery Disconnect
	075723-01-000	EA	Switch - Block Spacer - w/o Holes
	075723-02-000	EA	Switch - Block Spacer - w/Holes
	077942-01-000	EA	Switch - Dummy - Black
	056264-01-000	EA	Switch - Leaf Actuator
	081066-01-000	EA	Switch - 2 Gang - 2 Switch
	079362-01-000	EA	Switch Plate - 3 Gang - 2 Switches
	079363-01-000	EA	Switch Plate - Single - w/Switches
	079364-01-000	EA	Switch - On/Off Rocker - Brown
	008195-01-000	EA	Switch - Push Button - 12 Volt
	047443-02-000	EA	Terminal - 250 Receptacle - 12-10 AWG
	008348-01-000	EA	Terminal Ring - 2 - w/3/8 Stud
	008331-01-000	EA	Terminal Ring - 4 - w/3/8 Stud
	008328-01-000	EA	Terminal Ring - 12/10 Wire
	054865-01-000	EA	Wire Asm - Generator Switch
	008028-01-000	FT	Wire - 18.5 Bonded - Blue/Red/Yellow/Orange/White
	008024-01-000	FT	Wire - 18.5 Bonded - Orange/White/Yellow/Blue/Brown
	008025-01-000	FT	Wire - 18.5 Bonded - Orange/White/Yellow/Blue/Green
	008026-01-000	FT	Wire w/Ground - Romex - 12/2

**ELECTRICAL GROUP (CONTINUED)**

**INTERIOR LIGHT**

Key	Part Number	U/M	Description
	065202-03-000	EA	Lamp - Decor - Wall - Bright Brass - 2 Bulb
	065202-05-000	EA	Lamp - Decor - Wall - Bright Brass
	033508-02-000	EA	Light - Dome - Ivory - 1 Bulb - US
	033508-03-000	EA	Light - Dome - Ivory - 1 Bulb - CSA
	033509-02-000	EA	Light - Dome - Ivory - 2 Bulb - US
	033509-03-000	EA	Light - Dome - Ivory - 2 Bulb - CSA
	078424-02-000	EA	Light - Fluorescent - 12V - 18" - Almond
	061424-01-000	EA	Light - 12V Receptacle - Aisle - IP
	085200-01-000	EA	Light - Surface Mount - 12 Volt
	007309-01-000	EA	Light - Step Well
	068937-04-000	EA	Dome Light - Surface - w/o Switch
	081633-01-000	EA	Light - Make-up
	082886-01-000	EA	Lamp - Decor - Table - Brass w/Wood
	082686-02-000	EA	Shade - Table Lamp
	065201-02-000	EA	Shade - Parchment - 2 Bulb - Lamp
	081909-01-000	EA	Light Strip - 18" Clear Plastic

**EXTERIOR LIGHTS**

Key	Part Number	U/M	Description
	058032-01-000	EA	Tall Light Asm. - 2 Bulb - Chrome
	042405-01-000	EA	Lens - Rectangular - Red w/Reflex
	042405-02-000	EA	Lens - Rectangular - Amber w/Reflex
	042405-03-000	EA	Base - Rectangular Side Marker Light
	008089-01-000	EA	Light - Porch - Recessed
	008089-02-000	EA	Light - Porch - Recessed - CSA
	049185-01-000	EA	Headlight Capsule Asm. - High/Low Beam - Driver
	049186-01-000	EA	Headlight Capsule Asm. - High/Low Beam - Passenger
	049187-01-000	EA	Headlight Capsule Asm. - High Beam - Driver
	049183-01-000	EA	Headlight Capsule Asm - High Beam - Passenger
	081250-02-000	EA	Light Asm. - Clearance - Red
	081250-01-000	EA	Light Asm. - Clearance - Amber
	084901-01-000	EA	Lamp Asm. - Park/Turn

**WINDSHIELD WIPERS & WASHER**

Key	Part Number	U/M	Description
	056000-02-000	EA	Washer Asm - Windshield
**	049464-03-000	EA	Blade - Windshield Wiper - 20" - Black
	072472-02-000	EA	Adapler Arm - Wiper Pantograph
	072472-04-000	EA	Wiper - Pantograph - 29"
**	The illustrated parts breakdown for this item is provided on the Common Items Fiche.		

**MISCELLANEOUS ELECTRICAL COMPONENTS**

Key	Part Number	U/M	Description
	008188-01-000	EA	Solenoid - Dual Battery - Relay
	083208-02-000	EA	Control Center - 45 Amp. 120 Amp 112 Volt - CSA
	083208-03-000	EA	Control Center - 45 Amp - 120 Amp /12 Volt

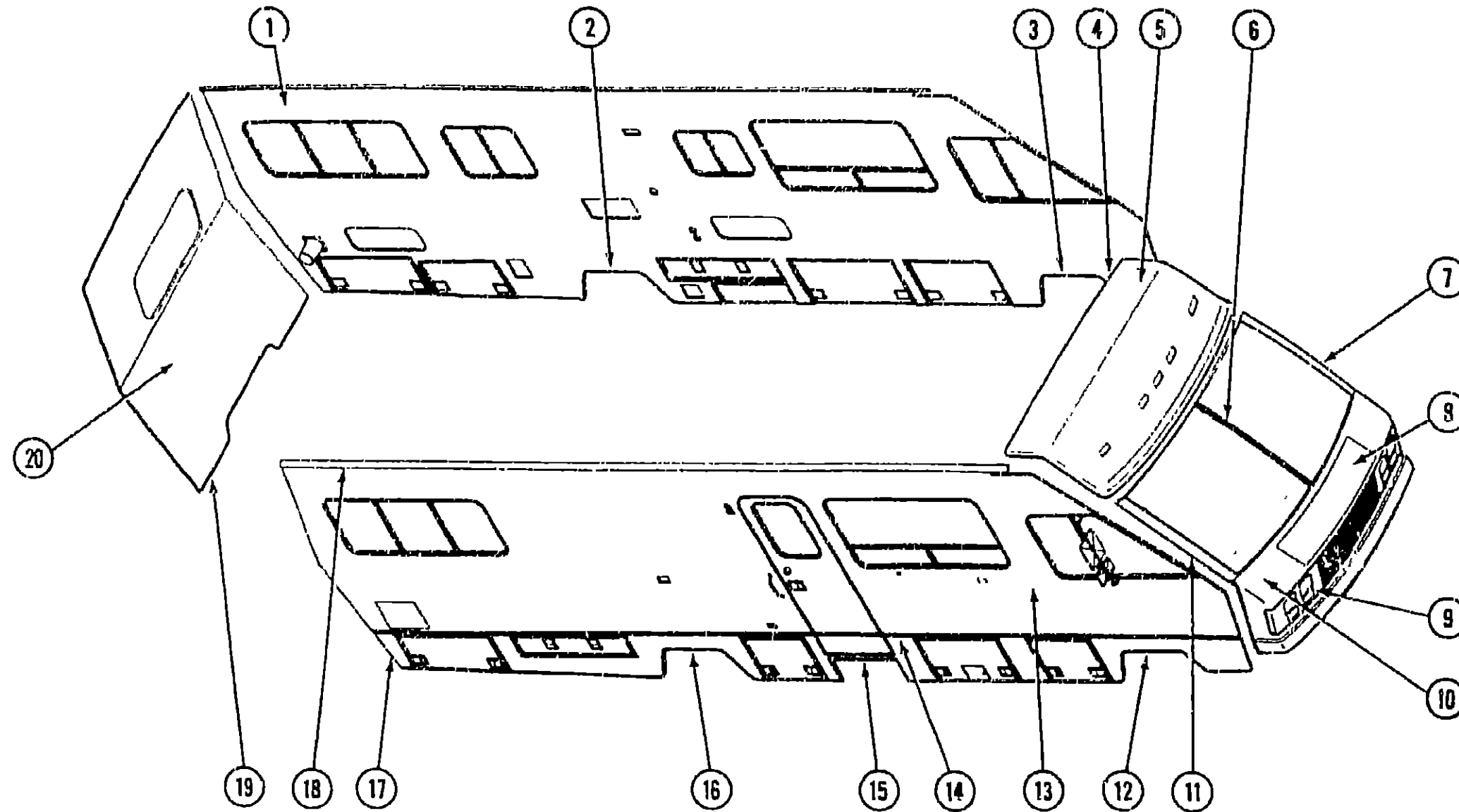
**1987 ITASCA  
TABLE OF CONTENTS**

IC420EG	A-01 - B-08
ICN22EC	B-07 - D-08
ICN27RT	D-09 - F-14
IJN32RQ	F-15 - I-02
ICP26ET	I-03 - K-10

**1987 IJN32RQ INDEX**

Floor Plan	F-15 - F-16
Accessories Group	F-17 - F-19
Bath Group	F-20 - F-21
Chassis Group	F-22 - F-24
Curtain, Cushion & Pad Group	G-01 - G-10
Dinette Group	G-11 - G-12
Driver's Compartment Group	G-13 - G-15
Electrical Group	G-16 - G-18
Exterior Body Group	G-19 - G-23
Galley Group	G-24 - H-02
Heating & Air Conditioning Group	H-03
Interior Finish Group	H-04 - H-06
LP Group	H-07
Lounge Group	H-08 - H-11
Water & Sewage Group	H-12 - H-13
Window, Vent & Exterior Door Group	H-14 - I-02

**EXTERIOR BODY GROUP**  
**EXTERIOR BODY PANELS**



**1987 ITASCA**  
**TABLE OF CONTENTS**

IC420EG	A-01 - B-06
ICN22EC	B-07 - D-08
ICN27RT	D-09 - F-14
IJN32RQ	F-15 - I-02
ICP26ET	I-03 - K-10

**1987 IJN32RQ INDEX**

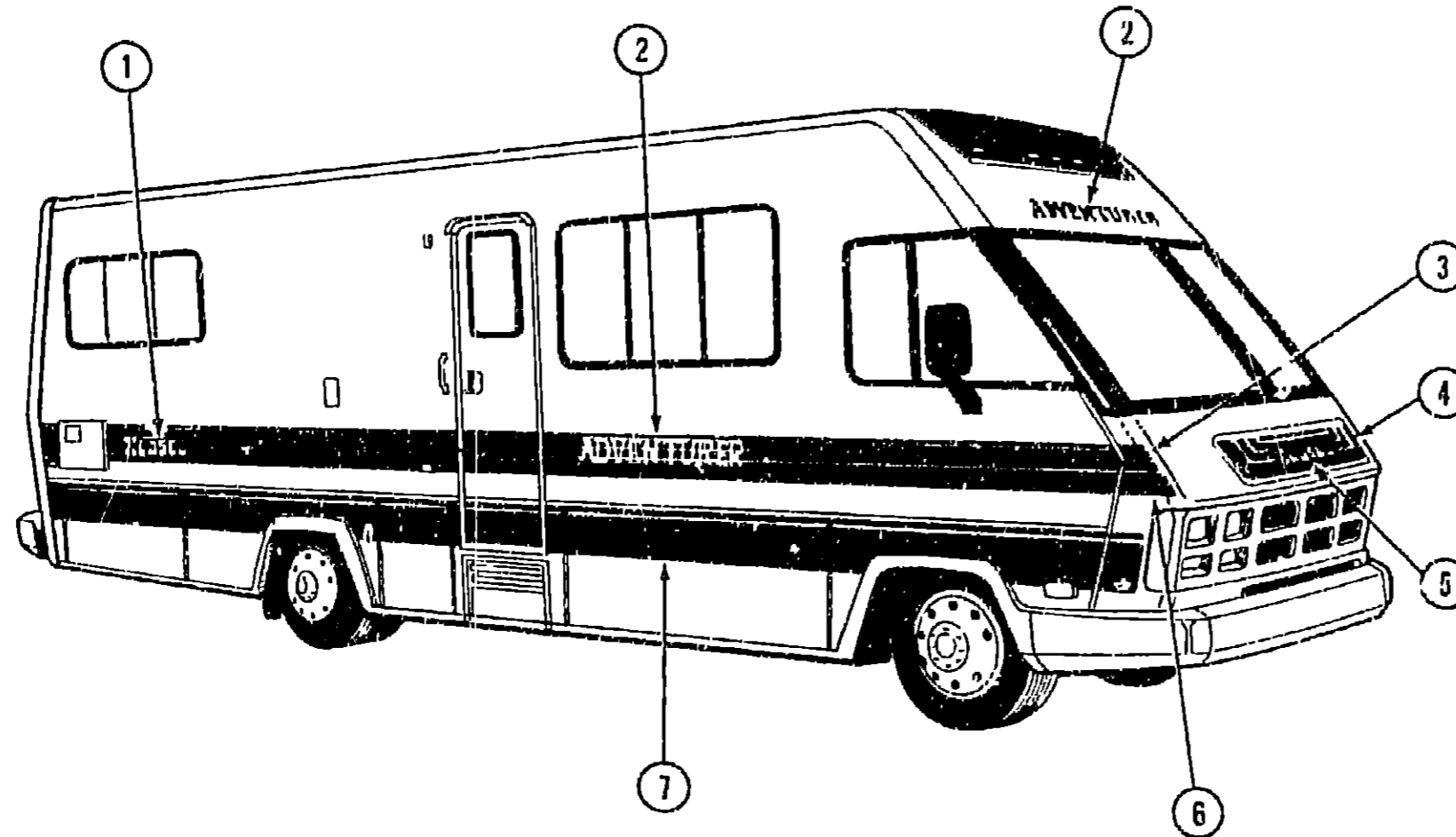
Floor Plan	F-15 - F-16
Accessories Group	F-17 - F-19
Bath Group	F-20 - F-21
Chassis Group	F-22 - F-24
Curtain, Cushion & Pad Group	G-01 - G-10
Dinette Group	G-11 - G-12
Driver's Compartment Group	G-13 - G-15
Electrical Group	G-16 - G-18
Exterior Body Group	G-19 - G-23
Galley Group	G-24 - H-02
Heating & Air Conditioning Group	H-03
Interior Finish Group	H-04 - H-06
LP Group	H-07
Lounge Group	H-08 - H-11
Water & Sewage Group	H-12 - H-13
Window, Vent & Exterior Door Group	H-14 - I-02

Key	Part Number	U/M	Description
1	M87641-01-W84	EA	Sidewall Asm - Left
1	M87641-01-W85	EA	Sidewall Asm - Left
1	M87641-01-W86	EA	Sidewall Asm. - Left
2	087616-06-000	EA	Trim - Rear U-Channel - Wheelwell - Gray
3	078556-10-000	EA	Trim Wheelwell - Plastic - Gray
3	087615-04-000	EA	Trim - Front U-Channel - Wheelwell - Driver
4	078580-01-000	EA	Trim - Roof Cap - Mill Finish
5	M02959-03-W84	EA	Cap - Over Windshield - Gray
6	063178-01-000	FT	Reveal Molding - Windshield - Center
7	087601-02-000	EA	Trim Post - Windshield - Driver
•	084903-01-000	FT	Reveal Molding - Upper/Lower - Driver/Passenger
8	M86045-01-W30	EA	Access Panel - w/Hardware
9	086425-01-000	EA	Headlamp Bezel - Passenger
•	086425-02-000	EA	Headlamp Bezel - Driver
•	049359-01-000	EA	Spring - Headlamp Retainer
10	M01115-13-W84	EA	Panel Asm. - Front Shroud (Includes access panel)
11	087601-01-000	EA	Trim Post - Windshield - Passenger
12	078556-12-000	EA	Trim - Wheelwell - Plastic - Gray
13	087615-02-000	EA	Trim - Front U-Channel - Wheelwell - Passenger
13	M87640-01-W84	EA	Sidewall Asm - Right
•	087830-02-W84	EA	Roof Asm - Adventurer

Key	Part Number	U/M	Description
14	059576-11-000	EA	Feature Strip - Extr. Gray - 14' - w/o Insert
•	009731-01-000	EA	End Cap - Feature Strip Insert
•	001030-11-100	EA	Insert - Feature Strip - Gray - 17'
15	087618-02-000	EA	Trim - Stepwell - Gray
16	087616-02-000	EA	Trim - Rear U-Channel - Wheelwell - Gray
17	087614-02-000	EA	Trim - Rear Sidewall - Gray
18	097972-02-000	EA	Trim - Sidewall - Gray
19	050406-05-000	EA	Trim - Backwall - Lower
20	M87874-01-W84	EA	Backwall Asm.
•	086906-01-000	EA	Rear Trim - Upper Passenger - Plastic - Gray
•	086906-02-000	EA	Rear Trim - Upper Driver - Plastic - Gray
•	086908-05-000	EA	Rear Trim - Contour - Passenger - Gray
•	086908-07-000	EA	Rear Trim - Contour - Driver - Gray
•	086415-02-000	EA	Bumper End Cap - Front - Passenger - Gray
•	086415-04-000	EA	Bumper End Cap - Front - Driver - Gray
•	077517-46-000	EA	Fiberglass Sidewall Skin - 45.68" x 374" - Mesa
•	001018-01-024	EA	Aluminum - Beige - No Design - 48" x 96"
•	044487-01-001	EA	Aluminum - Mill Finish - No Design (Roof) - 96" x 360"
•	000868-01-000	SF	Styrofoam - 75" x 24" x 96"
•	000770-01-000	SF	Styrofoam - 1 50" x 24" x 96"
•	000870-03-000	SF	Styrofoam - 1 34" x 48" x 96"
•			Not illustrated

## EXTERIOR BODY GROUP (CONTINUED)

LABELS, DECALS & EXTERIOR PAINT



### 1987 ITASCA TABLE OF CONTENTS

IC420EG  
ICN22EC  
ICN27RT  
IJN32RQ  
ICP26ET

A-01 - B-06  
B-07 - D-08  
D-09 - F-14  
F-15 - I-02  
I-03 - K-10

Key	Part Number	U/M	Description
1	078852-05-000	EA	Decal - Logo - "Itasca" - 6 5" x 25.5" - Sides & Rear
2	087662-01-000	EA	Decal - "Adventurer"
3	069245-B0-000	FT	Film - Multi-Stripe - 5 1" x 150' - Light Green Metallic (W84)
3	069245-B1-000	FT	Film - Multi-Stripe - 5 1" x 150' - Rust Metallic (W85)
3	069245-A9-000	FT	Film - Multi-Stripe - 5 1" x 150' - Burgundy Metallic (W86)
4	087206-02-000	EA	Decal - Hood - Rust/Light Green/Dark Green (W84)
4	087206-03-000	EA	Decal - Hood - Red Beige/Rust/Gray (W85)
4	076206-01-000	EA	Decal - Hood - Rose/Burgundy/Gray (W86)
5	078852-07-000	EA	Decal - Logo - "Itasca" - Hood
6	078831-28-000	FT	Decal - Stripping - 3.5" x 150' - Dark Green (W84)
6	078831-27-000	FT	Decal - Stripping - 3.5" x 150' - Gray (W85, W86)
7	065217-C4-000	FT	Film - Multi-Stripe - 11" x 150' - Dark Green (W84)
7	065217-C3-000	FT	Film - Multi-Stripe - 11" x 150' - Gray (W85, W86)
	084075-01-000	EA	Decal - "By Winnebago Ind."
	068383-01-000	EA	Label - Diesel Fuel
	006195-01-000	EA	Label - Electrical Test
	047731-01-000	EA	Label - Emergency Exit
	006199-01-000	EA	Label - Exit - Escape Window
	057467-04-000	EA	Label - Exterior Loading Limit
	064378-01-000	EA	Label - Flying "W" w/Thermo Panel
	061417-01-000	EA	Label - Fuel
	087207-02-000	EA	Label - Fuel Cap Removal

Key	Part Number	U/M	Description
	006196-01-000	EA	Label - Gas Test
	054531-01-000	EA	Label - LP Gas Only
	040944-01-000	EA	Label - Open - Entrance Door
	006015-01-000	EA	Label - Patent Motor Home
	056259-01-000	EA	Label - Safety Check List
	006064-01-000	EA	Label - Seat - w/o Seat Belts
	006187-01-000	EA	Label - Sewage
	006006-01-000	EA	Label - Thermo Panel - 2 1/4" x 2 1/4"
	075221-01-000	EA	Label - Trailer Hitch Capacity
	075220-01-000	EA	Label - Warning - Exterior Load Limit
	050225-01-000	EA	Label - Warning - Stove Vent - US
	006188-01-000	EA	Label - Waste Water
	006197-01-000	EA	Label - Water Test
	072863-01-000	EA	Nameplate - Diesel - 6 2L
	006062-01-000	EA	Tag - Electrical - 110 Volt Connection
	006040-01-000	EA	Tag - Gas - Refueling Warning
	044486-03-000	EA	Paint - Beige Acrylic Enamel - 16 oz. Aerosol (7633A Dupont)
	045681-03-000	EA	Paint - Gloss Black - Acrylic Enamel - 16 oz. Aerosol (99 Dupont)
	058637-05-000	EA	Paint - Gray Acrylic Enamel - 16 oz. Aerosol (61537 Dupont)
	041561-03-000	EA	Paint - Off White Acrylic Enamel - 16 oz. Aerosol (45396A Dupont)
	074559-01-000	EA	Label "LPG" - 3 3" x 1.75" - (Calif Code)
			Not illustrated

### 1987 IJN32RQ INDEX

Floor Plan	F-15 - F-16
Accessories Group	F-17 - F-19
Bath Group	F-20 - F-21
Chassis Group	F-22 - F-24
Curtain, Cushion & Pad Group	G-01 - G-10
Dinette Group	G-11 - G-12
Driver's Compartment Group	G-13 - G-15
Electrical Group	G-16 - G-18
Exterior Body Group	G-19 - G-23
Galley Group	G-24 - H-02
Heating & Air Conditioning Group	H-03
Interior Finish Group	H-04 - H-06
LP Group	H-07
Lounge Group	H-08 - H-11
Water & Sewage Group	H-12 - H-13
Window, Vent & Exterior Door Group	H-14 - I-02



## EXTERIOR BODY GROUP (CONTINUED)

### SEALANTS & ADHESIVES

Key	Part Number	U/M	Description
	004020-01-000	QT	Adhesive - ABS Cement (Plastic Fittings)
	002337-01-000	EA	Adhesive - 1300 Tube - 3M (Windows)
	004005-02-000	GL	Adhesive - Swifts - Glue (Sidewalls)
	053766-07-000	EA	Bedding Compound - Tube - Belge (Exterior)
	053766-06-000	EA	Bedding Compound - Tube - Clear (Window)
	053766-08-000	EA	Bedding Compound - Tube - Gray (Exterior)
	053766-05-000	EA	Bedding Compound - Tube - Gray (Sidewalls to Floor)
	053766-02-000	EA	Bedding Compound - Tube - Off White (Exterior)
	002328-02-000	EA	Block - Rubber Spacer (Windshield)
	004336-01-000	EA	Caulk - Latex - Golden Walnut (Sidewalls)
	077967-01-000	EA	Sealant - Acrylic Latex - Tube - Off White (Interior Sealant)
	034552-04-000	EA	Sealant - Silicone - Belge
	034552-02-000	EA	Sealant - Silicone - Clear
	034552-07-000	EA	Sealant - Silicone - Dark Gray
	034552-06-000	EA	Sealant - Silicone - Off White
	069637-01-000	EA	Sealant - Weatherban 404 - Tube - White (Door Caulk)
	072889-01-000	EA	Sealant - Urethane - Black (Windshield)
	069640-01-000	FT	Sealer Ribbon - .25" Bead x 20'
	069640-02-000	FT	Sealer Ribbon - .5" x 125" x 30'
	069640-03-000	FT	Sealer Ribbon - .75" x .125" x 30'
	069640-04-000	FT	Sealer Ribbon - 2" x .09" x 45' (P Series)
	069640-05-000	FT	Sealer Ribbon - 2.5" x .09" x 50'
	069640-06-000	FT	Sealer Ribbon - 5/16" Bead x 15'
	069640-07-000	FT	Sealer Ribbon - 2" x 3/32" x 30'
	002316-01-000	FT	Sealer Tape - 3/32" x 3/8" - White (Window)
	002707-01-000	FT	Sealer Tape - 5/16" x 3/4"
	002707-02-000	FT	Sealer Tape - 5/16" x 1/2"
	040545-01-000	GL	Sealer - Seam Weld
	053752-04-000	EA	Seam Sealer - Tube - Aluminum (Roof)
	063642-01-000	FT	Tape - Adhesive - .10 mm x 1.5" Wide
	038886-01-000	EA	Tape - Butyl - .31" x 31" x 148" (Windshield)
	076322-01-000	FT	Tape - Foam - Double Coated - .025 x 1" (Fiberglass Sidewall Seams)
	076322-02-000	FT	Tape - Foam - Double Coated - .045 x 1" (Fiberglass Sidewall Seams)
	009200-01-000	EA	Tape - Furnace - 1.5"
	002825-01-000	FT	Weather Striping (Roof Vent)

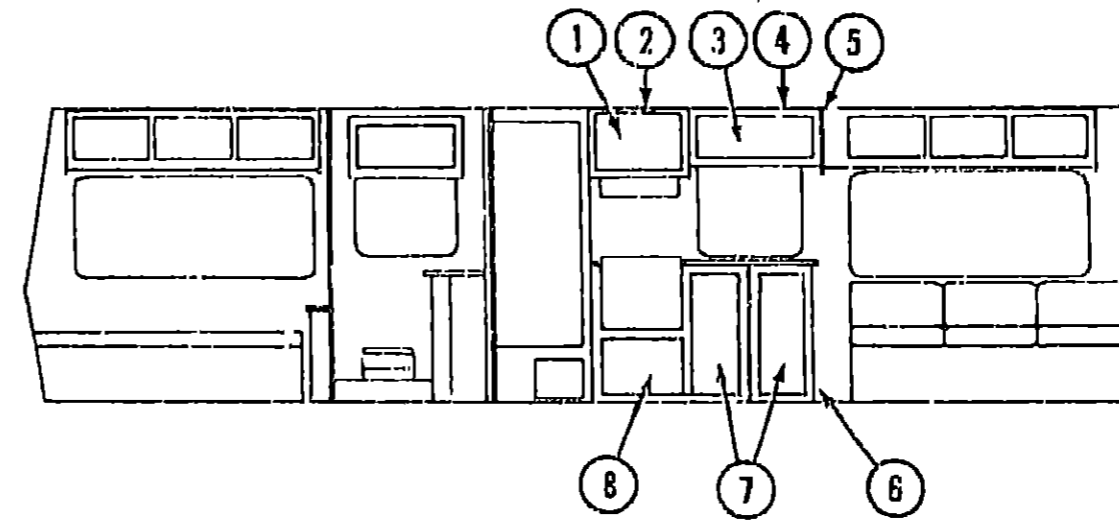
### ACCESS PANEL HARDWARE

Key	Part Number	U/M	Description
	076837-01-000	EA	Rod - Hood Prop
	085934-01-000	EA	Hinge Asm. - Hood - Right
	085934-02-000	EA	Hinge Asm. - Hood - Left
	077407-01-000	EA	Bracket - Hood Release Cable
	077064-01-000	EA	Cable Asm. - Hood Release (Access Panel)
	074178-01-000	EA	Bracket - Cable Release - Inside
	R77006-38-499	EA	Spring - Latch Hood Cable
	073342-01-000	EA	Bracket Asm. - Latch Hood
	073336-02-000	EA	Bracket - Mounting Latch
	086309-01-000	EA	Latch - Complete
	R77007-01-950	EA	Striker - Latch Hood

### MISCELLANEOUS EXTERNALLY MOUNTED PARTS

Key	Part Number	U/M	Description
	083558-01-000	EA	Plumbing Seal - Roof Vent - 1.5"
	009126-01-000	EA	Assist Handle - Chrome
	087659-03-000	EA	Fill - City Water - Recessed - Gray
	081240-02-000	EA	Fill Water - Lockable - Gray
	083578-01-000	EA	Boot - Fuel Fill
	078200-01-000	EA	Gasket - Fuel Fill

## GALLEY GROUP



### GALLEY CABINETRY

Key	Part Number	U/M	Description
1	M81523-01-W30	LA	Door Asm - Galley Overhead - w/o Hardware
†1	M84956-01-W30	EA	Door Asm - Galley Overhead - w/o Hardware
2	081460-07-W30	EA	Cabinet Asm - Galley Overhead - w/o Doors or Hardware (Microwave)
3	M81523-04-W30	EA	Door Asm Galley Overhead - w/o Hardware
†3	M84956-04-W30	EA	Door Asm Galley Overhead - w/o Hardware
4	081656-16-W30	EA	Cabinet Asm - Galley Overhead - w/o Doors or Hardware
5	081320-03-W30	EA	Pad Asm. - End Cap - Galley Overhead - Vinyl
6	M81999-05-W30	EA	Cabinet Asm - Galley - w/o Doors, Countertop, or Hardware
*	M02193-01-W30	EA	Countertop Asm - Galley Cabinet
**	M81999-06-W30	EA	Cabinet Asm. - Galley - w/o Doors, Countertop, Drawers or Hardware
**	M82184-07-W24	EA	Drawer Asm - Galley Cabinet
7	M81501-02-W30	EA	Door Asm. - Galley - w/o Hardware
†7	M84953-02-W24	EA	Door Asm - Galley - w/o Hardware
8	M81507-02-W07	EA	Door Asm. - Furnace - w/o Hardware
*	072369-21-000	EA	Mesh Insert - Furnace Door - 18.4" x 12.5" - Gold
*	077925-01-000	EA	Rail Asm. - Galley - 72"
*			Not illustrated
**			Used with microwave option
†			Door used on units produced before 12-1-86

## 1987 ITASCA TABLE OF CONTENTS

IC420EG	A-01 - B-08
ICN22EC	B-07 - D-08
ICN27RT	D-09 - F-14
IJN32RQ	F-15 - I-02
ICP26ET	I-03 - K-10

## 1987 IJN32RQ INDEX

Floor Plan	F-15 - F-16
Accessories Group	F-17 - F-19
Bath Group	F-20 - F-21
Chassis Group	F-22 - F-24
Curtain, Cushion & Pad Group	G-01 - G-10
Dinette Group	G-11 - G-12
Driver's Compartment Group	G-13 - G-15
Electrical Group	G-16 - G-18
Exterior Body Group	G-19 - G-23
Galley Group	G-24 - H-02
Heating & Air Conditioning Group	H-03
Interior Finish Group	H-04 - H-08
LP Group	H-07
Lounge Group	H-09 - H-11
Water & Sewage Group	H-12 - H-13
Window, Vent & Exterior Door Group	H-14 - I-02

## GALLEY GROUP (CONTINUED)

### GALLEY HARDWARE & APPLIANCES

Key	Part Number	U/M	Description
..	079352-01-000	EA	Hood - Range - Non Powered
..	079353-01-000	EA	Hood - Range - Powered w/Monitor - Almond
..	079353-03-000	EA	Hood - Range - Powered w/Monitor - Almond - US
..	079353-04-000	EA	Hood - Range - Powered w/Monitor - Almond - CSA
..	079354-03-000	EA	Spacer - Hood - Range - 3 85' Long
..	079355-08-000	EA	Duct Extension - Hood Range
..	055282-04-000	EA	Range - 4-Burner - Small - Almond
..	055282-01-700	EA	Upper Door Frame
..	055282-01-701	EA	Lower Door Frame
..	055282-01-702	EA	Glass - Door Front
..	055282-01-703	EA	Door Panel - Black
..	085280-01-000	EA	Cover - Burner - Bi-Fold - SST
..	081374-01-000	EA	Range Top - 4 Burner - Almond
..	081374-01-700	EA	Trim - Cabinet - Top Right
..	081374-01-701	EA	Trim - Cabinet - Top Left
..	081374-01-702	EA	Panel - Manifold Warm - Black
..	081374-01-703	EA	Trim - Top - Rear
..	081374-01-704	EA	Guard - Fabric
..	054450-01-000	EA	Level - Refrigerator
..	081379-01-000	EA	Microwave Convection Oven - Sharp
†	088737-01-000	EA	Microwave Oven Convection - Magic Chef
..	081459-03-000	EA	Bracket Asm - Microwave - Right
..	081459-04-000	EA	Bracket Asm - Microwave - Left
..	081456-01-000	EA	Angle Asm - Microwave Right
..	081456-02-000	EA	Angle Asm - Microwave Left
..	081555-01-703	EA	Trim Ring - Microwave
..	082876-01-000	EA	Air Exhaust Duct - Microwave
†	088737-02-000	EA	Frame Kit - Microwave - Oven
..	023111-01-000	EA	Blender - Built In
..	068615-01-000	EA	Sink - Stainless Steel - Double w/Bolts
..	011053-01-000	EA	Faucet - Swing Spout - 8" - US
..	011053-02-000	EA	Faucet - Swing Spout - 8" - CSA
..	011053-01-700	EA	Aerator - Swing Spout Faucet
..	066437-01-000	EA	Strainer w/Basket - Sink
..	081530-01-W07	EA	Sink Cover - Large
..	009049-01-000	EA	Support - Drop Leaf Table
..	009059-01-000	EA	Hinge - 2" - Gold - Drop Leaf Table
..	074490-01-000	EA	Spice Rack - Oak
..	074981-01-000	EA	Cutting Board - Maple
..	058334-01-000	EA	Wastebasket - 9 3/4" x 7" x 10" - White
..	059777-02-000	EA	Hinge - Cabinet Door - Antique Brass
..	009021-01-000	EA	Catch - Nylon - Cabinet Door
..	009021-02-000	EA	Strike - Spring Steel - Cabinet Door
..	077409-01-000	EA	Slider - Drawer - 20.75" - Plastic
..	077404-01-000	EA	Drawer - 20" x 12.70" - Plastic
..	011083-01-000	EA	Plug - 1 1/4" x 5" - w/Stopper
..	The illustrated parts breakdown for this item is provided on the Common Items Fiche		
†	Parts used after 5/12/87		

## GALLEY GROUP (CONTINUED)

### GALLEY HARDWARE & APPLIANCES (CONT.)

Key	Part Number	U/M	Description
..	084880-02-000	EA	Refrigerator - 3 Way - Large Double Door
..	084880-01-700	EA	Cooling Unit - #8583
..	084880-01-701	EA	Handle - Lower Door
..	084880-01-702	EA	Cabinet Asm - Foamed
..	084880-01-703	EA	Liner w/Frame - Foamed - Lower Door
..	084880-01-704	EA	Panel Holder - Lower Door
..	084880-01-705	EA	Orifice
..	084880-01-706	EA	Bulb - Light - D C
..	084880-01-707	EA	Heater - 3 Way
..	084880-01-708	EA	Baffle Asm.
..	084880-01-709	EA	Socket - Lamp
..	084880-01-710	EA	Electrode - Ignition
..	084880-01-711	EA	Electrode - Sensor
..	084880-01-712	EA	Control Module
..	084880-01-713	EA	Male Connector
..	084880-01-714	EA	Burner (No Electrodes)
..	084880-01-715	EA	Shut Off Valve - Manual
..	084880-01-716	EA	Burner Tube
..	084880-01-717	EA	Control Module (Channel)
..	084880-01-718	EA	Valve - Gas
..	084880-01-719	EA	Elbow - Brass
..	084880-01-720	EA	Spring - Door Handle
..	084880-01-721	EA	Cover - Power Supply
..	084880-01-722	EA	Cover - Crisper
..	084880-01-723	EA	Board - Power Supply - 3 Way
..	084880-01-724	EA	Plate - Hinge - Bottom
..	084880-01-725	EA	Plate - Hinge - Top
..	084880-01-726	EA	Bracket - Hinge - Center
..	084880-01-727	EA	Gasket - Upper Door
..	084880-01-728	EA	Gasket - Lower Door
..	084880-01-729	EA	Eyebrow - 3 Way
..	084880-01-730	EA	Crisper
..	084880-01-731	EA	Pin - Hinge
..	084880-01-732	EA	Latch
..	084880-01-733	EA	Dairy Keeper
..	084880-01-734	EA	Bracket Asm. - Hinge - Right
..	084880-01-735	EA	Bracket Asm - Hinge - Left
..	084880-01-736	EA	Light Switch - Brown
..	084880-01-737	EA	Liner w/Frame - Foamed - Upper Door
..	084880-01-738	EA	Control Bracket Asm. - 3 Way
..	084880-01-739	EA	End Cap - Spring Catch
..	084880-01-740	EA	End Cap - Stop Catch
..	084880-01-741	EA	Switch - Humidity
..	084880-01-742	EA	Trim - Lower Seal
..	084880-01-743	EA	P/C Board - 3 Way
..	084880-01-744	EA	Hinge Pin Shaft - Center
..	084880-01-745	EA	Hinge Bushing
..	084880-01-746	EA	Cable
..	084880-01-747	EA	Hole Plug
..	084880-01-748	EA	Snap In Plug
..	084880-01-749	EA	Hinge - Bushing
..	084880-01-750	EA	Door - Shelf Bins

## 1987 ITASCA TABLE OF CONTENTS

IC420EG	A-01 - B-06
ICN22EC	B-07 - D-08
ICN27RT	D-09 - F-14
IJN32RQ	F-15 - I-02
ICP26ET	I-03 - K-10

## 1987 IJN32RQ INDEX

Floor Plan	F-15 - F-16
Accessories Group	F-17 - F-19
Bath Group	F-20 - F-21
Chassis Group	F-22 - F-24
Curtain, Cushion & Pad Group	G-01 - G-10
Dinette Group	G-11 - G-12
Driver's Compartment Group	G-13 - G-15
Electrical Group	G-16 - G-18
Exterior Body Group	G-19 - G-23
Galley Group	G-24 - H-02
Heating & Air Conditioning Group	H-03
Interior Finish Group	H-04 - H-06
L.P. Group	H-07
Lounge Group	H-08 - H-11
Water & Sewage Group	H-12 - H-13
Window, Vent & Exterior Door Group	H-14 - I-02

## HEATING & AIR CONDITIONING GROUP

### FURNACE & ROOF AIR CONDITIONER

Key	Part Number	U/M	Description
**	075696-01-000	EA	Furnace - 34,000 BTU - w/Direct Ignition
	069636-02-000	EA	Connector - 4" Duct
	009198-01-000	EA	Duct - Flexible - 4" I D x 25'
	058464-01-000	EA	Register - 4" Dia - Plastic - w/Damper
	056464-02-000	EA	Register - 4" Dia - Plastic - w/o Damper
	009200-01-000	EA	Tape - Furnace - 1 1/2"
	023146-01-000	EA	Clamp - Screw Type - 4"
**	073743-01-000	EA	Shroud Asm. - Ceiling - Inside - Roof Air 13,500 BTU - Cool Only
**	073744-01-000	EA	Shroud Asm. - Ceiling - Inside - Roof Air 13,500 BTU - Heat & Cool
**	073742-01-000	EA	Air Conditioner - 110 Volt - Roof Mount - 13,500 BTU Rotary
**	The illustrated parts breakdown for this item is provided on the Common Items Fiche		

### AUTOMOTIVE HEATER & AIR CONDITIONER

Key	Part Number	U/M	Description
	072341-07-000	EA	Heater/Evaporator - Less Duct Control
	072341-07-700	EA	Jumper Harness Resistor
	072341-07-701	EA	Thermostat
	072341-08-000	EA	Duct & Control Kit - Used w/Pressure Sensor System
	072341-08-700	EA	Reservoir Vacuum
	072342-05-000	EA	Condensor Asm.
	072343-06-000	EA	Compressor/Clutch - w/Rear Mounted Valves
	088744-01-000	EA	A/C Complete - Mount & Drive Package
	039044-01-000	EA	Louver Asm. - A/C Adjustable
	007076-01-700	FT	Hose - Flexible PVC - 2" I D
	007281-01-700	FT	Hose - Flexible PVC - 2 1/2" I D
	007108-01-000	FT	Hose - Heater - 5/8" I D. SAE 20R3
	062401-04-000	EA	Clamp - Worm Drive - .69" - 1.25" I D.
	010227-01-000	EA	Tee - Plastic - Barb 5/8" or 3/4" Hose
	072341-03-000	EA	Core - Evaporator

### AUXILIARY HEATER ASSEMBLY

Key	Part Number	U/M	Description
	084405-01-000	EA	Heater Asm. - Rear - Auxiliary
	084405-01-700	EA	Heater Core
	084405-01-701	EA	Fan
	084405-01-702	EA	Motor Asm.
	076312-01-000	EA	Mesh - Grille - 7.39" x 6.75" - Gold Aluminum
	084410-01-000	EA	Decal - Rear Auto Heater

## INTERIOR FINISH GROUP

### CURTAIN & CUSHION HARDWARE

Key	Part Number	U/M	Description
	081381-01-000	EA	Swivel Snap - Curtain Track
	029130-01-000	EA	Snap Socket - Curtain Bottom
	056003-01-000	EA	Bracket - Drapery - Retainer - Right
	056003-02-000	EA	Bracket - Drapery - Retainer - Left
	080730-02-000	EA	Recliner - Seat Back
	084434-01-000	EA	Bracket - Shade
	086263-01-000	EA	Pull - Window Shade - Polished Brass
	048394-02-000	YD	Tape Hook - .75" x 50 YD - Beige
	048395-02-000	YD	Tape Loop - .75" x 50 YD - Beige
	079946-01-000	EA	Track - Curtain - Wraparound - Right
	079946-02-000	EA	Track - Curtain - Wraparound - Left
	085283-01-000	EA	Bracket - Curtain Hold Back - Clear Plastic
	087253-01-000	EA	Shade Pull - Clear Plastic
	079798-03-000	EA	Bracket Asm - Curtain Rod - Right
	079798-04-000	EA	Bracket Asm - Curtain Rod - Left

### PANELING & LAMINATE

Key	Part Number	U/M	Description
	074497-09-000	SF	Paneling - Sand - 48" x 84" (28 SF) (Wall)
	074496-73-000	SF	Paneling - Decor - 48" x 84" (28 SF) Galley (W84)
	074496-75-000	SF	Paneling - Decor - 48" x 84" (28 SF) Galley (W85, W86)
	074497-10-000	SF	Paneling - Regal Oak - 48" x 84" (28 SF) (Cabinets)
	074498-13-000	SF	Plastic Laminate - Sand Quadrus (Galley, Dinette)
	074498-16-000	SF	Plastic Laminate - T/Apricot (Bath) (W84)
	074498-17-000	SF	Plastic Laminate - Maple Nut (Bath) (W85)
	074498-15-000	SF	Plastic Laminate - Blush (Bath) (W86)
	074498-20-000	SF	Plastic Laminate - Regal Oak (Nightstand & Table Tops)
	076325-16-000	FT	Plastic Laminate - Edge Band - Regal Oak (1 5/16" x 600')

### MISCELLANEOUS PARTS

Key	Part Number	U/M	Description
	053552-02-W24	EA	Handle Asm. - Interior Assist
	041944-04-000	EA	Fire Extinguisher - Dry 5BC
	054185-26-000	EA	Owner's Manual - 1987 Itasca & Winnebago
	040069-01-000	EA	Door Mat - 10 1/2" x 26" - Black Rubber
	086296-01-000	EA	Picture - Decor
	065201-02-000	EA	Lamp Shade - Fabric - Parchment

## 1987 ITASCA TABLE OF CONTENTS

IC420EG	A-01 - B-06
ICN22EC	B-07 - D-08
ICN27RT	D-09 - F-14
IJN32RQ	F-15 - I-02
ICP26ET	I-03 - K-10

## 1987 IJN32RQ INDEX

Floor Plan	F-15 - F-18
Accessories Group	F-17 - F-19
Bath Group	F-20 - F-21
Chassis Group	F-22 - F-24
Curtain, Cushion & Pad Group	G-01 - G-10
Dinette Group	G-11 - G-12
Driver's Compartment Group	G-13 - G-15
Electrical Group	G-16 - G-18
Exterior Body Group	G-19 - G-23
Galley Group	G-24 - H-02
Heating & Air Conditioning Group	H-03
Interior Finish Group	H-04 - H-06
LP Group	H-07
Lounge Group	H-08 - H-11
Water & Sewage Group	H-12 - H-13
Window, Vent & Exterior Door Group	H-14 - I-02

**INTERIOR FINISH GROUP (CONTINUED)**

**FABRICS & CARPET**

Key	Part Number	U/M	Description
	077498-89-000	YD	Fabric - Main - Jasmine (W84)
	077498-90-000	YD	Fabric - Main - Garnet (W85)
	077498-88-000	YD	Fabric - Main - Jule (W86)
	077498-B2-000	YD	Fabric - Patterned Accent - Juniper (W84)
	077498-B3-000	YD	Fabric - Patterned Accent - Brick (W85)
	077498-B4-000	YD	Fabric - Patterned Accent - Madder (W86)
	077498-A1-000	YD	Fabric - Plain Accent - Blue (W84)
	077498-A2-000	YD	Fabric - Plain Accent - Garnet (W85)
	077498-A8-000	YD	Fabric - Plain Accent - Wine (W86)
	069729-44-000	YD	Fabric - Bedroom Drapery - Jade/Peach (W84)
	069729-45-000	YD	Fabric - Bedroom Drapery - Mahogany (W85)
	069729-46-000	YD	Fabric - Bedroom Drapery - Rose (W86)
	072333-38-000	YD	Fabric - Drapery - Accent - Molba (W84)
	072333-40-000	YD	Fabric - Drapery - Accent - Rasin (W85)
	072333-37-000	YD	Fabric - Drapery - Accent - Mauve (W86)
	087272-01-000	YD	Fabric - Drapery Lining - Ivory - 48"
	072333-44-000	YD	Fabric - Drapery Lining - Natural (Pull Shades)
	072333-30-000	YD	Fabric - Drapery Lining - Linen (Pull Shades)
	038421-02-000	YD	Fabric - Mattress Ticking - Beige/Brown
	038421-04-000	YD	Fabric - Mattress Ticking - Cashew
	052859-01-W30	FT	Trim Asm - Accent - Buckskin
	052859-06-W13	FT	Trim Asm - Accent - Buckskin
	079680-01-C11	YD	Vinyl - Expanded - 26 oz - Buckskin
	029219-01-C07	YD	Vinyl - White - 14.6 oz.
	072333-44-000	YD	Fabric - Drapery - Natural
	038421-01-000	YD	Fabric - Mattress Ticking
	029012-01-000	BF	Foam - Rolled - 3/8"
	072860-57-000	YD	Carpet - French Court (W84)
	072860-58-000	YD	Carpet - Champagne (W85, W86)

Parts used on units produced before 10/19/86

**INTERIOR MOLDING & TRIM**

Key	Part Number	U/M	Description
	024700-21-000	EA	Cover - Sidewall Roll Bar - Beige
	081521-01-001	EA	Molding w/Holes - Corner - 16"
	042357-11-000	FT	Molding - Radius Corner - 7' Lt. Oak
	022992-08-000	FT	Molding - Reverse Cove - White
	085284-05-000	FT	Batt Strip - Adhesive Tape - Classique Twoed
	085284-03-000	EA	Batt Strip - Adhesive Tape - Regal Oak
	009778-07-000	FT	U-Channel - 1" - Regal Oak
	083620-01-000	FT	T-Molding - .75" - w/Edge Lips - Grady Brown
	077840-01-T03	EA	Molding - Wall Cap - 96" - Vinyl Covered - Sunset Oak
	077953-01-000	EA	Grommet - 1" Hole Liner
	009767-06-000	FT	Wetling - Beige
	009767-10-000	FT	Wetling - Mahogany
	042356-01-000	EA	Plug - 3/8" - Mahogany

**INTERIOR FINISH GROUP (CONTINUED)**

**CABINETS & TABLE HARDWARE**

Key	Part Number	U/M	Description
	053200-05-000	EA	Bracket - Upper Wall Mount - 23.5" - Beige
**	053201-06-000	EA	Bracket - Table Mount - 23" - Beige
	024275-05-000	EA	Rod - Table Lift - 8" x 23.5" - Beige
	024281-07-000	EA	Bracket - Lower Wall Mount - 22.12" - Beige
	024276-17-000	EA	Leg Asm - Table - 26.5" - Tan
	064050-02-000	EA	Hinge - Table Leg - Tan
**	024282-01-000	EA	Brace - Table Leg
**	024283-01-000	EA	Clip - 1" O.D. Tube
	049493-05-000	EA	Catch - Table Leg - Mounts on Floor - Tan
	009112-01-000	EA	Flange - 1" - Chrome - Closet Rod
	077409-01-000	EA	Slide - Drawer - Plastic - 20.75"
	009049-01-000	EA	Table Support - Drop Leaf
	009059-01-000	EA	Hinge - 2" - Drop Leaf Table - Gold
	009016-01-000	EA	Elbow - Catch - Spring Loaded
	057671-01-000	EA	Screw Cover - #8 - Off White
	072369-21-000	EA	Mesh - Grille - 18.4" x 12.5" - Duraton Bronze
	009021-01-000	EA	Catch - Nylon
	009021-02-000	EA	Strike - Nylon Catch
**	059777-02-000	EA	Hinge - Cabinet Door - Antique Light Brass
	074493-02-000	EA	Support - Sprung - Door
	066433-01-000	EA	Hook - Cup - Bright
	041194-01-000	EA	Base - Table - Flush Mounts in Floor
	009040-03-000	EA	Base - Table - Mounts on Table
	080728-01-000	EA	Handle - Pullout Table
	086263-01-000	EA	Pull - Polished Brass
	084435-01-000	EA	Knob - Decorative Cabinet
	084466-02-000	EA	Slide Asm - Drawer - Right
	084466-03-000	EA	Slide Asm - Drawer - Left
	084466-04-000	EA	Slide Asm - Cabinet - Right
	084466-05-000	EA	Slide Asm - Cabinet - Left
	084451-01-000	EA	Catch - TV Shell - Brass

\*\* The illustrated parts breakdown for this item is provided on the Common Items Fiche

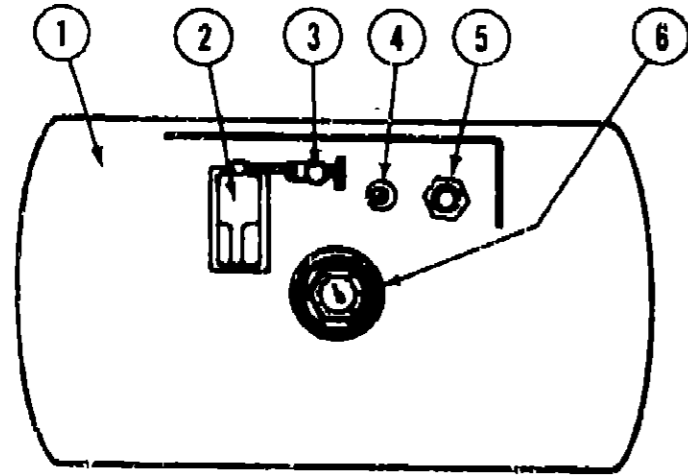
**1987 ITASCA  
TABLE OF CONTENTS**

IC420EG	A-01 - B-06
ICN22EC	B-07 - D-08
ICN27RT	D-09 - F-14
IJN32RQ	F-15 - I-02
ICP26ET	I-03 - K-10

**1987 IJN32RQ INDEX**

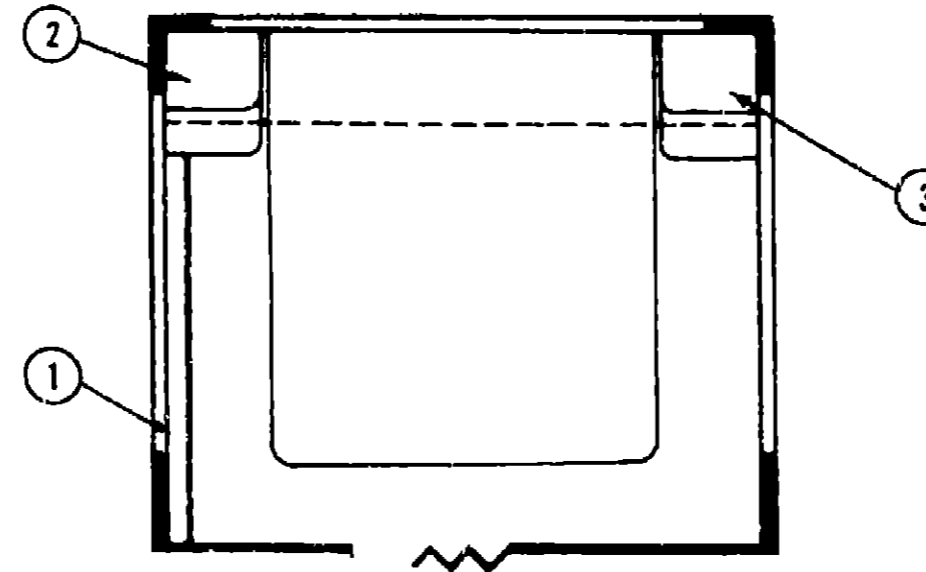
Floor Plan	F-15 - F-16
Accessories Group	F-17 - F-19
Bath Group	F-20 - F-21
Chassis Group	F-22 - F-24
Curtain, Cushion & Pad Group	G-01 - G-10
Dinette Group	G-11 - G-12
Driver's Compartment Group	G-13 - G-15
Electrical Group	G-16 - G-18
Exterior Body Group	G-19 - G-23
Galley Group	G-24 - H-02
Heating & Air Conditioning Group	H-03
Interior Finish Group	H-04 - H-06
LP Group	H-07
Lounge Group	H-08 - H-11
Water & Sewage Group	H-12 - H-13
Window, Vent & Exterior Door Group	H-14 - I-02

**LP GROUP**



Key	Part Number	U/M	Description
1	074142-01-000	EA	Tank Asm - LP - Frame Mount - 80 Pound - 13" x 44"
	065741-01-000	EA	Detector - LP Gas Leak - Marshalltown Instruments
2	081938-01-000	EA	Compartment - LP Regulator
	076301-01-000	EA	Regulator - Two Stage - US (Dual)
	076301-02-000	EA	Regulator - Two Stage - CSA (Dual)
3	040421-01-703	EA	Valve - Vapor Relief
4	040421-01-700	EA	Gauge - Liquid Level - 20% LP
5	040421-01-701	EA	Valve - Filler - LP
	040421-01-702	EA	Cap - Plastic Fill Valve
6	040421-01-707	EA	Gauge - Float - w/Visible Dial
	040421-01-706	EA	Dial - Visible Face - Float Gauge (Tank w/o Electric Transmitter)
	040440-01-000	CA	Dial - Transmitter - 0 - 90 Ohm (Float Gauge)
	045703-01-000	EA	Hose Asm - LP - 3/8" I D. x 24" - US
	045703-02-000	EA	Hose Asm - LP - 3/8" I D. x 24" - CSA
	045703-03-000	EA	Hose Asm - LP - 3/8" I D. x 18" - US
	045703-04-000	EA	Hose Asm - LP - 3/8" I D. x 14" - CSA
	065742-01-000	EA	Tee - 38 F x 39 F x 25 FPT
			Not illustrated

**LOUNGE GROUP**



**QUEEN BED**

Key	Part Number	U/M	Description
1	081975-01-W09	EA	Cabinet Asm. - Pipe Cover - w/o Hardware
2	M81759-01-W30	EA	Cabinet Asm. - Nightstand - w/o Countertop, Drawer, or Hardware
	M02159-01-W30	EA	Countertop Asm. - Nightstand - Lower
	M02159-02-W30	EA	Countertop Asm. - Nightstand - Upper
	M78921-04-W13	EA	Drawer Asm. - Nightstand Cabinets - w/o Hardware
	M78921-04-W13	EA	Drawer Asm. - Cabinet
	081707-05-W30	EA	Cabinet Asm. - Rear Overhead - w/o Doors or Hardware
	M81503-02-W30	EA	Door Asm. - Overhead Cabinet - w/o Hardware
	M84955-02-W24	EA	Door Asm. - Overhead Cabinet - w/o Hardware
3	M81760-01-W30	EA	Cabinet Asm. - Nightstand - w/o Countertop, Drawer or Hardware
	M02160-01-W30	EA	Countertop Asm. - Nightstand - Lower
	M02160-02-W30	EA	Countertop Asm. - Nightstand - Upper
	M81501-30-W30	EA	Door Asm. - Queen Bed Cabinet - w/o Hardware
	M84953-18-W30	EA	Door Asm. - Queen Bed Cabinet - w/o Hardware
	077463-10-W30	EA	Headboard Asm. - Queen (W84)
	077463-10-W31	EA	Headboard Asm. - Queen (W85)
	077463-10-W32	EA	Headboard Asm. - Queen (W86)
			Not illustrated
			Doors used on units produced before 12-1-86

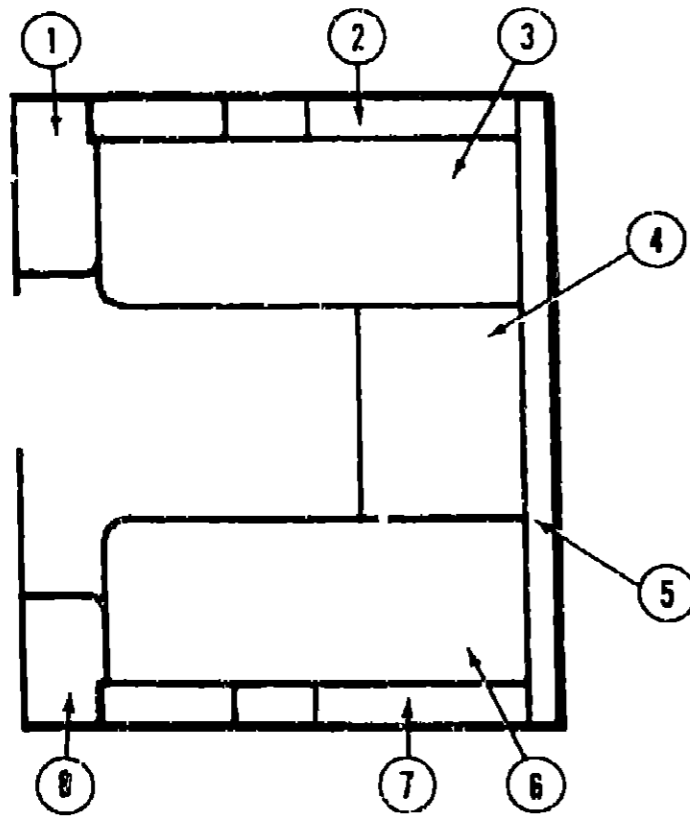
**1987 ITASCA  
TABLE OF CONTENTS**

IC420EG	A-01 - B-08
ICN22EC	B-07 - D-08
ICN27RT	D-09 - F-14
IJN32RQ	F-15 - I-02
ICP26ET	I-03 - K-10

**1987 IJN32RQ INDEX**

Floor Plan	F-15 - F-16
Accessories Group	F-17 - F-19
Bath Group	F-20 - F-21
Chassis Group	F-22 - F-24
Curtain, Cushion & Pad Group	G-01 - G-10
Dinette Group	G-11 - G-12
Driver's Compartment Group	G-13 - G-15
Electrical Group	G-16 - G-18
Exterior Body Group	G-19 - G-23
Galley Group	G-24 - H-02
Heating & Air Conditioning Group	H-03
Interior Finish Group	H-04 - H-06
LP Group	H-07
Lounge Group	H-08 - H-11
Water & Sewage Group	H-12 - H-13
Window, Vent & Exterior Door Group	H-14 - I-02

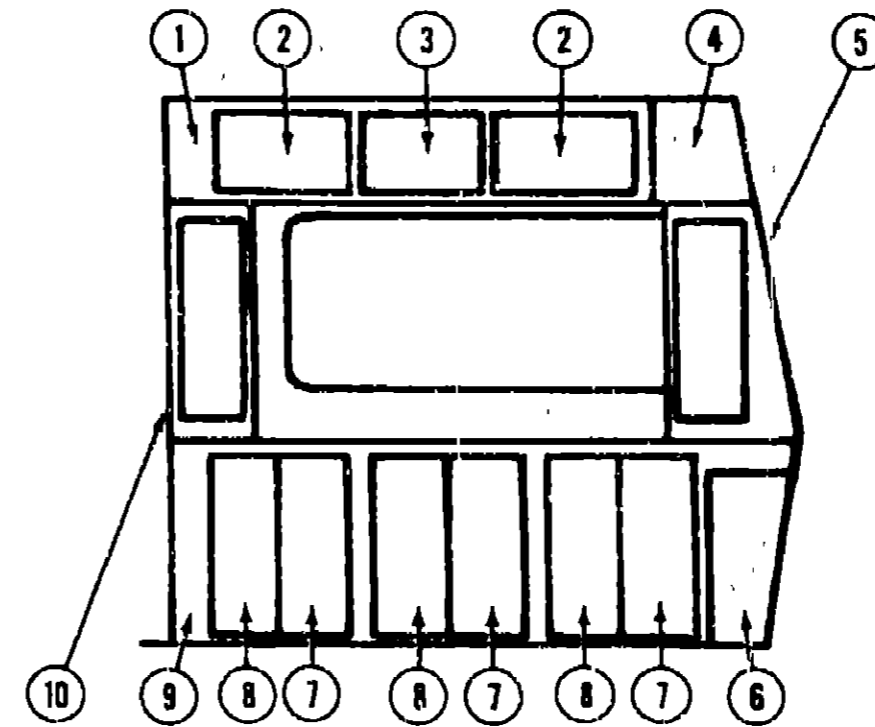
**LOUNGE GROUP (CONTINUED)**



**HORSESHOE LOUNGE OPTION**

Key	Part Number	U/M	Description
1	081794-01-W30	EA	Cabinet Asm - Nightstand - Passenger - w/o Countertop or Hardware
*	M02158-01-W30	EA	Countertop Asm - Nightstand Cabinet - w/o Hardware
2	M86061-01-W30	EA	Cabinet Asm. - Hamper - Passenger - w/o Top or Hardware
*	M02969-01-W30	EA	Top Asm. - Hamper Cabinet - Side (W84)
*	M02969-01-W31	EA	Top Asm. - Hamper Cabinet - Side (W85)
*	M02969-01-W32	EA	Top Asm. - Hamper Cabinet - Side (W86)
3	M87007-01-W84	EA	Cabinet Asm - Lounge - Right
4	M86063-01-W30	EA	Cabinet Asm - Lounge - Center - w/o Door or Hardware
*	M81501-10-W30	EA	Door Asm. - Lounge Cabinet - w/o Hardware
**	M84953-06-W24	EA	Door Asm. - Lounge Cabinet - w/o Hardware
5	M86062-01-W30	EA	Cabinet Asm - Lounge Back - w/o Top or Hardware
*	M02970-01-W30	EA	Top Asm. - Back Cabinet (W84)
*	M02970-01-W31	EA	Top Asm. - Back Cabinet (W85)
*	M02970-01-W32	EA	Top Asm. - Back Cabinet (W86)
6	M87008-01-W30	EA	Cabinet Asm - Lounge - Left - w/o Door or Hardware
7	M86061-02-W30	EA	Cabinet Asm. - Hamper - Left - w/o Top or Hardware
8	087682-01-W84	EA	Cabinet Asm - Nightstand Cabinet - Left - w/o Countertop or Hardware
*	M03000-13-W30	EA	Countertop Asm. - Nightstand Cabinet - w/o Hardware
*	081298-01-W24	EA	Table Asm - w/o Hardware
*	009040-04-000	EA	Pedestal Leg - Table - 27 5"
*	041194-01-000	EA	Base - Table - Flush Mount
*	Not Illustrated		
**	Doors used on units produced before 12-1-86		

**LOUNGE GROUP (CONTINUED)**



**DOUBLE BED OPTION**

Key	Part Number	U/M	Description
1	085164-04-W30	EA	Cabinet Asm. - Overhead - Passenger - w/o Doors or Hardware
*	084996-04-W30	EA	Cabinet Asm. - Overhead - Driver - w/o Doors or Hardware
2	M81503-01-W30	EA	Door Asm. - Overhead Cabinet - w/o Hardware
**2	M84955-01-W30	EA	Door Asm. - Overhead Cabinet - w/o Hardware
3	M81503-04-W30	EA	Door Asm. - Overhead Cabinet - w/o Hardware
**3	M84955-04-W30	EA	Door Asm. - Overhead Cabinet - w/o Hardware
4	085165-01-W30	EA	Cabinet Asm - Rear Overhead - w/o Doors or Hardware
*	M85168-02-W30	EA	Door Asm. - Rear Overhead w/Mirror - w/o Hardware
*	058331-13-000	EA	Mirror - Safety Glass - 9.4" x 15 2"
5	M84988-01-W30	EA	Cabinet Asm. - Storage - w/o Door or Hardware
*	M82424-04-W84	EA	Door Asm. - Storage Cabinet w/Mirror - w/o Hardware
*	058331-12-000	EA	Mirror - Safety Glass - 6 3" x 25 6"
6	M84584-01-W30	EA	Cabinet Asm. - Nightstand - w/o Countertop or Hardware
*	M02932-01-W30	EA	Countertop Asm - Nightstand Cabinet
7	M81502-19-W30	EA	Door Asm. - Vanity Cabinet - Right - w/o Hardware
**7	M84954-07-W30	EA	Door Asm. - Vanity Cabinet - Right - w/o Hardware
8	M81502-20-W30	EA	Door Asm. - Vanity Cabinet - Left - w/o Hardware
**8	M84954-08-W30	EA	Door Asm. - Vanity Cabinet - Left - w/o Hardware
9	M84756-01-W30	EA	Cabinet Asm. - Vanity - w/o Countertop, Doors or Hardware
*	M02933-01-W30	EA	Countertop Asm. - Vanity Cabinet
10	M84660-01-W30	EA	Cabinet Asm. - Storage Cabinet - Left - w/o Door or Hardware
*	M82424-04-W84	EA	Door Asm. - Storage Cabinet w/Mirror - w/o Hardware
*	077463-09-W30	EA	Headboard Asm. - Double (W84)
*	077463-09-W31	EA	Headboard Asm - Double (W85)
*	077463-09-W32	EA	Headboard Asm - Double (W86)
*	Not Illustrated		
**	Doors used on units produced before 12-1-86		

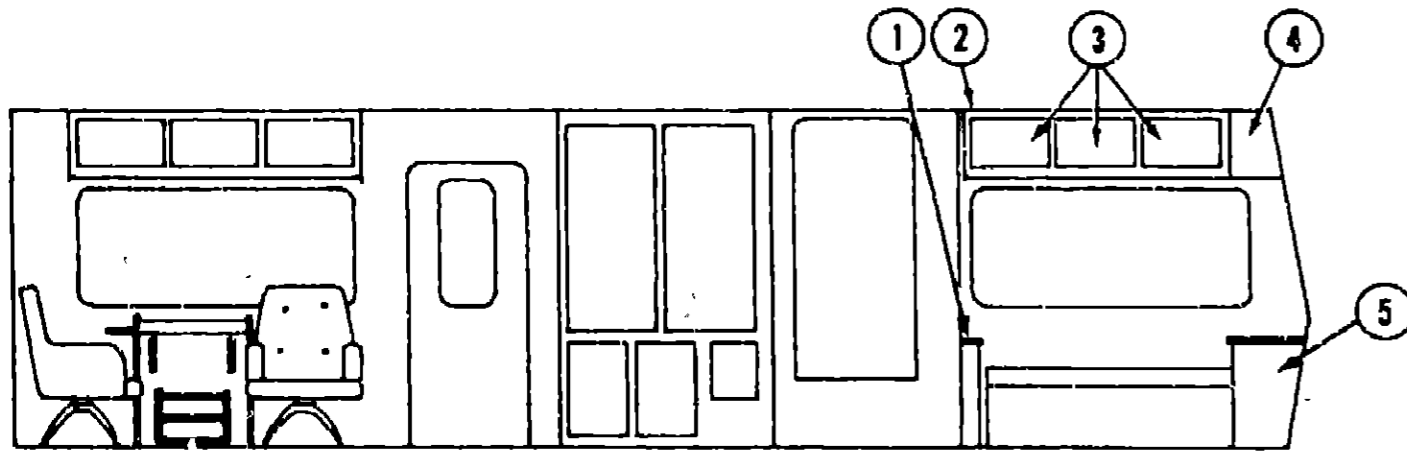
**1987 ITASCA  
TABLE OF CONTENTS**

IC420EG	A-01 - B-06
ICN22EC	B-07 - D-08
ICN27RT	D-09 - F-14
IJN32RQ	F-15 - I-02
ICP26ET	I-03 - K-10

**1987 IJN32RQ INDEX**

Floor Plan	F-15 - F-16
Accessories Group	F-17 - F-19
Bath Group	F-20 - F-21
Chassis Group	F-22 - F-24
Curtain, Cushion & Pad Group	G-01 - G-10
Dinette Group	G-11 - G-12
Driver's Compartment Group	G-13 - G-15
Electrical Group	G-16 - G-18
Exterior Body Group	G-19 - G-23
Galley Group	G-24 - H-02
Heating & Air Conditioning Group	H-03
Interior Finish Group	H-04 - H-06
LP Group	H-07
Lounge Group	H-08 - H-11
Water & Sewage Group	H-12 - H-13
Window, Vent & Exterior Door Group	H-14 - I-02

**LOUNGE GROUP (CONTINUED)**



**TWIN BED CABINERY OPTION**

Key	Part Number	U/M	Description
1	081794-01-W30	EA	Cabinet Asm. - Nightstand - w/o Countertop or Hardware
1	M02158-01-W30	EA	Countertop Asm. - Nightstand - w/o Hardware
•	087882-01-W84	EA	Cabinet Asm. - Nightstand - w/o Countertop or Hardware
•	M03000-13-W30	EA	Countertop Asm. - Nightstand - w/o Hardware
2	081970-03-W30	EA	Cabinet Asm. - Lounge Overhead - Passenger - w/o Doors or Hardware
•	081970-01-W30	EA	Cabinet Asm. - Lounge Overhead - Driver - w/o Doors or Hardware
3	M81503-01-W30	EA	Door Asm. - Overhead Cabinets - w/o Hardware
**3	M84955-01-W30	EA	Door Asm. - Overhead Cabinet - w/o Hardware
4	081308-09-W30	EA	Cabinet Asm. - Rear Overhead - w/o Doors or Hardware
•	M81503-04-W30	EA	Door Asm. - Rear Overhead - w/o Hardware
**	M84955-04-W30	EA	Door Asm. - Rear Overhead - w/o Hardware
5	M83441-01-W30	EA	Cabinet Asm. - Nightstand - w/o Countertop, Door or Hardware
•	M81501-93-W30	EA	Door Asm. - Nightstand Cabinet - w/o Hardware
**	M84953-50-W24	EA	Door Asm. - Nightstand Cabinet - w/o Hardware
•	M02608-01-W30	EA	Countertop Asm. - Nightstand - Lower
•	M02609-01-W30	EA	Countertop Asm. - Nightstand - Upper
•	094357-01-W13	EA	T.V. Stand Asm.
•	M81501-30-W30	EA	Door Asm. - Twin Bed Cabinets - w/o Hardware
**	M84953-18-W30	EA	Door Asm. - Twin Bed Cabinets - w/o Hardware
•	077463-08-W30	EA	Headboard Asm. - Twin (W84)
•	077463-08-W31	EA	Headboard Asm. - Twin (W85)
•	077463-08-W32	EA	Headboard Asm. - Twin (W86)
•			Not illustrated
**	Doors used on units produced before 12-1-86		

**WATER & SEWAGE GROUP**

**PLUMBING & REPAIR PARTS**

Key	Part Number	U/M	Description
	033302-02-000	EA	Adapter Asm. - SWVC Strain - 1 1/2"
	010326-01-000	EA	Adapter - Flare - w/Cone Gasket
	062422-01-000	EA	Adapter - Hose Offset - Reducer - 3" x 1 1/2"
	052954-01-000	EA	Adapter - Hose Cone - 3/8 or 1/2 - Plastic
	010224-01-000	EA	Adapter - Plastic - 3/8 MPT x 3/8 Barb
	044927-01-000	EA	Adapter - Plastic - 1 1/4" MPT x 1 1/4 Barb
	031602-02-000	EA	Adapter - Plastic - 1 1/2 H x FPT
	062417-01-000	EA	Adapter - Termination - 3"
	004020-01-000	QT	Adhesive - ABS Cement
**	010121-01-000	EA	Bushing - Plastic - 1 1/2 S x 1 1/4 H
	036522-02-000	EA	Cap - Brass - 1/2 Flare
	075730-01-000	EA	Cap - Sewer - 3"
	087200-02-000	EA	Cartridge - Water Purification
	052959-03-000	EA	Connector - 1/2 F x 3/8 MPT - Plastic
	011091-02-000	EA	Continuous Waste - Double Sink - 11 7/8" - US
	078406-01-000	EA	Coupler Rubber - 3" x 3"
	010000-01-000	EA	Elbow - Plastic - 1/8 BD x 1 1/4 x 45° H x H
	010006-01-000	EA	Elbow - Plastic - 1/8 BD x 1 1/2 x 45° H x H
	010008-01-000	EA	Elbow - Plastic - 1/4 BD x 1 1/2 x 90° Left
	010051-01-000	EA	Elbow - ST - Plastic - 1/8 BD x 1 1/2 x 45°
	010061-01-000	EA	Elbow - ST Plastic 1/8 BD x 3" x 453 x H
	033761-01-000	EA	Elbow - ST - Plastic 1/4 BD x 1 1/2" x 90° x LT
	031111-01-000	EA	Elbow - Plastic - 1/4 BD x 1 1/4 x 90° Left
	052957-01-000	EA	Elbow - Plastic - 1/2 F x 3/8 MPT
	052957-02-000	EA	Elbow - Plastic - 1/2 F x 1/2 MPT (In Tank Filter)
	065120-01-000	EA	Elbow - Plastic - Swivel - 50
	070924-01-000	EA	Elbow - Plastic - Swivel - 1/2 MPT x 1/2 FP
	077954-02-000	EA	Filter/Screen (In Water Tank)
	087200-01-000	EA	Filter - Water Purification
	063641-01-000	EA	Flange - Closet - 4" F x 3" FPT - US
	063641-02-000	EA	Flange - Closet - 4" F x 3" FPT - CSA
	079381-01-000	FT	Flexible Tubing - 1 1/4 I.D. x 10'
	051607-01-000	EA	Grommet - Holding Tank Coupler - 1 1/2"
	061607-02-000	EA	Grommet - Holding Tank Coupler - 3"
	052961-01-000	EA	Header - 1/2 F x 1/2 F x 1/2 F x 1/2 F
	010201-01-000	EA	Hose - Sewer - 3 ID x 8 FT
	052953-01-000	EA	Nut - Faucet - 1/2 Tube x 1/2 FPT
	052952-01-000	EA	Nut - 1/2 F - Plastic
**	011066-03-000	EA	P-Trap - 1 1/4" Plastic - US
**	011066-02-000	EA	P-Trap - 1 1/4" Plastic - CSA
	053335-01-000	EA	P-Trap - Plastic - 1 1/4 H x H - w/Union - CSA
	010197-01-000	EA	Pipe - Plastic - 3" x 240" - Black
	045729-01-000	EA	Pump - Water - 2.8 G.P.M. - Direct Drive - Shurflo - US
	045729-02-000	EA	Pump - Water - 2.8 G.P.M. - Direct Drive - Shurflo - CSA
**	010201-01-000	EA	Sewer Hose - 3" x 8' w/Clamp
	042989-05-000	EA	Spinweld Fittings - Plastic - 1/2 FPT (In Tank Fitter)
	042989-03-000	EA	Spinweld Fittings - Plastic - 1/4 NPT
	042989-04-000	EA	Spinweld Fittings - Plastic - 3/8 FPT
	011069-02-000	EA	Tailpiece - 1 1/2" x 1 1/4" x 4" - Brass
	010071-01-000	EA	Tee - Plastic - 1 1/2 x H x H x H
**	010079-01-000	EA	Tee - Plastic 1 1/2 H x 1 1/2 H x 1 1/4 H
	052955-01-000	EA	Tee - Plastic - 1/2 F x 1/2 F x 1/2 MPT
	052955-01-000	EA	Tee - Plastic - 1/2 F x 1/2 F x 1/2 F
	030800-01-000	FT	Tubing - Polybutyl - 1/2 O.D. (Water Line)
	079381-01-000	FT	Tubing - Flexible - Smooth - 1 25 I.D.
	074462-02-000	FT	Tubing - Vinyl - 3/8 I.D.
	062421-01-000	EA	Valve - 1 1/2" - w/Handle
	052960-01-000	EA	Valve - Line Drain - 1/2 F x 1/2 F
	077054-01-000	EA	Valve - Plastic - 1/2 M x 1/2 M - 1/4 Comp.
	010073-01-000	EA	Wye - Plastic - 1 1/2 x 45 H x H

\*\* The illustrated parts breakdown for this is provided on the Common Items Fich.

**1987 ITASCA  
TABLE OF CONTENTS**

IC420EG	A-01 - B-06
ICN22EC	B-07 - D-08
ICN27RT	D-09 - F-14
IJN32RQ	F-15 - I-02
ICP26ET	I-03 - K-10

**1987 IJN32RQ INDEX**

Floor Plan	F-15 - F-16
Accessories Group	F-17 - F-19
Bath Group	F-20 - F-21
Chassis Group	F-22 - F-24
Curtain, Cushion & Pad Group	G-01 - G-10
Dinette Group	G-11 - G-12
Driver's Compartment Group	G-13 - G-15
Electrical Group	G-16 - G-18
Exterior Body Group	G-19 - G-23
Galley Group	G-24 - H-02
Heating & Air Conditioning Group	H-03
Interior Finish Group	H-04 - H-06
LP Group	H-07
Lounge Group	H-08 - H-11
Water & Sewage Group	H-12 - H-13
Window, Vent & Exterior Door Group	H-14 - I-02

## WATER & SEWAGE GROUP (CONTINUED)

### HOLDING TANKS & WATER HEATERS

Key	Part Number	U/M	Description
	081189-02-000	EA	Tank Asm. - Water - 48 Gallon - w/Fittings
	081189-01-000	EA	Tank - Water - 48 Gallon - w/o Fittings
	088672-01-000	EA	Tank - Holding - 55 Gallon - w/o Fittings - Waste Water
	088671-01-000	EA	Tank - Holding - 27 Gallon - w/o Fittings - Sewage
**	051391-01-000	EA	Water Heater - w/o Motor Aid - Atwood - G6A-3
**	051391-03-000	EA	Water Heater - w/Motor Aid - Atwood - G6A-3E
**	051393-01-000	EA	Water Heater - w/Motor Aid - Direct Ignition - Atwood - GH6-3E

\*\* The illustrated parts breakdown for this item is provided on the Common Items Fiche.

## WINDOW, VENT & EXTERIOR DOOR GROUP

### VENTS

Key	Part Number	U/M	Description
	084073-04-000	EA	Base - Refrigerator Vent
	084073-02-000	EA	Cover - Refrigerator Vent
	084878-01-000	EA	Vent - Stovehood - Outside
	075056-01-000	EA	Vent Asm. - Roof - Non-Powered - w/o Screen
**	079537-01-000	EA	Vent Asm. - Roof - Powered - w/o Screen
	083558-01-000	EA	Roof Vent - Pipe Cover
	080507-01-000	EA	Skylight - Outside Panel
	080508-01-000	EA	Skylight - Inside Panel
	080258-01-000	EA	Collar - Skylight
	084616-03-000	EA	Shroud - Vent - Hood Range - Gray
	078785-01-T03	EA	Screen Asm. - Roof Vent
	078786-01-T03	EA	Screen Asm. - Roof Vent - Non Powered

\*\* The illustrated parts breakdown for this item is provided on the Common Items Fiche.

### ACCESS HARDWARE

Key	Part Number	U/M	Description
	075726-01-000	EA	Outlet Extension - Sewage
	075730-01-000	EA	End Cap - Sewage Hose
	052424-03-000	EA	Jamb - Power Cord/Fuel Fill - Gray
	054543-02-000	EA	Hatch - Power Cord
	084103-02-000	EA	Jamb - Refrigerator Door Vent
	083615-03-000	EA	Door Stop - Gray Plastic
	042442-01-000	EA	Lock Asm. - Twist Type - 90° Rotation - 1.5" Latch - 6" Depth
	042441-01-000	EA	Lock Asm. - Key Type - 90° Rotation - 1.25" Latch - 62" Depth
	085730-01-000	EA	Latch Asm. - Paddle - Plastic - w/Key Lock
	085730-04-000	EA	Latch Asm. - Paddle - Plastic - w/o Key Lock
	083223-01-000	EA	Lock Asm. - Key Type (Set of 1)
	083223-02-000	EA	Lock Asm. - Key Type (Set of 2)

## 1987 ITASCA TABLE OF CONTENTS

IC420EG	A-01 - B-06
ICN22EC	B-07 - D-08
ICN27RT	D-09 - F-14
IJN32RQ	F-15 - I-02
ICP26ET	I-03 - K-10

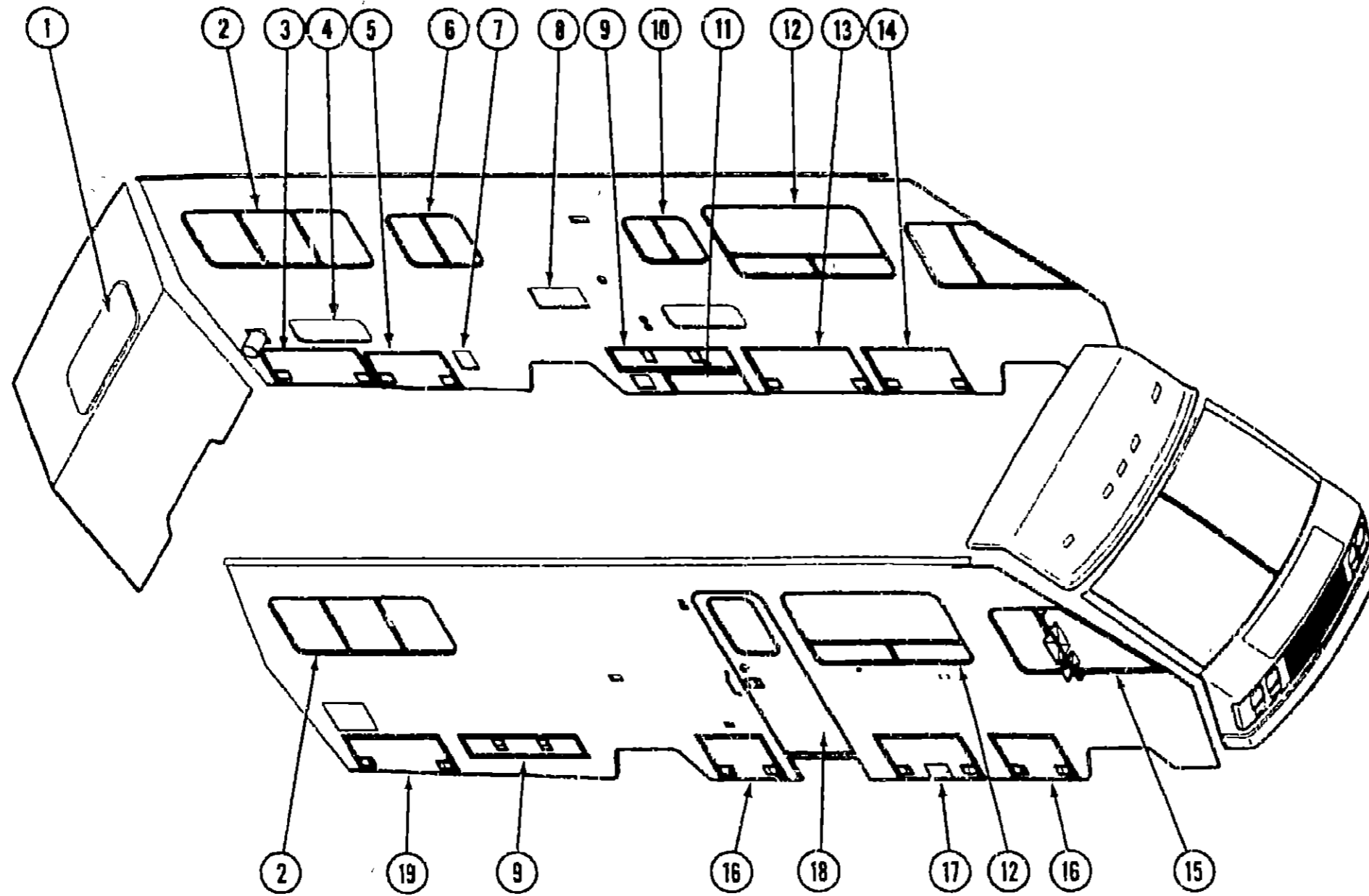
## 1987 IJN32RQ INDEX

Floor Plan	F-15 - F-16
Accessories Group	F-17 - F-19
Bath Group	F-20 - F-21
Chassis Group	F-22 - F-24
Curtain, Cushion & Pad Group	G-01 - G-10
Dinette Group	G-11 - G-12
Driver's Compartment Group	G-13 - G-15
Electrical Group	G-16 - G-18
Exterior Body Group	G-19 - G-23
Galley Group	G-24 - H-02
Heating & Air Conditioning Group	H-03
Interior Finish Group	H-04 - H-06
LP Group	H-07
Lounge Group	H-08 - H-11
Water & Sewage Group	H-12 - H-13
Window, Vent & Exterior Door Group	H-14 - I-02



## WINDOW, VENT & EXTERIOR DOOR GROUP (CONTINUED)

### WINDOWS & ACCESS DOORS



### 1987 ITASCA TABLE OF CONTENTS

IC420EG	A-01 - B-06
ICN22EC	B-07 - D-08
ICN27RT	D-09 - F-14
IJN32RQ	F-15 - I-02
ICF26ET	I-03 - K-10

### 1987 IJN32RQ INDEX

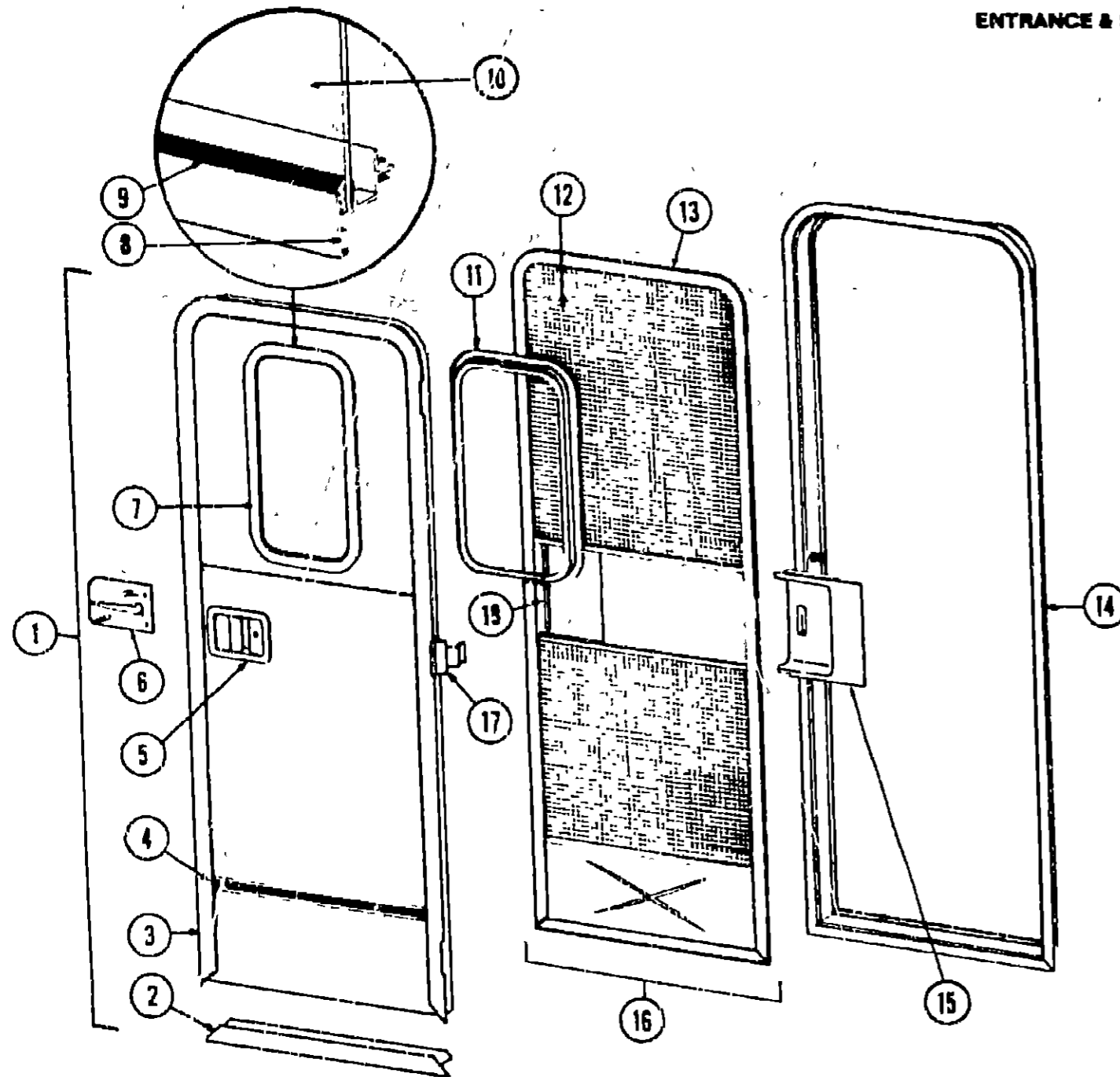
Floor Plan	F-15 - F-16
Accessories Group	F-17 - F-19
Bath Group	F-20 - F-21
Chassis Group	F-22 - F-24
Curtain, Cushion & Pad Group	G-01 - G-10
Dinette Group	G-11 - G-12
Driver's Compartment Group	G-13 - G-15
Electrical Group	G-16 - G-18
Exterior Body Group	G-19 - G-23
Galley Group	G-24 - H-02
Heating & Air Conditioning Group	H-03
Interior Finish Group	H-04 - H-06
LP Group	H-07
Lounge Group	H-08 - H-11
Water & Sewage Group	H-12 - H-13
Window, Vent & Exterior Door Group	H-14 - I-02

Key	Part Number	U/M	Description
1	078528-01-T03	EA	Window Asm - Escape
*	052423-03-000	EA	Door - Sewer Hose - Gray
2	078269-01-T03	EA	Window Asm. - Double Slider
2	078266-05-T03	EA	Window Asm. - Single Slider (used with Double Bed Option)
3	087472-02-W84	EA	Door Asm. - Luggage
4	079578-01-T09	EA	Door Asm. - Storage
5	087472-08-W84	EA	Door Asm. - Storage
6	078266-04-T03	EA	Window Asm. - Slider
7	078010-05-000	EA	Door Asm. - Fuel Fill - Gray
8	078969-04-T09	EA	Door Asm. - Refrigerator Access
**8	084104-02-000	EA	Door Asm. - Refrigerator Access
9	087449-01-W84	EA	Door Asm. - Storage
10	078268-03-T03	EA	Window Asm. - Slider
*	063742-03-000	EA	Door Asm. - Power Cord
11	M79321-03-W84	EA	Door Asm - Generator
††12	078269-02-W24	EA	Window Asm. - Double Slider
12	085354-02-W07	EA	Window Asm. - Awning

Key	Part Number	U/M	Description
13	087448-03-W84	EA	Door Asm - Luggage
14	087448-02-W84	EA	Door Asm. - Luggage
*	084464-01-000	EA	Glass - Windshield - Passenger
*	084464-02-000	EA	Glass - Windshield - Driver
15	082357-01-U04	EA	Window Asm. - Slant Slider
†	079421-01-T02	EA	Window Asm. - Slant - High
16	087448-01-W84	EA	Door Asm. - Storage
17	087495-01-W84	EA	Door Asm. - Luggage/LP
18	M01870-14-W84	EA	Door Asm. - Entrance
*	079733-04-T03	EA	Window Asm. - Picture
19	087472-01-W84	EA	Door Asm. - Luggage
*	052009-03-000	EA	Door Asm. - Water Heater
*			Not keyed out
†			Parts used with the Roll Up Door
**			These are the part numbers of the doors produced after 11/3/86
††			Part used on units produced after 2/2/87

# WINDOW, VENT & EXTERIOR DOOR GROUP (CONTINUED)

## ENTRANCE & SCREEN DOOR



Key	Part Number	U/M	Description
1	M01870-14-W84	EA	Door Asm. - Radius Entry w/Screen Door
2	077998-03-000	EA	Frame - Entry Door (Bottom Portion Only)
3	076863-03-000	EA	Frame - Entry Door (Except Bottom Portion)
4	059576-11-000	EA	Feature Strip w/o Insert - 14'
	001030-11-000	EA	Insert - Feature Strip - 17' - Stucco - Gray
	009731-01-000	EA	End Cap - Feature Strip
5	045017-05-000	EA	Paddle Asm - Door Lock - Exterior
	045017-05-700	EA	Lock Cylinder w/Keys - Lynor
	039539-01-000	EA	Striker Bolt - Entry Doors
	039540-01-000	EA	Latch Claw - Entry Door
	039738-01-000	EA	Dead Bolt - Entry Door
6	039979-01-000	EA	Plate - Inside Lock - Includes Inside Handle
7	073733-04-T03	EA	Window Asm. - Picture - 17" x 25" - Black (w/o inside frame)
8	069640-06-000	FT	Ribbon Sealer - 5/16" Bead x 15'
9	002309-02-000	FT	Spline - Glass - 1/8" Black
10	002181-06-000	EA	Glass - Picture Window - 1/8" x 16.25" x 24" - Gray
11	067609-03-000	EA	Inside Frame - Beige (not included in assembly)
12	002293-02-000	SF	Screen - Window - 26" - Charcoal
13	056795-01-000	FT	Seal Tape - 1/78" x 3/8" - Press On
14	078591-02-000	EA	Jamb Asm. - Entrance Door
	051049-01-000	EA	Jamb - Entrance Door - Bottom
15	079086-01-000	EA	Slider - Screen Door - Light Oak Plastic
16	079012-01-T03	EA	Door Asm. - Screen
17	079361-07-000	EA	Hinge - Entrance Door (3 used per door)
18	079087-01-000	EA	Cap - Screen Door - Light Oak Plastic
	009018-01-000	EA	Catch Asm. - Single Roller w/Strike - Screen Door
	078231-01-000	EA	Spacer - Latch - Screen Door
	077437-01-000	EA	Strike - Roller Catch
	044582-06-000	EA	Drip Cap - Gray
	079278-01-000	EA	Seal - Mocket - Entrance Door
	073090-01-000	FT	Seal - Entrance Door
	075739-02-000	EA	Stiffener - Entrance Door - Beige
	075673-01-000	FT	Seal - Pile - Adhesive Back
	075671-01-000	FT	Seal - Sponge - Lazy "T" Shaped
	002294-01-000	FT	Spline - Black - .135 x .138 (Screen Door)
	063638-02-000	EA	Strike - Screen Door
	063729-04-000	EA	Rivnut - 10-32 UNF - .010-080
	075639-01-000	EA	Garnish - Radius - Entrance Door
	083205-01-000	EA	Deadbolt Lock - Press Fit - 5"
			Not illustrated

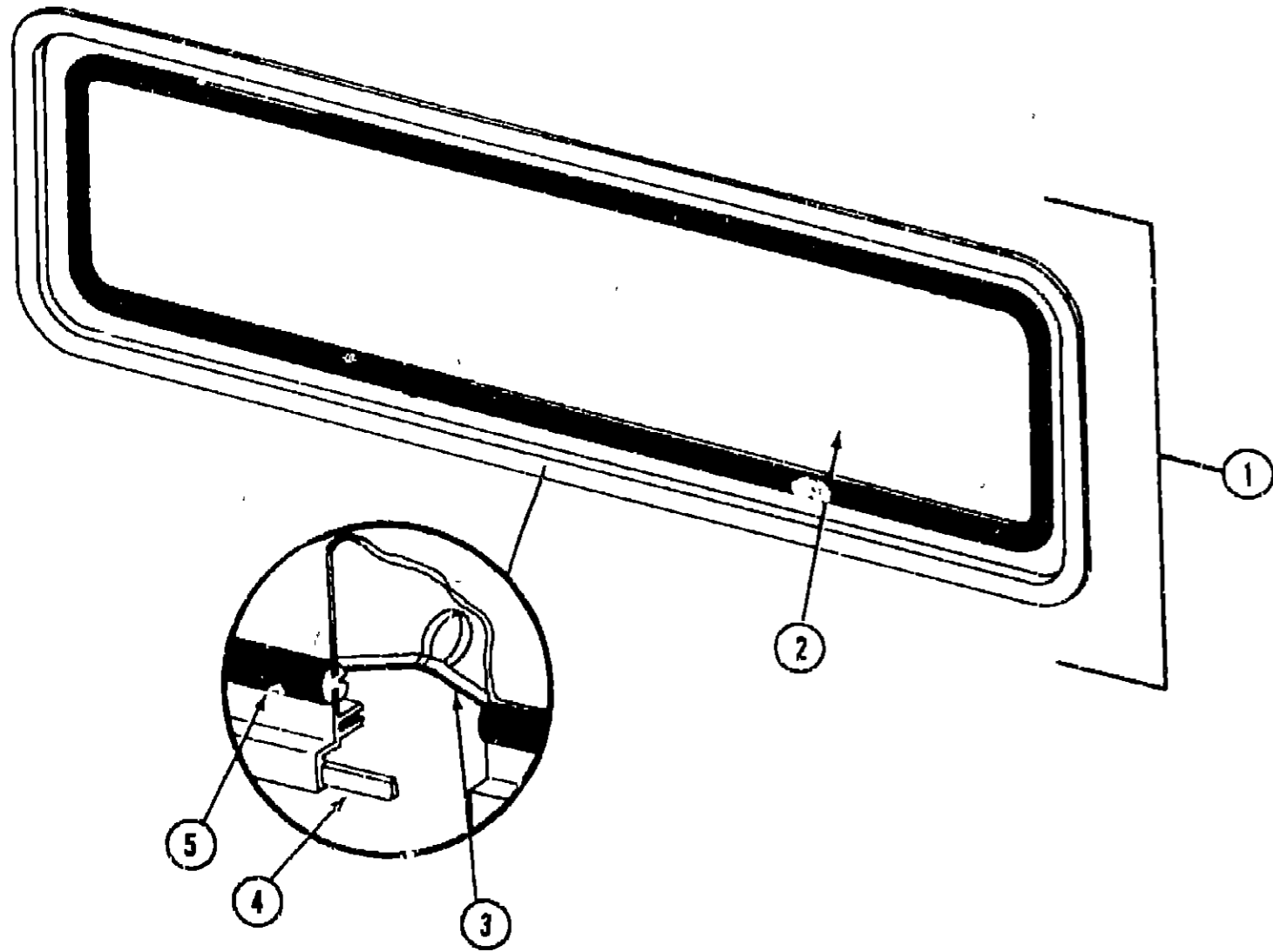
## 1987 ITASCA TABLE OF CONTENTS

IC420EG	A-01 - B-06
ICN22EC	B-07 - D-08
ICN27RT	D-09 - F-14
IJN32RQ	F-15 - I-02
ICP26ET	I-03 - K-10

## 1987 IJN32RQ INDEX

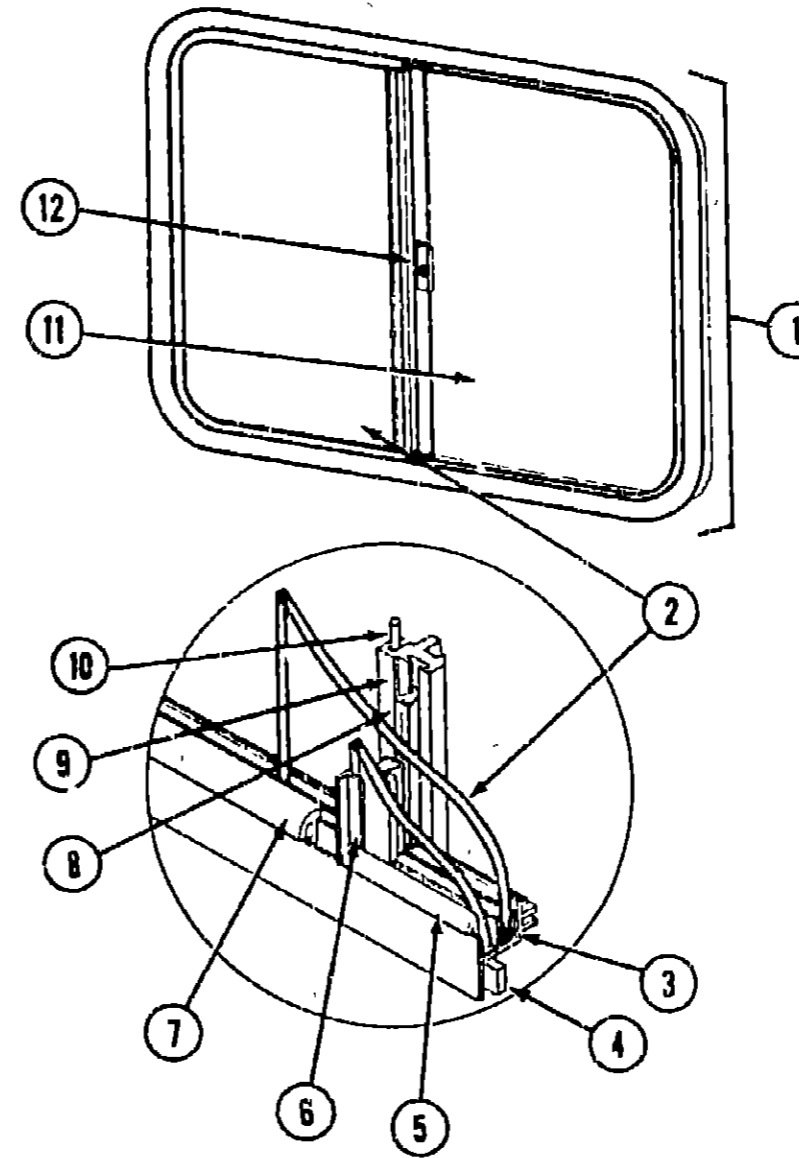
Floor Plan	F-15 - F-16
Accessories Group	F-17 - F-19
Bath Group	F-20 - F-21
Chassis Group	F-22 - F-24
Curtain, Cushion & Pad Group	G-01 - G-10
Dinette Group	G-11 - G-12
Driver's Compartment Group	G-13 - G-15
Electrical Group	G-16 - G-18
Exterior Body Group	G-19 - G-23
Galley Group	G-24 - H-02
Heating & Air Conditioning Group	H-03
Interior Finish Group	H-04 - H-06
LP Group	H-07
Lounge Group	H-08 - H-11
Water & Sewage Group	H-12 - H-13
Window, Vent & Exterior Door Group	H-14 - I-02

**WINDOW, VENT & EXTERIOR DOOR GROUP (CONTINUED)**



Key	Part Number	U/M	Description
1	078528-01-T03	EA	Window Asm. - Escape (w/o inside frame)
*	074816-01-000	EA	Inside Frame - Escape Window - Beige (not included in assembly)
2	002174-02-000	EA	Glass - 1/8" x 19 61" x 44 82"
3	002285-01-000	FT	Filler - Weatherstrip - Black
4	069640-01-000	FT	Tape - 2" Bead x 45'
5	002282-01-000	FT	Weatherstrip - Window - .125" Black
*	006199-01-000	EA	Label - Exit - Escape Window
*	Not illustrated		

**WINDOW, VENT & EXTERIOR DOOR GROUP (CONTINUED)**



Key	Part Number	U/M	Description
1	078266-03-T03	EA	Window Asm. - Left Single Slider - Black (w/o inside frame)
*	083122-03-000	EA	Inside Frame - Beige (not included in assembly)
2	081980-05-000	EA	Glass - Sliding - 1/8" x 19" x 13 68" - Gray
3	002324-02-000	FT	Channel - Weatherstrip - Glass Run - 1/8" Glass
4	069640-06-000	FT	Ribbon Sealer - 5.16" Bead x 15'
5	002309-02-000	FT	Spline - Glass - 1/8" - Black
6	M69898-03-011	EA	Seal Holder w/Fin Seal - 1/8" - Black
7	057374-02-000	FT	Extr. Vinyl - Window Seal - Black
8	073740-01-000	FT	Seal - Fin - Pile - .460"
9	078562-02-000	EA	Inside Mullion - Slider Window - Black
10	002208-02-000	FT	Spline - .130" Dia. - Charcoal (Screen)
11	081884-03-000	EA	Glass - Stationary
12	047369-01-700	EA	Latch Kit - Window - Plastic w/Fastener
*	002292-02-000	SF	Screen - Window - 20" - Charcoal
*	Not illustrated		

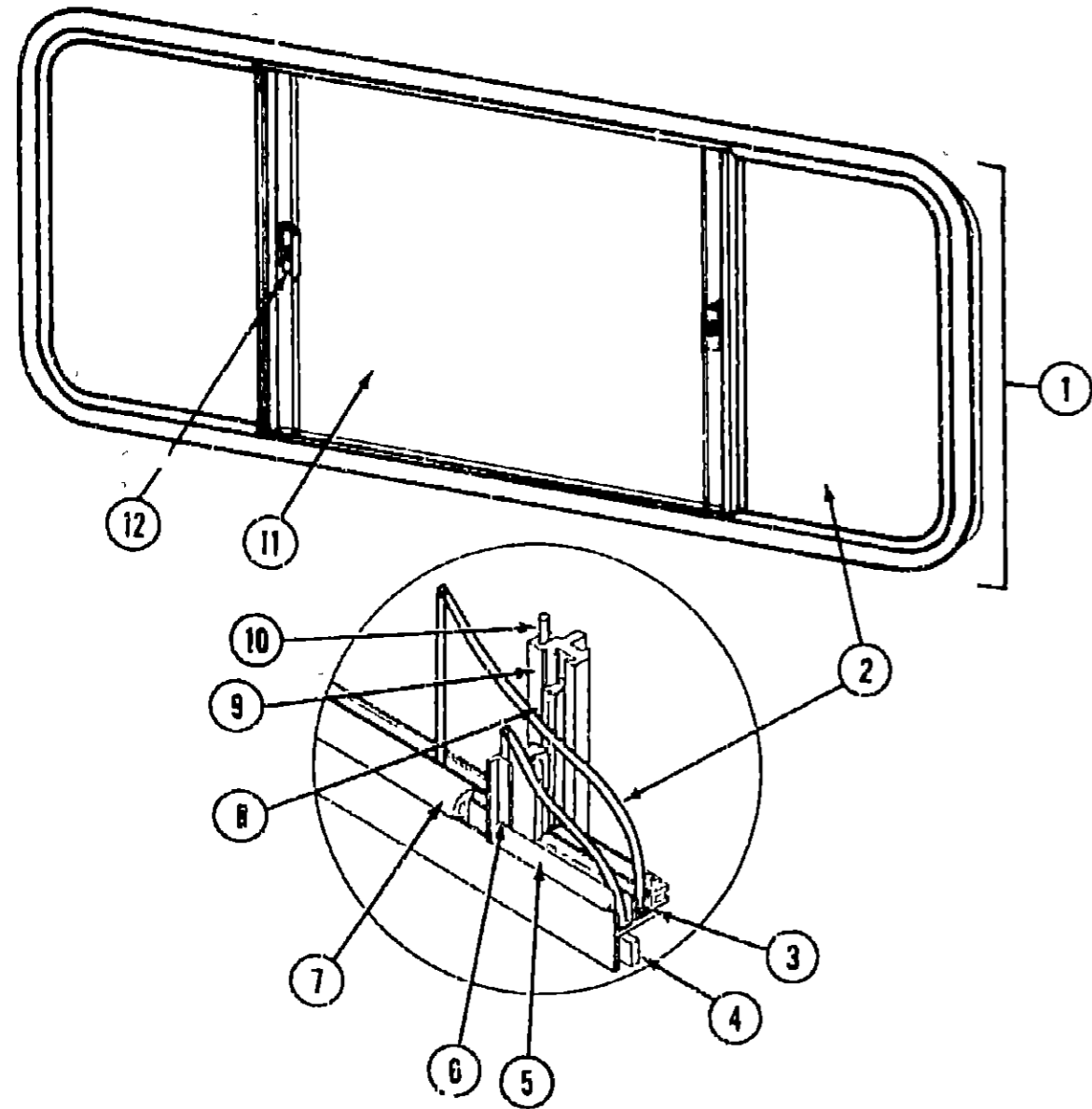
**1987 ITASCA  
TABLE OF CONTENTS**

IC420EG	A-01 - B-06
ICN22EC	B-07 - D-08
ICN27RT	D-09 - F-14
IJN32RQ	F-15 - I-02
ICP26ET	I-03 - K-10

**1987 IJN32RQ INDEX**

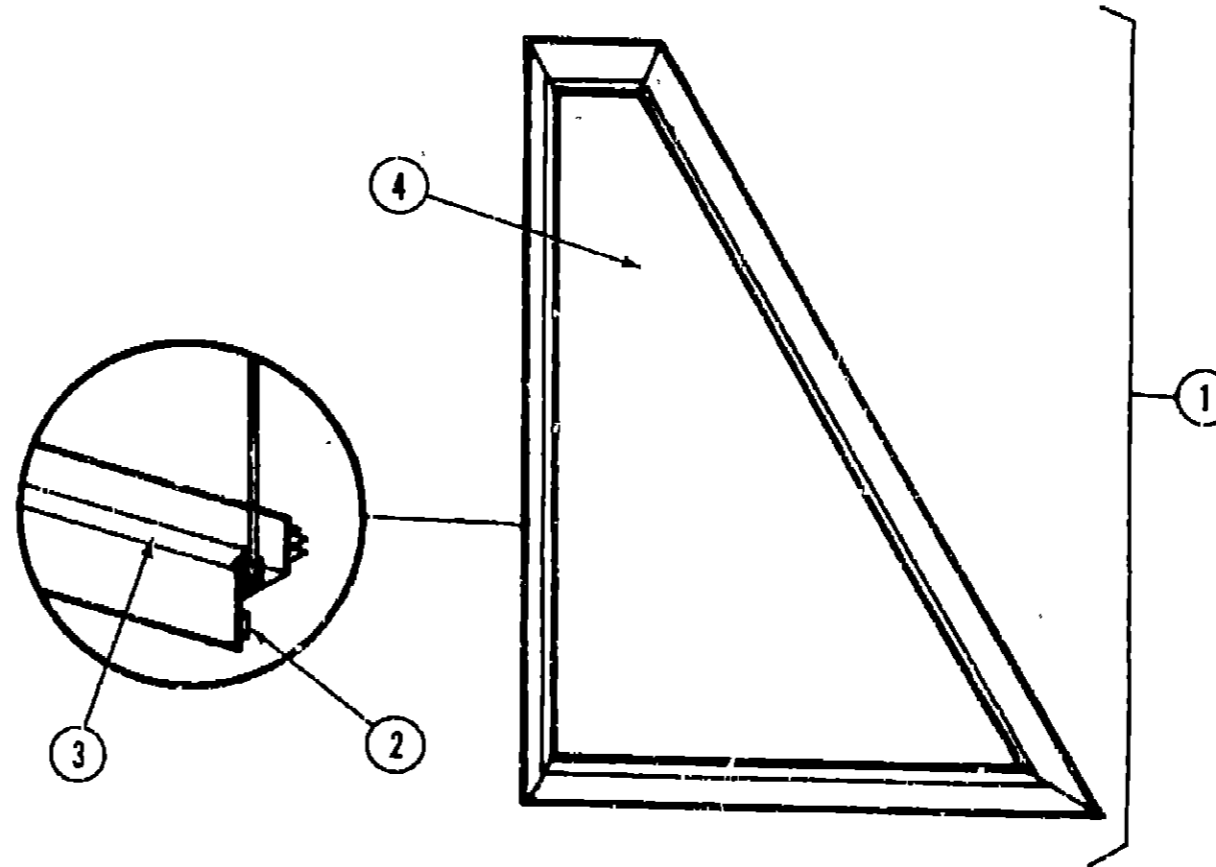
Floor Plan	F-15 - F-16
Accessories Group	F-17 - F-19
Bath Group	F-20 - F-21
Chassis Group	F-22 - F-24
Curtain, Cushion & Pad Group	G-01 - G-10
Dinette Group	G-11 - G-12
Driver's Compartment Group	G-13 - G-15
Electrical Group	G-16 - G-18
Exterior Body Group	G-19 - G-23
Galley Group	G-24 - H-02
Heating & Air Conditioning Group	H-03
Interior Finish Group	H-04 - H-06
LP Group	H-07
Lounge Group	H-08 - H-11
Water & Sewage Group	H-12 - H-13
Window, Vent & Exterior Door Group	H-14 - I-02

**WINDOW, VENT & EXTERIOR DOOR GROUP (CONTINUED)**



Key	Part Number	U/M	Description
1	078269-01-T03	EA	Window Asm. - Double Slider - 25" x 65" - Black (w/o inside frame)
•	083122-09-000	EA	Inside Frame - Beige (not included in assembly)
2	081980-04-000	EA	Glass - Sliding - 1/8" x 24" x 21 3"
3	002324-02-000	FT	Channel - Weatherstrip - Glass Run - 1/8" Glass
4	069640-06-000	FT	Ribbon Sealer - 5/16" Bead x 15'
5	002309-02-000	FT	Spline - Glass - 1/8" - Black
6	M69886-03-003	EA	Seal Holder w/Fin Seal - 23 19" - Black
7	057374-02-000	FT	Extr. Vinyl - Window Seal - Black
8	073740-01-000	FT	Seal - Fin - Pile - .460"
9	078562-04-000	EA	Mullion - Slider Window - Black
10	002298-02-000	FT	Spline - .130" Dia - Charcoal (Screen)
11	002188-05-000	EA	Glass - Stationary - 1/8" x 24" x 25 5"
12	047369-01-700	EA	Latch Kit - Window - Plastic w/Fastener
•	079204-01-000	EA	Bracket - Mullion - Black
•	002293-02-000	SF	Screen - Window - 26" - Charcoal
•			Not illustrated

**WINDOW, VENT & EXTERIOR DOOR GROUP (CONTINUED)**



Key	Part Number	U/M	Description
1	079421-01-T03	EA	Window Asm - Front Slant - Passenger (w/o inside frame).
•	079215-01-000	EA	Inside Frame - Front Slant - Beige (not included in assembly)
2	069640-01-000	FT	Tape - 1/4" Bead x 20'
3	050216-02-000	FT	Spline - Glass - 1/8" Black
4	057656-04-000	EA	Glass - .19" x 28 11" x 26.13"
•			Not illustrated

**1987 ITASCA  
TABLE OF CONTENTS**

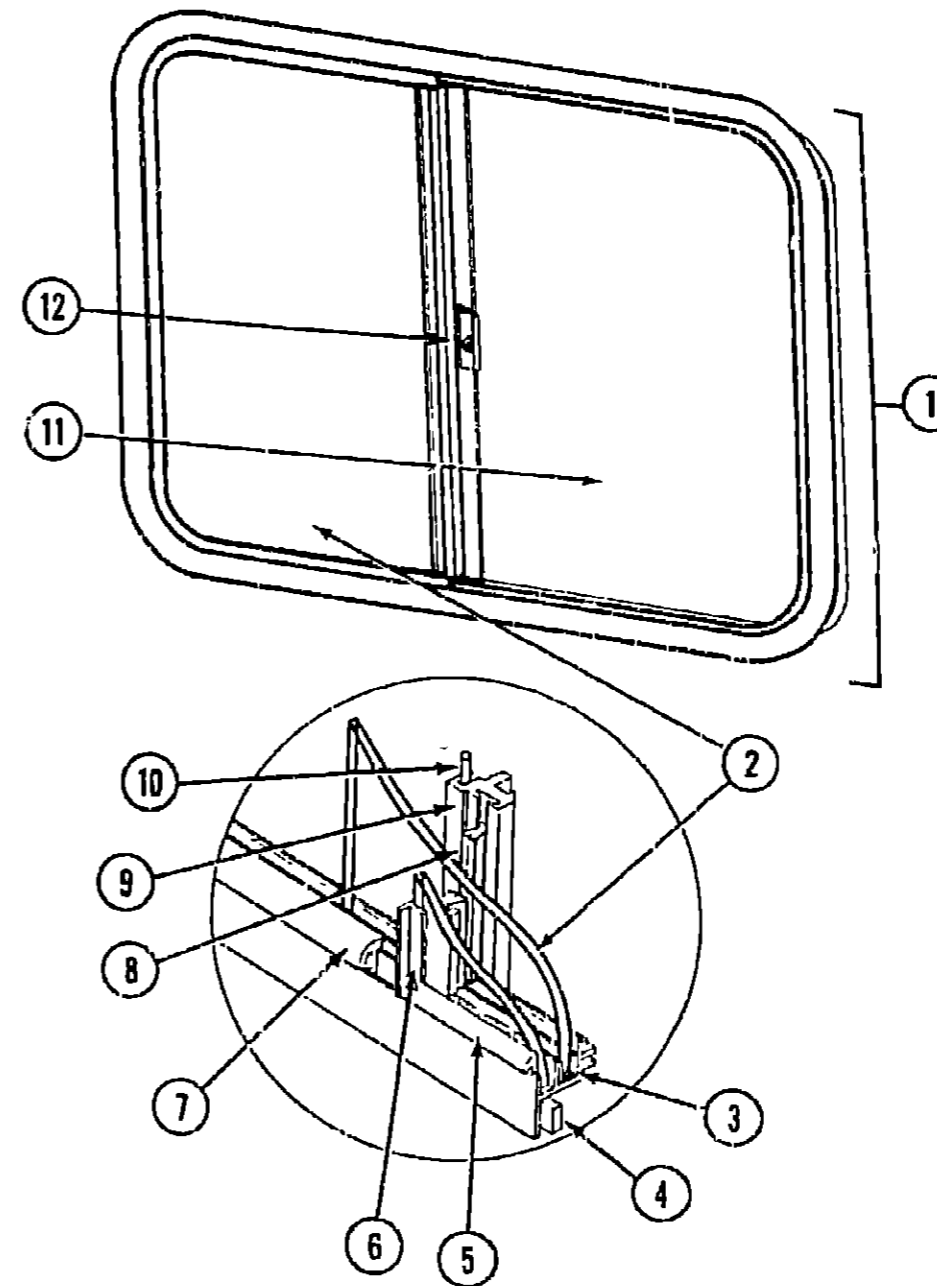
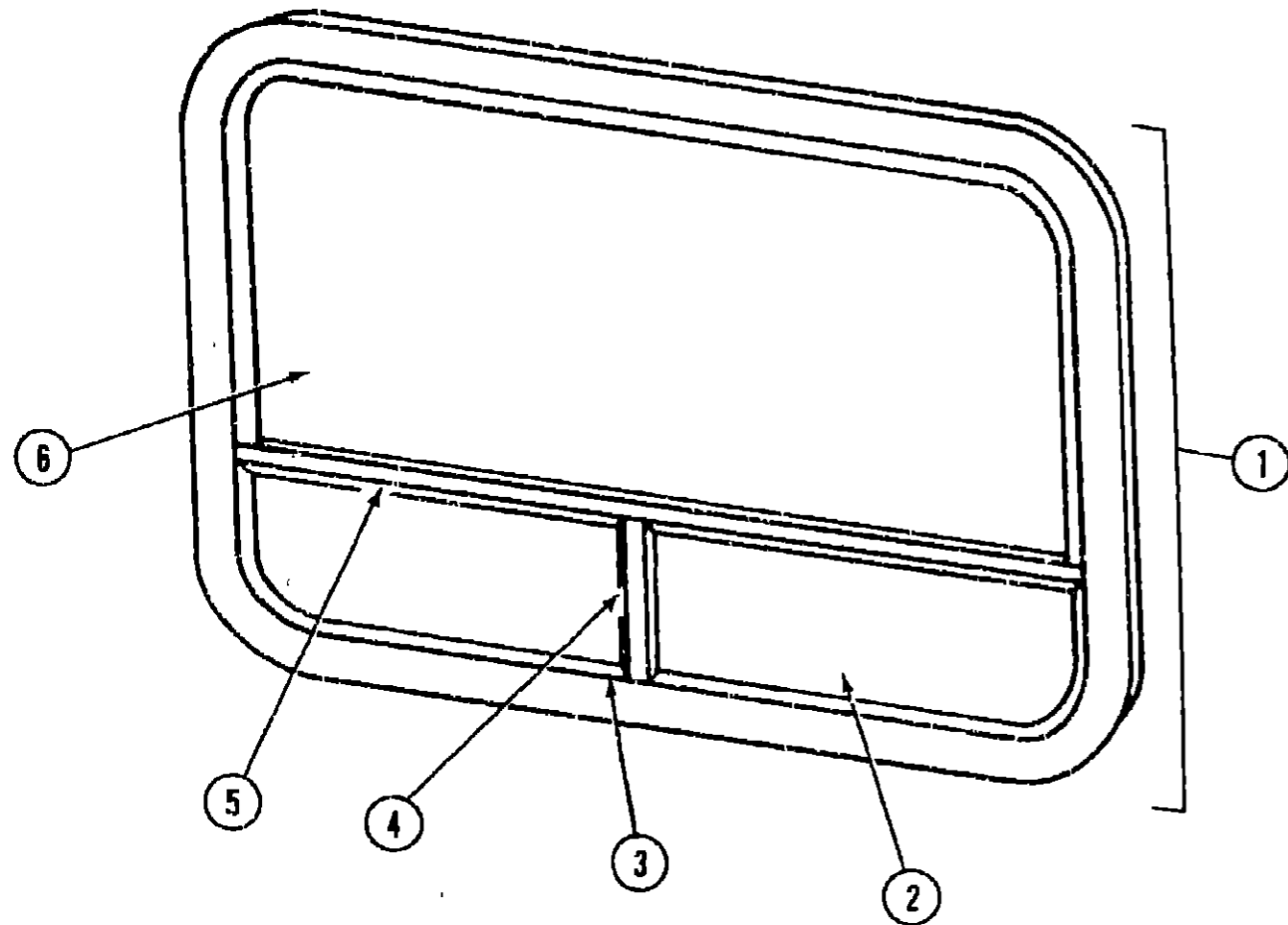
IC420EG	A-01 - B-06
ICN22EC	B-07 - D-08
ICN27RT	D-09 - F-14
IJN32RQ	F-15 - I-02
ICP26ET	I-03 - K-10

**1987 IJN32RQ INDEX**

Floor Plan	F-15 - F-16
Accessories Group	F-17 - F-19
Bath Group	F-20 - F-21
Chassis Group	F-22 - F-24
Curtain, Cushion & Pad Group	G-01 - G-10
Dinette Group	G-11 - G-12
Driver's Compartment Group	G-13 - G-15
Electrical Group	G-16 - G-18
Exterior Body Group	G-19 - G-23
Galley Group	G-24 - H-02
Heating & Air Conditioning Group	H-03
Interior Finish Group	H-04 - H-06
LP Group	H-07
Lounge Group	H-08 - H-11
Water & Sewage Group	H-12 - H-13
Window, Vent & Exterior Door Group	H-14 - I-02

**WINDOW, VENT & EXTERIOR DOOR GROUP (CONTINUED)**

**WINDOW, VENT & EXTERIOR DOOR GROUP (CONTINUED)**



Key	Part Number	U/M	Description
1	085354-02-W07	EA	Window Asm - Double Tipout (w/o inside frame)
	081922-17-000	EA	Inside Frame - Black (not included in assembly)
2	084068-04-000	EA	Glass - 1/8" x 9 24" x 30.39" - Tipout
	084581-01-W07	EA	Screen Asm. - Tipout - Right
	084581-02-W07	EA	Screen Asm. - Tipout - Left
3	084067-01-000	FT	Seal - "e" - Sponge Rubber
4	084154-01-000	EA	Mullion - Vertical - Black
	084066-01-000	FT	Bulb Seal - Double - Sponge Rubber
5	083112-05-000	EA	Mullion - Horizontal - Black
	081357-01-000	FT	Foam Seal - Vinyl
6	081239-11-000	EA	Glass - 1/8" x 61.77" x 20.55" - Stationary
	002291-02-000	SF	Screen - 16" Window
	002298-02-000	FT	Spline - .130" Dia. - Charcoal (Screen)
	081243-01-000	EA	Clip - Screen - Plastic
	080918-01-000	EA	Spring - Torque Tube - Right
	080918-02-000	EA	Spring - Torque Tube - Left
	035302-01-000	EA	Operating Mech - Right
	035302-02-000	EA	Operating Mech - Left
			Not Illustrated

Key	Part Number	U/M	Description
1	078266-04-T03	EA	Window Asm. - Left Single Slider - Black (w/o inside frame)
	083122-05-000	EA	Inside Frame - Beige (not include in assembly)
2	081980-02-000	EA	Glass - Sliding - 1/8" x 22" x 13.68" - Gray
3	002324-02-000	FT	Channel - Weatherstrip - Glass Run - 1/8" Glass
4	069640-06-000	FT	Ribbon Sealer - 5 16" Bead x 15'
5	002309-02-000	FT	Spline - Glass - 1/8" - Black
6	M18025-03-000	EA	Seal Holder w/Fin Seal - 1/8" - Black
7	057374-02-000	FT	Extr. Vinyl - Window Seal - Black
8	073740-01-000	FT	Seal - Fin - Pile - .460"
9	078562-03-000	EA	Inside Mullion - Slider Window - Black
10	002298-02-000	FT	Spline - .130" Dia - Charcoal (Screen)
11	081984-01-000	EA	Glass - Stationary
12	047369-01-700	EA	Latch Kit - Window - Plastic w/Fastener
	023713-02-000	EA	Weephole Cover - Black Plastic
	002293-02-000	SF	Screen - Window - 26" Charcoal
			Not Illustrated

**1987 ITASCA  
TABLE OF CONTENTS**

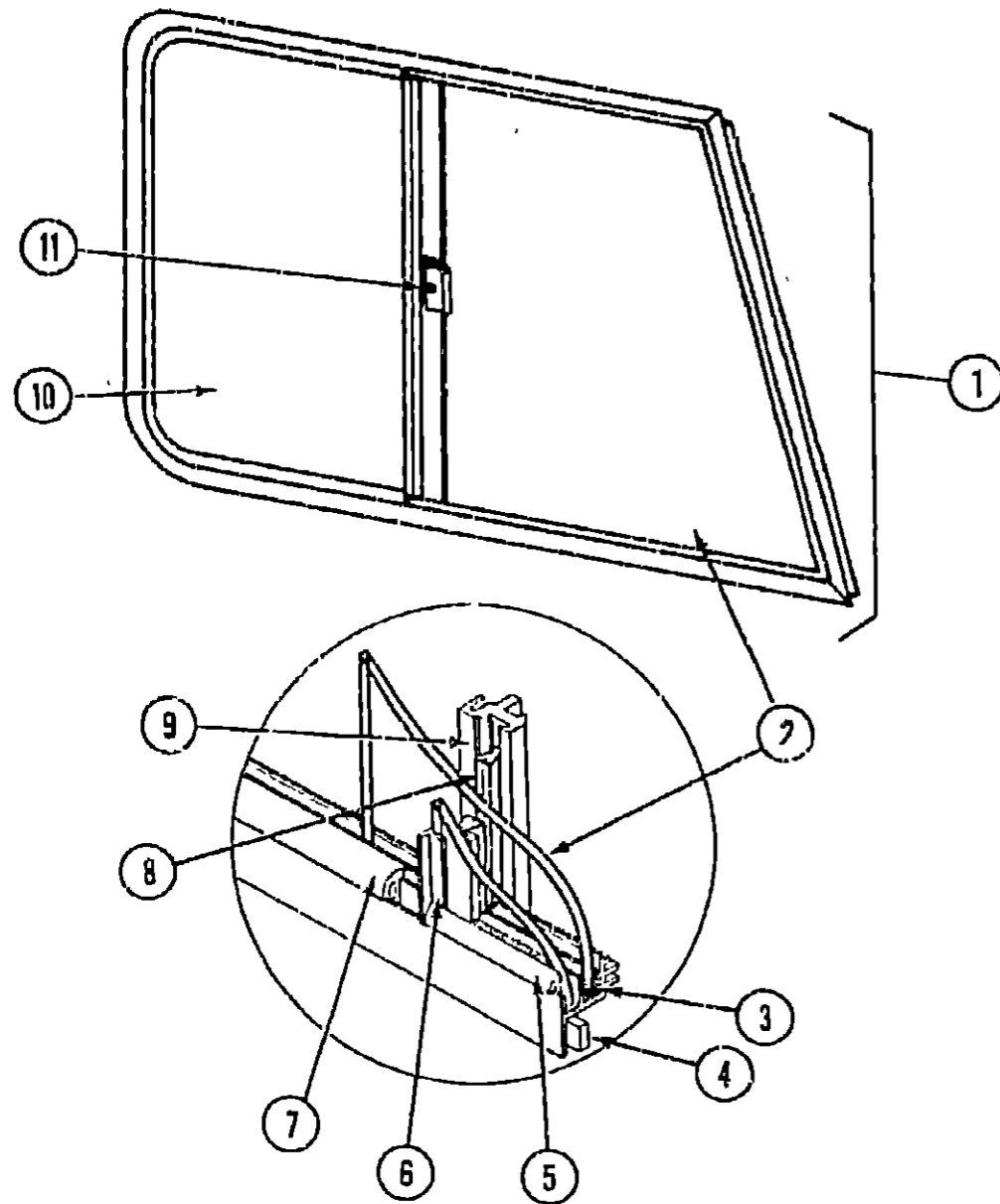
IC420EG	A-01 - B-06
ICN22EC	B-07 - D-08
ICN27RT	D-09 - F-14
IJN32RQ	F-15 - I-02
ICP26ET	I-03 - K-10

**1987 IJN32RQ INDEX**

Floor Plan	F-15 - F-16
Accessory Group	F-17 - F-19
Bath Group	F-20 - F-21
Chassis Group	F-22 - F-24
Curtain, Cushion & Pad Group	G-01 - G-10
Dinette Group	G-11 - G-12
Driver's Compartment Group	G-13 - G-15
Electrical Group	G-16 - G-18
Exterior Body Group	G-19 - G-23
Galley Group	G-24 - H-02
Heating & Air Conditioning Group	H-03
Interior Finish Group	H-04 - H-06
LP Group	H-07
Lounge Group	H-08 - H-11
Water & Sewage Group	H-12 - H-13
Window, Vent & Exterior Door Group	H-14 - I-02

**WINDOW, VENT & EXTERIOR DOOR GROUP (CONTINUED)**

**WINDOW, VENT & EXTERIOR DOOR GROUP (CONTINUED)**



Key	Part Number	U/M	Description
1	082057-01-U04	EA	Window Asm - Front Slant Slider - Passenger (w/o inside frame)
*	079573-01-T03	EA	Inside Frame - Slant Slider - Passenger (not included in assembly)
2	057556-03-000	EA	Glass - .19" x 28.11" x 27" - Stationary (Passenger)
3	042077-01-000	FT	Channel - Weatherstrip - 3/16" Glass
4	069640-01-000	FT	Ribbon Sealer - 1/4" Bead x 20'
5	050216-02-000	FT	Window Seal - 19" - Glass
6	002389-03-203	EA	Seal Holder w/Fin Seal - 27 12" - Black
7	057374-02-000	FT	Extr Rubber - Window Seal - Black
8	073740-01-000	FT	Seal - Fin - Pile - .460"
9	078562-07-000	EA	Mullion - Slider Window - Black
*	002298-02-000	FT	Spline - .130" Dia - Charcoal (Screen)
10	081980-06-000	EA	Glass - .19" x 28.11" x 14 88" Sliding
11	047369-01-700	EA	Latch Kit - Window - Plastic w/Fastener
*	079574-01-T03	EA	Slider Screen Asm - Passenger
*	002291-02-000	SF	Screen - Window - 16" - Charcoal
*	016310-03-000	EA	Handle - Slider Screen - Black
*			Not illustrated

**DRIVER DOOR W/ROLL-UP WINDOW**

Key	Part Number	U/M	Description
	M82202-01-U13	EA	Door Asm. - w/Roll-Up Window - Passenger
	M82202-02-U13	EA	Door Asm. - w/Roll-Up Window - Driver
	064184-02-000	EA	Drip Cap - Cab Door - Passenger
	064184-01-000	EA	Drip Cap - Cab Door - Driver
	M02024-03-000	EA	Jamb Asm. - Cab Door - Passenger
	M02354-04-000	EA	Jamb Asm. - Cab Door - Driver
	063993-12-000	EA	Hinge Asm. - Passenger
	063993-10-000	EA	Hinge Asm. - Driver
	082150-01-000	FT	Seal - Sponge (Jamb)
	082150-02-000	FT	Seal - Sponge (Door)
	063731-01-000	EA	Cap - Push On - Zinc
	061400-06-000	EA	Assist Strap - Sandstone
	064219-01-000	EA	Retainer Strap - Driver Door
	063729-01-000	EA	Rivnut - 1/4 x 20 unc. - .030 - .125
	081903-01-000	EA	Shaft - Mounting Knob
	081905-01-000	EA	Knob - Control - Slide Bolt - Passenger
	081905-02-000	EA	Knob - Control - Slide Bolt - Driver
	081906-01-000	EA	Slide Bolt - Driver Door
	081907-01-000	EA	Regulator Asm. - Window - Passenger
	081907-02-000	EA	Regulator Asm. - Window - Driver
	081910-01-000	FT	Channel - Window - Sliding
	081912-01-000	EA	Weatherstrip - Rigid
	063886-09-000	EA	Assist Handle - Door
	075722-01-000	EA	Block - Switch - Spacer
	073118-01-000	EA	Retainer - Attachment Plate
	073119-01-000	EA	Attachment Plate - Striker
	079561-01-000	EA	Shim - Strike - Cab Door
	R77007-56-701	EA	Plate - Door Lock - Passenger
	R77007-56-702	EA	Plate - Door Lock - Driver
	R77040-01-538	EA	Door Handle
	R77007-05-374	EA	Plate - Door Handle Spacer
	R77006-50-326	EA	Door - Handle Inner - Driver
	R77006-50-261	EA	Door - Handle Inner - Passenger
	R77006-13-460	EA	Cap - Inner - Window Crank
	072035-01-000	EA	Crank - Hand - Glass Lift
	072036-01-000	EA	Cap - Crank - Hand
	073110-02-000	EA	Rod - Lock - Passenger
	073110-03-000	EA	Rod - Lock - Driver
	R77006-64-355	EA	Link - Door Handle - Control
	R77030-58-049	EA	Washer
	R77030-33-009	EA	Nut - w/Washer
	R77007-62-746	EA	Lock - Left Tumbler Assembly
	R77007-62-747	EA	Lock - Right Tumbler Assembly
	081488-01-000	EA	Glass - Door - Roll-Up
	083223-02-000	EA	Lock Asm - Key Type (Set of 2)
	076542-03-000	EA	Rod Control - Latch - Passenger
	076542-04-000	EA	Rod Control - Latch - Driver

**1987 ITASCA  
TABLE OF CONTENTS**

IC420EG	A-01 - B-05
ICN22EC	B-07 - D-00
ICN2/RT	D-09 - F-14
IJN32RQ	F-15 - I-02
ICP26ET	I-03 - K-10

**1987 IJN32RQ INDEX**

Floor Plan	F-15 - F-16
Accessories Group	F-17 - F-19
Bath Group	F-20 - F-21
Chassis Group	F-22 - F-24
Curtain, Cushion & Pad Group	G-01 - G-10
Dinette Group	G-11 - G-12
Driver's Compartment Group	G-13 - G-15
Electrical Group	G-16 - G-18
Exterior Body Group	G-19 - G-23
Galley Group	G-24 - H-02
Heating & Air Conditioning Group	H-03
Interior Finish Group	H-04 - H-06
LP Group	H-07
Lounge Group	H-08 - H-11
Water & Sewage Group	H-12 - H-13
Window, Vent & Exterior Door Group	H-14 - I-02