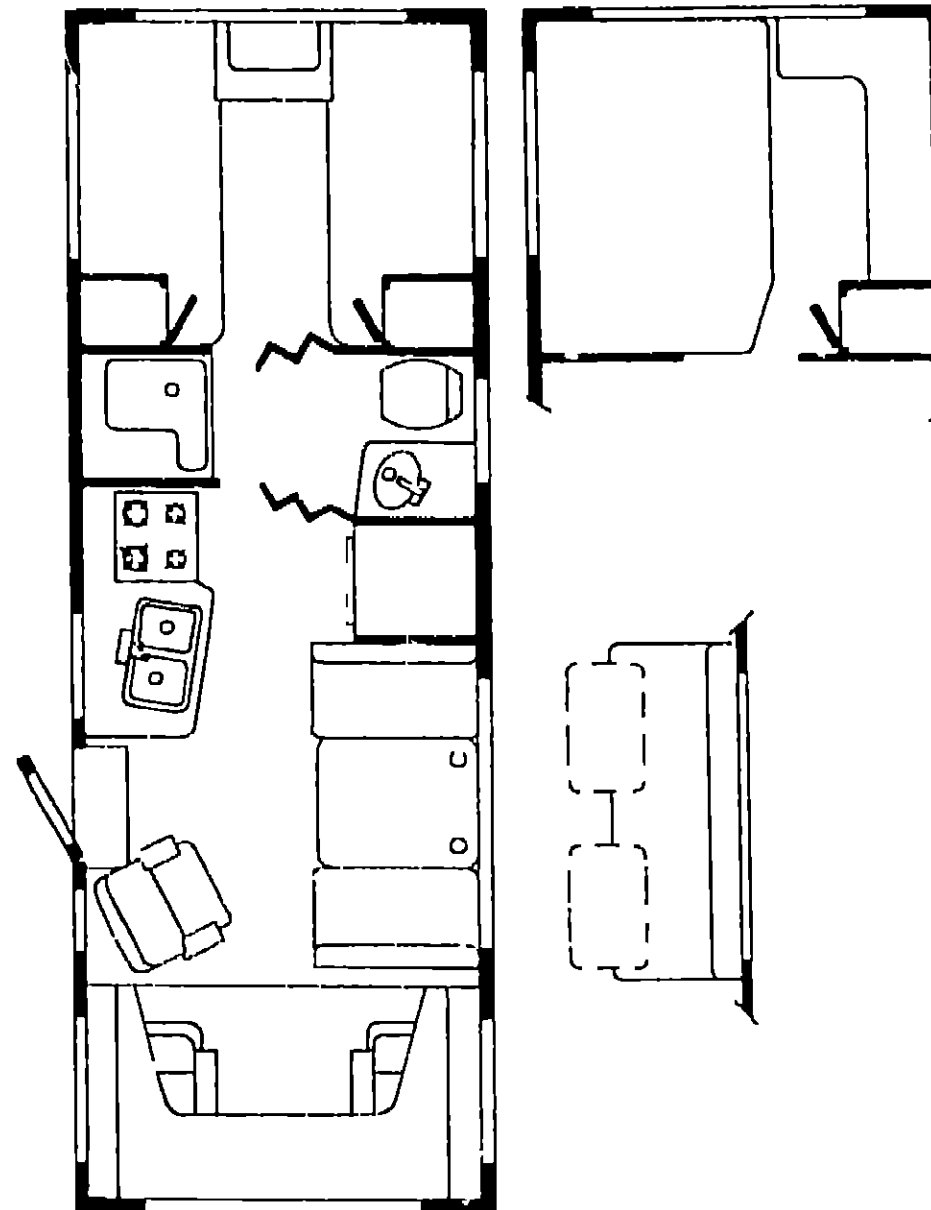


# 1987 IF426RT



## 1987 ITASCA TABLE OF CONTENTS

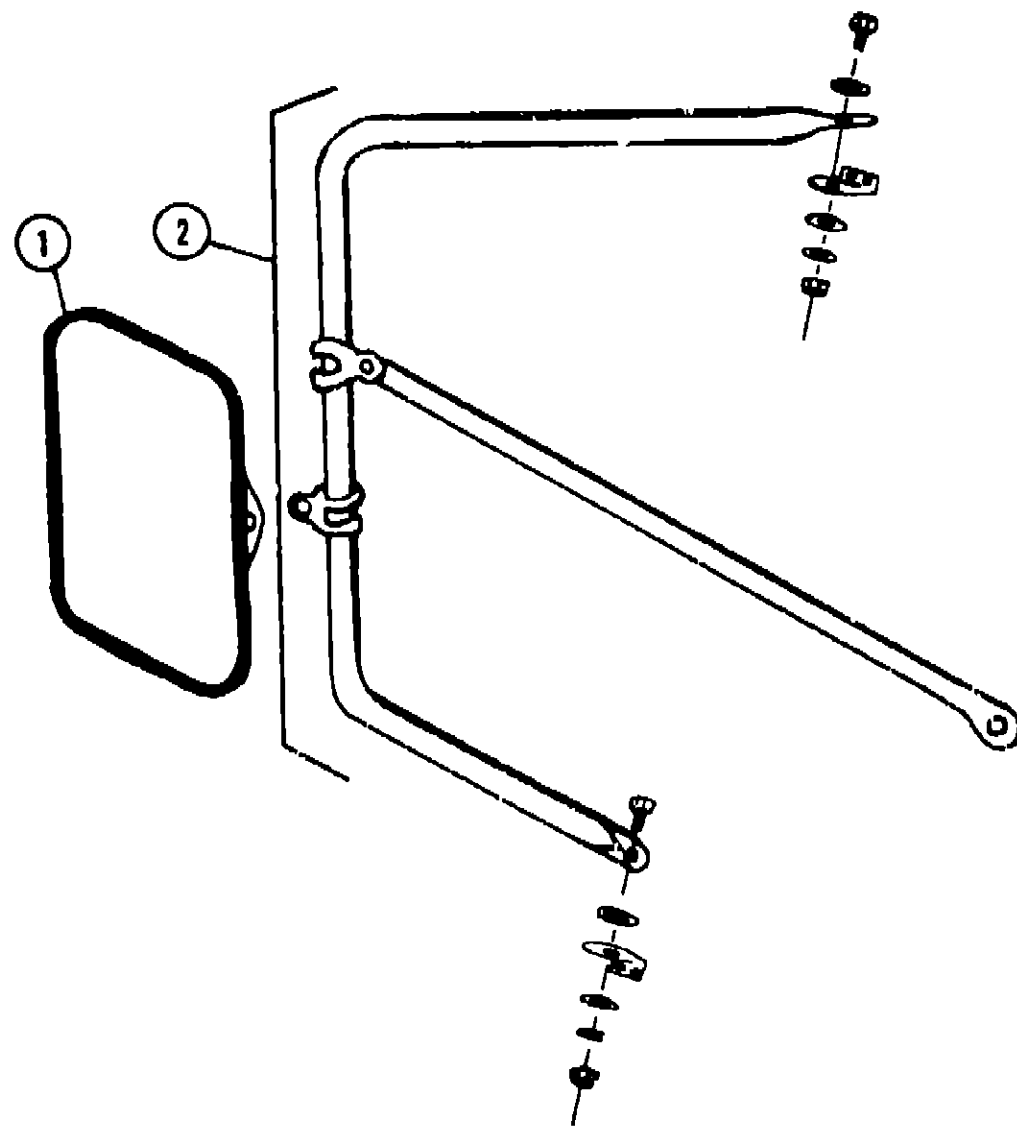
INTRODUCTION	A-01
ABBREVIATIONS	A-01
ALPHABETICAL INDEX	A-02 - A-04
IT319RB	A-05 - B-18
IF426RT	B 19 - D 18
ICN22RC	D 19 - G-04
ICP37RQ	G-05 - I-18

## 1987 IF426RT INDEX

Floor Plan	B-19 - B 20
Accessories Group	B 21 - B-22
Bath Group	B-23 - B 24
Chassis Group	C 01 - C-02
Curtain Cushion & Pad Group	C 03 - C 09
Dinette Group	C-10
Driver's Compartment Group	C 11 C 12
Electrical Group	C 13 - C 15
Exterior Body Group	C-16 C 20
Galley Group	C 21 - C-22
Heating & Air Conditioning Group	C-23
Interior Finish Group	C 24 - D 01
LP Group	D-02
Lounge Group	D 03 - D 04
Water & Sewage Group	D 05 - D 06
Window, Vent & Exterior Door Group	D 07 - D 18

**ACCESSORIES GROUP**

**ACCESSORIES GROUP (CONTINUED)**



**EXTERIOR MIRRORS**

Key	Part Number	U/M	Description
1	049347-01 000	EA	Mirror Head 7 1/2 x 10 1/2 - Stainless Steel
2	062047 01 000	EA	Arm West Coast Mirror - Stainless Steel
2	062047 02 000	EA	Arm West Coast Mirror Off White
	006043 01-000	EA	Mirror Convex Adhesive Back
			Not illustrated

**WHEEL COVER & MOUNTING HARDWARE**

Key	Part Number	U/M	Description
	083181 01 000	EA	Wheel Cover 16" (Set/4)
	083181 01-700	EA	Wheel Cover - 16" (1)
	083181-04 702	EA	Nut - Cover 16.5
	083181 04 703	EA	Cap Center - Chrome

**MISCELLANEOUS ACCESSORIES**

Key	Part Number	U/M	Description
	054185 26 000	EA	Owners Manual - 1987 Itasca & Winnebago
	706053-02 000	EA	Antenna - TV Skyliner w/6' Shaft - Braund Delux
	076319-01-000	EA	Antenna - TV Roof Mount - 44.5 Mast
	076319-02-000	EA	Antenna - TV Roof Mount - 23.5 Mast
	017516-01-000	EA	Mud Flap w/Holes - 14" x 18" - Black - Front
	064089 01 000	EA	Splash Guard - Black Rubber - Rear
	041944-03-000	EA	Fire Extinguisher w/Bracket - 5BC
	084472-01 000	EA	Holder Fire Extinguisher
	081379-01 000	EA	Microwave/Convection Oven - Sharp
	081459-01-000	FA	Bracket Asm - Microwave - Right
	081459 07-000	EA	Bracket Asm Microwave - Left
	082876 01-000	FA	Baffle - Microwave
	081555 01-T03	EA	Trim Asm - Microwave Oven
	081456-01-000	EA	Angle Asm - Microwave Oven - Right
	081456-02-000	EA	Angle Asm - Microwave Oven - Left
	081016-01-T03	EA	Ladder Asm
	081026 01-T03	EA	Rack Asm - Right
	081026 02-T03	EA	Rack Asm - Left
	067130-01 000	EA	Ladder Step
	076980 02 000	EA	End Cap - Ladder Step
	067125 01-000	EA	Stand Off - Rack & Ladder Asm
	067165-01 000	EA	Bracket - Mounting - Rack & Ladder
	083219 03 000	EA	Floor Mat - Black - Right
	083219 04 000	EA	Floor Mat Black - Left
	081075 02 000	EA	Mat - Entrance 'Itasca'
	072852-01-000	EA	Smoke Detector w/9 Volt Battery
	086779 01-000	EA	Clock - 8.25" x 8.25"
	006069 01 000	EA	Key Case - Leather
	069580 01-000	EA	Lug Wrench - 1" x 1.25" x 16.3"
	069580 02 000	CA	Leverage Bar 22" - Lug Wrench
	006113 01 000	EA	Jack - Hydraulic 6 Ton - w/Handle
	022756 01 000	EA	Cover - Roof Air Conditioner - Plastic
	079941-01 000	EA	Lamp Asm - Fog w/Cover - Amber
	079942-05 000	EA	Shock Absorber - Stabilizer - Front
	079942-06 000	EA	Shock Absorber Stabilizer Rear
	075461 01 000	EA	Electric Step Asm w/Light

The illustrated parts breakdown for this item is provided on the Common Items Fiche

**RADIO & RELATED COMPONENTS**

Key	Part Number	U/M	Description
	007004 01-000	EA	Antenna Radio - Cab Mount
	064792 01-000	EA	Grille Speaker 5.25" - w/Mesh - Brown
	074482 01 000	EA	Radio - AM/FM/MPX - w/Cassette - Audlovox HCC565
	073430 02 000	EA	Radio - AM/FM/MPX w/Cassette - Electronic Tune - Audlovox - HCC1150
	074979 01-000	EA	Speaker Cover Protector Plastic
	073431 01 000	EA	Speaker - 5.25" 3/Way (Pair)
	064791 01 000	EA	Speaker Recessed - 5.25"
	079385 02 000	EA	Radio Mounting Kit Ford

**GENERATORS & COMPONENTS**

Key	Part Number	U/M	Description
	052168 01 000	EA	Generator Onan 4.25 kw
	079054 04-000	EA	Generator 4.0 kw Emerald
	079654-05 000	EA	Pipe & Accessories 4.0 kw Emerald
	701629 02 000	EA	Installation Package
	024732 01 016	EA	Tailpipe - 1.5" O.D. x 43.50"
	079658 01 000	EA	Muffler - Generator - 4.0 Emerald - Nelson
	078045 01 000	EA	Plate Support - Generator

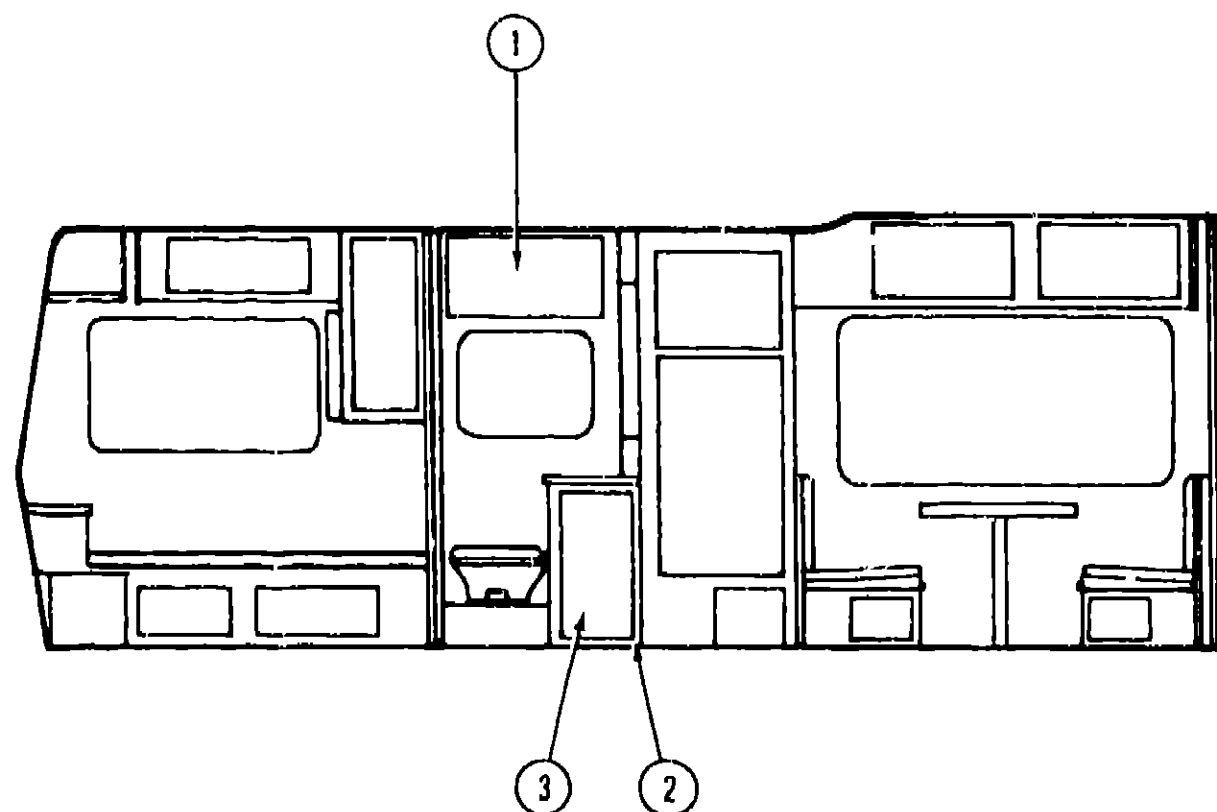
**1987 ITASCA  
TABLE OF CONTENTS**

INTRODUCTION	A 01
ABBREVIATIONS	A-01
ALPHABETICAL INDEX	A 02 A 04
IT319RB	A-05 - B 18
IF426RT	B-19 D-18
ICN22RC	D-19 - G 04
ICP37RQ	G 05 - I-18

**1987 IF426RT INDEX**

Floor Plan	B-19 B 20
Accessories Group	B 21 - B 22
Bath Group	B 23 B 24
Chassis Group	C 01 - C 02
Curtain, Cushion & Pad Group	C 03 - C 09
Dinette Group	C 10
Driver's Compartment Group	C-11 C 12
Electrical Group	C 13 - C 15
Exterior Body Group	C 16 C 20
Galley Group	C 21 - C 22
Heating & Air Conditioning Group	C-23
Interior Finish Group	C 24 - D 01
LP Group	D 02
Lounge Group	D 03 D 04
Water & Sewage Group	D 05 D 06
Window Vent & Exterior Door Group	D-07 - D 18

## BATH GROUP



**BATH CABINERY**

Key	Part Number	U/M	Description
1	081535 01-W03	EA	Door Asm - Medicine Cabinet Mirror
	076073 01 000	EA	Cabinet Asm - Medicine - Almond
	076397 01 000	FA	Bracket Medicine Cabinet
2	M83934 03 W24	EA	Cabinet Asm - Lavatory - w/o Door Drawer or Hardware
	M02666 01 W24	EA	Countertop Asm - Lavatory Cabinet
	M02666 01 W25	EA	Countertop Asm - Lavatory Cabinet
	M02666 01 W26	EA	Countertop Asm - Lavatory Cabinet
	U77251 01 000	EA	Drawer Asm Plastic - Tiltout
3	M84953 32 W24	EA	Door Asm - Lavatory Cabinet
	080224 03 000	EA	Door Asm - w/Latch - Folding
	Not illustrated		

## BATH GROUP (CONTINUED)

### BATH HARDWARE

Key	Part Number	U/M	Description
	M02673-01 W24	EA	Shower Pan Asm Off White
	075241-03 000	EA	Faucet - Tub & Shower
	075240 03 000	EA	Faucet - Lavatory
	011048 02 000	EA	Shower Head w/6' hose
	011048 04 000	EA	Vacuum Breaker - 1/8 MPT - Nylon - Shower Head
	075606 01-000	EA	Shower Panel - Faucet Plastic
	069735 01 000	EA	Washer - Tail Piece - 1 5 - Plastic Bathtub Asm
	011069 02-000	EA	Tailpiece 1 5 x 1 25' x 4 - Brass Bathtub Asm
	058713 01 000	EA	Sink Oval - Ivory Plastic
	011083 01 000	EA	Tail Piece w/Stopper - 1 25 x 5 Plastic Sink
	064076 01 000	EA	Toilet Ivory
	075452 02 000	EA	Tissue Holder
	075453 02 000	EA	Towel Rack Bar - 18 - Brass
	075454 02 000	EA	Towel Ring
	058331-01 000	EA	Mirror Tempered Glass - 19 x 26'
	058331 05 000	EA	Mirror Tempered Glass 12 x 26'
	058331-14 000	EA	Mirror Tempered Glass - 14' x 12 7
	009089 01-000	EA	Clip Mirror
	057671 01 000	EA	Screw Cover - #8 - Antique White
	059777-02 000	EA	Hinge - Antique Light Brass
	080508 01 000	EA	Panel - Skylite - Inner
	080507-01 000	EA	Panel - Skylite - Outer
	050712 04 000	EA	Handle Door Shower - Off White
	080224 14 000	EA	Track Folding Door - 'S Curve Front
	080224 16 000	EA	Track Folding Door Rear
	086121 02 000	EA	Shower Curtain Liner

The illustrated parts breakdown for this item is provided on the Common Items Fiche

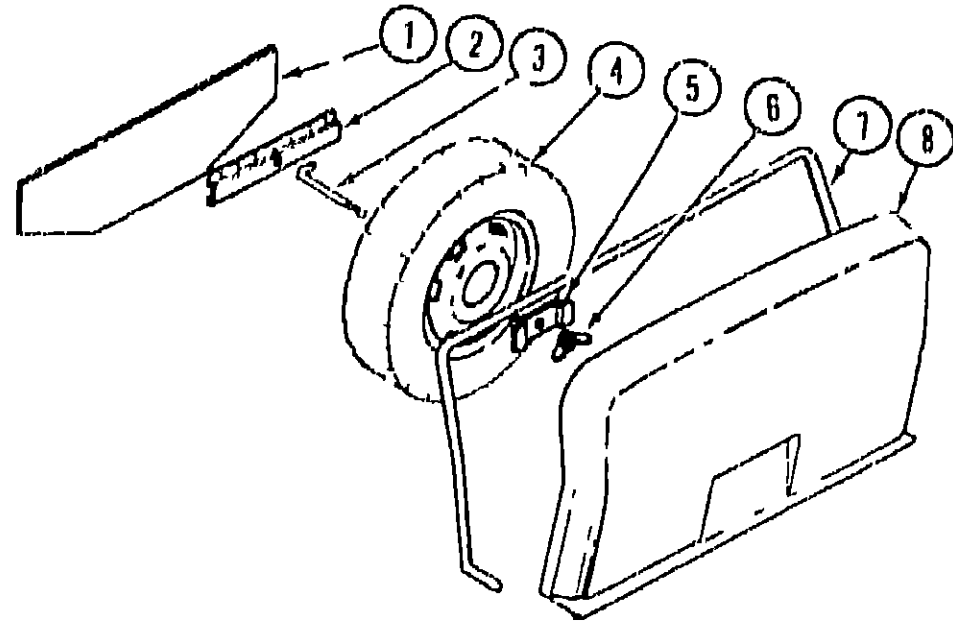
## 1987 ITASCA TABLE OF CONTENTS

INTRODUCTION	A 01
ABBREVIATIONS	A 01
ALPHABETICAL INDEX	A 02 A-04
IT319RB	A 05 B-18
IF 426RT	B-19 D 18
ICN22RC	D 19 G 04
ICP37-10	G 05 - I-18

## 1987 IF426RT INDEX

Floor Plan	B 18	B 20
Accessories Group	B 21	B 22
Bath Group	B-23	B 24
Chassis Group	C 01	C 02
Curtain, Cushion & Pad Group	C 03	C 09
Dinette Group		C 10
Driver's Compartment Group	C 11	C 12
Electrical Group	C 13	C 15
Exterior Body Group	C 16	C 20
Galley Group	C 21	C 22
Heating & Air Conditioning Group		C 23
Interior Finish Group	C 24 -	D 01
I P Group		D 02
Lounge Group	D 03	D 04
Water & Sewage Group	D 05 -	D 06
Window Vent & Exterior Door Group	D 07	D 18

## CHASSIS GROUP



SPARE TIRE & REAR BUMPER

Key	Part Number	U/M	Description
1	079027-01-000	EA	Bracket Asm - Tire Carrier
2	070917-02-000	EA	Tire Radial - Michelin
-	070917-01-000	EA	Tire Radial Michelin
	083617 01-000	EA	Rim - Wheel - 16 00 - 6 00 8 Hole - Ford
	083617-02-000	EA	Rim - Wheel - 16 x 6 - 8 Hole - WSW Ford
	051377-01-000	EA	Valve Stem Asm - TR500
3	079799 01 000	EA	Tire Cover - Off White - Plastic
4	064082 02-000	EA	Nut - Retaining - Wheel Cover
5	M02047-01-T95	EA	Door Panel - Tire Cover - Off White
6	077408 01 000	EA	Lock Asm - Key Type
7	048474-01 000	EA	Bumper - Rear Chrome
8	064601-03 000	EA	Bracket Bumper Mount
			Not illustrated

## CHASSIS GROUP (CONTINUED)

### MISCELLANEOUS

Key	Part Number	U/M	Description
	075723 01 000	EA	Block Switch Spacer w/ Holes
	059540 01 000	EA	Bracket - License Plate
	007125 07 000	EA	Clamp Asm Muffler 250'
	010497 01 000	EA	Clamp - Closed 5/8 ID
	007181-01 000	EA	Clamp - Hose - Spring Type 1 1/2"
	002401 01 000	EA	Clamp Hose - Wormgear 22' ID - 1" ID
	062401 02 000	EA	Clamp - Hose - Wormgear - 1 5/8 ID - 2 5/8 ID
	002401 03 000	EA	Clamp Hose Wormgear 25 ID 1 ID
	062401 04 000	EA	Clamp - Hose - Wormgear 69" ID - 125" ID
	062401 05 000	EA	Clamp Hose - Wormgear - 2' ID - 3 ID
	082401 08 000	EA	Clamp - Hose Wormgear - 22' ID 62 ID
	023146-01 000	EA	Clamp - Screw Type 4"
	024490 01 000	EA	Compartment - Power Cold Black Plastic
	007131-01-000	EA	Hanger Tail Pipe
	007063 01 000	FT	Hose Fuel 1/4 ID x 1/2 OD
	008113 01 000	EA	Jack Hydraulic - 6 Ton - w/Handle
	089580 02-000	EA	Leverage Bar - 22" - Lug Wrench
	069580 01-000	EA	Lug Wrench 1" x 1 25 x 18 3'
	017516 01-000	EA	Mud Flap w/Holes 14' x 18' Black
	079942 05 000	EA	Shock Absorber - Stabilizer Front
	079942 08 000	EA	Shock Absorber - Stabilizer Rear
	084089 01 000	EA	Splash Guard - Black Rubber
	076241-01-000	EA	Support Asm - Step
	080449 01-000	EA	Step Asy - Entry
	077971-01 000	EA	Tray Au Battery
	057724 01 000	EA	Wheelwell - Plastic
	008343 01 000	EA	Wire Tie 6'
	080359 02 000	EA	Step Well Plate Ford

Remainder of the exhaust components available from your Chassis Service Center

## 1987 ITASCA TABLE OF CONTENTS

INTRODUCTION	A 01
ABBREVIATIONS	A 01
ALPHABETICAL INDEX	A 02 A 04
IT310RB	A 05 - B 18
IF426RT	B 19 - D 18
ICN22RC	D 19 G 04
ICP37RC	G 05 I 18

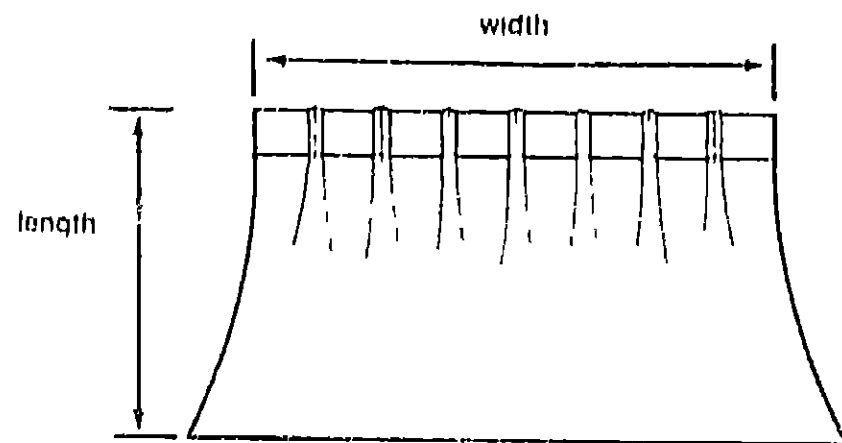
## 1987 IF426RT INDEX

Floor Plan	B 19 B-20
Accessories Group	B 21 - B-22
Bath Group	B-23 - B 24
Chassis Group	C 01 - C 02
Curtain Cushion & Pad Group	C 03 C 09
Dinette Group	C-10
Driver's Compartment Group	C-11 - C-12
Electrical Group	C 13 - C-15
Exterior Body Group	C 16 - C-20
Galley Group	C 21 - C 22
Heating & Air Conditioning Group	C 23
Interior Finish Group	C 24 D 01
LP Group	D 02
Lounge Group	D 03 - D-04
Water & Sewer Group	D-05 D-06
Window Vent Front Door Group	D 07 - D-18

NOTICE

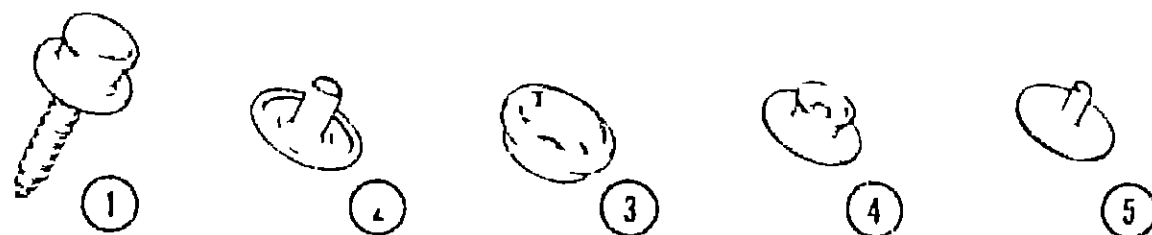
In order to assist our Parts Sales Dept. in providing interior hardware items, please include the serial number and the color code number from the vehicle certification label when ordering. This label is located on the left sidewall at the end of the dash (A Body) or on the driver's door latch plate (C Body).

An example of a color code number is P31, which designates an overall color scheme of a particular unit. The color listed after the item description on the microfiche indicates the overall unit color. Order the item you desire according to unit color code.



NOTE

Use this illustration when determining length and width measurements for curtains. You will note the width measurement is taken on the top of the curtain with the curtain fully extended. The length measurement is taken from top to bottom.



Key	Part Number	U/M	Description
1	029130-01-000	EA	Socket - Snap Fastener
2	029155-02-000	EA	Cap - Snap - 1-8024
3	029156-02-000	EA	Socket - Snap Fastener 8021
4	029092-01-000	EA	Stud - Nickel Finish
5	029093-01-000	EA	Eyelet - Nickel Finish

CURTAIN & CUSHION HARDWARE

Key	Part Number	U/M	Description
	056003-02-000	EA	Bracket - Drapery Retainer - Left
	056003-01-000	EA	Bracket - Drapery Retainer - Right
	079798-03-000	EA	Bracket Asm - Curtain Rod - Right
	079798-04-000	EA	Bracket Asm - Curtain Rod - Left
	085283-01-000	EA	Bracket - Hold Back - Blind
	082139-01-000	EA	Bracket - Hold Down - Blinds
	079619-01-000	EA	Bracket - Tie Back
	079783-05-000	EA	Curtain Rod - Extrusion - 7/46
	087253-02-000	EA	Pull - Window Shade - Clear
	056115-01-000	YD	Tape - Clear Plastic - w/Guides
	048394-02-000	YD	Tape Hook - 75 x 50 YD - Beige
	048395-02-000	YD	Tape Loop - 75 x 50 YD - Beige
	029090-01-000	FT	Tie - Drapery - Clear Vinyl
	056116-01-000	EA	Track - Curtain - Brown Plastic
	053272-01-000	EA	Track - Curtain - 16
	082677-01-000	EA	Bracket - Shade - Universal

BUCKET SEATS

Key	Part Number	U/M	Description
	084101-02-W24	CA	Seat Asm - Comet I
	084101-02-W25	CA	Seat Asm - Comet I
	084101-02-W20	EA	Seat Asm - Comet I
	M01864-23-W24	EA	Cover Asm - Seat Cushion
	M01864-23-W25	CA	Cover Asm - Seat Cushion
	M01864-21-W26	EA	Cover Asm - Seat Cushion
	M01864-24-W24	EA	Cover Asm - Back Cushion
	M01864-24-W25	EA	Cover Asm - Back Cushion
	M01864-23-W26	EA	Cover Asm - Back Cushion
	083909-04-W24	EA	Seat Asm - Straton w/Right Armrest
	083909-04-W25	CA	Seat Asm - Straton w/Right Armrest
	083909-08-W20	EA	Seat Asm - Straton w/Right Armrest
	M01864-25-W24	EA	Cover Asm - Seat Cushion
	M01864-25-W25	EA	Cover Asm - Seat Cushion
	M01864-27-W26	EA	Cover Asm - Seat Cushion
	M01864-26-W24	EA	Cover Asm - Back Cushion
	M01864-26-W25	EA	Cover Asm - Back Cushion
	M01864-28-W26	EA	Cover Asm - Back Cushion
	083909-13-W24	EA	Seat Asm - Straton w/Right Armrest
	083909-13-W25	EA	Seat Asm - Straton w/Right Armrest
	083909-11-W26	EA	Seat Asm - Straton w/Right Armrest
	M01864-35-W24	EA	Cover Asm - Seat Cushion
	M01864-35-W25	CA	Cover Asm - Seat Cushion
	M01864-33-W26	EA	Cover Asm - Seat Cushion
	M01864-36-W24	EA	Cover Asm - Back Cushion
	M01864-36-W25	EA	Cover Asm - Back Cushion
	M01864-34-W26	EA	Cover Asm - Back Cushion
	080243-23-W24	EA	Armrest Asm - Right
	080243-23-W25	EA	Armrest Asm - Right
	080243-25-W26	EA	Armrest Asm - Right
	M80243-23-W24	EA	Cover Asm - Armrest
	M80243-23-W25	EA	Cover Asm - Armrest
	M80243-25-W26	EA	Cover Asm - Armrest
	083909-05-W24	EA	Seat Asm - Straton w/Left Armrest
	083909-05-W25	EA	Seat Asm - Straton w/Left Armrest
	083909-09-W26	EA	Seat Asm - Straton w/Left Armrest
	M01864-25-W24	EA	Cover Asm - Seat Cushion
	M01864-25-W25	EA	Cover Asm - Seat Cushion
	M01864-27-W26	EA	Cover Asm - Seat Cushion
	M01864-26-W24	EA	Cover Asm - Back Cushion
	M01864-26-W25	EA	Cover Asm - Back Cushion
	M01864-28-W26	EA	Cover Asm - Back Cushion
	083909-14-W24	EA	Seat Asm - Straton w/Left Armrest
	083909-14-W25	CA	Seat Asm - Straton w/Left Armrest
	083909-12-W26	EA	Seat Asm - Straton w/Left Armrest
	M01864-35-W24	EA	Cover Asm - Seat Cushion
	M01864-35-W25	EA	Cover Asm - Seat Cushion
	M01864-33-W26	EA	Cover Asm - Seat Cushion
	M01864-36-W24	EA	Cover Asm - Back Cushion
	M01864-36-W25	EA	Cover Asm - Back Cushion
	M01864-34-W26	EA	Cover Asm - Back Cushion
	080243-24-W24	EA	Armrest Asm - Left
	080243-24-W25	EA	Armrest Asm - Left
	080243-26-W26	EA	Armrest Asm - Left
	M80243-24-W24	CA	Cover Asm - Armrest
	M80243-24-W25	EA	Cover Asm - Armrest
	M80243-26-W26	EA	Cover Asm - Armrest
	085268-01-W24	EA	Headrest Asm - Straton Seat
	085268-01-W25	CA	Headrest Asm - Straton Seat
	085268-02-W26	EA	Headrest Asm - Straton Seat
	M85268-01-W24	EA	Cover Asm - Headrest
	M85268-01-W25	EA	Cover Asm - Headrest
	M85268-02-W26	EA	Cover Asm - Headrest

These parts were used on units produced before 9/24/86

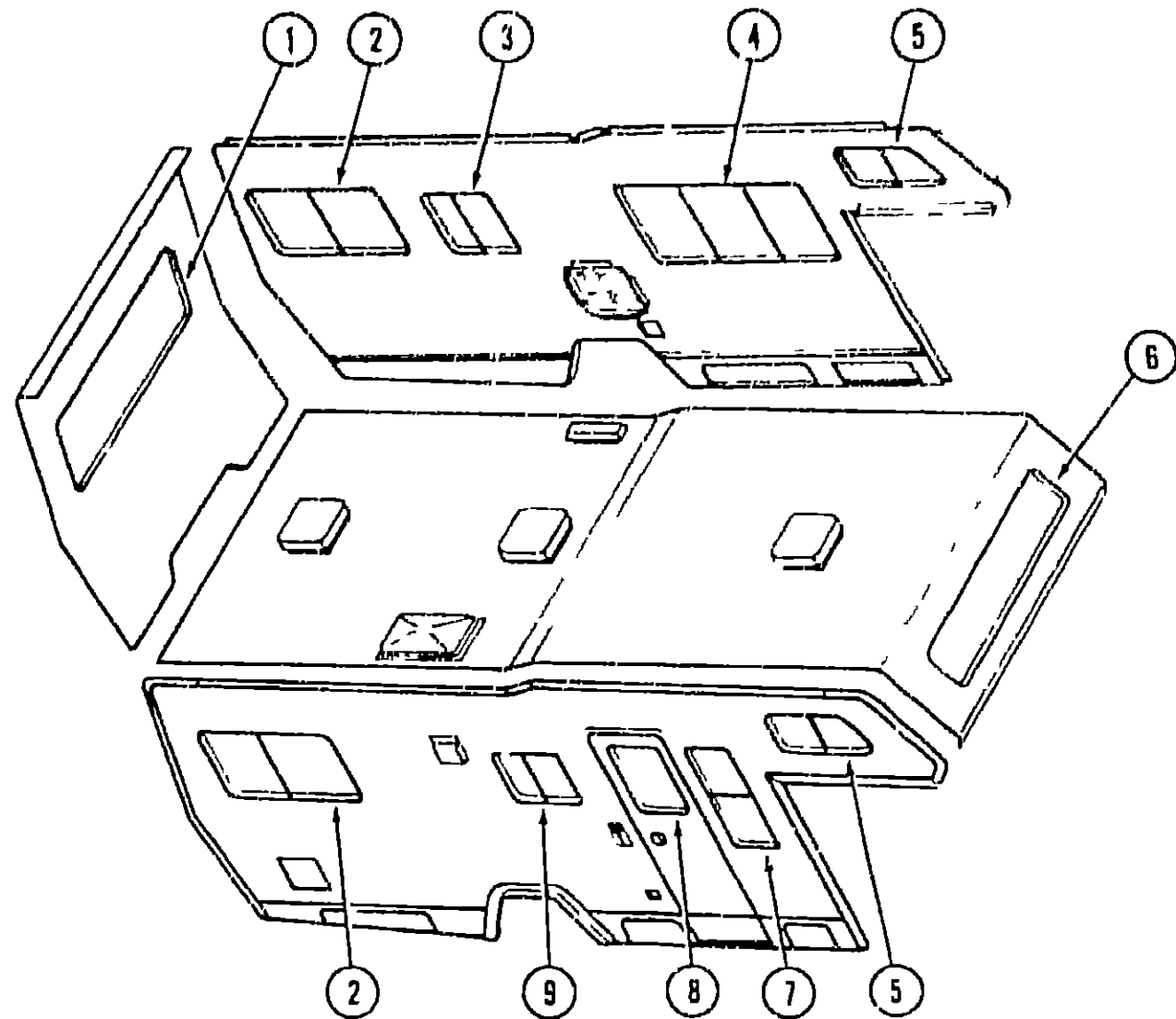
1987 ITASCA  
TABLE OF CONTENTS

INTRODUCTION	A 01
ABBREVIATIONS	A 01
ALPHABETICAL INDEX	A 02 - A 04
IT319RB	A 05 - B 18
IF426RT	B 19 - D 18
ICN22RC	D-19 - G 04
ICP37RQ	G 05 - I 18

1987 IF426RT INDEX

Floor Plan	B 19 - B 20
Accessories Group	B-21 - B 22
Bath Group	B 23 - B 24
Chassis Group	C 01 - C-02
Curtain - Cushion & Pad Group	C 03 - C-09
Dinette Group	C-10
Driver's Compartment Group	C 11 - C 12
Electrical Group	C-13 - C-15
Exterior Body Group	C 16 - C-20
Galley Group	C 21 - C 22
Heating & Air Conditioning Group	C 23
Interior Finish Group	C-24 - D 01
LP Group	D-02
Lounge Group	D 03 - D 04
Water & Sewage Group	D-05 - D-06
Window - Vent & Exterior Door Group	D-07 - D-18

**CURTAIN, CUSHION & PAD GROUP (CONTINUED)**



**CURTAINS, SHADES, VALANCES & TIEBACKS**

Key	Part Number	U/M	Description
1	079559 11 W30	EA	Curtain Asm w/Gathers - 32 x 41 (W24)
1	079559 11-W31	EA	Curtain Asm w/Gathers 32 x 41 (W25)
1	079559 11-W32	EA	Curtain Asm w/Gathers 32 x 41 (W26)
1	079558 20 W30	EA	Valance Asm w/Gathers 5 x 140 (W24)
1	079558 20-W31	EA	Valance Asm w/Gathers 5 x 140 (W25)
1	079558 20 W32	EA	Valance Asm w/Gathers - 5 x 140 (W26)
1	084755-03-WA4	EA	Shade - Linen - 72 25 x 42 (W24)
1	084755-03 WA5	EA	Shade - Linen - 72 25 x 42 (W25)
1	084755 03-WA8	EA	Shade - Linen - 72 25 x 42 (W26)
2	079559 11-W30	EA	Curtain Asm w/Gathers - 32 x 41 (W24)
2	079559 11-W31	EA	Curtain Asm w/Gathers - 32 x 41 (W25)
2	079559 11 W32	EA	Curtain Asm w/Gathers - 32 x 41 (W26)
2	079558 22 W24	EA	Valance Asm w/Gathers 5 x 95' (W24)
2	079558 22 W25	EA	Valance Asm w/Gathers - 5 x 95' (W25)
2	079558 22 W26	EA	Valance Asm w/Gathers 5 x 95 (W26)
2	084755 13 WA4	EA	Shade - Linen 47 25 x 38 (W24)
2	084755-13-WA5	EA	Shade - Linen - 47 25 x 38 (W25)
2	084755 13-WA8	EA	Shade - Linen 47 25 x 38 (W26)
3	079559 07-W30	EA	Curtain Asm w/Gathers - 27 5 x 20 (W24)
3	079559-07-W31	EA	Curtain Asm w/Gathers 27 5 x 20 (W25)
3	079559-07 W32	EA	Curtain Asm w/Gathers - 27 5 x 20 (W26)
3	079558 15 W30	EA	Valance Asm w/Gathers (W24)
3	079558 15 W31	EA	Valance Asm w/Gathers (W25)
3	079558-15 W32	EA	Valance Asm w/Gathers (W26)
3	084755-01-WA6	EA	Shade - Linen - 28 25 x 48 Drop (W24)
3	084755-01 WA5	EA	Shade - Linen - 28 25 x 48 Drop (W25)
3	084755-01 WA8	EA	Shade - Linen - 28 25 x 48 Drop (W26)

**CURTAIN, CUSHION & PAD GROUP (CONTINUED)**

**CURTAINS, SHADES, VALANCES & TIEBACKS (CONT )**

Key	Part Number	U/M	Description
4	079559 15 W30	EA	Curtain Asm w/Gathers - 36" x 44" (W24)
4	079559 15 W31	EA	Curtain Asm w/Gathers 36" x 44' (W25)
4	079559 15 W32	EA	Curtain Asm w/Gathers 36" x 44" (W26)
4	079558 13 W30	EA	Valance Asm w/Gathers (W24)
4	079558-13 W31	EA	Valance Asm w/Gathers (W25)
4	079558 13 W32	EA	Valance Asm w/Gathers (W26)
4	084755 02 WA4	EA	Shade Linen 67 25 (W24)
4	084755 02 WA5	EA	Shade Linen 67 25" (W25)
4	084755 02 WA8	EA	Shade Linen 67 25' (W26)
4	085304-16 000	EA	Blind Pleated 65' x 33' Drop (W24)
4	085304 20 000	EA	Blind - Pleated - 65 x 33' Drop (W25)
4	085304-17-000	EA	Blind - Pleated 65' x 33' Drop (W26)
5	073323 33 W17	EA	Curtain Asm w/Rod Top & Bottom - 17 5' x 24' (W24)
5	073323 33-W25	EA	Curtain Asm w/Rod Top & Bottom - 17 5' x 24' (W25)
5	073323 33 W19	EA	Curtain Asm w/Rod Top & Bottom 17 5' x 24' (W26)
5	073323 34 W17	EA	Curtain Asm w/Rod Top & Bottom - 17 5' x 18' Left (W24)
5	073323-34 W25	EA	Curtain Asm w/Rod Top & Bottom - 17 5' x 18' Left (W25)
5	073323 34 W19	EA	Curtain Asm w/Rod Top & Bottom 17 5' x 18' Left (W26)
6	073323 32 W17	EA	Curtain Asm w/Rod Top & Bottom 19 5" x 30 (W24)
6	073323 32 W25	EA	Curtain Asm w/Rod Top & Bottom - 19 5 x 30' (W25)
8	073323-32 W19	EA	Curtain Asm w/Rod Top & Bottom - 19 5 x 30' (W26)
7	073323 33 W17	EA	Curtain Asm w/Rod Top & Bottom - 17 5 x 18 (W24)
7	073323 33 W25	EA	Curtain Asm w/Rod Top & Bottom - 17 5 x 18 (W25)
7	073323 33 W19	EA	Curtain Asm w/Rod Top & Bottom 17 5' x 18' (W26)
7	073323 35 W17	EA	Curtain Asm w/Rod Top & Bottom - 17 5' x 18' Right (W24)
7	073323 35 W25	EA	Curtain Asm w/Rod Top & Bottom 17 5' x 18' Right (W25)
7	073323 35 W19	EA	Curtain Asm w/Rod Top & Bottom - 17 5' x 18' Right (W26)
8	085190 05 W06	EA	Curtain Asm w/Darts - 45 x 10 (W24)
8	085190 05 W25	EA	Curtain Asm w/Darts 45 x 10 (W25)
8	085190 05 W05	EA	Curtain Asm w/Darts - 45 x 10 (W26)
8	080824-06-W24	EA	Valance Asm Padded
8	080824 06-W25	EA	Valance Asm - Padded
8	080824-06-W26	EA	Valance Asm - Padded
8	081755 12 WA4	EA	Shade - Linen 19 25 x 52 (W24)
8	084755-12 WA5	EA	Shade Linen 19 25 x 52 (W25)
8	084755 12 WA8	EA	Shade - Linen 19 25 x 52 (W26)
8	085304 01 000	EA	Blind Pleated 19' x 42 5' (W24)
8	085304-05 000	EA	Blind Pleated 19 x 42 5' (W25)
8	085304-02-000	EA	Blind - Pleated - 19 x 42 5 (W26)
9	084755-04 WA4	EA	Shade - Linen 24 25 x 40 (W24)
9	084755 04 WA5	EA	Shade Linen - 24 25 x 40 (W25)
9	084755 04 WA8	EA	Shade - Linen - 24 25 x 40 (W26)
10	079558-14 W30	EA	Valance Asm w/Gathers - 5 x 60 (W24)
10	079558-14 W31	EA	Valance Asm w/Gathers - 5 x 60 (W25)
10	079558-14-W32	EA	Valance Asm w/Gathers - 5 x 60 (W26)
10	084755 01 WA6	EA	Shade - Linen - 28 25 x 48 (W24)
10	084755 01 WA5	EA	Shade - Linen 28 25 x 48 (W25)
10	084755 01 WA8	EA	Shade - Linen - 28 25 x 48 (W26)
10	073295 04 W06	EA	Curtain w/Snaps - Front Wraparound - 23 x 64 (2 required)
10	077591-03 W06	EA	Curtain w/Velcro Top - Bunk Privacy - 70 x 50 - Passenger
10	077591-03 W25	EA	Curtain w/Velcro Top - Bunk Privacy - 70 x 50 - Passenger
10	077591-03 W05	EA	Curtain w/Velcro Top - Bunk Privacy - 70 x 50 - Passenger
10	077591 04 W06	EA	Curtain w/Velcro Top - Bunk Privacy - 70 x 50 - Driver
10	077591-04 W25	EA	Curtain w/Velcro Top - Bunk Privacy - 70 x 50 - Driver
10	077591-04 W05	EA	Curtain w/Velcro Top - Bunk Privacy - 70 x 50 - Driver
10	084382-03-W24	EA	Shower Curtain w/Ruffle 66 x 30
10	084382-03 W25	EA	Shower Curtain w/Ruffle - 66 x 30
10	084382 03 W26	EA	Shower Curtain w/Ruffle - 66 x 30
10	086121-02 000	EA	Liner - Shower Curtain 62 x 40 - Plastic
10	073260-24 W17	EA	Tie Back Asm 3 x 14 - Drapery (W24)
10	073260 24-W25	EA	Tie Back Asm 3 x 14 - Drapery (W25)
10	073260-24 W19	EA	Tie Back Asm - 3 x 14 - Drapery (W26)
10	085283-01 000	EA	Bracket Hold Back - Clear

Not illustrated  
Parts used on the Pleated Blind Option

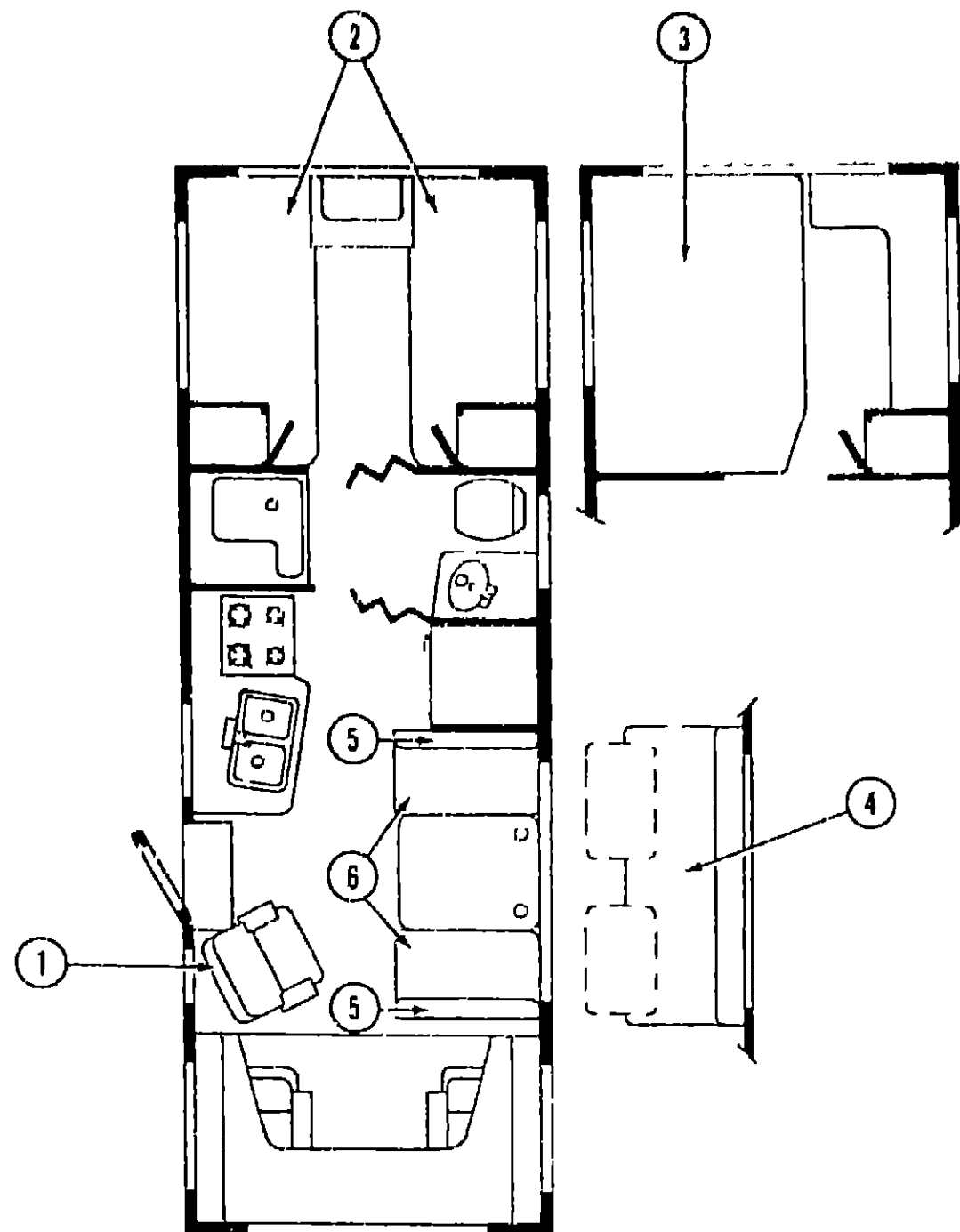
**1987 ITASCA  
TABLE OF CONTENTS**

INTRODUCTION	A 01
ABBREVIATIONS	A 01
ALPHABETICAL INDEX	A 02 A 04
IT319RD	A 05 - B 18
IF426RT	B 19 D 18
ICN22RC	D 19 G 04
ICP37RO	G 05 - I 18

**1987 IF426RT INDEX**

Floor Plan	B 19 - B 20
Accessories Group	B-21 - B 22
Bath Group	B 23 - B 24
Chassis Group	C-01 - C 02
Curtain, Cushion & Pad Group	C 03 - C 09
Dinette Group	C-10
Driver's Compartment Group	C-11 - C 12
Electrical Group	C-13 - C-15
Exterior Body Group	C-16 - C 20
Galley Group	C-21 - C-22
Heating & Air Conditioning Group	C 23
Interior Finish Group	C 24 - D 01
LP Group	D 02
Lounge Group	D-03 D-04
Water & Sewage Group	D 05 - D-06
Window Vent & Exterior Door Group	D 07 - D 18

**CURTAIN, CUSHION & PAD GROUP (CONTINUED)**



**CELEBRITY CHAIR**

Key	Part Number	U/M	Description
1	085059-01-W30	EA	Chair Asm w/Pillow Back - Swivel (W24)
1	085059-01-W31	EA	Chair Asm w/Pillow Back - Swivel (W25)
1	085059-01-W32	EA	Chair Asm w/Pillow Back - Swivel (W26)
	085187-01-W24	EA	Skirt Asm Swivel Chair (W24)
	085187-01 W25	EA	Skirt Asm Swivel Chair (W25)
	085187-01 W32	EA	Skirt Asm Swivel Chair (W26)
	035036-01 000	EA	Plate - Tilt & Swivel Swivel Chair
	035036-04 000	EA	Base w/Legs - Swivel Chair
	035036-05-000	EA	Extension 7 - Swivel Chair
	Not illustrated		

**CURTAIN, CUSHION & PAD GROUP (CONTINUED)**

**TWIN BED MATTRESS**

Key	Part Number	U/M	Description
2	083498 01 000	EA	Mattress - Foam 33" x 75" Winnebago
2	077478 04 000	EA	Mattress - Interspring 33" x 75" - Sealy
	081969 04 W30	EA	Bedsprad - Twin Bed (W24)
	081969 04-W31	EA	Bedsprad Twin Bed (W25)
	081969 04 W32	EA	Bedsprad Twin Bed (W26)
	081997 01 W30	EA	Pillow Sham - 30 x 26" (W24)
	081997-01 W31	EA	Pillow Sham - 30 x 26" (W25)
	081997 01 W32	EA	Pillow Sham - 30 x 26" (W26)

**DOUBLE BED MATTRESS**

Key	Part Number	U/M	Description
3	083498 05 000	EA	Mattress - Foam 43" x 75" Winnebago
3	079369-02 000	EA	Mattress Interspring - 54 x 75" - Sealy
	081969-16-W24	EA	Bedsprad - Double Bed
	081969 16-W25	EA	Bedsprad Double Bed
	081969 16-W26	EA	Bedsprad Double Bed
	081997 01 W30	EA	Pillow Sham - 30 x 26 (W24)
	081997-01 W31	EA	Pillow Sham - 30 x 26 (W25)
	081997 01 W32	EA	Pillow Sham - 30 x 26 (W26)

**CONTINENTAL BED OPTION**

Key	Part Number	U/M	Description
4	085058 01-W30	EA	Bed Asm 3 Pillow (W24)
4	085058-01-W31	EA	Bed Asm 3 Pillow (W25)
4	085058 01 W32	EA	Bed Asm - 3 Pillow (W26)
	M85058-01-W30	EA	Cover Asm - 3 Pillow Bed (W24)
	M85058 01 W31	EA	Cover Asm - 3 Pillow Bed (W25)
	M85058 01 W32	EA	Cover Asm - 3 Pillow Bed (W26)
	081998 67 W30	EA	Pillow Asm - 16 x 23 x 5 w/End Panels (W24)
	081998 67 W31	EA	Pillow Asm - 16 x 23 x 5 w/End Panels (W25)
	081998 67-W32	EA	Pillow Asm 16 x 23 x 5 w/Ends Panels (W26)
	M81998 67 W30	EA	Cover Asm - Pillow (W24)
	M81998 67 W31	EA	Cover Asm - Pillow (W25)
	M81998 67 W32	EA	Cover Asm - Pillow (W26)

**DINETTE CUSHION**

Key	Part Number	U/M	Description
5	081998-77-W24	EA	Cushion Asm - Dinette Back - 19 25 x 38 x 5
5	081998 77-W25	EA	Cushion Asm - Dinette Back - 19 25 x 38 x 5
5	081998-77-W26	EA	Cushion Asm Dinette Back - 19 25 x 38 x 5
	M81998 77-W24	EA	Cover Asm - Dinette Back Curtain - 19 25 x 38 x 5
	M81998 77-W25	EA	Cover Asm - Dinette Back Curtain - 19 25 x 38 x 5
	M81998 77-W26	EA	Cover Asm - Dinette Back Curtain - 19 25 x 38 x 5
6	081998-78 W24	EA	Cushion Asm - Dinette Bottom 17 5 x 38 x 5
6	081998 78 W25	EA	Cushion Asm - Dinette Bottom - 17 5 x 38 x 5
6	081998 78 W26	EA	Cushion Asm - Dinette Bottom - 17 5 x 38 x 5
	M81998 78 W24	EA	Cover Asm - Dinette Bottom Cushion 17 5 x 38 x 5
	M81998 78 W25	EA	Cover Asm Dinette Bottom Cushion - 17 5 x 38 x 5
	M81998 78 W26	EA	Cover Asm - Dinette Bottom Cushion - 17 5 x 38 x 5

**1987 ITASCA  
TABLE OF CONTENTS**

INTRODUCTION	A 01
ABBREVIATIONS	A 01
ALPHABETICAL INDEX	A 02 A 04
IT319RB	A 05 B 19
IF426RT	B-19 D 13
ICN22RC	D 19 G 04
ICP37RO	G 05 I 18

**1987 IF426RT INDEX**

Floor Plan	B 19 B 20
Accessories Group	B 21 B 22
Bath Group	B 23 - B 24
Chassis Group	C-01 C 02
Curtain Cushion & Pad Group	C-03 - C 09
Dinette Group	C 10
Driver's Compartment Group	C 11 C 12
Electrical Group	C-13 C 15
Exterior Body Group	C-16 - C 20
Galley Group	C 21 - C-22
Heating & Air Conditioning Group	C-23
Interior Finish Group	C 24 D 01
LP Group	D 02
Lounge Group	D-03 - D-04
Water & Sewage Group	D-05 - D-06
Window Vent & Exterior Door Group	D-07 - D 18

**CURTAIN, CUSHION & PAD GROUP (CONTINUED)**

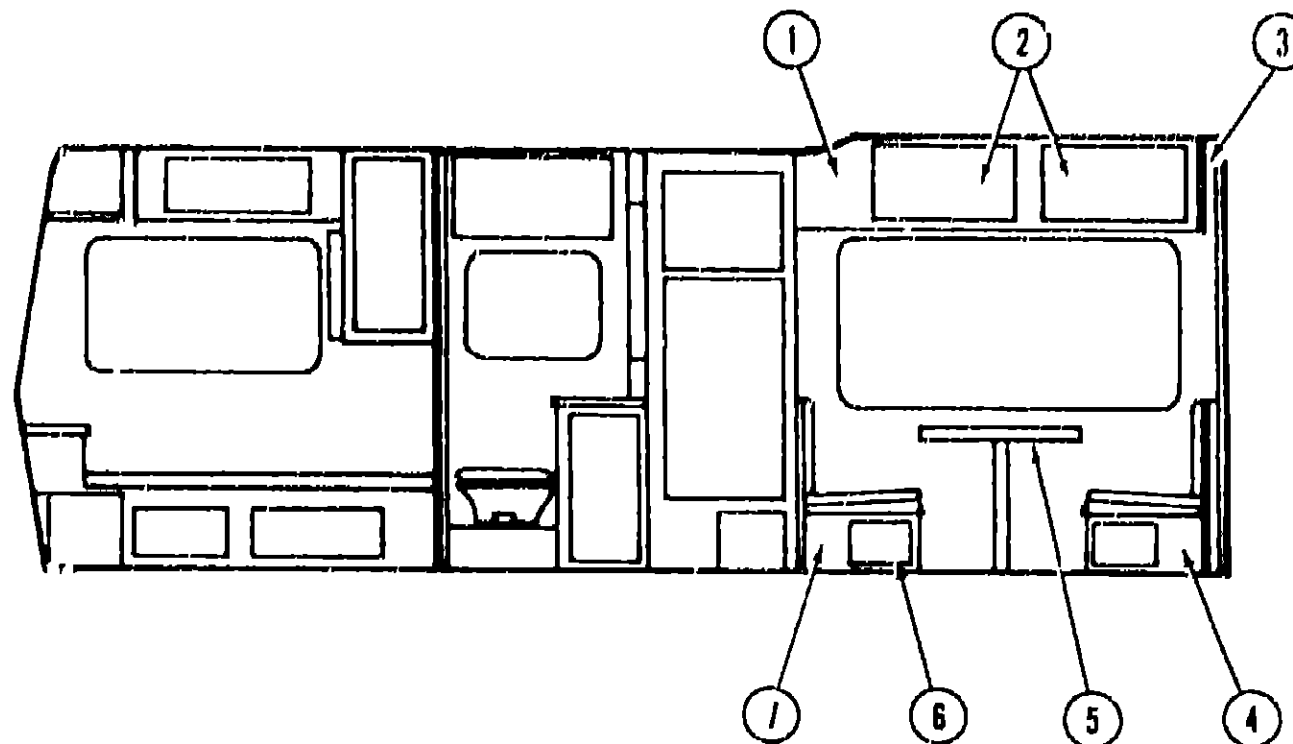
**FABRICS**

Key	Part Number	U/M	Description
	077498 89 000	YD	Fabric w/Pattern Upholstery Main Jarmine (W24)
	077498 90 000	YD	Fabric w/Pattern Upholstery Main Garnet (W25)
	077498 88-000	YD	Fabric w/Pattern Upholstery Main Iule (W26)
	077497 B2 000	YD	Fabric w/Pattern Upholstery Accent - Juniper (W24)
	077494 J3-000	YD	Fabric w/Pattern Upholstery Accent - Brick - (W25)
	077498 B1-000	YD	Fabric w/Pattern Upholstery Accent - Madder (W26)
	077498 A7-000	YD	Fabric Upholstery Accent Plain - Blue (W24)
	077498 A2 000	YD	Fabric Upholstery Accent - Plain - Garnet (W25)
	077498 A8 000	YD	Fabric Upholstery Accent Plain Wine (W26)
	072333 38-000	YD	Fabric - Drapery Melba (W24)
	072333-40 000	YD	Fabric Drapery - Raisin (W25)
	072333-37-000	YD	Fabric - Drapery Mauve (W26)
	069729 44 000	YD	Fabric - Bedspread - Covington #2 (W24)
	069729 45 000	YD	Fabric - Bedspread - Covington #18 (W25)
	069729 48 000	YD	Fabric - Bedspread - Covington #3 (W26)
	084415-11 000	YD	Braid Trim Pull Shades - Blue Jade (W24)
	084415 15 000	YD	Braid Trim Pull Shades Rust (W25)
	084415-13-000	YD	Braid Trim - Pull Shades Mauve (W26)
	052859 05 T03	FT	Trim Asm Accent Buckskin
	079680-01-000	YD	Vinyl Expanded - 26 oz - Buckskin
	070578 05 W30	EA	Button Asm #30 - Bedspread Fabric (W24)
	070578 05 W31	EA	Button Asm - #30 - Bedspread Fabric (W25)
	070578 05-W32	EA	Button Asm #30 - Bedspread Fabric (W26)
	070578-04-W24	EA	Button Asm #30 - Accent Fabric (W24)
	070578 04 W25	EA	Button Asm - #30 - Accent Fabric (W25)
	070578-04-W26	EA	Button Asm - #30 - Accent Fabric (W26)
	078155-01-000	EA	Strap Asm Cushion
	081280 21 W24	EA	End Cap Asm Overhead Dinette - Vinyl
	081280 19-W24	EA	End Cap Asm Overhead Galley Vinyl
	081280-16-W24	EA	End Cap Asm - Overhead - Shirt Closet - Left - Vinyl
	081280 13 W24	EA	End Cap Asm - Overhead - Shirt Closet - Right - Vinyl
	081280-22-W24	EA	End Cap Asm Overhead Entrance Door - Vinyl
	081519-01-W24	EA	Pad Asm - Dinette - Front
	081519 01-W25	EA	Pad Asm Dinette - Front
	081519 01-W26	EA	Pad Asm Dinette Front
	081519 02 W24	EA	Pad Asm - Dinette - Rear
	081519 02 W25	EA	Pad Asm - Dinette - Rear
	081519-02 W26	EA	Pad Asm - Dinette - Rear
	077463 08 W24	EA	Panel Asm - Headboard - Twin
	077463-08-W25	EA	Panel Asm - Headboard - Twin
	077463 08-W26	EA	Panel Asm - Headboard Twin
	077463 09-W24	EA	Panel Asm - Headboard - Double
	077463-09-W25	EA	Panel Asm Headboard - Double
	077463-09-W26	EA	Panel Asm Headboard Double
	069885 12 W24	EA	Cover w/Pocket Motor
	069885 12 W25	EA	Cover w/Pocket Motor
	069885 12 W26	EA	Cover w/Pocket - Motor

**FRONT OVERHEAD BUNK CUSHIONS**

Key	Part Number	U/M	Description
	084753-05 W24	EA	Cushion Asm - Front Bunk
	084753-05 W25	EA	Cushion Asm - Front Bunk
	084753 05 W26	EA	Cushion Asm - Front Bunk
	M84753 05-W24	EA	Cover Asm - Front Bunk Cushion
	M84753 05-W25	EA	Cover Asm - Front Bunk Cushion
	M84753-05 W26	EA	Cover Asm Front Bunk Cushion
	084753-06 W24	EA	Cushion Asm - U Shaped Filler
	084753-06-W25	EA	Cushion Asm - U Shaped Filler
	084753-06-W26	EA	Cushion Asm U Shaped Filler
	M84753-06-W24	EA	Cover Asm - U Shaped Cushion
	M84753-06-W25	EA	Cover Asm - U Shaped Cushion
	M84753-06-W26	EA	Cover Asm U Shaped Cushion

**DINETTE GROUP**



Key	Part Number	U/M	Description
	1 083929 03 W24	EA	Cabinet Asm - Dinette Overhead - w/o Doors or Hardware
	2 M84956-02 W24	EA	Door Asm Dinette Overhead w/o Hardware
	3 081280 21-W24	EA	Pad Asm End Cap Dinette Overhead - Vinyl
	4 M02175-02 W30	EA	Cabinet Asm Dinette Seat - w/o Door or Hardware
	M02174 01-W30	EA	Cabinet Asm Dinette Back
	5 081298-02 W24	EA	Table Asm Dinette w/o Hardware
	6 M84953-06-W24	EA	Door Asm - Dinette Seat - Front & Rear
	M02174-03 W30	EA	Cabinet Asm Dinette Back
	7 M02175-04 W24	EA	Cabinet Asm - Dinette Seat w/o Door or Hardware
	074493-05-000	EA	Support Sprung Door Asm - Overhead Cabinet
	053200 05-000	EA	Bracket - Upper Wall Mount - 23 5 - Beige
	053201-06-000	EA	Bracket - Table Mount - 23 - Beige
	024275-05-000	EA	Rod - Table Lift 8 x 2.5 Beige
	024281-07-000	EA	Bracket - Lower Wall Mount Table Lift - Tan
	024276-17-000	EA	Leg Asm - Table - 26 75 - Brown
	064050 02-000	EA	Hinge - Table Leg
	024282-01 000	EA	Brace - Table Leg
	024283-01 000	EA	Clip 1 O D Tube
	049493-05 000	EA	Catch - Table Leg Mounts on Floor - Tan
	064781-03-000	EA	Cup Holder 3 47 O D x 2 75 I D x 1 5 - Brown
			Not illustrated

The illustrated parts breakdown for this item is provided on the Common Items Fiche

**BENCH SEAT CUSHIONS W/TABLE OPTION**

Key	Part Number	U/M	Description
	NOTE	EA	Bench Seat Cushions
	081298 02-W24	EA	Table Asm - Pedestal
	009040 04-000	EA	Leg - Pedestal Table - 27 50
	009040-03 000	EA	Base - Table Raised
	041194 01-000	EA	Base - Table - Flush Mount
	062046 01-000	EA	Clip - Pedestal Table
			See Curtain Cushion & Pad Group

**1987 ITASCA  
TABLE OF CONTENTS**

INTRODUCTION	A 01
ABBREVIATIONS	A 01
ALPHABETICAL INDEX	A 02 - A 04
IT319RB	A 05 - B 18
IF426RT	B 19 - D 18
ICN22RC	D 19 - G 04
ICP37RO	G 05 - I 18

**1987 IF426RT INDEX**

Floor Plan	B 19 - B 20
Accessories Group	B 21 - B 22
Bath Group	B-23 - B 24
Chassis Group	C 01 - C-02
Curtain Cushion & Pad Group	C-03 - C 09
Dinette Group	C-10
Driver's Compartment Group	C-11 - C 12
Electrical Group	C-13 - C 15
Exterior Body Group	C-16 - C 20
Galley Group	C 21 - C 22
Heating & Air Conditioning Group	C 23
Interior Finish Group	C 24 - D 01
LP Group	D 02
Lounge Group	D 03 - D-04
Water & Sewage Group	D 05 - D 06
Window Vent & Exterior Door Group	D 07 - D 18

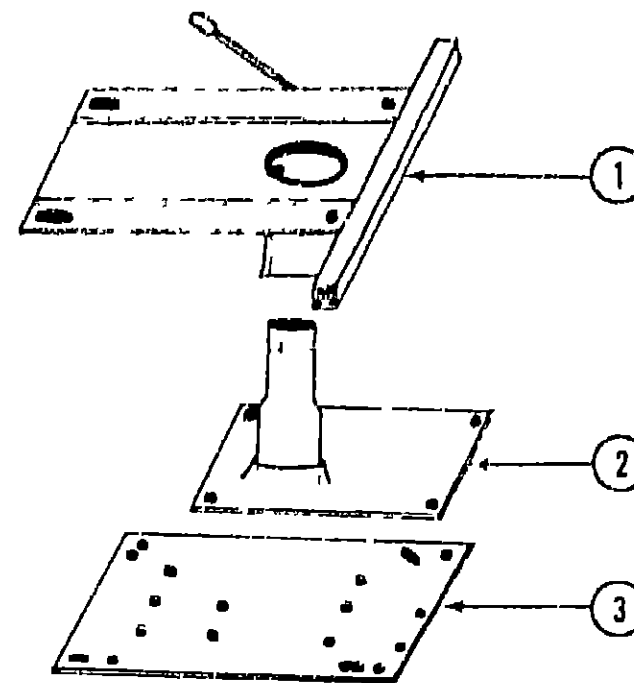


**DRIVER'S COMPARTMENT GROUP**

**DRIVER'S COMPARTMENT GROUP (CONTINUED)**

**MISCELLANEOUS DRIVER'S COMPARTMENT COMPONENTS**

Key	Part Number	U/M	Description
	087012 01 W24	EA	Cabinet Asm Headboard
	M82068-01 W24	EA	Panel Asm Wingwall - Passenger
	M82068-02 W24	EA	Panel Asm - Wingwall - Driver
	070800 01-000	EA	Trim - Sleeperboard Extrusion - Off White
	080742 01 000	TT	Trim - Sleeperboard Vinyl
	M01298 02 000	EA	Console - Overhead - 7 5" x 8 14 - Gray
	086280-01 000	EA	Light - Surface Mount - 12V
	024461 01 000	EA	Switch Battery
	024462 01 000	EA	Switch Battery Condition
	024976 01 000	EA	Switch Battery Generator w/o Circuit Board
	031035 01 000	EA	Gauge - Generator Hourmeter
	024459 03 000	EA	Gauge Voltmeter
	024459 02 000	EA	Bracket Mounting Voltmeter Gauge



**BUCKET SEAT PEDESTAL & SEAT BELTS**

Key	Part Number	U/M	Description
1	069585 27-000	EA	Plate - Top - Pedestal Asm - Bucket Seat
1	069585 19 000	EA	Plate - Top - Pedestal Asm - Power Seat
2	069585 03 000	EA	Plate - Sub - Pedestal Asm - Bucket Seat
2	069585-18-000	EA	Plate - Sub - Pedestal Asm - Power Seat
J	069585 02 000	EA	Plate - Base - Pedestal Asm - Bucket Seat
	081373 02-000	EA	Seat - Power
	069585-05 000	LA	Hardware Kit Bolt/Acorn Nut - 4 ea - Pedestal Asm
	056271-02 000	EA	Belt Asm - Seat - 2 x 72 - Black
	007021 01-000	EA	Belt Asm - Seat - 2 x 90 - Black
	041322-01-000	EA	Washer - Flat 15/32 I D x 2 3/8 O D - Seat Belt
	057759-01-000	EA	Bracket - Seat Belt Washer
	069246 01-000	FA	Adjuster Asm - Seat - w/Lock
	069246 02 000	EA	Adjuster Asm - Seat - w/o Lock
	080730 01 000	EA	Recliner Drive - Right
	080730-02-000	EA	Recliner Drive - Left
	068601-05-700	EA	Hand Wheel Kit - Recliner Drive
	069585 29 000	EA	Bar - Seat Belt - 20
	Not illustrated		

**1987 ITASCA  
TABLE OF CONTENTS**

INTRODUCTION	A 01
ABBREVIATIONS	A 01
ALPHABETICAL INDEX	A 02 - A 04
IT319RB	A 05 - B 18
IF426HT	B 19 - D 18
ICN22RC	D 19 - G 04
ICP37RQ	G 05 - I-18

**1987 IF426RT INDEX**

Floor Plan	B 19 - B-20
Accessories Group	B 21 - B 22
Bath Group	B 23 - B 24
Chassis Group	C 01 - C 02
Curtain Cushion & Pad Group	C 03 - C 09
Dinette Group	C-10
Driver's Compartment Group	C-11 - C-12
Electrical Group	C-13 - C-15
Exterior Body Group	C-16 - C-20
Galley Group	C 21 - C-22
Heating & Air Conditioning Group	C-23
Interior Finish Group	C-24 - D-01
LP Group	D 02
Lounge Group	D 03 - D-04
Water & Sewage Group	D-05 - D-06
Window Vent & Exterior Door Group	D 07 - D 18

**ELECTRICAL GROUP**

**BULBS**

Key	Part Number	U/M	Description
	008220-01-000	EA	Bulb - 12V - 25W
	008103-01-000	EA	Bulb - 63
	008213-01-000	EA	Bulb - 57
	008214-01-000	EA	Bulb - 87
	038196-01-000	EA	Bulb - 194
	008215-01-000	EA	Bulb - 1003
	067479-01-000	EA	Bulb 1078
	063914-01-000	EA	Bulb - 1139
	008218-01-000	EA	Bulb - 1141
	037935-01-000	EA	Bulb - 1157
	058288-02-000	EA	Bulb - 94J1808

Key	Part Number	U/M	Description
	008233-01-000	EA	Fuse - 6 Amp - 12 Volt
	008234-01-000	EA	Fuse - 10 Amp 12 Volt
	048893-01-000	EA	Fuse - 13 Amp 12 Volt
	008235-01-000	EA	Fuse - 15 Amp 12 Volt
	008236-01-000	EA	Fuse 20 Amp 12 Volt
	008248-01-000	EA	Fuse - 30 Amp 110 Volt - AGU
	008252-01-000	EA	Fuse - 50 Amp 110 Volt
	056473-02-000	EA	Fuse 6 Amp - Slow Blow
	056473-01-000	EA	Fuse 6 1/4 Amp Slow Blow
	062801-02-000	EA	Fuse 5 Amp - Automotive
	062801-05-000	EA	Fuse 15 Amp Automotive
	008211-01-000	EA	Circuit Breaker - 6 Amp 12 Volt
	033573-02-000	EA	Circuit Breaker 15 Amp - 12 Volt w/Mount
	033573-01-000	EA	Circuit Breaker 20 Amp - 12 Volt - w/Mount
	044466-03-000	EA	Circuit Breaker 25 Amp - 12 Volt - w/Mount
	008268-01-000	EA	Circuit Breaker - 30 Amp - 12 Volt - w/Mount
	083209-05-000	EA	Circuit Breaker - 20 Amp - 120 Volt
	083209-04-000	EA	Circuit Breaker 30 Amp, - 120 Volt
	083209-02-000	EA	Circuit Breaker 15/15 Amp - 120 Volt
	083209-03-000	EA	Circuit Breaker - 15/20 Amp - 120 Volt
	083209-07-000	EA	Circuit Breaker - 20/20 Amp - 120 Volt
	083209-06-000	EA	Circuit Breaker 30/15 Amp - 120 Volt
	083209-08-000	EA	Circuit Breaker Blank

**ELECTRICAL GROUP (CONTINUED)**

**WIRE, SWITCHES & RECEPTACLES**

Key	Part Number	U/M	Description
	008058-01-000	EA	Adapter - Power Cord
	008288-01-000	EA	Box - Electrical - 3" x 3 5/8" Plastic
	008289-01-000	EA	Box - Electrical - 4" x 4" - 1/2 & 3/4 Steel - UL
	008280-02-000	EA	Box - Electrical - 4" x 4" - 1/2 & 3/4 Steel CSA
	058049-01-000	EA	Box - Electrical - 2' x 3" x 2 25" - Steel
	041953-01-000	EA	Conduit Convolute Split - 5" ID
	008353-01-000	EA	Connector - Clamping - 3/8 Cable - UL & CSA
	058028-01-000	EA	Connector - Pigtail Clear Nylon
	008314-01-000	EA	Connector - Wire Nut - Gray
	008311-01-000	EA	Connector - Wire Nut - Red
	031968-01-000	EA	Contact Plug - Brass - Tin Plated
	031967-01-000	EA	Contact Receptacle
	008054-01-000	EA	Cord Power - 10 3 30 Amp 25' UL
	008052-01-000	EA	Cord Power - 10 3 30 Amp - 25' CSA
	069238-01-000	EA	Cover Electrical Box 4" x 4"
	058048-01-000	EA	Cover - Electrical Box - 4 5/8" x 2 7/8" - Rain Tight (Exterior)
	024571-03-000	EA	Cover Plate - Receptacle Jumbo Brown Plastic
	024571-04-000	EA	Cover Plate - Receptacle Jumbo Ivory Plastic
	008104-01-000	EA	Cover Plate - Switch Brown
	008294-01-000	EA	Cover - Flat Blank - 4' x 4' - Steel US
	008294-02-000	EA	Cover - Flat Blank - 4' x 4' - Steel CSA
	008250-01-000	EA	Fuse Holder In Line - 10 Amp
	008250-02-000	EA	Fuse Holder - In Line - 15 Amp
	008277-01-000	EA	Fuse Holder - Panel Mount Black
	064399-01-000	EA	Housing Asm Trailer Pin
	064450-01-000	EA	Housing Asm Trailer Plug
	064398-01-000	EA	Housing Asm - Trailer Receptacle
	054532-01-000	EA	Housing Pin - 6 Position
	046885-01-000	EA	Plaque - Mounting Switch
	075736-02-000	EA	Receptacle/Cover Asm - Off White (Exterior)
	058708-01-000	EA	Receptacle - Duplex Brown
	008157-01-000	EA	Receptacle Duplex - Brown (Exterior Backwall)
	058708-02-000	EA	Receptacle - Duplex - Ivory
	053126-01-000	EA	Receptacle - Ground Fault Interrupter 125 Volt Ivory
	024924-02-000	EA	Receptacle - Power Cord
	058707-01-000	EA	Receptacle - Single - Brown
	063912-01-000	EA	Relay - Canister SPD f w/Ground
	075723-01-000	EA	Switch - Block Spacer w/o Holes
	075723-02-000	EA	Switch - Block Spacer - w/Holes
	008162-01-000	EA	Switch - Double Toggle - Brown
	077942-02-000	EA	Switch - Dummy - Brown
	056264-01-000	EA	Switch - Leaf Actuator
	079362-01-000	EA	Switch Plate - 3 Gang 2 Switches
	079363-01-000	EA	Switch Plate Single - w/Switches
	079364-01-000	EA	Switch - On/Off Rocker - Brown
	008195-01-000	EA	Switch - Push Button - 12 Volt
	008163-01-000	EA	Switch - Toggle - Brown
	006050-01-000	FA	TV Jack Ivory
	047443-02-000	EA	Terminal - 250 Receptacle - 12-10 AWG
	035417-01-000	EA	Terminal - Pin Receptacle - 125 Dia
	008348-01-000	EA	Terminal Ring - 2 - w/3/8 Stud
	008331-01-000	EA	Terminal Ring - 4 - w/3/8 Stud
	008328-01-000	EA	Terminal Ring - 12/10 Wire
	054865-01-000	EA	Wire Asm - Generator Switch
	078028-01-000	FT	Wire - 18 5 Bonded - Blue/Red/Yellow/Orange/White
	078024-01-000	FT	Wire - 18 5 Bonded - Orange/White/Yellow/Blue/Brown
	078025-01-000	FT	Wire - 18 5 Bonded - Orange/White/Yellow/Blue/Green
	078026-01-000	FT	Wire w/Ground - Romex - 12/2

**1987 ITASCA  
TABLE OF CONTENTS**

INTRODUCTION	A 01
ABBREVIATIONS	A 01
ALPHABETICAL INDEX	A 02 A 04
IT319RB	A 05 - B 10
IF426RT	B 19 D 18
ICN22RC	D 19 - G 04
ICP37RO	G 05 - I 18

**1987 IF426RT INDEX**

Floor Plan	B 19 - B 20
Accessories Group	B 21 - B 22
Bath Group	B 23 - B 24
Chassis Group	C 01 - C 02
Curtain Cushion & Pad Group	C-03 - C-09
Dinette Group	C-10
Drivers Compartment Group	C-11 - C 12
Electrical Group	C 13 - C-15
Exterior Body Group	C 16 - C-20
Galley Group	C 21 - C-22
Heating & Air Conditioning Group	C-23
Interior Finish Group	C 24 - D 01
LP Group	D 02
Lounge Group	D-03 - D-04
Water & Sewage Group	D 05 - D 06
Window Vent & Exterior Door Group	D 07 - D 18

**ELECTRICAL GROUP (CONTINUED)**

**EXTERIOR LIGHTS**

Key	Part Number	U/M	Description
	058022 01-000	EA	Tall Lamp Asm - 2 Bulb - Chrome - Driver/Passenger
	0540 01 000	EA	Bracket License Plate
	02742 04-000	EA	Wedge Tall Lamp w/License Plate - Left - Off White
	082740-04-000	EA	Wedge Tall Lamp - Right Off White
	042405 03 000	EA	Base - Rectangular Clearance Light
	042405-01-000	EA	Lens Clearance Light Red w/Reflex
	042405-02-000	EA	Lens - Clearance Light Amber w/Reflex
	048817 01 000	EA	Assist Handle Asm w/Light
	079941 01-000	EA	Lamp Asm - w/Cover Fog Amber

**INTERIOR LIGHT**

Key	Part Number	U/M	Description
	033508-02 000	EA	Light - Dome Ivory - 1 Bulb US
	033508 03 000	EA	Light - Dome Ivory 1 Bulb - CSA
	033509-02-000	EA	Light - Dome Ivory - 2 Bulb US
	033509 03-000	EA	Light - Dome - Ivory - 2 Bulb CSA
	078424 02 000	EA	Light - Fluorescent - 12V
	061424 01-000	EA	Light - 12V Receptacle - Aisle IP
	007309-01-000	EA	Light - Step Woll
	086280-01-000	CA	Light - Surface Mount - 12 Volt
	083686 01-000	EA	Lamp - Table Brass w/Wood
	082686-02 000	EA	Shade - Table Lamp
	082169-01-000	EA	Light - Make-up - 3 Bulb

**MISCELLANEOUS ELECTRICAL COMPONENTS**

Key	Part Number	U/M	Description
	008188-01-000	EA	Solenoid - Dual Battery - Relay
	083208 01-000	EA	Control Center - 32 Amp

**EXTERIOR BODY GROUP**

**SEALANTS & ADHESIVES**

Key	Part Number	U/M	Description
	004020 01 000	QT	Adhesive - ABS Cement (Plastic Fittings)
	002317 01 000	EA	Adhesive - 1300 Tube - 3M (Windows)
	004005-02 000	GL	Adhesive - Swifts - Glue (Sidewalls)
	053766 07 000	EA	Bedding Compound Tube - Beige (Exterior)
	053766-06 000	EA	Bedding Compound Tube - Clear (Window)
	053766-08 000	EA	Bedding Compound - Tube - Gray (Exterior)
	053766-05-000	EA	Bedding Compound Tube - Gray (Sidewalls to Floor)
	053766-02 000	EA	Bedding Compound - Tube - Off White (Exterior)
	002328 02 000	EA	Block - Rubber Spacer (Windshield)
	004336 01 000	CA	Caulk - Latex Golden Walnut (Sidewalls)
	072891-02-000	QT	Primer - Glass - Black
	072891-01 000	QT	Primer - Glass Clear
	035024 01 000	EA	Primer - Glass - Clear - Windshield
	072890 01 000	QT	Primer - Metal - Black
	035023 01 000	GL	Primer Metal - Windshield
	077967-01-000	EA	Sealant - Acrylic Latex - Tube - Off White (Interior Sealant)
	034552-04 000	EA	Sealant Silicone Beige
	034552 02 000	EA	Sealant Silicone Clear
	034552 07 000	EA	Sealant Silicone - Dark Gray
	034552 08-000	EA	Sealant Silicone - Off White
	069637-01-000	EA	Sealant - Weatherban 404 Tube - White (Door Caulk)
	072889-01-000	EA	Sealant - Urethane - Black (Windshield)
	069640-01-000	FT	Sealer Ribbon - 25' Bead x 20
	069640-02 000	FT	Sealer Ribbon - 5' x 125" x 30
	069640 03 000	FT	Sealer Ribbon - 75' x 125" x 30
	069640-04-000	FT	Sealer Ribbon - 2' x 09' x 45 (P Series)
	069640-05 000	FT	Sealer Ribbon - 2 5' x 09' x 50
	069640 06-000	FT	Sealer Ribbon, 5/16 Bead x 15'
	069640-07-000	FT	Sealer Ribbon - 2' x 3/32' x 30
	002316-01 000	FT	Sealer Tape - 3/32 x 3/8 White (Window)
	002707-01-000	FT	Sealer Tape - 5/16 x 3/4
	002707-02-000	FT	Sealer Tape - 5/16 x 1/2
	040545-01-000	GL	Sealer - Seam Weld
	053752-04-000	EA	Seam Sealer - Tube - Aluminum (Roof)
	063642 01-000	FT	Tape - Adhesive - 10 mm x 1 5' Wide
	038886-01 000	EA	Tape - Butyl - 31' x 31' x 148 (Windshield)
	076322-01-000	FT	Tape - Foam - Double Coated - 025 x 1 (Fiberglass Sidewall Seams)
	076322-02-000	FT	Tape - Foam - Double Coated - 045 x 1 (Fiberglass Sidewall Seams)
	009200-01-000	EA	Tape - Furnace - 1 5'
	002825 01 000	FT	Weather Striping (Roof Vent)

**MISCELLANEOUS EXTERNALLY MOUNTED PARTS**

Key	Part Number	U/M	Description
	083558 01-000	EA	Plumbing Seal - Roof Vent - 1 5
	048817-01-000	EA	Assist Handle - w/Light
	048817-01-700	EA	Lens - Assist Handle
	087659-04-000	EA	Fill - City Water - Off White
	081240 03 000	EA	Water Fill Lockable - White
	078040-01-000	EA	Shroud - Fuel Fill - Upper
	078200 01-000	EA	Gasket - Fuel Fill
	083578-01-000	EA	Boot - Fuel Fill
	079384 05-000	EA	Running Board - Ford - Right
	079384-06 000	EA	Running Board - Ford - Left

Note For screws and fasteners see Common Items Fiche

**1987 ITASCA  
TABLE OF CONTENTS**

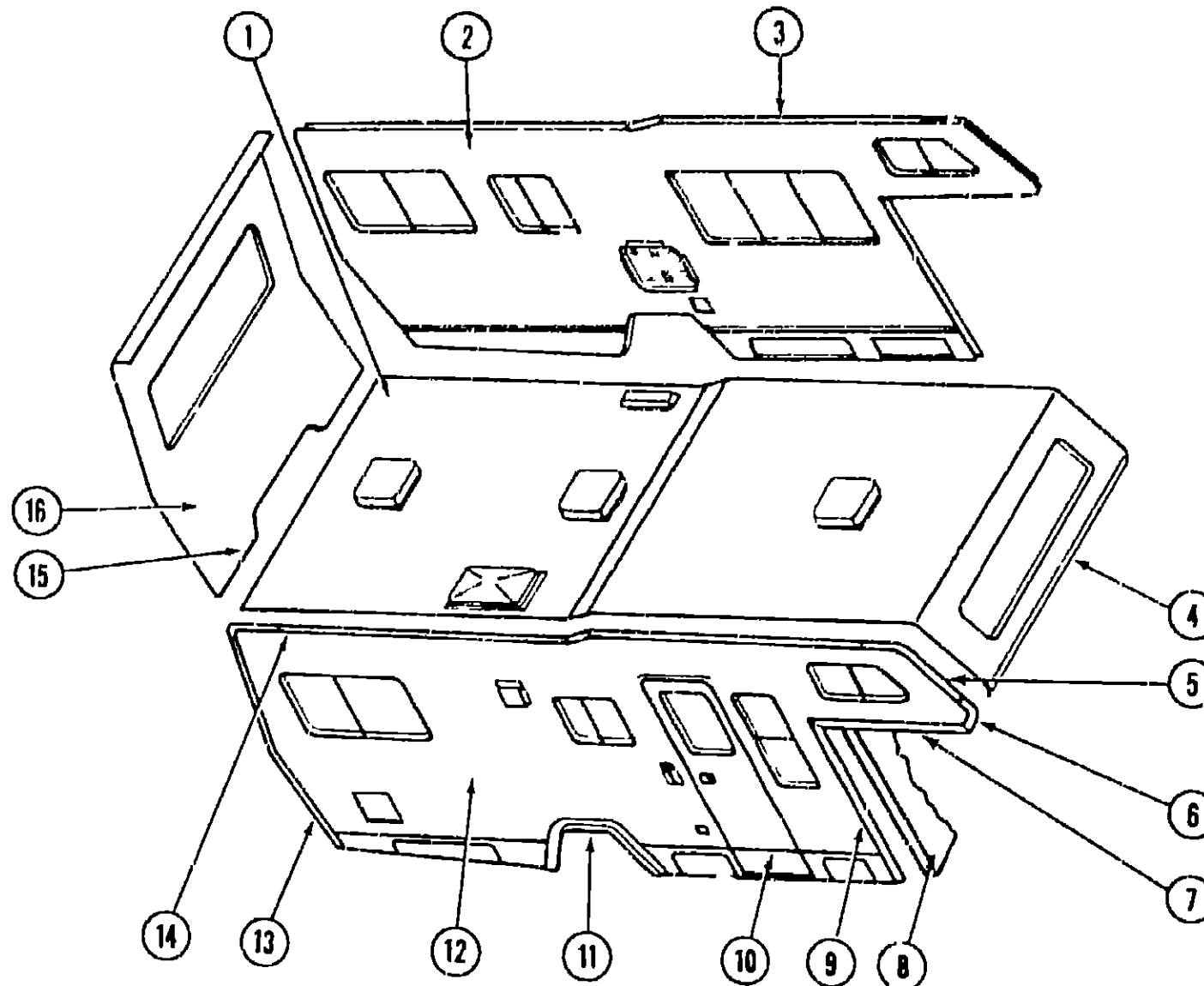
INTRODUCTION	A-01
ABBREVIATIONS	A 01
ALPHABETICAL INDEX	A 02 A 04
IT319RB	A 05 - B 18
IF426RT	B 19 D 18
ICN22RC	D-15 G 04
ICP37RQ	G 05 I 18

**1987 IF426RT INDEX**

Floor Plan	B-19 - B 20
Accessories Group	B-21 - B 22
Bath Group	B 23 - B 24
Chassis Group	C-01 - C-02
Curtain Cushion & Pad Group	C-03 - C-09
Dinette Group	C-10
Driver's Compartment Group	C-11 - C-12
Electrical Group	C-13 - C-15
Exterior Body Group	C-16 - C-20
Galley Group	C-21 - C-22
Heating & Air Conditioning Group	C 23
Interior Finish Group	C 24 - D 01
LP Group	D 02
Lounge Group	D 03 - D 04
Water & Sewage Group	D-05 - D-06
Window Vent & Exterior Door Group	D 07 - D 18

# EXTERIOR BODY GROUP (CONTINUED)

## EXTERIOR BODY PANELS



Key	Part Number	U/M	Description
1	M86674 01 W04	EA	Roof Asm
	M76177-01 700	EA	Roof Section - Cab Over To First Seam
2	M86671-01-W24	EA	Sidewall Asm - Driver
2	M86671-01-W25	EA	Sidewall Asm - Driver
2	M86671 01-W26	EA	Sidewall Asm - Driver
3	076802-08-000	EA	Trim - Contour - Upper Front - Driver - Off White
	076802-07-000	EA	Trim - Contour - Upper Front - Passenger - Off White
4	039644-08 000	EA	Trim - Sleeper Board - Front - Off White
5	085490-01 000	EA	Trim - Contour - Front - Passenger - Off White
	085490-02-000	EA	Trim - Contour - Front - Driver - Off White
6	086899-01-000	EA	Trim - Front Radius - Passenger - Off White
	086899-02-000	EA	Trim - Front Radius - Driver - Off White
7	076975 05-000	EA	Trim - Wingwall - Passenger - Off White
	076975-06-000	EA	Trim - Wingwall - Driver - Off White
8	M81653 03 W04	EA	Wingwall Asm - Passenger
	M81653-04 W04	EA	Wingwall Asm - Driver
9	076975-03-000	EA	Trim - Wingwall Transition - Passenger - Off White
	076975 04-000	EA	Trim - Wingwall Transition - Driver - Off White
10	002444 01-001	EA	Feature Strip - w/o Insert - Extr 14 - Brown
	009731-01-000	EA	End Cap - Feature Strip

Key	Part Number	U/M	Description
11	075189-01-000	EA	Trim - Wheel Well - Rear Passenger - Off White
	075189-02 000	EA	Trim - Wheelwell - Rear Driver - Off White
	080266-06-000	EA	Trim - Wheelwell - Rear Passenger - Extrusion
	080266-07-000	EA	Trim - Wheelwell - Rear Driver - Extrusion
12	M86673-01-W24	EA	Sidewall Asm - Passenger
12	M86673 01-W25	EA	Sidewall Asm - Passenger
12	M86673 01-W26	EA	Sidewall Asm - Passenger
13	076805 01-000	EA	Trim - Contour - Rear Passenger - Off White
	076805 02-000	EA	Trim - Contour - Rear Driver - Off White
14	077339 05-000	EA	Trim - Contour - Upper Rear Passenger - Off White
	077339-06-000	EA	Trim - Contour - Upper Rear Driver - Off White
15	074966-02-000	EA	Trim - Backwall - Lower - Passenger or Driver
16	M01600 01-W24	EA	Backwall Asm
	002365-01-001	EA	U Channel - Extrusion - 1 x 18
	002776-01-001	EA	U Channel - Extrusion - 1 75 x 16
	077514-04-001	EA	Fiberglass Sheet - 48 08 x 259 - Mesa - Off White
	077517-04-002	EA	Fiberglass Sheet - 48 08 x 60 - Mesa - Off White
	001054 01-011	EA	Alum - No Design - 48 x 96 - Off White
	000868-01-000	SF	Styrofoam - 75 x 24 x 96
	000870-01 000	SF	Styrofoam - 15 x 24 x 96
	000870-03-000	SF	Styrofoam 1 34 x 48 x 96
			Not illustrated

## 1987 ITASCA TABLE OF CONTENTS

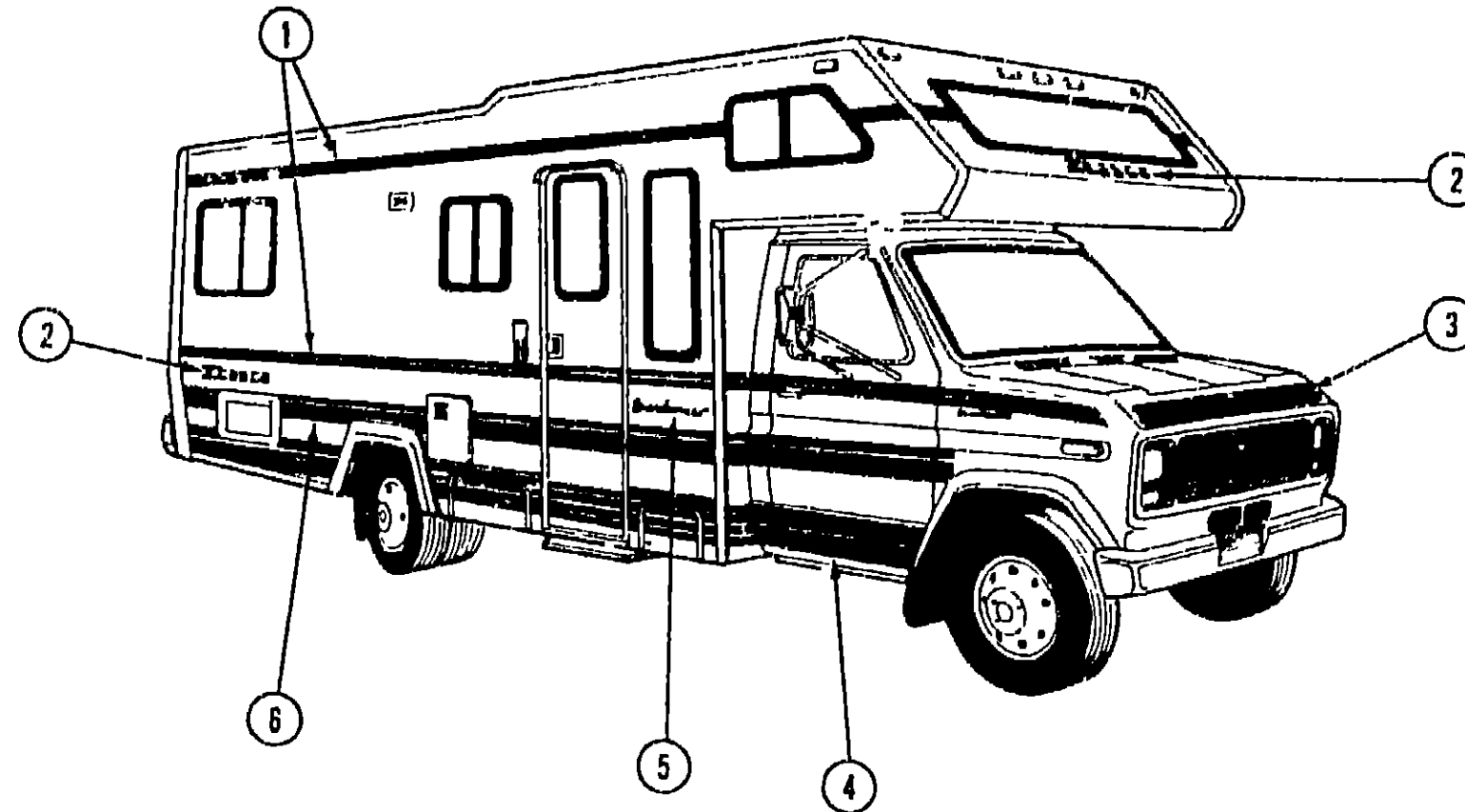
INTRODUCTION	A-01
ABBREVIATIONS	A 01
ALPHABETICAL INDEX	A 02 A 04
IT319RB	A 05 - B-18
IF-426RT	B 19 - D 18
ICN22RC	D 10 - G-04
ICP37RQ	G 05 I 18

## 1987 IF426RT INDEX

Floor Plan	B-19 - B 20
Accessories Group	B-21 B 22
Bath Group	B-23 - B 24
Chassis Group	C-01 - C 02
Curtain Cushion & Pad Group	C-03 - C 05
Dinette Group	C 10
Driver's Compartment Group	C-11 - C-12
Electrical Group	C-13 C 14
Exterior Body Group	C-16 - C-20
Galley Group	C 21 C 22
Heating & Air Conditioning Group	C 23
Interior Finish Group	C 24 - D 01
LP Group	D 02
Lounge Group	D 03 D 04
Water & Sewage Group	D 05 - D-06
Window Vent & Exterior Door Group	D 07 D 11

## EXTERIOR BODY GROUP (CONTINUED)

### LABELS, DECALS & EXTERIOR PAINT



## 1987 ITASCA TABLE OF CONTENTS

INTRODUCTION	A 01
ABBREVIATIONS	A 01
ALPHABETICAL INDEX	A 02 - A 04
IT319RB	A 05 - B 18
IF426RT	B 19 - D 18
ICN22RC	D 19 - G 04
ICP3/RQ	G 05 - J-18

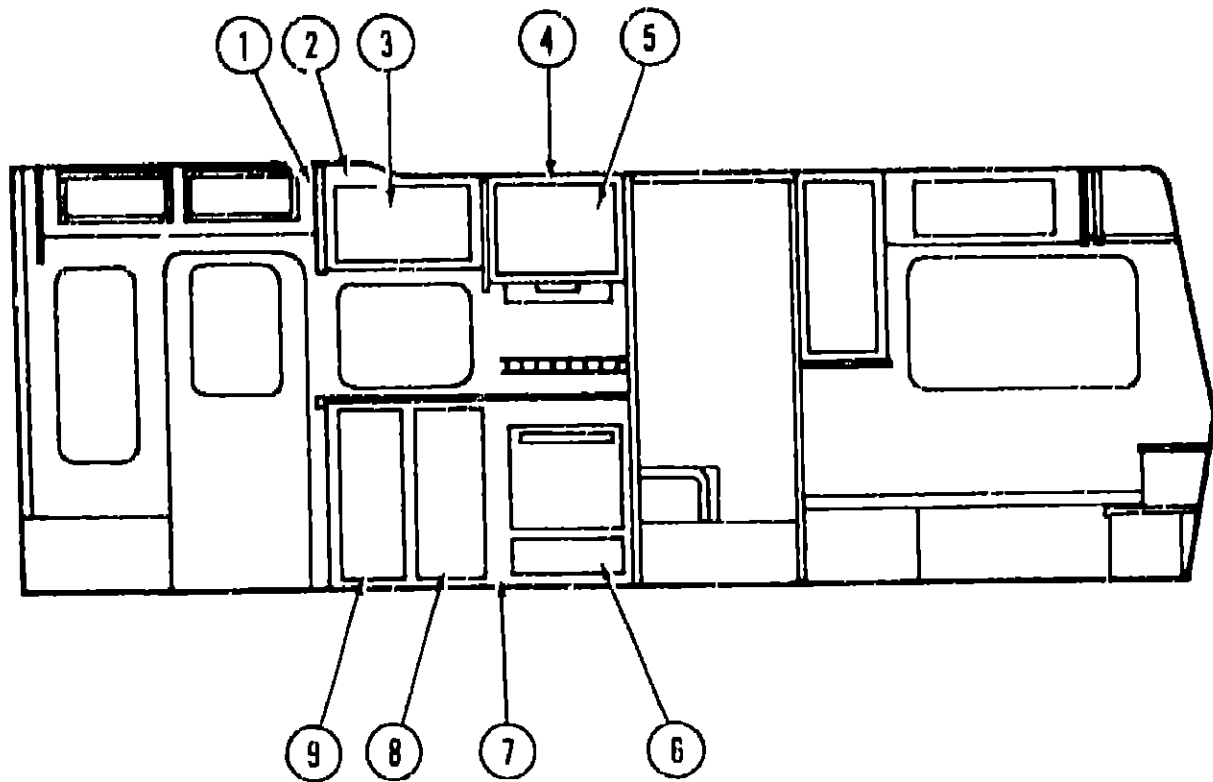
Key	Part Number	U/M	Description
1	065217-D0-000	FT	Film - Multistripe - 18 x 150 - Light Green/Dark Green (W24)
1	065217-C8-000	FT	Film - Multistripe - 18 x 150 - Gray/Rust (W25)
1	065217-C9-000	FT	Film - Multistripe - 18 x 150 - Gray/Burgundy (W26)
2	078191-01-000	EA	Decal - Logo - Itasca
3	078831-32-000	FT	Decal - Striping - 2 x 150 - Lt Green (W24)
3	078831-33-000	FT	Decal - Striping - 2 x 150 - Gray (W25 W26)
	078831-31-000	FT	Decal - Striping - 2 x 150 - Dark Green (W24)
	078831-30-000	FT	Decal - Striping - 2 x 150 - Rust (W25)
	078831-29-000	FT	Decal - Striping - 2 x 150 - Burgundy (W26)
4	078196-16-000	EA	Film - Multistripe - 7 02 x 150 - Lt Green (W24)
4	078196-17-000	EA	Film - Multistripe - 7 02 x 150 - Gray (W25 W26)
5	078851-02-000	EA	Decal - Logo - Winnebago
6	065217-C7-000	FT	Film - Multistripe - 6 x 150 - Dark Green (W24)
6	065217-C6-000	FT	Film - Multistripe - 6 x 150 - Rust (W25)
6	065217-C5-000	FT	Film - Multistripe - 6 x 150 - Burgundy (W26)
	084075-01-000	EA	Decal - by Winnebago Industries
	068383-01-000	EA	Label - Diesel Fuel
	006195-01-000	EA	Label - Electrical Test
	047731-01-000	EA	Label - Emergency Exit
	006199-01-000	EA	Label - Exit - Escape Window
	057467-04-000	EA	Label - Exterior Loading Limit
	064378-01-000	EA	Label - Flying W w/Thermo Panel
	061417-01-000	EA	Label - Fuel

Key	Part Number	U/M	Description
	006196-01-000	EA	Label - Gas Test
	054531-01-000	EA	Label - LP Gas Only
	040944-01-000	EA	Label - Open - Entrance Door
	006015-01-000	EA	Label - Patent Motor home
	056259-01-000	EA	Label - Safety Check List
	006064-01-000	EA	Label - Seat - w/o Seat Belts
	006187-01-000	EA	Label - Sewage
	006006-01-000	EA	Label - Thermo Panel - 2 1/4 x 2 1/4
	075221-01-000	EA	Label - Trailer Hitch Capacity
	075220-01-000	EA	Label - Warning - Exterior Load Limit
	077956-01-000	EA	Label - Warning - Smoke Detector
	050225-01-000	EA	Label - Warning - Smoke Vent - US
	006188-01-000	EA	Label - Waste Water
	006197-01-000	EA	Label - Water Test
	072863-01-000	EA	Nameplate - Diesel 6 2L
	006062-01-000	EA	Tag - Electrical - 110 Volt Connection
	006040-01-000	EA	Tag - Gas - Refueling Warning
	044486-03-000	EA	Paint - Beige Acrylic Enamel - 16 oz Aerosol (7633A Dupont)
	045681-03-000	EA	Paint - Gloss Black - Acrylic Enamel - 16 oz Aerosol (99 Dupont)
	058637-05-000	EA	Paint - Gray Acrylic Enamel - 16 oz Aerosol (71537 Dupont)
	041561-03-000	EA	Paint - Off White Acrylic Enamel - 16 oz Aerosol (45396A Dupont)
	074559-01-000	EA	Label - LPG 3 3 x 1 75 (Calif Code)
			Not illustrated

## 1987 IF426RT INDEX

Floor Plan	B-19 - B 20
Accessories Group	B 21 - B-22
Bath Group	B 23 - B 24
Chassis Group	C-01 - C-02
Curtain Cushion & Pad Group	C-03 - C-09
Dinette Group	C-10
Driver's Compartment Group	C-11 - C-12
Electrical Group	C 13 - C-15
Exterior Body Group	C 16 - C 20
Galley Group	C-21 - C-22
Heating & Air Conditioning Group	C-23
Interior Finish Group	C 24 - D 01
LP Group	D-02
Lounge Group	D-03 - D-04
Water & Sewage Group	D-05 - D 06
Window Vent & Exterior Door Group	D-07 - D-18

## GALLEY GROUP



**GALLEY CABINETRY**

Key	Part Number	U/M	Description
1	081280-19 W24	EA	Pad Asm - End Cap - Galley Overhead - Vinyl
2	083916 03 W24	EA	Cabinet Asm - Galley Overhead - w/o Doors or Hardware
3	M84956-02 W24	EA	Door Asm - Galley Overhead - w/o Hardware
4	081581 05 W24	EA	Cabinet Asm - Galley Overhead w/o Door or Hardware
	081280-10 W24	EA	Pad Asm - End Cap Microwave Overhead - Vinyl
5	M84956-01-W24	EA	Door Asm - Galley Overhead - w/o Hardware
6	M81507 02 W24	EA	Door Asm Galley Cabinet - Furnace - w/o Hardware
7	M83886 05 W24	EA	Cabinet Asm - Galley - w/o Countertop Doors Drawers or Hardware
	M83886-06-W24	EA	Cabinet Asm - Galley - w/o Countertop Doors Drawers or Hardware
	M82184-07-W24	EA	Drawer Asm - Galley Cabinet - w/o Hardware
	M02635 01-W24	EA	Countertop Asm - Galley
8	M84953-03 W24	EA	Door Asm Galley Cabinet - w/o Hardware
9	M84953 02 W24	EA	Door Asm Galley Cabinet - w/o Hardware
	077404-01-000	EA	Drawer Plastic - 20' x 12 7
	080812-03 W24	EA	Extension Asm - Galley Cabinet
	M84954 05 W24	EA	Door Asm - Refrigerator Cabinet - Right
	M84954 06-W24	EA	Door Asm Refrigerator Cabinet Left

Not illustrated

Parts used with Microwave Option

## GALLEY GROUP (CONTINUED)

### GALLEY HARDWARE & APPLIANCES

Key	Part Number	U/M	Description
	079352 01 000	EA	Hood - Range Non Powered w/Light Almond
	079363 01-000	EA	Hood Range - Powered w/Monitor Almond - US
	079353 02 000	EA	Hood Range Powered w/Monitor Almond CSA
	075470 04 000	EA	Duct Extension - Hood Range
	055282 04 000	EA	Range w/Small Oven - 4 Burner Almond Magic Chef
	055282 04-700	EA	Panel - Oven Door - Almond
	081374 01 000	EA	Range Top - 4 Burner - Almond
	081374 01-700	EA	Trim - Cab Top - Right
	081374 01 701	EA	Trim Cab Top - Left
	081374 01-702	EA	Manifold Panel - Black
	081374 01 703	CA	Top trim - Rear
	081374 01 704	FA	Fabric - Guard
	064473 02 000	EA	Refrigerator - AC/DC/Gas - Norcold 6' - 7/8 EG3
	075217 01-000	EA	Refrigerator - AC/DC/Gas Norcold 8 - 838 EG3
	075218 01-000	EA	Refrigerator - 3 Way - 10 Norcold
	054450 01 000	EA	Level - Refrigerator
	081379 01 000	EA	Microwave Oven - Sharp - Convection
	081459 01-000	EA	Bracket Asm - Microwave - Right
	081459 02 000	EA	Bracket Asm - Microwave - Left
	081545-01 T03	EA	Trim Ring - Microwave
	081456 01 000	EA	Angle Asm - Microwave - Right
	081456 02 000	EA	Angle Asm - Microwave Left
	082876 01 000	EA	Baffle Microwave
	075922 04 000	EA	Air Exhaust Duct - Microwave
	068615 01 000	EA	Sink - Stainless Steel Double w/Bolts
	011053 01 000	EA	Faucet - Swing Spout 8 - US
	011053 02 000	EA	Faucet Swing Spout 8 - CSA
	011053 01 700	EA	Aerator - Swing Spout Faucet
	066437 01 000	EA	Strainer w/Basket Sink
	081530 01 W07	EA	Sink Cover - Large
	009049 01 000	EA	Support - Drop Leaf Table
	009059 01-000	EA	Hinge - 2' - Gold - Drop Leaf Table
	074490 01 000	EA	Spice Rack - Oak
	074491 01 000	EA	Magazine Rack - Oak
	074981-01 000	EA	Cutting Board - Maple
	058334 01-000	EA	Wastebasket - 9 3/4 x 7' x 10 - White
	058478 01-000	EA	Support - Wastebasket - Metal - Door Mount
	059777 01-000	EA	Hinge - Cabinet Door - Antique Brass
	057898 01-000	EA	Hidden Latch w/Strike - Cabinet Door
	047744 01-000	EA	Kit - Drawer Guide - Plastic
	077409 01-000	EA	Slide Drawer 20 75 - Plastic
	077404 01 000	EA	Drawer - 20 x 12 70 Plastic
	066435 01 000	EA	Nut Strainer
	011083 01 000	EA	Plug - 1 1/4 x 5 - w/Stopper

The illustrated parts breakdown for this item is provided on the Common Items Fiche

## 1987 ITASCA TABLE OF CONTENTS

INTRODUCTION	A 01
ABBREVIATIONS	A 01
ALPHABETICAL INDEX	A 02 - A 04
IT319RB	A 05 B 18
IF426RT	B 19 D 18
ICN22RC	D 19 G 04
ICP37RQ	G 05 I 18

## 1987 IF426RT INDEX

Floor Plan	B 19 - B 20
Accessories Group	B 21 - B-22
Bath Group	B 23 - B-24
Chassis Group	C-01 - C-02
Curtain Cushion & Pad Group	C-03 - C-05
Dinette Group	C-10
Driver's Compartment Group	C 11 - C-14
Electrical Group	C 13 - C-15
Exterior Body Group	C-16 C-20
Galley Group	C 21 - C-22
Heating & Air Conditioning Group	C 2
Interior Finish Group	C-24 - D 0
LP Group	D 0
Lounge Group	D-03 - D-04
Water & Sewage Group	D 05 - D-06
Window Vent & Exterior Door Group	D-07 - D 1

## HEATING & AIR CONDITIONING GROUP

### AUTOMOTIVE HEATER & AIR CONDITIONER

Key	Part Number	U/M	Description
	079371 03 000	EA	A/C - Compressor Mount Package 400 Gm
	072343 01 000	EA	A/C - Compressor/Clutch Sanyo 510
	073718 01 000	EA	A/C Condenser Asm C Tube O
	073718 01 700	EA	Coil Condenser
	073716 01 701	EA	Reverber Drier
	073716 01 702	EA	Hose Assy #8
	073716 01-703	EA	Hose Assy #8
	079372 01 000	EA	A/C Evaporator Asm Cutaway
	079372 01 700	FA	Evaporator Coil
	079372 01-701	EA	Expansion Valve
	079372 01-702	CA	Blower
	079372 01 703	EA	Blower Motor
	079372 01 704	EA	Motor Mount
	079372 01-705	EA	Blower Wheel
	079372-01 706	EA	Hose Assy #6 - Liquid
	079372 01 707	EA	Hose Assy #10 Suction
	072341 01 716	EA	Valve Discharge
	072341-01 704	EA	Valve Section
	079372 01-708	EA	Thermostat
	079372 01 709	EA	Blower Switch
	079372 01-710	EA	Decal - Control Panel
	079372 01-711	EA	Plenum
	079372 01 712	EA	Lower
	079372 01 713	EA	Harness Wiring
	079372-01-714	EA	Switch - Snap Action
	079372 01-715	EA	Power - Jumper
	079372 01-716	EA	Plate - Control
	079372 01-717	EA	Valve - Clamp
	079372 01 718	EA	Lower - Escutcheon
	079372-01 719	EA	Lower - Escutcheon - Assy
	007108 01-000	FT	Hose - Heater - 5/8 I.D. SAE 20R
	084405 01-000	EA	Rear Heater Asm
	062401 04 000	EA	Clamp - Worm Drive - 69 - 1 25 I.D.

### FURNACES & ROOF AIR CONDITIONER

Key	Part Number	U/M	Description
	009198 01-000	FT	Duct - Flexible 4 I.D. x 25
	056461-01-000	EA	Register 4 Dia Plastic - w/Damper
	056462-02-000	EA	Register - 4 Dia - Plastic w/o Damper
	009200 01 000	EA	Tape - Furnace 1 1/2
	010326-01-000	EA	Adapter - Flare - w/Cone Gasket
	023146-01-000	EA	Clamp - Screw Type - 4
	073743-01-000	EA	Shroud Asm - Ceiling - Inside Roof Air Cool Only - 13 500 BTU
	073744 01 000	EA	Shroud Asm - Ceiling - Inside Roof Air Heat & Cool - 13 500 BTU
	073742-01-000	EA	Air Conditioner - 110 Volt & Roof Mount - 13 500 BTU Rotary
	078182 01-000	EA	Furnace - 20 000 BTU - w/Electrical Ignition - #90020
	078182-03-000	EA	Furnace - 30 000 BTU - w/Electrical Ignition - #90030
	078182-04 000	EA	Furnace 20 000 BTU - w/Electrical Ignition - CSA - #90020
	078182 06-000	EA	Furnace - 30 000 BTU - w/Electrical Ignition - CSA #90030

The illustrated parts breakdown for this item is provided on the Common Items Fiche

## INTERIOR FINISH GROUP

### FABRICS & CARPETS

Key	Part Number	U/M	Description
	077498 89 000	YD	Fabric w/Pattern Upholstery Main Jasmine (W24)
	077498 90 000	YD	Fabric w/Pattern - Upholstery Main - Garnet (W25)
	077498 88 000	YD	Fabric w/Pattern - Upholstery - Main Jute (W26)
	077498 B2 000	YD	Fabric w/Pattern Upholstery - Accent Juniper (W24)
	077498 B3 000	YD	Fabric w/Pattern Upholstery - Accent Brick (W25)
	077498 B4 000	YD	Fabric w/Pattern - Upholstery - Accent Maddox (W26)
	077498 A1 000	YD	Fabric - Upholstery - Accent Plain Blue (W24)
	077498 A2 000	YD	Fabric - Upholstery - Accent Plain Garnet (W25)
	077498 A8 000	YD	Fabric Upholstery - Accent - Plain Wine (W26)
	072333 38 000	YD	Fabric - Drapery Melba (W24)
	072333 40 000	YD	Fabric Drapery Raisin (W25)
	072333 37 000	YD	Fabric - Drapery - Mauve (W26)
	069729 44-000	YD	Fabric - Bedspread - Covington #2 (W24)
	069729 45 000	YD	Fabric - Bedspread - Covington #16 (W25)
	069729 46-000	YD	Fabric - Bedspread - Covington #3 (W26)
	084415 11 000	YD	Braid Trim - Pull Shades - Blue Jade (W24)
	084415 15 000	YD	Braid Trim Pull Shades - Rust (W25)
	084415 13 000	YD	Braid Trim Pull Shades Mauve (W26)
	052859 05 T03	FT	Trim Asm - Accent - Buckskin
	052680 01 000	YD	Vinyl Expanded 26 oz Buckskin
	072860 57 000	YD	Carpet - French Court (W24)
	072860 58 000	YD	Carpet Champagne (W25 W26)

### CURTAIN & CUSHION HARDWARE

Key	Part Number	U/M	Description
	085283-01 000	EA	Bracket - Hold Back - Blinds
	056003 02 000	EA	Bracket - Drapery Retainer Left
	056003 01 000	EA	Bracket - Drapery Retainer Right
	079798 03-000	EA	Bracket Asm - Curtain Rod - Right
	079798 04 000	EA	Bracket Asm - Curtain Rod - Left
	079619 01-000	EA	Bracket - Tie Back
	009107 01 000	EA	Guide - Nylon Snap - Curtain
	087253 01-000	EA	Pull - Window Shade - Clear
	056115 01-000	YD	Tape - Clear Plastic - w/Guide
	048394 02 000	YD	Tape Hook - 75 x 50 YD - Beige
	048395 02 000	YD	Tape Loop - 75 x 50 YD - Beige
	029090 01 000	FT	Tie - Drapery - Clear Vinyl
	056116 01 000	FT	Track - Curtain - Brown Plastic

### INTERIOR MOLDING & TRIM

Key	Part Number	U/M	Description
	074497-09 000	SF	Paneling - Decor - Classique Tweed/Sand - 48' x 84' (28 SF) (Wall)
	074496-73-000	SF	Paneling - Decor - Jade Frost - 48 x 84 (28 SF) (Galley) (W24)
	074496 75 000	SF	Paneling - Decor - Rose - 48 x 84 (28 SF) (Galley) (W25 W26)
	074496-66 000	SF	Paneling - Decor - Jade Frost - 48 x 84 (28 SF) (Wet Bath) (W24)
	074496-68 000	SF	Paneling - Decor - Rose - 48 x 84 (28 SF) (Wet Bath) (W25 W26)
	074497 07-000	SF	Paneling - Pebble Beach - 48 x 96 (32 SF) (Ceiling)
	074498 16-000	SF	Plastic Laminate - Apricot Blush - 48 x 96 (32 SF) (Bath) (W24)
	074498 17-000	SF	Plastic Laminate - Maplenut - 48 x 96 (32 SF) (Bath) (W24)
	074498-15 000	SF	Plastic Laminate - Blush - 48 x 96 (32 SF) (Bath) (W26)
	074498 13 000	SF	Plastic Laminate - Sand Quadrus - 48 x 96 (32 SF) (Galley & Dinette)
	074498 20 000	SF	Plastic Laminate - Regal Oak - 48 x 96 (32 SF) (Nightstand)
	076325 16-000	FT	Molding - Edge Band - Regal Oak - 1 15/16 x 030

## 1987 ITASCA TABLE OF CONTENTS

INTRODUCTION	A 01
ABBREVIATIONS	A 01
ALPHABETICAL INDEX	A 02 A 04
IT319RB	A 05 - B 18
IF426RT	B 19 D 18
ICN22RC	D 19 G 04
ICP37RQ	G 05 I 18

## 1987 IF426RT INDEX

Floor Plan	B 19 - B 20
Accessories Group	B 21 B 22
Bath Group	B 23 - B 24
Chassis Group	C-01 - C 02
Curtain Cushion & Pad Group	C 03 - C-09
Dinette Group	C 10
Driver's Compartment Group	C 11 C 12
Electrical Group	C 13 - C 15
Exterior Body Group	C 16 - C 20
Galley Group	C 21 C 22
Heating & Air Conditioning Group	C-23
Interior Finish Group	C 24 - D 01
LP Group	D 02
Lounge Group	D-03 - D 04
Water & Sewage Group	D 05 D 06
Window Vent & Exterior Door Group	D-07 D 18

**INTERIOR FINISH GROUP (CONTINUED)**

**INTERIOR MOLDING TRIM**

Key	Part Number	U/M	Description
	042357-11-000	FT	Molding - Radius Corner - Oak
	022992-08-000	FT	Molding Reverse Cove - Champagne White
	079653-04-000	EA	Molding - Batt Strip - Kerfed - Light Oak
	069733-70-000	EA	Batt Strip - Regal Oak - 8 (Cabinets)
	069733-66-000	EA	Batt Strip - Classique Tweed/Sand (Wall)
	069733-71-000	EA	Batt Strip - Winne - 8 (Galley & Bath)
	069733-74-000	EA	Batt Strip - Winne - 8 (Wet Bath)
	069733-62-000	EA	Batt Strip - Pebble Beach - 8 (Ceiling)
	070504-01-000	FT	U Channel - 065 Light Brown
	070504-06-000	FT	U Channel - 815 - Regal Oak
	009778-07-000	FT	U Channel - 1 - Regal Oak
	002774-02-001	EA	Trim - Carpet - 192'
	009767-06-000	FT	Welting - Beige
	083620-01-000	FT	T-Molding - Grady Brown
	024700-17-000	EA	Cover - Rollbar - Sidewall - Beige
	009809-17-000	FT	Corner Molding - Plastic 1 Regal Oak
	009812-17-000	FT	Corner Molding - Plastic - 1/2 Regal Oak
	074045-01-000	EA	Plug 1/2 Dia - Oak
	041746-01-000	FT	Vinyl - Extr - Bubble Seal

**CABINETRY & TABLE HARDWARE**

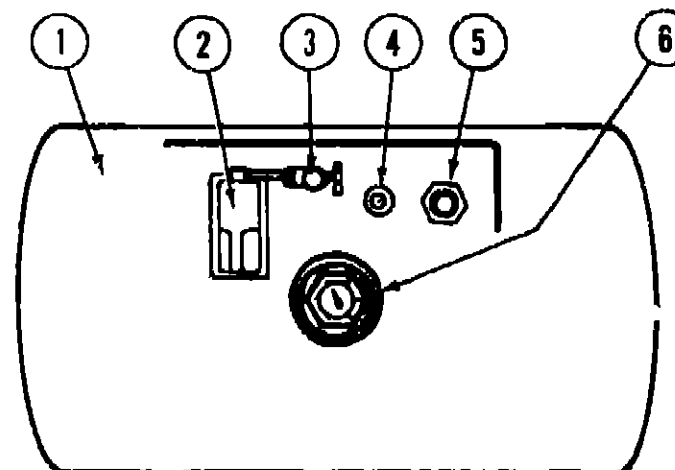
Key	Part Number	U/M	Description
	053200-05-000	EA	Bracket - Upper Wall Mount - 23 5' - Beige
	024281-07-000	EA	Bracket - Lower Wall Mount - 22 12 - Beige
	024276-17-000	EA	Leg Asm - Table 26 5 Tan
	064050-02-000	EA	Hinge - Table Leg
	024282-01-000	EA	Brace - Table Leg
	049493-05-000	EA	Catch - Table Leg Mounts on Floor - Tan
	009112-01-000	EA	Flange - 1 Chrome - Closet Rod
	077409-01-000	EA	Slide - Drawer - Plastic - 20 75
	009049-01-000	EA	Table Support - Drop Leaf
	009059-01-000	EA	Hinge - 2' - Drop Leaf Table - Gold
	076312-01-000	EA	Mesh - Grille - 13 8' x 8 8' - Gold Aluminum
	009021-01-000	EA	Catch - Nylon - Furnace Door
	009021-02-000	EA	Strike - Nylon Catch - Furnace Door
	074493-02-000	EA	Support - Sprung Door
	075680-01-000	EA	Clothes Rod Adjustable 27' x 36
	084435-01-000	EA	Knob - Decorative Cabinet
	059777-02-000	EA	Hinge - Light Brass
	009016-01-000	EA	Catch - Elbow - Spring Loaded
	077461-01-000	EA	Cover Strike
	086263-01-000	EA	Pull - Polished Brass
	084435-01-000	EA	Knob Polished Brass
	075687-02-000	EA	Knob - Bath Door
	084466-02-000	EA	Slide Asm - Drawer Right
	084466-03-000	EA	Slide Asm - Drawer - Left
	084466-04-000	EA	Slide Asm - Cabinet Right
	084466-05-000	EA	Slide Asm - Cabinet Left
	084451-01-000	EA	Catch - TV Shelf Brass

The illustrated parts breakdown for this item is provided on the Common Items Fiche

**MISCELLANEOUS PARTS**

Key	Part Number	U/M	Description
	053552-02-T03	EA	Handle Asm - Interior Asslst - Vinyl
	041944-03-000	EA	Fire Extinguisher
	084472-01-000	EA	Holder - Fire Extinguisher
	054185-26-000	EA	Owners Manual - 1987 Itasca & Winnebago
	040069-01-000	EA	Door Mat 10 1/2 x 26" Black Rubber
	086269-01-000	EA	Pictures - Decor

**LP GROUP**



Key	Part Number	U/M	Description
	081637-01-000	EA	Tank Asm - LP 68 Pound 14 x 32
	080450-01-000	EA	Tank Asm - LP Frame Mount - 42 Pound 13 x 24
	065741-01-000	EA	Detector - LP Gas Leak - Marshalltown Instruments
	081938-01-000	EA	Compartment - LP Regulator
	076301-01-000	EA	Regulator - Two Stage US
	076301-02-000	EA	Regulator Two Stage CSA
	040421-01-703	EA	Valve - Vapor Relief
	040421-01-700	EA	Gauge Liquid Level - 20% LP
	040421-01-701	EA	Valve - Filler LP
	040421-01-702	EA	Cap Plastic Fill Valve
	040421-01-707	EA	Gauge - Float - w/Visible Dial
	040421-01-706	EA	Dial Visible Face Float Gauge (Tank w/o Electric Transmitter)
	040440-01-000	EA	Dial - Transmitter - 0 - 90 Ohm (Float Gauge)
	045703-01-000	EA	Hose Asm - LP 3/8 ID x 24 - US
	045703-02-000	EA	Hose Asm - LP 3/8 ID x 24 - CSA
	045703-03-000	EA	Hose Asm - LP - 3/8 ID x 18 - US
	045703-04-000	EA	Hose Asm - LP 3/8 ID x 14 CSA
	065959-01-000	EA	Housing - LP Gauge
	065742-01-000	EA	Tee 38 F x 39 F x 25 FPT
	068046-01-000	EA	Conversion Kit LP - Onan Generator
	Not Illustrated		

**1987 ITASCA  
TABLE OF CONTENTS**

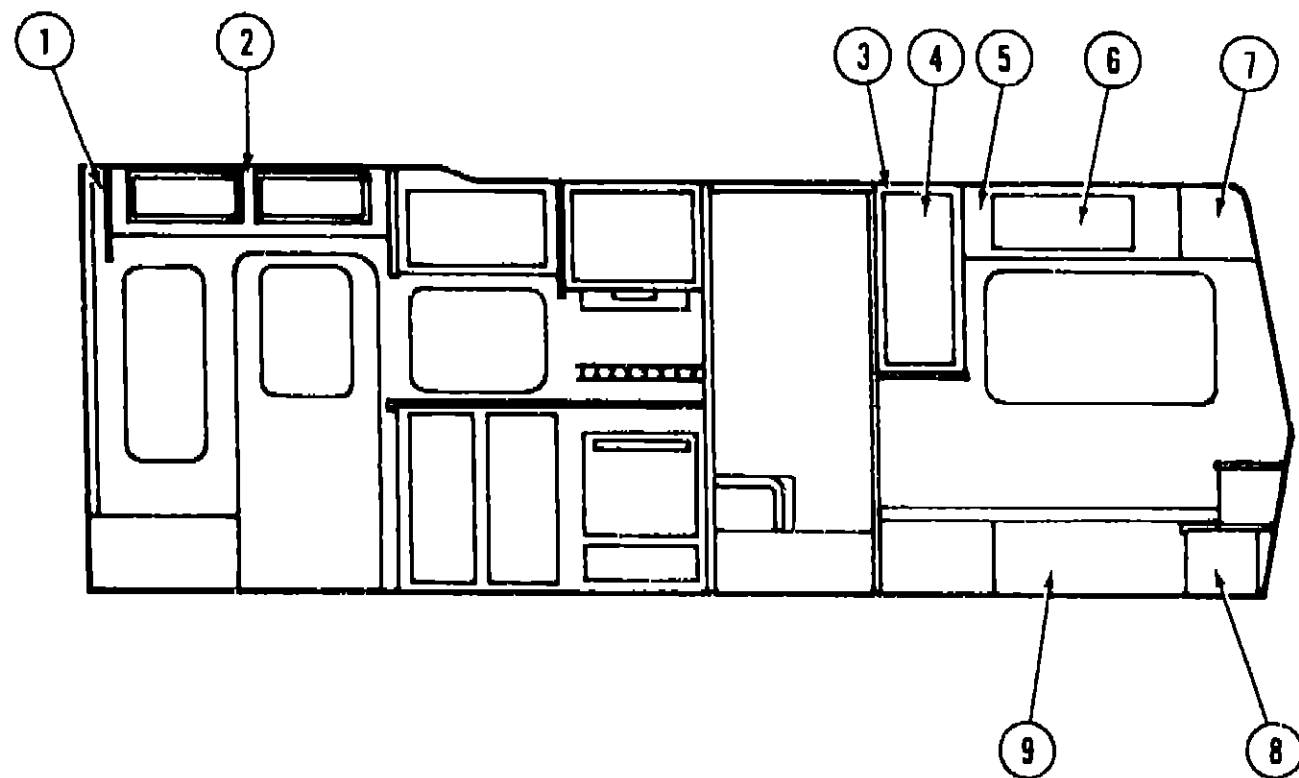
INTRODUCTION	A 01
ABBREVIATIONS	A 01
ALPHABETICAL INDEX	A-02 - A-04
ITJ19RB	A 05 - B-18
IF426RT	B 19 - D 18
ICN22RC	D-19 - G 04
ICP37RQ	G 05 - I 18

**1987 IF426RT INDEX**

Floor Plan	B 19 - B 20
Accessories Group	B 21 - B 22
Bath Group	B 23 - B 24
Chassis Group	C 01 - C-02
Curtain, Cushion & Pad Group	C 03 - C 09
Dinette Group	C 10
Driver's Compartment Group	C 11 - C 12
Electrical Group	C 13 - C 15
Exterior Body Group	C 16 - C 20
Galley Group	C 21 - C-22
Heating & Air Conditioning Group	C-23
Interior Finish Group	C 24 - D 01
LP Group	D 02
Lounge Group	D 03 - D 04
Water & Sewage Group	D 05 - D 06
Window Vent & Exterior Door Group	D 07 - D 18



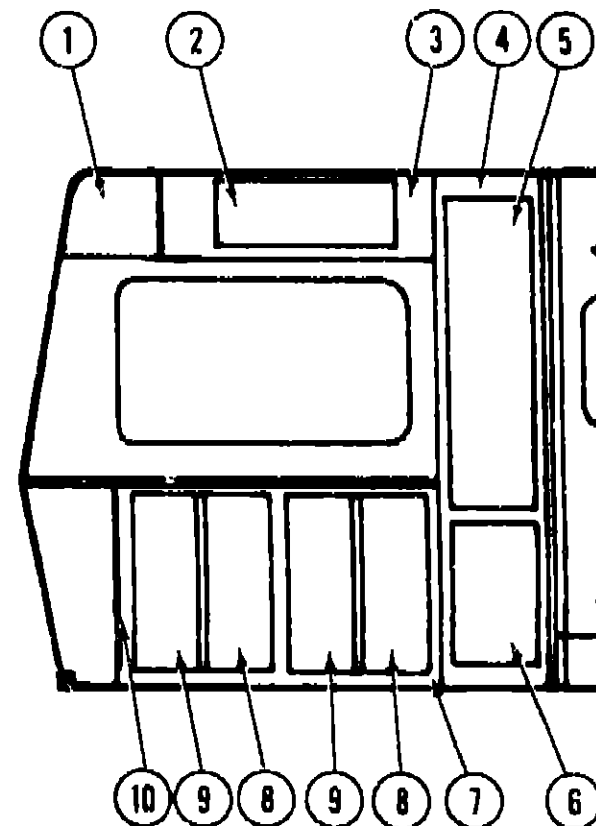
## LOUNGE GROUP



LOUNGE CABINETRY W/TWIN BED

Key	Part Number	U/M	Description
1	081280-22 W24	EA	Pad Asm - End Cap - Entrance Overhead - Vinyl
2	083933-02-W24	EA	Cabinet Asm - Entrance
	077663-04 W24	CA	Cup Holder - Entrance Overhead
3	M83948 01-W24	EA	Cabinet Asm - Right Shirt Closet - w/o Door or Hardware
	M81949 01 W24	EA	Cabinet Asm - Left Shirt Closet - w/o Door or Hardware
4	M84953-02-W24	EA	Door Asm - Shirt Closet - w/o Hardware
	081280-13-W24	EA	Pad Asm - End Cap - Right Shirt Closet - Vinyl
	081280-16-W24	EA	Pad Asm - End Cap - Left Shirt Closet - Vinyl
5	083931-03-W24	EA	Cabinet Asm - Right Rear Overhead - w/o Door or Hardware
	083930-03 W24	EA	Cabinet Asm - Left Rear Overhead - w/o Door or Hardware
6	M84955-02 W24	EA	Door Asm - Rear Overheads - w/o Hardware
7	M83932 03 W24	EA	Cabinet Asm - Rear Overhead - w/o Door or Hardware
8	M83903 01 W24	EA	Cabinet Asm - Nightstand - w/o Doors Counter top or Hardware
	M84953-50 W24	EA	Door Asm - Nightstand - w/o Hardware
	M02670-01-W24	EA	Countertop Asm - Nightstand Top
	M02671 01-W24	FA	Countertop Asm - Nightstand - Bottom
9	M81901-01-W24	EA	Cabinet Asm - Twin Bed - Right
	M83900 01-W24	EA	Cabinet Asm - Twin Bed - Left
	M84953 07 W24	EA	Door Asm - Twin Bed Cabinet - Rear
	M84953 06 W24	EA	Door Asm - Twin Bed Cabinet - Front
	Not illustrated		

## LOUNGE GROUP (CONTINUED)



DOUBLE BED OPTION

Key	Part Number	U/M	Description
1	M83932 03-W24	EA	Cabinet Asm - Rear Overhead - w/o Door or Hardware
2	M84955 02-W24	EA	Door Asm - Rear Overheads - w/o Hardware
3	M83930-02-W24	EA	Cabinet Asm - Left Rear Overhead - w/o Doors or Hardware
4	M83977-01-W24	EA	Cabinet Asm - Wardrobe - w/o Doors or Hardware
5	M84953 52 W24	EA	Door Asm - Wardrobe Cabinet - w/o Hardware
6	M84953 51-W24	EA	Door Asm - Wardrobe Cabinet - w/o Hardware
7	M83946 01 W24	EA	Cabinet Asm - Vanity - w/o Doors or Hardware
	M02667 01-W24	EA	Countertop Asm - Vanity
8	M84953 07 W30	EA	Door Asm - Vanity Cabinet - w/o Hardware
9	M84953 08 W30	EA	Door Asm - Vanity Cabinet - w/o Hardware
10	M84953 45-W30	EA	Door Asm - Vanity Cabinet - w/o Hardware
	M84953 07-W24	EA	Door Asm - Double Bed Cabinet - w/o Hardware
	Not illustrated		

## 1987 ITASCA TABLE OF CONTENTS

INTRODUCTION	A-01
ABBREVIATIONS	A-01
ALPHABETICAL INDEX	A 02 - A 04
IT319RB	A 05 - B-18
'F426RT	B-19 - D-18
ICN22RC	D 19 - G-04
ICP37RQ	G-05 - I-18

## 1987 IF426RT INDEX

Floor Plan	B-19 - B-20
Accessories Group	B 21 - B-22
Bath Group	B 23 - B-24
Chassis Group	C-01 - C-02
Curtain, Cushion & Pad Group	C-03 - C-09
Dinette Group	C-10
Driver's Compartment Group	C 11 - C-12
Electrical Group	C-13 - C-15
Exterior Body Group	C 18 - C-20
Galley Group	C 21 - C-22
Heating & Air Conditioning Group	C 23
Interior Finish Group	C 24 - D 01
LP Group	D 02
Lounge Group	D-03 - D 04
Water & Sewage Group	D-05 - D-06
Window Vent & Exterior Door Group	D 07 - D 18

## WATER & SEWAGE GROUP

### HOLDING TANKS & WATER HEATER

Key	Part Number	U/M	Description
	045195 01-000	EA	Tank - Water - 30 Gallon
	045195-02-000	EA	Tank Asm - Water - 35 Gallon w/o Fittings
	083041 01-000	EA	Tank Holding 30 Gallon - w/o Fittings - Waste Water
	075298-01-000	EA	Tank Holding 37 Gallon - w/o Fittings - Sewage
	051391-01-000	EA	Water Heater - w/o Motor Aid - Atwood - G6A 3
	051391-03-000	EA	Water Heater - w/Motor Aid Atwood - G6A-3E
	051393 01 000	EA	Water Heater - w/Motor Aid Direct Ignition - Atwood - GH6 3E

The illustrated parts breakdown for this item is provided on the Common Items Fiche

### PLUMBING & REPAIR PARTS

Key	Part Number	U/M	Description
	033302-02-000	EA	Adapter Asm - SWVC Strain - 1 1/2
	010326-01-000	EA	Adapter - Flare - w/Cone Gasket
	062422-01-000	EA	Adapter - Hose Offset - Reducer 3 x 1 1/2
	052954 01 000	EA	Adapter - Hose Cone - 3/8 or 1/2 Plastic
	010274 01-000	EA	Adapter Plastic 3/8 MPT x 3/8 Barb
	044927-01-000	EA	Adapter - Plastic - 1 1/4" MPT x 1 1/4 Barb
	031602-02-000	EA	Adapter - Plastic - 1 1/2 H x FPT
	062417-01-000	EA	Adapter - Termination - 3
	004020-01-000	QT	Adhesive - ABS Cement
	011048-04 000	EA	Breaker - Vacuum - 1/8 MPT - Nylon
	010121-01 000	EA	Bushing - Plastic - 1 1/2 S x 1 1/4 H
	010122-01 000	EA	Bushing Plastic - 1 1/2 S x 1 1/4 T
	010123 01-000	EA	Bushing - Plastic - 2S x 1 1/2 H
	036522 02 000	EA	Cap - Brass - 1/2 Flare
	062415-01-000	EA	Cap - Sewer - 3'
	052959-02 000	EA	Connector - 1/2 F x 1/2 MPT - Plastic
	052959-03 000	EA	Connector - 1/2 F x 3/8 MPT - Plastic
	011091-02-000	EA	Continuous Waste - Double Sink 11 7/8 - US
	053874-01-000	EA	Continuous Waste Asm Double Sink CSA
	078406-01-000	EA	Coupler Rubber - 3' x 3'
	052960 01-000	EA	Drain Valve - 1/2 F x 1/2 F Plastic
	010000-01-000	EA	Elbow Plastic - 1/8 BD x 1 1/4 x 45° H x H
	010005-01-000	EA	Elbow Plastic - 1/16 BD x 1 1/2
	010006-01 000	EA	Elbow Plastic - 1/8 BD x 1 1/2 x 45° H x H
	010038-01 000	EA	Elbow - Plastic - 1/4 BD x 1 1/2 x 90° Left
	010051-01 000	EA	Elbow - ST - Plastic - 1/8 BD x 1 1/2 x 45°
	010219 01 000	EA	Elbow - 1 1/4 Barb x 1 1/4 MPT x 90°
	031111-01-000	EA	Elbow Plastic - 1/4 BD x 1 1/4 x 90° Left
	034250-01-000	EA	Elbow - Plastic - 1/4 BD x 1 1/2 x 90° x H x H
	035539 01-000	EA	Elbow - Plastic - 3/8 MPT x 3/8 Barb
	052957-01-000	EA	Elbow - Plastic - 1/2 F x 3/8 MPT
	052957-02 000	EA	Elbow Plastic - 1/2 F x 1/2 MPT (In Tank Filter)
	059536-01-000	EA	Elbow 1 1/4 - Slip Joint Ends
	065120 01-000	EA	Elbow - Plastic Swivel - 50
	070924 01-000	EA	Elbow - Plastic - Swivel - 1/2 MPT x 1/2 FP
	077954 01-000	EA	Filter/Screen (In Water Tank)
	039847 02 000	EA	Filter - Water Pump - 1/2' MPT
	039847 03 000	EA	Filter - Water Pump - 1/2 Flare
	010147-01 000	EA	Flange - Closet - 4' F x 3' FPT - US
	010147-02 000	EA	Flange - Closet - 4' F x 3' FPT - CSA
	078301 01 000	FT	Flexible Tubing 1 1/4 ID x 10
	061607-01 000	EA	Grommet - Holding Tank Coupler 1 1/2'
	061607 02-000	EA	Grommet - Holding Tank Coupler 3
	062419-02-000	EA	Handle Extension w/6' Adapter
	052961 01 000	EA	Header 1/2 F x 1/2 F x 1/2 F x 1/2 F
	046524 01 000	EA	Kit Holding Tank Fittings - Blank Tank
	046524 01 000	EA	Kit Water Tank Fittings - Blank Tank
	052953 01 000	EA	Nut Faucet - 1/2 Tube x 1/2 FPT
	052952 01 000	EA	Nut - 1/2 F - Plastic

The illustrated parts breakdown for this item is provided on the Common Items Fiche

D-3

## WATER & SEWAGE GROUP (CONTINUED)

### PLUMBING & REPAIR PARTS (CONT)

Key	Part Number	U/M	Description
	011066-03-000	EA	P Trap - 1 1/4 Plastic - US
	011066-02-000	EA	P Trap 1 1/4 Plastic - CSA
	053335 01-000	EA	P Trap - Plastic - 1 1/4 H x H - w/Union - CSA
	010197 01-000	FT	Pipe Plastic 3 x 240 - Black
	045729-01-000	EA	Pump Water 2 8 G P M - Direct Drive - Shurflo - US
	045729-02-000	EA	Pump - Water - 2 8 G P M - Direct Drive - Shurflo - CSA
	010201-01-000	EA	Sewer Hose - 3 x 8 w/Clamp
	042989 02-000	EA	Spinweld Fittings - Plastic - 1/2 FPT (In Tank Filter)
	042989-03-000	EA	Spinweld Fittings - Plastic - 1/4 NPT
	042989 04 000	EA	Spinweld Fittings - Plastic - 3/8 FPT
	011069-02-000	EA	Tailpiece - 1 1/2 x 1 1/4" x 4 - Brass
	010071-01-000	EA	Tee - Plastic - 1 1/2 x H x H x H
	010072 01 000	EA	Tee - Plastic - 1 1/2 H x 1 1/4 H x 1 1/2 H
	010079 01-000	EA	Tee - Plastic 1 1/2 H x 1 1/2 H x 1 1/4 H
	046172-01-000	EA	Tee Plastic - 3/8 B x 3/8 B x 3/8 MPT
	052955-01-000	EA	Tee - Plastic - 1/2 F x 1/2 F x 1/2 MPT
	052956 01-000	EA	Tee - Plastic 1/2 F x 1/2 MPT x 1/2 F
	052958 01-000	EA	Tee Plastic 1/2 F x 1/2 F x 1/2 F
	010133-01-000	EA	Trap Adapter - Plastic 1 1/2 H x MPT
	039800 01 000	FT	Tubing - Polybutyl - 1/2 O D (Water Line)
	074346 02-000	FT	Tubing Vinyl - 1/2 O D (Water Line)
	072346-01-000	EA	Valve Asm - 3 Ell w/2 Socket
	062418 02-000	EA	Valve - 1 1/2 - w/Handle
	062418 02-000	EA	Valve 3 w/o Handle
	052960 01-000	EA	Valve - Line Drain - 1/2 F x 1/2 F
	052962 01-000	EA	Valve - Stool 90° 1/2 F x 3/8 MPT
	010073 01-000	EA	Wye - Plastic 1 1/2 x 45 H x H

The illustrated parts breakdown for this item is provided on the Common Items Fiche

## 1987 ITASCA TABLE OF CONTENTS

INTRODUCTION	A 01
ABBREVIATIONS	A 01
ALPHABETICAL INDEX	A-02 - A-04
IT319RB	A-05 B 18
IF426RT	B-1/2 C 18
ICN22RC	D-19 G-04
ICP37RO	G 05 I 18

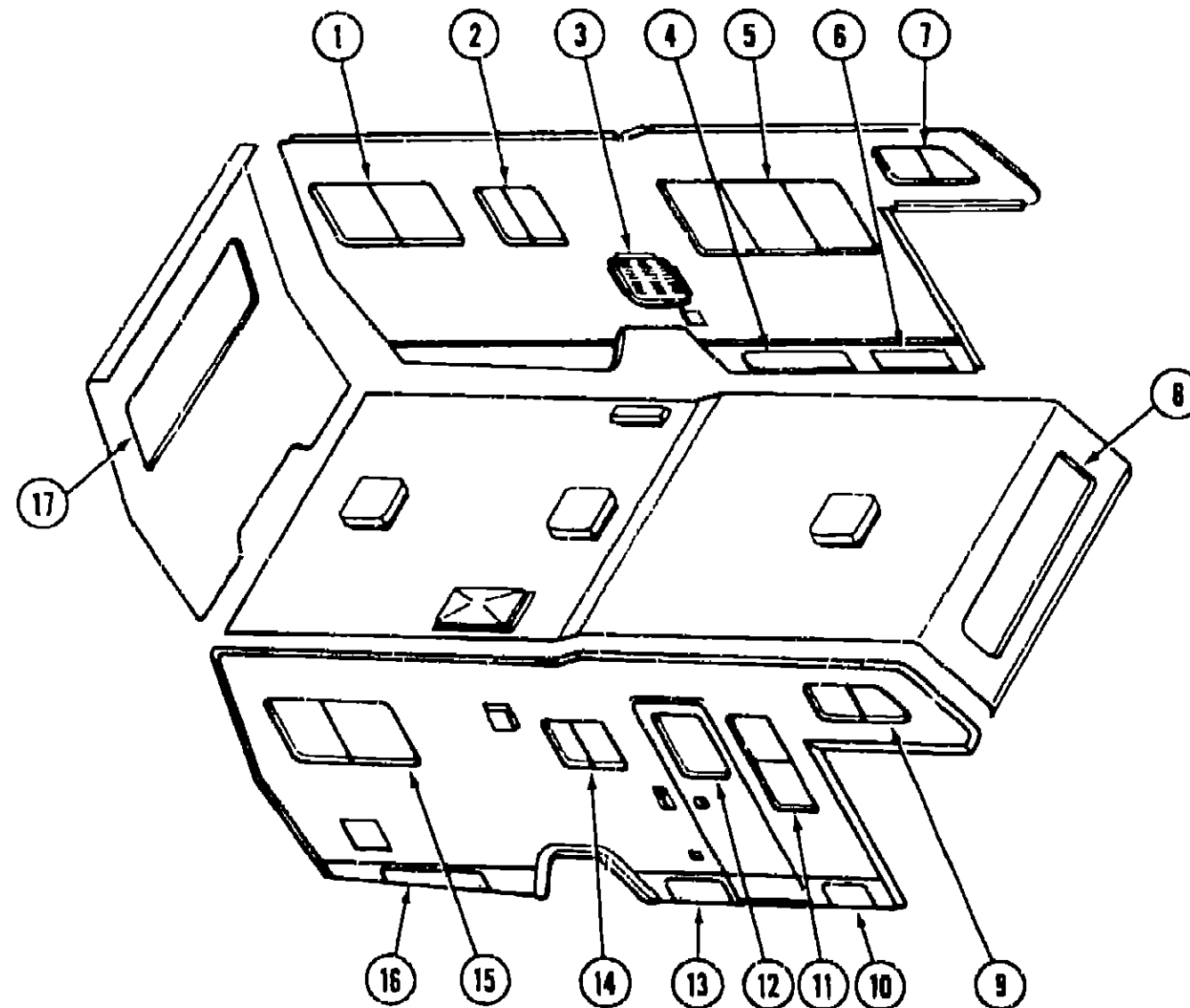
## 1987 IF426RT INDEX

Floor Plan	B 19 - B 20
Accessories Group	B 21 - B 22
Bath Group	B 23 B 24
Chassis Group	C-01 - C-02
Curtain, Cushion & Pad Group	C 03 - C-09
Dinette Group	C 10
Driver's Compartment Group	C-11 C-12
Electrical Group	C 13 C 15
Exterior Body Group	C 16 - C-20
Galley Group	C 21 - C-22
Heating & Air Conditioning Group	C 23
Interior Finish Group	C 24 - D 01
LP Group	D 02
Lounge Group	D 03 D-04
Water & Sewage Group	D-05 D 06
Window Vent & Exterior Door Group	D-07 - D 18

D 6

## WINDOW, VENT & EXTERIOR DOOR GROUP

### WINDOWS & ACCESS DOORS



Key	Part Number	U/M	Description
1	078266-06-T03	EA	Window Asm - Single Slider - Left
2	078266-03 T03	EA	Window Asm - Single Slider
3	078869-02 T95	EA	Door Asm - Refrigerator Access
4	079455-07-U01	EA	Door Asm - Storage
5	078269-02-W24	EA	Window Asm - Double Slider
6	079149-01-T03	EA	Door Asm - Luggage
6	080284-01-000	EA	Door Asm - Generator
7	086227-02 000	EA	Window Asm - Bunk - Slant Slider - Left
8	078533-01-T03	EA	Window Asm - Front Picture

Key	Part Number	U/M	Description
9	086227-01-000	EA	Window Asm - Bunk - Slant Slider - Right
10	079455-01 T95	EA	Door Asm - Storage
11	078453-01-T03	EA	Window Asm - Vertical Slider
12	079733-04 T03	EA	Window Asm - Picture
13	079455-08 U01	EA	Door Asm - LP
14	078266-02-T03	EA	Window Asm - Single Slider
15	078266-05 T03	EA	Window Asm - Single Slider - Right
16	081787-01 U01	EA	Door Asm - Storage
17	078536-01-T03	EA	Window Asm - Rear Escape

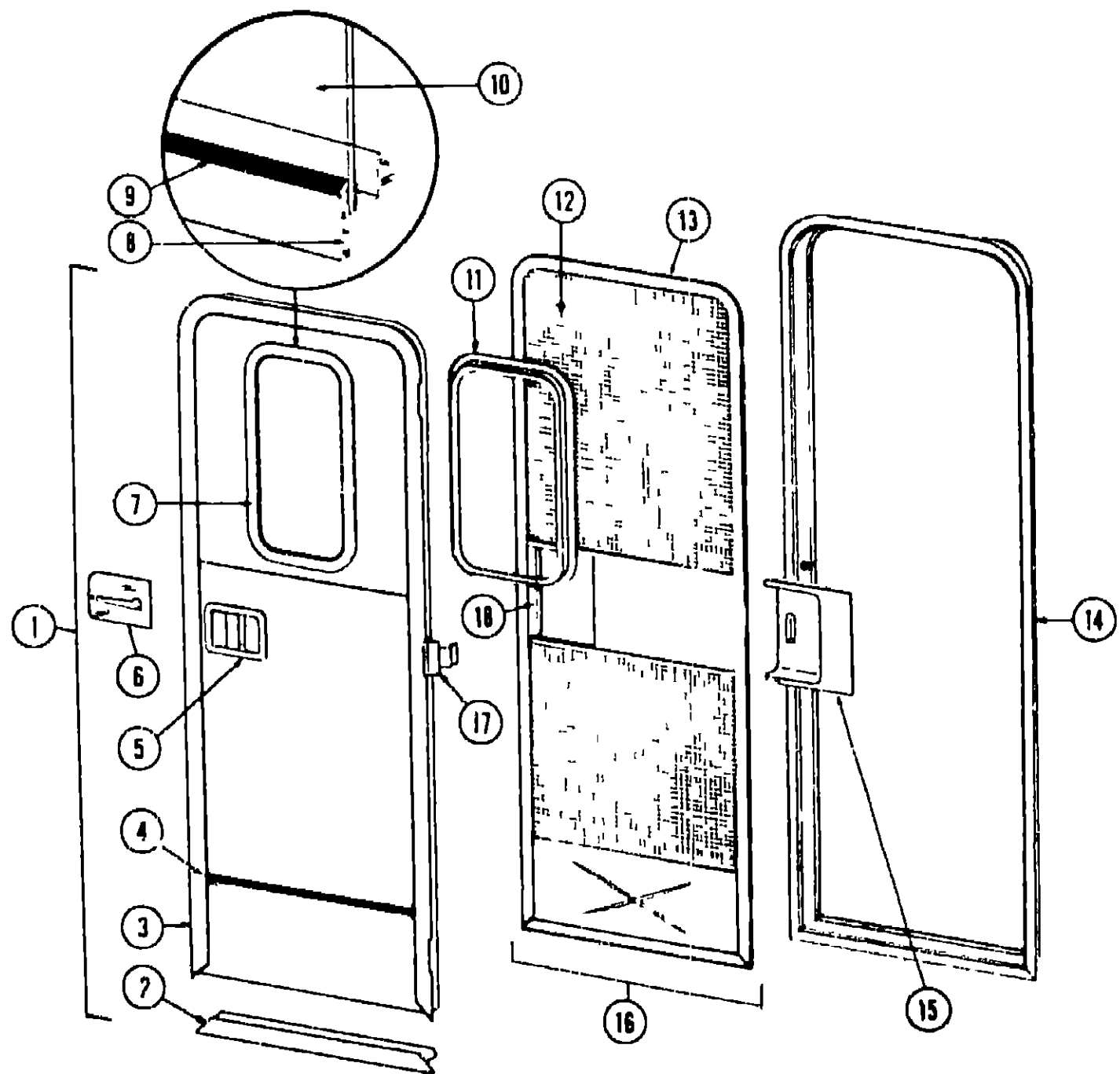
## 1987 ITASCA TABLE OF CONTENTS

INTRODUCTION	A-01
ABBREVIATIONS	A-01
ALPHABETICAL INDEX	A-02 - A-04
IT319RB	A-05 - B-18
IF426RT	B-19 - D-18
ICN22RC	D-19 - G-04
ICP37RQ	G-05 - I 18

## 1987 IF426RT INDEX

Floor Plan	B-19 B 20
Accessories Group	B 21 B 22
Bath Group	B 23 - B 24
Chassis Group	C-01 - C-02
Curtain, Cushion & Pad Group	C-03 - C-08
DINETTE Group	C-10
Driver's Compartment Group	C 11 C 12
Electrical Group	C-13 - C-15
Exterior Body Group	C-16 C 20
Galley Group	C-21 - C 22
Heating & Air Conditioning Group	C-23
Interior Finish Group	C 24 D-01
LP Group	D-02
Lounge Group	D 03 - D-04
Water & Sewage Group	D-05 - D-06
Window, Vent & Exterior Door Group	D 07 - D 18

**WINDOW, VENT & EXTERIOR DOOR GROUP (CONTINUED)**



**ENTRANCE & SCREEN DOOR**

Key	Part Number	U/M	Description
1	M01870-02-W04	EA	Door Asm - Radius Entry w/Screen Door
2	077998-01-000	EA	Frame - Entry Door (Bottom Portion Only)
3	078000-02-000	EA	Frame - Entry Door (Except Bottom Portion)
4	059576-03-000	EA	Feature Strip w/o Insert - Extr - 14' - Brown
	001030-02-003	EA	Insert - Feature Strip 1/ - Stucco - Off White
	009731-01-000	EA	End Cap - Feature Strip
5	045107-05-000	EA	Paddle Asm - Door Lock - Exterior
	045017-05 700	EA	Lock Cylinder w/Keys - Lynor
	039539-01-000	EA	Striker Bolt - Entry Door
	039540-01-000	EA	Latch Claw - Entry Door
	039738-01-000	EA	Dead Bolt - Entry Door
	083205-01-000	EA	Dead Bolt - Press Fit
6	039979-01-000	EA	Plate - Inside Lock - Includes Inside Handle
	052186-01-000	EA	Lock Asm - Complete - Lynor
7	079733-04-T03	EA	Window Asm - Picture - 17 x 25' - Black (w/o inside frame)
8	069640-06-000	FT	Ribbon Sealer 5/16' Bead x 15'
9	032309-02-000	FT	Spline - Glass - 1/8' Black
10	073113-01-000	EA	Glass - Picture Window - 1/8' x 16 25 x 24 - Gray
11	089609 03-000	EA	Inside Frame - Beige (not Included in assembly)
12	002293-02-000	SF	Screen - Window - 26 Charcoal
13	056795-02-000	FT	Seal Tape - 1/8' x 3/8 - Press On
14	078591-03 000	EA	Jamb Asm - Entrance Door
	051049-01-000	EA	Jamb - Entrance Door - Bottom
15	079086 02-000	EA	Slider - Screen Door - Light Oak Plastic
16	079012-01-U01	EA	Door Asm - Screen
17	079361-08-000	EA	Hinge - Entrance Door (3 used per door)
18	079081-01-000	EA	Cap - Screen Door - Light Oak Plastic
	009016-01 000	EA	Catch - Elbow - Spring Loaded - Screen Door
	039663 01-000	EA	Catch Asm - Single Roller w/Strike - Screen Door
	078231 01-000	EA	Spacer - Latch - Screen Door
	077437 02 000	EA	Strike - Roller Catch
	058075 02 000	EA	Clip - Roller Latch Catch
	044582 02 000	EA	Drip Cap - Off White
	079278-01-000	EA	Seal - Mocket - Entrance Door
	073090-01-000	FT	Seal - Entrance Door
	075739 01 000	EA	Stiffener - Entrance Door - Off White
	015673 01-000	FT	Seal - Pile - Adhesive Back
	075671 01-000	FT	Seal - Sponge - Lazy T' Shaped
	002294-01 000	FT	Spline - Black 135 x 138 (Screen Door)
	079087 02-000	EA	Strike - Screen Door
	063729 04 000	EA	Rivnut - 10 32 UNF - 010 - 080
	075839 01 000	EA	Garnish - Radius - Entrance Door
			Not Illustrated

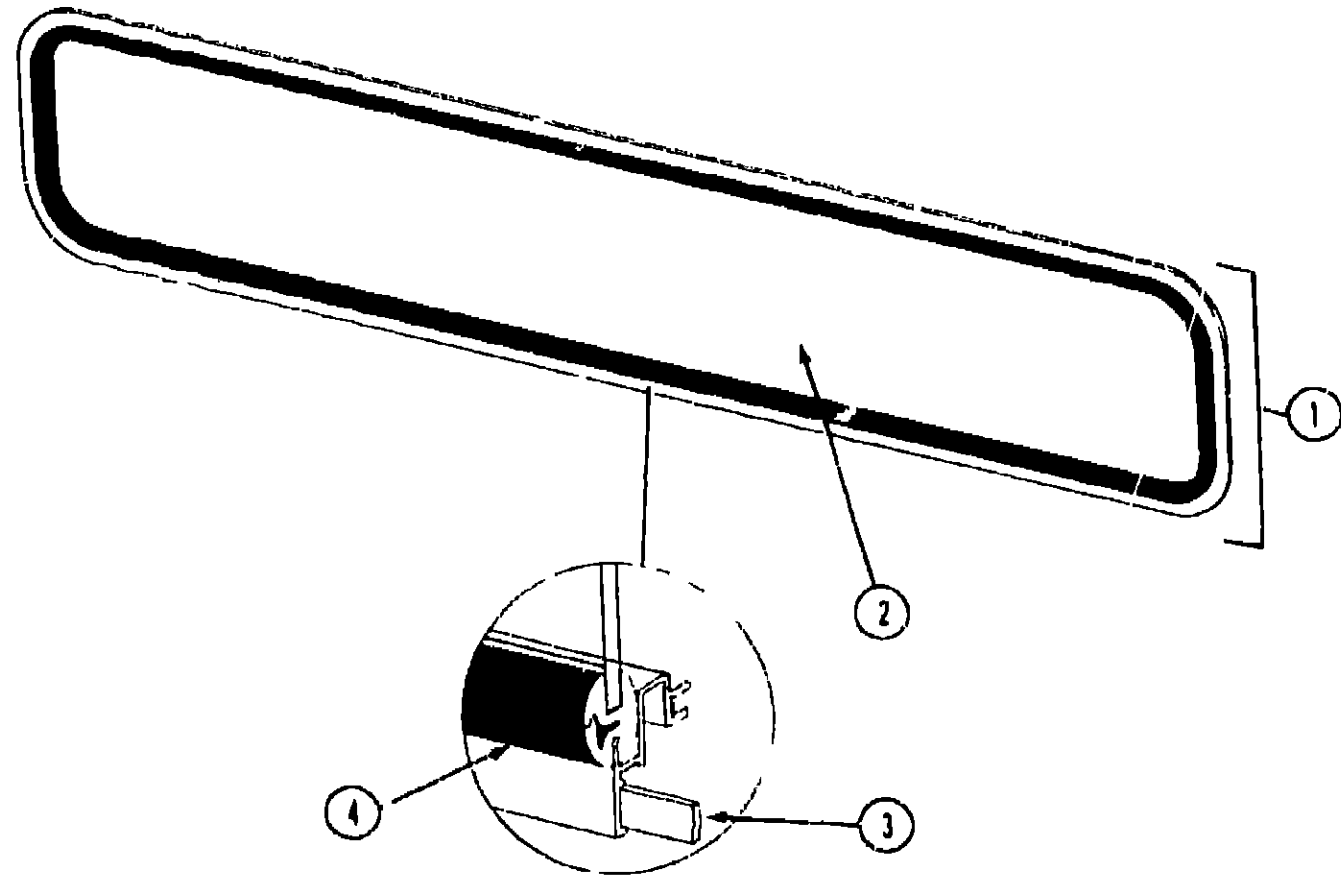
**1987 ITASCA  
TABLE OF CONTENTS**

INTRODUCTION	A-01
ABBREVIATIONS	A-01
ALPHABETICAL INDEX	A 02 - A-04
IT319RB	A-05 - B-15
IF426RT	B-19 - D 18
ICN22RC	D 19 - G-04
ICP37RQ	G-05 - I 18

**1987 IF426RT INDEX**

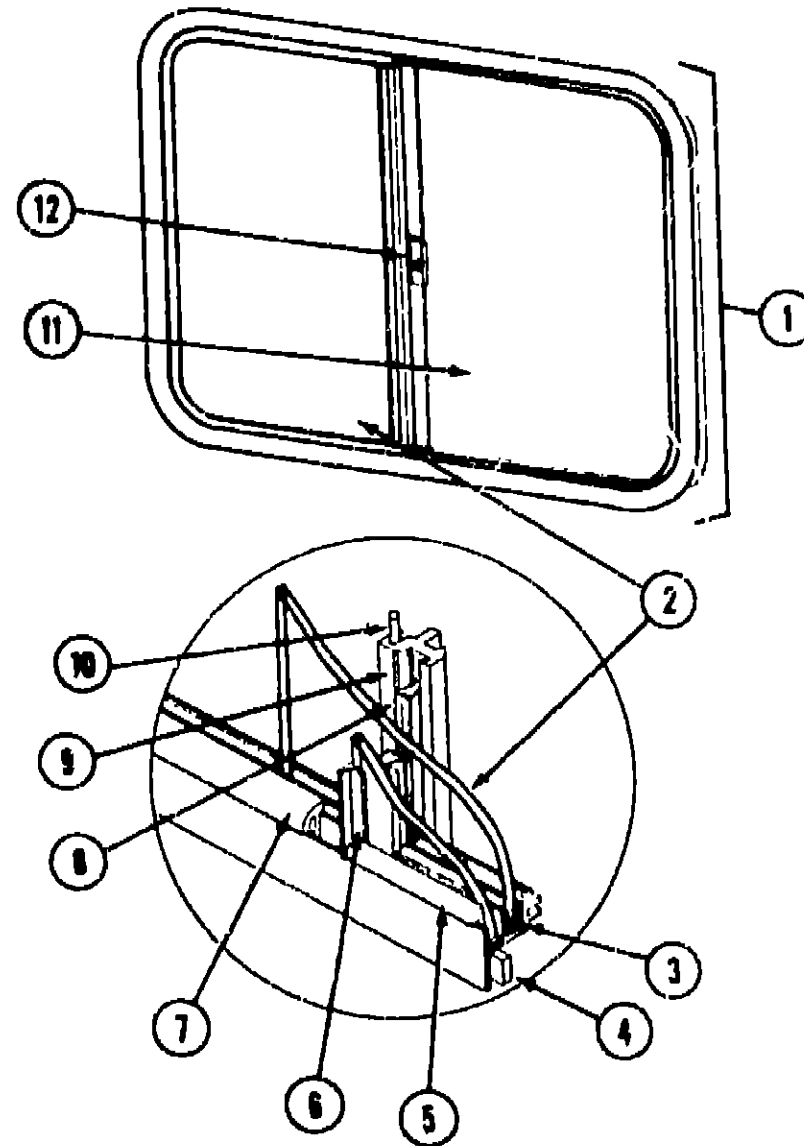
Floor Plan	B 19 B 20
Accessories Group	B 21 - B-22
Bath Group	B 23 - B 24
Chassis Group	C-01 - C-02
Curtain Cushion & Pad Group	C-03 - C-09
Dinette Group	C 10
Driver's Compartment Group	C 11 C-12
Electrical Group	C-13 C-15
Exterior Body Group	C-16 C 20
Galley Group	C 21 - C 22
Heating & Air Conditioning Group	C 23
Interior Finish Group	C-24 - D 01
LP Group	D-02
Lounge Group	D 03 - D-04
Water & Sewage Group	D 05 D-06
Window, Vent & Exterior Door Group	D-07 D 18

**WINDOW, VENT & EXTERIOR DOOR GROUP (CONTINUED)**



Key	Part Number	U/M	Description
1	078533-01-703	EA	Window Asm - Front Picture - 14' x 66" - Black (w/o inside frame)
•	041938-01-000	FA	Inside Frame - Brown (not included in assembly)
2	002200-02-000	EA	Glass - TP - Picture Window
3	069640-06-000	FT	Ribbon Sealer - 5/16" Bead x 15'
4	002281-01-000	FT	Weatherstrip - Self Seal - 06' Panel x 3/16' - Black
	Not illustrated		

**WINDOW, VENT & EXTERIOR DOOR GROUP (CONTINUED)**



Key	Part Number	U/M	Description
1	078266-03 T03	EA	Window Asm - Single Slider - Black (w/o inside frame)
	083122-06-000	EA	Inside Frame - Brown (not included in assembly)
2	061980-05-000	EA	Glass - Slider - 1/8' x 19' x 13 68"
3	002324-02 000	FT	Channel - Weatherstrip - Glass Run - 1/8" Glass
4	069640-06-000	FT	Ribbon Sealer - 5/16" Bead x 15'
5	002309-02-000	FT	Spline - Glass - 1/8' Material - Black
6	M69086-03-011	EA	Seal Holder w/Fin Seal - Black
7	047273-01-000	FT	Extr Rubber - Window Seal - Black
8	073740 01 000	FT	Seal - Fin - Pile - 460
9	078562-07-000	EA	Mullion - Slider Window - Black
10	002298-02-000	FT	Spline - 130' Dia Charcoal (Screen)
11	061984 03 000	EA	Glass - Stationary - 1/8' x 19' x 12 3'
12	047369-01-700	EA	Latch Kit - Window - Plastic w/Fastener
	002292 02 000	SF	Screen - Window 20' Charcoal
	079204-01 000	EA	Bracket - Mullion - Black
	Not illustrated		

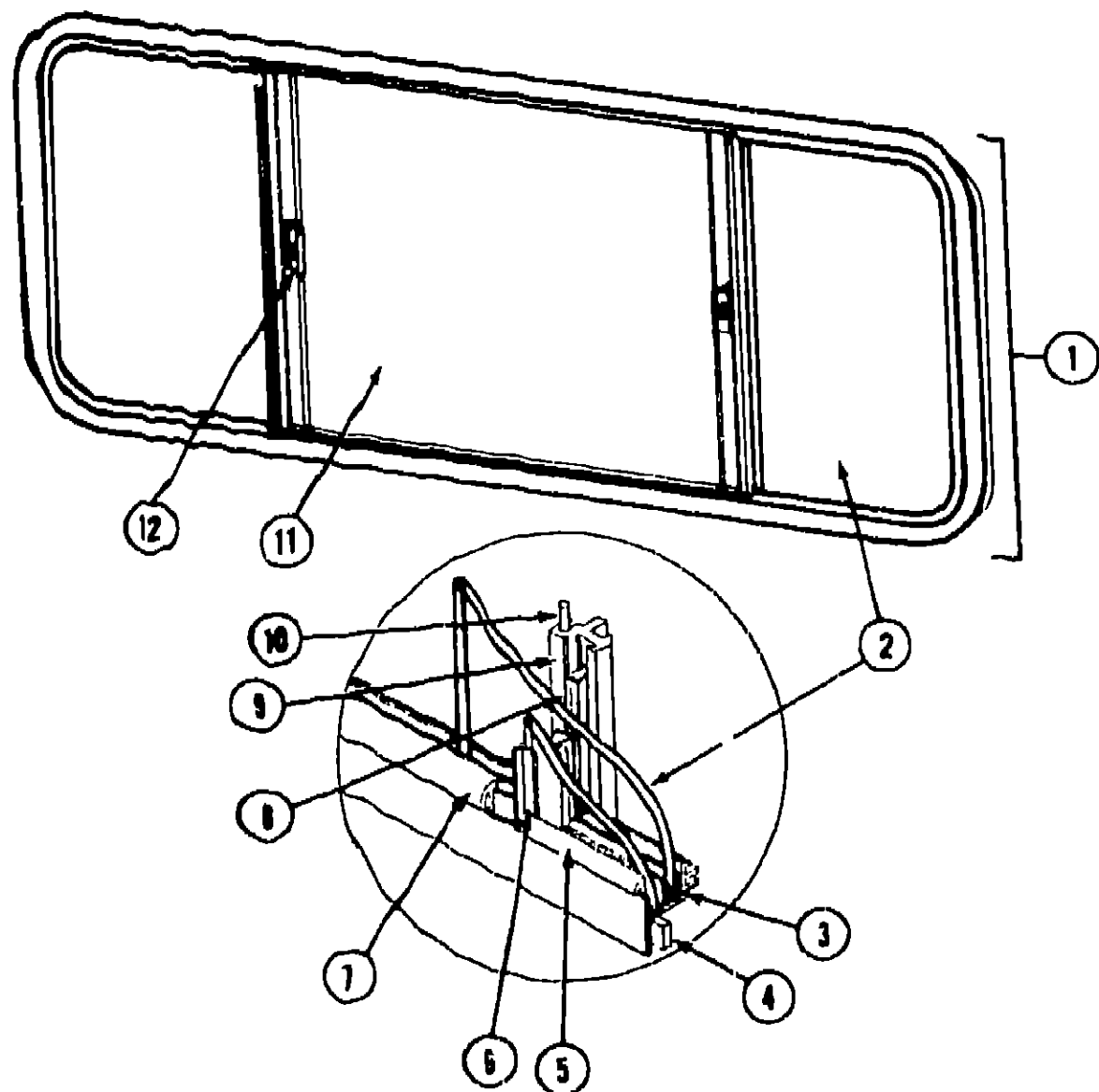
**1987 ITASCA  
TABLE OF CONTENTS**

INTRODUCTION	A-01
ABBREVIATIONS	A-01
ALPHABETICAL INDEX	A-02 - A-04
IT319RB	A-05 - B 18
IF426RT	B 19 - D 18
ICN22RC	D-19 - G-04
ICP37RO	G-05 - I-18

**1987 IF426RT INDEX**

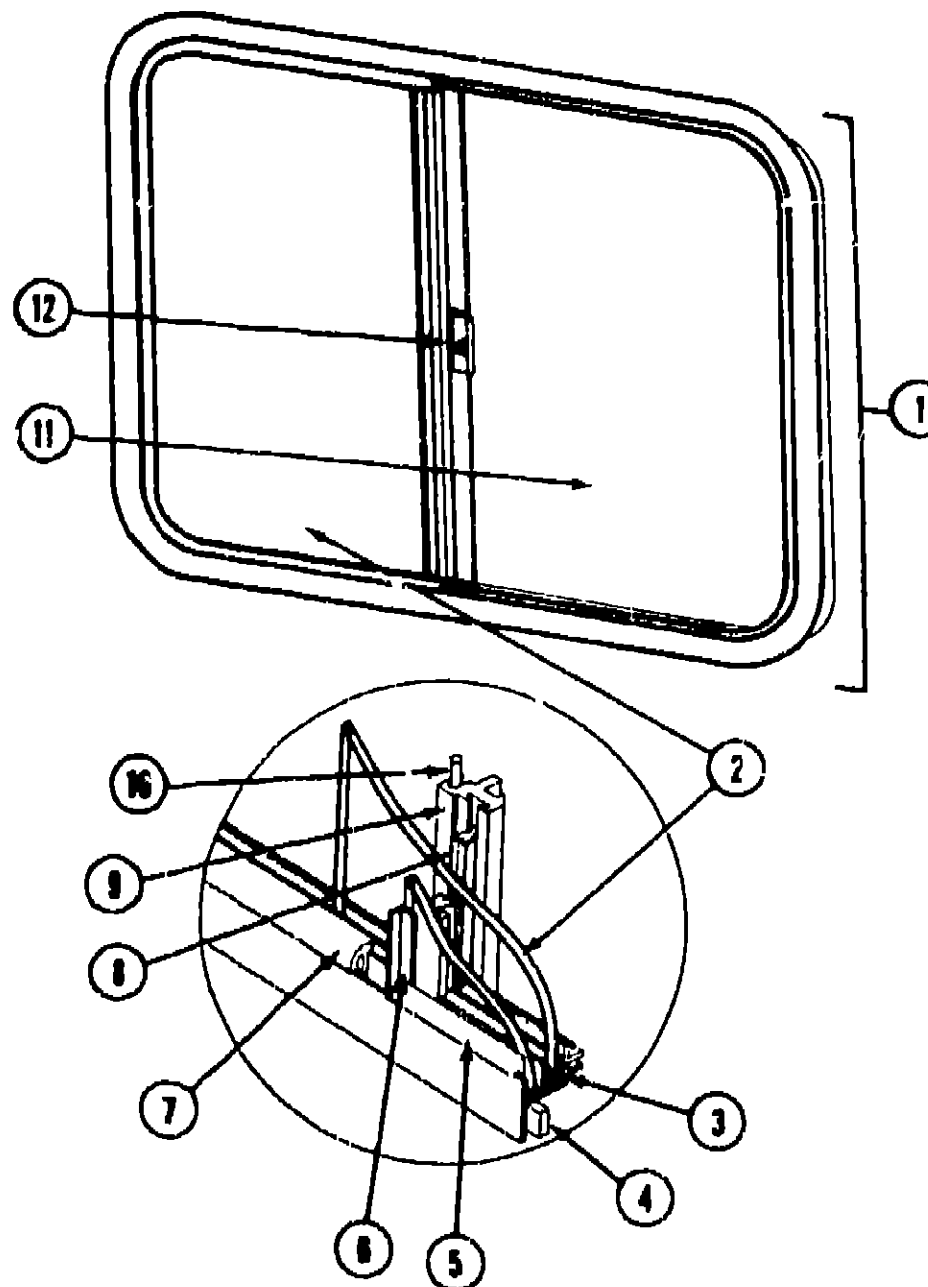
Floor Plan	B 19 - B-20
Accessories Group	B 21 - B 22
Bath Group	B-23 - B 24
Chassis Group	C-01 - C-02
Curtain Cushion & Pad Group	C-03 - C-09
Dinette Group	C-10
Driver's Compartment Group	C-11 - C-12
Electrical Group	C 13 - C-15
Exterior Body Group	C-16 - C 20
Galley Group	C 21 - C-22
Heating & Air Conditioning Group	C 23
Interior Finish Group	C 24 - D-01
LP Group	D-02
Lounge Group	D-03 - D-04
Water & Sewage Group	D-05 - D-06
Window, Vent & Exterior Door Group	D-07 - D 18

**WINDOW, VENT & EXTERIOR DOOR GROUP (CONTINUED)**



Key	Part Number	U/M	Description
1	078266-02-W24	EA	Window Asm - Double Slider (w/o inside frame)
*	083122-17-000	EA	Inside Frame - Beige (not included in assembly)
2	081980-07-000	EA	Glass Sliding - 1/8' x 30 7" x 20 3" - Gray
3	002324-02-000	FT	Channel - Weatherstrip - Glass
4	089840-06-000	FT	Ribbon Sealer - 5/16" Bead x 15'
5	002309-02-000	FT	Spline Glass - 1/8" Material - Black
6	018025-11-000	EA	Seal Holder - 1/8" Glass Black
7	057374-02-000	FT	Extr Vinyl - Window Seal Black
8	073740-01-000	FT	Seal - Fin - Pile 460"
9	064170-04-000	EA	Mullion - Slider Window - Black
*	002293-02-000	SF	Screen - Window - 26" - Charcoal
10	002298-02-000	FT	Spline 130 Dia Charcoal (Screen)
11	002188-07-000	EA	Glass Stationary 1/8" x 30 7' x 24 8'
12	047369-01-700	EA	Latch Kit Window - Plastic w/Fastener
*			Not illustrated

**WINDOW, VENT & EXTERIOR DOOR GROUP (CONTINUED)**



Key	Part Number	U/M	Description
1	078266-06-T03	EA	Window Asm - Single Slider - Left (w/o inside frame)
1	078266-05-T03	EA	Window Asm - Single Slider - Right (w/o inside frame)
*	083122-08-000	EA	Inside Frame - Brown (not included in assembly)
2	081980-04-000	EA	Glass - Sliding - 1/8" x 29' x 21 03
3	002324-02-000	FT	Channel Weatherstrip - Glass Run 1/8' Glass
4	089840-06-000	FT	Ribbon Sealer - 5/16" Bead x 15'
5	002309-02-000	FT	Spline - Glass - 1/8" Material - Black
6	M09886-03-003	EA	Seal Holder w/Fin Seal - Black
7	057374-02-000	FT	Extr Rubber - Window Seal - Black
8	073740-01-000	FT	Seal - Fin - Pile 460"
9	078562-04-000	EA	Mullion - Slider Window - Black
10	002298-02-000	FT	Spline - 130' Dia Charcoal (Screen)
11	081984-05-000	EA	Glass - Stationary - 1/8" x 24' x 23 49'
12	047369-01-700	EA	Latch Kit - Window Plastic w/Fastener
*	079204-01-000	EA	Bracket Mullion - Black
*	002293-02-000	SF	Screen - Window 26" Charcoal (Screen)
*			Not illustrated

**1987 ITASCA  
TABLE OF CONTENTS**

INTRODUCTION	A-01
ABBREVIATIONS	A-01
ALPHABETICAL INDEX	A-02 A-04
IT319RB	A-05 - B 18
IF426RT	B-19 - D 18
ICN22RC	D-19 - G-04
ICP37RQ	G-05 - I-18

**1987 IF426RT INDEX**

Flour Plan,	B-19 B-20
Accessories Group	B 21 - B-22
Bath Group	B-23 - B-24
Chassis Group	C-01 - C-02
Curtain, Cushion & Pad Group	C-03 - C-09
Dinette Group	C-10
Driver's Compartment Group	C-11 C 12
Electrical Group	C-13 C-15
Exterior Body Group	C 16 - C 20
Galley Group	C 21 - C 22
Heating & Air Conditioning Group	C 23
Interior Finish Group	C 24 - D-01
LP Group	D-02
Lounge Group	D-03 - D-04
Water & Sewage Group	D-05 D-08
Window, Vent & Exterior Door Group	D-07 D 18

**WINDOW, VENT & EXTERIOR DOOR GROUP (CONTINUED)**

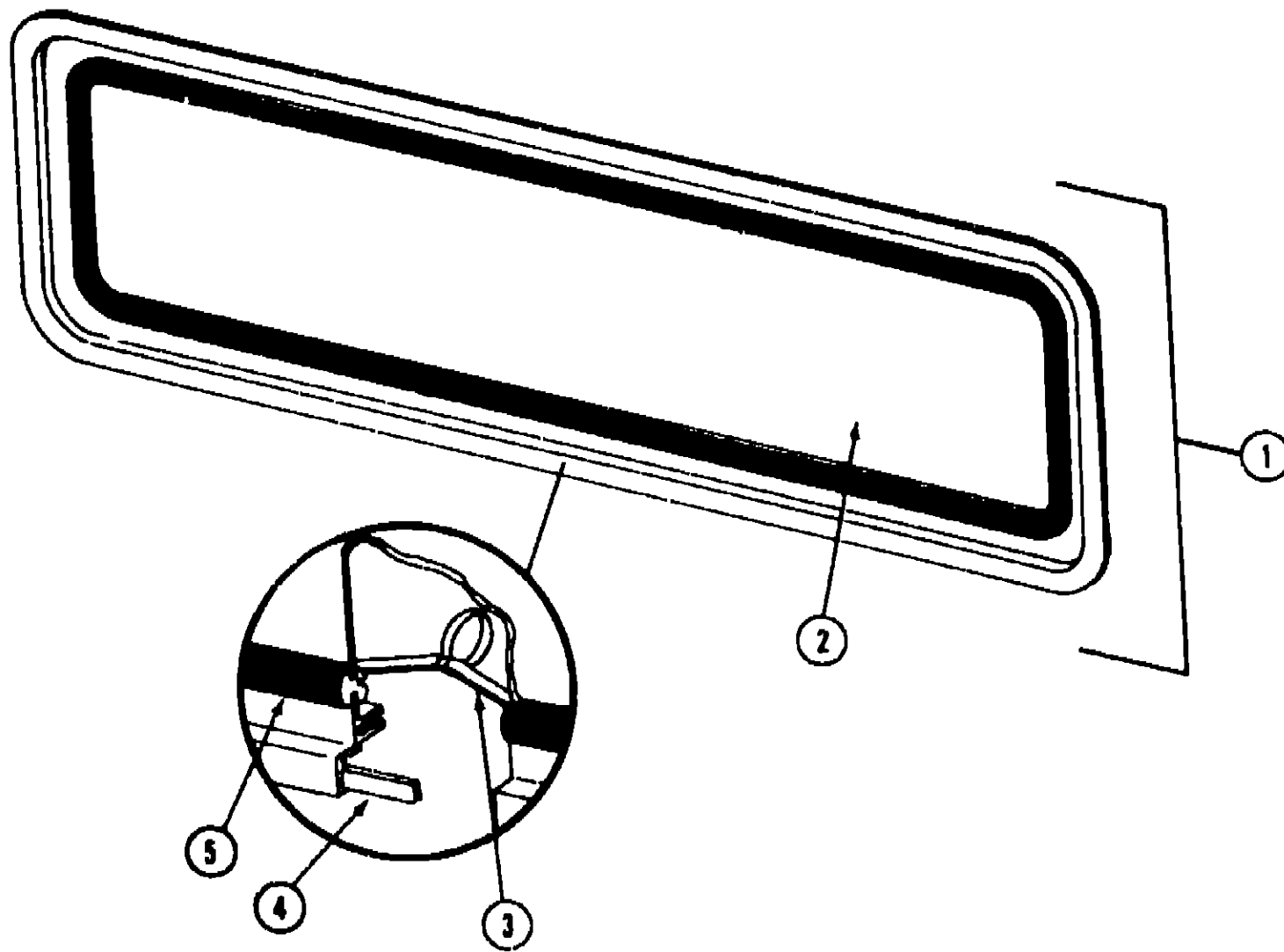
**WINDOW, VENT & EXTERIOR DOOR GROUP (CONTINUED)**

**1987 ITASCA  
TABLE OF CONTENTS**

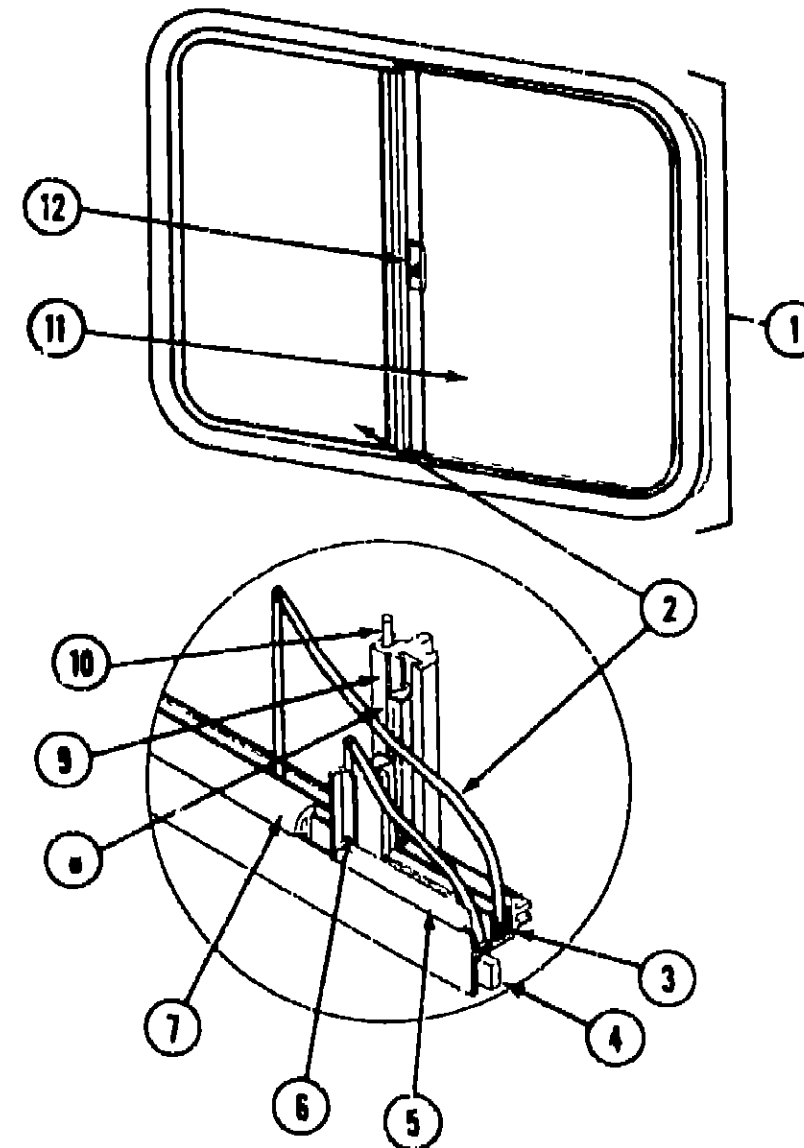
INTRODUCTION	A 01
ABBREVIATIONS	A-01
ALPHABETICAL INDEX	A-02 - A-04
IT319RB	A-05 - B 18
IF426RT	B-19 - D 18
ICN22RC	D 19 G-04
ICP37RQ	G-05 - I-18

**1987 IF426RT INDEX**

Floor Plan	B 19 - B-20
Accessories Group	B-21 B-22
Bath Group	B 23 - B 24
Chassis Group	C 01 - C-02
Curtain, Cushion & Pad Group	C-03 - C-08
Dinette Group	C 10
Driver's Compartment Group	C-11 - C-12
Electrical Group	C 13 C-15
Exterior Body Group	C-16 - C-20
Galley Group	C-21 - C-22
Heating & Air Conditioning Group	C-23
Interior Finish Group	C 24 - D-01
LP Group	D-02
Lounge Group	D-03 - D-04
Water & Sewage Group	D 05 D 06
Window Vent & Exterior Door Group	D 07 - D 18



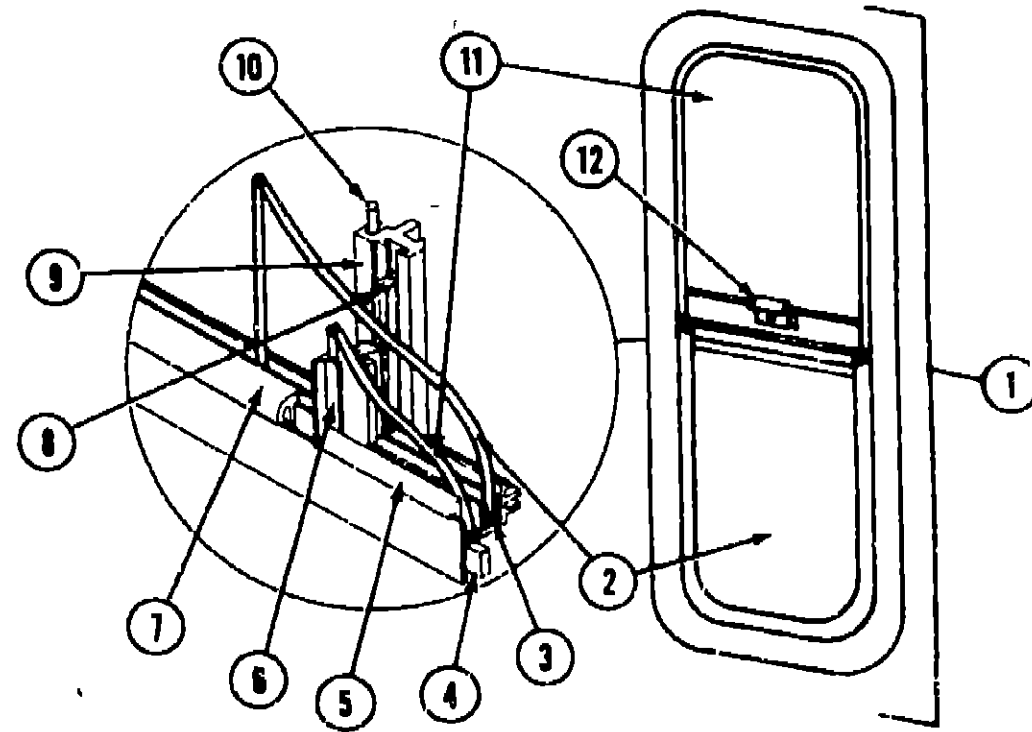
Key	Part Number	U/M	Description
1	078536-01-T03	EA	Window Asm - Rear Escape - 23" x 68 - Black (w/o inside frame)
	042027-11-000	EA	Inside Frame (not included in assembly)
2	002178 01-000	EA	Glass - 1/8' x 19 61 x 64 80'
3	002265-01-000	FT	Filler - Weatherstrip - Black
4	069640-05-000	FT	Ribbon Sealer - 5/16" Bead x 15
5	002262-01-000	FT	Weatherstrip - 125 Window
	006199 01-000	EA	Label - Exit Escape Window
			Not illustrated



Key	Part Number	U/M	Description
1	078266-02-T03	EA	Window Asm, - Single Slider (w/o inside frame)
	083122-04-000	EA	Inside Frame - Brown (not included in assembly)
2	061980 05-000	EA	Glass - Sliding - 1/8' x 19 x 13 68'
3	002324-02 000	FT	Channel - Weatherstrip - Glass Run - 1/8 Glass
4	069640-06-000	FT	Ribbon Sealer - 5/16' Bead x 15
5	002309-02 000	FT	Spline Glass - 1/8 Material - Black
6	M69686-03-011	EA	Seal Holder w/Fin Seal - Black
7	057374 02-000	FT	Extr Rubber - Window Seal - Black
8	073740-01-000	FT	Seal - Fin Pile 460'
9	078562-02 000	EA	Mullion - Slider Window Black
10	002298-02-000		Spline - 130' Dia Charcoal (Screen)
11	061984-03 000		Glass Stationary 1/8' x 19" x 12 30'
12	047369-01 700	EA	Latch Kit Window - Plastic w/Fastener
	079204 01-000	EA	Bracket Mullion - Black
	002291 02 000	SF	Screen - Window 16 Charcoal
			Not illustrated

**WINDOW, VENT & EXTERIOR DOOR GROUP (CONTINUED)**

**WINDOW, VENT & EXTERIOR DOOR GROUP (CONTINUED)**



Key	Part Number	U/M	Description
1	078453-01-T03	EA	Window Asm - Vertical Slider - 37' x 15' - Black (w/o inside frame)
2	083122-02-000	EA	Inside Frame - Brown (not included in assembly)
3	081980-03-000	EA	Glass Slider - 1/8' x 14 4' x 18'
4	002324-02-000	FT	Channel - Weatherstrip - Glass Run 1/8 Glass
5	089540-06-000	FT	Ribbon Sealer 5/16" Bead x 15'
6	002309-02-000	FT	Spline - Glass - 1/8 Material - Black
7	M08888-03-007	EA	Seal Holder w/Fin Seal - Black
8	057374-02-000	FT	Extr Ribbon - Window Seal Black
9	073740-01-000	FT	Seal - Fin - Pile - 480"
10	078582-01-000	EA	Mullion - Slider Window - Black
11	002298-02-000	FT	Spline - 130' Dia - Charcoal (Screen)
12	081984-02-000	EA	Glass Stationary - 1/8 x 14 4' x 18'
	047369-01-700	EA	Latch Kit - Window - Plastic w/Fastener
	079204-01-000	EA	Bracket - Mullion Black
	002291-02-000	SF	Screen - Window 18' - Charcoal
			Not illustrated

**ACCESS DOORS**

Key	Part Number	U/M	Description
	079455-07-U01	EA	Door Asm - Storage - 9 5 x 30
	079455-01-T95	EA	Door Asm - Storage - 9 5 x 17
	081787-01-U01	EA	Door Asm - Storage
	M79321-01-T03	EA	Door Asm - Generator
	079455-08-U01	EA	Door Asm - LP - 9 5 x 21 7
	M02047-01-T95	EA	Door Panel Asm - Tire Cover
	079149-01-T03	EA	Door Asm - Luggage - Off White
	078989-02-T95	EA	Door Asm - Refrigerator Access - w/Twist Lock - Off White
	052009-01-000	EA	Door Asm - Water Heater - Off White
	052423-01-000	EA	Door Asm - Sewage
	078010-03-000	EA	Door - Fuel Fill - Off White
	083742-01-000	EA	Door - Power Cord - Off White
	052424-01-000	EA	Jamb - Power Cord/Fuel Fill Door - Off White
	054543-01-000	EA	Hatch - Power Cord Door
	052181-01-000	EA	Baffle - Generator Door
	079246-01-000	EA	Jamb Asm - Generator Door - Off White
	054530-01-000	EA	Door Holder
	041312-01-000	EA	Seal - Bulb - E. Section
	042442-01-000	EA	Lock Asm - Twist Type
	009003-01-000	EA	Lock Asm - Twist Type w/Clip (Battery Door)
	047305-01-000	EA	Lock Asm - Key Type w/Clip Metal (LP)
	077408-01-000	EA	Lock Asm - Key Type
	079388-01-000	EA	Lock Asm - Key Type
	079927-01-000	EA	Lock Asm - Twist Type
	052951-01-000	EA	Clip - Twist Lock - Retainer
	042441-01-000	EA	Lock Asm - Key Type
	052950-01-700	EA	Lock Asm - Twist Type White

**VENTS**

Key	Part Number	U/M	Description
	082773-01-000	EA	Roof Vent - Pipe Cover
	084073-01-000	EA	Roof Vent - Refrigerator - Off White
	084073-04-000	EA	Base - Roof Vent - Refrigerator - Black
	048835-01-000	EA	Vent Asm - Roof - Non Powered - w/o Screen - Aluminum
	048789-01-000	EA	Vent Asm - Roof - Powered - w/o Screen - Aluminum
	084489-02-000	EA	Vent Asm - Roof - Powered - w/o Screen - 14 x 14" - CSA
	078785-01-T03	EA	Screen Asm - Roof Vent - Powered
	078786-01-T03	EA	Screen Asm - Roof Vent - Non-Powered
	080508-01-000	EA	Panel - Skylight - Inner
	080507-01-000	EA	Panel - Skylight - Outer
	055218-01-000	EA	Cover Asm - Roof Vent
	084616-01-000	EA	Shroud - Vent - Range Hood
	084878-01-000	EA	Vent Hood Range - Sidewall

The illustrated parts breakdown for this item is provided on the Common Items Fiche

**1987 ITASCA  
TABLE OF CONTENTS**

INTRODUCTION	A-01
ABBREVIATIONS	A-01
ALPHABETICAL INDEX	A-02 - A-04
IT319RB	A-05 - B-18
IF426RT	B-19 - D-18
ICN22RC	D-19 - G-04
ICP37RQ	G-05 - I-18

**1987 IF426RT INDEX**

Floor Plan	B-19 - B-20
Accessories Group	B-21 - B-22
Bath Group	B-23 - B-24
Chassis Group	C-01 - C-02
Curtain, Cushion & Pad Group	C-03 - C-09
Dinette Group	C-10
Driver's Compartment Group	C-11 - C-12
Electrical Group	C-13 - C-15
Exterior Body Group	C-16 - C-20
Galley Group	C-21 - C-22
Heating & Air Conditioning Group	C-23
Interior Finish Group	C-24 - D-01
LP Group	D-02
Lounge Group	D-03 - D-04
Water & Sewage Group	D-05 - D-08
Window, Vent & Exterior Door Group	D-07 - D-18